



BLACK VELOCIRAPTOR AIR CLEANER KIT 9877

PARTS INCLUDED

- 1 Velociraptor Air Cleaner Assembly
- 1 Round Filter
- 1 Crankcase Breather Kit
 - 1 90 Degree Elbow Hose Fitting
 - 2 Straight Hose Fittings-**ONLY ONE USED**
 - 3 1/4"-20 x 1-3/8" Socket Head Cap Screws
 - 1 Gasket with Adhesive
 - 2 Gaskets
 - 4 Cable Ties
 - 1 Breather Adapter
 - 1 16" Hose-**NOT USED**
 - 1 Tee fitting-**NOT USED**
- 1 1/4"-20 X 1-1/4" Socket Head Cap Screw
- 2 Breather Bolts
- 2 Formed Breather Hoses
- 1 Installation Instructions

Please read and understand entire instructions before starting installation.

THANK YOU FOR CHOOSING KÜRYAKYN!

IN ORDER TO PROTECT YOU AND OTHERS FROM POSSIBLE INJURY AND/OR PROPERTY DAMAGE OR LOSS, PLEASE PAY CLOSE ATTENTION TO ALL INSTRUCTIONS, WARNINGS, CAUTIONS AND NOTICES REGARDING THE USE AND CARE OF THIS PRODUCT.

WARNING	THIS INDICATION ALERTS YOU TO THE FACT THAT IGNORING THE CONTENTS DESCRIBED HEREIN CAN RESULT IN POTENTIAL DEATH OR SERIOUS INJURY.
NOTICE	This indication alerts you to the fact that ignoring the contents described herein may negatively affect product performance and functionality.

NOTICE	IF INSTALLING THIS PRODUCT FOR ANOTHER PARTY, PLEASE MAKE SURE THEY RECEIVE THIS COPY OF THE INSTALLATION INSTRUCTIONS SO THEY ARE AWARE OF THE IMPORTANT INFORMATION CONTAINED IN THEM.
---------------	---

TOOLS SUGGESTED

Set of Hex Wrenches, Combination Wrenches, and Torx Wrenches

STRICTLY OBSERVE THE FOLLOWING GUIDELINES IN ORDER TO USE THE PRODUCT PROPERLY AND AVOID POTENTIALLY DANGEROUS ACCIDENTS.

STEP 1 Read and understand all steps in the instructions before starting the installation. Park the motorcycle on a hard, level surface and turn off the ignition. Let cool.

WARNING	YOU WILL BE WORKING AROUND THE ENGINE AND EXHAUST SYSTEM DURING INSTALLATION. ENSURE THAT THE ENGINE AND EXHAUST SYSTEM HAVE FULLY COOLED TO PREVENT INJURY.
----------------	---

CUSTOMER SERVICE

877.370.3604 (toll free)

INSTALLATION QUESTIONS

techsupport@kuryakyn.com
or call 715.247.2983

LIMITED WARRANTY

Küryakyn warrants that any Küryakyn products sold hereunder, shall be free of defects in materials and workmanship for a period of one (1) year from the date of purchase by the consumer excepting the following provisions:

- Küryakyn shall have no obligation in the event the customer is unable to provide a receipt showing the date the customer purchased the product(s).
 - The product must be properly installed, maintained and operated under normal conditions.
- Küryakyn makes no warranty, expressed or implied, with respect to any gold plated products.
 - Küryakyn shall not be liable for any consequential and incidental damages, including labor and paint, resulting from failure of a Küryakyn product, failure to deliver, delay in delivery, delivery in nonconforming condition, or for any breach of contract or duty between Küryakyn and a customer.

• Küryakyn products are often intended for use in specific applications. Küryakyn makes no warranty if a Küryakyn product is used in applications other than intended.

• Küryakyn electrical products are warranted for one (1) year from the date of purchase by the consumer. L.E.D.'S contained in components of Küryakyn products will be warranted for defects in materials and workmanship for 3 years from the date of purchase where as all other components shall be warranted for one(1) year. This includes, but is not limited to; control modules, wiring, chrome & other components.

• Küryakyn makes no warranty of any kind in regard to other manufacturer's products distributed by Küryakyn. Küryakyn will pass on all warranties made by the manufacturer and where possible, will expedite the claim on behalf of the customer, but ultimately, responsibility for disposition of the warranty claim lies with the manufacturer.

ABOUT OUR CATALOG

For purchasing Küryakyn® products, you can receive a complete catalog free of charge.

Send the Proof-of-Purchase below with your address to: Küryakyn, P.O. Box 339, Somerset, WI 54025.

Please indicate either Accessories Catalog for Harley-Davidson® or GL & Metric Cruisers.

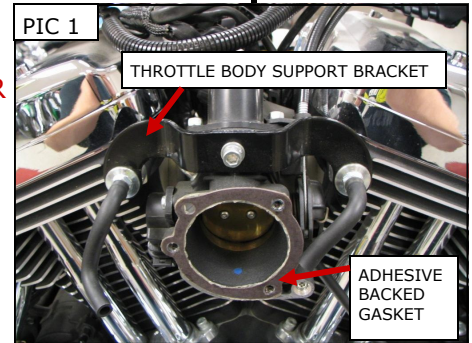
Be sure to ask your local dealer about other Küryakyn® products, the motorcycle parts and accessories designed for riders by riders.

©2005 Küryakyn USA® All Rights reserved.





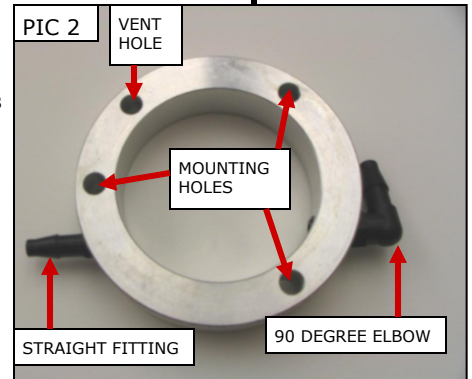
A FACTORY SERVICE MANUAL WILL BE HELPFUL IN PERFORMING THIS INSTALLATION. DO NOT ATTEMPT TO PERFORM THIS INSTALLATION IF YOU ARE NOT CONFIDENT IN YOUR ABILITY TO COMPLETE ALL OF THE STEPS IN THE PROCEDURE; CONSULT A TRAINED TECHNICIAN. IMPROPER INSTALLATION COULD RESULT IN SERIOUS INJURY OR DEATH.



Some of our high performance air cleaners extend beyond the stock/OEM unit to achieve smoother air flow and better performance. Riding position may be affected, so it is important to familiarize yourself with the new riding position.



Proper tuning is important. We recommend fuel injected bikes should be tuned with a TTS MasterTune tuning system (calibrations available at www.kuryakyn.com), or by an experienced tuner, on a dyno, with an exhaust gas analyzer. 2007 and later Harley Twin Cams run especially lean combined with retarded ignition timing. Lean conditions and/or retarded ignition timing will cause high exhaust temperatures and discolor chrome exhaust.



STEP 2 Remove the stock air cleaner so that the air intake is completely exposed. Replace OEM breather bolts with new Breather Bolts supplied in the kit.

STEP 3 Remove the backing from the adhesive backed Gasket and install on the face of the throttle body. Be certain the holes in the Gasket line up with the holes in the throttle body. Refer to PIC 1.

STEP 5 Test fit the aluminum Breather to the throttle body, note how the holes line up with those in the air intake flange. This will help you in the next step.

STEP 6 As shown in PIC 2, thread the Straight Hose Fitting in to the left (rear) side of the aluminum Breather. Thread a 90 Degree Angle Hose Fitting in to the right (front) side of the aluminum Breather.

STEP 7 Mount the provided Breather Hoses to the Hose Fittings on the aluminum Breather assembly. Test fit the complete assembly to the throttle body, connecting the open end of the Hoses to Breather Bolts from Step 2.

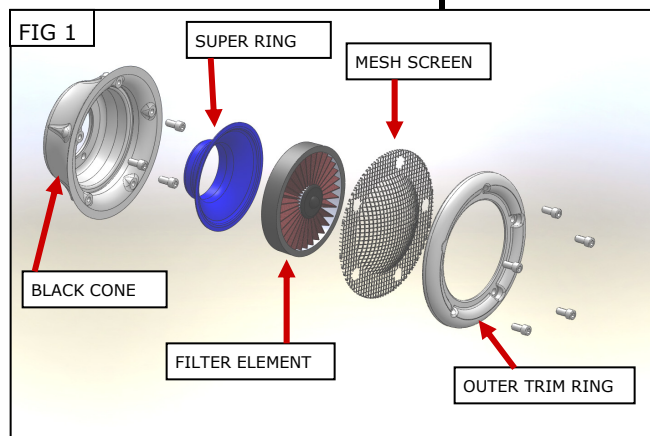
NOTE: Modifying or cutting the Hoses may be necessary in order to ensure that kinks or tight bends do not limit/obstruct the air flow. On the right or front side, ensure there is no obstruction to the pull or return of the throttle wheel. Place the supplied Cable Ties over the crankcase breather nipples and crankcase Breather Bolts to secure both ends of the Hoses.

-cont.-

STEP 8 After the Hoses are fit, use the included Cable Ties to help secure the Breather Hoses to the Hose Fittings and the Breather Bolts.

STEP 9 Completely disassemble the Velociraptor Assembly. Make note as to how it is assembled, it will help for reassembly. FIG 1

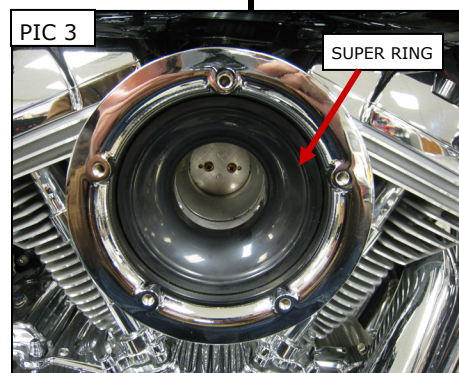
STEP 10 Locate the Black Cone from the Velociraptor Assembly. Insert the three 1/4"-20 Socket Head Cap Screws through the mounting holes in the Black Cone from the inside. Place one of the included non-adhesive backed Gaskets over the three mounting Screws now protruding from the back of the Black Cone. **DO NOT** place a screw through the float bowl vent hole - this hole is the one in the 10-o'clock position.



STEP 11 With the adhesive backed Gasket in place between the Breather Adapter and the throttle body—at **this time you should have two Gaskets installed, one directly behind the Black Cone and one between the Breather Adapter/throttle body**—secure the assembly to the carburetor. **DO NOT** over tighten the fasteners; the aluminum will strip easily.

STEP 12 Snap the black Super Ring into place on the installed Velociraptor. Ensure it is securely snapped into place before continuing with the installation. PIC 3.

STEP 11 Place the Filter into the Velociraptor, secure with the chrome Steel Mesh and the Outer Ring. Line up the holes in the Mesh with those of the Outer Ring, secure with five 1/4"-20 x 1/2" Socket Head Cap Screws.



STEP 13 **Double check the tightness of all related fasteners, check for hose clearance and check throttle for correct operation, making sure it returns properly, before starting bike.**

WARNING ROTATE THROTTLE AND CHECK THAT IT MOVES FREELY AND RETURNS TO CLOSED BEFORE STARTING BIKE. FAILURE OF THE THROTTLE TO RETURN COULD RESULT IN LOSS OF CONTROL CAUSING SERIOUS INJURY OR DEATH.

NOTICE It is the end user's responsibility to ensure that all of the fasteners (including pre-assembled) are tightened before operation of the motorcycle. Küryakyn will not provide warranty coverage on products or components lost due to improper installation or lack of maintenance. Periodic inspection and maintenance are required on all fasteners.