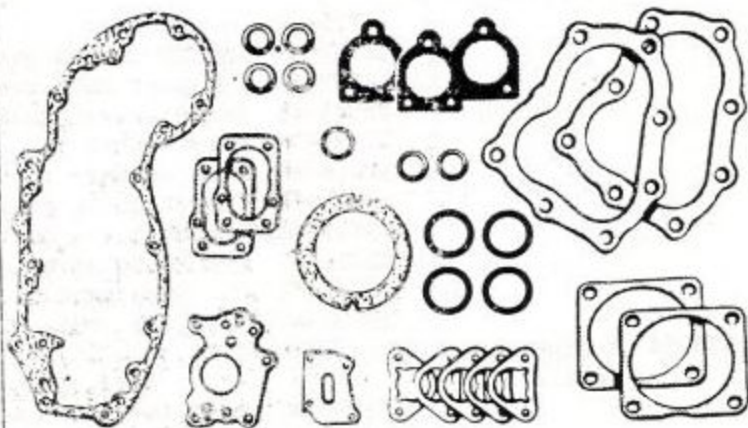
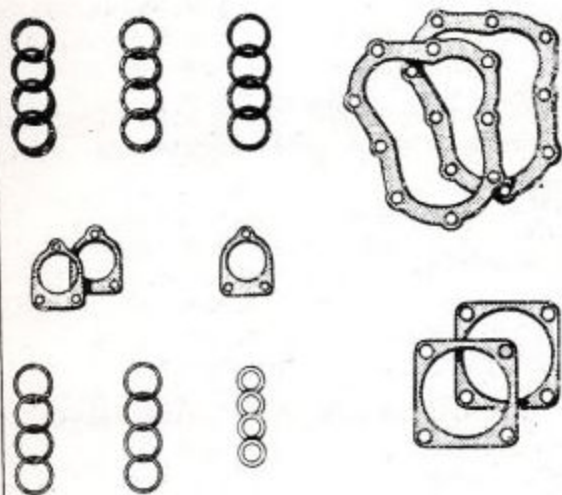


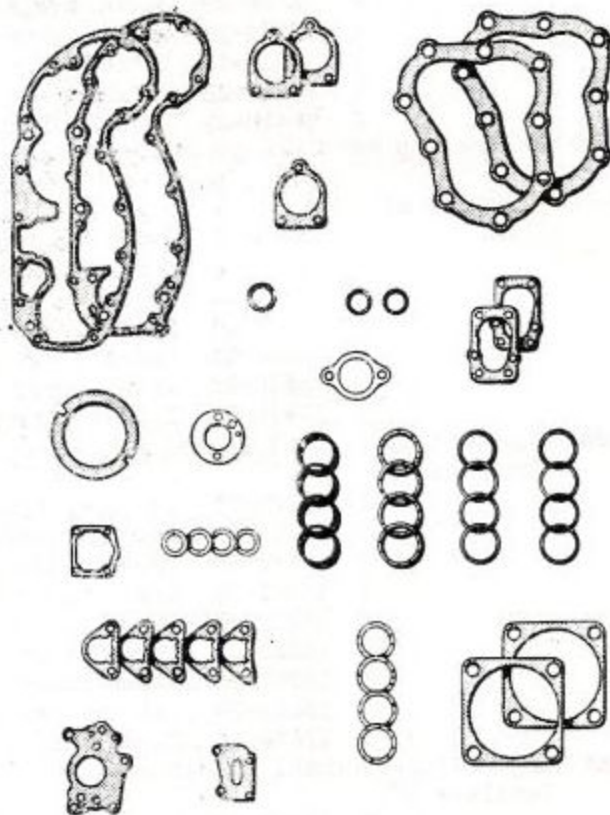
17031-40



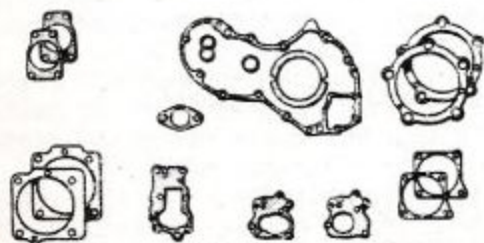
17026-40



17033-36



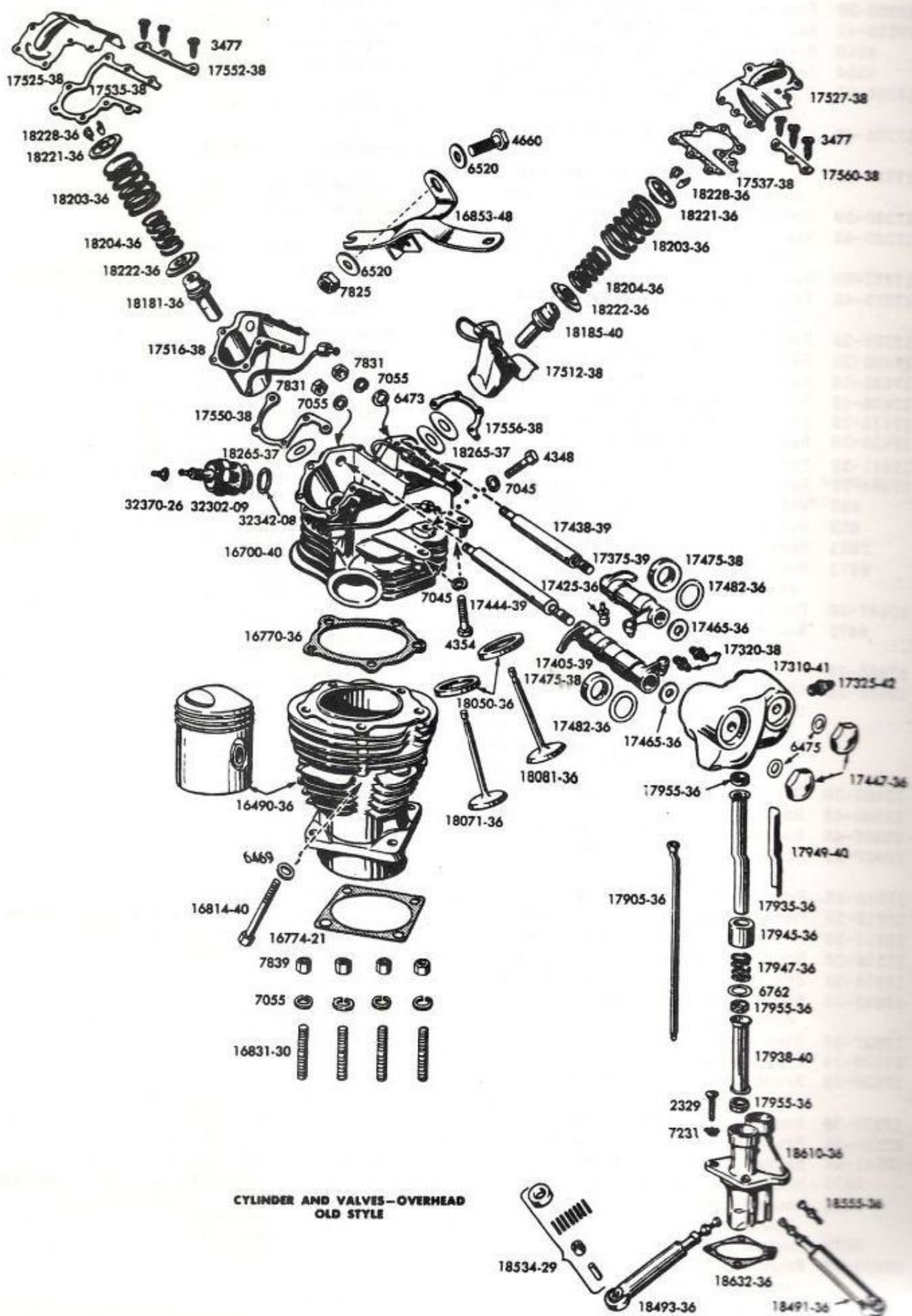
17027-36



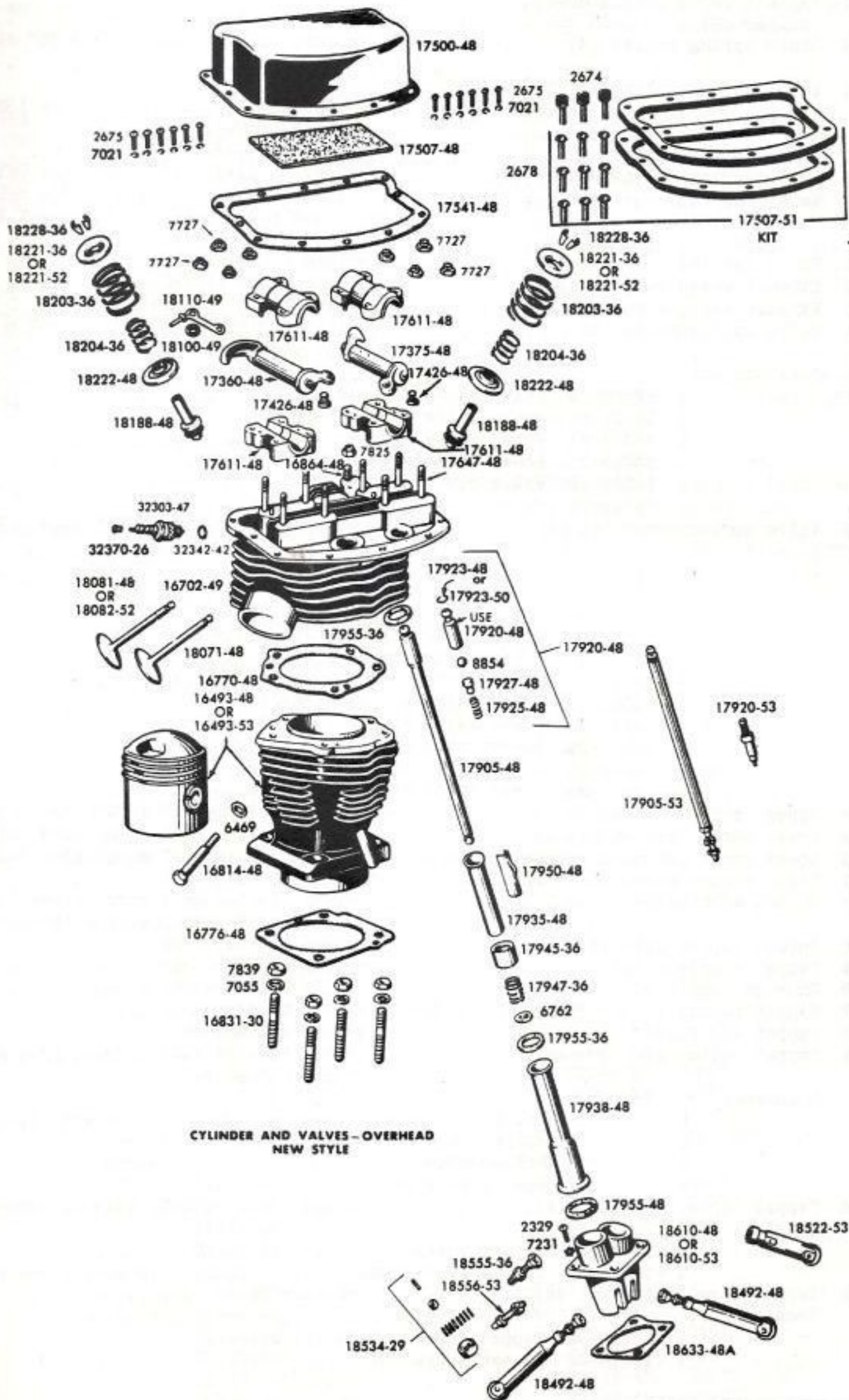
17028-48



17034-48



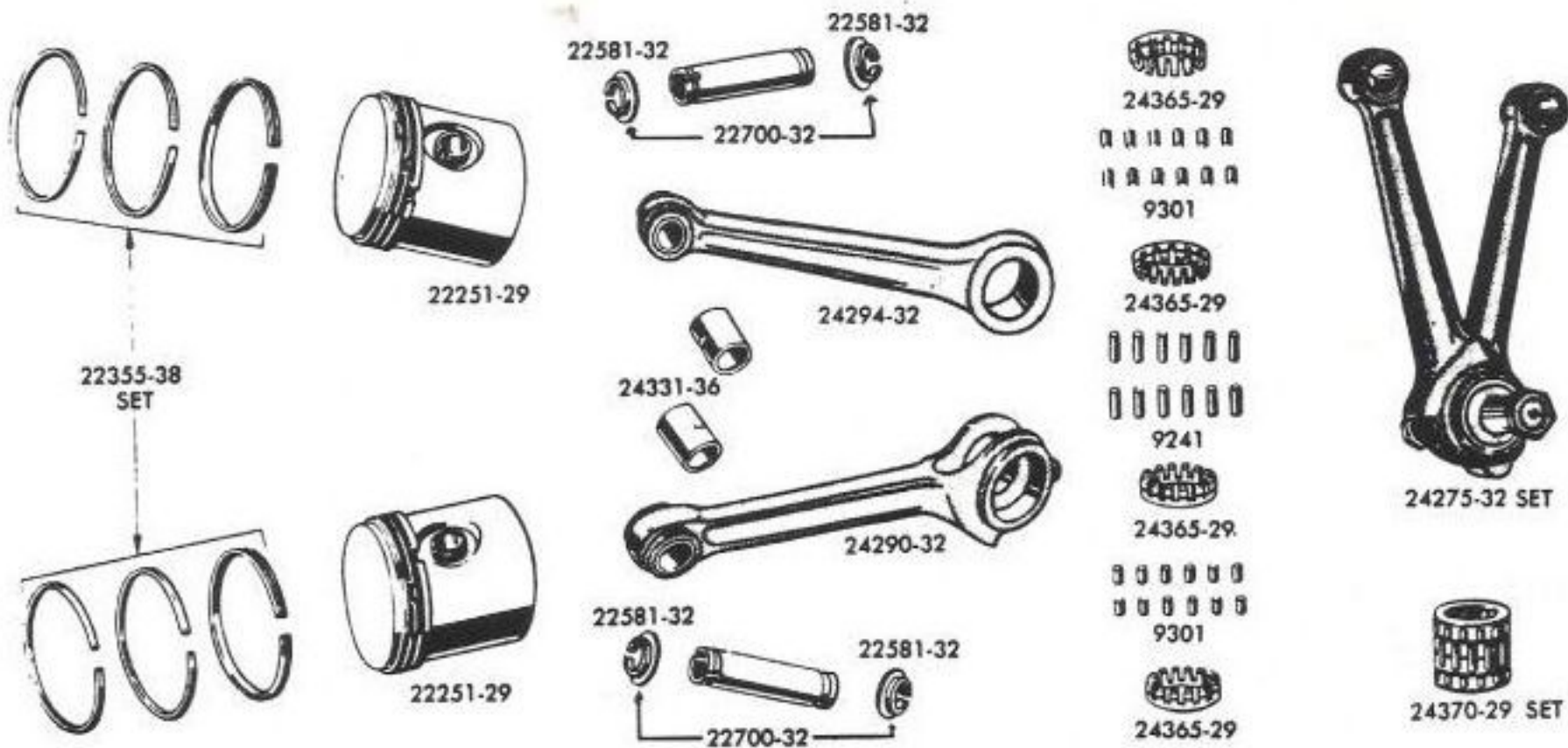
**CYLINDER AND VALVES—OVERHEAD
OLD STYLE**



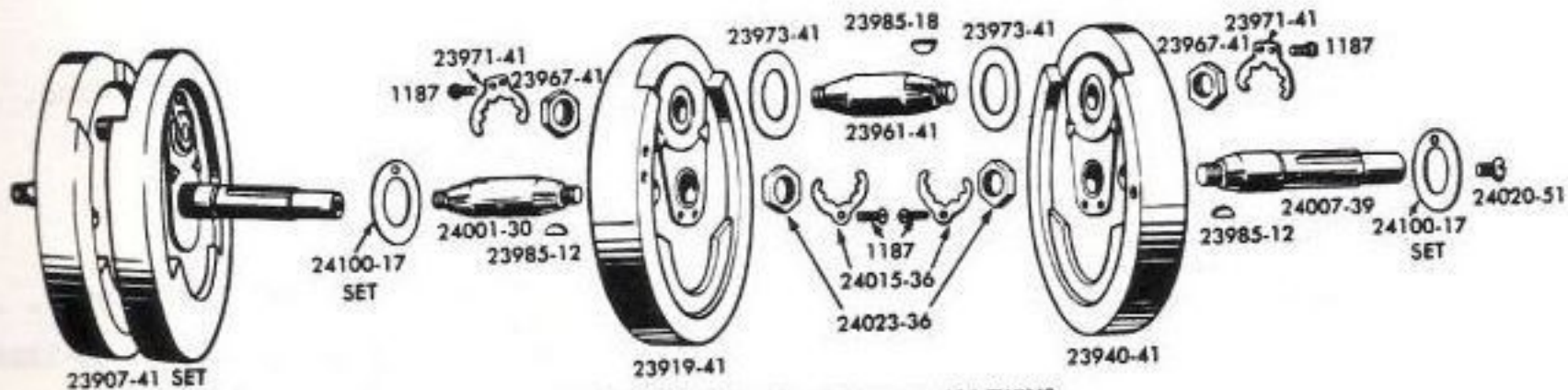
CYLINDER AND VALVES - OVERHEAD
NEW STYLE



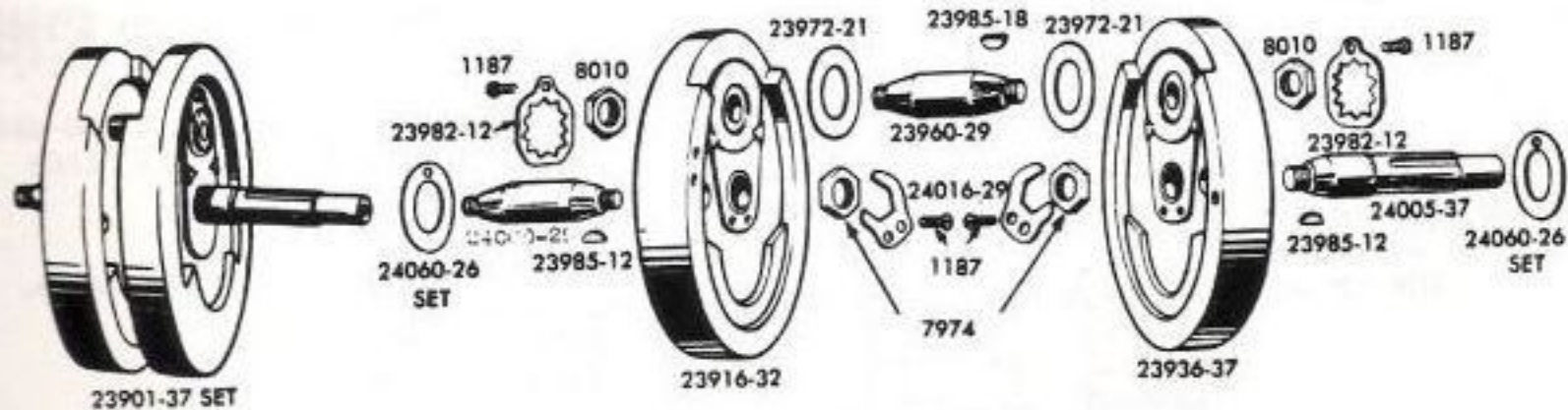
PISTONS, CONNECTING ROD & ROD BEARINGS — 61", 74" & 80" TWINS



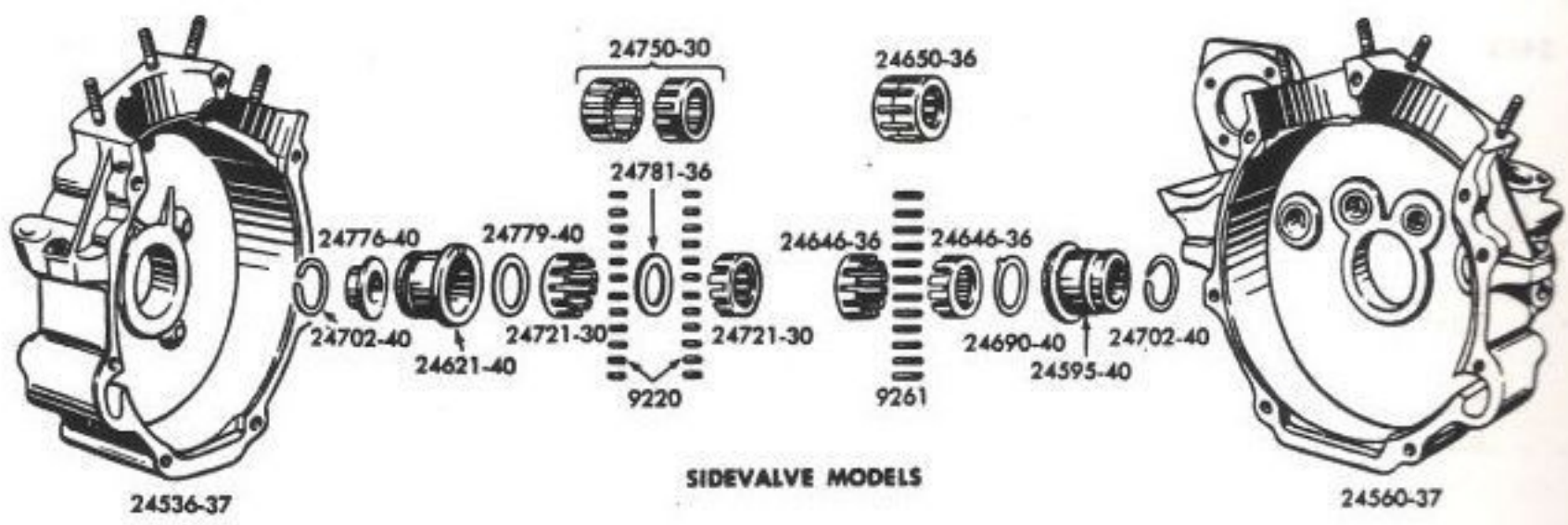
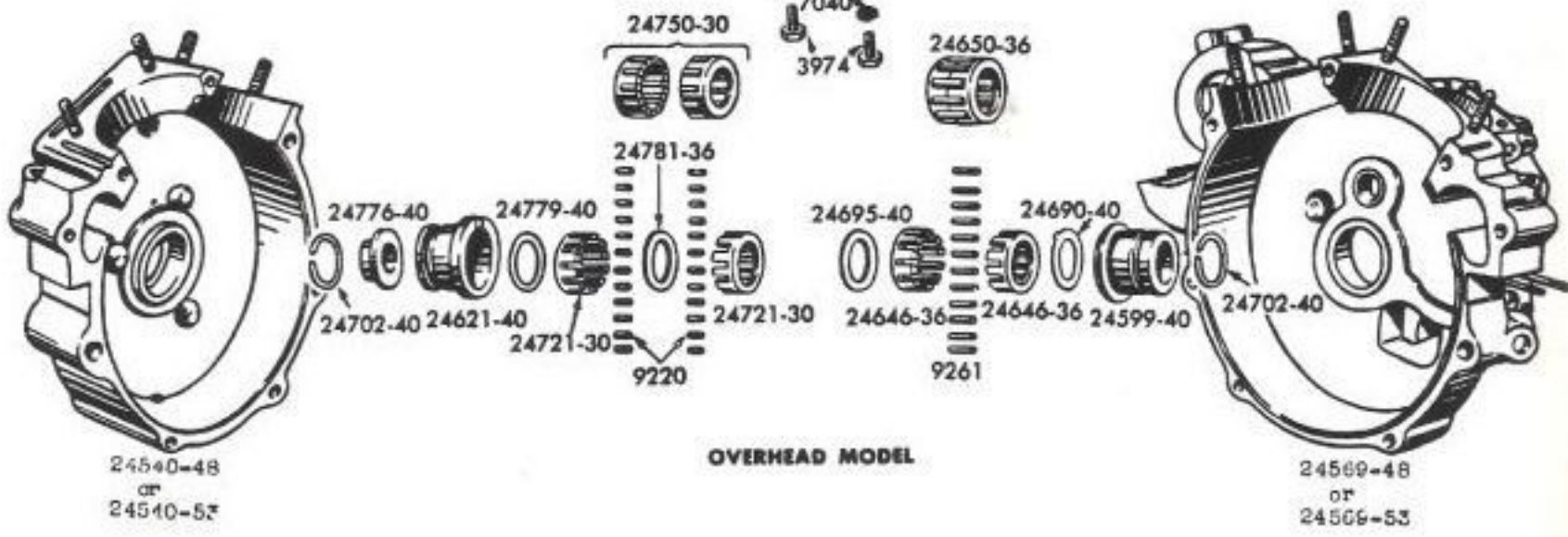
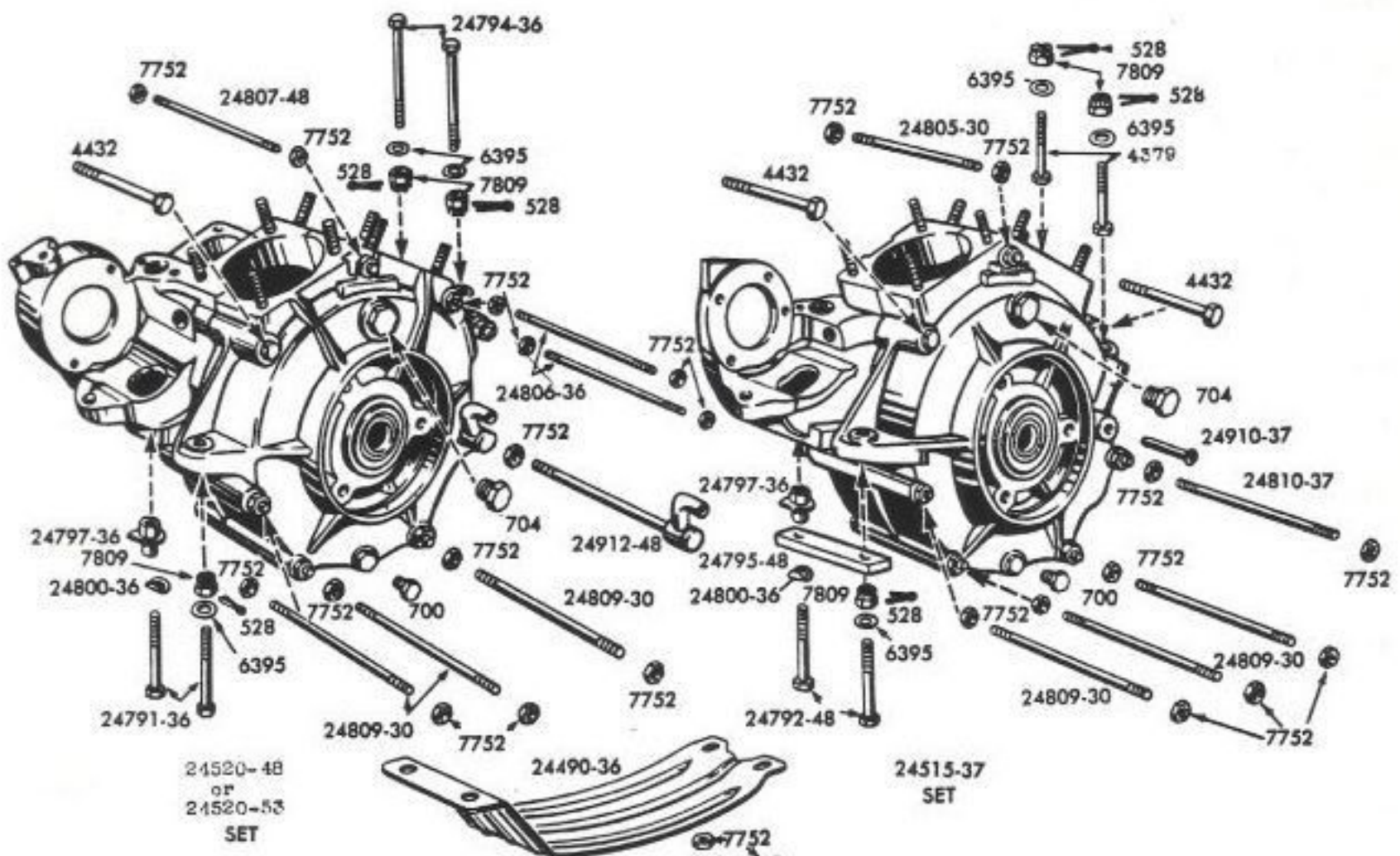
PISTONS, CONNECTING ROD & ROD BEARINGS — 45" TWIN



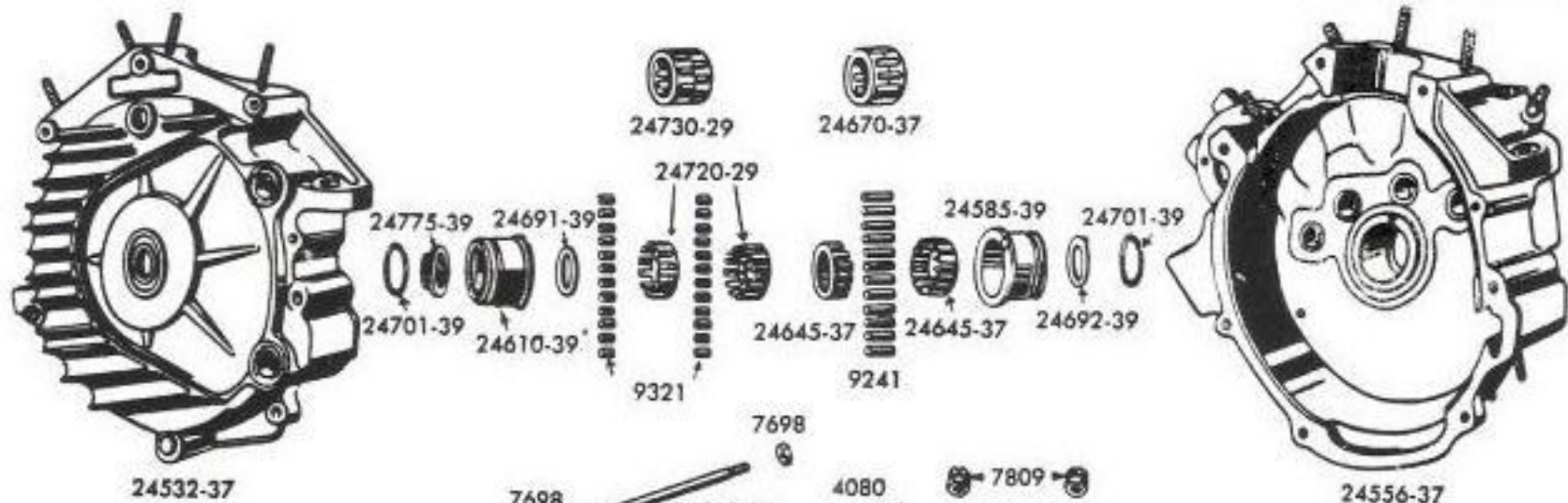
FLYWHEELS & SHAFTS — 61", 74" & 80" TWINS



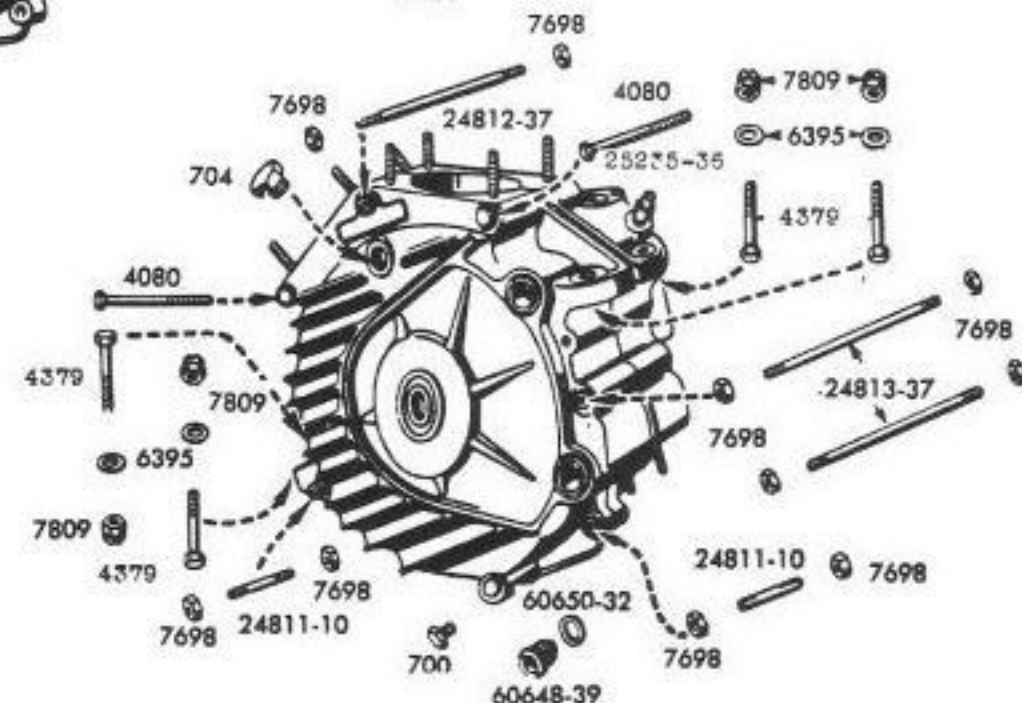
FLYWHEELS AND SHAFTS — 45" MODELS



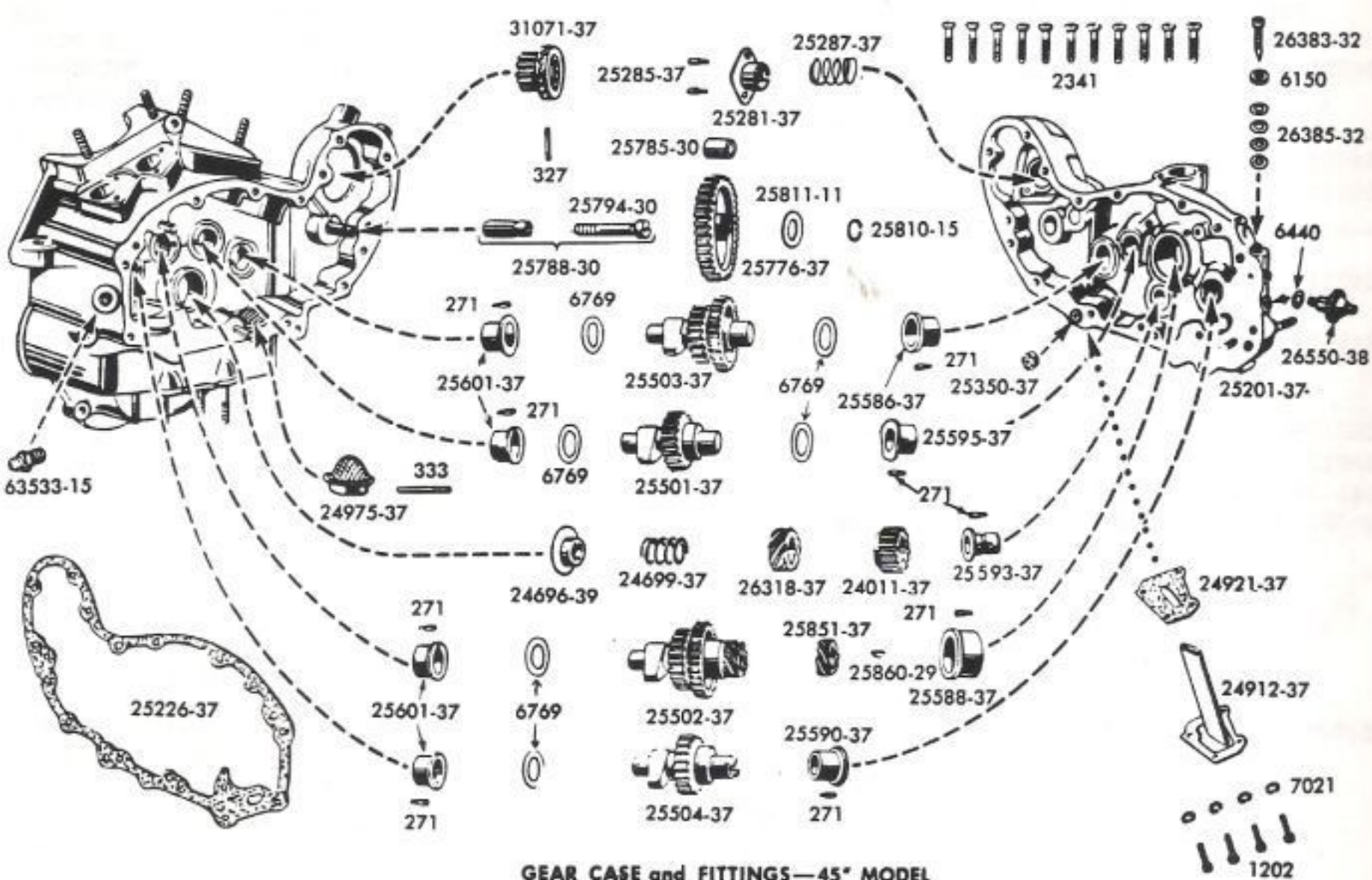
CRANKCASES and FITTINGS—OHV'S and SIDEVALVES



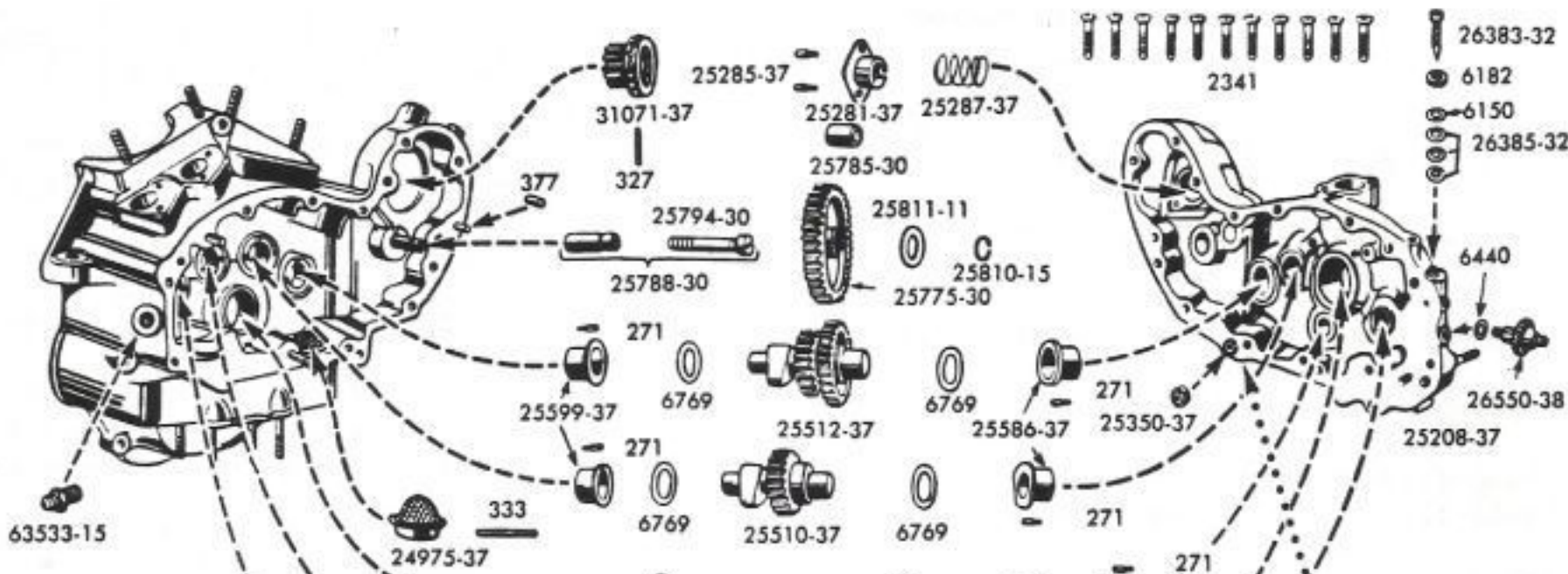
24511-37
Set



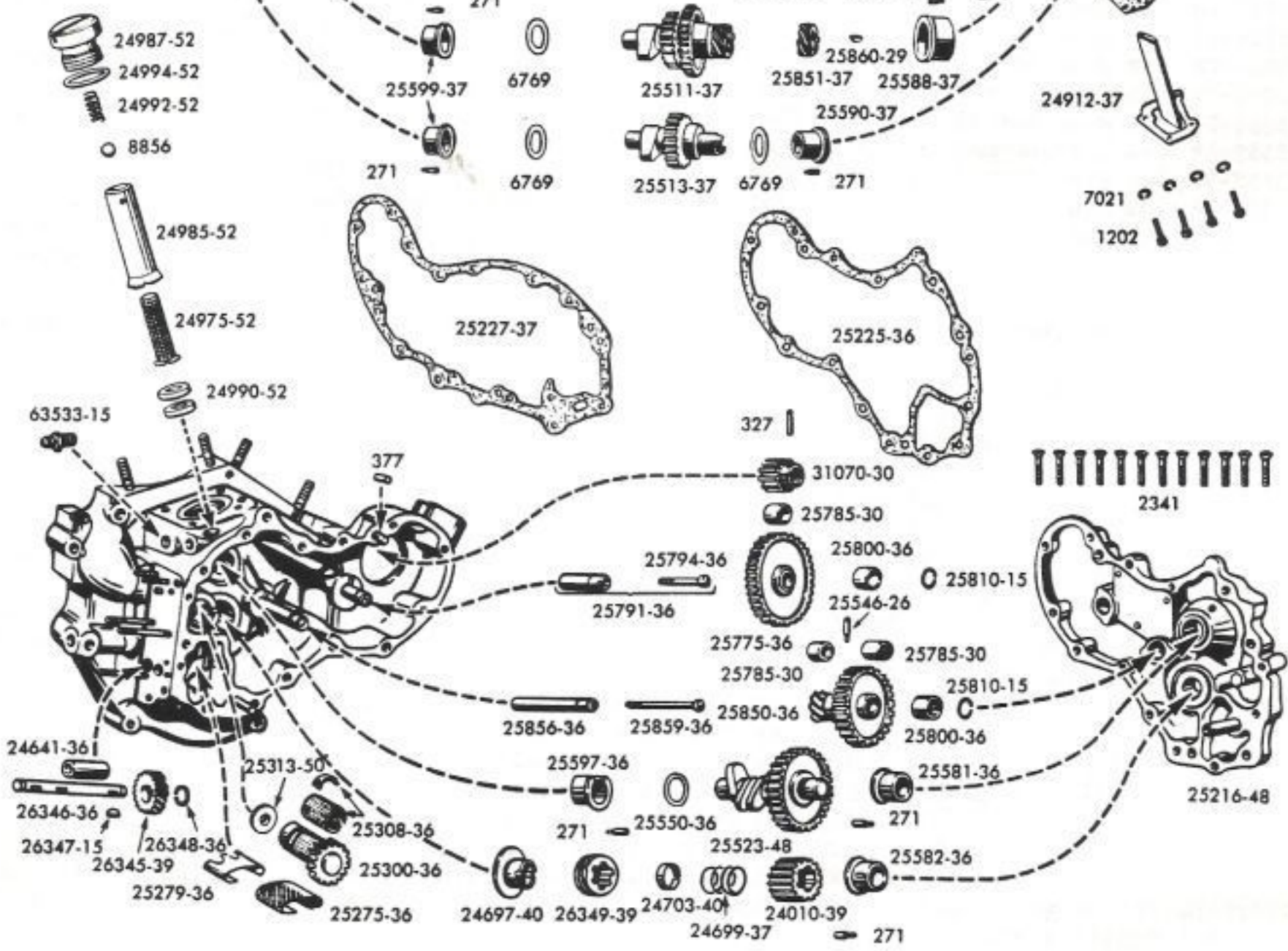
CRANKCASE and FITTINGS—45' MODEL



GEAR CASE and FITTINGS—45" MODEL

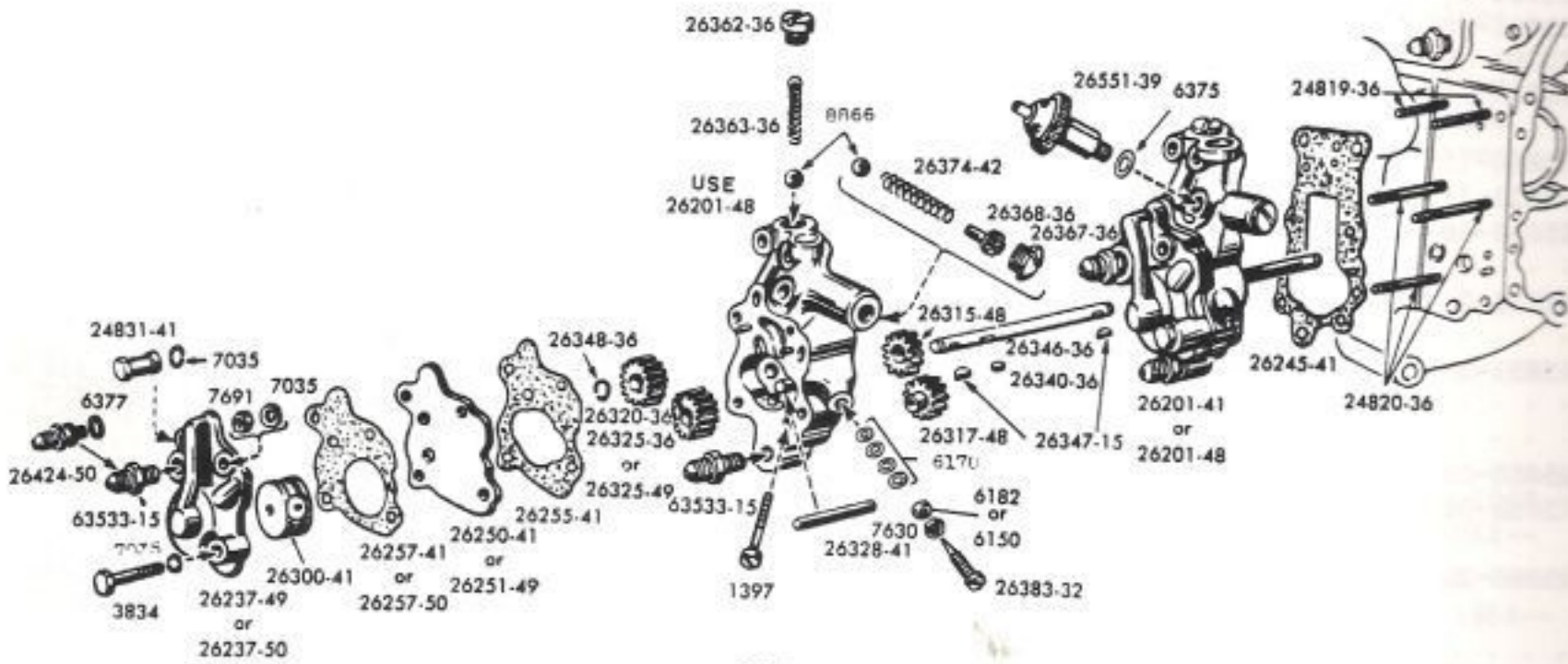


SIDEVALVE MODEL

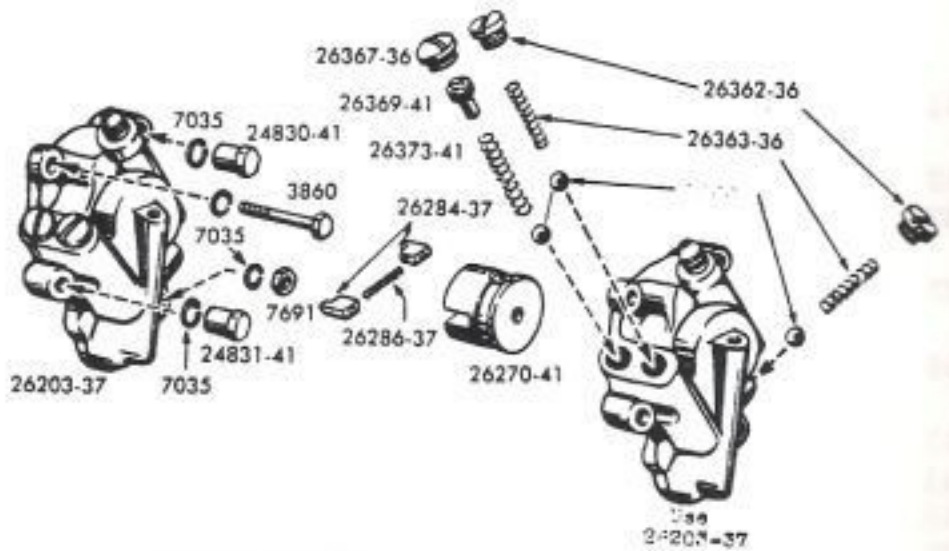
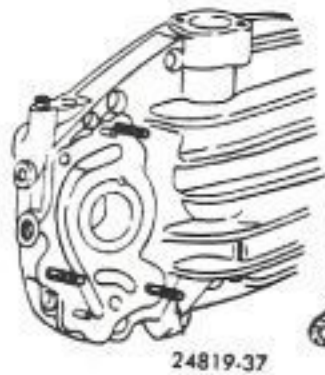


OVERHEAD MODEL

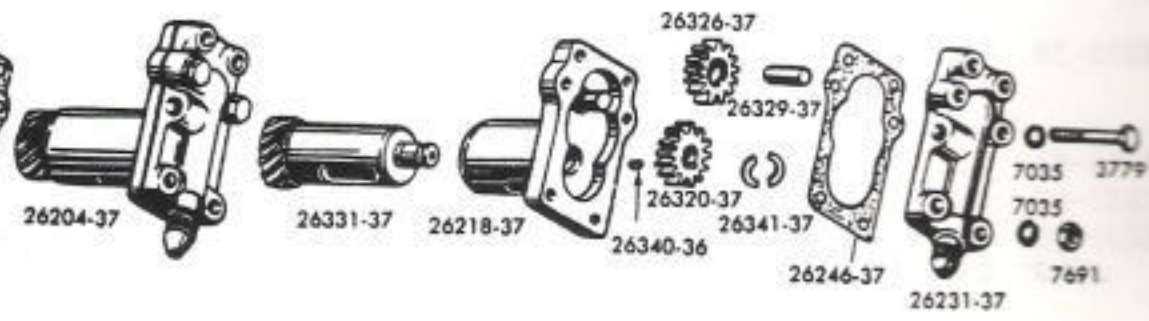
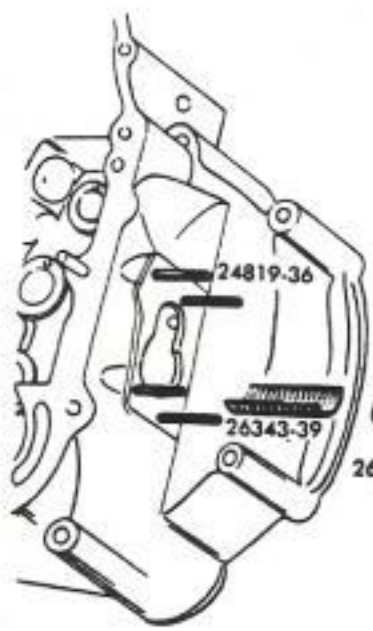
GEARCASE AND FITTINGS



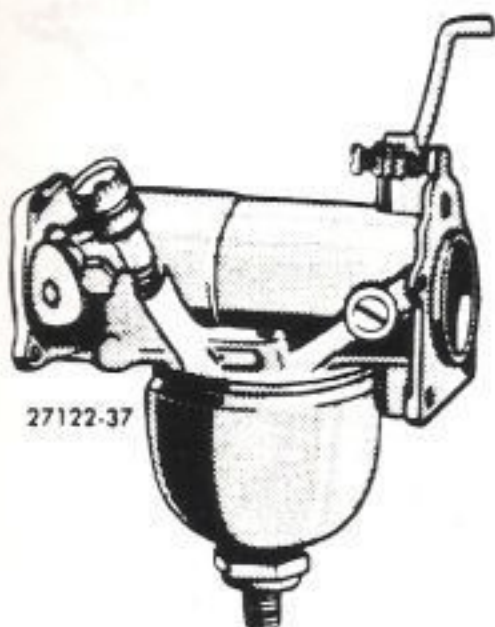
OVERHEAD MODEL



SIDEVALVE MODEL



OIL PUMPS AND FITTINGS



27122-37



27410-39



27024-36
or
27026-39

7040

27422-39

7040

27422-39



27057-30



27038-32
or
27039-37



27038-32
or
27039-37

27045-32

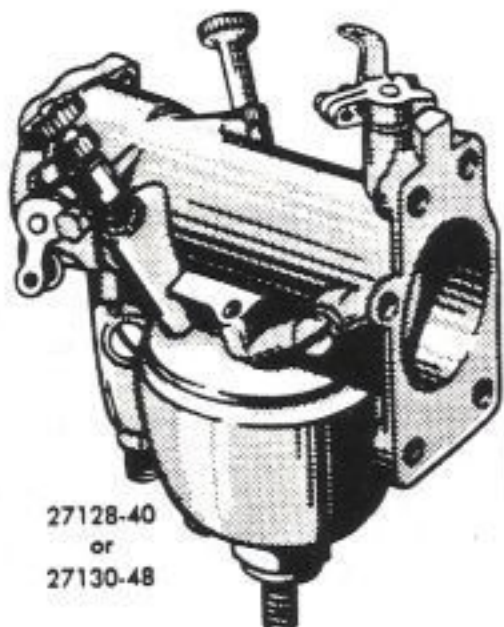
27430-39

7045

7793

27432-36

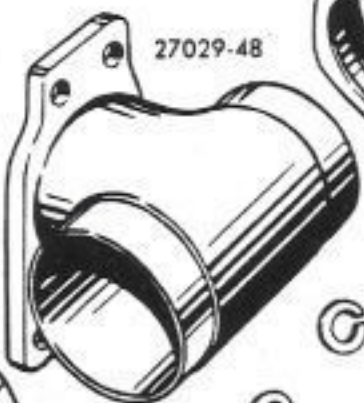
INLET PIPE—SIDEVALVES



27128-40
or
27130-48



27411-40
or
27412-48



27029-48

27049-52
27045-32
or
27046-48

512

27048-52

27039-40
or
27039-48

27059-40

27052-40

7040

27422-39
or
27424-48

7040

7045

7793

27045-32
or
27046-48

27048-52

27431-41

27049-52

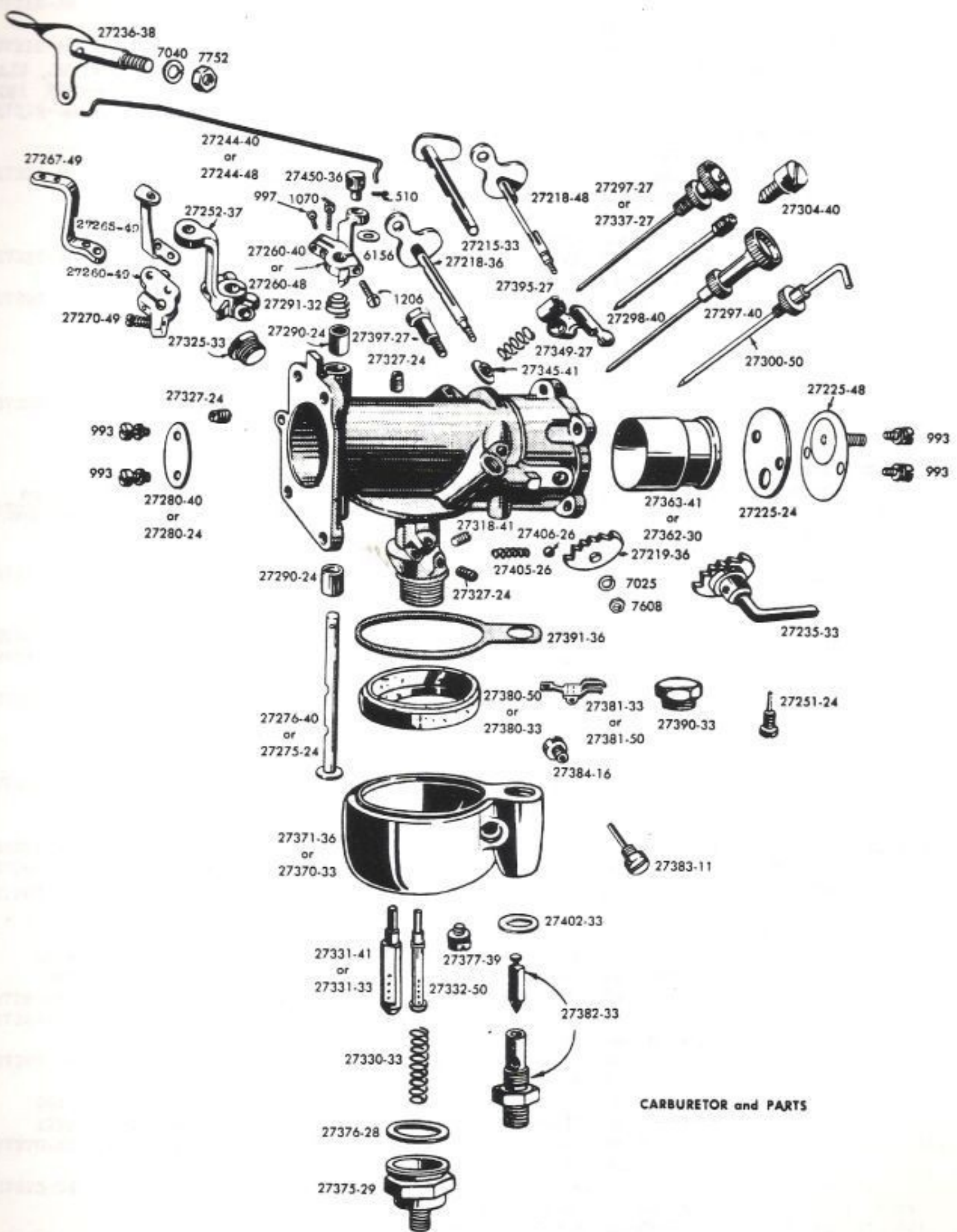
512

27039-40
or
27039-48

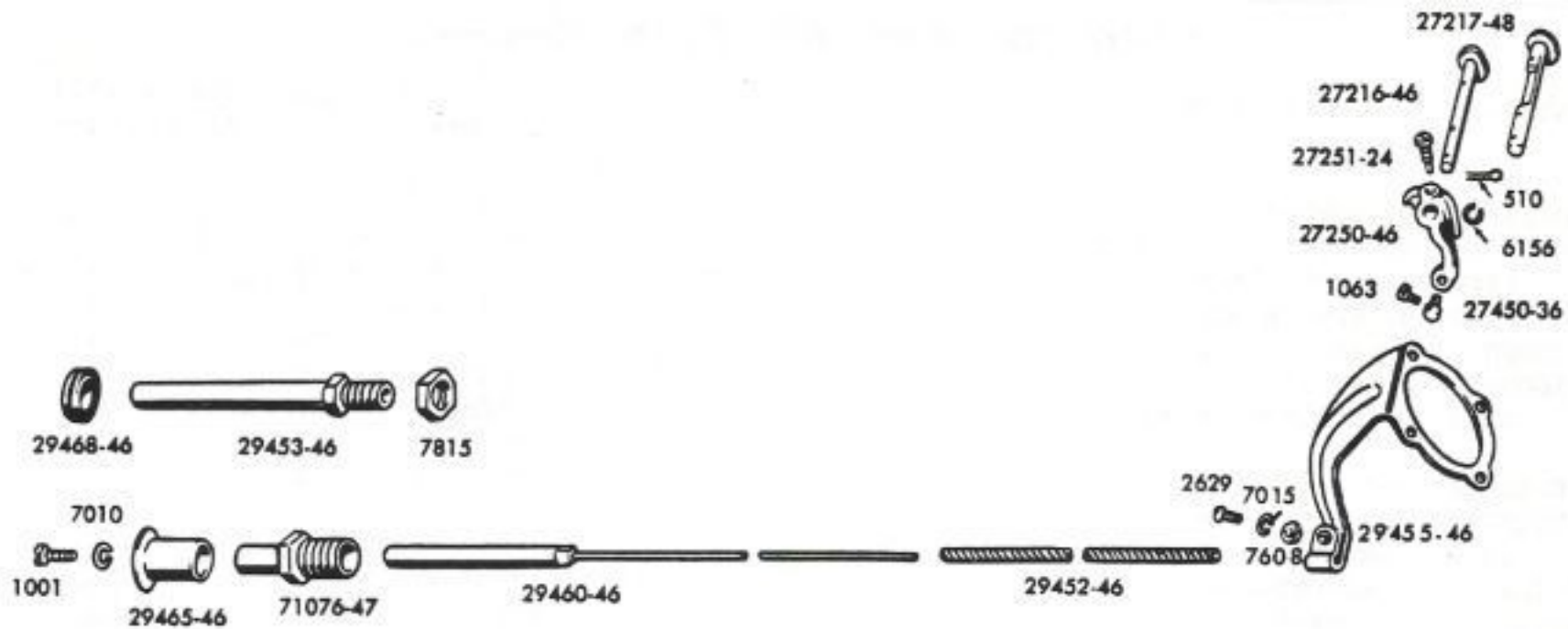
27052-40

27059-40

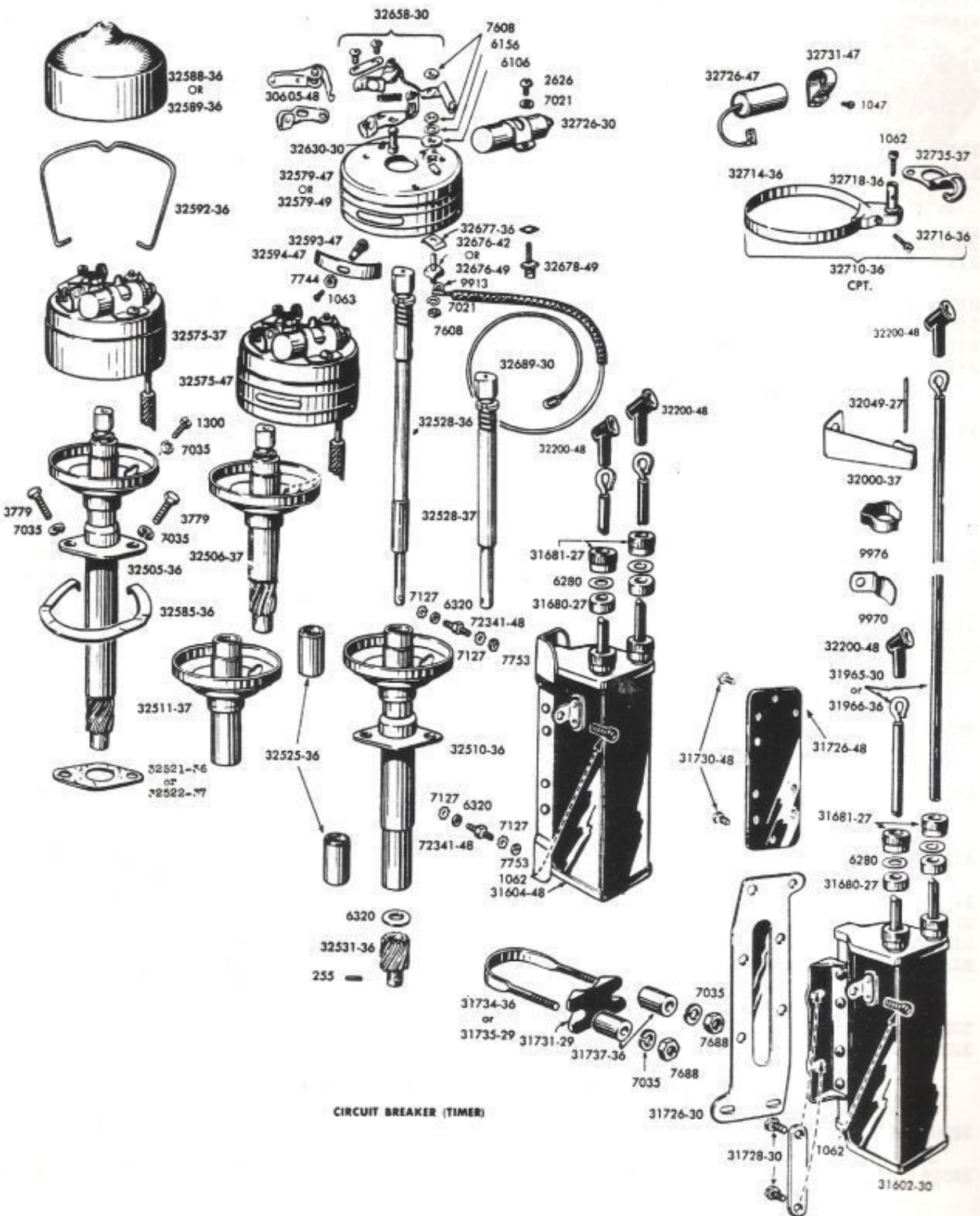
INLET PIPE—OVERHEAD

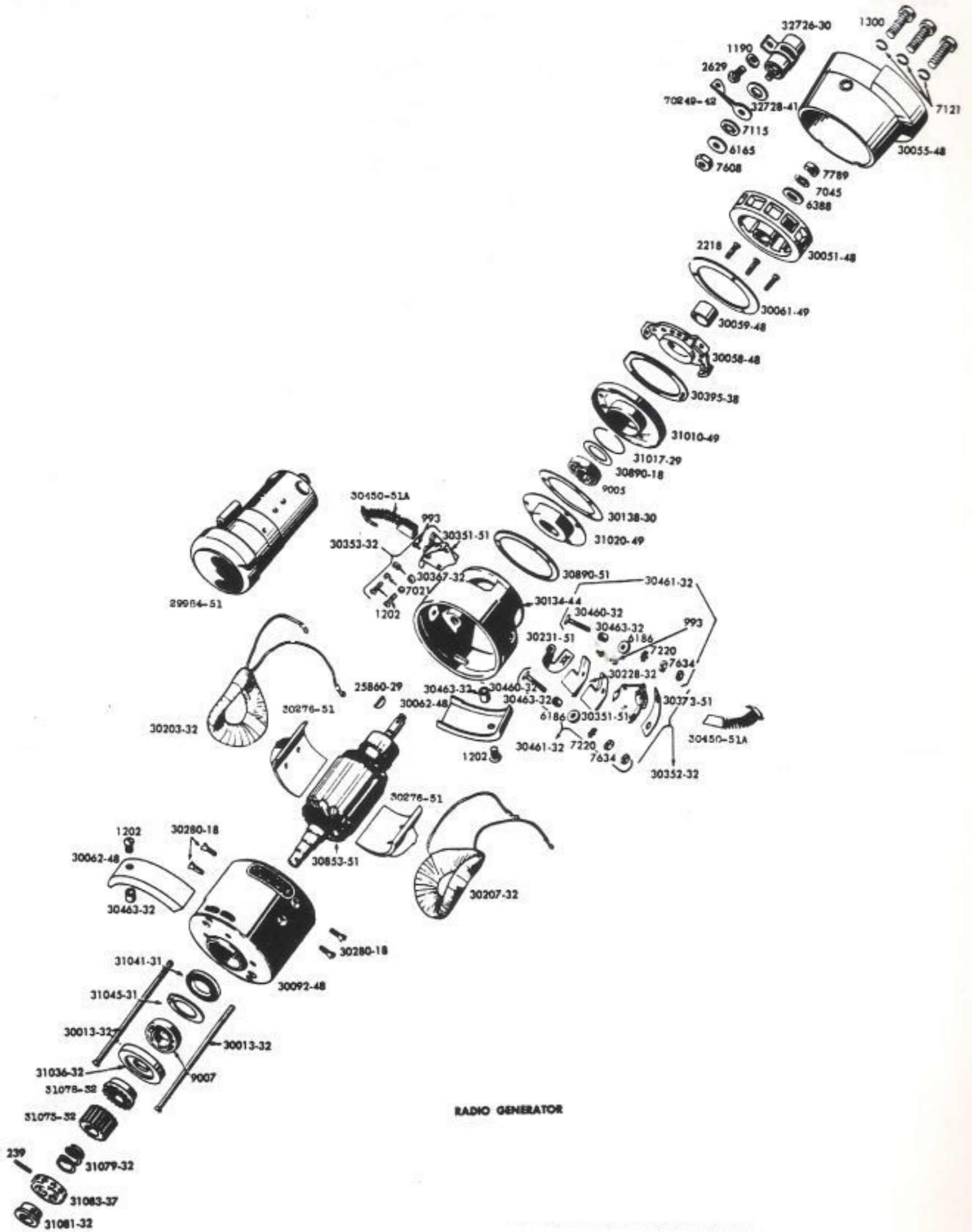


CARBURETOR and PARTS

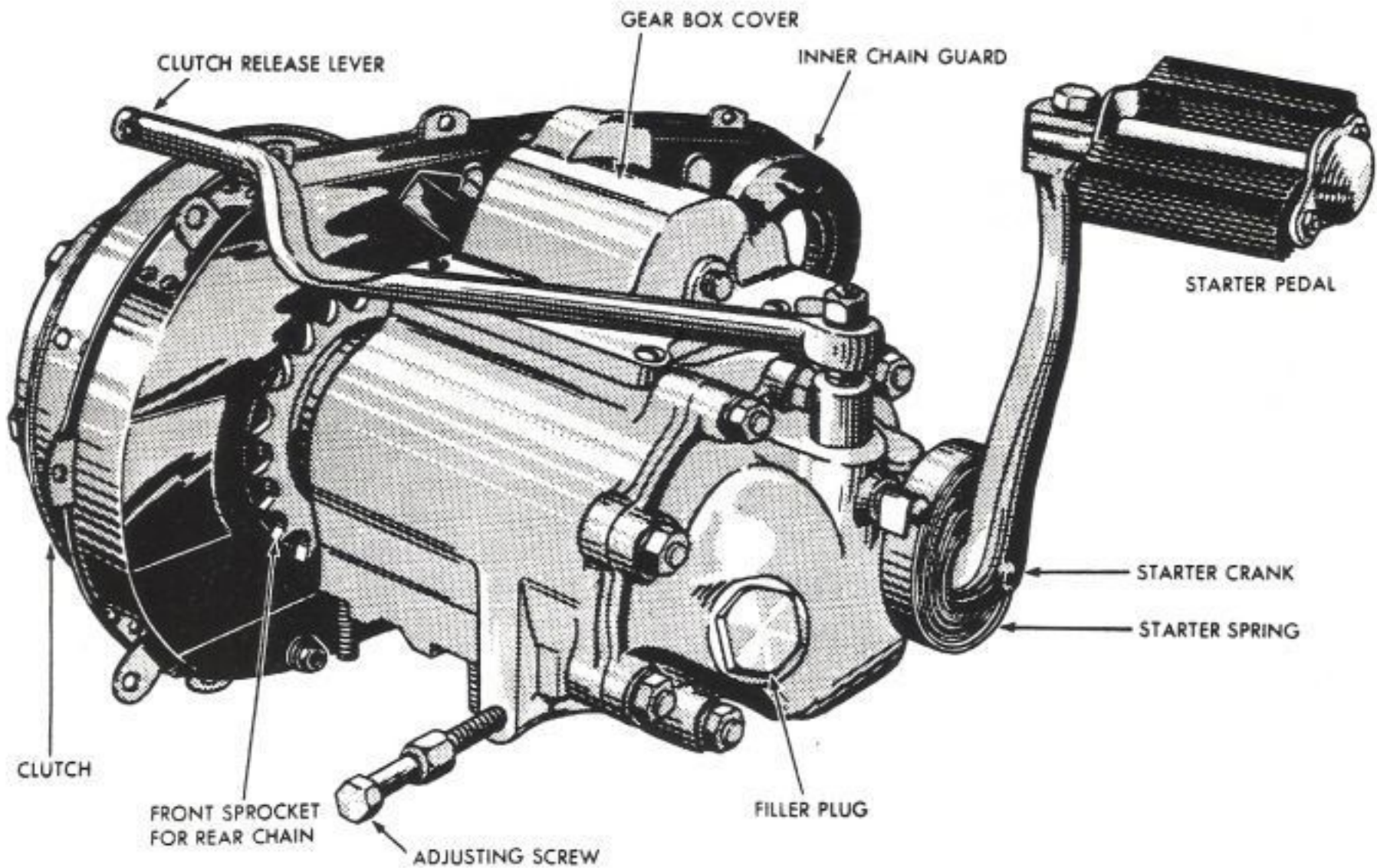


CARBURETOR CHOKE CONTROL

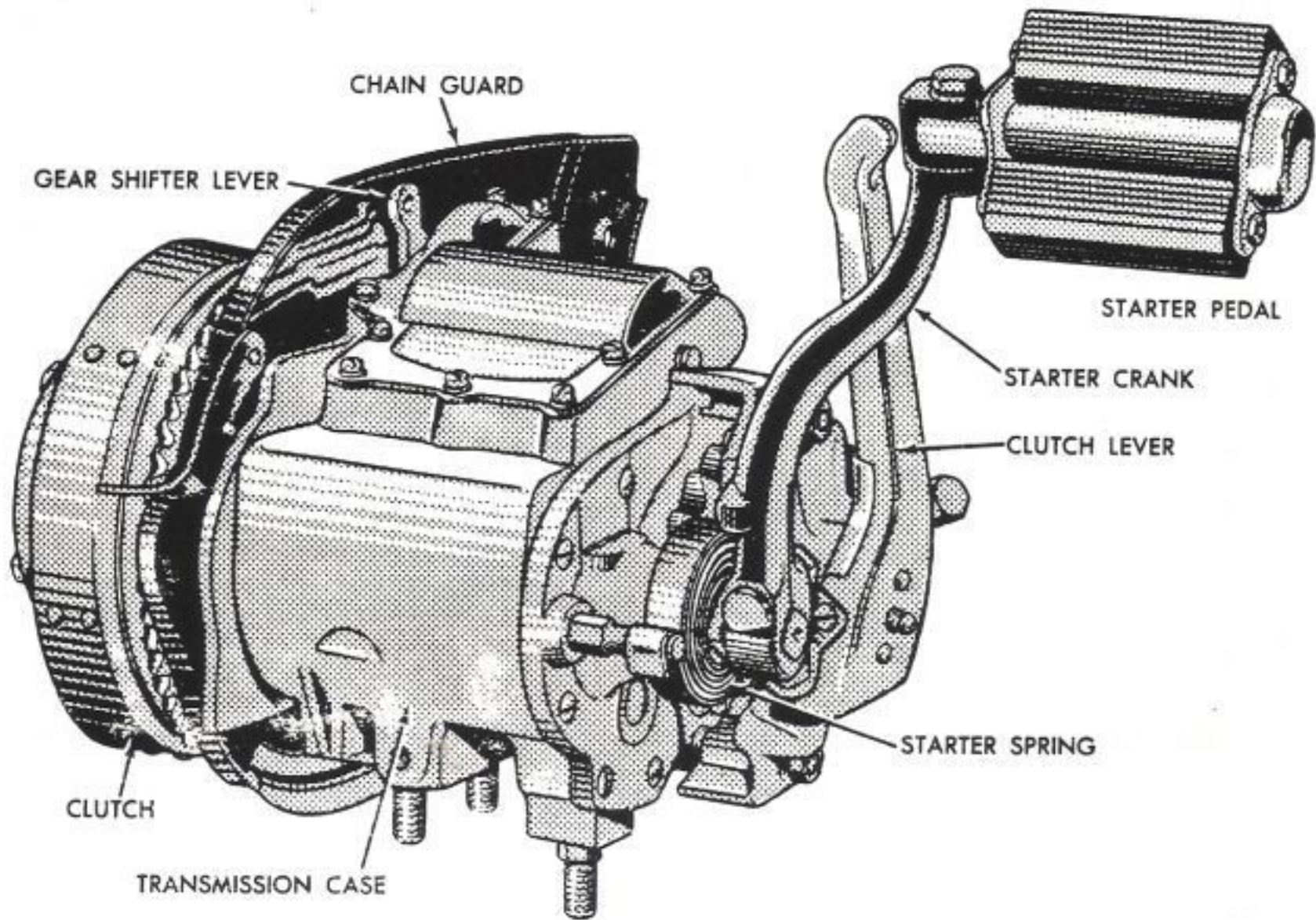




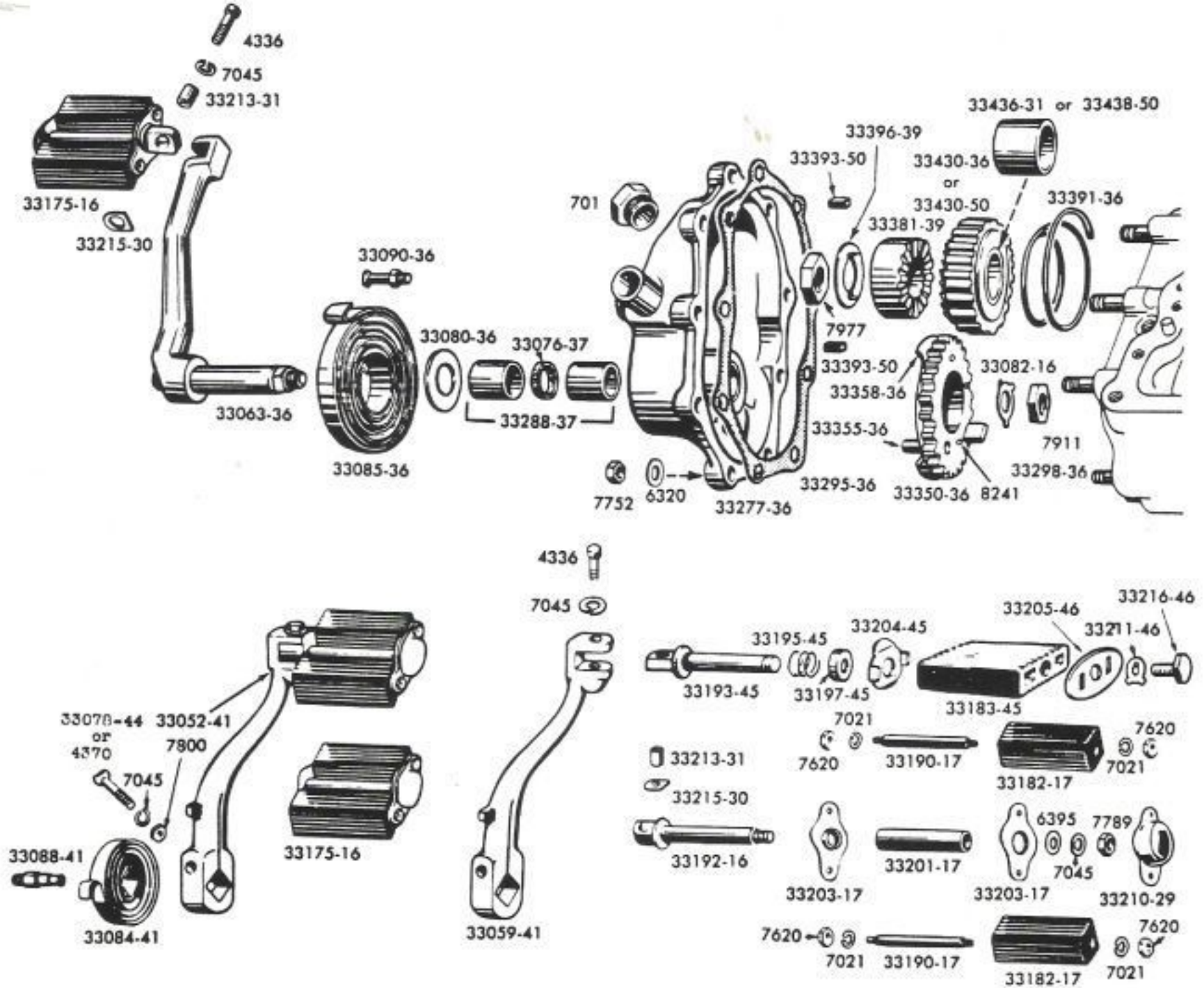
RADIO GENERATOR



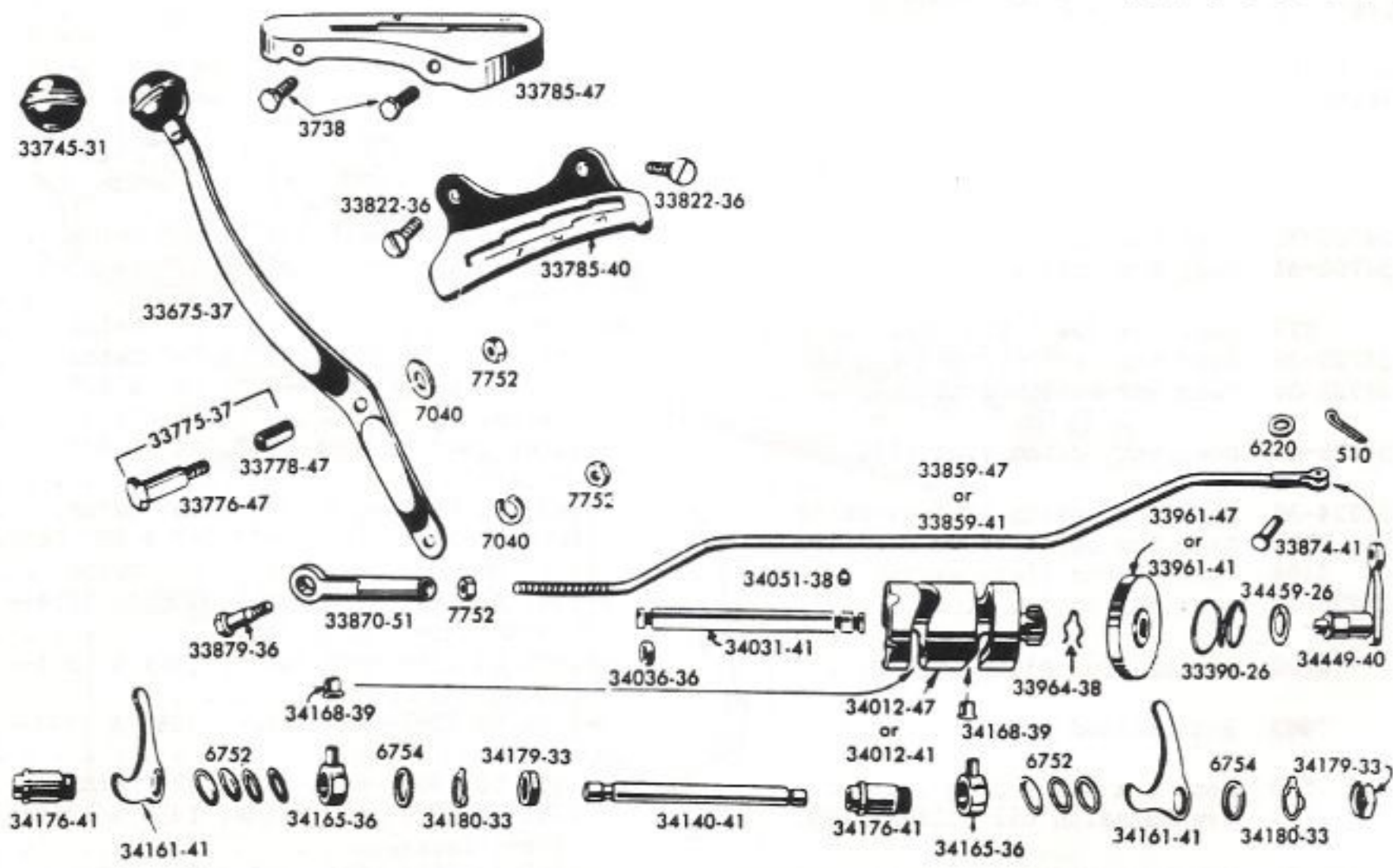
TRANSMISSION CPT.—OHV and SIDEVALVES



TRANSMISSION CPT.—45" SOLO

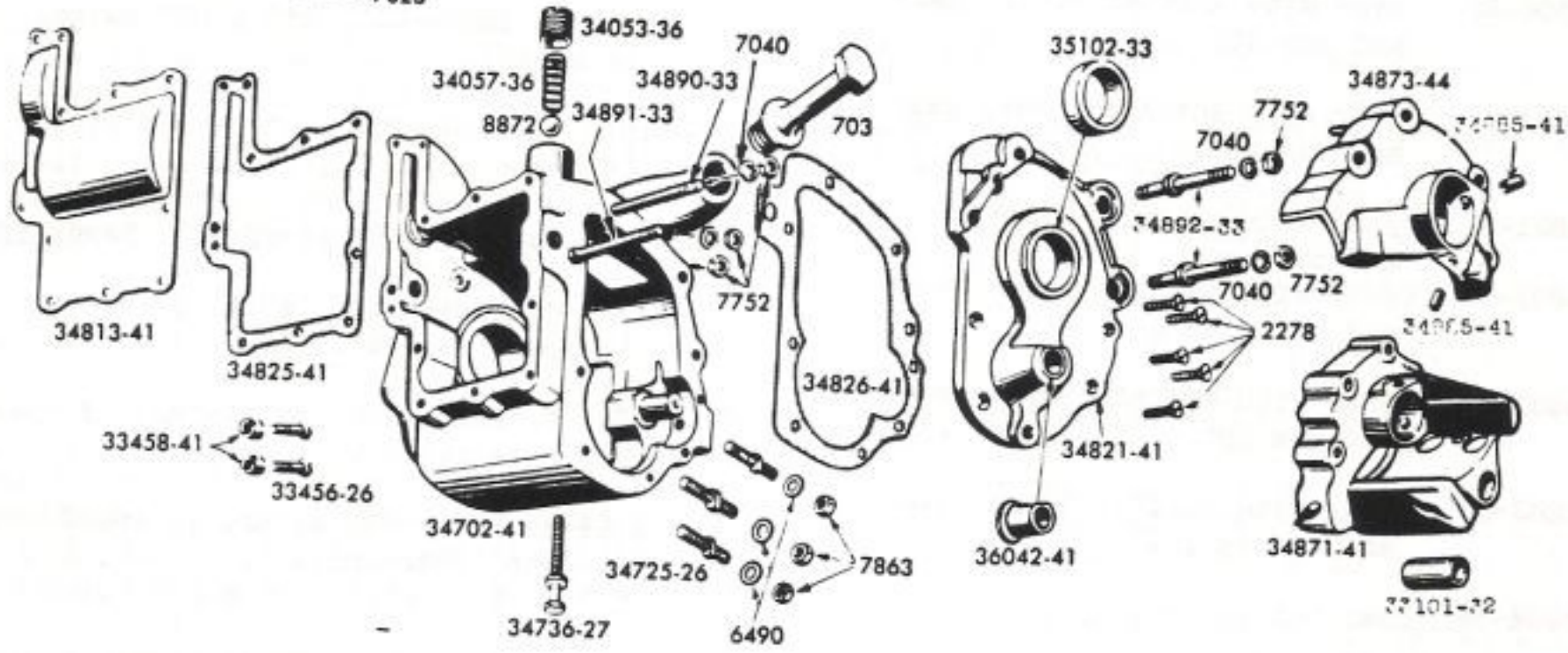


STARTER CRANK AND PEDAL

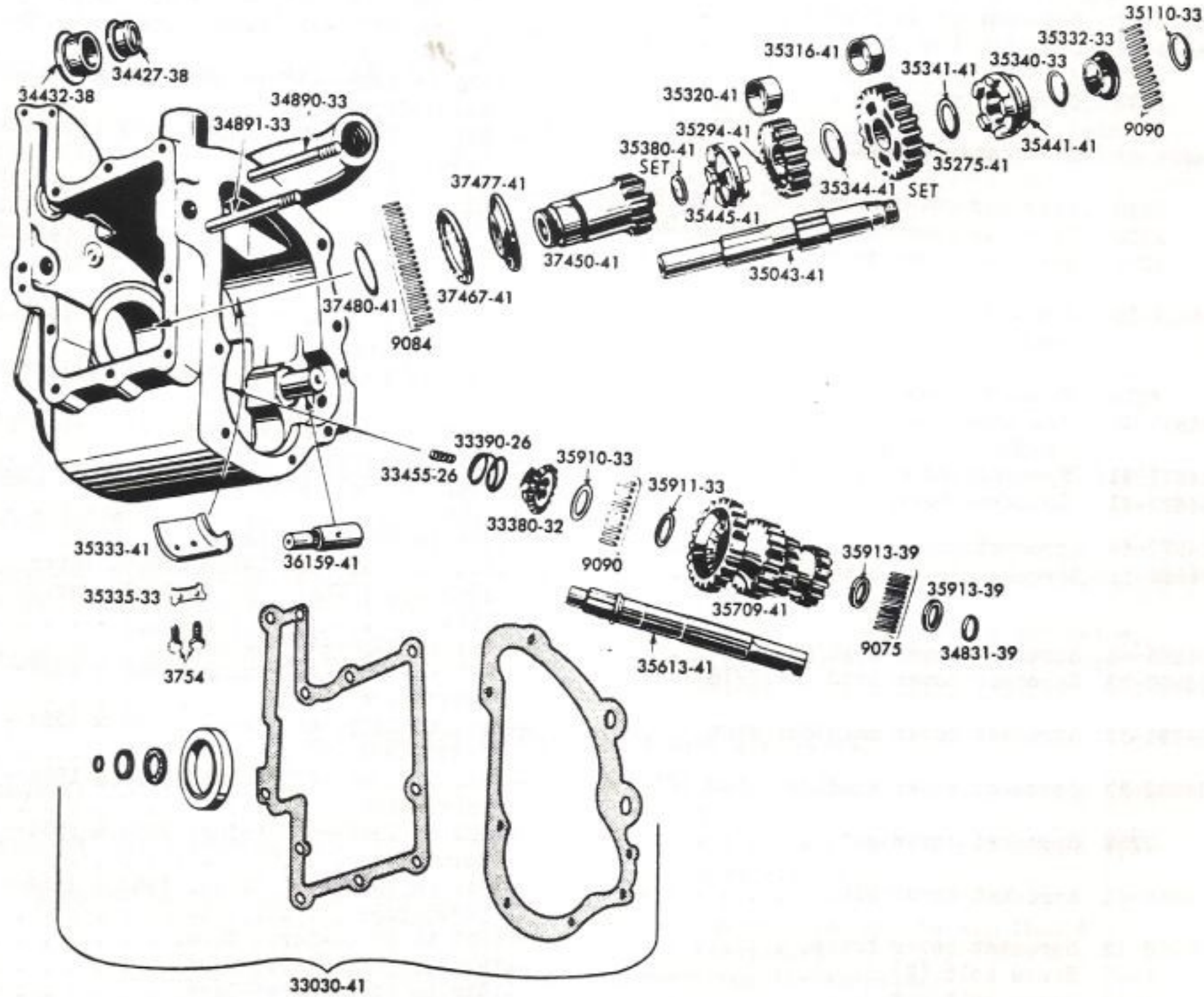


TRANSMISSION — SHIFTER GROUP 45° TWINS

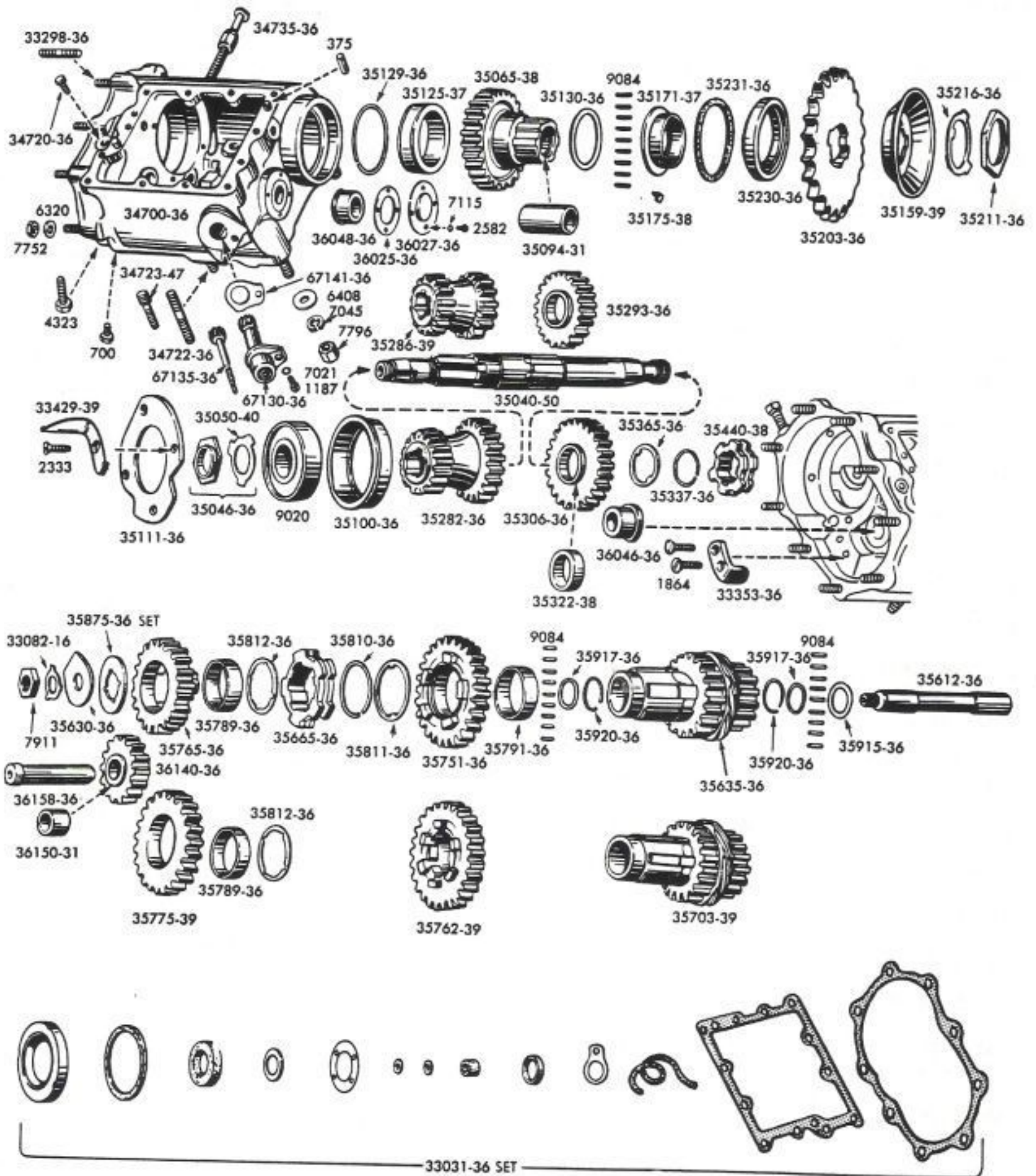
1206
7025



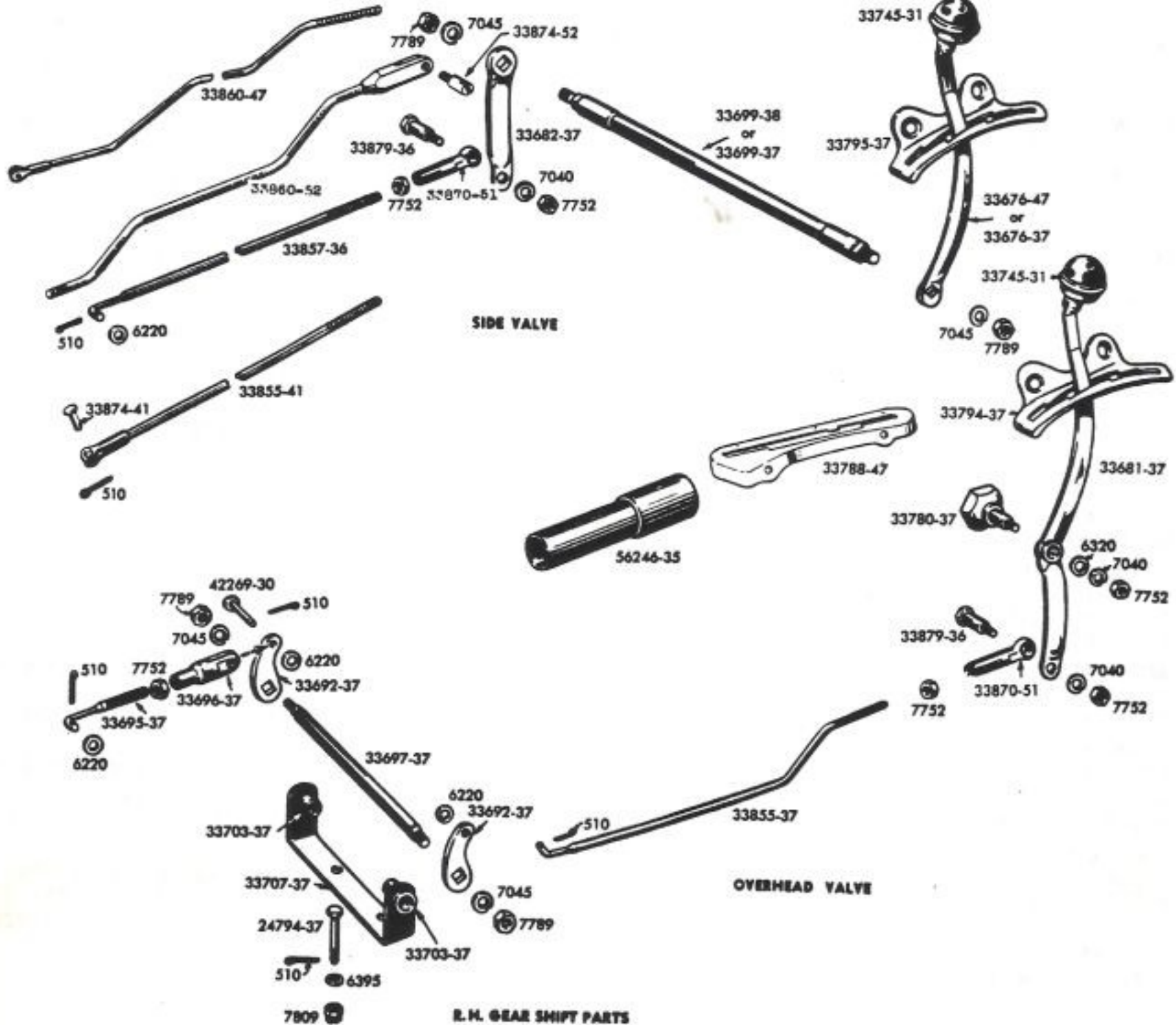
OUTER TRANSMISSION PARTS 45" TWINS



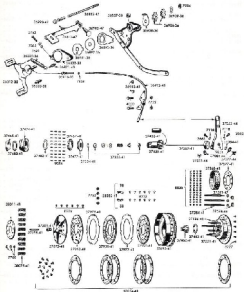
INNER TRANSMISSION PARTS 45" TWINS



GEAR BOX & PARTS
61", 74" & 80" TWINS



R.H. GEAR SHIFT PARTS



WATCH PARTS—FIG. 10 (PARTS 1-10)

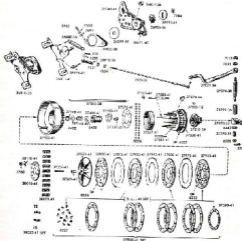
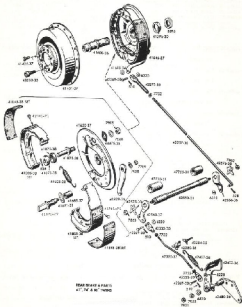


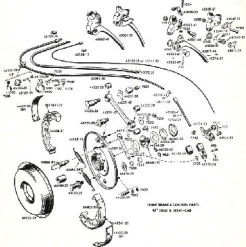
FIGURE THREE (100 TO 200) OF '67 & '68' SERIES



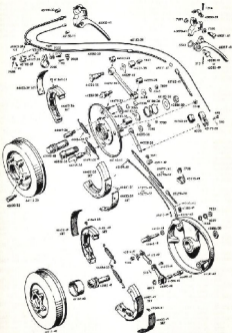
WHEEL HUB PARTS
ALL INCHES



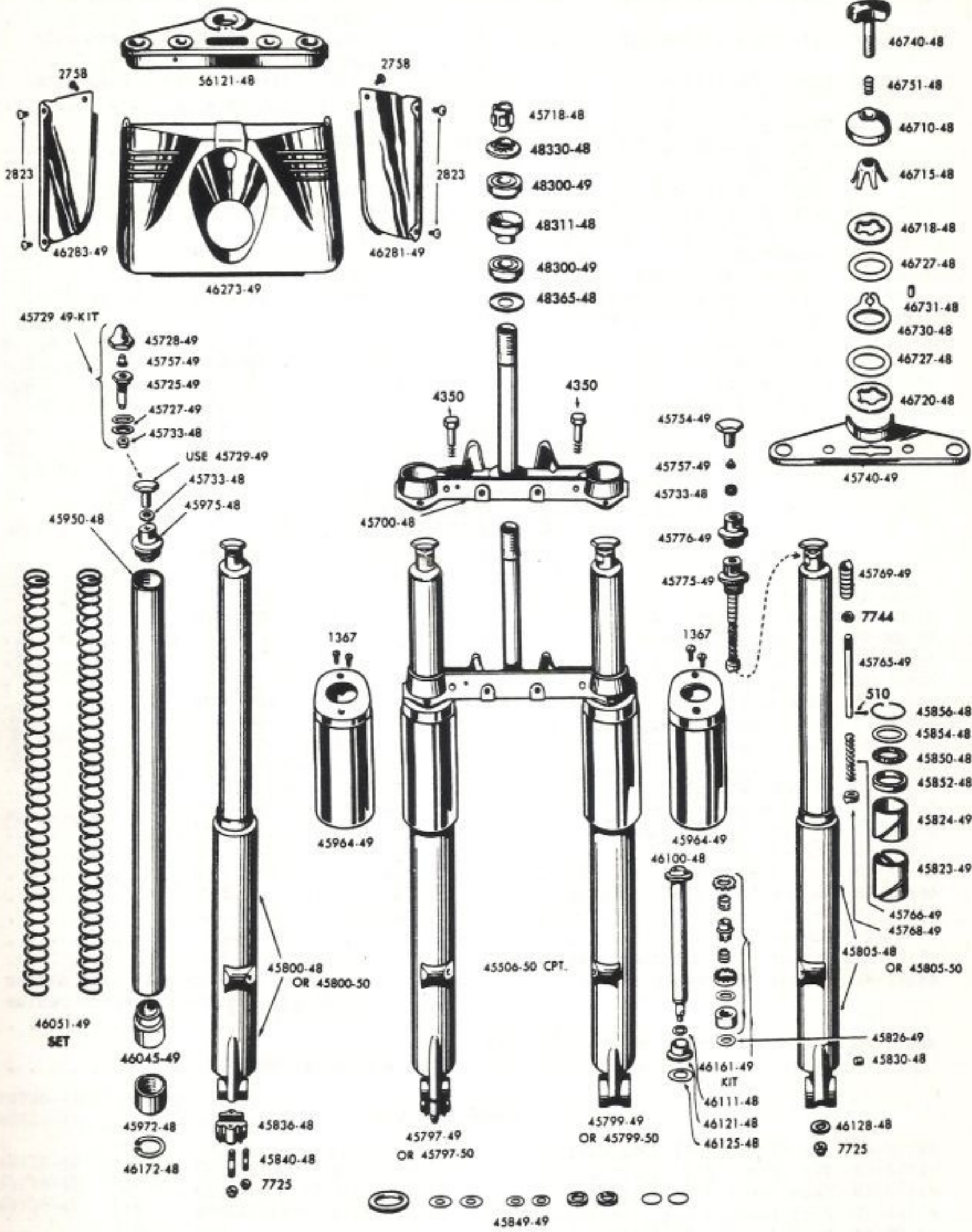
DRAWING 41-02-100
 41, 42 & 43



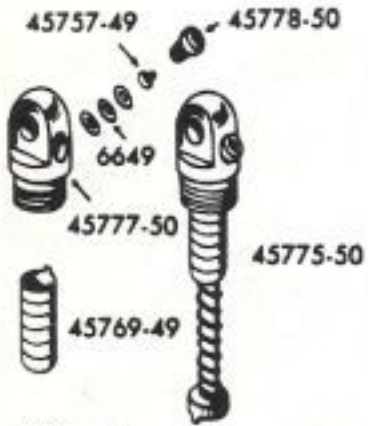
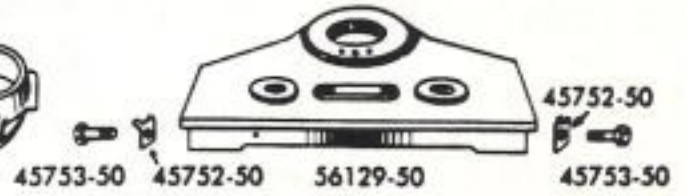
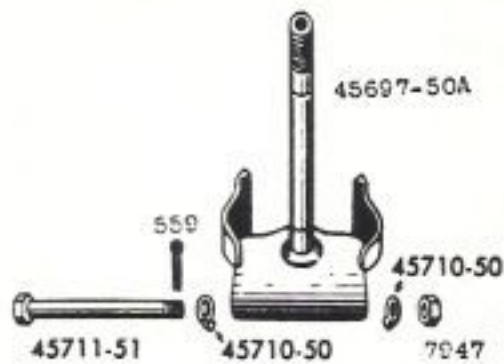
FRONT WHEEL & CONTROL PARTS
 47 FORD V8 SEDAN-CAR



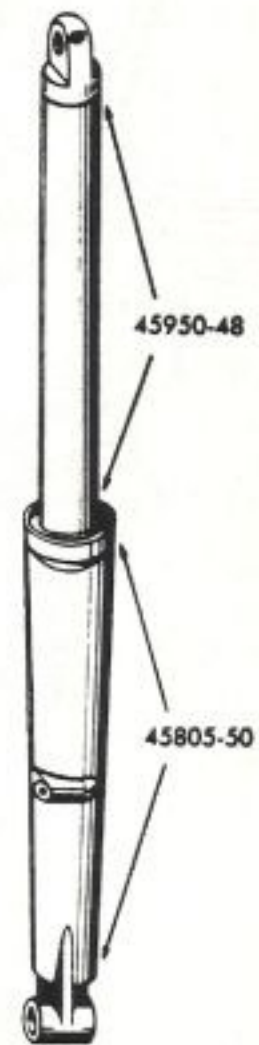
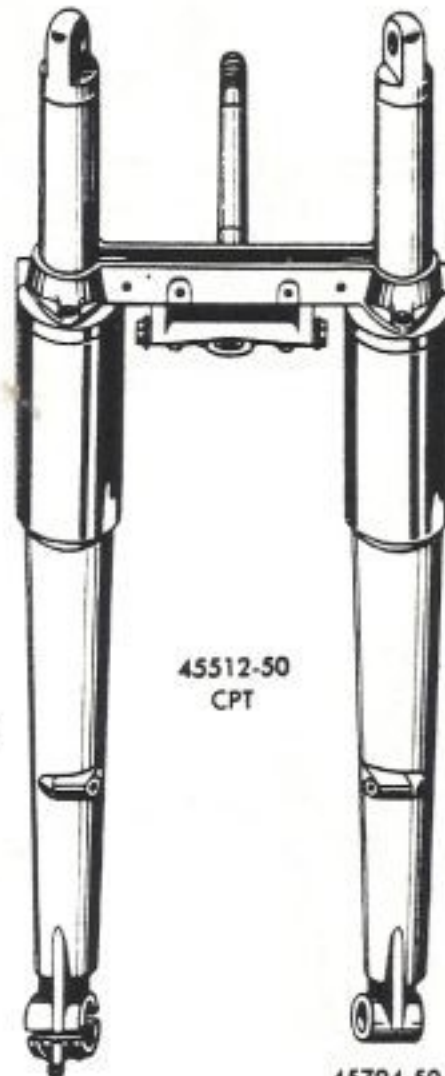
FROM MANUFACTURER'S PARTS LIST OF THIS MODEL



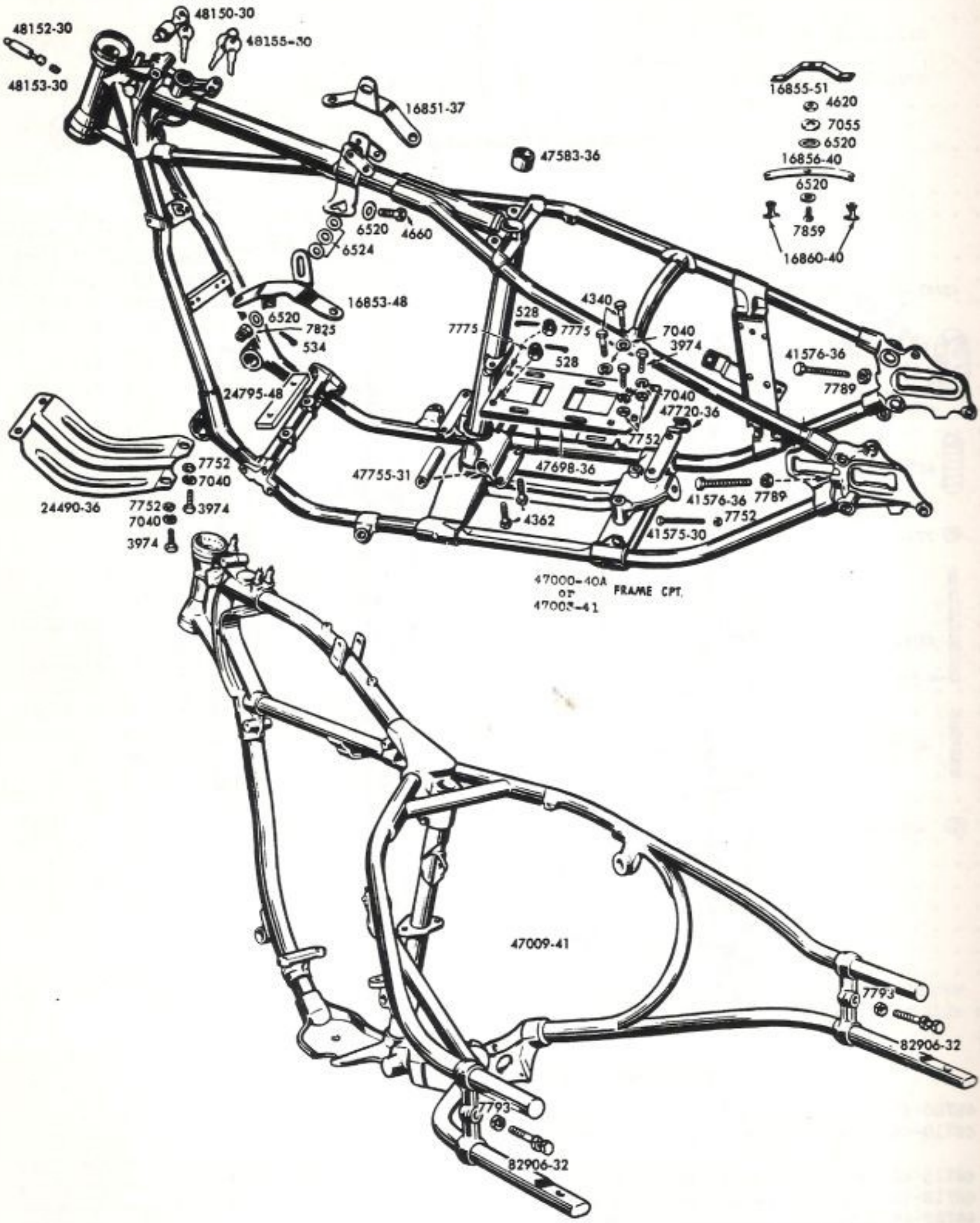
HYDRA-GLIDE — FORK PARTS



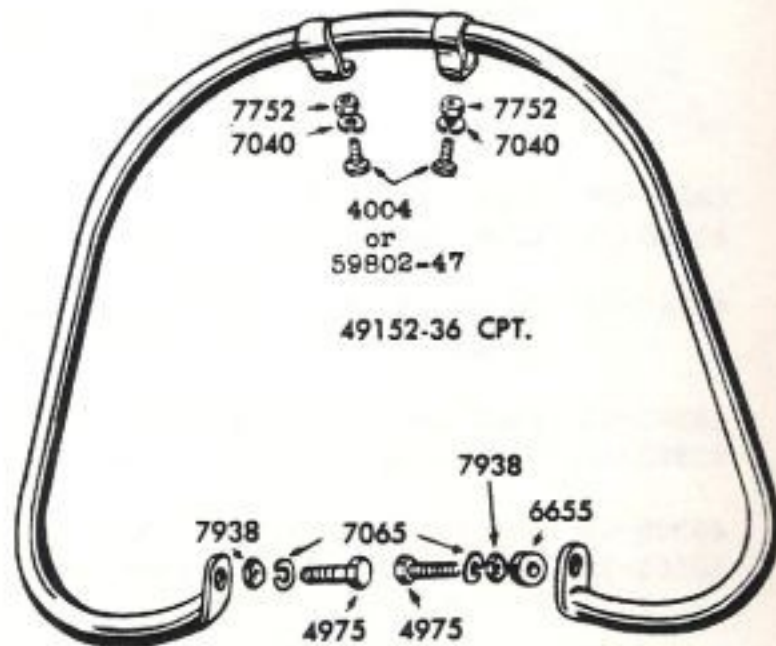
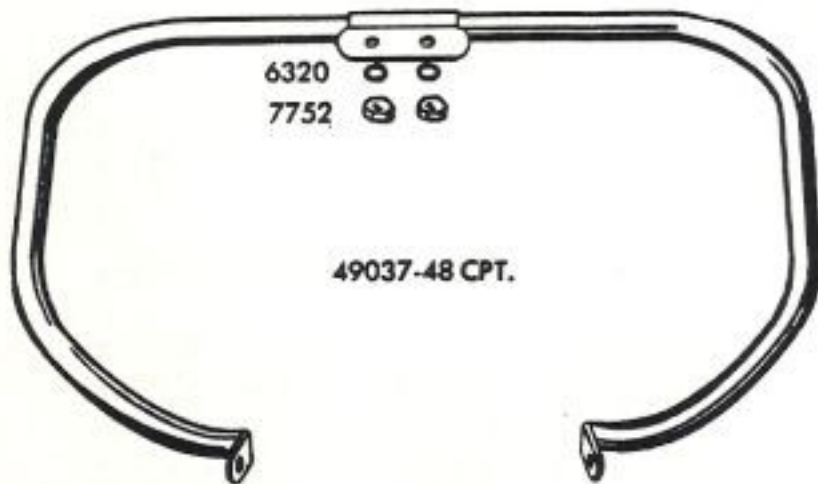
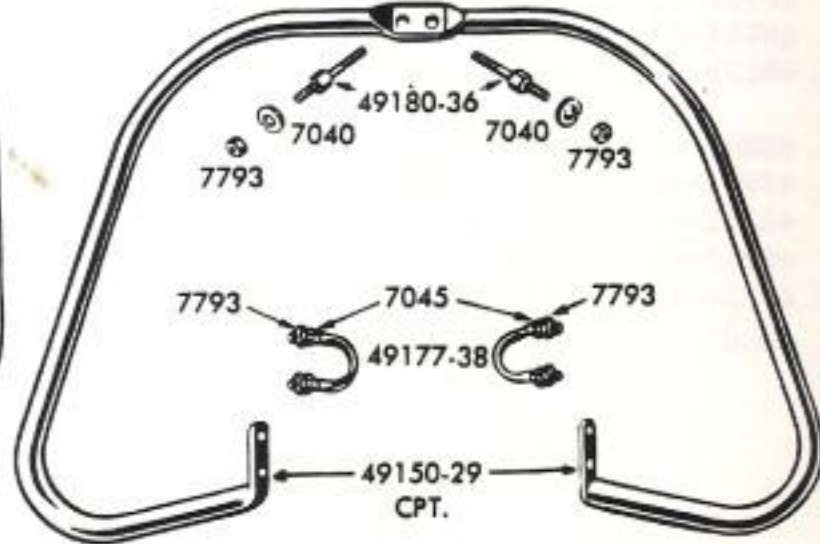
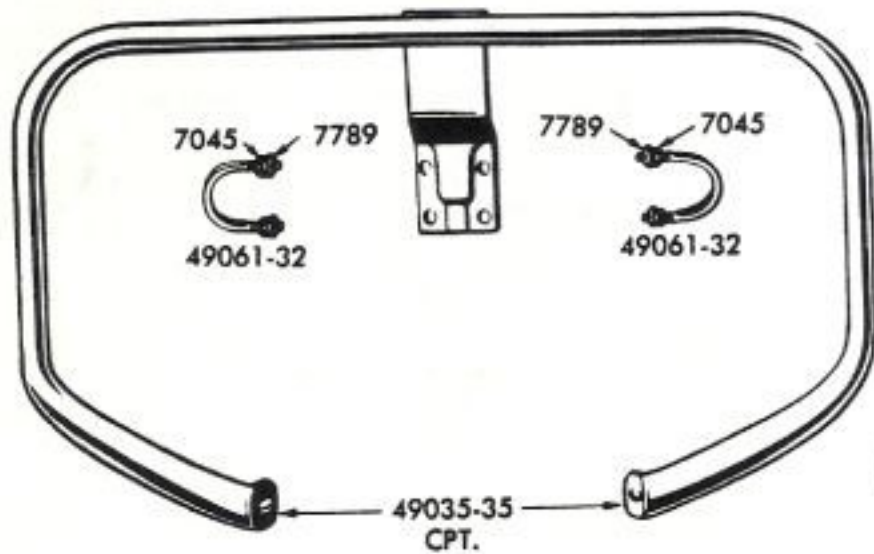
45775-50



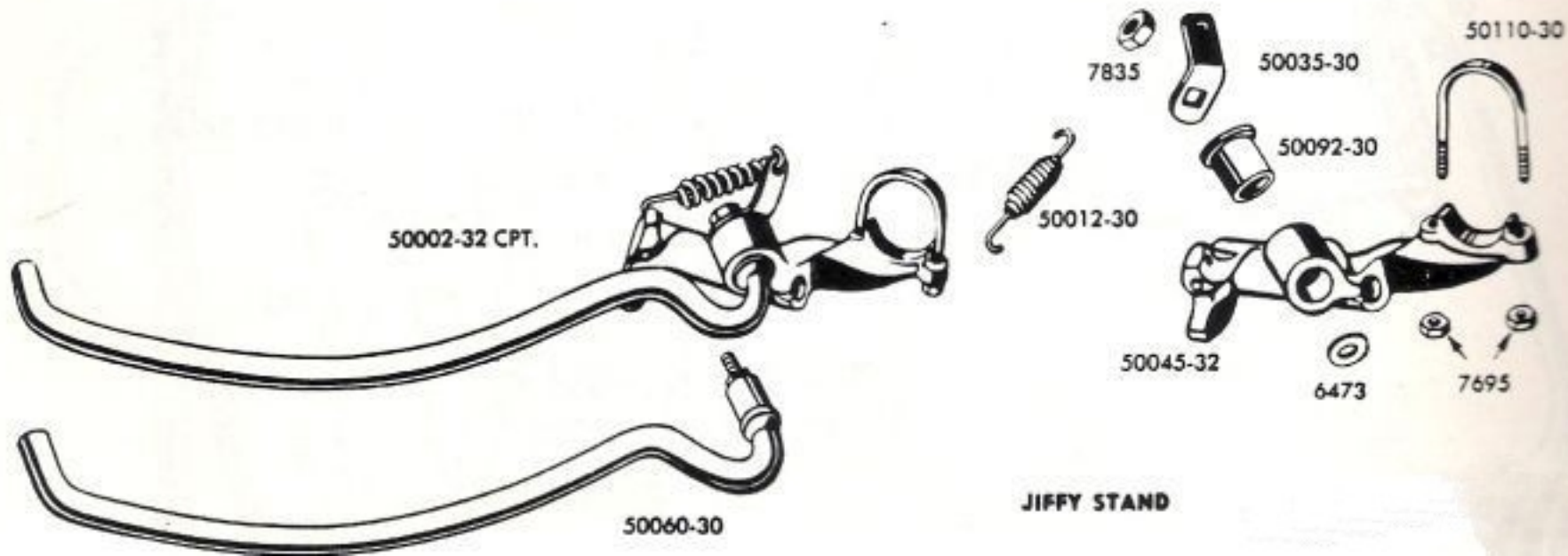
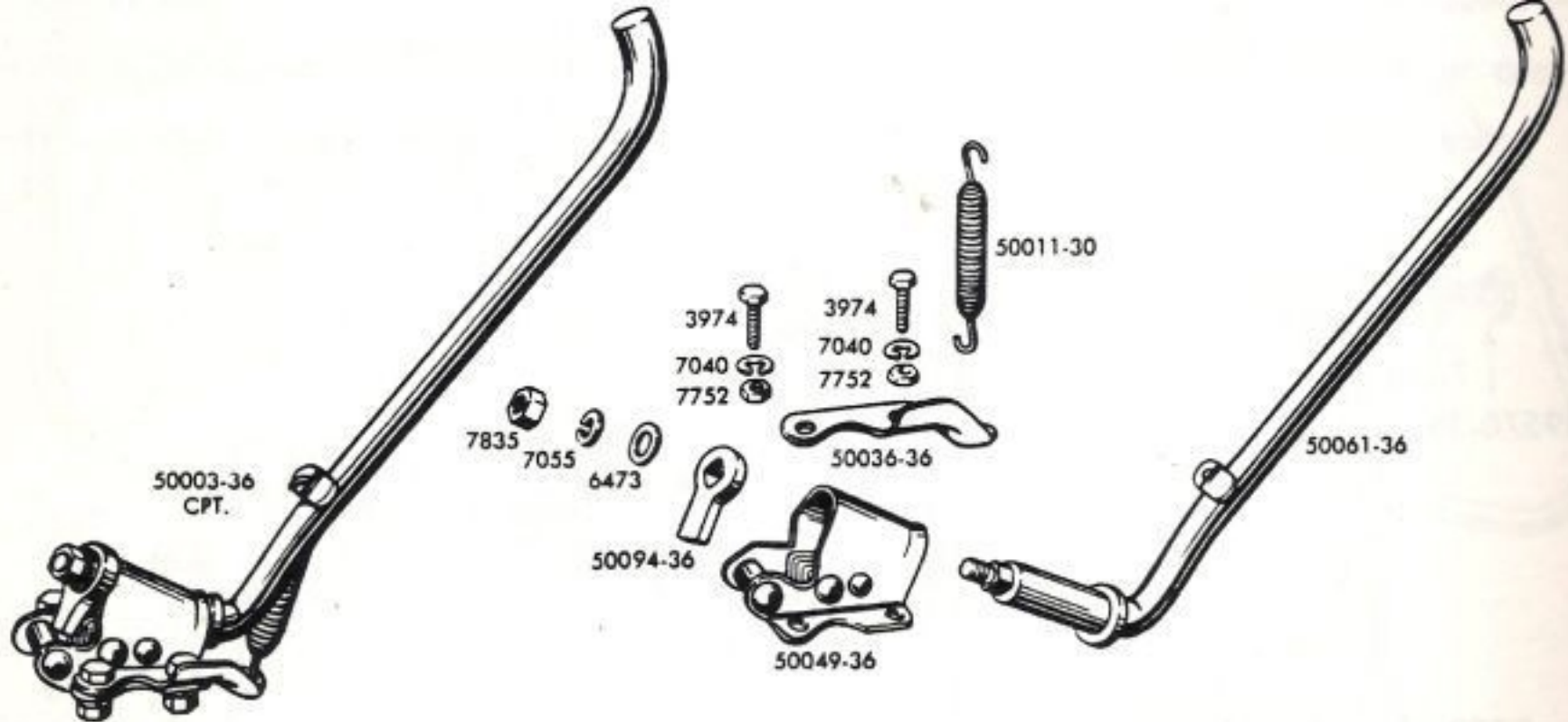
ADJUSTABLE FORK

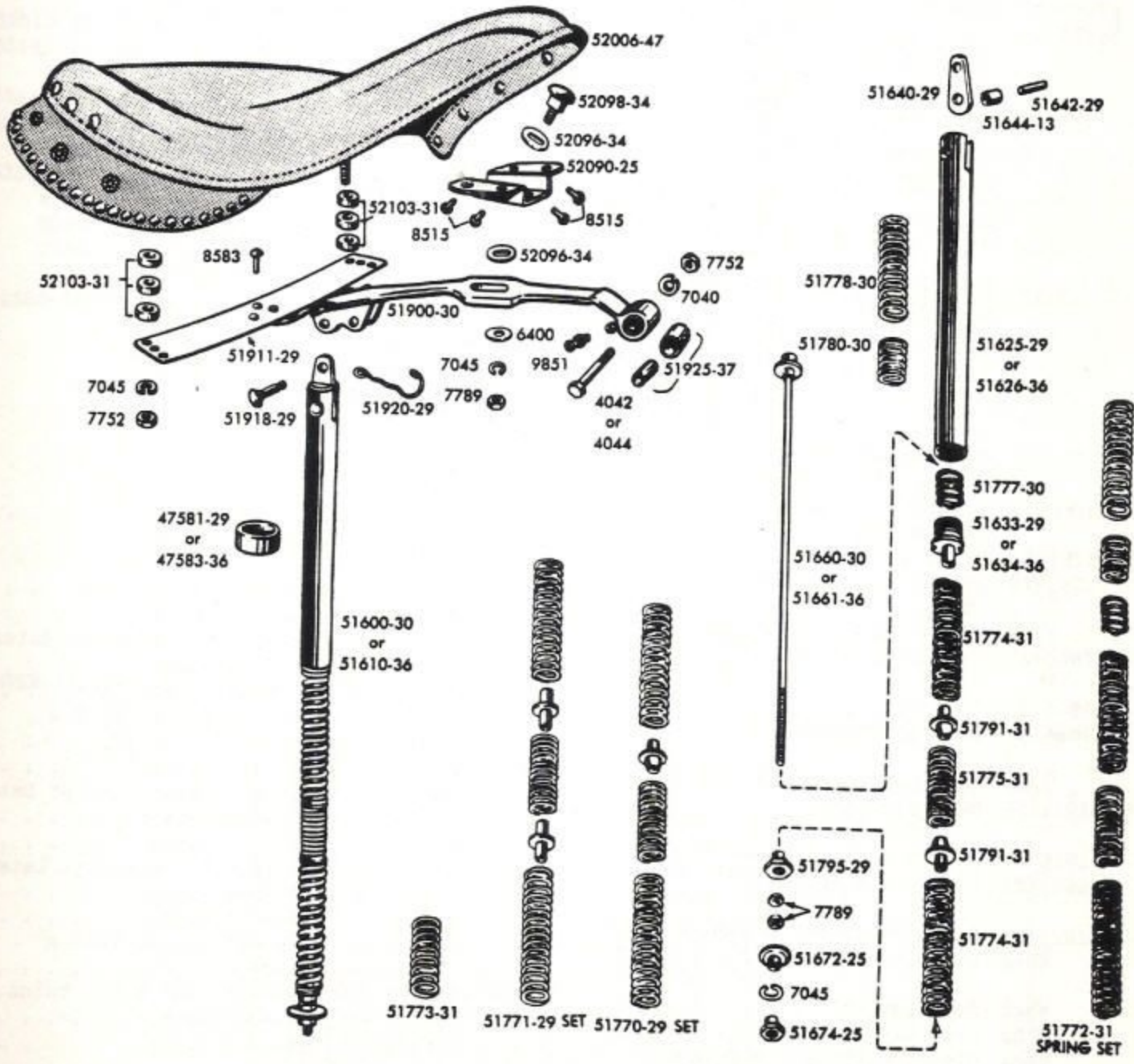


FRAME & FITTINGS

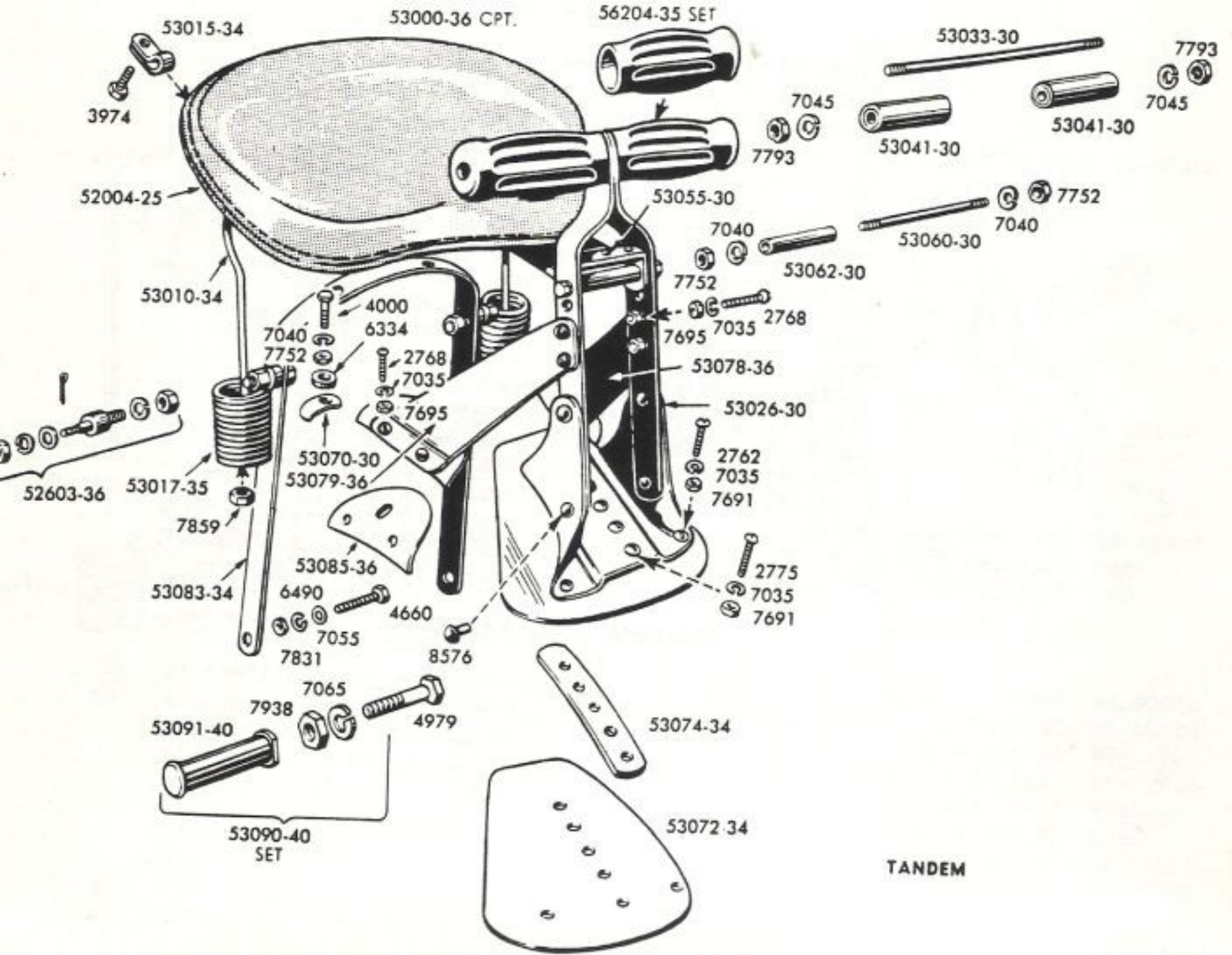


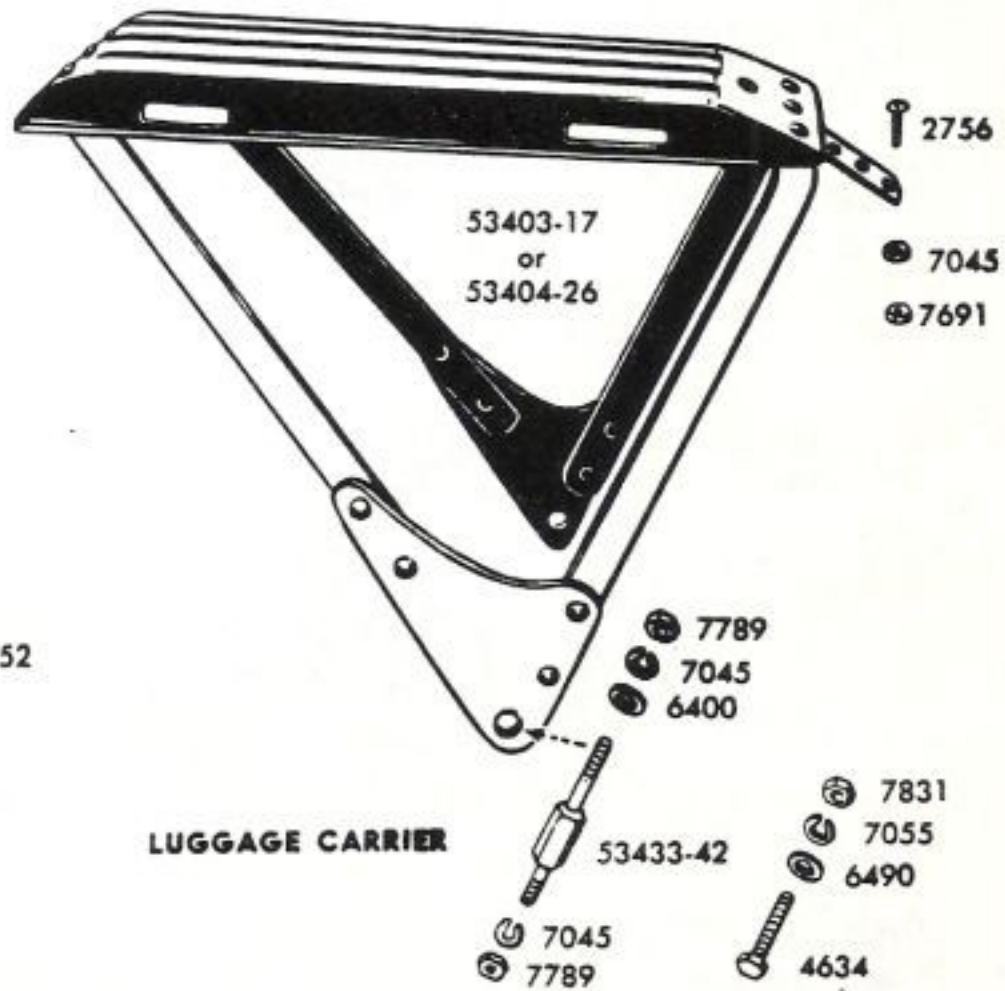
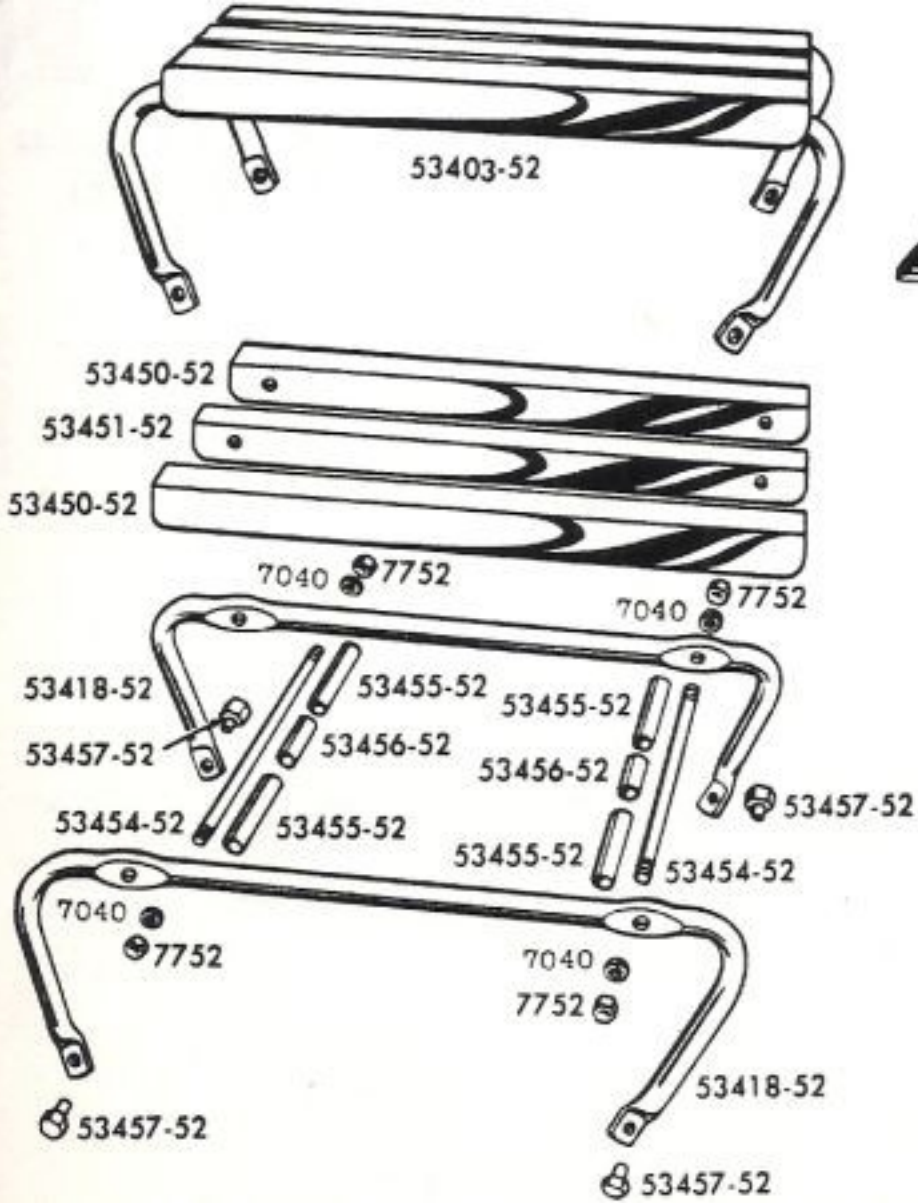
SAFETY GUARDS

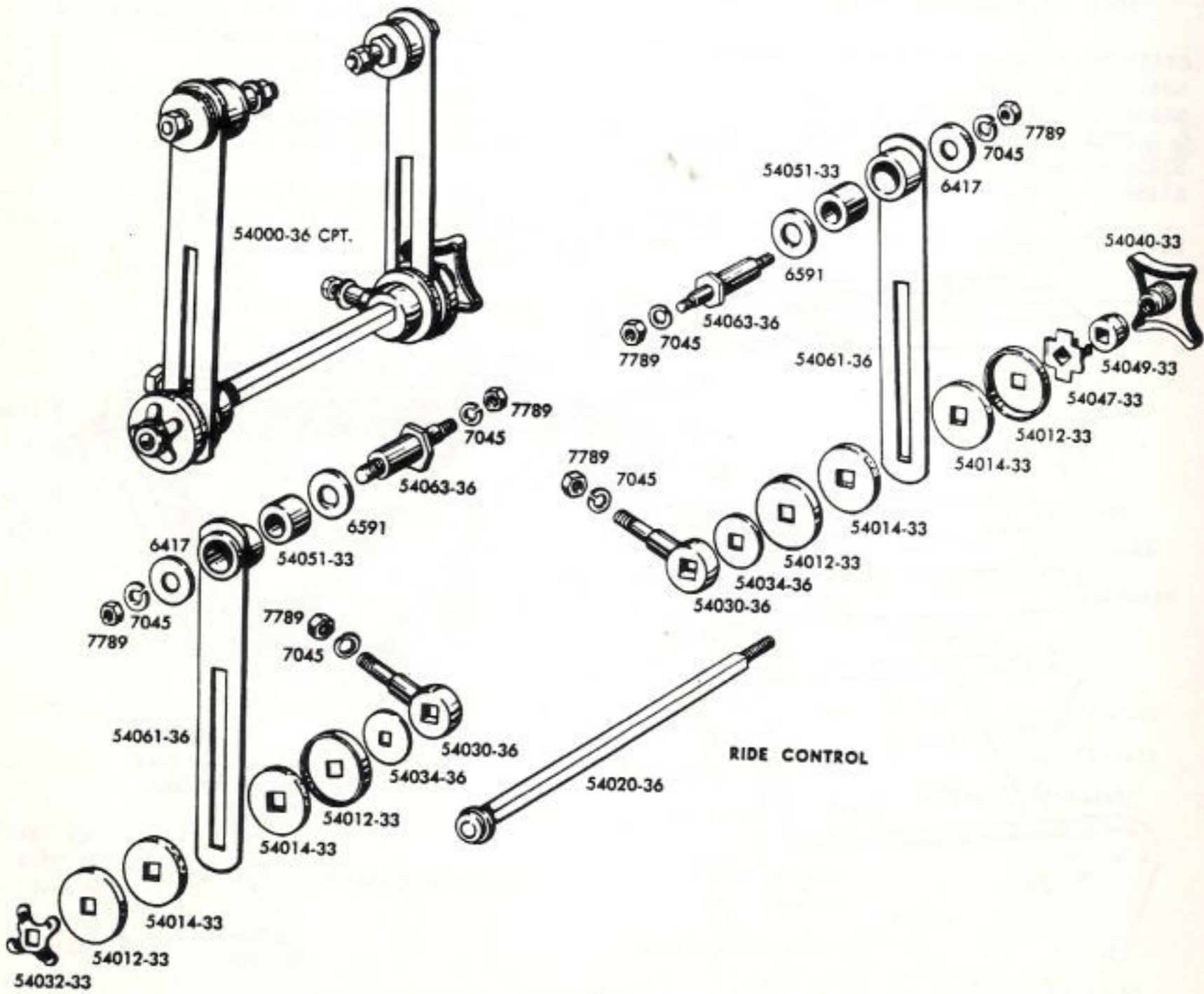


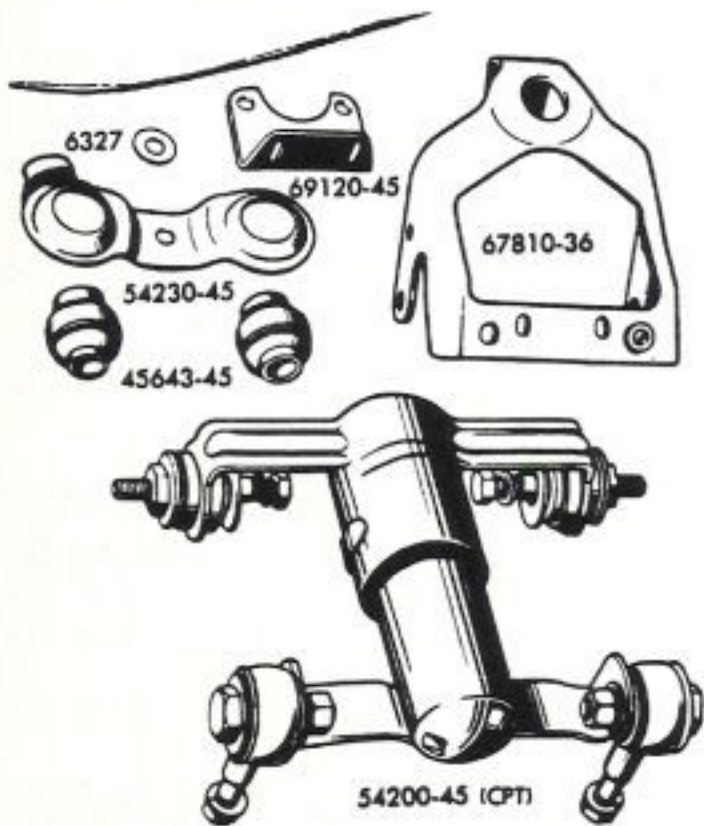


SEAT POST & SADDLE

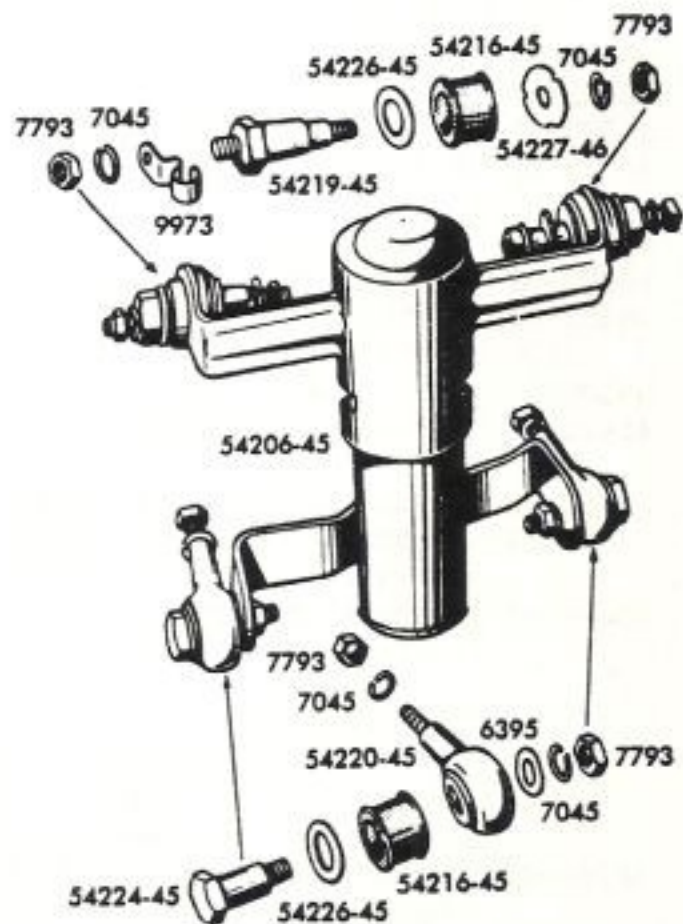


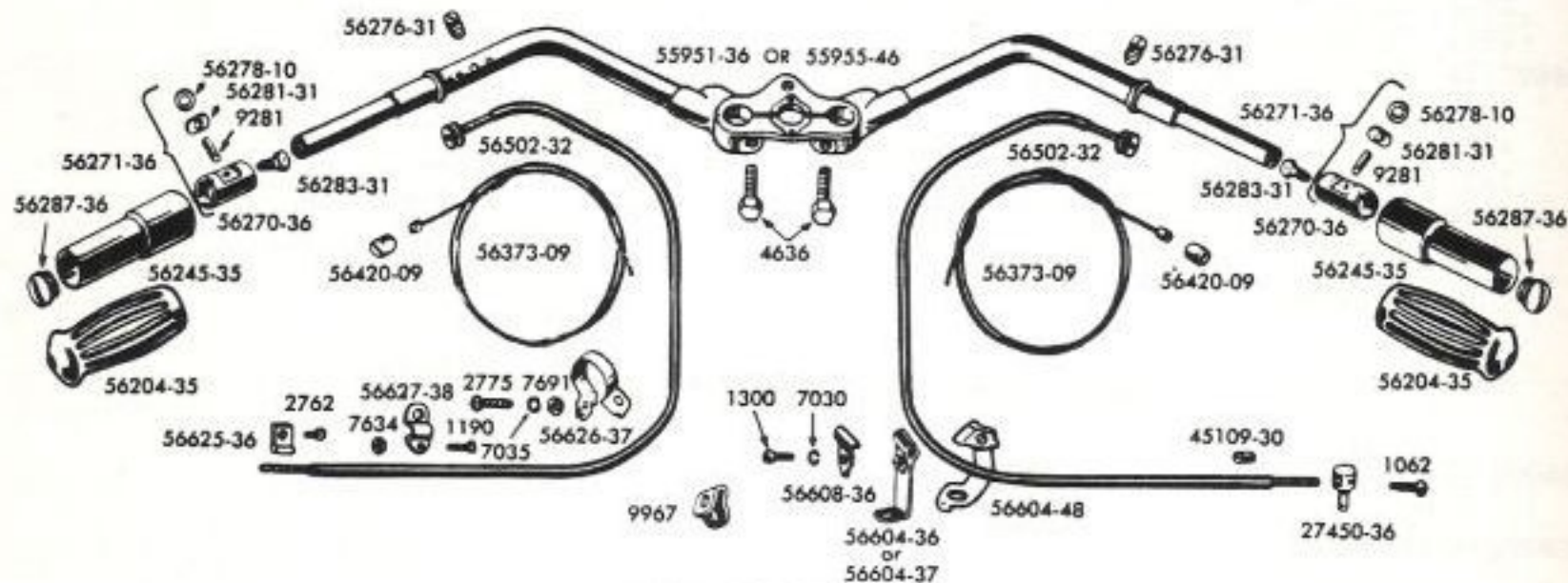




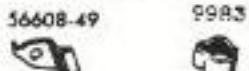
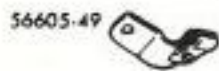
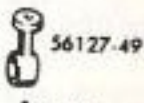
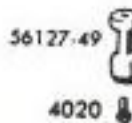
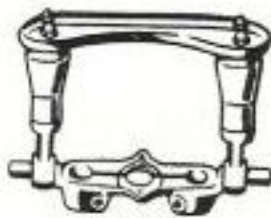
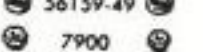
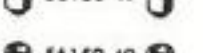
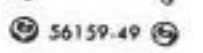
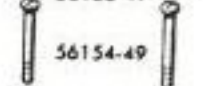
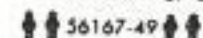
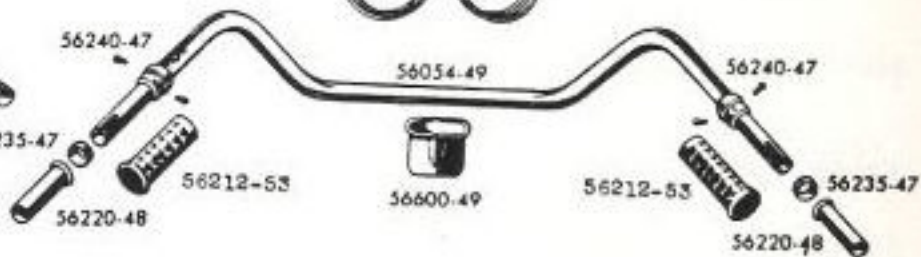


**SHOCK ABSORBER
AND FITTINGS**

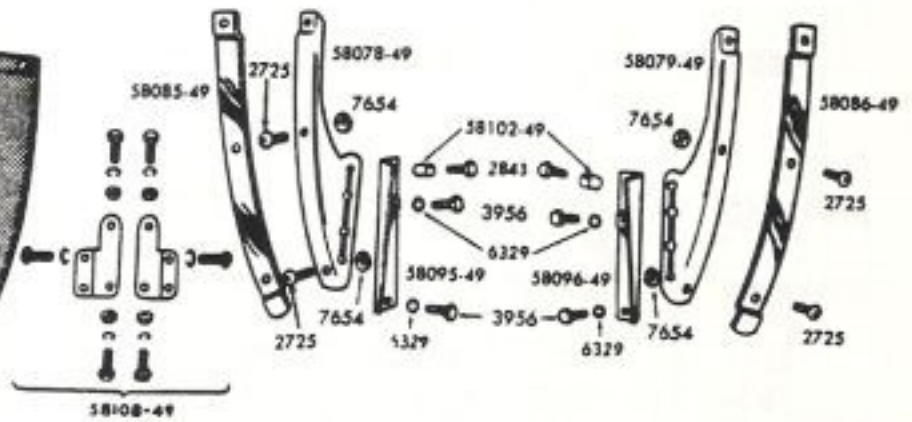
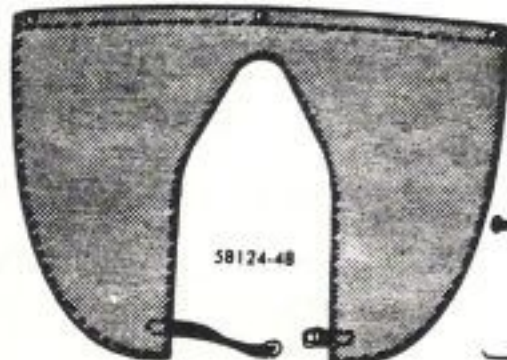
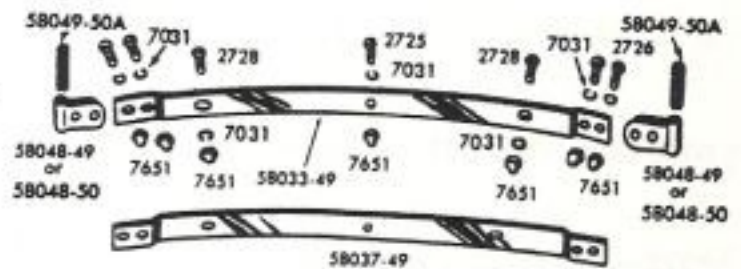
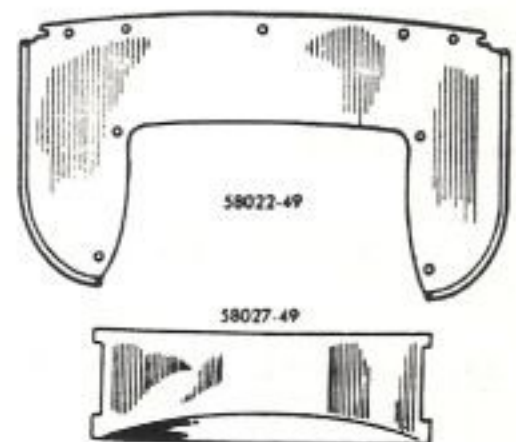
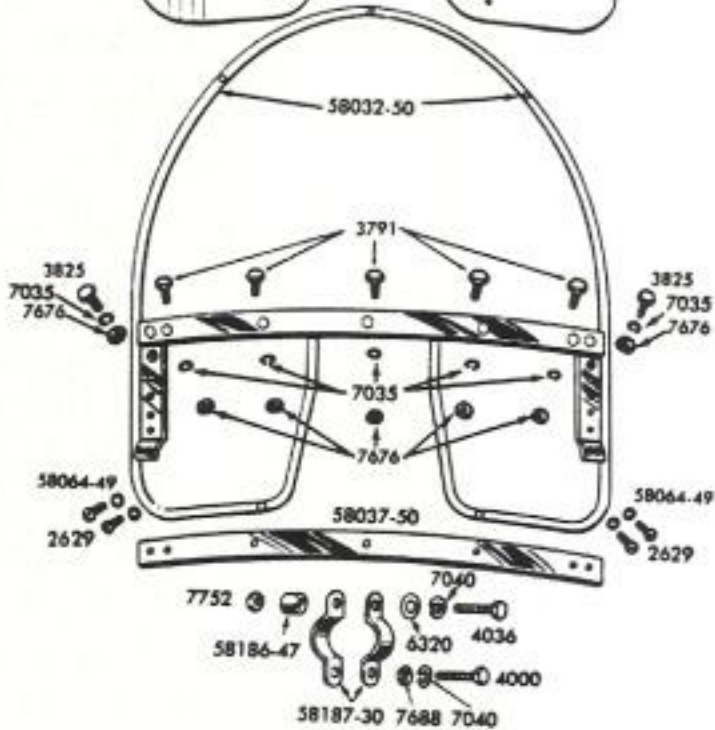
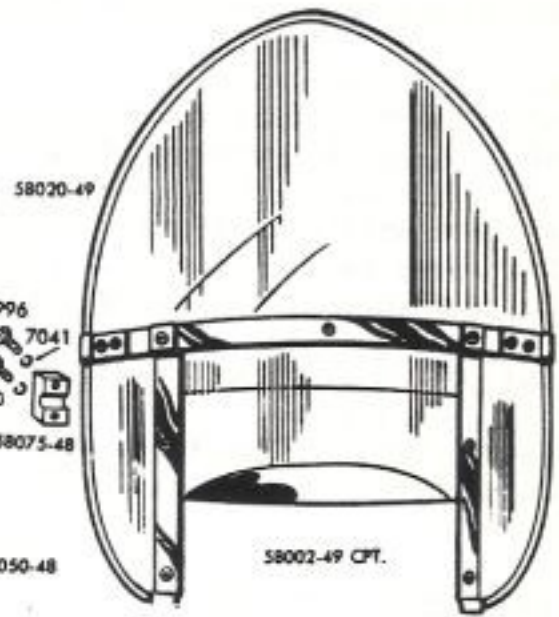
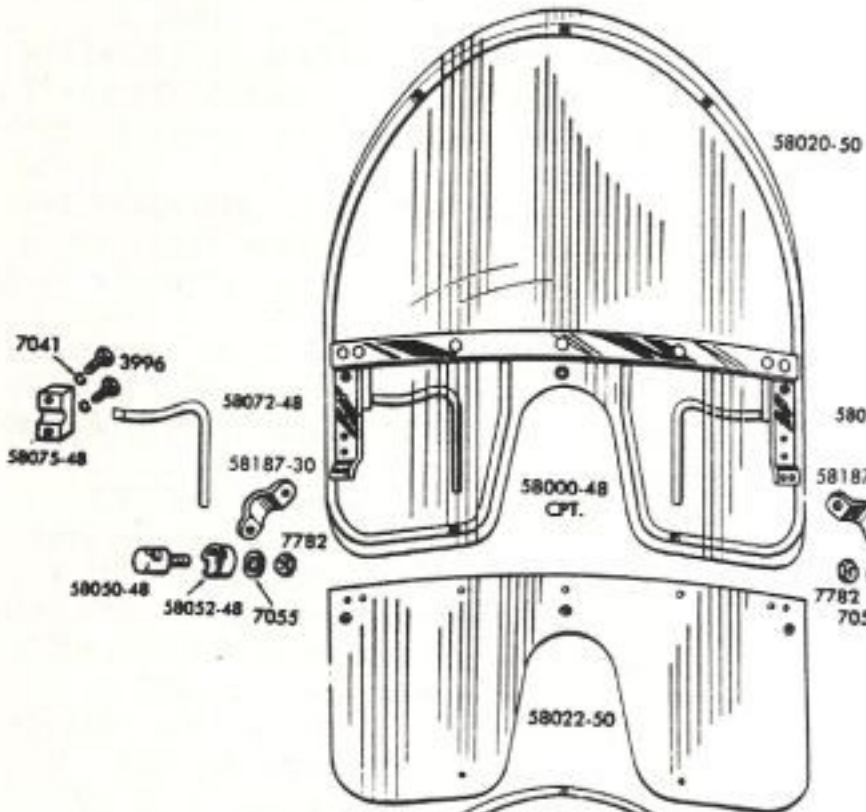




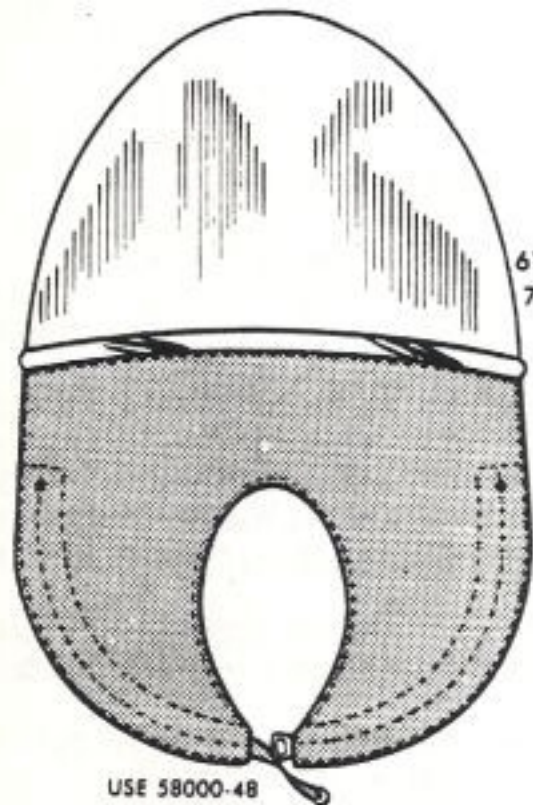
HANDLE BARS—OLD STYLE



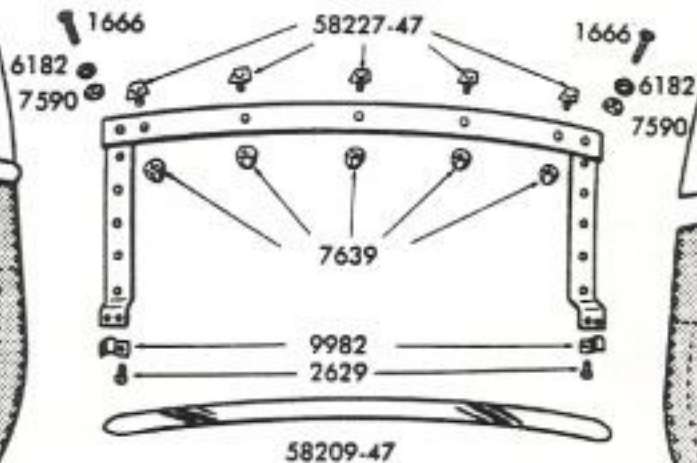
HANDLE BARS — NEW STYLE



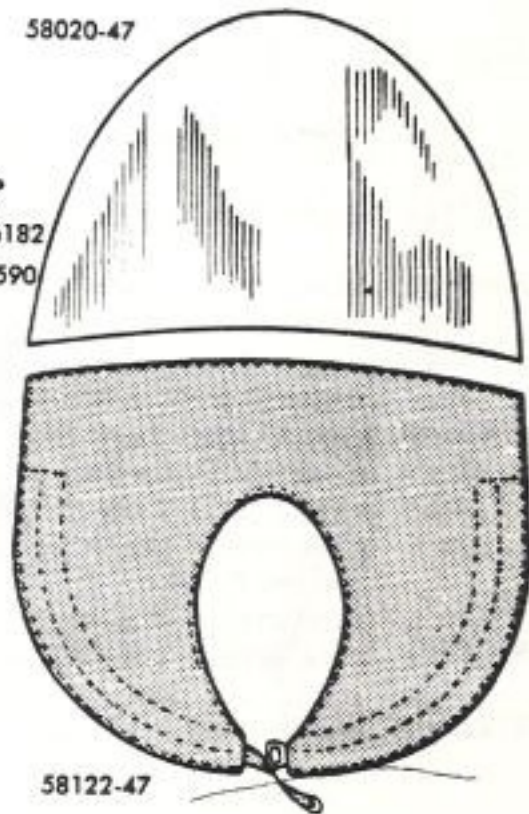
WINDSHIELDS - PLASTIC



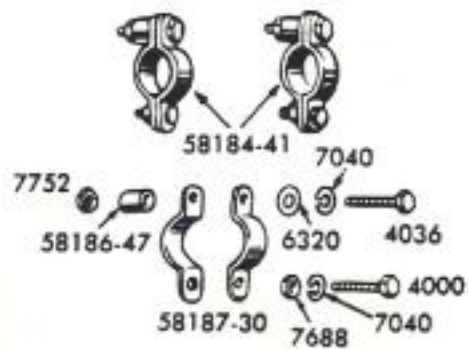
USE 58000-48



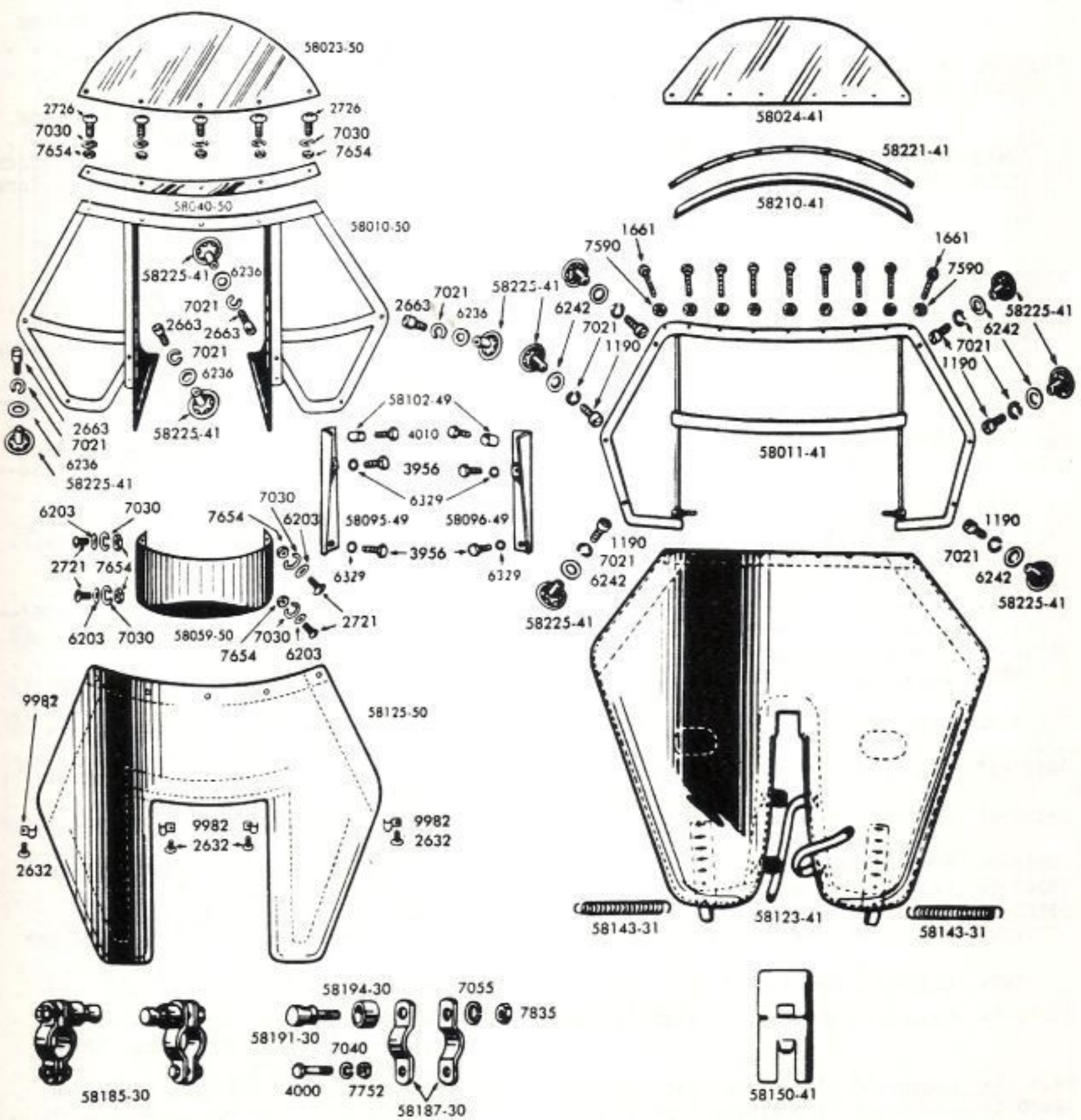
58020-47



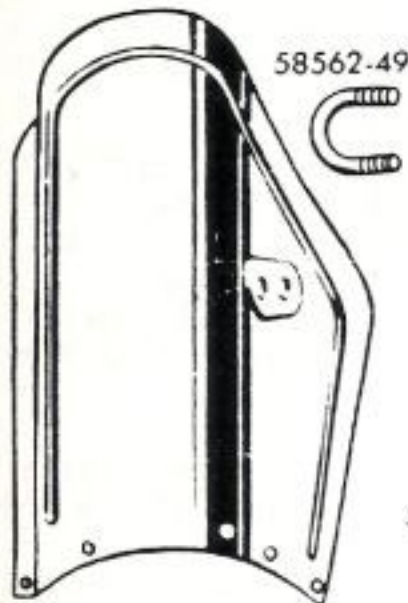
58122-47



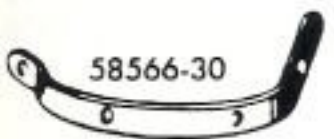
WINDSHIELD — OLD STYLE



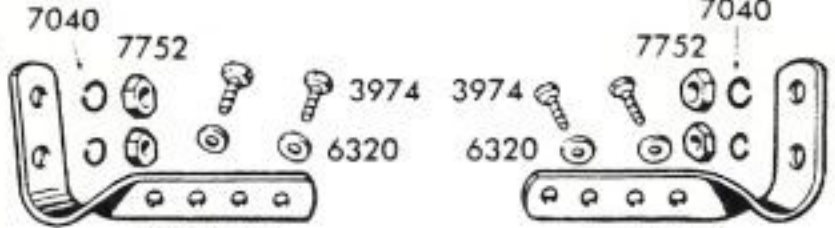
WINTER WINDSHIELDS



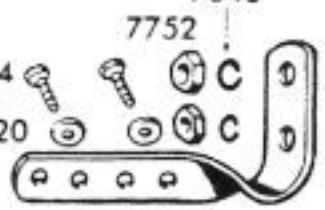
58527-30 or 58531-37



58566-30



58550-49



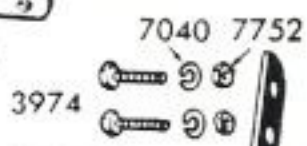
58551-49



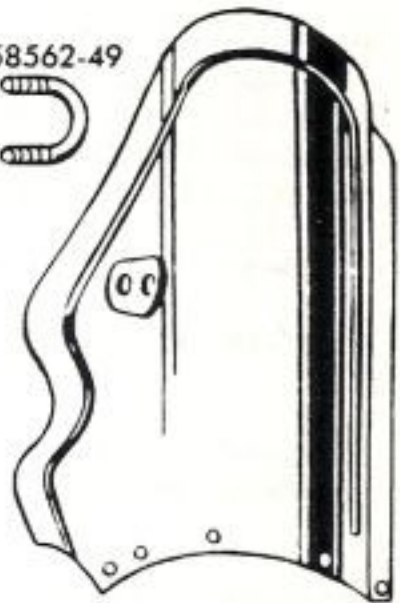
58548-36



58557-37



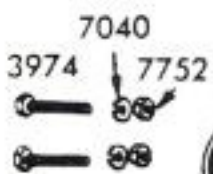
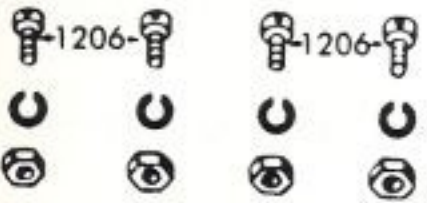
58547-36



58507-39 or 58511-37

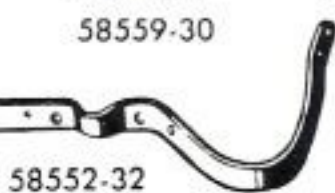
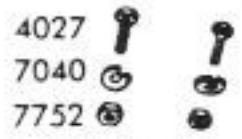


58568-36
or
58570-38

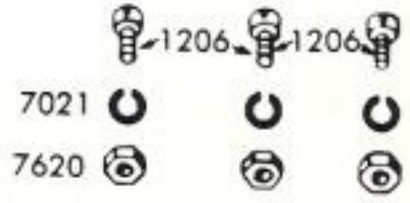


7021

7620

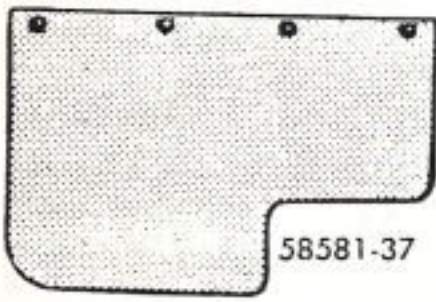


58552-32



7021

7620



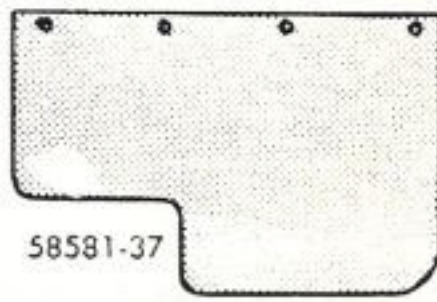
58581-37



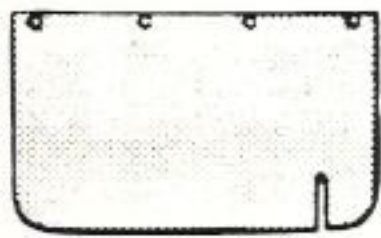
58585-30



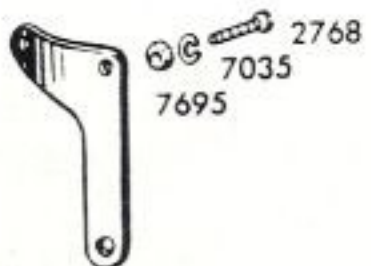
58585-30



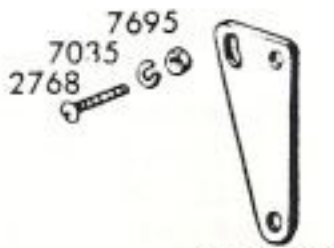
58581-37



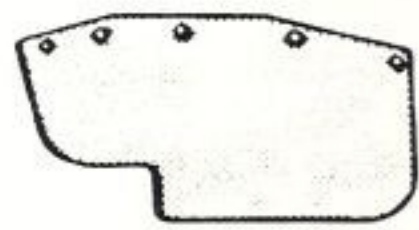
58579-30



58589-36

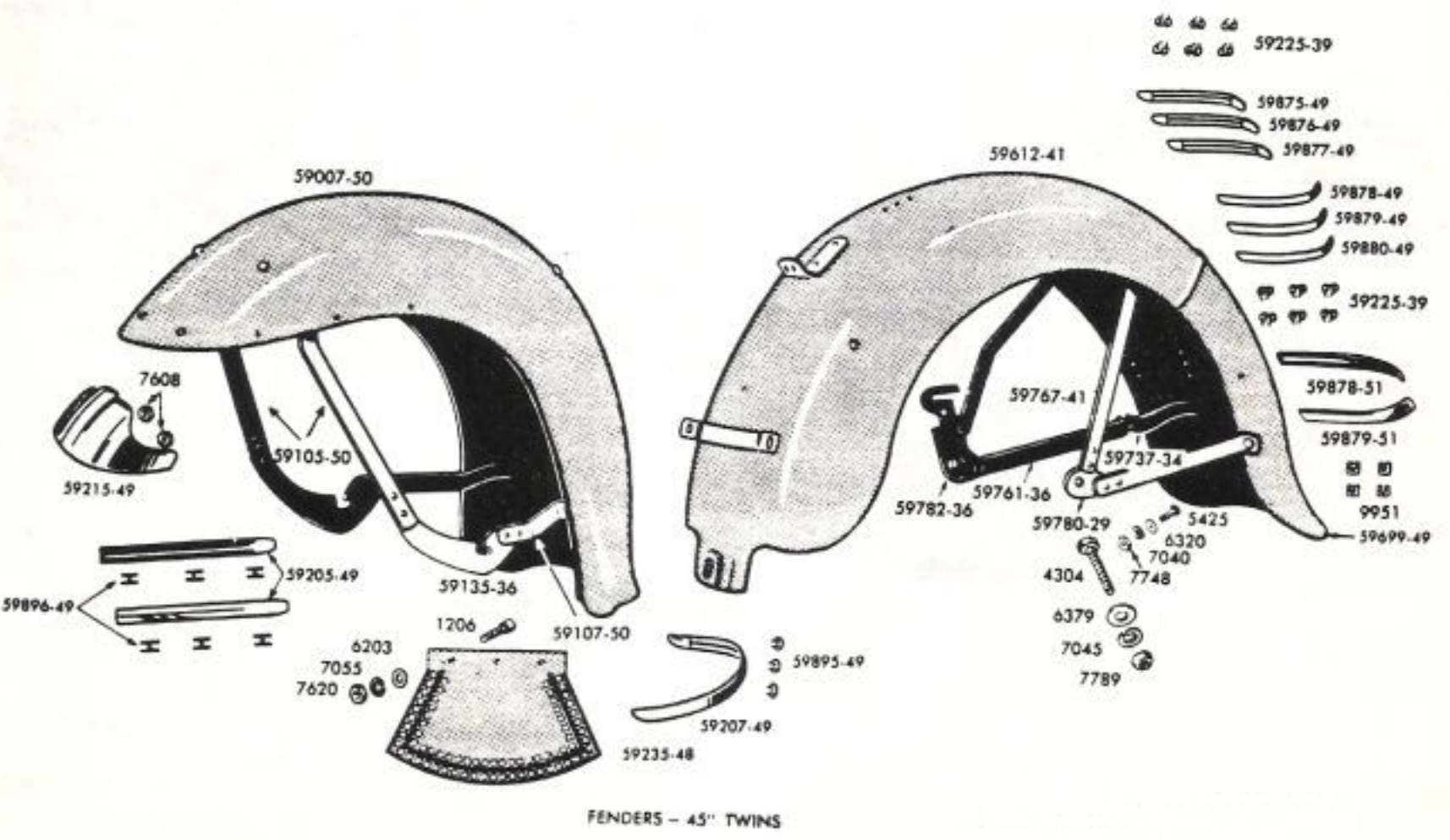
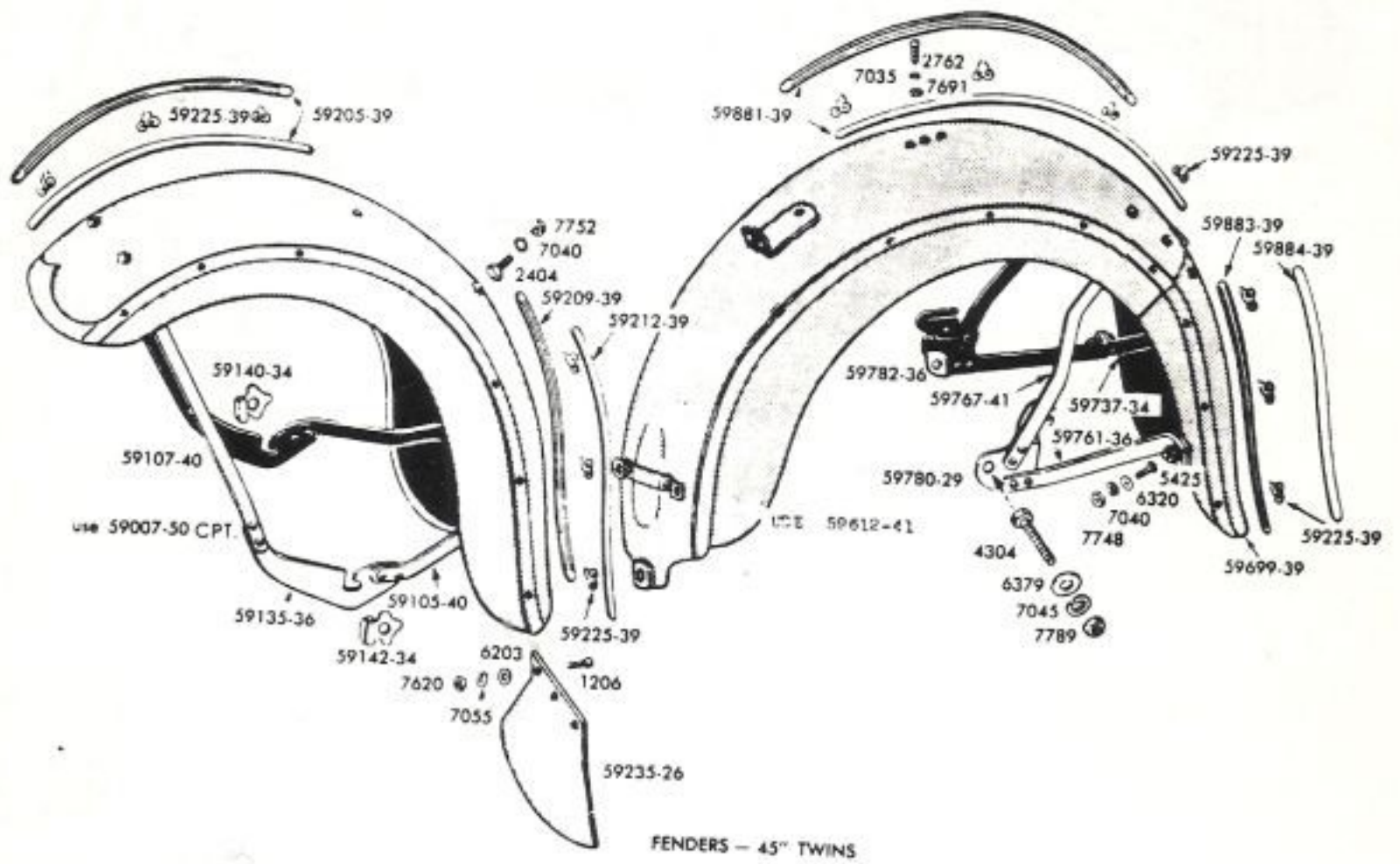


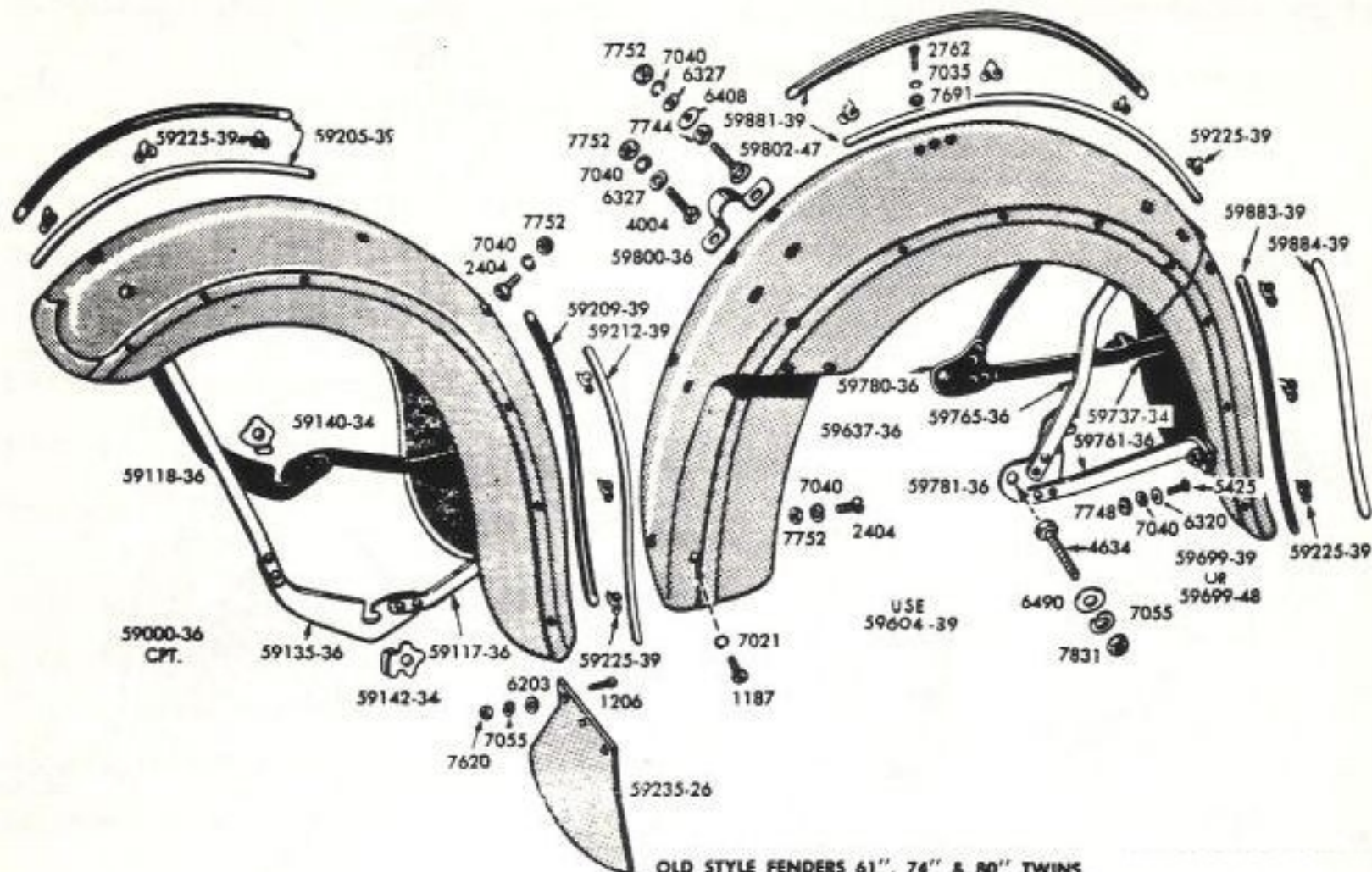
58587-36



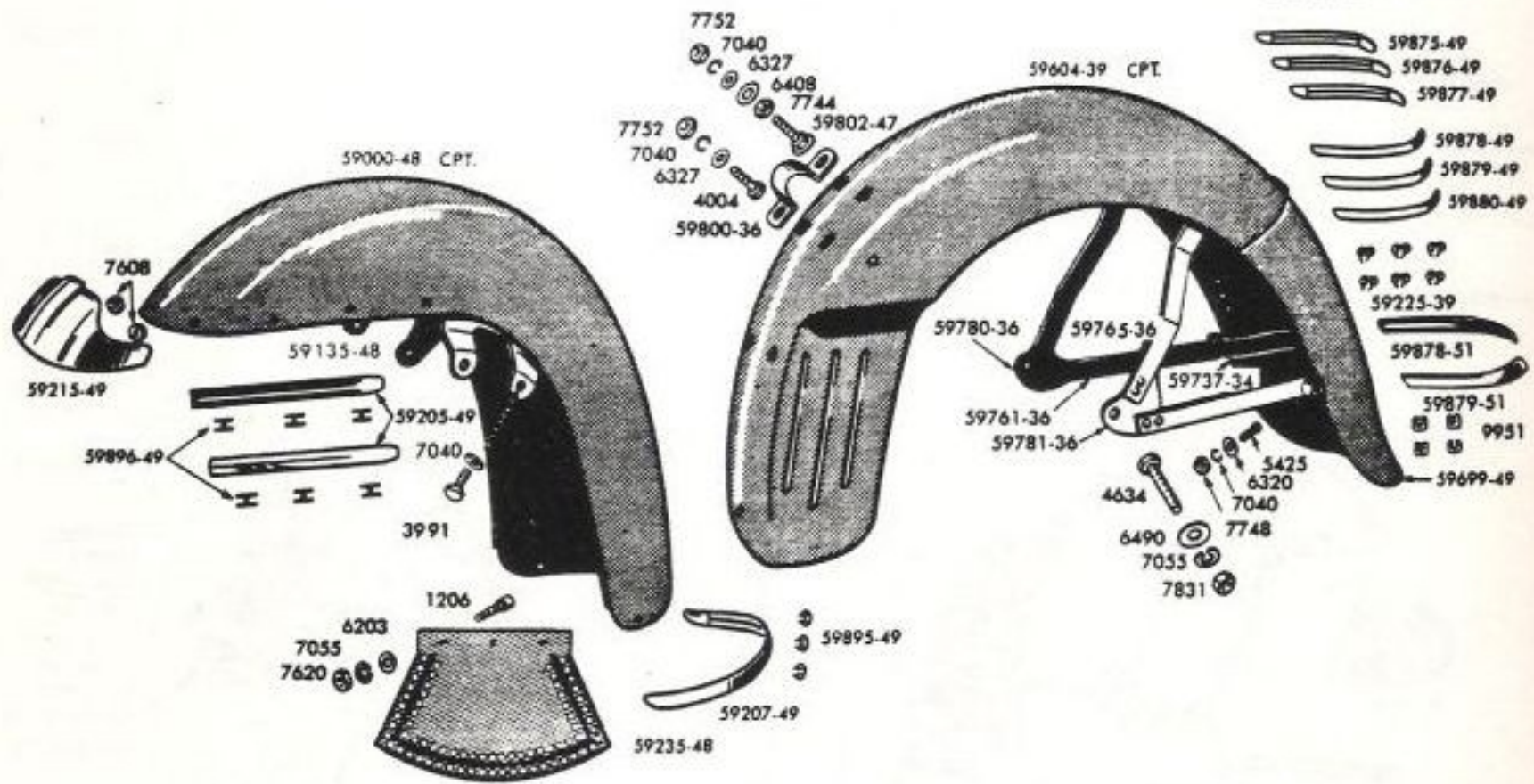
58577-38

LEGSHIELDS

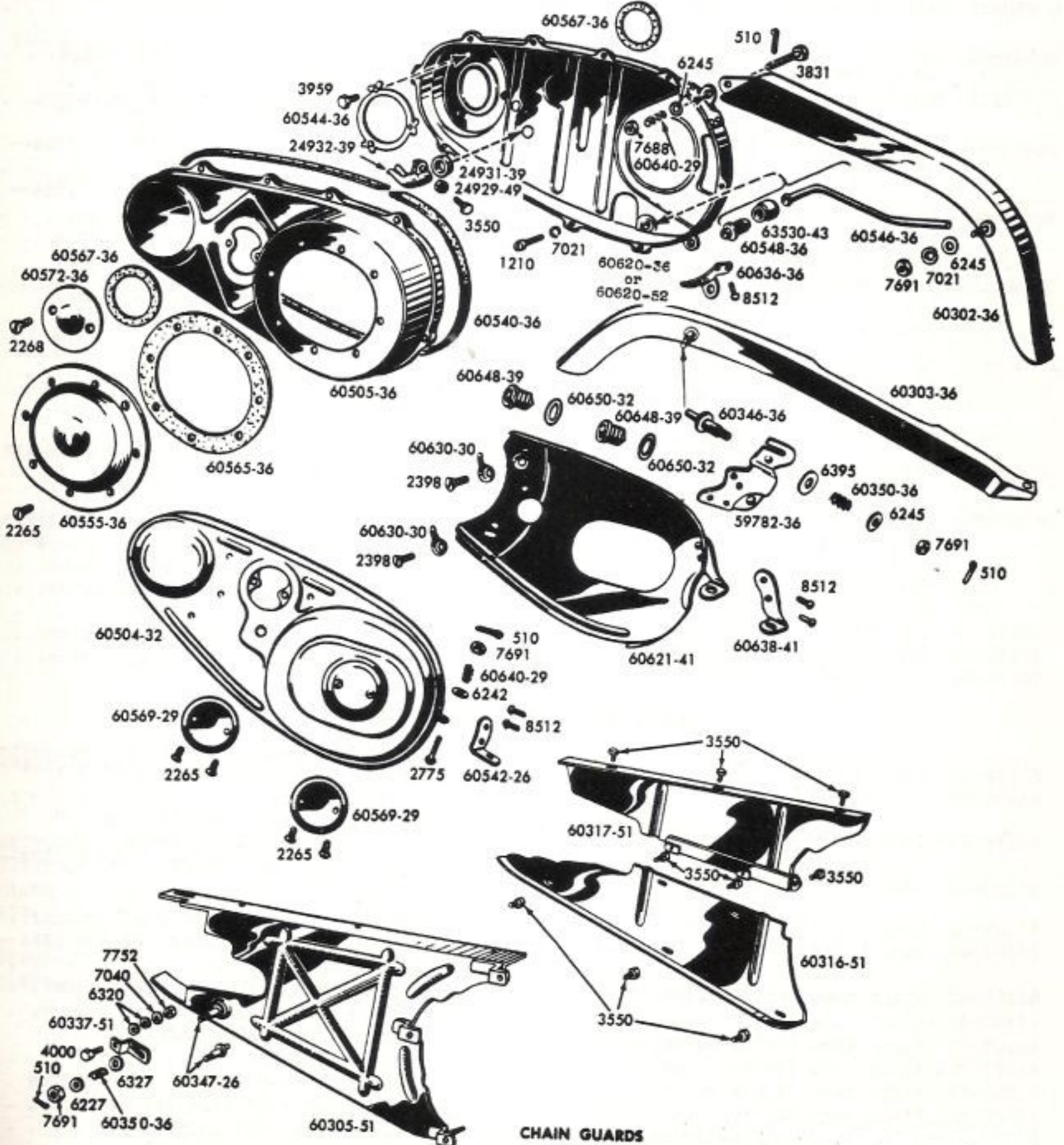




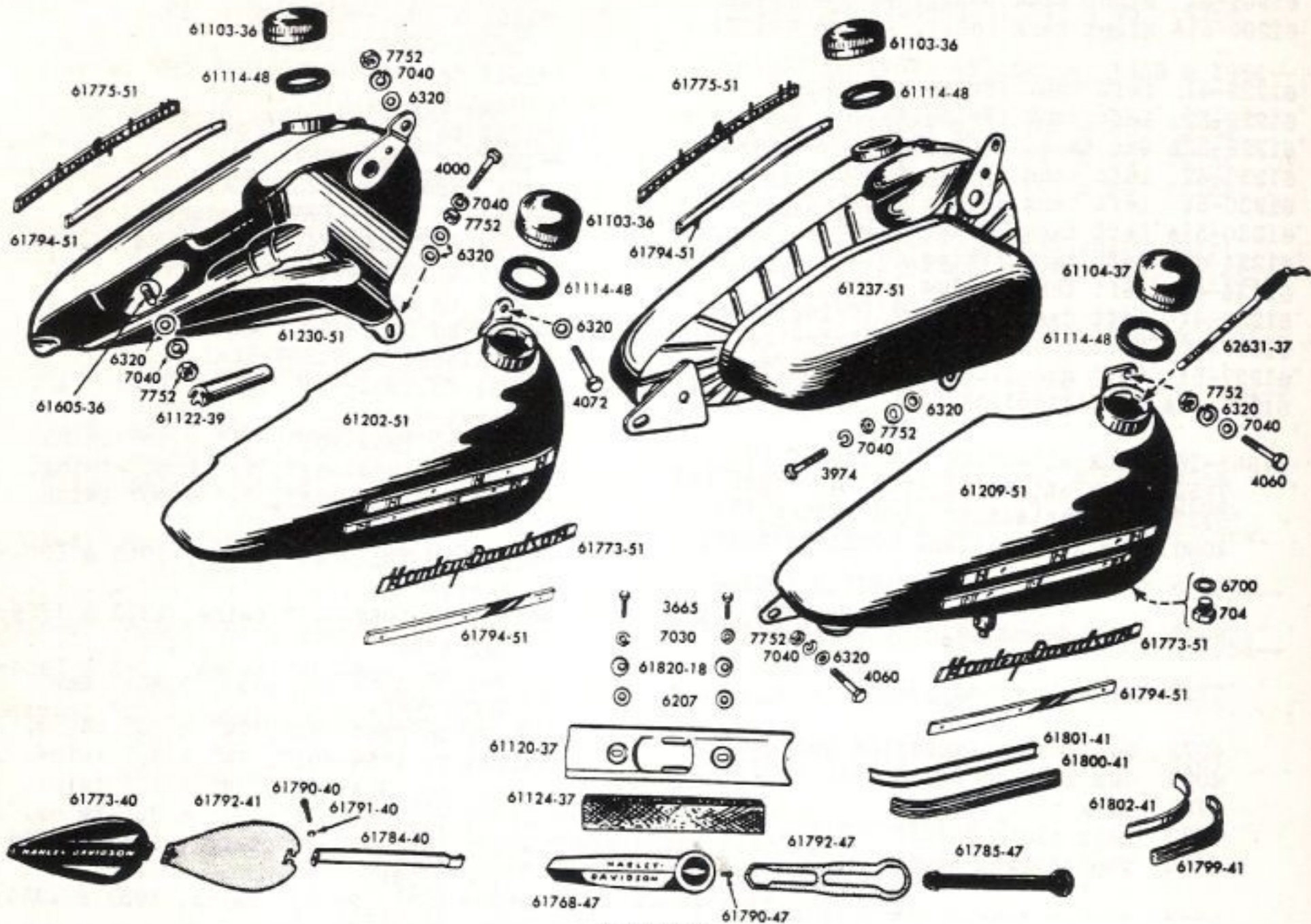
OLD STYLE FENDERS 61", 74" & 80" TWINS



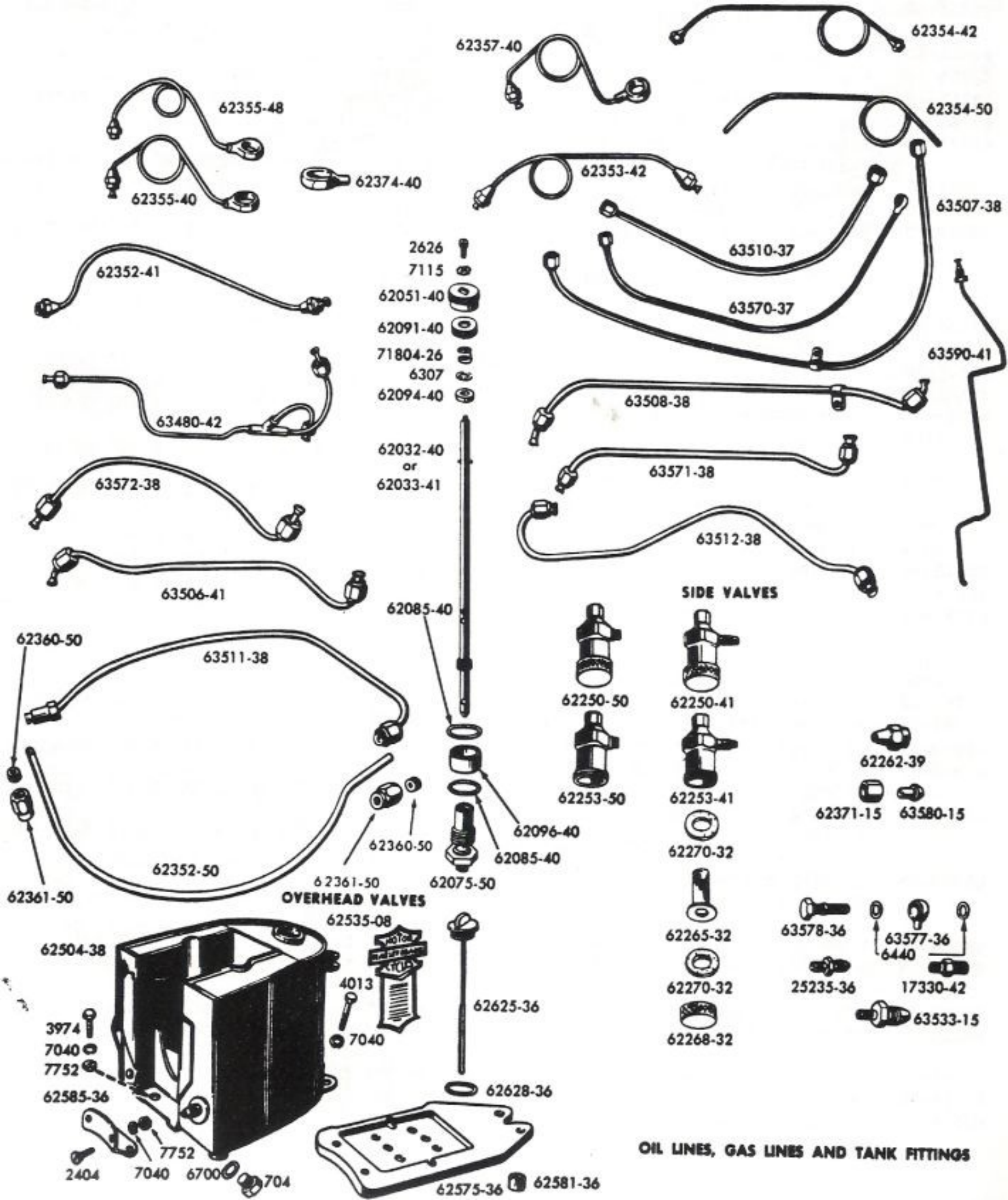
NEW STYLE FENDERS 61", 74" & 80" TWINS

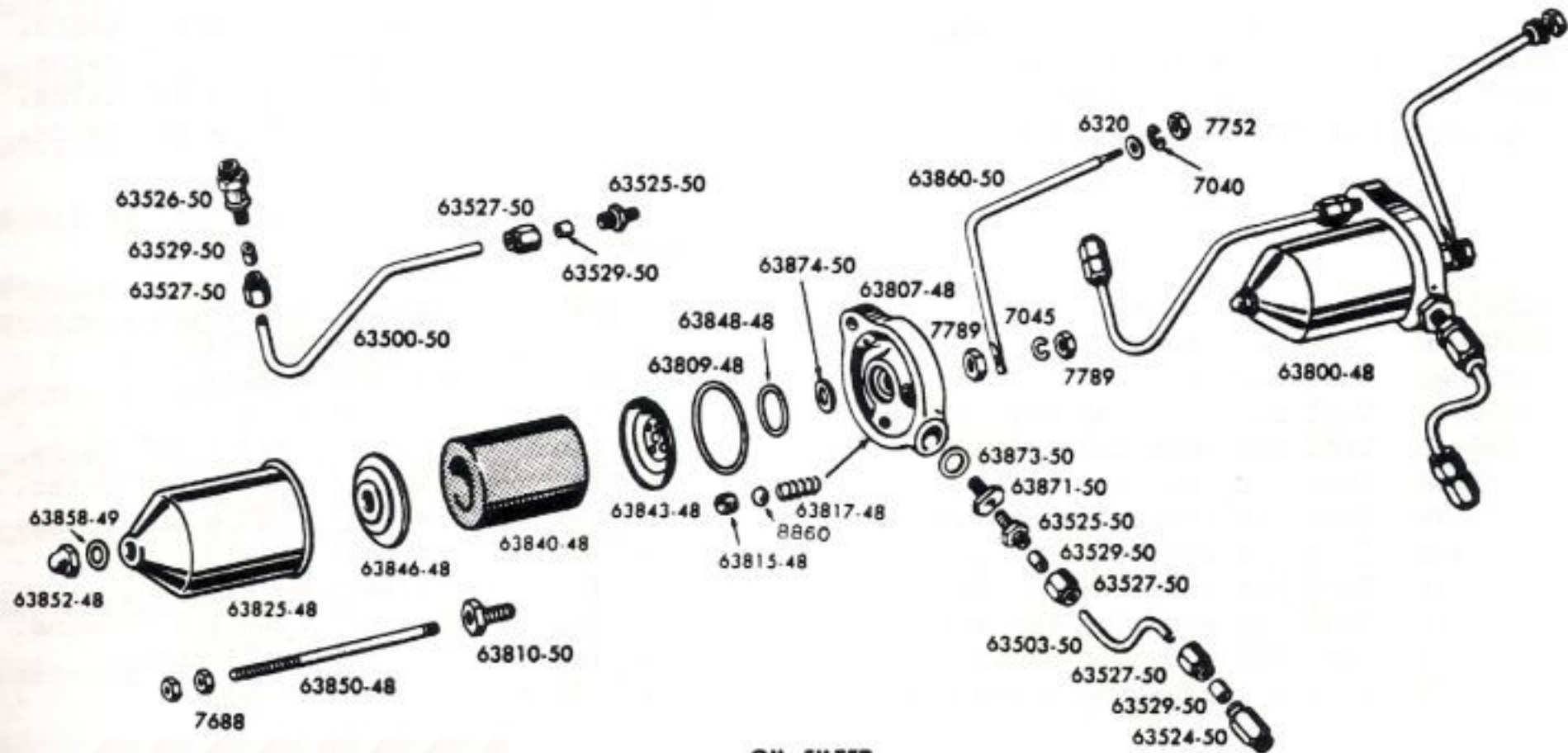


CHAIN GUARDS

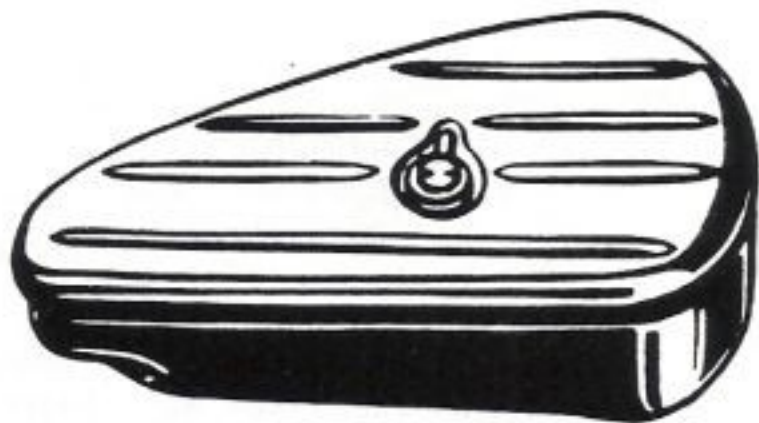


TANK GROUP

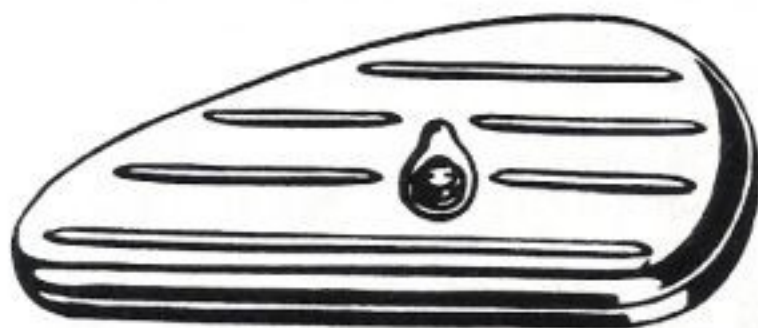




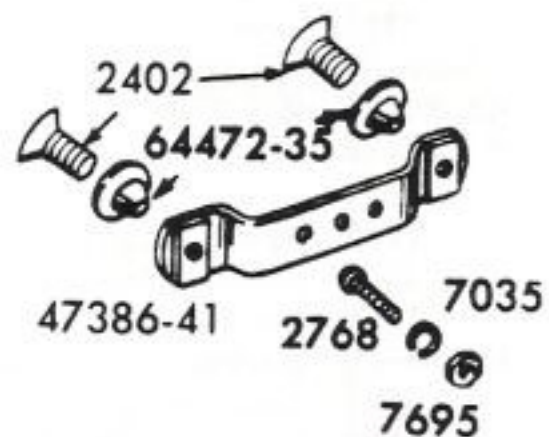
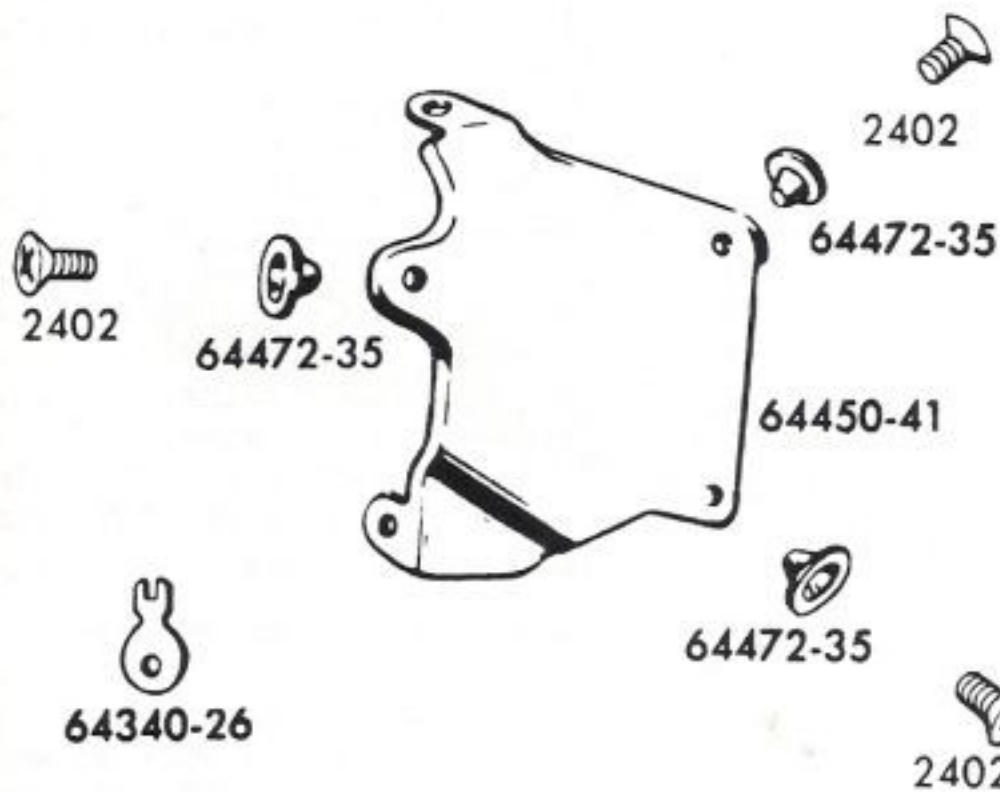
OIL FILTER



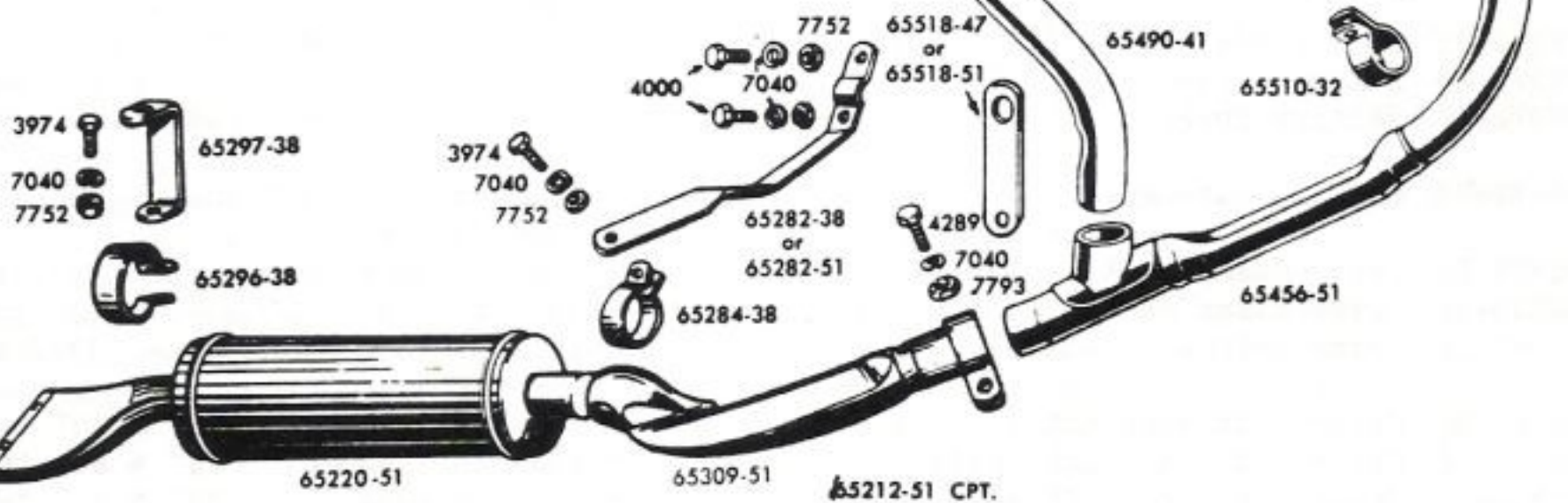
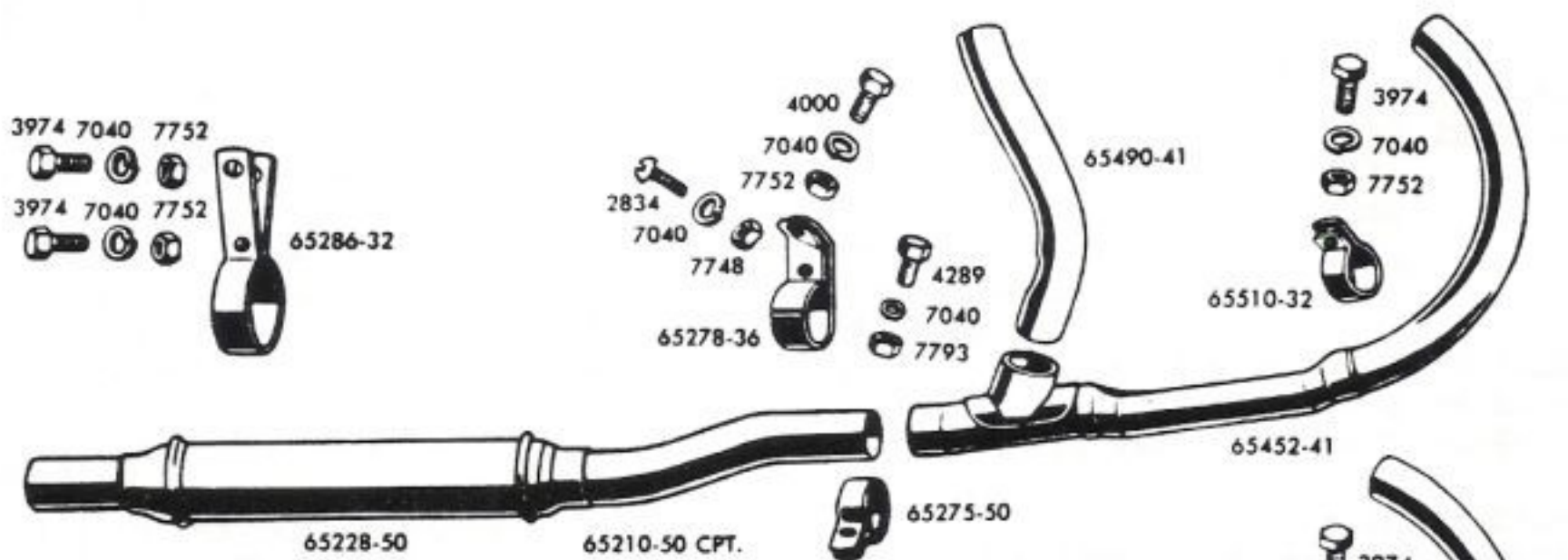
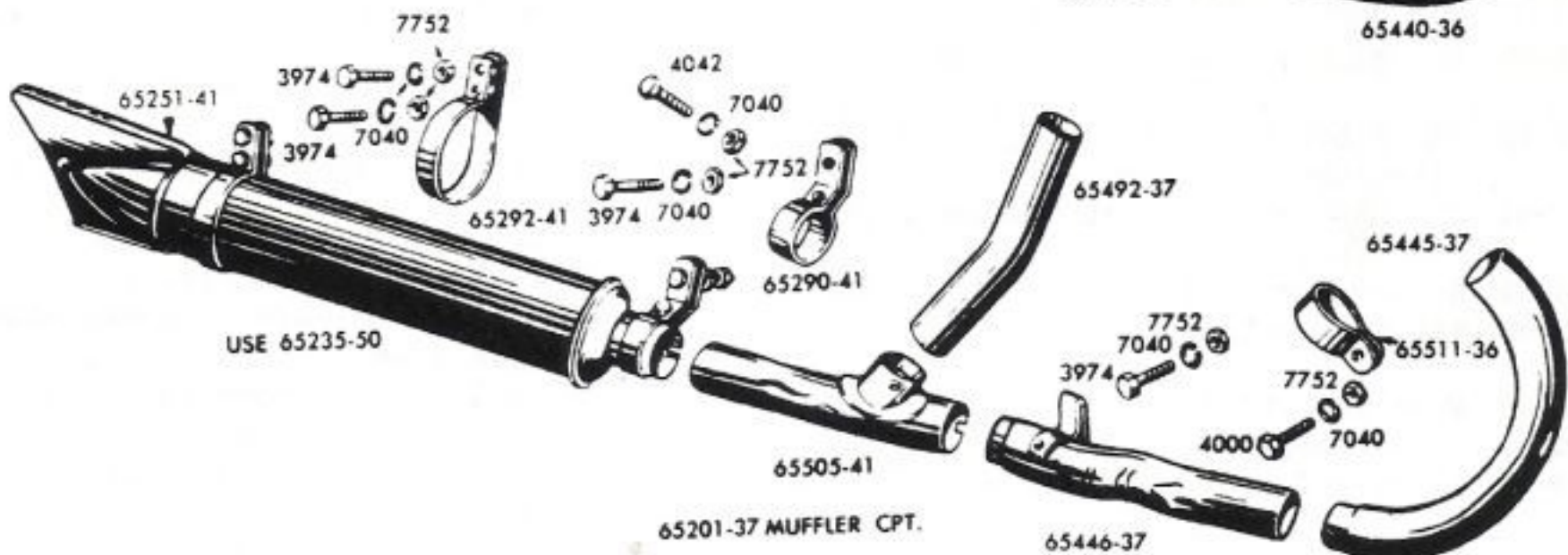
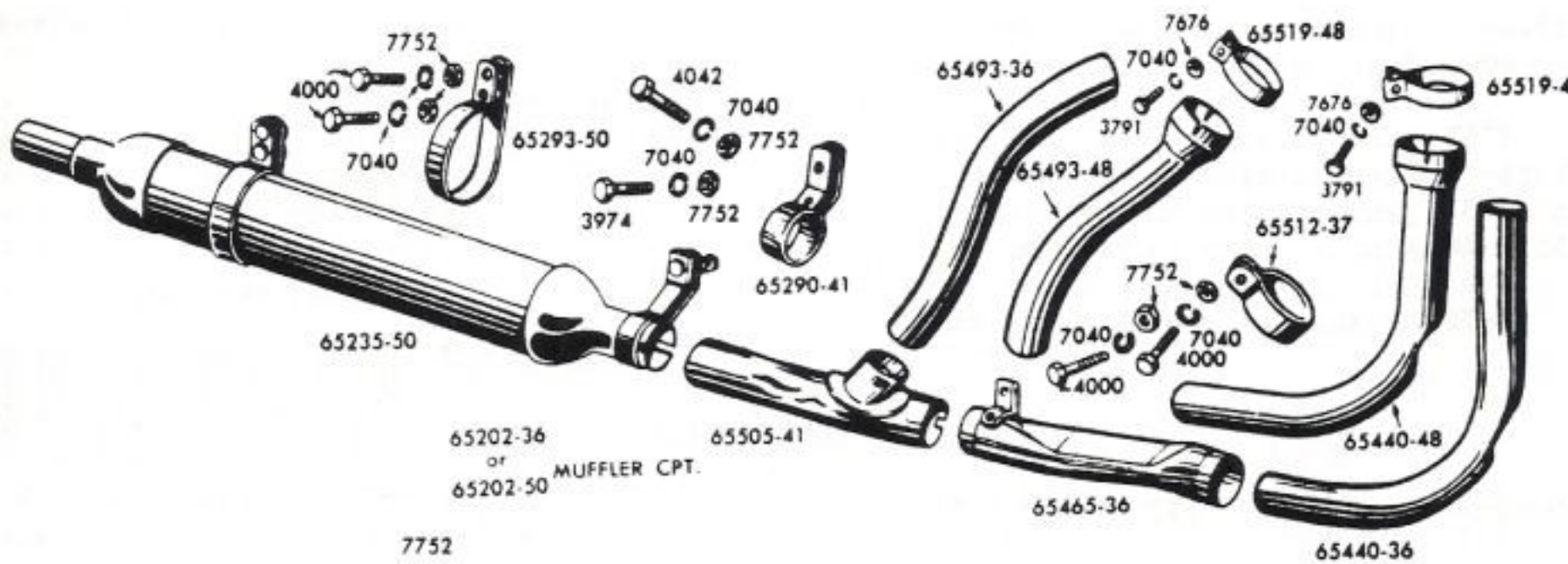
64205-40



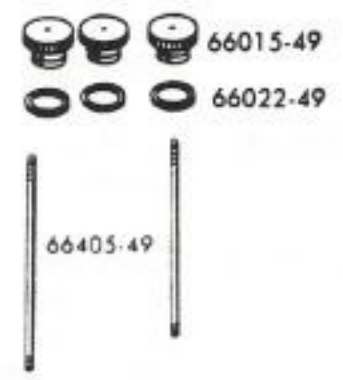
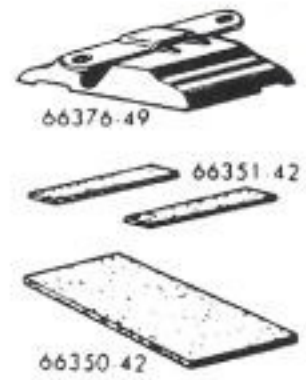
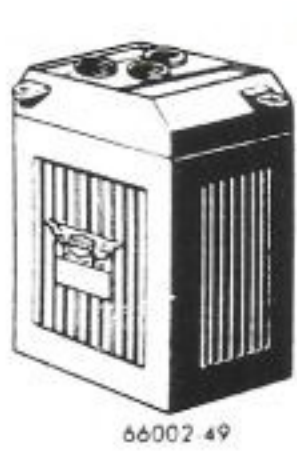
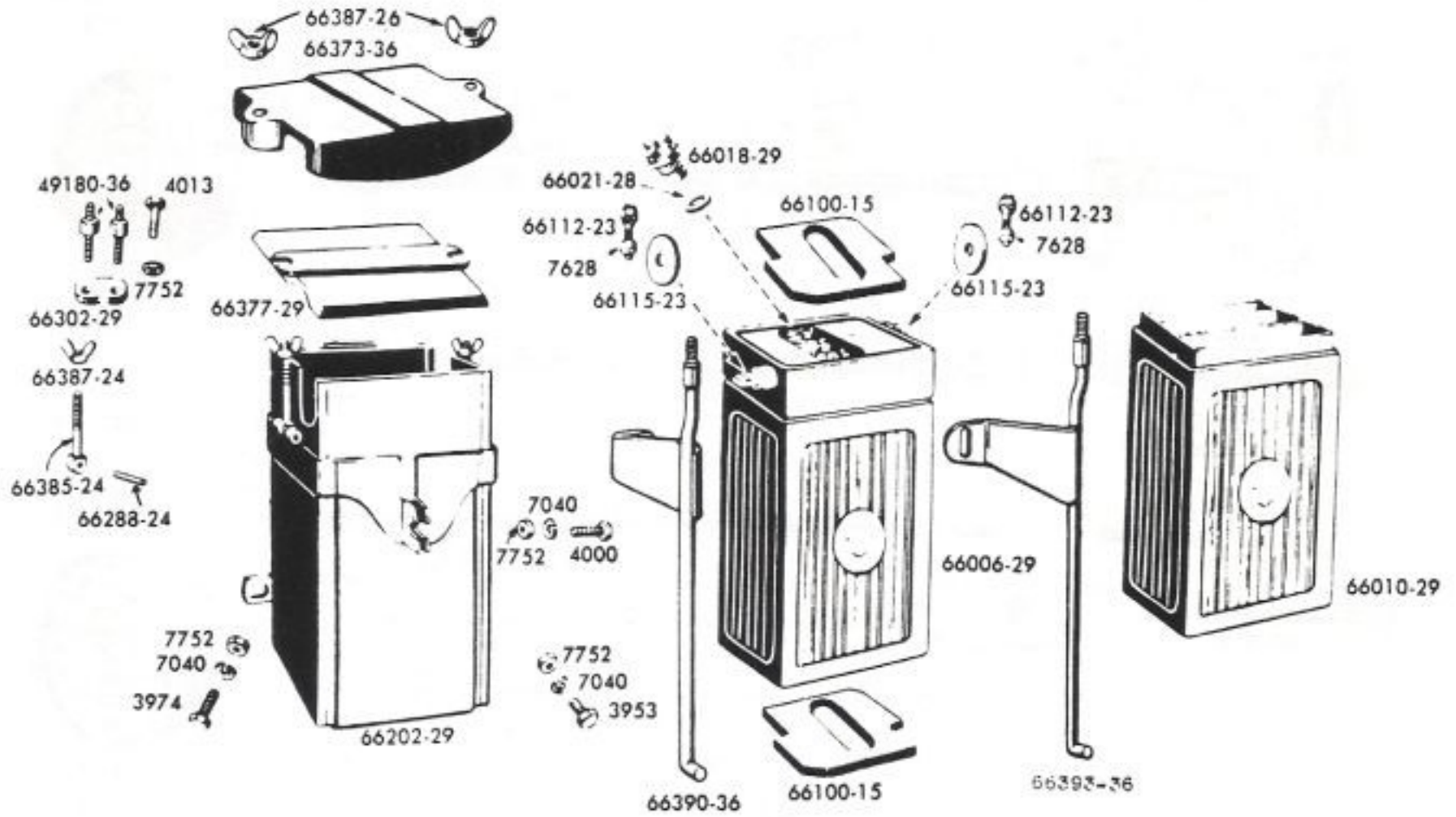
64303-40



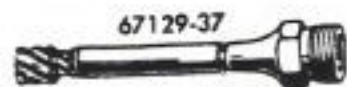
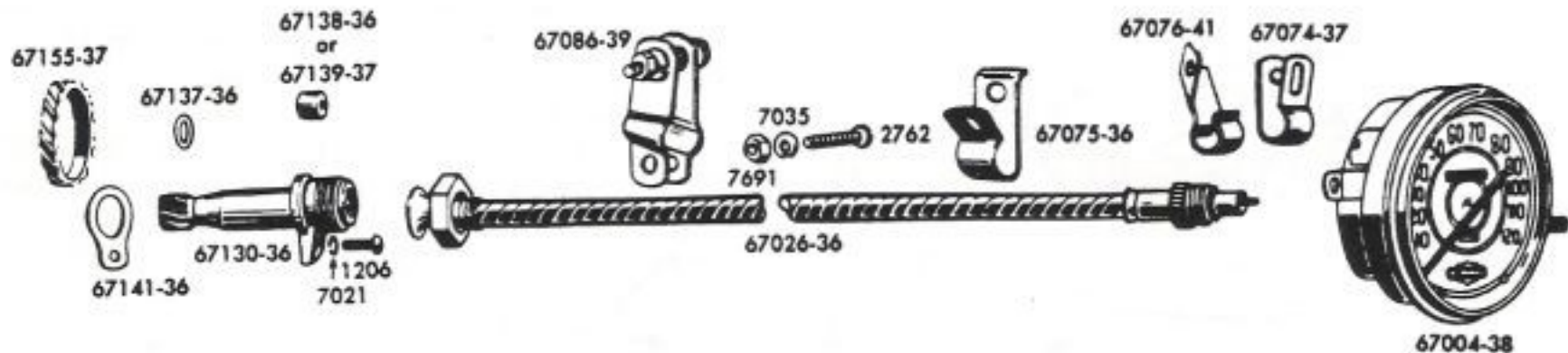
TOOL BOX



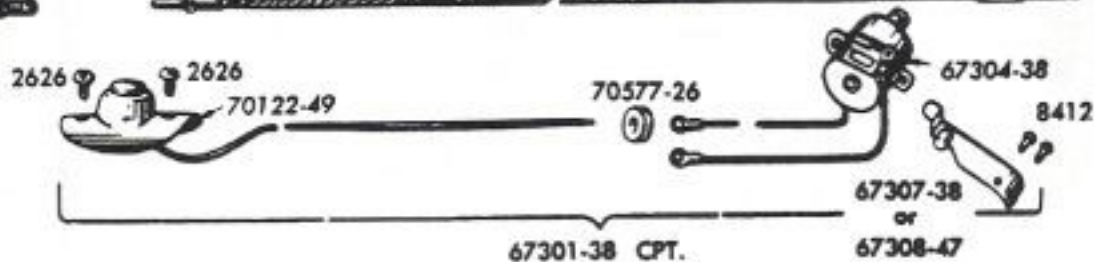
MUFFLER AND EXHAUST PIPES



BATTERY



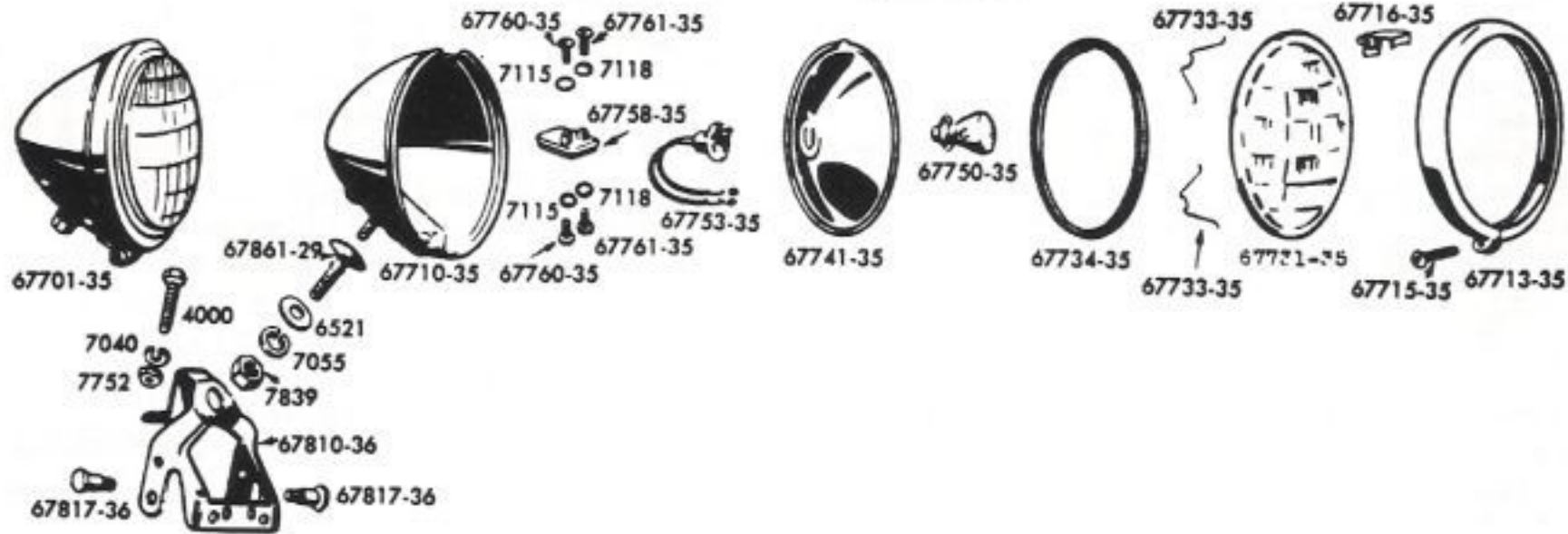
67055-36
or
67057-41



SPEEDOMETER



67004-47
or
67004-53



HEADLAMP — OLD STYLE



67701-49



67710-49



67753-48

67756-48



67717-48

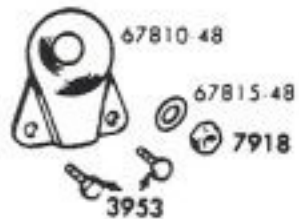


67719-48

67726-48

67729-48

67721-48



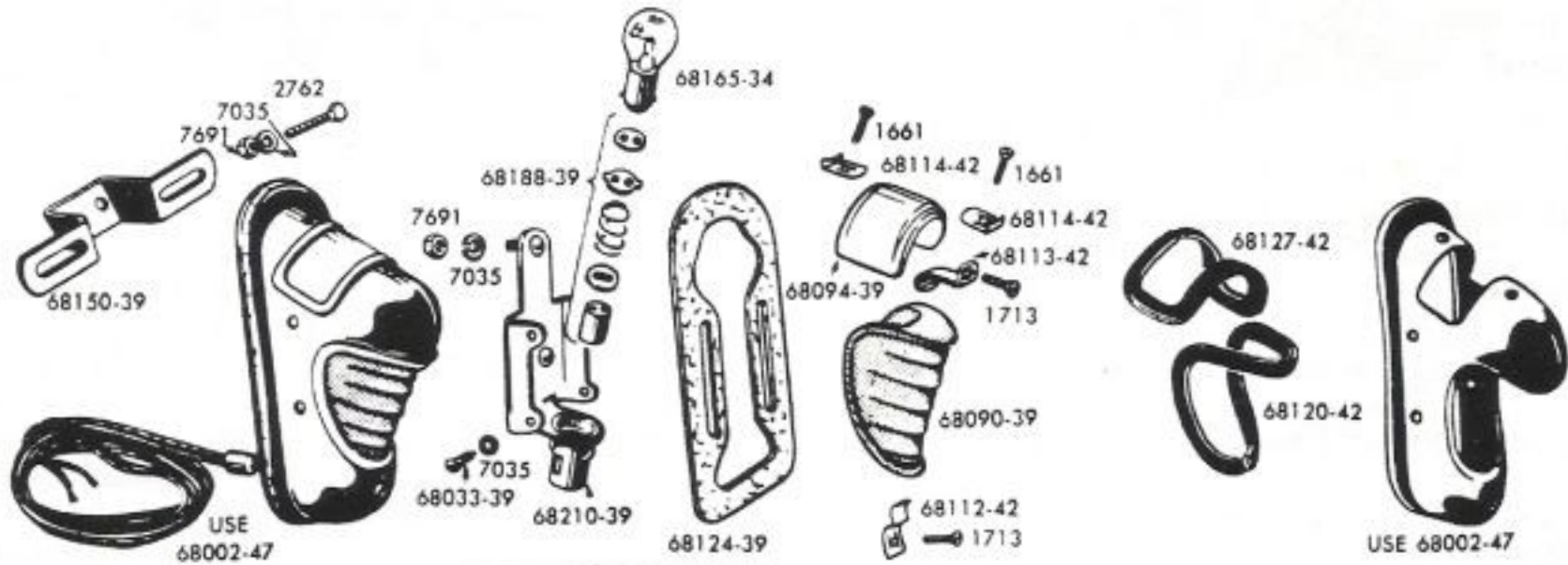
67810-48

67815-48

7918

3953

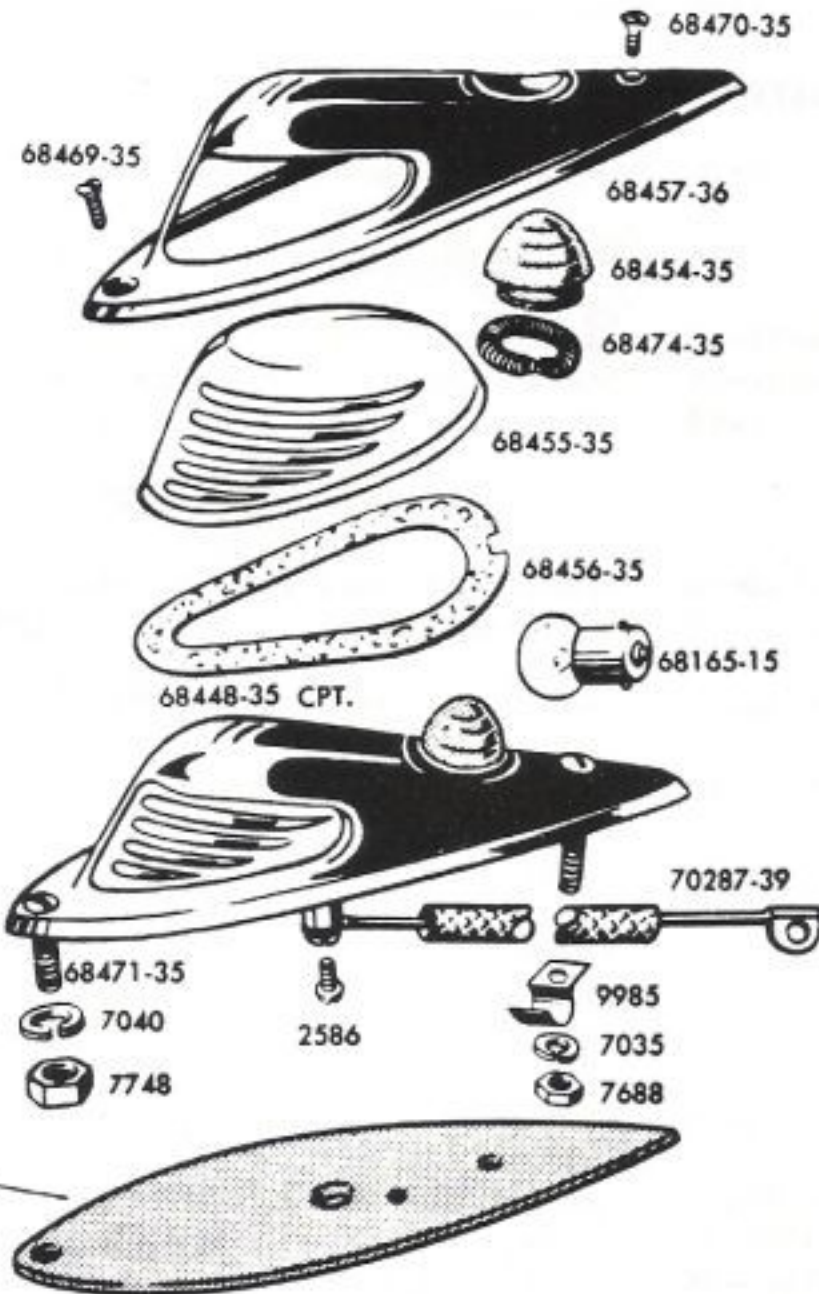
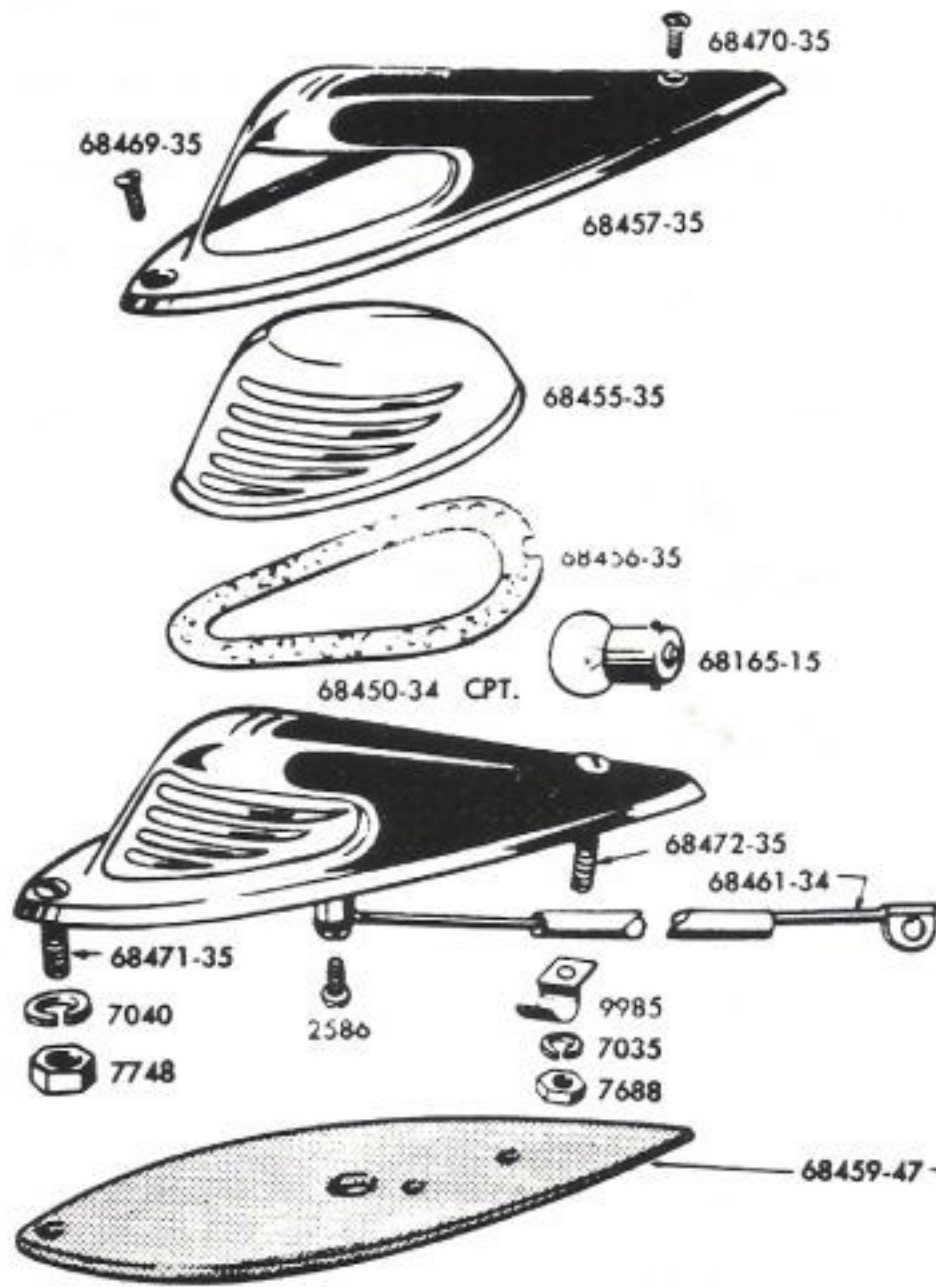
HEAD LAMP — NEW STYLE



TAIL LAMPS 1939 TO 1946



TAIL LAMPS 1947 TO 1954



FENDER LAMP—OLD STYLE



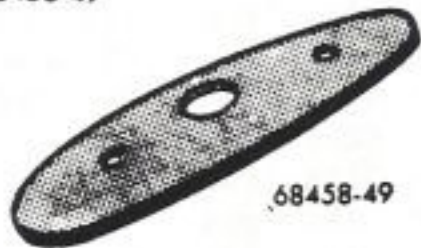
68450-49

68463-49



68457-49

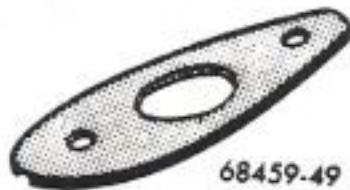
68463-49



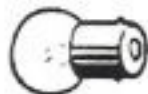
68458-49



68455-49



68459-49



68462-49



68466-49

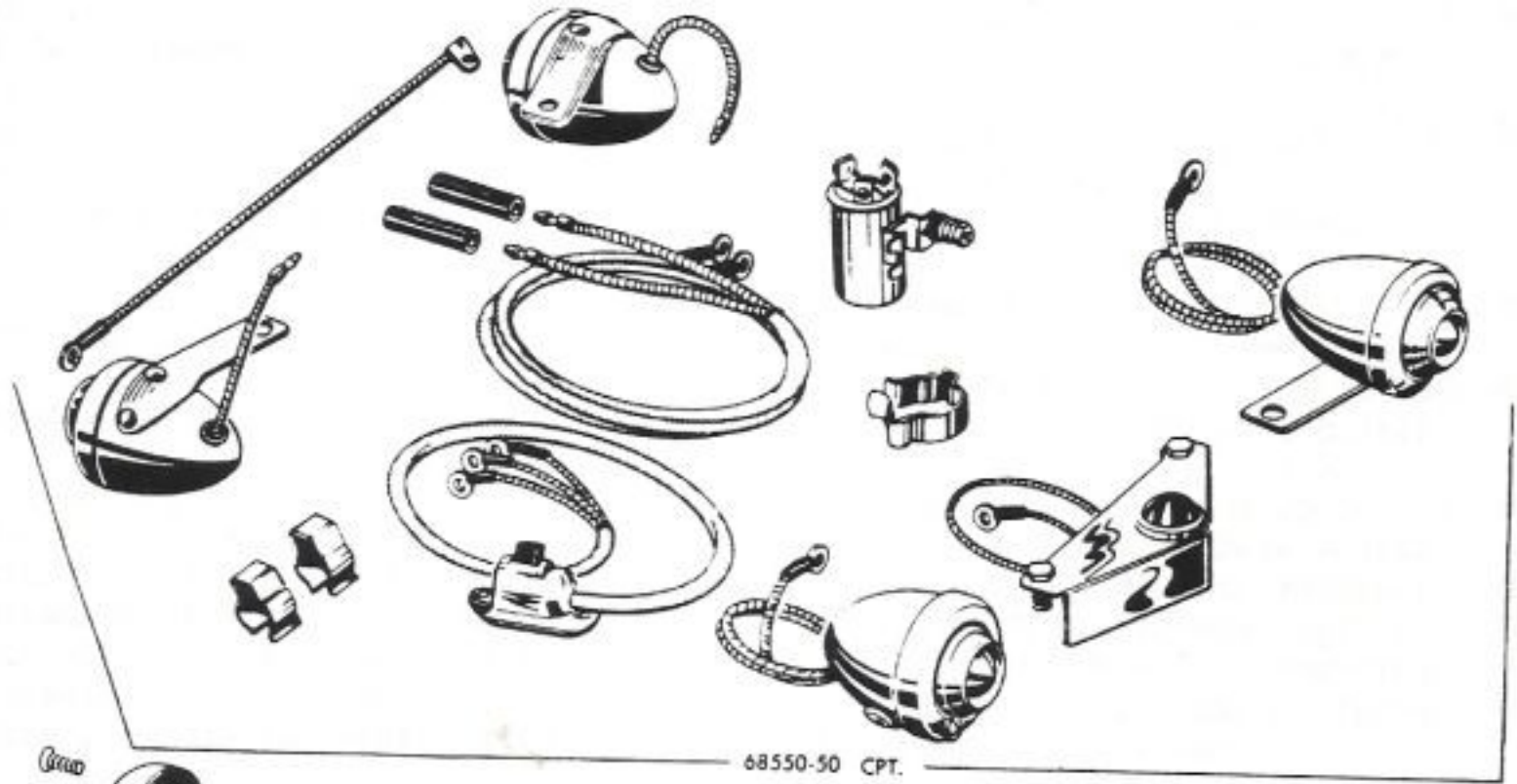


68465-49



68464-49

FENDER LAMP—NEW STYLE



68552-38



68515-38



68570-50



68521-38



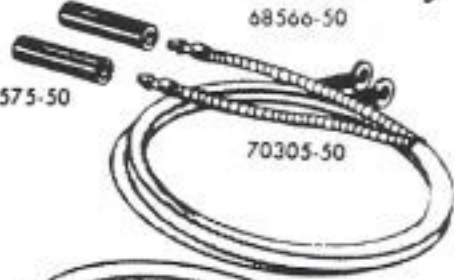
68572-50



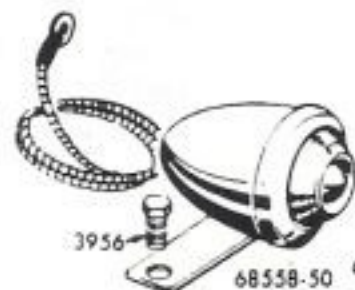
68566-50



70575-50



70305-50



3956

68558-50



68572-50



68521-38



68571-50



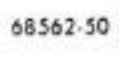
68515-38



70167-47



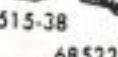
9977



68562-50



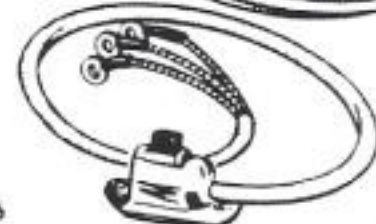
68561-50



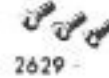
68522-38



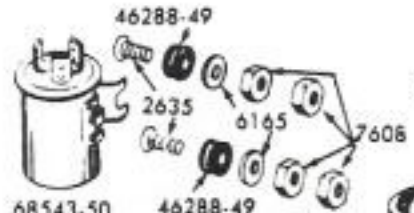
9976



70058-50



2629



68543-50

46288-49

2635

6145

606

46288-49



68560-50

68522-38



68515-38



68570-50



68521-38



68572-50



68567-50

3956



68557-50



68572-50



68521-38



68571-50



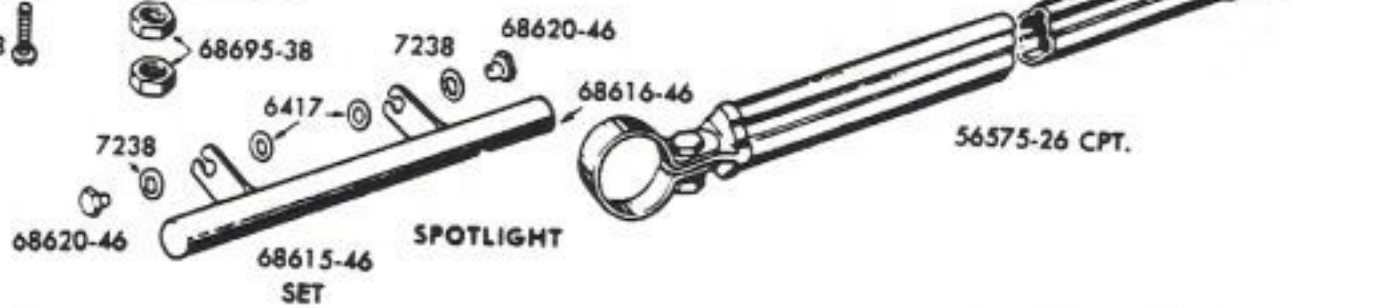
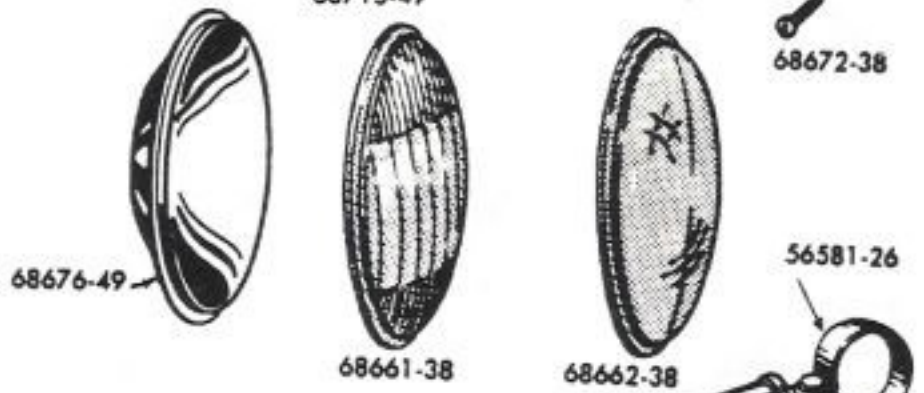
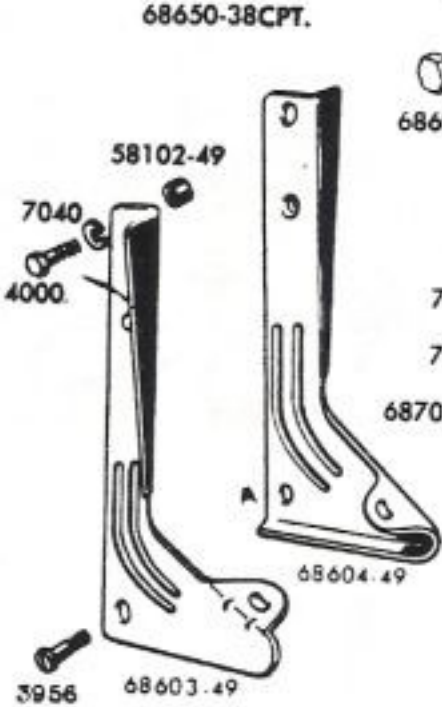
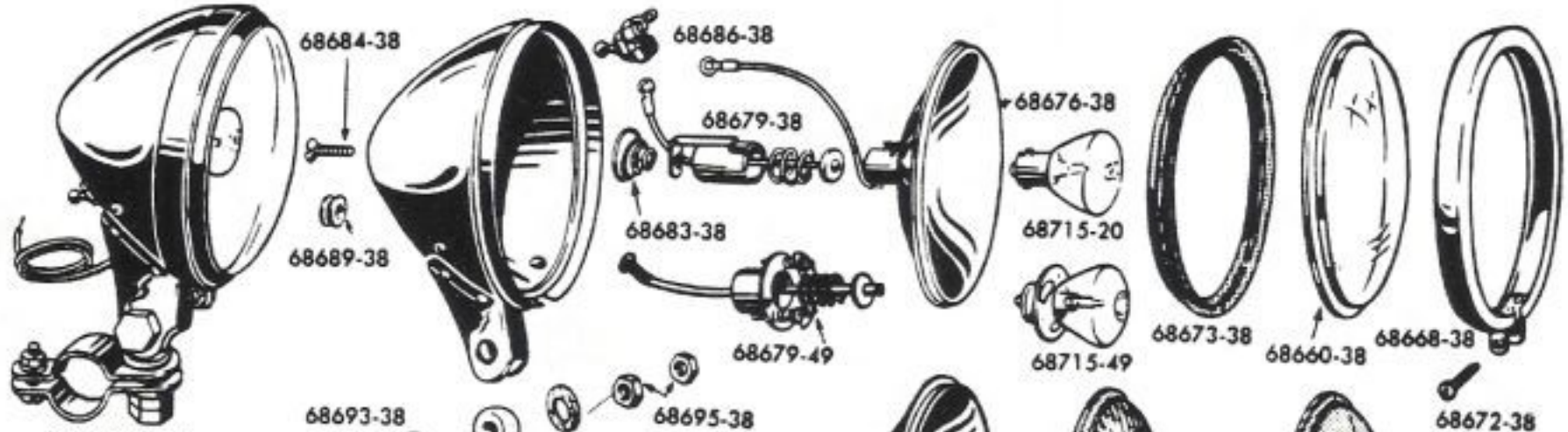
68522-38

68515-38

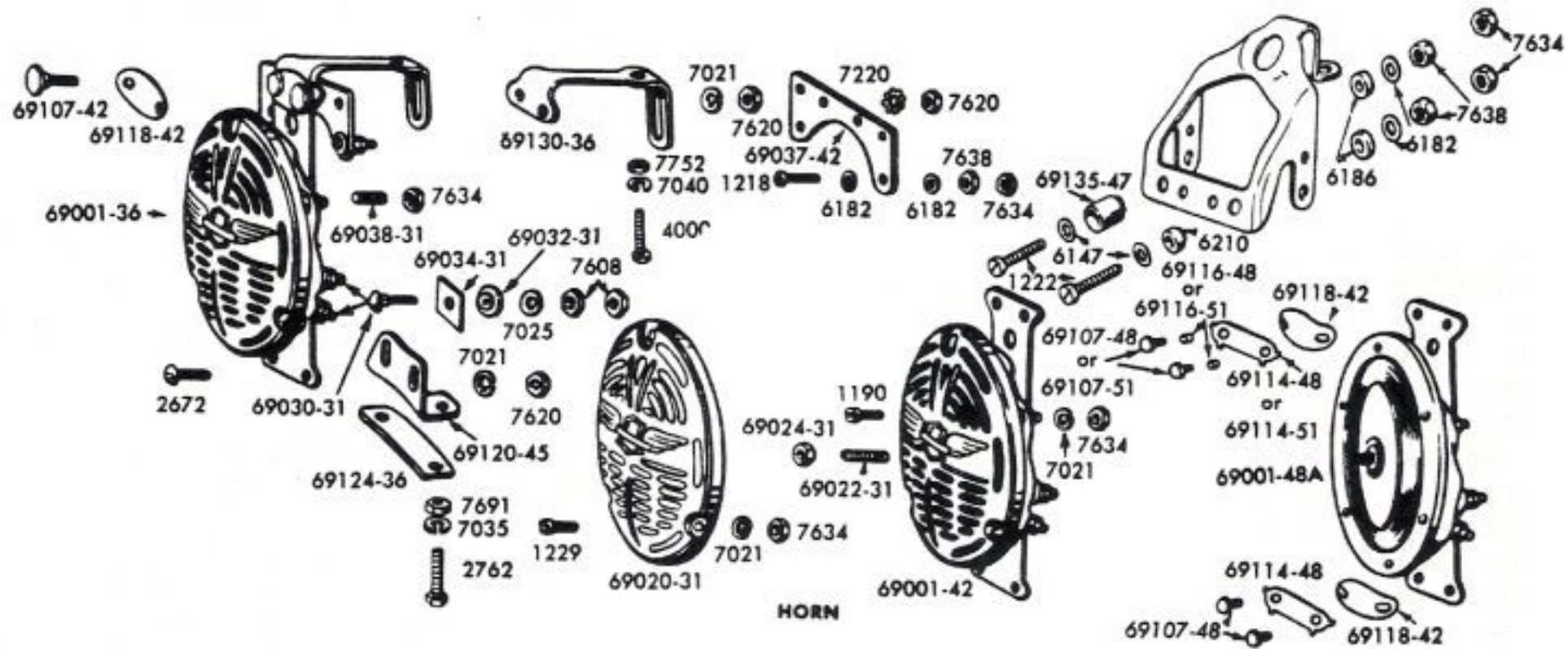


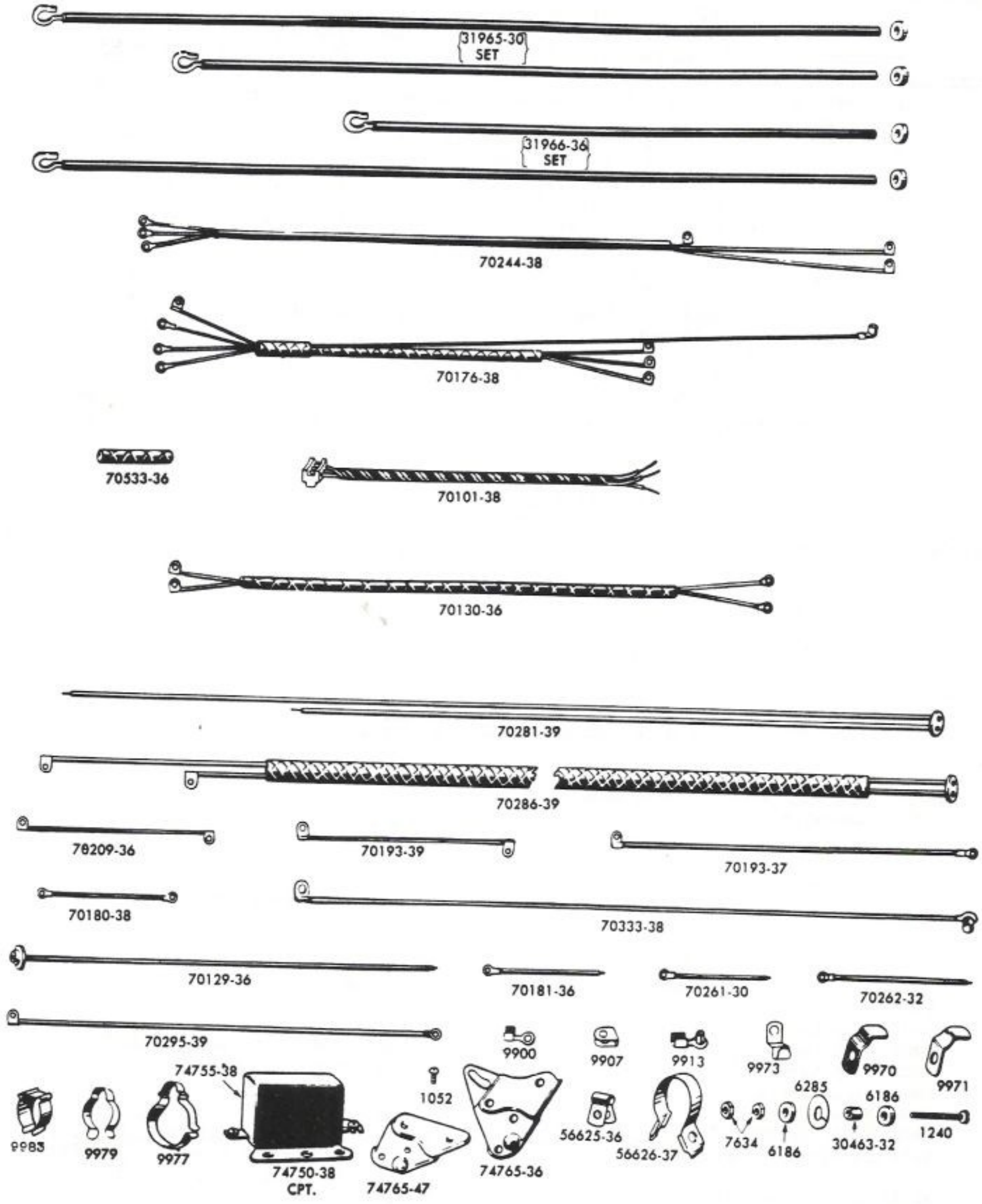
68559-50

70307-50

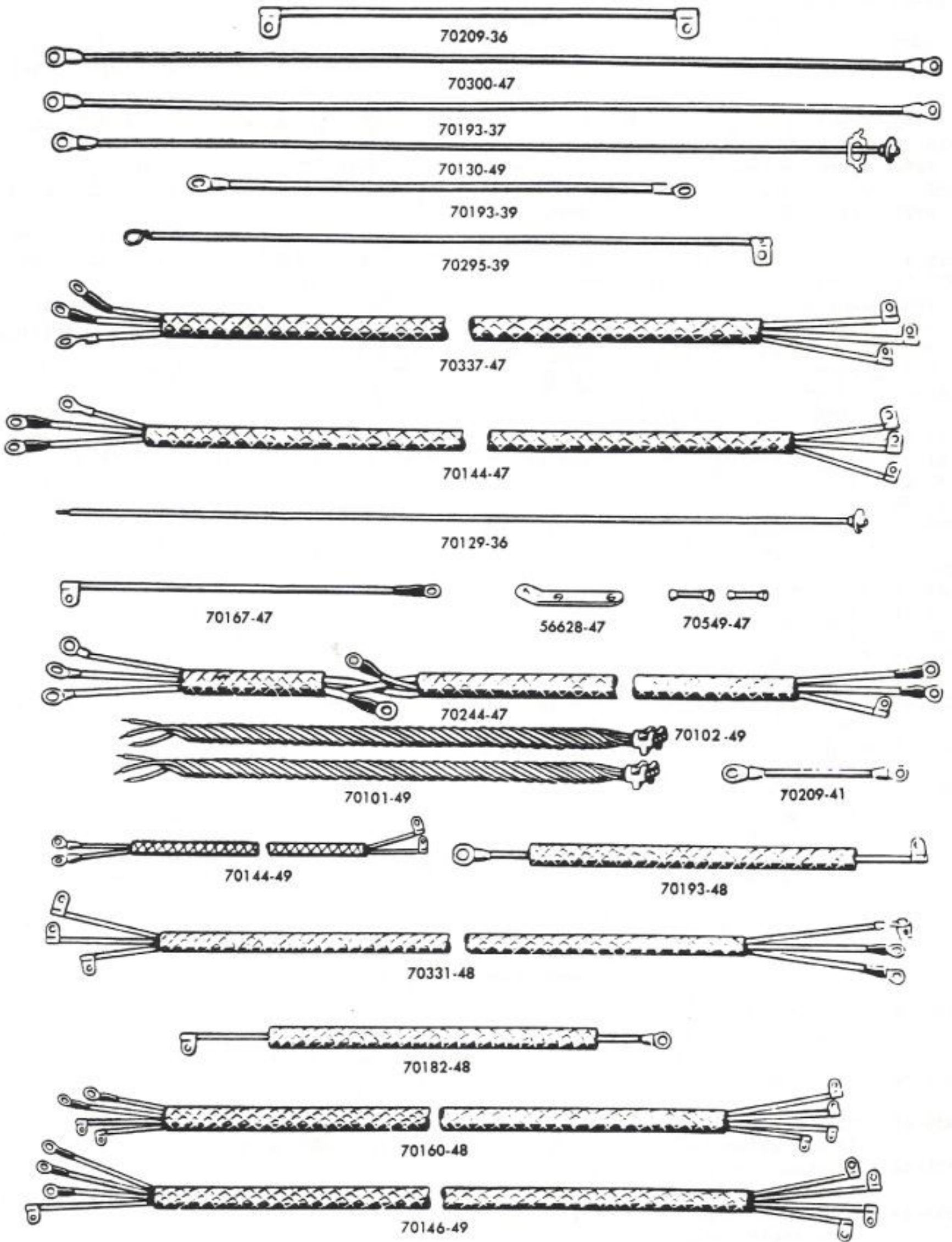


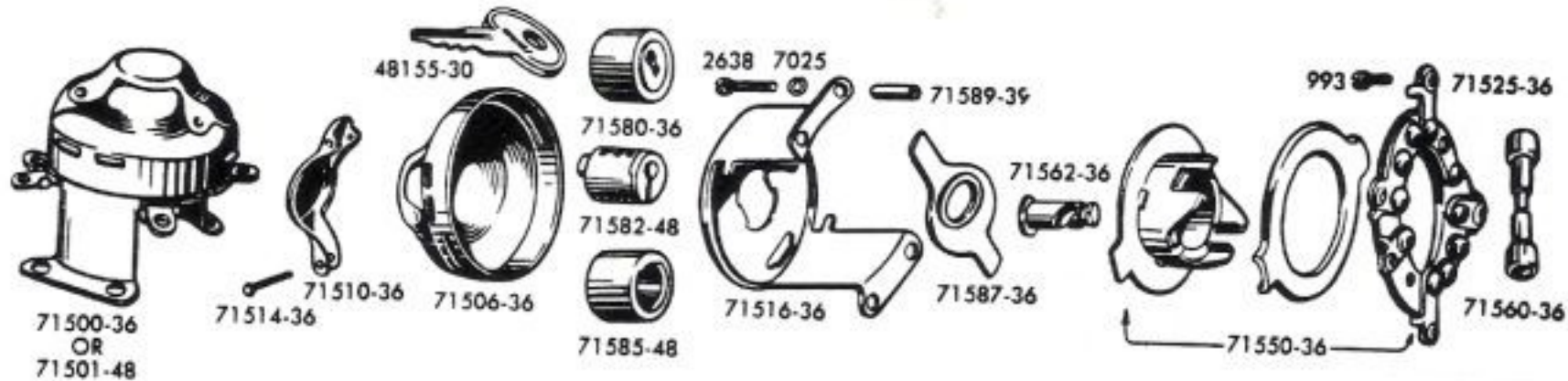
SPOTLIGHT SET





WIRING, RELAY & CLIPS





IGNITION & LIGHT SWITCH



2626



71800-26A



71811-26



71802-26



71804-26



71813-26



71806-26



71815-26

HORN SWITCH



2626



71840-29



71845-29



71843-29



71861-29



71859-29



71851-29

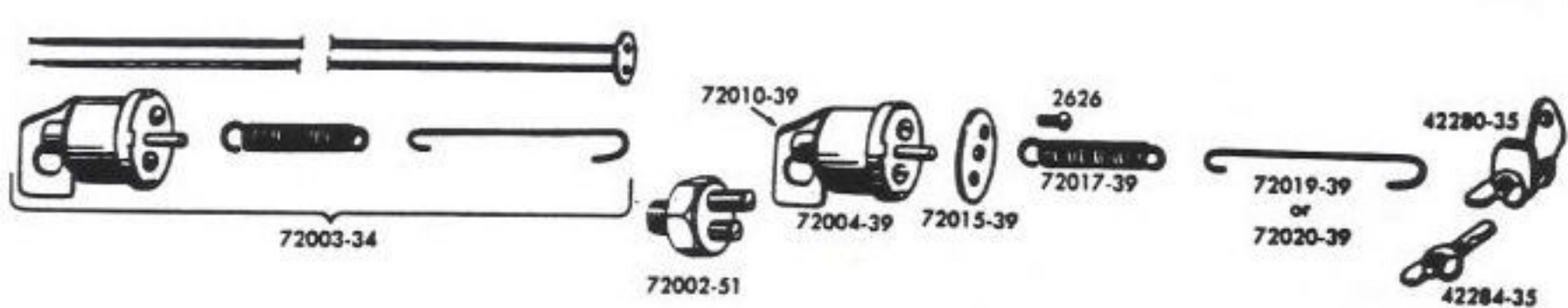


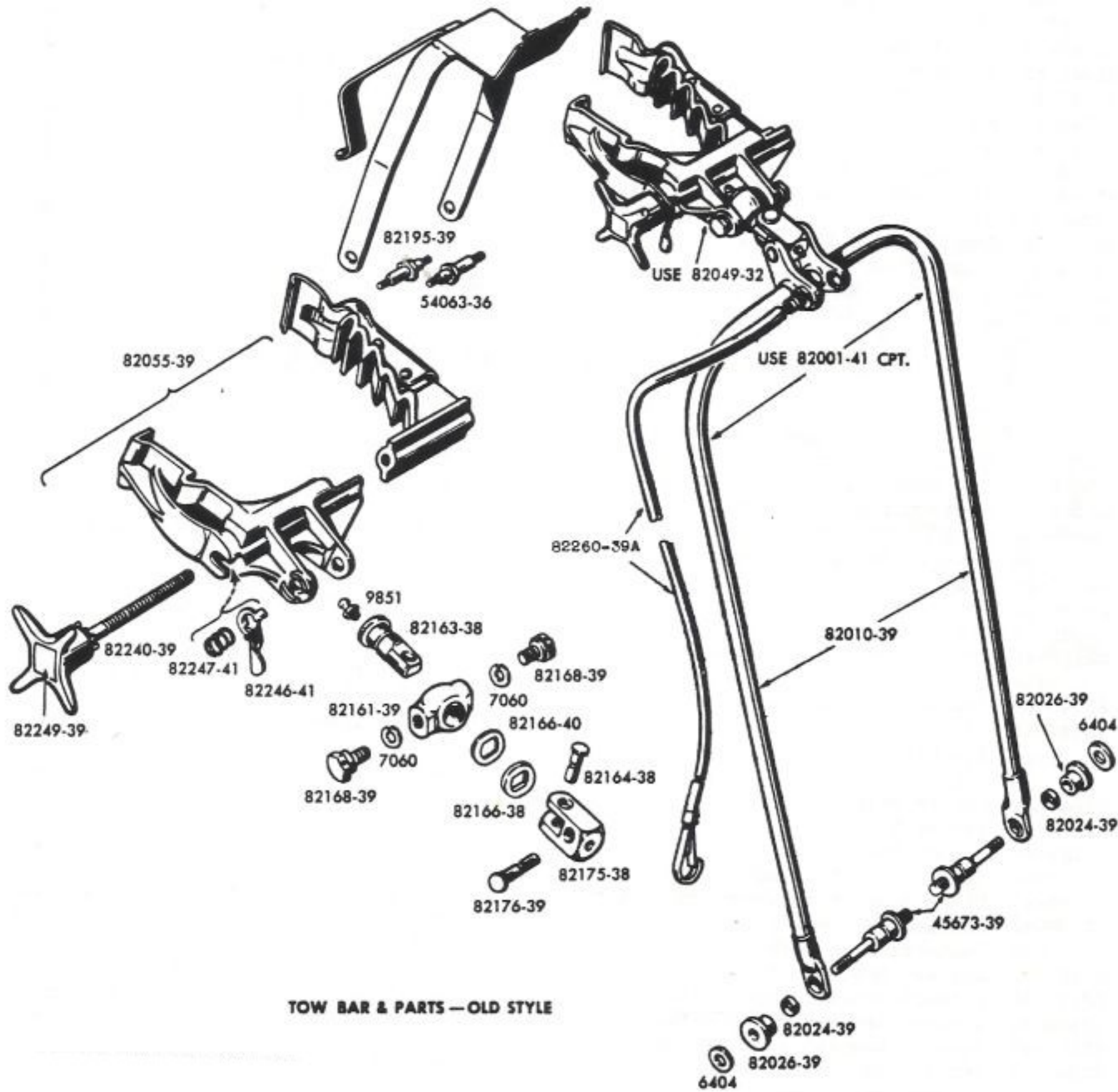
71856-29



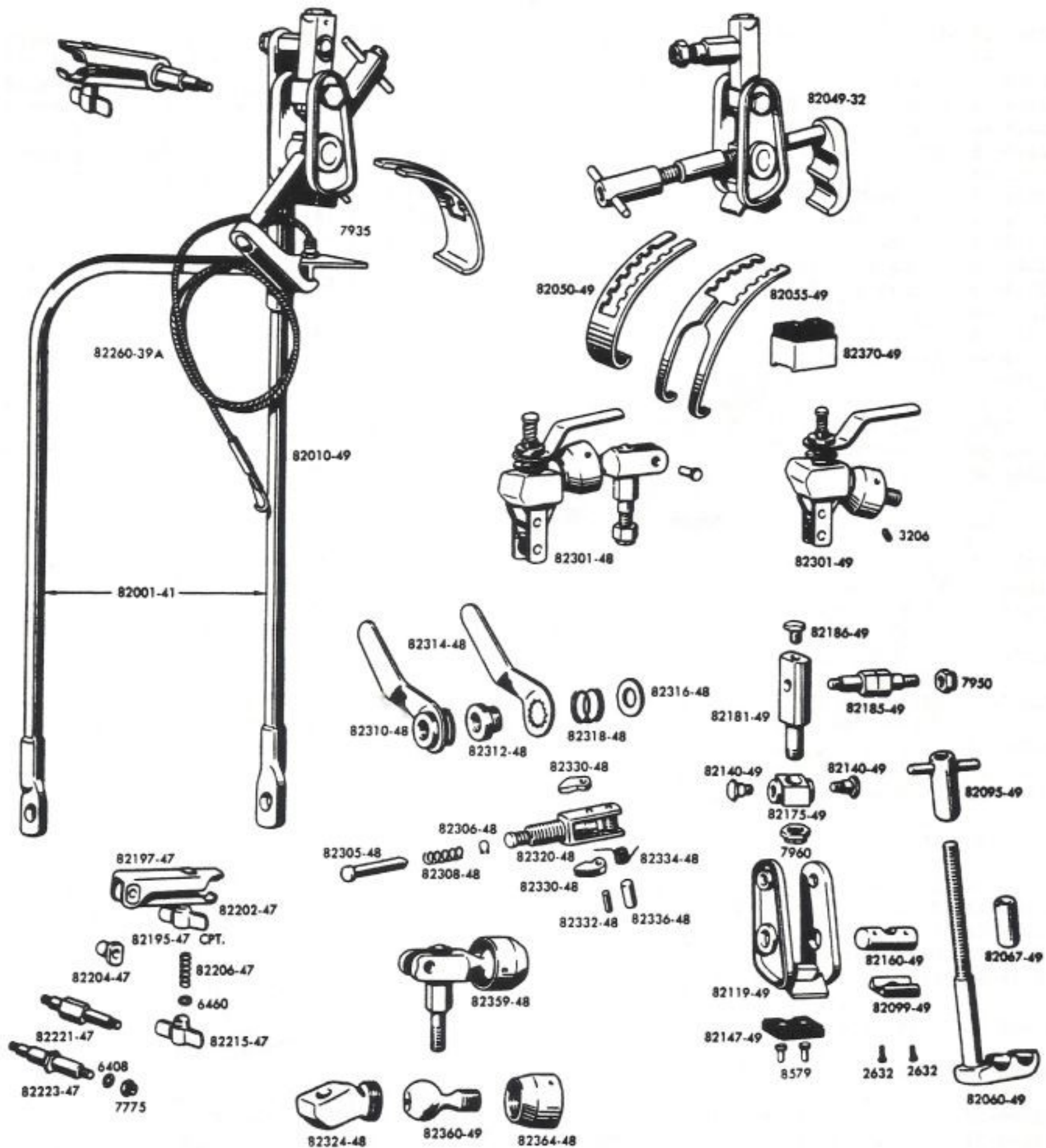
2626

HANDLE BAR LIGHT SWITCH

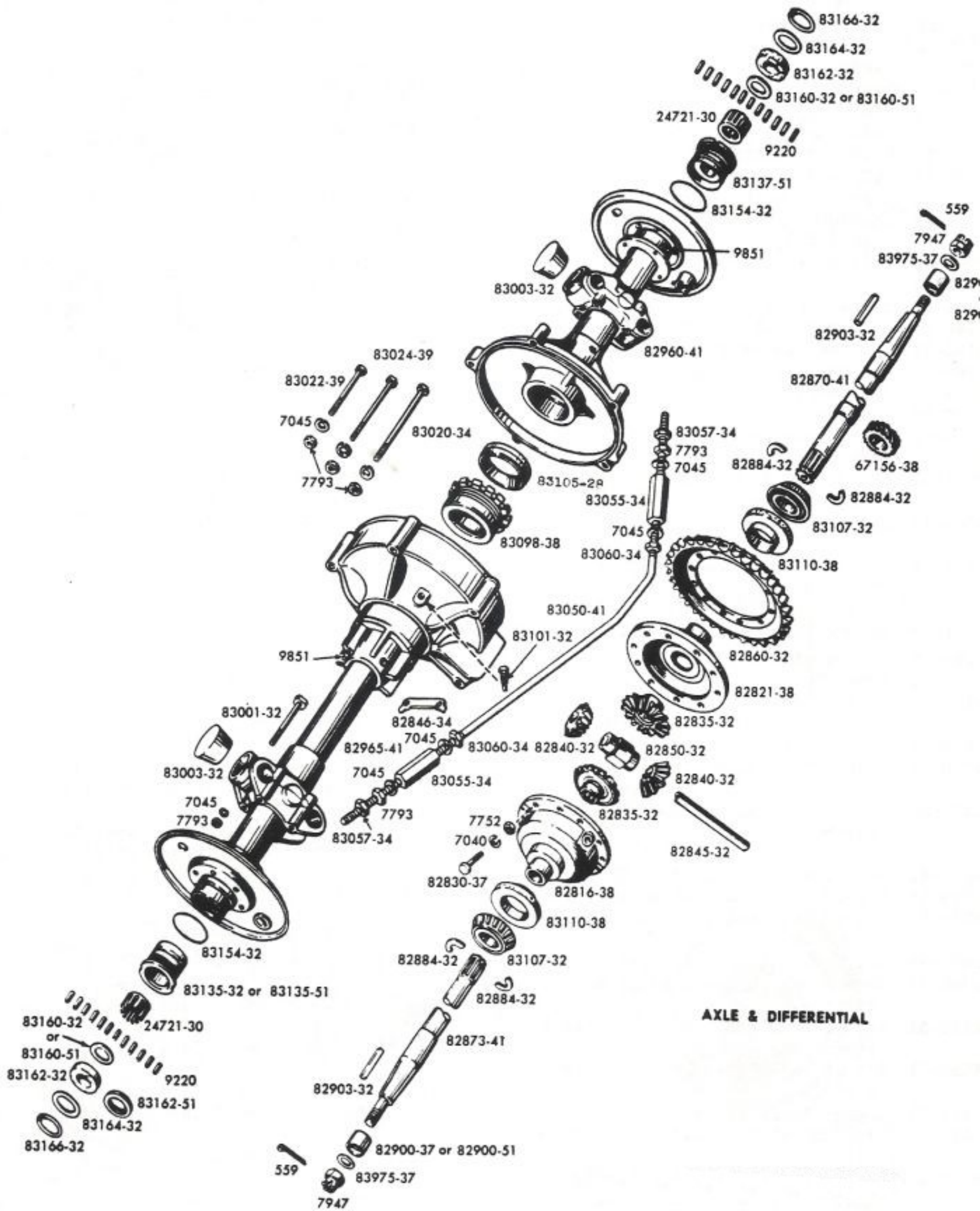




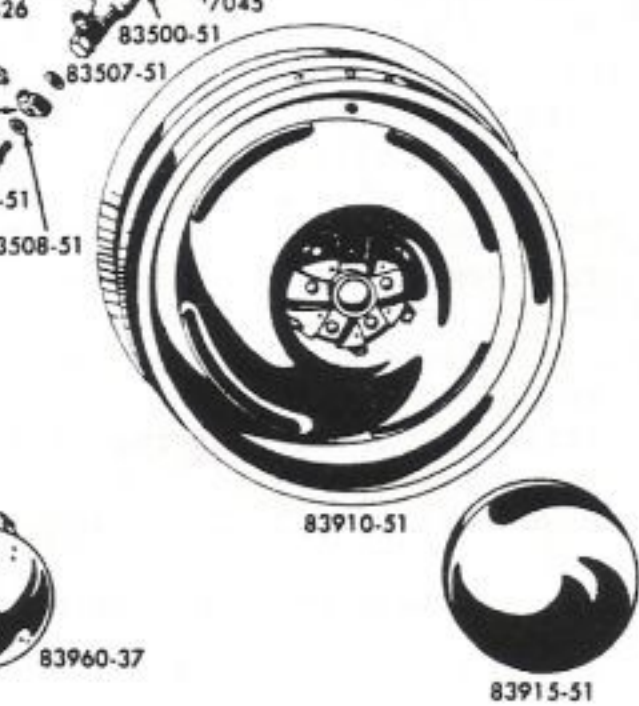
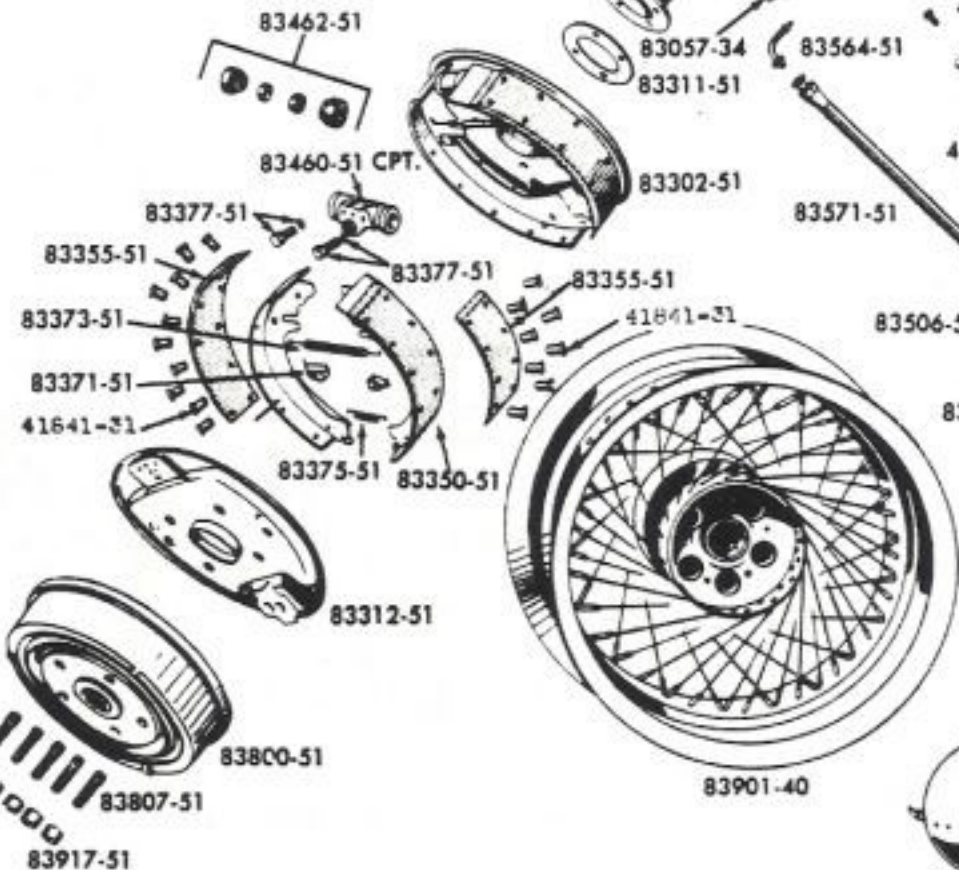
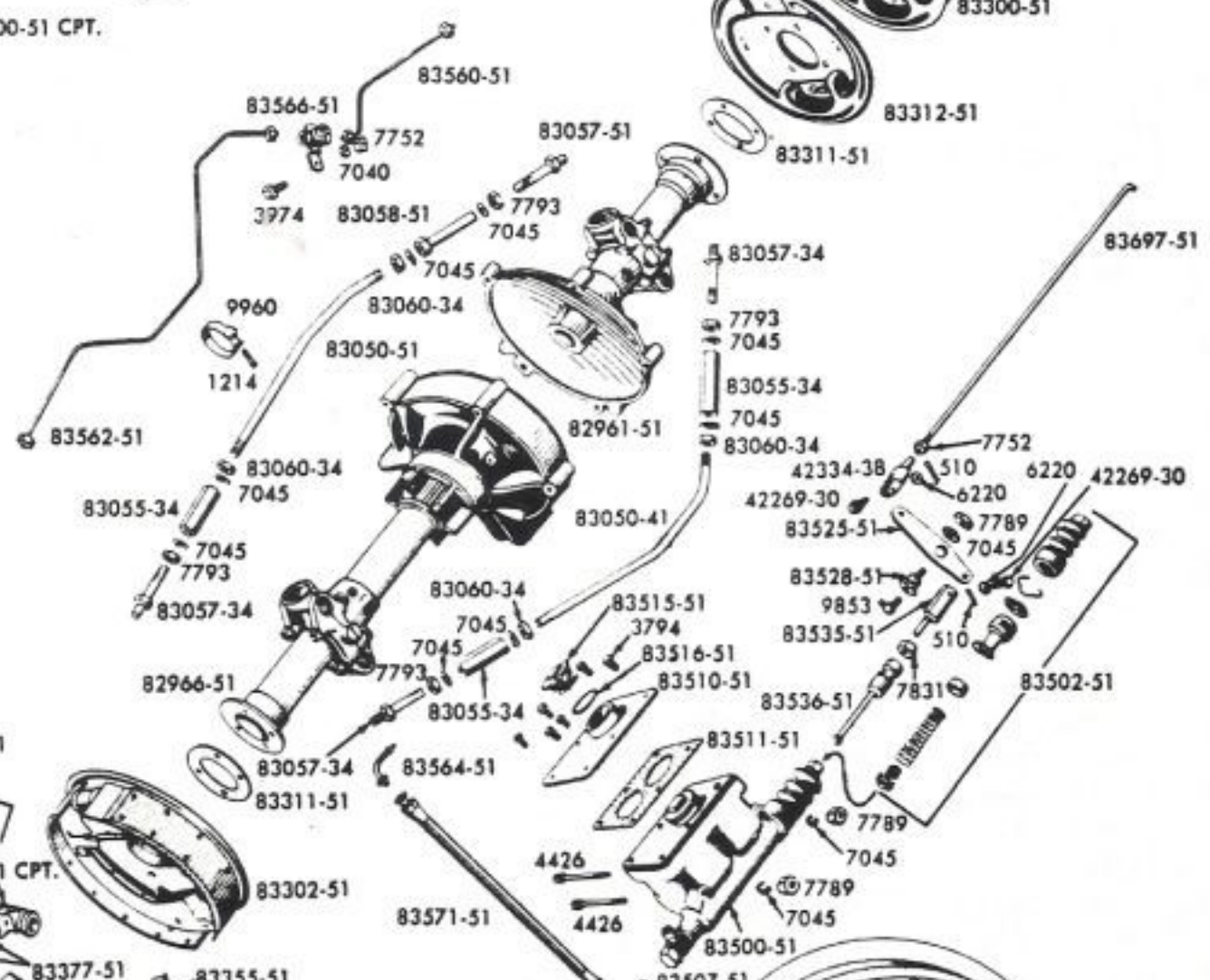
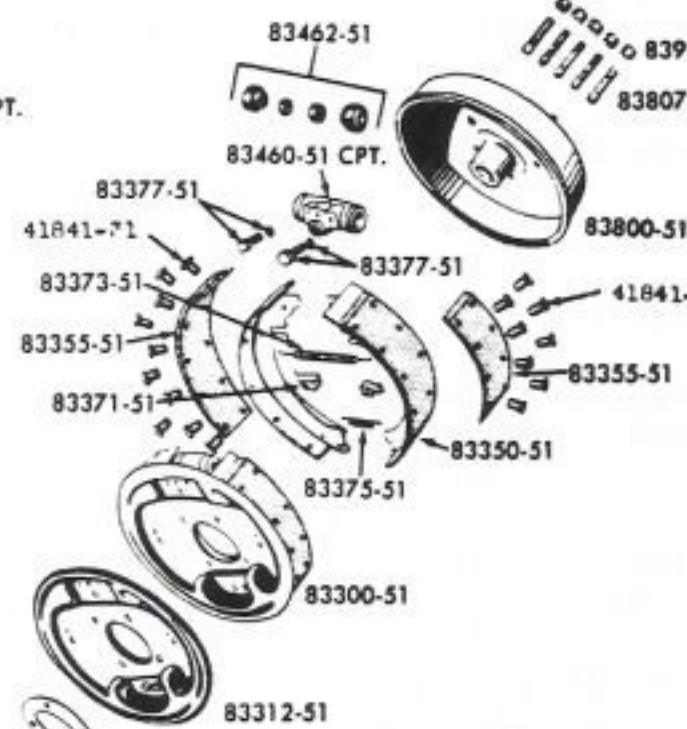
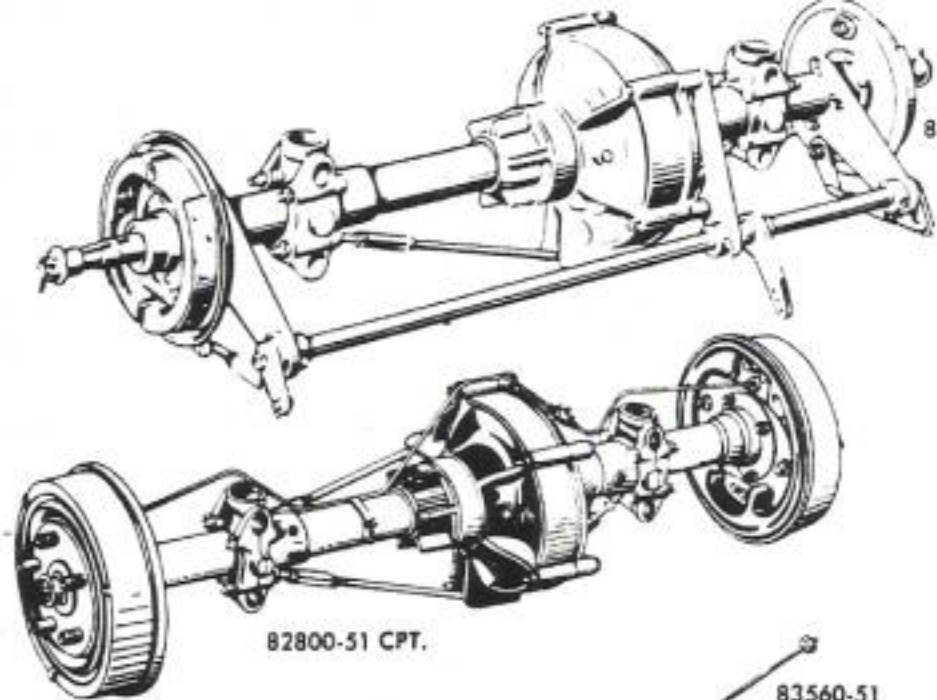
TOW BAR & PARTS — OLD STYLE



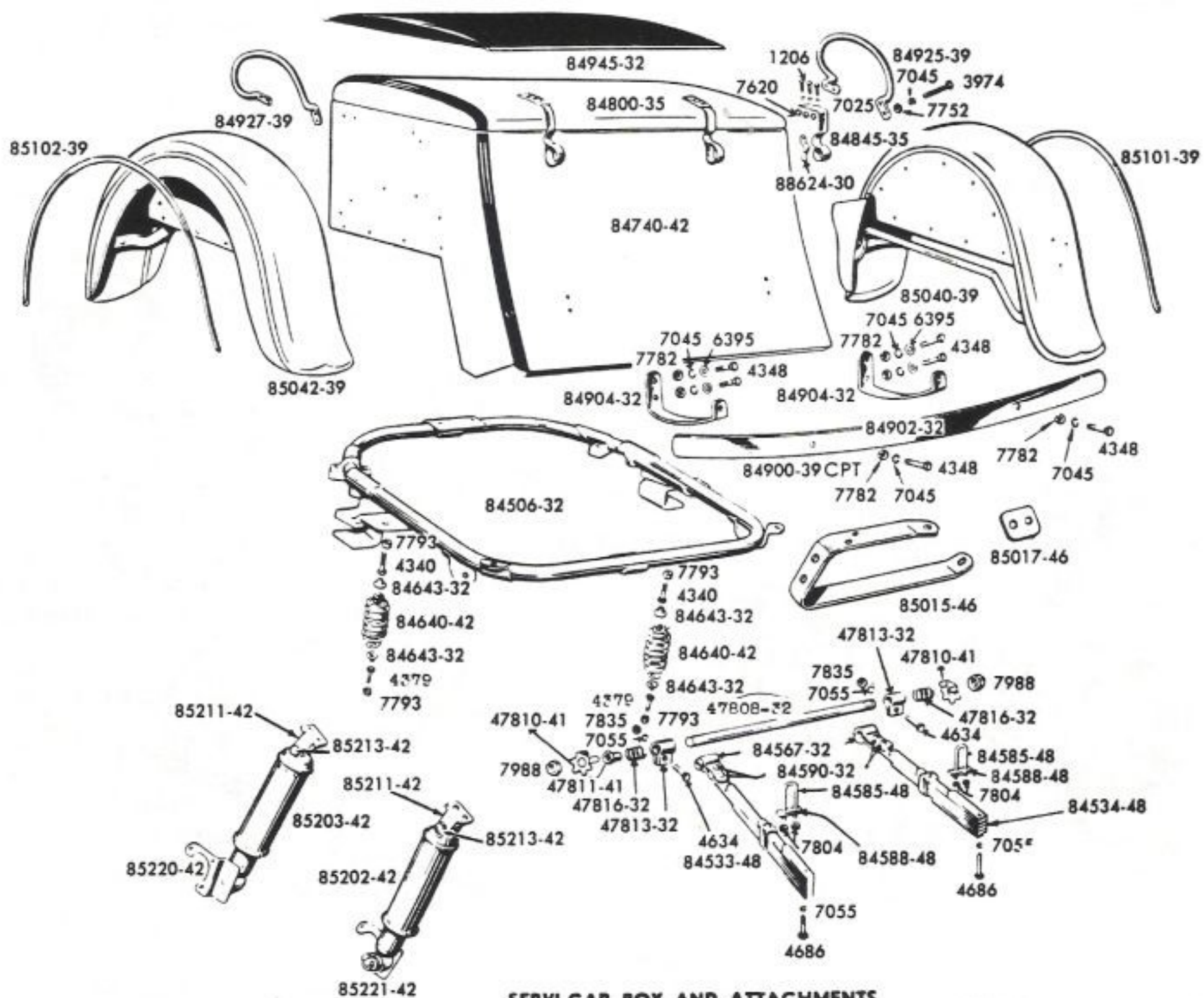
TOW BAR - NEW STYLE



AXLE & DIFFERENTIAL



SERVI-CAR AXLE & DIFFERENTIAL



SERVI-CAR BOX AND ATTACHMENTS