



Harley-Davidson, Inc.

PARTS CATALOG

FX Models

1971 to 1984

Part No. 99455-83C



GENERAL INFORMATION

This Parts Catalog has been prepared for your convenience when ordering parts for 1971 to 1984 FX Models, except the FXR and FXST models which are covered in separate catalogs. Wherever possible, parts are shown in assembly breakdown sequence. Index numbers shown in the illustrations correspond to index numbers in parts lists. Consult the illustrations when ordering parts so you are sure to get what you want. In most cases, only the latest parts are shown in the illustrations, however, parts lists cover some parts used as early as 1971.

Number in parenthesis following description of part is the quantity needed for complete assembly shown in illustration. If there is no number in parenthesis, only one is used.

Prices of parts listed in this catalog are published separately in the latest RETAIL PRICE LIST.

NOTE: N/A following description of part indicates part is no longer available from the factory. Do not attempt to order these parts from Harley-Davidson Motor Co., Inc.

The following instructions should be followed carefully when ordering parts:

- Specify the correct part number for each item. Check the "Used On" column of the parts list which shows the model on which the part fits. Whenever in doubt, refer to the Vehicle Identification Number (V.I.N.) stamped on the engine crankcase.

1. **1971 thru 1980:** Vehicle Identification Number (V.I.N.) is located on the engine right crankcase and is the same as the number located on the frame steering head. (See chart on this page.)

2. **1981 and later:** A 17 digit Vehicle Identification Number is stamped on the frame steering head and frame downtube label. An abbreviated V.I.N. is stamped on the engine right crankcase (left crankcase — Late 1983 and later). Refer to inside back cover for chart.

The V.I.N. (Vehicle Identification Number) for 1971 thru 1980 FX models are as follows:

1971 thru 1980	FX (Model)	FIRST TWO DIGITS (Model)	NEXT FIVE DIGITS (Sequential Number)	SECOND LAST DIGIT (Manufacturer)	LAST DIGIT (Model Season)
	FX-1200	2C	1971 to Dec. 31, 1977 10000 and up	H-1971 thru 1979	7-1977
	FXE-1200	9D			8-1978
	FXS-1200	2F	Jan. 1, 1978 thru 1980 60000 and up	J-1980	9-1979
	FXEF-1200	5E			0-1980
	FXEF-80	6E			
	FXS-80	7G			
	FXB-80	1H			
	FXWG-80	9G			Examples: 1977 FXS-1200 (2F 12457 H7) 1980 FXB-80 (1H 61945 J0)

- An asterisk (*) in the "Used On" column indicates part is used for 1984 models (the latest model year covered by this catalog.)
- Part Numbers are to be used when ordering by TELEGRAM or CABLE.
- When ordering parts use our standard Parts & Accessories order form, Part No. 99511-76, for all parts except engines and crankcases. Order form, Part No. 99514-76, must be used for engines and crankcases. The use of these forms will enable us to fill and ship your order more promptly. These forms are furnished free of charge upon request.
- Do not order motorcycles or advertising material on Parts Order Forms. Write nothing on the order form except the order itself, as any other correspondence will not be answered until the order is shipped and billed.
- Freight, Express and Parcel Post orders should be on separate order forms.
- For your own records, number and date all orders, also keep a copy for future reference.

ALPHABETICAL INDEX

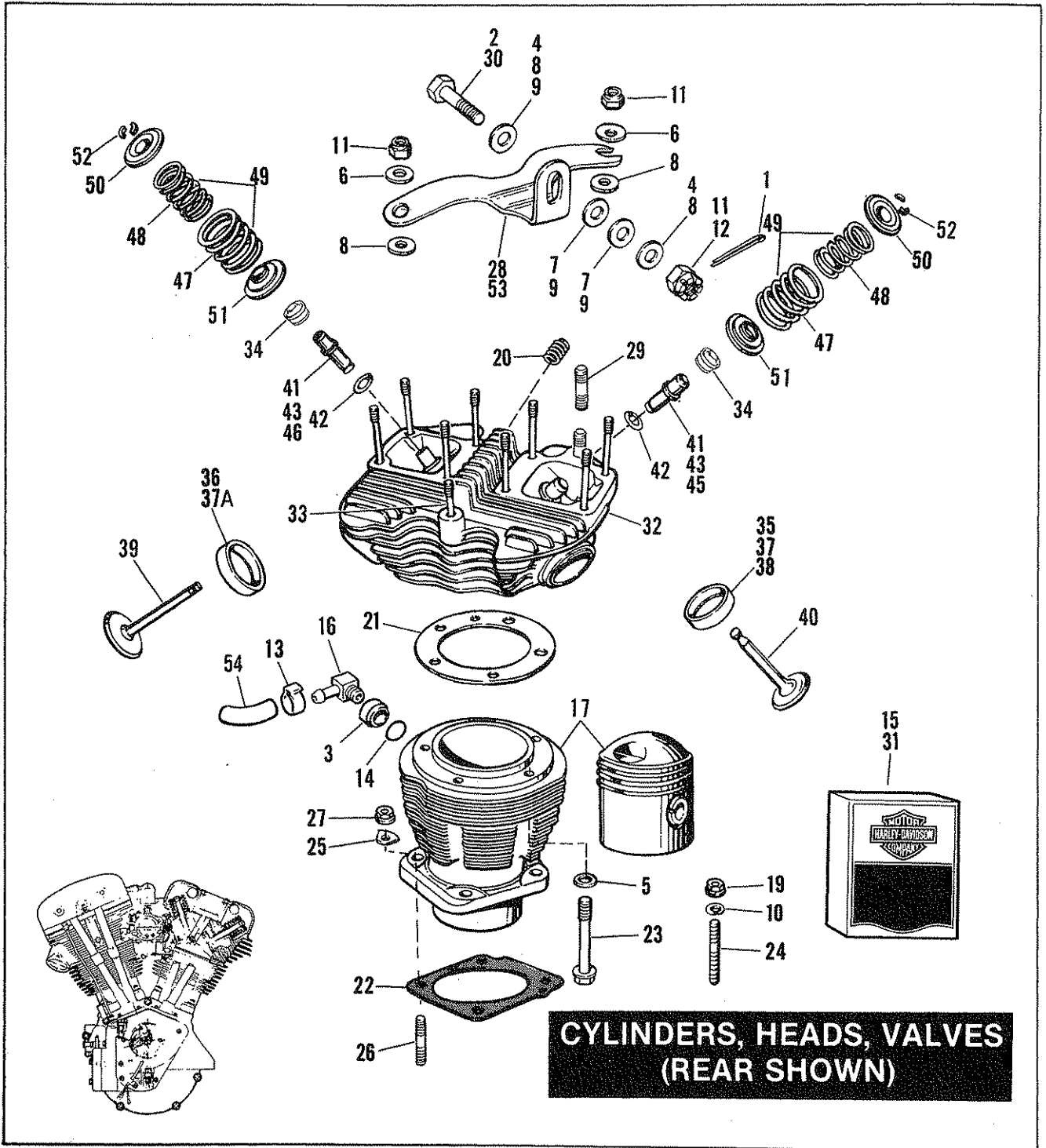
	Page		Page
Air Cleaner — Late 1978 & Later	37	Ignition Module	43, 47
Air Cleaner — 1971 to Early 1978	39	Ignition Switch	241
Alternator	41	Ignition Switch — FXWG	243
Axle — Front	119, 121, 123, 125	Indicator Lamps	213, 235, 237
Axle — Rear	127, 131, 133	Instrument Panel	235, 237
Battery	199	Jiffy Stand	151
Belts and Sprockets	87	Kick Starter	59, 61
Belt Guard — Rear	169	License Plate Bracket	171
Brake — Front	96, 97, 101, 103, 105, 107	Master Cylinder	89, 91, 109, 111, 113, 115
Brake — Rear	93, 95, 96, 97, 99, 117	Mirror	221
Brake Control — Front	89, 91	Mufflers	187, 189, 191, 193, 195, 197
Brake Control — Rear	109, 111, 113, 114, 115	Numerical Index	252
Cam Gears	21	Oil Cooler	185
Carburetor — 1971 to 1975	35	Oil Filter	184
Carburetor — 1976 to Early 1978	31, 33	Oil Pump	23, 25
Carburetor — Late 1978 to 1980	26, 27	Oil Tank	183
Carburetor — 1981 & Later	29	Parking Lamps	217
Cast Wheel	123, 131, 133	Pistons	3, 11
Chain	85	Points	49
Chain Guard — Rear	169	Primary Housing	173, 175
Chain Oiler	183	Push Rods	7
Choke	37, 39	Rims	119, 121, 129
Circuit Breaker	237	Rocker Arms	7
Clutch — 1979 to Early 1874	79	Rotor	41
Clutch — Late 1984 & Later	81	Seat	153
Clutch Hand Control	83	Shifter	63, 65, 67, 69
Connecting Rods	13	Shock Absorbers	159
Crankcase	17	Sissy Bar	153
Cylinders	3	Solenoid, starter	245
Electrical	223, 225	Spark Cables, Coil & Plugs	43, 45, 47, 51
Electronic Ignition	43, 47	Speedometer	201, 203, 205, 207
Engine	3	Spoke Wheel	119, 121, 127, 129
Exhaust Pipes	187, 189, 191, 193, 195, 197	Sprockets	84, 85, 87, 131, 133
Fenders	167, 169	Starter Housing	53, 55
Flywheels	13	Starter Motor	57
Footrests	155, 157	Switches	229, 230, 231, 233, 239, 241, 243, 245
Footshift	63, 65, 67, 69	Tachometer	205
Foot Shifter — Late 1979 & Later	63, 65	Tail Lamp	215
Fork — Front	135, 137, 139, 141, 143, 145, 147	Tappets	9
Fork — Rear	149	Terminal Plate	235, 237
Frame	149	Throttle Control	163, 165, 229
FXDG — Parts	248, 249, 250, 251	Transmission—Mainshaft & Housing	71, 73
Gas Tanks	177, 179	Transmission—Countershaft	75, 77
Gas Tank Trim	181	Tune Up Kits	51
Gaskets	3, 5, 9, 173, 175	Turn Signals	217, 219
Gear Case Cover	19	Valves	5
Handlebar	161, 163	Voltage Regulator	247
Headlamp	209, 211	Wheels	119, 121, 123, 125, 127, 129, 131, 133
Horn	221	Wiring	223, 225, 227, 228, 230, 231
Ignition Circuit Breaker	49		

PATENT NOTICE

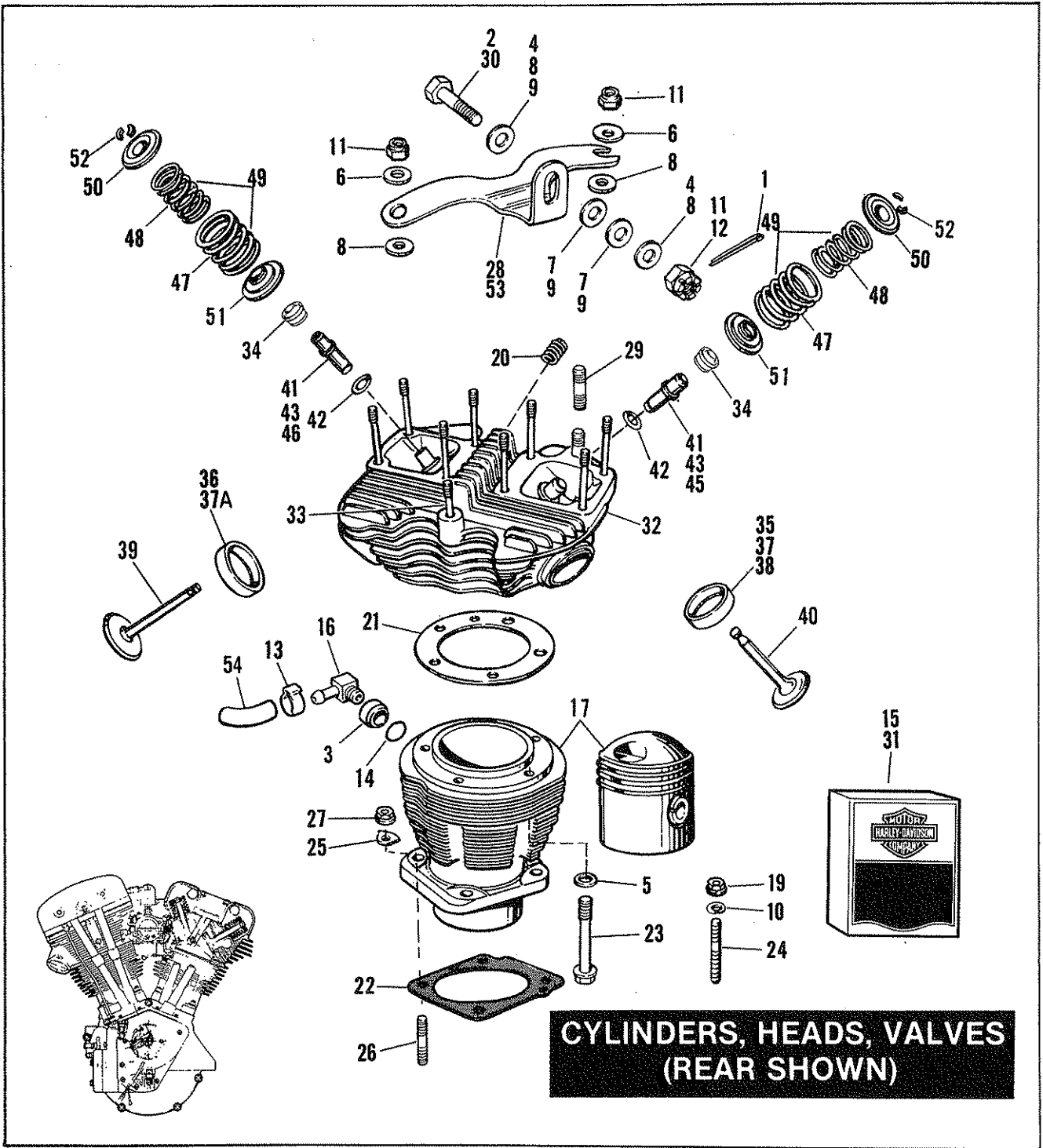
Harley-Davidson products are manufactured under one or more of the following: U.S. Patents — 2986162, 2987934, 2998809, 3116089, 3144631, 3144860, 3226994, 3229792, 3434887, 3559773, 3673359, 3680403, 3683716, 3709317, Des. 225 626.

To the best knowledge of Harley-Davidson Motor Co., Inc., the material contained herein is accurate as of the date this publication was approved for printing. Harley-Davidson Motor Co., Inc., reserves the right to change specifications, equipment, or designs at any time without notice and without incurring obligation.





RETAIL PRICE	INDEX NO.	PART NO.	N A M E	USED ON
	1	534	COTTER PIN, 3/32 x 7/8	71 & 72 — All Models
	2	4726	BOLT, 7/16-20 x 1-1/2 hex. hd.	73 to * — All Models
	3	5723	SPACER, front cylinder only	Late 81 & Early 82 — All Models
	4	6416	WASHER, 3/8 x 1 x 5/16 (2 — FXS)	Late 71 to 78 — FX, FXE, FXS
	5	6469HW	WASHER, 7/16 x 3/4 x 1/8 (5)	71 to Early 77 — All Models
	6	6495HW	WASHER, 7/16 x 15/16 x 1/8 (2)	71 to * — All Models
	7	6497HW	WASHER, 7/16 x 1-1/8 x 1/16 (as req'd.)	Late 71 to * — All Models
	8	6516HW	WASHER, 7/16 x 1-1/8 x 1/8 (2)	71 to * — All Models
	9	6522HB	WASHER, 29/64 x 1-1/8 x 5/32 (2)	N/A 71 to 78 — All Models
	10	7039	LOCKWASHER, 7/16 (4)	71 to 78 — All Models
	11	7825	LOCKNUT, 7/16-20 x 7/16 x 5/8 hex. (2; 3-73 & Later)	71 to * — All Models
	12	7867W	CASTLE NUT, 7/16-20	71 & 72 — All Models
	13	10014	CLAMP, oil hose (4)	Late 81 & Early 82 — All Models
	14	11101	O-RING, front cylinder base	Late 81 & Early 82 — All Models
	15	16175-78	CONVERSION KIT, 1200 cc to 1340 cc	N/A 73 to Early 78 — All Models
		16180-78	CONVERSION KIT, 1200 cc to 1340 cc — low comp.	N/A 73 to Early 78 — All Models
	16	16303-81	FITTING, cylinder base (2)	N/A Late 81 & Early 82 — All Models
		62375-57	FITTING, cylinder base (2)	Late 82 — All Models
	17	16485-66B	FRONT CYLINDER WITH PISTON (1200cc)	N/A 71 to 73 — All Models
		16485-74A	FRONT CYLINDER WITH PISTON (1200 cc)	74 to 80 — All Models
		16492-66B	REAR CYLINDER WITH PISTON (1200 cc)	N/A 71 to 73 — All Models
		16492-74A	REAR CYLINDER WITH PISTON (1200 cc)	74 to 80 — All Models
		16494-78	FRONT CYLINDER WITH PISTON (1340 cc)	79 to Early 81 — FXS-80, FXEF-80, FXB, FXE-80; Late 82 & Early 83 — All Models
		16495-78	REAR CYLINDER WITH PISTON (1340 cc)	79 to Early 81 — FXS-80, FXEF-80, FXB, FXE-80; Late 82 & Early 83 — All Models
		16496-80	REAR CYLINDER WITH PISTON (1340 cc)	80 — FXWG
		16497-80	FRONT CYLINDER WITH PISTON (1340 cc)	80 — FXWG
		16498-80A	FRONT CYLINDER WITH PISTON	Early 81 — FXWG; Late 81 to Early 82 — FXS-80, FXEF-80, FXB, FXE-80; Late 83 to * — All Models
		16499-80A	REAR CYLINDER WITH PISTON	Early 81 — FXWG; Late 81 to Early 82 — FXS-80, FXEF-80, FXB, FXE-80; Late 83 to * — All Models
		16508-81	FRONT CYLINDER WITH PISTON	Late 81 to Early 82 — FXWG
		16509-81	REAR CYLINDER WITH PISTON	Late 81 to Early 82 — FXWG
	19	16602-30	NUT, 7/16-20 hex. (4)	71 to 77 — All Models
	20	16725-66A	HELI COIL INSERT, spark plug hole	N/A 71 to 74 — All Models
	21	16770-66B	GASKET, cylinder head	71 to * — All Models
	22	16776-63	GASKET, front cylinder base	71 to * — All Models
		16777-63	GASKET, rear cylinder base	71 to * — All Models
	23	16814-77	BOLT, cylinder head (5)	71 to * — All Models
	24	16831-30	STUD, cylinder base (4)	71 to 78 — All Models
	25	16836-78	SPACER, cylinder base stud (4)	79 to * — All Models
	26	16837-78	STUD, cylinder base (4)	79 to * — All Models
	27	16838-78	LOCKNUT, 7/16-20 hex. (4)	78 to * — All Models
	28	16852-67A	BRACKET, engine mounting	71 & 72, Late 81 to * — All Models
	29	16864-48	STUD, cylinder head motor brace	71 to * — All Models
	30	16865-52	BOLT, engine bracket — center	N/A 71 & 72 — All Models
	31	17029-66A	ENGINE GASKET SET	71 to 78 — All Models
		17029-79	ENGINE GASKET SET	79 to * — All Models
		17034-48A	GASKET SET, top overhaul	71 to 78 — All Models
		17034-80A	GASKET SET, top overhaul	79 to * — All Models



**CYLINDERS, HEADS, VALVES
(REAR SHOWN)**

RETAIL PRICE	INDEX NO.	PART NO.	NAME	USED ON
NOTE: To use the following on Early 81 & Earlier vehicles replace exhaust valves with either 18086—81 or 18089—81; replace intake valves with either 18075—81 or 18078—81; replace upper & lower collars with (2) 18219—81 & (2) 18222—81; & use (4) 18000—81 valve seals. For pre-1980 models use 18222—79 collar.				
	32	17160—81	HEAD, front cylinder (w/studs)	80 to * — All Models
		17161—81	HEAD, rear cylinder (w/studs)	80 to * — All Models
	33	17508—66A	STUD, rocker arm cover (short) (2)	71 to * — All Models
	34	18000—81	VALVE SEAL (4)	Late 81 to * — All Models
	35	18010—79	INSERT, exhaust valve seat	Late 80 to * — All Models
		18017—66	INSERT, exhaust valve seat (no-lead)	71 to 83 — All Models
	36	18018—66	INSERT, intake valve seat (no-lead)	71 to 83 — All Models
		18020—79	INSERT, exhaust valve seat	Late 80 to * — All Models
	37	18055—66B	INSERT, exhaust valve seat	71 to Early 80 — All Models
	37A	18056—66B	INSERT, intake valve seat	N/A 71 to Early 80 — All Models
	38	18057—66	INSERT, exhaust valve seat — 0.005" O.S., O.D. ...	N/A 71 to 79 — All Models
	39	18075—80	INTAKE VALVE — std. (Nittan)	71 to Early 81 — All Models
		18075—81	INTAKE VALVE — std. (Nittan)	Late 81 to * — All Models
		18078—80	INTAKE VALVE — std. (Eaton)	N/A 71 to Early 81 — All Models
		18078—81	INTAKE VALVE — std. (Eaton)	Late 81 to * — All Models
	40	18082—60	EXHAUST VALVE (special — 5/32 O.S. valve head) ..	N/A 71 to * — All Models
		18086—80	EXHAUST VALVE — std. (Nittan)	71 to Early 81 — All Models
		18086—81	EXHAUST VALVE — std. (Nittan)	Late 81 to * — All Models
		18089—80	EXHAUST VALVE — std. (Eaton)	N/A 71 to Early 81 — All Models
		18089—81	EXHAUST VALVE — std. (Eaton)	N/A Late 81 to * — All Models
	41	18103—81A	VALVE GUIDE, int. & exh. — 0.008 O.S. O.D. (cast iron) (2) ..	Late 81 to * — All Models
		18104—81A	VALVE GUIDE, int. & exh. — 0.006 O.S. O.D. (cast iron) (2) ..	Late 81 to * — All Models
	42	18105—79	RETAINING RING, valve guide (cast iron valve guides) ...	80 & Early 81 — All Models
	43	18106—81A	VALVE GUIDE, int. & exh. — 0.004 O.S. O.D. (cast iron) (2) .	Late 81 to * — All Models
		18107—81A	VALVE GUIDE, int. & exh. — 0.003 O.S. O.D. (cast iron) (2) ..	Late 81 to * — All Models
		18108—81A	VALVE GUIDE, int. & exh. — 0.002 O.S. O.D. (cast iron) (2) ..	80 to * — All Models
		18109—81A	VALVE GUIDE, int. & exh. — 0.001 O.S. O.D. (cast iron) (2) ..	80 to * — All Models
		18138—79A	VALVE GUIDE, int. & exh. — 0.001 O.S. O.D. (cast iron) (2) ..	71 to 79 — All Models
		18139—79A	VALVE GUIDE, int. & exh. — 0.008 O.S. O.D. (cast iron) (2) ..	71 to 79 — All Models
		18140—79A	VALVE GUIDE, int. & exh. — 0.006 O.S. O.D. (cast iron) (2) ..	71 to 79 — All Models
		18141—79A	VALVE GUIDE, int. & exh. — 0.004 O.S. O.D. (cast iron) (2) ..	71 to 79 — All Models
		18142—79A	VALVE GUIDE, int. & exh. — 0.003 O.S. O.D. (cast iron) (2) ..	71 to 79 — All Models
		18143—79A	VALVE GUIDE, int. & exh. — 0.002 O.S. O.D. (cast iron) (2) ..	71 to 79 — All Models
	45	18167—49	VALVE GUIDE, int. — 0.004 O.S.	N/A 71 to 79 — All Models
		18170—49	VALVE GUIDE, int. — 0.008 O.S.	71 to 79 — All Models
	46	18186—51	VALVE GUIDE, exh. — 0.003 O.S.	N/A 71 to 79 — All Models
		18187—51	VALVE GUIDE, exh. — 0.004 O.S.	N/A 71 to 79 — All Models
		18194—51	VALVE GUIDE, exh. — 0.008 O.S.	N/A 71 to 79 — All Models
	47	18201—82	VALVE SPRING, outer (2)	Late 81 to * — All Models
	48	18202—82	VALVE SPRING, inner (2)	Late 81 to * — All Models
	49	18205—57	VALVE SPRING KIT, inner & outer (2)	71 to Early 81 — All Models
	50	18219—81	COLLAR, valve spring — upper (2)	Late 81 to * — All Models
		18221—36	COLLAR, valve spring — upper (2)	71 to Early 81 — All Models
	51	18222—48	COLLAR, valve spring — lower (2)	71 to 79 — All Models
		18222—79	COLLAR, valve spring — lower (2)	80 to Early 81 — All Models
		18222—81	COLLAR, valve spring — lower (2)	Late 81 to * — All Models
	52	18228—36	VALVE KEY (2)	71 to * — All Models
	53	69013—77B	BRACKET, engine mounting (chrome)	77 to * — FXS, FXEF, FXS-80, FXEF-80, FXB, FXSB; Late 84 to * — FXE-80
		69018—73A	BRACKET, engine mounting (chrome)	N/A 73 to 80 — FX, FXE
		69029—81A	BRACKET, engine mounting	81 to Early 84 — FXE-80
	54	63501—68	HOSE, 1/4 I.D. x 1/2 O.D., reinforced, 25 ft. lg.	Late 81 & Early 82 — All Models

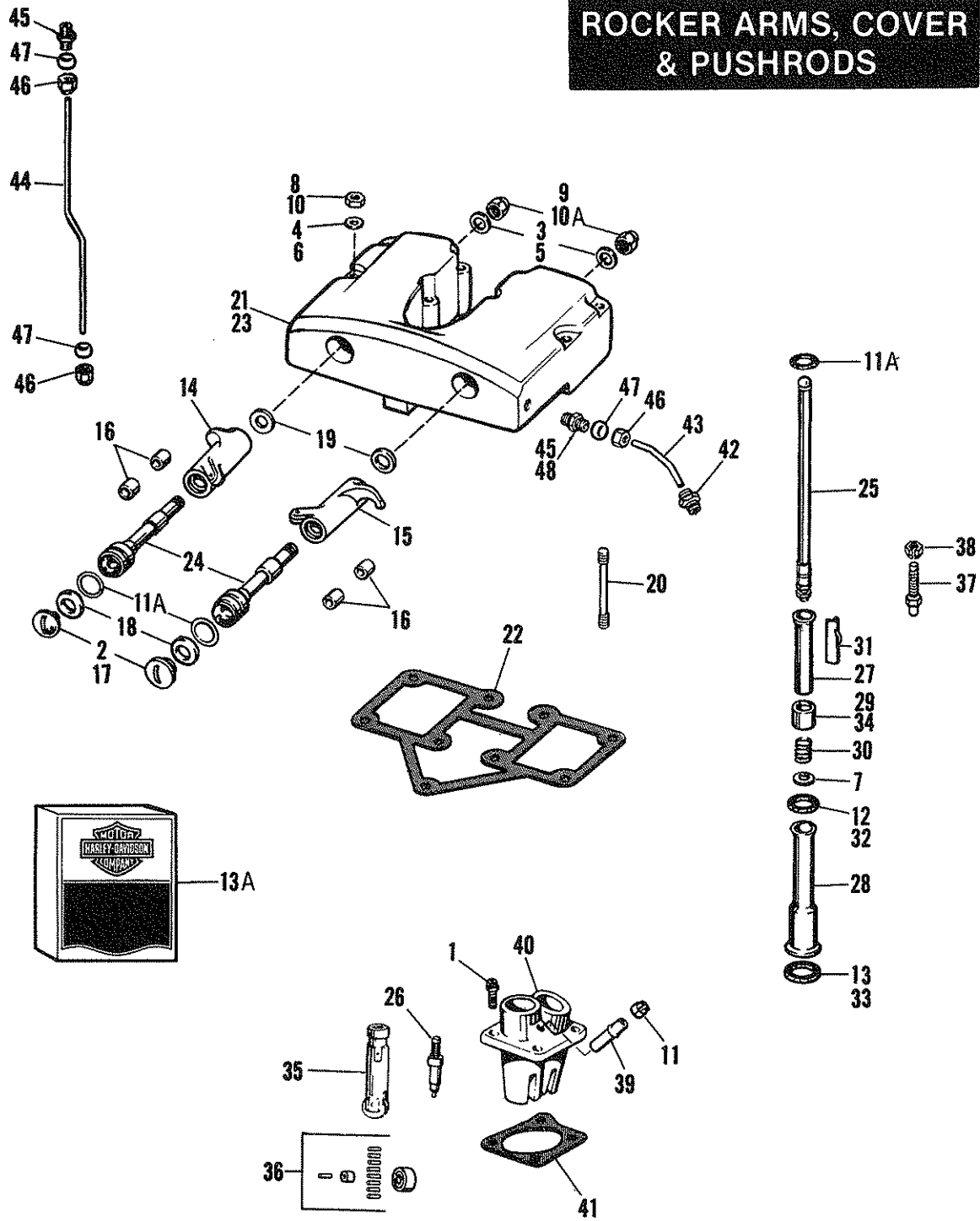
NOTE: Hose is sold only in bulk length under the following part number. Cut to length required.

ROCKER ARMS, COVER & PUSH RODS

AA1A-1

RETAIL PRICE	INDEX NO.	PART NO.	NAME	USED ON
	1	906	SCREW, 1/4-20 x 7/8, 12 pt. hd. (black) (4)	N/A 77 to 79 — FXS, FXS-80
		3750	SCREW, 1/4-24 x 7/8, 12 pt. cap (4)	71 to Early 76 — All Models
		3770	SCREW, 1/4-20 x 7/8, 12 pt. hd. (4)	Late 76 to 81 — FX, FXE, FXEF, FXEF-80; 80 to * — All Models
	2	5200	SCREW, rocker arm shaft end (2)	80 to 82 — FXB
	3	6001	WASHER, 7/16 x 3/4 x 1/32 (black) (2)	N/A 77 to 79 — FXS, FXS-80
	4	6002	WASHER, 5/16 x 5/8 x 1/16 (black) (9)	77 to Early 79 — FXS, FXS-80
		6016	WASHER, 11/32 x 11/16 x 1/16 (9)	Late 83 to * — All Models
		6316HW	WASHER, 5/16 x 5/8 x 1/16 (9)	Late 79 to Early 83 — All Models
	5	6466W	WASHER, 7/16 x 3/4 x 1/32 (2)	71 to * — FX, FXE, FXEF, FXEF-80; 80 to * — All Models
	6	6702	WASHER, 5/16 x 11/16 x 1/16 (9)	71 to Early 79 — All Models
	7	6762B	WASHER, 11/16 x 59/64 x 1/32 (2)	71 to * — All Models
	8	7509	NUT, 5/16-24 x 1/2 hex. (black) (9)	77 to 79 — FXS, FXS-80
	9	7522	ACORN NUT, 7/16-20 x 5/8 hex. (2)	80 to 82 — FXB
	10	7753	NUT, 5/16-24 x 17/64 x 1/2 hex. (9)	N/A 71 to * — FX, FXE, FXEF, FXEF-80 80 to * — All Models
	10A	7875	ACORN NUT, 7/16-20 x 5/8 x 5/8 hex. (2)	71 to * — All Models Except FXB
	11	10014	CLAMP, oil hose (4)	Late 81 to * — All Models
	11A	11101	O-RING, rocker arm shaft (2); push rod cover - upper (2) (Late 79 to Early 81)	71 to * — All Models
		11118	QUAD SEAL, push rod cover — upper (2)	Late 81 to * — All Models
	12	11132	O-RING, push rod cover — middle (2)	Late 79 to * — All Models
	13	11133A	QUAD SEAL, push rod cover — lower (2)	Late 79 to * — All Models
	13A	17034—48A	GASKET SET, top overhaul	71 to 78 — All Models
		17034—80A	GASKET SET, top overhaul	79 to * — All Models
	14	17360—66A	ROCKER ARM, rear exhaust & front intake	71 to * — All Models
	15	17375—66A	ROCKER ARM, front exhaust & rear intake	71 to * — All Models
	16	17428—57	BUSHING, rocker arm (4)	71 to * — All Models
	17	17448—57	SCREW, rocker arm shaft end (2)	Early 71 — All Models
		17448—71A	SCREW, rocker arm shaft end (chrome) (2)	Late 71 to 84 — FX, FXE, FXEF-80, FXE-80, FXWG, FXSB
		17449—77	SCREW, rocker arm shaft end (black) (2)	N/A 77 to 79 — FXS, FXS-80
	18	17450—73	WASHER, rocker arm shaft (2)	73 to 81 — All Models
	19	17452—66	SPACER, rocker arm (2)	71 to * — All Models
	20	17506—66A	STUD, rocker arm cover (long) (8)	71 to * — All Models
		17508—66A	STUD, rocker arm cover (short) (2)	71 to * — All Models
	21	17516—77B	ROCKER ARM COVER, rear (gray)	N/A 77 to 79 — FXS, FXS-80
		17517—77B	ROCKER ARM COVER, front (gray)	N/A 77 to 79 — FXS, FXS-80
		17518—80	ROCKER ARM COVER, front (black)	N/A 80 to 82 — FXB; 80 & 81 — FXS-80
		17519—80	ROCKER ARM COVER, rear (black)	N/A 80 to 82 — FXB; 80 & 81 — FXS-80
	22	17540—69A	GASKET, rocker arm cover (2)	71 to * — All Models
	23	17550—80	ROCKER ARM COVER KIT, rear	71 to Early 81 — All Models; Late 82 to * — All Models
		17552—80	ROCKER ARM COVER KIT, front	71 to Early 81 — All Models; Late 82 to * — All Models
	24	17611—66B	SHAFT, rocker arm (2)	71 to * — All Models
	25	17904—66	PUSH ROD ASSEMBLY (2)	71 to * — All Models
	26	17920—53A	PUSH ROD, hydraulic unit (2)	71 to * — All Models
	27	17935—79B	COVER, upper push rod (2)	71 to * — All Models
	28	17938—48B	COVER, lower push rod (2)	71 to Early 79 — All Models except; FXWG
		17938—79	COVER, lower push rod (2)	Late 79 to * — All Models except, 82 to 84 — FXWG
		17939—80	COVER, lower push rod (2)	80 & 81 — FXWG
	29	17945—36B	CAP, cover spring (2)	71 to * — All Models except; 82 to 84 — FXWG
	30	17947—36	SPRING, push rod cover (2)	71 to * — All Models
	31	17950—66	RETAINER, spring cap (2)	71 to * — All Models except; 82 to 84 — FXWG
		17953—80	RETAINER, spring cap (black) (2)	80 & 81 — FXWG
	32	17955—36	CORK WASHER, push rod cover — upper (2)	N/A 71 to Early 79 — All Models
	33	17955—48	CORK WASHER, push rod cover — lower (2)	71 to Early 79 — All Models
	34	17955—79	CAP, cover spring (2)	N/A 80 & 81 — FXWG

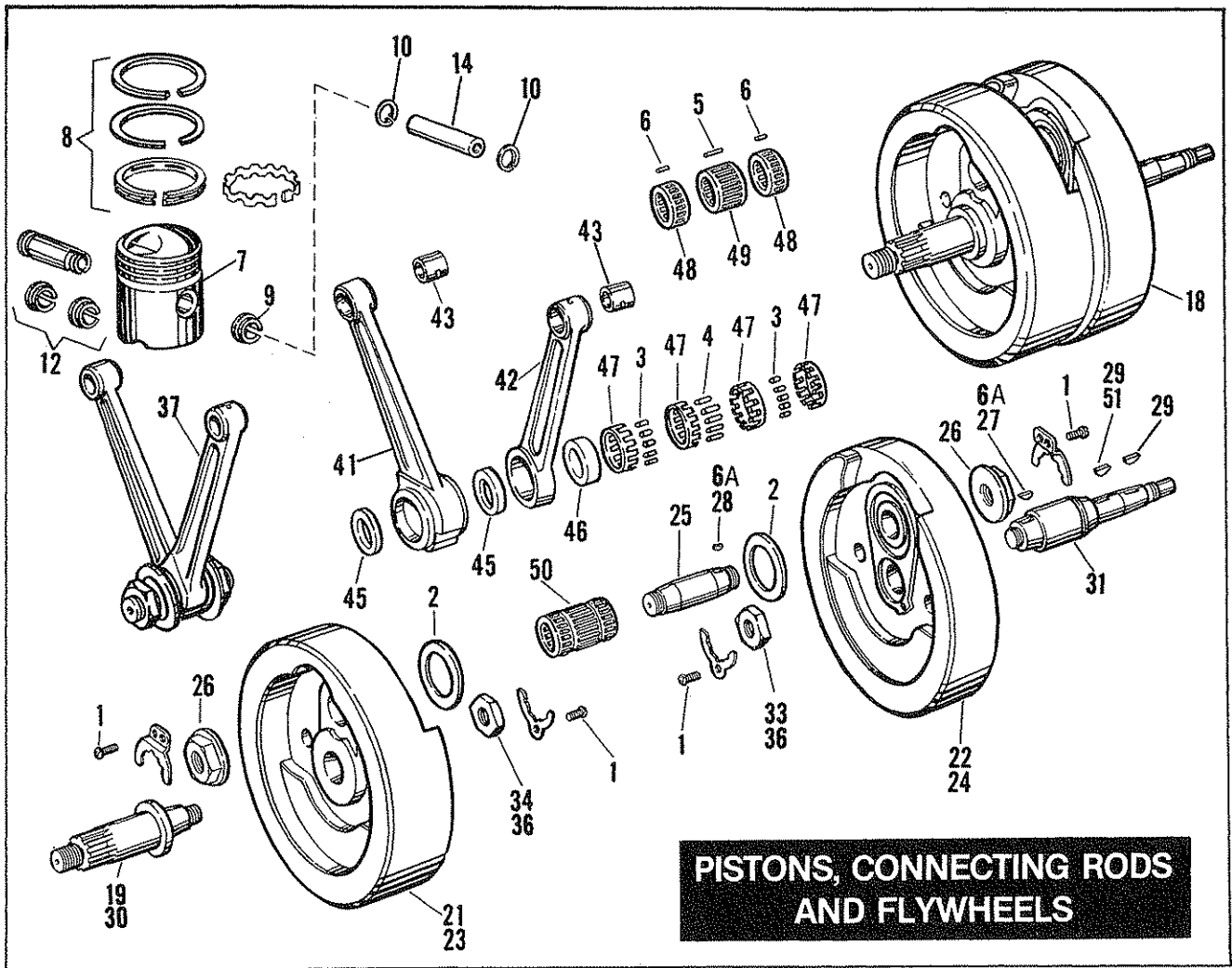
ROCKER ARMS, COVER & PUSHRODS



ROCKER ARMS, COVER & PUSH RODS

AA1A-2

RETAIL PRICE	INDEX NO.	PART NO.	N A M E	USED ON
	35	18522-53A	TAPPET, with roller (2)	71 to * — All Models
	36	18534-29A	KIT, tappet roller (2)	71 to * — All Models
	37	18556-57	TAPPET ADJUSTING SCREW, with nut (2)	71 to * — All Models
	38	18570-38	NUT, tappet adjusting screw	71 to * — All Models
	39	18599-81	OIL FITTING, tappet guide	Late 81 to * — All Models
	40	18597-81	TAPPET GUIDE, front cylinder (black)	Late 81 to Early 82 — All Models
		18598-81	TAPPET GUIDE, rear cylinder (black)	Late 81 to Early 82 — All Models
		18600-66C	TAPPET GUIDE, front cylinder	N/A 71 to Early 76 — All Models
		18602-80A	TAPPET GUIDE, rear cylinder (black)	Late 76 to Early 81 — FX, FXE, FXEF, FXEF-80, FXB, FXWG, FXE-80; 77 to Early 81 — FXS, FXS-80; Late 82 to * — All Models
		18603-80A	TAPPET GUIDE, front cylinder (black)	Late 76 to Early 82 — FX, FXE, FXEF, FXEF-80, FXE-80; 77 to 79 — FXS, FXS-80; 80 to Early 81 — FXS-80, FXB, FXWG; Late 82 to * — All Models
		18610-66C	TAPPET GUIDE, rear cylinder	N/A 71 to Early 76 — All Models
	41	18633-48C	GASKET, tappet guide, rear cylinder	71 to * — All Models
		18634-48B	GASKET, tappet guide, front cylinder	71 to * — All Models
	42	62484-81	OIL LINE FITTING, rocker arm cover	81 to * — All Models
	43	62783-66A	OIL LINE TUBE, top cover cross-over (chrome)	71 to * — All Models
	44	62785-66A	OIL LINE TUBE, crankcase to top cover (chrome)	71 to * — All Models
	45	63526-57	OIL LINE FITTING, rocker arm cover (3; 2 - 81 & Later)	71 to * — All Models
	46	63527-57A	NUT, oil line (4)	71 to * — All Models
	47	63529-57	SLEEVE, oil line (4)	71 to * — All Models
	48	63543-82	OIL LINE FITTING, rocker arm cover	Late 82 to * — All Models

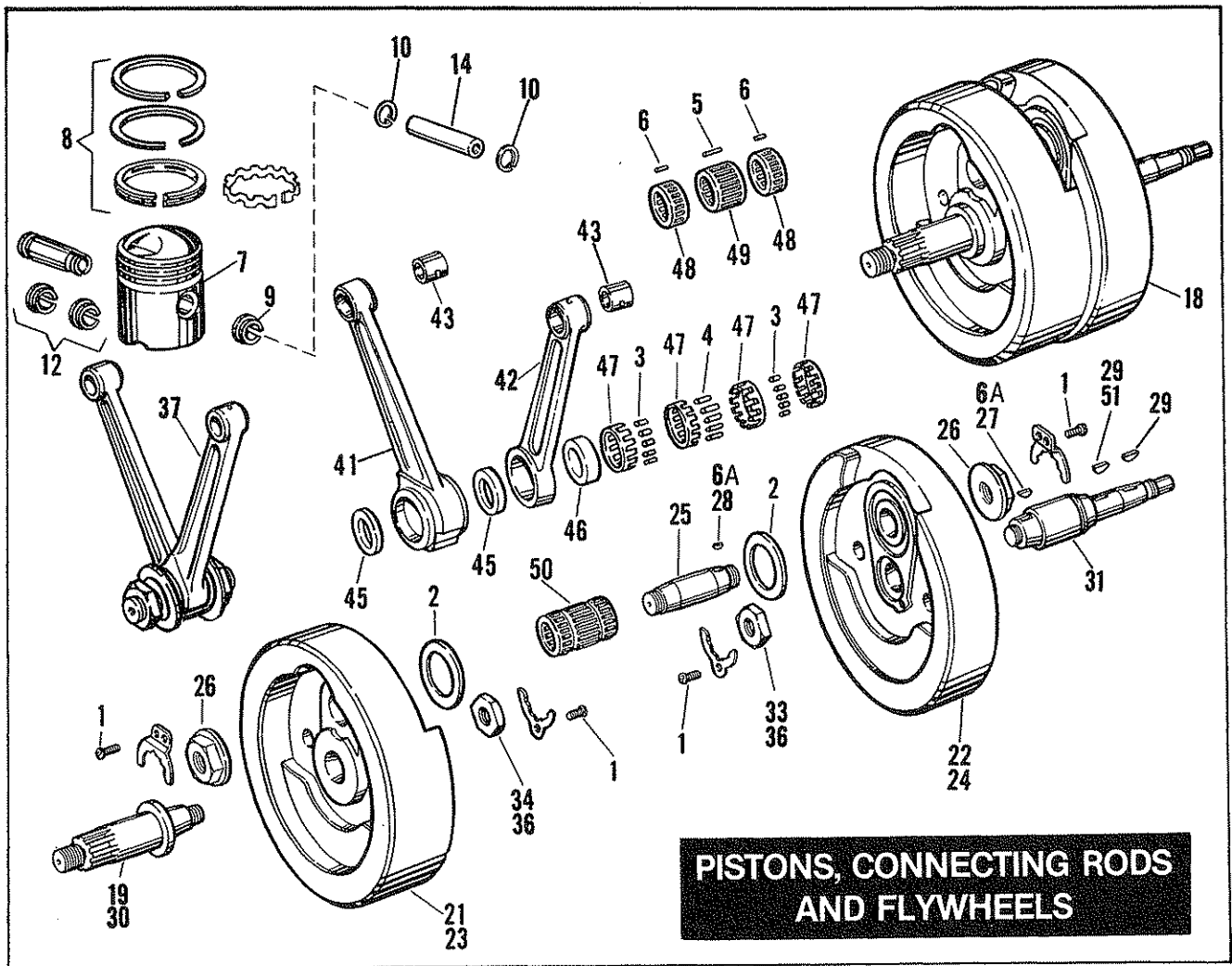


**PISTONS, CONNECTING RODS
AND FLYWHEELS**

PISTONS, CONNECTING RODS AND FLYWHEELS

AA2-1

RETAIL PRICE	INDEX NO.	PART NO.	N A M E	USED ON
	1	2660	SCREW, No. 10-24 x 3/8 Pozidriv pan hd. (4)	71 to Early 78 — All Models
	2	6506	WASHER, flywheel (bronze) (2)	71 to * — All Models
	3	9101A	ROLLER, crank pin, 3/16 x 0.329 — std. (36)	71 & 72 — All Models
		9102A	ROLLER, crank pin — 0.0002 O.S. (36)	71 & 72 — All Models
		9103A	ROLLER, crank pin — 0.0004 O.S. (36)	71 & 72 — All Models
		9104A	ROLLER, crank pin — 0.0006 O.S. (36)	71 & 72 — All Models
		9105A	ROLLER, crank pin — 0.0008 O.S. (36)	N/A 71 & 72 — All Models
		9106A	ROLLER, crank pin — 0.0010 O.S. (36)	71 & 72 — All Models
		9108A	ROLLER, crank pin — 0.0002 U.S. (36)	N/A 71 & 72 — All Models
	4	9171A	ROLLER, crank pin, 3/16 x 0.662 — std. (18)	N/A 71 & 72 — All Models
		9172A	ROLLER, crank pin — 0.0002 O.S. (18)	71 & 72 — All Models
		9173A	ROLLER, crank pin — 0.0004 O.S. (18)	N/A 71 & 72 — All Models
		9174A	ROLLER, crank pin — 0.0006 O.S. (18)	71 & 72 — All Models
		9175A	ROLLER, crank pin — 0.0008 O.S. (18)	N/A 71 & 72 — All Models
		9176A	ROLLER, crank pin — 0.0010 O.S. (18)	N/A 71 & 72 — All Models
		9179A	ROLLER, crank pin — 0.0002 U.S. (18)	N/A 71 & 72 — All Models
	5	9186	ROLLER, crank pin — standard (17)	N/A 73 to * — All Models
		9180	ROLLER, crank pin — 0.0002 O.S. (17)	73 to * — All Models
		9181	ROLLER, crank pin — 0.0004 O.S. (17)	N/A 73 to * — All Models
		9182	ROLLER, crank pin — 0.0006 O.S. (17)	73 to * — All Models
		9183	ROLLER, crank pin — 0.0008 O.S. (17)	73 to * — All Models
		9184	ROLLER, crank pin — 0.0010 O.S. (17)	N/A 73 to * — All Models
		9185	ROLLER, crank pin — 0.0002 U.S. (17)	73 to * — All Models
	6	9441A	ROLLER, crank pin — standard (34)	73 to * — All Models
		9442A	ROLLER, crank pin — 0.0002 O.S. (34)	73 to * — All Models
		9443A	ROLLER, crank pin — 0.0004 O.S. (34)	73 to * — All Models
		9444A	ROLLER, crank pin — 0.0006 O.S. (34)	73 to * — All Models
		9445A	ROLLER, crank pin — 0.0008 O.S. (34)	73 to * — All Models
		9446A	ROLLER, crank pin — 0.0010 O.S. (34)	N/A 73 to * — All Models
		9450A	ROLLER, crank pin — 0.0002 U.S. (34)	73 to * — All Models
	6A	11218	KEY, crank pin and gearshaft (2)	Late 81 to * — All Models
	7	21993—80A	PISTON, RINGS, PIN & LOCK RING ASSY. — 0.03 O.S.	81 to Early 83 — 1340 cc Engines
		21991—80A	PISTON, RINGS, PIN & LOCK RING ASSY. — 0.01 O.S.	81 to * — All Models
		21992—80A	PISTON, RINGS, PIN & LOCK RING ASSY. — 0.02 O.S.	81 to * — 1340 cc Models
		21993—80A	PISTON, RINGS, PIN & LOCK RING ASSY. — 0.03 O.S.	Late 83 to * — All Models
		21994—83	PISTON, RINGS, PIN & LOCK RING ASSY. — 0.005 O.S.	81 to * — 1340 cc Models
		22141—55B	PISTON, RINGS, PIN & LOCK RING ASSY. — std.	N/A 71 to 73 — 1200 cc Engines
		22141—74A	PISTON, RINGS, PIN & LOCK RING ASSY. — std.	N/A 74 to 80 — 1200 cc Engines
		22143—55C	PISTON, RINGS, PIN & LOCK RING ASSY. — 0.01 O.S.	N/A 71 to 73 — 1200 cc Engines
		22143—74A	PISTON, RINGS, PIN & LOCK RING ASSY. — 0.01 O.S.	N/A 74 to 80 — 1200 cc Engines
		22144—55C	PISTON, RINGS, PIN & LOCK RING ASSY. — 0.02 O.S.	N/A 71 to 73 — 1200 cc Engines
		22144—74A	PISTON, RINGS, PIN & LOCK RING ASSY. — 0.02 O.S.	N/A 74 to 80 — 1200 cc Engines
		22145—55C	PISTON, RINGS, PIN & LOCK RING ASSY. — 0.03 O.S.	N/A 71 to 73 — 1200 cc Engines
		22145—74A	PISTON, RINGS, PIN & LOCK RING ASSY. — 0.03 O.S.	N/A 74 to 80 — 1200 cc Engines
		22146—55C	PISTON, RINGS, PIN & LOCK RING ASSY. — 0.04 O.S.	N/A 71 to 73 — 1200 cc Engines
		22146—74A	PISTON, RINGS, PIN & LOCK RING ASSY. — 0.04 O.S.	N/A 74 to 80 — 1200 cc Engines
		22147—55C	PISTON, RINGS, PIN & LOCK RING ASSY. — 0.05 O.S.	N/A 71 to 73 — 1200 cc Engines
		22147—74A	PISTON, RINGS, PIN & LOCK RING ASSY. — 0.05 O.S.	N/A 74 to 80 — 1200 cc Engines
		22148—55C	PISTON, RINGS, PIN & LOCK RING ASSY. — 0.06 O.S.	N/A 71 to 73 — 1200 cc Engines
		22148—74A	PISTON, RINGS, PIN & LOCK RING ASSY. — 0.06 O.S.	N/A 74 to 80 — 1200 cc Engines
		22149—55C	PISTON, RINGS, PIN & LOCK RING ASSY. — 0.07 O.S.	N/A 71 to 73 — 1200 cc Engines
		22149—74A	PISTON, RINGS, PIN & LOCK RING ASSY. — 0.07 O.S.	N/A 74 to 80 — 1200 cc Engines
		22191—78	PISTON, RINGS, PIN & LOCK RING ASSY. — std.	79 & 80 — 1340 Engines
		22192—78	PISTON, RINGS, PIN & LOCK RING ASSY. — 0.01 O.S.	N/A 79 & 80 — 1340 Engines
		22194—78	PISTON, RINGS, PIN & LOCK RING ASSY. — 0.02 O.S.	N/A 79 & 80 — 1340 Engines
		22196—78	PISTON, RINGS, PIN & LOCK RING ASSY. — 0.03 O.S.	79 & 80 — 1340 Engines



PISTONS, CONNECTING RODS AND FLYWHEELS — (CONT'D)

AA2-2

RETAIL PRICE	INDEX NO.	PART NO.	NAME	USED ON
	8	22325-55B	PISTON RING SET — std.....	71 to 80 — 1200 cc Engines
		22327-55B	PISTON RING SET — 0.01 O.S.	71 to 80 — 1200 cc Engines
		22328-55B	PISTON RING SET — 0.02 O.S.	71 to 80 — 1200 cc Engines
		22329-55B	PISTON RING SET — 0.03 O.S.	71 to 80 — 1200 cc Engines
		22330-55B	PISTON RING SET — 0.04 O.S.	71 to 80 — 1200 cc Engines
		22331-55B	PISTON RING SET — 0.05 O.S.	71 to 80 — 1200 cc Engines
		22334-78A	PISTON RING SET — 0.06 O.S. (std — 1340cc)	79 to * — 1340 cc Engines; 71 to Early 82 — 1200 cc Engines
		22334-78B	PISTON RING SET — std. rings	Late 82 to Early 83 — All Models
		22335-78B	PISTON RING SET — 0.01 O.S.	79 to Early 82 — 1340 cc Engines
		22335-78B	PISTON RING SET — 0.01 O.S.	Late 82 to Early 83 — All Models
		22336-78B	PISTON RING SET — 0.02 O.S.	79 to Early 83 — 1340 cc Engines
		22337-78B	PISTON RING SET — 0.03 O.S.	79 to Early 83 — 1340 cc Engines
		21920-83	PISTON RING SET — std.....	Late 83 to * — All Models
		21921-83	PISTON RING SET — 0.005 O.S.	Late 83 to * — All Models
		21922-83	PISTON RING SET — 0.010 O.S.	Late 83 to * — All Models
		21923-83	PISTON RING SET — 0.020 O.S.	Late 83 to * — All Models
		21924-83	PISTON RING SET — 0.030 O.S.	Late 83 to * — All Models

PISTONS, CONNECTING RODS AND FLYWHEELS — (CONT'D)

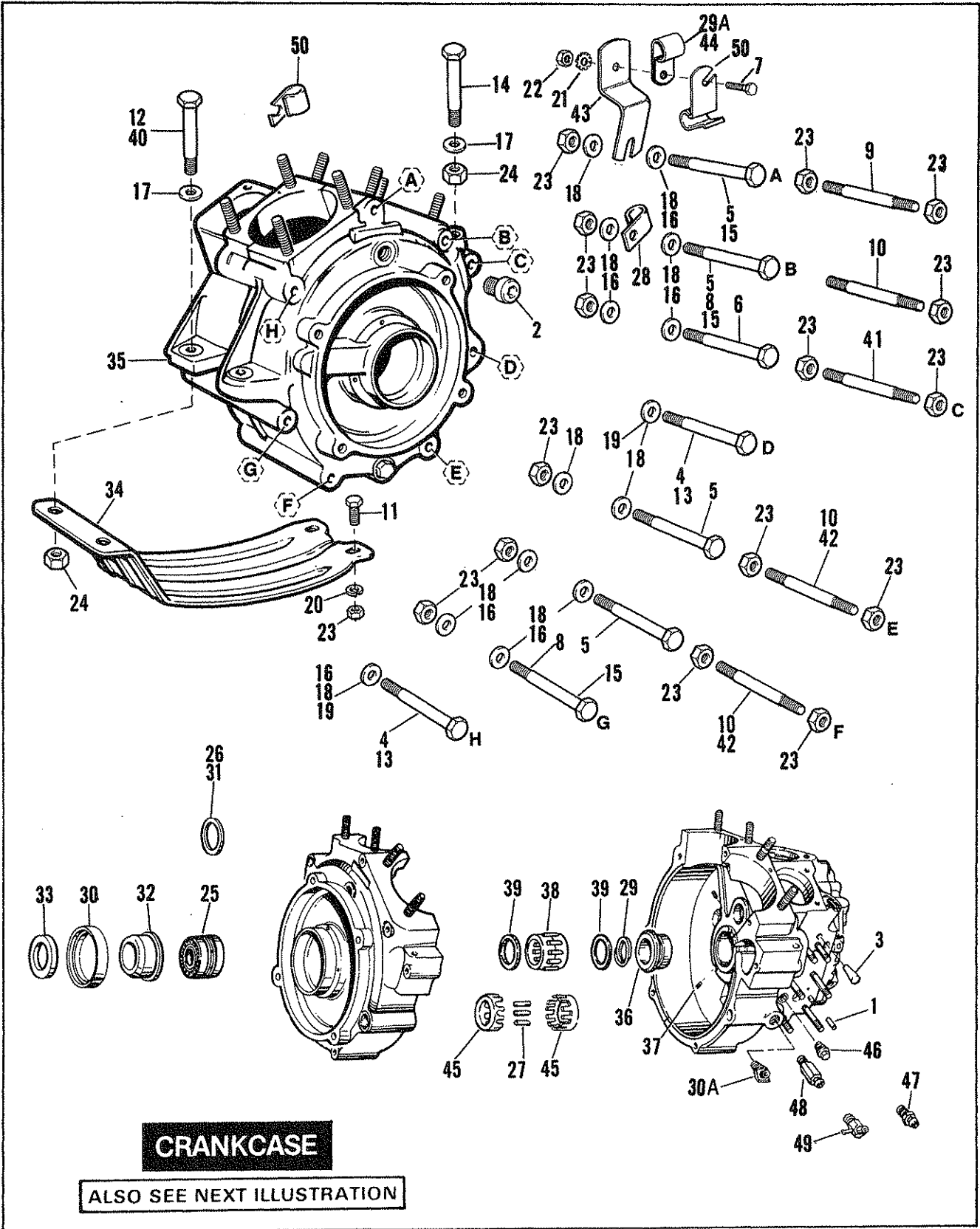
AA2-3

RETAIL PRICE	INDEX NO.	PART NO.	NAME	USED ON
	9	22581-32	LOCK RING, piston pin (2)	N/A 71 & 72 — All Models
	10	22582-52	LOCK RING, piston pin (2)	73 to Early 77 — All Models
		22588-78	LOCK RING, piston pin (2)	Late 77 to Early 83 — All Models
		22589-83	LOCK RING (2)	Late 83 to * — All Models
	12	22735-32	PISTON PIN, with lock rings — std.	N/A 71 & 72 — All Models
	14	22760-73A	PISTON PIN, standard (2)	73 to 82 — All Models
		22762-73	PISTON PIN — 0.004 O.S. (2)	73 to 82 — All Models
		22764-83	PISTON PIN, standard (2)	83 to * — All Models
	18	23906-74	SET OF FLYWHEELS & SHAFTS, with rods	74 to 80 — 1200 cc Engines
		23906-78G	SET OF FLYWHEELS & SHAFTS, with rods	79 to * — 1340 cc Models
	19	23909-80	SPROCKET SHAFT	Late 81 to * — All Models
	21	23919-72	FLYWHEEL, left	N/A 72 to 80 — 1200 cc Engines
	22	23922-78	FLYWHEEL, right	N/A 79 to Early 81 — 1340 cc Engines
		23922-80	FLYWHEEL, right	N/A Late 81 to * — All Models
	23	23924-78	FLYWHEEL, left	N/A 79 to Early 81 — 1340 cc Engines
		23926-80	FLYWHEEL, left	N/A Late 81 to 84 — All Models
	24	23940-41A	FLYWHEEL, right	N/A 71 to 80 — 1200 cc Engines
	25	23961-41	CRANK PIN	71 to Early 81 — All Models
		23961-80A	CRANK PIN	Late 81 to * — All Models
	26	23966-54A	NUT, crank pin (2)	71 to Early 81 — All Models
		23969-80	NUT, crank pin (2)	Late 81 to Early 83 — All Models
		23969-83	NUT, crank pin (2)	Late 83 to * — All Models
	27	23985-12	KEY, gear shaft	71 to Early 81 — All Models
	28	23985-18	KEY, crank pin	71 to Early 81 — All Models
	29	23985-54	KEY, gear shaft pinion (2 — Early 75 & Earlier)	71 to * — All Models
	30	24001-70	SPROCKET SHAFT	N/A 71 — All Models
		24001-72	SPROCKET SHAFT	72 to Early 81 — All Models
	31	24006-58	GEAR SHAFT	N/A 71 & 72 — All Models
		24006-73	GEAR SHAFT	73 to Early 81 — All Models
		24006-80	GEAR SHAFT	Late 81 to Early 83 — All Models
		24006-83	GEAR SHAFT	Late 83 to * — All Models
	33	24016-80	NUT, gear shaft	Late 81 to * — All Models
	34	24017-72	NUT, sprocket shaft	72 to Early 81 — All Models
		24017-80	NUT, sprocket shaft	Late 81 to * — All Models
	36	24023-36	NUT, gear and sprocket shafts (2 — 71)	71 to Early 81 — All Models
	37	24281-41A	SET OF CONN. RODS WITH BEARINGS & CRANK PIN	71 to 73 — All Models
		24281-74A	SET OF CONN. RODS WITH BEARINGS & CRANK PIN	74 to Early 81 — All Models
		24281-80	SET OF CONN. RODS WITH BEARINGS & CRANK PIN	Late 81 to Early 83 — All Models
		24281-83	SET OF CONN. RODS WITH BEARINGS & CRANK PIN	Late 83 to * — All Models
	41	24298-36	CONNECTING ROD, rear	N/A 71 to 73 — All Models
	42	24302-36	CONNECTING ROD, front	N/A 71 to 73 — All Models
	43	24334-36	BUSHING, piston pin (2)	71 to * — All Models
		24335-36	BUSHING, piston pin — 0.01 O.S. (2)	71 to * — All Models
	45	24345-36A	BUSHING, rear connecting rod — lower (2)	71 to * — All Models
	46	24356-36A	BUSHING, front connecting rod — lower	71 to * — All Models
	47	24366-51	RETAINER, crank pin roller (4)	N/A 71 & 72 — All Models
	48	24366-71	RETAINER, crank pin roller — rear rod (2)	73 to * — All Models
	49	24367-71	RETAINER, crank pin roller — front rod	73 to * — All Models
	50	24385-40B	SET OF ROLLERS AND RETAINERS — standard	N/A 71 to * — All Models
		24387-40B	SET OF ROLLERS AND RETAINERS — 0.0004 O.S.	71 to * — All Models
		24388-40B	SET OF ROLLERS AND RETAINERS — 0.0006 O.S.	71 to * — All Models
		24389-40B	SET OF ROLLERS AND RETAINERS — 0.0008 O.S.	N/A 71 to * — All Models
		24390-40B	SET OF ROLLERS AND RETAINERS — 0.0010 O.S.	N/A 71 to * — All Models
		24391-40B	SET OF ROLLERS AND RETAINERS — 0.0002 U.S.	71 to * — All Models
	51	26348-15	KEY, gear shaft pinion	Late 75 to * — All Models

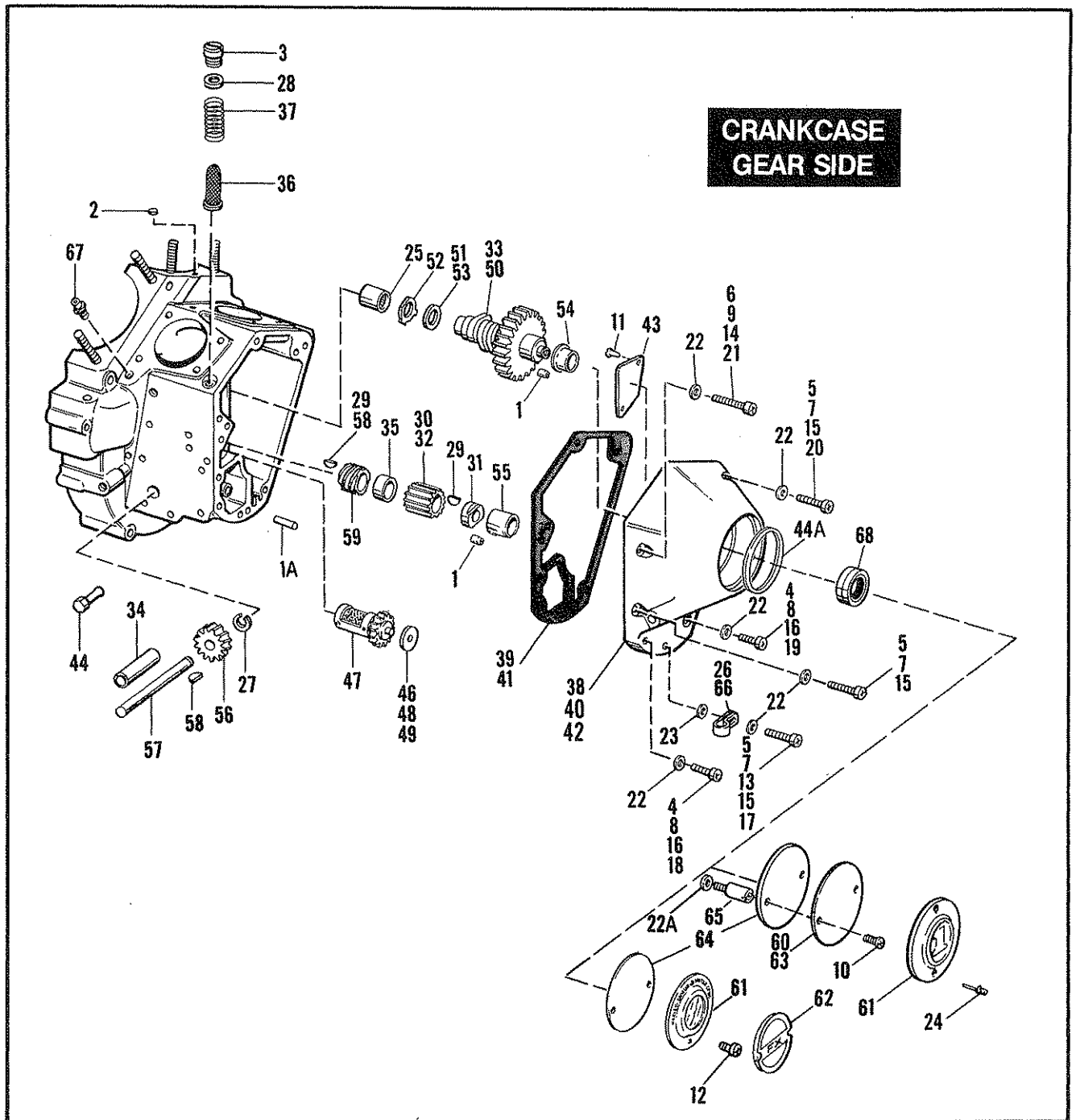
CRANKCASE

AA3-1

RETAIL PRICE	INDEX NO.	PART NO.	N A M E	USED ON
	1	341	DOWEL PIN, oil pump mounting (2)	N/A 71 to 73 — All Models
	2	720	PLUG, timing hole	71 to * — All Models
	3	723	PLUG, oil vent (must be used with crankcase sets 24519—73F and 24524—77E if 1981 oil pump is not used)	80 & Earlier — All Models
	4	3427	BOLT, 5/16-18 x 3-1/2 hex. hd. (2)	79 to * — All Models
	5	3428	BOLT, 5/16-24 x 5-1/2 hex. hd. (5)	N/A 79 to 81 — All Models
	6	3430	BOLT, 5/16-24 x 5 hex. hd.	79 to * — All Models
	7	3491	BOLT, No. 8-32 x 5/8 hex. hd.	Late 82 to * — All Models
	8	3504	BOLT, 5/16-24 x 9/16 x 5-3/8 hex. hd. (2)	82 to * — All Models
	9	3505	STUD, 5/16-24 x 5-9/16	82 & 83 — All Models
	10	3506	STUD, 5/16-24 x 5-3/4 (2; 3 — 84 & Later)	82 to * — All Models
	11	3974HW	BOLT, 5/16-24 x 3/4 hex. hd. (2)	71 to Early 81 — All Models
	12	4401W	BOLT, 3/8-24 x 2-3/4 hex. hd. (2)	73 to * — All Models
	13	4432W	BOLT, 3/8-16 x 3-1/4 hex. hd. (2)	71 to 78 — All Models
	14	4435W	BOLT, 3/8-24 x 3-1/2 hex. hd. (2)	71 to * — All Models
	15	4806	BOLT, 5/16-24 x 5-1/4 hex. hd. (3)	N/A 71 to 78 — All Models
	16	6016	WASHER, 11/32 x 11/16 x 1/16 (14)	Late 83 to * — All Models
	17	6400HB	WASHER, 3/8 x 13/16 x 7/64 (4)	71 to * — All Models
	18	6702	WASHER, 7/16 x 11/16 x 1/16 (14)	79 to Early 83 — All Models
	19	6774	WASHER, 3/8 x 5/8 x 1/16 (2)	Late 74 to 78 — All Models
	20	7041	LOCKWASHER, 5/16 (2)	71 to Early 81 — All Models
	21	7143	LOCKWASHER, No. 8 external tooth	Late 82 to * — All Models
	22	7608	NUT, No. 8-32 x 1/8 x 11/32 hex.	Late 82 to * — All Models
	23	7753	NUT, 5/16-24 x 1/4 x 1/2 hex. (as req'd.)	71 to * — All Models
	24	7775	LOCKNUT, 3/8-24 x 7/16 x 9/16 hex. (4)	71 to * — All Models
	25	9028	BEARING, left crankcase (Timken)	71 to * — All Models
	26	9120	SHIM, bearing assembly, 0.0925-.0915	71 to * — All Models
		9121	SHIM, bearing assembly, 0.0945-.0935	71 to * — All Models
		9122	SHIM, bearing assembly, 0.0965-.0955	71 to * — All Models
		9123	SHIM, bearing assembly, 0.0985-.0975	71 to * — All Models
		9124	SHIM, bearing assembly, 0.1005-.0995	71 to * — All Models
		9125	SHIM, bearing assembly, 0.1025-.1015	71 to * — All Models
		9126	SHIM, bearing assembly, 0.1045-.1035	71 to * — All Models
		9127	SHIM, bearing assembly, 0.1065-.1055	71 to * — All Models
		9128	SHIM, bearing assembly, 0.1085-.1075	71 to * — All Models
		9129	SHIM, bearing assembly, 0.1105-.1095	71 to * — All Models
		9130	SHIM, bearing assembly, 0.1125-.1115	71 to * — All Models
		9131	SHIM, bearing assembly, 0.1145-.1135	71 to * — All Models
		9132	SHIM, bearing assembly, 0.1165-.1155	71 to * — All Models
		9133	SHIM, bearing assembly, 0.1185-.1175	71 to * — All Models
		9134	SHIM, bearing assembly, 0.1205-.1195	71 to * — All Models
	27	9217	ROLLER, right bearing — 0.0005 O.S. (28)	Late 81 to * — All Models
		9218	ROLLER, right bearing — 0.0003 O.S. (28)	Late 81 to * — All Models
		9219	ROLLER, right bearing — 0.0001 O.S. (28)	Late 81 to * — All Models
		9220A	ROLLER, right bearing, 0.25 x 0.49 lg. — std. (28)	71 to * — All Models
		9221A	ROLLER, right bearing — 0.0002 O.S. (28)	71 to * — All Models
		9222A	ROLLER, right bearing — 0.0004 O.S. (28)	71 to * — All Models
		9223A	ROLLER, right bearing — 0.0006 O.S. (28)	71 to * — All Models
		9224A	ROLLER, right bearing — 0.0008 O.S. (28)	71 to * — All Models
		9225A	ROLLER, right bearing — 0.0010 O.S. (28)	71 to * — All Models
	28	9979	CLIP, air cleaner hose (breather)	N/A Late 78 to Early 81 — All Models
	29	11007	RETAINING RING, right bearing	71 to * — All Models
	29A	10059	CLAMP, clutch cable	Late 83 to * — FXWG; 84 to * — FXE-80, FXSB
	30	12026B	OIL SEAL	71 to * — All Models
	30A	16302—81	FITTING, crankcase vent	84 to * — All Models
	31	23741—55	SHIM, sprocket shaft bearing — 0.003	N/A 71 to 84 — All Models
	32	24002—70	SPACER, sprocket shaft	71 to * — All Models



RETAIL PRICE	INDEX NO.	PART NO.	N A M E	USED ON
	33	24032-70	SPACER, sprocket shaft — 0.06 thick	71 to * — All Models
		24033-70	SPACER, sprocket shaft — 0.09 thick	71 to * — All Models
		24034-70	SPACER, sprocket shaft — 0.12 thick	71 to * — All Models
		24035-70	SPACER, sprocket shaft — 0.15 thick	71 to * — All Models
		24036-70	SPACER, sprocket shaft — 0.18 thick	71 to * — All Models
		24037-70	SPACER, sprocket shaft — 0.21 thick	71 to * — All Models
		24051-80	SPACER, compensating sprocket — 0.01 thick	72 to 79 — FX, FXE, FXS, FXEF; 80 to * — FXB, FXSB
		24052-80	SPACER, compensating sprocket — 0.02 thick	72 to 79 — FX, FXE, FXS, FXEF; 80 to * — FXB, FXSB
		24053-80	SPACER, compensating sprocket — 0.03 thick	72 to 79 — FX, FXE, FXS, FXEF; 80 to * — FXB, FXSB
		24054-80	SPACER, compensating sprocket — 0.04 thick	72 to 79 — FX, FXE, FXS, FXEF; 80 to * — FXB, FXSB
	34	24490-36	CRANKCASE GUARD	71 to Early 81 — All Models
	35	24519-70	SET OF CRANKCASES	N/A 71 & 72 — All Models
		24519-73F	SET OF CRANKCASES	73 to * — All Models except FXWG, FXB
		24524-77E	SET OF CRANKCASES (black)	77 to 84 — FXS, FXS-80, FXWG, FXB, FXSB
	36	24599-58A	BUSHING, right crankcase — standard	71 to * — All Models
		24600-58A	BUSHING, right crankcase — 0.002 O.S.	71 to * — All Models
		24601-58A	BUSHING, right crankcase — 0.005 O.S.	71 to * — All Models
	37	24608-54	SCREW, crankcase gear side bushing (2)	N/A 71 to 78 — All Models
	38	24645-81	RIGHT BEARING — 0.0005 O.S.	Late 81 to * — All Models
		24649-81	RIGHT BEARING — 0.0003 O.S.	Late 81 to * — All Models
		24650-81	RIGHT BEARING — 0.0001 O.S.	Late 81 to * — All Models
		24651-58	RIGHT BEARING — 0.0002 O.S.	71 to * — All Models
		24652-58	RIGHT BEARING — 0.0004 O.S.	71 to * — All Models
		24653-58	RIGHT BEARING — 0.0006 O.S.	71 to * — All Models
		24654-58	RIGHT BEARING — 0.0008 O.S.	71 to * — All Models
		24655-58	RIGHT BEARING — 0.0010 O.S.	N/A 71 to * — All Models
	39	24692-58	WASHER, right bearing (2)	71 to * — All Models
	40	24791-36	BOLT, front engine mounting (2)	N/A 71 & 72 — All Models
	41	24805-30	CRANKCASE STUD, 5/16-24 x 5	71 to 78 — All Models
	42	24815-40	CRANKCASE STUD, 5/16-24 x 5-27/32 (2)	71 to 78 — All Models
	43	25405-82	CLAMP, clutch cable routing	Late 82 to * — All Models
	44	38712-68	CLAMP, clutch cable	Late 82 & 83 — All Models
	45	43578-35	RETAINER, right roller bearing (2)	71 to * — All Models
	46	45850-48	PLUG, crankcase oil line	Late 84 to * — All Models
	47	63533-41	FITTING, vent hose	71 to * — All Models
	48	63533-65	FITTING, oiler return line hose	N/A 77 to Early 79 — FXS; 79 to Early 84 — All Models except FXB
	49	63541-70	TEE, rear chain oiler	71 to Early 78 — All Models
	50	67075-57A	CLIP, speedometer cable	71 & 72 — FX
		67076-81	CLIP, speedometer cable	80 to 83 — FXWG

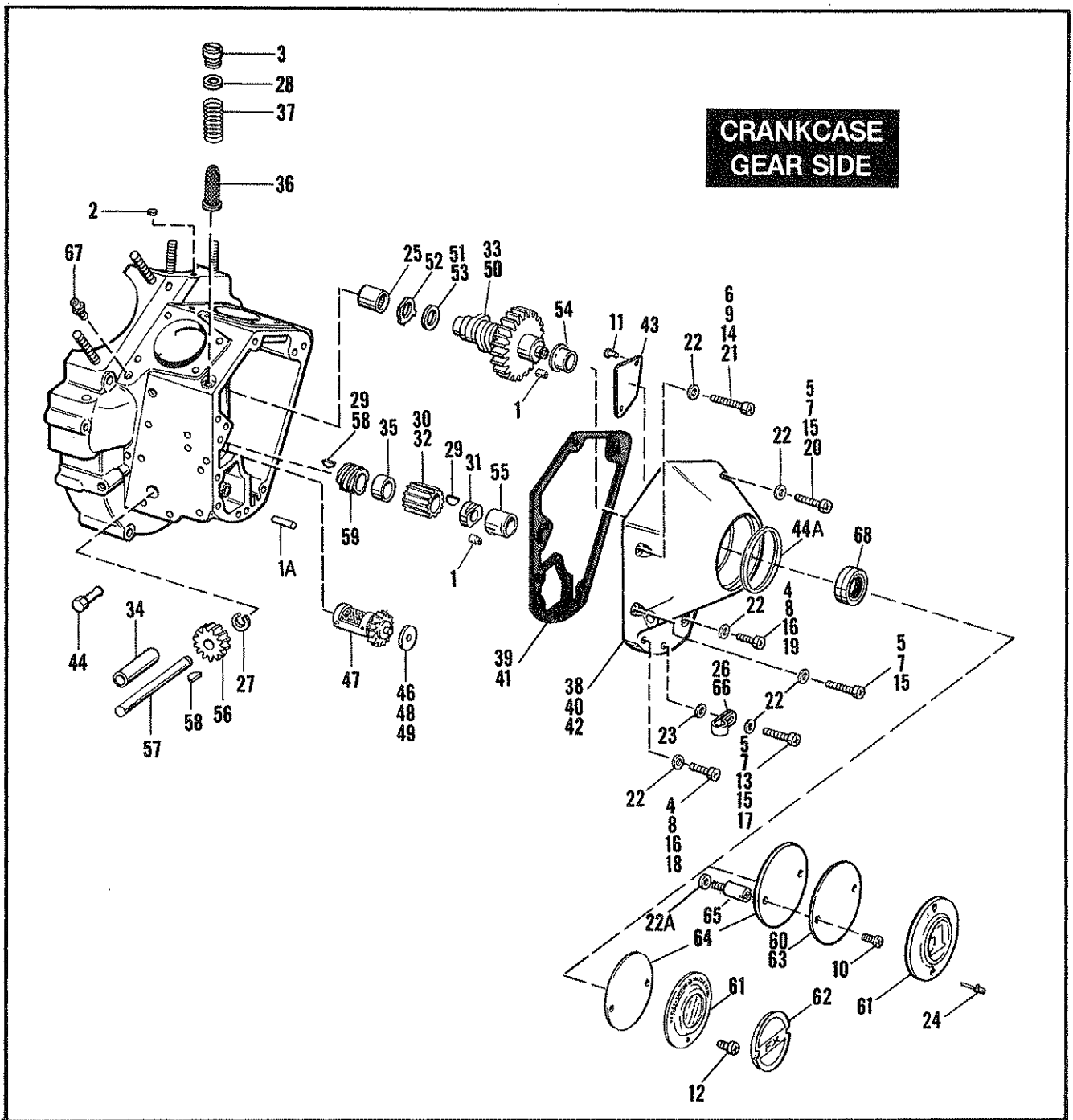


CRANKCASE — GEAR SIDE

AA4-1

RETAIL PRICE	INDEX NO.	PART NO.	N A M E	USED ON
	1	275	DOWEL PIN (2 — as req'd.)	71 to * — All Models
	1A	358	DOWEL PIN (2)	71 to * — All Models
	2	653	PLUG, crankcase	71 to * — All Models
	3	657	PLUG, oil screen	71 to 80 — All Models
	4	902	SCREW, 1/4-20 x 1 Pozidriv oval ctsk. hd. (black) (2)	N/A 77 to 79 — FXS, FXS-80
	5	903	SCREW, 1/4-20 x 1-1/4 Pozidriv oval ctsk. hd. (black) (3)	77 to 79 — FXS, FXS-80
	6	905	SCREW, 1/4-20 x 1-3/4 Pozidriv oval ctsk. hd. (black)	N/A 77 to 79 — FXS, FXS-80
	7	1301	SCREW, 1/4-20 x 1-1/4 Pozidriv fil. hd. (3) (2 in 1980)	71 to 80 — FX, FXE, FXEF; 79 — FXEF-80
	8	1305	SCREW, 1/4-20 x 1 Pozidriv fil. hd. (2)	71 to 80 — FX, FXE, FXEF; 79 — FXEF-80

RETAIL PRICE	INDEX NO.	PART NO.	N A M E	USED ON
	9	1308	SCREW, 1/4-20 x 1-3/4 Pozidriv fil. hd.	N/A 71 to 80 — FX, FXE, FXEF; 79 — FXEF-80
	10	1601	SCREW, No. 8-32 x 1/2 ctsk. flat hd. (2)	80 to * — All Models
	11	2511	SCREW, No. 10-24 x 1/2 self tapping pan hd. (2)	Late 82 to * — FXS-80, FXWG, FXE-80
	12	2625	SCREW, No. 8-32 x 5/8 Pozidriv hd. (2)	73 to 79 — All Models
		2628	SCREW, No. 8-32 x 7/16 ctsk. hd. (2)	71 & 72 — All Models
	13	2829	SCREW, 1/4-20 x 1-1/4 socket hd.	N/A 80 & Early 81 — All Models except FXB
	14	4810	SCREW, 1/4-20 x 1-3/4 hex. socket hd. (w/lock patch)	80 to 84 — FXS-80, FXEF-80, FXWG, FXE-80, FXSB
	15	4813	SCREW, 1/4-20 x 1-3/8 hex. socket hd. (w/nylon lock patch) (3 — except FXB)	80 to 84 — All 1340 cc Models
	16	4814	SCREW, 1/4-20 x 1-1/8 hex. socket hd. (w/lock patch) (2) ...	80 to 84 — FXS-80, FXEF-80, FXWG, FXE-80, FXSB
	17	5201	ACORN HEAD BOLT, 1/4-20 x 1-1/4	N/A 80 to 82 — FXB
	18	5202	ACORN HEAD BOLT, 1/4-20 x 1	N/A 80 to Early 82 — FXB
	19	5203	ACORN HEAD BOLT, 1/4-20 x 1	N/A 80 to 82 — FXB
	20	5204	ACORN HEAD BOLT, 1/4-20 x 1-1/4	N/A 80 to 82 — FXB
	21	5205	ACORN HEAD BOLT, 1/4-20 x 1-3/4	N/A 80 to 82 — FXB
	22	6099	WASHER, 1/4 x 7/16 x 3/64 (6)	80 to * — All Models
	22A	6192	WASHER, No. 8 x 7/16 x 3/64 (2)	80 to 82 — All Models
		6194	WASHER, 13/64 x 7/16 x 1/64 (2)	83 to * — All Models
	23	6703	WASHER, 1/4 x 5/8 x 1/16	80 to * — All Models
	24	8699	POP RIVET, 3/16 x 3/8 x 3/8 dia. hd. (2)	80 to * — All Models
	25	9058	NEEDLE BEARING, crankcase cam gear	71 to * — All Models
	26	10046	CLAMP, electronic ignition wire	80 to * — All Models
	27	11002	RETAINING RING, oil pump drive shaft	71 to * — All Models
	28	11105	O-RING	71 to * — All Models
	29	23985—54	KEY, gear shaft (2 — Early 75 & Earlier)	71 to * — All Models
	30	24010—54	PINION GEAR	71 to 77 — All Models
	31	24023—54	NUT, gear shaft	71 to * — All Models
	32	24040—78	PINION GEAR, 1.4751—56 pitch dia. (orange)	78 to * — All Models
		24041—78	PINION GEAR, 1.4745—51 pitch dia. (white)	78 to * — All Models
		24042—78	PINION GEAR, 1.4737—45 pitch dia. (yellow)	78 to * — All Models
		24043—78	PINION GEAR, 1.4729—37 pitch dia. (red)	78 to * — All Models
		24044—78	PINION GEAR, 1.4721—29 pitch dia. (blue)	78 to * — All Models
		24045—78	PINION GEAR, 1.4715—21 pitch dia. (green)	78 to * — All Models
		24046—78	PINION GEAR, 1.4710—15 pitch dia. (black)	78 to * — All Models
	33	24582—77A	CAM & PINION GEAR SET	71 to * — All Models
	34	24641—36	BUSHING, oil pump shaft	71 to * — All Models
	35	24703—54B	SPACER, gear shaft pinion	71 to * — All Models
	36	24981—70	OIL SCREEN, crankcase	71 to * — All Models
	37	24982—70	OIL SCREEN SPRING	71 to * — All Models
	38	25216—73B	GEAR COVER KIT, includes index nos.: 22A, 42, 44A, 65 & 25262-80 SPACER	N/A 73 to 79 — FX, FXE, FXEF, FXEF-80; 77 to 79 — FXS, FXS-80
	39	25225—70B	GASKET, gear cover	71 to 83 — FX, FXE, FXS, FXEF, FXEF-80, FXE-80; 82 to * — All Models
	40	25256—80	GEAR COVER (black)	N/A 80 to 82 — FXB; 80 & 81 — FXS-80, FXWG
	41	25257—80	GASKET, gear cover (black)	80 to 82 — FXB; 80 & 81 — FXS-80, FXWG
	42	25258—80B	GEAR COVER	80 to 84 — FXS-80, FXWG, FXE-80, FXSB
			Consists of besides gear cover:	
		2511	SCREW, No. 10-24 x 1/2 self tapping pan hd. (2)	
		25275—82	COVER, breather valve	
		83162—51	OIL SEAL	



CRANKCASE — GEAR SIDE (CONT'D)

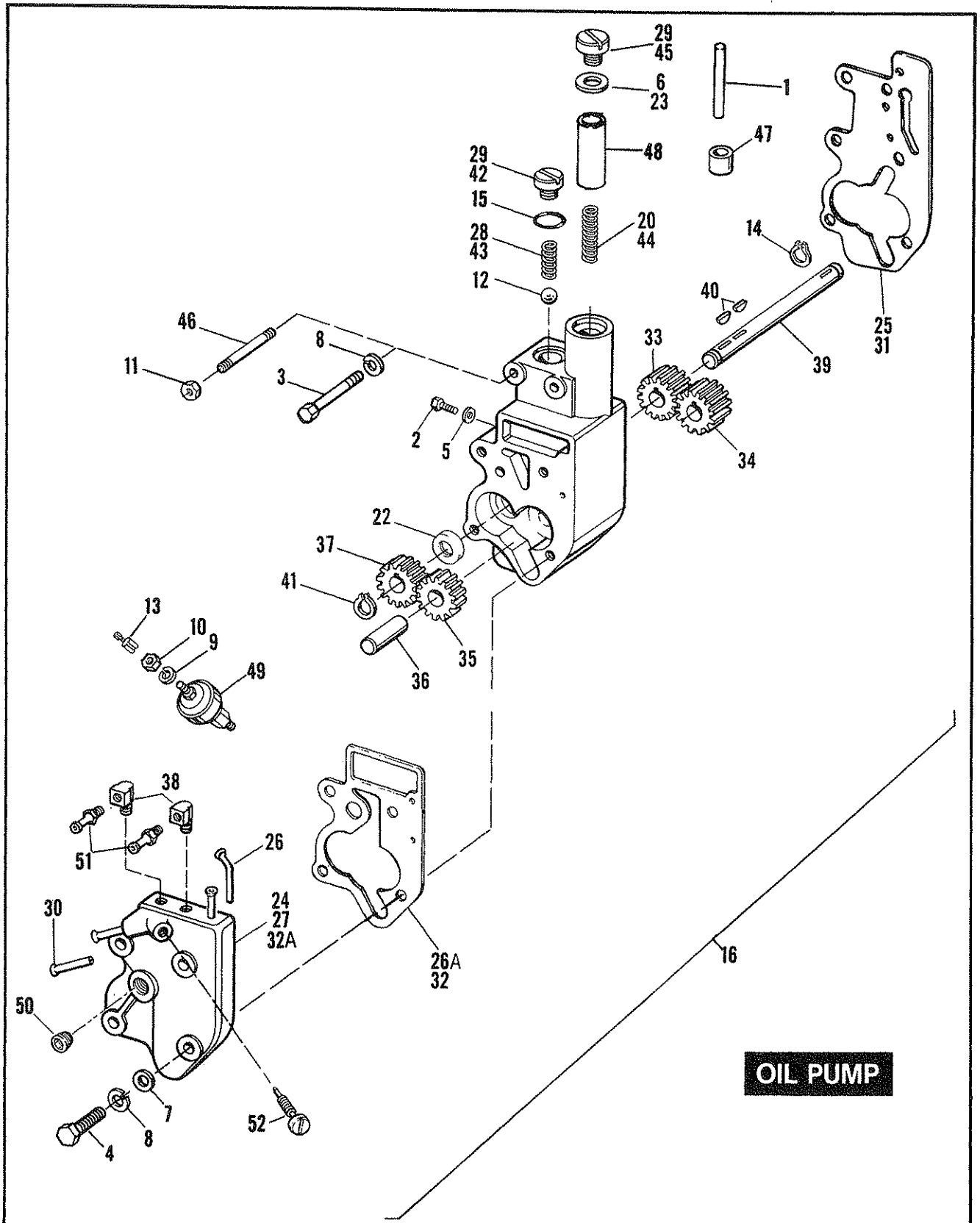
AA4-3

RETAIL PRICE	INDEX NO.	PART NO.	N A M E	USED ON
	43	25275-82	COVER, breather valve	Late 82 to * — All Models
	44	25260-78	FITTING, crankcase to air cleaner hose	Late 78 to 83 — All Models
	44A	25261-82	SPACER, gear cover	73 to 79 — FXE, FXEF; 77 to 79 — FXS
	46	25313-50	THRUST WASHER, breather valve — .115 thick	71 to Early 79 — All Models
	47	25310-71A	BREATHER VALVE, with gear	71 to Early 77 — All Models
		25313-77C	BREATHER VALVE, with gear (plastic)	Late 77 to * — All Models
	48	25314-50	THRUST WASHER, breather valve — .120 thick	71 to Early 79 — All Models
		25315-50	THRUST WASHER, breather valve — .125 thick	71 to Early 79 — All Models
		25316-52	THRUST WASHER, breather valve — .110 thick	71 to Early 79 — All Models

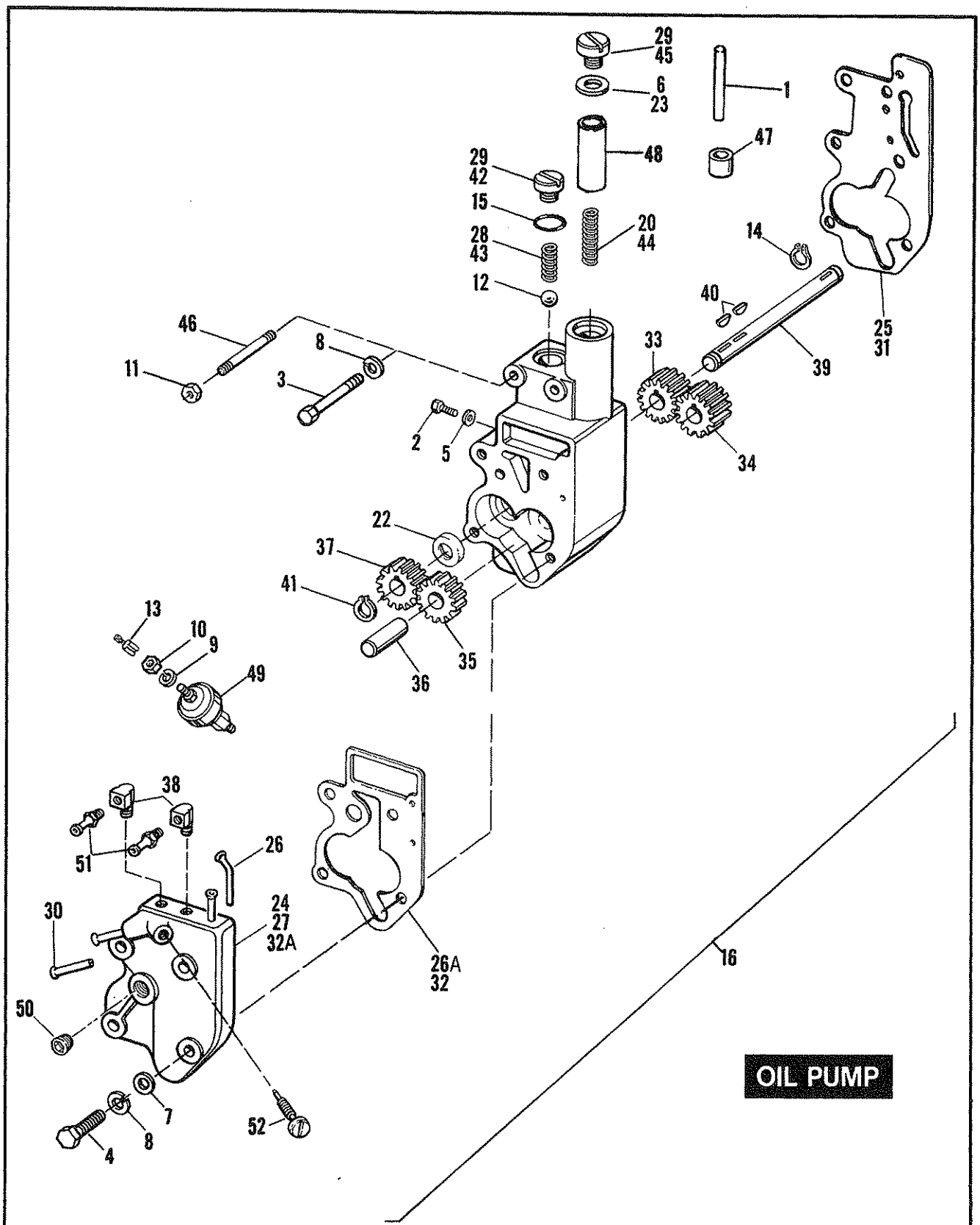
RETAIL PRICE	INDEX NO.	PART NO.	N A M E	USED ON
	49	25320-79	THRUST WASHER, breather valve — 0.110 thick (steel) . .	Late 79 to Early 82 — All Models
		25321-79	THRUST WASHER, breather valve — 0.115 thick (steel) . .	Late 79 to Early 82 — All Models
		25322-79	THRUST WASHER, breather valve — 0.120 thick (steel) . .	Late 79 to Early 82 — All Models
		25323-79	THRUST WASHER, breather valve — 0.125 thick (steel) . .	Late 79 to Early 82 — All Models
		25325-79	THRUST WASHER, breather valve — 0.130 thick (steel) . .	Late 79 to Early 82 — All Models
		25326-79	THRUST WASHER, breather valve — 0.135 thick (steel) . .	Late 79 to Early 82 — All Models
		25327-79	THRUST WASHER, breather valve — 0.140 thick (steel) . .	Late 79 to Early 82 — All Models
		25328-79	THRUST WASHER, breather valve — 0.145 thick (steel) . .	Late 79 to Early 82 — All Models

NOTE: Use only plastic washers with plastic breather valve. Do not intermix plastic and steel parts.

		25320-82	THRUST WASHER, breather valve — 0.130 thick (plastic)	Late 82 to * — All Models
		25321-82	THRUST WASHER, breather valve — 0.135 thick (plastic)	Late 82 to * — All Models
		25322-82	THRUST WASHER, breather valve — 0.140 thick (plastic)	Late 82 to * — All Models
		25323-82	THRUST WASHER, breather valve — 0.145 thick (plastic)	Late 82 to * — All Models
		25325-82	THRUST WASHER, breather valve — 0.150 thick (plastic)	Late 82 to * — All Models
		25326-82	THRUST WASHER, breather valve — 0.155 thick (plastic)	Late 82 to * — All Models
		25327-82	THRUST WASHER, breather valve — 0.160 thick (plastic)	Late 82 to * — All Models
		25328-82	THRUST WASHER, breather valve — 0.165 thick (plastic)	Late 82 to * — All Models
	50	25523-70	CAM GEAR	71 to 77 — All Models
		25527-81A	CAM GEAR 2.7324-2.7334 (orange)	N/A 78 to * — All Models
		25528-81A	CAM GEAR 2.7334-2.7344 (white)	N/A 78 to * — All Models
		25529-81A	CAM GEAR 2.7344-2.7354 (yellow)	N/A 78 to * — All Models
		25530-81A	CAM GEAR 2.7354-2.7364 (red)	N/A 78 to * — All Models
		25531-81A	CAM GEAR 2.7364-2.7374 (blue)	N/A 78 to * — All Models
		25532-81A	CAM GEAR 2.7374-2.7384 (green)	N/A 78 to * — All Models
		25534-81A	CAM GEAR 2.7384-2.7394 (black)	N/A 78 to * — All Models
	51	25550-36	THRUST WASHER, cam gear — 0.050 thick	71 to * — All Models
	52	25550-57	LOCKWASHER, cam gear	71 to * — All Models
	53	25551-36	THRUST WASHER, cam gear — 0.055 thick	71 to * — All Models
		25552-36	THRUST WASHER, cam gear — 0.060 thick	71 to * — All Models
		25553-36	THRUST WASHER, cam gear — 0.065 thick	71 to * — All Models
		25554-36	THRUST WASHER, cam gear — 0.070 thick	71 to * — All Models
		25555-36	THRUST WASHER, cam gear — 0.075 thick	71 to * — All Models
		25556-79	THRUST WASHER, cam gear — 0.080 thick	71 to * — All Models
		25557-79	THRUST WASHER, cam gear — 0.085 thick	71 to * — All Models
		25558-79	THRUST WASHER, cam gear — 0.090 thick	71 to * — All Models
		25559-79	THRUST WASHER, cam gear — 0.095 thick	71 to * — All Models
	54	25581-70	BUSHING, gear cover	71 to * — All Models
	55	25582-54	BUSHING, gear cover pinion shaft	71 to Early 73 — All Models
		25582-73	BUSHING, gear cover pinion shaft	Late 73 to * — All Models
	56	26345-39	DRIVE GEAR, oil pump — 25 T.	N/A 71 & 72 — All Models
		26345-73	DRIVE GEAR, oil pump — 24 T.	73 to * — All Models
	57	26346-70	DRIVE SHAFT, oil pump	71 to * — All Models
	58	26348-15	KEY, oil pump gear (2; 1 - gear shaft — Late 75 & Later) . .	71 to * — All Models
	59	26349-54	DRIVE GEAR, oil pump	N/A 71 & 72 — All Models
		26349-73A	DRIVE GEAR, oil pump	73 to * — All Models
	60	32504-80	TIMER COVER	80 to * — All Models
	61	32511-78	TIMER COVER (polished)	80 to 82 — FXE, FXEF, FXEF-80, FXE-80
		32511-80	TIMER COVER, (black)	80 to 82 — FXS-80, FXB, FXWG
		32521-83	TIMER COVER, polished aluminum	N/A 83 to * — All Models
	62	32584-71	LABEL, timer cover	N/A 71 to 79 — All Models
	63	32588-70A	TIMER COVER	N/A 71 to 79 — All Models
	64	32591-70	GASKET, ignition timer cover	71 to 79 — All Models
		32591-80	GASKET, ignition timer cover	80 to * — All Models
	65	32606-82	STUD, ignition timer cover (2)	80 to * — All Models
	66	56609-52	CLAMP, circuit breaker wire	71 to 79 — All Models
	67	63526-57	FITTING, rocker arm oil line	71 to * — All Models
	68	83162-51	OIL SEAL	71 to * — All Models



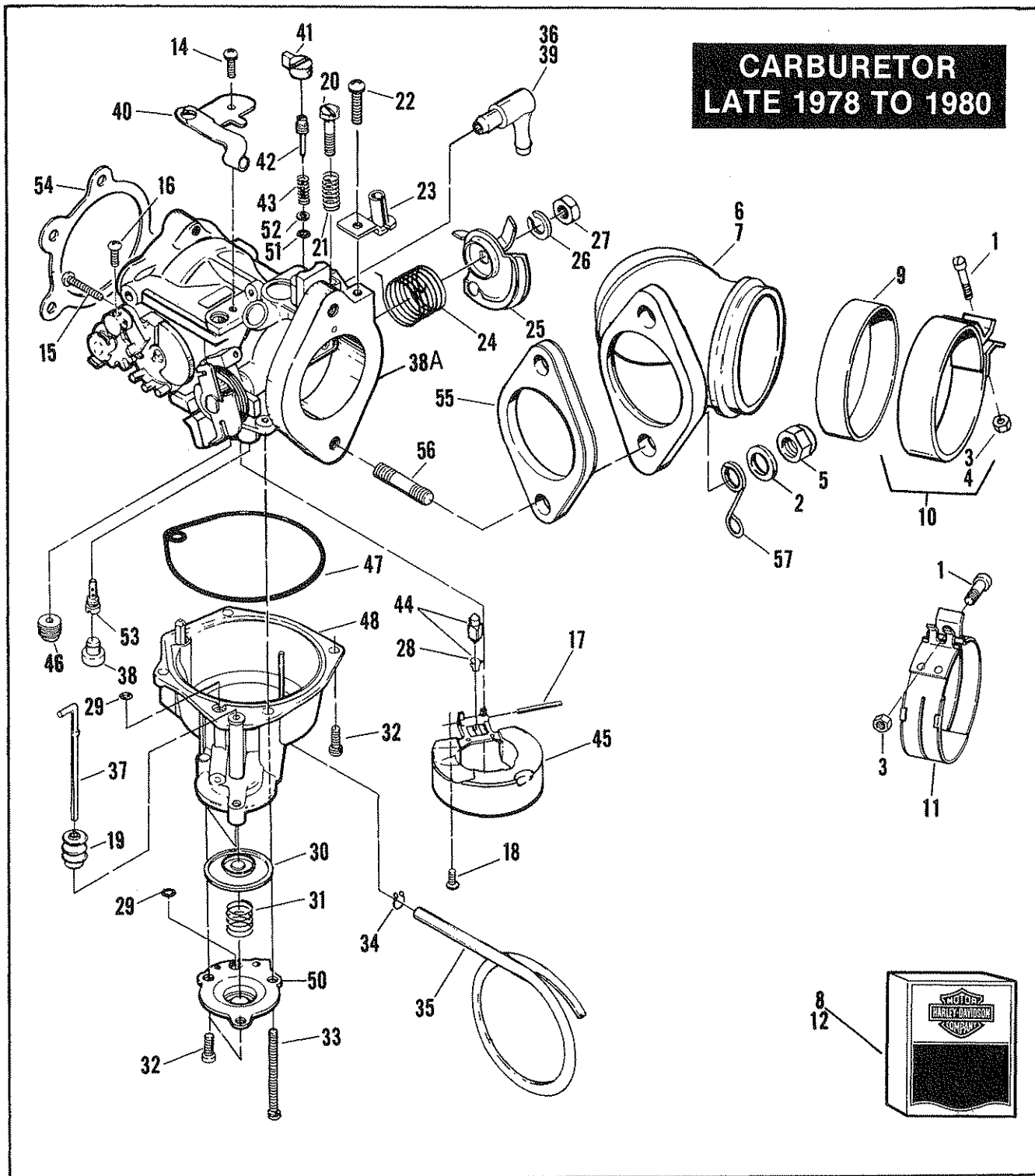
RETAIL PRICE	INDEX NO.	PART NO.	NAME	USED ON
	1	223	PIN, valve stop	81 & Early 82 — All Models
		239	PIN, valve stop	Late 82 to * — All Models
	2	700	PLUG, oil pump body	71 to * — All Models
	3	2872W	BOLT, 1/4-20 x 1-1/2 hex. hd. (2)	80 to * — All Models
	4	3429	BOLT, 1/4-20 x 2-3/4 hex. hd. (4)	80 to * — All Models
		5430W	BOLT, 1/4-24 x 2-3/4 hex. hd. (4)	71 to 78 — All Models
	5	6377	WASHER, 3/8 x 5/8 x 1/32	71 to * — All Models
	6	6581	WASHER, 1/2 x 15/16 x 1/64 (brass)	71 to 78 — All Models
	7	6703	WASHER, 1/4 x 5/8 x 1/16 (4)	80 to Early 83 — All Models
		6736	WASHER, 9/32 x 5/8 x 1/16 (4)	Late 83 to * — All Models
	8	7036	LOCKWASHER, 1/4 (7; 2 - 80 & later)	71 to * — All Models
	9	7069	LOCKWASHER, No. 10	71 to * — All Models
	10	7634	NUT, No. 10-32 x 1/8 x 5/16 hex. (brass)	71 to * — All Models
	11	7676	NUT, 1/4-28 x 7/32 x 7/16 hex. (2)	71 to 79 — All Models
	12	8873	BALL, check valve, 3/8 dia.	71 to * — All Models
	13	9914	WIRE TERMINAL, female spade type, 1/4 slot #14-18 wire	71 to 81 — All Models
	14	11002	RETAINING RING, oil pump	71 to * — All Models
	15	11105	O-RING, check valve cover screw (2 - 81 & later)	Late 78 to * — All Models
	16	26190—73	OIL PUMP KIT	73 to * — All Models
		26200—68B	OIL PUMP ASSEMBLY	71 & 72 — FX
	20	26207—83	SPRING, relief valve	Late 73 to * — All Models
	22	26227—58	OIL SEAL	71 to * — All Models
	23	26231—78	WASHER, relief valve plug (felt)	79 & 80 — All Models
	24	26234—84	COVER, oil pump	71 to Early 84 — FX, FXE, FXEF, FXEF-80, FXE-80
			NOTE: For 81 & Early 82 use with 26410—82 VALVE KIT	
		26239—82	COVER, oil pump (painted)	N/A Late 82 to Early 84 — FXS-80, FXWG
		26242—84	COVER, oil pump	Late 84 to * — FXWG, FXSB
	25	26246—68A	GASKET, oil pump body (plastic)	71 to Early 80 — All Models
	26	26247—78	TUBE, cover — upper (bent)	Late 78 to * — All Models except FXB & FXSB
	26A	26258—68B	GASKET, oil pump cover (plastic)	71 to Early 80 — All Models
	27	26261—80A	COVER, oil pump (painted)	N/A 80 to Early 82 — FXB
		26267—82	COVER, oil pump (black)	N/A Late 82 to Early 84 — FXB, FXSB
	28	26262—80	SPRING, check valve	81 to * — All Models
	29	26263—80	COVER SCREW, check valve and relief valve (2)	81 to * — All Models
	30	26265—68A	TUBE, pump & cover (2 - Early 78 & Earlier)	71 to 82 — All Models except FXB & FXSB
	31	26273—80B	GASKET, body (paper)	Late 80 to * — All Models
	32	26276—80A	GASKET, cover (paper)	Late 80 to * — All Models
	32A	26277—84	COVER ASSEMBLY, oil pump	N/A Late 84 to * — FXWG, FXSB
		26278—84	COVER ASSEMBLY, oil pump	N/A Late 84 to * — FXE-80
	33	26315—68A	DRIVE GEAR	71 to * — All Models
	34	26317—68A	IDLER GEAR	71 to * — All Models
	35	26326—62A	DRIVE IDLER GEAR	71 to * — All Models
	36	26327—68	IDLER SHAFT	71 to * — All Models
	37	26328—74	DRIVE GEAR	71 to * — All Models
	38	26338—68	ELBOW, oil pump (2)	71 to * — All Models
	39	26346—70	DRIVE SHAFT	71 to * — All Models
	40	26348—15	KEY, drive shaft (2)	71 to * — All Models



OIL PUMP (CONT'D)

AA5-2

RETAIL PRICE	INDEX NO.	PART NO.	N A M E	USED ON
	41	26348-36	RETAINING RING, drive shaft	71 to * — All Models
	42	26362-36	COVER SCREW, check valve screw	71 to 80 — All Models
	43	26363-36	SPRING, check valve	71 to 80 — All Models
	44	26374-54	SPRING, relief valve (2)	N/A 71 & 72 — All Models
	45	26377-68	PLUG, relief valve	71 to 80 — All Models
	46	26390-68	MOUNTING STUD, oil pump (2)	71 to 79 — All Models
	47	26400-54	VALVE, oil pump	71 to Early 82 — All Models
	48	26400-82	VALVE, oil pump	Late 82 to * — All Models
		26410-82	VALVE KIT	Late 78 to Early 82 — All Models
			Consists of:	
		3212	SET SCREW, 3/8-16 x 1/4 socket	
		26400-82	VALVE, oil pump	
	49	26552-72	OIL PRESSURE SWITCH, only	71 to * — All Models
	50	45830-48	PLUG, oil pump cover	83 to * — FXSB
	51	63533-41	FITTING, oil line hose (2)	71 to * — All Models
	52	63610-70	ADJUSTING SCREW, chain oiler (hex. hd.)	N/A 71 to Early 72 — All Models
		63614-72	ADJUSTING SCREW, chain oiler (slot hd.)	Late 72 to 82 — All Models except FXB & FXSB

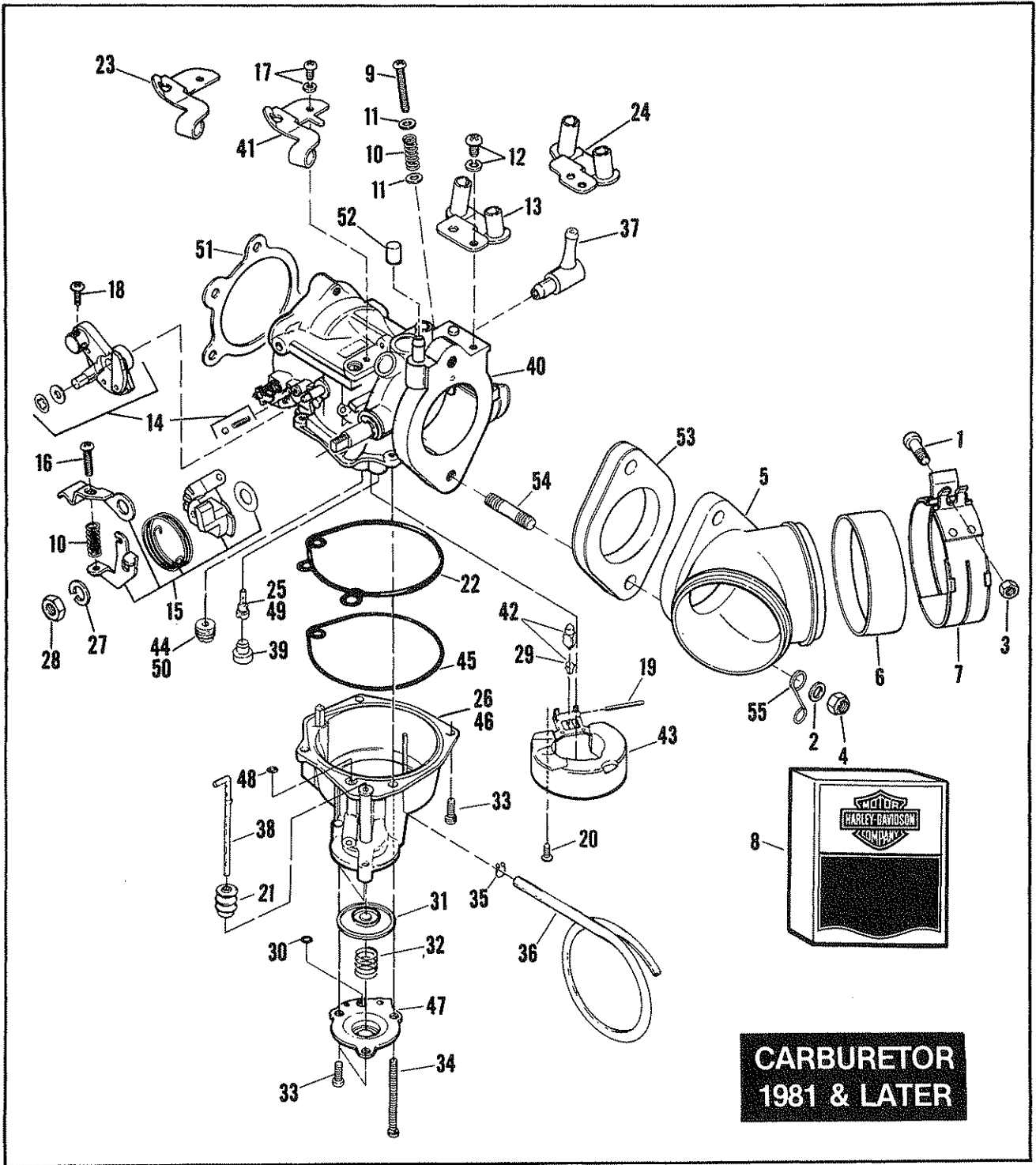


CARBURETOR — LATE 1978 TO 1980

AA6-1

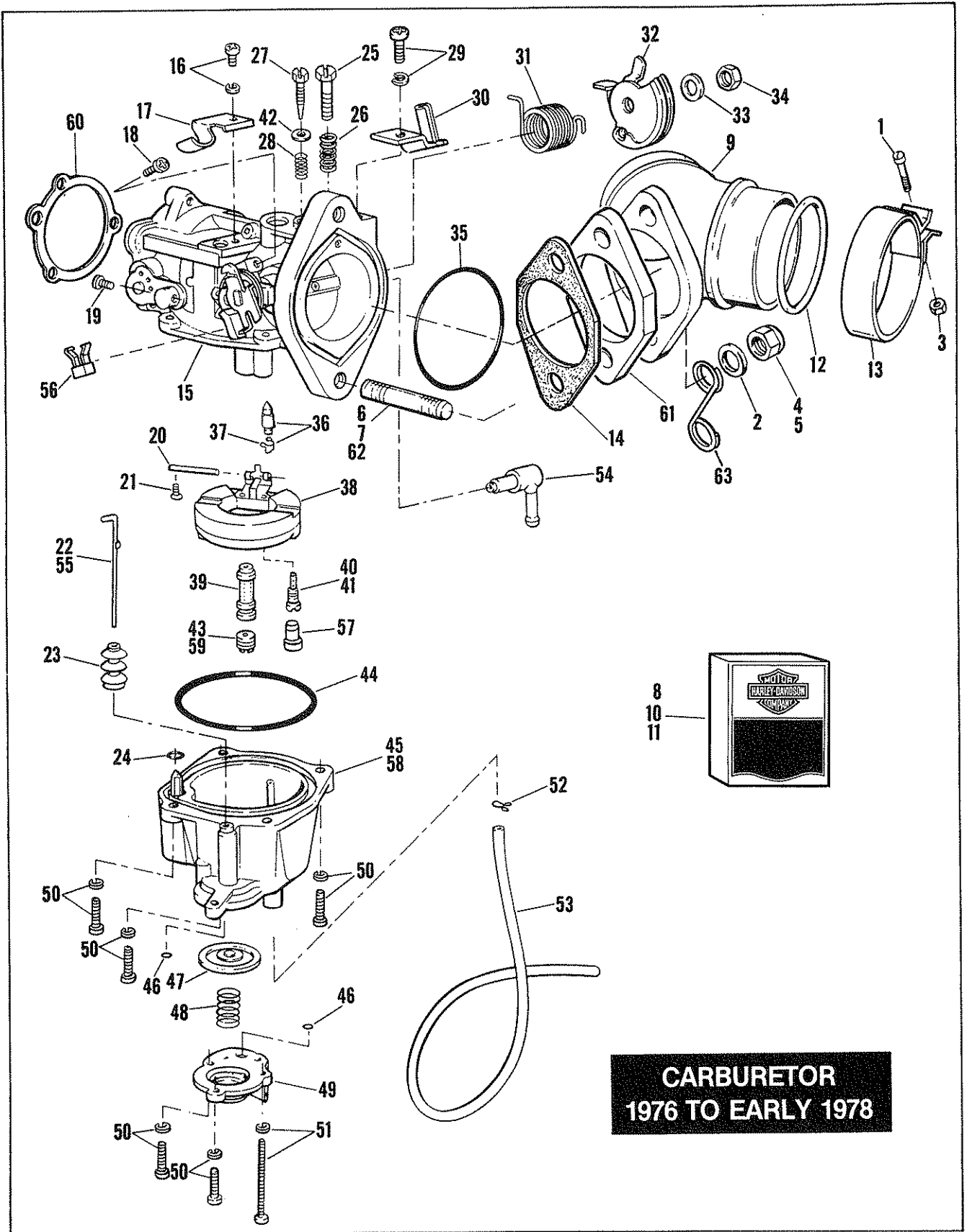
RETAIL PRICE	INDEX NO.	PART NO.	N A M E	USED ON
	1	930	SCREW, No. 10-24 x 1-1/4 Pozidriv fil. hd. (2)	Late 78 to 80 — All Models
	2	6702	WASHER, 5/16 x 11/16 x 1/16 (2)	Late 78 to 80 — All Models
	3	7504	NUT, No. 10-24 x 1/8 x 5/16 hex. (2)	80 — All Models
	4	7620W	NUT, No. 10-24 x 1/8 x 3/8 hex. (2)	Late 78 & 79 — All Models
	5	7739	LOCKNUT, 5/16-18 x 11/32 x 1/2 hex. (2)	Late 78 to 80 — All Models
	6	27021-71A	INTAKE MANIFOLD	Late 78 to Early 80 — All Models
	7	27021-78	INTAKE MANIFOLD	Late 80 — All Models
	8	27045-78	CHOKE SHAFT KIT	Late 78 to 80 — All Models
		27046-78	PLASTIC PARTS KIT	Late 78 to 80 — All Models

RETAIL PRICE	INDEX NO.	PART NO.	N A M E	USED ON
	9	27062-78	SEAL, intake manifold clamp (2)	Late 78 to 80 — All Models
	10	27063-78	CLAMP, intake manifold - includes screw and nut (2)	Late 78 to Early 80 — All Models
	11	27063-80	CLAMP, intake manifold — includes screw and nut (2)	Late 80 — All Models
	12	27082-80	HIGH ALTITUDE KIT (above 6,000 ft.)	N/A 80 — All Models
			Consists of:	
		27087-80	MAIN JET, 1.50mm	
		27088-80	HIGH ALTITUDE LABEL	N/A
		27093-78	HIGH ALTITUDE KIT (4,000 to 6,000 ft.)	N/A 80 — All Models
			Includes besides label:	
		27098-78	MAIN JET (1.55mm)	
		27095-78	HIGH ALTITUDE ACCELERATOR ROD PUMP KIT	Late 78 to 80 — All Models
	14	27304-76	SCREW, choke cable bracket	Late 78 to 80 — All Models
	15	27306-76	SCREW, fast idle cam & high alt. accelerator pump stop	Late 78 to 80 — All Models
	16	27307-76	SCREW, wire block	Late 78 to 80 — All Models
	17	27308-76	PIN, float	Late 78 to 80 — All Models
	18	27309-76	SCREW, float pin	Late 78 to 80 — All Models
	19	27311-76	RUBBER CAP, accelerator pump	Late 78 to 80 — All Models
	20	27313-76	SCREW, throttle stop	Late 78 to 80 — All Models
	21	27314-76	SPRING, throttle stop screw	Late 78 to 80 — All Models
	22	27320-76	SCREW, throttle cable bracket	Late 78 to 80 — All Models
	23	27321-76	BRACKET, throttle cable	Late 78 to 80 — All Models
	24	27322-76	SPRING, throttle lever	Late 78 to 80 — All Models
	25	27328-76	THROTTLE LEVER	Late 78 to 80 — All Models
	26	27333-76	LOCKWASHER, throttle lever	Late 78 to 80 — All Models
	27	27335-76	NUT, throttle lever	Late 78 to 80 — All Models
	28	27338-76	CLIP, float valve	Late 78 to 80 — All Models
	29	27360-76	O-RING (2)	Late 78 to 80 — All Models
	30	27361-76	DIAPHRAGM, accelerator pump	Late 78 to 80 — All Models
	31	27362-76	SPRING, diaphragm	Late 78 to 80 — All Models
	32	27366-76	SCREW (5)	Late 78 to 80 — All Models
	33	27367-76	SCREW	Late 78 to 80 — All Models
	34	27368-76	CLIP, overflow hose	Late 78 to 80 — All Models
	35	27369-76	HOSE, overflow	Late 78 to 80 — All Models
	36	27371-76	FITTING	Late 78 — All Models
	37	27373-76	ROD, accelerator pump (860B), 59.5 mm	Late 78 to 80 — All Models
	38	27385-76	PLUG, low speed jet	Late 78 to 80 — All Models
	38A	27466-78A	CARBURETOR (B78A)	N/A 79 — FXEF
		27468-78A	CARBURETOR (B81B)	N/A Late 78 & 79 — FX, FXE, FXS
		27468-80A	CARBURETOR (B81D)	80 — FXE, FXEF
		27470-80	CARBURETOR (B28D)	N/A 80 — FXWG
		27472-79	CARBURETOR (B79A)	N/A 79 — FXS-80, FXEF-80
		27472-80A	CARBURETOR (B79D)	N/A 80 — FXS-80, FXEF-80, FXB
	39	27594-76	FITTING	79 & 80 — All Models
	40	27882-78	BRACKET, choke cable	Late 78 to 80 — All Models
	41	27883-78	CAP, low speed mixture screw	N/A Late 78 & 79 — All Models
	42	27884-78	SCREW, low speed mixture	N/A Late 78 & 79 — All Models
	43	27885-78	SPRING, low speed mixture adjusting screw	N/A Late 78 & 79 — All Models
	44	27886-78	FLOAT VALVE, with clip	Late 78 to 80 — All Models
	45	27887-78	FLOAT	Late 78 to 80 — All Models
	46	27888-78	MAIN JET, 1.60 mm. (FX, FXS Std.)	Late 78 to 80 — All Models
	47	27889-78	O-RING, bowl	Late 78 to 80 — All Models
	48	27890-78	BOWL	Late 78 to 80 — All Models
	50	27891-80	HOUSING, accelerator pump	Late 78 to 80 — All Models
	51	27892-78	O-RING, low speed mixture adjusting screw	Late 78 & 79 — All Models
	52	27893-78	WASHER, low speed mixture adjusting screw	N/A Late 78 & 79 — All Models
	53	27897-78	LOW SPEED JET, 0.72 mm.	Late 78 to 80 — All Models
	54	29058-77	GASKET, air cleaner to carburetor	Late 78 to 80 — All Models
	55	29250-78A	INSULATING SPACER	Late 78 to 80 — All Models
	56	29253-78	STUD, 5/16-18 x 1-3/4 (2)	Late 78 to 80 — All Models
	57	45092-66A	CABLE GUIDE	Late 78 to 80 — All Models

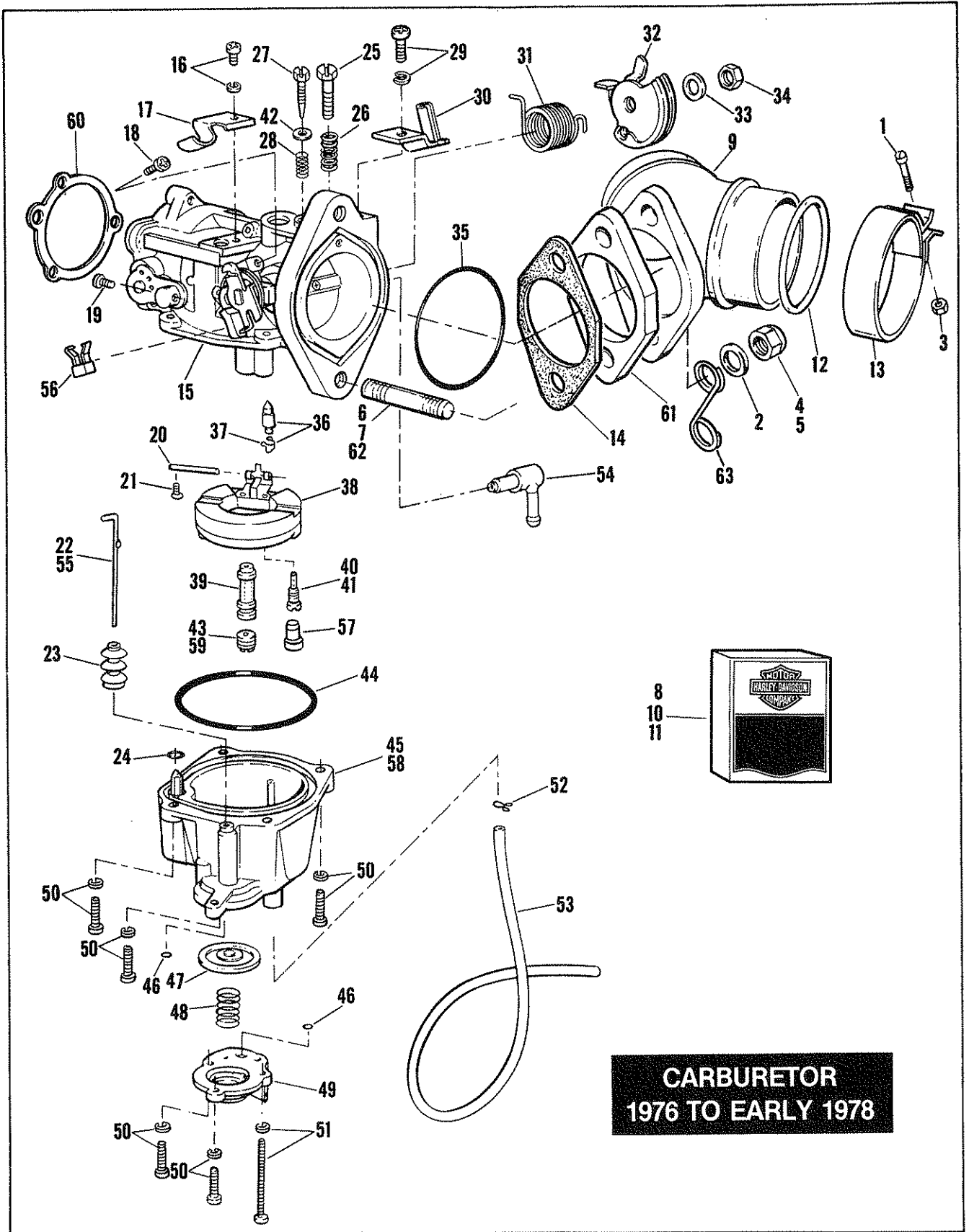


**CARBURETOR
1981 & LATER**

RETAIL PRICE	INDEX NO.	PART NO.	N A M E	USED ON
	1	930	SCREW, No. 10-24 x 1-1/4 Pozidriv fil. hd. (2)	81 to * — All Models
	2	6016	WASHER, 11/32 x 11/16 x 1/16 (2)	84 to * — All Models
		6702	WASHER, 5/16 x 11/16 x 1/16 (2)	81 to 83 — All Models
	3	7620W	NUT, No. 10-24 x 1/8 x 3/8 hex. (2)	81 to * — All Models
	4	7739	LOCKNUT, 5/16-18 x 11/32 x 1/2 hex. (2)	81 to * — All Models
	5	27021—78	INTAKE MANIFOLD	81 to * — All Models
	6	27062—78	SEAL, intake manifold	81 to * — All Models
	7	27063—80	CLAMP, intake manifold — includes screw and nut (2)	81 to * — All Models
	8	27082—80	HIGH ALTITUDE KIT (above 6,000 ft.)	N/A 81 to * — All Models
			Consists of:	
		27087—80	MAIN JET, 1.50 mm	
		27088—80	HIGH ALTITUDE LABEL	N/A
	9	27130—81	SCREW, throttle stop	81 to * — All Models
	10	27136—81	SPRING, throttle stop screw & fast idle screw (2)	81 to * — All Models
	11	27137—81	WASHER, throttle stop screw (2)	81 to * — All Models
	12	27139—81	SCREW WITH WASHER, throttle cable bracket	81 to * — All Models
	13	27141—81	BRACKET, throttle cable	81 to 83 — All Models
	14	27142—81	CHOKE LEVER KIT	81 to * — All Models
	15	27143—81	LEVER KIT, accelerator pump	81 to * — All Models
	16	27145—81	SCREW, fast idle	81 to * — All Models
	17	27304—76	SCREW WITH WASHER, choke cable bracket	81 to * — All Models
	18	27307—76	SCREW, wire block	81 to * — All Models
	19	27308—76	PIN, float	81 to * — All Models
	20	27309—76	SCREW, float pin	81 to * — All Models
	21	27311—76	RUBBER CAP, accelerator pump	81 to * — All Models
	22	27324—83	O-RING, bowl	84 to * — All Models
	23	27325—83	BRACKET, choke cable	84 to * — All Models
	24	27327—83	BRACKET, throttle cable	84 to * — All Models
	25	27329—83	LOW SPEED JET, 0.52 mm	84 to * — All Models
	26	27330—83	BOWL (02BH)	84 to * — All Models
	27	27333—76	LOCKWASHER, throttle lever	81 to * — All Models
	28	27335—76	NUT, throttle lever	81 to * — All Models
	29	27338—76	CLIP, float valve	81 to * — All Models
	30	27360—76	O-RING	81 to * — All Models
	31	27361—76	DIAPHRAGM, accelerator pump	81 to * — All Models
	32	27362—76	SPRING, diaphragm	81 to * — All Models
	33	27366—76	SCREW (5)	81 to * — All Models
	34	27367—76	SCREW	81 to * — All Models
	35	27368—76	CLIP, overflow hose	81 to * — All Models
	36	27369—76	HOSE, overflow	81 to * — All Models
	37	27371—76	FITTING	81 to * — All Models
	38	27373—76	ROD, accelerator pump (860B), 59.5 mm	81 to * — All Models
	39	27385—76	PLUG, low speed jet	81 to * — All Models
	40	27470—81A	CARBURETOR (B28H)	81 to 83 — FXS-80, FXB, FXWG, FXSB; 84 — All Models
		27472—81A	CARBURETOR (B79F)	N/A 81 to 83 — FXEF-80, FXE-80
	41	27882—78	BRACKET, choke cable	81 to 83 — All Models
	42	27886—78	FLOAT VALVE, with clip	81 to * — All Models
	43	27887—78	FLOAT	81 to * — All Models
	44	27888—78	MAIN JET, 1.60 mm	81 — All Models; 82 to * — All Models except FXE-80
	45	27889—78	O-RING, bowl	81 to 83 — All Models
	46	27890—78	BOWL	81 to 83 — All Models
	47	27891—80	HOUSING, accelerator pump	81 to * — All Models
	48	27892—78	O-RING, low speed mixture adjusting screw	81 to 83 — All Models
	49	27897—78	LOW SPEED JET, 0.72 mm	81 to * — All Models
	50	27898—78	MAIN JET, 1.65 mm (std.)	81 to 83 — FXE-80
	51	29058—77	GASKET, air cleaner to carburetor	81 to * — All Models
	52	29121—84	PLUG, overflow port	84 to * — All Models
	53	29250—78A	INSULATING SPACER	81 to * — All Models
	54	29253—78	STUD, 5/16-18 x 1-3/4 (2)	81 to * — All Models
	55	45092—66A	CABLE GUIDE	81 to * — All Models



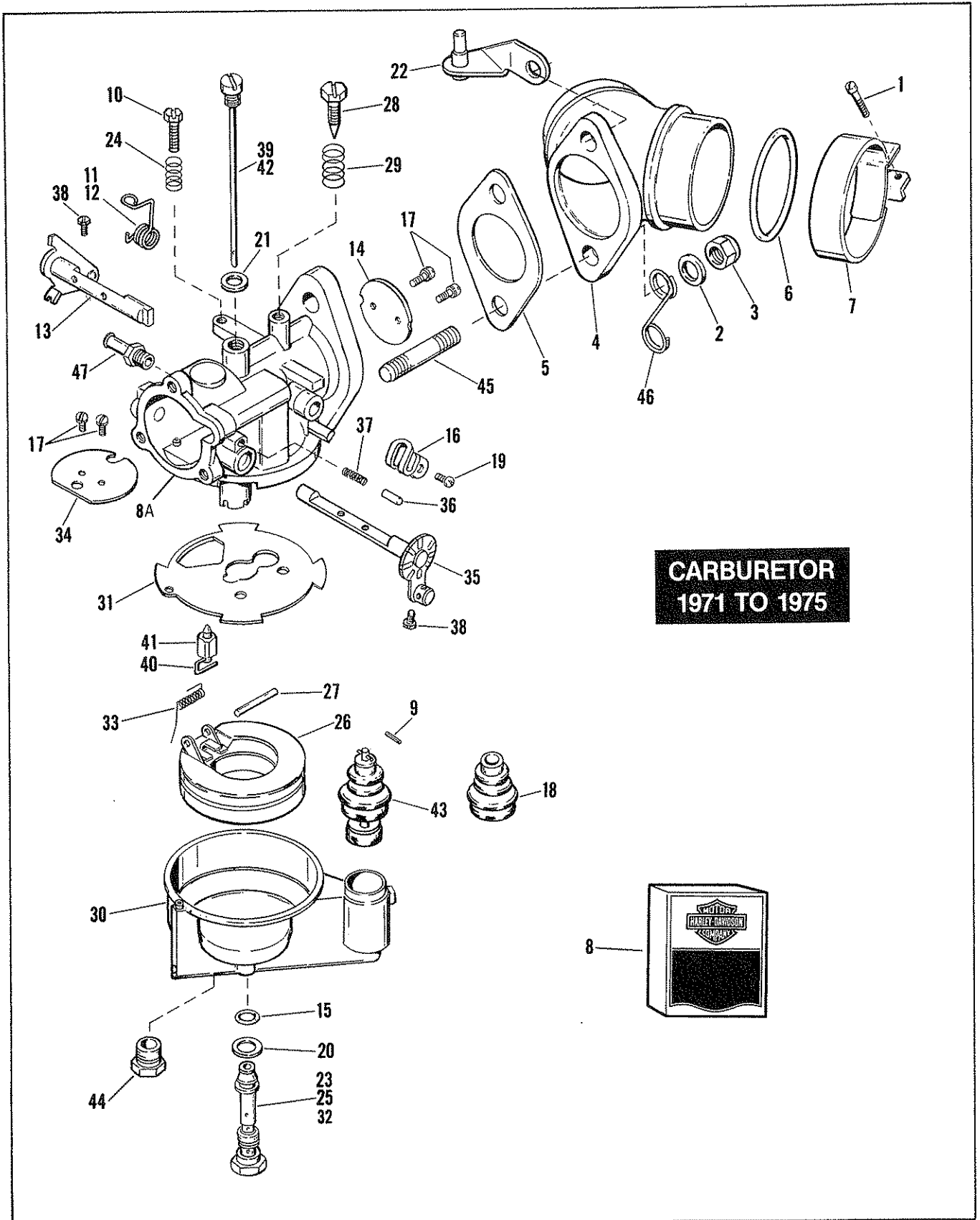
RETAIL PRICE	INDEX NO.	PART NO.	N A M E	USED ON
	1	930	SCREW, No. 10-24 x 1-1/4 Pozidriv fil. hd. (2)	76 to Early 78 — All Models
	2	6702	WASHER, 5/16 x 11/16 x 1/16 (2)	76 to Early 78 — All Models
	3	7620W	NUT, No. 10-24 x 1/8 x 3/8 hex. (2)	76 to Early 78 — All Models
	4	7725	LOCKNUT, 5/16-24 x 11/32 x 1/2 hex. (2)	76 & 77 — All Models
	5	7739	LOCKNUT, 5/16-18 x 11/32 x 1/2 hex. (2)	Early 78 — All Models
	6	24820-78	STUD, 5/16-18 x 1-11/16 (2)	N/A Early 78 — All Models
	7	24823-80	STUD, 5/16-18 & 5/16-24 x 1-11/16 lg. (2)	77 — All Models
	8	27006-76	CARBURETOR REPAIR KIT	76 to Early 78 — All Models
	9	27021-71A	INTAKE MANIFOLD	76 to Early 78 — All Models
	10	27045-78	CHOKE SHAFT KIT	76 to Early 78 — All Models
			Consists of:	
			Choke lever, choke shaft, washer, clip, screws (2), and choke disc	
	11	27046-78	PLASTIC PARTS KIT	76 to Early 78 — All Models
			Consists of:	
			Springs (3), clips (2), cam, choke lever, washers (2), ball and wire ring	
	12	27060-55	O-RING, intake manifold (2)	76 to Early 78 — All Models
	13	27063-57	CLAMP, intake manifold — with screw and nut (2)	76 to Early 78 — All Models
	14	27077-78	GASKET, spacer (2)	Early 78 — All Models
	15	27155-76A	CARBURETOR	76 to Early 78 — All Models
	16	27304-76	SCREW, choke cable bracket	76 to Early 78 — All Models
	17	27305-76	BRACKET, choke cable	N/A 76 to Early 78 — All Models
	18	27306-76	ADJUSTING SCREW, pump stroke	76 to Early 78 — All Models
	19	27307-76	SCREW, wire block	76 to Early 78 — All Models
	20	27308-76	PIN, float	76 to Early 78 — All Models
	21	27309-76	SCREW, float pin	76 to Early 78 — All Models
	22	27310-76	ROD, accelerator pump (860A)	N/A 76 — All Models
	23	27311-76	RUBBER CAP, accelerator pump	76 to Early 78 — All Models
	24	27312-76	O-RING	N/A 76 to Early 78 — All Models
	25	27313-76	SCREW, throttle stop	76 to Early 78 — All Models
	26	27314-76	SPRING, throttle stop screw	76 to Early 78 — All Models
	27	27315-76	ADJUSTING SCREW, low speed mixture	N/A 76 to Early 78 — All Models
	28	27319-76	SPRING, low speed mixture adjusting screw	76 to Early 78 — All Models
	29	27320-76	SCREW, throttle cable bracket	76 to Early 78 — All Models
	30	27321-76	BRACKET, throttle cable	76 to Early 78 — All Models
	31	27322-76	SPRING, throttle lever	76 to Early 78 — All Models
	32	27328-76	THROTTLE LEVER	N/A 76 to Early 78 — All Models
	33	27333-76	SPRING WASHER, throttle lever	76 to Early 78 — All Models
	34	27335-76	NUT, throttle lever	76 to Early 78 — All Models
	35	27336-76	O-RING	76 to Early 78 — All Models
	36	27337-76	FLOAT VALVE, with clip	76 to Early 78 — All Models
	37	27338-76	CLIP, float valve	76 to Early 78 — All Models
	38	27339-76	FLOAT	N/A 76 to Early 78 — All Models
	39	27340-76	MAIN NOZZLE	N/A 76 to Early 78 — All Models
	40	27348-76	LOW SPEED JET, 1.00 mm.	76 — All Models
	41	27348-77	LOW SPEED JET, 0.88 mm.	77 to Early 78 — All Models
	42	27355-76	GASKET, low speed adjusting screw	N/A 76 to Early 78 — All Models
	43	27356-76	MAIN JET, 1.85 mm.	76 — All Models
	44	27358-76	O-RING, bowl	76 to Early 78 — All Models
	45	27359-76	BOWL	N/A 76 to Early 77 — All Models
	46	27360-76	O-RING (2)	76 to Early 78 — All Models
	47	27361-76	DIAPHRAGM, accelerator pump	76 to Early 78 — All Models
	48	27362-76	SPRING, diaphragm	76 to Early 78 — All Models
	49	27364-76	ACCELERATOR PUMP HOUSING	76 to Early 78 — All Models
	50	27366-76	SCREW (5)	76 to Early 78 — All Models
	51	27367-76	SCREW	76 to Early 78 — All Models
	52	27368-76	CLIP, overflow hose	76 to Early 78 — All Models



CARBURETOR — 1976 TO EARLY 1978 (CONT'D)

AA8-2

RETAIL PRICE	INDEX NO.	PART NO.	N A M E	USED ON
53		27369-76	HOSE, overflow	76 to Early 78 — All Models
54		27371-76	FITTING	76 to Early 78 — All Models
55		27373-76	ROD, accelerator pump (860B), 59.5 mm.	76 to Early 78 — All Models
56		27379-76	SPACER (860A)	N/A 76 — All Models
57		27385-76	PLUG, low speed jet	76 to Early 78 — All Models
58		27395-76A	BOWL	N/A Late 77 to Early 78 — All Models
59		27416-76	MAIN JET, 1.80 mm.	76 to Early 78 — All Models
		27417-76	MAIN JET, 1.75 mm.	76 to Early 78 — All Models
		27418-76	MAIN JET, 1.70 mm.	76 to Early 78 — All Models
		27419-76	MAIN JET, 1.65 mm.	76 to Early 78 — All Models
		27420-76	MAIN JET, 1.60 mm.	76 to Early 78 — All Models
60		29058-77	GASKET, air cleaner back plate	Late 77 to Early 78 — All Models
61		29250-78A	SPACER, intake manifold to carburetor	76 to Early 78 — All Models
62		33298-65	STUD, carb. to intake manifold (2)	76 — All Models
63		45092-66A	CABLE GUIDE	76 to Early 78 — All Models

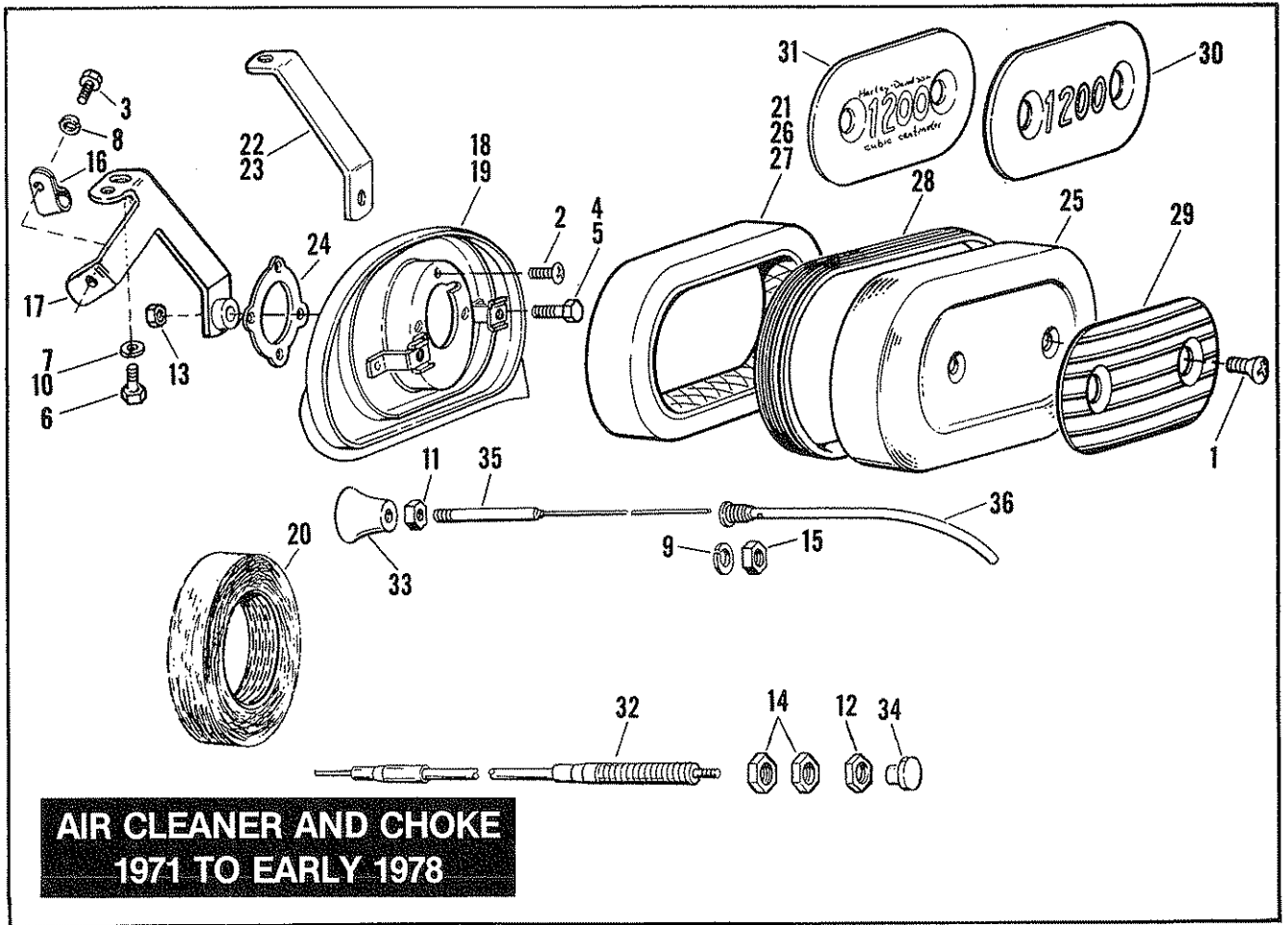


**CARBURETOR
1971 TO 1975**

6
14-1
14-1

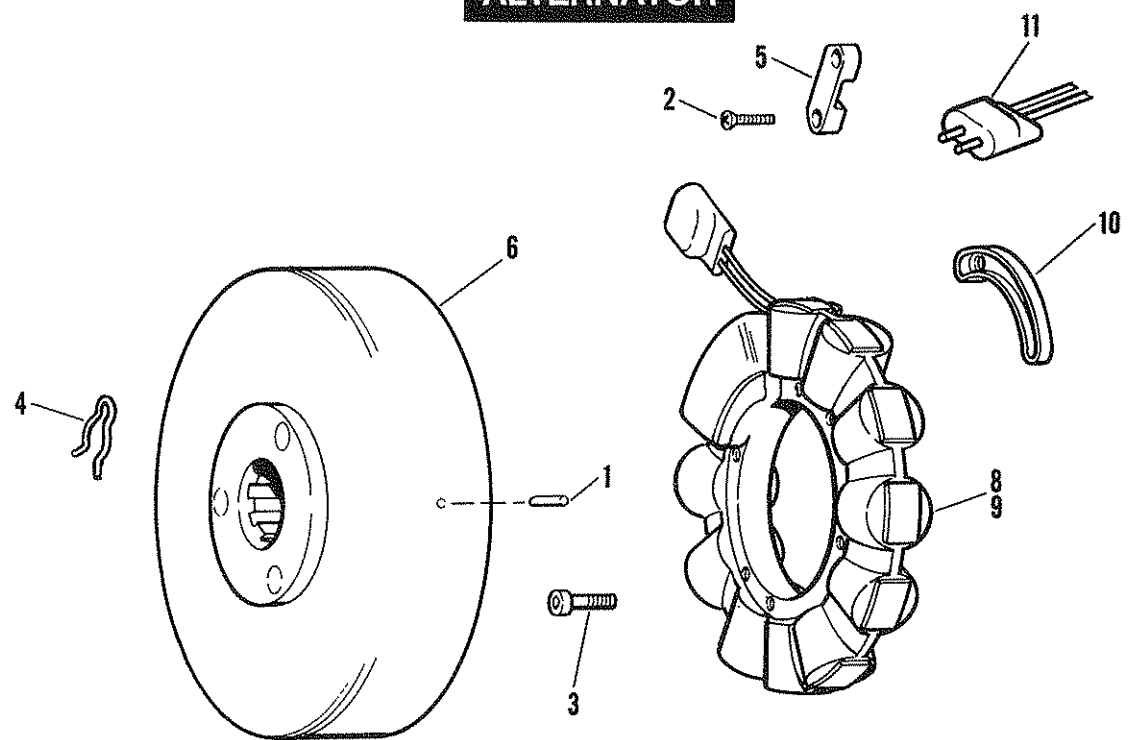
RETAIL PRICE	INDEX NO.	PART NO.	N A M E	USED ON
	1	930	SCREW, No. 10-24 x 1-1/4 Pozidriv pan hd. (2)	71 to 75 — All Models
	2	6016	WASHER 11/32 x 11/16 x 1/16 (2)	71 to 75 — All Models
	3	7725	LOCKNUT, 5/16-24 x 11/32 x 1/2 hex. (2)	71 to 75 — All Models
	4	27021—71A	INTAKE MANIFOLD	71 to 75 — All Models
	5	27023—71	GASKET	71 to 75 — All Models
	6	27060—55	O-RING, intake manifold (2)	71 to 75 — All Models
	7	27063—57	CLAMP ASSEMBLY (2)	71 to 75 — All Models
	8	27132—71	REPAIR PARTS AND GASKET KIT	N/A 71 to 75 — All Models
8A		27155—72B	CARBURETOR	N/A 71 to 75 — All Models
	9	27164—71	ROLL PIN, accelerator pump	N/A 71 to 75 — All Models
10		27271—71	SCREW, throttle stop, No. 8-32, slotted hex. hd.	N/A 71 to 75 — All Models
11		27272—71	SPRING, throttle return	N/A 71 to 73 — All Models
12		27272—74	SPRING, throttle return	N/A 74 & 75 — All Models
13		27281—71A	THROTTLE SHAFT AND LEVER	N/A 71 to 75 — All Models
14		27282—71	THROTTLE PLATE	N/A 71 to 75 — All Models
15		27326—71	O-RING	71 to 75 — All Models
16		27341—71	LEVER, accelerator pump	71 to 75 — All Models
17		27342—71	SCREW WITH LOCKWASHER, No. 1/8-40 (4)	N/A 71 to 75 — All Models
18		27389—71	BOOT, accelerator pump	71 to 75 — All Models
19		27396—71	SCREW WITH LOCKWASHER, No. 4-36	71 to 75 — All Models
20		27403—71	WASHER, main jet (fiber)	N/A 71 to 75 — All Models
21		27404—71	WASHER, idle jet (fiber)	N/A 71 to 75 — All Models
22		27459—74	BRACKET, throttle cable	74 & 75 — All Models
23		27612—71	MAIN JET, 0.90 mm (C66—173)	N/A 71 to 75 — All Models
24		27613—71	SPRING, throttle stop screw	N/A 71 to 75 — All Models
25		27614—71	MAIN JET, 0.95 mm. (C66—174)	N/A 71 to 75 — All Models
		27618—71	MAIN JET, 1.00 mm. (C66—155)	N/A 71 to 75 — All Models
		27619—71	MAIN JET, 1.05 mm. (C66—156)	N/A 71 to 75 — All Models
		27620—71	MAIN JET, 1.10 mm. (C66—157)	N/A 71 to 75 — All Models
		27621—71	MAIN JET, 1.15 mm. (C66—143)	N/A 71 to 75 — All Models
		27622—71	MAIN JET, 1.20 mm. (C66—158)	N/A 71 to 75 — All Models
		27623—71	MAIN JET, 1.25 mm. (C66—159)	N/A 71 to 75 — All Models
26		27630—71	FLOAT	N/A 71 to 75 — All Models
27		27631—71	PIN, float	N/A 71 to 75 — All Models
28		27641—71	IDLE ADJUSTING SCREW	71 to 75 — All Models
29		27642—71	SPRING, idle adjusting screw	N/A 71 to 75 — All Models
30		27645—71	BOWL	N/A 71 to 75 — All Models
31		27646—71	GASKET, bowl	71 to 75 — All Models
32		27651—75	MAIN JET, 0.95 mm. (C66—183—19)	N/A Late 75 — All Models
		27652—75	MAIN JET, 1.00 mm. (C66—183—20)	N/A Late 75 — All Models
		27653—75	MAIN JET, 1.05 mm. (C66—183—21)	N/A Late 75 — All Models
		27654—75	MAIN JET, 1.10 mm. (C66—183—22)	N/A Late 75 — All Models
		27655—75	MAIN JET, 1.15 mm. (C66—183—23)	N/A Late 75 — All Models
		27656—75	MAIN JET, 1.20 mm. (C66—183—24)	N/A Late 75 — All Models
33		27659—71	SPRING, float	N/A 71 to 75 — All Models
34		27663—71	CHOKE PLATE	N/A 71 to 75 — All Models
35		27664—71	CHOKE SHAFT AND LEVER	N/A 71 to 75 — All Models
36		27665—71	PIN, choke friction spring	N/A 71 to 75 — All Models
37		27666—71	FRICTION SPRING, choke	N/A 71 to 75 — All Models
38		27686—71	SCREW, wire block, No. 8-36 (2)	N/A 71 to 75 — All Models
39		27725—71	IDLE JET, 0.60 mm.	N/A 71 to 75 — All Models
40		27737—71	CLIP, fuel valve	N/A 71 to 75 — All Models
41		27748—71	FUEL VALVE, with clip	71 to 75 — All Models
42		27750—72	IDLE JET, 0.65 mm.	N/A 74 & 75 — All Models
43		27762—71A	ACCELERATOR PUMP	N/A 71 to 75 — All Models
44		27763—71	BOWL DRAIN PLUG	N/A 71 to 75 — All Models
45		33298—65	STUD, 5/16-24 x 1-1/2 (2)	71 to 75 — All Models
46		45092—66A	CABLE GUIDE	71 to 75 — All Models
47		63578—52	INLET FITTING	71 to 75 — All Models

RETAIL PRICE	INDEX NO.	PART NO.	N A M E	USED ON
	1	725	PLUG, backing plate hose	82 to * — All Models
	2	2774	SCREW, 1/4-20 x 5/8 Pozidriv pan hd. (3)	Late 78 — All Models
	3	3413	SCREW, 5/16-18 x 5/8 socket hd. (3; 2 - FXS, FXS-80, FXB, FXWG, FXSB)	Late 78 to * — All Models
	4	3447	BOLT, 5/16-18 x 1/2 hex. hd. (2)	80 to * — All Models
	5	3458	SCREW, 5/16-18 x 1 socket hd.	Late 78 to 84 — FXS, FXS-80, FXB, FXWG, FXSB
	6	3767B	BOLT, 1/4-20 x 5/8 hex. hd. (3)	79 to * — All Models
	7	3987	BOLT, 5/16 x 3/4 hex. hd. (4; 2 - 80 & 81)	Late 78 to * — All Models
	7A	6016	WASHER, 11/32 x 11/16 x 1/16 (4)	Late 83 to * — All Models
	8	6046	WASHER, 5/16 x 9/16 x 1/32 (black)	79 to 84 — FXS, FXS-80, FXB, FXWG, FXSB
	9	6095	WASHER, air cleaner cover (3; 2 - FXS, FXS-80, FXB, FXWG, FXSB)	Late 78 to * — All Models
	10	6702	WASHER, 5/16 x 11/16 x 1/16 (4)	Late 78 to Early 83 — All Models
	11	7038	LOCKWASHER, 3/8	Late 78 to * — All Models except FXWG
	12	7041	LOCKWASHER, 5/16 (2)	Late 78 to * — All Models
	13	7230	LOCKWASHER, 1/4 external tooth (3)	79 to * — All Models
	14	7608	NUT, No. 8-32 x 1/8 x 5/16 hex.	Late 78 to * — All Models except FXWG
	15	7638	NUT, No. 10-32 x 1/8 x 3/8 hex.	82 to 84 — FXWG
	16	7710W	LOCKNUT, 5/16-18 x 1/4 x 1/2 hex. (2)	Late 78 & 79 — All Models
	17	7725	NUT	Late 83 — FXWG
		7851W	JAM NUT, 3/8-24 x 7/32 x 9/16 hex.	Late 78 to * — All Models except FXWG
	18	8103	CLIP NUT, rear bracket (2)	80 to * — All Models
	19	9979	CLIP, breather hose	Late 78 to Early 81 — All Models
	20	10080	CLAMP, hose	Late 78 to * — All Models
	21	11013	RETAINING RING, choke cable	80 to 84 — FXWG
	22	25260-78	FITTING, crankcase to air cleaner hose	Late 78 to 83 — All Models
	22A	27452-82	NUT KIT, choke cable	80 to Early 83 — FXWG
			Consists of:	
	23	27450-82	NUT, 5/16-24 hex. machined	
	23A	27451-82	GROMMET (black)	
	24	29057-78A	GRILL, air intake	Late 78 to 84 — FXS, FXS-80, FXB, FXWG, FXSB
	25	29058-77	GASKET, air cleaner to carburetor	Late 78 to * — All Models
	26	29061-78	COVER, air cleaner	Late 78 to * — All Models except FXB
		29062-78	COVER, air cleaner	80 to 82 — FXB
	27	29064-78	BAFFLE	Late 78 to * — All Models
	28	29071-79	SAFETY LABEL, air cleaner	79 to * — All Models
	29	29113-78	BRACKET, rear	Late 78 & 79 — All Models
		29113-79A	BRACKET, rear	80 to * — All Models
		29114-79A	BRACKET, front	Late 78 to * — All Models
	30	29213-79	CONTROL CABLE, choke	80 to 84 — FXWG
	31	29214-71	KNOB, choke wire	80 to 84 — FXWG
		29214-67A	KNOB, choke wire	Late 78 to 81 — All Models except FXWG
	32	29215-78	TUBE, choke wire	Late 78 to 81 — All Models except FXWG
	33	29219-78	WIRE, choke control	Late 78 to 81 — All Models except FXWG
		29219-82	WIRE, choke control	82 to * — All Models except FXWG
	34	29230-82	CHOKE CABLE ASSEMBLY	82 to * — All Models except FXWG
	35	29252-79	SEAL STRIP, air cleaner backing plate	Late 78 to * — All Models
	36	29255-78	FILTER ELEMENT	Late 78 to * — All Models
		29295-78	FILTER ELEMENT, foam only	Late 78 to * — All Models
	37	29261-80	BACK PLATE, air cleaner	Late 78 to * — All Models
	38	29270-78	TRIM, air cleaner — "1200"	Late 78 to 84 — 1200 cc Engines
	39	29272-78	TRIM, air cleaner — "80"	Late 79 to 84 — 1340 cc Engines
	40	29299-78	TRIM STRIP, air cleaner cover (black)	Late 78 to * — All Models except FXB
	41	42269-70	CLEVIS PIN, backing plate hose	Late 78 to 81 — All Models
	42	63592-89	HOSE, air cleaner drain	83 to * — All Models
	43	63500-68	NOTE: Hose is sold only in bulk length under the following part number. Cut to required length. HOSE, 3/8 I.D. x 5/8 O.D. reinforced rubber (25 ft. lg.) ...	Late 78 to * — All Models



RETAIL PRICE	INDEX NO.	PART NO.	N A M E	USED ON
	1	2402W	SCREW, 5/16-24 x 11/16 Phillips hd.	71 to Early 78 — All Models
	2	2758	SCREW, 1/4-20 x 1/2 Phillips hd. (3)	71 to Early 78 — All Models
	3	3738	BOLT, 1/4-28 x 1/2 hex. hd.	71 & 72 — All Models
	4	3765	BOLT, 1/4-28 x 5/8 hex. hd.	71 to 77 — All Models
	5	3825	BOLT, 1/4-28 x 1 hex. hd.	Early 78 — All Models
	6	3987	BOLT, 5/16-18 x 3/4 hex. hd.	Late 77 to Early 78 — All Models
	7	6702	WASHER, 5/16 x 11/16 x 1/16.	Late 77 to Early 78 — All Models
	8	7036	LOCKWASHER, 1/4	71 & 72 — All Models
	9	7038	LOCKWASHER, 3/8	73 to Early 78 — All Models
	10	7041	LOCKWASHER, 5/16	71 to Early 77 — All Models
	11	7608	NUT, No. 8-32 x 1/8 x 11/32 hex.	73 to Early 78 — All Models
	12	7638	NUT, No. 10-32 x 1/8 x 3/8 hex.	71 to Early 78 — All Models
	13	7683	LOCKNUT, 1/4-28 x 5/16 x 7/16 hex.	71 to Early 78 — All Models
	14	7744	JAMNUT, 5/16-24 x 3/16 x 1/2 hex. (2)	71 to Early 78 — All Models
	15	7851W	JAMNUT, 3/8-24 x 7/32 x 9/16 hex. hd.	73 to Early 78 — All Models
	16	9957	CLIP, choke wire	N/A 71 & 72 — All Models
	17	29018—71A	SUPPORT BRACKET	N/A 71 to 76 — All Models
	18	29020—71	BACK PLATE, air cleaner	N/A 71 to 76 — All Models
	19	29024—77	BACK PLATE, air cleaner (snorkel type)	N/A 77 to Early 78 — All Models
	20	29036—66	FILTER ELEMENT, wire mesh type	N/A 71 — All Models
	21	29036—72	FILTER ELEMENT, foam type, with screen (2-5/8" wide)	71 to Early 75 — All Models
	22	29054—77	BRACKET, air cleaner mounting	N/A 77 — All Models
	23	29054—78	BRACKET, air cleaner mounting	N/A Early 78 — All Models
	24	29058—77	GASKET, air cleaner back plate	Late 77 to Early 78 — All Models
	25	29084—73	COVER, air cleaner	71 to Early 78 — All Models
	26	29086—73	FILTER ELEMENT, foam type, with screen (3" wide)	Late 75 & 76 — All Models
	27	29086—75	FILTER ELEMENT, foam type, with screen (3-1/2" wide)	77 to Early 78 — All Models
	28	29144—77	RUBBER SEAL, air cleaner cover	Late 77 to Early 78 — All Models
	29	29205—69	TRIM, air cleaner	N/A 71 to 75 — All Models
	30	29205—76	TRIM, air cleaner "1200"	N/A 76 & 77 — All Models
	31	29206—78	TRIM, air cleaner "1200 cc"	N/A Early 78 — All Models
	32	29212—71	CONTROL CABLE, choke	71 & 72 — All Models
	33	29214—67A	KNOB, choke wire	73 to Early 78 — All Models
	34	29214—71	KNOB, choke wire	71 & 72 — All Models
	35	29216—72	WIRE, choke control	73 to Early 78 — All Models
	36	29221—73	TUBE, choke wire	N/A 73 to Early 78 — All Models

ALTERNATOR

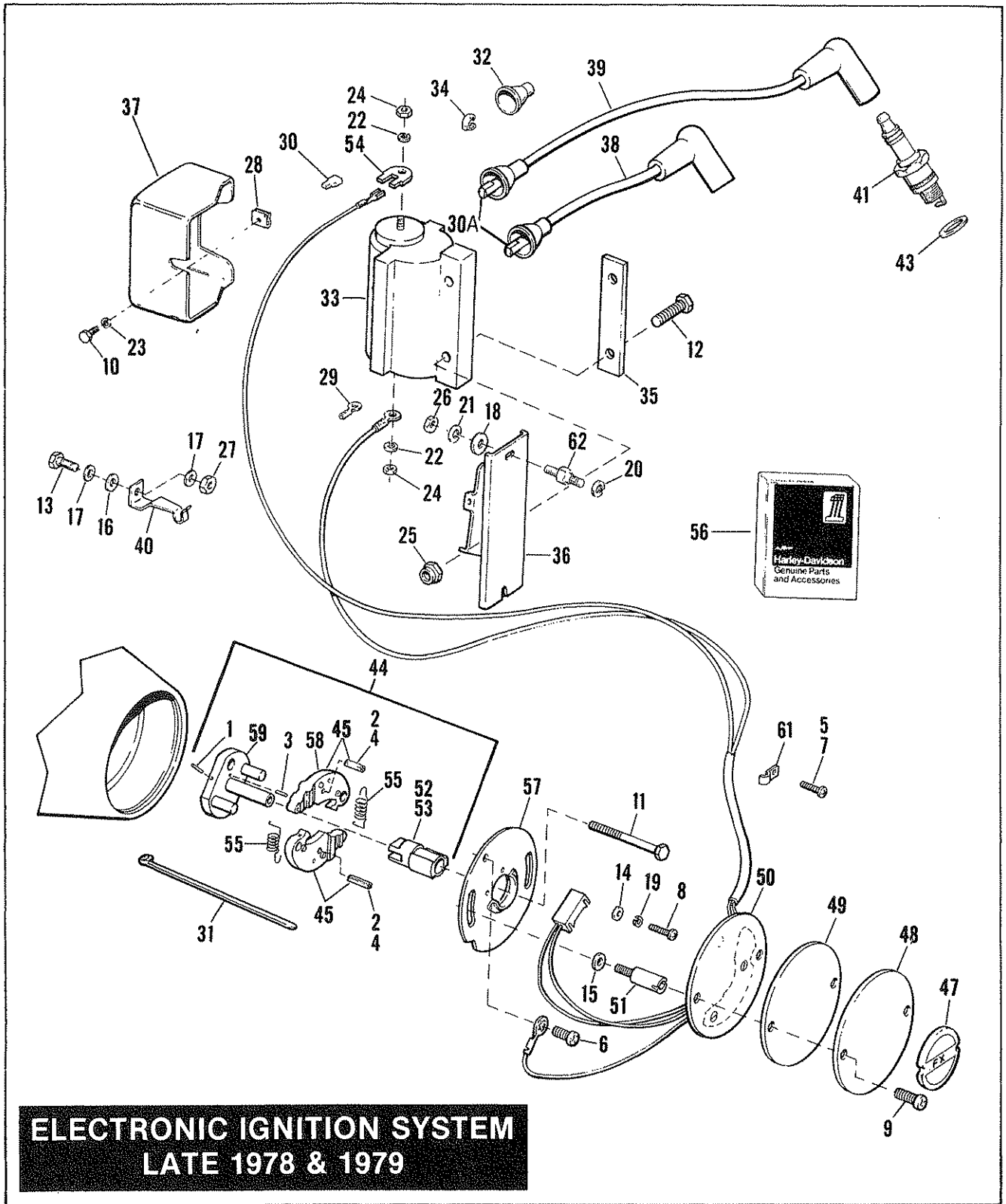


11-2003-1-0000

ALTERNATOR

AA12

RETAIL PRICE	INDEX NO.	PART NO.	N A M E	USED ON
	1	603	ROLL PIN, rotor	76 to 81 — All Models
	2	2216W	SCREW, No. 4-24 x 1/2 Phillips hd. (2)	71 to * — All Models
	3	2653	SCREW, No. 10-24 x 7/8 fil. hd. (4)	71 to * — All Models
	4	11084	RETAINING SPRING, rotor magnet ring	76 to 80 — All Models
	5	29954-71	RETAINER, alternator plug	71 to * — All Models
	6	29957-70A	ROTOR ASSEMBLY	71 to 81 — All Models
		29957-81B	ROTOR ASSEMBLY	82 to * — All Models
	8	29965-70	STATOR	71 to 75 — All Models
	9	29965-75	STATOR	76 to 80 — All Models
		29965-81A	STATOR	81 to * — All Models
	10	29988-73	LOCKING PLATE, stator (2)	71 to * — All Models
	11	71871-75	MALE PLUG, stator — with wires	75 to 80 — All Models



**ELECTRONIC IGNITION SYSTEM
LATE 1978 & 1979**

ELECTRONIC IGNITION SYSTEM — LATE 1978 & 1979

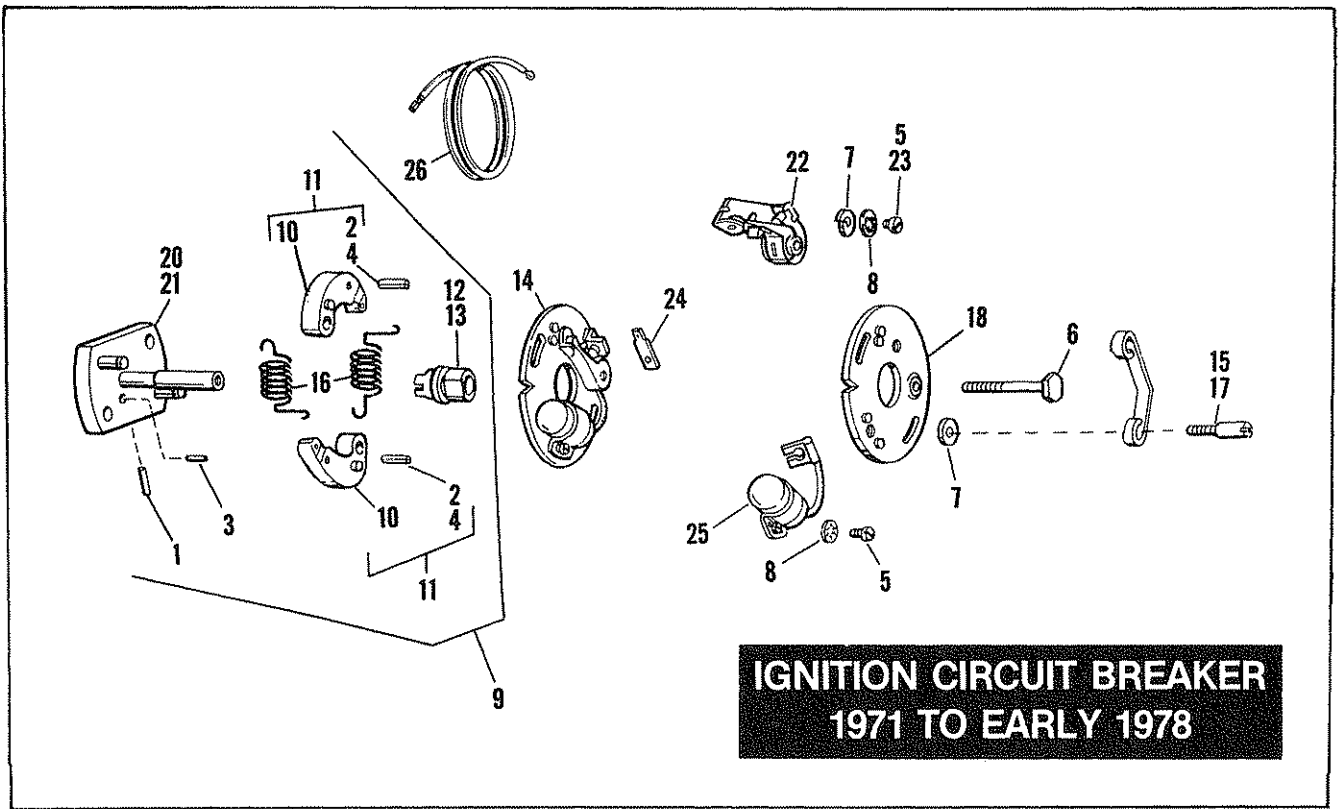
AA13-1

RETAIL PRICE	INDEX NO.	PART NO.	N A M E	USED ON
	1	615	ROLL PIN (use with 32629—70 or 32629—80)	Late 78 & 79 — All Models
	2	620	ROLL PIN (1 - each weight) (use with 32522—70)	Late 78 & 79 — All Models
	3	623	ROLL PIN (use with 32629—70 or 32629—80)	Late 78 & 79 — All Models
	4	635	ROLL PIN (1 - each weight) (use with 32522—80)	Late 78 & 79 — All Models
	5	903	SCREW, 1/4-20 x 1-1/4 Pozidriv oval ctsk. hd. (black)	Late 78 & 79 — FXS, FXS-80
	6	1047	SCREW, No. 8-36 x 1/4 fil. hd.	Late 78 & 79 — All Models

RETAIL PRICE	INDEX NO.	PART NO.	N A M E	USED ON
	7	1301	SCREW, 1/4-20 x 1-1/4 Pozidriv fil. hd.	Late 78 & 79 — FX, FXE, FXEF, FXEF-80
	8	2554	SCREW, No. 4-40 x 5/8 Pozidriv pan hd. (2)	Late 78 & 79 — All Models
	9	2625	SCREW, No. 8-32 x 5/8 Pozidriv hd. (2)	Late 78 & 79 — All Models
	10	3473	SCREW, No. 10-32 x 1/2 hex. washer hd. (2)	Late 78 & 79 — All Models
	11	3570	SCREW, No. 10-32 x 2 hex. hd. N/A	Late 78 & 79 — All Models
	12	3842	BOLT, 1/4-28 x 1-1/2 hex. hd. (2)	Late 78 & 79 — All Models
	13	4726	BOLT, 7/16-20 x 1-1/2 hex. hd.	Late 78 & 79 — FXS, FXEF, FXS-80, FXEF-80
	14	6006	WASHER, No. 4 x 1/4 x 1/32 (2)	N/A Late 78 & 79 — All Models
	15	6192	WASHER, No. 8 x 7/16 x 3/64 (2)	Late 78 & 79 — All Models
	16	6497HW	WASHER, 7/16 x 1-1/8 x 3/64 (as req.)	Late 78 & 79 — FXS, FXEF, FXS-80, FXEF-80
	17	6516HW	WASHER, 7/16 x 1-1/8 x 1/8 (2)	Late 78 & 79 — FXS, FXEF, FXS-80, FXEF-80
	18	6702	WASHER, 5/16 x 11/16 x 1/16 (2)	Late 78 & 79 — All Models
	19	6969	LOCKWASHER, No. 4 (2)	Late 78 & 79 — All Models
	20	7038	LOCKWASHER, 3/8 (2)	Late 78 & 79 — All Models
	21	7041	LOCKWASHER, 5/16 (2)	Late 78 & 79 — All Models
	22	7069	LOCKWASHER, No. 10 (2)	Late 78 & 79 — All Models
	23	7118	LOCKWASHER, No. 10 internal tooth (2)	Late 78 & 79 — All Models
	24	7638	NUT, No. 10-32 x 1/8 x 3/8 hex. (2)	Late 78 & 79 — All Models
	25	7683	LOCKNUT, 1/4-28 x 5/16 x 7/16 hex. (2)	Late 78 & 79 — All Models
	26	7753	NUT, 5/16-24 x 1/4 x 1/2 hex. (2)	Late 78 & 79 — All Models
	27	7825	LOCKNUT, 7/16-20 x 7/16 x 5/8 hex.	Late 78 & 79 — FXS, FXEF, FXS-80, FXEF-80
	28	8115B	SPEED NUT, coil cover (2)	Late 78 & 79 — All Models
	29	9857	WIRE TERMINAL, ring type — No. 10 hole — #16-22 wire	Late 78 & 79 — FX, FXS, FXEF, FXS-80, FXEF-80
	30	9900	CONNECTOR, wire	Late 78 & 79 — All Models
	30A	9908	TERMINAL, spark plug cable	Late 78 & 79 — All Models
			NOTE: Use with 31980—65B & 31981—65B cables.	
	31	10006	CABLE STRAP (3)	Late 78 & 79 — All Models
	32	31607—64	RUBBER CAP, spark plug cable (2)	Late 78 & 79 — All Models
	33	31609—65A	SPARK COIL	Late 78 & 79 — All Models
	34	31620—47	TERMINAL, spark plug cable (2)	N/A Late 78 & 79 — All Models
			NOTE: Use only with solid core cables.	
	35	31727—72	PLATE, spark coil	Late 78 & 79 — All Models
	36	31728—78A	BRACKET, spark coil	Late 78 & 79 — All Models
	37	31800—78A	SPARK COIL COVER KIT (chrome)	Late 78 & 79 — All Models
	38	31980—65B	SPARK PLUG CABLE, rear cylinder	Late 78 & 79 — All Models
	39	31981—65B	SPARK PLUG CABLE, front cylinder	Late 78 & 79 — All Models
	40	32000—37A	BRACKET, spark plug cable	Late 78 & 79 — FXS, FXEF, FXS-80, FXEF-80
	41	32311—83	SPARK PLUG (2) No. 5R6A — 0.04 gap (2)	Late 78 & 79 — All Models
		32312—78A	SPARK PLUG No. 5RL — 0.04 gap (2)	Late 78 & 79
	43	32342—58	GASKET, spark plug (2)	N/A Late 78 & 79 — All Models
	44	32505—78A	WEIGHT & ROTOR ASSEMBLY (Teflon coated)	Late 78 & 79 — All Models
	45	32522—70	WEIGHT & PIN (2)	N/A Late 78 & 79 — All Models
		32522—80	WEIGHT & PIN (2) (use with 32629—80)	Late 78 & 79 — All Models
	47	32584—71	LABEL, timer cover	N/A Late 78 & 79 — All Models
	48	32588—70A	TIMER COVER	N/A Late 78 & 79 — All Models
	49	32591—70	GASKET, ignition timer cover	Late 78 & 79 — All Models
	50	32592—78	IGNITION MODULE ASSEMBLY	Late 78 & 79 — All Models
	51	32601—78	SCREW, timer plate (2)	Late 78 & 79 — All Models
	52	32602—78	TRIGGER ROTOR	N/A Late 78 & 79 — All Models
	53	32602—80	TRIGGER ROTOR	Late 78 & 79 — All Models
	54	32604—78	TERMINAL ADAPTER, spark coil (for tachometer)	Late 78 & 79 — All Models
	55	32605—70	SPRING, weight (2)	Late 78 & 79 — All Models
	56	32609—78	ELECTRONIC IGNITION CONVERSION KIT	N/A Late 78 & 79 — All Models
			(for use with 71 to Early 78 ignition systems)	
	57	32610—78	PLATE, timer	N/A Late 78 & 79 — All Models
	59	32629—70	SHAFT AND PLATE	N/A Late 78 & 79 — All Models
		32629—80	SHAFT AND PLATE (Teflon coated)	Late 78 & 79 — All Models
	61	56609—52	CLAMP, ignition wire	N/A Late 78 & 79 — All Models
	62	72341—56A	STUD, spark coil bracket to frame (2)	Late 78 & 79 — All Models

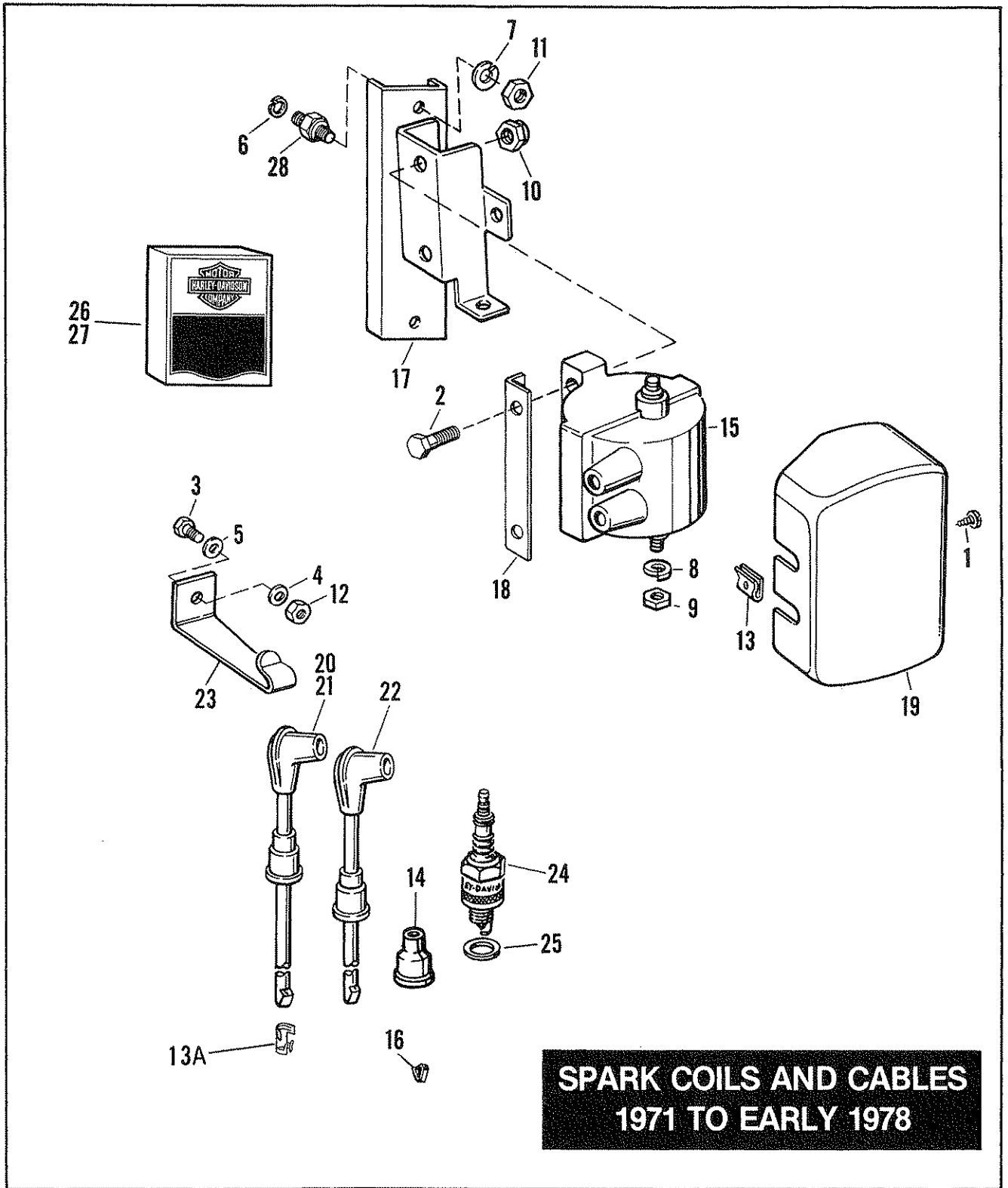
RETAIL PRICE	INDEX NO.	PART NO.	NAME	USED ON
	1	1601	SCREW, No. 8-32 x 1/2 ctsk. flat hd. (2)	.80 to * — All Models
	2	2611B	SCREW, No. 10-32 x 1/2 hex. hd.	.80 to * — All Models
	3	2659	SCREW, No. 10-24 x 7/8 Pozidriv pan hd. (2)	.80 to * — All Models
	4	2731W	SCREW, No. 10-3/8 self tapping Phillips rd. hd.	.80 to * — All Models
	5	4740	SCREW, 1/4-20 x 1-1/4 socket hd.	.80 & Early 81 — All Models except FXB
	6	3473	SCREW, No. 10-32 x 1/2 hex. washer hd. (2)	.80 to * — All Models
	7	3826	BOLT, 1/4-28 x 1-1/4 hex. hd. (2)	Late 82 to * — All Models
		3842	BOLT, 1/4-28 x 1-1/2 hex. hd. (2)	.80 to Early 82 — All Models
	8	4726	BOLT, 7/16-20 x 1-1/2 hex. hd.	.80 to * — All Models except FXE, FXE-80
	8A	4813	SCREW, 1/4-20 x 1-3/8 hex. socket hd. (w/nylon lock patch)	Late 81 to * — All Models except FXB, FXSB
	9	5201	ACORN HEAD BOLT, 1/4-20 x 1-1/4	N/A .80 to 82 — FXB
	10	6099	WASHER, 1/4 x 7/16 x 3/64	.80 to * — All Models
	11	6192	WASHER, No. 8 x 7/16 x 3/64 (2)	.80 to 82 — All Models
		6194	WASHER, 13/64 x 7/16 x 1/64 (2)	.83 to * — All Models
	13	6497HW	WASHER, 7/16 x 1-1/8 x 1/16 (as req'd)	.80 to * — All Models except FXE, FXE-80
	14	6516HW	WASHER, 7/16 x 1-1/8 x 1/8 (2)	.80 to * — All Models except FXE, FXE-80
	15	6702	WASHER, 5/16 x 11/16 x 1/16 (2)	.80 to Early 82 — All Models
	15A	6703	WASHER	.80 to * — All Models
	16	6716	WASHER, No. 10 x 1/2 x 3/64 (2; 4-82 & Later)	.80 to * — All Models
	17	7036	LOCKWASHER, 1/4 (2)	Late 82 to * — All Models
		7038	LOCKWASHER, 3/8 (2)	.80 to Early 82 — All Models
	18	7041	LOCKWASHER, 5/16 (2)	.80 to Early 82 — All Models
	19	7069	LOCKWASHER, No. 10 (2)	.80 to * — All Models
	20	7118	LOCKWASHER, No. 10 internal tooth (3; 1-82 & Later)	.80 to * — All Models
	21	7638	NUT, No. 10-32 x 1/8 x 3/8 hex. (2)	.80 to * — All Models
	22	7683	LOCKNUT, 1/4-28 x 5/16 x 7/16 hex. (2)	.80 & 81 — All Models
	23	7753	NUT, 5/16-24 x 1/4 x 1/2 hex. (2)	.80 to Early 82 — All Models
	24	7825	LOCKNUT, 7/16-20 x 7/16 x 5/8 hex.	.80 to * — All Models except FXE, FXE-80
	25	8115B	SPEED NUT, coil cover (2)	.80 — All Models
	26	8699	POP RIVET, 3/16 x 3/8 x 3/8 dia. hd. (2)	.80 to * — All Models
	27	9857	WIRE TERMINAL, ring type, No. 10 hole, #16-22 wire	.80 to * — All Models
	28	9900	CONNECTOR, wire	.80 to * — All Models
	28A	9908	TERMINAL, spark plug cable (2)	.80 to * — All Models; 83 to * — FXWG
	29	10006	CABLE STRAP (3)	.80 to * — All Models
	30	10046	CLAMP, electronic ignition wire	.80 to * — All Models
	31	31607—64	RUBBER CAP, spark plug cable (2)	.80 to * — All Models except FXWG
	32	31609—80	SPARK COIL	.80 to * — All Models
	34	31727—72	PLATE, spark coil	.80 to * — All Models
	35	31728—78A	BRACKET, spark coil	.80 to Early 82 — All Models
	36	31800—78A	SPARK COIL COVER KIT (chrome)	.80 to * — All Models except FXB
		31801—80	SPARK COIL COVER KIT (black)	N/A .80 to 82 — FXB
	37	31977—80	SPARK PLUG CABLE, front cylinder	N/A .80 to 82 — FXWG

RETAIL PRICE	INDEX NO.	PART NO.	N A M E	USED ON
	38	31978—80	SPARK PLUG CABLE, rear cylinder	N/A 80 to 82 — FXWG
		31980—65B	SPARK PLUG CABLE, rear cylinder	80 to * — All Models; 83 to * — FXWG
	40	31981—65B	SPARK PLUG CABLE, front cylinder	80 to * — All Models; 83 to * — FXWG
	41	32000—37A	BRACKET, spark plug cable	80 to * — All Models except FXE, FXE-80; Late 84 to * — FXE-80
	42	32312—78A	SPARK PLUG, No. 5RL — .040 gap (2)	80 to 84 — All Models
	43	32342—58	GASKET, spark plug (2)	N/A 80 to * — All Models
	44	32400—80A	SENSOR ASSEMBLY	80 to * — All Models
	45	32401—80	TRIGGER ROTOR	80 to Early 83 — All Models
		32402—83	TRIGGER ROTOR	Late 83 to * — All Models
	46	32399—84	IGNITION MODULE ASSEMBLY	80 to * — All Models
	47	32504—80	TIMER COVER, inner	80 to * — All Models
	48	32511—78	TIMER COVER (polished)	80 to 82 — FXE, FXEF, FXEF-80, FXE-80
		32511—80	TIMER COVER (black)	80 to 82 — FXS-80, FXWG, FXB
48A		32521—83	TIMER COVER, polished aluminum	N/A 83 to * — All Models
	49	32591—80	GASKET, ignition timer cover	80 to * — All Models
	50	32606—82	STUD, timer plate (2)	80 to * — All Models
	51	32604—78	TERMINAL ADAPTER, spark coil	80 to * — All Models
	52	72051—77	CONNECTOR, 2 pins - 1 socket	80 to * — All Models
	53	72341—56A	STUD, spark coil bracket to frame (2)	80 to Early 82 — All Models
	54	74521—77	CONNECTOR, 2 sockets - 1 pin	80 to * — All Models
	55	74536—77A	PIN, ignition connectors (3)	80 to * — All Models
	56	74539—77A	SOCKET, ignition connectors (3)	80 to * — All Models

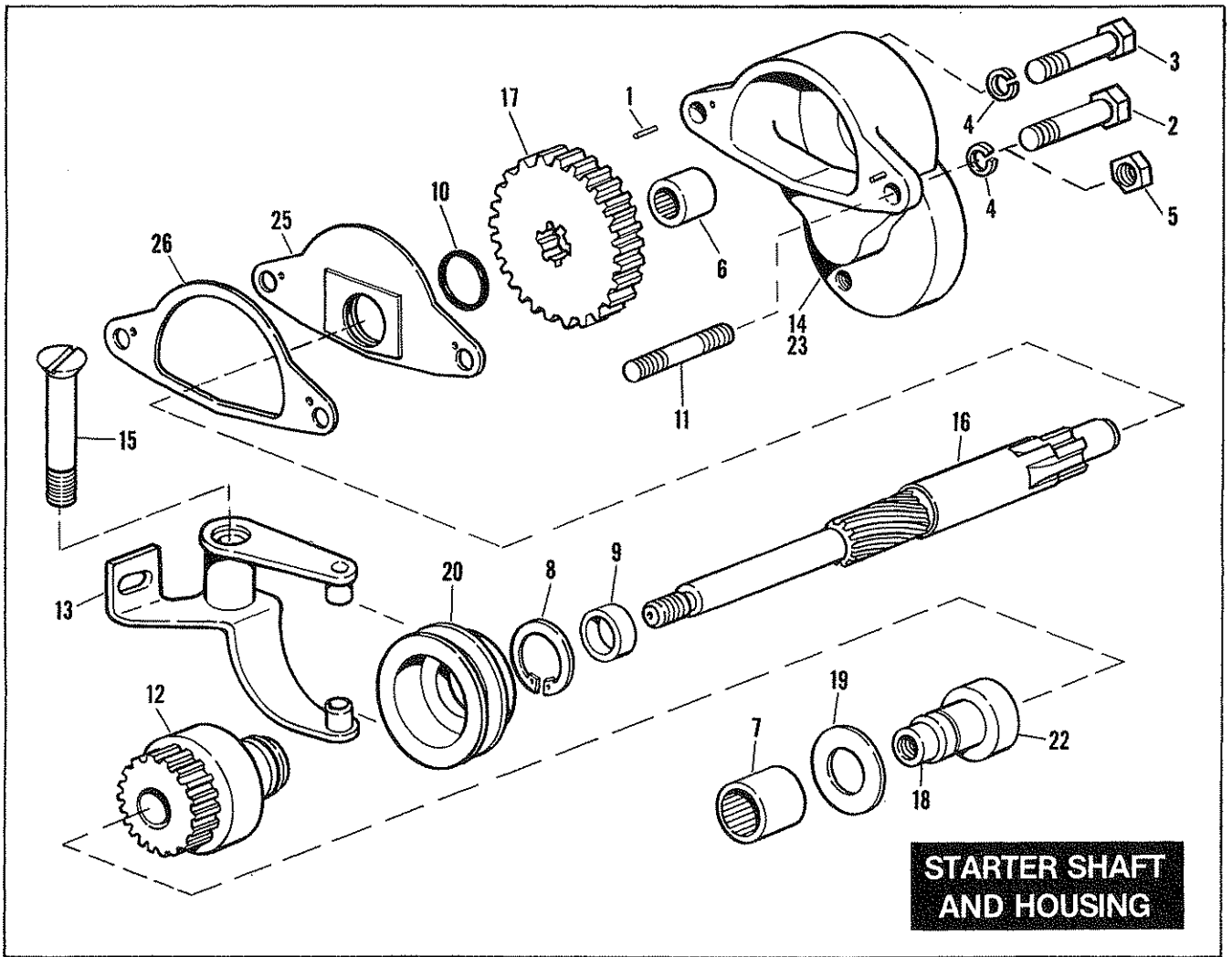


**IGNITION CIRCUIT BREAKER
1971 TO EARLY 1978**

RETAIL PRICE	INDEX NO.	PART NO.	N A M E	USED ON
	1	615	ROLL PIN, breaker plate	71 to Early 78 — All Models
	2	620	ROLL PIN, breaker weight (2)	71 to Early 78 — All Models
	3	623	ROLL PIN, breaker plate	71 to Early 78 — All Models
	4	635	ROLL PIN, breaker weight (2) (use with 32522—80)	71 to Early 78 — All Models
	5	1047	SCREW, No. 8-36 x 1/4 fil. hd. (2 — Late 72 to 78)	71 to Early 78 — All Models
	6	3570	SCREW, timer N/A	71 to Early 78 — All Models
	7	6189W	WASHER, 5/32 x 13/32 x 1/32 (2)	Late 72 to Early 78 — All Models
	8	7115	LOCKWASHER, No. 8 (2 — Late 72 to 78)	71 to Early 78 — All Models
	9	32517—70	WEIGHT AND PLATE KIT, Teflon coated N/A	71 to Early 78 — All Models
			Consists of:	
		32522—80	WEIGHT, breaker assembly (2)	
		32533—70	CAM, circuit breaker N/A	
		32605—70	SPRING, breaker weight (2)	
		32629—80	SHAFT AND PLATE	
	10	32522—70	WEIGHT, breaker assembly (2) N/A	71 to Early 78 — All Models
	11	32522—80	WEIGHT & PIN, breaker assy. (2) (use w/32629—80)	71 to Early 78 — All Models
	12	32533—70	CAM, circuit breaker (use with 32639—80) N/A	71 to Early 78 — All Models
	13	32542—70A	CAM, circuit breaker	71 to Early 78 — All Models
	14	32577—70	CIRCUIT BREAKER BASE ASSEMBLY	71 to Early 78 — All Models
	15	32601—78	SCREW, ignition breaker plate (2)	Late 72 to Early 78 — All Models
	16	32605—70	SPRING, breaker weight (2)	71 to Early 78 — All Models
	17	32608—70	STUD, ignition breaker plate (2)	71 to Early 72 — All Models
	18	32618—70A	BASE, circuit breaker	71 to Early 78 — All Models
	20	32629—70	SHAFT AND PLATE N/A	71 to Early 78 — All Models
	21	32629—80	SHAFT AND PLATE	71 to Early 78 — All Models
	22	32661—70	BREAKER POINT SET	71 to Early 78 — All Models
	23	32669—47	LOCK SCREW, breaker points N/A	71 to Early 72 — All Models
	24	32670—70	ADAPTER, terminal — circuit breaker	71 to Early 78 — All Models
	25	32726—30A	CONDENSER AND BRACKET	71 to Early 78 — All Models
	26	70456—73	WIRE, circuit breaker to coil	71 to Early 78 — All Models



RETAIL PRICE	INDEX NO.	PART NO.	NAME	USED ON
	1	3566W	SCREW, No. 10 x 1/2 self-tapping hex. hd. (2)	71 to Early 78 — All Models
	2	3842	BOLT, 1/4-28 x 1-1/2 hex. hd. (2)	71 to Early 78 — All Models
	3	4726	BOLT, 7/16-20 x 1-1/2 hex. hd.	77 to Early 78 — FXS
	4	6497HW	WASHER, 7/16 x 1-1/8 x 1/16	77 to Early 78 — FXS
	5	6516HW	WASHER, 7/16 x 1-1/8 x 1/8	77 to Early 78 — FXS
	6	7038	LOCKWASHER, 3/8 (2)	77 to Early 78 — FXS
	7	7041	LOCKWASHER, 5/16 (2)	71 to Early 78 — All Models
	8	7069	LOCKWASHER, No. 10 (2)	77 to Early 78 — FXS
	9	7638	NUT, No. 10-32 x 1/8 x 3/8 hex.	71 to Early 78 — All Models
	10	7683	LOCKNUT, 1/4-28 x 5/16 x 7/16 hex. (2)	71 to Early 78 — All Models
	11	7753	NUT, 5/16-24 x 1/4 x 1/2 hex. (2)	71 to Early 78 — All Models
	12	7825	LOCKNUT, 7/16-20 x 7/16 x 5/8 hex.	77 to Early 78 — FXS
	13	8115B	SPEED NUT, coil cover (2)	71 to Early 78 — All Models
	13A	9908	TERMINAL, spark plug cable	71 to Early 78 — All Models
			NOTE: Use with 31980—65B & 31981—65B cables.	
	14	31607—64	RUBBER CAP, spark plug cables (2)	71 to Early 78 — FX, FXE
	15	31609—65B	SPARK COIL — 12 V.	71 to Early 78 — All Models
	16	31620—47	TERMINAL, spark plug cable (use only on metal core cables)	N/A 71 to Early 78 — FX, FXE
	17	31724—65	BRACKET, spark coil	N/A 71 to Early 78 — All Models
	18	31727—72	PLATE, spark coil	71 to Early 78 — All Models
	19	31800—78A	SPARK COIL COVER, with fittings	71 to Early 78 — All Models
	20	31980—65B	SPARK PLUG CABLE, 5-1/2"	75 to Early 78 — All Models
	21	31981—65B	SPARK PLUG CABLE, 16"	75 to Early 78 — All Models
	22	31991—74A	SPARK PLUG CABLE, 9-1/2"	N/A 71 to Early 78 — FX, FXE
	23	32000—37A	BRACKET, spark plug cable	71 & 72 — FX; 77 to Early 78 — FXS
	24	32301—47A	SPARK PLUG, No. 4	71 to 74 — All Models
		32301—60	SPARK PLUG, No. 3-4	71 to 74 — All Models
		32303—47A	SPARK PLUG, No. 3	71 to 74 — All Models
		32305—48A	SPARK PLUG, No. 2	N/A 71 to 74 — All Models
		32307—58	SPARK PLUG, No. 5	71 to 74 — All Models
		32310—77	SPARK PLUG, No. 5A6 — 0.025 gap	Late 77 to Early 78 — All Models
		32312—77	SPARK PLUG, No. 5R6 — 0.025 gap (radio noise suppression)	Late 77 to Early 78 — All Models
	25	32342—58	GASKET, spark plug	N/A 71 to Early 78 — All Models
	26	32353—77	TUNE UP KIT (1971 to 1974)	71 to 74 — All Models
			Consists of:	
		32301—60	SPARK PLUG, No. 3-4 (2)	
		32661—70	BREAKER POINT SET	
		32726—30A	CONDENSER AND BRACKET	
	27	32354—77	TUNE UP KIT (1975 to Early 1978)	75 to Early 78 — All Models
			Consists of:	
		32310—77	SPARK PLUG, No. 5A6 (2)	
		32661—70	BREAKER POINT SET	
		32726—30A	CONDENSER AND BRACKET	
	28	72341—56A	STUD, spark coil bracket to frame (2)	71 to Early 78 — All Models

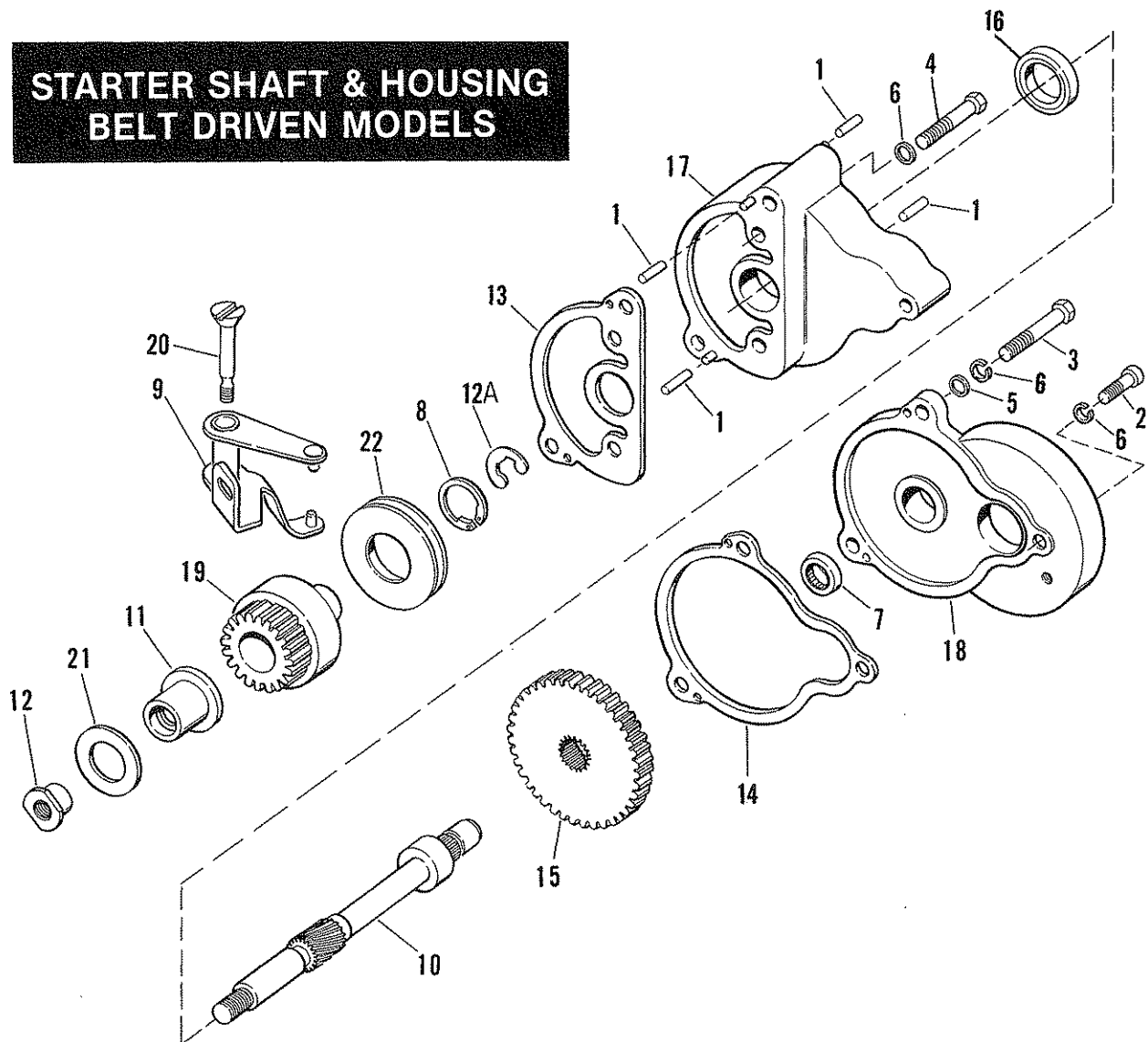


STARTER SHAFT AND HOUSING — CHAIN DRIVEN MODELS

AA16

RETAIL PRICE	INDEX NO.	PART NO.	N A M E	USED ON
	1	334A	ROLL PIN, starter shaft housing (2)	71 to * — All Models except FXB & FXSB; 80 to 83 — FXWG
	2	2551W	BOLT, 1/4-20 x 1 hex. hd.	79 to * — All Models except FXB & FXSB; 80 to 83 — FXWG
	3	2872W	BOLT, 1/4-20 x 1-1/2 hex. hd.	79 to * — All Models except FXB & FXSB; 80 to 83 — FXWG
	4	7036	LOCKWASHER, 1/4 (2)	71 to * — All Models except FXB & FXSB; 80 to 83 — FXWG
	5	7676	NUT, 1/4-28 x 3/16 x 7/16 hex. (2)	71 to 78 — All Models
	6	9062	NEEDLE BEARING, starter shaft housing	71 to * — All Models except FXB & FXSB; 80 to 83 — FXWG
	7	9063	NEEDLE BEARING, chain housing cover	71 to * — All Models except FXB & FXSB; 80 to 83 — FXWG
	8	11039	RETAINING RING, shifter collar	71 to * — All Models except FXB & FXSB; 80 to 83 — FXWG
	9	11041	SPACER, starter shaft	71 to * — All Models except FXB & FXSB; 80 to 83 — FXWG
	10	11101	O-RING, deflector plate	71 to * — All Models except FXB & FXSB; 80 to 83 — FXWG
	11	24811—59A	STUD, starter shaft housing (2)	71 to 78 — All Models
	12	31443—65A	STARTER DRIVE GEAR UNIT	71 to * — All Models
	13	31445—65A	SHIFT LEVER KIT, starter gear	71 to * — All Models except FXB & FXSB; 80 to 83 — FXWG
		31445—85	SHIFT LEVER, starter gear	71 to * — All Models except FXB & FXSB; 80 to 83 — FXWG
	14	31465—65	STARTER SHAFT HOUSING, with bearing (Prestolite)	71 & 72 — All Models
	15	31478—65A	PIVOT BOLT, shift lever	71 to * — All Models
	16	31482—70	STARTER SHAFT	71 to * — All Models except FXB & FXSB; 80 to 83 — FXWG
	17	31485—65	GEAR, starter shaft	71 to * — All Models except FXB & FXSB; 80 to 83 — FXWG
	18	31493—67	NUT, starter shaft (L.H. thread)	71 to * — All Models except FXB & FXSB; 80 to 83 — FXWG
	19	31502—65	THRUST WASHER, chain cover	71 to * — All Models
	20	31503—70	SHIFTER COLLAR	71 to * — All Models except FXB & FXSB; 80 to 83 — FXWG
	22	31531—69	SPACER	71 to * — All Models except FXB & FXSB; 80 to 83 — FXWG
	23	31572—73	STARTER SHAFT HOUSING, with bearing (Hitachi)	73 to Early 79 — All Models
		31572—79	STARTER SHAFT HOUSING, with bearing (Hitachi) (plate shifter transmission)	Late 79 to * — All Models except FXB & FXSB; 80 to 83 — FXWG
	25	60516—65A	PLATE, oil deflector	71 to * — All Models except FXB & FXSB; 80 to 83 — FXWG
	26	60559—80	GASKET, oil deflector	Late 80 to * — All Models except FXB & FXSB; Late 80 to 83 — FXWG

STARTER SHAFT & HOUSING BELT DRIVEN MODELS

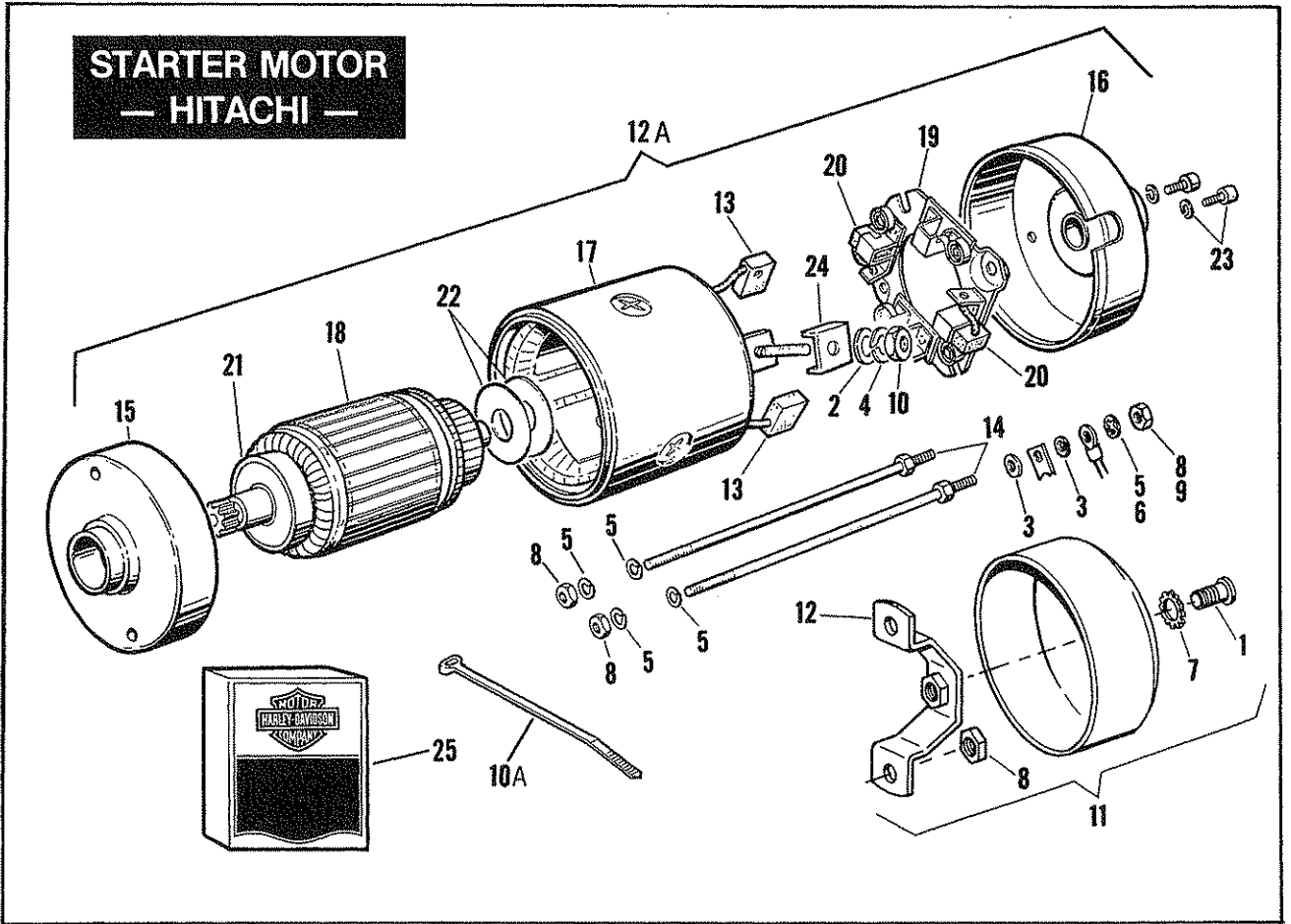


STARTER SHAFT AND HOUSING — BELT DRIVEN MODELS

AA16A

RETAIL PRICE	INDEX NO.	PART NO.	N A M E	USED ON
	1	334A	ROLL PIN, starter shaft housing (4)	80 to Early 81, 82 to * — FXB, FXSB; 84 to * — FXWG
		604	ROLL PIN, starter shaft housing (4)	Late 81 — FXB
	2	2825W	SCREW, 1/4-20 x 1 socket hd.	80 to * — FXB, FXSB; 84 to * — FXWG
	3	3768	BOLT, 1/4-20 x 2-1/2 hex hd. (2)	80 to * — FXB, FXSB; 84 to * — FXWG
	4	3993	BOLT, 1/4-20 x 1-1/4 hex hd. (2)	80 to * — FXB, FXSB; 84 to * — FXWG
	5	6703	WASHER, 1/4 x 5/8 x 1/16 (2)	80 to * — FXB, FXSB; 84 to * — FXWG
	6	7036	LOCKWASHER, 1/4 (5; 4-FXSB)	80 to * — FXB, FXSB; 84 to * — FXWG
	7	9062	NEEDLE BEARING	80 to * — FXB, FXSB; 84 to * — FXWG
	8	11039	RETAINING RING, shaft collar	80 to * — FXB, FXSB; 84 to * — FXWG
	9	31300—80A	SHIFTER LEVER KIT, starter gear	80 to * — FXB, FXSB; 84 to * — FXWG
		31300—84	SHIFTER LEVER, starter gear	80 to * — FXB, FXSB; 84 to * — FXWG
	10	31310—80A	STARTER SHAFT	80 to * — FXB, FXSB; 84 to * — FXWG
	11	31311—80	SPACER, starter shaft	80 to * — FXB, FXSB; 84 to * — FXWG
	12	31312—80	NUT, starter shaft	80 to * — FXB, FXSB; 84 to * — FXWG
	12A	31313—80	RETAINING RING	80 to * — FXB, FXSB; 84 to * — FXWG
	13	31320—80	GASKET, starter motor	80 to * — FXB, FXSB; 84 to * — FXWG
	14	31321—80	GASKET, starter generator cover	80 to * — FXB, FXSB; 84 to * — FXWG
	15	31340—80	GEAR, starter shaft	80 to * — FXB, FXSB; 84 to * — FXWG
	16	31341—80	OIL SEAL, starter shaft housing	80 to * — FXB, FXSB; 84 to * — FXWG
	17	31387—80	STARTER SHAFT HOUSING	80 to * — FXB, FXSB; 84 to * — FXWG
	18	31397—80	STARTER COVER	80 to * — FXB, FXSB; 84 to * — FXWG
	19	31443—65A	STARTER DRIVE GEAR	80 to * — FXB, FXSB; 84 to * — FXWG
	20	31478—65A	PIVOT BOLT, shift lever	80 to * — FXB, FXSB; 84 to * — FXWG
	21	31502—65	THRUST WASHER, belt cover	80 to * — FXB, FXSB; 84 to * — FXWG
	22	31503—65	SHIFTER COLLAR	80 to * — FXB, FXSB; 84 to * — FXWG

STARTER MOTOR
— HITACHI —

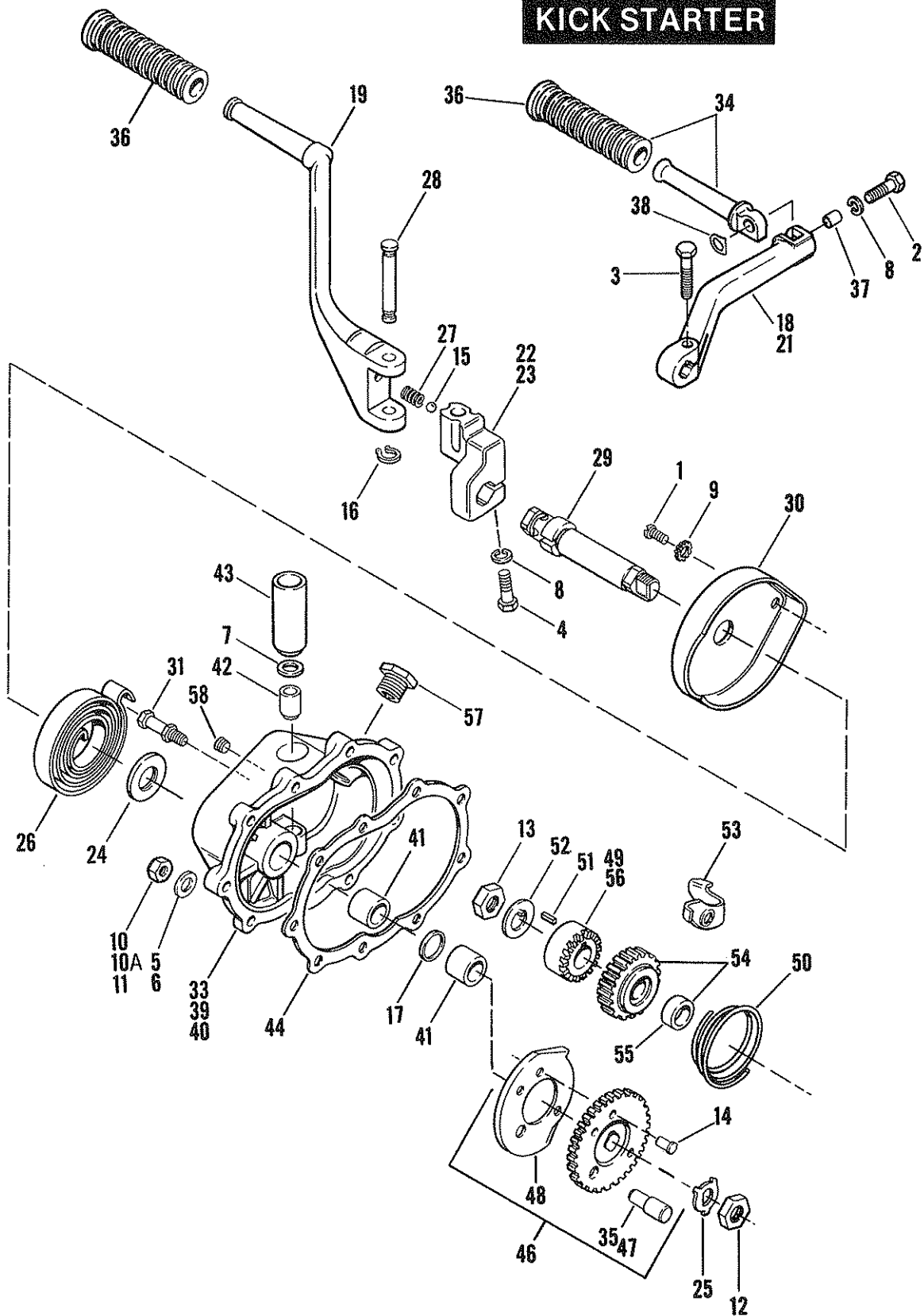


STARTER MOTOR — HITACHI

AA17

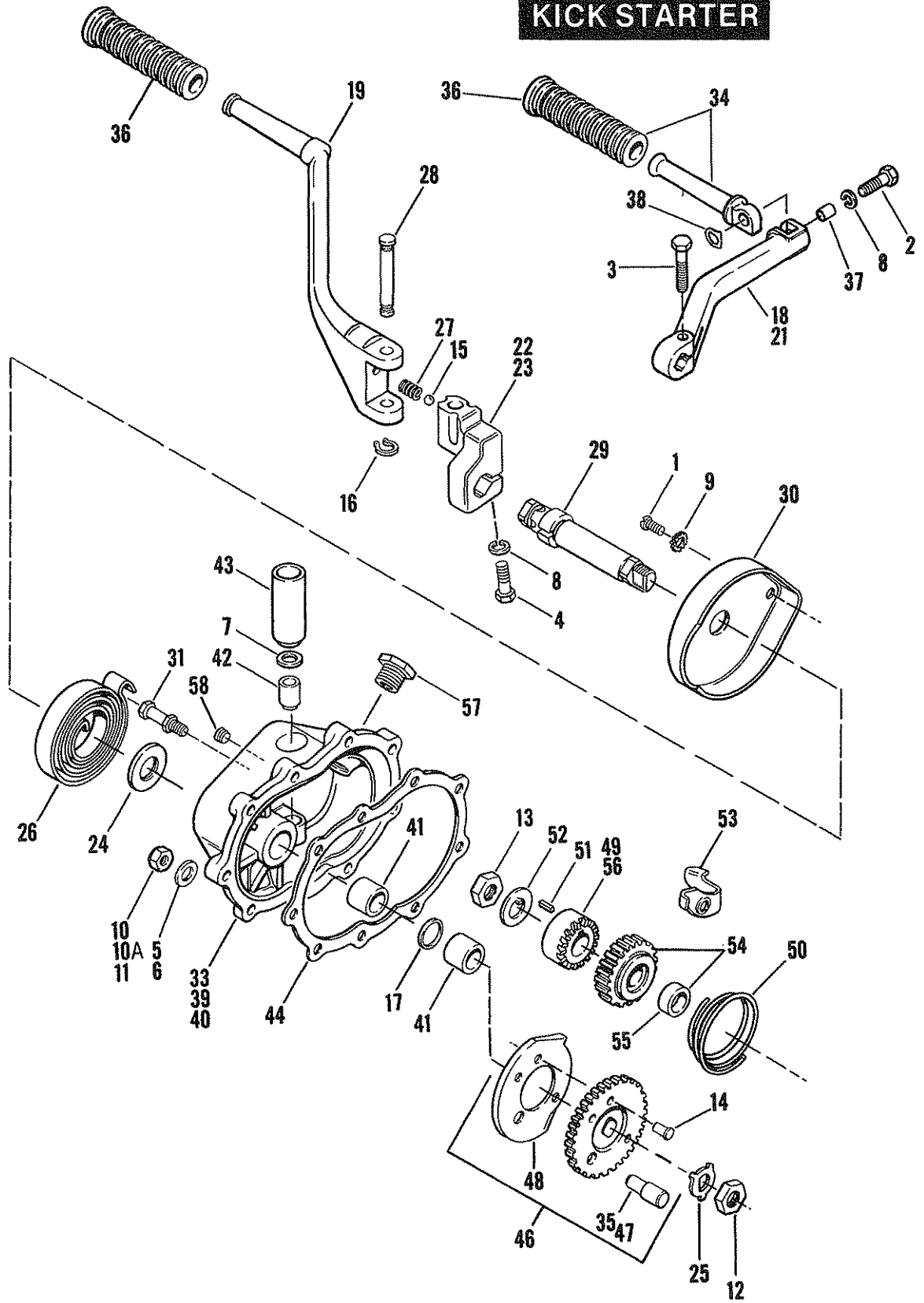
RETAIL PRICE	INDEX NO.	PART NO.	N A M E	USED ON
	1	2682	SCREW, No. 10-32 x 3/8 Phillips hd.	74 to 80 — All Models
	2	6703	WASHER, 1/4 x 5/8 x 1/16.	74 to * — All Models
	3	6716	WASHER, No. 10 x 1/2 x 3/64 (2)	77 to * — All Models
	4	7036	LOCKWASHER, 1/4	74 to * — All Models
	5	7069	LOCKWASHER, 3/16 (5; 4 — 79 & Later; 2 — FXSB)	74 to * — All Models
	6	7118	LOCKWASHER, No. 10 internal tooth	79 & 81 to * — All Models
	7	7220	LOCKWASHER, No. 10 external tooth	74 to 80 — All Models
	8	7620W	NUT, No. 10-24 x 1/8 x 3/8 hex. (5; 4 — 79 & Later; 2 — FXSB)	74 to * — All Models
	9	7624	LOCKNUT, No. 10-24 x 1/4 x 3/8 hex. (2)	79 to * — All Models
	10	7688	NUT, 1/4-20 x 7/32 x 7/16 hex.	74 to * — All Models
	10A	10039	STRAP, starter motor wire	82 to * — All Models
	11	31565—67	END COVER KIT	74 to 80 — All Models
	12	31568—67	BRACKET, end cover	74 to 80 — All Models
	12A	31570—73	STARTER MOTOR	74 to * — All Models
	13	31575—73	BRUSH, field coil mounted (2)	74 to * — All Models
	14	31576—73	SET OF THRU-BOLTS	74 to * — All Models
	15	31577—73	COVER, drive end	74 to * — All Models
	16	31578—73	COVER, commutator end — with bushing	74 to * — All Models
	17	31579—73	FRAME AND FIELD COILS, with 2 brushes	74 to * — All Models
	18	31580—73	ARMATURE, with ball bearing	74 to * — All Models
	19	31581—73	BRUSH HOLDER, with 4 springs and 2 brushes	74 to * — All Models
	20	31582—73	BRUSH (2)	74 to * — All Models
	21	31583—73	BALL BEARING, armature drive end	74 to * — All Models
	22	31584—73	SET OF THRUST WASHERS, armature commutator end ...	74 to * — All Models
	23	31585—73	SCREW, with lockwasher (2)	74 to * — All Models
	24	31586—73	INSULATOR, terminal.	74 to * — All Models
	25	33217—73	ELECTRIC START CONVERSION KIT N/A	73 to 78 — FX

KICK STARTER



RETAIL PRICE	INDEX NO.	PART NO.	N A M E	USED ON
	1	2664	SCREW, No. 10-24 x 7/16 Pozidriv hd.	71 to * — All Models
	2	4336W	BOLT, 3/8-24 x 1-1/8 hex. hd.	71 to 76 — All Models
	3	4411	BOLT, 3/8-24 x 1-3/4 hex. hd.	71 to 76 — All Models
	4	4716W	BOLT, 3/8-16 x 1-1/4 hex. hd.	77 to * — All Models
	5	6002	WASHER, 5/16 x 5/8 x 1/16 (black) (9)	77 to 82 — FXS, FXS-80, FXB; 83 to * — FXSB
	6	6016	WASHER, 11/32 x 11/16 x 1/16 (9)	71 to * — FX, FXE, FXEF, FXEF-80, FXE-80, FXWG
	7	6443HW	WASHER, 13/32 x 11/16 x 1/16	71 to * — All Models
	8	7038	LOCKWASHER, 3/8	71 to * — All Models
	9	7220	LOCKWASHER, No. 10 external tooth	71 to * — All Models
	10	7509	NUT, 5/16-24 x 1/2 hex. (black) (9)	77 to 82 — FXS, FXS-80; 83 to * — FXSB
10A		7523	ACORN NUT, 5/16-24 (9)	80 to 82 — FXB; 83 to * — FXSB
	11	7753	NUT, 5/16-24 x 1/4 x 1/2 hex. (9)	71 to * — FX, FXE, FXEF, FXEF-80, FXE-80, FXWG
	12	7911	NUT, 1/2-20 x 7/16 x 7/8 hex.	71 to * — All Models
	13	7977	NUT, 5/8-18 x 1/4 x 9/16 hex.	71 to * — All Models
	14	8241	RIVET, 3/16 x 5/8 x 11/32 dia. ctsk. hd. (3)	71 to 74 — All Models
	15	8860	BALL, starter crank pedal	77 to * — All Models
	16	11031	RETAINING RING, pivot pin	77 to * — All Models
	17	11101	O-RING, crank shaft	71 to * — All Models
	18	33052—71	STARTER CRANK, only (chrome)	N/A 71 to Early 72 — All Models
		33055—78A	KICK START KIT	N/A 78 to 84 — FXE, FXEF, FXEF-80, FXE-80
		33057—72	STARTER CRANK, only (chrome)	N/A Late 72 to 76 — All Models
19		33057—77	STARTER CRANK, only (chrome)	77 to * — FX, FXE, FXEF, FXEF-80, FXE-80
				77 to 80 — FXS, FXS-80, FXB
		33060—79	STARTER CRANK, only (chrome)	80 to * — FXWG; 81 & 82 — FXS-80, FXB; 83 to * — FXSB
	21	33068—54	STARTER CRANK, only (black)	N/A 71 & 72 — All Models
	22	33074—77	BRACKET, starter crank (chrome)	N/A 77 to * — FX, FXE, FXEF, FXEF-80, FXE-80
				77 to 80 — FXS, FXS-80, FXB
23		33078—80	BRACKET, starter crank (chrome)	80 to * — FXWG; 81 & 82 — FXS-80, FXB; 83 to * — FXSB
	24	33080—36	WASHER, starter crank	71 to * — All Models
	25	33082—16	LOCKWASHER, starter crank	71 to * — All Models
	26	33085—36	SPRING, starter crank	71 to * — All Models
	27	33085—74	SPRING, starter crank ball	77 to * — All Models
	28	33086—74	PIVOT PIN, starter crank	77 to * — All Models
	29	33096—54B	STARTER CRANK SHAFT	71 to * — All Models
	30	33150—59	SPRING COVER KIT, complete	71 to * — FX, FXE, FXEF, FXEF-80, FXE-80
				77 to 80 — FXS, FXS-80, FXB
		33151—80	COVER, spring (chrome)	80 to 82 — FXS-80, FXB; 80 to * — FXWG, FXSB
	31	33152—59	STUD, starter spring, with spring cover screw hole	71 to * — All Models
	33	33160—77	STARTER COVER (transmission cover) (painted)	N/A 77 — FXS
		33160—80	COVER, transmission (with kick starter hole) (painted)	78 to 82 — FXS, FXB; 78 to 81 — FXS-80, FXWG
	34	33178—63	STARTER PEDAL, complete	N/A 71 to 76 — All Models
	35	33180—77	PIN, starter crank gear — 3/8 dia.	77 to * — All Models
	36	33189—63	PEDAL RUBBER, black	71 to * — All Models
	37	33213—31	BUSHING, pedal pin	71 to 76 — All Models
	38	33215—30	WASHER, pedal pin	71 to 76 — All Models
	39	33268—78	STARTER COVER (transmission cover) (electric start)	78 to * — FXE, FXEF, FXEF-80, FXE-80
	40	33277—36A	STARTER COVER (transmission cover)	71 to 78 — FX; 82 to * — FXS-80, FXWG, FXSB
	41	33288—37	BUSHING SET, starter crank	71 to * — All Models
	42	33290—38	LOWER BUSHING, starter cover	71 to * — All Models
	43	33291—36	UPPER BUSHING, starter cover	71 to * — All Models
	44	33295—36	GASKET, starter cover	71 to * — All Models
	46	33350—36	GEAR, starter crank — 24 T.	71 to * — All Models
	47	33355—36	PIN, starter crank gear — 5/16 dia.	N/A 71 to 76 — All Models
	48	33358—36	CAM PLATE, starter crank gear	71 to 74 — All Models

KICK STARTER

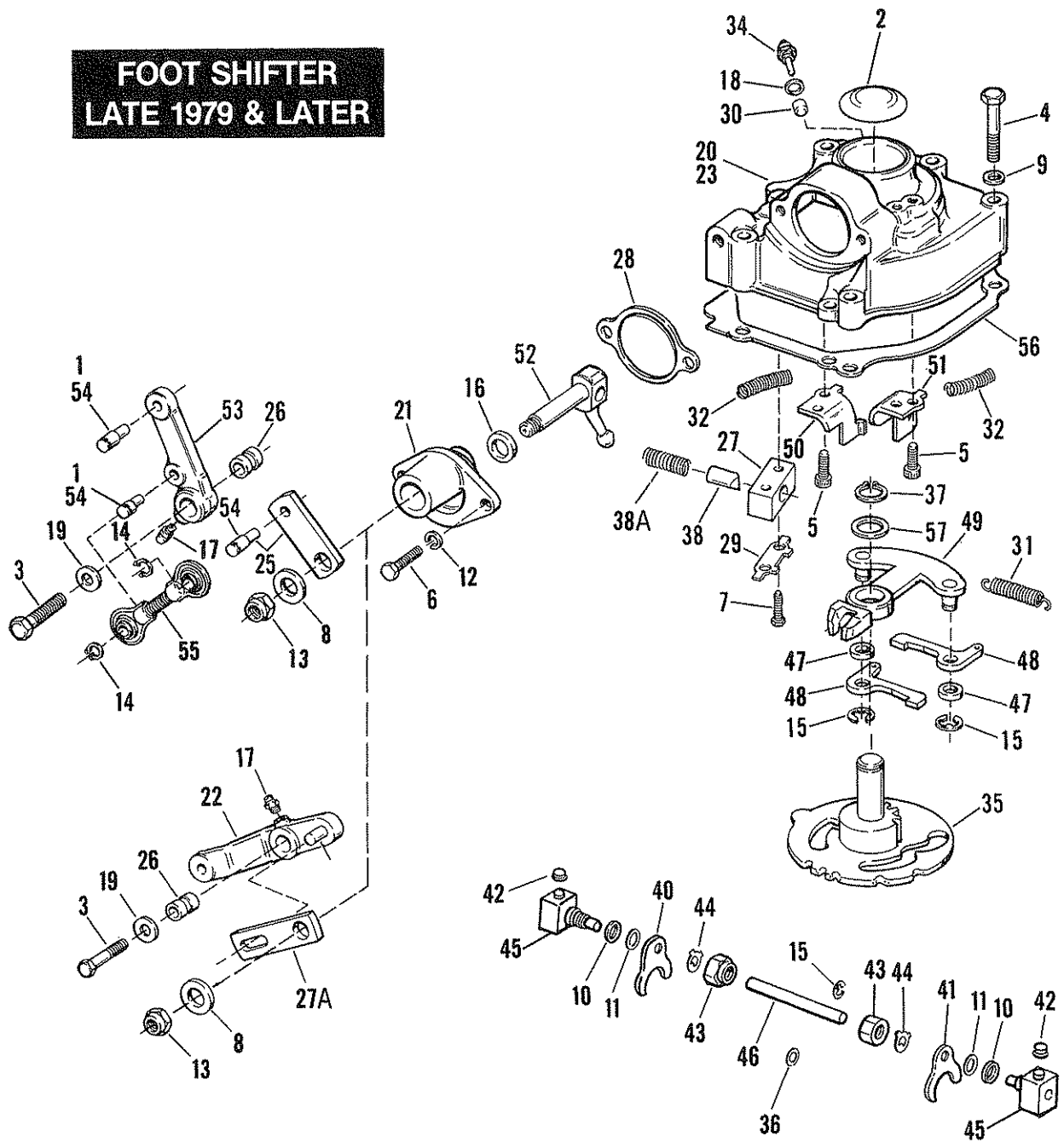


KICK STARTER (CONT'D)

AA18-2

RETAIL PRICE	INDEX NO.	PART NO.	N A M E	USED ON
	49	33381-39	STARTER CLUTCH	71 to Early 75 — All Models
	50	33391-36	SPRING, starter clutch	71 to * — All Models
	51	33393-50	KEY, starter clutch (2 — 71 to Early 73)	71 to * — All Models
	52	33396-39	LOCKWASHER, starter clutch	71 to * — All Models
	53	33429-39	OIL DEFLECTOR	71 to 79 — All Models
		33429-80	OIL DEFLECTOR	80 to 82 — FXS-80, FXB; 80 to * — FXWG, FXSB
	54	33430-50	STARTER GEAR, mainshaft — 16 T.	71 to * — All Models
	55	33438-50	BUSHING, mainshaft starter gear	71 to * — All Models
	56	33560-75	STARTER CLUTCH	Late 75 to * — All Models
	57	37072-79	FILLER PLUG, transmission	71 to * — All Models
	58	45830-48	PLUG, transmission starter cover	78 to * — All Models

**FOOT SHIFTER
LATE 1979 & LATER**

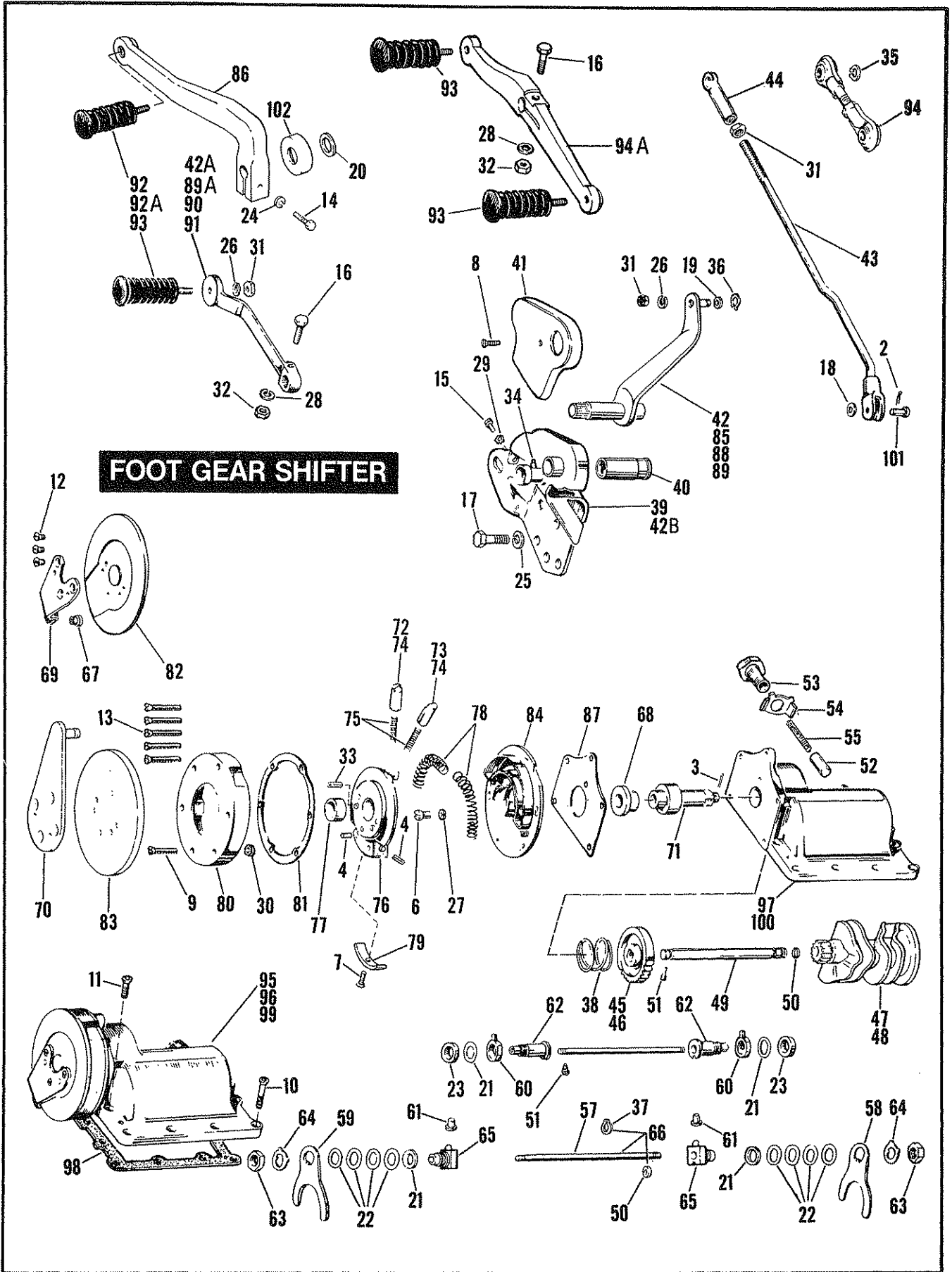


FOOT SHIFTER — LATE 1979 & LATER

AA19-1

RETAIL PRICE	INDEX NO.	PART NO.	N A M E	USED ON
NOTE: See "FOOT GEAR SHIFTER" group for foot lever linkage parts.				
	1	215	PIN, shift lever	80 to * — FXWG
	2	650	PLUG, cover	Late 79 to * — All Models
	3	2818	BOLT, 5/16-18 x 1-1/2 hex. hd.	Late 79 to * — All Models
	4	2872W	BOLT, 1/4-20 x 1-1/2 hex. hd.	Late 79 to * — All Models
		2881W	BOLT, 1/4-20 x 2 hex. hd. (4)	Late 79 to * — All Models
	5	3789A	SCREW, 1/4-20 x 3/4 socket fil. hd. (4)	Late 79 to * — All Models
	6	3802W	BOLT, 1/4-20 x 7/8 hex. hd. (2)	Late 79 to * — All Models
	7	3993	BOLT, 1/4-20 x 1-1/4 hex. hd. (2)	Late 79 to * — All Models
	8	6701	WASHER, 3/8 x 13/16 x 1/16.	Late 79 to Early 81 — All Models
	9	6703	WASHER, 1/4 x 5/8 x 1/16 (5)	Late 79 to * — All Models
	10	6750	WASHER, 43/64 x 55/64 x .007 (as req.)	Late 79 to * — All Models
	11	6752	WASHER, 43/64 x 55/64 x .014 (as req.)	Late 79 to * — All Models
	12	7036	LOCKWASHER, 1/4 (2)	Late 79 to * — All Models
	13	7775	LOCKNUT, 3/8-24 x 7/16 x 9/16 hex	Late 81 to * — All Models
		7776W	LOCKNUT, 3/8-24 x 3/4 x 9/16 hex.	Late 79 to Early 81 — All Models except FXWG
	14	11016	RETAINING RING, shifter linkage rod (2); shifter finger (2)	Late 79 to * — All Models except FXWG
	15	11036	RETAINING RING, shifter pawls (2)	Late 79 to * — All Models
	16	12010	OIL SEAL, shaft cover	Late 79 to * — All Models
	17	25715—47	GREASE FITTING, shift lever	Late 79 to * — All Models
	18	25811—11	WASHER, transmission neutral switch	Late 79 — All Models
	19	32535—48	THRUST WASHER, shift lever (2)	Late 79 to * — All Models
	20	33158—80	SHIFTER COVER ASSEMBLY (footshift) - 4 speed	80 to * — FXWG
		33165—80	COVER, shifter (footshift) — with pawls	Late 79 to * — FXE, FXEF, FXEF-80, FXE-80
		33166—80	COVER, shifter (footshift) (painted) — with pawls	N/A Late 79 to 80 — FXS, FXS-80, FXB; 83 to * — FXSB
		33167—79	COVER, only — (footshift)	Late 79 to * — All Models
		33171—79A	SHIFTER COVER ASSEMBLY (footshift) — 4 speed	Late 79 to * — FXE, FXEF, FXEF-80, FXE-80
		33172—79A	SHIFTER COVER ASSEMBLY (footshift) — 4 speed (painted)	Late 79 to 82 — FXS, FXS-80; 83 to * — FXSB
	21	33174—79	COVER, shifter shaft	Late 79 to * — FXE, FXEF, FXEF-80, FXE-80
		33176—79	COVER, shifter shaft (painted)	N/A Late 79 to 82 — FXS, FXS-80, FXB; 83 to * — FXWG, FXSB
	22	33177—79	SHIFTER LEVER ASSEMBLY, with fitting and pin	80 to * — FXWG
	23	33183—80	SHIFTER COVER ASSEMBLY (footshift) - 4 speed	80 to 82 — FXB
	25	33185—79	SHIFTER ROD ASSEMBLY	Late 79 to * — All Models except FXWG
	26	33187—79	SPACER, shift lever	Late 79 to * — All Models
	27	33188—79	PLUNGER BODY, cam follower	Late 79 to * — All Models
	27A	33190—79	ARM, shift lever	80 to * — FXWG
	28	33196—79	GASKET, shaft cover	Late 79 to * — All Models
	29	33197—79	LOCK, plunger body bolt	Late 79 to * — All Models
	30	33198—79	BUSHING, neutral switch	Late 79 to * — All Models
	31	33199—79	SPRING, shifter pawls	Late 79 to * — All Models
	32	33201—79	PAWL CARRIER SPRING (2)	Late 79 to * — All Models
	34	33901—79	TRANSMISSION NEUTRAL SWITCH	Late 79 to * — All Models
	35	34020—79B	SHIFTER CAM ASSEMBLY	Late 83 to Late 79 — All Models
	36	34036—36	OIL SEAL, shifter cam shaft	Late 79 to Early 80 — All Models
		34036—80	OIL SEAL, shifter cam shaft	N/A Late 80 to * — All Models
	37	34040—52	RETAINING RING, shifter cam	Late 79 to * — All Models
	38	34062—52	SHIFTER CAM FOLLOWER	Late 79 to * — All Models
	38A	34068—52A	SPRING, shifter cam follower	Late 79 to * — All Models

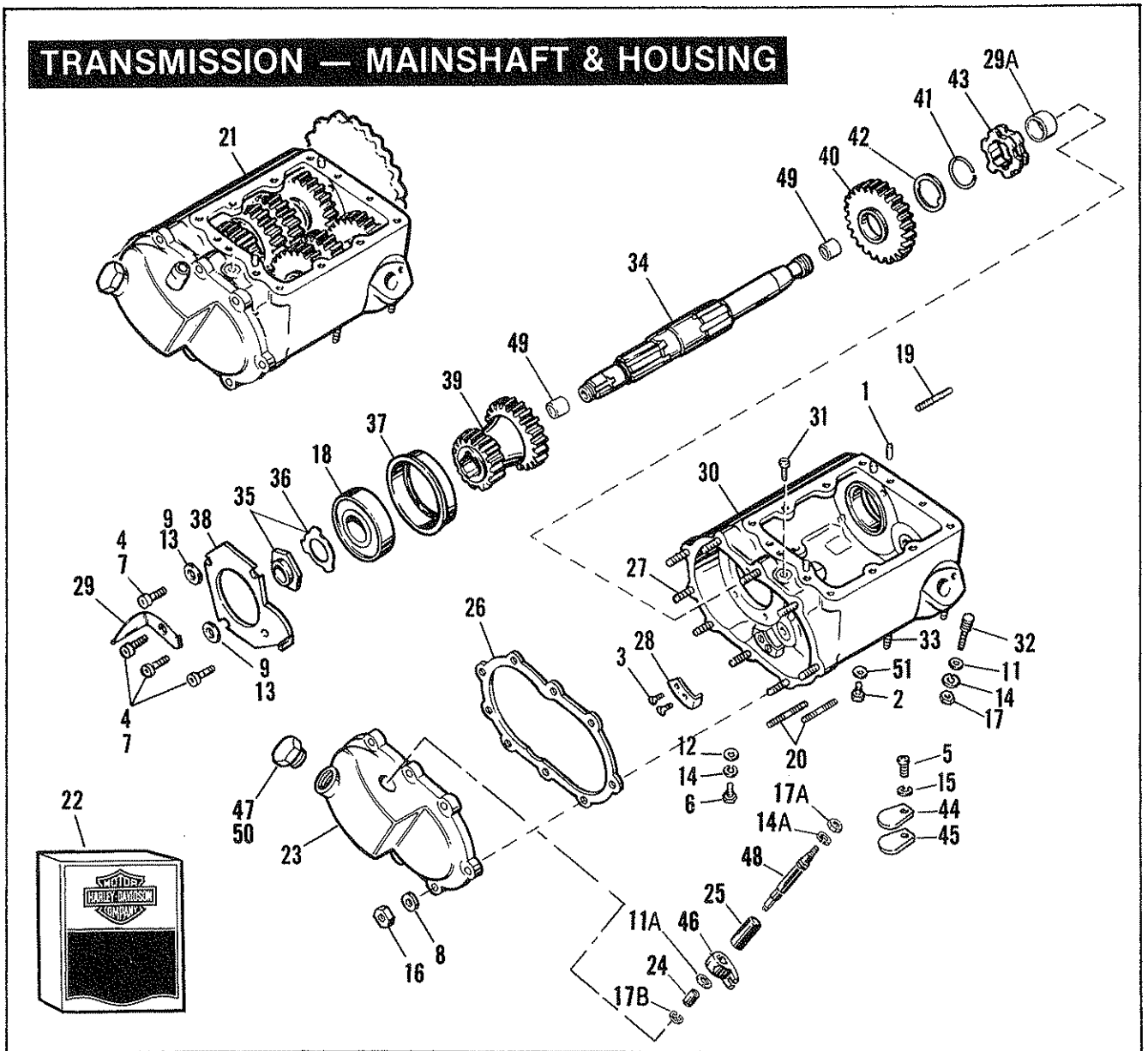
RETAIL PRICE	INDEX NO.	PART NO.	N A M E	USED ON
	40	34158-36	SHIFTER FORK, mainshaft	Late 79 to * — All Models
	41	34159-36	SHIFTER FORK, countershaft	Late 79 to * — All Models
	42	34168-52	ROLLER, shifter finger (2)	Late 79 to * — All Models
	43	34179-33	NUT, bushing (2)	Late 79 to * — All Models
	44	34180-33	LOCKWASHER, bushing (2)	Late 79 to * — All Models
	45	34184-79	SHIFTER FINGER, only (2)	Late 79 to * — All Models
	46	34186-76	FORK SHAFT	Late 79 to * — All Models
	47	34461-72	SPACER, shifter pawl (2)	Late 79 to * — All Models
	48	34476-72	SHIFTER PAWL (2)	Late 79 to * — All Models
	49	34494-74C	PAWL CARRIER	Late 79 to 82 — FX, FXS, FXEF, FXS-80, FXEF-80; 83 to * — All Models
	50	34517-79	SHIFTER PAWL STOP, rear	N/A Late 79 to Early 80 — All Models
		34517-80	SHIFTER PAWL STOP, rear	Late 80 to * — All Models
	51	34518-79	SHIFTER PAWL STOP, front	N/A Late 79 to Early 80 — All Models
		34518-80	SHIFTER PAWL STOP, front	Late 80 to * — All Models
	52	34652-80	SHAFT, shifter lever	Late 80 to * — All Models
	53	34655-79	SHIFTER LEVER, complete — with fitting and pins	Late 79 to * — All Models except FXWG
		34656-79	SHIFT LEVER, only	Late 79 to * — All Models except FXWG
	54	34658-79	PIN, shift lever (2), shift linkage (1)	Late 79 to * — All Models except FXWG
	55	34659-79	ROD, shifter linkage	Late 79 to * — All Models except FXWG
		34661-80	SHIFTER KIT	Late 79 to Early 80 — All Models
	56	34824-79	GASKET, shifter cover	Late 79 to * — All Models
	57	35336-74	THRUST WASHER, shifter cam	Late 79 to * — All Models



RETAIL PRICE	INDEX NO.	PART NO.	N A M E	USED ON
	2	515	COTTER PIN, 1/16 x 1/2	71 to 73 — All Models; 80 to 84 — FXWG
	3	534	COTTER PIN, 3/32 x 5/8	71 to Early 79 — All Models
	4	623	ROLL PIN (2)	74 to Early 79 — All Models
	6	1369	SCREW, 1/4-20 x 11/16 fil. hd.	N/A 71 to Early 79 — All Models
	7	1608	SCREW, No. 6-32 x 7/16 ctsk. Pozidriv flat hd.	71 to Early 79 — All Models
	8	1719W	SCREW, No. 8-32 x 5/8 Phillips hd.	71 to 73 — All Models
	9	1764W	SCREW, No. 10-24 x 1-5/32 socket hd. (6)	71 to Early 79 — All Models
	10	1765W	SCREW, 1/4-24 x 2 socket hd. (2)	71 to Early 79 — All Models
	11	1766W	SCREW, 1/4-24 x 13/16 socket hd. (9)	71 to Early 79 — All Models
	12	1767W	SCREW, No. 10-24 x 1/2 ctsk. hd. (3)	N/A 71 to Early 79 — All Models
	13	1772W	SCREW, No. 10-24 x 1-3/8 socket hd. (5)	71 to Early 79 — All Models
	14	2551W	BOLT, 1/4-20 x 1 hex. hd.	74 to * — All Models except FXWG
	15	2597	SCREW, 1/4-24 x 3/8 rd. hd.	71 to 73 — All Models
	16	4337W	BOLT, 3/8-24 x 1-1/4 hex. hd.	71 & 72 — All Models; Early 80 — FXWG
	17	4713W	BOLT, 3/8-16 x 3/4 hex. hd. (3)	71 to 73 — All Models
	18	6220W	WASHER, 1/4 x 7/16 x 1/32	71 & 72 — All Models; 80 to 84 — FXWG
	19	6375B	WASHER, 3/8 x 9/16 x 1/32	71 to 73 — All Models; 80 to 84 — FXWG
	20	6409	THRUST WASHER, 1/2 x 3/4 x 1/32	74 to * — All Models except FXWG
	21	6750	WASHER, 43/64 x 55/64 x .007 (as req.)	71 to Early 79 — All Models
	22	6752	WASHER, 43/64 x 55/64 x .014 (as req.)	71 to Early 79 — All Models
	23	6754	WASHER, 21/32 x 55/64 x 3/32 (2)	N/A 71 to Early 76 — All Models
	24	7036	LOCKWASHER, 1/4	74 to * — All Models except FXWG
	25	7038	LOCKWASHER, 3/8 (3)	71 to 73 — All Models
	26	7041	LOCKWASHER, 5/16	71 to * — All Models
	27	7124	LOCKWASHER, 1/4 internal tooth	71 to Early 79 — All Models
	28	7130W	LOCKWASHER, 3/8 internal tooth	71 to 73 — All Models; 80 to 84 — FXWG
	29	7230	LOCKWASHER, 1/4 external tooth	71 to 74 — All Models
	30	7620W	NUT, No. 10-24 x 1/8 x 3/8 hex. (6)	71 to Early 79 — All Models
	31	7744	NUT, 5/16-24 x 3/16 x 1/2 hex.	71 to * — All Models
	32	7800W	NUT, 3/8-24 x 21/64 x 9/16 hex.	71 to 73 — All Models; 80 to 84 — FXWG
	33	9106A	PIN, shifter pawl carrier (2)	71 to Early 79 — All Models
	34	9851	GREASE FITTING, lever bracket	71 to 73 — All Models; 80 to 84 — FXWG
	35	11016	RETAINING RING, shifter rod (2)	74 to * — All Models except FXWG
	36	11031	RETAINING RING	71 to 73 — All Models; 80 to 84 — FXWG
	37	11036	RETAINING RING, fork shaft	Late 76 to Early 79 — All Models
	38	33390—26	SPRING, shifter gear	N/A 71 to Early 79 — All Models
	39	33630—71	BRACKET, shift lever	N/A 71 to 73 — All Models
	40	33638—70	BUSHING, shift lever	71 to 73 — All Models; 80 to 84 — FXWG
	41	33644—71	COVER, shift lever	N/A 71 to 73 — All Models
	42	33660—70	SHIFT LEVER	N/A 71 to 73 — All Models
		33660—74A	SHIFT LEVER (chrome)	80 to 84 — FXWG
	42A	33664—81	SHIFT LEVER (chrome)	80 to 84 — FXWG
	42B	33683—80	BRACKET, shift lever and foot peg	80 to 84 — FXWG
	43	33851—52A	SHIFTER ROD	N/A 71 to 73 — All Models; 80 to 84 — FXWG
	44	33871—67	END, shift rod	71 to 73 — All Models; 80 to 84 — FXWG
	45	33960—36A	SHIFTER GEAR	N/A 71 to 74 — All Models
	46	33960—74	SHIFTER GEAR	75 to Early 79 — All Models
	47	34006—74	SHIFTER CAM (casting)	N/A 75 to Early 79 — All Models
	48	34019—73	SHIFTER CAM (casting)	71 to 74 — All Models
	49	34031—41	SHAFT, shifter cam	71 to Early 79 — All Models
	50	34036—36	OIL SEAL, shifter cam shaft	71 to Early 79 — All Models
	51	34050—36	LOCK SCREW, shifter cam shaft	71 to Early 76 — All Models
	52	34062—52	CAM FOLLOWER	71 to Early 79 — All Models
	53	34064—52	RETAINER, cam follower	N/A 71 to Early 79 — All Models
	54	34066—52	WASHER, cam follower retainer	71 to Early 79 — All Models
	55	34068—52A	SPRING, cam follower	71 to Early 79 — All Models
	58	34158—36	SHIFTER FORK, mainshaft	71 to Early 79 — All Models
	59	34159—36	SHIFTER FORK, countershaft (4 speed)	71 to Early 79 — All Models
	60	34165—36	SHIFTER FINGER (2)	N/A 71 to Early 76 — All Models
	61	34168—39	ROLLER, shifter finger (2)	71 to Early 79 — All Models
	62	34175—36	BUSHING, shifter fork (2)	N/A 71 to Early 76 — All Models

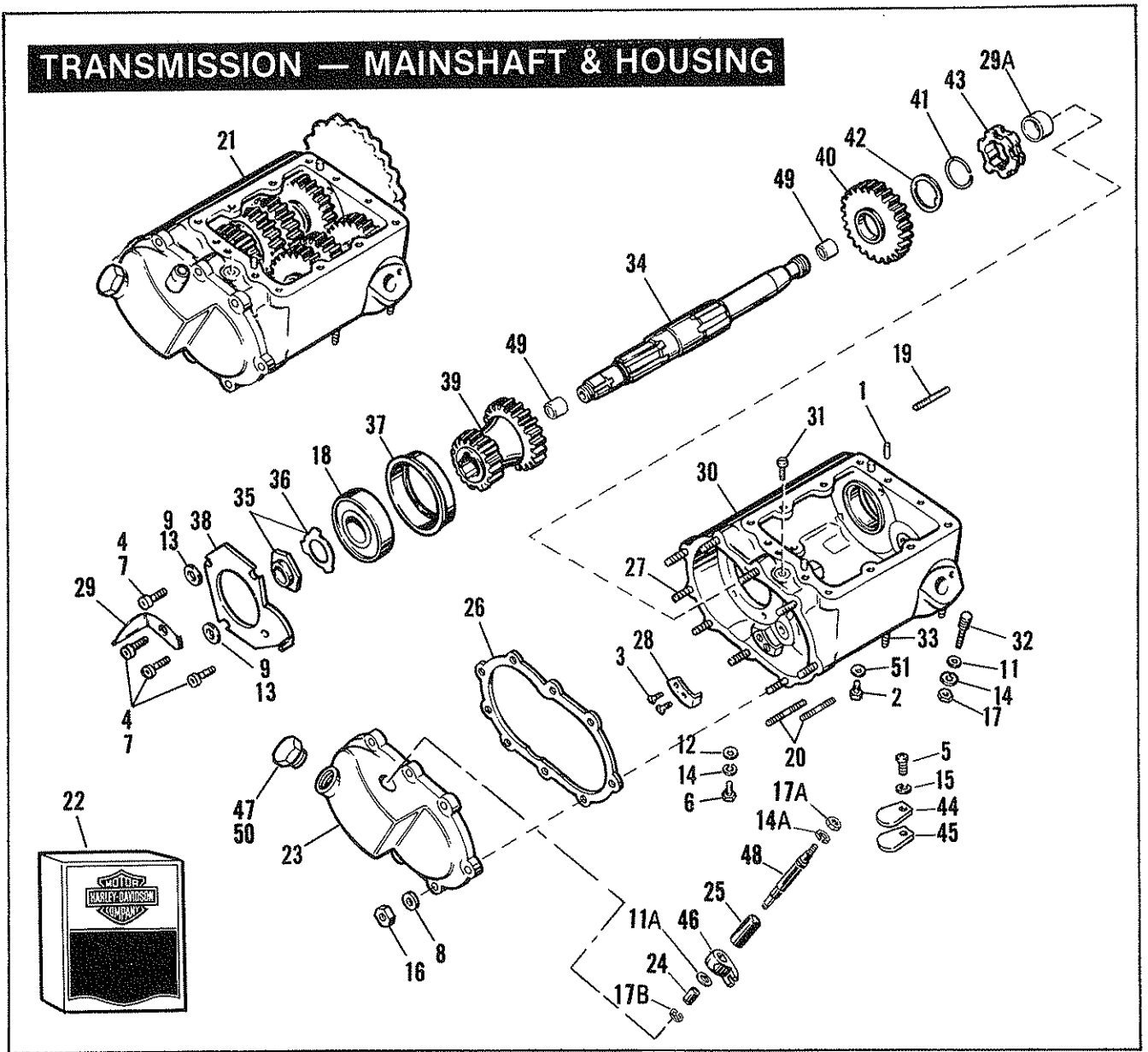
RETAIL PRICE	INDEX NO.	PART NO.	N A M E	USED ON
63		34179-33	NUT, bushing (2)	71 to Early 79 — All Models
64		34180-33	LOCKWASHER, bushing (2)	71 to Early 79 — All Models
65		34182-76	SHIFTER FINGER (2)	Late 76 to Early 79 — All Models
66		34186-76	FORK SHAFT KIT	71 to Early 79 — All Models
			Consists of besides shaft:	
		11036	RETAINING RING, fork shaft	
		34036-80	O-RING N/A	
67		34428-52	BUSHING, shifter shaft lever	71 to Early 79 — All Models
68		34435-52	BUSHING, shifter shaft (bronze)	N/A 71 to Early 79 — All Models
69		34447-52	LEVER, shifter shaft	N/A 71 to 73 — All Models
70		34447-74	LEVER, shifter shaft	74 to Early 79 — All Models
71		34453-52	SHIFTER SHAFT	N/A 71 to Early 79 — All Models
72		34477-53	SHIFTER PAWL, left (without spring)	N/A 71 to Early 75 — All Models
73		34478-53	SHIFTER PAWL, right (without spring)	N/A 71 to Early 75 — All Models
74		34478-75	SHIFTER PAWL (2)	N/A Late 75 to Early 79 — All Models
75		34482-53	SPRING, shifter pawl (2)	71 to Early 79 — All Models
76		34488-52B	CARRIER, shifter pawl	N/A 71 to Early 79 — All Models
77		34498-52	BUSHING, pawl carrier	N/A 71 to Early 79 — All Models
78		34500-52A	SPRING, pawl carrier (2)	71 to Early 79 — All Models
79		34525-54	RETAINER, pawl	N/A 71 to Early 79 — All Models
80		34551-52	COVER, shifter	71 to Early 79 — All Models
81		34552-52	GASKET, shifter cover	71 to Early 79 — All Models
82		34555-52	SHIELD, dust cover	N/A 71 to 73 — All Models
83		34555-74	SHIELD, dust cover	N/A 74 to Early 79 — All Models
84		34560-52	ADAPTER PLATE, shifter	N/A 71 to Early 79 — All Models
85		34564-71	SHIFT LEVER, chrome	N/A 71 to 73 — All Models
86		34564-74A	SHIFT LEVER, without cover — (chrome)	74 to * — All Models except FXWG
87		34565-52	GASKET, adapter plate	71 to Early 79 — All Models
88		34574-74	SHIFT LEVER (zinc)	N/A 74 to Early 79 — All Models
89		34574-79	SHIFT LEVER (zinc)	Late 79 to * — All Models except FXWG
89A		34600-74	SHIFT LEVER, with cover	N/A 80 to 84 — FXWG
90		34603-71	SHIFT LEVER (zinc)	N/A 71 to 73 — All Models
91		34604-71	SHIFT LEVER (chrome)	N/A 71 to 73 — All Models
92		34609-52	COVER, shift lever (black)	80 to 84 — FXWG
92A		34609-65	COVER, shift lever (white)	N/A 71 to * — All Models except FXWG
93		34611-65	COVER, shift lever (black)	71 to * — All Models
94		34614-74	SHIFTER ROD, with ball joints	74 to * — All Models except FXWG
94A		34690-74A	SHIFT LEVER, with cover — heel & toe (chrome)	Early 80 — FXWG
95		34799-65	SHIFTER ASSEMBLY — 4 speed	N/A 71 to 73 — All Models
96		34799-74A	SHIFTER ASSEMBLY — 4 speed	N/A 74 to Early 79 — FX, FXE, FXEF, FXEF-80
97		34803-59	COVER, shifter	N/A 71 to Early 79 — FX, FXE, FXEF, FXEF-80
98		34824-36	GASKET, shifter cover	71 to Early 79 — All Models
99		34825-77	SHIFTER ASSEMBLY — 4 speed (painted)	N/A 77 to Early 79 — FXS, FXS-80
100		34840-77	COVER, shifter (painted)	N/A 77 to Early 79 — FXS, FXS-80
101		42269-30	CLEVIS PIN, shift rod	71 to 73 — All Models; 80 to 84 — FXWG
102		60400-74	COVER, shift lever	74 to * — All Models except FXWG

TRANSMISSION — MAINSHAFT & HOUSING



RETAIL PRICE	INDEX NO.	PART NO.	NAME	USED ON
		NOTE:	Additional mainshaft parts may be found in the next section.	
	1	375	DOWEL PIN (2)	71 to * — All Models
	2	707	DRAIN PLUG	71 to * — All Models
	3	1864B	SCREW, 1/4-24 x 5/8 ctsk. hd. (2)	71 to 80 — FX, FXS, FXS-80, FXWG, FXB
	4	2333W	SCREW, 1/4-24 x 13/16 ctsk. hd. (4)	71 to 79 — All Models
		2607	SCREW, 1/4-20 x 3/4 Pozidriv pan hd. (4)	80 — All Models
	5	2664	SCREW, No. 10-24 x 7/16 Pozidriv hd.	73 to Early 77 — All Models
	6	2879W	BOLT, 3/8-16 x 1 hex.	71 to * — All Models
	7	3789A	SCREW, 1/4-20 x 3/4 socket hd. (4)	81 to * — All Models
	8	6002	WASHER, 5/16 x 5/8 x 1/16 (black) (9)	77 to 82 — FXS, FXS-80, FXB; 83 — FXSB
		6016	WASHER, 11/32 x 11/16 x 1/16 (9)	71 to 83 — FX, FXE, FXEF, FXEF-80, FXE-80, FXB; 84 to * — All Models
	9	6099	WASHER, 1/4 x 7/16 x 3/64 (2; 3 - FXE-80 & FXEF-80)	Late 81 to * — All Models
	11	6400HB	WASHER, 3/8 x 1 x 3/32 (4)	71 to Early 82 — All Models
		6474	WASHER, 3/8 x 13/16 x 3/16 (4)	Late 82 to * — All Models
	11A	6443HW	WASHER, 13/32 x 11/16 x 1/16	71 to * — All Models
	12	6701	WASHER, 3/8 x 13/16 x 1/16	71 to * — All Models
	13	7036	LOCKWASHER, 1/4 (4)	80 — All Models
	14	7038	LOCKWASHER, 3/8 (5)	71 to * — All Models
	14A	7039	LOCKWASHER, 7/16	71 to * — All Models
	15	7069	LOCKWASHER, No. 10	73 to Early 77 — All Models
	16	7509	NUT, 5/16-24 x 1/4 x 1/2 hex. (black) (9 - except FXB)	77 to 82 — FXS, FXS-80; 82 — FXB; 83 to * — FXSB
		7523	ACORN NUT, 5/16-24 (9; 3 - 82 & Later)	80 to 82 — FXB; 83 to * — FXSB
		7753	NUT, 5/16-24 x 1/4 x 1/2 hex. (9; 14 - 82 — FXB)	71 to * — FX, FXE, FXEF, FXEF-80, FXE-80, FXB
	17	7800W	NUT, 3/8-24 x 21/64 x 9/16 hex. (4)	71 to * — All Models
	17A	7837W	NUT, 7/16-20 x 3/8 x 11/16 hex.	71 to * — All Models
	17B	11000	RETAINING RING	71 to * — All Models
	18	9020	BALL BEARING, mainshaft	71 to * — All Models
	19	16830—54	STUD, 3/8-24 x 2-5/16 (4; 2 - 80 & later)	71 to * — All Models
	20	24823—80	STUD, 5/16-18-5/16-24 x 1-11/16 lg. (3; 5 - 84 & Later)	71 to * — All Models
	21	33014—84	TRANSMISSION, 4-speed	Late 84 to * — FXSB
	22	33031—65A	TRANSMISSION GASKET SET	71 to 79 — All Models
		33031—80	TRANSMISSION GASKET SET	80 to * — All Models
	23	33160—77	COVER, transmission (with kick starter hole) (painted) . N/A	77 — FXS
		33160—80	COVER, transmission w/kick start (black)	77 to 82 — FXS, FXB; 77 to 81 — FXS-80, FXWG
		33268—78	COVER, transmission (electric start)	78 to * — FXE, FXEF, FXEF-80, FXE-80
		33277—36A	COVER, transmission (with kick starter hole)	71 to 78 — FX; 82 to * — FXS-80, FXWG, FXSB
	24	33290—38	LOWER BUSHING, transmission cover	71 to * — All Models
	25	33291—36	UPPER BUSHING, transmission cover	71 to * — All Models
	26	33295—36	GASKET, transmission cover	71 to * — All Models
	27	33298—65	STUD, 5/16-18-5/16-24 x 1-1/2 (4)	71 to * — All Models
	28	33353—78	BUMPER PLATE, starter crank	71 to 80 — FX, FXS, FXS-80, FXWG, FXB
	29	33429—39	OIL DEFLECTOR, mainshaft starter gear (kick start only)	71 to 79 — All Models
		33429—80	OIL DEFLECTOR, mainshaft starter gear (kick start only)	80 to * — All Models
	29A	34090—84	BEARING INNER RACE	Late 84 to * — All Models
	30	34702—78	TRANSMISSION HOUSING, 4 speed	Mid 78 — FX, FXE
		34702—80	TRANSMISSION HOUSING, 4 speed	80 & 81 — FXWG

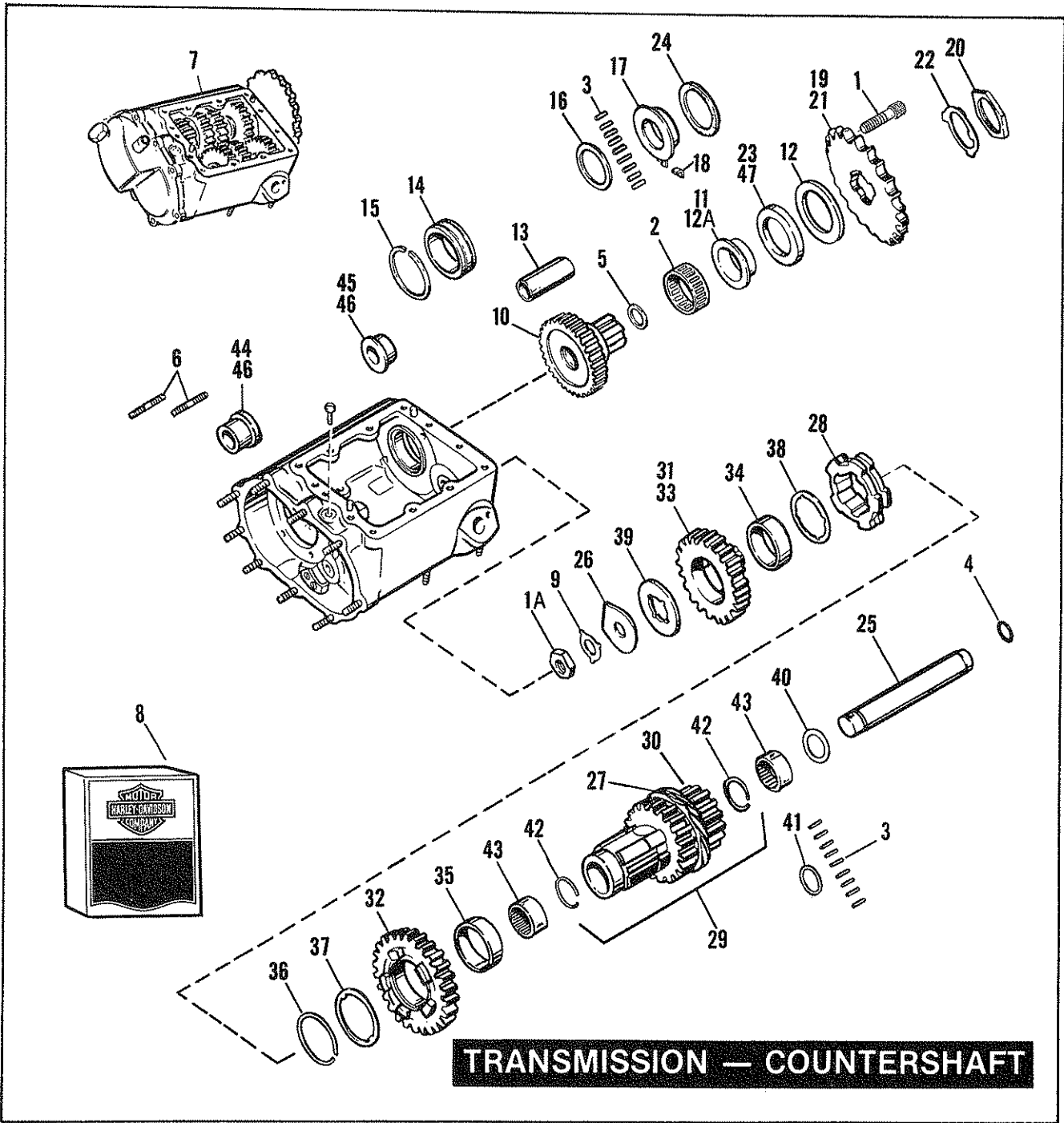
TRANSMISSION — MAINSHAFT & HOUSING



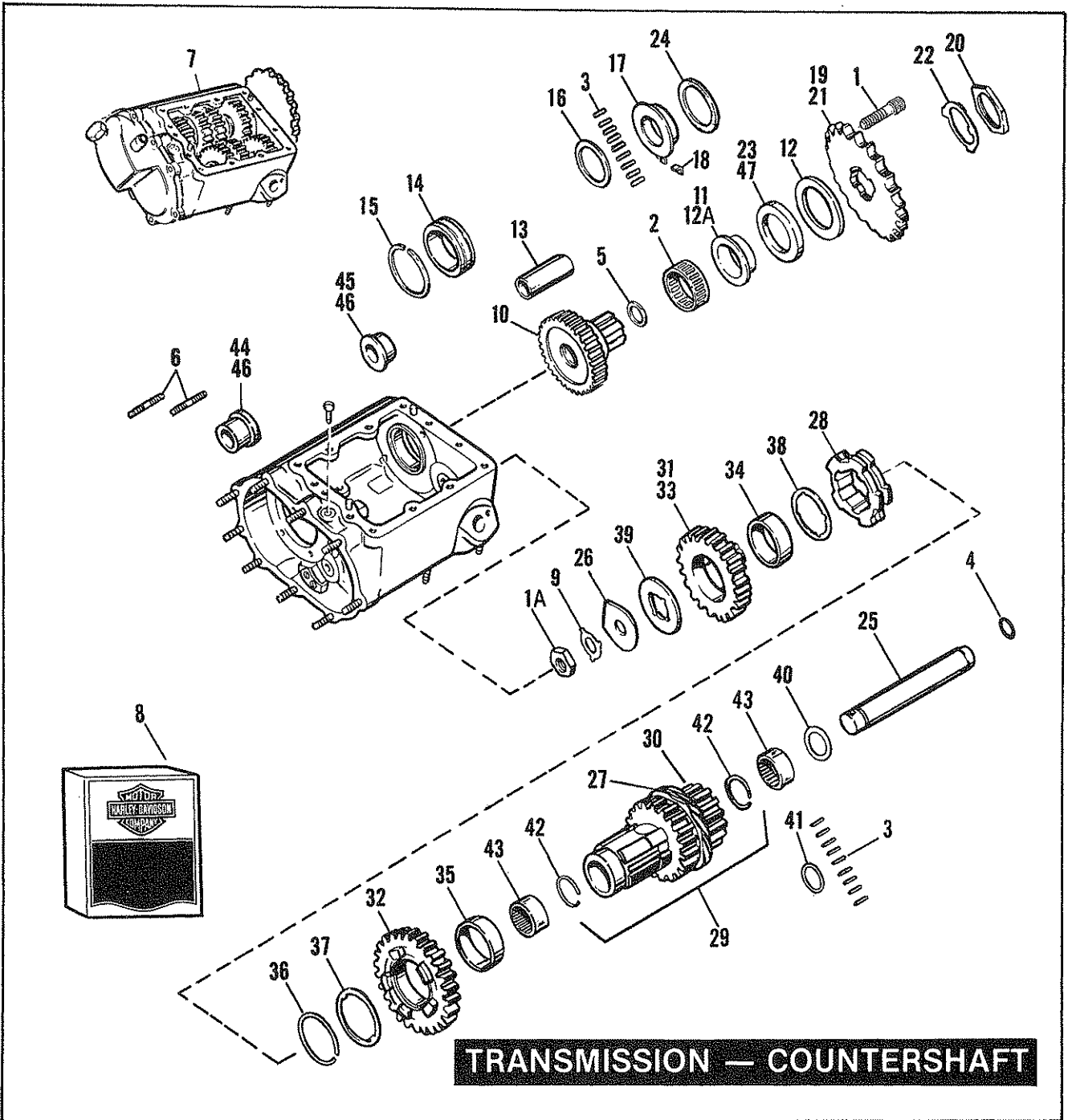
TRANSMISSION — MAINSHAFT & HOUSING (CONT'D)

AA21-2

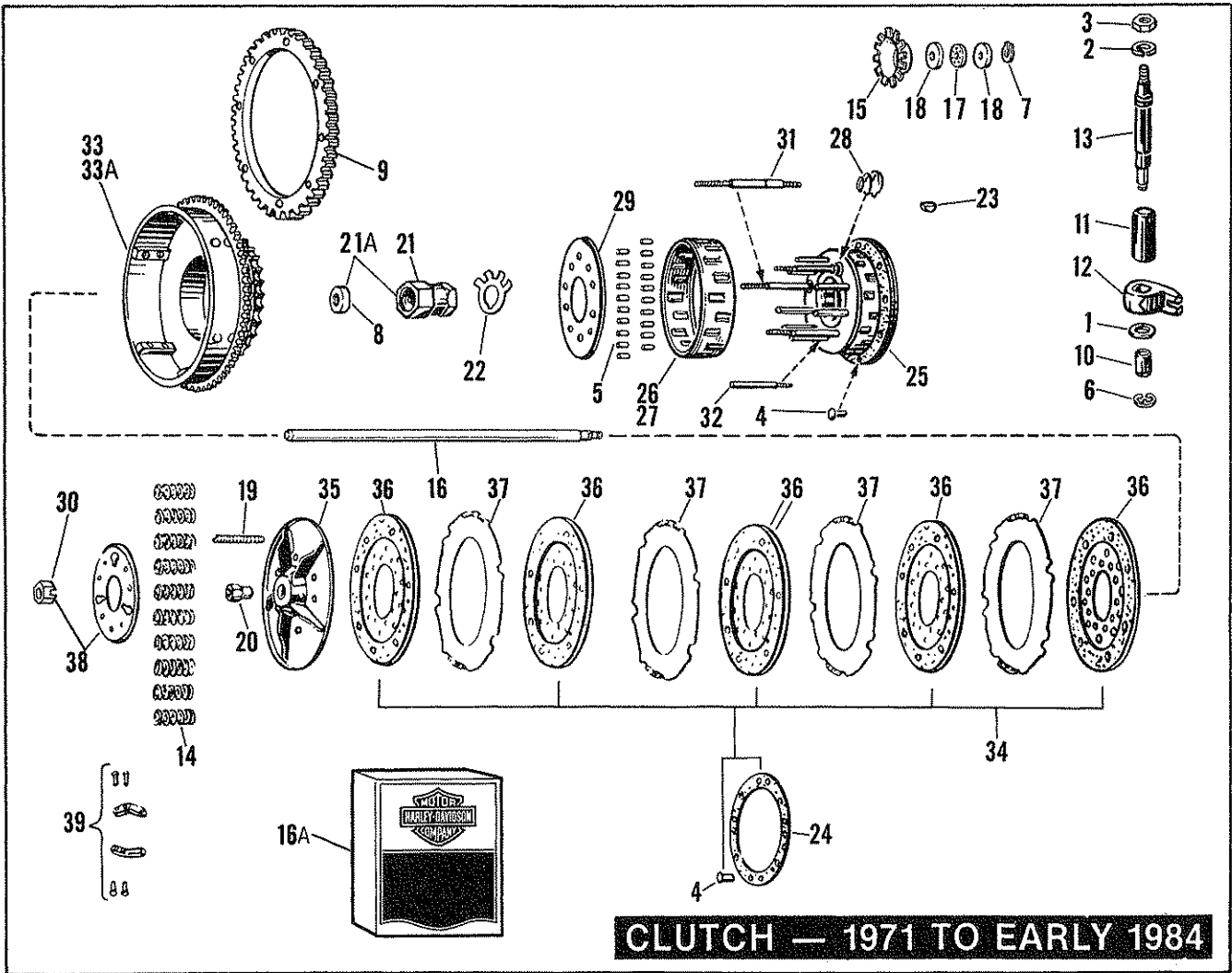
RETAIL PRICE	INDEX NO.	PART NO.	N A M E	USED ON
		NOTE: Additional mainshaft parts may be found in the next section.		
30	34702—82A		TRANSMISSION HOUSING (4 speed)	82 & Early 83 — FXWG
	34703—78		TRANSMISSION HOUSING KIT (4 speed)	N/A 71 to Early 78 — FX, FXE
	34708—78		TRANSMISSION HOUSING (4 speed) (painted)	N/A 77 to Early 79 — FXS
	34708—79		TRANSMISSION HOUSING (4 speed) (painted)	N/A Late 79 — FXS-80
	34711—79		TRANSMISSION HOUSING (4 speed)	N/A Late 79 — FX, FXE, FXEF, FXEF-80
	34711—80		TRANSMISSION HOUSING (4 speed)	80 & 81 — All Models except FXWG, FXB
	34714—82A		TRANSMISSION HOUSING (4 speed)	82 to * — FXS-80, FXE-80, FXSB; Late 83 to * — FXWG
	34718—80		TRANSMISSION HOUSING (4 speed)	80 & 81 — FXB
	34718—82		TRANSMISSION HOUSING (4 speed)	N/A 82 — FXB
31	34720—56		VENT SCREW, transmission housing	71 to 79 — All Models
32	34723—47		STUD, gear box bottom, oversize (4)	71 to 83 — All Models
33	34724—36		BOTTOM STUD, transmission housing (4)	71 to 83 — All Models
	34725—84		BOTTOM STUD, transmission housing (4)	84 to * — All Models
34	35039—70B		MAINSHAFT KIT	71 to Late 80 — All Models
			Consists of:	
		35039—80	MAINSHAFT	
		37285—75A	CLUTCH PUSH ROD	
	35039—80		MAINSHAFT	Late 80 to Early 84 — All Models
			NOTE: Must use 37285—74A CLUTCH PUSH ROD	
	35039—84		MAINSHAFT, transmission	Late 84 to * — All Models
35	35046—36		NUT, mainshaft bearing, with lockwasher	71 to * — All Models
36	35050—40		LOCKWASHER, mainshaft bearing	71 to * — All Models
37	35100—36		HOUSING, mainshaft bearing	71 to 79 — All Models
	35100—79		HOUSING, mainshaft bearing	80 to * — All Models
38	35111—36		RETAINING PLATE, bearing housing	71 to 79 — All Models
	35111—80		RETAINING PLATE, bearing housing	80 to * — All Models
39	35282—59		GEAR, mainshaft low & second (4 speed) — 15 & 20 T.	71 to 73 — All Models
	35282—74		GEAR, mainshaft low & second (4 speed) — 17 & 20 T. N/A	74 to 79 — All Models
	35282—79		GEAR, mainshaft low & second (4 speed) — 17 & 25 T.	80 to * — All Models
40	35306—59		GEAR, mainshaft third (4 speed) — 24 T.	71 to * — All Models
41	35337—36		RETAINING RING, mainshaft second & third gears	71 to * — All Models
42	35365—36		WASHER, mainshaft second & third gears	71 to * — All Models
43	35440—38		CLUTCH, mainshaft	71 to * — All Models
44	35606—73		PLATE, speedometer drive hole	N/A 73 to Early 77 — All Models
45	35607—73		GASKET, speedometer drive hole plate	N/A 73 to Early 77 — All Models
46	37070—39B		RELEASE FINGER	71 to * — All Models
47	37072—79		FILLER PLUG, transmission cover	71 to * — All Models
48	37074—38A		STUD, release lever — finger shaft	71 to * — All Models
49	37436—36		BUSHING, mainshaft (2)	71 to Early 80 — All Models
50	45830—48		PLUG, transmission cover	78 to * — All Models except FXB
51	62702—52		WASHER, drain plug	71 to * — All Models



RETAIL PRICE	INDEX NO.	PART NO.	N A M E	USED ON
			NOTE: See previous section for additional transmission parts' listing.	
	1	857	SCREW, mainshaft sprocket	Late 83 to * — All Models
	1A	7911	NUT, 1/2-20 x 7/32 x 7/8 hex.	71 to 79 — All Models
	2	8905	NEEDLE BEARING, mainshaft.	Late 77 to 81 — All Models
		8906	NEEDLE BEARING, mainshaft.	82 to * — All Models
	3	9084	ROLLER, main drive gear & countershaft, 0.125 x 0.615 — std. (44)	71 to Early 77 — All Models
		9085	ROLLER, main drive gear & countershaft — 0.0004 O.S. (44)	71 to Early 77 — All Models
		9086	ROLLER, main drive gear & countershaft — 0.0008 O.S. (44)	71 to Early 77 — All Models
	4	11115	O-RING, countershaft.	71 to * — All Models
	5	12013A	OIL SEAL, main drive gear	71 to * — All Models
	6	24823—80	STUD, 5/16-18-5/16-24 x 1-11/16 lg. (5)	71 to * — All Models
	7	33014—84	TRANSMISSION, 4-speed	Late 84 to * — FXSB
	8	33031—65A	TRANSMISSION GASKET SET	71 to 79 — All Models
		33031—80	TRANSMISSION GASKET SET	80 to * — All Models
	9	33082—16	LOCKWASHER, countershaft nut	71 to 79 — All Models
	10	35065—65B	MAIN DRIVE GEAR — 26 T. (loose rollers)	71 to Early 77 — All Models
		35067—77A	MAIN DRIVE GEAR — 26 T. (w/caged roller bearing & seal)	Late 77 to * — All Models
	11	35070—77	SPACER, main drive gear	Late 77 to 79 — All Models
		35070—80	SPACER, main drive gear	80 & 81 — All Models
		35070—82A	SPACER, main drive gear	82 — FXB; 83 to * — FXSB; 84 to * — FXWG
	12	35079—80	SPACER, mainshaft sprocket	Late 80 & 81 — All Models
	12A	35079—82A	SPACER, main drive gear	82 to * — FXS-80, FXE-80; 82 & 83 — FXWG
	13	35094—65	BUSHING, main drive gear	71 to * — All Models
	14	35125—37	OUTER RACE, mainshaft bearing	71 to Early 77 — All Models
	15	35129—36	RETAINING RING, outer race	71 to Early 77 — All Models
	16	35131—36	RETAINING WASHER, bearing roller	71 to Early 77 — All Models
	17	35171—37	SPACER, main gear	71 to Early 77 — All Models
	18	35175—38	KEY, drive gear spacer	71 to Early 77 — All Models
	19	35203—36	SPROCKET, mainshaft — 22 T.	71 & 72 — All Models
	20	35211—36	LOCKNUT, mainshaft sprocket	71 to * — All Models
	21	35212—73	SPROCKET, mainshaft — 23 T.	73 to 79 — All Models
		33337—83	SPROCKET KIT, mainshaft — 23 T.	80 to * — All Models except FXB & FXSB
	22	35216—36	LOCKWASHER, mainshaft sprocket	71 to * — All Models
	23	35230—39	OIL SEAL, mainshaft	71 to Early 77 — All Models
	24	35231—36	CORK WASHER, mainshaft oil seal	71 to Early 77 — All Models



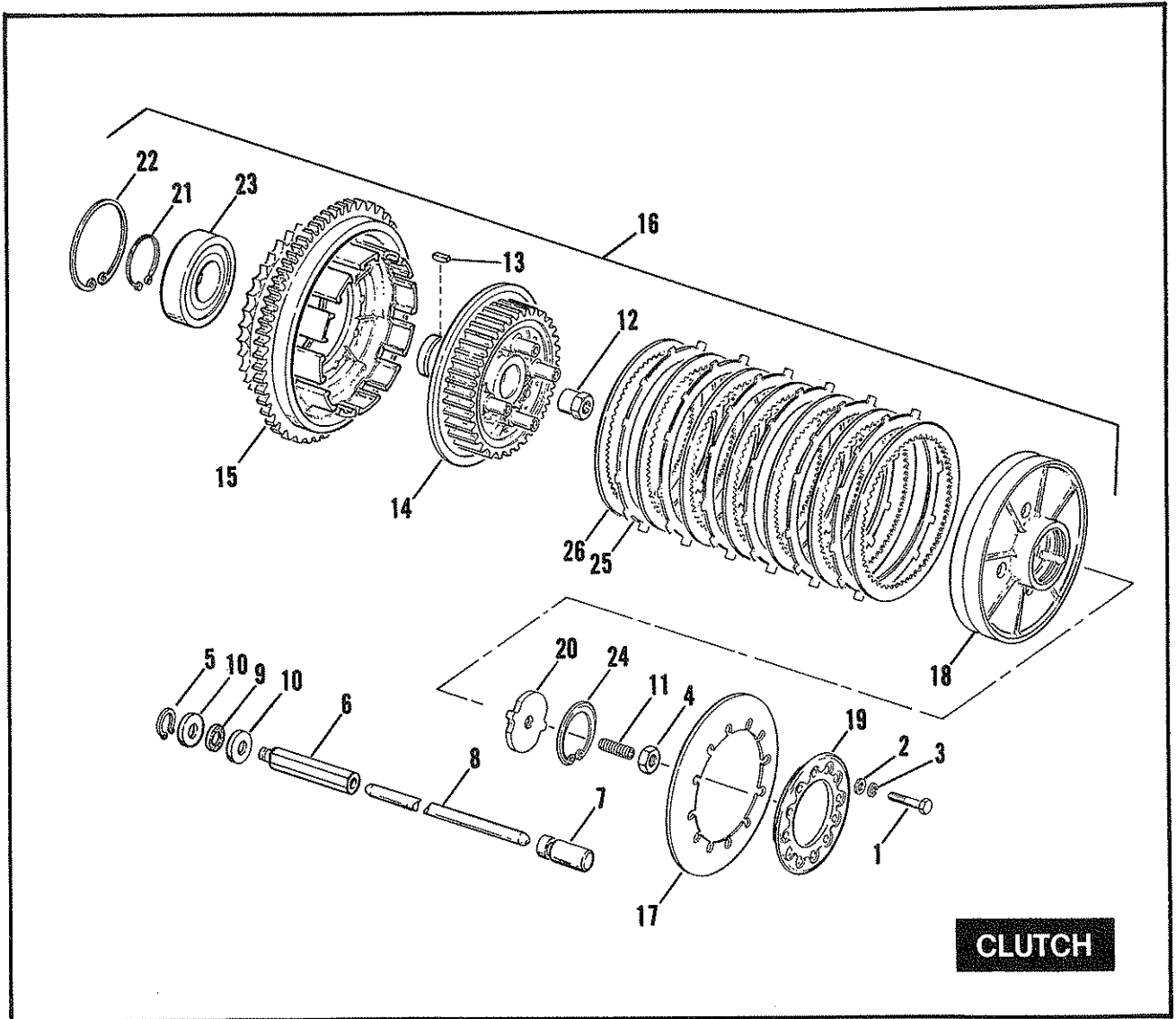
RETAIL PRICE	INDEX NO.	PART NO.	NAME	USED ON
			NOTE: See previous section for additional transmission parts listing.	
	25	35614-65	COUNTERSHAFT	71 to Early 76 — All Models
		35614-76	COUNTERSHAFT	Late 76 to 79 — All Models
		35614-80	COUNTERSHAFT	80 to * — All Models
	26	35630-36	END PLATE, countershaft	N/A 71 to 79 — All Models
	27	35635-69	GEAR, speedometer drive (7 teeth)	71 & 72 — All Models; 80 to 83 — FXWG
	28	35665-36A	CLUTCH, countershaft (4-speed)	71 to * — All Models
	29	35699-76	COUNTERSHAFT GEAR, with speedometer drive gear — 15 & 17 T (4-speed)	80 to 83 — FXWG
		35700-69	COUNTERSHAFT GEAR, with retaining rings (4-speed) — 15 & 17 T.	N/A 71 & 72 — All Models
		35700-73	COUNTERSHAFT GEAR, with retaining rings (4-speed) — 15 & 17 T.	73 to Early 76 — All Models
	30	35716-76	GEAR, countershaft — 15 & 17 T.	Late 76 to 83 — All Models except FXWG
		35716-84	GEAR, countershaft — 15 T & 17 T	84 to * — FXE-80, FXSB
	31	35717-74	GEAR, countershaft low — with bushing (4-speed) — 24 T.	74 to * — All Models
	32	35751-36	GEAR, countershaft second (4-speed) — 21 T.	71 to 79 — All Models
		35751-79	GEAR, countershaft second (4-speed) — 24 T.	80 to 83 — All Models; 80 to 83 — FXWG
		35777-79	GEAR, countershaft second (4-speed) 24 T	84 to * — All Models
	33	35765-36	GEAR, countershaft low (4-speed) — 26 T.	71 to 73 — All Models
	34	35789-36	BUSHING, countershaft low & reverse gears	71 to * — All Models
	35	35791-36	BUSHING, countershaft low & second gears (4-speed) ...	71 to * — All Models
	36	35810-36	RETAINING RING, countershaft low & second gears (4-speed)	71 to * — All Models
	37	35811-36	WASHER, countershaft second & low gears (4-speed) ...	71 to * — All Models
	38	35812-36	WASHER, low & reverse gears	71 to * — All Models
	39	35875-36	SET OF WASHERS, countershaft — gear end	71 to * — All Models
		35876-36	WASHER, countershaft, gear end — .074 thick	71 to * — All Models
		35877-36	WASHER, countershaft, gear end — .078 thick	71 to * — All Models
		35878-36	WASHER, countershaft, gear end — .082 thick	71 to * — All Models
		35879-36	WASHER, countershaft, gear end — .085 thick	71 to * — All Models
		35882-36	WASHER, countershaft, gear end — .090 thick	71 to * — All Models
		35883-36	WASHER, countershaft, gear end — .095 thick	71 to * — All Models
		35884-36	WASHER, countershaft, gear end — .100 thick	71 to * — All Models
	40	35915-36	RETAINING WASHER, countershaft bearing (outer)	71 to * — All Models
	41	35917-36	RETAINING WASHER, countershaft bearing (inner) (2) ...	71 to Early 76 — All Models
	42	35920-36	RETAINING RING, countershaft bearing (2)	71 to Early 77 — All Models
	43	35961-52	NEEDLE BEARING, countershaft (2)	Late 76 to * — All Models
	44	36045-76	BUSHING, countershaft (starter side)	Late 76 to 79 — All Models
		36046-36	BUSHING, countershaft (starter side)	71 to Early 76 — All Models
	45	36048-36	BUSHING, countershaft (clutch side)	71 to Early 76 — All Models
	46	36048-76A	BUSHING, countershaft (clutch & starter side) (2)	Late 76 to * — All Models
	47	37741-67	OIL SEAL, mainshaft	Late 79 to 81 — All Models
		37741-82	OIL SEAL, mainshaft	82 to * — All Models



CLUTCH — 1971 TO EARLY 1984

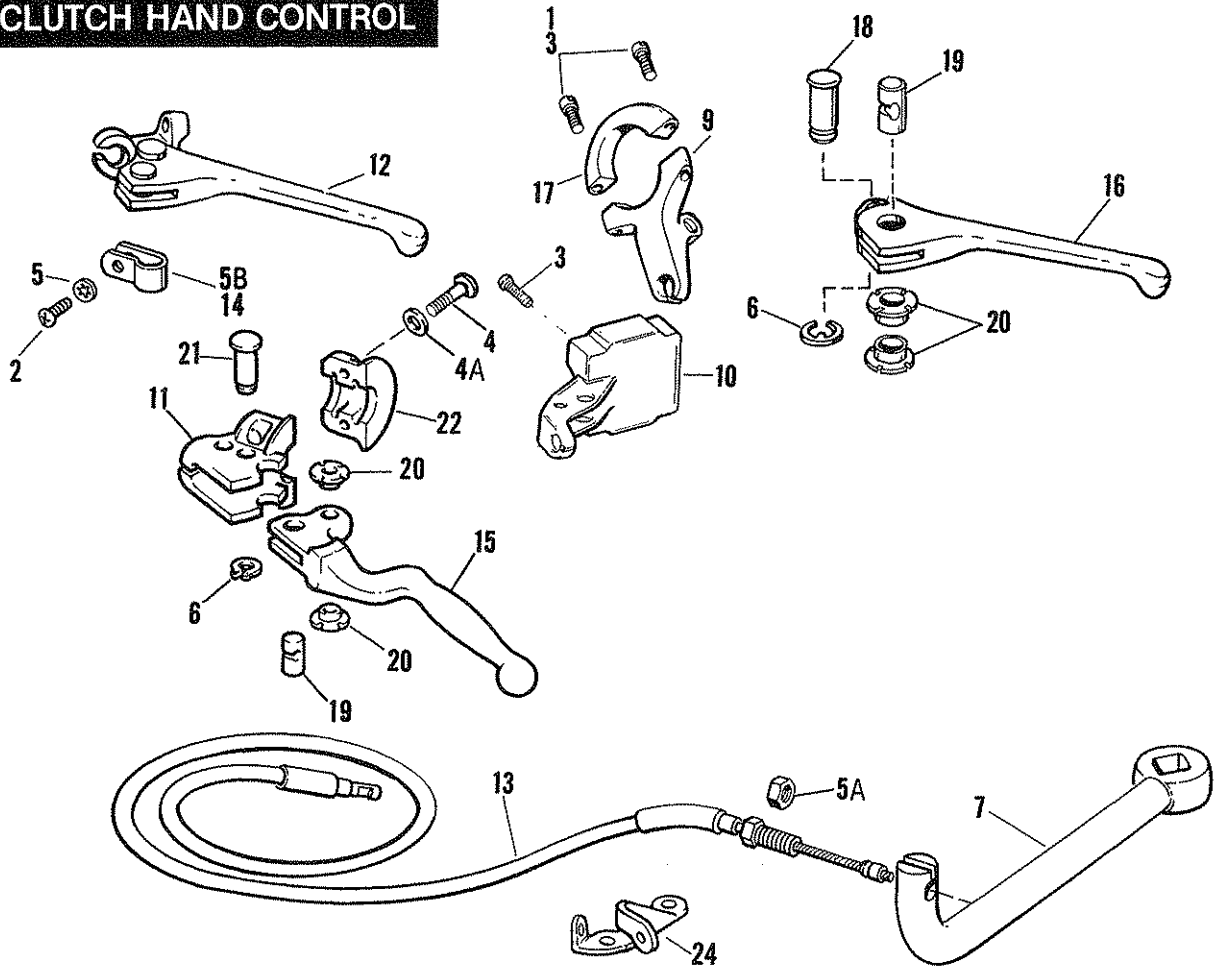
AA22

RETAIL PRICE	INDEX NO.	PART NO.	N A M E	USED ON
	1	6443HW	WASHER, 13/32 x 11/16 x 1/16	71 to Early 84 — All Models
	2	7039	LOCKWASHER, 7/16	71 to Early 84 — All Models
	3	7837W	NUT, 7/16-20 x 3/8 x 11/16 hex.	71 to Early 84 — All Models
	4	8227	RIVET, 3/16 x 9/32 (brass) (8)	71 to Early 84 — All Models
	5	9540A	ROLLER, clutch hub bearing (20)	71 to Early 84 — All Models
	6	11000	RETAINING RING	71 to Early 84 — All Models
	7	11096	RETAINING RING	Late 75 to Early 84 — All Models
	8	12014	OIL SEAL, mainshaft nut	71 to Early 84 — All Models
	9	33163—65B	STARTER RING GEAR	73 to Early 84 — All Models
	10	33290—38	BUSHING, release lever shaft — lower	71 to Early 84 — All Models
	11	33291—36	BUSHING, release lever shaft — upper	71 to Early 84 — All Models
	12	37070—39B	RELEASE FINGER	71 to Early 84 — All Models
	13	37074—38A	STUD, release lever (finger shaft)	71 to Early 84 — All Models
	14	37077—68	CLUTCH SPRING (10)	71 to Early — All Models
	15	37228—75	OIL SLINGER	Late 75 to Early 84 — All Models
	16	37285—75A	PUSH ROD, clutch	Late 75 to Early 84 — All Models
	16A	37305—70	BEARING & PUSH ROD KIT	71 to Early 84 — All Models
			Consists of besides push rod:	
		11096	RETAINING RING	
		37070—39B	RELEASE FINGER	
		37228—75	OIL SLINGER	
		37313—80	THRUST WASHER, inner	
		37312—75	BEARING, push rod	
		37436—36	BUSHING, clutch rod	
	17	37312—75	BEARING, push rod	Late 75 to Early 84 — All Models
	18	37313—80	THRUST WASHER, inner (2)	Late 75 to Early 84 — All Models
	19	37357—41	ADJUSTING SCREW, push rod	71 to Early 84 — All Models
	20	37361—41	NUT, adjusting screw	71 to Early 84 — All Models
	21	37496—65	NUT, mainshaft (clutch side)	71 to Early 84 — All Models
	21A	37497—81	NUT, mainshaft w/(2) 12014 seals	80 to 83 — FXB, FXSB
	22	37503—41	LOCKWASHER, clutch nut	71 to Early 84 — All Models
	23	37523—15A	KEY, clutch	71 to Early 84 — All Models
	24	37549—41	LINING, hub friction disc	71 to Early 84 — All Models
	25	37550—41B	CLUTCH HUB ASSEMBLY	71 to Early 84 — All Models
	26	37566—58	RETAINER, clutch hub roller	71 to Early 84 — All Models
	27	37567—41A	RETAINER, clutch hub roller — with rollers	71 to Early 84 — All Models
	28	37574—44	SPRING, hub bearing plate (3)	71 to Early 84 — All Models
	29	37576—41	PLATE, hub bearing	71 to Early 84 — All Models
	30	37581—47	NUT, hub stud (3)	71 to Early 84 — All Models
	31	37583—41	STUD, drive hub (3)	71 to Early 84 — All Models
	32	37585—41	PIN, clutch hub (7)	71 to Early 84 — All Models
	33	37655—80A	CLUTCH SHELL & SPROCKET, with starter ring gear	80 to 82 — FXB; 83 — FXSB
	33A	37702—70A	CLUTCH SHELL & SPROCKET, with starter ring gear	71 to Early 84 — All Models except FXB & FXSB
		37707—82	CLUTCH SHELL & SPROCKET, with starter ring gear	Early 84 — FXWG, FXSB
	34	37850—68	SET OF LINED CLUTCH DISCS	71 to Early 84 — All Models
	35	37871—41	RELEASING DISC	71 to Early 84 — All Models
	36	37930—68A	FRICTION DISC (5)	71 to Early 84 — All Models
	37	37975—81	DRIVE DISC (steel) (4)	71 to Early 84 — All Models
	38	37816—41	PRESSURE PLATE	71 to Early 84 — All Models
	39	38025—41	SET OF CLUTCH DISC BUFFERS	71 to Early 81 — All Models

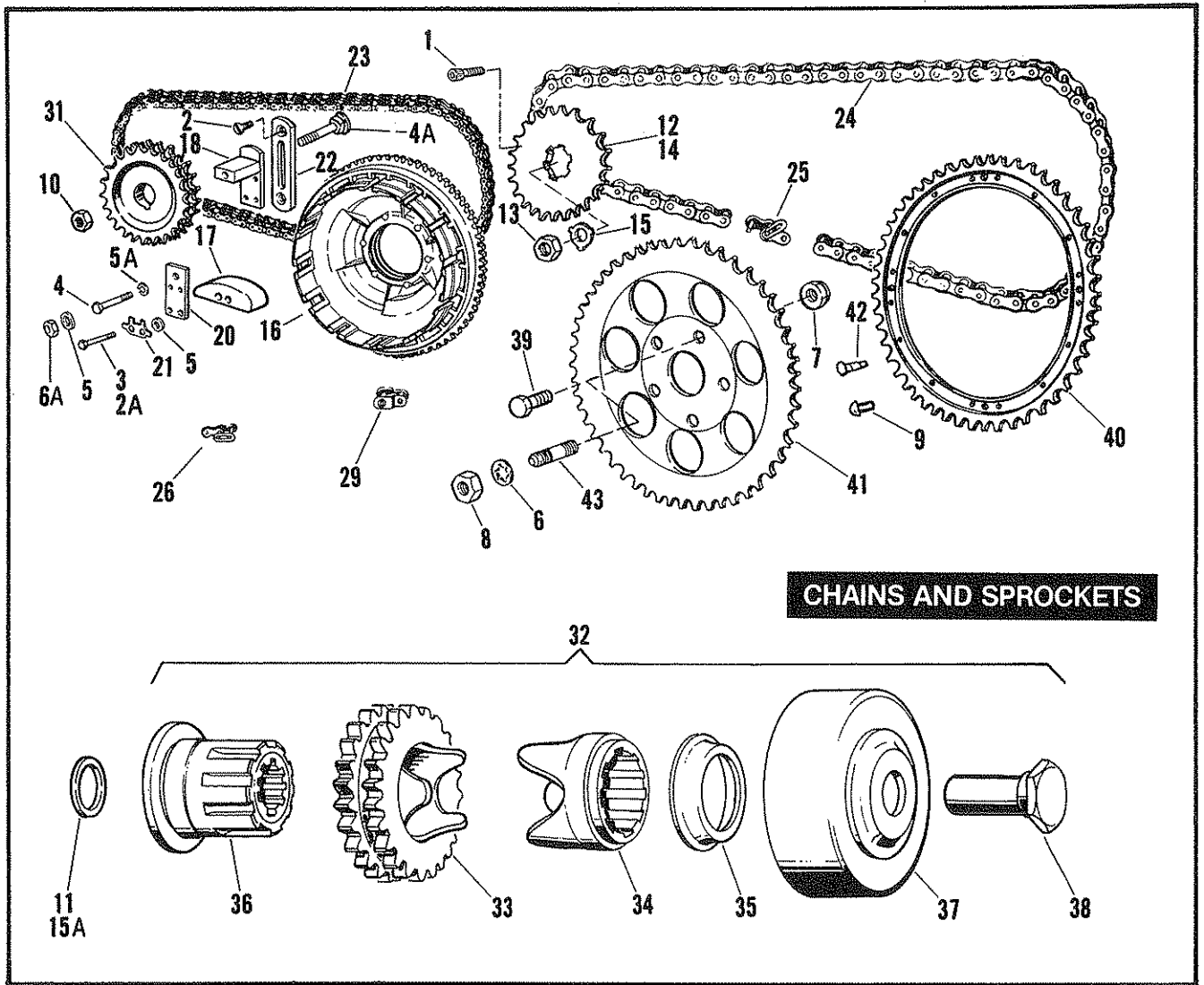


RETAIL PRICE	INDEX NO.	PART NO.	N A M E	USED ON
	1	2881W	BOLT, 1/4-20 x 7/8 hex. hd. (4)	Late 84 — All Models
	2	6099	WASHER, 1/4 x 7/16 x 1/16 (4)	Late 84 — All Models
	3	7036	LOCKWASHER, 1/4 (4)	Late 84 — All Models
	4	7848W	NUT, 5/16-18 x 1/4 x 1/2 hex.	Late 84 — All Models
	5	11096	RETAINING RING	Late 84 — All Models
	6	37089-84	ROD END, clutch push rod	Late 84 — All Models
	7	37090-84	ROD END, clutch push rod	Late 84 — All Models
	8	37285-84	PUSH ROD, clutch release	Late 84 — All Models
	9	37312-75	BEARING, push rod	Late 84 — All Models
	10	37313-80	THRUST WASHER, inner (2)	Late 84 — All Models
	11	37357-84	ADJUSTING STUD, push rod	Late 84 — All Models
	12	37496-84	NUT, mainshaft (clutch side)	Late 84 — All Models
	13	37523-15A	KEY, clutch	Late 84 — All Models
	14	37550-84	CLUTCH HUB, inner	Late 84 — All Models
	15	37702-84	CLUTCH SHELL & SPROCKET, with starter ring gear	Late 84 — FXE-80
		37707-84	CLUTCH SHELL & SPROCKET, with starter ring gear	Late 84 — FXWG, FXSB
	16	37800-84	CLUTCH ASSEMBLY, complete — except mainshaft nut, rod ends, push rod, o-ring and thrust washer	N/A
		37801-84	CLUTCH ASSEMBLY, complete — except mainshaft nut, rod ends, push rod, o-ring and thrust washer	Late 84 — FXWG, FXSB
				Late 84 — FXE-80
	17	37871-84	DIAPHRAGM SPRING PLATE	Late 84 — All Models
	18	37901-84	PRESSURE PLATE	Late 84 — All Models
	19	37902-84A	ADJUSTER PLATE	Late 84 — All Models
	20	37903-84	RELEASE PLATE, center	Late 84 — All Models
	21	37904-84	RETAINING RING, external — bearing	Late 84 — All Models
	22	37905-84	RETAINING RING, internal — bearing	Late 84 — All Models
	23	37906-84	BEARING, clutch assembly	Late 84 — All Models
	24	37907-84	RETAINING RING, pressure plate	Late 84 — All Models
	25	37931-84	FRICITION DISC (6)	Late 84 — All Models
	26	37975-84	DRIVE DISC (7)	Late 84 — All Models

CLUTCH HAND CONTROL



RETAIL PRICE	INDEX NO.	PART NO.	NAME	USED ON
	1	1205	SCREW, No. 10-24 x 3/4 Pozidriv fil. hd.	71 & 72 — All Models
	2	2585	SCREW, No. 8-32 x 5/16 Pozidriv pan hd.	71 to * — All Models
	3	2695W	SCREW, No. 10-24 x 1-1/8 Phillips hd. (4)	73 to 81 — All Models
	4	4015	SCREW, 1/4-20 x 7/8 hex. socket rd. hd. (2)	82 to * — All Models
	4A	6099	WASHER, 1/4 (2)	82 to * — All Models
	5	7115	LOCKWASHER, No. 8 int. tooth	71 to * — All Models
	5A	7800W	NUT, 3/8-24 x 5/16 x 9/16 hex.	71 to * — All Models
	5B	10059	CLAMP, clutch cable	Late 83 to * — All Models
	6	11036	RETAINING RING	71 to 81 — All Models
		11143	RETAINING RING	82 to * — All Models
	7	37053—68	RELEASE LEVER N/A	71 to 77 — All Models
		37053—78	RELEASE LEVER, clutch (chrome) N/A	78 & Early 79 — All Models
		37054—79A	RELEASE LEVER, clutch	Late 79 to * — All Models
	9	38608—68	BRACKET, hand lever N/A	71 & 72 — All Models
	10	38608—72	BRACKET, hand lever (black)	80 & 81 — All Models
		38608—73	BRACKET, hand lever (polished)	73 to 79 — All Models
	11	38608—82B	BRACKET, hand lever (black)	82 to * — All Models
	12	38609—68	HAND LEVER AND BRACKET N/A	71 & 72 — All Models
	13	38618—68C	CABLE AND COIL ASSEMBLY	71 to * — All Models
	14	38712—68	CLAMP, clutch cable (at frame front)	71 to Early 83 — All Models
	15	45017—82A	HAND LEVER, only	82 to * — All Models
	16	45024—65A	HAND LEVER, with pins and nylon bushings	73 to 81 — All Models
	17	45030—65A	CLAMP, lever bracket	71 & 72 — All Models
	18	45031—65	PIVOT PIN, hand lever	71 to * — All Models
	19	45036—68	CABLE ANCHOR PIN, hand lever (plastic bushing type)	71 to 81 — All Models
		45036—82	CABLE ANCHOR PIN, hand lever	82 to * — All Models
	20	45039—68	BUSHING, hand lever cable anchor pin (plastic) (2)	71 to * — All Models
	21	45032—82	PIN, hand lever pivot	82 to * — All Models
	22	45044—82	CLAMP, lever bracket	82 to * — All Models
	24	62576—65A	MOUNTING BRACKET, oil tank	71 to Early 79 — All Models



CHAINS AND SPROCKETS

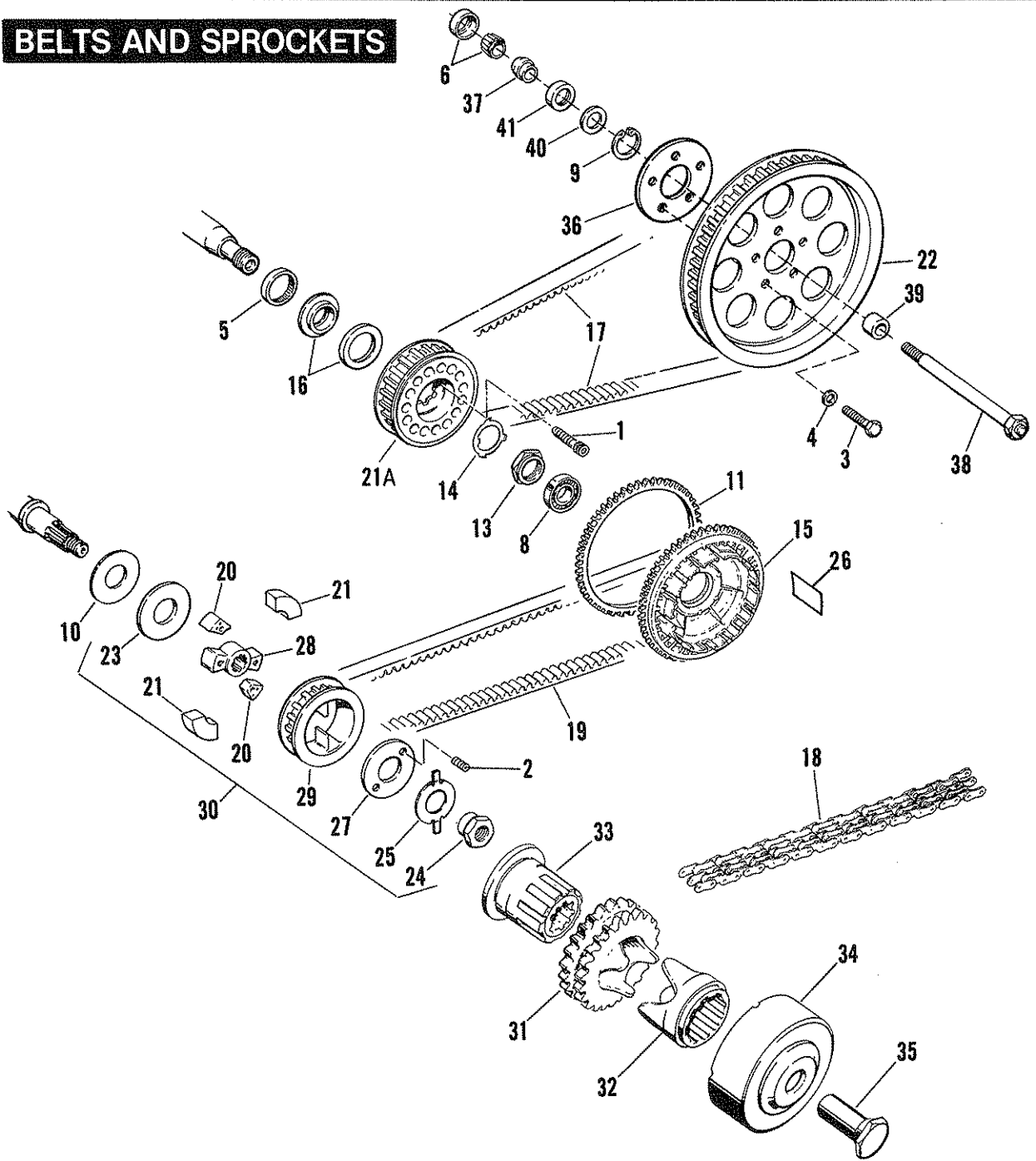
CHAINS AND SPROCKETS — CHAIN DRIVEN MODELS

AA24-1

RETAIL PRICE	INDEX NO.	PART NO.	NAME	USED ON
	1	857	SCREW, mainshaft sprocket	Late 83 to * — All Models
	2	1783	SCREW, 5/16-18 x 7/8 Pozidriv flat ctsk. hd. (2)	71 to * — All chain driven models
	2A	2614	SCREW (2)	71 to * — All chain driven models
	3	4401W	BOLT, 1/4-28 x 7/8 hex. hd.	71 to * — All chain driven models
	4	5444	BOLT, 3/8 - 16 x 3 rd. hd. sq. neck	71 to * — All Models
	4A	6400HB	WASHER, 5/16 x 3/16 x 3/32	71 to * — All Models
	5	6703	WASHER (2)	71 to * — All chain driven models
	5A	7038	LOCKWASHER, 3/8	71 to * — All chain driven models
	6	7136	LOCKWASHER, 7/16 internal tooth (5)	78 — FX, FXE, FXS
	6A	7778	LOCKNUT, 3/8-16 x 7/16 x 9/16 hex.	71 to * — All Models
	7	7825	LOCKNUT, 7/16-20 x 7/16 x 5/8 hex. (5)	73 to * — All chain driven models
	8	7837W	NUT, 7/16-20 x 3/8 x 11/16 hex. (5)	78 — FX, FXE, FXS
	9	8532	RIVET, 3/16 x 1 (16)	71 & 72 — All Models
	10	24003-55	NUT, motor sprocket	71 — All Models
	11	24032-70	SPACER, sprocket shaft — 0.06 thick	71 to * — All chain driven models
		24033-70	SPACER, sprocket shaft — 0.09 thick	71 to * — All chain driven models
		24034-70	SPACER, sprocket shaft — 0.12 thick	71 to * — All chain driven models
		24035-70	SPACER, sprocket shaft — 0.15 thick	71 to * — All chain driven models
		24036-70	SPACER, sprocket shaft — 0.18 thick	71 to * — All chain driven models
		24037-70	SPACER, sprocket shaft — 0.21 thick	71 to * — All chain driven models
	12	35203-36	SPROCKET, mainshaft — 22 T.	71 & 72 — All Models
	13	35211-36	LOCKNUT, mainshaft sprocket	71 to * — All chain driven models

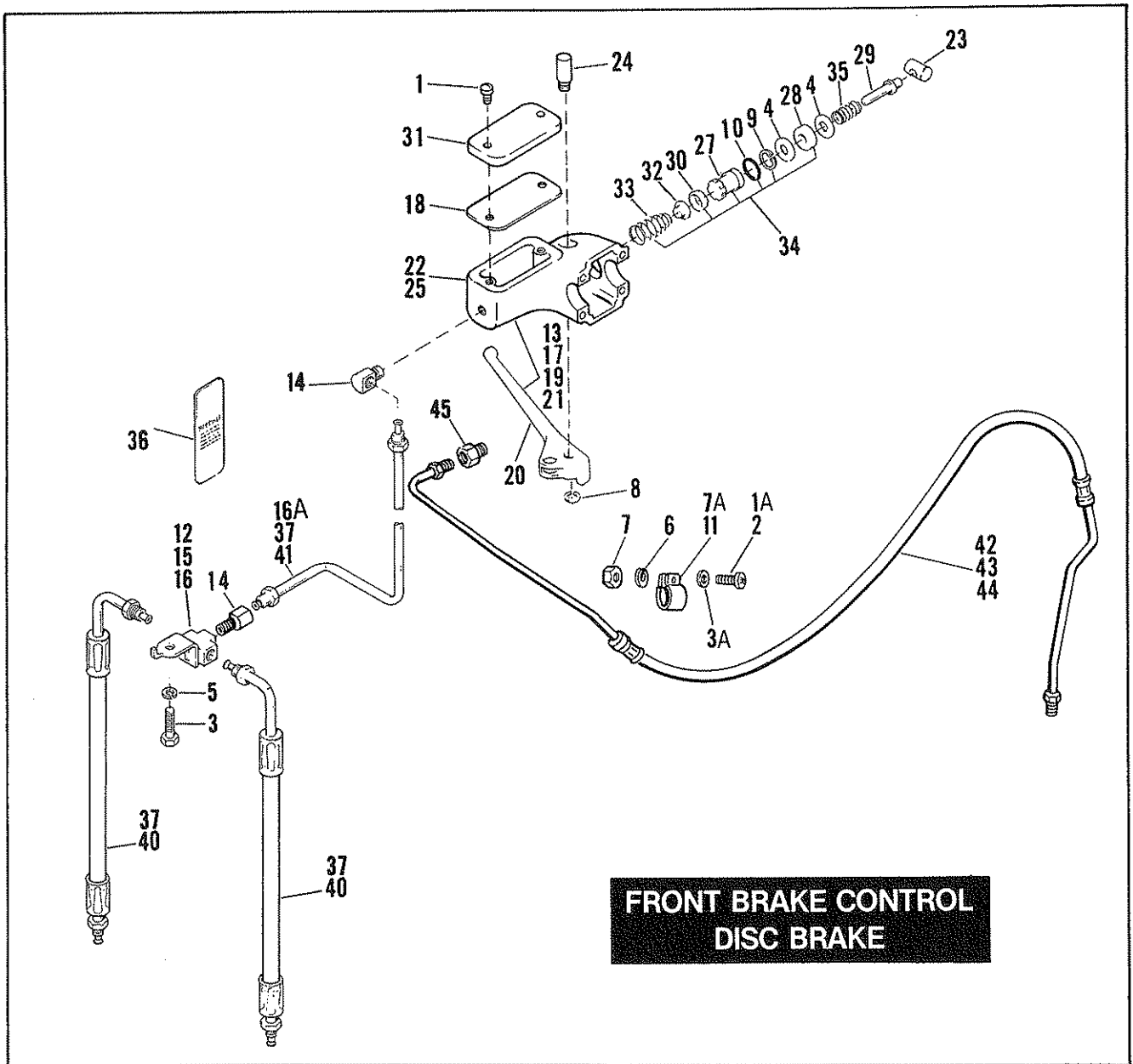
RETAIL PRICE	INDEX NO.	PART NO.	N A M E	USED ON
	14	35212-73	SPROCKET, mainshaft — 23 T.	73 to 79 — All Models
		33337-83	SPROCKET KIT, mainshaft — 23 T.	80 to * — All chain driven models
	15	35216-36	WASHER, mainshaft sprocket	71 to * — All chain driven models
	15A	35850-84	SPACER, sprocket shaft — 0.01 thick (as req'd)	Late 84 to * — All Models
		35851-84	SPACER, sprocket shaft — 0.02 thick (as req'd)	Late 84 to * — All Models
		35852-84	SPACER, sprocket shaft — 0.03 thick (as req'd)	Late 84 to * — All Models
	16	37702-70A	CLUTCH SHELL & SPROCKET, with starter ring gear	73 to Early 84 — All chain driven models
		37702-84	CLUTCH SHELL & SPROCKET, with starter ring gear	Late 84 to * — FXE-80
		39979-84	TENSIONER MOUNTING KIT, includes items 2A & 5	71 to * — All chain driven models
	17	39976-65B	PAD, chain tensioner	71 to * — All chain driven models
	18	39992-65C	CHAIN TENSIONER SHOE	71 to * — All chain driven models
		39992-65C	CHAIN TENSIONER MOUNTING KIT, includes items 4A, 5 & 6A	71 to * — All chain driven models
	20	39993-65	PLATE, chain tensioner	71 to * — All chain driven models
	21	39996-65	LOCKWASHER, chain tensioner plate	71 to * — All chain driven models
	22	39998-65	ANCHOR PLATE, chain tensioner	71 to * — All chain driven models
	23	40007-36A	FRONT CHAIN, solo	71 to * — All chain driven models
	24	40028-15E	REAR CHAIN (Duckworth)	71 to * — All chain driven models
		40029-15E	REAR CHAIN (Diamond)	71 to * — All chain driven models
		40033-15	REAR CHAIN (Duckworth) (25 ft.)	N/A 71 to * — All chain driven models
		40034-15	REAR CHAIN (Diamond) (25 ft.)	N/A 71 to * — All chain driven models
	25	40026-77	CONNECTING LINK, rear chain (Diamond)	Late 77 to * — All chain driven models
		40052-65	CONNECTING LINK, rear chain (Diamond) (press fit)	71 to * — All chain driven models
		40053-65	CONNECTING LINK, rear chain (Duckworth) (press fit)	71 to * — All chain driven models
	26	40055-39	CONNECTING LINK, front chain (Duckworth)	N/A 71 to * — All chain driven models
	29	40091-15	OFFSET REPAIR LINK, rear chain (Diamond)	71 to * — All chain driven models
	31	40209-55	MOTOR SPROCKET — 22 T.	N/A 71 — All Models
		40210-55	MOTOR SPROCKET — 23 T.	N/A 71 — All Models
		40211-55	MOTOR SPROCKET — 24 T.	N/A 71 — All Models
	32	40270-65A	COMPENSATING SPROCKET KIT — 24 T.	71 to 81 — All chain driven models
	33	40275-70	COMPENSATING SPROCKET — 24 T.	71 to 82 — All chain driven models
		40275-83	COMPENSATING SPROCKET — 24 T.	83 to * — All chain driven models; 84 to * — FXSB
		40280-70	COMPENSATING SPROCKET — 22 T.	71 to 82 — All chain driven models
		40282-70	COMPENSATING SPROCKET — 23 T.	71 to 82 — All chain driven models
	34	40299-70	SLIDING CAM	71 to 82 — All chain driven models
		40299-83	SLIDING CAM	83 to * — All chain driven models; 84 to * — FXSB
	35	40324-70	CUP	71 to 82 — All chain driven models
	36	40375-70	SHAFT EXTENSION	71 to * — All chain driven models; 84 to * — FXSB
	37	40384-70	RETAINER & COVER ASSEMBLY, w/spring washers	71 to 82 — All chain driven models
		40384-83A	RETAINER & COVER ASSEMBLY, w/spring washers	83 to * — All Models
		40385-70	RETAINER & COVER ASSEMBLY, w/out spring washers	71 to 82 — All chain driven models
	38	40392-70	NUT	71 to * — All chain driven models; 84 to * — FXSB
	39	41197-73	BOLT, rear sprocket (5)	73 to 83 — All chain driven models
	40	41470-67	SPROCKET KIT, rear wheel	71 & 72 — All Models
	41	41470-73A	SPROCKET, rear wheel (shot blast and chrome)	73 to * — All chain driven models
		41470-78	SPROCKET, rear wheel (polished chrome)	N/A 78 — FX, FXE, FXS
	42	41485-67	DOWEL PIN, rear wheel sprocket	71 & 72 — All Models
	43	43532-73	STUD, rear wheel sprocket (5)	78 — FX, FXE, FXS

BELTS AND SPROCKETS



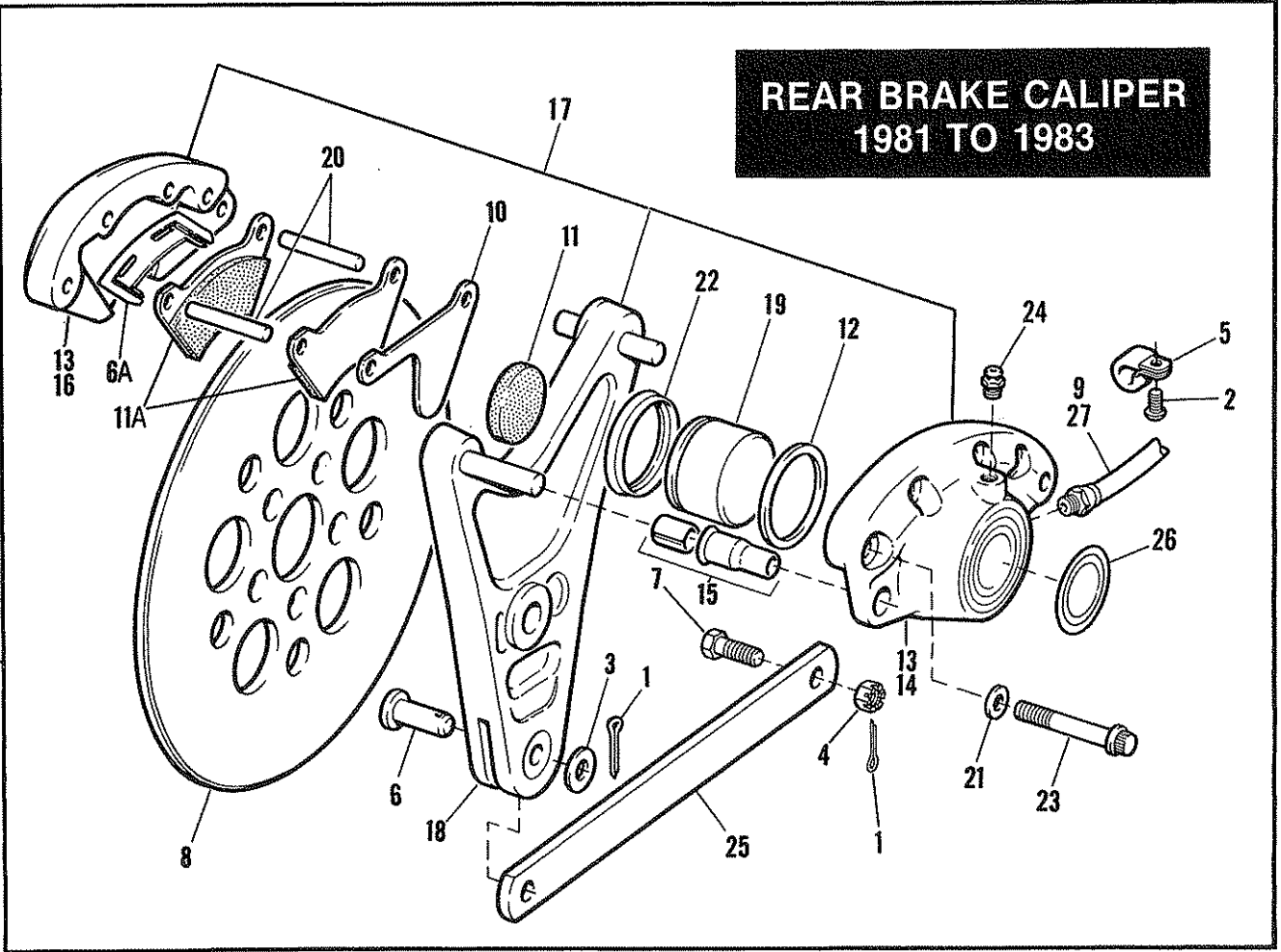
RETAIL PRICE	INDEX NO.	PART NO.	N A M E	USED ON
	1	857	SCREW, transmission sprocket	Late 83 to * — FXSB; 84 to * — FXWG
	2	3200	SET SCREW	80 to 83 — FXB, FXSB
	3	3771	BOLT, 7/16-14 x 1-12 hex hd. (5)	80 to * — FXB, FXSB
		4726	BOLT, 7/16-20 x 1-1/2 hex. hd. (5)	84 to * — FXWG
	4	6516HW	WASHER, 7/16 x 1-1/8 x 1/8 (5)	80 to * — FXB, FXSB; 84 to * — FXWG
	5	8905	NEEDLE BEARING, mainshaft	80 & 81 — FXB
		8906	NEEDLE BEARING, mainshaft	82 to * — FXB, FXSB; 84 to * — FXWG
	6	9052	ROLLER BEARING (2)	80 to * — FXB, FXSB; 84 to * — FXWG
	8	9061	ROLLER BEARING, belt housing	80 to * — FXB, FXSB; 84 to * — FXWG
	9	11027	RETAINING RING (2)	80 & 81 — FXB
	10	24032-70	SPACER, sprocket shaft — 0.06 thick	84 to * — FXWG, FXSB
		24033-70	SPACER, sprocket shaft — 0.09 thick	84 to * — FXWG, FXSB
		24034-70	SPACER, sprocket shaft — 0.12 thick	84 to * — FXWG, FXSB
		24035-70	SPACER, sprocket shaft — 0.15 thick	84 to * — FXWG, FXSB
		24036-70	SPACER, sprocket shaft — 0.18 thick	84 to * — FXWG, FXSB
		24037-70	SPACER, sprocket shaft — 0.21 thick	84 to * — FXWG, FXSB
		24051-80	SPACER, compensating sprocket — 0.01	80 to 83 — FXB, FXSB; 84 to * — FXWG
		24052-80	SPACER, compensating sprocket — 0.02	80 to 83 — FXB, FXSB; 84 to * — FXWG
		24053-80	SPACER, compensating sprocket — 0.04	80 to 83 — FXB, FXSB; 84 to * — FXWG
		24054-80	SPACER, compensating sprocket — 0.06	80 to 83 — FXB, FXSB; 84 to * — FXWG
	11	33163-65B	STARTER RING, clutch sprocket	80 to * — FXB, FXSB; 84 to * — FXWG
	13	35211-36	LOCKNUT, mainshaft sprocket	80 to * — FXB, FXSB; 84 to * — FXWG
	14	35216-36	LOCKWASHER, mainshaft sprocket	80 to 83 — FXB, FXSB
	15	37655-80A	CLUTCH SPROCKET ASSEMBLY, with starter ring gear	80 to 83 — FXB, FXSB
		37707-82	CLUTCH SPROCKET ASSEMBLY, with starter ring gear	Early 84 — FXWG, FXSB
		37707-84	CLUTCH SHELL & SPROCKET, with starter ring gear	Late 84 to * — FXWG, FXSB
	16	37741-67	OIL SEAL, mainshaft	80 & 81 — FXB
		37741-82	OIL SEAL	82 to * — FXB, FXSB; 84 to * — FXWG
	17	40003-79	BELT, transmission sprocket to rear wheel sprocket	80 to * — FXB, FXSB; 84 to * — FXWG
NOTE: Refer to AA24 for additional parts for front chain driven vehicles.				
	18	40007-36A	FRONT CHAIN, solo	84 to * — FXWG, FXSB
	19	40009-80	BELT, engine sprocket to clutch sprocket	80 to 83 — FXB, FXSB
	20	40106-80	RUBBER DAMPER, small (2)	80 to 83 — FXB, FXSB
	21	40107-80	RUBBER DAMPER, large (2)	80 to 83 — FXB, FXSB
	21A	40212-80C	SPROCKET KIT, transmission — belt	80 to * — FXB, FXSB; 84 to * — FXWG
	22	40221-85A	WHEEL SPROCKET, belt drive (black)	80 to * — FXB, FXSB; 84 to * — FXWG
	23	40244-80	BEARING DISC, compensating sprocket	80 to 83 — FXB, FXSB
	24	40247-80	NUT, compensating sprocket	80 to 83 — FXB, FXSB
	25	40248-80	LOCKWASHER	80 to 83 — FXB, FXSB
	26	40253-80	WARNING LABEL (2)	80 to 83 — FXB, FXSB
	27	40254-80	FLANGE BEARING, outside	80 to 83 — FXB, FXSB
	28	40261-80	DRIVE HUB, compensator	80 to 83 — FXB, FXSB
	29	40263-80	SPROCKET, compensating — engine	80 to 83 — FXB, FXSB
	30	40264-80	COMPENSATING SPROCKET ASSEMBLY, engine	N/A 80 to 83 — FXB, FXSB
	31	40275-83	COMPENSATING SPROCKET — 24 T	83 to * — FXWG; 84 to * — FXSB
	32	40299-83	SLIDING CAM	83 to * — FXWG; 84 to * — FXSB
	33	40375-70	SHAFT EXTENSION	83 to * — FXWG; 84 to * — FXSB
	34	40384-83A	RETAINER & COVER ASSEMBLY, w/spring washers	83 to * — All Models
	35	40392-70	NUT, compensating sprocket cover	83 to * — FXWG; 84 to * — FXSB
	36	40932-81	SPACER, belt sprocket	80 to * — FXB, FXSB; 84 to * — FXWG
	37	41196-73	SPACER, bearing - outer (2)	80 & 81 — FXB
	38	41580-79	AXLE	80 to * — FXB, FXSB; 84 to * — FXWG
	39	41592-79	SPACER, rear axle	80 to * — FXB, FXSB; 84 to * — FXWG
	40	43559-73	WASHER (2)	80 & 81 — FXB
	41	47519-83A	OIL SEAL (2)	80 to 83 — FXB; 80 to * — FXSB; 84 to * — FXWG

RETAIL PRICE	INDEX NO.	PART NO.	N A M E	USED ON
	1	856	SCREW	Late 83 — All Models
	2	2579	SCREW, No. 8-32 x 5/8 Pozidriv oval ctsk. hd. (2)	82 to * — All Models
	3	2661W	SCREW, No. 10-24 x 1/2 self tapping Phillips rd. hd.	83 — FXE-80, FXSB
	4	2662W	SCREW, No. 10-24 x 3/8 self tapping Phillips rd. hd.	84 to * — All Models
	5	3444	SCREW, 1/4-20 x 5/8 socket hd.	84 to * — All Models
	6	4015	SCREW, 1/4-20 x 7/8 hex. socket rd. hd. (2)	82 to * — All Models
	7	4387	SCREW, 5/16 - 24 x 7/8 socket rd. hd.	Early 83 — All Models
	9	4391	BOLT, 5/16-24 x 5/8 hex. hd.	82 — All Models
	10	6099	WASHER, 1/4 x 7/16 x 3/64 (2)	82 to * — All Models
	11	6109	WASHER, 5/16 x 11/16 x 1/8	83 to * — All Models
	12	6703	WASHER, 1/4 x 5/8 x 1/16	84 to * — All Models
	13	7041	LOCKWASHER, 5/16	82 & Early 83 — All Models
		7042	LOCKWASHER	Late 83 — All Models
	14	7220	LOCKWASHER, No. 10 external tooth	83 to * — FXE-80, FXSB; 84 to * — FXWG
	16	10031	CLAMP, brake hose	84 to * — All Models
	17	10053	CLAMP, brake hose	84 to * — All Models
	18	11143	RETAINING RING, external	82 to * — All Models
	19	41712-82	CLAMP, brake line N/A	82 & 83 — All Models except FXWG
	20	41731-82	GASKET, brake line (2)	82 to * — All Models
	21	41739-84	BOLT, front brake hose	84 to * — All Models
	23	41747-82A	BOLT, front brake hose	82 & 83 — All Models; 84 to * — FXWG, FXE-80, FXSB
	24	44310-77	TEE, front brake hoses N/A	82 — All Models except FXWG
		44311-80	TEE, front brake hoses	82 — FXWG
	26	45012-82	GASKET, master cylinder cover	82 to * — All Models
	27	45013-82A	MASTER CYLINDER ASSEMBLY, with hand lever	82 & 83 — All Models
	28	45016-82	HAND LEVER, front brake	82 to * — All Models
	29	45019-85	MASTER CYLINDER ASSEMBLY, with hand lever	84 to * — All Models
	30	45031-82	PIN, stoplight switch & pushrod	82 to * — All Models
	31	45032-82	PIN, hand lever pivot	82 to * — All Models
	32	45042-82	FLUID LEVEL WINDOW KIT	82 to * — All Models
	33	45044-82	CLAMP, master cylinder	82 to * — All Models
	34	45051-82	STOPLIGHT SWITCH, with pushrod	82 to * — All Models
	35	45057-82	COVER, master cylinder	82 to * — All Models
	36	45063-82A	REPAIR KIT, master cylinder	82 & 83 — All Models
		45072-87	REPAIR KIT, master cylinder	84 to * — All Models
	37	45113-84	HOSE, front brake	84 to * — FXWG
		45121-88	HOSE, front brake	84 to * — FXE-80
		45124-84	HOSE, front brake	84 to * — FXSB
	38	45121-77	HOSE, front brake (2 - lower)	82 — FXE-80
		45123-77	HOSE, front brake — 19" long (2 - lower)	82 — All Models except FXE-80
	39	45124-83	HOSE, front brake (chrome ends) complete	83 — FXSB
		45121-83	HOSE, front brake (chrome ends) complete	83 — FXE-80
		45113-83	HOSE, front brake (chrome ends) complete	83 — FXWG
	40	45126-82	HOSE, front brake (chrome ends) (17" long) upper	82 — All Models except FXWG
		45127-82	HOSE, front brake (chrome ends) (20" long) upper	82 — FXWG
	41	45583-83	GASKET, brake hose (2)	84 to * — All Models
	42	67239-83	GUIDE, front brake hose (2 - 84 — FXE-80 & FXWG)	83 to * — FXE-80; 84 to * — FXWG, FXSB



RETAIL PRICE	INDEX NO.	PART NO.	N A M E	USED ON
	1	2628	SCREW, No. 8-32 x 7/16 ctsk. hd. (2)	73 to 81 — All Models
	1A	2661W	SCREW, No. 10-24 x 1/2 self tapping Phillips hd.	81 — FXS-80, FXE-80, FXEF-80
	2	2664	SCREW, No. 10-24 x 7/16 Pozidriv pan hd.	73 to 79 — All Models
	3	4391	BOLT, 5/16-24 x 5/8 hex. hd.	77 to 79 — FXS; 78 to 81 — All Models
	3A	6716	WASHER, No. 10 x 1/2 x 3/64	81 — FXS-80, FXE-80, FXEF-80
	4	6811W	WASHER, 1/4 x 3/4 x 1/64 (2)	73 to 81 — All Models
	5	7041	LOCKWASHER, 5/16	77 to 79 — FXS; 78 to 81 — All Models
	6	7220	LOCKWASHER, No. 10 external tooth	74 to 79 — All Models
	7	7620W	NUT, No. 10-24 x 1/8 x 3/8 hex.	73 to 79 — All Models
	7A	9973	CLIP, brake line	81 — FXS-80, FXE-80, FXEF-80
	8	11015	RETAINING RING, hand lever pivot pin	73 to 81 — All Models
	9	11063	RETAINING RING, master cylinder piston	73 to 81 — All Models
	10	11137	O-RING, master cylinder piston	73 to 81 — All Models
	11	38712—68	CLIP, brake hose	73 to 79 — All Models
	12	42318—72	TEE, front brake hoses	Late 77 to Early 79 — FXS, FXS-80
	13	43306—78	MASTER CYLINDER ASSEMBLY, with hand lever (polished)	N/A Late 77 & 78 — All Models
	14	43307—78	TUBE FITTING (2)	77 to 79 — All Models
	15	43308—78	TEE, front brake hoses	78 & Early 79 — FX, FXE, FXEF, FXEF-80
	16	44310—77	TEE, front brake hoses	N/A Early 77 — FXS; Late 79 to 81 — All Models except FXWG
		44311—80	TEE, front brake hoses	80 & 81 — FXWG
	16A	45008—80	HOSE, front brake — upper, 22-1/2" (chrome ends)	80 — FXWG
	17	45010—73	MASTER CYLINDER ASSEMBLY, w/hand lever (polished)	73 to Early 77 — All Models
	18	45012—72	GASKET, master cylinder cover	73 to 81 — All Models
	19	45013—72	MASTER CYLINDER ASSEMBLY, with hand lever (black)	79 — FXS, FXS-80; 80 & 81 — All Models
	20	45016—72	HAND LEVER, front brake	73 to 81 — All Models
	21	45020—79	MASTER CYLINDER ASSEMBLY, with hand lever (black)	79 — FXE, FXEF, FXEF-80
	22	45024—72	BODY, master cylinder (black)	79 to 81 — All Models
	23	45031—72	PIN, master cylinder plunger	73 to 81 — All Models
	24	45032—72	PIN, hand lever pivot	73 to 81 — All Models
	25	45037—73	BODY, master cylinder (polished)	73 to 78 — All Models
	27	45053—72	PISTON, master cylinder	73 to 81 — All Models
	28	45054—72	DUST WIPER, master cylinder	73 to 81 — All Models
	29	45055—72	PLUNGER, master cylinder	73 to 81 — All Models
	30	45056—77	PISTON CUP, master cylinder	73 to 81 — All Models
	31	45057—72	COVER, master cylinder	73 to 81 — All Models
	32	45059—72	CUP, piston spring	73 to 81 — All Models
	33	45061—72A	SPRING, piston return — master cylinder	73 to 81 — All Models
	34	45063—72	REPAIR KIT, master cylinder	73 to 81 — All Models
	35	45071—72	SPRING, plunger — master cylinder	73 to 81 — All Models
	36	45105—77	WARNING LABEL, master cylinder (DOT 5)	N/A 77 to 81 — All Models
	37	45114—77	HOSE, front brake — 14" (chrome ends)	77 & 78 — FXS
		45114—79	HOSE, front brake — 14-3/16" (chrome ends)	Late 79 — FXS, FXS-80; 81 — FXB
		45121—77	HOSE, front brake (3; 2 lower — 80 & later)	78 & 79 — FX, FXE; 80 & 81 — FXE, FXEF, FXEF-80, FXE-80
	40	45123—77	HOSE, front brake — 19" (2)	77 to 81 — FXS, FXS-80, FXB, FXWG
	41	45123—79	HOSE, front brake — upper, 20" (chrome ends)	80 — FXE, FXEF, FXEF-80, FXS-80
		45125—81	HOSE, front brake	81 — All Models except FXB
	42	45519—77	FRONT BRAKE HOSE, complete	77 — FX, FXE
	43	45521—73	FRONT BRAKE HOSE, complete	73 — All Models
	44	45521—74A	FRONT BRAKE HOSE, complete	74 to 76 — All Models
	45	63609—72	TUBE FITTING, 1/8-27 NPSF	Late 73 to 77 — FX, FXE

REAR BRAKE CALIPER 1981 TO 1983

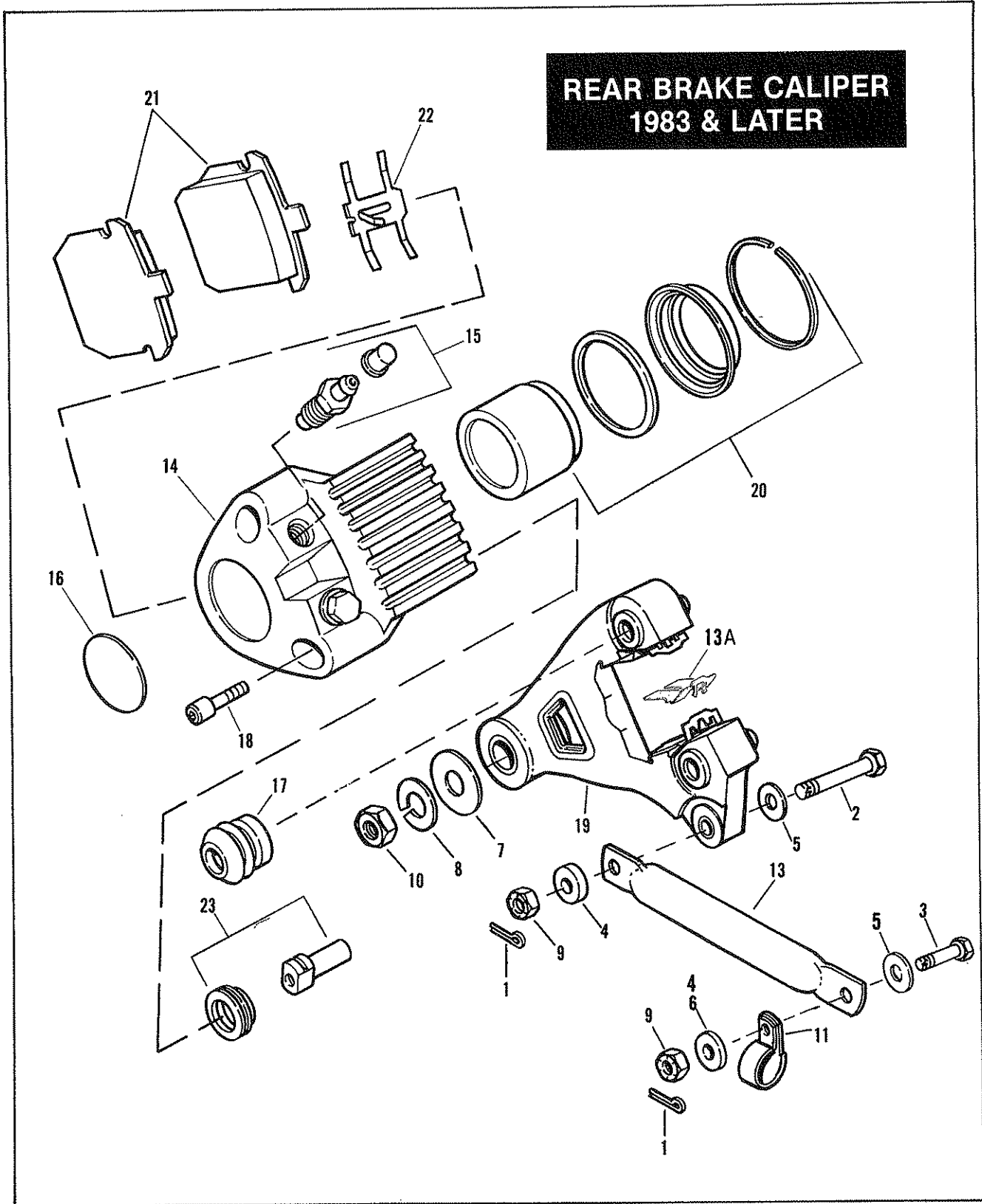


REAR BRAKE CALIPER — 1981 & 1982 - ALL MODELS; 1983 - FXE-80

AA26

RETAIL PRICE	INDEX NO.	PART NO.	N A M E	USED ON
	1	520W	COTTER PIN, 1/8 x 1-1/4 (2)	81 & 82 — All Models; 83 — FXE-80
	2	2652	SCREW, No. 10-16 x 3/8 self tapping hex. hd. (2)	81 & 82 — All Models; 83 — FXE-80
	3	6718	WASHER, 1/2 x 1-1/16 x 3/32	81 & 82 — All Models; 83 — FXE-80
	4	7843	CASTLE NUT, 1/2-13 x 7/16 x 3/4 hex	81 & 82 — All Models; 83 — FXE-80
	5	38712-68	CLIP, brake hose (2)	81 & 82 — All Models; 83 — FXE-80
	6	40919-81	CLEVIS PIN, rear caliper bracket	81 & 82 — All Models; 83 — FXE-80
	6A	41671-73	SPRING, rear caliper	81 & 82 — All Models; 83 — FXE-80
	7	41734-73	BOLT (drilled)	81 & 82 — All Models; 83 — FXE-80
	8	41791-79A	DISC, brake	81 & 82 — All Models; 83 — FXE-80
	9	42300-73A	REAR BRAKE HOSE	81 & 82 — FXWG
	10	44002-78	SHIM, piston side (anti-rattle)	81 & 82 — All Models; 83 — FXE-80
	11	44004-80	INSULATOR	81 & 82 — All Models; 83 — FXE-80
	11A	44005-78	BRAKE PAD SET, rear	81 & 82 — All Models; 83 — FXE-80
	12	44007-80	SEAL, caliper piston	81 & 82 — All Models; 83 — FXE-80
	13	44010-81	CALIPER SET, w/# 6A, 10, 11, 14, 16, 20, 21 & 23	81 & 82 — All Models; 83 — FXE-80
	14	44011-81	BRAKE CALIPER, outer, w/# 15, 19 & 24	81 & 82 — All Models; 83 — FXE-80
	15	44012-81	SLEEVE KIT, with bushing	81 & 82 — All Models; 83 — FXE-80
	16	44013-81	BRAKE CALIPER, inner	81 & 82 — All Models; 83 — FXE-80
	17	44014-81	CALIPER ASSEMBLY, w/# 11A, 13 & 18 — REAR	81 & 82 — All Models; 83 — FXE-80
	18	44015-81	BRACKET, caliper mounting	81 & 82 — All Models; 83 — FXE-80
	19	44118-80	PISTON	81 & 82 — All Models; 83 — FXE-80
	20	44124-72	PIN, brake pad (2)	81 & 82 — All Models; 83 — FXE-80
	21	44132-72	WASHER, caliper screw (4)	81 & 82 — All Models; 83 — FXE-80
	22	44133-72	DUST BOOT, caliper	81 & 82 — All Models; 83 — FXE-80
	23	44134-72A	SCREW, 12 pt. (4)	81 & 82 — All Models; 83 — FXE-80
	24	44146-77	BLEEDER VALVE, caliper	81 & 82 — All Models; 83 — FXE-80
	25	44154-73	ANCHOR ARM, caliper bracket	81 & 82 — All Models; 83 — FXE-80
	26	44197-77	LABEL, rear brake caliper	81 & 82 — All Models; 83 — FXE-80
	27	45151-78	REAR BRAKE HOSE	81 & 82 — All Models except FXWG; 83 — FXE-80

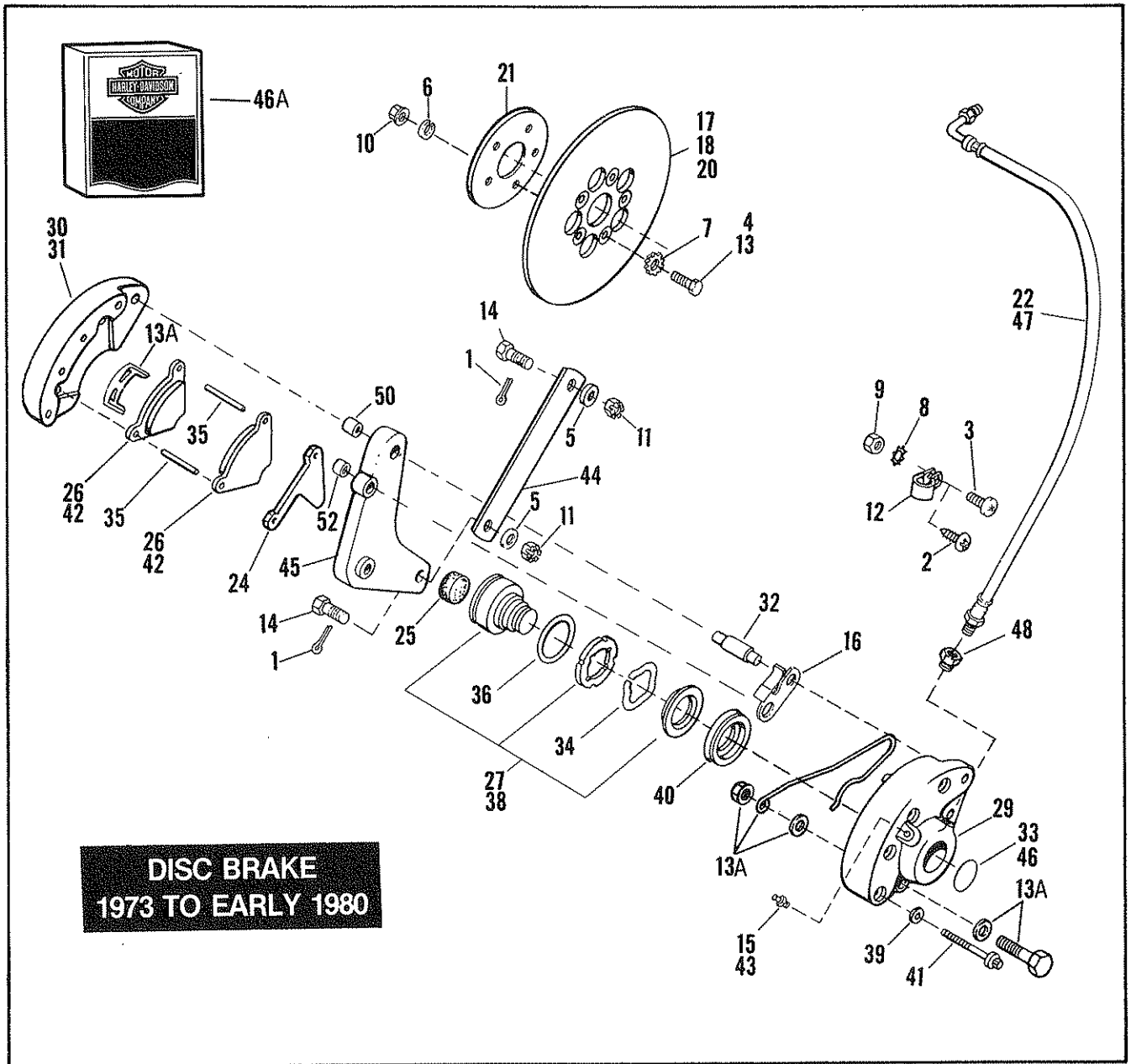
REAR BRAKE CALIPER 1983 & LATER



REAR BRAKE CALIPER — 1983 & LATER

AA26A

RETAIL PRICE	INDEX NO.	PART NO.	N A M E	USED ON
	1	513	COTTER PIN, 3/32 x 1-5/16 (2)	83 to * — FXWG, FXSB; 84 to * — FXE-80
	2	3496	BOLT, 3/8-16 x 1-3/4 x 9/16 hex. hd. (drilled)	83 — FXWG, FXSB
		3520	BOLT, 3/8-24 x 1-1/2 hex. hd. (drilled)	84 to * — All Models
	3	3497	BOLT, 3/8-16 x 1-3/32 x 9/16 hex. hd. (drilled)	83 — FXWG, FXSB
		3525	BOLT, 3/8-24 x 1-1/8 hex. hd. (drilled)	84 to * — All Models
	4	6017	WASHER, 3/8 x 15/16 x 1/4 (2 - Late 83)	83 — FXWG, FXSB
	5	6115	WASHER, 13/32 x 23/32 x 1/16 (2 - Late 83)	83 — FXWG, FXSB
	6	6607W	WASHER, 3/8 x 29/32 x 5/32	Early 83 — FXWG, FXSB
	7	6655	WASHER, 5/8 x 1-1/2 x 3/32	83 to * — FXWG, FXSB
	7A	6701	WASHER, 3/8 x 13/16 x 1/16 (2)	84 to * — All Models
	8	7022	LOCKWASHER, 5/8	83 to * — FXWG, FXSB
	9	7610	CASTLE NUT, 3/8-24 x 7/32 x 9/16 hex. (2)	83 to * — FXWG, FXSB
		7628	NUT, 3/8-24 x 11/32 x 9/16 hex. (2)	84 to * — All Models
	10	7986	NUT, 5/8-18 x 5/8 x 1-1/16 hex.	83 to * — FXWG, FXSB; 84 to * — FXE-80
	11	10036	STRAP, rear brake hose	83 to * — FXWG, FXSB; 84 to * — FXE-80
	13	41039-82	ANCHOR ARM, rear fork (black)	83 to * — FXWG, FXSB; 84 to * — FXE-80
	13A	41665-82	ABUTMENT SHIM (2)	83 to * — FXWG, FXSB; 84 to * — FXE-80
	14	44050-82A	CALIPER BODY ASSEMBLY, includes index nos. 15, 20 & 22	83 to * — FXWG, FXSB; 84 to * — FXE-80
	15	44146-82	BLEED SCREW, with dust cover	83 to * — FXWG, FXSB; 84 to * — FXE-80
	16	44197-77	LABEL, rear brake caliper	83 to * — FXWG, FXSB; 84 to * — FXE-80
	17	44200-82	PIN BOOT (2)	83 to * — FXWG, FXSB; 84 to * — FXE-80
	18	44201-82	BOLT, mounting (2)	83 to * — FXWG, FXSB; 84 to * — FXE-80
	19	44207-82	MOUNTING BRACKET, includes index no. 23 & 13A	83 to * — FXWG, FXSB; 84 to * — FXE-80
	20	44208-82	REPAIR KIT, rear brake caliper	83 to * — FXWG, FXSB; 84 to * — FXE-80
	21	44209-82	PAD SET	83 to * — FXWG, FXSB; 84 to * — FXE-80
	22	44211-82	PAD SPRING	83 to * — FXWG, FXSB; 84 to * — FXE-80
	23	44212-82	GUIDE PIN KIT, includes index nos. 17 & 18	83 to * — FXWG, FXSB; 84 to * — FXE-80

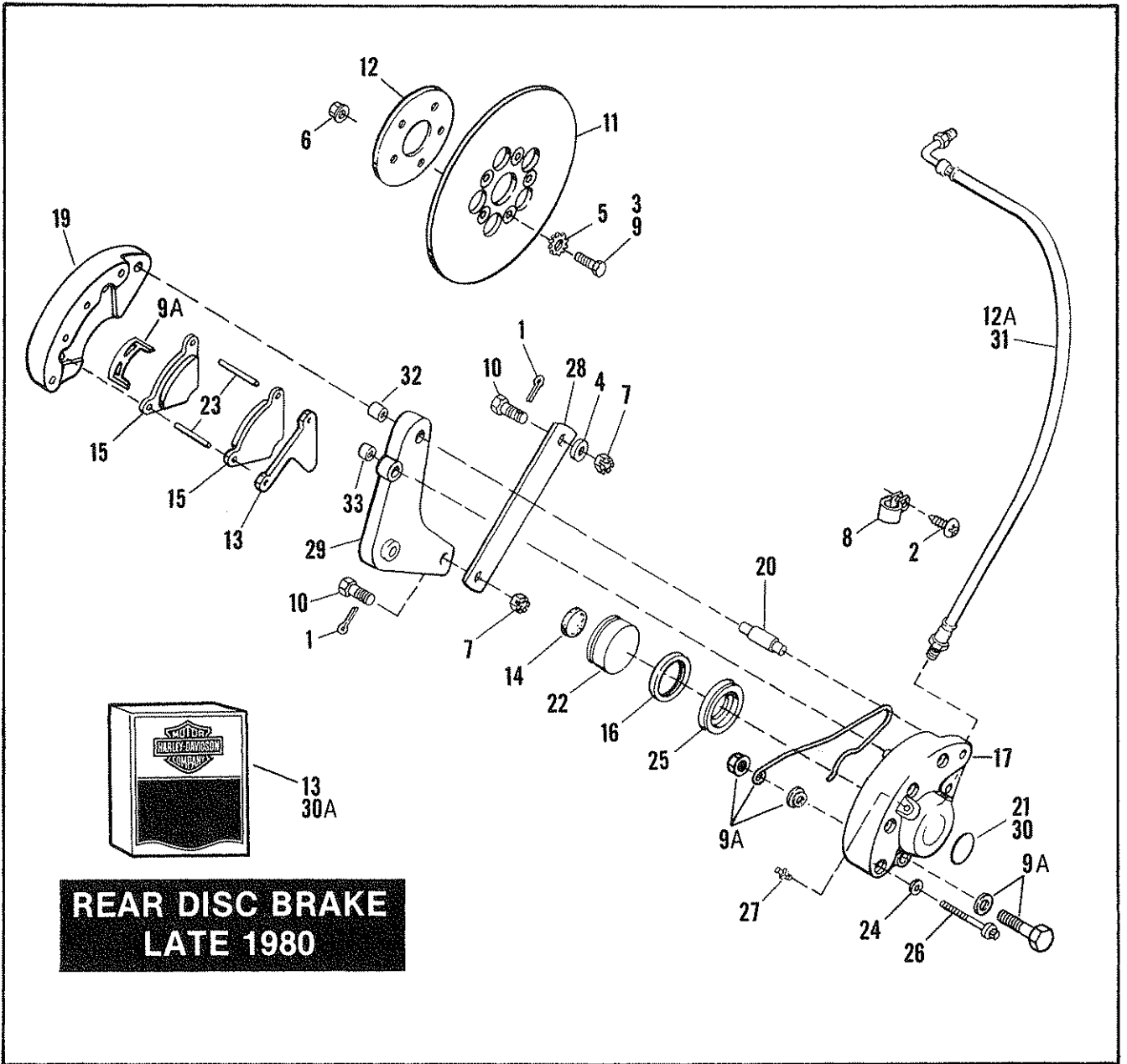


DISC BRAKE — 1973 TO EARLY 1980

AA27-1

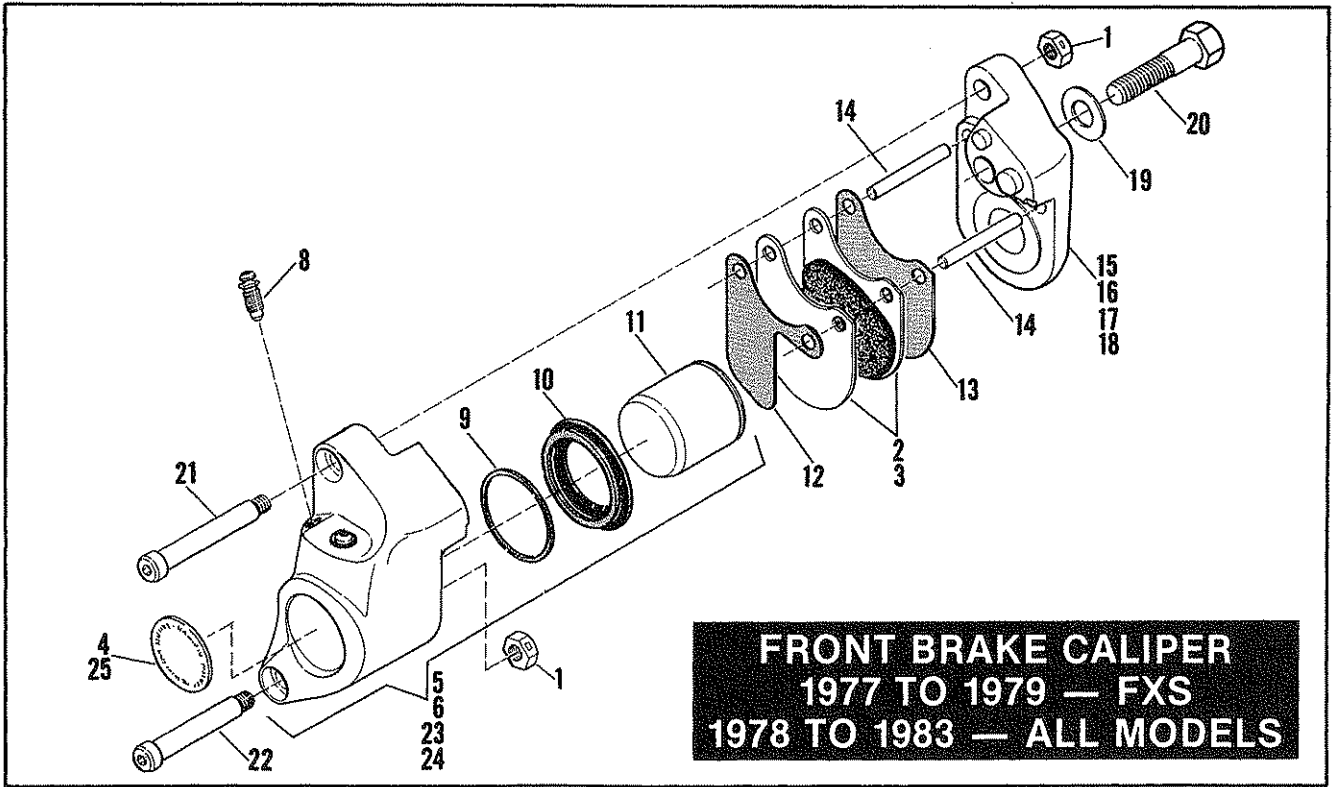
RETAIL PRICE	INDEX NO.	PART NO.	NAME	USED ON
	1	520W	COTTER PIN, 1/8 x 1-1/4 (2)	73 to Early 80 — All Models
	2	2652	SCREW, No. 10-16 x 3/8 self tapping hex. hd. (2)	73 to Early 80 — All Models
	3	2664	SCREW, No. 10-24 x 7/16 Pozidriv pan hd.	73 to Early 80 — All Models
	4	3680	SCREW, 5/16-18 x 7/8 ctsk. socket flat hd. (10)	78 to Early 80 — All Models
	5	6718	WASHER, 1/2 x 1-1/6 x 3/32	73 to Early 80 — All Models
	6	7039	LOCKWASHER, 3/8 (5)	Early 73 — All Models
	7	7145W	LOCKWASHER, 3/8 external tooth (5)	73 to Early 80 — All Models
	8	7220	LOCKWASHER, No. 10 external tooth.	73 to Early 80 — All Models
	9	7620W	NUT, No. 10-24 x 1/8 x 3/8 hex.	73 to Early 80 — All Models
	10	7778	LOCKNUT, 3/8-16 x 7/16 x 9/16 hex. (5)	73 to Early 80 — All Models
	11	7843	CASTLE NUT, 1/2-13 x 7/16 x 3/4 hex. (2)	73 to Early 80 — All Models
	12	38712-68	CLIP, brake hose	73 to Early 80 — All Models
	13	41198-73	BOLT, 3/8-16 x 1 thin hex. hd. (5)	73 to Early 80 — All Models

RETAIL PRICE	INDEX NO.	PART NO.	N A M E	USED ON
	13A	41670-73	ANTI-VIBRATION KIT — REAR BRAKE ONLY	N/A 73 to Early 80 — All Models
	14	41734-73	BOLT, hex. hd. (drilled) (2)	73 to Early 80 — All Models
	15	41749-58	BLEEDER VALVE, caliper	73 to 77 — All Models
	16	41768-73	CLIP, vibration damper — front brake only	73 — All Models
	17	41806-72B	DISC, brake	73 to Early 78 — All Models
	18	41807-73	DISC, brake — front	N/A 73 — All Models
	20	41813-79	DISC, brake	Late 78 to Early 80 — All Models
	21	41814-76A	PLATE, brake disc (2)	Late 76 to Early 80 — All Models
	22	42328-73A	REAR BRAKE HOSE	73 to 77 — All Models
	24	44002-78	SHIM, piston side (anti-rattle)	Late 78 to Early 80 — All Models
	25	44004-78	INSULATOR, 1-3/4 round x 5/8 thick	Late 78 to Early 80 — All Models
	26	44005-78	PAD SET	Late 78 to Early 80 — All Models
		44006-80A	PISTON ASSEMBLY — FRONT BRAKE ONLY	73 to 79 — All Models
			Consists of besides index nos. 29, 40 & 43	
			44007-80 SEAL, caliper piston	
			44118-80 PISTON	
	27	44008-80	CALIPER AND PISTON ASSEMBLY, outer — REAR BRAKE ONLY	73 to Early 80 — All Models
			Consists of besides caliper:	
			44007-80 SEAL, caliper piston	
			44118-80 PISTON	
			44133-72 DUST BOOT, caliper	
			44146-77 BLEEDER VALVE, caliper	
	28	44000-78D	CALIPER ASSEMBLY — FRONT BRAKE ONLY	73 to 79 — All Models
			Consists of besides pad & holder index nos. 24, 25, 26, 30, 31, 35, 39, 41, & 43	
		44011-81	BRAKE CALIPER, outer — REAR ONLY	73 to Early 80 — All Models
			Consists of besides caliper & index no. 43:	
			44012-81 SLEEVE KIT, with bushing	
			44118-80 PISTON	
	29	44105-72	BRAKE CALIPER, outer	N/A 73 to 79 — All Models
	30	44106-72	BRAKE CALIPER, inner	73 to 79 — All Models
		44106-80	BRAKE CALIPER, inner	Early 80 — All Models
	31	44107-72	MOUNTING PIN	73 to Early 80 — All Models
	32	44108-72	LABEL, caliper (3)	73 to Early 80 — FX, FXE, FXEF, FXEF-80, FXWG
	34	44123-72	SPRING WASHER, caliper	N/A 73 to Early 74 — All Models
				77 to Early 80 — All Models
	35	44124-72	PIN, brake pad (2)	73 to Early 80 — All Models
	36	44127-72A	O-RING, caliper piston	73 to Early 80 — All Models
	39	44132-72	WASHER, caliper screw (4)	73 to Early 80 — All Models
	40	44133-72	DUST BOOT, caliper	73 to Early 80 — All Models
	41	44134-72A	BOLT, caliper (4)	73 to Early 80 — All Models
	42	44135-74	PAD SET, with piston o-ring	73 to Early 78 — All Models
	43	44146-77	BLEEDER VALVE, caliper	78 to Early 80 — All Models
	44	44154-73	ANCHOR ARM, caliper bracket	73 to Early 80 — All Models
	45	44166-73	BRACKET, caliper mounting	73 to Early 80 — All Models
	46	44197-77	LABEL, rear brake caliper (3)	77 to Early 80 — FXS, FXS-80, FXB
	46A	44331-73	CALIPER MOUNTING STUD KIT, consists of besides mounting stud, locknut & washer, index nos. 35, 50 & 52	73 to Early 80 — All Models
	47	45151-78	REAR BRAKE HOSE	78 to Early 80 — All Models
	48	45518-73	TUBE FITTING, brake outer caliper	N/A 73 — All Models
	50	45821-75	BUSHING, caliper mounting bracket — long (steel)	73 to Early 80 — All Models
	52	45822-75	BUSHING, caliper mounting bracket — short (steel)	73 to Early 80 — All Models



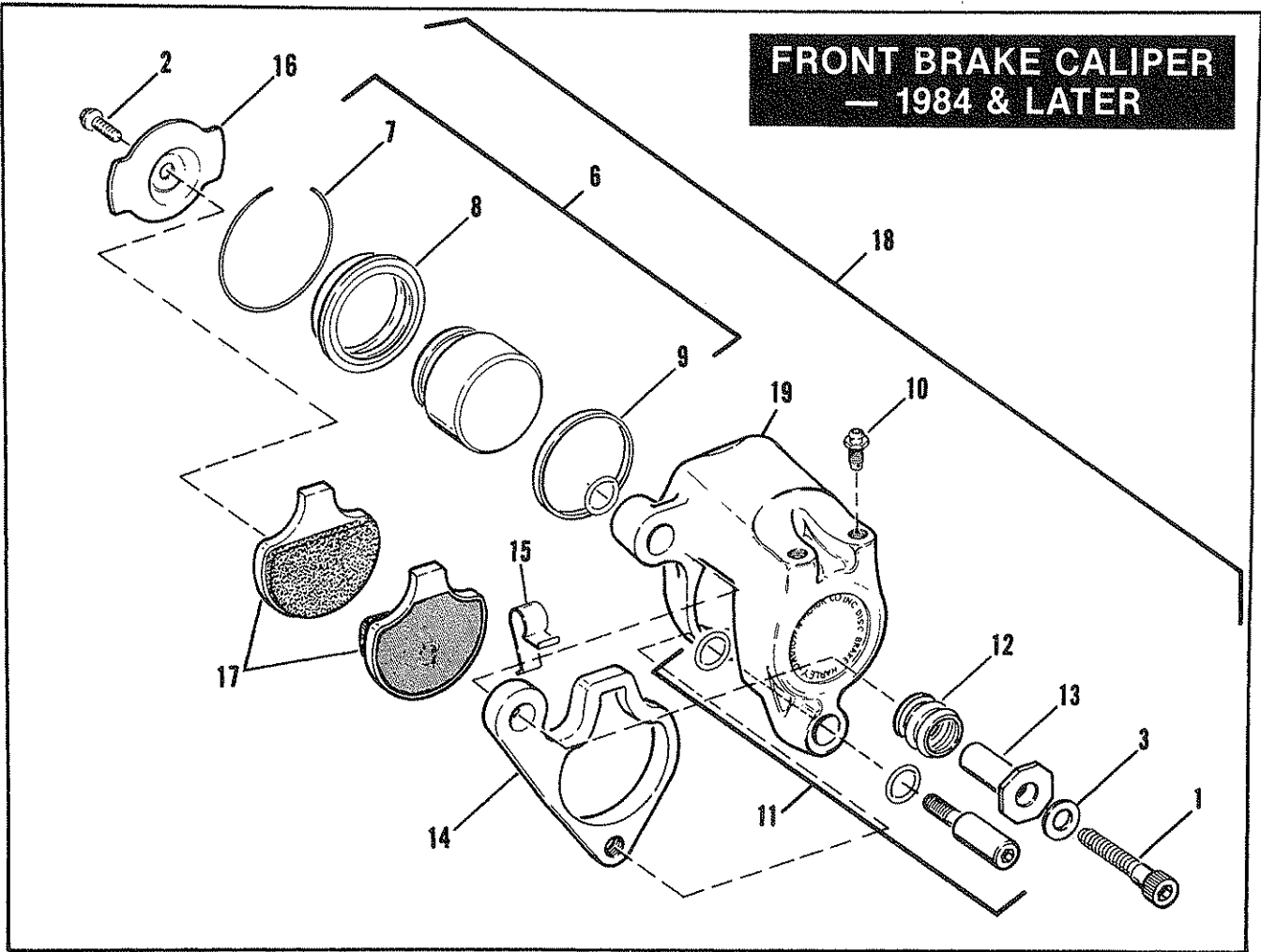
**REAR DISC BRAKE
LATE 1980**

DETAIL PRICE	INDEX NO.	PART NO.	N A M E	USED ON
	1	520W	COTTER PIN, 1/8 x 1-1/4 (2)	Late 80 — All Models
	2	2652	SCREW, No. 10-16 x 3/8 self tapping hex. hd. (2)	Late 80 — All Models
	3	3680	SCREW, 5/16-18 x 7/8 ctsk. socket flat hd. (10)	Late 80 — All Models
	4	6718	WASHER, 1/2 x 1-1/6 x 3/32	Late 80 — All Models
	5	7145W	LOCKWASHER, 3/8 external tooth (5)	Late 80 — All Models
	6	7778	LOCKNUT, 3/8-16 x 7/16 x 9/16 hex. (5)	Late 80 — All Models
	7	7843	CASTLE NUT, 1/2-13 x 7/16 x 3/4 hex. (2)	Late 80 — All Models
	8	38712-68	CLIP, brake hose	Late 80 — All Models
	9	41198-73	BOLT, 3/8-16 x 1 thin hex. hd. (5)	Late 80 — All Models
	9A	41670-73	ANTI-VIBRATION KIT — REAR BRAKE ONLY	N/A
	10	41734-73	BOLT, 1/2-13 hex. hd. (drilled) (2)	Late 80 — All Models
	11	41813-79	DISC, brake	Late 80 — All Models
	12	41814-76A	PLATE, brake disc (2)	Late 80 — All Models
	12A	42300-73A	REAR BRAKE HOSE	Late 80 — FXWG
	13	44002-78	SHIM, piston side (anti-rattle)	Late 80 — All Models
	14	44004-80	INSULATOR, 1-3/4 round x 5/16 thick	Late 80 — All Models
	15	44005-78	PAD SET	Late 80 — All Models
	16	44007-80	SEAL, caliper piston	Late 80 — All Models
	17	44008-80	CALIPER AND PISTON ASSEMBLY, outer — REAR BRAKE ONLY	Late 80 — All Models
			Consists of:	
		44007-80	SEAL, caliper piston	
		44118-80	PISTON	
		44133-72	DUST BOOT, caliper	
		44146-77	BLEEDER VALVE, caliper	
	19	44106-80	BRAKE CALIPER, inner	Late 80 — All Models
	20	44107-72	MOUNTING PIN	Late 80 — All Models
	21	44108-72	LABEL, caliper (3)	Late 80 — FXE, FXEF, FXEF-80
	22	44118-80	PISTON	Late 80 — All Models
	23	44124-72	PIN, brake pad (2)	Late 80 — All Models
	24	44132-72	WASHER, caliper screw (4)	Late 80 — All Models
	25	44133-72	DUST BOOT, caliper	Late 80 — All Models
	26	44134-72A	SCREW, 12 pt. flanged hd. (4)	Late 80 — All Models
	27	44146-77	BLEEDER VALVE, caliper	Late 80 — All Models
	28	44154-73	ANCHOR ARM, caliper bracket	Late 80 — All Models
	29	44166-73	BRACKET, caliper mounting	Late 80 — All Models
	30	44197-77	LABEL, rear brake caliper (2)	Late 80 — FXS-80, FXWG, FXB
	30A	44331-73	CALIPER MOUNTING STUD KIT	Late 80 — All Models
			Includes besides mounting stud, locknut & washer:	
		44124-72	PIN, brake pad (2)	
		45821-75	BUSHING, caliper mounting bracket (steel)	
		45822-75	BUSHING, caliper mounting bracket (steel)	
	31	45151-78	REAR BRAKE HOSE	Late 80 — All Models except FXWG
	32	45821-75	BUSHING, caliper mounting bracket — long (steel)	Late 80 — All Models
	33	45822-75	BUSHING, caliper mounting bracket — short (steel)	Late 80 — All Models



RETAIL PRICE	INDEX NO.	PART NO.	N A M E	USED ON
	1	7740	LOCKNUT, 5/16-18 x 1/4 x 1/2 hex. (2)	77 to 79 — FXS; 78 to 83 — All Models
		44025-79	CALIPER ASSEMBLY, left	Late 78 to 81 — FX, FXEF, FXEF-80, FXWG, FXE-80 Late 78 & 79 — FXS, FXS-80
		44025-80	CALIPER ASSEMBLY, left (black) includes index nos.: 1, 5, 12, 13, 14, 16, 19, 20, 21 & 22	80 to 82 — FXS, FXS-80, FXB; 82 & 83 — FXWG, FXE-80, FXSB
		44026-79	CALIPER ASSEMBLY, right	Late 78 to 81 — FX, FXEF, FXEF-80, FXWG, FXE-80 Late 78 & 79 — FXS, FXS-80
		44026-80	CALIPER ASSEMBLY, right (black) includes index nos.: 1, 12, 13, 14, 18, 19, 20, 21, 22, 24	80 to 82 — FXS, FXS-80, FXB; 82 & 83 — FXWG, FXE-80, FXSB
	2	44032-79	PAD SET	Late 78 to 83 — All Models
	3	44098-77	PAD SET	N/A 77 & Early 78 — FXS; Early 78 — All Models
	4	44108-72	LABEL, caliper (2)	77 to 79 — FXS, FXS-80; 78 to 81 — FX, FXEF, FXEF-80, FXWG, FXE-80
		44116-77	CALIPER ASSEMBLY, right	N/A 77 & Early 78 — FXS; Early 78 — All Models
		44117-77	CALIPER ASSEMBLY, left	N/A 77 & Early 78 — FXS; Early 78 — All Models
	5	44121-77	CALIPER ASSEMBLY, outer — left	77 to 79 — FXS, FXS-80; 78 to 81 — FX, FXEF, FXEF-80, FXWG, FXE-80
	6	44121-80	CALIPER ASSEMBLY, outer — left (black) includes index nos.: 8 thru 11	80 to 82 — FXS-80, FXB; 82 & 83 — FXWG, FXE-80, FXSB
	7	44128-83	FOAM TAPE (2)	N/A 78 to 83 — All Models
	8	44146-77	BLEEDER FITTING	77 to 79 — FXS; 78 to 83 — All Models
	9	44151-77	SEAL, piston (2)	77 to 79 — FXS; 78 to 83 — All Models
	10	44153-77	BOOT (2)	77 to 79 — FXS; 78 to 83 — All Models
	11	44157-77	PISTON (2)	77 to 79 — FXS; 78 to 83 — All Models
	12	44158-77	PLATE, outer (2)	77 to 79 — FXS; 78 to 83 — All Models
	13	44161-77	PLATE, inner (2)	77 to 79 — FXS; 78 to 83 — All Models
	14	44162-77	PIN (4)	77 to 79 — FXS; 78 to 83 — All Models
	15	44163-77	CALIPER, inner — left	77 to 79 — FXS, FXS-80; 78 to 81 — FX, FXEF, FXEF-80, FXWG, FXE-80
	16	44163-80	CALIPER, inner — left (black)	N/A 80 to 82 — FXS-80, FXB; 82 & 83 — FXWG, FXE-80, FXSB
	17	44164-77	CALIPER, inner — right	77 to 79 — FXS, FXS-80; 78 to 81 — FX, FXEF, FXEF-80, FXWG, FXE-80
	18	44164-80	CALIPER, inner — right (black)	80 to 82 — FXS-80, FXB; 82 & 83 — FXWG, FXE-80, FXSB
	19	44165-77	WASHER (2)	77 to 79 — FXS; 78 to 83 — All Models
	20	44172-77	BOLT (2)	77 to 79 — FXS; 78 to 83 — All Models
	21	44173-77	SCREW, caliper mounting (long) (2)	77 to 79 — FXS; 78 to 83 — All Models
	22	44174-77	SCREW, caliper mounting (short) (2)	77 to 79 — FXS; 78 to 83 — All Models
	23	44195-77	CALIPER ASSEMBLY, outer — right	77 to 79 — FXS, FXS-80; 78 to 81 — FX, FXEF, FXEF-80, FXWG, FXE-80
	24	44195-80	CALIPER ASSEMBLY, outer — right (black) includes index nos.: 8 thru 11	80 to 82 — FXS-80, FXB; 82 & 83 — FXWG, FXE-80, FXSB
	25	44197-77	LABEL, caliper	80 to 83 — All 1340 cc Models

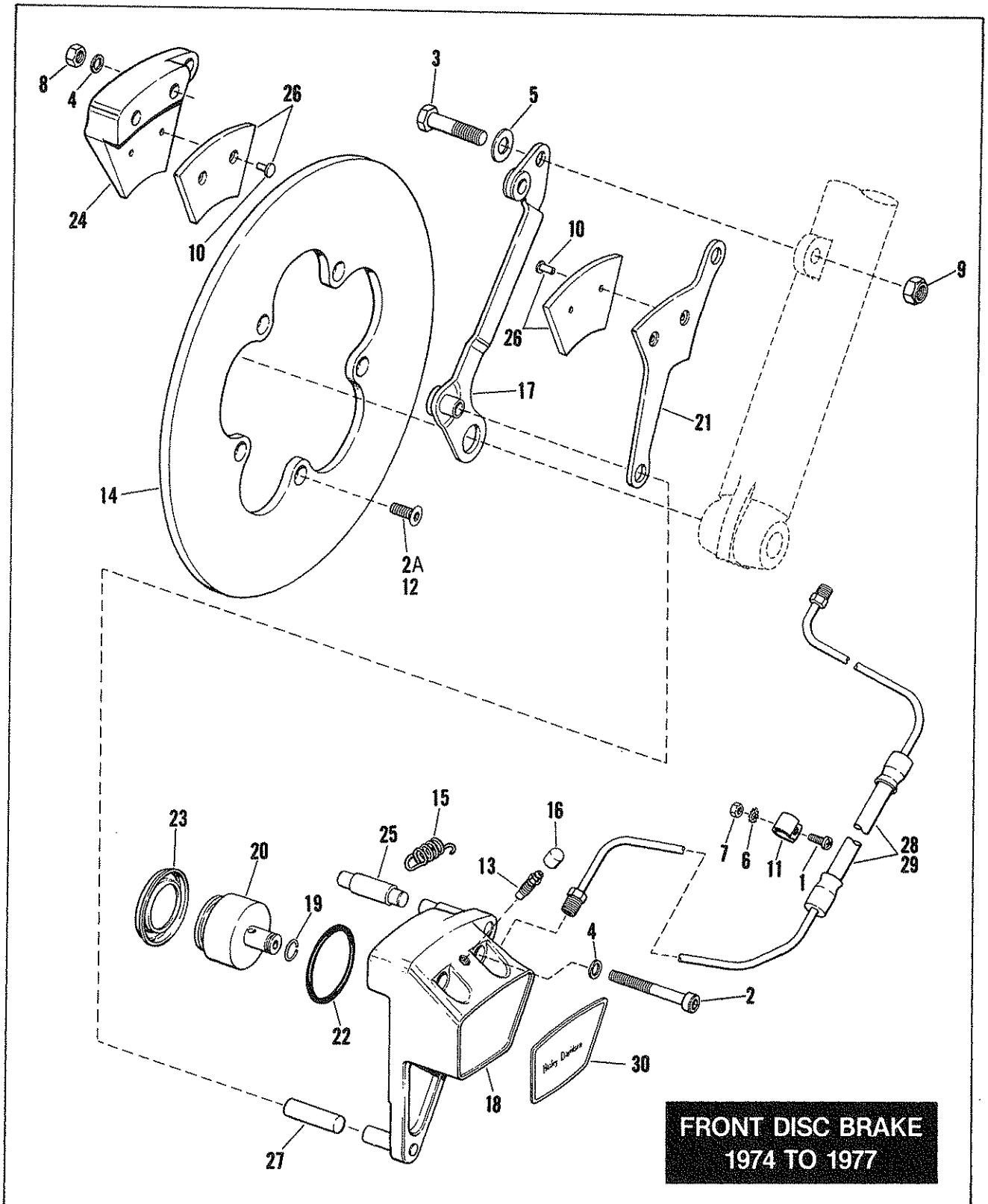
**FRONT BRAKE CALIPER
— 1984 & LATER**



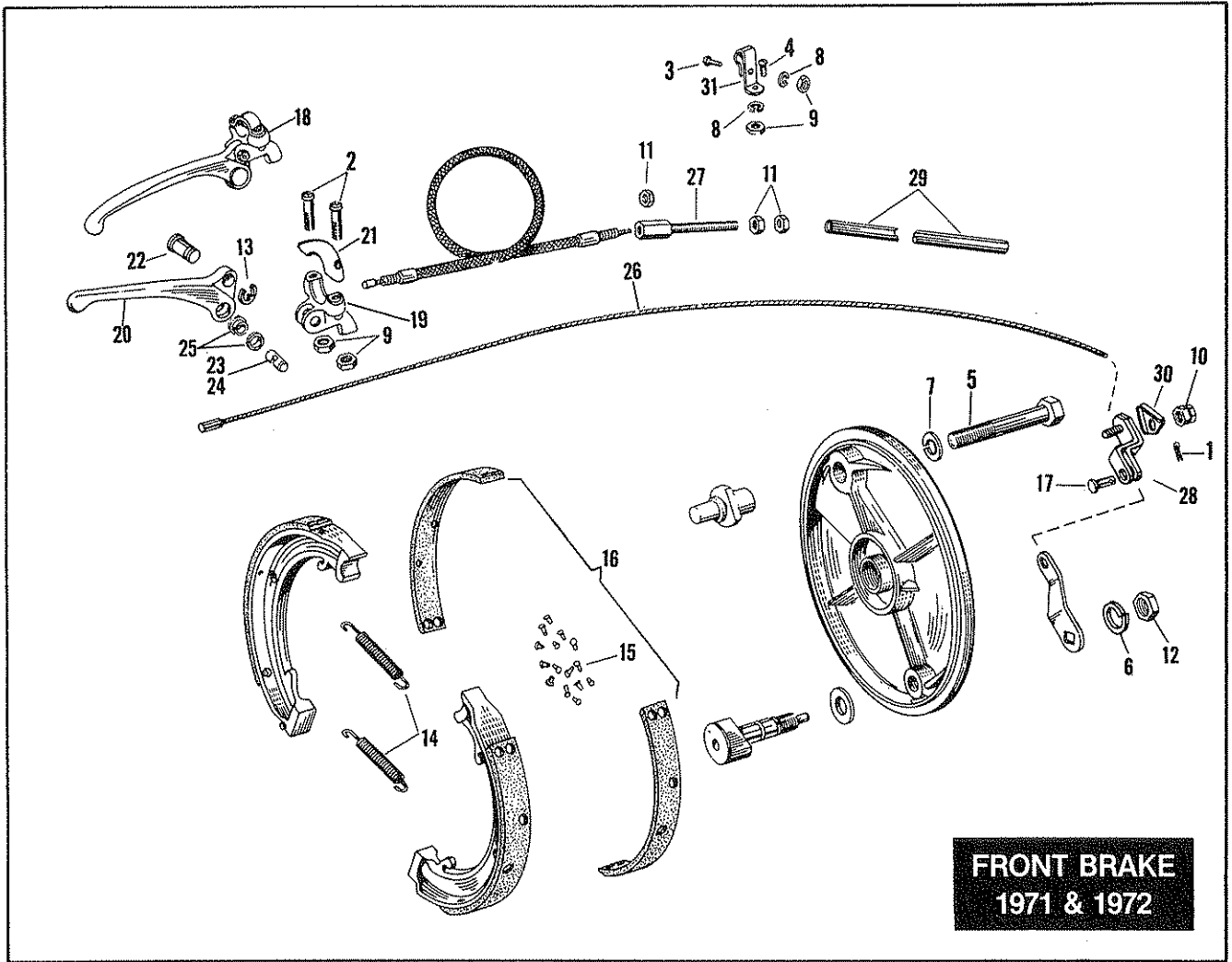
FRONT BRAKE CALIPER — 1984 & LATER

AA28A

RETAIL PRICE	INDEX NO.	PART NO.	N A M E	USED ON
	1	855	SCREW	84 — All Models
	2	3517	SCREW	84 — All Models
	3	6019	WASHER	84 — All Models
	6	44020—83	PISTON REBUILD KIT, includes items 7, 8 & 9	84 — All Models
	7	44021—83	RETAINING RING, piston	84 — All Models
	8	44022—83	DUST BOOT, piston	84 — All Models
	9	44047—83	SEAL, piston	84 — All Models
	10	44053—83A	BLEEDER FITTING	84 — All Models
	11	44053—83	GUIDE PIN KIT, includes items 12 & 13	84 — All Models
	12	44054—83	PIN BOOT	84 — All Models
	13	44059—83	GUIDE (3)	84 — All Models
	14	44060—83	BRACKET, caliper mounting	84 — All Models
	15	44061—83	SPRING CLIP	84 — All Models
	16	44062—83	RETAINING RING	84 — All Models
	17	44063—83	PAD SET	84 — All Models
	18	44046—84	CALIPER ASSEMBLY, left	84 — All Models
	19	44065—83	CALIPER REBUILD KIT, left - includes items 6 & 10 .. N/A	84 — All Models

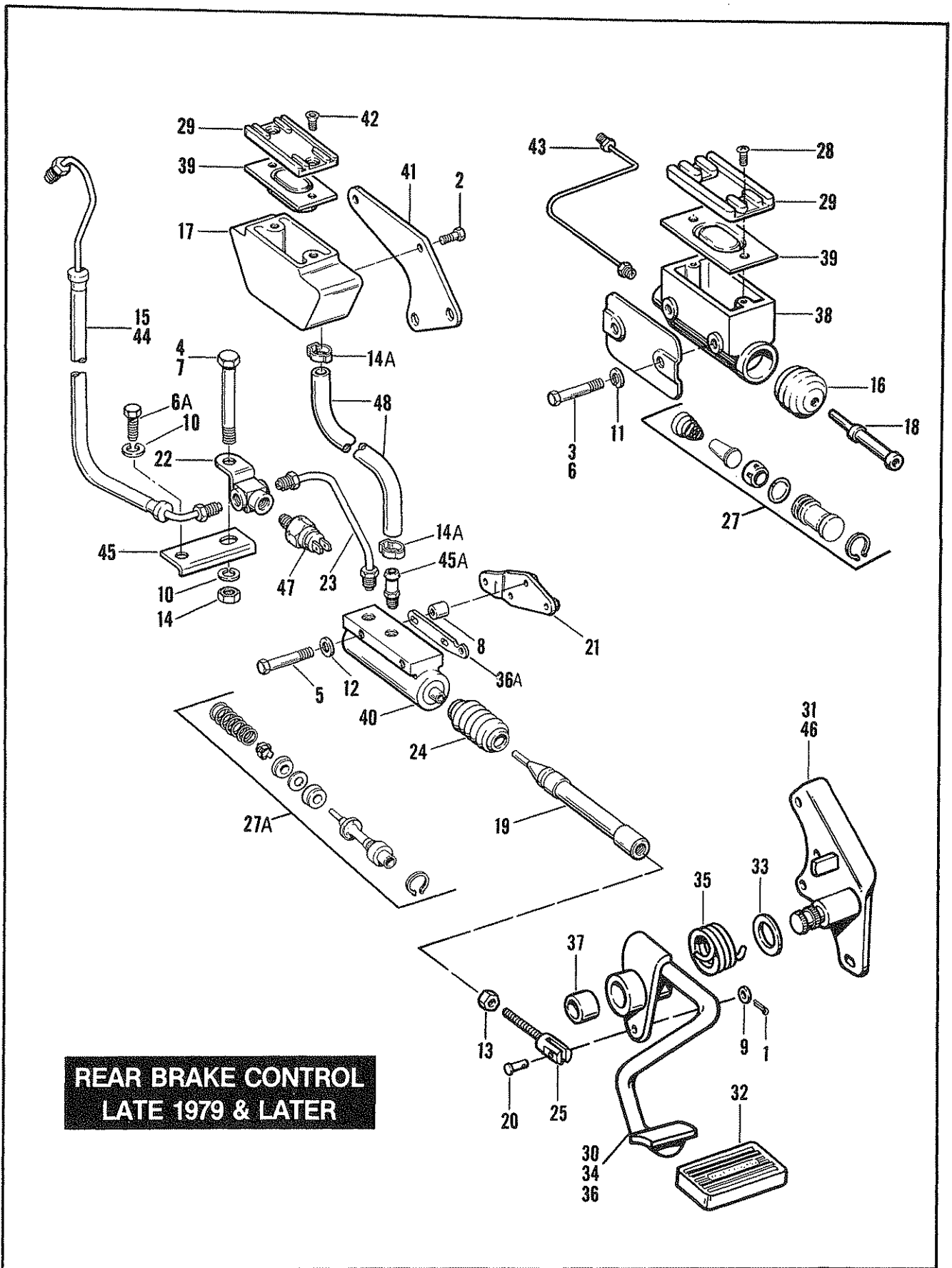


DETAIL PRICE	INDEX NO.	PART NO.	N A M E	USED ON
	1	2664	SCREW, No. 10-24 x 7/16 Pozidriv pan hd.	74 to 77 — FX, FXE
	2	3453	SCREW, 5/16-24 x 2-1/4 hex. socket hd. (2)	74 to 77 — FX, FXE
	2A	3793	SCREW, 1/4-20 x 5/8 ctsk. flat socket hd. w/locking patch (5)	74 to 77 — FX, FXE
	3	4724	BOLT, 3/8-24 x 1-1/2 hex. hd.	74 to 77 — FX, FXE
	4	6230	WASHER, 11/32 x 13/32 x 1/32 (4)	N/A 74 to 77 — FX, FXE
	5	6701	WASHER, 3/8 x 13/16 x 1/16	74 to 77 — FX, FXE
	6	7220	LOCKWASHER, No. 10 external tooth	74 to 77 — FX, FXE
	7	7620W	NUT, No. 10-24 x 1/8 x 3/8 hex.	74 to 77 — FX, FXE
	8	7729	LOCKNUT, 5/16-24 x 1/4 x 1/2 hex. (2)	74 to 77 — FX, FXE
	9	7775	LOCKNUT, 3/8-24 x 7/16 x 9/16 hex.	74 to 77 — FX, FXE
	10	8475	RIVET (4)	74 to 77 — FX, FXE
	11	38712-68	CLIP, brake hose	74 to 77 — FX, FXE
	12	41191-74	SCREW, 1/4-20 x 5/8 ctsk. socket flat hd. (5)	74 to 77 — FX, FXE
	13	41749-58	BLEEDER VALVE	74 to 77 — FX, FXE
	14	41807-74	DISC, brake	N/A 74 to 77 — FX, FXE
	15	43302-77	SPRING, brake caliper (service fix)	N/A 74 to 77 — FX, FXE
		44089-74	CALIPER ASSEMBLY, complete	74 to 77 — FX, FXE
	16	44271-74	RUBBER CAP, bleeder valve	N/A 74 to 77 — FX, FXE
	17	44272-74	ANCHOR ARM	N/A 74 to 77 — FX, FXE
	18	44273-74	OUTER CALIPER	N/A 74 to 77 — FX, FXE
	19	44274-74	FRICTION RING	N/A 74 to 77 — FX, FXE
	20	44275-74	PISTON	N/A 74 to 77 — FX, FXE
	21	44276-74	PLATE, floating lining	N/A 74 to 77 — FX, FXE
	22	44277-74	O-RING	74 to 77 — FX, FXE
	23	44278-74	RUBBER BOOT, piston	N/A 74 to 77 — FX, FXE
	24	44279-74	INNER CALIPER	N/A 74 to 77 — FX, FXE
	25	44280-74	ANCHOR PIN, upper	N/A 74 to 77 — FX, FXE
	26	44281-74	BRAKE LINING KIT, complete (2 linings — 4 rivets)	N/A 74 to 77 — FX, FXE
	27	44283-74	ANCHOR PIN, lower	N/A 74 to 77 — FX, FXE
	28	45519-77	FRONT BRAKE HOSE, complete	77 — FX, FXE
	29	45521-74A	FRONT BRAKE HOSE, complete	74 to 76 — FX, FXE
	30	45532-74	LABEL, caliper	N/A 74 to 77 — FX, FXE



FRONT BRAKE
1971 & 1972

RETAIL PRICE	INDEX NO.	PART NO.	N A M E	USED ON
	1	515	COTTER PIN, 1/16 dia. x 1/2	71 & 72 — FX
	2	1205	SCREW, No. 10-24 x 3/4 Pozidriv fil. hd. (2)	71 & 72 — FX
	3	2592	SCREW, No. 10-24 x 1/2 Pozidriv pan hd.	71 & 72 — FX
	4	2660	SCREW, No. 10-24 x 3/8 Pozidriv pan hd.	71 & 72 — FX
	5	3433	BOLT, 7/16-20 x 2-3/4 hex. hd.	N/A 71 & 72 — FX
	6	7038	LOCKWASHER, 3/8	71 & 72 — FX
	7	7039	LOCKWASHER, 7/16	71 & 72 — FX
	8	7069	LOCKWASHER, No. 10 (2)	71 & 72 — FX
	9	7620W	NUT, No. 10-24 x 1/8 x 3/8 hex. (3)	71 & 72 — FX
	10	7725	LOCKNUT, 5/16-24 x 11/16 x 1/2 hex.	71 & 72 — FX
	11	7744	NUT, 5/16-24 x 3/16 x 1/2 hex. (3)	71 & 72 — FX
	12	7800W	NUT, 3/8-24 x 5/16 x 9/16 hex.	71 & 72 — FX
	13	11036	RETAINING RING, pivot pin	71 & 72 — FX
	14	41835—69	SPRING, brake shoe (2)	71 & 72 — FX
	15	41841—31	RIVET, brake lining (12)	N/A 71 & 72 — FX
	16	41848—64	SET OF BRAKE LININGS AND RIVETS	N/A 71 & 72 — FX
	17	44524—51	CLEVIS PIN	N/A 71 & 72 — FX
	18	45002—69	HAND LEVER AND BRACKET	N/A 71 & 72 — FX
	19	45023—69	BRACKET, only	N/A 71 & 72 — FX
	20	45024—65A	HAND LEVER, with pins and nylon bushings	71 & 72 — FX
	21	45030—65A	CLAMP, hand lever bracket	71 & 72 — FX
	22	45031—65	PIVOT PIN, hand lever	71 & 72 — FX
	23	45034—68	ANCHOR PIN, hand lever (used without bushings)	71 & 72 — FX
	24	45036—68	ANCHOR PIN, hand lever (used with plastic bushings)	71 & 72 — FX
	25	45039—68	BUSHING, hand lever cable anchor pin (plastic) (2)	71 & 72 — FX
	26	45060—54	CABLE COIL ASSEMBLY	71 & 72 — FX
	27	45159—50	ADJUSTING SCREW, control coil	N/A 71 & 72 — FX
	28	45174—64	CLEVIS, brake cable	N/A 71 & 72 — FX
	29	45203—52	TUBE, brake cable	N/A 71 & 72 — FX
	30	45216—49	CLEVIS CLAMP, brake cable	N/A 71 & 72 — FX
	31	45218—52	CLAMP, cable tube	N/A 71 & 72 — FX



RETAIL PRICE	INDEX NO.	PART NO.	NAME	USED ON
	1	515	COTTER PIN, 1/16 x 1/2	Late 79 to * — All Models except FXWG
	2	3473	BOLT, No. 10-32 x 1/2 hex. washer hd. (2)	83 & 84 — FXSB; 84 — FXE-80
	3	3427	BOLT, 5/16-18 x 3-1/2 hex. hd. (2)	80 to 83 — All Models except FXWG & FXSB
	4	4337W	BOLT, 3/8-24 x 1-1/4 hex. hd.	83 & 84 — FXSB; 84 — FXE-80
	5	4392	BOLT, 5/16-18 x 3-1/4 hex. hd. (2)	83 & 84 — FXSB; 84 — FXE-80
	6	4434W	BOLT, 3/8-24 x 3-1/4 hex. hd. (2)	Late 79 — All Models
	6A	4724	BOLT, 3/8-24 x 1-1/2 hex. hd.	Late 84 — FXSB
	7	4713W	BOLT, 3/8-16 x 3/4 hex. hd.	Late 79 to * — All Models except FXWG
	8	5890	SPACER (2)	Late 79 to 83 — All Models except FXWG & FXSB
		5891	SPACER (2)	83 & 84 — FXSB; 84 — FXE-80
	9	6220W	WASHER, 1/4 x 7/16 x 1/32	Late 79 to * — All Models except FXWG
	10	7038	LOCKWASHER, 3/8 (2 — Late 84 - FXSB)	Late 79 to * — All Models except FXWG
	11	7041	LOCKWASHER, 5/16 (2)	Late 79 to 83 — All Models except FXWG & FXSB
	12	7127	LOCKWASHER, 5/16 internal tooth (2)	83 & 84 — FXSB; 84 — FXE-80
	13	7744	JAMNUT, 5/16-24 x 3/16 x 1/2 hex.	Late 79 to * — All Models except FXWG
	14	7783	NUT, 3/8-16 x 5/16 x 9/16 hex.	Late 79 to * — All Models except FXWG
	14A	10038	CLAMP, 19/32 reservoir hose (2)	83 & 84 — FXSB; 84 — FXE-80
	15	41033—82	REAR BRAKE HOSE	83 & 84 — FXSB; 84 — FXE-80
	16	41764—79	RUBBER BOOT, master cylinder	Late 79 to 83 — All Models except FXWG & FXSB
	17	41800—81A	RESERVOIR	83 & 84 — FXSB; 84 — FXE-80
	18	42257—79	BRAKE ROD	Late 79 to 83 — All Models except FXWG & FXSB
	19	42257—82	BRAKE ROD	83 & 84 — FXSB; 84 — FXE-80
	20	42269—30	PIN, rear brake rod clevis	Late 79 to * — All Models
	21	42299—79	SUPPORT BRACKET	Late 79 to 83 — All Models except FXWG & FXSB
		42299—82	SUPPORT BRACKET	83 & 84 — FXSB; 84 — FXE-80
	22	42318—72	BRAKE LINE TEE	Late 79 to * — All Models
	23	42320—82	REAR BRAKE TUBE	83 & 84 — FXSB; 84 — FXE-80
	24	42326—82	RUBBER BOOT, master cylinder	83 & 84 — FXSB; 84 — FXE-80
	25	42330—72	CLEVIS, brake rod	Late 79 to 83 — All Models except FXWG & FXSB
		42330—82	CLEVIS, brake rod	83 & 84 — FXSB; 84 — FXE-80
	27	42374—77B	REPAIR KIT, master cylinder	Late 79 to 83 — All Models except FXWG & FXSB
	27A	42374—82A	REPAIR KIT, master cylinder	83 & 84 — FXSB; 84 — FXE-80
	28	42375—77	SCREW, master cylinder cover (2)	Late 79 to 83 — All Models except FXWG & FXSB
	29	42376—77A	COVER, master cylinder (reservoir—83 & Later)	Late 79 to * — All Models
	30	42388—79	LEVER, foot brake (polished chrome)	Late 79 & 80 — FXS, FXS-80, FXB
	31	42389—79	BRACKET, foot lever (polished chrome)	Late 79 to 82 — FXS, FXS-80; 83 & 84 — FXSB
	32	42394—65	RUBBER, brake pedal	Late 79 to * — All Models except FXWG
	33	42396—79	WASHER, brake pedal pivot	Late 79 to * — All Models except FXWG
	34	42399—79A	LEVER, foot brake (shot blast & chrome)	Late 79 to 81 — FXE, FXEF, FXEF-80; Late 79 to 83 — FXE-80
		42399—82	LEVER, foot brake	84 — FXE-80
	35	42425—79	SPRING, foot lever	Late 79 to * — All Models except FXWG
	36	42428—81	LEVER, foot brake	81 & 82 — FXS-80, FXB
		42428—82	LEVER, foot brake (polished chrome)	83 & 84 — FXSB
	36A	42433—83	MOUNTING PLATE, master cylinder	83 & 84 — FXSB; 84 — FXE-80
	37	42435—79	BUSHING, foot brake lever	Late 79 to * — All Models except FXWG
	38	42453—80A	MASTER CYLINDER	Late 79 to 83 — All Models except FXWG & FXSB
	39	42455—80	GASKET, master cylinder cover (reservoir cover - 83 & Later)	Late 79 to * — All Models
	40	42470—82A	MASTER CYLINDER	83 & 84 — FXSB; 84 — FXE-80
	41	42527—82	MOUNTING BRACKET, reservoir	83 & 84 — FXSB; 84 — FXE-80
	42	42534—82	SCREW, No. 10-32 x 1/2 socket flat hd. (2)	83 & 84 — FXSB; 84 — FXE-80
	43	45150—79	REAR BRAKE TUBE	Late 79 to 83 — All Models except FXWG & FXSB
	44	45151—78	REAR BRAKE HOSE	Late 79 to 83 — All Models except FXWG & FXSB
	45	45152—78A	BRACKET, brake line tee	Late 79 to * — All Models
	45A	63548—82	FITTING, hose to reservoir (brass)	83 & 84 — FXSB; 84 — FXE-80
	46	50800—71B	BRACKET, foot lever (shot blast & chrome)	Late 79 to * — FXE, FXEF, FXEF-80, FXE-80
		50800—80	BRACKET, foot lever (black)	N/A 80 to 82 — FXB
	47	72023—51A	STOPLIGHT SWITCH, rear	Late 79 to * — All Models

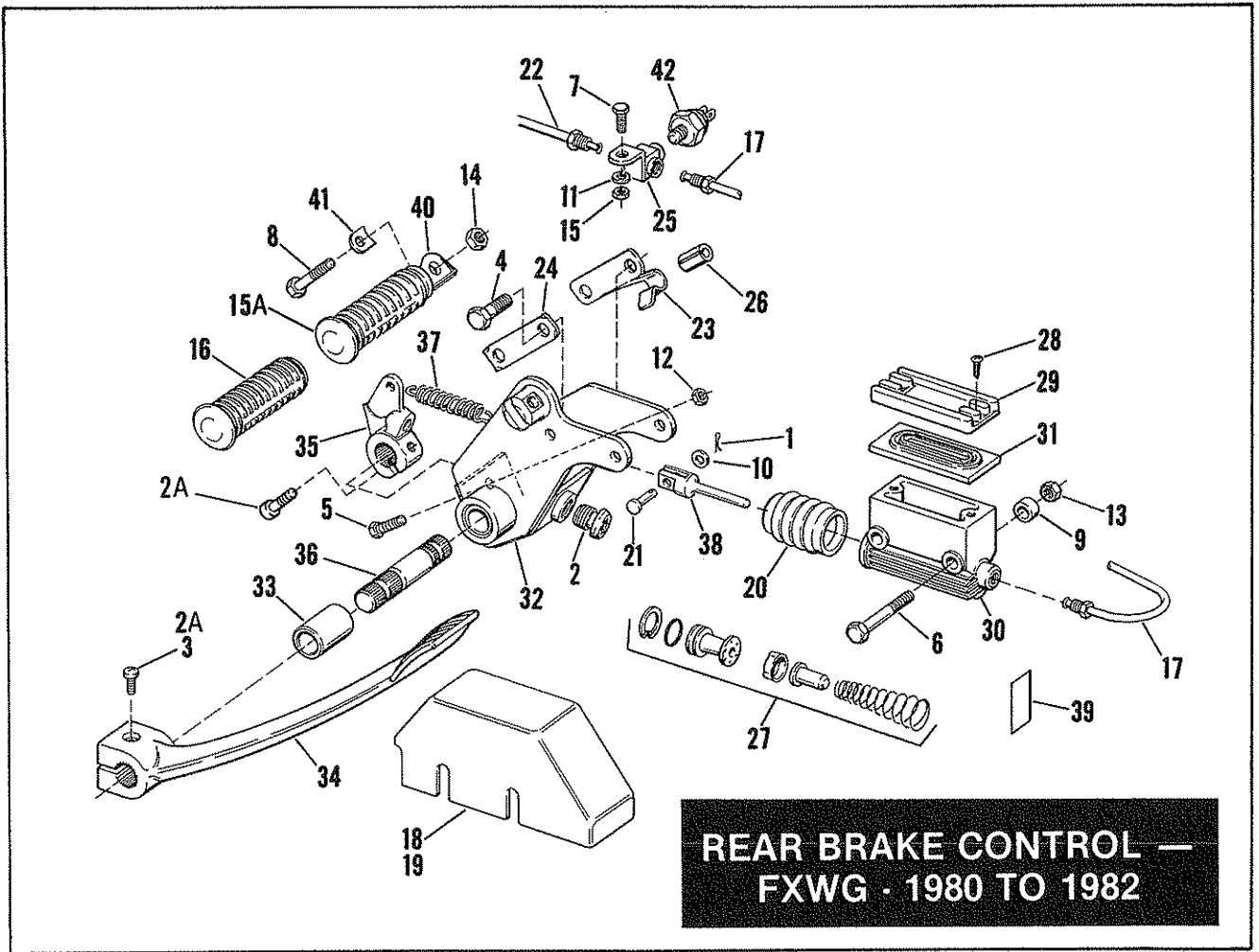
NOTE: Hose is sold only in bulk length under the following part no. Cut to required length.

48	63573—82	HOSE, 5/16 rubber, 25 ft. long	83 & 84 — FXSB
----	----------	--------------------------------	----------------

RETAIL PRICE	INDEX NO.	PART NO.	N A M E	USED ON
	1	515	COTTER PIN, 1/16 x 1/2	83 & 84 — FXWG
	2	2872W	BOLT, 1/4-20 x 1-1/2 hex. hd. (2)	83 & 84 — FXWG
	3	2887W	BOLT, 5/16-18 x 1-3/4 hex. hd. (2)	83 & 84 — FXWG
	4	3464	BOLT, 3/8-16 x 3/4 hex. hd.	83 & 84 — FXWG
	5	3473	BOLT, No. 10-32 x 1/2 hex. hd. (2)	83 & 84 — FXWG
	6	3509	BOLT, 3/8-16 x 2-3/4 hex. hd.	83 & 84 — FXWG
	7	3825	BOLT	Late 83 & 84 — FXWG
		4410	BOLT, 1/4-28 x 7/8 hex. hd.	Early 83 — FXWG
	8	4713W	BOLT, 3/8-16 x 3/4 hex. hd.	83 & 84 — FXWG
	9	4721	BOLT, 3/8-16 x 1-1/2 hex. hd.	83 & 84 — FXWG
	10	4724	BOLT, 3/8-24 x 1-1/2 hex. hd.	83 & 84 — FXWG
	11	6220W	WASHER, 1/4 x 7/16 x 1/32.	83 & 84 — FXWG
	12	7036	LOCKWASHER, 1/4	83 & 84 — FXWG
	13	7038	LOCKWASHER, 3/8	83 & 84 — FXWG
	14	7127	LOCKWASHER, 5/16 internal tooth (2)	83 & 84 — FXWG
	15	7676	NUT, 1/4-28 x 7/32 x 7/16 hex.	Early 83 — FXWG
15A		7683	LOCKNUT	Late 83 & 84 — FXWG
	16	7740	LOCKNUT, 5/16-18 x 1/4 x 1/2 hex. (2)	83 & 84 — FXWG
	17	7742	LOCKNUT, 1/4-20 x 7/32 x 7/16 hex.	83 & 84 — FXWG
	18	7744	JAMNUT, 5/16-24 x 3/16 x 1/2 hex.	83 & 84 — FXWG
	19	7778	LOCKNUT, 3/8-16 x 7/16 x 9/16 hex.	83 & 84 — FXWG
	20	7783	NUT, 3/8-16 x 5/16 x 9/16 hex.	83 & 84 — FXWG
20A		10033	CLAMP, rear brake tube	Late 84 — FXWG
	21	10038	CLAMP, 19/32 reservoir hose (2)	83 & 84 — FXWG
	22	33048—72	FOOTREST	83 & 84 — FXWG
	23	33189—63	RUBBER COVER, footrest	83 & 84 — FXWG
	24	40920—82	SPRING, brake return	83 & 84 — FXWG
	25	40918—82	WASHER, piston cup	83 & 84 — FXWG
25A		40921—79	WASHER, brake return	Early 83 — FXWG
	26	40922—79	BOOT, push rod	83 & 84 — FXWG
	27	41004—82	REAR BRAKE TUBE	83 & Early 84 — FXWG
	28	41033—82	REAR BRAKE HOSE	83 & 84 — FXWG
	29	41664—82	BRACKET, front brake tube	83 & Early 84 — FXWG
	30	41800—81A	RESERVOIR, master cylinder	83 & 84 — FXWG
	31	42269—30	PIN, rear brake rod clevis	83 & 84 — FXWG
31A		42318—72	BRAKE LINE TEE	83 & 84 — FXWG
	32	42319—72	HOSE PAD, front brake tube	83 & Early 84 — FXWG
	33	42374—82A	REPAIR KIT, master cylinder	83 & 84 — FXWG
	34	42376—77A	COVER, master cylinder reservoir	83 & 84 — FXWG
	35	42448—82A	PLUNGER, master cylinder	83 & 84 — FXWG
	36	42455—80	GASKET, master cylinder reservoir	83 & 84 — FXWG
	37	42470—82A	MASTER CYLINDER	83 & 84 — FXWG
	38	42507—82	MOUNTING BRACKET (black wrinkle)	83 & 84 — FXWG
	39	42515—82	LEVER, foot brake (chrome)	83 & 84 — FXWG
	40	42522—82	CLEVIS, brake rod	83 & 84 — FXWG
	41	42524—82	BUSHING (2)	83 & 84 — FXWG
	42	42526—82	SUPPORT BRACKET	83 & 84 — FXWG
	43	42527—82	MOUNTING BRACKET, reservoir	83 & 84 — FXWG
	44	42531—82	WASHER, 13/32 x 1-3/8 x 3/32	83 & 84 — FXWG
	45	42532—82	PAD, brake lever	83 & 84 — FXWG
	46	42534—82	SCREW, No. 10-32 x 1/2 socket flat hd. (2)	83 & 84 — FXWG
	47	44126—82	WASHER, brake return spring	83 & 84 — FXWG
	48	45152—78A	BRACKET, brake line tee	83 & 84 — FXWG
48A		45154—84	REAR BRAKE TUBE	Late 84 — FXWG
	49	50912—72	SPRING WASHER, footrest	83 & 84 — FXWG
	50	63551—82	FITTING, 90° reservoir hose (brass)	83 & 84 — FXWG
	51	72023—51A	STOPLIGHT SWITCH, rear	83 & 84 — FXWG

NOTE: Hose is sold only in bulk length under the following part no. Cut to required length.

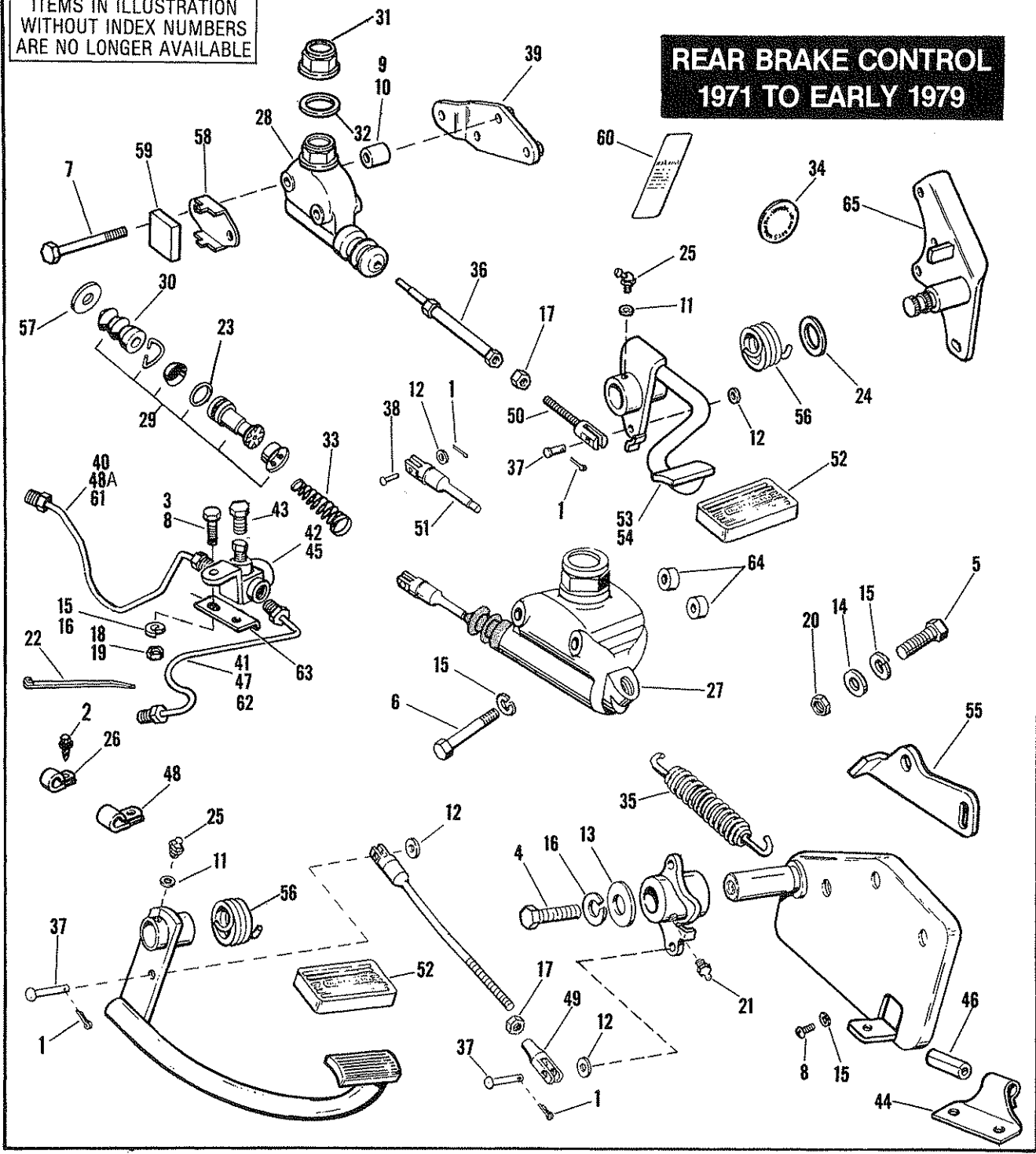
52	63573—82	HOSE, 5/16 rubber, 25 feet long	83 & 84 — FXWG
----	----------	---------------------------------	----------------



DETAIL PRICE	INDEX NO.	PART NO.	N A M E	USED ON
	1	515	COTTER PIN, 1/16 x 1/2	80 to 82 — FXWG
	2	720	PLUG, foot lever and bracket assembly	80 to 82 — FXWG
	2A	2708	SCREW, 5/16-18 x 1 socket hd. (2)	81 & 82 — FXWG
	3	3201W	SCREW, 5/16-18 x 3/4 socket hd.	80 — FXWG
	4	3464	BOLT, 3/8-16 x 3/4 hex. hd. (2)	80 to 82 — FXWG
	5	3825	BOLT, 1/4-28 x 1 hex. hd.	80 to 82 — FXWG
	6	4084W	BOLT, 5/16-24 x 2-15/16 hex. hd. (2)	80 to 82 — FXWG
	7	4713W	BOLT, 3/8-16 x 3/4 hex. hd.	80 to 82 — FXWG
	8	4721	BOLT, 3/8-16 x 1-1/2 hex. hd.	80 to 82 — FXWG
	9	5751	SPACER, master cylinder, 15/32 (2)	80 to 82 — FXWG
	10	6220W	WASHER, 1/4 x 7/16 x 1/32	80 to 82 — FXWG
	11	7038	LOCKWASHER, 3/8	80 to 82 — FXWG
	12	7676	NUT, 1/4-28 x 7/32 x 7/16 hex.	80 to 82 — FXWG
	13	7729	LOCKNUT, 5/16-24 x 1/4 x 1/2 hex. (2)	80 to 82 — FXWG
	14	7778	LOCKNUT, 3/8-16 x 7/16 x 9/16 hex.	80 to 82 — FXWG
	15	7783	NUT, 3/8-16 x 5/16 x 9/16 hex.	80 to 82 — FXWG
	15A	33048-72	FOOTREST	81 & 82 — FXWG
	16	33189-63	RUBBER, footrest	80 to 82 — FXWG
	17	41004-80	REAR BRAKE TUBE, 18"	80 to 82 — FXWG
	18	41745-79	COVER, master cylinder (chrome)	80 to 82 — FXWG
	19	41753-80	COVER, master cylinder (black)	80 to 82 — FXWG
	20	41764-79	RUBBER BOOT, master cylinder	N/A
	21	42269-70	CLEVIS PIN	80 to 82 — FXWG
	22	42300-73A	REAR BRAKE HOSE	80 to 82 — FXWG
	23	42314-71A	BRACKET, brake front tube	80 to 82 — FXWG
	24	42316-80	LOCKPLATE, footlever and bracket assembly	80 to 82 — FXWG
	25	42318-72	BRAKE LINE TEE	80 to 82 — FXWG
	26	42319-72	HOSE PAD, brake front tube	80 to 82 — FXWG
	27	42374-77B	REPAIR KIT, master cylinder	80 to 82 — FXWG
	28	42375-77	SCREW, master cylinder cover (2)	80 to 82 — FXWG
	29	42376-77A	COVER, master cylinder	80 to 82 — FXWG
	30	42454-80A	MASTER CYLINDER	80 to 82 — FXWG
	31	42455-80	GASKET, master cylinder	80 to 82 — FXWG
	32	42507-80	FOOT LEVER & BRACKET ASSEMBLY	80 to 82 — FXWG
	33	42511-80	BEARING, footlever bracket	80 to 82 — FXWG
	34	42515-80	LEVER, foot brake (polished)	80 to 82 — FXWG
	35	42517-80	CLEVIS, brake lever cross shaft	80 to 82 — FXWG
	36	42519-80	CROSS SHAFT, brake lever to clevis	80 to 82 — FXWG
	37	42521-80	SPRING, brake foot pedal	80 to 82 — FXWG
	38	42522-80	PLUNGER, master cylinder	80 to 82 — FXWG
	39	45105-77	WARNING LABEL, master cylinder (DOT 5) (2)	N/A
	40	49140-80	FOOTREST, chrome	80 — FXWG
	41	50912-72	SPRING WASHER, footrest	80 to 82 — FXWG
	42	72023-51A	STOPLIGHT SWITCH, rear	80 to 82 — FXWG

ITEMS IN ILLUSTRATION
WITHOUT INDEX NUMBERS
ARE NO LONGER AVAILABLE

**REAR BRAKE CONTROL
1971 TO EARLY 1979**

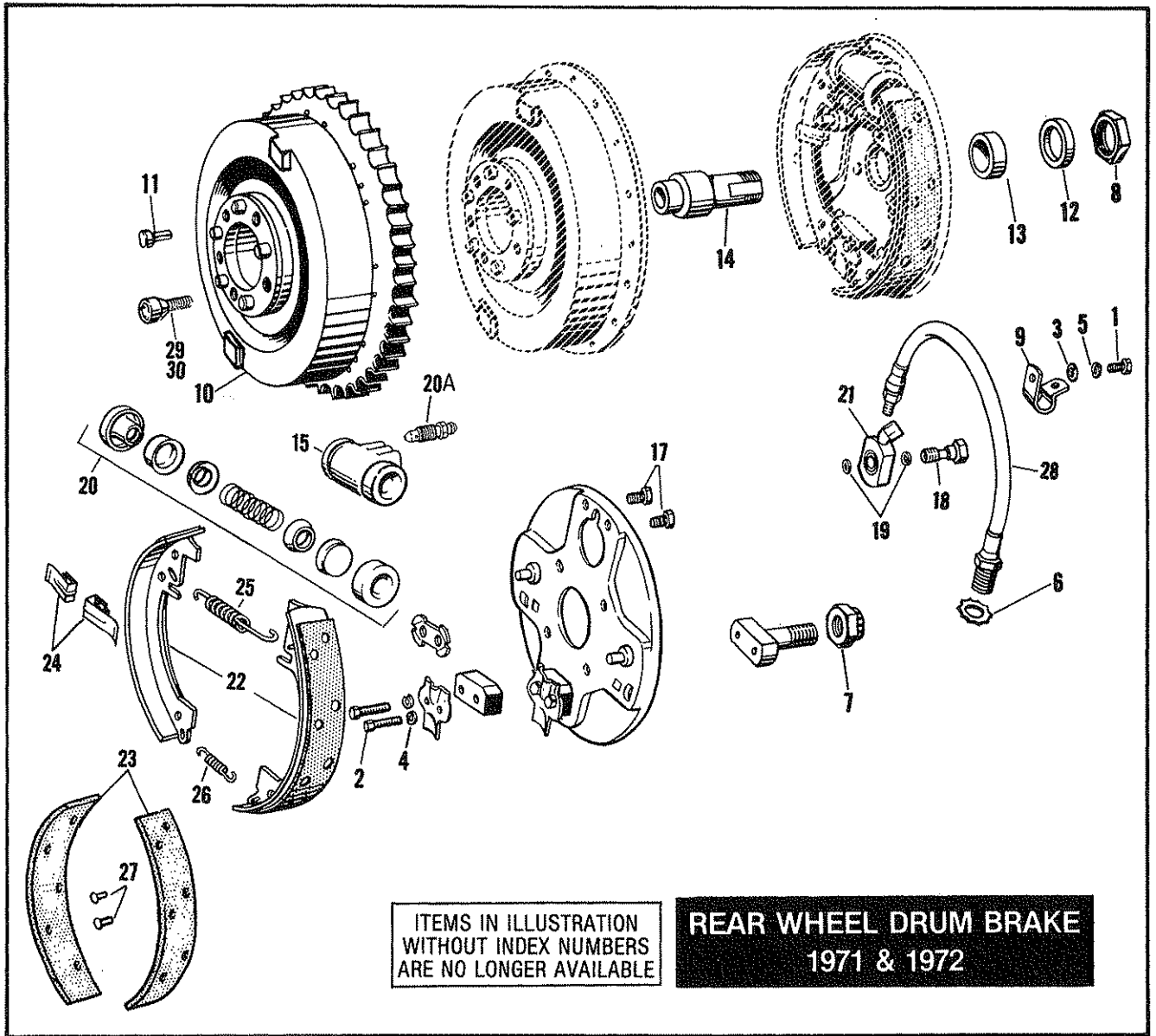


REAR BRAKE CONTROL — 1971 TO EARLY 1979

AA31A-1

RETAIL PRICE	INDEX NO.	PART NO.	NAME	USED ON
	1	515	COTTER PIN, 1/16 x 1/2	71 to Early 79 — All Models
	2	2652	SCREW, No. 10-16 x 3/8 self tapping hex. washer hd.	71 to Early 72 — FX
	3	3953W	BOLT, 5/16-24 x 1/2 hex. hd.	71 to Early 72 — FX
	4	3956	BOLT, 5/16-24 x 9/16 hex. hd.	71 to Early 72 — FX
	5	4401W	BOLT, 3/8-24 x 2-3/4 hex. hd.	71 to Early 72 — FX
	6	4420	BOLT, 3/8-16 x 2-3/4 hex. hd.	71 to Early 72 — FX
	7	4434W	BOLT, 3/8-24 x 3-1/4 hex. hd. (2)	Late 72 to Early 79 — All Models

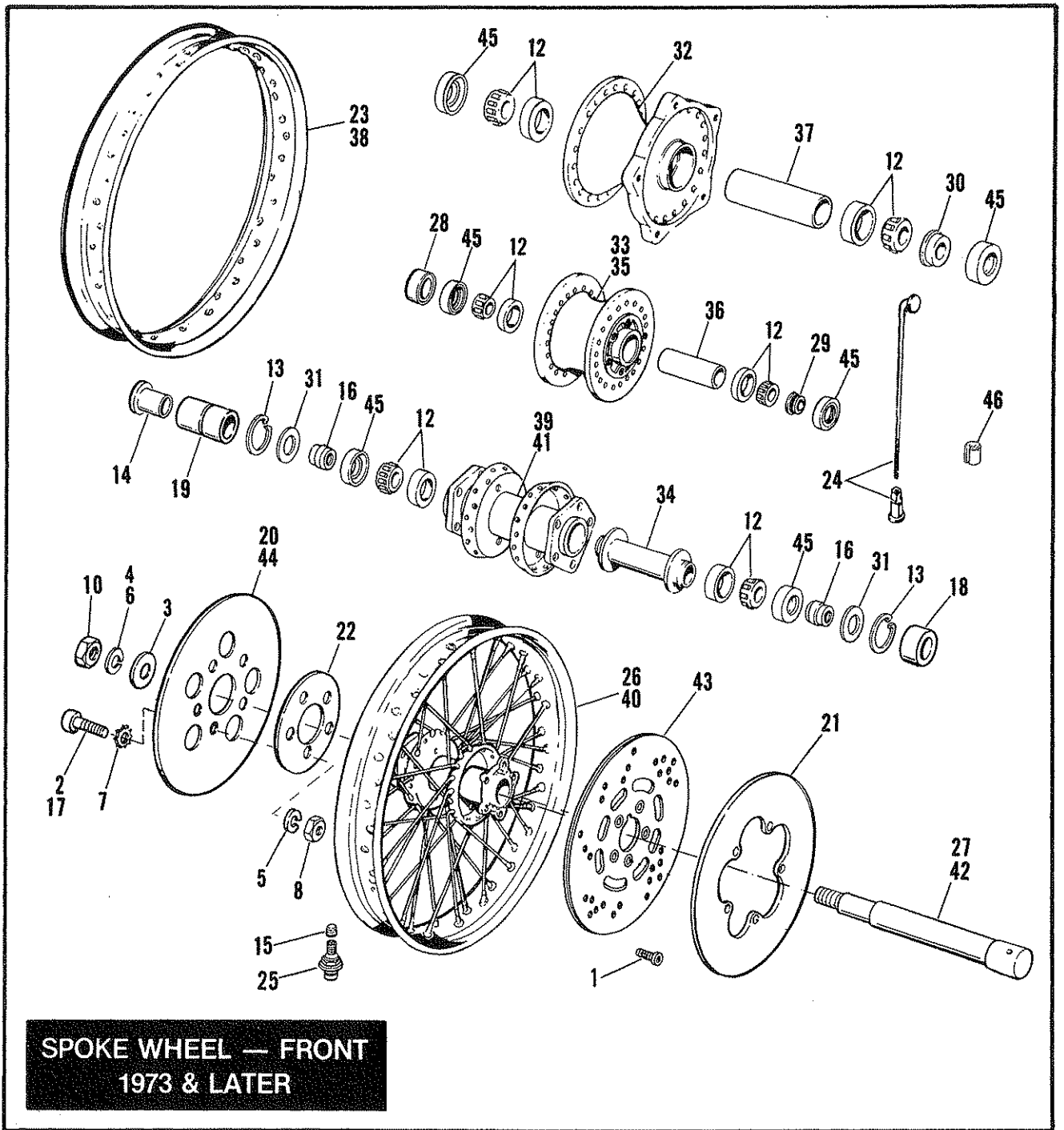
ETAIL RICE	INDEX NO.	PART NO.	N A M E	USED ON
	8	4713W	BOLT, 3/8-16 x 3/4 hex. hd.	71 & Early 72 — FX; 78 & Early 79 — All Models
	9	5982W	SPACER, 3/4 rd.	Late 72 — FX
	10	5983W	SPACER, 5/8 rd. (2)	Late 72 to Early 79 — All Models
	11	6156	WASHER, 3/16 x 3/8 x 1/32 (brass)	71 to Early 79 — All Models
	12	6220W	WASHER, 1/4 x 7/16 x 1/32	71 to Early 79 — All Models
	13	6229W	WASHER, 5/16 x 1-1/16 x 1/16	71 & Early 72 — FX
	14	6448HB	WASHER, 13/32 x 13/16 x 3/32	71 & Early 72 — FX
	15	7038	LOCKWASHER, 3/8	71 & Early 72 — FX; 78 to Early 79 — All Models
	16	7041	LOCKWASHER, 5/16	71 & Early 72 — FX
	17	7744	JAMNUT, 5/16-24 x 3/16 x 1/2 hex.	71 to Early 79 — All Models
	18	7753	NUT, 5/16-24 x 1/4 x 1/2 hex.	71 & Early 72 — FX
	19	7783	NUT, 3/8-16 x 5/16 x 9/16 hex.	78 & Early 79 — All Models
	20	7800W	NUT, 3/8-24 x 5/16 x 9/16 hex.	71 & Early 72 — FX
	21	9851	GREASE FITTING	71 & Early 72 — FX
	22	10006	STRAP, brake tube to frame (2)	71 & Early 72 — FX
	23	11137	O-RING, repair kit	71 to Early 79 — All Models
	24	24692—54	WASHER, brake pedal pivot	N/A Late 73 to Early 79 — All Models
	25	25715—71	GREASE FITTING, rear brake pedal	71 to Early 79 — All Models
	26	38712—68	CLAMP, front brake tube — small	71 & Early 72 — FX
	27	41761—58	MASTER CYLINDER	71 & 72 — FX
	28	41761—78	MASTER CYLINDER	73 to Early 79 — All Models
	29	41762—58A	REPAIR KIT, master cylinder	71 to Early 79 — All Models
			NOTE: Must order 41773—58 VALVE & SEAT for use on 71 & 72 vehicles with drum brake.	
	30	41764—70	RUBBER BOOT, master cylinder	71 to Early 79 — All Models
	31	41765—58	FILLER PLUG, master cylinder	71 to Early 79 — All Models
	32	41766—58	WASHER, filler plug	71 to Early 79 — All Models
	33	41769—58	MASTER CYLINDER SPRING, with cap, valve and seat	71 to Early 79 — All Models
	34	41786—79	WARNING LABEL, filler cap	MID 79 — All Models
	35	41835—69	SPRING, foot lever	71 & Early 72 — FX
	36	42257—72	BRAKE ROD	Late 72 to Early 79 — All Models
	37	42269—30	PIN, rear brake rod clevis	71 to Early 79 — All Models
	38	42269—70	CLEVIS PIN	71 & Early 72 — FX
	39	42299—72	SUPPORT BRACKET	Late 72 to Early 79 — All Models
	40	42303—70A	REAR BRAKE TUBE	N/A 71 & Early 72 — FX
	41	42304—70A	FRONT TUBE	71 & Early 72 — FX; 73 to Early 79 — All Models
	42	42309—70	BRAKE LINE TEE	71 & Early 72 — FX
	43	42311—58	PLUG, rear brake line	71 & Early 72 — FX
	44	42314—71A	BRACKET, brake front tube	Early 72 — FX
	45	42318—72	BRAKE LINE TEE	Late 72 — FX; 78 & Early 79 — All Models
	46	42319—72	HOSE PAD, brake front tube	Early 72 — FX
	47	42321—71	BRAKE TUBE KIT, front (rubber mounted)	N/A 71 & Early 72 — FX
	48	42327—70	CLAMP, brake front tube — large	71 & Early 72 — FX
48A	42328—73A	REAR BRAKE TUBE		Late 72 to 77 — All Models
	49	42330—71	CLEVIS, brake rod	N/A 71 & Early 72 — FX
	50	42330—72	CLEVIS, brake rod	Late 72 to Early 79 — All Models
	51	42333—70	PLUNGER, master cylinder	71 & Early 72 — FX
	52	42394—65	RUBBER, brake pedal	71 to Early 79 — All Models
	53	42399—72A	LEVER, foot brake	Late 72 to Early 78 — All Models
	54	42399—78	LEVER, foot brake	Late 78 & Early 79 — All Models
	55	42411—70	STOP PLATE, foot brake lever	N/A 71 & Early 72 — FX
	56	42425—71	SPRING, foot lever	71 to Early 79 — All Models
	57	42436—72	RUBBER WASHER	N/A Late 72 to Early 79 — All Models
	58	42439—72	CLAMP, master cylinder insulator	Late 72 to Late 75 — FX; 77 to Early 79 — All Models
	59	42440—72	INSULATOR	Late 72 to Late 75 — FX; 77 to Early 79 — All Models
	60	45105—77	WARNING LABEL, master cylinder (DOT 5)	N/A 77 to Early 79 — All Models
	61	45150—78	REAR BRAKE TUBE	N/A 78 & Early 79 — All Models
	62	45151—78A	REAR BRAKE HOSE	78 & Early 79 — All Models
	63	45152—78	BRACKET, brake line tee	78 & Early 79 — All Models
	64	50668—35	SPACER, master cylinder stud (2)	71 & Early 72 — FX
	65	50800—71B	BRACKET, foot lever	Late 72 to Early 79 — All Models



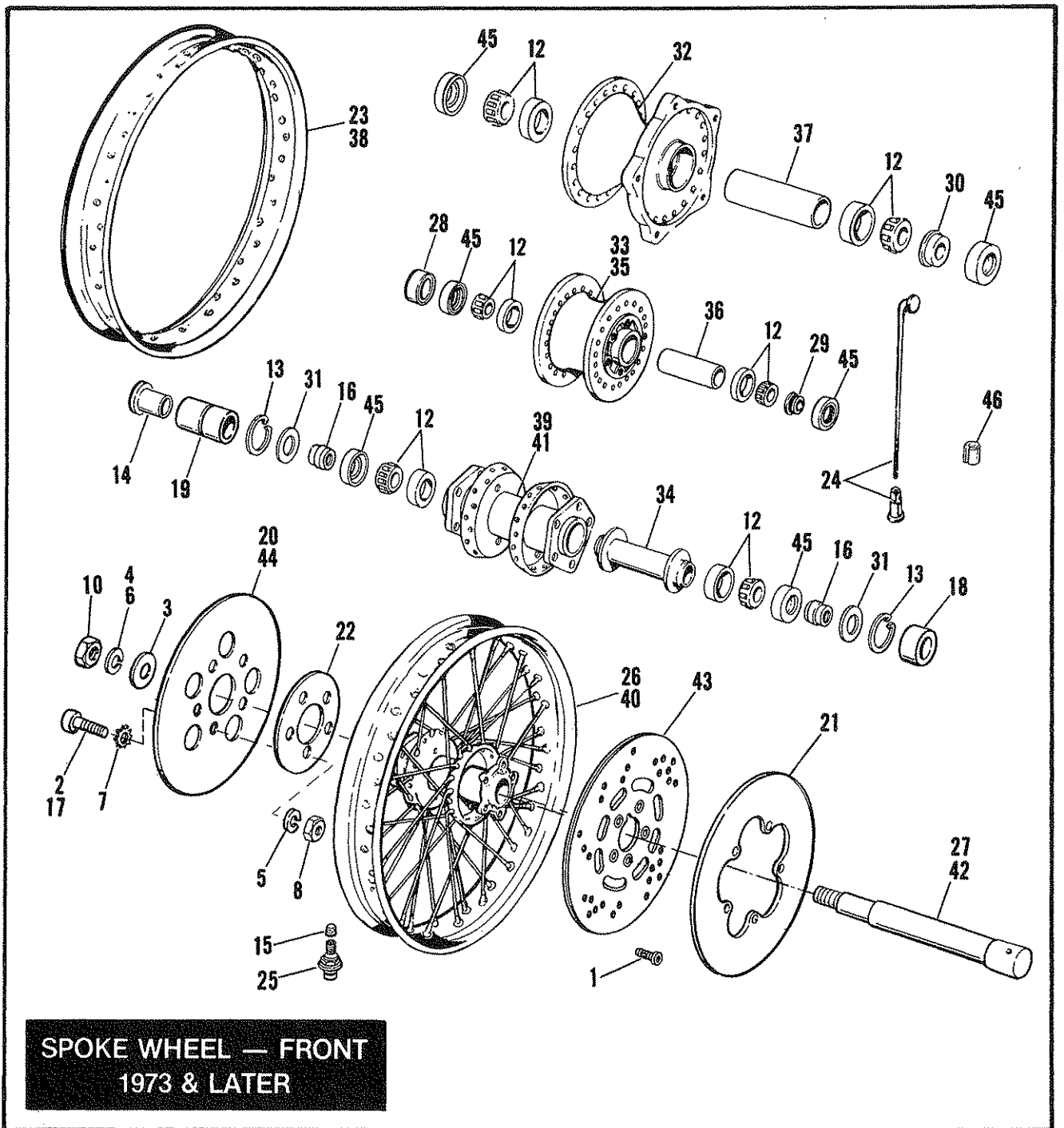
REAR WHEEL DRUM BRAKE — 1971 & 1972

AA32

RETAIL PRICE	INDEX NO.	PART NO.	N A M E	USED ON
	1	2592	SCREW, No. 10-24 x 1/2 Pozidriv pan hd.	71 & 72 — FX
	2	4319	BOLT, 3/8-24 x 1 hex. hd. (2)	71 & 72 — FX
	3	6716	WASHER, No. 10 x 1/2 x 3/64	71 & 72 — FX
	4	7038	LOCKWASHER, 3/8	71 & 72 — FX
	5	7069	LOCKWASHER, No. 10	71 & 72 — FX
	6	7242	LOCKWASHER, 5/8 external tooth	71 & 72 — FX
	7	7993	LOCKNUT, 5/8-18 x 3/8 x 15/16 hex.	71 & 72 — FX
	8	8095A	NUT, 1-20 x 3/8 x 1-3/8 hex.	N/A 71 & 72 — FX
	9	9995	CLAMP, rear brake hose	N/A 71 & 72 — FX
	10	41400—67	REAR BRAKE DRUM, with sprocket	N/A 71 & 72 — FX
	11	41425—37	DOWEL PIN, brake shell (5)	N/A 71 & 72 — FX
	12	41596—30	COLLAR, rear axle sleeve	N/A 71 & 72 — FX
	13	41596—63	SPACER, side plate	N/A 71 & 72 — FX
	14	41600—67	AXLE SLEEVE	N/A 71 & 72 — FX
	15	41740—63	WHEEL BRAKE CYLINDER	71 & 72 — FX
	17	41742—58A	SCREW, wheel cylinder	71 & 72 — FX
	18	41743—58	BOLT, wheel cylinder	N/A 71 & 72 — FX
	19	41744—58	GASKET, cylinder fitting (2)	N/A 71 & 72 — FX
	20	41748—63	REPAIR KIT, wheel cylinder	71 & 72 — FX
	20A	41749—58	BLEEDER FITTING, wheel brake cylinder	71 & 72 — FX
	21	41750—63	SWIVEL FITTING, brake cylinder	71 & 72 — FX
	22	41801—63	SET OF BRAKE SHOES AND LININGS, standard ...	N/A 71 & 72 — FX
	23	41808—63	SET OF REAR BRAKE LININGS AND RIVETS	N/A 71 & 72 — FX
	24	41835—58	RETAINER, brake shoe (2)	71 & 72 — FX
	25	41836—63	RETURN SPRING, brake shoe	N/A 71 & 72 — FX
	26	41837—63	SPRING, brake shoe	N/A 71 & 72 — FX
	27	41841—31	RIVET, brake lining (18)	N/A 71 & 72 — FX
	28	42300—63	REAR BRAKE HOSE	71 & 72 — FX
	29	43530—35A	SCREW, wheel mounting socket, std. — 3/8-20	71 & 72 — FX
	30	43531—35	SCREW, wheel mounting socket — 7/16-20 O.S.	N/A 71 & 72 — FX



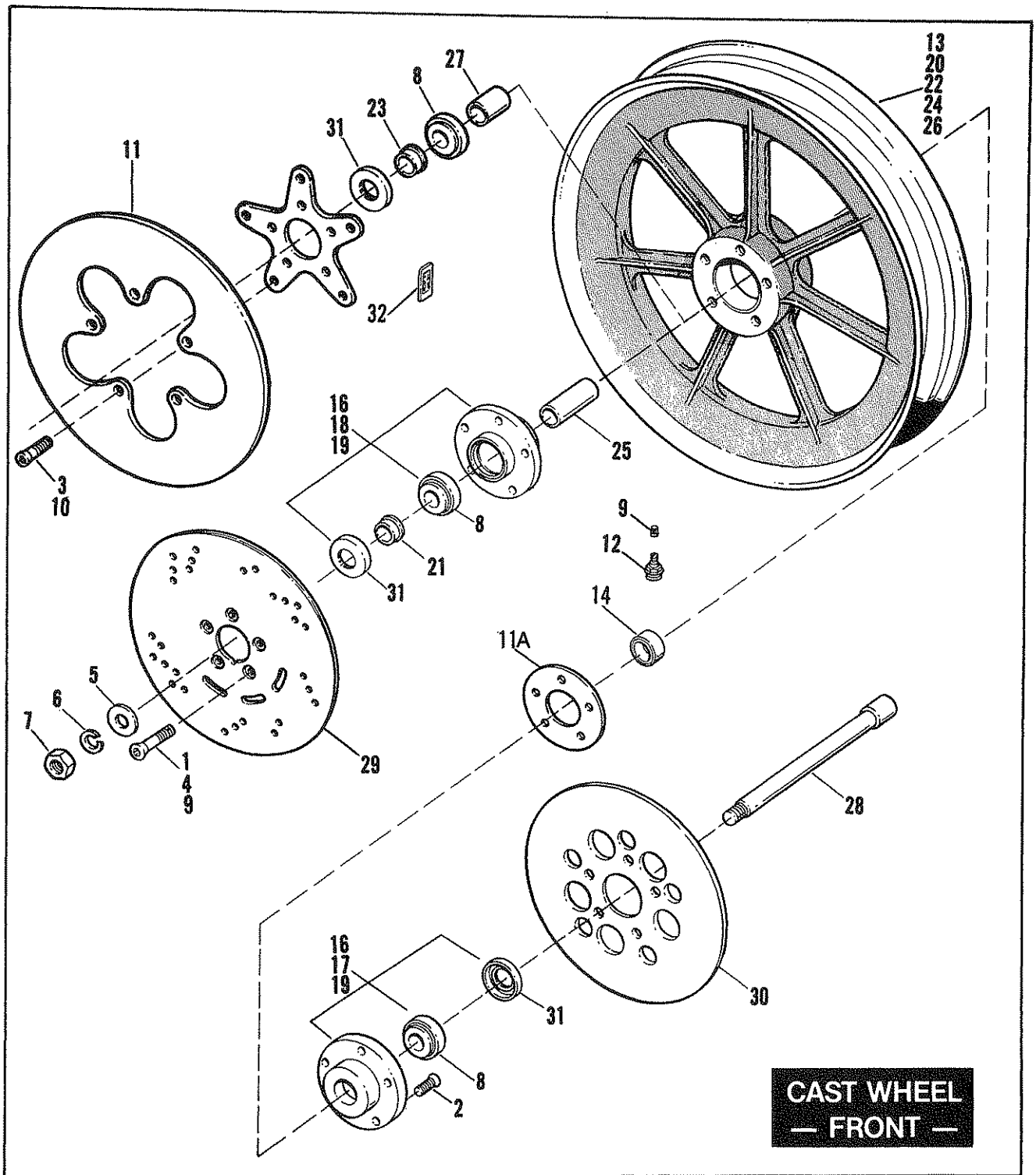
RETAIL PRICE	INDEX NO.	PART NO.	N A M E	USED ON
	1	3655	SCREW, 5/16-18 x 7/8 pan hd. Torx (5)	84 — FXE-80, FXWG
	2	3680	SCREW, 5/16-18 x 7/8 ctsk. socket flat hd. (10)	78 to 83 — FX, FXE, FXEF, FXEF-80, FXE-80, FXWG
	3	6590HW	WASHER, 1/2 x 1-1/8 x 3/32	80 to 84 — FXWG
		6653	WASHER, 5/8 x 1-5/16 x 3/32	73 to * — FX, FXE, FXEF, FXEF-80, FXE-80
	4	7022	LOCKWASHER, 5/8	73 to * — FX, FXE, FXEF, FXEF-80, FXE-80
	5	7038	LOCKWASHER, 3/8 (5)	Early 73 — FX, FXE
	6	7068	LOCKWASHER, axle, 1/2	80 to 84 — FXWG
	7	7145W	LOCKWASHER, 3/8 external tooth (5)	73 to 77 — FX, FXEF
	8	7739	LOCKNUT, 5/16-18 x 23/64 (5)	78 to * — FX, FXE, FXEF, FXEF-80, FXE-80, FXWG
		7778	LOCKNUT, 3/8-16 x 7/16 x 9/16 hex. (5)	73 to 77 — FX, FXE
	10	7813	NUT, 5/8-18 x 9/16 x 15/16 hex.	73 to * — FX, FXE, FXEF, FXEF-80, FXE-80
		7845	NUT, 1/2-20 x 7/16 x 3/4 hex.	80 to 84 — FXWG
	12	9052	ROLLER BEARING (2)	73 to * — FX, FXE, FXEF, FXEF-80, FXE-80, FXWG
	13	11027	RETAINING RING, wheel hub (2)	80 to 84 — FXWG
	14	40910—84A	SPACER, right bearing	84 — FXWG
	15	41123—79	VALVE CAP	83 & 84 — FXE-80, FXWG
	16	41196—73	SPACER, bearing — inner (2)	80 to 84 — FXWG
	17	41198—73	BOLT, 3/8-16 x 1 thin hex. hd. (5)	73 to 77 — FX, FXE
	18	41594—73	SPACER, axle — left	80 to 83 — FXWG
	19	41607—83	SPACER, axle — right (grooved)	83 — FXWG
	20	41807—73	DISC, brake	N/A 73 — FX, FXE
	21	41806—72B	DISC, brake with plate	74 to 77 — FX, FXE
	22	41814—76A	PLATE, brake disc	82 — All Models; Early 83 — FXE-80
	23	43001—79	RIM, front wheel, 19"	80 to * — FXE, FXEF-80, FXE-80
		43018—73	RIM, front wheel, 19" (chrome)	N/A 73 to 80 — FX, FXEF; 73 to 79 — FXE, FXEF-80
	24	43024—73B	SPOKE AND NIPPLE, 19" rim — short (metric) (20)	73 to * — FX, FXE, FXEF, FXEF-80, FXE-80
		43025—73B	SPOKE AND NIPPLE, 19" rim — long (metric) (20)	73 to * — FX, FXE, FXEF, FXEF-80, FXE-80
		43057—80A	SPOKE AND NIPPLE, 21" rim (40)	80 to 84 — FXWG
	25	43157—83A	VALVE STEM	84 — FXE-80, FXWG
	26	43312—84	FRONT WHEEL ASSEMBLY, with hub assy., 19"	84 — FXE-80
		43341—78	FRONT WHEEL ASSEMBLY, w/brgs., 19" (chrome)	N/A 78 to 81 — FX, FXE, FXEF, FXEF-80, FXE-80
	27	43346—83	AXLE	83 & 84 — FXWG
	28	43358—83A	SPACER, bearing — right side	84 — FXE-80
	29	43488—77	SPACER, left bearing	78 to 83 — FX, FXE, FXEF, FXEF-80, FXE-80
	30	43548—74	SPACER, left bearing	74 to 77 — FX, FXE
	31	43559—73	WASHER, wheel hub (2)	80 to 83 — FXWG
	32	43600—74	HUB, with bearings and seals	N/A 74 to 77 — FX, FXE
	33	43600—78	HUB, with bearings and seals	78 to 83 — FX, FXE, FXEF, FXEF-80, FXE-80
	34	43601—78A	SPACER, 4.420 (with flanges) (orange)	80 to 84 — FXWG
		43602—78A	SPACER, 4.434 (with flanges) (yellow)	80 to 84 — FXWG
		43603—78A	SPACER, 4.448 (with flanges) (white)	80 to 84 — FXWG
	35	43619—84	HUB, with bearings, seals & spacers	84 — FXE-80
	36	43623—78	SPACER, 2.564 (violet)	78 to 84 — FX, FXE, FXEF, FXEF-80, FXE-80
		43624—78	SPACER, 2.550 (pink)	78 to 84 — FX, FXE, FXEF, FXEF-80, FXE-80
		43625—78	SPACER, 2.536 (gold)	78 to 84 — FX, FXE, FXEF, FXEF-80, FXE-80
	37	43633—74	SPACER, between bearings — 2.162 (red & white)	73 to 77 — FX, FXE
		43634—74	SPACER, between bearings — 2.177 (green & orange)	N/A 73 to 77 — FX, FXE
		43635—74	SPACER, between bearings — 2.148 (gold & violet)	73 to 77 — FX, FXE



SPOKE WHEEL — FRONT — 1973 & LATER (CONT'D)

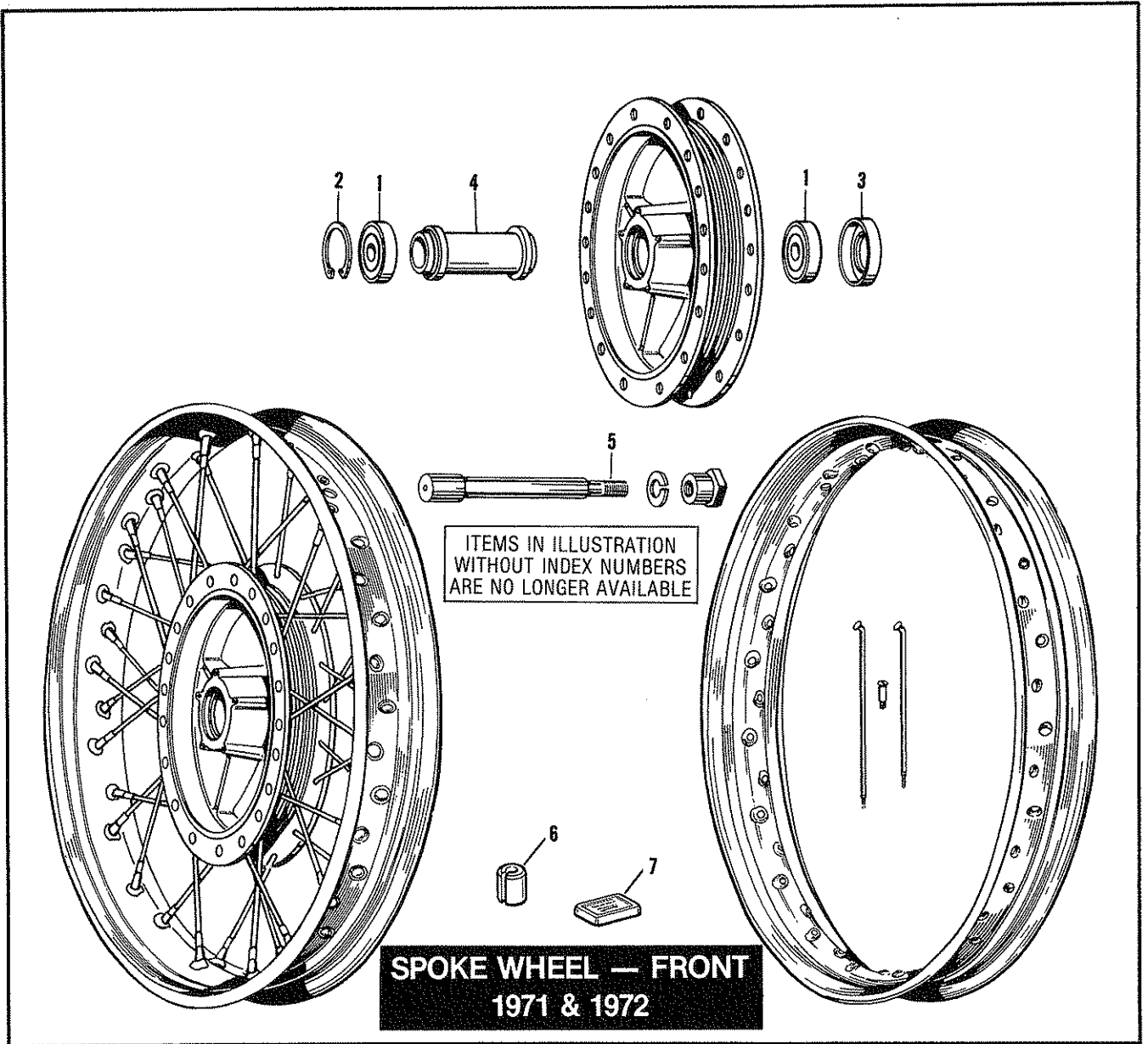
AA33-2

RETAIL PRICE	INDEX NO.	PART NO.	N A M E	USED ON
	38	43662-80B	RIM, front wheel, 21" (chrome)	80 to 84 — FXWG; 73 to 80 — FXE, FXEF, FXS-80, FXEF-80, FXB
	39	43663-80A	HUB, with bearings and seals (chrome)	80 to 83 — FXWG
	40	43664-80B	FRONT WHEEL ASSEMBLY, w/bearings, 21" (chrome) ..	80 to 83 — FXWG; 73 to 80 — FXE, FXEF, FXS-80, FXEF-80, FXB
		43671-84	FRONT WHEEL ASSEMBLY, with hub assy., 21"	84 — FXWG
	41	43672-84	HUB, with bearings, seals & spacers	84 — FXWG
	42	43871-73	AXLE	73 to 76 — FX, FXE
		43875-73	AXLE	80 to 83 — FXWG
		43883-77	AXLE	77 to 83 — FX, FXE, FXEF, FXEF-80, FXE-80
		43883-84	AXLE	84 — FXE-80
	43	44136-84A	DISC, front brake	84 — FXE-80, FXWG
	44	44137-77A	DISC, brake (2)	78 to 83 — FX, FXE, FXEF, FXEF-80, FXE-80, FXWG
	45	47519-72	OIL SEAL (2)	73 to 83 — FX, FXE, FXEF, FXEF-80, FXE-80
		47519-83A	OIL SEAL, wheel hub (2)	80 to 84 — FXWG; 84 — FXE-80
	46	95578-41	WHEEL WEIGHT, 1/2 oz. — .275" I.D. (round)	73 to 84 — FX, FXE, FXEF, FXEF-80, FXE-80, FXWG
		95581-47	WHEEL WEIGHT, 3/4 oz. — .275" I.D. (round)	73 to 84 — FX, FXE, FXEF, FXEF-80, FXE-80, FXWG
		95582-47	WHEEL WEIGHT, 1 oz. — .275" I.D. (round)	73 to 84 — FX, FXE, FXEF, FXEF-80, FXE-80, FXWG



RETAIL PRICE	INDEX NO.	PART NO.	N A M E	USED ON
	1	2853	SCREW, 5/16-18 x 1-1/2 ctsk. flat socket hd. (10) .	N/A 77 & 78 — FXS
		3655	SCREW, 5/16-18 x 7/8 pan hd. Torx (10)	84 — FXSB
		3680	SCREW, 5/16-18 x 7/8 ctsk. socket flat hd. (10)	78 to Early 81 — All Models except FXWG
	2	3781	SCREW, 5/16-18 x 1-1/4 ctsk. socket flat hd. (10)	74 to 80 — FX, FXE
	3	3793	SCREW, 1/4-20 x 5/8 ctsk. flat socket hd. w/locking patch (5)	74 to 77 — FX, FXE
	4	3795	SCREW, 5/16-18 x 7/8 ctsk. flat socket hd. w/locking patch (10)	Late 81 to * — FXS-80, FXEF-80, FXB, FXSB
	5	6653	WASHER, 5/8 x 1-5/16 x 3/32	74 to * — All Models except FXWG
	6	7022	LOCKWASHER, 5/8	74 to * — All Models except FXWG
	7	7813	NUT, 5/8-18 x 9/16 x 15/16 hex.	74 to * — All Models except FXWG
	8	9052	ROLLER BEARING (2)	74 to * — All Models except FXWG
	9	41123—79	SCREW, 5/16-18 x 7/8 pan hd. Torx (10)	84 to * — FXSB
	10	41191—74	SCREW, brake disc (5) (7 spoke — single disc)	74 to 77 — FX, FXE
	11	41807—74	DISC, brake	N/A 74 to 77 — FX, FXE
	11A	41814—76A	HUB PLATE	84 to * — FXSB
	12	43157—83A	VALVE STEM	84 — FXSB
	13	43315—78	WHEEL ASSEMBLY, cast aluminum — 19" (gold) (9 spoke — single disc)	N/A 78 — All Models
		43320—80	WHEEL ASSEMBLY, cast aluminum — 19" (black) (9 spoke — single disc)	N/A 78 — All Models
		43335—80	WHEEL ASSEMBLY, cast aluminum — 19" (black)	N/A 80 & 81 — FXB; 83 — FXSB
	14	43338—83	SPACER, bearing	84 — FXSB
	16	43434—79	BEARING HOUSING, with bearing & seal (2)	N/A 77 — FXS
	17	43435—79	BEARING HOUSING, with bearing & seal	N/A 74 to 77 — FX, FXE
	18	43444—79	BEARING HOUSING — left (disc side) w/bearing & seal	N/A 74 to 77 — FX, FXE
	19	43445—79	BEARING HOUSING, with bearing and seal (2) (7 spoke)	N/A 77 & 78 — FXS; 78 — FX, FXE, FXEF, FXS-80, FXEF-80
	20	43461—78	CAST WHEEL, with bearings, spacers and seals (7 spoke)	N/A 77 & 78 — FXS; 78 — FX, FXE
	21	43488—77	SPACER, left bearing	77 to 80 — FXS; 82 — FXS-80, FXB 78 to 83 — All Models except FXWG
	22	43522—77	WHEEL ASSEMBLY, cast aluminum — 19" (black) (7 spoke — single disc)	N/A 74 to 77 — FX, FXE
	23	43548—74	SPACER, left bearing	74 to 80 — FX, FXE
	24	43613—82	WHEEL ASSEMBLY, cast aluminum — 19" (gold)	N/A 82 to * — FXB, FXSB
		43617—83	CAST WHEEL, with brgs., spacers & seals (9 spoke) (black)	N/A 77 to 80 — FXS; 78 to * — All Models except FXB, FXWG, FXSB
	25	43623—78	SPACER, between bearings — 2.564 (violet)	77 to 80 — FXS; 78 to * — All Models except FXWG
		43624—78	SPACER, between bearings — 2.550 (pink)	77 to 80 — FXS; 78 to * — All Models except FXWG
		43625—78	SPACER, between bearings — 2.536 (gold)	77 to 80 — FXS; 78 to * — All Models except FXWG
	26	43626—84	WHEEL ASSEMBLY, 19" (black)	84 to * — FXSB
	27	43633—74	SPACER, between bearings — 2.162 (red & white)	N/A 74 to 80 — FX, FXE
		43634—74	SPACER, between bearings — 2.177 (green & orange)	N/A 74 to 80 — FX, FXE
		43635—74	SPACER, between bearings — 2.148 (gold & violet)	74 to 80 — FX, FXE
	28	43883—77	FRONT AXLE	77 to 83 — All Models except FXWG
		43883—84	FRONT AXLE	84 — FXSB
	29	44136—84A	DISC, front brake	84 — FXSB
	30	44137—77A	DISC (2)	77 to 83 — All Models except FXWG
	31	47519—72	SEAL (2)	74 to 83 — All Models except FXWG
		47519—83A	OIL SEAL (2)	84 to * — FXSB
	32	95594—84	WHEEL WEIGHT, 1/4 oz. (black)	74 to * — All Models
		95595—84	WHEEL WEIGHT, 1/4 oz. (silver)	74 to * — All Models

NOTE: At the time this book was published, no front cast wheel was available for the FXWG.

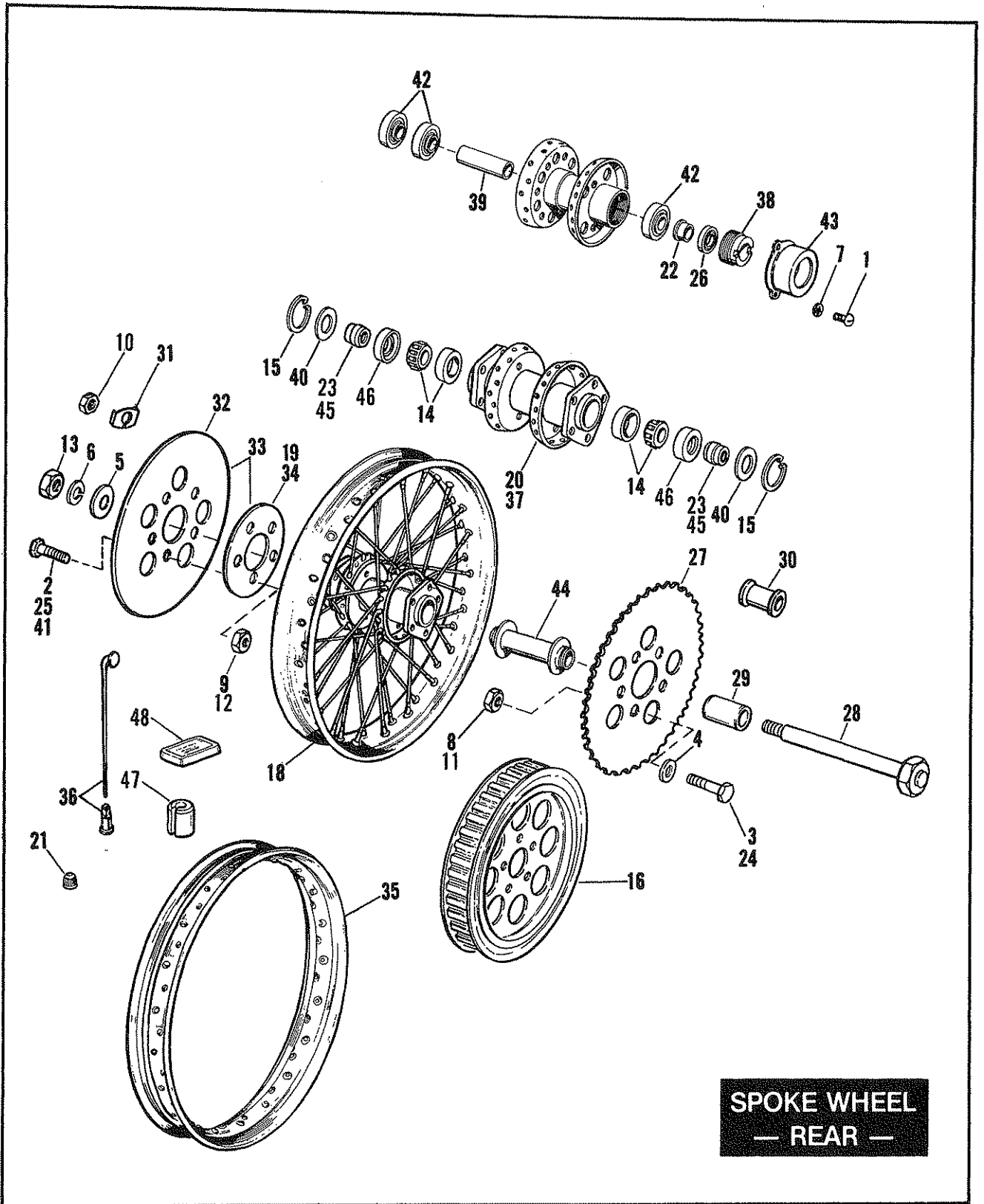


SPOKE WHEEL — FRONT — 1971 & 1972

AA35

RETAIL PRICE	INDEX NO.	PART NO.	N A M E	USED ON
	1	9009	BALL BEARING, shielded (2)	71 & 72 — FX
	2	11035	RETAINING RING, front hub	N/A 71 & 72 — FX
	3	43636—52	GREASE RETAINER	71 & 72 — FX
	4	43740—64	SPACER, front wheel bearing	71 & 72 — FX
	5	43871—52	AXLE	N/A 71 & 72 — FX
	6	95578—41	WHEEL WEIGHT, 1/2 oz. — .275" I.D.	71 & 72 — FX
		95581—47	WHEEL WEIGHT, 3/4 oz. — .275" I.D.	71 & 72 — FX
		95582—47	WHEEL WEIGHT, 1 oz. — .275" I.D.	71 & 72 — FX
	7	95595—84	WHEEL WEIGHT, 1/4 oz. (silver)	71 & 72 — FX

RETAIL PRICE	INDEX NO.	PART NO.	N A M E	USED ON
	1	2660	SCREW, No. 10-24 x 3/8 Pozidriv pan hd. (2)	71 & 72 — All Models
	2	3782	BOLT, 7/16-14 x 1-1/4 hex. hd. (5)	82 to * — FXE-80
	3	4726	BOLT, 7/16-20 x 1-1/2 hex. hd. (5)	84 — FXWG
	4	6516HW	WASHER, 7/16 x 1-1/8 x 1/8 (5)	84 — FXWG
	5	6653	WASHER, 5/8 x 1-5/16 x 3/32	73 to Early 78 — FX, FXE
		6655	WASHER, 5/8 x 1-1/2 x 1/8	Late 78 to * — FX, FXE, FXEF, FXEF-80, FXE-80, FXWG
	6	7022	LOCKWASHER, 5/8	73 to 84 — FX, FXE, FXEF, FXEF-80, FXE-80, FXWG
	7	7118	LOCKWASHER, No. 10 internal tooth (2)	71 & 72 — All Models
	8	7561	NUT, 7/16-20 x 7/16 x 11/16 (5)	84 — FXWG
	9	7778	LOCKNUT, 3/8-16 x 7/16 x 9/16 hex. (5)	73 to 80 — FX, FXE, FXEF, FXEF-80, FXWG
		7783	NUT, 3/8-16 x 5/16 x 9/16 hex. (5)	81 to 84 — FXWG; 81 to 83 — FXEF-80, FXE-80
	10	7813	NUT, 5/8-18 x 9/16 x 15/16 hex	71 & 72 — All Models
	11	7825	LOCKNUT, 7/16-20 x 7/16 x 5/8 hex. (5)	73 to 83 — FX, FXE, FXEF, FXEF-80, FXE-80, FXWG
	12	7827W	LOCKNUT, 7/16-14 x 7/16 x 5/8 hex. (5)	84 — FXE-80
	13	7986	NUT, 5/8-18 x 7/16 x 1-1/16 hex.	73 to 84 — FX, FXE, FXEF, FXEF-80, FXE-80, FXWG
	14	9052	ROLLER BEARING (2)	73 to 84 — FX, FXE, FXEF, FXEF-80, FXE-80, FXWG
	15	11027	RETAINING RING (2)	73 to Early 82 — FX, FXE, FXEF, FXEF-80, FXE-80, FXWG
	16	40221—85A	SPROCKET, belt drive (black)	84 — FXWG
	18	40908—81	WHEEL ASSEMBLY, 16" (chrome)	73 to 81 — FX, FXE, FXEF, FXEF-80, FXE-80; 80 to Early 82 — FXWG
		40951—82	WHEEL ASSEMBLY, 16" (chrome)	Late 82 to 84 — FXWG; 82 to 84 — FXE-80
		40981—73	WHEEL ASSEMBLY, 16" (black)	N/A 78 — FX, FXE
	19	40932—81	SPACER, belt sprocket	84 — FXWG
	20	40952—82A	WHEEL HUB, complete	Late 82 to 84 — FXWG; 82 to 84 — FXE-80
	21	41123—79	VALVE CAP	84 — FXE-80, FXWG
	22	41196—55	SPACER, wheel hub	71 & 72 — All Models
	23	41196—73	SPACER, bearing — outer (2)	73 to Early 82 — FX, FXE, FXEF, FXEF-80, FXE-80, FXWG
	24	41197—73	BOLT, rear sprocket (5)	73 to 83 — FX, FXE, FXEF, FXEF-80, FXWG; 73 to 81 — FXE-80
	25	41198—73	BOLT, rear disc (5)	73 to 80 — FX, FXE, FXEF, FXEF-80, FXWG
	26	41210—55	OIL SEAL, wheel bearing	71 & 72 — All Models
	27	41470—73A	SPROCKET, rear wheel	81 to 84 — FXE-80; 73 to 83 — FX, FXE, FXEF, FXEF-80, FXWG
	28	41552—67	AXLE	71 & 72 — All Models
		41552—73	AXLE	81 to 84 — FXE-80; 73 to 83 — FX, FXE, FXEF, FXEF-80, FXWG
		41580—79	AXLE	84 — FXWG
	29	41592—79	SPACER, rear axle	84 — FXWG
		41595—73	SPACER, rear axle — left	81 to 84 — FXE-80; 73 to 83 — FX, FXE, FXEF, FXEF-80, FXWG
	30	41595—67	SPACER, axle	N/A 71 & 72 — All Models
	31	41603—32	LOCKWASHER, axle nut	N/A 71 & 72 — All Models
	32	41791—79A	DISC, brake	81 to 84 — FXEF-80, FXE-80, FXWG
		41813—79	DISC, brake	Late 78 to 80 — FX, FXE, FXEF, FXEF-80, FXWG
	33	41806—72B	DISC, brake, with plate	73 to Early 78 — FX, FXE
	34	41814—76A	PLATE, brake disc	Late 76 to Early 82 — FX, FXE, FXEF, FXEF-80, FXWG; Late 76 to 81 — FXE-80; Late 82 & 83 — FXE-80

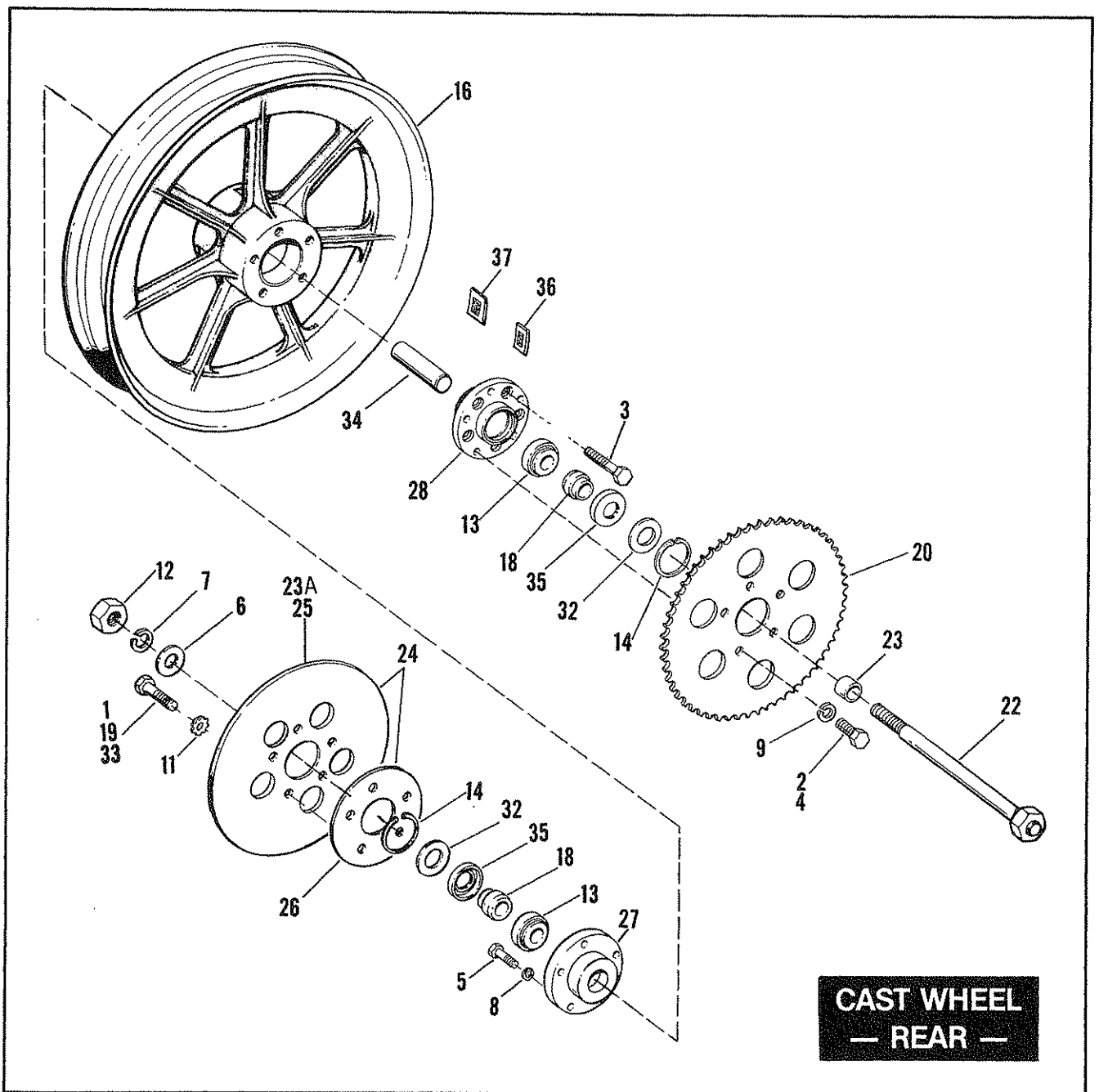


SPOKE WHEEL
— REAR —

SPOKE WHEEL — REAR (CONT'D)

AA36-2

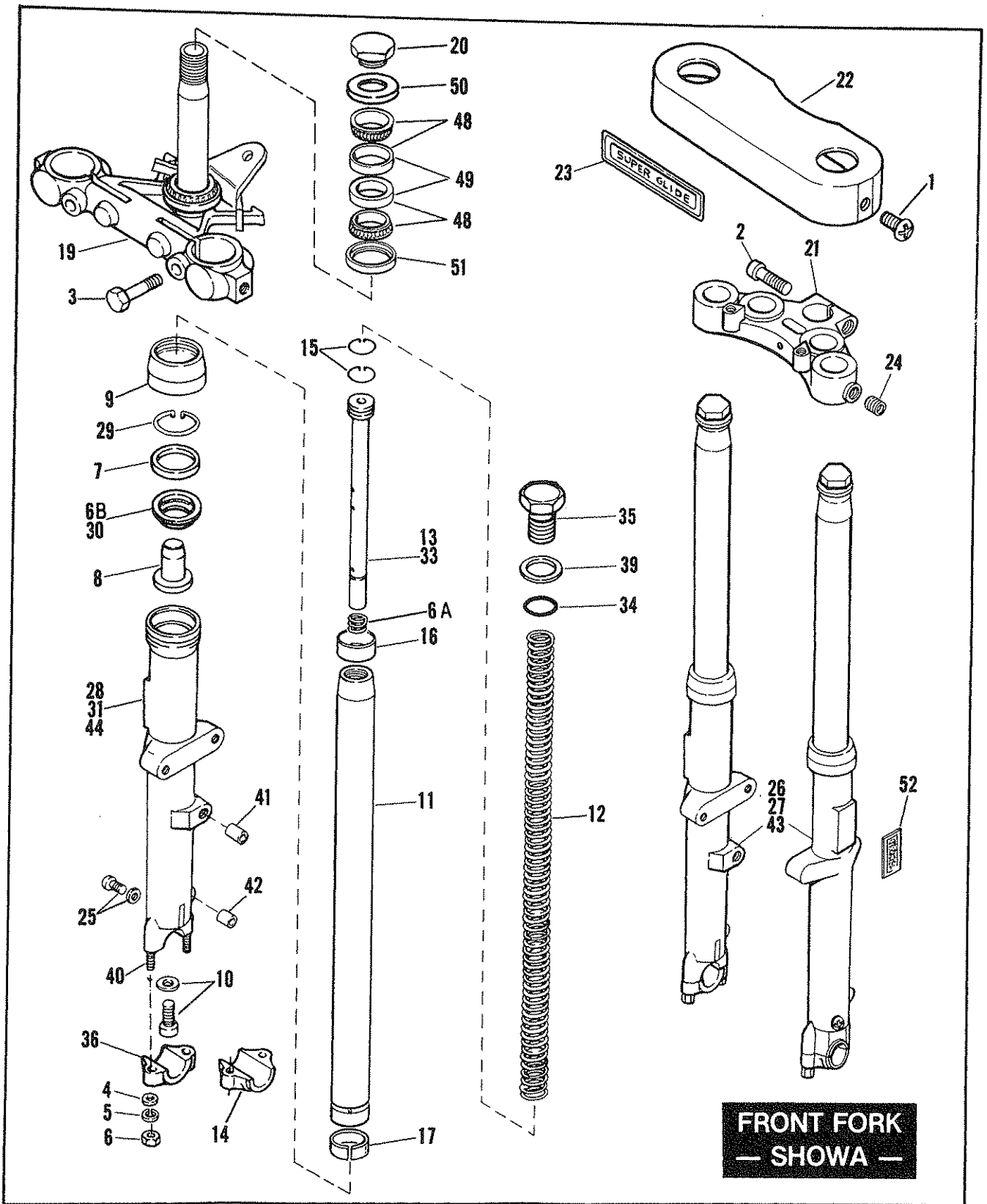
RETAIL PRICE	INDEX NO.	PART NO.	N A M E	USED ON
	35	43006—40A	RIM, 16" (black)	N/A 71 to 78 — FX, FXE
		43085—81	RIM, 16" (chrome)	71 to * — FX, FXE, FXEF, FXEF-80, FXE-80, FXWG
	36	43032—40B	SPOKE AND NIPPLE, 16" rim — metric (40)	71 to * — FX, FXE, FXEF, FXEF-80, FXE-80, FXWG
	37	43540—73A	WHEEL HUB, complete	73 to Early 82 — FX, FXE, FXEF, FXEF-80, FXE-80, FXWG
	38	43542—67	LOCKNUT, wheel bearing (L.H. thread)	71 & 72 — All Models
	39	43549—67	SPACER, wheel bearing	71 & 72 — All Models
	40	43559—73	WASHER (2)	80 to Early 82 — FXWG; 73 to 81 — FX, FXE, FXEF, FXEF-80, FXE-80
	41	43567—79	SCREW (5)	81 to * — FXWG; 81 — FXEF-80, FXE-80
	42	43577—67	BEARING, wheel hub and brake drum (3)	71 & 72 — All Models
	43	43592—70	RETAINER, wheel bearing locknut	71 & 72 — All Models
	44	43601—78A	SPACER, between bearings (w/flanges), 4.420 (orange) ..	73 to * — FX, FXE, FXEF, FXEF-80, FXE-80, FXWG
		43602—78A	SPACER, between bearings (w/flanges), 4.434 (yellow) ..	73 to * — FX, FXE, FXEF, FXEF-80, FXE-80, FXWG
		43603—78A	SPACER, between bearings (w/flanges), 4.448 (white) ..	73 to * — FX, FXE, FXEF, FXEF-80, FXE-80, FXWG
	45	43654—86A	SPACER, rear wheel (2)	Late 82 to 84 — FXWG; 82 — FXS-80
	46	47519—83A	OIL SEAL (2)	73 to * — FX, FXE, FXEF, FXEF-80, FXE-80, FXWG
	47	95578—41	WHEEL WEIGHT, 1/2 oz. — .275" I.D.	71 to * — FX, FXE, FXEF, FXEF-80, FXE-80, FXWG
		95581—47	WHEEL WEIGHT, 3/4 oz. — .275" I.D.	71 to * — FX, FXE, FXEF, FXEF-80, FXE-80, FXWG
		95582—47	WHEEL WEIGHT, 1 oz. — .275" I.D.	71 to * — FX, FXE, FXEF, FXEF-80, FXE-80, FXWG
	48	95595—84	WHEEL WEIGHT, 1/4 oz. (silver)	71 to * — FX, FXE, FXEF, FXEF-80, FXE-80, FXWG



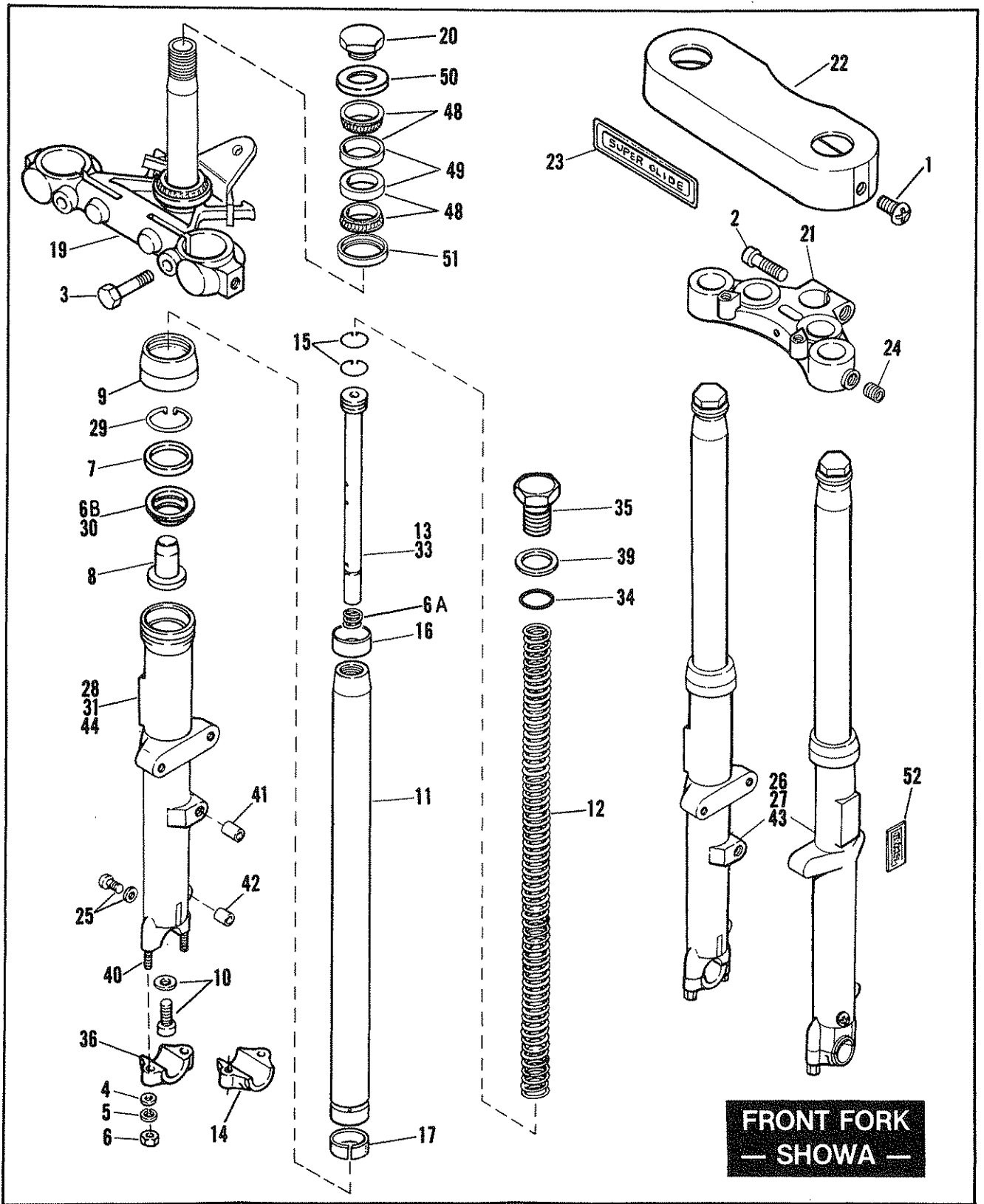
CAST WHEEL
 — REAR —

RETAIL PRICE	INDEX NO.	PART NO.	N A M E	USED ON
	1	2879W	BOLT, 3/8-16 x 1 hex. hd. (5)	Late 77 to 80 — FX
	2	3771	BOLT, 7/16-14 x 1-1/2 hex. hd. (5) (9 spoke)	74 to * — All Models except FXWG, FXB, FXSB
	3	3782	BOLT, 7/16-14 x 1-1/4 hex. hd. (5)	Late 77 to 80 — FX, FXE
	4	3854	BOLT, 7/16-14 x 1 hex. hd. (5) (7 spoke)	Late 77 to 80 — FX, FXE
	5	4716W	BOLT, 3/8-16 x 1-1/4 hex. hd. (5)	Late 77 to 80 — FX, FXE
	6	6655	WASHER, 5/8 x 1-1/2 x 1/8	73 to * — All Models except FXWG, FXB, FXSB
	7	7022	LOCKWASHER, 5/8	73 to * — All Models except FXWG, FXB, FXSB
	8	7038	LOCKWASHER, 3/8 (5)	Late 77 to 80 — FX, FXE
	9	7039	LOCKWASHER, 7/16 (5)	74 to * — All Models
	11	7145W	LOCKWASHER, 3/8 external tooth (5)	73 to 80 — All Models except FXWG, FXB
	12	7986	NUT, 5/8-18 x 7/16 x 1 hex.	73 to * — All Models except FXWG, FXB
	13	9052	ROLLER BEARING (2)	73 to * — All Models except FXWG, FXB
	14	11027	RETAINING RING (2)	73 to 81 — All Models except FXWG, FXB
	16	40986—74	WHEEL ASSEMBLY, cast aluminum, 16" (black, 9 spoke)	81 to * — FXE-80; 74 to 81 — All Models except FXWG, FXB
		41015—82A	WHEEL ASSEMBLY, cast aluminum, 16" (black, 9 spoke)	82 — FXS-80
		41041—77	WHEEL ASSEMBLY, cast aluminum, 16" (black, 7 spoke)	N/A Late 77 to 80 — FX, FXE
	18	41196—73	SPACER, bearing — outer (2)	73 to * — All Models except FXWG, FXB, FXSB
	19	41198—73	BOLT, 3/8-16 x 1 thin hex. hd. (5)	73 to 80 — All Models except FXWG, FXB
	20	41470—73A	SPROCKET, rear wheel (shot blast & chrome)	73 to * — All Models except FXB, FXSB
		41470—78	SPROCKET, rear wheel (chrome)	N/A Early 78 — FX, FXE, FXS
	22	41552—73	AXLE	73 to * — All Models except FXB, FXSB
	23	41595—73	SPACER, rear axle	73 to * — All Models except FXB, FXSB
	23A	41791—79A	DISC, brake	81 to * — All Models
	24	41806—72B	DISC, brake — with plate	73 to Early 78 — FX, FXE, FXS
	25	41813—79	DISC, brake	Late 78 to 80 — All Models except FXWG, FXB
	26	41814—76A	PLATE, brake disc	Late 76 to * — All Models except FXSB; Late 76 to 81 — FXE-80
	27	43436—79	BEARING HOUSING — right Includes besides housing: 9052 ROLLER BEARING 11027 RETAINING RING 41196—73 BOLT, 3/8-16 x 1 thin hex. hd. (5) 43559—73 WASHER 47519—72 OIL SEAL	N/A Late 77 to 80 — FX, FXE
	28	43437—79	BEARING HOUSING — left Includes besides housing: 9052 ROLLER BEARING 11027 RETAINING RING 41196—73 BOLT, 3/8-16 x 1 thin hex. hd. (5) 43559—73 WASHER 47519—72 OIL SEAL	N/A Late 77 to 80 — FX, FXE
	32	43559—73	WASHER (2)	73 to 81 — All Models except FXWG, FXB
	33	43567—79	SCREW, brake disc (5)	81 to * — All Models
	34	43604—78	SPACER, 4.420 (orange) (7 & 9 spoke wheel)	73 to * — All Models
		43605—78	SPACER, 4.434 (yellow) (7 & 9 spoke wheel)	73 to * — All Models
		43606—78	SPACER, 4.448 (white) (7 & 9 spoke wheel)	73 to * — All Models
	35	47519—72	OIL SEAL (2)	73 to * — All Models
	36	95594—84	WHEEL WEIGHT, 1/4 oz. (black)	73 to * — All Models except FXWG
	37	95595—84	WHEEL WEIGHT, 1/4 oz. (silver)	73 to * — All Models except FXWG

RETAIL PRICE	INDEX NO.	PART NO.	N A M E	USED ON
	1	3771	BOLT, 7/16-14 x 1-1/2 hex. hd. (5)	80 to 84 — FXB, FXSB
	2	6516HW	WASHER, 7/16 x 1-1/8 x 1/8 (5)	80 to 84 — FXB, FXSB
	3	6655	WASHER, 5/8 x 1-1/2 x 1/8	80 to 84 — FXB, FXSB
	4	7022	LOCKWASHER, 5/8	80 to 84 — FXB, FXSB
	5	7145W	LOCKWASHER, 3/8 external tooth (5)	80 — FXB
	6	7986	NUT, 5/8-18 x 7/16 x 1 hex.	80 to 84 — FXB, FXSB
	7	9052	ROLLER BEARING (2)	80 to 84 — FXB, FXSB
	8	11027	RETAINING RING (2)	80 & 81 — FXB
	9	40003—79	BELT, rear wheel sprocket	80 to 84 — FXB, FXSB
	10	40221—85A	SPROCKET, belt drive (black)	80 to 84 — FXB, FXSB
	11	40932—81	SPACER, belt sprocket	80 to 84 — FXB, FXSB
	12	40935—80	WHEEL ASSEMBLY, cast aluminum, 16" (black stripe)	80 to 84 — FXB, FXSB
		40973—82	WHEEL ASSEMBLY, cast aluminum, 16" (orange stripe) N/A	82 to 84 — FXB, FXSB
		41005—82	WHEEL ASSEMBLY, cast aluminum, 16" (gold)	82 to 84 — FXB, FXSB
		41015—82A	WHEEL ASSEMBLY, cast aluminum (black)	83 & 84 — FXSB
	13	41123—79	VALVE CAP	80 to 84 — FXB, FXSB
	14	41196—73	SPACER, bearing outer (2)	80 & 81 — FXB
	15	41198—73	BOLT, 3/8-16 x 1 thin hex. hd. (5)	80 — FXB
	16	41580—79	AXLE	80 to 84 — FXB, FXSB
	17	41592—79	SPACER, rear axle	80 to 84 — FXB, FXSB
	18	41791—79	DISC, brake	81 to 84 — FXB, FXSB
		41813—79	DISC, brake	80 — FXB
	19	41814—76A	PLATE, disc brake	80 to 82 — FXB
	19A	43157—83A	VALVE STEM	84 — FXSB
	20	43559—73	WASHER (2)	80 & 81 — FXB
	21	43567—79	SCREW, disc brake (5)	81 to 84 — FXB, FXSB
	22	43604—78	SPACER, between bearing — 4.420 (orange) (as req'd)	80 to 84 — FXB, FXSB
		43605—78	SPACER, between bearing — 4.434 (yellow) (as req'd)	80 to 84 — FXB, FXSB
		43606—78	SPACER, between bearing — 4.448 (white) (as req'd)	80 to 84 — FXB, FXSB
	23	43654—86A	SPACER, rear wheel (2)	82 to 84 — FXB, FXSB
	24	47519—72	OIL SEAL (2)	80 to 83 — FXB, FXSB
		47519—83A	OIL SEAL (2)	84 — FXSB
	25	95594—84	WHEEL WEIGHT, 0.25 oz. (black)	80 to * — FXB; 82 to * — FXSB
		95595—84	WHEEL WEIGHT, 0.25 oz. (silver)	80 to * — FXB; 82 to * — FXSB



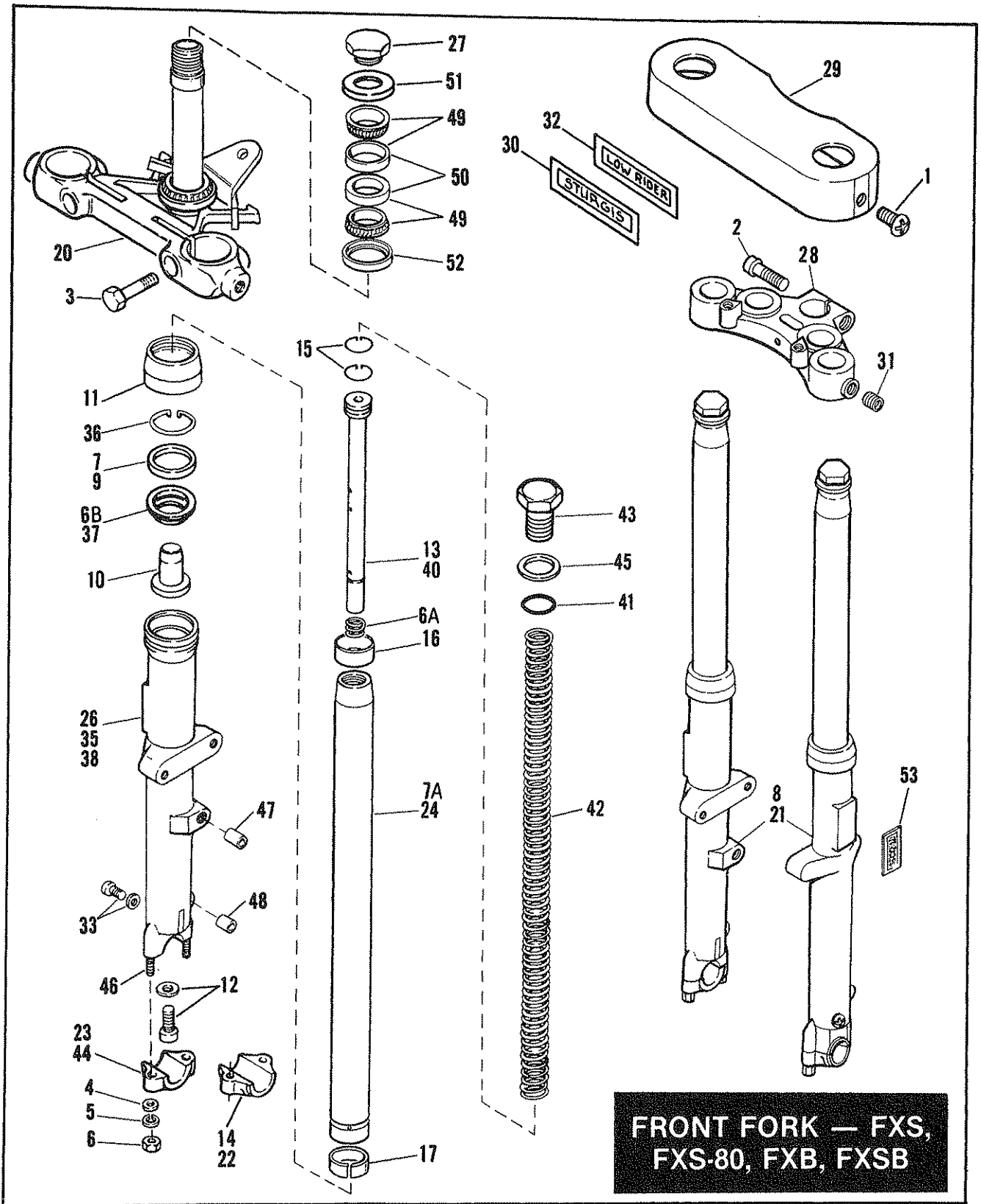
RETAIL PRICE	INDEX NO.	PART NO.	N A M E	USED ON
	1	2823	SCREW, 5/16-18 x 3/8 Phillips hd. (4)	76 to * — FX, FXE, FXEF, FXEF-80, FXE-80
	2	4371W	SCREW, 3/8-16 x 1-5/8 socket hd.	76 to * — FX, FXE, FXEF, FXEF-80, FXE-80
	3	4411	BOLT, 3/8-24 x 1-3/4 hex. hd. (2)	76 to * — FX, FXE, FXEF, FXEF-80, FXE-80
	4	6702	WASHER, 5/16 x 11/16 x 1/16 (4)	76 to * — FX, FXE, FXEF, FXEF-80, FXE-80
	5	7041	LOCKWASHER, 5/16 (4)	76 to * — FX, FXE, FXEF, FXEF-80, FXE-80
	6	7748W	NUT, 5/16-18 x 1/4 x 1/2 hex. (4)	76 to * — FX, FXE, FXEF, FXEF-80, FXE-80
	6A	45382—83	SPRING, slider (2)	84 to * — FXE-80
	6B	45386—83	SPACER, oil seal (2)	84 to * — FXE-80
	7	45400—75	OIL SEAL, slider (2)	76 to 83 — FX, FXE, FXEF, FXEF-80, FXE-80
	8	45402—75	LOWER STOP (2)	76 to 83 — FX, FXE, FXEF, FXEF-80, FXE-80
		45403—84	LOWER STOP (2)	84 to * — FXE-80
	9	45404—75	DUST COVER (2)	76 to * — FX, FXE, FXEF, FXEF-80, FXE-80
	10	45405—75A	SCREW & WASHER, damper tube (2)	76 to * — FX, FXE, FXEF, FXEF-80, FXE-80
	11	45407—75	SLIDER TUBE (2)	76 to 83 — FX, FXE, FXEF, FXEF-80, FXE-80
		45407—83	SLIDER TUBE (2)	84 to * — FXE-80
	12	45408—75	SPRING (2)	76 to 83 — FX, FXE, FXEF, FXEF-80, FXE-80
		45408—84	SPRING (2)	84 to * — FXE-80
	13	45409—75	DAMPER TUBE, complete (2)	76 to 79 — FX, FXE, FXEF, FXEF-80
	14	45410—75	AXLE CAP, left slider	76 to 83 — FX, FXE, FXEF, FXEF-80, FXE-80
		45410—84	AXLE CAP, left slider	84 to * — FXE-80
	15	45412—75	RING, damper tube (4)	76 to * — FX, FXE, FXEF, FXEF-80, FXE-80
	16	45413—84	BUSHING, slider tube — upper (2)	84 to * — FXE-80
	17	45416—84	BUSHING, slider tube — lower (2)	84 to * — FXE-80
	19	45608—77A	STEM & BRACKET, with bearing & shield	78 to 83 — FX, FXE, FXEF, FXEF-80, FXE-80
		45608—84	STEM & BRACKET, with bearing & shield	84 to * — FXE-80
	20	45718—71	NUT, fork stem	76 to * — FX, FXE, FXEF, FXEF-80, FXE-80
	21	45736—78B	BRACKET, upper	84 to * — FXE-80
	22	45751—71A	COVER, fork lower bracket	76 to * — FX, FXE, FXEF, FXEF-80, FXE-80
	23	45774—77	NAMEPLATE, front fork "Super Glide"	77 to 81 — FX, FXE, FXEF, FXEF-80, FXE-80
		45785—82	NAMEPLATE, front fork "Super Glide"	82 to * — FXE-80
	24	45782—72A	SCREW INSERT (2)	76 to * — FX, FXE, FXEF, FXEF-80, FXE-80
	25	45790—80	DRAIN SCREW, with washer (2)	76 to * — FX, FXE, FXEF, FXEF-80, FXE-80
	26	45903—80	FORK SLIDER & TUBE ASSEMBLY, right	78 to 83 — FX, FXE, FXEF, FXEF-80, FXE-80
		45903—84A	FORK SLIDER & TUBE ASSEMBLY, right	84 to * — FXE-80
	27	45904—80	FORK SLIDER & TUBE ASSEMBLY, left	78 to 83 — FX, FXE, FXEF, FXEF-80, FXE-80
		45904—84A	FORK SLIDER & TUBE ASSEMBLY, left	84 to * — FXE-80
	28	45906—80	SLIDER, right — complete	78 to 83 — FX, FXE, FXEF, FXEF-80, FXE-80
		45906—84	SLIDER, right — complete	84 to * — FXE-80
	29	45908—80	RETAINING RING, oil seal (2)	76 to * — FX, FXE, FXEF, FXEF-80, FXE-80
	30	45911—80	RETAINING RING, back up (2)	80 to 83 — FX, FXE, FXEF, FXEF-80, FXE-80
	31	45912—80	SLIDER, left — complete	80 to 83 — FX, FXE, FXEF, FXEF-80, FXE-80
		45912—84	SLIDER, left — complete	84 to * — FXE-80
	33	45914—80	DAMPER TUBE — complete (2)	80 to 83 — FX, FXE, FXEF, FXEF-80, FXE-80
		45914—84	DAMPER TUBE — complete (2)	84 to * — FXE-80



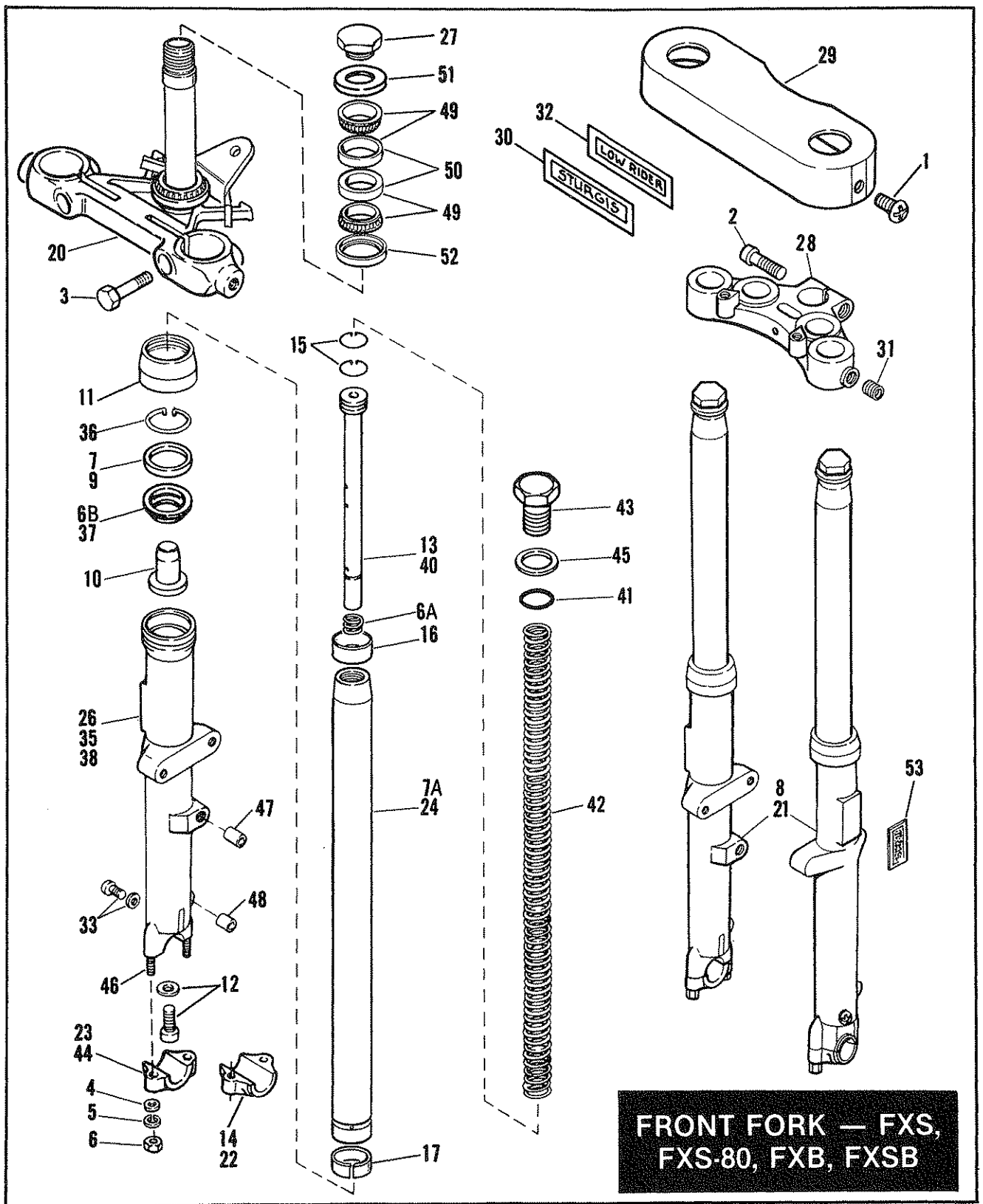
FRONT FORK — SHOWA (CONT'D)

AA38-2

RETAIL PRICE	INDEX NO.	PART NO.	N A M E	USED ON
34	45982-73		O-RING, slider tube cap (2)	76 to * — FX, FXE, FXEF, FXEF-80, FXE-80
35	45993-73		CAP, slider tube (2)	76 to * — FX, FXE, FXEF, FXEF-80, FXE-80
36	45994-73		AXLE CAP, right slider	N/A 76 & 77 — FX, FXE
	45994-77		AXLE CAP, right slider	78 to 83 — FX, FXE, FXEF, FXEF-80, FXE-80
	45994-84		AXLE CAP, right slider	84 to * — FXE-80
39	45997-73		WASHER, slider tube cap (2)	76 to * — FX, FXE, FXEF, FXEF-80, FXE-80
40	45998-73		STUD, 5/16-18, both ends (4)	78 to * — FX, FXE, FXEF, FXEF-80, FXE-80
41	46018-77		BUSHING, brake caliper — upper (2)	78 to 83 — FX, FXE, FXEF, FXEF-80, FXE-80
42	46019-77		BUSHING, brake caliper — lower (2)	78 to 83 — FX, FXE, FXEF, FXEF-80, FXE-80
	46020-84		BUSHING, brake caliper	84 to * — FXE-80
43	46023-75		SET OF FORK LEGS, complete	N/A 76 & 77 — FX, FXE
44	46024-75		SLIDER, left — complete	N/A 76 & 77 — FX, FXE
	46025-75		SLIDER, right — complete	N/A 76 & 77 — FX, FXE
	46026-77		SLIDER, right — complete	N/A 78 to 79 — FX, FXE, FXEF, FXEF-80
	46027-77		SLIDER, left — complete	78 to 79 — FX, FXE, FXEF, FXEF-80
48	48300-60		ROLLER BEARING, with cup (2)	76 to * — FX, FXE, FXEF, FXEF-80, FXE-80
49	48315-60		HEAD CUP (2)	76 to * — FX, FXE, FXEF, FXEF-80, FXE-80
50	48361-80		DUST SHIELD, head bearing — upper	76 to * — FX, FXE, FXEF, FXEF-80, FXE-80
51	48365-48A		DUST SHIELD, head bearing — lower	76 to * — FX, FXE, FXEF, FXEF-80, FXE-80
52	59254-72		REFLECTOR, amber (2)	76 to * — FX, FXE, FXEF, FXEF-80, FXE-80



RETAIL PRICE	INDEX NO.	PART NO.	N A M E	USED ON
	1	2823	SCREW, 5/16-18 x 3/8 Phillips hd. (4)	77 to 82 — FXS, FXS-80, FXB; 83 to * — FXSB
	2	4371W	SCREW, 3/8-16 x 1-5/8 socket hd.	77 to 82 — FXS, FXS-80, FXB; 83 to * — FXSB
	3	4411	BOLT, 3/8-24 x 1-3/4 hex. hd. (2)	77 to 82 — FXS, FXS-80, FXB; 83 to * — FXSB
	4	6702	WASHER, 5/16 x 11/16 x 1/16 (4)	77 to 82 — FXS, FXS-80, FXB; 83 to * — FXSB
	5	7041	LOCKWASHER, 5/16 (4)	77 to 82 — FXS, FXS-80, FXB; 83 to * — FXSB
	6	7748W	NUT, 5/16-18 x 1/4 x 1/2 hex. (4)	77 to 82 — FXS, FXS-80, FXB; 83 to * — FXSB
	6A	45382—83	SPRING, damper tube (2)	84 to * — FXSB
	6B	45386—83	SPACER, oil seal (2)	84 to * — FXSB
	7	45387—83	OIL SEAL (2)	84 to * — FXSB
	7A	45392—83	SLIDER TUBE (2)	84 to * — FXSB
	8	45396—80	FORK SLIDER & TUBE ASSEMBLY (left)	N/A 80 to 82 — FXS-80, FXB; 83 — FXSB
		45396—84	FORK SLIDER & TUBE ASSEMBLY (left)	84 to * — FXSB
		45397—80	FORK SLIDER & TUBE ASSEMBLY (right)	N/A 80 to 82 — FXS-80, FXB; 83 — FXSB
		45397—84	FORK SLIDER & TUBE ASSEMBLY (right)	84 to * — FXSB
	9	45400—75	OIL SEAL, slider (2)	77 to 82 — FXS, FXS-80, FXB; 83 to * — FXSB
	10	45402—75	LOWER STOP (2)	77 to 82 — FXS, FXS-80, FXB; 83 — FXSB
		45403—84	LOWER STOP (2)	84 to * — FXSB
	11	45404—75	DUST COVER (2)	77 to 82 — FXS, FXS-80, FXB; 83 to * — FXSB
	12	45405—75A	SCREW & WASHER, damper tube (2)	77 to 82 — FXS, FXS-80, FXB; 83 to * — FXSB
	13	45409—75	DAMPER TUBE, complete (2)	77 to 79 — FXS, FXS-80
	14	45410—75	AXLE CAP, left slider	80 to 82 — FXS-80, FXB; 83 — FXSB
		45410—84	AXLE CAP, left slider	84 to * — FXSB
	15	45412—75	RING, damper tube (4)	77 to 82 — FXS, FXS-80, FXB; 83 to * — FXSB
	16	45413—84	BUSHING, upper — slider tube (2)	84 to * — FXSB
	17	45416—84	BUSHING, lower — slider tube (2)	84 to * — FXSB
	20	45608—77A	STEM & BRACKET, with bearing and shield	77 to 82 — FXS, FXS-80, FXB; 83 — FXSB
		45608—84	STEM & BRACKET, with bearing & shield	84 to * — FXSB
	21	45620—77	SET OF FORK SLIDERS, complete	N/A 77 to 79 — FXS, FXS-80
	22	45642—77	AXLE CAP, left slider	N/A 77 to 79 — FXS, FXS-80
	23	45643—77	AXLE CAP, right slider	N/A 77 to 79 — FXS, FXS-80
	24	45644—77	SLIDER TUBE (2)	77 to 82 — FXS, FXS-80; 80 to 83 — FXB, FXSB
	26	45657—77	SLIDER, left — complete	N/A 77 to 79 — FXS, FXS-80
		45658—77	SLIDER, right — complete	77 to 79 — FXS, FXS-80
	27	45718—71	NUT, fork stem	77 to 82 — FXS, FXS-80, FXB; 83 to * — FXSB
	28	45736—78B	BRACKET, upper	77 to 82 — FXS, FXS-80, FXB; 83 to * — FXSB
	29	45751—71A	COVER, fork lower bracket	77 to 82 — FXS, FXS-80, FXB; 83 to * — FXSB
	30	45771—80	NAMEPLATE, front fork "Sturgis"	80 & 81 — FXB
		45773—82	NAMEPLATE, front fork "Sturgis" (gold)	82 — FXB
	31	45782—72A	SCREW INSERT (2)	77 to 82 — FXS, FXS-80, FXB; 83 to * — FXSB
	32	45788—77	NAMEPLATE, front fork "LOW RIDER"	77 to 81 — FXS, FXS-80
		45788—82	NAMEPLATE, front fork "LOW RIDER"	82 — FXS-80; 83 to * — FXSB
	33	45790—80	DRAIN SCREW, with washer (2)	77 to 82 — FXS, FXS-80, FXB; 83 to * — FXSB
	35	45906—80	SLIDER, right — complete	80 to 82 — FXS-80, FXB; 83 — FXSB
		45906—84	SLIDER, right — complete	84 to * — FXSB
	36	45908—80	RETAINING RING, oil seal	77 to 82 — FXS-80, FXB; 83 to * — FXSB
	37	45911—80	RETAINING RING, back up	80 to 82 — FXS-80, FXB; 83 to * — FXSB
	38	45912—80	SLIDER, left — complete	80 to 82 — FXS-80, FXB; 83 — FXSB
		45912—84	SLIDER, left — complete	84 to * — FXSB
	40	45914—80	DAMPER TUBE — complete (2)	80 to 82 — FXS-80, FXB; 83 — FXSB
		45914—84	DAMPER TUBE — complete (2)	84 to * — FXSB

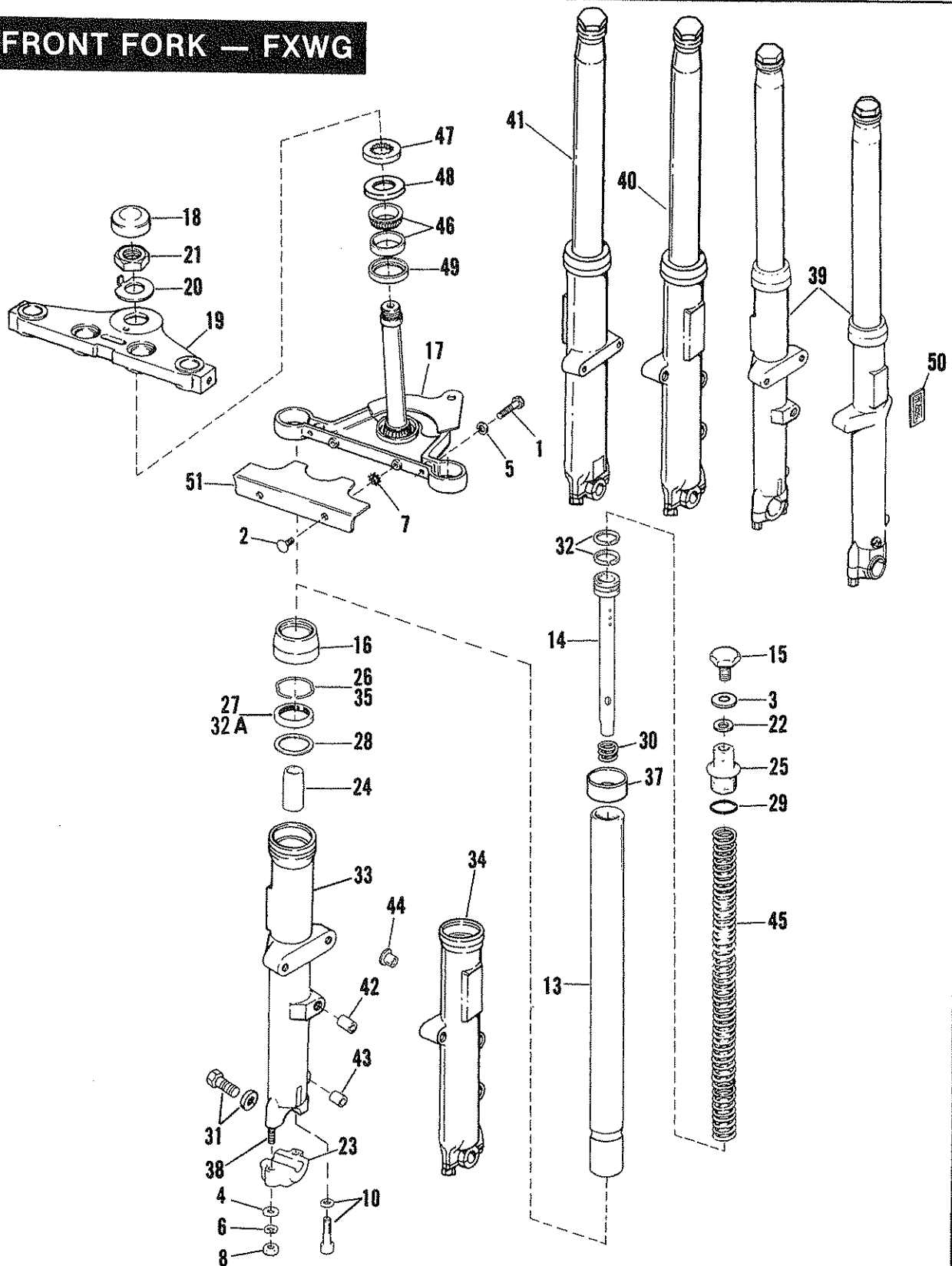


FRONT FORK — FXS, FXS-80, FXB, FXSB (CONT'D)

AA39-2

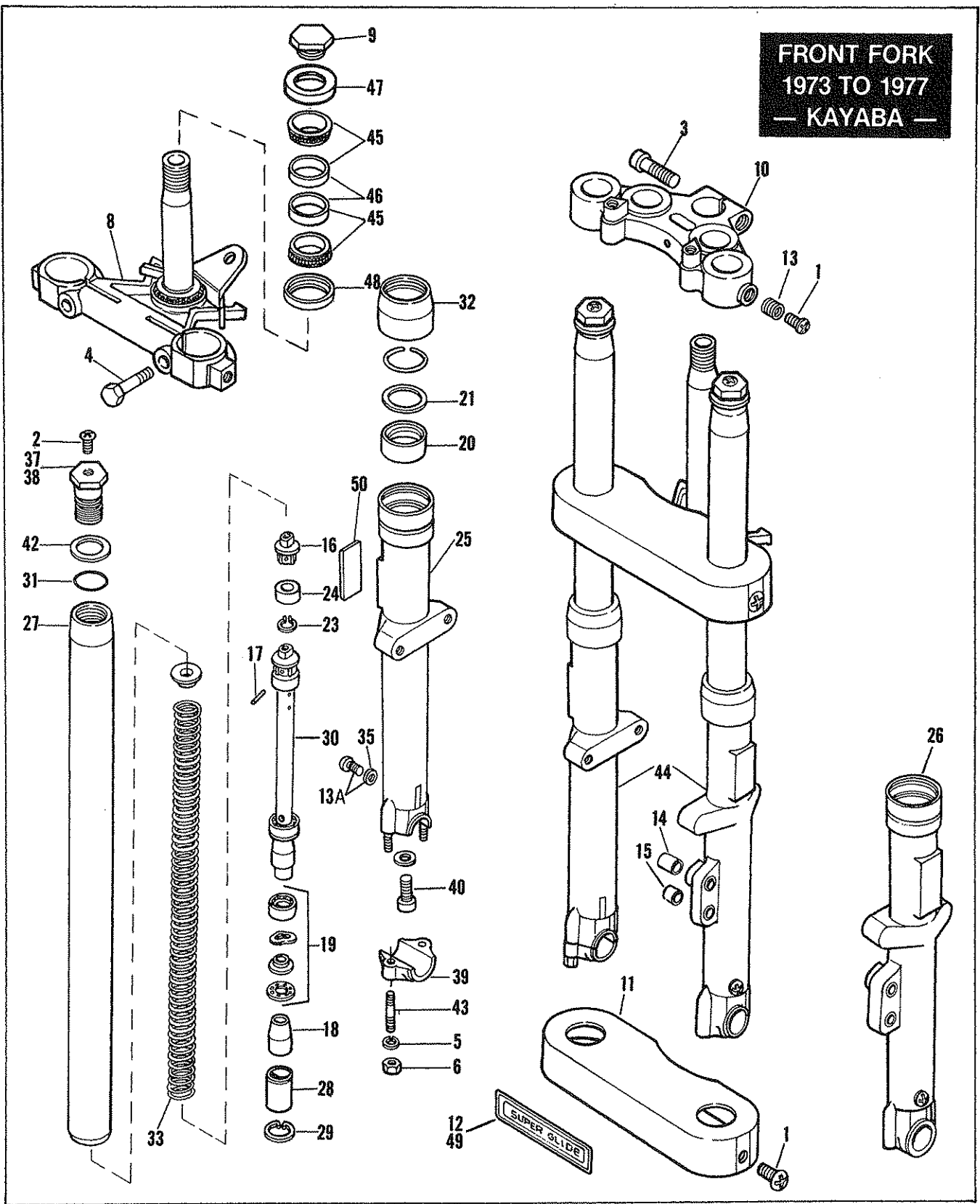
RETAIL PRICE	INDEX NO.	PART NO.	N A M E	USED ON
	41	45982-73	O-RING, slider tube cap (2)	77 to 82 — FXS, FXS-80, FXB; 83 to * — FXSB
	42	45987-77	SPRING (2)	77 to 82 — FXS, FXS-80, FXB; 83 — FXSB
		45987-84	SPRING (2)	84 to * — FXSB
	43	45993-73	CAP, slider tube (2)	77 to 82 — FXS, FXS-80, FXB; 83 to * — FXSB
	44	45994-77	AXLE CAP, right slider	77 to 82 — FXS, FXS-80, FXB; 83 — FXSB
		45994-84	AXLE CAP, right slider	84 to * — FXSB
	45	45997-73	WASHER, slider tube cap (2)	77 to 82 — FXS, FXS-80, FXB; 83 to * — FXSB
	46	45998-73	STUD, 5/16-18, both ends (4)	80 to 82 — FXS, FXB; 83 to * — FXSB
	47	46018-77	BUSHING, brake caliper — upper (2)	77 to 82 — FXS, FXS-80, FXB; 83 — FXSB
	48	46019-77	BUSHING, brake caliper — lower (2)	77 to 82 — FXS, FXS-80, FXB; 83 — FXSB
		46020-84	BUSHING, brake caliper	84 to * — FXSB
	49	48300-60	ROLLER BEARING, with cup (2)	77 to 82 — FXS, FXS-80, FXB; 83 to * — FXSB
	50	48315-60	BEARING CUP (2)	77 to 82 — FXS, FXS-80, FXB; 83 to * — FXSB
	51	48361-80	DUST SHIELD, bearing — upper	77 to 82 — FXS, FXS-80, FXB; 83 to * — FXSB
	52	48365-48A	DUST SHIELD, bearing — lower	77 to 82 — FXS, FXS-80, FXB; 83 to * — FXSB
	53	59254-72	REFLECTOR, amber (2)	77 to 82 — FXS, FXS-80, FXB; 83 to * — FXSB

FRONT FORK — FXWG



RETAIL PRICE	INDEX NO.	PART NO.	N A M E	USED ON
	1	4729	BOLT, 7/16-20 x 1-1/4 hex. hd. (2)	80 to * — FXWG
	2	5410	SCREW, 5/16-24 x 1/2 Pozidriv truss hd. (chrome) (2)	80 to * — FXWG
	3	5710	SPACER, upper bracket nut (2)	80 to * — FXWG
	4	6702	WASHER, 5/16 x 11/16 x 1/16 (right slider) (2)	80 to * — FXWG
	5	7039	LOCKWASHER, 7/16 (2)	80 to * — FXWG
	6	7041	LOCKWASHER, 5/16 (2) (right slider)	80 to * — FXWG
	7	7232	LOCKWASHER, 5/16 external tooth (2)	80 to * — FXWG
	8	7748W	NUT, 5/16-18 x 1/4 x 1/2 hex. (right slider) (2)	80 to * — FXWG
	10	45405—75A	SCREW & WASHER, damper tube (2)	80 to * — FXWG
	13	45417—80	SLIDER TUBE (2)	80 to 83 — FXWG
		45417—84	SLIDER TUBE (2)	84 to * — FXWG
	14	45418—80	DAMPER TUBE, complete (2)	80 to 83 — FXWG
		45418—84	DAMPER TUBE, complete (2)	84 to * — FXWG
	15	45419—80	CAP, slider tube (2)	80 to * — FXWG
	16	45420—80	DUST COVER (2)	80 to * — FXWG
	17	45665—80A	STEM AND BRACKET, with bearing & shield	80 to 83 — FXWG
		45665—84B	STEM AND BRACKET, with bearing & shield	84 to * — FXWG
	18	45670—80	CAP, fork stem	80 to * — FXWG
	19	45672—80	BRACKET, upper (chrome)	80 to * — FXWG
	20	45717—63	LOCKWASHER, fork stem nut	80 to * — FXWG
	21	45718—60	NUT, fork stem	80 to * — FXWG
	22	45733—48	OIL SEAL, fork tube plug (2)	80 to * — FXWG
	23	45832—77A	AXLE CAP, right slider	80 to * — FXWG
	24	45834—77	LOWER STOP (2)	80 to * — FXWG
	25	45838—77	PLUG, fork tube (2)	80 to * — FXWG
	26	45842—77	RETAINING RING, oil seal (2)	80 to * — FXWG
	27	45843—77	OIL SEAL, slider (2)	80 to 83 — FXWG
	28	45844—77	WASHER, slider (2)	80 to 83 — FXWG
	29	45845—77	O-RING, slider tube plug (2)	80 to * — FXWG
	30	45855—77	SPRING, damper tube (2)	84 to * — FXWG
	31	45858—77	DRAIN SCREW WITH WASHER, slider (2)	80 to * — FXWG
	32	45859—77	RING, damper tube (4)	80 to * — FXWG
	32A	45865—84	WASHER, slider (2)	84 to * — FXWG
	33	45871—80	SLIDER, right — includes index nos. 31, 38 & 39	80 to 83 — FXWG
		45872—80	SLIDER, left — includes index nos. 31, 38 & 39	80 to 83 — FXWG
	34	45873—84	SLIDER, left	84 to * — FXWG
		45874—84	SLIDER, right	84 to * — FXWG
	35	45875—84	OIL SEAL (2)	84 to * — FXWG
	37	45940—84	BUSHING, upper — fork slider (2)	84 to * — FXWG
	38	45998—73	STUD, 5/16-18 both ends (2)	84 to * — FXWG
	39	46002—80	SET OF FORK SLIDERS, complete	N/A 80 to 83 — FXWG
	40	46004—84	FORK SLIDER, left — complete	84 to * — FXWG
	41	46006—84	FORK SLIDER, right — complete	84 to * — FXWG
	42	46018—77	BUSHING, brake caliper — upper (2)	80 to 83 — FXWG
	43	46019—77	BUSHING, brake caliper — lower (2)	80 to 83 — FXWG
	44	46020—84	BUSHING, upper — left slider	84 to * — FXWG
	45	46048—80	SPRING (2)	80 to 83 — FXWG
		46048—84	SPRING (2)	84 to * — FXWG
	46	48300—60	ROLLER BEARING, with cup (2)	80 to * — FXWG
	47	48330—48A	CONE SEAT, upper — with guard	80 to * — FXWG
	48	48361—80	DUST SHIELD, head bearing — upper	80 to * — FXWG
	49	48365—48A	DUST SHIELD, head bearing — lower	80 to * — FXWG
	50	59254—72	REFLECTOR, amber (2)	80 to * — FXWG
	51	67773—80A	MOUNTING PLATE, headlamp (chrome)	80 to * — FXWG

FRONT FORK
1973 TO 1977
— KAYABA —



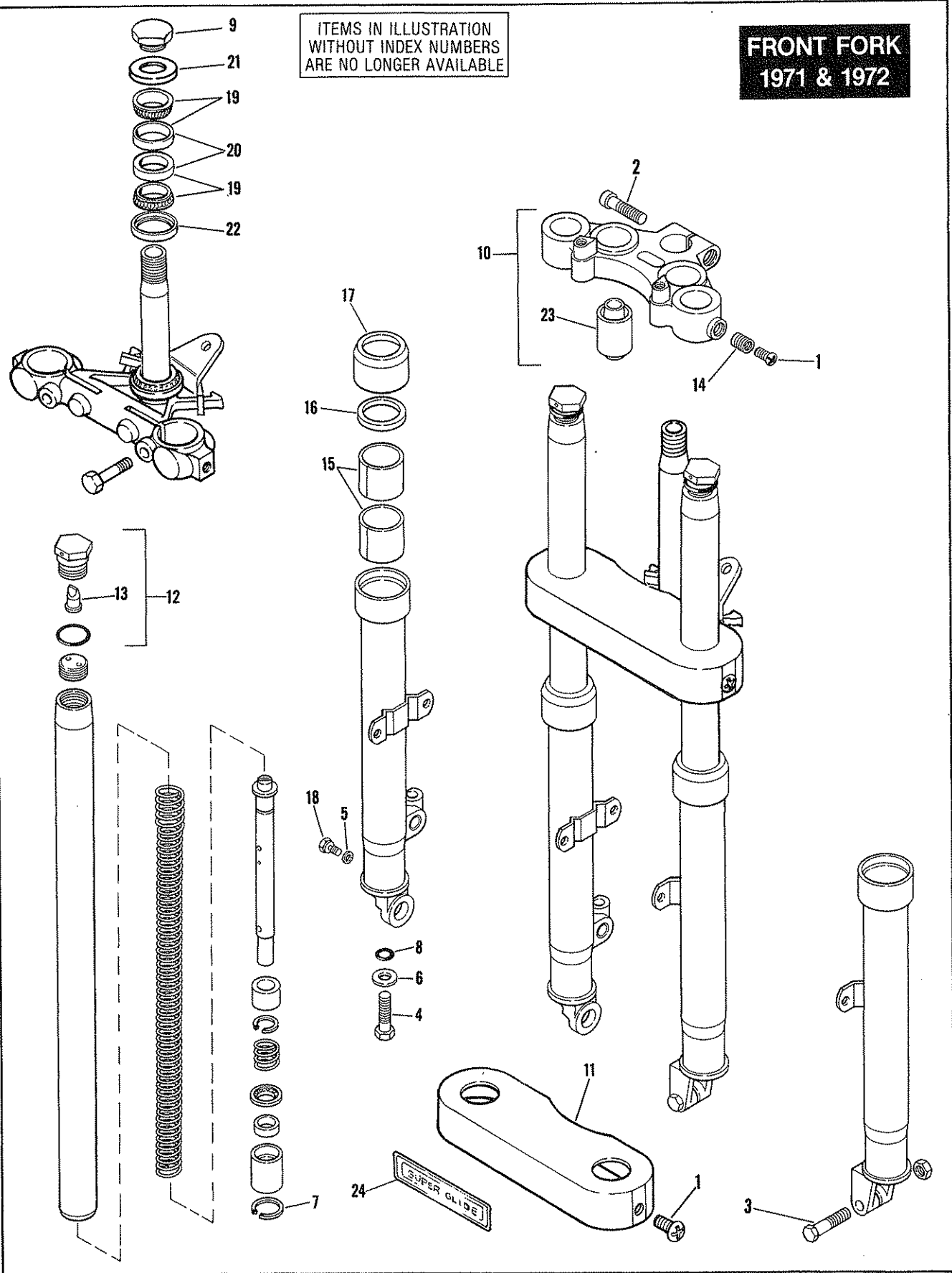
FRONT FORK — 1973 TO 1977 (KAYABA)

AA40

RETAIL PRICE	INDEX NO.	PART NO.	N A M E	USED ON
	1	2823	SCREW, 5/16-18 x 3/8 Phillips hd. (4)	73 to 77 — FX
	2	2830	SCREW, 5/16-24 x 3/8 Pozidriv truss hd. (2)	N/A 74 to 77 — FX
	3	4371W	SCREW, 3/8-16 x 1-5/8 socket hd.	73 to 77 — FX
	4	4411	BOLT, 3/8-24 x 1-3/4 hex. hd. (2)	73 to 77 — FX
	5	7041	LOCKWASHER, 5/16 (2)	73 to 77 — FX
	6	7748W	NUT, 5/16-18 x 1/4 x 1/2 hex. (2)	73 to 77 — FX
	8	45608—77A	STEM AND BRACKET, with bearing and shield	73 to 77 — FX
	9	45718—71	NUT, fork stem	73 to 77 — FX
	10	45736—78B	UPPER BRACKET	73 to 77 — FX
	11	45751—71A	COVER, fork lower bracket	73 to 77 — FX
	12	45774—77	NAMEPLATE, front fork — "Super Glide"	77 — FX
	13	45782—72A	SCREW INSERT (2)	73 to 77 — FX
	13A	45790—80	DRAIN SCREW, with washer	73 to 77 — FX
	14	45821—75	BUSHING, left slider — upper (disc brake)	73 & 74 — FX
	15	45822—75	BUSHING, left slider — lower (disc brake)	73 & 74 — FX
	16	45916—73	UPPER STOP (2)	N/A 73 to 77 — FX
	17	45917—73	ROLL PIN, upper stop (2)	N/A 73 to 77 — FX
	18	45918—73	LOWER STOP (2)	N/A 73 to 77 — FX
	19	45926—73	VALVE ASSEMBLY (2)	N/A 73 to 77 — FX
	20	45927—73	OIL SEAL, slider (2)	73 to 77 — FX
	21	45928—73	WASHER, oil seal (2)	N/A 73 to 77 — FX
	23	45932—73	RETAINING RING (2)	N/A 73 to 77 — FX
	24	45933—73	PISTON, upper (2)	N/A 73 to 77 — FX
	25	45974—73	SLIDER, right	N/A 73 to 77 — FX
	26	45976—74	SLIDER, left	N/A 74 to 77 — FX
	27	45977—73	SLIDER TUBE (2)	N/A 73 to 77 — FX
	28	45978—73	PISTON (2)	N/A 73 to 77 — FX
	29	45979—73	RETAINING RING, piston (2)	N/A 73 to 77 — FX
	30	45980—73	DAMPER TUBE, complete (2)	N/A 73 to 77 — FX
	31	45982—73	O-RING, slider tube cap (2)	73 to 77 — FX
	32	45983—73	DUST COVER (2)	73 to 77 — FX
	33	45984—73	SPRING (2)	N/A 73 to 77 — FX
	35	45986—73	FIBER WASHER, drain screw (2)	N/A 73 to 77 — FX
	37	45993—73	CAP, slider tube, (w/hole) (2)	73, 75 to 77 — FX
	38	45993—74	CAP, slider tube, (w/o hole) (2)	N/A 74 — FX
	39	45994—73	AXLE CAP, slider — right	N/A 73 to 77 — FX
	40	45995—73	SCREW, damper tube (2)	73 to 77 — FX
	42	45997—73	WASHER, slider tube cap (2)	73 to 77 — FX
	43	45998—73	STUD, slider — right (2)	73 to 77 — FX
	44	46023—75	SET OF FORK LEGS, complete (SHOWA)	N/A 74 to 77 — FX
			NOTE: See SHOWA FORK parts list for internal parts	
	45	48300—60	ROLLER BEARING, with cup (2)	73 to 77 — FX
	46	48315—60	HEAD CUP (2)	73 to 77 — FX
	47	48361—80	DUST SHIELD, head bearing — upper	73 to 77 — FX
	48	48365—48A	DUST SHIELD, head bearing — lower	73 to 77 — FX
	49	59176—72	NAMEPLATE, front fork — "Super Glide"	N/A 73 to 76 — FX
	50	59254—72	REFLECTOR (amber) (2)	73 to 77 — FX

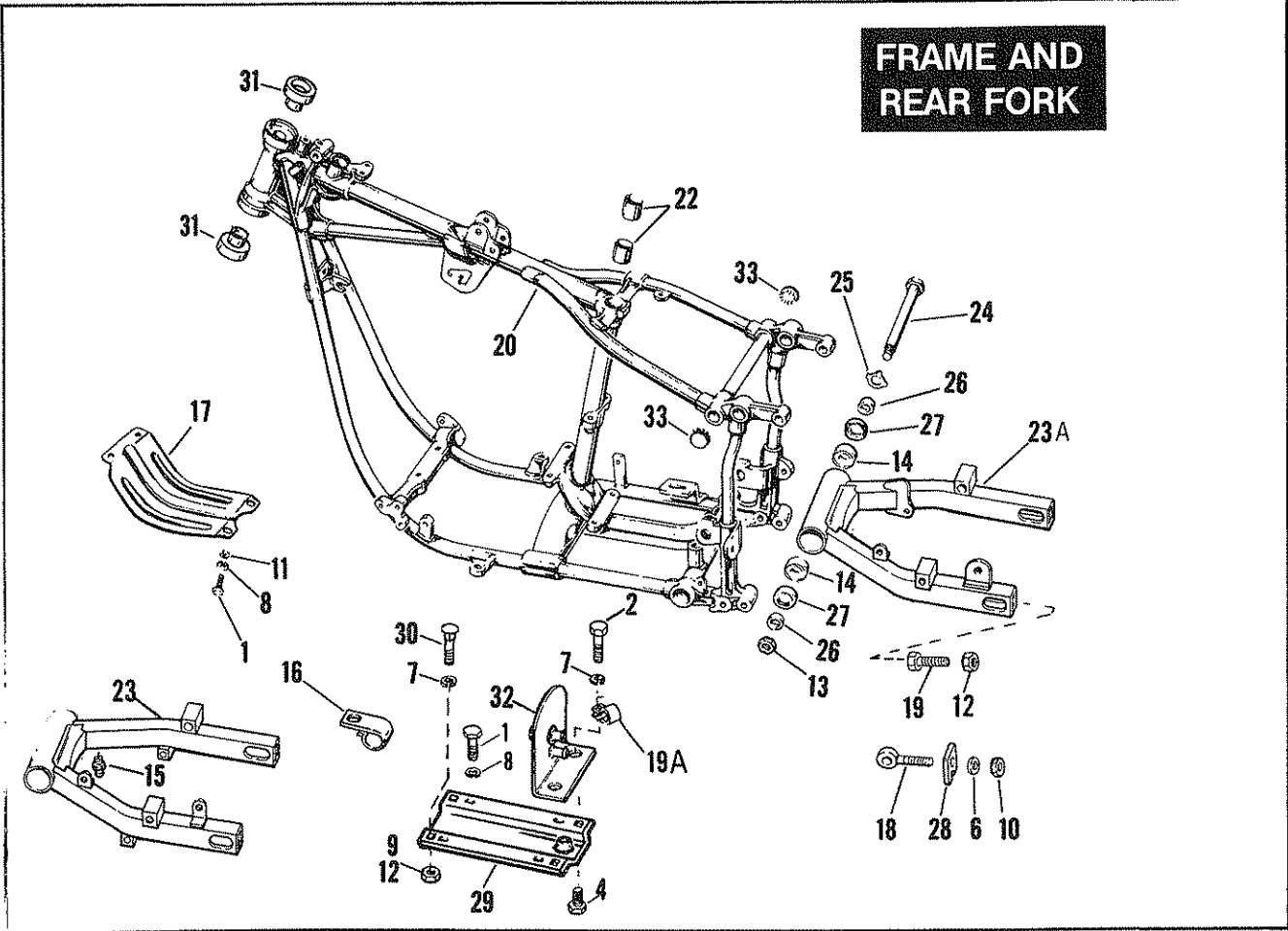
ITEMS IN ILLUSTRATION
WITHOUT INDEX NUMBERS
ARE NO LONGER AVAILABLE

FRONT FORK
1971 & 1972



DETAIL PRICE	INDEX NO.	PART NO.	N A M E	USED ON
	1	2823	SCREW, 5/16-18 x 3/8 Phillips hd. (4)	71 & 72 — FX
	2	4371W	SCREW, 3/8-16 x 1-5/8 socket hd.	71 & 72 — FX
	3	4411	BOLT, 3/8-24 x 1-3/4 hex. hd. (2)	71 & 72 — FX
	4	4726	BOLT, 7/16-20 x 1-1/2 hex. hd. (2)	71 & 72 — FX
	5	6218W	WASHER, 1/4 x 7/16 x 1/32 (2)	71 & 72 — FX
	6	6473HB	WASHER, 7/16 x 13/16 x 1/16 (2)	N/A 71 & 72 — FX
	7	11105	O-RING, damper tube — lower (2)	71 & 72 — FX
	8	11164	RETAINING RING, slider tube	71 & 72 — FX
	9	45718—71	NUT, fork stem	71 & 72 — FX
	10	45739—62B	UPPER BRACKET, with rubber mounts	N/A 71 & 72 — FX
	11	45751—71A	COVER, lower bracket	71 & 72 — FX
	12	45756—59	CAP AND VALVE, complete	N/A 71 & 72 — FX
	13	45757—49	BREATHER VALVE (2)	71 & 72 — FX
	14	45782—72A	SCREW INSERT (2)	71 & 72 — FX
	15	45818—52	BUSHING, slider tube (2)	71 & 72 — FX
	16	45975—71	SEAL (2)	71 & 72 — FX
	17	46001—71	BOOT (2)	N/A 71 & 72 — FX
	18	46201—52	DRAIN PLUG, slider (2)	N/A 71 & 72 — FX
	19	48300—60	BEARING, with cup (2)	71 & 72 — FX
	20	48315—60	HEAD CUP (2)	71 & 72 — FX
	21	48361—80	DUST SHIELD, head bearing — upper	71 & 72 — FX
	22	48365—48A	DUST SHIELD, head bearing — lower	71 & 72 — FX
	23	56158—49	RUBBER MOUNT, handlebar (2)	71 & 72 — FX
	24	59176—72	NAMEPLATE, front fork — "SUPER GLIDE"	N/A 72 — FX

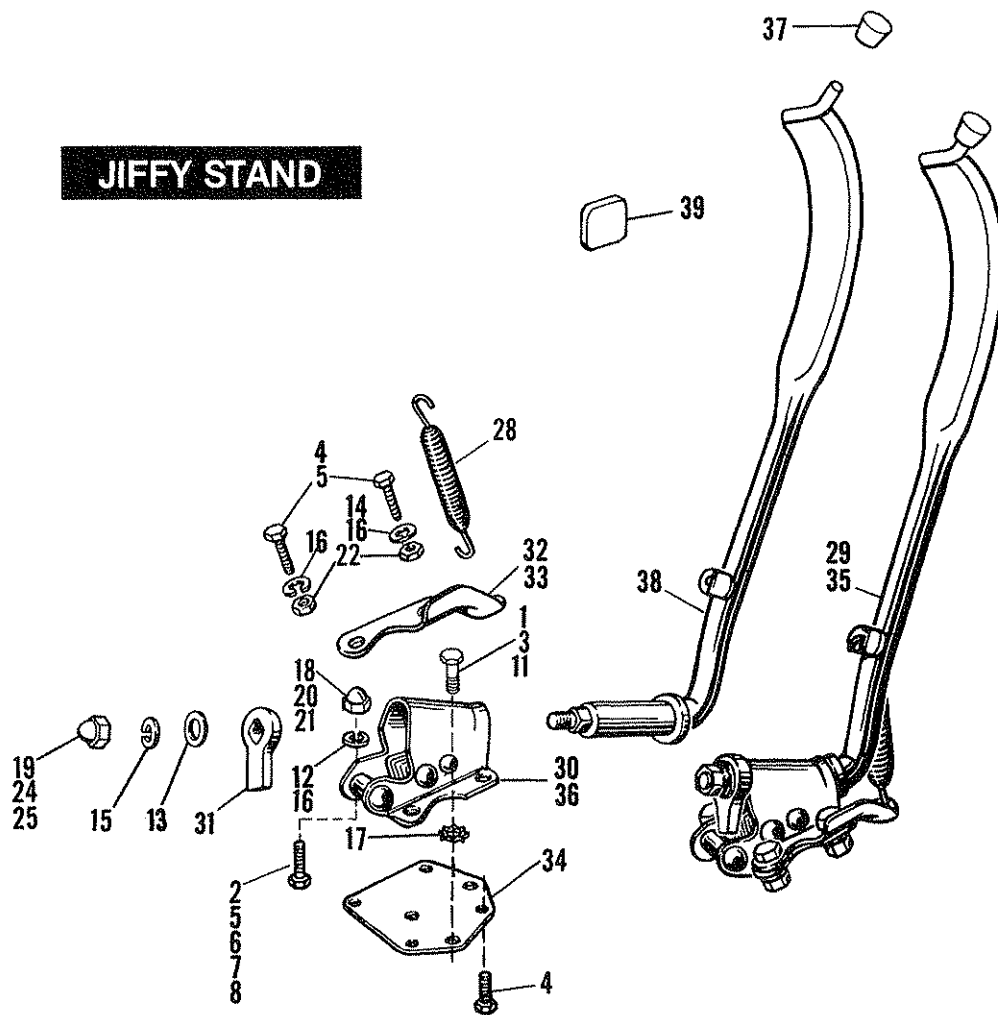
FRAME AND REAR FORK



148

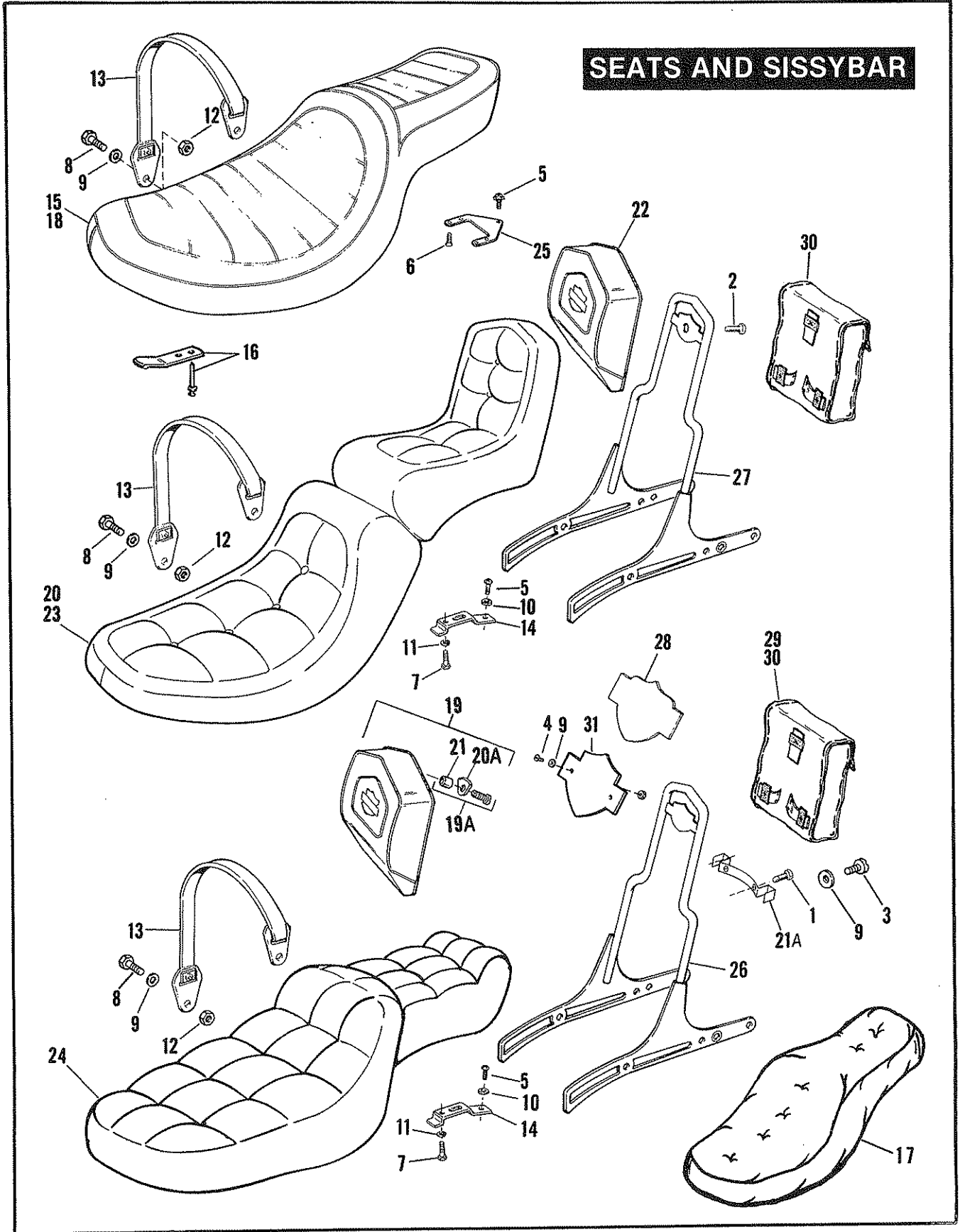
RETAIL PRICE	INDEX NO.	PART NO.	N A M E	USED ON
	1	3974HW	BOLT, 5/16-24 x 3/4 hex. hd. (4; 2 — Late 77 & Later) ..	71 to Early 81 — All Models
	2	4319	BOLT, 3/8-24 x 1 hex. hd. (4 — Early 77; 2 — Late 77) ..	77 to * — All Models
		4336W	BOLT, 3/8-24 x 1-1/8 hex. hd. (2) ..	71 to Early 77 — All Models
		4337W	BOLT, 3/8-24 x 1-1/4 hex. hd.	78 to * — All Models
		4713W	BOLT, 3/8-16 x 3/4 hex. hd.	Late 82 to * — All Models
	4A	4362	BOLT, 3/8-24 x 1-3/8 hex. hd. (2) ..	N/A 71 to 80 — All Models
	6	6324W	WASHER, 5/16 x 11/16 x 3/32 (2) ..	73 to * — All Models
	7	7038	LOCKWASHER, 1/4 (4; 5 — Late 82 & Later) ..	77 to * — All Models
	8	7041	LOCKWASHER, 5/16 (4; 2 — Late 77 & Later) ..	71 to Early 81 — All Models
	9	7643W	JAMNUT, 3/8-16 x 7/32 x 9/16 hex. (2) ..	Late 77 to * — All Models
	10	7725	LOCKNUT, 5/16-24 x 1/4 x 1/2 hex. (2) ..	73 to * — All Models
	11	7753	NUT, 5/16-24 x 17/64 x 1/2 hex. (4; 2 — Late 77 & later)	71 to Early 81 — All Models
	12	7783	NUT, 3/8-16 x 5/16 x 9/16 hex.	Late 82 to * — All Models
		7800W	NUT, 3/8-24 x 5/16 x 9/16 hex. (2) ..	71 to Early 77 — All Models
	13	7813	NUT, 5/16-18 x 9/16 x 15/16 hex.	71 & 72 — All Models
	14	9052	ROLLER BEARING (2) ..	71 to * — All Models
	15	9851	GREASE FITTING, rear fork ..	71 to * — All Models
	16	9951	CLAMP, rear chain oiler hose ..	80 to 82 — All Models except FXB & FXSB
	17	24490—36	CRANKCASE GUARD ..	71 to Early 81 — All Models
	18	41570—77	ADJUSTER, rear axle (2) ..	73 to * — All Models
	19	41576—36	BOLT, axle adjuster (2) ..	71 & 72 — All Models
	19A	42327—70	CLAMP, rear brake line ..	80 to Early 82 — FXWG
	20	47000—78B	FRAME ..	N/A 78 to 80 — FX, FXE
	21	47013—78C	FRAME ..	77 to * — All Models except FX, FXE
		47013—72D	FRAME ..	71 to 76 — All Models
	22	47094—58	BUSHING, seat post (2) ..	71 to 77 — All Models
	23	47446—79	REAR FORK ASSEMBLY, includes index nos. 14, 26 & 27.	80 to Early 82 — FXB
		47500—73	REAR FORK ..	73 to Early 78 — All Models
		47500—78	REAR FORK ASSEMBLY, includes index nos. 14, 26 & 27.	Late 78 to Early 82 — All Models except FXB
	23A	47446—82	REAR FORK ..	Late 82 — FXB; 83 to * — FXSB; 84 — FXWG
		47498—82A	REAR FORK ..	Late 82 & 83 — FXS-80, FXWG; Late 82 to * — FXE-80
	24	47510—58	PIVOT BOLT, rear fork ..	71 to * — All Models
	25	47513—58	LOCKWASHER, pivot bolt ..	71 to * — All Models
	26	47517—58	SPACER, pivot bearing (2) ..	71 to * — All Models
	27	47519—72	SEAL, pivot bearing (2) ..	73 to * — All Models
		47519—83A	SEAL, pivot bearing (2) ..	71 & 72 — All Models
	28	47554—73	END COVER, rear fork ..	73 to * — All Models
	29	47698—65C	TRANSMISSION MOUNTING PLATE ..	71 to * — All Models
	30	47730—77	CARRIAGE BOLT, transmission mounting plate (2) ..	Late 77 to * — All Models
	31	48311—60	HEADCUP, frame (2) ..	71 to * — All Models
	32	62538—82	MOUNTING BRACKET, spin-on oil filter ..	Late 82 to * — All Models
	33	68797—68A	END PLUG, frame (2) ..	80 to 84 — FXWG

JIFFY STAND



RETAIL PRICE	INDEX NO.	PART NO.	N A M E	USED ON
	1	2851	BOLT, 3/8-16 x 7/8 hex. hd. (3)	Late 82 to * — All Models except FXWG & FXE-80
	2	2871W	BOLT, 5/16-18 x 1-1/4 hex. hd. (4)	77 & 78 — FXS
	3	2879W	BOLT, 3/8-16 x 1 hex. hd. (3)	78 & 79 — All Models
	4	3960W	BOLT, 5/16-24 x 1 hex. hd. (2)	74 to * — All Models except FXWG
	5	3996	BOLT, 5/16-24 x 7/8 hex. hd. (4 — FXWG; 2 — FXE-80) (2 — Early 74)	71 to * — All Models except FXS-80
	6	4391	BOLT, 5/16-24 x 5/8 hex. hd. (2)	Early 74 — All Models
	7	4014W	BOLT, 5/16-24 x 1-1/4 hex. hd. (4)	80 to 82 — FXS, FXS-80; 83 to * — FXSB
	8	4401W	BOLT, 5/16-24 x 1-1/4 hex. hd. (4)	79 — FXS, FXS-80
	11	4713W	BOLT, 3/8-16 x 3/4 hex. hd. (3 — FXWG, FXE-80)	74 to 77 — All Models 80 to * — All Models
	12	6314W	WASHER, 5/16 x 9/16 x 1/8 (4)	77 & 78 — FXS
	13	6334	WASHER, 7/16 x 15/16 x 1/16	71 to * — All Models
	14	6702	WASHER, 5/16 x 11/16 x 1/16	Late 82 — FXS-80, FXB
	15	7039	LOCKWASHER, 7/16	71 to * — All Models
	16	7041	LOCKWASHER, 5/16 (4)	71 to * — All Models except FXS
	17	7145W	LOCKWASHER, 3/8 external tooth (3)	Late 74 to * — All Models
	18	7508	ACORN NUT, 5/16-24 x 19/32 x 9/16 hex. (4)	Late 78 to * — All Models except FXS-80, FXB
	19	7513	ACORN NUT, 7/16-20 x 11/16 x 5/8 hex.	Late 78 to * — All Models
	20	7736	ACORN NUT, 5/16-24 x 19/32 x 9/16 hex. (4)	71 to Early 78 — FX, FXE 79 & 80 — FXS, FXS-80, FXB; 81 to * — All Models
	21	7740	LOCKNUT, 5/16-18 x 1/4 x 1/2 hex. (4)	77 & 78 — FXS, FXS-80
	22	7753	NUT, 5/16-24 x 1/4 x 1/2 hex. (4)	71 to * — All Models
	24	7837W	NUT, 7/16-20 x 3/8 x 11/16 hex.	71 to 73 — All Models
	25	7873	ACORN NUT, 7/16-20 x 11/16 x 5/8 hex.	74 to Early 78 — All Models
	28	50011—30A	SPRING, jiffy stand leg	74 to * — All Models
	29	50013—74A	JIFFY STAND ASSEMBLY (chrome)	71 to * — All Models except FXWG
	30	50014—74	LEG BRACKET	71 to * — All Models except FXWG
	31	50015—74	LEG STOP	71 to * — All Models
	32	50028—74A	BRACKET, spring (chrome)	74 to * — All Models except FXWG
	33	50036—36	BRACKET, spring	N/A 71 to 73 — All Models
	34	50036—74	REINFORCEMENT PLATE, jiffy stand	Late 74 to * — FX, FXE, FXEF, FXEF-80, FXE-80
	35	50040—80	JIFFY STAND ASSEMBLY (chrome)	N/A 80 to * — FXWG
	36	50041—80A	LEG BRACKET (chrome)	80 to * — FXWG
	37	50052—70	TIP, jiffy stand leg	N/A 71 to 78 — FX, FXS
	38	50061—36E	LEG, jiffy stand (chrome)	71 to * — All Models
	39	50100—70	BUMPER, jiffy stand	71 to * — All Models

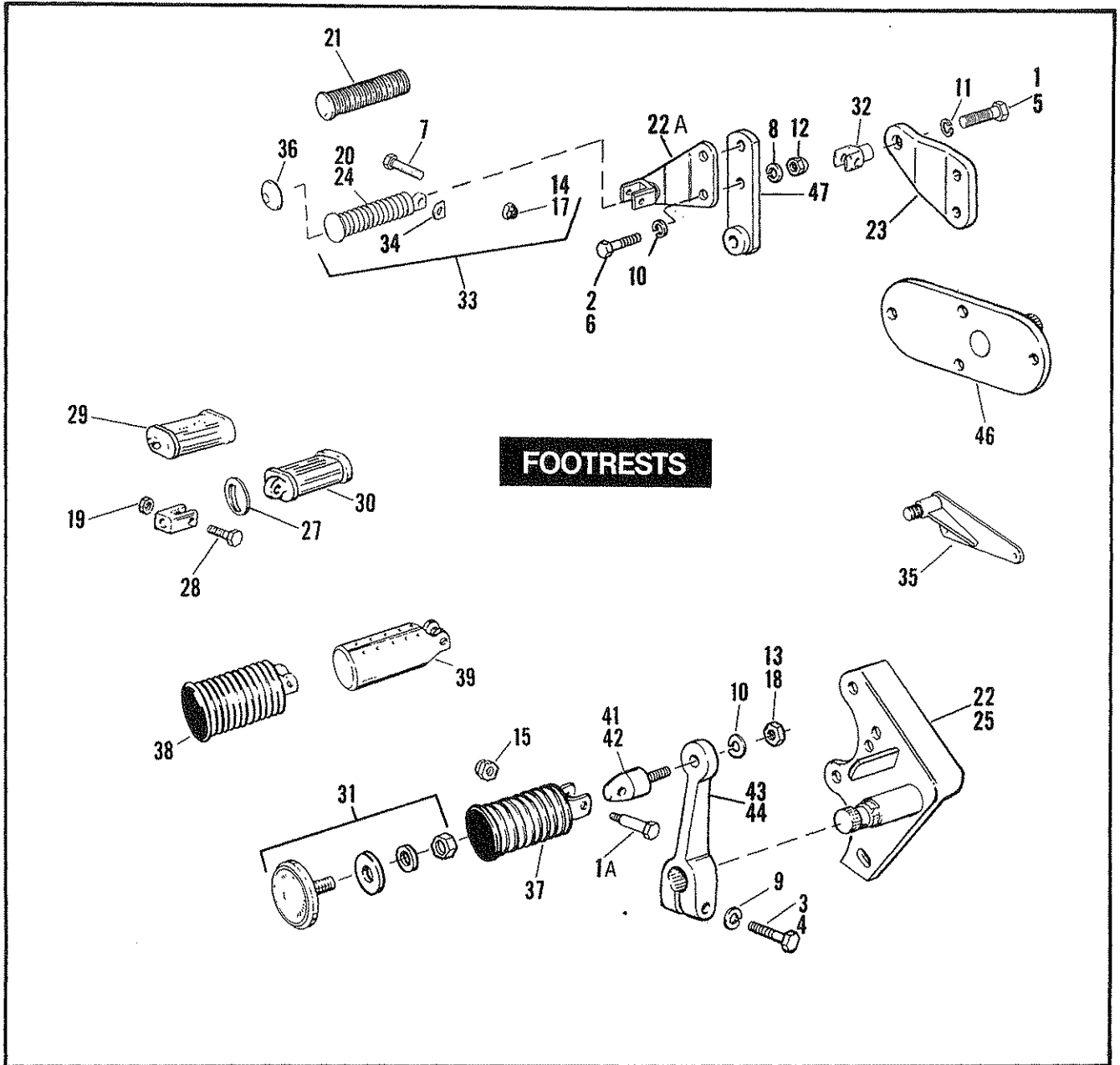
SEATS AND SISSYBAR



SEATS AND SISSY BAR

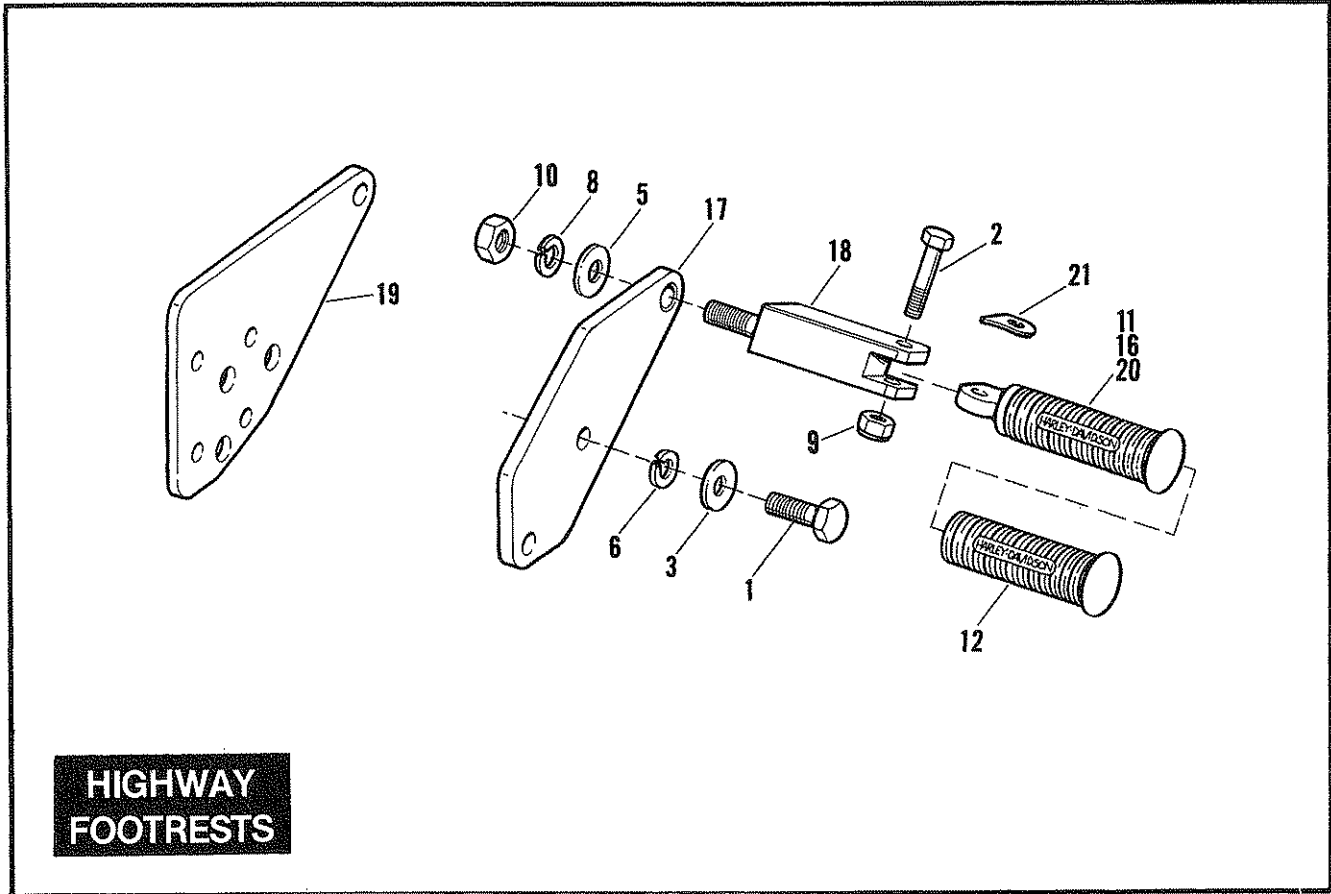
AA45

RETAIL PRICE	INDEX NO.	PART NO.	N A M E	USED ON
	1	1000	SCREW, 1/4-20 x 1/2 Pozidriv pan hd. (chrome) (2)	80 & Early 81 — FXS-80, FXB
	2	1602	SCREW, 1/4-20 x 3/4 ctsk. flat hd.	80 to * — FXWG; 82 — FXS-80, FXB
	3	2607	SCREW, 1/4-20 x 3/4 Pozidriv pan hd. (3 — Late 81; 2 — 82 & Later)	80 to 82 — FXS-80, FXB; 83 to * — FXWG
	4	2711	SCREW, No. 4-40 x 3/8 self tapping pan hd. (2)	82 to * — FXS-80, FXB, FXWG
	5	2757W	SCREW, 1/4-28 x 7/16 Phillips hd.	72 to * — All Models
	6	2802W	SCREW, No. 6-32 x 3/4 Phillips hd. (4)	72 to 79 — All Models; 80 to * — FXE, FXEF, FXEF-80, FXE-80
	7	3767B	BOLT, 1/4-20 x 5/8 hex. hd. (2) (2 piece seat)	80 to * — FXS-80, FXB, FXWG
	8	4380W	BOLT, 3/8-24 x 2 hex. hd. (2)	82 to * — All Models
	9	6379W	WASHER, 3/8 x 5/8 x 3/64 (6; 2 — FXE-80)	82 to * — All Models
	10	6410	WASHER, 1/4 x 9/16 x 1/16 (nylon)	Late 82 to * — All Models
	11	7036	LOCKWASHER, 1/4 (2) (2 piece seat)	80 to * — FXS-80, FXB, FXWG
	12	7776W	LOCKNUT, 3/8-24 x 3/4 x 9/16 hex. (2)	82 to * — All Models
	13	51192—83	PASSENGER STRAP	83 to * — FXWG
		51195—80	PASSENGER STRAP (black)	80 to 82 — FXWG; 80 to * — FXE, FXEF, FXEF-80, FXB, FXE-80, FXSB; 82 — FXS-80
		51196—80	PASSENGER STRAP (brown)	N/A 80 to 84 — All Models
	14	51651—79	BRACKET, seat — rear (2 piece seat)	80 to 82 — FXS-80, FXB, FXWG; 83 to * — FXSB
		51652—83	BRACKET, seat	83 to * — FXWG
	15	52025—75A	HI-LO SEAT (black vinyl)	N/A 76 to 77 — FX, FXE
	16	52140—71	SEAT REPAIR KIT, frame mounted seats	71 to * — All Models
	17	52171—81	RAIN COVER (white plastic)	N/A 76 to 84 — All Models except FXWG
	18	52178—77	HI-LO SEAT (black vinyl)	77 to 79 — All Models; 80 to * — FXE, FXEF, FXEF-80, FXE-80
		52180—80	HI-LO SEAT (brown vinyl)	N/A 78 — FX, FXE, FXEF, FXEF-80
		52183—79	HI-LO SEAT (brown vinyl)	N/A 77 to 79 — FX, FXE, FXEF
	19	52412—79A	BACKREST KIT (w/hardware kit) (black)	79 to 81 — FXS-80, FXB
	19A	52413—79A	HARDWARE KIT, includes index nos. 20A & 21	N/A 79 to 81 — FXS-80, FXB
	20	52435—80	SEAT, 2 piece (brown)	N/A 80 to 82 — FXWG
	20A	52437—79	BRACKET, backrest mounting	79 to 81 — FXS-80, FXB
	21	52438—79	SPACER, backrest bracket	79 to 81 — FXS-80, FXB
	21A	52492—80	BRACKET, sissy bar backrest	80 to * — FXS-80, FXB, FXSB; 83 to * — FXWG
	22	52493—82	BACKREST, sissy bar	N/A 82 — FXS-80, FXB
		52495—88	BACKREST, sissy bar	83 to * — FXWG, FXSB
	23	52498—80A	SEAT, 2 piece (black)	80 to 82 — FXWG
		52498—83	SEAT, 2 piece (black)	83 to * — FXWG
	24	52499—80A	HI-LO SEAT, 2 piece (black)	80 to * — FXS-80, FXB, FXSB
	25	52538—72	BRACKET, seat — rear	72 to 79 — All Models; 80 to * — FXE, FXEF, FXEF-80, FXE-80
	26	52743—79A	SISSY BAR	N/A 79 to 81 — FXS, FXS-80, FXB
		52743—82A	SISSY BAR	82 to * — FXS-80, FXB, FXSB
	27	52744—82A	SISSY BAR	N/A 82 to * — FXWG
	28	52756—79	NAMEPLATE, sissy bar	79 — FXS, FXS-80
	29	90840—79	POUCH, sissy bar	N/A 79 — FXS, FXS-80
	30	90840—80	POUCH, sissy bar	80 & 81 — FXS-80, FXB, FXWG
	31	99013—82	NAMEPLATE, sissy bar	82 to * — FXS-80, FXB, FXWG, FXSB



FOOTRESTS

RETAIL PRICE	INDEX NO.	PART NO.	N A M E	USED ON
	1	2348	BOLT, 1/2-20 x 7/8 hex. hd. (2)	77 to 81 — All Models
	1A	2608	SCREW, 5/16-18 x 1/2 socket hd. (shouldered)	71 to * — All Models except FXWG
	2	2879W	BOLT, 3/8-16 x 1 hex. hd. (2 left side) (4 — FXE-80, FXEF-80)	81 to * — All Models
	3	3825	BOLT, 1/4-28 x 1 hex. hd. (2)	80 to Early 82 — FXWG
	4	3839W	BOLT, 1/4-28 x 1-1/8 hex. hd.	71 to * — All Models except FXWG
	5	4081	BOLT, 1/2-20 x 1-3/4 hex. hd. (2)	73 to Early 75 — All Models
		4411	BOLT, 3/8-24 x 1-3/4 hex. hd. (3)	Late 75 to 77 — All Models
	6	4716W	BOLT, 3/8-16 x 1-1/4 hex. hd. (2 right side)	80 to * — FXWG; 81 & 82 — FXS-80, FXB
	7	4721	BOLT, 3/8-16 x 1-1/2 hex. hd. (2; 4 — 77 & later)	Late 72 to * — All Models
	8	7041	LOCKWASHER, 5/16 (black) (3)	N/A 82 — FXB
	9	7036	LOCKWASHER, 1/4 (2)	71 to * — All Models
	10	7038	LOCKWASHER, 3/8 (4)	73 to * — All Models
	11	7068	LOCKWASHER, 1/2 (2)	73 to * — All Models
	12	7523	ACORN NUT, 5/16-24 (3)	82 — FXB
	13	7572W	LOCKNUT, 1/2-20 x 19/32 x 3/4 hex.	71 to * — All Models except FXWG
	14	7633	LOCKNUT, 3/8-16 x 5/16 x 9/16 hex. (4)	77 to 80 — All Models except FXWG
	15	7739	LOCKNUT, 5/16-18 x 11/32 x 1/2 hex. (2)	71 to * — All Models except FXWG
	17	7778	LOCKNUT, 3/8-16 x 7/16 x 9/16 hex. (2; 4 - 77 & Later)	Late 72 to * — All Models
	18	7800W	NUT, 3/8-24 x 5/16 x 9/16 hex. (2)	71 to * — All Models except FXWG
	19	7805P	NUT, footrest bolt (2)	N/A 71 to Early 72 — All Models
	20	33048—72	FOOTREST, passenger (2)	Late 72 to Early 77 — All Models; 81 to * — All Models
	21	33189—63	RUBBER PAD, passenger footrest (2)	Late 77 to * — All Models
	22	42389—79	FOOTREST BRACKET, right	Late 79 to 82 — FXS, FXS-80; 83 to * — FXSB
	22A	47107—81	BRACKET, footrest — left	82 to * — All Models
		47108—81	BRACKET, footrest — right	82 to * — All Models
	23	47116—77	BRACKET, footrest — left	77 to 81 — All Models
		47117—77	BRACKET, footrest — right	77 to 81 — All Models
	25	50800—71B	FOOTREST BRACKET, right	Late 72 to Early 79 — All Models; Early 79 to * — FXE, FXEF, FXEF-80, FXE-80
		50800—80	FOOTREST BRACKET, right	N/A 80 to 82 — FXB
	27	50805—61P	PLATE, rear footrest (2)	N/A 71 to Early 72 — All Models
	28	50806—61P	BOLT, rear footrest (2)	N/A 71 to Early 72 — All Models
	29	50807—61P	RUBBER PAD, footrest (2)	N/A 71 to Early 72 — All Models
	30	50809—62P	FOOTREST SUPPORT AND PAD (2)	N/A 71 to Early 72 — All Models
	31	50880—69	FOOTPEG COVER KIT (chrome)	71 to * — All Models except FXWG
	32	50900—72	FOOTREST SUPPORT (2)	Late 72 to 81 — All Models
	33	50907—69A	REAR FOOTREST KIT (2)	N/A 71 to * — All Models
	34	50912—72	SPRING WASHER (2)	Late 72 to * — All Models
	35	50930—75	FOOTREST BRACKET, right	N/A Late 75 to 77 — All Models
	36	50936—77	SET OF COVERS, passenger footrest end (chrome)	Late 77 to 79 — All Models
	37	50939—52	FOOTREST (2)	71 to * — All Models except FXWG
	38	50940—52	RUBBER PAD, footrest (2)	71 to * — All Models except FXWG
	39	50946—52	FOOTREST, only (2)	N/A 71 to * — All Models except FXWG
	41	50973—65	STUD, footrest, 3/8-24 thread end (2 — 77 & Earlier)	71 to * — All Models except FXWG
	42	52683—74	STUD, footrest, 1/2-20 thread end (2 — 77 & Earlier)	71 to * — All Models except FXWG
	43	52695—77	FOOTREST SUPPORT, right — chrome	77 — FXS; 78 to * — All Models except FXWG
	44	52698—65	FOOTREST SUPPORT, right	71 to 77 — All Models except FXS
	46	60513—71	FOOTREST BRACKET, left, on chain cover (chrome)	N/A 71 to 73 — All Models
	47	65399—81	BRACKET	80 to * — FXWG, FXSB 81 & 82 — FXS-80, FXB



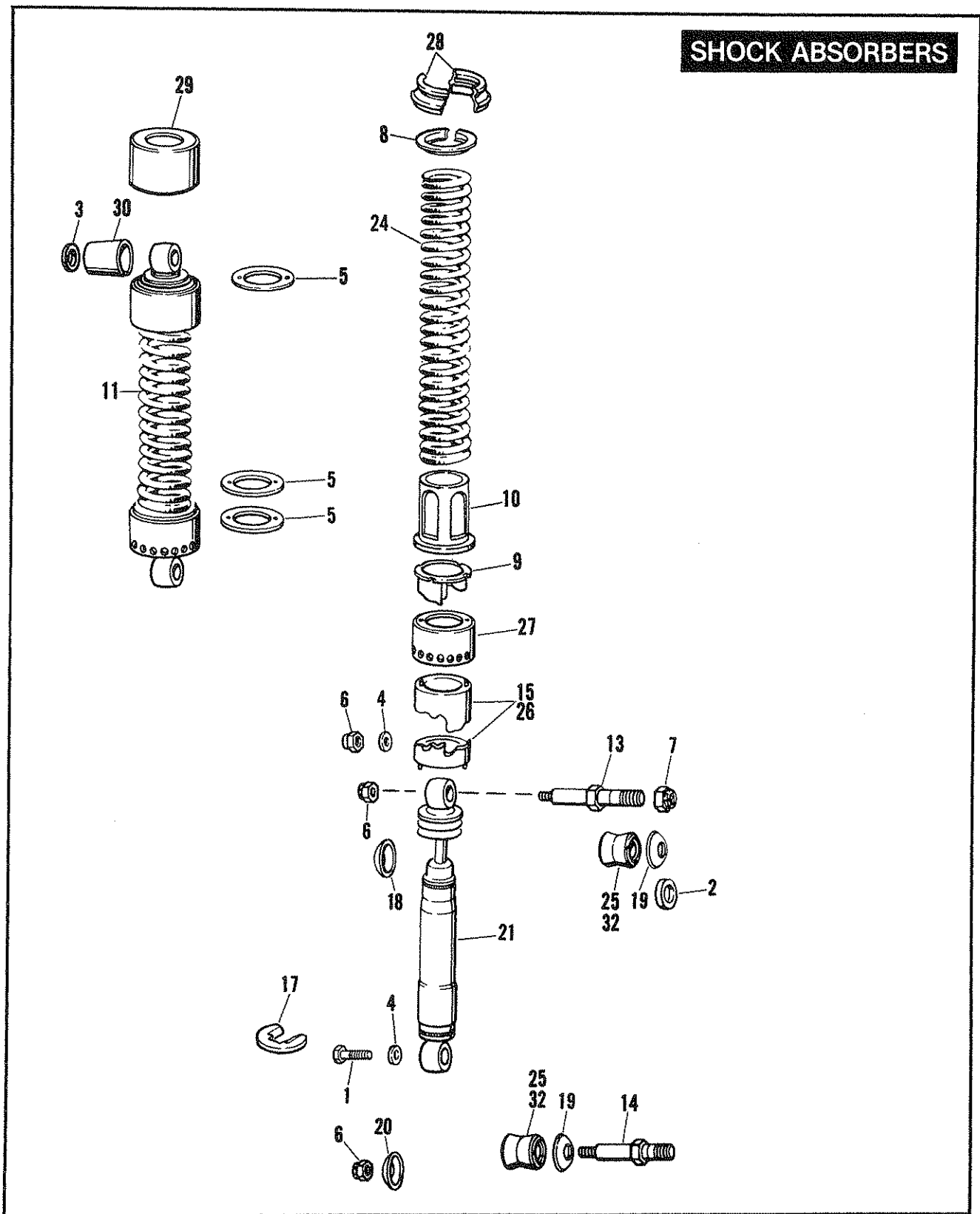
**HIGHWAY
FOOTRESTS**

HIGHWAY FOOTRESTS

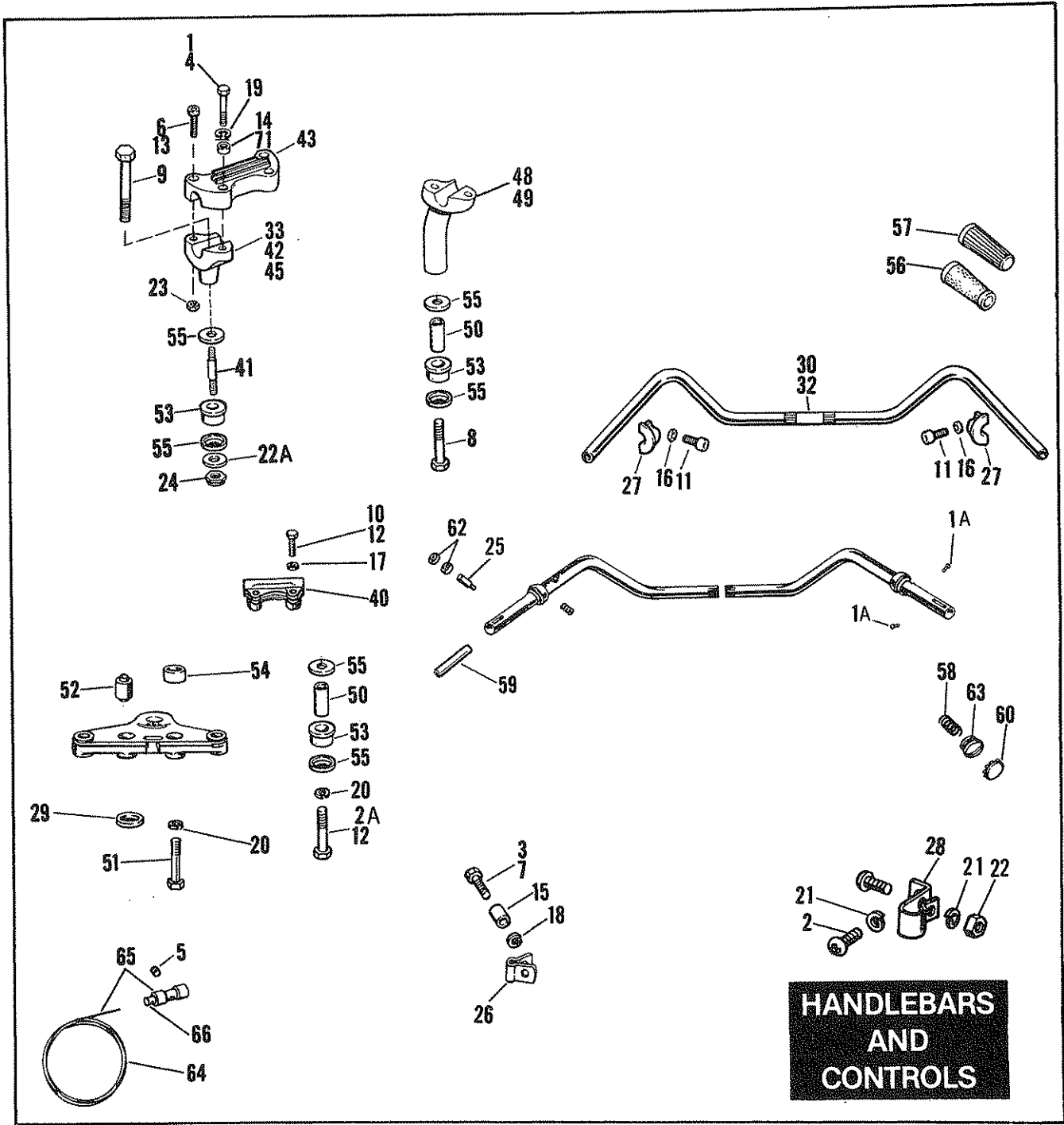
AA48

RETAIL PRICE	INDEX NO.	PART NO.	N A M E	USED ON
	1	2879W	BOLT, 3/8-16 x 1 hex. hd. (right bracket — FXSB)(2) ...	77 to Early 80 — FXS, FXS-80; 83 to * — FXSB
		2851	BOLT, 3/8-16 x 7/8.....	Late 80 to * — FXS-80, FXB
	2	4721	BOLT, 3/8-16 x 1-1/2 hex. hd. (2)	77 to * — All Models except FXWG
	3	6701	WASHER, 3/8 x 13/16 x 1/16 (2)	77 to * — FXS, FXS-80, FXSB
	5	6718	WASHER, 1/2 x 1 x 3/32 (2)	77 to * — FX, FXE, FXEF, FXEF-80, FXE-80, FXSB
	6	7038	LOCKWASHER, 3/8 (2)	77 to * — FXS, FXS-80, FXB, FXSB
	8	7068	LOCKWASHER, 1/2 (2)	77 to * — FXS, FXS-80, FXB, FXSB
	9	7778	LOCKNUT, 3/8-16 x 7/16 x 9/16 hex. (2)	77 to * — All Models excpet FXWG
	10	7880	NUT, 1/2-13 x 7/16 x 3/4 hex. (2)	77 to * — FXS, FXS-80, FXB, FXSB
	11	33048—72	FOOTREST (2)	81 to * — All Models
	12	33189—63	COVER, footrest (rubber) (2)	77 to * — All Models
	16	49117—77	FOOTREST (2)	77 to * — All Models
	17	49126—77B	FOOTREST BRACKET, right — chrome.....	77 to * — FXS, FXS-80, FXB, FXSB
	18	49127—77	FOOTREST SUPPORT (2)	77 to * — FXS, FXS-80, FXB, FXSB
	19	49129—77	FOOTREST BRACKET, left — chrome	77 to * — FXS, FXS-80, FXB, FXSB
	20	49140—80	FOOTREST (chrome) (2)	80 — All Models
	21	50912—72	SPRING WASHER, footrest (2)	77 to * — All Models

SHOCK ABSORBERS

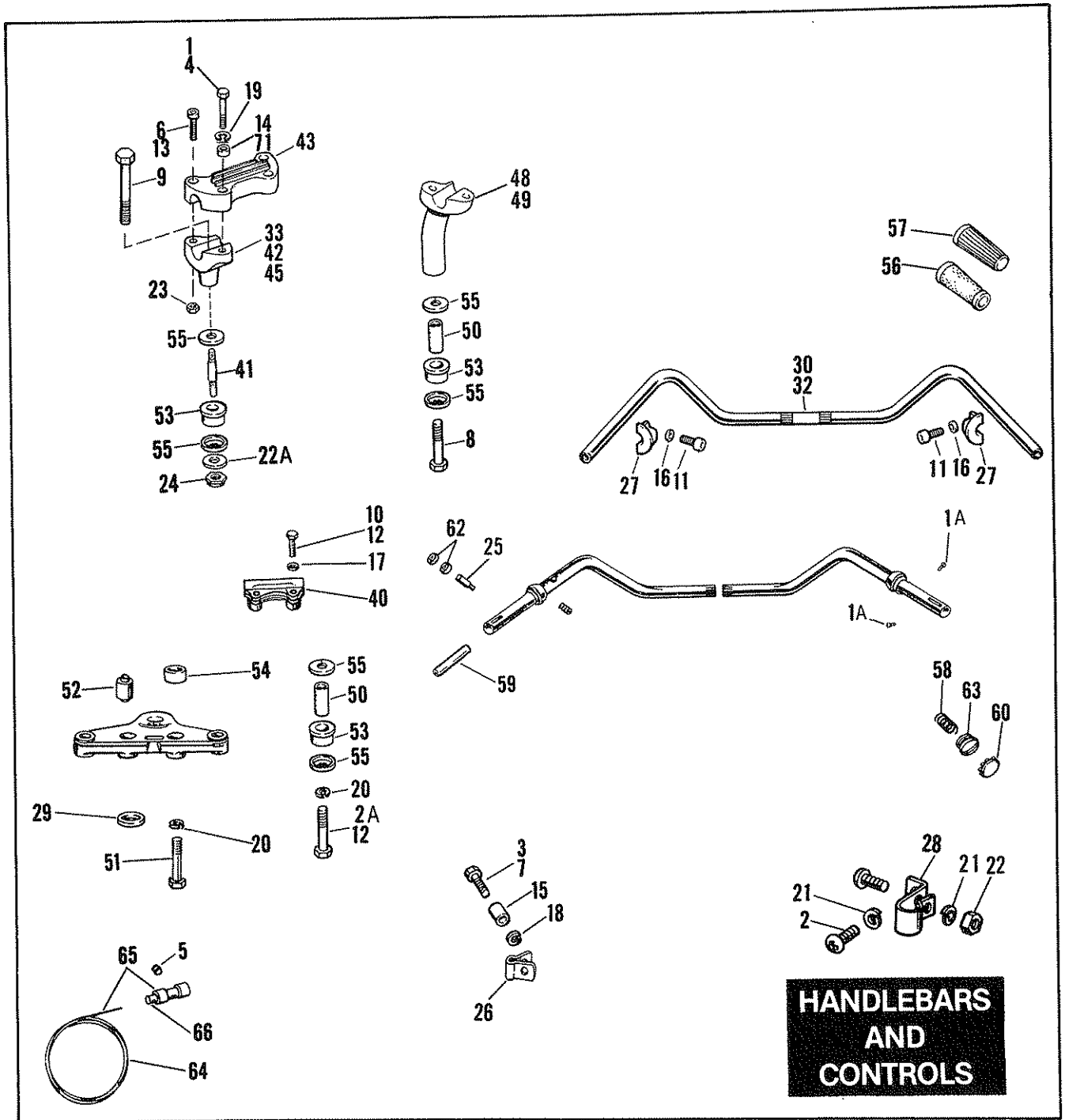


DETAIL RICE	INDEX NO.	PART NO.	N A M E	USED ON
	1	3958	BOLT, 1/2-20 x 2-1/4 hex. hd. (2)	73 to * — All Models
	2	5960W	SPACER, upper stud (not used with safety guards)	71 to * — All Models
	3	6379W	WASHER, 3/8 x 5/8 x 1/16 (2)	71 to * — All Models
	4	6718	WASHER, 1/2 x 1 x 3/32 (4)	73 to * — All Models
	5	6910W	WASHER, 1-21/32 x 2-15/32 x 3/32 (w/2 drilled holes) (3)	71 to * — All Models
	6	7775	LOCKNUT, 3/8-24 x 7/16 x 9/16 hex. (4)	71 to * — All Models
	7	7993	LOCKNUT, 5/8-18 x 3/8 x 15/16 hex. (4)	71 to * — All Models
	8	54473—79	SEAT, spring — upper	Late 84 to * — All Models
	9	54474—79	ADJUSTER, spring	Late 84 to * — All Models
	10	54475—79	SPRING GUIDE, lower	Late 84 to * — All Models
	11	54508—73	SHOCK ABSORBER, complete (black) (2)	N/A 73 to 78 — FX
		54509—73A	SHOCK ABSORBER, complete (chrome) (2)	73 to * — All Models
	13	54515—73	UPPER STUD (2)	73 to * — All Models
	14	54517—67	LOWER STUD (2)	71 & Early 72 — All Models
	15	54530—67	ROTATING CAM, shock absorber (2)	N/A 71 & 72 — All Models
	17	54538—73	CAM SUPPORT (2)	73 to * — All Models
	18	54543—65	OUTER WASHER (upper) (4)	71 & 72 — All Models
	19	54544—65	INNER WASHER (4)	71 & 72 — All Models
	20	54545—65	OUTER WASHER (lower) (2)	Late 72 — All Models
	21	54546—73	SHOCK ABSORBER, only (2)	73 to Early 84 — All Models
		54546—84	SHOCK ABSORBER, only (2)	Late 84 to * — All Models
	24	54555—73	SPRING, shock absorber (chrome) (2)	73 to Early 84 — All Models
		54555—84	SPRING, shock absorber (chrome) (2)	Late 84 to * — All Models
	25	54556—84	BUSHING (4)	Late 84 to * — All Models
	26	54558—73	ROTATING CAM, shock absorber (2)	73 to * — All Models
	27	54559—73	CAM SLEEVE, shock absorber (2)	73 to Early 84 — All Models
		54569—84	CAM SLEEVE, shock absorber (2)	Late 84 to * — All Models
	28	54635—67	SPRING RETAINER, upper (4)	71 to * — All Models
	29	54700—67	COVER, shock absorber (2)	71 to * — All Models
	30	54704—65	COVER, shock absorber stud (3/8" hole) (2)	71 to Early 84 — All Models
		54710—84	COVER, shock absorber stud (2)	Late 84 to * — All Models
	32	85210—42A	BUSHING (rubber) (2)	71 & 72 — All Models



**HANDLEBARS
AND
CONTROLS**

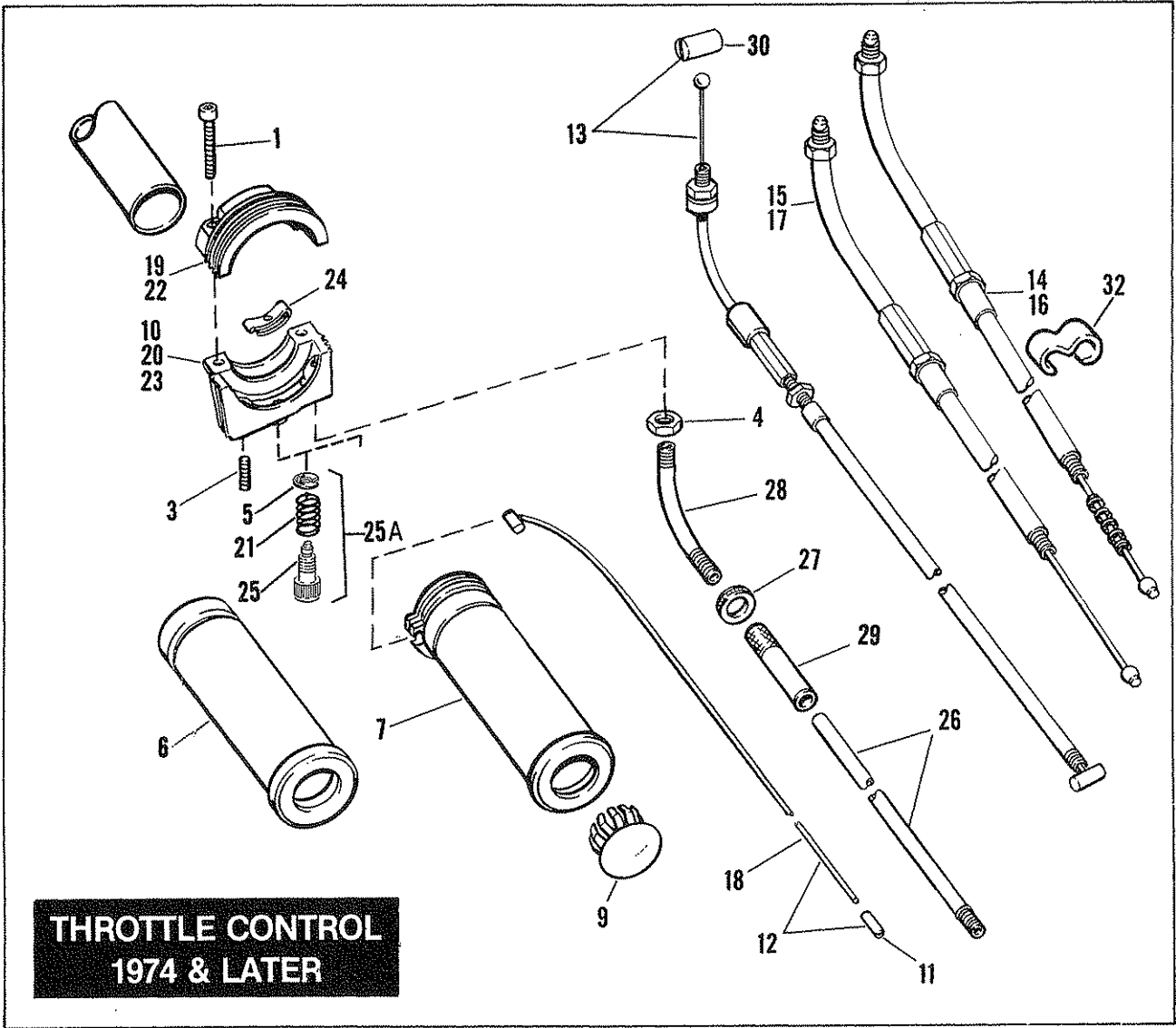
RETAIL PRICE	INDEX NO.	PART NO.	N A M E	USED ON
NOTE: Only current production handlebar assemblies are sold for parts order.				
	1	853	SCREW, 5/16-24 x 2-1/4 socket rd. hd. (2)	Early 84 — FXE-80
	1A	2594	SCREW, No. 8-32 x 1/4 Pozidriv pan hd. (4)	71 to 74 — All Models
	2	2660	SCREW, No. 10-24 x 3/8 Pozidriv hd.	73 — All Models
	2A	2661W	SCREW, No. 10-24 x 1/2 self tapping Phillips hd.	82 — FXB
	3	2808	SCREW, No. 8-32 x 3/8 Pozidriv pan hd.	Late 73 — All Models
	4	2887W	BOLT, 5/16-18 x 1-3/4 hex. hd. (2)	74 to 82 — FX, FXE, FXE-80
	5	3207	SET SCREW, No. 10-32 x 3/16 socket hd.	N/A 71 to 73 — All Models
	6	3210	SCREW, 5/16-18 x 1-1/4 socket fil. hd. (2 — FX only)	74 to Early 81; Late 83 & Early 84 — All Models
	7	3425W	BOLT, No. 12-24 x 3/4 hex. hd.	N/A 71 to 74 — All Models
	8	3450	BOLT, 1/2-13 x 2-1/2 hex. hd. (2)	77 & 78 — FXS; 80 & 81 — FXB; 80 to 84 — FXWG
		3498	BOLT, 1/2-13 x 3 x 3/4 hex. hd. (2)	Early 84 — FXE-80, FXSB
		3507	BOLT, 1/2-13 x 2-3/4 x 3/4 hex. hd. (2)	84 — FXWG
	9	3778	BOLT, 1/2-13 x 3-3/4 hex. hd. (2)	79 to 82 — FXS, FXS-80; 82 — FXB 74 to * — FX, FXE, FXEF, FXEF-80, FXE-80, FXSB
	10	4336W	BOLT, 3/8-24 x 1-1/8 hex. hd. (2)	71 — All Models
		4337W	BOLT, 3/8-24 x 1-1/4 hex. hd. (2)	72 & 73 — All Models
	11	4015	SCREW, 1/4-20 x 7/8 hex. socket rd. hd. (4)	82 to * — All Models
	12	4414	BOLT, 1/2-20 x 2-1/2 hex. hd. (2)	73 — All Models
	13	4816	SCREW, 5/16-18 x 1-1/2 socket fil. hd. (4; 2 — FXE-80; 4 — Late 84 - FXE-80)	Late 81 to Early 83 — All Models
	14	5725	SPACER, handlebar clamp (2)	Late 81 to * — FXE-80
	15	5915B	SPACER, throttle cable clamp	N/A 71 to 74 — All Models
	16	6099	WASHER, 17/64 x 27/64 (4)	82 to * — All Models
	17	6379W	WASHER, 3/8 x 5/8 x 3/64 (2)	71 & 72 — All Models
		6718	WASHER, 1/2 x 1-1/16 x 3/32	84 to * — FXE-80; Late 84 — FXWG
	18	7030W	LOCKWASHER, No. 12	71 to 74 — All Models
	19	7042	LOCKWASHER, 5/16 (2)	83 to * — FXE-80
	20	7068	LOCKWASHER, 1/2 (2)	71 to 73 — All Models
	21	7069	LOCKWASHER, No. 10	71 to 74 — All Models
		7220	LOCKWASHER, No. 10 external tooth	73 — All Models
	22	7620W	NUT, No. 10-24 x 1/8 x 3/8 hex.	71 to 74 — All Models
	22A	7740	LOCKNUT, 5/16-18 x 1/4 hex. (2)	Late 84 to * — FXE-80
	23	7748W	NUT, 5/16-18 x 1/4 x 1/2 hex. (4)	74 to * — All Models except FXWG, FXB & FXSB
	24	7768W	LOCKNUT, 1/2-13 x 19/32 x 3/4 hex. (2; 4 — Late 84)	74 to * — All Models except FXWG, FXB
	25	9260	ROLLER, handlebar grip	Late 73 — All Models
	26	9957	CLIP, control coil (timer)	
			(1971 & later throttle — beneath tank)	N/A 71 to 76 — All Models
		9988	CLAMP, throttle cable	73 — All Models
	27	45044—82	CLAMP, handlebar to switches (2)	82 to * — All Models
	28	45218—52	CLAMP, throttle cable (frame steering head)	N/A 71 & 72 — All Models
	29	54544—65	WASHER, 5/8 x 1-1/2 x 3/32 (curved) (2)	71 to 75 — All Models
	30	55950—80	HANDLEBAR, buckhorn	80 — FXWG
		55963—77	HANDLEBAR, only	77 to 79 — FXS, FXS-80; 80 & 81 — FXB
		56081—82	HANDLEBAR, buckhorn	82 to * — All Models
		56083—74	HANDLEBAR, only	74 to 76 — All Models 79 & 80 — All Models except FXWG, FXB
		56083—77	HANDLEBAR, only	77 & 78 — FX, FXE
	32	56086—81	HANDLEBAR, buckhorn	81 — All Models except FXB
	33	56098—80	CLAMP, handlebar — lower right (riser)	80 to 84 — FXWG
		56099—80	CLAMP, handlebar — lower left (riser)	80 to 84 — FXWG
		56103—74B	CLAMP, handlebar — lower left	74 to 78 — FX, FXE
	40	56104—73	HANDLEBAR CLAMP	N/A 71 to 73 — All Models
	41	56105—84	STUD, handlebar (2)	Late 84 to * — FXE, FXSB
	42	56106—74B	CLAMP, handlebar — lower right	74 to 78 — FX, FXE
	43	56115—77	CLAMP, handlebar — upper	77 & 78 — All Models
		56115—79A	CLAMP, handlebar — upper	79 to * — All Models except FXWG; 82 — FXB
		56119—77	CLAMP, handlebar—upper	80 to 84 — FXWG



HANDLEBARS AND CONTROLS (CONT'D)

AA50-2

RETAIL PRICE	INDEX NO.	PART NO.	N A M E	USED ON
45		56116-77A	CLAMP, handlebar — lower left	79 to 83 — All Models except FXWG; 82 — FXB
		56116-82	CLAMP, handlebar — lower left	84 to * — FXE-80, FXSB
		56117-77A	CLAMP, handlebar — lower right	79 to 83 — All Models except FXWG; 82 — FXB
		56117-82	CLAMP, handlebar — lower right	84 to * — FXE-80, FXWG
48		56122-77	CLAMP, handlebar — lower left	77 & 78 — FXS
		56124-77	CLAMP, handlebar — lower right	77 & 78 — FXS
		56126-80	CLAMP, handlebar — lower right (black)	N/A 80 & 81 — FXB
		56127-80	CLAMP, handlebar — lower left (black)	N/A 80 & 81 — FXB
49		56142-80	HANDLEBAR RISER KIT	80 to * — FXWG
50		56153-73	SPACER, handlebar mounting (2)	73 to Early 84 — All Models
51		56154-52	SCREW, riser mounting (2)	N/A 71 & 72 — All Models
52		56158-49	RUBBER BUSHING (2)	71 & 72 — All Models
53		56158-73	RUBBER BUSHING, handlebar mounting (4)	73 to * — All Models
54		56159-49	RUBBER WASHER (2)	N/A 71 & 72 — All Models
55		56159-73	CUP WASHER, handlebar mounting (4)	73 to * — All Models
56		56201-62A	PAIR OF HANDLEBAR GRIPS — with plugs (white)	N/A 71 to 73 — All Models
57		56205-62A	PAIR OF HANDLEBAR GRIPS — with plugs (black)	71 to 73 — All Models
58		56216-53	SPRING, handlebar grip	N/A 71 to 73 — All Models
59		56220-58	SLEEVE, handlebar grip (2)	71 to 73 — All Models
60		56238-62	PLUG, handlebar grip (2; 1 — 82 — FXS-80, FXB)	71 to Early 83 — All Models
62		56278-10	ROLLER, handlebar grip	N/A 71 to 73 — All Models
63		56288-53	END SCREW	N/A 71 to 79 — FX, FXE
64		56377-65	CONTROL WIRE, only	71 to 73 — All Models
65		56378-65	CONTROL WIRE AND PLUNGER	N/A 71 to 73 — All Models
66		56400-53A	PLUNGER KIT, control cable	N/A 71 to 73 — All Models
		56401-73	PLUNGER, control cable	N/A Late 73 — All Models
71		67009-72	SPACER, handlebar clamp (2)	74 — All Models 76 to Early 81 — FX, FXE, FXE-80



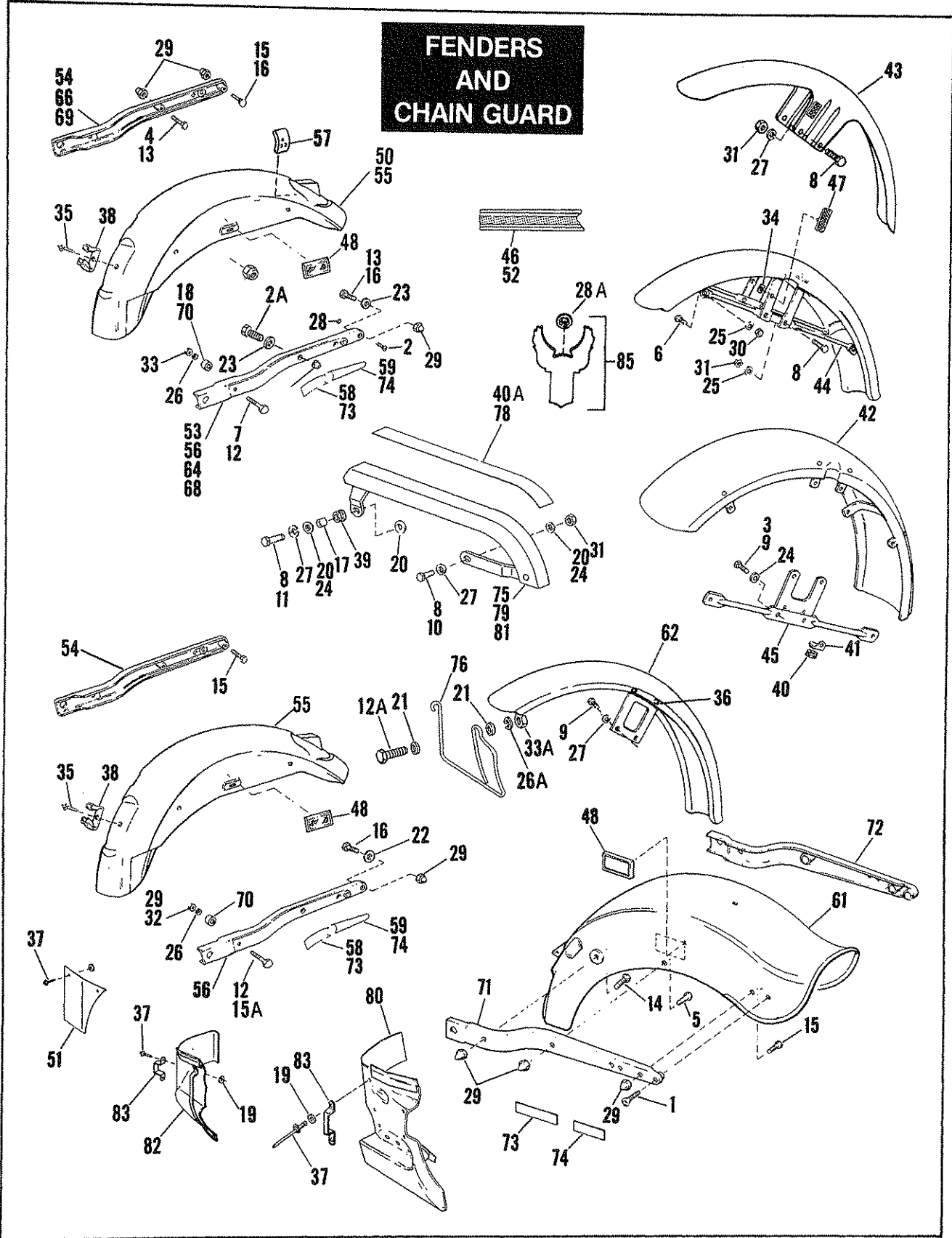
**THROTTLE CONTROL
1974 & LATER**

THROTTLE CONTROL — 1974 & LATER

AA51

RETAIL PRICE	INDEX NO.	PART NO.	N A M E	USED ON
	1	916	SCREW, No. 8-32 x 5/8 fil. hd. (2)	81 — All Models
	2	1203	SCREW, No. 8-32 x 7/8 Pozidriv fil. hd. (2)	74 to 80 — All Models
	3	3208	SET SCREW, throttle cable stop	74 to 80 — All Models
	4	7689W	NUT, 1/4-20 x 1/4 x 7/16 hex.	Early 74 — All Models
	5	11155	RETAINING RING	Late 83 to * — All Models
	6	56206-74	GRIP, left	74 to 80 — All Models
		56206-81A	GRIP, left	81 to * — All Models
	7	56220-74	GRIP AND SLEEVE, right	74 to 80 — All Models
		56220-81B	GRIP AND SLEEVE, right	81 to * — All Models
	9	56238-62	PLUG, handlebar grip.	74 to Early 83 — All Models
	10	56300-74	LOWER CLAMP AND CABLE ASSEMBLY, complete	N/A 74 & 75 — All Models
	11	56302-74	FERRULE, throttle control wire	74 & 75 — All Models
	12	56303-74	CONTROL WIRE AND FERRULE	74 & 75 — All Models
	13	56313-76	CONTROL WIRE ASSEMBLY	76 to 80 — All Models
	14	56323-81C	IDLE CONTROL ASSEMBLY	81 to * — All Models
	15	56324-81C	THROTTLE CONTROL ASSEMBLY	81 to * — All Models
	16	56331-81	IDLE CONTROL ASSEMBLY	81 — FXB
	17	56332-81	THROTTLE CONTROL ASSEMBLY	81 — FXB
	18	56389-74	CONTROL WIRE, only	74 & 75 — All Models
	19	56392-77	UPPER CLAMP, throttle control	81 — All Models
	20	56393-74A	LOWER CLAMP, throttle control	74 to 80 — All Models
	21	56394-74	SPRING, throttle control clamp adjusting screw	74 to * — All Models
	22	56395-74	UPPER CLAMP, throttle control	74 to 80 — All Models
	23	56395-81	LOWER CLAMP, throttle control	81 — All Models
	24	56396-74A	FRICTION SPRING, throttle grip	74 to * — All Models
	25	56397-74C	ADJUSTING SCREW KIT	74 to * — All Models
	25A	56402-83A	ADJUSTING SCREW, only	74 to * — All Models
		56500-79	THROTTLE GRIP ASSEMBLY	74 to 80 — All Models
	26	56502-74	CASING, control wire	74 & 75 — All Models
	27	56505-74	LOCKNUT, throttle cable adjuster	N/A 74 & 75 — All Models
	28	56506-74	ELBOW, throttle cable	74 & 75 — All Models
	29	56507-74	ADJUSTER, throttle cable	74 & 75 — All Models
	30	56508-76	FERRULE, control wire — hand grip end (Plastic 90° angle piece) (2 - 81 & later)	76 to * — All Models
		56520-77	FERRULE, control wire — hand grip end (Steel 90° angle piece)	76 to 80 — All Models
	32	70504-81	CLIP, throttle cables	81 to * — All Models

FENDERS AND CHAIN GUARD

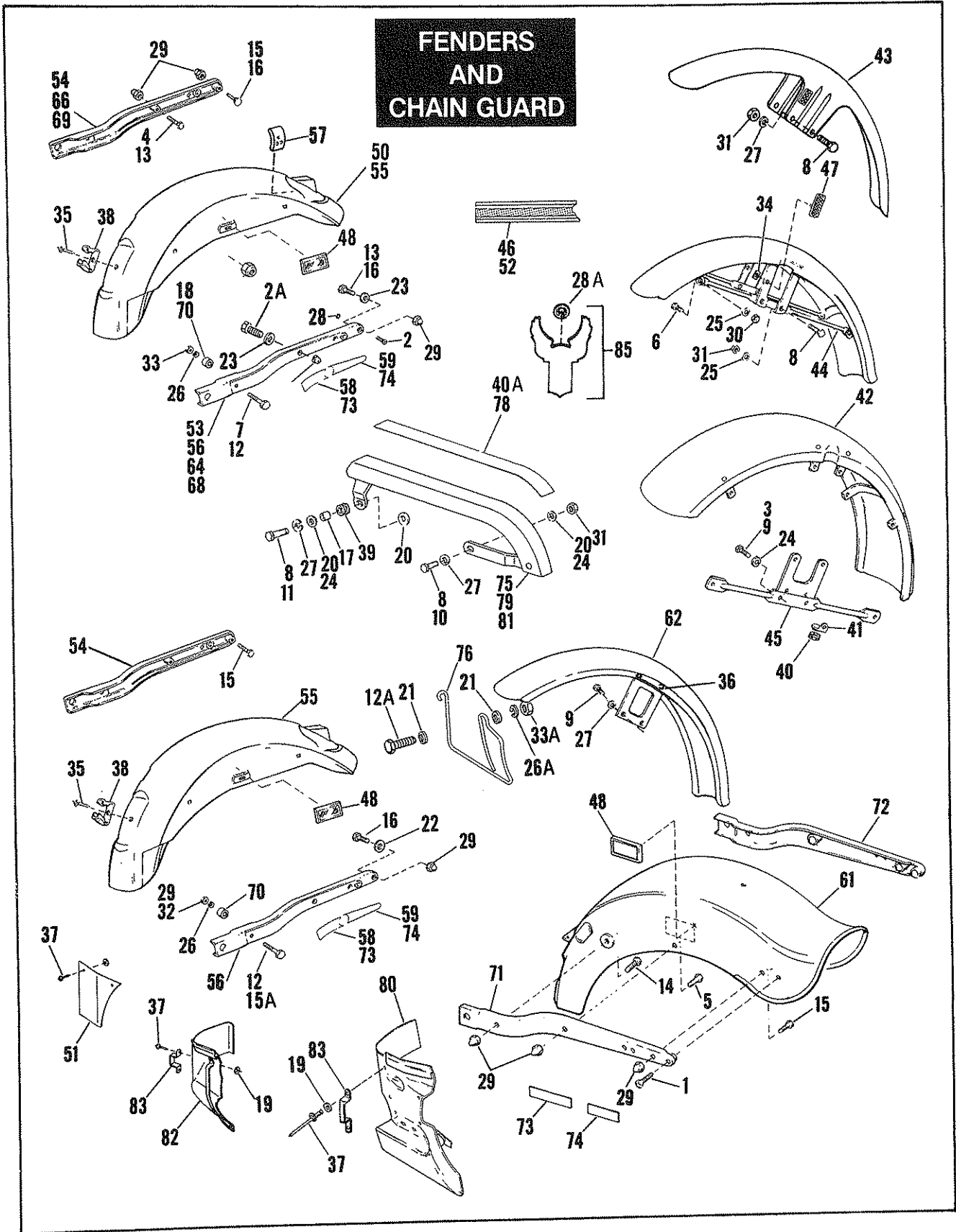


FENDERS AND REAR CHAIN OR BELT GUARD

AA54-1

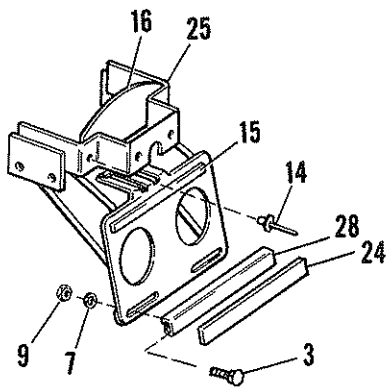
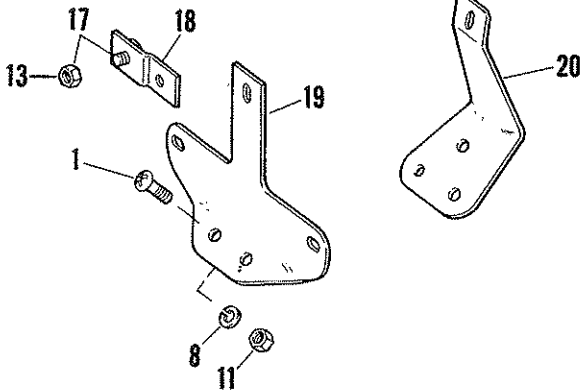
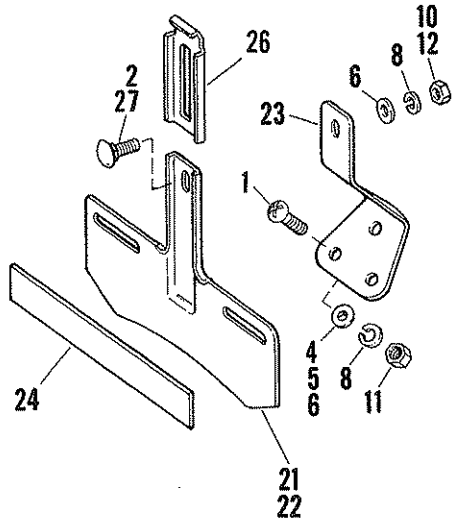
RETAIL PRICE	INDEX NO.	PART NO.	N A M E	USED ON
			NOTE: For painted part numbers, refer to Dealer Accessory Guide.	
	1	2005	SCREW, 3/8-24 x 1-3/8 oval hd. (2)	80 to * — FXWG
	2	2272	SCREW, 5/16-24 x 1-1/4 Pozidriv oval ctsk. hd. (4)	71 — All Models
	2A	2879W	BOLT, 3/8-16 x 1 hex. hd.	Late 84 to * — FXE-80
	3	2882W	BOLT, 5/16-18 x 5/8 hex. hd. (4)	Late 74 to * — All Models except FXWG
	4	3434	BOLT, 3/8-16 x 1-3/8 hex. hd. (3; 2 — 80 & later)	N/A 79 to * — All Models except FXWG, FXB, FXSB
	5	3443	BOLT, 3/8-16 x 1-3/8 hex. hd. (2 — FXWG)	80 to * — FXWG; Late 84 to * — FXE-80
	6	3720	BOLT, 1/4-28 x 7/16 hex. hd. (4)	71 & 72 — All Models
	7	3945	BOLT, 3/8-24 x 2-1/4 hex. hd. (2)	71 — All Models
	8	3974HW	BOLT, 5/16-24 x 3/4 hex. hd. (4; 3 — 77 & later; except FXSB)	71 to * — All Models except FXB
	9	3991	BOLT, 5/16-24 x 7/8 hex. hd. (4)	73 & Early 74 — All Models; 80 to * — FXWG
	10	3996	BOLT, 5/16-24 x 7/8 hex. hd.	80 to 82 — FXB
	11	4014W	BOLT, 5/16-24 x 1-1/4 hex. hd.	77 to 83 — All Models; 84 to * — FXWG, FXSB
		4036	BOLT, 5/16-24 x 1-1/2 hex. hd.	84 to * — FXE-80
	12	4380W	BOLT, 3/8-24 x 2 hex. hd. (2)	72 to 83 — All Models except FXWG
	12A	4640	BOLT, 7/16-20 x 1 hex. hd.	84 to * — FXE-80
	13	4716W	BOLT, 3/8-16 x 1-1/4 hex. hd. (4; 3 — Late 78; 1 — 80)	72 to 80 — All Models except FXWG
	14	4720W	BOLT, 3/8-16 x 1-3/4 hex. hd. (2)	80 to * — FXWG
	15	4721	BOLT, 3/8-16 x 1-1/2 hex. hd. (2)	80 to * — All Models
	15A	4722	BOLT, 3/8-16 x 2-1/4 hex. hd. (2)	84 to * — FXE-80, FXSB
	16	5423	CARRIAGE BOLT, 3/8-16 x 1-1/4	Late 78 to * — All Models except FXWG
	17	5926B	SPACER, chain guard	73 to * — All Models
	18	5942B	SPACER, rear fender support (2)	71 — All Models
	19	6029	WASHER (6; 2 — FXSB)	80 to * — FXB, FXSB; 84 to * — FXWG
	20	6107B	WASHER, 5/16 x 11/16 x 1/8 (2)	71 & 72 — All Models; 77 to 83 — All Models; 84 to * — FXWG, FXSB
		6333	WASHER, 5/16 x 7/8 x 5/64 (2)	84 to * — FXE-80
	21	6334	WASHER, 7/16 x 29/32 x 1/16 (2)	84 to * — FXE-80
	22	6379W	WASHER, 3/8 x 5/8 x 3/64 (6)	84 to * — FXE-80, FXSB
	23	6416	WASHER, 3/8 x 1 x 5/64 (2)	Late 71 — All Models
		6701	WASHER, 3/8 x 13/16 x 1/16 (4; 6 — Late 78 & later; 10 - Late 84 — FXE-80)	72 to * — All Models except FXWG
	24	6702	WASHER, 5/16 x 11/16 x 1/16	73 to * — All Models
	25	7036	LOCKWASHER, 1/4 (4)	71 & 72 — All Models
	26	7038	LOCKWASHER, 3/8 (2)	71 — All Models; 80 to * — All Models except FXWG
	26A	7039	LOCKWASHER, 7/16	84 to * — FXE-80
	27	7041	LOCKWASHER, 5/16 (4; 2 — FXSB)	73 & Early 74 — All Models; 77 to * — All Models
	28	7232	LOCKWASHER, 5/16 external tooth (6)	71 — All Models
	28A	7611	SPEEDNUT, fender medallion	82 — All Models
	29	7680W	ACORN NUT, 3/8-16 (4; 6 — FXWG)	72 to * — All Models
	30	7684	ACORN NUT, 1/4-28 x 3/16 x 3/8 hex. (4)	71 & 72 — All Models
	31	7753	NUT, 5/16-24 x 1/4 x 1/2 hex. (6)	71 to 74 — All Models; 80 to 82 — FXB
	32	7776W	LOCKNUT, 3/8-24 x 3/4 x 9/16 hex. (2)	72 to * — All Models except FXWG
	33	7800W	NUT, 3/8-24 x 5/16 x 9/16 hex. (2)	71 — All Models
	33A	7848W	JAM NUT, 7/16-20 x 1/4 x 11/16	84 to * — FXE-80
	34	8133W	SPEED NUT, reflector (2)	N/A 71 & 72 — All Models
	35	8483	POP RIVET, 3/16 x 7/16 x 5/8 dia. hd. (3)	78 to * — All Models except FXWG
	36	8519	RIVET, fender support (4)	80 to * — FXWG
	37	8692	POP RIVET (6; 4 — FXSB)	80 to * — FXB, FXSB; 84 to * — FXWG
	38	9952	CIRCUIT BREAKER CLIP (3)	78 to * — All Models except FXWG
	39	11411	GROMMET, chain guard	73 to * — All Models
	40	11431	GROMMET, speedometer cable guide	Late 78 to * — All Models except FXWG
	40A	14800—82	DECAL, belt guard — "Sturgis Twin Belt Drive" (gold)	N/A 82 — FXB
	41	38622—73	GUIDE, speedometer cable	N/A 73 to Early 78 — All Models
		38622—78	GUIDE, speedometer cable (grommet type)	Late 78 to * — All Models except FXWG
	42	59007—73B	FRONT FENDER (prime)	71 to 84 — All Models except FXWG
		59007—84	FRONT FENDER (prime)	84 to * — FXE-80, FXSB
	43	59028—70A	FRONT FENDER (prime - fiberglass)	N/A 71 & 72 — All Models

FENDERS AND CHAIN GUARD



RETAIL PRICE	INDEX NO.	PART NO.	NAME	USED ON
			NOTE: For painted part numbers, refer to Dealer Accessory Guide.	
44	59109-70		FENDER BRACE (2)	N/A 71 to 74 — All Models
45	59111-74		FENDER BRACE, front fender (2)	75 to * — All Models except FXWG
46	59208-74		TRIM TAPE, rear fender (red, white & blue)	N/A 74 & 75 — All Models
47	59252-69		REFLECTOR KIT (amber) (2)	N/A 71 & 72 — All Models
48	59255-72		REFLECTOR (red) (2)	72 to * — All Models
50	59584-73A		REAR FENDER, prime (low seat) (turn signals)	N/A Late 73 to Early 78 — All Models
51	59646-80		FENDER DEBRIS DEFLECTOR	80 to 82 — FXB; 83 to * — FXSB
52	59650-74		TRIM TAPE, rear fender (red, white & blue)	N/A 74 — All Models
53	59672-77		SUPPORT, rear fender — left (chrome)	N/A 77 & Early 78 — FXS
54	59673-77		SUPPORT, rear fender — right (chrome)	77 to 80 — FXS, FXS-80, FXB
55	59682-78		REAR FENDER, prime (low seat) (turn signals)	Late 78 to * — All Models except FXWG
56	59686-78		SUPPORT, rear fender — left (turn signals)	Late 78 to 80 — FX, FXE, FXEF, FXEF-80; 81 to * — All Models except FXWG
	59688-78		SUPPORT, rear fender — left (chrome)	Late 78 to 80 — FXS, FXS-80, FXB
57	59687-84		VIBRATION DAMPENER	84 to * — FXE
58	59704-77		TRIM, rear fender support (front) (2)	N/A 77 to 80 — FXS, FXS-80, FXB
59	59705-77		TRIM, rear fender support — left (rear)	N/A 77 to 80 — FXS, FXS-80, FXB
	59706-77		TRIM, rear fender support — right (rear)	N/A 77 to 80 — FXS, FXS-80, FXB
61	59904-84		REAR FENDER (prime)	80 to 84 — FXWG
62	59923-80		FRONT FENDER (chrome)	N/A 80 to 84 — FXWG
	59924-80		FRONT FENDER (prime)	80 to 84 — FXWG
64	59928-72		SUPPORT, rear fender — left (turn signals)	N/A 72 & Early 73 — All Models
	59928-73		SUPPORT, rear fender — left (turn signals)	N/A Late 73 to Early 78 — All Models except FXS
66	59929-72		SUPPORT, rear fender — right (turn signals)	N/A 72 & Early 73 — All Models
	59929-73		SUPPORT, rear fender — right (turn signals)	Late 73 to 80 — FX, FXE, FXEF, FXEF-80 81 to 84 — All Models except FXWG
68	59932-58		SUPPORT, rear fender — left	N/A 71 — All Models
69	59933-58		SUPPORT, rear fender — right	N/A 71 — All Models
70	59938-72		SPACER, rear fender support (2)	72 to * — All Models; Late 83 & 84 — FXWG
71	59960-80		SUPPORT, rear fender — left (chrome)	80 to 84 — FXWG
72	59961-80		SUPPORT, rear fender — right (chrome)	80 to 84 — FXWG
73	59962-80		TRIM, rear fender support — front (2)	80 to 84 — FXWG, FXSB; 81 & 82 — FXS-80, FXB
74	59963-80		TRIM, rear fender support — rear (2)	80 to 84 — FXWG, FXSB; 81 & 82 — FXS-80, FXB
75	60302-73		REAR CHAIN GUARD (chrome)	N/A 73 to Early 78 — All Models; 80 to 84 — FXS-80, FXWG
	60302-78		REAR CHAIN GUARD (black)	Late 78 to 84 — FX, FXE, FXEF, FXEF-80, FXE-80 Late 78 & 79 — FXS, FXS-80
76	60303-84		DEBRIS DEFLECTOR	84 — FXE-80
77	60380-79		BELT GUARD, rear (chrome) (accy.)	N/A 80 to 82 — FXB
	60381-79		BELT GUARD, rear, includes index no. 78 (black)	80 & 81 — FXB
78	60382-80		DECAL, "STURGIS TWIN BELT DRIVE" (orange)	80 & 81 — FXB
79	60385-82		BELT GUARD, rear, includes index no. 40A (black)	N/A 82 — FXB
80	60386-84		DEBRIS DEFLECTOR	84 — FXWG, FXSB
81	60388-82		BELT GUARD, rear (black)	83 & 84 — FXSB, 84 — FXWG
82	60389-80		DEBRIS DEFLECTOR	80 to 83 — FXB, FXSB
83	60494-80		BRACKET, debris deflector (2)	80 to 84 — FXB, FXSB; 84 — FXWG
84	70577-26		GROMMET, rear fender	72 — All Models
85	99031-82		MEDALLION KIT, includes 7611 SPEEDNUT	N/A 82 — All Models

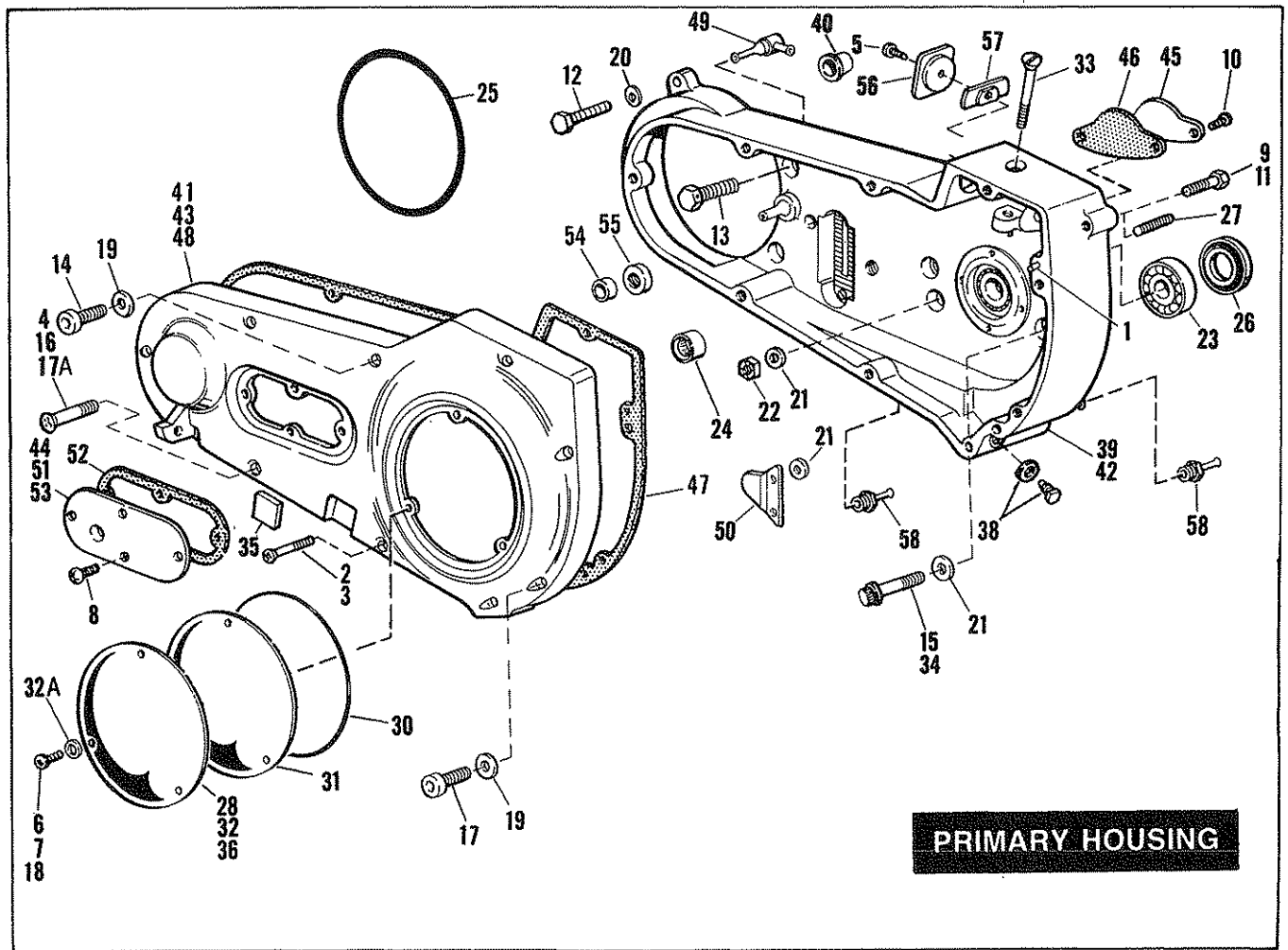
**LICENSE PLATE
BRACKETS**



LICENSE PLATE BRACKETS

AA55

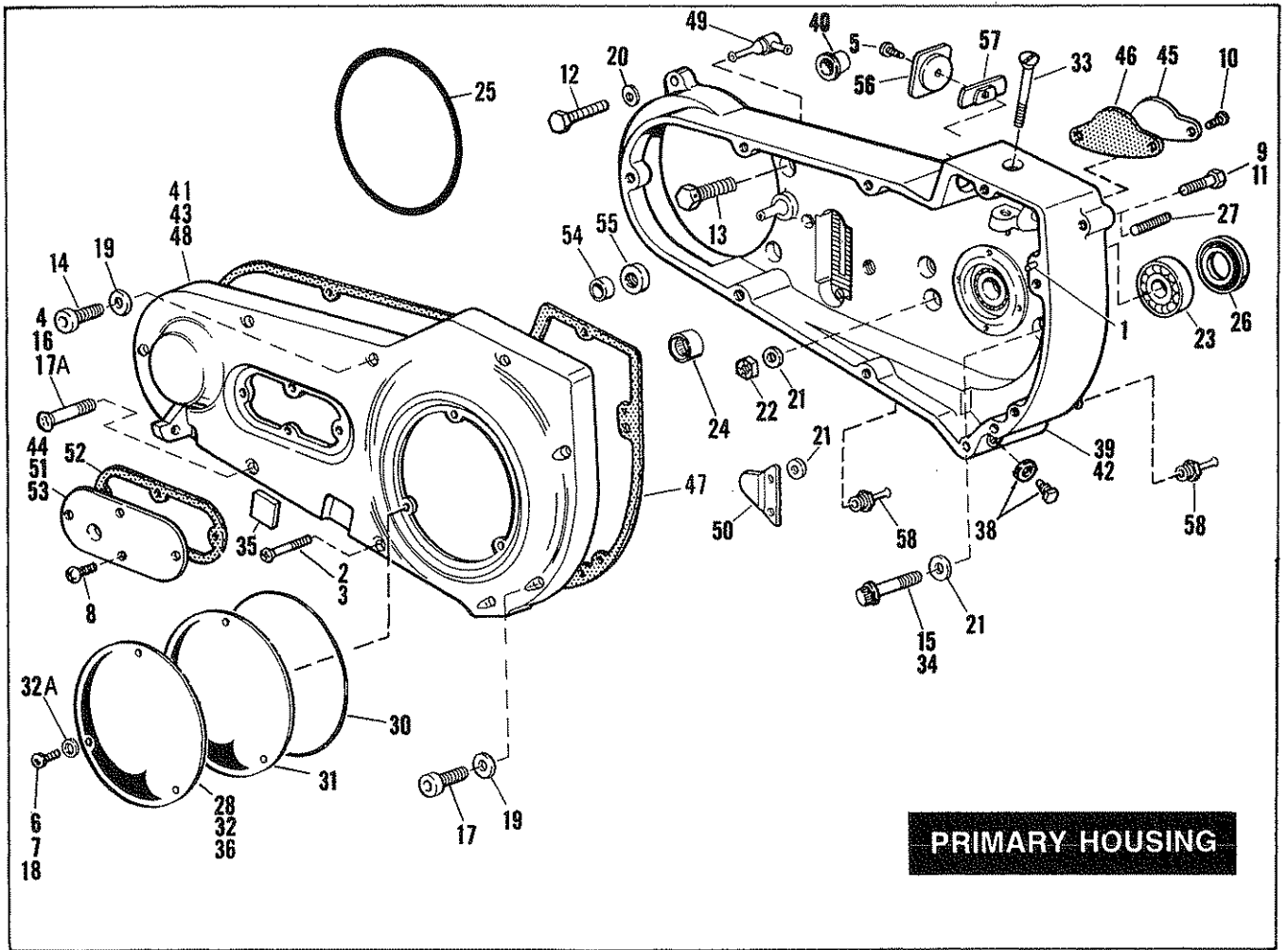
RETAIL PRICE	INDEX NO.	PART NO.	N A M E	USED ON
	1	2602	SCREW, 1/4-20 x 1-1/4 Pozidriv pan. hd.	84 to * — FXE
		2774	SCREW, 1/4-20 x 5/8 Pozidriv pan hd. (2 or 3)	Late 73 to * — All Models except FXWG
	2	5403B	CARRIAGE BOLT, 1/4-20 x 1/2	80 to * — All Models except FXWG
	3	5465	CARRIAGE BOLT, No. 10-24 x 5/8 (2)	80 to * — FXWG
	4	6235	WASHER, 1/4 x 23/32 x 1/16.	84 to * — FXE
		6341B	WASHER, 5/16 x 1-1/8 x 1/16 (2 or 3)	Late 73 to Early 75 — FX, FXE
	5	6702	WASHER, 5/16 x 11/16 x 1/16 (3)	Late 75 to 79 — All Models except FXWG
	6	6703	WASHER, 1/4 x 5/8 x 1/16 (4)	71 to * — All Models except FXWG
	7	6716	WASHER, No. 10 x 1/2 x 3/64 (2)	80 to * — FXWG
	8	7036	LOCKWASHER, 1/4 (2 or 3)	71 to * — All Models except FXWG
	9	7620W	NUT, No. 10-24 x 1/8 x 3/8 hex. (2)	80 to * — FXWG
	10	7676	NUT, 1/4-28 x 3/16 x 7/16 hex.	71 to 79 — All Models
	11	7686	LOCKNUT, 1/4-20 x 5/16 x 7/16 hex.	84 to * — FXE
		7688	NUT, 1/4-20 x 7/32 x 7/16 hex. (2 or 3)	71 to * — All Models except FXWG
	12	7689W	JAMNUT, 1/4-20 x 5/32 x 7/16 hex.	80 to * — All Models except FXWG
	13	7697	NYLON NUT, license plate (2)	N/A 74 & 75 — All Models
	14	8483	POP RIVET, 3/16 x 7/16 x 5/8 dia. hd. (2)	80 to * — FXWG
	15	52092—77	FOAM TAPE	80 to * — FXWG
	16	59971—80	SPLASH SHIELD, rubber	80 to * — FXWG; 81 to * — FXS-80, FXB, FXE-80
	17	59978—74	BRACKETS WITH STUDS AND NUTS KIT, license plate. N/A	74 & 75 — All Models
	18	59979—74	BRACKET WITH STUD, license plate (2)	N/A 74 & 75 — All Models
	19	59981—74	BRACKET, license plate (security system)	N/A 74 & 75 — FX, FXE
	20	59982—74	SUPPORT, license plate bracket (security system) ..	N/A 74 & 75 — FX, FXE
	21	59983—75	BRACKET ASSEMBLY, license plate	71 to * — All Models except FXWG
			Consists of:	
		5403B	CARRIAGE BOLT, 1/4-20 x 1/2	
		6703	WASHER, bracket, 1/4 x 5/8 x 1/16	
		7036	LOCKWASHER, bracket, 1/4	
		7689W	JAMNUT, 1/4-20 x 5/32 x 7/16 hex.	
		59984—73	BRACKET, license plate	
		59986—75	SUPPORT, license plate bracket	
		59988—72	REFLECTOR, license plate bracket	
		60001—55	CLAMP, license plate	
	22	59984—73	BRACKET, license plate	Late 73 to * — All Models except FXWG
	23	59986—75	SUPPORT, license plate bracket	76 to * — All Models except FXWG
	24	59988—72	REFLECTOR, license plate bracket	72 to * — All Models
	25	59993—80A	LICENSE PLATE ASSEMBLY	80 to * — FXWG
	26	60001—55	CLAMP, license plate	71 to * — All Models except FXWG
	27	60002—55	BOLT, license plate clamp	N/A 71 to 79 — All Models
	28	60005—77	CLAMP, license plate	80 to * — FXWG



PRIMARY HOUSING

AA56-1

RETAIL PRICE	INDEX NO.	PART NO.	N A M E	USED ON
	1	334A	ROLL PIN, front chain housing	71 to * — All Models
	2	903	SCREW, 1/4-20 x 1-1/4 Pozidriv oval ctsk. hd. (black) (8)	77 to 79 — FXS, FXS-80
	3	1301	SCREW, 1/4-20 x 1-1/4 Pozidriv fil. hd. (8; 7 - FXB)	71 to 80 — All Models
	4	1305	SCREW, 1/4-20 x 1 Pozidriv fil. hd.	80 — FXB
	5	1374	SCREW, 1/4-28 x 3/4 Pozidriv hd.	73 to 78 — FX
	6	2150	SCREW, 1/4-20 x 1/2 Pozidriv pan hd. (black) (w/lock patch) (3)	N/A 77 to 79 — FXS, FXS-80
	7	2337W	SCREW, 1/4-20 x 1/2 Phillips pan hd. (w/lock patch) (3)	71 to 79 — FX, FXE, FXEF, FXEF-80 80 to * — All Models except FXB, FXSB
	8	2356	SCREW, 1/4-20 x 3/4 Pozidriv oval ctsk. hd. (4)	71 to * — All Models
	9	2551W	BOLT, 1/4-20 x 1 hex. hd. (rear)	79 to * — All Models except FXB, FXSB
	10	2774	SCREW, 1/4-20 x 5/8 Pozidriv pan hd. (2)	71 to 78 — FX
	11	2872W	BOLT, 1/4-20 x 1-1/2 hex. hd. (front)	79 to * — All Models except FXB, FXSB
	12	4017	BOLT, 5/16-18 x 1 hex. hd. (2)	71 to * — All Models; 80 & Early 81; 82 — FXB
		4021	BOLT, 5/16-18 x 1 hex. hd. (w/safety wire holes) (2)	71 to * — All Models; 80 & Early 81; 82 — FXB
	13	4026	BOLT, 5/16-18 x 1-1/4 hex. hd. (w/safety wire holes) (2)	Late 81 — FXB
	14	4718	SCREW, 1/4-20 x 1-1/2 socket hd.	81 & Early 82 — All Models
	15	4720W	BOLT (2)	83 to * — All Models except FXB, FXSB
		4722	BOLT, 3/8-16 x 2-1/4 hex. hd. (2)	Late 81 & 82 — All Models except FXB; 84 to * — FXSB
	16	4741	SCREW, 1/4-20 x 1 socket hd. (w/lock patch)	82 — FXB
	17	4813	SCREW (81 & 82 - 7; 6 — FXB) (83 - 8; 7 — FXSB) (9)	81 to * — All Models
	17A	4814	SCREW	83 — FXSB
	18	5206	ACORN HEAD BOLT, 1/4-20 x 11/16 (3)	80 to * — FXB; FXSB
	19	6099	WASHER, 1/4 x 7/16 x 3/64 (8; 9 — 83 & Later)	81 to * — All Models
	20	6324W	WASHER, 5/16 x 11/16 x 3/32 (4)	71 to * — All Models
	21	6388HB	WASHER, 3/8 x 23/32 x 1/16 (4)	74 to * — All Models
	22	7775	LOCKNUT, 3/8-24 x 7/16 x 9/16 hex. (4; 2 - FXB & FXSB)	71 to * — All Models
	23	9040	BALL BEARING	71 to 78 — All Models
		9061	BALL BEARING, primary housing	79 to Early 94 — All Models
		9135	ROLLER BEARING, primary housing	Late 84 to * — All Models
	24	9063	NEEDLE BEARING	71 to * — All Models
	25	11125	O-RING, primary housing cover	71 to * — All Models
	26	12018	OIL SEAL	71 to Early 84 — All Models
		12052	OIL SEAL	Late 84 to * — All Models
	27	24811—59A	STUD, starter shaft housing (2)	73 to 78 — All Models except FXB
	28	25401—77	COVER, clutch (Eagle Medallion)	N/A 77 & 78 — FXS, FXS-80; 81 — FXS-80
		25414—70A	COVER, clutch	71 to * — FX, FXE, FXEF, FXE-80
	30	25416—70	GASKET, chain & clutch cover	71 to Early 84 — All Models
		25416—84	O-RING, chain & clutch cover	Late 84 to * — All Models
	31	25420—79	INNER COVER	N/A 79 — FXS-80, FXEF-80
	32	25421—79	COVER, clutch	N/A 79 — FXS-80, FXEF-80
		25425—80	COVER, clutch (black)	N/A 80 to 82 — FXB
		25426—80	COVER, clutch "EIGHTY CUBIC INCHES"	80 & 81 — FXEF-80
		25428—80	COVER, clutch (chrome)	N/A 82 to * — FXS-80, FXWG, FXSB
	32A	31433—84A	WASHER, clutch cover (nylon) (3)	Late 84 to * — All Models
	33	31478—65A	TOP SCREW, primary housing	73 to * — All Models except FXWG
		34710—65	GASKET KIT, wire chain cover — with safety	N/A 73 to 83 — All Models except FX
	34	44134—72A	BOLT, 12-point flanged (2)	80 to 83 — FXB, FXSB
	35	50100—70	BUMPER, jiffy stand	71 to * — All Models
	36	52573—77A	COVER, clutch (chrome)	80 & 81 — FXS, FXS-80, FXWG



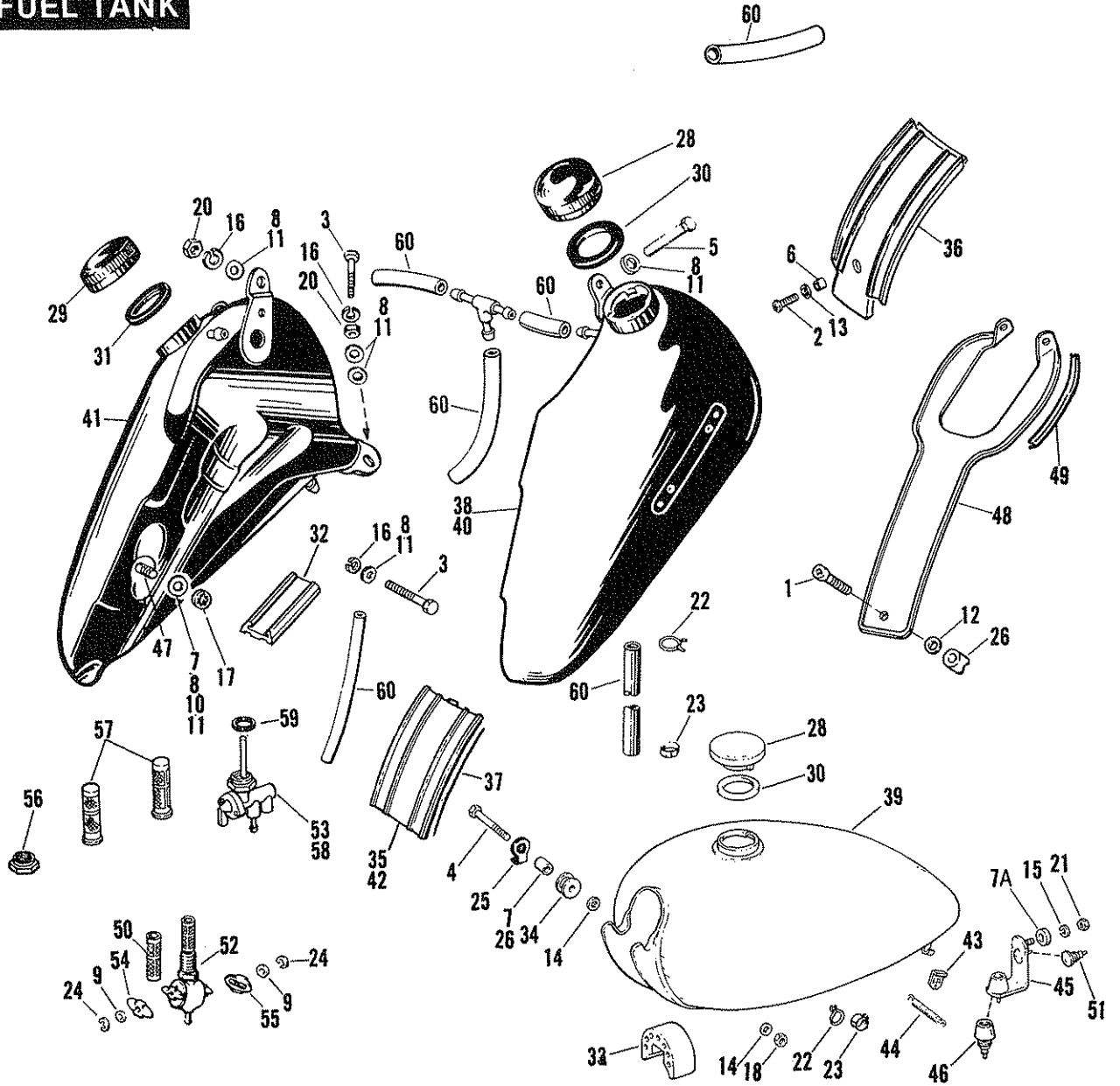
PRIMARY HOUSING (CONT'D)

AA56-2

RETAIL PRICE	INDEX NO.	PART NO.	N A M E	USED ON
	38	60348-65A	MAGNETIC DRAIN PLUG AND WASHER	71 to * — All Models except FXB, FXSB
	39	60421-79A	PRIMARY HOUSING (9 hole)	71 to Early 84 — FX, FXE, FXEF, FXEF-80, FXE-80
		60421-84	PRIMARY HOUSING	Late 84 — FXE-80
		60431-79	PRIMARY HOUSING (black)	77 to 81 — FXS, FXS-80
		60431-82A	PRIMARY HOUSING	82 — FXS-80
		60441-79	PRIMARY HOUSING (black)	80 & 81 — FXWG
		60441-82A	PRIMARY HOUSING (9 hole) (polished)	82 & 83 — FXWG
		60444-82	PRIMARY HOUSING	Early 84 — FXWG
		60444-84	PRIMARY HOUSING	Late 84 — FXWG
	40	60470-82	PLUG, primary housing	82 to 84 — FXB, FXSB
	41	60488-80	COVER, primary housing (w / 9063 BEARING) (ptd.)	80 & 81 — FXS, FXWG
		60498-80	COVER, primary housing (w / 9063 BEARING) (black) N/A	80 to 82 — FXB
		60531-83B	COVER, primary housing (w / 9063 BEARING) (black)	83 to * — FXSB; 84 — FXWG
	42	60502-80A	PRIMARY HOUSING, front (black)	80 to 83 — FXB, FXSB
		60502-84	PRIMARY HOUSING, front	Early 84 — FXSB
		60504-84	PRIMARY HOUSING, front	Late 84 — FXSB
	43	60507-77	COVER, primary housing (w / 9063 BEARING) N/A	77 to Early 82 — FX, FXE, FXEF, FXEF-80, FXE-80; Early 82 — FXS-80, FXWG
		60507-82A	COVER, primary housing (w / 9063 BEARING)	Late 82 to * — FXS-80, FXE-80; Late 82 & 83 — FXWG
		60508-82A	COVER, primary housing (w / 9063 BEARING)	71 to 76 — All Models
	44	60513-71	INSPECTION COVER, with footpeg hole (chrome) N/A	71 to 73 — All Models
	45	60514-65	COVER, starter hole	71 to 78 — FX
	46	60518-65	GASKET, starter hole cover	71 to 78 — FX
		60538-81D	GASKET, housing	71 to * — All Models
	48	60547-77	COVER, primary housing (w / 9063 BEARING) (ptd.)	77 to 79 — FXS, FXS-80
	49	60549-70	CHAIN OILER FITTING, primary housing	71 to Early 84 — All Models except FXB, FXSB
	50	60556-74	BAFFLE PLATE, primary housing N/A	71 & 72 — All Models
	51	60564-80	INSPECTION COVER (black) N/A	80 & 81 — FXWG
	52	60567-65B	GASKET, inspection cover	71 to * — All Models
	53	60572-78A	INSPECTION COVER (chrome)	82 to * — FXWG
		60579-74	INSPECTION COVER, with bushing and oil seal (chrome)	74 to * — All Models except FXWG
	54	60593-74	BUSHING, shifter shaft	74 to * — All Models except FXWG
	55	60641-74	OIL SEAL, shifter shaft	74 to * — All Models except FXWG
	56	60644-65	COVER, switch hole N/A	73 to 78 — FX
	57	60646-65	RETAINER, switch hole cover N/A	73 to 78 — FX
	58	63533-41	FITTING, vent hose	71 to 83 — All Models except FXB, FXSB; Early 84 — All Models

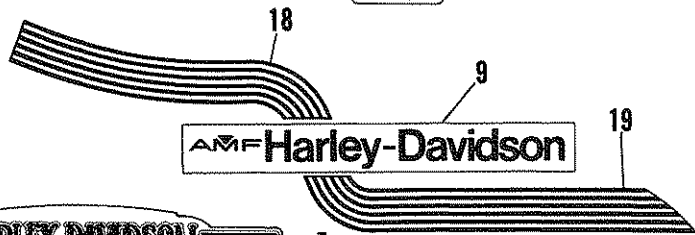
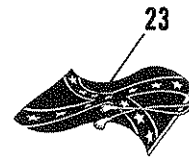
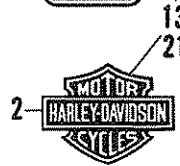
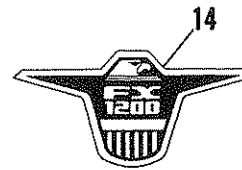
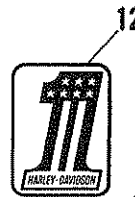
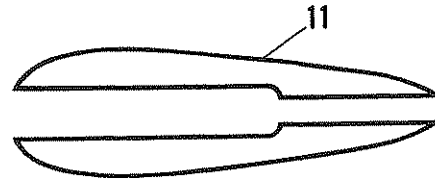
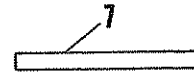
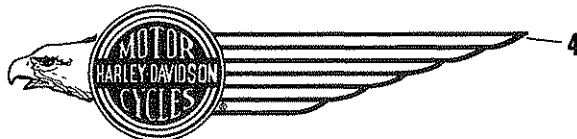
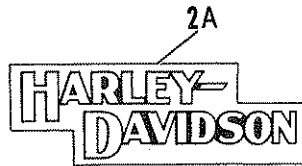
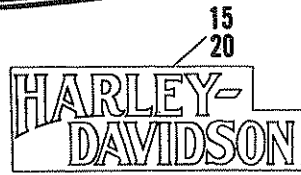
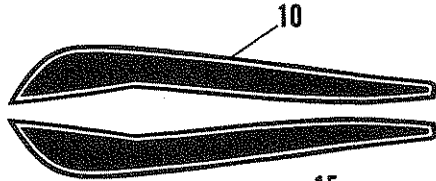
RETAIL PRICE	INDEX NO.	PART NO.	N A M E	USED ON
			NOTE: For painted part numbers, refer to Dealer Accessory Guide.	
	1	903	SCREW, 1/4-20 x 1-1/4 Pozidriv oval ctsk. hd. (black) . . .	77 to 84 — FXS, FXEF, FXS-80, FXEF-80, FXB, FXSB; 82 — FXWG; Late 84 — FXE-80
	2	2513	SCREW, 1/4-20 x 1-1/4 socket rd. hd. (black)	83 & 84 — FXWG
	3	3960W	BOLT, 5/16-24 x 1 hex. hd. (3; 2 - 82 & Later)	71 & 72 — All Models 77 to 84 — FXS, FXEF, FXS-80, FXEF-80, FXB, FXWG
		4014W	BOLT, 5/16-24 x 1-1/4 hex. hd.	Late 84 — FXE-80
	4	4083W	BOLT, 5/16-24 x 3-3/4 hex. hd.	73 to 82 — FX, FXE, FXE-80
		4100HW	BOLT, 5/16-18 x 4 hex. hd.	83 & Early 84 — FXE-80
	5	4084W	BOLT, 5/16-24 x 3 hex. hd.	84 — FXSB; Late 84 — FXE-80
		4725	BOLT, 5/16-24 x 2-3/4 hex. hd.	71 & 72 — All Models; 77 to 84 — FXS, FXEF, FXS-80, FXEF-80; 83 — FXSB; 80 to 84 — FXB, FXWG
	6	5733	SPACER, fuel tank trim	83 & 84 — FXWG
	7	5988	SPACER, tank — front (2)	73 to Early 84 — FX, FXE, FXE-80
	7A	6017	SPACER (2)	83 & Early 84 — FXE-80
	8	6109	WASHER, 5/16 x 11/16 x 1/8 (5; 7 - 84)	83 & 84 — FXWG, FXSB; Late 84 — FXE-80
	9	6160P	THRUST WASHER, 5mm. (as required)	N/A 71 to 74 — All Models
	10	6324W	WASHER, 5/16 x 11/16 x 3/32 (2)	71 to 75 — All Models
	11	6327B	WASHER, 5/16 x 3/4 x 1/16 (5; 2 - 82)	71 & 72 — All Models 77 to 82 — FXS, FXEF, FXS-80, FXEF-80, FXB, FXWG
		6400HB	WASHER, 5/16 x 13/16 x 3/32 (3; 2 — FXSB)	82 — FXS-80, FXWG, FXB; 83 & Early 84 — FXSB
	12	6332B	WASHER, 5/16 x 15/16 x 1/16	77 to 82 — FXS, FXEF, FXS-80, FXEF-80, FXB; Late 84 — FXE-80
	13	6411	WASHER, 9/32 x 5/8 x 1/16 (black)	83 & 84 — FXWG
	14	6804	WASHER, 1/2 x 1-1/8 x 1/16 (4)	73 to Early 84 — FX, FXE, FXE-80
	15	7038	LOCKWASHER, 3/8 (2)	73 to Early 84 — FX, FXE, FXE-80
	16	7041	LOCKWASHER, 5/16 (3; 4 — FXE-80)	71 & 73 — All Models 77 to 84 — FXS, FXEF, FXS-80, FXEF-80, FXB, FXWG; Late 84 — FXE-80
	17	7127	LOCKWASHER, 5/16 internal tooth (2)	Early 71 — All Models
	18	7727	LOCKNUT, 5/16-24 x 1/4 x 1/2 hex.	73 to 82 — FX, FXE, FXE-80
		7739	LOCKNUT, 5/16-18 x 11/32 x 1/2 hex.	83 & Early 84 — FXE-80
	20	7753	NUT, 5/16-24 x 17/64 x 1/2 hex. (4)	71 & 72 — All Models 77 to 84 — FXS, FXEF, FXS-80, FXEF-80, FXB, FXWG; Late 84 — FXE-80
	21	7783	NUT, 3/8-16 x 5/16 x 9/16 hex. (2)	73 to 82 — FX, FXE, FXE-80
		7800W	NUT (2)	83 & Early 84 — FXE-80
	22	9993	WIRE CLAMP (1/2" o.d. hose) (5)	71 to 84 — All Models
	23	10014	BAND CLAMP (1/2" o.d. hose) (2)	71 to 84 — All Models
	24	11040P	LOCK RING (2)	N/A 71 to 74 — All Models
	25	52103—31	SPACER, tank — rear (2)	Late 80 to 84 — FXEF, FXS-80, FXEF-80, FXB, FXSB; Late 84 — FXE-80
	26	60975—78	MOUNTING, fuel tank trim	78 to 82 — FXS, FXEF, FXS-80, FXEF-80, FXB; 82 — FXWG; 83 & 84 — FXSB; Late 84 — FXE-80
	28	61102—73	CAP, fuel tank, w/ #30 (vented)	N/A 73 to 82 — All Models
		61102—83A	CAP, fuel tank (vented)	83 & 84 — All Models
		61103—36	CAP, fuel tank, (vented)	N/A 71 & 72 — All Models
	29	61103—73A	CAP, fuel tank, w/ #31 (not vented)	N/A 71 & 72 — All Models 77 to 82 — FXS, FXEF, FXS-80, FXEF-80, FXB, FXWG
		61103—83	CAP, fuel tank (not vented)	83 & 84 — All Models
	30	61111—77	GASKET, tank cap	71 to 82 — All Models
	31	61116—65	GASKET, left tank cap	71 & 72 — All Models 77 to 82 — All Models except FXE-80
	32	61122—39	FILLER STRIP, standard seat (rubber)	71 & 72 — All Models
		61122—79	FILLER STRIP, standard seat (rubber)	80 & 81 — FXWG

FUEL TANK



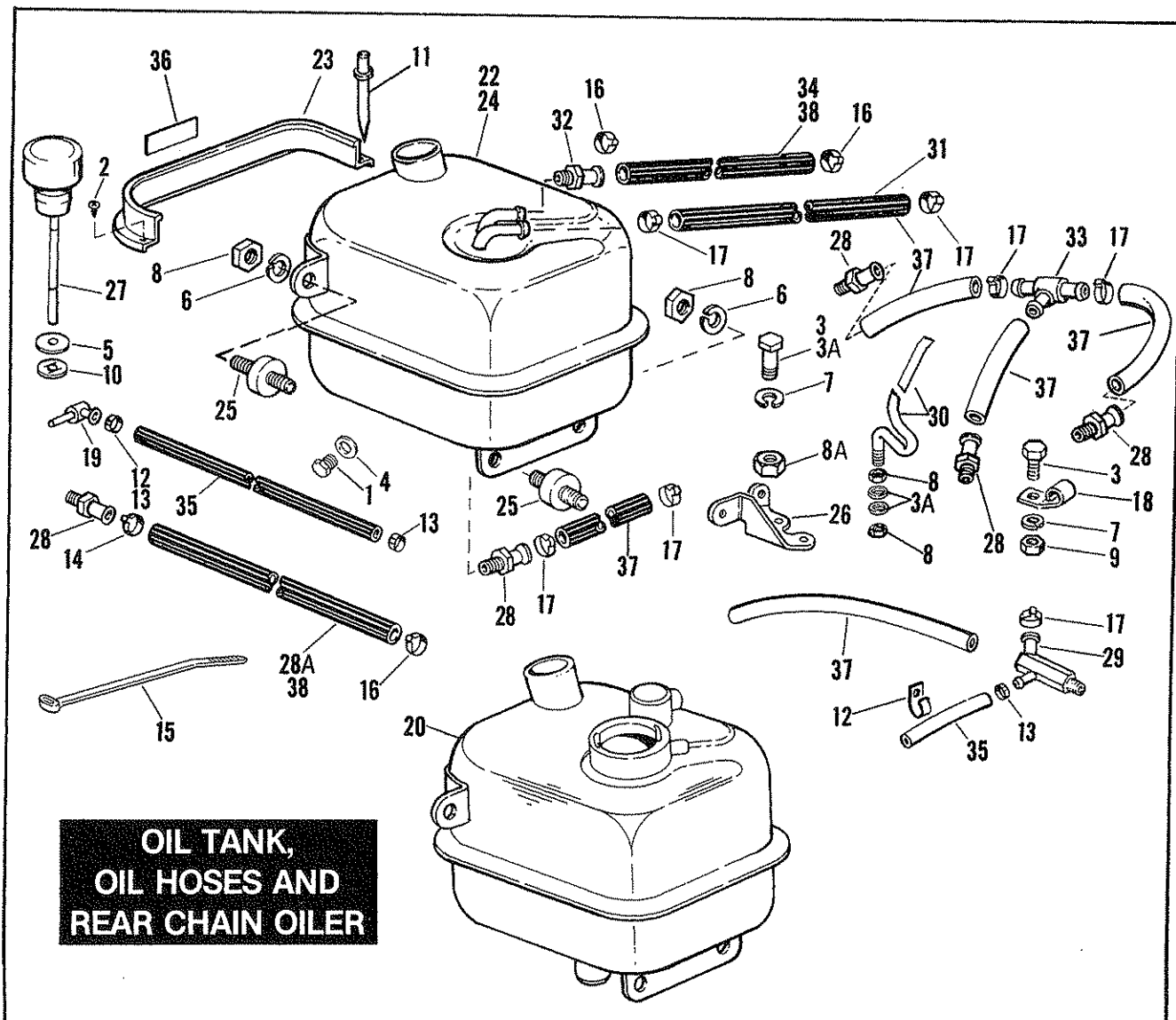
RETAIL PRICE	INDEX NO.	PART NO.	N A M E	USED ON
NOTE: For painted part numbers, refer to Dealer Accessory Guide.				
	33	61139-73	MOUNTING CUSHION, fuel tank — front	73 to Early 84 — FX, FXE, FXE-80
	34	61152-65P	RUBBER BUSHING, fuel tank — front (2)	73 to Early 84 — FX, FXE, FXE-80
	35	61141-82	FILLER STRIP	82 — FXWG
	36	61141-83B	FILLER STRIP	83 to * — FXWG
	37	67067-76	TAPE, filler strip (2)	N/A 82 — FXWG
	38	61213-83	FUEL TANK, right (5 gal.) (prime)	80 to * — FXWG
	39	61215-83	FUEL TANK (prime)	73 to Early 84 — FX, FXE, FXE-80
	40	61217-69A	FUEL TANK, right (3-1/2 gal.) (prime)	N/A 71 & 72 — All Models
		61219-83	FUEL TANK, right (3-1/2 gal.) (prime)	77 to * — FXS, FXEF, FXS-80, FXEF-80, FXB, FXSB; Late 84 to * — FXE-80
	41	61229-83	FUEL TANK, left (5 gal.) (prime)	80 to * — FXWG
		61230-69A	FUEL TANK, left (3-1/2 gal.) (prime)	N/A 71 & 72 — All Models
	42	61401-82	FILLER STRIP, center panel	82 to * — FXS-80, FXB, FXSB; Late 84 to * — FXE-80
		61425-83	FUEL TANK, left (3-1/2 gal.) (prime)	77 to * — FXS, FXEF, FXS-80, FXEF-80, FXB, FXSB; Late 84 to * — FXE-80
	43	61546-74	PLATE, fuel tank mounting spring (2)	74 to Early 84 — FX, FXE, FXE-80
	44	61550-73A	SPRING, fuel tank (For 1973 also order [2] 61546-74)	73 to Early 84 — FX, FXE, FXE-80
	45	61558-73A	MOUNTING BRACKET, fuel tank — rear (2)	73 to Early 84 — FX, FXE, FXE-80
	46	61562-66	RUBBER MOUNT, fuel tank	73 to Early 84 — FX, FXE, FXE-80
	47	61605-36	REAR MOUNTING STUD (2)	N/A 71 & 72 — All Models
	48	61647-77	PANEL, center — fuel tank (black)	77 to * — FXS, FXEF, FXS-80, FXEF-80, FXB, FXSB; Late 84 to * — FXE-80
	49	61648-85	EDGING, center trim panel — 43"	77 to * — FXS, FXEF, FXS-80, FXEF-80, FXB, FXSB; Late 84 to * — FXE-80
	50	62096-69	FILTER SCREEN, fuel valve (nylon)	71 to 74 — All Models
	51	62123-66	RUBBER BUMPER, fuel tank (2)	73 to Early 84 — FX, FXE, FXE-80
	52	62125-55B	FUEL VALVE ASSEMBLY	71 to 74 — All Models
	53	62129-75	FUEL VALVE, without filter or nut	75 to 80 — All Models; 80 & 81 — FXWG
	54	62141-69P	KNOB, fuel valve	N/A 71 to 74 — All Models
	55	62142-69P	KNOB, fuel valve (reserve)	N/A 71 to 74 — All Models
	56	62161-75	NUT, fuel valve	75 to * — All Models
	57	62162-75	FILTER, fuel valve	75 to 80 — All Models; 80 & 81 FXWG
		62166-81	FILTER, fuel valve — with reserve tube	81 to * — All Models; 82 to * — FXWG
	58	62168-81	FUEL VALVE, without filter, nut or reserve tube	81 to * — All Models; 82 to * — FXWG
	59	62172-75	GASKET, fuel valve	81 to * — All Models
NOTE: Hose is sold only in bulk length under the following part number. Cut to required length.				
	60	63501-68	HOSE, 1/4 I.D. x 1/2 O.D. reinforced rubber, 25 ft. lg.	71 to * — All Models

FUEL TANK TRIM

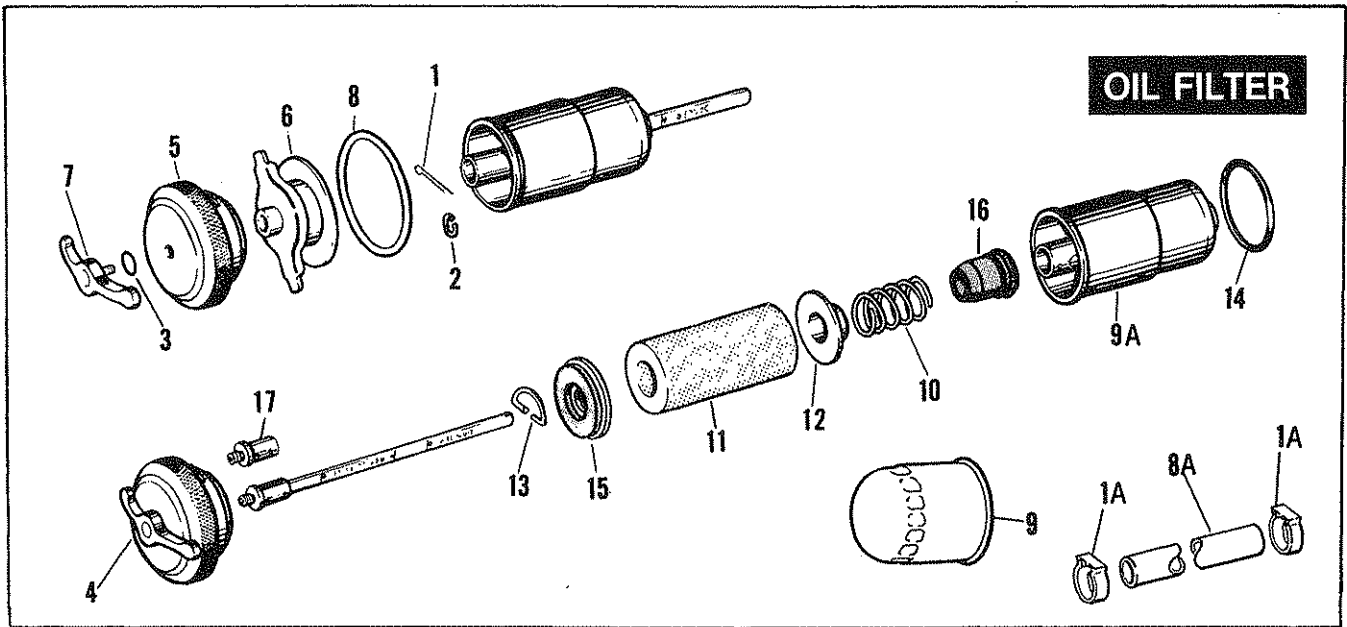


19

RETAIL PRICE	INDEX NO.	PART NO.	NAME	USED ON
	1	2061W	SCREW, nameplate, No. 4-40 x 3/16 Phillips hd. (4)	71 & 72 — All Models
	2	14004—82	TRIM, fuel tank, shield (silver & black) (2)	82 & 83 — FXWG, FXE-80, FXSB
		14005—82	TRIM, fuel tank, shield (gold & black) (2)	82 & 83 — FXWG, FXE-80, FXSB
		14006—82	TRIM, fuel tank, shield (gold & brown) (2)	82 & 83 — FXWG, FXE-80, FXSB
	2A	14007—82	TRIM, fuel tank — "Harley-Davidson" (2)	80 — FXS-80
	3	14057—84	TRIM, tank side (black & gold) (2)	84 — FXWG
	4	14061—84	TRIM, tank side — right (gold, brown & black)	Early 84 — FXE-80
		14062—84	TRIM, tank side — left (gold, brown & black)	84 — FXE-80
		14063—84	TRIM, tank side — right (silver, grey & black)	84 — FXE-80
		14064—84	TRIM, tank side — left (silver, grey & black)	84 — FXE-80
	5	14067—84	TRIM, tank side (black, red & silver) (2)	84 — FXSB
		14068—84	TRIM, tank side (black, red & gold) (2)	84 — FXSB
	6	61125—72	PLASTIC PANEL, with tape and No. 1 Name Transfer	N/A 71 & 72 — All Models
	7	61127—71	TAPE, tank panel (2)	N/A 71 to 78 — FX
	8	61131—77	NAME TRANSFER (for tanks other than blue or brown) (2)	N/A 77 — FX, FXE
		61134—77	NAME TRANSFER (blue tank) (2)	N/A 77 — FX, FXE
		61136—77	NAME TRANSFER (brown tank) (2)	N/A 77 — FX, FXE
	9	61142—72	NAME TRANSFER (2)	N/A 73 & 74 — All Models
		61142—76	NAME TRANSFER (2)	N/A 76 — All Models
	10	61145—71	DECAL, bottom left (black)	N/A 71 — All Models
	11	61146—72	DECAL, tank side — left (red, white & blue)	N/A 72 — All Models
	12	61157—72	NAME TRANSFER — "No. 1"	N/A 72 to 81 — All Models
	13	61159—80A	DECAL (orange & black) (2)	80 to 82 — FXB
		61160—80	DECAL (gold & black)	80 & 81 — FXWG
	14	61161—74	TRIM, fuel tank — top "FX 1200"	N/A 74 & 75 — FX
		61163—74	TRIM, fuel tank — top "FXE 1200"	N/A 74 & 75 — FXE
	15	61205—77	TRIM, fuel tank — "HARLEY-DAVIDSON" (2)	77 & 78 — FXS
		61236—78	TRIM, fuel tank — "HARLEY-DAVIDSON" (2)	79 — FX, FXEF, FXEF-80
	16	61241—77	NAME TRANSFER, "Harley-Davidson" (green tank) (2)	N/A 77 — FX, FXE
	18	61260—74	TRIM, tank side — upper right	N/A 74 — All Models
		61262—74	TRIM, tank side — upper left	N/A 74 — All Models
		61264—74	TRIM, tank side — upper right (red, white & blue)	N/A 74 — All Models
		61266—74	TRIM, tank side — upper left (red, white & blue)	N/A 74 — All Models
		61260—75	TRIM, tank side — upper right (green, blue & black)	N/A 75 — All Models
		61262—75	TRIM, tank side — upper left (green, blue & black)	N/A 75 — All Models
		61264—75	TRIM, tank side — upper right (red, white & blue)	N/A 75 — All Models
		61266—75	TRIM, tank side — upper left (red, white & blue)	N/A 75 — All Models
		61374—75	TRIM, tank side — upper right (brown, pink & purple)	N/A 75 — All Models
		61376—75	TRIM, tank side — upper left (brown, pink & purple)	N/A 75 — All Models
	19	61261—74	TRIM, tank side — lower right	N/A 74 — All Models
		61263—74	TRIM, tank side — lower left	N/A 74 — All Models
		61265—74	TRIM, tank side — lower right (red, white & blue)	N/A 74 — All Models
		61267—74	TRIM, tank side — lower left (red, white & blue)	N/A 74 — All Models
		61261—75	TRIM, tank side — lower right (green, blue & black)	N/A 75 — All Models
		61263—75	TRIM, tank side — lower left (green, blue & black)	N/A 75 — All Models
		61265—75	TRIM, tank side — lower right (red, white & blue)	N/A 75 — All Models
		61267—75	TRIM, tank side — lower left (red, white & blue)	N/A 75 — All Models
		61375—75	TRIM, tank side — lower right (brown, pink & purple)	N/A 75 — All Models
		61377—75	TRIM, tank side — lower left (brown, pink & purple)	N/A 75 — All Models
	20	61368—79	TRIM, fuel tank — "HARLEY-DAVIDSON" (2)	79 — FXS, FXS-80
	21	61405—80A	TRIM, fuel tank (gold & black) (2)	80 & 81 — FXEF-80, FXWG, FXE-80; 82 — FXB
		61406—80	TRIM, fuel tank (silver & black) (2)	80 & 81 — All Models except FXS-80, FXB
	22	61491—76	TRIM KIT, fuel tank (black)	N/A 76 — All Models
		61492—76	TRIM KIT, fuel tank (blue)	N/A 76 — All Models
		61493—76	TRIM KIT, fuel tank (red)	N/A 76 — All Models
		61494—76	TRIM KIT, fuel tank (brown)	N/A 76 — All Models
		61495—76	TRIM KIT, fuel tank (orange)	N/A 76 — All Models
	23	61650—77	"CONFEDERATE EDITION" TRIM, right	N/A 77 — All Models except FXS
		61651—77	"CONFEDERATE EDITION" TRIM, left	N/A 77 — All Models except FXS
	24	61745—77	NAME TRANSFER, "AMF" (all but red tank) (2)	N/A 77 — All Models except FXS
		61746—77	NAME TRANSFER, "AMF" (red tank) (2)	N/A 77 — All Models except FXS
	25	61771—72	NAMEPLATE (silver) (2)	N/A 72 to 75 — All Models except FXS
	26	61899—81A	DECAL (gold & black) (2)	81 & 82 — FXS-80
		61908—81A	DECAL (red & black)	81 & 82 — FXS-80



RETAIL PRICE	INDEX NO.	PART NO.	NAME	USED ON
	1	706A	DRAIN PLUG	71 to * — All Models
	2	2073W	SCREW, No. 4-24 x 1/4 self-tapping flat hd. (2)	71 to * — All Models
	3	3974HW	BOLT, 5/16-24 x 3/4 hex. hd. (2)	71 to Early 80 — All Models
		3987	SCREW, 5/16-18 x 3/4	Late 80 to Early 84 — All Models
	3A	6339	WASHER, 1/4 x 5/8 x 1/16 (chrome) (2)	Late 84 to * — All Models
	4	6700B	WASHER, 5/8 x 13/16 x 1/32	71 to Early 83 — All Models
	5	6703	WASHER	71 to * — All Models
	6	7036	LOCKWASHER, 1/4 (2 — 83 & Later)	71 to * — All Models
	7	7041	LOCKWASHER, 5/16	71 to Early 84 — All Models
	8	7688	NUT, 1/4-20 x 1/4 x 1/2 hex. (2)	71 to Early 84 — All Models
		7689W	JAM NUT, 1/4-20 x 5/32 x 7/16 hex. (2)	Late 84 to * — All Models
	8A	7748W	NUT, 5/16-18 x 17/64 x 1/2 hex.	Late 80 to * — All Models
	9	7753	NUT, 5/16-24 x 1/4 x 1/2 hex.	71 to Early 78 — All Models
	10	8126	SPEED NUT, oil cap	71 to * — All Models
	11	8698	POP RIVET, 1/8 x 5/16 x 1/4 dia. hd. (2)	Late 81 to * — All Models
	12	9951	CLAMP, chain oiler hose	Late 78 to 82 — All Models except FXB, FXSB
	13	9992	HOSE CLAMP, front & rear chain oiler (2)	Late 79 to 82 — All Models except FXB, FXSB
	14	9996	HOSE CLAMP, front chain oiler hose; upper end, 3/8 dia. .	Late 79 to Early 84 — All Models except FXB, FXSB
	15	10006	HOSE STRAP, oil hose	71 to * — All Models
	16	10014	CLAMP, oil hoses — 1/2" dia. (2)	71 to Early 84 — All Models
	17	10080	CLAMP, oil hoses (as req'd)	71 to * — All Models
	18	24920—67	CLAMP, rear chain oiler hose	N/A 71 to Early 77 — All Models
		24921—77	CLAMP, rear chain oiler hose	N/A Late 77 to Early 78 — All Models
	19	60549—70	CHAIN OILER FITTING, chain housing	71 to Early 84 — All Models except FXB, FXSB
	20	62483—81	OIL TANK KIT, with pop rivets & drain plug	71 to Early 82 — All Models
	22	62504—82A	OIL TANK	Late 82 to * — All Models
	23	62531—80	EDGING, oil tank	N/A 80 to 82 — FXB
		62534—65	EDGING, oil tank (without "H" decal)	71 to * — All Models except FXB
	24	62541—82A	OIL TANK ASSEMBLY, includes index nos. 1, 11, 22, 23 & 27	N/A 83 & Early 84 — All Models
	25	62563—65	RUBBER MOUNT (2)	71 to * — All Models
	26	62576—65A	BRACKET, oil tank mounting	71 to Early 79 — All Models
		62576—79	BRACKET, oil tank mounting	Late 79 to Early 80 — All Models
	27	62625—70A	FILLER CAP, with dipstick	71 to * — All Models
	28	63533—41	FITTING, feed and oiler return hoses (2)	71 to Early 84 — All Models
	28A	63539—84	HOSE, oil tank to oil pump	N/A Late 84 to * — All Models
	29	63541—70	TEE, rear chain oiler	71 to Early 78 — All Models
	30	63549—65A	BRACKET KIT, oil hose includes index nos. 3A & 8	71 to * — All Models
	31	63564—84	HOSE, crankcase to oil tank vent	N/A Late 84 to * — All Models
	32	63578—52	FITTING, vent hose	71 to 75 — All Models
	33	63580—66A	TEE, vent hose	71 to Early 84 — All Models except FXB, FXSB
	34	63587—84	HOSE, oil filter to oil tank	N/A Late 84 to * — All Models
	35	63592—89	HOSE, front & rear chain oiler	71 to 82 — All Models except FXB, FXSB
	36	66042—79	DECAL, oil tank — "WARNING"	N/A 79 to 81 — All Models except FXB
		66042—79A	DECAL, oil tank — "WARNING"	82 — FXB
		66047—80A	DECAL, oil tank — "WARNING"	80 & 81 — FXB; 82 to * — All Models except FXB
			NOTE: Hose is sold only in bulk length under the following part nos. Cut to required length.	
	37	63500—68	HOSE, 3/8 I.D. x 5/8 O.D., reinforced rubber, 25 ft. lg. . .	71 to Early 84 — All Models
	38	63501—68	HOSE, 1/4 I.D. x 1/2 O.D., reinforced rubber, 25 ft. lg. . .	71 to Early 84 — All Models

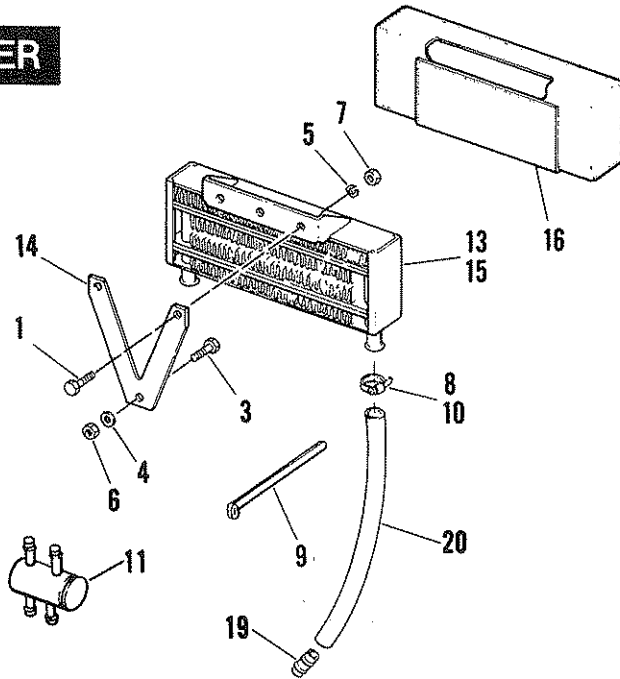


OIL FILTER

AA60

RETAIL PRICE	INDEX NO.	PART NO.	N A M E	USED ON
	1	534	COTTER PIN, 3/32 x 5/8	71 to Early 82 — All Models
	1A	10080	CLAMP, oil hose (2)	Late 84 to * — All Models
	2	11012	RETAINING RING	71 to Early 82 — All Models
	3	11105	O-RING, cap top	71 to Early 82 — All Models
	4	62610—52A	CAP ASSEMBLY	N/A 71 to Early 82 — All Models
	5	62611—66	CAP TOP	N/A 71 to Early 82 — All Models
	6	62612—66	LOCKING NUT, filter cap	71 to Early 82 — All Models
	7	62620—66	SCREW, filter cap	N/A 71 to Early 82 — All Models
	8	62628—66	GASKET, oil filter cap	71 to Early 82 — All Models
	8A	63536—84	HOSE, oil pump to oil filter	N/A Late 84 — All Models
	9	63810—80A	OIL FILTER, spin-on (black)	Late 82 to * — All Models
	9A	63826—53	CUP, oil filter	71 to Early 82 — All Models
	10	63831—67	SPRING, filter cup	71 to Early 82 — All Models
	11	63840—53	FILTER ELEMENT	71 to Early 82 — All Models
	12	63846—67	LOWER RETAINER, filter element	71 to Early 82 — All Models
	13	63878—53	CLIP, oil filter	71 to Early 82 — All Models
	14	63879—53	O-RING	71 to Early 82 — All Models
	15	63881—67	UPPER SEAL, oil filter	71 to Early 82 — All Models
	16	63882—67	LOWER SEAL, oil filter	71 to Early 82 — All Models
	17	63885—70	VALVE, less gage rod	71 to Early 82 — All Models

OIL COOLER



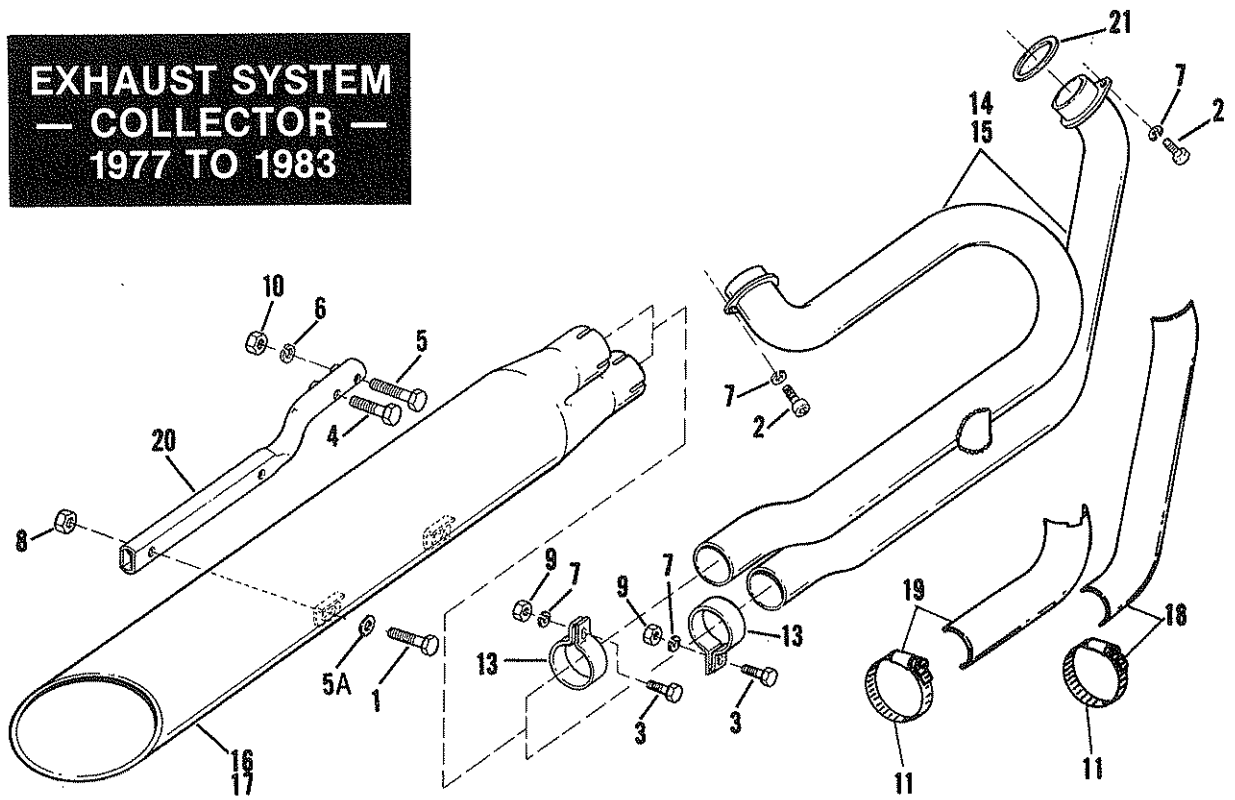
OIL COOLER

AA61

RETAIL PRICE	INDEX NO.	PART NO.	N A M E	USED ON
	1	3953W	BOLT, 5/16-24 x 1/2 hex. hd. (2)	77 to 81 — All Models
	3	3996	BOLT, 5/16-24 x 7/8 hex. hd.	77 to 81 — All Models
	4	6702	WASHER, 5/16 x 11/16 x 1/16	77 to 81 — All Models
	5	7041	LOCKWASHER, 5/16 (2)	77 to 81 — All Models
	6	7725	LOCKNUT, 5/16-24 x 11/32 x 1/2 hex.	77 to 81 — All Models
	7	7753	NUT, 5/16-24 x 1/4 x 1/2 hex. (2)	77 to 81 — All Models
	8	9946	CLAMP, oil hose (5)	77 to 81 — All Models
	9	10006	STRAP, oil hose (6)	77 to 81 — All Models
	10	10080	CLAMP, oil hoses — 11/16 dia. (2)	77 to 81 — All Models
	11	26251—78	THERMOSTATIC BYPASS VALVE, w / # 8 & 9 (black)	77 to 81 — All Models
	13	62571—77A	OIL COOLER KIT (black)	77 to 81 — All Models
	14	62574—77	MOUNTING BRACKET, oil cooler	77 to 81 — All Models
	15	62577—77A	OIL COOLER KIT (chrome)	77 to 81 — All Models
	16	62578—77	COVER, oil cooler	77 to 81 — All Models
	19	63792—77	FITTING, oil hose	77 to 81 — All Models

NOTE: Hose is sold only in bulk length under the following part no. Cut to required length.
 20 63500—68 HOSE, 3/8 I.D. x 5/8 O.D. reinforced rubber (25 ft. long). 77 to 81 — All Models

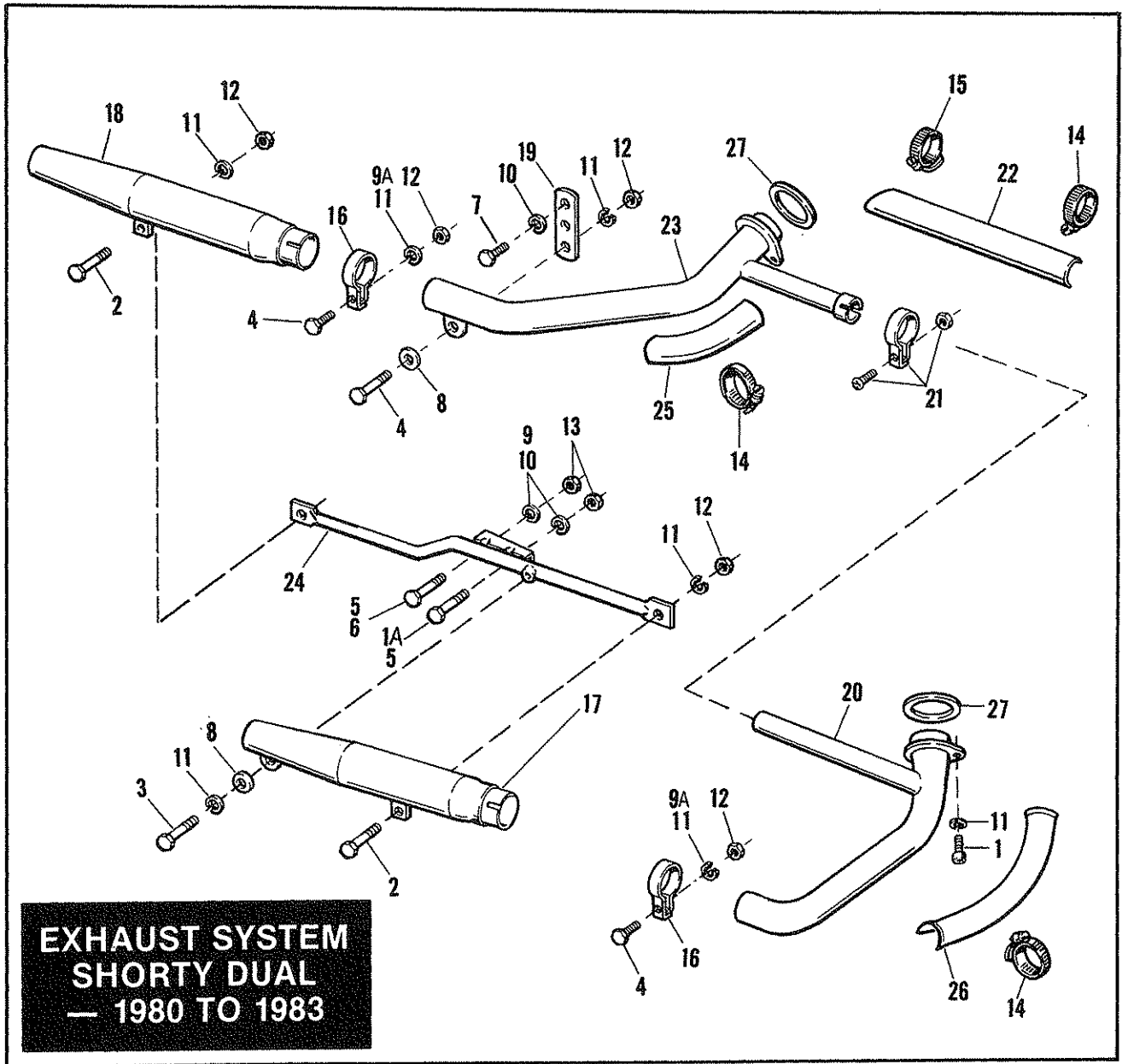
**EXHAUST SYSTEM
— COLLECTOR —
1977 TO 1983**



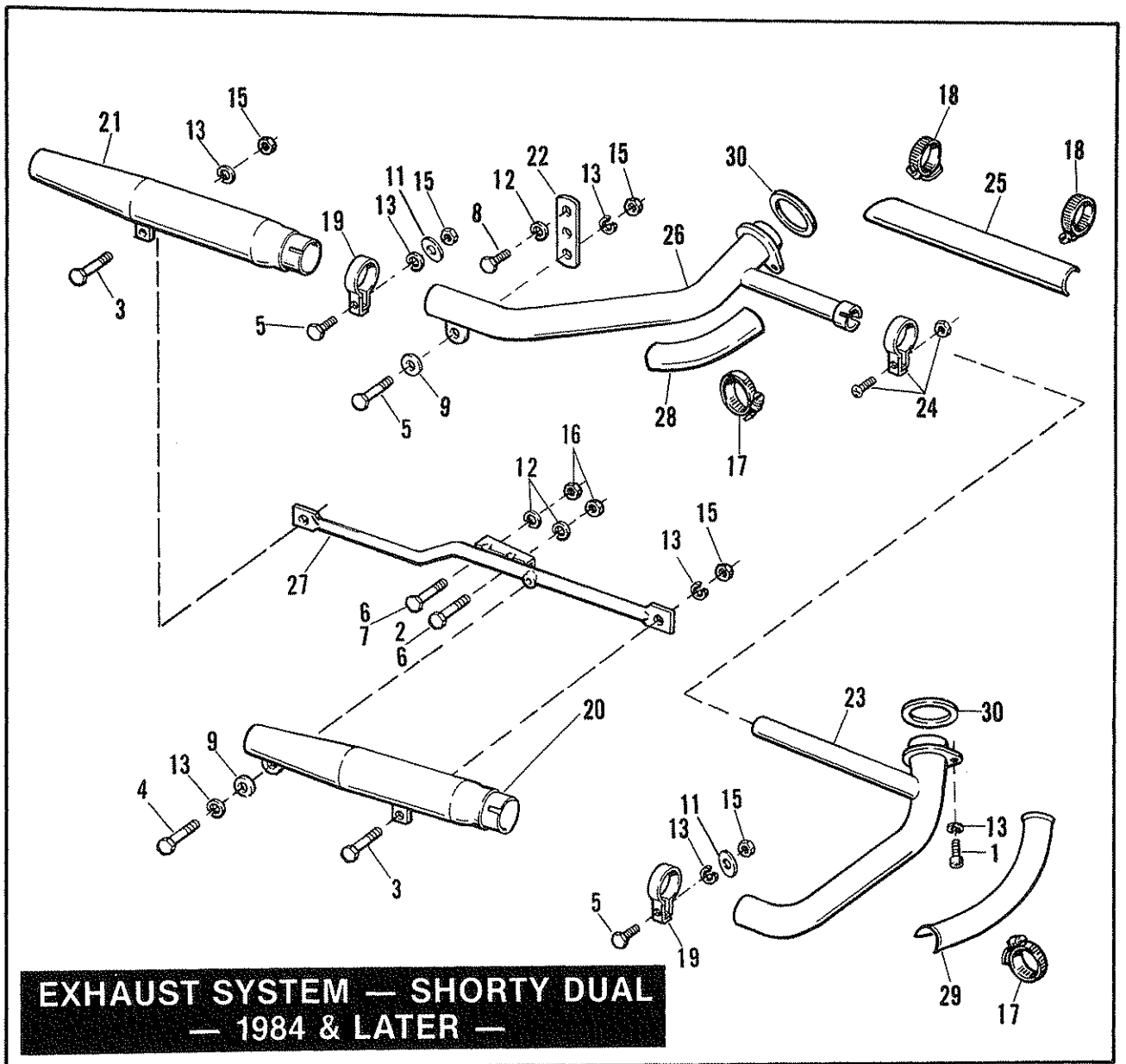
EXHAUST SYSTEM — COLLECTOR — 1977 to 1983

AA62

RETAIL PRICE	INDEX NO.	PART NO.	N A M E	USED ON
	1	2667	BOLT, 5/16-18 x 2 hex. hd. (2)	77 to 80 — All Models except FXWG; 81 to 83 — FXEF-80, FXE-80
	2	3201W	SCREW, 5/16-18 x 3/4 socket fil. hd. (2)	77 to 80 — All Models except FXWG; 81 to 83 — FXEF-80, FXE-80
	3	4014W	BOLT, 5/16-24 x 1-1/4 hex. hd. (2)	77 to 80 — All Models except FXWG; 81 & 82 — FXEF-80, FXE-80
		4036	BOLT, 5/16-24 x 1-1/2 hex. hd. (2)	83 — FXE-80
	4	4434W	BOLT, 3/8-24 x 3-1/4 hex. hd.	77 to 80 — All Models except FXWG; 81 to 83 — FXEF-80, FXE-80
	5	4435W	BOLT, 3/8-24 x 3-1/2 hex. hd.	77 to 80 — All Models except FXWG; 81 to 83 — FXEF-80, FXE-80
	5A	6324W	WASHER, 5/16 x 11/16 x 3/32 (2)	80 — All Models except FXWG; 81 to 83 — FXEF-80, FXE-80
	6	7038	LOCKWASHER, 3/8 (2)	77 to 80 — All Models except FXWG; 81 to 83 — FXEF-80, FXE-80
	7	7041	LOCKWASHER, 5/16 (4)	77 to 80 — All Models except FXWG; 81 to 83 — FXEF-80, FXE-80
	8	7740	LOCKNUT, 5/16-18 x 1/4 x 1/2 hex. (2)	77 to 80 — All Models except FXWG; 81 to 83 — FXEF-80, FXE-80
	9	7753	NUT, 5/16-24 x 1/4 x 1/2 hex. (2)	77 to 80 — All Models except FXWG; 81 to 83 — FXEF-80, FXE-80
	10	7800W	LOCKNUT, 3/8-24 x 5/16 x 9/16 hex. (2)	77 to 80 — All Models except FXWG; 81 to 83 — FXEF-80, FXE-80
	11	9955	CLAMP, exhaust shield (4)	80 — All Models except FXWG; 81 to 83 — FXEF-80, FXE-80
	13	65276—62	CLAMP, muffler (2)	77 to 80 — All Models except FXWG; 81 to 83 — FXEF-80, FXE-80
	14	65311—77	EXHAUST PIPE	N/A 77 — All Models
	15	65311—78	EXHAUST PIPE	N/A 78 to 80 — All Models except FXWG; 81 to 83 — FXEF-80, FXE-80
	16	65353—78	MUFFLER	N/A 77 to 79 — All Models
	17	65430—80A	MUFFLER	80 — All Models except FXWG; 81 to Early 83 — FXEF; 80 to 83 — FXE-80
	18	65608—80	EXHAUST SHIELD KIT, front — with clamps	80 — All Models except FXWG; 81 to 83 — FXEF-80, FXE-80
	19	65609—80	EXHAUST SHIELD KIT, rear — with clamps	80 — All Models except FXWG; 81 to 83 — FXEF-80, FXE-80
	20	65760—77A	SUPPORT TUBE, muffler	77 to 80 — All Models except FXWG; 81 to 83 — FXEF-80, FXE-80
	21	65834—68A	GASKET, exhaust port (2)	77 to 80 — All Models except FXWG; 81 to 83 — FXEF-80, FXE-80



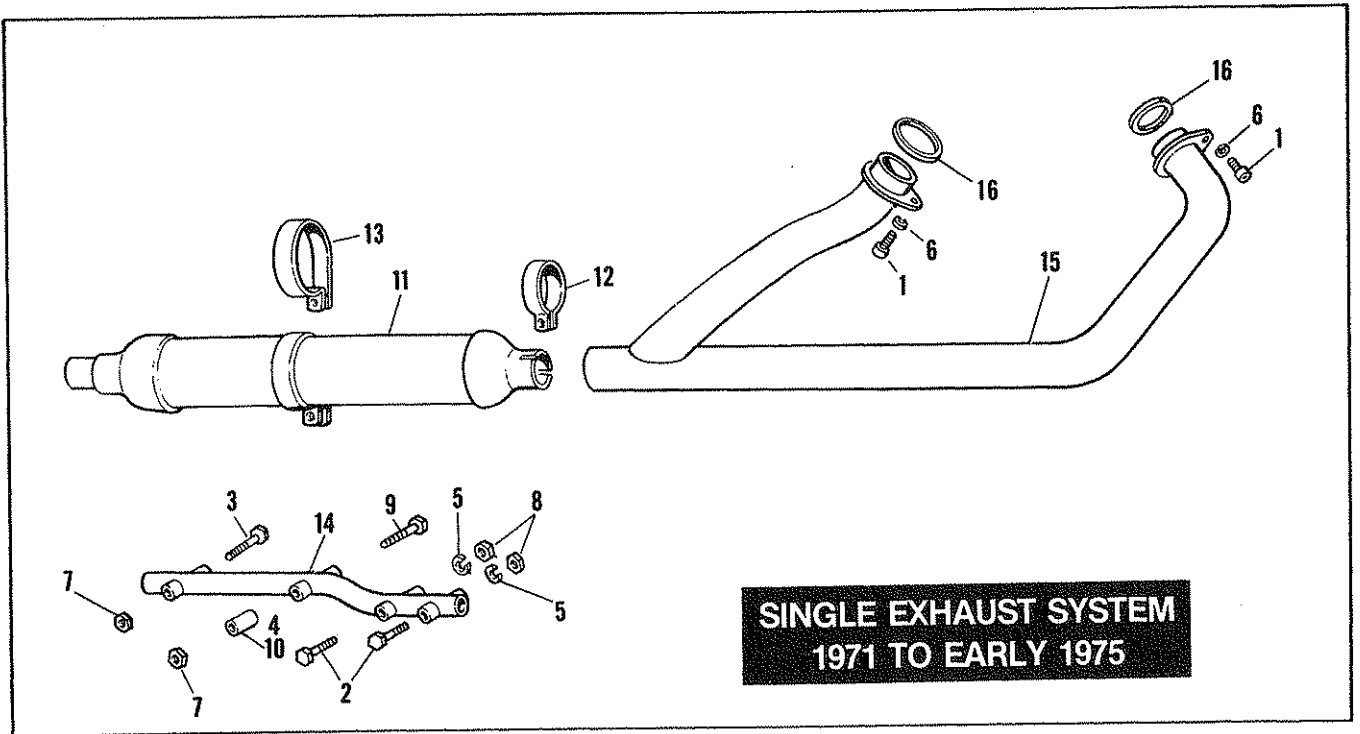
RETAIL PRICE	INDEX NO.	PART NO.	N A M E	USED ON
	1	3201W	SCREW, 5/16-18 x 3/4 socket hd. (2)	80 to 83 — FXWG; 81 to 83 — FXS-80, FXB, FXSB
	1A	3945	BOLT, 3/8-24 x 2-1/4 hex. hd.	81 to 83 — FXS-80, FXB, FXSB
	2	3974HW	BOLT, 5/16-24 x 3/4 hex. hd. (2)	80 to 83 — FXWG; 81 to 83 — FXS-80, FXB, FXSB
	3	3987	BOLT, 5/16-18 x 3/4 hex. hd.	80 to 83 — FXWG; 81 to 83 — FXS-80, FXB, FXSB
	4	4014W	BOLT, 5/16-24 x 1-1/4 hex. hd. (3 — 80 - 82)	80 to 83 — FXWG; 81 to 83 — FXS-80, FXB, FXSB
		4036	BOLT, 5/16-24 x 1-1/2 hex. hd. (2)	83 — FXWG, FXSB
	5	4380W	BOLT, 3/8-24 x 2 hex. hd.	80 to 83 — FXWG; 81 to 83 — FXS-80, FXB, FXSB
	6	4411	BOLT, 3/8-24 x 1-3/4 hex. hd.	80 to 83 — FXWG; 81 — FXS-80, FXB
	7	4716W	BOLT, 3/8-16 x 1-1/4 hex. hd. (2)	80 to 83 — FXWG; 81 to 83 — FXS-80, FXB, FXSB
	8	6324W	WASHER, 5/16 x 11/16 x 3/32 (2)	80 — FXWG; 81 to 83 — FXS-80, FXB, FXSB
	9	6701	WASHER, 3/8 x 13/16 x 1/16 (2)	82 & 83 — FXS-80, FXB, FXWG, FXSB
	9A	6702	WASHER, 5/16 x 11/16 x 1/16 (2)	83 — FXWG, FXSB
	10	7038	LOCKWASHER, 3/8 (4)	80 to 83 — FXWG; 81 to 83 — FXS-80, FXB, FXSB
	11	7041	LOCKWASHER, 5/16 (7)	80 to 83 — FXWG; 81 to 83 — FXS-80, FXB, FXSB
	12	7753	NUT, 5/16-24 x 1/4 x 1/2 hex. (4)	80 to 83 — FXWG; 81 to 83 — FXS-80, FXB, FXSB
	13	7800W	NUT, 3/8-24 x 5/16 x 9/16 hex. (2)	80 to 83 — FXWG; 81 to 83 — FXS-80, FXB, FXSB
	14	9955	CLAMP, exhaust pipe shields (6; 4 - 82 & 83)	80 to 83 — FXWG; 81 to 83 — FXS-80, FXB, FXSB
	15	10048	CLAMP, shield, crossover pipe (2)	82 & 83 — FXS-80, FXB, FXWG, FXSB
	16	65276—62	CLAMP, muffler inlet (2)	80 to 83 — FXWG; 81 to 83 — FXS-80, FXB, FXSB
	17	65347—81A	MUFFLER, front	81 to 83 — FXS-80, FXB, FXSB
		65349—81	MUFFLER, front	N/A
	18	65397—81A	MUFFLER, rear	80 to 83 — FXWG
	19	65399—81	BRACKET	80 to 83 — FXWG; 81 to 83 — FXS-80, FXB, FXSB
	20	65401—81	EXHAUST PIPE — FRONT	80 to 83 — FXWG; 81 to 83 — FXS-80, FXB, FXSB
	21	65411—80A	CLAMP, crossover pipe — with carriage bolt and nut	80 to 83 — FXWG; 81 to 83 — FXS-80, FXB, FXSB
	22	65415—80	SHIELD, crossover pipe	80 to 83 — FXWG; 81 to 83 — FXS-80, FXB, FXSB
	23	65603—81	EXHAUST PIPE — REAR	80 to 83 — FXWG; 81 to 83 — FXS-80, FXB, FXSB
	24	65615—80A	SUPPORT TUBE, muffler	80 to 83 — FXWG; 81 to 83 — FXS-80, FXB, FXSB
	25	65702—80	SHIELD, rear	80 to 83 — FXWG; 81 to 83 — FXS-80, FXB, FXSB
	26	65728—80	SHIELD, front	80 to 83 — FXWG; 81 to 83 — FXS-80, FXB, FXSB
	27	65834—68A	GASKET, exhaust port (2)	80 to 83 — FXWG; 81 to 83 — FXS-80, FXB, FXSB



EXHAUST SYSTEM — SHORTY DUAL — 1984 & LATER

AA62B

RETAIL PRICE	INDEX NO.	PART NO.	N A M E	USED ON
	1	3201W	SCREW, 5/16-18 x 3/4 socket hd. (2)	84 to * — All Models
	2	3945	BOLT, 3/8-24 x 2-1/4 hex. hd.	84 to * — FXE-80, FXSB
	3	3974HW	BOLT, 5/16-24 x 3/4 hex. hd. (2)	84 to * — All Models
	4	3987	BOLT, 5/16-18 x 3/4 hex. hd.	84 to * — All Models
	5	4014W	BOLT, 5/16-24 x 1-1/4 hex. hd. (3)	84 to * — All Models
	6	4380W	BOLT, 3/8-24 x 2 hex. hd.	84 to * — All Models
	7	4411	BOLT, 3/8-24 x 1-3/4 hex. hd.	84 to * — FXWG
	8	4716W	BOLT, 3/8-16 x 1-1/4 hex. hd. (2)	84 to * — All Models
	9	6324W	WASHER, 5/16 x 11/16 x 3/32 (3)	84 to * — All Models
	10	6701	WASHER, 3/8 x 13/16 x 1/16 (2)	84 to * — All Models
	11	6702	WASHER, 5/16 x 11/16 x 1/16 (2)	84 to * — All Models
	12	7038	LOCKWASHER, 3/8 (4)	84 to * — All Models
	13	7041	LOCKWASHER, 5/16 (8)	84 to * — All Models
	15	7753	NUT, 5/16-24 x 1/4 x 1/2 hex. (4)	84 to * — All Models
	16	7800W	NUT, 3/8-24 x 5/16 x 9/16 hex. (2)	84 to * — All Models
	17	9955	CLAMP, exhaust pipe shields (5)	84 to * — All Models
	18	10048	CLAMP, crossover pipe shield (2)	84 to * — All Models
	19	65276—62	CLAMP, muffler inlet (2)	84 to * — All Models
	20	65347—81A	MUFFLER, front	84 to * — All Models
		65349—81A	MUFFLER, front	84 to * — All Models
	21	65397—81A	MUFFLER, rear	84 to * — All Models
	22	65399—81	BRACKET, rear exhaust support	84 to * — All Models
	23	65401—81	EXHAUST PIPE, front	84 to * — All Models
	24	65411—80A	CLAMP, crossover pipe — with bolt & nut	84 to * — All Models
	25	65415—80	SHIELD, crossover pipe	84 to * — All Models
	26	65603—81	EXHAUST PIPE, rear	84 to * — All Models
	27	65615—80A	SUPPORT TUBE, mufflers	84 to * — All Models
	28	65702—80	SHIELD, rear (chrome)	84 to * — All Models
	29	65728—80	SHIELD, front (chrome)	84 to * — All Models
	30	65834—68A	GASKET, exhaust port (2)	84 to * — All Models

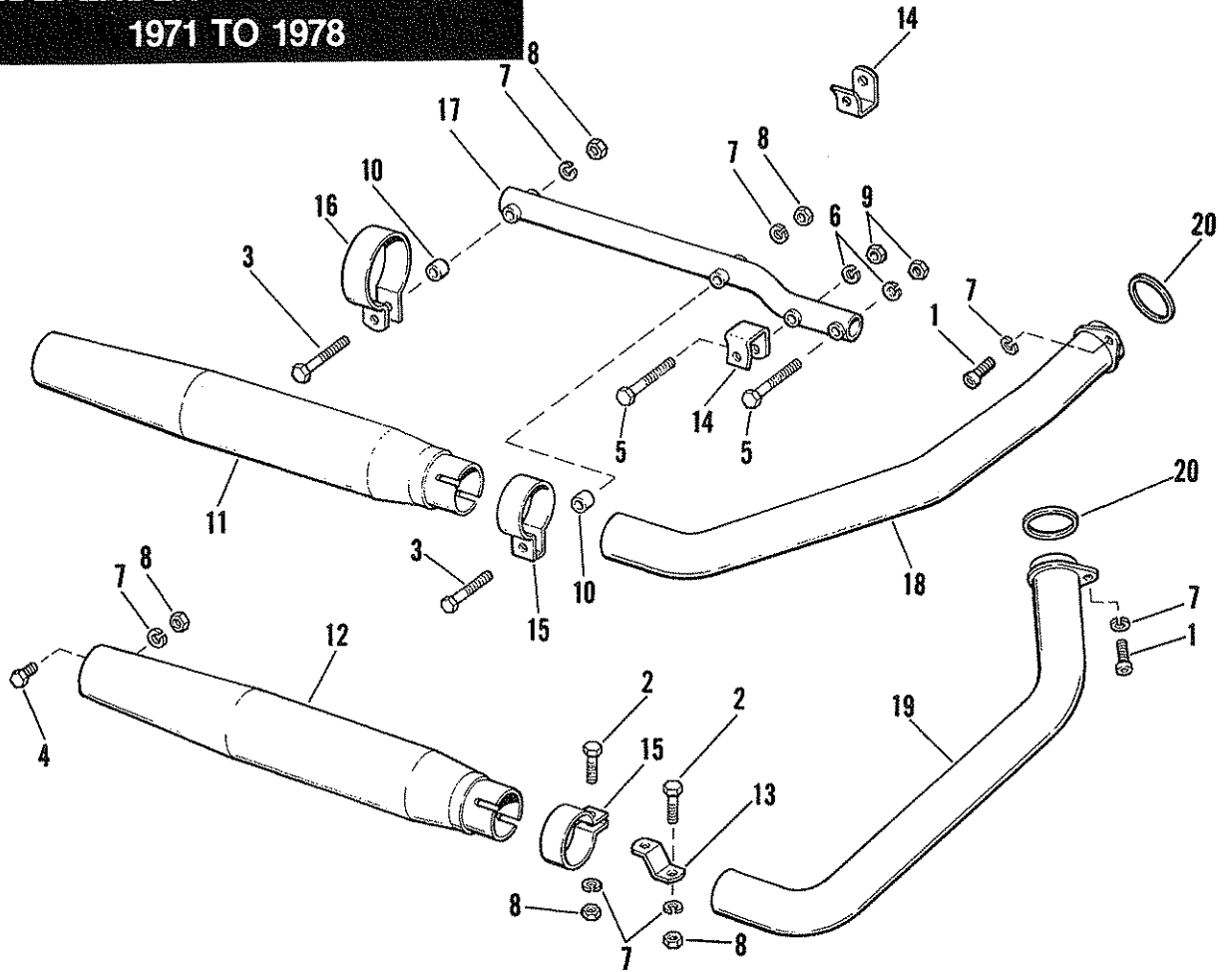


SINGLE EXHAUST SYSTEM — 1971 TO EARLY 1975

AA64

RETAIL PRICE	INDEX NO.	PART NO.	N A M E	USED ON
	1	3201W	SCREW, 5/16-18 x 3/4 socket hd. (2)	71 to Early 75 — All Models
	2	4415	BOLT, 3/8-24 x 3 hex. hd. (2)	71 to Early 75 — All Models
	3	4710	BOLT, 5/16-24 x 2-1/4 hex. hd.	71 to Early 75 — All Models
	4	5982W	SPACER, muffler front clamp	Late 72 to Early 75 — All Models
	5	7038	LOCKWASHER, 3/8 (2)	71 to Early 75 — All Models
	6	7041	LOCKWASHER, 5/16	71 to Early 75 — All Models
	7	7725	LOCKNUT, 5/16-24 x 11/32 x 1/2 hex. (2)	71 to Early 75 — All Models
	8	7800W	NUT, 3/8-24 x 5/16 x 9/16 hex. (2)	71 to Early 75 — All Models
	9	30013—71	BOLT, 5/16-24 x 3-1/4 hex. hd.	71 to Early 75 — All Models
	10	58102—49	SPACER	71 to Early 72 — All Models
	11	65240—41A	MUFFLER, chrome	71 to Early 75 — All Models
	12	65276—62	CLAMP, muffler	71 to Early 75 — All Models
	13	65293—58	HANGER, muffler	71 to Early 75 — All Models
	14	65318—58A	SUPPORT TUBE, muffler	71 to Early 75 — All Models
	15	65463—71A	PIPE ASSEMBLY	N/A 71 to Early 75 — All Models
	16	65834—68A	GASKET, exhaust port (2)	71 to Early 75 — All Models

**INDEPENDENT DUAL EXHAUST
1971 TO 1978**

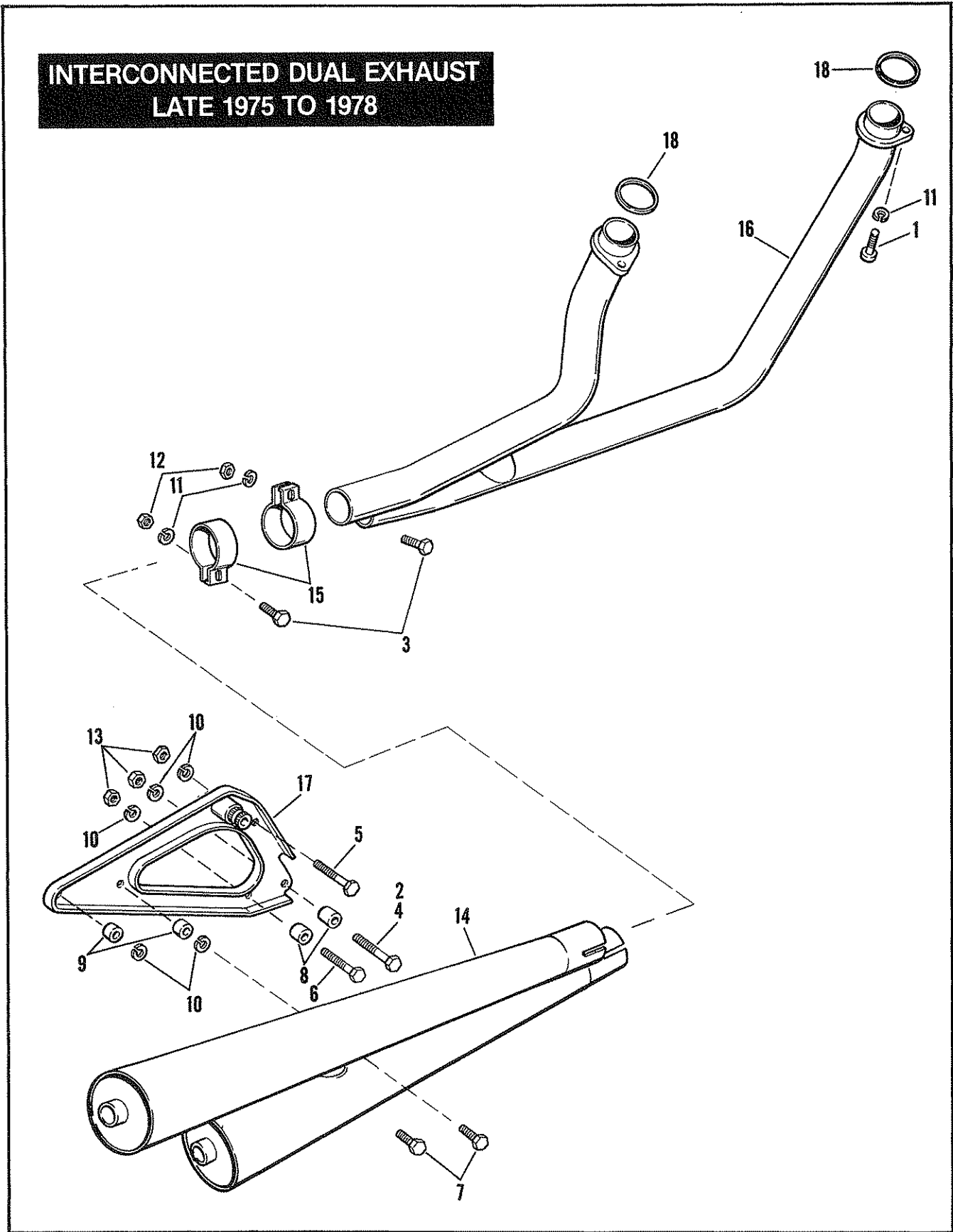


INDEPENDENT DUAL EXHAUST SYSTEM — 1971 TO 1978

AA65

RETAIL PRICE	INDEX NO.	PART NO.	N A M E	USED ON
	1	3201W	SCREW, 5/16-18 x 3/4 socket hd. (2)	71 to 78 — FX, FXE
	2	4014W	BOLT, 5/16-24 x 1-1/4 hex. hd. (2)	71 to 78 — FX, FXE
	3	4084W	BOLT, 5/16-24 x 3 hex. hd. (2)	71 to 78 — FX, FXE
	4	4391	BOLT, 5/16-24 x 5/8 hex. hd.	71 to 78 — FX, FXE
	5	4415	BOLT, 3/8-24 x 3 hex. hd. (2)	71 to 78 — FX, FXE
	6	7038	LOCKWASHER, 3/8 (2)	71 to 78 — FX, FXE
	7	7041	LOCKWASHER, 5/16 (7)	71 to 78 — FX, FXE
	8	7753	NUT, 5/16-24 x 1/4 x 1/2 hex. (5)	71 to 78 — FX, FXE
	9	7800W	NUT, 3/8-24 x 5/16 x 9/16 hex. (2)	71 to 78 — FX, FXE
	10	58102—49	SPACER, rear muffler (2)	71 to 78 — FX, FXE
	11	65230—65A	MUFFLER, rear	71 to 76 — FX, FXE
	12	65235—73	MUFFLER, front	71 to 76 — FX, FXE
	13	65268—73	MOUNTING BRACKET, front muffler — front	N/A 71 to 76 — FX, FXE
	14	65272—73	MOUNTING BRACKET, front muffler — rear	N/A 71 to 76 — FX, FXE
	15	65276—62	CLAMP, muffler (2)	71 to 78 — FX, FXE
	16	65279—57	HANGER, rear muffler	71 to 76 — FX, FXE
	17	65307—73	SUPPORT TUBE, muffler	N/A 71 to 76 — FX, FXE
		65400—73	DUAL EXHAUST SYSTEM KIT	N/A 71 to 76 — FX, FXE
	18	65464—73	EXHAUST PIPE, rear	N/A 71 to 76 — FX, FXE
	19	65498—73	EXHAUST PIPE, front	N/A 71 to 76 — FX, FXE
	20	65834—68A	GASKET, exhaust port (2)	71 to 78 — FX, FXE

**INTERCONNECTED DUAL EXHAUST
LATE 1975 TO 1978**

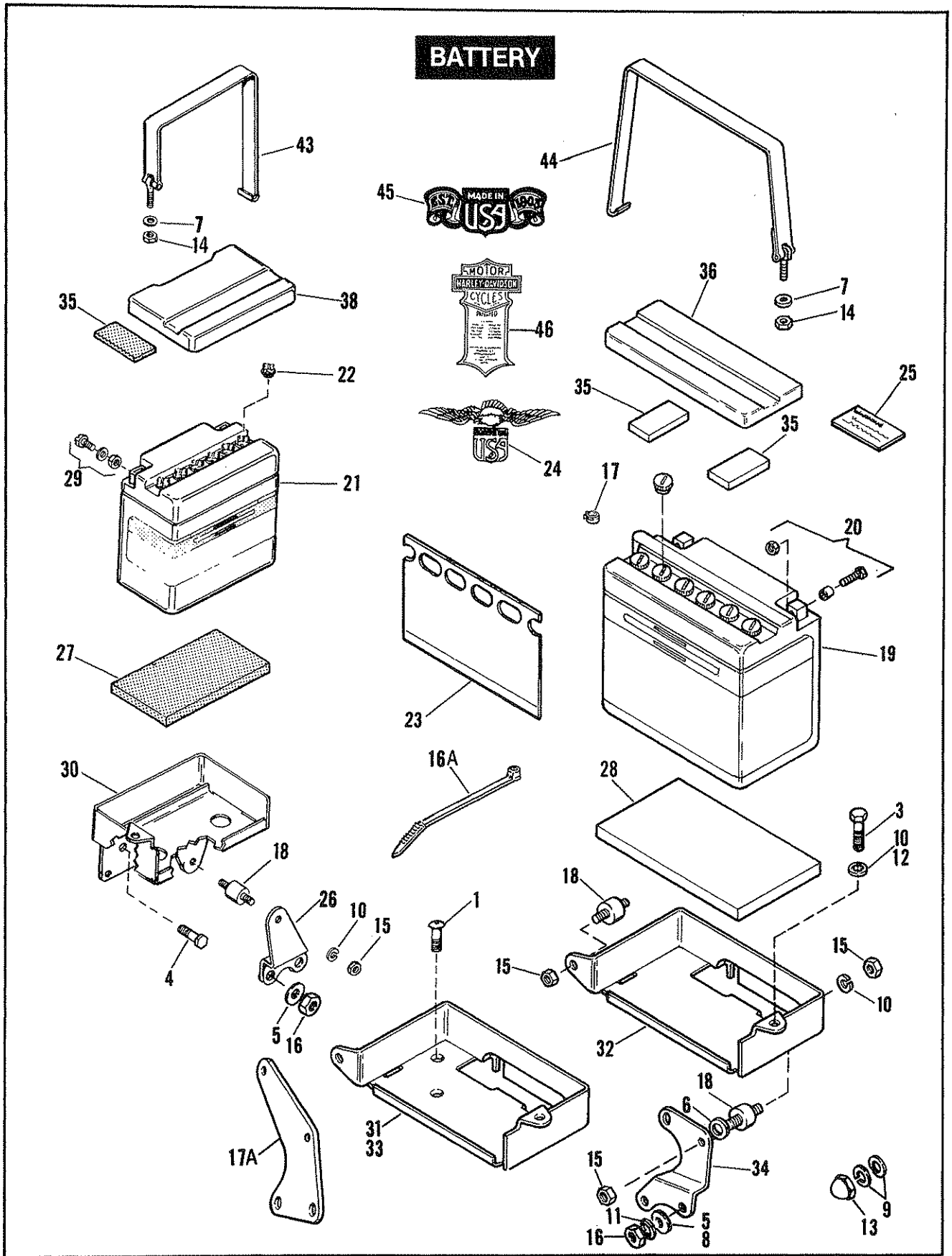


INTERCONNECTED DUAL EXHAUST SYSTEM — LATE 1975 TO 1978

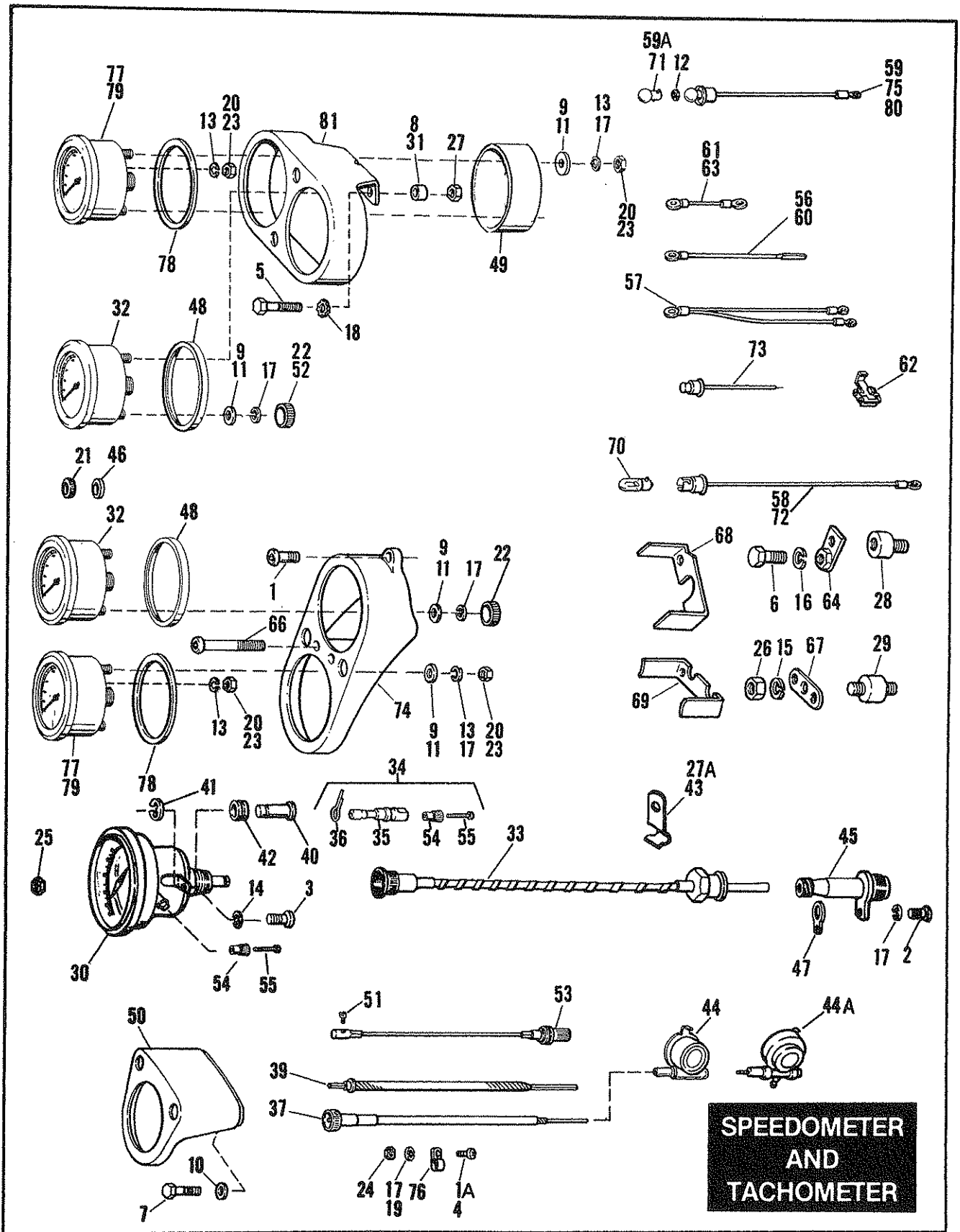
AA66

RETAIL PRICE	INDEX NO.	PART NO.	N A M E	USED ON
	1	3201W	SCREW, 5/16-18 x 3/4 socket fil. hd. (2)	Late 75 to 78 — FX, FXE
	2	3945	BOLT, 3/8-24 x 2-1/4 hex. hd.	Late 75 — FX, FXE
	3	4014W	BOLT, 5/16-24 x 1-1/4 hex. hd. (2)	Late 75 to 78 — FX, FXE
	4	4401W	BOLT, 3/8-24 x 2-3/4 hex. hd.	Late 75 to 78 — FX, FXE
	5	4411	BOLT, 3/8-24 x 1-3/4 hex. hd. (3)	Late 75 to 78 — FX, FXE
	6	4412	BOLT, 3/8-24 x 2-1/2 hex. hd.	Late 75 to 78 — FX, FXE
	7	4716W	BOLT, 3/8-16 x 1-1/4 hex. hd. (2)	Late 75 to 78 — FX, FXE
	8	5761	SPACER, front — muffler mounting bracket (2)	N/A Late 75 to 78 — FX, FXE
	9	5762	SPACER, rear — muffler mounting bracket (2)	N/A Late 75 to 78 — FX, FXE
	10	7038	LOCKWASHER, 3/8 (9)	Late 75 to 78 — FX, FXE
	11	7041	LOCKWASHER, 5/16 (4)	Late 75 to 78 — FX, FXE
	12	7753	NUT, 5/16-24 x 1/4 x 1/2 hex. (2)	Late 75 to 78 — FX, FXE
	13	7800W	NUT, 3/8-24 x 5/16 x 9/16 hex. (7)	Late 75 to 78 — FX, FXE
	14	65201—75A	MUFFLER ASSEMBLY	N/A Late 75 to 78 — FX, FXE
	15	65276—62	CLAMP, muffler (2)	Late 75 to 78 — FX, FXE
	16	65334—75	PIPE ASSEMBLY	N/A Late 75 to 78 — FX, FXE
	17	65760—75	MOUNTING BRACKET, muffler	N/A Late 75 to 78 — FX, FXE
	18	65834—68A	GASKET, exhaust port (2)	Late 75 to 78 — FX, FXE

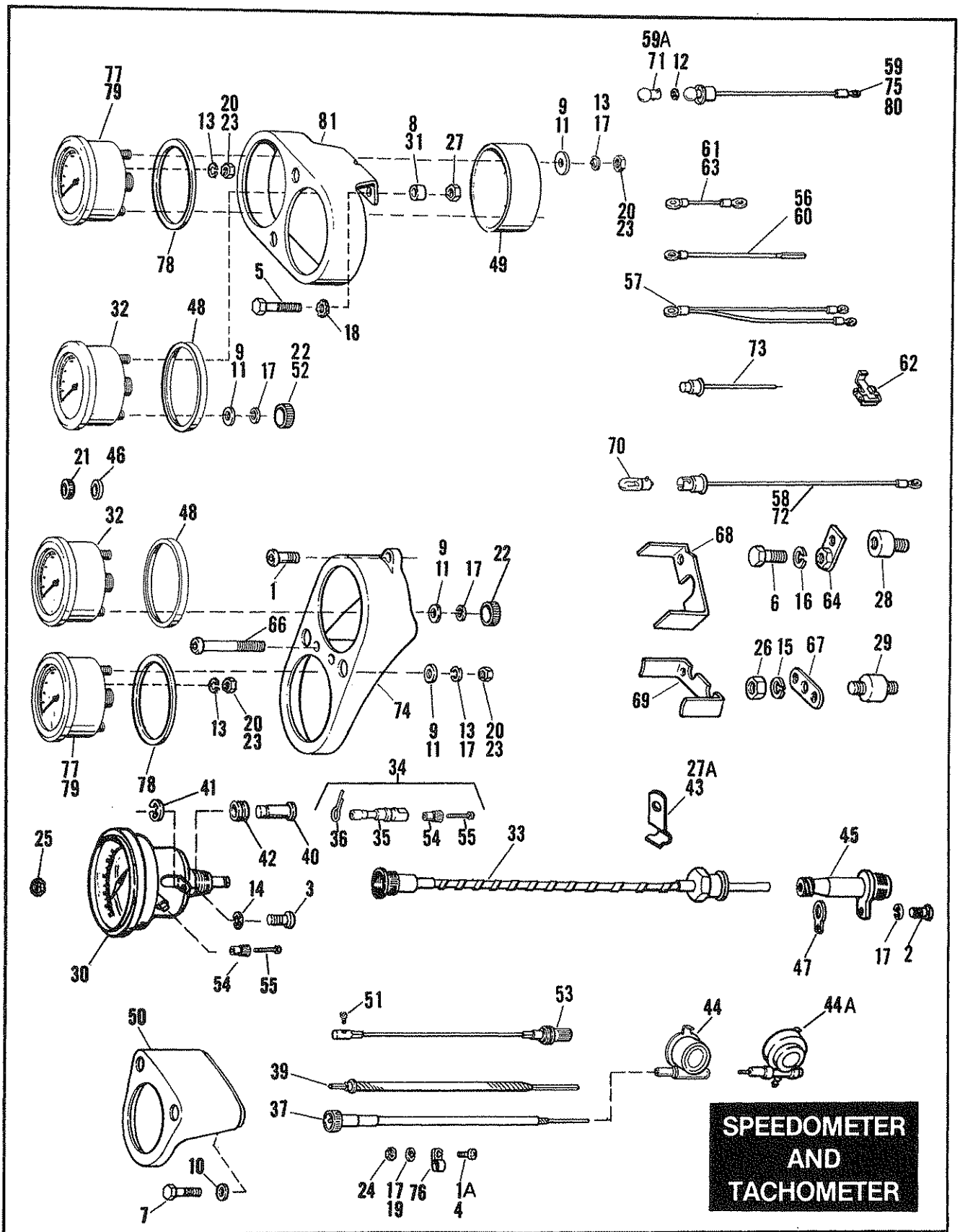
BATTERY



RETAIL PRICE	INDEX NO.	PART NO.	N A M E	USED ON
	1	2816	SCREW, 1/4-20 x 1/2 Pozidriv ctsk. hd. (2)	73 to 79 — All Models except FX
	3	3728	BOLT, 1/4-20 x 1/2 hex. hd. (battery ground wire)	80 to 83 — All Models
		3787	BOLT, 1/4-20 x 3/4 hex. hd.	84 to * — All Models
	4	3956	BOLT, 5/16-24 x 9/16 hex. hd. (2)	71 to 78 — FX
	5	6016	WASHER, 11/32 x 11/16 x 1/16 (2)	71 to 79 — FX, FXE
	6	6107B	WASHER, 5/16 x 11/16 x 1/8	80 to * — All Models
	7	6220W	WASHER, 1/4 x 7/16 x 1/32	71 to * — All Models
	8	6702	WASHER, 5/16 x 11/16 x 1/16 (2)	77 to 81 — FXS, FXS-80; 80 & 81 — All Models
	9	7004	LOCKWASHER, 5/16 (black) (2)	N/A 82 — FXB; 83 to * — FXSB
	10	7036	LOCKWASHER, 1/4 (2; 3 — 84 & Later)	71 to * — All Models
	11	7041	LOCKWASHER, 5/16 (2)	80 & 81 — All Models
	12	7229W	LOCKWASHER, 1/4 internal tooth (battery ground wire)	80 to 83 — All Models
	13	7523	ACORN NUT, 5/16-24 (2)	82 — FXB; 83 to * — FXSB
	14	7676	NUT, 1/4-28 x 7/32 x 7/16 hex.	71 to Early 82 — All Models
	15	7688	NUT, 1/4-20 x 7/32 x 7/16 hex. (5; 6 — Late 82 & Later)	71 to * — All Models
	16	7753	NUT, 5/16-24 x 1/4 x 1/2 hex. (2)	71 to * — All Models except FXSB
16A		10006	STRAP, battery vent hose	Late 83 to * — All Models
17		10067	CLAMP, vent tube	Late 84 to * — All Models
17A		42527—82	MOUNTING BRACKET, brake fluid reservoir	83 to * — All Models except FXE-80
18		62563—65	RUBBER MOUNT, battery carrier	71 to * — All Models
19		65991—75C	BATTERY — 12 V. (electric start) (gray)	73 to 81 — All Models except FX
		65991—82A	BATTERY — 12 V. (smoke)	82 to * — All Models
20		66000—80	TERMINAL KIT	73 to * — All Models except FX
21		66006—70	BATTERY — 12 V. (kick start)	71 to 78 — FX
22		66013—70	FILLER PLUG (6)	71 to 78 — FX
23		66022—79	DECAL, battery (chrome and black)	N/A Early 79 — All Models
24		66031—78	DECAL, battery — "Made in USA" eagle	N/A 78 — All Models
25		66042—79	WARNING LABEL	N/A 80 & 81 — FXB
		66042—79A	WARNING LABEL	82 — FXB
		66047—80A	WARNING LABEL	80 to * — All Models except FXB
26		66099—80	BRACKET, battery carrier (electric start)	80 to 82 — FXB; 83 to * — FXSB
27		66100—70	PAD, battery (kick start)	N/A 71 to 78 — FX
28		66103—74A	PAD, battery (electric start)	74 to * — All Models except FX
29		66111—70	TERMINAL SCREW KIT	N/A 71 to 78 — FX
30		66190—71	CARRIER, battery	N/A 71 to 78 — FX
31		66191—73	CARRIER, battery (electric start)	73 to 79 — All Models except FX
32		66191—80	CARRIER, battery (electric start)	80 to * — All Models
33		66214—71	BRACKET, battery carrier	N/A 71 to 78 — FX
		66225—73	BRACKET, battery carrier (electric start)	73 to Early 78 — FXE
		66225—78	BRACKET, battery carrier (electric start)	Late 78 to * — FXE, FXEF, FXEF-80, FXE-80; 83 to * — FXWG
34		66228—77	BRACKET, battery carrier (electric start) (chrome)	N/A 77 to Early 78 — FXS
		66228—78	BRACKET, battery carrier (electric start) (chrome)	Late 78 to 82 — FXS, FXS-80, FXWG
35		66352—65	CUSHION, battery cover (2)	71 to * — All Models
36		66359—80	COVER, battery — with cushions (electric start) (black)	73 to 79 — All Models except FX; 80 to * — FXE, FXEF, FXEF-80, FXB, FXE-80
37		66367—73	COVER, battery — with cushions (electric start) (chrome)	73 to 79 — All Models except FX; 77 to * — FXS, FXS-80, FXWG, FXSB
38		66369—70	COVER, battery (kick start) (chrome)	71 to 77 — FX
		66369—78	COVER, battery — with cushions (kick start) (chrome)	N/A 78 — FX
		66371—70	COVER, battery (kick start) (black)	N/A 71 to 77 — FX
		66381—78	COVER, battery (kick start) (black)	N/A Late 78 — FX
43		66470—70	STRAP, battery cover (kick start)	71 to 78 — FX
44		66476—73A	STRAP, battery cover (electric start)	73 to * — All Models except FX
45		66612—76	DECAL, battery (kick start)	N/A 77 — FX
46		99353—82Z	DECAL, battery — Harley-Davidson shield	82 to * — FXS-80, FXB, FXWG, FXSB



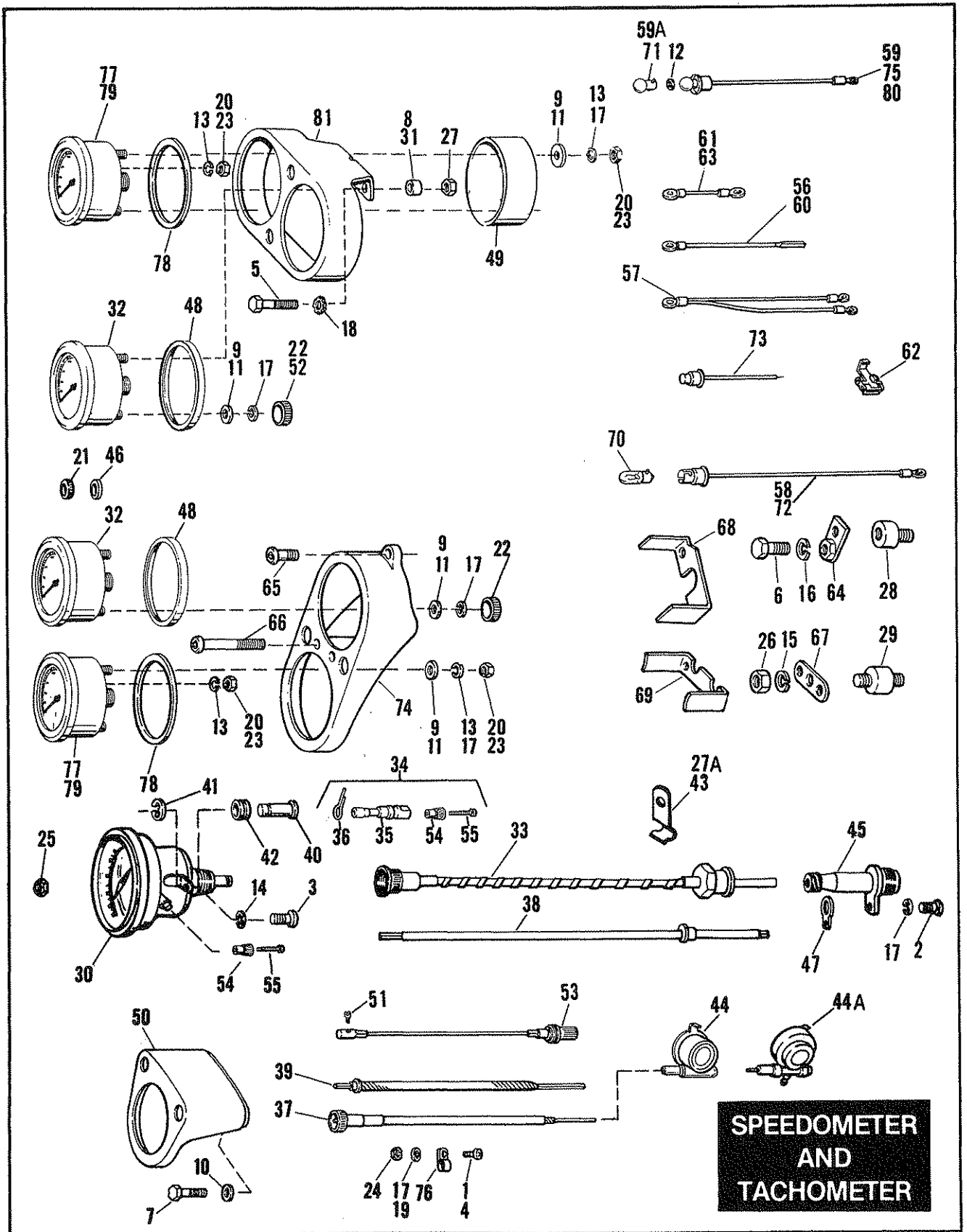
RETAIL PRICE	INDEX NO.	PART NO.	NAME	USED ON
			NOTE: Refer to section AA68A for 1983 & Early 1984 FXE-80 speedometer part listing.	
	1	923	SCREW, 1/4-20 x 3/4 hex socket button hd.	77 to 84 — FXS, FXEF, FXS-80, FXEF-80, FXB, FXSB; Late 84 — FXE-80
	1A	2583	SCREW, No. 10-32 x 3/8 Pozidriv pan hd.	80 to 84 — FXWG; 81 to 84 — FXEF-80, FXB, FXSB
	2	2592	SCREW, No. 10-24 x 1/2 Pozidriv pan hd.	71 & 72 — All Models; 80 to 84 — FXWG
	3	2598	SCREW, No. 12-24 x 3/8 Pozidriv pan hd. (2)	N/A 71 & 72 — All Models
	4	2668	SCREW, No. 10-24 x 9/16 Pozidriv pan hd.	N/A 73 to 84 — FX, FXE, FXE-80, FXWG
	5	2887W	BOLT, 5/16-18 x 1-3/4 hex. hd. (2)	73 to 82 — FX, FXE, FXE-80
	6	3451	BOLT, 5/16-18 x 7/16 hex. hd.	77 to 84 — FXS, FXEF, FXS-80, FXEF-80, FXB, FXSB; Late 84 — FXE-80
	7	4337W	BOLT, 3/8-24 x 1-1/4 hex. hd. (2)	73 — All Models
	8	5725	SPACER (2)	Late 81 & 82 — FXE-80
	9	6192	WASHER, No. 8 x 7/16 x 3/64 (2; 4 — Late 78 & later) ..	74 to Early 77 — All Models Late 78 to 82 — All Models except FXWG; Late 84 — FXE-80
	10	6379W	WASHER, 3/8 x 5/8 x 3/64 (2)	73 — All Models
	11	6716	WASHER, 3/16 x 1/2 x 1/16 (2)	73 to Early 78 — All Models
	12	6762B	WASHER, 11/16 x 29/32 x 1/32	77 to 82 — All Models except FXWG, FXSB; Late 84 — FXE-80
	13	7015	LOCKWASHER, No. 8 (4)	74 to 82 — All Models except FXWG; Late 84 — FXE-80
	14	7030W	LOCKWASHER, No. 12 (2)	71 & 72 — All Models
	15	7036	LOCKWASHER, 1/4	77 to 84 — FXS, FXEF, FXS-80, FXEF-80, FXB, FXSB
	16	7042	LOCKWASHER, 5/16 high collar	77 to 84 — FXS, FXEF, FXS-80, FXEF-80, FXB, FXSB
	17	7069	LOCKWASHER, No. 10 (3; 6 - 84 — FXE-80)	71 to 84 — All Models
	18	7145W	LOCKWASHER, 3/8 external tooth (2)	73 to 82 — FX, FXE, FXE-80
		7149	LOCKWASHER, 11/16 internal tooth	Late 84 — FXE-80
	19	7220	LOCKWASHER, No. 10 external tooth	80 to 84 — FXWG; 81 to 84 — FXEF-80, FXB, FXSB
	20	7517	NUT, No. 8-32 x 1/8 x 11/32 hex. (2)	Late 78 to 82 — All Models except FXWG; Late 84 — FXE-80
	21	7518	NUT, (chrome)	Late 78 to 82 — All Models except FXWG; Late 84 — FXE-80
	22	7519	NUT, (white) (2)	Late 78 to 82 — All Models except FXWG; Late 84 — FXE-80
	23	7608	NUT, No. 8-32 x 1/8 x 11/32 hex. (4; 2 - Late 78 & later) ..	74 to 84 — All Models except FXWG
	24	7620W	NUT, No. 10-24 x 1/8 x 3/8 hex.	73 to 82 — FX, FXE, FXE-80
	25	7654W	NUT, No. 12-24 x 5/32 x 7/16 hex. (2)	71 & 72 — All Models
	26	7688	NUT, 1/4-20 x 7/32 x 7/16 hex.	77 to 84 — FXS, FXEF, FXS-80, FXEF-80, FXB; Late 84 — FXE-80
	27	7748W	NUT, 5/16-18 x 1/4 x 1/2 hex. (2)	74 to 82 — FX, FXE, FXE-80
	27A	10059	CLAMP, speedometer cable (on crankcase)	Late 83 — FXWG
	28	50235—63	MOUNT, speedometer (rubber)	77 to 84 — FXS, FXEF, FXS-80, FXEF-80, FXB, FXSB; Late 84 — FXE-80
	29	62563—65	MOUNT, tachometer (rubber)	77 to 84 — FXS, FXEF, FXS-80, FXEF-80, FXB, FXSB; Late 84 — FXE-80
	30	67004—80	SPEEDOMETER HEAD, mile (85 mph)	N/A 71 & 72 — All Models; 80 to 83 — FXE-80; 80 to 84 — FXSB
		67005—68B	SPEEDOMETER HEAD, kilometer	N/A 71 & 72 — All Models; 80 & 81 — FXWG
		67005—68C	SPEEDOMETER HEAD, kilo/mph	N/A 82 & 83 — FXWG
	31	67009—72	SPACER (2)	74 to Early 81 — FX, FXE, FXE-80
	32	67020—73B	SPEEDOMETER, mile (120 mph)	73 to 79 — All Models
		67020—80	SPEEDOMETER HEAD, mile (85 mph)	80 to 84 — All Models except FXWG; 81 & 82, Late 84 — FXE-80
		67021—73C	SPEEDOMETER HEAD, kilo/mph	73 to 79; 81 to 84 — All models except FXWG; 82, Late 84 — FXE-80
		67021—80	SPEEDOMETER HEAD, kilometer	80 — All Models except FXWG
		67027—81B	SPEEDOMETER HEAD, mile	84 — FXWG
		67030—81C	SPEEDOMETER HEAD, kilometer	84 — FXWG
	33	67026—62	DRIVE CABLE, speedometer	71 & 72 — All Models; 80 to 83 — FXWG
		67038—84	DRIVE CABLE, speedometer	84 — FXWG
	34	67031—68	ODOMETER REPAIR KIT, consists of items 35, 36, 54 & 55 ...	82 to 84 — FXWG
	35	67044—68	SHAFT, odometer reset	82 to 84 — FXWG
	36	67045—68	RETAINING WIRE, odometer	82 to 84 — FXWG



SPEEDOMETER AND TACHOMETER (CONT'D)

AA68-2

RETAIL PRICE	INDEX NO.	PART NO.	N A M E	USED ON
	37	67051-73	CABLE CORE AND CASING	73 to Early 78 — All Models
		67052-78A	CABLE CORE AND CASING	Late 78 to 82 — All Models except FXWG; 83 & 84 — FXSB
		67077-84	CABLE CORE AND CASING	Late 84 — FXE-80
	39	67055-73	CABLE CORE	73 to Early 78 — All Models except FXWG
	40	67068-76	PIN, speedometer mounting (2)	80 to 84 — FXWG
	41	67069-76	RETAINING RING, speedometer mounting (2)	80 to 84 — FXWG
	42	67070-76	GROMMET, speedometer mounting (2)	80 to 84 — FXWG
	43	67075-57A	CLIP, speedometer cable (on crankcase)	71 & 72 — FX
		67076-81	CLIP, speedometer cable	80 to Early 83 — FXWG
	44	67120-84B	DRIVE UNIT, speedometer	84 — FXWG
		67127-84A	DRIVE UNIT, speedometer	84 — FXSB; Late 84 — FXE-80
	44A	67124-80	DRIVE UNIT, speedometer (kph only)	80 — All Models except FXWG
		67127-73	DRIVE UNIT, speedometer (mph only)	73 to 83 — All Models except FXWG
	45	67130-69	DRIVE UNIT, speedometer — 23 T.	71 & 72 — All Models; 80 to 83 — FXWG
	46	67140-78	GASKET, speedometer reset knob	Late 78 to 84 — All Models except FXWG; 81 & 82, Late 84 — FXE-80
	47	67141-36	GASKET, drive housing	71 & 72 — All Models; 80 to 83 — FXWG
	48	67141-67P	GASKET, speedometer mounting	N/A 73 to Early 78 — All Models
		67143-78	GASKET, speedometer mounting	Late 78 to 84 — All Models except FXWG; 81 & 82, Late 84 — FXE-80
	49	67180-73	CUP, speedometer & tachometer (2)	N/A 73 to 82 — FX, FXE, FXE-80
	50	67181-73	SUPPORT, speedometer	N/A 73 — All Models
	51	67195-67P	SCREW, reset cable to speedometer	N/A 73 to 78 — All Models except FXWG
	52	67198-67P	NUT, speedometer mounting (2)	N/A 73 to Early 78 — All Models
	53	67210-73	RESET CABLE ASSEMBLY	73 to 84 — All Models except FXWG; 81 & 82, Late 84 — FXE-80
	54	67215-68	KNOB, odometer reset	71 & 72 — All Models; 80 to 84 — FXWG
	55	67217-68	SCREW, reset knob	71 & 72 — All Models; 80 to 84 — FXWG
	56	67321-76	WIRE, tachometer ignition terminal (orange)	N/A 76 to 82 — All Models except FXWG
	57	67324-76	WIRING HARNESS, speedometer & tachometer ground	N/A 76 to 82 — All Models except FXWG
	58	67327-78	SOCKET WITH WIRE, speedometer lamp	76 to 84 — All Models except FXWG; 81 & 82, Late 84 — FXE-80
	59	67891-75B	SOCKET AND WIRE, with bulb — tachometer (high beam)	77 — FXS; 78 to 84 — All Models except FXWG; 80 & 82 — FXE-80
	59A	68462-64	BULB, high beam	80 to 84 — FXWG
	60	70148-75	WIRE, tachometer trigger terminal (pink)	N/A 75 to 82 — All Models except FXWG
	61	70150-75	WIRE, tachometer ground	N/A 75 — All Models
	62	70576-68	WIRE CONNECTOR	73 — All Models
	63	70600-74	WIRE, tachometer ground	N/A 74 & 75 — All Models
	64	70900-77	MOUNTING PLATE, speedometer & tachometer housing — front	77 to 84 — FXS, FXEF, FXS-80, FXEF-80, FXB, FXSB; Late 84 — FXE-80
	66	70902-77	SCREW, 1/4-20 x 2-1/2 round socket hd. (black) (2)	77 to 84 — FXS, FXEF, FXS-80, FXEF-80, FXB, FXSB; Late 84 — FXE-80
	67	70903-77	MOUNTING PLATE, speedometer & tachometer housing — rear	77 to 84 — FXS, FXEF, FXS-80, FXEF-80, FXB, FXSB
	68	70904-77	BRACKET, speedometer	77 to 84 — FXS, FXEF, FXS-80, FXEF-80, FXB, FXSB; Late 84 — FXE-80
	69	70905-77	BRACKET, tachometer	77 to 84 — FXS, FXEF, FXS-80, FXEF-80, FXB, FXSB; Late 84 — FXE-80
	70	71090-64	BULB, speedometer	73 to 84 — All Models; 81 & 82, Late 84 — FXE-80

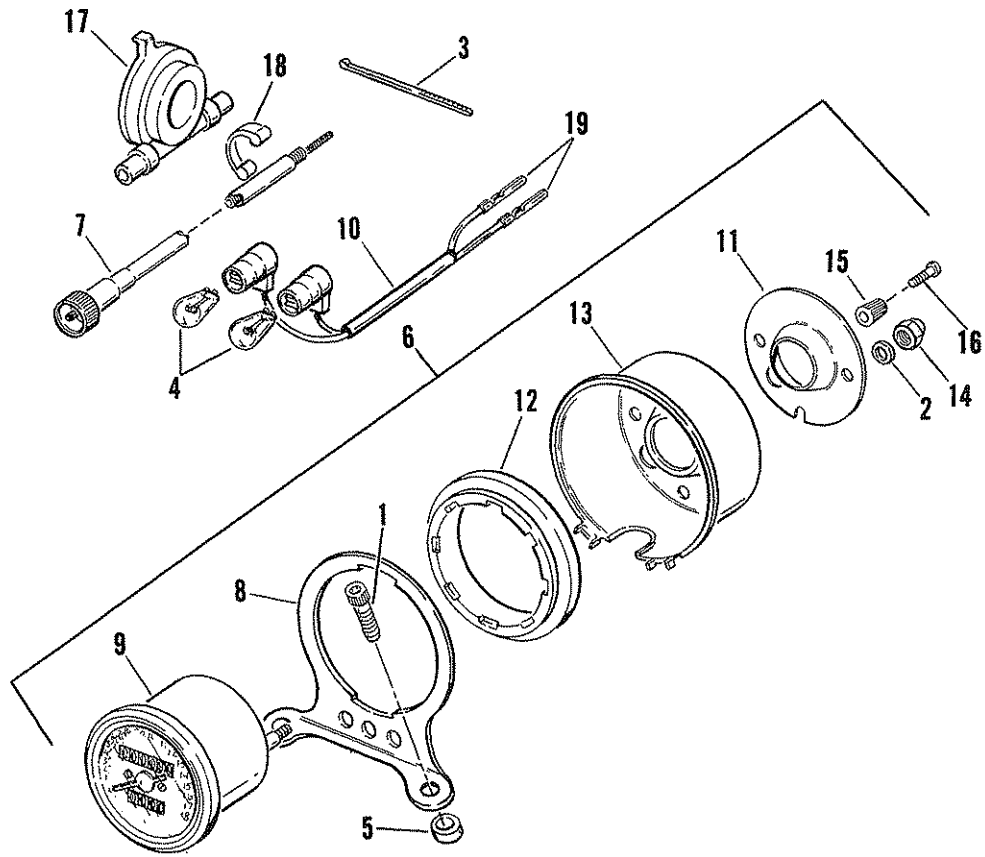


SPEEDOMETER AND TACHOMETER (CONT'D)

AA68-3

RETAIL PRICE	INDEX NO.	PART NO.	N A M E	USED ON
	71	71092-68A	BULB, high beam	77 — FXS; 78 to * — All Models; 81 & 82, Late 84 to * — FXE-80
		71099-74	BULB, tachometer	74 to * — All Models except FXWG; 81 & 82 — FXE-80
	72	71146-74	SOCKET AND WIRE, speedometer	N/A 74 — All Models
		71146-75	SOCKET AND WIRE, speedometer	N/A 75 — All Models
	73	71151-67P	SOCKET AND WIRE, speedometer	N/A 73 — All Models
	74	71301-77	HOUSING, speedometer & tachometer	77 to * — FXS, FXEF, FXS-80, FXEF-80, FXB, FXSB; Late 84 to * — FXE-80
	75	71650-74	SOCKET AND WIRE, with bulb — tachometer	N/A 74 — All Models
		71650-75	SOCKET AND WIRE, with bulb — tachometer	N/A 75 — All Models
	76	71795-63A	CLAMP, speedometer cable	73 to 82 — FX, FXE, FXE-80
	77	92040-74	TACHOMETER	N/A 74 & 75 — All Models
		92040-76	TACHOMETER	76 to Early 78 — All Models
	78	92041-74	GASKET, tachometer	74 to * — All Models except FXWG; 81 & 82, Late 84 to * — FXE-80
	79	92042-78A	TACHOMETER (Nippon)	Late 78 to * — All Models except FXWG; 81 & 82, Late 84 to * — FXE-80
	80	92045-76	SOCKET AND WIRE, with bulb — tachometer	76 to Early 78 — All Models
		92046-78	SOCKET AND WIRE, with bulb — tachometer	Late 78 to * — All Models except FXWG; 81 & 82, Late 84 to * — FXE-80
	81	92074-73	HOUSING, speedometer and tachometer	74 to 82 — FX, FXE, FXE-80

SPEEDOMETER
— FXE-80 —
1983 & EARLY 1984

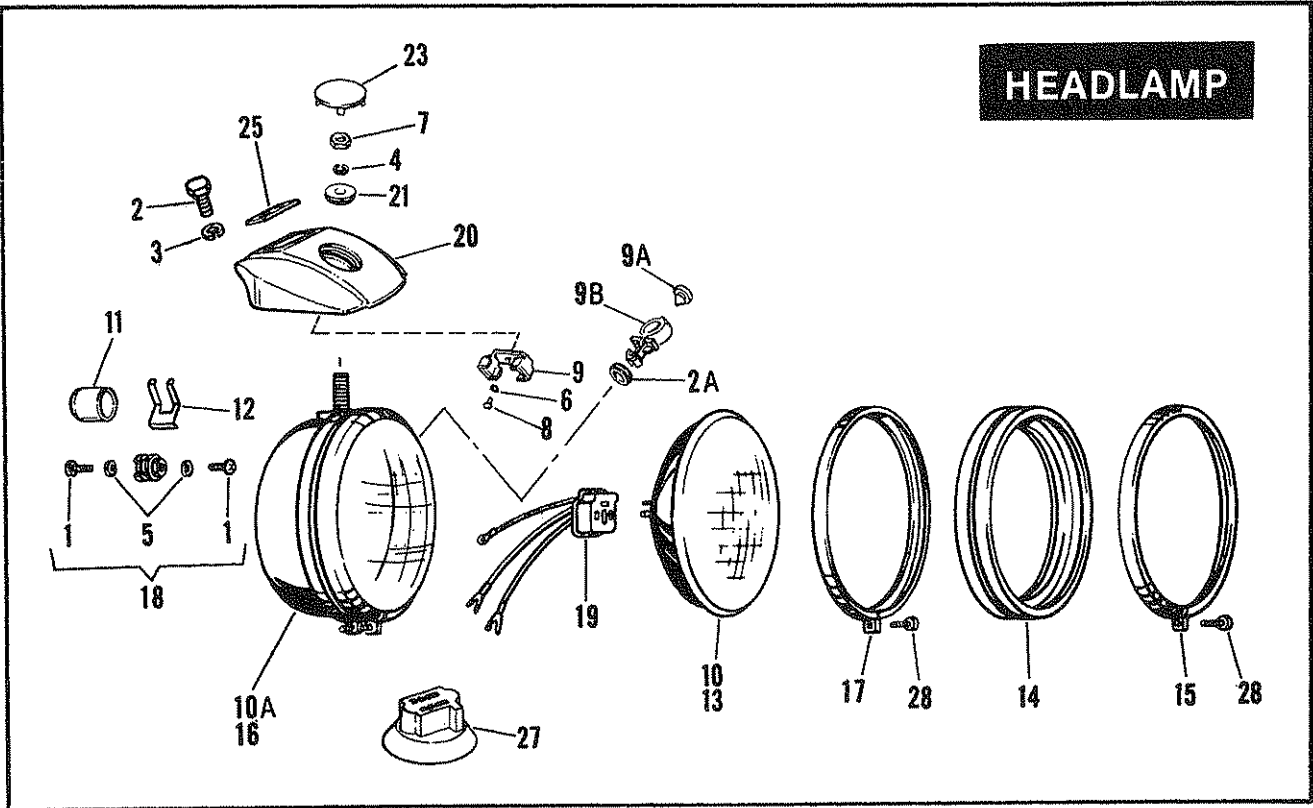


SPEEDOMETER — FXE-80 — 1983 & EARLY 1984

AA68A

RETAIL PRICE	INDEX NO.	PART NO.	N A M E	USED ON
	1	2887W	BOLT (2)	83 & Early 84 — FXE-80
	2	6192	WASHER (4)	83 & Early 84 — FXE-80
	3	10006	STRAP, speedometer cable	83 & Early 84 — FXE-80
	4	53439—79	BULB, speedometer	83 & Early 84 — FXE-80
	5	67009—72	SPACER (2)	83 & Early 84 — FXE-80
	6	67010—83	SPEEDOMETER ASSEMBLY, kilo / mph, complete — with bracket	83 & Early 84 — FXE-80
		67016—83	SPEEDOMETER ASSEMBLY, mile, complete — with bracket (85 mph)	N/A 83 & Early 84 — FXE-80
	7	67048—83A	CABLE CORE & CASING	83 & Early 84 — FXE-80
	8	67053—83	BRACKET, speedometer mounting (black)	83 & Early 84 — FXE-80
	9	67061—83	SPEEDOMETER HEAD, mile — complete	N/A 83 & Early 84 — FXE-80
		67062—83	SPEEDOMETER HEAD, kilo / mph — complete	N/A 83 & Early 84 — FXE-80
	10	67063—83	SOCKET & WIRE, with terminals & bulbs	N/A 83 & Early 84 — FXE-80
	11	67103—83	TRIM, speedometer — rear	83 & Early 84 — FXE-80
	12	67104—83	GASKET, speedometer	83 & Early 84 — FXE-80
	13	67105—83	COVER, speedometer — lower (black)	83 & Early 84 — FXE-80
	14	67106—83	ACORN NUT (chrome) (2)	83 & Early 84 — FXE-80
	15	67108—83	KNOB, odometer reset (chrome)	83 & Early 84 — FXE-80
	16	67117—85	SCREW, reset knob	83 & Early 84 — FXE-80
	17	67127—73	DRIVE UNIT, speedometer	83 & Early 84 — FXE-80
	18	67239—83	GUIDE, speedometer cable	83 & Early 84 — FXE-80
	19	72038—71	SOCKET, single pin (2)	83 & Early 84 — FXE-80

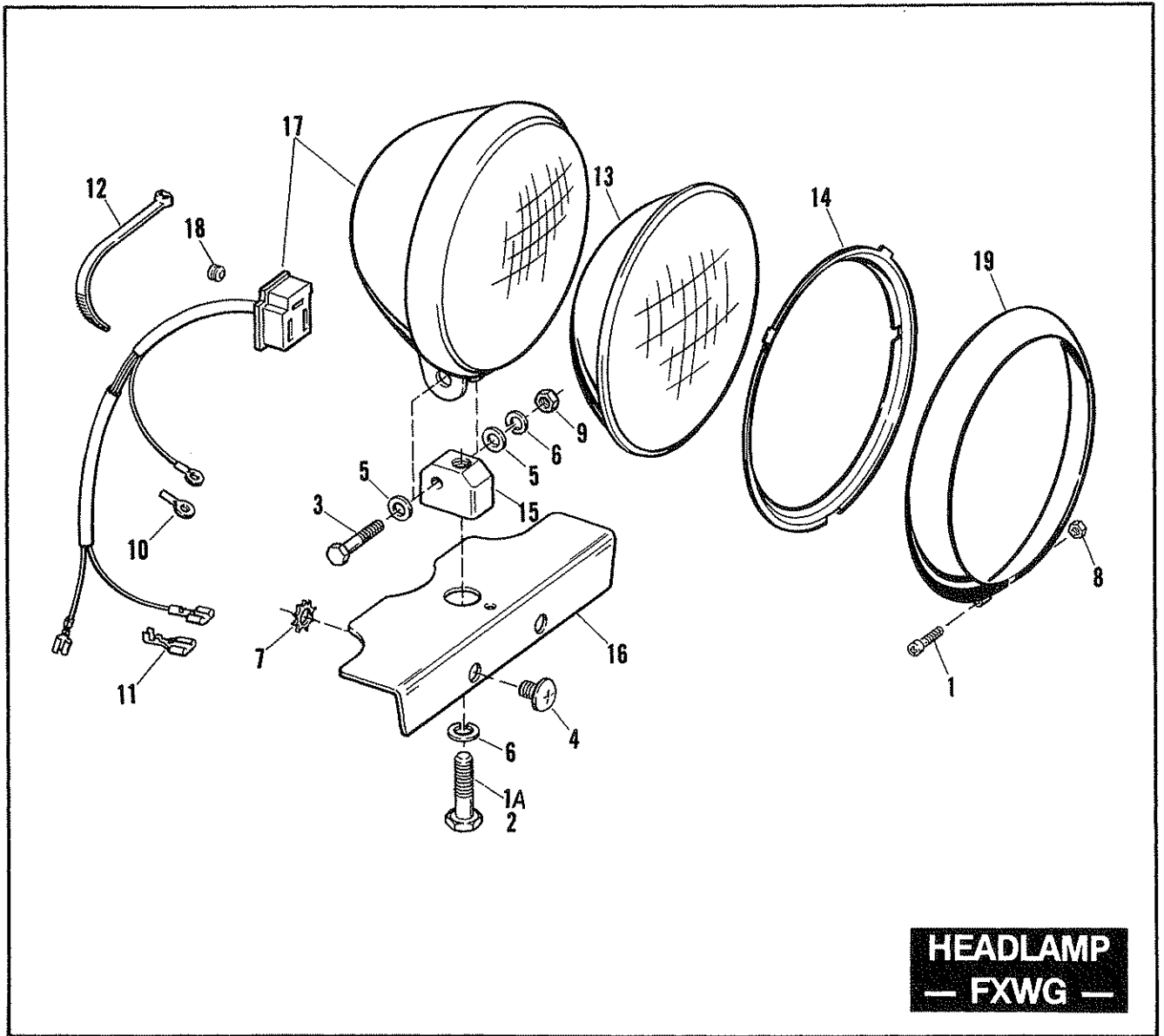
HEADLAMP



HEADLAMP

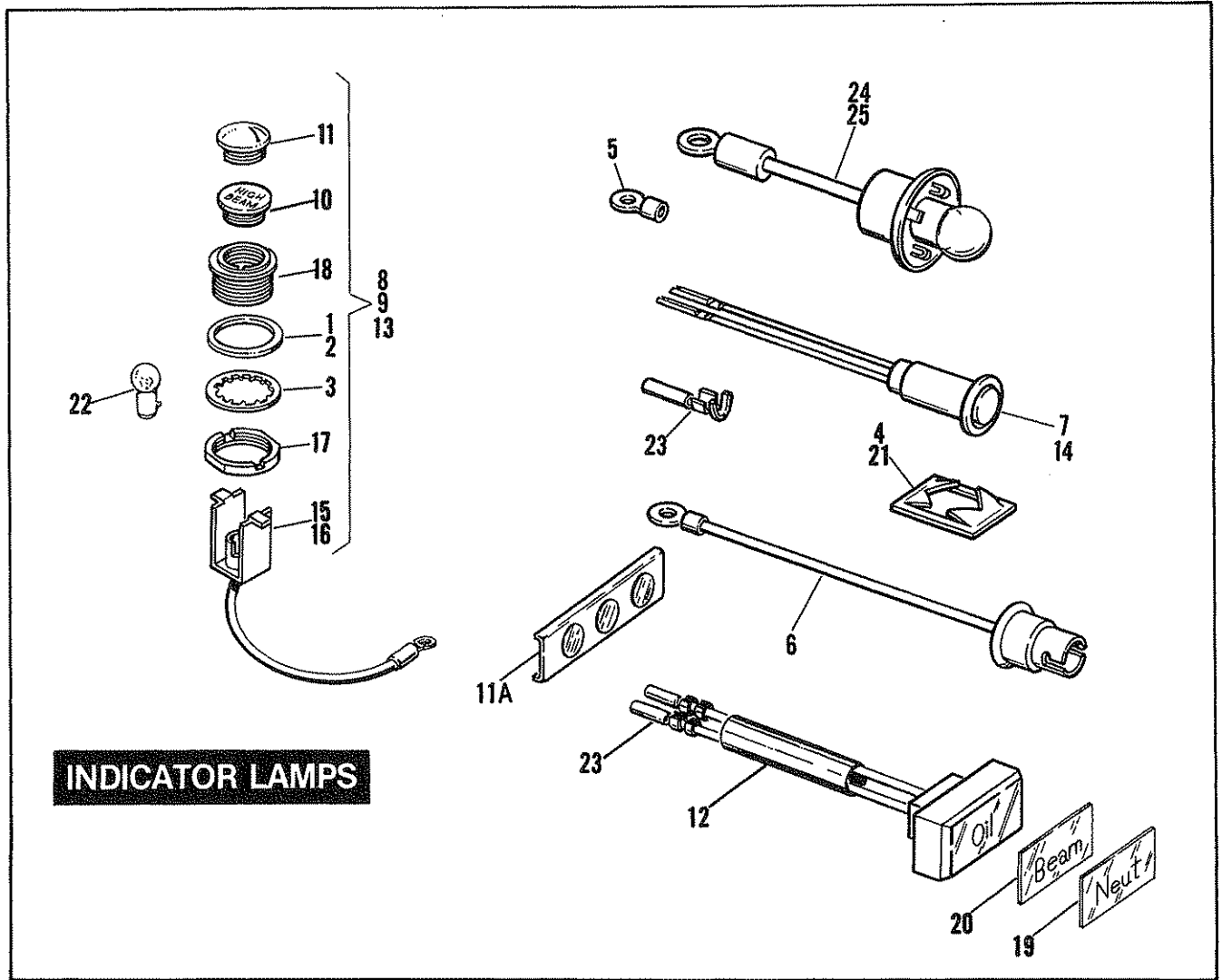
AA69

RETAIL PRICE	INDEX NO.	PART NO.	N A M E	USED ON
	1	1203	SCREW, No. 8-32 x 7/8 (2)	Late 80 to * — All Models except FXWG
	2	2871W	BOLT, 5/16-18 x 1-1/8 hex. hd. (2)	71 to * — All Models except FXWG
	2A	6261	WASHER, 1/4 x 3/4 x 3/32 (rubber)	Early 84 to * — FXE-80
	3	7041	LOCKWASHER, 5/16 (2)	71 to * — All Models except FXWG
	4	7068	LOCKWASHER, 1/2	71 to * — All Models except FXWG
	5	7115	LOCKWASHER, No. 8 internal tooth (4)	71 to * — All Models except FXWG
	6	7220	LOCKWASHER, No. 10 external tooth	73 to * — All Models except FXWG
	7	7845	NUT, 1/2-20 x 7/16 x 3/4 hex.	71 to 74 — All Models
		7880	NUT, 1/2-13 x 7/16 x 3/4 hex.	75 to * — All Models except FXWG
	8	8519	RIVET, flasher clip	71 to * — All Models except FXWG
	9	9952	FLASHER CLIP	71 to * — All Models except FXWG
	9A	11448	PLUG, headlamp housing	Late 84 to * — FXE-80, FXSB
	9B	56073—83	RETAINER, speedometer cable	Early 84 to * — FXE-80
	10	67698—81A	HEADLAMP — 12 V. halogen	82 to * — All Models
	10A	67705—74	HEADLAMP, complete (w/o wiring)	75 to 81 — All Models except FXWG
	11	67710—72	CAP, headlamp terminal (2)	N/A Late 72 to 74 — All Models
	12	67714—63	RETAINER SPRING, sealed unit (4)	N/A 71 to 82 — All Models except FXWG
	13	67717—65A	SEALED UNIT — 12 V.	71 to 81 — All Models except FXWG
	14	67719—63	MOUNTING RING, resilient	71 to * — All Models except FXWG
	15	67725—63	MOLDING RING, outer (2)	71 to * — All Models except FXWG
	16	67743—75	HEADLAMP HOUSING	75 to Early 84 — All Models except FXWG
		67743—84	HEADLAMP HOUSING	Late 84 to * — FXE-80, FXSB
	17	67744—75	MOLDING RING, inner	71 to * — All Models except FXWG
	18	67745—63	TERMINAL PLATE KIT (2)	N/A 71 to * — All Models except FXWG
	19	67753—63	CONNECTOR AND WIRING	N/A 71 to 74 — All Models
	20	67807—73	BRACKET, headlamp, w/flasher clip	N/A 73 & 74 — All Models
		67809—75	BRACKET, headlamp	75 to * — All Models except FXWG; 82 — FXB
		67810—80	BRACKET, headlamp (black)	N/A 80 to 82 — FXB
	21	67815—59A	WASHER, headlamp mount	71 to * — All Models except FXWG
	23	67830—59	PLUG, headlamp bracket	71 to * — All Models except FXB, FXWG
		67831—80	PLUG, headlamp bracket (black)	N/A 80 to 82 — FXB
	25	67832—73	TRIM, headlamp bracket	N/A 73 & 74 — All Models
		67833—75	TRIM, headlamp bracket	75 to 82 — All Models except FXWG; 83 to * — FXSB; Late 84 to * — FXE-80
		67834—83	TRIM, headlamp bracket	83 & Early 84 — FXE-80
	27	67839—74	BOOT, headlamp connector	81 to * — FXS-80, FXEF-80, FXE-80; 82 to * — FXB, FXSB
	28	68672—38	SCREW, fil. hd. (2)	71 to Early 80 — All Models except FXWG



HEADLAMP
— FXWG —

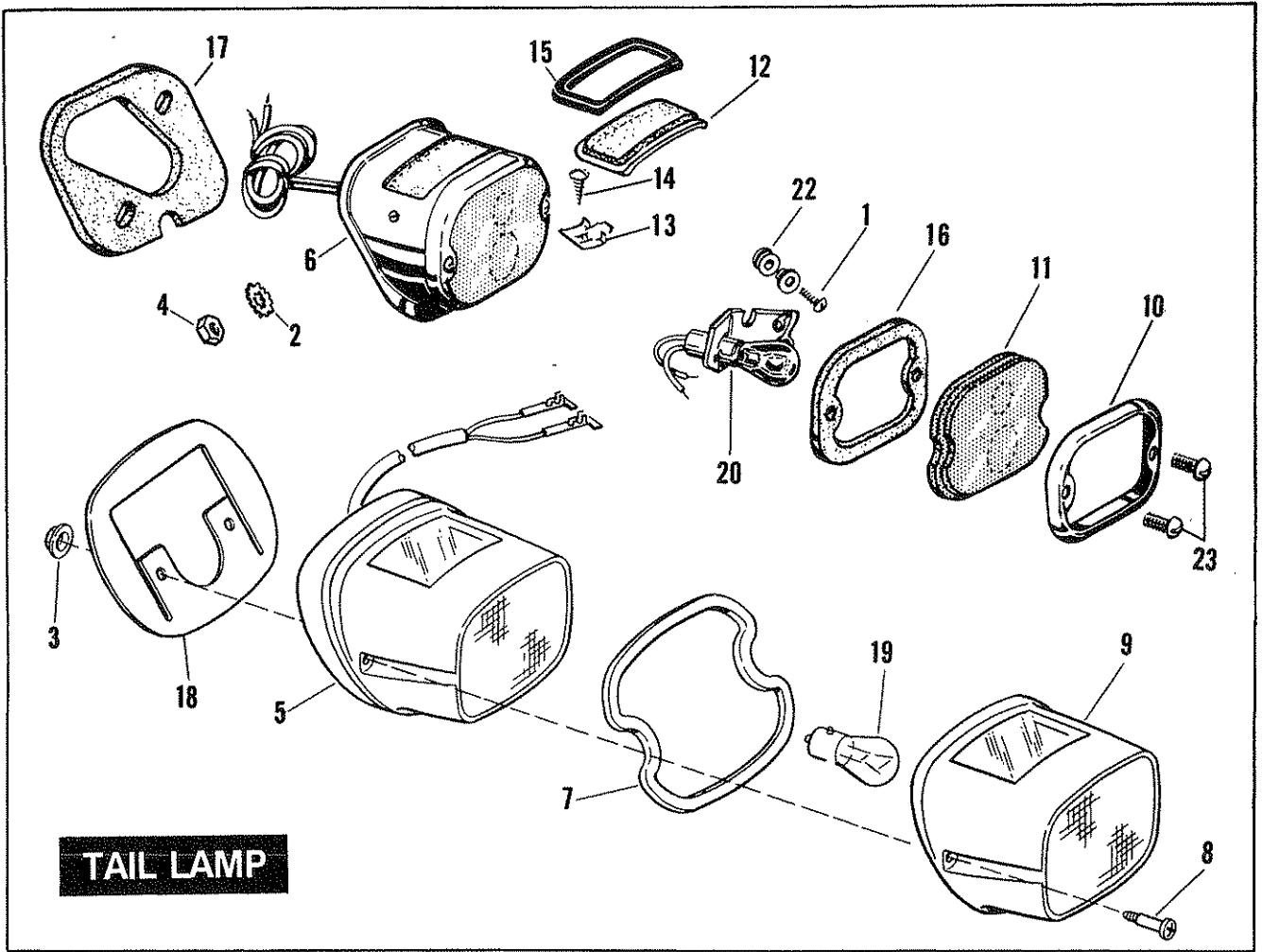
RETAIL PRICE	INDEX NO.	PART NO.	N A M E	USED ON
	1	3514	SCREW, No. 8-32 x 1 Pozidriv fil. hd.	80 to * — FXWG
	1A	3945	BOLT	83 to * — FXWG
	2	4380W	BOLT, 3/8-24 x 2 hex. hd.	80 to Early 81 — FXWG
		4412	BOLT, 3/8-24 x 2-1/2 hex. hd.	Late 81 & 82 — FXWG
	3	4411	BOLT, 3/8-24 x 1-3/4 hex. hd.	80 to * — FXWG
	4	5410	SCREW, 5/16-24 x 1/2 Pozidriv truss hd. (chrome) (2) ..	80 to * — FXWG
	5	6701	WASHER, 3/8 x 13/16 x 1/16 (2)	80 to * — FXWG
	6	7038	LOCKWASHER, 3/8 (2)	80 to * — FXWG
	7	7232	LOCKWASHER, 5/16 external tooth (2)	80 to * — FXWG
	8	7606	NUT, No. 8-32 x 1/4 x 1/4 hex.	80 to * — FXWG
	9	7800W	NUT, 3/8-24 x 5/16 x 9/16 hex.	80 to * — FXWG
	10	9857	WIRE TERMINAL, headlamp harness, ring type — No. 10 hole — #16-22 wire	80 to * — FXWG
	11	9931	WIRE TERMINAL, headlamp harness, female spade type — 3/16 slot — #16-20 wire (2)	80 to * — FXWG
	12	10006	CABLE STRAP, headlamp wiring harness (2)	80 to * — FXWG
	13	67698—81A	HEADLAMP — 12 V. halogen	82 to * — FXWG
		67717—65A	SEALED UNIT — 12 V.	80 & 81 — FXWG
	14	67769—82	GASKET, headlamp door	80 to * — FXWG
	15	67772—80	MOUNTING BLOCK, headlamp (chrome)	80 to * — FXWG
	16	67773—80A	MOUNTING PLATE, headlamp (chrome)	80 to * — FXWG
	17	67777—80A	HEADLAMP, complete (with wiring harness)	80 to * — FXWG
	18	67788—82	GROMMET, headlamp wiring	80 to * — FXWG
	19	67790—82	HEADLAMP TRIM RING (chrome)	80 to * — FXWG



INDICATOR LAMPS

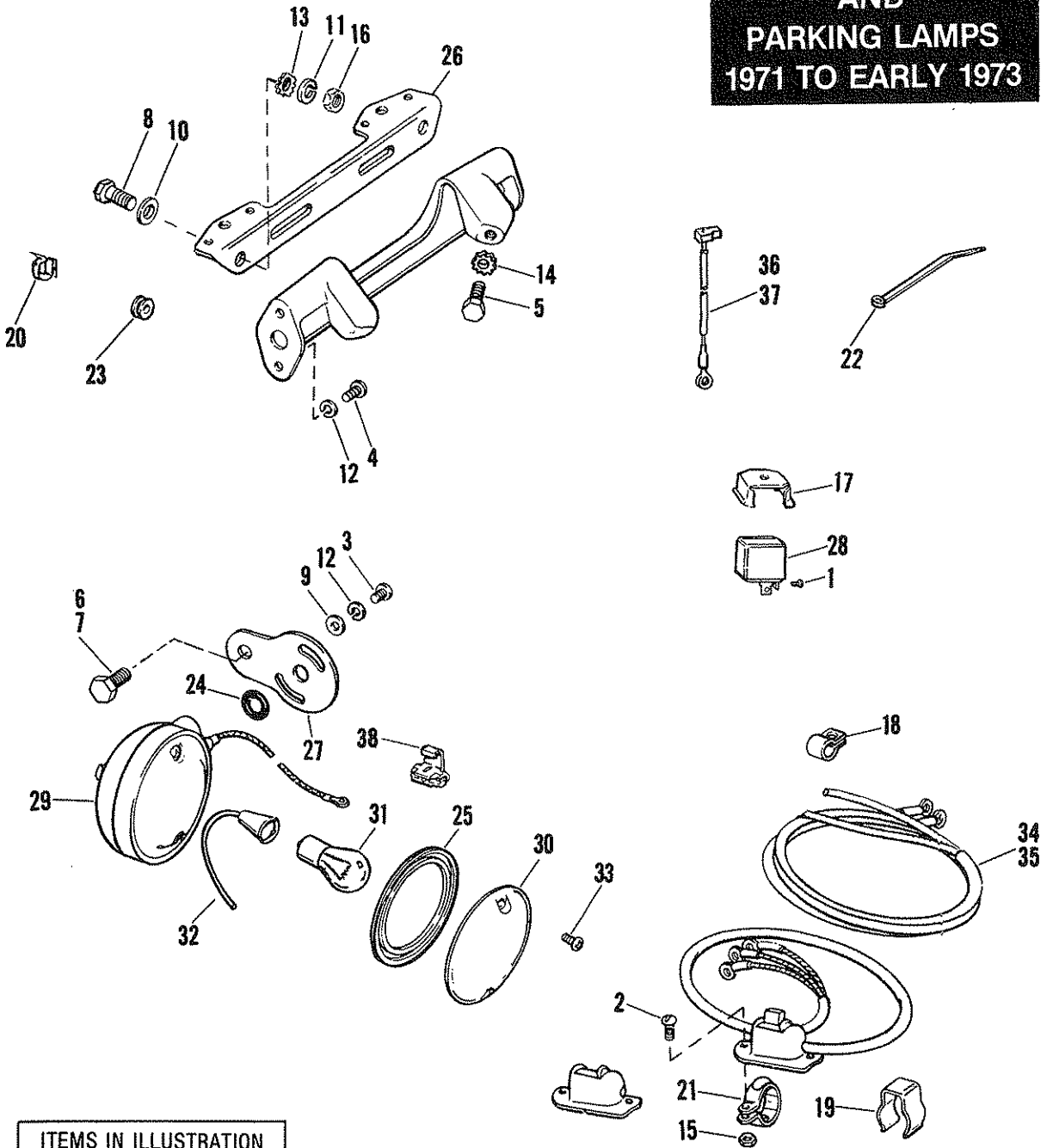
AA70

DETAIL PRICE	INDEX NO.	PART NO.	N A M E	USED ON
	1	6762B	WASHER, 11/16 x 29/32 x 1/32	73 to * — All Models except FXWG
	2	6768	WASHER, 15/16 x 11/16 x 1/16 (fiber) N/A	71 & 72 — All Models
	3	7149	LOCKWASHER, 15/16 internal tooth	71 to 82 — All Models except FXWG
	4	7614	SPEED NUT, 1/2 dia. stud size (2)	75 to 82 — All Models except FXWG; 83 to * — FXSB
	5	9857	WIRE TERMINAL, ring type — #16-22 wire	76 to * — All Models except FXWG
	6	67327—78	SOCKET WITH WIRE, speedometer	76 to * — All Models except FXWG
	7	67851—75	INDICATOR LAMP, neutral (green)	75 to 82 — All Models except FXWG; 83 to * — FXSB; Late 84 to * — FXE-80
	8	67891—68	HIGH BEAM PILOT LAMP, less bulb (flat lens — single wire) N/A	73 & 74 — All Models except FXWG
	9	67891—75B	SOCKET AND WIRE, with bulb — tachometer (high beam)	75 to * — All Models except FXWG
	10	67899—68B	LENS, indicator lamp — high beam (transparent blue)	73 to 82 — All Models except FXWG; 83 to * — FXSB; Late 84 to * — FXE-80
	11	67899—72	LENS, indicator lamp — neutral & oil pressure (transparent red)	73 & 74 — All Models
	11A	68464—83	SUPPORT BRACKET, indicator lamps	83 & Early 84 — FXE-80
	12	68489—83	INDICATOR LAMP, oil pressure, w/ speednut (transparent red)	83 & Early 84 — FXE-80
	13	68536—72	INDICATOR LAMP, neutral & oil pressure (two wire) (2)	73 & 74 — All Models
	14	68536—75	INDICATOR LAMP, oil pressure (red)	75 to 82 — All Models except FXWG; 83 to * — FXSB; Late 84 to * — FXE-80
	15	68563—60	SOCKET AND WIRE, pilot lamp N/A	73 & 74 — All Models
	16	68563—75A	SOCKET AND WIRE, high beam	81 & 82 — All Models except FXWG; 83 to * — FXSB; Late 84 to * — FXE-80
	17	68564—60	NUT, pilot lamp holder	73 to 82 — All Models except FXWG; 83 to * — FXSB; Late 84 to * — FXE-80
	18	68565—60	HOLDER, pilot lamp	73 to 82 — All Models except FXWG; 83 to * — FXSB; Late 84 to * — FXE-80
	19	68574—83	INDICATOR LAMP, neutral, w/ speednut (transparent green)	83 & Early 84 — FXE-80
	20	68597—83	INDICATOR LAMP, high beam, w/ speednut (transparent blue)	83 & Early 84 — FXE-80
	21	68608—83	SPEEDNUT, 3/8 hole (3)	83 & Early 84 — FXE-80
	22	71092—68A	BULB, indicator lamp (3)	73 to * — All Models except FXWG
	23	72038—71	SOCKET, single pin	75 to * — All Models except FXWG
	24	92045—76	SOCKET AND WIRE, with bulb — tachometer	76 to Early 78 — All Models
	25	92046—78	SOCKET AND WIRE, with bulb — tachometer	Late 78 to * — All Models except FXWG



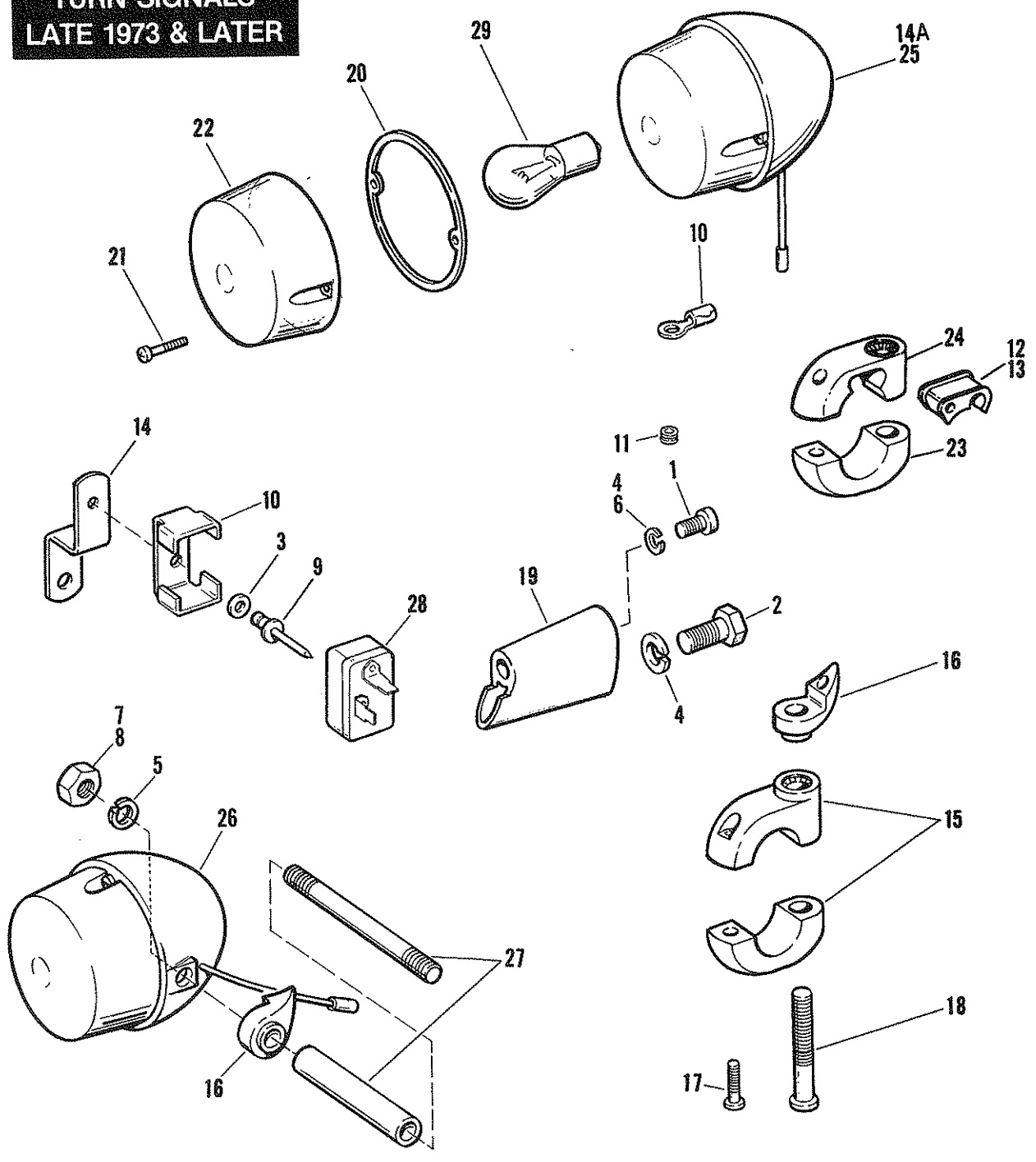
TAIL INDEX PRICE	INDEX NO.	PART NO.	N A M E	USED ON
	1	2612	SCREW, No. 8-32 x 1/2 rd. hd. (3)	71 & 72 — All Models
	2	7229W	LOCKWASHER, 1/4 internal and external tooth (2)	71 & 72 — All Models
	3	7501	SPEED NUT, 1/4 x 7/16 hex. (2)	73 to * — All Models
	4	7688	NUT, 1/4-20 x 1/4 x 1/2 hex. (2)	71 & 72 — All Models
	5	68007—77A	TAIL LAMP ASSEMBLY	80 to * — FXWG
		68008—73A	TAIL LAMP ASSEMBLY	73 to * — All Models except FXWG
	6	68010—64B	TAIL LAMP AND STOPLIGHT ASSEMBLY	N/A 71 & 72 — All Models
	7	68025—73	GASKET, tail lamp lens	73 to * — All Models
	8	68026—73	SCREW, tail lamp lens (2)	73 to * — All Models
	9	68034—77	LENS, tail lamp	73 to * — All Models
	10	68086—55	DOOR, tail lamp lens	N/A 71 & 72 — All Models
	11	68090—69	LENS, tail lamp (red)	71 & 72 — All Models
	12	68093—55A	OUTLOOK LENS	N/A 71 & 72 — All Models
	13	68114—55	SPEED NUT, lens screw (2)	N/A 71 & 72 — All Models
	14	68119—69	SCREW, outlook lens (2)	N/A 71 & 72 — All Models
	15	68121—55	GASKET, outlook lens	N/A 71 & 72 — All Models
	16	68122—55	GASKET, tail lamp lens	71 & 72 — All Models
	17	68123—55	GASKET, tail lamp housing	71 & 72 — All Models
	18	68123—73	GASKET, tail lamp housing	73 to * — All Models except FXWG
	19	68165—64	BULB, tail lamp — 12 V.	71 to * — All Models
	20	68185—70	SOCKET AND WIRING	N/A 71 & 72 — All Models
	22	68196—55	GROMMET, socket screw (3)	N/A 71 & 72 — All Models
	23	68672—38	SCREW, tail lamp door (2)	71 & 72 — All Models

**TURN SIGNALS
AND
PARKING LAMPS
1971 TO EARLY 1973**



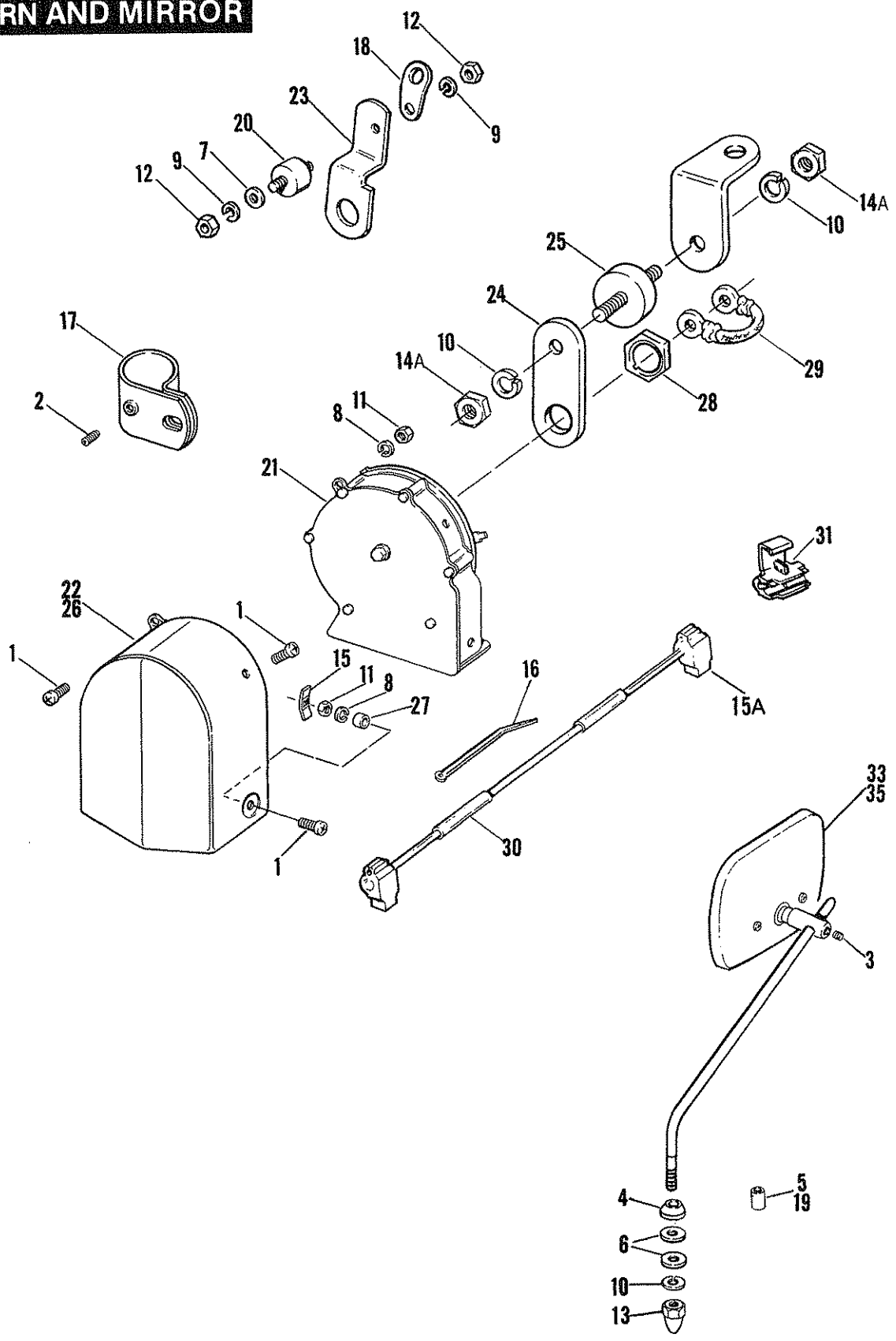
RETAIL PRICE	INDEX NO.	PART NO.	N A M E	USED ON
	1	2073W	SCREW, No. 4-40 self-tapping rd. hd. (two-terminal flasher)	71 to Early 73 — All Models
	2	2585	SCREW, No. 8-32 x 5/16 Pozidriv pan hd. (3)	71 & 72 — All Models
	3	2592	SCREW, No. 10-24 x 1/2 Pozidriv pan hd. (4) (front)	71 to Early 73 — All Models
	4	2692W	SCREW, No. 10-24 x 1/2 socket hd. (4) (rear)	71 to Early 73 — All Models
	5	3728	BOLT, 1/4-20 x 1/2 hex. hd. (2)	72 to Early 73 — All Models
	6	3956	BOLT, 5/16-24 x 9/16 hex. hd.	72 — All Models
	7	4391	BOLT, 5/16-24 x 5/8 hex. hd. (2)	Early 73 — All Models
	8	4410	BOLT, 1/4-28 x 7/8 hex. hd. (2)	71 to Early 73 — All Models
	9	6182W	WASHER, No. 10 x 7/16 x 1/32	71 to Early 73 — All Models
	10	6228W	WASHER, 1/4 x 1/2 x 1/16 (2)	71 — All Models
	11	7036	LOCKWASHER, 1/4 (2)	71 — All Models
	12	7089	LOCKWASHER, No. 10 (6)	Early 73 — All Models
	13	7229W	LOCKWASHER, 1/4 internal and external tooth (2)	71 — All Models
	14	7230	LOCKWASHER, 1/4 external tooth (2)	72 to Early 73 — All Models
	15	7608	NUT, No. 8-32 x 1/8 x 5/16 hex.	71 & 72 — All Models
	16	7676	NUT, 1/4-28 x 3/16 x 7/16 hex. (2)	71 — All Models
	17	9952	FLASHER CLIP	71 to Early 73 — All Models
	18	9965W	CLAMP, rear lamp cable	72 — All Models
	19	9976	HANDLEBAR CLAMP (2)	71 & 72 — All Models
	20	9981	CLIP, tail lamp wires to license bracket (2)	N/A 71 to Early 73 — All Models
	21	10001	CLAMP, handlebar switch (2)	71 & 72 — All Models
	22	10006	STRAP, rear lamp cable (6)	71 to Early 73 — All Models
	23	57978—63	GROMMET, wires — rear mounting bracket (2)	71 to Early 73 — All Models
	24	68520—63	O-RING, lamp mounting (4)	71 to Early 73 — All Models
	25	68521—63A	LENS GASKET (4)	71 to Early 73 — All Models
	26	68525—67	MOUNTING BRACKET, rear	N/A 71 & 72 — All Models
	27	68530—67	MOUNTING BRACKET, front	N/A 71 to Early 73 — All Models
	28	68543—64B	FLASHER, turn signal	71 to Early 73 — All Models
	29	68552—70A	LAMP WITH WIRE, front and rear — 12 V. (amber) (4)	71 to Early 73 — All Models
	30	68571—63A	LENS, front lamp (amber) (2)	71 to Early 73 — All Models
	31	68572—64A	BULB, turn signal lamp — 12 V.	71 to Early 73 — All Models
	32	68576—70	SOCKET AND WIRE	71 to Early 73 — All Models
	33	68586—63	SCREW, lens mounting (2)	N/A 71 to Early 73 — All Models
	34	70093—70	REAR LAMP CABLE	N/A 71 to Early 72 — All Models
	35	70285—72	REAR LAMP CABLE	N/A Late 72 to Early 73 — All Models
	36	70418—69	FLASHER WIRE (orange)	N/A 71 & 72 — All Models
	37	70418—73	FLASHER WIRE (orange)	N/A 73 & 74 — All Models
	38	70576—68	WIRE CONNECTOR	71 to Early 73 — All Models

**TURN SIGNALS
LATE 1973 & LATER**



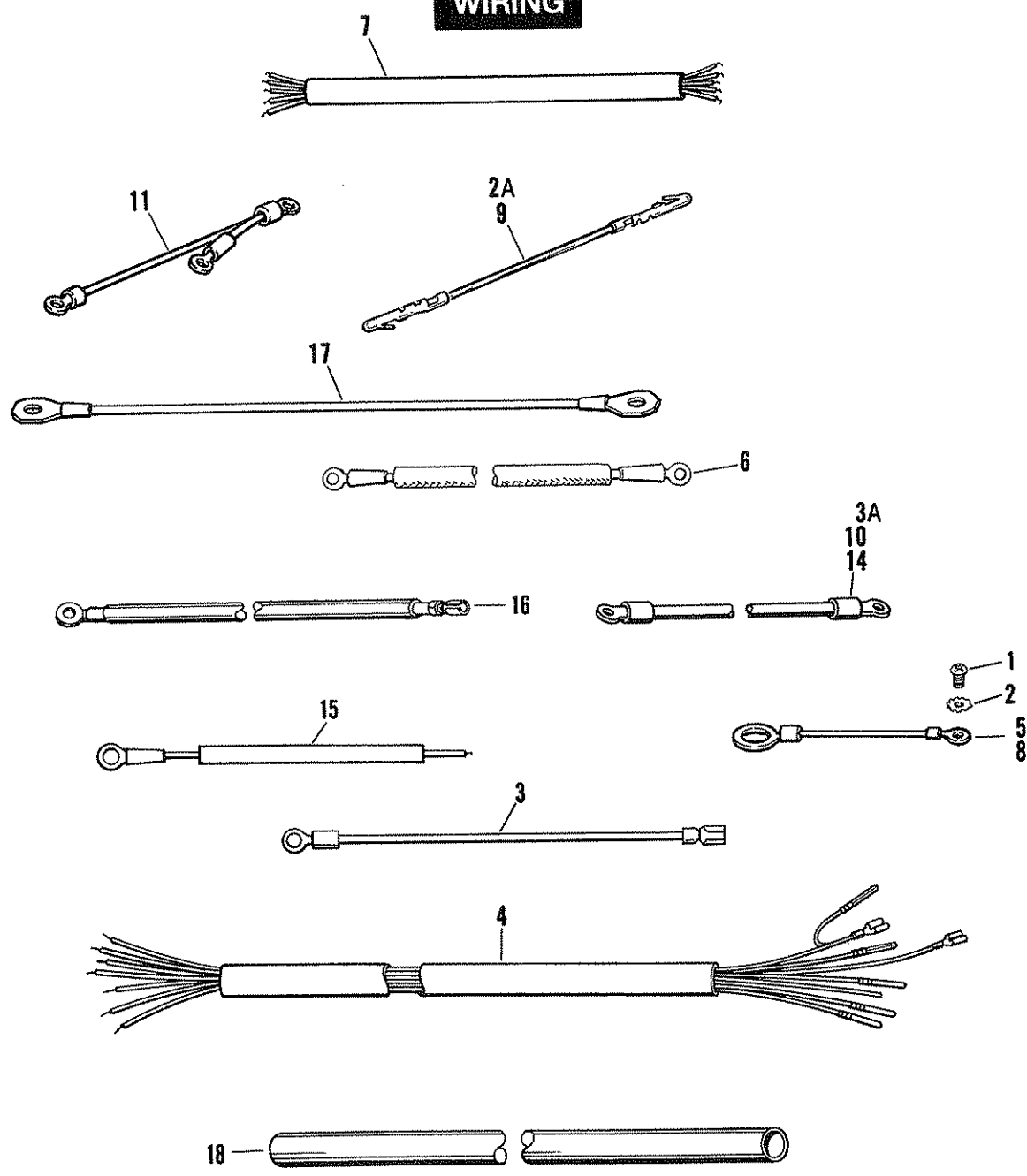
RETAIL PRICE	INDEX NO.	PART NO.	N A M E	USED ON
	1	2698	SCREW, 5/16-24 x 5/8 socket hd. (4; 2 — 81 & Later) . .	Late 73 to 84 — All Models
	2	2889	BOLT, 3/8-24 x 3/4 hex. hd. (2)	Late 73 to 84 — All Models
	2A	4070	BOLT, 5/16-24 x 7/16 x 2-1/4 hex. hd. (2)	82 to 84 — All Models
	3	6189W	WASHER, 5/32 x 13/32 x 1/32	Late 76 to 80 — All Models except FXWG
	4	7038	LOCKWASHER, 3/8 (2)	Late 73 to 82 — All Models
	5	7041	LOCKWASHER, 5/16 (2) (fork mounted)	77 to 80 — All Models; 81 — FXB
	6	7042	LOCKWASHER, 5/16 (2)	Late 73; 83 & 84 — All Models
	7	7748W	NUT, 5/16-18 x 17/64 x 1/2 hex. (2)	77 — FXS
	8	7753	NUT, 5/16-24 x 1/4 x 1/2 hex. (2) (fork mounted)	78 to 80 — All Models; 81 — FXB
	9	8490	POP RIVET, 5/32 x 1/4 x 5/16 dia. hd.	80 to 84 — FXWG
		8692	POP RIVET, 5/32 x 3/8 x 5/16 dia. hd.	Late 73 to 80 — All Models except FXWG
	10	9952	CLIP, flasher (4)	Late 73 to 84 — All Models
	11	11410	GROMMET, rear lamp wire (2)	Late 73 to 84 — All Models
	12	11449	GROMMET, mounting clamp — right	82 to 84 — All Models
	13	11442	GROMMET, mounting clamp — left	82 to 84 — All Models
	14	68207—80	MOUNTING BRACKET, with clip	80 to 84 — FXWG
	14A	68435—84	LAMP WITH WIRE, front and rear (4)	Late 84 — All Models
	15	68476—73A	CLAMP, handlebar (2)	Late 73 to 81 — All Models except FXB
	16	68477—73	BRACKET, handlebar clamp or stud to lamp (2)	Late 73 to 84 — All Models
	17	68478—73	SCREW, handlebar clamp, No. 10-24 x 3/4 socket hd. (2)	Late 73 to 81 — All Models except FXB
	18	68479—73	SCREW, front lamp mounting, 5/16-24 x 2 socket hd. (2)	Late 73 to 81 — All Models except FXB
	19	68480—73	SUPPORT, rear lamp mounting (2)	Late 73 to 84 — All Models
	20	68481—73	GASKET, turn signal lens (4)	Late 73 to 84 — All Models
	21	68482—73	SCREW, turn signal lens (8)	Late 73 to 84 — All Models
	22	68483—73	LENS, turn signal (4)	Late 73 to 84 — All Models
	23	68486—82A	CLAMP, handlebar (2)	82 to 84 — All Models
	24	68487—82	CLAMP, handlebar (2)	82 to 84 — All Models
	25	68514—73	LAMP WITH WIRE (handlebar mounted and all rear) (amber) (4; 2 — 81 — FXB)	Late 73 to Early 84 — All Models
	26	68515—77A	LAMP WITH WIRE, fork mounted (amber) (2)	77 to 80 — All Models; 81 — FXB
	27	68528—77A	STUD WITH SPACER, (fork mounted) (2)	77 to 80 — All Models; 81 — FXB
	28	68543—64B	FLASHER	Late 73 to 84 — All Models; 81 to 84 — FXWG
	29	68572—64A	BULB, turn signal — 12 V. (4)	Late 73 to 84 — All Models

HORN AND MIRROR



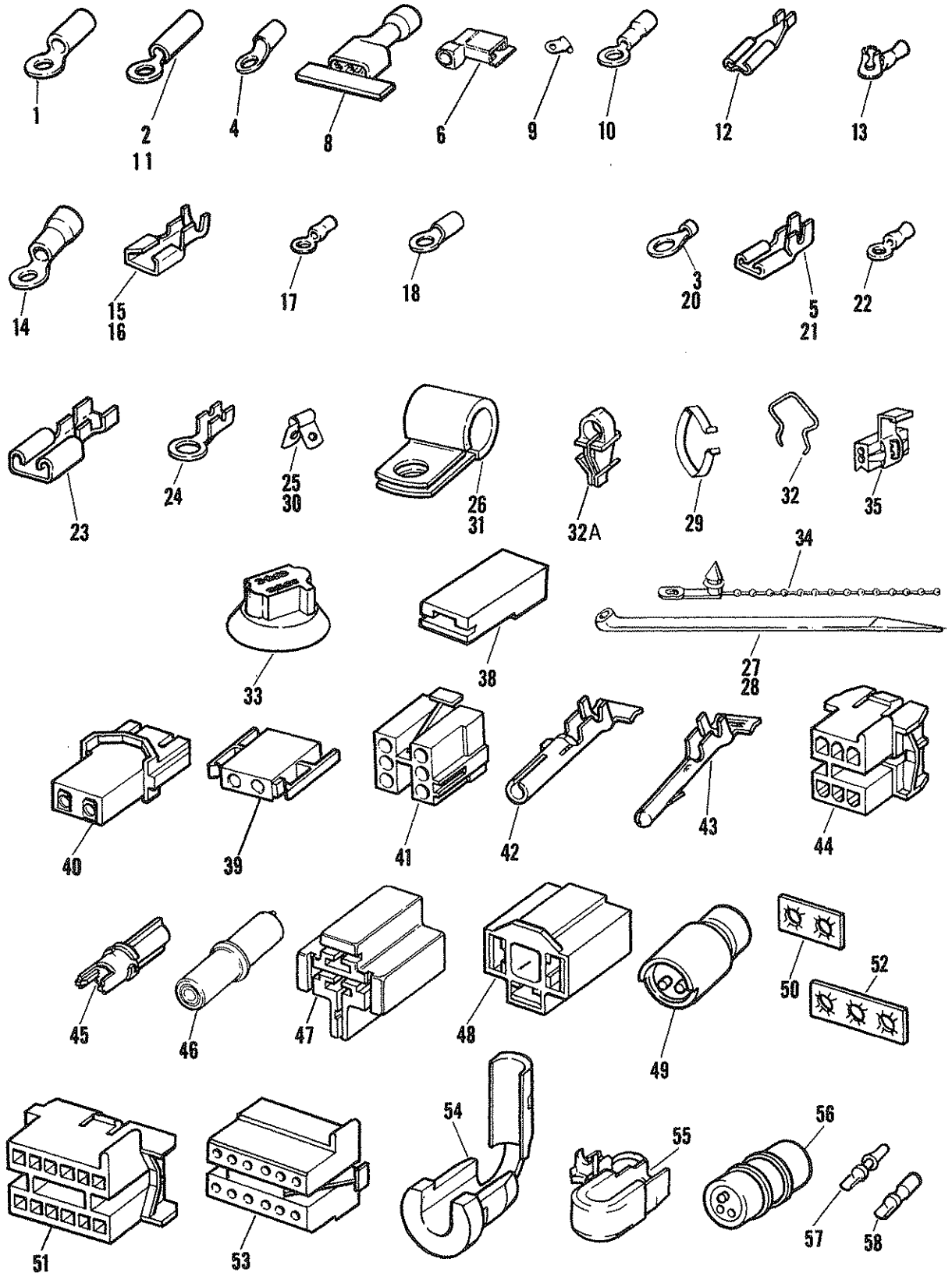
RETAIL PRICE	INDEX NO.	PART NO.	N A M E	USED ON
	1	1719W	SCREW, No. 8-32 x 5/8 Phillips hd. (3)	71 to * — All Models
	2	3206B	SET SCREW, No. 8-32 x 3/16 socket hd. (2)	71 to 80 — FX, FXE, FXS
	3	3233	SET SCREW	71 to 81 — All Models except FXB; Early 82 — All Models
	4	5714	SPACER	Early 82 to * — All Models
	5	5978W	SPACER	71 to 81 — All Models except FXB; 82 to * — All Models
	6	6702	WASHER, 5/16 x 11/16 x 1/16	71 to * — All Models
	7	6703	WASHER, 1/4 x 5/8 x 1/16	73 to 80 — FX, FXE
	8	7015	LOCKWASHER, No. 8 (2)	71 to * — All Models
	9	7036	LOCKWASHER, 1/4 (2)	73 to 80 — FX, FXE
	10	7041	LOCKWASHER, 5/16 (2)	71 to * — All Models
	11	7608	NUT, No. 8-32 x 1/8 x 11/32 hex. (2)	71 to * — All Models
	12	7688	NUT, 1/4-20 x 7/32 x 7/16 hex. (2)	73 to 80 — FX, FXE
	13	7736	ACORN NUT, 5/16-24 x 19/32 x 1/2 hex. (chrome)	71 to * — All Models
14A		7748W	NUT, 5/16-18 x 17/64 x 1/2 hex. (2)	71 to * — All Models
15		8125	SPEED NUT, horn cover	71 to * — All Models
15A		9898	INSULATOR, flag terminal (2)	71 to * — All Models
16		10006	PLASTIC STRAP, horn wire to frame (2)	71 to * — All Models
17		10025	CLAMP, horn to frame (1 or 2)	71 to 80 — FX, FXE, FXS
18		38623—68	GUIDE, gas hose	73 to 78 — FX, FXE
19		47311—77	SPACER (black)	80 & 81 — FXB
20		62563—65	RUBBER MOUNT, horn — 1/4-20 threads	73 to 80 — FX, FXE
21		69000—76	HORN, low note	Late 76 to * — All Models
		69003—76	TWIN HORN KIT	Late 76 to * — All Models
		69016—76	HORN, high note	Late 76 to * — All Models
22		69017—76	COVER, high note horn	Late 76 to * — All Models except FXB
		69026—80	COVER, high tone horn (black)	80 to 82 — FXB
23		69116—73A	BRACKET, horn mounting (chrome)	73 to 80 — FX, FXE
24		69117—65	MOUNTING PLATE, horn	71 & 72 — All Models Late 76 to * — All Models
25		69125—65	RUBBER MOUNT, horn — 5/16-18 threads	71 & 72 — All Models Late 76 to * — All Models
26		69138—65	COVER, low note horn (standard FX)	N/A 71 to Early 76 — All Models
		69140—76	COVER, low note horn (standard FX)	Late 76 to 80 — FX, FXE
		69141—70	COVER, high note horn	N/A 71 to 84 — All Models
27		69144—65	SPACER, horn cover	71 to * — All Models
28		69149—65	NUT, horn mounting	71 to * — All Models
29		70016—65A	GROUND STRAP, horn	71 to * — All Models
30		70318—70	CABLE ASSEMBLY, twin horn	71 to * — All Models
31		70576—68	WIRE CONNECTOR	71 to 81 — All Models; 82 — FXWG; 83 to * — All Models
33		91875—70B	MIRROR KIT, 5" rectangular (chrome) (2 — except FXE-80)	82 & 83 — All Models; 71 to 81 — All Models except FXB
			Consists of besides mirror & stem: index nos. 3, 4, 5, 6, 11, & 13	
		91875—82	MIRROR KIT, rectangular — right (chrome)	84 — FXWG, FXSB
35		91878—77A	MIRROR KIT, 5" rectangular (black) (2)	80 & 81 — FXB
			Consists of besides mirror & stem: Index nos. 3, 6, 10, 13, & 19	
		91892—82	MIRROR KIT, rectangular — left (chrome)	84 to * — All Models

WIRING



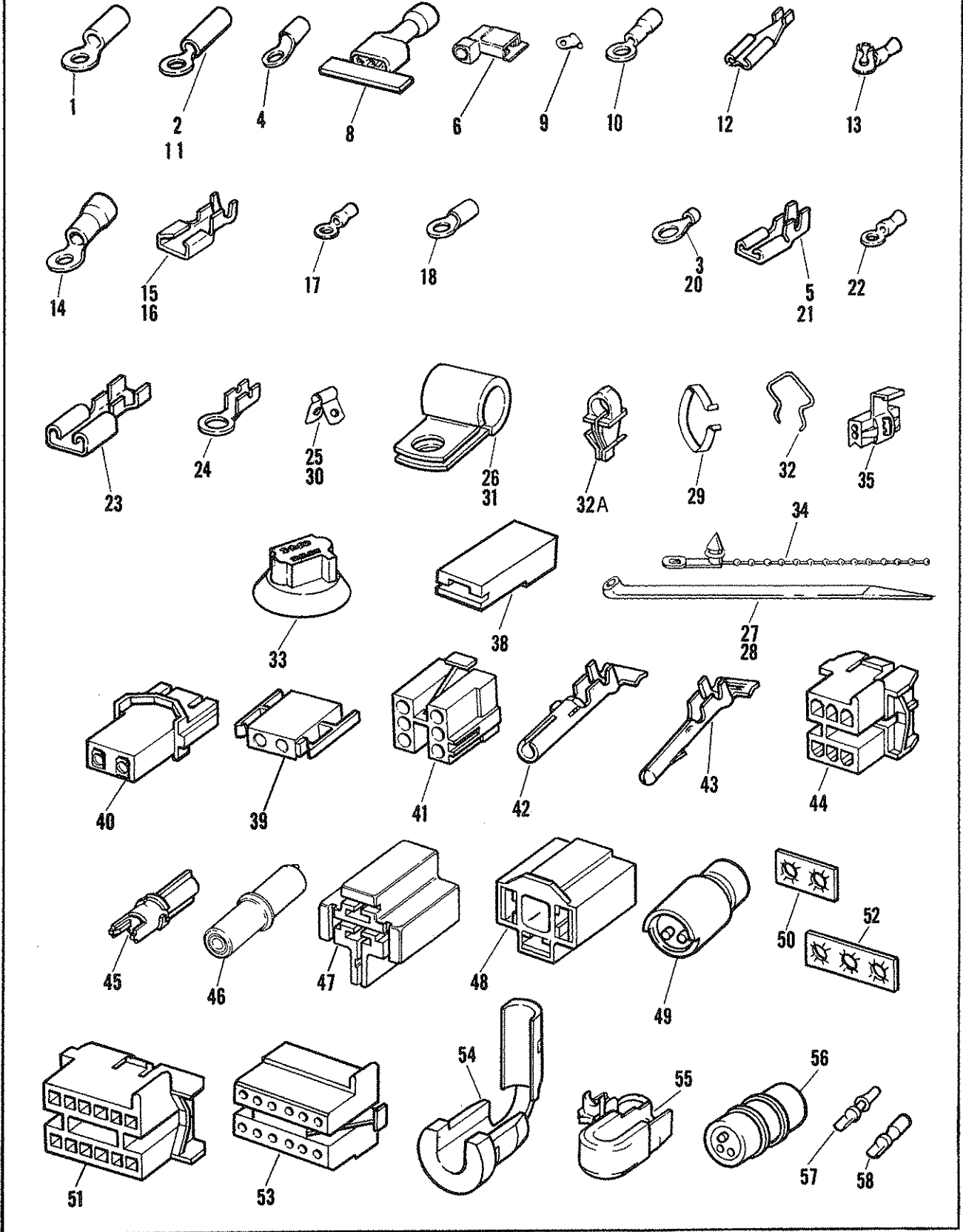
RETAIL PRICE	INDEX NO.	PART NO.	N A M E	USED ON
	1	2662W	SCREW, No. 10-24 x 3/8 self tapping Phillips rd. hd. — handlebar ground wire	81 to Early 83 — FXWG; Late 83 to 84 — All Models
	2	7220	LOCKWASHER, No. 10 external tooth — handlebar ground wire	81 to 84 — FXWG
		69541—78	MAIN WIRING HARNESS (kick start)	N/A Late 78 — FX
		69542—78	MAIN WIRING HARNESS (electric start)	N/A Late 78 & 79 — FXE
		69542—80	MAIN WIRING HARNESS (electric start)	N/A 80 — FXE
		69543—78	MAIN WIRING HARNESS (electric start)	N/A Late 78 & 79 — All Models except FX, FXE
		69543—80	MAIN WIRING HARNESS (electric start)	80 to 84 — FXEF, FXEF-80, FXS-80, FXB, FXSB; Late 84 — FXE-80
		69544—81	MAIN WIRING HARNESS (electric start)	N/A 81 — FXE-80
		69546—82	MAIN WIRING HARNESS	N/A 82 to Early 84 — FXE-80
	2A	70022—83	WIRE ASSEMBLY, to left front directional	Late 84 — FXE-80, FXSB
		70027—83	WIRE ASSEMBLY, to right front directional	Late 84 — FXE-80, FXSB
	3	70050—83	WIRE ASSEMBLY, headlamp ground	Late 84 — FXSB
	3A	70069—65B	CABLE, solenoid to starter & battery (2 - Early 83 & Earlier; electric start)	71 to 84 — All Models
		70069—83A	CABLE, solenoid to starter	Late 83 to * — All Models
	4	70079—75	WIRING HARNESS, left handlebar (Buckhorn)	75 to 78 — All Models
	5	70085—80	WIRE, handlebar ground (black)	80 to 84 — FXWG
	6	70086—73	WIRE, starter solenoid to starter relay (FX Kit only — no FXE)	N/A 73 to 78 — FX
		70088—73	WIRE, battery positive to starter relay (FX Kit only — no FXE)	N/A 73 to 78 — FX
		70089—73	WIRE, starter relay mounting to starter motor thru-bolt	N/A 73 to 79 — All Models
	7	70105—73	WIRE, fusible link (batt. positive to starter relay)	N/A 73 to 78 — All Models
		70107—80	WIRE, flasher (orange)	N/A 80 to 84 — FXWG
	8	70191—73A	WIRE, handlebar ground	Late 73 to * — All Models except FXWG
		70214—80A	MAIN WIRING HARNESS (electric start)	80 to 84 — FXWG
		70255—74	MAIN WIRING HARNESS (kick start)	N/A 74 — FX
	9	70254—84	WIRE ASSEMBLY, main harness to left directional (violet)	N/A Early 84 — FXE-80, FXSB
		70255—84	WIRE ASSEMBLY, main harness to right directional (brown)	N/A Early 84 — FXE-80, FXSB
		70256—84	WIRE ASSEMBLY, to indicator & gauges (orange)	N/A 84 — FXE-80, FXSB
	10	70258—84	WIRE ASSEMBLY, rear stud — ignition circuit breaker (white)	N/A 84 — FXE-80, FXSB
	11	70259—84	WIRE ASSEMBLY, rear stud — light circuit breaker (green with white relay)	N/A 84 — FXE-80, FXSB
	14	70313—71	BATTERY GROUND CABLE	N/A 71 to 78 — FX
		70326—73A	MAIN WIRING HARNESS (electric start) (Early 73 — kick start)	N/A 73 & 74 — FX, FXE
		70326—75	MAIN WIRING HARNESS (kick start)	N/A 75 — FX
		70326—76	MAIN WIRING HARNESS (kick start)	N/A 76 & 77 — FX
		70326—78	MAIN WIRING HARNESS (kick start)	N/A Early 78 — FX
		70343—75	MAIN WIRING HARNESS (electric start)	N/A 75 — FXE
		70343—76	MAIN WIRING HARNESS (electric start)	76 & 77 — FXE
		70343—78	MAIN WIRING HARNESS (electric start)	N/A Early 78 — FXE
		70353—77	MAIN WIRING HARNESS (electric start)	N/A 77 — FXS
		70353—78	MAIN WIRING HARNESS (electric start)	N/A Early 78 — FXS
	15	70378—73	WIRE, wiring harness to starter relay center terminal	73 — FX
	16	70456—73	WIRE, circuit breaker to coil	71 to * — All Models
	17	70461—67B	WIRE, battery ground (electric start)	73 to * — All Models
	18	70551—69	CONDUIT, 1/8 I.D. x 10 ft. lg. (black vinyl) (hi-temp)	71 to * — All Models
		70552—69	CONDUIT, 3/8 I.D. x 10 ft. lg. (black vinyl)	71 to * — All Models
		70553—69	CONDUIT, 7/16 I.D. x 10 ft. lg. (black vinyl)	71 to * — All Models
		70554—69	CONDUIT, 1/4 I.D. x 10 ft. lg. (black vinyl)	71 to * — All Models
		70555—69	CONDUIT, 1/4 I.D. x 10 ft. lg. (black vinyl) (hi-temp)	71 to * — All Models
		70556—71	CONDUIT, 5/16 I.D. x 10 ft. lg. (black vinyl)	71 to * — All Models
		70558—71	CONDUIT, 1/2 I.D. x 10 ft. lg. (black vinyl)	71 to * — All Models
		70559—71	CONDUIT, 1/8 I.D. x 10 ft. lg. (black vinyl)	71 to * — All Models
		91704—15	BRAIDED CABLE, 16 strand (soft black)	71 to * — All Models

MISCELLANEOUS ELECTRICAL



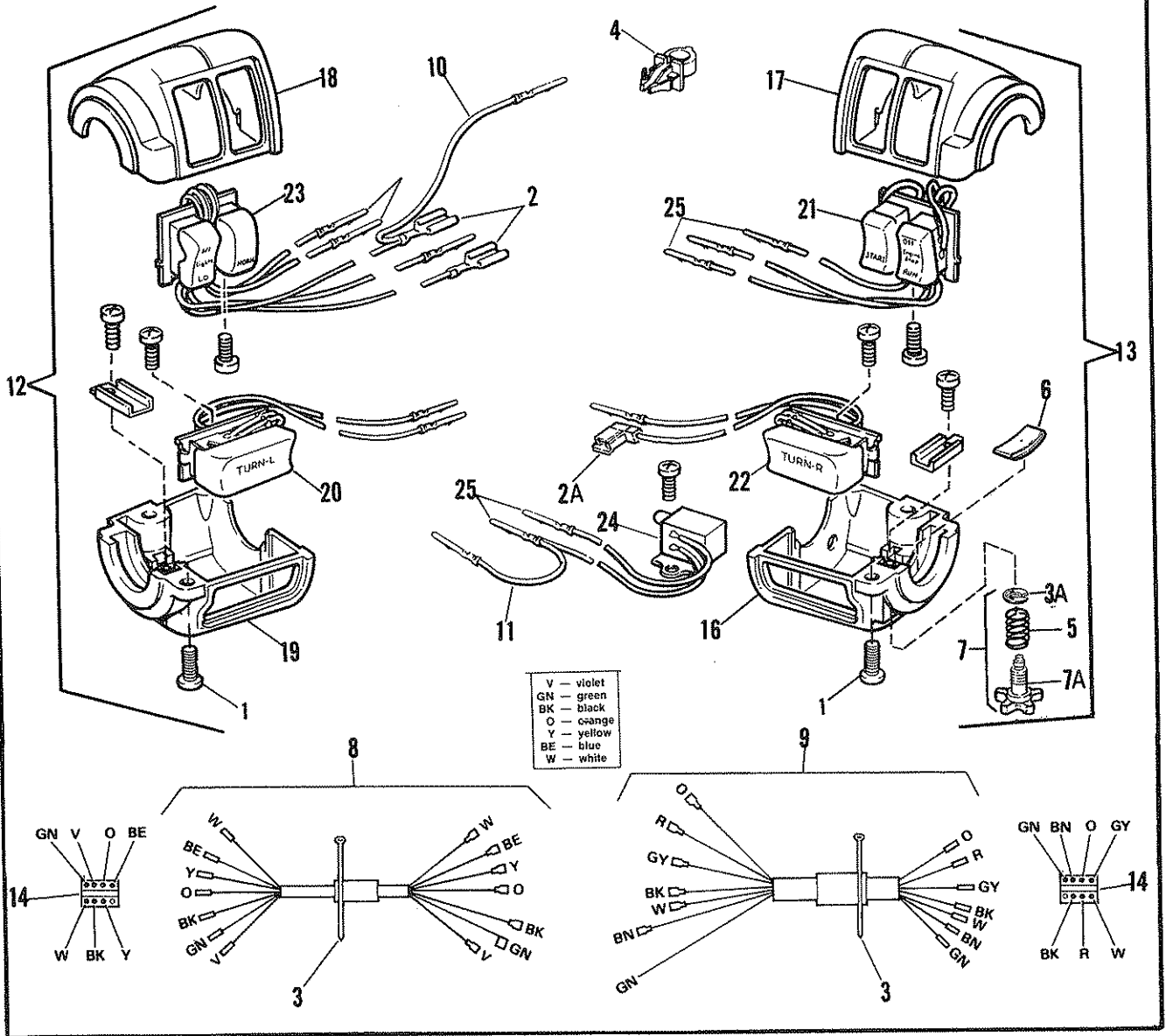
ETA L RICE	INDEX NO.	PART NO.	N A M E	USED ON
	1	9857	WIRE TERMINAL, ring type — No. 10 hole — #16-22 wire (14; 13 — FXWG & FXE-80)	77 to Early 79 — FXS; 78 to * — All Models
		9858	WIRE TERMINAL, ring type — 1/4 dia. hole — #16-22 wire	77 to Early 79 — FXS
		9859	WIRE TERMINAL, ring type — 1/4 dia. hole — #16-22 wire	77 to Early 79 — FXS; 78 to 80 — All Models
	2	9862	WIRE TERMINAL, ring type — 1/4 dia. hole — #14-16 wire (8; 7 — FXE-80; 2 — FXWG)	Late 75 to * — All Models
	3	9866	WIRE TERMINAL, ring type — No. 10 hole — #10-12 wire (2 — except FXWG)	78 to * — All Models
	4	9868	WIRE TERMINAL, ring type — 5/16 dia. hole — #10-12 wire	78 & 79 — All Models
	5	9875	WIRE TERMINAL, female spade type — 5/16 slot — #16-22 wire (3)	Late 75 to * — All Models except FXWG
	6	9898	WIRE TERMINAL, female flag — insulated	82 to * — All Models
	8	9900	CONNECTOR, wire (2)	80 to * — All Models
	9	9901	WIRE TERMINAL, ring flag type — 5/32 dia. hole — #14-16 wire	N/A 71 to 80 — All Models
	10	9902	WIRE TERMINAL, ring type — 3/16 dia. hole — #14-16 wire	71 to 80 — All Models
	11	9903	WIRE TERMINAL, ring type — 1/8 dia. hole — #18-22 wire	71 to * — All Models
	12	9904	WIRE TERMINAL, female spade type — 1/8 slot — #16-20 wire (2)	73 to 81 — All Models
	13	9905	WIRE TERMINAL, 1/4 dia. cap type — #18-22 wire	71 to * — All Models
	14	9909	WIRE TERMINAL, ring type — 3/16 dia. hole — #10-12 wire	N/A 71 to 79 — All Models
	15	9913	WIRE TERMINAL, female spade type — 5/16 slot — #14-16 wire	N/A Early 75 — All Models
	16	9914	WIRE TERMINAL, female spade type — 1/4 slot	71 to * — All Models
	17	9918	WIRE TERMINAL, ring type — 1/4 dia. hole — #14-16 wire	N/A 71 to * — All Models
	18	9923	WIRE TERMINAL, ring type — 5/16 dia. hole — #8 wire	N/A 71 to 80 — All Models
	20	9926	WIRE TERMINAL, ring type — 5/16 dia. hole — #14-16 wire	N/A 71 to 79 — All Models
	21	9931	WIRE TERMINAL, female spade type — 3/16 slot — #16-20 wire	71 to 79 — All Models; 80 — FXWG
	22	9932	WIRE TERMINAL, ring type — 3/16 dia. hole — #18-22 wire	N/A 71 to 79 — All Models
	23	9937	WIRE TERMINAL, female spade type — 1/4 slot — #14-18 wire (4)	80 to * — All Models
	24	9945	WIRE TERMINAL, ring type — 5/16 dia. hole — #10-12 wire (u-clamp) (2)	71 to * — All Models
	25	9957	CLIP, spark coil	N/A 71 to 76 — All Models
	26	9990W	CLAMP, starter relay wires (2)	74 to 77 — All Models
	27	10006	PLASTIC STRAP (black)	71 to * — All Models
	28	10007	PLASTIC STRAP (white) (2)	71 to 80 — All Models; 81 to * — FXWG
	29	10012	WIRE CLIP, cables to frame	71 to * — All Models
	30	10046	CLIP, ignition wire	80 to * — All Models
	31	38712—68	CLAMP, wiring harness (4; 5 — FXWG)	77 to * — All Models
	32	56062—73	CLIP, handlebar wires (4)	72 to 80 — All Models
	32A	56070—81	CLIP, handlebar wires (4)	81 to * — All Models; 82 — FXB
		56073—83	RETAINER, handlebar switch wiring (4)	84 to * — All Models
	33	67839—74	BOOT, headlamp connector (FX Kit only — no FXE)	75 to * — All Models except FXWG
	34	70005—70	CABLE STRAP (2)	71 to * — All Models
	35	70576—68	WIRE CONNECTOR (5 — FXWG)	71 to 81 — All Models; 82 to * — FXWG
	38	71774—77	INSULATOR, female spade terminal	N/A Late 78 & 79 — All Models

MISCELLANEOUS ELECTRICAL

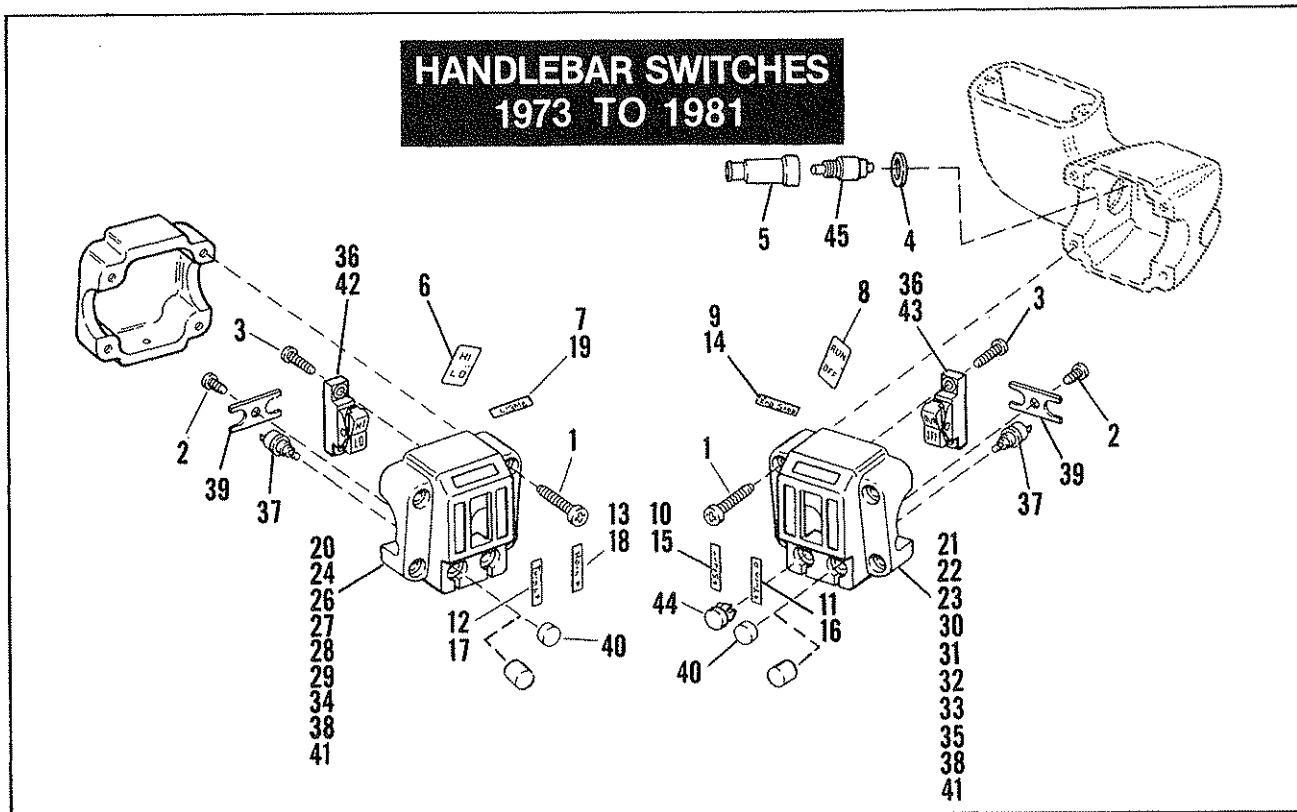


RETAIL PRICE	INDEX NO.	PART NO.	N A M E	USED ON
	39	72034-71	CONNECTOR, double socket	81 to * — All Models
	40	72035-71	CONNECTOR, double pin (2)	77 to * — All Models except FXWG
	41	72037-71	CONNECTOR, six socket (2 — FXE-80)	75 to * — All Models except FXWG
	42	72038-71	SOCKET, single pin	73 to * — All Models
	43	72039-71	PIN, single socket	73 to * — All Models
	44	72041-71	CONNECTOR, six pin	75 to * — All Models except FXWG
	45	72043-71	CONNECTOR, single pin (2)	73 to 75 — All Models; 80 to * — FXWG
	46	72044-71	CONNECTOR, single socket	71 & 74 — All Models; 79 & 80 — All Models; 81 to * — FXWG
	47	72046-79	HOUSING, socket (starter relay)	80 to * — All Models
	48	72047-71	INSULATOR, spade terminal — headlamp wiring harness	75 to * — All Models except FXWG
	49	72051-77	CONNECTOR, three socket	80 to * — All Models
	50	72275-74	CONNECTOR TAB, 2 terminal (5)	75 to * — All Models except FXWG
	51	72276-74	HOUSING, pin (2)	75 to * — All Models except FXWG
	52	72277-74	CONNECTOR TAB, 3 terminal (2)	75 to * — All Models except FXWG
	53	72278-74	HOUSING, socket (2)	75 to * — All Models except FXWG
	54	72501-74	BUSHING, straight	75 to * — All Models except FXWG
	55	72502-74	BUSHING, right angle (2)	75 to * — All Models except FXWG
	56	74521-77	CONNECTOR, pin and socket	80 to * — All Models
	57	74536-77A	PIN, single socket (3)	80 to * — All Models
	58	74539-77A	SOCKET, single pin (3)	80 to * — All Models

HANDLEBAR SWITCHES — 1982 & LATER



RETAIL PRICE	INDEX NO.	PART NO.	N A M E	USED ON
	1	2508	SCREW, No. 10-32 x 9/16 hex. socket rd. hd. (4)	82 to * — All Models
	2	9875	WIRE TERMINAL, female spade type, 5/16 slot, #16-22 wire (2)	82 to * — All Models
	2A	9898	WIRE TERMINAL, female flag — insulated	82 to * — All Models
	3	10006	CABLE STRAP, wiring harness (2)	82 to 84 — FXWG
	3A	11155	RETAINING RING	Late 83 to * — All Models
	4	56070—81	RETAINER, wiring harness (4)	82 & 83 — All Models
		56073—83	RETAINER, wiring harness (4)	84 to * — All Models
	5	56394—74	SPRING, adjusting screw	82 to * — All Models
	6	56396—74A	SPRING, grip	82 to * — All Models
	7	56397—74C	ADJUSTING SCREW KIT	82 to * — All Models
	7A	56402—83A	ADJUSTING SCREW, only	82 to * — All Models
	8	70037—82	WIRING HARNESS, left handlebar	82 to 84 — FXWG
	9	70038—82	WIRING HARNESS, right handlebar	82 to 84 — FXWG
	10	70047—82	WIRE ASSEMBLY, 5' lg. (white)	82 to * — All Models
	11	70082—82	WIRE ASSEMBLY, 3' lg. (orange)	82 to * — All Models
	12	70218—87	SWITCH ASSEMBLY, complete — left	82 to * — All Models
	13	70219—87	SWITCH ASSEMBLY, complete — right	82 to * — All Models
	14	70287—81	HOUSING, socket (2)	82 to 84 — FXWG
	16	71563—82A	HOUSING, lower, right	82 to * — All Models
	17	71564—82A	HOUSING, upper, right	82 to * — All Models
	18	71567—82	HOUSING, upper, left	82 to * — All Models
	19	71568—82A	HOUSING, lower, left	82 to * — All Models
	20	71570—82A	SWITCH ASSEMBLY, w/terminals, left directional	82 to * — All Models
	21	71571—82	SWITCH ASSEMBLY, w/terminals, engine stop & start	82 to * — All Models
	22	71572—82A	SWITCH ASSEMBLY, w/terminals, right directional	82 to * — All Models
	23	71573—82A	SWITCH ASSEMBLY, w/terminals & wiring, dimmer & horn	82 to * — All Models
	24	71574—82	STOPLIGHT SWITCH, with terminals & wiring	82 to * — All Models
	25	72039—71	PIN, single socket (12; 14 — FXWG)	82 to * — All Models



HANDLEBAR SWITCHES — 1973 TO 1981

AA78A-1

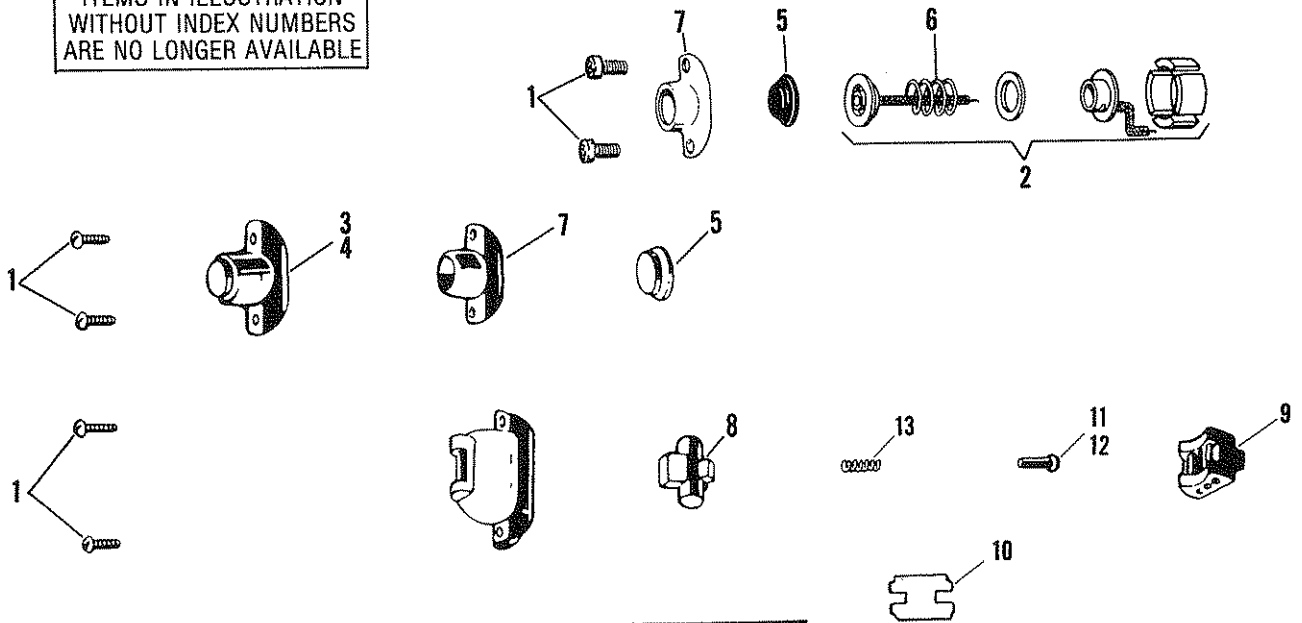
RETAIL PRICE	INDEX NO.	PART NO.	N A M E	USED ON
	1	2695W	SCREW, No. 10-24 x 1-1/8 Pozidriv fil. hd. (8)	73 to 81 — All Models
	2	2803W	SCREW, No. 6-32 x 1 Phillips hd. (2)	73 to 81 — All Models
	3	2804W	SCREW, No. 6-32 x 1/2 Phillips hd. (4)	73 to 81 — All Models
	4	6220W	WASHER, 1/4 x 7/16 x 1/32 (2)	73 to 81 — All Models
	5	27751—69P	RUBBER CAP, front spotlight switch	72 to 81 — All Models
	6	46901—73	LABEL, dimmer switch	N/A 73 & 74 — All Models
	7	46901—75	LABEL, lights	N/A 75 to 78 — All Models
	8	46902—73	LABEL, engine stop switch	N/A 73 & 74 — All Models
	9	46902—75	LABEL, engine stop	N/A 75 to 78 — All Models
	10	46903—75	LABEL, start	75 to 78 — All Models except FX
	11	46904—75	LABEL, turn — R	N/A 75 to 78 — All Models
	12	46905—75	LABEL, turn — L	N/A 75 to 78 — All Models
	13	46906—75	LABEL, horn	75 to 78 — All Models
	14	46907—77	LABEL, engine stop	79 to 81 — All Models
	15	46908—77	LABEL, start	79 to 81 — All Models
	16	46909—77	LABEL, turn — R	79 to 81 — All Models
	17	46910—77	LABEL, turn — L	79 to 81 — All Models
	18	46911—77	LABEL, horn	79 to 81 — All Models
	19	46912—77	LABEL, lights	79 to 81 — FXS, FXS-80
		69537—77	WIRING HARNESS, right handlebar switch	77 to 79 — FXS, FXS-80; 80 & 81 — FXB
		69538—77	WIRING HARNESS, left handlebar switch	77 to 79 — FXS, FXS-80; 80 & 81 — FXB
	20	70044—77	SWITCH ASSEMBLY, complete — left handlebar (w/dir.)	N/A 77 & 78 — FXS
	21	70052—73A	SWITCH ASSEMBLY, complete — right handlebar (w/dir.) (elect. start)	73 to 78 — FXE
	22	70055—77	SWITCH ASSEMBLY, complete — right handlebar (w/dir.) (elect. start)	N/A 77 & 78 — FXS
		70064—73	WIRING HARNESS, left handlebar switch	N/A 73 & 74 — All Models
	23	70066—73A	SWITCH ASSEMBLY, complete — right handlebar (w/dir.)	N/A Late 73 to 78 — FX

HANDLEBAR SWITCHES — 1973 TO 1981 (CONT'D)

AA78A-2

RETAIL PRICE	INDEX NO.	PART NO.	NAME	USED ON
	24	70067-73A	SWITCH ASSEMBLY, complete — left handlebar (w/dir.)	N/A Late 73 to 78 — FX, FXR
		70078-75	WIRING HARNESS, right handlebar switch	75 to 78 — FX, FXE
		70079-75	WIRING HARNESS, left handlebar switch	75 to 78 — FX, FXE
		70117-80	WIRING HARNESS, left handlebar switch	80 — FXWG
		70117-81	WIRING HARNESS, left handlebar switch	81 — FXWG
		70166-79	WIRING HARNESS, right handlebar switch	79 & 80 — FXE, FXEF, FXEF-80; 80 — FXS-80
		70170-79	WIRING HARNESS, left handlebar switch	79 & 80 — FXE, FXEF, FXEF-80; 80 — FXS-80
		70173-81	WIRING HARNESS, left handlebar switch	81 — All Models except FXWG, FXB
		70176-73	WIRING HARNESS, right handlebar switch (w/dir.)	N/A 73 & 74 — All Models
		70177-79	WIRING HARNESS, right handlebar switch	81 — FXE-80, FXEF-80, FXS-80
	26	70182-79	SWITCH ASSEMBLY, complete — left handlebar (black) (w/dir.)	79 & 80 — FXE, FXEF, FXEF-80; 80 — FXS-80
	27	70185-81	SWITCH ASSEMBLY, complete — left handlebar (black) (w/dir.)	81 — All Models except FXWG, FXB
		70200-80	WIRING HARNESS, right handlebar switch	80 — FXWG
		70200-81	WIRING HARNESS, right handlebar switch	81 — FXWG
	28	70210-80	SWITCH ASSEMBLY, complete — left handlebar (w/dir.)	N/A 80 — FXWG
	29	70210-81	SWITCH ASSEMBLY, complete — left handlebar (w/dir.)	81 — FXWG
	30	70213-80	SWITCH ASSEMBLY, complete — right handlebar (w/dir.)	N/A 80 — FXWG
	31	70213-81	SWITCH ASSEMBLY, complete — right handlebar (w/dir.)	81 — FXWG
	32	70234-79	SWITCH ASSEMBLY, complete — right handlebar (black) (w/dir.)	N/A 79 & 80 — FXE, FXEF, FXEF-80; 80 — FXS-80
	33	70240-79	SWITCH ASSEMBLY, complete — right handlebar (w/dir.)	N/A 79 — FXS, FXS-80; 80 & 81 — FXB
	34	70241-79	SWITCH ASSEMBLY, complete — left handlebar (w/dir.)	79 — FXS, FXS-80; 80 & 81 — FXB
	35	70247-81	SWITCH ASSEMBLY, complete — right handlebar (black) (w/dir.)	81 — FXE-80, FXEF-80, FXS-80
	36	71483-72	ROCKER SWITCH (2)	73 & 74 — All Models
	37	71484-72A	BUTTON SWITCHES (4)	73 to 81 — All Models
	38	71519-75	HOUSING, handlebar switches (vertical rocker switch) (black) (2)	79 to 81 — All Models
	39	71533-72	RETAINER, button switches (2)	73 to 81 — All Models
	40	71534-72	BUTTON CAP, switch — short (2)	73 to 81 — All Models
	41	71539-73B	HOUSING, handlebar switches (vertical rocker switch) (polished) (2)	73 to 78 — All Models
	42	71546-75A	ROCKER SWITCH (HI — LOW)	75 to 81 — All Models
	43	71547-75A	ROCKER SWITCH (RUN — OFF)	75 to 81 — All Models
	44	71559-73	PLUG, handlebar switch hole	N/A Early 73 — All Models
	45	72001-69B	STOPLIGHT SWITCH, front brake	73 to 81 — All Models

ITEMS IN ILLUSTRATION
WITHOUT INDEX NUMBERS
ARE NO LONGER AVAILABLE



HANDLEBAR SWITCHES — 1971 & 1972

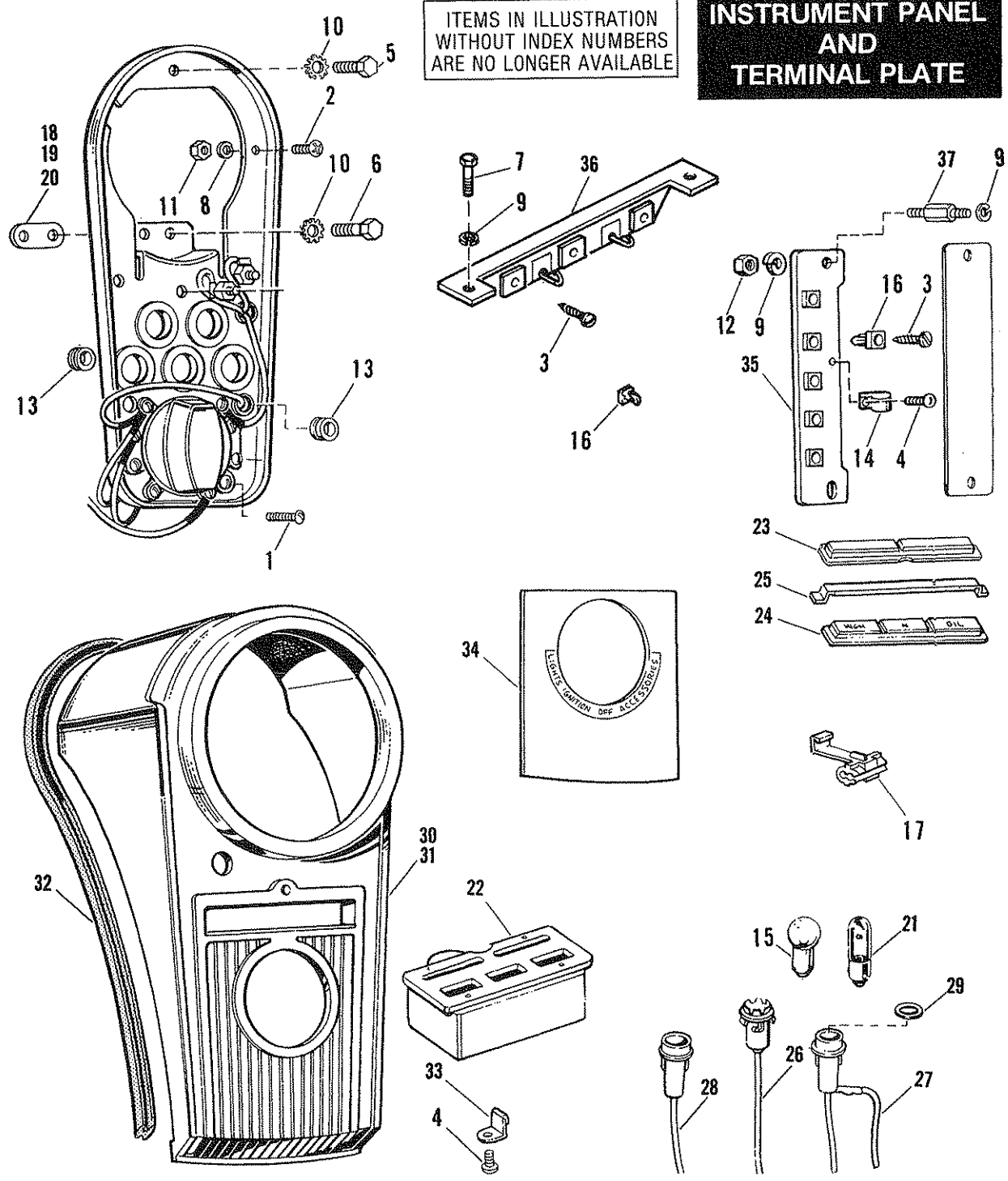
HANDLEBAR SWITCHES — 1971 & 1972

AA79

RETAIL PRICE	INDEX NO.	PART NO.	N A M E	USED ON
	1	2594	SCREW, No. 8-32 x 1/4 Pozidriv pan hd. (2)	71 & 72 — FX
	2	70059—66	BUTTON SWITCH REPAIR KIT (2 wire)	N/A 71 & 72 — FX
	3	70120—70	BUTTON SWITCH, engine cut-out	N/A 71 & 72 — FX
	4	70121—70	BUTTON SWITCH, horn	N/A 71 & 72 — FX
	5	71802—26A	BUTTON, horn & starter switch	N/A 71 & 72 — FX
	6	71804—65	SPRING, horn and starter switch	N/A 71 & 72 — FX
	7	71811—26	HOUSING, horn and starter switch	N/A 71 & 72 — FX
	8	71843—29	LEVER, light switch	71 & 72 — FX
	9	71851—29	CONTACT BLOCK, light switch	71 & 72 — FX
	10	71856—61	PLATE, light switch contact retainer block	N/A 71 & 72 — FX
	11	71859—29	PIN, light switch contact (two position)	71 & 72 — FX
	12	71859—38A	PIN, light switch contact (three position)	N/A 71 & 72 — FX
	13	71861—29	SPRING, light switch contact pin	N/A 71 & 72 — FX

ITEMS IN ILLUSTRATION
WITHOUT INDEX NUMBERS
ARE NO LONGER AVAILABLE

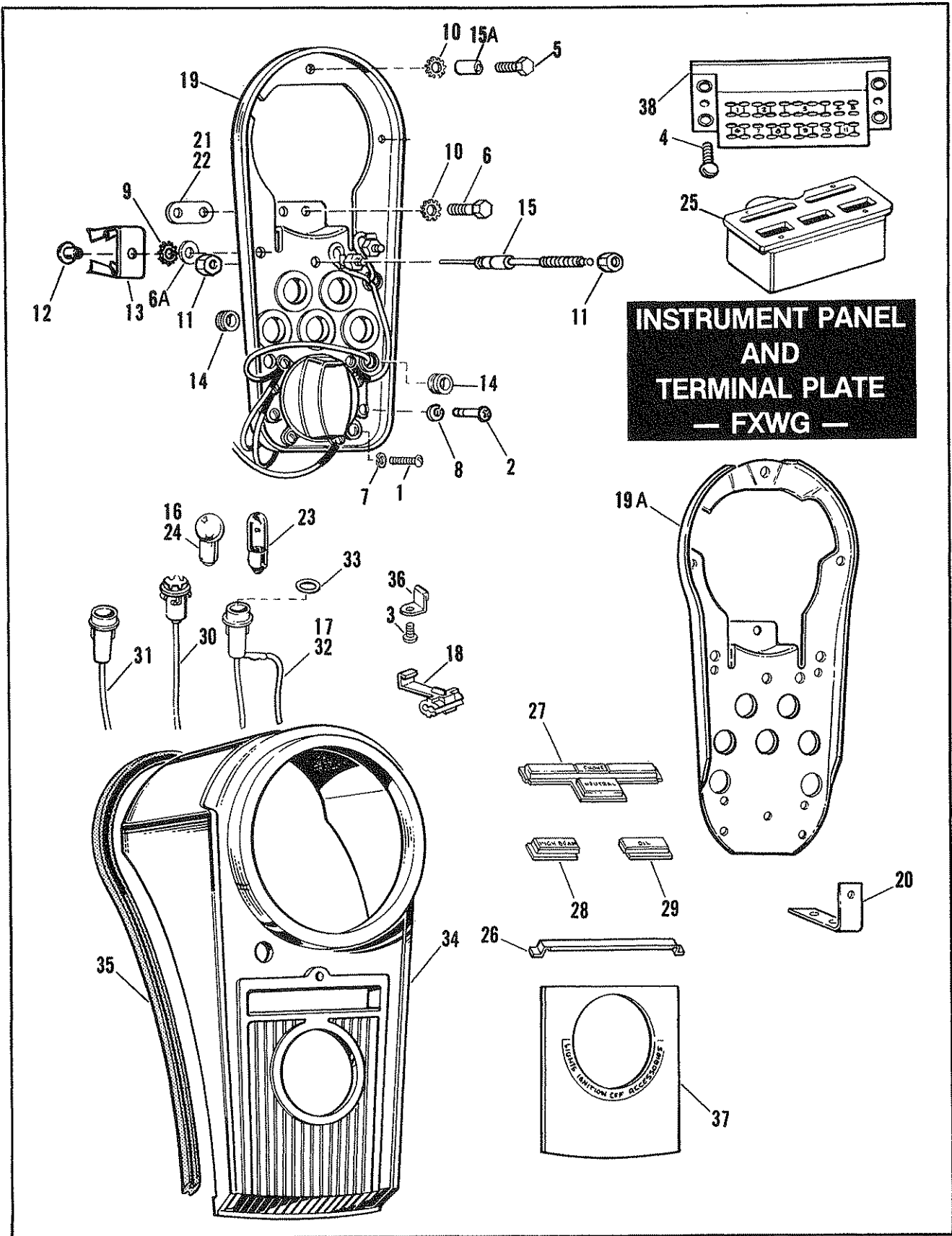
**INSTRUMENT PANEL
AND
TERMINAL PLATE**



INSTRUMENT PANEL AND TERMINAL PLATE

AA80

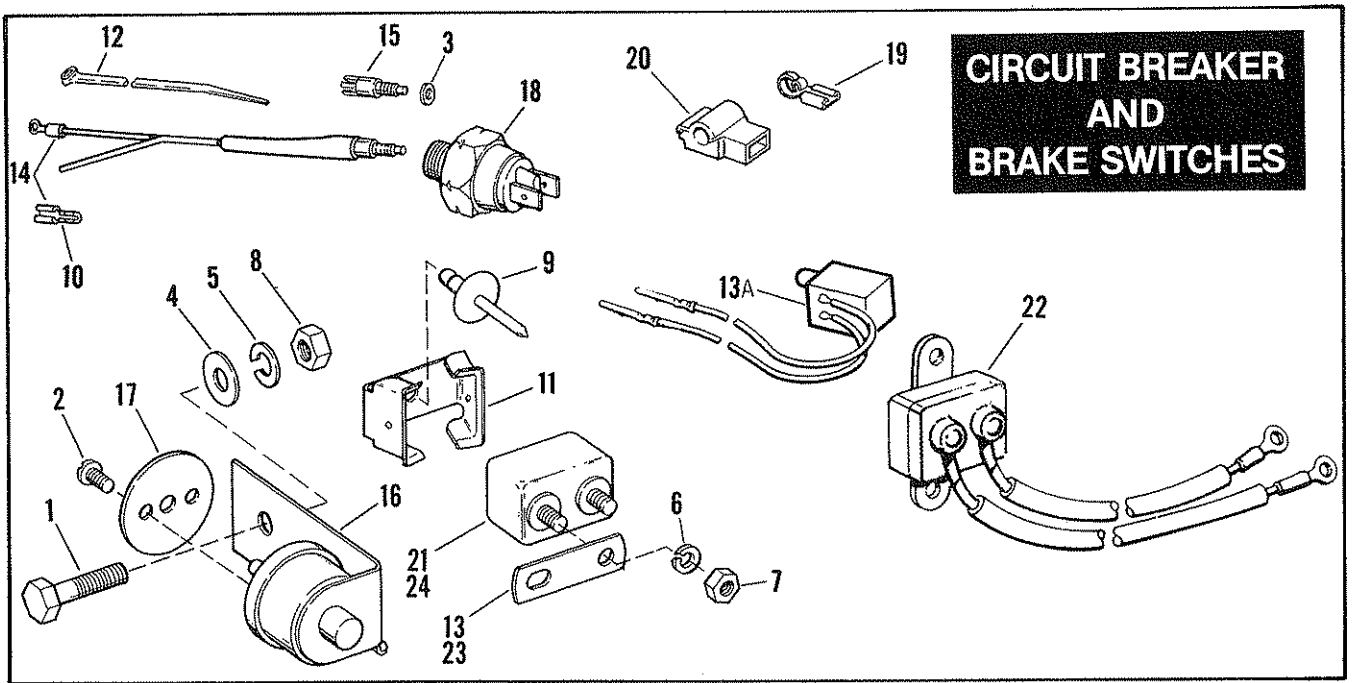
TAIL INDEX PRICE	INDEX NO.	PART NO.	N A M E	USED ON
	1	2589	SCREW, No. 6-32 x 1/4 Pozidriv pan hd.	71 & 72 — FX
	2	2598	SCREW, No. 12-24 x 3/8 Pozidriv pan hd. (2)	N/A 71 & 72 — FX
	3	2623W	SCREW, No. 8-15 x 5/8 self-tapping pan hd. (10)	71 to 77 — FX, FXE
	4	2630W	SCREW, No. 8-32 x 5/16 self-tapping rd. hd. (2)	71 to 77 — FX, FXE
	5	2882W	BOLT, 5/16-18 x 5/8 hex. hd.	71 & 72 — FX
	6	3987	BOLT, 5/16-18 x 3/4 hex. hd. (2)	71 & 72 — FX
	7	4014W	BOLT, 5/16-24 x 1-1/4 hex. hd. (2)	71 to 74 — FX, FXE
	8	7030W	LOCKWASHER, No. 12.	71 & 72 — FX
	9	7041	LOCKWASHER, 5/16 (2)	71 to 77 — FX, FXE
	10	7232	LOCKWASHER, 5/16 external tooth (3)	71 & 72 — FX
	11	7654W	NUT, No. 12-24 x 5/32 x 7/16 hex. (2)	71 & 72 — FX
	12	7753	NUT, 5/16-24 x 1/4 x 1/2 hex. (2)	71 to 77 — FX, FXE
	13	11430	GROMMET, instrument panel (2)	71 & 72 — FX
	14	38712-68	CLAMP.	71 to 77 — FX, FXE
	15	68462-64	BULB, signal lamps — 12 V. (3)	71 & 72 — FX
	16	70574-68	EXPANSION NUT, terminal board (5)	71 to 77 — FX, FXE
	17	70576-68	WIRE CONNECTOR.	71 to 77 — FX, FXE
	18	71027-68	SPACER — 0.03 thick	71 & 72 — FX
	19	71028-68	SPACER — 0.06 thick	71 & 72 — FX
	20	71029-68	SPACER — 0.12 thick	71 & 72 — FX
	21	71090-64	BULB, speedometer lamp — 12 V.	71 & 72 — FX
	22	71134-68	SUPPORT, indicator lamp lens	71 & 72 — FX
	23	71138-68	LENS, direction lamp.	N/A 71 & 72 — FX
	24	71139-70	LENS, warning lamps	N/A 71 & 72 — FX
	25	71141-68	RETAINER, indicator lamp lens	71 & 72 — FX
	26	71151-70	SOCKET, speedometer lamp	N/A 71 & 72 — FX
	27	71161-70	SOCKET, oil signal lamp	N/A 71 & 72 — FX
	28	71162-70	SOCKET (4)	71 & 72 — FX
	29	71182-47A	WASHER, signal lamp socket	71 & 72 — FX
		71190-47	WIRE, lamp socket (green)	N/A 71 & 72 — FX
	30	71241-68B	COVER, instrument panel (chrome)	71 & 72 — FX
	31	71244-68B	COVER, instrument panel (prime)	N/A 71 & 72 — FX
	32	71295-68	GASKET, instrument panel cover	71 & 72 — FX
	33	71297-68	CLIP, lens support (2)	71 & 72 — FX
	34	71300-68A	PLATE, ignition switch	71 & 72 — FX
	35	72300-70	TERMINAL PLATE	N/A 71 to 77 — FX, FXE
	36	72303-70	TERMINAL PLATE, complete	N/A 71 to 74 — FX, FXE
	37	72341-56A	STUD, terminal box and terminal plate (2)	71 to 77 — FX, FXE



INSTRUMENT PANEL AND TERMINAL PLATE — FXWG

AA80A

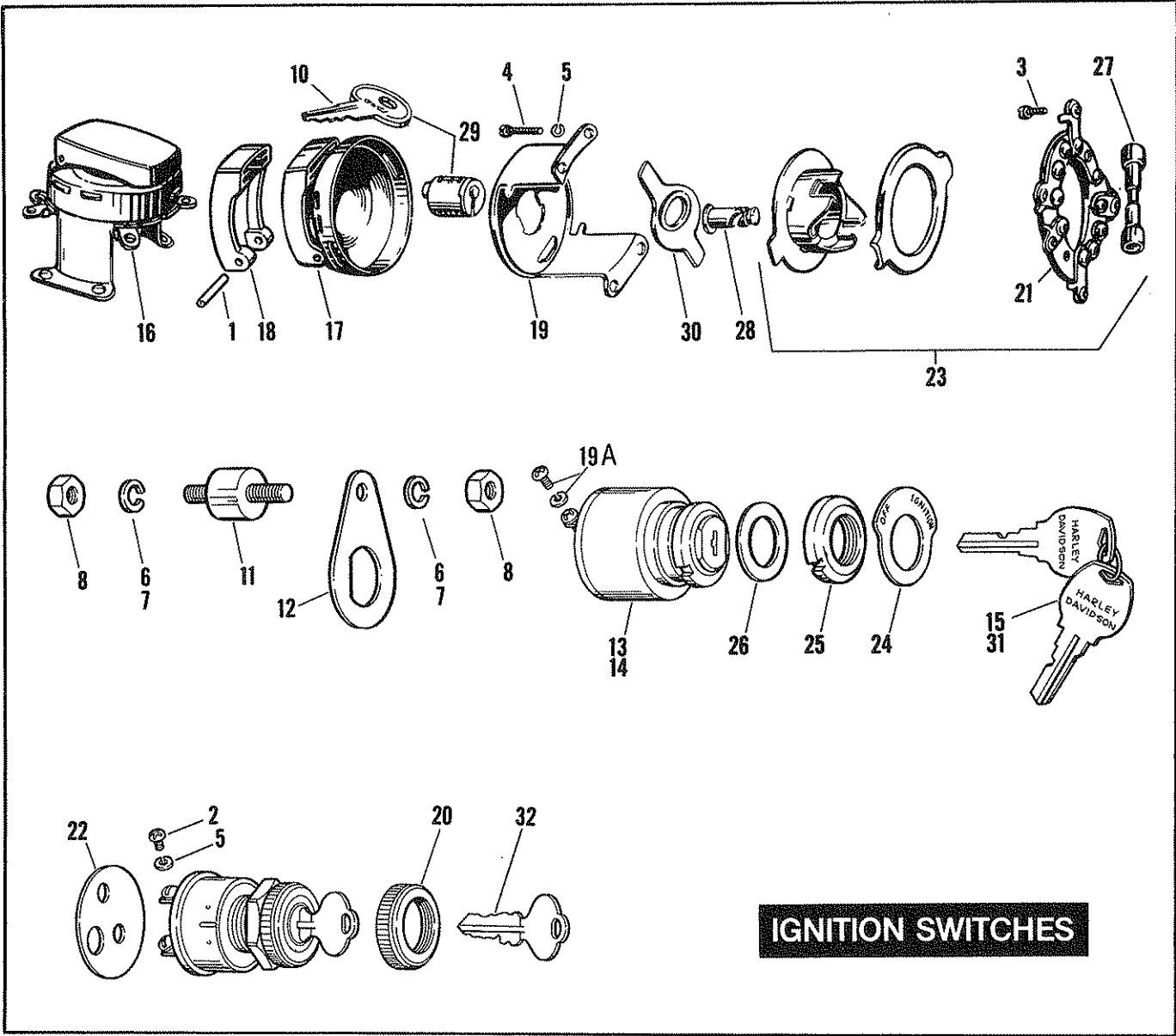
RETAIL PRICE	INDEX NO.	PART NO.	N A M E	USED ON
	1	2574W	SCREW, No. 6-32 x 1/4 rd. hd. (6)	80 to * — FXWG
	2	2594	SCREW, No. 8/32 x 1/4 Pozidriv pan hd. (4)	80 to * — FXWG
	3	2630W	SCREW, No. 8-32 x 5/16 self tapping rd. hd. (2)	80 to * — FXWG
	4	2750	SCREW, No. 6-32 x 3/4 self tapping rd. hd. (4)	80 & 81 — FXWG
		2779	SCREW, No. 6-32 x 15/16 self tapping pan hd. (4)	82 to * — FXWG
	5	2882W	BOLT, 5/16-18 x 5/8 hex. hd.	80 to * — FXWG
	6	3987	BOLT, 5/16-18 x 3/4 hex. hd. (2)	80 to * — FXWG
	6A	6192	WASHER, No. 8 x 7/16 x 3/64	84 to * — FXWG
	7	7010	LOCKWASHER, No. 6 (6)	80 to * — FXWG
	8	7015	LOCKWASHER, No. 8 (4)	80 to * — FXWG
	9	7229W	LOCKWASHER, 1/4 external tooth (3)	80 to * — FXWG
	10	7232	LOCKWASHER, 5/16 external tooth (3)	80 to * — FXWG
	11	7744	NUT, 5/16-24 x 3/16 x 1/2 hex. (2)	80 to * — FXWG
	12	8519	RIVET, flasher clip (3)	80 to * — FXWG
	13	9952	FLASHER CLIP (3)	80 to * — FXWG
	14	11430	GROMMET, instrument panel (2)	80 to * — FXWG
	15	29213—79	CONTROL CABLE, choke	80 to * — FXWG
	15A	52103—31	SPACER, panel mounting	82 to * — FXWG
	16	68462—64	BULB, signal lamps — 12 V. (4)	80 to * — FXWG
	17	68582—73	SOCKET, neutral indicator	80 to * — FXWG
		70214—80A	MAIN WIRING HARNESS (electric start)	80 to * — FXWG
	18	70576—68	WIRE CONNECTOR	80 to * — FXWG
	19	70935—73	INSTRUMENT PANEL BASE	80 to * — FXWG
	19A	70936—84	INSTRUMENT PANEL BASE, includes index nos. 6A, 9, 12, 13, 17, 20, 21, 31-33	84 to * — FXWG
	20	70939—84A	BRACKET, circuit breakers	84 to * — FXWG
	21	70941—84A	SPACER, instrument panel (2)	84 to * — FXWG
	22	71027—68	SPACER, 0.03 thick	80 to * — FXWG
		71028—68	SPACER, 0.06 thick	80 to * — FXWG
		71029—68	SPACER, 0.12 thick	80 to * — FXWG
	23	71090—64	BULB, speedometer lamp — 12 V.	80 to * — FXWG
	24	71092—68A	BULB, high beam	80 to * — FXWG
	25	71134—68	SUPPORT, indicator lamp lens	80 to * — FXWG
	26	71141—68	RETAINER, indicator lamp lens	80 to * — FXWG
	27	71143—75	LENS, directional lamp	80 to * — FXWG
	28	71144—75A	LENS, high beam	80 to * — FXWG
	29	71145—75	LENS, oil indicator	80 to * — FXWG
	30	71159—73A	SOCKET, speedometer lamp	80 to * — FXWG
	31	71162—70	SOCKET (3)	80 to * — FXWG
	32	71166—73	SOCKET, oil signal lamp	80 to * — FXWG
	33	71182—47A	WASHER, signal lamp socket	80 to * — FXWG
	34	71240—80	COVER, instrument panel (black)	80 to * — FXWG
	35	71295—68	GASKET, instrument panel cover	80 to * — FXWG
	36	71297—68	CLIP, lens support (2)	80 to * — FXWG
	37	71300—68A	PLATE, ignition switch	80 to * — FXWG
	38	72312—73	TERMINAL BLOCK (mounted on rear fender)	80 to * — FXWG



CIRCUIT BREAKER AND BRAKE SWITCHES

AA82

RETAIL PRICE	INDEX NO.	PART NO.	N A M E	USED ON
	1	2551W	BOLT, 1/4-20 x 1 hex. hd.	73 to 77 — All Models
	2	2636W	SCREW, No. 8-32 x 5/16 rd. hd. (2) N/A	73 to 77 — All Models
	3	6220W	WASHER, 1/4 x 7/16 x 1/32.	80 to * — All Models
	4	6703	WASHER, 1/4 x 5/8 x 1/16.	73 to 77 — All Models
	5	7036	LOCKWASHER, 1/4.	73 to 77 — All Models
	6	7069	LOCKWASHER, No. 10 (6).....	77 — FXS; 78 to * — All Models
	7	7638	NUT, No. 10-32 x 1/8 x 3/8 (6).....	73 to * — All Models
	8	7688	NUT, 1/4-20 x 7/32 x 7/16 hex.	73 to 77 — All Models
	9	8483	POP RIVET, circuit breaker clip (3)	73 to * — All Models
	10	9931	TERMINAL, brake light switch	71 to * — All Models
	11	9952	CLIP, circuit breaker (3)	73 to * — All Models
	12	10007	CABLE STRAP, switch cable to handlebar (2)	71 to * — All Models
	13	69999—77	CONNECTOR BAR, circuit breaker to battery	77 — FXS; 78 to * — All Models
	13A	71574—82	STOPLIGHT SWITCH, with terminals & wiring	82 to * — All Models
	14	71900—70	STOPLIGHT SWITCH, front — with terminals	N/A 71 & 72 — All Models
	15	72001—69B	STOPLIGHT SWITCH, front	73 to 81 — All Models
	16	72005—73A	STOPLIGHT SWITCH, rear	N/A 73 to 77 — All Models
	17	72015—39	INSULATOR, rear stoplight switch	N/A 73 to 77 — All Models
	18	72023—51A	STOPLIGHT SWITCH, rear	71 & 72 — All Models; 78 to * — All Models
	21	74589—73	CIRCUIT BREAKER (3)	73 to * — All Models except FX
	22	74594—71	CIRCUIT BREAKER, only	N/A 71 & 72 — All Models
	23	74598—73	CONNECTOR BAR, ignition and accessory circuit breakers	73 to * — All Models except FX, FXWG
	24	74599—77A	CIRCUIT BREAKER, battery (black)	77 — FXS; 78 to * — All Models except FX



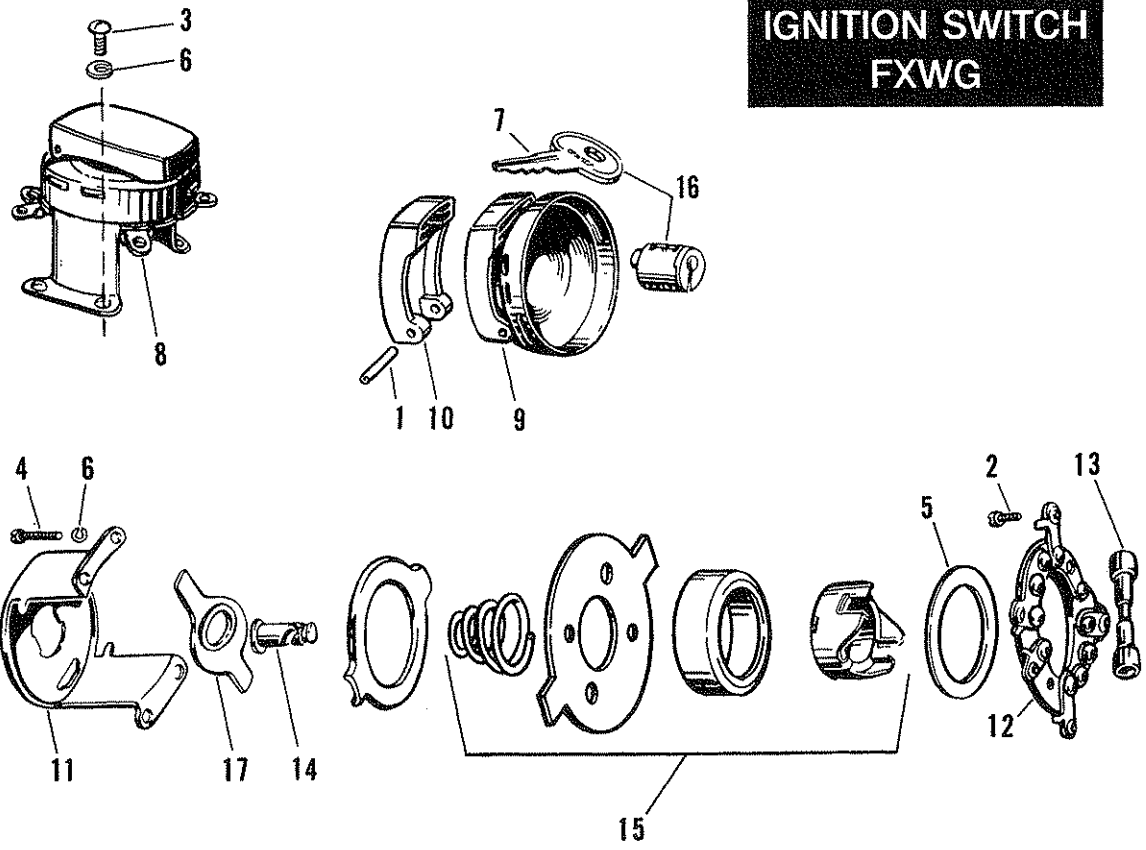
IGNITION SWITCHES

IGNITION SWITCHES

AA83

RETAIL PRICE	INDEX NO.	PART NO.	N A M E	USED ON
	1	612	ROLL PIN, keyhole cover	71 & 72 — All Models
	2	2585	SCREW, No. 8-32 x 5/16 Pozidriv pan hd. (3)	73 & 74 — All Models
	3	2589	SCREW, No. 6-32 x 1/4 Pozidriv pan hd.	71 & 72 — All Models
	4	2625	SCREW, No. 8-32 x 5/8 Pozidriv pan hd. (4)	71 & 72 — All Models
	5	7015	LOCKWASHER, No. 8 (4)	71 to 74 — All Models
	6	7036	LOCKWASHER, 1/4 (2)	80 to * — FXEF, FXS-80, FXEF-80, FXB, FXSB
	7	7230	LOCKWASHER, 1/4 external tooth	77 to 79 — FXS, FXEF, FXS-80, FXEF-80, FXB
	8	7688	NUT, 1/4-20 x 7/32 x 7/16 hex.	77 to * — FXS, FXEF, FXS-80, FXEF-80, FXB, FXSB
	10	48155—30	KEY, ignition switch (include serial no.) (2)	71 & 72 — All Models
	11	62563—65	RUBBER MOUNT, ignition switch bracket	77 to * — FXS, FXEF, FXS-80, FXEF-80, FXB, FXSB
	12	69024—77	BRACKET, ignition switch (painted)	77 to * — FXS, FXEF, FXS-80, FXEF-80, FXB, FXSB; Late 84 to * — FXE-80
	13	70124—75	IGNITION AND LIGHT SWITCH, with keys	73 to 77 — FX, FXE
	14	71425—77	IGNITION AND LIGHT SWITCH, with keys	77 — FXS, FXS-80; 78 to * — All Models except FXWG
	15	71451—78	SET OF IGNITION SWITCH KEYS (specify serial no.)	78 to * — All Models except FXWG
	16	71500—36A	IGNITION AND LIGHT SWITCH, with lock	N/A 71 & 72 — All Models
	17	71506—36A	SWITCH COVER	71 & 72 — All Models
	18	71510—36A	KEYHOLE COVER, with roll pin	71 & 72 — All Models
	19	71516—36	SWITCH BASE	71 & 72 — All Models
	19A	71518—80	SCREW, w/lockwasher (3)	Late 80 to * — All Models except FXWG
	20	71524—59A	NUT, ignition — light switch mounting	N/A 73 & 74 — All Models
	21	71525—36	PLATE, switch mounting	N/A 71 & 72 — All Models
	22	71530—66	INSULATING DISC, ignition switch	N/A 73 & 74 — All Models
	23	71550—36	CONTACT HOLDER	N/A 71 & 72 — All Models
	24	71550—75	LABEL, ignition switch	75 to * — All models except FXWG
	25	71552—75	FACE NUT, ignition and light switch	73 to * — All Models except FXWG
	26	71554—75	WASHER, ignition and light switch	77 — FXS, FXS-80; 78 to * — All Models except FXWG
	27	71560—36	CONTACT ROLLER	71 & 72 — All Models
	28	71562—36	RETAINER, contact roller	N/A 71 & 72 — All Models
	29	71580—36	SWITCH LOCK AND KEYS	71 & 72 — All Models
	30	71587—36	PLATE, switch lock	N/A 71 & 72 — All Models
	31	71623—75	SET OF IGNITION SWITCH KEYS (specify serial no.)	75 to 77 — FX, FXE, FXS
	32	71626—59	KEY, ignition switch (specify serial no.)	73 & 74 — All Models

IGNITION SWITCH FXWG

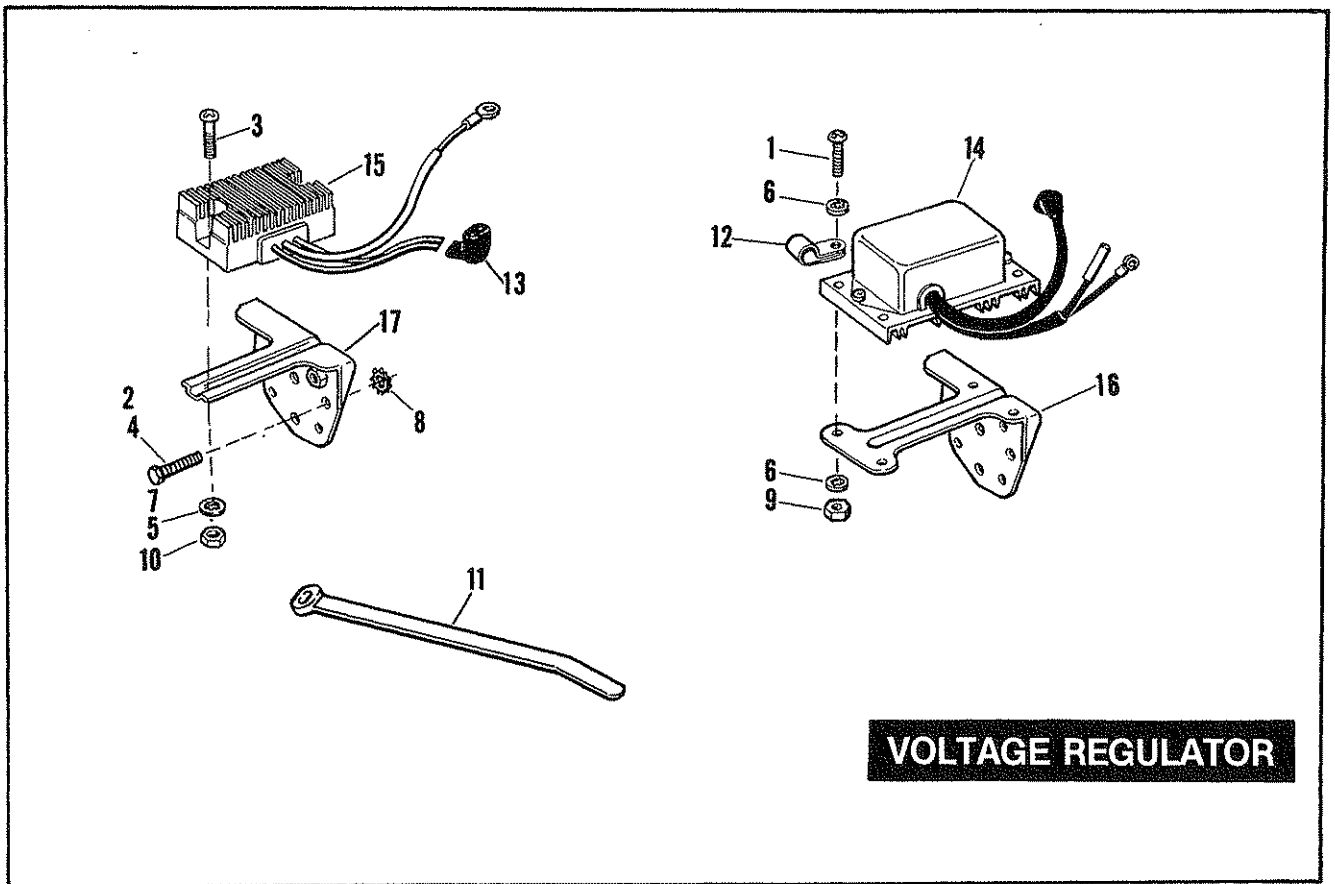


RETAIL PRICE	INDEX NO.	PART NO.	N A M E	USED ON
	1	612	ROLL PIN, keyhole cover	80 to * — FXWG
	3	2594	SCREW, No. 8-32 x 1/4 Pozidriv pan hd. (4)	80 to * — FXWG
	4	2625	SCREW, No. 8-32 x 5/8 Pozidriv pan hd. (4)	80 to * — FXWG
	5	6730	WASHER, 1 x 1-11/16 x 1/32 (Delrin)	80 to * — FXWG
	6	7015	LOCKWASHER, No. 8 (8)	80 to * — FXWG
	7	48155—30	KEY, ignition switch (specify serial no.) (2)	80 to * — FXWG
	8	71501—73A	IGNITION AND LIGHT SWITCH, with lock	80 to * — FXWG
	9	71506—36A	SWITCH COVER	80 to * — FXWG
	10	71510—36A	KEYHOLE COVER, with roll pin	80 to * — FXWG
	11	71516—36	SWITCH BASE N/A	80 to * — FXWG
	12	71541—73	PLATE, switch mounting	80 to * — FXWG
	13	71560—36	CONTACT ROLLER	80 to * — FXWG
	14	71562—36	RETAINER, contact roller N/A	80 to * — FXWG
	15	71572—44	CONTACT HOLDER N/A	80 to * — FXWG
	16	71580—36	SWITCH LOCK AND KEYS	80 to * — FXWG
	17	71587—36	PLATE, switch lock N/A	80 to * — FXWG

STARTER SWITCHES

AA84

RETAIL PRICE	INDEX NO.	PART NO.	N A M E	USED ON
	1	257	PIN, 7/64 dia. x 3/8 lg.	71 to * — All Models
	3	600	ROLL PIN, 1/8 dia. x 1/2 lg.	71 to * — All Models
	4	613	ROLL PIN, 1/8 dia. x 1-1/4 lg.	Late 75 to * — All Models
		614	ROLL PIN, 1/8 dia. x 1 lg.	71 to Early 75 — All Models
	6	2592	SCREW, No. 10-24 x 1/2 Pozidriv pan hd.	80 to * — All Models
	7	2816	SCREW, 1/4-20 x 1/2 Pozidriv ctsk. hd. (2)	73 to 79 — All Models
	8	3802W	BOLT, 1/4-20 x 7/8 hex. hd. (2)	71 to * — All Models
	8A	6701	WASHER (2)	Late 83 to * — All Models
	9	7036	LOCKWASHER, 1/4 (4; 2 — 80 & later)	71 to * — All Models
	10	7038	LOCKWASHER, 3/8 (2)	71 to 78 — All Models
	11	7041	LOCKWASHER, 5/16 (2)	73 to 79 — All Models
	12	7069	LOCKWASHER, No. 10	80 to * — All Models
	13	7130W	LOCKWASHER, 3/8 (2)	79 to * — All Models
	14	7220	LOCKWASHER, No. 10 external tooth (3 — 79 & Earlier) . .	71 to * — All Models
	15	7620W	NUT, No. 10-24 x 1/8 x 3/8 hex.	80 to * — All Models
	16	7638	NUT, No. 10-32 x 1/8 x 3/8 hex. (3 — 79 & Earlier)	71 to * — All Models
	17	7688	NUT, 1/4-20 x 1/4 x 1/2 (2)	73 to 79 — All Models
	18	7748W	NUT, 5/16-18 x 1/4 x 1/2 hex. (2)	73 to 79 — All Models
	19	7783	NUT, 3/8-16 x 5/16 x 9/16 hex. (2)	71 to * — All Models
	20	25811—11	WASHER, transmission neutral switch (fiber) (as req'd.) .	71 to 79 — All Models
	20A	27060—55	O-RING, solenoid mounting	80 to * — FXB, FXSB
	21	31435—65B	PLUNGER ASSEMBLY, solenoid	71 to * — All Models
	22	31438—65A	OVER-RUN SPRING	71 to * — All Models
	23	31439—84	RETAINER, over-run spring	71 to * — All Models
	24	31440—65	RETURN SPRING, plunger	71 to * — All Models
	25	31441—65A	BOOT, solenoid plunger (rubber)	71 to * — All Models
	26	31444—65A	COVER, solenoid switch (gray)	71 to 81 — FX, FXE, FXEF, FXEF-80, FXE-80; 82 to * — All Models except FXB, FXSB
	27	31452—65A	SPACER, solenoid mounting.	71 to * — All Models
	28	31475—77	COVER, solenoid switch (black)	77 to 81 — FXS, FXS-80, FXWG; 80 to 83 — FXB, FXSB
	29	31506—79B	STARTER RELAY (plastic)	Late 84 to * — All Models
	30	33198—79	BUSHING, neutral switch	Late 79 to * — All Models
	31	33900—59	TRANSMISSION NEUTRAL SWITCH	Late 73 to Early 79 — All Models
		33901—79	TRANSMISSION NEUTRAL SWITCH	Late 79 to * — All Models
	33	60645—65	GASKET, solenoid mounting	71 to Early 84 — All Models
	34	71463—73A	STARTER RELAY	73 to 79 — All Models
	36	71466—65	SOLENOID INNER PLUNGER N/A	Late 79 to * — All Models
	37	71467—65	COVER GASKET, starter solenoid	Late 79 to * — All Models
	38	71469—65B	STARTER SOLENOID SWITCH	71 to 81 — FX, FXE, FXEF, FXEF-80, FXE-80; 82 to * — All Models except FXB, FXSB
		71473—77B	STARTER SOLENOID SWITCH (painted)	77 to 81 — FXS, FXS-80, FXWG; 80 to * — FXB, FXSB
	40	71507—71	TRANSMISSION NEUTRAL SWITCH	71 to Early 73 — All Models



VOLTAGE REGULATOR

RETAIL PRICE	INDEX NO.	PART NO.	N A M E	USED ON
	1	2595	SCREW, No. 10-24 x 1 Pozidriv pan hd. (4)	N/A 71 to 75 — All Models
	2	2851	BOLT, 3/8-16 x 7/8 hex. hd. (3) (Hi-way footrest)	80 to * — FXS-80, FXB, FXSB
	3	3802W	BOLT, 1/4-20 x 7/8 hex. (2)	76 to * — All Models
	4	4713W	BOLT, 3/8-16 x 3/4 hex. hd. (3)	76 to * — FX, FXE, FXS, FXEF, FXEF-80, FXWG
	5	7036	LOCKWASHER, 1/4 (2)	76 to Early 81 — All Models
	6	7118	LOCKWASHER, No. 10 internal tooth (8)	71 to 75 — All Models
	7	7124	LOCKWASHER, 1/4 internal tooth (2)	Late 81 to * — All Models
	8	7145W	LOCKWASHER, 3/8 external tooth (3)	76 to * — All Models
	9	7624	NUT, No. 10-24 x 1/4 x 3/8 hex. (4)	71 to 75 — All Models
	10	7688	NUT, 1/4-20 x 7/32 x 7/16 (2)	76 to * — All Models
	11	10006	CABLE STRAP	71 to * — All Models
	12	71795—63A	CLAMP, regulator cable	71 to 75 — All Models
	13	71875—81	CONNECTOR, plug	76 to * — All Models
	14	74510—70A	RECTIFIER & REGULATOR ASSEMBLY — 12 V. (chrome)	71 to 75 — All Models
	15	74512—79A	RECTIFIER & REGULATOR ASSEMBLY	76 to 80 — All Models
		74516—86	RECTIFIER & REGULATOR ASSEMBLY	81 to * — All Models
	16	74533—70A	BRACKET, regulator	N/A 71 to 75 — All Models
	17	74533—75B	BRACKET, regulator (chrome) (w/weld nuts)	76 to * — FX, FXE, FXS, FXEF, FXS-80, FXB, FXSB
		74534—80	BRACKET, regulator (black) (w/weld nuts)	80 to * — FXEF-80, FXWG, FXE-80

RETAIL PRICE	INDEX NO.	PART NO.	N A M E	USED ON
--------------	-----------	----------	---------	---------

ENGINE

	3221		SET SCREW, acorn nut (8)	Late 83 — FXDG
	5200		SCREW, rocker arm shaft end (4)	Late 83 — FXDG
	7530		ACORN NUT, cylinder base stud (8)	Late 83 — FXDG
	17518—80		ROCKER ARM COVER, front (black)	N/A Late 83 — FXDG
	17519—80		ROCKER ARM COVER, rear (black)	N/A Late 83 — FXDG

CRANKCASE — GEAR SIDE

	5201		ACORN HEAD BOLT, lower center gear cover	N/A Late 83 — FXDG
	5203		ACORN HEAD BOLT, lower front gear cover	N/A Late 83 — FXDG
	5204		ACORN HEAD BOLT, upper front gear cover	N/A Late 83 — FXDG
	5205		ACORN HEAD BOLT, upper rear gear cover	N/A Late 83 — FXDG
	5208		ACORN HEAD BOLT, lower rear gear cover	N/A Late 83 — FXDG
	8697		POP RIVET, timer cover (2)	N/A Late 83 — FXDG
	24051—80		SPACER, compensating sprocket (0.01) (as req'd)	Late 83 — FXDG
	24052—80		SPACER, compensating sprocket (0.02) (as req'd)	Late 83 — FXDG
	24053—80		SPACER, compensating sprocket (0.04) (as req'd)	Late 83 — FXDG
	24054—80		SPACER, compensating sprocket (0.06) (as req'd)	Late 83 — FXDG
	25215—83		GEAR COVER, includes 83162—51 OIL SEAL	N/A Late 83 — FXDG
	25257—80		GASKET, gear cover (black)	Late 83 — FXDG
	32526—83		TIMER COVER (black on aluminum)	N/A Late 83 — FXDG

OIL PUMP

	26339—83		FITTING, oil line	N/A Late 83 — FXDG
	26267—82		COVER, oil pump (black)	N/A Late 83 — FXDG
	45830—48		PLUG, oil pump	Late 83 — FXDG
	63540—62		FITTING, oil pump cover	Late 83 — FXDG

AIR CLEANER

	7127		LOCKWASHER, choke cable	Late 83 — FXDG
	29123—83		GRILL, air intake	N/A Late 83 — FXDG
	29292—83		TRIM, air cleaner (aluminum)	N/A Late 83 — FXDG

STARTER SHAFT & HOUSING — BELT DRIVEN MODELS

REFER TO SECTION AA16A FOR APPLICABLE PART LIST.

TRANSMISSION

	6192		WASHER, kick starter spring cover	Late 83 — FXDG
	7041		LOCKWASHER, transmission cover (2)	N/A Late 83 — FXDG
	7523		ACORN NUT, transmission cover (4)	Late 83 — FXDG
	31464—83		COVER, transmission	N/A Late 83 — FXDG
	33148—83		COVER, starter crank spring (maroon)	N/A Late 83 — FXDG
	34713—83		TRANSMISSION HOUSING (4-speed) (painted)	N/A Late 83 — FXDG
	35070—82A		SPACER, main drive gear	Late 83 — FXDG

RETAIL PRICE	INDEX NO.	PART NO.	NAME	USED ON
--------------	-----------	----------	------	---------

CLUTCH

37497—81	NUT, mainshaft, with (2) 12014 seals	Late 83 — FXDG
37655—80A	CLUTCH SHELL & SPROCKET, with starter ring gear	Late 83 — FXDG

WHEELS, BELTS & SPROCKETS

3200	SET SCREW, compensating sprocket assy.	Late 83 — FXDG
3771	BOLT, rear wheel sprocket (5)	Late 83 — FXDG
6516HW	WASHER, rear wheel sprocket (5)	Late 83 — FXDG
40003—79	BELT, transmission sprocket to rear wheel sprocket	Late 83 — FXDG
40009—80	BELT, engine sprocket to clutch sprocket	Late 83 — FXDG
40106—80	RUBBER DAMPER, drive hub, comp. sprocket — small (2)	Late 83 — FXDG
40107—80	RUBBER DAMPER, drive hub, comp. sprocket — large (2)	Late 83 — FXDG
40212—80C	TRANSMISSION SPROCKET KIT	Late 83 — FXDG
40221—85	REAR WHEEL SPROCKET	Late 83 — FXDG
40244—80	BEARING DISC, compensating sprocket	Late 83 — FXDG
40247—80	NUT, compensating sprocket	Late 83 — FXDG
40248—80	LOCKWASHER, compensating sprocket	Late 83 — FXDG
40253—80	WARNING LABEL, belt drive (2)	Late 83 — FXDG
40254—80	FLANGE BEARING, outside	Late 83 — FXDG
40261—80	DRIVE HUB, compensator	Late 83 — FXDG
40263—80	SPROCKET, compensating — engine	Late 83 — FXDG
40264—80	COMPENSATING SPROCKET ASSEMBLY, engine	N/A
40932—81	SPACER, rear belt sprocket	Late 83 — FXDG
41057—83	REAR WHEEL, 16" disc covered spoke wheel	Late 83 — FXDG
41580—79	AXLE, rear wheel	Late 83 — FXDG
41592—79	SPACER, rear axle	Late 83 — FXDG
41791—79A	DISC, rear brake	Late 83 — FXDG
44140—83	DISC, brake — front wheel	Late 83 — FXDG

FRONT FORK

45832—77A	AXLE CAP, right slider	Late 83 — FXDG
45855—77	SPRING, slider tubes (2)	Late 83 — FXDG
45868—83	SLIDER, right — includes drain screws & bushings	N/A
45869—83	SLIDER, left — includes drain screws & bushings	N/A
46003—83	FRONT FORK SLIDER, complete — right	N/A
46005—83	FRONT FORK SLIDER, complete — left	N/A

REAR FORK

47446—82	REAR FORK	Late 83 — FXDG
47519—72	OIL SEAL, rear fork (3)	Late 83 — FXDG

POUCHES

2538	SCREW, rear pouch	Late 83 — FXDG
33258—71	WASHER, rear pouch	N/A
90827—83	POUCH, rear (black)	Late 83 — FXDG
90832—83	POUCH, front (black)	Late 83 — FXDG

RETAIL PRICE	INDEX NO.	PART NO.	NAME	USED ON
--------------	-----------	----------	------	---------

SHOCKS

	54509—73A		SHOCK ABSORBER, rear (2)	Late 83 — FXDG
	54562—83		CAM SLEEVE, rear shock absorber (2)	N/A Late 83 — FXDG
	54703—83		COVER, shock absorber (2)	N/A Late 83 — FXDG
	54706—83		COVER, shock absorber stud (2)	N/A Late 83 — FXDG

FENDERS & BELT GUARD

	6029		WASHER, debris deflector (2)	Late 83 — FXDG
	6398		WASHER, rear belt guard (rubber) (2)	Late 83 — FXDG
	6701		WASHER, rear belt guard	Late 83 — FXDG
	7611		SPEED NUT, rear fender medallion	Late 83 — FXDG
	8692		POP RIVET, debris deflector (4)	Late 83 — FXDG
	14045—83		DECAL, belt guard (maroon & grey)	Late 83 — FXDG
	59646—80		FENDER DEBRIS DEFLECTOR	Late 83 — FXDG
	59903—83GC		REAR FENDER (maroon)	N/A Late 83 — FXDG
	59924—83GC		FRONT FENDER (maroon)	N/A Late 83 — FXDG
	60314—83		REAR BELT GUARD, complete with decal (black)	N/A Late 83 — FXDG
	60389—80		FRAME DEBRIS DEFLECTOR	Late 83 — FXDG
	60494—80		BRACKET, frame debris deflector	Late 83 — FXDG
	99017—83		MEDALLION, rear fender	N/A Late 83 — FXDG

FRONT BELT HOUSING

	334A		ROLL PIN, front belt housing	Late 83 — FXDG
	4741		SCREW, front belt housing (with lockpatch)	Late 83 — FXDG
	5206		ACORN HEAD BOLT, clutch cover — belt guard (3)	Late 83 — FXDG
	25434—83		COVER, clutch, chain guard (maroon)	Late 83 — FXDG
	44134—72A		BOLT, 12-point flanged — inner belt housing (2)	Late 83 — FXDG
	60315—83		BELT HOUSING, front	N/A Late 83 — FXDG
	60354—83		PLUG, front belt housing — shifter hole (red)	N/A Late 83 — FXDG
	60470—82		PLUG, belt housing-chain oiler hole	Late 83 — FXDG
	60515—83		COVER, front belt housing (maroon)	N/A Late 83 — FXDG
	60576—83		INSPECTION COVER (maroon)	Late 83 — FXDG

FUEL TANK

	14046—83		TRIM, fuel tank (black & grey) (2)	Late 83 — FXDG
	61213—83GC		FUEL TANK, right (5 gal.) (maroon)	Late 83 — FXDG
	61229—83GC		FUEL TANK, left (5 gal.) (maroon)	Late 83 — FXDG

OIL TANK

	62531—80		EDGING, oil tank	N/A Late 83 — FXDG
	62535—82A		OIL TANK ASSEMBLY	N/A Late 83 — FXDG
	63711—82		STAINLESS STEEL COVERED HOSE, 44" long — cut to length required for oil lines	Late 83 — FXDG
	63720—82		CONNECTOR, worm driven — oil lines (chrome) (9)	Late 83 — FXDG
	66042—79A		DECAL, oil tank — "WARNING"	Late 83 — FXDG

RETAIL PRICE	INDEX NO.	PART NO.	NAME	USED ON
---------------------	------------------	-----------------	-------------	----------------

EXHAUST SYSTEM

	3210		SCREW, exhaust pipe mounting (2)	Late 83 — FXDG
	4816		SCREW, finned exhaust clamps (2)	Late 83 — FXDG
	6313		WASHER, finned exhaust clamp (2)	Late 83 — FXDG
	6702		WASHER, exhaust crossover clamp	Late 83 — FXDG
	7748W		NUT, exhaust crossover pipe	Late 83 — FXDG
	65280—83		CLAMP, muffler inlet (2)	Late 83 — FXDG
	65352—83A		MUFFLER, front	N/A Late 83 — FXDG
	65393—83A		MUFFLER, rear	N/A Late 83 — FXDG
	65429—83		EXHAUST PIPE, front	N/A Late 83 — FXDG
	65433—83		CLAMP, exhaust crossover pipe	N/A Late 83 — FXDG
	65477—83		EXHAUST PIPE, rear	N/A Late 83 — FXDG
	65853—83		EXHAUST CLAMPS, finned (black) (2)	Late 83 — FXDG
	65702—80		SHIELD, rear	Late 83 — FXDG

BATTERY

	7036		LOCKWASHER, battery carrier bracket (4)	Late 83 — FXDG
	66099—80		BRACKET, battery carrier	Late 83 — FXDG
	66359—80		COVER, battery — with cushions (black)	Late 83 — FXDG

SPEEDOMETER

	67017—83		SPEEDOMETER HEAD, mile (85 mph)	N/A Late 83 — FXDG
	67030—81C		SPEEDOMETER HEAD, kilo/mps	Late 83 — FXDG

HORN & MIRROR

	69026—80		COVER, high tone horn (black)	Late 83 — FXDG
	91896—83		MIRROR KIT, left	Late 83 — FXDG
	91900—83		MIRROR, right	Late 83 — FXDG

INSTRUMENT PANEL & ELECTRICAL

	31475—77		COVER, solenoid switch (black)	Late 83 — FXDG
	69998—83		CONNECTOR, 2 terminal	N/A Late 83 — FXDG
	70220—83		MAIN WIRING HARNESS	N/A Late 83 — FXDG
	70579—65		INSULATOR, neutral switch	Late 83 — FXDG
	71242—83		COVER, instrument panel	N/A Late 83 — FXDG
	71473—77B		STARTER SOLENOID SWITCH (painted)	Late 83 — FXDG

NUMERICAL INDEX

Part No.	Page	Part No.	Page	Part No.	Page	Part No.	Page	Part No.	Page
215	63		84	2508	229		107	2879 W	71
223	23		87	2511	19		127		131
239	23	902	18		19		161		151
257	245	903	18	2513	177	2661 W	89		155
275	18		42	2538	249		91		157
334 A	53		173	2551 W	53		161		167
	55		177		67	2662 W	89	2881 W	63
	173	905	18		173		223		81
	250	906	7		239	2664	59	2882 W	167
341	15	916	165	2554	43		71		235
358	18	923	201	2574 W	237		91		237
375	71	930	26	2579	89		96	2887 W	111
513	95		29	2583	201		105		161
515	67		31	2585	83	2667	187		201
	107		35		217	2668	201		207
	109	1000	153		241	2682	57	2889	219
	111	1047	42	2599	235	2692 W	217	3200	87
	113		49		241	2695 W	83		249
	114	1203	165	2592	107		230	3201 W	113
520 W	93		209		117	2698	219		187
	96	1205	83		201	2708	113		189
	99		107		217	2711	153		191
534	3	1301	18		245	2731 W	45		193
	67		43	2594	161	2750	237		195
	184		173		233	2757 W	153		197
600	245	1305	18		237	2758	39	3206 B	221
603	41		173		243	2774	37	3207	161
604	55	1308	19	2595	247		171	3208	165
612	241	1369	67	2597	67		173	3210	161
	243	1374	173	2598	201	2779	237		251
613	245	1601	19		235	2802 W	153	3212	25
614	245		45	2602	171	2803 W	230	3221	248
615	42	1602	153	2607	71	2804 W	230	3233	221
	49	1608	67		153	2808	161	3413	37
620	42	1719 W	67	2608	155	2816	199	3425 W	161
	49		221	2611 B	45		245	3427	15
623	42	1764 W	67	2612	215	2818	63		109
	49	1765 W	67	2614	84	2823	135	3428	15
	67	1766 W	67	2623 W	235		139	3429	23
635	42	1767 W	67	2625	19		145	3430	15
	49	1772 W	67		43		147	3433	107
650	63	1783	84		241	2825 W	55	3434	167
653	18	1864 B	71		243	2829	19	3443	167
657	18	2005	167	2628	19	2830	145	3444	89
700	23	2061 W	181		91	2851	151	3447	37
706 A	183	2073 W	183	2630 W	235		157	3450	161
707	71		217		237		247	3451	201
720	15	2150	173	2636 W	239	2853	123	3453	105
	113	2216 W	41	2652	93	2871 W	151	3458	37
723	15	2272	167		96		209	3464	111
725	37	2333 W	71		99	2872 W	23		113
853	161	2337 W	173		114		53	3473	43
855	103	2348	155	2653	41		63		45
856	89	2356	173	2659	45		111		109
857	75	2402 W	39	2660	11		173		111

NUMERICAL INDEX

Part No.	Page	Part No.	Page	Part No.	Page	Part No.	Page	Part No.	Page
3491	15	3842	43	4081	155	4420	114		173
3496	95		45	4083 W	177	4432 W	15	4816	161
3497	95		51	4084 W	113	4434 W	109		251
3498	161	3854	131		177		114	5200	7
3504	15	3945	167		195		187		248
3505	15		189	4100 HW	177	4435 W	15	5201	19
3506	15		191	4319	117		187		45
3507	161		197		149	4640	167		248
3509	111		211	4336 W	59	4710	193	5202	19
3514	211	3953 W	114		149	4713 W	67	5203	19
3517	103		185		161		109		248
3520	95	3956	114	4337 W	67		111	5204	19
3525	95		199		109		113		248
3566 W	51		217		149		115	5205	19
3570	43	3958	159		161		149		248
	49	3960 W	151		201		151	5206	173
3655	119		177	4362	149		247		250
	123	3974 HW	15	4371 W	135	4716 W	59	5208	248
3680	96		149		139		131	5403 B	171
	99		167		145		155		171
	119		183		147		167	5410	143
	123		189	4380 W	153		189		211
3720	167		191		167		191	5423	167
3728	199	3987	37		189		197	5430 W	23
	217		39		191	4718	173	5444	84
3738	39		183		211	4720 W	167	5465	171
3750	7		189	4387	89		173	5710	143
3765	39		191	4391	89	4721	111	5714	221
3767 B	37		235		91		113	5723	3
	153		237		151		155	5725	161
3768	55	3991	167		195		157		201
3770	7	3993	55		217		167	5733	177
3771	87		63	4392	109	4722	167	5751	113
	131	3996	151	4401 W	15		173	5761	197
	133		167		84	4724	105	5762	197
	249		185		114		109	5890	109
3778	161	4014 W	151		151		111	5891	109
3781	123		167		197	4725	177	5915 B	161
3782	127		177	4410	111	4726	3	5926 B	167
	131		187		217		43	5942 B	167
3787	199		189	4411	59		45	5960 W	159
3789 A	63		191		135		51	5978 W	221
	71		195		139		87	5982 W	115
3793	105		197		145		127		193
	123		235		147		147	5983 W	115
3795	123	4015	83		155	4729	143	5988	177
3802 W	63		89		189	4740	45	6001	7
	245		161		191	4741	173	6002	7
	247	4017	173		197		250		59
3825	39	4021	173		211	4806	15		71
	111	4026	173	4412	197	4810	19	6006	43
	113	4036	167		211	4813	19	6016	7
	155		187	4414	161		45		15
3826	45		189	4415	193		173		29
3839 W	155	4070	219		195	4814	19		35

NUMERICAL INDEX

Part No.	Page	Part No.	Page	Part No.	Page	Part No.	Page	Part No.	Page
	37	6324 W	149	6590 HW	119	6716	45		153
	59		173	6607 W	95		57		155
	71		177	6653	119		91		167
	199		187		123		117		171
6017	95		189		127		171		171
	177		191	6655	95		201		183
6019	103	6327 B	177		127	6718	93		199
6029	167	6332 B	177		131		96		201
	250	6333	167		133		99		217
6046	37	6334	151	6700 B	183		157		221
6095	37		167	6701	63		159		239
6099	19	6339	183		71		161		241
	45	6341 B	171		95	6730	243		245
	71	6375 B	67		105	6736	23		247
	81	6377	23		157	6750	63		251
	83	6379 W	153		167		67	7038	37
	89		159		189	6752	63		39
	161		161		191		67		43
	173		167		211	6754	67		45
6107 B	167		201		245	6762 B	7		51
	199	6388 HB	173		250		201		59
6109	89	6398	250	6702	7		213		67
	177	6400 HB	15		15	6768	213		71
6115	95		71		26	6774	15		84
6156	115		84		29	6804	177		107
6160 P	177		177		31	6811 W	91		109
6182 W	217	6409	67		37	6910 W	159		111
6189 W	49	6410	153		39	6969	43		113
	219	6411	177		43	7004	199		115
6192	19	6416	3		45	7010	237		117
	43		167		135	7015	201		119
	45	6443 HW	59		139		221		131
	201		71		143		237		149
	207		79		151		241		155
	237	6448 HB	115		167		243		157
	248	6466 W	7		171	7022	95		167
6194	19	6469 HW	3		185		119		177
	45	6473 HB	147		189		123		187
6218 W	147	6474	71		191		127		189
6220 W	67	6495 HW	3		199		131		191
	109	6497 HW	3		221		133		193
	111		43		251	7030 W	161		195
	113		45	6703	19		201		197
	115		51		23		235		211
	199	6506	11		45	7036	23		219
	230	6516 HW	3		55		39		245
	239		43		57		45	7039	3
6228 W	217		45		63		53		71
6229 W	115		51		84		55		79
6230	105		87		89		57		96
6235	171		127		171		63		107
6261	209		133		171		67		131
6313	251		249		183		71		143
6314 W	151	6522 HB	3		221		81		151
6316 HW	7	6581	23		239		111		167

NUMERICAL INDEX

Part-No.	Page	Part No.	Page	Part No.	Page	Part No.	Page	Part No.	Page
7041	15		239	7501	215	7643 W	149		151
	37		245	7504	26	7654 W	201		161
	39	7115	49	7508	151		235		187
	43		83	7509	7	7676	23	7742	111
	45		209		59		53	7744	39
	51	7118	43		71		111		67
	67		45	7513	151		113		107
	89		57	7517	201		171		109
	91		127	7518	201		199		111
	109		247	7519	201		217		115
	115	7124	67	7522	7	7680 W	167		237
	135		247	7523	59	7683	39	7748 W	135
	139	7127	109		71		43		139
	143		111		155		45		143
	145		177		199		51		145
	149		248		248		111		161
	151	7130 W	67	7530	248	7684	167		183
	155		245	7561	127	7686	171		201
	167	7136	84	7572 W	155	7688	57		219
	177	7143	15	7606	211		171		221
	183	7145 W	96	7608	15		183		245
	185		99		37		199		251
	187		119		39		201	7753	7
	189		131		201		215		15
	191		133		217		221		43
	193		151		221		239		45
	195		201	7610	95		241		51
	197		247	7611	167		245		59
	199	7149	201		250		247		71
	209		213	7614	213	7689 W	165		115
	219	7220	57	7620 W	26		171		149
	221		59		29		171		151
	235		89		31		183		167
	245		91		57	7697	171		177
	248		96		67	7710 W	37		183
7042	89		105		91	7725	31		185
	161		161		96		35		187
	201		201		105		37		189
	219		209		107		107		191
7068	119		223		161		149		195
	155		245		171		185		197
	157	7229 W	199		201		193		199
	161		215		245	7727	177		219
	209		217	7624	57	7729	105		235
7069	23		237		247		113	7768 W	161
	43	7230	37	7628	95	7736	151	7775	15
	45		67	7633	155		221		63
	51		217	7634	23	7739	26		105
	57		241	7638	37		29		159
	71	7232	143		39		31		173
	107		167		43		119	7776 W	63
	117		211		45		155		153
	161		235		51		177		167
	201		237		239	7740	101	7778	84
	217	7242	117		245		111		96

NUMERICAL INDEX

Part No.	Page	Part No.	Page	Part No.	Page	Part No.	Page	Part No.	Page
	99		39		131	9219	15	9932	225
	111	7867 W	3		131	9220 A	15	9937	225
	113	7873	151		131	9221 A	15	9945	225
	119	7875	7		133	9222 A	15	9946	185
	127	7880	157		149	9223 A	15		185
	155		209	9058	19	9224 A	15	9951	149
	157	7911	59	9061	87	9225 A	15		183
7783	109		75		173	9260	161	9952	167
	111	7977	59	9062	53	9441 A	11		209
	113	7986	95		55	9442 A	11		217
	115		127	9063	53	9443 A	11		219
	127		131		173	9444 A	11		237
	149		133	9084	75	9445 A	11		239
	177	7993	117	9085	75	9446 A	11	9955	187
	245		159	9086	75	9450 A	11		189
7800 W	67	8095 A	117	9101 A	11	9540 A	79		191
	71	8103	37	9102 A	11	9851	67	9957	39
	83	8115 B	43	9103 A	11		115		161
	107		45	9104 A	11		149		225
	115		51	9105 A	11	9857	43	9965 W	217
	149	8125	221	9106 A	11		45	9973	91
	155	8126	183		67		211	9976	217
	167	8133 W	167	9108 A	11		213	9979	15
	177	8227	79	9120	15		225		37
	187	8241	59	9121	15	9858	225	9981	217
	189	8475	105	9122	15	9859	225	9988	161
	191	8483	167	9123	15	9862	225	9990 W	225
	193		171	9124	15	9866	225	9992	183
	195		239	9125	15	9868	225	9993	177
	197	8490	219	9126	15	9875	225	9995	117
	211	8519	167	9127	15		229	9996	183
7805 P	155		209	9128	15	9898	221	10001	217
7813	119		237	9129	15		225	10006	43
	123	8532	84	9130	15		229		45
	127	8692	167	9131	15	9900	43		115
	149		219	9132	15		45		183
7825	3		250	9133	15		225		185
	43	8697	248	9134	15	9901	225		199
	45	8698	183	9135	173	9902	225		207
	51	8699	19	9171 A	11	9903	225		211
	84		45	9172 A	11	9904	225		217
	127	8860	59	9173 A	11	9905	225		221
7827 W	127	8873	23	9174 A	11	9908	43		225
7837 W	71	8905	75	9175 A	11		45		229
	79		87	9176 A	11		51		247
	84	8906	75	9179 A	11	9909	225	10007	225
	151		87	9180	11	9913	225		239
7843	93	9009	125	9181	11	9914	23	10012	225
	96	9020	71	9182	11		225	10014	3
	99	9028	15	9183	11	9918	225		7
7845	119	9040	173	9184	11	9923	225		177
	209	9052	87	9185	11	9926	225		183
7848 W	81		119	9186	11	9931	211	10025	221
	167		123	9217	15		225	10031	89
7851 W	37		127	9218	15		239	10033	111

NUMERICAL INDEX

Part No.	Page	Part No.	Page	Part No.	Page	Part No.	Page	Part No.	Page
10036	95		59	16495-78	3	17939-80	7	18570-38	9
10038	109	11105	19	16496-80	3	17945-36B	7	18597-81	9
	111		23	16497-80	3	17947-36	7	18598-81	9
10039	57		147	16498-80A	3	17950-66	7	18599-81	9
10046	19		184	16499-80A	3	17953-80	7	18600-66C	9
	45	11115	75	16508-81	3	17955-36	7	18602-80A	9
	225	11118	7	16509-81	3	17955-48	7	18603-80A	9
10048	189	11125	173	16602-30	3	17955-79	7	18610-66C	9
	191	11132	7	16725-66A	3	18000-81	5	18633-48C	9
10053	89	11133 A	7	16770-66B	3	18010-79	5	18634-48B	9
10059	15	11137	91	16776-63	3	18017-66	5	21920-83	12
	83		115	16777-63	3	18018-66	5	21921-83	12
	201	11143	83	16814-77	3	18020-79	5	21922-83	12
10067	199		89	16830-54	71	18055-66B	5	21923-83	12
10080	37	11155	165	16831-30	3	18056-66B	5	21924-83	12
	183		229	16836-78	3	18057-66	5	21991-80A	11
	184	11164	147	16837-78	3	18075-80	5	21992-80A	11
	185	11218	11	16838-78	3	18075-81	5	21993-80A	11
11000	71	11410	219	16852-67A	3	18078-80	5	21994-83	11
	79	11411	167	16864-48	3	18078-81	5	22141-55B	11
11002	19	11430	235	16865-52	3	18082-60	5	22141-74A	11
	23		237	17029-66A	3	18086-80	5	22143-55C	11
11007	15	11431	167	17029-79	3	18086-81	5	22143-74A	11
11012	184	11442	219	17034-48A	3	18089-80	5	22144-55C	11
11013	37	11448	209		7	18089-81	5	22144-74A	11
11015	91	11449	219	17034-80A	3	18103-81A	5	22145-55C	11
11016	63	12010	63		7	18104-81A	5	22145-74A	11
	67	12013 A	75	17160-81	5	18105-79	5	22146-55C	11
11027	87	12014	79	17161-81	5	18106-81A	5	22146-74A	11
	119	12018	173	17360-66A	7	18107-81A	5	22147-55C	11
	127	12026 B	15	17375-66A	7	18108-81A	5	22147-74A	11
	131	12052	173	17428-57	7	18109-81A	5	22148-55C	11
	131	14004-82	181	17448-57	7	18138-79A	5	22148-74A	11
	131	14005-82	181	17448-71A	7	18139-79A	5	22149-55C	11
	133	14006-82	181	17449-77	7	18140-79A	5	22149-74A	11
11031	59	14007-82	181	17450-73	7	18141-79A	5	22191-78	11
	67	14045-83	250	17452-66	7	18142-79A	5	22192-78	11
11035	125	14046-83	250	17506-66A	7	18143-79A	5	22194-78	11
11036	63	14057-84	181	17508-66A	5	18167-49	5	22196-78	11
	67	14061-84	181		7	18170-49	5	22325-55B	12
	69	14062-84	181	17516-77B	7	18186-51	5	22327-55B	12
	83	14063-84	181	17517-77B	7	18187-51	5	22328-55B	12
	107	14064-84	181	17518-80	7	18194-51	5	22329-55B	12
11039	53	14067-84	181		248	18201-82	5	22330-55B	12
	55	14068-84	181	17519-80	7	18202-82	5	22331-55B	12
11040 P	177	14800-82	167		248	18205-57	5	22334-78B	12
11041	53	16175-78	3	17540-69A	7	18219-81	5	22335-78B	12
11063	91	16180-78	3	17550-80	7	18221-36	5	22336-78B	12
11084	41	16302-81	15	17552-80	7	18222-48	5	22337-78B	12
11096	79	16303-81	3	17611-66B	7	18222-79	5	22581-32	13
	79	16485-66B	3	17904-66	7	18222-81	5	22582-52	13
	81	16485-74A	3	17920-53A	7	18228-36	5	22588-78	13
11101	3	16492-66B	3	17935-79B	7	18522-53A	9	22589-83	13
	7	16492-74A	3	17938-48B	7	18534-29A	9	22735-32	13
	53	16494-78	3	17938-79	7	18556-57	9	22760-73A	13

NUMERICAL INDEX

Part No.	Page	Part No.	Page	Part No.	Page	Part No.	Page	Part No.	Page
22762-73	13	24042-78	19	24692-54	115	25420-79	173	26317-68A	23
22764-83	13	24043-78	19	24692-58	17	25421-79	173	26326-62A	23
23741-55	15	24044-78	19	24703-54B	19	25425-80	173	26327-68	23
23906-74	13	24045-78	19	24791-36	17	25426-80	173	26328-74	23
23906-78G	13	24046-78	19	24805-30	17	25428-80	173	26338-68	23
23909-80	13	24051-80	17	24811-59A	53	25434-83	250	26339-83	248
23919-72	13		87		173	25523-70	21	26345-39	21
23922-78	13		248	24815-40	17	25527-81A	21	26345-73	21
23922-80	13	24052-80	17	24820-78	31	25528-81A	21	26346-70	21
23924-78	13		87	24823-80	31	25529-81A	21		23
23926-80	13		248		71	25530-81A	21	26348-15	13
23940-41A	13	24053-80	17		75	25531-81A	21		21
23961-41	13		87	24920-67	183	25532-81A	21		23
23961-80A	13		248	24921-77	183	25534-81A	21	26348-36	25
23966-54A	13	24054-80	17	24981-70	19	25550-36	21	26349-54	21
23969-80	13		87	24982-70	19	25550-57	21	26349-73A	21
23969-83	13		248	25215-83	248	25551-36	21	26362-36	25
23985-12	13	24281-41A	13	25216-73B	19	25552-36	21	26363-36	25
23985-18	13	24281-74A	13	25225-70B	19	25553-36	21	26374-54	25
23985-54	13	24281-80	13	25256-80	19	25554-36	21	26377-68	25
	19	24281-83	13	25257-80	19	25555-36	21	26390-68	25
24001-70	13	24298-36	13		248	25556-79	21	26400-54	25
24001-72	13	24302-36	13	25258-80B	19	25557-79	21	26400-82	25
24002-70	15	24334-36	13	25260-78	20	25558-79	21		25
24003-55	84	24335-36	13		37	25559-79	21	26410-82	25
24006-58	13	24345-36A	13	25261-82	20	25581-70	21	26552-72	25
24006-73	13	24356-36A	13	25275-82	19	25582-54	21	27006-76	31
24006-80	13	24366-51	13		20	25582-73	21	27021-71A	26
24006-83	13	24366-71	13	25313-50	20	25715-47	63		31
24010-54	19	24367-71	13	25313-73A	20	25715-71	115		35
24016-80	13	24385-40B	13	25313-77C	20	25811-11	63	27021-78	26
24017-72	13	24387-40B	13	25314-50	20		245		29
24017-80	13	24388-40B	13	25315-50	20	26190-73	23	27023-71	35
24023-36	13	24389-40B	13	25316-52	20	26200-68B	23	27045-78	26
24023-54	19	24390-40B	13	25320-79	21	26207-83	23		31
24032-70	17	24391-40B	13	25320-82	21	26227-58	23	27046-78	26
	84	24490-36	17	25321-79	21	26231-78	23		31
	87		149	25321-82	21	26234-84	23	27060-55	31
24033-70	17	24519-70	17	25322-79	21	26239-82	23		35
	84	24519-73F	17	25322-82	21	26242-84	23		245
	87	24524-77E	17	25323-79	21	26246-68A	23	27062-78	27
24034-70	17	24582-77A	19	25323-82	21	26247-78	23		29
	84	24599-58A	17	25325-79	21	26251-78	185	27063-57	31
	87	24600-58A	17	25325-82	21	26258-68B	23		35
24035-70	17	24601-58A	17	25326-79	21	26261-80A	23	27063-78	27
	84	24608-54	17	25326-82	21	26262-80	23	27063-80	27
	87	24641-36	19	25327-79	21	26263-80	23		29
24036-70	17	24645-81	17	25327-82	21	26265-68A	23	27077-78	31
	84	24649-81	17	25328-79	21	26267-82	23	27082-80	27
	87	24650-81	17	25328-82	21		248		29
24037-70	17	24651-58	17	25401-77	173	26273-80B	23	27087-80	27
	84	24652-58	17	25405-82	17	26276-80A	23		29
	87	24653-58	17	25414-70A	173	26277-84	23	27088-80	27
24040-78	19	24654-58	17	25416-70	173	26278-84	23		29
24041-78	19	24655-58	17	25416-84	173	26315-68A	23	27093-78	27

NUMERICAL INDEX

Part No.	Page	Part No.	Page	Part No.	Page	Part No.	Page	Part No.	Page
27095-78	27	27328-76	27		29	27750-72	35	29206-78	39
27098-78	27		31		33	27751-69P	230	29212-71	39
27130-81	29	27329-83	29	27389-71	35	27762-71A	35	29213-79	37
27132-71	35	27330-83	29	27395-76A	33	27763-71	35		237
27136-81	29	27333-76	27	27396-71	35	27882-78	27	29214-67A	37
27137-81	29		29	27403-71	35		29		39
27139-81	29		31	27404-71	35	27883-78	27	29214-71	37
27141-81	29	27335-76	27	27416-76	33	27884-78	27		39
27142-81	29		29	27417-76	33	27885-78	27	29215-78	37
27143-81	29		31	27418-76	33	27886-78	27	29216-72	39
27145-81	29	27336-76	31	27419-76	33		29	29219-78	37
27155-72B	35	27337-76	31	27420-76	33	27887-78	27	29219-82	37
27155-76A	31	27338-76	27	27450-82	37		29	29221-73	39
27164-71	35		29	27451-82	37	27888-78	27	29230-82	37
27271-71	35		31	27452-82	37		29	29250-78A	27
27272-71	35	27339-76	31	27459-74	35	27889-78	27		29
27272-74	35	27340-76	31	27466-78A	27		29		33
27281-71A	35	27341-71	35	27468-78A	27	27890-78	27	29252-79	37
27282-71	35	27342-71	35	27468-80A	27		29	29253-78	27
27304-76	27	27348-76	31	27470-80	27	27891-80	27		29
	29	27348-77	31	27470-81A	29		29	29255-78	37
	31	27355-76	31	27472-79	27	27892-78	27	29261-80	37
27305-76	31	27356-76	31	27472-80A	27		29	29270-78	37
27306-76	27	27358-76	31	27472-81A	29	27893-78	27	29272-78	37
	31	27359-76	31	27594-76	27	27897-78	27	29292-83	248
27307-76	27	27360-76	27	27612-71	35		29	29295-78	37
	29		29	27613-71	35	27898-78	29	29299-78	37
	31		31	27614-71	35	29018-71A	39	29954-71	41
27308-76	27	27361-76	27	27618-71	35	29020-71	39	29957-70A	41
	29		29	27619-71	35	29024-77	39	29957-81B	41
	31		31	27620-71	35	29036-66	39	29965-70	41
27309-76	27	27362-76	27	27621-71	35	29036-72	39	29965-75	41
	29		29	27622-71	35	29054-77	39	29965-81A	41
	31		31	27623-71	35	29054-78	39	29988-73	41
27310-76	31	27364-76	31	27630-71	35	29057-78A	37	30013-71	193
27311-76	27	27366-76	27	27631-71	35	29058-77	27	31300-80A	55
	29		29	27641-71	35		29	31300-84	55
	31		31	27642-71	35		33	31310-80A	55
27312-76	31	27367-76	27	27645-71	35		37	31311-80	55
27313-76	27		29	27646-71	35		39	31312-80	55
	31		31	27651-75	35	29061-78	37	31313-80	55
27314-76	27	27368-76	27	27652-75	35	29062-78	37	31320-80	55
	31		29	27653-75	35	29064-78	37	31321-80	55
27315-76	31		31	27654-75	35	29071-79	37	31340-80	55
27319-76	31	27369-76	27	27655-75	35	29084-73	39	31341-80	55
27320-76	27		29	27656-75	35	29086-73	39	31387-80	55
	31		33	27659-71	35	29086-75	39	31397-80	55
27321-76	27	27371-76	27	27663-71	35	29113-78	37	31433-84A	173
	31		29	27664-71	35	29113-79A	37	31435-65B	245
27322-76	27		33	27665-71	35	29114-79A	37	31438-65A	245
	31	27373-76	27	27666-71	35	29121-84	29	31439-84	245
27324-83	29		29	27686-71	35	29123-83	248	31440-65	245
27325-83	29		33	27725-71	35	29144-77	39	31441-65A	245
27326-71	35	27379-76	33	27737-71	35	29205-69	39	31443-65A	53
27327-83	29	27385-76	27	27748-71	35	29205-76	39		55

NUMERICAL INDEX

Part No.	Page	Part No.	Page	Part No.	Page	Part No.	Page	Part No.	Page
31444-65A	245	31977-80	45		43	33082-16	59	33291-36	59
31445-65A	53	31978-80	47	32588-70A	21		75		71
31445-85	53	31980-65B	43		43	33085-36	59		79
31452-65A	245		47	32591-70	21	33085-74	59	33295-36	59
31464-83	248		51		43	33086-74	59		71
31465-65	53	31981-65B	43	32591-80	21	33096-54B	59	33298-65	33
31475-77	245		47		47	33148-83	248		35
	251		51	32592-78	43	33150-59	59		71
31478-65A	53	31991-74A	51	32601-78	43	33151-80	59	33337-83	75
	55	32000-37A	43		49	33152-59	59		85
	173		47	32602-78	43	33158-80	63	33350-36	59
31482-70	53		51	32602-80	43	33160-77	59	33353-78	71
31485-65	53	32301-47A	51	32604-78	43		71	33355-36	59
31493-67	53	32301-60	51		47	33160-80	59	33358-36	59
31502-65	53		51	32605-70	43		71	33381-39	61
	55	32303-47A	51		49	33163-65B	79	33390-26	67
31503-65	55	32305-48A	51		49		87	33391-36	61
31503-70	53	32307-58	51	32606-82	21	33165-80	63	33393-50	61
31506-79B	245	32310-77	51		47	33166-80	63	33396-39	61
31531-69	53		51	32608-70	49	33167-79	63	33429-39	61
31565-67	57	32311-83	43	32609-78	43	33171-79A	63		71
31568-67	57	32312-77	51	32610-78	43	33172-79A	63	33429-80	61
31570-73	57	32312-78A	43	32618-70A	49	33174-79	63		71
31572-73	53		47	32629-70	43	33175-79	63	33430-50	61
31572-79	53	32342-58	43		49	33177-79	63	33438-50	61
31575-73	57		47	32629-80	43	33178-63	59	33560-75	61
31576-73	57		51		49	33180-77	59	33630-71	67
31577-73	57	32353-77	51		49	33183-80	63	33638-70	67
31578-73	57	32354-77	51	32661-70	49	33185-79	63	33644-71	67
31579-73	57	32399-84	47		51	33187-79	63	33660-70	67
31580-73	57	32400-80A	47		51	33188-79	63	33660-74A	67
31581-73	57	32401-80	47	32669-47	49	33189-63	59	33664-81	67
31582-73	57	32402-83	47	32670-70	49		111	33683-80	67
31583-73	57	32504-80	21	32726-30A	49		113	33851-52A	67
31584-73	57		47		51		155	33871-67	67
31585-73	57	32505-78A	43		51		157	33900-59	245
31586-73	57	32511-78	21	33014-84	71	33190-79	63	33901-79	63
31607-64	43		47		75	33196-79	63		245
	45	32511-80	21	33031-65A	71	33197-79	63	33960-36A	67
	51		47		75	33198-79	63	33960-74	67
31609-65A	43	32517-70	49	33031-80	71		245	34006-74	67
31609-65B	51	32521-83	21		75	33199-79	63	34019-73	67
31609-80	45		47	33048-72	111	33201-79	63	34020-79B	63
31620-47	43	32522-70	43		113	33213-31	59	34031-41	67
	51		49		155	33215-30	59	34036-36	63
31724-65	51	32522-80	43		157	33217-73	57		67
31727-72	43		49	33052-71	59	33258-71	249	34036-80	63
	45		49	33055-78A	59	33268-78	59		69
	51	32526-83	248	33057-72	59		71	34040-52	63
31728-78A	43	32533-70	49	33057-77	59	33277-36A	59	34050-36	67
	45		49	33060-79	59		71	34062-52	63
31800-78A	43	32535-48	63	33068-54	59	33288-37	59		67
	45	32542-70A	49	33074-77	59	33290-38	59	34064-52	67
	51	32577-70	49	33078-80	59		71	34066-52	67
31801-80	45	32584-71	21	33080-36	59		79	34068-52A	63

NUMERICAL INDEX

Part No.	Page	Part No.	Page	Part No.	Page	Part No.	Page	Part No.	Page
	67	34652-80	65	35203-36	75	35917-36	77		87
34090-84	71	34655-79	65		84	35920-36	77		249
34158-36	65	34656-79	65	35211-36	75	35961-52	77	37702-70A	79
	67	34658-79	65		84	36045-76	77		85
34159-36	65	34659-79	65		87	36046-36	77	37702-84	81
	67	34661-80	65	35212-73	75	36048-36	77		85
34165-36	67	34690-74A	69		85	36048-76A	77	37707-82	79
34168-39	67	34702-78	71	35216-36	75	37053-68	83		87
34168-52	65	34702-80	71		85	37053-78	83	37707-84	81
34175-36	67	34702-82A	73		87	37054-79A	83		87
34179-33	65	34703-78	73	35230-39	75	37070-39B	73	37741-67	77
	69	34708-78	73	35231-36	75		79		87
34180-33	65	34708-79	73	35282-59	73		79	37741-82	77
	69	34710-65	173	35282-74	73	37072-79	61		87
34182-76	69	34711-79	73	35282-79	73		73	37800-84	81
34184-79	65	34711-80	73	35306-59	73	37074-38A	73	37801-84	81
34186-76	65	34713-83	248	35336-74	65		79	37816-41	79
	69	34714-82A	73	35337-36	73	37077-68	79	37850-68	79
34428-52	69	34718-80	73	35365-36	73	37089-84	81	37871-41	79
34435-52	69	34718-82	73	35440-38	73	37090-84	81	37871-84	81
34447-52	69	34720-56	73	35606-73	73	37228-75	79	37901-84	81
34447-74	69	34723-47	73	35607-73	73		79	37902-84A	81
34453-52	69	34724-36	73	35614-65	77	37285-75A	73	37903-84	81
34461-72	65	34725-84	73	35614-76	77		79	37904-84	81
34476-72	65	34799-65	69	35614-80	77	37285-84	81	37905-84	81
34477-53	69	34799-74A	69	35630-36	77	37305-70	79	37906-84	81
34478-53	69	34803-59	69	35635-69	77	37312-75	79	37907-84	81
34478-75	69	34824-36	69	35665-36A	77		79	37930-68A	79
34482-53	69	34824-79	65	35699-76	77		81	37931-84	81
34488-52B	69	34825-77	69	35700-69	77	37313-80	79	37975-81	79
34494-74C	65	34840-77	69	35700-73	77		79	37975-84	81
34498-52	69	35039-70B	73	35716-76	77		81	38010-41	79
34500-52A	69	35039-80	73	35716-84	77	37357-41	79	38025-41	79
34517-79	65		73	35717-74	77	37357-84	81	38608-68	83
34517-80	65	35039-84	73	35751-36	77	37361-41	79	38608-72	83
34518-79	65	35046-36	73	35751-79	77	37436-36	73	38608-73	83
34518-80	65	35050-40	73	35765-36	77		79	38608-82B	83
34525-54	69	35065-65B	75	35777-79	77	37496-65	79	38609-68	83
34551-52	69	35067-77A	75	35789-36	77	37496-84	81	38618-68C	83
34552-52	69	35070-77	75	35791-36	77	37497-81	79	38622-73	167
34555-52	69	35070-80	75	35810-36	77		249	38622-78	167
34555-74	69	35070-82A	75	35811-36	77	37503-41	79	38623-68	221
34560-52	69		248	35812-36	77	37523-15A	79	38712-68	17
34564-71	69	35079-80	75	35850-84	85		81		83
34564-74A	69	35079-82A	75	35851-84	85	37549-41	79		91
34565-52	69	35094-65	75	35852-84	85	37550-41B	79		93
34574-74	69	35100-36	73	35875-36	77	37550-84	81		96
34574-79	69	35100-79	73	35876-36	77	37566-58	79		99
34600-74	69	35111-36	73	35877-36	77	37567-41A	79		105
34603-71	69	35111-80	73	35878-36	77	37574-44	79		115
34604-71	69	35125-37	75	35879-36	77	37576-41	79		225
34609-52	69	35129-36	75	35882-36	77	37581-47	79		235
34609-65	69	35131-36	75	35883-36	77	37583-41	79	39974-84	85
34611-65	69	35171-37	75	35884-36	77	37585-41	79	39976-65B	85
34614-74	69	35175-38	75	35915-36	77	37655-80A	79	39990-65	85

NUMERICAL INDEX

Part No.	Page	Part No.	Page	Part No.	Page	Part No.	Page	Part No.	Page
39992-65C	85	40299-70	85	41198-73	96	41748-63	117	42257-79	109
39993-65	85	40299-83	85		99	41749-58	97	42257-82	109
39996-65	85		87		119		105	42269-30	69
39998-65	85	40324-70	85		127		117		109
40003-79	87	40375-70	85		131	41750-63	117		111
	133		87		133	41753-80	113		115
	249	40384-70	85	41210-55	127	41761-58	115	42269-70	37
40007-36A	85	40384-83A	85	41400-67	117	41761-78	115		113
	87		87	41425-37	117	41762-58A	115		115
40009-80	87	40385-70	85	41470-67	85	41764-70	115	42299-72	115
	249	40392-70	85	41470-73A	85	41764-79	109	42299-79	109
40026-77	85		87		127		113	42299-82	109
40028-15E	85	40908-81	127		131	41765-58	115	42300-63	117
40029-15E	85	40910-84A	119	41470-78	85	41766-58	115	42300-73A	93
40033-15	85	40918-82	111		131	41768-73	97		99
40034-15	85	40919-81	93	41485-67	85	41769-58	115		113
40052-65	85	40920-82	111	41552-67	127	41786-79	115	42303-70A	115
40053-65	85	40921-79	111	41552-73	127	41791-79A	93	42304-70A	115
40055-39	85	40922-79	111		131		127	42309-70	115
40091-15	85	40932-81	87	41570-77	149		131	42311-58	115
40106-80	87		127	41576-36	149		133	42314-71A	113
	249		133	41580-79	87		249		115
40107-80	87		249		127	41800-81A	109	42316-80	113
	249	40935-80	133		133		111	42318-72	91
40209-55	85	40951-82	127		249	41801-63	117		109
40210-55	85	40952-82A	127	41592-79	87	41806-72B	97		111
40211-55	85	40973-82	133		127		119		113
40212-80C	87	40981-73	127		133		127		115
	249	40986-74	131		249		131	42319-72	111
40221-85	133	41004-80	113	41594-73	119	41807-73	97		113
40221-85A	87	41004-82	111	41595-67	127		119		115
	127	41005-82	133	41595-73	127	41807-74	105	42320-82	109
	249	41015-82A	131		131		123	42321-71	115
40244-80	87		133	41596-30	117	41808-63	117	42326-82	109
	249	41033-82	109	41596-63	117	41813-79	97	42327-70	115
40247-80	87		111	41600-67	117		99		149
	249	41039-82	95	41603-32	127		127	42328-73A	97
40248-80	87	41041-77	131	41607-83	119		131		115
	249	41057-83	249	41664-82	111		133	42330-71	115
40253-80	87	41123-79	119	41665-82	95	41814-76A	97	42330-72	109
	249		123	41670-73	97		99		115
40254-80	87		127		99		119	42330-82	109
	249		133	41671-73	93		123	42333-70	115
40261-80	87	41191-74	105	41712-82	89		127	42374-77B	109
	249		123	41731-82	89		131		113
40263-80	87	41196-55	127	41734-73	93		133	42374-82A	109
	249	41196-73	87		97	41835-58	117		111
40264-80	87		119		99	41835-69	107	42375-77	109
	249		127	41739-84	89		115		113
40270-65A	85		131	41740-63	117	41836-63	117	42376-77A	109
40275-70	85		131	41742-58A	117	41837-63	117		111
40275-83	85		131	41743-58	117	41841-31	107		113
	87		133	41744-58	117		117	42388-79	109
40280-70	85	41197-73	85	41745-79	113	41848-64	107	42389-79	109
40282-70	85		127	41747-82A	89	42257-72	115		155

NUMERICAL INDEX

Part No.	Page	Part No.	Page	Part No.	Page	Part No.	Page	Part No.	Page
42394-65	109	43302-77	105	43606-78	131	44012-81	93		99
	115	43306-78	91		133		97	44133-72	93
42396-79	109	43307-78	91	43613-82	123	44013-81	93		97
42399-72A	115	43308-78	91	43617-83	123	44014-81	93		97
42399-78	115	43312-84	119	43619-84	119	44015-81	93		99
42399-79A	109	43315-78	123	43623-78	119	44020-83	103		99
42399-82	109	43320-80	123		123	44021-83	103	44134-72A	93
42411-70	115	43335-80	123	43624-78	119	44022-83	103		97
42425-71	115	43338-83	123		123	44025-79	101		99
42425-79	109	43341-78	119	43625-78	119	44025-80	101		173
42428-81	109	43346-83	119		123	44026-79	101		250
42428-82	109	43358-83A	119	43626-84	123	44026-80	101	44135-74	97
42433-83	109	43434-79	123	43633-74	119	44032-79	101	44136-84A	121
42435-79	109	43435-79	123		123	44046-84	103		123
42436-72	115	43436-79	131	43634-74	119	44047-83	103	44137-77A	121
42439-72	115	43437-79	131		123	44048-83	103		123
42440-72	115	43444-79	123	43635-74	119	44050-82A	95	44140-83	249
42448-82A	111	43445-79	123		123	44053-83A	103	44146-77	93
42453-80A	109	43461-78	123	43636-52	125	44054-83	103		97
42454-80A	113	43488-77	119	43654-86A	129	44059-83	103		97
42455-80	109		123		133	44060-83	103		99
	111	43522-77	123	43662-80B	121	44061-83	103		99
	113	43530-35A	117	43663-80A	121	44062-83	103		101
42470-82A	109	43531-35	117	43664-80B	121	44063-83	103	44146-82	95
	111	43532-73	85	43671-84	121	44065-83	103	44151-77	101
42507-80	113	43540-73A	129	43672-84	121	44089-74	105	44153-77	101
42507-82	111	43542-67	129	43740-64	125	44098-77	101	44154-73	93
42511-80	113	43548-74	119	43871-52	125	44105-72	97		97
42515-80	113		123	43871-73	121	44106-72	97		99
42515-82	111	43549-67	129	43875-73	121	44106-80	97	44157-77	101
42517-80	113	43559-73	87	43883-77	121		99	44158-77	101
42519-80	113		119		123	44107-72	97	44161-77	101
42521-80	113		129	43883-84	121		99	44162-77	101
42522-80	113		131		123	44108-72	97	44163-77	101
42522-82	111		131	44000-78D	97		99	44163-80	101
42524-82	111		131	44002-78	93		101	44164-77	101
42526-82	111		133		97	44116-77	101	44164-80	101
42527-82	109	43567-79	129		99	44117-77	101	44165-77	101
	111		131	44004-78	97	44118-80	93	44166-73	97
	199		133	44004-80	93		97		99
42531-82	111	43577-67	129		99		97	44172-77	101
42532-82	111	43578-35	17	44005-78	93		99	44173-77	101
42534-82	109	43592-70	129		97		99	44174-77	101
	111	43600-74	119		99	44121-77	101	44195-77	101
43001-79	119	43600-78	119	44006-80A	97	44121-80	101	44195-80	101
43006-40A	129	43601-78A	119	44007-80	93	44123-72	97	44197-77	93
43018-73	119		129		97	44124-72	93		95
43024-73B	119	43602-78A	119		97		97		97
43025-73B	119		129		99		99		99
43032-40B	129	43603-78A	119		99		99		101
43057-80A	119		129	44008-80	97	44126-82	111	44200-82	95
43085-81	129	43604-78	131		99	44127-72A	97	44201-82	95
43157-83A	119		133	44010-81	93	44128-83	101	44207-82	95
	123	43605-78	131	44011-81	93	44132-72	93	44208-82	95
	133		133		97		97	44209-82	95

NUMERICAL INDEX

Part No.	Page	Part No.	Page	Part No.	Page	Part No.	Page	Part No.	Page
44211-82	95		89		161	45608-84	135		248
44212-82	95		161	45382-83	135		139	45832-77A	143
44271-74	105	45051-82	89		139	45620-77	139		249
44272-74	105	45053-72	91	45386-83	135	45642-77	139	45834-77	143
44273-74	105	45054-72	91		139	45643-77	139	45838-77	143
44274-74	105	45055-72	91	45387-83	139	45644-77	139	45842-77	143
44275-74	105	45056-77	91	45392-83	139	45657-77	139	45843-77	143
44276-74	105	45057-72	91	45396-80	139	45658-77	139	45844-77	143
44277-74	105	45057-82	89	45396-84	139	45665-80A	143	45845-77	143
44278-74	105	45059-72	91	45397-80	139	45665-84B	143	45850-48	17
44279-74	105	45060-54	107	45397-84	139	45670-80	143	45855-77	143
44280-74	105	45061-72A	91	45400-75	135	45672-80	143		249
44281-74	105	45063-72	91		139	45717-63	143	45858-77	143
44283-74	105	45063-82A	89	45402-75	135	45718-60	143	45859-77	143
44310-77	89	45071-72	91		139	45718-71	135	45865-84	143
	91	45072-87	89	45403-84	135		139	45868-83	249
44311-80	89	45092-66A	27		139		145	45869-83	249
	91		29	45404-75	135		147	45871-80	143
44331-73	97		33		139	45733-48	143	45872-80	143
	99		35	45405-75A	135	45736-78B	135	45873-84	143
44524-51	107	45105-77	91		139		139	45874-84	143
45002-69	107		113		143		145	45875-84	143
45008-80	91		115	45407-75	135	45739-62B	147	45903-80	135
45010-73	91	45113-83	89	45407-83	135	45751-71A	135	45903-84A	135
45012-72	91	45113-84	89	45408-75	135		139	45904-80	135
45012-82	89	45114-77	91	45408-84	135		145	45904-84A	135
45013-72	91	45114-79	91	45409-75	135		147	45906-80	135
45013-82A	89	45121-77	89		139	45756-59	147		139
45016-72	91		91	45410-75	135	45757-49	147	45906-84	135
45016-82	89	45121-83	89		139	45771-80	139		139
45017-82A	83	45121-84A	89	45410-84	135	45773-82	139	45908-80	135
45019-85	89	45123-77	89		139	45774-77	135		139
45020-79	91		91	45412-75	135		145	45911-80	135
45023-69	107	45123-79	91		139	45782-72A	135		139
45024-65A	83	45124-83	89	45413-84	135		139	45912-80	135
	107	45124-84	89		139		145		139
45024-72	91	45125-81	91	45416-84	135		147	45912-84	135
45030-65A	83	45126-82	89		139	45785-82	135		139
	107	45127-82	89	45417-80	143	45788-77	139	45914-80	135
45031-65	83	45150-78	115	45417-84	143	45788-82	139		139
	107	45150-79	109	45418-80	143	45790-80	135	45914-84	135
45031-72	91	45151-78	93	45418-84	143		139		139
45031-82	89		97	45419-80	143		145	45916-73	145
45032-72	91		99	45420-80	143	45818-52	147	45917-73	145
45032-82	83		109	45518-73	97	45821-75	97	45918-73	145
	89		115	45519-77	91		99	45926-73	145
45034-68	107	45152-78A	109		105		99	45927-73	145
45036-68	83		111	45521-73	91		145	45928-73	145
	107		115	45521-74A	91	45822-75	97	45932-73	145
45036-82	83	45154-84	111		105		99	45933-73	145
45037-73	91	45159-50	107	45532-74	105		99	45940-84	143
45039-68	83	45174-64	107	45583-83	89		145	45974-73	145
	107	45203-52	107	45608-77A	135	45830-48	25	45975-71	147
45042-82	89	45216-49	107		139		61	45976-74	145
45044-82	83	45218-52	107		145		73	45977-73	145

NUMERICAL INDEX

Part No.	Page	Part No.	Page	Part No.	Page	Part No.	Page	Part No.	Page
45978-73	145	46902-73	230	48315-60	137	50939-52	155	54555-73	159
45979-73	145	46902-75	230		141	50940-52	155	54555-84	159
45980-73	145	46903-75	230		145	50946-52	155	54556-84	159
45982-73	137	46904-75	230		147	50973-65	155	54558-73	159
	141	46905-75	230	48330-48A	143	51192-83	153	54559-73	159
	145	46906-75	230	48361-80	137	51195-80	153	54562-83	250
45983-73	145	46907-77	230		141	51196-80	153	54569-84	159
45984-73	145	46908-77	230		143	51651-79	153	54635-67	159
45986-73	145	46909-77	230		145	51652-83	153	54700-67	159
45987-77	141	46910-77	230		147	52025-75A	153	54703-83	250
45987-84	141	46911-77	230	48365-48A	137	52092-77	171	54704-65	159
45993-73	137	46912-77	230		141	52103-31	177	54706-83	250
	141	47000-78B	149		143		237	54710-84	159
	145	47013-72D	149		145	52140-71	153	55950-80	161
45993-74	145	47013-78C	149		147	52171-81	153	55963-77	161
45994-73	137	47094-58	149	49117-77	157	52178-77	153	56062-73	225
	145	47107-81	155	49126-77B	157	52180-80	153	56070-81	225
45994-77	137	47108-81	155	49127-77	157	52183-79	153		229
	141	47116-77	155	49129-77	157	52412-79A	153	56073-83	209
45994-84	137	47117-77	155	49140-80	113	52413-79A	153		225
	141	47311-77	221		157	52435-80	153		229
45995-73	145	47446-79	149	50011-30A	151	52437-79	153	56081-82	161
45997-73	137	47446-82	149	50013-74A	151	52438-79	153	56083-74	161
	141		249	50014-74	151	52492-80	153	56083-77	161
	145	47498-82A	149	50015-74	151	52493-82	153	56086-81	161
45998-73	137	47500-73	149	50028-74A	151	52495-88	153	56098-80	161
	141	47500-78	149	50036-36	151	52498-80A	153	56099-80	161
	143	47510-58	149	50036-74	151	52498-83	153	56103-74B	161
	145	47513-58	149	50040-80	151	52499-80A	153	56104-73	161
46001-71	147	47517-58	149	50041-80A	151	52538-72	153	56105-84	161
46002-80	143	47519-72	121	50052-70	151	52573-77A	173	56106-74B	161
46003-83	249		123	50061-36E	151	52683-74	155	56115-77	161
46004-84	143		131	50100-70	151	52695-77	155	56115-79A	161
46005-83	249		131		173	52698-65	155	56116-77A	163
46006-84	143		131	50235-63	201	52743-79A	153	56116-82	163
46018-77	137		133	50668-35	115	52743-82A	153	56117-77A	163
	141		149	50800-71B	109	52744-82A	153	56117-82	163
	143		249		115	52756-79	153	56119-77	161
46019-77	137	47519-83A	87		155	53439-79	207	56122-77	163
	141		121	50800-80	109	54473-79	159	56124-77	163
	143		123		155	54474-79	159	56126-80	163
46020-84	137		129	50805-61P	155	54475-79	159	56127-80	163
	141		133	50806-61P	155	54508-73	159	56142-80	163
	143		149	50807-61P	155	54509-73A	159	56153-73	163
46023-75	137	47554-73	149	50809-62P	155		250	56154-52	163
	145	47698-65C	149	50880-69	155	54515-73	159	56158-49	147
46024-75	137	47730-77	149	50900-72	155	54517-67	159		163
46025-75	137	48155-30	241	50907-69A	155	54530-67	159	56158-73	163
46026-77	137		243	50912-72	111	54538-73	159	56159-49	163
46027-77	137	48300-60	137		113	54543-65	159	56159-73	163
46048-80	143		141		155	54544-65	159	56201-62A	163
46048-84	143		143		157		161	56205-62A	163
46201-52	147		145	50930-75	155	54545-65	159	56206-74	165
46901-73	230		147	50936-77	155	54546-73	159	56206-81A	165
46901-75	230	48311-60	149		155	54546-84	159	56216-53	163

NUMERICAL INDEX

Part No.	Page	Part No.	Page	Part No.	Page	Part No.	Page	Part No.	Page
56220-58	163		143	60354-83	250	61102-83A	177	61375-75	181
56220-74	165		145	60380-79	169	61103-36	177	61376-75	181
56220-81B	165	59255-72	169	60381-79	169	61103-73A	177	61377-75	181
56238-62	163	59584-73A	169	60382-80	169	61103-83	177	61401-82	179
	165	59646-80	169	60385-82	169	61111-77	177	61405-80A	181
56278-10	163		250	60386-84	169	61116-65	177	61406-80	181
56288-53	163	59650-74	169	60388-82	169	61122-39	177	61425-83	179
56300-74	165	59672-77	169	60389-80	169	61122-79	177	61491-76	181
56302-74	165	59673-77	169		250	61125-72	181	61492-76	181
56303-74	165	59682-78	169	60400-74	69	61127-71	181	61493-76	181
56313-76	165	59686-78	169	60421-79A	175	61131-77	181	61494-76	181
56323-81C	165	59687-84	169	60421-84	175	61134-77	181	61495-76	181
56324-81C	165	59688-78	169	60431-79	175	61136-77	181	61546-74	179
56331-81	165	59704-77	169	60431-82A	175	61139-73	179	61550-73A	179
56332-81	165	59705-77	169	60441-79	175	61141-82	179	61558-73A	179
56377-65	163	59706-77	169	60441-82A	175	61141-83B	179	61562-66	179
56378-65	163	59903-83GC	250	60444-82	175	61142-72	181	61605-36	179
56389-74	165	59904-84	169	60444-84	175	61142-76	181	61647-77	179
56392-77	165	59923-80	169	60470-82	175	61145-71	181	61648-85	179
56393-74A	165	59924-80	169		250	61146-72	181	61650-77	181
56394-74	165	59924-83GC	250	60488-80	175	61152-65P	179	61651-77	181
	229	59928-72	169	60494-80	169	61157-72	181	61745-77	181
56395-74	165	59928-73	169		250	61159-80A	181	61746-77	181
56395-81	165	59929-72	169	60498-80	175	61160-80	181	61771-72	181
56396-74A	165	59929-73	169	60502-80A	175	61161-74	181	61899-81A	181
	229	59932-58	169	60502-84	175	61163-74	181	61908-81A	181
56397-74C	165	59933-58	169	60504-84	175	61205-77	181	62096-69	179
	229	59938-72	169	60507-77	175	61213-83	179	62123-66	179
56400-53A	163	59960-80	169	60507-82A	175	61213-83GC	250	62125-55B	179
56401-73	163	59961-80	169	60508-82A	175	61215-83	179	62129-75	179
56402-83A	165	59962-80	169	60513-71	155	61217-69A	179	62141-69P	179
	229	59963-80	169		175	61219-83	179	62142-69P	179
56500-79	165	59971-80	171	60514-65	175	61229-83	179	62161-75	179
56502-74	165	59978-74	171	60515-83	250	61229-83GC	250	62162-75	179
56505-74	165	59979-74	171	60516-65A	53	61230-69A	179	62166-81	179
56506-74	165	59981-74	171	60518-65	175	61236-78	181	62168-81	179
56507-74	165	59982-74	171	60531-83B	175	61241-77	181	62172-75	179
56508-76	165	59983-75	171	60538-81D	175	61260-74	181	62375-57	3
56520-77	165	59984-73	171	60547-77	175	61260-75	181	62483-81	183
56609-52	21		171	60549-70	175	61261-74	181	62484-81	9
	43	59986-75	171		183	61261-75	181	62504-82A	183
57978-63	217		171	60556-74	175	61262-74	181	62531-80	183
58102-49	193	59988-72	171	60559-80	53	61262-75	181		250
	195		171	60564-80	175	61263-74	181	62534-65	183
59007-73B	167	59993-80A	171	60567-65B	175	61263-75	181	62535-82A	250
59007-84	167	60001-55	171	60572-78A	175	61264-74	181	62538-82	149
59028-70A	167		171	60576-83	250	61264-75	181	62541-82A	183
59109-70	169	60002-55	171	60579-74	175	61265-74	181	62563-65	183
59111-74	169	60005-77	171	60593-74	175	61265-75	181		199
59176-72	145	60302-73	169	60641-74	175	61266-74	181		201
	147	60302-78	169	60644-65	175	61266-75	181		221
59208-74	169	60303-84	169	60645-65	245	61267-74	181		241
59252-69	169	60314-83	250	60646-65	175	61267-75	181	62571-77A	185
59254-72	137	60315-83	250	60975-78	177	61368-79	181	62574-77	185
	141	60348-65A	175	61102-73	177	61374-75	181	62576-65A	83

NUMERICAL INDEX

Part No.	Page	Part No.	Page	Part No.	Page	Part No.	Page	Part No.	Page
	183	63840-53	184	65508-80	187	66612-76	199	67180-73	203
62576-79	183	63846-67	184	65609-80	187	67004-80	201	67181-73	203
62577-77A	185	63878-53	184	65615-80A	189	67005-68B	201	67195-67P	203
62578-77	185	63879-53	184		191	67005-68C	201	67198-67P	203
62610-52A	184	63881-67	184	65702-80	189	67009-72	163	67210-73	203
62611-66	184	63882-67	184		191		201	67215-68	203
62612-66	184	63885-70	184		251		207	67217-68	203
62620-66	184	65201-75A	197	65728-80	189	67010-83	207	67239-83	89
62625-70A	183	65230-65A	195		191	67016-83	207		207
62628-65	184	65235-73	195	65760-75	197	67017-83	251	67321-76	203
62702-52	73	65240-41A	193	65760-77A	187	67020-73B	201	67324-76	203
62783-66A	9	65268-73	195	65834-68A	187	67020-80	201	67327-78	203
62785-66A	9	65272-73	195		189	67021-73C	201		213
63500-68	37	65276-62	187		191	67021-80	201	67698-81A	209
	183		189		193	67026-62	201		211
	185		191		195	67027-81B	201	67705-74	209
63501-68	5		193		197	67030-81C	201	67710-72	209
	179		195	65853-83	251		251	67714-63	209
	183		197	65991-75C	199	67031-68	201	67717-65A	209
63526-57	9	65279-57	195	65991-82A	199	67038-84	201		211
	21	65280-83	251	66000-80	199	67044-68	201	67719-63	209
63527-57A	9	65293-58	193	66006-70	199	67045-68	201	67725-63	209
63529-57	9	65307-73	195	66013-70	199	67048-83A	207	67743-75	209
63533-41	17	65311-77	187	66022-79	199	67051-73	203	67743-84	209
	25	65311-78	187	66031-78	199	67052-78B	203	67744-75	209
	175	65318-58A	193	66042-79	183	67053-83	207	67745-63	209
	183	65334-75	197		199	67055-73	203	67753-63	209
63533-65	17	65347-81A	189	66042-79A	183	67061-83	207	67769-82	211
63536-84	184		191		199	67062-83	207	67772-80	211
63539-84	183	65349-81	189		250	67063-83	207	67773-80A	143
63540-62	248	65349-81A	191	66047-80A	183	67067-76	179		211
63541-70	17	65352-83A	251		199	67068-76	203	67777-80A	211
	183	65353-78	187	66099-80	199	67069-76	203	67788-82	211
63543-82	9	65393-83A	251		251	67070-76	203	67790-82	211
63548-82	109	65397-81A	189	66100-70	199	67075-57A	17	67807-73	209
63549-65A	183		191	66103-74A	199		203	67809-75	209
63551-82	111	65399-81	155	66111-70	199	67076-81	17	67810-80	209
63564-84	183		189	66190-71	199		203	67815-59A	209
63573-82	109		191	66191-73	199	67077-84	203	67830-59	209
	111	65400-73	195	66191-80	199	67103-83	207	67831-80	209
63578-52	35	65401-81	189	66214-71	199	67104-83	207	67832-73	209
	183		191	66225-73	199	67105-83	207	67833-75	209
63580-66A	183	65411-80A	189	66225-78	199	67106-83	207	67834-83	209
63587-84	183		191	66228-77	199	67108-83	207	67839-74	209
63592-89	37	65415-80	189	66228-78	199	67117-85	207		225
	183		191	66352-65	199	67120-84B	203	67851-75	213
63609-72	91	65429-83	251	66359-80	199	67124-80	203	67891-68	213
63610-70	25	65430-80A	187		251	67127-73	203	67891-75B	203
63614-72	25	65433-83	251	66367-73	199		207		213
63711-82	250	65463-71A	193	66369-70	199	67127-84A	203	67899-68B	213
63720-82	250	65464-73	195	66369-78	199	67130-69	203	67899-72	213
63792-77	185	65477-83	251	66371-70	199	67140-78	203	68007-77A	215
63810-80A	184	65498-73	195	66381-78	199	67141-36	203	68008-73A	215
63826-53	184	65603-81	189	66470-70	199	67141-67P	203	68010-64B	215
63831-67	184		191	66476-73A	199	67143-78	203	68025-73	215

NUMERICAL INDEX

Part No.	Page	Part No.	Page	Part No.	Page	Part No.	Page	Part No.	Page
68026-73	215	68608-83	213	70086-73	223	70378-73	223	71145-75	237
68034-77	215	68672-38	209	70088-73	223	70418-69	217	71146-74	205
68086-55	215		215	70089-73	223	70418-73	217	71146-75	205
68090-69	215	68797-68A	149	70093-70	217	70456-73	49	71151-67P	205
68093-55A	215	69000-76	221	70105-73	223		223	71151-70	235
68114-55	215	69003-76	221	70107-80	223	70461-67B	223	71159-73A	237
68119-69	215	69013-77B	5	70117-80	231	70504-81	165	71161-70	235
68121-55	215	69016-76	221	70117-81	231	70551-69	223	71162-70	235
68122-55	215	69017-76	221	70120-70	233	70552-69	223		237
68123-55	215	69018-73A	5	70121-70	233	70553-69	223	71166-73	237
68123-73	215	69024-77	241	70124-75	241	70554-69	223	71182-47A	235
68165-64	215	69026-80	221	70148-75	203	70555-69	223		237
68185-70	215		251	70150-75	203	70556-71	223	71190-47	235
68196-55	215	69029-81A	5	70166-79	231	70558-71	223	71240-80	237
68207-80	219	69116-73A	221	70170-79	231	70559-71	223	71241-68B	235
68435-84	219	69117-65	221	70173-81	231	70574-68	235	71242-83	251
68462-64	203	69125-65	221	70176-73	231	70576-68	203	71244-68B	235
	235	69138-65	221	70177-81	231		217	71295-68	235
	237	69140-76	221	70182-79	231		221		237
68464-83	213	69141-70	221	70185-81	231		225	71297-68	235
68476-73A	219	69144-65	221	70191-73A	223		235		237
68477-73	219	69149-65	221	70200-80	231		237	71300-68A	235
68478-73	219	69537-77	230	70200-81	231	70577-26	169		237
68479-73	219	69538-77	230	70210-80	231	70579-65	251	71301-77	205
68480-73	219	69541-78	223	70210-81	231	70600-74	203	71425-77	241
68481-73	219	69542-78	223	70213-80	231	70900-77	203	71451-78	241
68482-73	219	69542-80	223	70213-81	231	70902-77	203	71463-73A	245
68483-73	219	69543-78	223	70214-80A	223	70903-77	203	71466-65	245
68486-82A	219	69543-80	223		237	70904-77	203	71467-65	245
68487-82	219	69544-81	223	70218-87	229	70905-77	203	71469-65B	245
68489-83	213	69546-82	223	70219-87	229	70935-73	237	71473-77B	245
68514-73	219	69998-83	251	70220-83	251	70936-84	237		251
68515-77A	219	69999-77	239	70234-79	231	70939-84A	237	71483-72	231
68520-63	217	70005-70	225	70240-79	231	70941-84A	237	71484-72A	231
68521-63A	217	70016-65A	221	70241-79	231	71027-68	235	71500-36A	241
68525-67	217	70022-83	223	70247-81	231		237	71501-73A	243
68528-77A	219	70027-83	223	70254-84	223	71028-68	235	71506-36A	241
68530-67	217	70037-82	229	70255-74	223		237		243
68536-72	213	70038-82	229	70255-84	223	71029-68	235	71507-71	245
68536-75	213	70044-77	230	70256-84	223		237	71510-36A	241
68543-64B	217	70047-82	229	70258-84	223	71090-64	203		243
	219	70050-83	223	70259-84	223		235	71516-36	241
68552-70A	217	70052-73A	230	70285-72	217		237		243
68563-60	213	70055-77	230	70287-81	229	71092-68A	205	71518-80	241
68563-75A	213	70059-66	233	70313-71	223		213	71519-75	231
68564-60	213	70064-73	230	70318-70	221		237	71524-59A	241
68565-60	213	70066-73A	230	70326-73A	223	71099-74	205	71525-36	241
68571-63A	217	70067-73A	231	70326-75	223	71134-68	235	71530-66	241
68572-64A	217	70069-65B	223	70326-76	223		237	71533-72	231
	219	70069-83A	223	70326-78	223	71138-68	235	71534-72	231
68574-83	213	70078-75	231	70343-75	223	71139-70	235	71539-73B	231
68576-70	217	70079-75	223	70343-76	223	71141-68	235	71541-73	243
68582-73	237		231	70343-78	223		237	71546-75A	231
68586-63	217	70082-82	229	70353-77	223	71143-75	237	71547-75A	231
68597-83	213	70085-80	223	70353-78	223	71144-75A	237	71550-36	241

NUMERICAL INDEX

Part No.	Page	Part No.	Page	Part No.	Page	Part No.	Page	Part No.	Page
71550-75	241		227	92041-74	205				
71552-75	241	72039-71	227	92042-78A	205				
71554-75	241		229	92045-76	205				
71559-73	231	72041-71	227		213				
71560-36	241	72043-71	227	92046-78	205				
	243	72044-71	227		213				
71562-36	241	72046-79	227	92074-73	205				
	243	72047-71	227	95578-41	121				
71563-82A	229	72051-77	47		125				
71564-82A	229		227		129				
71567-82	229	72275-74	227	95581-47	121				
71568-82A	229	72276-74	227		125				
71570-82A	229	72277-74	227		129				
71571-82	229	72278-74	227	95582-47	121				
71572-44	243	72300-70	235		125				
71572-82A	229	72303-70	235		129				
71573-82A	229	72312-73	237	95594-84	123				
71574-82	229	72341-56A	43		131				
	239		47		133				
71580-36	241		51	95595-84	123				
	243		235		125				
71587-36	241	72501-74	227		129				
	243	72502-74	227		131				
71623-75	241	74510-70A	247		133				
71626-59	241	74512-79A	247	99013-82	153				
71650-74	205	74516-86	247	99017-83	250				
71650-75	205	74521-77	47	99031-82	169				
71774-77	225		227	99353-82Z	199				
71795-63A	205	74533-70A	247						
	247	74533-75B	247						
71802-26A	233	74534-80	247						
71804-65	233	74536-77A	47						
71811-26	233		227						
71843-29	233	74539-77A	47						
71851-29	233		227						
71856-61	233	74589-73	239						
71859-29	233	74594-71	239						
71859-38A	233	74598-73	239						
71861-29	233	74599-77A	239						
71871-75	41	83162-51	19						
71875-81	247		21						
71900-70	239	85210-42A	159						
72001-69B	231	90827-83	249						
	239	90832-83	249						
72005-73A	239	90840-79	153						
72015-39	239	90840-80	153						
72023-51A	109	91704-15	223						
	111	91875-70B	221						
	113	91875-82	221						
	239	91878-77A	221						
72034-71	227	91892-82	221						
72035-71	227	91896-83	251						
72037-71	227	91900-83	251						
72038-71	207	92040-74	205						
	213	92040-76	205						

NOTES

NOTES

NOTES



* 9 9 4 5 5 - 8 3 0 *



Harley-Davidson, Inc.
Technical Communications Dept.
Milwaukee, WI 53201.