

2015 Touring Models Parts Catalog

Alphabetical List

Parts

Hardware List

New Parts List

Numerical Index

Component Types and Introduction Dates

Common Service Parts

GUARDS, SADDLEBAG

ACTIVE INTAKE & EXHAUST

AIR CLEANER

ALTERNATOR & REGULATOR

ANTENNAS

AUXILIARY/FOG LAMPS & TURN SIGNALS, FRONT - FLHR & FLHRC

AUXILIARY/FOG LAMPS & TURN SIGNALS, FRONT - FLHTCU, FLHTCUL, FTHTK & FLHTKL

BATTERY

BELT, CHAINS & SPROCKETS

BRAKE CALIPER, FRONT

BRAKE CALIPER, REAR

BRAKE CONTROL, FRONT

BRAKE CONTROL, REAR

BRAKE LINE, FRONT - NON-ABS

BRAKE LINES & MODULE, REAR - ABS

BRAKE LINES, FRONT - ABS

CAMSHAFTS & CAMSHAFT COVER - TWIN CAM 103™

CB & INTERCOM CONTROL POD

CLUTCH - ASSIST & SLIP - TWIN CAM 103™ - FLHTCUL & FLHTKL

CLUTCH - CONVENTIONAL - TWIN CAM 103™ - FLHR/C, FLHTCU, FLHTK, FLHX/S & FLTRX/S

CLUTCH CONTROL (NON-FAIRING MODELS)

CLUTCH CONTROL (FAIRING MODELS)

CONSOLE, FUEL TANK - FLHTCU, FLHTCUL, FLHTK, FLHTKL, FLHX, FLHXS, FLTRX & FLTRXS (1 OF 2)

CONSOLE, FUEL TANK - FLHTCU, FLHTCUL, FLHTK, FLHTKL, FLHX, FLHXS, FLTRX & FLTRXS (2 OF 2)

COOLANT DISTRIBUTION

COOLING SYSTEM, ENGINE, TWIN-COOLED™ - TWIN CAM 103™

CRANKCASE & ENGINE OIL FILTER - TWIN-COOLED™ TWIN CAM 103™

CRANKCASE, ENGINE OIL FILTER & COOLER - TWIN CAM 103™ (1 OF 2)

CRANKCASE, ENGINE OIL FILTER & COOLER - TWIN CAM 103™ (2 OF 2)

CYLINDERS, HEADS & VALVES - TWIN CAM 103™

CYLINDERS, HEADS & VALVES, TWIN-COOLED™ - TWIN CAM 103™

ELECTRONIC CONTROL MODULE (ECM) & COIL

ENGINE ASSEMBLY - TWIN CAM 103™

ENGINE ASSEMBLY, TWIN-COOLED™ - TWIN CAM 103™

ENGINE MOUNTS & STABILIZER LINK

EVAPORATIVE EMISSIONS COMPONENTS

EXHAUST SYSTEM

FAIRING LOWERS - ULTRA - AIR COOLED

FAIRING LOWERS - ULTRA - TWIN-COOLED™

FAIRING, INNER - FLHTCU, FLHTCUL, FLHTK, FLHTKL, FLHX & FLHXS (1 OF 2)

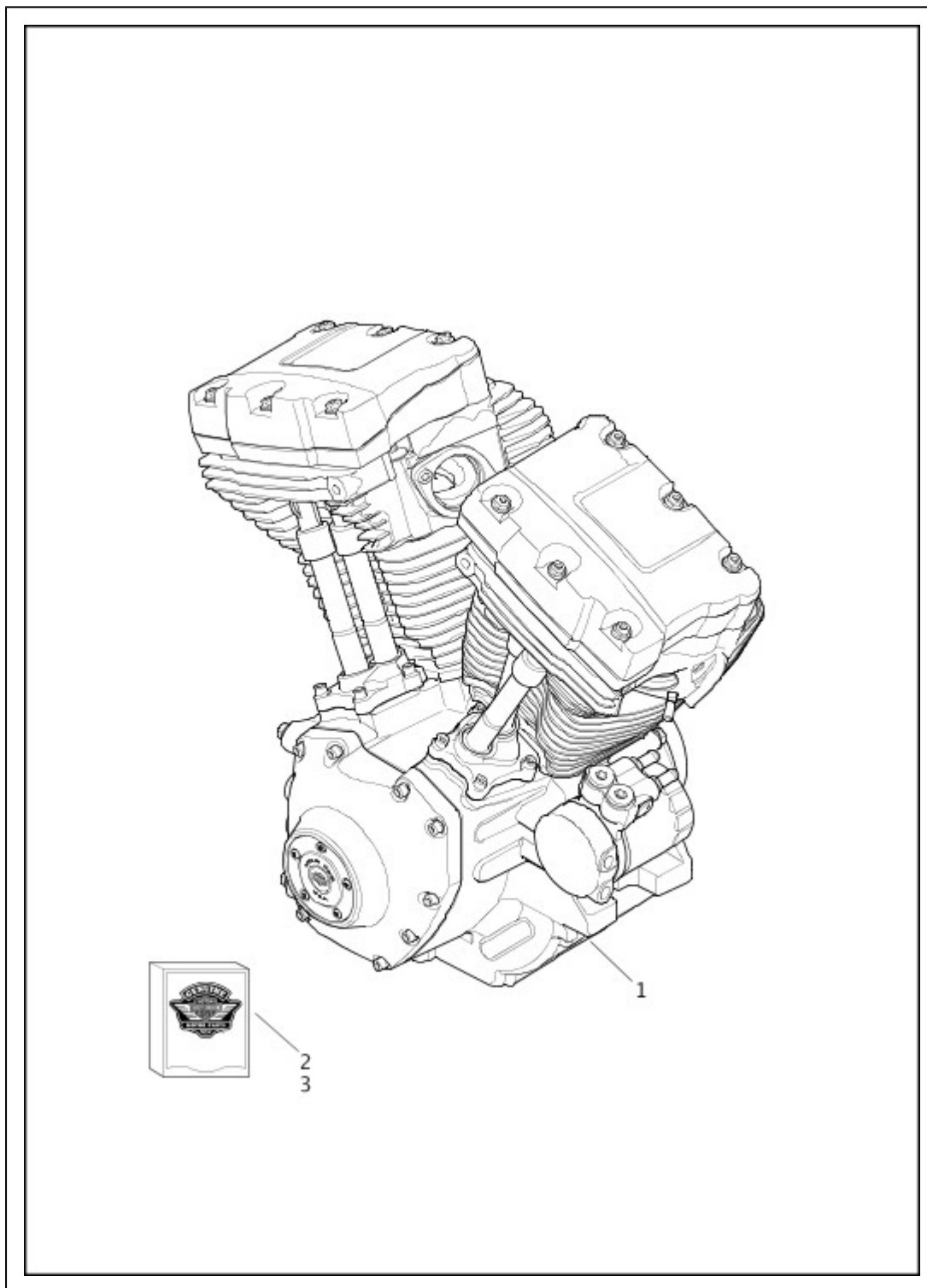
FAIRING, INNER - FLHTCU, FLHTCUL, FLHTK, FLHTKL, FLHX & FLHXS (2 OF 2)
FAIRING, INNER - FLTRX & FLTRXS (1 OF 2)
FAIRING, INNER - FLTRX & FLTRXS (2 OF 2)
FENDERS, FRONT
FENDERS, REAR (1 OF 2)
FENDERS, REAR (2 OF 2)
FOOTBOARDS & FOOTPEGS
FORK BRACKETS, FRONT
FORK, FRONT, LEFT & RIGHT - LOW
FORK, FRONT, LEFT & RIGHT - STANDARD
FRAME & FORK, REAR & TOUR-PAK SUPPORT
FRAME & JIFFY STAND (1 OF 2)
FRAME & JIFFY STAND (2 OF 2)
FUEL PUMP - FLHR & FLHRC
FUEL PUMP - FLHTCU, FLHTCUL, FLHTK, FLHTKL, FLHX, FLHXS, FLTRX & FLTRXS
FUEL TANK - FLHR & FLHRC
FUEL TANK - FLHTCU, FLHTCUL, FLHTK, FLHTKL, FLHX, FLHXS, FLTRX & FLTRXS
FUEL TANK TRIM
HANDLEBAR
HORN
INDUCTION MODULE, FUEL
INSTRUMENT HOUSING - FLTRX & FLTRXS
INSTRUMENTS - FLHTCU, FLHTCUL, FLHTK, FLHTKL, FLHX & FLHXS
INSTRUMENTS - FLTRX & FLTRXS
INSTRUMENTS, FUEL TANK - FLHR & FLHRC
LABELS
LAMPS & SPEAKER HOUSINGS, ULTRA TOUR-PAK (1 OF 2)
LAMPS & SPEAKER HOUSINGS, ULTRA TOUR-PAK (2 OF 2)
LICENSE PLATE BRACKETS
LOOSE PARTS (1 OF 2)
LOOSE PARTS (2 OF 2)
MIRRORS
NACELLE & HEADLAMP - FLHR & FLHRC
PISTONS & FLYWHEEL ASSEMBLY - TWIN CAM 103™
PRIMARY HOUSING
RADIATOR, COOLANT HOSES & BOTTLE
ROCKER ARM ASSEMBLY & PUSHRODS - TWIN CAM 103™
SADDLEBAGS (1 OF 2)
SADDLEBAGS (2 OF 2)
SADDLEBAGS - FLHRC
SEATS
SENSORS & SWITCHES, ENGINE
SHIFTER, GEAR
SHOCK ABSORBERS, REAR & AIR SUSPENSION SYSTEM - FLHR, FLHRC, FLHTCU, FLHTK, FLHX & FLTRX
SHOCK ABSORBERS, REAR - FLHTCUL, FLHTKL, FLHXS & FLTRXS
SOUND SYSTEM - FLHTCU/L, FLHTK/L, FLHX & FLHXS (1 OF 2)
SOUND SYSTEM - FLHTCU/L, FLHTK/L, FLHX & FLHXS (2 OF 2)
SOUND SYSTEM - FLTRX & FLTRXS
STARTER MOTOR
SWITCHES
SWITCHES, HANDLEBAR, LEFT
SWITCHES, HANDLEBAR, RIGHT
TAIL LAMP
TAIL LAMP & TURN SIGNALS, REAR (1 OF 2)
TAIL LAMP & TURN SIGNALS, REAR (2 OF 2)

THROTTLE CONTROL
TOUR-PAK (BOTTOM)
TOUR-PAK (COVER)
TRANSMISSION BEARINGS & COVERS
TRANSMISSION GEARS
TRANSMISSION HOUSING, TOP COVER & OIL PAN
TURN SIGNALS, FRONT - FLHX & FLHXS
WHEELS, FRONT
WHEELS, REAR
WINDSHIELD - FLHR & FLHRC
WINDSHIELD, FAIRING & HEADLAMP - FLHTCU/L, FLHTK/L, FLHX & FLHXS (1 OF 2)
WINDSHIELD, FAIRING & HEADLAMP - FLHTCU/L, FLHTK/L, FLHX & FLHXS (2 OF 2)
WINDSHIELD, FAIRING & HEADLAMP - FLTRX & FLTRXS
WIRING HARNESS, CONSOLE - FLHR & FLHRC
WIRING HARNESS, FAIRING - FLHTCU/L, FLHTK/L, FLHX & FLHXS (1 OF 2)
WIRING HARNESS, FAIRING - FLHTCU/L, FLHTK/L, FLHX & FLHXS (2 OF 2)
WIRING HARNESS, FAIRING - FLTRX & FLTRXS
WIRING HARNESS, MAIN, ABS (FAIRING MODELS) - FLHTCU/L & FLHTK/L (1 OF 8)
WIRING HARNESS, MAIN, ABS (FAIRING MODELS) - FLHTCU/L & FLHTK/L (2 OF 8)
WIRING HARNESS, MAIN, ABS (FAIRING MODELS) - FLHTCU/L & FLHTK/L (3 OF 8)
WIRING HARNESS, MAIN, ABS (FAIRING MODELS) - FLHTCU/L & FLHTK/L (4 OF 8)
WIRING HARNESS, MAIN, ABS (FAIRING MODELS) - FLHTCU/L & FLHTK/L (5 OF 8)
WIRING HARNESS, MAIN, ABS (FAIRING MODELS) - FLHTCU/L & FLHTK/L (6 OF 8)
WIRING HARNESS, MAIN, ABS (FAIRING MODELS) - FLHTCU/L & FLHTK/L (7 OF 8)
WIRING HARNESS, MAIN, ABS (FAIRING MODELS) - FLHTCU/L & FLHTK/L (8 OF 8)
WIRING HARNESS, MAIN, ABS (FAIRING MODELS) - FLHX & FLHXS (1 OF 8)
WIRING HARNESS, MAIN, ABS (FAIRING MODELS) - FLHX & FLHXS (2 OF 8)
WIRING HARNESS, MAIN, ABS (FAIRING MODELS) - FLHX & FLHXS (3 OF 8)
WIRING HARNESS, MAIN, ABS (FAIRING MODELS) - FLHX & FLHXS (4 OF 8)
WIRING HARNESS, MAIN, ABS (FAIRING MODELS) - FLHX & FLHXS (5 OF 8)
WIRING HARNESS, MAIN, ABS (FAIRING MODELS) - FLHX & FLHXS (6 OF 8)
WIRING HARNESS, MAIN, ABS (FAIRING MODELS) - FLHX & FLHXS (7 OF 8)
WIRING HARNESS, MAIN, ABS (FAIRING MODELS) - FLHX & FLHXS (8 OF 8)
WIRING HARNESS, MAIN, ABS (FAIRING MODELS) - FLTRX & FLTRXS (1 OF 8)
WIRING HARNESS, MAIN, ABS (FAIRING MODELS) - FLTRX & FLTRXS (2 OF 8)
WIRING HARNESS, MAIN, ABS (FAIRING MODELS) - FLTRX & FLTRXS (3 OF 8)
WIRING HARNESS, MAIN, ABS (FAIRING MODELS) - FLTRX & FLTRXS (4 OF 8)
WIRING HARNESS, MAIN, ABS (FAIRING MODELS) - FLTRX & FLTRXS (5 OF 8)
WIRING HARNESS, MAIN, ABS (FAIRING MODELS) - FLTRX & FLTRXS (6 OF 8)
WIRING HARNESS, MAIN, ABS (FAIRING MODELS) - FLTRX & FLTRXS (7 OF 8)
WIRING HARNESS, MAIN, ABS (FAIRING MODELS) - FLTRX & FLTRXS (8 OF 8)
WIRING HARNESS, MAIN, ABS (NON-FAIRING MODELS) (1 OF 8)
WIRING HARNESS, MAIN, ABS (NON-FAIRING MODELS) (2 OF 8)
WIRING HARNESS, MAIN, ABS (NON-FAIRING MODELS) (3 OF 8)
WIRING HARNESS, MAIN, ABS (NON-FAIRING MODELS) (4 OF 8)
WIRING HARNESS, MAIN, ABS (NON-FAIRING MODELS) (5 OF 8)
WIRING HARNESS, MAIN, ABS (NON-FAIRING MODELS) (6 OF 8)
WIRING HARNESS, MAIN, ABS (NON-FAIRING MODELS) (7 OF 8)
WIRING HARNESS, MAIN, ABS (NON-FAIRING MODELS) (8 OF 8)
WIRING HARNESS, MAIN, NON-ABS (FAIRING MODELS) - FLHX (1 OF 8)
WIRING HARNESS, MAIN, NON-ABS (FAIRING MODELS) - FLHX (2 OF 8)
WIRING HARNESS, MAIN, NON-ABS (FAIRING MODELS) - FLHX (3 OF 8)
WIRING HARNESS, MAIN, NON-ABS (FAIRING MODELS) - FLHX (4 OF 8)
WIRING HARNESS, MAIN, NON-ABS (FAIRING MODELS) - FLHX (5 OF 8)
WIRING HARNESS, MAIN, NON-ABS (FAIRING MODELS) - FLHX (6 OF 8)
WIRING HARNESS, MAIN, NON-ABS (FAIRING MODELS) - FLHX (7 OF 8)

WIRING HARNESS, MAIN, NON-ABS (FAIRING MODELS) - FLHX (8 OF 8)
WIRING HARNESS, MAIN, NON-ABS (FAIRING MODELS) - FLTRX & FLTRXS (1 OF 8)
WIRING HARNESS, MAIN, NON-ABS (FAIRING MODELS) - FLTRX & FLTRXS (2 OF 8)
WIRING HARNESS, MAIN, NON-ABS (FAIRING MODELS) - FLTRX & FLTRXS (3 OF 8)
WIRING HARNESS, MAIN, NON-ABS (FAIRING MODELS) - FLTRX & FLTRXS (4 OF 8)
WIRING HARNESS, MAIN, NON-ABS (FAIRING MODELS) - FLTRX & FLTRXS (5 OF 8)
WIRING HARNESS, MAIN, NON-ABS (FAIRING MODELS) - FLTRX & FLTRXS (6 OF 8)
WIRING HARNESS, MAIN, NON-ABS (FAIRING MODELS) - FLTRX & FLTRXS (7 OF 8)
WIRING HARNESS, MAIN, NON-ABS (FAIRING MODELS) - FLTRX & FLTRXS (8 OF 8)
WIRING HARNESS, MAIN, NON-ABS (NON-FAIRING MODELS) (1 OF 8)
WIRING HARNESS, MAIN, NON-ABS (NON-FAIRING MODELS) (2 OF 8)
WIRING HARNESS, MAIN, NON-ABS (NON-FAIRING MODELS) (3 OF 8)
WIRING HARNESS, MAIN, NON-ABS (NON-FAIRING MODELS) (4 OF 8)
WIRING HARNESS, MAIN, NON-ABS (NON-FAIRING MODELS) (5 OF 8)
WIRING HARNESS, MAIN, NON-ABS (NON-FAIRING MODELS) (6 OF 8)
WIRING HARNESS, MAIN, NON-ABS (NON-FAIRING MODELS) (7 OF 8)
WIRING HARNESS, MAIN, NON-ABS (NON-FAIRING MODELS) (8 OF 8)

Parts

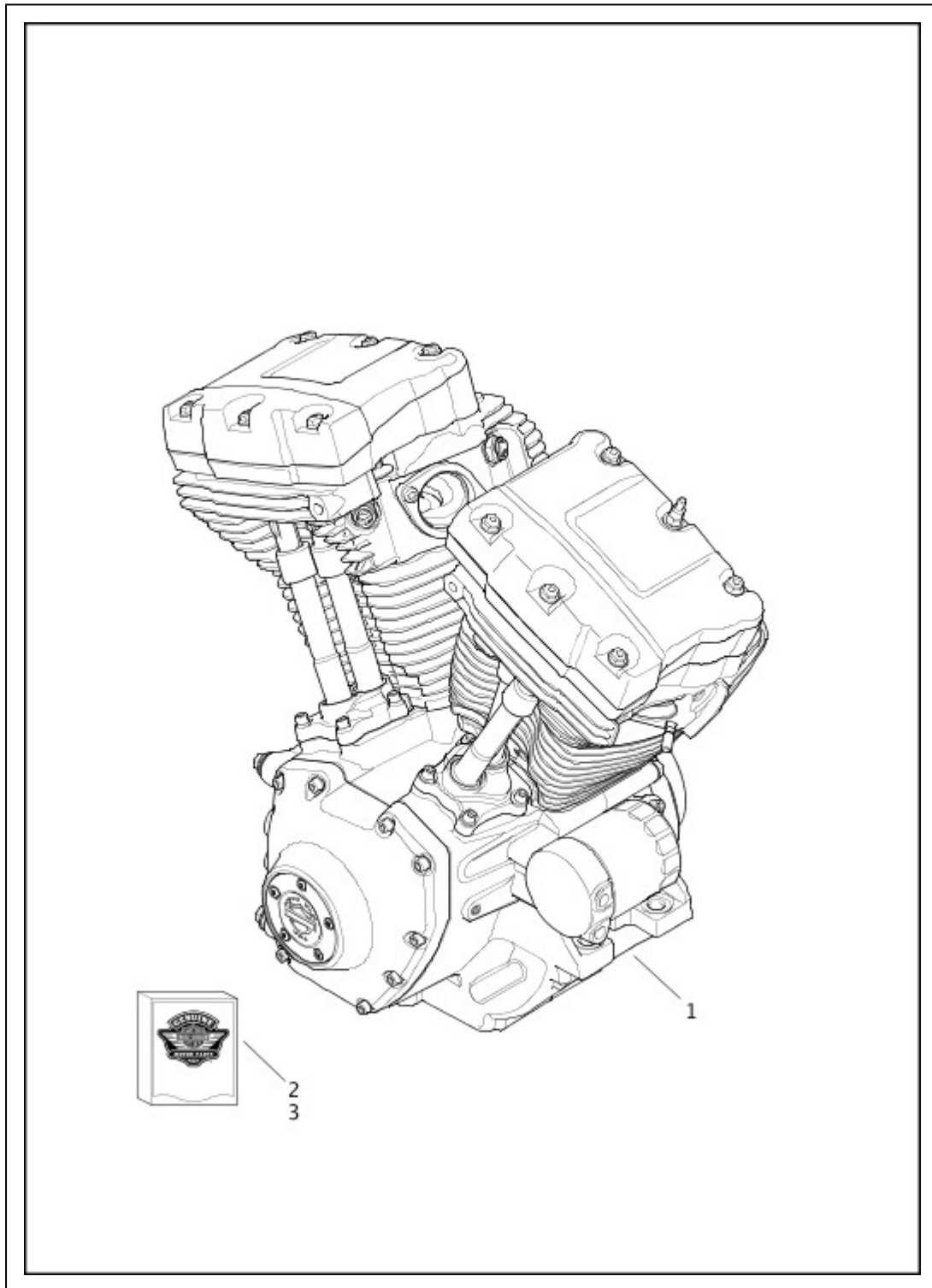
ENGINE ASSEMBLY - TWIN CAM 103™



| Index No. | Part No. | Description | Model(s) |
|-----------|----------|---|--|
| 1 | 19678-15 | ENGINE ASSEMBLY, complete | FLHR, FLHTCU, FLHRC, FLHX, FLHXS, FLTRX, FLTRXS, FLHTCUL |
| 2 | 16200068 | ENGINE ASSEMBLY, shortblock, w/ 91800042, crankcase, flywheel assembly, camshaft support plate assembly, oil pump & cylinder studs (See Note) | FLHR, FLHTCU, FLHRC, FLHX, FLHXS, FLTRX, FLTRXS, FLHTCUL |
| 3 | 91800042 | KIT, shortblock installation, w/ 17052-99C upper end gasket kit, 25700226 inner primary gasket kit, camshaft sprockets, camshaft drive chains & camshaft tensioners | FLHR, FLHTCU, FLHRC, FLHX, FLHXS, FLTRX, FLTRXS, FLHTCUL |

Note: Cylinders, cylinder heads, camshafts, rocker arms, pushrods, pushrod covers, piston assemblies, tappets, oil filter adapter, oil filter and cosmetic covers are not included with the shortblock assembly. These parts must be removed from the original engine and installed on the replacement shortblock assembly.

ENGINE ASSEMBLY, TWIN-COOLED™ - TWIN CAM 103™

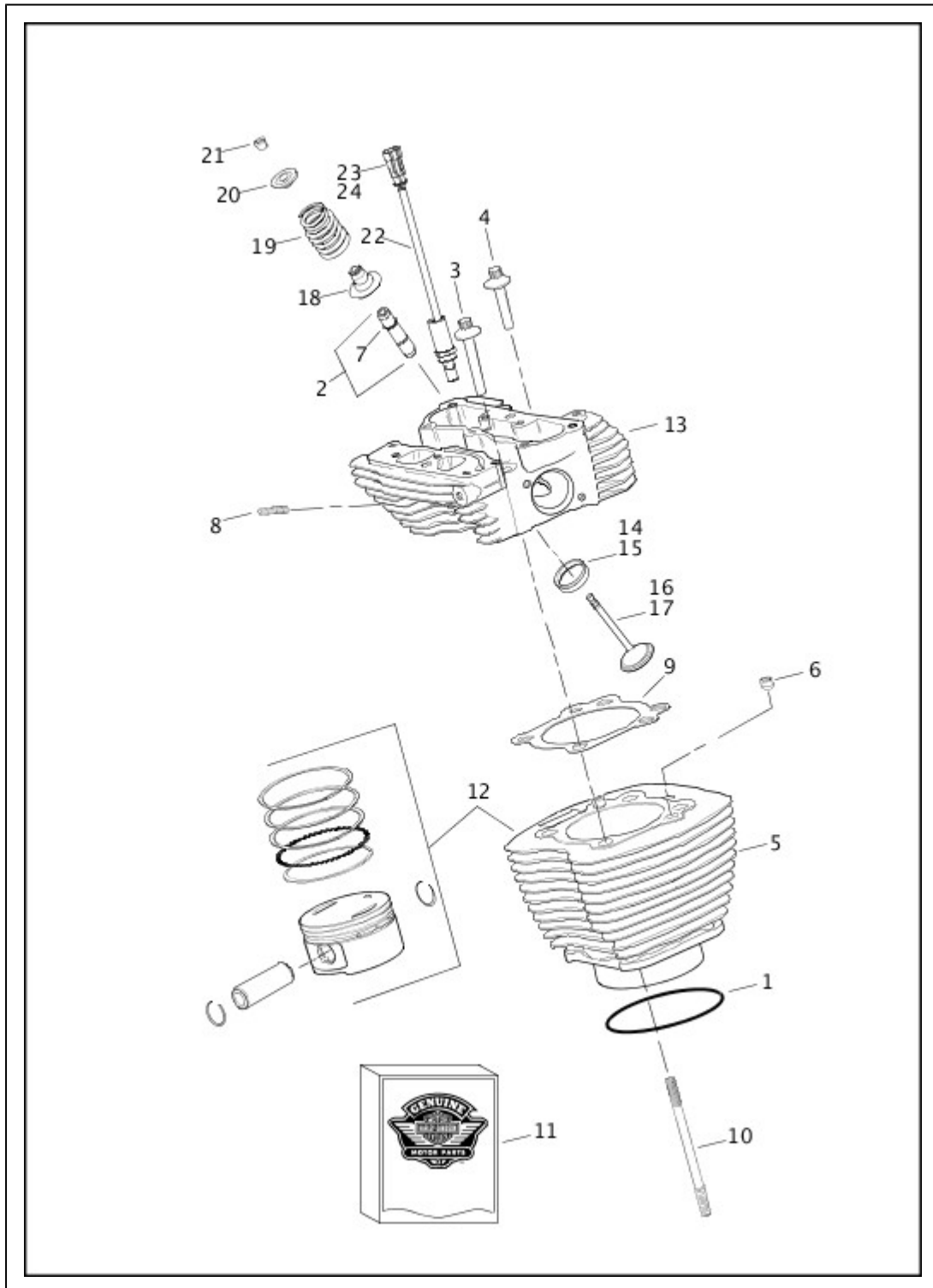


| Index No. | Part No. | Description | Model(s) |
|-----------|----------|---------------------------|--------------------------------------|
| 1 | 19291-15 | ENGINE ASSEMBLY, complete | FLHTCU TC, FLHTK, FLHTCUL TC, FLHTKL |

| | | | |
|---|----------|---|--------------------------------------|
| 2 | 16200068 | ENGINE ASSEMBLY, shortblock, w/ 91800042, crankcase, flywheel assembly, camshaft support plate assembly, oil pump & cylinder studs (See Note) | FLHTCU TC, FLHTK, FLHTCUL TC, FLHTKL |
| 3 | 91800042 | KIT, shortblock installation, w/ 17052-99C upper end gasket kit, 25700226 inner primary gasket kit, camshaft sprockets, camshaft drive chains & camshaft tensioners | FLHTCU TC, FLHTK, FLHTCUL TC, FLHTKL |

Note: Cylinders, cylinder heads, camshafts, rocker arms, pushrods, pushrod covers, piston assemblies, tappets, oil filter adapter, oil filter and cosmetic covers are not included with the shortblock assembly. These parts must be removed from the original engine and installed on the replacement shortblock assembly.

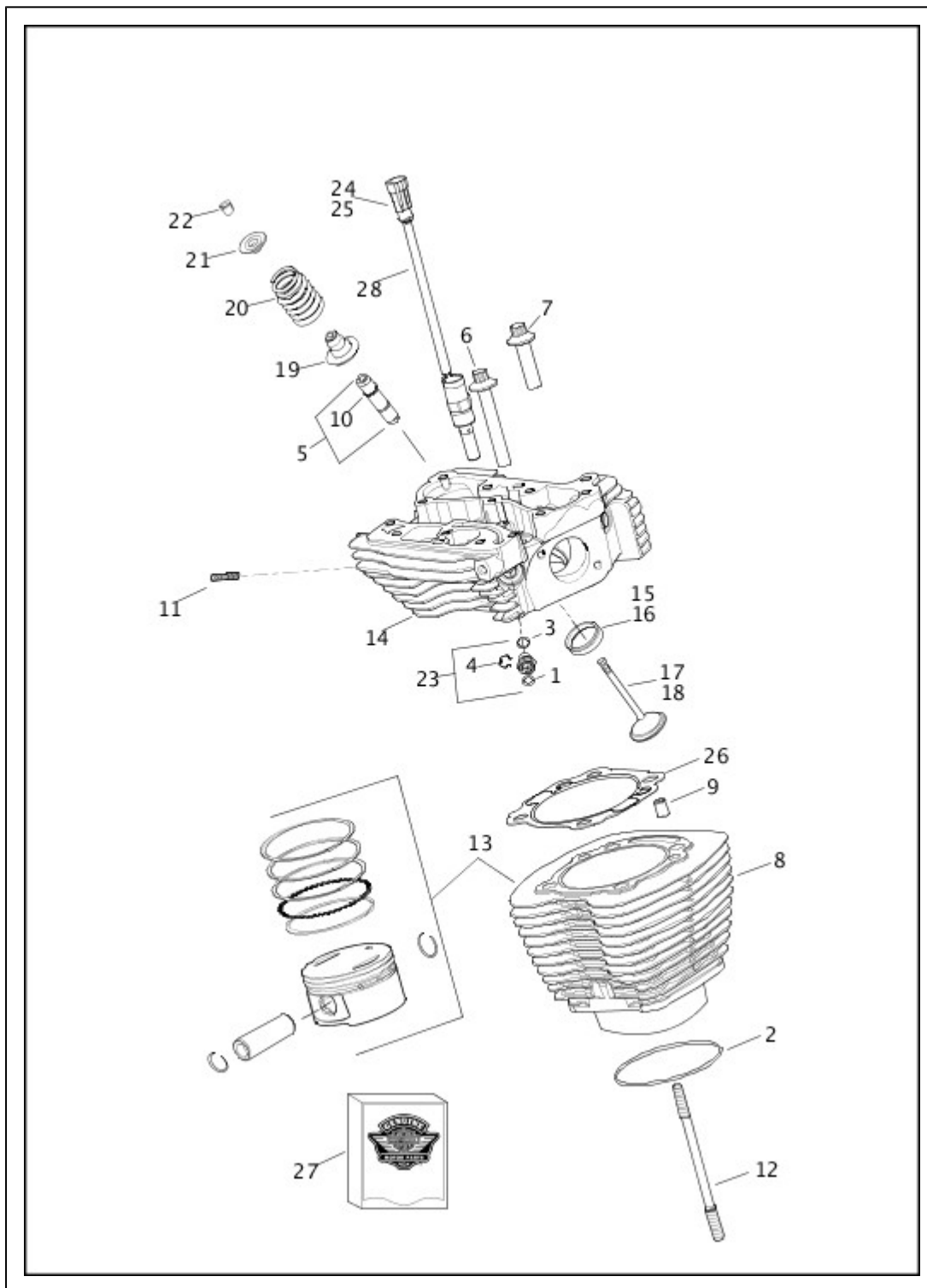
CYLINDERS, HEADS & VALVES - TWIN CAM 103™



| Index No. | Part No. | Description | Model(s) |
|-----------|-----------|---|--|
| 1 | 11256 | O-RING, cylinder base (2) | FLHR, FLHTCU, FLHRC, FLHX, FLHXS, FLTRX, FLTRXS, FLHTCUL |
| 2 | 16465-06 | VALVE GUIDE ASSEMBLY, intake & exhaust, w/ 16699-06 (4) | FLHR, FLHTCU, FLHRC, FLHX, FLHXS, FLTRX, FLTRXS, FLHTCUL |
| 3 | 16478-85A | SCREW, internal thread 3-3/16 in. long (4) | FLHR, FLHTCU, FLHRC, FLHX, FLHXS, FLTRX, FLTRXS, FLHTCUL |
| 4 | 16480-92A | SCREW, internal thread 1-7/8 in. long (4) | FLHR, FLHTCU, FLHRC, FLHX, FLHXS, FLTRX, FLTRXS, FLHTCUL |
| 5 | 16547-99A | CYLINDER ASSEMBLY, w/ 16595-99A (black) (2) | FLHR, FLHTCU, FLHRC, FLHX, FLHXS, FLTRX, FLTRXS, FLHTCUL |
| 6 | 16595-99A | DOWEL, pin (4) | FLHR, FLHTCU, FLHRC, FLHX, FLHXS, FLTRX, FLTRXS, FLHTCUL |
| 7 | 16699-06 | SNAP RING (4) | FLHR, FLHTCU, FLHRC, FLHX, FLHXS, FLTRX, FLTRXS, FLHTCUL |
| 8 | 16715-83 | STUD, exhaust port (4) | FLHR, FLHTCU, FLHRC, FLHX, FLHXS, FLTRX, FLTRXS, FLHTCUL |
| 9 | 16787-99A | GASKET, cylinder head (2) | FLHR, FLHTCU, FLHRC, FLHX, FLHXS, FLTRX, FLTRXS, FLHTCUL |
| 10 | 16834-99A | STUD, cylinder (8) | FLHR, FLHTCU, FLHRC, FLHX, FLHXS, FLTRX, FLTRXS, FLHTCUL |
| 11 | 17052-99C | GASKET KIT, top end | FLHR, FLHTCU, FLHRC, FLHX, FLHXS, FLTRX, FLTRXS, FLHTCUL |
| | 17053-99C | GASKET KIT, engine overhaul | FLHR, FLHTCU, FLHRC, FLHX, FLHXS, FLTRX, FLTRXS, FLHTCUL |
| 12 | 17460-07A | CYLINDER ASSEMBLY, w/ piston, rings, piston pin & retaining rings (black) (2) | FLHR, FLHTCU, FLHRC, FLHX, FLHXS, FLTRX, FLTRXS, FLHTCUL |
| 13 | 17728-08 | CYLINDER HEAD, front, w/ 16465-06, 18011-86 & 18020-83 (black) | FLHR, FLHTCU, FLHRC, FLHX, FLHXS, FLTRX, FLTRXS, FLHTCUL |
| | 17729-08 | CYLINDER HEAD, rear, w/ 16465-06, 18011-86 & 18020-83 (black) | FLHR, FLHTCU, FLHRC, FLHX, FLHXS, FLTRX, FLTRXS, FLHTCUL |
| 14 | 18011-86 | INSERT, exhaust valve seat (2) | FLHR, FLHTCU, FLHRC, FLHX, FLHXS, FLTRX, FLTRXS, FLHTCUL |
| 15 | 18020-83 | INSERT, intake valve seat (2) | FLHR, FLHTCU, FLHRC, FLHX, FLHXS, FLTRX, FLTRXS, FLHTCUL |
| 16 | 18074-05A | INTAKE VALVE (2) | FLHR, FLHTCU, FLHRC, FLHX, FLHXS, FLTRX, FLTRXS, FLHTCUL |
| 17 | 18085-05B | EXHAUST VALVE (2) | FLHR, FLHTCU, FLHRC, FLHX, FLHXS, FLTRX, FLTRXS, FLHTCUL |
| 18 | 18094-02A | SEAL KIT, valve | FLHR, FLHTCU, FLHRC, FLHX, FLHXS, FLTRX, FLTRXS, FLHTCUL |
| 19 | 18245- | VALVE SPRING (4) | FLHR, FLHTCU, FLHRC, FLHX, FLHXS, |

| | | | |
|----|-----------|--|--|
| | 02 | | FLTRX, FLTRXS, FLHTCUL |
| 20 | 18258-02 | COLLAR, valve spring (4) | FLHR, FLHTCU, FLHRC, FLHX, FLHXS, FLTRX, FLTRXS, FLHTCUL |
| 21 | 18260-02 | KEEPER, valve (8) | FLHR, FLHTCU, FLHRC, FLHX, FLHXS, FLTRX, FLTRXS, FLHTCUL |
| 22 | 28861-07A | SOLENOID, auto compression release, w/ 72009-05 & 72011-05 (2) | FLHR, FLHTCU, FLHRC, FLHX, FLHXS, FLTRX, FLTRXS, FLHTCUL |
| 23 | 72009-05 | HOUSING, 2-way, pin (2) | FLHR, FLHTCU, FLHRC, FLHX, FLHXS, FLTRX, FLTRXS, FLHTCUL |
| 24 | 72011-05 | WIRE SEAL, 16-20 AWG (yellow) (4) | FLHR, FLHTCU, FLHRC, FLHX, FLHXS, FLTRX, FLTRXS, FLHTCUL |

CYLINDERS, HEADS & VALVES, TWIN-COOLED™ - TWIN CAM 103™

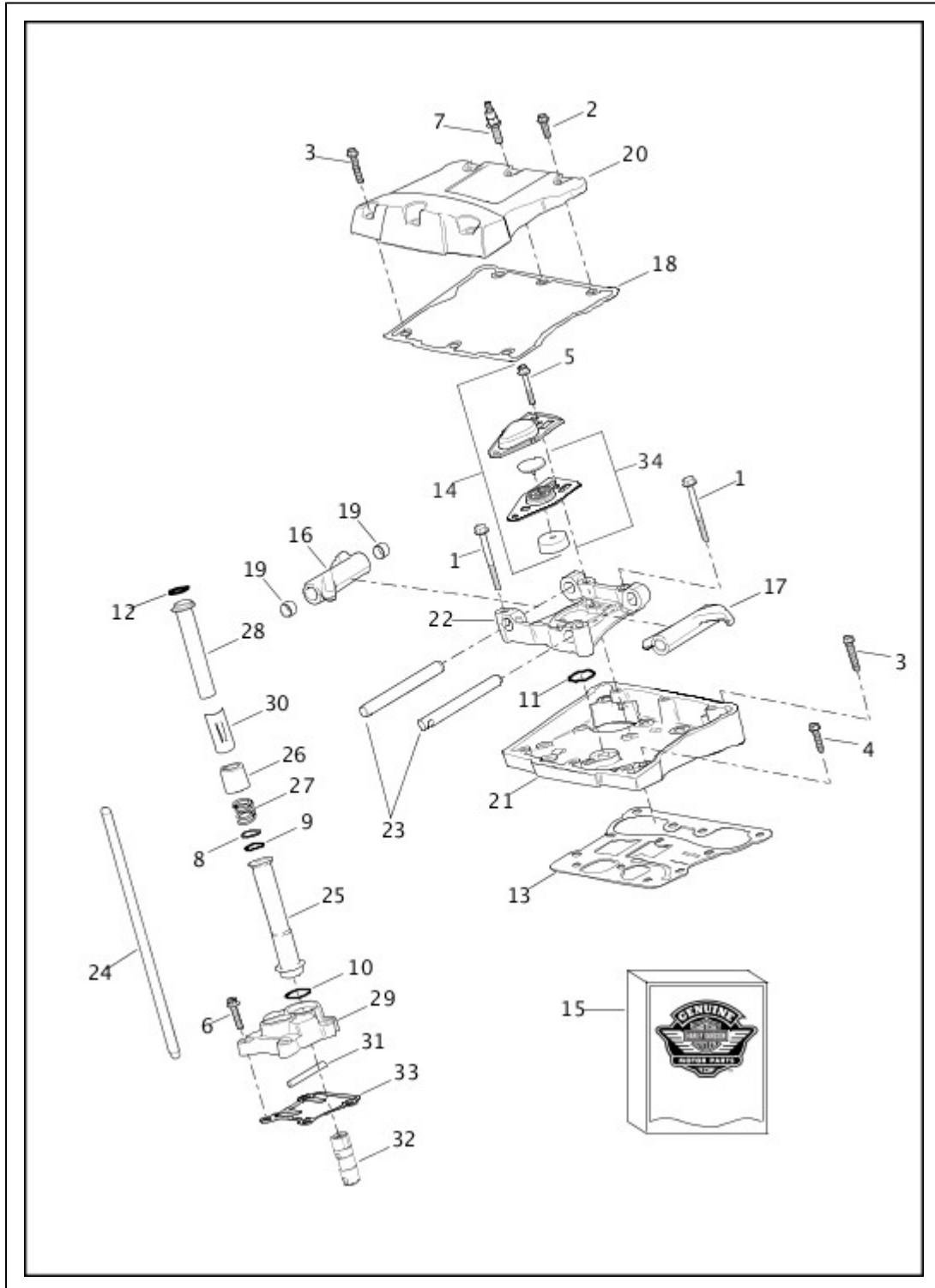


| Index No. | Part No. | Description | Model(s) |
|-----------|----------|---------------------------|--------------------------------------|
| 1 | 11110 | O-RING (4) | FLHTCU TC, FLHTK, FLHTCUL TC, FLHTKL |
| 2 | 11256 | O-RING, cylinder base (2) | FLHTCU TC, FLHTK, FLHTCUL TC, FLHTKL |
| 3 | 11290 | O-RING (4) | FLHTCU TC, FLHTK, FLHTCUL TC, FLHTKL |
| 4 | 11408 | RETAINER, wire clip (4) | FLHTCU TC, FLHTK, FLHTCUL TC, FLHTKL |

| | | | |
|----|-----------|--|--------------------------------------|
| 5 | 16465-06 | VALVE GUIDE ASSEMBLY, intake & exhaust, w/ 16699-06 (4) | FLHTCU TC, FLHTK, FLHTCUL TC, FLHTKL |
| 6 | 16478-85A | SCREW, internal thread 3-3/16 in. long (4) | FLHTCU TC, FLHTK, FLHTCUL TC, FLHTKL |
| 7 | 16480-92A | SCREW, internal thread 1-7/8 in. long (4) | FLHTCU TC, FLHTK, FLHTCUL TC, FLHTKL |
| 8 | 16547-99A | CYLINDER ASSEMBLY, w/ 16595-99A (black) (2) | FLHTCU TC, FLHTK, FLHTCUL TC, FLHTKL |
| 9 | 16595-99A | DOWEL, pin (4) | FLHTCU TC, FLHTK, FLHTCUL TC, FLHTKL |
| 10 | 16699-06 | SNAP RING (4) | FLHTCU TC, FLHTK, FLHTCUL TC, FLHTKL |
| 11 | 16715-83 | STUD, exhaust port (4) | FLHTCU TC, FLHTK, FLHTCUL TC, FLHTKL |
| 12 | 16834-99A | STUD, cylinder (8) | FLHTCU TC, FLHTK, FLHTCUL TC, FLHTKL |
| 13 | 17460-07A | CYLINDER ASSEMBLY, w/ piston, rings, piston pin & retaining rings (black) (2) | FLHTCU TC, FLHTK, FLHTCUL TC, FLHTKL |
| 14 | 17732-14 | CYLINDER HEAD ASSEMBLY, complete, front, w/ 5, 11, 15 - 23, 28 & 65324-83B (black) | FLHTCU TC, FLHTK, FLHTCUL TC, FLHTKL |
| | 17733-14 | CYLINDER HEAD ASSEMBLY, complete, rear, w/ 5, 11, 15 - 23, 28 & 65324-83B (black) | FLHTCU TC, FLHTK, FLHTCUL TC, FLHTKL |
| 15 | 18011-86 | INSERT, exhaust valve seat (2) | FLHTCU TC, FLHTK, FLHTCUL TC, FLHTKL |
| 16 | 18020-83 | INSERT, intake valve seat (2) | FLHTCU TC, FLHTK, FLHTCUL TC, FLHTKL |
| 17 | 18074-05A | INTAKE VALVE (2) | FLHTCU TC, FLHTK, FLHTCUL TC, FLHTKL |
| 18 | 18085-05B | EXHAUST VALVE (2) | FLHTCU TC, FLHTK, FLHTCUL TC, FLHTKL |
| 19 | 18094-02A | SEAL KIT, valve | FLHTCU TC, FLHTK, FLHTCUL TC, FLHTKL |
| 20 | 18245-02 | VALVE SPRING (4) | FLHTCU TC, FLHTK, FLHTCUL TC, FLHTKL |
| 21 | 18258-02 | COLLAR, valve spring (4) | FLHTCU TC, FLHTK, FLHTCUL TC, FLHTKL |
| 22 | 18260-02 | KEEPER, valve (8) | FLHTCU TC, FLHTK, FLHTCUL TC, FLHTKL |
| 23 | 26064-08 | FITTING ASSEMBLY, w/ 11110, 11290 & 11408 (4) | FLHTCU TC, FLHTK, FLHTCUL TC, FLHTKL |
| 24 | 72009-05 | HOUSING, 2-way, pin (2) | FLHTCU TC, FLHTK, FLHTCUL TC, FLHTKL |
| 25 | 72011-05 | WIRE SEAL, 16-20 AWG (yellow) (4) | FLHTCU TC, FLHTK, FLHTCUL TC, FLHTKL |

| | | | |
|----|----------|--|---|
| 26 | 16500066 | GASKET, cylinder head (2) | FLHTCU TC, FLHTK |
| 27 | 16500244 | GASKET KIT, top end | FLHTCU TC, FLHTK, FLHTCUL TC, FLHTKL |
| | 16500245 | GASKET KIT, engine overhaul | FLHTCU TC, FLHTK, FLHTCUL TC, FLHTKL |
| 28 | 18400035 | SOLENOID, auto compression release, w/ 72009-05 & 72011-05 (2) | FLHTCU TC, FLHTK, FLHTCUL TC, FLHTKL |

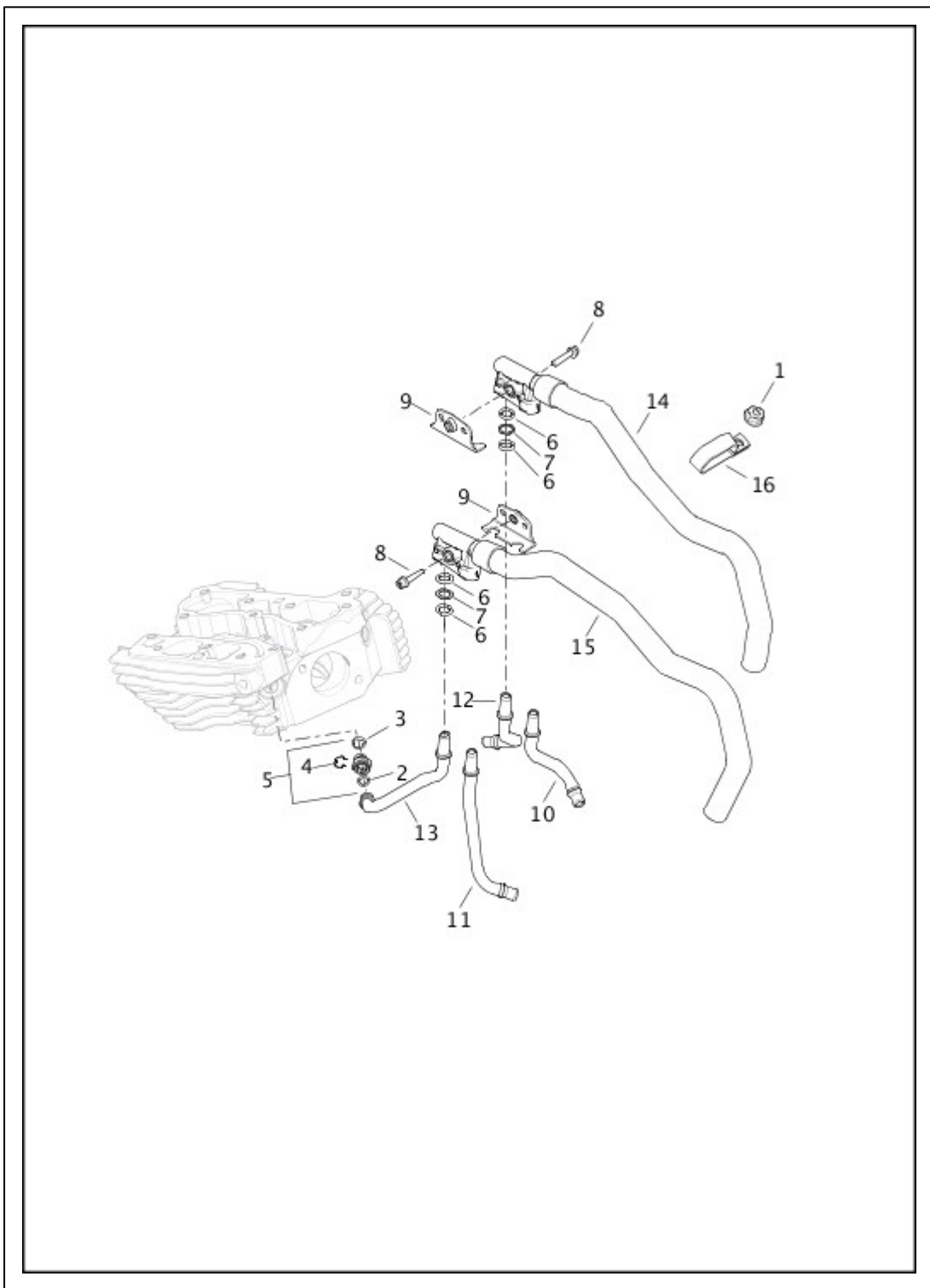
ROCKER ARM ASSEMBLY & PUSHRODS - TWIN CAM 103™



| Index No. | Part No. | Description | Model(s) |
|-----------|-----------|---|--|
| 1 | 1039 | SCREW (8) | |
| 2 | 3692A | SCREW (6) | FLHR, FLHTCU, FLHRC, FLHX, FLHXS, FLTRX, FLTRXS, FLHTCUL |
| 2 | 3692A | SCREW (5) | FLHTCU TC, FLHTK, FLHTCUL TC, FLHTKL |
| 3 | 3693A | SCREW (10) | |
| 4 | 3736B | SCREW (8) | |
| 5 | 4400 | BOLT (4) | |
| 6 | 4741A | SCREW (8) | |
| 7 | 4881 | BOLT, dual threaded (rear cylinder only) | FLHTCU TC, FLHTK, FLHTCUL TC, FLHTKL |
| 8 | 6762B | WASHER (4) | |
| 9 | 11132A | O-RING, pushrod cover (4) | |
| 10 | 11145A | O-RING, pushrod cover (4) | |
| 11 | 11270 | O-RING (2) | |
| 12 | 11293 | O-RING (4) | |
| 13 | 16719-99B | GASKET, rocker housing (2) | |
| 14 | 17025-03A | BREATHER ASSEMBLY, w/ 4400 (2) | |
| 15 | 17045-99D | GASKET KIT, cam service | |
| 16 | 17360-83A | ROCKER ARM, front intake, rear exhaust, w/ 17429-91 (2) | |
| 17 | 17375-83A | ROCKER ARM, rear intake, front exhaust, w/ 17429-91 (2) | |
| 18 | 17386-99A | GASKET, rocker cover (2) | |
| 19 | 17429-91 | BEARING, rocker arm (8) | |
| 20 | 17572-99 | ROCKER COVER, (chrome) (2) | |
| 21 | 17573-99A | ROCKER HOUSING, (chrome) (2) | |
| 22 | 17594-99 | SUPPORT, rocker arm (2) | |
| 23 | 17611-83 | SHAFT, rocker arm (4) | |
| 24 | 17922-99 | PUSHROD, exhaust, 10.536 in. long (black rings) (2) | |
| | 17923-99 | PUSHROD, intake, 10.418 in. long (plain finish) (2) | |

| | | | |
|----|-----------|---|--|
| 25 | 17939-99 | COVER, pushrod, lower (4) | |
| 26 | 17945-36B | CAP, cover spring (4) | |
| 27 | 17947-36 | SPRING, pushrod cover (4) | |
| 28 | 17948-99 | COVER, pushrod, upper (4) | |
| 29 | 17964-99 | LIFTER COVER, front (chrome) | |
| | 17966-99 | LIFTER COVER, rear (chrome) | |
| 30 | 17968-99 | RETAINER, spring cap (4) | |
| 31 | 18535-99 | PIN, anti-rotation (2) | |
| 32 | 18538-99C | HYDRAULIC LIFTER (4) | |
| 33 | 18635-99B | GASKET, lifter cover (2) | |
| 34 | 26500002 | BREATHER, baffle assembly, w/ breather valve & filter (2) | |

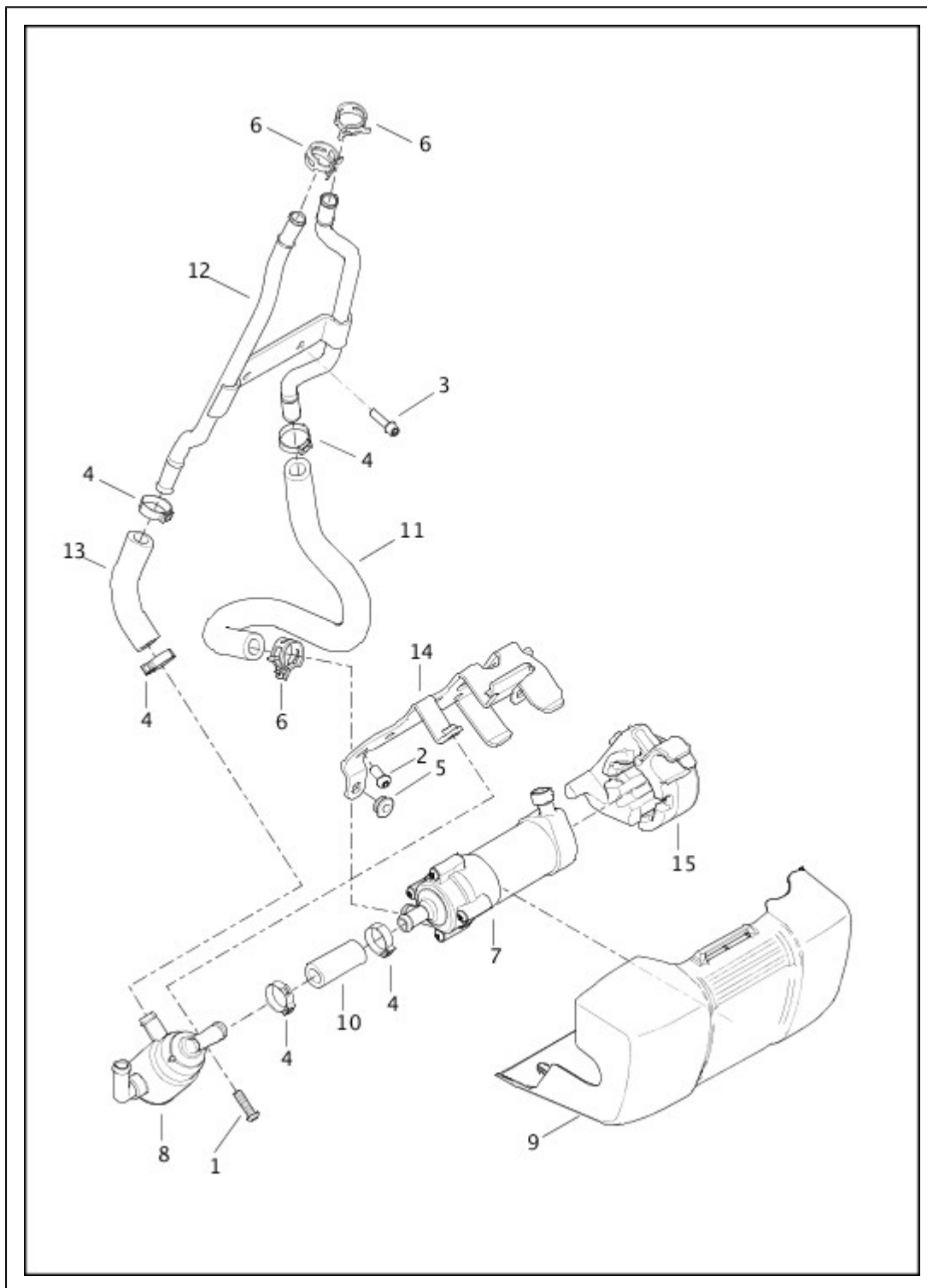
COOLING SYSTEM, ENGINE, TWIN-COOLED™ - TWIN CAM 103™



| Index No. | Part No. | Description | Model(s) |
|-----------|----------|-------------------------|--------------------------------------|
| 1 | 7716 | LOCKNUT | FLHTCU TC, FLHTK, FLHTCUL TC, FLHTKL |
| 2 | 11110 | O-RING (4) | FLHTCU TC, FLHTK, FLHTCUL TC, FLHTKL |
| 3 | 11290 | O-RING (4) | FLHTCU TC, FLHTK, FLHTCUL TC, FLHTKL |
| 4 | 11408 | RETAINER, wire clip (4) | FLHTCU TC, FLHTK, FLHTCUL TC, FLHTKL |

| | | | |
|----|----------|--|--------------------------------------|
| 5 | 26064-08 | FITTING ASSEMBLY, w/ 11110, 11290 & 11408 (4) | FLHTCU TC, FLHTK, FLHTCUL TC, FLHTKL |
| 6 | 28004-01 | O-RING (8) | FLHTCU TC, FLHTK, FLHTCUL TC, FLHTKL |
| 7 | 28005-01 | WASHER (4) | FLHTCU TC, FLHTK, FLHTCUL TC, FLHTKL |
| 8 | 10200258 | SCREW (2) | FLHTCU TC, FLHTK, FLHTCUL TC, FLHTKL |
| 9 | 16400028 | LOCKING PLATE ASSEMBLY (2) | FLHTCU TC, FLHTK, FLHTCUL TC, FLHTKL |
| 10 | 26900021 | COOLANT LINE, front head inlet | FLHTCU TC, FLHTK, FLHTCUL TC, FLHTKL |
| 11 | 26900022 | COOLANT LINE, front head outlet | FLHTCU TC, FLHTK, FLHTCUL TC, FLHTKL |
| 12 | 26900023 | COOLANT LINE, rear head inlet | FLHTCU TC, FLHTK, FLHTCUL TC, FLHTKL |
| 13 | 26900024 | COOLANT LINE, rear head outlet | FLHTCU TC, FLHTK, FLHTCUL TC, FLHTKL |
| 14 | 26900027 | COMPLIANCE ASSEMBLY, left hand side, w/ w/ 28004-01 & 28005-01 | FLHTCU TC, FLHTK, FLHTCUL TC, FLHTKL |
| 15 | 26900028 | COMPLIANCE ASSEMBLY, right hand side, w/ 28004-01 & 28005-01 | FLHTCU TC, FLHTK, FLHTCUL TC, FLHTKL |
| 16 | 26900029 | P-CLAMP, coolant hose | FLHTCU TC, FLHTK, FLHTCUL TC, FLHTKL |

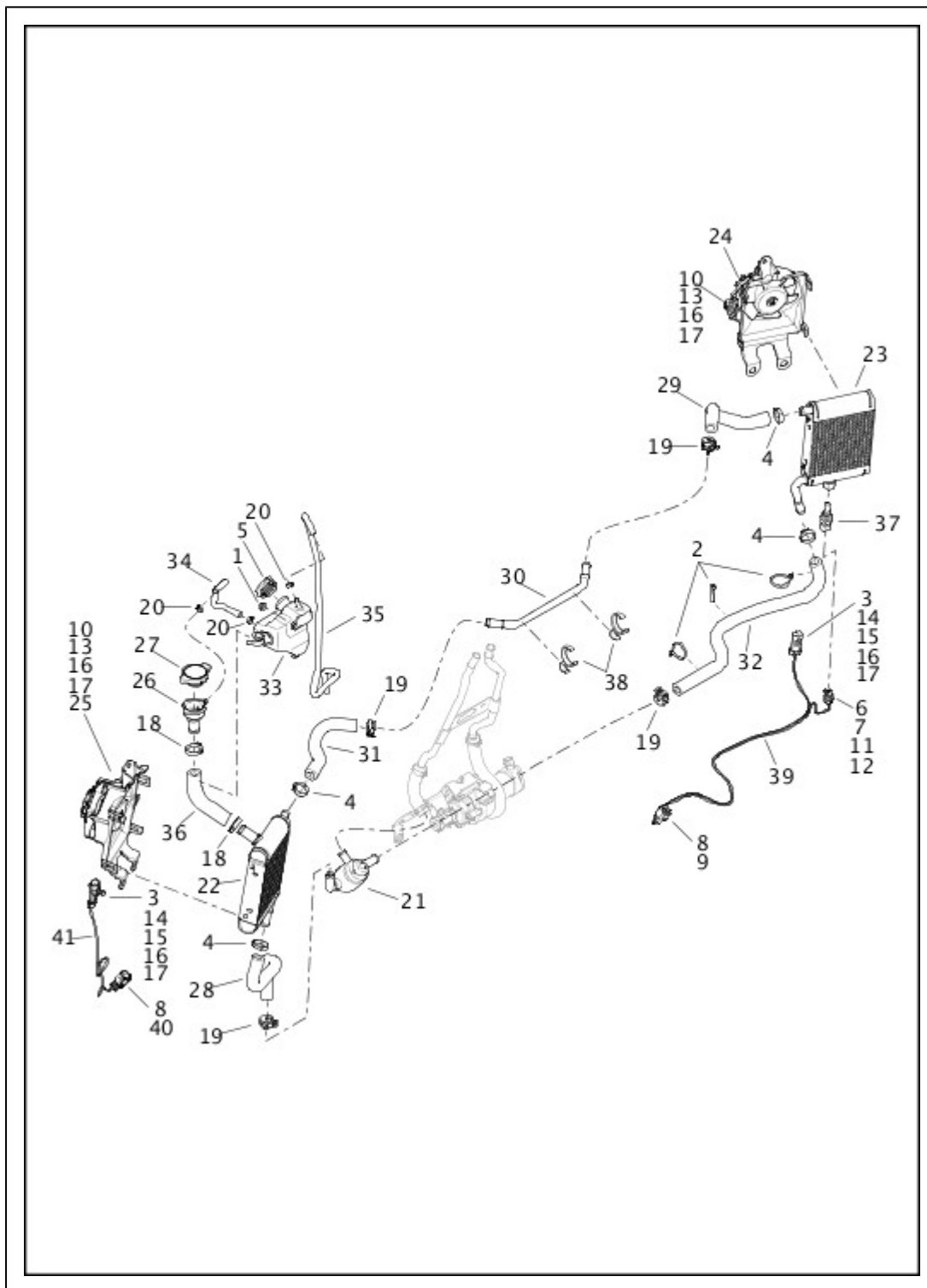
COOLANT DISTRIBUTION



| Index No. | Part No. | Description | Model(s) |
|-----------|----------|---------------|--------------------------------------|
| 1 | 926 | BOLT | FLHTCU TC, FLHTK, FLHTCUL TC, FLHTKL |
| 2 | 4266A | SCREW (2) | FLHTCU TC, FLHTK, FLHTCUL TC, FLHTKL |
| 3 | 4741A | SCREW (2) | FLHTCU TC, FLHTK, FLHTCUL TC, FLHTKL |
| 4 | 10344 | CLAMP (5) | FLHTCU TC, FLHTK, FLHTCUL TC, FLHTKL |
| 5 | 11692 | GROMMET (2) | FLHTCU TC, FLHTK, FLHTCUL TC, FLHTKL |
| 6 | 10800052 | CLAMP (3) | FLHTCU TC, FLHTK, FLHTCUL TC, FLHTKL |
| 7 | 26600012 | PUMP, coolant | FLHTCU TC, FLHTK, FLHTCUL TC, FLHTKL |

| | | | |
|----|-----------|------------------------------------|--------------------------------------|
| 8 | 26700001A | THERMOSTAT | FLHTCU TC, FLHTK, FLHTCUL TC, FLHTKL |
| 9 | 26800002 | COVER, coolant pump | FLHTCU TC, FLHTK, FLHTCUL TC, FLHTKL |
| 10 | 26900001 | HOSE, thermostat to pump | FLHTCU TC, FLHTK, FLHTCUL TC, FLHTKL |
| 11 | 26900002 | HOSE, pump to engine | FLHTCU TC, FLHTK, FLHTCUL TC, FLHTKL |
| 12 | 26900003 | TUBE ASSEMBLY, coolant downtubes | FLHTCU TC, FLHTK, FLHTCUL TC, FLHTKL |
| 13 | 26900006 | HOSE, engine to thermostat | FLHTCU TC, FLHTK, FLHTCUL TC, FLHTKL |
| 14 | 62800001 | BRACKET, coolant pump & thermostat | FLHTCU TC, FLHTK, FLHTCUL TC, FLHTKL |
| 15 | 62800003 | ISOLATOR, coolant pump | FLHTCU TC, FLHTK, FLHTCUL TC, FLHTKL |

RADIATOR, COOLANT HOSES & BOTTLE



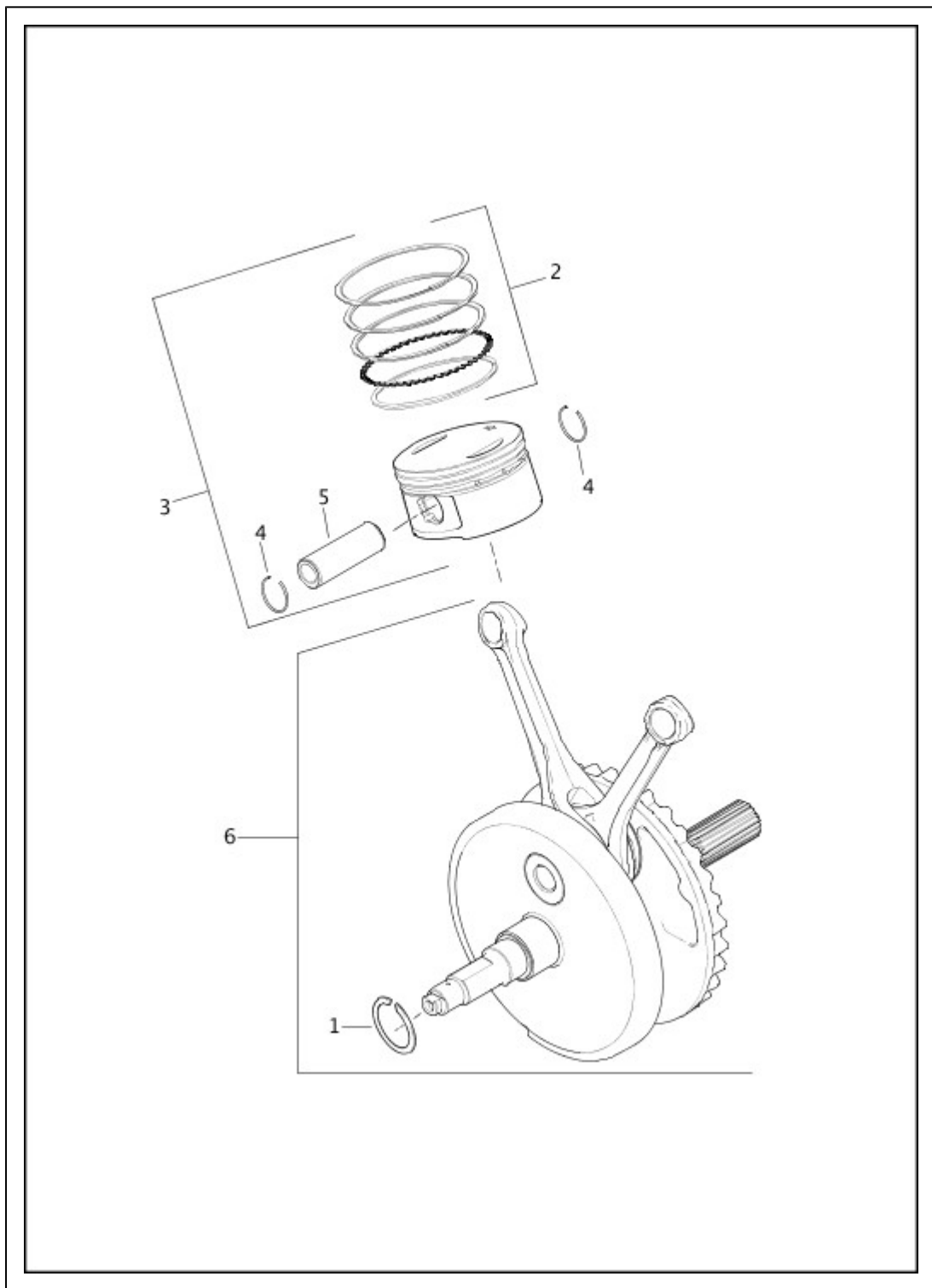
| Index No. | Part No. | Description | Model(s) |
|-----------|----------|---------------------|--|
| 1 | 7716 | LOCKNUT | FLHTCU TC, FLHTK, FLHTCUL TC, FLHTKL |
| 2 | 10006 | CABLE STRAP (7) | FLHTCU TC, FLHTK, FLHTCUL TC, FLHTKL |
| 3 | 10147 | CLIP, connector (2) | FLHTCU TC, FLHTK, FLHTCUL TC, FLHTKL |
| | | | |

| | | | |
|----|------------|---|--|
| 4 | 10344 | CLAMP (4) | FLHTCU TC, FLHTK, FLHTCUL TC, FLHTKL |
| 5 | 26780-05A | CAP ASSEMBLY, coolant bottle | FLHTCU TC, FLHTK, FLHTCUL TC, FLHTKL |
| 6 | 72063-06 | HOUSING, 2-way | FLHTCU TC, FLHTK, FLHTCUL TC, FLHTKL |
| 7 | 72111-06 | LOCK, secondary, 2-way, female (gray) | FLHTCU TC, FLHTK, FLHTCUL TC, FLHTKL |
| 8 | 72168-07 | TERMINAL, socket, 18-20 AWG (6) | FLHTCU TC, FLHTK, FLHTCUL TC, FLHTKL |
| 9 | 72177-07BK | HOUSING, 4-way, socket (black) | FLHTCU TC, FLHTK, FLHTCUL TC, FLHTKL |
| 10 | 72213-94 | TERMINAL, socket, female, 16-20 AWG (4) | FLHTCU TC, FLHTK, FLHTCUL TC, FLHTKL |
| 11 | 72484-08 | TERMINAL, socket, 20 AWG (8) | FLHTCU TC, FLHTK, FLHTCUL TC, FLHTKL |
| 12 | 72486-08 | SEAL WIRE, 20 AWG (green) (8) | FLHTCU TC, FLHTK, FLHTCUL TC, FLHTKL |
| 13 | 72606-08 | SOCKET HOUSING, 2-way (2) | FLHTCU TC, FLHTK, FLHTCUL TC, FLHTKL |
| 14 | 72607-08 | HOUSING, 2 way pin (2) | FLHTCU TC, FLHTK, FLHTCUL TC, FLHTKL |
| 15 | 72608-08 | TERMINAL PIN, 16-20 awg (2) | FLHTCU TC, FLHTK, FLHTCUL TC, FLHTKL |
| 16 | 72609-08 | SECONDARY LOCK, 2-way (black) (2) | FLHTCU TC, FLHTK, FLHTCUL TC, FLHTKL |
| 17 | 72610-08 | SEAL, 18-20 awg (white) (8) | FLHTCU TC, FLHTK, FLHTCUL TC, FLHTKL |
| 18 | 10800023 | CLAMP (2) | FLHTCU TC, FLHTK, FLHTCUL TC, FLHTKL |
| 19 | 10800052 | CLAMP (4) | FLHTCU TC, FLHTK, FLHTCUL TC, FLHTKL |
| 20 | 10800078 | CLAMP (3) | FLHTCU TC, FLHTK, FLHTCUL |

| | | | |
|----|-----------|---|--|
| | | | TC, FLHTKL |
| 21 | 26700001A | THERMOSTAT | FLHTCU TC, FLHTK, FLHTCUL TC, FLHTKL |
| 22 | 26800005 | CORE, radiator, right | FLHTCU TC, FLHTK, FLHTCUL TC, FLHTKL |
| 23 | 26800006 | CORE, radiator, left | FLHTCU TC, FLHTK, FLHTCUL TC, FLHTKL |
| 24 | 26800007A | FAN ASSEMBLY, left, w/ 72213-94, 72606-08, 72609-08 & 72610-08 | FLHTCU TC, FLHTK, FLHTCUL TC, FLHTKL |
| 25 | 26800019A | FAN ASSEMBLY, right, w/ 72213-94, 72606-08, 72609-08 & 72610-08 | FLHTCU TC, FLHTK, FLHTCUL TC, FLHTKL |
| 26 | 26800020A | FILL NECK, coolant | FLHTCU TC, FLHTK, FLHTCUL TC, FLHTKL |
| 27 | 26800021 | CAP, pressure | FLHTCU TC, FLHTK, FLHTCUL TC, FLHTKL |
| 28 | 26900007 | HOSE, thermostat to radiator | FLHTCU TC, FLHTK, FLHTCUL TC, FLHTKL |
| 29 | 26900008 | HOSE, coolant, left cross tube | FLHTCU TC, FLHTK, FLHTCUL TC, FLHTKL |
| 30 | 26900009 | LINE, coolant, right to left | FLHTCU TC, FLHTK, FLHTCUL TC, FLHTKL |
| 31 | 26900010 | HOSE, coolant, right cross tube | FLHTCU TC, FLHTK, FLHTCUL TC, FLHTKL |
| 32 | 26900011 | HOSE, radiator to thermostat | FLHTCU TC, FLHTK, FLHTCUL TC, FLHTKL |
| 33 | 26900014 | BOTTLE ASSEMBLY, coolant, w/ 26780-05A | FLHTCU TC, FLHTK, FLHTCUL TC, FLHTKL |
| 34 | 26900016 | HOSE, coolant vent | FLHTCU TC, FLHTK, FLHTCUL TC, FLHTKL |
| 35 | 26900017 | HOSE, coolant overflow | FLHTCU TC, FLHTK, FLHTCUL TC, FLHTKL |
| 36 | 26900018 | HOSE, coolant fill | FLHTCU TC, FLHTK, FLHTCUL TC, FLHTKL |

| | | | |
|----|----------|--|--|
| 37 | 32700028 | SENSOR, coolant temperature | FLHTCU TC, FLHTK, FLHTCUL TC, FLHTKL |
| 38 | 62800004 | CLIP, coolant line to frame (2) | FLHTCU TC, FLHTK, FLHTCUL TC, FLHTKL |
| 39 | 69200133 | WIRE HARNESS, twin cooling jumper, left, w/ 10147, 72063-06, 72111-06, 72168-07, 72177-07BK, 72484-08, 72486-08, 72607-08, 72608-08, 72609-08 & 72610-08 | FLHTCU TC, FLHTK, FLHTCUL TC, FLHTKL |
| 40 | 69200271 | SOCKET HOUSING, 2-way | FLHTCU TC, FLHTK, FLHTCUL TC, FLHTKL |
| 41 | 69200311 | WIRE HARNESS, twin cooling jumper, right, w/ 10147, 72168-07, 72607-08, 72608-08, 72609-08, 72610-08 & 69200271 | FLHTCU TC, FLHTK, FLHTCUL TC, FLHTKL |

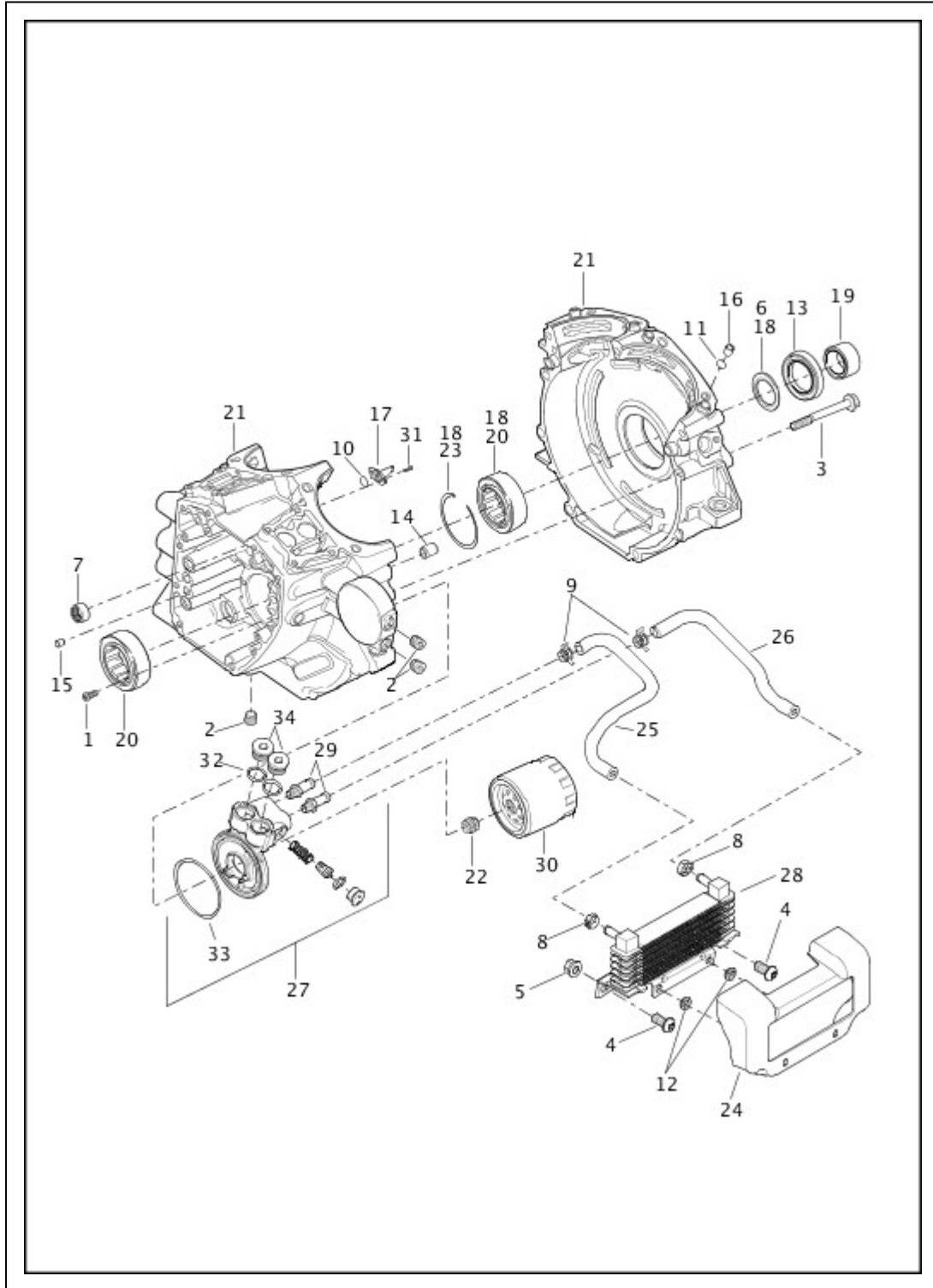
PISTONS & FLYWHEEL ASSEMBLY - TWIN CAM 103™



| Index No. | Part No. | Description | Model(s) |
|-----------|----------|---|----------|
| 1 | 11177A | RETAINING RING | |
| 2 | 21918-99 | PISTON RING SET, standard (2) | |
| | 21919-99 | PISTON RING SET, 0.005 in. O.S. (2) | |
| | 21945-99 | PISTON RING SET, 0.010 in. O.S. (2) | |
| 3 | 21962-07 | PISTON & RINGS ASSEMBLY, w/ piston pin & lock rings, standard (2) | |
| | 21964-07 | PISTON & RINGS ASSEMBLY, w/ piston pin & lock rings, 0.010 in. O.S. (2) | |
| 4 | 22097-99 | LOCK RING, piston pin (4) | |

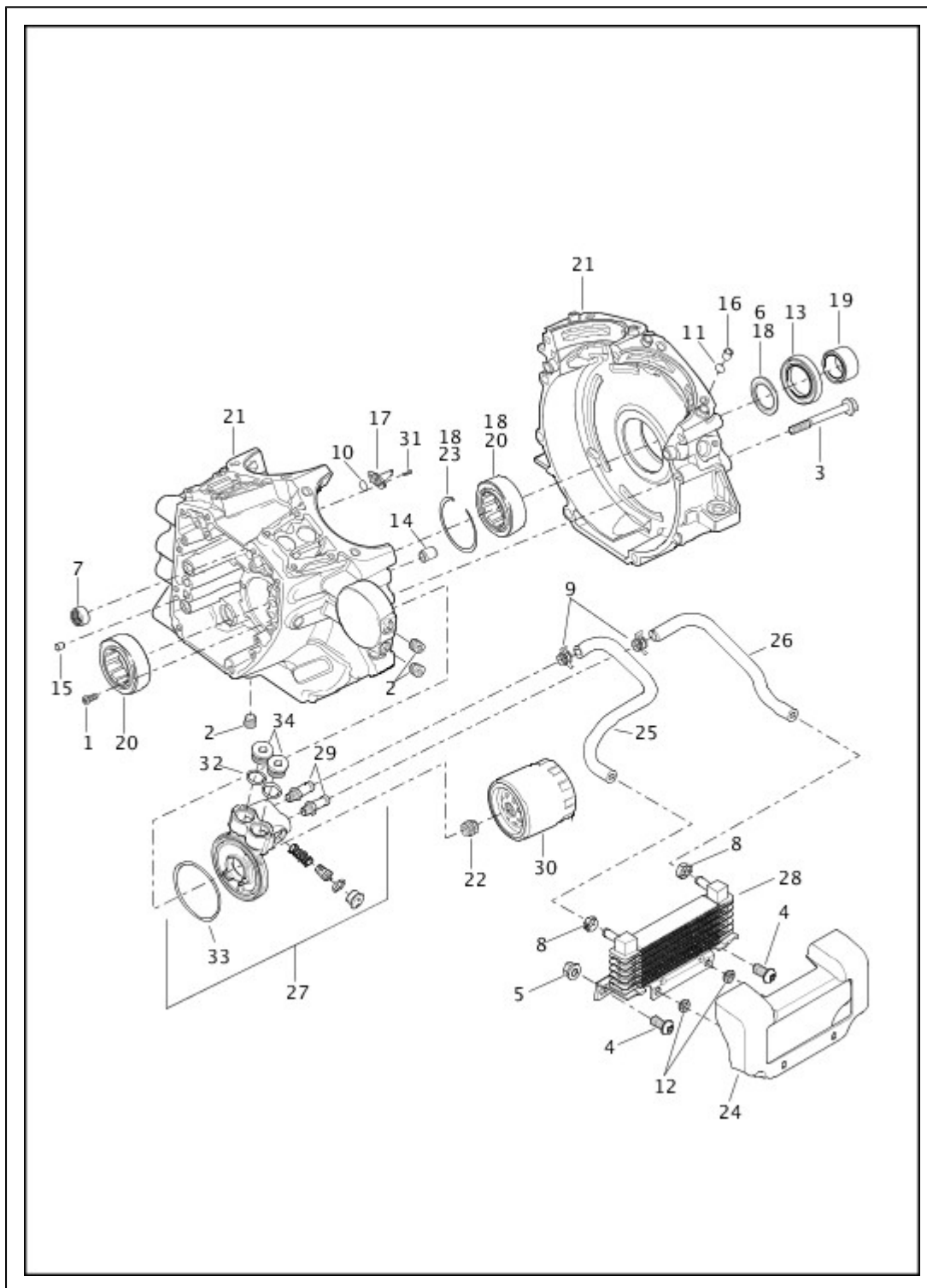
| | | | |
|---|-----------|-----------------------|--|
| 5 | 22131-05 | PISTON PIN (2) | |
| 6 | 23729-07B | FLYWHEEL ASSEMBLY KIT | |

CRANKCASE, ENGINE OIL FILTER & COOLER - TWIN CAM 103™ (1 OF 2)



| Index No. | Part No. | Description | Model(s) |
|-----------|----------|-------------|--|
| 1 | 703B | SCREW (2) | FLHR, FLHTCU, FLHRC, FLHX, FLHXS, FLTRX, FLTRXS, FLHTCUL |

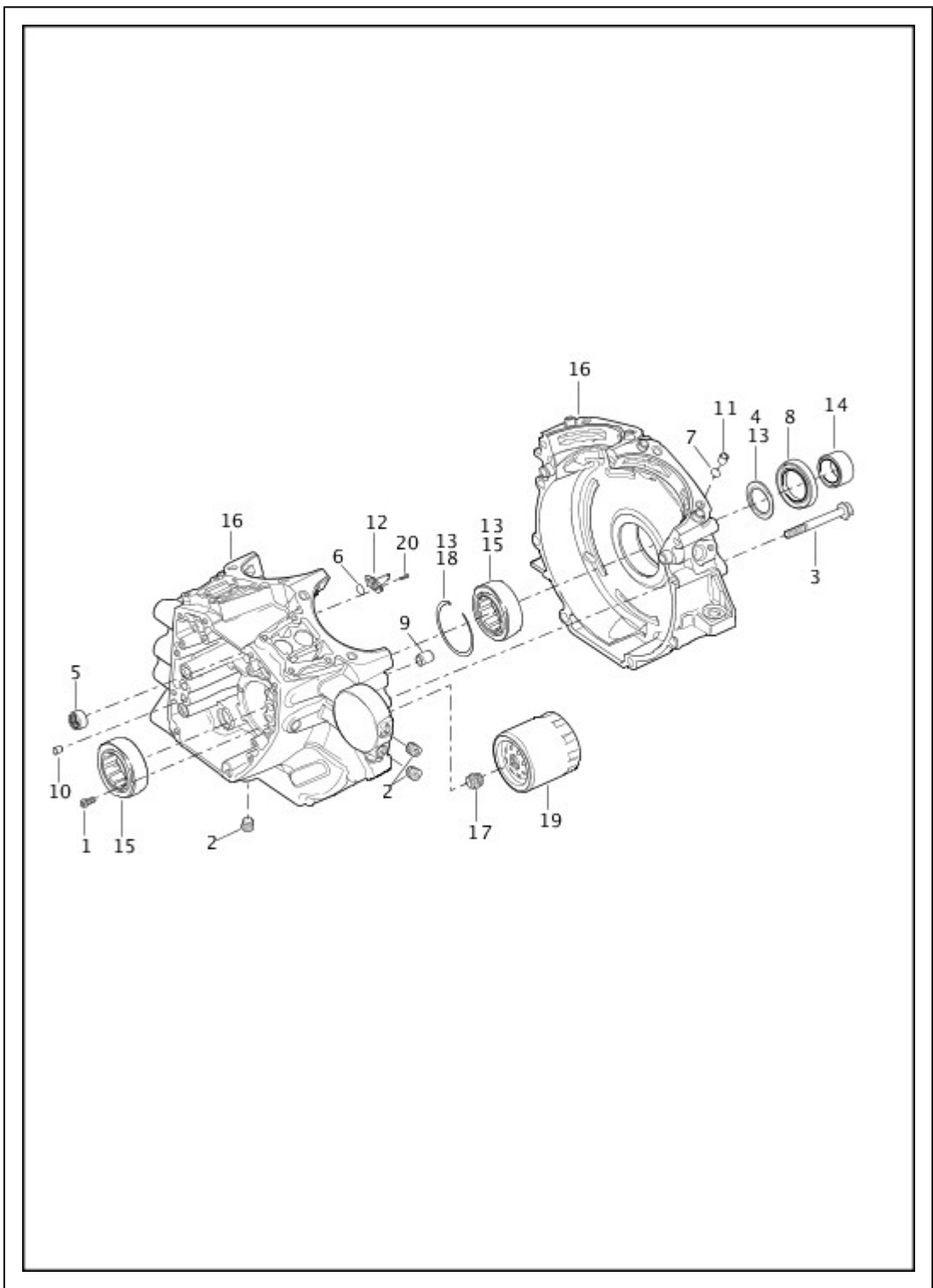
| | | | |
|----|-----------|--|--|
| 2 | 765 | PLUG (3) | FLHR, FLHTCU, FLHRC, FLHX, FLHXS, FLTRX, FLTRXS, FLHTCUL |
| 3 | 895 | SCREW (9) | FLHR, FLHTCU, FLHRC, FLHX, FLHXS, FLTRX, FLTRXS, FLHTCUL |
| 4 | 4266A | SCREW (2) | FLHR, FLHTCU, FLHRC, FLHX, FLHXS, FLTRX, FLTRXS, FLHTCUL |
| 5 | 7601 | LOCKNUT (2) | FLHR, FLHTCU, FLHRC, FLHX, FLHXS, FLTRX, FLTRXS, FLHTCUL |
| 6 | 8972 | WASHER (2) | FLHR, FLHTCU, FLHRC, FLHX, FLHXS, FLTRX, FLTRXS, FLHTCUL |
| 7 | 9215 | NEEDLE BEARING, left side, camshaft (2) | FLHR, FLHTCU, FLHRC, FLHX, FLHXS, FLTRX, FLTRXS, FLHTCUL |
| 8 | 10198 | CLAMP (2) | FLHR, FLHTCU, FLHRC, FLHX, FLHXS, FLTRX, FLTRXS, FLHTCUL |
| 9 | 10354 | CLAMP (2) | FLHR, FLHTCU, FLHRC, FLHX, FLHXS, FLTRX, FLTRXS, FLHTCUL |
| 10 | 11140 | O-RING (2) | FLHR, FLHTCU, FLHRC, FLHX, FLHXS, FLTRX, FLTRXS, FLHTCUL |
| 11 | 11273 | O-RING (2) | FLHR, FLHTCU, FLHRC, FLHX, FLHXS, FLTRX, FLTRXS, FLHTCUL |
| 12 | 11692 | GROMMET, oil cooler cover (2) | FLHR, FLHTCU, FLHRC, FLHX, FLHXS, FLTRX, FLTRXS, FLHTCUL |
| 13 | 12068 | SEAL, oil | FLHR, FLHTCU, FLHRC, FLHX, FLHXS, FLTRX, FLTRXS, FLHTCUL |
| 14 | 16574-99A | DOWEL PIN (2) | FLHR, FLHTCU, FLHRC, FLHX, FLHXS, FLTRX, FLTRXS, FLHTCUL |
| 15 | 16589-99A | DOWEL PIN (2) | FLHR, FLHTCU, FLHRC, FLHX, FLHXS, FLTRX, FLTRXS, FLHTCUL |
| 16 | 16595-99A | DOWEL PIN (4) | FLHR, FLHTCU, FLHRC, FLHX, FLHXS, FLTRX, FLTRXS, FLHTCUL |
| 17 | 22307-99 | JET, cooling, piston, w/ 11140 (2) | FLHR, FLHTCU, FLHRC, FLHX, FLHXS, FLTRX, FLTRXS, FLHTCUL |
| 18 | 24004-03B | BEARING KIT, w/ 8972, 24605-07, 35114-02, & inner race | FLHR, FLHTCU, FLHRC, FLHX, FLHXS, FLTRX, FLTRXS, FLHTCUL |
| 19 | 24009-06 | SPACER, sprocket shaft | FLHR, FLHTCU, FLHRC, FLHX, FLHXS, FLTRX, FLTRXS, FLHTCUL |
| 20 | 24605-07 | BEARING, main (2) | FLHR, FLHTCU, FLHRC, FLHX, FLHXS, FLTRX, FLTRXS, FLHTCUL |



| Index No. | Part No. | Description | Model(s) |
|-----------|-----------|---|--|
| 21 | 24621-06B | CRANKCASE SET, w/ 1, 2, 3, 7, 10, 14, 15, 16, 17, 20, 23, 31 & 3983 (not shown) bolts (black) | FLHR, FLHTCU, FLHRC, FLHX, FLHXS, FLTRX, FLTRXS, FLHTCUL |
| 22 | 26041-05A | ADAPTER | FLHR, FLHTCU, FLHRC, FLHX, FLHXS, FLTRX, FLTRXS, FLHTCUL |
| 23 | 35114-02 | RING, retaining, internal | FLHR, FLHTCU, FLHRC, FLHX, FLHXS, FLTRX, FLTRXS, FLHTCUL |
| 24 | 62533-11 | COVER, oil-cooler | FLHR, FLHTCU, FLHRC, FLHX, FLHXS, FLTRX, FLTRXS, FLHTCUL |

| | | | |
|----|-----------|---|---|
| 25 | 62629-11 | HOSE, oil cooler, right | FLHR, FLHTCU, FLHRC, FLHX, FLHXS, FLTRX, FLTRXS, FLHTCUL |
| 26 | 62641-11 | HOSE, oil cooler, left | FLHR, FLHTCU, FLHRC, FLHX, FLHXS, FLTRX, FLTRXS, FLHTCUL |
| 27 | 63059-09A | ADAPTER ASSEMBLY, oil cooler w/ 63533-41A, 11900010, 11900039 & 62800013 | FLHR, FLHTCU, FLHRC, FLHX, FLHXS, FLTRX, FLTRXS, FLHTCUL |
| 28 | 63083-11A | OIL COOLER CORE, w/ mounting bracket | FLHR, FLHTCU, FLHRC, FLHX, FLHXS, FLTRX, FLTRXS, FLHTCUL |
| 29 | 63533-41A | FITTING (2) | FLHR, FLHTCU, FLHRC, FLHX, FLHXS, FLTRX, FLTRXS, FLHTCUL |
| 30 | 63731-99A | OIL FILTER, (black) | FLHR, FLHTCU, FLHRC, FLHX, FLHXS, FLTRX, FLTRXS, FLHTCUL |
| 31 | 68042-99 | SCREW (4) | FLHR, FLHTCU, FLHRC, FLHX, FLHXS, FLTRX, FLTRXS, FLHTCUL |
| 32 | 11900010 | O-RING (2) | FLHR, FLHTCU, FLHRC, FLHX, FLHXS, FLTRX, FLTRXS, FLHTCUL |
| 33 | 11900039 | O-RING | FLHR, FLHTCU, FLHRC, FLHX, FLHXS, FLTRX, FLTRXS, FLHTCUL |
| 34 | 62800013 | PLUG ASSEMBLY, w/ 11900010 (2) | FLHR, FLHTCU, FLHRC, FLHX, FLHXS, FLTRX, FLTRXS, FLHTCUL |

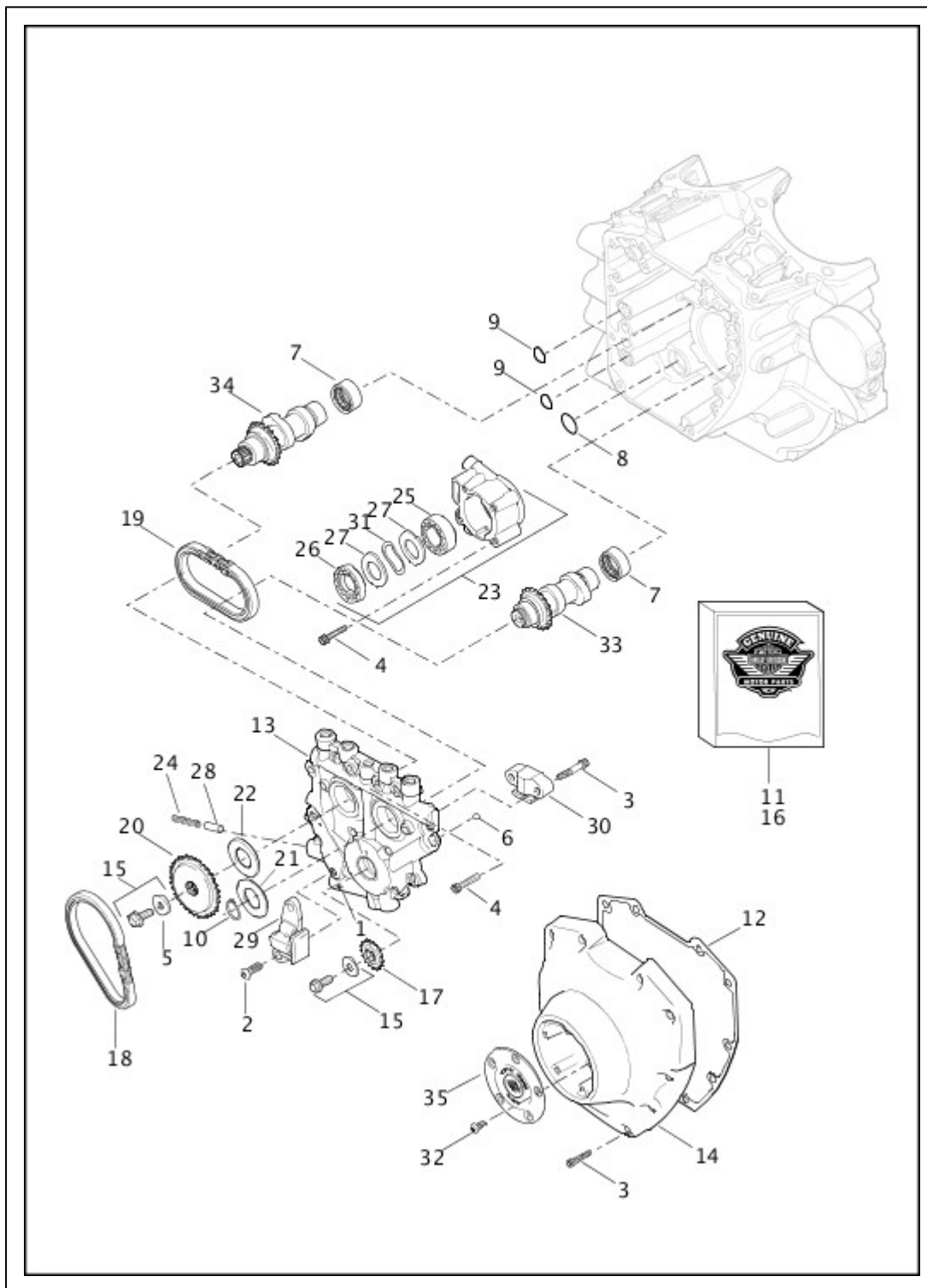
CRANKCASE & ENGINE OIL FILTER - TWIN-COOLED™ TWIN CAM 103™



| Index No. | Part No. | Description | Model(s) |
|-----------|----------|-------------|--------------------------------------|
| 1 | 703B | SCREW (2) | FLHTCU TC, FLHTK, FLHTCUL TC, FLHTKL |
| 2 | 765 | PLUG (3) | FLHTCU TC, FLHTK, FLHTCUL TC, FLHTKL |
| 3 | 895 | SCREW (9) | FLHTCU TC, FLHTK, FLHTCUL TC, FLHTKL |
| 4 | 8972 | WASHER (2) | FLHTCU TC, FLHTK, FLHTCUL TC, FLHTKL |

| | | | |
|----|-----------|---|---|
| 5 | 9215 | NEEDLE BEARING, left side, camshaft (2) | FLHTCU TC, FLHTK, FLHTCUL TC, FLHTKL |
| 6 | 11140 | O-RING (2) | FLHTCU TC, FLHTK, FLHTCUL TC, FLHTKL |
| 7 | 11273 | O-RING (2) | FLHTCU TC, FLHTK, FLHTCUL TC, FLHTKL |
| 8 | 12068 | SEAL, oil | FLHTCU TC, FLHTK, FLHTCUL TC, FLHTKL |
| 9 | 16574-99A | DOWEL PIN (2) | FLHTCU TC, FLHTK, FLHTCUL TC, FLHTKL |
| 10 | 16589-99A | DOWEL PIN (2) | FLHTCU TC, FLHTK, FLHTCUL TC, FLHTKL |
| 11 | 16595-99A | DOWEL PIN (4) | FLHTCU TC, FLHTK, FLHTCUL TC, FLHTKL |
| 12 | 22307-99 | JET, cooling, piston, w/ 11140 (2) | FLHTCU TC, FLHTK, FLHTCUL TC, FLHTKL |
| 13 | 24004-03B | BEARING KIT, w/ 8972, 24605-07, 35114-02, & inner race | FLHTCU TC, FLHTK, FLHTCUL TC, FLHTKL |
| 14 | 24009-06 | SPACER, sprocket shaft | FLHTCU TC, FLHTK, FLHTCUL TC, FLHTKL |
| 15 | 24605-07 | BEARING, main (2) | FLHTCU TC, FLHTK, FLHTCUL TC, FLHTKL |
| 16 | 24621-06B | CRANKCASE SET, w/ 1, 2, 3, 5, 6, 9, 10, 11, 12, 15, 18, 20 & 3983 (not shown) bolts (black) | FLHTCU TC, FLHTK, FLHTCUL TC, FLHTKL |
| 17 | 26352-95A | ADAPTER | FLHTCU TC, FLHTK, FLHTCUL TC, FLHTKL |
| 18 | 35114-02 | RING, retaining, internal | FLHTCU TC, FLHTK, FLHTCUL TC, FLHTKL |
| 19 | 63731-99A | OIL FILTER, (black) | FLHTCU TC, FLHTK, FLHTCUL TC, FLHTKL |
| 20 | 68042-99 | SCREW (4) | FLHTCU TC, FLHTK, FLHTCUL TC, FLHTKL |

CAMSHAFTS & CAMSHAFT COVER - TWIN CAM 103™

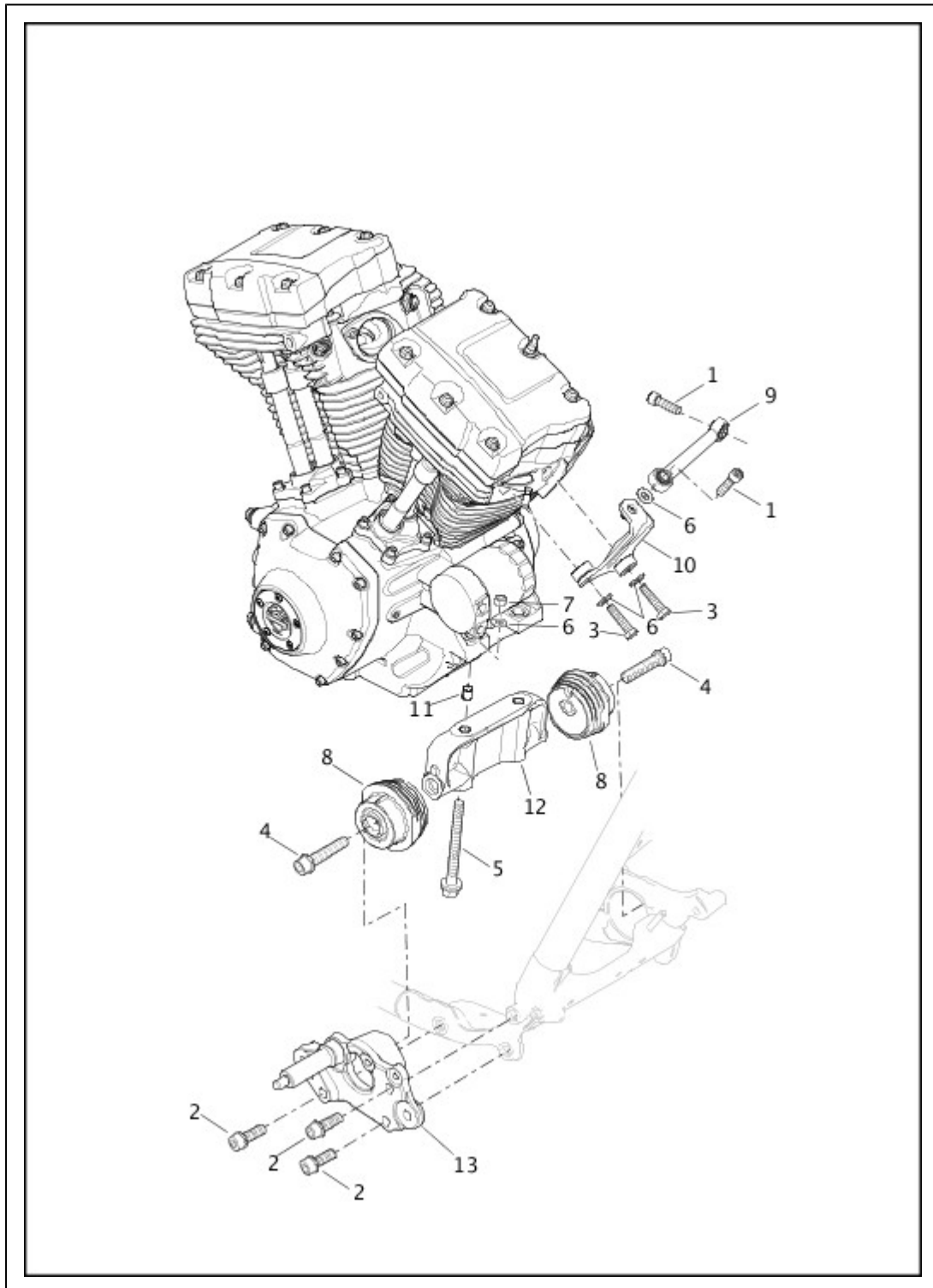


| Index No. | Part No. | Description | Model(s) |
|-----------|----------|-------------|----------|
| 1 | 601 | ROLL PIN | |
| 2 | 942 | SCREW (2) | |
| 3 | 4740A | SCREW (12) | |
| 4 | 4741A | SCREW (10) | |
| 5 | 6294 | WASHER | |
| 6 | 8873 | BALL (12) | |

| | | | |
|----|-----------|---|--|
| 7 | 9215 | NEEDLE BEARING, camshaft (2) | |
| 8 | 11293 | O-RING | |
| 9 | 11301 | O-RING (2) | |
| 10 | 11461 | RETAINING RING | |
| 11 | 17045-99D | GASKET KIT, cam service | |
| 12 | 25244-99A | GASKET, cam cover | |
| 13 | 25355-06A | CAM SUPPORT PLATE, w/ bypass valve | |
| 14 | 25369-01B | CAM COVER, (chrome) | |
| 15 | 25566-06 | CAM DRIVE SPROCKET RETENTION KIT, w/ 6294, screws & washer | |
| 16 | 25585-06 | CAMSHAFT CHAIN & FASTENER KIT, w/ 25573-06, 25673-06, 25675-06 & 25728-06 | |
| 17 | 25673-06 | SPROCKET, cam drive on crankshaft, 17 T | |
| 18 | 25675-06 | CHAIN, primary cam drive | |
| 19 | 25683-06 | CHAIN, secondary cam drive | |
| 20 | 25728-06 | SPROCKET, cam drive, 34 T | |
| 21 | 25729-06 | SPACER, cam drive sprocket alignment 0.100 in. thick | |
| 22 | 25731-06 | SPACER, cam drive sprocket alignment 0.110 in. thick (use as required) | |
| | 25734-06 | SPACER, cam drive sprocket alignment 0.120 in. thick (use as required) | |
| | 25736-06 | SPACER, cam drive sprocket alignment 0.130 in. thick (use as required) | |
| | 25737-06 | SPACER, cam drive sprocket alignment 0.140 in. thick (use as required) | |
| | 25738-06 | SPACER, cam drive sprocket alignment 0.150 in. thick (use as required) | |
| 23 | 26037-06 | OIL PUMP ASSEMBLY, w/ 26278-06, 26281-06, 26282-06, 40323-00 & body | |
| 24 | 26210-99 | SPRING, relief valve | |
| 25 | 26278-06 | GEROTOR ASSEMBLY, scavenge | |
| 26 | 26281-06 | GEROTOR ASSEMBLY, pressure | |
| 27 | 26282-06 | SEPARATOR PLATE, gerotor (2) | |
| 28 | 26400-82B | RELIEF VALVE, oil pump | |
| 29 | 39968-06 | CHAIN TENSIONER, primary cam drive chain | |
| 30 | 39969-06 | CHAIN TENSIONER, secondary cam drive chain | |
| 31 | 40323-00 | SPRING, separator | |
| 32 | 68120-00 | SCREW (5) | |

| | | | |
|----|----------|--------------------|--|
| 33 | 25400002 | CAMSHAFT, front | |
| 34 | 25400003 | CAMSHAFT, rear | |
| 35 | 25600012 | COVER, timer cover | |

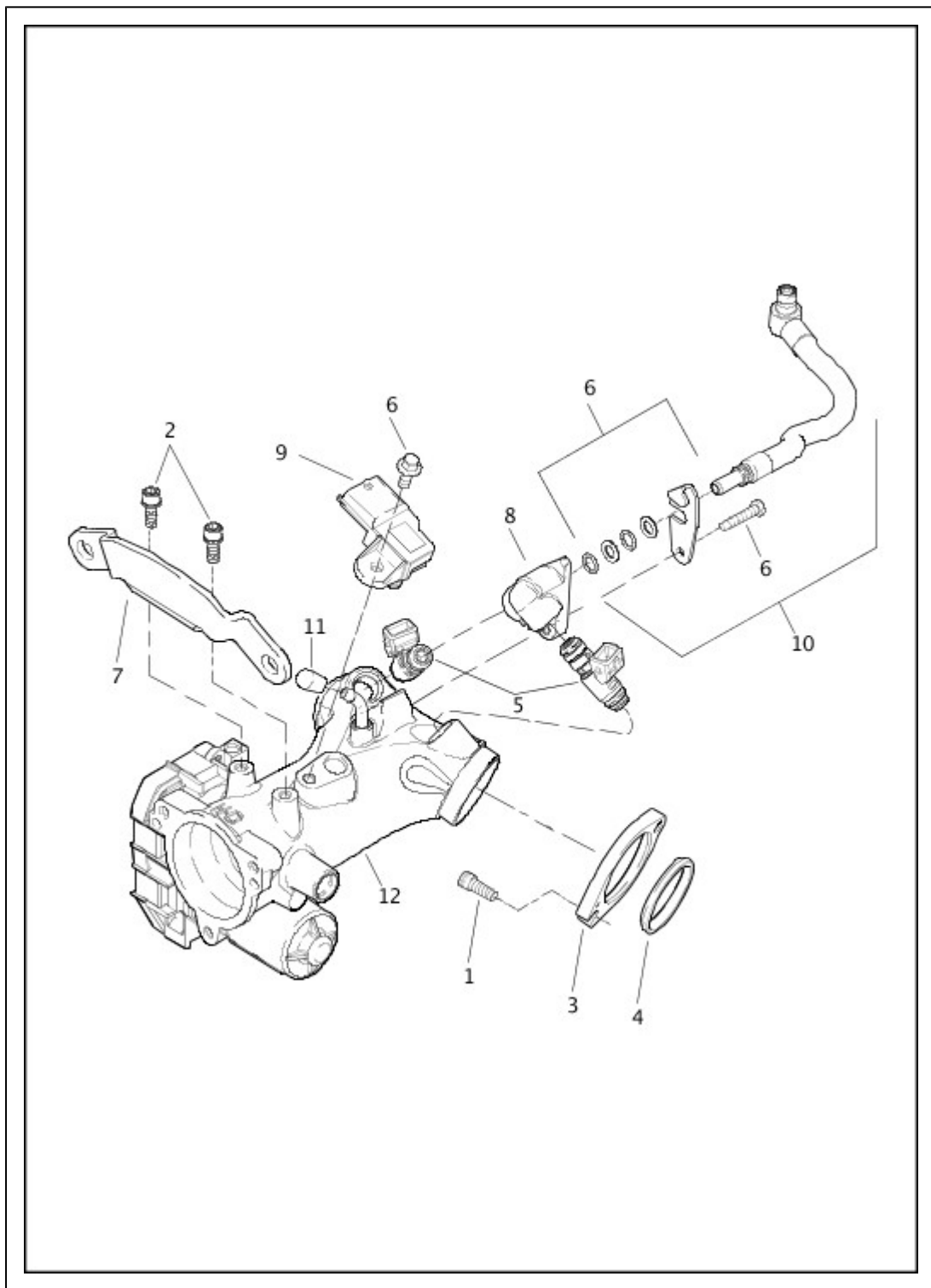
ENGINE MOUNTS & STABILIZER LINK



| Index No. | Part No. | Description | Model(s) |
|-----------|----------|-------------|----------|
| 1 | 4313 | SCREW (2) | |

| | | | |
|----|-------------|-----------------------------|--|
| 2 | 4688 | SCREW (3) | |
| 3 | 4721 | BOLT (2) | |
| 4 | 4838 | SCREW (2) | |
| 5 | 4868 | SCREW (2) | |
| 6 | 6127 | WASHER (5) | |
| 7 | 7783 | NUT (2) | |
| 8 | 16207-09 | ENGINE MOUNT, front (2) | |
| 9 | 16219-09 | STABLIZER LINK | |
| 10 | 16321-08 | WELDMENT, engine strap | |
| 11 | 24754-75A | DOWEL BUSHING (2) | |
| 12 | 47159-09BHP | BRACKET, front engine mount | |
| 13 | 16400004 | END CAP, front mount | |

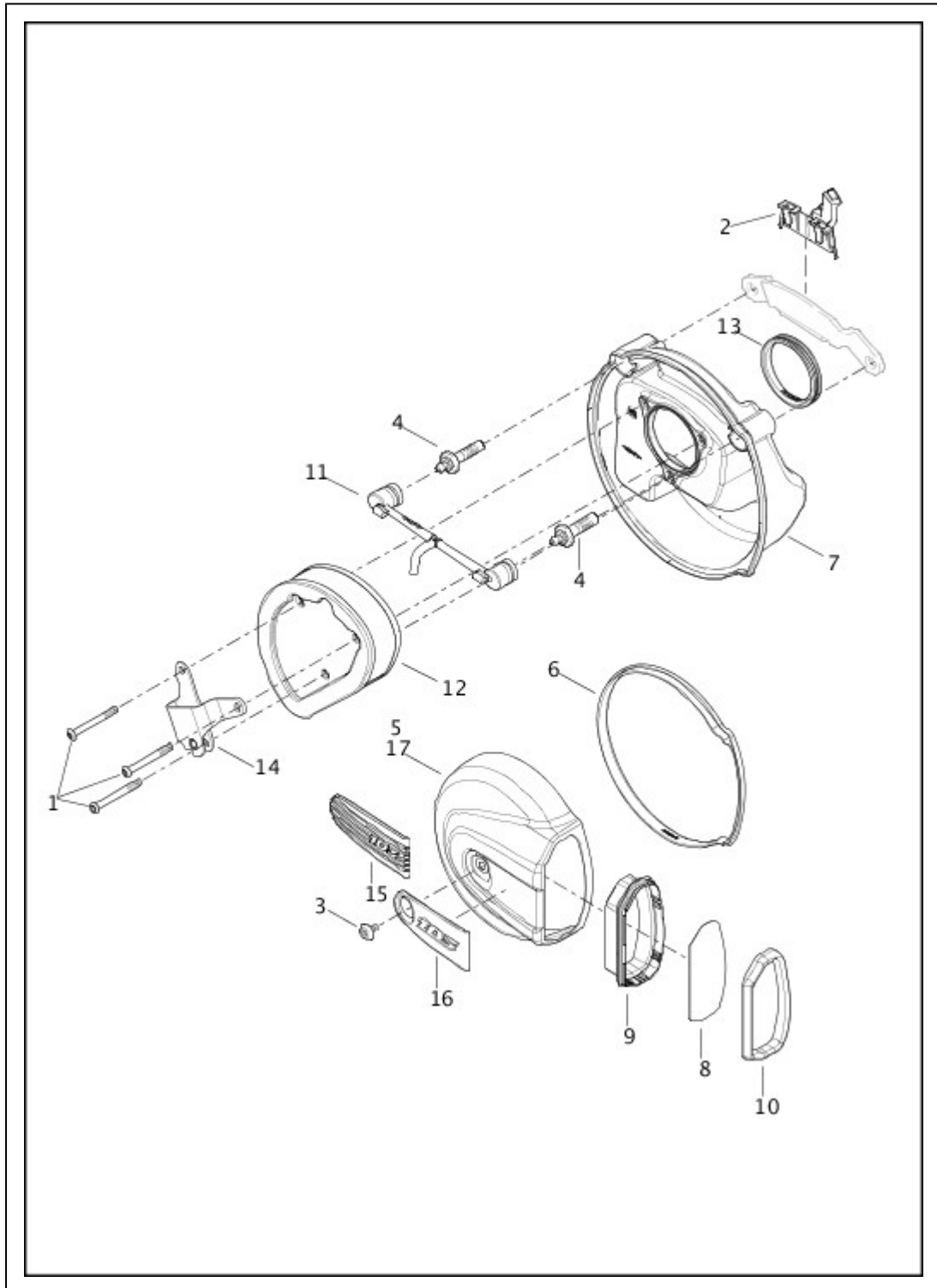
INDUCTION MODULE, FUEL



| Index No. | Part No. | Description | Model(s) |
|-----------|-----------|---------------------------------------|----------|
| 1 | 3275 | SCREW (4) | |
| 2 | 4705 | SCREW (2) | |
| 3 | 26993-06 | FLANGE, mounting (2) | |
| 4 | 26995-86B | SEAL, intake manifold (2) | |
| 5 | 27609-01B | FUEL INJECTOR ASSEMBLY, w/ o-ring (2) | |
| 6 | 27711-08 | INDUCTION MODULE SERVICE KIT | |
| 7 | 27712-08 | BRACKET, induction module | |

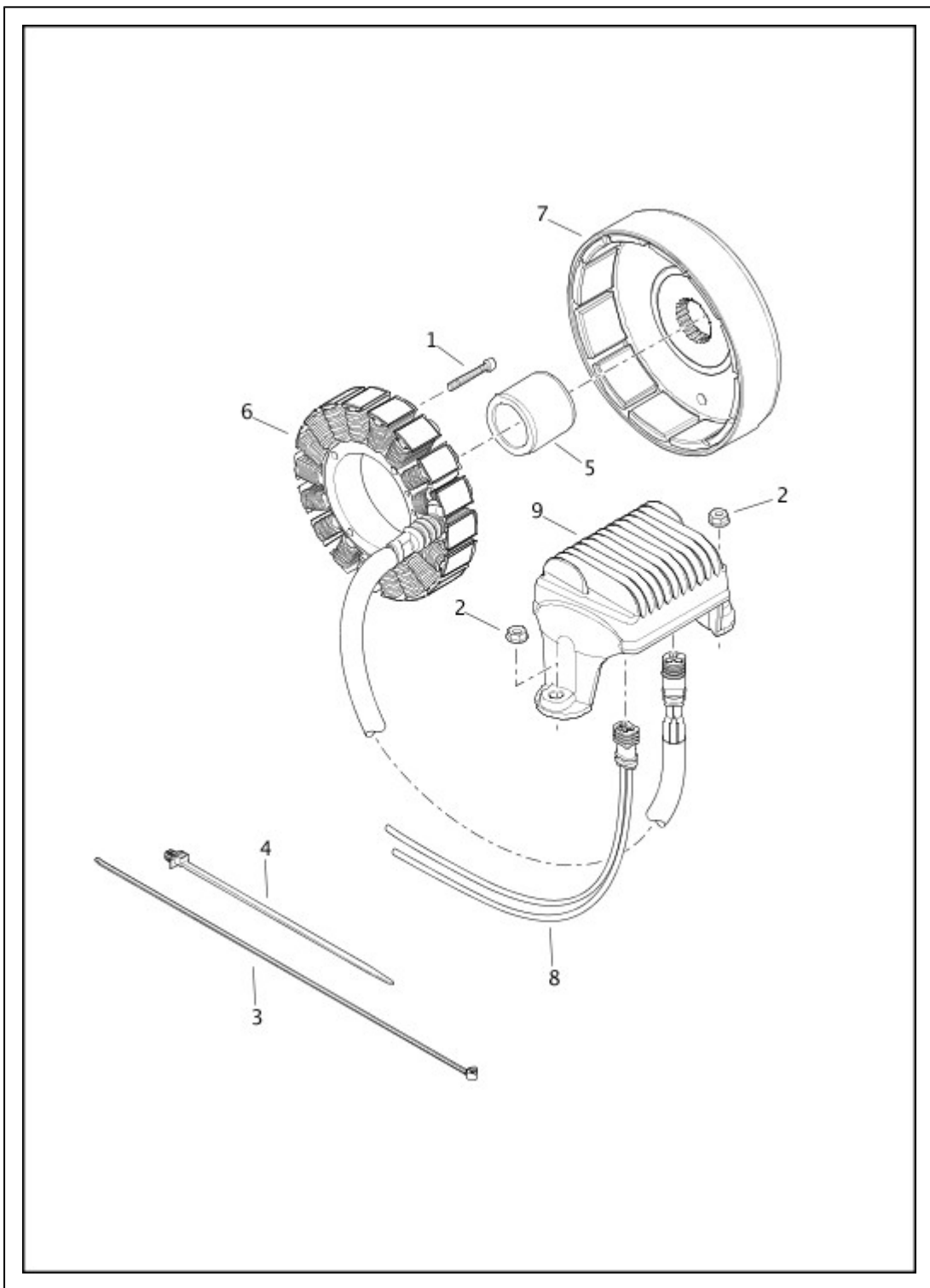
| | | | |
|----|-----------|---|--|
| 8 | 27721-08 | FUEL RAIL | |
| 9 | 32319-07A | SENSOR, temperature manifold absolute pressure, w/ o-ring | |
| 10 | 61208-10 | FUEL LINE KIT | |
| 11 | 90383-98 | CAP, purge tube | |
| 12 | 27200002 | INDUCTION MODULE KIT, w/ 27711-08 & 90383-98 | |

AIR CLEANER



| Index No. | Part No. | Description | Model(s) |
|-----------|-----------|--|--|
| 1 | 946 | SCREW (3) | |
| 2 | 10398 | CLIP, ACR connector retention | |
| 3 | 29269-83A | SCREW | |
| 4 | 29465-08A | BREATHER BOLT (2) | |
| 5 | 14000347 | WARNING LABEL, air cleaner (chrome) (Domestic, California) | FLHR, FLHTCU, FLHX, FLHTCUL, FLTRX, FLTRXS, FLHTK, FLHXS, FLHTKL |
| 6 | 29000026 | SEAL, air cleaner cover | |
| 7 | 29000033 | BACKPLATE ASSEMBLY | |
| 8 | 29200014 | SCREEN, air cleaner | |
| 9 | 29200015 | SNORKEL, air cleaner cover (Domestic, California, Canada) | FLHR, FLHTCU, FLHRC, FLHX, FLHTK, FLHXS, FLHTCUL, FLTRXS, FLHTKL |
| | 29200018 | SNORKEL, air cleaner cover (HDI) | FLHTCU TC, FLHRC, FLHTK, FLHXS, FLHTCUL TC, FLTRXS, FLHTKL |
| 10 | 29200017 | BEZEL, air cleaner | |
| 11 | 29400043 | BREATHER HOSE | |
| 12 | 29400045 | FILTER ELEMENT | |
| 13 | 29400046 | GASKET, induction module to backplate | |
| 14 | 60900005 | BRACKET ASSEMBLY, air cleaner cover | |
| 15 | 61300054 | INSERT, air cleaner cover | FLHTK, FLHTKL |
| | 61300064 | INSERT, air cleaner cover | FLHXS, FLTRXS |
| 16 | 61300063 | INSERT, air cleaner cover | FLHR, FLHTCU, FLHTCU TC, FLHRC, FLHX, FLHTCUL, FLHTCUL TC, FLTRX |
| 17 | 61300273 | COVER KIT, air cleaner, w/ 14000347 | |

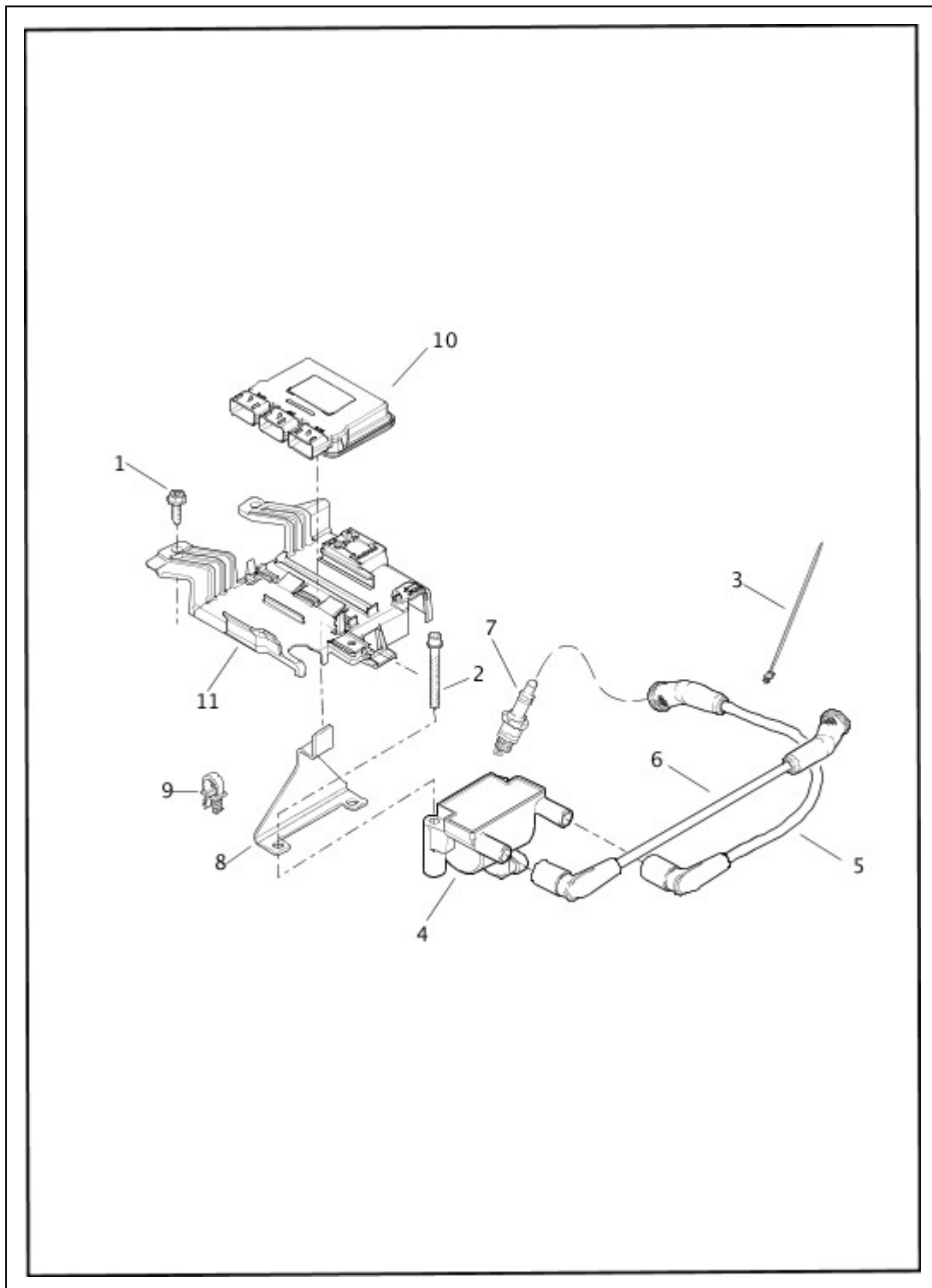
ALTERNATOR & REGULATOR



| Index No. | Part No. | Description | Model(s) |
|-----------|-----------|----------------------------------|----------|
| 1 | 3050 | SCREW (4) | |
| 2 | 7716 | LOCKNUT (2) | |
| 3 | 10039 | CABLE STRAP (3) | |
| 4 | 10177 | CABLE STRAP, tree mount | |
| 5 | 24009-06 | SPACER, rotor shell | |
| 6 | 29987-06D | STATOR ASSEMBLY, 3-phase, 50 AMP | |
| 7 | 30041-08A | ROTOR ASSEMBLY | |

| | | | |
|---|-----------|--|--|
| 8 | 74120-08 | DC LEAD ASSEMBLY, voltage regulator (from main wiring harness) | |
| 9 | 74505-09A | VOLTAGE REGULATOR ASSEMBLY | |

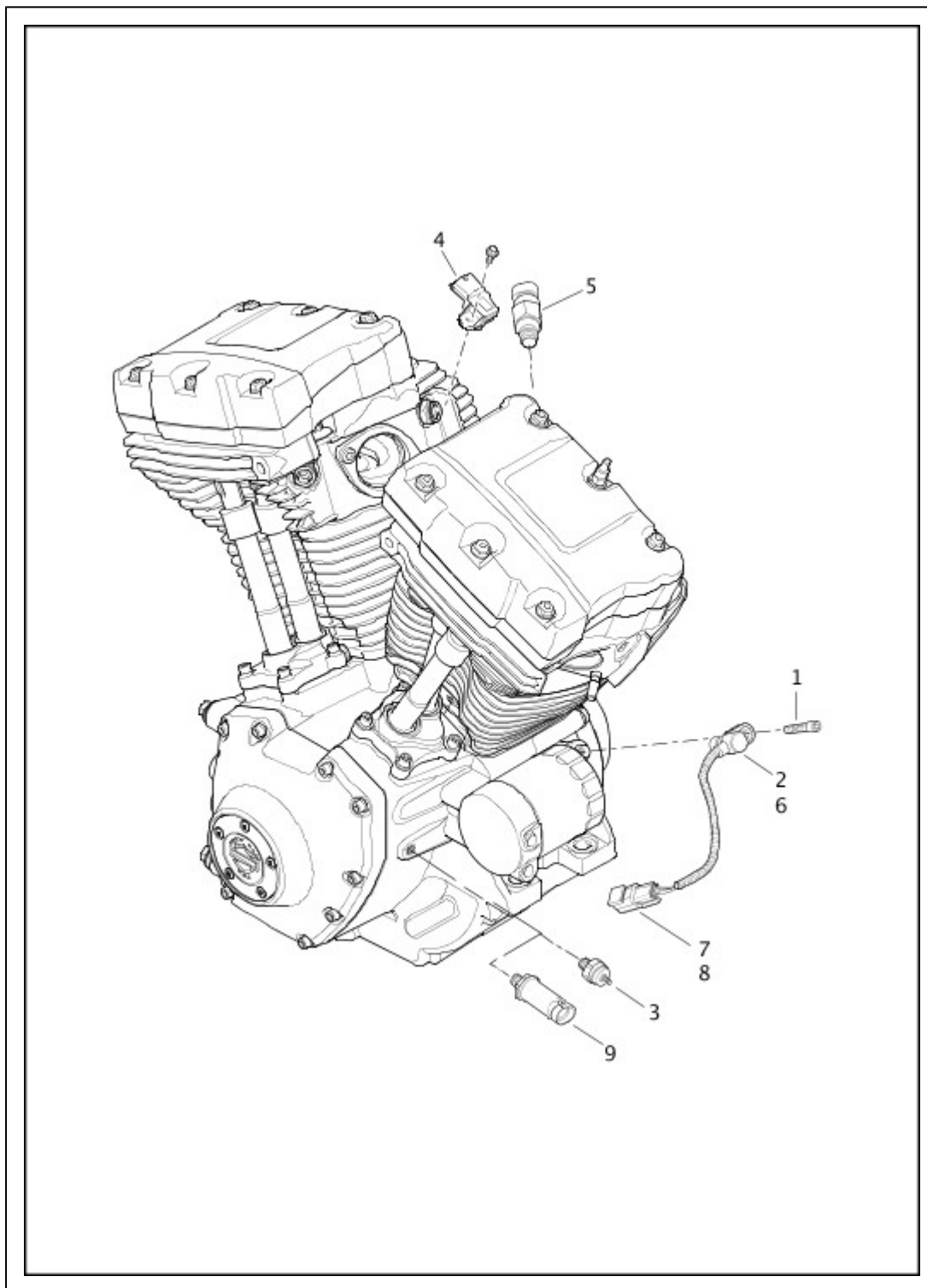
ELECTRONIC CONTROL MODULE (ECM) & COIL



| Index No. | Part No. | Description | Model(s) |
|-----------|----------|-------------|----------|
| 1 | 3634 | SCREW (2) | |
| 2 | 4826 | SCREW (2) | |

| | | | |
|----|-----------|---|--|
| 3 | 10177 | CABLE STRAP, tree mount (3) | |
| 4 | 31696-07A | IGNITION COIL | |
| 5 | 32013-09A | SPARK PLUG CABLE, front cylinder, w/ 10177 | |
| 6 | 32014-09A | SPARK PLUG CABLE, rear cylinder, w/ 10177 | |
| 7 | 32362-04A | SPARK PLUG, 6R12 (2) | |
| 8 | 66200-09 | BRACKET, battery hold down | |
| 9 | 70681-09 | RETAINER, wire harness | |
| 10 | 41000057 | ELECTRONIC CONTROL MODULE (ECM), base level (Domestic, HDI) Requires digital programming. | |
| 11 | 69200174 | CADDY, electronic control module (ECM) | |

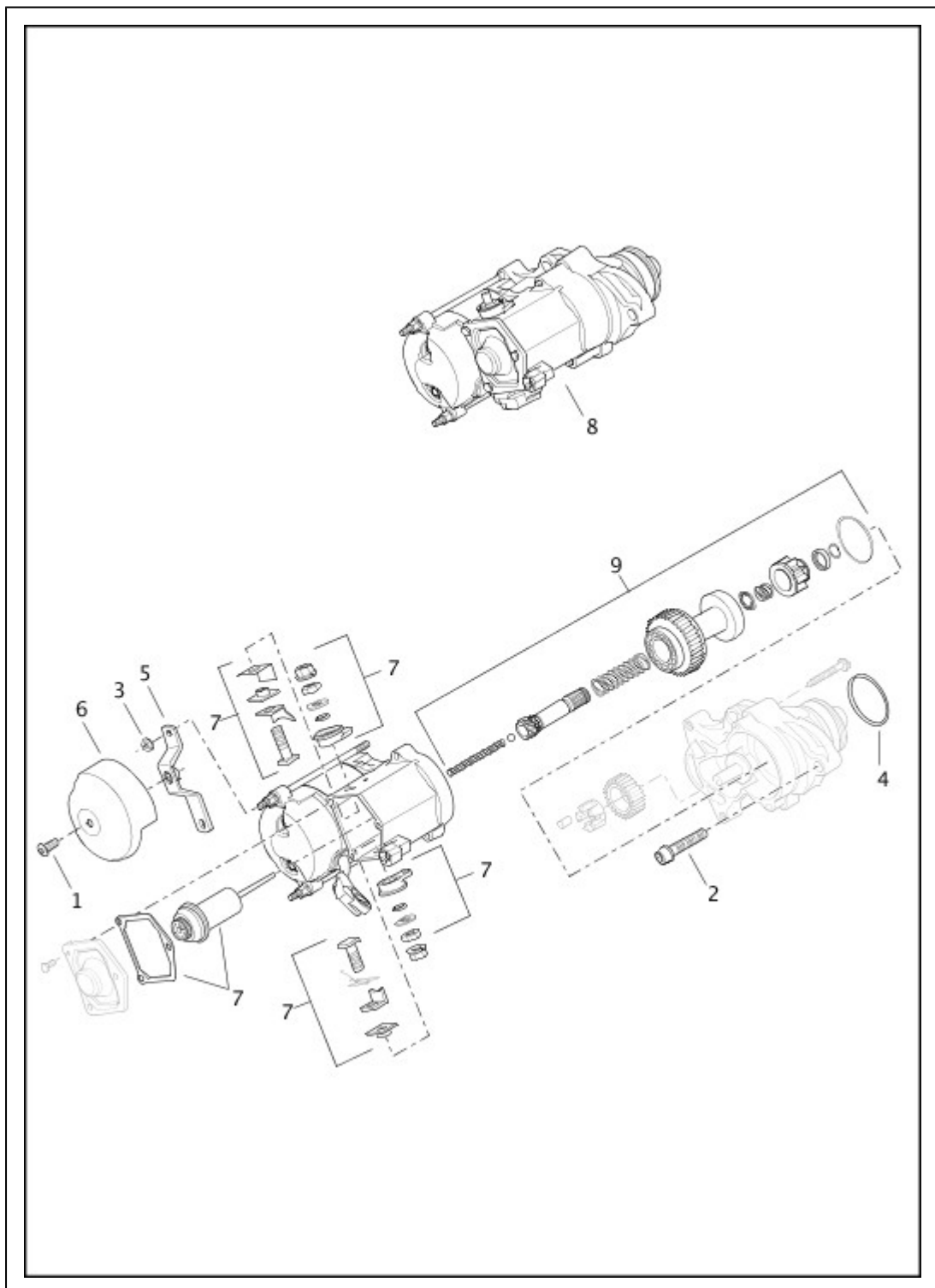
SENSORS & SWITCHES, ENGINE



| Index No. | Part No. | Description | Model(s) |
|-----------|-----------|---|-------------|
| 1 | 4705 | SCREW | |
| 2 | 11289A | O-RING, crankshaft position sensor | |
| 3 | 26561-99 | OIL PRESSURE SWITCH | FLHR, FLHRC |
| 4 | 32319-07A | SENSOR, temperature manifold absolute pressure (TMAP) | |
| 5 | 32446- | SENSOR, engine temperature | |

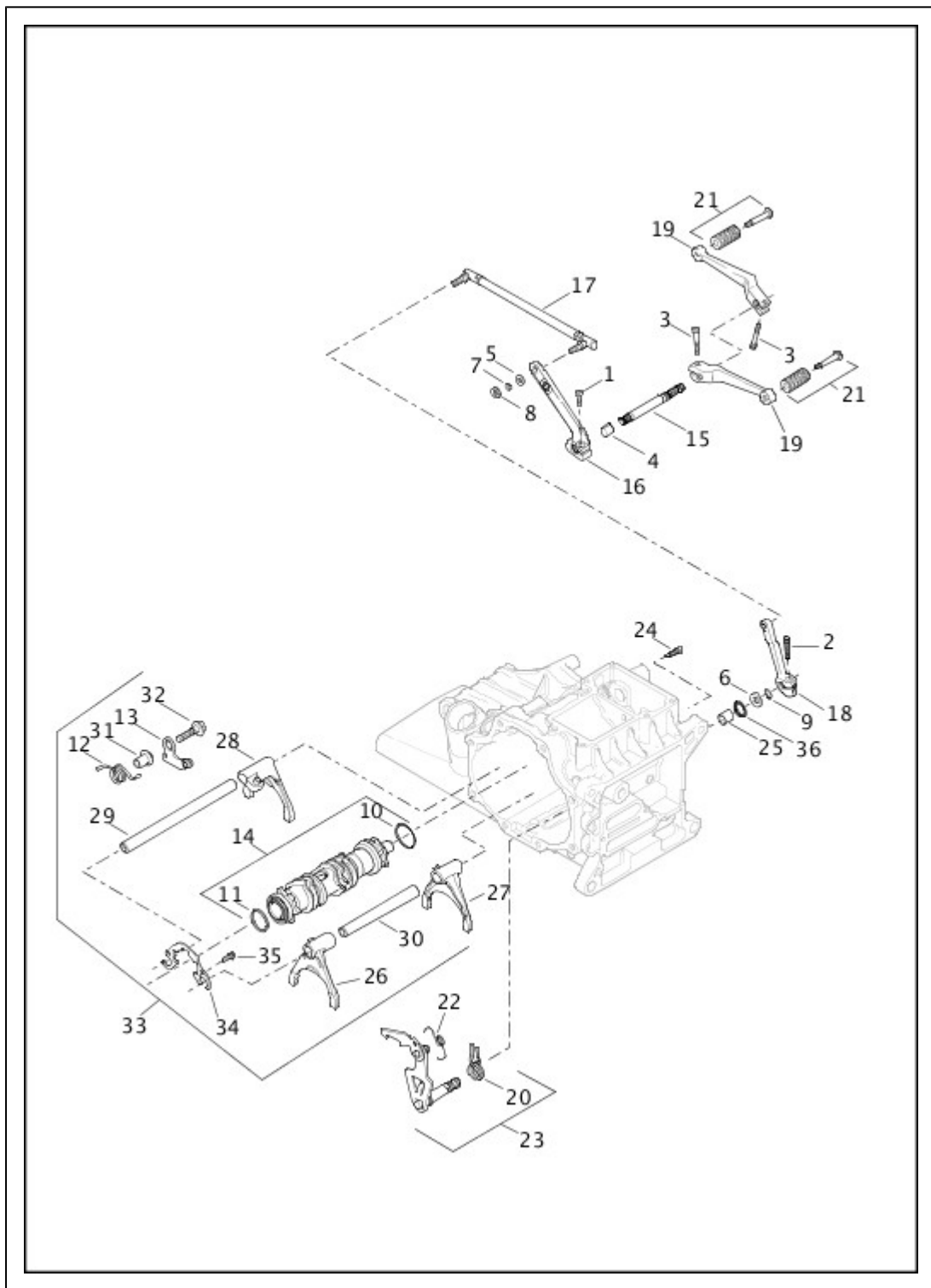
| | | | |
|---|-----------|---|---|
| | 99 | | |
| 6 | 32707-01C | SENSOR, crankshaft position, w/ 11289A & 74194-98 | |
| 7 | 73198-96 | CONNECTOR ANCHOR | |
| 8 | 74194-98 | TERMINAL PIN, DTM #20-24 (2) | |
| 9 | 74438-99A | OIL PRESSURE SENDER | FLHTCU, FLHTCU TC, FLHX, FLHTK, FLHXS, FLTRX, FLTRXS, FLHTCUL, FLHTCUL TC, FLHTKL |

STARTER MOTOR



| Index No. | Part No. | Description | Model(s) |
|-----------|-----------|------------------------------------|----------|
| 1 | 925 | SCREW | |
| 2 | 4419 | SCREW (2) | |
| 3 | 7838 | NUT (2) | |
| 4 | 27444-00Y | O-RING, starter-to-case | |
| 5 | 31527-90 | BRACKET ASSEMBLY, starter cover | |
| 6 | 31611-08 | COVER, (chrome) | |
| 7 | 31604-06 | SOLENOID REPAIR KIT | |
| 8 | 31618-06A | STARTER ASSEMBLY COMPLETE, (black) | |
| 9 | 31633-07A | CLUTCH SUBASSEMBLY | |

SHIFTER, GEAR

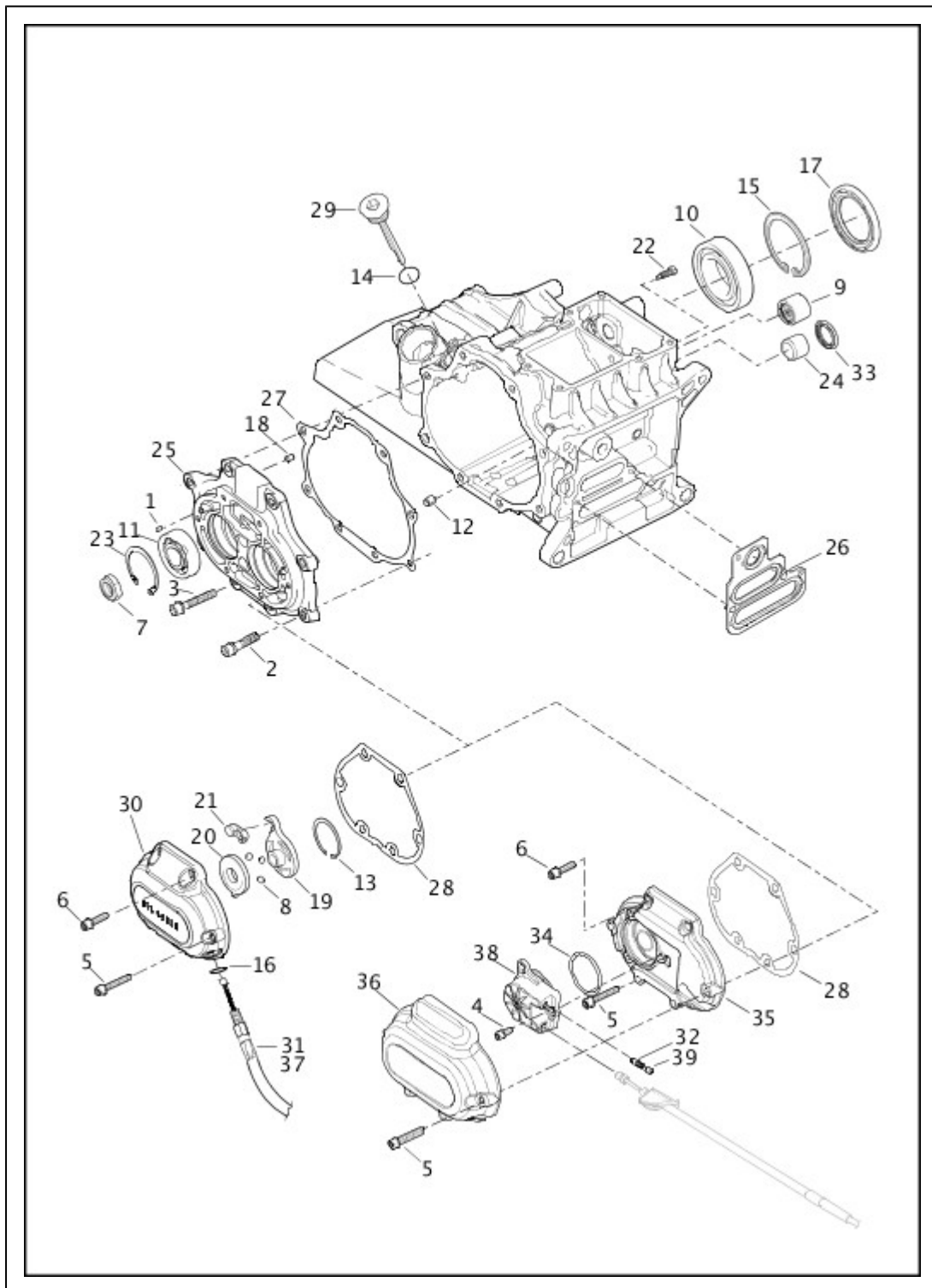


| Index No. | Part No. | Description | Model(s) |
|-----------|----------|-------------|----------|
| 1 | 780 | SCREW | |
| 2 | 856A | SCREW | |
| 3 | 3275 | SCREW (2) | |
| 4 | 5817 | SPACER | |
| 5 | 6016 | WASHER | |
| 6 | 6497HW | WASHER | |

| | | | |
|----|-----------|--|--|
| 7 | 7041 | LOCKWASHER | |
| 8 | 7744 | JAMNUT | |
| 9 | 11150 | RETAINING RING | |
| 10 | 11389 | RING, shift cam retaining | |
| 11 | 11575 | RING, shift cam retaining | |
| 12 | 33389-07 | SPRING, detent | |
| 13 | 33409-06B | DETENT ARM ASSEMBLY, w/ 33389-07 | |
| 14 | 33413-06A | SHIFTER CAM ASSEMBLY, w/ 11389, 11575 & bearing | |
| 15 | 33709-82A | SHAFT | |
| 16 | 33718-82B | LEVER, gear shifter | |
| 17 | 33759-99B | SHIFTER ROD | |
| 18 | 33849-97 | LEVER, shifter rod | |
| 19 | 33895-82D | SHIFT LEVER KIT, w/ 3275 & shifter lever (2) | |
| 20 | 34064-00C | SPRING, shift lever centering | |
| 21 | 34611-65A | SHIFTER TOE PEG KIT (2) | |
| 22 | 34987-06 | SPRING, ratchet lever | |
| 23 | 35081-06 | SHIFT MECHANISM, w/ 34064-00C & 34987-06 | |
| 24 | 35082-07 | CENTERING SCREW, shift lever | |
| 25 | 35186-06 | SLEEVE | |
| 26 | 35187-06 | FORK, shift 1 - 2 | |
| 27 | 35210-06 | FORK, shift 3 - 4 | |
| 28 | 35217-06 | FORK, shift 5 - 6 | |
| 29 | 35222-06 | SHAFT, 5 - 6 shift fork | |
| 30 | 35223-06 | SHAFT, 1 - 2 & 3 - 4 shift fork | |
| 31 | 35243-06 | SLEEVE | |
| 32 | 35244-06 | SCREW | |
| 33 | 35246-10A | GEAR PACK, FORKS & DRUM SUBASSEMBLY, w/ 10, 11, 12, 13, 14, 26, 27, 28, 29, 30, 31, 32, 34, 35, 7340, 35260-06A, input shaft, countershaft & gears (black) | |
| 34 | 35249-06A | LOCK PLATE, shift cam | |

| | | | |
|----|----------|-----------|--|
| 35 | 35259-06 | SCREW (2) | |
| 36 | 11000101 | OIL SEAL | |

TRANSMISSION BEARINGS & COVERS

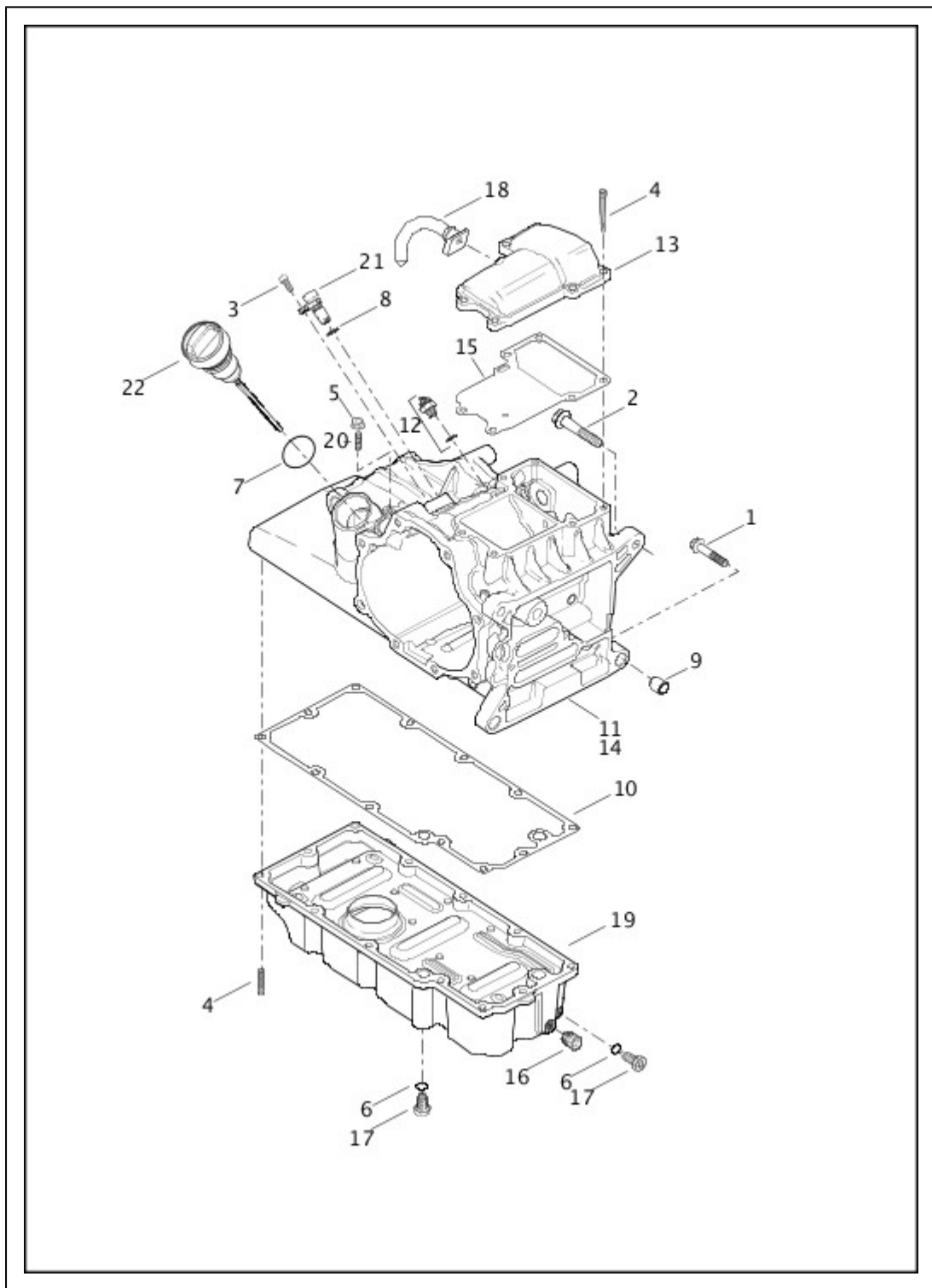


| Index No. | Part No. | Description | Model(s) |
|-----------|----------|-------------|----------|
| 1 | 221 | PIN (2) | |
| 2 | 3249 | SCREW (6) | |

| | | | |
|----|-----------|--|---|
| 3 | 3300 | SCREW (2) | |
| 4 | 4705 | SCREW (3) | FLHTCU, FLHX, FLHTK, FLHXS, FLHTCU TC, FLHTKL, FLHTCUL, FLHTCUL TC, FLTRX, FLTRXS |
| 5 | 4718A | SCREW (4) | FLHR, FLHRC |
| 5 | 4718A | SCREW (4) | FLHTCU, FLHX, FLHTK, FLHXS, FLHTCU TC, FLHTKL, FLHTCUL, FLHTCUL TC, FLTRX, FLTRXS |
| 6 | 4741A | SCREW (2) | FLHR, FLHRC |
| 7 | 7340 | NUT, mainshaft & countershaft (2) | |
| 8 | 8873 | BALL (3) | FLHR, FLHRC |
| 9 | 8963 | BEARING, needle | |
| 10 | 8967 | BEARING | |
| 11 | 8970A | BEARING (2) | |
| 12 | 9701A | BUSHING | |
| 13 | 10998 | RETAINING RING | FLHR, FLHRC |
| 14 | 11132A | O-RING, dipstick | |
| 15 | 11161 | RETAINING RING | |
| 16 | 11179 | O-RING | FLHR, FLHRC |
| 17 | 12074 | SEAL | |
| 18 | 16583-00A | BUSHING, dowel (2) | |
| 19 | 25604-00A | INNER RAMP | FLHR, FLHRC |
| 20 | 25605-00A | OUTER RAMP | FLHR, FLHRC |
| 21 | 34920-86A | COUPLING | FLHR, FLHRC |
| 22 | 35082-07 | CENTERING SCREW, shift lever | |
| 23 | 35087-99A | RETAINING RING (2) | |
| 24 | 35186-06 | SLEEVE | |
| 25 | 35260-06A | BEARING HOUSING ASSEMBLY, w/ 221, 8970A, 16583-00A & 35087-99A (black) | |
| 26 | 35607-06 | GASKET | |
| 27 | 35654-06 | GASKET, bearing housing | |
| 28 | 36805-06 | GASKET, cover | |
| | | | |

| | | | |
|----|----------|---|---|
| 29 | 37065-06 | DIPSTICK, (chrome) | |
| 30 | 37116-06 | CLUTCH RELEASE COVER, (chrome) | FLHR, FLHRC |
| 31 | 38630-88 | BOOT, clutch cable | FLHR, FLHRC |
| 32 | 44613-02 | BLEEDER SCREW | FLHTCU, FLHX, FLHTK, FLHXS, FLHTCU TC, FLHTKL, FLHTCUL, FLHTCUL TC, FLTRX, FLTRXS |
| 33 | 11000101 | OIL SEAL | |
| 34 | 11900035 | O-RING | FLHTCU, FLHX, FLHTK, FLHXS, FLHTCU TC, FLHTKL, FLHTCUL, FLHTCUL TC, FLTRX, FLTRXS |
| 35 | 25700178 | INNER SIDE COVER, transmission | FLHTCU, FLHX, FLHTK, FLHXS, FLHTCU TC, FLHTKL, FLHTCUL, FLHTCUL TC, FLTRX, FLTRXS |
| 36 | 25700179 | SIDE COVER, transmission (chrome) | FLHTCU, FLHX, FLHTK, FLHXS, FLHTCU TC, FLHTKL, FLHTCUL, FLHTCUL TC, FLTRX, FLTRXS |
| 37 | 37200005 | CABLE, clutch control, w/ 11179, 38630-88 & 38900-08 | FLHR, FLHRC |
| 38 | 37200023 | SECONDARY CLUTCH ACTUATOR, w/ 44613-02, 11900035 & 37200034 | FLHTCU, FLHX, FLHTK, FLHXS, FLHTCU TC, FLHTKL, FLHTCUL, FLHTCUL TC, FLTRX, FLTRXS |
| 39 | 37200034 | CAP, bleeder screw | FLHTCU, FLHX, FLHTK, FLHXS, FLHTCU TC, FLHTKL, FLHTCUL, FLHTCUL TC, FLTRX, FLTRXS |

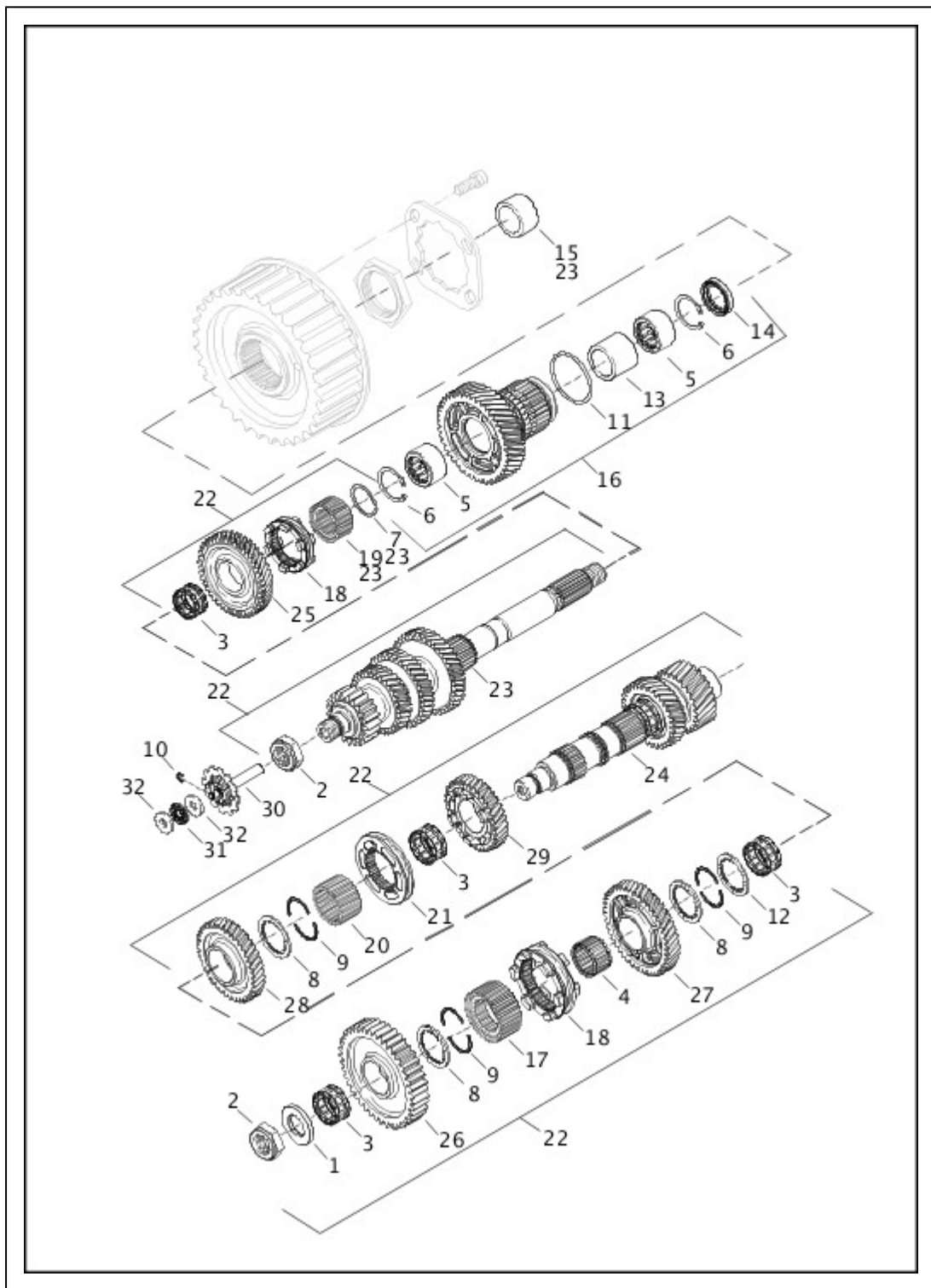
TRANSMISSION HOUSING, TOP COVER & OIL PAN



| Index No. | Part No. | Description | Model(s) |
|-----------|----------|-------------|----------|
| 1 | 3699D | SCREW (2) | |
| 2 | 3983 | SCREW (2) | |
| 3 | 4705 | SCREW | |
| 4 | 4741A | SCREW (18) | |
| 5 | 7792 | NUT | |
| 6 | 11105 | O-RING (2) | |

| | | | |
|----|-----------|--|--|
| 7 | 11120 | O-RING | |
| 8 | 11289A | O-RING | |
| 9 | 16574-99A | DOWEL PIN (2) | |
| 10 | 26077-99A | GASKET, oil pan | |
| 11 | 33166-10A | TRANSMISSION REPLACEMENT, w/o cable, covers & sensors (chrome & black) | |
| 12 | 33926-06B | SWITCH, neutral indicator, w/ o-ring | |
| 13 | 34469-06B | TRANSMISSION COVER, top (chrome) | |
| 14 | 34719-07B | TRANSMISSION CASE SUBASSEMBLY, w/ 3594, 8963, 8967, 9701, 11161, 12074, 16574-99A, 35082-07, 35122-06, 35186-06, 35241-06, 35242-06, 40659-06, 66290-06 & 11000101 (black) | |
| 15 | 34917-06 | GASKET, upper cover | |
| 16 | 45893-99 | PIPE PLUG | |
| 17 | 60328-98B | PLUG, magnetic w/ 11105 (2) | |
| 18 | 62372-09 | VENT HOSE, transmission | |
| 19 | 62489-99A | OIL PAN ASSEMBLY, (black) w/ 11105, 45893-99 & 60328-98B | |
| 20 | 66290-06 | STUD, ground | |
| 21 | 74402-05B | SPEED SENSOR, w/ 11289A | |
| 22 | 62700026 | DIPSTICK ASSEMBLY, w/ 11120 (black cap) | |

TRANSMISSION GEARS

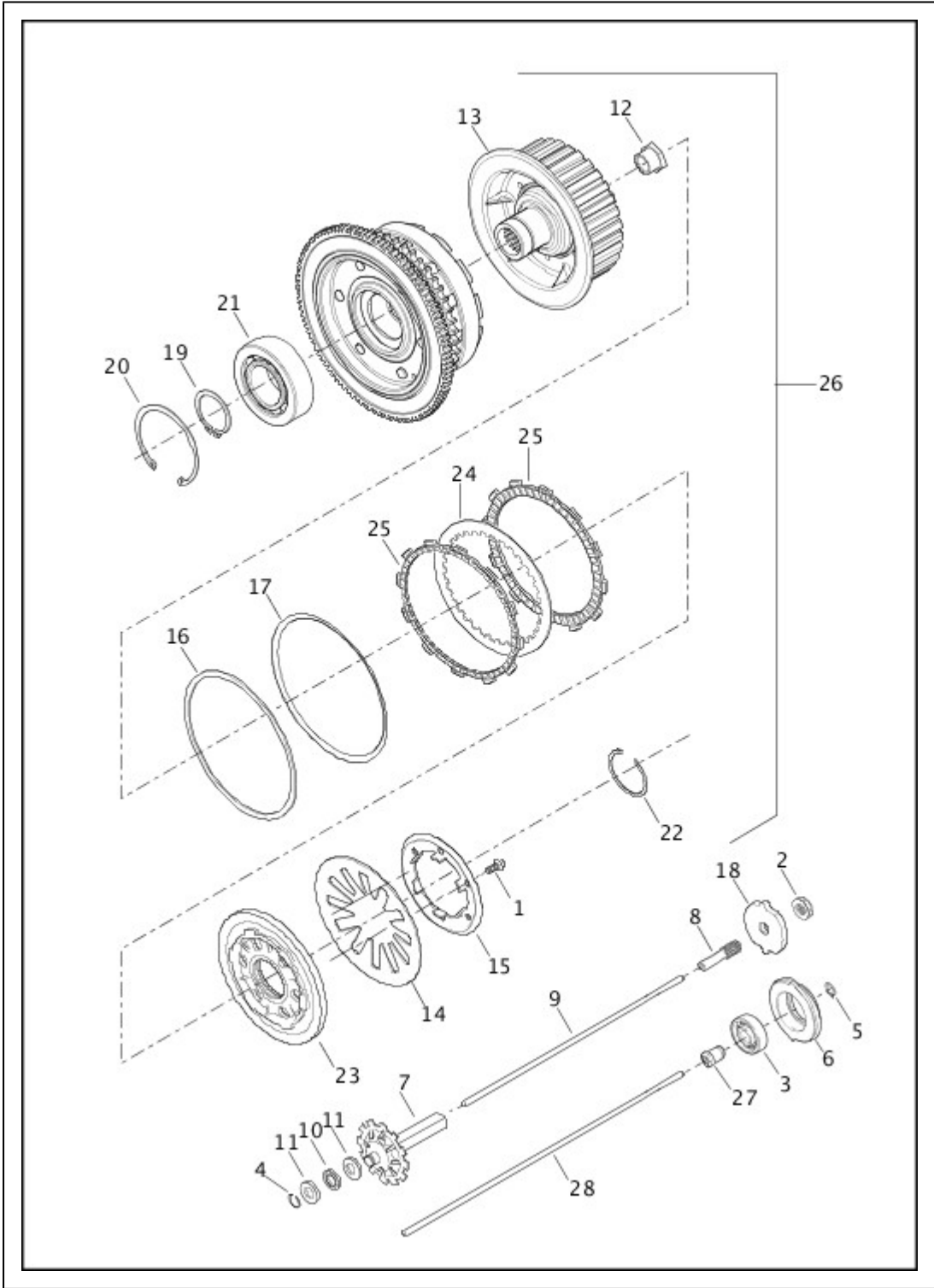


| Index No. | Part No. | Description | Model(s) |
|-----------|----------|---------------------|----------|
| 1 | 5837A | SPACER | |
| 2 | 7340 | NUT (2) | |
| 3 | 8026K | BEARING, needle (4) | |
| 4 | 8041 | BEARING, needle | |
| 5 | 8042 | BEARING, needle (2) | |
| 6 | 10991A | RETAINING RING (2) | |

| | | | |
|----|-----------|---|----------------|
| 7 | 11061A | RETAINING RING | |
| 8 | 11081A | RING, lock (3) | |
| 9 | 11082 | SECURING SEGMENT (6) | |
| 10 | 11096 | RING, retaining | FLHR, FLHRC |
| 11 | 11201 | O-RING | |
| 12 | 11207A | WASHER, internal spline | |
| 13 | 11599A | SPACER, bearing | |
| 14 | 12077 | OIL SEAL | |
| 15 | 34091-08 | BEARING, inner race | |
| 16 | 35122-06 | GEAR ASSEMBLY, driven output, w/ 8042, 10991A, 11201, 11599A & 12077 | |
| 17 | 35124-06 | GUIDE HUB, dog ring | |
| 18 | 35126-06 | DOG RING, lugged (2) | |
| 19 | 35201-10 | GUIDE HUB, dog ring | |
| 20 | 35202-06 | GUIDE HUB, dog ring | |
| 21 | 35204-06 | DOG RING, pocketed | |
| 22 | 35246-10A | GEAR PACK, FORKS & DRUM SUBASSEMBLY, w/ 1, 2, 3, 4, 7, 8, 9, 12, 17, 18, 19, 20, 21, 23, 24, 25, 26, 27, 28, 29, 35260-06A, shifter cam & forks (black) | |
| 23 | 35467-06B | INPUT SHAFT KIT, w/ 11061A, 34091-08 & 35201-10 | |
| 24 | 35470-10 | COUNTERSHAFT ASSEMBLY | |
| 25 | 35801-10 | GEAR, fifth input | |
| 26 | 35805-06A | GEAR, countershaft-first | |
| 27 | 35807-06 | GEAR, countershaft-second | |
| 28 | 35811-06 | GEAR, countershaft-third | |
| 29 | 35814-06 | GEAR, countershaft-fourth | |
| 30 | 37069-90A | OIL SLINGER ASSEMBLY | FLHR, FLHRC |
| | | | |

| | | | |
|----|----------|--------------------------|-------------|
| 31 | 37312-75 | BEARING | FLHR, FLHRC |
| 32 | 37313-80 | BEARING, thrust race (2) | FLHR, FLHRC |

CLUTCH - CONVENTIONAL - TWIN CAM 103™ - FLHR/C, FLHTCU, FLHTK, FLHX/S & FLTRX/S

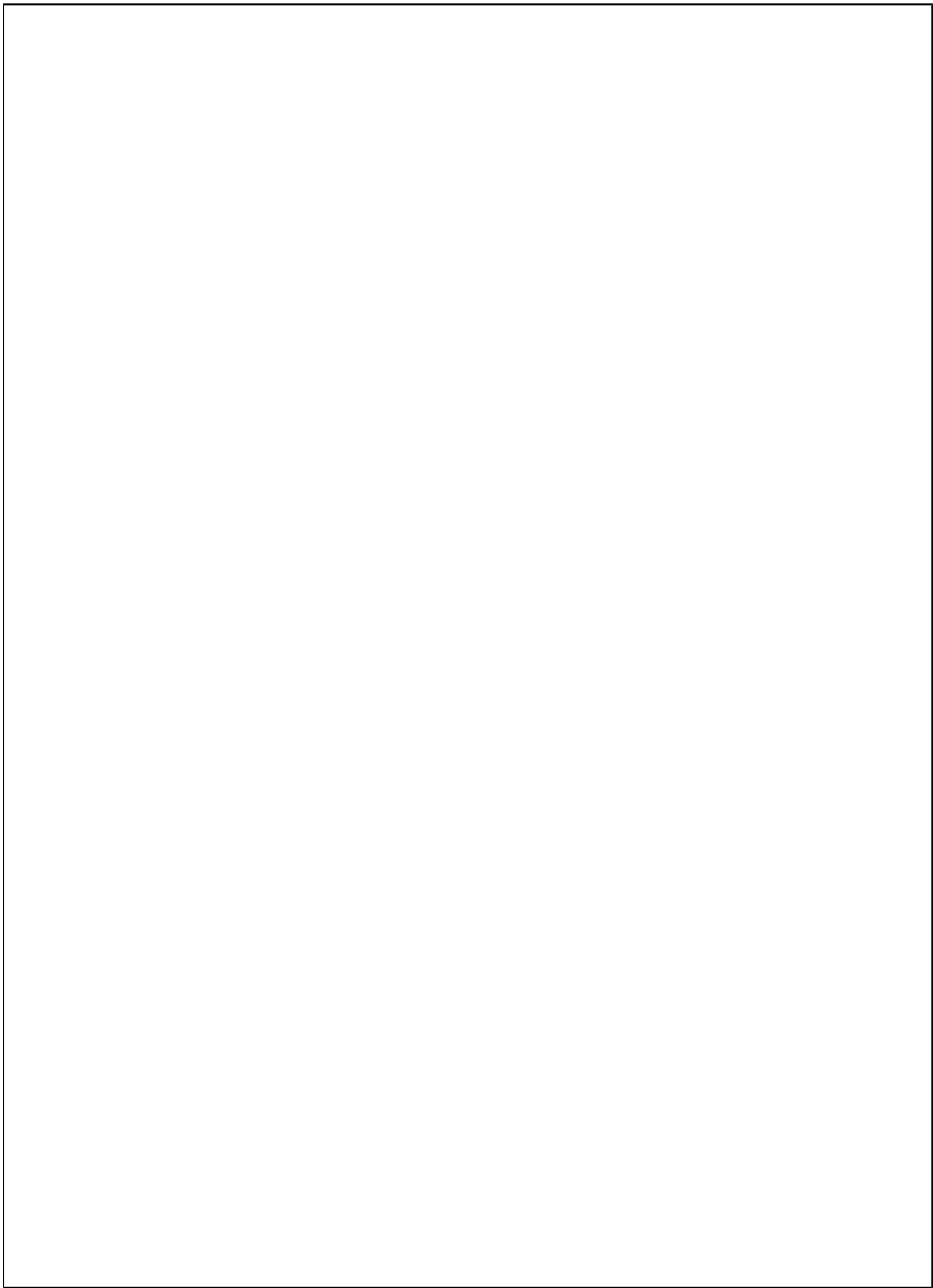


| Index No. | Part No. | Description | Model(s) |
|-----------|----------|-------------|----------|
| | | (6) | |

| | | | |
|----|-----------|---|---|
| 1 | 2980 | SCREW | FLHR, FLHRC, FLHTCU, FLHX, FLHXS, FLHTK, FLHTCU TC, FLTRX, FLTRXS |
| 2 | 7848W | JAMNUT | FLHR, FLHRC |
| 3 | 8885 | BEARING | FLHTCU, FLHX, FLHXS, FLHTK, FLHTCU TC, FLTRX, FLTRXS |
| 4 | 11096 | RETAINING RING | FLHR, FLHRC |
| 5 | 11143 | RING, retaining, external | FLHTCU, FLHX, FLHXS, FLHTK, FLHTCU TC, FLTRX, FLTRXS |
| 6 | 36731-91 | RELEASE PLATE ASSEMBLY, clutch, w/ 8885 | FLHTCU, FLHX, FLHXS, FLHTK, FLHTCU TC, FLTRX, FLTRXS |
| 7 | 37069-90A | OIL SLINGER ASSEMBLY | FLHR, FLHRC |
| 8 | 37090-98A | SCREW, adjuster | FLHR, FLHRC |
| 9 | 37092-06 | PUSHROD, clutch release | FLHR, FLHRC |
| 10 | 37312-75 | BEARING, pushrod | FLHR, FLHRC |
| 11 | 37313-80 | BEARING, thrust race (2) | FLHR, FLHRC |
| 12 | 37496-90A | NUT, mainshaft | FLHR, FLHRC, FLHTCU, FLHX, FLHXS, FLHTK, FLHTCU TC, FLTRX, FLTRXS |
| 13 | 37554-11 | HUB ASSEMBLY, clutch | FLHR, FLHRC, FLHTCU, FLHX, FLHXS, FLHTK, FLHTCU TC, FLTRX, FLTRXS |
| 14 | 37871-98A | SPRING, clutch (except Brazil) | FLHR, FLHRC, FLHTCU, FLHX, FLHXS, FLHTK, FLHTCU TC, FLTRX, FLTRXS |
| | 37871-98A | SPRING, clutch (Brazil) | FLHRC, FLHXS, FLHTK |
| 15 | 37872-00 | SEAT, clutch spring | FLHR, FLHRC, FLHTCU, FLHX, FLHXS, FLHTK, FLHTCU TC, FLTRX, FLTRXS |
| 16 | 37883-98 | SEAT, damper spring | FLHR, FLHRC, FLHTCU, FLHX, FLHXS, FLHTK, FLHTCU TC, FLTRX, FLTRXS |
| 17 | 37884-98 | DAMPER SPRING | FLHR, FLHRC, FLHTCU, FLHX, FLHXS, FLHTK, FLHTCU TC, FLTRX, FLTRXS |
| 18 | 37903-90 | RELEASE PLATE | FLHR, FLHRC |
| 19 | 37904-90 | RETAINING RING | FLHR, FLHRC, FLHTCU, FLHX, FLHXS, FLHTK, FLHTCU TC, FLTRX, FLTRXS |
| 20 | 37905-00 | RETAINING RING, internal | FLHR, FLHRC, FLHTCU, FLHX, FLHXS, FLHTK, FLHTCU TC, FLTRX, FLTRXS |
| 21 | 37906-11 | BEARING, ball | FLHR, FLHRC, FLHTCU, FLHX, FLHXS, FLHTK, FLHTCU TC, FLTRX, FLTRXS |
| 22 | 37909-90 | RETAINING RING, internal | FLHR, FLHRC, FLHTCU, FLHX, FLHXS, FLHTK, FLHTCU TC, FLTRX, FLTRXS |
| 23 | 37912-00 | PRESSURE PLATE, clutch | FLHR, FLHRC, FLHTCU, FLHX, FLHXS, FLHTK, FLHTCU TC, FLTRX, FLTRXS |

| | | | |
|----|----------|--|---|
| 24 | 37913-98 | PLATE CLUTCH (8) | FLHR, FLHRC, FLHTCU, FLHX, FLHXS, FLHTK, FLHTCU TC, FLTRX, FLTRXS |
| 25 | 37932-98 | FRICITION PLATE KIT, w/ nine friction plates | FLHR, FLHRC, FLHTCU, FLHX, FLHXS, FLHTK, FLHTCU TC, FLTRX, FLTRXS |
| 26 | 37000072 | CLUTCH ASSEMBLY, conventional, w/ 1, 13, 14, 15, 16, 17, 19, 20, 21, 22, 23, 24 & 25 | FLHR, FLHRC, FLHTCU, FLHX, FLHXS, FLHTK, FLHTCU TC, FLTRX, FLTRXS |
| 27 | 37000217 | RELEASE ROD, clutch | FLHTCU, FLHX, FLHXS, FLHTK, FLHTCU TC, FLTRX, FLTRXS |
| 28 | 37000218 | PUSHROD, clutch release | FLHTCU, FLHX, FLHXS, FLHTK, FLHTCU TC, FLTRX, FLTRXS |

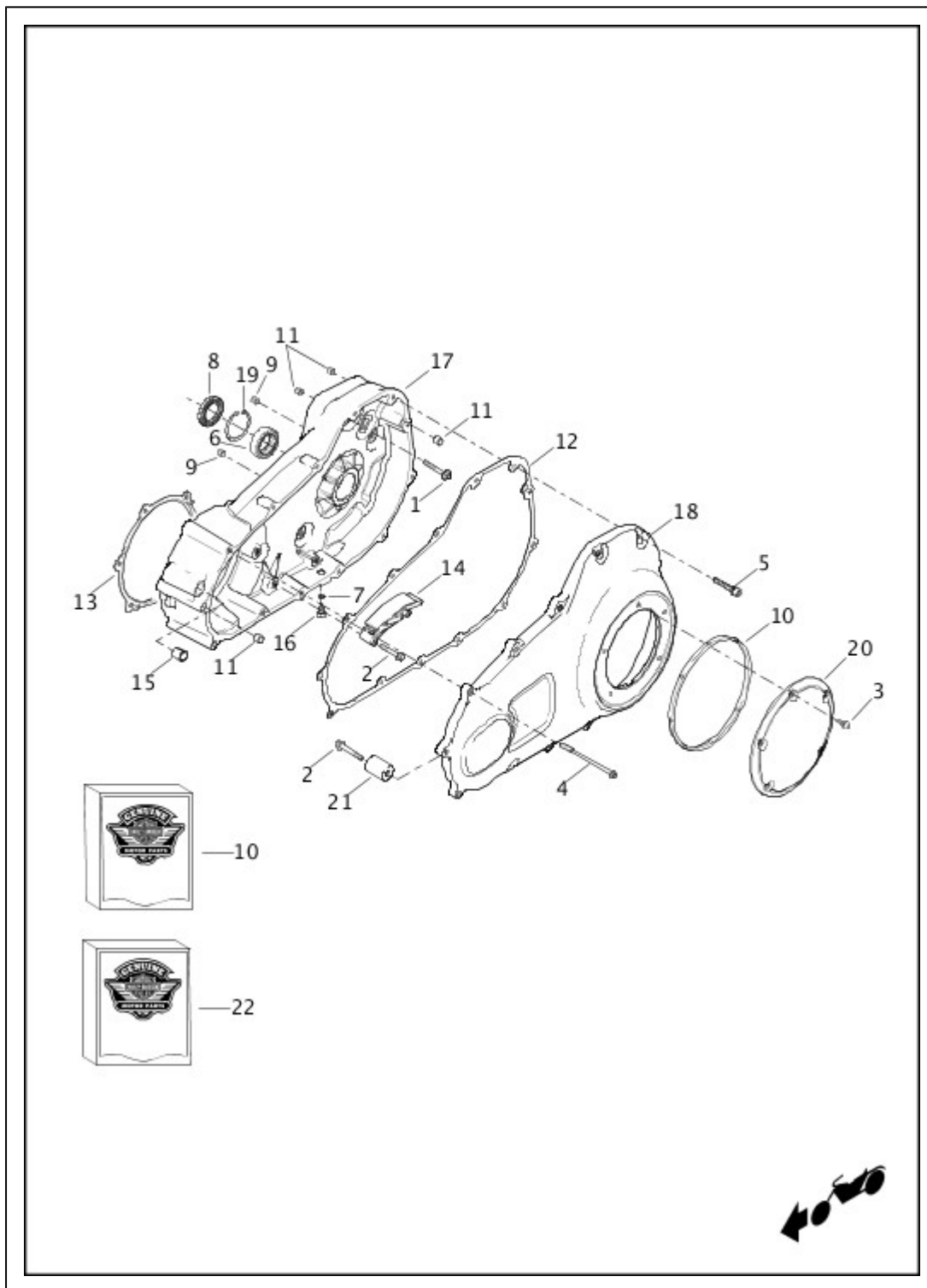
CLUTCH - ASSIST & SLIP - TWIN CAM 103™ - FLHTCUL & FLHTKL



| Index No. | Part No. | Description | Model(s) |
|-----------|-----------|--------------------------|-----------------------------|
| 1 | 8885 | BEARING | FLHTCUL, FLHTCUL TC, FLHTKL |
| 2 | 11143 | RETAINING RING, external | FLHTCUL, FLHTCUL TC, FLHTKL |
| 3 | 36706-01K | BOLT (3) | FLHTCUL, FLHTCUL TC, FLHTKL |
| 4 | 36731-91 | PLATE, release w/ 8885 | FLHTCUL, FLHTCUL TC, FLHTKL |
| | | | |

| | | | |
|----|-----------|--|-----------------------------|
| 5 | 37496-90A | NUT, mainshaft | FLHTCUL, FLHTCUL TC, FLHTKL |
| 6 | 37904-90 | RING, retaining, external | FLHTCUL, FLHTCUL TC, FLHTKL |
| 7 | 37905-00 | RING, retaining, internal | FLHTCUL, FLHTCUL TC, FLHTKL |
| 8 | 37906-11 | BEARING, ball, double-row | FLHTCUL, FLHTCUL TC, FLHTKL |
| 9 | 37909-90 | RING, retaining, internal | FLHTCUL, FLHTCUL TC, FLHTKL |
| 10 | 11700002 | COIL SPRING (3) | FLHTCUL, FLHTCUL TC, FLHTKL |
| 11 | 37000026 | CLUTCH ASSEMBLY, assist & slip, complete, w/ 3, 6, 7, 8, 10, 12, 13, 14, 15, 16, 17 & 18 | FLHTCUL, FLHTCUL TC, FLHTKL |
| 12 | 37000032 | PRESSURE PLATE, clutch | FLHTCUL, FLHTCUL TC, FLHTKL |
| 13 | 37000033 | STOPPER PLATE | FLHTCUL, FLHTCUL TC, FLHTKL |
| 14 | 37000034 | SPRING, damper | FLHTCUL, FLHTCUL TC, FLHTKL |
| 15 | 37000035 | SEAT (3) | FLHTCUL, FLHTCUL TC, FLHTKL |
| 16 | 37000036 | SEAT, damper-spring | FLHTCUL, FLHTCUL TC, FLHTKL |
| 17 | 37000083 | HUB ASSEMBLY | FLHTCUL, FLHTCUL TC, FLHTKL |
| 18 | 37000118 | CLUTCH DISKS KIT | FLHTCUL, FLHTCUL TC, FLHTKL |
| 19 | 37000217 | RELEASE ROD, clutch | FLHTCUL, FLHTCUL TC, FLHTKL |
| 20 | 37000218 | PUSHROD, clutch release | FLHTCUL, FLHTCUL TC, FLHTKL |

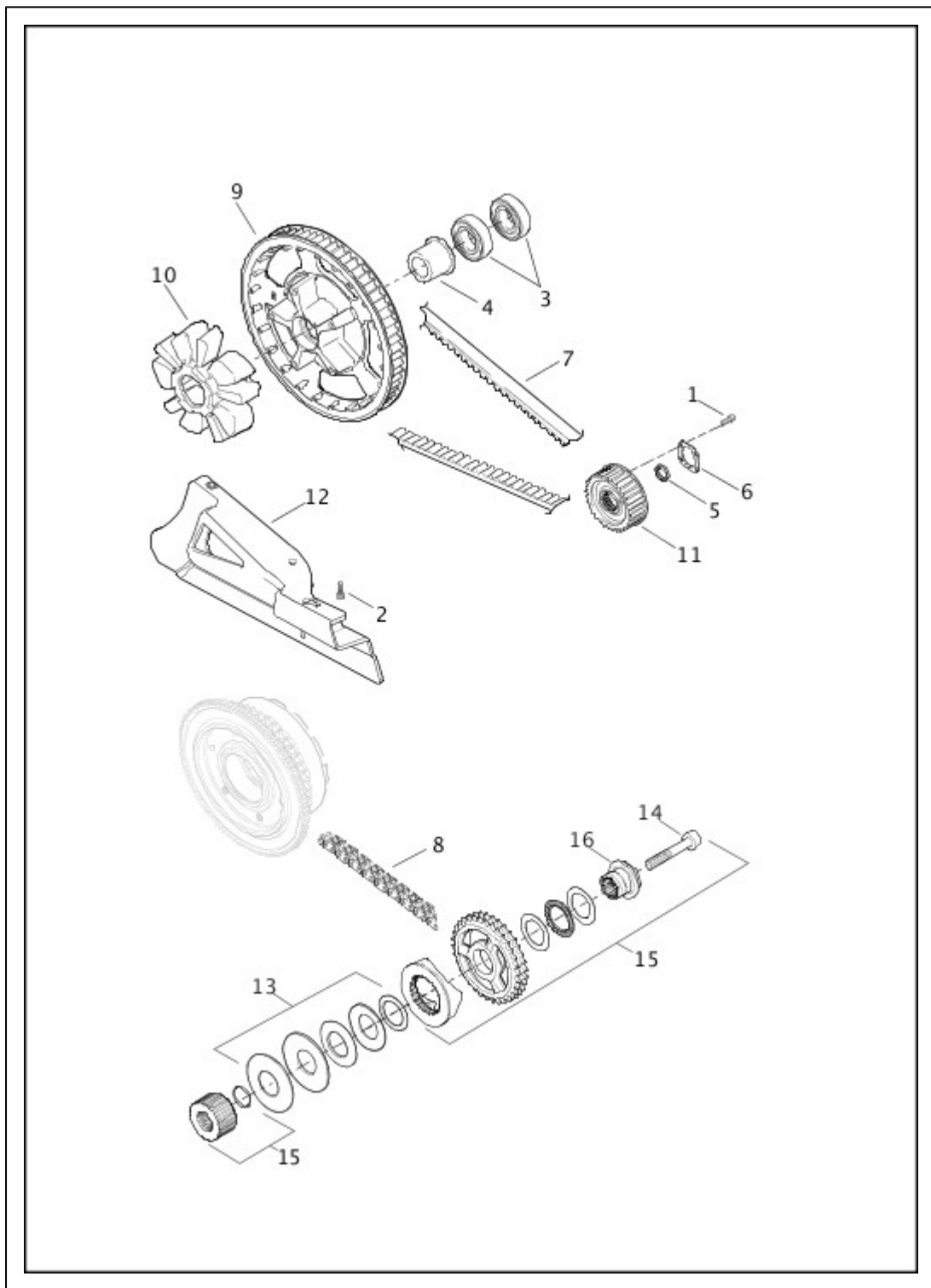
PRIMARY HOUSING



| Index No. | Part No. | Description | Model(s) |
|-----------|----------|--------------------|--|
| 1 | 786A | BOLT (5) | |
| 2 | 791A | SCREW (2) | |
| 2 | 791A | SCREW, (Japan) (3) | FLHTCU TC, FLHRC, FLHTK, FLHTCUL TC, FLHTKL, FLHXS, FLTRXS |
| 3 | 1062 | SCREW (5) | |
| 4 | 1780 | SCREW (4) | |
| 5 | 4813A | SCREW (9) | |

| | | | |
|----|-----------|--|---|
| 6 | 9231 | BEARING | |
| 7 | 11105 | O-RING | |
| 8 | 12052A | SEAL | |
| 9 | 16583-00A | BUSHING, dowel (2) | |
| 10 | 17369-06 | GASKET SERVICE KIT (1K, 5K, 10K), w/ 11105 & clutch cover seal | |
| 11 | 24754-75A | DOWEL BUSHING (4) | |
| 12 | 34901-07 | GASKET, primary cover | |
| 13 | 34934-06 | GASKET, primary housing to case | |
| 14 | 39929-06B | CHAIN TENSIONER ASSEMBLY | |
| 15 | 42642-00A | BUSHING (2) | |
| 16 | 60328-98B | PLUG, magnetic drain, w/ 11105 | |
| 17 | 60432-07A | INNER PRIMARY HOUSING, w/ 9231, 12052A, 16583-00A, 42642-00A, 60328-98B & 60678-85 (black) | |
| 18 | 60553-07A | COVER, primary (chrome) | FLHR, FLHTCU, FLHRC, FLHX, FLHXS, FLHTCU TC, FLHTK, FLTRX, FLTRXS |
| | 25700385 | COVER, primary (chrome) | FLHTCUL, FLHTCUL TC, FLHTKL |
| 19 | 60678-85 | RETAINING RING | |
| 20 | 60766-06 | COVER, clutch (chrome) | FLHR, FLHTCU, FLHRC, FLHX, FLHXS, FLHTCU TC, FLHTK, FLTRX, FLTRXS |
| | 25700388 | COVER, clutch (chrome) | FLHTCUL, FLHTCUL TC, FLHTKL |
| 21 | 60818-07 | SLEEVE, dampener (Japan) | FLHTCU TC, FLHX, FLHRC, FLHTK |
| 22 | 25700226 | GASKET KIT, inner primary | |

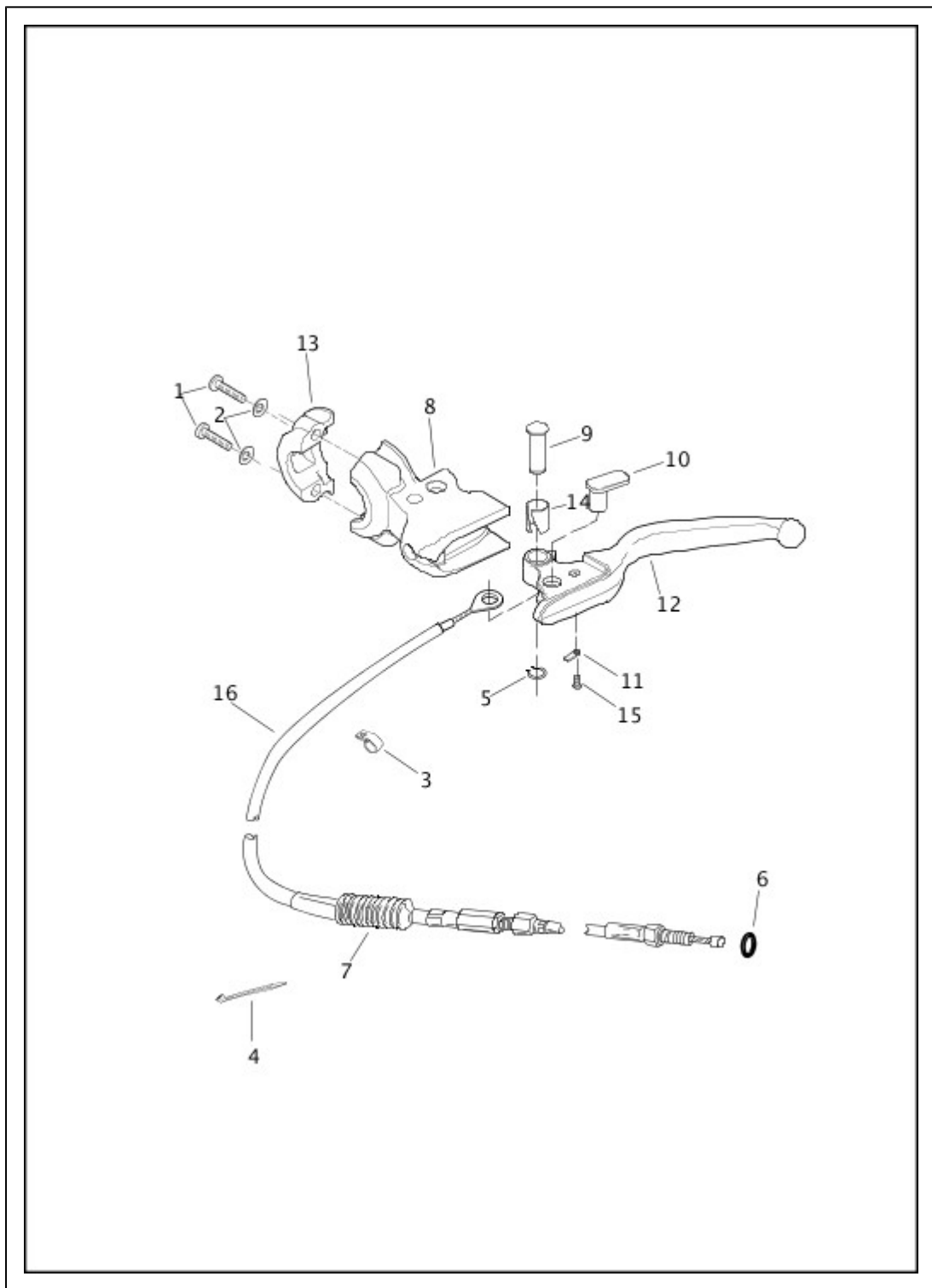
BELT, CHAINS & SPROCKETS



| Index No. | Part No. | Description | Model(s) |
|-----------|----------|--------------------------|----------|
| 1 | 3594 | SCREW (2) | |
| 2 | 3892 | SCREW (3) | |
| 3 | 9276A | BALL BEARING (2) | |
| 4 | 11843 | SPACER, compensator | |
| 5 | 35241-06 | NUT | |
| 6 | 35242-06 | LOCKPLATE | |
| 7 | 40024-09 | REAR BELT, 140 T, 1 inch | |

| | | | |
|----|-----------|---|--|
| 8 | 40037-07 | PRIMARY CHAIN | |
| 9 | 40217-09 | SPROCKET & BEARING ASSEMBLY, rear, 68 T, w/ 9276A & 11843 (black) | |
| 10 | 40278-09 | ISOLATOR, rubber | |
| 11 | 40659-06 | SPROCKET, transmission, 32 T | |
| 12 | 60386-09 | DEBRIS DEFLECTOR | |
| 13 | 83936-09A | SPRING PACK | |
| 14 | 10500031 | SCREW, compensator | |
| 15 | 36500034A | COMPENSATOR ASSEMBLY | |
| 16 | 40100041 | RETAINER, sprocket | |

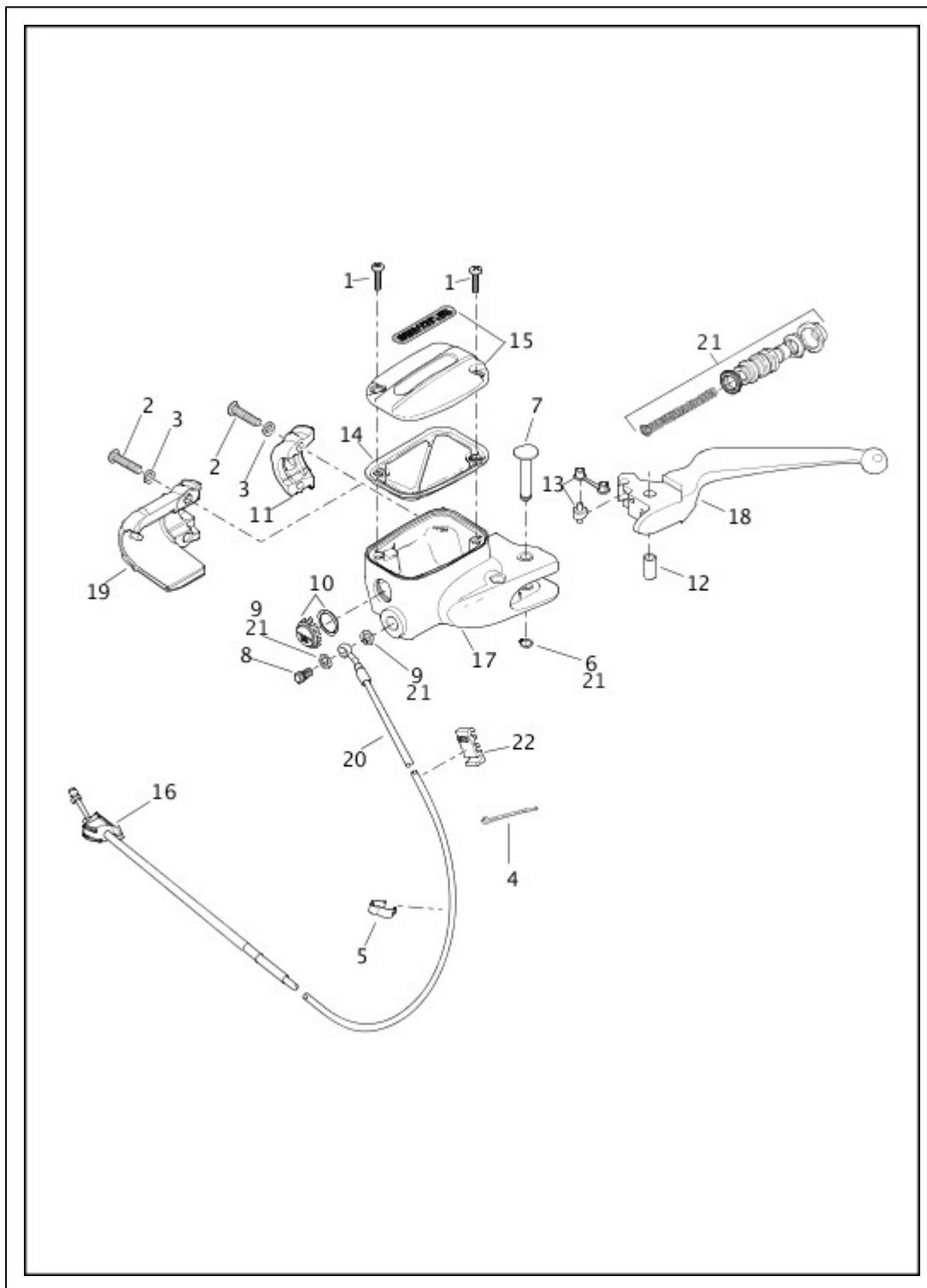
CLUTCH CONTROL (NON-FAIRING MODELS)



| Index No. | Part No. | Description | Model(s) |
|-----------|----------|--------------------|-------------|
| 1 | 4132 | SCREW (2) | FLHR, FLHRC |
| 2 | 6101 | WASHER (2) | FLHR, FLHRC |
| 3 | 9990W | CLAMP | FLHR, FLHRC |
| 4 | 10039 | CABLE STRAP (5) | FLHR, FLHRC |
| 5 | 11143 | RETAINING RING | FLHR, FLHRC |
| 6 | 11179 | O-RING | FLHR, FLHRC |
| 7 | 38630-88 | BOOT, clutch cable | FLHR, FLHRC |

| | | | |
|----|-----------|--|-------------|
| 8 | 38700-08A | BRACKET, hand lever | FLHR, FLHRC |
| 9 | 38738-08 | PIN, hand lever pivot | FLHR, FLHRC |
| 10 | 38900-08 | PIN, clutch, mechanical, w/ head | FLHR, FLHRC |
| 11 | 45021-86 | SPRING, anti-rattle | FLHR, FLHRC |
| 12 | 45080-08 | CLUTCH LEVER ASSEMBLY, w/ 45021-86, 45423-92, & 90770-79 | FLHR, FLHRC |
| 13 | 45138-08A | HALF-CLAMP, master cylinder & clutch (black) | FLHR, FLHRC |
| 14 | 45423-92 | BUSHING | FLHR, FLHRC |
| 15 | 90770-79 | SCREW | FLHR, FLHRC |
| 16 | 37200005 | CABLE, clutch control, w/ 11179, 38630-88 & 38900-08 | FLHR, FLHRC |

CLUTCH CONTROL (FAIRING MODELS)

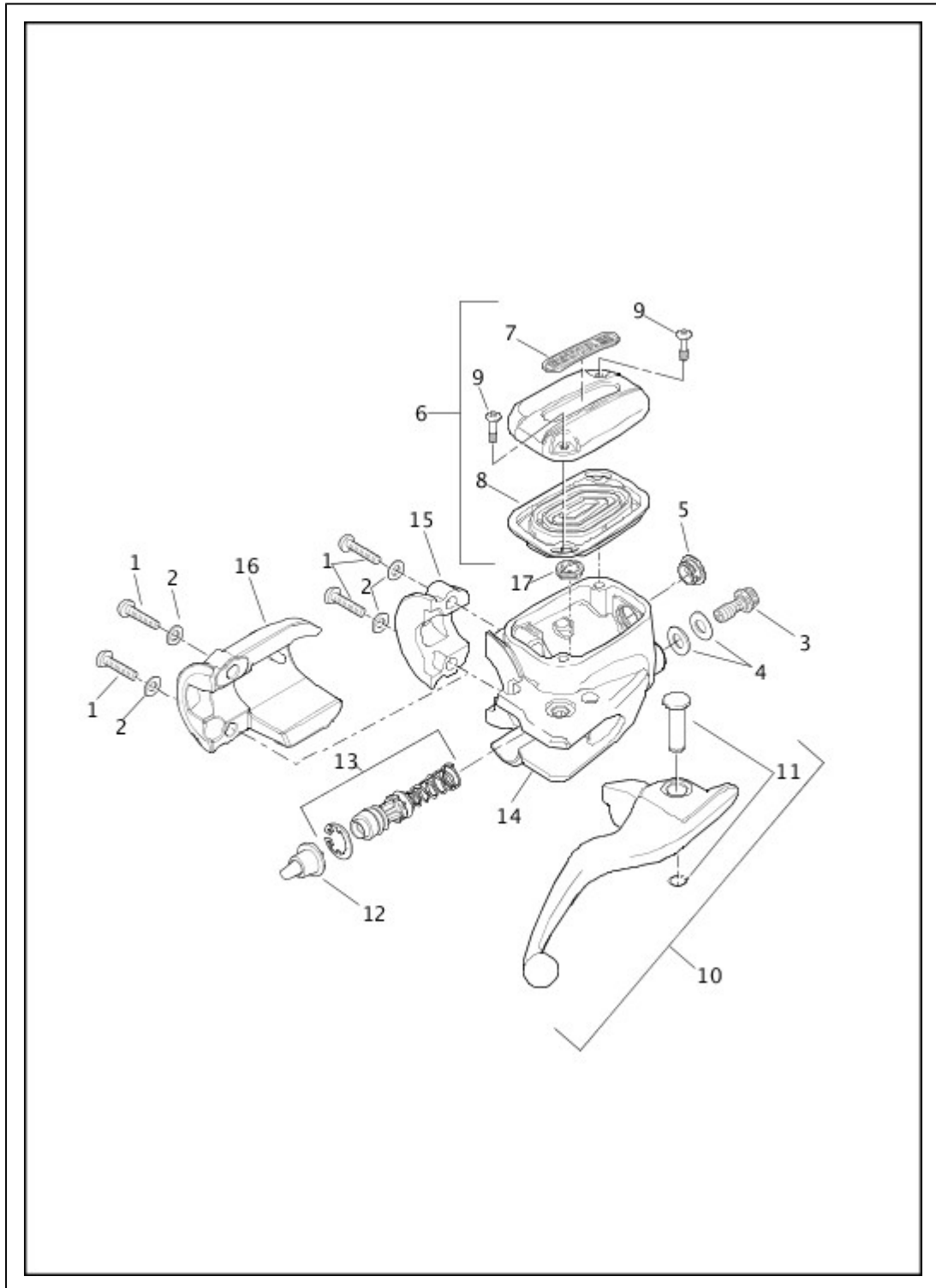


| Index No. | Part No. | Description | Model(s) |
|-----------|----------|-------------|---|
| 1 | 2590 | SCREW (2) | FLHTCU, FLHX, FLHXS, FLHTCU TC, FLHTK, FLHTCUL, FLHTCUL TC, FLHTKL, FLTRX, FLTRXS |
| 2 | 4132 | SCREW (2) | FLHTCU, FLHX, FLHXS, FLHTCU TC, FLHTK, FLHTCUL, FLHTCUL TC, FLHTKL, FLTRX, FLTRXS |
| 3 | 6101 | WASHER (2) | FLHTCU, FLHX, FLHXS, FLHTCU TC, FLHTK, FLHTCUL, FLHTCUL TC, FLHTKL, FLTRX, FLTRXS |
| | | | |

| | | | |
|----|-----------|---|---|
| 4 | 10039 | CABLE STRAP (5) | FLHTCU, FLHX, FLHXS, FLHTCU TC, FLHTK, FLHTCUL, FLHTCUL TC, FLHTKL, FLTRX, FLTRXS |
| 5 | 10264 | CLIP, clutch line (2) | FLHTCU, FLHX, FLHXS, FLHTCU TC, FLHTK, FLHTCUL, FLHTCUL TC, FLHTKL, FLTRX, FLTRXS |
| 6 | 11143 | RING, retaining | FLHTCU, FLHX, FLHXS, FLHTCU TC, FLHTK, FLHTCUL, FLHTCUL TC, FLHTKL, FLTRX, FLTRXS |
| 7 | 38738-08 | PIVOT PIN, (black) | FLHTCU, FLHX, FLHXS, FLHTCU TC, FLHTK, FLHTCUL, FLHTCUL TC, FLHTKL, FLTRX, FLTRXS |
| 8 | 41750-06B | BOLT, banjo | FLHTCU, FLHX, FLHXS, FLHTCU TC, FLHTK, FLHTCUL, FLHTCUL TC, FLHTKL, FLTRX, FLTRXS |
| 9 | 41751-06A | GASKET, banjo-bolt (2) | FLHTCU, FLHX, FLHXS, FLHTCU TC, FLHTK, FLHTCUL, FLHTCUL TC, FLHTKL, FLTRX, FLTRXS |
| 10 | 42145-06 | SIGHT GLASS KIT | FLHTCU, FLHX, FLHXS, FLHTCU TC, FLHTK, FLHTCUL, FLHTCUL TC, FLHTKL, FLTRX, FLTRXS |
| 11 | 45138-08A | HALF-CLAMP, master cylinder and clutch (black) | FLHTCU, FLHX, FLHXS, FLHTCU TC, FLHTK, FLHTCUL, FLHTCUL TC, FLHTKL |
| 12 | 45423-92 | BUSHING, hand lever | FLHTCU, FLHX, FLHXS, FLHTCU TC, FLHTK, FLHTCUL, FLHTCUL TC, FLHTKL, FLTRX, FLTRXS |
| 13 | 46246-01 | KIT, bushing & roller | FLHTCU, FLHX, FLHXS, FLHTCU TC, FLHTK, FLHTCUL, FLHTCUL TC, FLHTKL, FLTRX, FLTRXS |
| 14 | 46322-06 | GASKET, cover, master cylinder | FLHTCU, FLHX, FLHXS, FLHTCU TC, FLHTK, FLHTCUL, FLHTCUL TC, FLHTKL, FLTRX, FLTRXS |
| 15 | 46324-06 | MASTER CYLINDER COVER KIT, w/ 46322-06 | FLHTCU, FLHX, FLHXS, FLHTCU TC, FLHTK, FLHTCUL, FLHTCUL TC, FLHTKL, FLTRX, FLTRXS |
| 16 | 12100028 | GROMMET | FLHTCU, FLHX, FLHXS, FLHTCU TC, FLHTK, FLHTCUL, FLHTCUL TC, FLHTKL, FLTRX, FLTRXS |
| 17 | 36700056A | MASTER CYLINDER ASSEMBLY, clutch (black), w/ 2590, 38738-08, 42145-06, 46244-01A, 46324-06 & 36700057 | FLHTCU, FLHX, FLHXS, FLHTCU TC, FLHTK, FLHTCUL, FLHTCUL TC, FLHTKL, FLTRX, FLTRXS |
| 18 | 36700057 | LEVER ASSEMBLY, hand, w/ 11143, 45423-92 & 46246-01 (polished) | FLHTCU, FLHX, FLHXS, FLHTCU TC, FLHTK, FLHTCUL, FLHTCUL TC, FLHTKL, FLTRX, FLTRXS |
| 19 | 36700113 | HALF-CLAMP, master cylinder and clutch (black) | FLTRX, FLTRXS |
| 20 | 37200024 | LINE ASSEMBLY, hydraulic clutch, w/ 12100028 | FLHTCU, FLHX, FLHXS, FLHTCU TC, FLHTK, FLHTCUL, FLHTCUL TC, FLHTKL |

| | | | |
|----|----------|---|---|
| | 37200097 | LINE ASSEMBLY, hydraulic clutch, w/ 12100028 | FLTRX, FLTRXS |
| 21 | 37200096 | REPAIR KIT, master cylinder, w/ 11143 & 41751-06A | FLHTCU, FLHX, FLHXS, FLHTCU TC, FLHTK, FLHTCUL, FLHTCUL TC, FLHTKL, FLTRX, FLTRXS |
| 22 | 41600031 | BRACKET, brake line | FLHTCU, FLHX, FLHXS, FLHTCU TC, FLHTK, FLHTCUL, FLHTCUL TC, FLHTKL, FLTRX, FLTRXS |

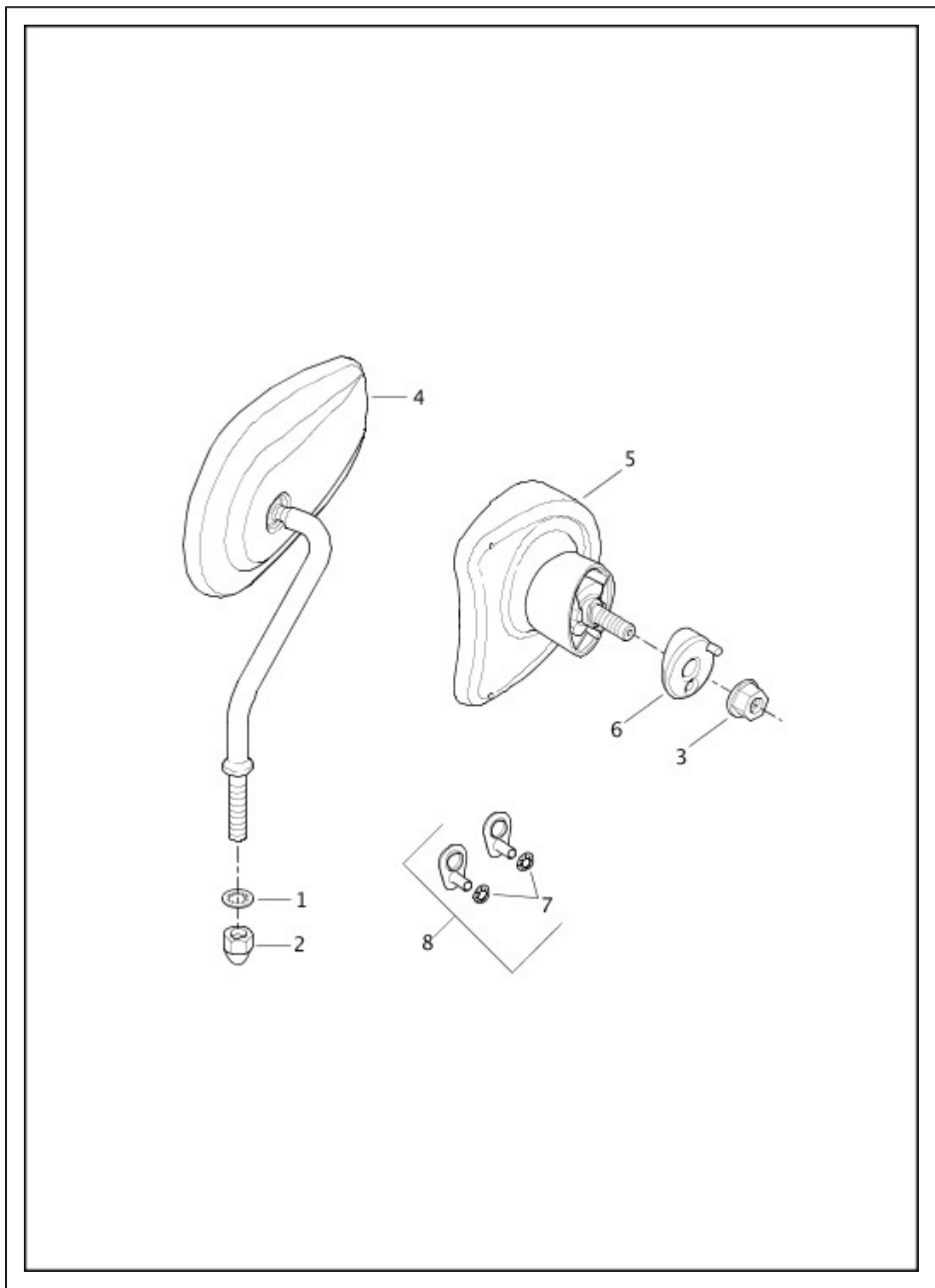
BRAKE CONTROL, FRONT



| Index | Part No. | Description | Model(s) |
|-------|----------|-------------|----------|
|-------|----------|-------------|----------|

| No. | | | |
|-----|-----------|---|---|
| 1 | 4132 | SCREW (2) | |
| 2 | 6101 | WASHER (2) | |
| 3 | 41750-06B | BOLT, BANJO, brake line | |
| 4 | 41751-06A | GASKET (2) | |
| 5 | 42854-06 | KIT, SIGHT GLASS, reservoir | |
| 6 | 42855-06C | COVER KIT, master cylinder (black), w/ 42856-06, 42857-06B & 42858-06A | |
| 7 | 42856-06 | DECAL, reservoir cover | |
| 8 | 42857-06B | GASKET, reservoir cover | |
| 9 | 42858-06A | SCREW KIT, cover (set of 2) | |
| 10 | 42859-06B | BRAKE LEVER ASSEMBLY, front, w/ 42860-06B | |
| 11 | 42860-06B | PIVOT PIN, w/ retaining ring | |
| 12 | 42861-06B | PUSHROD, master cylinder | |
| 13 | 42862-06B | PISTON SERVICE KIT, master cylinder | |
| 14 | 44551-08E | MASTER CYLINDER ASSEMBLY, front-dual (black), w/ 5, 6, 7, 8, 9, 10, 11, 12, 13 & 17 | |
| 15 | 45138-08A | HALF-CLAMP, master cylinder and clutch (black) | FLHR, FLHTCU, FLHRC, FLHX, FLHTCUL, FLHTK, FLHTCUL TC, FLHTKL, FLHXS, FLHTCU TC |
| 16 | 41700321 | HALF-CLAMP, master cylinder, front brake (black) | FLTRX, FLTRXS |
| 17 | 41700367 | BUTTON, anti-bubble | |

MIRRORS

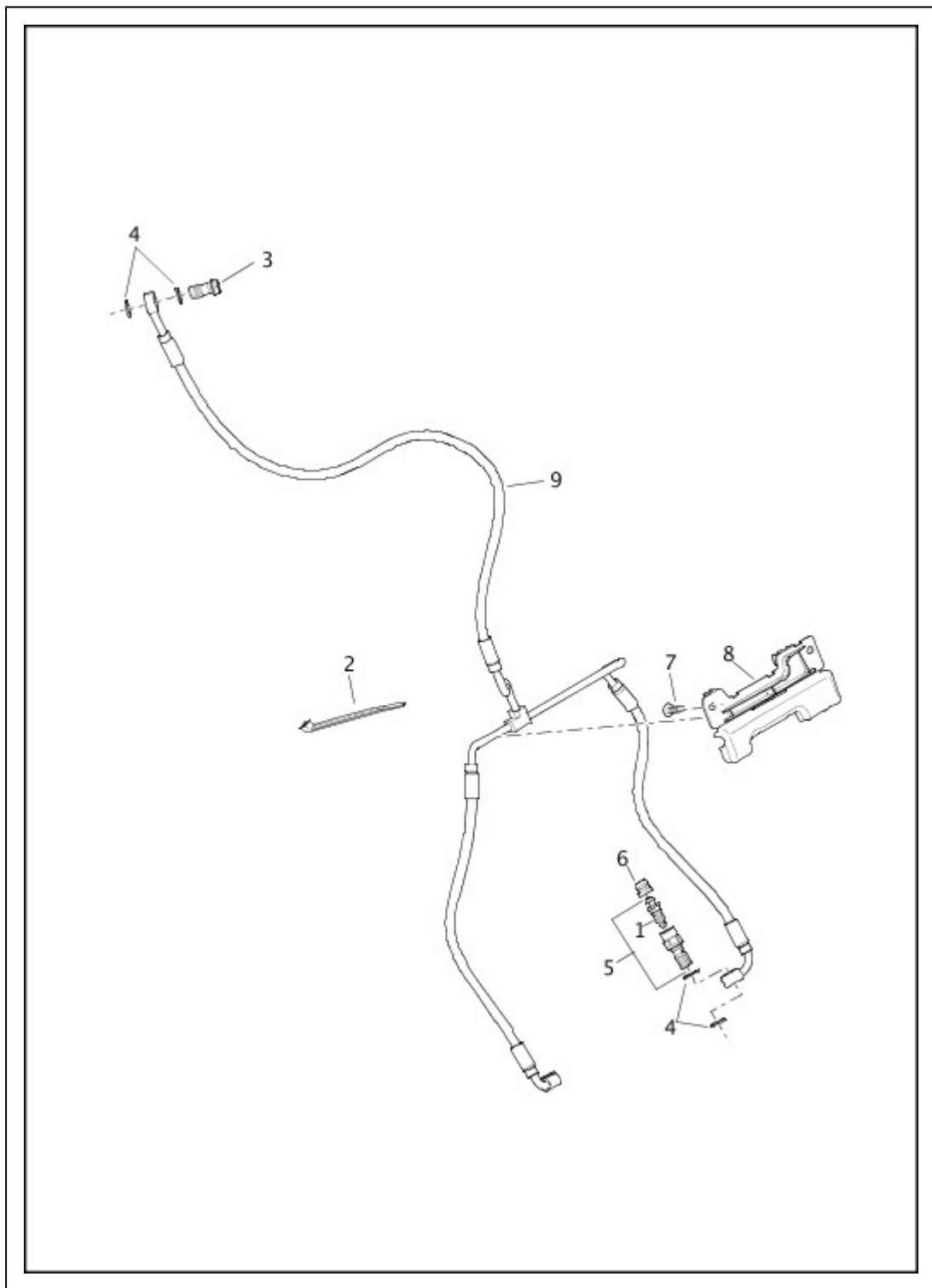


| Index No. | Part No. | Description | Model(s) |
|-----------|-----------|---|---|
| 1 | 7155 | LOCKWASHER (2) | FLHR, FLHTCU, FLHRC, FLHX, FLHTCUL, FLHTK, FLHTCUL TC, FLHTKL, FLHXS, FLHTCU TC |
| 2 | 7331 | ACORN NUT (2) | FLHR, FLHTCU, FLHRC, FLHX, FLHTCUL, FLHTK, FLHTCUL TC, FLHTKL, FLHXS, FLHTCU TC |
| 3 | 7687 | NUT (2) | FLHX, FLHXS |
| 4 | 91840-03B | MIRROR KIT, right, short, convex, w/ 7155 & 7331 (chrome) | FLHR, FLHTCU, FLHRC, FLHX, FLHTCUL, FLHTK, FLHTCUL TC, FLHTKL, FLHXS, FLHTCU TC |
| | 91845- | MIRROR KIT, left, short, convex, | FLHR, FLHTCU, FLHRC, FLHX, FLHTCUL, FLHTK, |

| | | | |
|---|----------|---|--------------------------------------|
| | 03B | w/ 7155 & 7331 (chrome) | FLHTCUL TC, FLHTKL, FLHXS, FLHTCU TC |
| 5 | 56000011 | MIRROR ASSEMBLY, left, fairing-mounted (black) | FLHX, FLHXS |
| | 56000012 | MIRROR ASSEMBLY, right, fairing-mounted (black) | FLHX, FLHXS |
| 6 | 56000015 | BACKING PLATE, left, mirror, fairing-mounted | FLHX, FLHXS |
| | 56000016 | BACKING PLATE, right, mirror, fairing-mounted | FLHX, FLHXS |
| 7 | 8135B | PUSHNUT (2) | FLHX, FLHXS |
| 8 | 57300063 | FAIRING PLUG KIT, with 8135B | FLHX, FLHXS |

Note: For FLHX and FLHXS models order fairing plug kit 57300063 to install in the inner fairing when converting to handlebar mounted mirrors

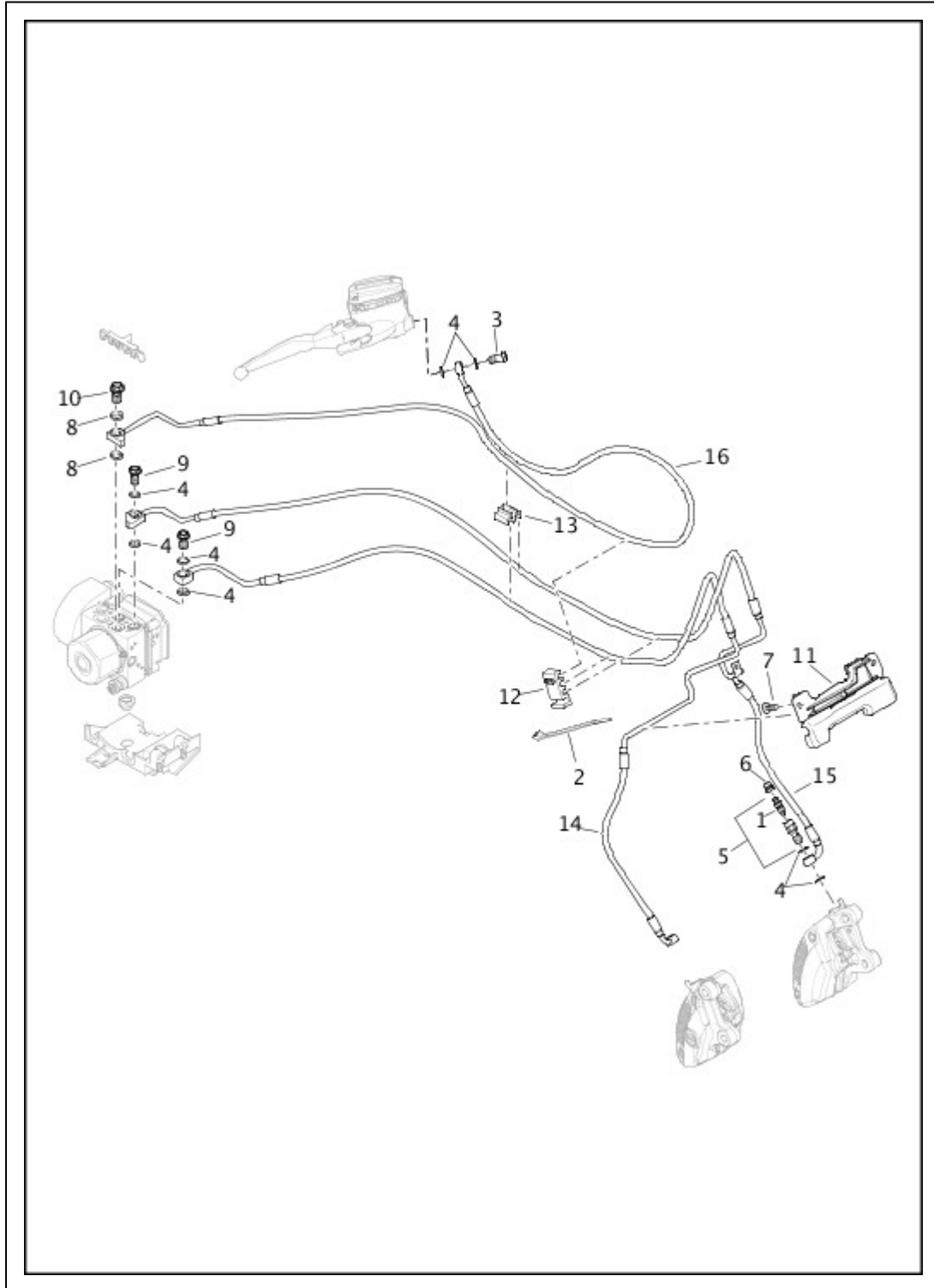
BRAKE LINE, FRONT - NON-ABS



| Index No. | Part No. | Description | Model(s) |
|-----------|-----------|--|-------------------|
| 1 | 4890 | BLEEDER SCREW (2) | FLHR, FLHX, FLTRX |
| 2 | 10039 | CABLE STRAP | FLHR, FLHX, FLTRX |
| 3 | 41750-06B | BOLT, BANJO, brake line | FLHR, FLHX, FLTRX |
| 4 | 41751-06A | GASKET (6) | FLHR, FLHX, FLTRX |
| 5 | 41783-08 | BOLT, BANJO, bleeder assembly, w/ 4890 (2) | FLHR, FLHX, FLTRX |
| 6 | 42853-06 | CAP, bleeder screw (2) | FLHR, FLHX, FLTRX |
| 7 | 10200223 | SCREW (2) | FLHR, FLHX, FLTRX |

| | | | |
|---|----------|----------------------------|-------------------|
| 8 | 41600029 | BRACKET, brakeline, front | FLHR, FLHX, FLTRX |
| 9 | 41800174 | BRAKE LINE, front, NON-ABS | FLHR, FLHX |
| | 41800340 | BRAKE LINE, front, NON-ABS | FLTRX |

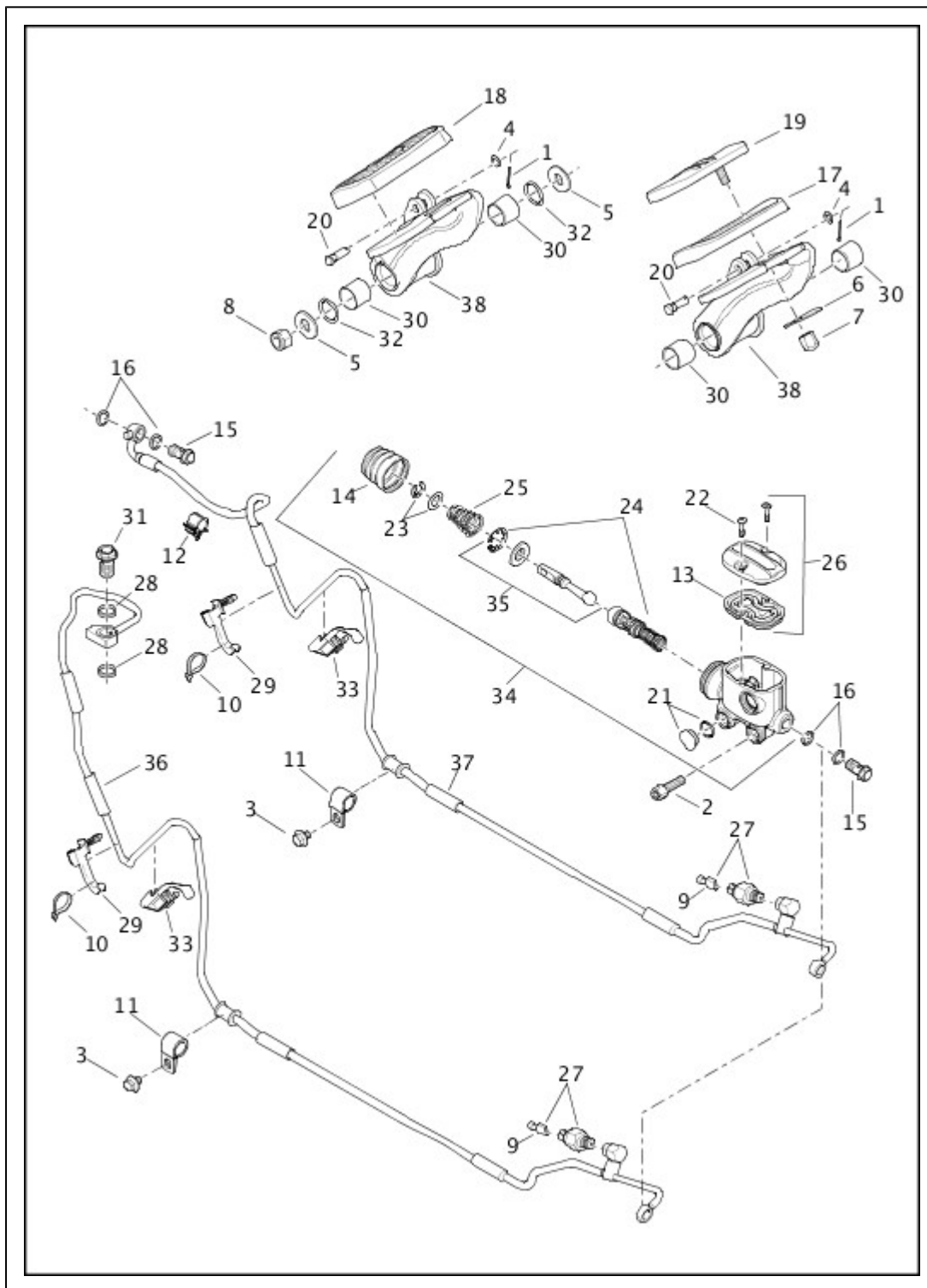
BRAKE LINES, FRONT - ABS



| Index No. | Part No. | Description | Model(s) |
|-----------|----------|-------------------|----------|
| 1 | 4890 | BLEEDER SCREW (2) | |

| | | | |
|----|-----------|--|---|
| 2 | 10039 | CABLE STRAP | |
| 3 | 41750-06B | BOLT, BANJO, brake line | |
| 4 | 41751-06A | GASKET (10) | |
| 5 | 41783-08 | BOLT, BANJO, bleeder assembly, w/ 4890 (2) | |
| 6 | 42853-06 | CAP, bleeder screw (2) | |
| 7 | 10200223 | SCREW (2) | |
| 8 | 10600007 | GASKET (2) | |
| 9 | 11600001 | BOLT, BANJO, brake line (2) | |
| 10 | 11600009 | BOLT, BANJO, brake line | |
| 11 | 41600029 | BRACKET, brakeline, front | |
| 12 | 41600031 | BRACKET, brake line | |
| 13 | 41600032 | BRACKET, brake line | |
| 14 | 41800009 | BRAKE LINE, front, right, ABS | FLHTCU, FLHX, FLHTK, FLHXS, FLHTCU TC, FLHTCUL, FLHTCUL TC, FLHTKL |
| | 41800194 | BRAKE LINE, front, right, ABS | FLHR, FLHRC |
| | 41800316 | BRAKE LINE, front, right, ABS | FLTRX, FLTRXS |
| 15 | 41800010 | BRAKE LINE, front, left, ABS | FLHTCU, FLHX, FLHTK, FLHXS, FLHTCU TC, FLHTCUL, FLHTCUL TC, FLHTKL |
| | 41800195 | BRAKE LINE, front, left, ABS | FLHR, FLHRC |
| | 41800315 | BRAKE LINE, front, left, ABS | FLTRX, FLTRXS |
| 16 | 41800011 | BRAKE LINE, front, upper, ABS | FLHR, FLHRC, FLHTCU, FLHX, FLHTK, FLHXS, FLHTCU TC, FLHTCUL, FLHTCUL TC, FLHTKL |
| | 41800314 | BRAKE LINE, front, upper, ABS | FLTRX, FLTRXS |

BRAKE CONTROL, REAR

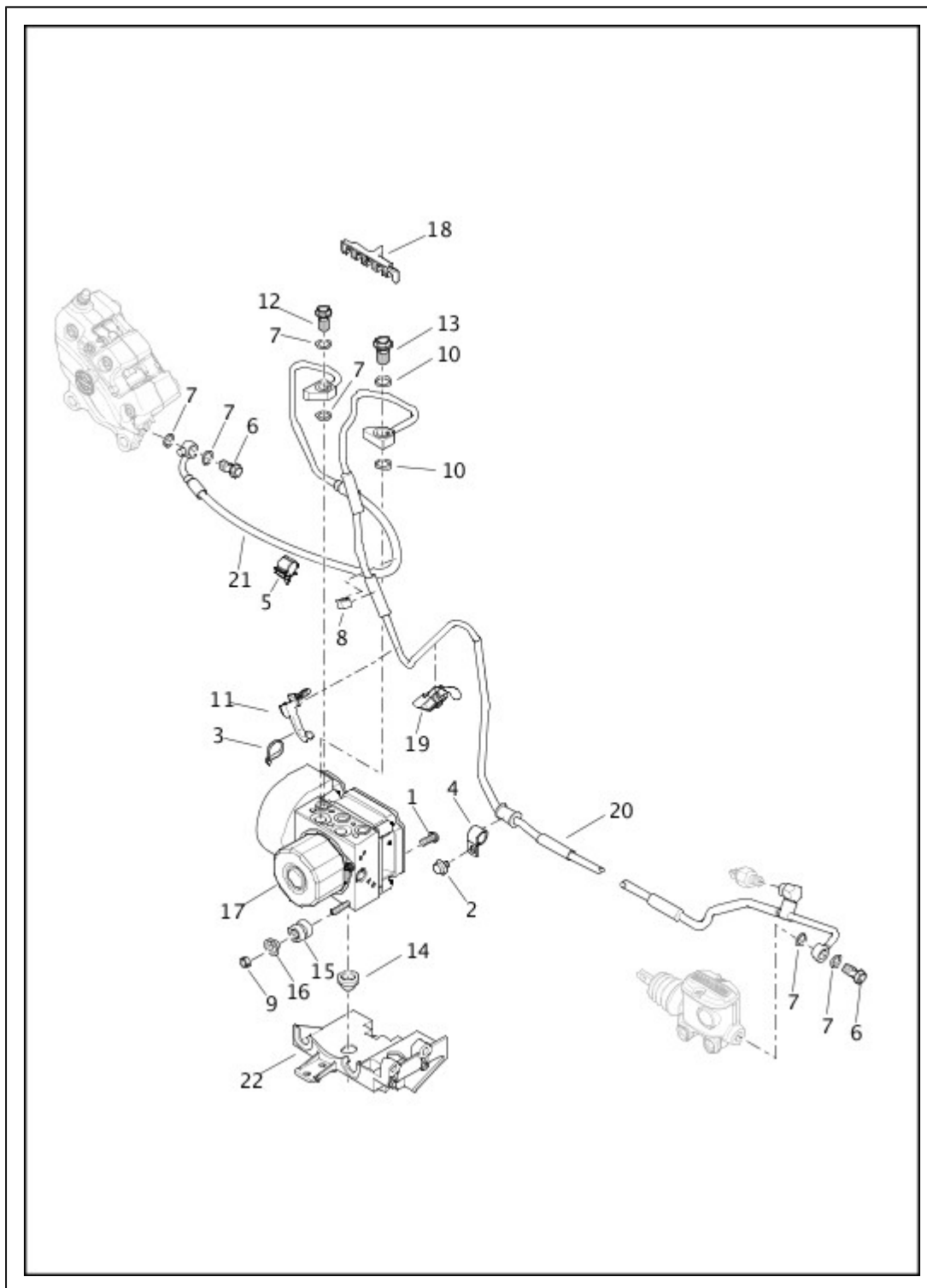


| Index No. | Part No. | Description | Model(s) |
|-----------|----------|-------------|----------------------------|
| 1 | 515 | COTTER PIN | |
| 2 | 2479 | SCREW (2) | |
| 3 | 3563 | SCREW | |
| 4 | 6220W | WASHER | |
| 5 | 6416 | WASHER (2) | |
| 6 | 6421 | WASHER | FLHX, FLHXS, FLTRX, FLTRXS |

| | | | |
|----|-----------|---|--|
| 7 | 7549A | ACORN NUT | FLHX, FLHXS, FLTRX, FLTRXS |
| 8 | 7825 | LOCKNUT | |
| 9 | 9907 | WIRE TERMINAL (2) | |
| 10 | 10065 | CABLE STRAP | |
| 11 | 10076 | CLAMP | |
| 12 | 10340A | CLIP, brake hose, NON-ABS | FLHR, FLHX, FLTRX |
| 13 | 11902 | GASKET, master cylinder reservoir cover | |
| 14 | 12102 | DUST BOOT | |
| 15 | 41750-06B | BOLT, BANJO, brake line, NON-ABS (2) | FLHR, FLHX, FLTRX |
| 15 | 41750-06B | BOLT, BANJO, brake line, ABS | |
| 16 | 41751-06A | GASKET, NON-ABS (4) | FLHR, FLHX, FLTRX |
| 16 | 41751-06A | GASKET, ABS (2) | |
| 17 | 42410-04 | COVER, brake pedal | FLHX, FLHXS, FLTRX, FLTRXS |
| 18 | 42416-06 | PAD, brake pedal | FLHR, FLHTCU, FLHRC, FLHTK, FLHTCU TC, FLHTCUL, FLHTCUL TC, FLHTKL |
| 19 | 42444-04 | PAD, brake pedal | FLHX, FLHXS, FLTRX, FLTRXS |
| 20 | 42460-80B | CLEVIS PIN | |
| 21 | 42854-06 | KIT, SIGHT GLASS | |
| 22 | 42858-06A | SCREW KIT, cover (set of 2) | |
| 23 | 42889-06 | SPRING RETENTION KIT, master cylinder pushrod | |
| 24 | 42932-08A | REBUILD KIT, master cylinder | |
| 25 | 42934-08 | SPRING, pedal return | |
| 26 | 42937-08B | MASTER CYLINDER COVER KIT, rear, DOT4, w/ 11902 & 42858-06A | |
| 27 | 72023-51E | KIT SWITCH, rear stop lamp, w/ 9907 | |
| 28 | 10600007 | GASKET, ABS (2) | |
| 29 | 10800028 | TUBE CLIP, lower | |
| 30 | 11000050 | BUSHING, brake lever (2) | |
| 31 | 11600009 | BOLT, BANJO, brake line, ABS | |
| | | | |

| | | | |
|----|----------|--|-------------------|
| 32 | 11900021 | O-RING (2) | |
| 33 | 41600091 | TUBE CLIP, upper | |
| 34 | 41700028 | MASTER CYLINDER ASSEMBLY, w/ 13, 14, 21, 22, 23, 24, 25, 26 & 35 | |
| 35 | 41700195 | PUSHROD KIT, master cylinder | |
| 36 | 41800012 | BRAKE LINE, right-rear, master cylinder to ABS UNIT, ABS, w/ 10065, 10076, 10800028 & 41600091 | |
| 37 | 41800175 | BRAKE LINE, right-rear, master cylinder to rear caliper, NON-ABS, w/ 10065, 10076, 10800028 & 41600091 | FLHR, FLHX, FLTRX |
| 38 | 50600067 | LEVER ASSEMBLY, foot-brake, w/ 11000050 | |

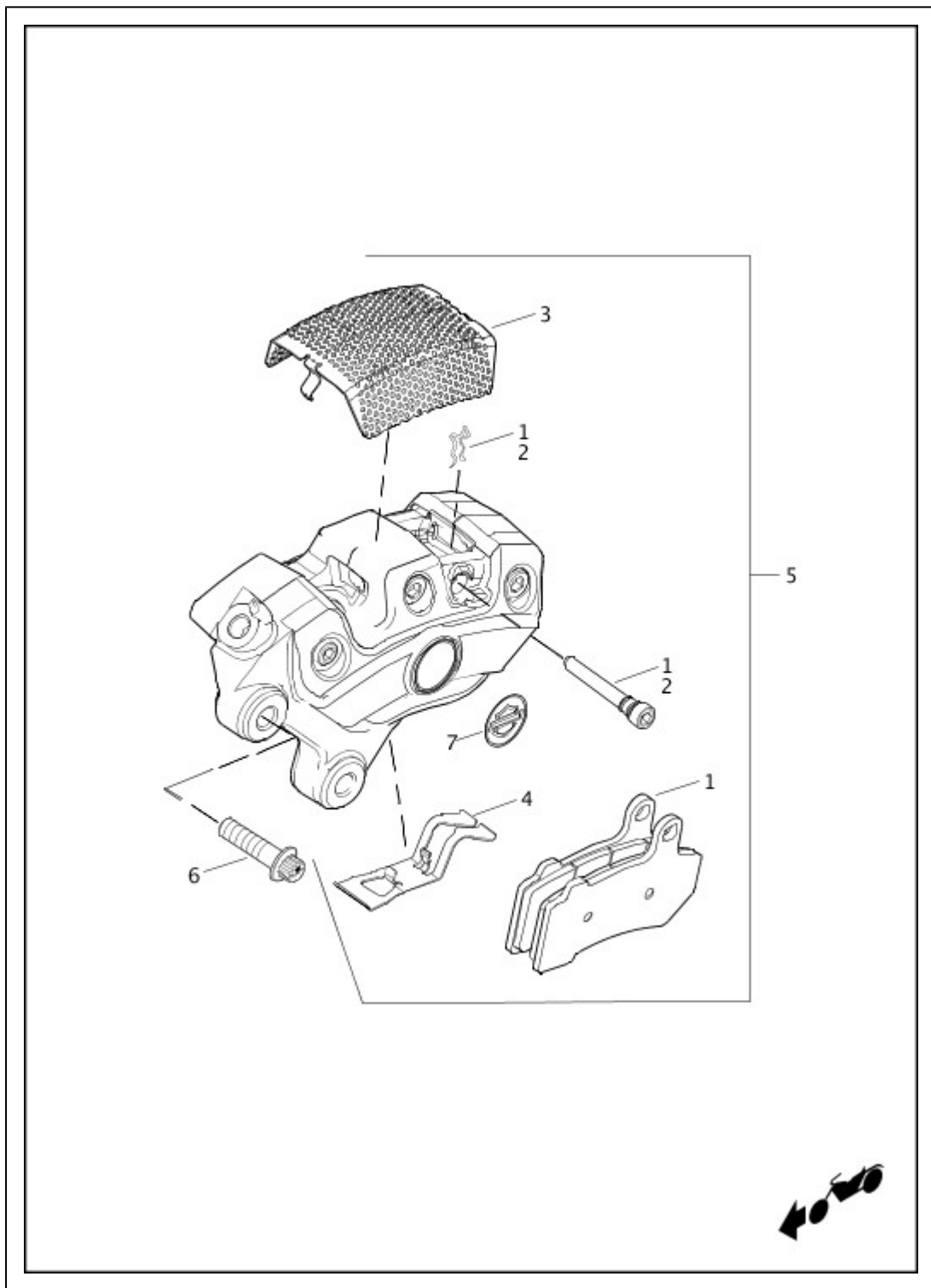
BRAKE LINES & MODULE, REAR - ABS



| Index No. | Part No. | Description | Model(s) |
|-----------|-----------|----------------------------------|----------|
| 1 | 1062 | SCREW | |
| 2 | 3563 | SCREW | |
| 3 | 10065 | CABLE STRAP | |
| 4 | 10076 | CLAMP | |
| 5 | 10340A | CLIP, brake hose (2) | |
| 6 | 41750-06B | BOLT, BANJO, brake line, ABS (2) | |

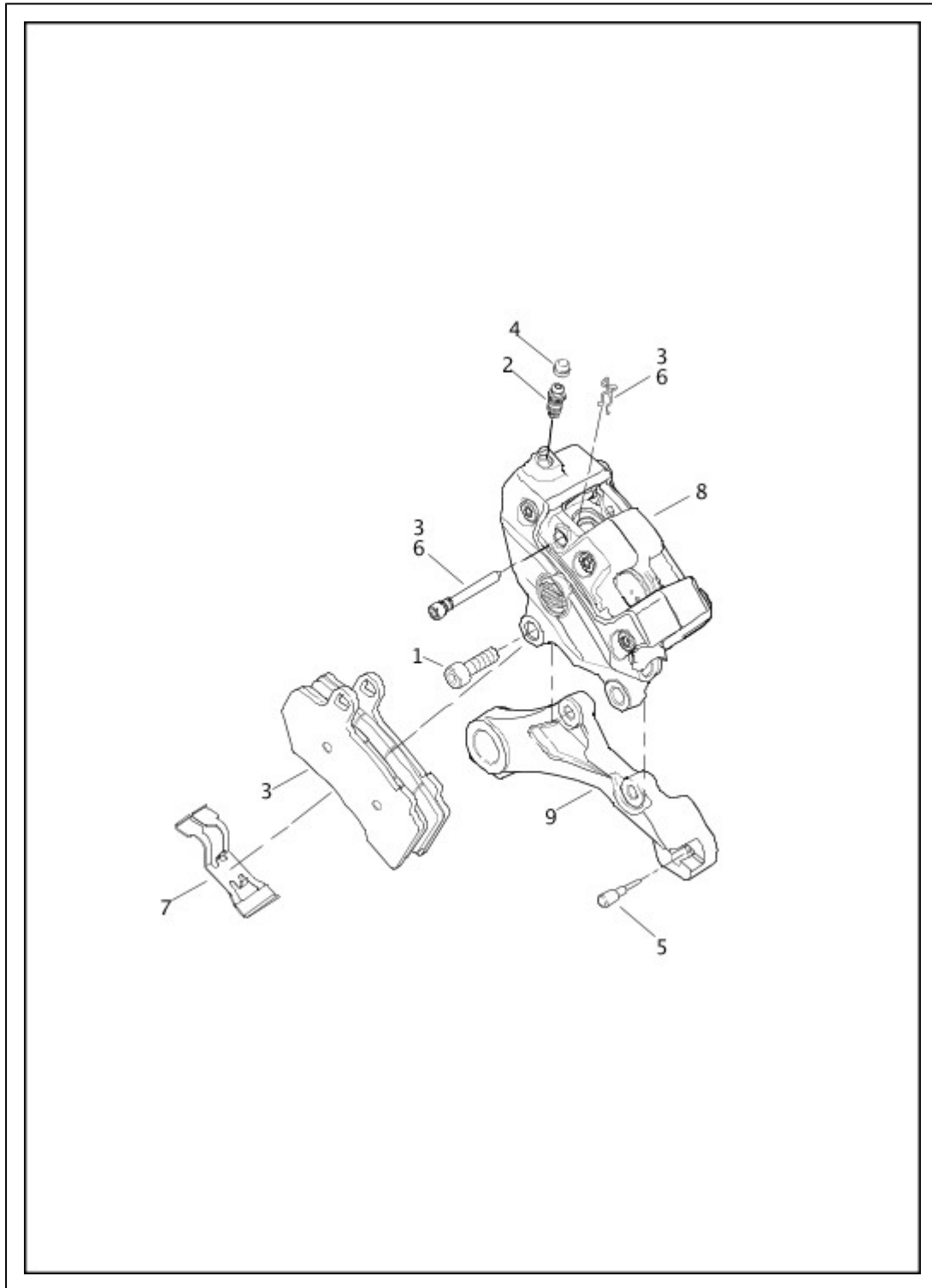
| | | | |
|----|-----------|---|--|
| 7 | 41751-06A | GASKET (6) | |
| 8 | 70631-08 | CLIP, conduit | |
| 9 | 10100049 | LOCKNUT (2) | |
| 10 | 10600007 | GASKET (2) | |
| 11 | 10800028 | TUBE CLIP, lower | |
| 12 | 11600001 | BOLT, BANJO, brake line | |
| 13 | 11600009 | BOLT, BANJO, brake line | |
| 14 | 12100007 | GROMMET, ABS mounting | |
| 15 | 12100060 | DAMPER, rubber (2) | |
| 16 | 12400077 | SLEEVE, guide (2) | |
| 17 | 41100013 | CONTROL UNIT, ABS, w/ 10100049, 12100060 & 12400077 | |
| 18 | 41600078 | BRACKET, ABS brake line alignment | |
| 19 | 41600091 | TUBE CLIP, upper | |
| 20 | 41800012 | BRAKE LINE, ABS module to master cylinder, w/ 10065, 10076, 10800028 & 41600091 | |
| 21 | 41800013 | BRAKE LINE, ABS module to caliper | |
| 22 | 69200231 | CADDY, ABS module | |

BRAKE CALIPER, FRONT



| Index No. | Part No. | Description | Model(s) |
|-----------|-----------|-----------------------------------|----------|
| 1 | 41854-08 | PAD & PIN KIT, w/ 42849-08 (2) | |
| 2 | 42849-08 | PAD PIN KIT (2) | |
| 3 | 42851-06 | COVER, caliper (2) | |
| 4 | 42852-06A | PAD SPRING, anti-rattle (2) | |
| 5 | 43027-08 | CALIPER ASSEMBLY, left (black) | |
| | 44023-08 | CALIPER ASSEMBLY, right (black) | |
| 6 | 44160-00 | BOLT, caliper mounting, lower (4) | |

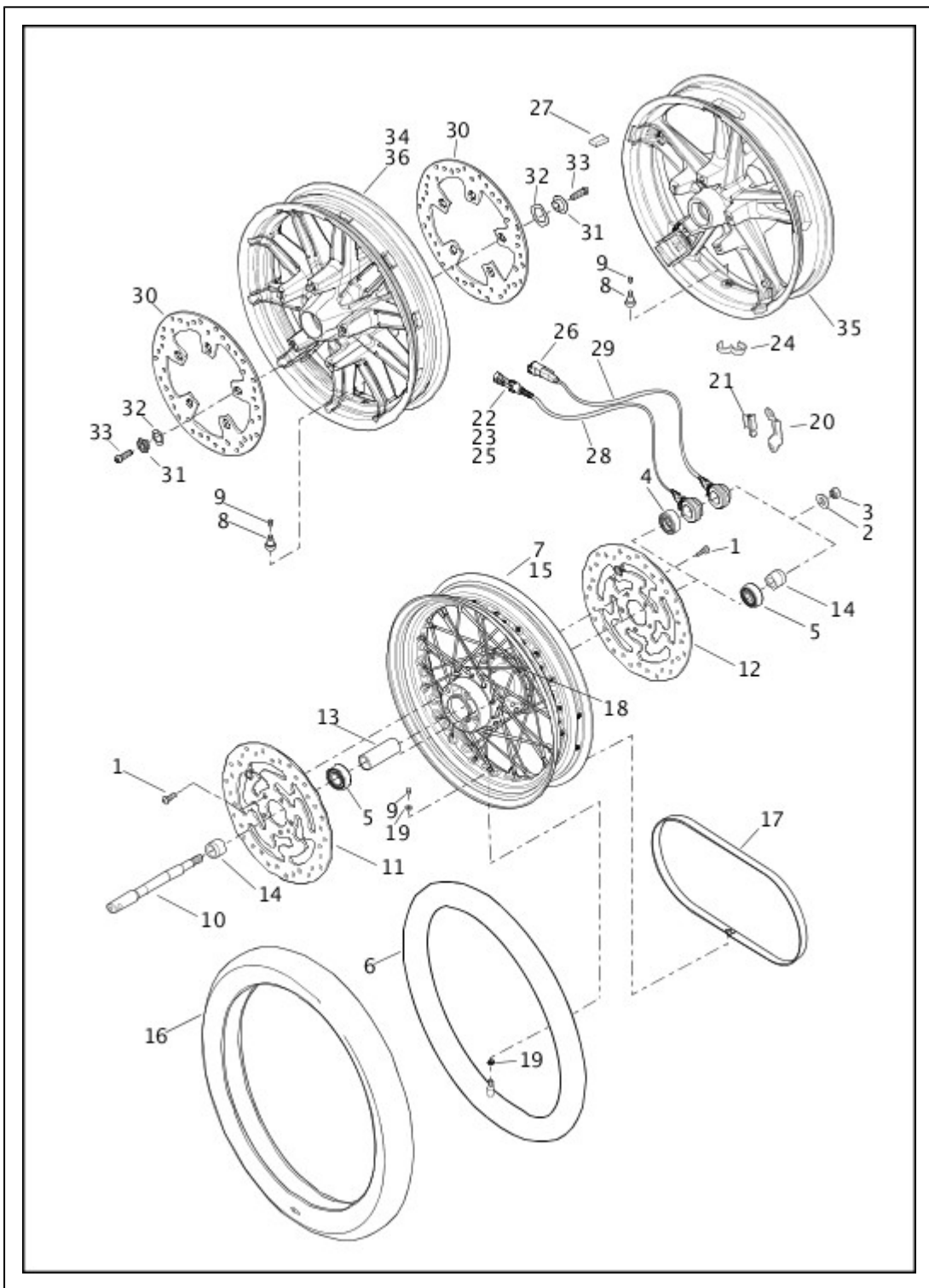
BRAKE CALIPER, REAR



| Index No. | Part No. | Description | Model(s) |
|-----------|----------|---------------|----------|
| 1 | 4597M | SCREW (2) | |
| 2 | 4890 | BLEEDER SCREW | |
| 3 | 41852- | PAD & PIN KIT | |

| | | | |
|---|-----------|---|--|
| | 08B | | |
| 4 | 42853-06 | CAP, bleeder screw | |
| 5 | 42863-06 | BUMPER | |
| 6 | 42865-06B | PAD PIN KIT | |
| 7 | 42867-06A | SPRING KIT, anti-rattle | |
| 8 | 44080-08C | CALIPER ASSEMBLY, rear, w/ 4890, 41852-08B, 42853-06, 42865-06B & 42867-06A (black) | |
| 9 | 44089-08 | BRACKET, reaction, rear brake, w/ 42863-06 | |

WHEELS, FRONT

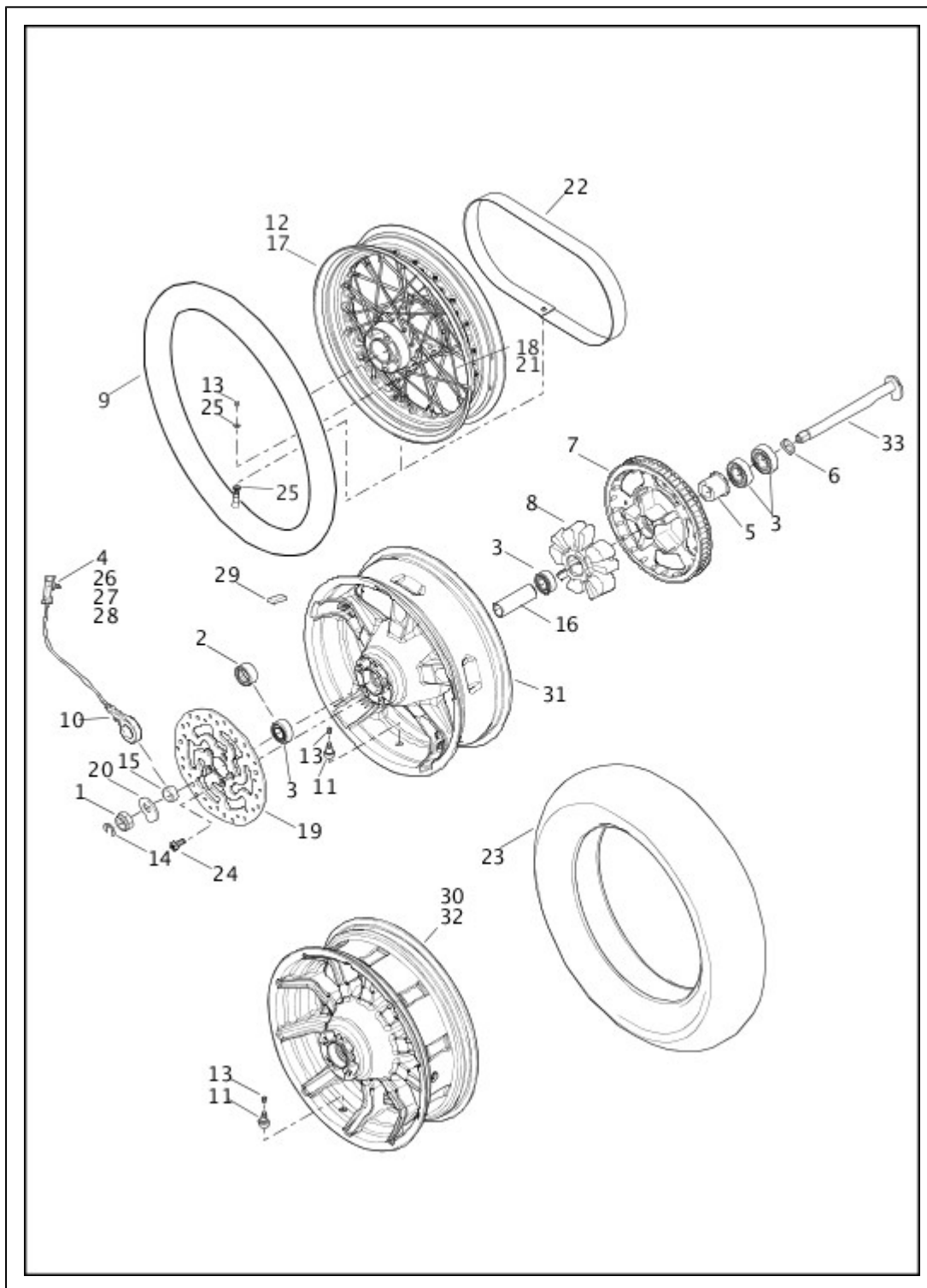


| Index No. | Part No. | Description | Model(s) |
|-----------|----------|--------------------------------|--------------------|
| 1 | 3655A | SCREW, (used w/ 40960-09) (10) | FLHR, FLHRC |
| 2 | 6594 | WASHER | |
| 3 | 7813A | NUT | |
| 4 | 9252 | BALL BEARING, w/ encoder, ABS | |
| 5 | 9276A | BALL BEARING, NON-ABS (2) | FLHR, FLHRC, FLTRX |
| 5 | 9276A | BALL BEARING, ABS | |

| | | | |
|----|-----------|---|--|
| 6 | 40558-82 | INNER TUBE, 16 in., side valve, w/ 54321-85 | FLHR, FLHRC |
| 7 | 40960-09 | WHEEL ASSEMBLY, 16 in. laced, w/o bearings & sleeve, w/ 43085-97 & 43241-05 | FLHR, FLHRC |
| 8 | 40999-87 | VALVE STEM, for cast wheels | FLHR, FLHTCU, FLHTCU TC, FLHX, FLHTK, FLHTCU TC, FLHXS, FLHTCUL, FLHTCUL TC, FLTRX, FLTRXS |
| 9 | 41123-79 | VALVE CAP | |
| 10 | 41547-07A | AXLE | |
| 11 | 41808-08A | BRAKE DISC, right (used w/ 40960-09) | FLHR, FLHRC |
| 12 | 41809-08A | BRAKE DISC, left (used w/ 40960-09) | FLHR, FLHRC |
| 13 | 41900-08 | SLEEVE, bearing spacer | |
| 14 | 41901-08 | SPACER, NON-ABS, right & left (2) | |
| 14 | 41901-08 | SPACER, ABS, right only | |
| 15 | 43085-97 | RIM, 16 in. (chrome) | FLHR, FLHRC |
| 16 | 43109-09A | TIRE, black wall, 17 in. | FLHR, FLHTCU, FLHTCU TC, FLHTK, FLHTCUL, FLHTCUL TC, FLHTKL |
| | 43118-92A | TIRE, wide white wall, 16 in. | FLHR, FLHRC |
| | 43100013 | TIRE, black wall, 19 in. | FLHX, FLHXS, FLTRX, FLTRXS |
| 17 | 43147-40 | RIM STRIP, 16 inch, side valve, used with 43085-97 | FLHR, FLHRC |
| 18 | 43241-05 | SPOKE & NIPPLE KIT, 16 in., set of 40 | FLHR, FLHRC |
| 19 | 54321-85 | NUT (2) | FLHR, FLHRC |
| 20 | 70493-08 | BRACKET, wheel speed sensor, ABS | |
| 21 | 70494-08 | CLIP, wheel speed sensor, ABS | |
| 22 | 72607-08 | HOUSING, 2 way pin | FLHTCU, FLHTCU TC, FLHX, FLHTK, FLHXS |
| 23 | 72608-08 | TERMINAL PIN, 16-20 awg (2) | FLHTCU, FLHTCU TC, FLHX, FLHTK, FLHXS |
| 24 | 70631-08 | CLIP, conduit, ABS | |
| 25 | 72639-10 | SECONDARY LOCK, 2-way socket, conduit | FLHTCU, FLHTCU TC, FLHX, FLHTK, FLHXS |
| 26 | 74190-98 | TERMINAL, pin, 16-20 AWG (2) | FLHR, FLHRC |
| 27 | 95594-84A | WEIGHT, 5 grams (black) (10) | FLHR, FLHTCU, FLHTCU TC, FLHX, FLHTK, FLHXS, FLHTCUL, FLHTCUL TC, FLTRX, FLTRXS |
| | 95595-84B | WEIGHT, 5 grams (silver) (6) | FLHR, FLHRC |

| | | | |
|----|----------|---|--|
| 28 | 32700015 | SENSOR, wheel speed, ABS, w/ 72607-08, 72608-08 & 72639-10 | FLHTCU, FLHTCU TC, FLHX, FLHTK, FLHXS, FLHTCUL, FLHTCUL TC, FLTRX, FLTRXS |
| 29 | 32700017 | SENSOR, wheel speed, ABS, w/ 74190-08 | FLHR, FLHRC |
| 30 | 41500017 | BRAKE ROTOR, front (used w/ 43300019, 43300027 & 43300221) (2) | FLHR, FLHTCU, FLHTCU TC, FLHX, FLHTK, FLHXS, FLHTCUL, FLHTCUL TC, FLTRX, FLTRXS |
| 31 | 41500018 | BUSHING, front rotor (used w/ 43300019, 43300027 & 43300221) (10) | FLHR, FLHTCU, FLHTCU TC, FLHX, FLHTK, FLHXS, FLHTCUL, FLHTCUL TC, FLTRX, FLTRXS |
| 32 | 41500019 | SPRING, front rotor (used w/ 43300019, 43300027 & 43300221) (10) | FLHR, FLHTCU, FLHTCU TC, FLHX, FLHTK, FLHXS, FLHTCUL, FLHTCUL TC, FLTRX, FLTRXS |
| 33 | 41500020 | SCREW, (used w/ 43300019, 43300027 & 43300221) (10) | FLHR, FLHTCU, FLHTCU TC, FLHX, FLHTK, FLHXS, FLHTCUL, FLHTCUL TC, FLTRX, FLTRXS |
| 34 | 43300019 | WHEEL, cast, w/o bearings & sleeve, 10 spoke, 17 in. (black) | FLHR, FLHTCU, FLHTCU TC, FLHTCUL, FLHTCUL TC |
| 35 | 43300027 | WHEEL, cast, w/o bearings & sleeve, 5 spoke, 19 in. (black) | FLHX, FLHXS, FLTRX, FLTRXS |
| 36 | 43300221 | WHEEL, cast, w/o bearings & sleeve, 10 spoke, 17 in. (contrast chrome) | FLHTK, FLHTKL |

WHEELS, REAR

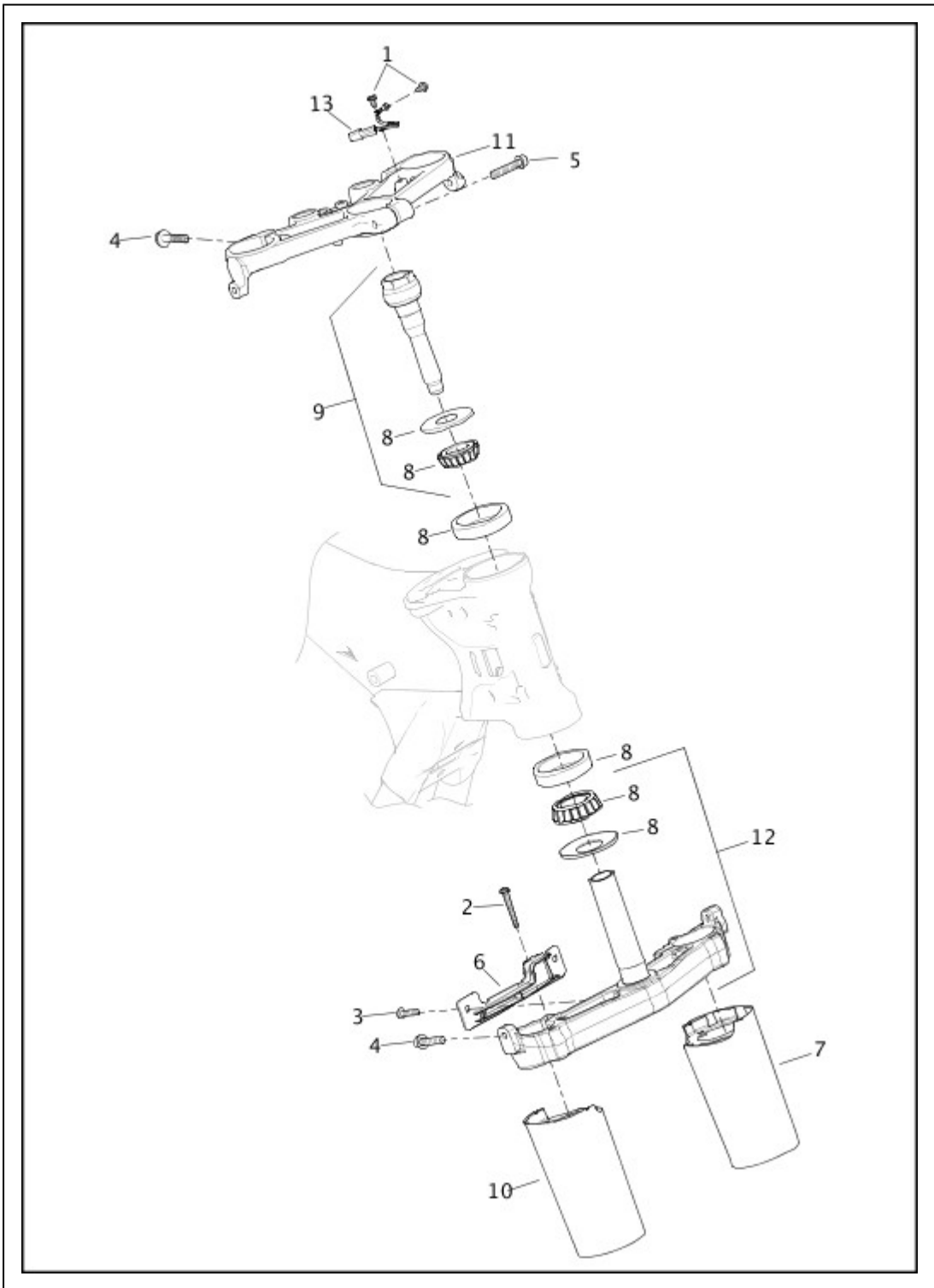


| Index No. | Part No. | Description | Model(s) |
|-----------|----------|-------------------------------|-------------------|
| 1 | 8020 | NUT, slotted | |
| 2 | 9252 | BALL BEARING, w/ encoder, ABS | |
| 3 | 9276A | BALL BEARING, ABS (3) | |
| 3 | 9276A | BALL BEARING, NON-ABS (4) | FLHR, FLHX, FLTRX |
| 4 | 10147 | CLIP, connector | |
| 5 | 11843 | SPACER, compensator | |

| | | | |
|----|-----------|--|--|
| 6 | 11848 | SPACER | |
| 7 | 40217-09 | SPROCKET & BEARING ASSEMBLY, rear, 68 T w/ 9276A & 11843 (black) | |
| 8 | 40278-09 | ISOLATOR, rubber | |
| 9 | 40592-09 | INNER TUBE, 16 inch, w/ 54321-85 | FLHR, FLHRC |
| 10 | 40615-08 | SENSOR, wheel speed, ABS, w/ 10147, 72607-08, 72608-08, 72610-08 & 72639-10 | |
| 11 | 40999-87 | VALVE STEM, cast wheels | FLHR, FLHTCU, FLHTCU TC, FLHX, FLHTK, FLHTCU TC, FLHXS, FLHTCUL, FLHTCUL TC, FLTRX, FLTRXS |
| 12 | 41052-09A | WHEEL ASSEMBLY, 16 inch laced, w/o bearings & sleeve, w/ 41445-09, 41746-09 & 42018-09 | FLHR, FLHRC |
| 13 | 41123-79 | VALVE CAP | |
| 14 | 41229-08 | C-CLIP | |
| 15 | 41242-08 | SPACER, wheel bearing, NON-ABS | FLHR, FLHX, FLTRX |
| 16 | 41349-07 | SLEEVE, bearing spacer | |
| 17 | 41445-09 | RIM, 16 inch (chrome) | FLHR, FLHRC |
| 18 | 41746-09 | SPOKE & NIPPLE KIT, 16 inch, set of 20, short-head (used with 41052-09A) | FLHR, FLHRC |
| 19 | 41810-08B | BRAKE DISC | |
| 20 | 41819-02 | AXLE CAM | |
| 21 | 42018-09 | SPOKE & NIPPLE KIT, 16 inch, set of 20, long-head (used with 41052-09A) | FLHR, FLHRC |
| 22 | 43099-09 | RIM STRIP, center valve | FLHR, FLHRC |
| 23 | 43230-09 | TIRE, 16 inch wide white wall | FLHR, FLHRC |
| | 43200027 | TIRE, 16 inch black wall | FLHR, FLHTCU, FLHTCU TC, FLHX, FLHTK, FLHTCU TC, FLHXS, FLHTCUL, FLHTCUL TC, FLTRX, FLTRXS |
| 24 | 43567-92 | SCREW (5) | |
| 25 | 54321-85 | NUT (2) | FLHR, FLHRC |
| 26 | 72607-08 | HOUSING, 2 way pin | |
| 27 | 72608-08 | TERMINAL PIN, 16-20 awg (2) | |
| 28 | 72639-10 | SECONDARY LOCK, 2-way socket, conduit | |
| 29 | 95594-84A | WEIGHT, 5 grams (black) (10) | FLHR, FLHTCU, FLHTCU TC, FLHX, FLHTK, FLHXS, FLHTKL, FLHTCUL, FLHTCUL TC |
| | 95595- | WEIGHT, 5 grams (silver) (6) | FLHR, FLHRC |

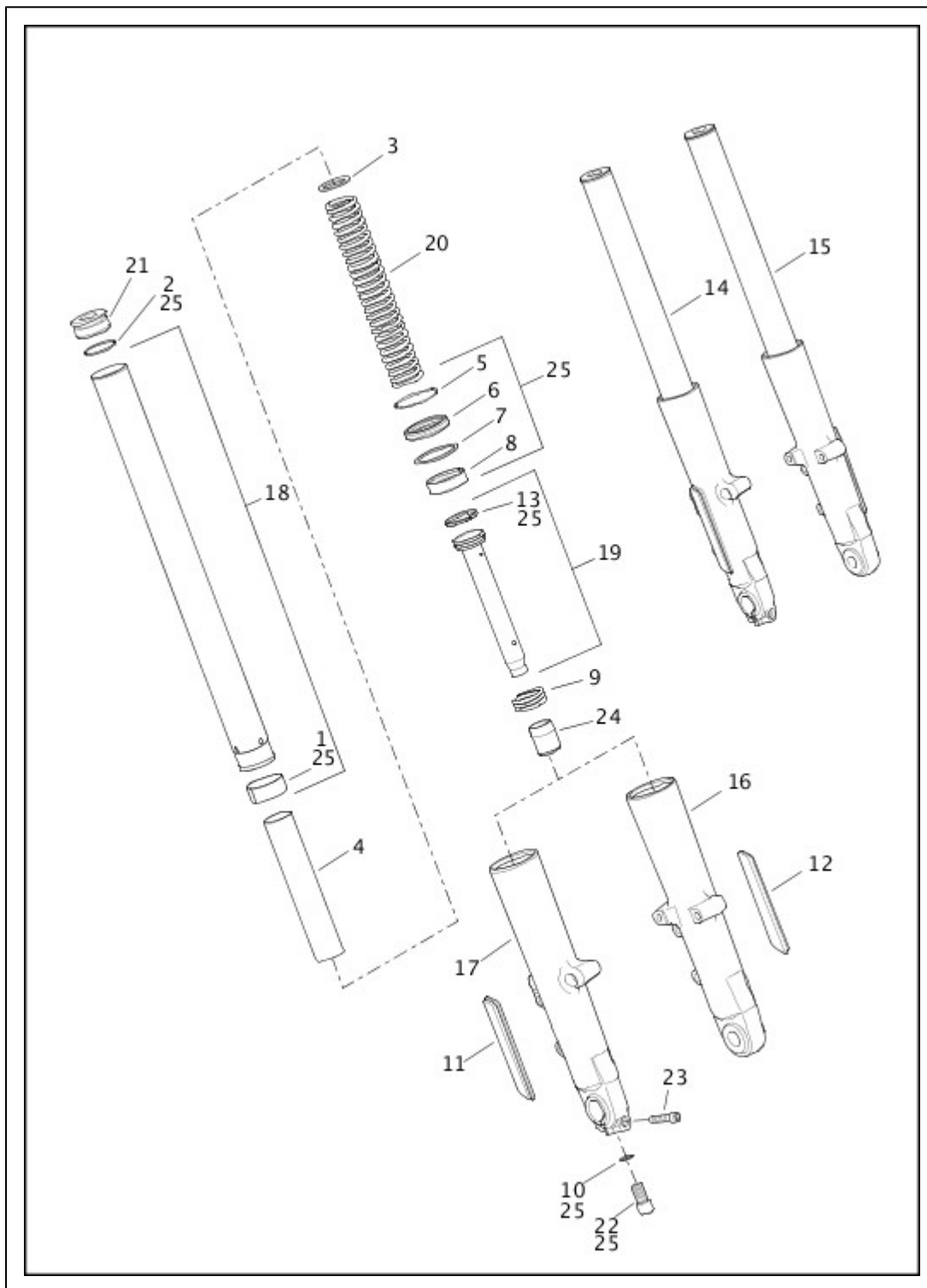
| | | | |
|----|----------|--|---|
| | 84B | | |
| 30 | 40900026 | WHEEL, 16 inch cast, w/o bearings & sleeve, 10 spoke (black) | FLHR, FLHTCU, FLHTCU TC, FLHTCUL, FLHTCUL TC, FLTRX, FLTRXS |
| 31 | 40900033 | WHEEL ASSEMBLY, 16 inch cast, w/o bearings & sleeve, 5 spoke (black) | FLHX, FLHXS, FLTRX, FLTRXS |
| 32 | 40900213 | WHEEL, 16 inch cast, w/o bearings & sleeve, 10 spoke (contrast chrome) | FLHTK, FLHTKL |
| 33 | 43000002 | REAR AXLE | |

FORK BRACKETS, FRONT



| Index No. | Part No. | Description | Model(s) |
|-----------|-----------|--|----------|
| 1 | 4240 | SCREW (2) | |
| 2 | 10200042 | SCREW (4) | |
| 3 | 10200223 | SCREW (2) | |
| 4 | 10500022 | SCREW (6) | |
| 5 | 10500036 | SCREW | |
| 6 | 41600029 | BRACKET, brakeline, front | |
| 7 | 45600003 | COVER ASSEMBLY, fork tube, left | |
| 8 | 45700009 | BEARING KIT, steering head, w/ bearing cups, bearing cones & dirt guards | |
| 9 | 45700020A | STEM ASSEMBLY, upper steering, w/ bearing cone & dirt guard | |
| 10 | 45800023 | COVER ASSEMBLY, fork tube, right | |
| 11 | 45900024 | BRACKET, upper fork stem | |
| 12 | 45900091A | BRACKET ASSEMBLY, lower fork, w/ bearing cone & dirt guard | |
| 13 | 69200224 | WIRE HARNESS, triple clamp, ground jumper | |

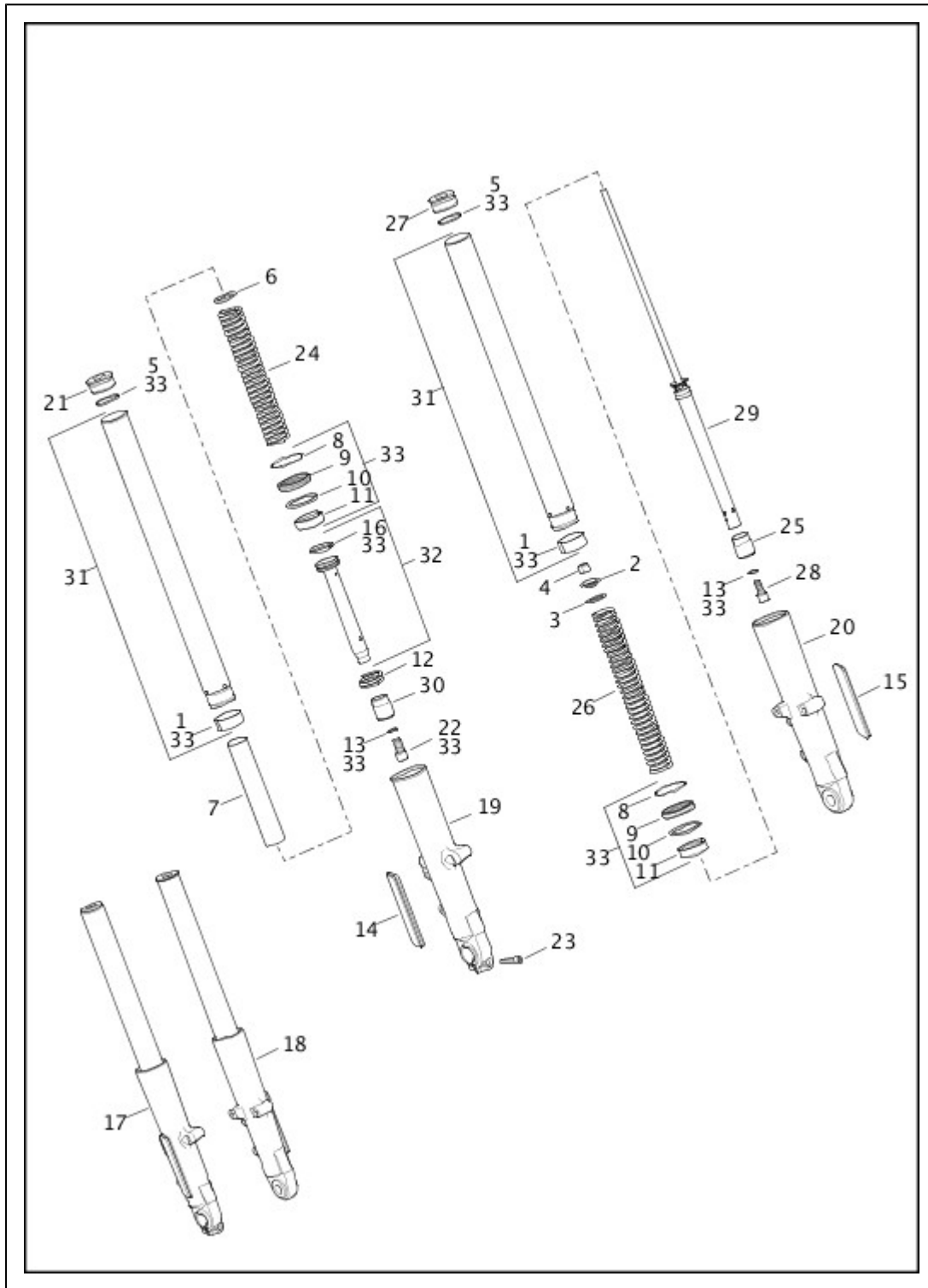
FORK, FRONT, LEFT & RIGHT - STANDARD



| Index No. | Part No. | Description | Model(s) |
|-----------|----------|---------------------|---|
| 1 | 46080-01 | BUSHING, slider (2) | FLHR, FLHTCU, FLHRC, FLHX, FLHTK, FLTRX, FLHXS, FLHTCU TC, FLTRXS |
| 2 | 46508-01 | O-RING (2) | FLHR, FLHTCU, FLHRC, FLHX, FLHTK, FLTRX, FLHXS, FLHTCU TC, FLTRXS |
| 3 | 46509-01 | WASHER (2) | FLHR, FLHTCU, FLHRC, FLHX, FLHTK, FLTRX, FLHXS, FLHTCU TC, FLTRXS |
| 4 | 46510-07 | COLLAR, spring (2) | FLHR, FLHTCU, FLHRC, FLHX, FLHTK, FLTRX, FLHXS, FLHTCU TC, FLTRXS |

| | | | |
|----|-----------|--|---|
| 5 | 46513-01 | RING, stopper (2) | FLHR, FLHTCU, FLHRC, FLHX, FLHTK, FLTRX, FLHXS, FLHTCU TC, FLTRXS |
| 6 | 46514-01A | OIL SEAL (2) | FLHR, FLHTCU, FLHRC, FLHX, FLHTK, FLTRX, FLHXS, FLHTCU TC, FLTRXS |
| 7 | 46515-01 | SPACER, seal (2) | FLHR, FLHTCU, FLHRC, FLHX, FLHTK, FLTRX, FLHXS, FLHTCU TC, FLTRXS |
| 8 | 46516-01 | BUSHING GUIDE (2) | FLHR, FLHTCU, FLHRC, FLHX, FLHTK, FLTRX, FLHXS, FLHTCU TC, FLTRXS |
| 9 | 46517-01 | SPRING, rebound (2) | FLHR, FLHTCU, FLHRC, FLHX, FLHTK, FLTRX, FLHXS, FLHTCU TC, FLTRXS |
| 10 | 46615-06 | PACKING SEAL (2) | FLHR, FLHTCU, FLHRC, FLHX, FLHTK, FLTRX, FLHXS, FLHTCU TC, FLTRXS |
| 11 | 59481-00 | REFLECTOR, (right) (amber) | FLHR, FLHTCU, FLHRC, FLHX, FLHTK, FLTRX, FLHXS, FLHTCU TC, FLTRXS |
| 12 | 59482-00 | REFLECTOR, (left) (amber) | FLHR, FLHTCU, FLHRC, FLHX, FLHTK, FLTRX, FLHXS, FLHTCU TC, FLTRXS |
| 13 | 22000031 | PISTON RING (2) | FLHR, FLHTCU, FLHRC, FLHX, FLHTK, FLTRX, FLHXS, FLHTCU TC, FLTRXS |
| 14 | 45400021 | FORK ASSEMBLY, complete (right) | FLHR, FLHTCU, FLHRC, FLHX, FLHTK, FLTRX, FLHXS, FLHTCU TC, FLTRXS |
| 15 | 45400022 | FORK ASSEMBLY, complete (left) | FLHR, FLHTCU, FLHRC, FLHX, FLHTK, FLTRX, FLHXS, FLHTCU TC, FLTRXS |
| 16 | 45500109 | SLIDER, fork (left) | FLHR, FLHTCU, FLHRC, FLHX, FLHTK, FLTRX, FLHXS, FLHTCU TC, FLTRXS |
| 17 | 45500111 | SLIDER, fork (right) | FLHR, FLHTCU, FLHRC, FLHX, FLHTK, FLTRX, FLHXS, FLHTCU TC, FLTRXS |
| 18 | 45500113 | FORK PIPE ASSEMBLY, w/ 46080-01 (2) | FLHR, FLHTCU, FLHRC, FLHX, FLHTK, FLTRX, FLHXS, FLHTCU TC, FLTRXS |
| 19 | 45500114 | DAMPER TUBE, w/ 22000031 (2) | FLHR, FLHTCU, FLHRC, FLHX, FLHTK, FLTRX, FLHXS, FLHTCU TC, FLTRXS |
| 20 | 45500116 | SPRING, fork (2) | FLHR, FLHTCU, FLHRC, FLHX, FLHTK, FLTRX, FLHXS, FLHTCU TC, FLTRXS |
| 21 | 45500117 | BOLT, fork (2) | FLHR, FLHTCU, FLHRC, FLHX, FLHTK, FLTRX, FLHXS, FLHTCU TC, FLTRXS |
| 22 | 45500118 | SCREW (2) | FLHR, FLHTCU, FLHRC, FLHX, FLHTK, FLTRX, FLHXS, FLHTCU TC, FLTRXS |
| 23 | 45500132 | SCREW, (right) | FLHR, FLHTCU, FLHRC, FLHX, FLHTK, FLTRX, FLHXS, FLHTCU TC, FLTRXS |
| 24 | 45500251 | OIL LOCK PIECE (2) | FLHR, FLHTCU, FLHRC, FLHX, FLHTK, FLTRX, FLHXS, FLHTCU TC, FLTRXS |
| 25 | 91700025A | FORK REBUILD KIT, w/ 1, 2, 5, 6, 7, 8, 10, 13 & 22 (2) | FLHR, FLHTCU, FLHRC, FLHX, FLHTK, FLTRX, FLHXS, FLHTCU TC, FLTRXS |

FORK, FRONT, LEFT & RIGHT - LOW

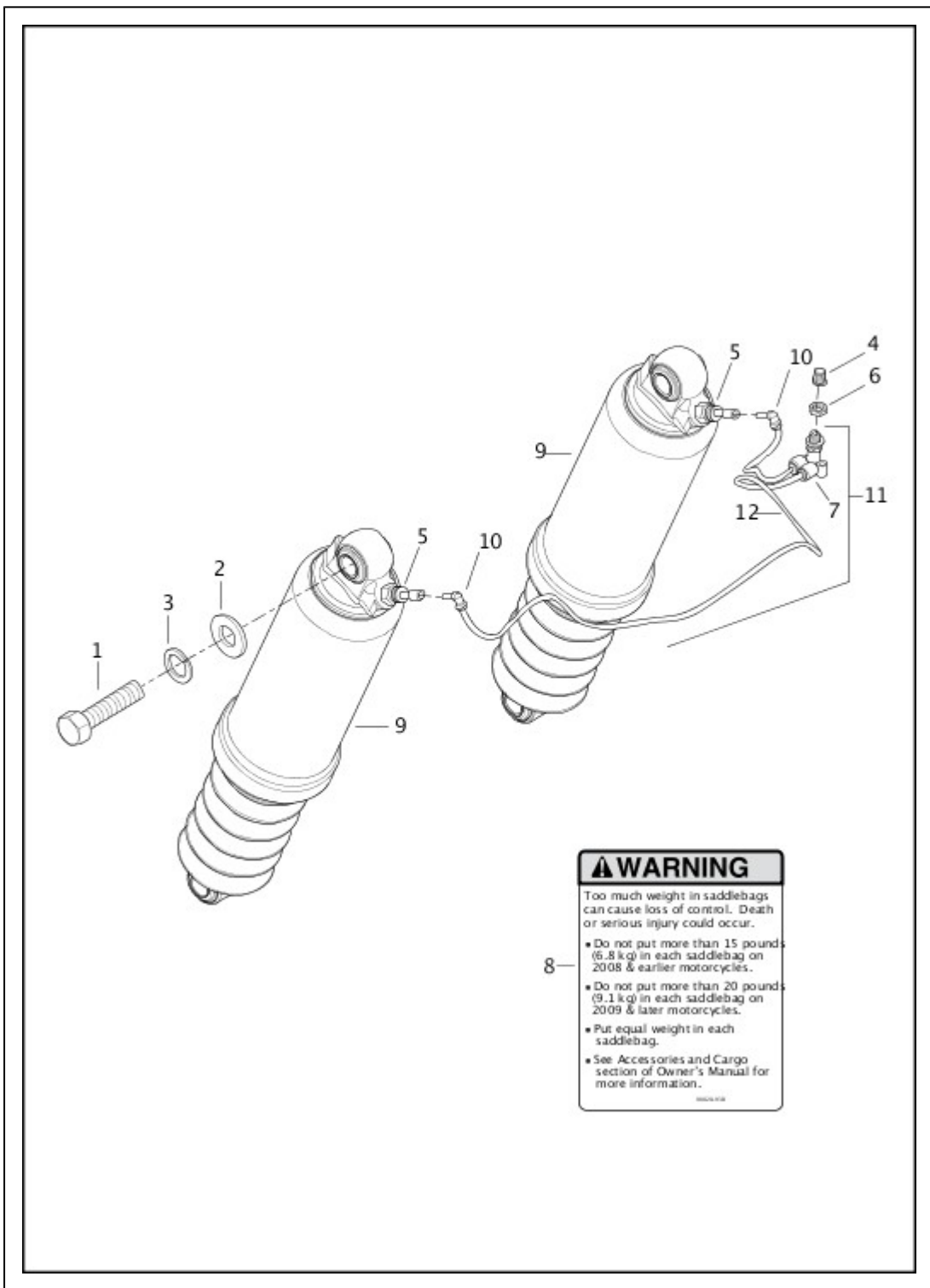


| Index No. | Part No. | Description | Model(s) |
|-----------|----------|------------------------|-----------------------------|
| 1 | 46080-01 | BUSHING, slider (2) | FLHTCUL, FLHTCUL TC, FLHTKL |
| 2 | 46236-02 | SPRING SEAT, (left) | FLHTCUL, FLHTCUL TC, FLHTKL |
| 3 | 46237-02 | SPRINGWASHER, (left) | FLHTCUL, FLHTCUL TC, FLHTKL |
| 4 | 46262-02 | LOCKNUT, damper (left) | FLHTCUL, FLHTCUL TC, |

| | | | |
|----|-----------|---------------------------------|--------------------------------|
| | | | FLHTKL |
| 5 | 46508-01 | O-RING (2) | FLHTCUL, FLHTCUL TC, FLHTKL |
| 6 | 46509-01 | WASHER, (right) | FLHTCUL, FLHTCUL TC, FLHTKL |
| 7 | 46510-07 | COLLAR, spring (right) | FLHTCUL, FLHTCUL TC, FLHTKL |
| 8 | 46513-01 | RING, stopper (2) | FLHTCUL, FLHTCUL TC, FLHTKL |
| 9 | 46514-01A | OIL SEAL (2) | FLHTCUL, FLHTCUL TC, FLHTKL |
| 10 | 46515-01 | SPACER, seal (2) | FLHTCUL, FLHTCUL TC, FLHTKL |
| 11 | 46516-01 | BUSHING GUIDE (2) | FLHTCUL, FLHTCUL TC, FLHTKL |
| 12 | 46517-01 | SPRING, rebound (right) | FLHTCUL, FLHTCUL TC, FLHTKL |
| 13 | 46615-06 | PACKING SEAL (2) | FLHTCUL, FLHTCUL TC, FLHTKL |
| 14 | 59481-00 | REFLECTOR, (right) (amber) | FLHTCUL, FLHTCUL TC, FLHTKL |
| 15 | 59482-00 | REFLECTOR, (left) (amber) | FLHTCUL, FLHTCUL TC, FLHTKL |
| 16 | 22000031 | PISTON RING, (right) | FLHTCUL, FLHTCUL TC, FLHTKL |
| 17 | 45400056 | FORK ASSEMBLY, complete (right) | FLHTCUL, FLHTCUL TC, FLHTKL |
| 18 | 45400057 | FORK ASSEMBLY, complete (left) | FLHTCUL, FLHTCUL TC, FLHTKL |
| 19 | 45500111 | SLIDER, fork (right) | FLHTCUL, FLHTCUL TC, FLHTKL |
| 20 | 45500109 | SLIDER, fork (left) | FLHTCUL, FLHTCUL TC, FLHTKL |
| 21 | 45500117 | BOLT, fork (right) | FLHTCUL, FLHTCUL TC, FLHTKL |
| 22 | 45500118 | SCREW, (right) | FLHTCUL, FLHTCUL TC, FLHTKL |
| 23 | 45500132 | SCREW, (right) | FLHTCUL, FLHTCUL TC, FLHTKL |
| 24 | 45500225 | SPRING, fork (right) | FLHTCUL, FLHTCUL TC, FLHTKL |
| 25 | 45500233 | OIL LOCK PIECE, (left) | FLHTCUL, FLHTCUL TC, FLHTKL |
| | | | |

| | | | |
|----|-----------|---|--------------------------------|
| 26 | 45500234 | SPRING, fork (left) | FLHTCUL, FLHTCUL TC, FLHTKL |
| 27 | 45500235 | BOLT, fork (left) | FLHTCUL, FLHTCUL TC, FLHTKL |
| 28 | 45500236 | SCREW, (left) | FLHTCUL, FLHTCUL TC, FLHTKL |
| 29 | 45500237 | CARTRIDGE DAMPER, (left) | FLHTCUL, FLHTCUL TC, FLHTKL |
| 30 | 45500251 | OIL LOCK PIECE, (right) | FLHTCUL, FLHTCUL TC, FLHTKL |
| 31 | 45500252 | FORK PIPE ASSEMBLY, w/ 46080-01 (2) | FLHTCUL, FLHTCUL TC, FLHTKL |
| 32 | 45500253 | DAMPER TUBE, w/ 22000031 (right) | FLHTCUL, FLHTCUL TC, FLHTKL |
| 33 | 91700025A | FORK REBUILD KIT, w/ 1, 5, 8, 9, 10, 11, 13, 16 & 22 (2) | FLHTCUL, FLHTCUL TC, FLHTKL |

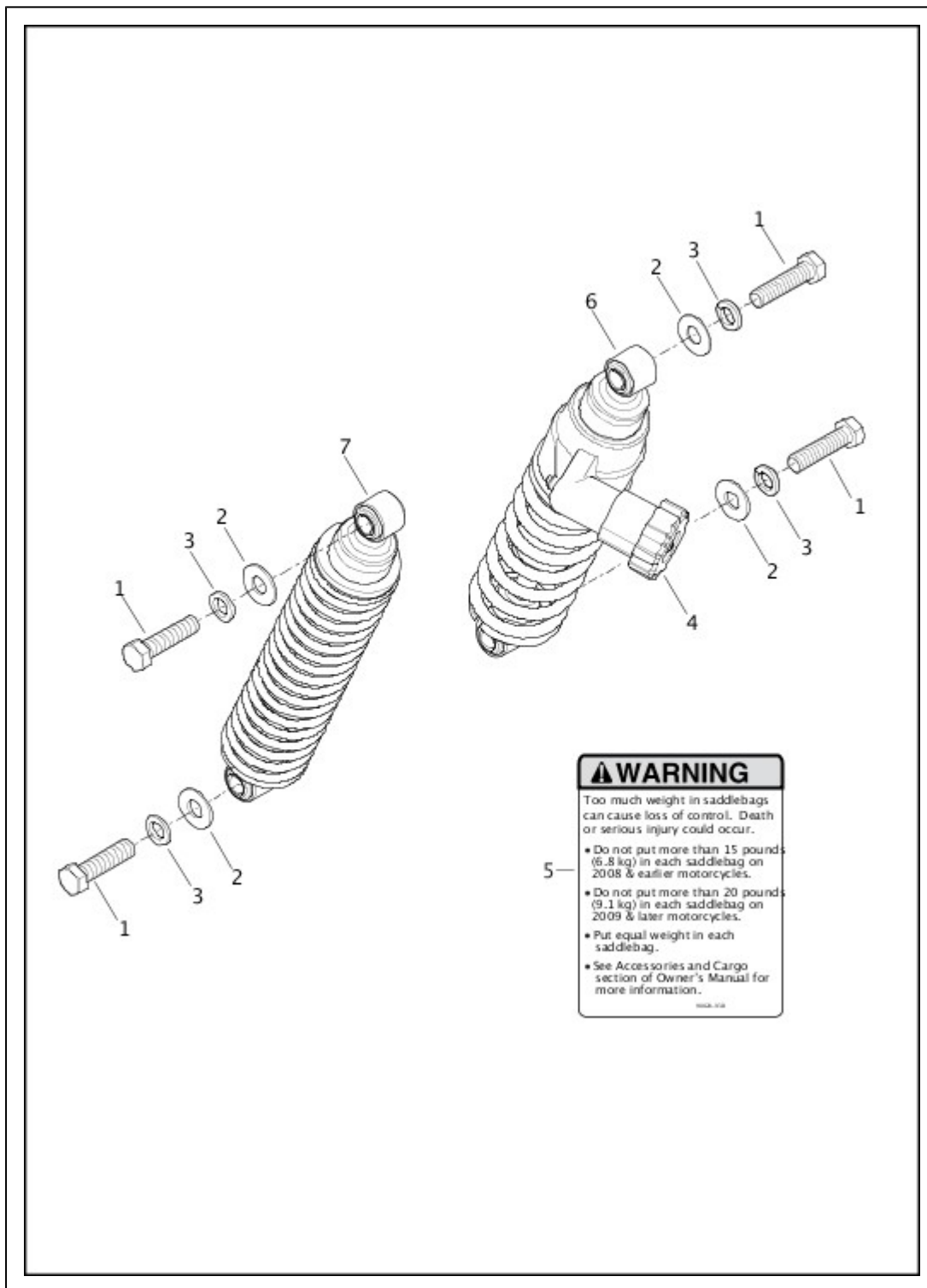
**SHOCK ABSORBERS, REAR & AIR SUSPENSION SYSTEM - FLHR,
FLHRC, FLHTCU, FLHTK, FLHX & FLTRX**



| Index No. | Part No. | Description | Model(s) |
|-----------|----------|----------------|--|
| 1 | 3607 | BOLT (4) | FLHR, FLHTCU, FLHTCU TC, FLHRC, FLHX, FLHTK, FLTRX |
| 2 | 6012 | WASHER (4) | FLHR, FLHTCU, FLHTCU TC, FLHRC, FLHX, FLHTK, FLTRX |
| 3 | 7068 | LOCKWASHER (4) | FLHR, FLHTCU, FLHTCU TC, FLHRC, FLHX, FLHTK, FLTRX |
| 4 | 41123-79 | VALVE CAP | FLHR, FLHTCU, FLHTCU TC, FLHRC, FLHX, FLHTK, FLTRX |

| | | | |
|--|-----------|---|--|
| 5 | 54320-97 | FITTING, 5/32 in. push-in (2) | FLHR, FLHTCU, FLHTCU TC, FLHRC, FLHX, FLHTK, FLTRX |
| 6 | 54321-85 | NUT | FLHR, FLHTCU, FLHTCU TC, FLHRC, FLHX, FLHTK, FLTRX |
| 7 | 54357-03 | UNION FITTING, 5/32 in. push-in | FLHR, FLHTCU, FLHTCU TC, FLHRC, FLHX, FLHTK, FLTRX |
| 8 | 90820-93D | LABEL, saddlebag load limits, inside right saddlebag | FLHR, FLHTCU, FLHTCU TC, FLHRC, FLHX, FLHTK, FLTRX |
| 9 | 54000036 | REAR SHOCK ABSORBER, w/ 54320-97 (2) | FLHR, FLHTCU, FLHTCU TC, FLHRC, FLHTK |
| | 54662-09 | REAR LOW PROFILE SHOCK ABSORBER, w/ 54320-97 (Domestic) (2) | FLHX, FLTRX |
| 10 | 54000038 | UNION FITTING, 5/32 in. push-in, 90 degree (2) | FLHR, FLHTCU, FLHTCU TC, FLHRC, FLHX, FLHTK, FLTRX |
| 11 | 54000039 | VALVE ASSEMBLY, w/ 54354-94A, 54357-03 & 54000038 | FLHR, FLHTCU, FLHTCU TC, FLHRC, FLHX, FLHTK, FLTRX |
| NOTE: Hose or insulator is sold in bulk length under the following part numbers. Cut to length. | | | |
| 12 | 54354-94A | HOSE, 5/32 inch O.D. (25-foot length) (black) | FLHR, FLHTCU, FLHTCU TC, FLHRC, FLHX, FLHTK, FLTRX |

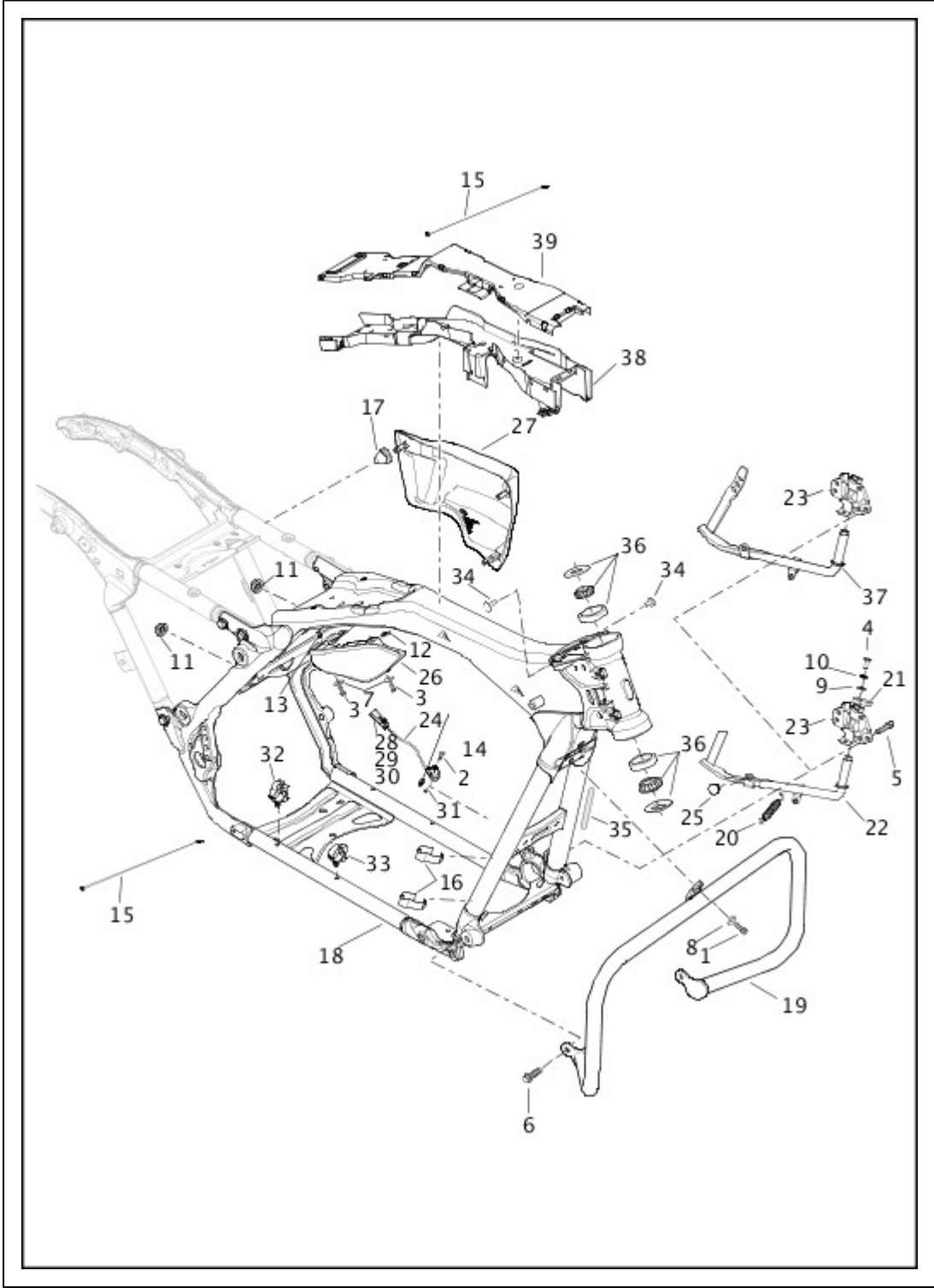
SHOCK ABSORBERS, REAR - FLHTCUL, FLHTKL, FLHXS & FLTRXS



| Index No. | Part No. | Description | Model(s) |
|-----------|----------|------------------|--|
| 1 | 3607 | BOLT (4) | FLHTCUL, FLHTCUL TC, FLHTKL, FLHXS, FLTRXS |
| 2 | 6012 | WASHER (4) | FLHTCUL, FLHTCUL TC, FLHTKL, FLHXS, FLTRXS |
| 3 | 7068 | LOCKWASHER (4) | FLHTCUL, FLHTCUL TC, FLHTKL, FLHXS, FLTRXS |
| 4 | 54677-10 | KNOB SERVICE KIT | FLHTCUL, FLHTCUL TC, FLHTKL, FLHXS, FLTRXS |

| | | | |
|---|-----------|--|--|
| 5 | 90820-93D | LABEL, saddlebag load limits, inside right saddlebag | FLHTCUL, FLHTCUL TC, FLHTKL, FLHXS, FLTRXS |
| 6 | 54000081 | REAR SHOCK ABSORBER LOW, left, w/ 54677-10 | FLHTCUL, FLHTCUL TC, FLHTKL, FLHXS, FLTRXS |
| 7 | 54000082 | REAR SHOCK ABSORBER LOW, right | FLHTCUL, FLHTCUL TC, FLHTKL, FLHXS, FLTRXS |

FRAME & JIFFY STAND (1 OF 2)

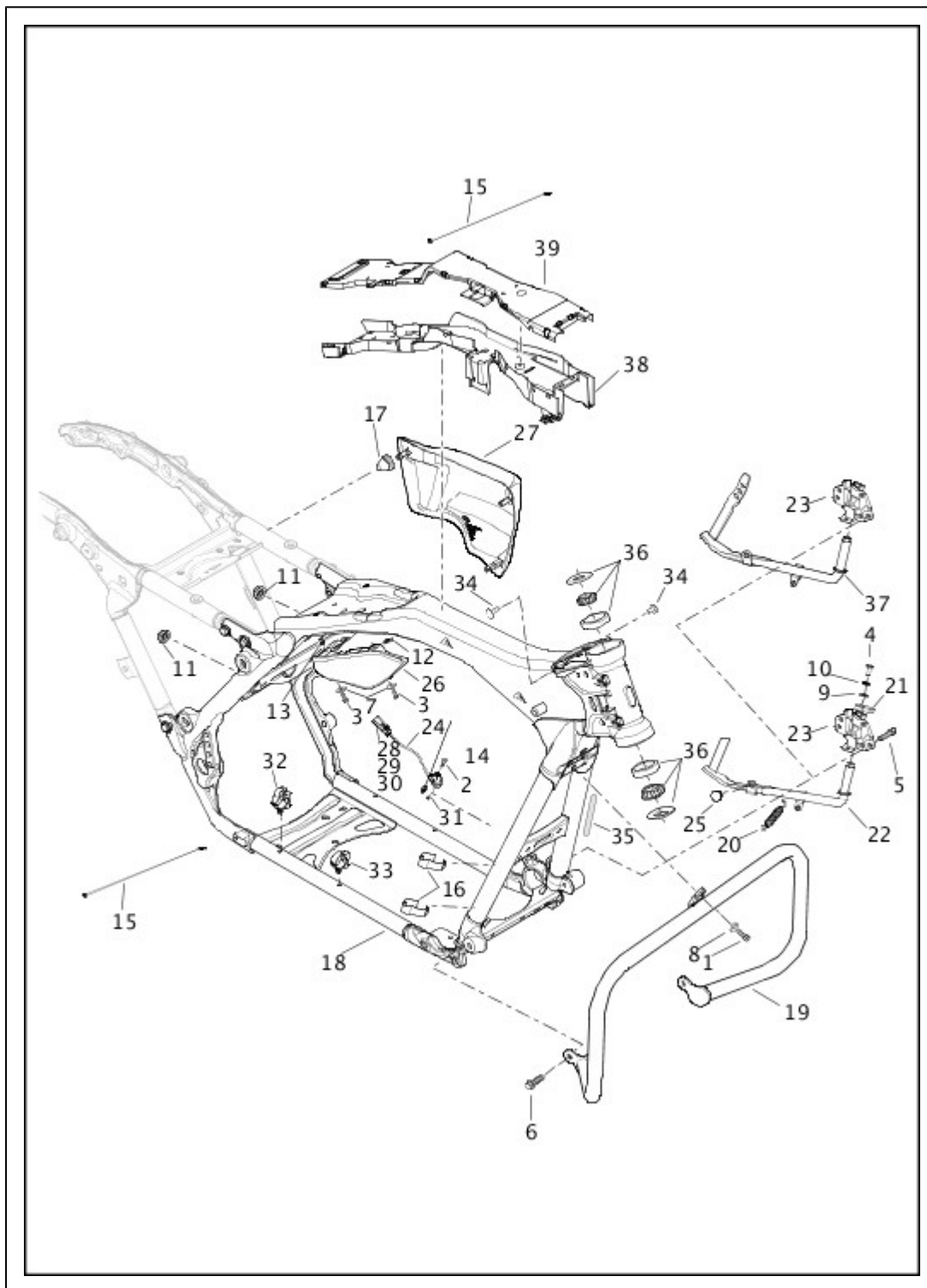


| Index | Part | Description | Model(s) |
|-------|------|-------------|----------|
|-------|------|-------------|----------|

| No. | No. | | |
|---|-------------|---|---|
| NOTE: Refer to the Service Section of h-dnet.com for painted part numbers. | | | |
| 1 | 2708A | SCREW | |
| 2 | 3594 | SCREW, (England, HDI, Brazil) | FLHRC, FLHTK, FLHTCUL TC, FLHTKL, FLHXS, FLHTCU TC, FLTRXS |
| 3 | 3787 | BOLT (4) | FLHTCU, FLHTK, FLHTCUL TC, FLHTKL, FLHTCU TC |
| 3 | 3787 | BOLT, (Brazil) (4) | FLHRC |
| 4 | 3987 | BOLT | |
| 5 | 4688 | SCREW (2) | |
| 6 | 4924 | SCREW (2) | |
| 7 | 6036 | WASHER (4) | FLHTCU, FLHTK, FLHTCUL TC, FLHTKL, FLHTCU TC |
| 7 | 6036 | WASHER, (Brazil) (4) | FLHRC |
| 8 | 6116 | WASHER | |
| 9 | 6702 | WASHER | |
| 10 | 7041 | LOCKWASHER | |
| 11 | 7495 | NUT (2) | |
| 12 | 8108 | SPEEDNUT (2) | FLHTCU, FLHTK, FLHTCUL TC, FLHTKL, FLHTCU TC |
| 12 | 8108 | SPEEDNUT, (Brazil) (2) | FLHRC |
| 13 | 8194 | NUT, special (2) | FLHTCU, FLHTK, FLHTCUL TC, FLHTKL, FLHTCU TC |
| 13 | 8194 | NUT, special (Brazil) (2) | FLHRC |
| 14 | 10177 | CABLE STRAP, tree mount, jiffy stand (England, HDI) | |
| 15 | 10039 | CABLE STRAP (8) | |
| 16 | 10264 | CLIP, clutch line (2) | FLHTCU, FLHX, FLHTK, FLHXS, FLHTCU TC, FLHTKL, FLHTCUL, FLHTCUL TC, FLHTKL, FLTRX, FLTRXS |
| 17 | 11650 | GROMMET, side cover (6) | |
| 18 | 47900-14BHP | FRAME, main, w/ bearing cups (Also order 45700009) | |
| 19 | 49184-09A | ENGINE GUARD, w/ 2708A, 6116 & 14148-86 | |
| 20 | 49725-07A | SPRING, jiffy stand | |
| 21 | 50015-74A | LEG STOP | |
| 22 | 50075-07A | LEG, jiffy stand | FLHR, FLHTCU, FLHRC, FLHX, FLHTK, FLTRX, FLHXS, FLHTCU TC, FLTRXS |

| | | | |
|----|------------|--|--|
| 23 | 50096-09 | BRACKET, jiffy stand leg | |
| 24 | 50126-08A | SENSOR, jiffy stand, w/ 72169-07, 72511-07BK & 73213-07 (England, HDI, Brazil) | FLHRC, FLHTK, FLHTCUL TC, FLHTKL, FLHXS, FLHTCU TC, FLTRXS |
| 25 | 50245-07 | BUMPER, jiffy stand leg | |
| 26 | 58167-09 | DEFLECTOR, air, right | FLHTCU, FLHTK, FLHTCU TC |
| | 58169-09 | DEFLECTOR, air, left | FLHTCU, FLHTK, FLHTCU TC |
| 26 | 58167-09 | DEFLECTOR, air, right (Brazil) | FLHRC |
| | 58169-09 | DEFLECTOR, air, left (Brazil) | FLHRC |
| 27 | 66048-09A | SIDE COVER, right (unpainted) | |
| | 66250-09 | SIDE COVER, left (unpainted) | |
| 28 | 72169-07 | TERMINAL, pin, 16-20 AWG (England, HDI, Brazil) (3) | FLHRC, FLHTK, FLHTCUL TC, FLHTKL, FLHXS, FLHTCU TC, FLTRXS |
| 29 | 72511-07BK | HOUSING, pin, 3-way (black) (England, HDI, Brazil) | FLHRC, FLHTK, FLHTCUL TC, FLHTKL, FLHXS, FLHTCU TC, FLTRXS |
| 30 | 73213-07 | RETAINER, xmas tree clip (England, HDI, Brazil) | FLHRC, FLHTK, FLHTCUL TC, FLHTKL, FLHXS, FLHTCU TC, FLTRXS |

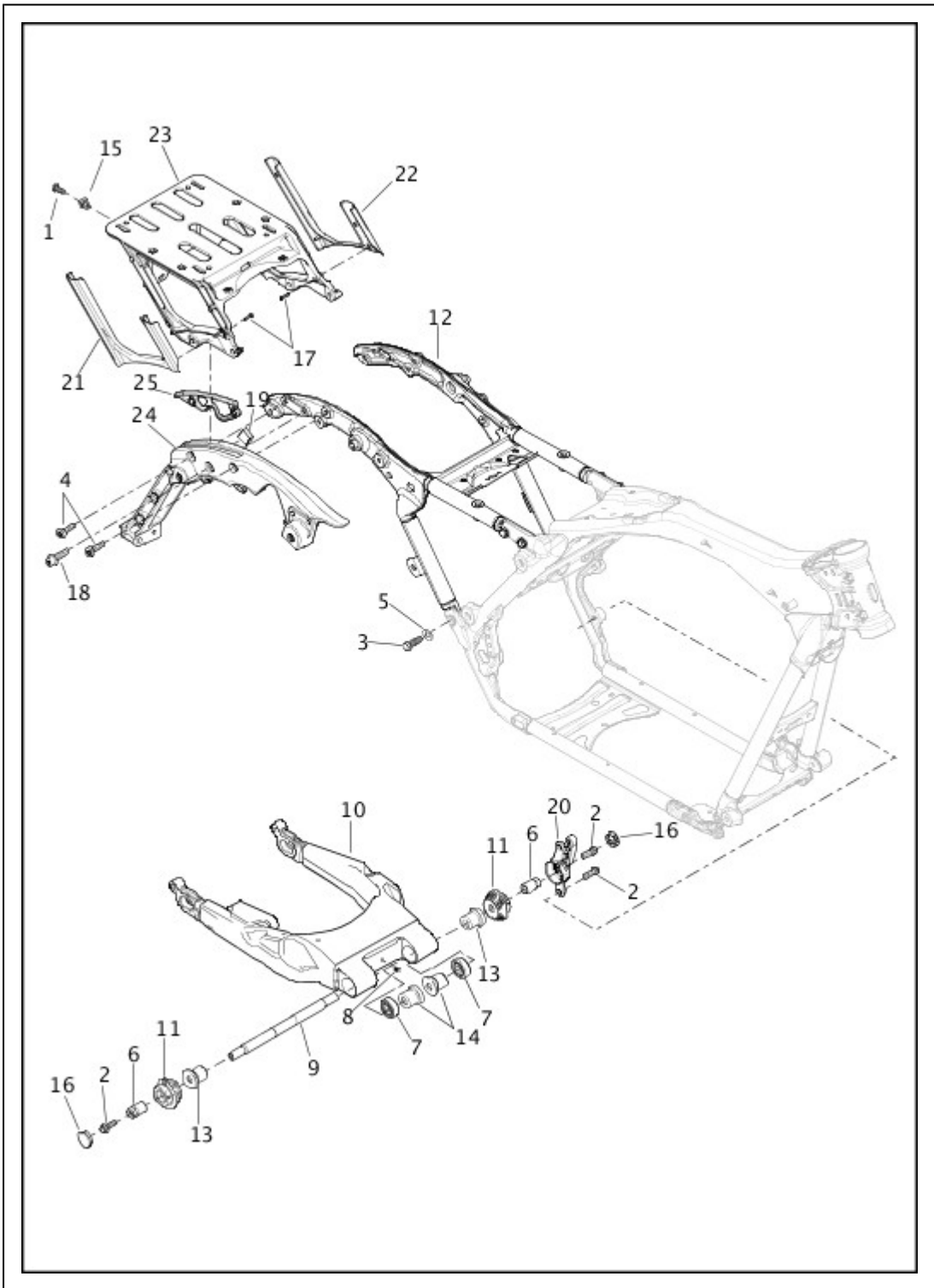
FRAME & JIFFY STAND (2 OF 2)



| Index No. | Part No. | Description | Model(s) |
|---|----------|--|---|
| NOTE: Refer to the Service Section of h-dnet.com for painted part numbers. | | | |
| 31 | 90520-07 | HOLE PLUG, jiffy stand (except England, HDI, Brazil) | |
| 32 | 10800024 | CLIP, conduit, rosebud mount | |
| 33 | 10800025 | CLIP, conduit, rosebud mount | |
| 34 | 12600067 | FASTENER, plastic (2) | FLHR, FLHTCU, FLHRC, FLHX, FLHTK, FLHXS, FLHTCU TC, FLHTCUL, FLHTCUL TC, FLHTKL |

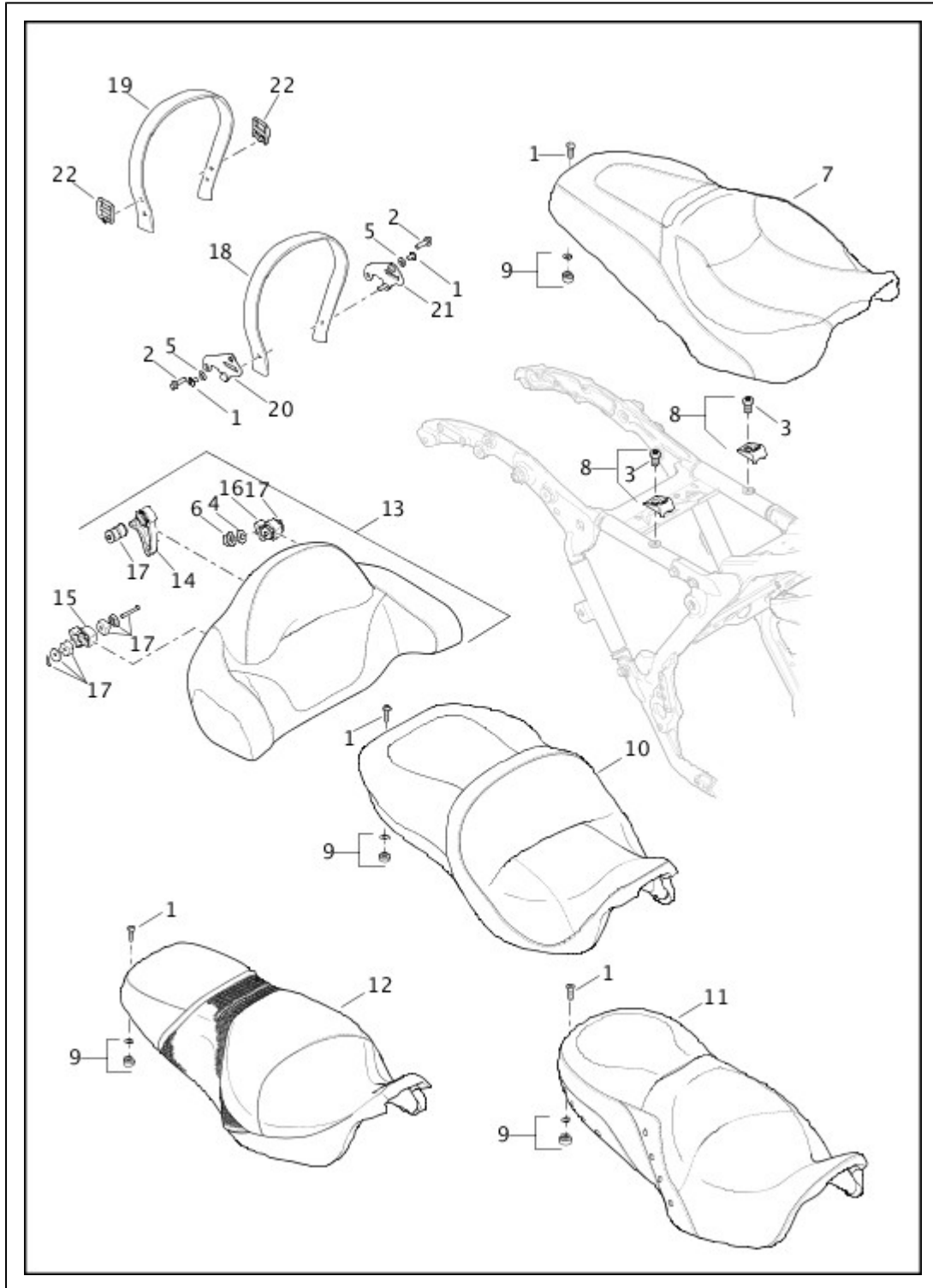
| | | | |
|----|----------|--|--|
| 35 | 14000827 | CLEAR OVERLAY, VIN label (Japan) | FLHRC, FLHTK, FLHXS, FLHTCU TC, FLHTCUL TC, FLTRXS |
| 36 | 45700009 | BEARING KIT, steering head, w/ bearing cups, bearing cones & dirt guards | |
| 37 | 50000083 | LEG, jiffy stand | FLHTCUL, FLHTCUL TC, FLHTKL |
| 38 | 69200202 | TRAY, wire trough (main harness) | |
| 39 | 69200203 | COVER, wire trough (main harness) | |

FRAME & FORK, REAR & TOUR-PAK SUPPORT



| Index No. | Part No. | Description | Model(s) |
|-----------|-------------|---|---|
| 1 | 2731W | SCREW (2) | FLHTCU, FLHTCU TC, FLHTK, FLHTKL, FLHTCUL, FLHTCUL TC |
| 2 | 3057 | SCREW (4) | |
| 3 | 3536 | BOLT (6) | |
| 4 | 3684 | SCREW (4) | |
| 5 | 6532 | WASHER (6) | |
| 6 | 6982 | WASHER, hex cup (2) | |
| 7 | 9208 | BEARING (2) | |
| 8 | 11779 | FASTENER, push-in (black) | |
| 9 | 47540-11 | SHAFT, rear fork | |
| 10 | 47549-09 | REAR FORK, w/ 9208, 11779 & 48489-02 | |
| 11 | 47584-09 | RUBBER MOUNT (2) | |
| 12 | 48079-09BHP | FRAME, rear | |
| 13 | 48487-02 | SPACER, outer (2) | |
| 14 | 48489-02 | SPACER, inner (2) | |
| 15 | 59292-94 | NUT, plastic (2) | FLHTCU, FLHTCU TC, FLHTK, FLHTKL, FLHTCUL, FLHTCUL TC |
| 16 | 67875-11 | CAP (2) | |
| 17 | 10200155 | SCREW (8) | FLHTCU, FLHTCU TC, FLHTK, FLHTKL, FLHTCUL, FLHTCUL TC |
| 18 | 10200217 | SCREW (2) | |
| 19 | 11100068 | CUSHION (2) | |
| 20 | 16400005 | BRACKET, rear fork, left | |
| 21 | 47200080 | COVER, Tour-Pak support, right (chrome) | FLHTCU, FLHTCU TC, FLHTK, FLHTKL, FLHTCUL, FLHTCUL TC |
| 22 | 47200081 | COVER, Tour-Pak support, left (chrome) | FLHTCU, FLHTCU TC, FLHTK, FLHTKL, FLHTCUL, FLHTCUL TC |
| 23 | 53000125 | TOUR-PAK SUPPORT, (black) | FLHTCU, FLHTCU TC, FLHTK, FLHTKL, FLHTCUL, FLHTCUL TC |
| 24 | 90200499 | SUPPORT, saddlebag, right, w/ 11100068 (chrome) | |
| | 90200501 | SUPPORT, saddlebag, left, w/ 11100068 (chrome) | |
| | | | |

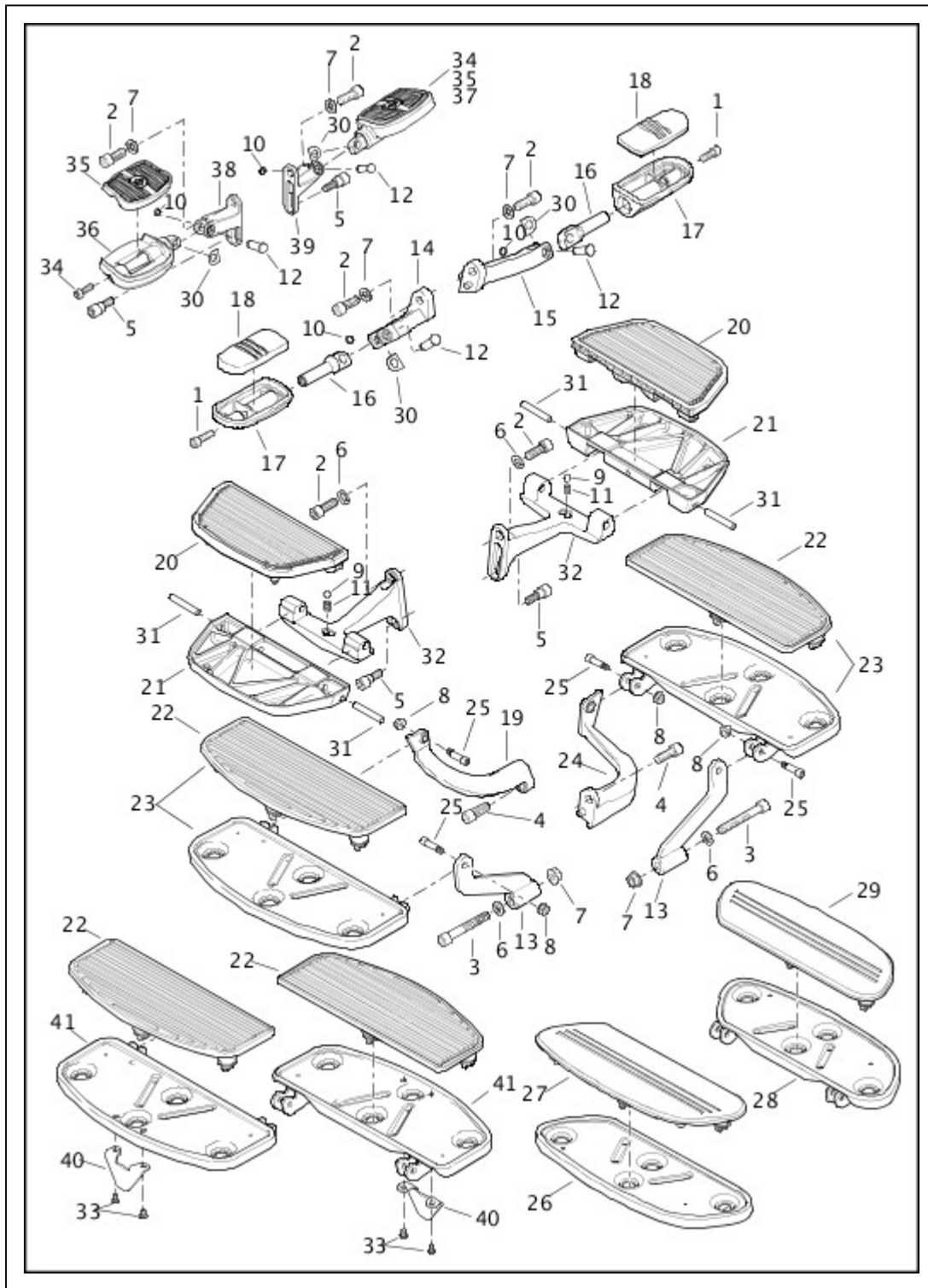
SEATS



| Index No. | Part No. | Description | Model(s) |
|-----------|----------|-------------|--------------------------|
| 1 | 2952A | SCREW (3) | |
| 2 | 3901 | SCREW (2) | FLHTCU, FLHTCU TC, FLHTK |
| | | | |

| | | | |
|----|----------|---|---|
| 3 | 4924 | SCREW (2) | FLHX, FLHXS, FLTRX, FLTRXS |
| 4 | 6026 | WASHER (3) | FLHTCU, FLHTCU TC, FLHTK, FLHTKL, FLHTCUL, FLHTCUL TC |
| 5 | 6703 | WASHER (2) | |
| 6 | 7531 | LOCKNUT (3) | FLHTCU, FLHTCU TC, FLHTK, FLHTKL, FLHTCUL, FLHTCUL TC |
| 7 | 52320-11 | SEAT | FLHX, FLHXS |
| | 52000142 | SEAT | FLTRX, FLTRXS |
| 8 | 54395-10 | SEAT BUMPER KIT, w/ 4924 | FLHX, FLHXS |
| 9 | 59768-97 | SEAT NUT KIT, w/ nut & retention washer | |
| 10 | 52000033 | SEAT, (except Asia-Pacific) | FLHTCU, FLHTCU TC, FLHTK |
| | 52000122 | SEAT, (Asia-Pacific)) | FLHTCU TC, FLHTK |
| | 52000173 | SEAT, (except Asia-Pacific) | FLHTKL, FLHTCUL, FLHTCUL TC |
| | 52000174 | SEAT, (Asia-Pacific)) | FLHTCUL TC, FLHTKL |
| 11 | 52000038 | SEAT | FLHR |
| 12 | 52000060 | SEAT | FLHRC |
| 13 | 52300053 | BACKREST ASSEMBLY, w/ 6026, 7531, 52300121, 52300122, 52300123 & 52300127 (black) | FLHTCU, FLHTCU TC, FLHTK, FLHTKL, FLHTCUL, FLHTCUL TC |
| 14 | 52300121 | SUPPORT BRACKET, center | FLHTCU, FLHTCU TC, FLHTK, FLHTKL, FLHTCUL, FLHTCUL TC |
| 15 | 52300122 | SUPPORT BRACKET, right | FLHTCU, FLHTCU TC, FLHTK, FLHTKL, FLHTCUL, FLHTCUL TC |
| 16 | 52300123 | SUPPORT BRACKET, left | FLHTCU, FLHTCU TC, FLHTK, FLHTKL, FLHTCUL, FLHTCUL TC |
| 17 | 52300127 | KIT, BACKREST ISOLATION, passenger backrest (3) | FLHTCU, FLHTCU TC, FLHTK, FLHTKL, FLHTCUL, FLHTCUL TC |
| 18 | 52400015 | PASSENGER STRAP | FLHTCU, FLHTCU TC, FLHTK |
| | 52400017 | PASSENGER STRAP | FLHX, FLHXS, FLTRX, FLTRXS |
| | 52400018 | PASSENGER STRAP | FLHR |
| | 52400099 | PASSENGER STRAP, (except Asia-Pacific) | FLHTCUL, FLHTCUL TC, FLHTKL |
| | 52400116 | PASSENGER STRAP, (Asia-Pacific) | FLHTCUL TC, FLHTKL |
| 19 | 52400054 | PASSENGER STRAP, w/ 52400067 | FLHRC |
| 20 | 52400016 | BRACKET, passenger strap, right | |
| 21 | 52400021 | BRACKET, passenger strap, left | |
| 22 | 52400067 | BUCKLE, passenger strap (2) | FLHRC |

FOOTBOARDS & FOOTPEGS

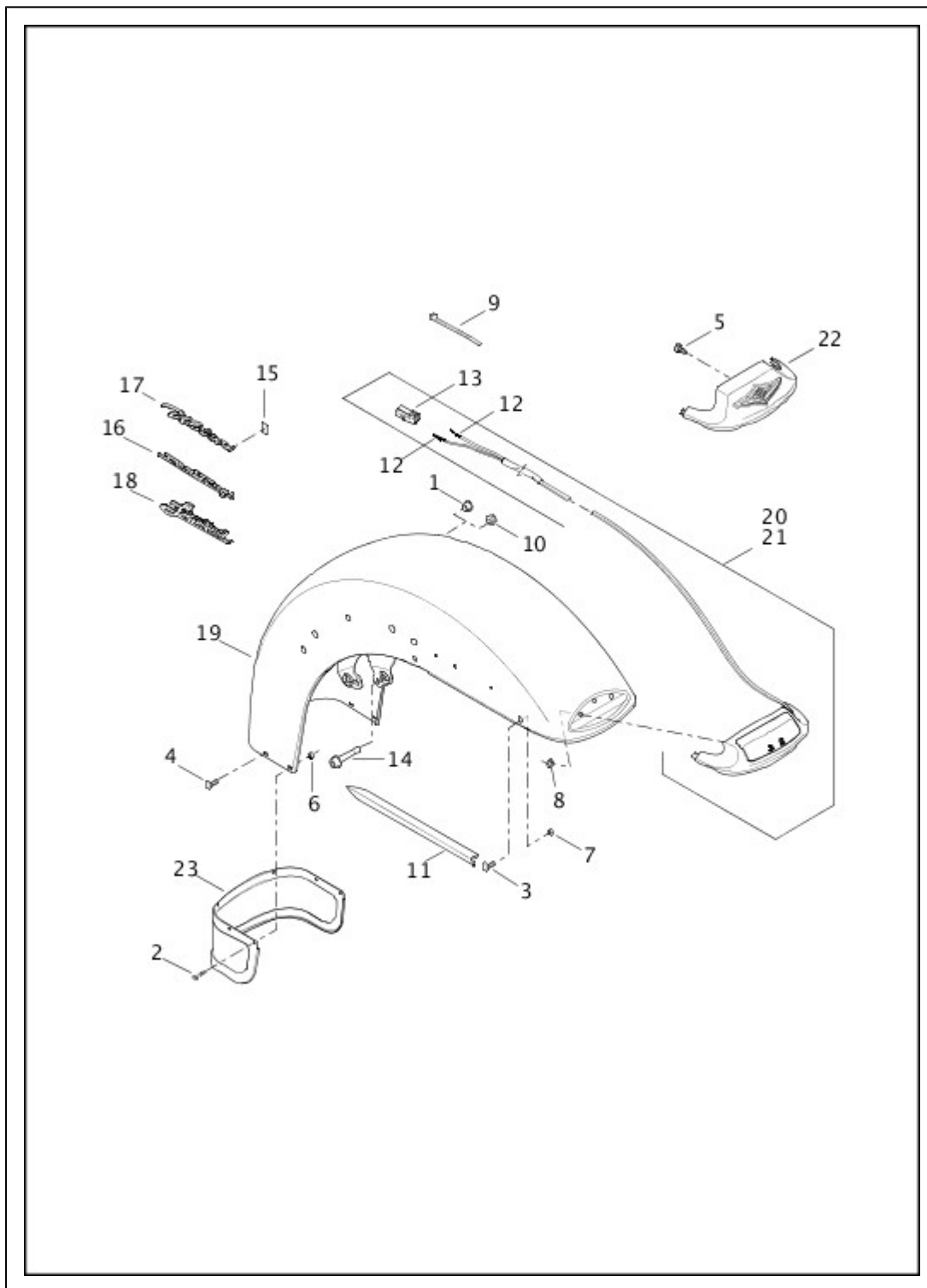


| Index No. | Part No. | Description | Model(s) |
|-----------|----------|-------------|--|
| 1 | 2708A | SCREW (2) | FLHX, FLHXS, FLTRX, FLTRXS |
| 2 | 3143 | SCREW (2) | |
| 3 | 4032A | SCREW (2) | |
| 4 | 4688 | SCREW (2) | |
| 5 | 4916 | SCREW (2) | FLHR, FLHTCU, FLHTCU TC, FLHRC, FLHTK, FLHTKL, FLHTCUL, FLHTCUL TC |

| | | | |
|----|-----------|--|--|
| 6 | 7038 | LOCKWASHER (4) | |
| 7 | 7601 | LOCKNUT (2) | |
| 8 | 7716 | LOCKNUT (4) | |
| 9 | 8860 | BALL (2) | FLHR, FLHTCU, FLHTCU TC, FLHRC, FLHTK |
| 10 | 11304 | RING, retaining, passenger footpeg support (2) | FLHX, FLHXS, FLTRX, FLTRXS, FLHTKL, FLHTCUL, FLHTCUL TC |
| 11 | 33085-74 | SPRING (2) | FLHR, FLHTCU, FLHTCU TC, FLHRC, FLHTK |
| 12 | 45041-01A | CLEVIS PIN, passenger footpeg support (2) | FLHX, FLHXS, FLTRX, FLTRXS, FLHTKL, FLHTCUL, FLHTCUL TC |
| 13 | 47365-09 | BRACKET, front footboard (2) | |
| 14 | 49015-04A | SUPPORT, right passenger footpeg (chrome) | FLHX, FLHXS, FLTRX, FLTRXS |
| 15 | 49036-04A | SUPPORT, left passenger footpeg (chrome) | FLHX, FLHXS, FLTRX, FLTRXS |
| 16 | 50208-04 | MOUNT, passenger footpeg (2) | FLHX, FLHXS, FLTRX, FLTRXS |
| 17 | 50345-04 | FOOTPEG, passenger (2) | FLHX, FLHXS, FLTRX, FLTRXS |
| 18 | 50350-04 | PAD, passenger footpeg (2) | FLHX, FLHXS, FLTRX, FLTRXS |
| 19 | 50518-09 | BRACKET, right rear | |
| 20 | 50606-06 | PAD, passenger footboard (2) | FLHR, FLHTCU, FLHTCU TC, FLHRC, FLHTK |
| 21 | 50613-91A | FOOTBOARD, passenger (Domestic) (2) | FLHR, FLHTCU, FLHTK |
| | 50899-99A | FOOTBOARD, passenger (HDI) (2) | FLHTCU TC, FLHRC, FLHTK |
| 22 | 50614-06 | PAD, footboard (2) | FLHR, FLHTCU, FLHTCU TC, FLHRC, FLHTK, FLHTKL, FLHTCUL, FLHTCUL TC |
| 23 | 50621-06 | FOOTBOARD ASSEMBLY, operator, w/ 50614-06 (2) | FLHR, FLHTCU, FLHTCU TC, FLHRC, FLHTK |
| 24 | 50622-09A | BRACKET, left rear | |
| 25 | 50674-05 | SHOULDER BOLT, footboard (4) | |
| 26 | 50683-04 | FOOTBOARD BOTTOM ASSEMBLY, (right) | FLHX, FLHXS, FLTRX, FLTRXS |
| 27 | 50684-11 | RUBBER PAD, footboard (right) | FLHX, FLHXS, FLTRX, FLTRXS |
| 28 | 50688-04 | FOOTBOARD BOTTOM ASSEMBLY, (left) | FLHX, FLHXS, FLTRX, FLTRXS |
| 29 | 50689-11 | RUBBER PAD, footboard (left) | FLHX, FLHXS, FLTRX, FLTRXS |
| 30 | 50912-72 | SPRING WASHER, passenger footpeg (2) | FLHX, FLHXS, FLTRX, FLTRXS, FLHTKL, FLHTCUL, FLHTCUL TC |
| | | | |

| | | | |
|----|-----------|---|---------------------------------------|
| 31 | 50933-86A | PIVOT PIN (4) | FLHR, FLHTCU, FLHTCU TC, FLHRC, FLHTK |
| 32 | 52719-10 | SUPPORT KIT, footboard (2) | FLHR, FLHTCU, FLHTCU TC, FLHRC, FLHTK |
| 33 | 10500053 | SCREW (4) | FLHTKL, FLHTCUL, FLHTCUL TC |
| 34 | 12600031 | SCREW (2) | FLHTKL, FLHTCUL, FLHTCUL TC |
| 35 | 50500143 | TREAD, footboard (2) | FLHTKL, FLHTCUL, FLHTCUL TC |
| 36 | 50500145 | FOOTBOARD ASSEMBLY, right, w/ 12600031 & 50500143 | FLHTKL, FLHTCUL, FLHTCUL TC |
| 37 | 50500146 | FOOTBOARD ASSEMBLY, left, w/ 12600031 & 50500143 | FLHTKL, FLHTCUL, FLHTCUL TC |
| 38 | 50500332 | SUPPORT, right passenger floorboard (black) | FLHTKL, FLHTCUL, FLHTCUL TC |
| 39 | 50500334 | SUPPORT, left passenger floorboard (black) | FLHTKL, FLHTCUL, FLHTCUL TC |
| 40 | 50500339 | FEELER, footboard (2) | FLHTKL, FLHTCUL, FLHTCUL TC |
| 41 | 50500360 | FOOTBOARD BOTTOM ASSEMBLY (2) | FLHTKL, FLHTCUL, FLHTCUL TC |

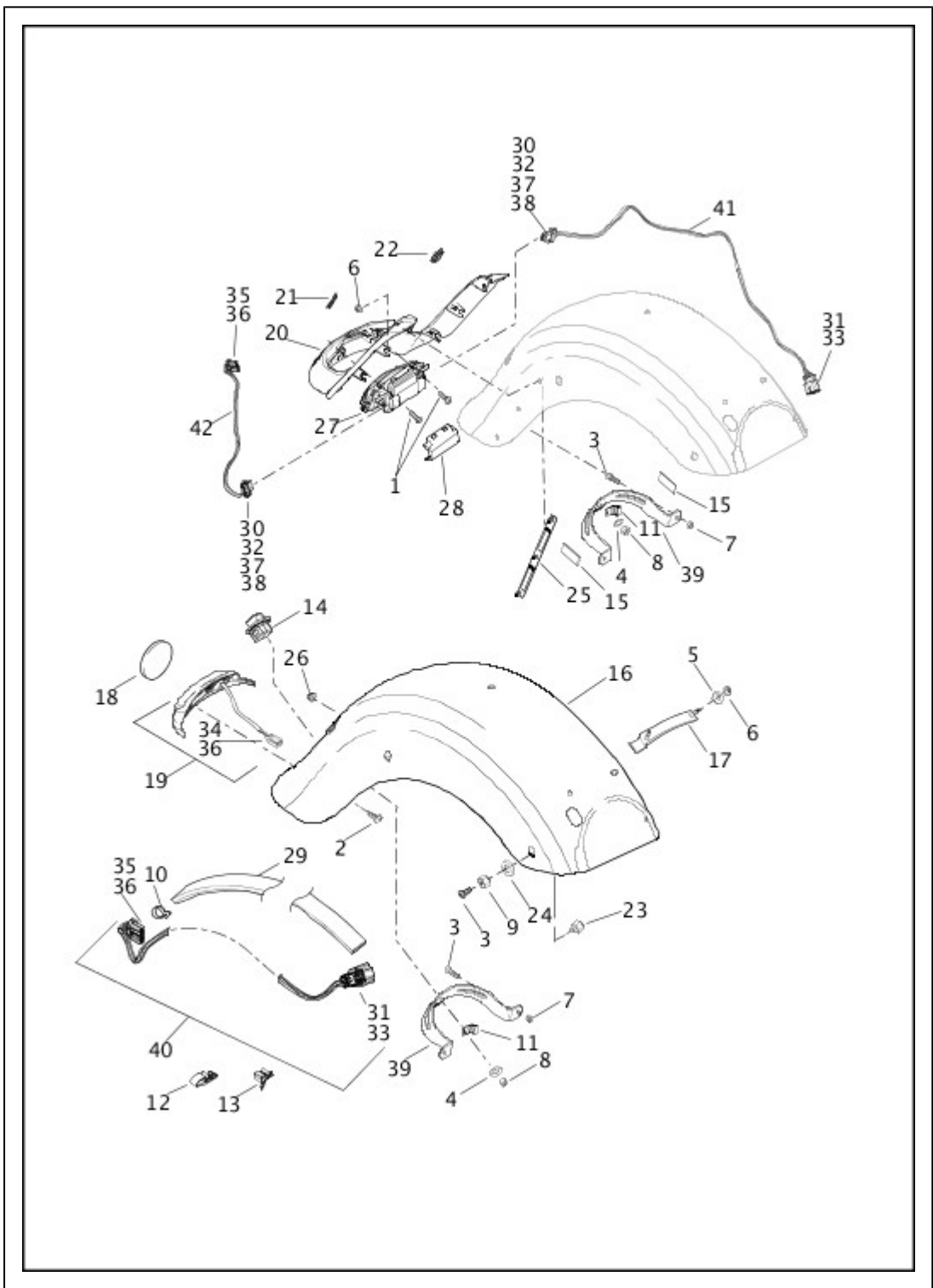
FENDERS, FRONT



| Index No. | Part No. | Description | Model(s) |
|---|----------|-------------|--|
| NOTE: Refer to the Service Section of h-dnet.com for painted part numbers. | | | |
| 1 | 755 | HOLE PLUG | FLHR, FLHRC |
| 2 | 2531 | SCREW (6) | FLHR, FLHTCU, FLHRC, FLHTK, FLHTCU TC, FLHTCUL, FLHTCUL TC, FLHTKL |
| 3 | 3560WA | BOLT (2) | FLHR, FLHTCU, FLHRC, FLHTK, FLHTCU TC, FLHTCUL, FLHTCUL TC, FLHTKL |
| 4 | 3561WC | BOLT (2) | FLHR, FLHTCU, FLHRC, FLHTK, FLHTCU TC, FLHTCUL, FLHTCUL TC, FLHTKL |

| | | | |
|----|------------|--|--|
| 5 | 3612 | SCREW (2) | FLHR, FLHRC |
| 6 | 7600 | NUT (6) | FLHR, FLHTCU, FLHRC, FLHTK, FLHTCU TC, FLHTCUL, FLHTCUL TC, FLHTKL |
| 7 | 7624 | LOCKNUT (4) | FLHR, FLHTCU, FLHRC, FLHTK, FLHTCU TC, FLHTCUL, FLHTCUL TC, FLHTKL |
| 8 | 7629 | NUT (2) | FLHTCU, FLHTK, FLHTCU TC, FLHTCUL, FLHTCUL TC, FLHTKL |
| 9 | 10065 | CABLE STRAP (3) | |
| 10 | 11437 | GROMMET, wiring harness | FLHTCU, FLHTK, FLHTCU TC, FLHTCUL, FLHTCUL TC, FLHTKL |
| 11 | 59211-74A | TRIM, front fender (2) | FLHR, FLHTCU, FLHRC, FLHTK, FLHTCU TC, FLHTCUL, FLHTCUL TC, FLHTKL |
| 12 | 73191-96 | TERMINAL, socket, 16-20 gauge (2) | FLHTCU, FLHTK, FLHTCU TC, FLHTCUL, FLHTCUL TC, FLHTKL |
| 13 | 73152-96BK | SOCKET HOUSING, 2-place (black) | FLHTCU, FLHTK, FLHTCU TC, FLHTCUL, FLHTCUL TC, FLHTKL |
| | 73152-96WE | SOCKET HOUSING, 2-place (w/o fender tip light) (white) | FLHX, FLHXS, FLTRX, FLTRXS |
| 14 | 10500015 | SCREW (4) | |
| 15 | 12200092 | CLIP, retaining (6) | FLHR, FLHTCU, FLHRC, FLHTCU TC, FLHTCUL, FLHTCUL TC |
| 16 | 14100230 | NAMEPLATE, Road King (2) | FLHR, FLHRC |
| 17 | 14100231 | NAMEPLATE, Ultra (2) | FLHTCU, FLHTCU TC, FLHTCUL, FLHTCUL TC |
| 18 | 14100232 | NAMEPLATE, Limited (2) | FLHTK, FLHTKL |
| 19 | 58900009 | FENDER, (prime) | FLHX, FLHXS, FLTRX, FLTRXS |
| | 58900032 | FENDER, (prime) | FLHR, FLHTCU, FLHRC, FLHTK, FLHTCU TC, FLHTCUL, FLHTCUL TC, FLHTKL |
| 20 | 59600003 | FENDER LIGHT ASSEMBLY, w/ 73191-96 (Domestic) (amber) | FLHTCU, FLHTK, FLHTCUL, FLHTKL |
| 21 | 59600006 | FENDER LIGHT ASSEMBLY, w/ 73191-96 (HDI) (white) | FLHTK, FLHTCU TC, FLHTCUL TC, FLHTKL |
| 22 | 59600009 | FRONT FENDER TIP | FLHR, FLHRC |
| 23 | 61400057 | TRIM SKIRT, front fender, lower | FLHR, FLHTCU, FLHRC, FLHTK, FLHTCU TC, FLHTCUL, FLHTCUL TC, FLHTKL |

FENDERS, REAR (1 OF 2)

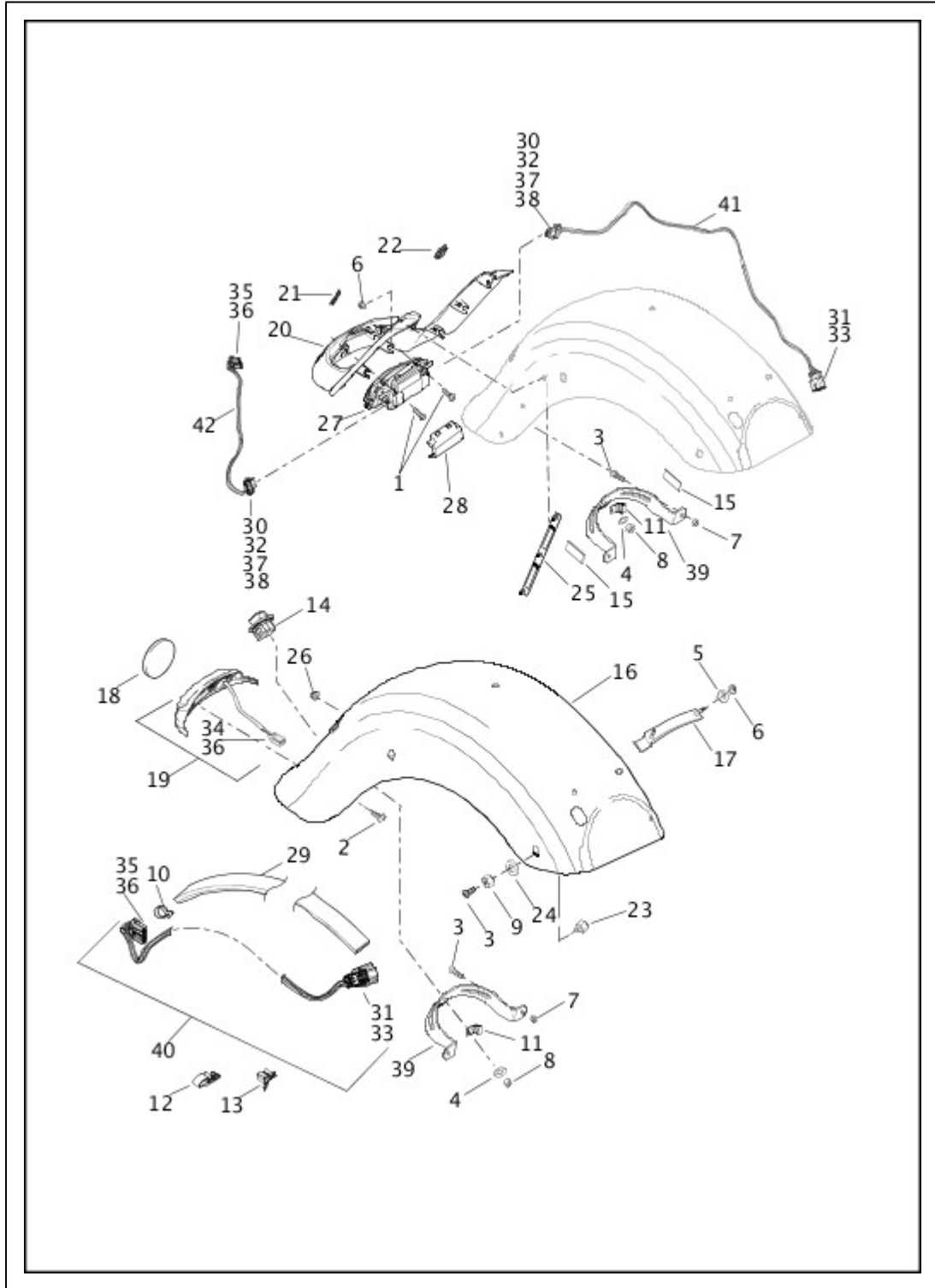


| Index No. | Part No. | Description | Model(s) |
|---|----------|-----------------------|------------------------------------|
| NOTE: Refer to the Service Section of h-dnet.com for painted part numbers. | | | |
| 1 | 2995 | SCREW (2) | FLHX, FLHXS, FLTRX, FLTRXS |
| 2 | 3612 | SCREW, (Domestic) (2) | FLHTCU, FLHTCU TC, FLHTCUL, FLHTKL |
| 3 | 3684 | SCREW (6) | |
| 4 | 6703 | WASHER | |
| 5 | 7434 | WASHER (2) | |

| | | | |
|----|-----------|--|---|
| 6 | 7499 | NUT (2) | FLHR, FLHTCU, FLHRC, FLHTK, FLHTCU TC, FLHTCUL, FLHTCUL TC, FLHTKL, FLTRX, FLTRXS |
| 6 | 7499 | NUT (8) | FLHX, FLHXS, FLTRX, FLTRXS |
| 7 | 7531 | LOCKNUT (2) | |
| 8 | 7686 | LOCKNUT | |
| 9 | 7880 | NUT (4) | |
| 10 | 10006 | CABLE STRAP | FLHR, FLHTCU, FLHRC, FLHTK, FLHTCU TC, FLHTCUL, FLHTCUL TC, FLHTKL |
| 11 | 10053 | CLAMP, (Domestic) | FLHTCU, FLHX, FLHTK, FLHXS, FLTRX, FLTRXS, FLHTCUL, FLHTKL |
| 12 | 10183 | CLIP, t-stud (Domestic) | FLHTCU, FLHTK, FLHTCUL, FLHTKL |
| 12 | 10183 | CLIP, t-stud (Canada) | FLHX, FLHXS, FLTRX, FLTRXS |
| 13 | 10184 | CLIP, t-stud | FLHR |
| 13 | 10184 | CLIP, t-stud (Canada) | FLHX, FLHXS, FLTRX, FLTRXS |
| 13 | 10184 | CLIP, t-stud (HDI) | FLHRC, FLHTK, FLHTCU TC, FLHTCUL TC, FLHTKL |
| 14 | 11687 | GROMMET, right angle (except Canada) | FLHX, FLHXS, FLTRX, FLTRXS |
| 15 | 11891 | SPACER (2) | FLHX, FLHXS, FLTRX, FLTRXS |
| 16 | 58702-09 | FENDER, rear (prime) | FLHR, FLHRC |
| | 58702-09 | FENDER, rear (prime) (HDI) | FLHTK, FLHTCU TC, FLHTCUL TC, FLHTKL |
| | 59500046 | FENDER, rear (prime) (Domestic) | FLHTCU, FLHTK, FLHTCUL, FLHTKL |
| | 59731-09 | FENDER, rear (prime) (Canada) | FLHX, FLHXS, FLTRX, FLTRXS |
| | 60575-10 | FENDER, rear (prime) (Not Canada) | FLHX, FLHXS, FLTRX, FLTRXS |
| 17 | 59174-99 | STUD PLATE | |
| 18 | 59581-05 | BUMPER, rear fender (black) (Domestic) | FLHR, FLHX, FLHXS, FLTRX, FLTRXS |
| 18 | 59581-05 | BUMPER, rear fender (black) (HDI) | FLHXS, FLTRXS |
| 18 | 59581-05 | BUMPER, rear fender (black) (Brazil) | FLHR, FLHXS, FLHTK |
| 19 | 59672-09A | LAMP ASSEMBLY, fender tip, w/ 73153-96BK & 73191-96 (Domestic) | FLHTCU, FLHTK, FLHTCUL, FLHTKL |
| 20 | 59739-09 | FASCIA, rear fender (unpainted) | FLHX, FLHXS, FLTRX, FLTRXS |
| 21 | 59749-06 | PLUG | FLHX, FLHXS, FLTRX, FLTRXS |
| 22 | 59778-06 | GROMMET | FLHX, FLHXS, FLTRX, FLTRXS |
| 23 | 59786-01 | FENDER MOUNTING BOSS, inner (4) | |
| 24 | 59788-01 | FENDER MOUNTING WASHER (4) | |

| | | | |
|----|----------|--|---------------------------------|
| 25 | 59818-09 | STUD PLATE (2) | FLHX, FLHXS, FLTRX, FLTRXS |
| 26 | 67266-94 | BUSHING, nylon, turn signal (2) | FLHR |
| 26 | 67266-94 | BUSHING, nylon, turn signal (HDI) (2) | FLHRC, FLHTK, FLHTKL, FLHTCU TC |
| 26 | 67266-94 | BUSHING, nylon, turn signal (Canada) (2) | FLHX, FLHXS, FLTRX, FLTRXS |

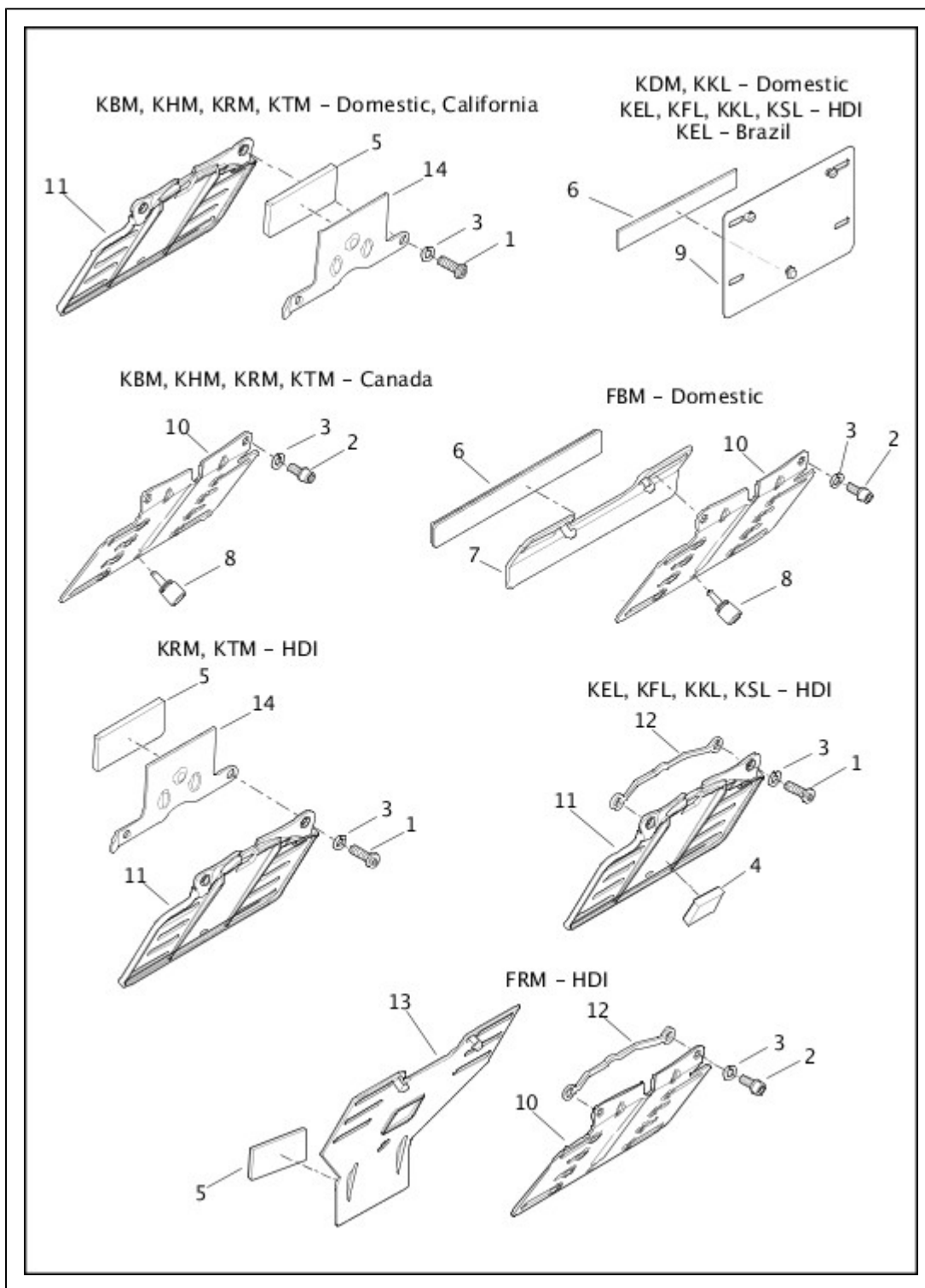
FENDERS, REAR (2 OF 2)



| Index | Part No. | Description | Model(s) |
|-------|----------|-------------|----------|
|-------|----------|-------------|----------|

| No. | | | |
|---|------------|---|--|
| NOTE: Refer to the Service Section of h-dnet.com for painted part numbers. | | | |
| 27 | 69377-10 | REAR FENDER LENS ASSEMBLY, (Canada, HDI) | FLHX, FLHXS, FLTRX, FLTRXS |
| | 59600008 | REAR FENDER LIGHT ASSEMBLY, (Domestic, California) | FLHX, FLHXS, FLTRX, FLTRXS |
| 28 | 69615-10 | SPLASH GUARD, fender tip lamp | FLHX, FLHXS, FLTRX, FLTRXS |
| 29 | 70522-06B | CONDUIT, self-adhesive | FLHR, FLHTCU, FLHRC, FLHTK, FLHTCU TC, FLHTCUL, FLHTCUL TC, FLHTKL |
| 30 | 72130-04 | SOCKET HOUSING, 12-way (Domestic, California, HDI) (black) (2) | FLHX, FLHXS, FLTRX, FLTRXS |
| 31 | 72168-07 | TERMINAL, socket, 18-20 AWG (12) | |
| 32 | 72189-04 | SEAL PIN, (Domestic, California) (9) | FLHX, FLHXS, FLTRX, FLTRXS |
| 32 | 72189-04 | SEAL PIN, (HDI) (10) | FLHX, FLHXS, FLTRX, FLTRXS |
| 33 | 72414-07BK | SOCKET HOUSING, 6-way | |
| 34 | 73153-96BK | SOCKET HOUSING, 3-place (black) | FLHTCU, FLHTK, FLHTKL |
| 35 | 73156-96BK | SOCKET HOUSING, 6-place (black) | FLHR, FLHTCU, FLHRC, FLHTK, FLHTCU TC, FLHTCUL, FLHTCUL TC, FLHTKL |
| 36 | 73191-96 | TERMINAL, socket, 16-20 gauge (2) | FLHTCU, FLHTK, FLHTCUL, FLHTKL |
| 36 | 73191-96 | TERMINAL, socket, 16-20 gauge (6) | FLHR, FLHTCU, FLHRC, FLHTK, FLHTCU TC, FLHTCUL, FLHTCUL TC, FLHTKL |
| 36 | 73191-96 | TERMINAL, socket, 16-20 gauge (12) | FLHX, FLHXS, FLTRX, FLTRXS |
| 37 | 74196-04 | TERMINAL, socket (14) | FLHX, FLHXS, FLTRX, FLTRXS |
| 38 | 74197-04 | SOCKET LOCK, secondary 12-way | FLHX, FLHXS, FLTRX, FLTRXS |
| 38 | 74197-04 | SOCKET LOCK, secondary 12-way (Canada) (2) | FLHX, FLHXS, FLTRX, FLTRXS |
| 39 | 91140-09 | BRACKET, saddlebag to fender support | |
| 40 | 69200128 | HARNESS, rear lamps, w/ 10006, 70522-06B, 73156-96BK, 73191-96, 72168-07 & 72414-07BK | FLHR, FLHTCU, FLHRC, FLHTK, FLHTCU TC, FLHTCUL, FLHTCUL TC, FLHTKL |
| 41 | 69200129 | HARNESS, rear lighting jumper, w/ 72130-04, 72168-07, 72189-04, 72414-07BK, 74196-04 & 74197-04 | FLHX, FLHXS, FLTRX, FLTRXS |
| 42 | 69200130 | HARNESS, rear lighting, jumper, w/ 72130-04, 72189-04, 73191-96, 73156-96BK, 74196-04 & 74197-04 (Canada) | FLHX, FLHXS, FLTRX, FLTRXS |

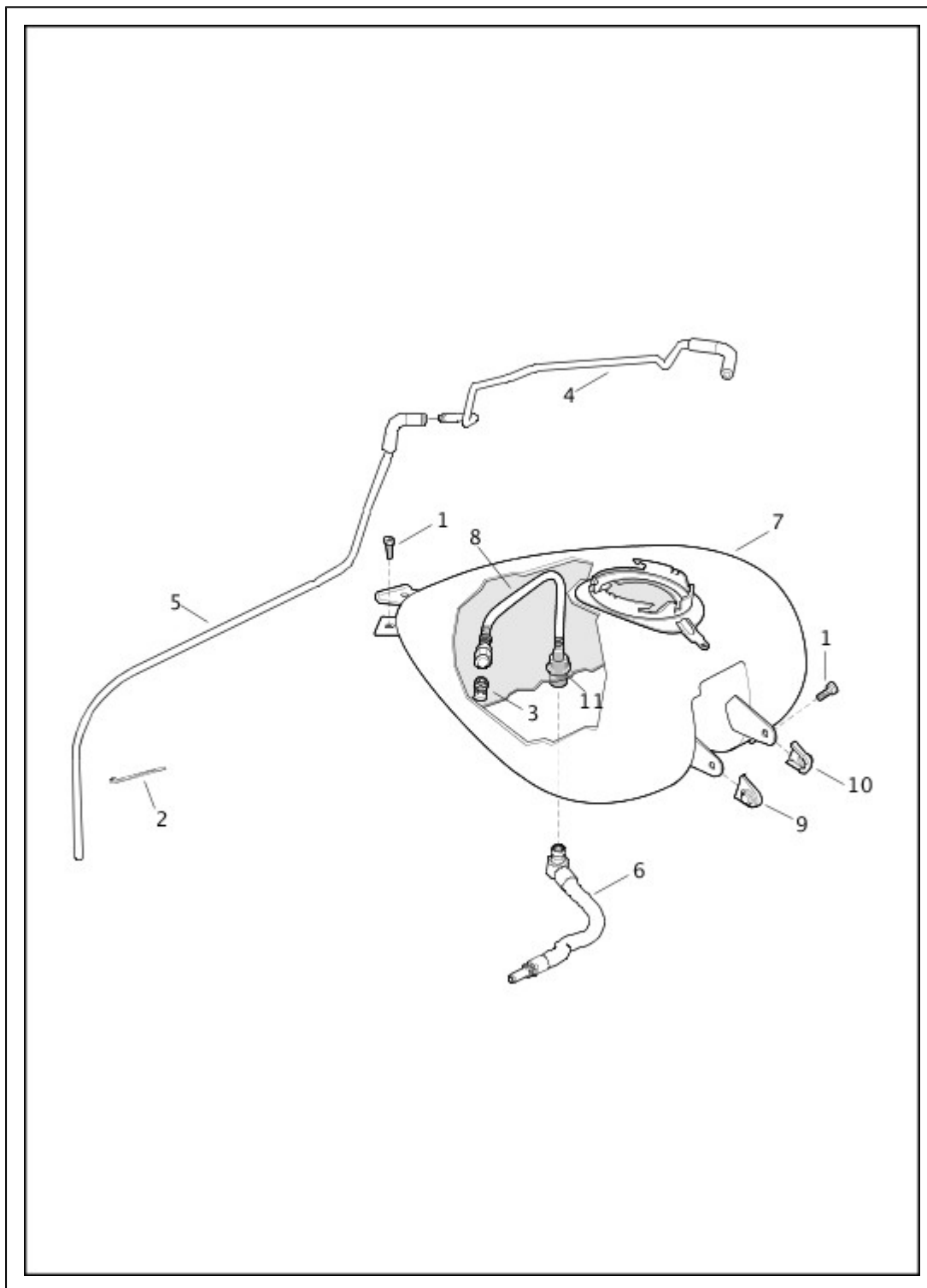
LICENSE PLATE BRACKETS



| Index No. | Part No. | Description | Model(s) |
|-----------|----------|----------------------------|--------------------------------------|
| 1 | 2446 | SCREW, (except Canada) (2) | FLHX, FLHXS, FLTRX, FLTRXS |
| 1 | 2446 | SCREW, (HDI) (2) | FLHTK, FLHTCU TC, FLHTCUL TC, FLHTKL |
| 2 | 3061 | SCREW (2) | FLHR |
| 2 | 3061 | SCREW, (Canada) (2) | FLHX, FLHXS, FLTRX, FLTRXS |
| 2 | 3061 | SCREW, (HDI) (2) | FLHRC |
| 3 | 7036 | WASHER (2) | FLHR, FLHX, FLHXS, FLTRX, FLTRXS |

| | | | |
|----|-------------|---|---|
| 3 | 7036 | WASHER, (HDI) (2) | FLHRC, FLHTK, FLHTCU TC, FLHTCUL TC, FLHTKL |
| 4 | 11576 | CUSHION, (HDI) | FLHTK, FLHTCU TC, FLHTCUL TC, FLHTKL |
| 5 | 59259-90 | REFLECTOR, red (Domestic, California) | FLHX, FLTRX, FLHXS, FLTRXS |
| 5 | 59259-90 | REFLECTOR, red (HDI) | FLHRC, FLTRX, FLHXS |
| 6 | 59988-72A | REFLECTOR, (Domestic) | FLHR, FLHTCUL, FLHTKL |
| 6 | 59988-72A | REFLECTOR, (HDI, Brazil) | FLHTK, FLHTCUL TC, FLHTKL, FLHTCU TC |
| 7 | 60907-09 | BRACKET, reflector | FLHR |
| 8 | 60909-09 | BUMPER, license plate bracket | FLHR |
| 8 | 60909-09 | BUMPER, license plate bracket (Canada) | FLHX, FLHXS, FLTRX, FLTRXS |
| 9 | 60918-10A | LICENSE PLATE BRACKET, (Domestic) | FLHTCUL, FLHTKL |
| 9 | 60918-10A | LICENSE PLATE BRACKET, (HDI) | FLHTK, FLHTCUL TC, FLHTKL, FLHTCU TC |
| 10 | 69380-09BHP | BRACKET, license plate (black) | FLHR |
| 10 | 69380-09BHP | BRACKET, license plate (Canada) (black) | FLHX, FLHXS, FLTRX, FLTRXS |
| 10 | 69380-09BHP | BRACKET, license plate (black) (HDI) | FLHRC |
| 11 | 73255-10 | BRACKET, license plate (Domestic, California) (black) | FLHX, FLHXS, FLTRX, FLTRXS |
| 11 | 73255-10 | BRACKET, license plate (HDI) (black) | FLHXS, FLTRXS, FLHTK, FLHTCU TC, FLHTCUL TC, FLHTKL |
| 12 | 12400100 | SPACER, (HDI) | FLHRC, FLHTK, FLHTCU TC, FLHTCUL TC, FLHTKL |
| 13 | 67900210 | LICENSE PLATE BRACKET, w/ 11576 & 59259-90 (HDI) | FLHRC |
| 14 | 67900213A | BRACKET, reflector (Domestic, California) (black) | FLHX, FLHXS, FLTRX, FLTRXS |
| 14 | 67900213A | BRACKET, reflector (HDI) (black) | FLHXS, FLTRXS |

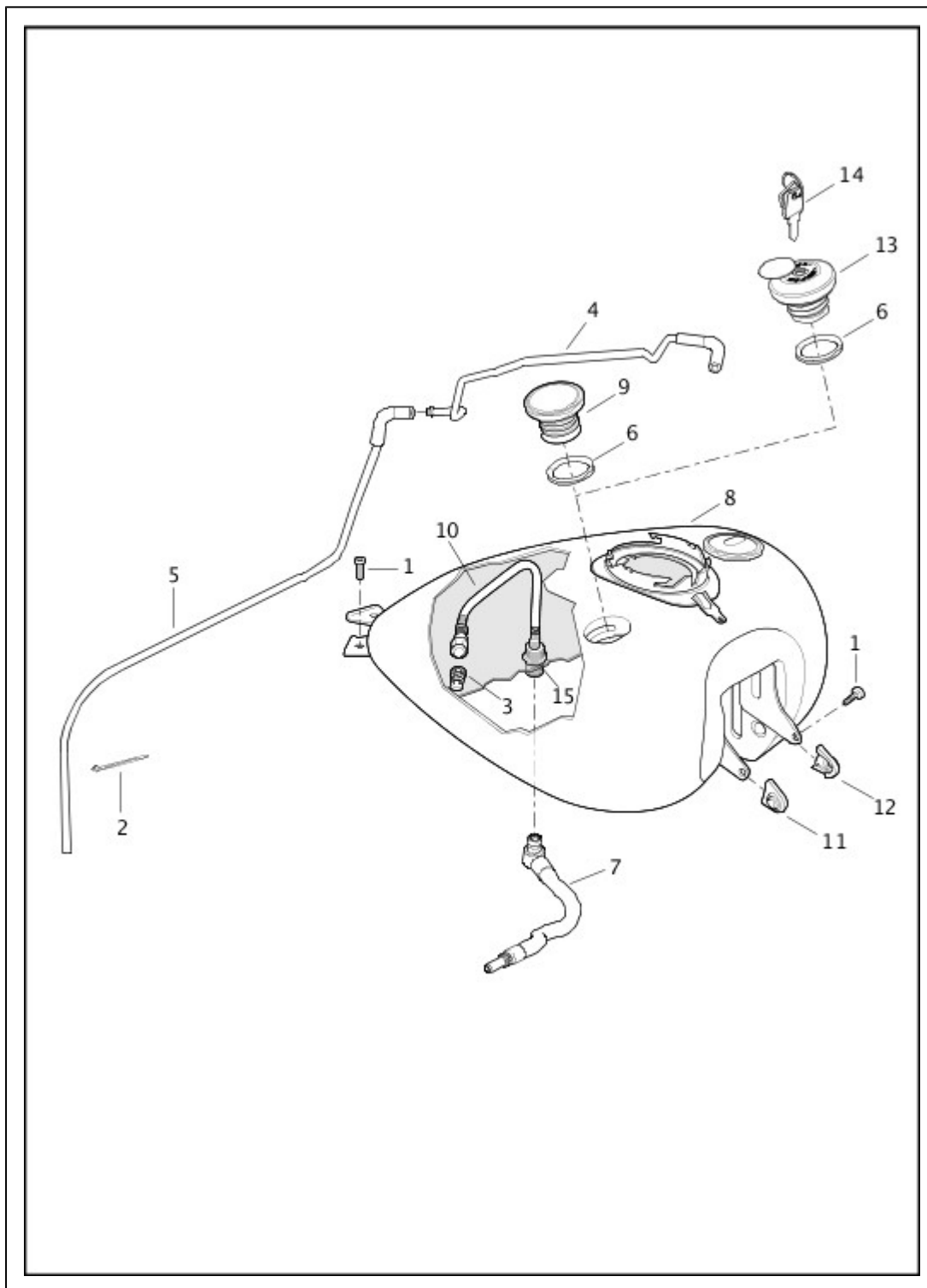
FUEL TANK - FLHTCU, FLHTCUL, FLHTK, FLHTKL, FLHX, FLHXS, FLTRX & FLTRXS



| Index No. | Part No. | Description | Model(s) |
|---|----------|------------------------------------|---|
| NOTE: Refer to the Service Section of h-dnet.com for painted part numbers. | | | |
| 1 | 3634 | SCREW (4) | FLHTCU, FLHTCU TC, FLHX, FLHTK, FLHXS, FLHTCUL, FLHTCUL TC, FLHTKL, FLTRX, FLTRXS |
| 2 | 10039 | CABLE STRAP (2) | FLHTCU, FLHTCU TC, FLHX, FLHTK, FLHXS, FLHTCUL, FLHTCUL TC, FLHTKL, FLTRX, FLTRXS |
| 3 | 10396 | RETAINER, fuel line, 3/8 (natural) | FLHTCU, FLHTCU TC, FLHX, FLHTK, FLHXS, FLHTCUL, FLHTCUL TC, FLHTKL, FLTRX, FLTRXS |
| 4 | 27291- | TUBE, evaporative line, tank | FLHTCU, FLHTCU TC, FLHX, FLHTK, FLHXS, FLHTCUL, |

| | | | |
|----|-----------|---|---|
| | 09A | | FLHTCUL TC, FLHTKL, FLTRX, FLTRXS |
| 5 | 27440-09A | TUBE, evaporative line (except California, Asia-Pacific & Brazil) | FLHTCU, FLHTCU TC, FLHX, FLHTK, FLHXS, FLHTCUL, FLHTCUL TC, FLHTKL, FLTRX, FLTRXS |
| 6 | 61208-10 | FUEL LINE KIT, tank to intake | FLHTCU, FLHTCU TC, FLHX, FLHTK, FLHXS, FLHTCUL, FLHTCUL TC, FLHTKL, FLTRX, FLTRXS |
| 7 | 61356-08 | FUEL TANK, (prime) | FLHTCU, FLHTCU TC, FLHX, FLHTK, FLHXS, FLHTCUL, FLHTCUL TC, FLHTKL, FLTRX, FLTRXS |
| 8 | 62228-08B | CHECK VALVE, assembly, w/ 10396 & 11323 | FLHTCU, FLHTCU TC, FLHX, FLHTK, FLHXS, FLHTCUL, FLHTCUL TC, FLHTKL, FLTRX, FLTRXS |
| 9 | 70901-09 | BOOT, tank bracket, right | FLHTCU, FLHTCU TC, FLHX, FLHTK, FLHXS, FLHTCUL, FLHTCUL TC, FLHTKL, FLTRX, FLTRXS |
| 10 | 70999-09 | BOOT, tank bracket, left | FLHTCU, FLHTCU TC, FLHX, FLHTK, FLHXS, FLHTCUL, FLHTCUL TC, FLHTKL, FLTRX, FLTRXS |
| 11 | 11323 | O-RING, check valve to tank | FLHTCU, FLHTCU TC, FLHX, FLHTK, FLHXS, FLHTCUL, FLHTCUL TC, FLHTKL, FLTRX, FLTRXS |

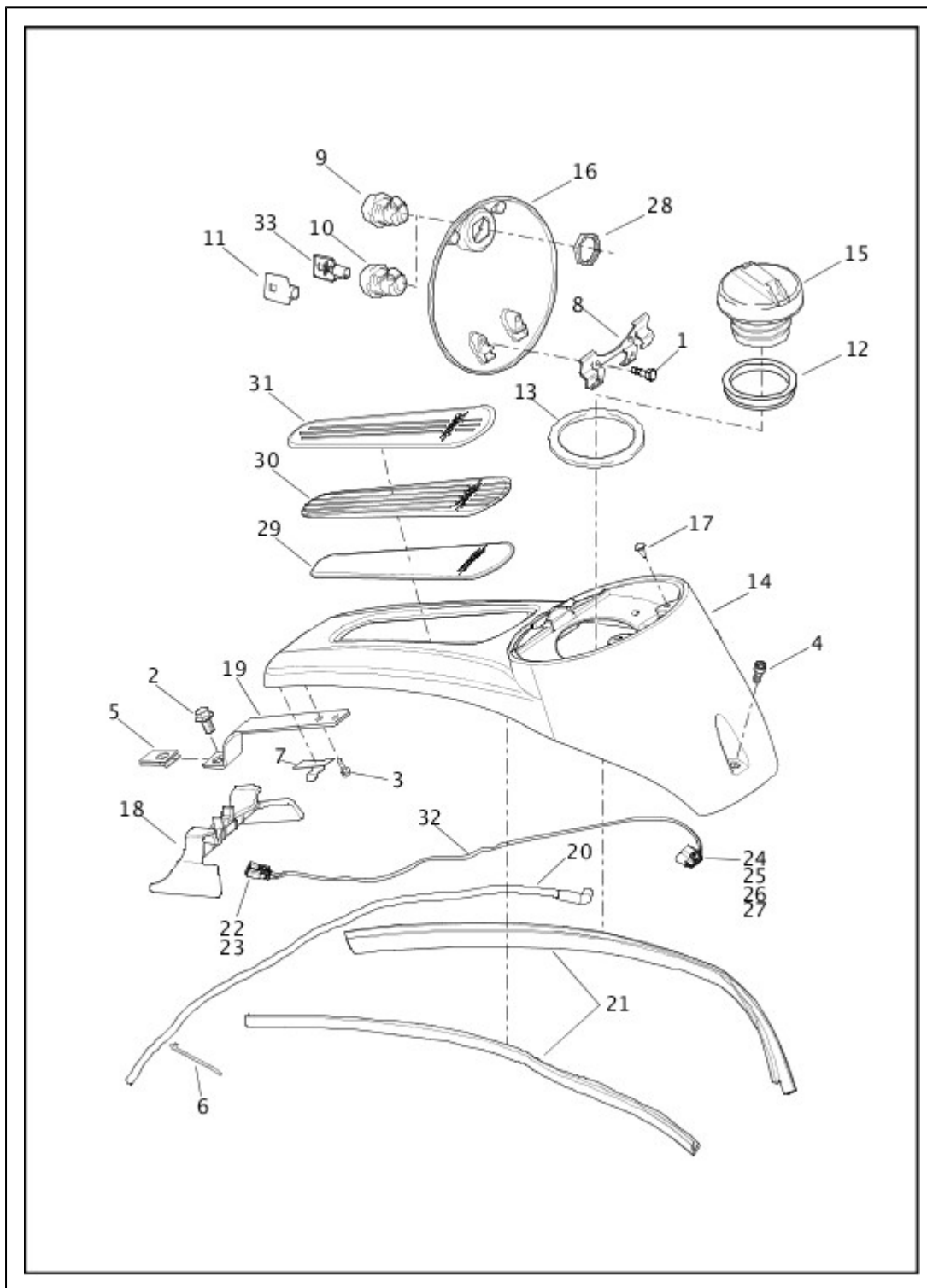
FUEL TANK - FLHR & FLHRC



| Index No. | Part No. | Description | Model(s) |
|---|-----------|---|-------------|
| NOTE: Refer to the Service Section of h-dnet.com for painted part numbers. | | | |
| 1 | 3634 | SCREW (4) | FLHR, FLHRC |
| 2 | 10039 | CABLE STRAP (2) | FLHR, FLHRC |
| 3 | 10396 | RETAINER, fuel line, 3/8 (natural) | FLHR, FLHRC |
| 4 | 27291-09A | TUBE, evaporative line, tank | FLHR, FLHRC |
| 5 | 27440-09A | TUBE, evaporative line (except California, Asia-Pacific & Brazil) | FLHR, FLHRC |

| | | | |
|----|-----------|--|-------------|
| 6 | 61109-85D | GASKET, filler cap | FLHR, FLHRC |
| 7 | 61208-10 | FUEL LINE KIT, tank to intake | FLHR, FLHRC |
| 8 | 61268-08 | FUEL TANK, (prime) | FLHR, FLHRC |
| 9 | 61272-92C | FILLER CAP ASSEMBLY, w/ 61109-85D (except Asia-Pacific & Japan) | FLHR, FLHRC |
| 10 | 62228-08B | CHECK VALVE, assembly, w/ 10396 & 11323 | FLHR, FLHRC |
| 11 | 70901-09 | BOOT, tank bracket, right | FLHR, FLHRC |
| 12 | 70999-09 | BOOT, tank bracket, left | FLHR, FLHRC |
| 13 | 61100055 | FILLER CAP KIT, locking, w/ 61109-85D & 90300093 (Asia-Pacific, Japan) | FLHRC |
| 14 | 90300093 | KEY, (set of 2) (Asia-Pacific, Japan) | FLHRC |
| 15 | 11323 | O-RING, check valve to tank | FLHR, FLHRC |

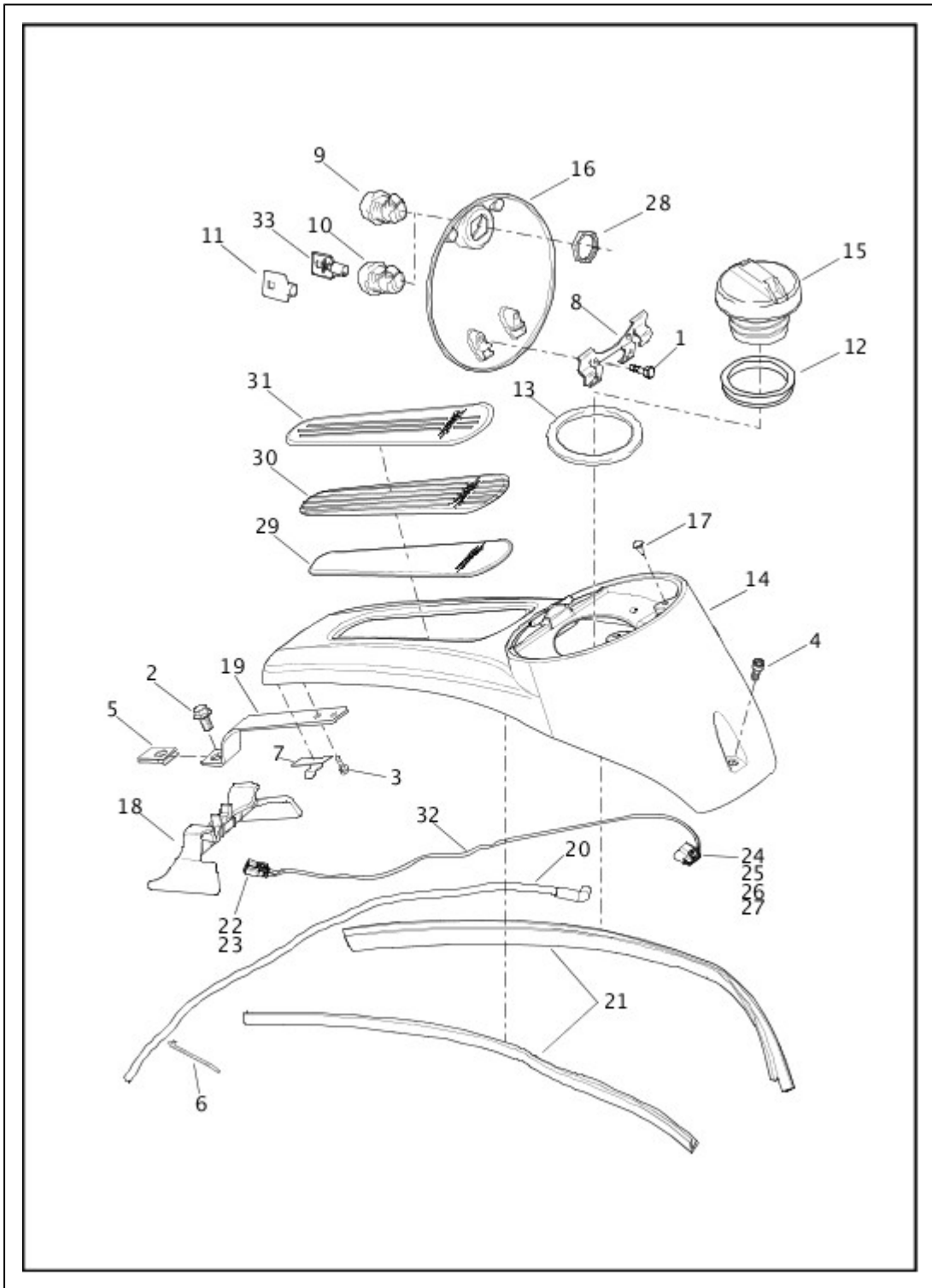
CONSOLE, FUEL TANK - FLHTCU, FLHTCUL, FLHTK, FLHTKL, FLHX, FLHXS, FLTRX & FLTRXS (1 OF 2)



| Index No. | Part No. | Description | Model(s) |
|-----------|----------|-------------|---|
| 1 | 3529 | SCREW (2) | FLHTCU, FLHTCU TC, FLHX, FLHTK, FLHXS, FLHTCUL, FLHTCUL TC, FLTRXS, FLHTKL, FLTRX |
| 2 | 3588 | SCREW | FLHTCU, FLHTCU TC, FLHX, FLHTK, FLHXS, FLHTCUL, FLHTCUL TC, FLTRXS, FLHTKL, FLTRX |
| 3 | 4194 | SCREW (2) | FLHTCU, FLHTCU TC, FLHX, FLHTK, FLHXS, FLHTCUL, FLHTCUL TC, FLTRXS, FLHTKL, FLTRX |
| 4 | 4856 | SCREW | FLHTCU, FLHTCU TC, FLHX, FLHTK, FLHXS, FLHTCUL, FLHTCUL TC, FLTRXS, FLHTKL, FLTRX |

| | | | |
|----|------------|--|---|
| 5 | 8142 | NUT, speed | FLHTCU, FLHTCU TC, FLHX, FLHTK, FLHXS, FLHTCUL, FLHTCUL TC, FLTRXS, FLHTKL, FLTRX |
| 6 | 10065 | CABLE STRAP | FLHTCU, FLHTCU TC, FLHX, FLHTK, FLHXS, FLHTCUL, FLHTCUL TC, FLTRXS, FLHTKL, FLTRX |
| 7 | 10103 | CLIP, adhesive backed (2) | FLHTCU, FLHTCU TC, FLHX, FLHTK, FLHXS, FLHTCUL, FLHTCUL TC, FLTRXS, FLHTKL, FLTRX |
| 8 | 10334 | CLIP, hinge mounting | FLHTCU, FLHTCU TC, FLHX, FLHTK, FLHXS, FLHTCUL, FLHTCUL TC, FLTRXS, FLHTKL, FLTRX |
| 9 | 53919-04A | PUSH BUTTON KIT, fuel tank, w/ 84850-92 (Domestic) | FLHTCU, FLHX, FLHTK, FLTRXS, FLHTKL, FLTRX |
| 10 | 61029-92A | LOCK, fuel tank, w/ 84850-92 (HDI) | FLHTCU TC, FLHX, FLHTK, FLTRXS, FLHTKL, FLTRX, FLHXS |
| 11 | 61081-92 | COVER, key-head (set of 2) (HDI) | FLHTCU TC, FLHX, FLHTK, FLTRXS, FLHTKL, FLTRX, FLHXS |
| 12 | 61109-85D | GASKET, filler cap | FLHTCU, FLHTCU TC, FLHX, FLHTK, FLHXS, FLHTCUL, FLHTCUL TC, FLTRXS, FLHTKL, FLTRX |
| 13 | 61112-08 | BOOT | FLHTCU, FLHTCU TC, FLHX, FLHTK, FLHXS, FLHTCUL, FLHTCUL TC, FLTRXS, FLHTKL, FLTRX |
| 14 | 61270-08 | CONSOLE ASSEMBLY, w/ hinge pin | FLHTCU, FLHTCU TC, FLHTK, FLTRXS, FLHTKL, FLTRX |
| | 69214-08 | CONSOLE ASSEMBLY, w/ hinge pin | FLHX, FLHXS, FLTRX, FLTRXS |
| 15 | 61274-92 | FUEL FILLER CAP, vacuum vented, w/ 61109-85D | FLHTCU, FLHTCU TC, FLHX, FLHTK, FLHXS, FLHTCUL, FLHTCUL TC, FLTRXS, FLHTKL, FLTRX |
| 16 | 61278-08 | DOOR, console | FLHTCU, FLHTCU TC, FLHX, FLHTK, FLHXS, FLHTCUL, FLHTCUL TC, FLTRXS, FLHTKL, FLTRX |
| 17 | 61313-88 | BUMPER, cover (2) | FLHTCU, FLHTCU TC, FLHX, FLHTK, FLHXS, FLHTCUL, FLHTCUL TC, FLTRXS, FLHTKL, FLTRX |
| 18 | 62775-08 | TRIM COVER, fuel tank | FLHTCU, FLHTCU TC, FLHX, FLHTK, FLHXS, FLHTCUL, FLHTCUL TC, FLTRXS, FLHTKL, FLTRX |
| 19 | 67493-08 | BRACKET, console mount | FLHTCU, FLHTCU TC, FLHX, FLHTK, FLHXS, FLHTCUL, FLHTCUL TC, FLTRXS, FLHTKL, FLTRX |
| 20 | 69241-08 | DRAIN HOSE, console | FLHTCU, FLHTCU TC, FLHX, FLHTK, FLHXS, FLHTCUL, FLHTCUL TC, FLTRXS, FLHTKL, FLTRX |
| 21 | 71294-08 | MOLDING, rubber (2) | FLHTCU, FLHTCU TC, FLHX, FLHTK, FLHXS, FLHTCUL, FLHTCUL TC, FLTRXS, FLHTKL, FLTRX |
| 22 | 72168-07 | TERMINAL, socket, 18-20 AWG (4) | FLHTCU, FLHTCU TC, FLHX, FLHTK, FLHXS, FLHTCUL, FLHTCUL TC, FLTRXS, FLHTKL, FLTRX |
| 23 | 72444-07GY | HOUSING, 4-way, socket (gray) | FLHTCU, FLHTCU TC, FLHX, FLHTK, FLHXS, FLHTCUL, FLHTCUL TC, FLTRXS, FLHTKL, FLTRX |
| 24 | 72485-07 | SOCKET HOUSING, 4-way | FLHTCU, FLHTCU TC, FLHX, FLHTK, FLHXS, FLHTCUL, FLHTCUL TC, FLTRXS, FLHTKL, FLTRX |
| 25 | 72493-07 | TERMINAL SOCKET, 16-18 AWG (4) | FLHTCU, FLHTCU TC, FLHX, FLHTK, FLHXS, FLHTCUL, FLHTCUL TC, FLTRXS, FLHTKL, FLTRX |

CONSOLE, FUEL TANK - FLHTCU, FLHTCUL, FLHTK, FLHTKL, FLHX, FLHXS, FLTRX & FLTRXS (2 OF 2)

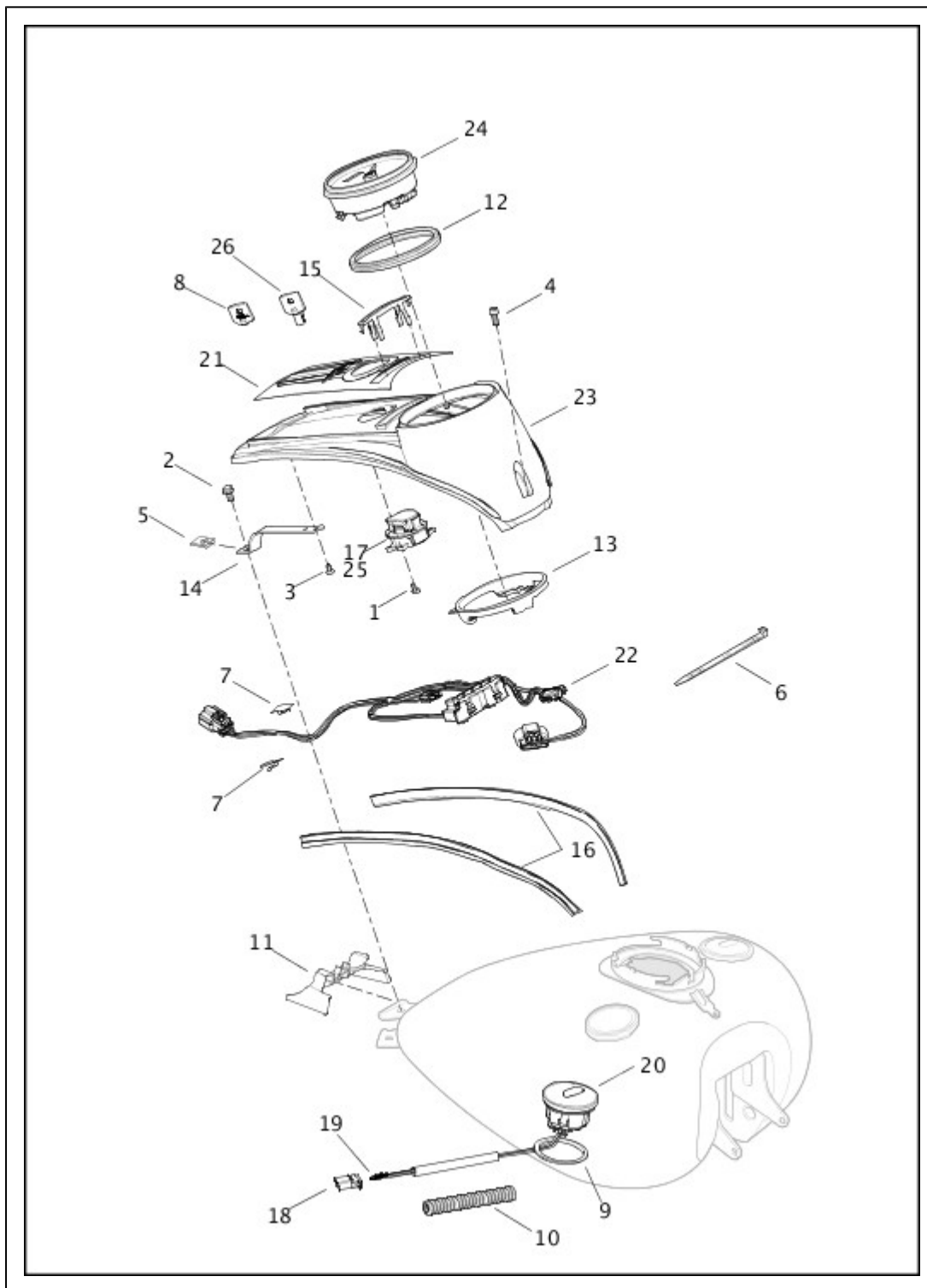


| Index No. | Part No. | Description | Model(s) |
|-----------|----------|------------------------------|---|
| 26 | 72494-07 | WIRE SEAL, 16-18 AWG (4) | FLHTCU, FLHTCU TC, FLHX, FLHTK, FLHXS, FLHTCUL, FLHTCUL TC, FLTRXS, FLHTKL, FLTRX |
| 27 | 72557-07 | SECONDARY LOCK, 4-way socket | FLHTCU, FLHTCU TC, FLHX, FLHTK, FLHXS, FLHTCUL, FLHTCUL TC, FLTRXS, FLHTKL, |

| | | | |
|----|----------|---|---|
| | | | FLTRX |
| 28 | 84850-92 | NUT | FLHTCU, FLHTCU TC, FLHX, FLHTK, FLHXS, FLHTCUL, FLHTCUL TC, FLTRXS, FLHTKL, FLTRX |
| 29 | 14100082 | INSERT, console panel | FLHX |
| 30 | 14100279 | INSERT, console panel | FLHXS |
| 31 | 14100615 | INSERT, console panel | FLTRX, FLTRXS |
| 32 | 69200125 | WIRE HARNESS, console, w/ 72168-07, 72444-07GY, 72485-07, 72493-07, 72494-07 & 72557-07 | FLHTCU, FLHTCU TC, FLHX, FLHTK, FLHXS, FLHTCUL, FLHTCUL TC, FLTRXS, FLHTKL, FLTRX |
| 33 | 90300043 | KEY, w/ 61081-92 (set of 2) (specify key number) (HDI) | FLHTCU TC, FLHX, FLHTK, FLTRXS, FLHTKL, FLTRX, FLHXS |

NOTE: See CB & INTERCOM CONTROL POD for pod and console insert for FLHTCU, FLHTCUL, FLHTK and FLHTKL models.

INSTRUMENTS, FUEL TANK - FLHR & FLHRC

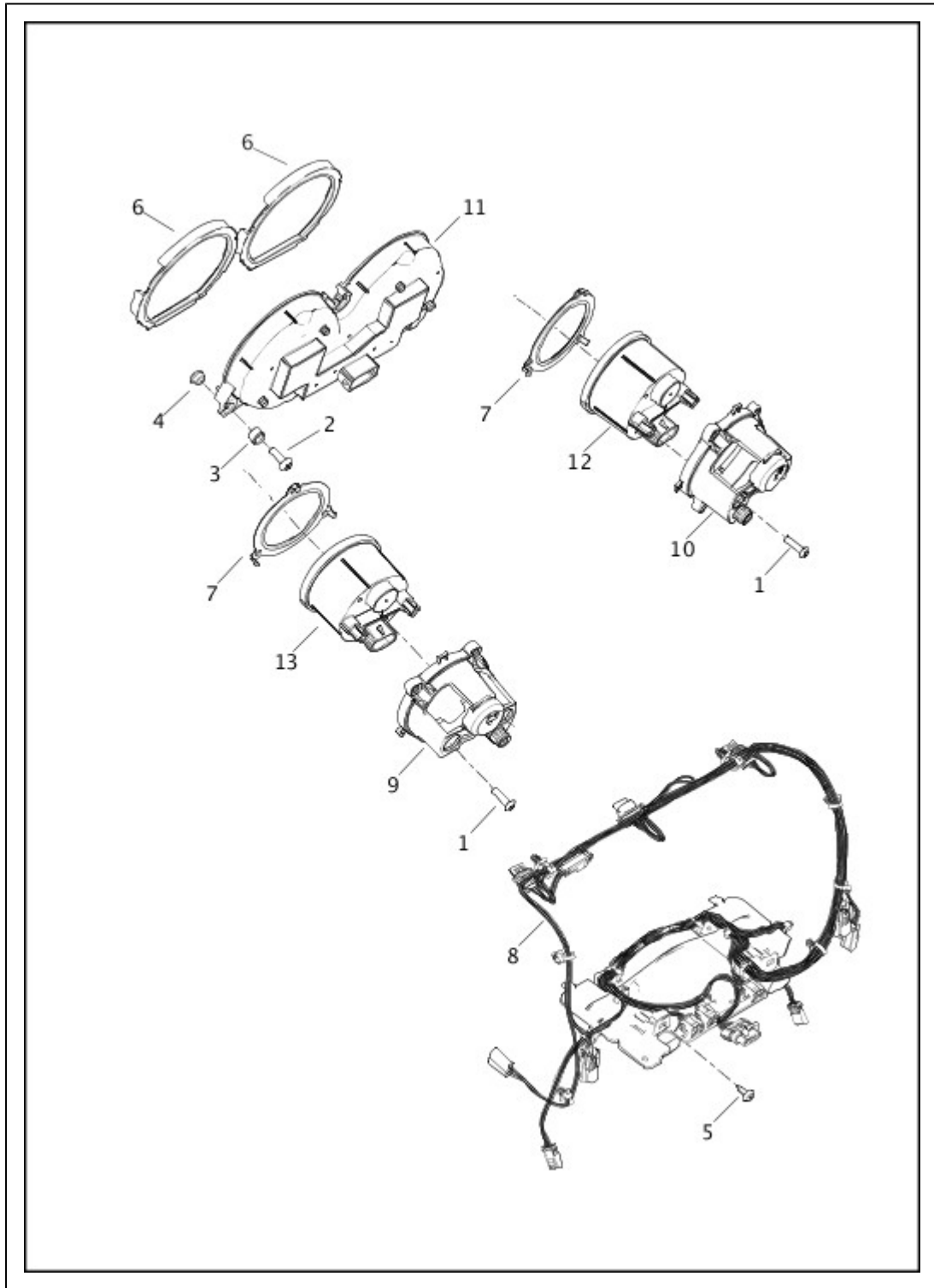


| Index No. | Part No. | Description | Model(s) |
|-----------|----------|-------------|----------------|
| 1 | 3622 | SCREW (4) | FLHR, FLHRC |
| 2 | 3588 | SCREW | FLHR, FLHRC |
| 3 | 4194 | SCREW (2) | FLHR, FLHRC |
| 4 | 4856 | SCREW | FLHR, FLHRC |

| | | | |
|----|------------|---|----------------|
| 5 | 8142 | NUT, speed | FLHR, FLHRC |
| 6 | 10065 | CABLE STRAP (2) | FLHR, FLHRC |
| 7 | 10103 | CLIP, under instrument panel (2) | FLHR, FLHRC |
| 8 | 61081-92 | COVER, key-head (set of 2) | FLHR, FLHRC |
| 9 | 61192-96A | GASKET, fuel gauge | FLHR, FLHRC |
| 10 | 62519-03 | HOSE, shield 1/4 in. I.D., 5.00 in. long, fuel gauge wires | FLHR, FLHRC |
| 11 | 62775-08 | TRIM COVER, fuel tank | FLHR, FLHRC |
| 12 | 67208-08 | SEAL, speedometer | FLHR, FLHRC |
| 13 | 67341-04B | BACK CLAMP, 5-speedo (red) | FLHR, FLHRC |
| 14 | 67493-08 | BRACKET, console mount | FLHR, FLHRC |
| 15 | 68253-08A | INDICATOR BEZEL | FLHR, FLHRC |
| 16 | 71294-08 | TRIM (2) | FLHR, FLHRC |
| 17 | 71517-11 | IGNITION SWITCH, (keyed-to-match) | FLHR, FLHRC |
| 18 | 72904-01BK | HOUSING, pin, 4-way | FLHR, FLHRC |
| 19 | 72990-01 | PIN TERMINAL (3) | FLHR, FLHRC |
| 20 | 75241-08 | FUEL GAUGE, w/o LED, w/ 72990-01 | FLHR, FLHRC |
| 21 | 14100087 | INSERT, console | FLHR, FLHRC |
| 22 | 69200124 | WIRE HARNESS, console | FLHR, FLHRC |
| 23 | 70900117 | INSTRUMENT PANEL, (chrome) | FLHR, FLHRC |
| 24 | 70900167A | SPEEDOMETER, mph (Domestic, California) | FLHR |
| | 70900168 | SPEEDOMETER, kph (FBM - Canada, FRM - HDI) | FLHR, FLHRC |
| | 70900169 | SPEEDOMETER, dual, mph/kph, (England only) | FLHRC |
| 25 | 71400010 | LOCKSET, complete w/ keys, ignition switch, cover, fork lock & saddle bag | FLHR |

| | | | |
|----|----------|--|----------------|
| | | lock | |
| | 71400011 | LOCKSET, complete w/ keys, ignition switch, cover, & fork lock | FLHRC |
| 26 | 90300043 | KEY, w/ 61081-92 (set of 2) (specify key number) | FLHR, FLHRC |

INSTRUMENTS - FLHTCU, FLHTCUL, FLHTK, FLHTKL, FLHX & FLHXS

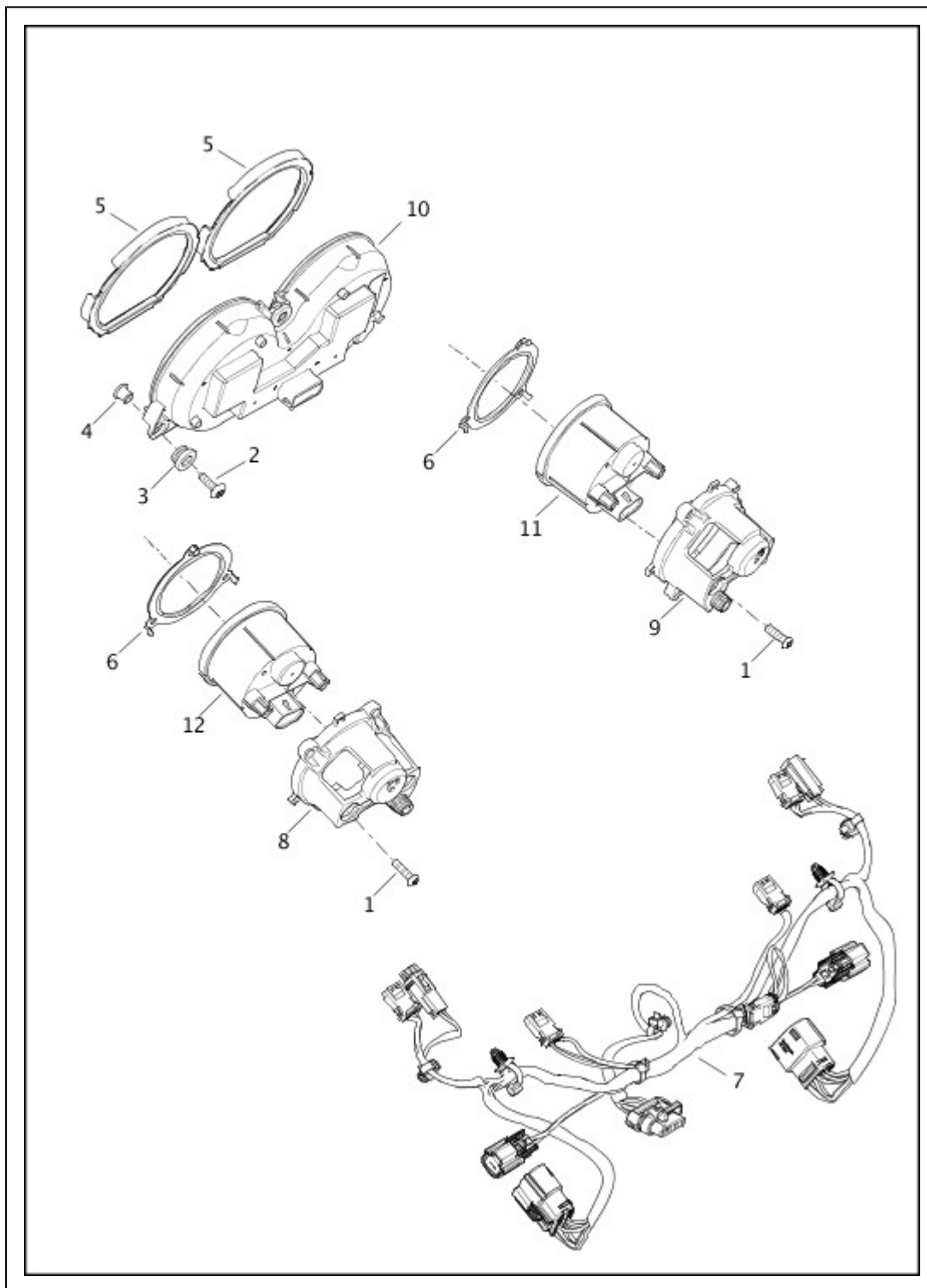


| Index No. | Part No. | Description | Model(s) |
|-----------|----------|-------------|----------|
|-----------|----------|-------------|----------|

| | | | |
|----|-----------|---|--|
| 1 | 2563 | SCREW (6) | FLHTCU, FLHX, FLHTCUL, FLHTK, FLHTCUL TC, FLHTKL, FLHXS, FLHTCU TC |
| 2 | 10200147 | SCREW (3) | FLHTCU, FLHX, FLHTCUL, FLHTK, FLHTCUL TC, FLHTKL, FLHXS, FLHTCU TC |
| 3 | 12100020 | GROMMET, instrument cluster mount (3) | FLHTCU, FLHX, FLHTCUL, FLHTK, FLHTCUL TC, FLHTKL, FLHXS, FLHTCU TC |
| 4 | 12400034 | INSERT, instrument cluster mount (3) | FLHTCU, FLHX, FLHTCUL, FLHTK, FLHTCUL TC, FLHTKL, FLHXS, FLHTCU TC |
| 5 | 12600067 | FASTENER, plastic (2) | FLHTCU, FLHX, FLHTCUL, FLHTK, FLHTCUL TC, FLHTKL, FLHXS, FLHTCU TC |
| 6 | 61400080 | GAUGE TRIM BEZEL ASSEMBLY, large (2) | FLHTCU, FLHX, FLHTCUL, FLHTK, FLHTCUL TC, FLHTKL, FLHXS, FLHTCU TC |
| 7 | 61400081 | GAUGE TRIM BEZEL ASSEMBLY, small (2) | FLHTCU, FLHX, FLHTCUL, FLHTK, FLHTCUL TC, FLHTKL, FLHXS, FLHTCU TC |
| 8 | 69200121 | WIRING HARNESS, fairing | FLHTCU, FLHX, FLHTCUL, FLHTK, FLHTCUL TC, FLHTKL, FLHXS, FLHTCU TC |
| 9 | 69200257 | BACK CLAMP, gauge, right | FLHTCU, FLHX, FLHTCUL, FLHTK, FLHTCUL TC, FLHTKL, FLHXS, FLHTCU TC |
| 10 | 69200258 | BACK CLAMP, gauge, left | FLHTCU, FLHX, FLHTCUL, FLHTK, FLHTCUL TC, FLHTKL, FLHXS, FLHTCU TC |
| 11 | 70900118A | INSTRUMENT CLUSTER, mph, w/ 12100020 & 12400034 (Domestic, California) | FLHTK, FLHTKL |
| | 70900119 | INSTRUMENT CLUSTER, kph, w/ 12100020 & 12400034 (Brazil, Canada, HDI, Australia, Japan, Asia-Pacific) | FLHTK, FLHTKL |
| | 70900120 | INSTRUMENT CLUSTER, dual - mph/kph, w/ 12100020 & 12400034 (England) | FLHTK, FLHTKL |
| | 70900121 | INSTRUMENT CLUSTER, mph, w/ 12100020 & 12400034 (Domestic, California) (black) | FLHTCU, FLHTCUL |
| | 70900122 | INSTRUMENT CLUSTER, kph, w/ 12100020 & 12400034 (Canada, HDI, Australia, Japan, Asia-Pacific) (black) | FLHTCU, FLHTCUL, FLHTCUL TC, FLHTCU TC |
| | 70900123 | INSTRUMENT CLUSTER, dual - mph/kph, w/ 12100020 & 12400034 (England) (black) | FLHTCUL TC, FLHTCU TC |
| | 70900124A | INSTRUMENT CLUSTER, mph, w/ 12100020 & 12400034 (Domestic, California) (silver) | FLHX, FLHXS |
| | 70900125 | INSTRUMENT CLUSTER, kph, w/ 12100020 & 12400034 (Brazil, Canada, HDI, Australia, Japan, | FLHX, FLHXS |

| | | | |
|----|----------|--|---|
| | | Asia-Pacific) (silver) | |
| | 70900126 | INSTRUMENT CLUSTER, dual - mph/kph, w/ 12100020 & 12400034 (England) (silver) | FLHXS |
| 12 | 70900161 | FUEL GAUGE | FLHTK, FLHTKL |
| | 70900162 | FUEL GAUGE, (black) | FLHTCU, FLHTCUL, FLHTCUL TC, FLHTCU TC |
| | 70900163 | FUEL GAUGE, (silver) | FLHX, FLHXS |
| 13 | 70900164 | VOLTMETER | FLHTK, FLHTKL |
| | 70900165 | VOLTMETER, (black) | FLHTCU, FLHTCUL, FLHTCUL TC, FLHTCU TC |
| | 70900166 | VOLTMETER, (silver) | FLHX, FLHXS |

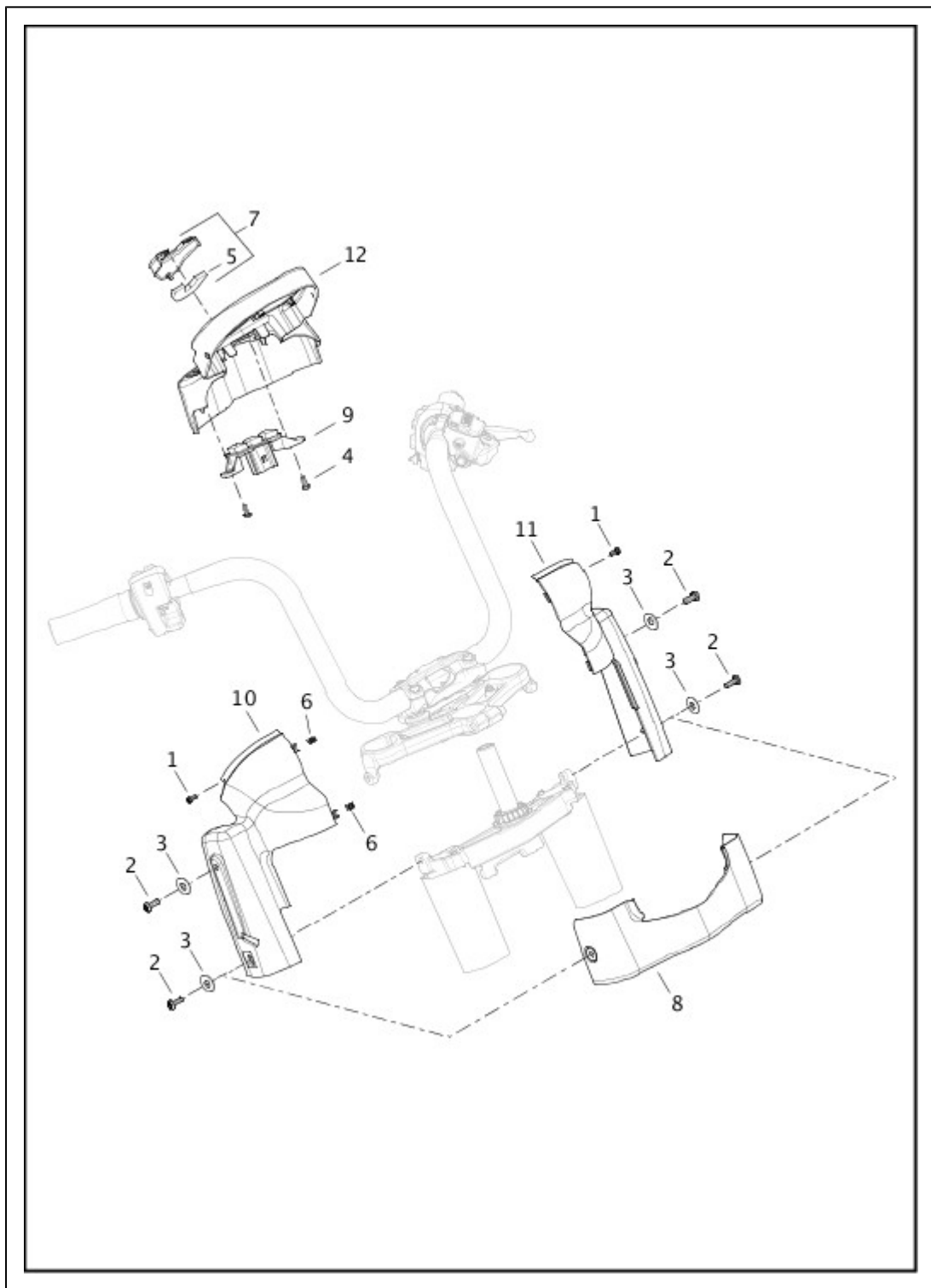
INSTRUMENTS - FLTRX & FLTRXS



| Index No. | Part No. | Description | Model(s) |
|-----------|----------|---------------------------------------|------------------|
| 1 | 2563 | SCREW (6) | FLTRX, FLTRXS |
| 2 | 10200147 | SCREW (3) | FLTRX, FLTRXS |
| 3 | 12100020 | GROMMET, instrument cluster mount (3) | FLTRX, FLTRXS |
| 4 | 12400034 | INSERT, instrument cluster mount (3) | FLTRX, FLTRXS |

| | | | |
|----|-----------|---|------------------|
| 5 | 61400080 | GAUGE TRIM BEZEL ASSEMBLY, large (2) | FLTRX, FLTRXS |
| 6 | 61400081 | GAUGE TRIM BEZEL ASSEMBLY, small (2) | FLTRX, FLTRXS |
| 7 | 69200122 | WIRING HARNESS - FAIRING | FLTRX, FLTRXS |
| 8 | 69200257 | BACK CLAMP, gauge, right | FLTRX, FLTRXS |
| 9 | 69200258 | BACK CLAMP, gauge, left | FLTRX, FLTRXS |
| 10 | 70900124A | INSTRUMENT CLUSTER, mph, w/ 12100020 & 12400034 (Domestic, California) | FLTRX, FLTRXS |
| | 70900125 | INSTRUMENT CLUSTER, kph, w/ 12100020 & 12400034 (Canada, HDI, Australia, Japan, Asia-Pacific) | FLTRXS |
| | 70900126 | INSTRUMENT CLUSTER, dual - mph/kph, w/ 12100020 & 12400034 (England) | FLTRXS |
| 11 | 70900163 | FUEL GAUGE | FLTRX, FLTRXS |
| 12 | 70900166 | VOLTMETER | FLTRX, FLTRXS |

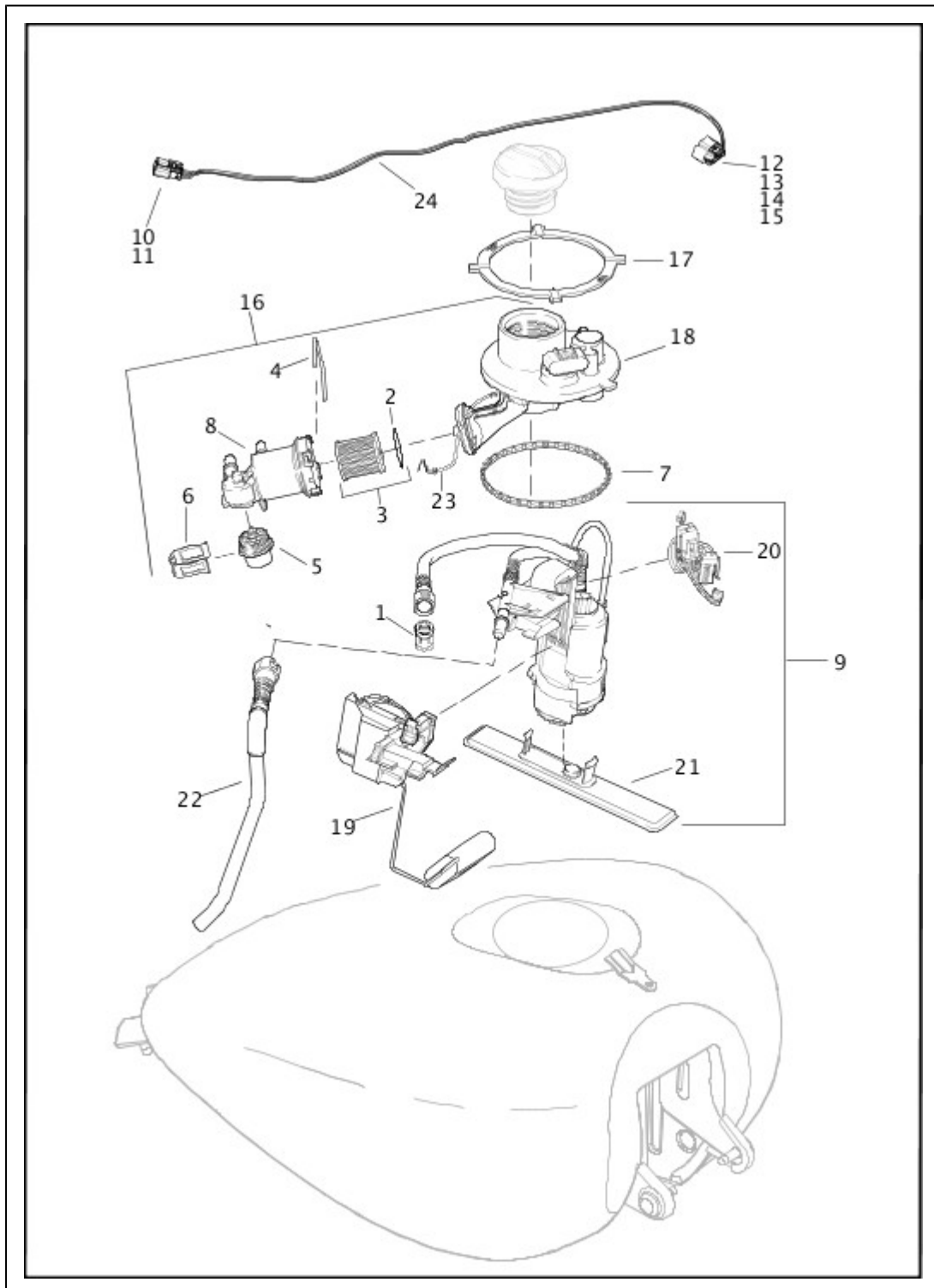
INSTRUMENT HOUSING - FLTRX & FLTRXS



| Index No. | Part No. | Description | Model(s) |
|-----------|----------|--|---------------|
| 1 | 3152 | SCREW (2) | FLTRX, FLTRXS |
| 2 | 3676 | SCREW (4) | FLTRX, FLTRXS |
| 3 | 6333 | WASHER (4) | FLTRX, FLTRXS |
| 4 | 10200205 | SCREW (4) | FLTRX, FLTRXS |
| 5 | 11100152 | FOAM PAD, ignition switch | FLTRX, FLTRXS |
| 6 | 12200025 | CLIP (2) | FLTRX, FLTRXS |
| 7 | 25700489 | COVER ASSEMBLY, ignition switch, w/ 11100152 | FLTRX, FLTRXS |

| | | | |
|----|----------|---------------------------------|---------------|
| 8 | 57000412 | SKIRT, front (chrome) | FLTRX |
| | 57000508 | SKIRT, front (unpainted) | FLTRXS |
| 9 | 70900138 | HOLE PLUG (2) | FLTRX, FLTRXS |
| 10 | 70900372 | HOUSING ASSEMBLY, right (prime) | FLTRX, FLTRXS |
| 11 | 70900373 | HOUSING ASSEMBLY, left (prime) | FLTRX, FLTRXS |
| 12 | 70900374 | HOUSING COVER, (prime) | FLTRX, FLTRXS |

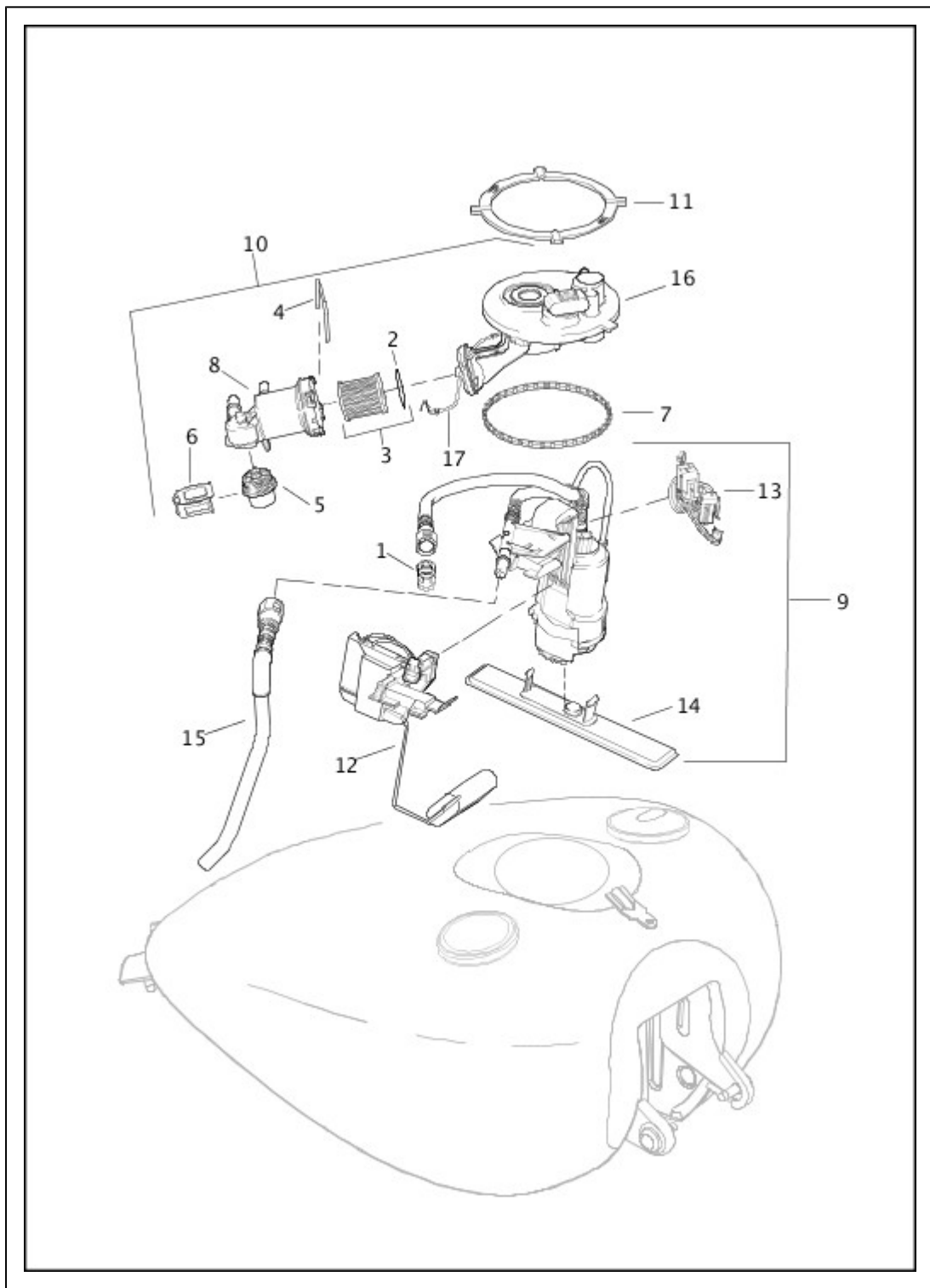
FUEL PUMP - FLHTCU, FLHTCUL, FLHTK, FLHTKL, FLHX, FLHXS, FLTRX & FLTRXS



| Index No. | Part No. | Description | Model(s) |
|-----------|------------|--|---|
| 1 | 10395 | RETAINER, fuel line, 5/16 (black) | FLHTCU, FLHTCU TC, FLHX, FLHTK, FLHXS, FLHTCUL, FLHTCUL TC, FLTRXS, FLHTKL, FLTRX |
| 2 | 11686 | O-RING | FLHTCU, FLHTCU TC, FLHX, FLHTK, FLHXS, FLHTCUL, FLHTCUL TC, FLTRXS, FLHTKL, FLTRX |
| 3 | 61011-04A | FUEL FILTER KIT, w/ 11686 | FLHTCU, FLHTCU TC, FLHX, FLHTK, FLHXS, FLHTCUL, FLHTCUL TC, FLTRXS, FLHTKL, FLTRX |
| 4 | 61012-04A | CLIP, filter retainer | FLHTCU, FLHTCU TC, FLHX, FLHTK, FLHXS, FLHTCUL, FLHTCUL TC, FLTRXS, FLHTKL, FLTRX |
| 5 | 61015-04A | FUEL REGULATOR ASSEMBLY KIT, w/ o-rings, spacer & screen | FLHTCU, FLHTCU TC, FLHX, FLHTK, FLHXS, FLHTCUL, FLHTCUL TC, FLTRXS, FLHTKL, FLTRX |
| 6 | 61213-04A | CLIP, regulator retainer | FLHTCU, FLHTCU TC, FLHX, FLHTK, FLHXS, FLHTCUL, FLHTCUL TC, FLTRXS, FLHTKL, FLTRX |
| 7 | 61402-08 | GASKET, top plate | FLHTCU, FLHTCU TC, FLHX, FLHTK, FLHXS, FLHTCUL, FLHTCUL TC, FLTRXS, FLHTKL, FLTRX |
| 8 | 62229-08B | FILTER SHELL | FLHTCU, FLHTCU TC, FLHX, FLHTK, FLHXS, FLHTCUL, FLHTCUL TC, FLTRXS, FLHTKL, FLTRX |
| 9 | 62908-08 | PUMP ASSEMBLY, fuel, w/ 10395, 75229-08 & 75254-04A | FLHTCU, FLHTCU TC, FLHX, FLHTK, FLHXS, FLHTCUL, FLHTCUL TC, FLTRXS, FLHTKL, FLTRX |
| 10 | 72168-07 | TERMINAL, socket, 18-20 AWG (4) | FLHTCU, FLHTCU TC, FLHX, FLHTK, FLHXS, FLHTCUL, FLHTCUL TC, FLTRXS, FLHTKL, FLTRX |
| 11 | 72444-07GY | HOUSING, 4-way, socket (gray) | FLHTCU, FLHTCU TC, FLHX, FLHTK, FLHXS, FLHTCUL, FLHTCUL TC, FLTRXS, FLHTKL, FLTRX |
| 12 | 72485-07 | SOCKET HOUSING, 4-way | FLHTCU, FLHTCU TC, FLHX, FLHTK, FLHXS, FLHTCUL, FLHTCUL TC, FLTRXS, FLHTKL, FLTRX |
| 13 | 72493-07 | TERMINAL SOCKET, 16-18 AWG (4) | FLHTCU, FLHTCU TC, FLHX, FLHTK, FLHXS, FLHTCUL, FLHTCUL TC, FLTRXS, FLHTKL, FLTRX |
| 14 | 72494-07 | WIRE SEAL, 16-18 AWG (4) | FLHTCU, FLHTCU TC, FLHX, FLHTK, FLHXS, FLHTCUL, FLHTCUL TC, FLTRXS, FLHTKL, FLTRX |
| 15 | 72557-07 | SECONDARY LOCK, 4-way socket | FLHTCU, FLHTCU TC, FLHX, FLHTK, FLHXS, FLHTCUL, FLHTCUL TC, FLTRXS, FLHTKL, FLTRX |

| | | | |
|----|-----------|---|---|
| 16 | 75069-08C | TOP PLATE ASSEMBLY, w/ 3, 4, 5, 6, 8, 18 & 23 | FLHTCU, FLHTCU TC, FLHX, FLHTK, FLHXS, FLHTCUL, FLHTCUL TC, FLTRXS, FLHTKL, FLTRX |
| 17 | 75089-08 | RING, fuel tank, cam | FLHTCU, FLHTCU TC, FLHX, FLHTK, FLHXS, FLHTCUL, FLHTCUL TC, FLTRXS, FLHTKL, FLTRX |
| 18 | 75147-08B | TOP PLATE | FLHTCU, FLHTCU TC, FLHX, FLHTK, FLHXS, FLHTCUL, FLHTCUL TC, FLTRXS, FLHTKL, FLTRX |
| 19 | 75205-08A | FUEL LEVEL SENDER | FLHTCU, FLHTCU TC, FLHX, FLHTK, FLHXS, FLHTCUL, FLHTCUL TC, FLTRXS, FLHTKL, FLTRX |
| 20 | 75229-08 | HARNESS, fuel pump module | FLHTCU, FLHTCU TC, FLHX, FLHTK, FLHXS, FLHTCUL, FLHTCUL TC, FLTRXS, FLHTKL, FLTRX |
| 21 | 75254-04A | STRAINER, fuel pump inlet | FLHTCU, FLHTCU TC, FLHX, FLHTK, FLHXS, FLHTCUL, FLHTCUL TC, FLTRXS, FLHTKL, FLTRX |
| 22 | 75269-08 | TRANSFER TUBE, fuel pump | FLHTCU, FLHTCU TC, FLHX, FLHTK, FLHXS, FLHTCUL, FLHTCUL TC, FLTRXS, FLHTKL, FLTRX |
| 23 | 75322-09 | GROUND HARNESS | FLHTCU, FLHTCU TC, FLHX, FLHTK, FLHXS, FLHTCUL, FLHTCUL TC, FLTRXS, FLHTKL, FLTRX |
| 24 | 69200125 | WIRE HARNESS, console, w/ 72168-07, 72444-07GY, 72485-07, 72493-07, 72494-07 & 72557-07 | FLHTCU, FLHTCU TC, FLHX, FLHTK, FLHXS, FLHTCUL, FLHTCUL TC, FLTRXS, FLHTKL, FLTRX |

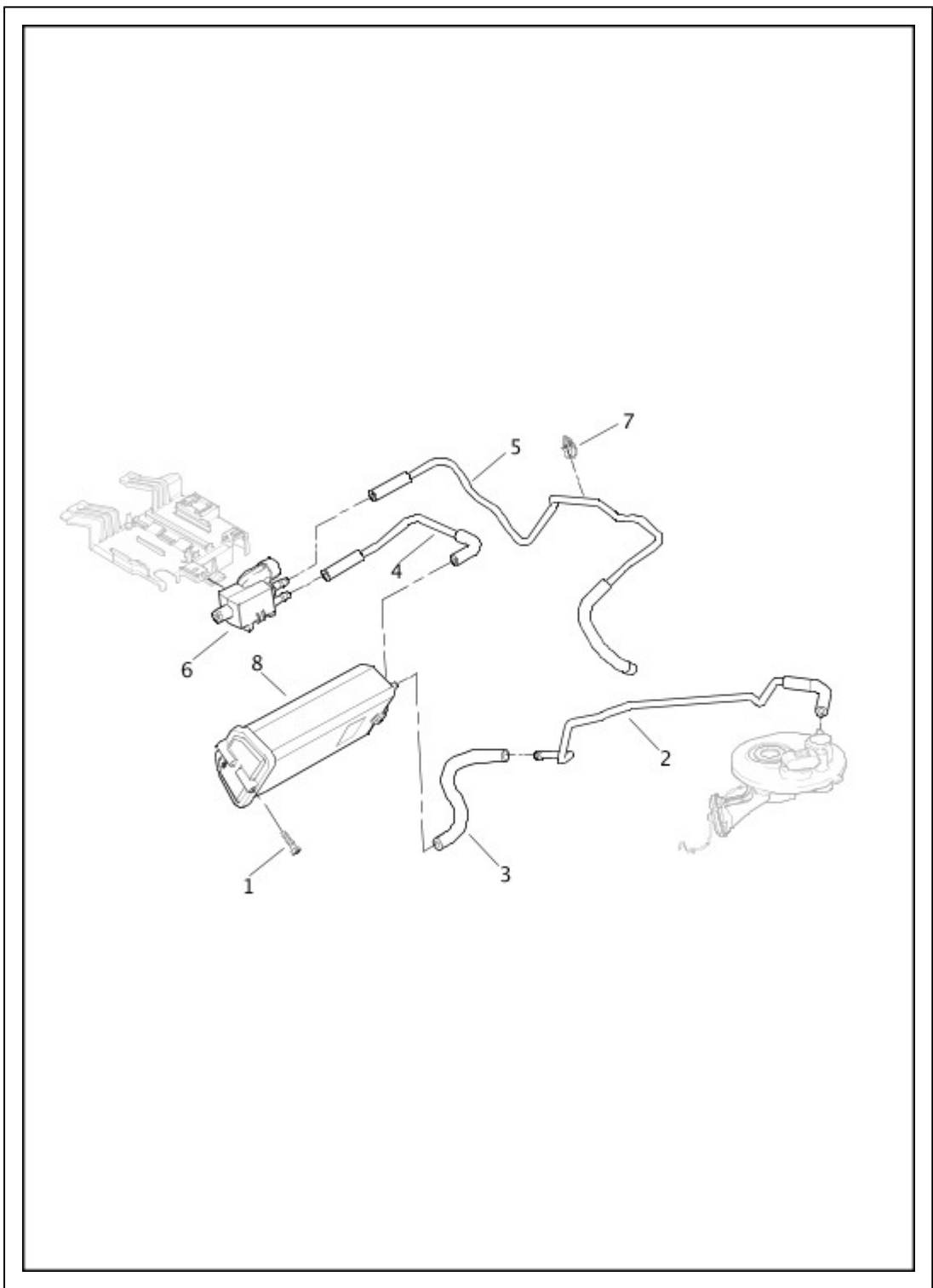
FUEL PUMP - FLHR & FLHRC



| Index No. | Part No. | Description | Model(s) |
|-----------|-----------|--|-------------|
| 1 | 10395 | RETAINER, fuel line, 5/16 (black) | FLHR, FLHRC |
| 2 | 11686 | O-RING | FLHR, FLHRC |
| 3 | 61011-04A | FUEL FILTER KIT, w/ 11686 | FLHR, FLHRC |
| 4 | 61012-04A | CLIP, filter retainer | FLHR, FLHRC |
| 5 | 61015-04A | FUEL REGULATOR ASSEMBLY KIT, w/ o-rings, spacer & screen | FLHR, FLHRC |
| 6 | 61213-04A | CLIP, regulator retainer | FLHR, FLHRC |
| 7 | 61402-08 | GASKET, top plate | FLHR, FLHRC |

| | | | |
|----|-----------|---|-------------|
| 8 | 62229-08B | FILTER SHELL | FLHR, FLHRC |
| 9 | 62908-08 | PUMP ASSEMBLY, fuel, w/ 10395, 75229-08 & 75254-04A | FLHR, FLHRC |
| 10 | 75076-08B | TOP PLATE ASSEMBLY, w/ 3, 4, 5, 6, 8, 16 & 17 | FLHR, FLHRC |
| 11 | 75089-08 | RING, fuel tank, cam | FLHR, FLHRC |
| 12 | 75205-08A | FUEL LEVEL SENDER | FLHR, FLHRC |
| 13 | 75229-08 | HARNESS, fuel pump module | FLHR, FLHRC |
| 14 | 75254-04A | STRAINER, fuel pump inlet | FLHR, FLHRC |
| 15 | 75269-08 | TRANSFER TUBE, fuel pump | FLHR, FLHRC |
| 16 | 75291-08A | TOP PLATE | FLHR, FLHRC |
| 17 | 75322-09 | GROUND HARNESS | FLHR, FLHRC |

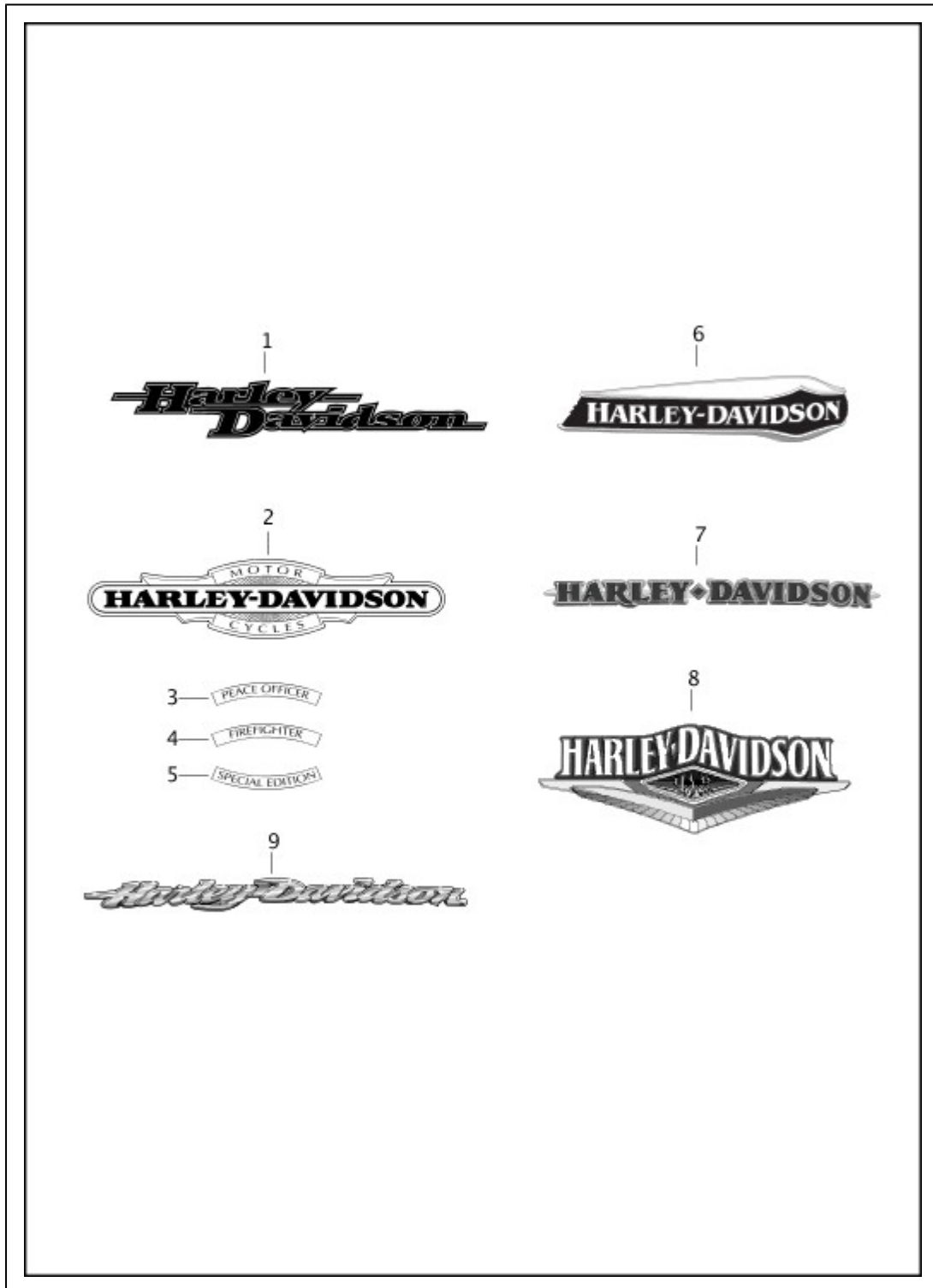
EVAPORATIVE EMISSIONS COMPONENTS



| Index No. | Part No. | Description | Model(s) |
|---|-----------|------------------------------------|----------|
| NOTE: These parts are required for motorcycles sold in Asia-Pacific markets. | | | |
| 1 | 4612 | SCREW (2) | |
| 2 | 27291-09A | EVAP LINE, tank | |
| 3 | 27297-09A | EVAP LINE, canister | |
| 4 | 27298-09A | EVAP LINE, purge to canister | |
| 5 | 27439-09A | TUBE, solenoid to induction module | |
| 6 | 27715-07 | SOLENOID, purge valve | |

| | | | |
|---|----------|-----------------|--|
| 7 | 70681-09 | RETAINER | |
| 8 | 60800006 | CARBON CANISTER | |

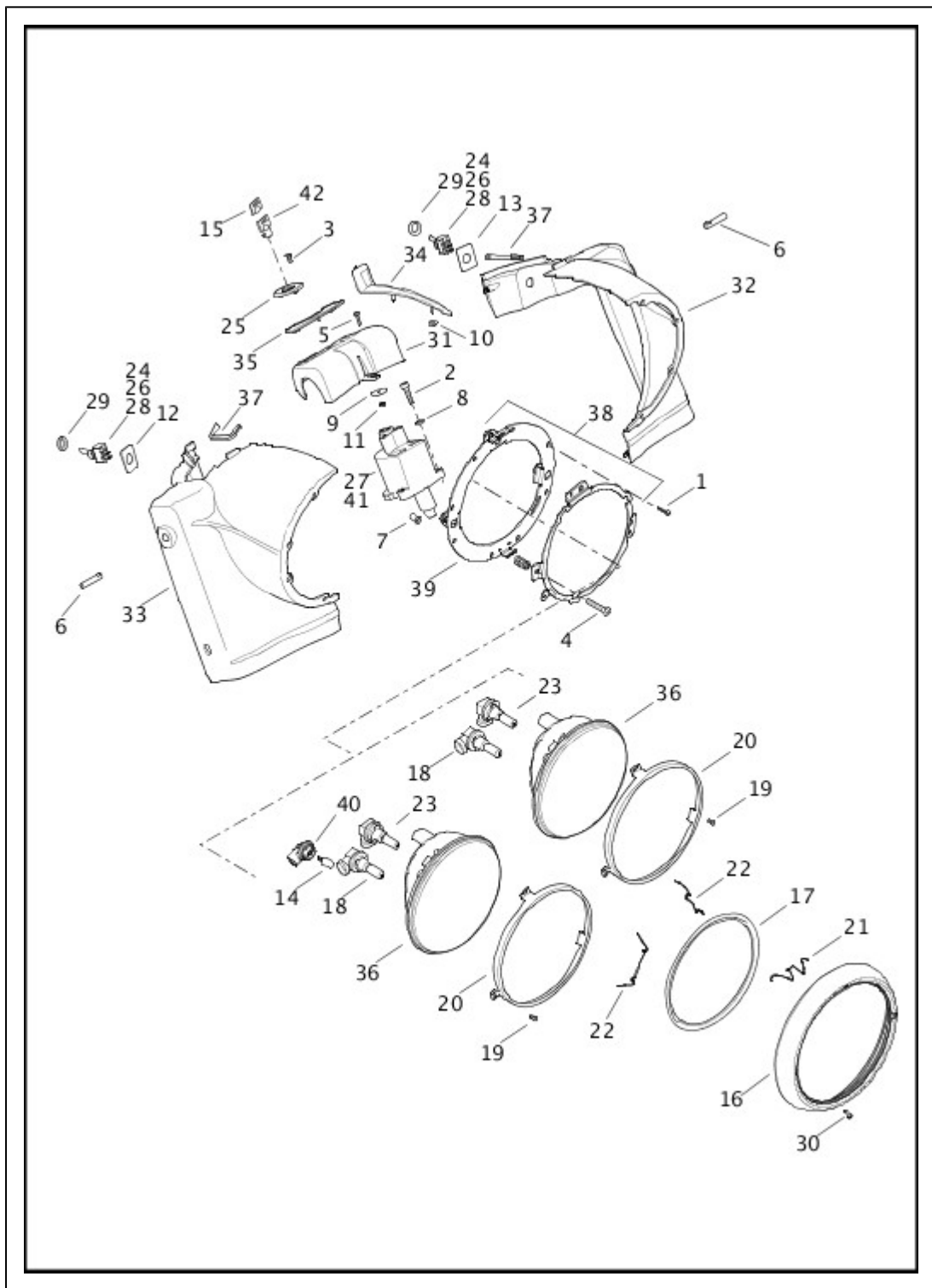
FUEL TANK TRIM



| Index No. | Part No. | Description | Model(s) |
|---|----------|---|-------------|
| NOTE: Refer to the Service Section of h-dnet.com for painted part numbers. | | | |
| 1 | 62435-11 | MEDALLION, left (for vivid black, mysterious red sunglo, charcoal satin, superior | FLHX, FLHXS |

| | | | |
|---|----------|--|---|
| | | blue, brilliant silver pearl, amber whiskey, charcoal pearl, morocco gold pearl, black denim, deep jade pearl tanks) | |
| | 62437-11 | MEDALLION, right (for vivid black, mysterious red sunglo, charcoal satin, superior blue, brilliant silver pearl, amber whiskey, charcoal pearl, morocco gold pearl, black denim, deep jade pearl tanks) | FLHX, FLHXS |
| 2 | 62152-08 | MEDALLION, fuel tank, left | FLHTK, FLHTKL |
| | 62153-08 | MEDALLION, fuel tank, right | FLHTK, FLHTKL |
| 3 | 62241-08 | INSERT, PEACE OFFICER (2) | FLHTK, FLHTKL |
| 4 | 62242-08 | INSERT, FIREFIGHTER (2) | FLHTK, FLHTKL |
| 5 | 62243-08 | INSERT, SPECIAL EDITION (2) | FLHTK, FLHTKL |
| 6 | 14100073 | MEDALLION, right (for vivid black, brilliant silver pearl, mysterious red sunglo, 2-tone mysterious red sunglo/blackened cayenne sunglo, 2-tone white hot pearl/blue hot pearl, 2-tone amber whiskey/charcoal pearl tanks) | FLHTCU, FLHTCU TC, FLHTCUL, FLHTCUL TC |
| | 14100074 | MEDALLION, left (for vivid black, brilliant silver pearl, mysterious red sunglo, 2-tone mysterious red sunglo/blackened cayenne sunglo, 2-tone white hot pearl/blue hot pearl, 2-tone amber whiskey/charcoal pearl tanks) | FLHTCU, FLHTCU TC, FLHTCUL, FLHTCUL TC |
| 7 | 14100075 | MEDALLION, right (for vivid black, superior blue, 2-tone brilliant silver pearl/vivid black, 2-tone amber whiskey/vivid black, 2-tone mysterious red sunglo/blackened cayenne sunglo, 2-tone deep jade pearl/vivid black tanks) | FLHTK, FLHTKL |
| | 14100076 | MEDALLION, left (for vivid black, superior blue, 2-tone brilliant silver pearl/vivid black, 2-tone amber whiskey/vivid black, 2-tone mysterious red sunglo/blackened cayenne sunglo, 2-tone deep jade pearl/vivid black tanks) | FLHTK, FLHTKL |
| 8 | 14100079 | MEDALLION, right (for vivid black, morocco gold pearl, superior blue, 2-tone brilliant silver pearl/vivid black, 2-tone mysterious red sunglo/blackened cayenne sunglo, 2-tone deep jade pearl/vivid black, 2-tone white hot pearl/blue hot pearl tanks) | FLHR, FLHRC |
| | 14100080 | MEDALLION, left (for vivid black, morocco gold pearl, superior blue, 2-tone brilliant silver pearl/vivid black, 2-tone mysterious red sunglo/blackened cayenne sunglo, 2-tone deep jade pearl/vivid black, 2-tone white hot pearl/blue hot pearl tanks) | FLHR, FLHRC |
| 9 | 14100587 | MEDALLION, right (for vivid black, amber whiskey, mysterious red sunglo, black denim, superior blue tanks) | FLTRX, FLTRXS |
| | 14100588 | MEDALLION, left (for vivid black, amber whiskey, mysterious red sunglo, black denim, superior blue tanks) | FLTRX, FLTRXS |

NACELLE & HEADLAMP - FLHR & FLHRC

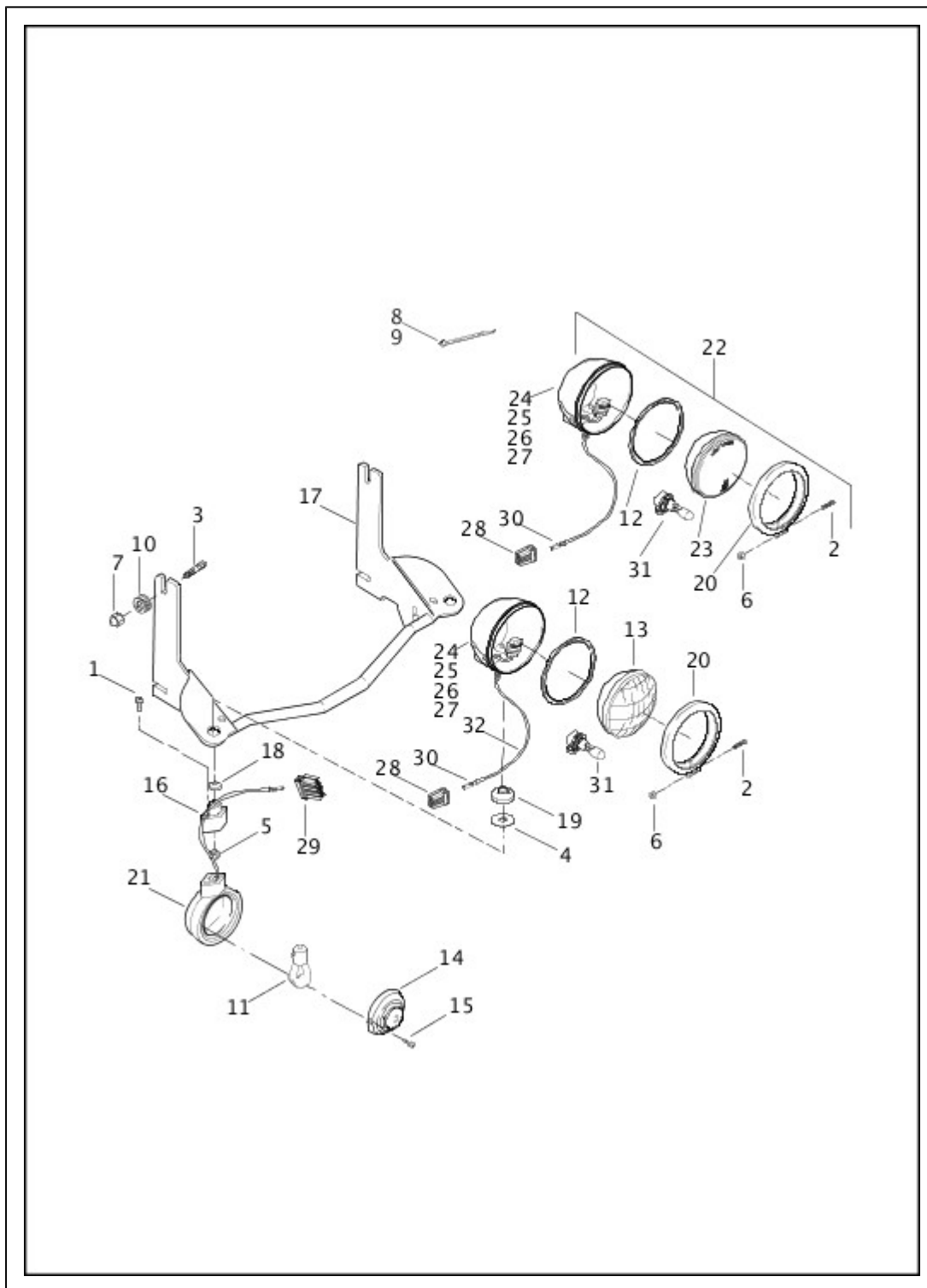


| Index No. | Part No. | Description | Model(s) |
|-----------|----------|-------------|----------------|
| 1 | 787 | SCREW (8) | FLHR, FLHRC |
| 2 | 2647B | SCREW (2) | FLHR, FLHRC |
| 3 | 2933 | SCREW (2) | FLHR, FLHRC |
| 4 | 3088 | SCREW (3) | FLHR, FLHRC |

| | | | |
|----|-----------|--|----------------|
| 5 | 3225 | BOLT | FLHR, FLHRC |
| 6 | 3265A | STUD (4) | FLHR, FLHRC |
| 7 | 5210 | WELL NUT (8) | FLHR, FLHRC |
| 8 | 6150W | WASHER (2) | FLHR, FLHRC |
| 9 | 6789 | WASHER | FLHR, FLHRC |
| 10 | 7888A | NUT | FLHR, FLHRC |
| 11 | 7889 | NUT | FLHR, FLHRC |
| 12 | 14019-83A | LABEL ON/OFF SWITCH, right | FLHR, FLHRC |
| 13 | 15346-98A | LABEL, fog lamp, left | FLHR, FLHRC |
| 14 | 53436-97 | BULB, position lamp (HDI) | FLHRC |
| 15 | 61081-92 | COVER, key-head (set of 2) | FLHR, FLHRC |
| 16 | 67712-83B | TRIM RING, headlamp | FLHR, FLHRC |
| 17 | 67716-60C | GASKET, headlamp door | FLHR, FLHRC |
| 18 | 67717-01 | BULB, high beam halogen | FLHR, FLHRC |
| 19 | 67721-48 | SCREW (3) | FLHR, FLHRC |
| 20 | 67726-08 | RETAINING RING | FLHR, FLHRC |
| 21 | 67778-60A | SPRING, trim ring, headlamp, top | FLHR, FLHRC |
| 22 | 67780-60A | SPRING, trim ring, headlamp, bottom | FLHR, FLHRC |
| 23 | 68881-01 | BULB, low beam halogen | FLHR, FLHRC |
| 24 | 70292-89 | SOCKET HOUSING, 4-place (2) | FLHR, FLHRC |
| 25 | 71310-94 | TRIM ASSEMBLY, fork lock | FLHR, FLHRC |
| 26 | 71522-08 | SWITCH, auxiliary lamp & accessories, w/ 70292-89 & 72038-71A (except Japan) (2) | FLHR, FLHRC |
| | | | |

| | | | |
|----|-----------|--|----------------|
| | 71565-08 | SWITCH, illuminated, w/ 70292-89 & 72038-71A (Japan) (2) | FLHR, FLHRC |
| 27 | 71540-94A | FORK LOCK, (specify key number) | FLHR, FLHRC |
| 28 | 72038-71A | TERMINAL SOCKET (8) | FLHR, FLHRC |
| 29 | 74408-08A | DRESS NUT, (chrome) (2) | FLHR, FLHRC |
| 30 | 10200156 | SCREW | FLHR, FLHRC |
| 31 | 55800091 | COVER, handlebar (chrome) | FLHR, FLHRC |
| 32 | 61300095 | NACELLE, left (chrome) | FLHR, FLHRC |
| 33 | 61300096 | NACELLE, right (chrome) | FLHR, FLHRC |
| 34 | 61400077 | TRIM, nacelle (chrome) | FLHR, FLHRC |
| 35 | 61400159 | INSERT, handlebar cover | FLHR, FLHRC |
| 36 | 67700062 | HEADLAMP ASSEMBLY, w/ 67717-01 & 68881-01(Domestic) | FLHR |
| | 67700065 | HEADLAMP ASSEMBLY, w/ 54346-97, 67717-01, 68881-01 & 68000038 (HDI) | FLHRC |
| 37 | 67700105 | TRIM (2) | FLHR, FLHRC |
| 38 | 67700204 | MOUNTING RING ASSEMBLY, w/ 3088 & 67700205 | FLHR, FLHRC |
| 39 | 67700205 | MOUNTING RING, headlamp | FLHR, FLHRC |
| 40 | 68000038 | CONNECTOR, position bulb (HDI) | FLHRC |
| 41 | 71400010 | LOCKSET, complete, w/ keys, ignition switch, fork lock & saddle bag lock | FLHR |
| | 71400011 | LOCKSET, complete w/ keys, ignition switch, cover, & fork lock (HDI) | FLHRC |
| 42 | 90300043 | KEY, w/ 61081-92 (set of 2) (specify key number) | FLHR, FLHRC |

AUXILIARY/FOG LAMPS & TURN SIGNALS, FRONT - FLHR & FLHRC

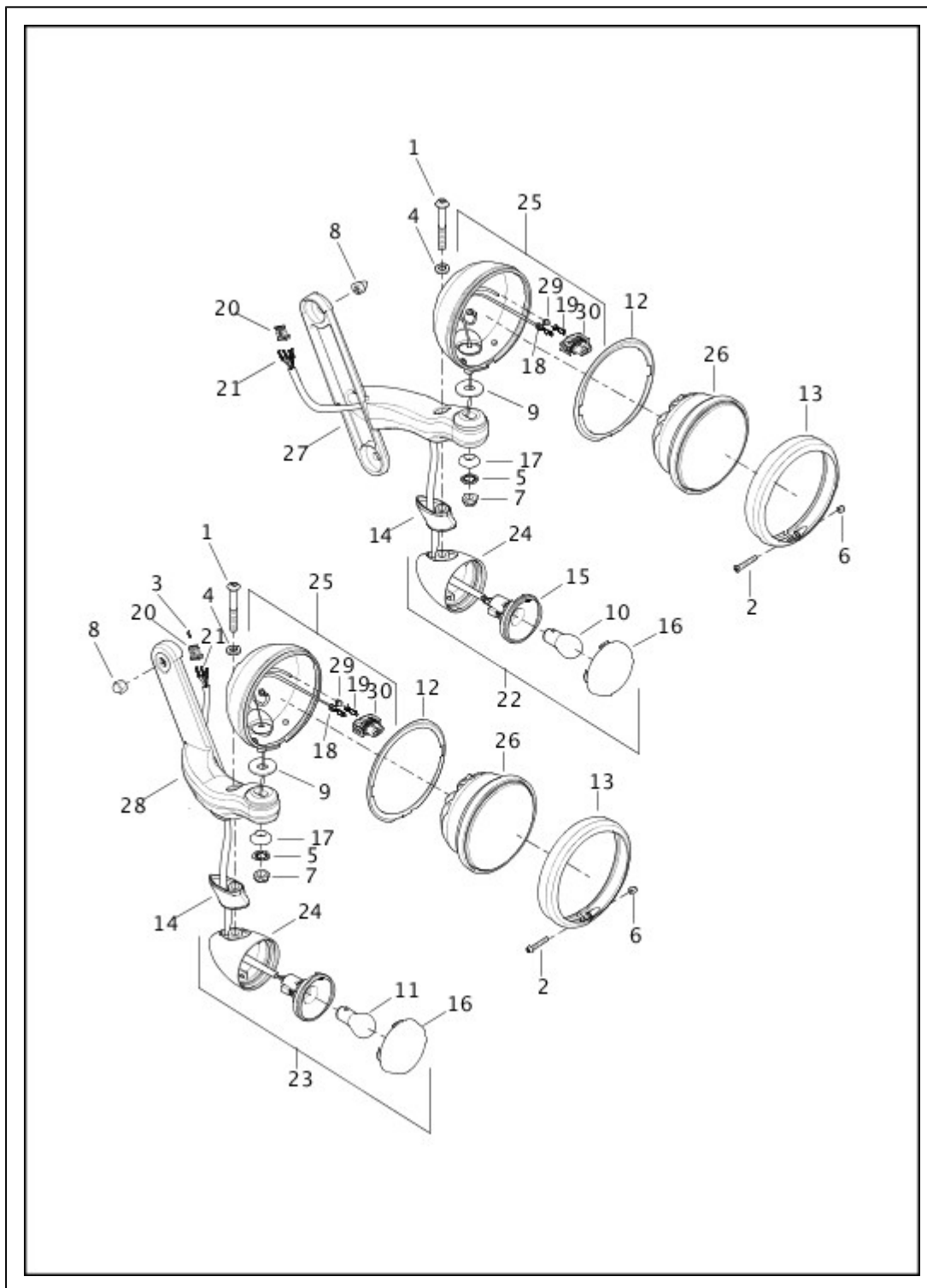


| Index No. | Part No. | Description | Model(s) |
|-----------|----------|-------------|----------------|
| 1 | 2647B | SCREW (4) | FLHR, FLHRC |
| 2 | 3514 | SCREW (2) | FLHR, FLHRC |
| 3 | 3265A | STUD (4) | FLHR, FLHRC |
| 4 | 6072 | WASHER (2) | FLHR, FLHRC |

| | | | |
|----|-----------|--|----------------|
| 5 | 7601 | LOCKNUT (2) | FLHR, FLHRC |
| 6 | 7606 | LOCKNUT (2) | FLHR, FLHRC |
| 7 | 7992 | ACORN NUT (4) | FLHR, FLHRC |
| 8 | 10039 | CABLE STRAP (2) | FLHR, FLHRC |
| 9 | 10065 | CABLE STRAP | FLHR, FLHRC |
| 10 | 67621-94 | BUSHING (4) | FLHR, FLHRC |
| 11 | 68168-89A | BULB, turn signal (Domestic) (2) | FLHR |
| | 68163-84 | BULB, turn signal (2) (HDI) | FLHRC |
| 12 | 68331-02 | RING, auxiliary lamps (2) | FLHR, FLHRC |
| 13 | 68414-05A | LAMP, auxiliary, w/ 68000056 (Domestic) (2) | FLHR |
| 14 | 68440-86 | LENS, turn signal (Domestic) (amber) (2) | FLHR |
| | 68505-90 | LENS, turn signal (HDI) (amber) (2) | FLHRC |
| 15 | 68452-86 | SCREW (4) | FLHR, FLHRC |
| 16 | 68519-68A | MOUNTING BRACKET (2) | FLHR, FLHRC |
| 17 | 68712-94A | BRACKET, auxiliary/fog lamps | FLHR, FLHRC |
| 18 | 68720-62 | CLAMP BLOCK, auxiliary/fog lamps (2) | FLHR, FLHRC |
| 19 | 68721-62 | SWIVEL BLOCK, auxiliary/fog lamps (2) | FLHR, FLHRC |
| 20 | 68725-62A | BEZEL RING, auxiliary/fog lamps (2) | FLHR, FLHRC |
| 21 | 68766-94 | TURN SIGNAL ASSEMBLY, w/ 68168-89A, 68440-86, & 68452-86 (Domestic) (2) | FLHR |
| | 68767-94 | TURN SIGNAL, w/ 68163-84, 68452-86 & 68505-90 (2) (HDI) | FLHRC |
| 22 | 68846-09 | FOG LAMP ASSEMBLY, w/ 3514, 7606, 68331-02, 68725-62A, 68847-09 & 72160-06 (HDI) (2) | FLHRC |
| 23 | 68847-09 | BULB ASSEMBLY, fog lamp, w/ 68000056 (HDI) (2) | FLHRC |
| 24 | 72160-06 | HOUSING, auxiliary/fog lamp, w/ 72161-06, 72298-95 & 72356-95 (2) | FLHR, FLHRC |
| 25 | 72161-06 | SOCKET HOUSING, 2-way (2) | FLHR, |

| | | | |
|--|------------|-----------------------------------|----------------|
| | | | FLHRC |
| 26 | 72298-95 | TERMINAL SEAL, (green) (4) | FLHR, FLHRC |
| 27 | 72356-95 | SOCKET TERMINAL, 18-20 AWG (4) | FLHR, FLHRC |
| 28 | 73154-96BK | SOCKET HOUSING, 4-place (black) | FLHR, FLHRC |
| 29 | 73156-96BK | SOCKET HOUSING, 6-place (black) | FLHR, FLHRC |
| 30 | 73191-96 | TERMINAL, socket, 16-20 gauge (8) | FLHR |
| 30 | 73191-96 | TERMINAL, socket, 16-20 gauge (6) | FLHRC |
| 31 | 68000056 | BULB, auxiliary/fog lamp (2) | FLHR, FLHRC |
| NOTE: Hose or insulator is sold in bulk length under the following part numbers. Cut to length. | | | |
| 32 | 70554-69 | CONDUIT, (10-foot length) (black) | FLHR, FLHRC |

**AUXILIARY/FOG LAMPS & TURN SIGNALS, FRONT - FLHTCU,
FLHTCUL, FTHTK & FLHTKL**

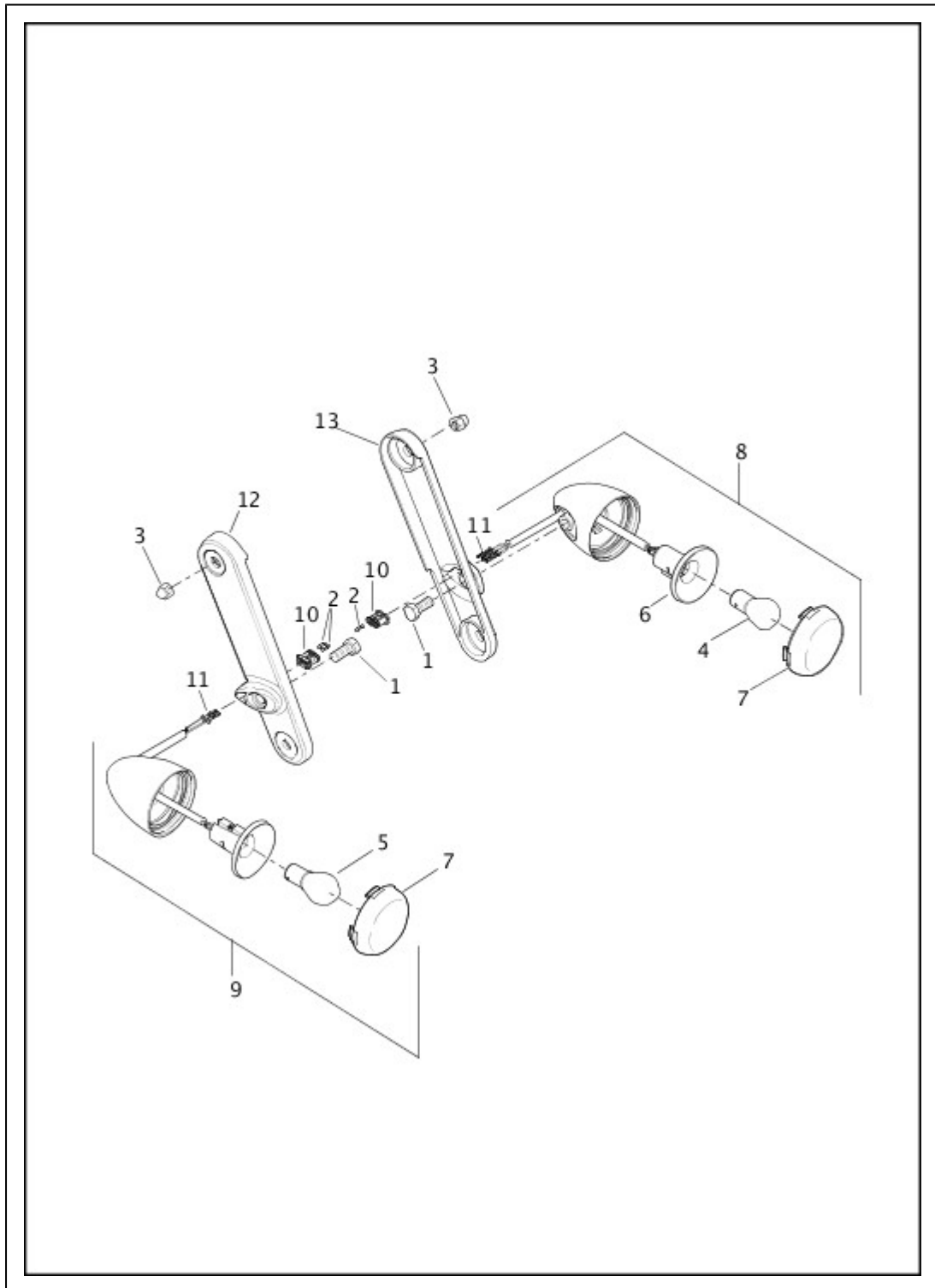


| Index No. | Part No. | Description | Model(s) |
|-----------|----------|---------------------|---|
| 1 | 1332 | SCREW (2) | FLHTCU, FLHTK, FLHTCU TC, FLHTCUL, FLHTCUL TC, FLHTKL |
| 2 | 3514 | SCREW (2) | FLHTCU, FLHTK, FLHTCU TC, FLHTCUL, FLHTCUL TC, FLHTKL |
| 3 | 5118 | SEAL PIN, (HDI) (2) | FLHTK, FLHTCU TC, FLHTCUL TC, FLHTKL |
| 4 | 7041 | LOCKWASHER (2) | FLHTCU, FLHTK, FLHTCU TC, FLHTCUL, FLHTCUL TC, FLHTKL |

| | | | |
|----|-----------|--|--|
| 5 | 7130W | LOCKWASHER (2) | FLHTCU, FLHTK, FLHTCU TC, FLHTCUL, FLHTCUL TC, FLHTKL |
| 6 | 7606 | LOCKNUT (2) | FLHTCU, FLHTK, FLHTCU TC, FLHTCUL, FLHTCUL TC, FLHTKL |
| 7 | 7667 | NUT (2) | FLHTCU, FLHTK, FLHTCU TC, FLHTCUL, FLHTCUL TC, FLHTKL |
| 8 | 7992 | ACORN NUT (4) | FLHTCU, FLHTK, FLHTCU TC, FLHTCUL, FLHTCUL TC, FLHTKL |
| 9 | 40901-05 | ISOLATOR, rubber (2) | FLHTCU, FLHTK, FLHTCU TC, FLHTCUL, FLHTCUL TC, FLHTKL |
| 10 | 68168-89A | BULB, turn signal (Domestic) (2) | FLHTCU, FLHTK, FLHTCUL, FLHTKL |
| 11 | 68163-84 | BULB, turn signal (2) (HDI) | FLHTK, FLHTCU TC, FLHTCUL TC, FLHTKL |
| 12 | 68331-02 | RING, auxiliary lamps (2) | FLHTCU, FLHTK, FLHTCU TC, FLHTCUL, FLHTCUL TC, FLHTKL |
| 13 | 68725-62A | BEZEL RING, auxiliary/fog lamps (2) | FLHTCU, FLHTK, FLHTCU TC, FLHTCUL, FLHTCUL TC, FLHTKL |
| 14 | 68821-00 | STAND-OFF, directional (2) | FLHTCU, FLHTK, FLHTCU TC, FLHTCUL, FLHTCUL TC, FLHTKL |
| 15 | 68904-00 | SOCKET ASSEMBLY, turn signal (Domestic) (2) | FLHTCU, FLHTK, FLHTCUL, FLHTKL |
| 16 | 68973-00 | LENS (2) | FLHTCU, FLHTK, FLHTCU TC, FLHTCUL, FLHTCUL TC, FLHTKL |
| 17 | 69563-06 | CLAMP BLOCK, auxiliary/fog lamps (2) | FLHTCU, FLHTK, FLHTCU TC, FLHTCUL, FLHTCUL TC, FLHTKL |
| 18 | 72298-95 | TERMINAL SEAL, (green) (2) | FLHTCU, FLHTK, FLHTCU TC, FLHTCUL, FLHTCUL TC, FLHTKL |
| 19 | 72356-95 | SOCKET TERMINAL, 18-20 AWG (4) | FLHTCU, FLHTK, FLHTCU TC, FLHTCUL, FLHTCUL TC, FLHTKL |
| 20 | 72908-11 | SOCKET HOUSING, 4-place (2) | FLHTCU, FLHTK, FLHTCU TC, FLHTCUL, FLHTCUL TC, FLHTKL |
| 21 | 72910-11 | SOCKET TERMINAL, 20-22 AWG (Domestic) (8) | FLHTCU, FLHTK, FLHTCUL, FLHTKL |
| 21 | 72910-11 | SOCKET TERMINAL, 20-22 AWG (HDI) (6) | FLHTK, FLHTCU TC, FLHTCUL TC, FLHTKL |
| 22 | 67800103 | TURN SIGNAL ASSEMBLY, w/ 68168-89A, 68904-00, 68973-00 & 67800109 (Domestic) (2) | FLHTCU, FLHTK, FLHTCUL, FLHTKL |
| 23 | 67800104 | TURN SIGNAL ASSEMBLY, w/ 68163-84, 68973-00, 67800109 & socket assembly (HDI) (2) | FLHTK, FLHTCU TC, FLHTCUL TC, FLHTKL |
| 24 | 67800109 | HOUSING, turn signal (chrome) (2) | FLHTCU, FLHTK, FLHTCU TC, FLHTCUL, FLHTCUL TC, FLHTKL |
| 25 | 67800254 | HOUSING, auxiliary/fog lamp, w/ 72298-95, 72356-95, 72910-11, 69200199 & 69200259 (2) | FLHTCU, FLHTK, FLHTCU TC, FLHTCUL, FLHTCUL TC, FLHTKL |
| 26 | 68000020 | AUXILIARY/FOG LAMP, LED (2) | FLHTCU, FLHTK, FLHTCU TC, |

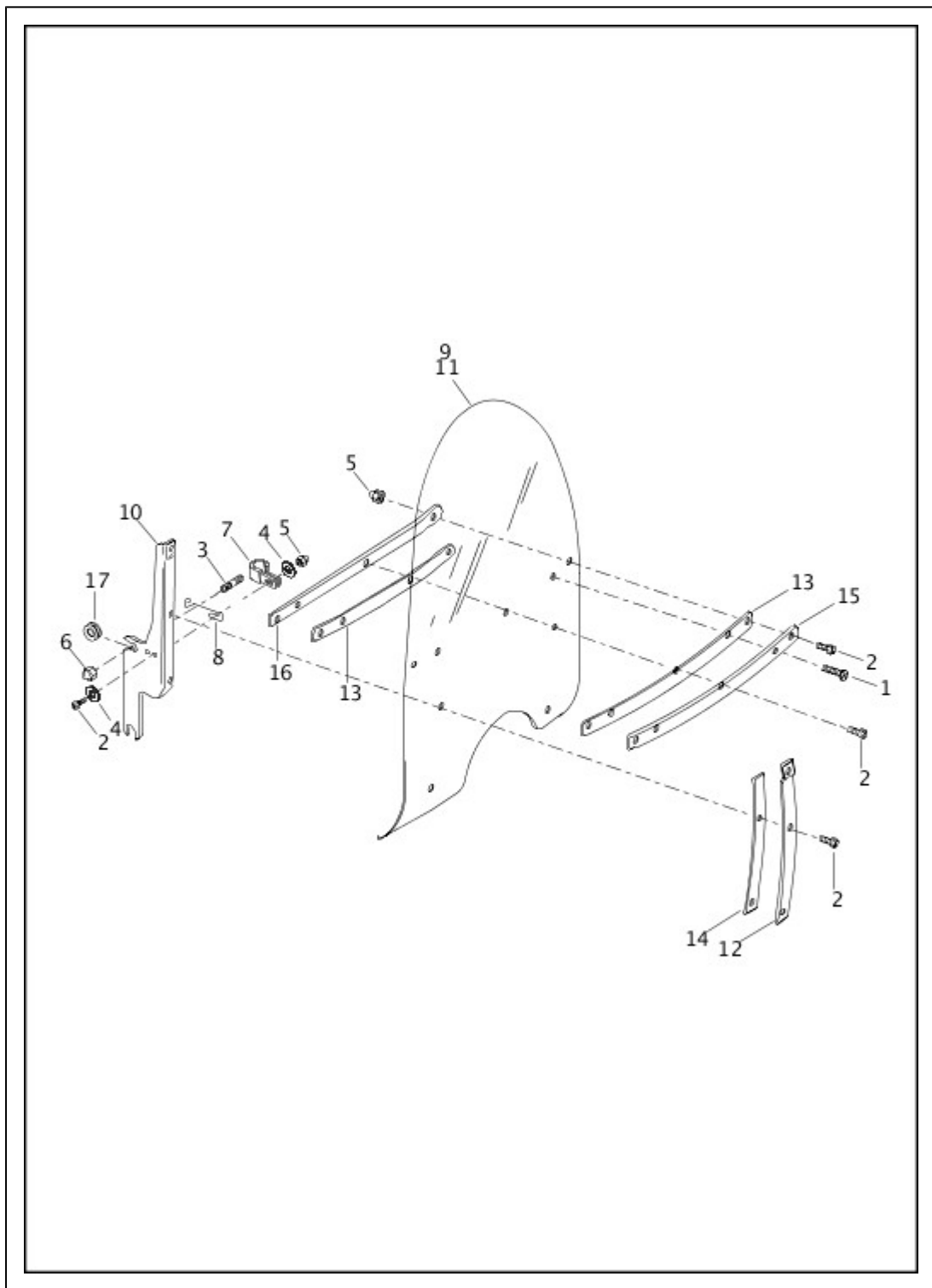
| | | | |
|----|----------|------------------------------------|---|
| | | | FLHTCUL, FLHTCUL TC, FLHTKL |
| 27 | 68000021 | BRACKET, auxiliary/fog lamp, left | FLHTCU, FLHTK, FLHTCU TC, FLHTCUL, FLHTCUL TC, FLHTKL |
| 28 | 68000022 | BRACKET, auxiliary/fog lamp, right | FLHTCU, FLHTK, FLHTCU TC, FLHTCUL, FLHTCUL TC, FLHTKL |
| 29 | 69200199 | WIRE SEAL, purple (2) | FLHTCU, FLHTK, FLHTCU TC, FLHTCUL, FLHTCUL TC, FLHTKL |
| 30 | 69200529 | SOCKET HOUSING, 2-way (2) | FLHTCU, FLHTK, FLHTCU TC, FLHTCUL, FLHTCUL TC, FLHTKL |

TURN SIGNALS, FRONT - FLHX & FLXS



| Index No. | Part No. | Description | Model(s) |
|-----------|-----------|--|----------------|
| 1 | 3987 | BOLT (2) | FLHX, FLHXS |
| 2 | 5118 | SEAL PIN, (Domestic) (2) | FLHX, FLHXS |
| 2 | 5118 | SEAL PIN, (HDI) (4) | FLHXS |
| 3 | 7992 | ACORN NUT (4) | FLHX, FLHXS |
| 4 | 68168-89A | BULB, turn signal (Domestic) (2) | FLHX, FLHXS |
| 5 | 68163-84 | BULB, turn signal (2) (HDI) | FLHXS |
| 6 | 68904-00 | SOCKET ASSEMBLY, turn signal (Domestic) (2) | FLHX, FLHXS |
| 7 | 68973-00 | LENS (2) | FLHX, FLHXS |
| 8 | 69292-06 | TURN SIGNAL ASSEMBLY, w/ 68168-89A, 68904-00 & 68973-00 (Domestic) (2) | FLHX, FLHXS |
| 9 | 69293-06 | TURN SIGNAL ASSEMBLY, w/ 68163-84, 68973-00 & socket housing (HDI) (2) | FLHXS |
| 10 | 72908-11 | SOCKET HOUSING, 4-place (2) | FLHX, FLHXS |
| 11 | 72910-11 | SOCKET TERMINAL, 20-22 AWG (Domestic) (6) | FLHX, FLHXS |
| 11 | 72910-11 | SOCKET TERMINAL, 20-22 AWG (HDI) (4) | FLHXS |
| 12 | 68000036 | BAR, right upright | FLHX, FLHXS |
| 13 | 68000037 | BAR, left upright | FLHX, FLHXS |

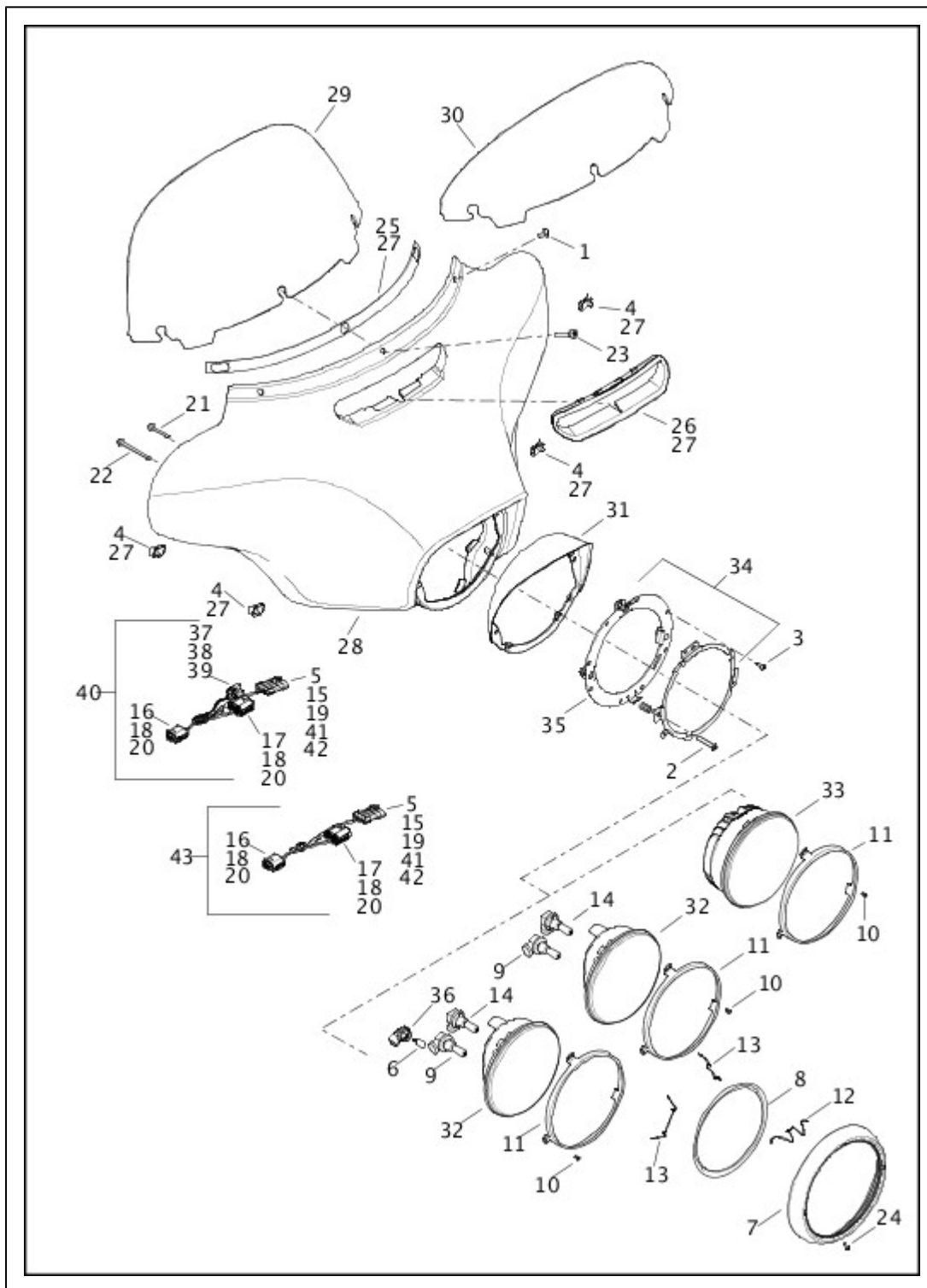
WINDSHIELD - FLHR & FLHRC



| Index No. | Part No. | Description | Model(s) |
|-----------|----------|-------------|----------------|
| 1 | 2452 | SCREW (2) | FLHR, FLHRC |
| 2 | 2921 | SCREW (11) | FLHR, FLHRC |
| 3 | 3265A | STUD (4) | FLHR, FLHRC |
| 4 | 6119 | WASHER (8) | FLHR, FLHRC |

| | | | |
|----|-----------|--|----------------|
| 5 | 7651A | ACORN NUT (13) | FLHR, FLHRC |
| 6 | 7992 | ACORN NUT (4) | FLHR, FLHRC |
| 7 | 9990W | CLAMP | FLHR, FLHRC |
| 8 | 38722-94 | SPRING LATCH (2) | FLHR, FLHRC |
| 9 | 57668-10 | WINDSHIELD ASSEMBLY, complete, low (clear) (Asia-Pacific) | FLHRC |
| | 57994-94 | WINDSHIELD ASSEMBLY, complete (Domestic, Canada, California) | FLHR |
| | 57994-94 | WINDSHIELD ASSEMBLY, complete (Australia, Brazil) | FLHRC |
| | 58325-06 | WINDSHIELD ASSEMBLY, complete (HDI, England, Japan) | FLHRC |
| 10 | 58084-94 | ADJUSTING BRACKET, right | FLHR, FLHRC |
| | 58088-94 | ADJUSTING BRACKET, left | FLHR, FLHRC |
| 11 | 58193-94 | WINDSHIELD REPLACEMENT KIT, w/ 58416-77A & 58417-77 (Domestic, Canada, California) | FLHR |
| | 58193-94 | WINDSHIELD REPLACEMENT KIT, w/ 58416-77A & 58417-77 (Australia, Brazil) | FLHRC |
| | 58327-06 | WINDSHIELD REPLACEMENT KIT, w/ 58416-77A & 58417-77 (HDI, England, Japan) | FLHRC |
| | 57400005 | WINDSHIELD REPLACEMENT KIT, w/ 58416-77A & 58417-77 (Asia-Pacific) | FLHRC |
| 12 | 58406-75A | BRACE, right | FLHR, FLHRC |
| | 58408-75A | BRACE, left | FLHR, FLHRC |
| 13 | 58416-77A | TAPE (2) | FLHR, FLHRC |
| 14 | 58417-77 | TAPE (2) | FLHR, FLHRC |
| 15 | 58428-94 | BRACE, outer | FLHR, FLHRC |
| 16 | 58431-94 | BRACE, inner | FLHR, FLHRC |
| 17 | 67621-94 | BUSHING (4) | FLHR, FLHRC |

WINDSHIELD, FAIRING & HEADLAMP - FLHTCU/L, FLHTK/L, FLHX & FLHXS (1 OF 2)

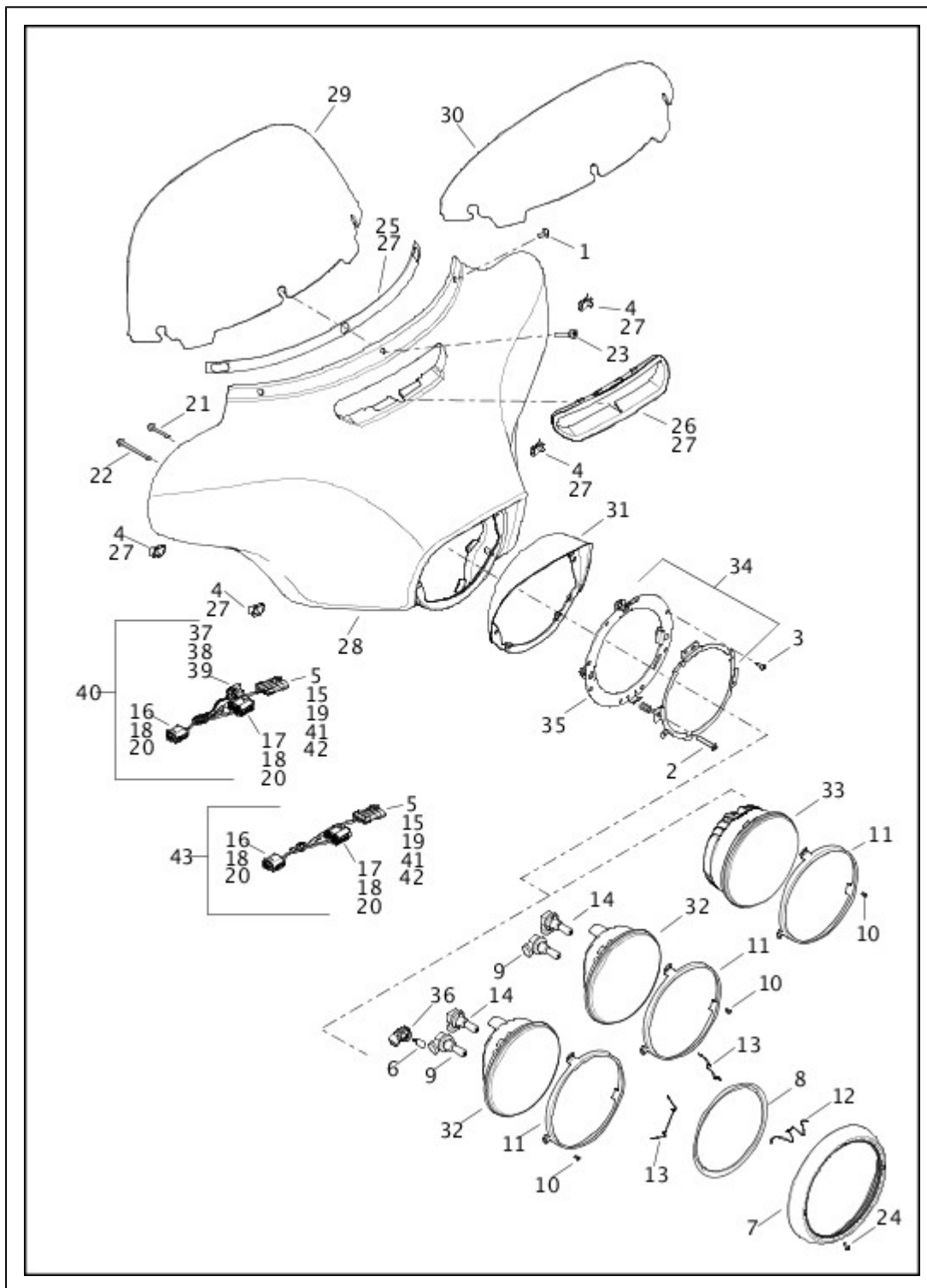


| Index No. | Part No. | Description | Model(s) |
|---|----------|--------------|--|
| NOTE: Refer to the Service Section of h-dnet.com for painted part numbers. | | | |
| 1 | 2445 | SCREW (2) | FLHTCU, FLHX, FLHTCUL, FLHTK, FLHTCUL TC, FLHTKL, FLHXS, FLHTCU TC |
| 2 | 3088 | SCREW (3) | FLHTCU, FLHX, FLHTCUL, FLHTK, FLHTCUL TC, FLHTKL, FLHXS, FLHTCU TC |
| 3 | 4790 | SCREW (4) | FLHTCU, FLHX, FLHTCUL, FLHTK, FLHTCUL TC, FLHTKL, FLHXS, FLHTCU TC |
| 4 | 7900 | CLIP NUT (4) | FLHTCU, FLHX, FLHTCUL, FLHTK, FLHTCUL TC, |

| | | | |
|----|-----------|--|--|
| | | | FLHTKL, FLHXS, FLHTCU TC |
| 5 | 10147 | CLIP, connector | FLHX, FLHXS |
| 6 | 53436-97 | BULB, position lamp (HDI) | FLHX |
| 7 | 67712-83B | TRIM RING, headlamp | FLHTCU, FLHX, FLHTCUL, FLHTK, FLHTCUL TC, FLHTKL, FLHXS, FLHTCU TC |
| 8 | 67716-60C | GASKET, headlamp door | FLHTCU, FLHX, FLHTCUL, FLHTK, FLHTCUL TC, FLHTKL, FLHXS, FLHTCU TC |
| 9 | 67717-01 | BULB, high beam halogen | FLHX, FLHXS |
| 10 | 67721-48 | SCREW (3) | FLHTCU, FLHX, FLHTCUL, FLHTK, FLHTCUL TC, FLHTKL, FLHXS, FLHTCU TC |
| 11 | 67726-08 | RETAINING RING, headlamp | FLHTCU, FLHX, FLHTCUL, FLHTK, FLHTCUL TC, FLHTKL, FLHXS, FLHTCU TC |
| 12 | 67778-60A | SPRING, trim ring, headlamp, top | FLHTCU, FLHX, FLHTCUL, FLHTK, FLHTCUL TC, FLHTKL, FLHXS, FLHTCU TC |
| 13 | 67780-60A | SPRING, trim ring, headlamp, bottom | FLHTCU, FLHX, FLHTCUL, FLHTK, FLHTCUL TC, FLHTKL, FLHXS, FLHTCU TC |
| 14 | 68881-01 | BULB, low beam halogen | FLHX, FLHXS |
| 15 | 72214-94 | SEAL, cable (3) | FLHX, FLHXS |
| 16 | 72449-01 | HOUSING, 2-way socket (black) | FLHX, FLHXS |
| 17 | 72450-01 | HOUSING, 2-way socket (gray) | FLHX, FLHXS |
| 18 | 72527-01 | TERMINAL, socket, 18-20 AWG (4) | FLHX, FLHXS |
| 19 | 72608-08 | TERMINAL PIN, 16-20 awg (3) | FLHX, FLHXS |
| 20 | 72633-02 | WIRE SEAL, 14-16 AWG (white) (4) | FLHX, FLHXS |
| 21 | 10200059 | SCREW (2) | FLHTCU, FLHX, FLHTCUL, FLHTK, FLHTCUL TC, FLHTKL, FLHXS, FLHTCU TC |
| 22 | 10200060 | SCREW (2) | FLHTCU, FLHX, FLHTCUL, FLHTK, FLHTCUL TC, FLHTKL, FLHXS, FLHTCU TC |
| 23 | 10200112 | SCREW | FLHTCU, FLHX, FLHTCUL, FLHTK, FLHTCUL TC, FLHTKL, FLHXS, FLHTCU TC |
| 24 | 10200156 | SCREW | FLHTCU, FLHX, FLHTCUL, FLHTK, FLHTCUL TC, FLHTKL, FLHXS, FLHTCU TC |
| 25 | 11100055 | TAPE, windshield mounting | FLHTCU, FLHX, FLHTCUL, FLHTK, FLHTCUL TC, FLHTKL, FLHXS, FLHTCU TC |
| 26 | 29200007 | BEZEL, air duct, outer fairing | FLHTCU, FLHX, FLHTCUL, FLHTK, FLHTCUL TC, FLHTKL, FLHXS, FLHTCU TC |
| 27 | 57000377 | KIT, HARDWARE, fairing, w/ 7900, 11100055 & 29200007 | FLHTCU, FLHX, FLHTCUL, FLHTK, FLHTCUL TC, FLHTKL, FLHXS, FLHTCU TC |
| 28 | 57000383 | FAIRING, outer, w/ 57000377 (unfinished) | FLHTCU, FLHX, FLHTCUL, FLHTK, FLHTCUL TC, FLHTKL, FLHXS, FLHTCU TC |
| 29 | 57400001 | WINDSHIELD, (clear) (Domestic) | FLHTCU, FLHTK |

| | | | |
|----|----------|--|---|
| | 57400001 | WINDSHIELD, (clear) (Brazil, Australia) | FLHTK, FLHTCU TC |
| | 57400002 | WINDSHIELD, (clear) (HDI, England, Japan) | FLHTK, FLHTCU TC |
| | 57400250 | WINDSHIELD, (clear) (Domestic, HDI, Australia, England, Japan) | FLHTCUL, FLHTCUL TC, FLHTKL |
| 30 | 57400003 | WIND DEFLECTOR, (smoked) (Domestic) | FLHX, FLHXS |
| | 57400003 | WIND DEFLECTOR, (smoked) (Brazil, Australia) | FLHXS |
| | 57400004 | WIND DEFLECTOR, (smoked) (HDI, England, Japan) | FLHXS |
| | 57400058 | WIND DEFLECTOR, (clear) (Asia-Pacific) | FLHXS, FLHTK, FLHTCU TC, FLHTCUL TC, FLHTKL |

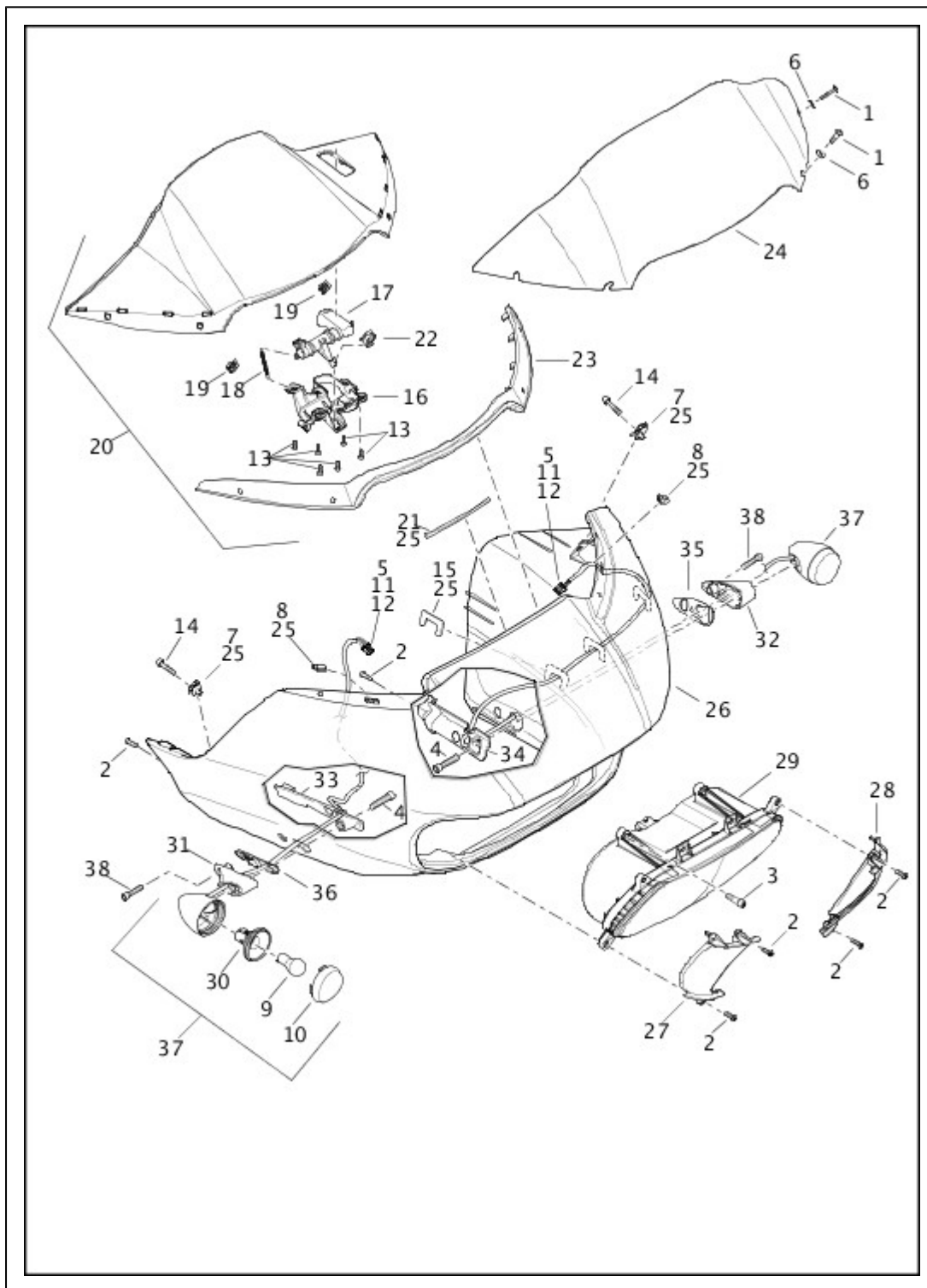
WINDSHIELD, FAIRING & HEADLAMP - FLHTCU/L, FLHTK/L, FLHX & FLHXS (2 OF 2)



| Index No. | Part No. | Description | Model(s) |
|---|----------|--|--|
| NOTE: Refer to the Service Section of h-dnet.com for painted part numbers. | | | |
| 31 | 61400135 | TRIM, headlamp | FLHTCU, FLHX, FLHTCUL, FLHTK, FLHTCUL TC, FLHTKL, FLHXS, FLHTCU TC |
| 32 | 67700062 | HEADLAMP, dual halogen, w/ 67717-01 & 68881-01 (Domestic) | FLHX, FLHXS |
| | 67700065 | HEADLAMP, dual halogen, w/ 53436-97, 67717-01, 68881-01 & 68000038 (HDI) | FLHX |

| | | | |
|----|----------|--|--|
| 33 | 67700066 | HEADLAMP, LED | FLHTCU, FLHTK, FLHTCU TC, FLHTCUL, FLHTCUL TC, FLHTKL |
| 34 | 67700204 | MOUNTING RING ASSEMBLY, headlamp, w/ 3088 & 67700205 | FLHTCU, FLHX, FLHTCUL, FLHTK, FLHTCUL TC, FLHTKL, FLHXS, FLHTCU TC |
| 35 | 67700205 | MOUNTING RING, headlamp | FLHTCU, FLHX, FLHTCUL, FLHTK, FLHTCUL TC, FLHTKL, FLHXS, FLHTCU TC |
| 36 | 68000038 | CONNECTOR, position lamp, 90 degree (HDI) | FLHXS |
| 37 | 69200220 | HOUSING, 2-way socket (HDI) | FLHXS |
| 38 | 69200221 | TERMINAL, socket, 16-18 AWG (HDI) (2) | FLHXS |
| 39 | 69200222 | WIRE SEAL, 16 AWG (white) (HDI) (2) | FLHXS |
| 40 | 69200223 | WIRE HARNESS, dual halogen headlamp, w/ 5, 15, 16, 17, 18, 19, 20, 37, 38, 39, 41 & 42 (HDI) | FLHXS |
| 41 | 69200255 | PIN HOUSING, 4-way | FLHXS |
| 42 | 69200256 | LOCK, secondary, 4-way | FLHXS |
| 43 | 69200298 | WIRE HARNESS, dual halogen headlamp, w/ 5, 15, 16, 17, 18, 19, 20, 41 & 42 (Domestic) | FLHXS |

WINDSHIELD, FAIRING & HEADLAMP - FLTRX & FLTRXS

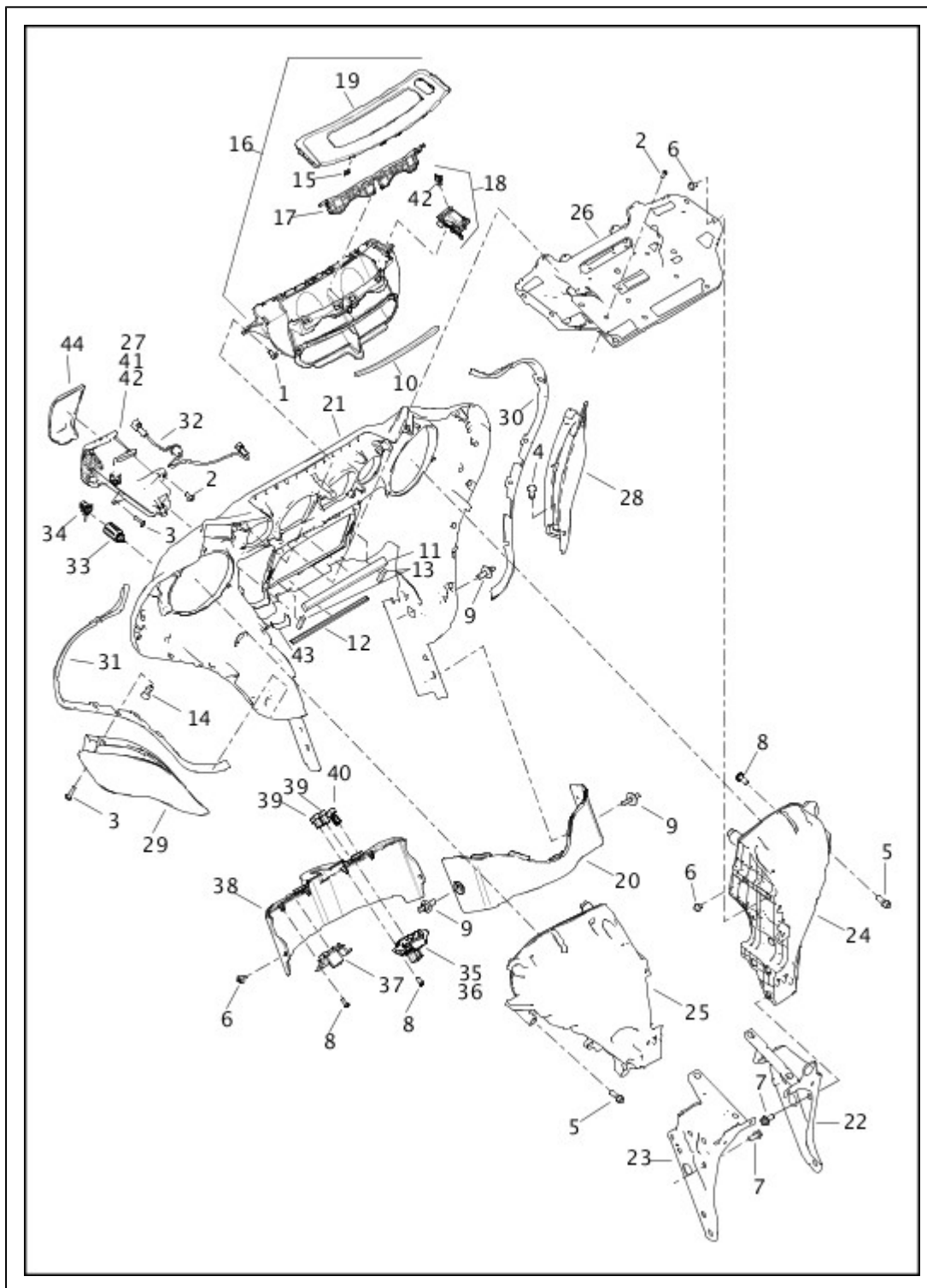


| Index No. | Part No. | Description | Model(s) |
|-----------|----------|-------------|------------------|
| 1 | 933 | SCREW (4) | FLTRX, FLTRXS |
| 2 | 2563 | SCREW (6) | FLTRX, FLTRXS |
| 3 | 4741A | SCREW (4) | FLTRX, FLTRXS |
| 4 | 4816A | SCREW (2) | FLTRX, FLTRXS |

| | | | |
|----|-------------|---|------------------|
| 5 | 5118 | SEAL PIN (2) | FLTRX, FLTRXS |
| 6 | 6054 | WASHER (4) | FLTRX, FLTRXS |
| 7 | 7900 | CLIP NUT (2) | FLTRX, FLTRXS |
| 8 | 10065 | CABLE STRAP (2) | FLTRX, FLTRXS |
| 9 | 68168-89A | BULB, (Domestic) (2) | FLTRX, FLTRXS |
| | 68163-84 | BULB, (HDI) (2) | FLTRXS |
| 10 | 68973-00 | LENS, turnsignal (amber) (2) | FLTRX, FLTRXS |
| 11 | 72908-11 | HOUSING, 4-way socket (2) | FLTRX, FLTRXS |
| 12 | 72910-11 | TERMINAL, socket, 20-22 AWG (6) | FLTRX, FLTRXS |
| 13 | 10200257 | SCREW (6) | FLTRX, FLTRXS |
| 14 | 10200365 | SCREW (6) | FLTRX, FLTRXS |
| 15 | 11100066 | PAD (6) | FLTRX, FLTRXS |
| 16 | 29200073 | MECHANISM HOUSING | FLTRX, FLTRXS |
| 17 | 29200075 | BUTTON | FLTRX, FLTRXS |
| 18 | 29200078 | SPRING | FLTRX, FLTRXS |
| 19 | 29200080 | CLIP | FLTRX, FLTRXS |
| 20 | 29200041BYM | TOP DUCT ASSEMBLY, w/ 13, 16, 17, 18, 19, 22 & 23 (black denim) | FLTRX, FLTRXS |
| | 29200041DH | TOP DUCT ASSEMBLY, w/ 13, 16, 17, 18, 19, 22 & 23 (vivid black) | FLTRXS |
| 21 | 29200081 | FOAM PAD, top duct | FLTRX, FLTRXS |
| 22 | 57100167 | DOOR LATCH | FLTRX, FLTRXS |
| 23 | 57400187 | GASKET | FLTRX, FLTRXS |
| 24 | 57400190 | WINDSHIELD KIT, w/ 933 & 6054 (smoked) (Domestic, Australia) | FLTRX, FLTRXS |
| | 57400191 | WINDSHIELD KIT, w/ 933 & 6054 (smoked) (HDI, England, Japan, | FLTRXS |

| | | | |
|----|----------|--|------------------|
| | | Asia-Pacific) | |
| 25 | 57000501 | HARDWARE KIT, fairing, w/ 7900, 10065, 11100066 & 29200081 | FLTRX, FLTRXS |
| 26 | 57000504 | FAIRING KIT, front, w/ 57000501 (unpainted) | FLTRX, FLTRXS |
| 27 | 61400173 | BEZEL, right (prime) | FLTRX, FLTRXS |
| 28 | 61400198 | BEZEL, left (prime) | FLTRX, FLTRXS |
| 29 | 67700199 | HEADLAMP | FLTRX, FLTRXS |
| 30 | 67800147 | SOCKET ASSEMBLY, turn signal (Domestic) (2) | FLTRX, FLTRXS |
| | 67800148 | SOCKET ASSEMBLY, turn signal (HDI) (2) | FLTRXS |
| 31 | 67800299 | STANDOFF, right | FLTRX, FLTRXS |
| 32 | 67800300 | STANDOFF, left | FLTRX, FLTRXS |
| 33 | 67800301 | MOUNT, turn signal, right | FLTRX, FLTRXS |
| 34 | 67800302 | MOUNT, turn signal, left | FLTRX, FLTRXS |
| 35 | 67800303 | GASKET, left | FLTRX, FLTRXS |
| 36 | 67800471 | GASKET, right | FLTRX, FLTRXS |
| 37 | 67800512 | TURN SIGNAL, front, w/ 68168-89A, 68973-00 & 67800147 (Domestic) (2) | FLTRX, FLTRXS |
| | 67800513 | TURN SIGNAL, front, w/ 68163-84, 68973-00 & 67800148 (HDI) (2) | FLTRXS |
| 38 | 10200350 | SCREW (2) | FLTRX, FLTRXS |

FAIRING, INNER - FLHTCU, FLHTCUL, FLHTK, FLHTKL, FLHX & FLHXS (1 OF 2)

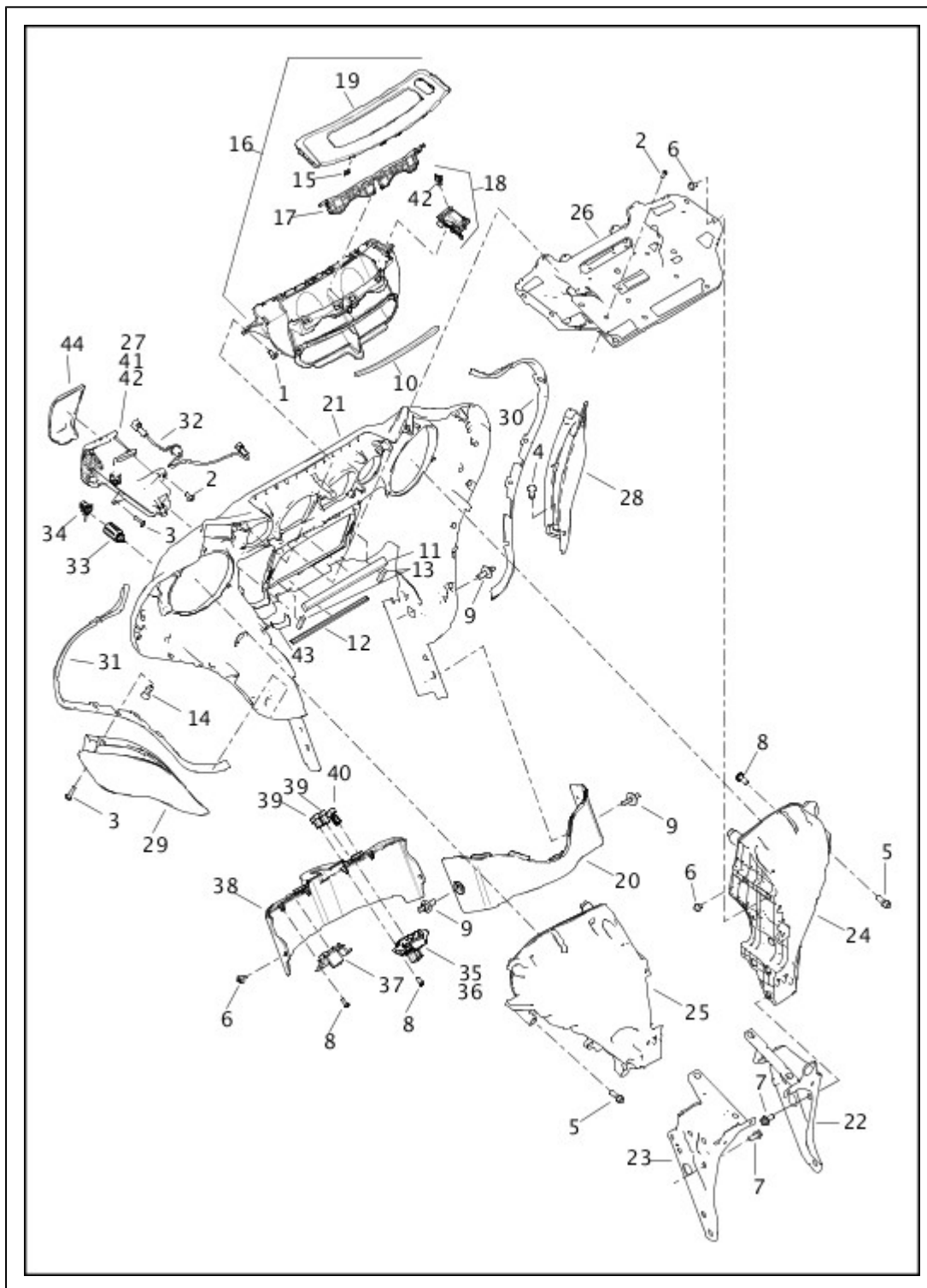


| Index No. | Part No. | Description | Model(s) |
|-----------|----------|-------------|--|
| 1 | 2445 | SCREW (2) | FLHTCU, FLHX, FLHTCUL, FLHTK, FLHTCUL TC, FLHTKL, FLHXS, FLHTCU TC |
| 2 | 2478 | SCREW (5) | FLHTCU, FLHX, FLHTCUL, FLHTK, FLHTCUL TC, FLHTKL, FLHXS, FLHTCU TC |
| 3 | 2563 | SCREW | FLHX, FLHXS |
| 3 | 2563 | SCREW (7) | FLHTCU, FLHTCUL, FLHTK, FLHTCUL TC, FLHTKL, |

| | | | |
|----|----------|---|--|
| | | | FLHTCU TC |
| 4 | 57638-08 | SNAP HINGE, air deflector (2) | FLHTCU, FLHTCUL, FLHTK, FLHTCUL TC, FLHTKL, FLHTCU TC |
| 5 | 10200134 | SCREW (6) | FLHTCU, FLHX, FLHTCUL, FLHTK, FLHTCUL TC, FLHTKL, FLHXS, FLHTCU TC |
| 6 | 10200141 | SCREW (6) | FLHTCU, FLHX, FLHTCUL, FLHTK, FLHTCUL TC, FLHTKL, FLHXS, FLHTCU TC |
| 7 | 10200142 | SCREW (6) | FLHTCU, FLHX, FLHTCUL, FLHTK, FLHTCUL TC, FLHTKL, FLHXS, FLHTCU TC |
| 8 | 10200205 | SCREW (12) | FLHTCU, FLHX, FLHTCUL, FLHTK, FLHTCUL TC, FLHTKL, FLHXS, FLHTCU TC |
| 9 | 10900005 | STUD, double sided (4) | FLHTCU, FLHX, FLHTCUL, FLHTK, FLHTCUL TC, FLHTKL, FLHXS, FLHTCU TC |
| 10 | 11100038 | FOAM TAPE | FLHTCU, FLHX, FLHTCUL, FLHTK, FLHTCUL TC, FLHTKL, FLHXS, FLHTCU TC |
| 11 | 11100050 | FOAM TAPE | FLHTCU, FLHX, FLHTCUL, FLHTK, FLHTCUL TC, FLHTKL, FLHXS, FLHTCU TC |
| 12 | 11100051 | FOAM TAPE | FLHTCU, FLHX, FLHTCUL, FLHTK, FLHTCUL TC, FLHTKL, FLHXS, FLHTCU TC |
| 13 | 11100057 | FOAM TAPE (2) | FLHTCU, FLHX, FLHTCUL, FLHTK, FLHTCUL TC, FLHTKL, FLHXS, FLHTCU TC |
| 14 | 12100034 | PLUG, air deflector hole (6) | FLHX, FLHXS |
| 15 | 12200064 | CLIP, panel (10) | FLHTCU, FLHX, FLHTCUL, FLHTK, FLHTCUL TC, FLHTKL, FLHXS, FLHTCU TC |
| 16 | 29200003 | AIR DUCT, inner fairing, w/ 10, 15, 17, 18, 19 & 42 | FLHTCU, FLHX, FLHTCUL, FLHTK, FLHTCUL TC, FLHTKL, FLHXS, FLHTCU TC |
| 17 | 29200034 | DOOR, inner duct | FLHTCU, FLHX, FLHTCUL, FLHTK, FLHTCUL TC, FLHTKL, FLHXS, FLHTCU TC |
| 18 | 29200035 | BUTTON ASSEMBLY, inner duct, w/ 76000127 | FLHTCU, FLHX, FLHTCUL, FLHTK, FLHTCUL TC, FLHTKL, FLHXS, FLHTCU TC |
| 19 | 29200039 | BEZEL, air duct, inner fairing, w/ 12200064 | FLHTCU, FLHX, FLHTCUL, FLHTK, FLHTCUL TC, FLHTKL, FLHXS, FLHTCU TC |
| 20 | 57000017 | SKIRT, outer fairing (chrome) | FLHTCU, FLHX, FLHTCUL, FLHTK, FLHTCUL TC, |

| | | | |
|----|-------------|---|--|
| | | | FLHTKL, FLHTCU TC |
| | 57100227 | SKIRT, outer fairing (gloss black) | FLHXS |
| 21 | 57000064BYM | INNER FAIRING ASSEMBLY, w/ 11100050, 11100051, 11100057, 61400063, 61400064 & 76000234 (satin black) | FLHTCU, FLHTCUL, FLHTCUL TC, FLHTCU TC |
| | 57000064DH | INNER FAIRING ASSEMBLY, w/ 11100050, 11100051, 11100057, 61400063, 61400064 & 76000234 (gloss black) | FLHTK, FLHTKL |
| | 57000065BYM | INNER FAIRING ASSEMBLY, w/ 11100050, 11100051, 11100057, 61400063, 61400064 & 76000234 (FLHXS black denim only) (satin black) | FLHX, FLHXS |
| | 57000065DH | INNER FAIRING ASSEMBLY, w/ 11100050, 11100051, 11100057, 61400063, 61400064 & 76000234 (except FLHXS black denim) (gloss black) | FLHXS |
| 22 | 57000169 | BRACKET, fairing support, left | FLHTCU, FLHX, FLHTCUL, FLHTK, FLHTCUL TC, FLHTKL, FLHXS, FLHTCU TC |
| 23 | 57000170 | BRACKET, fairing support, right | FLHTCU, FLHX, FLHTCUL, FLHTK, FLHTCUL TC, FLHTKL, FLHXS, FLHTCU TC |
| 24 | 57000172 | SPEAKER ENCLOSURE ASSEMBLY, left | FLHTCU, FLHX, FLHTCUL, FLHTK, FLHTCUL TC, FLHTKL, FLHXS, FLHTCU TC |

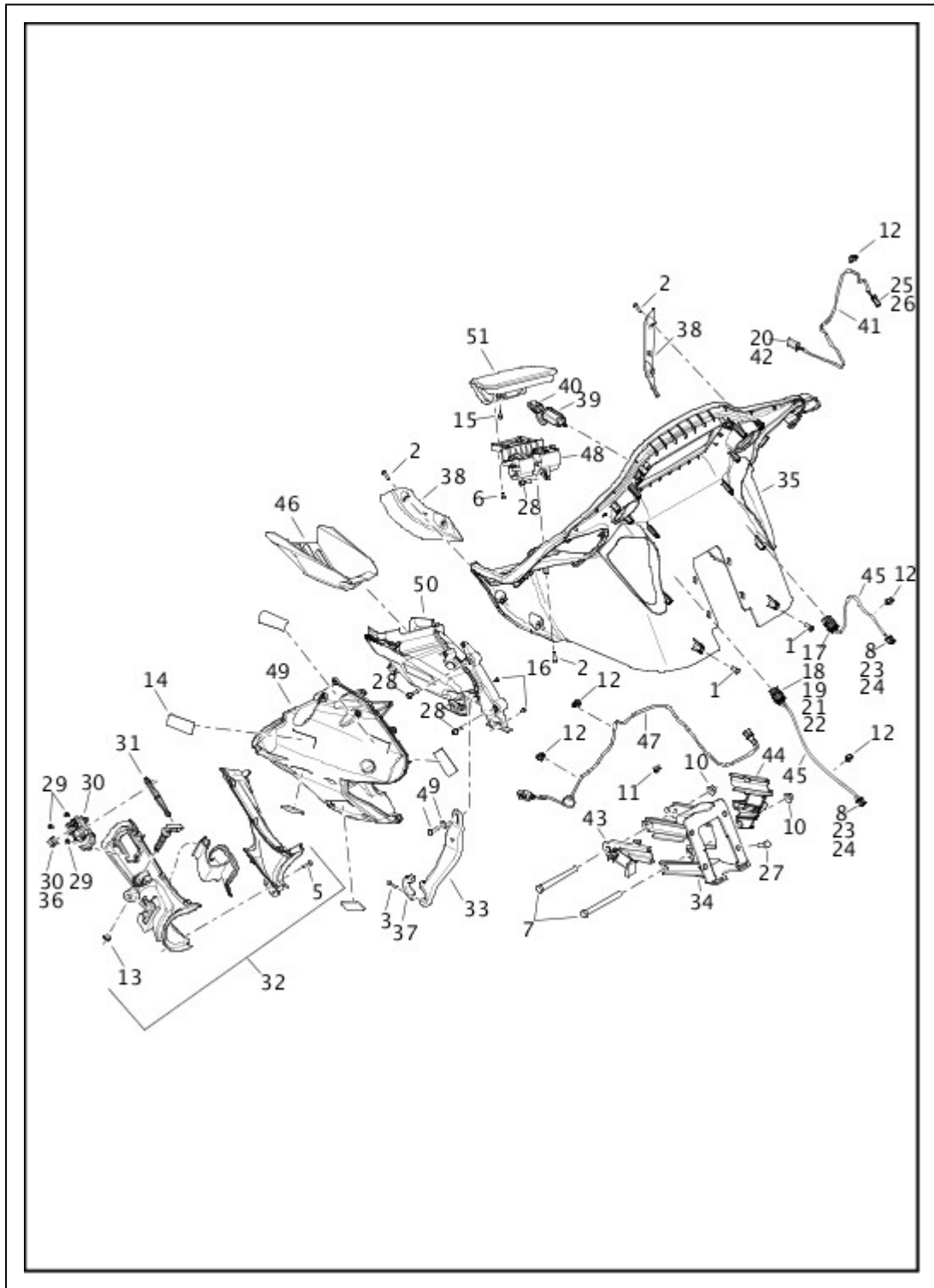
FAIRING, INNER - FLHTCU, FLHTCUL, FLHTK, FLHTKL, FLHX & FLHXS (2 OF 2)



| Index No. | Part No. | Description | Model(s) |
|-----------|----------|-----------------------------------|--|
| 25 | 57000175 | SPEAKER ENCLOSURE ASSEMBLY, right | FLHTCU, FLHX, FLHTCUL, FLHTK, FLHTCUL TC, FLHTKL, FLHXS, FLHTCU TC |
| 26 | 57000186 | BRACKET, support, inner fairing | FLHTCU, FLHX, FLHTCUL, FLHTK, FLHTCUL TC, FLHTKL, FLHXS, FLHTCU TC |
| 27 | 57000299 | FOAM INSERT, media compartment | FLHTCU, FLHX, FLHTCUL, FLHTK, FLHTCUL TC, FLHTKL, FLHXS, FLHTCU TC |
| | | | |

| | | | |
|----|-------------|---|--|
| 28 | 57200012 | AIR DEFLECTOR, left, w/ 57638-08 | FLHTCU, FLHTCUL, FLHTK, FLHTCUL TC, FLHTKL, FLHTCU TC |
| 29 | 57200017 | AIR DEFLECTOR, right, w/ 57638-08 | FLHTCU, FLHTCUL, FLHTK, FLHTCUL TC, FLHTKL, FLHTCU TC |
| 30 | 61400063 | TRIM, inner fairing, left | FLHTCU, FLHX, FLHTCUL, FLHTK, FLHTCUL TC, FLHTKL, FLHXS, FLHTCU TC |
| 31 | 61400064 | TRIM, inner fairing, right | FLHTCU, FLHX, FLHTCUL, FLHTK, FLHTCUL TC, FLHTKL, FLHXS, FLHTCU TC |
| 32 | 69200031 | WIRE HARNESS, USB jumper | FLHTCU, FLHX, FLHTCUL, FLHTK, FLHTCUL TC, FLHTKL, FLHXS, FLHTCU TC |
| 33 | 69200170 | POWER OUTLET, fairing, w/ 69200171 | FLHTCU, FLHX, FLHTCUL, FLHTK, FLHTCUL TC, FLHTKL, FLHXS, FLHTCU TC |
| 34 | 69200171 | CAP, power outlet | FLHTCU, FLHX, FLHTCUL, FLHTK, FLHTCUL TC, FLHTKL, FLHXS, FLHTCU TC |
| 35 | 69200172 | SWITCH ASSEMBLY, auxiliary/fog lamps, w/ 69200173, 71400031 & 71400044 | FLHTCU, FLHTCUL, FLHTK, FLHTCUL TC, FLHTKL, FLHTCU TC |
| 36 | 69200173 | SWITCH | FLHTCU, FLHTCUL, FLHTK, FLHTCUL TC, FLHTKL, FLHTCU TC |
| 37 | 70900138 | HOLE PLUG, fairing cap | FLHTCU, FLHTCUL, FLHTK, FLHTCUL TC, FLHTKL, FLHTCU TC |
| 37 | 70900138 | HOLE PLUG, fairing cap (2) | FLHX, FLHXS |
| 38 | 70900392BYM | DASH PANEL, fairing | FLHTCU, FLHX, FLHTCU TC, FLHTCUL, FLHTCUL TC |
| | 70900392DH | DASH PANEL, fairing | FLHTK, FLHTKL, FLHXS |
| 39 | 71400031 | SWITCH BUTTON, blank (2) | FLHTCU, FLHTCUL, FLHTK, FLHTCUL TC, FLHTKL, FLHTCU TC |
| 40 | 71400044 | SWITCH, auxiliary/fog lamps | FLHTCU, FLHTCUL, FLHTK, FLHTCUL TC, FLHTKL, FLHTCU TC |
| 41 | 76000107 | MEDIA COMPARTMENT ASSEMBLY, w/ 57000299, 69200031 & 76000127 | FLHTCU, FLHX, FLHTCUL, FLHTK, FLHTCUL TC, FLHTKL, FLHXS, FLHTCU TC |
| 42 | 76000127 | LATCH (2) | FLHTCU, FLHX, FLHTCUL, FLHTK, FLHTCUL TC, FLHTKL, FLHXS, FLHTCU TC |
| 43 | 76000234 | GASKET, media storage | FLHTCU, FLHX, FLHTCUL, FLHTK, FLHTCUL TC, FLHTKL, FLHXS, FLHTCU TC |
| 44 | 76000409BYM | DOOR, media compartment, outer (FLHXS black denim only) (black denim) | FLHTCU, FLHX, FLHTCUL, FLHTCUL TC, FLHTCU TC, FLHXS |
| | 76000409DH | DOOR, media compartment, outer (except FLHXS black denim) (gloss black) | FLHTK, FLHTKL, FLHXS |

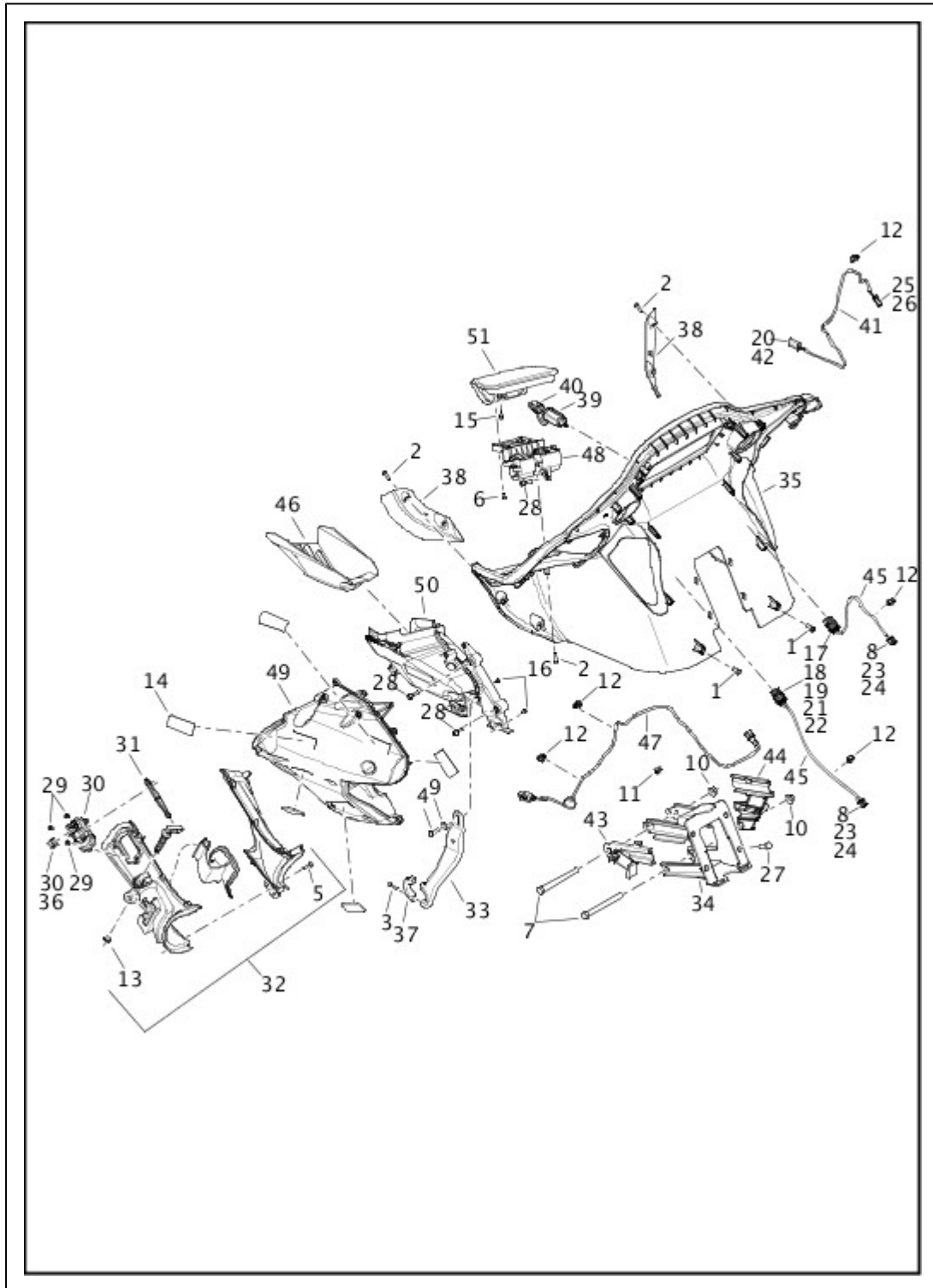
FAIRING, INNER - FLTRX & FLTRXS (1 OF 2)



| Index No. | Part No. | Description | Model(s) |
|-----------|----------|-------------|---------------|
| 1 | 1062 | SCREW (4) | FLTRX, FLTRXS |
| 2 | 2563 | SCREW (14) | FLTRX, FLTRXS |
| 3 | 2647B | SCREW (4) | FLTRX, FLTRXS |
| 4 | 3787 | BOLT (2) | FLTRX, FLTRXS |
| | | | |

| | | | |
|----|------------|--|---------------|
| 5 | 4612 | SCREW (10) | FLTRX, FLTRXS |
| 6 | 4694 | SCREW (8) | FLTRX, FLTRXS |
| 7 | 4706 | SCREW (2) | FLTRX, FLTRXS |
| 8 | 5118 | SEAL PIN (2) | FLTRX, FLTRXS |
| 9 | 6703 | WASHER (2) | FLTRX, FLTRXS |
| 10 | 7601 | LOCKNUT (2) | FLTRX, FLTRXS |
| 11 | 10065 | CABLE STRAP | FLTRX, FLTRXS |
| 12 | 10177 | CABLE STRAP (4) | FLTRX, FLTRXS |
| 13 | 11036 | RETAINING RING (2) | FLTRX, FLTRXS |
| 14 | 11668 | FOAM PAD (10) | FLTRX, FLTRXS |
| 15 | 58888-98A | BUMPER, fairing door (2) | FLTRX, FLTRXS |
| 16 | 61313-88 | BUMPER (4) | FLTRX, FLTRXS |
| 17 | 72066-06A | HOUSING, socket, 4-way (2) | FLTRX, FLTRXS |
| 18 | 72097-06 | CAVITY PLUG (2) | FLTRX, FLTRXS |
| 19 | 72135-06 | SECONDARY LOCK, 4-way (gray) (2) | FLTRX, FLTRXS |
| 20 | 72264-94 | TERMINAL, 18-20 AWG (2) | FLTRX, FLTRXS |
| 21 | 72484-08 | TERMINAL, socket, 20 AWG (6) | FLTRX, FLTRXS |
| 22 | 72486-08 | WIRE SEAL, 20 AWG (green) (6) | FLTRX, FLTRXS |
| 23 | 72908-11 | HOUSING, socket, 4-way (2) | FLTRX, FLTRXS |
| 24 | 72910-11 | TERMINAL, socket, 20-22 AWG (6) | FLTRX, FLTRXS |
| 25 | 73152-96BK | HOUSING, socket, 2-way (black) | FLTRX, FLTRXS |
| 26 | 73191-96 | TERMINAL, socket, 16-20 AWG (2) | FLTRX, FLTRXS |
| 27 | 10200120 | SCREW (4) | FLTRX, FLTRXS |
| 28 | 10200134 | SCREW (14) | FLTRX, FLTRXS |
| 29 | 10500017 | SCREW (6) | FLTRX, FLTRXS |
| 30 | 29200061 | BUTTON ASSEMBLY, right, w/ 57100167 | FLTRX, FLTRXS |
| | 29200062 | BUTTON ASSEMBLY, left, w/ 57100167 (not shown) | FLTRX, FLTRXS |
| 31 | 29200063 | ROD, linkage (2) | FLTRX, FLTRXS |
| 32 | 29200071 | AIR DUCT ASSEMBLY, right, w/ 5, 13, 29, 30 & 31 | FLTRX, FLTRXS |
| | 29200072 | AIR DUCT ASSEMBLY, left, w/ 5, 13, 29, 30 & 31 (not shown) | FLTRX, FLTRXS |
| 33 | 47200262 | BRACKET, right | FLTRX, FLTRXS |
| | 47200261 | BRACKET, left (not shown) | FLTRX, FLTRXS |
| 34 | 47200266 | BRACKET, inner fairing mount | FLTRX, FLTRXS |

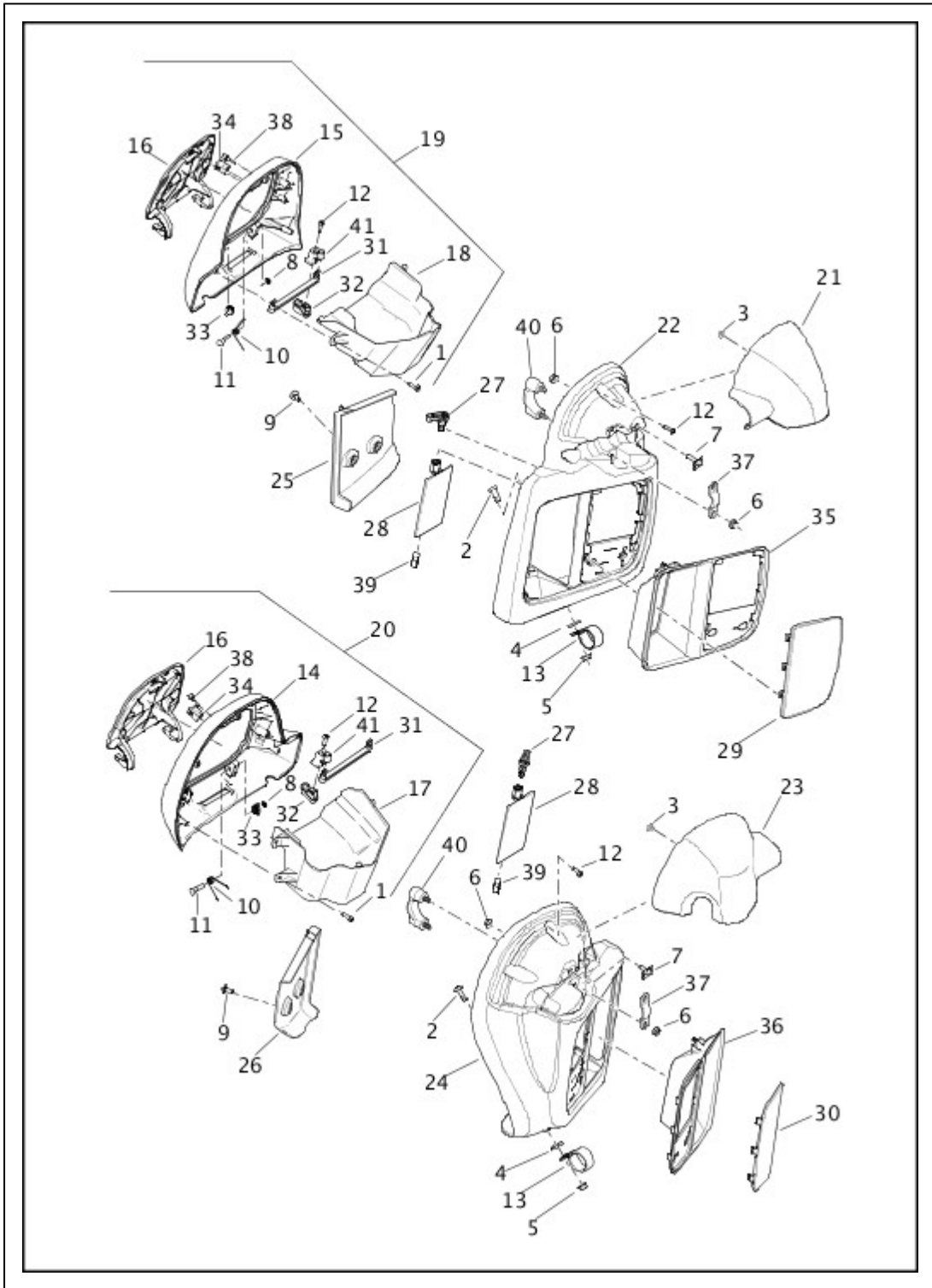
FAIRING, INNER - FLTRX & FLTRXS (2 OF 2)



| Index No. | Part No. | Description | Model(s) |
|-----------|----------|----------------------------|------------------|
| 35 | 57000305 | INNER FAIRING, (unpainted) | FLTRX, FLTRXS |
| 36 | 57100167 | DOOR LATCH (2) | FLTRX, FLTRXS |
| 37 | 57100247 | CLAMP (2) | FLTRX, |

| | | | |
|----|-------------|--|------------------|
| | | | FLTRXS |
| 38 | 57200063 | WILLIE WING, right | FLTRX, FLTRXS |
| | 57200064 | WILLIE WING, left | FLTRX, FLTRXS |
| 39 | 69200170 | POWER OUTLET, w/ 69200171 | FLTRX, FLTRXS |
| 40 | 69200171 | CAP | FLTRX, FLTRXS |
| 41 | 69200248 | WIRE HARNESS, power outlet jumper, w/ 12, 20, 25, 26 & 42 | FLTRX, FLTRXS |
| 42 | 69200337 | HOUSING, socket, 2-way | FLTRX, FLTRXS |
| 43 | 69200701 | GUIDE, wire harness, right | FLTRX, FLTRXS |
| 44 | 69200702 | GUIDE, wire harness, left | FLTRX, FLTRXS |
| 45 | 69200753 | WIRE HARNESS, gauge jumper, w/ 8, 12, 17, 18, 19, 21, 22, 23 & 24 (2) | FLTRX, FLTRXS |
| 46 | 76000373 | LINER, media, right | FLTRX, FLTRXS |
| | 76000425 | LINER, media, left (not shown) | FLTRX, FLTRXS |
| 47 | 76000374 | USB CABLE ASSEMBLY | FLTRX, FLTRXS |
| 48 | 76000398 | HINGE ASSEMBLY, media storage, right | FLTRX, FLTRXS |
| | 76000436 | HINGE ASSEMBLY, media storage, left (not shown) | FLTRX, FLTRXS |
| 49 | 76000458 | SPEAKER ENCLOSURE, right, w/ 11668 | FLTRX, FLTRXS |
| | 76000460 | SPEAKER ENCLOSURE, left, w/ 11668 (not shown) | FLTRX, FLTRXS |
| 50 | 76000370 | MEDIA STORAGE COMPARTMENT, right, w/ 16, 46 & 47 | FLTRX, FLTRXS |
| | 76000422 | MEDIA STORAGE COMPARTMENT, left, w/ 16 & 46 (not shown) | FLTRX, FLTRXS |
| 51 | 76000376BYM | MEDIA DOOR ASSEMBLY, storage, right, w/ 15 (black denim) | FLTRX, FLTRXS |
| | 76000376DH | MEDIA DOOR ASSEMBLY, storage, right, w/ 15 (vivid black) | FLTRXS |
| | 76000426BYM | MEDIA DOOR ASSEMBLY, storage, left, w/ 15 (not shown) (black denim) | FLTRX, FLTRXS |
| | 76000426DH | MEDIA DOOR ASSEMBLY, storage, left, w/ 15 (not shown) (vivid | FLTRXS |

FAIRING LOWERS - ULTRA - AIR COOLED

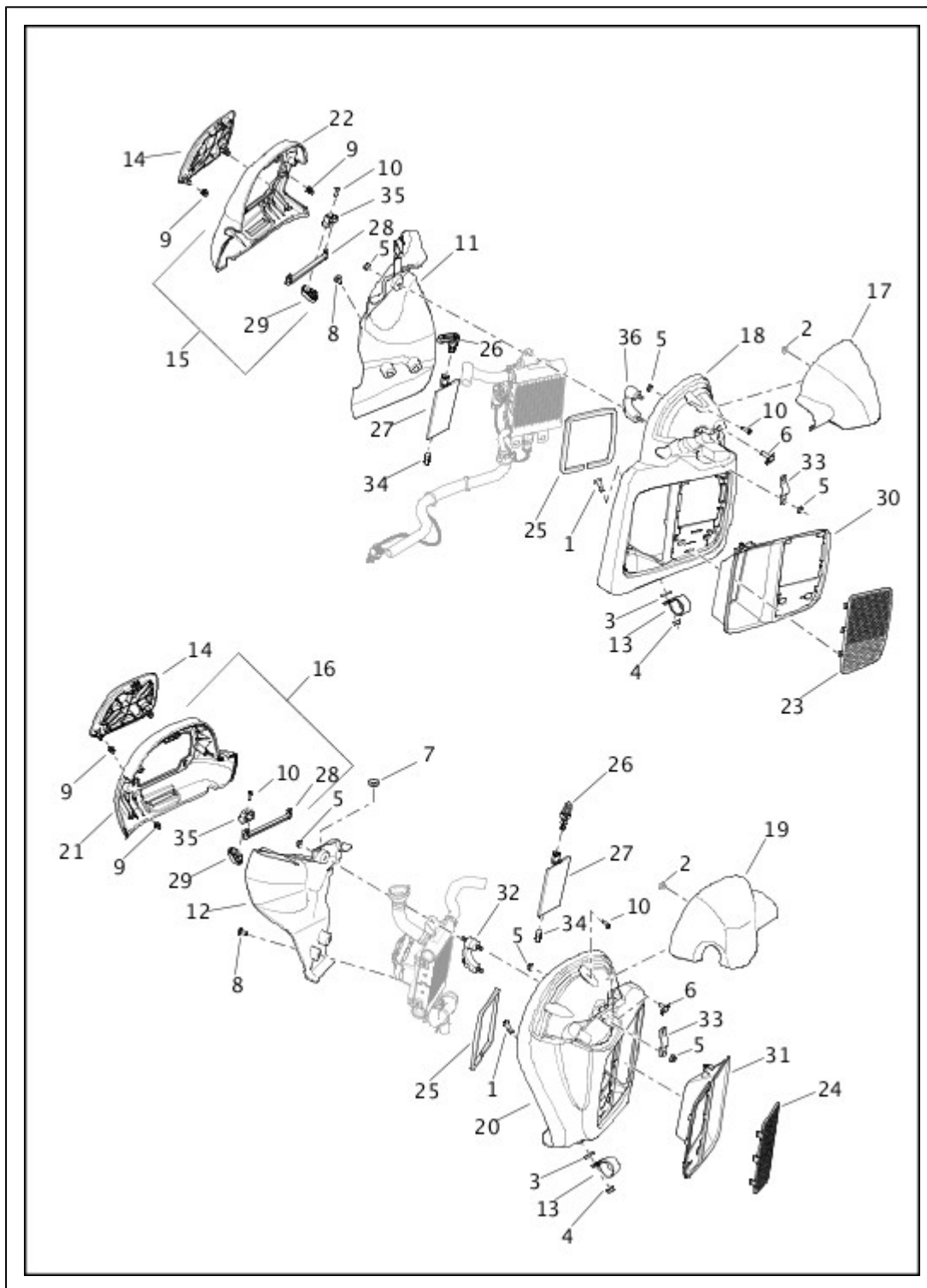


| Index No. | Part No. | Description | Model(s) |
|---|----------|-------------|--------------------|
| NOTE: Refer to the Service Section of h-dnet.com for painted part numbers. | | | |
| 1 | 2995 | SCREW (6) | FLHTCU, FLHTCUL |
| | | | |

| | | | |
|----|----------|---|--------------------|
| 2 | 3655A | SCREW (2) | FLHTCU, FLHTCUL |
| 3 | 6235 | WASHER (2) | FLHTCU, FLHTCUL |
| 4 | 7415A | WASHER (2) | FLHTCU, FLHTCUL |
| 5 | 7576 | NUT (2) | FLHTCU, FLHTCUL |
| 6 | 7716 | LOCKNUT (6) | FLHTCU, FLHTCUL |
| 7 | 8175 | CLIP (2) | FLHTCU, FLHTCUL |
| 8 | 10100033 | PUSH NUT (4) | FLHTCU, FLHTCUL |
| 9 | 10200052 | SCREW (4) | FLHTCU, FLHTCUL |
| 10 | 11700005 | SPRING, torsion, door (2) | FLHTCU, FLHTCUL |
| 11 | 12000005 | PIN, door hinge (4) | FLHTCU, FLHTCUL |
| 12 | 12600049 | SCREW (8) | FLHTCU, FLHTCUL |
| 13 | 47200275 | CLAMP (2) | FLHTCU, FLHTCUL |
| 14 | 57100098 | FRAME, glove box, right | FLHTCU, FLHTCUL |
| 15 | 57100101 | FRAME, glove box, left | FLHTCU, FLHTCUL |
| 16 | 57100102 | DOOR, glove box (2) | FLHTCU, FLHTCUL |
| 17 | 57100103 | TRAY, glove box, right | FLHTCU, FLHTCUL |
| 18 | 57100104 | TRAY, glove box, left | FLHTCU, FLHTCUL |
| 19 | 57100108 | GLOVE BOX ASSEMBLY, left, w/ 2995, 10100033, 11700005, 12000005, 12600049, 57100101, 57100102, 57100104, 57100164, 57100165, 57100166, 57100167, 57100188 & 57100225 | FLHTCU, FLHTCUL |
| 20 | 57100110 | GLOVE BOX ASSEMBLY, right, w/ 2995, 10100033, 11700005, 12000005, 12600049, 57100098, 57100102, 57100103, 57100164, 57100165, 57100166, 57100167, 57100188 & 57100225 | FLHTCU, FLHTCUL |
| 21 | 57100111 | CAP, fairing, lower, left (unpainted) | FLHTCU, FLHTCUL |
| 22 | 57100112 | FAIRING, lower, left (unpainted) | FLHTCU, FLHTCUL |
| | | | |

| | | | |
|----|----------|--|--------------------|
| 23 | 57100113 | CAP, fairing, lower, right (unpainted) | FLHTCU, FLHTCUL |
| 24 | 57100114 | FAIRING, lower, right (unpainted) | FLHTCU, FLHTCUL |
| 25 | 57100149 | COVER, lower fairing, left | FLHTCU, FLHTCUL |
| 26 | 57100150 | COVER, lower fairing, right | FLHTCU, FLHTCUL |
| 27 | 57100154 | HINGE (2) | FLHTCU, FLHTCUL |
| 28 | 57100155 | DOOR, vent (2) | FLHTCU, FLHTCUL |
| 29 | 57100161 | PLATE, lower, left | FLHTCU, FLHTCUL |
| 30 | 57100162 | PLATE, lower, right | FLHTCU, FLHTCUL |
| 31 | 57100164 | LINK, door vent (2) | FLHTCU, FLHTCUL |
| 32 | 57100165 | KNOB, door vent (2) | FLHTCU, FLHTCUL |
| 33 | 57100166 | DAMPER, door (2) | FLHTCU, FLHTCUL |
| 34 | 57100167 | LATCH, door (2) | FLHTCU, FLHTCUL |
| 35 | 57100170 | FASCIA ASSEMBLY, lower, left | FLHTCU, FLHTCUL |
| 36 | 57100171 | FASCIA ASSEMBLY, lower, right | FLHTCU, FLHTCUL |
| 37 | 57100187 | RETAINER, u-bolt (2) | FLHTCU, FLHTCUL |
| 38 | 57100188 | BUMPER, glove box door (4) | FLHTCU, FLHTCUL |
| 39 | 57100200 | PIN, vent door (2) | FLHTCU, FLHTCUL |
| 40 | 57100208 | CLAMP, lower fairing (2) | FLHTCU, FLHTCUL |
| 41 | 57100225 | SLIDER, vent door (2) | FLHTCU, FLHTCUL |

FAIRING LOWERS - ULTRA - TWIN-COOLED™

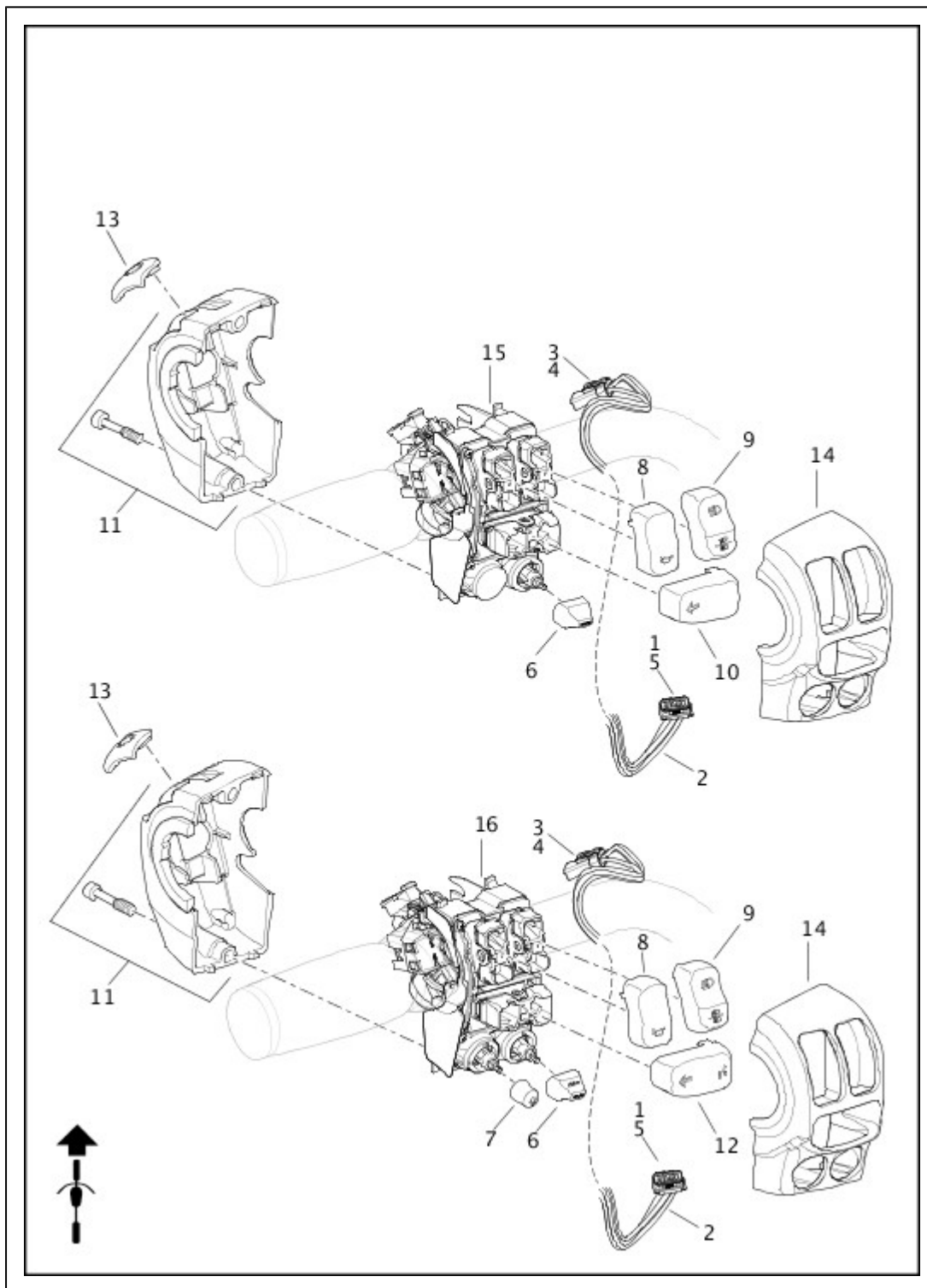


| Index No. | Part No. | Description | Model(s) |
|---|----------|-------------|--------------------------------------|
| NOTE: Refer to the Service Section of h-dnet.com for painted part numbers. | | | |
| 1 | 3655A | SCREW (2) | FLHTCU TC, FLHTK, FLHTCUL TC, FLHTKL |
| 2 | 6235 | WASHER (2) | FLHTCU TC, FLHTK, FLHTCUL TC, FLHTKL |
| 3 | 7415A | WASHER (2) | FLHTCU TC, FLHTK, FLHTCUL TC, FLHTKL |
| 4 | 7576 | NUT (2) | FLHTCU TC, FLHTK, |

| | | | |
|----|----------|--|---|
| | | | FLHTCUL TC, FLHTKL |
| 5 | 7716 | LOCKNUT (8) | FLHTCU TC, FLHTK, FLHTCUL TC, FLHTKL |
| 6 | 8175 | BOLT, retainer (2) | FLHTCU TC, FLHTK, FLHTCUL TC, FLHTKL |
| 7 | 11519 | MOUNT, rubber, right | FLHTCU TC, FLHTK, FLHTCUL TC, FLHTKL |
| 8 | 10200052 | SCREW (4) | FLHTCU TC, FLHTK, FLHTCUL TC, FLHTKL |
| 9 | 12200025 | CLIP (10) | FLHTCU TC, FLHTK, FLHTCUL TC, FLHTKL |
| 10 | 12600049 | SCREW (8) | FLHTCU TC, FLHTK, FLHTCUL TC, FLHTKL |
| 11 | 26800008 | DUCT, radiator, left | FLHTCU TC, FLHTK, FLHTCUL TC, FLHTKL |
| 12 | 26800009 | DUCT, radiator, right | FLHTCU TC, FLHTK, FLHTCUL TC, FLHTKL |
| 13 | 47200275 | CLAMP (2) | FLHTCU TC, FLHTK, FLHTCUL TC, FLHTKL |
| 14 | 57100099 | PANEL ASSEMBLY, glove box, w/ 12200025 (2) | FLHTCU TC, FLHTK, FLHTCUL TC, FLHTKL |
| 15 | 57100107 | GLOVE BOX ASSEMBLY, left, w/ 12600049, 57100148, 57100164, 57100165 & 57100225 | FLHTCU TC, FLHTK, FLHTCUL TC, FLHTKL |
| 16 | 57100109 | GLOVE BOX ASSEMBLY, right, w/ 12600049, 57100147, 57100164, 57100165 & 57100225 | FLHTCU TC, FLHTK, FLHTCUL TC, FLHTKL |
| 17 | 57100111 | CAP, fairing, lower, left (unpainted) | FLHTCU TC, FLHTK, FLHTCUL TC, FLHTKL |
| 18 | 57100112 | FAIRING, lower, left (unpainted) | FLHTCU TC, FLHTK, FLHTCUL TC, FLHTKL |
| 19 | 57100113 | CAP, fairing, lower, right (unpainted) | FLHTCU TC, FLHTK, FLHTCUL TC, FLHTKL |
| 20 | 57100114 | FAIRING, lower, right (unpainted) | FLHTCU TC, FLHTK, FLHTCUL TC, FLHTKL |
| 21 | 57100147 | FRAME, glove box, right, w/ 12200025 | FLHTCU TC, FLHTK, FLHTCUL TC, FLHTKL |
| 22 | 57100148 | FRAME, glove box, left, w/ 12200025 | FLHTCU TC, FLHTK, FLHTCUL TC, FLHTKL |
| 23 | 57100151 | SCREEN, radiator, left | FLHTCU TC, FLHTK, FLHTCUL TC, FLHTKL |
| 24 | 57100152 | SCREEN, radiator, right | FLHTCU TC, FLHTK, FLHTCUL TC, FLHTKL |
| 25 | 57100153 | GASKET, radiator (2) | FLHTCU TC, FLHTK, FLHTCUL TC, FLHTKL |
| | | | |

| | | | |
|----|----------|-------------------------------|---|
| 26 | 57100154 | HINGE (2) | FLHTCU TC, FLHTK |
| 27 | 57100155 | DOOR, vent (2) | FLHTCU TC, FLHTK, FLHTCUL TC, FLHTKL |
| 28 | 57100164 | LINK, door vent (2) | FLHTCU TC, FLHTK, FLHTCUL TC, FLHTKL |
| 29 | 57100165 | KNOB, door vent (2) | FLHTCU TC, FLHTK, FLHTCUL TC, FLHTKL |
| 30 | 57100170 | FASCIA ASSEMBLY, lower, left | FLHTCU TC, FLHTK, FLHTCUL TC, FLHTKL |
| 31 | 57100171 | FASCIA ASSEMBLY, lower, right | FLHTCU TC, FLHTK, FLHTCUL TC, FLHTKL |
| 32 | 57100172 | CLAMP, lower fairing | FLHTCU TC, FLHTK, FLHTCUL TC, FLHTKL |
| 33 | 57100187 | RETAINER, u-bolt (2) | FLHTCU TC, FLHTK, FLHTCUL TC, FLHTKL |
| 34 | 57100200 | PIN, vent door (2) | FLHTCU TC, FLHTK, FLHTCUL TC, FLHTKL |
| 35 | 57100225 | SLIDER, vent door (2) | FLHTCU TC, FLHTK, FLHTCUL TC, FLHTKL |
| 36 | 57100256 | CLAMP, lower fairing | FLHTCU TC, FLHTK, FLHTCUL TC, FLHTKL |

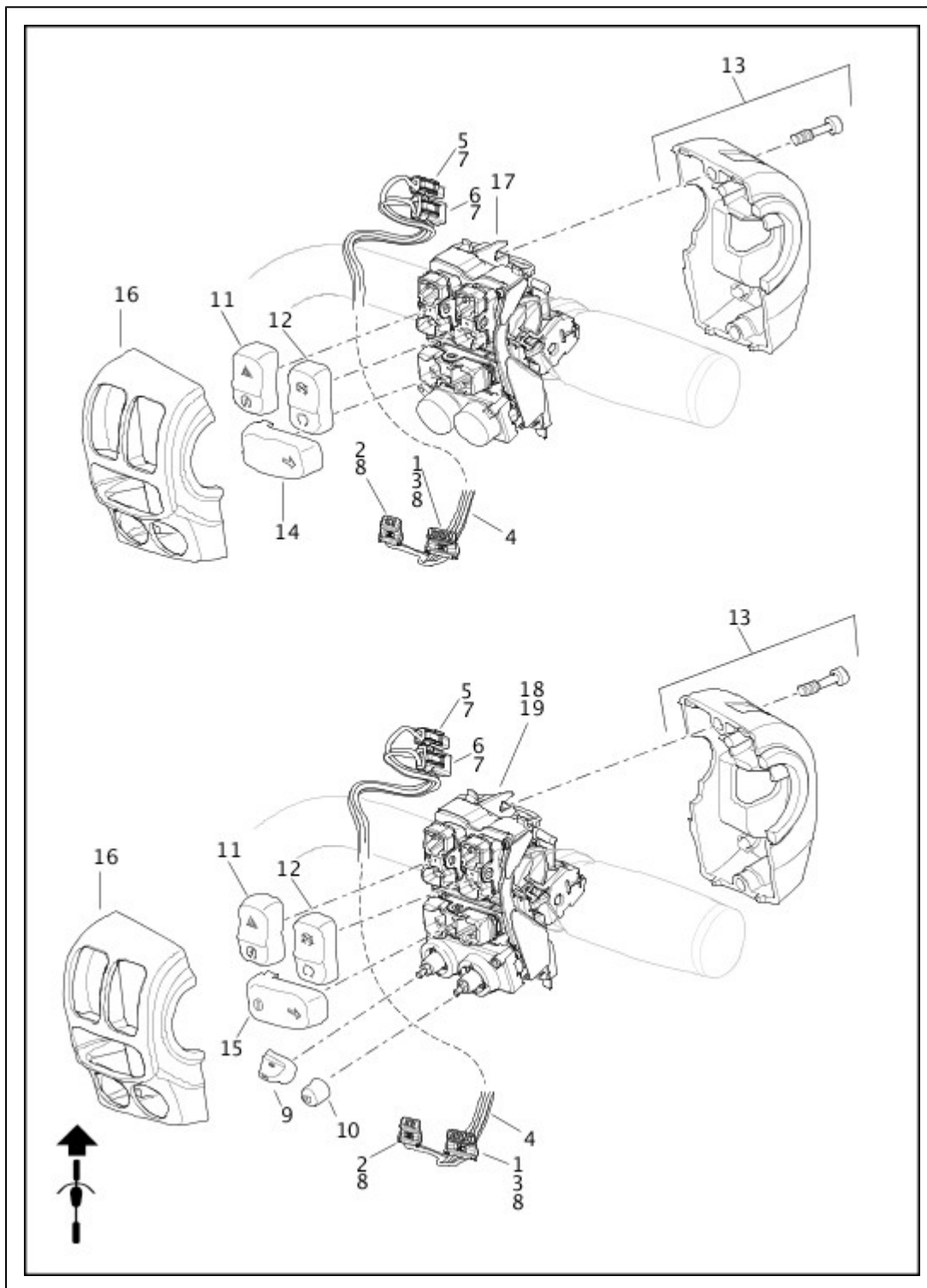
SWITCHES, HANDLEBAR, LEFT



| Index No. | Part No. | Description | Model(s) |
|-----------|----------|--|----------|
| 1 | 72908-11 | SOCKET HOUSING, 4-place | |
| 2 | 69200178 | WIRE HARNESS, left hand control jumper, w/ 72908-11, 69200306, 69200307 & 69200308 | |
| 3 | 69200306 | SOCKET HOUSING, 4-way | |
| 4 | 69200307 | TERMINAL, socket, 22 AWG (4) | |
| 5 | 69200308 | TERMINAL, socket, 22 AWG (4) | |

| | | | |
|----|----------|--|---|
| 6 | 71500044 | KEY CAP, cruise | |
| 7 | 71500045 | KEY CAP, audio home | FLHTCU, FLHX, FLHTK, FLHXS, FLHTCU TC, FLHTCUL, FLHTCUL TC, FLHTKL, FLTRX, FLTRXS |
| 8 | 71500047 | KEY CAP, horn | |
| 9 | 71500048 | KEY CAP, lights, high beam, low beam & flash to pass | |
| 10 | 71500053 | KEY CAP, left turn signal | FLHR, FLHRC |
| 11 | 71500054 | COVER, rear, left hand control, w/ screws | |
| 12 | 71500055 | KEY CAP, left turn signal & voice recognition | FLHTCU, FLHX, FLHTK, FLHXS, FLHTCU TC, FLHTCUL, FLHTCUL TC, FLHTKL, FLTRX, FLTRXS |
| 13 | 71500094 | KEY CAP, trigger switch | |
| 14 | 71500119 | COVER, front, left hand control | |
| 15 | 71500126 | SWITCH PACK, left hand control, w/ 71500044, 71500047, 71500048 & 71500053 | FLHR, FLHRC |
| 16 | 71500128 | SWITCH PACK, left hand control, w/ 71500044, 71500045, 71500047, 71500048 & 71500055 | FLHTCU, FLHX, FLHTK, FLHXS, FLHTCU TC, FLHTCUL, FLHTCUL TC, FLHTKL, FLTRX, FLTRXS |

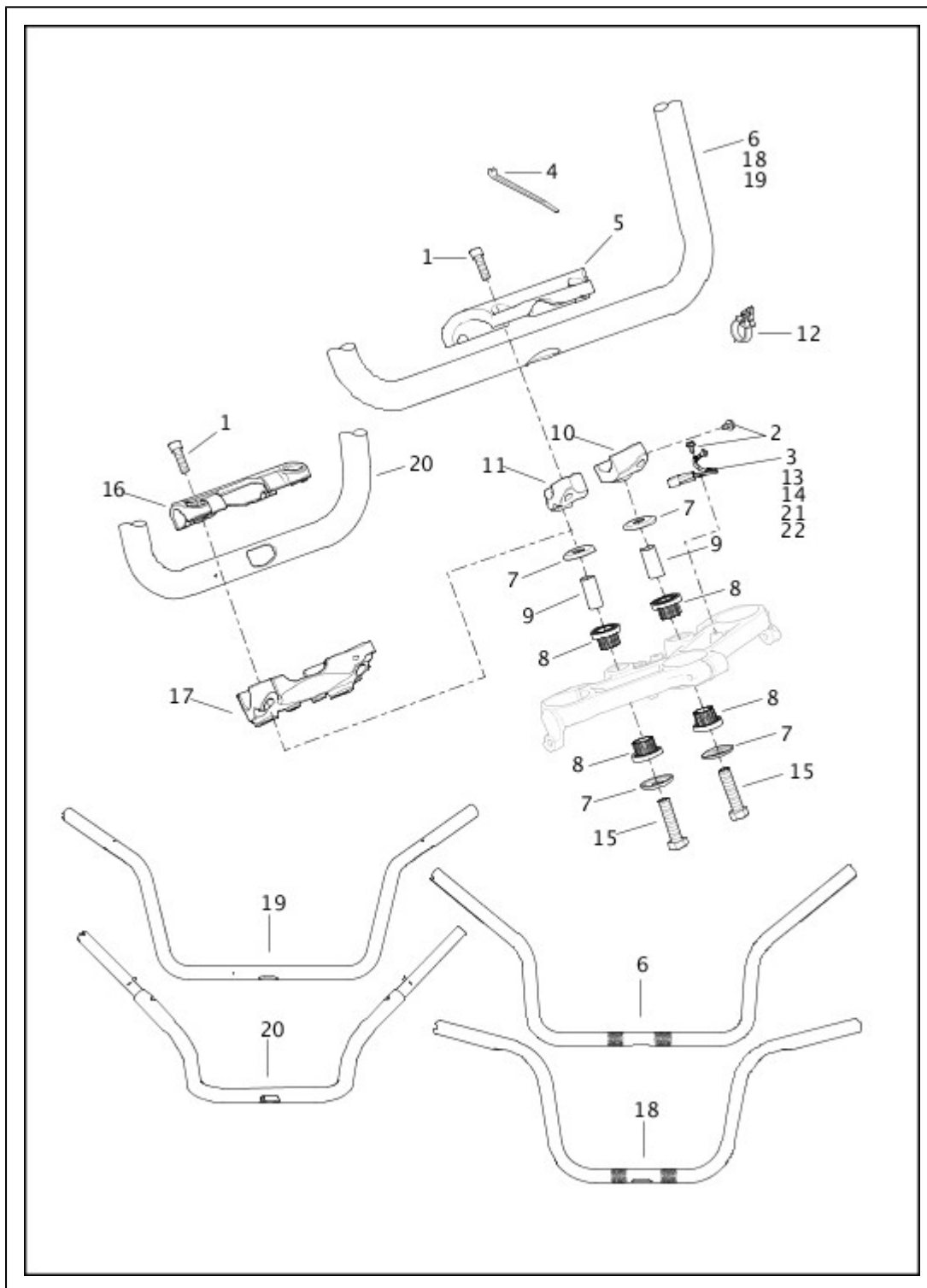
SWITCHES, HANDLEBAR, RIGHT



| Index No. | Part No. | Description | Model(s) |
|-----------|----------|---|----------|
| 1 | 5118 | SEAL PIN | |
| 2 | 72906-11 | SOCKET HOUSING, 2-place | |
| 3 | 72908-11 | SOCKET HOUSING, 4-place | |
| 4 | 69200179 | WIRE HARNESS, right hand control jumper, w/ 5118, 72906-11, 72908-11, 69200305, 69200306, 69200307 & 69200308 | |
| 5 | 69200305 | SOCKET HOUSING, 2-way | |

| | | | |
|----|-----------|--|---|
| 6 | 69200306 | SOCKET HOUSING, 4-way | |
| 7 | 69200307 | TERMINAL, socket, 22 AWG (5) | |
| 8 | 69200308 | TERMINAL, socket, 22 AWG (5) | |
| 9 | 71500041 | KEY CAP, ptt/squelch (except Japan) | FLHTK, FLHTKL |
| 10 | 71500046 | KEY CAP, audio select | FLHTCU, FLHX, FLHTK, FLHXS, FLHTCU TC, FLHTCUL, FLHTCUL TC, FLHTKL, FLTRX, FLTRXS |
| 11 | 71500049 | KEY CAP, start/hazard | |
| 12 | 71500050 | KEY CAP, stop & run | |
| 13 | 71500056 | COVER, rear, right hand control, w/ screws | |
| 14 | 71500057 | KEY CAP, right turn signal | FLHR, FLHRC |
| 15 | 71500063 | KEY CAP, right turn signal & info | FLHTCU, FLHX, FLHTK, FLHXS, FLHTCU TC, FLHTCUL, FLHTCUL TC, FLHTKL, FLTRX, FLTRXS |
| 16 | 71500121 | COVER, front, right hand control | |
| 17 | 71500127A | SWITCH PACK, right hand control, w/ 71500049, 71500050 & 71500057 | FLHR, FLHRC |
| 18 | 71500129A | SWITCH PACK, right hand control, w/ 71500046, 71500049, 71500050 & 71500063 | FLHTCU, FLHX, FLHXS, FLHTCU TC, FLHTCUL, FLHTCUL TC, FLTRX, FLTRXS |
| | 71500129A | SWITCH PACK, right hand control, w/ 71500046, 71500049, 71500050 & 71500063 (Japan) | FLHTK, FLHTKL |
| 19 | 71500130A | SWITCH PACK, right hand control, w/ 71500041, 71500046, 71500049, 71500050 & 71500063 (except Japan) | FLHTK, FLHTKL |

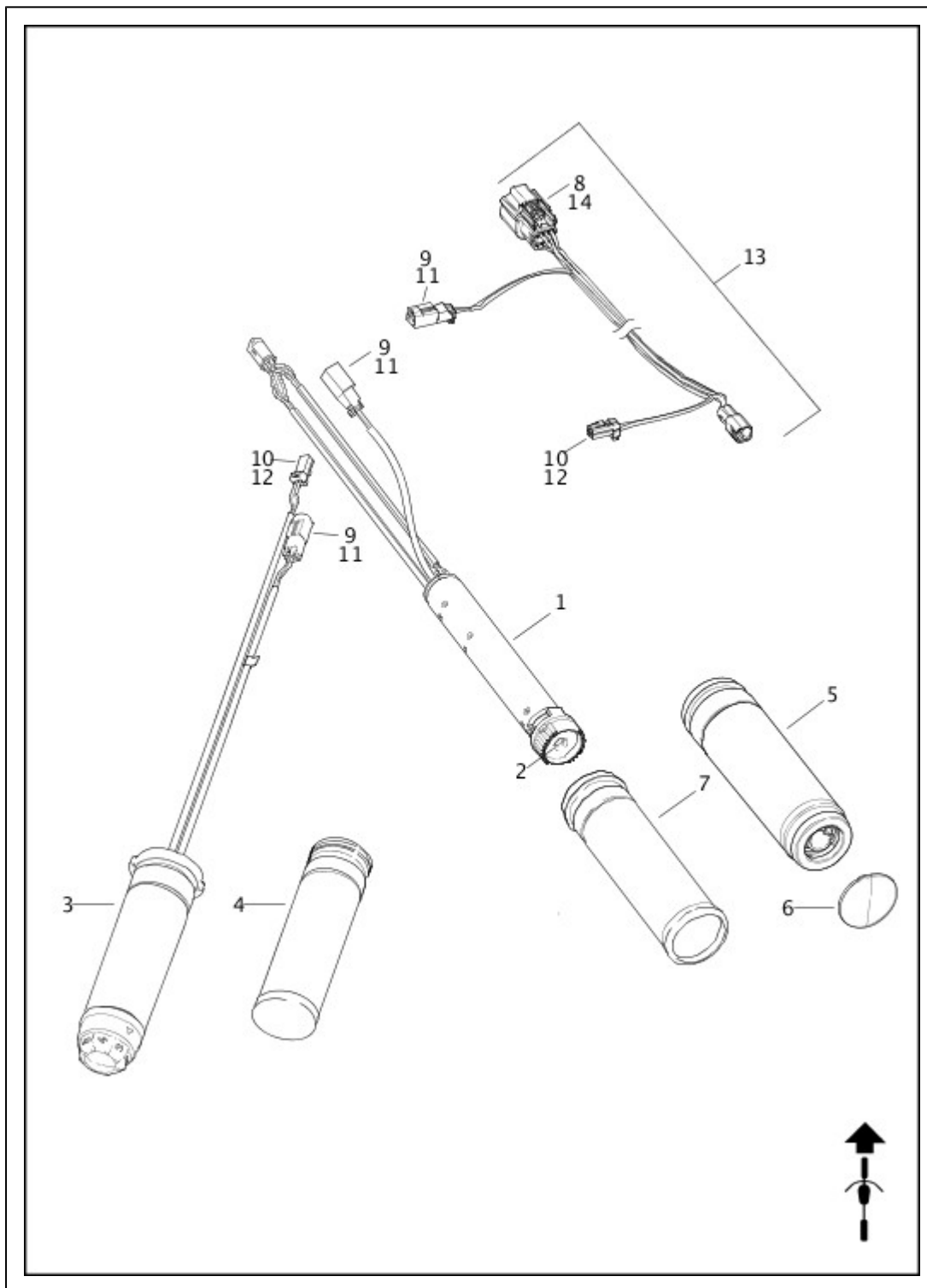
HANDLEBAR



| Index No. | Part No. | Description | Model(s) |
|-----------|----------|-----------------|--|
| 1 | 2708A | SCREW (4) | |
| 2 | 4240 | SCREW (2) | |
| 3 | 9853 | TAB, fastening | |
| 4 | 10006 | CABLE STRAP (6) | FLHTCU, FLHX, FLHTK, FLHXS, FLHTCU TC, FLHTCUL, FLHTCUL TC, FLHTKL |
| 4 | 10006 | CABLE STRAP (5) | FLTRX, FLTRXS |
| 5 | 55918-08 | CLAMP, upper | FLHR, FLHTCU, FLHRC, FLHX, FLHTK, FLHXS, |

| | | | |
|----|-----------|--|---|
| | | | FLHTCU TC, FLHTCUL, FLHTCUL TC, FLHTKL |
| 6 | 55924-14 | HANDLEBAR | FLHTCU, FLHX, FLHTK, FLHXS, FLHTCU TC |
| 7 | 56159-73 | CUP WASHER (4) | |
| 8 | 56161-83A | BUSHING, rubber (4) | |
| 9 | 56163-93 | SPACER (2) | |
| 10 | 57450-14 | RISER, lower, left | FLHR, FLHTCU, FLHRC, FLHX, FLHTK, FLHXS, FLHTCU TC, FLHTCUL, FLHTCUL TC, FLHTKL |
| 11 | 57451-14 | RISER, lower, right | FLHR, FLHTCU, FLHRC, FLHX, FLHTK, FLHXS, FLHTCU TC, FLHTCUL, FLHTCUL TC, FLHTKL |
| 12 | 70345-84 | RETAINER (4) | FLHR, FLHRC |
| 13 | 72053-92 | PIN HOUSING, 1-way | |
| 14 | 72241-94A | TERMINAL, 10 ring, 14-18 gauge | |
| 15 | 12600032 | SCREW (2) | |
| 16 | 55900071 | CLAMP, upper | FLTRX, FLTRXS |
| 17 | 55900078 | RISER, handlebar | FLTRX, FLTRXS |
| 18 | 55800099 | HANDLEBAR | FLHR, FLHRC |
| 19 | 55800305 | HANDLEBAR | FLHTCUL, FLHTCUL TC, FLHTKL |
| 20 | 55800332 | HANDLEBAR | FLTRX, FLTRXS |
| 21 | 69200224 | WIRE HARNESS, triple clamp, ground jumper, w/ 9853, 72053-92, 72241-94A & 69200536 | |
| 22 | 69200536 | TERMINAL, ring, 12-14 gauge | |

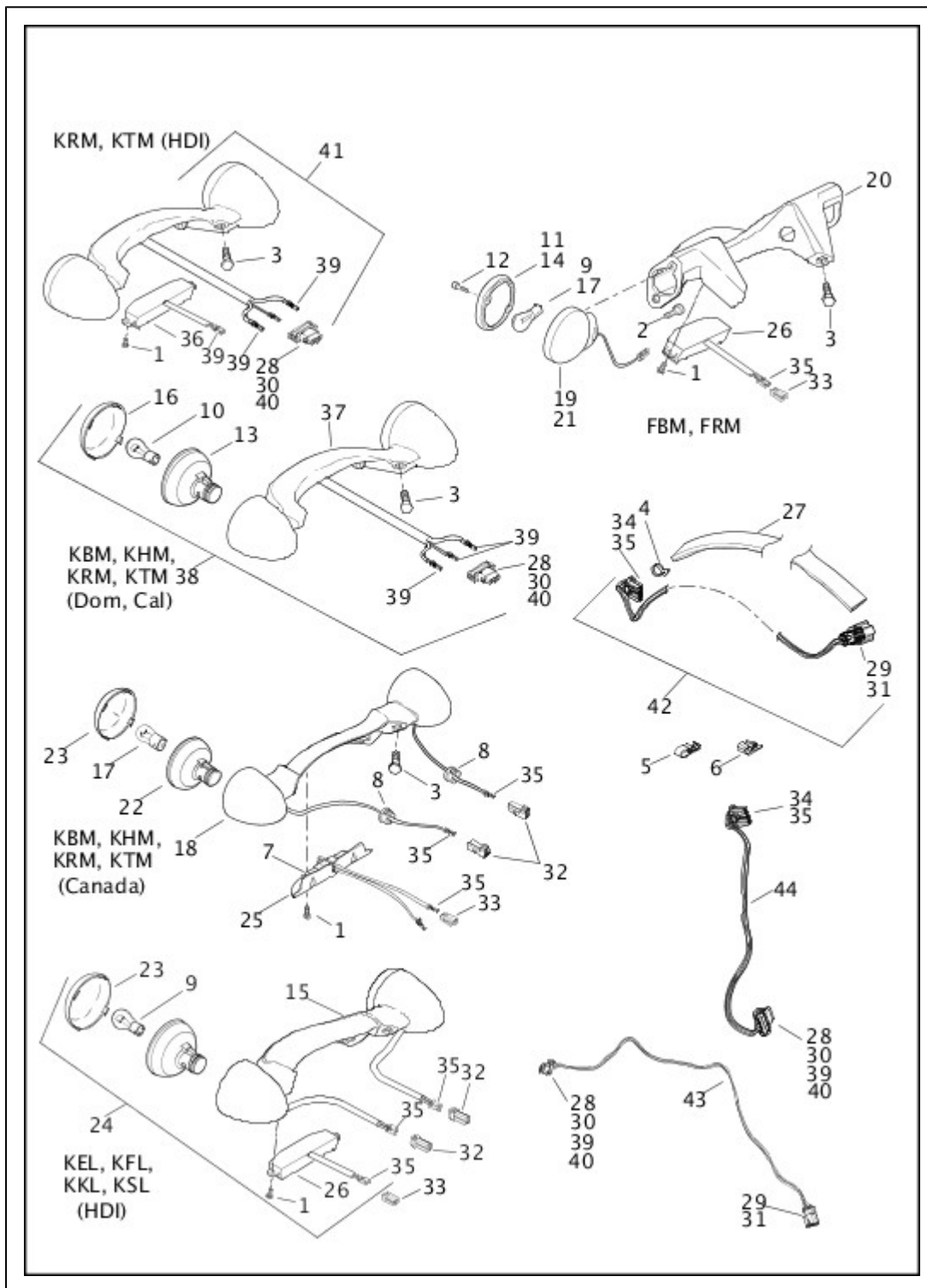
THROTTLE CONTROL



| Index No. | Part No. | Description | Model(s) |
|-----------|-----------|--|--|
| 1 | 32305-08A | SENSOR, twist grip, w/ 32306-08, 72902-01BK & 72990-01 | |
| 2 | 32306-08 | SEAL CAP, throttle sensor | |
| 3 | 56209-10 | GRIP, left, heated, w/ 72902-01BK & 72912-01BK | FLHTK |
| 4 | 56248-08 | GRIP, left | FLHR, FLHTCU, FLHRC, FLHX, FLHXS, FLHTCU TC, FLTRX, FLTRXS |
| | 56667-04 | GRIP, left | FLHTCUL, FLHTCUL TC, FLHTKL |

| | | | |
|----|------------|-----------------------------------|---|
| 5 | 56249-10 | GRIP, right, heated | FLHTK |
| 6 | 56250-10 | END CAP, right | FLHTK |
| 7 | 56304-08 | GRIP & SLEEVE, throttle, right | FLHR, FLHTCU, FLHRC, FLHX, FLHXS, FLHTCU TC, FLTRX, FLTRXS |
| | 56100075 | GRIP & SLEEVE, throttle, right | FLHTCUL, FLHTCUL TC, FLHTKL |
| 8 | 72414-07BK | SOCKET HOUSING, 6-way (black) | |
| 9 | 72902-01BK | PIN HOUSING, 2-way (black) (2) | FLHR, FLHTCU, FLHRC, FLHX, FLHXS, FLHTCU TC, FLTRX, FLTRXS, FLHTCUL, FLHTCUL TC, FLHTKL |
| 9 | 72902-01BK | PIN HOUSING, 2-way (black) (3) | FLHTK |
| 10 | 72912-01BK | SOCKET HOUSING, 2-way (black) | FLHR, FLHTCU, FLHRC, FLHX, FLHXS, FLHTCU TC, FLTRX, FLTRXS, FLHTCUL, FLHTCUL TC, FLHTKL |
| 10 | 72912-01BK | SOCKET HOUSING, 2-way (black) (2) | FLHTK |
| 11 | 72990-01 | PIN TERMINAL (4) | |
| 12 | 72991-01 | SOCKET TERMINAL, 18-22 AWG (2) | |
| 13 | 69200338 | HARNESS, throttle, jumper | |
| 14 | 69200859 | TERMINAL, socket, A3 (6) | |

TAIL LAMP & TURN SIGNALS, REAR (1 OF 2)

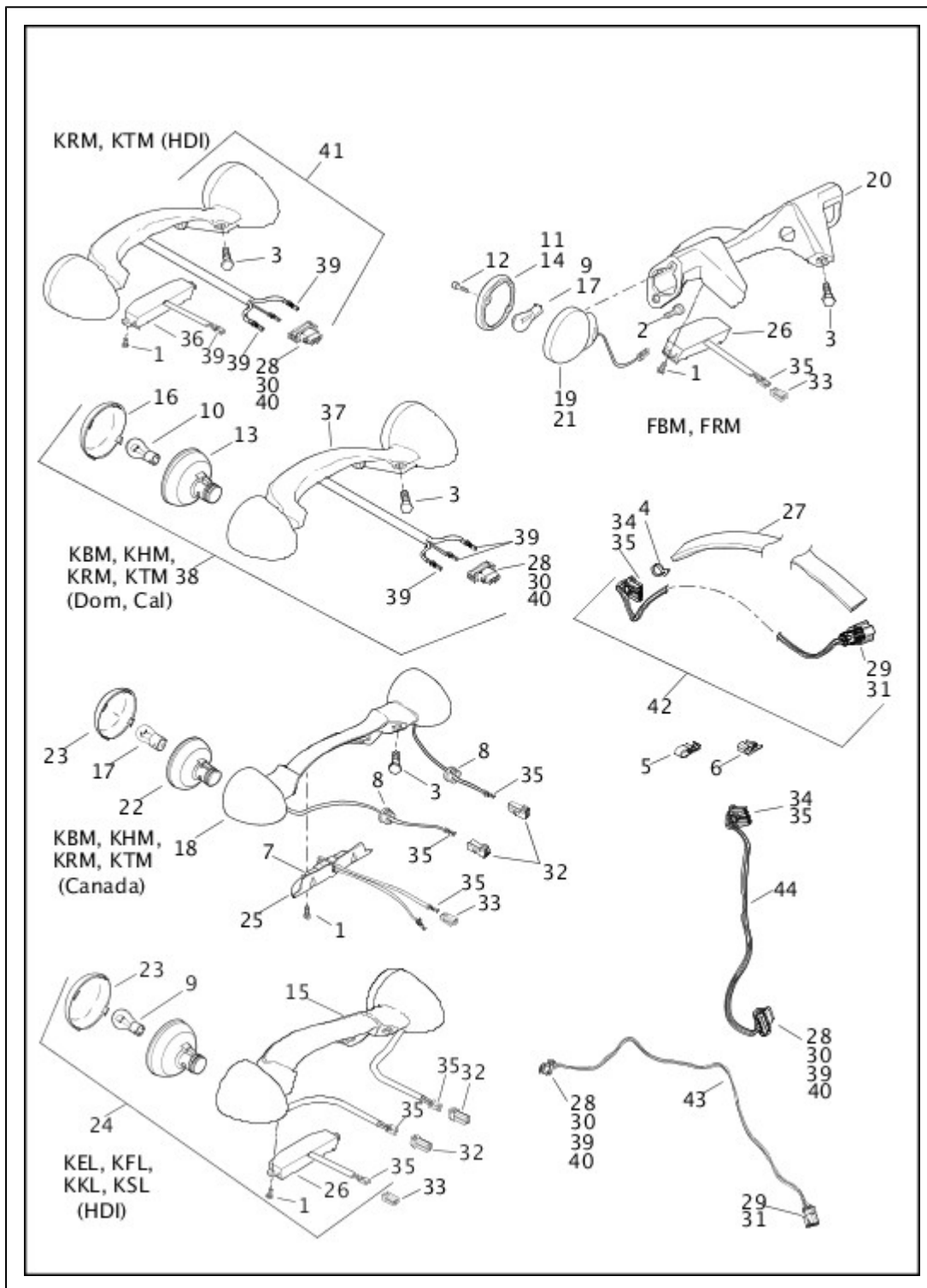


| Index No. | Part No. | Description | Model(s) |
|-----------|----------|-----------------------|--|
| 1 | 2482 | SCREW, (Domestic) (2) | FLHR, FLHX, FLTRX, FLHXS, FLTRXS |
| 1 | 2482 | SCREW, (HDI) (2) | FLHRC, FLHXS, FLTRXS, FLHTK, FLHTCUL TC, FLHTKL, FLHTCU TC |
| 2 | 2692WB | SCREW (4) | FLHR, FLHRC |
| 3 | 3576 | SCREW, (Domestic) (2) | FLHR, FLHX, FLTRX, FLHXS, FLTRXS |
| 3 | 3576 | SCREW, (HDI) (2) | FLHRC, FLHXS, FLTRXS, FLHTK, FLHTCUL TC, FLHTKL, FLHTCU TC |

| | | | |
|----|-----------|--|--|
| 4 | 10006 | CABLE STRAP | FLHR, FLHTCU, FLHRC, FLHTK, FLHTCU TC, FLHTCUL, FLHTCUL TC, FLHTKL |
| 5 | 10183 | CLIP, t-stud (Domestic) | FLHTCU, FLHTK, FLHTCUL, FLHTKL |
| 5 | 10183 | CLIP, t-stud (Canada) | FLHX, FLHXS, FLTRX, FLTRXS |
| 6 | 10184 | CLIP, t-stud | FLHR |
| 6 | 10184 | CLIP, t-stud (Canada) | FLHX, FLHXS, FLTRX, FLTRXS |
| 7 | 52441-95 | BULB, backlite (Canada only) (2) | FLHX, FLHXS, FLTRX, FLTRXS |
| 8 | 67266-94 | BUSHING, nylon (KBM/KRM Canada only) (2) | |
| 9 | 68163-84 | BULB, turn signal (HDI) (2) | FLHRC, FLHTK, FLHTCU TC, FLHTCUL TC, FLHTKL |
| 10 | 68168-89A | BULB, turn signal (Domestic, California) (2) | FLHX, FLHXS, FLTRX, FLTRXS |
| 11 | 68440-86 | LENS, turn signal (amber) (Domestic, California) (2) | FLHR |
| 12 | 68452-86 | SCREW (4) | FLHR, FLHRC |
| 13 | 68497-07 | SOCKET ASSEMBLY, w/ mount (Domestic, California) (2) | FLHX, FLHXS, FLTRX, FLTRXS |
| 14 | 68506-92 | LENS, turn signal (2) (HDI) (amber) | FLHRC |
| 15 | 68550-09 | BRACKET, rear turn signal bar (HDI) | FLHTK, FLHTCU TC, FLHTCUL TC, FLHTKL |
| 16 | 68559-07 | LENS, red (Domestic, California) (2) | FLHX, FLHXS, FLTRX, FLTRXS |
| 17 | 68572-64B | BULB, rear turn signal (KBM/KHM/KRM/KTM Canada only) (2) | FLHR, FLHX, FLHXS, FLTRX, FLTRXS |
| 18 | 68629-05 | LIGHTBAR, turn signal (Canada only) | FLHX, FLHXS, FLTRX, FLTRXS |
| 19 | 68713-94A | LAMP ASSEMBLY, rear, w/ 68440-86, 68452-86 & 68572-64B (Domestic) (2) | FLHR |
| 20 | 68742-09 | BRACKET, rear turn signal | FLHR, FLHRC |
| 21 | 68765-94A | LAMP ASSEMBLY, rear, w/ 68163-84, 68452-86 & 68506-92 (2) (HDI) | FLHRC |
| 22 | 68905-00 | SOCKET ASSEMBLY, rear turn signal (Canada only) (2) | FLHX, FLHXS, FLTRX, FLTRXS |
| 23 | 68973-00 | LENS, rear turn signal (KBM/KHM/KRM/KTM Canada only) (KEL/KFL/KKL/KSL - HDI) (2) | FLHX, FLHXS, FLHTCU, FLHTK, FLHTCU TC, FLHTCUL TC, FLHTKL, FLTRX, FLTRXS |
| 24 | 68997- | LAMP ASSEMBLY, rear turn signal, w/ 2482, 68163- | FLHTK, FLHTCU TC, FLHTCUL TC, |

| | | | |
|----|-----------|--|--|
| | 09 | 84, 68550-09, 68973-00, 69378-09, 73152-96BK & 73191-96 (HDI) | FLHTKL |
| 25 | 69353-05 | LAMP ASSEMBLY, w/ 52441-95 & 73191-96 (Canada only) | FLHX, FLHXS, FLTRX, FLTRXS |
| 26 | 69378-09 | LIGHT ASSEMBLY, w/ 73191-96 & lens | FLHR |
| 26 | 69378-09 | LIGHT ASSEMBLY, w/ 73191-96 & lens (HDI) | FLHRC, FLHTK, FLHTCUL TC, FLHTKL, FLHTCU TC |
| 27 | 70522-06B | CONDUIT, self-adhesive | FLHR, FLHTCU, FLHRC, FLHTK, FLHTCU TC, FLHTCUL, FLHTCUL TC, FLHTKL |
| 28 | 72130-04 | SOCKET HOUSING, 12-way (Domestic, California, HDI) (black) (3) | FLHX, FLHXS, FLTRX, FLTRXS |
| 29 | 72168-07 | TERMINAL, socket, 18-20 AWG (6) | |
| 30 | 72189-04 | SEAL PIN, (Domestic, California) (9) | FLHX, FLHXS, FLTRX, FLTRXS |
| 30 | 72189-04 | SEAL PIN, (HDI) (7) | FLHX, FLHXS, FLTRX, FLTRXS |

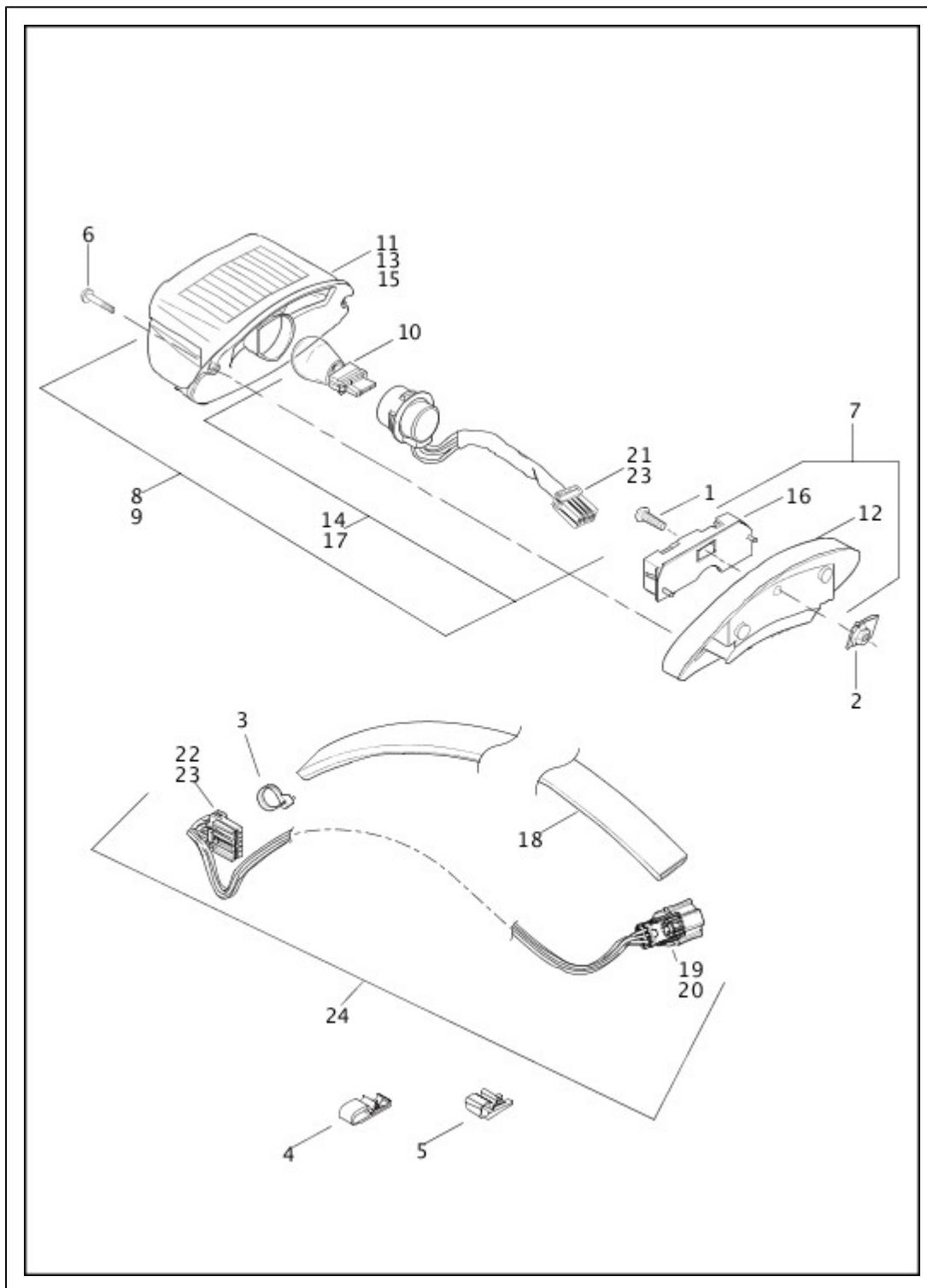
TAIL LAMP & TURN SIGNALS, REAR (2 OF 2)



| Index No. | Part No. | Description | Model(s) |
|-----------|------------|---|---|
| 31 | 72414-07BK | SOCKET HOUSING, 6-way | |
| 32 | 73152-96BK | SOCKET HOUSING, 2-place (HDI) (2) | FLHR, FLHRC, FLHTK, FLHTCU TC, FLHTCUL TC, FLHTKL |
| 32 | 73152-96BK | SOCKET HOUSING, 2-place (Canada only) (2) | FLHX, FLHXS, FLTRX, FLTRXS |
| 33 | 73153-96BK | SOCKET HOUSING, 3-place (HDI) | FLHR, FLHRC, FLHTK, FLHTCU TC, FLHTCUL TC, |

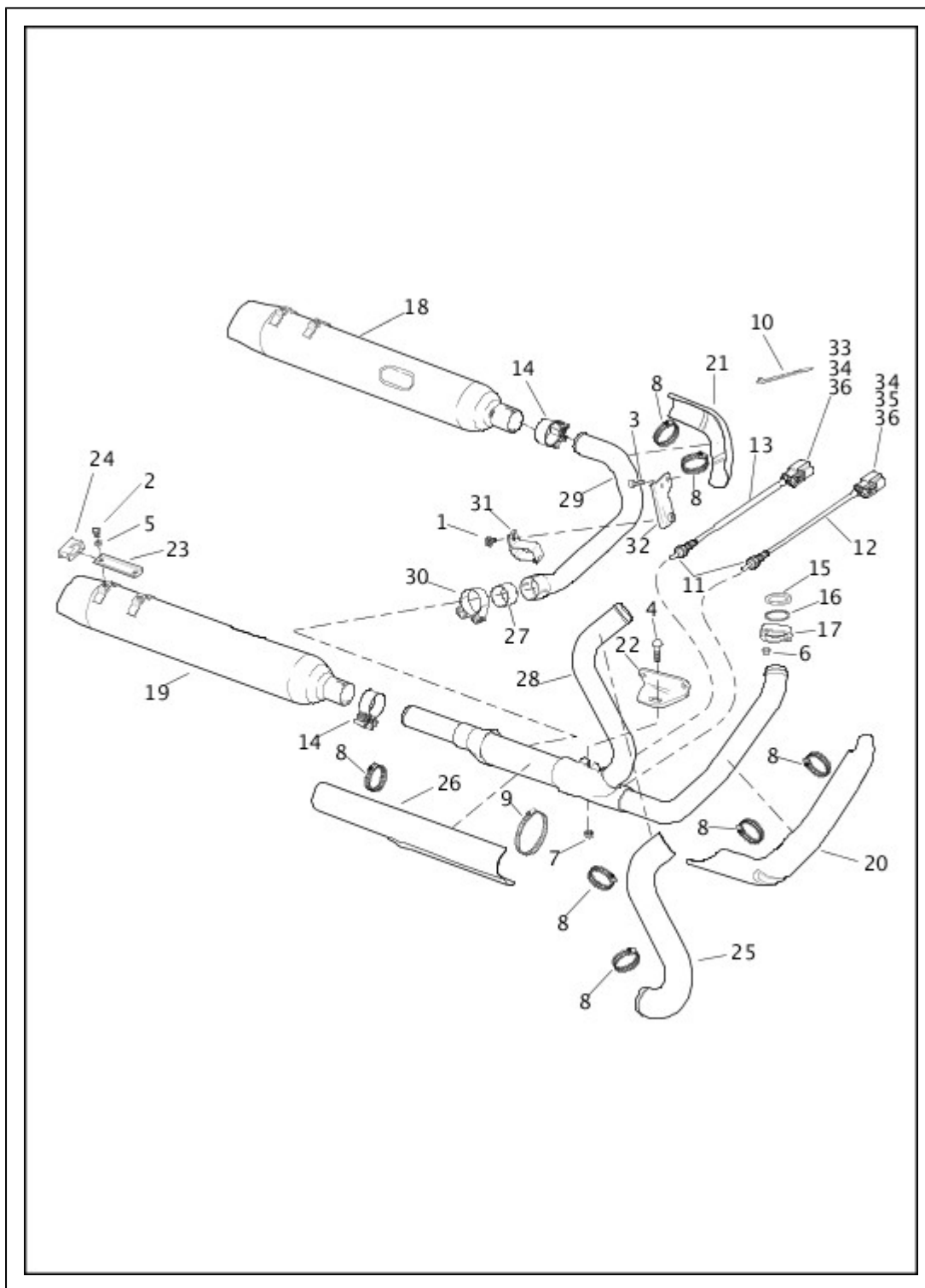
| | | | |
|----|------------|---|--|
| | | | FLHTKL |
| 33 | 73153-96BK | SOCKET HOUSING, 3-place (Canada only) | FLHX, FLHXS, FLTRX, FLTRXS |
| 34 | 73156-96BK | SOCKET HOUSING, 6-place (black) | |
| 35 | 73191-96 | TERMINAL, socket, 16-20 gauge (12) | |
| 36 | 73254-10 | LIGHT ASSEMBLY, w/ 74196-04 & lens (Except Canada) | FLHX, FLHXS, FLTRX, FLTRXS |
| 37 | 73309-10 | BRACKET, rear turn signal bar (Domestic, Not Canada) | FLHX, FLHXS, FLTRX, FLTRXS |
| 38 | 73314-10 | DIRECTIONAL LAMP ASSEMBLY, rear, w/ 2482, 68168-89A, 68497-07, 68559-07, 72130-04, 72189-04, 73309-10, 73254-10, 74196-04 & 74197-04 (Domestic, Not Canada) | FLHX, FLHXS, FLTRX, FLTRXS |
| 39 | 74196-04 | TERMINAL, socket (24) | FLHX, FLHXS, FLTRX, FLTRXS |
| 40 | 74197-04 | SOCKET LOCK, secondary 12-way | FLHX, FLHXS, FLTRX, FLTRXS |
| 41 | 67800132 | DIRECTIONAL LAMP ASSEMBLY, rear, w/ 2482, 72130-04, 72189-04, 73254-10, 74196-04 & 74197-04 (HDI) | FLHXS, FLTRXS |
| 42 | 69200128 | HARNESS, rear lamps, w/ 10006, 70522-06B, 73156-96BK, 73191-96, 72168-07 & 72414-07BK | FLHR, FLHTCU, FLHRC, FLHTK, FLHTCU TC, FLHTCUL, FLHTCUL TC, FLHTKL |
| 43 | 69200129 | HARNESS, rear lighting jumper, w/ 72130-04, 72168-07, 72189-04, 72414-07BK, 74196-04 & 74197-04 | FLHX, FLHXS, FLTRX, FLTRXS |
| 44 | 69200130 | HARNESS, rear lighting, jumper, w/ 72130-04, 72189-04, 73191-96, 73156-96BK, 74196-04 & 74197-04 (Canada only) | FLHX, FLHXS, FLTRX, FLTRXS |

TAIL LAMP



| Index No. | Part No. | Description | Model(s) |
|-----------|----------|---|---|
| 1 | 3022A | SCREW, (KBM, KHM, KRM, KTM Canada only) | |
| 2 | 7964 | J-NUT, (KBM, KHM, KRM, KTM Canada only) | |
| 3 | 10006 | CABLE STRAP | FLHR, FLHTCU, FLHRC, FLHTK, FLHTCUL, FLHTCUL TC, FLHTKL |
| 4 | 10183 | CLIP, t-stud | FLHR, FLHTCU, FLHRC, FLHTK, FLHTCUL, FLHTCUL TC, FLHTKL |
| 5 | 10184 | CLIP, t-stud | FLHR, FLHTCU, FLHRC, FLHTK, FLHTCUL, FLHTCUL TC, FLHTKL |

| | | | |
|----|------------|---|--|
| 6 | 68026-99 | SCREW, (KBM, KHM, KRM, KTM Canada only) (2) | |
| 7 | 68066-99A | TAIL LAMP BASE ASSEMBLY, w/ 68296-99A & 68830-99A (KBM, KHM, KRM, KTM Canada only) | |
| 8 | 68140-04 | LAMP ASSEMBLY, tail lamp, w/ 68369-03 & 68370-03A (Domestic) | FLHTCU, FLHTK, FLHTCUL, FLHTKL |
| 9 | 68142-04 | LAMP ASSEMBLY, tail lamp, w/ 68558-03 & 69187-03A (HDI) | FLHRC, FLHTK, FLHTCU TC, FLHTCUL TC, FLHTKL |
| 10 | 68167-04 | BULB, tail lamp, wedge mount (KBM, KHM, KRM, KTM Canada only) | |
| 10 | 68167-04 | BULB, tail lamp, wedge mount (HDI) | FLHRC, FLHTK, FLHTCU TC, FLHTCUL TC, FLHTKL |
| 11 | 68245-03 | LENS, tail lamp (red), w/ 68026-99 (KBM, KHM, KRM, KTM Canada only) | FLHR, FLHX, FLHXS, FLTRX, FLTRXS |
| 12 | 68296-99A | TAIL LIGHT BASE, (chrome) (KBM, KHM, KRM, KTM Canada only) | |
| 13 | 68369-03 | LENS, tail lamp, w/ 68026-99 | FLHTCU, FLHRC, FLHTK, FLHTCUL, FLHTKL |
| 14 | 68370-03A | SOCKET ASSEMBLY, tail lamp, w/ 68167-04, 73154-96BK & 73191-96 (KBM, KHM, KRM, KTM Canada only) | FLHR, FLHTCU, FLHTK, FLHX, FLHXS, FLHTCUL, FLHTKL, FLTRX, FLTRXS |
| 15 | 68558-03 | LENS, tail lamp, w/ 68026-99 (HDI) | FLHRC, FLHTK, FLHTCU TC, FLHTCUL TC, FLHTKL |
| 16 | 68830-99A | CIRCUIT BOARD & COVER, (KBM, KHM, KRM, KTM Canada only) | |
| 17 | 69187-03A | BULB SOCKET ASSEMBLY, tail lamp, w/ 68167-04, 73154-96BK, & 73191-96 (HDI) | FLHRC, FLHTK, FLHTCU TC, FLHTCUL TC, FLHTKL |
| 18 | 70522-06B | CONDUIT, self-adhesive | FLHR, FLHTCU, FLHRC, FLHTK, FLHTCU TC, FLHTCUL, FLHTCUL TC, FLHTKL |
| 19 | 72168-07 | TERMINAL, socket, 18-20 AWG (6) | FLHR, FLHTCU, FLHRC, FLHTK, FLHTCU TC, FLHTCUL, FLHTCUL TC, FLHTKL |
| 20 | 72414-07BK | SOCKET HOUSING, 6-way | FLHR, FLHTCU, FLHRC, FLHTK, FLHTCU TC, FLHTCUL, FLHTCUL TC, FLHTKL |
| 21 | 73154-96BK | SOCKET HOUSING, 4-place | |
| 22 | 73156-96BK | SOCKET HOUSING, 6-place | FLHR, FLHTCU, FLHRC, FLHTK, FLHTCU TC, FLHTCUL, FLHTCUL TC, FLHTKL |
| 23 | 73191-96 | TERMINAL, socket, 16-20 gauge (3) | FLHX, FLHXS, FLTRX, FLTRXS |
| 23 | 73191-96 | TERMINAL, socket, 16-20 gauge (9) | FLHR, FLHTCU, FLHRC, FLHTK, FLHTCU TC, FLHTCUL, FLHTCUL TC, FLHTKL |
| 24 | 69200128 | HARNESS, rear lamps, w/ 10006, 70522-06B, 72168- | FLHR, FLHTCU, FLHRC, FLHTK, |

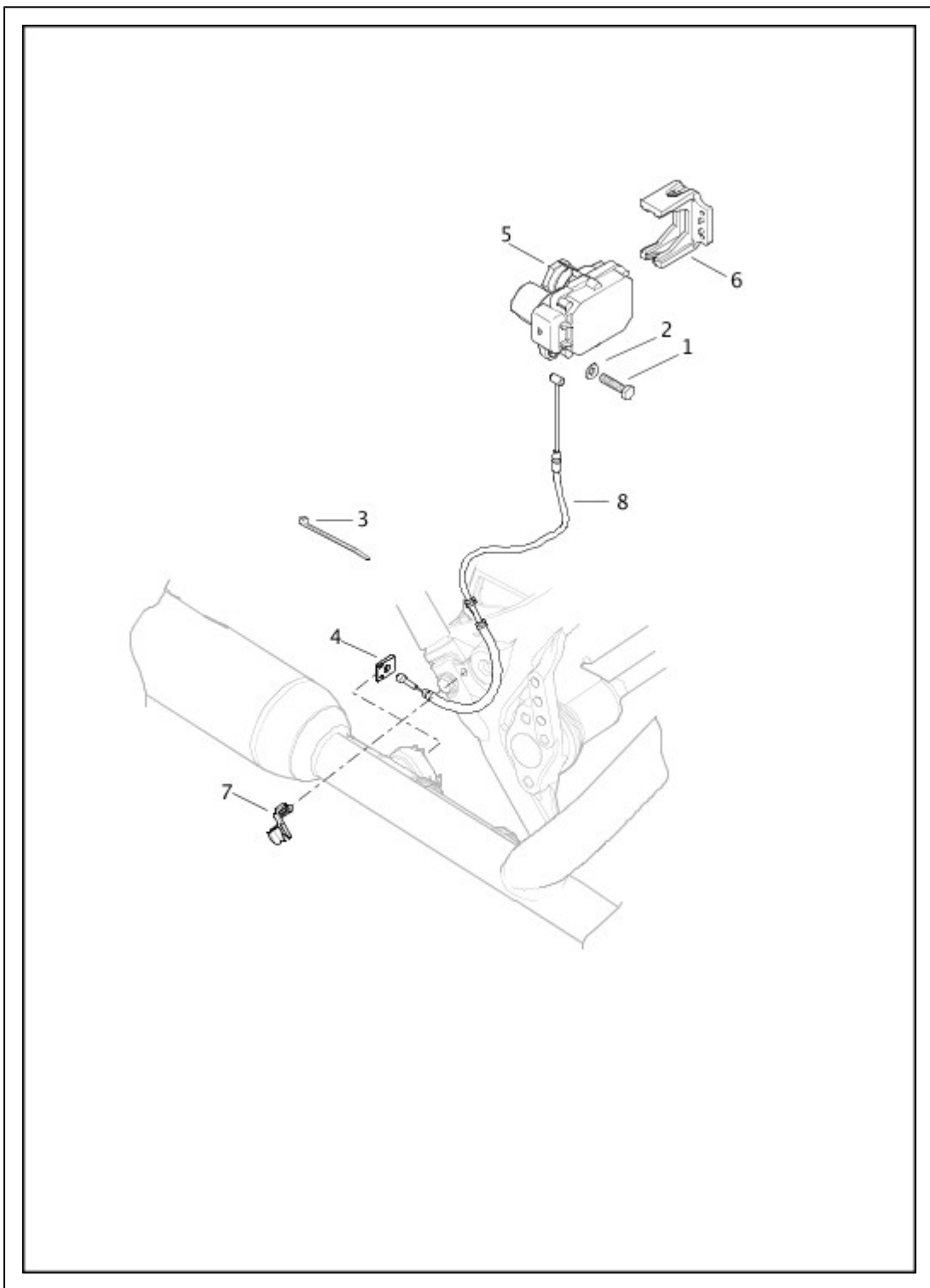
EXHAUST SYSTEM

| Index No. | Part No. | Description | Model(s) |
|-----------|----------|-------------|----------|
| 1 | 3576 | SCREW | |
| 2 | 3929 | SCREW (4) | |
| | | | |

| | | | |
|----|-----------|--|--|
| 3 | 4705 | SCREW (2) | |
| 4 | 5416 | BOLT | |
| 5 | 7041 | LOCKWASHER (4) | |
| 6 | 7593 | NUT (4) | |
| 7 | 7601 | LOCKNUT | |
| 8 | 9955 | CLAMP, worm drive #24 (7) | |
| 9 | 9956 | CLAMP, worm drive #40 | |
| 10 | 10039 | CABLE STRAP (2) | |
| 11 | 11936 | GASKET, oxygen (O2) sensor (2) | |
| 12 | 27729-10 | SENSOR, oxygen (O2), front, w/ 11936, 72344-10, 72444-07GY & 73307-10 | |
| 13 | 27809-10 | SENSOR, oxygen (O2), rear, w/ 11936, 72177-07BK, 72344-10 & 73307-10 | |
| 14 | 65296-95A | MUFFLER CLAMP (2) | |
| 15 | 65324-83B | GASKET, exhaust port (2) | |
| 16 | 65325-83A | RETAINING RING, exhaust gasket (2) | |
| 17 | 65328-83A | CLAMP, exhaust manifold (2) | |
| 18 | 65538-09 | MUFFLER, left, (chrome) (Domestic, Canada, California) | FLHR, FLHTCU, FLHTCU TC, FLHTKL, FLHTCUL |
| | 65592-09A | MUFFLER, left, (chrome) (Domestic, Canada, California) | FLHX, FLHXS, FLTRX, FLTRXS |
| | 65949-09 | MUFFLER ASSEMBLY, left (chrome) (Australia, England, HDI, Japan, Asia-Pacific, Brazil) | FLHRC, FLTRXS, FLHXS, FLHTKL, FLHTK, FLHTCUL TC, FLHTCU TC |
| 19 | 65846-10A | MUFFLER, right, (chrome) (Domestic, Canada, California) | FLHR, FLHTCU, FLHTK, FLHTKL, FLHTCUL |
| | 64900016A | MUFFLER, right, (chrome) (Domestic, Canada, California) | FLHX, FLHXS, FLTRX, FLTRXS |
| | 65748-09 | MUFFLER ASSEMBLY, right (chrome) (Japan) | FLHRC, FLHTK, FLTRXS, FLHXS, FLHTKL, FLHTCUL TC, FLHTCU TC |
| | 65863-09 | MUFFLER ASSEMBLY, right (chrome) (Australia, England, HDI, Asia-Pacific, Brazil) | FLHRC, FLHTK, FLTRXS, FLHXS, FLHTKL, FLHTCUL TC, FLHTCU TC |
| 20 | 65634-09 | SHIELD, right exhaust pipe, front | |
| 21 | 65636-09 | SHIELD, left exhaust pipe, rear | |
| 22 | 65678-09 | BRACKET, rear exhaust mount | |
| 23 | 65723-85 | MOUNTING BRACKET (2) | |
| 24 | 65724-85 | MOUNT, rubber (2) | |
| 25 | 65951-09 | HEAT SHIELD ASSEMBLY, rear exhaust pipe | |

| | | | |
|----|------------|---|--|
| 26 | 65952-09 | HEAT SHIELD ASSEMBLY, exhaust pipe, right rear lower | |
| 27 | 66813-09 | GASKET, clamp | |
| 28 | 66855-10A | EXHAUST PIPE ASSEMBLY, catalytic (Domestic, Canada, California, Japan) (chrome) | FLHR, FLHTCU, FLHTCUL, FLHTK, FLHTKL, FLHX, FLTRX, FLTRXS |
| | 66849-10 | EXHAUST PIPE ASSEMBLY, catalytic (Australia, England, HDI, Asia-Pacific, Brazil) (chrome) | FLHRC, FLHTK, FLTRXS, FLHXS, FLHTKL, FLHTCUL TC, FLHTCU TC |
| 29 | 66858-09 | CROSSOVER PIPE ASSEMBLY, (chrome) | |
| 30 | 66859-09 | CLAMP, exhaust | |
| 31 | 66861-09A | CLAMP, exhaust pipe, hinged | |
| 32 | 66881-09 | BRACKET, exhaust pipe hanger | |
| 33 | 72177-07BK | HOUSING, 4-way, socket (black) | |
| 34 | 72344-10 | TERMINAL, socket, 22 AWG (gold) (4) | |
| 35 | 72444-07GY | HOUSING, 4-way, socket (gray) | |
| 36 | 73307-10 | TERMINAL, socket, 22 AWG (4) | |

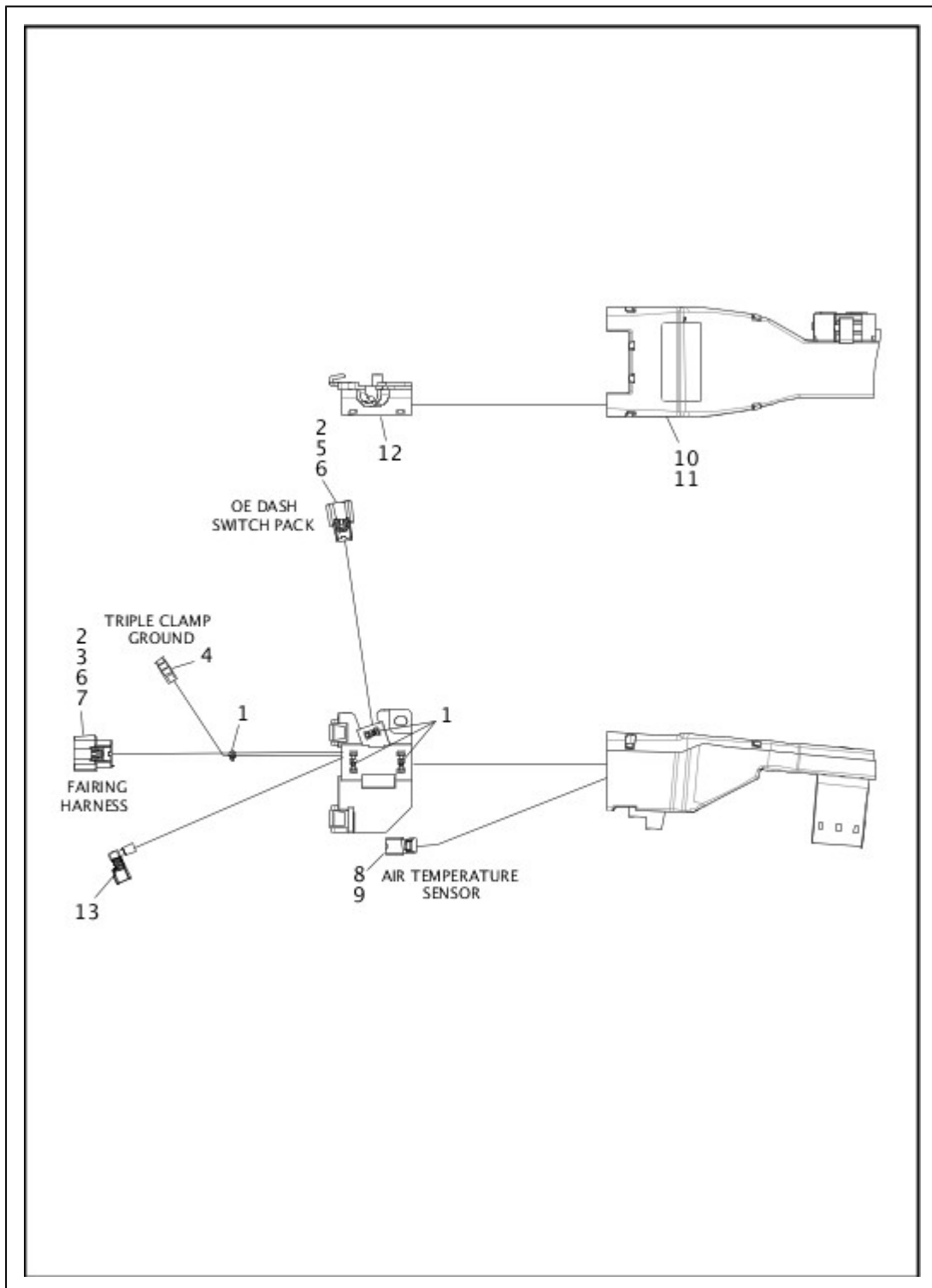
ACTIVE INTAKE & EXHAUST



| Index No. | Part No. | Description | Model(s) |
|-----------|----------|------------------------------------|--|
| 1 | 3993 | BOLT, (HDI except Japan) (2) | FLHRC, FLHTK, FLHTCU TC, FLHTCUL TC, FLHTKL, FLHXS, FLTRXS |
| 2 | 6119 | WASHER, (HDI except Japan) (2) | FLHRC, FLHTK, FLHTCU TC, FLHTCUL TC, FLHTKL, FLHXS, FLTRXS |
| 3 | 10065 | CABLE STRAP, (HDI except Japan) | FLHRC, FLHTK, FLHTCU TC, FLHTCUL TC, FLHTKL, FLHXS, FLTRXS |
| 4 | 66767-07 | RETAINER CABLE, (HDI except Japan) | FLHRC, FLHTK, FLHTCU TC, FLHTCUL TC, FLHTKL, FLHXS, FLTRXS |

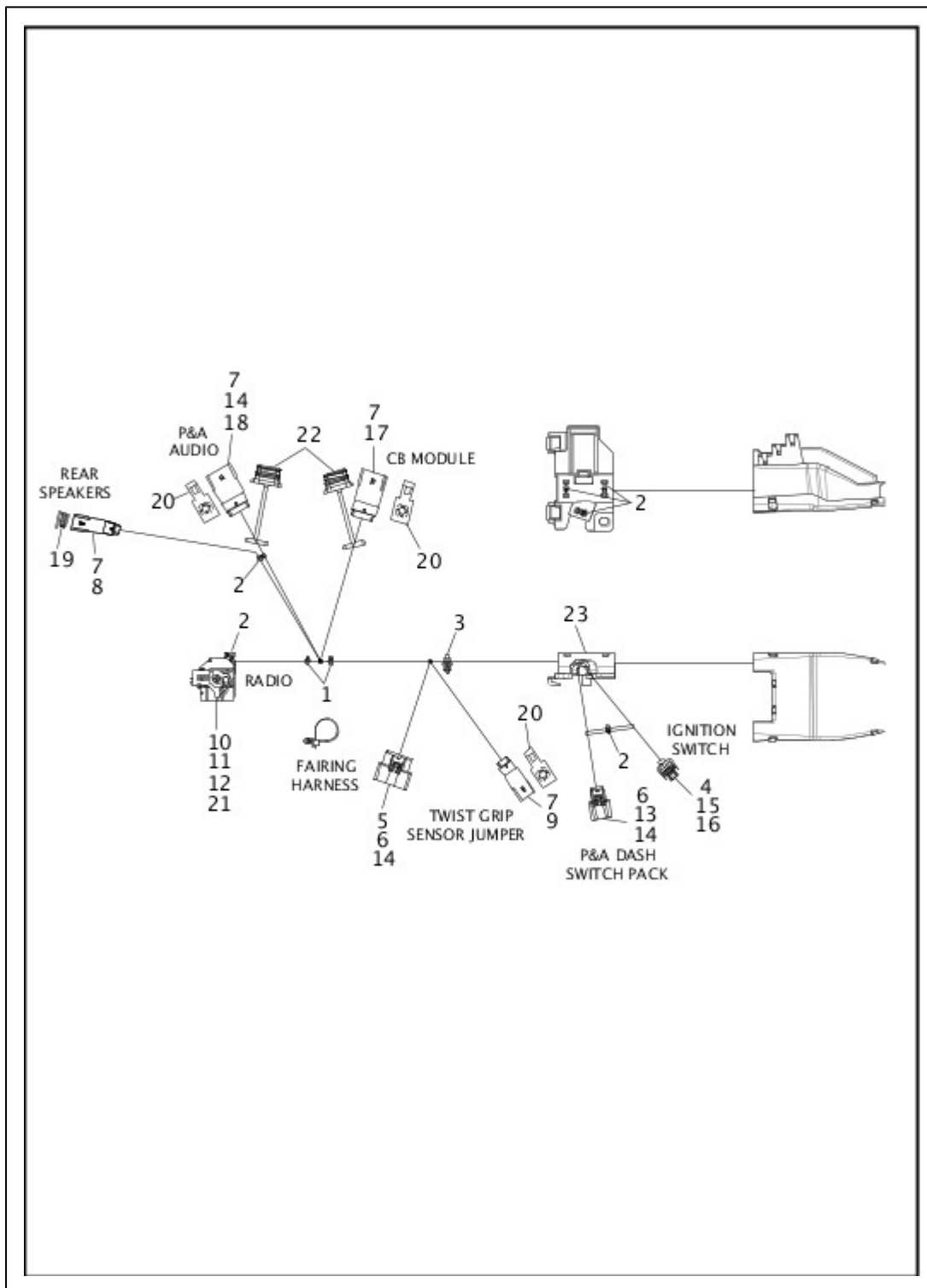
| | | | |
|---|----------|---|--|
| 5 | 70991-07 | EXHAUST ACTUATOR, w/ 71019-07 (HDI except Japan) | FLHRC, FLHTK, FLHTCU TC, FLHTCUL TC, FLHTKL, FLHXS, FLTRXS |
| 6 | 71019-07 | SHROUD, exhaust actuator, (HDI except Japan) | FLHRC, FLHTK, FLHTCU TC, FLHTCUL TC, FLHTKL, FLHXS, FLTRXS |
| 7 | 10800028 | TUBE CLIP, exhaust cable (HDI except Japan) | FLHRC, FLHTK, FLHTCU TC, FLHTCUL TC, FLHTKL, FLHXS, FLTRXS |
| 8 | 31500009 | CABLE, contol, exhaust valve w/ 66767-07 (HDI except Japan) | FLHRC, FLHTK, FLHTCU TC, FLHTCUL TC, FLHTKL, FLHXS, FLTRXS |

WIRING HARNESS, MAIN, NON-ABS (FAIRING MODELS) - FLHX (1 OF 8)



| Index No. | Part No. | Description | Model(s) |
|--|------------|-----------------------------------|----------|
| | 69200115 | MAIN WIRING HARNESS - NON-ABS | FLHX |
| NOTE: Includes the following parts. | | | |
| 1 | 10065 | CABLE STRAP (2) | FLHX |
| 2 | 72168-07 | TERMINAL, socket, 18-20 gauge (7) | FLHX |
| 3 | 72272-07 | TERMINAL, socket, 14-16 gauge (4) | FLHX |
| 4 | 72364-06 | TERMINAL, 10-14 gauge, female | FLHX |
| 5 | 72414-07BK | HOUSING, 6-way socket (black) (2) | FLHX |
| 6 | 72473-07 | SEAL PIN (7) | FLHX |
| 7 | 72489-07GY | HOUSING, 12-way socket (gray) | FLHX |
| 8 | 72721-07 | TERMINAL, socket, 18-20 gauge (2) | FLHX |
| 9 | 69200201 | HOUSING, 2-way socket | FLHX |
| 10 | 69200202 | WIRE TROUGH | FLHX |
| 11 | 69200203 | COVER, wire trough | FLHX |
| 12 | 69200214 | CADDY, left steer hd | FLHX |
| 13 | 69200294 | CABLE, AM/FM antenna (2) | FLHX |

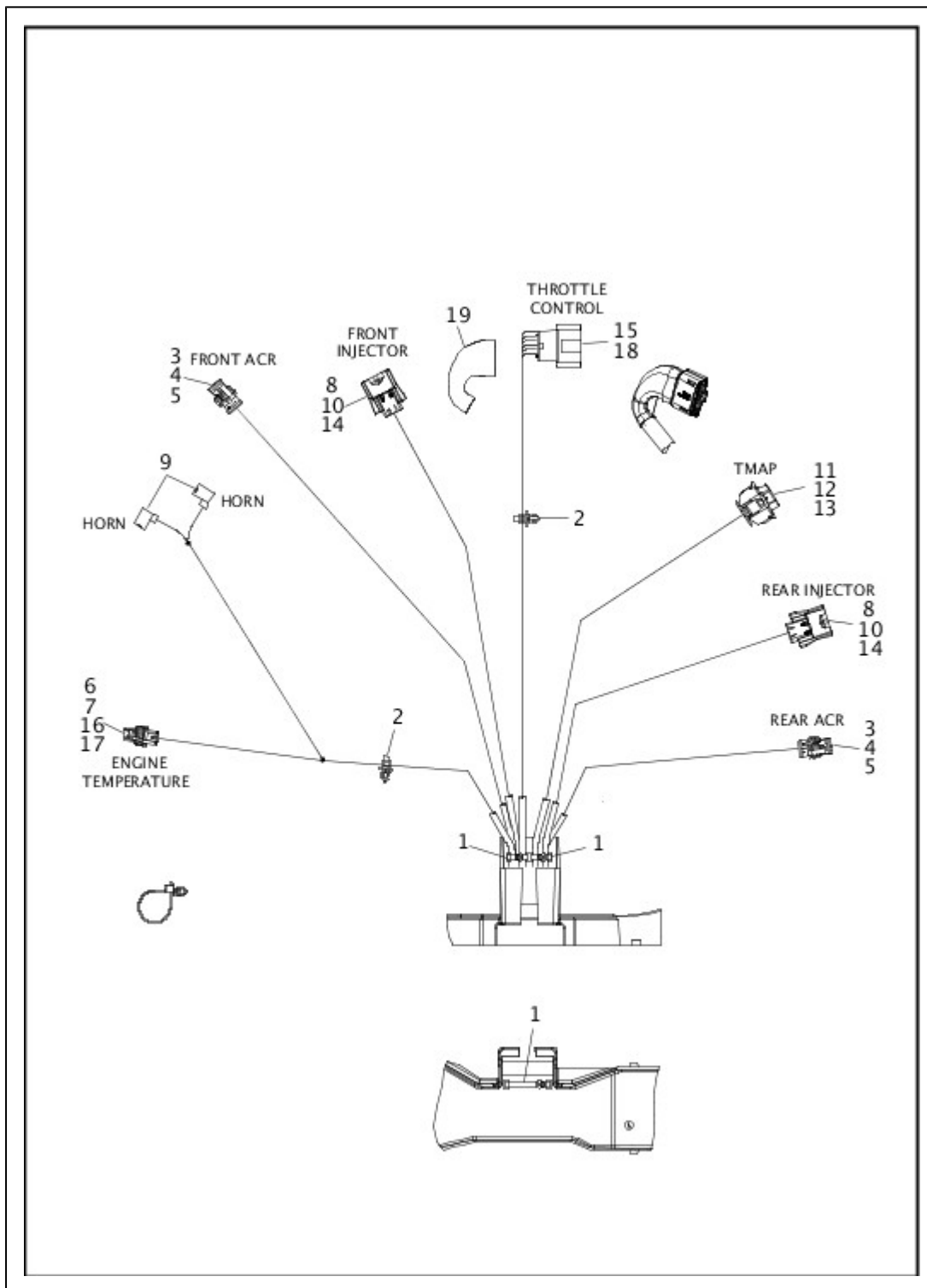
WIRING HARNESS, MAIN, NON-ABS (FAIRING MODELS) - FLHX (2 OF 8)



| Index No. | Part No. | Description | Model(s) |
|--|------------|---|----------|
| | 69200115 | MAIN WIRING HARNESS - NON-ABS | FLHX |
| NOTE: Includes the following parts. | | | |
| 1 | 10006 | CABLE STRAP (2) | FLHX |
| 2 | 10065 | CABLE STRAP (4) | FLHX |
| 3 | 10177 | CABLE STRAP, tree mount (4) | FLHX |
| 4 | 72062-06 | HOUSING, 2-way socket | FLHX |
| 5 | 72166-07BK | HOUSING, 16-way socket, 18-20 gauge (black) | FLHX |

| | | | |
|----|------------|------------------------------------|------|
| 6 | 72168-07 | TERMINAL, socket, 18-20 gauge (17) | FLHX |
| 7 | 72169-07 | TERMINAL, pin, 16-20 gauge (33) | FLHX |
| 8 | 72175-07BK | HOUSING, 4-way pin (black) (2) | FLHX |
| 9 | 72188-07BK | HOUSING, 6-way pin (black) (2) | FLHX |
| 10 | 72222-11 | TERMINAL, socket, 18-20 gauge (27) | FLHX |
| 11 | 72226-11 | TERMINAL, socket, 14-16 gauge (8) | FLHX |
| 12 | 72256-11 | SEAL PIN (13) | FLHX |
| 13 | 72414-07BK | HOUSING, 6-way socket (black) (2) | FLHX |
| 14 | 72473-07 | SEAL PIN (6) | FLHX |
| 15 | 72484-08 | TERMINAL, socket, 20 gauge (2) | FLHX |
| 16 | 72486-08 | WIRE SEAL, 20 gauge (green) (2) | FLHX |
| 17 | 72488-07BK | HOUSING, 12-way pin (black) | FLHX |
| 18 | 72490-07GY | HOUSING, 12-way pin (gray) | FLHX |
| 19 | 72632-10 | WEATHER PLUG, 4-way pin | FLHX |
| 20 | 73213-07 | RETAINER, x-mas tree clip (3) | FLHX |
| 21 | 69200193 | HOUSING, 48-way socket | FLHX |
| 22 | 69200205 | WEATHER PLUG, 12-way pin (2) | FLHX |
| 23 | 69200215 | CADDY, right steer hd | FLHX |

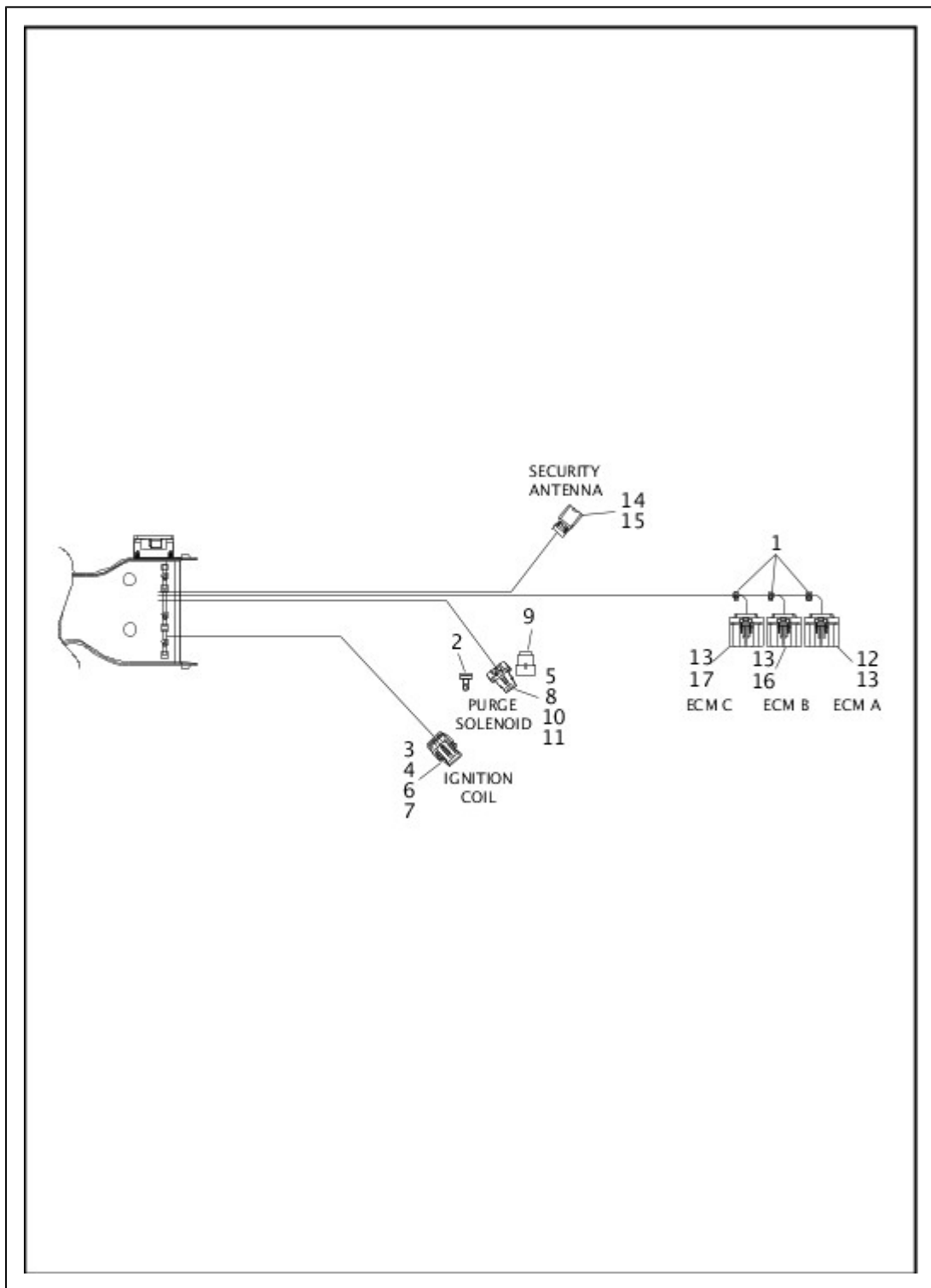
WIRING HARNESS, MAIN, NON-ABS (FAIRING MODELS) - FLHX (3 OF 8)



| Index No. | Part No. | Description | Model(s) |
|--|----------|------------------------------------|----------|
| | 69200115 | MAIN WIRING HARNESS - NON-ABS | FLHX |
| NOTE: Includes the following parts. | | | |
| 1 | 10065 | CABLE STRAP (3) | FLHX |
| 2 | 10177 | CABLE STRAP, tree mount (2) | FLHX |
| 3 | 72007-05 | HOUSING, 2-way socket (2) | FLHX |
| 4 | 72010-05 | WIRE SEAL, 22-26 gauge (green) (4) | FLHX |
| 5 | 72024-08 | TERMINAL, socket, 20-22 gauge (4) | FLHX |

| | | | |
|----|------------|--|------|
| 6 | 72063-06 | HOUSING, 2-way socket | FLHX |
| 7 | 72111-06 | SECONDARY LOCK, 2-way socket, female (gray) | FLHX |
| 8 | 72251-07 | SECONDARY LOCK, 2-way socket (yellow) (2) | FLHX |
| 9 | 72283-09 | TERMINAL, female, 14-16 gauge, 90 degree (2) | FLHX |
| 10 | 72402-07 | HOUSING, 2-way socket (2) | FLHX |
| 11 | 72406-07A | HOUSING, 4-way socket | FLHX |
| 12 | 72407-07 | TERMINAL, socket, 16-20 gauge (4) | FLHX |
| 13 | 72408-07 | WIRE SEAL, 16-20 gauge (blue) (4) | FLHX |
| 14 | 72413-07 | TERMINAL, socket, 18-20 gauge (4) | FLHX |
| 15 | 72483-08BK | HOUSING, 6-way socket | FLHX |
| 16 | 72484-08 | TERMINAL, socket, 20 gauge (2) | FLHX |
| 17 | 72486-08 | WIRE SEAL, 20 gauge (green) (2) | FLHX |
| 18 | 72663-11 | TERMINAL, socket, 18-20 gauge (silver) (6) | FLHX |
| 19 | 69200437 | RUBBER BOOT, wire connector | FLHX |

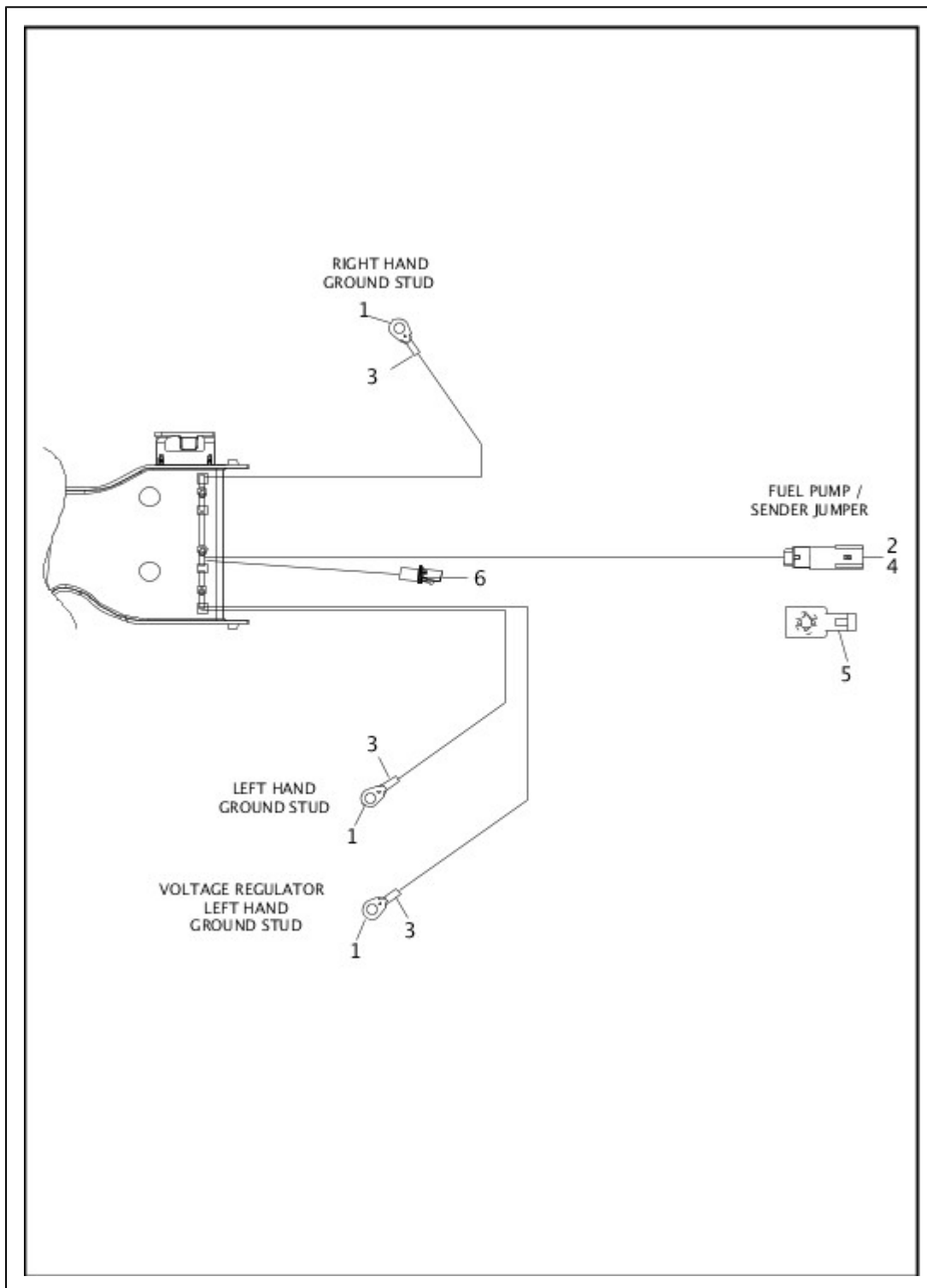
WIRING HARNESS, MAIN, NON-ABS (FAIRING MODELS) - FLHX (4 OF 8)



| Index No. | Part No. | Description | Model(s) |
|--|-----------|---|----------|
| | 69200115 | MAIN WIRING HARNESS - NON-ABS | FLHX |
| NOTE: Includes the following parts. | | | |
| 1 | 10065 | CABLE STRAP (3) | FLHX |
| 2 | 10147 | CLIP, connector | FLHX |
| 3 | 72066-06A | HOUSING, 4-way socket, female (black) | FLHX |
| 4 | 72135-06 | SECONDARY LOCK, 4-way socket, female | FLHX |
| 5 | 72213-94 | TERMINAL, socket, female, 16-20 gauge (2) | FLHX |

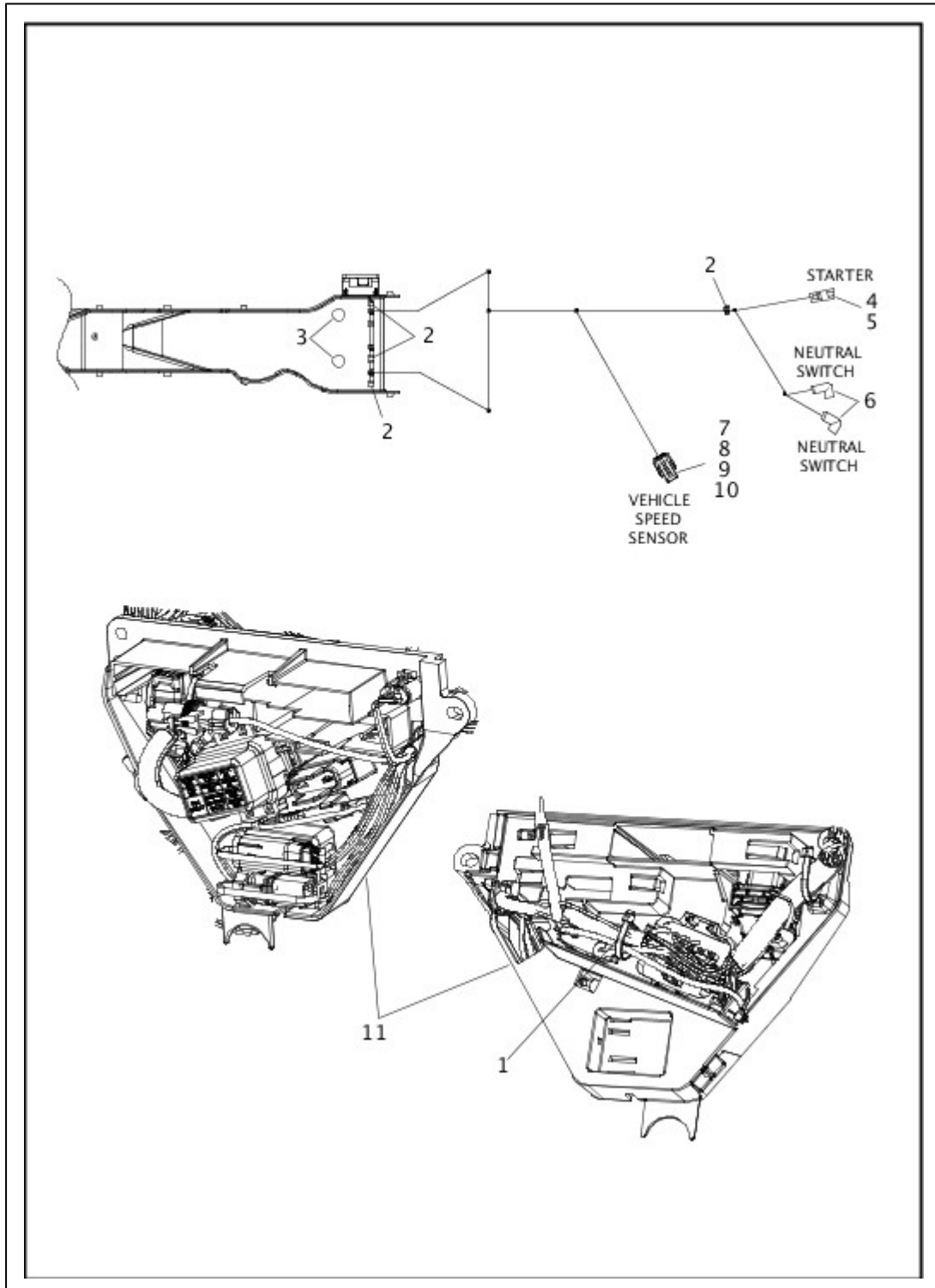
| | | | |
|----|-----------|---|------|
| 6 | 72484-08 | TERMINAL, socket, 20 gauge (4) | FLHX |
| 7 | 72486-08 | WIRE SEAL, 20 gauge (green) (4) | FLHX |
| 8 | 72518-01 | HOUSING, 2-way socket (red) | FLHX |
| 9 | 72533-06 | DUST CAP, 2-pin connector | FLHX |
| 10 | 72609-08 | SECONDARY LOCK, 2-way socket (black) | FLHX |
| 11 | 72610-08 | SEAL, 18-20 gauge (white) (2) | FLHX |
| 12 | 72664-12A | HOUSING, 18-way socket (black) | FLHX |
| 13 | 72666-12 | TERMINAL, socket, 18-20 gauge (silver) (38) | FLHX |
| 14 | 72720-07 | HOUSING, 2-way socket | FLHX |
| 15 | 72721-07 | TERMINAL, socket, 18-20 gauge (2) | FLHX |
| 16 | 69200267A | HOUSING, 18-way socket (gray) | FLHX |
| 17 | 69200268A | HOUSING, 18-way socket (brown) | FLHX |

WIRING HARNESS, MAIN, NON-ABS (FAIRING MODELS) - FLHX (5 OF 8)



| Index No. | Part No. | Description | Model(s) |
|--|------------|--------------------------------------|----------|
| | 69200115 | MAIN WIRING HARNESS - NON-ABS | FLHX |
| NOTE: Includes the following parts. | | | |
| 1 | 9819 | TERMINAL, 1/4 in. ring, 12 gauge (3) | FLHX |
| 2 | 72169-07 | TERMINAL, pin, 16-20 gauge (4) | FLHX |
| 3 | 72249-94 | HEAT SHRINK TUBE, .415 x 1 (black) | FLHX |
| 4 | 72415-07GY | HOUSING, 4-way pin (gray) | FLHX |
| 5 | 73213-07 | RETAINER, x-mas tree clip | FLHX |

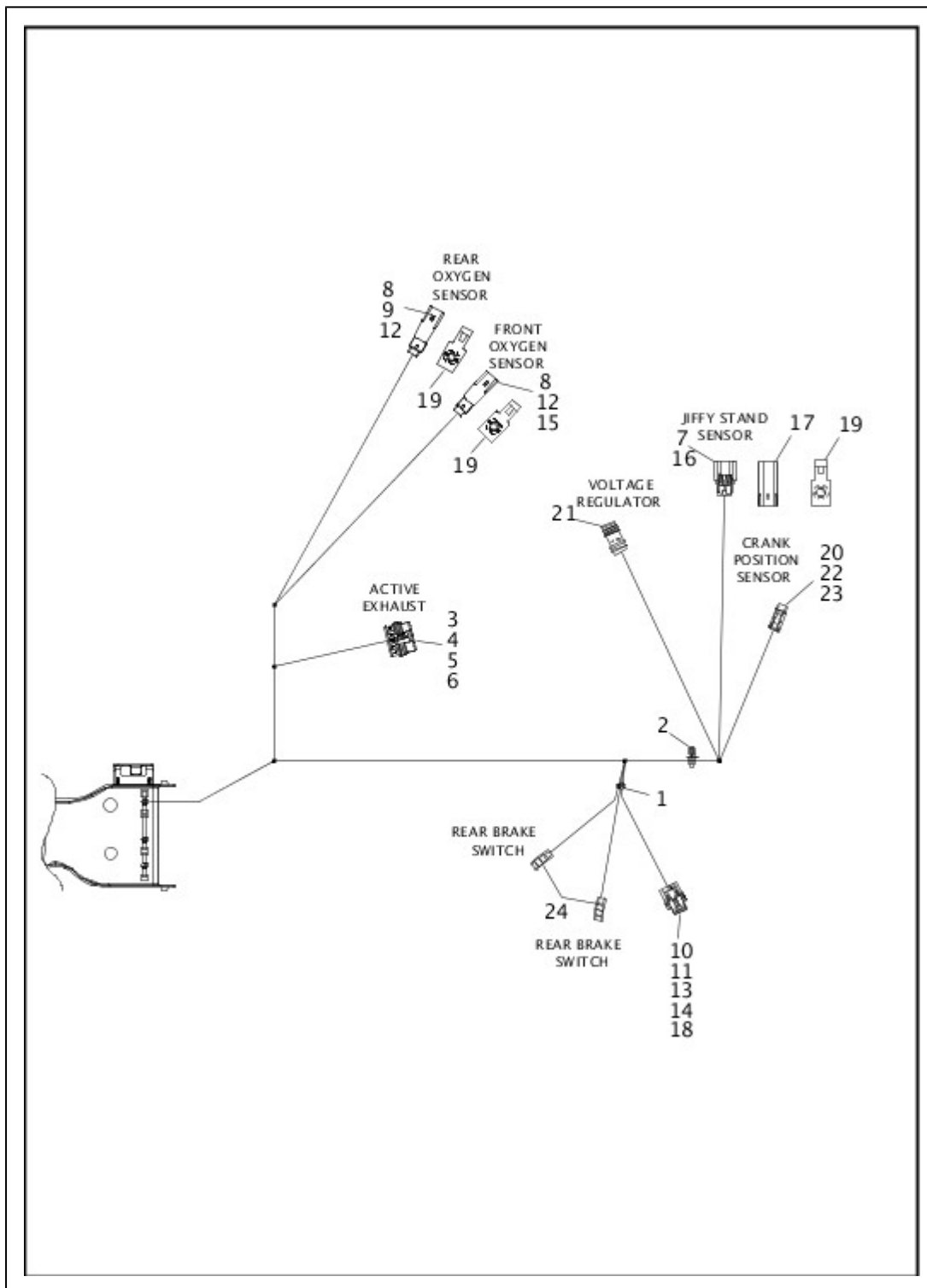
WIRING HARNESS, MAIN, NON-ABS (FAIRING MODELS) - FLHX (6 OF 8)



| Index No. | Part No. | Description | Model(s) |
|--|----------|-------------------------------|----------|
| | 69200115 | MAIN WIRING HARNESS - NON-ABS | FLHX |
| NOTE: Includes the following parts. | | | |
| 1 | 10006 | CABLE STRAP | FLHX |

| | | | |
|----|------------|---|------|
| 2 | 10065 | CABLE STRAP (4) | FLHX |
| 3 | 11779 | FASTENER, push-in (black) (2) | FLHX |
| 4 | 72291-94 | TERMINAL, 14-16 gauge | FLHX |
| 5 | 72295-94 | CONNECTOR, starter housing | FLHX |
| 6 | 72405-98BK | WIRE ASSEMBLY, push-on, right angle molded, 65-1/2 in. length (2) | FLHX |
| 7 | 72484-08 | TERMINAL, socket, 20 gauge (3) | FLHX |
| 8 | 72486-08 | WIRE SEAL, 20 gauge (green) (3) | FLHX |
| 9 | 72543-07BK | HOUSING, 3-way socket (black) | FLHX |
| 10 | 72544-07 | SECONDARY LOCK, 3-way socket, female | FLHX |
| 11 | 69200175 | CADDY, fuse block, electrical panel | FLHX |

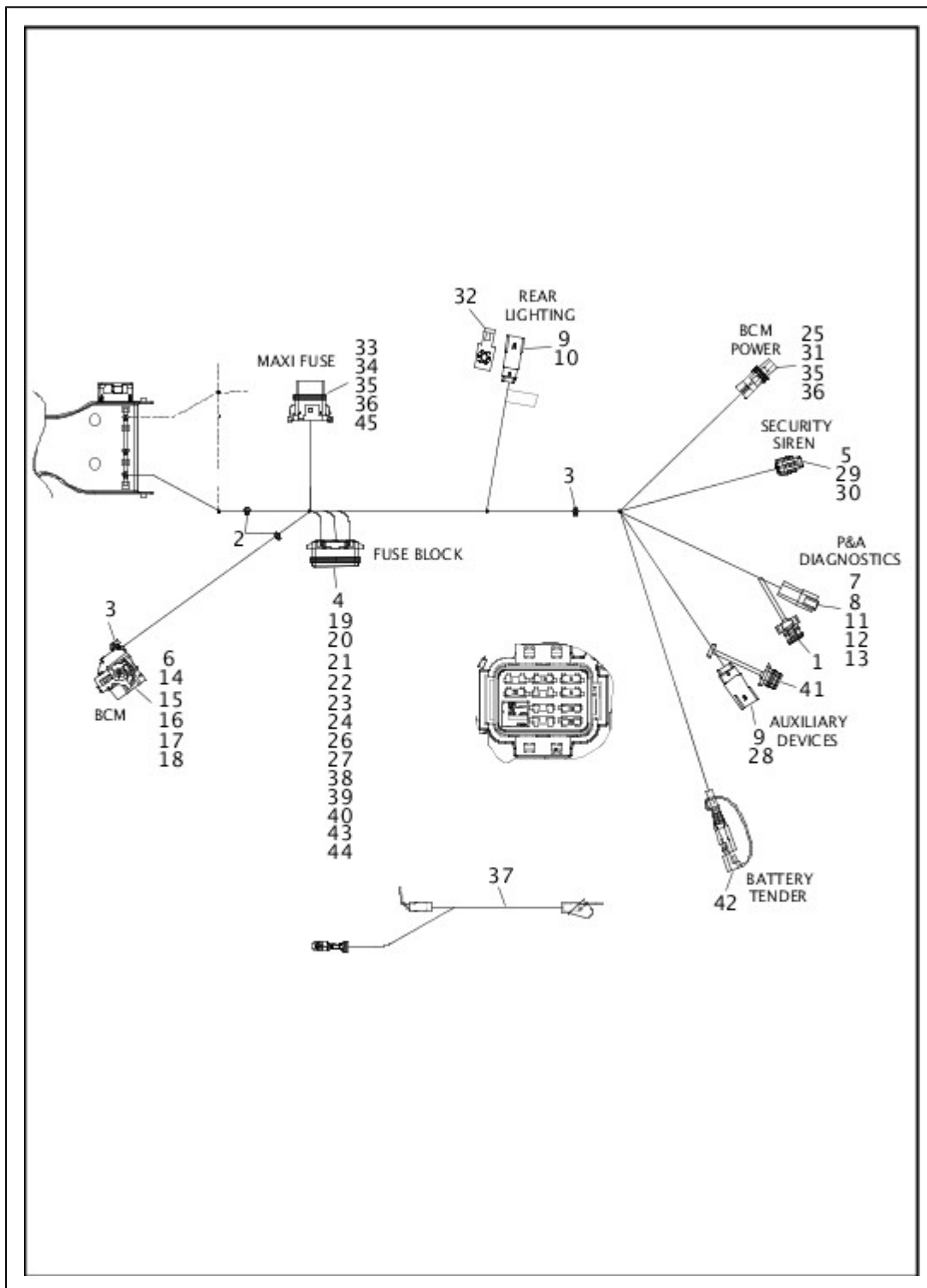
WIRING HARNESS, MAIN, NON-ABS (FAIRING MODELS) - FLHX (7 OF 8)



| Index No. | Part No. | Description | Model(s) |
|--|----------|------------------------------------|----------|
| | 69200115 | MAIN WIRING HARNESS - NON-ABS | FLHX |
| NOTE: Includes the following parts. | | | |
| 1 | 10065 | CABLE STRAP | FLHX |
| 2 | 10177 | CABLE STRAP, tree mount | FLHX |
| 3 | 72010-05 | WIRE SEAL, 22-26 gauge (green) (4) | FLHX |
| 4 | 72012-07 | HOUSING, 5-way socket | FLHX |
| 5 | 72014-07 | SEAL PIN | FLHX |

| | | | |
|----|------------|---|------|
| 6 | 72024-08 | TERMINAL, socket, 20-22 gauge (4) | FLHX |
| 7 | 72168-07 | TERMINAL, socket, 18-20 gauge (3) | FLHX |
| 8 | 72169-07 | TERMINAL, pin, 16-20 gauge (4) | FLHX |
| 9 | 72175-07BK | HOUSING, 4-way pin (black) | FLHX |
| 10 | 72213-94 | TERMINAL, socket, female, 16-20 gauge (2) | FLHX |
| 11 | 72232-96 | SEAL PLUG (2) | FLHX |
| 12 | 72343-10 | TERMINAL, pin, 16-20 gauge (gold) (4) | FLHX |
| 13 | 72400-99 | CONNECTOR, 4-way | FLHX |
| 14 | 72403-99 | SECONDARY LOCK, 4-way | FLHX |
| 15 | 72415-07GY | HOUSING, 4-way pin (gray) | FLHX |
| 16 | 72512-07BK | HOUSING, 3-way socket (black) | FLHX |
| 17 | 72519-09BK | DUST CAP, 3-way socket (black) | FLHX |
| 18 | 72610-08 | SEAL, 18-20 gauge (white) (2) | FLHX |
| 19 | 73213-07 | RETAINER, x-mas tree clip (3) | FLHX |
| 20 | 74112-98BK | HOUSING, 2-way socket (black) | FLHX |
| 21 | 74120-08 | DC LEAD ASSEMBLY | FLHX |
| 22 | 74152-98 | SECONDARY LOCK, 2-way socket | FLHX |
| 23 | 74191-98 | TERMINAL, socket (2) | FLHX |
| 24 | 69200238 | TERMINAL, 20 gauge (black) (2) | FLHX |

WIRING HARNESS, MAIN, NON-ABS (FAIRING MODELS) - FLHX (8 OF 8)

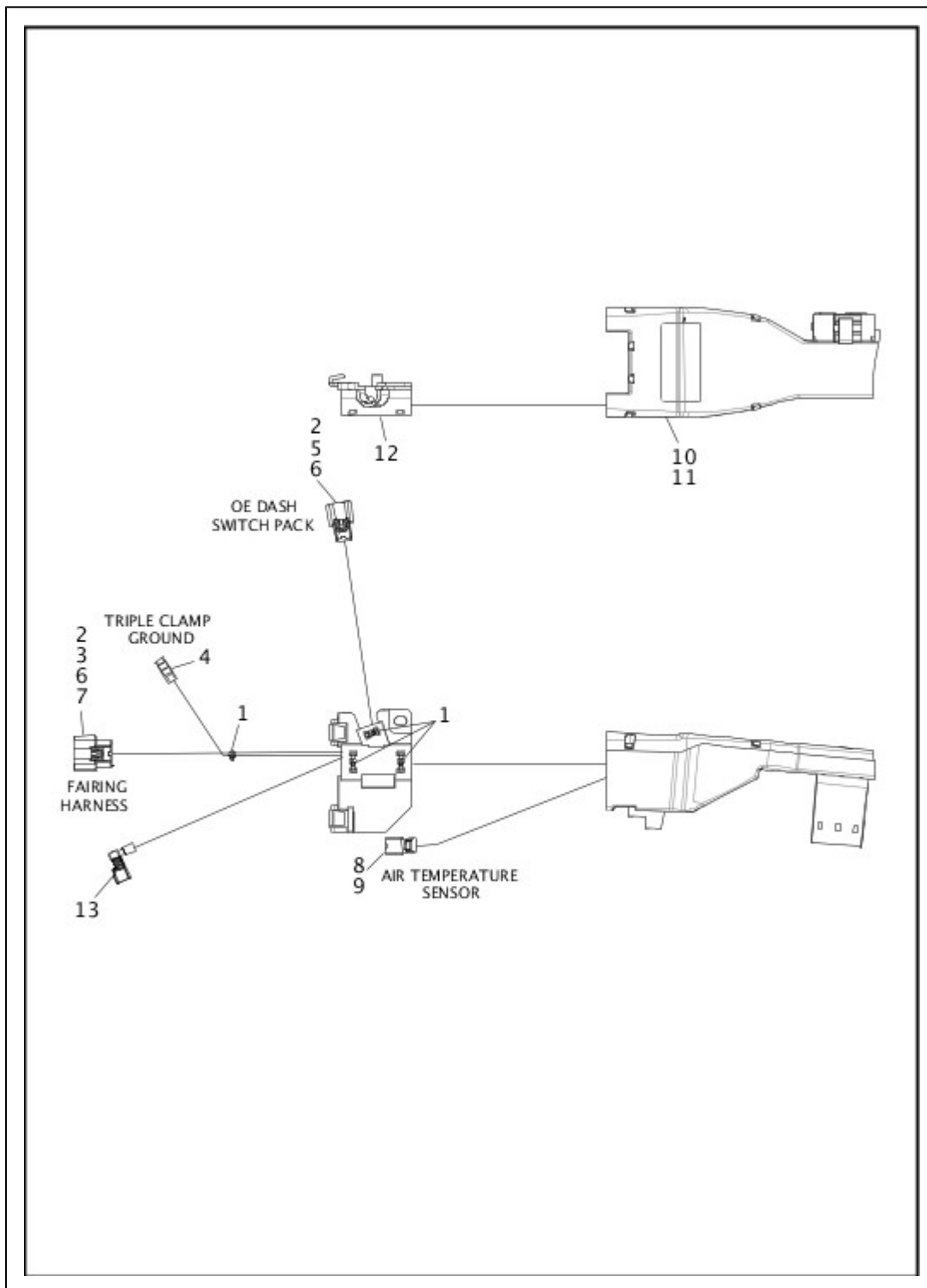


| Index No. | Part No. | Description | Model(s) |
|--|----------|-------------------------------|----------|
| | 69200115 | MAIN WIRING HARNESS - NON-ABS | FLHX |
| NOTE: Includes the following parts. | | | |
| 1 | 6990 | WEATHER PLUG, 6-way pin | FLHX |
| 2 | 10006 | CABLE STRAP (2) | FLHX |
| 3 | 10065 | CABLE STRAP (2) | FLHX |
| 4 | 31586-07 | RELAY | FLHX |

| | | | |
|----|------------|--|------|
| 5 | 72064-06 | HOUSING, 3-way socket, female | FLHX |
| 6 | 72081-11 | HOUSING, 48-way socket | FLHX |
| 7 | 72106-94BK | HOUSING, 6-pin (black) (replaces gray connector) | FLHX |
| 8 | 72146-94 | SECONDARY LOCK, 6-way pin | FLHX |
| 9 | 72169-07 | TERMINAL, pin, 16-20 gauge (14) | FLHX |
| 10 | 72188-07BK | HOUSING, 6-way pin (black) (2) | FLHX |
| 11 | 72190-94 | TERMINAL, pin, 16-18 gauge (2) | FLHX |
| 12 | 72194-94 | TERMINAL, pin, 20 gauge (3) | FLHX |
| 13 | 72195-94 | SEAL PIN | FLHX |
| 14 | 72209-11 | COVER, wire dress | FLHX |
| 15 | 72222-11 | TERMINAL, socket, 18-20 gauge (22) | FLHX |
| 16 | 72226-11 | TERMINAL, socket, 14-16 gauge | FLHX |
| 17 | 72227-11 | TERMINAL, socket, 18-20 gauge (5) | FLHX |
| 18 | 72256-11 | SEAL PIN (8) | FLHX |
| 19 | 72296-95 | TERMINAL, female, sealed (2) | FLHX |
| 20 | 72298-95 | PLUG, cavity (2) | FLHX |
| 21 | 72299-95 | PLUG, cavity (8) | FLHX |
| 22 | 72308-97 | TERMINAL, female, 12-14 gauge (4) | FLHX |
| 23 | 72331-95 | FUSE, 5-amp, mini (tan) (2) | FLHX |
| 24 | 72345-02 | FUSE, 20-amp, mini (yellow) (3) | FLHX |
| 25 | 72350-11 | HOUSING, 1-way socket | FLHX |
| 26 | 72356-95 | TERMINAL, socket, 18-20 gauge (10) | FLHX |
| 27 | 72412-97 | SEAL, cable, 12-14 gauge (4) | FLHX |
| 28 | 72447-07GY | HOUSING, 8-way pin | FLHX |
| 29 | 72484-08 | TERMINAL, socket, 20 gauge (3) | FLHX |
| 30 | 72486-08 | WIRE SEAL, 20 gauge (green) (3) | FLHX |
| 31 | 72575-11 | SECONDARY LOCK | FLHX |
| 32 | 73213-07 | RETAINER, x-mas tree clip | FLHX |
| 33 | 73301-04 | HOUSING, 2-way pin | FLHX |
| 34 | 73303-04 | SECONDARY LOCK, 2-way socket, female | FLHX |
| 35 | 73304-04 | TERMINAL, female, 10 gauge (2) | FLHX |

| | | | |
|----|----------|--|------|
| 36 | 73305-04 | SEAL WIRE, 10 gauge (blue) (2) | FLHX |
| 37 | 69200137 | WIRE HARNESS, positive cable | FLHX |
| 38 | 69200194 | HOUSING, 24-way fuse block | FLHX |
| 39 | 69200195 | COVER, fuse block | FLHX |
| 40 | 69200199 | WIRE SEAL, 18-20 gauge (10) | FLHX |
| 41 | 69200204 | WEATHER PLUG, 8-way pin | FLHX |
| 42 | 69200212 | HOUSING, 2-way | FLHX |
| 43 | 69200293 | FUSE, 7.5-amp, mini (brown) (2) | FLHX |
| 44 | 69200312 | SECONDARY LOCK, 24-way fuse block (3) | FLHX |
| 45 | 69200336 | MAIN FUSE, 50 amp (red), NOTE: Fuse is sold separately and is not part of main harness | FLHX |
| 46 | 11100115 | CLOTH, HARNESS WRAP, 50m (not shown) | FLHX |

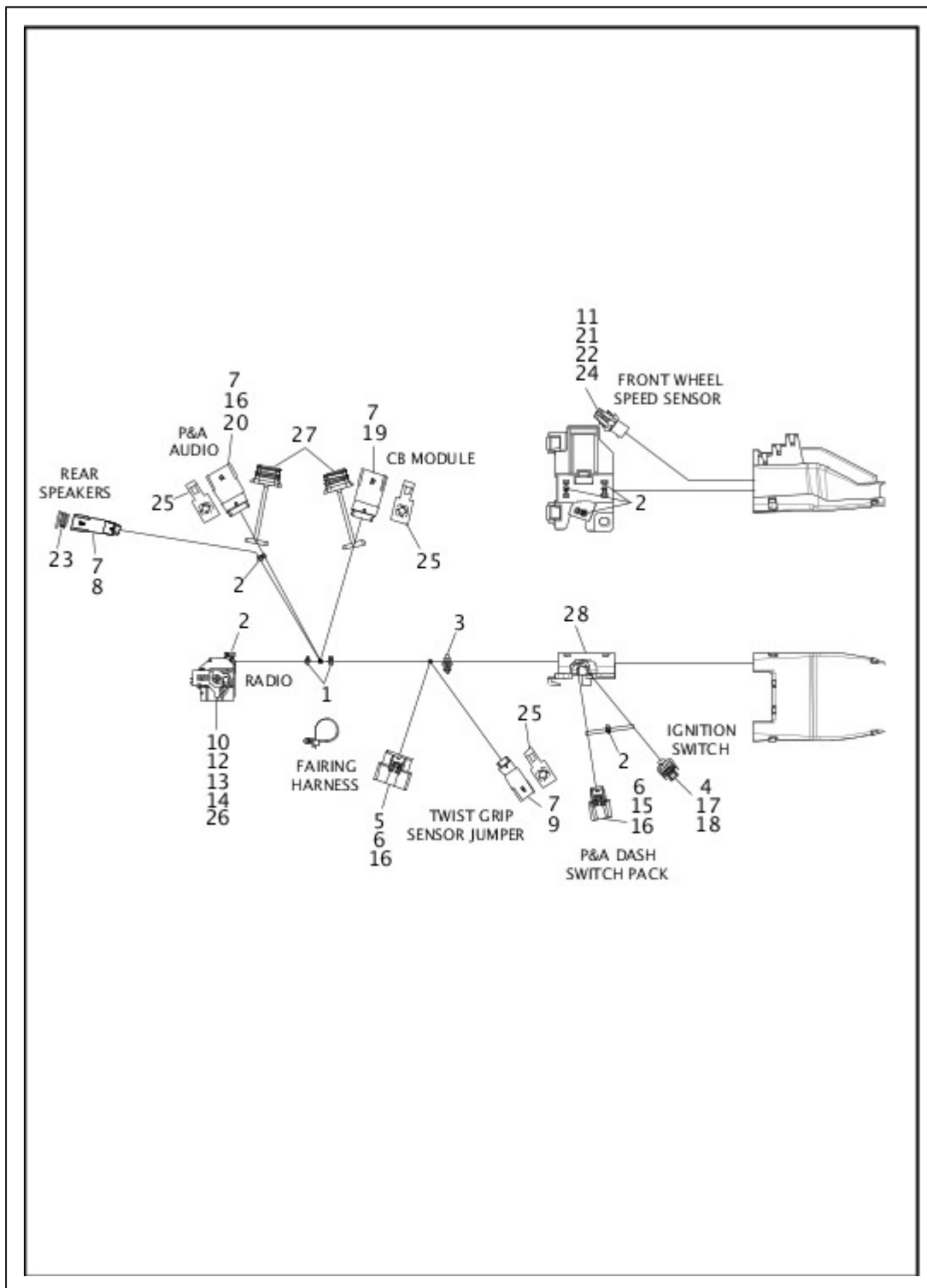
**WIRING HARNESS, MAIN, ABS (FAIRING MODELS) - FLHX & FLHXS
(1 OF 8)**



| Index No. | Part No. | Description | Model(s) |
|--|------------|-----------------------------------|-------------|
| | 69200116 | MAIN WIRING HARNESS - ABS | FLHX, FLHXS |
| NOTE: Includes the following parts. | | | |
| 1 | 10065 | CABLE STRAP (4) | FLHX, FLHXS |
| 2 | 72168-07 | TERMINAL, socket, 18-20 gauge (7) | FLHX, FLHXS |
| 3 | 72272-07 | TERMINAL, socket, 14-16 gauge (4) | FLHX, FLHXS |
| 4 | 72364-06 | CONNECTOR, w/ terminal | FLHX, FLHXS |
| 5 | 72414-07BK | HOUSING, 6-way socket (black) | FLHX, FLHXS |

| | | | |
|----|------------|-----------------------------------|-------------|
| 6 | 72473-07 | SEAL PIN (7) | FLHX, FLHXS |
| 7 | 72489-07GY | HOUSING, 12-way socket (gray) | FLHX, FLHXS |
| 8 | 72721-07 | TERMINAL, socket, 18-20 gauge (2) | FLHX, FLHXS |
| 9 | 69200201 | HOUSING, 2-way socket | FLHX, FLHXS |
| 10 | 69200202 | WIRE TROUGH | FLHX, FLHXS |
| 11 | 69200203 | COVER, wire trough | FLHX, FLHXS |
| 12 | 69200214 | CADDY, left steer hd | FLHX, FLHXS |
| 13 | 69200294 | CABLE, AM/FM antenna | FLHX, FLHXS |

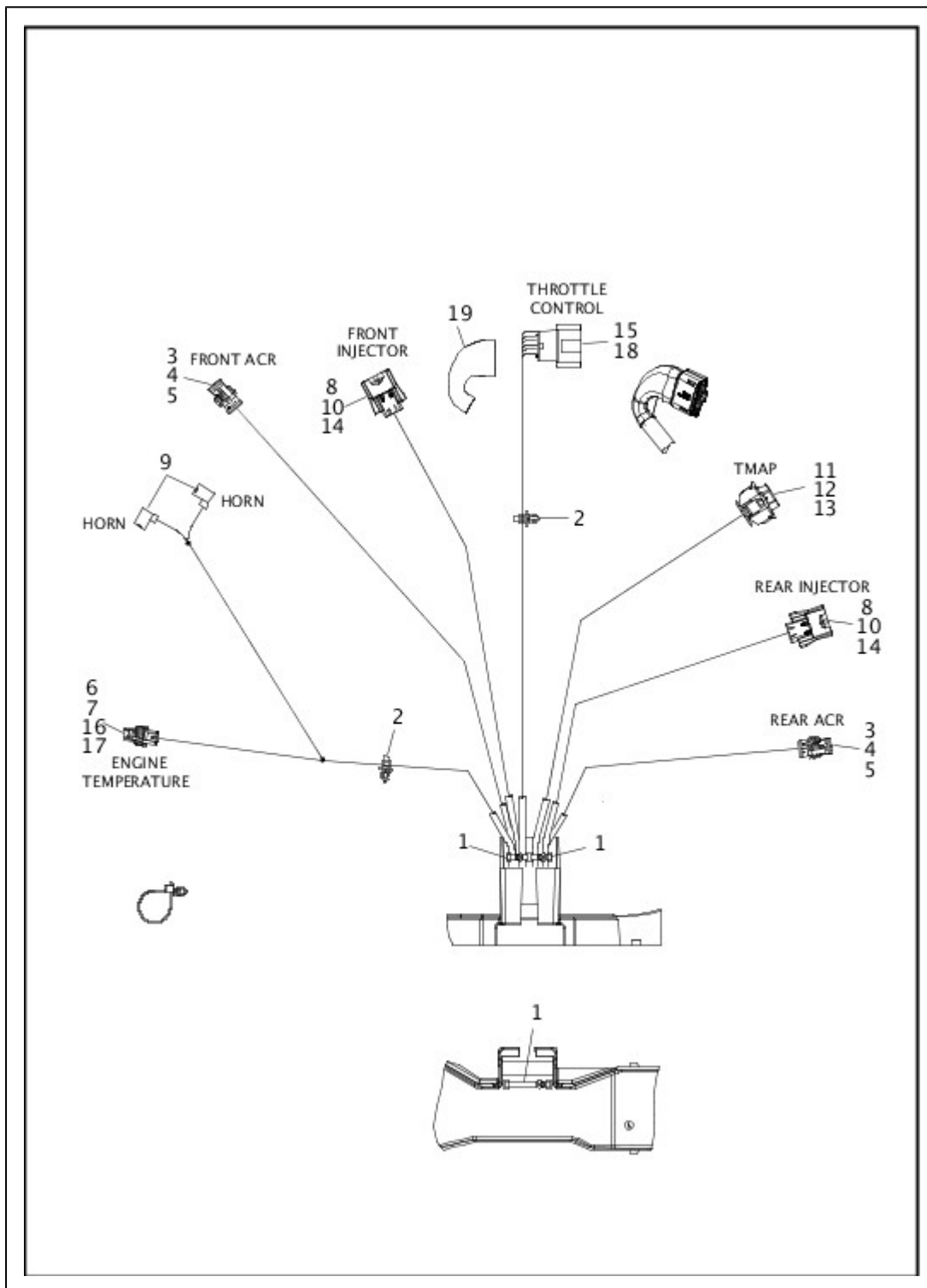
**WIRING HARNESS, MAIN, ABS (FAIRING MODELS) - FLHX & FLHXS
(2 OF 8)**



| Index No. | Part No. | Description | Model(s) |
|--|------------|---|-------------|
| | 69200116 | MAIN WIRING HARNESS - ABS | FLHX, FLHXS |
| NOTE: Includes the following parts. | | | |
| 1 | 10006 | CABLE STRAP (2) | FLHX, FLHXS |
| 2 | 10065 | CABLE STRAP (6) | FLHX, FLHXS |
| 3 | 10177 | CABLE STRAP, tree mount | FLHX, FLHXS |
| 4 | 72062-06 | HOUSING, 2-way socket | FLHX, FLHXS |
| 5 | 72166-07BK | HOUSING, 16-way socket, 18-20 gauge (black) | FLHX, FLHXS |

| | | | |
|----|------------|---|-------------|
| 6 | 72168-07 | TERMINAL, socket, 18-20 gauge (17) | FLHX, FLHXS |
| 7 | 72169-07 | TERMINAL, pin, 16-20 gauge (33) | FLHX, FLHXS |
| 8 | 72175-07BK | HOUSING, 4-way pin (black) | FLHX, FLHXS |
| 9 | 72188-07BK | HOUSING, 6-way pin (black) | FLHX, FLHXS |
| 10 | 72209-11 | COVER, wire dress | FLHX, FLHXS |
| 11 | 72213-94 | TERMINAL, socket, female, 16-20 gauge (2) | FLHX, FLHXS |
| 12 | 72222-11 | TERMINAL, socket, 18-20 gauge (27) | FLHX, FLHXS |
| 13 | 72226-11 | TERMINAL, socket, 14-16 gauge (8) | FLHX, FLHXS |
| 14 | 72256-11 | SEAL PIN (13) | FLHX, FLHXS |
| 15 | 72414-07BK | HOUSING, 6-way socket (black) | FLHX, FLHXS |
| 16 | 72473-07 | SEAL PIN (6) | FLHX, FLHXS |
| 17 | 72484-08 | TERMINAL, socket, 20 gauge (2) | FLHX, FLHXS |
| 18 | 72486-08 | WIRE SEAL, 20 gauge (green) (2) | FLHX, FLHXS |
| 19 | 72488-07BK | HOUSING, 12-way pin (black) | FLHX, FLHXS |
| 20 | 72490-07GY | HOUSING, 12-way pin (gray) | FLHX, FLHXS |
| 21 | 72606-08 | HOUSING, 2-way socket | FLHX, FLHXS |
| 22 | 72610-08 | SEAL, 18-20 gauge (white) (2) | FLHX, FLHXS |
| 23 | 72632-10 | WEATHER PLUG, 4-way pin | FLHX, FLHXS |
| 24 | 72639-10 | SECONDARY LOCK, 2-way socket | FLHX, FLHXS |
| 25 | 73213-07 | RETAINER, x-mas tree clip (3) | FLHX, FLHXS |
| 26 | 69200193 | HOUSING, 48-way socket | FLHX, FLHXS |
| 27 | 69200205 | WEATHER PLUG, 12-way pin (2) | FLHX, FLHXS |
| 28 | 69200215 | CADDY, right steer hd | FLHX, FLHXS |

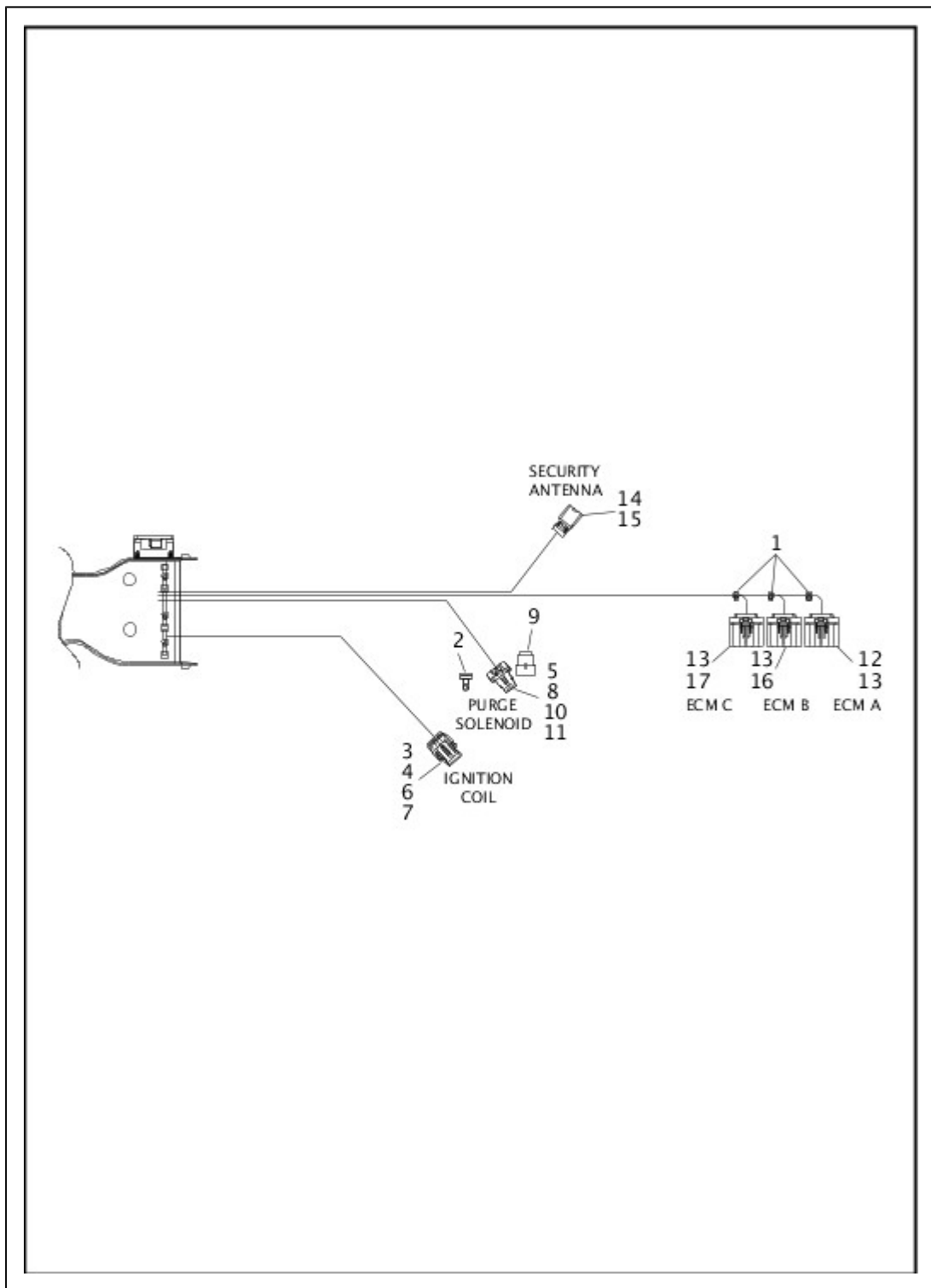
**WIRING HARNESS, MAIN, ABS (FAIRING MODELS) - FLHX & FLHXS
(3 OF 8)**



| Index No. | Part No. | Description | Model(s) |
|--|----------|------------------------------------|-------------|
| | 69200116 | MAIN WIRING HARNESS - ABS | FLHX, FLHXS |
| NOTE: Includes the following parts. | | | |
| 1 | 10065 | CABLE STRAP (3) | FLHX, FLHXS |
| 2 | 10177 | CABLE STRAP, tree mount (2) | FLHX, FLHXS |
| 3 | 72007-05 | HOUSING, 2-way socket (2) | FLHX, FLHXS |
| 4 | 72010-05 | WIRE SEAL, 22-26 gauge (green) (4) | FLHX, FLHXS |
| 5 | 72024-08 | TERMINAL, socket, 20-22 gauge (4) | FLHX, FLHXS |

| | | | |
|----|------------|--|-------------|
| 6 | 72063-06 | HOUSING, 2-way socket | FLHX, FLHXS |
| 7 | 72111-06 | SECONDARY LOCK, 2-way socket, female (gray) | FLHX, FLHXS |
| 8 | 72251-07 | SECONDARY LOCK, 2-way socket (yellow) (2) | FLHX, FLHXS |
| 9 | 72283-09 | TERMINAL, female, 14-16 gauge, 90 degree (2) | FLHX, FLHXS |
| 10 | 72402-07 | HOUSING, 2-way socket (2) | FLHX, FLHXS |
| 11 | 72406-07A | HOUSING, 4-way socket | FLHX, FLHXS |
| 12 | 72407-07 | TERMINAL, socket, 16-20 gauge (4) | FLHX, FLHXS |
| 13 | 72408-07 | WIRE SEAL, 16-20 gauge (blue) (4) | FLHX, FLHXS |
| 14 | 72413-07 | TERMINAL, socket, 18-20 gauge (4) | FLHX, FLHXS |
| 15 | 72483-08BK | HOUSING, 6-way socket | FLHX, FLHXS |
| 16 | 72484-08 | TERMINAL, socket, 20 gauge (2) | FLHX, FLHXS |
| 17 | 72486-08 | WIRE SEAL, 20 gauge (green) (2) | FLHX, FLHXS |
| 18 | 72663-11 | TERMINAL, socket, 18-20 gauge (silver) (6) | FLHX, FLHXS |
| 19 | 69200437 | RUBBER BOOT, wire connector | FLHX, FLHXS |

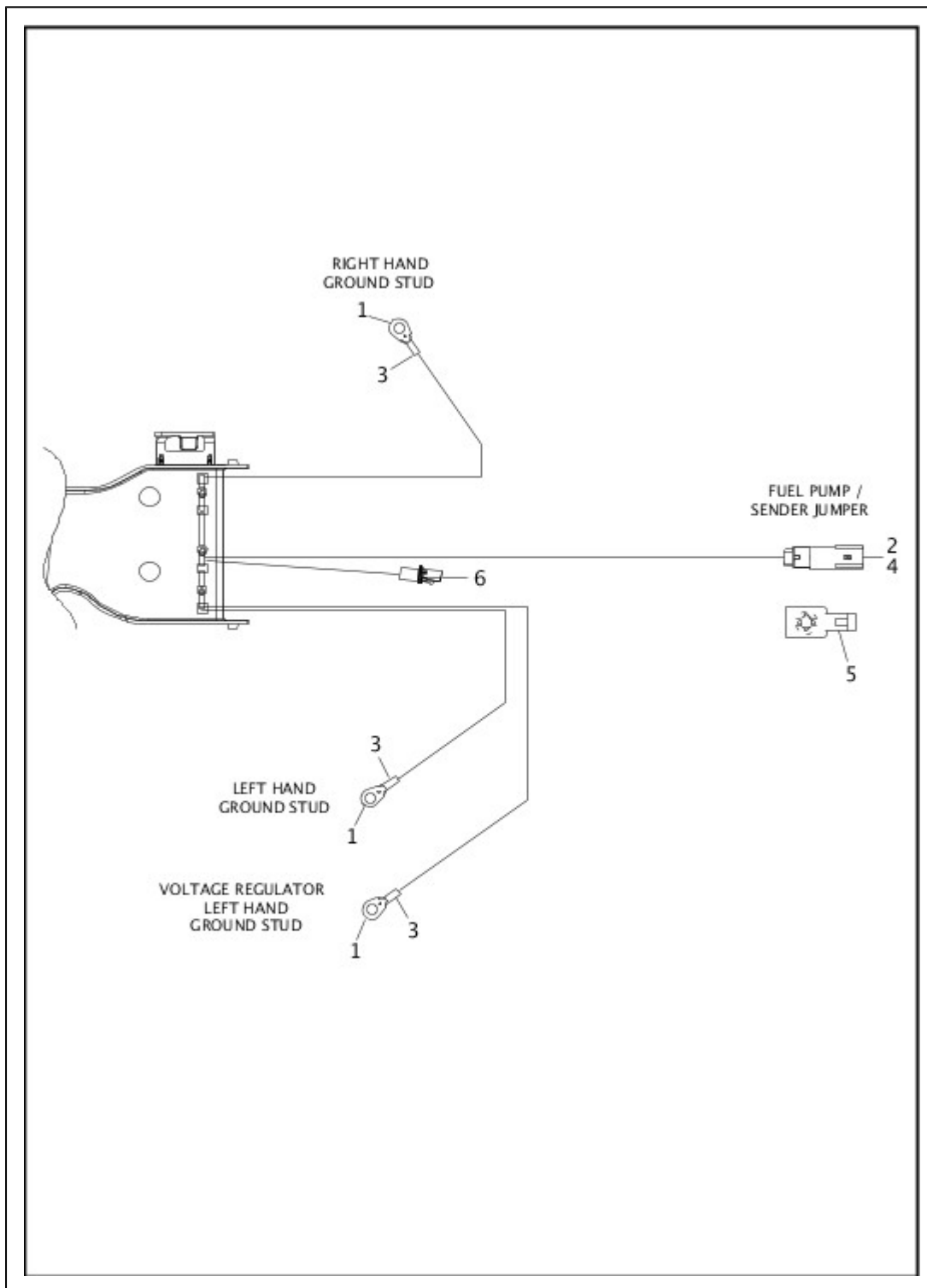
**WIRING HARNESS, MAIN, ABS (FAIRING MODELS) - FLHX & FLHXS
(4 OF 8)**



| Index No. | Part No. | Description | Model(s) |
|--|-----------|---|-------------|
| | 69200116 | MAIN WIRING HARNESS - ABS | FLHX, FLHXS |
| NOTE: Includes the following parts. | | | |
| 1 | 10065 | CABLE STRAP (3) | FLHX, FLHXS |
| 2 | 10147 | CLIP, connector | FLHX, FLHXS |
| 3 | 72066-06A | HOUSING, 4-way socket, female (black) | FLHX, FLHXS |
| 4 | 72135-06 | SECONDARY LOCK, 4-way socket, female | FLHX, FLHXS |
| 5 | 72213-94 | TERMINAL, socket, female, 16-20 gauge (2) | FLHX, FLHXS |

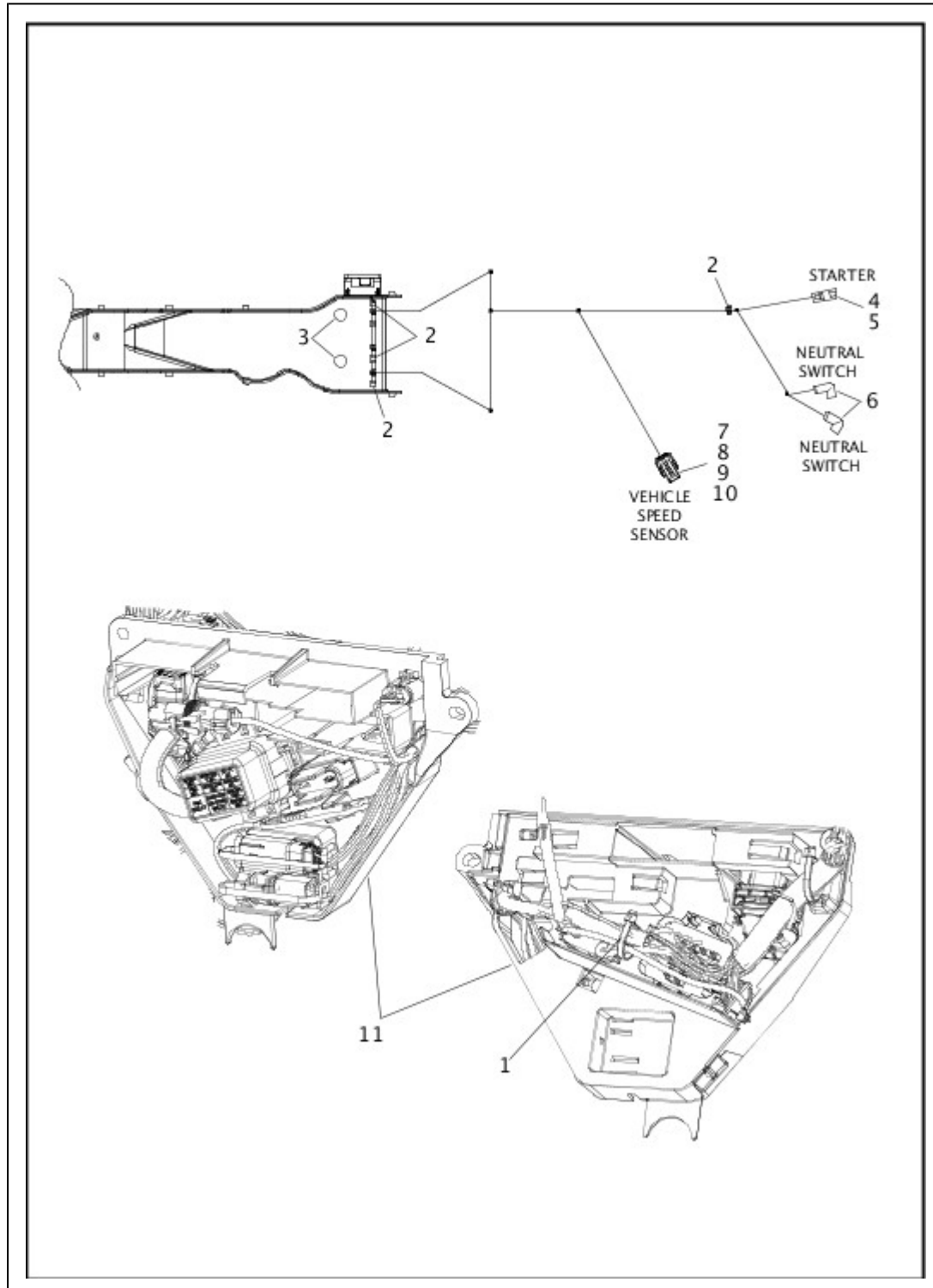
| | | | |
|----|-----------|---|-------------|
| 6 | 72484-08 | TERMINAL, socket, 20 gauge (4) | FLHX, FLHXS |
| 7 | 72486-08 | WIRE SEAL, 20 gauge (green) (4) | FLHX, FLHXS |
| 8 | 72518-01 | HOUSING, 2-way socket (red) | FLHX, FLHXS |
| 9 | 72533-06 | DUST CAP, 2-pin connector | FLHX, FLHXS |
| 10 | 72609-08 | SECONDARY LOCK, 2-way socket (black) | FLHX, FLHXS |
| 11 | 72610-08 | SEAL, 18-20 gauge (white) (2) | FLHX, FLHXS |
| 12 | 72664-12A | HOUSING, 18-way socket (black) | FLHX, FLHXS |
| 13 | 72666-12 | TERMINAL, socket, 18-20 gauge (silver) (38) | FLHX, FLHXS |
| 14 | 72720-07 | HOUSING, 2-way socket | FLHX, FLHXS |
| 15 | 72721-07 | TERMINAL, socket, 18-20 gauge (2) | FLHX, FLHXS |
| 16 | 69200267A | HOUSING, 18-way socket (gray) | FLHX, FLHXS |
| 17 | 69200268A | HOUSING, 18-way socket (brown) | FLHX, FLHXS |

**WIRING HARNESS, MAIN, ABS (FAIRING MODELS) - FLHX & FLHXS
(5 OF 8)**



| Index No. | Part No. | Description | Model(s) |
|--|------------|--------------------------------------|-------------|
| | 69200116 | MAIN WIRING HARNESS - ABS | FLHX, FLHXS |
| NOTE: Includes the following parts. | | | |
| 1 | 9819 | TERMINAL, 1/4 in. ring, 12 gauge (3) | FLHX, FLHXS |
| 2 | 72169-07 | TERMINAL, pin, 16-20 gauge (4) | FLHX, FLHXS |
| 3 | 72249-94 | HEAT SHRINK TUBE, .415 x 1 (black) | FLHX, FLHXS |
| 4 | 72415-07GY | HOUSING, 4-way pin (gray) | FLHX, FLHXS |
| 5 | 73213-07 | RETAINER, x-mas tree clip | FLHX, FLHXS |

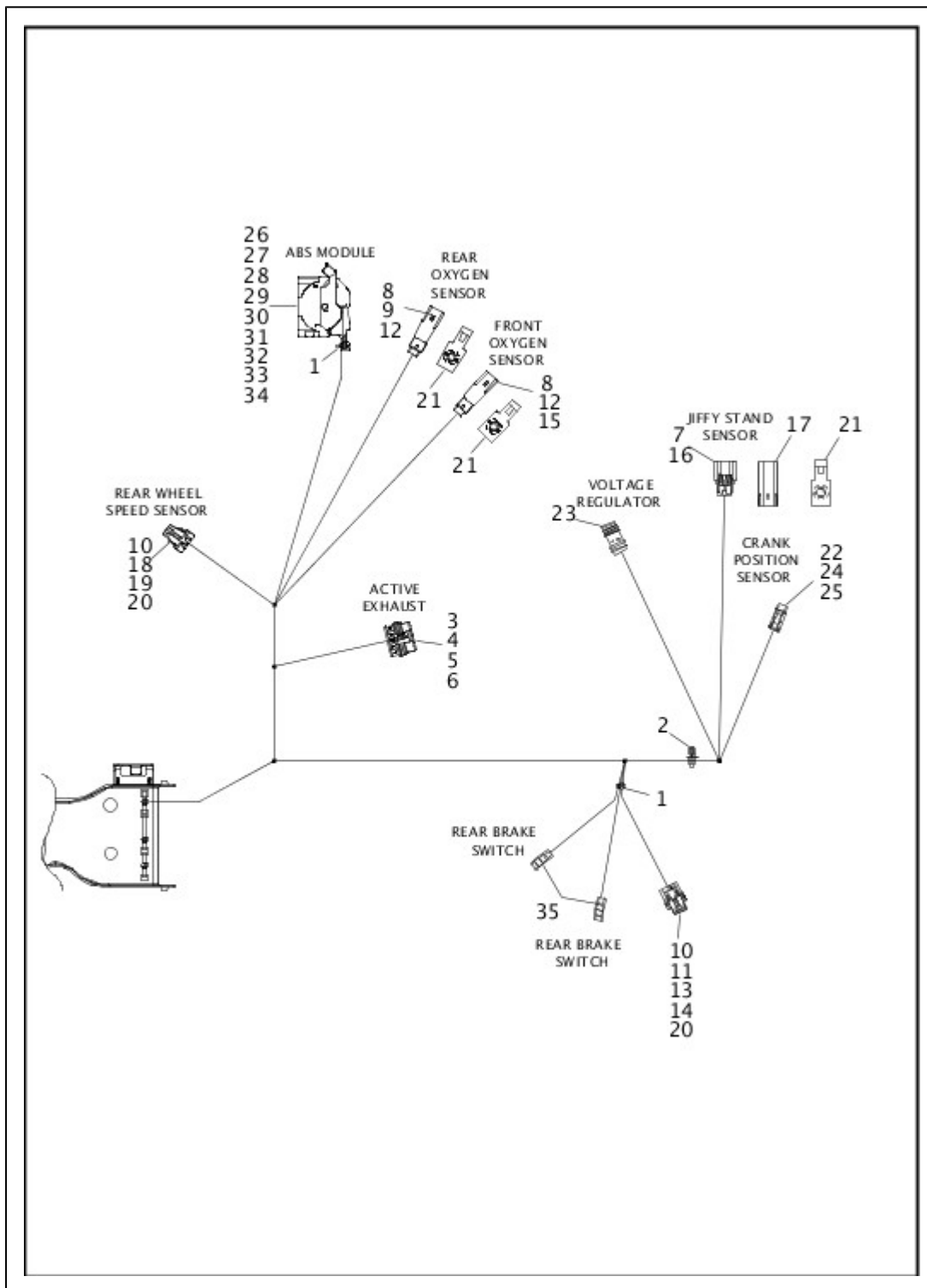
WIRING HARNESS, MAIN, ABS (FAIRING MODELS) - FLHX & FLHXS (6 OF 8)



| Index No. | Part No. | Description | Model(s) |
|--|----------|---------------------------|-------------|
| | 69200116 | MAIN WIRING HARNESS - ABS | FLHX, FLHXS |
| NOTE: Includes the following parts. | | | |
| 1 | 10006 | CABLE STRAP | FLHX, FLHXS |

| | | | |
|----|------------|---|-------------|
| 2 | 10065 | CABLE STRAP (4) | FLHX, FLHXS |
| 3 | 11779 | FASTENER, push-in (black) (2) | FLHX, FLHXS |
| 4 | 72291-94 | TERMINAL, 14-16 gauge | FLHX, FLHXS |
| 5 | 72295-94 | CONNECTOR, starter housing | FLHX, FLHXS |
| 6 | 72405-98BK | WIRE ASSEMBLY, push-on, right angle molded, 65-1/2 in. length (2) | FLHX, FLHXS |
| 7 | 72484-08 | TERMINAL, socket, 20 gauge (3) | FLHX, FLHXS |
| 8 | 72486-08 | WIRE SEAL, 20 gauge (green) (3) | FLHX, FLHXS |
| 9 | 72543-07BK | HOUSING, 3-way socket (black) | FLHX, FLHXS |
| 10 | 72544-07 | SECONDARY LOCK, 3-way socket, female | FLHX, FLHXS |
| 11 | 69200175 | CADDY, fuse block, electrical panel | FLHX, FLHXS |

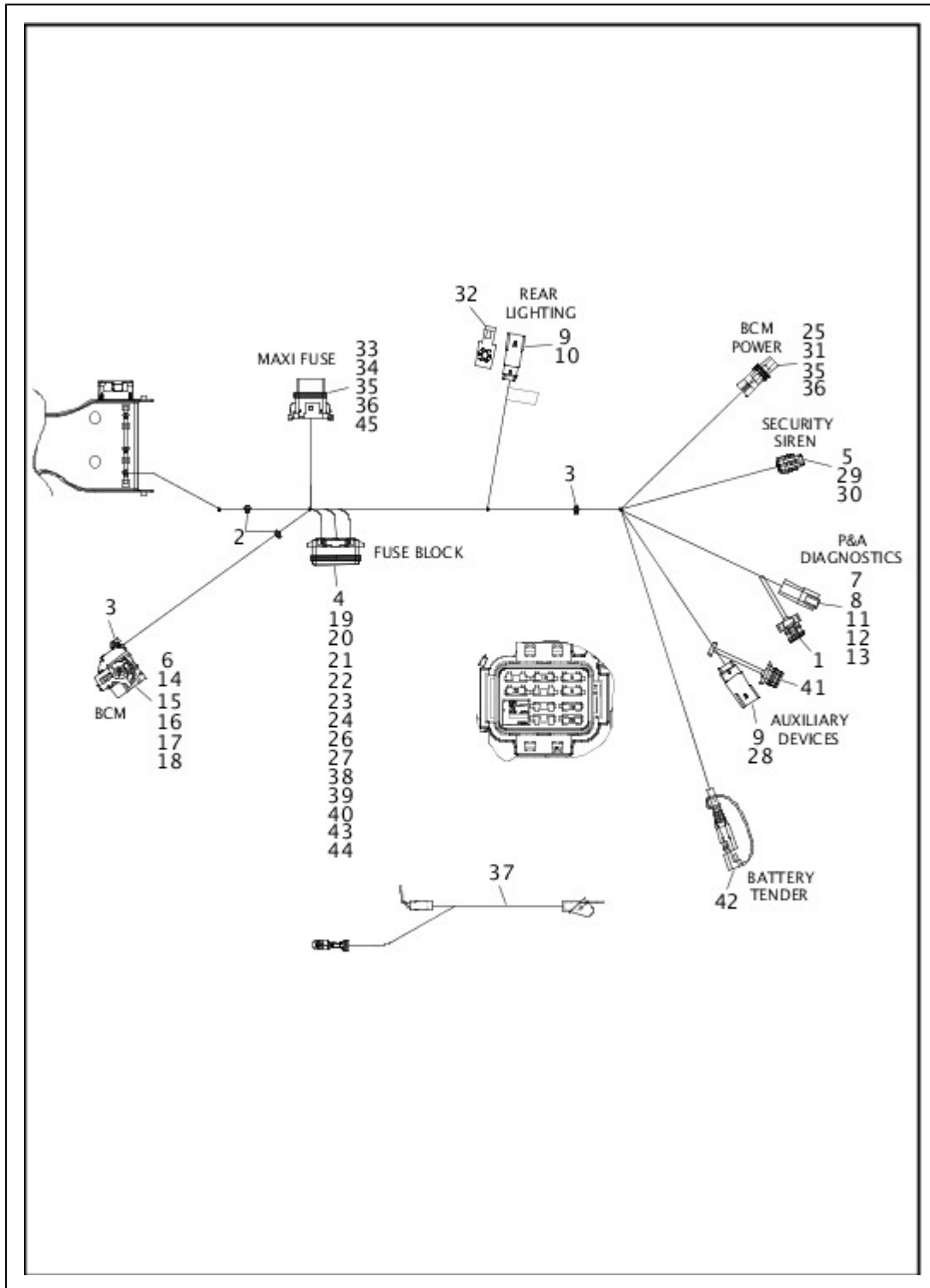
**WIRING HARNESS, MAIN, ABS (FAIRING MODELS) - FLHX & FLHXS
(7 OF 8)**



| Index No. | Part No. | Description | Model(s) |
|--|----------|------------------------------------|-------------|
| | 69200116 | MAIN WIRING HARNESS - ABS | FLHX, FLHXS |
| NOTE: Includes the following parts. | | | |
| 1 | 10065 | CABLE STRAP (2) | FLHX, FLHXS |
| 2 | 10177 | CABLE STRAP, tree mount | FLHX, FLHXS |
| 3 | 72010-05 | WIRE SEAL, 22-26 gauge (green) (4) | FLHX, FLHXS |
| 4 | 72012-07 | HOUSING, 5-way socket | FLHX, FLHXS |
| 5 | 72014-07 | SEAL PIN | FLHX, FLHXS |

| | | | |
|----|------------|---|-------------|
| 6 | 72024-08 | TERMINAL, socket, 20-22 gauge (4) | FLHX, FLHXS |
| 7 | 72168-07 | TERMINAL, socket, 18-20 gauge (3) | FLHX, FLHXS |
| 8 | 72169-07 | TERMINAL, pin, 16-20 gauge (4) | FLHX, FLHXS |
| 9 | 72175-07BK | HOUSING, 4-way pin (black) (2) | FLHX, FLHXS |
| 10 | 72213-94 | TERMINAL, socket, female, 16-20 gauge (4) | FLHX, FLHXS |
| 11 | 72232-96 | SEAL PLUG (2) | FLHX, FLHXS |
| 12 | 72343-10 | TERMINAL, pin, 16-20 gauge (gold) (4) | FLHX, FLHXS |
| 13 | 72400-99 | CONNECTOR, 4-way | FLHX, FLHXS |
| 14 | 72403-99 | SECONDARY LOCK, 4-way | FLHX, FLHXS |
| 15 | 72415-07GY | HOUSING, 4-way pin (gray) (2) | FLHX, FLHXS |
| 16 | 72512-07BK | HOUSING, 3-way socket (black) | FLHX, FLHXS |
| 17 | 72519-09BK | DUST CAP, 3-way socket (black) | FLHX, FLHXS |
| 18 | 72606-08 | HOUSING, 2-way socket | FLHX, FLHXS |
| 19 | 72609-08 | SECONDARY LOCK, 2-way socket (black) | FLHX, FLHXS |
| 20 | 72610-08 | SEAL, 18-20 gauge (white) (4) | FLHX, FLHXS |
| 21 | 73213-07 | RETAINER, x-mas tree clip (3) | FLHX, FLHXS |
| 22 | 74112-98BK | HOUSING, 2-way socket (black) | FLHX, FLHXS |
| 23 | 74120-08 | DC LEAD ASSEMBLY | FLHX, FLHXS |
| 24 | 74152-98 | SECONDARY LOCK, 2-way socket | FLHX, FLHXS |
| 25 | 74191-98 | TERMINAL, socket (2) | FLHX, FLHXS |
| 26 | 69200183 | HOUSING, 26-way socket | FLHX, FLHXS |
| 27 | 69200184 | COVER, 26-way socket | FLHX, FLHXS |
| 28 | 69200185 | TERMINAL, socket, 20 gauge (6) | FLHX, FLHXS |
| 29 | 69200186 | TERMINAL, socket, 14-16 gauge (2) | FLHX, FLHXS |
| 30 | 69200187 | TERMINAL, socket, 12 gauge (2) | FLHX, FLHXS |
| 31 | 69200188 | WIRE SEAL, 20 gauge (6) | FLHX, FLHXS |
| 32 | 69200189 | WIRE SEAL, 14-16 gauge (2) | FLHX, FLHXS |
| 33 | 69200190 | WIRE SEAL, 12 gauge (2) | FLHX, FLHXS |
| 34 | 69200191 | SEAL PIN (16) | FLHX, FLHXS |
| 35 | 69200238 | TERMINAL, 20 gauge (black) (2) | FLHX, FLHXS |

WIRING HARNESS, MAIN, ABS (FAIRING MODELS) - FLHX & FLHXS

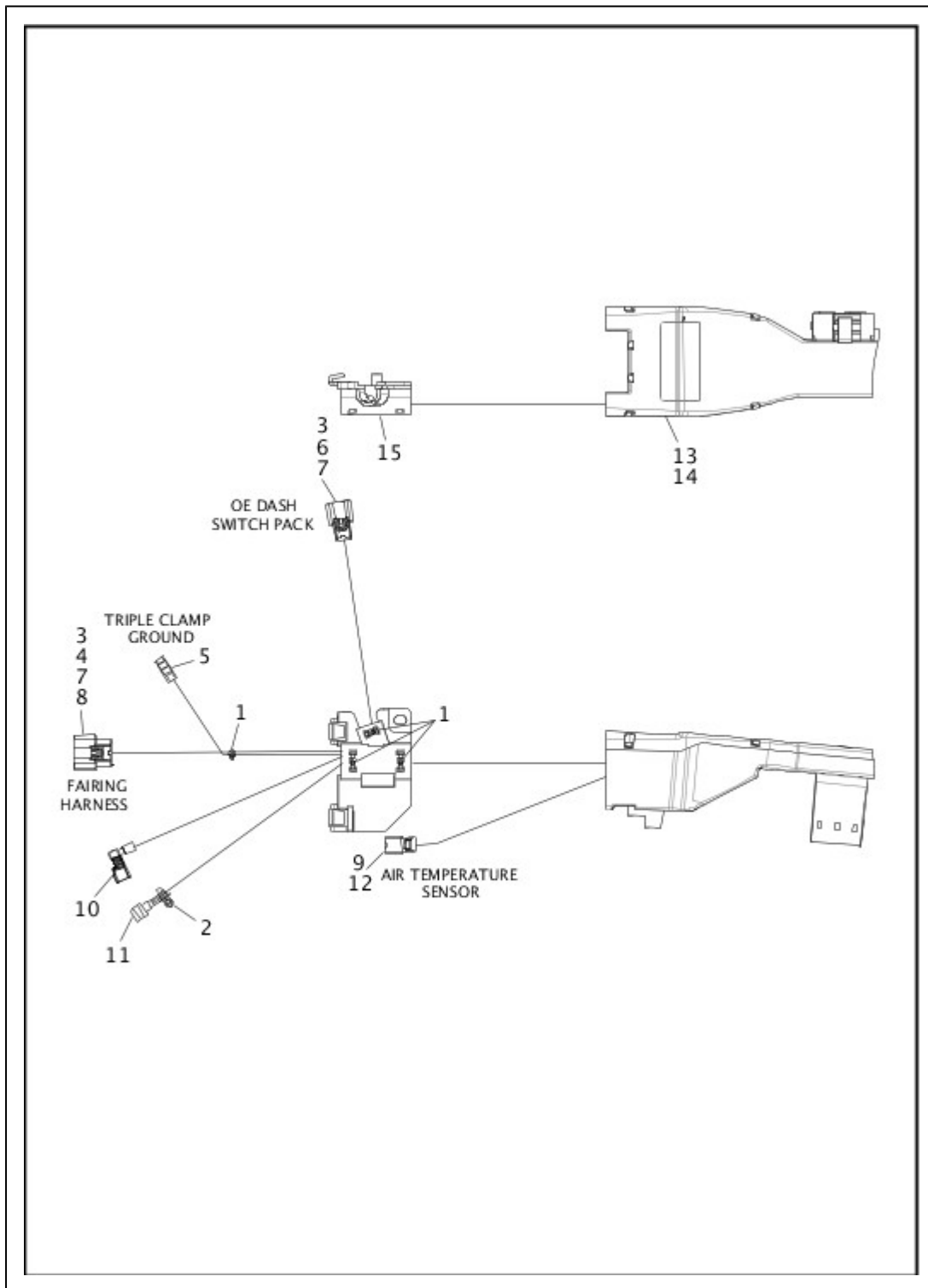


| Index No. | Part No. | Description | Model(s) |
|--|----------|---------------------------|----------------|
| | 69200116 | MAIN WIRING HARNESS - ABS | FLHX, FLHXS |
| NOTE: Includes the following parts. | | | |
| 1 | 6990 | WEATHER PLUG, 6-way pin | FLHX, FLHXS |
| 2 | 10006 | CABLE STRAP (2) | FLHX, FLHXS |

| | | | |
|----|------------|--|----------------|
| 3 | 10065 | CABLE STRAP (2) | FLHX, FLHXS |
| 4 | 31586-07 | RELAY | FLHX, FLHXS |
| 5 | 72064-06 | HOUSING, 3-way socket, female | FLHX, FLHXS |
| 6 | 72081-11 | HOUSING, 48-way socket | FLHX, FLHXS |
| 7 | 72106-94BK | HOUSING, 6-pin (black) (replaces gray connector) | FLHX, FLHXS |
| 8 | 72146-94 | SECONDARY LOCK, 6-way pin | FLHX, FLHXS |
| 9 | 72169-07 | TERMINAL, pin, 16-20 gauge (14) | FLHX, FLHXS |
| 10 | 72188-07BK | HOUSING, 6-way pin (black) | FLHX, FLHXS |
| 11 | 72190-94 | TERMINAL, pin, 16-18 gauge (2) | FLHX, FLHXS |
| 12 | 72194-94 | TERMINAL, pin, 20 gauge (3) | FLHX, FLHXS |
| 13 | 72195-94 | SEAL PIN | FLHX, FLHXS |
| 14 | 72209-11 | COVER, wire dress | FLHX, FLHXS |
| 15 | 72222-11 | TERMINAL, socket, 18-20 gauge (22) | FLHX, FLHXS |
| 16 | 72226-11 | TERMINAL, socket, 14-16 gauge | FLHX, FLHXS |
| 17 | 72227-11 | TERMINAL, socket, 18-20 gauge (5) | FLHX, FLHXS |
| 18 | 72256-11 | SEAL PIN (8) | FLHX, FLHXS |
| 19 | 72296-95 | TERMINAL, female, sealed (2) | FLHX, FLHXS |
| 20 | 72298-95 | PLUG, cavity (2) | FLHX, FLHXS |
| 21 | 72299-95 | PLUG, cavity (8) | FLHX, FLHXS |
| 22 | 72308-97 | TERMINAL, female, 12-14 gauge (4) | FLHX, FLHXS |
| 23 | 72331-95 | FUSE, 5-amp, mini (tan) (2) | FLHX, FLHXS |
| 24 | 72345-02 | FUSE, 20-amp, mini (yellow) (3) | FLHX, FLHXS |

| | | | |
|----|------------|--|----------------|
| 25 | 72350-11 | HOUSING, 1-way socket | FLHX, FLHXS |
| 26 | 72356-95 | TERMINAL, socket, 18-20 gauge (10) | FLHX, FLHXS |
| 27 | 72412-97 | SEAL, cable, 12-14 gauge (4) | FLHX, FLHXS |
| 28 | 72447-07GY | HOUSING, 8-way pin (gray) | FLHX, FLHXS |
| 29 | 72484-08 | TERMINAL, socket, 20 gauge (3) | FLHX, FLHXS |
| 30 | 72486-08 | WIRE SEAL, 20 gauge (green) (3) | FLHX, FLHXS |
| 31 | 72575-11 | SECONDARY LOCK | FLHX, FLHXS |
| 32 | 73213-07 | RETAINER, x-mas tree clip | FLHX, FLHXS |
| 33 | 73301-04 | HOUSING, 2-way pin | FLHX, FLHXS |
| 34 | 73303-04 | SECONDARY LOCK, 2-way socket, female | FLHX, FLHXS |
| 35 | 73304-04 | TERMINAL, female, 10 gauge (2) | FLHX, FLHXS |
| 36 | 73305-04 | SEAL WIRE, 10 gauge (blue) (2) | FLHX, FLHXS |
| 37 | 69200137 | WIRE HARNESS, positive cable | FLHX, FLHXS |
| 38 | 69200194 | HOUSING, 24-way fuse block | FLHX, FLHXS |
| 39 | 69200195 | COVER, fuse block | FLHX, FLHXS |
| 40 | 69200199 | WIRE SEAL, 18-20 gauge (10) | FLHX, FLHXS |
| 41 | 69200204 | WEATHER PLUG, 8-way pin | FLHX, FLHXS |
| 42 | 69200212 | HOUSING, 2-way | FLHX, FLHXS |
| 43 | 69200293 | FUSE, 7.5-amp, mini (brown) (2) | FLHX, FLHXS |
| 44 | 69200312 | SECONDARY LOCK, 24-way fuse block (3) | FLHX, FLHXS |
| 45 | 69200336 | MAIN FUSE, 50 amp (red), NOTE: Fuse is sold separately and is not part of main harness | FLHX, FLHXS |
| 46 | 11100115 | CLOTH, HARNESS WRAP, 50m (not shown) | FLHX, FLHXS |

WIRING HARNESS, MAIN, ABS (FAIRING MODELS) - FLHTCU/L & FLHTK/L (1 OF 8)

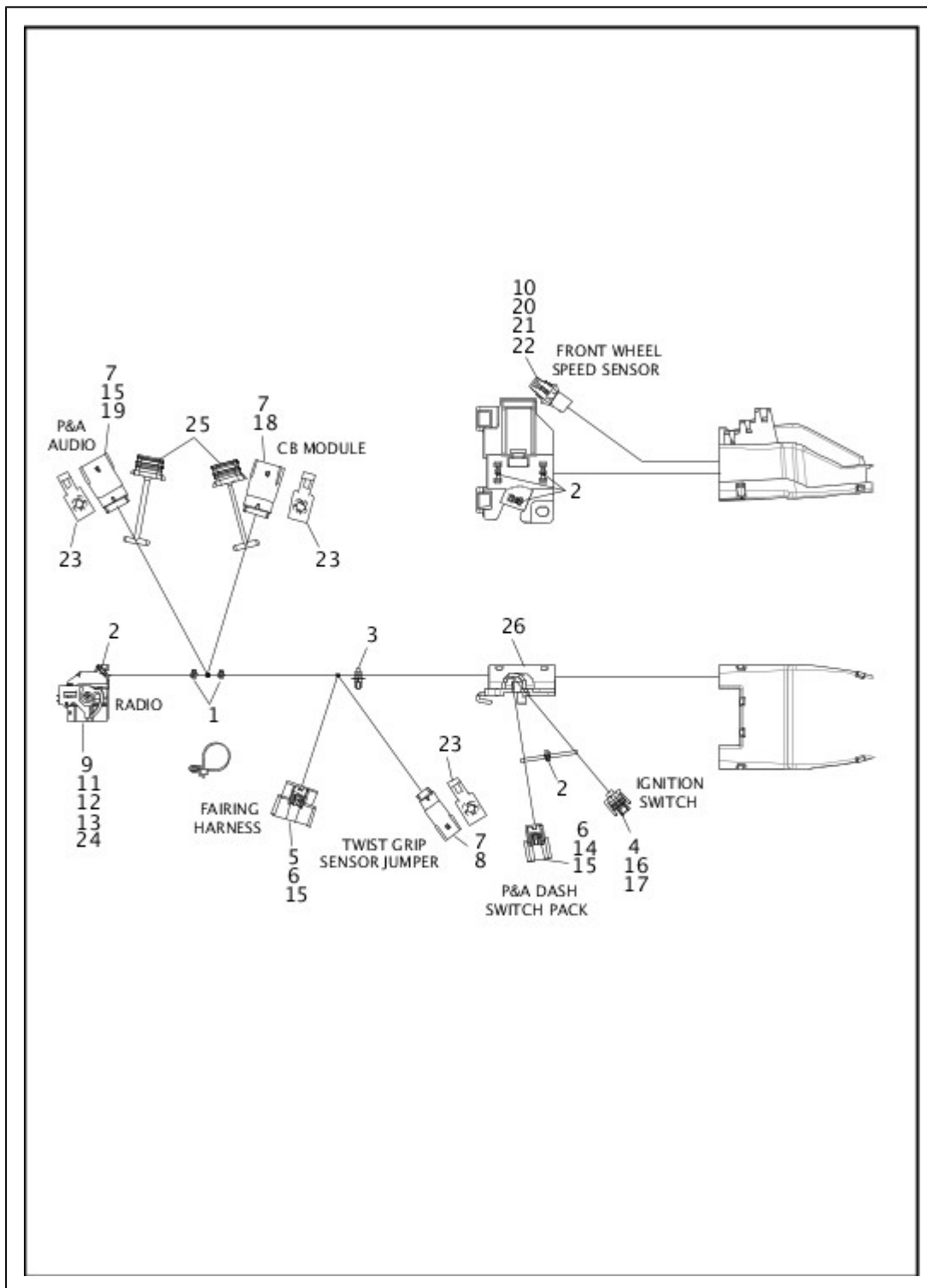


| Index No. | Part No. | Description | Model(s) |
|-----------|----------|---------------------------|--------------------------------------|
| | 69200117 | MAIN WIRING HARNESS - ABS | FLHTCU, FLHTCUL |
| | 69200118 | MAIN WIRING HARNESS - ABS | FLHTK, FLHTCUL TC, FLHTKL, FLHTCU TC |

NOTE: Includes the following parts.

| | | | |
|----|------------|-----------------------------------|---|
| 1 | 10065 | CABLE STRAP (2) | FLHTCU, FLHTCUL, FLHTK, FLHTCUL TC, FLHTKL, FLHTCU TC |
| 2 | 10177 | CABLE STRAP, tree mount | FLHTCU, FLHTCUL |
| 3 | 72168-07 | TERMINAL, socket, 18-20 gauge (7) | FLHTCU, FLHTCUL, FLHTK, FLHTCUL TC, FLHTKL, FLHTCU TC |
| 4 | 72272-07 | TERMINAL, socket, 14-16 gauge (4) | FLHTCU, FLHTCUL, FLHTK, FLHTCUL TC, FLHTKL, FLHTCU TC |
| 5 | 72364-06 | TERMINAL, 10-14 gauge, female | FLHTCU, FLHTCUL, FLHTK, FLHTCUL TC, FLHTKL, FLHTCU TC |
| 6 | 72414-07BK | HOUSING, 6-way socket (black) | FLHTCU, FLHTCUL, FLHTK, FLHTCUL TC, FLHTKL, FLHTCU TC |
| 7 | 72473-07 | SEAL PIN (7) | FLHTCU, FLHTCUL, FLHTK, FLHTCUL TC, FLHTKL, FLHTCU TC |
| 8 | 72489-07GY | HOUSING, 12-way socket (gray) | FLHTCU, FLHTCUL, FLHTK, FLHTCUL TC, FLHTKL, FLHTCU TC |
| 9 | 72721-07 | TERMINAL, socket, 18-20 gauge (2) | FLHTCU, FLHTCUL, FLHTK, FLHTCUL TC, FLHTKL, FLHTCU TC |
| 10 | 69200032 | WIRE HARNESS, AM/FM antenna | FLHTCU, FLHTCUL, FLHTK, FLHTCUL TC, FLHTKL, FLHTCU TC |
| 11 | 69200136 | WIRE HARNESS, CB antenna | FLHTCU, FLHTCUL, FLHTK, FLHTCUL TC, FLHTKL, FLHTCU TC |
| 12 | 69200201 | HOUSING, 2-way socket | FLHTCU, FLHTCUL, FLHTK, FLHTCUL TC, FLHTKL, FLHTCU TC |
| 13 | 69200202 | WIRE TROUGH | FLHTCU, FLHTCUL, FLHTK, FLHTCUL TC, FLHTKL, FLHTCU TC |
| 14 | 69200203 | COVER, wire trough | FLHTCU, FLHTCUL, FLHTK, FLHTCUL TC, FLHTKL, FLHTCU TC |
| 15 | 69200214 | CADDY, left steer hd | FLHTCU, FLHTCUL, FLHTK, FLHTCUL TC, FLHTKL, FLHTCU TC |

WIRING HARNESS, MAIN, ABS (FAIRING MODELS) - FLHTCU/L & FLHTK/L (2 OF 8)

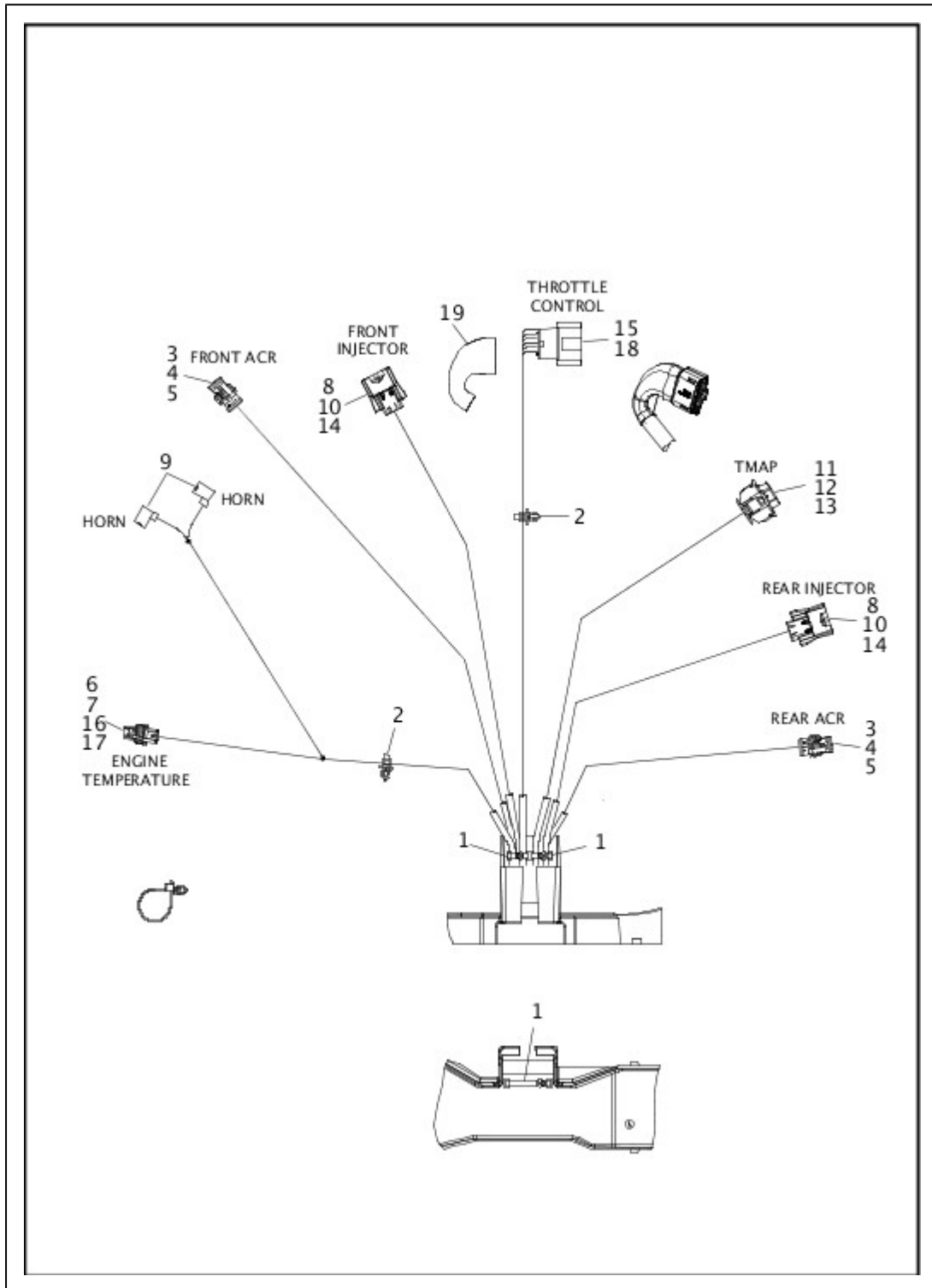


| Index No. | Part No. | Description | Model(s) |
|--|----------|---------------------------|---|
| | 69200117 | MAIN WIRING HARNESS - ABS | FLHTCU, FLHTCUL |
| | 69200118 | MAIN WIRING HARNESS - ABS | FLHTK, FLHTCUL TC, FLHTKL, FLHTCU TC |
| NOTE: Includes the following parts. | | | |
| 1 | 10006 | CABLE STRAP (2) | FLHTCU, FLHTCUL, FLHTK, FLHTCUL TC, FLHTKL, FLHTCU TC |
| 2 | 10065 | CABLE STRAP (5) | FLHTCU, FLHTCUL, FLHTK, FLHTCUL TC, FLHTKL, FLHTCU TC |

| | | | |
|----|------------|---|---|
| 3 | 10177 | CABLE STRAP, tree mount | FLHTCU, FLHTCUL, FLHTK, FLHTCUL TC, FLHTKL, FLHTCU TC |
| 4 | 72062-06 | HOUSING, 2-way socket | FLHTCU, FLHTCUL, FLHTK, FLHTCUL TC, FLHTKL, FLHTCU TC |
| 5 | 72166-07BK | HOUSING, 16-way socket, 18-20 gauge (black) | FLHTCU, FLHTCUL, FLHTK, FLHTCUL TC, FLHTKL, FLHTCU TC |
| 6 | 72168-07 | TERMINAL, socket, 18-20 gauge (17) | FLHTCU, FLHTCUL, FLHTK, FLHTCUL TC, FLHTKL, FLHTCU TC |
| 7 | 72169-07 | TERMINAL, pin, 16-20 gauge (29) | FLHTCU, FLHTCUL, FLHTK, FLHTCUL TC, FLHTKL, FLHTCU TC |
| 8 | 72188-07BK | HOUSING, 6-way pin (black) | FLHTCU, FLHTCUL, FLHTK, FLHTCUL TC, FLHTKL, FLHTCU TC |
| 9 | 72209-11 | COVER, wire dress | FLHTCU, FLHTCUL, FLHTK, FLHTCUL TC, FLHTKL, FLHTCU TC |
| 10 | 72213-94 | TERMINAL, socket, female, 16-20 gauge (2) | FLHTCU, FLHTCUL, FLHTK, FLHTCUL TC, FLHTKL, FLHTCU TC |
| 11 | 72222-11 | TERMINAL, socket, 18-20 gauge (28) | FLHTCU, FLHTCUL, FLHTK, FLHTCUL TC, FLHTKL, FLHTCU TC |
| 12 | 72226-11 | TERMINAL, socket, 14-16 gauge (8) | FLHTCU, FLHTCUL, FLHTK, FLHTCUL TC, FLHTKL, FLHTCU TC |
| 13 | 72256-11 | SEAL PIN (12) | FLHTCU, FLHTCUL, FLHTK, FLHTCUL TC, FLHTKL, FLHTCU TC |
| 14 | 72414-07BK | HOUSING, 6-way socket (black) | FLHTCU, FLHTCUL, FLHTK, FLHTCUL TC, FLHTKL, FLHTCU TC |
| 15 | 72473-07 | SEAL PIN (6) | FLHTCU, FLHTCUL, FLHTK, FLHTCUL TC, FLHTKL, FLHTCU TC |
| 16 | 72484-08 | TERMINAL, socket, 20 gauge (2) | FLHTCU, FLHTCUL, FLHTK, FLHTCUL TC, FLHTKL, FLHTCU TC |
| 17 | 72486-08 | WIRE SEAL, 20 gauge (green) (2) | FLHTCU, FLHTCUL, FLHTK, FLHTCUL TC, FLHTKL, FLHTCU TC |
| 18 | 72488-07BK | HOUSING, 12-way pin (black) | FLHTCU, FLHTCUL, FLHTK, FLHTCUL TC, FLHTKL, FLHTCU TC |
| 19 | 72490-07GY | HOUSING, 12-way pin (gray) | FLHTCU, FLHTCUL, FLHTK, FLHTCUL TC, FLHTKL, FLHTCU TC |
| 20 | 72606-08 | HOUSING, 2-way socket (2) | FLHTCU, FLHTCUL, FLHTK, FLHTCUL TC, FLHTKL, FLHTCU TC |
| 21 | 72610-08 | SEAL, 18-20 gauge (white) (2) | FLHTCU, FLHTCUL, FLHTK, FLHTCUL TC, FLHTKL, FLHTCU TC |
| 22 | 72639-10 | SECONDARY LOCK, 2-way socket | FLHTCU, FLHTCUL, FLHTK, FLHTCUL TC, FLHTKL, FLHTCU TC |
| 23 | 73213-07 | RETAINER, x-mas tree clip (3) | FLHTCU, FLHTCUL, FLHTK, FLHTCUL TC, FLHTKL, FLHTCU TC |
| 24 | 69200193 | HOUSING, 48-way socket | FLHTCU, FLHTCUL, FLHTK, FLHTCUL TC, FLHTKL, FLHTCU TC |

| | | | |
|----|----------|------------------------------|---|
| 25 | 69200205 | WEATHER PLUG, 12-way pin (2) | FLHTCU, FLHTCUL, FLHTK, FLHTCUL TC, FLHTKL, FLHTCU TC |
| 26 | 69200215 | CADDY, right steer hd | FLHTCU, FLHTCUL, FLHTK, FLHTCUL TC, FLHTKL, FLHTCU TC |

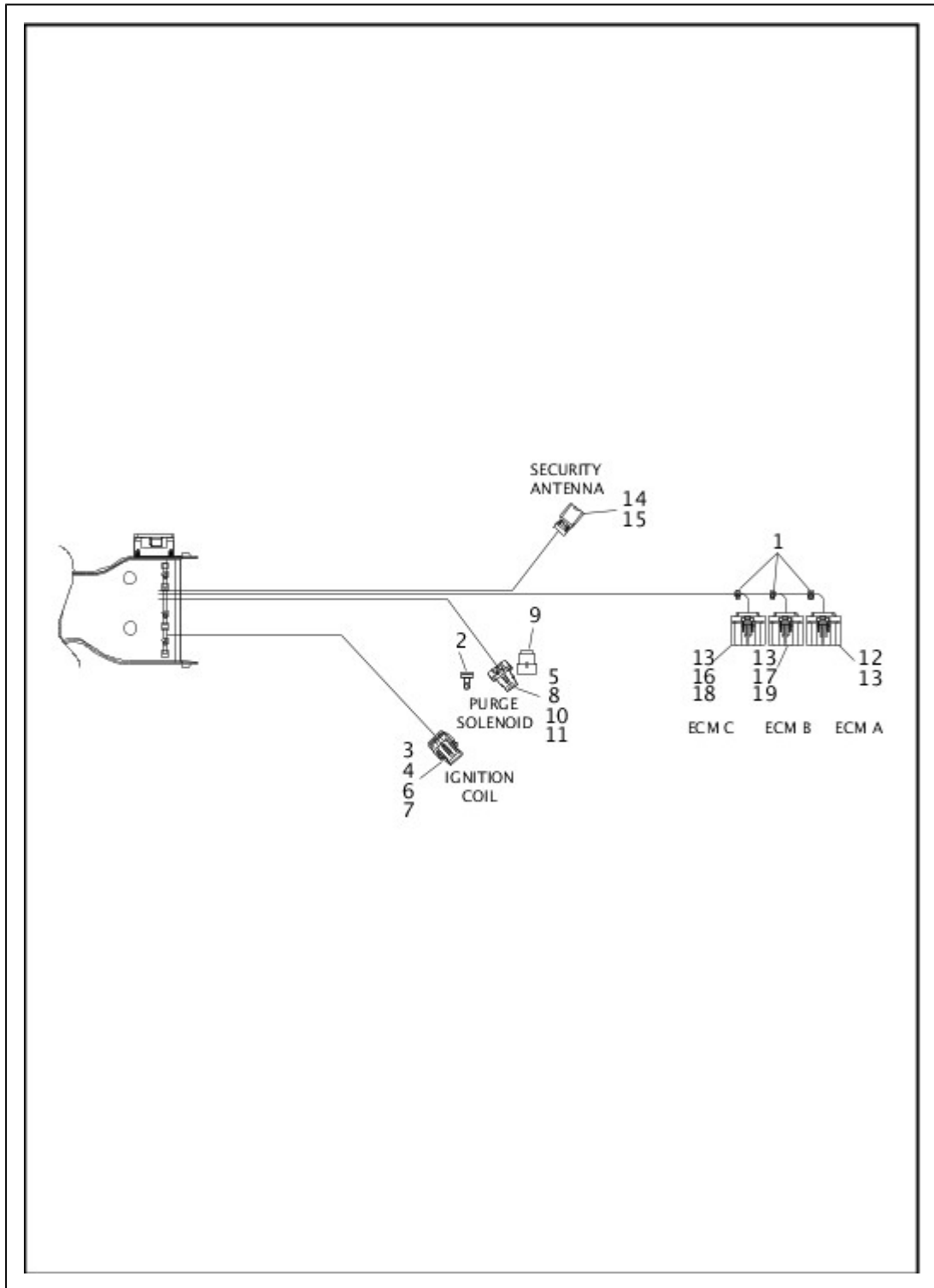
WIRING HARNESS, MAIN, ABS (FAIRING MODELS) - FLHTCU/L & FLHTK/L (3 OF 8)



| Index No. | Part No. | Description | Model(s) |
|-----------|----------|-------------|----------|
| | | | |

| | | | |
|--|------------|--|---|
| | 69200117 | MAIN WIRING HARNESS - ABS | FLHTCU, FLHTCUL |
| | 69200118 | MAIN WIRING HARNESS - ABS | FLHTK, FLHTCUL TC, FLHTKL, FLHTCU TC |
| NOTE: Includes the following parts. | | | |
| 1 | 10065 | CABLE STRAP (3) | FLHTCU, FLHTCUL, FLHTK, FLHTCUL TC, FLHTKL, FLHTCU TC |
| 2 | 10177 | CABLE STRAP, tree mount (2) | FLHTCU, FLHTCUL, FLHTK, FLHTCUL TC, FLHTKL, FLHTCU TC |
| 3 | 72007-05 | HOUSING, 2-way socket (2) | FLHTCU, FLHTCUL, FLHTK, FLHTCUL TC, FLHTKL, FLHTCU TC |
| 4 | 72010-05 | WIRE SEAL, 22-26 gauge (green) (4) | FLHTCU, FLHTCUL, FLHTK, FLHTCUL TC, FLHTKL, FLHTCU TC |
| 5 | 72024-08 | TERMINAL, socket, 20-22 gauge (4) | FLHTCU, FLHTCUL, FLHTK, FLHTCUL TC, FLHTKL, FLHTCU TC |
| 6 | 72063-06 | HOUSING, 2-way socket | FLHTCU, FLHTCUL, FLHTK, FLHTCUL TC, FLHTKL, FLHTCU TC |
| 7 | 72111-06 | SECONDARY LOCK, 2-way socket, female (gray) | FLHTCU, FLHTCUL, FLHTK, FLHTCUL TC, FLHTKL, FLHTCU TC |
| 8 | 72251-07 | SECONDARY LOCK, 2-way socket (yellow) (2) | FLHTCU, FLHTCUL, FLHTK, FLHTCUL TC, FLHTKL, FLHTCU TC |
| 9 | 72283-09 | TERMINAL, female, 14-16 gauge, 90 degree (2) | FLHTCU, FLHTCUL, FLHTK, FLHTCUL TC, FLHTKL, FLHTCU TC |
| 10 | 72402-07 | HOUSING, 2-way socket (2) | FLHTCU, FLHTCUL, FLHTK, FLHTCUL TC, FLHTKL, FLHTCU TC |
| 11 | 72406-07A | HOUSING, 4-way socket | FLHTCU, FLHTCUL, FLHTK, FLHTCUL TC, FLHTKL, FLHTCU TC |
| 12 | 72407-07 | TERMINAL, socket, 16-20 gauge (4) | FLHTCU, FLHTCUL, FLHTK, FLHTCUL TC, FLHTKL, FLHTCU TC |
| 13 | 72408-07 | WIRE SEAL, 16-20 gauge (blue) (4) | FLHTCU, FLHTCUL, FLHTK, FLHTCUL TC, FLHTKL, FLHTCU TC |
| 14 | 72413-07 | TERMINAL, socket, 18-20 gauge (4) | FLHTCU, FLHTCUL, FLHTK, FLHTCUL TC, FLHTKL, FLHTCU TC |
| 15 | 72483-08BK | HOUSING, 6-way socket | FLHTCU, FLHTCUL, FLHTK, FLHTCUL TC, FLHTKL, FLHTCU TC |
| 16 | 72484-08 | TERMINAL, socket, 20 gauge (2) | FLHTCU, FLHTCUL, FLHTK, FLHTCUL TC, FLHTKL, FLHTCU TC |
| 17 | 72486-08 | WIRE SEAL, 20 gauge (green) (2) | FLHTCU, FLHTCUL, FLHTK, FLHTCUL TC, FLHTKL, FLHTCU TC |
| 18 | 72663-11 | TERMINAL, socket, 18-20 gauge (silver) (6) | FLHTCU, FLHTCUL, FLHTK, FLHTCUL TC, FLHTKL, FLHTCU TC |
| 19 | 69200437 | RUBBER BOOT, wire connector | FLHTCU, FLHTCUL, FLHTK, FLHTCUL TC, FLHTKL, FLHTCU TC |

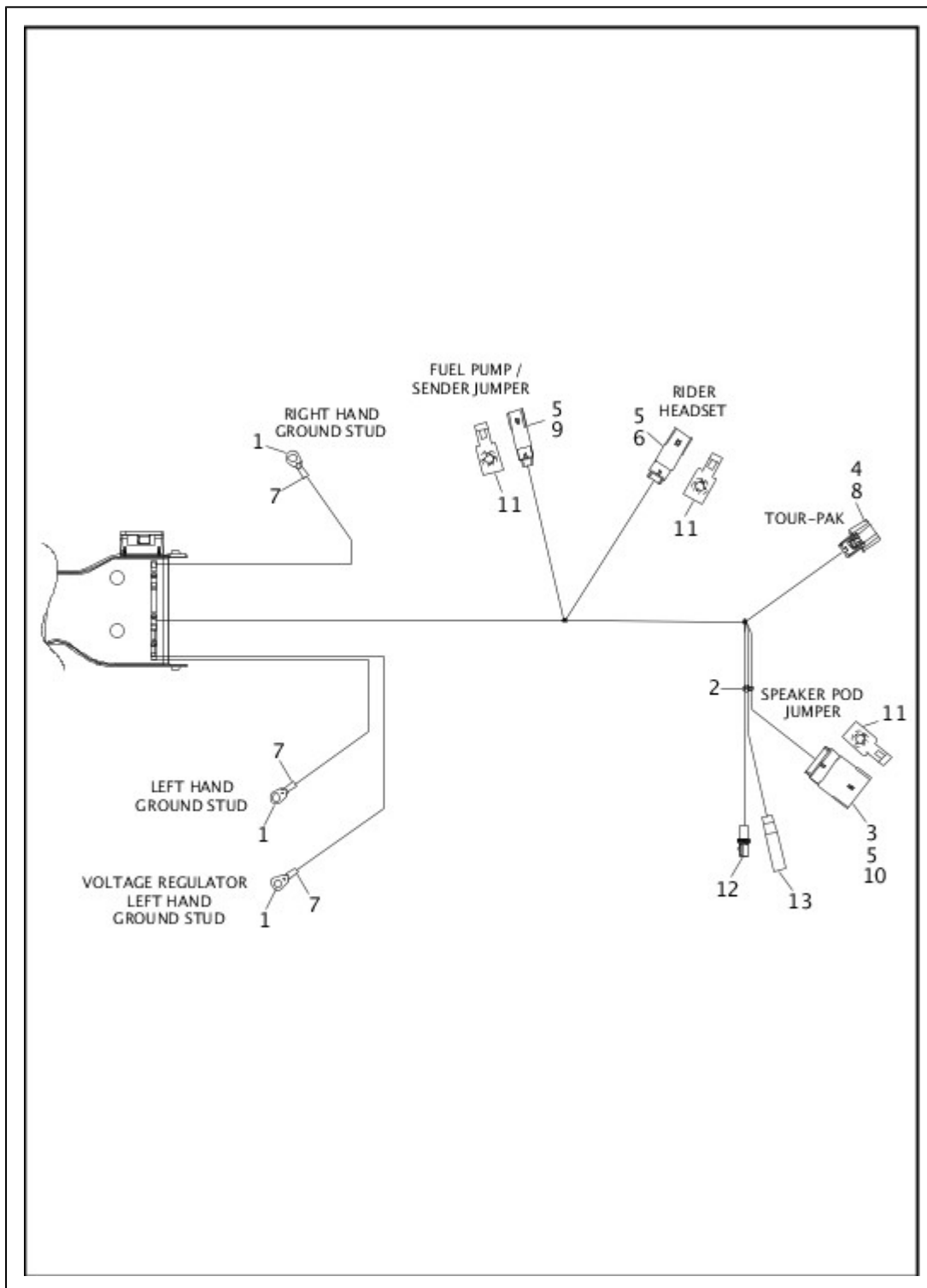
WIRING HARNESS, MAIN, ABS (FAIRING MODELS) - FLHTCU/L & FLHTK/L (4 OF 8)



| Index No. | Part No. | Description | Model(s) |
|--|----------|---------------------------|---|
| | 69200117 | MAIN WIRING HARNESS - ABS | FLHTCU, FLHTCUL |
| | 69200118 | MAIN WIRING HARNESS - ABS | FLHTK, FLHTCUL TC, FLHTKL, FLHTCU TC |
| NOTE: Includes the following parts. | | | |
| 1 | 10065 | CABLE STRAP (3) | FLHTCU, FLHTCUL, FLHTK, FLHTCUL TC, FLHTKL, FLHTCU TC |
| | | | |

| | | | |
|----|-----------|---|---|
| 2 | 10147 | CLIP, connector | FLHTCU, FLHTCUL, FLHTK, FLHTCUL TC, FLHTKL, FLHTCU TC |
| 3 | 72066-06A | HOUSING, 4-way socket, female (black) | FLHTCU, FLHTCUL, FLHTK, FLHTCUL TC, FLHTKL, FLHTCU TC |
| 4 | 72135-06 | SECONDARY LOCK, 4-way socket, female | FLHTCU, FLHTCUL, FLHTK, FLHTCUL TC, FLHTKL, FLHTCU TC |
| 5 | 72213-94 | TERMINAL, socket, female, 16-20 gauge (2) | FLHTCU, FLHTCUL, FLHTK, FLHTCUL TC, FLHTKL, FLHTCU TC |
| 6 | 72484-08 | TERMINAL, socket, 20 gauge (4) | FLHTCU, FLHTCUL, FLHTK, FLHTCUL TC, FLHTKL, FLHTCU TC |
| 7 | 72486-08 | WIRE SEAL, 20 gauge (green) (4) | FLHTCU, FLHTCUL, FLHTK, FLHTCUL TC, FLHTKL, FLHTCU TC |
| 8 | 72518-01 | HOUSING, 2-way socket (red) | FLHTCU, FLHTCUL, FLHTK, FLHTCUL TC, FLHTKL, FLHTCU TC |
| 9 | 72533-06 | DUST CAP, 2-pin connector | FLHTCU, FLHTCUL, FLHTK, FLHTCUL TC, FLHTKL, FLHTCU TC |
| 10 | 72609-08 | SECONDARY LOCK, 2-way socket (black) | FLHTCU, FLHTCUL, FLHTK, FLHTCUL TC, FLHTKL, FLHTCU TC |
| 11 | 72610-08 | SEAL, 18-20 gauge (white) (2) | FLHTCU, FLHTCUL, FLHTK, FLHTCUL TC, FLHTKL, FLHTCU TC |
| 12 | 72664-12A | HOUSING, 18-way socket (black) | FLHTCU, FLHTCUL, FLHTK, FLHTCUL TC, FLHTKL, FLHTCU TC |
| 13 | 72666-12 | TERMINAL, socket, 18-20 gauge (silver) (38) | FLHTCU, FLHTCUL |
| 13 | 72666-12 | TERMINAL, socket, 18-20 gauge (silver) (44) | FLHTK, FLHTCUL TC, FLHTKL, FLHTCU TC |
| 14 | 72720-07 | HOUSING, 2-way socket | FLHTCU, FLHTCUL, FLHTK, FLHTCUL TC, FLHTKL, FLHTCU TC |
| 15 | 72721-07 | TERMINAL, socket, 18-20 gauge (2) | FLHTCU, FLHTCUL, FLHTK, FLHTCUL TC, FLHTKL, FLHTCU TC |
| 16 | 69200192A | HOUSING, 18-way socket (brown) | FLHTK, FLHTCUL TC, FLHTKL, FLHTCU TC |
| 17 | 69200267A | HOUSING, 18-way socket (gray) | FLHTCU, FLHTCUL |
| 18 | 69200268A | HOUSING, 18-way socket (brown) | FLHTCU, FLHTCUL |
| 19 | 69200291A | HOUSING, 18-way socket (gray) | FLHTK, FLHTCUL TC, FLHTKL, FLHTCU TC |

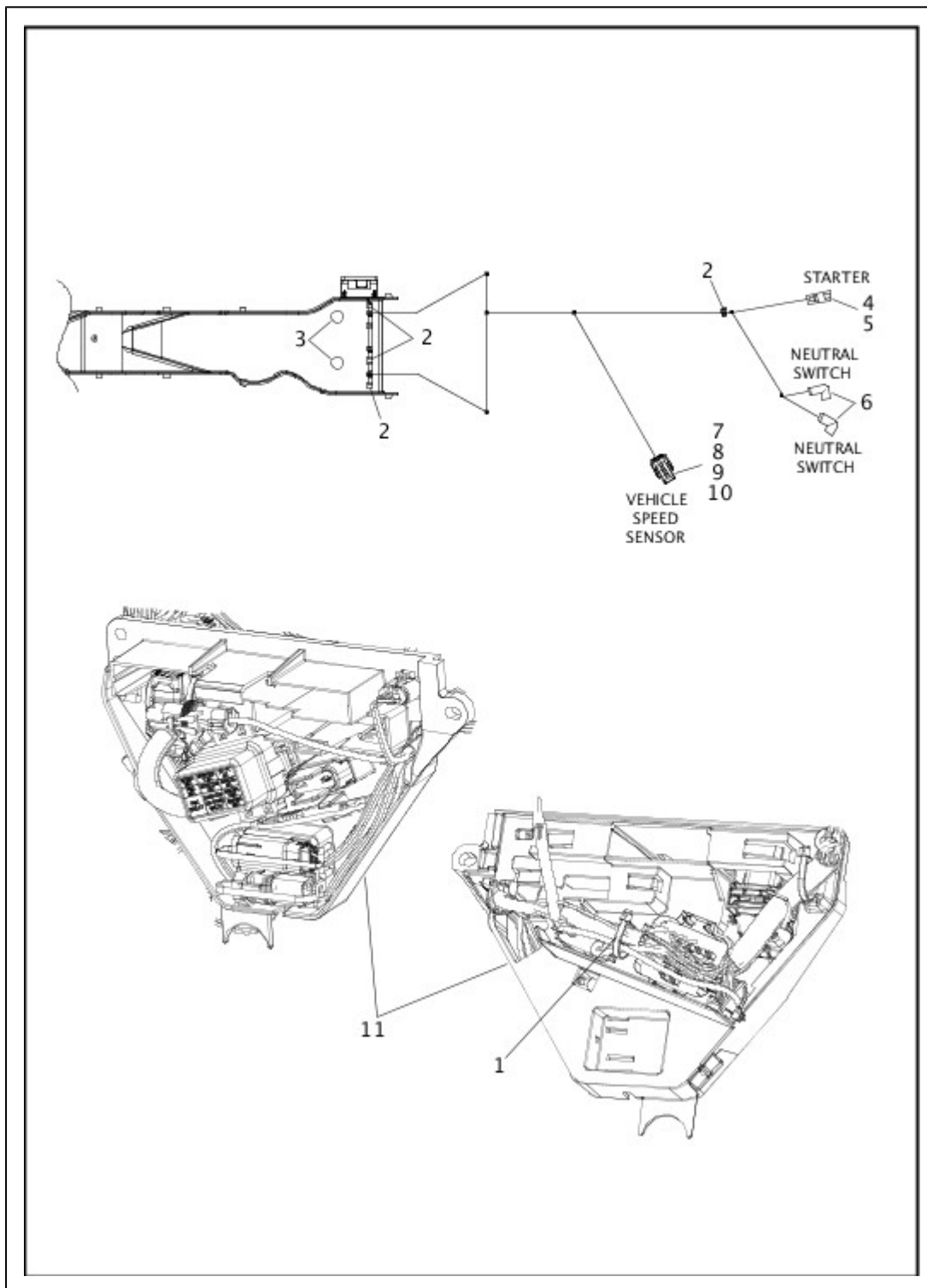
WIRING HARNESS, MAIN, ABS (FAIRING MODELS) - FLHTCU/L & FLHTK/L (5 OF 8)



| Index No. | Part No. | Description | Model(s) |
|--|----------|--------------------------------------|---|
| | 69200117 | MAIN WIRING HARNESS - ABS | FLHTCU, FLHTCUL |
| | 69200118 | MAIN WIRING HARNESS - ABS | FLHTK, FLHTCUL TC, FLHTKL, FLHTCU TC |
| NOTE: Includes the following parts. | | | |
| 1 | 9819 | TERMINAL, 1/4 in. ring, 12 gauge (3) | FLHTCU, FLHTCUL, FLHTK, FLHTCUL TC, FLHTKL, FLHTCU TC |
| 2 | 10065 | CABLE STRAP | FLHTCU, FLHTCUL, FLHTK, FLHTCUL TC, FLHTKL, FLHTCU TC |

| | | | |
|----|------------|------------------------------------|---|
| 3 | 72167-07BK | HOUSING, 16-way pin (black) | FLHTCU, FLHTCUL, FLHTK, FLHTCUL TC, FLHTKL, FLHTCU TC |
| 4 | 72168-07 | TERMINAL, socket, 18-20 gauge (6) | FLHTCU, FLHTCUL, FLHTK, FLHTCUL TC, FLHTKL, FLHTCU TC |
| 5 | 72169-07 | TERMINAL, pin, 16-20 gauge (23) | FLHTCU, FLHTCUL, FLHTK, FLHTCUL TC, FLHTKL, FLHTCU TC |
| 6 | 72188-07BK | HOUSING, 6-way pin (black) | FLHTCU, FLHTCUL, FLHTK, FLHTCUL TC, FLHTKL, FLHTCU TC |
| 7 | 72249-94 | HEAT SHRINK TUBE, .415 x 1 (black) | FLHTCU, FLHTCUL, FLHTK, FLHTCUL TC, FLHTKL, FLHTCU TC |
| 8 | 72414-07BK | HOUSING, 6-way socket (black) | FLHTCU, FLHTCUL, FLHTK, FLHTCUL TC, FLHTKL, FLHTCU TC |
| 9 | 72415-07GY | HOUSING, 4-way pin (gray) (2) | FLHTCU, FLHTCUL, FLHTK, FLHTCUL TC, FLHTKL, FLHTCU TC |
| 10 | 72473-07 | SEAL PIN (3) | FLHTCU, FLHTCUL, FLHTK, FLHTCUL TC, FLHTKL, FLHTCU TC |
| 11 | 73213-07 | RETAINER, x-mas tree clip (3) | FLHTCU, FLHTCUL, FLHTK, FLHTCUL TC, FLHTKL, FLHTCU TC |
| 12 | 69200032 | WIRE HARNESS, AM/FM antenna | FLHTCU, FLHTCUL, FLHTK, FLHTCUL TC, FLHTKL, FLHTCU TC |
| 13 | 69200136 | WIRE HARNESS, CB antenna | FLHTCU, FLHTCUL, FLHTK, FLHTCUL TC, FLHTKL, FLHTCU TC |

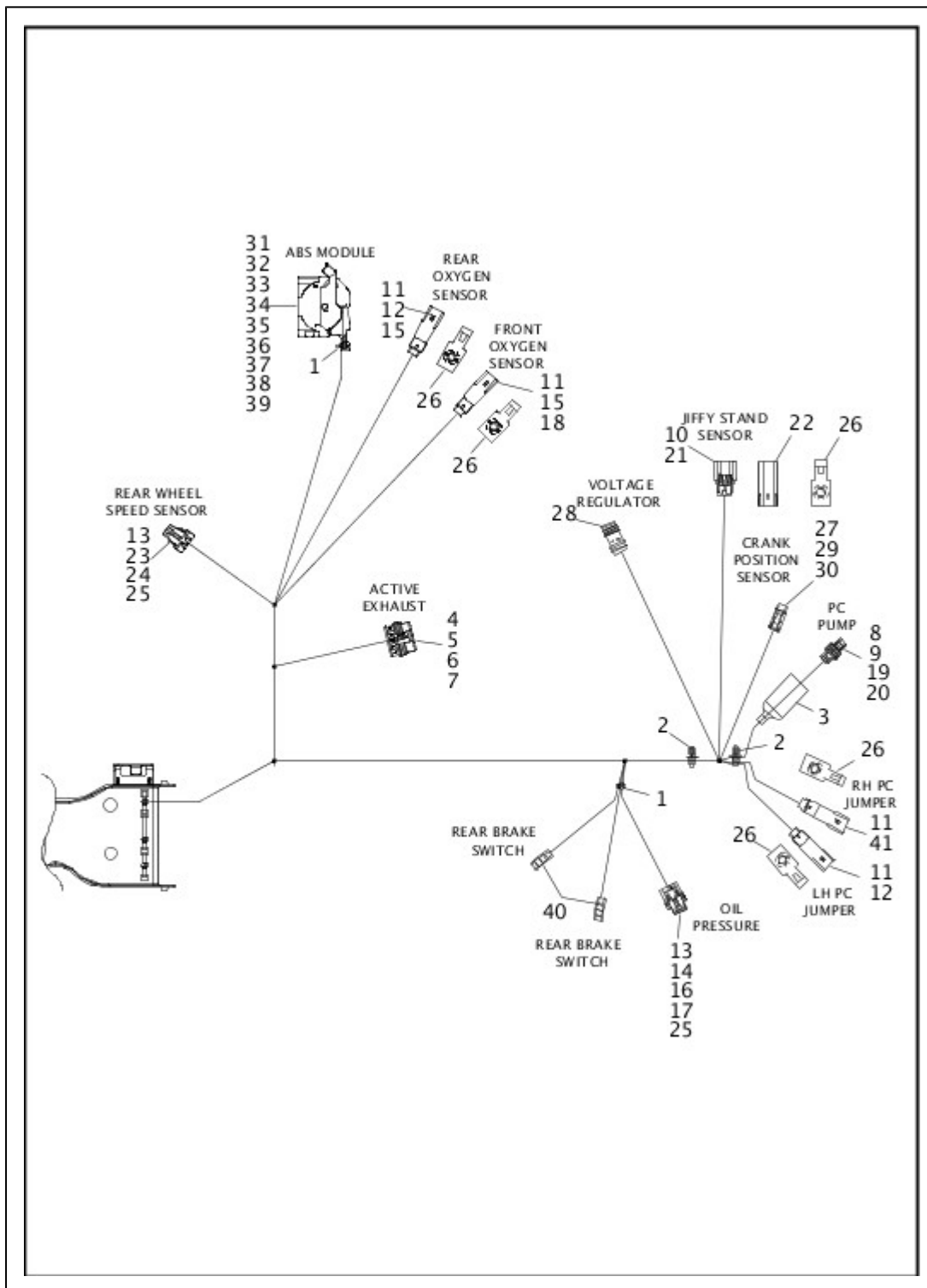
WIRING HARNESS, MAIN, ABS (FAIRING MODELS) - FLHTCU/L & FLHTK/L (6 OF 8)



| Index No. | Part No. | Description | Model(s) |
|--|----------|---------------------------|---|
| | 69200117 | MAIN WIRING HARNESS - ABS | FLHTCU, FLHTCUL |
| | 69200118 | MAIN WIRING HARNESS - ABS | FLHTK, FLHTCUL TC, FLHTKL, FLHTCU TC |
| NOTE: Includes the following parts. | | | |
| 1 | 10006 | CABLE STRAP | FLHTCU, FLHTCUL, FLHTK, FLHTCUL TC, FLHTKL, FLHTCU TC |
| 2 | 10065 | CABLE STRAP (4) | FLHTCU, FLHTCUL, FLHTK, FLHTCUL TC, FLHTKL, FLHTCU TC |

| | | | |
|----|------------|---|---|
| 3 | 11779 | FASTENER, push-in (black) (2) | FLHTCU, FLHTCUL, FLHTK, FLHTCUL TC, FLHTKL, FLHTCU TC |
| 4 | 72291-94 | TERMINAL, 14-16 gauge | FLHTCU, FLHTCUL, FLHTK, FLHTCUL TC, FLHTKL, FLHTCU TC |
| 5 | 72295-94 | CONNECTOR, starter housing | FLHTCU, FLHTCUL, FLHTK, FLHTCUL TC, FLHTKL, FLHTCU TC |
| 6 | 72405-98BK | WIRE ASSEMBLY, push-on, right angle molded, 65-1/2 in. length (2) | FLHTCU, FLHTCUL, FLHTK, FLHTCUL TC, FLHTKL, FLHTCU TC |
| 7 | 72484-08 | TERMINAL, socket, 20 gauge (3) | FLHTCU, FLHTCUL, FLHTK, FLHTCUL TC, FLHTKL, FLHTCU TC |
| 8 | 72486-08 | WIRE SEAL, 20 gauge (green) (3) | FLHTCU, FLHTCUL, FLHTK, FLHTCUL TC, FLHTKL, FLHTCU TC |
| 9 | 72543-07BK | HOUSING, 3-way socket (black) | FLHTCU, FLHTCUL, FLHTK, FLHTCUL TC, FLHTKL, FLHTCU TC |
| 10 | 72544-07 | SECONDARY LOCK, 3-way socket, female | FLHTCU, FLHTCUL, FLHTK, FLHTCUL TC, FLHTKL, FLHTCU TC |
| 11 | 69200175 | CADDY, fuse block, electrical panel | FLHTCU, FLHTCUL, FLHTK, FLHTCUL TC, FLHTKL, FLHTCU TC |

WIRING HARNESS, MAIN, ABS (FAIRING MODELS) - FLHTCU/L & FLHTK/L (7 OF 8)

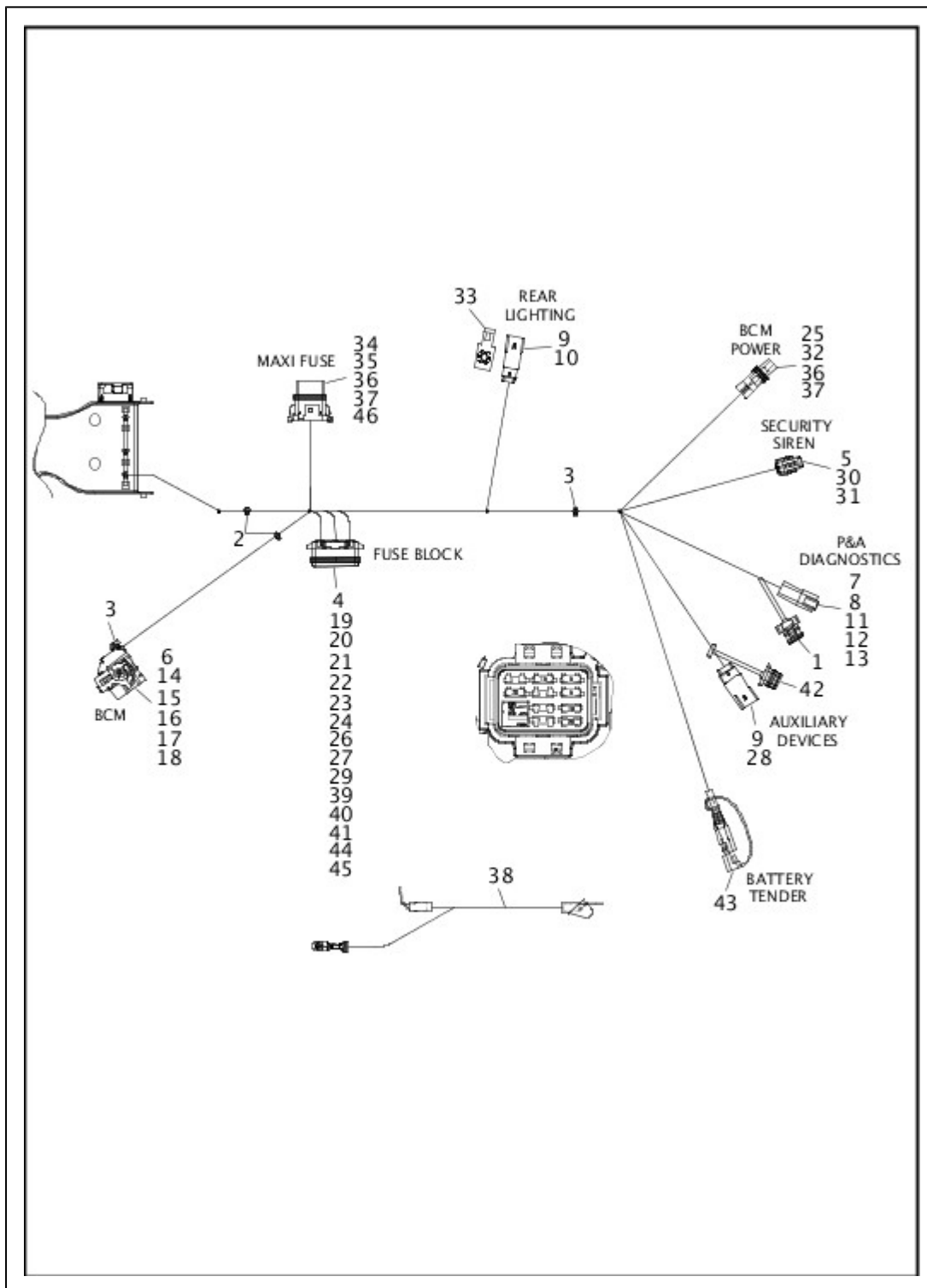


| Index No. | Part No. | Description | Model(s) |
|--|----------|-----------------------------|---|
| | 69200117 | MAIN WIRING HARNESS - ABS | FLHTCU, FLHTCUL |
| | 69200118 | MAIN WIRING HARNESS - ABS | FLHTK, FLHTCUL TC, FLHTKL, FLHTCU TC |
| NOTE: Includes the following parts. | | | |
| 1 | 10065 | CABLE STRAP (2) | FLHTCU, FLHTCUL, FLHTK, FLHTCUL TC, FLHTKL, FLHTCU TC |
| 2 | 10177 | CABLE STRAP, tree mount (2) | FLHTCU, FLHTCUL |
| 2 | 10177 | CABLE STRAP, tree mount (3) | FLHTK, FLHTCUL TC, FLHTKL, FLHTCU TC |

| | | | |
|----|------------|---|---|
| 3 | 70598-99 | BOOT, engine temperature sensor | FLHTK, FLHTCUL TC, FLHTKL, FLHTCU TC |
| 4 | 72010-05 | WIRE SEAL, 22-26 gauge (green) (4) | FLHTCU, FLHTCUL, FLHTK, FLHTCUL TC, FLHTKL, FLHTCU TC |
| 5 | 72012-07 | HOUSING, 5-way socket | FLHTCU, FLHTCUL, FLHTK, FLHTCUL TC, FLHTKL, FLHTCU TC |
| 6 | 72014-07 | SEAL PIN | FLHTCU, FLHTCUL, FLHTK, FLHTCUL TC, FLHTKL, FLHTCU TC |
| 7 | 72024-08 | TERMINAL, socket, 20-22 gauge (4) | FLHTCU, FLHTCUL, FLHTK, FLHTCUL TC, FLHTKL, FLHTCU TC |
| 8 | 72063-06 | HOUSING, 2-way socket | FLHTK, FLHTCUL TC, FLHTKL, FLHTCU TC |
| 9 | 72111-06 | SECONDARY LOCK, 2-way socket, female (gray) | FLHTK, FLHTCUL TC, FLHTKL, FLHTCU TC |
| 10 | 72168-07 | TERMINAL, socket, 18-20 gauge (3) | FLHTCU, FLHTCUL, FLHTK, FLHTCUL TC, FLHTKL, FLHTCU TC |
| 11 | 72169-07 | TERMINAL, pin, 16-20 gauge (4) | FLHTCU, FLHTCUL |
| 11 | 72169-07 | TERMINAL, pin, 16-20 gauge (10) | FLHTK, FLHTCUL TC, FLHTKL, FLHTCU TC |
| 12 | 72175-07BK | HOUSING, 4-way pin (black) | FLHTCU, FLHTCUL |
| 12 | 72175-07BK | HOUSING, 4-way pin (black) (2) | FLHTK, FLHTCUL TC, FLHTKL, FLHTCU TC |
| 13 | 72213-94 | TERMINAL, socket, female, 16-20 gauge (4) | FLHTCU, FLHTCUL, FLHTK, FLHTCUL TC, FLHTKL, FLHTCU TC |
| 14 | 72232-96 | SEAL PLUG (2) | FLHTCU, FLHTCUL, FLHTK, FLHTCUL TC, FLHTKL, FLHTCU TC |
| 15 | 72343-10 | TERMINAL, pin, 16-20 gauge (gold) (4) | FLHTCU, FLHTCUL, FLHTK, FLHTCUL TC, FLHTKL, FLHTCU TC |
| 16 | 72400-99 | CONNECTOR, 4-way | FLHTCU, FLHTCUL, FLHTK, FLHTCUL TC, FLHTKL, FLHTCU TC |
| 17 | 72403-99 | SECONDARY LOCK, 4-way | FLHTCU, FLHTCUL, FLHTK, FLHTCUL TC, FLHTKL, FLHTCU TC |
| 18 | 72415-07GY | HOUSING, 4-way pin (gray) (2) | FLHTCU, FLHTCUL, FLHTK, FLHTCUL TC, FLHTKL, FLHTCU TC |
| 19 | 72484-08 | TERMINAL, socket, 20 gauge (2) | FLHTK, FLHTCUL TC, FLHTKL, FLHTCU TC |
| 20 | 72486-08 | WIRE SEAL, 20 gauge (green) (2) | FLHTK, FLHTCUL TC, FLHTKL, FLHTCU TC |
| 21 | 72512-07BK | HOUSING, 3-way socket (black) | FLHTCU, FLHTCUL, FLHTK, FLHTCUL TC, FLHTKL, FLHTCU TC |
| 22 | 72519-09BK | DUST CAP, 3-way socket (black) | FLHTCU, FLHTCUL, FLHTK, FLHTCUL TC, FLHTKL, FLHTCU TC |
| 23 | 72606-08 | HOUSING, 2-way socket | FLHTCU, FLHTCUL, FLHTK, FLHTCUL TC, FLHTKL, FLHTCU TC |
| 24 | 72609-08 | SECONDARY LOCK, 2-way socket (black) | FLHTCU, FLHTCUL, FLHTK, FLHTCUL TC, FLHTKL, FLHTCU TC |

| | | | |
|----|------------|-----------------------------------|---|
| 25 | 72610-08 | SEAL, 18-20 gauge (white) (4) | FLHTCU, FLHTCUL, FLHTK, FLHTCUL TC, FLHTKL, FLHTCU TC |
| 26 | 73213-07 | RETAINER, x-mas tree clip (3) | FLHTCU, FLHTCUL |
| 26 | 73213-07 | RETAINER, x-mas tree clip (5) | FLHTK, FLHTCUL TC, FLHTKL, FLHTCU TC |
| 27 | 74112-98BK | HOUSING, 2-way socket (black) | FLHTCU, FLHTCUL, FLHTK, FLHTCUL TC, FLHTKL, FLHTCU TC |
| 28 | 74120-08 | DC LEAD ASSEMBLY | FLHTCU, FLHTCUL, FLHTK, FLHTCUL TC, FLHTKL, FLHTCU TC |
| 29 | 74152-98 | SECONDARY LOCK, 2-way socket | FLHTCU, FLHTCUL, FLHTK, FLHTCUL TC, FLHTKL, FLHTCU TC |
| 30 | 74191-98 | TERMINAL, socket (2) | FLHTCU, FLHTCUL, FLHTK, FLHTCUL TC, FLHTKL, FLHTCU TC |
| 31 | 69200183 | HOUSING, 26-way socket | FLHTCU, FLHTCUL, FLHTK, FLHTCUL TC, FLHTKL, FLHTCU TC |
| 32 | 69200184 | COVER, 26-way socket | FLHTCU, FLHTCUL, FLHTK, FLHTCUL TC, FLHTKL, FLHTCU TC |
| 33 | 69200185 | TERMINAL, socket, 20 gauge (6) | FLHTCU, FLHTCUL, FLHTK, FLHTCUL TC, FLHTKL, FLHTCU TC |
| 34 | 69200186 | TERMINAL, socket, 14-16 gauge (2) | FLHTCU, FLHTCUL, FLHTK, FLHTCUL TC, FLHTKL, FLHTCU TC |
| 35 | 69200187 | TERMINAL, socket, 12 gauge (2) | FLHTCU, FLHTCUL, FLHTK, FLHTCUL TC, FLHTKL, FLHTCU TC |
| 36 | 69200188 | WIRE SEAL, 20 gauge (6) | FLHTCU, FLHTCUL, FLHTK, FLHTCUL TC, FLHTKL, FLHTCU TC |
| 37 | 69200189 | WIRE SEAL, 14-16 gauge (2) | FLHTCU, FLHTCUL, FLHTK, FLHTCUL TC, FLHTKL, FLHTCU TC |
| 38 | 69200190 | WIRE SEAL, 12 gauge (2) | FLHTCU, FLHTCUL, FLHTK, FLHTCUL TC, FLHTKL, FLHTCU TC |
| 39 | 69200191 | SEAL PIN (16) | FLHTCU, FLHTCUL, FLHTK, FLHTCUL TC, FLHTKL, FLHTCU TC |
| 40 | 69200238 | TERMINAL, 20 gauge (black) (2) | FLHTCU, FLHTCUL, FLHTK, FLHTCUL TC, FLHTKL, FLHTCU TC |
| 41 | 69200272 | HOUSING, 2-way pin | FLHTK, FLHTCUL TC, FLHTKL, FLHTCU TC |

WIRING HARNESS, MAIN, ABS (FAIRING MODELS) - FLHTCU/L & FLHTK/L (8 OF 8)



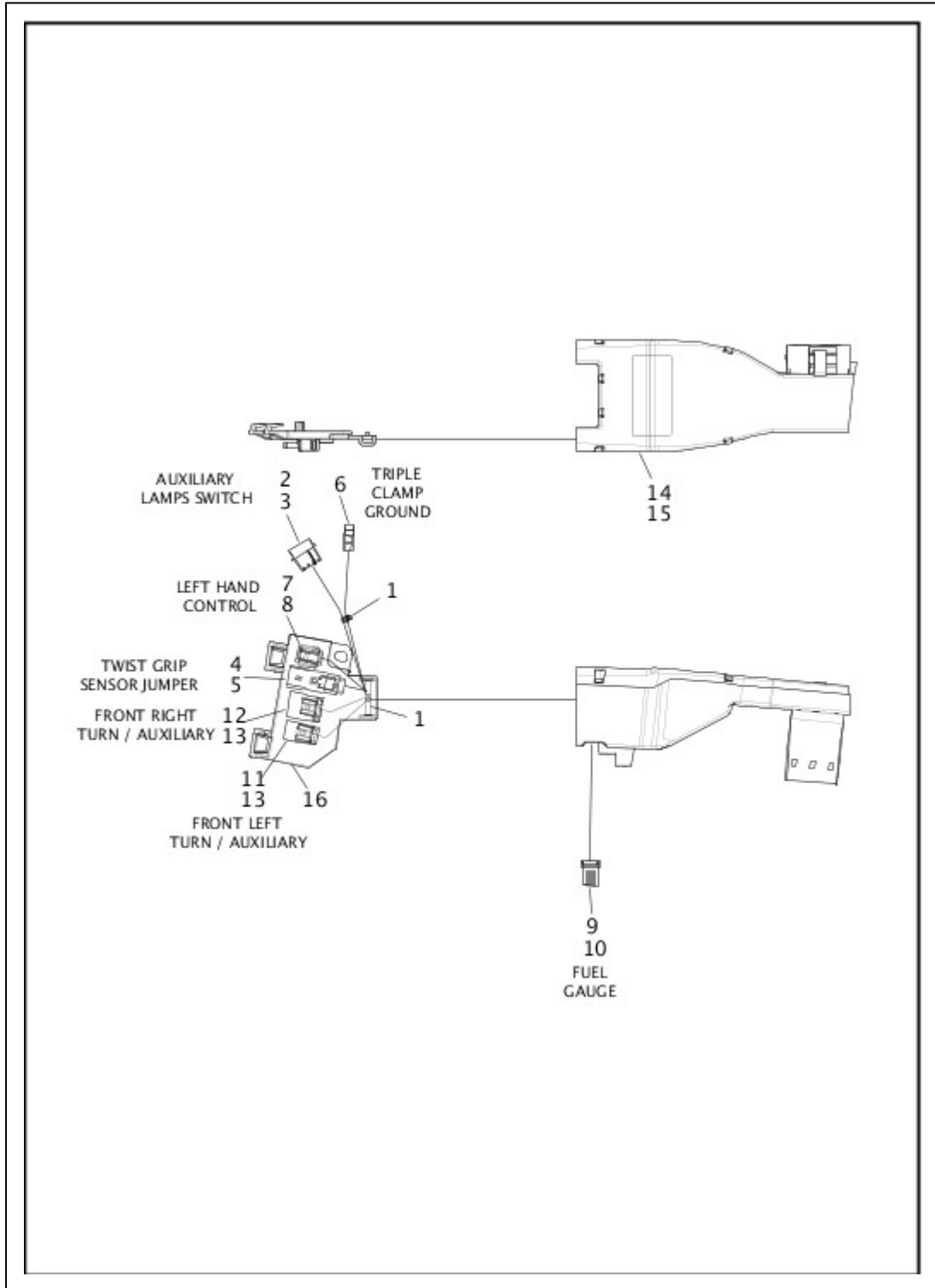
| Index No. | Part No. | Description | Model(s) |
|--|----------|---------------------------|---|
| | 69200117 | MAIN WIRING HARNESS - ABS | FLHTCU, FLHTCUL |
| | 69200118 | MAIN WIRING HARNESS - ABS | FLHTK, FLHTCUL TC, FLHTKL, FLHTCU TC |
| NOTE: Includes the following parts. | | | |
| 1 | 6990 | WEATHER PLUG, 6-way pin | FLHTCU, FLHTCUL, FLHTK, FLHTCUL TC, FLHTKL, FLHTCU TC |
| 2 | 10006 | CABLE STRAP (2) | FLHTCU, FLHTCUL, FLHTK, FLHTCUL TC, FLHTKL, FLHTCU TC |

| | | | |
|----|------------|--|---|
| 3 | 10065 | CABLE STRAP (2) | FLHTCU, FLHTCUL, FLHTK, FLHTCUL TC, FLHTKL, FLHTCU TC |
| 4 | 31586-07 | RELAY | FLHTCU, FLHTCUL, FLHTK, FLHTCUL TC, FLHTKL, FLHTCU TC |
| 5 | 72064-06 | HOUSING, 3-way socket, female | FLHTCU, FLHTCUL, FLHTK, FLHTCUL TC, FLHTKL, FLHTCU TC |
| 6 | 72081-11 | HOUSING, 48-way socket | FLHTCU, FLHTCUL, FLHTK, FLHTCUL TC, FLHTKL, FLHTCU TC |
| 7 | 72106-94BK | HOUSING, 6-pin (black) (replaces gray connector) | FLHTCU, FLHTCUL, FLHTK, FLHTCUL TC, FLHTKL, FLHTCU TC |
| 8 | 72146-94 | SECONDARY LOCK, 6-way pin | FLHTCU, FLHTCUL, FLHTK, FLHTCUL TC, FLHTKL, FLHTCU TC |
| 9 | 72169-07 | TERMINAL, pin, 16-20 gauge (14) | FLHTCU, FLHTCUL, FLHTK, FLHTCUL TC, FLHTKL, FLHTCU TC |
| 10 | 72188-07BK | HOUSING, 6-way pin (black) | FLHTCU, FLHTCUL, FLHTK, FLHTCUL TC, FLHTKL, FLHTCU TC |
| 11 | 72190-94 | TERMINAL, pin, 16-18 gauge (2) | FLHTCU, FLHTCUL, FLHTK, FLHTCUL TC, FLHTKL, FLHTCU TC |
| 12 | 72194-94 | TERMINAL, pin, 20 gauge (3) | FLHTCU, FLHTCUL, FLHTK, FLHTCUL TC, FLHTKL, FLHTCU TC |
| 13 | 72195-94 | SEAL PIN | FLHTCU, FLHTCUL, FLHTK, FLHTCUL TC, FLHTKL, FLHTCU TC |
| 14 | 72209-11 | COVER, wire dress | FLHTCU, FLHTCUL, FLHTK, FLHTCUL TC, FLHTKL, FLHTCU TC |
| 15 | 72222-11 | TERMINAL, socket, 18-20 gauge (22) | FLHTCU, FLHTCUL, FLHTK, FLHTCUL TC, FLHTKL, FLHTCU TC |
| 16 | 72226-11 | TERMINAL, socket, 14-16 gauge | FLHTCU, FLHTCUL, FLHTK, FLHTCUL TC, FLHTKL, FLHTCU TC |
| 17 | 72227-11 | TERMINAL, socket, 18-20 gauge (5) | FLHTCU, FLHTCUL, FLHTK, FLHTCUL TC, FLHTKL, FLHTCU TC |
| 18 | 72256-11 | SEAL PIN (8) | FLHTCU, FLHTCUL, FLHTK, FLHTCUL TC, FLHTKL, FLHTCU TC |
| 19 | 72296-95 | TERMINAL, female, sealed (2) | FLHTCU, FLHTCUL, FLHTK, FLHTCUL TC, FLHTKL, FLHTCU TC |
| 20 | 72298-95 | PLUG, cavity (2) | FLHTCU, FLHTCUL, FLHTK, FLHTCUL TC, FLHTKL, FLHTCU TC |
| 21 | 72299-95 | PLUG, cavity (8) | FLHTCU, FLHTCUL, FLHTK, FLHTCUL TC, FLHTKL, FLHTCU TC |
| 22 | 72308-97 | TERMINAL, female, 12-14 gauge (4) | FLHTCU, FLHTCUL, FLHTK, FLHTCUL TC, FLHTKL, FLHTCU TC |
| 23 | 72331-95 | FUSE, 5-amp, mini (light tan) (2) | FLHTCU, FLHTCUL, FLHTK, FLHTCUL TC, FLHTKL, FLHTCU TC |
| 24 | 72345-02 | FUSE, 20-amp, mini (yellow) (3) | FLHTCU, FLHTCUL, FLHTK, FLHTCUL TC, FLHTKL, FLHTCU TC |

| | | | |
|----|------------|---------------------------------------|---|
| 25 | 72350-11 | HOUSING, 1-way socket | FLHTCU, FLHTCUL, FLHTK, FLHTCUL TC, FLHTKL, FLHTCU TC |
| 26 | 72356-95 | TERMINAL, socket, 18-20 gauge (10) | FLHTCU, FLHTCUL, FLHTK, FLHTCUL TC, FLHTKL, FLHTCU TC |
| 27 | 72412-97 | SEAL, cable, 12-14 gauge (4) | FLHTCU, FLHTCUL, FLHTK, FLHTCUL TC, FLHTKL, FLHTCU TC |
| 28 | 72447-07GY | HOUSING, 8-way pin (gray) | FLHTCU, FLHTCUL, FLHTK, FLHTCUL TC, FLHTKL, FLHTCU TC |
| 29 | 72462-00 | FUSE, 10 amp, mini | FLHTK, FLHTCUL TC, FLHTKL, FLHTCU TC |
| 30 | 72484-08 | TERMINAL, socket, 20 gauge (3) | FLHTCU, FLHTCUL, FLHTK, FLHTCUL TC, FLHTKL, FLHTCU TC |
| 31 | 72486-08 | WIRE SEAL, 20 gauge (green) (3) | FLHTCU, FLHTCUL, FLHTK, FLHTCUL TC, FLHTKL, FLHTCU TC |
| 32 | 72575-11 | SECONDARY LOCK | FLHTCU, FLHTCUL, FLHTK, FLHTCUL TC, FLHTKL, FLHTCU TC |
| 33 | 73213-07 | RETAINER, x-mas tree clip | FLHTCU, FLHTCUL, FLHTK, FLHTCUL TC, FLHTKL, FLHTCU TC |
| 34 | 73301-04 | HOUSING, 2-way pin | FLHTCU, FLHTCUL, FLHTK, FLHTCUL TC, FLHTKL, FLHTCU TC |
| 35 | 73303-04 | SECONDARY LOCK, 2-way socket, female | FLHTCU, FLHTCUL, FLHTK, FLHTCUL TC, FLHTKL, FLHTCU TC |
| 36 | 73304-04 | TERMINAL, female, 10 gauge (2) | FLHTCU, FLHTCUL, FLHTK, FLHTCUL TC, FLHTKL, FLHTCU TC |
| 37 | 73305-04 | SEAL WIRE, 10 gauge (blue) (2) | FLHTCU, FLHTCUL, FLHTK, FLHTCUL TC, FLHTKL, FLHTCU TC |
| 38 | 69200137 | WIRE HARNESS, positive cable | FLHTCU, FLHTCUL, FLHTK, FLHTCUL TC, FLHTKL, FLHTCU TC |
| 39 | 69200194 | HOUSING, 24-way fuse block | FLHTCU, FLHTCUL, FLHTK, FLHTCUL TC, FLHTKL, FLHTCU TC |
| 40 | 69200195 | COVER, fuse block | FLHTCU, FLHTCUL, FLHTK, FLHTCUL TC, FLHTKL, FLHTCU TC |
| 41 | 69200199 | WIRE SEAL, 18-20 gauge (10) | FLHTCU, FLHTCUL |
| 41 | 69200199 | WIRE SEAL, 18-20 gauge (15) | FLHTK, FLHTCUL TC, FLHTKL, FLHTCU TC |
| 42 | 69200204 | WEATHER PLUG, 8-way pin | FLHTCU, FLHTCUL, FLHTK, FLHTCUL TC, FLHTKL, FLHTCU TC |
| 43 | 69200212 | HOUSING, 2-way | FLHTCU, FLHTCUL, FLHTK, FLHTCUL TC, FLHTKL, FLHTCU TC |
| 44 | 69200293 | FUSE, 7.5-amp, mini (brown) (2) | FLHTCU, FLHTCUL, FLHTK, FLHTCUL TC, FLHTKL, FLHTCU TC |
| 45 | 69200312 | SECONDARY LOCK, 24-way fuse block (3) | FLHTCU, FLHTCUL, FLHTK, FLHTCUL TC, FLHTKL, FLHTCU TC |

| | | | |
|----|----------|--|---|
| 46 | 69200336 | MAIN FUSE, 50 amp (red), NOTE: Fuse is sold separately and is not part of main harness | FLHTCU, FLHTCUL, FLHTK, FLHTCUL TC, FLHTKL, FLHTCU TC |
| 47 | 11100115 | CLOTH, HARNESS WRAP, 50m (not shown) | FLHTCU, FLHTCUL, FLHTK, FLHTCUL TC, FLHTKL, FLHTCU TC |

WIRING HARNESS, MAIN, NON-ABS (NON-FAIRING MODELS) (1 OF 8)

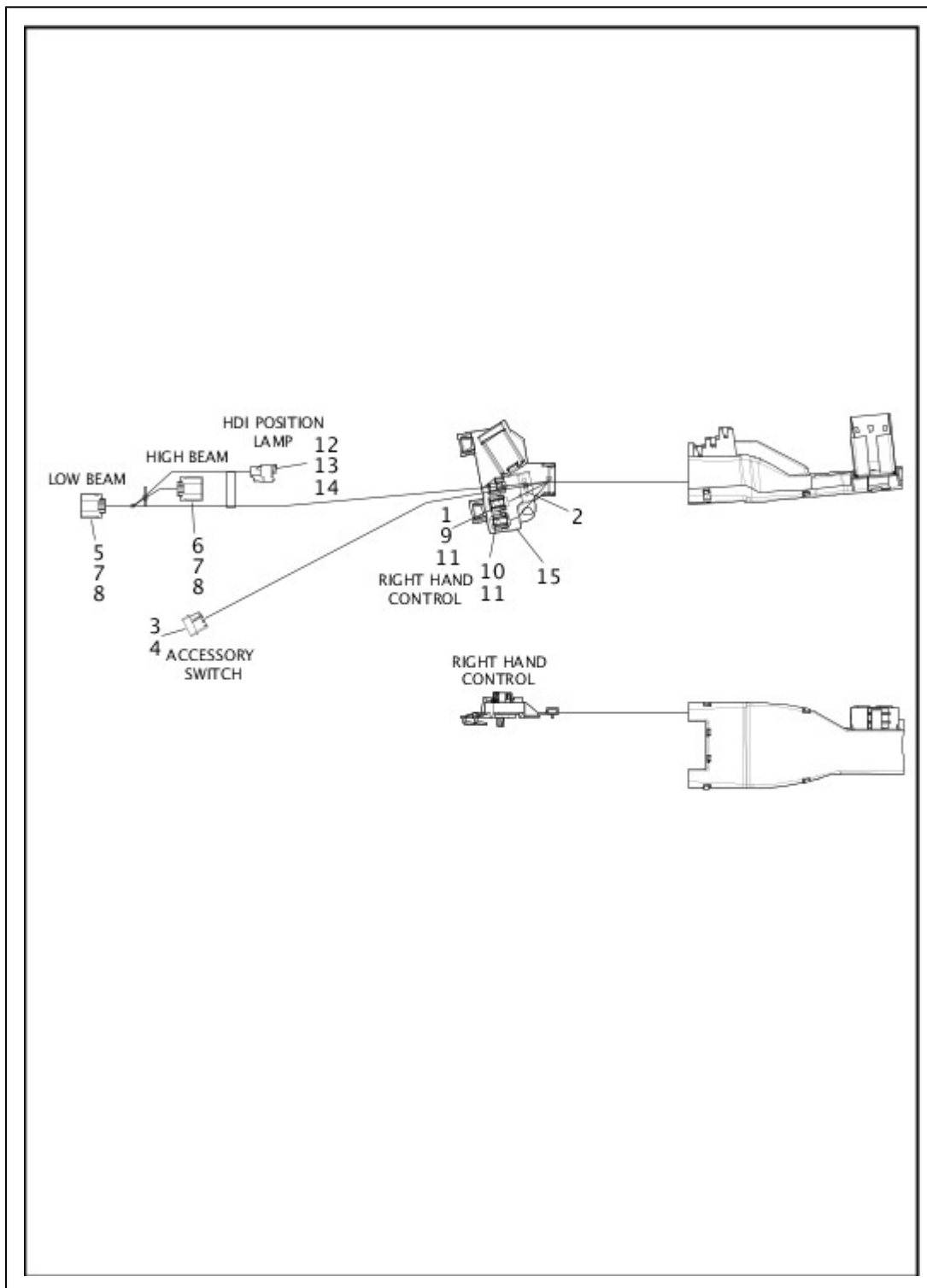


| Index No. | Part No. | Description | Model(s) |
|-----------|----------|-------------------------------|----------|
| | 69200111 | MAIN WIRING HARNESS - NON-ABS | FLHR |

NOTE: Includes the following parts.

| | | | |
|----|------------|----------------------------------|------|
| 1 | 10065 | CABLE STRAP (2) | FLHR |
| 2 | 70291-89 | HOUSING, 4-way pin | FLHR |
| 3 | 72039-71A | TERMINAL, pin (3) | FLHR |
| 4 | 72169-07 | TERMINAL, pin, 16-20 gauge (6) | FLHR |
| 5 | 72188-07BK | HOUSING, 6-way pin (black) | FLHR |
| 6 | 72364-06 | TERMINAL, 10-14 gauge, female | FLHR |
| 7 | 72907-11 | HOUSING, 4-way pin | FLHR |
| 8 | 72909-11 | TERMINAL, pin, 20-22 gauge (4) | FLHR |
| 9 | 72914-01BK | HOUSING, 4-way socket (black) | FLHR |
| 10 | 72991-01 | TERMINAL, socket 18-22 gauge (3) | FLHR |
| 11 | 73104-96BK | HOUSING, 4-way pin (black) | FLHR |
| 12 | 73106-96BK | HOUSING, 6-way pin (black) | FLHR |
| 13 | 73190-96 | TERMINAL, pin, 16-20 gauge (8) | FLHR |
| 14 | 69200202 | WIRE TROUGH | FLHR |
| 15 | 69200203 | COVER, wire trough | FLHR |
| 16 | 69200284 | BRACKET, mounting | FLHR |

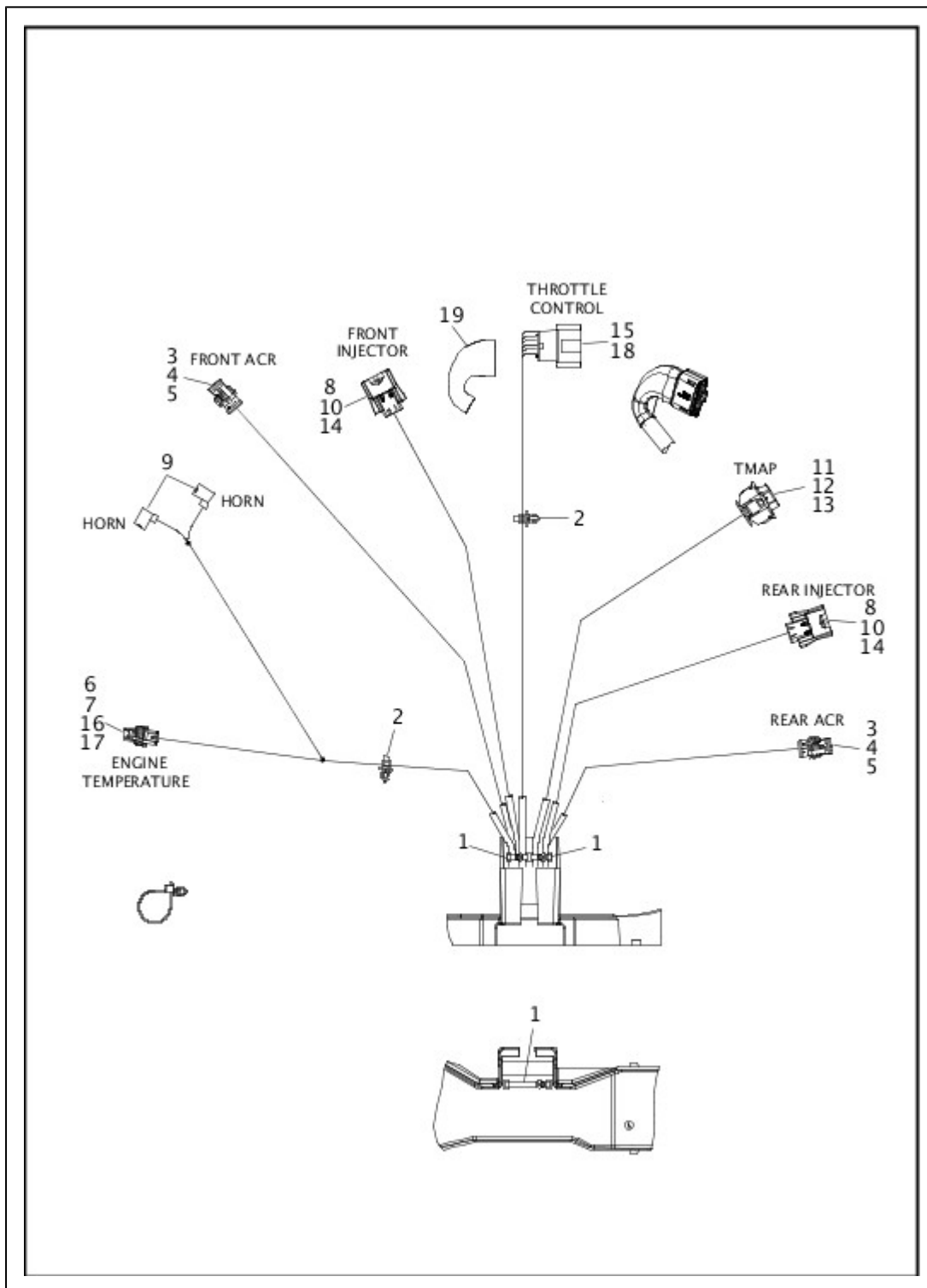
WIRING HARNESS, MAIN, NON-ABS (NON-FAIRING MODELS) (2 OF 8)



| Index No. | Part No. | Description | Model(s) |
|--|-----------|-------------------------------|----------|
| | 69200111 | MAIN WIRING HARNESS - NON-ABS | FLHR |
| NOTE: Includes the following parts. | | | |
| 1 | 5118 | SEAL PIN | FLHR |
| 2 | 10065 | CABLE STRAP | FLHR |
| 3 | 70291-89 | HOUSING, 4-way pin | FLHR |
| 4 | 72039-71A | TERMINAL, pin (2) | FLHR |
| 5 | 72449-01 | HOUSING, 2-way socket (black) | FLHR |

| | | | |
|----|----------|------------------------------------|------|
| 6 | 72450-01 | HOUSING, 2-way socket (gray) | FLHR |
| 7 | 72527-01 | TERMINAL, socket, 18-20 gauge (4) | FLHR |
| 8 | 72633-02 | WIRE SEAL, 14-16 gauge (white) (4) | FLHR |
| 9 | 72905-11 | HOUSING, 2-way pin (black) | FLHR |
| 10 | 72907-11 | HOUSING, 4-way pin | FLHR |
| 11 | 72909-11 | TERMINAL, pin, 20-22 gauge (5) | FLHR |
| 12 | 69200220 | HOUSING, 2-way socket | FLHR |
| 13 | 69200221 | TERMINAL, socket, 16-18 gauge (2) | FLHR |
| 14 | 69200222 | WIRE SEAL, 16 gauge (2) | FLHR |
| 15 | 69200285 | BRACKET, mounting | FLHR |

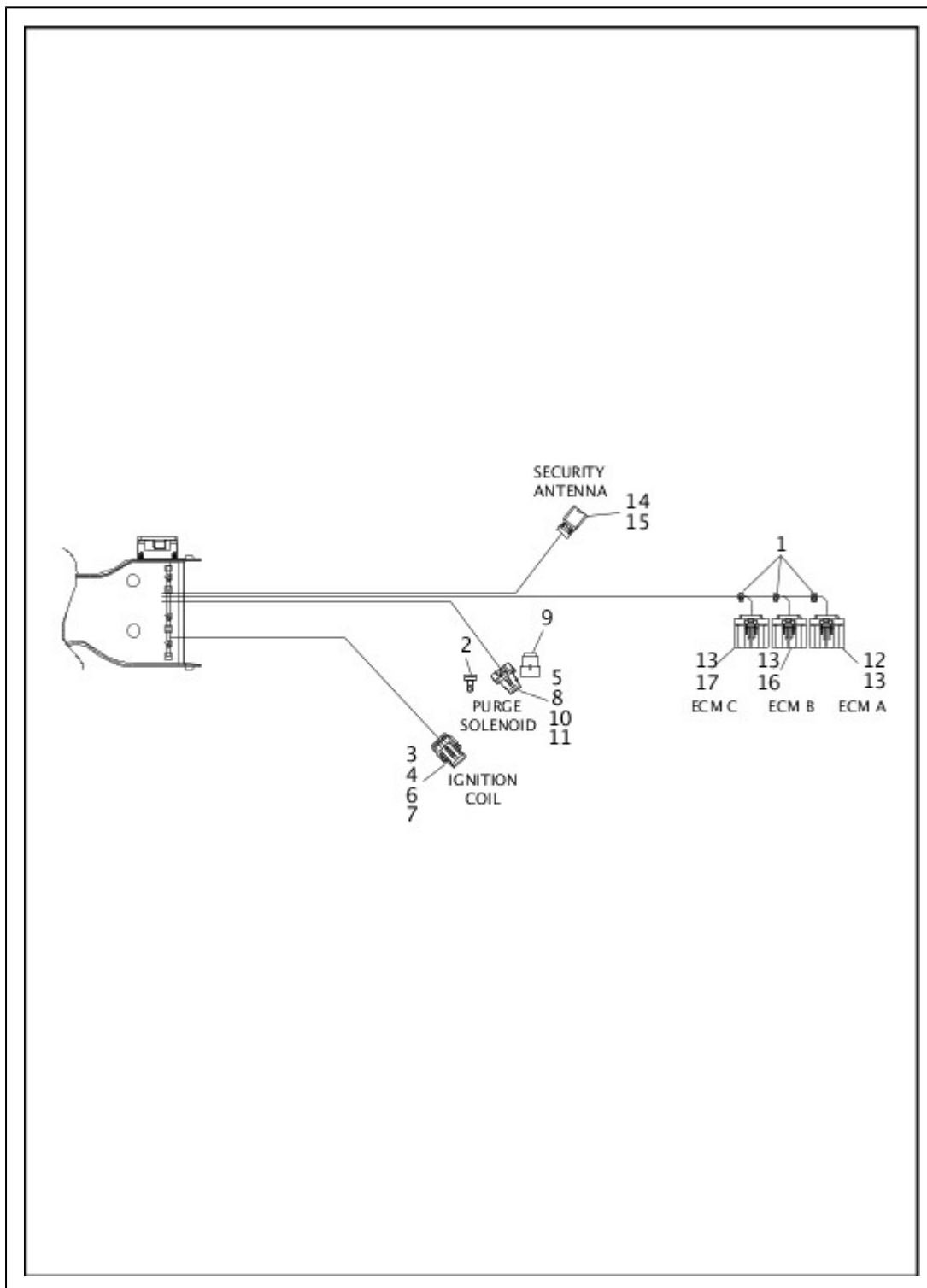
WIRING HARNESS, MAIN, NON-ABS (NON-FAIRING MODELS) (3 OF 8)



| Index No. | Part No. | Description | Model(s) |
|--|----------|------------------------------------|----------|
| | 69200111 | MAIN WIRING HARNESS - NON-ABS | FLHR |
| NOTE: Includes the following parts. | | | |
| 1 | 10065 | CABLE STRAP (3) | FLHR |
| 2 | 10177 | CABLE STRAP, tree mount (2) | FLHR |
| 3 | 72007-05 | HOUSING, 2-way socket (2) | FLHR |
| 4 | 72010-05 | WIRE SEAL, 22-26 gauge (green) (4) | FLHR |
| 5 | 72024-08 | TERMINAL, socket, 20-22 gauge (4) | FLHR |

| | | | |
|----|------------|--|------|
| 6 | 72063-06 | HOUSING, 2-way | FLHR |
| 7 | 72111-06 | SECONDARY LOCK, 2-way socket, female (gray) | FLHR |
| 8 | 72251-07 | SECONDARY LOCK, 2-way socket (yellow) (2) | FLHR |
| 9 | 72283-09 | TERMINAL, female, 14-16 gauge, 90 degree (2) | FLHR |
| 10 | 72402-07 | HOUSING, 2-way socket (2) | FLHR |
| 11 | 72406-07A | HOUSING, 4-way socket | FLHR |
| 12 | 72407-07 | TERMINAL, socket, 16-20 gauge (4) | FLHR |
| 13 | 72408-07 | WIRE SEAL, 16-20 gauge (blue) (4) | FLHR |
| 14 | 72413-07 | TERMINAL, socket, 18-20 gauge (4) | FLHR |
| 15 | 72483-08BK | HOUSING, 6-way socket | FLHR |
| 16 | 72484-08 | TERMINAL, socket, 20 gauge (2) | FLHR |
| 17 | 72486-08 | WIRE SEAL, 20 gauge (green) (2) | FLHR |
| 18 | 72663-11 | TERMINAL, socket, 18-20 gauge (silver) (6) | FLHR |
| 19 | 69200437 | RUBBER BOOT, wire connector | FLHR |

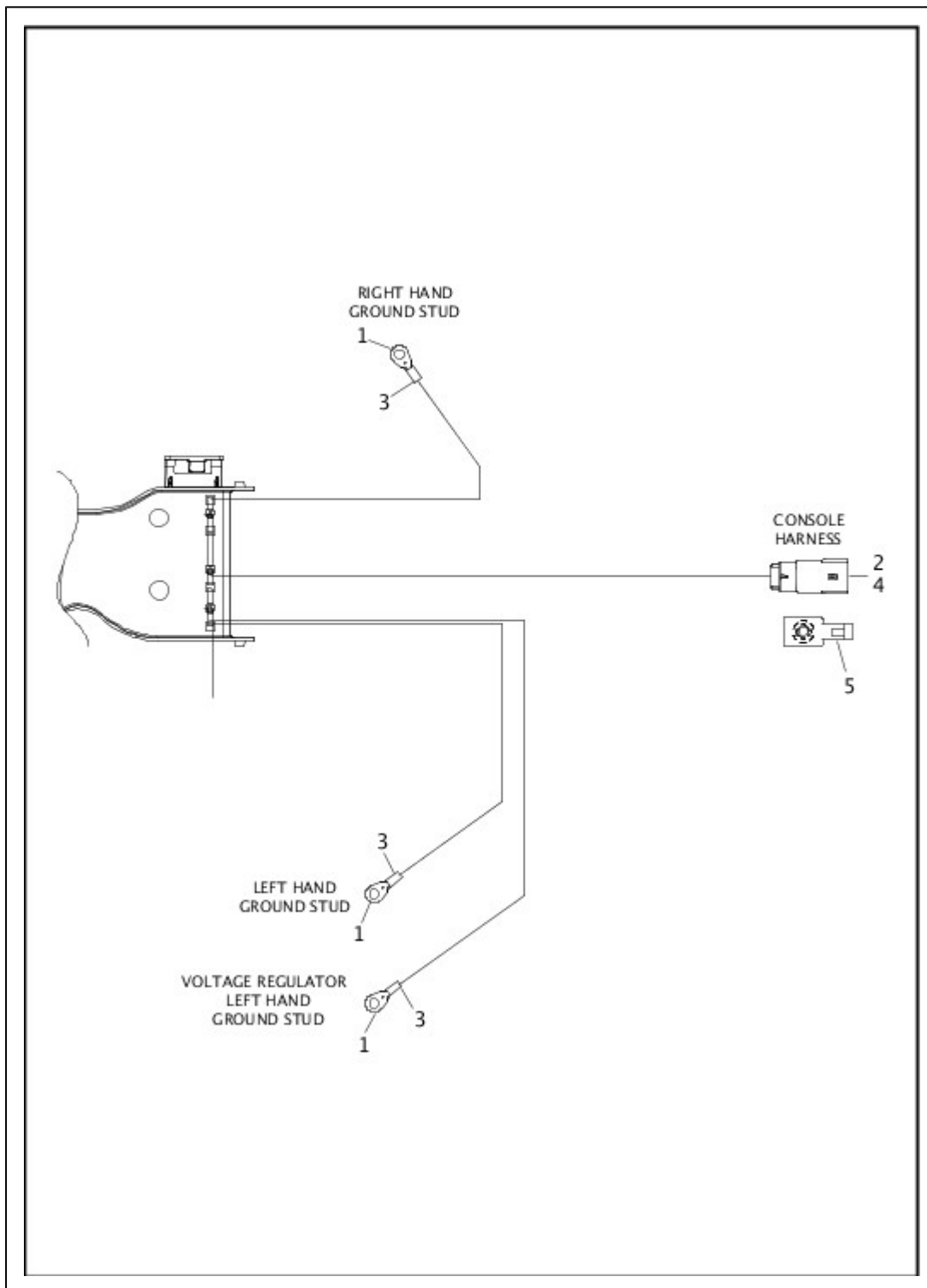
WIRING HARNESS, MAIN, NON-ABS (NON-FAIRING MODELS) (4 OF 8)



| Index No. | Part No. | Description | Model(s) |
|--|-----------|---|----------|
| | 69200111 | MAIN WIRING HARNESS - NON-ABS | FLHR |
| NOTE: Includes the following parts. | | | |
| 1 | 10065 | CABLE STRAP (3) | FLHR |
| 2 | 10147 | CLIP, connector | FLHR |
| 3 | 72066-06A | HOUSING, 4-way socket, female (black) | FLHR |
| 4 | 72135-06 | SECONDARY LOCK, 4-way socket, female | FLHR |
| 5 | 72213-94 | TERMINAL, socket, female, 16-20 gauge (2) | FLHR |

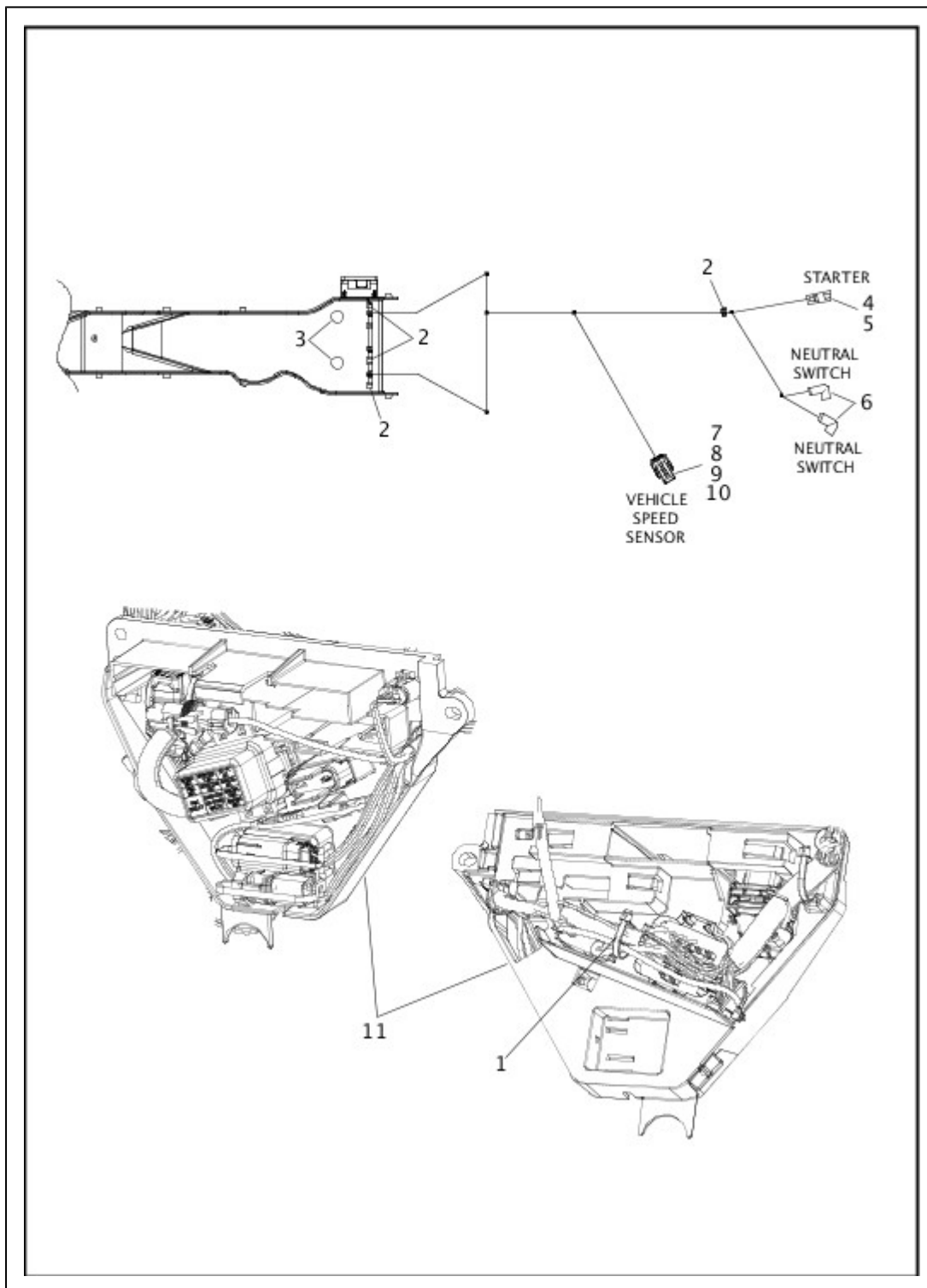
| | | | |
|----|-----------|---|------|
| 6 | 72484-08 | TERMINAL, socket, 20 gauge (4) | FLHR |
| 7 | 72486-08 | WIRE SEAL, 20 gauge (green) (4) | FLHR |
| 8 | 72518-01 | HOUSING, 2-way socket (red) | FLHR |
| 9 | 72533-06 | DUST CAP, 2-pin connector | FLHR |
| 10 | 72609-08 | SECONDARY LOCK, 2-way socket (black) | FLHR |
| 11 | 72610-08 | SEAL, 18-20 gauge (white) (2) | FLHR |
| 12 | 72664-12A | HOUSING, 18-way socket (black) | FLHR |
| 13 | 72666-12 | TERMINAL, socket, 18-20 gauge (silver) (38) | FLHR |
| 14 | 72720-07 | HOUSING, 2-way socket | FLHR |
| 15 | 72721-07 | TERMINAL, socket, 18-20 gauge (2) | FLHR |
| 16 | 69200267A | HOUSING, 18-way socket (gray) | FLHR |
| 17 | 69200268A | HOUSING, 18-way socket (brown) | FLHR |

WIRING HARNESS, MAIN, NON-ABS (NON-FAIRING MODELS) (5 OF 8)



| Index No. | Part No. | Description | Model(s) |
|--|------------|--------------------------------------|----------|
| | 69200111 | MAIN WIRING HARNESS - NON-ABS | FLHR |
| NOTE: Includes the following parts. | | | |
| 1 | 9819 | TERMINAL, 1/4 in. ring, 12 gauge (3) | FLHR |
| 2 | 72169-07 | TERMINAL, pin, 16-20 gauge (8) | FLHR |
| 3 | 72249-94 | HEAT SHRINK TUBE, .415 x 1 (black) | FLHR |
| 4 | 72478-07BK | HOUSING, 8-way pin (black) | FLHR |
| 5 | 73213-07 | RETAINER, x-mas tree clip | FLHR |

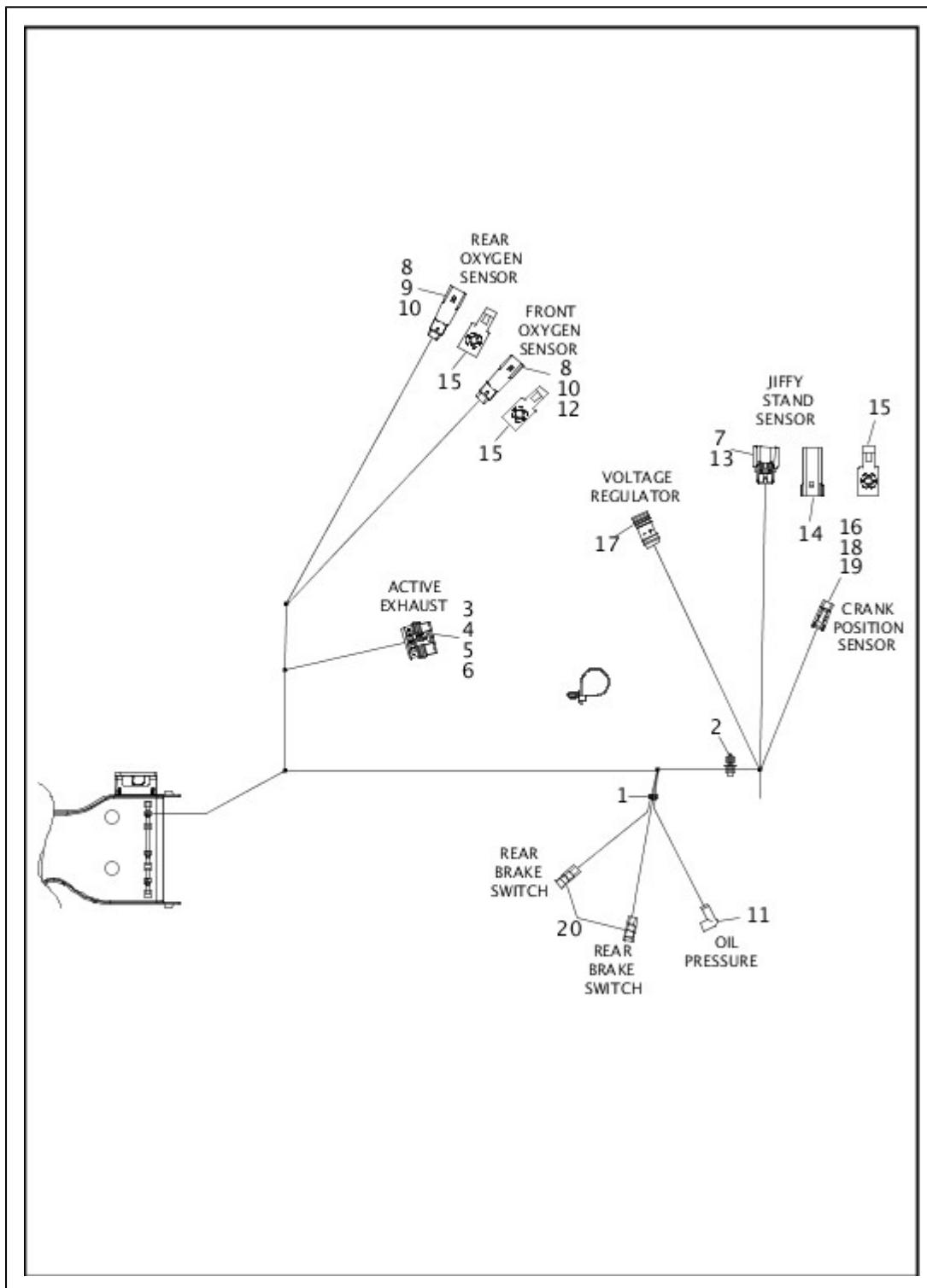
WIRING HARNESS, MAIN, NON-ABS (NON-FAIRING MODELS) (6 OF 8)



| Index No. | Part No. | Description | Model(s) |
|--|----------|-------------------------------|----------|
| | 69200111 | MAIN WIRING HARNESS - NON-ABS | FLHR |
| NOTE: Includes the following parts. | | | |
| 1 | 10006 | CABLE STRAP | FLHR |
| 2 | 10065 | CABLE STRAP (4) | FLHR |

| | | | |
|----|------------|---|------|
| 3 | 11779 | FASTENER, push-in (black) (2) | FLHR |
| 4 | 72291-94 | TERMINAL, 14-16 gauge | FLHR |
| 5 | 72295-94 | CONNECTOR, starter housing | FLHR |
| 6 | 72405-98BK | WIRE ASSEMBLY, push-on, right angle molded, 65-1/2 in. length (3) | FLHR |
| 7 | 72484-08 | TERMINAL, socket, 20 gauge (3) | FLHR |
| 8 | 72486-08 | WIRE SEAL, 20 gauge (green) (3) | FLHR |
| 9 | 72543-07BK | HOUSING, 3-way socket (black) | FLHR |
| 10 | 72544-07 | SECONDARY LOCK, 3-way socket, female | FLHR |
| 11 | 69200175 | CADDY, fuse block, electrical panel | FLHR |

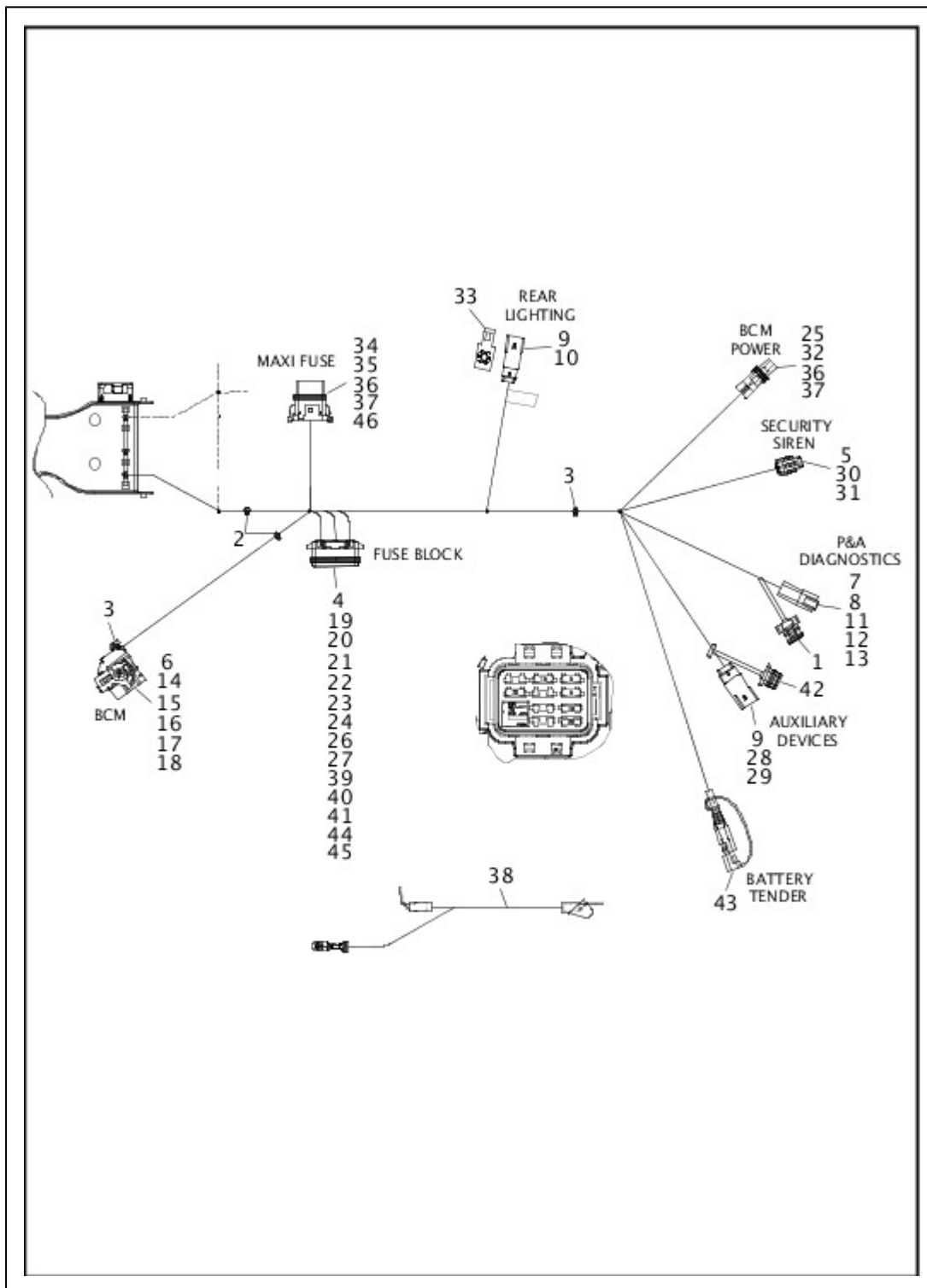
WIRING HARNESS, MAIN, NON-ABS (NON-FAIRING MODELS) (7 OF 8)



| Index No. | Part No. | Description | Model(s) |
|--|----------|-------------------------------|----------|
| | 69200111 | MAIN WIRING HARNESS - NON-ABS | FLHR |
| NOTE: Includes the following parts. | | | |
| 1 | 10065 | CABLE STRAP | FLHR |
| 2 | 10177 | CABLE STRAP, tree mount | FLHR |
| 3 | 72010-05 | WIRE SEAL, 22-26 gauge (4) | FLHR |
| 4 | 72012-07 | HOUSING, 5-way socket | FLHR |
| 5 | 72014-07 | SEAL PIN | FLHR |

| | | | |
|----|------------|---|------|
| 6 | 72024-08 | TERMINAL, socket, 20-22 gauge (4) | FLHR |
| 7 | 72168-07 | TERMINAL, socket, 18-20 gauge (3) | FLHR |
| 8 | 72169-07 | TERMINAL, pin, 16-20 gauge (4) | FLHR |
| 9 | 72175-07BK | HOUSING, 4-way pin (black) | FLHR |
| 10 | 72343-10 | TERMINAL, pin, 16-20 gauge (gold) (4) | FLHR |
| 11 | 72405-98BK | WIRE ASSEMBLY, push-on, right angle molded, 65-1/2 in. length (3) | FLHR |
| 12 | 72415-07GY | HOUSING, 4-way pin (gray) | FLHR |
| 13 | 72512-07BK | HOUSING, 3-way socket (black) | FLHR |
| 14 | 72519-09BK | DUST CAP, 3-way socket (black) | FLHR |
| 15 | 73213-07 | RETAINER, x-mas tree clip (3) | FLHR |
| 16 | 74112-98BK | HOUSING, 2-way socket (black) | FLHR |
| 17 | 74120-08 | DC LEAD ASSEMBLY | FLHR |
| 18 | 74152-98 | SECONDARY LOCK, 2-way socket | FLHR |
| 19 | 74191-98 | TERMINAL, socket (2) | FLHR |
| 20 | 69200238 | TERMINAL, 20 gauge (black) (2) | FLHR |

WIRING HARNESS, MAIN, NON-ABS (NON-FAIRING MODELS) (8 OF 8)

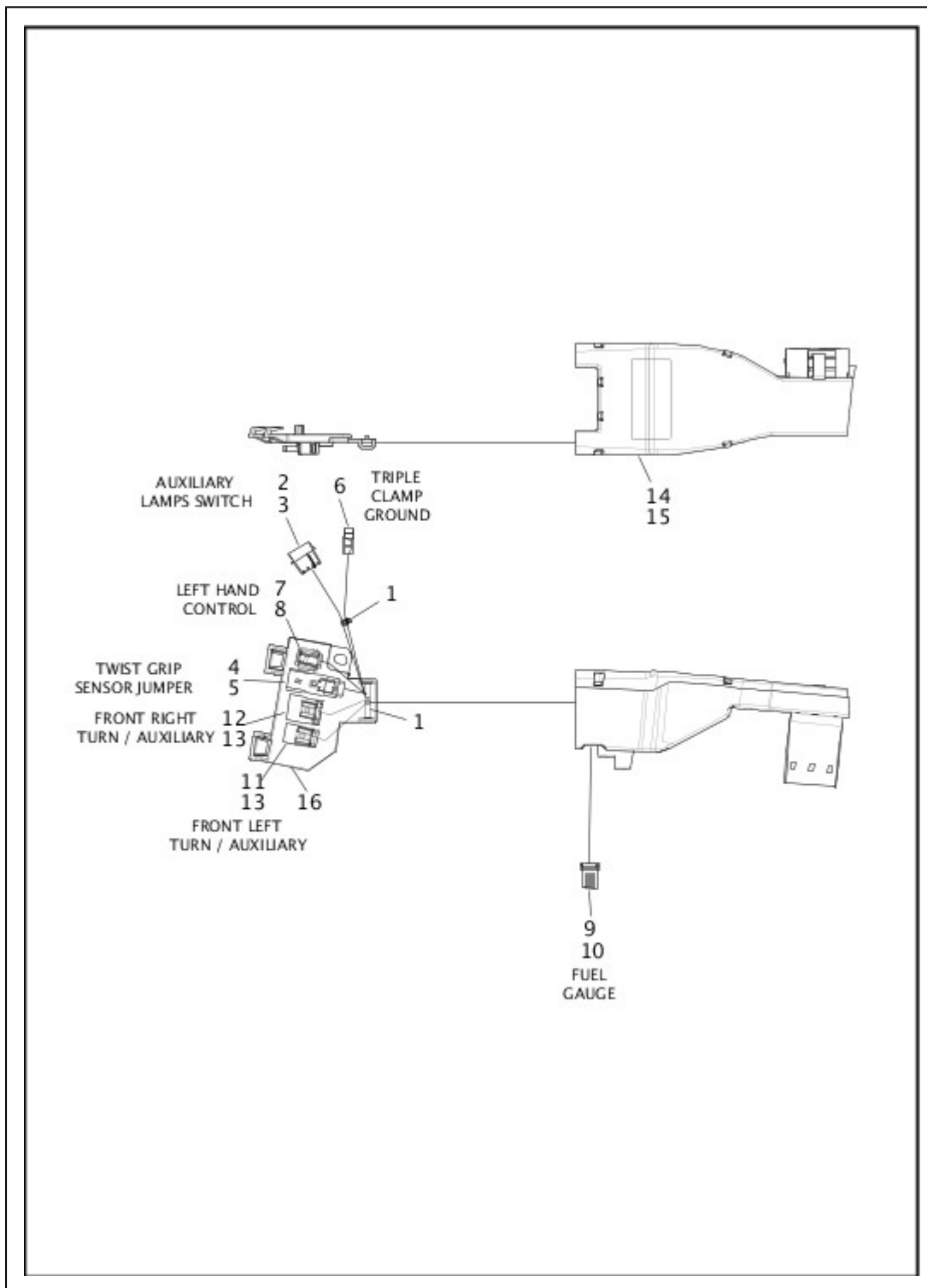


| Index No. | Part No. | Description | Model(s) |
|--|----------|-------------------------------|----------|
| | 69200111 | MAIN WIRING HARNESS - NON-ABS | FLHR |
| NOTE: Includes the following parts. | | | |
| 1 | 6990 | WEATHER PLUG, 6-way pin | FLHR |
| 2 | 10006 | CABLE STRAP (2) | FLHR |
| 3 | 10065 | CABLE STRAP (2) | FLHR |
| 4 | 31586-07 | RELAY | FLHR |

| | | | |
|----|------------|--|------|
| 5 | 72064-06 | HOUSING, 3-way socket, female | FLHR |
| 6 | 72081-11 | HOUSING, 48-way socket | FLHR |
| 7 | 72106-94BK | HOUSING, 6-pin (black) (replaces gray connector) | FLHR |
| 8 | 72146-94 | SECONDARY LOCK, 6-way pin | FLHR |
| 9 | 72169-07 | TERMINAL, pin, 16-20 gauge (10) | FLHR |
| 10 | 72188-07BK | HOUSING, 6-way pin (black) (2) | FLHR |
| 11 | 72190-94 | TERMINAL, pin, 16-18 gauge (2) | FLHR |
| 12 | 72194-94 | TERMINAL, pin, 20 gauge (3) | FLHR |
| 13 | 72195-94 | SEAL PIN | FLHR |
| 14 | 72209-11 | COVER, wire dress | FLHR |
| 15 | 72222-11 | TERMINAL, socket, 18-20 gauge (22) | FLHR |
| 16 | 72226-11 | TERMINAL, socket, 14-16 gauge (3) | FLHR |
| 17 | 72227-11 | TERMINAL, socket, 18-20 gauge (3) | FLHR |
| 18 | 72256-11 | SEAL PIN (8) | FLHR |
| 19 | 72296-95 | TERMINAL, female, sealed (2) | FLHR |
| 20 | 72298-95 | PLUG, cavity (2) | FLHR |
| 21 | 72299-95 | PLUG, cavity (10) | FLHR |
| 22 | 72308-97 | TERMINAL, female, 12-14 gauge (2) | FLHR |
| 23 | 72331-95 | FUSE, 5-amp, mini (tan) (2) | FLHR |
| 24 | 72345-02 | FUSE, 20-amp, mini (yellow) (2) | FLHR |
| 25 | 72350-11 | HOUSING, 1-way socket | FLHR |
| 26 | 72356-95 | TERMINAL, socket, 18-20 gauge (10) | FLHR |
| 27 | 72412-97 | SEAL, cable, 12-14 gauge (2) | FLHR |
| 28 | 72447-07GY | HOUSING, 8-way pin (gray) | FLHR |
| 29 | 72473-07 | SEAL PIN (4) | FLHR |
| 30 | 72484-08 | TERMINAL, socket, 20 gauge (3) | FLHR |
| 31 | 72486-08 | WIRE SEAL, 20 gauge (green) (3) | FLHR |
| 32 | 72575-11 | SECONDARY LOCK | FLHR |
| 33 | 73213-07 | RETAINER, x-mas tree clip | FLHR |
| 34 | 73301-04 | HOUSING, 2-way pin | FLHR |
| 35 | 73303-04 | SECONDARY LOCK, 2-way socket, female | FLHR |

| | | | |
|----|----------|--|------|
| 36 | 73304-04 | TERMINAL, female, 10 gauge (2) | FLHR |
| 37 | 73305-04 | SEAL WIRE, 10 gauge (blue) (2) | FLHR |
| 38 | 69200137 | WIRE HARNESS, positive cable | FLHR |
| 39 | 69200194 | HOUSING, 24-way fuse block | FLHR |
| 40 | 69200195 | COVER, fuse block | FLHR |
| 41 | 69200199 | WIRE SEAL, 18-20 gauge (10) | FLHR |
| 42 | 69200204 | WEATHER PLUG, 8-way pin | FLHR |
| 43 | 69200212 | HOUSING, 2-way | FLHR |
| 44 | 69200293 | FUSE, 7.5-amp, mini (brown) (2) | FLHR |
| 45 | 69200312 | SECONDARY LOCK, 24-way fuse block (3) | FLHR |
| 46 | 69200336 | MAIN FUSE, 50 amp (red), NOTE: Fuse is sold separately and is not part of main harness | FLHR |
| 47 | 11100115 | CLOTH, HARNESS WRAP, 50m (not shown) | FLHR |

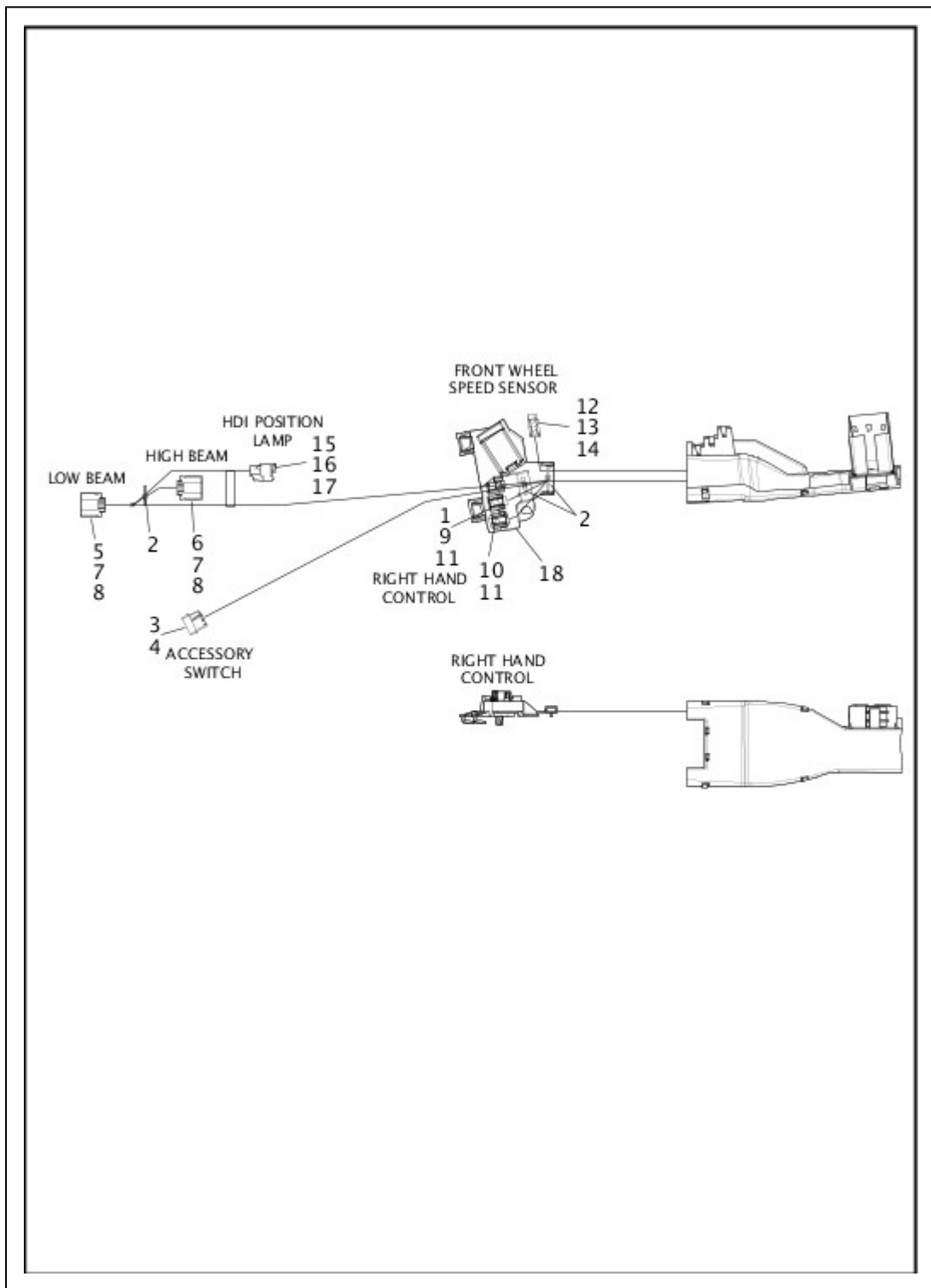
WIRING HARNESS, MAIN, ABS (NON-FAIRING MODELS) (1 OF 8)



| Index No. | Part No. | Description | Model(s) |
|--|------------|--------------------------------|-------------|
| | 69200112 | MAIN WIRING HARNESS - ABS | FLHR, FLHRC |
| NOTE: Includes the following parts. | | | |
| 1 | 10065 | CABLE STRAP (2) | FLHR, FLHRC |
| 2 | 70291-89 | HOUSING, 4-way pin | FLHR, FLHRC |
| 3 | 72039-71A | TERMINAL, pin (3) | FLHR, FLHRC |
| 4 | 72169-07 | TERMINAL, pin, 16-20 gauge (6) | FLHR, FLHRC |
| 5 | 72188-07BK | HOUSING, 6-way pin (black) | FLHR, FLHRC |

| | | | |
|----|------------|----------------------------------|-------------|
| 6 | 72364-06 | CONNECTOR, w/ terminal | FLHR, FLHRC |
| 7 | 72907-11 | HOUSING, 4-way pin | FLHR, FLHRC |
| 8 | 72909-11 | TERMINAL, pin, 20-22 gauge (4) | FLHR, FLHRC |
| 9 | 72914-01BK | HOUSING, 4-way socket (black) | FLHR, FLHRC |
| 10 | 72991-01 | TERMINAL, socket 18-22 gauge (3) | FLHR, FLHRC |
| 11 | 73104-96BK | HOUSING, 4-way pin (black) | FLHR, FLHRC |
| 12 | 73106-96BK | HOUSING, 6-way pin (black) | FLHR, FLHRC |
| 13 | 73190-96 | TERMINAL, pin, 16-20 gauge (8) | FLHR, FLHRC |
| 14 | 69200202 | WIRE TROUGH | FLHR, FLHRC |
| 15 | 69200203 | COVER, wire trough | FLHR, FLHRC |
| 16 | 69200284 | BRACKET, mounting | FLHR, FLHRC |

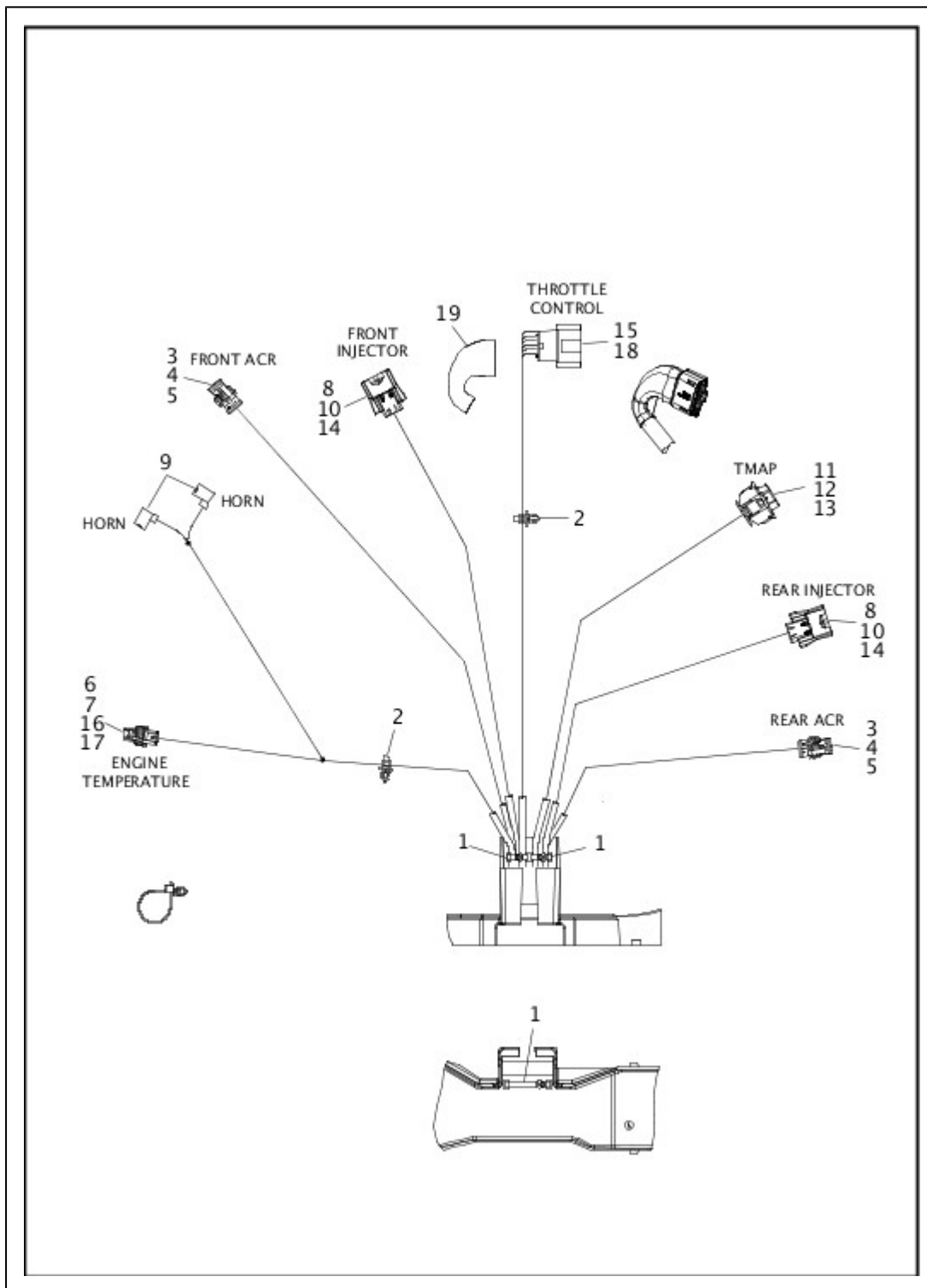
WIRING HARNESS, MAIN, ABS (NON-FAIRING MODELS) (2 OF 8)



| Index No. | Part No. | Description | Model(s) |
|--|-----------|-------------------------------|-------------|
| | 69200112 | MAIN WIRING HARNESS - ABS | FLHR, FLHRC |
| NOTE: Includes the following parts. | | | |
| 1 | 5118 | SEAL PIN | FLHR, FLHRC |
| 2 | 10065 | CABLE STRAP (3) | FLHR, FLHRC |
| 3 | 70291-89 | HOUSING, 4-way pin | FLHR, FLHRC |
| 4 | 72039-71A | TERMINAL, pin (2) | FLHR, FLHRC |
| 5 | 72449-01 | HOUSING, 2-way socket (black) | FLHR, FLHRC |

| | | | |
|----|------------|------------------------------------|-------------|
| 6 | 72450-01 | HOUSING, 2-way socket (gray) | FLHR, FLHRC |
| 7 | 72527-01 | TERMINAL, socket, 18-20 gauge (4) | FLHR, FLHRC |
| 8 | 72633-02 | WIRE SEAL, 14-16 gauge (white) (4) | FLHR, FLHRC |
| 9 | 72905-11 | HOUSING, 2-way pin (black) | FLHR, FLHRC |
| 10 | 72907-11 | HOUSING, 4-way pin (2) | FLHR, FLHRC |
| 11 | 72909-11 | TERMINAL, pin, 20-22 gauge (5) | FLHR, FLHRC |
| 12 | 74112-98BK | HOUSING, 2-way socket (black) (2) | FLHR, FLHRC |
| 13 | 74152-98 | SECONDARY LOCK, 2-way socket | FLHR, FLHRC |
| 14 | 74191-98 | TERMINAL, socket (2) | FLHR, FLHRC |
| 15 | 69200220 | HOUSING, 2-way socket | FLHR, FLHRC |
| 16 | 69200221 | TERMINAL, socket, 16-18 gauge (2) | FLHR, FLHRC |
| 17 | 69200222 | WIRE SEAL, 16 gauge (2) | FLHR, FLHRC |
| 18 | 69200285 | BRACKET, mounting | FLHR, FLHRC |

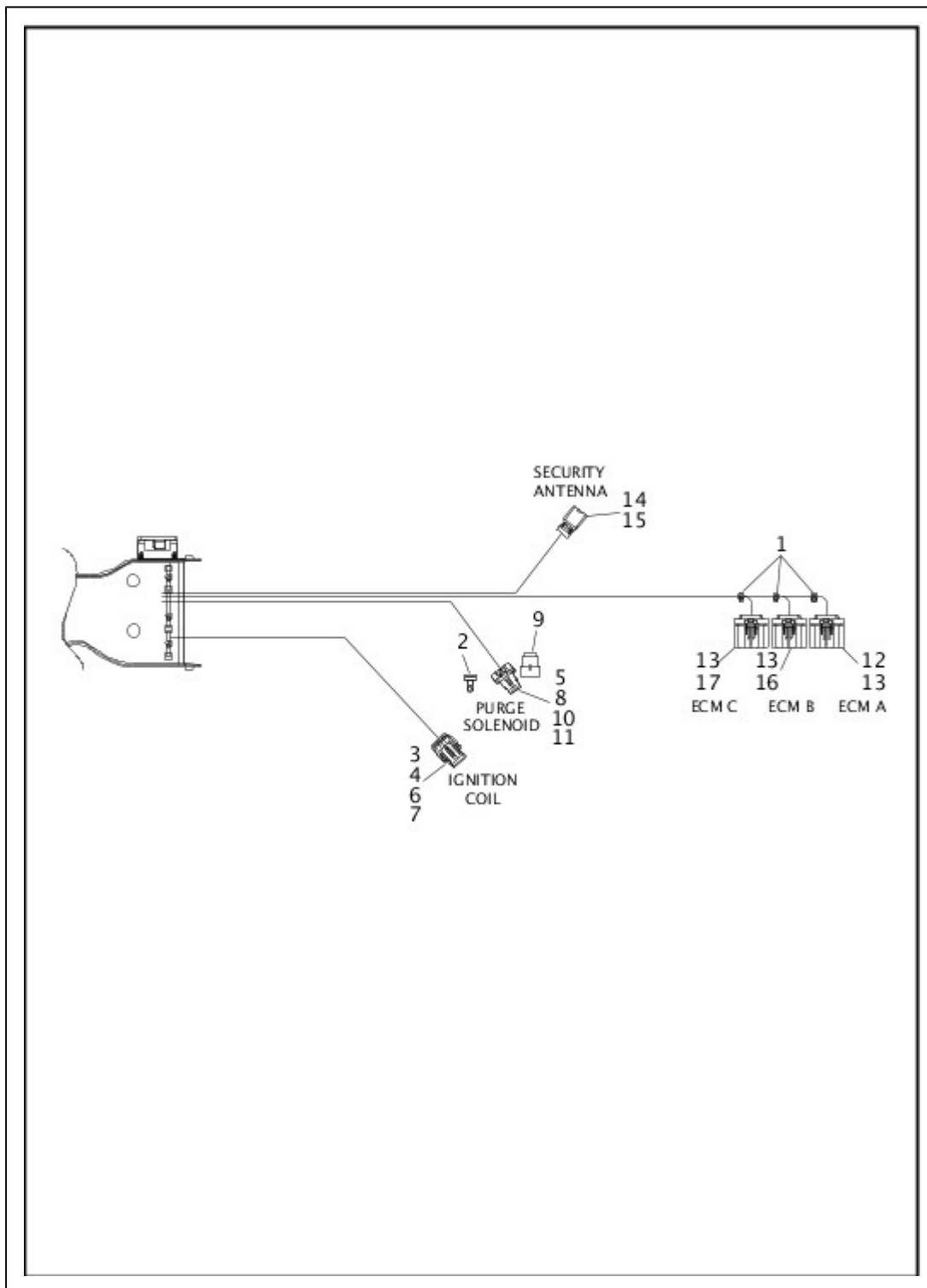
WIRING HARNESS, MAIN, ABS (NON-FAIRING MODELS) (3 OF 8)



| Index No. | Part No. | Description | Model(s) |
|--|----------|------------------------------------|-------------|
| | 69200112 | MAIN WIRING HARNESS - ABS | FLHR, FLHRC |
| NOTE: Includes the following parts. | | | |
| 1 | 10065 | CABLE STRAP (3) | FLHR, FLHRC |
| 2 | 10177 | CABLE STRAP, tree mount (2) | FLHR, FLHRC |
| 3 | 72007-05 | HOUSING, 2-way socket (2) | FLHR, FLHRC |
| 4 | 72010-05 | WIRE SEAL, 22-26 gauge (green) (4) | FLHR, FLHRC |
| 5 | 72024-08 | TERMINAL, socket, 20-22 gauge (4) | FLHR, FLHRC |

| | | | |
|----|------------|--|-------------|
| 6 | 72063-06 | HOUSING, 2-way | FLHR, FLHRC |
| 7 | 72111-06 | SECONDARY LOCK, 2-way socket, female (gray) | FLHR, FLHRC |
| 8 | 72251-07 | SECONDARY LOCK, 2-way socket (yellow) (2) | FLHR, FLHRC |
| 9 | 72283-09 | TERMINAL, female, 14-16 gauge, 90 degree (2) | FLHR, FLHRC |
| 10 | 72402-07 | HOUSING, 2-way socket (2) | FLHR, FLHRC |
| 11 | 72406-07A | HOUSING, 4-way socket | FLHR, FLHRC |
| 12 | 72407-07 | TERMINAL, socket, 16-20 gauge (4) | FLHR, FLHRC |
| 13 | 72408-07 | WIRE SEAL, 16-20 gauge (blue) (4) | FLHR, FLHRC |
| 14 | 72413-07 | TERMINAL, socket, 18-20 gauge (4) | FLHR, FLHRC |
| 15 | 72483-08BK | HOUSING, 6-way socket | FLHR, FLHRC |
| 16 | 72484-08 | TERMINAL, socket, 20 gauge (2) | FLHR, FLHRC |
| 17 | 72486-08 | WIRE SEAL, 20 gauge (green) (2) | FLHR, FLHRC |
| 18 | 72663-11 | TERMINAL, socket, 18-20 gauge (silver) (6) | FLHR, FLHRC |
| 19 | 69200437 | RUBBER BOOT, wire connector | FLHR, FLHRC |

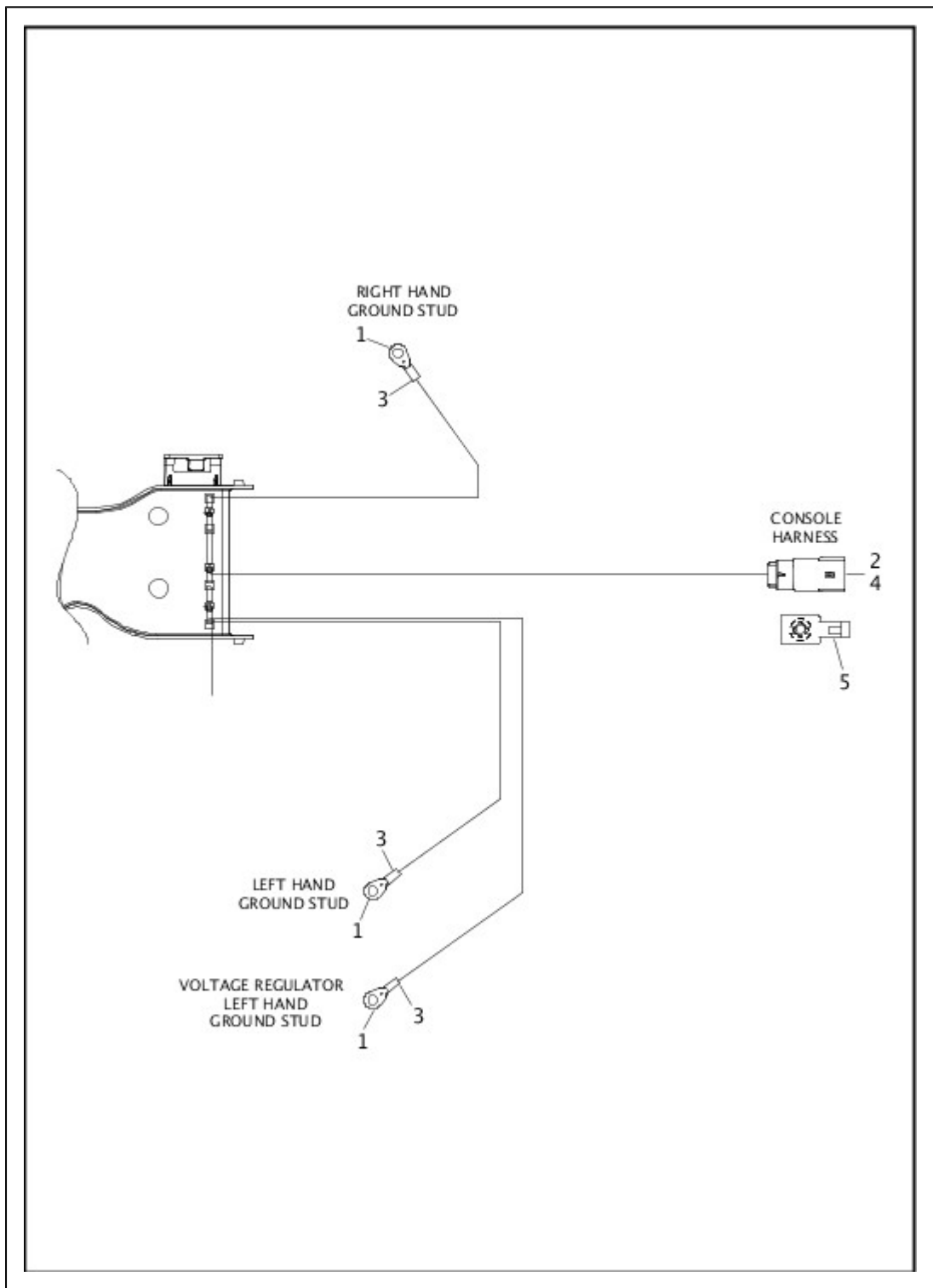
WIRING HARNESS, MAIN, ABS (NON-FAIRING MODELS) (4 OF 8)



| Index No. | Part No. | Description | Model(s) |
|--|-----------|---|-------------|
| | 69200112 | MAIN WIRING HARNESS - ABS | FLHR, FLHRC |
| NOTE: Includes the following parts. | | | |
| 1 | 10065 | CABLE STRAP (3) | FLHR, FLHRC |
| 2 | 10147 | CLIP, connector | FLHR, FLHRC |
| 3 | 72066-06A | HOUSING, 4-way socket, female (black) | FLHR, FLHRC |
| 4 | 72135-06 | SECONDARY LOCK, 4-way socket, female | FLHR, FLHRC |
| 5 | 72213-94 | TERMINAL, socket, female, 16-20 gauge (2) | FLHR, FLHRC |

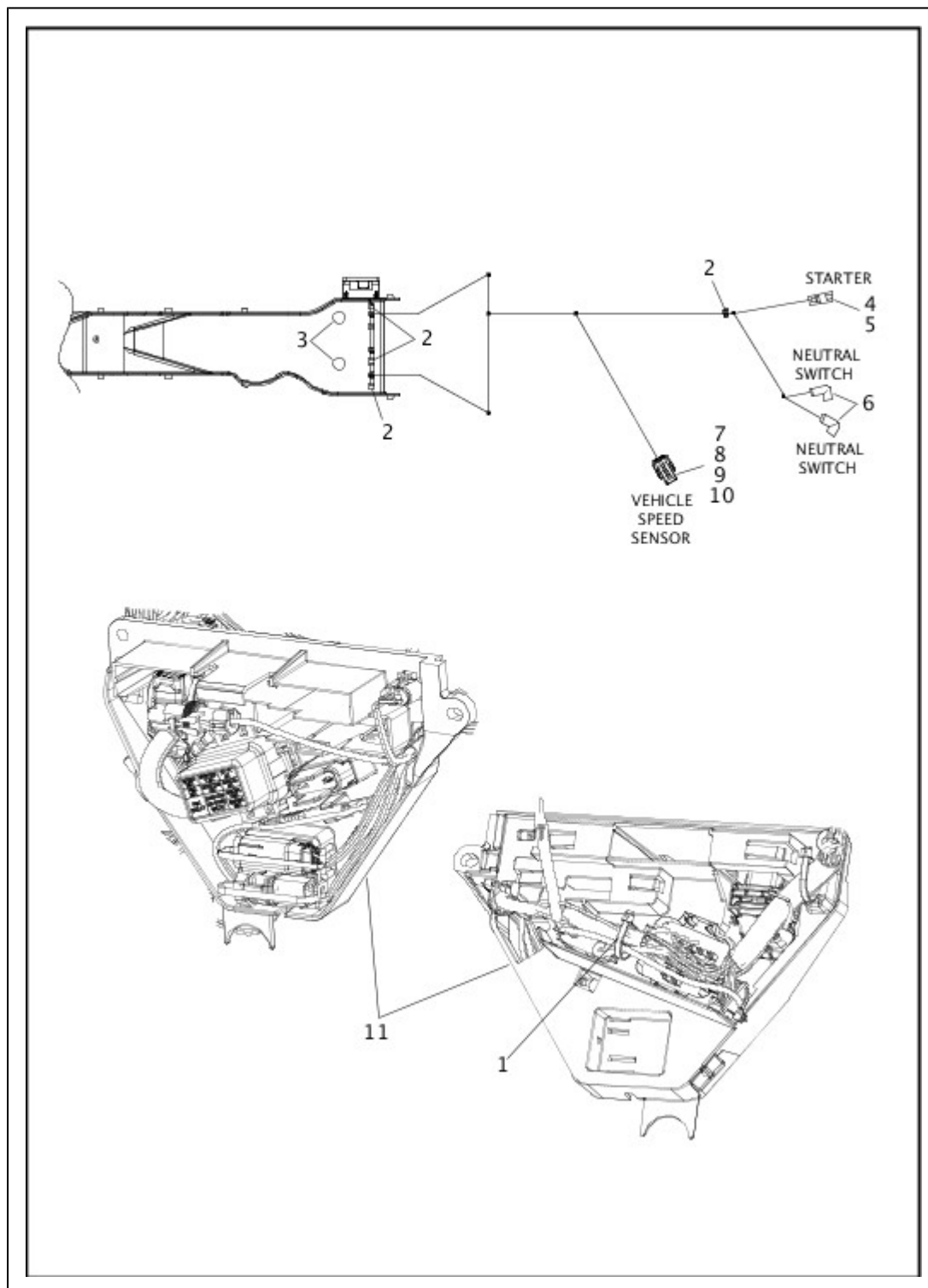
| | | | |
|----|-----------|---|-------------|
| 6 | 72484-08 | TERMINAL, socket, 20 gauge (4) | FLHR, FLHRC |
| 7 | 72486-08 | WIRE SEAL, 20 gauge (green) (4) | FLHR, FLHRC |
| 8 | 72518-01 | HOUSING, 2-way socket (red) | FLHR, FLHRC |
| 9 | 72533-06 | DUST CAP, 2-pin connector | FLHR, FLHRC |
| 10 | 72609-08 | SECONDARY LOCK, 2-way socket (black) | FLHR, FLHRC |
| 11 | 72610-08 | SEAL, 18-20 gauge (white) (2) | FLHR, FLHRC |
| 12 | 72664-12A | HOUSING, 18-way socket (black) | FLHR, FLHRC |
| 13 | 72666-12 | TERMINAL, socket, 18-20 gauge (silver) (38) | FLHR, FLHRC |
| 14 | 72720-07 | HOUSING, 2-way socket | FLHR, FLHRC |
| 15 | 72721-07 | TERMINAL, socket, 18-20 gauge (2) | FLHR, FLHRC |
| 16 | 69200267A | HOUSING, 18-way socket (gray) | FLHR, FLHRC |
| 17 | 69200268A | HOUSING, 18-way socket (brown) | FLHR, FLHRC |

WIRING HARNESS, MAIN, ABS (NON-FAIRING MODELS) (5 OF 8)



| Index No. | Part No. | Description | Model(s) |
|--|------------|--------------------------------------|-------------|
| | 69200112 | MAIN WIRING HARNESS - ABS | FLHR, FLHRC |
| NOTE: Includes the following parts. | | | |
| 1 | 9819 | TERMINAL, 1/4 in. ring, 12 gauge (3) | FLHR, FLHRC |
| 2 | 72169-07 | TERMINAL, pin, 16-20 gauge (8) | FLHR, FLHRC |
| 3 | 72249-94 | HEAT SHRINK TUBE, .415 x 1 (black) | FLHR, FLHRC |
| 4 | 72478-07BK | HOUSING, 8-way pin (black) | FLHR, FLHRC |
| 5 | 73213-07 | RETAINER, x-mas tree clip | FLHR, FLHRC |

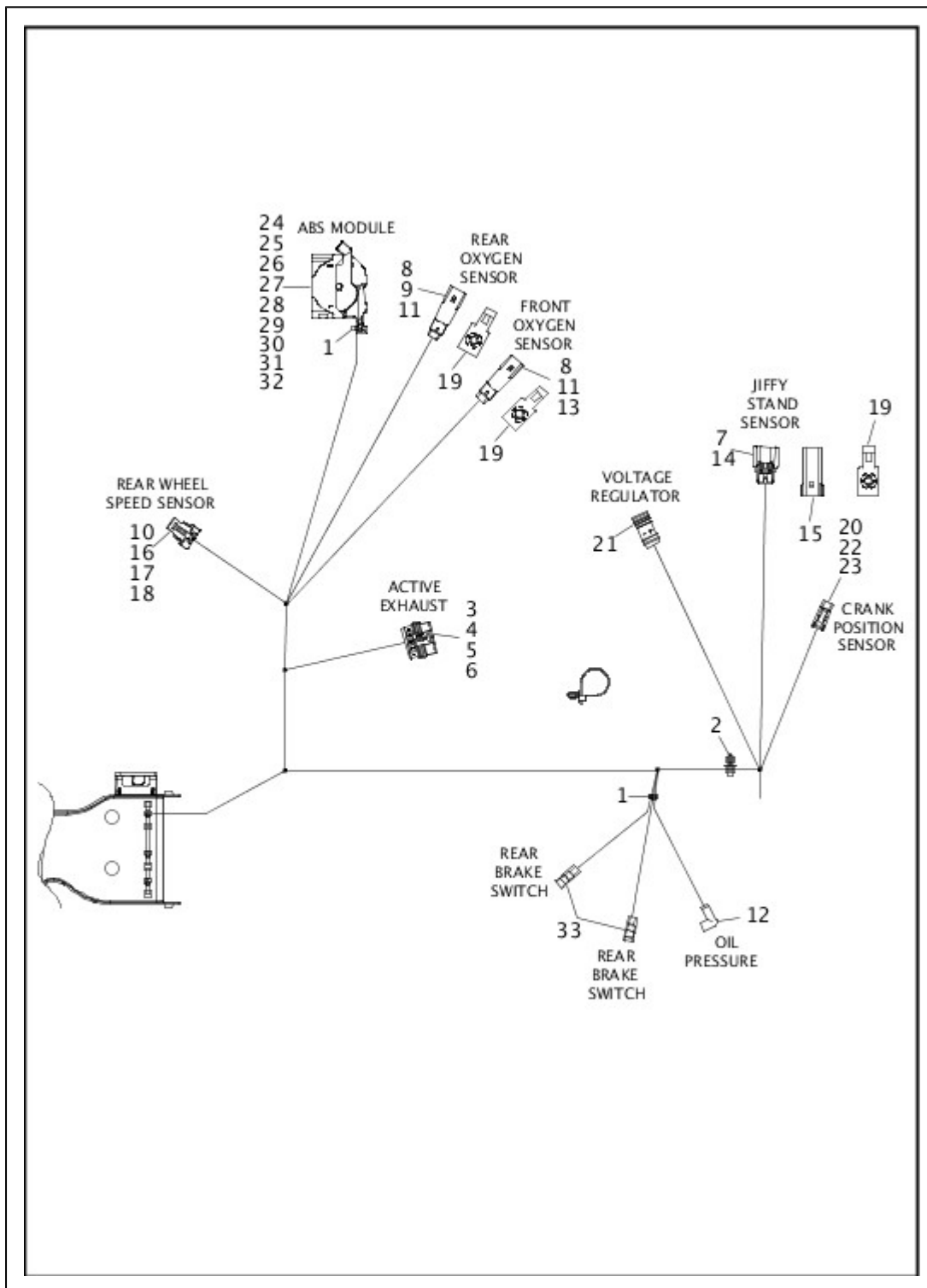
WIRING HARNESS, MAIN, ABS (NON-FAIRING MODELS) (6 OF 8)



| Index No. | Part No. | Description | Model(s) |
|--|----------|---------------------------|-------------|
| | 69200112 | MAIN WIRING HARNESS - ABS | FLHR, FLHRC |
| NOTE: Includes the following parts. | | | |
| 1 | 10006 | CABLE STRAP | FLHR, FLHRC |
| 2 | 10065 | CABLE STRAP (4) | FLHR, FLHRC |

| | | | |
|----|------------|---|-------------|
| 3 | 11779 | FASTENER, push-in (black) (2) | FLHR, FLHRC |
| 4 | 72291-94 | TERMINAL, 14-16 gauge | FLHR, FLHRC |
| 5 | 72295-94 | CONNECTOR, starter housing | FLHR, FLHRC |
| 6 | 72405-98BK | WIRE ASSEMBLY, push-on, right angle molded, 65-1/2 in. length (3) | FLHR, FLHRC |
| 7 | 72484-08 | TERMINAL, socket, 20 gauge (3) | FLHR, FLHRC |
| 8 | 72486-08 | WIRE SEAL, 20 gauge (green) (3) | FLHR, FLHRC |
| 9 | 72543-07BK | HOUSING, 3-way socket (black) | FLHR, FLHRC |
| 10 | 72544-07 | SECONDARY LOCK, 3-way socket, female | FLHR, FLHRC |
| 11 | 69200175 | CADDY, fuse block, electrical panel | FLHR, FLHRC |

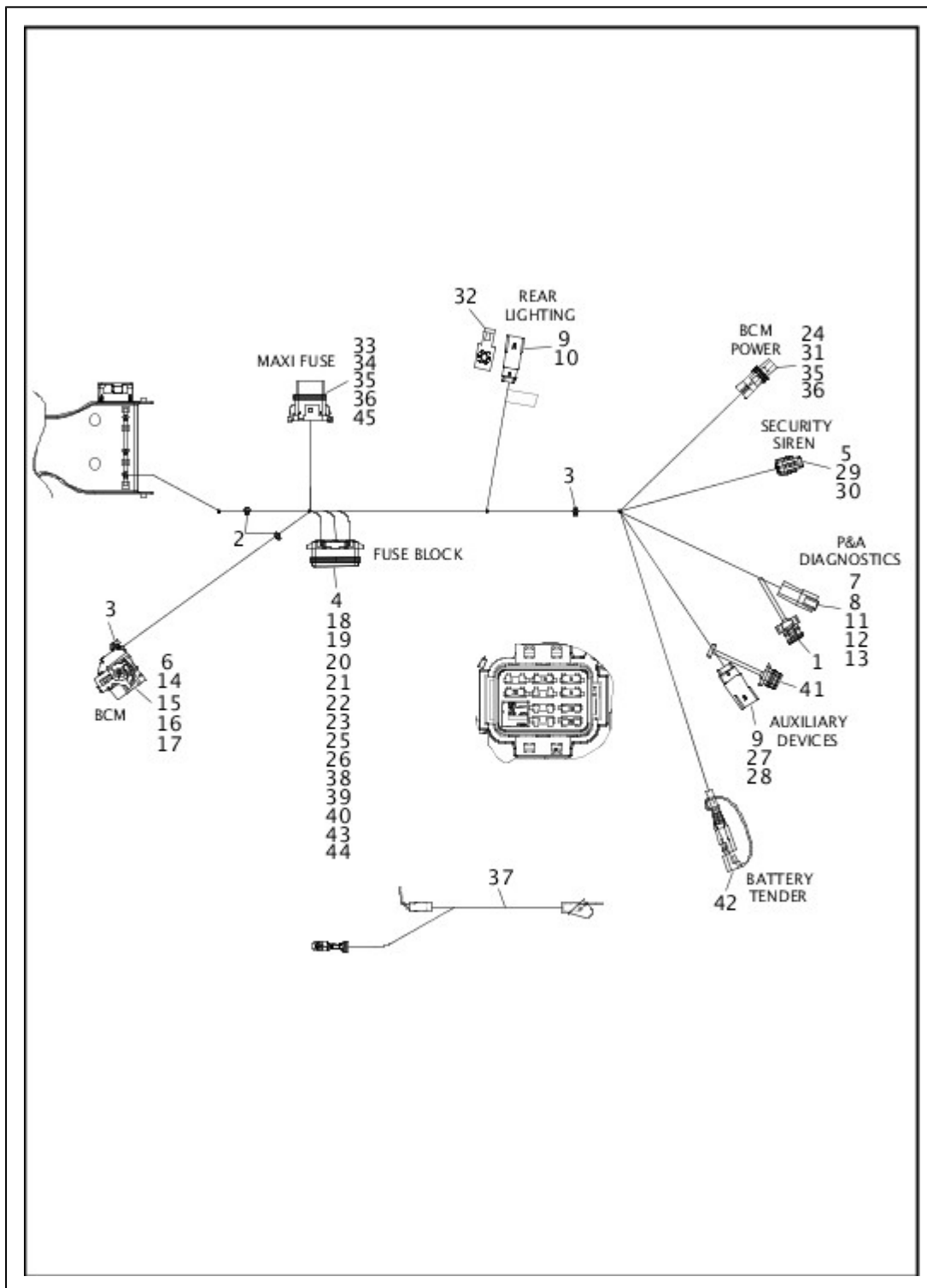
WIRING HARNESS, MAIN, ABS (NON-FAIRING MODELS) (7 OF 8)



| Index No. | Part No. | Description | Model(s) |
|--|----------|------------------------------------|-------------|
| | 69200112 | MAIN WIRING HARNESS - ABS | FLHR, FLHRC |
| NOTE: Includes the following parts. | | | |
| 1 | 10065 | CABLE STRAP (2) | FLHR, FLHRC |
| 2 | 10177 | CABLE STRAP, tree mount | FLHR, FLHRC |
| 3 | 72010-05 | WIRE SEAL, 22-26 gauge (green) (4) | FLHR, FLHRC |
| 4 | 72012-07 | HOUSING, 5-way socket | FLHR, FLHRC |
| 5 | 72014-07 | SEAL PIN | FLHR, FLHRC |

| | | | |
|----|------------|---|-------------|
| 6 | 72024-08 | TERMINAL, socket, 20-22 gauge (4) | FLHR, FLHRC |
| 7 | 72168-07 | TERMINAL, socket, 18-20 gauge (3) | FLHR, FLHRC |
| 8 | 72169-07 | TERMINAL, pin, 16-20 gauge (4) | FLHR, FLHRC |
| 9 | 72175-07BK | HOUSING, 4-way pin (black) | FLHR, FLHRC |
| 10 | 72213-94 | TERMINAL, socket, female, 16-20 gauge (2) | FLHR, FLHRC |
| 11 | 72343-10 | TERMINAL, pin, 16-20 gauge (gold) (4) | FLHR, FLHRC |
| 12 | 72405-98BK | WIRE ASSEMBLY, push-on, right angle molded, 65-1/2 in. length | FLHR, FLHRC |
| 13 | 72415-07GY | HOUSING, 4-way pin (gray) | FLHR, FLHRC |
| 14 | 72512-07BK | HOUSING, 3-way socket (black) | FLHR, FLHRC |
| 15 | 72519-09BK | DUST CAP, 3-way socket (black) | FLHR, FLHRC |
| 16 | 72606-08 | HOUSING, 2-way socket | FLHR, FLHRC |
| 17 | 72609-08 | SECONDARY LOCK, 2-way socket (black) | FLHR, FLHRC |
| 18 | 72610-08 | SEAL, 18-20 gauge (white) (2) | FLHR, FLHRC |
| 19 | 73213-07 | RETAINER, x-mas tree clip (3) | FLHR, FLHRC |
| 20 | 74112-98BK | HOUSING, 2-way socket (black) | FLHR, FLHRC |
| 21 | 74120-08 | DC LEAD ASSEMBLY | FLHR, FLHRC |
| 22 | 74152-98 | SECONDARY LOCK, 2-way socket | FLHR, FLHRC |
| 23 | 74191-98 | TERMINAL, socket (2) | FLHR, FLHRC |
| 24 | 69200183 | HOUSING, 26-way socket | FLHR, FLHRC |
| 25 | 69200184 | COVER, 26-way socket | FLHR, FLHRC |
| 26 | 69200185 | TERMINAL, socket, 20 gauge (6) | FLHR, FLHRC |
| 27 | 69200186 | TERMINAL, socket, 14-16 gauge (2) | FLHR, FLHRC |
| 28 | 69200187 | TERMINAL, socket, 12 gauge (2) | FLHR, FLHRC |
| 29 | 69200188 | WIRE SEAL, 20 gauge (6) | FLHR, FLHRC |
| 30 | 69200189 | WIRE SEAL, 14-16 gauge (2) | FLHR, FLHRC |
| 31 | 69200190 | WIRE SEAL, 12 gauge (2) | FLHR, FLHRC |
| 32 | 69200191 | SEAL PIN (16) | FLHR, FLHRC |
| 33 | 69200238 | TERMINAL, 20 gauge (black) (2) | FLHR, FLHRC |

WIRING HARNESS, MAIN, ABS (NON-FAIRING MODELS) (8 OF 8)

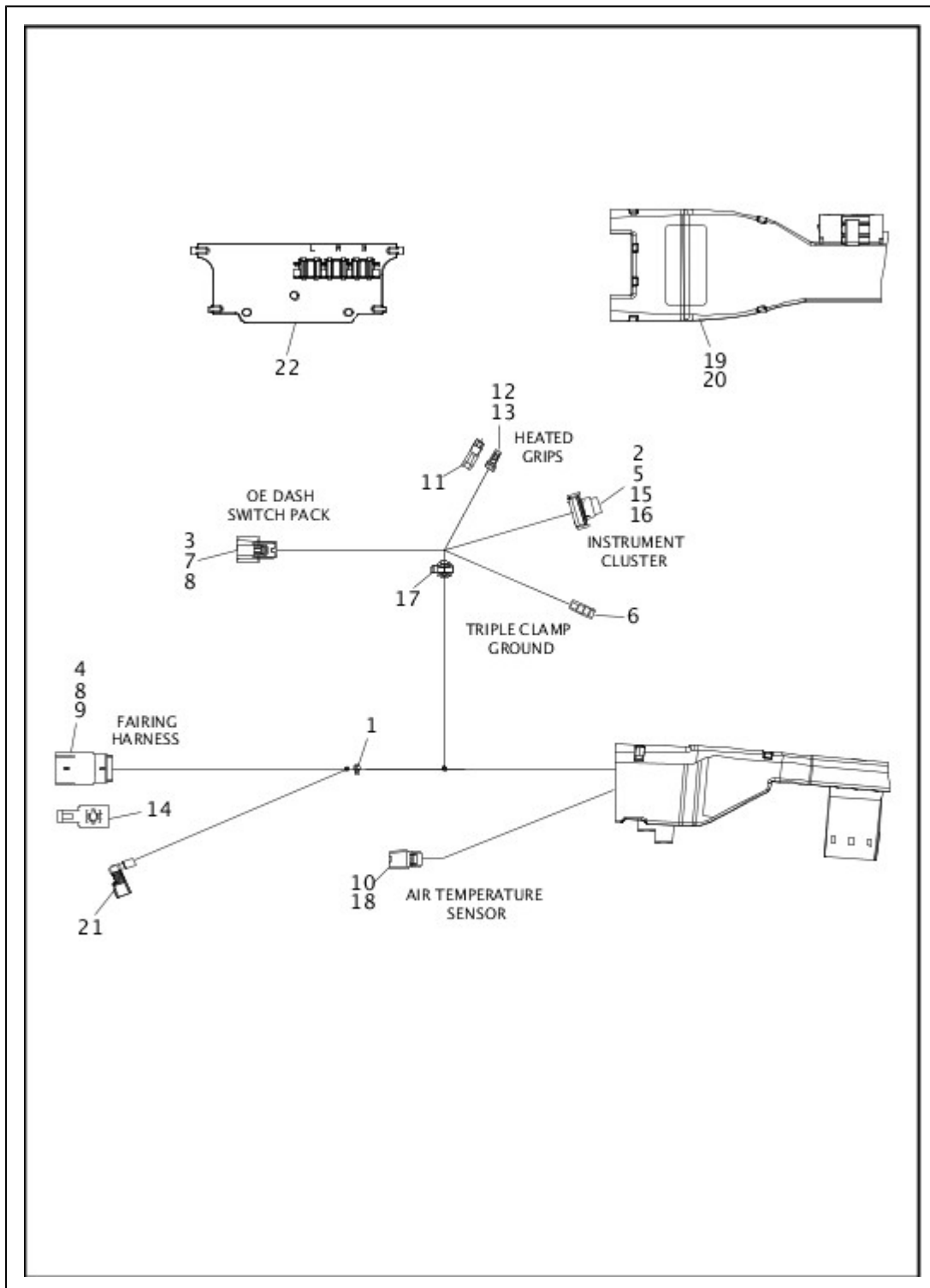


| Index No. | Part No. | Description | Model(s) |
|--|----------|---------------------------|----------------|
| | 69200112 | MAIN WIRING HARNESS - ABS | FLHR, FLHRC |
| NOTE: Includes the following parts. | | | |
| 1 | 6990 | WEATHER PLUG, 6-way pin | FLHR, FLHRC |
| 2 | 10006 | CABLE STRAP (2) | FLHR, FLHRC |
| 3 | 10065 | CABLE STRAP (2) | FLHR, |

| | | | |
|----|------------|--|----------------|
| | | | FLHRC |
| 4 | 31586-07 | RELAY | FLHR, FLHRC |
| 5 | 72064-06 | HOUSING, 3-way socket, female | FLHR, FLHRC |
| 6 | 72081-11 | HOUSING, 48-way socket | FLHR, FLHRC |
| 7 | 72106-94BK | HOUSING, 6-pin (black) (replaces gray connector) | FLHR, FLHRC |
| 8 | 72146-94 | SECONDARY LOCK, 6-way pin | FLHR, FLHRC |
| 9 | 72169-07 | TERMINAL, pin, 16-20 gauge (10) | FLHR, FLHRC |
| 10 | 72188-07BK | HOUSING, 6-way pin (black) (2) | FLHR, FLHRC |
| 11 | 72190-94 | TERMINAL, pin, 16-18 gauge (2) | FLHR, FLHRC |
| 12 | 72194-94 | TERMINAL, pin, 20 gauge (3) | FLHR, FLHRC |
| 13 | 72195-94 | SEAL PIN | FLHR, FLHRC |
| 14 | 72222-11 | TERMINAL, socket, 18-20 gauge (22) | FLHR, FLHRC |
| 15 | 72226-11 | TERMINAL, socket, 14-16 gauge (3) | FLHR, FLHRC |
| 16 | 72227-11 | TERMINAL, socket, 18-20 gauge (3) | FLHR, FLHRC |
| 17 | 72256-11 | SEAL PIN (8) | FLHR, FLHRC |
| 18 | 72296-95 | TERMINAL, female, sealed (2) | FLHR, FLHRC |
| 19 | 72298-95 | PLUG, cavity (2) | FLHR, FLHRC |
| 20 | 72299-95 | PLUG, cavity (10) | FLHR, FLHRC |
| 21 | 72308-97 | TERMINAL, female, 12-14 gauge (2) | FLHR, FLHRC |
| 22 | 72331-95 | FUSE, 5-amp, mini (tan) (2) | FLHR, FLHRC |
| 23 | 72345-02 | FUSE, 20-amp, mini (yellow) (2) | FLHR, FLHRC |
| 24 | 72350-11 | HOUSING, 1-way socket | FLHR, FLHRC |
| | | | |

| | | | |
|----|------------|--|----------------|
| 25 | 72356-95 | TERMINAL, socket, 18-20 gauge (10) | FLHR, FLHRC |
| 26 | 72412-97 | SEAL, cable, 12-14 gauge (2) | FLHR, FLHRC |
| 27 | 72447-07GY | HOUSING, 8-way pin (gray) | FLHR, FLHRC |
| 28 | 72473-07 | SEAL PIN (4) | FLHR, FLHRC |
| 29 | 72484-08 | TERMINAL, socket, 20 gauge (3) | FLHR, FLHRC |
| 30 | 72486-08 | WIRE SEAL, 20 gauge (green) (3) | FLHR, FLHRC |
| 31 | 72575-11 | SECONDARY LOCK | FLHR, FLHRC |
| 32 | 73213-07 | RETAINER, x-mas tree clip | FLHR, FLHRC |
| 33 | 73301-04 | HOUSING, 2-way pin | FLHR, FLHRC |
| 34 | 73303-04 | SECONDARY LOCK, 2-way socket, female | FLHR, FLHRC |
| 35 | 73304-04 | TERMINAL, female, 10 gauge (2) | FLHR, FLHRC |
| 36 | 73305-04 | SEAL WIRE, 10 gauge (blue) (2) | FLHR, FLHRC |
| 37 | 69200137 | WIRE HARNESS, positive cable | FLHR, FLHRC |
| 38 | 69200194 | HOUSING, 24-way fuse block | FLHR, FLHRC |
| 39 | 69200195 | COVER, fuse block | FLHR, FLHRC |
| 40 | 69200199 | WIRE SEAL, 18-20 gauge (10) | FLHR, FLHRC |
| 41 | 69200204 | WEATHER PLUG, 8-way pin | FLHR, FLHRC |
| 42 | 69200212 | HOUSING, 2-way | FLHR, FLHRC |
| 43 | 69200293 | FUSE, 7.5-amp, mini (brown) (2) | FLHR, FLHRC |
| 44 | 69200312 | SECONDARY LOCK, 24-way fuse block (3) | FLHR, FLHRC |
| 45 | 69200336 | MAIN FUSE, 50 amp (red), NOTE: Fuse is sold separately and is not part of main harness | FLHR, FLHRC |
| 46 | 11100115 | CLOTH, HARNESS WRAP, 50m (not shown) | FLHR, FLHRC |

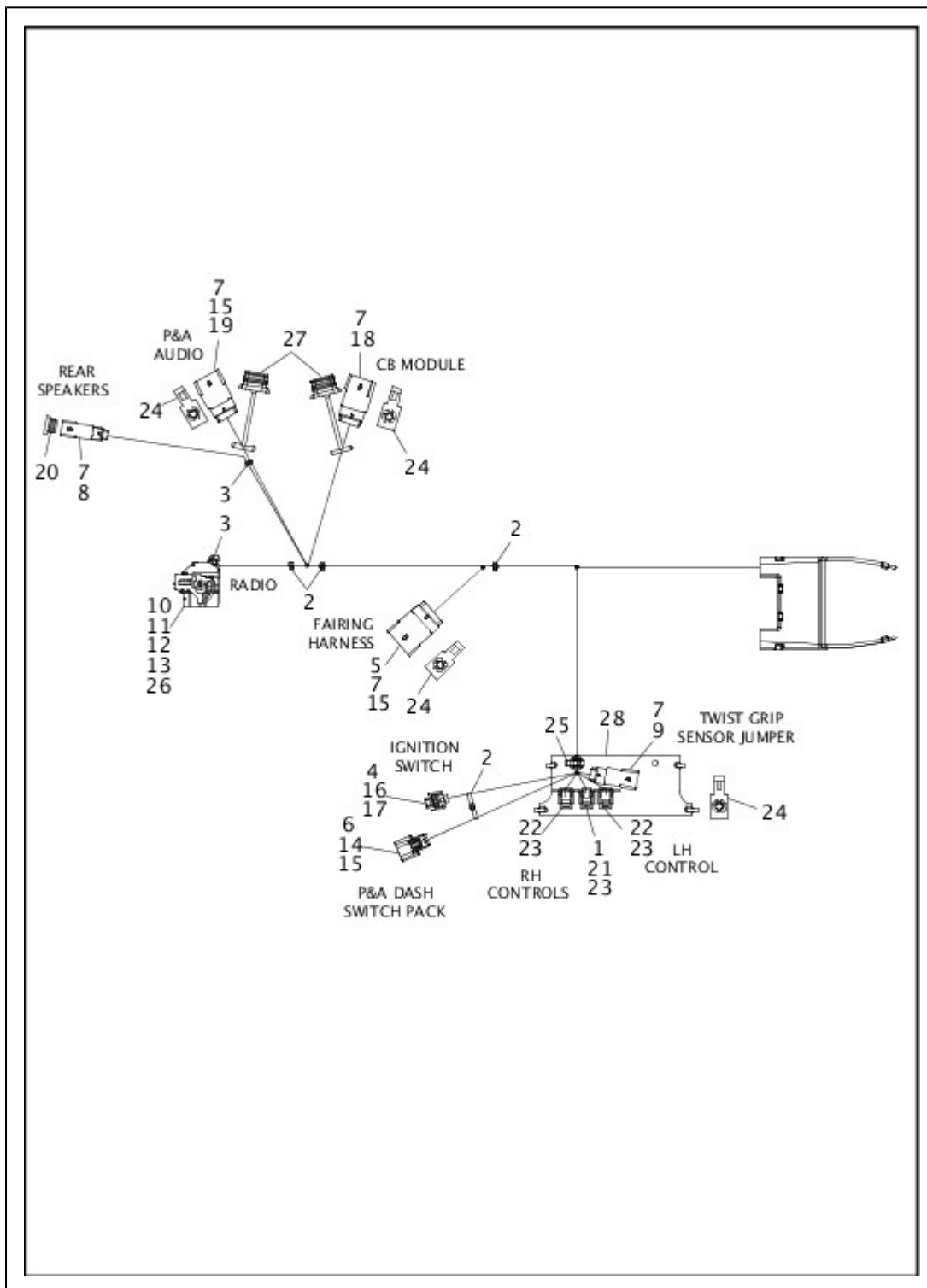
WIRING HARNESS, MAIN, NON-ABS (FAIRING MODELS) - FLTRX & FLTRXS (1 OF 8)



| Index No. | Part No. | Description | Model(s) |
|--|----------|-------------------------------|---------------|
| | 69200576 | MAIN WIRING HARNESS - NON-ABS | FLTRX, FLTRXS |
| NOTE: Includes the following parts. | | | |
| 1 | 10006 | CABLE STRAP | FLTRX, FLTRXS |
| 2 | 72130-04 | HOUSING, 12-way socket | FLTRX, FLTRXS |

| | | | |
|----|------------|--|---------------|
| 3 | 72168-07 | TERMINAL, socket, 18-20 gauge (5) | FLTRX, FLTRXS |
| 4 | 72169-07 | TERMINAL, pin, 16-20 gauge (8) | FLTRX, FLTRXS |
| 5 | 72189-04 | SEAL PIN (6) | FLTRX, FLTRXS |
| 6 | 72364-06 | CONNECTOR, w/ terminal | FLTRX, FLTRXS |
| 7 | 72414-07BK | HOUSING, 6-way socket | FLTRX, FLTRXS |
| 8 | 72473-07 | SEAL PIN (5) | FLTRX, FLTRXS |
| 9 | 72490-07GY | HOUSING, 12-way pin (gray) | FLTRX, FLTRXS |
| 10 | 72721-07 | TERMINAL, socket, 18-20 gauge (2) | FLTRX, FLTRXS |
| 11 | 72902-01BK | HOUSING, 2-way pin (black) | FLTRX, FLTRXS |
| 12 | 72912-01BK | HOUSING, 2-way socket (black) | FLTRX, FLTRXS |
| 13 | 72991-01 | SOCKET TERMINAL, 18-22 gauge (black) (2) | FLTRX, FLTRXS |
| 14 | 73213-07 | RETAINER, x-mas tree clip | FLTRX, FLTRXS |
| 15 | 74196-04 | SOCKET TERMINAL, socket (6) | FLTRX, FLTRXS |
| 16 | 74197-04 | SECONDARY LOCK, 12-way socket | FLTRX, FLTRXS |
| 17 | 12500002 | CABLE STRAP | FLTRX, FLTRXS |
| 18 | 69200201 | HOUSING, 2-way socket | FLTRX, FLTRXS |
| 19 | 69200202 | WIRE TROUGH | FLTRX, FLTRXS |
| 20 | 69200203 | COVER, wire trough | FLTRX, FLTRXS |
| 21 | 69200629 | WIRE HARNESS, AM/FM antenna | FLTRX, FLTRXS |
| 22 | 69200700 | CADDY | FLTRX, FLTRXS |

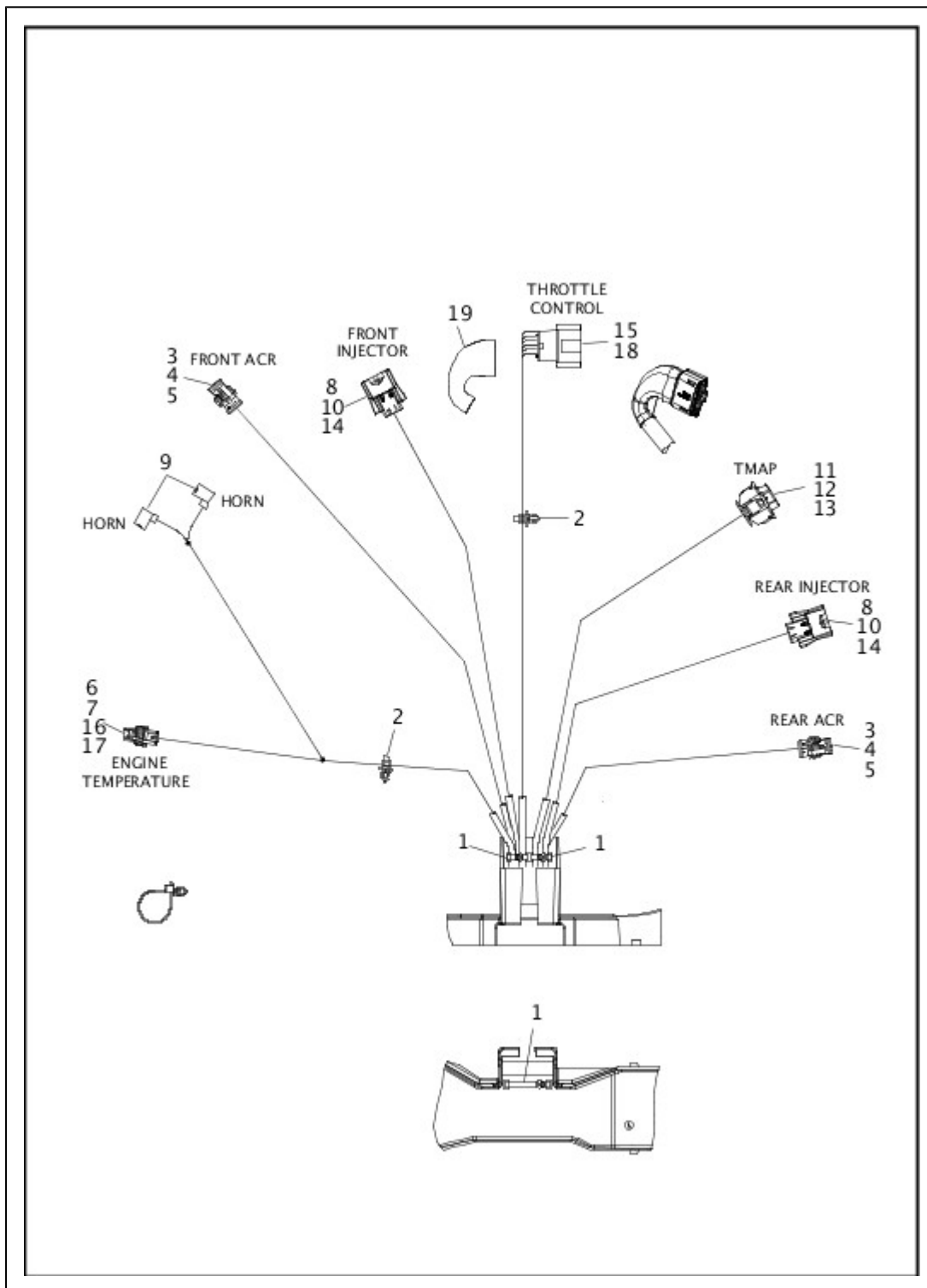
WIRING HARNESS, MAIN, NON-ABS (FAIRING MODELS) - FLTRX & FLTRXS (2 OF 8)



| Index No. | Part No. | Description | Model(s) |
|--|------------|-------------------------------|---------------|
| | 69200576 | MAIN WIRING HARNESS - NON-ABS | FLTRX, FLTRXS |
| NOTE: Includes the following parts. | | | |
| 1 | 5118 | SEAL PIN | FLTRX, FLTRXS |
| 2 | 10006 | CABLE STRAP (4) | FLTRX, FLTRXS |
| 3 | 10065 | CABLE STRAP (2) | FLTRX, FLTRXS |
| 4 | 72062-06 | HOUSING, 2-way socket | FLTRX, FLTRXS |
| 5 | 72167-07BK | HOUSING, 16-way pin (black) | FLTRX, FLTRXS |

| | | | |
|----|------------|------------------------------------|---------------|
| 6 | 72168-07 | TERMINAL, socket, 18-20 gauge (5) | FLTRX, FLTRXS |
| 7 | 72169-07 | TERMINAL, pin, 16-20 gauge (45) | FLTRX, FLTRXS |
| 8 | 72175-07BK | HOUSING, 4-way pin (black) | FLTRX, FLTRXS |
| 9 | 72188-07BK | HOUSING, 6-way pin (black) | FLTRX, FLTRXS |
| 10 | 72209-11 | COVER, wire dress | FLTRX, FLTRXS |
| 11 | 72222-11 | TERMINAL, socket, 18-20 gauge (27) | FLTRX, FLTRXS |
| 12 | 72226-11 | TERMINAL, socket, 14-16 gauge (8) | FLTRX, FLTRXS |
| 13 | 72256-11 | SEAL PIN (13) | FLTRX, FLTRXS |
| 14 | 72414-07BK | HOUSING, 6-way socket | FLTRX, FLTRXS |
| 15 | 72473-07 | SEAL PIN (6) | FLTRX, FLTRXS |
| 16 | 72484-08 | TERMINAL, socket, 20 gauge (2) | FLTRX, FLTRXS |
| 17 | 72486-08 | WIRE SEAL, 20 gauge (green) (2) | FLTRX, FLTRXS |
| 18 | 72488-07BK | HOUSING, 12-way pin (black) | FLTRX, FLTRXS |
| 19 | 72490-07GY | HOUSING, 12-way pin (gray) | FLTRX, FLTRXS |
| 20 | 72632-10 | WEATHER PLUG, 4-way pin | FLTRX, FLTRXS |
| 21 | 72905-11 | HOUSING, 2-way pin (black) | FLTRX, FLTRXS |
| 22 | 72907-11 | HOUSING, 4-way pin (black) (2) | FLTRX, FLTRXS |
| 23 | 72909-11 | TERMINAL, pin, 20-22 gauge (9) | FLTRX, FLTRXS |
| 24 | 73213-07 | RETAINER, x-mas tree clip (4) | FLTRX, FLTRXS |
| 25 | 12500002 | CABLE STRAP | FLTRX, FLTRXS |
| 26 | 69200193 | HOUSING, 48-way socket | FLTRX, FLTRXS |
| 27 | 69200205 | WEATHER PLUG, 12-way pin (2) | FLTRX, FLTRXS |
| 28 | 69200700 | CADDY | FLTRX, FLTRXS |

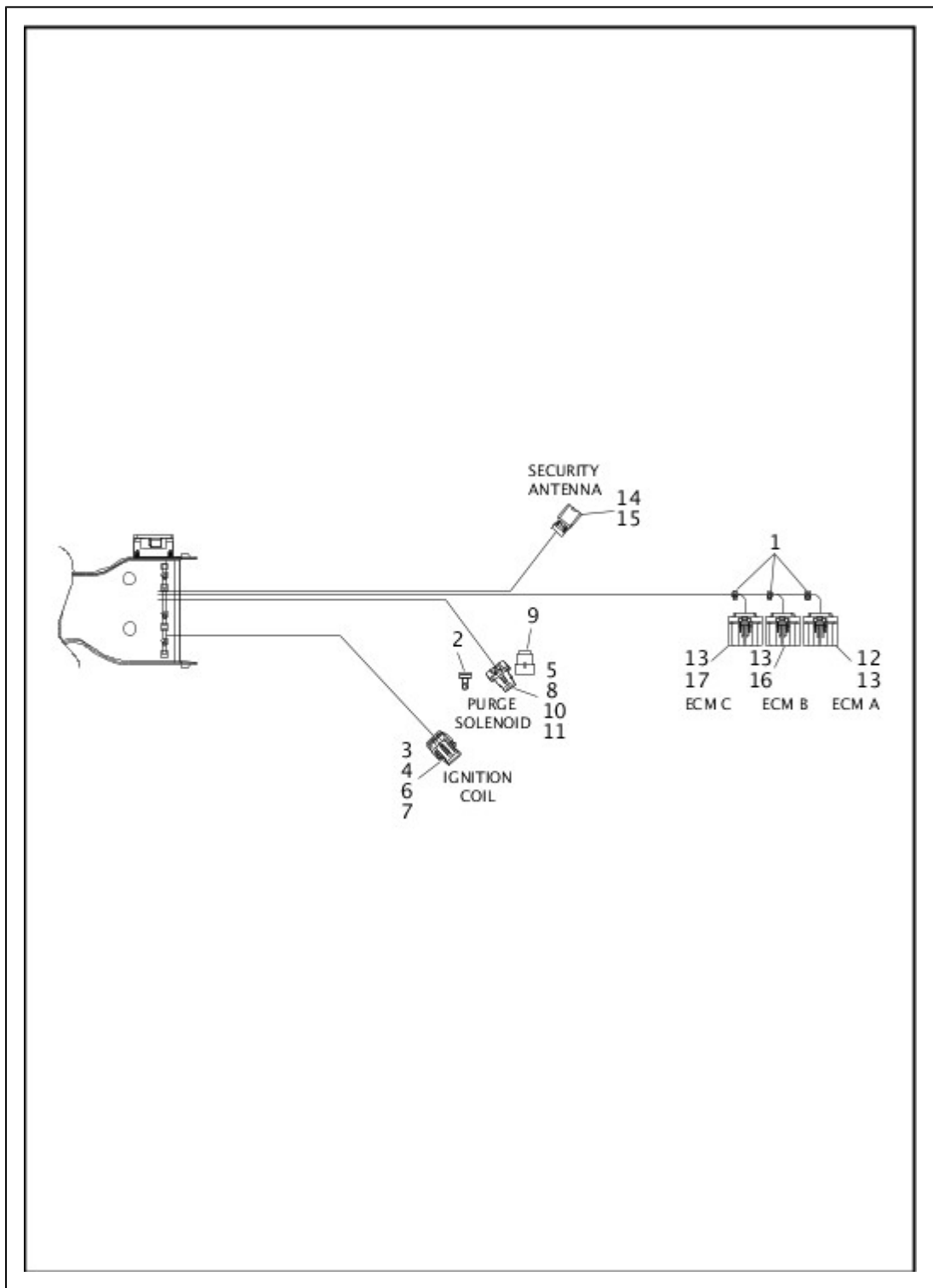
WIRING HARNESS, MAIN, NON-ABS (FAIRING MODELS) - FLTRX & FLTRXS (3 OF 8)



| Index No. | Part No. | Description | Model(s) |
|--|----------|------------------------------------|---------------|
| | 69200576 | MAIN WIRING HARNESS - NON-ABS | FLTRX, FLTRXS |
| NOTE: Includes the following parts. | | | |
| 1 | 10065 | CABLE STRAP (3) | FLTRX, FLTRXS |
| 2 | 10177 | CABLE STRAP, tree mount (2) | FLTRX, FLTRXS |
| 3 | 72007-05 | HOUSING, 2-way socket (2) | FLTRX, FLTRXS |
| 4 | 72010-05 | WIRE SEAL, 22-26 gauge (green) (4) | FLTRX, FLTRXS |
| 5 | 72024-08 | TERMINAL, socket, 20-22 gauge (4) | FLTRX, FLTRXS |

| | | | |
|----|------------|--|---------------|
| 6 | 72063-06 | HOUSING, 2-way socket | FLTRX, FLTRXS |
| 7 | 72111-06 | SECONDARY LOCK, 2-way socket, female (gray) | FLTRX, FLTRXS |
| 8 | 72251-07 | SECONDARY LOCK, 2-way socket (yellow) (2) | FLTRX, FLTRXS |
| 9 | 72283-09 | TERMINAL, female, 14-16 gauge, 90 degree (2) | FLTRX, FLTRXS |
| 10 | 72402-07 | HOUSING, 2-way socket (2) | FLTRX, FLTRXS |
| 11 | 72406-07A | HOUSING, 4-way socket | FLTRX, FLTRXS |
| 12 | 72407-07 | TERMINAL, socket, 16-20 gauge (4) | FLTRX, FLTRXS |
| 13 | 72408-07 | WIRE SEAL, 16-20 gauge (blue) (4) | FLTRX, FLTRXS |
| 14 | 72413-07 | TERMINAL, socket, 18-20 gauge (4) | FLTRX, FLTRXS |
| 15 | 72483-08BK | HOUSING, 6-way socket | FLTRX, FLTRXS |
| 16 | 72484-08 | TERMINAL, socket, 20 gauge (2) | FLTRX, FLTRXS |
| 17 | 72486-08 | WIRE SEAL, 20 gauge (green) (2) | FLTRX, FLTRXS |
| 18 | 72663-11 | TERMINAL, socket, 18-20 gauge (silver) (6) | FLTRX, FLTRXS |
| 19 | 69200437 | RUBBER BOOT, wire connector | FLTRX, FLTRXS |

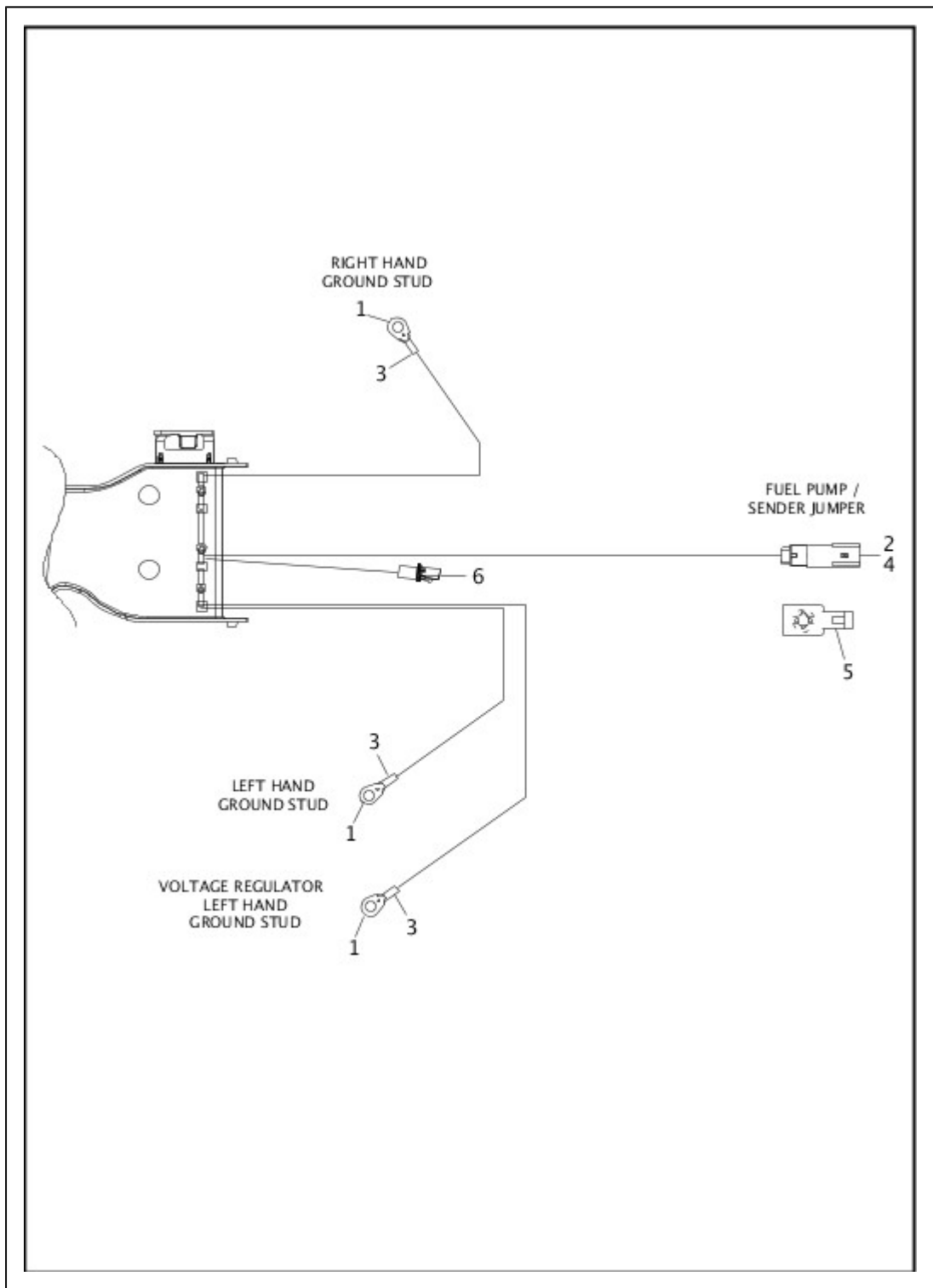
WIRING HARNESS, MAIN, NON-ABS (FAIRING MODELS) - FLTRX & FLTRXS (4 OF 8)



| Index No. | Part No. | Description | Model(s) |
|--|-----------|---|---------------|
| | 69200576 | MAIN WIRING HARNESS - NON-ABS | FLTRX, FLTRXS |
| NOTE: Includes the following parts. | | | |
| 1 | 10065 | CABLE STRAP (3) | FLTRX, FLTRXS |
| 2 | 10147 | CLIP, connector | FLTRX, FLTRXS |
| 3 | 72066-06A | HOUSING, 4-way socket, female (black) | FLTRX, FLTRXS |
| 4 | 72135-06 | SECONDARY LOCK, 4-way socket, female | FLTRX, FLTRXS |
| 5 | 72213-94 | TERMINAL, socket, female, 16-20 gauge (2) | FLTRX, FLTRXS |

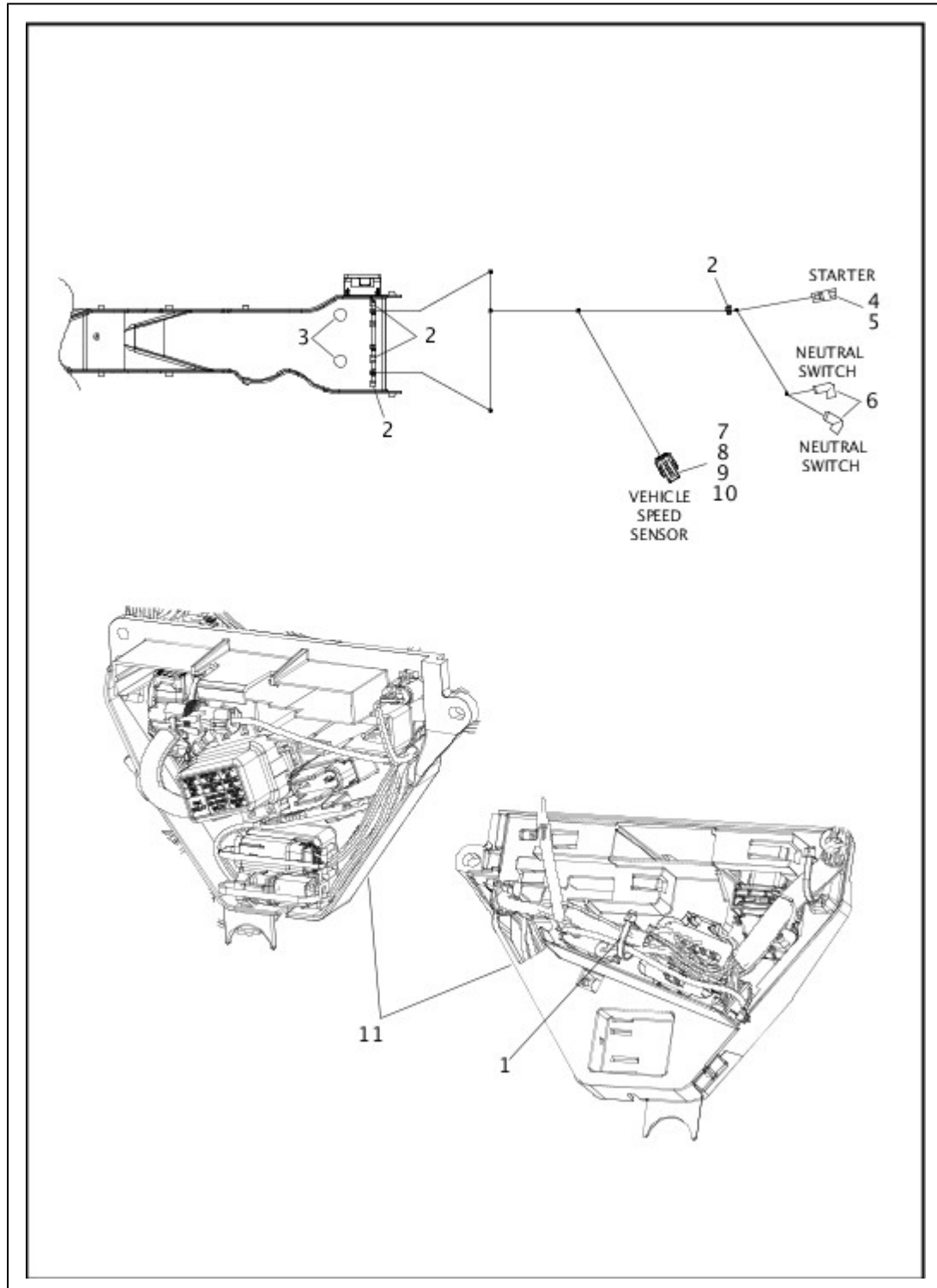
| | | | |
|----|-----------|---|---------------|
| 6 | 72484-08 | TERMINAL, socket, 20 gauge (4) | FLTRX, FLTRXS |
| 7 | 72486-08 | WIRE SEAL, 20 gauge (green) (4) | FLTRX, FLTRXS |
| 8 | 72518-01 | HOUSING, 2-way socket (red) | FLTRX, FLTRXS |
| 9 | 72533-06 | DUST CAP, 2-pin connector | FLTRX, FLTRXS |
| 10 | 72609-08 | SECONDARY LOCK, 2-way socket (black) | FLTRX, FLTRXS |
| 11 | 72610-08 | SEAL, 18-20 gauge (white) (2) | FLTRX, FLTRXS |
| 12 | 72664-12A | HOUSING, 18-way socket (black) | FLTRX, FLTRXS |
| 13 | 72666-12 | TERMINAL, socket, 18-20 gauge (silver) (38) | FLTRX, FLTRXS |
| 14 | 72720-07 | HOUSING, 2-way socket | FLTRX, FLTRXS |
| 15 | 72721-07 | TERMINAL, socket, 18-20 gauge (2) | FLTRX, FLTRXS |
| 16 | 69200267A | HOUSING, 18-way socket (gray) | FLTRX, FLTRXS |
| 17 | 69200268A | HOUSING, 18-way socket (brown) | FLTRX, FLTRXS |

WIRING HARNESS, MAIN, NON-ABS (FAIRING MODELS) - FLTRX & FLTRXS (5 OF 8)



| Index No. | Part No. | Description | Model(s) |
|--|------------|--------------------------------------|---------------|
| | 69200576 | MAIN WIRING HARNESS - NON-ABS | FLTRX, FLTRXS |
| NOTE: Includes the following parts. | | | |
| 1 | 9819 | TERMINAL, 1/4 in. ring, 12 gauge (3) | FLTRX, FLTRXS |
| 2 | 72169-07 | TERMINAL, pin, 16-20 gauge (4) | FLTRX, FLTRXS |
| 3 | 72249-94 | HEAT SHRINK TUBE, .415 x 1 (black) | FLTRX, FLTRXS |
| 4 | 72415-07GY | HOUSING, 4-way pin (gray) (2) | FLTRX, FLTRXS |
| 5 | 73213-07 | RETAINER, x-mas tree clip | FLTRX, FLTRXS |

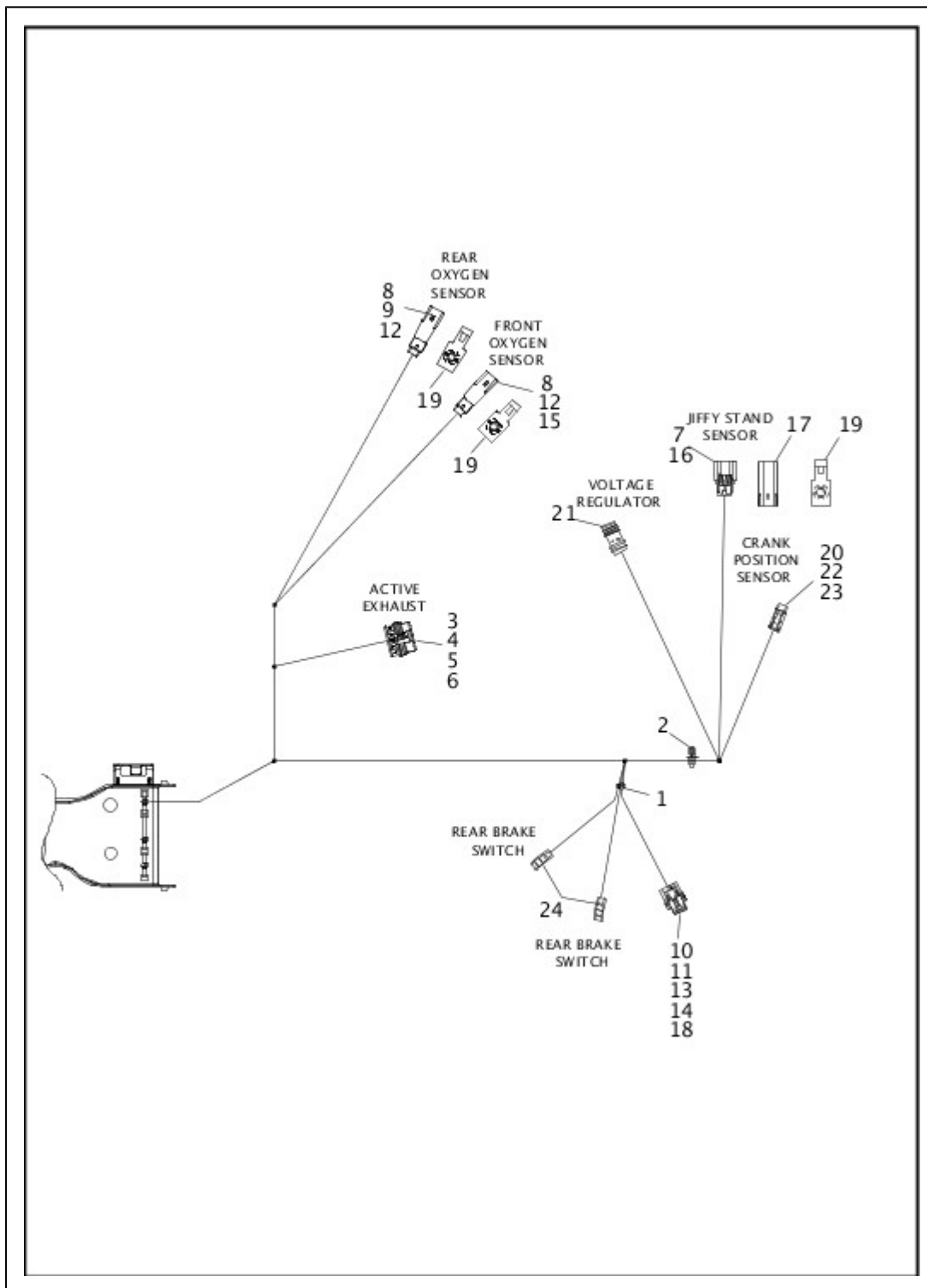
WIRING HARNESS, MAIN, NON-ABS (FAIRING MODELS) - FLTRX & FLTRXS (6 OF 8)



| Index No. | Part No. | Description | Model(s) |
|--|----------|-------------------------------|---------------|
| | 69200576 | MAIN WIRING HARNESS - NON-ABS | FLTRX, FLTRXS |
| NOTE: Includes the following parts. | | | |
| 1 | 10006 | CABLE STRAP | FLTRX, FLTRXS |

| | | | |
|----|------------|---|---------------|
| 2 | 10065 | CABLE STRAP (4) | FLTRX, FLTRXS |
| 3 | 11779 | FASTENER, push-in (black) (2) | FLTRX, FLTRXS |
| 4 | 72291-94 | TERMINAL, 14-16 gauge | FLTRX, FLTRXS |
| 5 | 72295-94 | CONNECTOR, starter housing | FLTRX, FLTRXS |
| 6 | 72405-98BK | WIRE ASSEMBLY, push-on, right angle molded, 65-1/2 in. length (2) | FLTRX, FLTRXS |
| 7 | 72484-08 | TERMINAL, socket, 20 gauge (3) | FLTRX, FLTRXS |
| 8 | 72486-08 | WIRE SEAL, 20 gauge (green) (3) | FLTRX, FLTRXS |
| 9 | 72543-07BK | HOUSING, 3-way socket (black) | FLTRX, FLTRXS |
| 10 | 72544-07 | SECONDARY LOCK, 3-way socket, female | FLTRX, FLTRXS |
| 11 | 69200175 | CADDY, fuse block, electrical panel | FLTRX, FLTRXS |

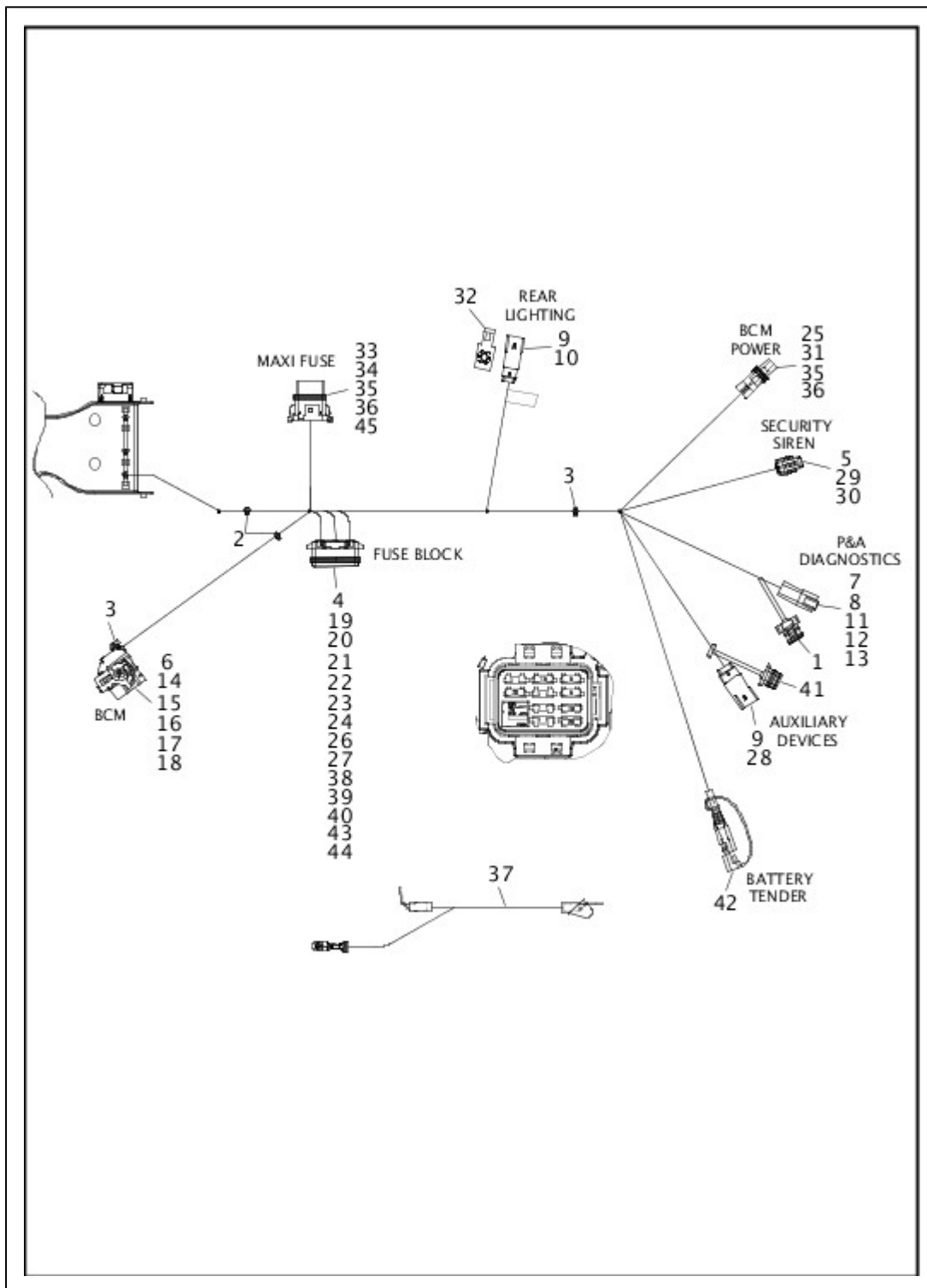
WIRING HARNESS, MAIN, NON-ABS (FAIRING MODELS) - FLTRX & FLTRXS (7 OF 8)



| Index No. | Part No. | Description | Model(s) |
|--|----------|------------------------------------|---------------|
| | 69200576 | MAIN WIRING HARNESS - NON-ABS | FLTRX, FLTRXS |
| NOTE: Includes the following parts. | | | |
| 1 | 10065 | CABLE STRAP | FLTRX, FLTRXS |
| 2 | 10177 | CABLE STRAP, tree mount | FLTRX, FLTRXS |
| 3 | 72010-05 | WIRE SEAL, 22-26 gauge (green) (4) | FLTRX, FLTRXS |
| 4 | 72012-07 | HOUSING, 5-way socket | FLTRX, FLTRXS |
| 5 | 72014-07 | SEAL PIN | FLTRX, FLTRXS |

| | | | |
|----|------------|---|---------------|
| 6 | 72024-08 | TERMINAL, socket, 20-22 gauge (4) | FLTRX, FLTRXS |
| 7 | 72168-07 | TERMINAL, socket, 18-20 gauge (3) | FLTRX, FLTRXS |
| 8 | 72169-07 | TERMINAL, pin, 16-20 gauge (4) | FLTRX, FLTRXS |
| 9 | 72175-07BK | HOUSING, 4-way pin (black) | FLTRX, FLTRXS |
| 10 | 72213-94 | TERMINAL, socket, female, 16-20 gauge (2) | FLTRX, FLTRXS |
| 11 | 72232-96 | SEAL PLUG (2) | FLTRX, FLTRXS |
| 12 | 72343-10 | TERMINAL, pin, 16-20 gauge (gold) (4) | FLTRX, FLTRXS |
| 13 | 72400-99 | CONNECTOR, 4-way | FLTRX, FLTRXS |
| 14 | 72403-99 | SECONDARY LOCK, 4-way | FLTRX, FLTRXS |
| 15 | 72415-07GY | HOUSING, 4-way pin (gray) | FLTRX, FLTRXS |
| 16 | 72512-07BK | HOUSING, 3-way socket (black) | FLTRX, FLTRXS |
| 17 | 72519-09BK | DUST CAP, 3-way socket (black) | FLTRX, FLTRXS |
| 18 | 72610-08 | SEAL, 18-20 gauge (white) (2) | FLTRX, FLTRXS |
| 19 | 73213-07 | RETAINER, x-mas tree clip (3) | FLTRX, FLTRXS |
| 20 | 74112-98BK | HOUSING, 2-way socket (black) | FLTRX, FLTRXS |
| 21 | 74120-08 | DC LEAD ASSEMBLY | FLTRX, FLTRXS |
| 22 | 74152-98 | SECONDARY LOCK, 2-way socket | FLTRX, FLTRXS |
| 23 | 74191-98 | TERMINAL, socket (2) | FLTRX, FLTRXS |
| 24 | 69200238 | TERMINAL, 20 gauge (black) (2) | FLTRX, FLTRXS |

WIRING HARNESS, MAIN, NON-ABS (FAIRING MODELS) - FLTRX & FLTRXS (8 OF 8)

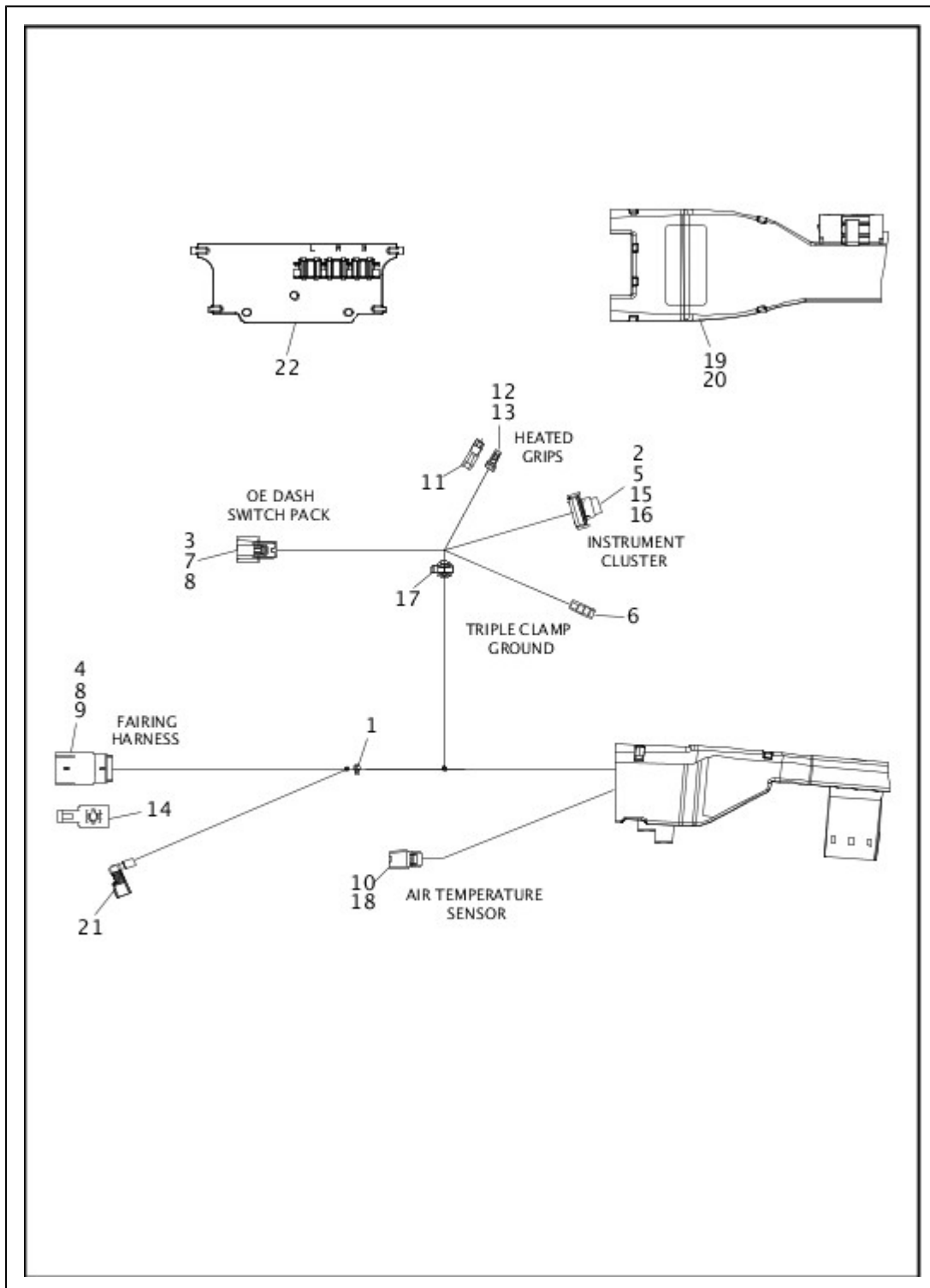


| Index No. | Part No. | Description | Model(s) |
|--|----------|-------------------------------|------------------|
| | 69200576 | MAIN WIRING HARNESS - NON-ABS | FLTRX, FLTRXS |
| NOTE: Includes the following parts. | | | |
| 1 | 6990 | WEATHER PLUG, 6-way pin | FLTRX, FLTRXS |
| 2 | 10006 | CABLE STRAP (2) | FLTRX, FLTRXS |
| 3 | 10065 | CABLE STRAP (2) | FLTRX, |

| | | | |
|----|------------|--|------------------|
| | | | FLTRXS |
| 4 | 31586-07 | RELAY | FLTRX, FLTRXS |
| 5 | 72064-06 | HOUSING, 3-way socket, female | FLTRX, FLTRXS |
| 6 | 72081-11 | HOUSING, 48-way socket | FLTRX, FLTRXS |
| 7 | 72106-94BK | HOUSING, 6-pin (black) (replaces gray connector) | FLTRX, FLTRXS |
| 8 | 72146-94 | SECONDARY LOCK, 6-way pin | FLTRX, FLTRXS |
| 9 | 72169-07 | TERMINAL, pin, 16-20 gauge (14) | FLTRX, FLTRXS |
| 10 | 72188-07BK | HOUSING, 6-way pin (black) (1) | FLTRX, FLTRXS |
| 11 | 72190-94 | TERMINAL, pin, 16-18 gauge (2) | FLTRX, FLTRXS |
| 12 | 72194-94 | TERMINAL, pin, 20 gauge (3) | FLTRX, FLTRXS |
| 13 | 72195-94 | SEAL PIN | FLTRX, FLTRXS |
| 14 | 72209-11 | COVER, wire dress | FLTRX, FLTRXS |
| 15 | 72222-11 | TERMINAL, socket, 18-20 gauge (22) | FLTRX, FLTRXS |
| 16 | 72226-11 | TERMINAL, socket, 14-16 gauge | FLTRX, FLTRXS |
| 17 | 72227-11 | TERMINAL, socket, 18-20 gauge (5) | FLTRX, FLTRXS |
| 18 | 72256-11 | SEAL PIN (8) | FLTRX, FLTRXS |
| 19 | 72296-95 | TERMINAL, female, sealed (2) | FLTRX, FLTRXS |
| 20 | 72298-95 | PLUG, cavity (2) | FLTRX, FLTRXS |
| 21 | 72299-95 | PLUG, cavity (8) | FLTRX, FLTRXS |
| 22 | 72308-97 | TERMINAL, female, 12-14 gauge (4) | FLTRX, FLTRXS |
| 23 | 72331-95 | FUSE, 5-amp, mini (tan) (2) | FLTRX, FLTRXS |
| 24 | 72345-02 | FUSE, 20-amp, mini (yellow) (3) | FLTRX, FLTRXS |
| | | | |

| | | | |
|----|------------|--|------------------|
| 25 | 72350-11 | HOUSING, 1-way socket | FLTRX, FLTRXS |
| 26 | 72356-95 | TERMINAL, socket, 18-20 gauge (10) | FLTRX, FLTRXS |
| 27 | 72412-97 | SEAL, cable, 12-14 gauge (4) | FLTRX, FLTRXS |
| 28 | 72447-07GY | HOUSING, 8-way pin (gray) | FLTRX, FLTRXS |
| 29 | 72484-08 | TERMINAL, socket, 20 gauge (3) | FLTRX, FLTRXS |
| 30 | 72486-08 | WIRE SEAL, 20 gauge (green) (3) | FLTRX, FLTRXS |
| 31 | 72575-11 | SECONDARY LOCK | FLTRX, FLTRXS |
| 32 | 73213-07 | RETAINER, x-mas tree clip | FLTRX, FLTRXS |
| 33 | 73301-04 | HOUSING, 2-way pin | FLTRX, FLTRXS |
| 34 | 73303-04 | SECONDARY LOCK, 2-way socket, female | FLTRX, FLTRXS |
| 35 | 73304-04 | TERMINAL, female, 10 gauge (2) | FLTRX, FLTRXS |
| 36 | 73305-04 | SEAL WIRE, 10 gauge (blue) (2) | FLTRX, FLTRXS |
| 37 | 69200137 | WIRE HARNESS, positive cable | FLTRX, FLTRXS |
| 38 | 69200194 | HOUSING, 24-way fuse block | FLTRX, FLTRXS |
| 39 | 69200195 | COVER, fuse block | FLTRX, FLTRXS |
| 40 | 69200199 | WIRE SEAL, 18-20 gauge (10) | FLTRX, FLTRXS |
| 41 | 69200204 | WEATHER PLUG, 8-way pin | FLTRX, FLTRXS |
| 42 | 69200212 | HOUSING, 2-way | FLTRX, FLTRXS |
| 43 | 69200293 | FUSE, 7.5-amp, mini (brown) (2) | FLTRX, FLTRXS |
| 44 | 69200312 | SECONDARY LOCK, 24-way fuse block (3) | FLTRX, FLTRXS |
| 45 | 69200336 | MAIN FUSE, 50 amp (red), NOTE: Fuse is sold separately and is not part of main harness | FLTRX, FLTRXS |
| 46 | 11100115 | CLOTH, HARNESS WRAP, 50m (not shown) | FLTRX, FLTRXS |

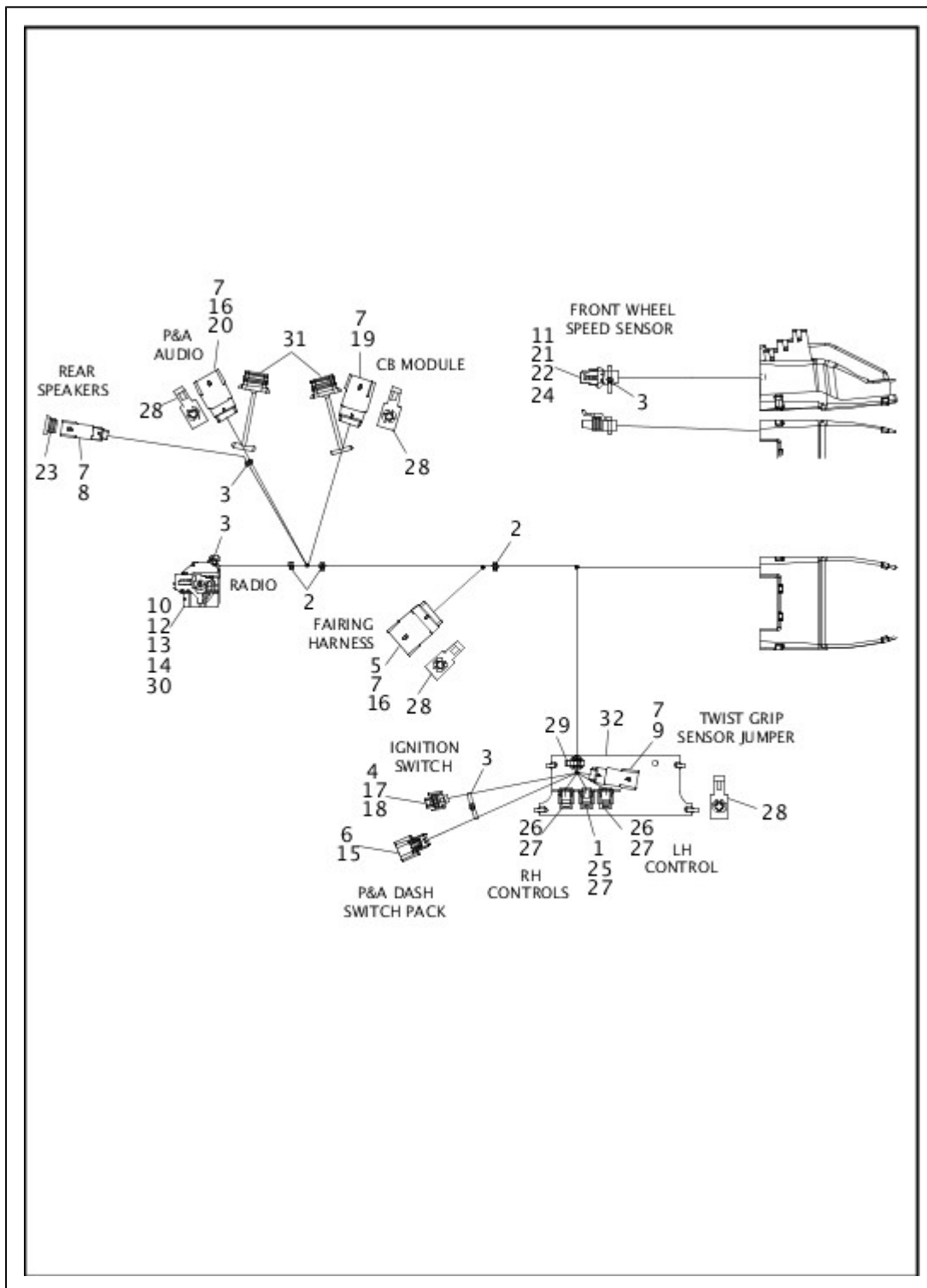
WIRING HARNESS, MAIN, ABS (FAIRING MODELS) - FLTRX & FLTRXS (1 OF 8)



| Index No. | Part No. | Description | Model(s) |
|--|----------|---------------------------|---------------|
| | 69200623 | MAIN WIRING HARNESS - ABS | FLTRX, FLTRXS |
| NOTE: Includes the following parts. | | | |
| 1 | 10006 | CABLE STRAP | FLTRX, FLTRXS |
| 2 | 72130-04 | HOUSING, 12-way socket | FLTRX, FLTRXS |

| | | | |
|----|------------|--|---------------|
| 3 | 72168-07 | TERMINAL, socket, 18-20 gauge (5) | FLTRX, FLTRXS |
| 4 | 72169-07 | TERMINAL, pin, 16-20 gauge (8) | FLTRX, FLTRXS |
| 5 | 72189-04 | SEAL PIN (6) | FLTRX, FLTRXS |
| 6 | 72364-06 | CONNECTOR, w/ terminal | FLTRX, FLTRXS |
| 7 | 72414-07BK | HOUSING, 6-way socket | FLTRX, FLTRXS |
| 8 | 72473-07 | SEAL PIN (5) | FLTRX, FLTRXS |
| 9 | 72490-07GY | HOUSING, 12-way pin (gray) | FLTRX, FLTRXS |
| 10 | 72721-07 | TERMINAL, socket, 18-20 gauge (2) | FLTRX, FLTRXS |
| 11 | 72902-01BK | HOUSING, 2-way pin (black) | FLTRX, FLTRXS |
| 12 | 72912-01BK | HOUSING, 2-way socket (black) | FLTRX, FLTRXS |
| 13 | 72991-01 | SOCKET TERMINAL, 18-22 gauge (black) (2) | FLTRX, FLTRXS |
| 14 | 73213-07 | RETAINER, x-mas tree clip | FLTRX, FLTRXS |
| 15 | 74196-04 | SOCKET TERMINAL, socket (6) | FLTRX, FLTRXS |
| 16 | 74197-04 | SECONDARY LOCK, 12-way socket | FLTRX, FLTRXS |
| 17 | 12500002 | CABLE STRAP | FLTRX, FLTRXS |
| 18 | 69200201 | HOUSING, 2-way socket | FLTRX, FLTRXS |
| 19 | 69200202 | WIRE TROUGH | FLTRX, FLTRXS |
| 20 | 69200203 | COVER, wire trough | FLTRX, FLTRXS |
| 21 | 69200629 | WIRE HARNESS, AM/FM antenna | FLTRX, FLTRXS |
| 22 | 69200700 | CADDY | FLTRX, FLTRXS |

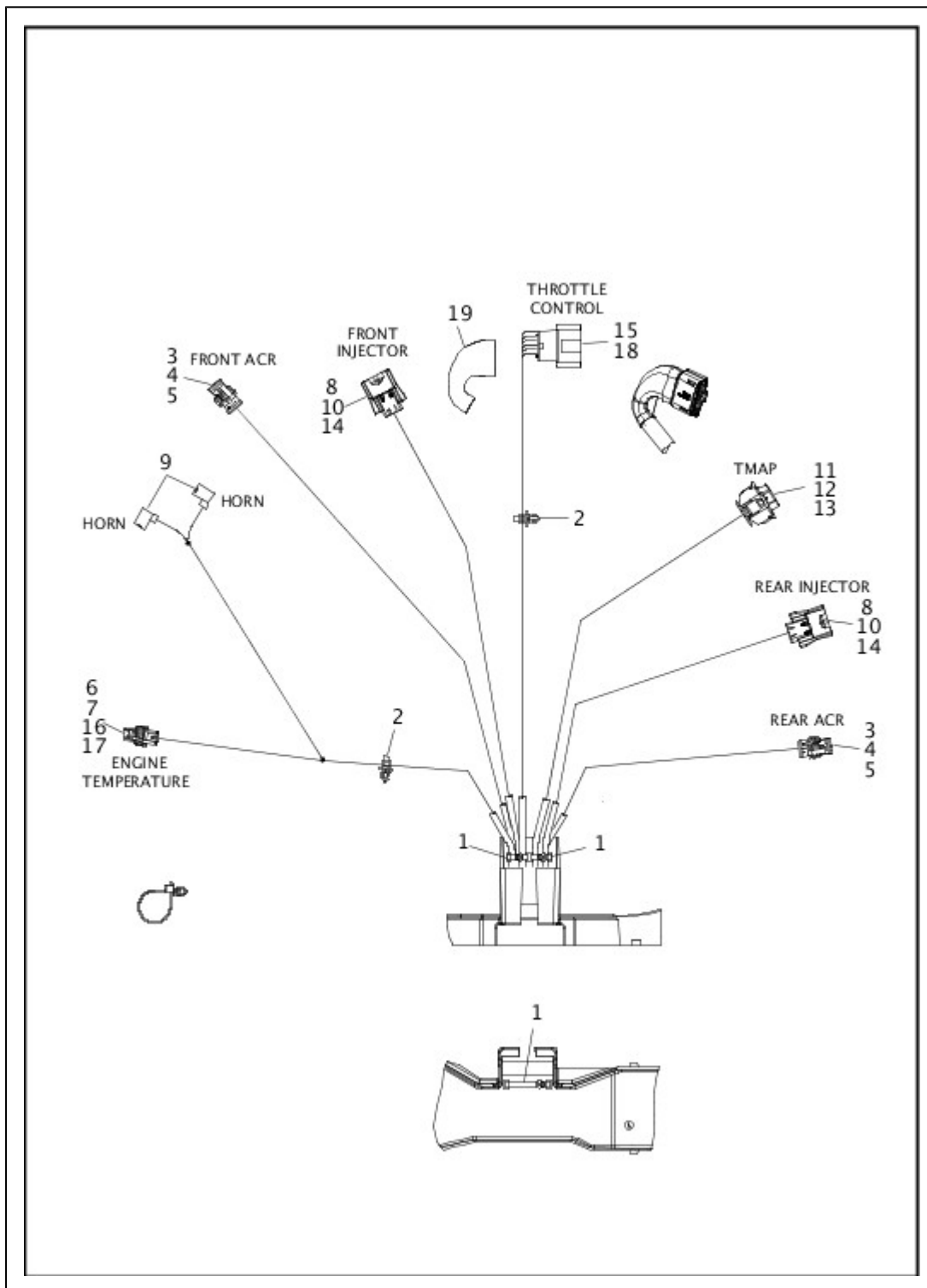
WIRING HARNESS, MAIN, ABS (FAIRING MODELS) - FLTRX & FLTRXS (2 OF 8)



| Index No. | Part No. | Description | Model(s) |
|--|------------|-----------------------------|---------------|
| | 69200623 | MAIN WIRING HARNESS - ABS | FLTRX, FLTRXS |
| NOTE: Includes the following parts. | | | |
| 1 | 5118 | SEAL PIN | FLTRX, FLTRXS |
| 2 | 10006 | CABLE STRAP (3) | FLTRX, FLTRXS |
| 3 | 10065 | CABLE STRAP (4) | FLTRX, FLTRXS |
| 4 | 72062-06 | HOUSING, 2-way socket | FLTRX, FLTRXS |
| 5 | 72167-07BK | HOUSING, 16-way pin (black) | FLTRX, FLTRXS |

| | | | |
|----|------------|---|---------------|
| 6 | 72168-07 | TERMINAL, socket, 18-20 gauge (5) | FLTRX, FLTRXS |
| 7 | 72169-07 | TERMINAL, pin, 16-20 gauge (45) | FLTRX, FLTRXS |
| 8 | 72175-07BK | HOUSING, 4-way pin (black) | FLTRX, FLTRXS |
| 9 | 72188-07BK | HOUSING, 6-way pin (black) | FLTRX, FLTRXS |
| 10 | 72209-11 | COVER, wire dress | FLTRX, FLTRXS |
| 11 | 72213-94 | TERMINAL, socket, female, 16-20 gauge (2) | FLTRX, FLTRXS |
| 12 | 72222-11 | TERMINAL, socket, 18-20 gauge (27) | FLTRX, FLTRXS |
| 13 | 72226-11 | TERMINAL, socket, 14-16 gauge (8) | FLTRX, FLTRXS |
| 14 | 72256-11 | SEAL PIN (13) | FLTRX, FLTRXS |
| 15 | 72414-07BK | HOUSING, 6-way socket | FLTRX, FLTRXS |
| 16 | 72473-07 | SEAL PIN (6) | FLTRX, FLTRXS |
| 17 | 72484-08 | TERMINAL, socket, 20 gauge (2) | FLTRX, FLTRXS |
| 18 | 72486-08 | WIRE SEAL, 20 gauge (green) (2) | FLTRX, FLTRXS |
| 19 | 72488-07BK | HOUSING, 12-way pin (black) | FLTRX, FLTRXS |
| 20 | 72490-07GY | HOUSING, 12-way pin (gray) | FLTRX, FLTRXS |
| 21 | 72606-08 | HOUSING, 2-way socket | FLTRX, FLTRXS |
| 22 | 72610-08 | SEAL, 18-20 gauge (white) (2) | FLTRX, FLTRXS |
| 23 | 72632-10 | WEATHER PLUG, 4-way pin | FLTRX, FLTRXS |
| 24 | 72639-10 | SECONDARY LOCK, 2-way socket | FLTRX, FLTRXS |
| 25 | 72905-11 | HOUSING, 2-way pin (black) | FLTRX, FLTRXS |
| 26 | 72907-11 | HOUSING, 4-way pin (black) (2) | FLTRX, FLTRXS |
| 27 | 72909-11 | TERMINAL, pin, 20-22 gauge (9) | FLTRX, FLTRXS |
| 28 | 73213-07 | RETAINER, x-mas tree clip (4) | FLTRX, FLTRXS |
| 29 | 12500002 | CABLE STRAP | FLTRX, FLTRXS |
| 30 | 69200193 | HOUSING, 48-way socket | FLTRX, FLTRXS |
| 31 | 69200205 | WEATHER PLUG, 12-way pin (2) | FLTRX, FLTRXS |
| 32 | 69200700 | CADDY | FLTRX, FLTRXS |

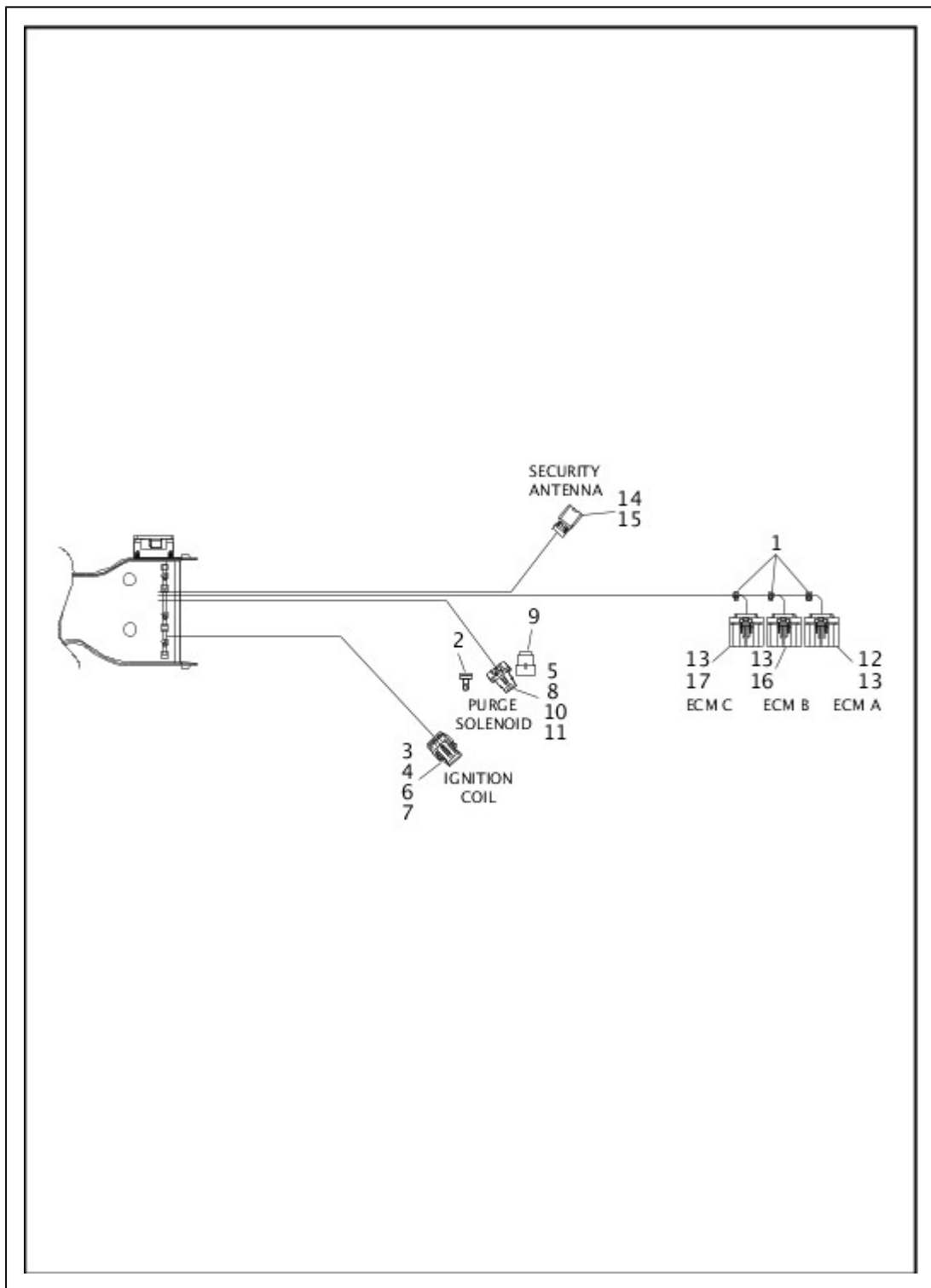
WIRING HARNESS, MAIN, ABS (FAIRING MODELS) - FLTRX & FLTRXS (3 OF 8)



| Index No. | Part No. | Description | Model(s) |
|--|----------|------------------------------------|---------------|
| | 69200623 | MAIN WIRING HARNESS - ABS | FLTRX, FLTRXS |
| NOTE: Includes the following parts. | | | |
| 1 | 10065 | CABLE STRAP (3) | FLTRX, FLTRXS |
| 2 | 10177 | CABLE STRAP, tree mount (2) | FLTRX, FLTRXS |
| 3 | 72007-05 | HOUSING, 2-way socket (2) | FLTRX, FLTRXS |
| 4 | 72010-05 | WIRE SEAL, 22-26 gauge (green) (4) | FLTRX, FLTRXS |
| 5 | 72024-08 | TERMINAL, socket, 20-22 gauge (4) | FLTRX, FLTRXS |

| | | | |
|----|------------|--|---------------|
| 6 | 72063-06 | HOUSING, 2-way socket | FLTRX, FLTRXS |
| 7 | 72111-06 | SECONDARY LOCK, 2-way socket, female (gray) | FLTRX, FLTRXS |
| 8 | 72251-07 | SECONDARY LOCK, 2-way socket (yellow) (2) | FLTRX, FLTRXS |
| 9 | 72283-09 | TERMINAL, female, 14-16 gauge, 90 degree (2) | FLTRX, FLTRXS |
| 10 | 72402-07 | HOUSING, 2-way socket (2) | FLTRX, FLTRXS |
| 11 | 72406-07A | HOUSING, 4-way socket | FLTRX, FLTRXS |
| 12 | 72407-07 | TERMINAL, socket, 16-20 gauge (4) | FLTRX, FLTRXS |
| 13 | 72408-07 | WIRE SEAL, 16-20 gauge (blue) (4) | FLTRX, FLTRXS |
| 14 | 72413-07 | TERMINAL, socket, 18-20 gauge (4) | FLTRX, FLTRXS |
| 15 | 72483-08BK | HOUSING, 6-way socket | FLTRX, FLTRXS |
| 16 | 72484-08 | TERMINAL, socket, 20 gauge (2) | FLTRX, FLTRXS |
| 17 | 72486-08 | WIRE SEAL, 20 gauge (green) (2) | FLTRX, FLTRXS |
| 18 | 72663-11 | TERMINAL, socket, 18-20 gauge (silver) (6) | FLTRX, FLTRXS |
| 19 | 69200437 | RUBBER BOOT, wire connector | FLTRX, FLTRXS |

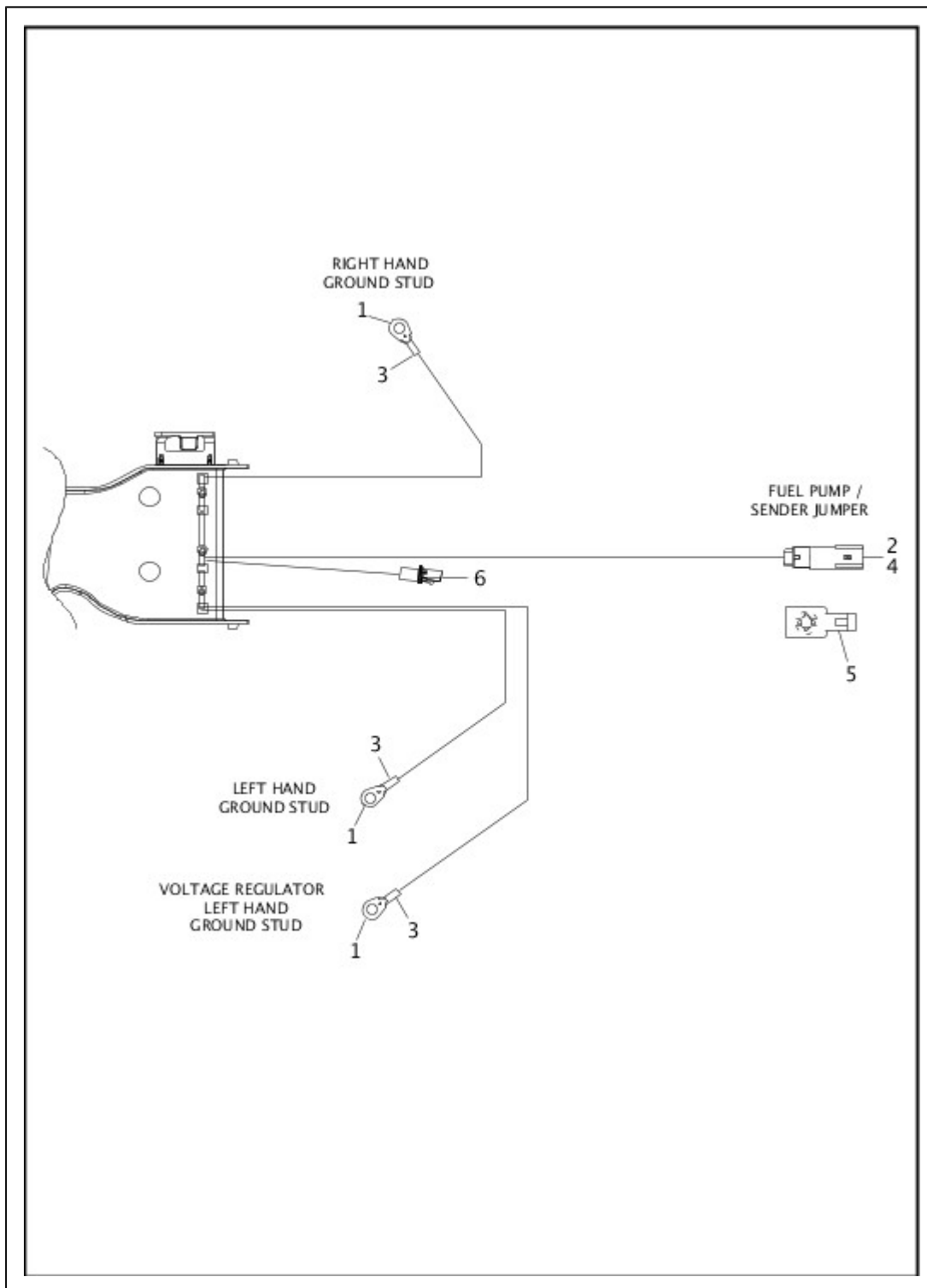
WIRING HARNESS, MAIN, ABS (FAIRING MODELS) - FLTRX & FLTRXS (4 OF 8)



| Index No. | Part No. | Description | Model(s) |
|--|-----------|---|---------------|
| | 69200623 | MAIN WIRING HARNESS - ABS | FLTRX, FLTRXS |
| NOTE: Includes the following parts. | | | |
| 1 | 10065 | CABLE STRAP (3) | FLTRX, FLTRXS |
| 2 | 10147 | CLIP, connector | FLTRX, FLTRXS |
| 3 | 72066-06A | HOUSING, 4-way socket, female (black) | FLTRX, FLTRXS |
| 4 | 72135-06 | SECONDARY LOCK, 4-way socket, female | FLTRX, FLTRXS |
| 5 | 72213-94 | TERMINAL, socket, female, 16-20 gauge (2) | FLTRX, FLTRXS |

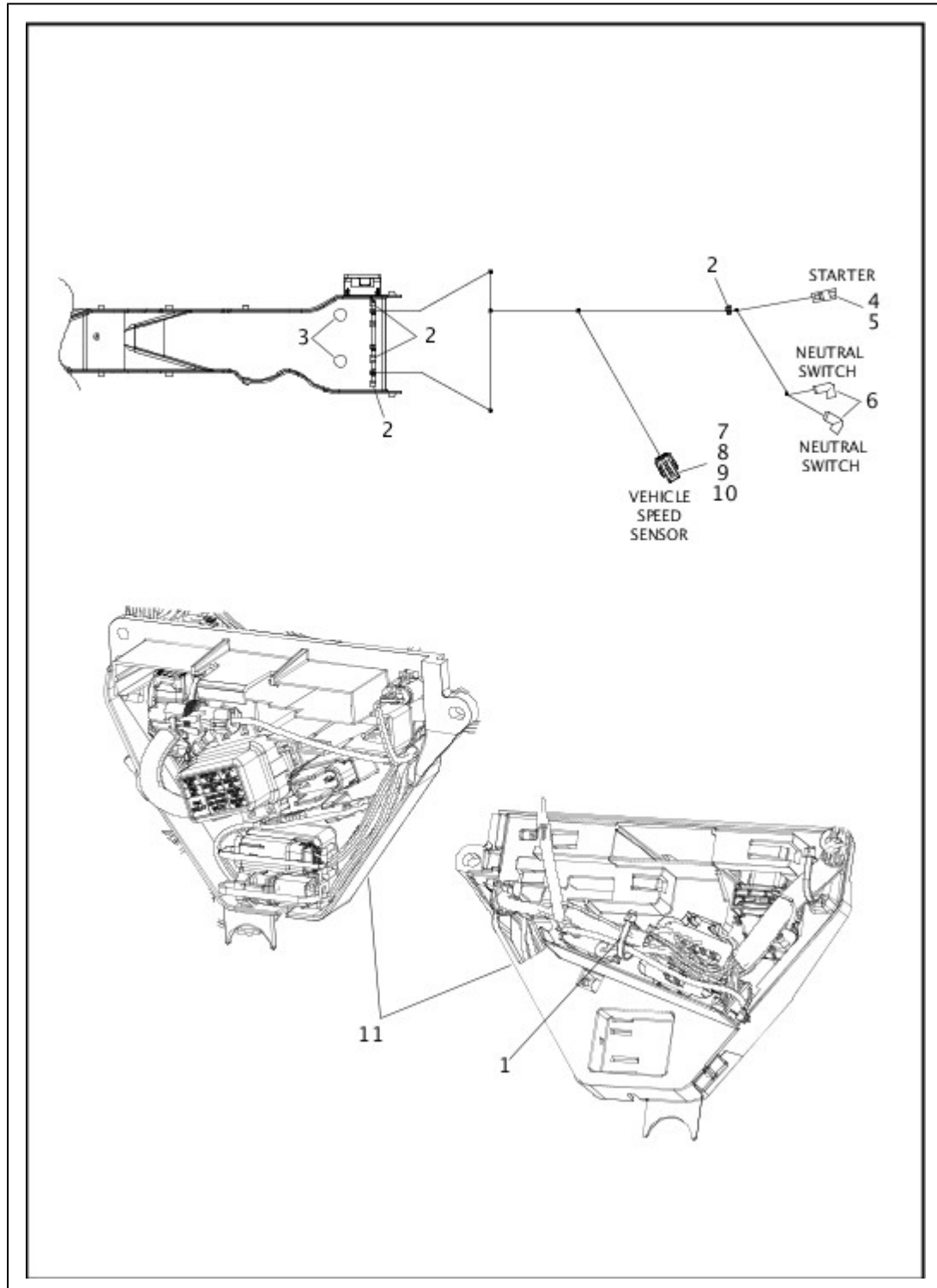
| | | | |
|----|-----------|---|---------------|
| 6 | 72484-08 | TERMINAL, socket, 20 gauge (4) | FLTRX, FLTRXS |
| 7 | 72486-08 | WIRE SEAL, 20 gauge (green) (4) | FLTRX, FLTRXS |
| 8 | 72518-01 | HOUSING, 2-way socket (red) | FLTRX, FLTRXS |
| 9 | 72533-06 | DUST CAP, 2-pin connector | FLTRX, FLTRXS |
| 10 | 72609-08 | SECONDARY LOCK, 2-way socket (black) | FLTRX, FLTRXS |
| 11 | 72610-08 | SEAL, 18-20 gauge (white) (2) | FLTRX, FLTRXS |
| 12 | 72664-12A | HOUSING, 18-way socket (black) | FLTRX, FLTRXS |
| 13 | 72666-12 | TERMINAL, socket, 18-20 gauge (silver) (38) | FLTRX, FLTRXS |
| 14 | 72720-07 | HOUSING, 2-way socket | FLTRX, FLTRXS |
| 15 | 72721-07 | TERMINAL, socket, 18-20 gauge (2) | FLTRX, FLTRXS |
| 16 | 69200267A | HOUSING, 18-way socket (gray) | FLTRX, FLTRXS |
| 17 | 69200268A | HOUSING, 18-way socket (brown) | FLTRX, FLTRXS |

WIRING HARNESS, MAIN, ABS (FAIRING MODELS) - FLTRX & FLTRXS (5 OF 8)



| Index No. | Part No. | Description | Model(s) |
|--|------------|--------------------------------------|---------------|
| | 69200623 | MAIN WIRING HARNESS - ABS | FLTRX, FLTRXS |
| NOTE: Includes the following parts. | | | |
| 1 | 9819 | TERMINAL, 1/4 in. ring, 12 gauge (3) | FLTRX, FLTRXS |
| 2 | 72169-07 | TERMINAL, pin, 16-20 gauge (4) | FLTRX, FLTRXS |
| 3 | 72249-94 | HEAT SHRINK TUBE, .415 x 1 (black) | FLTRX, FLTRXS |
| 4 | 72415-07GY | HOUSING, 4-way pin (gray) (2) | FLTRX, FLTRXS |
| 5 | 73213-07 | RETAINER, x-mas tree clip | FLTRX, FLTRXS |

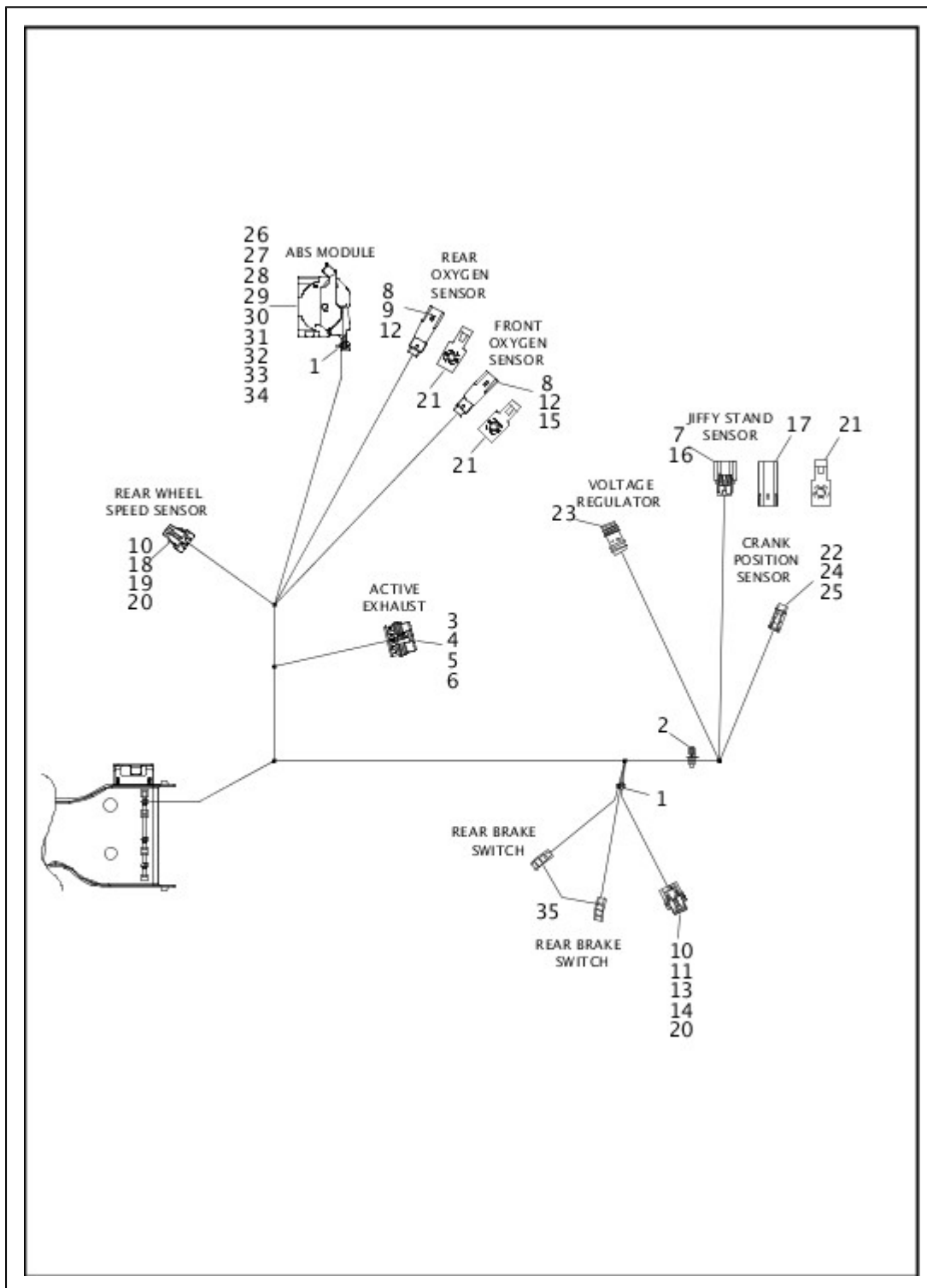
WIRING HARNESS, MAIN, ABS (FAIRING MODELS) - FLTRX & FLTRXS (6 OF 8)



| Index No. | Part No. | Description | Model(s) |
|--|----------|---------------------------|---------------|
| | 69200623 | MAIN WIRING HARNESS - ABS | FLTRX, FLTRXS |
| NOTE: Includes the following parts. | | | |
| 1 | 10006 | CABLE STRAP | FLTRX, FLTRXS |

| | | | |
|----|------------|---|---------------|
| 2 | 10065 | CABLE STRAP (4) | FLTRX, FLTRXS |
| 3 | 11779 | FASTENER, push-in (black) (2) | FLTRX, FLTRXS |
| 4 | 72291-94 | TERMINAL, 14-16 gauge | FLTRX, FLTRXS |
| 5 | 72295-94 | CONNECTOR, starter housing | FLTRX, FLTRXS |
| 6 | 72405-98BK | WIRE ASSEMBLY, push-on, right angle molded, 65-1/2 in. length (2) | FLTRX, FLTRXS |
| 7 | 72484-08 | TERMINAL, socket, 20 gauge (3) | FLTRX, FLTRXS |
| 8 | 72486-08 | WIRE SEAL, 20 gauge (green) (3) | FLTRX, FLTRXS |
| 9 | 72543-07BK | HOUSING, 3-way socket (black) | FLTRX, FLTRXS |
| 10 | 72544-07 | SECONDARY LOCK, 3-way socket, female | FLTRX, FLTRXS |
| 11 | 69200175 | CADDY, fuse block, electrical panel | FLTRX, FLTRXS |

WIRING HARNESS, MAIN, ABS (FAIRING MODELS) - FLTRX & FLTRXS (7 OF 8)

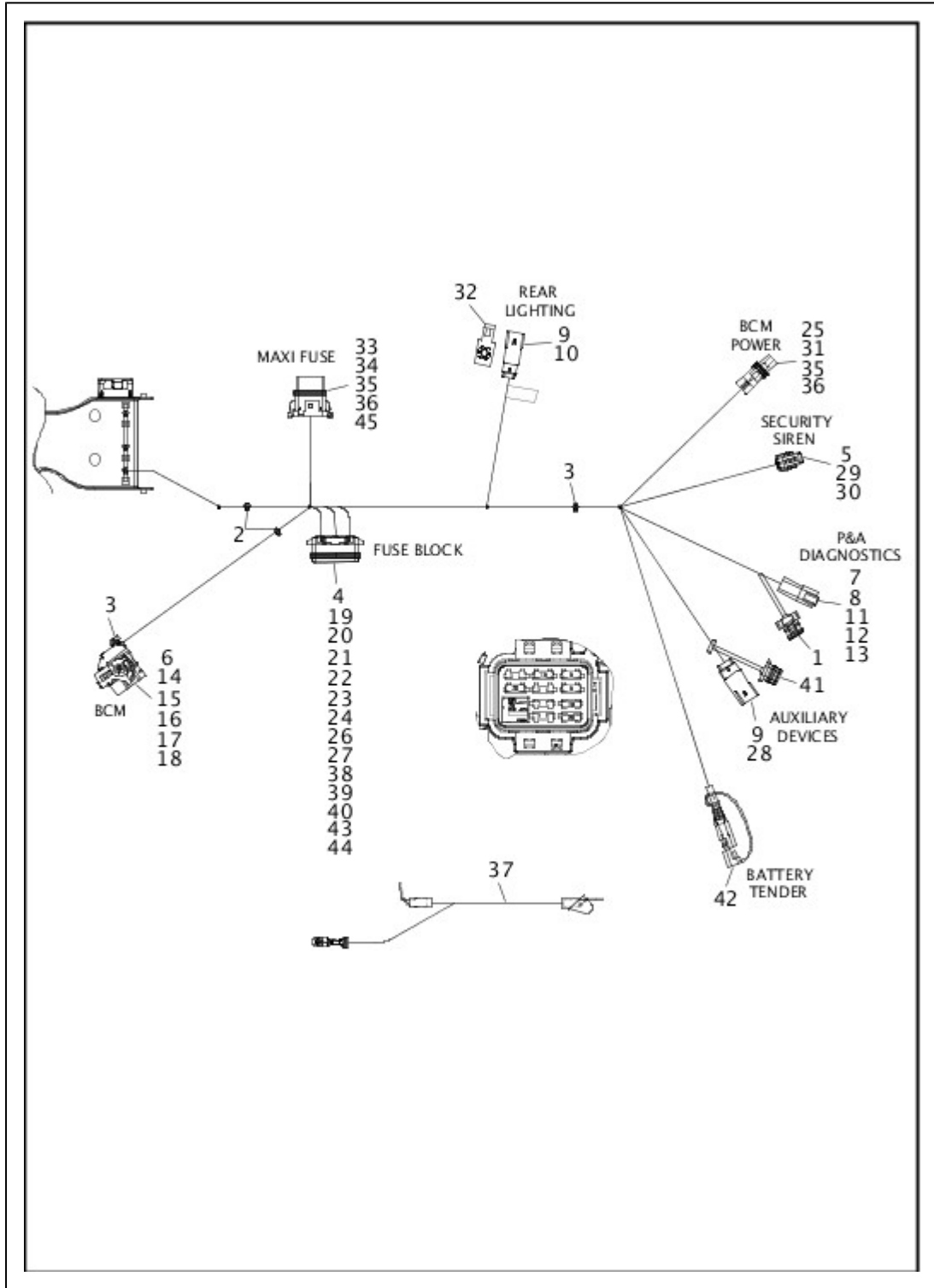


| Index No. | Part No. | Description | Model(s) |
|--|----------|------------------------------------|---------------|
| | 69200623 | MAIN WIRING HARNESS - ABS | FLTRX, FLTRXS |
| NOTE: Includes the following parts. | | | |
| 1 | 10065 | CABLE STRAP (2) | FLTRX, FLTRXS |
| 2 | 10177 | CABLE STRAP, tree mount | FLTRX, FLTRXS |
| 3 | 72010-05 | WIRE SEAL, 22-26 gauge (green) (4) | FLTRX, FLTRXS |
| 4 | 72012-07 | HOUSING, 5-way socket | FLTRX, FLTRXS |
| 5 | 72014-07 | SEAL PIN | FLTRX, FLTRXS |

| | | | |
|----|------------|---|---------------|
| 6 | 72024-08 | TERMINAL, socket, 20-22 gauge (4) | FLTRX, FLTRXS |
| 7 | 72168-07 | TERMINAL, socket, 18-20 gauge (3) | FLTRX, FLTRXS |
| 8 | 72169-07 | TERMINAL, pin, 16-20 gauge (4) | FLTRX, FLTRXS |
| 9 | 72175-07BK | HOUSING, 4-way pin (black) | FLTRX, FLTRXS |
| 10 | 72213-94 | TERMINAL, socket, female, 16-20 gauge (4) | FLTRX, FLTRXS |
| 11 | 72232-96 | SEAL PLUG (2) | FLTRX, FLTRXS |
| 12 | 72343-10 | TERMINAL, pin, 16-20 gauge (gold) (4) | FLTRX, FLTRXS |
| 13 | 72400-99 | CONNECTOR, 4-way | FLTRX, FLTRXS |
| 14 | 72403-99 | SECONDARY LOCK, 4-way | FLTRX, FLTRXS |
| 15 | 72415-07GY | HOUSING, 4-way pin (gray) | FLTRX, FLTRXS |
| 16 | 72512-07BK | HOUSING, 3-way socket (black) | FLTRX, FLTRXS |
| 17 | 72519-09BK | DUST CAP, 3-way socket (black) | FLTRX, FLTRXS |
| 18 | 72606-08 | HOUSING, 2-way socket | FLTRX, FLTRXS |
| 19 | 72609-08 | SECONDARY LOCK, 2-way socket (black) | FLTRX, FLTRXS |
| 20 | 72610-08 | SEAL, 18-20 gauge (white) (4) | FLTRX, FLTRXS |
| 21 | 73213-07 | RETAINER, x-mas tree clip (3) | FLTRX, FLTRXS |
| 22 | 74112-98BK | HOUSING, 2-way socket (black) | FLTRX, FLTRXS |
| 23 | 74120-08 | DC LEAD ASSEMBLY | FLTRX, FLTRXS |
| 24 | 74152-98 | SECONDARY LOCK, 2-way socket | FLTRX, FLTRXS |
| 25 | 74191-98 | TERMINAL, socket (2) | FLTRX, FLTRXS |
| 26 | 69200183 | HOUSING, 26-way socket | FLTRX, FLTRXS |
| 27 | 69200184 | COVER, 26-way socket | FLTRX, FLTRXS |
| 28 | 69200185 | TERMINAL, socket, 20 gauge (6) | FLTRX, FLTRXS |
| 29 | 69200186 | TERMINAL, socket, 14-16 gauge (2) | FLTRX, FLTRXS |
| 30 | 69200187 | TERMINAL, socket, 12 gauge (2) | FLTRX, FLTRXS |
| 31 | 69200188 | WIRE SEAL, 20 gauge (6) | FLTRX, FLTRXS |
| 32 | 69200189 | WIRE SEAL, 14-16 gauge (2) | FLTRX, FLTRXS |
| 33 | 69200190 | WIRE SEAL, 12 gauge (2) | FLTRX, FLTRXS |
| 34 | 69200191 | SEAL PIN (16) | FLTRX, FLTRXS |
| 35 | 69200238 | TERMINAL, 20 gauge (black) (2) | FLTRX, FLTRXS |

WIRING HARNESS, MAIN, ABS (FAIRING MODELS) - FLTRX &

FLTRXS (8 OF 8)

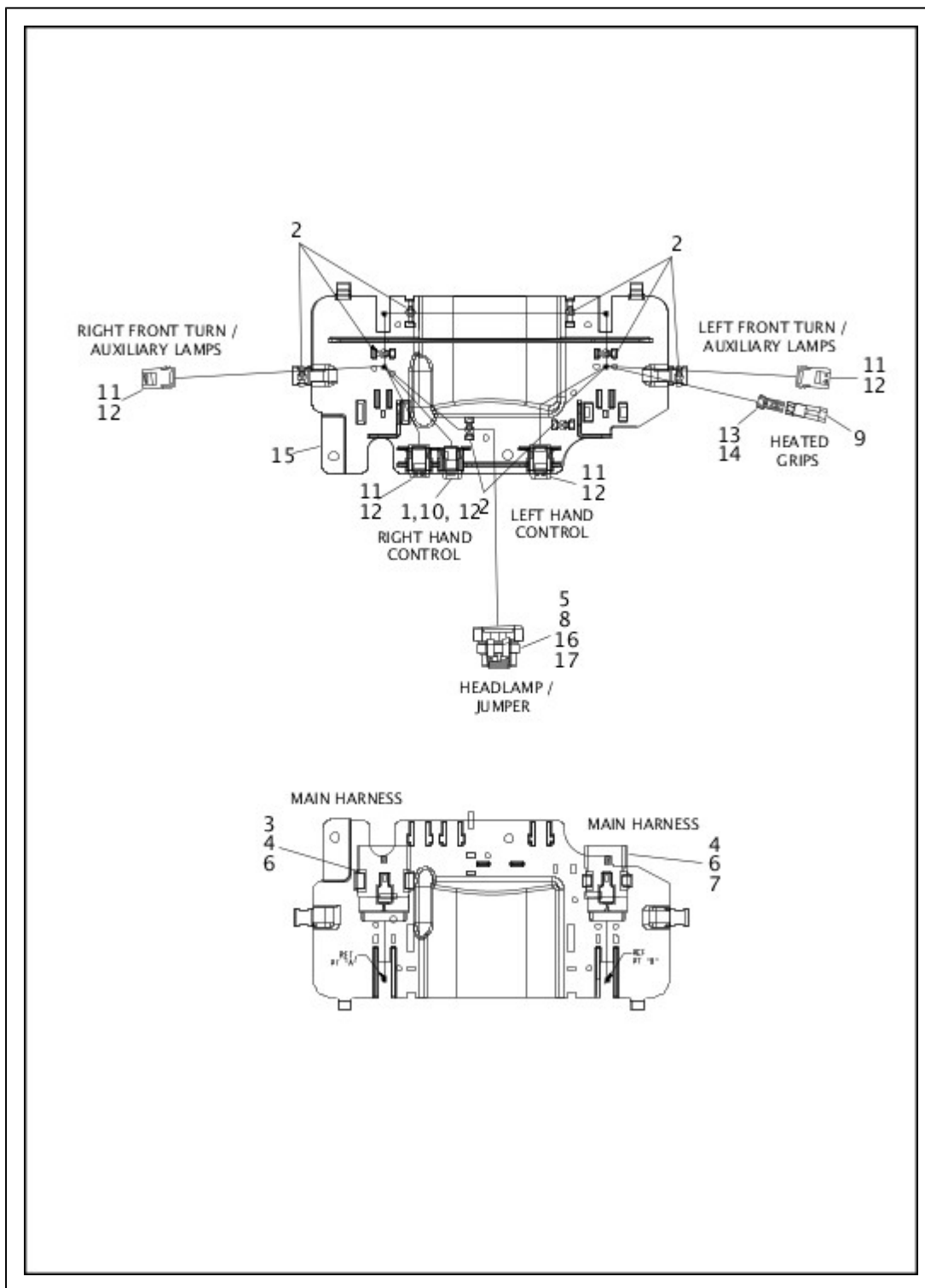


| Index No. | Part No. | Description | Model(s) |
|--|----------|---------------------------|------------------|
| | 69200623 | MAIN WIRING HARNESS - ABS | FLTRX, FLTRXS |
| NOTE: Includes the following parts. | | | |
| 1 | 6990 | WEATHER PLUG, 6-way pin | FLTRX, FLTRXS |
| 2 | 10006 | CABLE STRAP (2) | FLTRX, FLTRXS |

| | | | |
|----|------------|--|------------------|
| 3 | 10065 | CABLE STRAP (2) | FLTRX, FLTRXS |
| 4 | 31586-07 | RELAY | FLTRX, FLTRXS |
| 5 | 72064-06 | HOUSING, 3-way socket, female | FLTRX, FLTRXS |
| 6 | 72081-11 | HOUSING, 48-way socket | FLTRX, FLTRXS |
| 7 | 72106-94BK | HOUSING, 6-pin (black) (replaces gray connector) | FLTRX, FLTRXS |
| 8 | 72146-94 | SECONDARY LOCK, 6-way pin | FLTRX, FLTRXS |
| 9 | 72169-07 | TERMINAL, pin, 16-20 gauge (14) | FLTRX, FLTRXS |
| 10 | 72188-07BK | HOUSING, 6-way pin (black) | FLTRX, FLTRXS |
| 11 | 72190-94 | TERMINAL, pin, 16-18 gauge (2) | FLTRX, FLTRXS |
| 12 | 72194-94 | TERMINAL, pin, 20 gauge (3) | FLTRX, FLTRXS |
| 13 | 72195-94 | SEAL PIN | FLTRX, FLTRXS |
| 14 | 72209-11 | COVER, wire dress | FLTRX, FLTRXS |
| 15 | 72222-11 | TERMINAL, socket, 18-20 gauge (22) | FLTRX, FLTRXS |
| 16 | 72226-11 | TERMINAL, socket, 14-16 gauge | FLTRX, FLTRXS |
| 17 | 72227-11 | TERMINAL, socket, 18-20 gauge (5) | FLTRX, FLTRXS |
| 18 | 72256-11 | SEAL PIN (8) | FLTRX, FLTRXS |
| 19 | 72296-95 | TERMINAL, female, sealed (2) | FLTRX, FLTRXS |
| 20 | 72298-95 | PLUG, cavity (2) | FLTRX, FLTRXS |
| 21 | 72299-95 | PLUG, cavity (8) | FLTRX, FLTRXS |
| 22 | 72308-97 | TERMINAL, female, 12-14 gauge (4) | FLTRX, FLTRXS |
| 23 | 72331-95 | FUSE, 5-amp, mini (tan) (2) | FLTRX, FLTRXS |
| 24 | 72345-02 | FUSE, 20-amp, mini (yellow) (3) | FLTRX, FLTRXS |

| | | | |
|----|------------|--|------------------|
| 25 | 72350-11 | HOUSING, 1-way socket | FLTRX, FLTRXS |
| 26 | 72356-95 | TERMINAL, socket, 18-20 gauge (10) | FLTRX, FLTRXS |
| 27 | 72412-97 | SEAL, cable, 12-14 gauge (4) | FLTRX, FLTRXS |
| 28 | 72447-07GY | HOUSING, 8-way pin (gray) | FLTRX, FLTRXS |
| 29 | 72484-08 | TERMINAL, socket, 20 gauge (3) | FLTRX, FLTRXS |
| 30 | 72486-08 | WIRE SEAL, 20 gauge (green) (3) | FLTRX, FLTRXS |
| 31 | 72575-11 | SECONDARY LOCK | FLTRX, FLTRXS |
| 32 | 73213-07 | RETAINER, x-mas tree clip | FLTRX, FLTRXS |
| 33 | 73301-04 | HOUSING, 2-way pin | FLTRX, FLTRXS |
| 34 | 73303-04 | SECONDARY LOCK, 2-way socket, female | FLTRX, FLTRXS |
| 35 | 73304-04 | TERMINAL, female, 10 gauge (2) | FLTRX, FLTRXS |
| 36 | 73305-04 | SEAL WIRE, 10 gauge (blue) (2) | FLTRX, FLTRXS |
| 37 | 69200137 | WIRE HARNESS, positive cable | FLTRX, FLTRXS |
| 38 | 69200194 | HOUSING, 24-way fuse block | FLTRX, FLTRXS |
| 39 | 69200195 | COVER, fuse block | FLTRX, FLTRXS |
| 40 | 69200199 | WIRE SEAL, 18-20 gauge (10) | FLTRX, FLTRXS |
| 41 | 69200204 | WEATHER PLUG, 8-way pin | FLTRX, FLTRXS |
| 42 | 69200212 | HOUSING, 2-way | FLTRX, FLTRXS |
| 43 | 69200293 | FUSE, 7.5-amp, mini (brown) (2) | FLTRX, FLTRXS |
| 44 | 69200312 | SECONDARY LOCK, 24-way fuse block (3) | FLTRX, FLTRXS |
| 45 | 69200336 | MAIN FUSE, 50 amp (red), NOTE: Fuse is sold separately and is not part of main harness | FLTRX, FLTRXS |
| 46 | 11100115 | CLOTH, HARNESS WRAP, 50m (not shown) | FLTRX, FLTRXS |

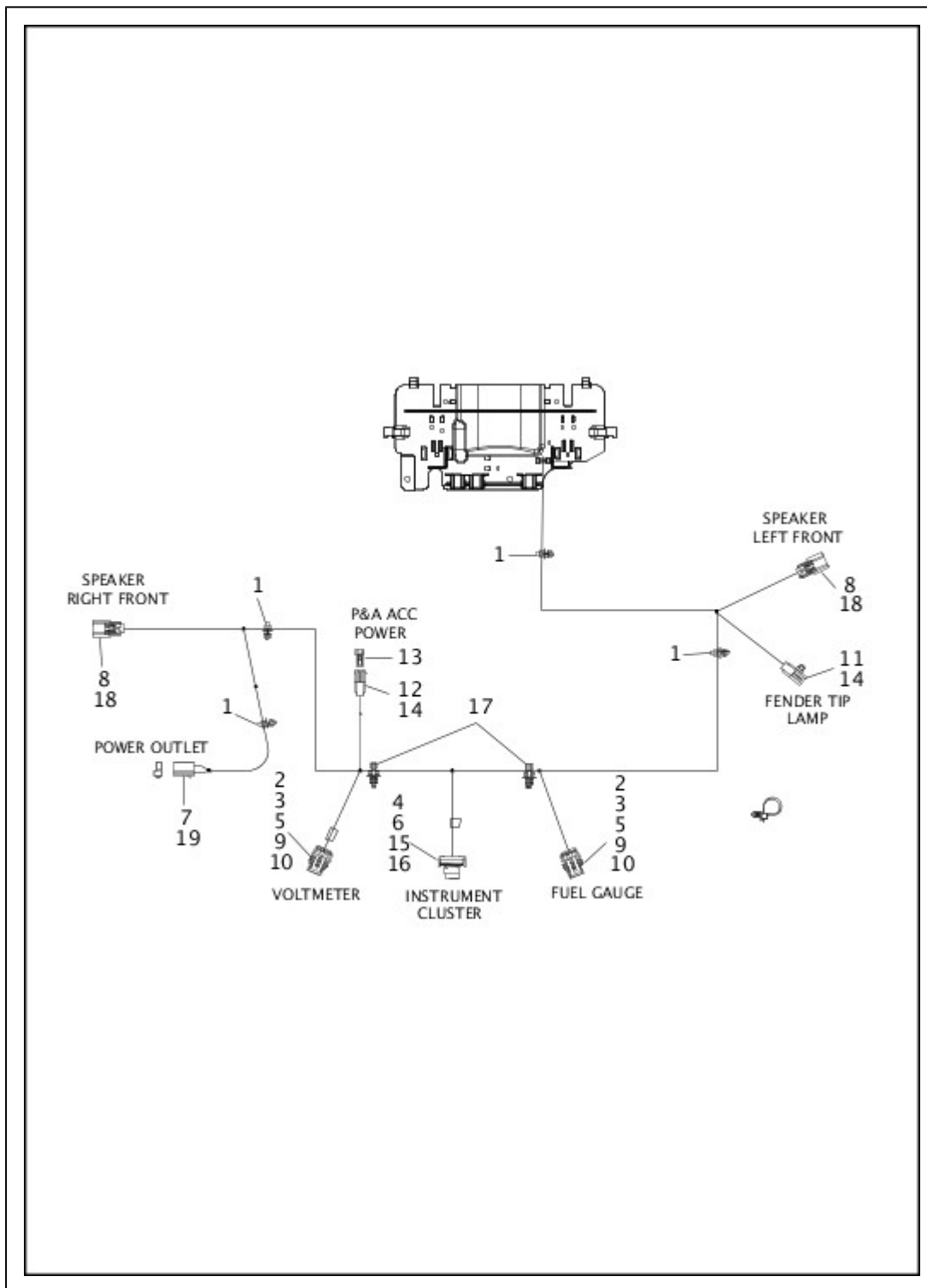
WIRING HARNESS, FAIRING - FLHTCU/L, FLHTK/L, FLHX & FLHXS (1 OF 2)



| Index No. | Part No. | Description | Model(s) |
|--|----------|-------------------------|--|
| | 69200121 | WIRING HARNESS, fairing | FLHTCU, FLHX, FLHTCUL, FLHTK, FLHTCUL TC, FLHTKL, FLHXS, FLHTCU TC |
| NOTE: Includes the following parts. | | | |
| 1 | 5118 | SEAL PIN | FLHTCU, FLHX, FLHTCUL, FLHTK, FLHTCUL TC, FLHTKL, |

| | | | |
|----|------------|-----------------------------------|--|
| | | | FLHXS, FLHTCU TC |
| 2 | 10065 | CABLE STRAP (8) | FLHTCU, FLHX, FLHTCUL, FLHTK, FLHTCUL TC, FLHTKL, FLHXS, FLHTCU TC |
| 3 | 72167-07BK | HOUSING, pin, 16-way (black) | FLHTCU, FLHX, FLHTCUL, FLHTK, FLHTCUL TC, FLHTKL, FLHXS, FLHTCU TC |
| 4 | 72169-07 | TERMINAL, pin, 16-20 gauge (19) | FLHTCU, FLHX, FLHTCUL, FLHTK, FLHTCUL TC, FLHTKL, FLHXS, FLHTCU TC |
| 5 | 72213-94 | SOCKET HOUSING, 2-way (4) | FLHTCU, FLHX, FLHTCUL, FLHTK, FLHTCUL TC, FLHTKL, FLHXS, FLHTCU TC |
| 6 | 72473-07 | SEAL PIN (9) | FLHTCU, FLHX, FLHTCUL, FLHTK, FLHTCUL TC, FLHTKL, FLHXS, FLHTCU TC |
| 7 | 72490-07GY | PIN HOUSING, 12-way (gray) | FLHTCU, FLHX, FLHTCUL, FLHTK, FLHTCUL TC, FLHTKL, FLHXS, FLHTCU TC |
| 8 | 72610-08 | CABLE SEAL, 18-20 AWG (white) (4) | FLHTCU, FLHX, FLHTCUL, FLHTK, FLHTCUL TC, FLHTKL, FLHXS, FLHTCU TC |
| 9 | 72902-01BK | PIN HOUSING, 2-way (black) | FLHTCU, FLHX, FLHTCUL, FLHTK, FLHTCUL TC, FLHTKL, FLHXS, FLHTCU TC |
| 10 | 72905-11 | HOUSING, 2-way pin (black) | FLHTCU, FLHX, FLHTCUL, FLHTK, FLHTCUL TC, FLHTKL, FLHXS, FLHTCU TC |
| 11 | 72907-11 | HOUSING, 4-way pin (4) | FLHTCU, FLHX, FLHTCUL, FLHTK, FLHTCUL TC, FLHTKL, FLHXS, FLHTCU TC |
| 12 | 72909-11 | TERMINAL, pin, 20-22 gauge (17) | FLHTCU, FLHX, FLHTCUL, FLHTK, FLHTCUL TC, FLHTKL, FLHXS, FLHTCU TC |
| 13 | 72912-01BK | HOUSING SOCKET, 2-way (black) | FLHTCU, FLHX, FLHTCUL, FLHTK, FLHTCUL TC, FLHTKL, FLHXS, FLHTCU TC |
| 14 | 72991-01 | SOCKET TERMINAL, 18-22 AWG (2) | FLHTCU, FLHX, FLHTCUL, FLHTK, FLHTCUL TC, FLHTKL, FLHXS, FLHTCU TC |
| 15 | 69200109 | CADDY, fairing harness | FLHTCU, FLHX, FLHTCUL, FLHTK, FLHTCUL TC, FLHTKL, FLHXS, FLHTCU TC |
| 16 | 69200254 | SOCKET HOUSING, 4-way | FLHTCU, FLHX, FLHTCUL, FLHTK, FLHTCUL TC, FLHTKL, FLHXS, FLHTCU TC |
| 17 | 69200256 | LOCK, secondary, 4-way | FLHTCU, FLHX, FLHTCUL, FLHTK, FLHTCUL TC, FLHTKL, FLHXS, FLHTCU TC |

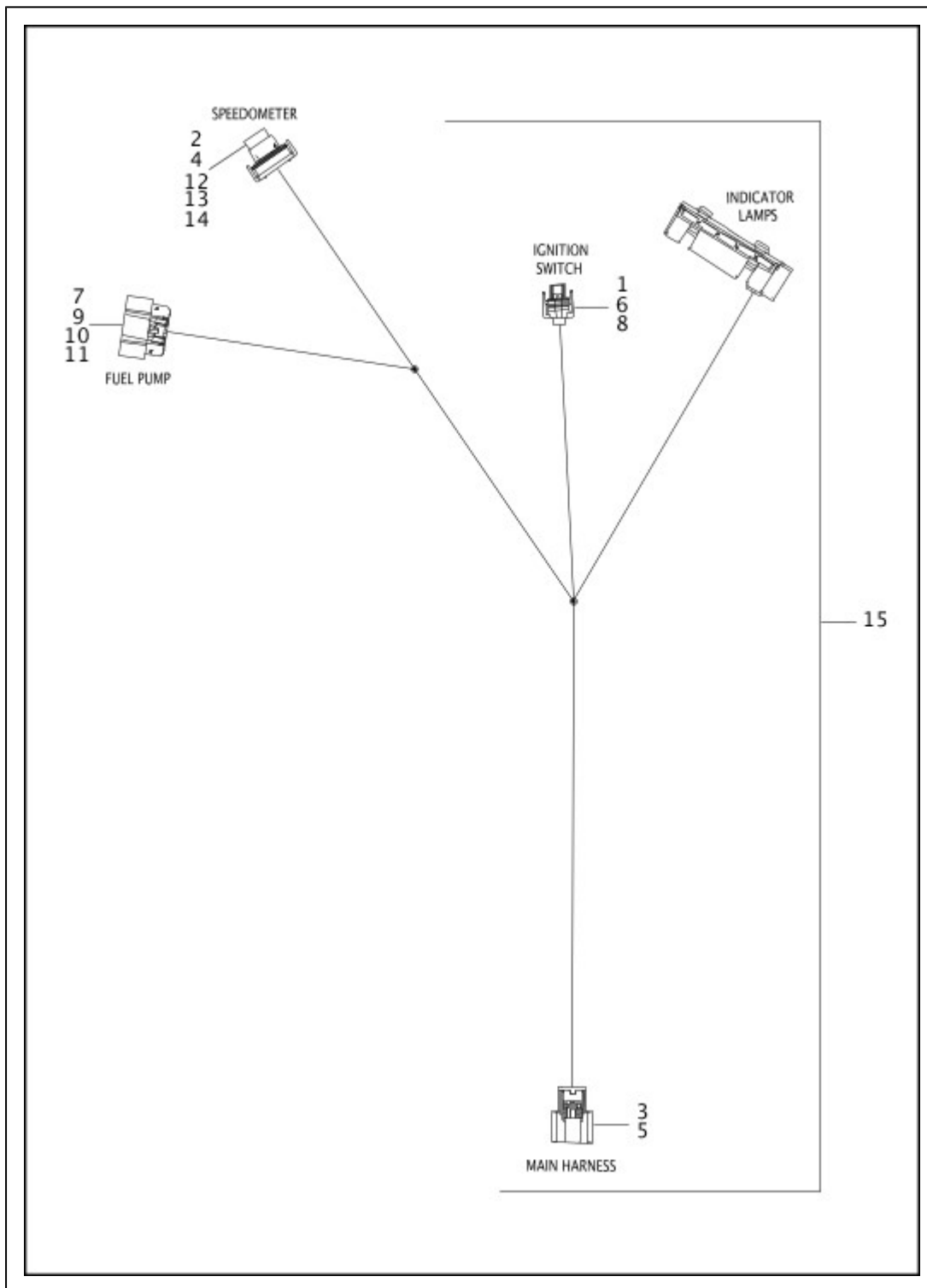
WIRING HARNESS, FAIRING - FLHTCU/L, FLHTK/L, FLHX & FLHXS (2 OF 2)



| Index No. | Part No. | Description | Model(s) |
|--|-----------|--|--|
| | 69200121 | WIRING HARNESS, fairing | FLHTCU, FLHX, FLHTCUL, FLHTK, FLHTCUL TC, FLHTKL, FLHXS, FLHTCU TC |
| NOTE: Includes the following parts. | | | |
| 1 | 10177 | CABLE STRAP, tree mount (4) | FLHTCU, FLHX, FLHTCUL, FLHTK, FLHTCUL TC, FLHTKL, FLHXS, FLHTCU TC |
| 2 | 72066-06A | SOCKET HOUSING, 4-way female (black) (2) | FLHTCU, FLHX, FLHTCUL, FLHTK, FLHTCUL TC, FLHTKL, FLHXS, FLHTCU TC |
| 3 | 72097-06 | CAVITY PLUG, oval (orange) (2) | FLHTCU, FLHX, FLHTCUL, FLHTK, FLHTCUL TC, |

| | | | |
|----|------------|--|--|
| | | | FLHTKL, FLHXS, FLHTCU TC |
| 4 | 72130-04 | SOCKET HOUSING, 12-way (black) | FLHTCU, FLHX, FLHTCUL, FLHTK, FLHTCUL TC, FLHTKL, FLHXS, FLHTCU TC |
| 5 | 72135-06 | LOCK, secondary, 4-way female (2) | FLHTCU, FLHX, FLHTCUL, FLHTK, FLHTCUL TC, FLHTKL, FLHXS, FLHTCU TC |
| 6 | 72189-04 | SEAL PIN (5) | FLHTCU, FLHX, FLHTCUL, FLHTK, FLHTCUL TC, FLHTKL, FLHXS, FLHTCU TC |
| 7 | 72264-94 | TERMINAL, socket, 18-20 gauge (2) | FLHTCU, FLHX, FLHTCUL, FLHTK, FLHTCUL TC, FLHTKL, FLHXS, FLHTCU TC |
| 8 | 72272-07 | TERMINAL, socket, 14-16 AWG (4) | FLHTCU, FLHX, FLHTCUL, FLHTK, FLHTCUL TC, FLHTKL, FLHXS, FLHTCU TC |
| 9 | 72484-08 | TERMINAL, socket, 20 AWG (6) | FLHTCU, FLHX, FLHTCUL, FLHTK, FLHTCUL TC, FLHTKL, FLHXS, FLHTCU TC |
| 10 | 72486-08 | SEAL WIRE, 20 AWG (green) (6) | FLHTCU, FLHX, FLHTCUL, FLHTK, FLHTCUL TC, FLHTKL, FLHXS, FLHTCU TC |
| 11 | 73101-96BK | PIN HOUSING, 2-way, w/ panel mount (black) | FLHTCU, FLHX, FLHTCUL, FLHTK, FLHTCUL TC, FLHTKL, FLHXS, FLHTCU TC |
| 12 | 73102-96BK | PIN HOUSING, 2-way (black) | FLHTCU, FLHX, FLHTCUL, FLHTK, FLHTCUL TC, FLHTKL, FLHXS, FLHTCU TC |
| 13 | 73152-96BK | SOCKET HOUSING, 2-way (black) | FLHTCU, FLHX, FLHTCUL, FLHTK, FLHTCUL TC, FLHTKL, FLHXS, FLHTCU TC |
| 14 | 73190-96 | TERMINAL, pin, 16-20 AWG (4) | FLHTCU, FLHX, FLHTCUL, FLHTK, FLHTCUL TC, FLHTKL, FLHXS, FLHTCU TC |
| 15 | 74196-04 | TERMINAL, socket (7) | FLHTCU, FLHX, FLHTCUL, FLHTK, FLHTCUL TC, FLHTKL, FLHXS, FLHTCU TC |
| 16 | 74197-04 | SOCKET LOCK, secondary 12-way | FLHTCU, FLHX, FLHTCUL, FLHTK, FLHTCUL TC, FLHTKL, FLHXS, FLHTCU TC |
| 17 | 12500002 | CABLE STRAP (2) | FLHTCU, FLHX, FLHTCUL, FLHTK, FLHTCUL TC, FLHTKL, FLHXS, FLHTCU TC |
| 18 | 69200271 | SOCKET HOUSING, 2-way (2) | FLHTCU, FLHX, FLHTCUL, FLHTK, FLHTCUL TC, FLHTKL, FLHXS, FLHTCU TC |
| 19 | 69200337 | SOCKET HOUSING, 2-way | FLHTCU, FLHX, FLHTCUL, FLHTK, FLHTCUL TC, FLHTKL, FLHXS, FLHTCU TC |

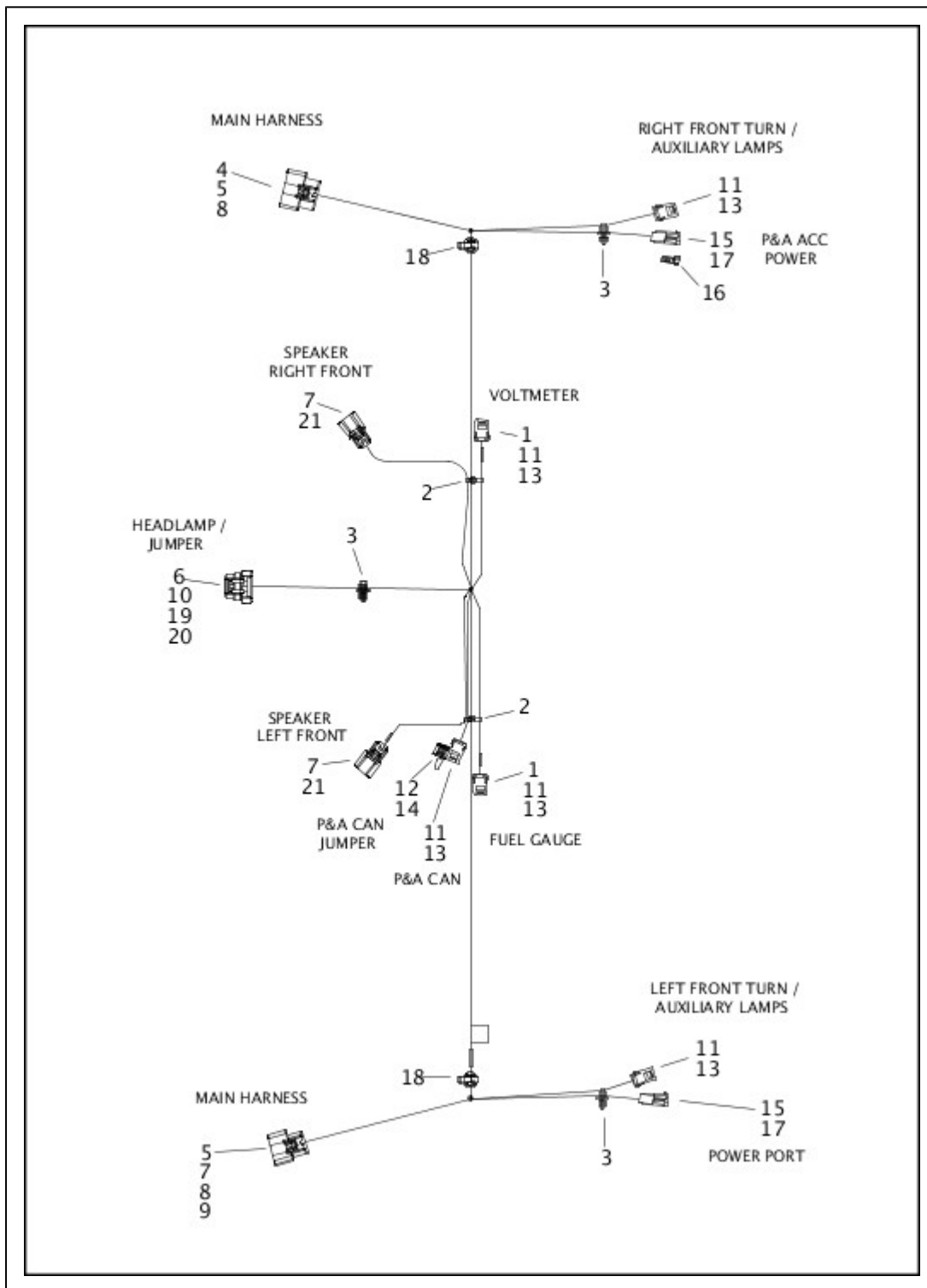
WIRING HARNESS, CONSOLE - FLHR & FLHRC



| Index No. | Part No. | Description | Model(s) |
|-----------|------------|---------------------------------|-------------|
| 1 | 72062-06 | SOCKET HOUSING, 2-way | FLHR, FLHRC |
| 2 | 72130-04 | SOCKET HOUSING, 12-way (black) | FLHR, FLHRC |
| 3 | 72168-07 | TERMINAL, socket, 18-20 AWG (8) | FLHR, FLHRC |
| 4 | 72189-04 | SEAL PIN (2) | FLHR, FLHRC |
| 5 | 72479-07BK | SOCKET HOUSING, 8-way (black) | FLHR, FLHRC |
| 6 | 72484-08 | TERMINAL, socket, 20 AWG (2) | FLHR, FLHRC |
| 7 | 72485-07 | SOCKET HOUSING, 4-way | FLHR, FLHRC |

| | | | |
|----|----------|--------------------------------|-------------|
| 8 | 72486-08 | WIRE SEAL, 20 AWG (green) (2) | FLHR, FLHRC |
| 9 | 72493-07 | TERMINAL SOCKET, 16-18 AWG (4) | FLHR, FLHRC |
| 10 | 72494-07 | WIRE SEAL, 16-18 AWG (4) | FLHR, FLHRC |
| 11 | 72557-07 | SECONDARY LOCK, 4-way socket | FLHR, FLHRC |
| 12 | 72662-11 | TERMINAL, socket, 22 AWG (5) | FLHR, FLHRC |
| 13 | 74196-04 | TERMINAL, socket, 20 AWG (5) | FLHR, FLHRC |
| 14 | 74197-04 | SOCKET LOCK, secondary 12-way | FLHR, FLHRC |
| 15 | 69200124 | HARNESS ASSEMBLY, console | FLHR, FLHRC |

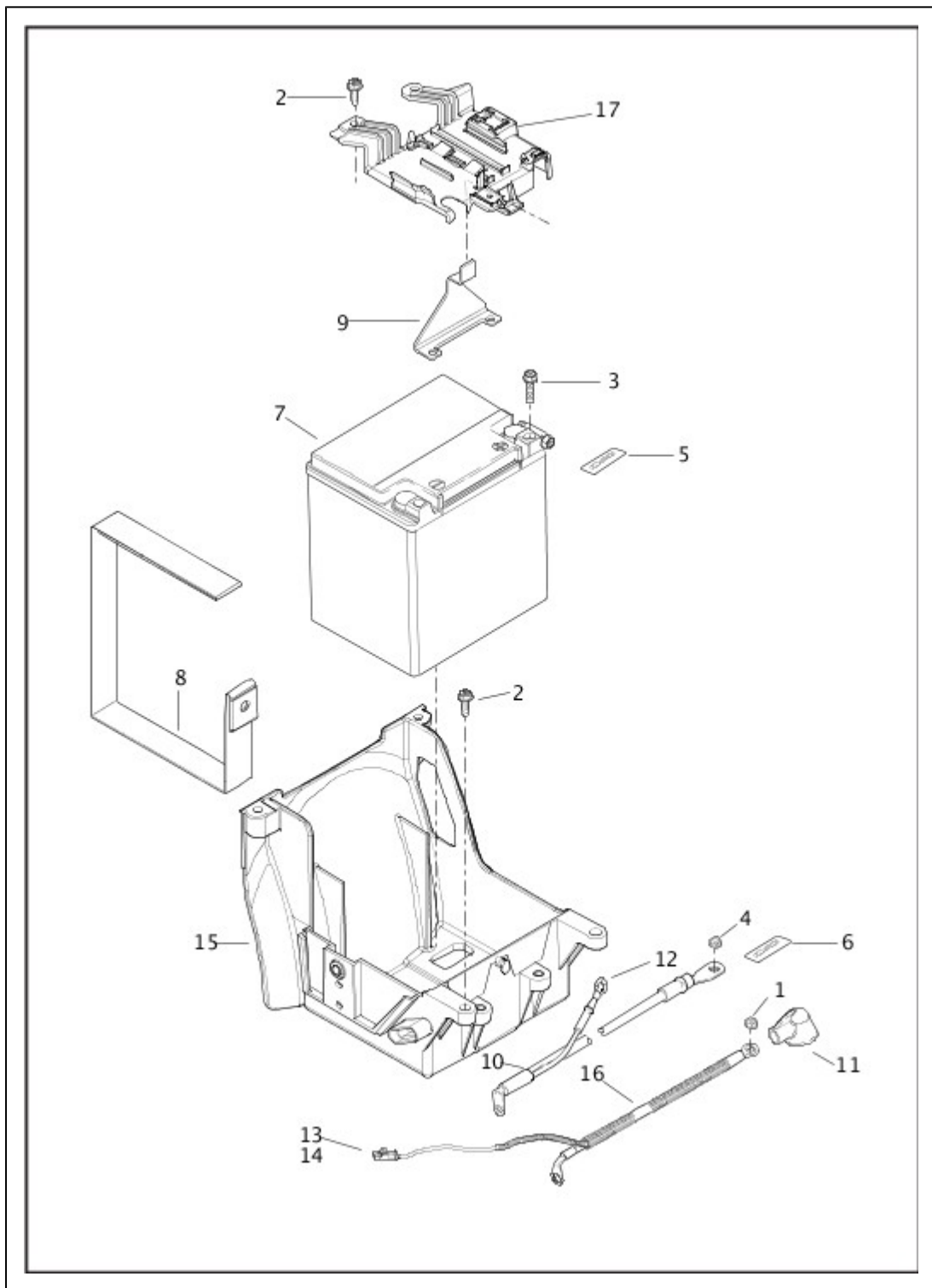
WIRING HARNESS, FAIRING - FLTRX & FLTRXS



| Index No. | Part No. | Description | Model(s) |
|--|------------|----------------------------------|---------------|
| | 69200122 | WIRING HARNESS - FAIRING | FLTRX, FLTRXS |
| NOTE: Includes the following parts. | | | |
| 1 | 5118 | SEAL PIN | FLTRX, FLTRXS |
| 2 | 10006 | CABLE STRAP (2) | FLTRX, FLTRXS |
| 3 | 10177 | CABLE STRAP, tree mount (3) | FLTRX, FLTRXS |
| 4 | 72166-07BK | HOUSING, 16-way socket (black) | FLTRX, FLTRXS |
| 5 | 72168-07 | TERMINAL, socket, 18-20 AWG (16) | FLTRX, FLTRXS |

| | | | |
|----|------------|---|---------------|
| 6 | 72213-94 | TERMINAL, socket, female, 16-20 AWG (4) | FLTRX, FLTRXS |
| 7 | 72272-07 | TERMINAL, socket, 14-16 AWG (8) | FLTRX, FLTRXS |
| 8 | 72473-07 | SEAL PIN (8) | FLTRX, FLTRXS |
| 9 | 72489-07GY | HOUSING, 12-way socket (gray) | FLTRX, FLTRXS |
| 10 | 72610-08 | CABLE SEAL, 18-20 AWG (white) (4) | FLTRX, FLTRXS |
| 11 | 72907-11 | HOUSING, 4-way pin (black) (5) | FLTRX, FLTRXS |
| 12 | 72908-11 | SOCKET HOUSING, 4-place | FLTRX, FLTRXS |
| 13 | 72909-11 | TERMINAL, pin, 20-22 AWG (18) | FLTRX, FLTRXS |
| 14 | 72910-11 | TERMINAL, pin, 20-22 AWG (4) | FLTRX, FLTRXS |
| 15 | 73102-96BK | HOUSING, 2-way pin (black) (2) | FLTRX, FLTRXS |
| 16 | 73152-96BK | SOCKET HOUSING, 2-way (black) | FLTRX, FLTRXS |
| 17 | 73190-96 | TERMINAL, pin, 16-20 AWG (4) | FLTRX, FLTRXS |
| 18 | 12500002 | CABLE STRAP (2) | FLTRX, FLTRXS |
| 19 | 69200254 | HOUSING, 4-way socket | FLTRX, FLTRXS |
| 20 | 69200256 | SECONDARY LOCK, 4-way | FLTRX, FLTRXS |
| 21 | 69200271 | HOUSING, 2-way socket (2) | FLTRX, FLTRXS |

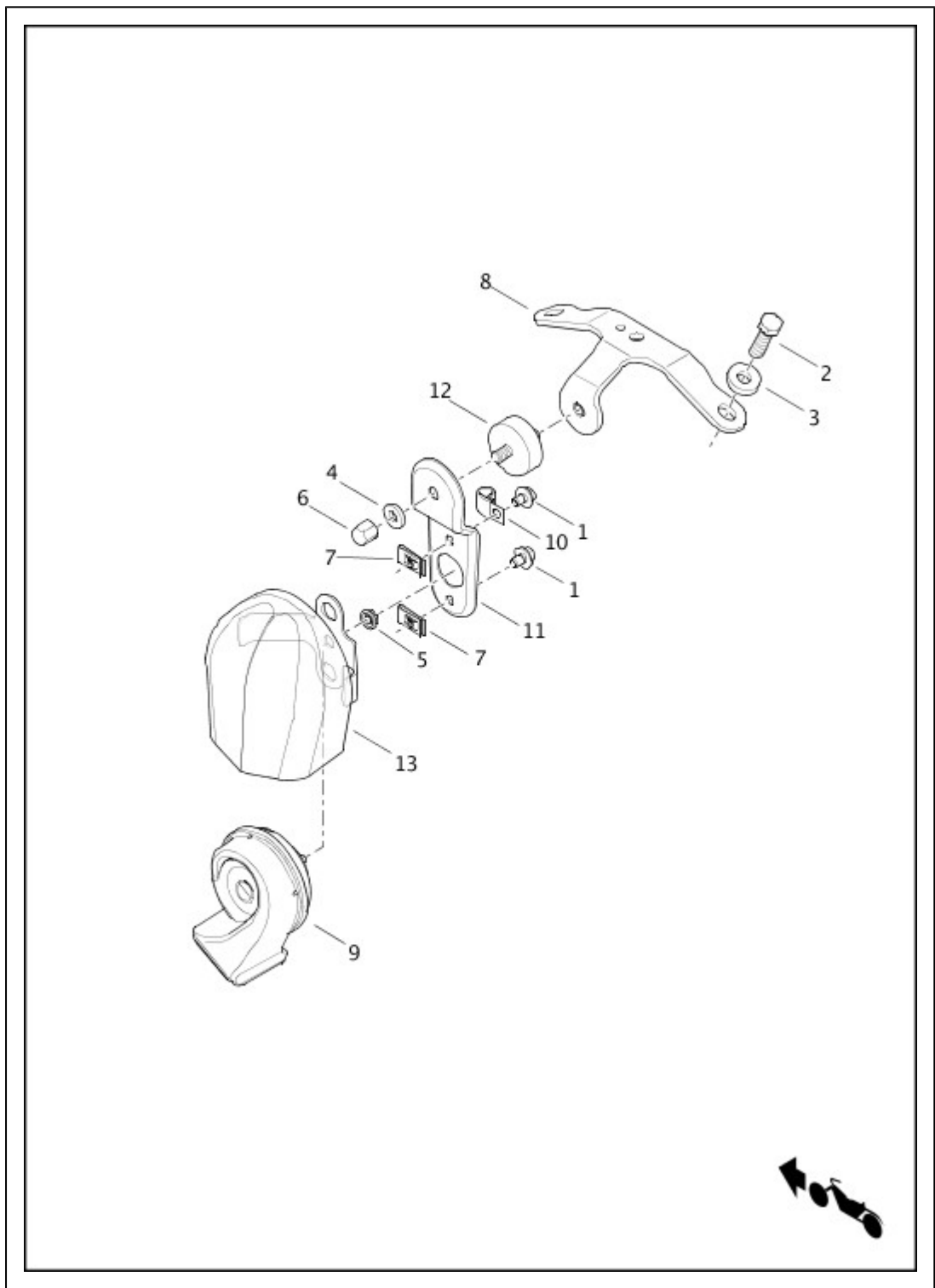
BATTERY



| Index No. | Part No. | Description | Model(s) |
|-----------|----------|-------------------------|---------------------|
| 1 | 3403 | LOCKNUT | |
| 2 | 3634 | SCREW (6) | |
| 3 | 4312C | SCREW (2) | |
| 4 | 7792 | NUT | |
| 5 | 14263-04 | LABEL BATTERY, (Brazil) | FLHRC, FLHTK, FLHXS |
| 6 | 15368- | LABEL BATTERY WARNING | |

| | | | |
|----|-----------|---|---------------------|
| | 01A | | |
| 7 | 66010-97C | BATTERY, w/ 4312C (except Brazil) | |
| | 66000066 | BATTERY, w/ 4312C (Brazil) | FLHRC, FLHTK, FLHXS |
| 8 | 66051-08 | STRAP, battery removal | |
| 9 | 66200-09 | BRACKET, battery hold down | |
| 10 | 70267-09 | CABLE ASSEMBLY, starter to ground, w/ 72242-94 | |
| 11 | 70578-89 | BOOT, battery positive | |
| 12 | 72242-94 | TERMINAL, ring | |
| 13 | 73304-04 | TERMINAL, female, 10 AWG | |
| 14 | 73305-04 | SEAL WIRE, 10 AWG (blue) | |
| 15 | 66000010 | BATTERY TRAY | |
| 16 | 69200137 | CABLE ASSEMBLY, battery positive to starter, w/ 70578-89, 73304-04 & 73305-04 | |
| 17 | 69200174 | CADDY, electronic control module (ECM) | |

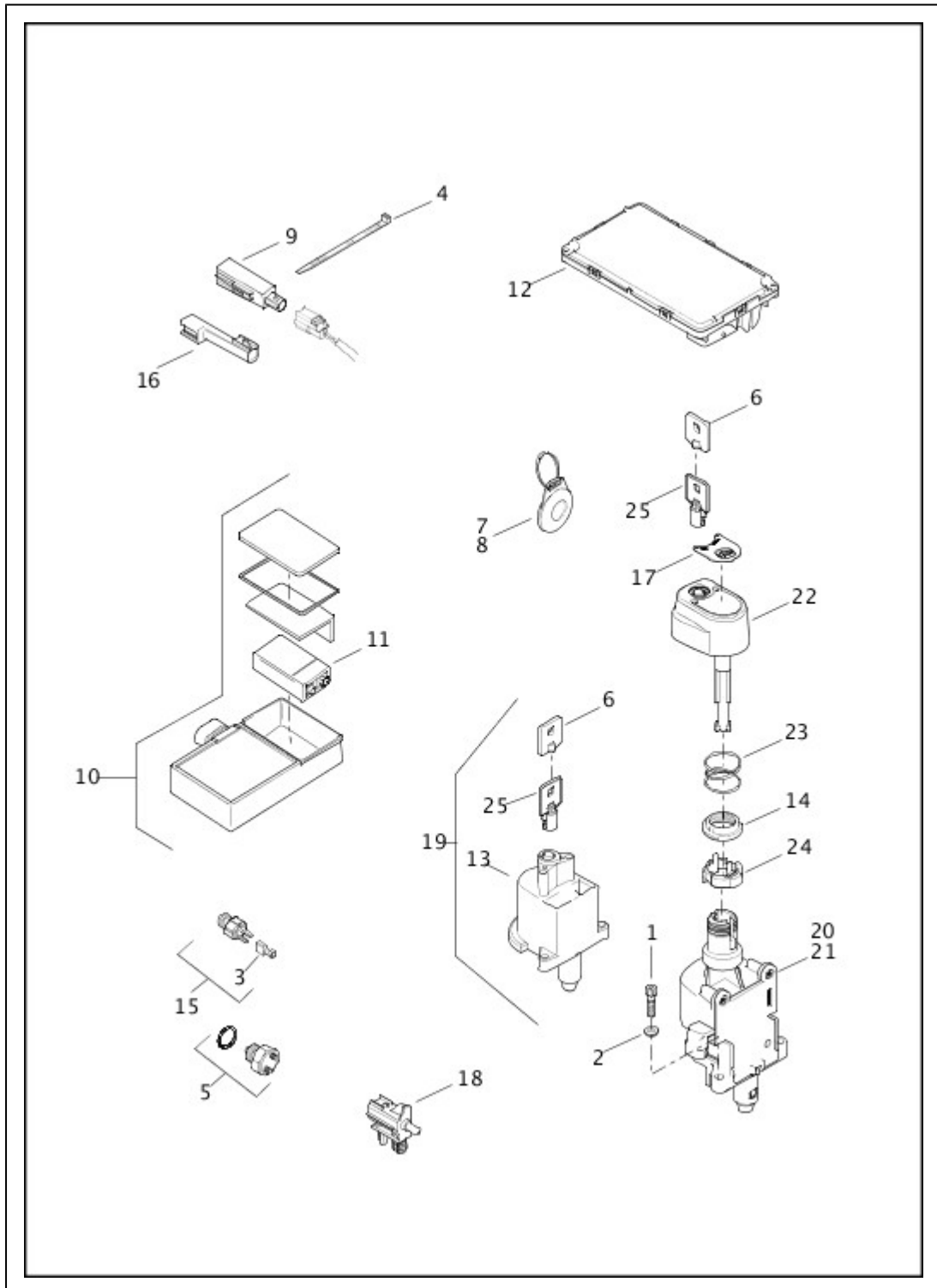
HORN



| Index No. | Part No. | Description | Model(s) |
|-----------|----------|--------------|----------|
| 1 | 3563 | SCREW (2) | |
| 2 | 4775 | SCREW (2) | |
| 3 | 6019 | WASHER (2) | |
| 4 | 6109 | WASHER | |
| 5 | 7495 | NUT | |
| 6 | 7549A | ACORN NUT | |
| 7 | 8108 | SPEEDNUT (2) | |

| | | | |
|----|-----------|------------------------------|--|
| 8 | 16316-08 | BRACKET ASSEMBLY, horn mount | |
| 9 | 69060-90H | HORN ASSEMBLY | |
| 10 | 69062-91A | CLAMP | |
| 11 | 69120-91 | BRACKET, horn | |
| 12 | 69123-92A | MOUNT, horn, rubber | |
| 13 | 61300478 | COVER, horn (chrome) | |

SWITCHES

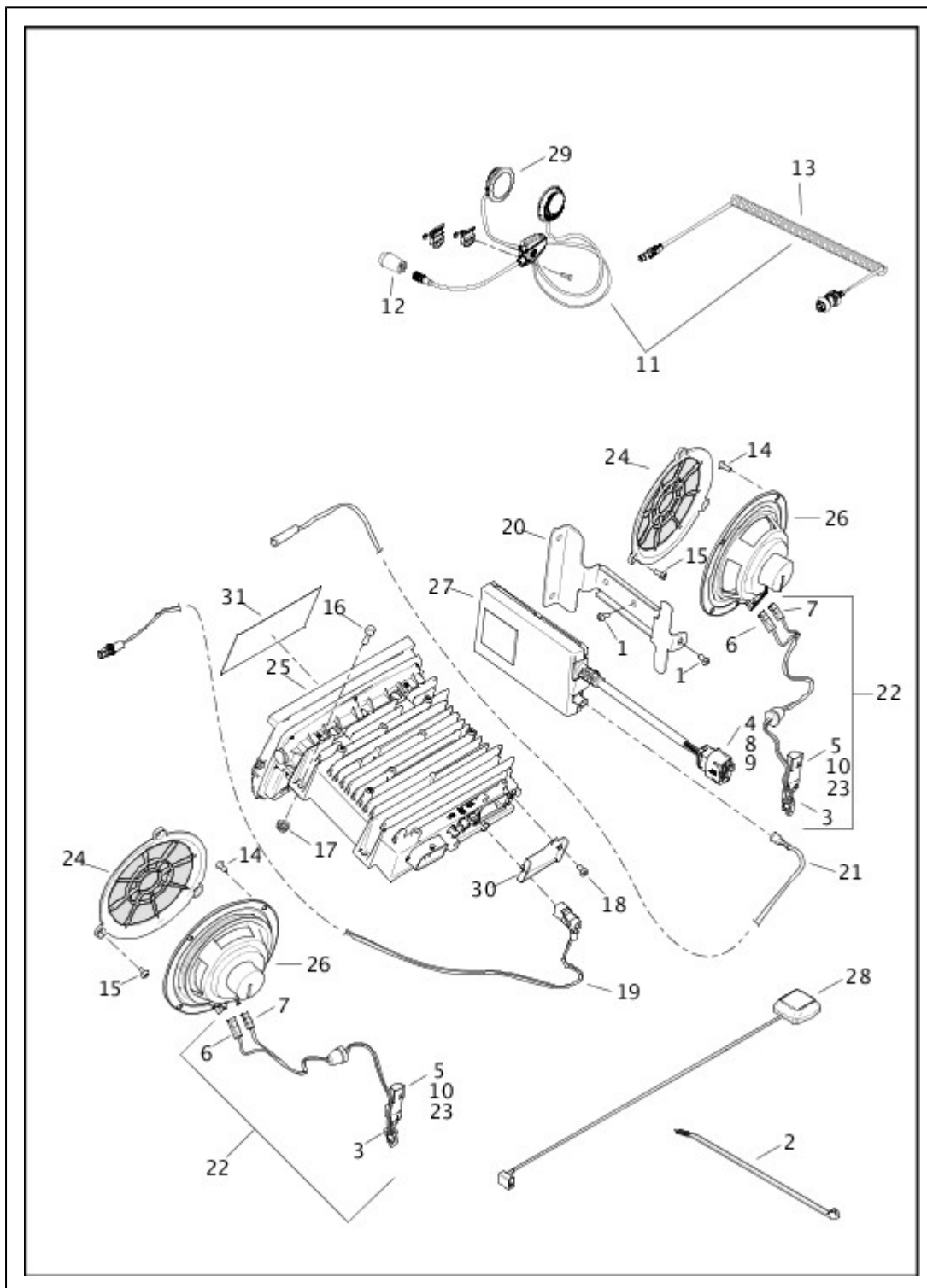


| Index No. | Part No. | Description | Model(s) |
|-----------|-----------|--|---|
| 1 | 2647B | SCREW (2) | FLHTCU, FLHX, FLHTK, FLHTCUL TC, FLHXS, FLHTCU TC, FLTRX, FLTRXS, FLHTCUL, FLHTKL |
| 2 | 6150W | WASHER (2) | FLHTCU, FLHX, FLHTK, FLHXS, FLHTCU TC, FLTRX, FLTRXS, FLHTCUL, FLHTCUL TC, FLHTKL |
| 3 | 9907 | WIRE TERMINAL (2) | |
| 4 | 10065 | CABLE STRAP (2) | |
| 5 | 33926-06B | SWITCH, neutral indicator, w/ o-ring | |
| 6 | 61081-92 | COVER, key head (set of 2) | |
| 7 | 66373-06 | BATTERY, 3V, CR2032 | |
| 8 | 68926-07 | REMOTE CONTROL FOB, w/ 66373-06 (except Japan) (2) | |
| | 69995-11 | REMOTE CONTROL FOB, w/ 66373-06 (Japan) (2) | |
| 9 | 68956-07 | ANTENNA MODULE, security system | |
| 10 | 68958-07C | SIREN ALARM, (Australia, England, HDI, Japan & Asia-Pacific) | FLHRC, FLHXS, FLTRXS, FLHTK, FLHTCUL TC, FLHTKL, FLHTCU TC |
| 11 | 69309-10 | BATTERY, siren alarm (Australia, England, HDI, Japan & Asia-Pacific) | FLHRC, FLHXS, FLTRXS, FLHTK, FLHTCUL TC, FLHTKL, FLHTCU TC |
| 12 | 69992-12B | BODY CONTROL MODULE, (BCM) | FLHTCU, FLHR, FLHX, FLHXS, FLHTCUL, FLTRX, FLTRXS |
| | 69994-12B | BODY CONTROL MODULE, (BCM) w/ security (Domestic, HDI) | |
| | 69996-12B | BODY CONTROL MODULE, (BCM) w/ security (Japan) | FLHRC, FLHX, FLHTK, FLHTCU TC, FLHXS, FLTRXS, FLHTCUL TC, FLHTKL |
| 13 | 71540-94A | FORK LOCK, (specify key number) | FLHR, FLHRC |
| 14 | 71660-03 | NUT, ignition switch | FLHTCU TC, FLHTCU, FLHX, FLHTK, FLHXS, FLTRX, FLTRXS, FLHTCUL, FLHTCUL TC, FLHTKL |
| 15 | 72023-51E | KIT, SWITCH, rear brakelite, w/ 9907 | |
| 16 | 72594-11 | DUST CAP, 2-way socket (w/o security) | FLHR, FLHTCU, FLHX, FLTRX, FLHXS, FLHTCUL, FLTRXS |
| 17 | 14100158 | DECAL, ignition switch knob | FLHTCU TC, FLHTCU, FLHX, FLHTK, FLHXS, FLTRX, FLTRXS, FLHTCUL, FLHTCUL TC, FLHTKL |
| 18 | 32700010 | SENSOR, ambient temperature (2) | FLHTCU, FLHX, FLHTK, FLHTCU TC, FLHXS, FLTRX, FLTRXS, FLHTCUL, FLHTCUL TC, FLHTKL |
| 19 | 71400010 | LOCKSET, complete, w/ keys, ignition switch, fork lock & saddle bag lock | FLHR |

| | | | |
|----|----------|---|---|
| | 71400011 | LOCKSET, complete, w/ keys, ignition switch, cover & fork lock | FLHRC |
| 20 | 71400012 | HOUSING, ignition switch, w/ 71660-03 & 71400081 (Domestic) | FLHTCU TC, FLHTCU, FLHX, FLHTK, FLHXS, FLTRX, FLTRXS, FLHTCUL, FLHTKL |
| | 71400013 | HOUSING, ignition switch, w/ 71660-03 & 71400081 (HDI) | FLHTCU TC, FLHTK, FLHXS, FLTRXS, FLHTCUL TC, FLHTKL |
| 21 | 71400015 | LOCKSET, complete, w/ keys, ignition knob, saddlebag & Tour-Pak locks | FLHTCU TC, FLHTCU, FLHTK, FLHTCUL, FLHTCUL TC, FLHTKL |
| | 71400016 | LOCKSET, complete, w/ keys, ignition knob & saddlebag lock | FLHX, FLHXS, FLTRX, FLTRXS |
| 22 | 71400017 | KNOB, ignition switch, w/ 14100158 (specify key number) | FLHTCU TC, FLHTCU, FLHX, FLHTK, FLHXS, FLTRX, FLTRXS, FLHTCUL, FLHTCUL TC, FLHTKL |
| 23 | 71400073 | SPRING, ignition knob | FLHTCU, FLHX, FLHTK, FLHXS, FLHTCU TC, FLTRX, FLTRXS, FLHTCUL, FLHTCUL TC, FLHTKL |
| 24 | 71400081 | COLLAR, ignition switch, top | FLHTCU TC, FLHTCU, FLHX, FLHTK, FLHXS, FLTRX, FLTRXS, FLHTCUL, FLHTCUL TC, FLHTKL |
| 25 | 90300043 | KEY, w/ 61081-92 (set of 2) (specify key number) | |

NOTE: For additional fuse and relay part number information see wiring harness pages.

SOUND SYSTEM - FLHTCU/L, FLHTK/L, FLHX & FLHXS (1 OF 2)



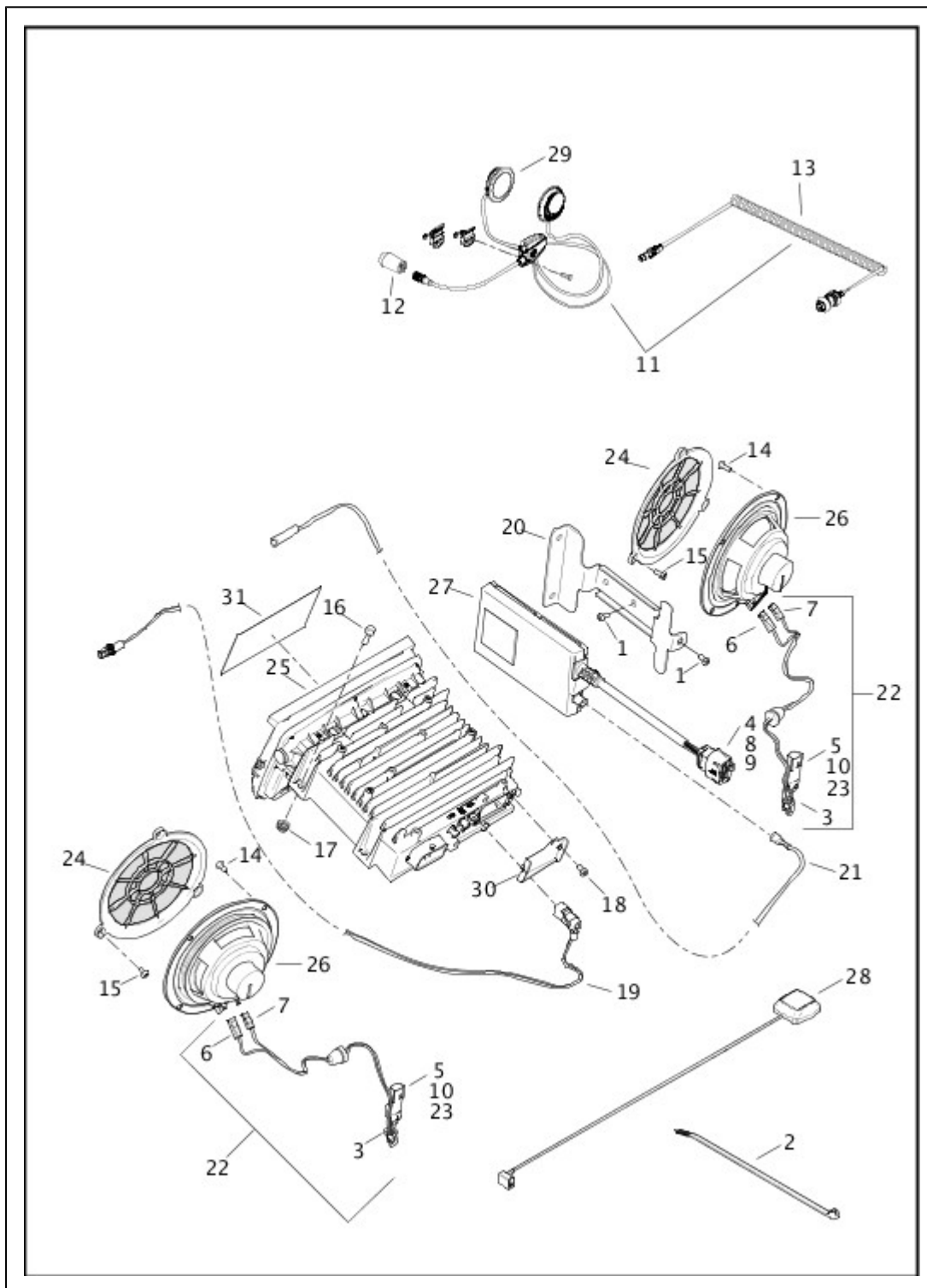
| Index No. | Part No. | Description | Model(s) |
|-----------|----------|---------------------------------|--|
| 1 | 2478 | SCREW (2) | FLHTK, FLHTKL |
| 2 | 10006 | CABLE STRAP | FLHTK, FLHXS, FLHTCU, FLHTCUL, FLHTKL |
| 3 | 10065 | CABLE STRAP (2) | FLHTCU, FLHX, FLHTK, FLHXS, FLHTCU TC, FLHTCUL TC, FLHTCUL, FLHTKL |
| 4 | 72168-07 | TERMINAL, socket, 18-20 AWG (8) | FLHTK, FLHTKL |
| 5 | 72169-07 | TERMINAL PIN, 16-20 AWG (2) | FLHTCU, FLHX, FLHTK, FLHXS, |

| | | | |
|----|------------|---|--|
| | | | FLHTCU TC, FLHTCUL TC, FLHTCUL, FLHTKL |
| 6 | 72290-94 | TERMINAL, female 1/4 in. (black) (4) | FLHTCU, FLHX, FLHTK, FLHXS, FLHTCU TC, FLHTCUL TC, FLHTCUL, FLHTKL |
| 7 | 72294-94 | TERMINAL, female 16-20 gauge (white) (2) | FLHTCU, FLHX, FLHTK, FLHXS, FLHTCU TC, FLHTCUL TC, FLHTCUL, FLHTKL |
| 8 | 72473-07 | SEAL PIN (4) | FLHTK, FLHTKL |
| 9 | 72487-07BK | SOCKET HOUSING, 12-way | FLHTK, FLHTKL |
| 10 | 73213-07 | RETAINER, xmas tree clip (2) | FLHTCU, FLHX, FLHTK, FLHXS, FLHTCU TC, FLHTCUL TC, FLHTCUL, FLHTKL |
| 11 | 77117-10 | HEADSET ASSEMBLY, w/ 77126-10, 77148-10 & 76000243 (Domestic, California, Canada) | FLHTK, FLHTCU, FLHTKL, FLHTCUL |
| 11 | 77117-10 | HEADSET ASSEMBLY, w/ 77126-10, 77148-10 & 76000243 (HDI, Australia, Japan, Asia-Pacific, Brazil, England) (2) | FLHTK, FLHTCU TC, FLHTCUL TC, FLHTKL |
| 12 | 77126-10 | WIND SOCK, microphone (Domestic, California, Canada) | FLHTK, FLHTCU, FLHTKL, FLHTCUL |
| 12 | 77126-10 | WIND SOCK, microphone (HDI, Australia, Japan, Asia-Pacific, Brazil, England) (2) | FLHTK, FLHTCU TC, FLHTCUL TC, FLHTKL |
| 13 | 77148-10 | COILED CORD, headset (Domestic, California, Canada) | FLHTK, FLHTCU, FLHTKL, FLHTCUL |
| 13 | 77148-10 | COILED CORD, headset (HDI, Australia, Japan, Asia-Pacific, Brazil, England) (2) | FLHTK, FLHTCU TC, FLHTCUL TC, FLHTKL |
| 14 | 10200205 | SCREW (8) | FLHTCU, FLHX, FLHTK, FLHXS, FLHTCU TC, FLHTCUL TC, FLHTCUL, FLHTKL |
| 15 | 10500017 | SCREW (6) | FLHTCU, FLHX, FLHTK, FLHXS, FLHTCU TC, FLHTCUL TC, FLHTCUL, FLHTKL |
| 16 | 12600070 | BOLT (4) | FLHTCU, FLHX, FLHTK, FLHXS, FLHTCU TC, FLHTCUL TC, FLHTCUL, FLHTKL |
| 17 | 12600071 | RETAINER, bolt (4) | FLHTCU, FLHX, FLHTK, FLHXS, FLHTCU TC, FLHTCUL TC, FLHTCUL, FLHTKL |
| 18 | 12600073 | SCREW, accessory module (2) | FLHTCU, FLHTK, FLHXS, FLHTKL, FLHTCUL |
| 19 | 69200032 | CABLE, AM/FM antenna | FLHTCU, FLHTK, FLHTCU TC, FLHTCUL TC, FLHTCUL, FLHTKL |
| | 69200294 | CABLE, AM/FM antenna | FLHX, FLHXS |
| | 69200629 | CABLE, AM/FM antenna | FLTRX, FLTRXS |
| | | | |

| | | | |
|----|----------|---|--|
| 20 | 57000247 | MOUNTING BRACKET, CB module (Domestic, California, Canada, Brazil, HDI, England) | FLHTK, FLHTKL |
| 21 | 69200136 | CABLE, C.B. antenna | FLHTK, FLHTKL |
| 22 | 69200247 | WIRE HARNESS, speaker jumper, w/ 10065, 72169-07, 72290-94, 72294-94, 73213-07 & 69200072 (2) | FLHTCU, FLHX, FLHTK, FLHXS, FLHTCU TC, FLHTCUL TC, FLHTCUL, FLHTKL |
| 23 | 69200272 | HOUSING, pin, 2-way (2) | FLHTCU, FLHX, FLHTK, FLHXS, FLHTCU TC, FLHTCUL TC, FLHTCUL, FLHTKL |
| 24 | 76000055 | SPEAKER ADAPTOR & GRILLE (2) | FLHTCU, FLHX, FLHTK, FLHXS, FLHTCU TC, FLHTCUL TC, FLHTCUL, FLHTKL |

NOTE: For all service and warranty claims on Boom!™ Audio System components please refer to the latest Warranty Bulletin revision of the Boom!™ Audio Systems Warranty Procedures located on h-dnet.com. Customer: For all service and warranty claims on Boom!™ Audio System components please contact your Harley-Davidson dealership.

SOUND SYSTEM - FLHTCU/L, FLHTK/L, FLHX & FLHXS (2 OF 2)

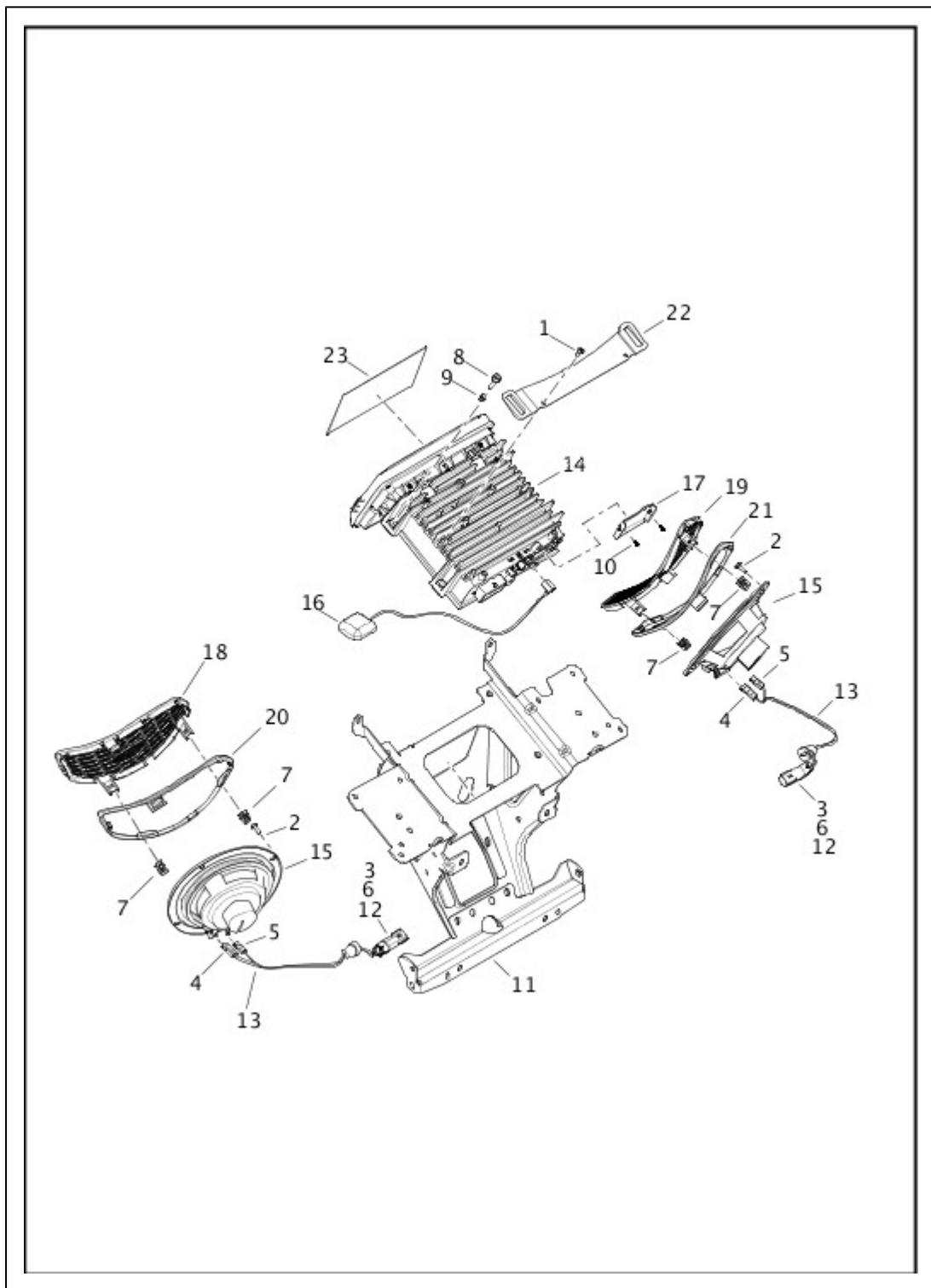


| Index No. | Part No. | Description | Model(s) |
|-----------|----------|---|---------------------------------------|
| 25 | 76000076 | RADIO, premium, w/ navigation, w/ 12600070, 12600071, 12600073 & 76000252 (Domestic, California, Canada) (See NOTE 1) | FLHTCU, FLHTCUL, FLHTK, FLHTKL, FLHXS |
| | 76000231 | RADIO, premium, w/ navigation, w/ 12600070, 12600071, 12600073 & 76000252 (England, HDI) (See NOTE 2) | FLHTK, FLHTKL, FLHXS |
| | 76000232 | RADIO, premium, w/ 12600070, 12600071, 12600073 & 76000252 (Australia, HDI, Japan, Asia-Pacific, Brazil) (See NOTE 3) | FLHTK, FLHTKL, FLHXS |
| | 76000075 | RADIO, standard, w/ 12600070 & 12600071 (Domestic, | FLHTCU, FLHTCUL |

| | | | |
|----|----------|--|--|
| | | California, Canada) | |
| | 76000075 | RADIO, standard, w/ 12600070 & 12600071 (Domestic, California, Canada) | FLHX |
| | 76000230 | RADIO, standard, w/ 12600070 & 12600071 (Canada) | FLHTCU, FLHTCUL |
| | 76000230 | RADIO, standard, w/ 12600070 & 12600071 (HDI, Australia, Japan, Asia-Pacific, England) | FLHTCUL TC, FLHTCU TC |
| 26 | 76000096 | SPEAKER, 5-1/4 in. (2) | FLHTCU, FLHX, FLHTK, FLHXS, FLHTCU TC, FLHTCUL TC, FLHTCUL, FLHTKL |
| 27 | 76000188 | CB MODULE, w/ 72168-07, 72473-07 & 72487-07BK (Domestic, California, Canada, Brazil, HDI, England) | FLHTK, FLHTKL |
| 28 | 76000222 | ANTENNA, GPS | FLHTCU, FLHTK, FLHXS, FLHTCUL, FLHTKL |
| 29 | 76000243 | EAR PAD, foam (Domestic, California, Canada) (2) | FLHTCU, FLHTK, FLHTKL, FLHTCUL |
| 29 | 76000243 | EAR PAD, foam (HDI, Australia, Japan, Asia-Pacific, Brazil, England) (4) | FLHTK, FLHTCU TC, FLHTCUL TC, FLHTKL |
| 30 | 76000252 | PLATE, accessory module | FLHTCU, FLHTK, FLHXS, FLHTCUL, FLHTKL |
| 31 | 91700034 | KIT, RADIO TOUCH SCREEN PROTECTOR | FLHTCU, FLHTK, FLHXS, FLHTCUL, FLHTKL |

NOTE 1: 76000076 radio with the North America mapset is used in these countries/regions: Bahamas, Canada, Mexico, Puerto Rico & United States. NOTE 2: 76000231 radio with the European mapset is used in these countries/regions: Albania, Andorra, Austria, Belarus, Belgium, Bosnia, Bulgaria, Croatia, Czech Republic, Denmark, Estonia, Finland, France, Germany, Gibraltar, Greece, Hungary, Iceland, Ireland, Italy, Kazakhstan, Kosovo, Latvia, Liechtenstein, Lithuania, Luxembourg, Macedonia, Malta, Moldova, Monaco, Montenegro, Netherlands, Norway, Poland, Portugal, Romania, Serbia, Slovakia, Slovenia, Spain, Sweden, Switzerland, Ukraine, United Kingdom & Vatican City. NOTE 3: 76000232 radio with the Rest Of World mapset is used in these countries/regions: Argentina, Australia, Bahrain, Bolivia, Botswana, Brazil, Brunei, Chile, Columbia, Costa Rica, Egypt, Hong Kong, India, Indonesia, Jordan, Kenya, Kuwait, Lebanon, Malaysia, Morocco, Namibia, New Zealand, Nigeria, Oman, Peru, Qatar, Reunion, Russia, Saudi Arabia, Singapore, South Africa, Thailand, Turkey, United Arab Emirates, Uruguay, Venezuela & the Rest Of the World. NOTE: For all service and warranty claims on Boom!™ Audio System components please refer to the latest Warranty Bulletin revision of the Boom!™ Audio Systems Warranty Procedures located on h-dnet.com. Customer: For all service and warranty claims on Boom!™ Audio System components please contact your Harley-Davidson dealership.

SOUND SYSTEM - FLTRX & FLTRXS



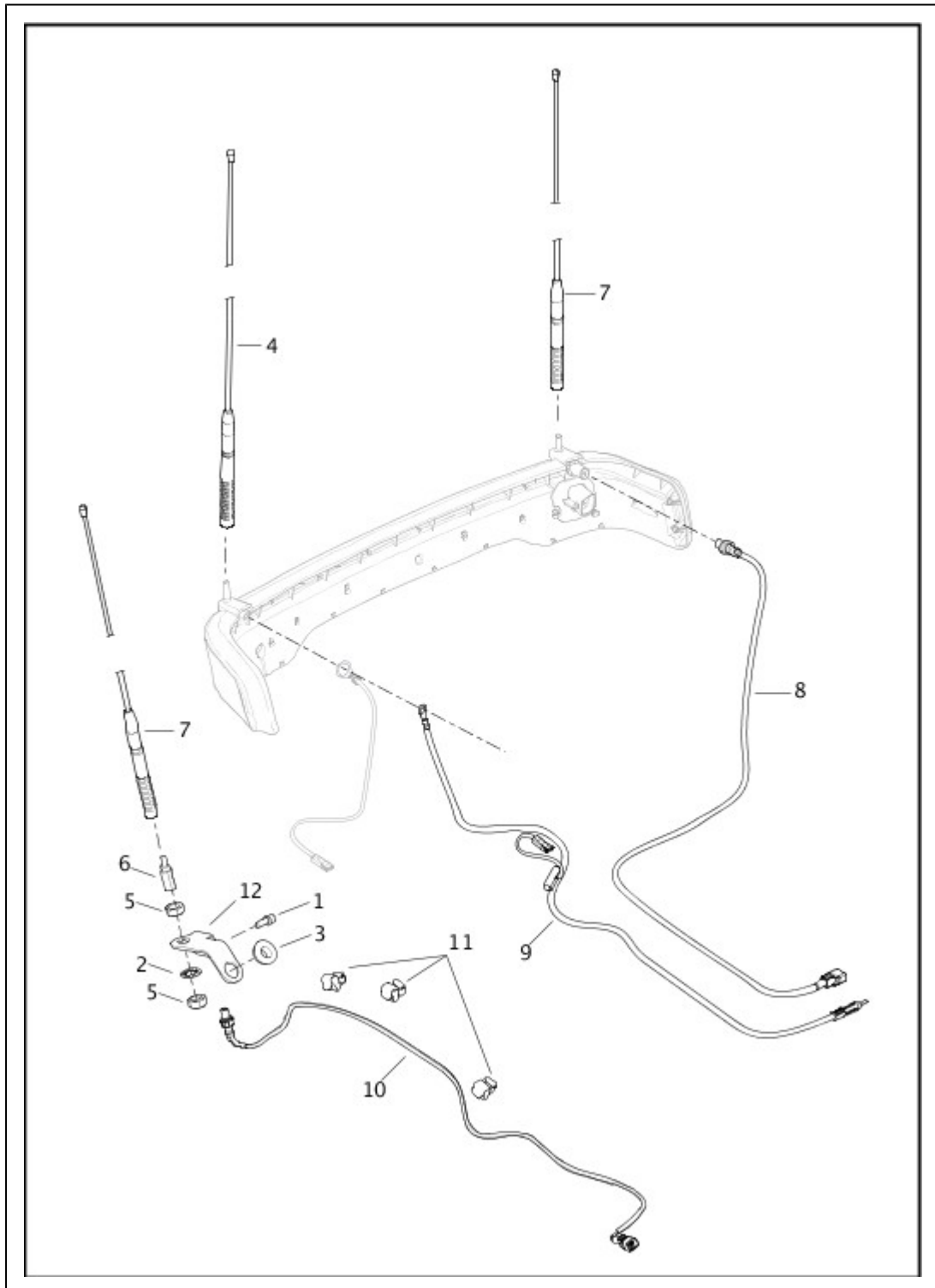
| Index No. | Part No. | Description | Model(s) |
|-----------|----------|------------------------------------|------------------|
| 1 | 2478 | SCREW (2) | FLTRX, FLTRXS |
| 2 | 3152 | SCREW (8) | FLTRX, FLTRXS |
| 3 | 72169-07 | TERMINAL, pin, 16-20 AWG (4) | FLTRX, FLTRXS |
| 4 | 72290-94 | CONNECTOR, w/ terminal (black) (2) | FLTRX, FLTRXS |

| | | | |
|----|----------|---|------------------|
| 5 | 72294-94 | CONNECTOR, w/ terminal (2) | FLTRX, FLTRXS |
| 6 | 73213-07 | RETAINER, x-mas tree (2) | FLTRX, FLTRXS |
| 7 | 12200025 | CLIP (4) | FLTRX, FLTRXS |
| 8 | 12600070 | BOLT (4) | FLTRX, FLTRXS |
| 9 | 12600071 | RETAINER, bolt (4) | FLTRX, FLTRXS |
| 10 | 12600073 | SCREW, accessory module (2) | FLTRX, FLTRXS |
| 11 | 47200217 | BRACKET | FLTRX, FLTRXS |
| 12 | 69200272 | HOUSING, pin, 2-way (2) | FLTRX, FLTRXS |
| 13 | 69200752 | WIRE HARNESS, speaker jumper, w/ 72169-07, 72290-94, 72294-94, 73213-07 & 69200272 (2) | FLTRX, FLTRXS |
| 14 | 76000075 | RADIO, standard, w/ 12600070 & 12600071 (Domestic, California, Canada) | FLTRX |
| | 76000076 | RADIO, premium, w/ navigation, w/ 12600070, 12600071, 12600073 & 76000252 (Domestic) (See NOTE 1) | FLTRXS |
| | 76000231 | RADIO, premium, w/ navigation, w/ 12600070, 12600071, 12600073 & 76000252 (Domestic) (See NOTE 2) | FLTRXS |
| | 76000232 | RADIO, premium, w/ 12600070, 12600071, 12600073 & 76000252 (Canada, HDI, Australia, Japan, Asia-Pacific) (See NOTE 3) | FLTRXS |
| 15 | 76000096 | SPEAKER, 5-1/4 in. (2) | FLTRX, FLTRXS |
| 16 | 76000222 | ANTENNA, GPS | FLTRXS |
| 17 | 76000252 | PLATE | FLTRXS |
| 18 | 76000453 | SPEAKER GRILLE, right | FLTRX, FLTRXS |
| 19 | 76000454 | SPEAKER GRILLE, left | FLTRX, FLTRXS |
| 20 | 76000455 | GASKET, right | FLTRX, FLTRXS |
| 21 | 76000456 | GASKET, left | FLTRX, FLTRXS |
| 22 | 76000468 | BRACKET, radio | FLTRX, FLTRXS |
| 23 | 91700034 | KIT, RADIO TOUCH SCREEN PROTECTOR | FLTRXS |

NOTE 1: 76000076 radio with the North America mapset is used in these countries/regions: Bahamas, Canada, Mexico, Puerto Rico & United States. NOTE 2: 76000231 radio with the European mapset is used in these countries/regions: Albania, Andorra, Austria, Belarus, Belgium, Bosnia, Bulgaria, Croatia, Czech Republic, Denmark, Estonia, Finland,

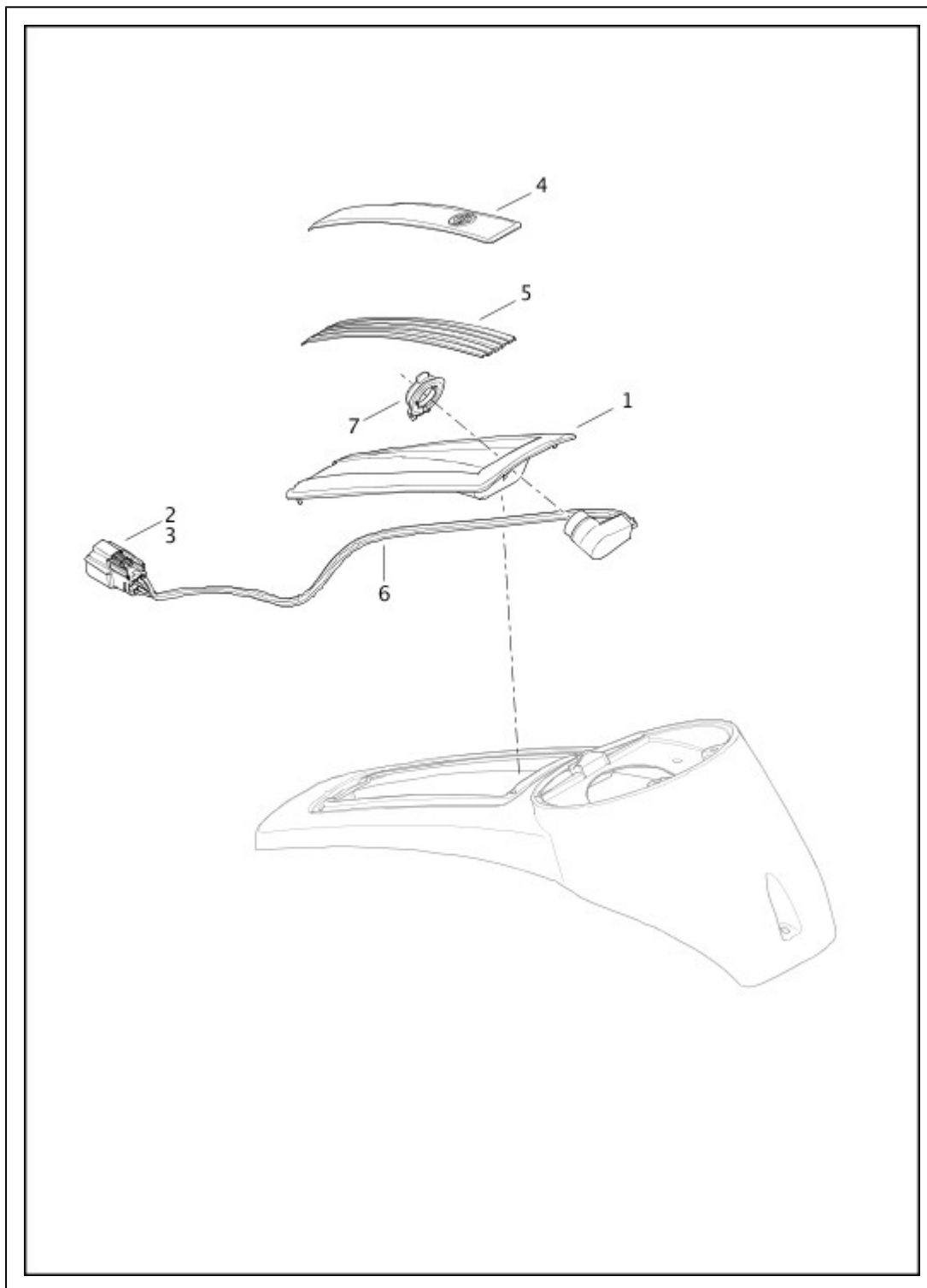
France, Germany, Gibraltar, Greece, Hungary, Iceland, Ireland, Italy, Kazakhstan, Kosovo, Latvia, Liechtenstein, Lithuania, Luxembourg, Macedonia, Malta, Moldova, Monaco, Montenegro, Netherlands, Norway, Poland, Portugal, Romania, Serbia, Slovakia, Slovenia, Spain, Sweden, Switzerland, Ukraine, United Kingdom & Vatican City. NOTE 3: 76000232 radio with the Rest Of World mapset is used in these countries/regions: Argentina, Australia, Bahrain, Bolivia, Botswana, Brazil, Brunei, Chile, Columbia, Costa Rica, Egypt, Hong Kong, India, Indonesia, Jordan, Kenya, Kuwait, Lebanon, Malaysia, Morocco, Namibia, New Zealand, Nigeria, Oman, Peru, Qatar, Reunion, Russia, Saudi Arabia, Singapore, South Africa, Thailand, Turkey, United Arab Emirates, Uruguay, Venezuela & the Rest Of the World. NOTE: For all service and warranty claims on Boom!™ Audio System components please refer to the latest Warranty Bulletin revision of the Boom!™ Audio Systems Warranty Procedures located on h-dnet.com. Customer: For all service and warranty claims on Boom!™ Audio System components please contact your Harley-Davidson dealership.

ANTENNAS



| Index No. | Part No. | Description | Model(s) |
|-----------|----------|--|--|
| 1 | 4867 | SCREW | FLHX, FLTRX, FLHXS, FLTRXS |
| 2 | 7129 | LOCKWASHER | FLHX, FLTRX, FLHXS, FLTRXS |
| 3 | 11543 | GROMMET | FLHX, FLTRX, FLHXS, FLTRXS |
| 4 | 76250-09 | ANTENNA MAST, CB | FLHTK, FLHTKL |
| 5 | 76259-86 | NUT (2) | FLHX, FLTRX, FLHXS, FLTRXS |
| 6 | 76335-87 | ANTENNA BASE ASSEMBLY, w/ 7129 & 76259-86 | FLHX, FLTRX, FLHXS, FLTRXS |
| 7 | 76503-08 | ANTENNA MAST, AM/FM/WB/LW | FLHTCU, FLHX, FLHTK, FLHXS, FLHTCU TC, FLHTCUL, FLHTKL, FLHTCUL TC, FLTRX, FLTRXS |
| 8 | 69200210 | ANTENNA CABLE EXTENSION, AM/FM | FLHTCU, FLHTK, FLHTCU TC, FLHTCUL, FLHTKL, FLHTCUL TC |
| 9 | 69200211 | ANTENNA CABLE EXTENSION, CB | FLHTK, FLHTKL |
| 10 | 69200295 | ANTENNA CABLE EXTENSION, AM/FM | FLHX, FLTRX, FLHXS, FLTRXS |
| 11 | 69200313 | CLIP, harness (3) | FLHX, FLTRX, FLHXS, FLTRXS |
| 12 | 76000183 | BRACKET, antenna mounting | FLHX, FLTRX, FLHXS, FLTRXS |

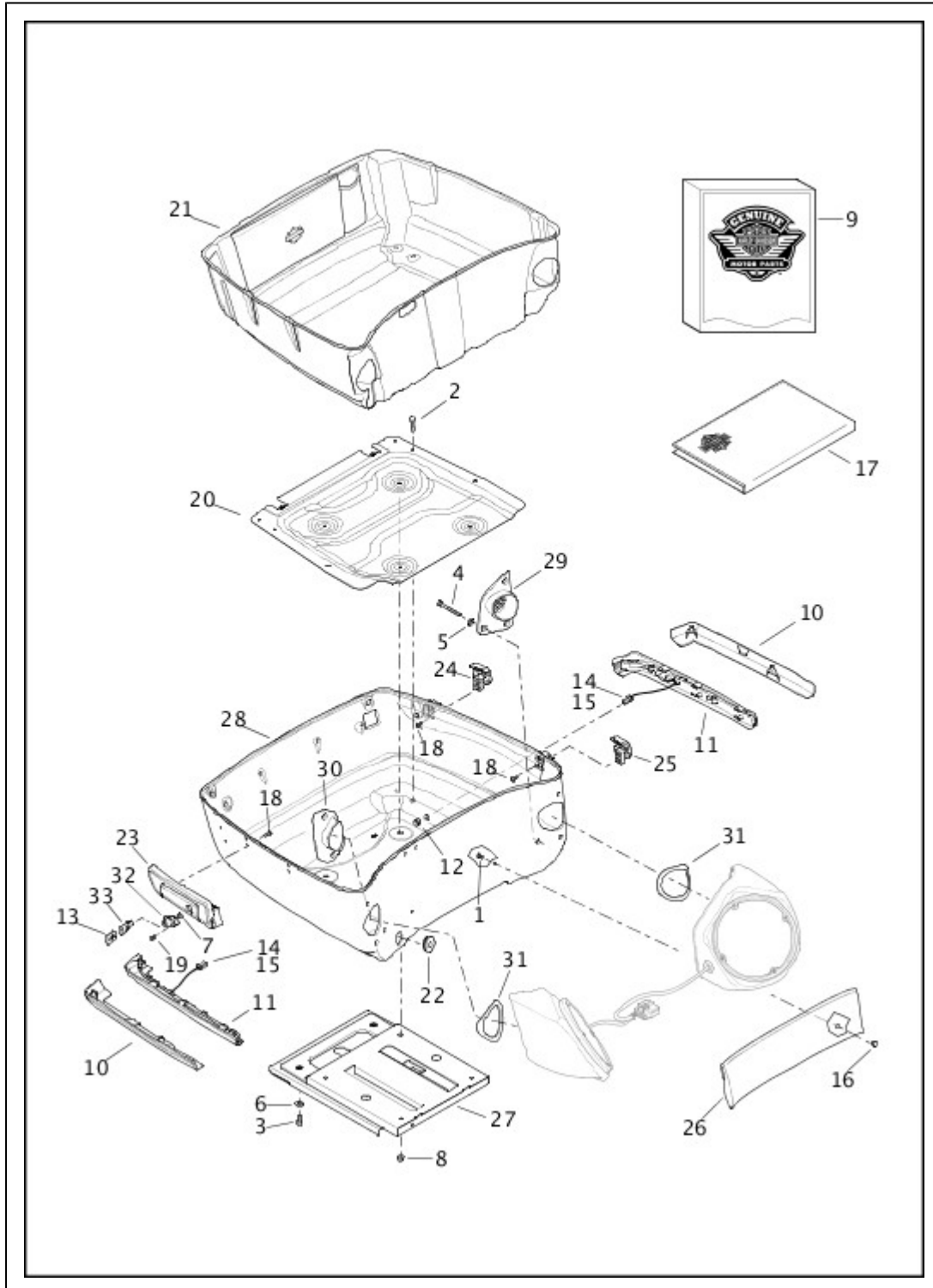
CB & INTERCOM CONTROL POD



| Index No. | Part No. | Description | Model(s) |
|-----------|------------|---------------------------------|---|
| 1 | 15341-08 | HOUSING, pod | FLHTCU, FLHTCU TC, FLHTK, FLHTCUL, FLHTCUL TC, FLHTKL |
| 2 | 72168-07 | TERMINAL, socket, 18-20 AWG (6) | FLHTCU, FLHTCU TC, FLHTK, FLHTCUL, FLHTCUL TC, FLHTKL |
| 3 | 72414-07BK | SOCKET HOUSING, 6-way | FLHTCU, FLHTCU TC, FLHTK, FLHTCUL, FLHTCUL TC, FLHTKL |
| 4 | 14100083 | INSERT, console pod | FLHTCU, FLHTCU TC, FLHTCUL, FLHTCUL TC |
| 5 | 14100085 | INSERT, console pod | FLHTK, FLHTKL |

| | | | |
|---|-----------|---|---|
| 6 | 69200127 | HARNESS, console audio, DIN, w/ 72168-07 & 72414-07BK | FLHTCU, FLHTCU TC, FLHTK, FLHTCUL, FLHTCUL TC, FLHTKL |
| 7 | 76266-98A | CAP ASSEMBLY, weather | FLHTCU, FLHTCU TC, FLHTK, FLHTCUL, FLHTCUL TC, FLHTKL |

TOUR-PAK (BOTTOM)

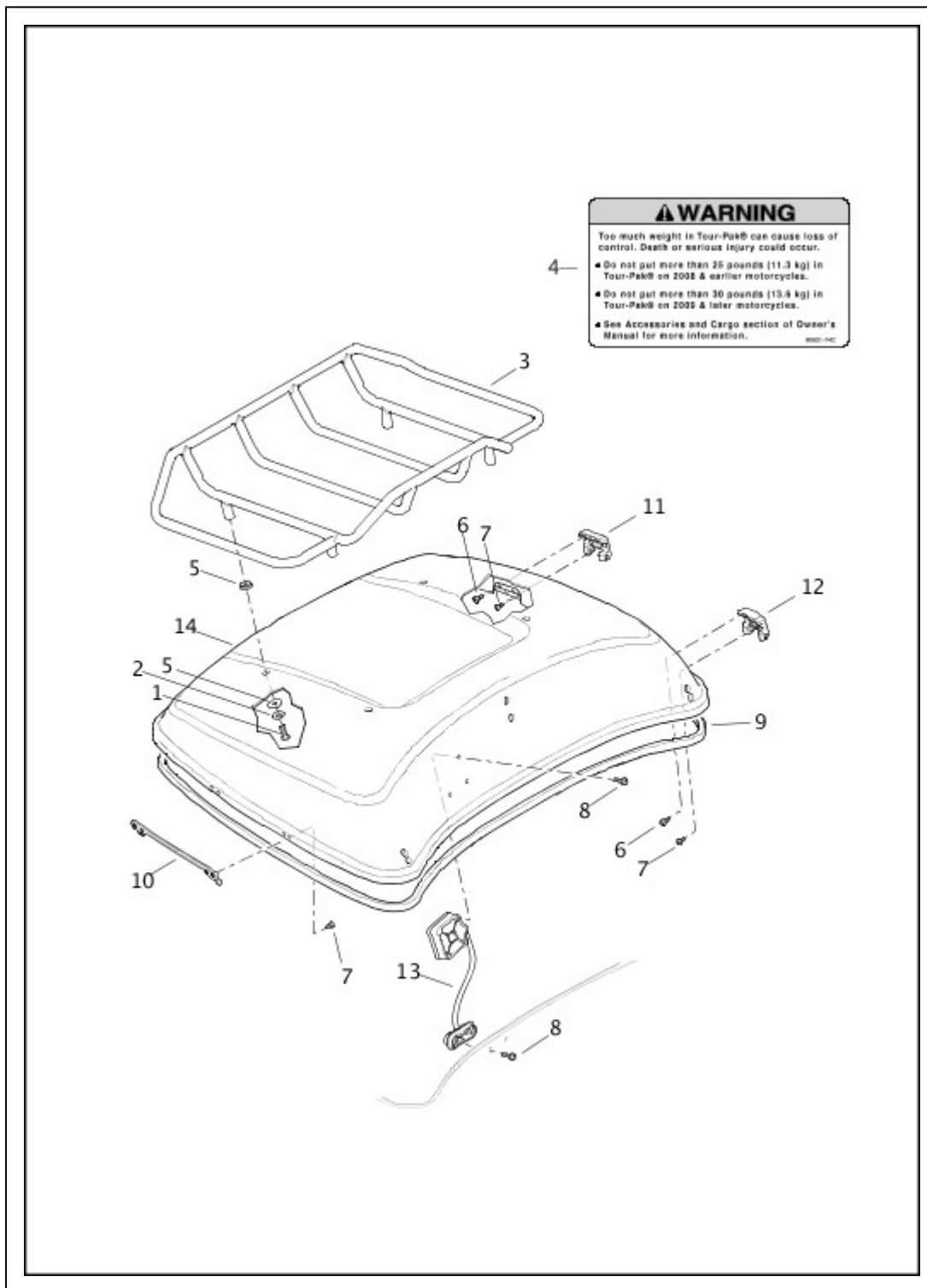


| Index No. | Part No. | Description | Model(s) |
|--|----------|-------------|----------|
| NOTE: Refer to the Service Section of h-dnet.com for painted part numbers. | | | |

| | | | |
|----|------------|--|---|
| 1 | 2724 | SCREW (2) | FLHTCU, FLHTCUL, FLHTK, FLHTCUL TC, FLHTKL, FLHTCU TC |
| 2 | 2968 | SCREW (4) | FLHTCU, FLHTCUL, FLHTK, FLHTCUL TC, FLHTKL, FLHTCU TC |
| 3 | 3767B | BOLT, (Asia-Pacific) (4) | FLHTK, FLHTCUL TC, FLHTKL, FLHTCU TC |
| 4 | 3910 | SCREW (6) | FLHTCU, FLHTCUL, FLHTK, FLHTCUL TC, FLHTKL, FLHTCU TC |
| 5 | 6703 | WASHER (6) | FLHTCU, FLHTCUL, FLHTK, FLHTCUL TC, FLHTKL, FLHTCU TC |
| 6 | 6703 | WASHER, (Asia-Pacific) (4) | FLHTK, FLHTCUL TC, FLHTKL, FLHTCU TC |
| 7 | 7586 | JAMNUT | FLHTCU, FLHTCUL, FLHTK, FLHTCUL TC, FLHTKL, FLHTCU TC |
| 8 | 7716 | LOCKNUT (4) | FLHTCU, FLHTCUL, FLHTK, FLHTCUL TC, FLHTKL, FLHTCU TC |
| 9 | 53598-88A | LINER, removable | FLHTCU, FLHTCU TC, FLHTCUL, FLHTCUL TC |
| | 92038-10 | LINER, removable | FLHTK, FLHTKL |
| 10 | 53734-06 | TRIM, left-bottom, Tour-Pak (chrome) (HDI, Japan, Asia-Pacific) | FLHTCU TC, FLHTK, FLHTCUL TC, FLHTKL |
| | 53735-06 | TRIM, right-bottom, Tour-Pak (chrome) (HDI, Japan, Asia-Pacific) | FLHTCU TC, FLHTK, FLHTCUL TC, FLHTKL |
| 11 | 53788-06 | LIGHT, right-bottom, Tour-Pak, sidemarker, w/ 73152-96BK & 73191-96 (Domestic) | FLHTCU, FLHTK, FLHTCUL, FLHTKL |
| | 53789-06 | LIGHT, left-bottom, Tour-Pak, sidemarker, w/ 73152-96BK & 73191-96 (Domestic) | FLHTCU, FLHTK, FLHTCUL, FLHTKL |
| 12 | 57978-00 | GROMMET, (Domestic) (2) | FLHTCU, FLHTCUL, FLHTK, FLHTCUL TC, FLHTKL, FLHTCU TC |
| 13 | 61081-92 | COVER, key-head (set of 2) | FLHTCU, FLHTCUL, FLHTK, FLHTCUL TC, FLHTKL, FLHTCU TC |
| 14 | 73152-96BK | SOCKET HOUSING, 2-place (Domestic) (2) | FLHTCU, FLHTK |
| 15 | 73191-96 | TERMINAL, socket, 16-20 gauge (Domestic) (4) | FLHTCU, FLHTK, FLHTCUL, FLHTKL |
| 16 | 90844-80 | ACORN NUT (2) | FLHTCU, FLHTCUL, FLHTK, FLHTCUL TC, FLHTKL, FLHTCU TC |
| 17 | 99461-89 | COVER, owner manual (Domestic, California, Canada, Australia) | FLHTCU, FLHTK, FLHTKL, FLHTCU TC |
| 18 | 10200061 | SCREW (12) | FLHTCU, FLHTCUL, FLHTK, FLHTCUL TC, FLHTKL, FLHTCU TC |
| 19 | 10200062 | SCREW (2) | FLHTCU, FLHTCUL, FLHTK, FLHTCUL TC, FLHTKL, FLHTCU TC |
| 20 | 53000091 | PLATE, Tour-Pak reinforcing | FLHTCU, FLHTCUL, FLHTK, FLHTCUL |

| | | | |
|----|----------|--|---|
| | | | TC, FLHTKL, FLHTCU TC |
| 21 | 53000123 | LINER, molded, w/ pouch | FLHTCU, FLHTK, FLHTCUL, FLHTCUL TC |
| | 53000124 | LINER, molded, w/ pouch | FLHTK, FLHTKL |
| 22 | 53000132 | GROMMET | FLHTCU, FLHTCUL, FLHTK, FLHTCUL TC, FLHTKL, FLHTCU TC |
| 23 | 53000138 | HASP ASSEMBLY, bottom | FLHTCU, FLHTCUL, FLHTK, FLHTCUL TC, FLHTKL, FLHTCU TC |
| 24 | 53000139 | HINGE ASSEMBLY, rear | FLHTCU, FLHTCUL, FLHTK, FLHTCUL TC, FLHTKL, FLHTCU TC |
| 25 | 53000140 | HINGE ASSEMBLY, front | FLHTCU, FLHTCUL, FLHTK, FLHTCUL TC, FLHTKL, FLHTCU TC |
| 26 | 53000308 | COVER, TOUR-PAK wiring | FLHTCU, FLHTCUL, FLHTK, FLHTCUL TC, FLHTKL, FLHTCU TC |
| 27 | 53000311 | ADAPTER PLATE, TOUR-PAK (Asia-Pacific) | FLHTCU TC, FLHTK, FLHTCUL TC, FLHTKL |
| 28 | 53000346 | BOTTOM, Tour-Pak (unpainted) | FLHTCU, FLHTCUL, FLHTK, FLHTCUL TC, FLHTKL, FLHTCU TC |
| 29 | 76000172 | MOUNTING BRACKET, speaker, left | FLHTCU, FLHTCUL, FLHTK, FLHTCUL TC, FLHTKL, FLHTCU TC |
| 30 | 76000173 | MOUNTING BRACKET, speaker, right | FLHTCU, FLHTCUL, FLHTK, FLHTCUL TC, FLHTKL, FLHTCU TC |
| 31 | 76000174 | GASKET, speaker pod (2) | FLHTCU, FLHTCUL, FLHTK, FLHTCUL TC, FLHTKL, FLHTCU TC |
| 32 | 90300030 | LOCK, w/ 7586 (specify key number) | FLHTCU, FLHTCUL, FLHTK, FLHTCUL TC, FLHTKL, FLHTCU TC |
| 33 | 90300043 | KEY, w/ 61081-92 (set of 2) (specify key number) | FLHTCU, FLHTCUL, FLHTK, FLHTCUL TC, FLHTKL, FLHTCU TC |

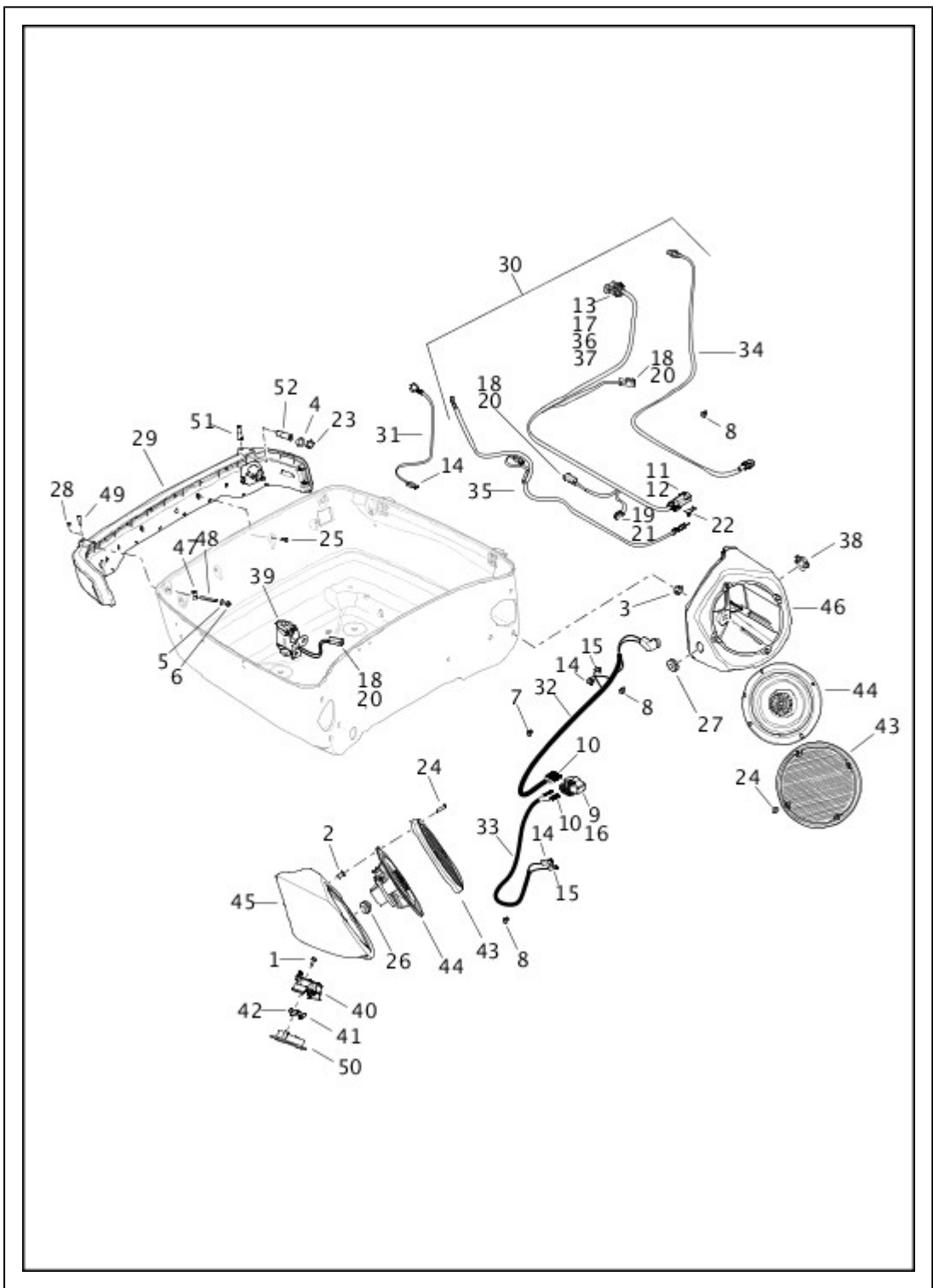
TOUR-PAK (COVER)



| Index No. | Part No. | Description | Model(s) |
|---|-----------|---|---|
| NOTE: Refer to the Service Section of h-dnet.com for painted part numbers. | | | |
| 1 | 923 | SCREW (4) | FLHTK, FLHTKL |
| 2 | 6703 | WASHER (4) | FLHTK, FLHTKL |
| 3 | 53665-87 | LUGGAGE RACK, Tour-Pak, w/ hardware, w/ 6703 & 90869-85A (chrome) | FLHTK, FLHTKL |
| 4 | 90821-74C | LABEL, TOUR-PAK, load limit | FLHTCU, FLHTCUL, FLHTK, FLHTCUL TC, FLHTKL, FLHTCU TC |

| | | | |
|----|-----------|---|---|
| 5 | 90869-85A | MOUNTING PAD & WASHER SET, luggage rack | FLHTK, FLHTKL |
| 6 | 10200061 | SCREW (4) | FLHTCU, FLHTCUL, FLHTK, FLHTCUL TC, FLHTKL, FLHTCU TC |
| 7 | 10200062 | SCREW (8) | FLHTCU, FLHTCUL, FLHTK, FLHTCUL TC, FLHTKL, FLHTCU TC |
| 8 | 10200154 | SCREW (5) | FLHTCU, FLHTCUL, FLHTK, FLHTCUL TC, FLHTKL, FLHTCU TC |
| 9 | 53000090 | GASKET, cover | FLHTCU, FLHTCUL, FLHTK, FLHTCUL TC, FLHTKL, FLHTCU TC |
| 10 | 53000137 | HASP, Tour-Pak lid | FLHTCU, FLHTCUL, FLHTK, FLHTCUL TC, FLHTKL, FLHTCU TC |
| 11 | 53000139 | HINGE ASSEMBLY, rear | FLHTCU, FLHTCUL, FLHTK, FLHTCUL TC, FLHTKL, FLHTCU TC |
| 12 | 53000140 | HINGE ASSEMBLY, front | FLHTCU, FLHTCUL, FLHTK, FLHTCUL TC, FLHTKL, FLHTCU TC |
| 13 | 53000141 | TETHER, retractable | FLHTCU, FLHTCUL, FLHTK, FLHTCUL TC, FLHTKL, FLHTCU TC |
| 14 | 53000347 | COVER, Tour-Pak (unpainted) | FLHTCU, FLHTCU TC, FLHTCUL, FLHTCUL TC |
| | 53000370 | COVER, Tour-Pak (unpainted) | FLHTK, FLHTKL |

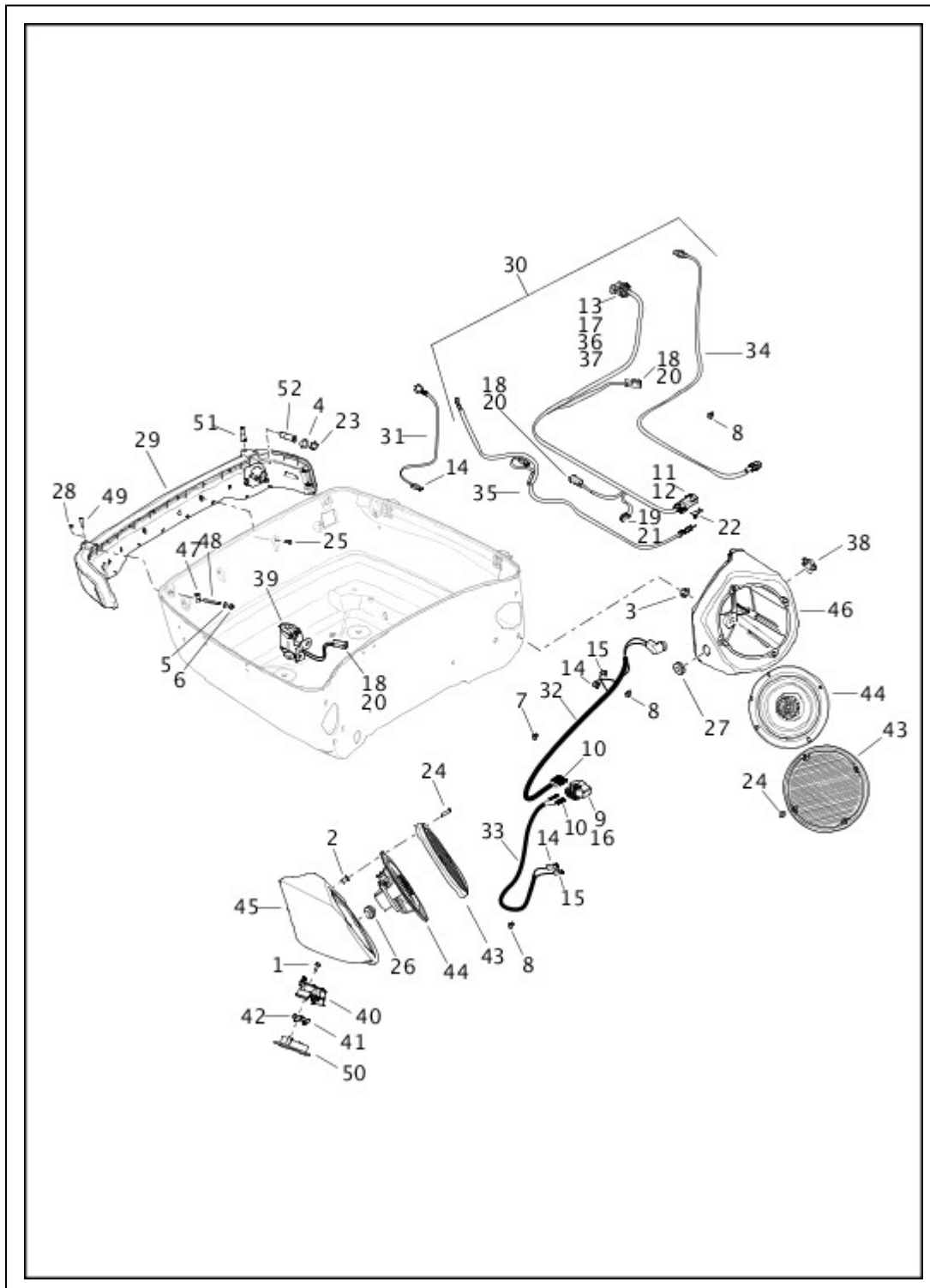
LAMPS & SPEAKER HOUSINGS, ULTRA TOUR-PAK (1 OF 2)



| Index No. | Part No. | Description | Model(s) |
|-----------|----------|---------------|---|
| 1 | 3612 | SCREW (2) | FLHTCU, FLHTCUL, FLHTK, FLHTCUL TC, FLHTKL, FLHTCU TC |
| 2 | 5210 | WELL NUT (8) | FLHTCU, FLHTCUL, FLHTK, FLHTCUL TC, FLHTKL, FLHTCU TC |
| 3 | 5211 | CRIMP NUT (6) | FLHTCU, FLHTCUL, FLHTK, FLHTCUL TC, FLHTKL, FLHTCU TC |
| | | | |

| | | | |
|----|------------|---|---|
| 4 | 6113 | WASHER | FLHTCU, FLHTCUL, FLHTK, FLHTCUL TC, FLHTKL, FLHTCU TC |
| 5 | 6220W | WASHER | FLHTCU, FLHTCUL, FLHTK, FLHTCUL TC, FLHTKL, FLHTCU TC |
| 6 | 7492 | NUT, w/ lockwasher | FLHTCU, FLHTCUL, FLHTK, FLHTCUL TC, FLHTKL, FLHTCU TC |
| 7 | 10006 | CABLE STRAP | FLHTCU, FLHTCUL, FLHTK, FLHTCUL TC, FLHTKL, FLHTCU TC |
| 8 | 10065 | CABLE STRAP (3) | FLHTCU, FLHTCUL, FLHTK, FLHTCUL TC, FLHTKL, FLHTCU TC |
| 9 | 72166-07BK | SOCKET HOUSING, 12-way (black) | FLHTCU, FLHTCUL, FLHTK, FLHTCUL TC, FLHTKL, FLHTCU TC |
| 10 | 72168-07 | SOCKET TERMINAL, 18-20 AWG (13) | FLHTCU, FLHTCUL, FLHTK, FLHTCUL TC, FLHTKL, FLHTCU TC |
| 11 | 72169-07 | TERMINAL PIN, 16-20 AWG (6) | FLHTCU, FLHTCUL, FLHTK, FLHTCUL TC, FLHTKL, FLHTCU TC |
| 12 | 72188-07BK | PIN HOUSING, 6-way (black) | FLHTCU, FLHTCUL, FLHTK, FLHTCUL TC, FLHTKL, FLHTCU TC |
| 13 | 72213-94 | TERMINAL, socket, female, 16-20 AWG (5) | FLHTCU, FLHTCUL, FLHTK, FLHTCUL TC, FLHTKL, FLHTCU TC |
| 14 | 72290-94 | TERMINAL, female 1/4 in. (3) | FLHTCU, FLHTCUL, FLHTK, FLHTCUL TC, FLHTKL, FLHTCU TC |
| 15 | 72294-94 | TERMINAL, female 16-20 gauge (2) | FLHTCU, FLHTCUL, FLHTK, FLHTCUL TC, FLHTKL, FLHTCU TC |
| 16 | 72473-07 | SEAL PIN (3) | FLHTCU, FLHTCUL, FLHTK, FLHTCUL TC, FLHTKL, FLHTCU TC |
| 17 | 72610-08 | SEAL, 18-20 awg (white) (5) | FLHTCU, FLHTCUL, FLHTK, FLHTCUL TC, FLHTKL, FLHTCU TC |
| 18 | 73102-96BK | PIN HOUSING, 2-place (2) | FLHTCU, FLHTCUL, FLHTKL, FLHTCU TC |
| 18 | 73102-96BK | PIN HOUSING, 2-place (3) | FLHTK, FLHTKL |
| 19 | 73152-96WE | SOCKET HOUSING, 2-place (white) | FLHTCU, FLHTCUL, FLHTK, FLHTCUL TC, FLHTKL, FLHTCU TC |

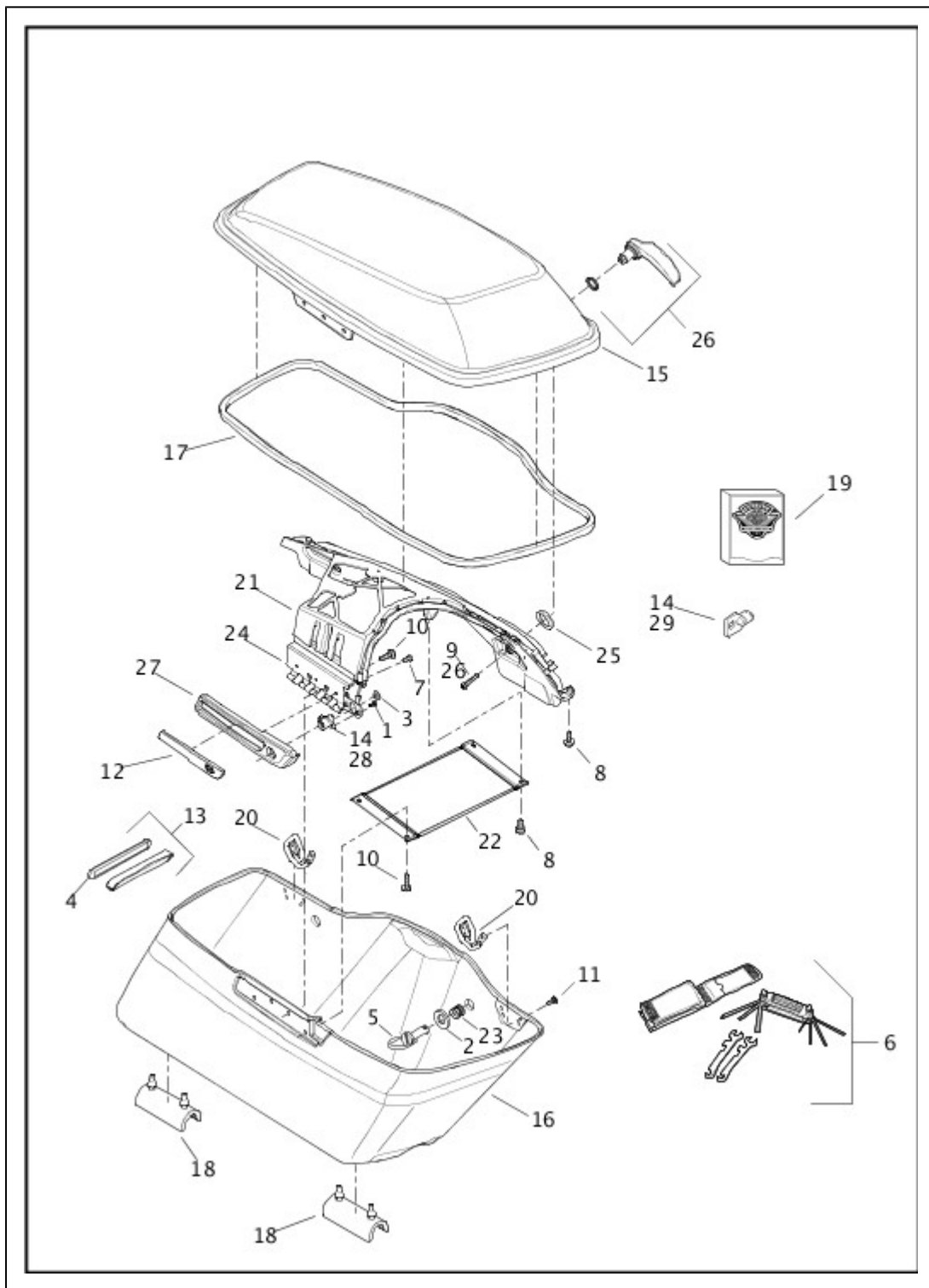
| | | | |
|----|----------|--|---|
| 20 | 73190-96 | TERMINAL, pin, 16-20 AWG (4) | FLHTCU, FLHTCUL, FLHTKL, FLHTCU TC |
| 20 | 73190-96 | TERMINAL, pin, 16-20 AWG (6) | FLHTK, FLHTKL |
| 21 | 73191-96 | TERMINAL, socket, 16-20 gauge (2) | FLHTCU, FLHTCUL, FLHTK, FLHTCUL TC, FLHTKL, FLHTCU TC |
| 22 | 73213-07 | RETAINER, xmas tree clip | FLHTCU, FLHTCUL, FLHTK, FLHTCUL TC, FLHTKL, FLHTCU TC |
| 23 | 76353-00 | NUT | FLHTCU, FLHTCUL, FLHTK, FLHTCUL TC, FLHTKL, FLHTCU TC |
| 24 | 10200105 | SCREW (8) | FLHTCU, FLHTCUL, FLHTK, FLHTCUL TC, FLHTKL, FLHTCU TC |
| 25 | 10200133 | SCREW (8) | FLHTCU, FLHTCUL, FLHTK, FLHTCUL TC, FLHTKL, FLHTCU TC |
| 26 | 12100017 | GROMMET, speaker, right | FLHTCU, FLHTCUL, FLHTK, FLHTCUL TC, FLHTKL, FLHTCU TC |
| 27 | 12100018 | GROMMET, speaker, left | FLHTCU, FLHTCUL, FLHTK, FLHTCUL TC, FLHTKL, FLHTCU TC |
| 28 | 12100023 | PLUG, (w/o CB radio) | FLHTCU, FLHTCUL, FLHTK, FLHTCUL TC, FLHTKL, FLHTCU TC |
| 29 | 67800093 | LAMP, Tour-Pak, w/ 76000164, 76000165, 76000186 & 76000208 (Domestic) | FLHTCU, FLHTK, FLHTCUL, FLHTKL |
| | 67800101 | LAMP, Tour-Pak, w/ 76000164, 76000165, 76000186 & 76000208 (HDI) | FLHTCU TC, FLHTK, FLHTCUL TC, FLHTKL |
| | 67800102 | LAMP, Tour-Pak, w/ 76000164, 76000165, 76000186 & 76000208 (Japan) | FLHTCU TC, FLHTK, FLHTCUL TC, FLHTKL |
| 30 | 69200131 | WIRING HARNESS, Tour-Pak, w/ 10065, 72169-07, 72188-07BK, 72213-94, 72610-08, 73102-96BK, 73152-96WE, 73190-96, 73191- 96, 69200210, 69200211, 69200225 & 69200226 | FLHTCU, FLHTCUL, FLHTK, FLHTCUL TC, FLHTKL, FLHTCU TC |
| 31 | 69200135 | WIRING HARNESS, AM/FM ground jumper, w/ 72290-94 | FLHTCU, FLHTCUL, FLHTK, FLHTCUL TC, FLHTKL, FLHTCU TC |
| 32 | 69200138 | WIRING HARNESS, speaker, left, w/ 10065, 72168-07, 72290-94 & 72294-94 | FLHTCU, FLHTCUL, FLHTK, FLHTCUL TC, FLHTKL, FLHTCU TC |
| 33 | 69200139 | WIRING HARNESS, speaker, right, w/ 10065, 72168-07, 72290-94, 72294-94 & 71400005 | FLHTCU, FLHTCUL, FLHTK, FLHTCUL TC, FLHTKL, FLHTCU TC |
| 34 | 69200210 | CABLE EXTENSION, AM/FM antenna | FLHTCU, FLHTCUL, FLHTK, FLHTCUL TC, FLHTKL, FLHTCU TC |

LAMPS & SPEAKER HOUSINGS, ULTRA TOUR-PAK (2 OF 2)

| Index No. | Part No. | Description | Model(s) |
|-----------|----------|---------------------------------|--|
| 36 | 69200225 | SOCKET CONNECTOR, 5-way (black) | FLHTCU, FLHTCUL, FLHTK, FLHTCUL TC, FLHTKL, FLHTCU TC |
| 37 | 69200226 | SECONDARY LOCK, 5-way (black) | FLHTCU, FLHTCUL, FLHTK, FLHTCUL TC, |

| | | | |
|----|----------|---|---|
| | | | FLHTKL, FLHTCU TC |
| 38 | 69200237 | WEATHER CAP ASSEMBLY | FLHTCU, FLHTCUL, FLHTK, FLHTCUL TC, FLHTKL, FLHTCU TC |
| 39 | 69200826 | KIT, AUXILIARY POWER OUTLET, Tour-Pak, w/ 73102-96BK & 73190-96 | FLHTK, FLHTKL |
| 40 | 71400005 | SWITCH ASSEMBLY, rear speaker, w/ 71400006 & 71400007 | FLHTCU, FLHTCUL, FLHTK, FLHTCUL TC, FLHTKL, FLHTCU TC |
| 41 | 71400006 | KNOB, ptt vol-/vol+ rear control switch | FLHTCU, FLHTCUL, FLHTK, FLHTCUL TC, FLHTKL, FLHTCU TC |
| 42 | 71400007 | KNOB, mode select up/down rear control switch | FLHTCU, FLHTCUL, FLHTK, FLHTCUL TC, FLHTKL, FLHTCU TC |
| 43 | 76000092 | GRILLE, rear speaker (2) | FLHTCU, FLHTCUL, FLHTK, FLHTCUL TC, FLHTKL, FLHTCU TC |
| 44 | 76000096 | SPEAKER, 5.25 inch (2) | FLHTCU, FLHTCUL, FLHTK, FLHTCUL TC, FLHTKL, FLHTCU TC |
| 45 | 76000160 | SPEAKER BOX ENCLOSURE, right rear | FLHTCU, FLHTCUL, FLHTK, FLHTCUL TC, FLHTKL, FLHTCU TC |
| 46 | 76000161 | SPEAKER BOX ENCLOSURE, left rear | FLHTCU, FLHTCUL, FLHTK, FLHTCUL TC, FLHTKL, FLHTCU TC |
| 47 | 76000164 | STUD, antenna, female | FLHTCU, FLHTCUL, FLHTK, FLHTCUL TC, FLHTKL, FLHTCU TC |
| 48 | 76000165 | SET SCREW, antenna, M5 X 43mm | FLHTCU, FLHTCUL, FLHTK, FLHTCUL TC, FLHTKL, FLHTCU TC |
| 49 | 76000166 | SET SCREW, antenna, M6 X 20mm, (w/ CB radio) (Domestic, HDI) | FLHTK, FLHTKL |
| 50 | 76000177 | BEZEL, speaker switch | FLHTCU, FLHTCUL, FLHTK, FLHTCUL TC, FLHTKL, FLHTCU TC |
| 51 | 76000186 | STUD, antenna | FLHTCU, FLHTCUL, FLHTK, FLHTCUL TC, FLHTKL, FLHTCU TC |
| 52 | 76000208 | PLUG ASSEMBLY, antenna | FLHTCU, FLHTCUL, FLHTK, FLHTCUL TC, FLHTKL, FLHTCU TC |

SADDLEBAGS (1 OF 2)

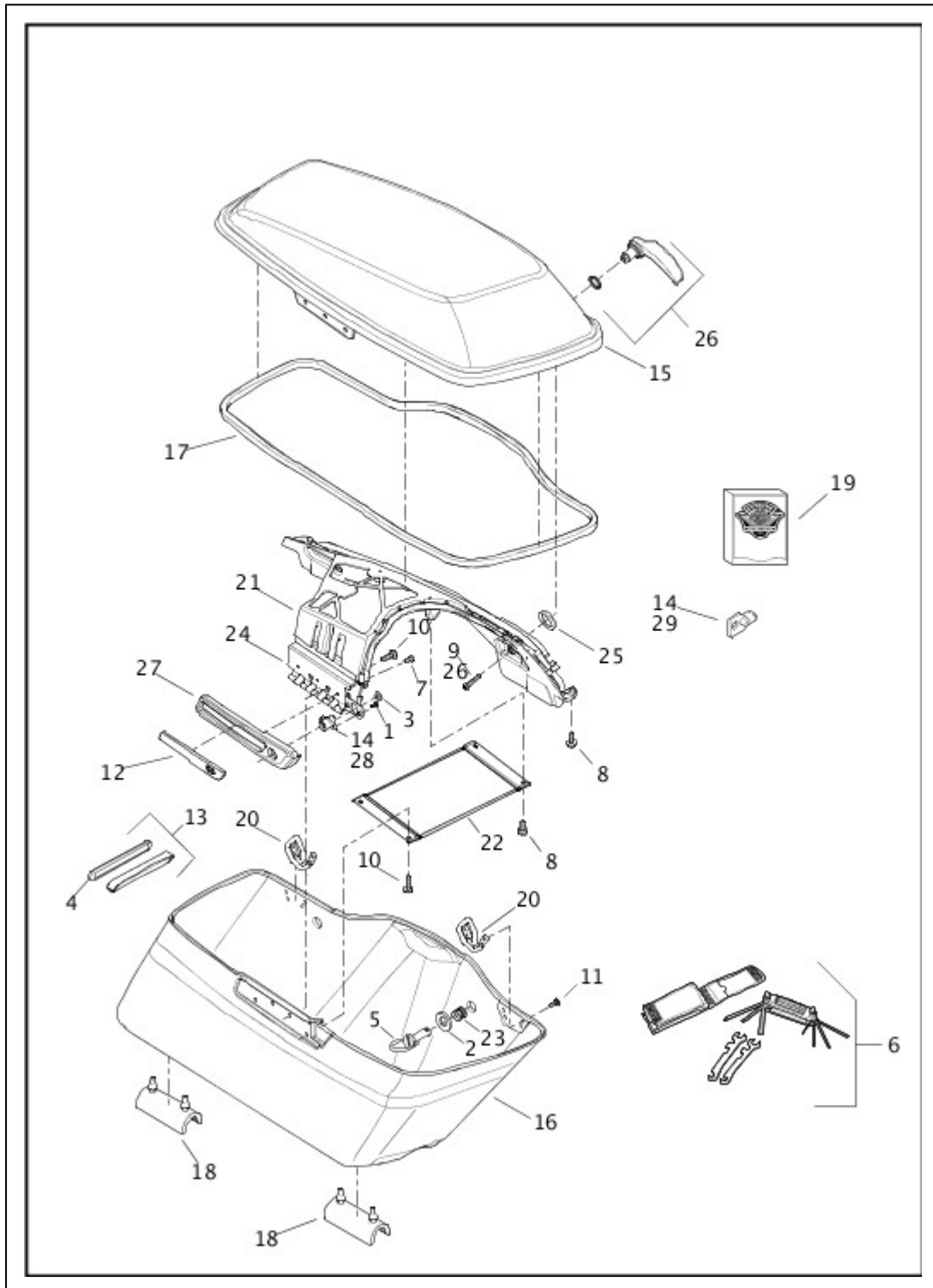


| Index No. | Part No. | Description | Model(s) |
|---|----------|-------------------------------|---|
| NOTE: Refer to the Service Section of h-dnet.com for painted part numbers. | | | |
| 1 | 3656 | SCREW (4) | FLHR, FLHTCU, FLHX, FLHTCUL, FLHTK, FLHTCUL TC, FLTRX, FLHTKL, FLHXS, FLHTCU TC, FLTRXS |
| 2 | 6229W | WASHER (4) | FLHR, FLHTCU, FLHX, FLHTCUL, FLHTK, FLHTCUL TC, FLTRX, FLHTKL, FLHXS, FLHTCU TC, FLTRXS |
| 3 | 7586 | JAMNUT (2) | FLHR, FLHTCU, FLHX, FLHTCUL, FLHTK, FLHTCUL TC, FLTRX, FLHTKL, FLHXS, FLHTCU TC, FLTRXS |
| 4 | 69490-07 | REFLECTOR, (red) (Canada) (2) | FLHX, FLTRX, FLHXS, FLTRXS |

| | | | |
|----|-----------|--|---|
| 5 | 90834-95B | BAIL HEAD STUD, (NOTE: Remove Bail for HDI sale, excluding Japan) (4) | FLHR, FLHTCU, FLHX, FLHTCUL, FLHTK, FLHTCUL TC, FLTRX, FLHTKL, FLHXS, FLHTCU TC, FLTRXS |
| 6 | 94435-10 | TOOL KIT | FLHTCU, FLHX, FLHTCUL, FLHTK, FLHTCUL TC, FLTRX, FLHTKL, FLHXS, FLHTCU TC, FLTRXS |
| 7 | 10200062 | SCREW (6) | FLHR, FLHTCU, FLHX, FLHTCUL, FLHTK, FLHTCUL TC, FLTRX, FLHTKL, FLHXS, FLHTCU TC, FLTRXS |
| 8 | 10200063 | SCREW (12) | FLHR, FLHTCU, FLHX, FLHTCUL, FLHTK, FLHTCUL TC, FLTRX, FLHTKL, FLHXS, FLHTCU TC, FLTRXS |
| 9 | 10200064 | SCREW (2) | FLHR, FLHTCU, FLHX, FLHTCUL, FLHTK, FLHTCUL TC, FLTRX, FLHTKL, FLHXS, FLHTCU TC, FLTRXS |
| 10 | 10200065 | SCREW (8) | FLHR, FLHTCU, FLHX, FLHTCUL, FLHTK, FLHTCUL TC, FLTRX, FLHTKL, FLHXS, FLHTCU TC, FLTRXS |
| 11 | 10200103 | SCREW (16) | FLHR, FLHTCU, FLHX, FLHTCUL, FLHTK, FLHTCUL TC, FLTRX, FLHTKL, FLHXS, FLHTCU TC, FLTRXS |
| 12 | 67900065 | REFLECTOR, left (red) (Domestic) | FLHR, FLHTCU, FLHX, FLHTCUL, FLHTK, FLTRX, FLHTKL, FLHXS, FLTRXS |
| | 67900066 | REFLECTOR, left (amber) (HDI) | FLHTK, FLHTCUL TC, FLHTKL, FLHXS, FLHTCU TC, FLTRXS |
| | 67900067 | REFLECTOR, right (red) (Domestic) | FLHR, FLHTCU, FLHX, FLHTCUL, FLHTK, FLTRX, FLHTKL, FLHXS, FLTRXS |
| | 67900068 | REFLECTOR, right (amber) (HDI) | FLHTK, FLHTCUL TC, FLHTKL, FLHXS, FLHTCU TC, FLTRXS |
| 13 | 67900256 | REFLECTOR ASSEMBLY, w/ 69490-07 (red) (Canada) (2) | FLHX, FLTRX, FLHXS, FLTRXS |
| 14 | 71400010 | LOCKSET, complete, w/ keys, ignition knob, fork lock & saddlebag locks | FLHR |
| | 71400015 | LOCKSET, complete, w/ keys, ignition knob, saddlebag, & Tour-Pak locks | FLHTCU, FLHTCU TC, FLHTK, FLHTCUL TC, FLHTKL, FLHTCUL |
| | 71400016 | LOCKSET, complete, w/ keys, ignition knob, & saddlebag lock | FLHX, FLHXS, FLTRX, FLTRXS |
| 15 | 90200411 | SADDLEBAG COVER, right (unpainted) | FLHR, FLHTCU, FLHX, FLHTCUL, FLHTK, FLHTCUL TC, FLTRX, FLHTKL, FLHXS, FLHTCU TC, FLTRXS |
| | 90200413 | SADDLEBAG COVER, left (unpainted) | FLHR, FLHTCU, FLHX, FLHTCUL, FLHTK, FLHTCUL TC, FLTRX, FLHTKL, FLHXS, FLHTCU TC, FLTRXS |
| 16 | 90200412 | SADDLEBAG BOTTOM, right (unpainted) | FLHR, FLHTCU, FLHX, FLHTCUL, FLHTK, FLHTCUL TC, FLTRX, FLHTKL, FLHXS, FLHTCU TC, FLTRXS |
| | 90200414 | SADDLEBAG BOTTOM, left (unpainted) | FLHR, FLHTCU, FLHX, FLHTCUL, FLHTK, FLHTCUL TC, FLTRX, FLHTKL, FLHXS, FLHTCU TC, FLTRXS |
| 17 | 90200415 | GASKET, cover (2) | FLHR, FLHTCU, FLHX, FLHTCUL, FLHTK, FLHTCUL TC, FLTRX, FLHTKL, FLHXS, FLHTCU TC, FLTRXS |
| 18 | 90200467 | CUSHION, saddlebag support (4) | FLHR, FLHTCU, FLHX, FLHTCUL, FLHTK, FLHTCUL TC, FLTRX, FLHTKL, FLHXS, FLHTCU TC, FLTRXS |
| 19 | 90200488 | LINER (2) | FLHTCU TC, FLHTCU, FLHTCUL, FLHTCUL TC |

| | | | |
|----|----------|-----------------------|---|
| | 90200489 | LINER (2) | FLHTK, FLHTKL |
| 20 | 90200519 | STRIKE, saddlebag (4) | FLHR, FLHTCU, FLHX, FLHTCUL, FLHTK, FLHTCUL TC, FLTRX, FLHTKL, FLHXS, FLHTCU TC, FLTRXS |
| 21 | 90200520 | LATCH ASSEMBLY, right | FLHR, FLHTCU, FLHX, FLHTCUL, FLHTK, FLHTCUL TC, FLTRX, FLHTKL, FLHXS, FLHTCU TC, FLTRXS |
| | 90200521 | LATCH ASSEMBLY, left | FLHR, FLHTCU, FLHX, FLHTCUL, FLHTK, FLHTCUL TC, FLTRX, FLHTKL, FLHXS, FLHTCU TC, FLTRXS |

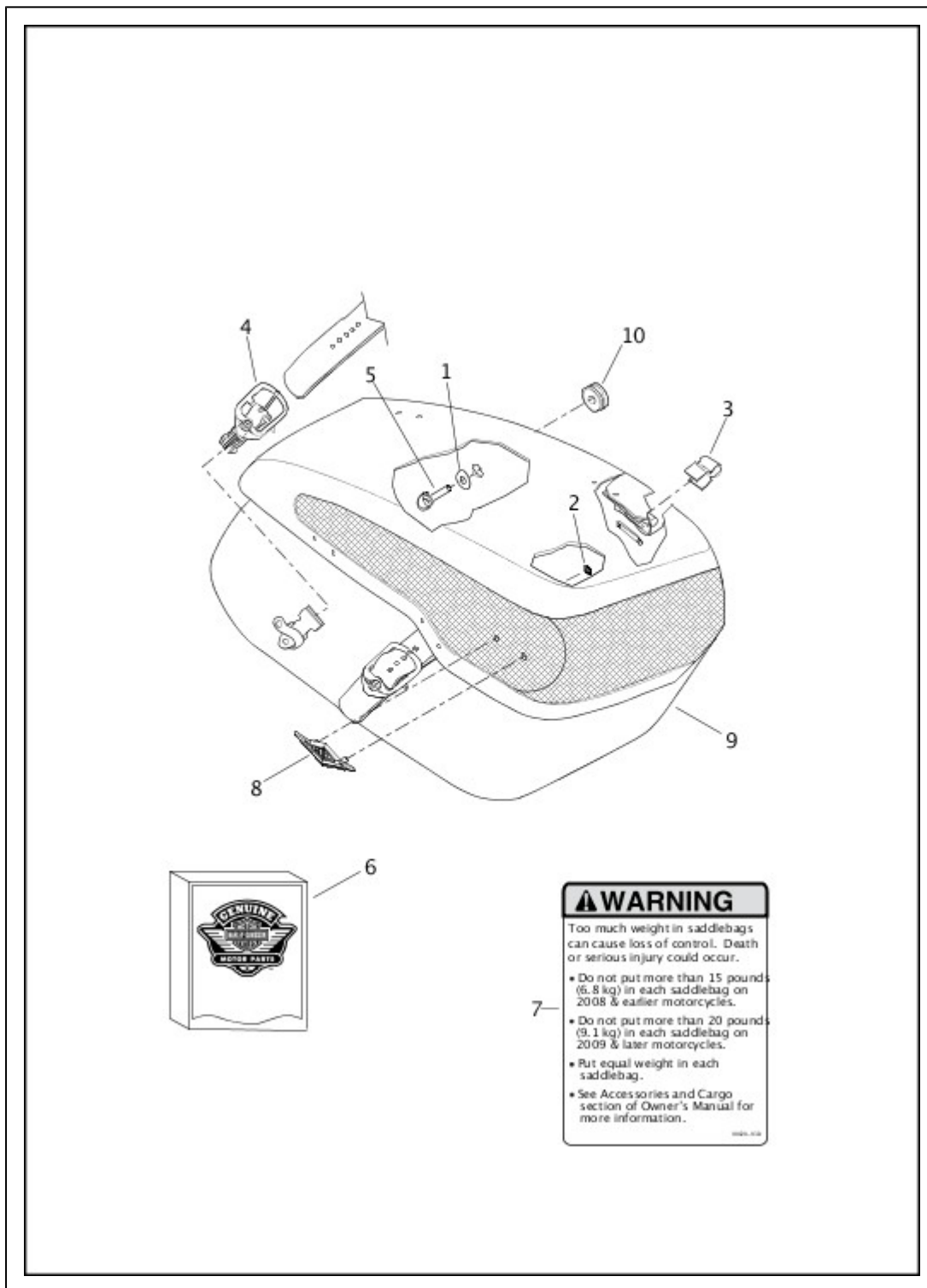
SADDLEBAGS (2 OF 2)



| Index No. | Part No. | Description | Model(s) |
|---|-------------|---|---|
| NOTE: Refer to the Service Section of h-dnet.com for painted part numbers. | | | |
| 22 | 90200522 | TETHER, saddlebag (2) | FLHR, FLHTCU, FLHX, FLHTCUL, FLHTK, FLHTCUL TC, FLTRX, FLHTKL, FLHXS, FLHTCU TC, FLTRXS |
| 23 | 90200611 | ISOLATOR, saddlebag (4) | FLHR, FLHTCU, FLHX, FLHTCUL, FLHTK, FLHTCUL TC, FLTRX, FLHTKL, FLHXS, FLHTCU TC, FLTRXS |
| 24 | 90200899 | HINGE ASSEMBLY, right | FLHR, FLHTCU, FLHX, FLHTCUL, FLHTK, FLHTCUL TC, FLTRX, FLHTKL, FLHXS, FLHTCU TC, FLTRXS |
| | 90200900 | HINGE ASSEMBLY, left | FLHR, FLHTCU, FLHX, FLHTCUL, FLHTK, FLHTCUL TC, FLTRX, FLHTKL, FLHXS, FLHTCU TC, FLTRXS |
| 25 | 90200901 | SEAL (2) | FLHR, FLHTCU, FLHX, FLHTCUL, FLHTK, FLHTCUL TC, FLTRX, FLHTKL, FLHXS, FLHTCU TC, FLTRXS |
| 26 | 90200902 | HANDLE KIT, saddlebag, w/ 10200064 & grommet, right | FLHR, FLHTCU, FLHX, FLHTCUL, FLHTK, FLHTCUL TC, FLTRX, FLHTKL, FLHXS, FLHTCU TC, FLTRXS |
| | 90200903 | HANDLE KIT, saddlebag, w/ 10200064 & grommet, left | FLHR, FLHTCU, FLHX, FLHTCUL, FLHTK, FLHTCUL TC, FLTRX, FLHTKL, FLHXS, FLHTCU TC, FLTRXS |
| 27 | 90201295 | FACE PLATE, left (chrome) | FLHR, FLHTCU, FLHTCU TC, FLHTK, FLHTCUL, FLHTCUL TC, FLHTKL |
| | 90200983BHT | FACE PLATE, left (brilliant silver pearl) | FLHXS |
| | 90200983BYM | FACE PLATE, left (black denim) | FLHXS, FLTRX, FLTRXS |
| | 90200983DH | FACE PLATE, left (vivid black) | FLHX, FLHXS, FLTRX, FLTRXS |
| | 90200983DST | FACE PLATE, left (amber whiskey) | FLHXS, FLTRX, FLTRXS |
| | 90200983DSW | FACE PLATE, left (mysterious red sunglo) | FLHR, FLTRX |
| | 90200983DTC | FACE PLATE, left (morocco gold pearl) | FLHXS |
| | 90200983DTF | FACE PLATE, left (charcoal pearl) | FLHXS |
| | 90200983DUM | FACE PLATE, left (charcoal satin) | FLHR |
| | 90200983DWC | FACE PLATE, left (superior blue) | FLHR, FLTRXS |
| | 90200983DWF | FACE PLATE, left (deep jade pearl) | FLHXS |
| | 90201296 | FACE PLATE, right (chrome) | FLHR, FLHTCU, FLHTCU TC, FLHTK, FLHTCUL, FLHTCUL TC, FLHTKL |
| | 90200984BHT | FACE PLATE, right (brilliant silver pearl) | FLHXS |

| | | | |
|----|-------------|--|---|
| | 90200984BYM | FACE PLATE, right (black denim) | FLHXS, FLTRX, FLTRXS |
| | 90200984DH | FACE PLATE, right (vivid black) | FLHX, FLHXS, FLTRX, FLTRXS |
| | 90200984DST | FACE PLATE, right (amber whiskey) | FLHXS, FLTRX, FLTRXS |
| | 90200984DSW | FACE PLATE, right (mysterious red sunglo) | FLHR, FLTRX |
| | 90200984DTC | FACE PLATE, right (morocco gold pearl) | FLHXS |
| | 90200984DTF | FACE PLATE, right (charcoal pearl) | FLHXS |
| | 90200984DUM | FACE PLATE, right (charcoal satin) | FLHR |
| | 90200984DWC | FACE PLATE, right (superior blue) | FLHR, FLTRXS |
| | 90200984DWF | FACE PLATE, right (deep jade pearl) | FLHXS |
| 28 | 90300024 | LOCK, w/ 7586 (specify key number) (2) | FLHR, FLHTCU, FLHX, FLHTCUL, FLHTK, FLHTCUL TC, FLTRX, FLHTKL, FLHXS, FLHTCU TC, FLTRXS |
| 29 | 90300043 | KEY, w/ 61081-92 (set of 2) (specify key number) | FLHR, FLHTCU, FLHX, FLHTCUL, FLHTK, FLHTCUL TC, FLTRX, FLHTKL, FLHXS, FLHTCU TC, FLTRXS |

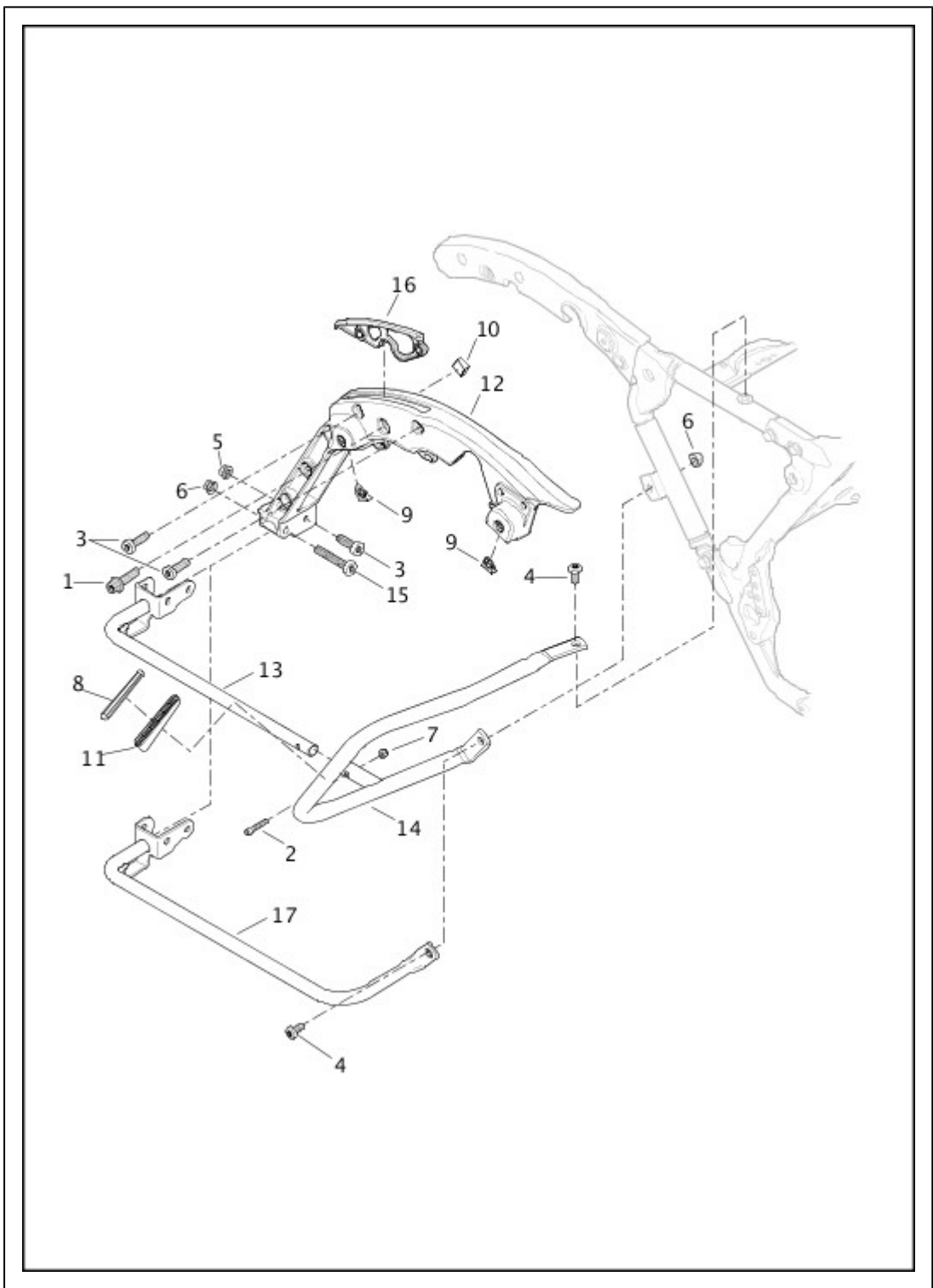
SADDLEBAGS - FLHRC



| Index No. | Part No. | Description | Model(s) |
|-----------|-----------|---|----------|
| 1 | 6229W | WASHER (4) | FLHRC |
| 2 | 8126A | PUSH NUT, eight prong (4) | FLHRC |
| 3 | 90382-98 | SPRING KIT, hinge, w/ two springs (2) | FLHRC |
| 4 | 90425-98 | BUCKLE (4) | FLHRC |
| 5 | 90834-95B | BAIL HEAD STUD, (NOTE: Remove Bail Head Stud for HDI sale, except in Japan) (4) | FLHRC |
| 6 | 90439-10 | SADDLEBAG STRAP REPAIR KIT, left side | FLHRC |

| | | | |
|----|-----------|--|-------|
| | 90482-10 | SADDLEBAG STRAP REPAIR KIT, right side | FLHRC |
| 7 | 90820-93D | LABEL, saddle bag load limits | FLHRC |
| 8 | 14100254 | MEDALLION, saddlebag lid (2) | FLHRC |
| 9 | 90200684 | SADDLEBAG, right, w/ 8126A, 90382-98, 90425-98, 90820-93D, 14100254 & 90200905 | FLHRC |
| | 90200685 | SADDLEBAG, left, w/ 8126A, 90382-98, 90425-98, 90820-93D, 14100254 & 90200905 | FLHRC |
| 10 | 90200905 | ISOLATOR, saddlebag (4) | FLHRC |

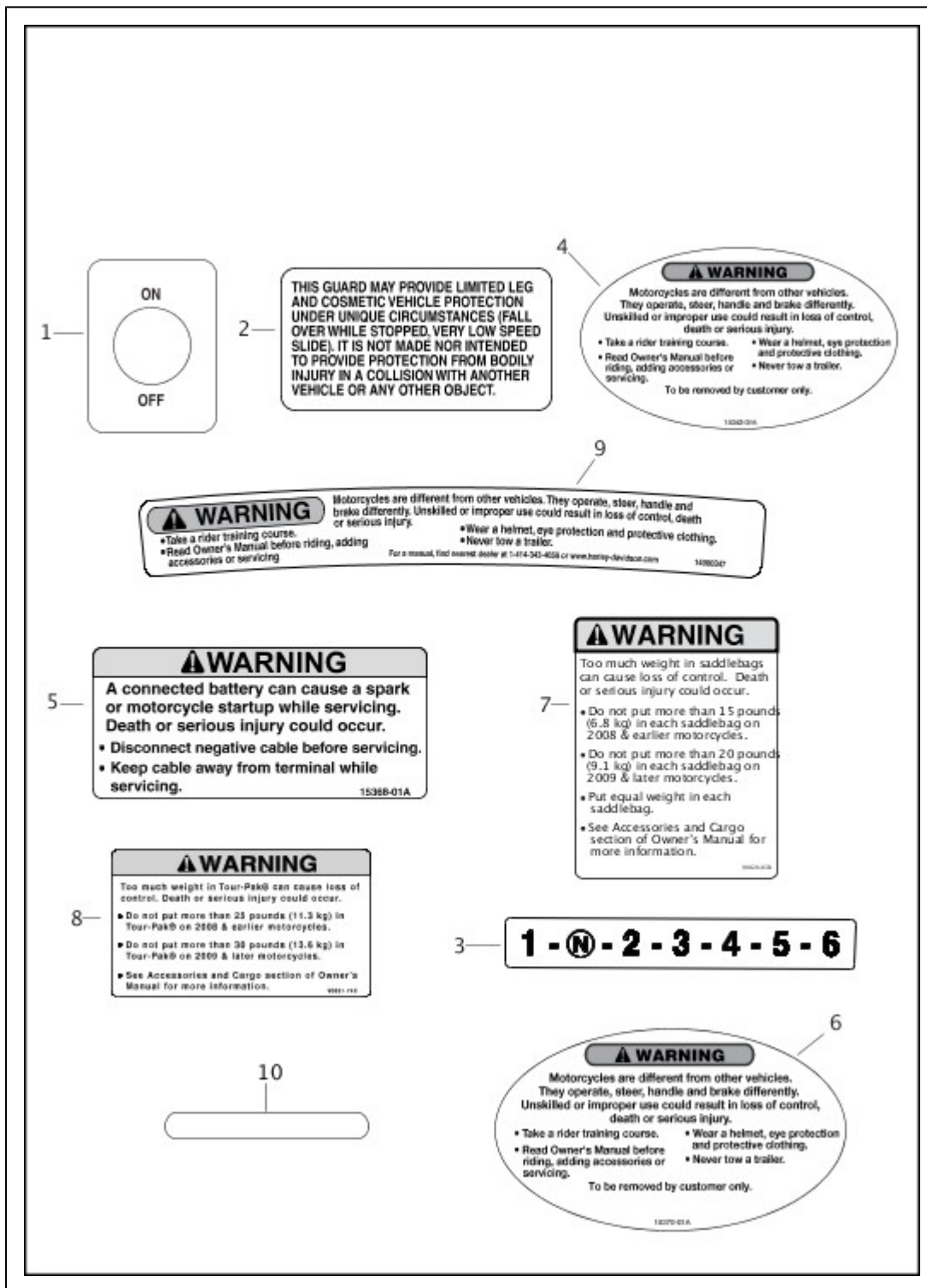
GUARDS, SADDLEBAG



| Index No. | Part No. | Description | Model(s) |
|-----------|----------|-------------|--|
| 1 | 10200217 | SCREW (2) | |
| 2 | 3601 | SCREW (2) | FLHR, FLHTCU, FLHTCU TC, FLHRC, FLHTK, FLHTCUL, FLHTCUL TC, FLHTKL |
| 3 | 3684 | SCREW (2) | FLHTCU, FLHTCU TC, FLHTK, FLHTCUL, FLHTCUL TC, FLHTKL |
| 3 | 3684 | SCREW (6) | FLHR, FLHRC, FLHX, FLHXS, FLTRX, FLTRXS |
| 4 | 4924 | SCREW (2) | FLHX, FLHXS, FLTRX, FLTRXS |

| | | | |
|----|----------|---|--|
| 4 | 4924 | SCREW (4) | FLHR, FLHTCU, FLHTCU TC, FLHRC, FLHTK, FLHTCUL, FLHTCUL TC, FLHTKL |
| 5 | 7531 | LOCKNUT (2) | |
| 6 | 7601 | LOCKNUT (4) | |
| 7 | 7686 | LOCKNUT (2) | FLHR, FLHTCU, FLHTCU TC, FLHRC, FLHTK, FLHTCUL, FLHTCUL TC, FLHTKL |
| 8 | 60254-07 | REFLECTOR, (amber) (2) | FLHRC |
| 9 | 10900009 | RECEPTACLE (4) | |
| 10 | 11100068 | CUSHION (2) | |
| 11 | 67900120 | BRACKET, reflector (2) | FLHRC |
| 12 | 90200499 | SUPPORT, saddlebag, right, w/ 11100068 (chrome) | |
| | 90200501 | SUPPORT, saddlebag, left, w/ 11100068 (chrome) | |
| 13 | 90200504 | SUPPORT, saddlebag, right (black) | FLHR, FLHTCU, FLHTCU TC, FLHRC, FLHTK, FLHTCUL, FLHTCUL TC, FLHTKL |
| | 90200505 | SUPPORT, saddlebag, left (black) | FLHR, FLHTCU, FLHTCU TC, FLHRC, FLHTK, FLHTCUL, FLHTCUL TC, FLHTKL |
| 14 | 90200506 | GUARD, left (chrome) | FLHR, FLHTCU, FLHTCU TC, FLHRC, FLHTK, FLHTCUL, FLHTCUL TC, FLHTKL |
| | 90200507 | GUARD, right (chrome) | FLHR, FLHTCU, FLHTCU TC, FLHRC, FLHTK, FLHTCUL, FLHTCUL TC, FLHTKL |
| 15 | 90200543 | SCREW (2) | |
| 16 | 90200547 | INSERT ASSEMBLY, saddlebag support (2) | FLHR, FLHRC, FLHX, FLHXS, FLTRX, FLTRXS |
| 17 | 90200549 | SUPPORT, left (black) | FLHX, FLHXS, FLTRX, FLTRXS |
| | 90200550 | SUPPORT, right (black) | FLHX, FLHXS, FLTRX, FLTRXS |

LABELS

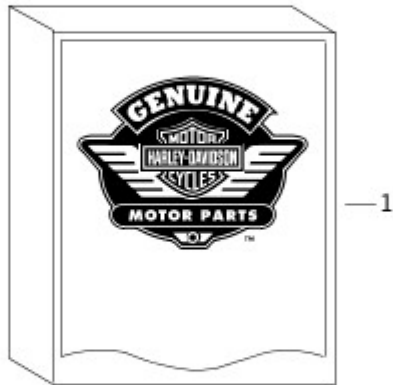


| Index No. | Part No. | Description | Model(s) |
|-----------|-----------|------------------------------|--|
| 1 | 14019-83A | LABEL ON/OFF SWITCH | FLHR, FLHRC |
| 2 | 14148-86 | ENGINE GUARD LABEL | |
| 3 | 14272-06 | SHIFT PATTERN LABEL, (Japan) | FLHRC, FLHTK, FLHTCU TC, FLHTCUL TC, FLHTKL, FLHXS, FLTRXS |
| 4 | 15342-06A | MIRROR WARNING LABEL | FLHX, FLHXS |
| | 15385-08 | MIRROR WARNING LABEL, | FLHRC, FLHTK, FLHXS |

| | | | |
|----|-----------|---|--|
| | | Portuguese (Brazil) (not shown) | |
| 5 | 15368-01A | LABEL BATTERY WARNING | |
| | 14263-04 | LABEL BATTERY WARNING, Portuguese (Brazil) (not shown) | FLHRC, FLHTK, FLHXS, FLHTCU TC, FLHTKL, FLHTCUL, FLHTCUL TC, FLTRX, FLTRXS |
| 6 | 15370-01A | MIRROR WARNING LABEL | FLHR, FLHTCU, FLHRC, FLHTK |
| 7 | 90820-93D | LABEL, saddlebag load limits | |
| 8 | 90821-74C | LABEL, TOUR-PAK, load limit | FLHTCU, FLHTCU TC, FLHTK, FLHTKL, FLHTCUL, FLHTCUL TC |
| 9 | 14000347 | WARNING LABEL, air cleaner, (chrome) (Domestic, California) | FLHR, FLHTCU, FLHX, FLHTCUL, FLTRX, FLTRXS, FLHXS, FLHTK, FLHTKL |
| 10 | 14000827 | CLEAR OVERLAY, VIN label (Japan) | FLHRC, FLHTK, FLHXS, FLHTCU TC, FLHTCUL TC, FLTRXS |

NOTE: When ordering any V.I.N., Emissions, or Noise Labels you must contact your local dealer with the V.I.N. number and model year of your motorcycle and the label type needed. Replacement V.I.N. and Emissions labels can only be ordered for warranty purposes through h-dnet Service eForm.

LOOSE PARTS (1 OF 2)



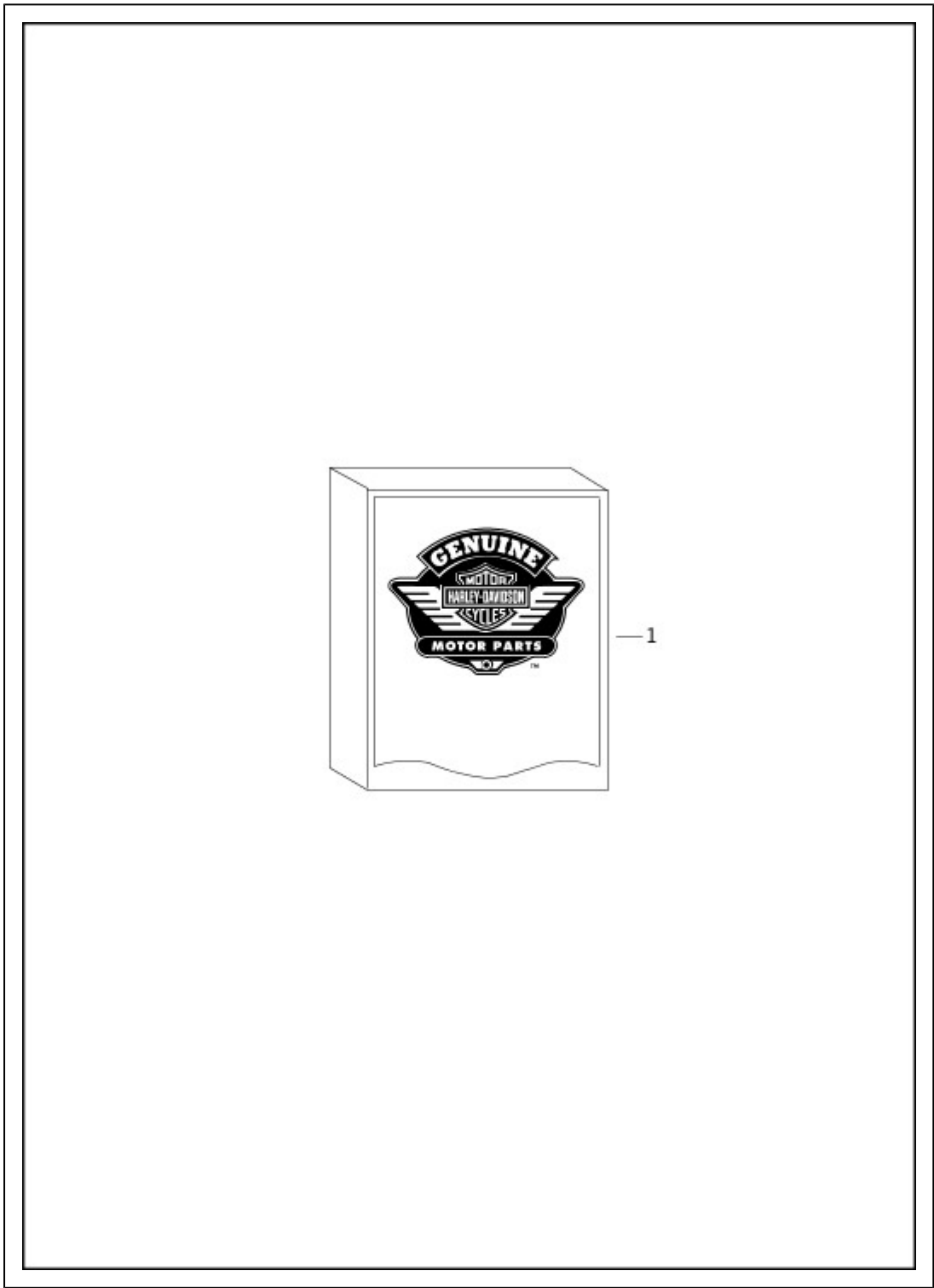
| Index No. | Part No. | Description | Model(s) |
|-----------|-----------|--|----------|
| 1 | 68926-07 | REMOTE CONTROL FOB, (except Japan) (2) | |
| | 69995-11 | REMOTE CONTROL FOB, (Japan) (2) | |
| | 88002-15D | OWNER'S KIT CONTENT, (Domestic) | |
| | 99466-15 | OWNER'S MANUAL, (Domestic, Australia, England) | |
| | 69200336 | MAIN FUSE, 50 amp (red) | |
| | 90300043 | KEY, (set of 2) (specify key number) | |

| | | | |
|--|------------|--|---|
| | 94000084 | ABS DVD, (ABS models) | |
| | 57668-10 | WINDSHIELD ASSEMBLY, complete, low (clear) (Asia-Pacific) | FLHRC |
| | 57994-94 | WINDSHIELD ASSEMBLY, complete (FBM - Domestic, Canada, California) (FRM - Australia, Brazil) | FLHR, FLHRC |
| | 58002-09 | MID-FRAME AIR DEFLECTOR KIT, (Brazil) | FLHRC |
| | 58325-06 | WINDSHIELD ASSEMBLY, complete (HDI, England, Japan) | FLHRC |
| | 61400159 | INSERT, handlebar cover | FLHR, FLHRC |
| | 58002-09 | MID-FRAME AIR DEFLECTOR KIT | FLHTCU, FLHTCU TC, FLHTK, FLHTKL, FLHTCUL, FLHTCUL TC |
| | 53598-88A | LINER, Tour-Pak, removable | FLHTCU, FLHTCU TC, FLHTCUL, FLHTCUL TC |
| | 62241-08 | INSERT, PEACE OFFICER (2) | FLHTK, FLHTKL |
| | 62242-08 | INSERT, FIREFIGHTER (2) | FLHTK, FLHTKL |
| | 62243-08 | INSERT, SPECIAL EDITION (2) | FLHTK, FLHTKL |
| | 76250-09 | ANTENNA MAST, CB | FLHTK, FLHTKL |
| | 76503-08 | ANTENNA MAST, AM/FM/WB/LW | FLHTCU, FLHTCUL, FLHTK, FLHTCUL TC, FLHTKL, FLHTCU TC |
| | 77117-10 | HEADSET ASSEMBLY, (Domestic, California, Canada) | FLHTK, FLHTCU, FLHTKL, FLHTCUL |
| | 77117-10 | HEADSET ASSEMBLY, (HDI, Australia, Japan, Asia-Pacific, Brazil, England) (2) | FLHTK, FLHTCU TC, FLHTCUL TC, FLHTKL |
| | 92038-10 | LINER, Tour-Pak, removable | FLHTK, FLHTKL |
| | 94435-10 | TOOL KIT | FLHTCU, FLHTCUL, FLHTK, FLHTCUL TC, FLHTKL, FLHTCU TC |
| | 99461-89 | COVER, owner manual (Domestic, California, Canada, Australia) | FLHTCU, FLHTK, FLHTKL, FLHTCU TC |
| | 99517-15EN | BOOM! OWNER'S MANUAL KIT, English (Domestic, Australia, England) | FLHTCU, FLHTCU TC, FLHTK, FLHTKL, FLHTCUL, FLHTCUL TC |
| | 52300053 | BACKREST ASSEMBLY, passenger (black) | FLHTCU, FLHTCU TC, FLHTK, FLHTKL, FLHTCUL, FLHTCUL TC |
| | 57400001 | WINDSHIELD, (clear) (Domestic) | FLHTCU, FLHTK |
| | 57400001 | WINDSHIELD, (clear) (Brazil, Australia) | FLHTK, FLHTCU TC |
| | 57400002 | WINDSHIELD, (clear) (HDI, England, Japan) | FLHTK, FLHTCU TC |
| | 57400058 | WIND DEFLECTOR, (clear) (Asia-Pacific) | FLHTK, FLHTCU TC, FLHTCUL TC, FLHTKL |
| | 57400250 | WINDSHIELD, (clear) (Domestic, HDI, Australia, England, Japan) | FLHTCUL, FLHTCUL TC, FLHTKL |
| | | (2) | |

| | | | |
|--|----------|---|---|
| | 90200488 | LINER, saddlebag, removable | FLHTCU TC, FLHTCU, FLHTCUL, FLHTCUL TC |
| | 90200489 | LINER, saddlebag, removable (2) | FLHTK, FLHTKL |
| | J00761 | CB RADIO GUIDE: I-SHEET, (Domestic) (2) | FLHTK, FLHTKL |
| | 3767B | BOLT (4) | FLHTK, FLHTCU TC |
| | 6703 | WASHER (4) | FLHTK, FLHTCU TC |
| | 53000311 | ADAPTER PLATE, Tour-Pak | FLHTK, FLHTCU TC |
| | 2731W | SCREW (2) | FLHTCU, FLHTCU TC, FLHTK, FLHTKL, FLHTCUL, FLHTCUL TC |
| | 59292-94 | NUT, plastic (2) | FLHTCU, FLHTCU TC, FLHTK, FLHTKL, FLHTCUL, FLHTCUL TC |

ALLTOURINGFLHR,FLHRCFLHTCU, FLHTCUL, FLHTCU TC,FLHTCUL TC, FLHTK, FLHTKLT
TOUR-PAK ADAPTER KIT (Asia-Pacific)LICENSE PLATE MOUNTING KIT HARDWARE

LOOSE PARTS (2 OF 2)



| Index No. | Part No. | Description | Model(s) |
|-----------|------------|--|-------------|
| 1 | 58002-09 | MID-FRAME AIR DEFLECTOR KIT, (Brazil) | FLHXS |
| | 76503-08 | ANTENNA MAST, AM/FM/WB/LW | FLHX, FLHXS |
| | 94435-10 | TOOL KIT | FLHX, FLHXS |
| | 99517-15EN | BOOM! OWNER'S MANUAL KIT, English (Domestic, Australia, England) | FLHX, FLHXS |
| | 57400003 | WIND DEFLECTOR, (smoked) (Domestic) | FLHX, FLHXS |
| | 57400003 | WIND DEFLECTOR, (smoked) (Brazil, Australia) | FLHXS |

| | | | |
|--|------------|--|------------------|
| | 57400004 | WIND DEFLECTOR, (smoked) (HDI, England, Japan) | FLHXS |
| | 57400058 | WIND DEFLECTOR, (clear) (Asia-Pacific) | FLHXS |
| | 76503-08 | ANTENNA MAST, AM/FM/WB/LW | FLTRX, FLTRXS |
| | 94435-10 | TOOL KIT | FLTRX, FLTRXS |
| | 99517-15EN | BOOM! OWNER'S MANUAL KIT, English (Domestic, Australia, England) | FLTRX, FLTRXS |
| | 57400190 | WINDSHIELD KIT, (Domestic, Australia) | FLTRX, FLTRXS |
| | 57400191 | WINDSHIELD KIT, (HDI) | FLTRXS |

FLHX,FLHXSFLTRX,FLTRXS

Hardware List

| Part No. | Description |
|----------|--|
| 10100049 | LOCKNUT hex, M6 X 1-6H X 5.2mm (Grade 9) |
| 10200042 | SCREW No. 10-24 X 1-5/8 hex flange hd. full thread (Grade 5) (zinc) |
| 10200052 | SCREW 1/4-20 X 39/64 TORX SEMS socket button hd. , w/ lockpatch |
| 10200059 | SCREW 1/4-20 X 1-11/16 TORX socket button hd. matpoint (Grade 5) (black) |
| 10200060 | SCREW 1/4-20 X 2-5/8 TORX socket button hd. matpoint (Grade 5) (black) |
| 10200061 | SCREW No. 8-32 X 1/2 TORX SEMS pan hd. (zinc) |
| 10200062 | SCREW No. 8-32 X 3/8 TORX pan hd. (zinc) |
| 10200063 | SCREW No. 8 X 1/2 TORX SEMS pan hd. (stainless) |
| 10200064 | SCREW No. 8-32 X 1 TORX pan hd. (zinc) |
| 10200065 | SCREW No. 8-32 X 5/8 TORX SEMS pan hd., w/ lockpatch (stainless) |
| 10200103 | SCREW No. 8-32 X 1/2 TORX SEMS pan hd., w/ lockpatch (stainless) |
| 10200105 | SCREW No. 6-32 X 3/4 TORX pan hd. (black zinc) |
| 10200112 | SCREW 1/4-20 X 2 TORX button hd. SEMS (Grade 5) (black) |
| 10200120 | SCREW 1/8 X 18 X 1.00 hex cap |
| 10200133 | SCREW No. 8-16 X 9/16 TORX pan hd. (zinc) |
| 10200134 | SCREW 1/4-20 X 3/4 hex socket hd. (Grade 8) (zinc) |
| 10200141 | SCREW 1/4-20 X 1/2 hex socket button hd. (zinc) |
| 10200142 | SCREW 5/16-18 X 3/4 hex flange w/ internal hex SEMS, hardened (zinc) |
| 10200147 | SCREW No. 10-24 X 3/4 TORX socket button hd. SEMS (black) |
| 10200154 | SCREW No. 8 X 3/4 TORX SEMS pan hd. (stainless) |

| | |
|----------|---|
| 10200155 | SCREW No. 8-16 X 1 TORX pan hd. (zinc) |
| 10200156 | SCREW No. 8-32 X 3/8 phillips round hd. (stainless steel) |
| 10200205 | SCREW No. 10 X 1/2 pan hd. TORX, hardened (zinc) |
| 10200217 | SCREW 5/16-18 X 1-1/4 TORX SEMS, w/ lockpatch (zinc) |
| 10200223 | SCREW No. 10-24 UNRC X 3/4 TORX truss hd. (zinc) |
| 10200257 | SCREW No. 8-32 X 1/2 TORX pan hd. T-20 (zinc) |
| 10200258 | SCREW 1/4-20 X 1-1/4 SEMS hex socket hd. (Grade 8) (zinc) |
| 10200350 | SCREW 1/4-20 X 1-1/8 SEMS hex socket hd. (Grade 8) (zinc) |
| 10200365 | SCREW 1/4-20 X 1-1/16 TORX socket hd. SEMS (Grade 8) (zinc) |
| 1039 | SCREW 5/16-18 X 2-1/2 hex flange hd. (Grade 8) |
| 10500015 | SCREW 5/16-18 X 1-7/8 SEMS hex socket hd. |
| 10500017 | SCREW No. 10 X 3/8 pan hd., TORX, plastite, hardened (zinc) |
| 10500022 | SCREW 5/16-18 X 1-1/2 SEMS hex socket hd. (Grade 8) (zinc) |
| 10500036 | SCREW 3/8-16 X 2 SEMS socket hd. (Grade 8.8) (black) |
| 10500053 | SCREW 1/4-20 X 3/8 TORX button hd., w/ lockpatch (zinc) |
| 1062 | SCREW 1/4-20 X 5/8 TORX hd. (Grade 8) |
| 12600031 | SCREW 5/16-18 X 1 hex socket hd. cap (Grade 8) (black) |
| 12600032 | SCREW 1/2-13 X 2 hex hd. cap lock patch(Grade 5) |
| 12600049 | SCREW No. 10-24 X 3/4 pan hd. torx, w/ lockpatch (Grade 8) (zinc) |
| 1332 | SCREW No. 5/16 X 2-1/4 socket button hd. w/lock patch (Grade 8) |
| 2445 | SCREW 1/4-20 X 9/16 button hd. |
| 2446 | SCREW 1/4-20 X 5/8 TORX socket button hd. |
| 2452 | SCREW No. 12-24 X 13/16 pan hd., w/lockpatch |
| 2478 | SCREW No. 10-24 X 1/2 TORX button hd. |
| 2479 | SCREW 5/16-18 X 1-1/8 SEMS socket hd. |
| 2482 | SCREW 6-32 X 5/16 socket button hd. (stainless) |
| 2531 | SCREW No. 4-40 X 5/16 Pozidriv pan hd. (Grade 2) |
| 2563 | SCREW No. 10-24 X 5/8 TORX button hd. |
| 2590 | SCREW No. 8-32 X 5/8 Phillips hd. |
| 2647B | SCREW No. 10-24 X 3/4 socket hd., self-locking |
| 2692WB | SCREW No. 10-24 X 1/2 socket fillister hd. (Grade 8) |
| 2708A | SCREW 5/16-18 X 1 socket hd. |
| | |

| | |
|-----------|--|
| 2724 | SCREW No. 10-16 X 1/2 (Grade 2) (chrome) |
| 2731W | SCREW No. 10 X 3/8 Phillips truss hd., self-tapping |
| 2921 | SCREW No. 12 X 5/8 TORX pan hd. |
| 29269-83A | SCREW 15/16-18 X 5/8 hex button hd., w/lockpatch |
| 2933 | SCREW No. 10-24 X 1/2 flat hd. |
| 2952A | SCREW 1/4-20 X 1/2 SEMS truss hd. |
| 2968 | SCREW No. 8-32 X 3/4 TORX pan hd. |
| 2980 | SCREW M6 X 1 X 16mm hex flange hd. |
| 2995 | SCREW No. 10-16 X 3/4 pan hd. |
| 3022A | SCREW 1/4-20 X 5/8 socket fillister hd., w/lockpatch |
| 3050 | SCREW No. 10-24 X 1-3/8 TORX hd. |
| 3057 | SCREW 7/16-14 X 1-1/4 hex head w/washer, w/lock patch |
| 3061 | SCREW 1/4-20 X 5/8 SEMS hex hd. |
| 3088 | SCREW 1/4-20 X 1-1/2 socket button hd. (chrome) |
| 3143 | SCREW 3/8-16 X 1 hex socket hd., w/lock patch |
| 3152 | SCREW #10 X 1/2 TORX pan hd |
| 3225 | BOLT No. 6 X 5/8 long phillips pan hd. (zinc) |
| 3249 | SCREW 5/16-18 X 1-3/16 socket hd. (Grade 8) |
| 3275 | SCREW 5/16-18 X 3/4 socket hd. (Grade 8) |
| 3300 | SCREW 5/16-18 X 1-1/2 socket hd., w/lockpatch (Grade 8) |
| 3403 | LOCKNUT M8-1.25 X 12mm flange (zinc) |
| 3514 | SCREW No. 8-32 X 1 fillister hd. (Grade 5) |
| 35241-06 | NUT 1-3/4-20 X .350 X 2-1/4 hex hd. |
| 35244-06 | SCREW 5/16-18 X 1-1/4 hex flange hd. |
| 35259-06 | SCREW No. 10-24 X 1/2 hex hd. (Grade 8) |
| 3529 | SCREW No. 10-32 X 1/4 hex slotted washer hd., self-tapping |
| 3536 | BOLT 3/8-16 X 1-1/4 hex hd. (Grade 8) |
| 3560WA | BOLT No. 10-24 X 3/8 |
| 3561WC | BOLT No. 10-24 X 3/8 |
| 3563 | SCREW 1/4-20 X 3/8 hex flange hd. (Grade 5) |
| 3576 | SCREW 5/16-18 X 1/2 hex hd., w/washer. |
| 3588 | SCREW 1/4-20 X 1/2 hex flange hd. |
| 3594 | SCREW 1/4-20 X 5/8 knurled hd. (Grade 8) |

| | |
|-----------|---|
| 3601 | SCREW 1/4-20 X 1-1/4 knurled hd. (Grade 8) |
| 3607 | BOLT 1/2-13 X 2 hex hd. (Grade 5) |
| 3612 | SCREW No. 10-16 X 1/2 TORX pan hd., self-tapping |
| 3622 | SCREW No. 10-16 X 3/8 pan hd., self-tapping |
| 3634 | SCREW 5/16-18 X 1.0 self-tapping |
| 3655A | SCREW 5/16-18 X 7/8 TORX pan hd., w/lockpatch (Grade 8) |
| 3656 | SCREW No. 8-32 X 3/8 TORX pan hd. (Grade 5) |
| 36706-01K | BOLT M6 X 1.0 X 30 hex flange hd. |
| 3676 | SCREW 5/16-18 X 5/8 TORX pan hd. |
| 3684 | SCREW 5/16-18 X 1 TORX pan hd. |
| 3692A | SCREW 5/16-18 X 1.0 hex hd., w/lockpatch |
| 3693A | SCREW 5/16-18 X 1-3/4 hex hd., w/lockpatch |
| 3699D | SCREW 3/8-16 X 2.0 hex flange hd. (Grade 8) |
| 3736B | SCREW 5/16-18 X 1-1/4 hex flange hd., w/lockpatch |
| 3767B | BOLT 1/4-20 X 5/8 hex hd. (Grade 5) |
| 3787 | BOLT 1/4-20 X 3/4 hex hd. (Grade 5) |
| 3892 | SCREW 1/4 X 5/8 self-tapping |
| 3901 | SCREW 1/4-20 X 1.0 hex flange hd. (Grade 5) |
| 3910 | SCREW 1/2-20 X 2-1/4 hex hd. full thread (Grade 5) (zinc) |
| 3929 | SCREW 5/16-18 X 1/2 hex hd. |
| 3983 | SCREW 3/8-16 X 1-5/8 hex flange hd., w/washer (Grade 8) |
| 3987 | BOLT 5/16-18 X 3/4 hex hd. (Grade 5) |
| 3993 | BOLT 1/4-20 X 1-1/4 hex hd. (Grade 5) |
| 4032A | SCREW 3/8-16 X 2-1/2 socket hd. |
| 4132 | SCREW 1/4-20 X 1-1/8 TORX button hd. (Grade 5) (black) |
| 4194 | SCREW No. 10-24 X 5/16 TORX pan hd. (Grade 5) |
| 4240 | SCREW No. 10-24 X 3/16 hex hd., w/washer |
| 4266A | SCREW 3/8-16 X 7/8 button hd. (Grade 5) |
| 4312C | SCREW M6 X 1.0 X 14mm, SEMS flange hd. (stainless) |
| 4313 | SCREW 3/8-16 X 1-1/4 socket hd. |
| 43567-92 | SCREW 3/8-16 X 1 TORX pan hd., w/lockpatch |
| 4400 | BOLT 1/4-20 X 1-11/16 hex hd. w/Scotch grip (Grade 8) |

| | |
|----------|---|
| 4419 | SCREW 5/16-18 X 1-3/4 SEMS hex hd. |
| 45500118 | SCREW M14 X 1.25 X 25 hex socket cap (zinc) |
| 45500132 | SCREW M8 X 1.25 X 45 hex socket cap (Grade 8.8) |
| 4597M | SCREW M10 X 1.5 X 30 hex socket hd. |
| 4612 | SCREW 10-24 X 3/4 TORX pan hd. |
| 46509-01 | WASHER 30 X 43 X 2.3 |
| 4688 | SCREW 3/8-16 X 1-1/4 SEMS hex socket hd., w/ lock patch |
| 4694 | SCREW No. 8-32 X 3/8 TORX pan hd., w/lockpatch |
| 4705 | SCREW 1/4-20 X 11/16 SEMS socket hd., w/lockpatch |
| 4706 | SCREW 3/8-16 X 4 hex hd. |
| 4718A | SCREW 1/4-20 X 1-1/2 knurled hd., w/lockpatch |
| 4721 | BOLT 3/8-16 X 1-1/2 hex hd. (Grade 5) |
| 4740A | SCREW 1/4-20 X 1-1/4 knurled hd., w/lockpatch (Grade 8) |
| 4741A | SCREW 1/4-20 X 1 socket hd., w/lockpatch |
| 4775 | SCREW 3/8-16 X 1-1/4 hex hd. (Grade 5) |
| 4790 | SCREW No. 10-16 X 3/4 TORX hd., self-tapping |
| 4813A | SCREW 1/4-20 X 1-3/8 knurled hd., w/lockpatch |
| 4816A | SCREW 5/16-18 X 1-1/2 socket hd. |
| 4826 | SCREW 1/4-20 X 2-1/2 socket hd., w/washer |
| 4838 | SCREW 7/16-14 X 2-1/2 hex socket hd., w/washer, w/lockpatch |
| 4856 | SCREW No. 10-24 X 1/2 socket head (stainless) |
| 4867 | SCREW hex hd., socket |
| 4868 | SCREW 3/8-16 X 3-3/4 hex flange hd., w/washer, w/lockpatch |
| 4916 | SCREW 5/16-18 X 1.0 hex socket head shoulder |
| 4924 | SCREW 3/8-16 X 7/8 TORX button hd. (zinc plate) (Grade 5) |
| 5416 | BOLT 3/8-16 X 1/8 carriage (Grade 5) |
| 54321-85 | NUT No. 8-32 X 1/2 X 1/8 (brass) |
| 6012 | WASHER 1/2 X 1-3/16 X 1/16 |
| 6016 | WASHER 11/32 X 11/16 X 1/16 |
| 6019 | WASHER 3/8 X 29/32 X 1/16 |
| 6026 | WASHER 3/8 X 7/8 X 7/64 |
| 6036 | WASHER 17/64 X 1 X 1/16 |
| 6054 | WASHER 3/16 X 9/16 X 1/16 nylon (black) |

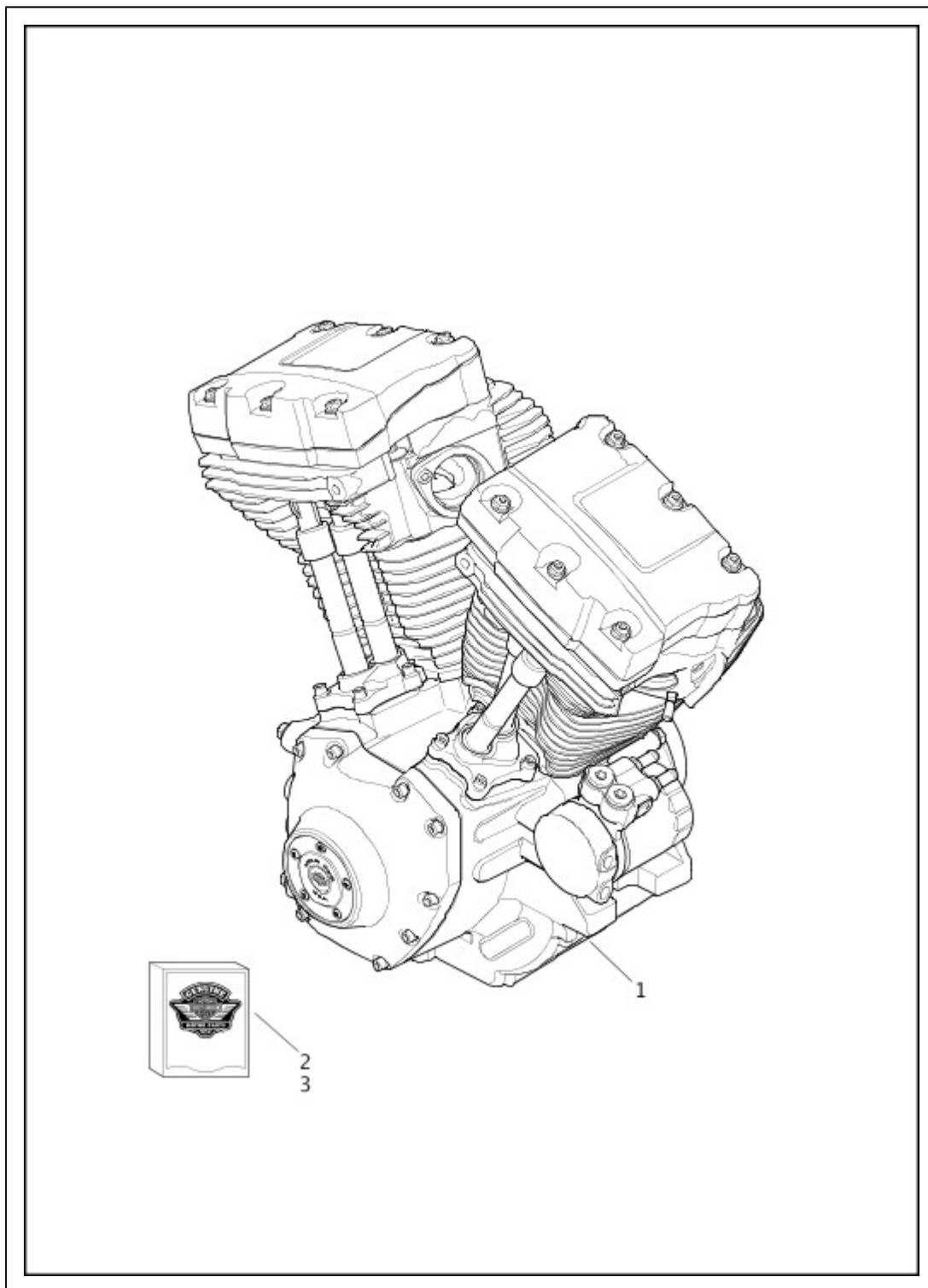
| | |
|----------|---|
| 6072 | WASHER 3/8 X 1 1/4 X 5/64 |
| 6101 | WASHER 17/64 X 27/64 X 1/16 |
| 6109 | WASHER 5/16 X 11/16 X 1/8 |
| 6113 | WASHER 1/2 X 13/16 X 1/32 |
| 6116 | WASHER 5/16 X 16/16 X 1/8 |
| 6119 | WASHER 1/4 X 9/16 X 1/16 |
| 6127 | WASHER 13/32 X 13/16 X 5/64 |
| 6150W | WASHER 3/16 X 3/8 X 1/16 |
| 6220W | WASHER 1/4 X 7/16 X 1/32 |
| 6229W | WASHER 5/16 X 1-1/16 X 3/64 |
| 6235 | WASHER 1/4 X 23/32 X 1/16 |
| 6294 | WASHER 3/8 X 1-1/8 X 7/32 |
| 6333 | WASHER 5/16 X 7/8 X 5/64 |
| 6416 | WASHER 3/8 X 1 X 5/64 |
| 6421 | WASHER 21/64 X 1-1/2 X 1/16 offset 7/32 |
| 6497HW | WASHER 29/64 X 1-1/8 X 1/16 |
| 6532 | WASHER 3/8 X 3/4 X 1/8 |
| 6594 | WASHER 5/8 X 1-1/8 X 3/32 |
| 6702 | WASHER 5/16 X 11/16 X 1/16 |
| 6703 | WASHER 1/4 X 5/8 X 1/16 |
| 6762B | WASHER 11/16 X 29/32 X 1/32 |
| 67721-48 | SCREW headlamp retainer ring |
| 6789 | WASHER No. 6 X 7/8 X .05 |
| 68026-99 | SCREW No. 8-32 X 1 Phillips pan hd. (stainless) |
| 68042-99 | SCREW No. 8-32 X 3/8 TORX hd. |
| 68120-00 | SCREW No. 8-32 x 1-2 TORX hd., self-tapping |
| 7036 | WASHER 1/4 X 31/64 X 1/16 |
| 7038 | LOCKWASHER 3/8 |
| 703B | SCREW 1/4-20 X 7/16 TORX socket button hd. |
| 7041 | LOCKWASHER 5/16 |
| 7068 | LOCKWASHER 1/2 |
| 7129 | LOCKWASHER 1/2 internal tooth |

| | |
|----------|---|
| 7130W | LOCKWASHER 3/8 internal tooth |
| 7155 | LOCKWASHER 5/16 internal tooth (black) |
| 7331 | ACORN NUT 5/16-24 |
| 7415A | WASHER 11/32 X 7/8 X 1/8 rubber |
| 7434 | WASHER 1/4 X 1-29/64 X 1/16 nylon |
| 7495 | NUT M6 flange |
| 7499 | NUT 1/4-20 large flange |
| 7531 | LOCKNUT 5/16-18 X 9/32 X 1/2 flange |
| 7549A | ACORN NUT 5/16-18 X 9/16 X 1/2 |
| 7576 | NUT 5/16-18 UNC keps flange |
| 7586 | JAMNUT 9/32-28 X 1/4 |
| 7593 | NUT 5/16-24 flange |
| 7600 | NUT No. 4-40 keps |
| 7601 | LOCKNUT 3/8-16 flange |
| 7606 | LOCKNUT No. 8-32 X 1/4 X 1/4 hex (chrome) |
| 7624 | LOCKNUT No. 10-24 X 1/4 X 3/8 |
| 76259-86 | NUT hex jam |
| 7629 | NUT No. 10-32 X 3/8 keps |
| 7651A | ACORN NUT No. 12-24 (Grade 2) (chrome) |
| 7667 | NUT 3/8-16 X 9/32 X 9/16 nylon insert |
| 7686 | LOCKNUT 1/4-20 X 5/16 X 7/16 |
| 7687 | NUT 3/8-16 X 25/64 (Grade 2) |
| 7716 | LOCKNUT 1/4-20 X 7/16 flange |
| 7744 | JAMNUT 5/16-24 X 3/16 X 1/2 (Grade 2) |
| 7783 | NUT 3/8-16 X 5/16 X 9/16 (Grade 2) |
| 7792 | NUT 1/4-20 X 1/4 (Grade 2) |
| 780 | SCREW 1/4-20 X 7/8 SEMS hex hd. (Grade 8) |
| 7813A | NUT 5/8-18 X 9/16 X 15/16 (Grade 2) |
| 7825 | LOCKNUT 7/16-20 X 7/16 X 5/8 |
| 7838 | NUT No. 10-24 keps |
| 7848W | JAMNUT 7/16-20 X 1/4 X 11/16 (Grade 2) |
| 786A | BOLT 5/16-18 X 2-1/4 hex hd. (Grade 5) |
| 7880 | NUT 1/2-13 X 7/16 X 3/4 (Grade 2) |

| | |
|----------|---|
| 7888A | NUT No. 6-32 flange hd. |
| 7889 | NUT No. 6-32 keps |
| 7900 | CLIP NUT 1/4-20 |
| 791A | SCREW 3/8-18 X 2-1/4 hex flange hd. (Grade 5) |
| 7992 | ACORN NUT 5/16-18 |
| 8020 | NUT M24 X 2.0 X 15 |
| 8108 | SPEEDNUT 1/4-20 |
| 84850-92 | NUT 3/4-24 X 5/32 |
| 856A | SCREW 5/16-24 X 1 socket hd. (Grade 8) |
| 895 | SCREW 5/16-18 X 3.0 hex flange hd. (Grade 5) |
| 8972 | WASHER 1-1/4 X 1-53/64 X 1/8 |
| 90200543 | SCREW 3/8-16 X 2-1/2 TORX button hd. (zinc) |
| 90770-79 | SCREW No. 8-32 X 3/8 Pozidriv hd., self-tapping |
| 90844-80 | ACORN NUT No. 10 X 3/8 flange (Grade 2) |
| 923 | SCREW 1/4-20 X 3/4 socket pan hd. |
| 925 | SCREW 1/4-28 X 5/8 socket button hd. (Grade 8) |
| 926 | BOLT 1/4-20 X 5/8 button hd. |
| 933 | SCREW No. 10-32 X 15/16 Pozidriv truss hd. (Grade 2) |
| 942 | SCREW 1/4-20 X 3/4 TORX button hd., w/lockpatch (Grade 8) |
| 946 | SCREW 1/4-20 X 2-1/4 socket button hd., w/lockpatch (Grade 8) |

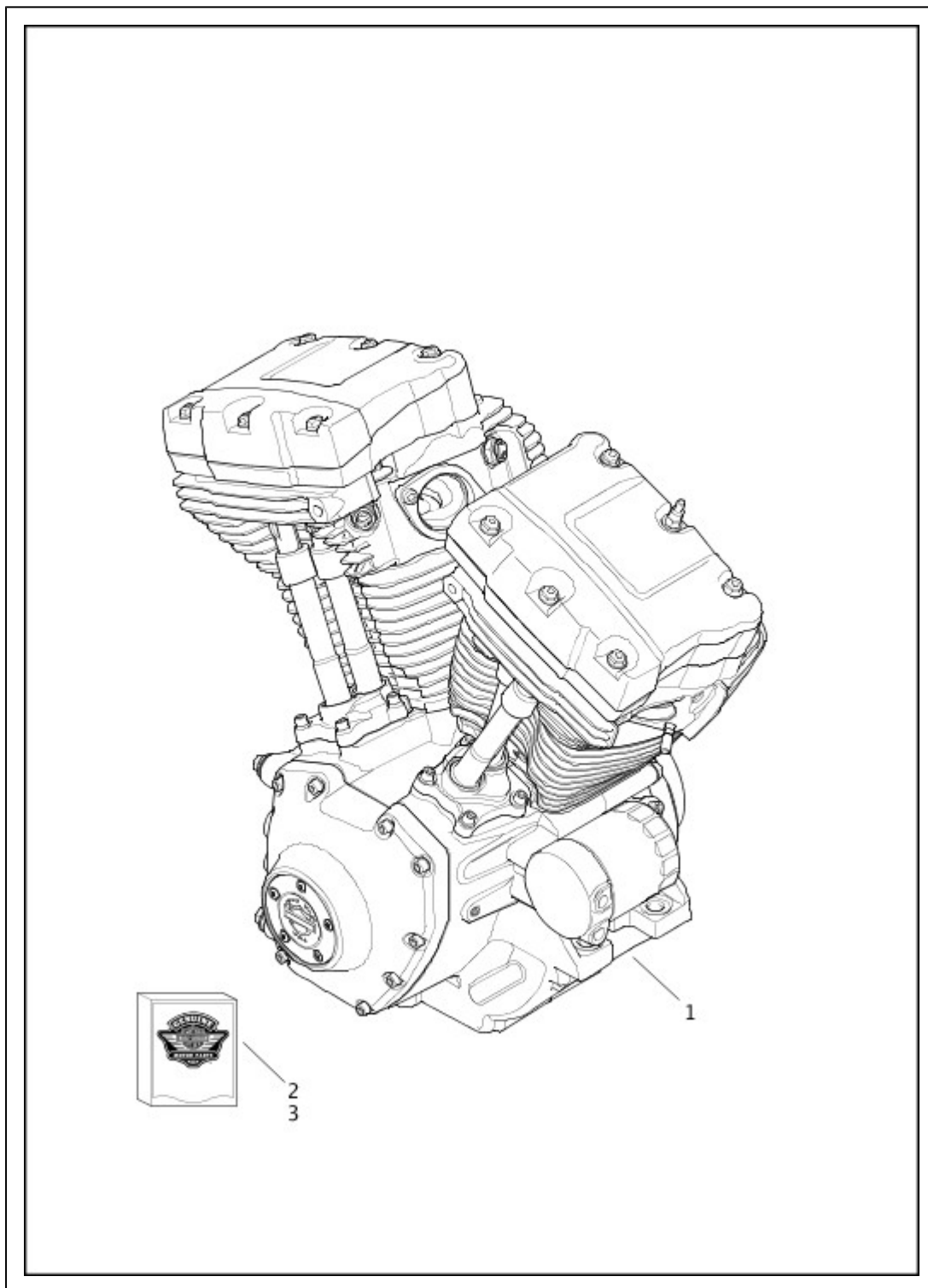
New Parts List

ENGINE ASSEMBLY - TWIN CAM 103™



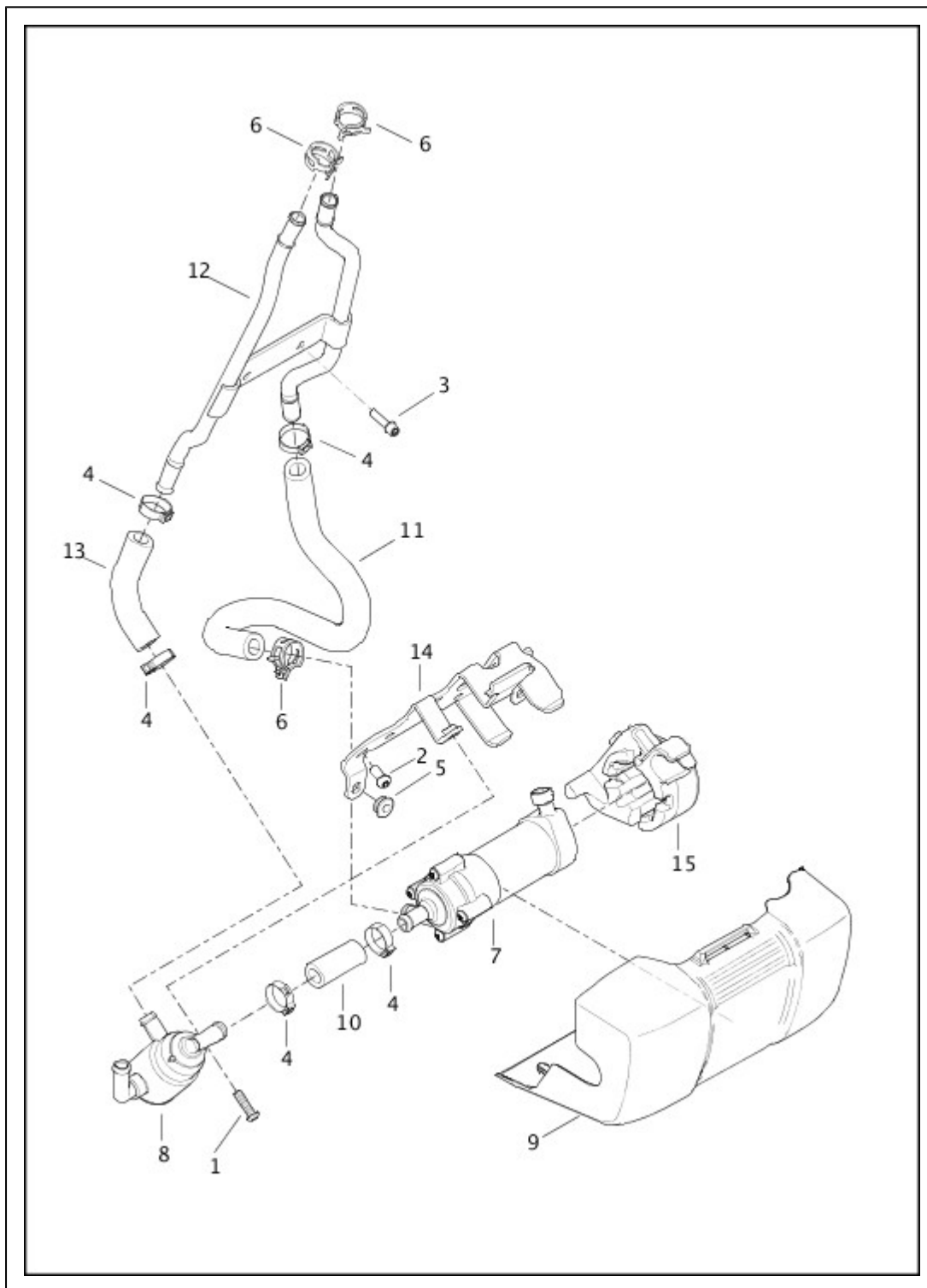
| Index No. | Part No. | Description | Model(s) |
|-----------|----------|---------------------------|--|
| 1 | 19678-15 | ENGINE ASSEMBLY, complete | FLHR, FLHTCU, FLHRC, FLHX, FLHXS, FLTRX, FLTRXS, FLHTCUL |

ENGINE ASSEMBLY, TWIN-COOLED™ - TWIN CAM 103™



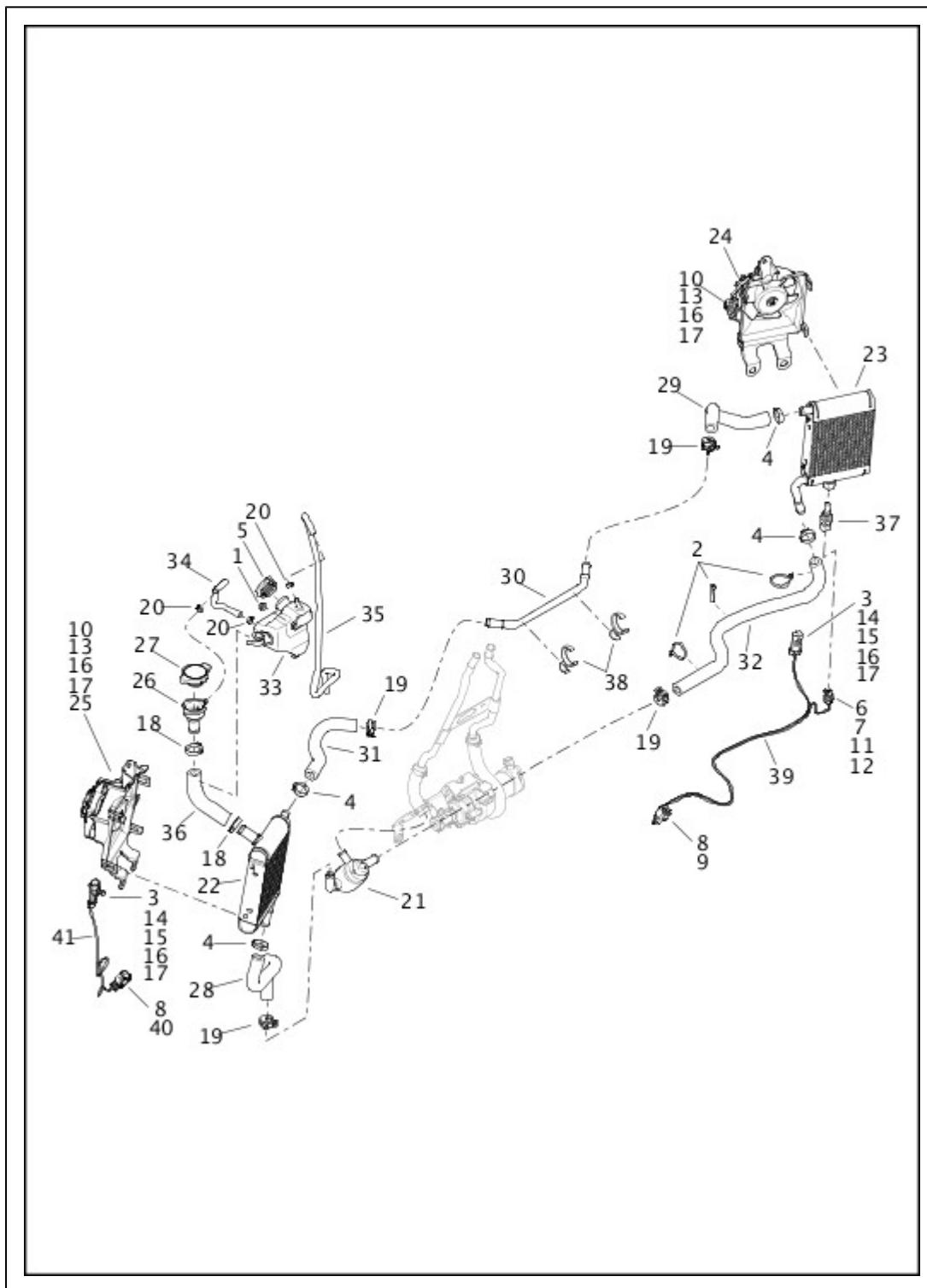
| Index No. | Part No. | Description | Model(s) |
|-----------|----------|---------------------------|--------------------------------------|
| 1 | 19291-15 | ENGINE ASSEMBLY, complete | FLHTCU TC, FLHTK, FLHTCUL TC, FLHTKL |

COOLANT DISTRIBUTION



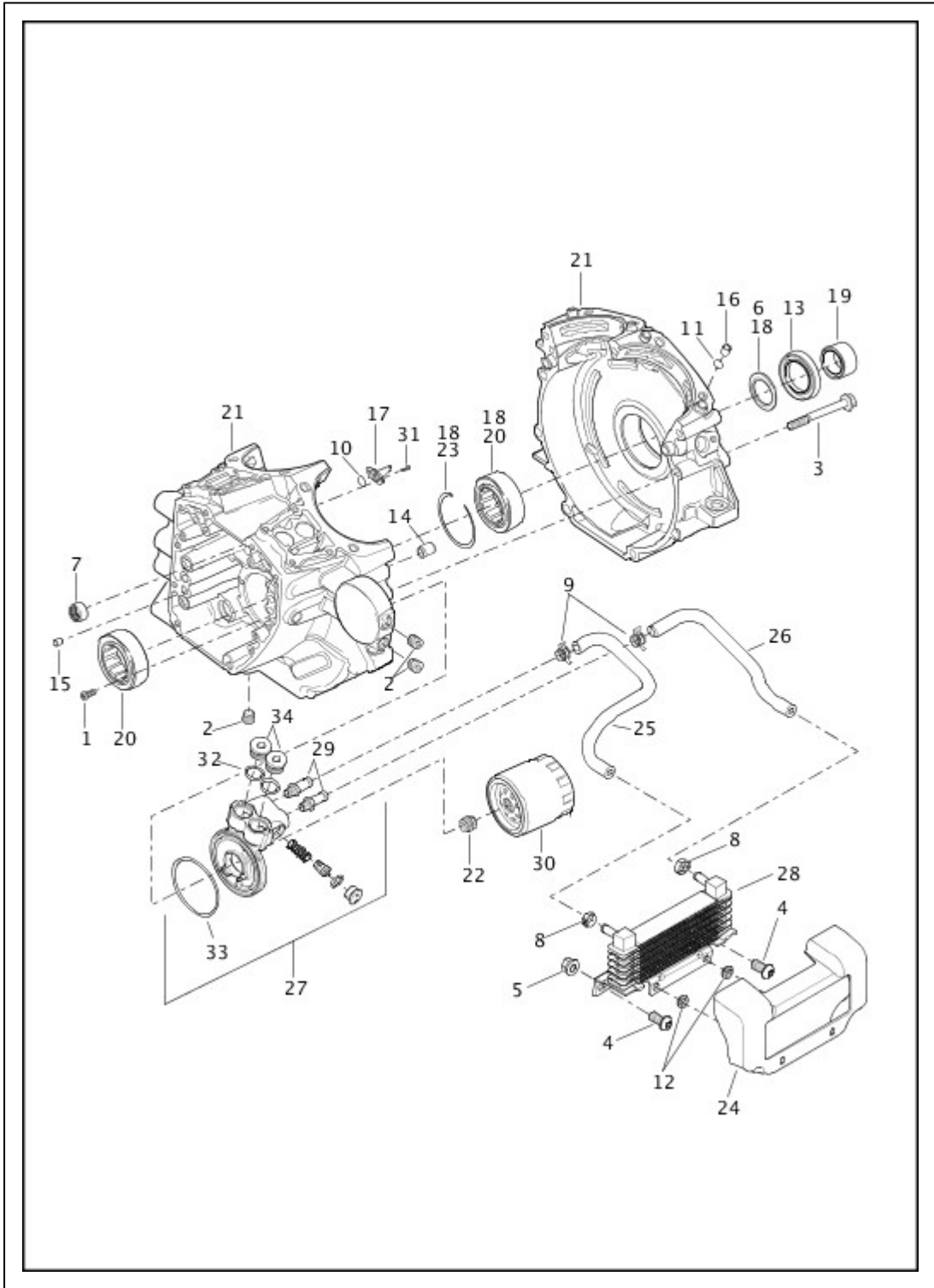
| Index No. | Part No. | Description | Model(s) |
|-----------|-----------|-------------|--------------------------------------|
| 8 | 26700001A | THERMOSTAT | FLHTCU TC, FLHTK, FLHTCUL TC, FLHTKL |

RADIATOR, COOLANT HOSES & BOTTLE



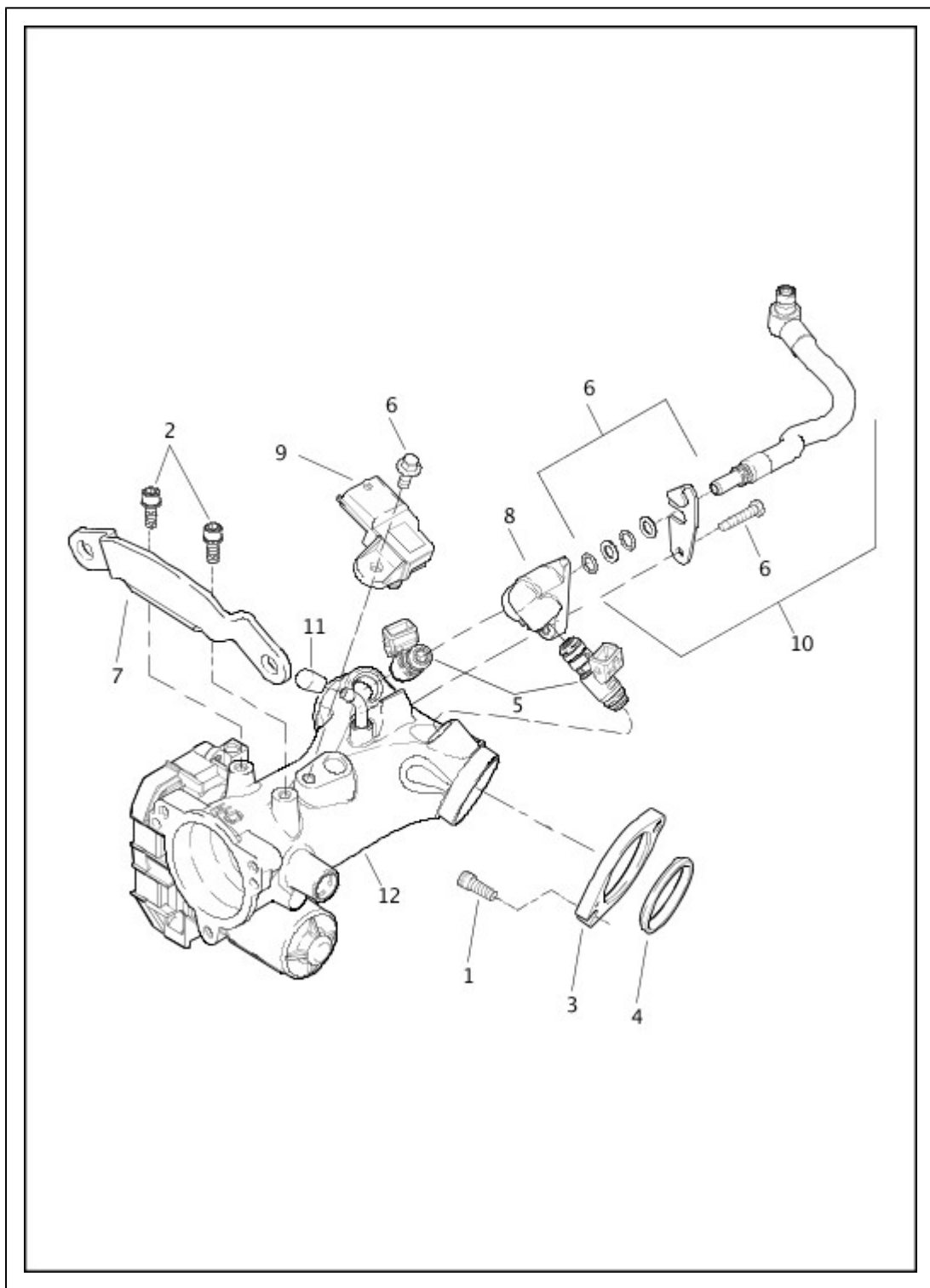
| Index No. | Part No. | Description | Model(s) |
|-----------|-----------|---|--------------------------------------|
| 21 | 26700001A | THERMOSTAT | FLHTCU TC, FLHTK, FLHTCUL TC, FLHTKL |
| 24 | 26800007A | FAN ASSEMBLY, left, w/ 72213-94, 72606-08, 72609-08 & 72610-08 | FLHTCU TC, FLHTK, FLHTCUL TC, FLHTKL |
| 25 | 26800019A | FAN ASSEMBLY, right, w/ 72213-94, 72606-08, 72609-08 & 72610-08 | FLHTCU TC, FLHTK, FLHTCUL TC, FLHTKL |
| 26 | 26800020A | FILL NECK, coolant | FLHTCU TC, FLHTK, FLHTCUL TC, FLHTKL |

CRANKCASE, ENGINE OIL FILTER & COOLER - TWIN CAM 103™ (2 OF 2)



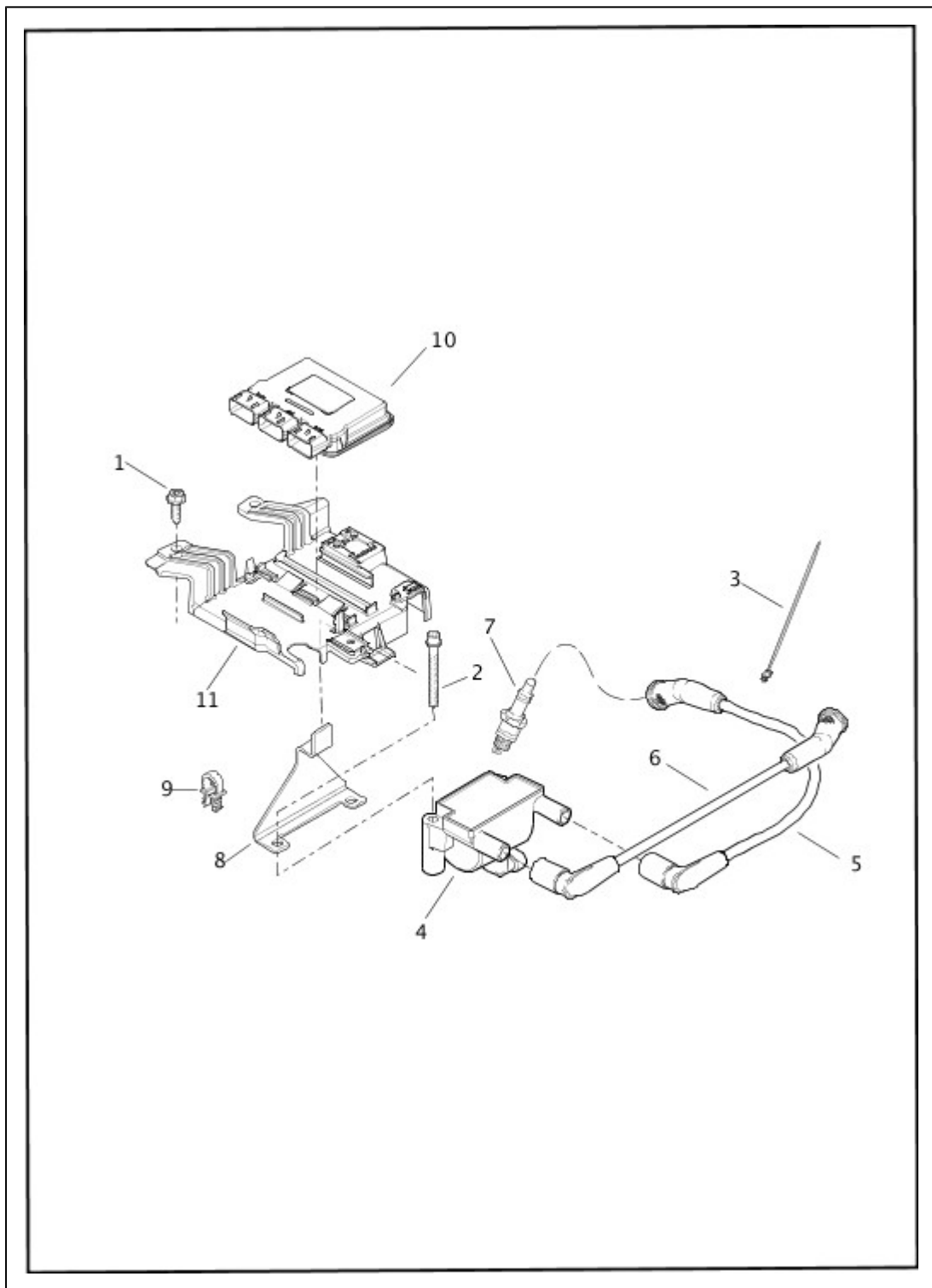
| Index No. | Part No. | Description | Model(s) |
|-----------|-----------|--------------------------------------|--|
| 28 | 63083-11A | OIL COOLER CORE, w/ mounting bracket | FLHR, FLHTCU, FLHRC, FLHX, FLHXS, FLTRX, FLTRXS, FLHTCUL |

INDUCTION MODULE, FUEL



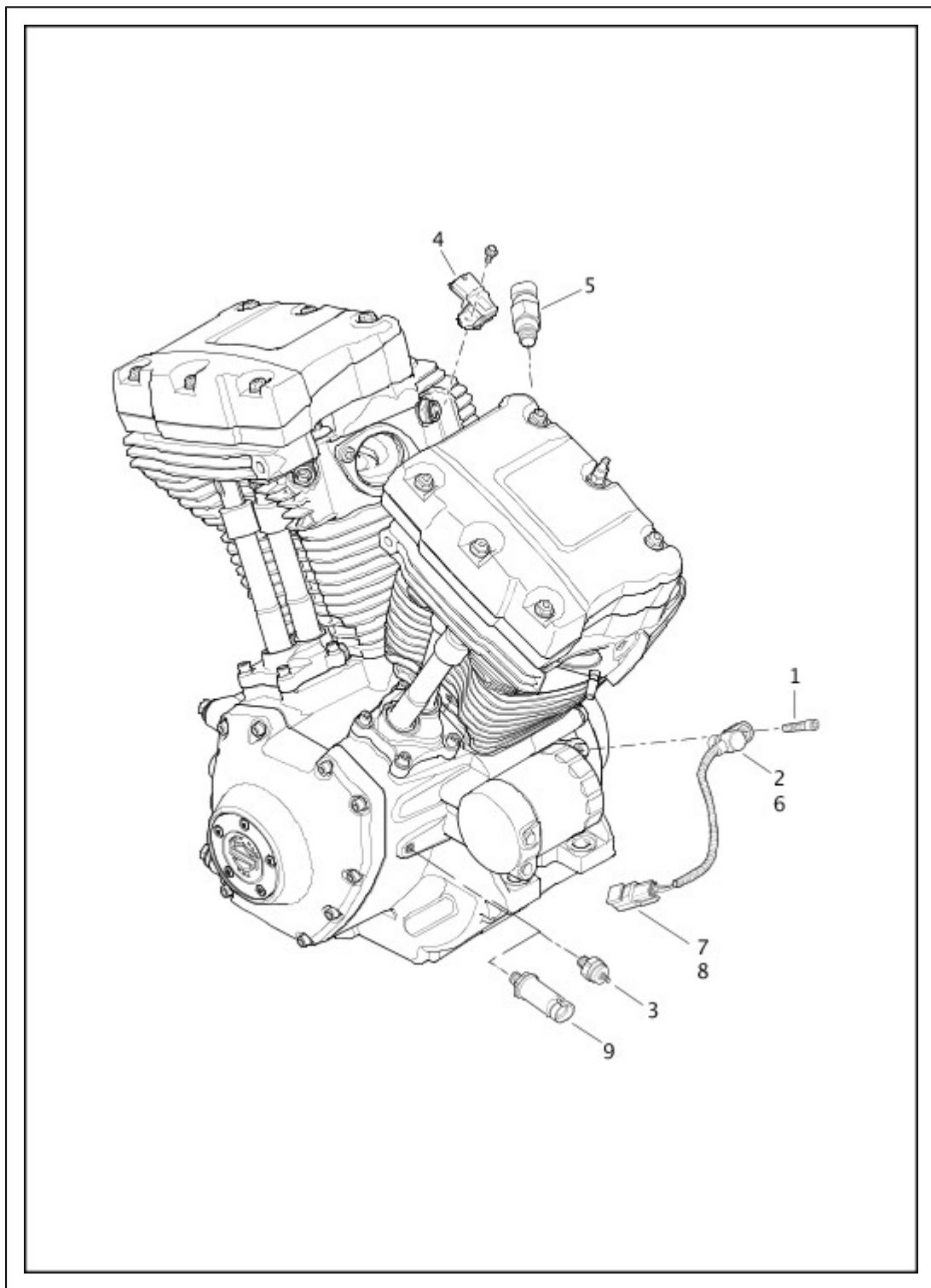
| Index No. | Part No. | Description | Model(s) |
|-----------|-----------|---|----------|
| 9 | 32319-07A | SENSOR, temperature manifold absolute pressure, w/ o-ring | |

ELECTRONIC CONTROL MODULE (ECM) & COIL



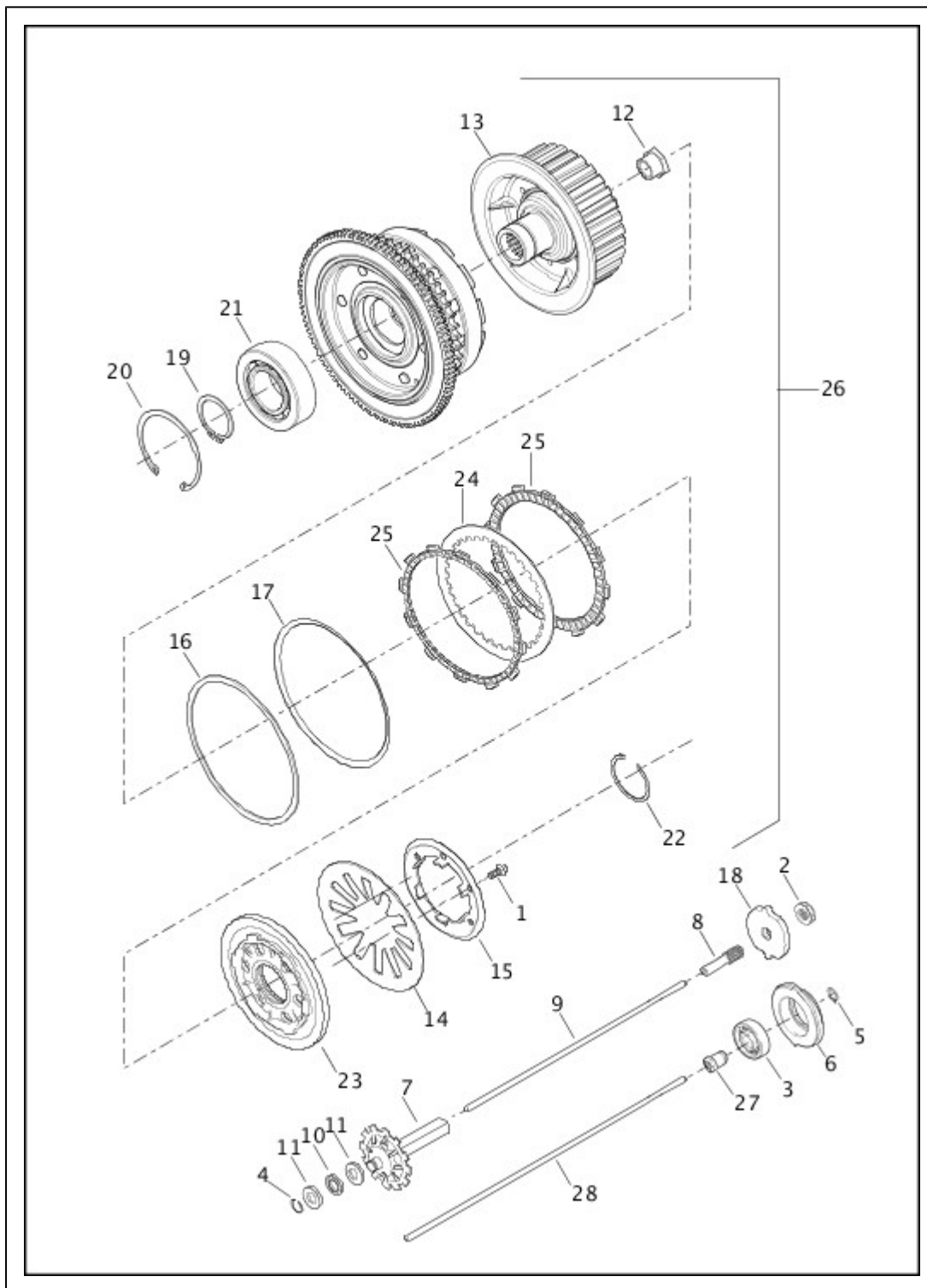
| Index No. | Part No. | Description | Model(s) |
|-----------|-----------|----------------------|----------|
| 7 | 32362-04A | SPARK PLUG, 6R12 (2) | |

SENSORS & SWITCHES, ENGINE



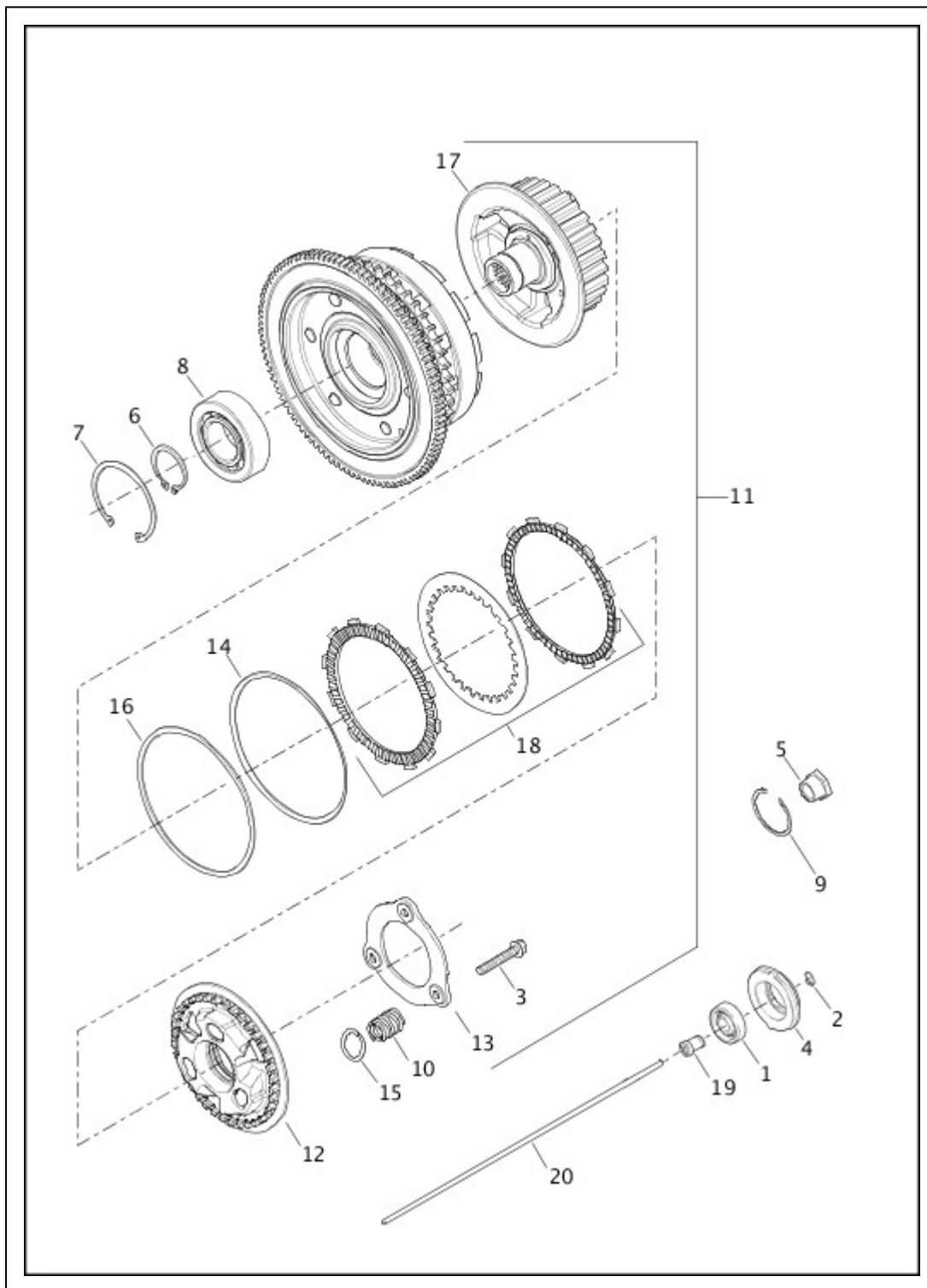
| Index No. | Part No. | Description | Model(s) |
|-----------|-----------|---|----------|
| 4 | 32319-07A | SENSOR, temperature manifold absolute pressure (TMAP) | |

CLUTCH - CONVENTIONAL - TWIN CAM 103™ - FLHR/C, FLHTCU, FLHTK, FLHX/S & FLTRX/S



| Index No. | Part No. | Description | Model(s) |
|-----------|----------|-------------------------|--|
| 27 | 37000217 | RELEASE ROD, clutch | FLHTCU, FLHX, FLHXS, FLHTK, FLHTCU TC, FLTRX, FLTRXS |
| 28 | 37000218 | PUSHROD, clutch release | FLHTCU, FLHX, FLHXS, FLHTK, FLHTCU TC, FLTRX, FLTRXS |

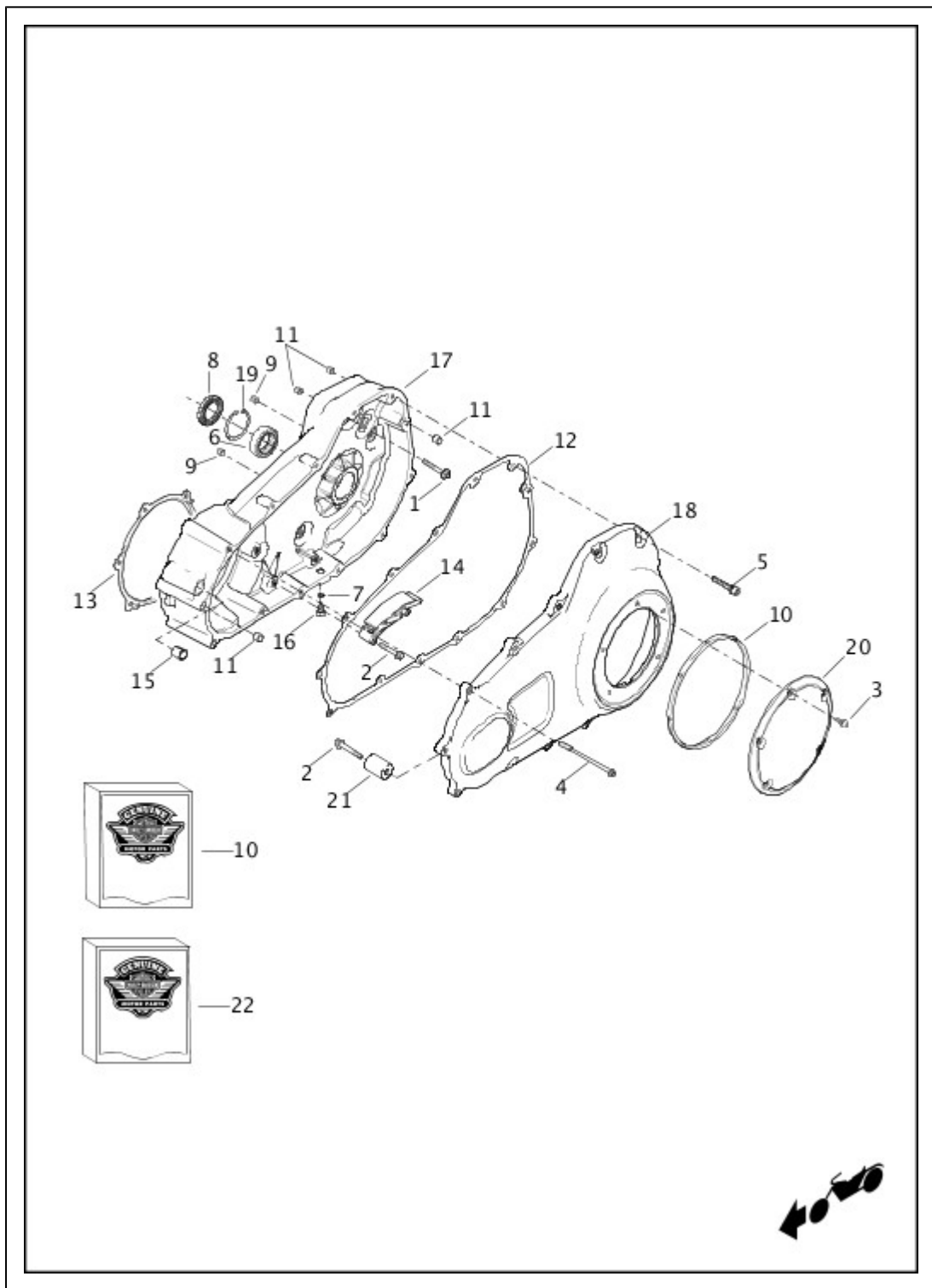
CLUTCH - ASSIST & SLIP - TWIN CAM 103™ - FLHTCUL & FLHTKL



| Index No. | Part No. | Description | Model(s) |
|-----------|-----------|--|-----------------------------|
| 3 | 36706-01K | BOLT (3) | FLHTCUL, FLHTCUL TC, FLHTKL |
| 10 | 11700002 | COIL SPRING (3) | FLHTCUL, FLHTCUL TC, FLHTKL |
| 11 | 37000026 | CLUTCH ASSEMBLY, assist & slip, complete, w/ 3, 6, 7, 8, 10, 12, 13, 14, 15, 16, 17 & 18 | FLHTCUL, FLHTCUL TC, FLHTKL |
| 12 | 37000032 | PRESSURE PLATE, clutch | FLHTCUL, FLHTCUL TC, FLHTKL |

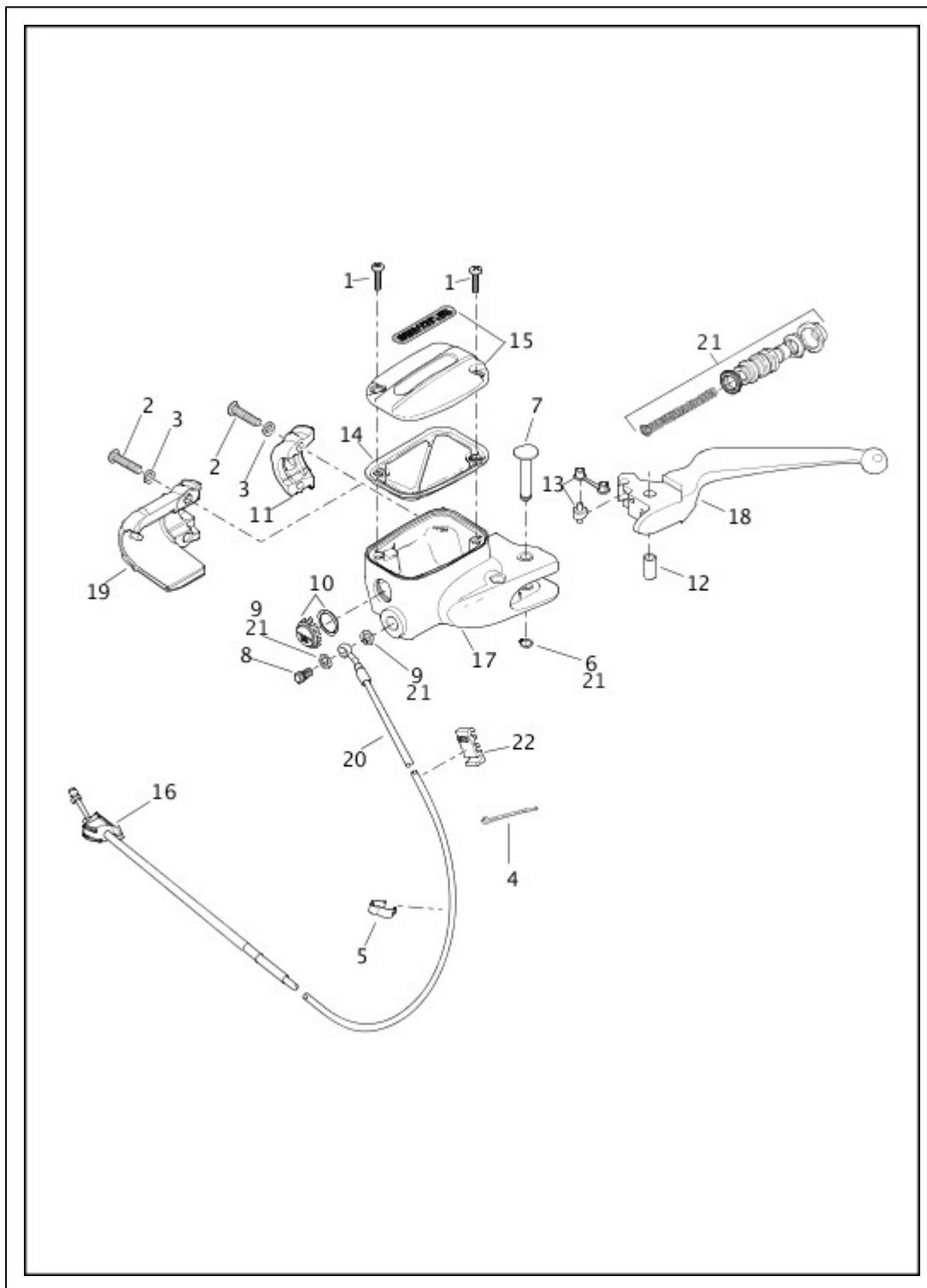
| | | | |
|----|----------|-------------------------|--------------------------------|
| 13 | 37000033 | STOPPER PLATE | FLHTCUL, FLHTCUL TC, FLHTKL |
| 14 | 37000034 | SPRING, damper | FLHTCUL, FLHTCUL TC, FLHTKL |
| 15 | 37000035 | SEAT (3) | FLHTCUL, FLHTCUL TC, FLHTKL |
| 16 | 37000036 | SEAT, damper-spring | FLHTCUL, FLHTCUL TC, FLHTKL |
| 17 | 37000083 | HUB ASSEMBLY | FLHTCUL, FLHTCUL TC, FLHTKL |
| 18 | 37000118 | CLUTCH DISKS KIT | FLHTCUL, FLHTCUL TC, FLHTKL |
| 19 | 37000217 | RELEASE ROD, clutch | FLHTCUL, FLHTCUL TC, FLHTKL |
| 20 | 37000218 | PUSHROD, clutch release | FLHTCUL, FLHTCUL TC, FLHTKL |

PRIMARY HOUSING



| Index No. | Part No. | Description | Model(s) |
|-----------|----------|-------------------------|-----------------------------|
| | 25700385 | COVER, primary (chrome) | FLHTCUL, FLHTCUL TC, FLHTKL |
| | 25700388 | COVER, clutch (chrome) | FLHTCUL, FLHTCUL TC, FLHTKL |

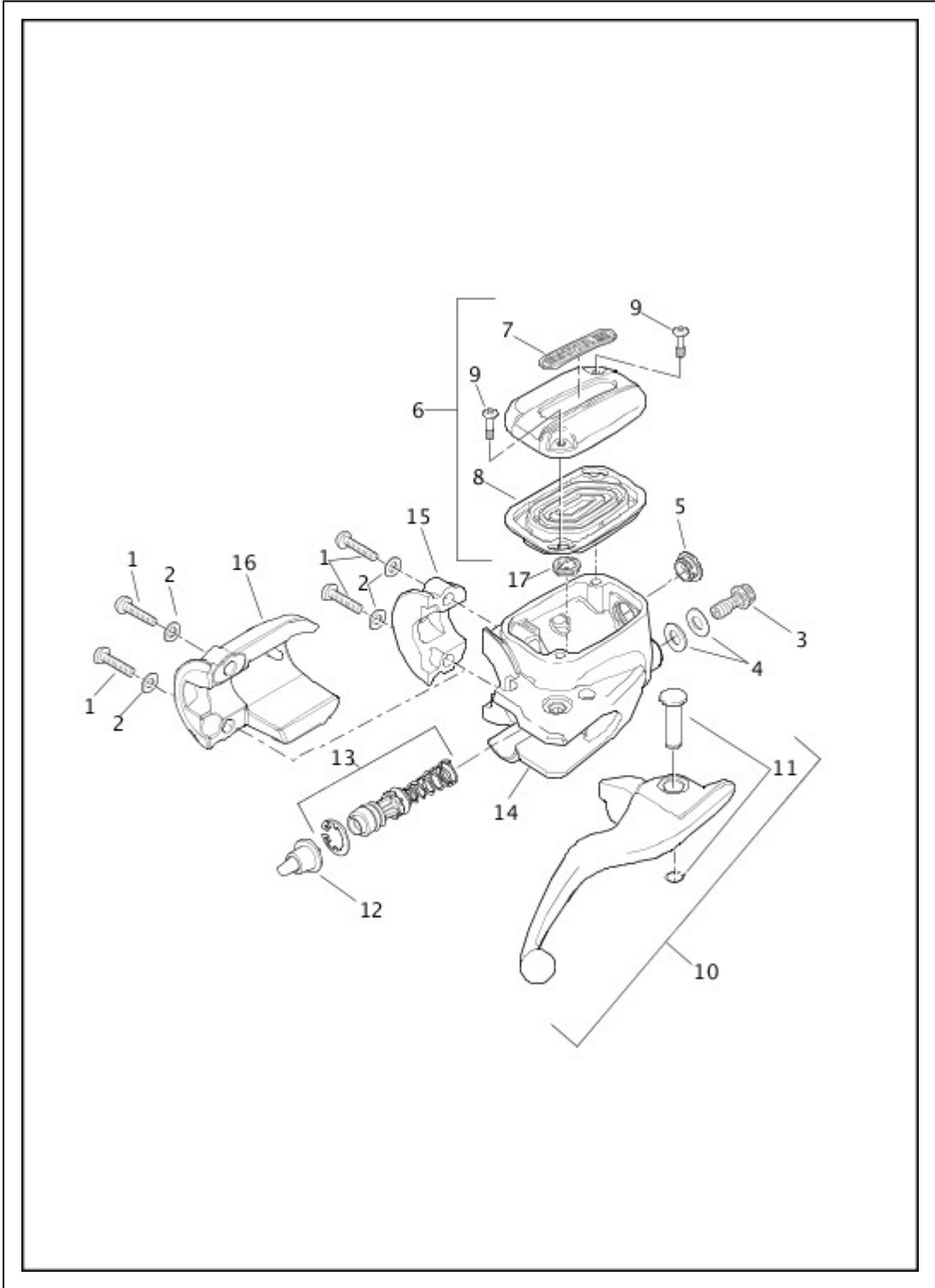
CLUTCH CONTROL (FAIRING MODELS)



| Index No. | Part No. | Description | Model(s) |
|-----------|-----------|---|---|
| 14 | 46322-06 | GASKET, cover, master cylinder | FLHTCU, FLHX, FLHXS, FLHTCU TC, FLHTK, FLHTCUL, FLHTCUL TC, FLHTKL, FLTRX, FLTRXS |
| 17 | 36700056A | MASTER CYLINDER ASSEMBLY, clutch (black), w/ 2590, 38738-08, 42145-06, 46244-01A, 46324-06 & 36700057 | FLHTCU, FLHX, FLHXS, FLHTCU TC, FLHTK, FLHTCUL, FLHTCUL TC, FLHTKL, FLTRX, FLTRXS |
| 19 | 36700113 | HALF-CLAMP, master cylinder and clutch (black) | FLTRX, FLTRXS |
| | 37200097 | LINE ASSEMBLY, hydraulic clutch, w/ 12100028 | FLTRX, FLTRXS |

| | | | |
|----|----------|---|---|
| 21 | 37200096 | REPAIR KIT, master cylinder, w/ 11143 & 41751-06A | FLHTCU, FLHX, FLHXS, FLHTCU TC, FLHTK, FLHTCUL, FLHTCUL TC, FLHTKL, FLTRX, FLTRXS |
|----|----------|---|---|

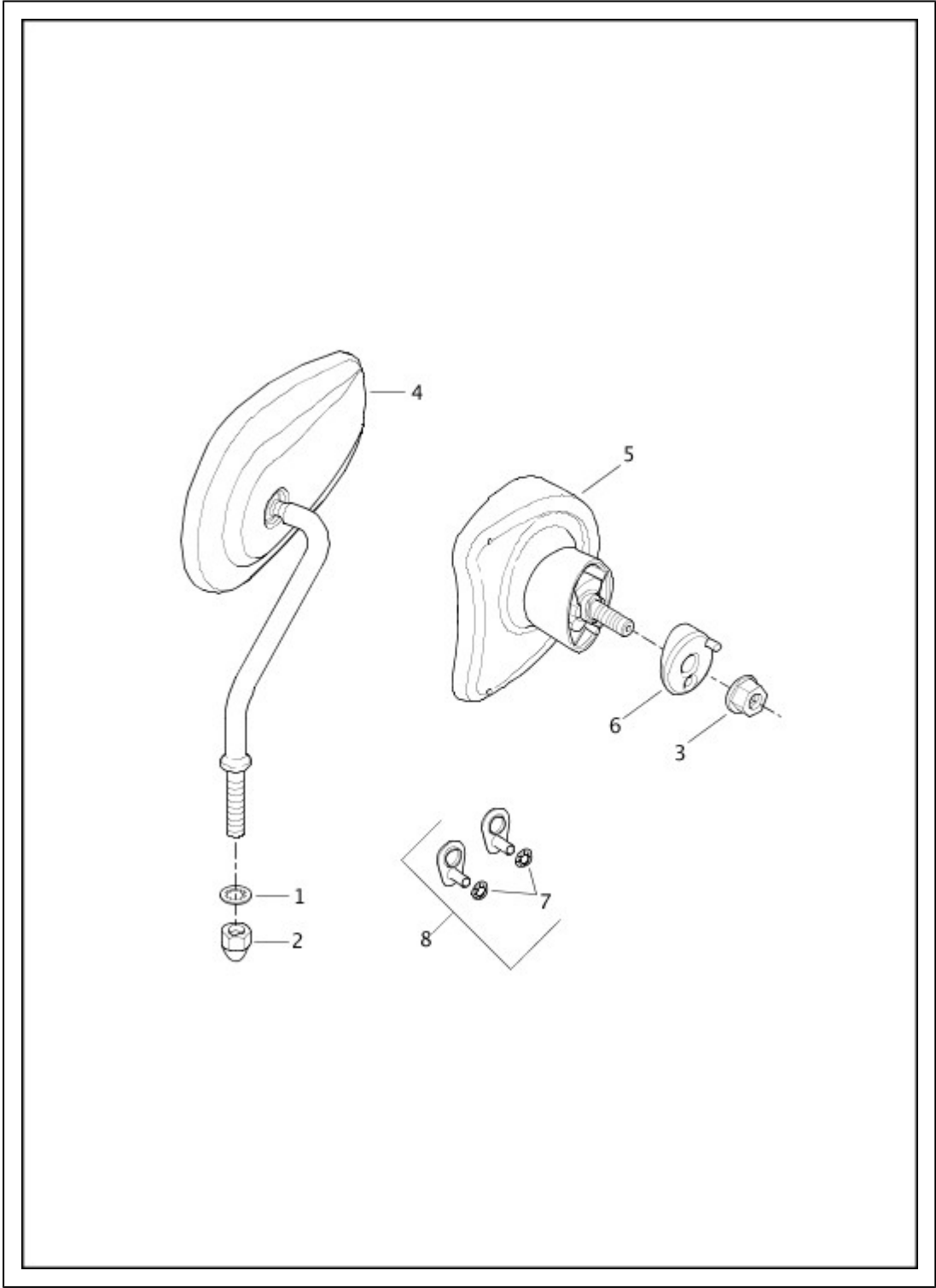
BRAKE CONTROL, FRONT



| Index No. | Part No. | Description | Model(s) |
|-----------|-----------|---|----------|
| 14 | 44551-08E | MASTER CYLINDER ASSEMBLY, front-dual (black), w/ 5, 6, 7, 8, 9, 10, 11, 12, 13 & 17 | |
| | | | |

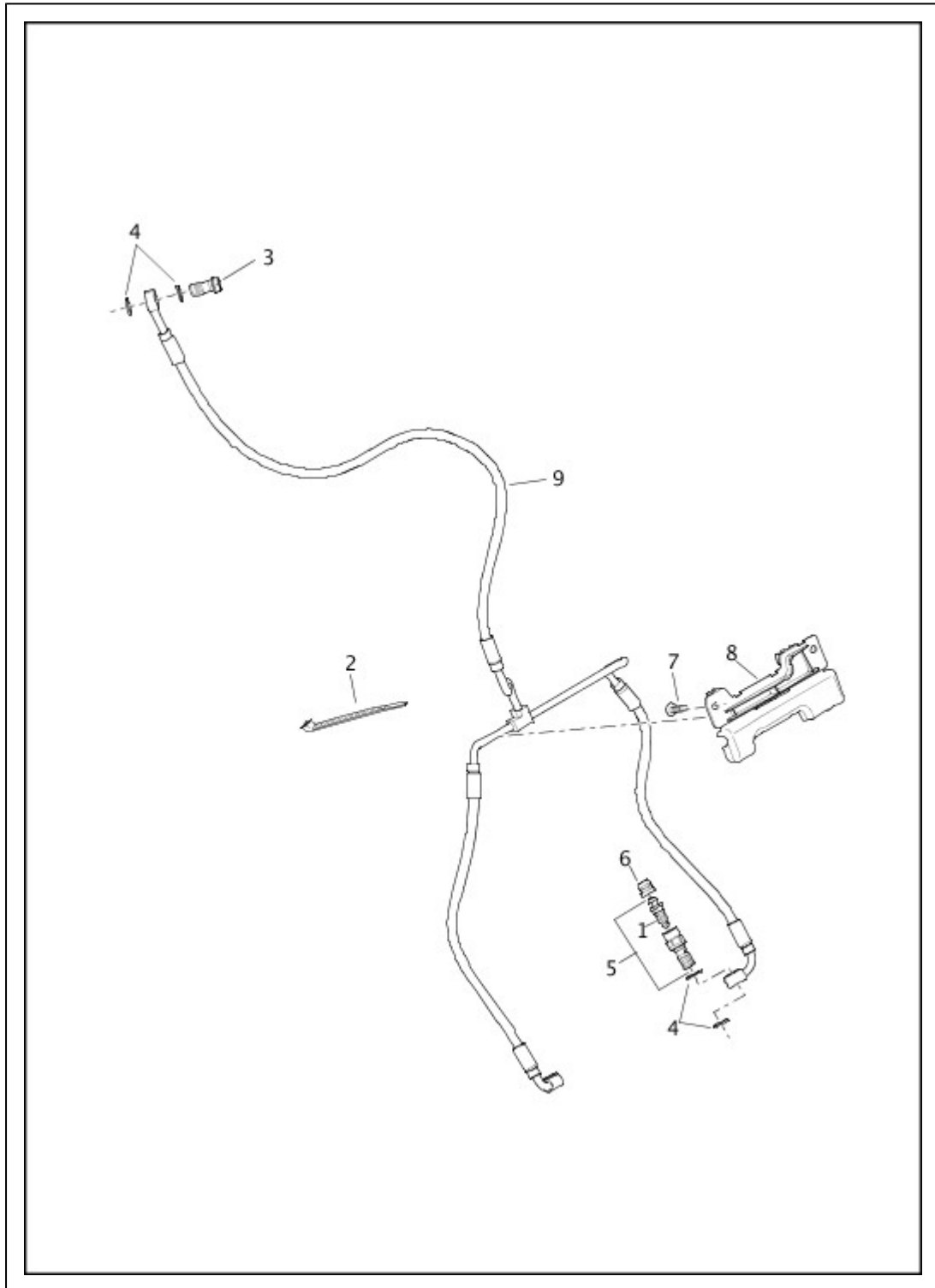
| | | | |
|----|----------|--|------------------|
| 16 | 41700321 | HALF-CLAMP, master cylinder, front brake (black) | FLTRX, FLTRXS |
| 17 | 41700367 | BUTTON, anti-bubble | |

MIRRORS



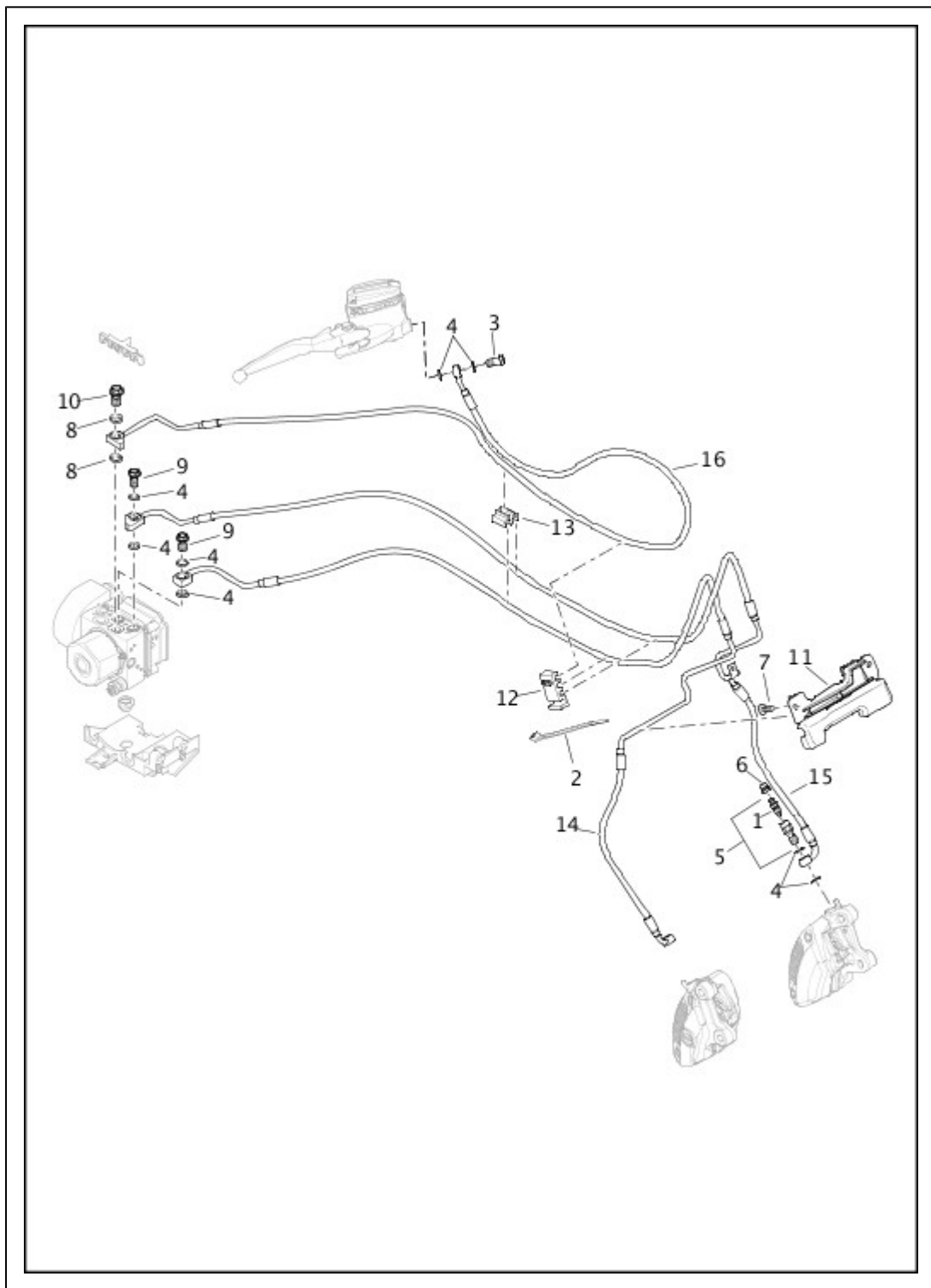
| Index No. | Part No. | Description | Model(s) |
|-----------|----------|------------------------------|-------------|
| 7 | 8135B | PUSHNUT (2) | FLHX, FLHXS |
| 8 | 57300063 | FAIRING PLUG KIT, with 8135B | FLHX, FLHXS |

BRAKE LINE, FRONT - NON-ABS



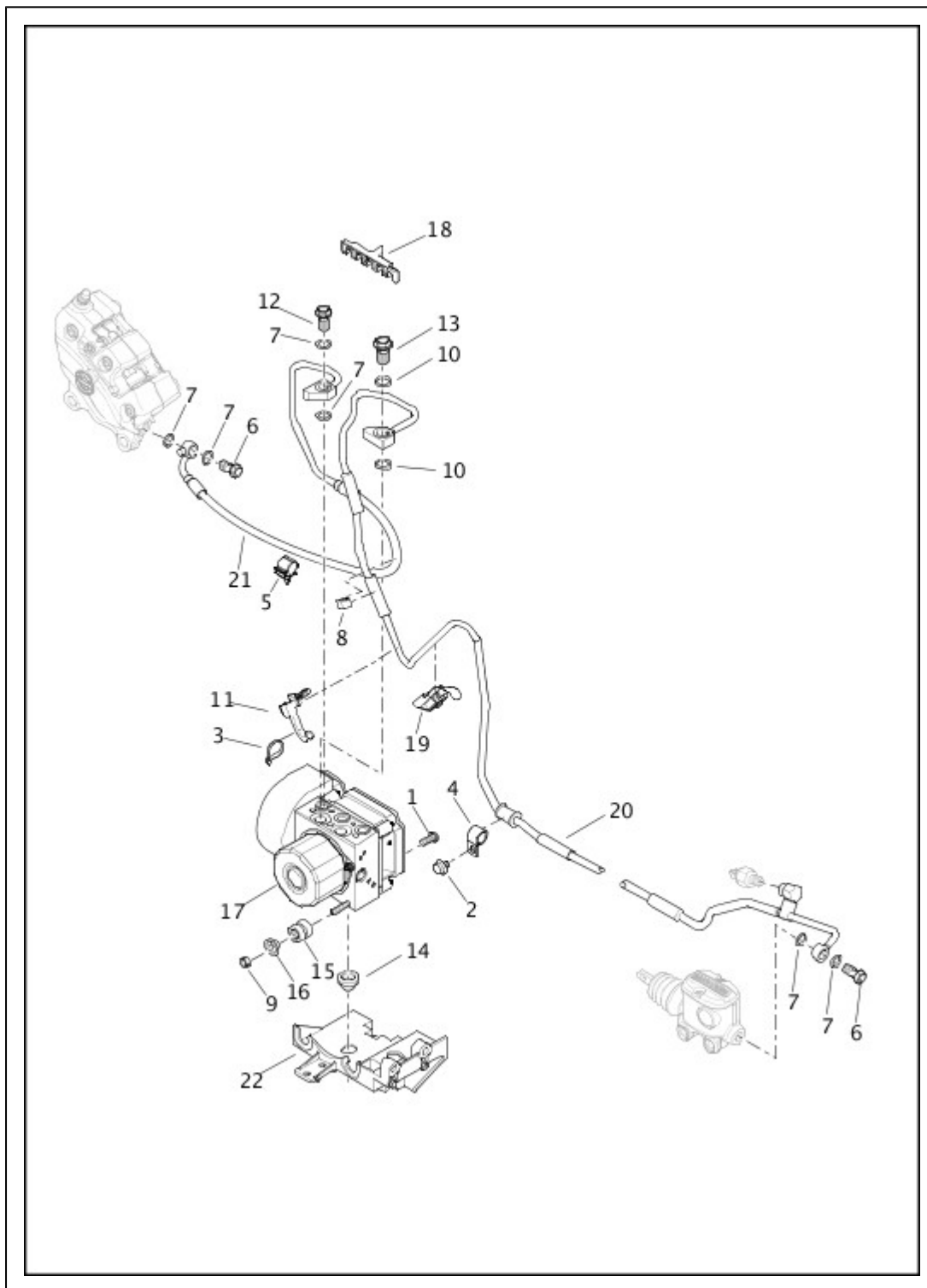
| Index No. | Part No. | Description | Model(s) |
|-----------|----------|----------------------------|----------|
| | 41800340 | BRAKE LINE, front, NON-ABS | FLTRX |

BRAKE LINES, FRONT - ABS



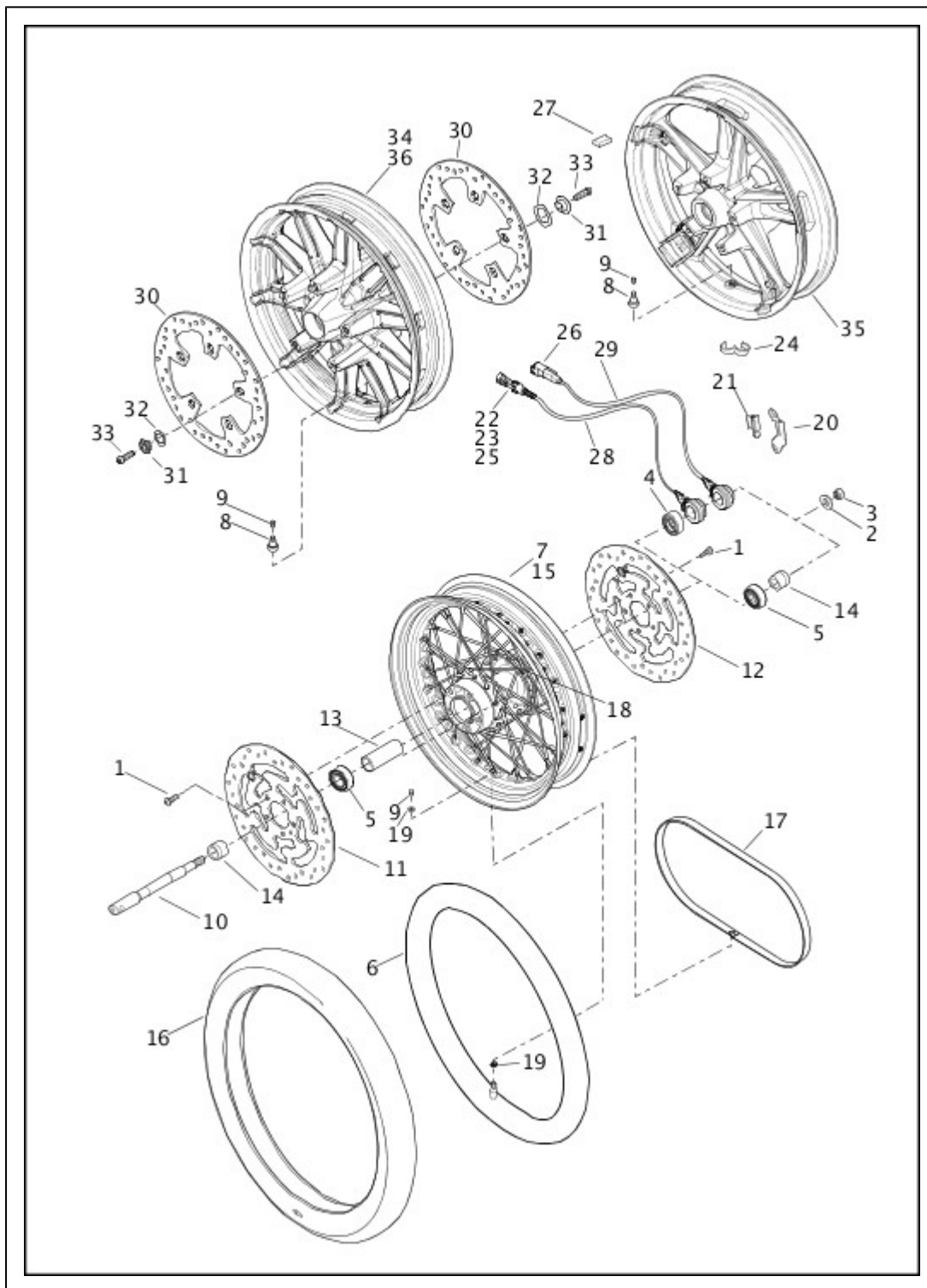
| Index No. | Part No. | Description | Model(s) |
|-----------|----------|-------------------------------|---------------|
| | 41800316 | BRAKE LINE, front, right, ABS | FLTRX, FLTRXS |
| | 41800314 | BRAKE LINE, front, upper, ABS | FLTRX, FLTRXS |

BRAKE LINES & MODULE, REAR - ABS



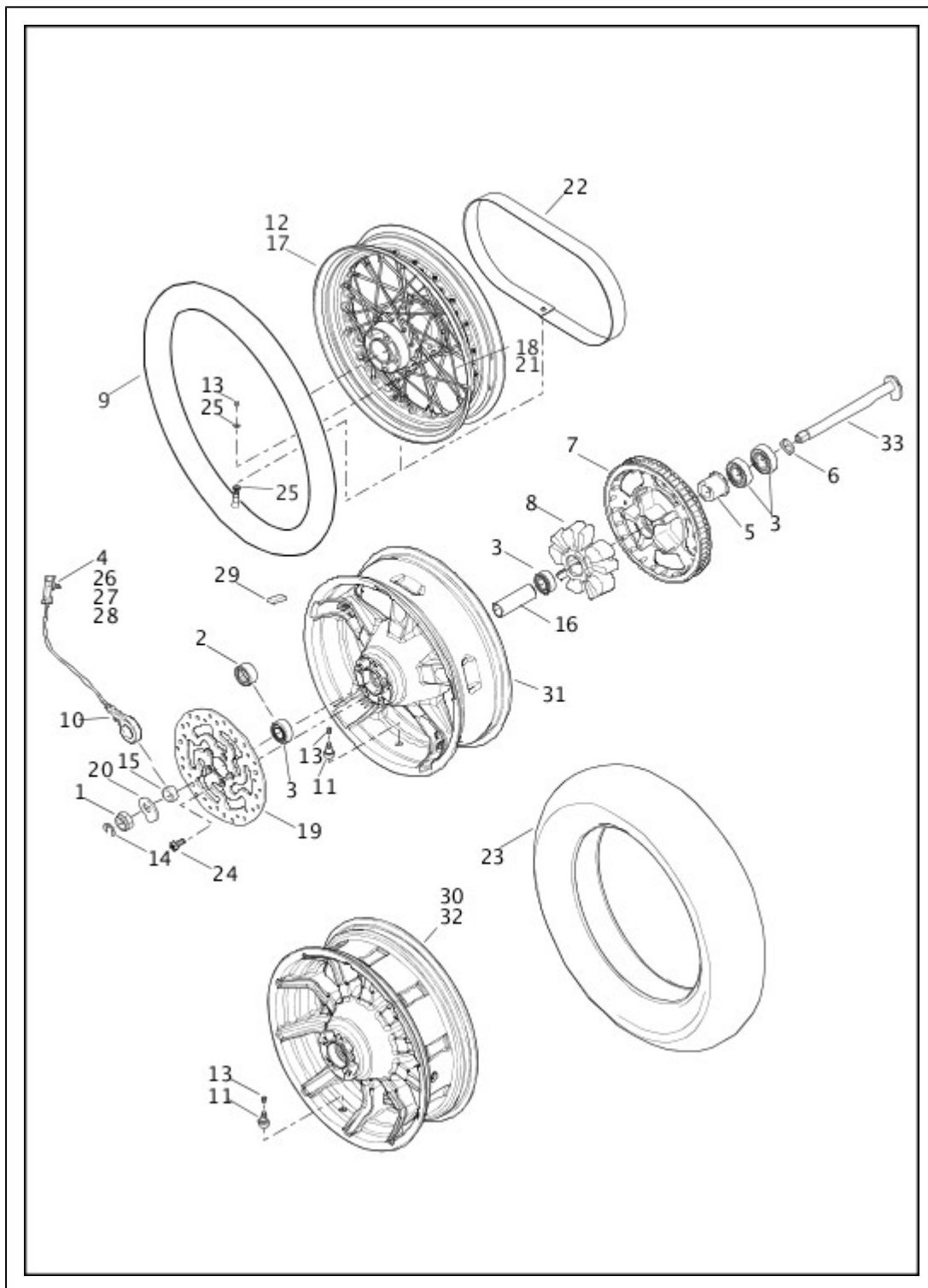
| Index No. | Part No. | Description | Model(s) |
|-----------|----------|--------------------|----------|
| 9 | 10100049 | LOCKNUT (2) | |
| 15 | 12100060 | DAMPER, rubber (2) | |
| 16 | 12400077 | SLEEVE, guide (2) | |

WHEELS, FRONT



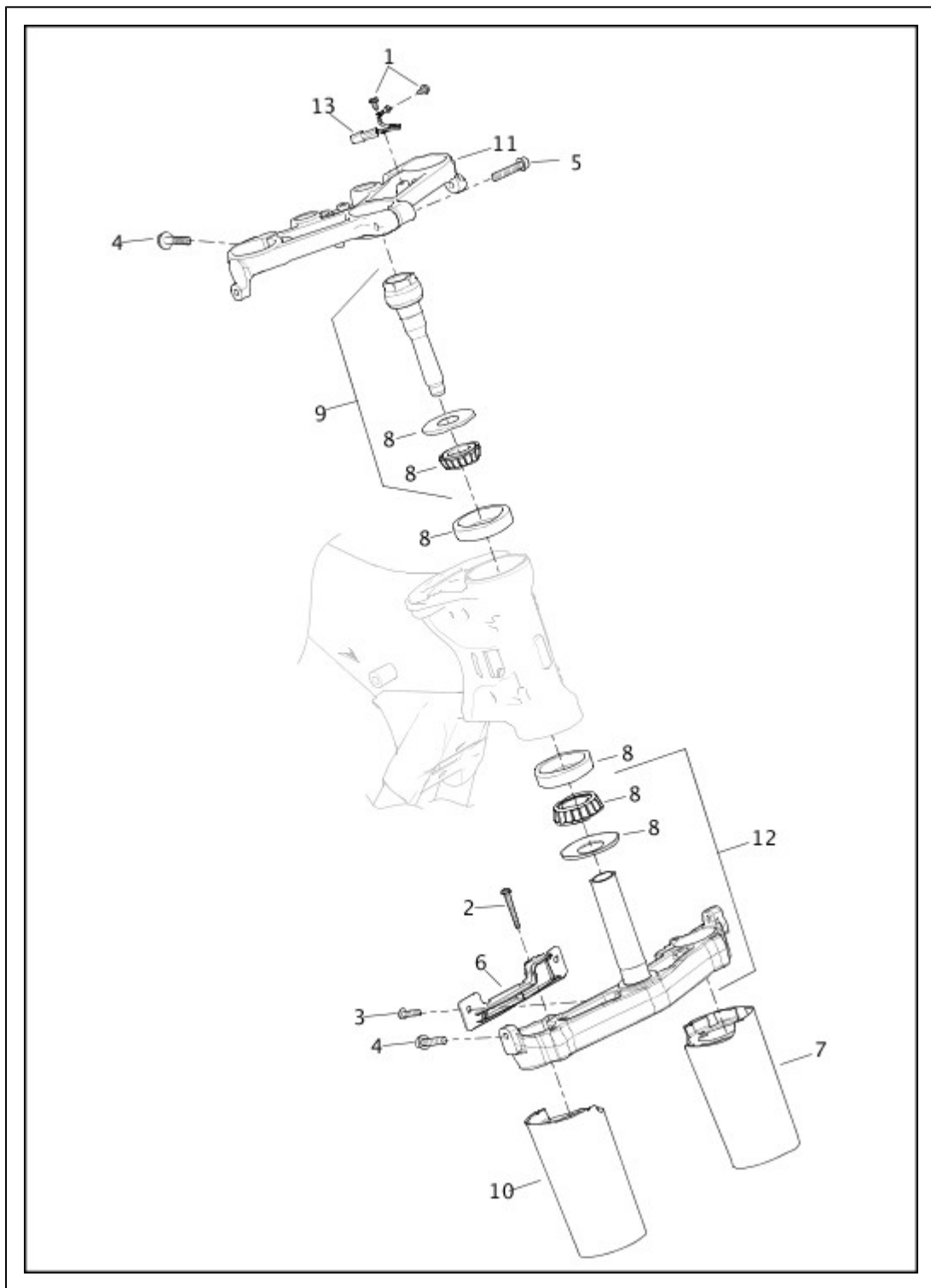
| Index No. | Part No. | Description | Model(s) |
|-----------|-----------|------------------------------|-------------|
| | 95595-84B | WEIGHT, 5 grams (silver) (6) | FLHR, FLHRC |

WHEELS, REAR



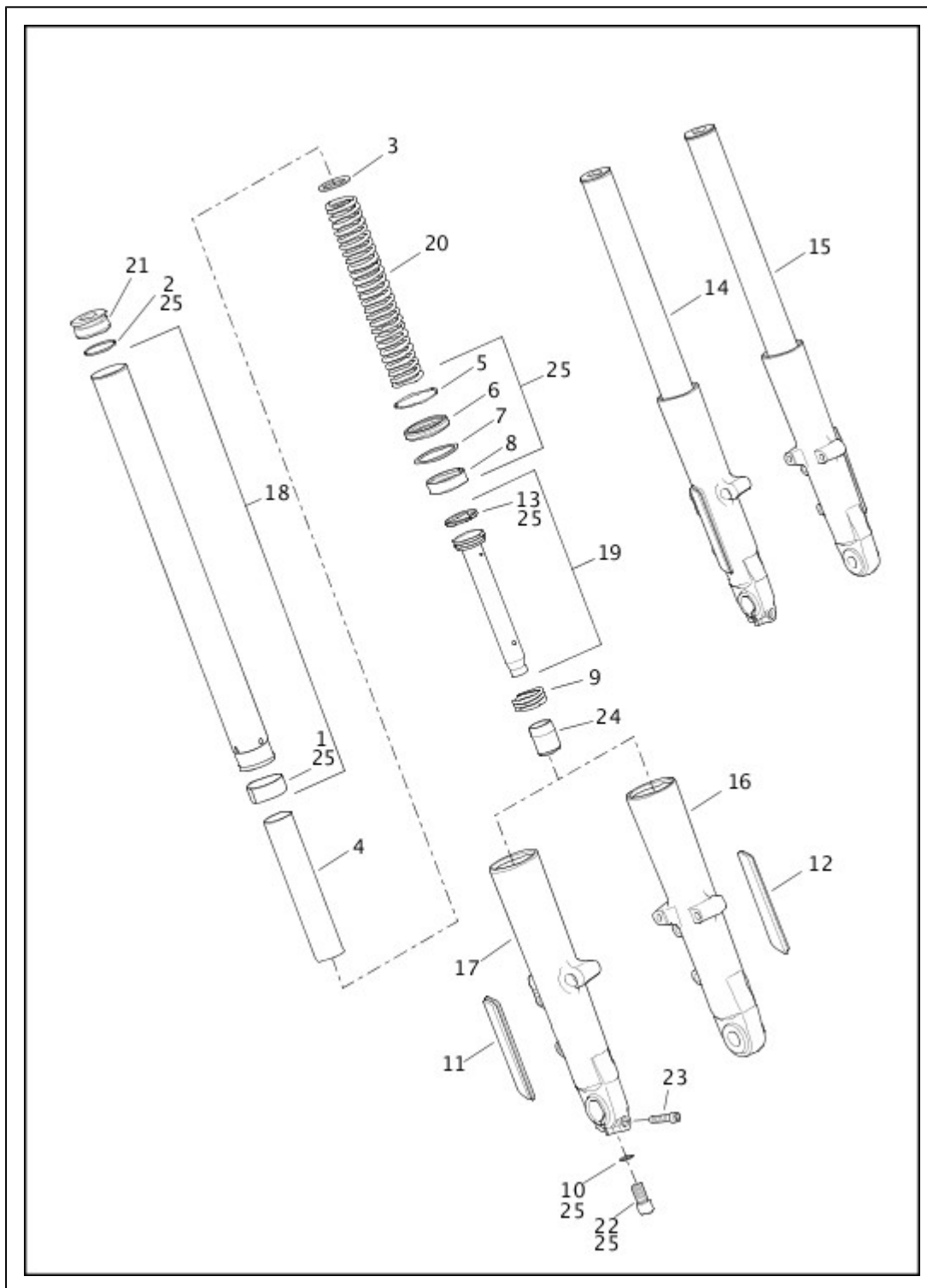
| Index No. | Part No. | Description | Model(s) |
|-----------|-----------|------------------------------|-------------|
| | 95595-84B | WEIGHT, 5 grams (silver) (6) | FLHR, FLHRC |

FORK BRACKETS, FRONT



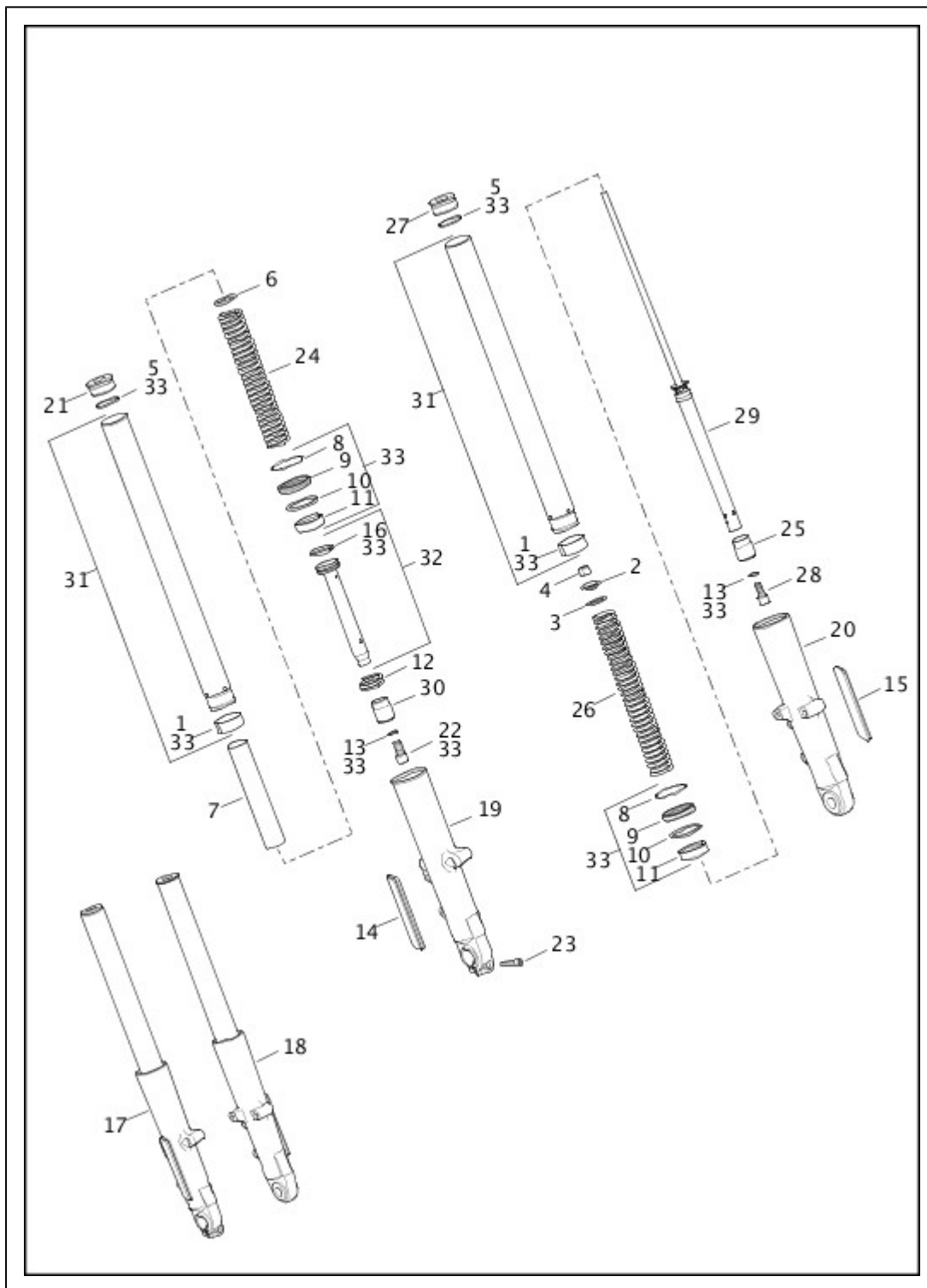
| Index No. | Part No. | Description | Model(s) |
|-----------|-----------|---|----------|
| 9 | 45700020A | STEM ASSEMBLY, upper steering, w/ bearing cone & dirt guard | |
| 12 | 45900091A | BRACKET ASSEMBLY, lower fork, w/ bearing cone & dirt guard | |

FORK, FRONT, LEFT & RIGHT - STANDARD



| Index No. | Part No. | Description | Model(s) |
|-----------|-----------|--|---|
| 25 | 91700025A | FORK REBUILD KIT, w/ 1, 2, 5, 6, 7, 8, 10, 13 & 22 (2) | FLHR, FLHTCU, FLHRC, FLHX, FLHTK, FLTRX, FLHXS, FLHTCU TC, FLTRXS |

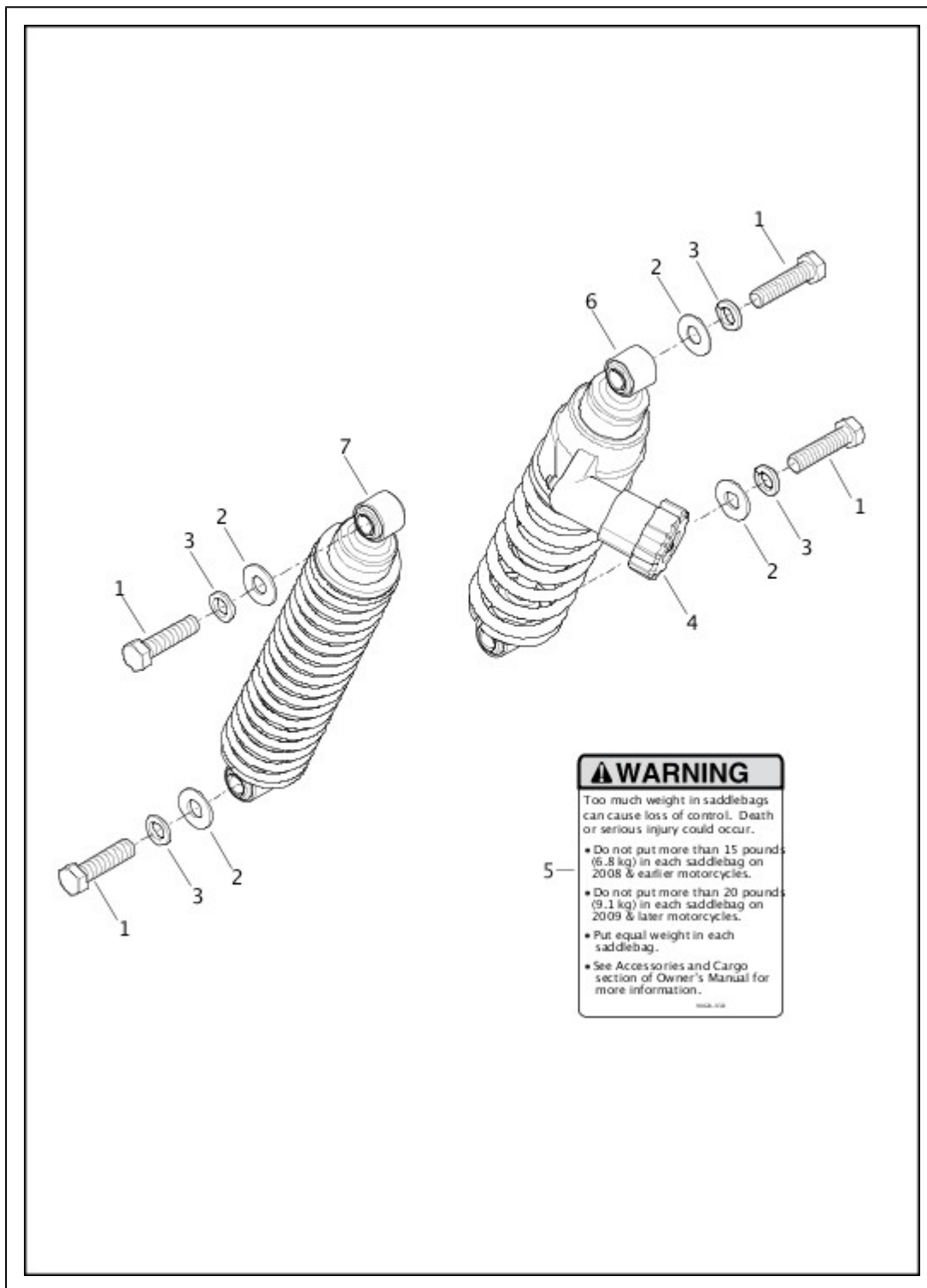
FORK, FRONT, LEFT & RIGHT - LOW



| Index No. | Part No. | Description | Model(s) |
|-----------|----------|---------------------------------|-----------------------------|
| 2 | 46236-02 | SPRING SEAT, (left) | FLHTCUL, FLHTCUL TC, FLHTKL |
| 3 | 46237-02 | SPRINGWASHER, (left) | FLHTCUL, FLHTCUL TC, FLHTKL |
| 4 | 46262-02 | LOCKNUT, damper (left) | FLHTCUL, FLHTCUL TC, FLHTKL |
| 17 | 45400056 | FORK ASSEMBLY, complete (right) | FLHTCUL, FLHTCUL TC, FLHTKL |

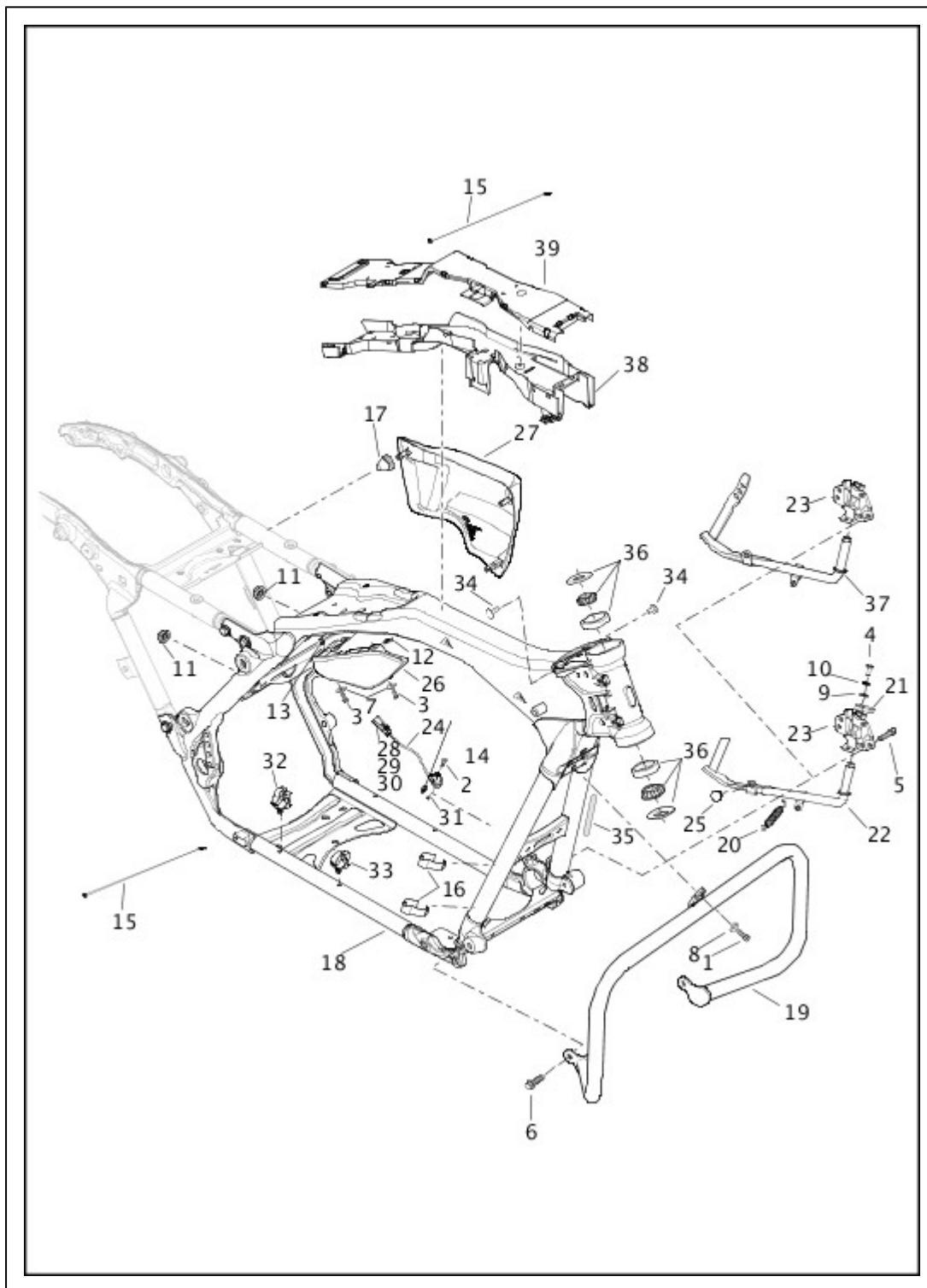
| | | | |
|----|-----------|---|--------------------------------|
| 18 | 45400057 | FORK ASSEMBLY, complete (left) | FLHTCUL, FLHTCUL TC, FLHTKL |
| 24 | 45500225 | SPRING, fork (right) | FLHTCUL, FLHTCUL TC, FLHTKL |
| 25 | 45500233 | OIL LOCK PIECE, (left) | FLHTCUL, FLHTCUL TC, FLHTKL |
| 26 | 45500234 | SPRING, fork (left) | FLHTCUL, FLHTCUL TC, FLHTKL |
| 27 | 45500235 | BOLT, fork (left) | FLHTCUL, FLHTCUL TC, FLHTKL |
| 28 | 45500236 | SCREW, (left) | FLHTCUL, FLHTCUL TC, FLHTKL |
| 29 | 45500237 | CARTRIDGE DAMPER, (left) | FLHTCUL, FLHTCUL TC, FLHTKL |
| 31 | 45500252 | FORK PIPE ASSEMBLY, w/ 46080-01 (2) | FLHTCUL, FLHTCUL TC, FLHTKL |
| 32 | 45500253 | DAMPER TUBE, w/ 22000031 (right) | FLHTCUL, FLHTCUL TC, FLHTKL |
| 33 | 91700025A | FORK REBUILD KIT, w/ 1, 5, 8, 9, 10, 11, 13, 16 & 22 (2) | FLHTCUL, FLHTCUL TC, FLHTKL |

SHOCK ABSORBERS, REAR - FLHTCUL, FLHTKL, FLHXS & FLTRXS



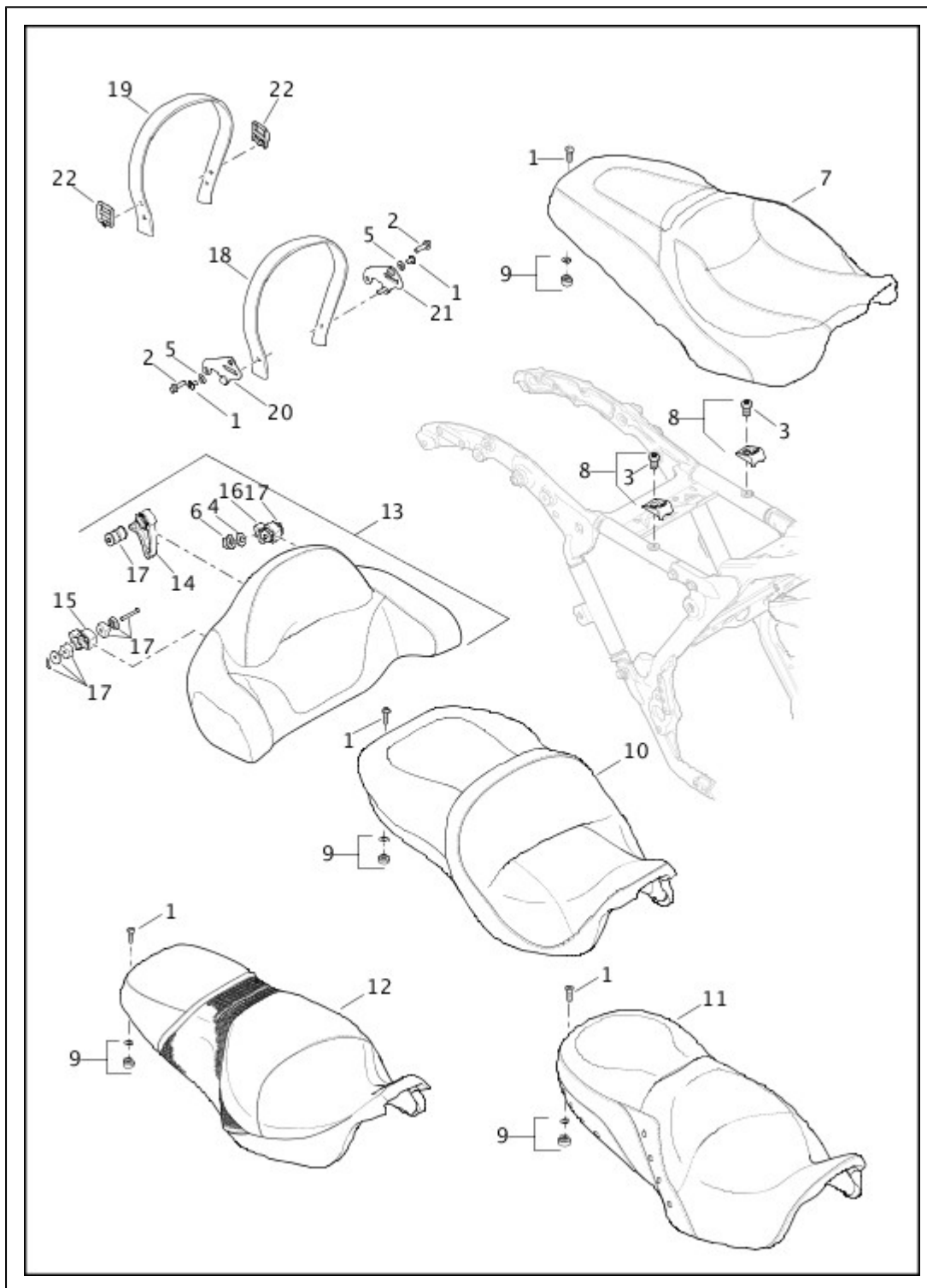
| Index No. | Part No. | Description | Model(s) |
|-----------|----------|--|--|
| 6 | 54000081 | REAR SHOCK ABSORBER LOW, left, w/ 54677-10 | FLHTCUL, FLHTCUL TC, FLHTKL, FLHXS, FLTRXS |
| 7 | 54000082 | REAR SHOCK ABSORBER LOW, right | FLHTCUL, FLHTCUL TC, FLHTKL, FLHXS, FLTRXS |

FRAME & JIFFY STAND (2 OF 2)



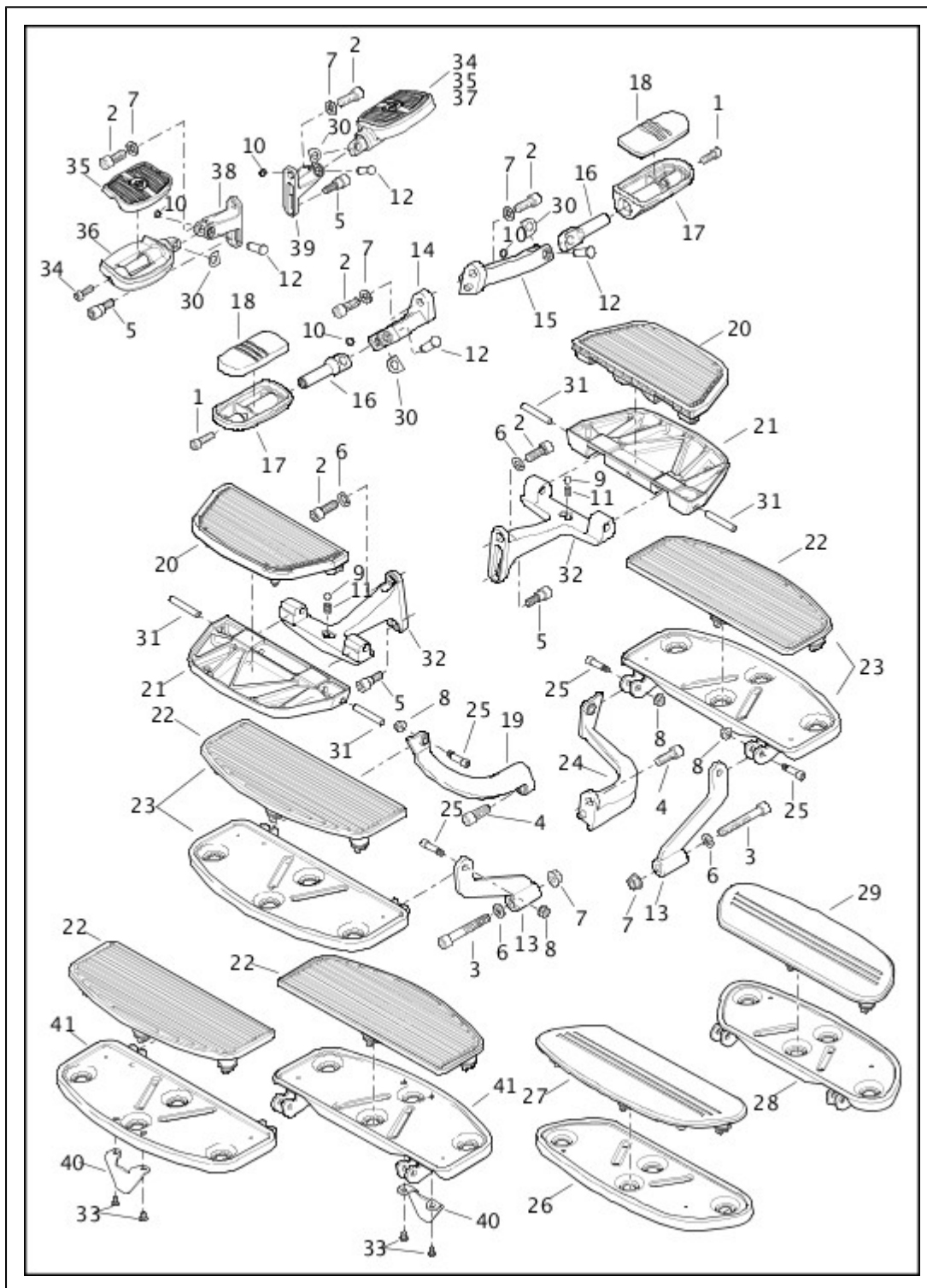
| Index No. | Part No. | Description | Model(s) |
|-----------|----------|----------------------------------|--|
| 35 | 14000827 | CLEAR OVERLAY, VIN label (Japan) | FLHRC, FLHTK, FLHXS, FLHTCU TC, FLHTCUL TC, FLTRXS |

SEATS



| Index No. | Part No. | Description | Model(s) |
|-----------|----------|--|-----------------------------|
| | 52000142 | SEAT | FLTRX, FLTRXS |
| | 52000173 | SEAT, (except Asia-Pacific) | FLHTKL, FLHTCUL, FLHTCUL TC |
| | 52400099 | PASSENGER STRAP, (except Asia-Pacific) | FLHTCUL, FLHTCUL TC, FLHTKL |
| | 52400116 | PASSENGER STRAP, (Asia-Pacific) | FLHTCUL TC, FLHTKL |

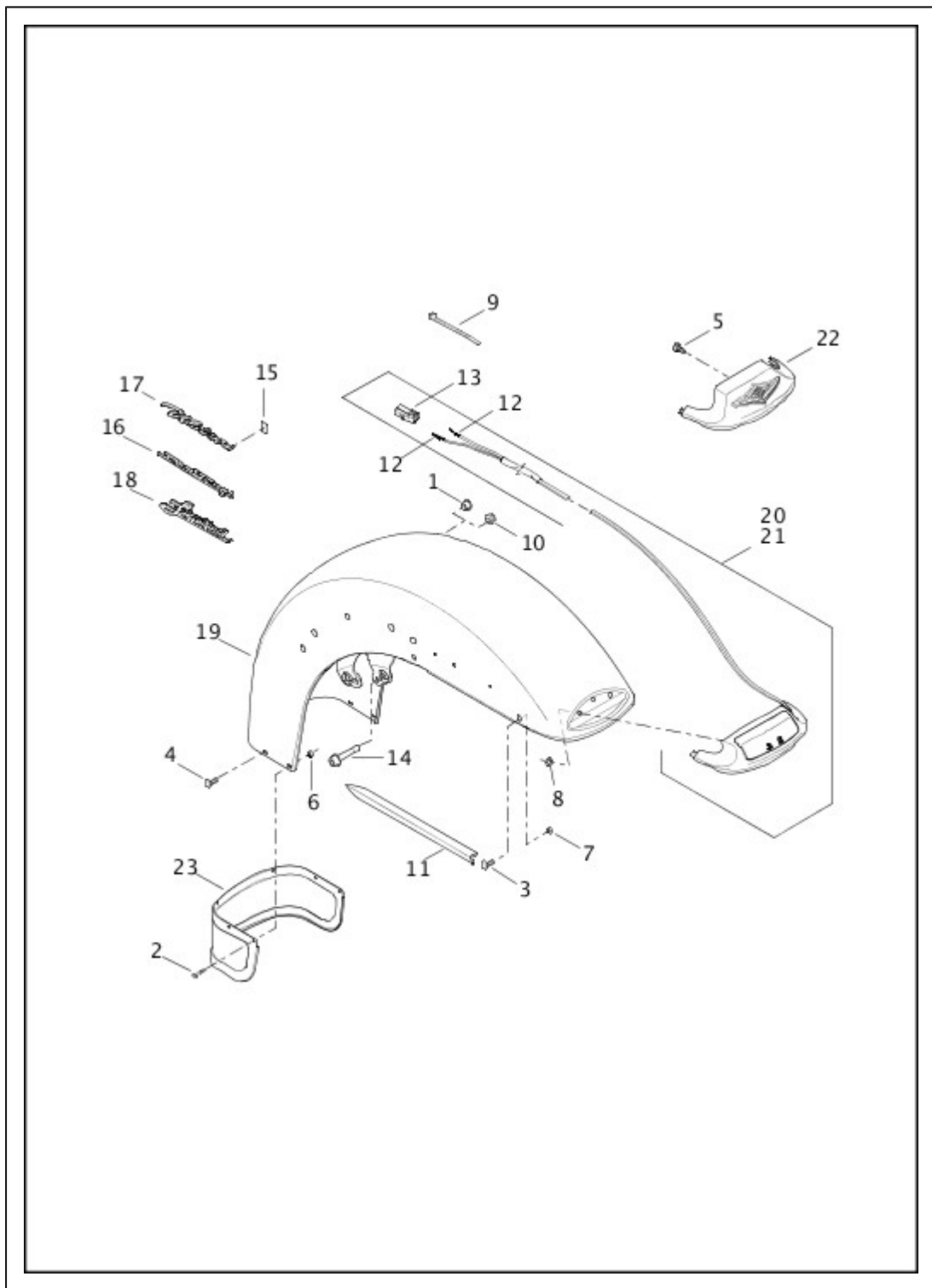
FOOTBOARDS & FOOTPEGS



| Index No. | Part No. | Description | Model(s) |
|-----------|-----------|----------------------|-----------------------------|
| 24 | 50622-09A | BRACKET, left rear | |
| 33 | 10500053 | SCREW (4) | FLHTKL, FLHTCUL, FLHTCUL TC |
| 34 | 12600031 | SCREW (2) | FLHTKL, FLHTCUL, FLHTCUL TC |
| 35 | 50500143 | TREAD, footboard (2) | FLHTKL, FLHTCUL, FLHTCUL TC |

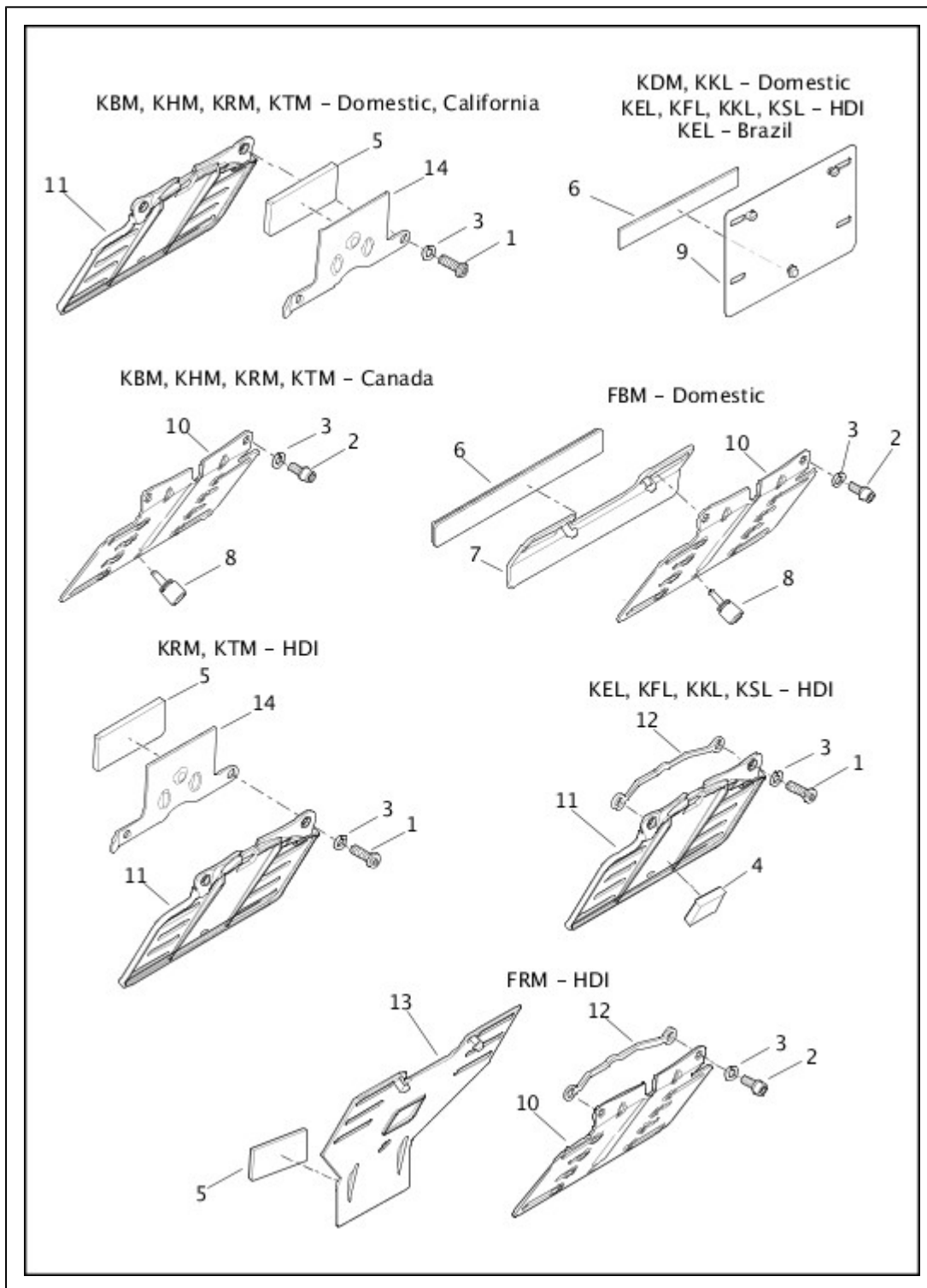
| | | | |
|----|----------|---|--------------------------------|
| 36 | 50500145 | FOOTBOARD ASSEMBLY, right, w/ 12600031 & 50500143 | FLHTKL, FLHTCUL, FLHTCUL TC |
| 37 | 50500146 | FOOTBOARD ASSEMBLY, left, w/ 12600031 & 50500143 | FLHTKL, FLHTCUL, FLHTCUL TC |
| 38 | 50500332 | SUPPORT, right passenger floorboard (black) | FLHTKL, FLHTCUL, FLHTCUL TC |
| 39 | 50500334 | SUPPORT, left passenger floorboard (black) | FLHTKL, FLHTCUL, FLHTCUL TC |
| 40 | 50500339 | FEELER, footboard (2) | FLHTKL, FLHTCUL, FLHTCUL TC |
| 41 | 50500360 | FOOTBOARD BOTTOM ASSEMBLY (2) | FLHTKL, FLHTCUL, FLHTCUL TC |

FENDERS, FRONT



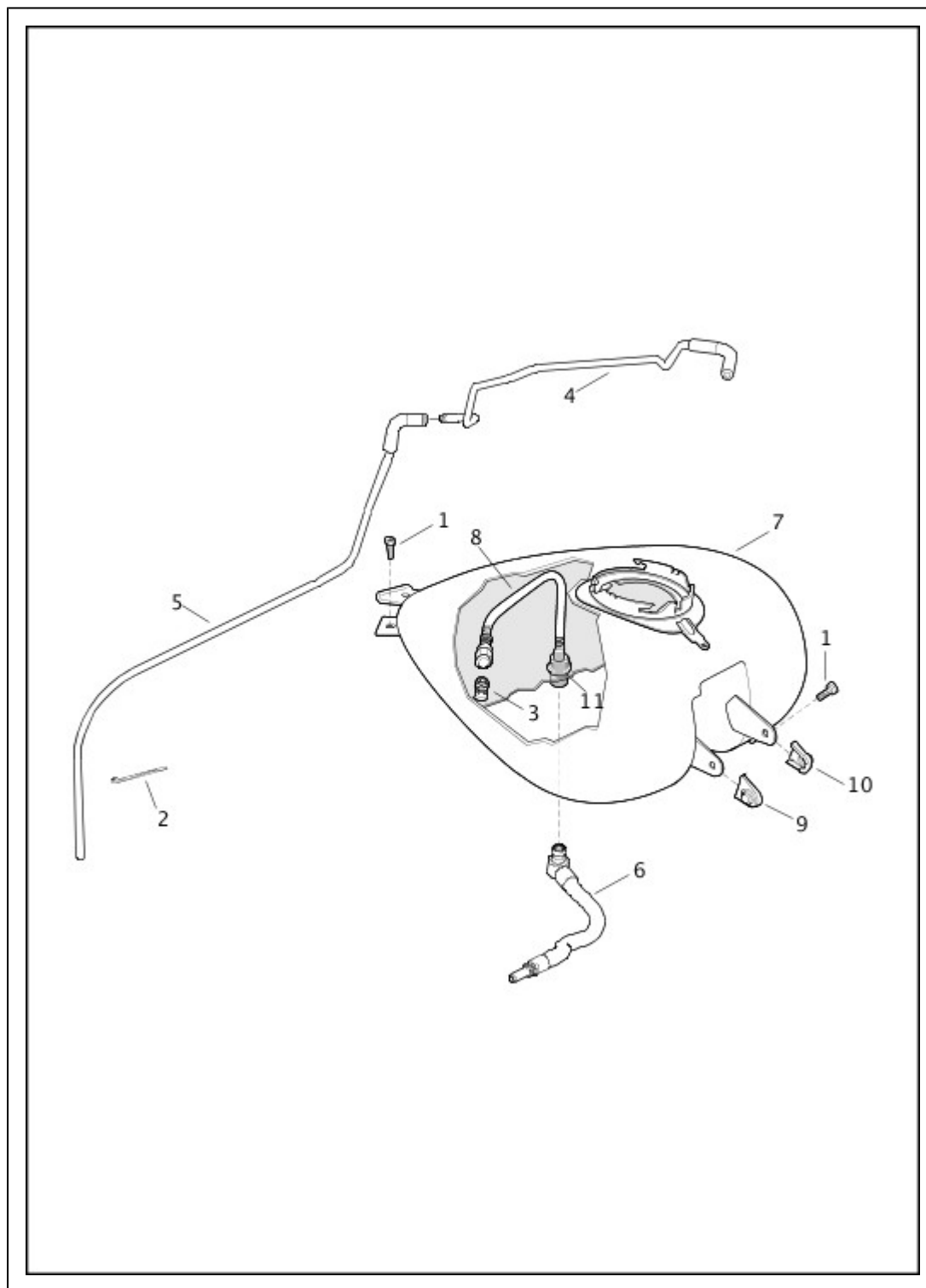
| Index No. | Part No. | Description | Model(s) |
|-----------|----------|---------------------|---|
| 15 | 12200092 | CLIP, retaining (6) | FLHR, FLHTCU, FLHRC, FLHTCU TC, FLHTCUL, FLHTCUL TC |

LICENSE PLATE BRACKETS



| Index No. | Part No. | Description | Model(s) |
|-----------|-----------|---|---|
| 4 | 11576 | CUSHION, (HDI) | FLHTK, FLHTCU TC, FLHTCUL TC, FLHTKL |
| 9 | 60918-10A | LICENSE PLATE BRACKET, (Domestic) | FLHTCUL, FLHTKL |
| 9 | 60918-10A | LICENSE PLATE BRACKET, (HDI) | FLHTK, FLHTCUL TC, FLHTKL, FLHTCU TC |
| 12 | 12400100 | SPACER, (HDI) | FLHRC, FLHTK, FLHTCU TC, FLHTCUL TC, FLHTKL |
| 14 | 67900213A | BRACKET, reflector (Domestic, California) (black) | FLHX, FLHXS, FLTRX, FLTRXS |

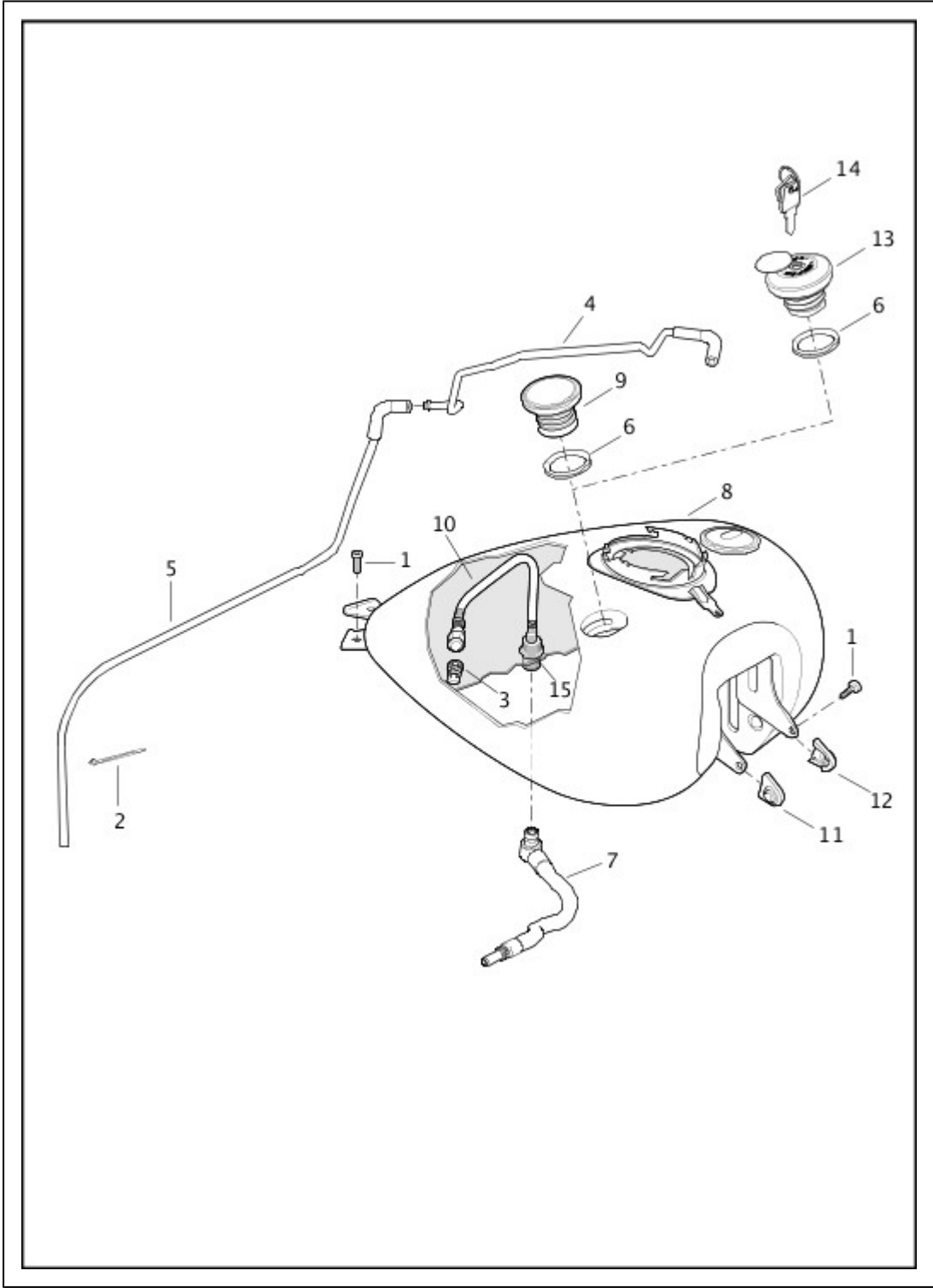
FUEL TANK - FLHTCU, FLHTCUL, FLHTK, FLHTKL, FLHX, FLHXS, FLTRX & FLTRXS



| Index No. | Part No. | Description | Model(s) |
|-----------|-----------|--------------------------------|---|
| 4 | 27291-09A | TUBE, evaporative line, tank | FLHTCU, FLHTCU TC, FLHX, FLHTK, FLHXS, FLHTCUL, FLHTCUL TC, FLHTKL, FLTRX, FLTRXS |
| 5 | 27440- | TUBE, evaporative line (except | FLHTCU, FLHTCU TC, FLHX, FLHTK, FLHXS, FLHTCUL, |

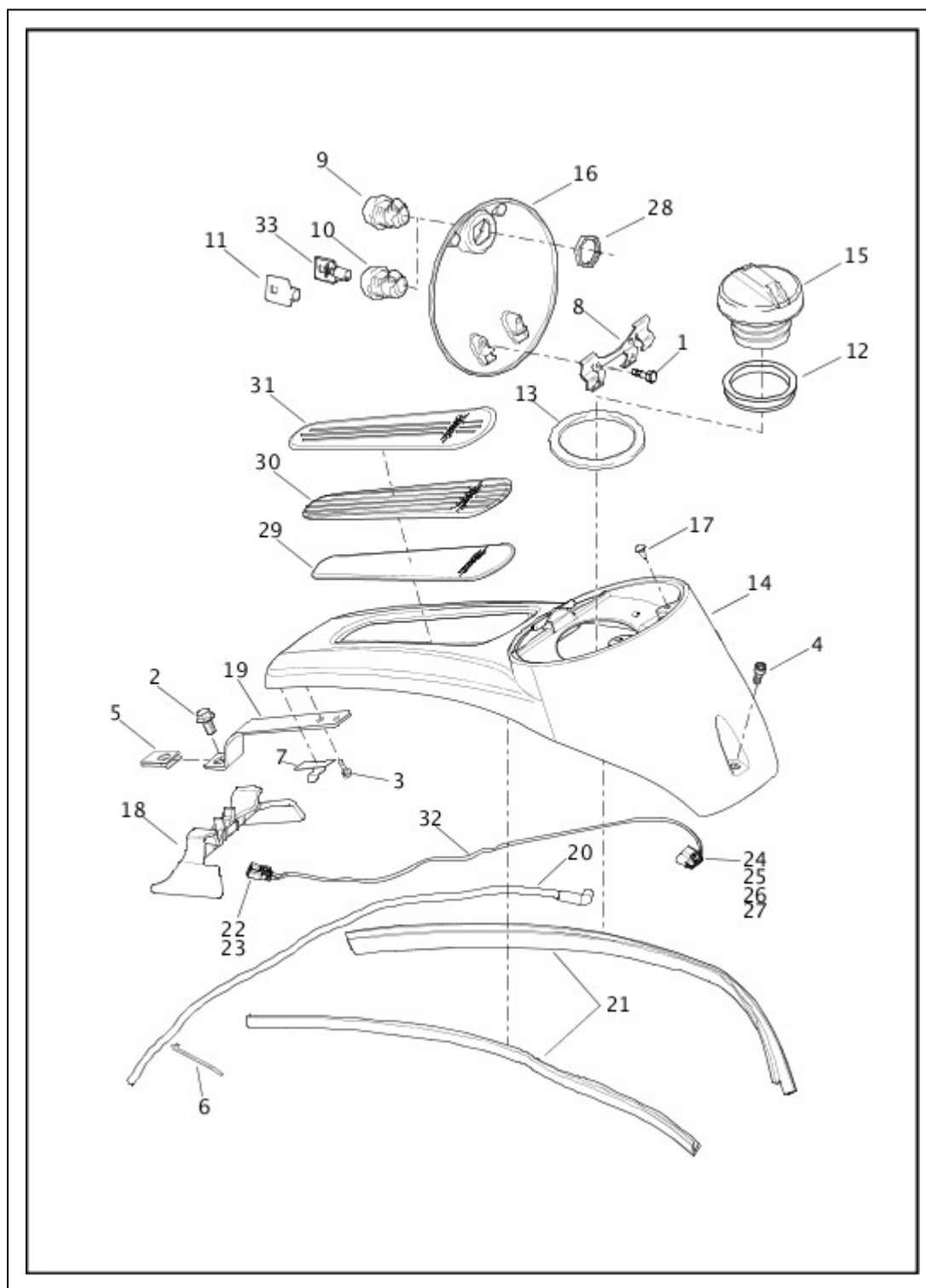
| | | | |
|---|-----------|---|---|
| | 09A | California, Asia-Pacific & Brazil) | FLHTCUL TC, FLHTKL, FLTRX, FLTRXS |
| 8 | 62228-08B | CHECK VALVE, assembly, w/ 10396 & 11323 | FLHTCU, FLHTCU TC, FLHX, FLHTK, FLHXS, FLHTCUL, FLHTCUL TC, FLHTKL, FLTRX, FLTRXS |

FUEL TANK - FLHR & FLHRC



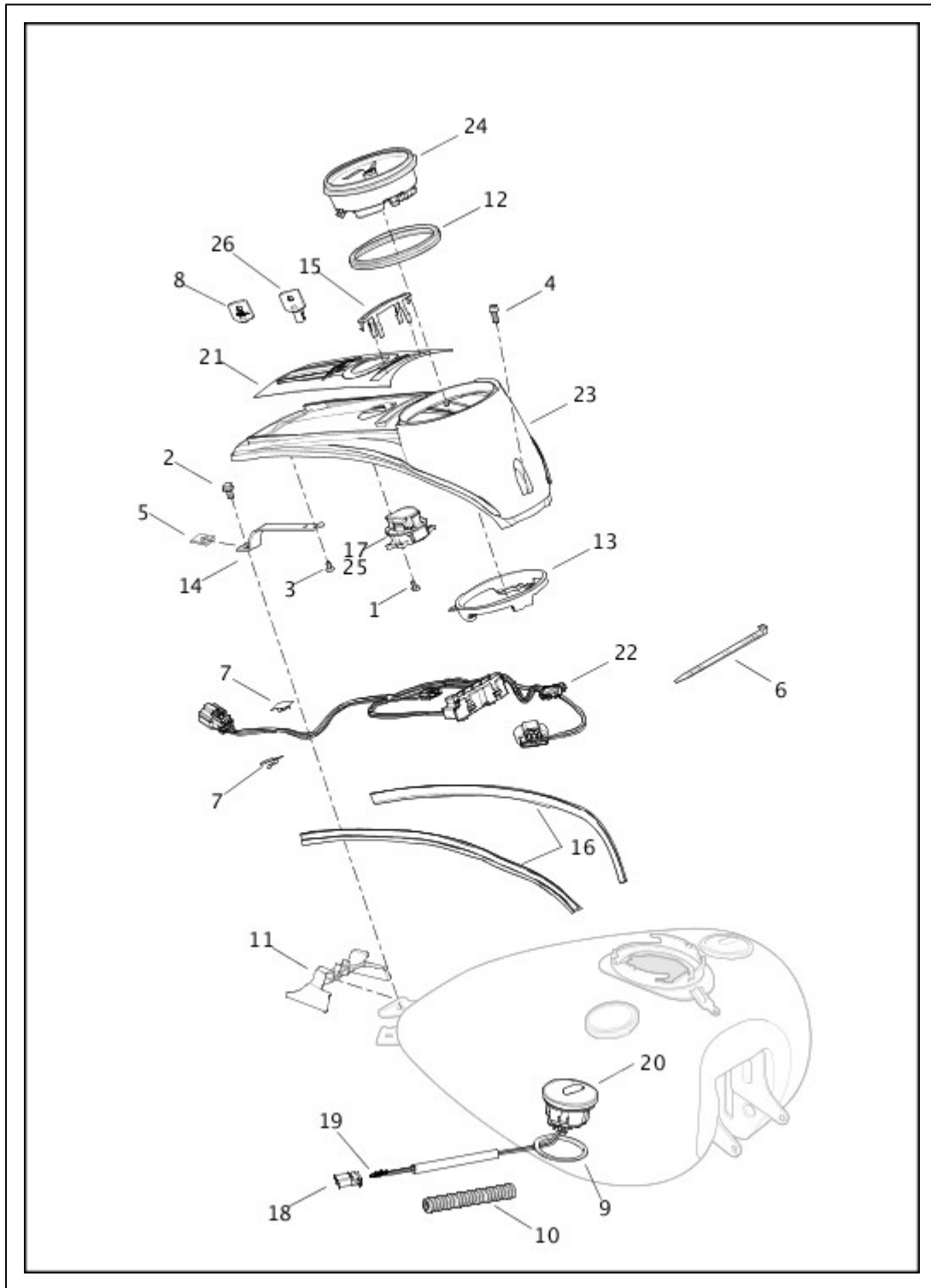
| Index No. | Part No. | Description | Model(s) |
|-----------|-----------|---|-------------|
| 4 | 27291-09A | TUBE, evaporative line, tank | FLHR, FLHRC |
| 5 | 27440-09A | TUBE, evaporative line (except California, Asia-Pacific & Brazil) | FLHR, FLHRC |

CONSOLE, FUEL TANK - FLHTCU, FLHTCUL, FLHTK, FLHTKL, FLHX, FLHXS, FLTRX & FLTRXS (2 OF 2)



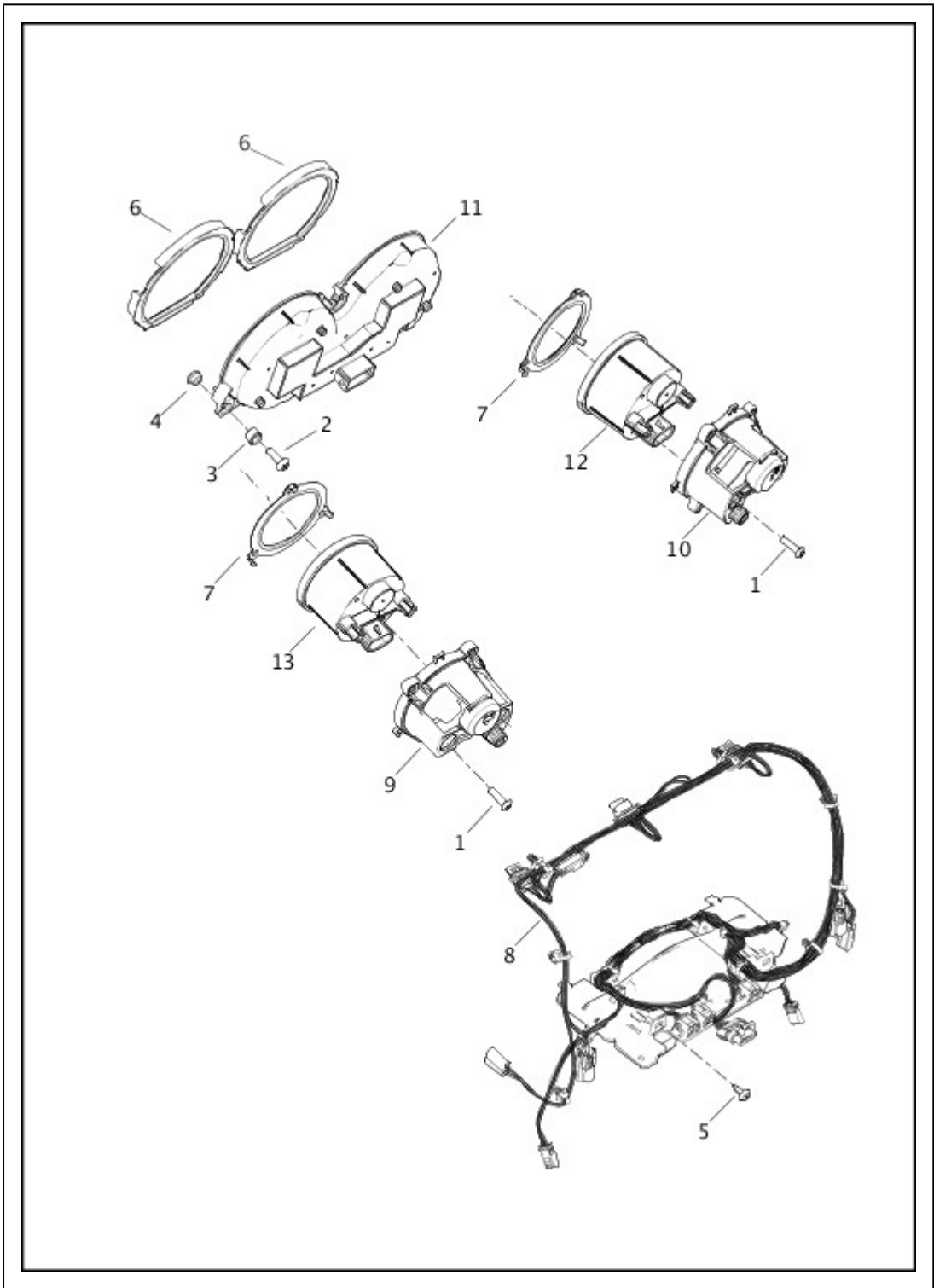
| Index No. | Part No. | Description | Model(s) |
|-----------|----------|-----------------------|---------------|
| 31 | 14100615 | INSERT, console panel | FLTRX, FLTRXS |

INSTRUMENTS, FUEL TANK - FLHR & FLHRC



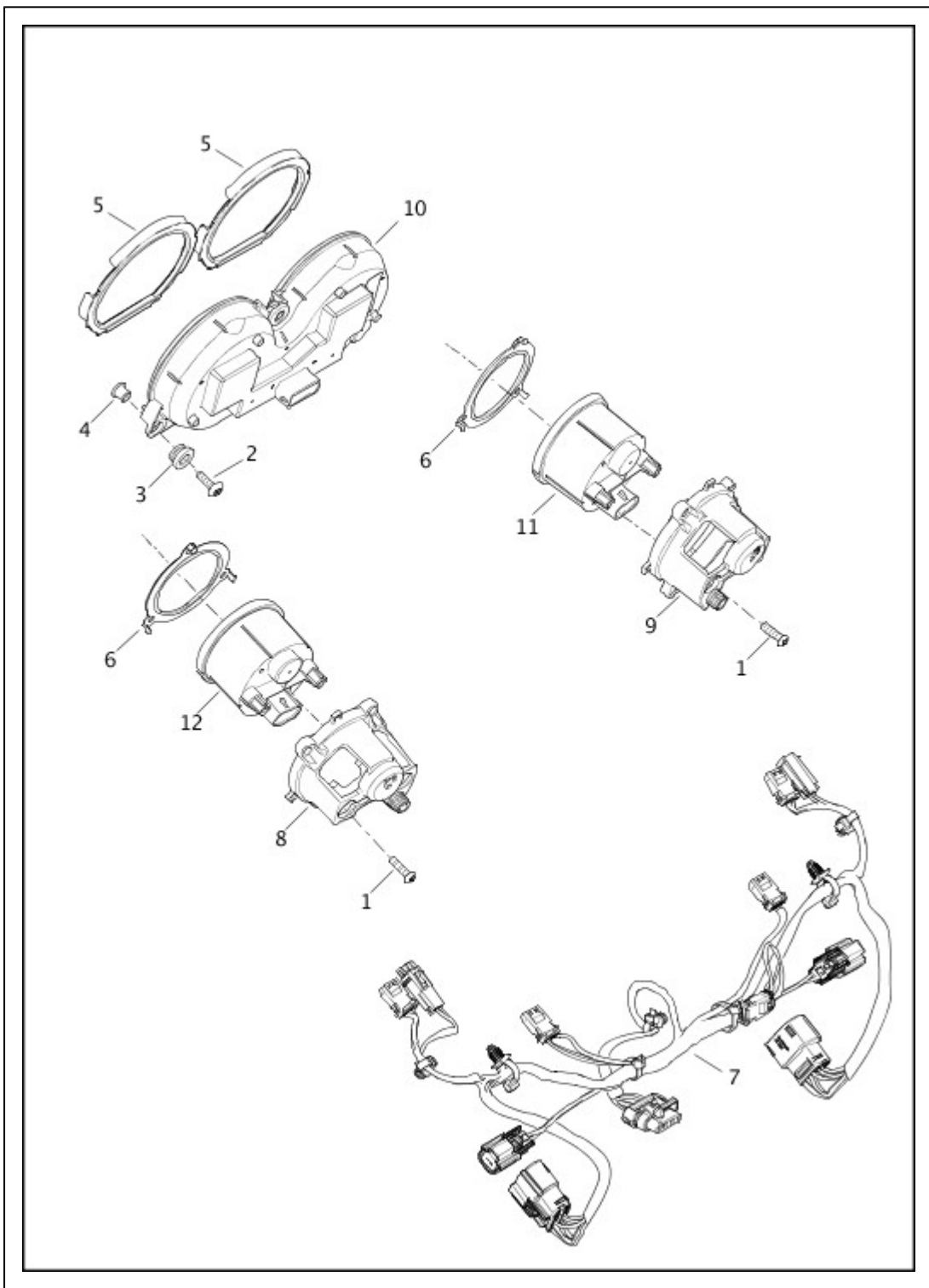
| Index No. | Part No. | Description | Model(s) |
|-----------|-----------|---|----------|
| 24 | 70900167A | SPEEDOMETER, mph (Domestic, California) | FLHR |

INSTRUMENTS - FLHTCU, FLHTCUL, FLHTK, FLHTKL, FLHX & FLHXS



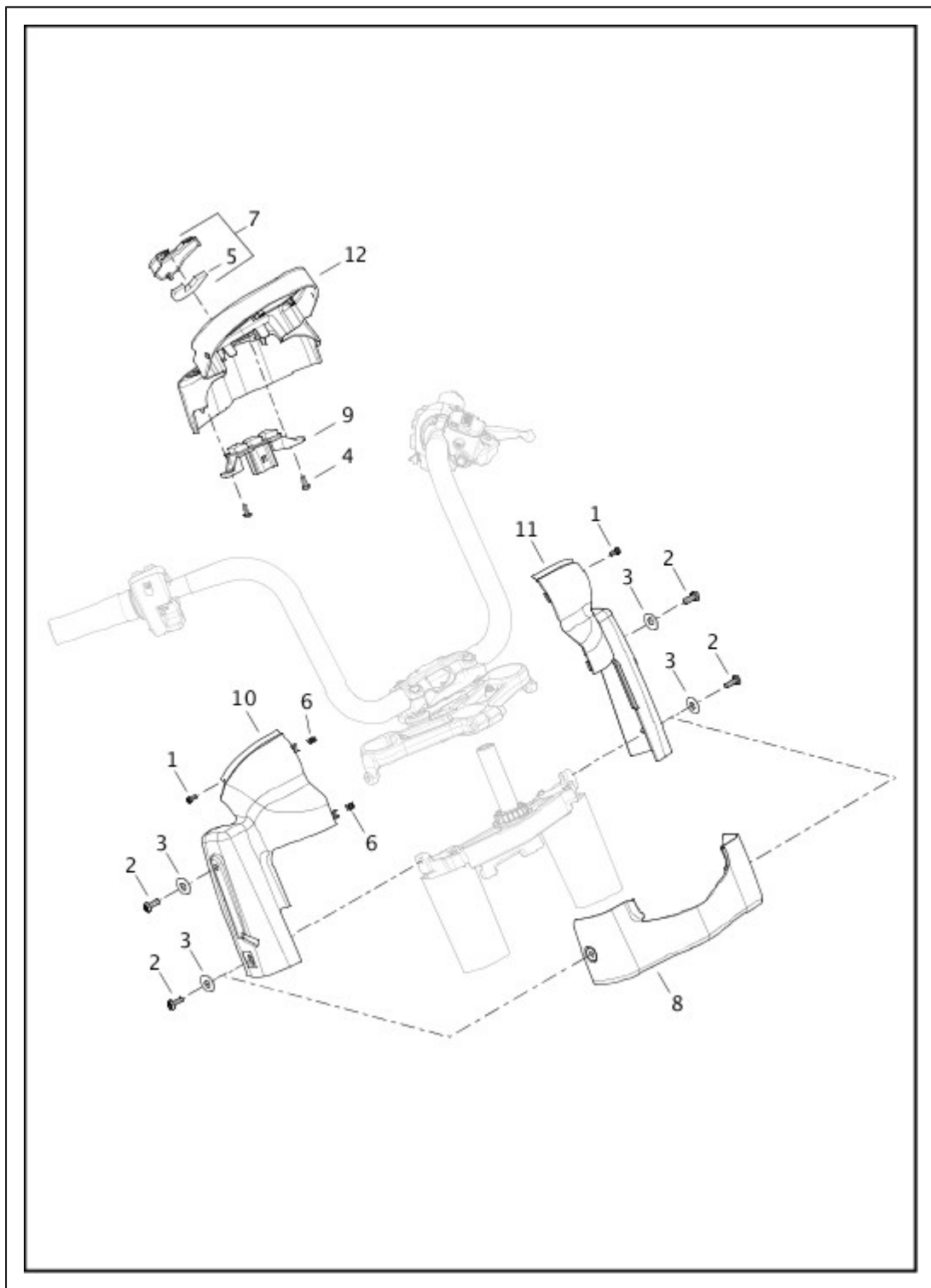
| Index No. | Part No. | Description | Model(s) |
|-----------|-----------|---|---------------|
| 11 | 70900118A | INSTRUMENT CLUSTER, mph, w/ 12100020 & 12400034 (Domestic, California) | FLHTK, FLHTKL |
| | 70900124A | INSTRUMENT CLUSTER, mph, w/ 12100020 & 12400034 (Domestic, California) (silver) | FLHX, FLHXS |

INSTRUMENTS - FLTRX & FLTRXS



| Index No. | Part No. | Description | Model(s) |
|-----------|-----------|--|------------------|
| 7 | 69200122 | WIRING HARNESS - FAIRING | FLTRX, FLTRXS |
| 10 | 70900124A | INSTRUMENT CLUSTER, mph, w/ 12100020 & 12400034 (Domestic, California) | FLTRX, FLTRXS |

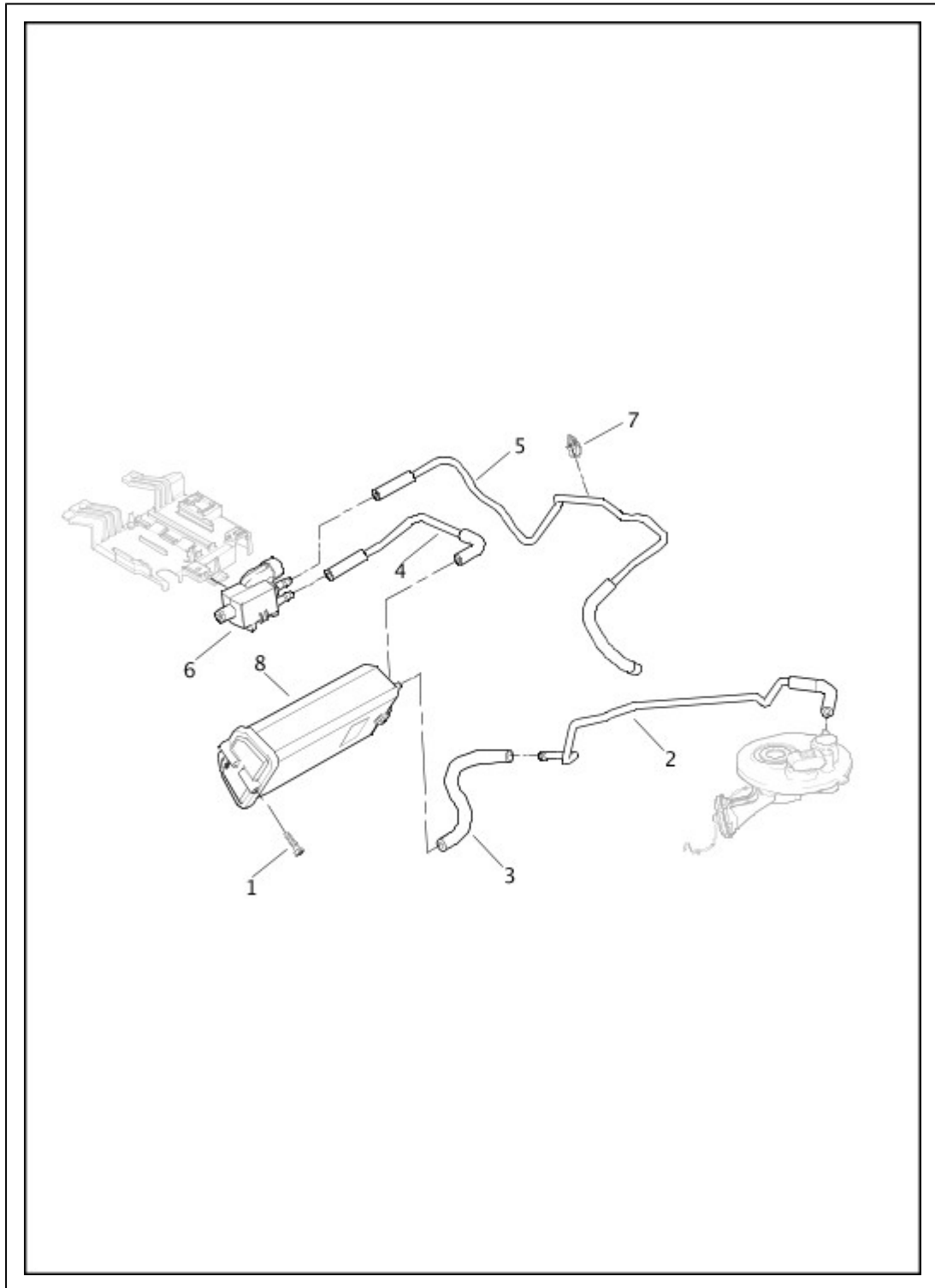
INSTRUMENT HOUSING - FLTRX & FLTRXS



| Index No. | Part No. | Description | Model(s) |
|-----------|----------|--|---------------|
| 1 | 3152 | SCREW (2) | FLTRX, FLTRXS |
| 2 | 3676 | SCREW (4) | FLTRX, FLTRXS |
| 3 | 6333 | WASHER (4) | FLTRX, FLTRXS |
| 4 | 10200205 | SCREW (4) | FLTRX, FLTRXS |
| 5 | 11100152 | FOAM PAD, ignition switch | FLTRX, FLTRXS |
| 7 | 25700489 | COVER ASSEMBLY, ignition switch, w/ 11100152 | FLTRX, FLTRXS |
| 8 | 57000412 | SKIRT, front (chrome) | FLTRX |

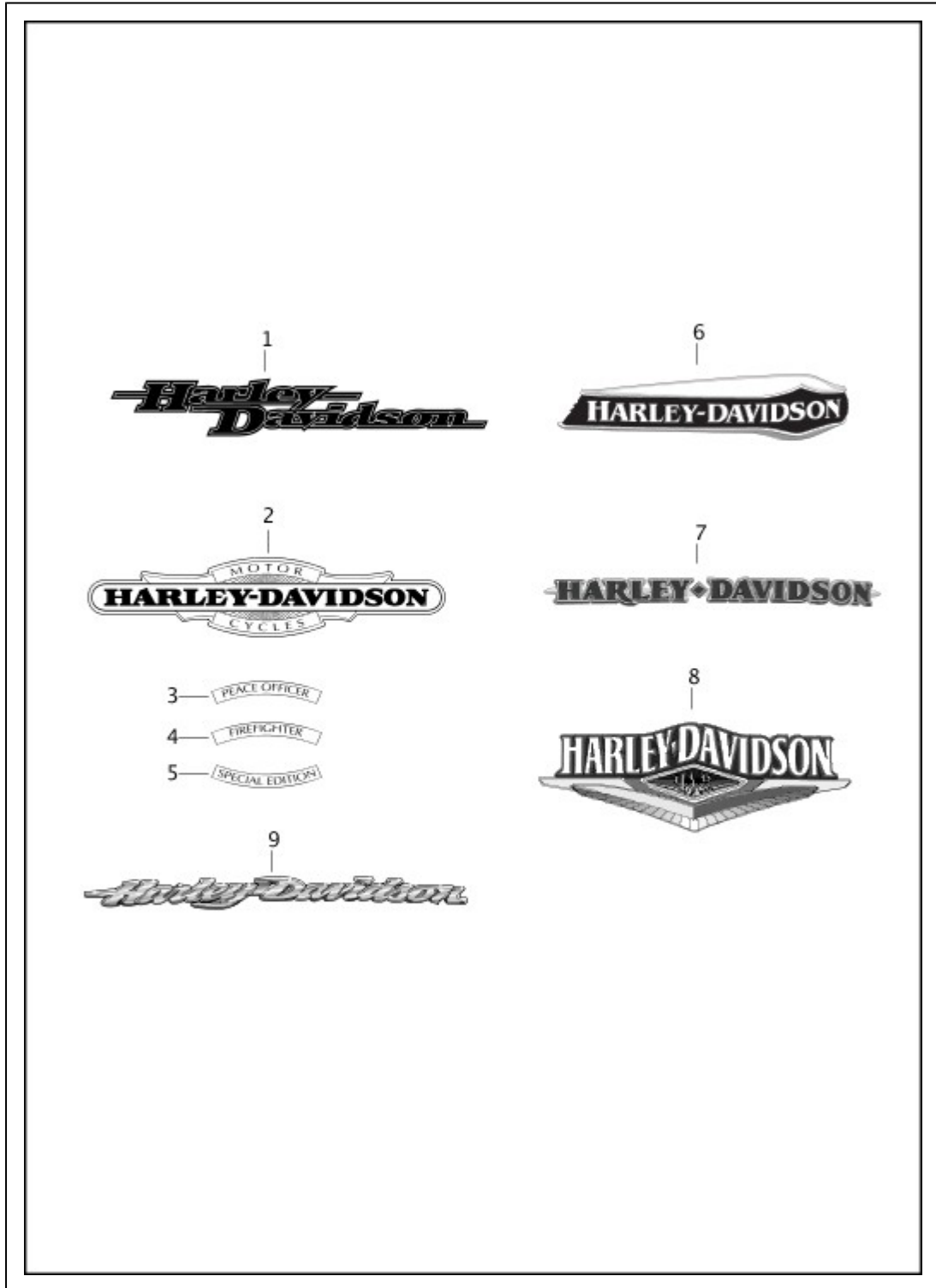
| | | | |
|----|----------|---------------------------------|---------------|
| | 57000508 | SKIRT, front (unpainted) | FLTRXS |
| 9 | 70900138 | HOLE PLUG (2) | FLTRX, FLTRXS |
| 10 | 70900372 | HOUSING ASSEMBLY, right (prime) | FLTRX, FLTRXS |
| 11 | 70900373 | HOUSING ASSEMBLY, left (prime) | FLTRX, FLTRXS |
| 12 | 70900374 | HOUSING COVER, (prime) | FLTRX, FLTRXS |

EVAPORATIVE EMISSIONS COMPONENTS



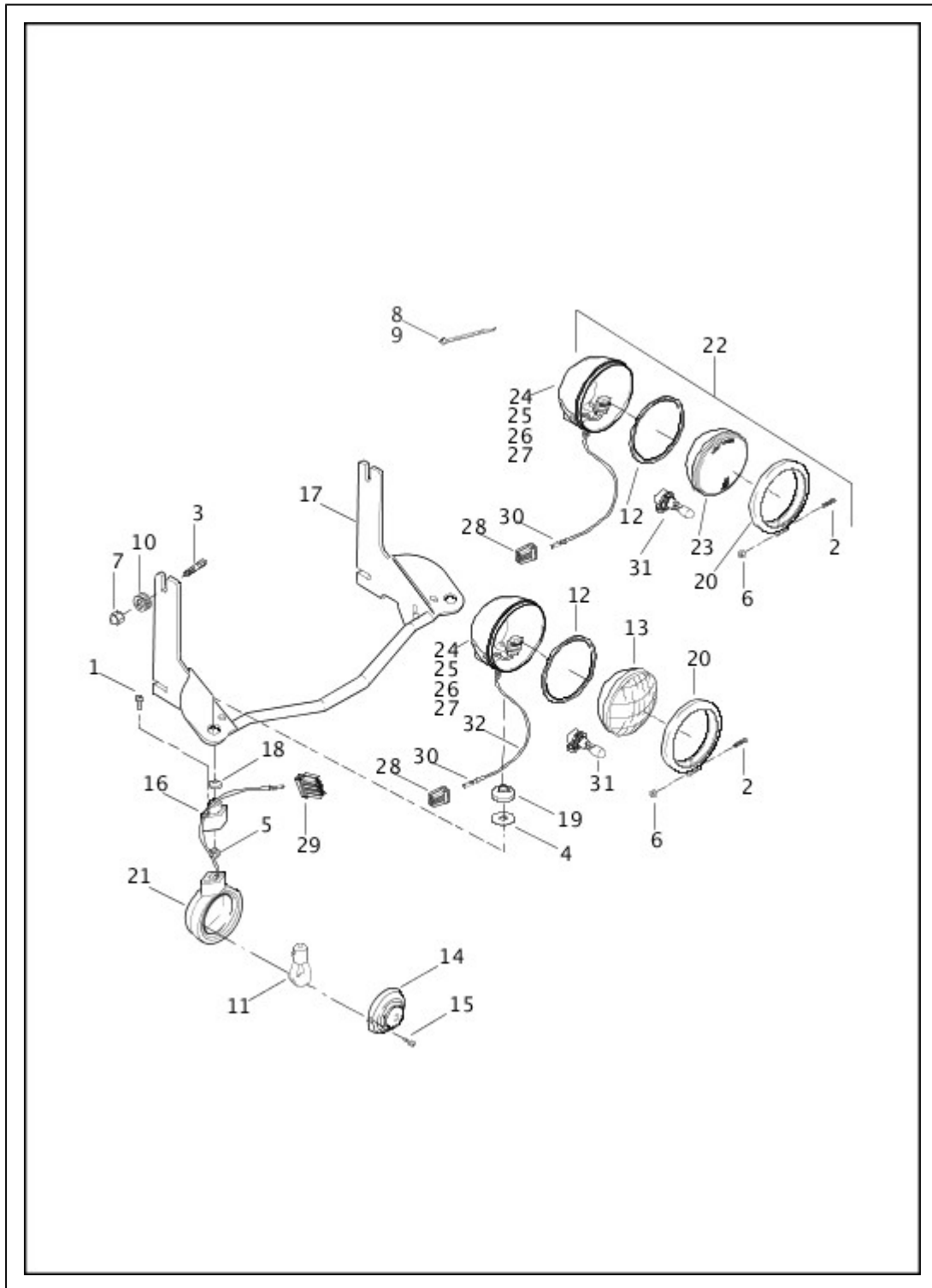
| Index No. | Part No. | Description | Model(s) |
|-----------|-----------|------------------------------------|----------|
| 2 | 27291-09A | EVAP LINE, tank | |
| 3 | 27297-09A | EVAP LINE, canister | |
| 4 | 27298-09A | EVAP LINE, purge to canister | |
| 5 | 27439-09A | TUBE, solenoid to induction module | |

FUEL TANK TRIM



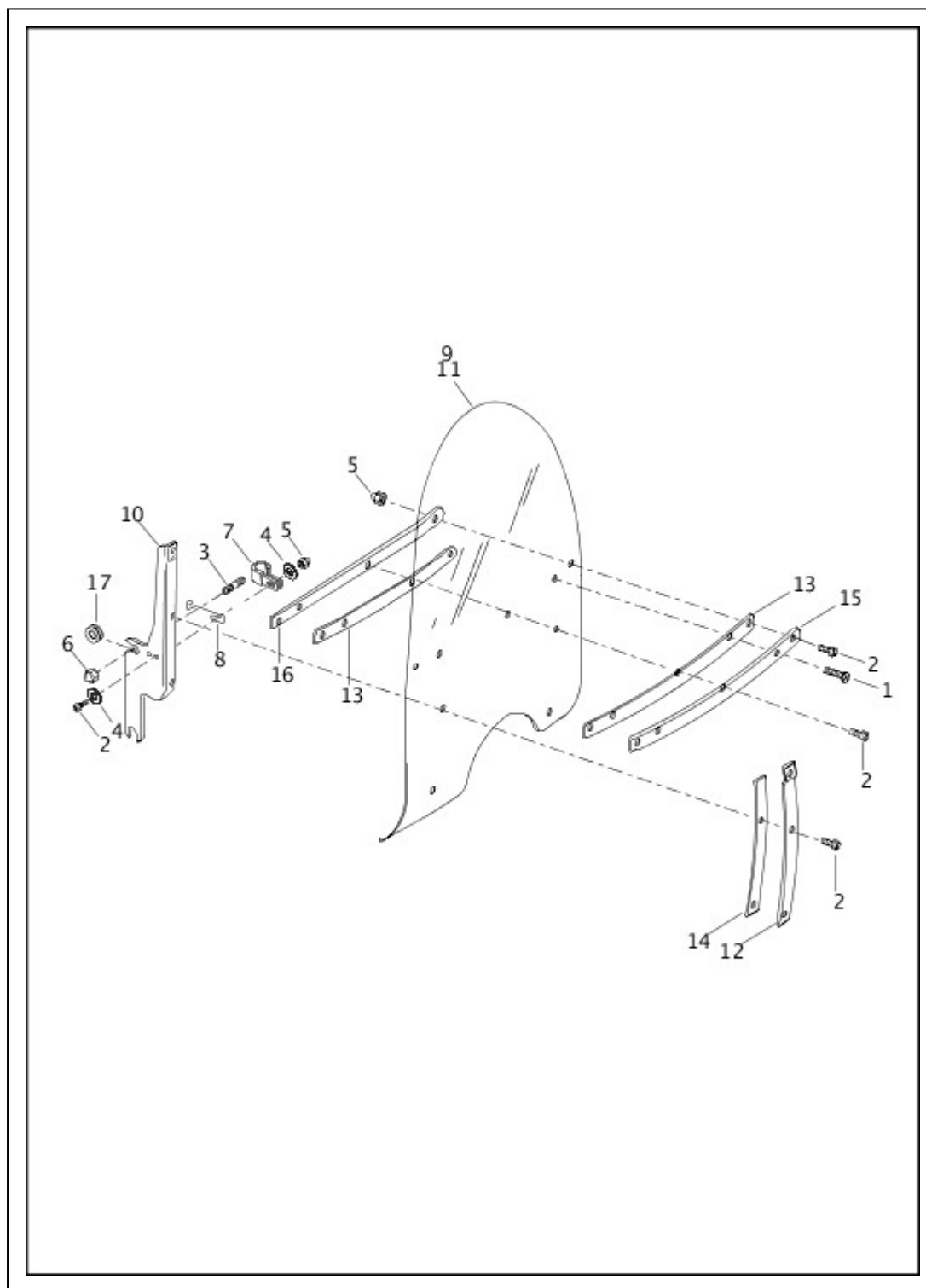
| Index No. | Part No. | Description | Model(s) |
|-----------|----------|--|------------------|
| 9 | 14100587 | MEDALLION, right (for vivid black, amber whiskey, mysterious red sunglo, black denim, superior blue tanks) | FLTRX, FLTRXS |
| | 14100588 | MEDALLION, left (for vivid black, amber whiskey, mysterious red sunglo, black denim, superior blue tanks) | FLTRX, FLTRXS |

AUXILIARY/FOG LAMPS & TURN SIGNALS, FRONT - FLHR & FLHRC



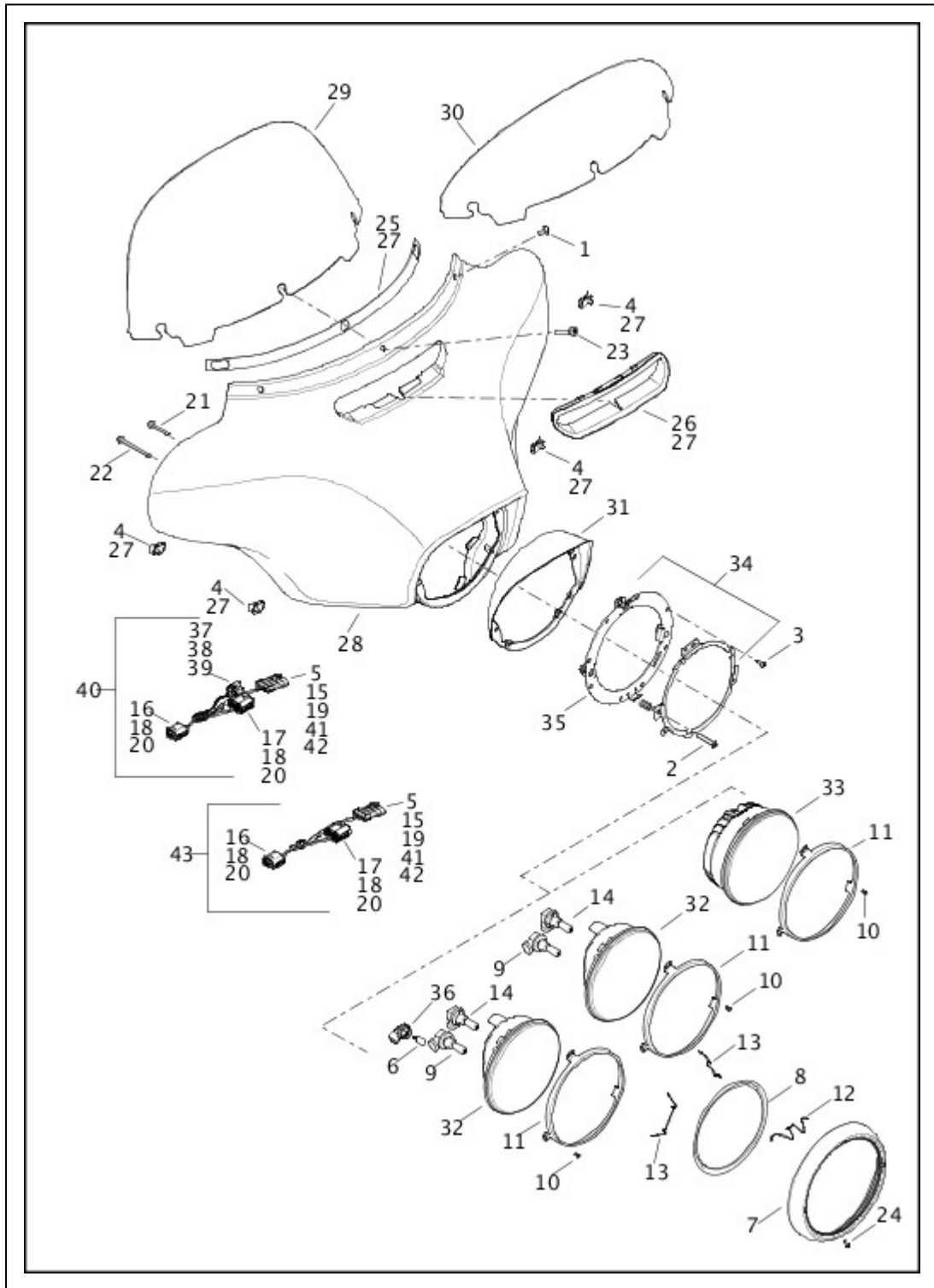
| Index No. | Part No. | Description | Model(s) |
|-----------|----------|-------------|----------|
|-----------|----------|-------------|----------|

WINDSHIELD - FLHR & FLHRC



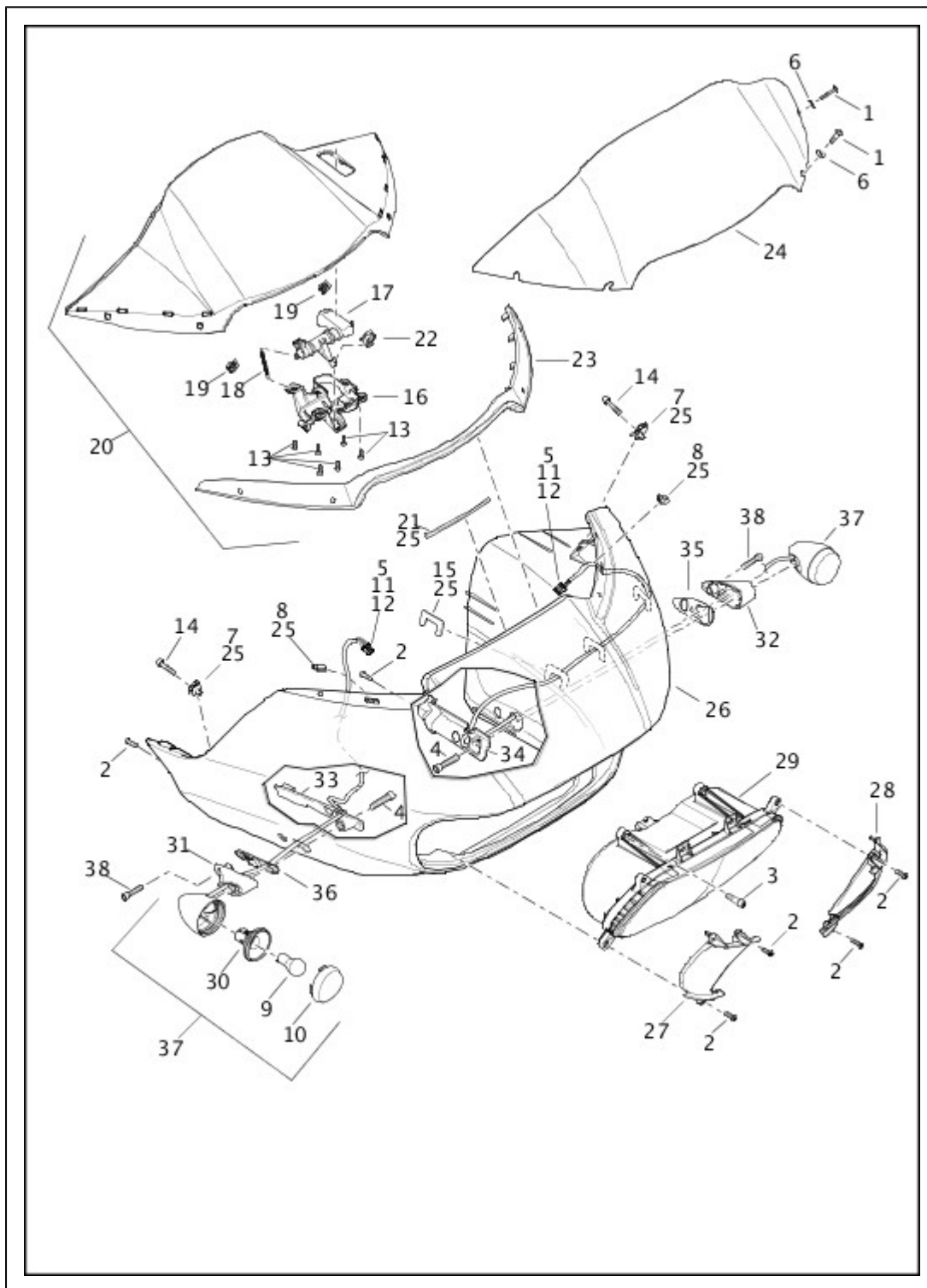
| Index No. | Part No. | Description | Model(s) |
|-----------|----------|--|----------|
| 9 | 57668-10 | WINDSHIELD ASSEMBLY, complete, low (clear) (Asia-Pacific) | FLHRC |
| | 57400005 | WINDSHIELD REPLACEMENT KIT, w/ 58416-77A & 58417-77 (Asia-Pacific) | FLHRC |

WINDSHIELD, FAIRING & HEADLAMP - FLHTCU/L, FLHTK/L, FLHX & FLHXS (1 OF 2)



| Index No. | Part No. | Description | Model(s) |
|-----------|----------|--|-----------------------------|
| | 57400250 | WINDSHIELD, (clear) (Domestic, HDI, Australia, England, Japan) | FLHTCUL, FLHTCUL TC, FLHTKL |

WINDSHIELD, FAIRING & HEADLAMP - FLTRX & FLTRXS

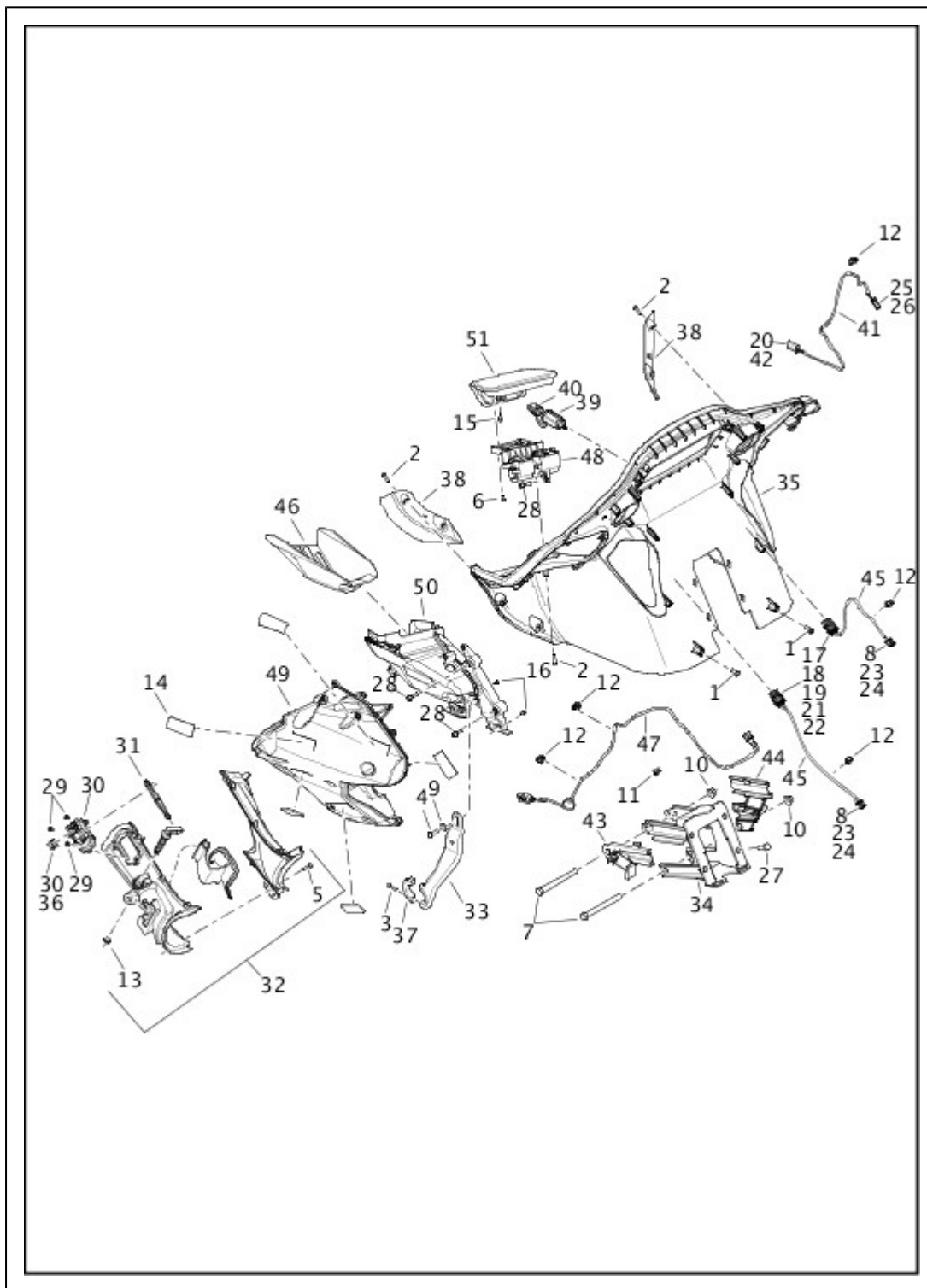


| Index No. | Part No. | Description | Model(s) |
|-----------|----------|--------------|------------------|
| 1 | 933 | SCREW (4) | FLTRX, FLTRXS |
| 2 | 2563 | SCREW (6) | FLTRX, FLTRXS |
| 4 | 4816A | SCREW (2) | FLTRX, FLTRXS |
| 5 | 5118 | SEAL PIN (2) | FLTRX, FLTRXS |
| | | | |

| | | | |
|----|-------------|--|------------------|
| 6 | 6054 | WASHER (4) | FLTRX, FLTRXS |
| 7 | 7900 | CLIP NUT (2) | FLTRX, FLTRXS |
| 8 | 10065 | CABLE STRAP (2) | FLTRX, FLTRXS |
| 9 | 68168-89A | BULB, (Domestic) (2) | FLTRX, FLTRXS |
| | 68163-84 | BULB, (HDI) (2) | FLTRXS |
| 10 | 68973-00 | LENS, turnsignal (amber) (2) | FLTRX, FLTRXS |
| 11 | 72908-11 | HOUSING, 4-way socket (2) | FLTRX, FLTRXS |
| 12 | 72910-11 | TERMINAL, socket, 20-22 AWG (6) | FLTRX, FLTRXS |
| 13 | 10200257 | SCREW (6) | FLTRX, FLTRXS |
| 14 | 10200365 | SCREW (6) | FLTRX, FLTRXS |
| 15 | 11100066 | PAD (6) | FLTRX, FLTRXS |
| 16 | 29200073 | MECHANISM HOUSING | FLTRX, FLTRXS |
| 17 | 29200075 | BUTTON | FLTRX, FLTRXS |
| 18 | 29200078 | SPRING | FLTRX, FLTRXS |
| 19 | 29200080 | CLIP | FLTRX, FLTRXS |
| 20 | 29200041BYM | TOP DUCT ASSEMBLY, w/ 13, 16, 17, 18, 19, 22 & 23 (black denim) | FLTRX, FLTRXS |
| | 29200041DH | TOP DUCT ASSEMBLY, w/ 13, 16, 17, 18, 19, 22 & 23 (vivid black) | FLTRXS |
| 21 | 29200081 | FOAM PAD, top duct | FLTRX, FLTRXS |
| 22 | 57100167 | DOOR LATCH | FLTRX, FLTRXS |
| 23 | 57400187 | GASKET | FLTRX, FLTRXS |
| 24 | 57400190 | WINDSHIELD KIT, w/ 933 & 6054 (smoked) (Domestic, Australia) | FLTRX, FLTRXS |
| | 57400191 | WINDSHIELD KIT, w/ 933 & 6054 (smoked) (HDI, England, Japan, Asia-Pacific) | FLTRXS |
| 25 | 57000501 | HARDWARE KIT, fairing, w/ 7900, 10065, 11100066 & 29200081 | FLTRX, |

| | | | |
|----|----------|--|------------------|
| | | | FLTRXS |
| 26 | 57000504 | FAIRING KIT, front, w/ 57000501 (unpainted) | FLTRX, FLTRXS |
| 27 | 61400173 | BEZEL, right (prime) | FLTRX, FLTRXS |
| 28 | 61400198 | BEZEL, left (prime) | FLTRX, FLTRXS |
| 29 | 67700199 | HEADLAMP | FLTRX, FLTRXS |
| 30 | 67800147 | SOCKET ASSEMBLY, turn signal (Domestic) (2) | FLTRX, FLTRXS |
| | 67800148 | SOCKET ASSEMBLY, turn signal (HDI) (2) | FLTRXS |
| 31 | 67800299 | STANDOFF, right | FLTRX, FLTRXS |
| 32 | 67800300 | STANDOFF, left | FLTRX, FLTRXS |
| 33 | 67800301 | MOUNT, turn signal, right | FLTRX, FLTRXS |
| 34 | 67800302 | MOUNT, turn signal, left | FLTRX, FLTRXS |
| 35 | 67800303 | GASKET, left | FLTRX, FLTRXS |
| 36 | 67800471 | GASKET, right | FLTRX, FLTRXS |
| 37 | 67800512 | TURN SIGNAL, front, w/ 68168-89A, 68973-00 & 67800147 (Domestic) (2) | FLTRX, FLTRXS |
| | 67800513 | TURN SIGNAL, front, w/ 68163-84, 68973-00 & 67800148 (HDI) (2) | FLTRXS |
| 38 | 10200350 | SCREW (2) | FLTRX, FLTRXS |

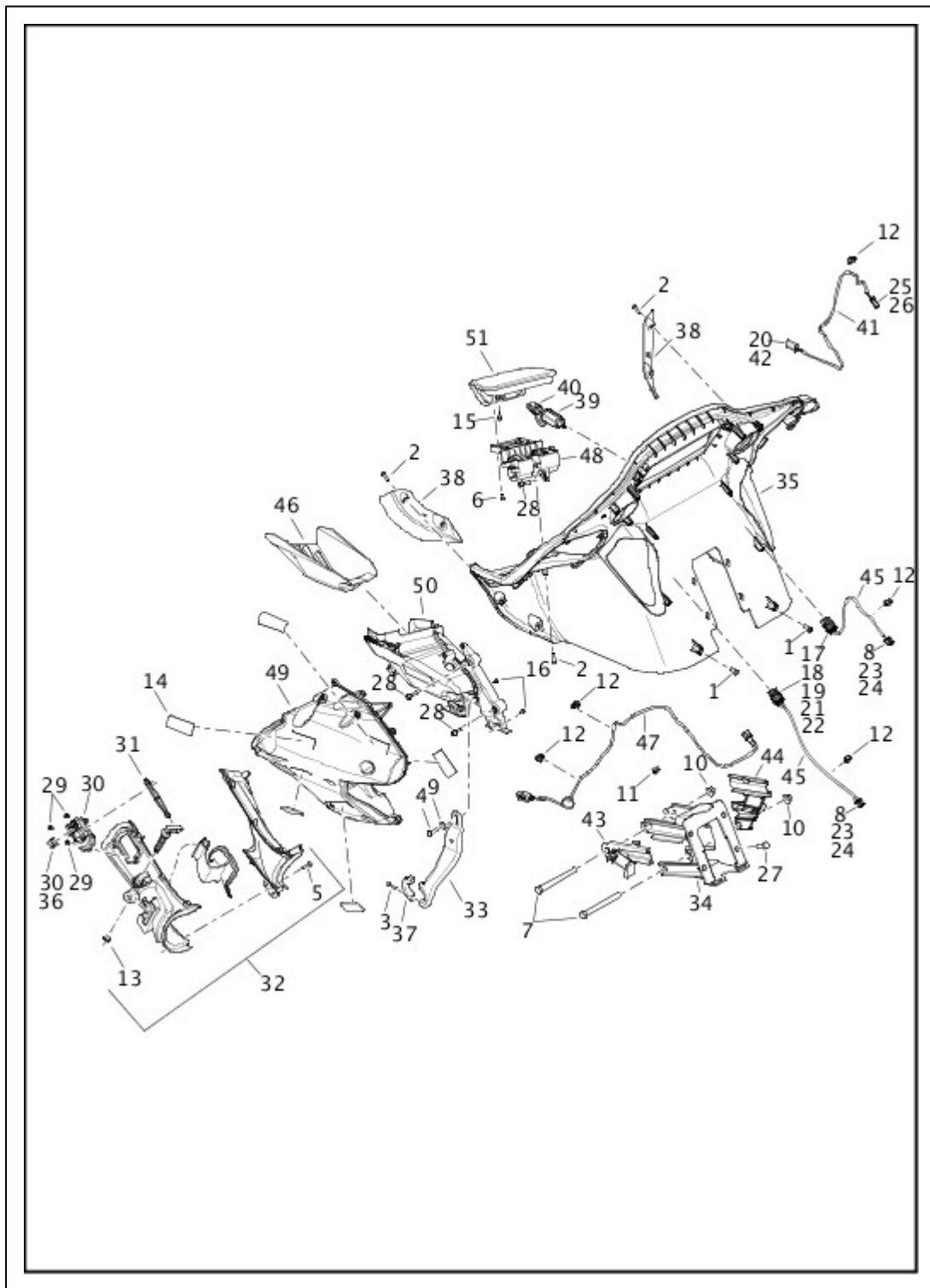
FAIRING, INNER - FLTRX & FLTRXS (1 OF 2)



| Index No. | Part No. | Description | Model(s) |
|-----------|-----------|-------------------------------------|---------------|
| 6 | 4694 | SCREW (8) | FLTRX, FLTRXS |
| 7 | 4706 | SCREW (2) | FLTRX, FLTRXS |
| 13 | 11036 | RETAINING RING (2) | FLTRX, FLTRXS |
| 14 | 11668 | FOAM PAD (10) | FLTRX, FLTRXS |
| 15 | 58888-98A | BUMPER, fairing door (2) | FLTRX, FLTRXS |
| 27 | 10200120 | SCREW (4) | FLTRX, FLTRXS |
| 30 | 29200061 | BUTTON ASSEMBLY, right, w/ 57100167 | FLTRX, FLTRXS |

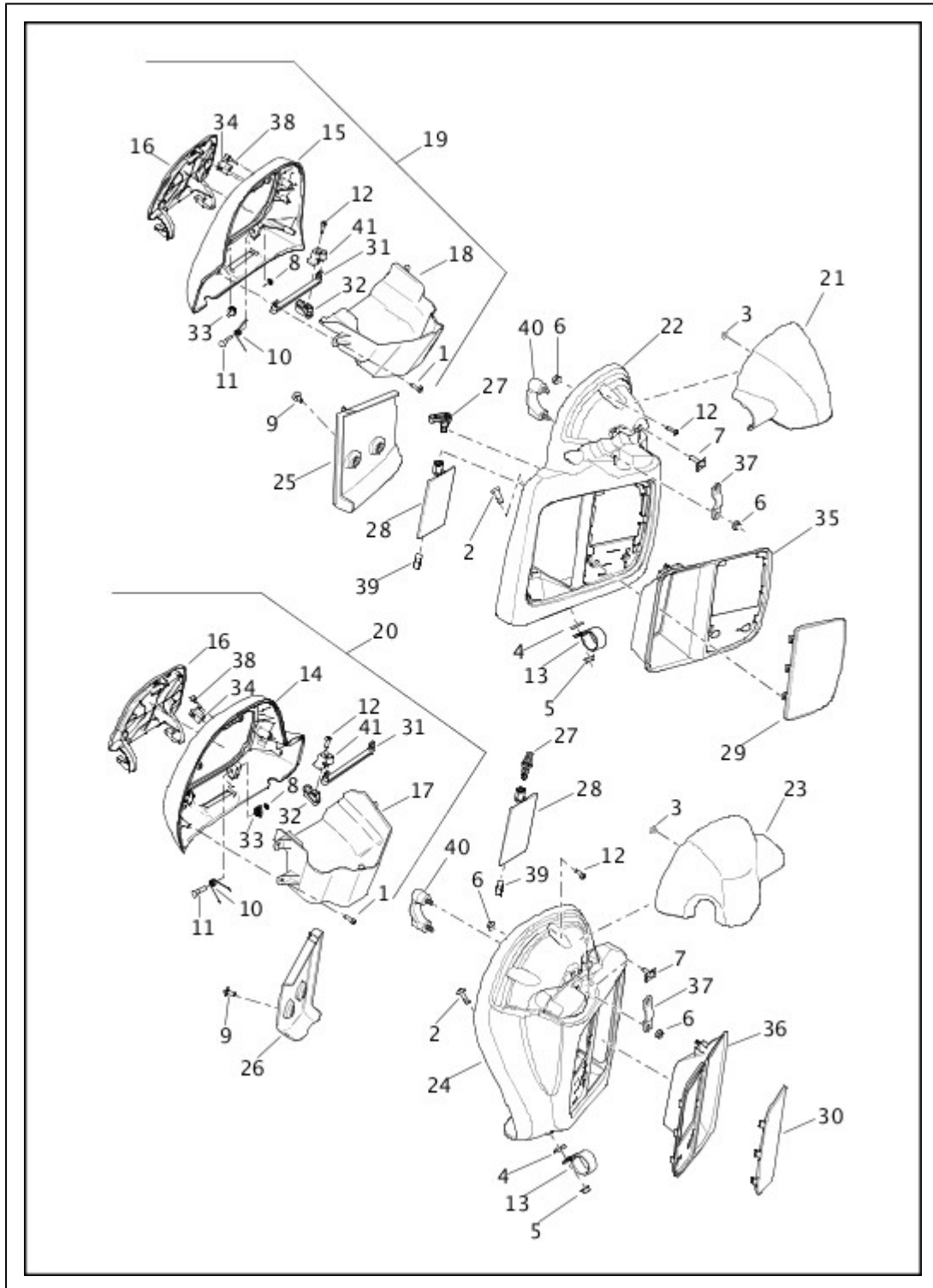
| | | | |
|----|----------|--|---------------|
| | 29200062 | BUTTON ASSEMBLY, left, w/ 57100167 (not shown) | FLTRX, FLTRXS |
| 31 | 29200063 | ROD, linkage (2) | FLTRX, FLTRXS |
| 32 | 29200071 | AIR DUCT ASSEMBLY, right, w/ 5, 13, 29, 30 & 31 | FLTRX, FLTRXS |
| | 29200072 | AIR DUCT ASSEMBLY, left, w/ 5, 13, 29, 30 & 31 (not shown) | FLTRX, FLTRXS |
| 33 | 47200262 | BRACKET, right | FLTRX, FLTRXS |
| | 47200261 | BRACKET, left (not shown) | FLTRX, FLTRXS |
| 34 | 47200266 | BRACKET, inner fairing mount | FLTRX, FLTRXS |

FAIRING, INNER - FLTRX & FLTRXS (2 OF 2)



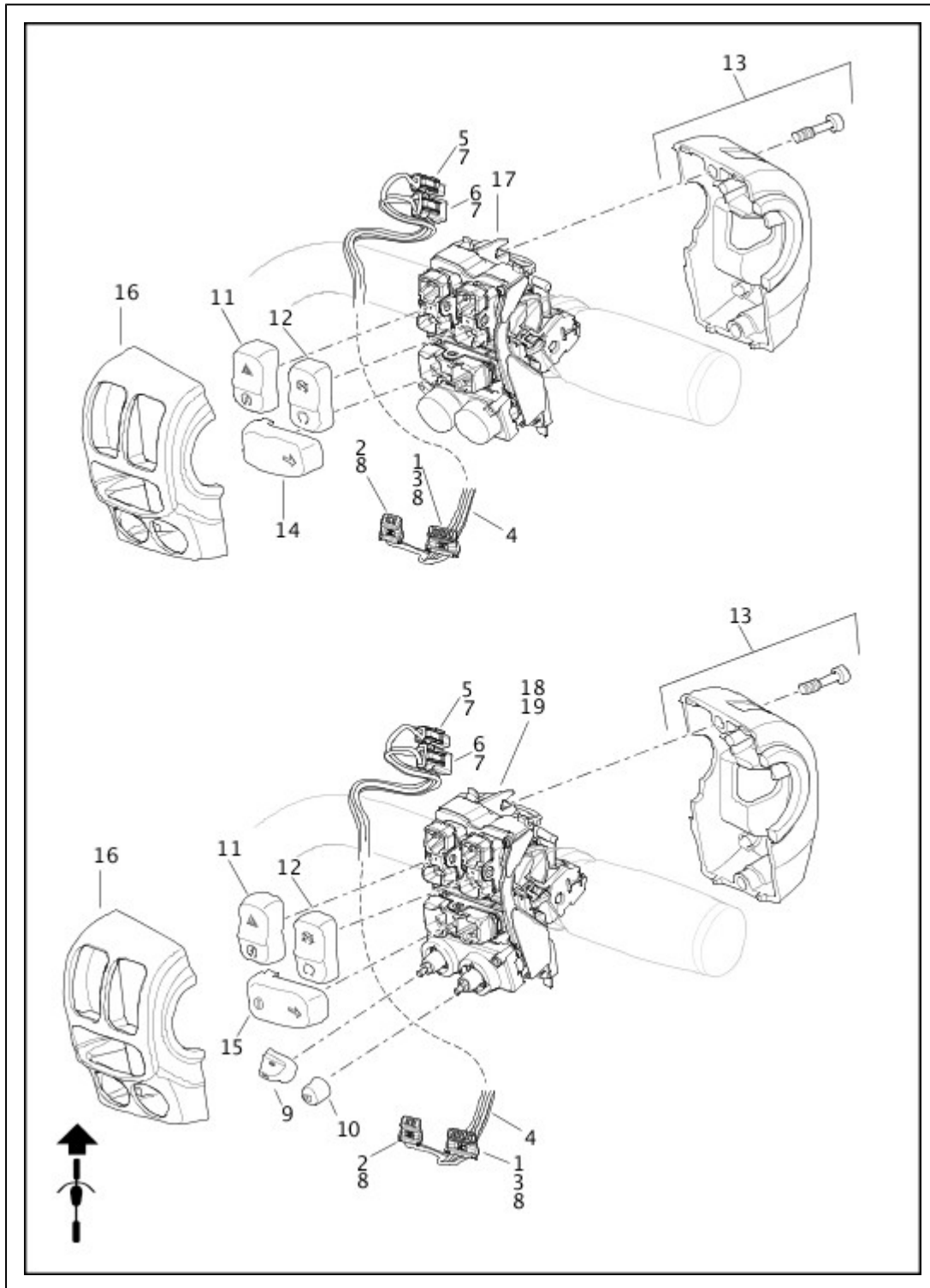
| Index No. | Part No. | Description | Model(s) |
|-----------|-------------|---|------------------|
| 35 | 57000305 | INNER FAIRING, (unpainted) | FLTRX, FLTRXS |
| 37 | 57100247 | CLAMP (2) | FLTRX, FLTRXS |
| 38 | 57200063 | WILLIE WING, right | FLTRX, FLTRXS |
| | 57200064 | WILLIE WING, left | FLTRX, FLTRXS |
| 41 | 69200248 | WIRE HARNESS, power outlet jumper, w/ 12, 20, 25, 26 & 42 | FLTRX, FLTRXS |
| 43 | 69200701 | GUIDE, wire harness, right | FLTRX, FLTRXS |
| 44 | 69200702 | GUIDE, wire harness, left | FLTRX, FLTRXS |
| 45 | 69200753 | WIRE HARNESS, gauge jumper, w/ 8, 12, 17, 18, 19, 21, 22, 23 & 24 (2) | FLTRX, FLTRXS |
| 46 | 76000373 | LINER, media, right | FLTRX, FLTRXS |
| | 76000425 | LINER, media, left (not shown) | FLTRX, FLTRXS |
| 47 | 76000374 | USB CABLE ASSEMBLY | FLTRX, FLTRXS |
| 48 | 76000398 | HINGE ASSEMBLY, media storage, right | FLTRX, FLTRXS |
| | 76000436 | HINGE ASSEMBLY, media storage, left (not shown) | FLTRX, FLTRXS |
| 49 | 76000458 | SPEAKER ENCLOSURE, right, w/ 11668 | FLTRX, FLTRXS |
| | 76000460 | SPEAKER ENCLOSURE, left, w/ 11668 (not shown) | FLTRX, FLTRXS |
| 50 | 76000370 | MEDIA STORAGE COMPARTMENT, right, w/ 16, 46 & 47 | FLTRX, FLTRXS |
| | 76000422 | MEDIA STORAGE COMPARTMENT, left, w/ 16 & 46 (not shown) | FLTRX, FLTRXS |
| 51 | 76000376BYM | MEDIA DOOR ASSEMBLY, storage, right, w/ 15 (black denim) | FLTRX, FLTRXS |
| | 76000376DH | MEDIA DOOR ASSEMBLY, storage, right, w/ 15 (vivid black) | FLTRXS |
| | 76000426BYM | MEDIA DOOR ASSEMBLY, storage, left, w/ 15 (not shown) (black denim) | FLTRX, FLTRXS |

FAIRING LOWER - ULTRA - AIR COOLED



| Index No. | Part No. | Description | Model(s) |
|-----------|----------|-------------|-----------------|
| 3 | 6235 | WASHER (2) | FLHTCU, FLHTCUL |

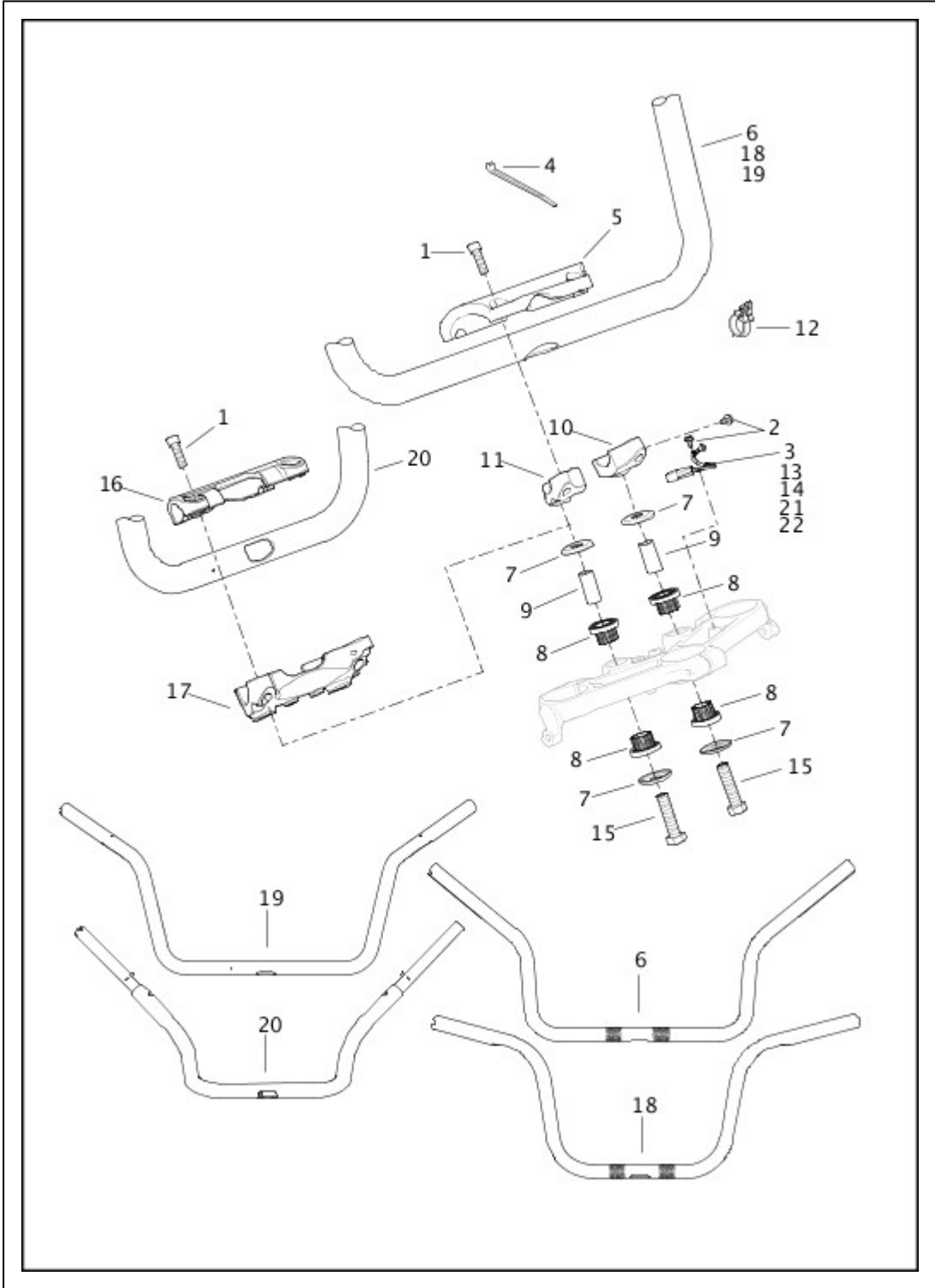
SWITCHES, HANDLEBAR, RIGHT



| Index No. | Part No. | Description | Model(s) |
|-----------|-----------|---|--|
| 17 | 71500127A | SWITCH PACK, right hand control, w/ 71500049, 71500050 & 71500057 | FLHR, FLHRC |
| 18 | 71500129A | SWITCH PACK, right hand control, w/ 71500046, 71500049, 71500050 & 71500063 | FLHTCU, FLHX, FLHXS, FLHTCU TC, FLHTCUL, FLHTCUL TC, FLTRX, FLTRXS |
| | 71500129A | SWITCH PACK, right hand control, w/ 71500046, 71500049, 71500050 & 71500063 (Japan) | FLHTK, FLHTKL |
| | | | |

| | | | |
|----|-----------|--|---------------|
| 19 | 71500130A | SWITCH PACK, right hand control, w/ 71500041, 71500046, 71500049, 71500050 & 71500063 (except Japan) | FLHTK, FLHTKL |
|----|-----------|--|---------------|

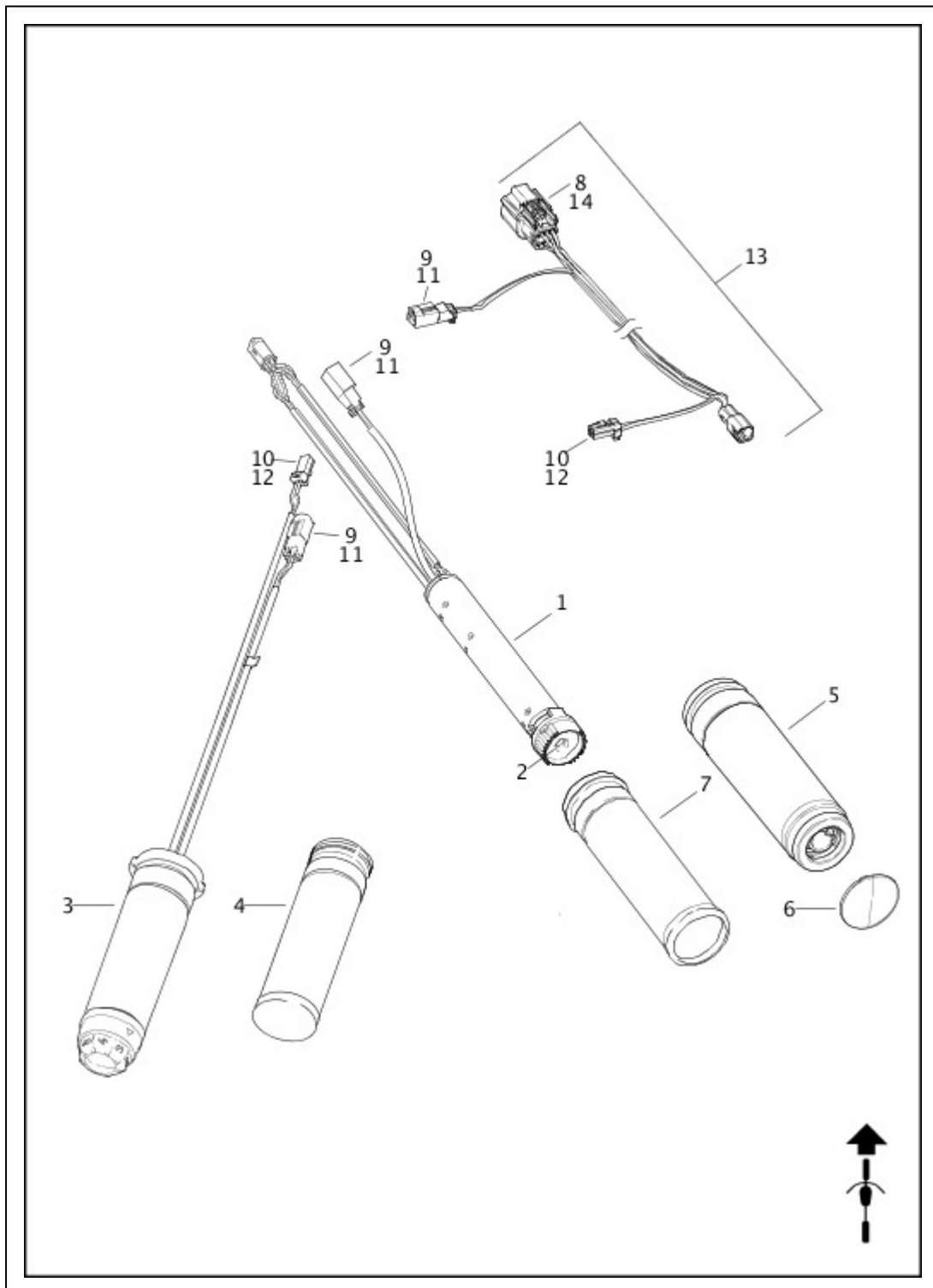
HANDLEBAR



| Index No. | Part No. | Description | Model(s) |
|-----------|----------|------------------|---------------|
| 16 | 55900071 | CLAMP, upper | FLTRX, FLTRXS |
| 17 | 55900078 | RISER, handlebar | FLTRX, FLTRXS |
| | | | |

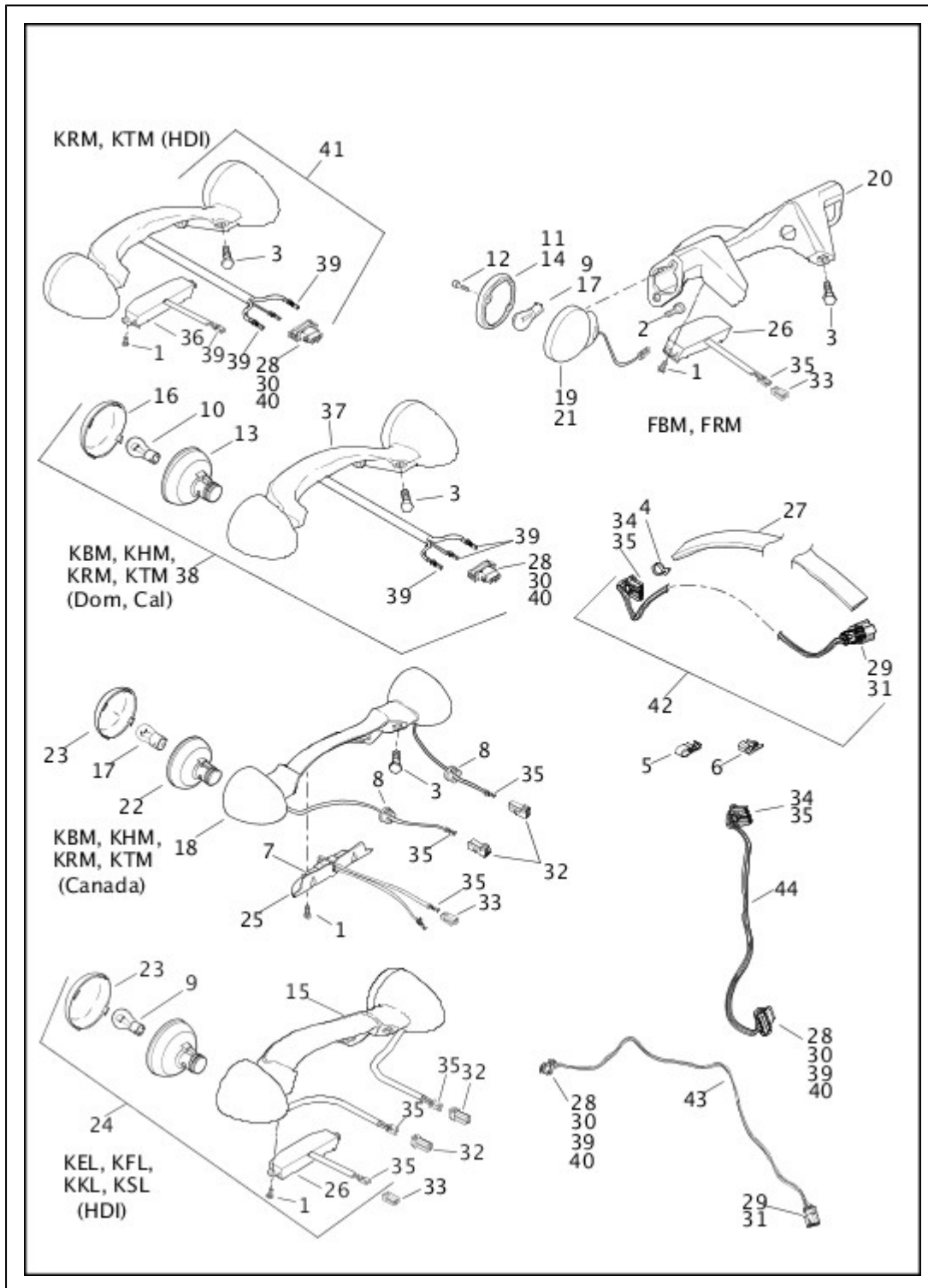
| | | | |
|----|----------|-----------|-----------------------------|
| 19 | 55800305 | HANDLEBAR | FLHTCUL, FLHTCUL TC, FLHTKL |
| 20 | 55800332 | HANDLEBAR | FLTRX, FLTRXS |

THROTTLE CONTROL



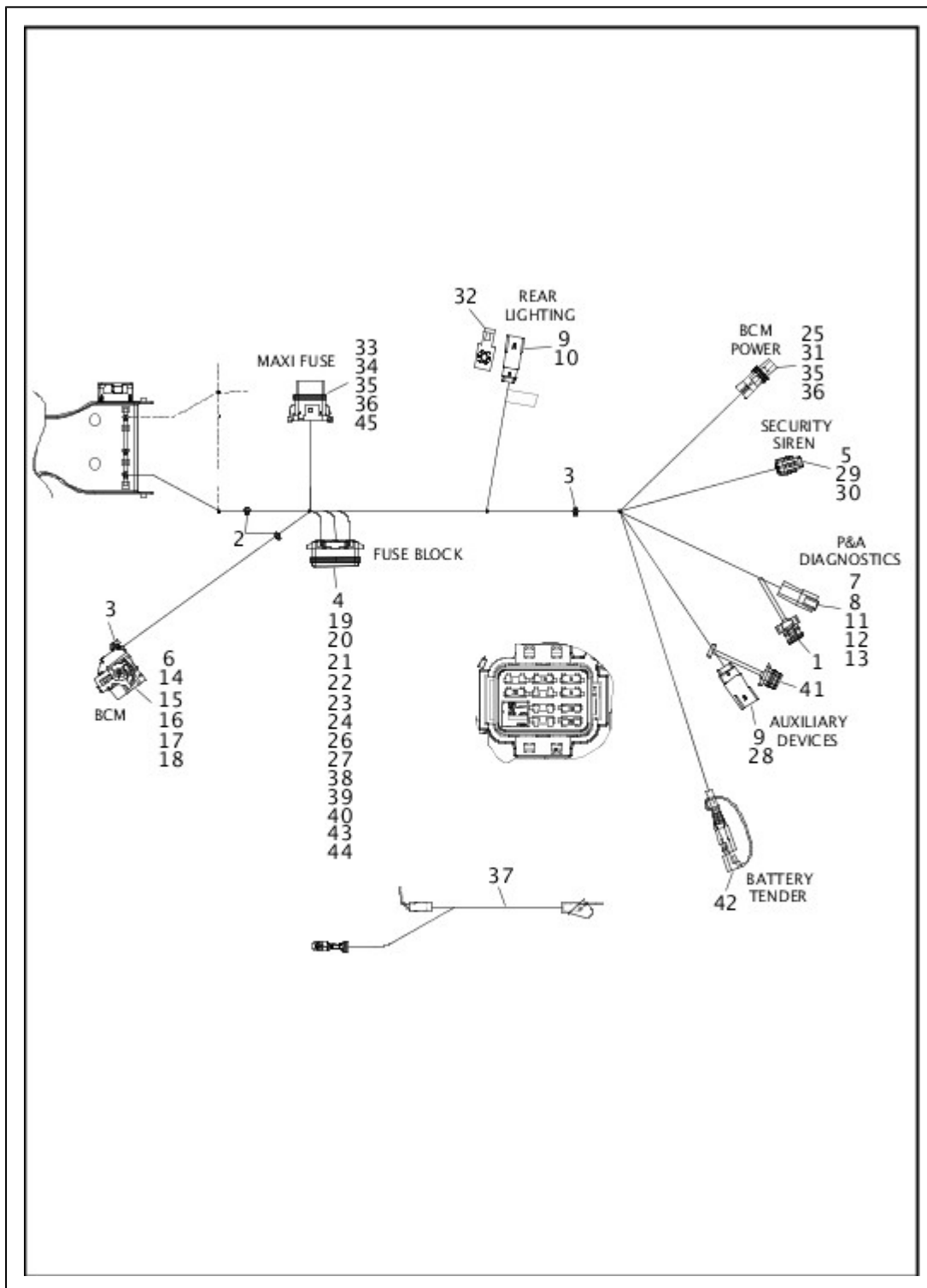
| Index No. | Part No. | Description | Model(s) |
|-----------|----------|--------------------------------|-----------------------------|
| | 56667-04 | GRIP, left | FLHTCUL, FLHTCUL TC, FLHTKL |
| | 56100075 | GRIP & SLEEVE, throttle, right | FLHTCUL, FLHTCUL TC, FLHTKL |

TAIL LAMP & TURN SIGNALS, REAR (2 OF 2)



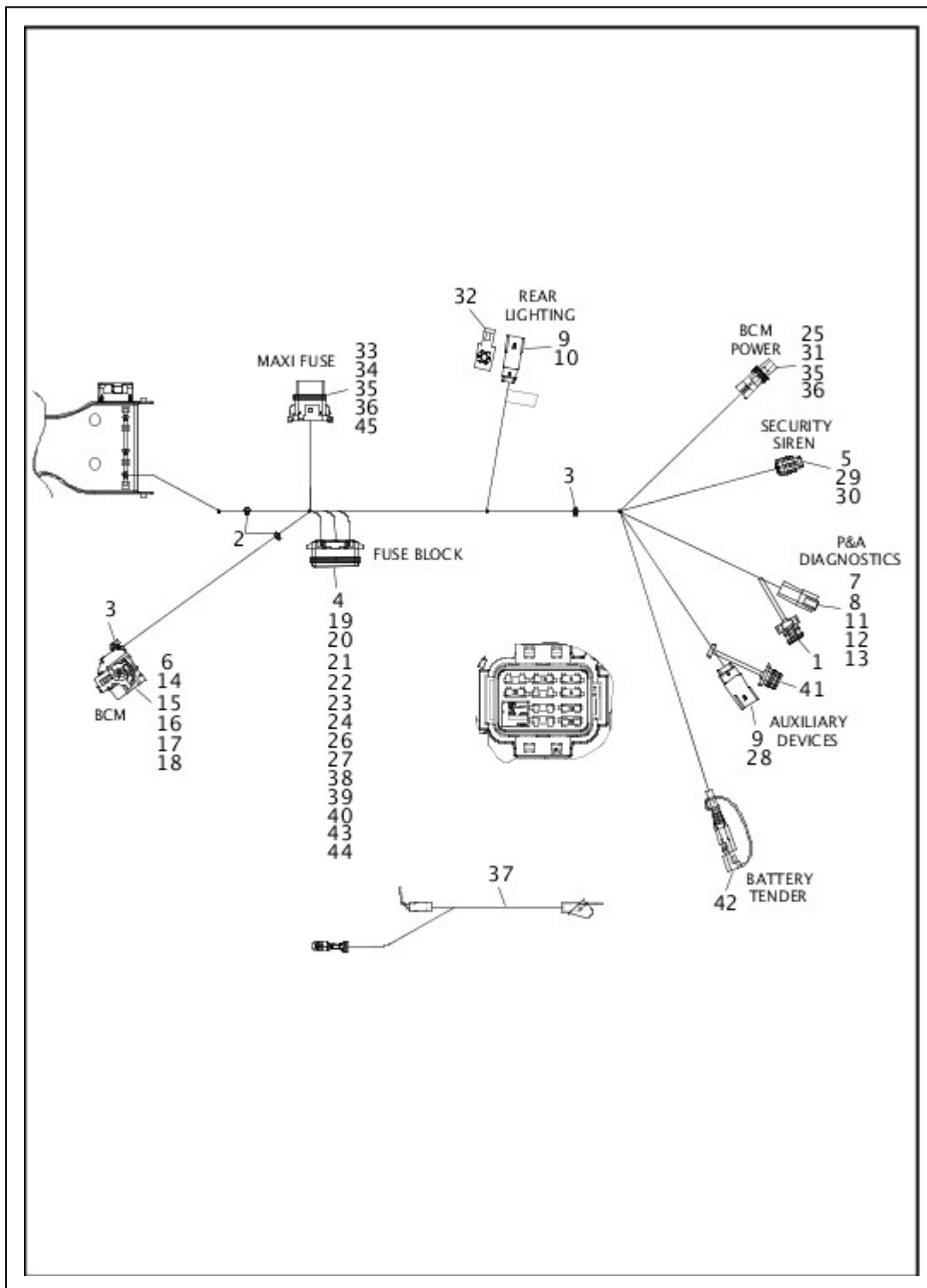
| Index No. | Part No. | Description | Model(s) |
|-----------|----------|--|----------------------------|
| 37 | 73309-10 | BRACKET, rear turn signal bar (Domestic, Not Canada) | FLHX, FLHXS, FLTRX, FLTRXS |

WIRING HARNESS, MAIN, NON-ABS (FAIRING MODELS) - FLHX (8 OF 8)



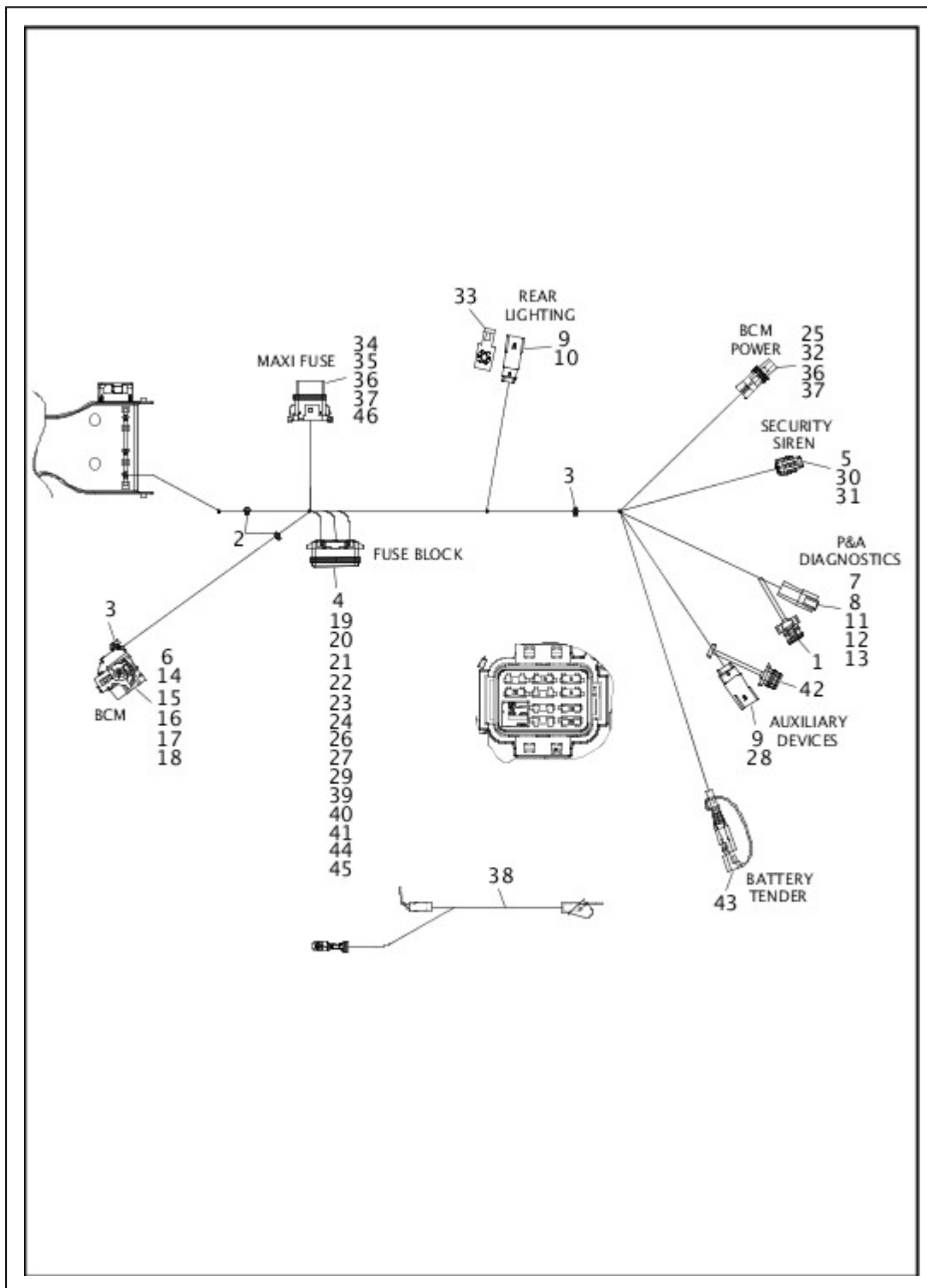
| Index No. | Part No. | Description | Model(s) |
|-----------|----------|----------------|----------|
| 31 | 72575-11 | SECONDARY LOCK | FLHX |

**WIRING HARNESS, MAIN, ABS (FAIRING MODELS) - FLHX & FLHXS
(8 OF 8)**



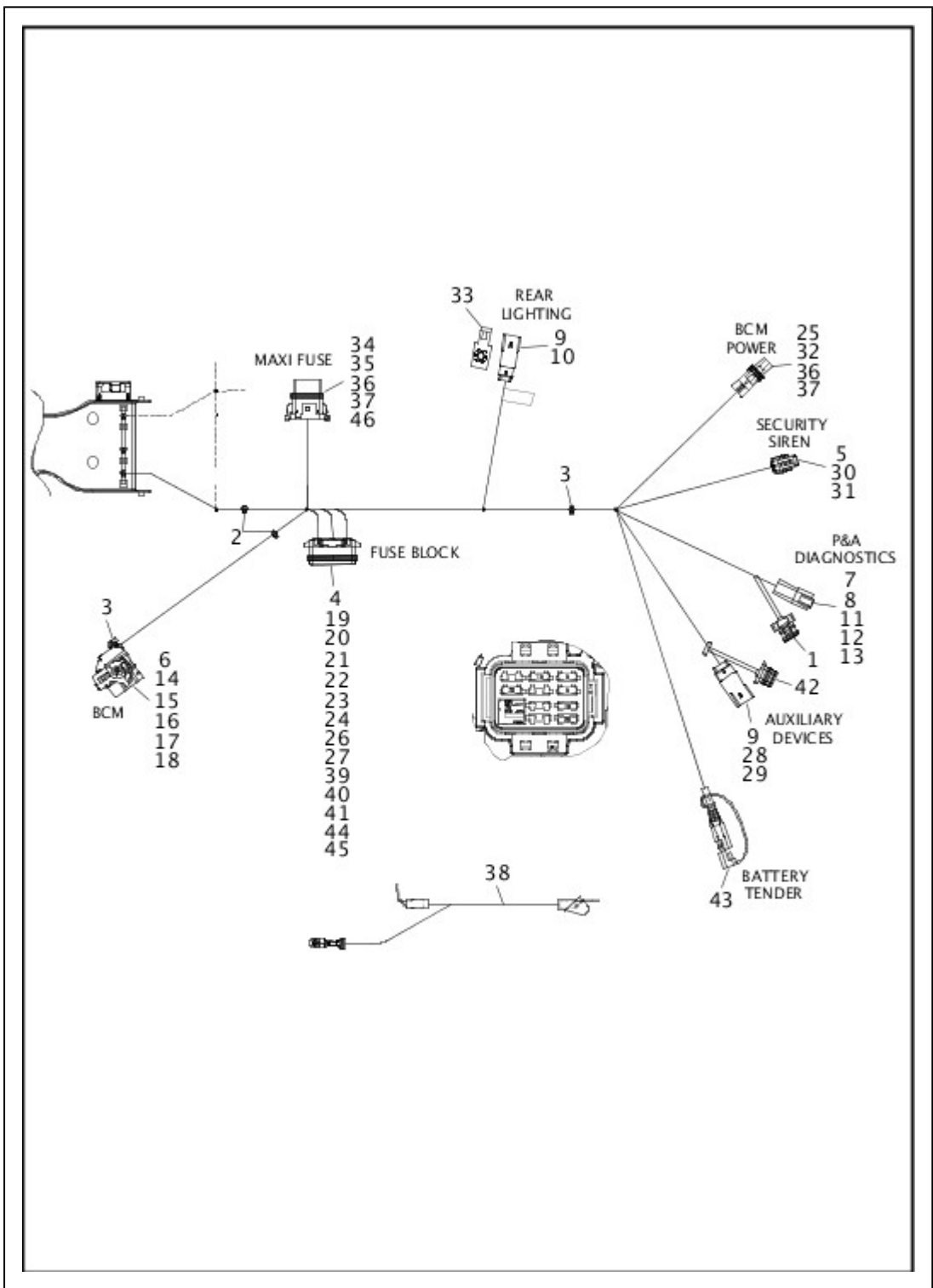
| Index No. | Part No. | Description | Model(s) |
|-----------|----------|----------------|-------------|
| 31 | 72575-11 | SECONDARY LOCK | FLHX, FLHXS |

WIRING HARNESS, MAIN, ABS (FAIRING MODELS) - FLHTCU/L & FLHTK/L (8 OF 8)



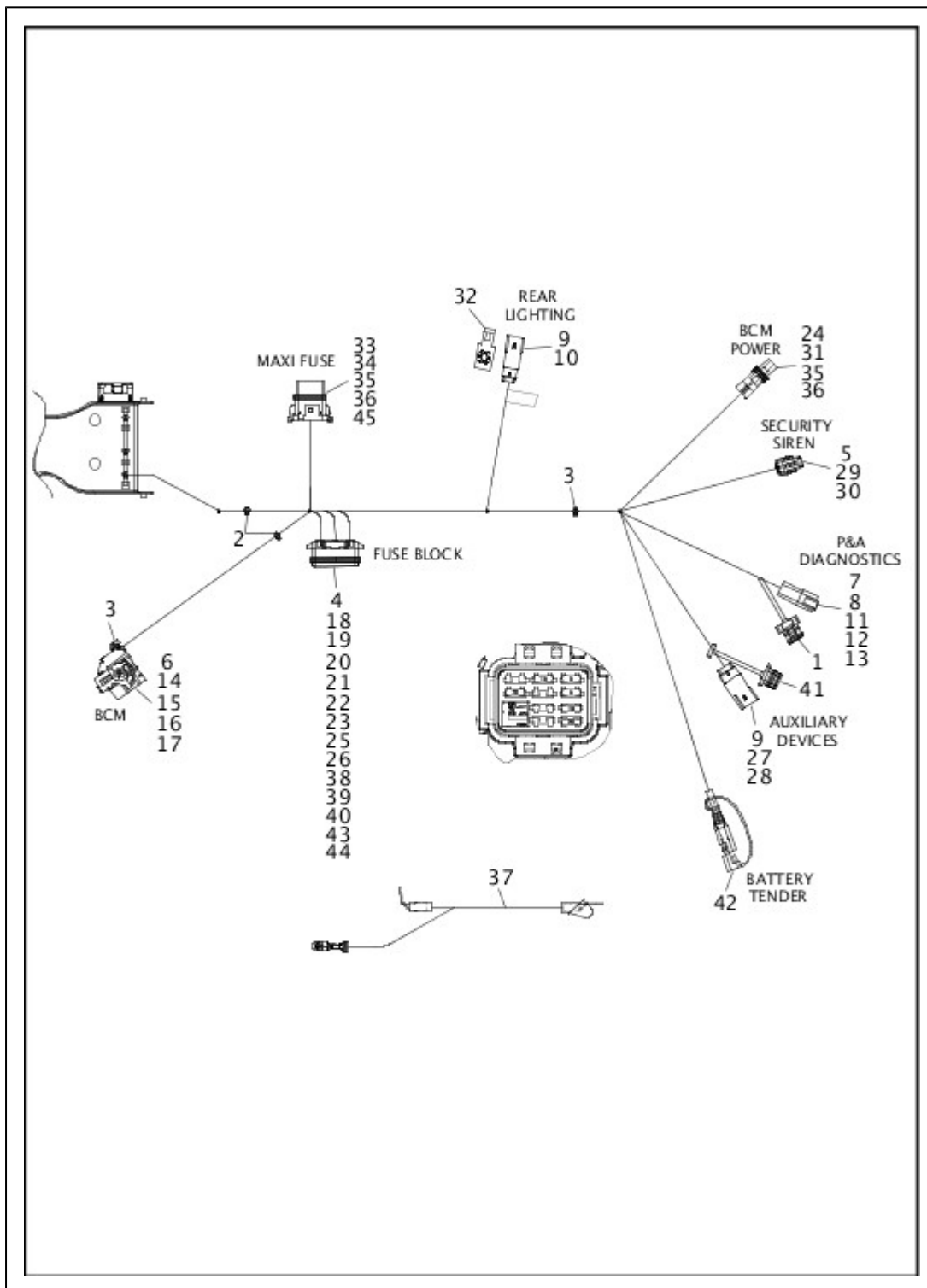
| Index No. | Part No. | Description | Model(s) |
|-----------|----------|----------------|---|
| 32 | 72575-11 | SECONDARY LOCK | FLHTCU, FLHTCUL, FLHTK, FLHTCUL TC, FLHTKL, FLHTCU TC |

WIRING HARNESS, MAIN, NON-ABS (NON-FAIRING MODELS) (8 OF 8)



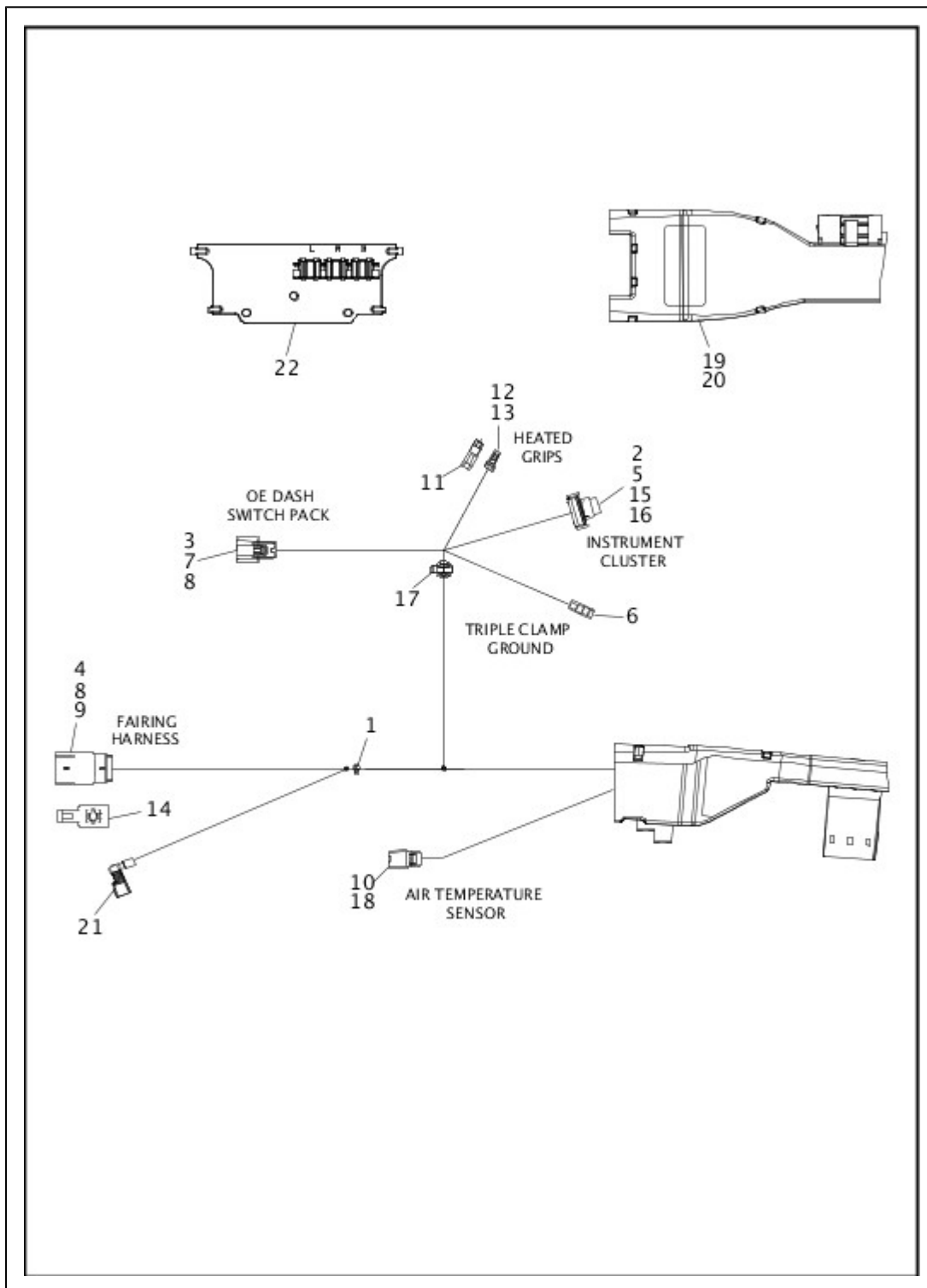
| Index No. | Part No. | Description | Model(s) |
|-----------|----------|----------------|----------|
| 32 | 72575-11 | SECONDARY LOCK | FLHR |

WIRING HARNESS, MAIN, ABS (NON-FAIRING MODELS) (8 OF 8)



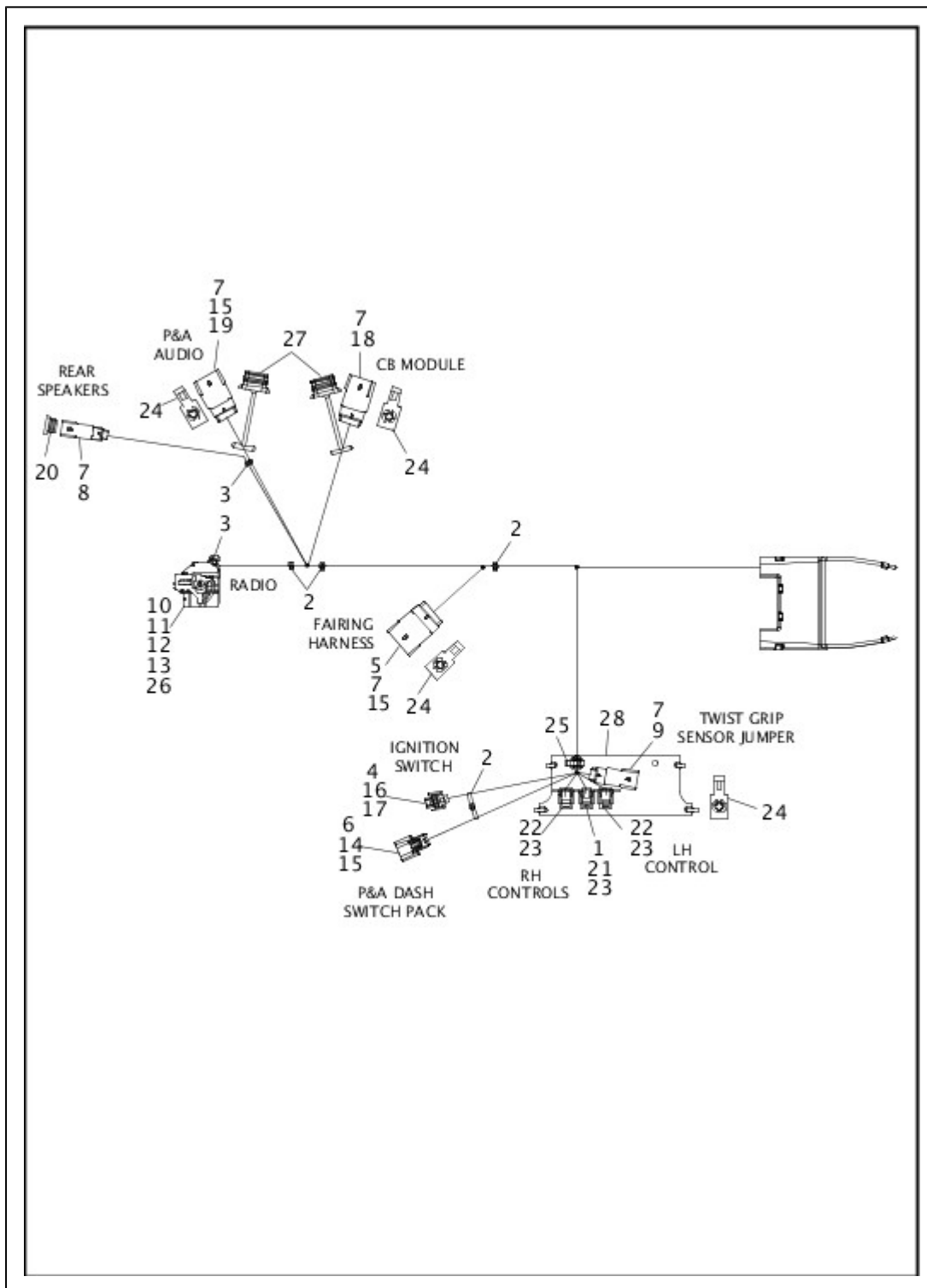
| Index No. | Part No. | Description | Model(s) |
|-----------|----------|----------------|-------------|
| 31 | 72575-11 | SECONDARY LOCK | FLHR, FLHRC |

WIRING HARNESS, MAIN, NON-ABS (FAIRING MODELS) - FLTRX & FLTRXS (1 OF 8)



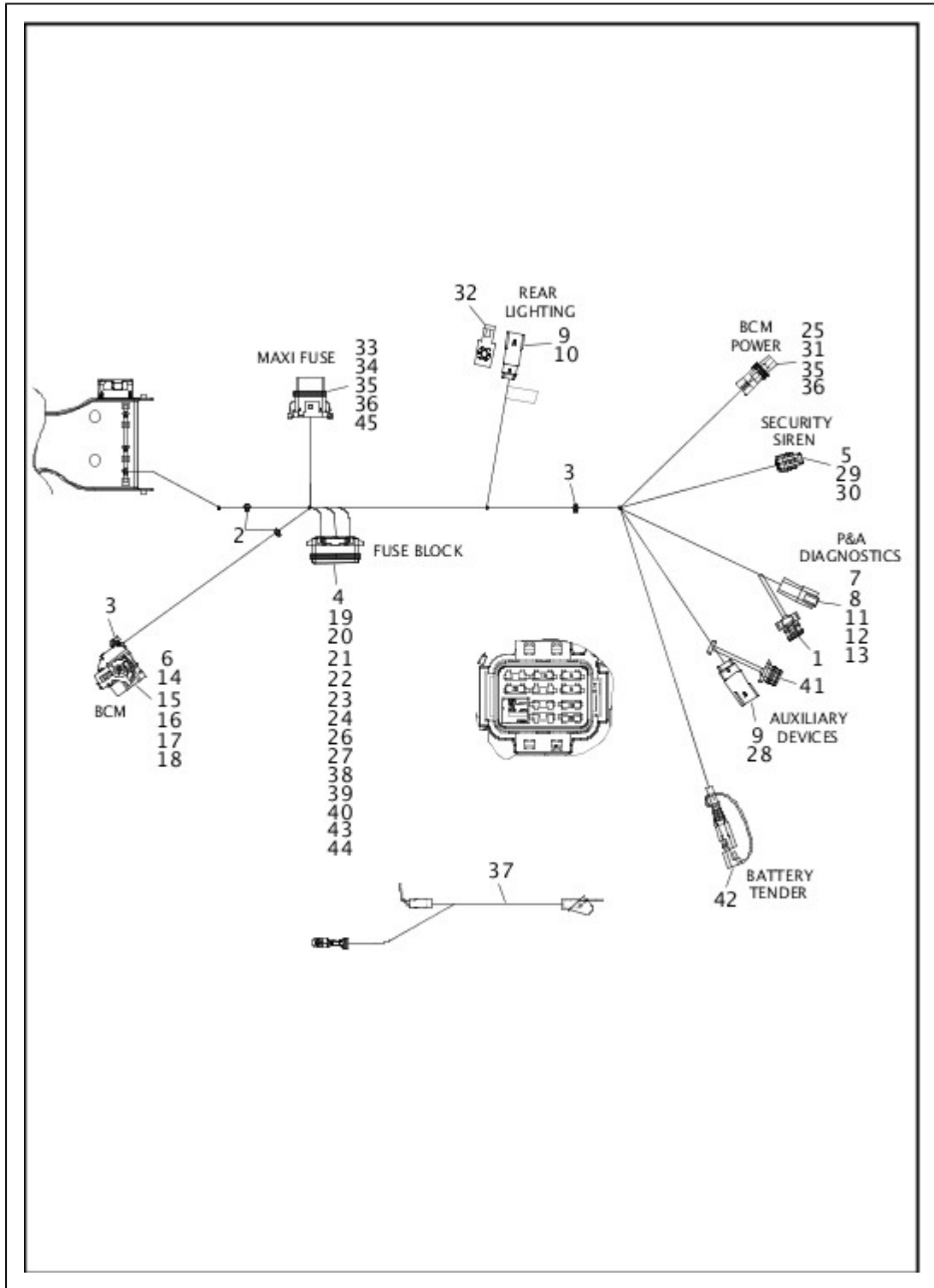
| Index No. | Part No. | Description | Model(s) |
|-----------|----------|-----------------------------|---------------|
| 21 | 69200629 | WIRE HARNESS, AM/FM antenna | FLTRX, FLTRXS |
| 22 | 69200700 | CADDY | FLTRX, FLTRXS |

WIRING HARNESS, MAIN, NON-ABS (FAIRING MODELS) - FLTRX & FLTRXS (2 OF 8)



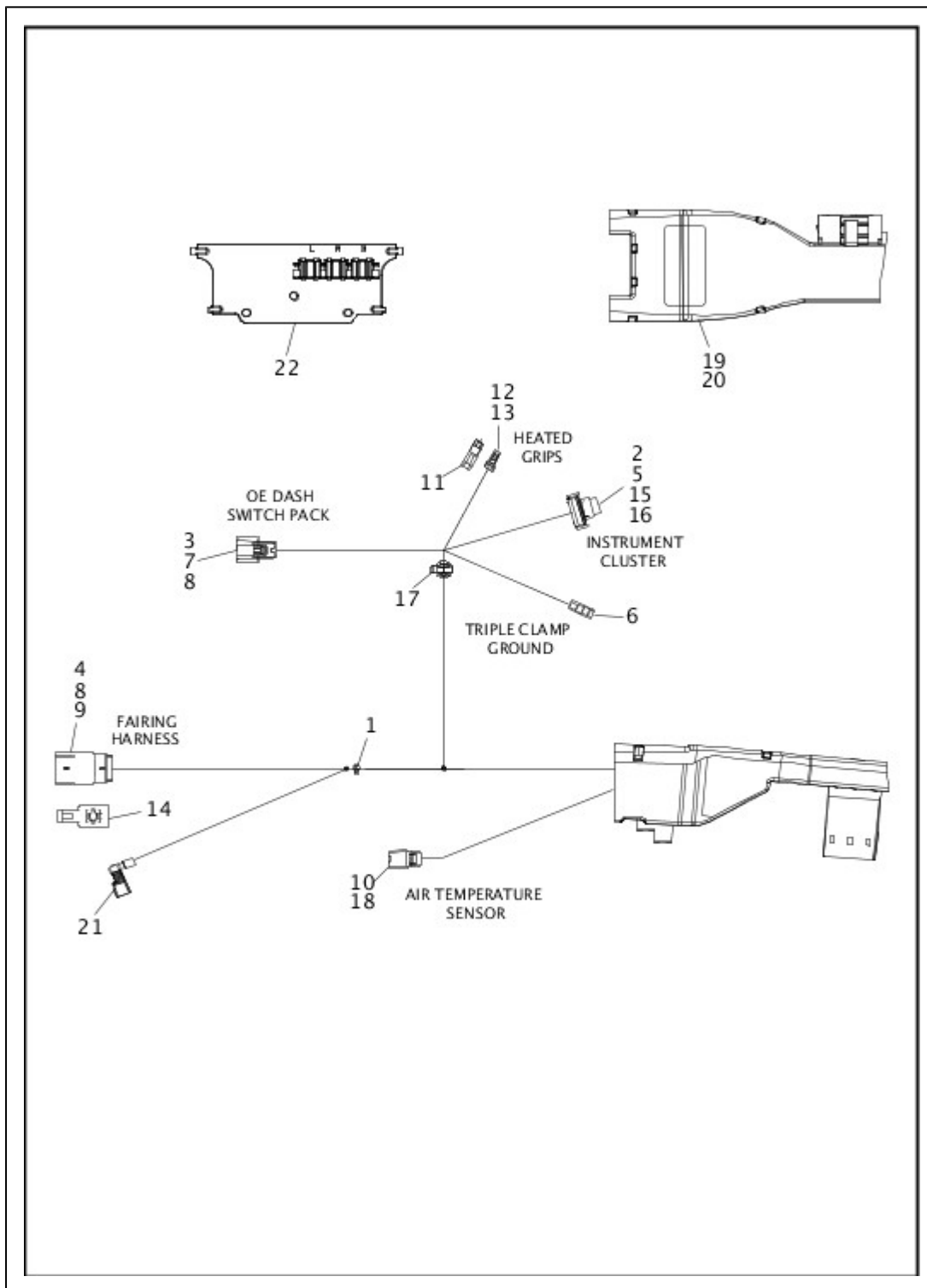
| Index No. | Part No. | Description | Model(s) |
|-----------|----------|------------------------------------|---------------|
| 10 | 72209-11 | COVER, wire dress | FLTRX, FLTRXS |
| 11 | 72222-11 | TERMINAL, socket, 18-20 gauge (27) | FLTRX, FLTRXS |
| 12 | 72226-11 | TERMINAL, socket, 14-16 gauge (8) | FLTRX, FLTRXS |
| 13 | 72256-11 | SEAL PIN (13) | FLTRX, FLTRXS |
| 26 | 69200193 | HOUSING, 48-way socket | FLTRX, FLTRXS |
| 28 | 69200700 | CADDY | FLTRX, FLTRXS |

WIRING HARNESS, MAIN, NON-ABS (FAIRING MODELS) - FLTRX & FLTRXS (8 OF 8)



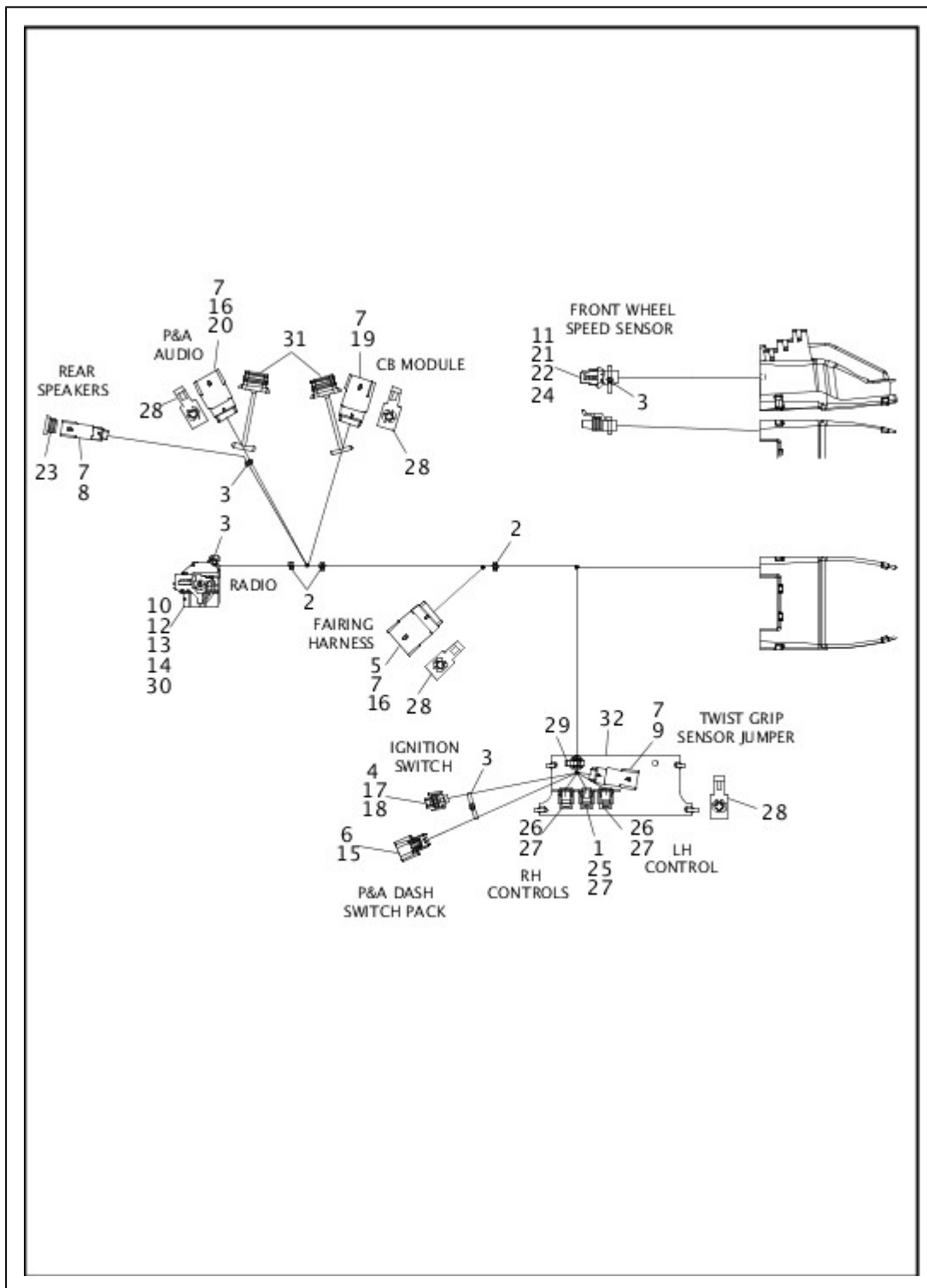
| Index No. | Part No. | Description | Model(s) |
|-----------|----------|----------------|---------------|
| 31 | 72575-11 | SECONDARY LOCK | FLTRX, FLTRXS |

WIRING HARNESS, MAIN, ABS (FAIRING MODELS) - FLTRX & FLTRXS (1 OF 8)



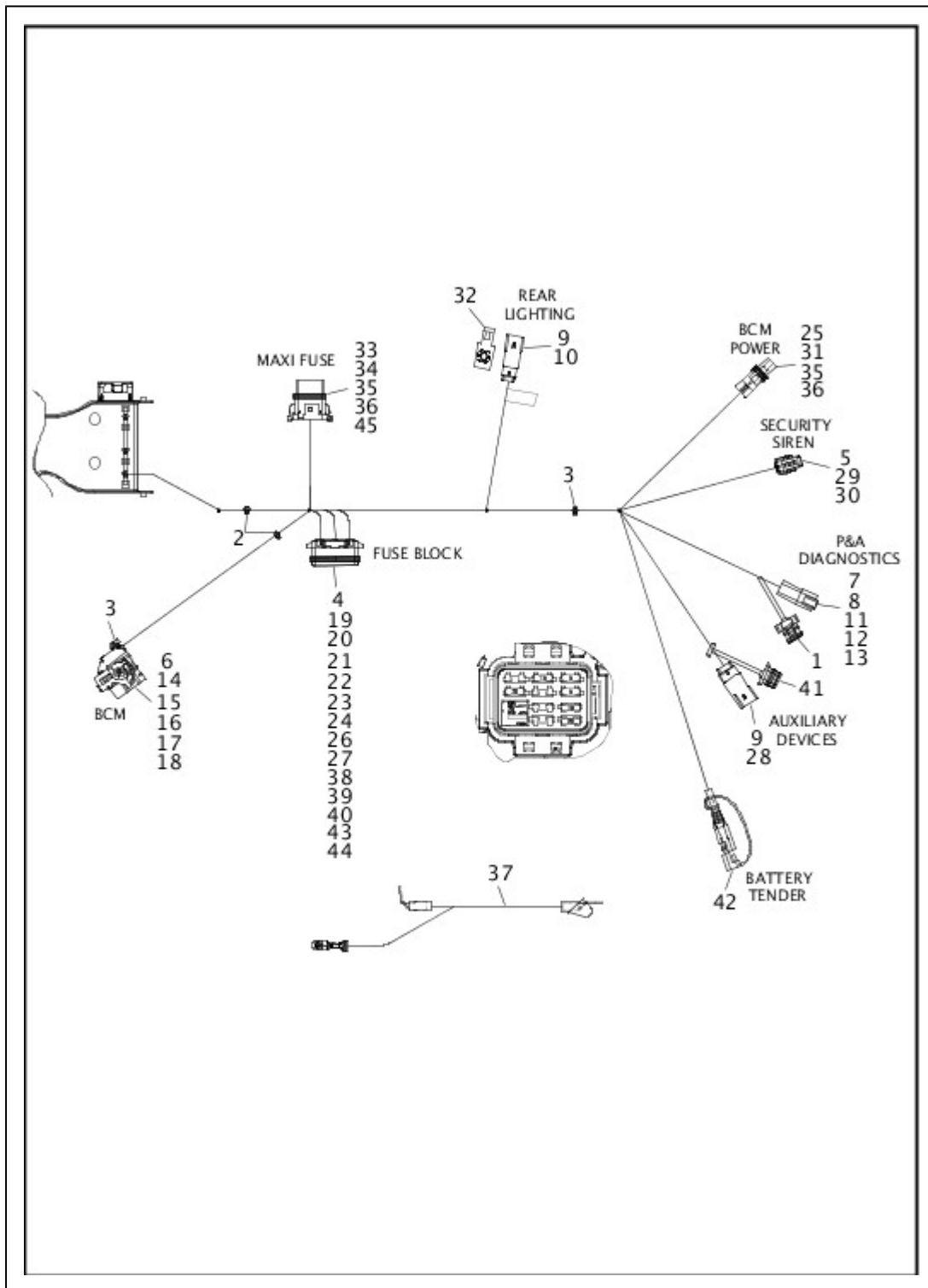
| Index No. | Part No. | Description | Model(s) |
|-----------|----------|-----------------------------|---------------|
| 21 | 69200629 | WIRE HARNESS, AM/FM antenna | FLTRX, FLTRXS |
| 22 | 69200700 | CADDY | FLTRX, FLTRXS |

WIRING HARNESS, MAIN, ABS (FAIRING MODELS) - FLTRX & FLTRXS (2 OF 8)



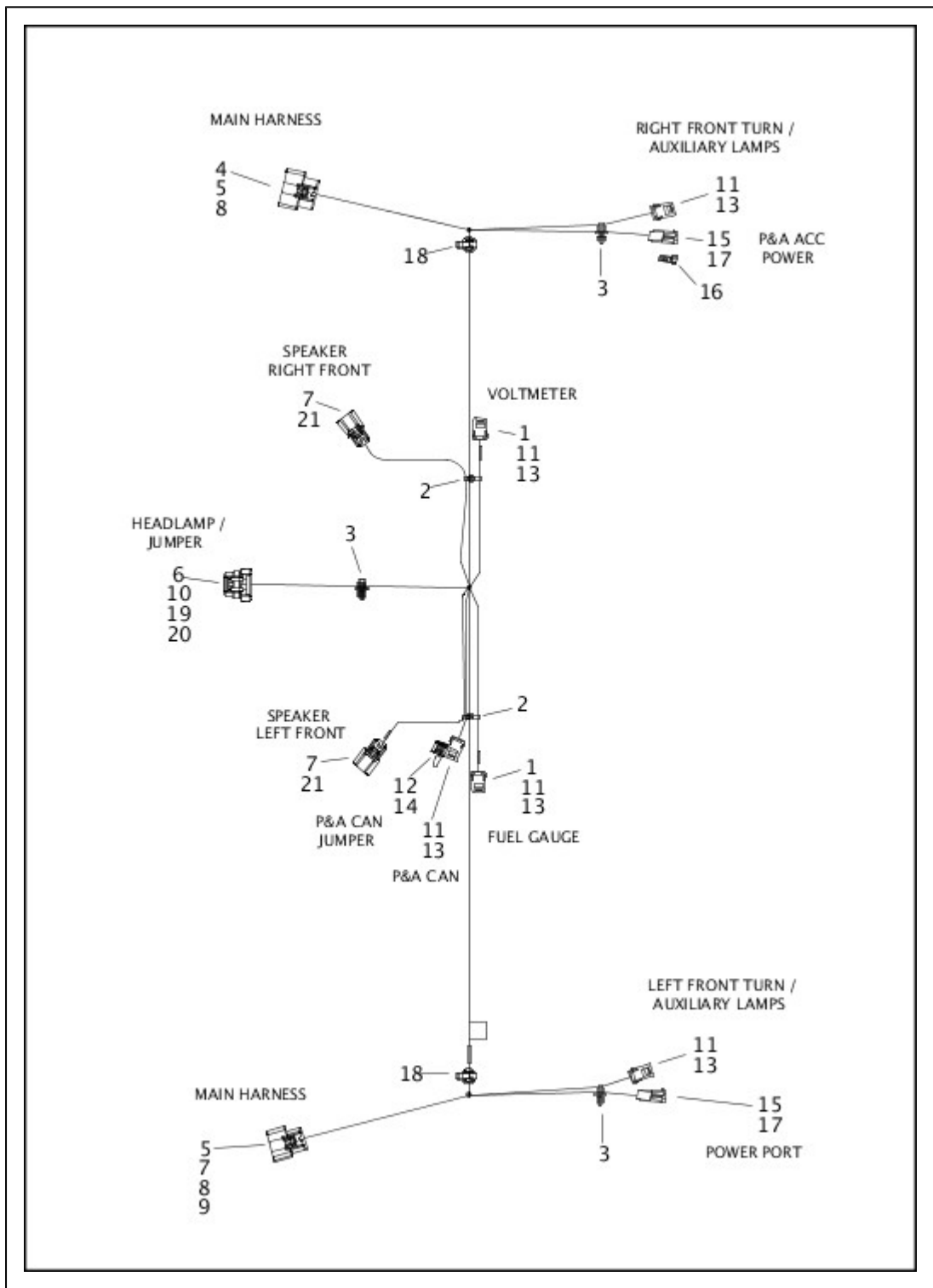
| Index No. | Part No. | Description | Model(s) |
|-----------|----------|------------------------------------|---------------|
| 10 | 72209-11 | COVER, wire dress | FLTRX, FLTRXS |
| 12 | 72222-11 | TERMINAL, socket, 18-20 gauge (27) | FLTRX, FLTRXS |
| 13 | 72226-11 | TERMINAL, socket, 14-16 gauge (8) | FLTRX, FLTRXS |
| 14 | 72256-11 | SEAL PIN (13) | FLTRX, FLTRXS |
| 30 | 69200193 | HOUSING, 48-way socket | FLTRX, FLTRXS |
| 32 | 69200700 | CADDY | FLTRX, FLTRXS |

WIRING HARNESS, MAIN, ABS (FAIRING MODELS) - FLTRX & FLTRXS (8 OF 8)



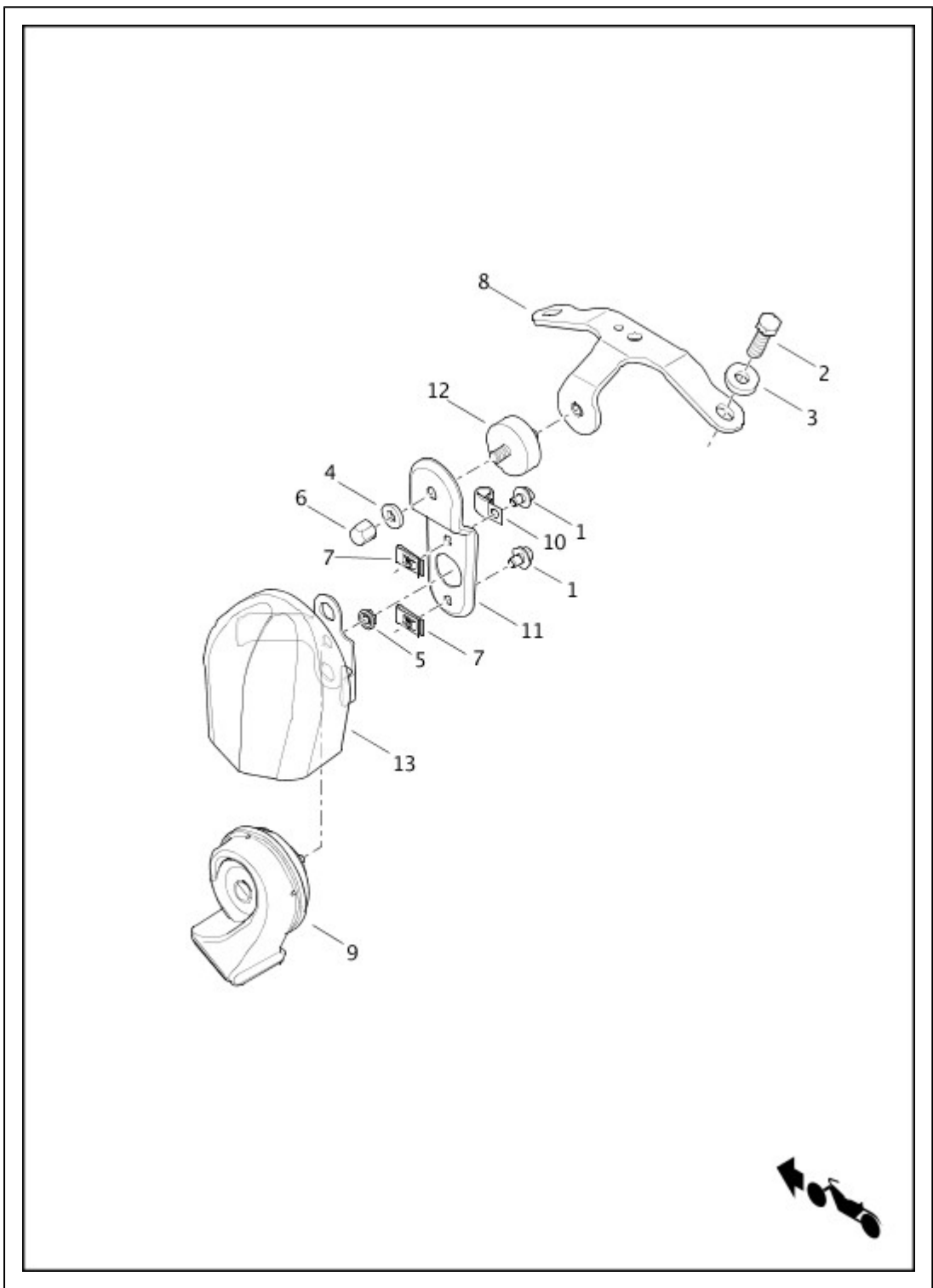
| Index No. | Part No. | Description | Model(s) |
|-----------|----------|----------------|---------------|
| 31 | 72575-11 | SECONDARY LOCK | FLTRX, FLTRXS |

WIRING HARNESS, FAIRING - FLTRX & FLTRXS



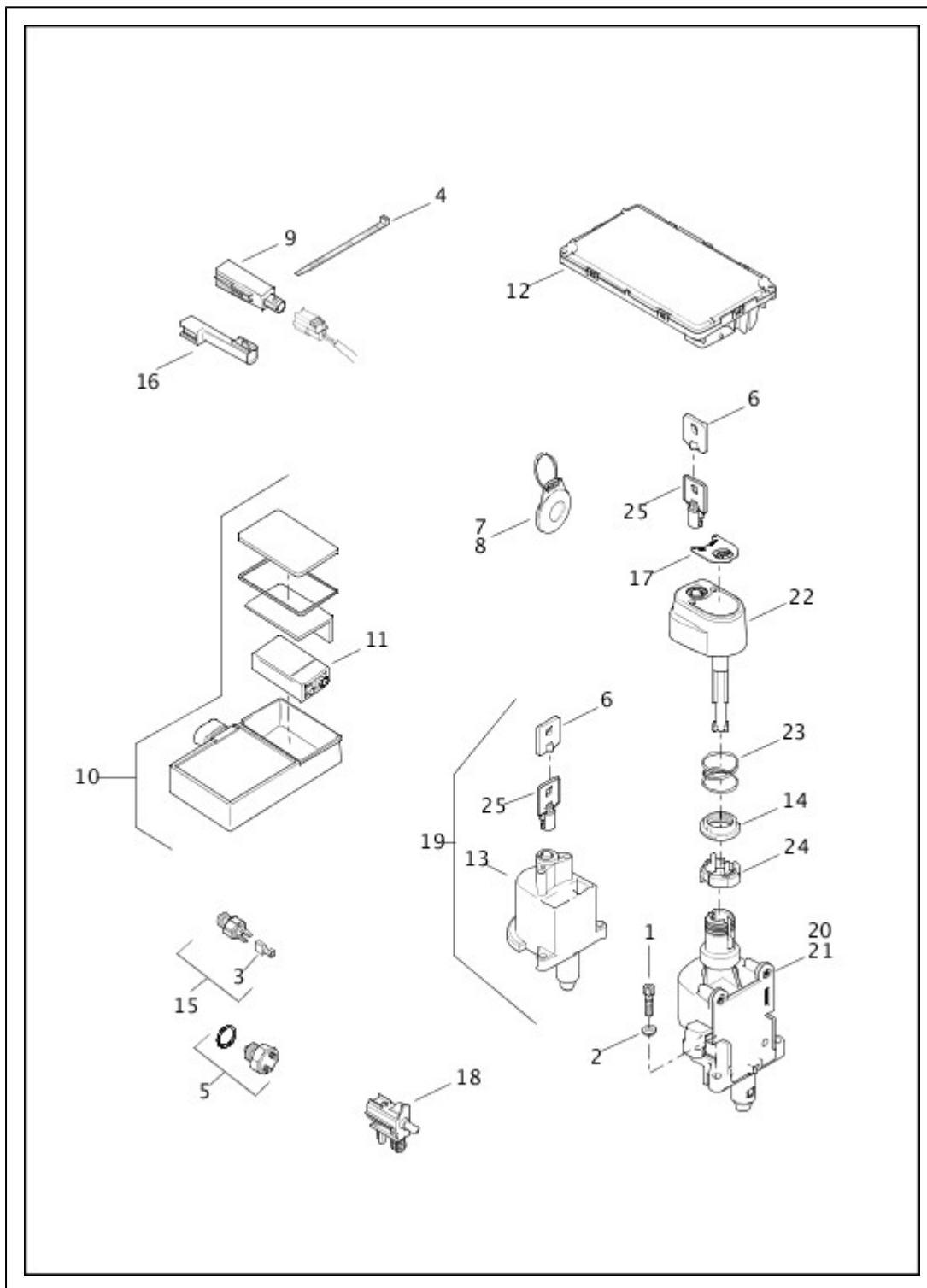
| Index No. | Part No. | Description | Model(s) |
|-----------|----------|--------------------------|---------------|
| | 69200122 | WIRING HARNESS - FAIRING | FLTRX, FLTRXS |

HORN



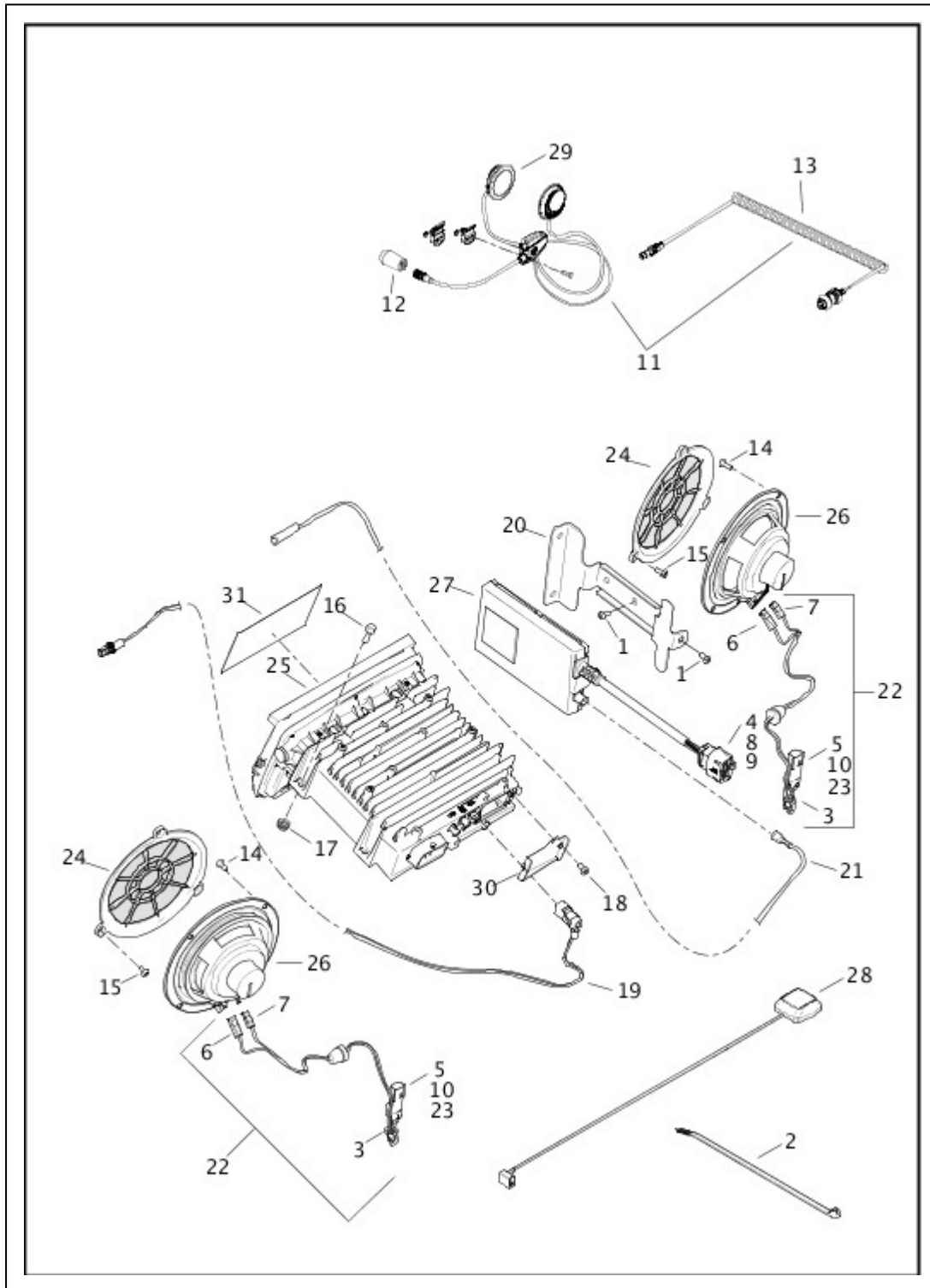
| Index No. | Part No. | Description | Model(s) |
|-----------|-----------|----------------------|----------|
| 9 | 69060-90H | HORN ASSEMBLY | |
| 13 | 61300478 | COVER, horn (chrome) | |

SWITCHES



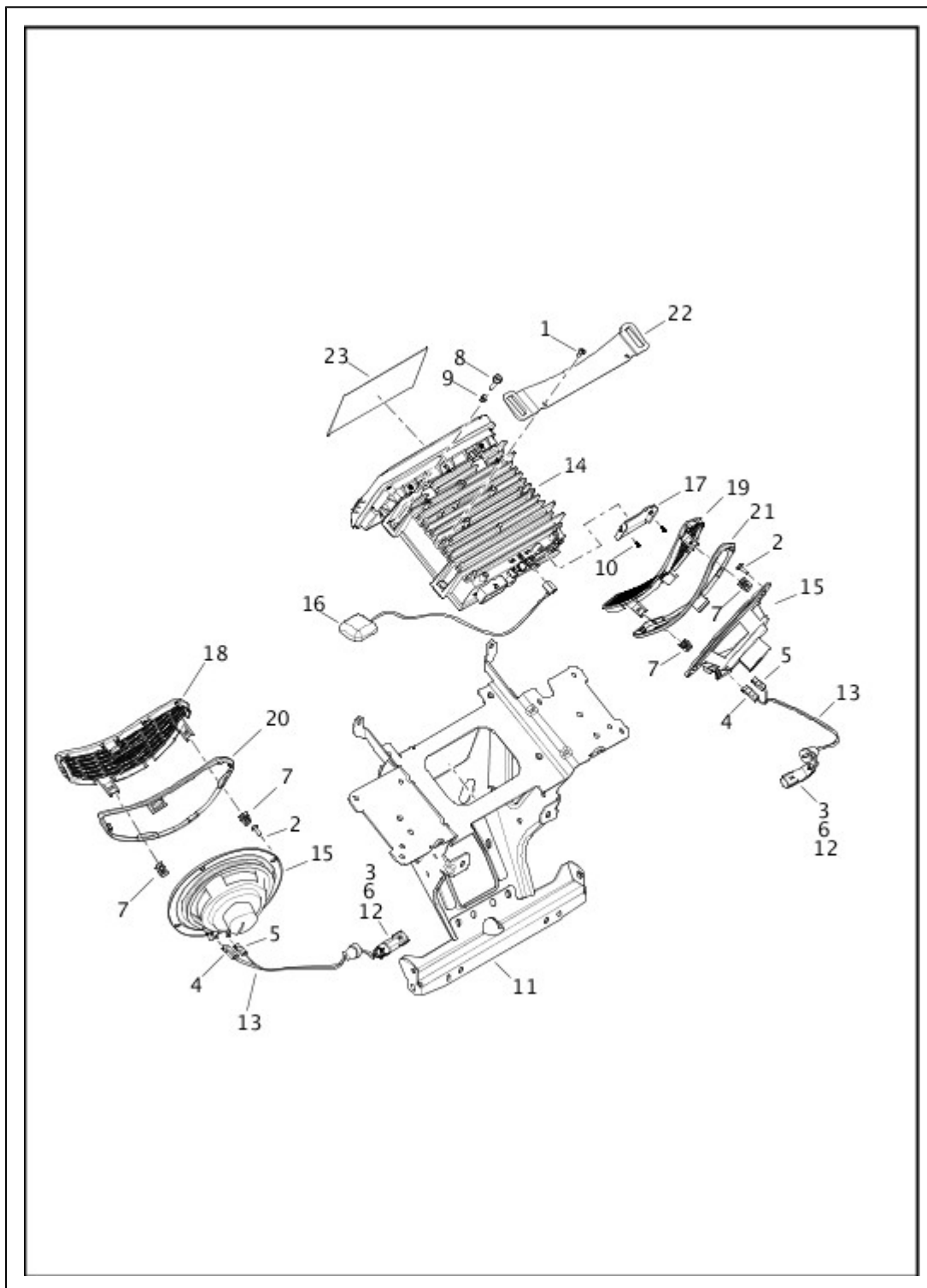
| Index No. | Part No. | Description | Model(s) |
|-----------|-----------|--|--|
| 12 | 69992-12B | BODY CONTROL MODULE, (BCM) | FLHTCU, FLHR, FLHX, FLHXS, FLHTCUL, FLTRX, FLTRXS |
| | 69994-12B | BODY CONTROL MODULE, (BCM) w/ security (Domestic, HDI) | |
| | 69996-12B | BODY CONTROL MODULE, (BCM) w/ security (Japan) | FLHRC, FLHX, FLHTK, FLHTCU TC, FLHXS, FLTRXS, FLHTCUL TC, FLHTKL |

SOUND SYSTEM - FLHTCU/L, FLHTK/L, FLHX & FLHXS (1 OF 2)



| Index No. | Part No. | Description | Model(s) |
|-----------|------------|------------------------|---------------|
| 9 | 72487-07BK | SOCKET HOUSING, 12-way | FLHTK, FLHTKL |
| | 69200629 | CABLE, AM/FM antenna | FLTRX, FLTRXS |

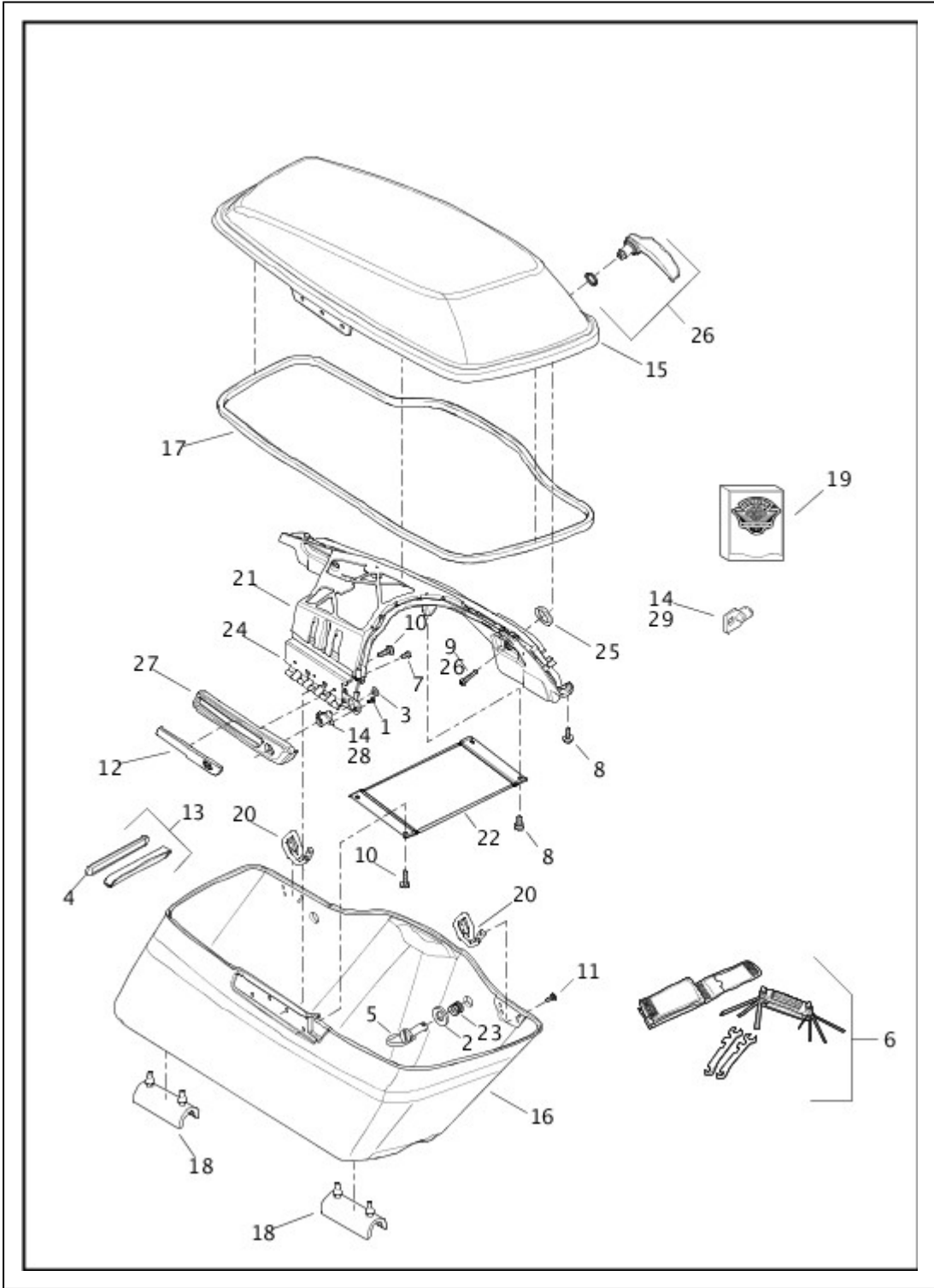
SOUND SYSTEM - FLTRX & FLTRXS



| Index No. | Part No. | Description | Model(s) |
|-----------|----------|--|------------------|
| 2 | 3152 | SCREW (8) | FLTRX, FLTRXS |
| 11 | 47200217 | BRACKET | FLTRX, FLTRXS |
| 13 | 69200752 | WIRE HARNESS, speaker jumper, w/ 72169-07, 72290-94, 72294-94, 73213-07 & 69200272 (2) | FLTRX, FLTRXS |
| 18 | 76000453 | SPEAKER GRILLE, right | FLTRX, FLTRXS |

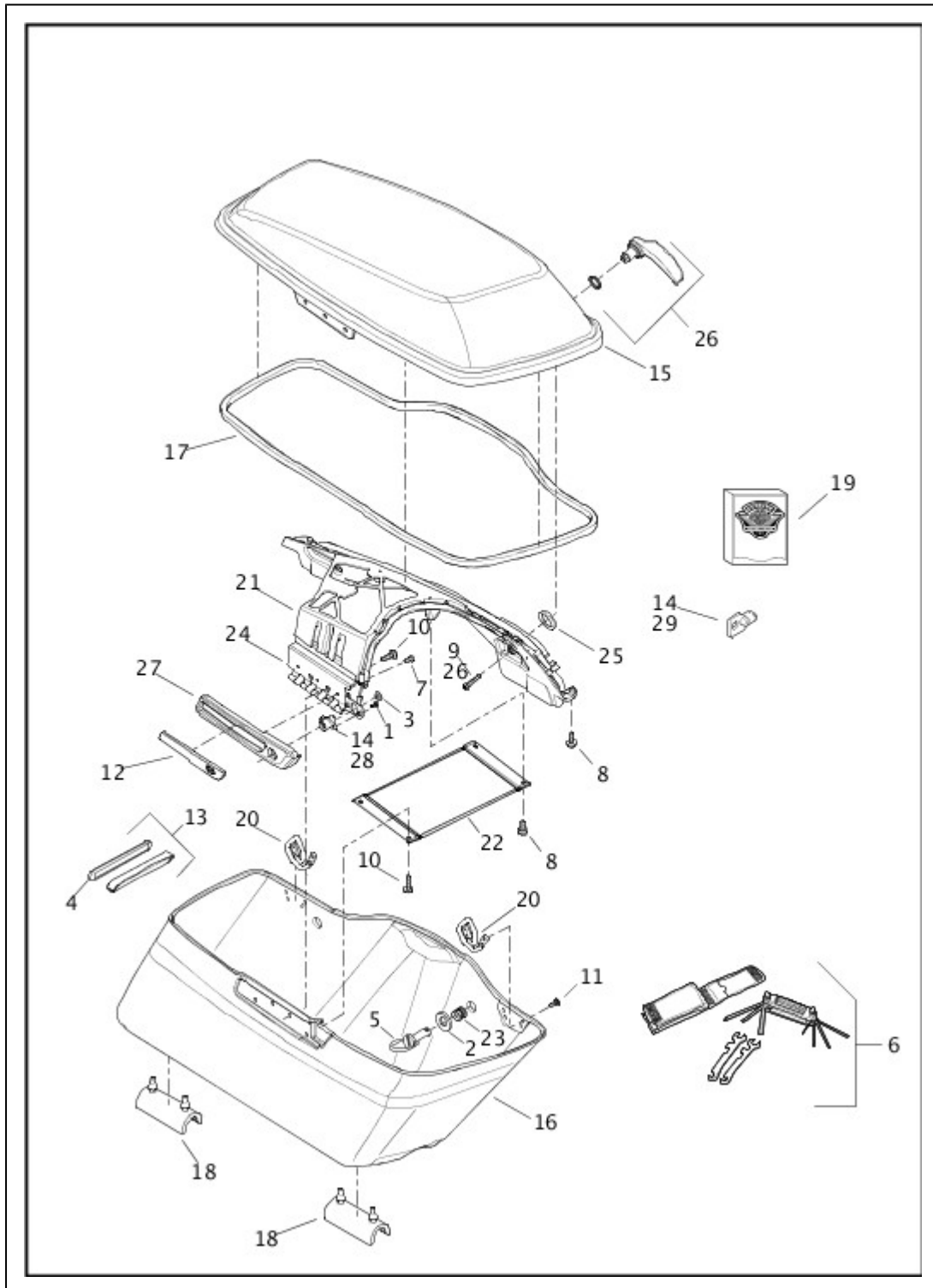
| | | | |
|----|----------|----------------------|------------------|
| 19 | 76000454 | SPEAKER GRILLE, left | FLTRX, FLTRXS |
| 20 | 76000455 | GASKET, right | FLTRX, FLTRXS |
| 21 | 76000456 | GASKET, left | FLTRX, FLTRXS |
| 22 | 76000468 | BRACKET, radio | FLTRX, FLTRXS |

SADDLEBAGS (1 OF 2)



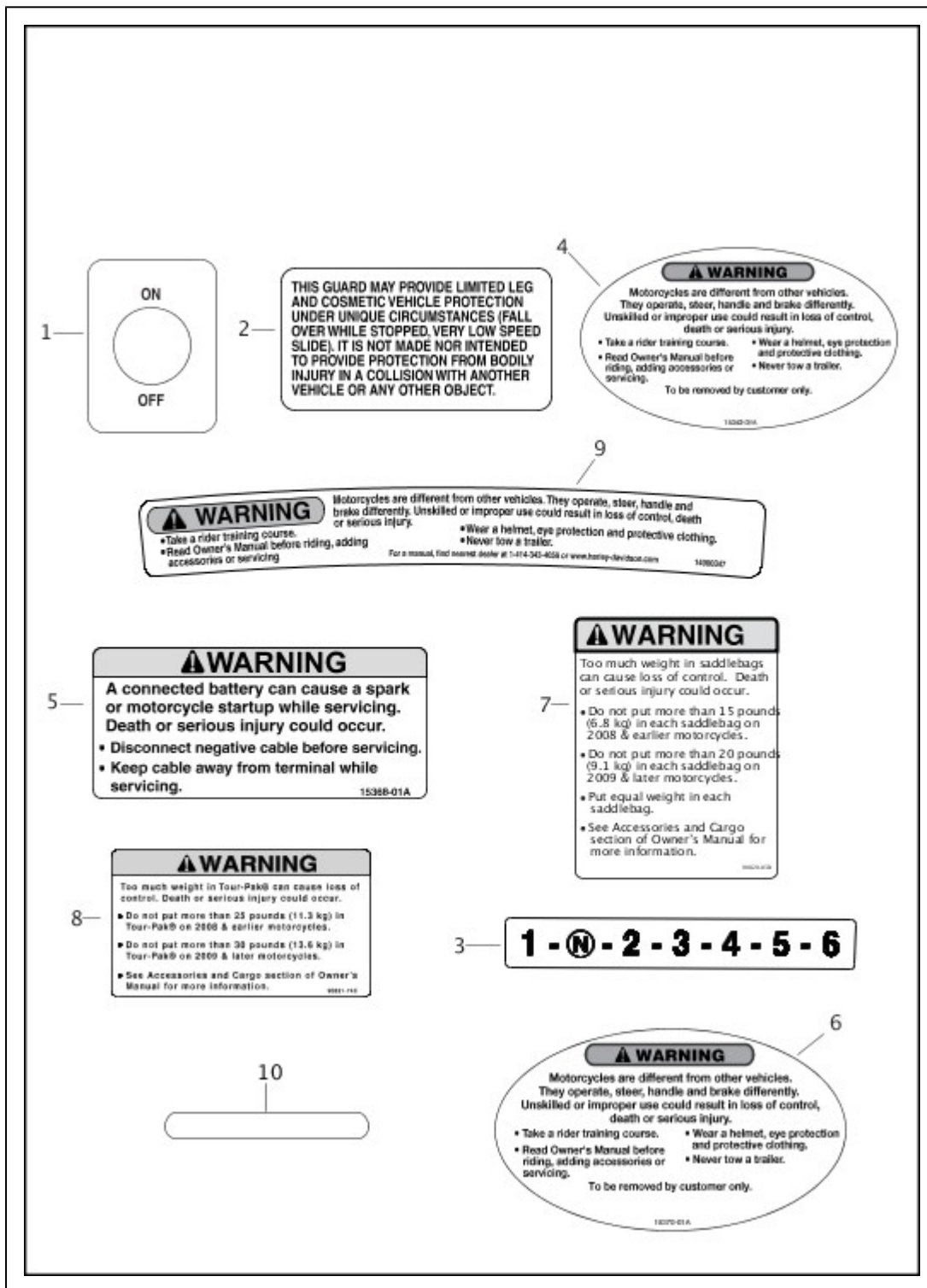
| Index No. | Part No. | Description | Model(s) |
|-----------|----------|--|----------------------------|
| 4 | 69490-07 | REFLECTOR, (red) (Canada) (2) | FLHX, FLTRX, FLHXS, FLTRXS |
| 13 | 67900256 | REFLECTOR ASSEMBLY, w/ 69490-07 (red) (Canada) (2) | FLHX, FLTRX, FLHXS, FLTRXS |

SADDLEBAGS (2 OF 2)



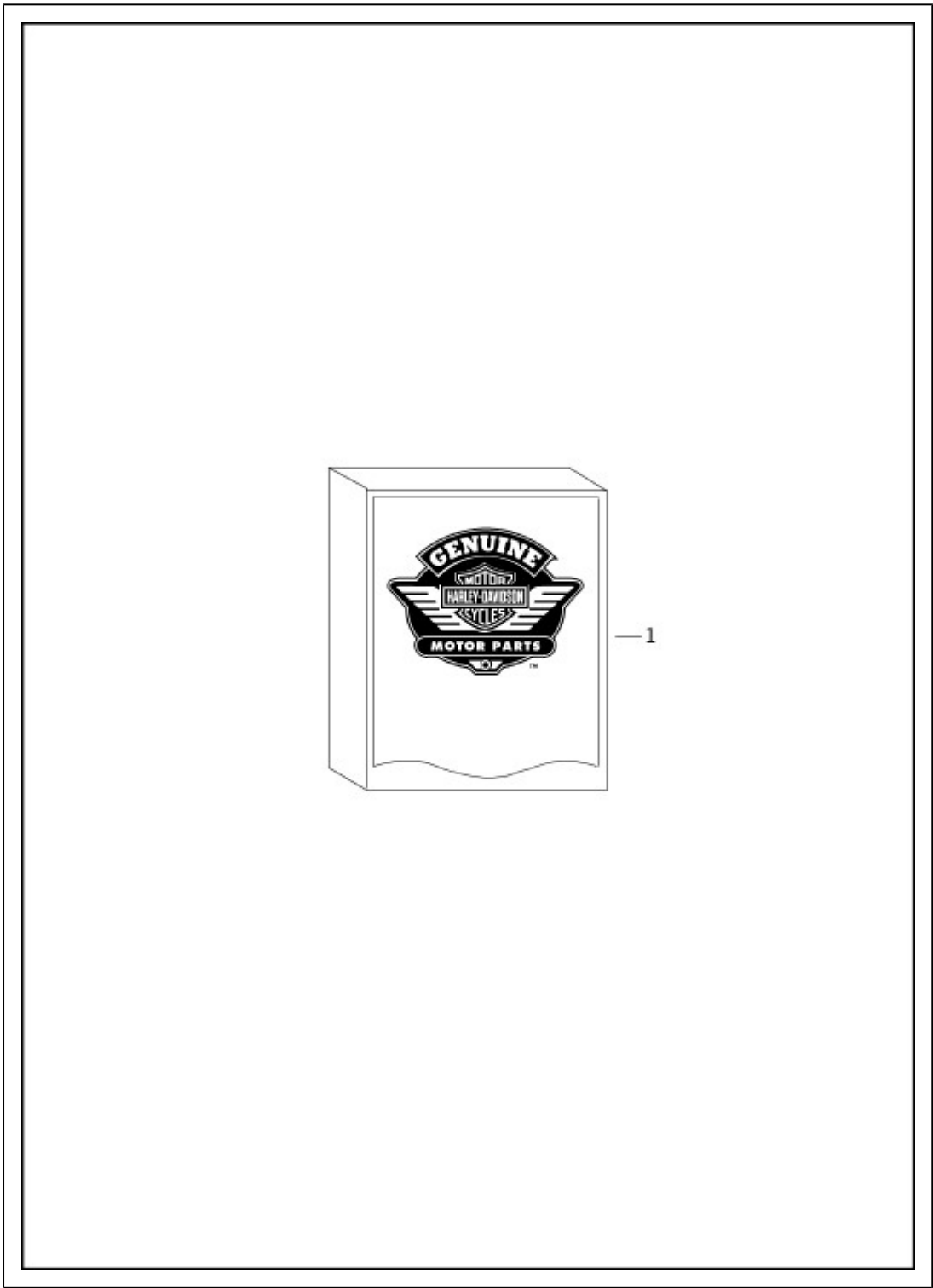
| Index No. | Part No. | Description | Model(s) |
|-----------|-------------|-------------------------------------|---|
| 27 | 90201295 | FACE PLATE, left (chrome) | FLHR, FLHTCU, FLHTCU TC, FLHTK, FLHTCUL, FLHTCUL TC, FLHTKL |
| | 90200983DUM | FACE PLATE, left (charcoal satin) | FLHR |
| | 90200983DWC | FACE PLATE, left (superior blue) | FLHR, FLTRXS |
| | 90200983DWF | FACE PLATE, left (deep jade pearl) | FLHXS |
| | 90201296 | FACE PLATE, right (chrome) | FLHR, FLHTCU, FLHTCU TC, FLHTK, FLHTCUL, FLHTCUL TC, FLHTKL |
| | 90200984DUM | FACE PLATE, right (charcoal satin) | FLHR |
| | 90200984DWC | FACE PLATE, right (superior blue) | FLHR, FLTRXS |
| | 90200984DWF | FACE PLATE, right (deep jade pearl) | FLHXS |

LABELS



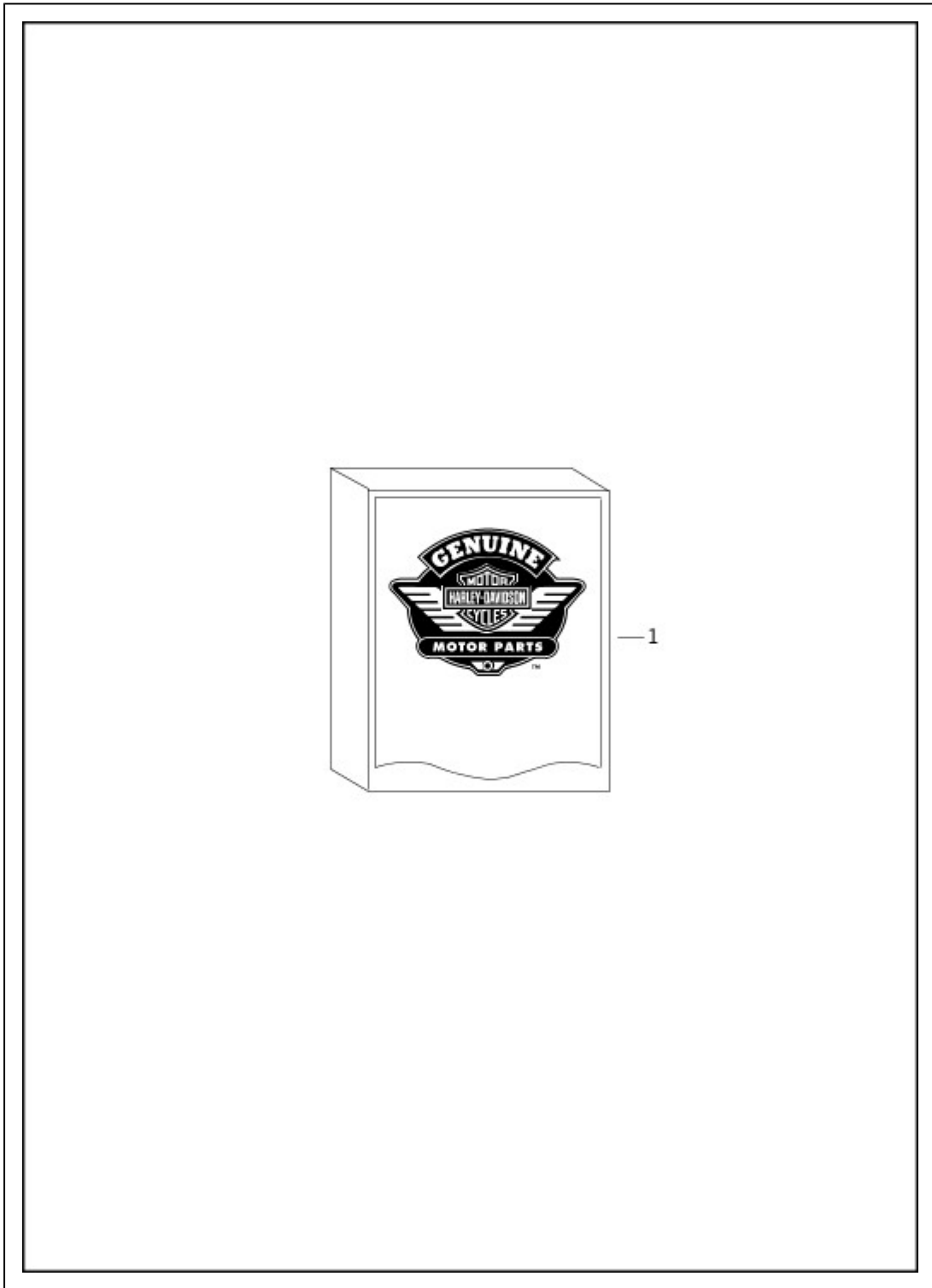
| Index No. | Part No. | Description | Model(s) |
|-----------|----------|----------------------------------|--|
| 10 | 14000827 | CLEAR OVERLAY, VIN label (Japan) | FLHRC, FLHTK, FLHXS, FLHTCU TC, FLHTCUL TC, FLTRXS |

LOOSE PARTS (1 OF 2)



| Index No. | Part No. | Description | Model(s) |
|-----------|------------|--|---|
| | 57668-10 | WINDSHIELD ASSEMBLY, complete, low (clear) (Asia-Pacific) | FLHRC |
| | 58002-09 | MID-FRAME AIR DEFLECTOR KIT, (Brazil) | FLHRC |
| | 58002-09 | MID-FRAME AIR DEFLECTOR KIT | FLHTCU, FLHTCU TC, FLHTK, FLHTKL, FLHTCUL, FLHTCUL TC |
| | 99517-15EN | BOOM! OWNER'S MANUAL KIT, English (Domestic, Australia, England) | FLHTCU, FLHTCU TC, FLHTK, FLHTKL, FLHTCUL, FLHTCUL TC |
| | 57400250 | WINDSHIELD, (clear) (Domestic, HDI, Australia, | FLHTCUL, FLHTCUL TC, FLHTKL |

LOOSE PARTS (2 OF 2)



| Index No. | Part No. | Description | Model(s) |
|-----------|------------|--|-------------|
| 1 | 58002-09 | MID-FRAME AIR DEFLECTOR KIT, (Brazil) | FLHXS |
| | 99517-15EN | BOOM! OWNER'S MANUAL KIT, English (Domestic, Australia, England) | FLHX, FLHXS |
| | | | |

| | | | |
|--|------------|--|---------------|
| | 99517-15EN | BOOM! OWNER'S MANUAL KIT, English (Domestic, Australia, England) | FLTRX, FLTRXS |
| | 57400190 | WINDSHIELD KIT, (Domestic, Australia) | FLTRX, FLTRXS |
| | 57400191 | WINDSHIELD KIT, (HDI) | FLTRXS |

Numerical Index

| | |
|-------|--|
| 10006 | RADIATOR, COOLANT HOSES & BOTTLE FENDERS, REAR (1 OF 2) HANDLEBAR HANDLEBAR TAIL LAMP & TURN SIGNALS, REAR (1 OF 2) TAIL LAMP WIRING HARNESS, MAIN, NON-ABS (FAIRING MODELS) - FLHX (2 OF 8) WIRING HARNESS, MAIN, NON-ABS (FAIRING MODELS) - FLHX (6 OF 8) WIRING HARNESS, MAIN, NON-ABS (FAIRING MODELS) - FLHX (8 OF 8) WIRING HARNESS, MAIN, ABS (FAIRING MODELS) - FLHX & FLHXS (2 OF 8) WIRING HARNESS, MAIN, ABS (FAIRING MODELS) - FLHX & FLHXS (6 OF 8) WIRING HARNESS, MAIN, ABS (FAIRING MODELS) - FLHX & FLHXS (8 OF 8) WIRING HARNESS, MAIN, ABS (FAIRING MODELS) - FLHTCU/L & FLHTK/L (2 OF 8) WIRING HARNESS, MAIN, ABS (FAIRING MODELS) - FLHTCU/L & FLHTK/L (6 OF 8) WIRING HARNESS, MAIN, ABS (FAIRING MODELS) - FLHTCU/L & FLHTK/L (8 OF 8) WIRING HARNESS, MAIN, NON-ABS (NON-FAIRING MODELS) (6 OF 8) WIRING HARNESS, MAIN, NON-ABS (NON-FAIRING MODELS) (8 OF 8) WIRING HARNESS, MAIN, ABS (NON-FAIRING MODELS) (6 OF 8) WIRING HARNESS, MAIN, ABS (NON-FAIRING MODELS) (8 OF 8) WIRING HARNESS, MAIN, NON-ABS (FAIRING MODELS) - FLTRX & FLTRXS (1 OF 8) WIRING HARNESS, MAIN, NON-ABS (FAIRING MODELS) - FLTRX & FLTRXS (2 OF 8) WIRING HARNESS, MAIN, NON-ABS (FAIRING MODELS) - FLTRX & FLTRXS (6 OF 8) WIRING HARNESS, MAIN, NON-ABS (FAIRING MODELS) - FLTRX & FLTRXS (8 OF 8) WIRING HARNESS, MAIN, ABS (FAIRING MODELS) - FLTRX & FLTRXS (1 OF 8) WIRING HARNESS, MAIN, ABS (FAIRING MODELS) - FLTRX & FLTRXS (2 OF 8) WIRING HARNESS, MAIN, ABS (FAIRING MODELS) - FLTRX & FLTRXS (6 OF 8) WIRING HARNESS, MAIN, ABS (FAIRING MODELS) - FLTRX & FLTRXS (8 OF 8) WIRING HARNESS, FAIRING - FLTRX & FLTRXS SOUND SYSTEM - FLHTCU/L, FLHTK/L, FLHX & FLHXS (1 OF 2) LAMPS & SPEAKER HOUSINGS, ULTRA TOUR-PAK (1 OF 2) |
| 10039 | ALTERNATOR & REGULATOR CLUTCH CONTROL (NON-FAIRING MODELS) CLUTCH CONTROL (FAIRING MODELS) BRAKE LINE, FRONT - NON-ABS BRAKE LINES, FRONT - ABS FRAME & JIFFY STAND (1 OF 2) FUEL TANK - FLHTCU, FLHTCUL, FLHTK, FLHTKL, FLHX, FLHXS, FLTRX & FLTRXS FUEL TANK - FLHR & FLHRC AUXILIARY/FOG LAMPS & TURN SIGNALS, FRONT - FLHR & FLHRC EXHAUST SYSTEM |
| 10053 | FENDERS, REAR (1 OF 2) |
| 10065 | BRAKE CONTROL, REAR BRAKE LINES & MODULE, REAR - ABS FENDERS, FRONT CONSOLE, FUEL TANK - FLHTCU, FLHTCUL, FLHTK, FLHTKL, FLHX, FLHXS, FLTRX & FLTRXS (1 OF 2) INSTRUMENTS, FUEL TANK - FLHR & FLHRC AUXILIARY/FOG LAMPS & TURN SIGNALS, FRONT - FLHR & FLHRC WINDSHIELD, FAIRING & HEADLAMP - FLTRX & FLTRXS FAIRING, INNER - FLTRX & FLTRXS (1 OF 2) ACTIVE INTAKE & EXHAUST WIRING HARNESS, MAIN, NON-ABS (FAIRING MODELS) - FLHX (1 OF 8) |

| | |
|----------|--|
| | <p> WIRING HARNESS, MAIN, NON-ABS (FAIRING MODELS) - FLHX (2 OF 8) WIRING HARNESS, MAIN, NON-ABS (FAIRING MODELS) - FLHX (3 OF 8) WIRING HARNESS, MAIN, NON-ABS (FAIRING MODELS) - FLHX (4 OF 8) WIRING HARNESS, MAIN, NON-ABS (FAIRING MODELS) - FLHX (6 OF 8) WIRING HARNESS, MAIN, NON-ABS (FAIRING MODELS) - FLHX (7 OF 8) WIRING HARNESS, MAIN, NON-ABS (FAIRING MODELS) - FLHX (8 OF 8) WIRING HARNESS, MAIN, ABS (FAIRING MODELS) - FLHX & FLHXS (1 OF 8) WIRING HARNESS, MAIN, ABS (FAIRING MODELS) - FLHX & FLHXS (2 OF 8) WIRING HARNESS, MAIN, ABS (FAIRING MODELS) - FLHX & FLHXS (3 OF 8) WIRING HARNESS, MAIN, ABS (FAIRING MODELS) - FLHX & FLHXS (4 OF 8) WIRING HARNESS, MAIN, ABS (FAIRING MODELS) - FLHX & FLHXS (6 OF 8) WIRING HARNESS, MAIN, ABS (FAIRING MODELS) - FLHX & FLHXS (7 OF 8) WIRING HARNESS, MAIN, ABS (FAIRING MODELS) - FLHX & FLHXS (8 OF 8) WIRING HARNESS, MAIN, ABS (FAIRING MODELS) - FLHTCU/L & FLHTK/L (1 OF 8) WIRING HARNESS, MAIN, ABS (FAIRING MODELS) - FLHTCU/L & FLHTK/L (2 OF 8) WIRING HARNESS, MAIN, ABS (FAIRING MODELS) - FLHTCU/L & FLHTK/L (3 OF 8) WIRING HARNESS, MAIN, ABS (FAIRING MODELS) - FLHTCU/L & FLHTK/L (4 OF 8) WIRING HARNESS, MAIN, ABS (FAIRING MODELS) - FLHTCU/L & FLHTK/L (5 OF 8) WIRING HARNESS, MAIN, ABS (FAIRING MODELS) - FLHTCU/L & FLHTK/L (6 OF 8) WIRING HARNESS, MAIN, ABS (FAIRING MODELS) - FLHTCU/L & FLHTK/L (7 OF 8) WIRING HARNESS, MAIN, ABS (FAIRING MODELS) - FLHTCU/L & FLHTK/L (8 OF 8) WIRING HARNESS, MAIN, NON-ABS (NON-FAIRING MODELS) (1 OF 8) WIRING HARNESS, MAIN, NON-ABS (NON-FAIRING MODELS) (2 OF 8) WIRING HARNESS, MAIN, NON-ABS (NON-FAIRING MODELS) (3 OF 8) WIRING HARNESS, MAIN, NON-ABS (NON-FAIRING MODELS) (4 OF 8) WIRING HARNESS, MAIN, NON-ABS (NON-FAIRING MODELS) (6 OF 8) WIRING HARNESS, MAIN, NON-ABS (NON-FAIRING MODELS) (7 OF 8) WIRING HARNESS, MAIN, NON-ABS (NON-FAIRING MODELS) (8 OF 8) WIRING HARNESS, MAIN, ABS (NON-FAIRING MODELS) (1 OF 8) WIRING HARNESS, MAIN, ABS (NON-FAIRING MODELS) (2 OF 8) WIRING HARNESS, MAIN, ABS (NON-FAIRING MODELS) (3 OF 8) WIRING HARNESS, MAIN, ABS (NON-FAIRING MODELS) (4 OF 8) WIRING HARNESS, MAIN, ABS (NON-FAIRING MODELS) (6 OF 8) WIRING HARNESS, MAIN, ABS (NON-FAIRING MODELS) (7 OF 8) WIRING HARNESS, MAIN, ABS (NON-FAIRING MODELS) (8 OF 8) WIRING HARNESS, MAIN, NON-ABS (FAIRING MODELS) - FLTRX & FLTRXS (2 OF 8) WIRING HARNESS, MAIN, NON-ABS (FAIRING MODELS) - FLTRX & FLTRXS (3 OF 8) WIRING HARNESS, MAIN, NON-ABS (FAIRING MODELS) - FLTRX & FLTRXS (4 OF 8) WIRING HARNESS, MAIN, NON-ABS (FAIRING MODELS) - FLTRX & FLTRXS (6 OF 8) WIRING HARNESS, MAIN, NON-ABS (FAIRING MODELS) - FLTRX & FLTRXS (7 OF 8) WIRING HARNESS, MAIN, NON-ABS (FAIRING MODELS) - FLTRX & FLTRXS (8 OF 8) WIRING HARNESS, MAIN, ABS (FAIRING MODELS) - FLTRX & FLTRXS (2 OF 8) WIRING HARNESS, MAIN, ABS (FAIRING MODELS) - FLTRX & FLTRXS (3 OF 8) WIRING HARNESS, MAIN, ABS (FAIRING MODELS) - FLTRX & FLTRXS (4 OF 8) WIRING HARNESS, MAIN, ABS (FAIRING MODELS) - FLTRX & FLTRXS (6 OF 8) WIRING HARNESS, MAIN, ABS (FAIRING MODELS) - FLTRX & FLTRXS (7 OF 8) WIRING HARNESS, MAIN, ABS (FAIRING MODELS) - FLTRX & FLTRXS (8 OF 8) WIRING HARNESS, FAIRING - FLHTCU/L, FLHTK/L, FLHX & FLHXS (1 OF 2) SWITCHES SOUND SYSTEM - FLHTCU/L, FLHTK/L, FLHX & FLHXS (1 OF 2) LAMPS & SPEAKER HOUSINGS, ULTRA TOUR-PAK (1 OF 2) </p> |
| 10076 | <p> BRAKE CONTROL, REAR BRAKE LINES & MODULE, REAR - ABS </p> |
| 10100033 | <p> FAIRING LOWERS - ULTRA - AIR COOLED </p> |
| 10100049 | <p> BRAKE LINES & MODULE, REAR - ABS </p> |
| 10103 | <p> CONSOLE, FUEL TANK - FLHTCU, FLHTCUL, FLHTK, FLHTKL, FLHX, FLHXS, FLTRX & FLTRXS (1 OF 2) INSTRUMENTS, FUEL TANK - FLHR & FLHRC </p> |
| 10147 | <p> RADIATOR, COOLANT HOSES & BOTTLE WHEELS, REAR WINDSHIELD, FAIRING & HEADLAMP - FLHTCU/L, FLHTK/L, FLHX & FLHXS (1 OF 2) </p> |

| | |
|----------|---|
| | <p>WIRING HARNESS, MAIN, NON-ABS (FAIRING MODELS) - FLHX (4 OF 8) WIRING HARNESS, MAIN, ABS (FAIRING MODELS) - FLHX & FLHXS (4 OF 8) WIRING HARNESS, MAIN, ABS (FAIRING MODELS) - FLHTCU/L & FLHTK/L (4 OF 8) WIRING HARNESS, MAIN, NON-ABS (NON-FAIRING MODELS) (4 OF 8) WIRING HARNESS, MAIN, ABS (NON-FAIRING MODELS) (4 OF 8) WIRING HARNESS, MAIN, NON-ABS (FAIRING MODELS) - FLTRX & FLTRXS (4 OF 8) WIRING HARNESS, MAIN, ABS (FAIRING MODELS) - FLTRX & FLTRXS (4 OF 8)</p> |
| 10177 | <p>ALTERNATOR & REGULATOR ELECTRONIC CONTROL MODULE (ECM) & COIL FRAME & JIFFY STAND (1 OF 2) FAIRING, INNER - FLTRX & FLTRXS (1 OF 2) WIRING HARNESS, MAIN, NON-ABS (FAIRING MODELS) - FLHX (2 OF 8) WIRING HARNESS, MAIN, NON-ABS (FAIRING MODELS) - FLHX (3 OF 8) WIRING HARNESS, MAIN, NON-ABS (FAIRING MODELS) - FLHX (7 OF 8) WIRING HARNESS, MAIN, ABS (FAIRING MODELS) - FLHX & FLHXS (2 OF 8) WIRING HARNESS, MAIN, ABS (FAIRING MODELS) - FLHX & FLHXS (3 OF 8) WIRING HARNESS, MAIN, ABS (FAIRING MODELS) - FLHX & FLHXS (7 OF 8) WIRING HARNESS, MAIN, ABS (FAIRING MODELS) - FLHTCU/L & FLHTK/L (1 OF 8) WIRING HARNESS, MAIN, ABS (FAIRING MODELS) - FLHTCU/L & FLHTK/L (2 OF 8) WIRING HARNESS, MAIN, ABS (FAIRING MODELS) - FLHTCU/L & FLHTK/L (3 OF 8) WIRING HARNESS, MAIN, ABS (FAIRING MODELS) - FLHTCU/L & FLHTK/L (7 OF 8) WIRING HARNESS, MAIN, ABS (FAIRING MODELS) - FLHTCU/L & FLHTK/L (7 OF 8) WIRING HARNESS, MAIN, NON-ABS (NON-FAIRING MODELS) (3 OF 8) WIRING HARNESS, MAIN, NON-ABS (NON-FAIRING MODELS) (7 OF 8) WIRING HARNESS, MAIN, ABS (NON-FAIRING MODELS) (3 OF 8) WIRING HARNESS, MAIN, ABS (NON-FAIRING MODELS) (7 OF 8) WIRING HARNESS, MAIN, NON-ABS (FAIRING MODELS) - FLTRX & FLTRXS (3 OF 8) WIRING HARNESS, MAIN, NON-ABS (FAIRING MODELS) - FLTRX & FLTRXS (7 OF 8) WIRING HARNESS, MAIN, ABS (FAIRING MODELS) - FLTRX & FLTRXS (3 OF 8) WIRING HARNESS, MAIN, ABS (FAIRING MODELS) - FLTRX & FLTRXS (7 OF 8) WIRING HARNESS, FAIRING - FLHTCU/L, FLHTK/L, FLHX & FLHXS (2 OF 2) WIRING HARNESS, FAIRING - FLTRX & FLTRXS</p> |
| 10183 | <p>FENDERS, REAR (1 OF 2) FENDERS, REAR (1 OF 2) TAIL LAMP & TURN SIGNALS, REAR (1 OF 2) TAIL LAMP & TURN SIGNALS, REAR (1 OF 2) TAIL LAMP</p> |
| 10184 | <p>FENDERS, REAR (1 OF 2) FENDERS, REAR (1 OF 2) FENDERS, REAR (1 OF 2) TAIL LAMP & TURN SIGNALS, REAR (1 OF 2) TAIL LAMP & TURN SIGNALS, REAR (1 OF 2) TAIL LAMP</p> |
| 10198 | <p>CRANKCASE, ENGINE OIL FILTER & COOLER - TWIN CAM 103™ (1 OF 2)</p> |
| 10200042 | <p>FORK BRACKETS, FRONT</p> |
| 10200052 | <p>FAIRING LOWERS - ULTRA - AIR COOLED FAIRING LOWERS - ULTRA - TWIN-COOLED™</p> |
| 10200059 | <p>WINDSHIELD, FAIRING & HEADLAMP - FLHTCU/L, FLHTK/L, FLHX & FLHXS (1 OF 2)</p> |
| 10200060 | <p>WINDSHIELD, FAIRING & HEADLAMP - FLHTCU/L, FLHTK/L, FLHX & FLHXS (1 OF 2)</p> |
| 10200061 | <p>TOUR-PAK (BOTTOM) TOUR-PAK (COVER)</p> |
| 10200062 | <p>TOUR-PAK (BOTTOM) TOUR-PAK (COVER) SADDLEBAGS (1 OF 2)</p> |
| 10200063 | <p>SADDLEBAGS (1 OF 2)</p> |

| | |
|----------|---|
| 10200064 | SADDLEBAGS (1 OF 2) |
| 10200065 | SADDLEBAGS (1 OF 2) |
| 10200103 | SADDLEBAGS (1 OF 2) |
| 10200105 | LAMPS & SPEAKER HOUSINGS, ULTRA TOUR-PAK (1 OF 2) |
| 10200112 | WINDSHIELD, FAIRING & HEADLAMP - FLHTCU/L, FLHTK/L, FLHX & FLHXS (1 OF 2) |
| 10200120 | FAIRING, INNER - FLTRX & FLTRXS (1 OF 2) |
| 10200133 | LAMPS & SPEAKER HOUSINGS, ULTRA TOUR-PAK (1 OF 2) |
| 10200134 | FAIRING, INNER - FLHTCU, FLHTCUL, FLHTK, FLHTKL, FLHX & FLHXS (1 OF 2) FAIRING, INNER - FLTRX & FLTRXS (1 OF 2) |
| 10200141 | FAIRING, INNER - FLHTCU, FLHTCUL, FLHTK, FLHTKL, FLHX & FLHXS (1 OF 2) |
| 10200142 | FAIRING, INNER - FLHTCU, FLHTCUL, FLHTK, FLHTKL, FLHX & FLHXS (1 OF 2) |
| 10200147 | INSTRUMENTS - FLHTCU, FLHTCUL, FLHTK, FLHTKL, FLHX & FLHXS INSTRUMENTS - FLTRX & FLTRXS |
| 10200154 | TOUR-PAK (COVER) |
| 10200155 | FRAME & FORK, REAR & TOUR-PAK SUPPORT |
| 10200156 | NACELLE & HEADLAMP - FLHR & FLHRC WINDSHIELD, FAIRING & HEADLAMP - FLHTCU/L, FLHTK/L, FLHX & FLHXS (1 OF 2) |
| 10200205 | INSTRUMENT HOUSING - FLTRX & FLTRXS FAIRING, INNER - FLHTCU, FLHTCUL, FLHTK, FLHTKL, FLHX & FLHXS (1 OF 2) SOUND SYSTEM - FLHTCU/L, FLHTK/L, FLHX & FLHXS (1 OF 2) |
| 10200217 | FRAME & FORK, REAR & TOUR-PAK SUPPORT GUARDS, SADDLEBAG |
| 10200223 | BRAKE LINE, FRONT - NON-ABS BRAKE LINES, FRONT - ABS FORK BRACKETS, FRONT |
| 10200257 | WINDSHIELD, FAIRING & HEADLAMP - FLTRX & FLTRXS |
| 10200258 | COOLING SYSTEM, ENGINE, TWIN-COOLED™ - TWIN CAM 103™ |
| 10200350 | WINDSHIELD, FAIRING & HEADLAMP - FLTRX & FLTRXS |
| 10200365 | WINDSHIELD, FAIRING & HEADLAMP - FLTRX & FLTRXS |
| 10264 | CLUTCH CONTROL (FAIRING MODELS) FRAME & JIFFY STAND (1 OF 2) |
| 10334 | CONSOLE, FUEL TANK - FLHTCU, FLHTCUL, FLHTK, FLHTKL, FLHX, FLHXS, FLTRX & FLTRXS (1 OF 2) |
| 10340A | BRAKE CONTROL, REAR BRAKE LINES & MODULE, REAR - ABS |
| 10344 | COOLANT DISTRIBUTION RADIATOR, COOLANT HOSES & BOTTLE |
| 10354 | CRANKCASE, ENGINE OIL FILTER & COOLER - TWIN CAM 103™ (1 OF 2) |
| | |

| | |
|----------|---|
| 1039 | ROCKER ARM ASSEMBLY & PUSHRODS - TWIN CAM 103™ |
| 10395 | FUEL PUMP - FLHTCU, FLHTCUL, FLHTK, FLHTKL, FLHX, FLHXS, FLTRX & FLTRXS FUEL PUMP - FLHR & FLHRC |
| 10396 | FUEL TANK - FLHTCU, FLHTCUL, FLHTK, FLHTKL, FLHX, FLHXS, FLTRX & FLTRXS FUEL TANK - FLHR & FLHRC |
| 10398 | AIR CLEANER |
| 10500015 | FENDERS, FRONT |
| 10500017 | FAIRING, INNER - FLTRX & FLTRXS (1 OF 2) SOUND SYSTEM - FLHTCU/L, FLHTK/L, FLHX & FLHXS (1 OF 2) |
| 10500022 | FORK BRACKETS, FRONT |
| 10500031 | BELT, CHAINS & SPROCKETS |
| 10500036 | FORK BRACKETS, FRONT |
| 10500053 | FOOTBOARDS & FOOTPEGS |
| 10600007 | BRAKE LINES, FRONT - ABS BRAKE CONTROL, REAR BRAKE LINES & MODULE, REAR - ABS |
| 1062 | PRIMARY HOUSING BRAKE LINES & MODULE, REAR - ABS FAIRING, INNER - FLTRX & FLTRXS (1 OF 2) |
| 10800023 | RADIATOR, COOLANT HOSES & BOTTLE |
| 10800024 | FRAME & JIFFY STAND (2 OF 2) |
| 10800025 | FRAME & JIFFY STAND (2 OF 2) |
| 10800028 | BRAKE CONTROL, REAR BRAKE LINES & MODULE, REAR - ABS ACTIVE INTAKE & EXHAUST |
| 10800052 | COOLANT DISTRIBUTION RADIATOR, COOLANT HOSES & BOTTLE |
| 10800078 | RADIATOR, COOLANT HOSES & BOTTLE |
| 10900005 | FAIRING, INNER - FLHTCU, FLHTCUL, FLHTK, FLHTKL, FLHX & FLHXS (1 OF 2) |
| 10900009 | GUARDS, SADDLEBAG |
| 10991A | TRANSMISSION GEARS |
| 10998 | TRANSMISSION BEARINGS & COVERS |
| 11000050 | BRAKE CONTROL, REAR |
| 11000101 | SHIFTER, GEAR TRANSMISSION BEARINGS & COVERS |
| 11036 | FAIRING, INNER - FLTRX & FLTRXS (1 OF 2) |
| 11061A | TRANSMISSION GEARS |
| 11081A | TRANSMISSION GEARS |
| | |

| | |
|----------|--|
| 11082 | TRANSMISSION GEARS |
| 11096 | TRANSMISSION GEARS CLUTCH - CONVENTIONAL - TWIN CAM 103™ - FLHR/C, FLHTCU, FLHTK, FLHX/S & FLTRX/S |
| 11100038 | FAIRING, INNER - FLHTCU, FLHTCUL, FLHTK, FLHTKL, FLHX & FLHXS (1 OF 2) |
| 11100050 | FAIRING, INNER - FLHTCU, FLHTCUL, FLHTK, FLHTKL, FLHX & FLHXS (1 OF 2) |
| 11100051 | FAIRING, INNER - FLHTCU, FLHTCUL, FLHTK, FLHTKL, FLHX & FLHXS (1 OF 2) |
| 11100055 | WINDSHIELD, FAIRING & HEADLAMP - FLHTCU/L, FLHTK/L, FLHX & FLHXS (1 OF 2) |
| 11100057 | FAIRING, INNER - FLHTCU, FLHTCUL, FLHTK, FLHTKL, FLHX & FLHXS (1 OF 2) |
| 11100066 | WINDSHIELD, FAIRING & HEADLAMP - FLTRX & FLTRXS |
| 11100068 | FRAME & FORK, REAR & TOUR-PAK SUPPORT GUARDS, SADDLEBAG |
| 11100115 | WIRING HARNESS, MAIN, NON-ABS (FAIRING MODELS) - FLHX (8 OF 8) WIRING HARNESS, MAIN, ABS (FAIRING MODELS) - FLHX & FLHXS (8 OF 8) WIRING HARNESS, MAIN, ABS (FAIRING MODELS) - FLHTCU/L & FLHTK/L (8 OF 8) WIRING HARNESS, MAIN, NON-ABS (NON-FAIRING MODELS) (8 OF 8) WIRING HARNESS, MAIN, ABS (NON-FAIRING MODELS) (8 OF 8) WIRING HARNESS, MAIN, NON-ABS (FAIRING MODELS) - FLTRX & FLTRXS (8 OF 8) WIRING HARNESS, MAIN, ABS (FAIRING MODELS) - FLTRX & FLTRXS (8 OF 8) |
| 11100152 | INSTRUMENT HOUSING - FLTRX & FLTRXS |
| 11105 | TRANSMISSION HOUSING, TOP COVER & OIL PAN PRIMARY HOUSING |
| 11110 | CYLINDERS, HEADS & VALVES, TWIN-COOLED™ - TWIN CAM 103™ COOLING SYSTEM, ENGINE, TWIN-COOLED™ - TWIN CAM 103™ |
| 11120 | TRANSMISSION HOUSING, TOP COVER & OIL PAN |
| 11132A | ROCKER ARM ASSEMBLY & PUSHRODS - TWIN CAM 103™ TRANSMISSION BEARINGS & COVERS |
| 11140 | CRANKCASE, ENGINE OIL FILTER & COOLER - TWIN CAM 103™ (1 OF 2) CRANKCASE & ENGINE OIL FILTER - TWIN-COOLED™ TWIN CAM 103™ |
| 11143 | CLUTCH - CONVENTIONAL - TWIN CAM 103™ - FLHR/C, FLHTCU, FLHTK, FLHX/S & FLTRX/S CLUTCH - ASSIST & SLIP - TWIN CAM 103™ - FLHTCUL & FLHTKL CLUTCH CONTROL (NON-FAIRING MODELS) CLUTCH CONTROL (FAIRING MODELS) |
| 11145A | ROCKER ARM ASSEMBLY & PUSHRODS - TWIN CAM 103™ |
| 11150 | SHIFTER, GEAR |
| 11161 | TRANSMISSION BEARINGS & COVERS |
| 11177A | PISTONS & FLYWHEEL ASSEMBLY - TWIN CAM 103™ |
| 11179 | TRANSMISSION BEARINGS & COVERS CLUTCH CONTROL (NON-FAIRING MODELS) |
| 11201 | TRANSMISSION GEARS |
| 11207A | TRANSMISSION GEARS |
| 11256 | CYLINDERS, HEADS & VALVES - TWIN CAM 103™ |

| | |
|----------|--|
| | CYLINDERS, HEADS & VALVES, TWIN-COOLED™ - TWIN CAM 103™ |
| 11270 | ROCKER ARM ASSEMBLY & PUSHRODS - TWIN CAM 103™ |
| 11273 | CRANKCASE, ENGINE OIL FILTER & COOLER - TWIN CAM 103™ (1 OF 2) CRANKCASE & ENGINE OIL FILTER - TWIN-COOLED™ TWIN CAM 103™ |
| 11289A | SENSORS & SWITCHES, ENGINE TRANSMISSION HOUSING, TOP COVER & OIL PAN |
| 11290 | CYLINDERS, HEADS & VALVES, TWIN-COOLED™ - TWIN CAM 103™ COOLING SYSTEM, ENGINE, TWIN-COOLED™ - TWIN CAM 103™ |
| 11293 | ROCKER ARM ASSEMBLY & PUSHRODS - TWIN CAM 103™ CAMSHAFTS & CAMSHAFT COVER - TWIN CAM 103™ |
| 11301 | CAMSHAFTS & CAMSHAFT COVER - TWIN CAM 103™ |
| 11304 | FOOTBOARDS & FOOTPEGS |
| 11323 | FUEL TANK - FLHTCU, FLHTCUL, FLHTK, FLHTKL, FLHX, FLHXS, FLTRX & FLTRXS FUEL TANK - FLHR & FLHRC |
| 11389 | SHIFTER, GEAR |
| 11408 | CYLINDERS, HEADS & VALVES, TWIN-COOLED™ - TWIN CAM 103™ COOLING SYSTEM, ENGINE, TWIN-COOLED™ - TWIN CAM 103™ |
| 11437 | FENDERS, FRONT |
| 11461 | CAMSHAFTS & CAMSHAFT COVER - TWIN CAM 103™ |
| 11519 | FAIRING LOWERS - ULTRA - TWIN-COOLED™ |
| 11543 | ANTENNAS |
| 11575 | SHIFTER, GEAR |
| 11576 | LICENSE PLATE BRACKETS |
| 11599A | TRANSMISSION GEARS |
| 11600001 | BRAKE LINES, FRONT - ABS BRAKE LINES & MODULE, REAR - ABS |
| 11600009 | BRAKE LINES, FRONT - ABS BRAKE CONTROL, REAR BRAKE LINES & MODULE, REAR - ABS |
| 11650 | FRAME & JIFFY STAND (1 OF 2) |
| 11668 | FAIRING, INNER - FLTRX & FLTRXS (1 OF 2) |
| 11686 | FUEL PUMP - FLHTCU, FLHTCUL, FLHTK, FLHTKL, FLHX, FLHXS, FLTRX & FLTRXS FUEL PUMP - FLHR & FLHRC |
| 11687 | FENDERS, REAR (1 OF 2) |
| 11692 | COOLANT DISTRIBUTION CRANKCASE, ENGINE OIL FILTER & COOLER - TWIN CAM 103™ (1 OF 2) |
| 11700002 | CLUTCH - ASSIST & SLIP - TWIN CAM 103™ - FLHTCUL & FLHTKL |
| 11700005 | FAIRING LOWERS - ULTRA - AIR COOLED |
| | |

| | |
|----------|---|
| 11779 | FRAME & FORK, REAR & TOUR-PAK SUPPORT WIRING HARNESS, MAIN, NON-ABS (FAIRING MODELS) - FLHX (6 OF 8) WIRING HARNESS, MAIN, ABS (FAIRING MODELS) - FLHX & FLHXS (6 OF 8) WIRING HARNESS, MAIN, ABS (FAIRING MODELS) - FLHTCU/L & FLHTK/L (6 OF 8) WIRING HARNESS, MAIN, NON-ABS (NON-FAIRING MODELS) (6 OF 8) WIRING HARNESS, MAIN, ABS (NON-FAIRING MODELS) (6 OF 8) WIRING HARNESS, MAIN, NON-ABS (FAIRING MODELS) - FLTRX & FLTRXS (6 OF 8) WIRING HARNESS, MAIN, ABS (FAIRING MODELS) - FLTRX & FLTRXS (6 OF 8) |
| 11843 | BELT, CHAINS & SPROCKETS WHEELS, REAR |
| 11848 | WHEELS, REAR |
| 11891 | FENDERS, REAR (1 OF 2) |
| 11900010 | CRANKCASE, ENGINE OIL FILTER & COOLER - TWIN CAM 103™ (2 OF 2) |
| 11900021 | BRAKE CONTROL, REAR |
| 11900035 | TRANSMISSION BEARINGS & COVERS |
| 11900039 | CRANKCASE, ENGINE OIL FILTER & COOLER - TWIN CAM 103™ (2 OF 2) |
| 11902 | BRAKE CONTROL, REAR |
| 11936 | EXHAUST SYSTEM |
| 12000005 | FAIRING LOWERS - ULTRA - AIR COOLED |
| 12052A | PRIMARY HOUSING |
| 12068 | CRANKCASE, ENGINE OIL FILTER & COOLER - TWIN CAM 103™ (1 OF 2) CRANKCASE & ENGINE OIL FILTER - TWIN-COOLED™ TWIN CAM 103™ |
| 12074 | TRANSMISSION BEARINGS & COVERS |
| 12077 | TRANSMISSION GEARS |
| 12100007 | BRAKE LINES & MODULE, REAR - ABS |
| 12100017 | LAMPS & SPEAKER HOUSINGS, ULTRA TOUR-PAK (1 OF 2) |
| 12100018 | LAMPS & SPEAKER HOUSINGS, ULTRA TOUR-PAK (1 OF 2) |
| 12100020 | INSTRUMENTS - FLHTCU, FLHTCUL, FLHTK, FLHTKL, FLHX & FLHXS INSTRUMENTS - FLTRX & FLTRXS |
| 12100023 | LAMPS & SPEAKER HOUSINGS, ULTRA TOUR-PAK (1 OF 2) |
| 12100028 | CLUTCH CONTROL (FAIRING MODELS) |
| 12100034 | FAIRING, INNER - FLHTCU, FLHTCUL, FLHTK, FLHTKL, FLHX & FLHXS (1 OF 2) |
| 12100060 | BRAKE LINES & MODULE, REAR - ABS |
| 12102 | BRAKE CONTROL, REAR |
| 12200025 | INSTRUMENT HOUSING - FLTRX & FLTRXS FAIRING LOWERS - ULTRA - TWIN-COOLED™ SOUND SYSTEM - FLTRX & FLTRXS |
| 12200064 | FAIRING, INNER - FLHTCU, FLHTCUL, FLHTK, FLHTKL, FLHX & FLHXS (1 OF 2) |
| 12200092 | FENDERS, FRONT |

| | |
|-----------|--|
| 12400034 | INSTRUMENTS - FLHTCU, FLHTCUL, FLHTK, FLHTKL, FLHX & FLHXS INSTRUMENTS - FLTRX & FLTRXS |
| 12400077 | BRAKE LINES & MODULE, REAR - ABS |
| 12400100 | LICENSE PLATE BRACKETS |
| 12500002 | WIRING HARNESS, MAIN, NON-ABS (FAIRING MODELS) - FLTRX & FLTRXS (1 OF 8) WIRING HARNESS, MAIN, NON-ABS (FAIRING MODELS) - FLTRX & FLTRXS (2 OF 8) WIRING HARNESS, MAIN, ABS (FAIRING MODELS) - FLTRX & FLTRXS (1 OF 8) WIRING HARNESS, MAIN, ABS (FAIRING MODELS) - FLTRX & FLTRXS (2 OF 8) WIRING HARNESS, FAIRING - FLHTCU/L, FLHTK/L, FLHX & FLHXS (2 OF 2) WIRING HARNESS, FAIRING - FLTRX & FLTRXS |
| 12600031 | FOOTBOARDS & FOOTPEGS |
| 12600032 | HANDLEBAR |
| 12600049 | FAIRING LOWERS - ULTRA - AIR COOLED FAIRING LOWERS - ULTRA - TWIN-COOLED™ |
| 12600067 | FRAME & JIFFY STAND (2 OF 2) INSTRUMENTS - FLHTCU, FLHTCUL, FLHTK, FLHTKL, FLHX & FLHXS |
| 12600070 | SOUND SYSTEM - FLHTCU/L, FLHTK/L, FLHX & FLHXS (1 OF 2) SOUND SYSTEM - FLTRX & FLTRXS |
| 12600071 | SOUND SYSTEM - FLHTCU/L, FLHTK/L, FLHX & FLHXS (1 OF 2) SOUND SYSTEM - FLTRX & FLTRXS |
| 12600073 | SOUND SYSTEM - FLHTCU/L, FLHTK/L, FLHX & FLHXS (1 OF 2) SOUND SYSTEM - FLTRX & FLTRXS |
| 1332 | AUXILIARY/FOG LAMPS & TURN SIGNALS, FRONT - FLHTCU, FLHTCUL, FTHTK & FLHTKL |
| 14000347 | AIR CLEANER LABELS |
| 14000827 | FRAME & JIFFY STAND (2 OF 2) LABELS |
| 14019-83A | NACELLE & HEADLAMP - FLHR & FLHRC LABELS |
| 14100073 | FUEL TANK TRIM |
| 14100074 | FUEL TANK TRIM |
| 14100075 | FUEL TANK TRIM |
| 14100076 | FUEL TANK TRIM |
| 14100079 | FUEL TANK TRIM |
| 14100080 | FUEL TANK TRIM |
| 14100082 | CONSOLE, FUEL TANK - FLHTCU, FLHTCUL, FLHTK, FLHTKL, FLHX, FLHXS, FLTRX & FLTRXS (2 OF 2) |
| 14100083 | CB & INTERCOM CONTROL POD |
| 14100085 | CB & INTERCOM CONTROL POD |
| 14100087 | INSTRUMENTS, FUEL TANK - FLHR & FLHRC |

| | |
|-----------|--|
| 14100158 | SWITCHES |
| 14100230 | FENDERS, FRONT |
| 14100231 | FENDERS, FRONT |
| 14100232 | FENDERS, FRONT |
| 14100254 | SADDLEBAGS - FLHRC |
| 14100279 | CONSOLE, FUEL TANK - FLHTCU, FLHTCUL, FLHTK, FLHTKL, FLHX, FLHXS, FLTRX & FLTRXS (2 OF 2) |
| 14100587 | FUEL TANK TRIM |
| 14100588 | FUEL TANK TRIM |
| 14100615 | CONSOLE, FUEL TANK - FLHTCU, FLHTCUL, FLHTK, FLHTKL, FLHX, FLHXS, FLTRX & FLTRXS (2 OF 2) |
| 14148-86 | LABELS |
| 14263-04 | BATTERY LABELS |
| 14272-06 | LABELS |
| 15341-08 | CB & INTERCOM CONTROL POD |
| 15342-06A | LABELS |
| 15346-98A | NACELLE & HEADLAMP - FLHR & FLHRC |
| 15368-01A | BATTERY LABELS |
| 15370-01A | LABELS |
| 15385-08 | LABELS |
| 16200068 | ENGINE ASSEMBLY - TWIN CAM 103™ ENGINE ASSEMBLY, TWIN-COOLED™ - TWIN CAM 103™ |
| 16207-09 | ENGINE MOUNTS & STABILIZER LINK |
| 16219-09 | ENGINE MOUNTS & STABILIZER LINK |
| 16316-08 | HORN |
| 16321-08 | ENGINE MOUNTS & STABILIZER LINK |
| 16400004 | ENGINE MOUNTS & STABILIZER LINK |
| 16400005 | FRAME & FORK, REAR & TOUR-PAK SUPPORT |
| 16400028 | COOLING SYSTEM, ENGINE, TWIN-COOLED™ - TWIN CAM 103™ |
| 16465-06 | CYLINDERS, HEADS & VALVES - TWIN CAM 103™ CYLINDERS, HEADS & VALVES, TWIN-COOLED™ - TWIN CAM 103™ |
| 16478-85A | CYLINDERS, HEADS & VALVES - TWIN CAM 103™ CYLINDERS, HEADS & VALVES, TWIN-COOLED™ - TWIN CAM 103™ |
| 16480-92A | CYLINDERS, HEADS & VALVES - TWIN CAM 103™ CYLINDERS, HEADS & VALVES, TWIN-COOLED™ - TWIN CAM 103™ |

| | |
|-----------|--|
| 16500066 | CYLINDERS, HEADS & VALVES, TWIN-COOLED™ - TWIN CAM 103™ |
| 16500244 | CYLINDERS, HEADS & VALVES, TWIN-COOLED™ - TWIN CAM 103™ |
| 16500245 | CYLINDERS, HEADS & VALVES, TWIN-COOLED™ - TWIN CAM 103™ |
| 16547-99A | CYLINDERS, HEADS & VALVES - TWIN CAM 103™ CYLINDERS, HEADS & VALVES, TWIN-COOLED™ - TWIN CAM 103™ |
| 16574-99A | CRANKCASE, ENGINE OIL FILTER & COOLER - TWIN CAM 103™ (1 OF 2) CRANKCASE & ENGINE OIL FILTER - TWIN-COOLED™ TWIN CAM 103™ TRANSMISSION HOUSING, TOP COVER & OIL PAN |
| 16583-00A | TRANSMISSION BEARINGS & COVERS PRIMARY HOUSING |
| 16589-99A | CRANKCASE, ENGINE OIL FILTER & COOLER - TWIN CAM 103™ (1 OF 2) CRANKCASE & ENGINE OIL FILTER - TWIN-COOLED™ TWIN CAM 103™ |
| 16595-99A | CYLINDERS, HEADS & VALVES - TWIN CAM 103™ CYLINDERS, HEADS & VALVES, TWIN-COOLED™ - TWIN CAM 103™ CRANKCASE, ENGINE OIL FILTER & COOLER - TWIN CAM 103™ (1 OF 2) CRANKCASE & ENGINE OIL FILTER - TWIN-COOLED™ TWIN CAM 103™ |
| 16699-06 | CYLINDERS, HEADS & VALVES - TWIN CAM 103™ CYLINDERS, HEADS & VALVES, TWIN-COOLED™ - TWIN CAM 103™ |
| 16715-83 | CYLINDERS, HEADS & VALVES - TWIN CAM 103™ CYLINDERS, HEADS & VALVES, TWIN-COOLED™ - TWIN CAM 103™ |
| 16719-99B | ROCKER ARM ASSEMBLY & PUSHRODS - TWIN CAM 103™ |
| 16787-99A | CYLINDERS, HEADS & VALVES - TWIN CAM 103™ |
| 16834-99A | CYLINDERS, HEADS & VALVES - TWIN CAM 103™ CYLINDERS, HEADS & VALVES, TWIN-COOLED™ - TWIN CAM 103™ |
| 17025-03A | ROCKER ARM ASSEMBLY & PUSHRODS - TWIN CAM 103™ |
| 17045-99D | ROCKER ARM ASSEMBLY & PUSHRODS - TWIN CAM 103™ CAMSHAFTS & CAMSHAFT COVER - TWIN CAM 103™ |
| 17052-99C | CYLINDERS, HEADS & VALVES - TWIN CAM 103™ |
| 17053-99C | CYLINDERS, HEADS & VALVES - TWIN CAM 103™ |
| 17360-83A | ROCKER ARM ASSEMBLY & PUSHRODS - TWIN CAM 103™ |
| 17369-06 | PRIMARY HOUSING |
| 17375-83A | ROCKER ARM ASSEMBLY & PUSHRODS - TWIN CAM 103™ |
| 17386-99A | ROCKER ARM ASSEMBLY & PUSHRODS - TWIN CAM 103™ |
| 17429-91 | ROCKER ARM ASSEMBLY & PUSHRODS - TWIN CAM 103™ |
| 17460-07A | CYLINDERS, HEADS & VALVES - TWIN CAM 103™ CYLINDERS, HEADS & VALVES, TWIN-COOLED™ - TWIN CAM 103™ |
| 17572-99 | ROCKER ARM ASSEMBLY & PUSHRODS - TWIN CAM 103™ |
| 17573-99A | ROCKER ARM ASSEMBLY & PUSHRODS - TWIN CAM 103™ |
| 17594-99 | ROCKER ARM ASSEMBLY & PUSHRODS - TWIN CAM 103™ |

| | |
|-----------|--|
| 17611-83 | ROCKER ARM ASSEMBLY & PUSHRODS - TWIN CAM 103™ |
| 17728-08 | CYLINDERS, HEADS & VALVES - TWIN CAM 103™ |
| 17729-08 | CYLINDERS, HEADS & VALVES - TWIN CAM 103™ |
| 17732-14 | CYLINDERS, HEADS & VALVES, TWIN-COOLED™ - TWIN CAM 103™ |
| 17733-14 | CYLINDERS, HEADS & VALVES, TWIN-COOLED™ - TWIN CAM 103™ |
| 1780 | PRIMARY HOUSING |
| 17922-99 | ROCKER ARM ASSEMBLY & PUSHRODS - TWIN CAM 103™ |
| 17923-99 | ROCKER ARM ASSEMBLY & PUSHRODS - TWIN CAM 103™ |
| 17939-99 | ROCKER ARM ASSEMBLY & PUSHRODS - TWIN CAM 103™ |
| 17945-36B | ROCKER ARM ASSEMBLY & PUSHRODS - TWIN CAM 103™ |
| 17947-36 | ROCKER ARM ASSEMBLY & PUSHRODS - TWIN CAM 103™ |
| 17948-99 | ROCKER ARM ASSEMBLY & PUSHRODS - TWIN CAM 103™ |
| 17964-99 | ROCKER ARM ASSEMBLY & PUSHRODS - TWIN CAM 103™ |
| 17966-99 | ROCKER ARM ASSEMBLY & PUSHRODS - TWIN CAM 103™ |
| 17968-99 | ROCKER ARM ASSEMBLY & PUSHRODS - TWIN CAM 103™ |
| 18011-86 | CYLINDERS, HEADS & VALVES - TWIN CAM 103™ CYLINDERS, HEADS & VALVES, TWIN-COOLED™ - TWIN CAM 103™ |
| 18020-83 | CYLINDERS, HEADS & VALVES - TWIN CAM 103™ CYLINDERS, HEADS & VALVES, TWIN-COOLED™ - TWIN CAM 103™ |
| 18074-05A | CYLINDERS, HEADS & VALVES - TWIN CAM 103™ CYLINDERS, HEADS & VALVES, TWIN-COOLED™ - TWIN CAM 103™ |
| 18085-05B | CYLINDERS, HEADS & VALVES - TWIN CAM 103™ CYLINDERS, HEADS & VALVES, TWIN-COOLED™ - TWIN CAM 103™ |
| 18094-02A | CYLINDERS, HEADS & VALVES - TWIN CAM 103™ CYLINDERS, HEADS & VALVES, TWIN-COOLED™ - TWIN CAM 103™ |
| 18245-02 | CYLINDERS, HEADS & VALVES - TWIN CAM 103™ CYLINDERS, HEADS & VALVES, TWIN-COOLED™ - TWIN CAM 103™ |
| 18258-02 | CYLINDERS, HEADS & VALVES - TWIN CAM 103™ CYLINDERS, HEADS & VALVES, TWIN-COOLED™ - TWIN CAM 103™ |
| 18260-02 | CYLINDERS, HEADS & VALVES - TWIN CAM 103™ CYLINDERS, HEADS & VALVES, TWIN-COOLED™ - TWIN CAM 103™ |
| 18400035 | CYLINDERS, HEADS & VALVES, TWIN-COOLED™ - TWIN CAM 103™ |
| 18535-99 | ROCKER ARM ASSEMBLY & PUSHRODS - TWIN CAM 103™ |
| 18538-99C | ROCKER ARM ASSEMBLY & PUSHRODS - TWIN CAM 103™ |
| 18635-99B | ROCKER ARM ASSEMBLY & PUSHRODS - TWIN CAM 103™ |
| 19291-15 | ENGINE ASSEMBLY, TWIN-COOLED™ - TWIN CAM 103™ |
| 19678-15 | ENGINE ASSEMBLY - TWIN CAM 103™ |

| | |
|-----------|--|
| 21918-99 | PISTONS & FLYWHEEL ASSEMBLY - TWIN CAM 103™ |
| 21919-99 | PISTONS & FLYWHEEL ASSEMBLY - TWIN CAM 103™ |
| 21945-99 | PISTONS & FLYWHEEL ASSEMBLY - TWIN CAM 103™ |
| 21962-07 | PISTONS & FLYWHEEL ASSEMBLY - TWIN CAM 103™ |
| 21964-07 | PISTONS & FLYWHEEL ASSEMBLY - TWIN CAM 103™ |
| 22000031 | FORK, FRONT, LEFT & RIGHT - STANDARD FORK, FRONT, LEFT & RIGHT - LOW |
| 22097-99 | PISTONS & FLYWHEEL ASSEMBLY - TWIN CAM 103™ |
| 221 | TRANSMISSION BEARINGS & COVERS |
| 22131-05 | PISTONS & FLYWHEEL ASSEMBLY - TWIN CAM 103™ |
| 22307-99 | CRANKCASE, ENGINE OIL FILTER & COOLER - TWIN CAM 103™ (1 OF 2) CRANKCASE & ENGINE OIL FILTER - TWIN-COOLED™ TWIN CAM 103™ |
| 23729-07B | PISTONS & FLYWHEEL ASSEMBLY - TWIN CAM 103™ |
| 24004-03B | CRANKCASE, ENGINE OIL FILTER & COOLER - TWIN CAM 103™ (1 OF 2) CRANKCASE & ENGINE OIL FILTER - TWIN-COOLED™ TWIN CAM 103™ |
| 24009-06 | CRANKCASE, ENGINE OIL FILTER & COOLER - TWIN CAM 103™ (1 OF 2) CRANKCASE & ENGINE OIL FILTER - TWIN-COOLED™ TWIN CAM 103™ ALTERNATOR & REGULATOR |
| 2445 | WINDSHIELD, FAIRING & HEADLAMP - FLHTCU/L, FLHTK/L, FLHX & FLHXS (1 OF 2) FAIRING, INNER - FLHTCU, FLHTCUL, FLHTK, FLHTKL, FLHX & FLHXS (1 OF 2) |
| 2446 | LICENSE PLATE BRACKETS LICENSE PLATE BRACKETS |
| 2452 | WINDSHIELD - FLHR & FLHRC |
| 24605-07 | CRANKCASE, ENGINE OIL FILTER & COOLER - TWIN CAM 103™ (1 OF 2) CRANKCASE & ENGINE OIL FILTER - TWIN-COOLED™ TWIN CAM 103™ |
| 24621-06B | CRANKCASE, ENGINE OIL FILTER & COOLER - TWIN CAM 103™ (2 OF 2) CRANKCASE & ENGINE OIL FILTER - TWIN-COOLED™ TWIN CAM 103™ |
| 24754-75A | ENGINE MOUNTS & STABILIZER LINK PRIMARY HOUSING |
| 2478 | FAIRING, INNER - FLHTCU, FLHTCUL, FLHTK, FLHTKL, FLHX & FLHXS (1 OF 2) SOUND SYSTEM - FLHTCU/L, FLHTK/L, FLHX & FLHXS (1 OF 2) SOUND SYSTEM - FLTRX & FLTRXS |
| 2479 | BRAKE CONTROL, REAR |
| 2482 | TAIL LAMP & TURN SIGNALS, REAR (1 OF 2) TAIL LAMP & TURN SIGNALS, REAR (1 OF 2) |
| 25244-99A | CAMSHAFTS & CAMSHAFT COVER - TWIN CAM 103™ |
| 2531 | FENDERS, FRONT |
| 25355-06A | CAMSHAFTS & CAMSHAFT COVER - TWIN CAM 103™ |
| 25369-01B | CAMSHAFTS & CAMSHAFT COVER - TWIN CAM 103™ |

| | |
|-----------|---|
| 25400002 | CAMSHAFTS & CAMSHAFT COVER - TWIN CAM 103™ |
| 25400003 | CAMSHAFTS & CAMSHAFT COVER - TWIN CAM 103™ |
| 25566-06 | CAMSHAFTS & CAMSHAFT COVER - TWIN CAM 103™ |
| 25585-06 | CAMSHAFTS & CAMSHAFT COVER - TWIN CAM 103™ |
| 25600012 | CAMSHAFTS & CAMSHAFT COVER - TWIN CAM 103™ |
| 25604-00A | TRANSMISSION BEARINGS & COVERS |
| 25605-00A | TRANSMISSION BEARINGS & COVERS |
| 2563 | INSTRUMENTS - FLHTCU, FLHTCUL, FLHTK, FLHTKL, FLHX & FLHXS INSTRUMENTS - FLTRX & FLTRXS WINDSHIELD, FAIRING & HEADLAMP - FLTRX & FLTRXS FAIRING, INNER - FLHTCU, FLHTCUL, FLHTK, FLHTKL, FLHX & FLHXS (1 OF 2) FAIRING, INNER - FLHTCU, FLHTCUL, FLHTK, FLHTKL, FLHX & FLHXS (1 OF 2) FAIRING, INNER - FLTRX & FLTRXS (1 OF 2) |
| 25673-06 | CAMSHAFTS & CAMSHAFT COVER - TWIN CAM 103™ |
| 25675-06 | CAMSHAFTS & CAMSHAFT COVER - TWIN CAM 103™ |
| 25683-06 | CAMSHAFTS & CAMSHAFT COVER - TWIN CAM 103™ |
| 25700178 | TRANSMISSION BEARINGS & COVERS |
| 25700179 | TRANSMISSION BEARINGS & COVERS |
| 25700226 | PRIMARY HOUSING |
| 25700385 | PRIMARY HOUSING |
| 25700388 | PRIMARY HOUSING |
| 25700489 | INSTRUMENT HOUSING - FLTRX & FLTRXS |
| 25728-06 | CAMSHAFTS & CAMSHAFT COVER - TWIN CAM 103™ |
| 25729-06 | CAMSHAFTS & CAMSHAFT COVER - TWIN CAM 103™ |
| 25731-06 | CAMSHAFTS & CAMSHAFT COVER - TWIN CAM 103™ |
| 25734-06 | CAMSHAFTS & CAMSHAFT COVER - TWIN CAM 103™ |
| 25736-06 | CAMSHAFTS & CAMSHAFT COVER - TWIN CAM 103™ |
| 25737-06 | CAMSHAFTS & CAMSHAFT COVER - TWIN CAM 103™ |
| 25738-06 | CAMSHAFTS & CAMSHAFT COVER - TWIN CAM 103™ |
| 2590 | CLUTCH CONTROL (FAIRING MODELS) |
| 26037-06 | CAMSHAFTS & CAMSHAFT COVER - TWIN CAM 103™ |
| 26041-05A | CRANKCASE, ENGINE OIL FILTER & COOLER - TWIN CAM 103™ (2 OF 2) |
| 26064-08 | CYLINDERS, HEADS & VALVES, TWIN-COOLED™ - TWIN CAM 103™ COOLING SYSTEM, ENGINE, TWIN-COOLED™ - TWIN CAM 103™ |
| 26077-99A | TRANSMISSION HOUSING, TOP COVER & OIL PAN |
| 26210-99 | CAMSHAFTS & CAMSHAFT COVER - TWIN CAM 103™ |

| | |
|-----------|---|
| 26278-06 | CAMSHAFTS & CAMSHAFT COVER - TWIN CAM 103™ |
| 26281-06 | CAMSHAFTS & CAMSHAFT COVER - TWIN CAM 103™ |
| 26282-06 | CAMSHAFTS & CAMSHAFT COVER - TWIN CAM 103™ |
| 26352-95A | CRANKCASE & ENGINE OIL FILTER - TWIN-COOLED™ TWIN CAM 103™ |
| 26400-82B | CAMSHAFTS & CAMSHAFT COVER - TWIN CAM 103™ |
| 2647B | NACELLE & HEADLAMP - FLHR & FLHRC AUXILIARY/FOG LAMPS & TURN SIGNALS, FRONT - FLHR & FLHRC FAIRING, INNER - FLTRX & FLTRXS (1 OF 2) SWITCHES |
| 26500002 | ROCKER ARM ASSEMBLY & PUSHRODS - TWIN CAM 103™ |
| 26561-99 | SENSORS & SWITCHES, ENGINE |
| 26600012 | COOLANT DISTRIBUTION |
| 26700001A | COOLANT DISTRIBUTION RADIATOR, COOLANT HOSES & BOTTLE |
| 26780-05A | RADIATOR, COOLANT HOSES & BOTTLE |
| 26800002 | COOLANT DISTRIBUTION |
| 26800005 | RADIATOR, COOLANT HOSES & BOTTLE |
| 26800006 | RADIATOR, COOLANT HOSES & BOTTLE |
| 26800007A | RADIATOR, COOLANT HOSES & BOTTLE |
| 26800008 | FAIRING LOWERS - ULTRA - TWIN-COOLED™ |
| 26800009 | FAIRING LOWERS - ULTRA - TWIN-COOLED™ |
| 26800019A | RADIATOR, COOLANT HOSES & BOTTLE |
| 26800020A | RADIATOR, COOLANT HOSES & BOTTLE |
| 26800021 | RADIATOR, COOLANT HOSES & BOTTLE |
| 26900001 | COOLANT DISTRIBUTION |
| 26900002 | COOLANT DISTRIBUTION |
| 26900003 | COOLANT DISTRIBUTION |
| 26900006 | COOLANT DISTRIBUTION |
| 26900007 | RADIATOR, COOLANT HOSES & BOTTLE |
| 26900008 | RADIATOR, COOLANT HOSES & BOTTLE |
| 26900009 | RADIATOR, COOLANT HOSES & BOTTLE |
| 26900010 | RADIATOR, COOLANT HOSES & BOTTLE |
| 26900011 | RADIATOR, COOLANT HOSES & BOTTLE |
| 26900014 | RADIATOR, COOLANT HOSES & BOTTLE |

| | |
|-----------|---|
| 26900016 | RADIATOR, COOLANT HOSES & BOTTLE |
| 26900017 | RADIATOR, COOLANT HOSES & BOTTLE |
| 26900018 | RADIATOR, COOLANT HOSES & BOTTLE |
| 26900021 | COOLING SYSTEM, ENGINE, TWIN-COOLED™ - TWIN CAM 103™ |
| 26900022 | COOLING SYSTEM, ENGINE, TWIN-COOLED™ - TWIN CAM 103™ |
| 26900023 | COOLING SYSTEM, ENGINE, TWIN-COOLED™ - TWIN CAM 103™ |
| 26900024 | COOLING SYSTEM, ENGINE, TWIN-COOLED™ - TWIN CAM 103™ |
| 26900027 | COOLING SYSTEM, ENGINE, TWIN-COOLED™ - TWIN CAM 103™ |
| 26900028 | COOLING SYSTEM, ENGINE, TWIN-COOLED™ - TWIN CAM 103™ |
| 26900029 | COOLING SYSTEM, ENGINE, TWIN-COOLED™ - TWIN CAM 103™ |
| 2692WB | TAIL LAMP & TURN SIGNALS, REAR (1 OF 2) |
| 26993-06 | INDUCTION MODULE, FUEL |
| 26995-86B | INDUCTION MODULE, FUEL |
| 2708A | FRAME & JIFFY STAND (1 OF 2) FOOTBOARDS & FOOTPEGS HANDLEBAR |
| 27200002 | INDUCTION MODULE, FUEL |
| 2724 | TOUR-PAK (BOTTOM) |
| 27291-09A | FUEL TANK - FLHTCU, FLHTCUL, FLHTK, FLHTKL, FLHX, FLHXS, FLTRX & FLTRXS FUEL TANK - FLHR & FLHRC EVAPORATIVE EMISSIONS COMPONENTS |
| 27297-09A | EVAPORATIVE EMISSIONS COMPONENTS |
| 27298-09A | EVAPORATIVE EMISSIONS COMPONENTS |
| 2731W | FRAME & FORK, REAR & TOUR-PAK SUPPORT LOOSE PARTS (1 OF 2) |
| 27439-09A | EVAPORATIVE EMISSIONS COMPONENTS |
| 27440-09A | FUEL TANK - FLHTCU, FLHTCUL, FLHTK, FLHTKL, FLHX, FLHXS, FLTRX & FLTRXS FUEL TANK - FLHR & FLHRC |
| 27444-00Y | STARTER MOTOR |
| 27609-01B | INDUCTION MODULE, FUEL |
| 27711-08 | INDUCTION MODULE, FUEL |
| 27712-08 | INDUCTION MODULE, FUEL |
| 27715-07 | EVAPORATIVE EMISSIONS COMPONENTS |
| 27721-08 | INDUCTION MODULE, FUEL |
| 27729-10 | EXHAUST SYSTEM |
| 27809-10 | EXHAUST SYSTEM |

| | |
|-------------|---|
| 28004-01 | COOLING SYSTEM, ENGINE, TWIN-COOLED™ - TWIN CAM 103™ |
| 28005-01 | COOLING SYSTEM, ENGINE, TWIN-COOLED™ - TWIN CAM 103™ |
| 28861-07A | CYLINDERS, HEADS & VALVES - TWIN CAM 103™ |
| 29000026 | AIR CLEANER |
| 29000033 | AIR CLEANER |
| 29200003 | FAIRING, INNER - FLHTCU, FLHTCUL, FLHTK, FLHTKL, FLHX & FLHXS (1 OF 2) |
| 29200007 | WINDSHIELD, FAIRING & HEADLAMP - FLHTCU/L, FLHTK/L, FLHX & FLHXS (1 OF 2) |
| 29200014 | AIR CLEANER |
| 29200015 | AIR CLEANER |
| 29200017 | AIR CLEANER |
| 29200018 | AIR CLEANER |
| 29200034 | FAIRING, INNER - FLHTCU, FLHTCUL, FLHTK, FLHTKL, FLHX & FLHXS (1 OF 2) |
| 29200035 | FAIRING, INNER - FLHTCU, FLHTCUL, FLHTK, FLHTKL, FLHX & FLHXS (1 OF 2) |
| 29200039 | FAIRING, INNER - FLHTCU, FLHTCUL, FLHTK, FLHTKL, FLHX & FLHXS (1 OF 2) |
| 29200041BYM | WINDSHIELD, FAIRING & HEADLAMP - FLTRX & FLTRXS |
| 29200041DH | WINDSHIELD, FAIRING & HEADLAMP - FLTRX & FLTRXS |
| 29200061 | FAIRING, INNER - FLTRX & FLTRXS (1 OF 2) |
| 29200062 | FAIRING, INNER - FLTRX & FLTRXS (1 OF 2) |
| 29200063 | FAIRING, INNER - FLTRX & FLTRXS (1 OF 2) |
| 29200071 | FAIRING, INNER - FLTRX & FLTRXS (1 OF 2) |
| 29200072 | FAIRING, INNER - FLTRX & FLTRXS (1 OF 2) |
| 29200073 | WINDSHIELD, FAIRING & HEADLAMP - FLTRX & FLTRXS |
| 29200075 | WINDSHIELD, FAIRING & HEADLAMP - FLTRX & FLTRXS |
| 29200078 | WINDSHIELD, FAIRING & HEADLAMP - FLTRX & FLTRXS |
| 29200080 | WINDSHIELD, FAIRING & HEADLAMP - FLTRX & FLTRXS |
| 29200081 | WINDSHIELD, FAIRING & HEADLAMP - FLTRX & FLTRXS |
| 2921 | WINDSHIELD - FLHR & FLHRC |
| 29269-83A | AIR CLEANER |
| 2933 | NACELLE & HEADLAMP - FLHR & FLHRC |
| 29400043 | AIR CLEANER |
| 29400045 | AIR CLEANER |
| 29400046 | AIR CLEANER |
| | |

| | |
|-----------|---|
| 29465-08A | AIR CLEANER |
| 2952A | SEATS |
| 2968 | TOUR-PAK (BOTTOM) |
| 2980 | CLUTCH - CONVENTIONAL - TWIN CAM 103™ - FLHR/C, FLHTCU, FLHTK, FLHX/S & FLTRX/S |
| 2995 | FENDERS, REAR (1 OF 2) FAIRING LOWERS - ULTRA - AIR COOLED |
| 29987-06D | ALTERNATOR & REGULATOR |
| 30041-08A | ALTERNATOR & REGULATOR |
| 3022A | TAIL LAMP |
| 3050 | ALTERNATOR & REGULATOR |
| 3057 | FRAME & FORK, REAR & TOUR-PAK SUPPORT |
| 3061 | LICENSE PLATE BRACKETS LICENSE PLATE BRACKETS LICENSE PLATE BRACKETS |
| 3088 | NACELLE & HEADLAMP - FLHR & FLHRC WINDSHIELD, FAIRING & HEADLAMP - FLHTCU/L, FLHTK/L, FLHX & FLHXS (1 OF 2) |
| 3143 | FOOTBOARDS & FOOTPEGS |
| 31500009 | ACTIVE INTAKE & EXHAUST |
| 3152 | INSTRUMENT HOUSING - FLTRX & FLTRXS SOUND SYSTEM - FLTRX & FLTRXS |
| 31527-90 | STARTER MOTOR |
| 31586-07 | WIRING HARNESS, MAIN, NON-ABS (FAIRING MODELS) - FLHX (8 OF 8) WIRING HARNESS, MAIN, ABS (FAIRING MODELS) - FLHX & FLHXS (8 OF 8) WIRING HARNESS, MAIN, ABS (FAIRING MODELS) - FLHTCU/L & FLHTK/L (8 OF 8) WIRING HARNESS, MAIN, NON-ABS (NON-FAIRING MODELS) (8 OF 8) WIRING HARNESS, MAIN, ABS (NON-FAIRING MODELS) (8 OF 8) WIRING HARNESS, MAIN, NON-ABS (FAIRING MODELS) - FLTRX & FLTRXS (8 OF 8) WIRING HARNESS, MAIN, ABS (FAIRING MODELS) - FLTRX & FLTRXS (8 OF 8) |
| 31604-06 | STARTER MOTOR |
| 31611-08 | STARTER MOTOR |
| 31618-06A | STARTER MOTOR |
| 31633-07A | STARTER MOTOR |
| 31696-07A | ELECTRONIC CONTROL MODULE (ECM) & COIL |
| 32013-09A | ELECTRONIC CONTROL MODULE (ECM) & COIL |
| 32014-09A | ELECTRONIC CONTROL MODULE (ECM) & COIL |
| 3225 | NACELLE & HEADLAMP - FLHR & FLHRC |
| 32305-08A | THROTTLE CONTROL |
| 32306-08 | THROTTLE CONTROL |
| | |

| | |
|-----------|--|
| 32319-07A | INDUCTION MODULE, FUEL SENSORS & SWITCHES, ENGINE |
| 32362-04A | ELECTRONIC CONTROL MODULE (ECM) & COIL |
| 32446-99 | SENSORS & SWITCHES, ENGINE |
| 3249 | TRANSMISSION BEARINGS & COVERS |
| 3265A | NACELLE & HEADLAMP - FLHR & FLHRC AUXILIARY/FOG LAMPS & TURN SIGNALS, FRONT - FLHR & FLHRC WINDSHIELD - FLHR & FLHRC |
| 32700010 | SWITCHES |
| 32700015 | WHEELS, FRONT |
| 32700017 | WHEELS, FRONT |
| 32700028 | RADIATOR, COOLANT HOSES & BOTTLE |
| 32707-01C | SENSORS & SWITCHES, ENGINE |
| 3275 | INDUCTION MODULE, FUEL SHIFTER, GEAR |
| 3300 | TRANSMISSION BEARINGS & COVERS |
| 33085-74 | FOOTBOARDS & FOOTPEGS |
| 33166-10A | TRANSMISSION HOUSING, TOP COVER & OIL PAN |
| 33389-07 | SHIFTER, GEAR |
| 33409-06B | SHIFTER, GEAR |
| 33413-06A | SHIFTER, GEAR |
| 33709-82A | SHIFTER, GEAR |
| 33718-82B | SHIFTER, GEAR |
| 33759-99B | SHIFTER, GEAR |
| 33849-97 | SHIFTER, GEAR |
| 33895-82D | SHIFTER, GEAR |
| 33926-06B | TRANSMISSION HOUSING, TOP COVER & OIL PAN SWITCHES |
| 3403 | BATTERY |
| 34064-00C | SHIFTER, GEAR |
| 34091-08 | TRANSMISSION GEARS |
| 34469-06B | TRANSMISSION HOUSING, TOP COVER & OIL PAN |
| 34611-65A | SHIFTER, GEAR |
| 34719-07B | TRANSMISSION HOUSING, TOP COVER & OIL PAN |
| 34901-07 | PRIMARY HOUSING |
| | |

| | |
|-----------|---|
| 34917-06 | TRANSMISSION HOUSING, TOP COVER & OIL PAN |
| 34920-86A | TRANSMISSION BEARINGS & COVERS |
| 34934-06 | PRIMARY HOUSING |
| 34987-06 | SHIFTER, GEAR |
| 35081-06 | SHIFTER, GEAR |
| 35082-07 | SHIFTER, GEAR TRANSMISSION BEARINGS & COVERS |
| 35087-99A | TRANSMISSION BEARINGS & COVERS |
| 35114-02 | CRANKCASE, ENGINE OIL FILTER & COOLER - TWIN CAM 103™ (2 OF 2) CRANKCASE & ENGINE OIL FILTER - TWIN-COOLED™ TWIN CAM 103™ |
| 35122-06 | TRANSMISSION GEARS |
| 35124-06 | TRANSMISSION GEARS |
| 35126-06 | TRANSMISSION GEARS |
| 3514 | AUXILIARY/FOG LAMPS & TURN SIGNALS, FRONT - FLHR & FLHRC AUXILIARY/FOG LAMPS & TURN SIGNALS, FRONT - FLHTCU, FLHTCUL, FTHTK & FLHTKL |
| 35186-06 | SHIFTER, GEAR TRANSMISSION BEARINGS & COVERS |
| 35187-06 | SHIFTER, GEAR |
| 35201-10 | TRANSMISSION GEARS |
| 35202-06 | TRANSMISSION GEARS |
| 35204-06 | TRANSMISSION GEARS |
| 35210-06 | SHIFTER, GEAR |
| 35217-06 | SHIFTER, GEAR |
| 35222-06 | SHIFTER, GEAR |
| 35223-06 | SHIFTER, GEAR |
| 35241-06 | BELT, CHAINS & SPROCKETS |
| 35242-06 | BELT, CHAINS & SPROCKETS |
| 35243-06 | SHIFTER, GEAR |
| 35244-06 | SHIFTER, GEAR |
| 35246-10A | SHIFTER, GEAR TRANSMISSION GEARS |
| 35249-06A | SHIFTER, GEAR |
| 35259-06 | SHIFTER, GEAR |
| 35260-06A | TRANSMISSION BEARINGS & COVERS |
| 3529 | CONSOLE, FUEL TANK - FLHTCU, FLHTCUL, FLHTK, FLHTKL, FLHX, FLHXS, FLTRX & FLTRXS (1 OF 2) |

| | |
|-----------|--|
| 3536 | FRAME & FORK, REAR & TOUR-PAK SUPPORT |
| 35467-06B | TRANSMISSION GEARS |
| 35470-10 | TRANSMISSION GEARS |
| 35607-06 | TRANSMISSION BEARINGS & COVERS |
| 3560WA | FENDERS, FRONT |
| 3561WC | FENDERS, FRONT |
| 3563 | BRAKE CONTROL, REAR BRAKE LINES & MODULE, REAR - ABS HORN |
| 35654-06 | TRANSMISSION BEARINGS & COVERS |
| 3576 | TAIL LAMP & TURN SIGNALS, REAR (1 OF 2) TAIL LAMP & TURN SIGNALS, REAR (1 OF 2) EXHAUST SYSTEM |
| 35801-10 | TRANSMISSION GEARS |
| 35805-06A | TRANSMISSION GEARS |
| 35807-06 | TRANSMISSION GEARS |
| 35811-06 | TRANSMISSION GEARS |
| 35814-06 | TRANSMISSION GEARS |
| 3588 | CONSOLE, FUEL TANK - FLHTCU, FLHTCUL, FLHTK, FLHTKL, FLHX, FLHXS, FLTRX & FLTRXS (1 OF 2) INSTRUMENTS, FUEL TANK - FLHR & FLHRC |
| 3594 | BELT, CHAINS & SPROCKETS FRAME & JIFFY STAND (1 OF 2) |
| 3601 | GUARDS, SADDLEBAG |
| 3607 | SHOCK ABSORBERS, REAR & AIR SUSPENSION SYSTEM - FLHR, FLHRC, FLHTCU, FLHTK, FLHX & FLTRX SHOCK ABSORBERS, REAR - FLHTCUL, FLHTKL, FLHXS & FLTRXS |
| 3612 | FENDERS, FRONT FENDERS, REAR (1 OF 2) LAMPS & SPEAKER HOUSINGS, ULTRA TOUR-PAK (1 OF 2) |
| 3622 | INSTRUMENTS, FUEL TANK - FLHR & FLHRC |
| 3634 | ELECTRONIC CONTROL MODULE (ECM) & COIL FUEL TANK - FLHTCU, FLHTCUL, FLHTK, FLHTKL, FLHX, FLHXS, FLTRX & FLTRXS FUEL TANK - FLHR & FLHRC BATTERY |
| 36500034A | BELT, CHAINS & SPROCKETS |
| 3655A | WHEELS, FRONT FAIRING LOWERS - ULTRA - AIR COOLED FAIRING LOWERS - ULTRA - TWIN-COOLED™ |
| 3656 | SADDLEBAGS (1 OF 2) |
| | |

| | |
|-----------|--|
| 36700056A | CLUTCH CONTROL (FAIRING MODELS) |
| 36700057 | CLUTCH CONTROL (FAIRING MODELS) |
| 36700113 | CLUTCH CONTROL (FAIRING MODELS) |
| 36706-01K | CLUTCH - ASSIST & SLIP - TWIN CAM 103™ - FLHTCUL & FLHTKL |
| 36731-91 | CLUTCH - CONVENTIONAL - TWIN CAM 103™ - FLHR/C, FLHTCU, FLHTK, FLHX/S & FLTRX/S CLUTCH - ASSIST & SLIP - TWIN CAM 103™ - FLHTCUL & FLHTKL |
| 3676 | INSTRUMENT HOUSING - FLTRX & FLTRXS |
| 36805-06 | TRANSMISSION BEARINGS & COVERS |
| 3684 | FRAME & FORK, REAR & TOUR-PAK SUPPORT FENDERS, REAR (1 OF 2) GUARDS, SADDLEBAG GUARDS, SADDLEBAG |
| 3692A | ROCKER ARM ASSEMBLY & PUSHRODS - TWIN CAM 103™ ROCKER ARM ASSEMBLY & PUSHRODS - TWIN CAM 103™ |
| 3693A | ROCKER ARM ASSEMBLY & PUSHRODS - TWIN CAM 103™ |
| 3699D | TRANSMISSION HOUSING, TOP COVER & OIL PAN |
| 37000026 | CLUTCH - ASSIST & SLIP - TWIN CAM 103™ - FLHTCUL & FLHTKL |
| 37000032 | CLUTCH - ASSIST & SLIP - TWIN CAM 103™ - FLHTCUL & FLHTKL |
| 37000033 | CLUTCH - ASSIST & SLIP - TWIN CAM 103™ - FLHTCUL & FLHTKL |
| 37000034 | CLUTCH - ASSIST & SLIP - TWIN CAM 103™ - FLHTCUL & FLHTKL |
| 37000035 | CLUTCH - ASSIST & SLIP - TWIN CAM 103™ - FLHTCUL & FLHTKL |
| 37000036 | CLUTCH - ASSIST & SLIP - TWIN CAM 103™ - FLHTCUL & FLHTKL |
| 37000072 | CLUTCH - CONVENTIONAL - TWIN CAM 103™ - FLHR/C, FLHTCU, FLHTK, FLHX/S & FLTRX/S |
| 37000083 | CLUTCH - ASSIST & SLIP - TWIN CAM 103™ - FLHTCUL & FLHTKL |
| 37000118 | CLUTCH - ASSIST & SLIP - TWIN CAM 103™ - FLHTCUL & FLHTKL |
| 37000217 | CLUTCH - CONVENTIONAL - TWIN CAM 103™ - FLHR/C, FLHTCU, FLHTK, FLHX/S & FLTRX/S CLUTCH - ASSIST & SLIP - TWIN CAM 103™ - FLHTCUL & FLHTKL |
| 37000218 | CLUTCH - CONVENTIONAL - TWIN CAM 103™ - FLHR/C, FLHTCU, FLHTK, FLHX/S & FLTRX/S CLUTCH - ASSIST & SLIP - TWIN CAM 103™ - FLHTCUL & FLHTKL |
| 37065-06 | TRANSMISSION BEARINGS & COVERS |
| 37069-90A | TRANSMISSION GEARS CLUTCH - CONVENTIONAL - TWIN CAM 103™ - FLHR/C, FLHTCU, FLHTK, FLHX/S & FLTRX/S |
| 37090-98A | CLUTCH - CONVENTIONAL - TWIN CAM 103™ - FLHR/C, FLHTCU, FLHTK, FLHX/S & FLTRX/S |
| 37092-06 | CLUTCH - CONVENTIONAL - TWIN CAM 103™ - FLHR/C, FLHTCU, FLHTK, FLHX/S & FLTRX/S |
| 37116-06 | TRANSMISSION BEARINGS & COVERS |
| 37200005 | TRANSMISSION BEARINGS & COVERS CLUTCH CONTROL (NON-FAIRING MODELS) |
| | |

| | |
|-----------|--|
| 37200023 | TRANSMISSION BEARINGS & COVERS |
| 37200024 | CLUTCH CONTROL (FAIRING MODELS) |
| 37200034 | TRANSMISSION BEARINGS & COVERS |
| 37200096 | CLUTCH CONTROL (FAIRING MODELS) |
| 37200097 | CLUTCH CONTROL (FAIRING MODELS) |
| 37312-75 | TRANSMISSION GEARS CLUTCH - CONVENTIONAL - TWIN CAM 103™ - FLHR/C, FLHTCU, FLHTK, FLHX/S & FLTRX/S |
| 37313-80 | TRANSMISSION GEARS CLUTCH - CONVENTIONAL - TWIN CAM 103™ - FLHR/C, FLHTCU, FLHTK, FLHX/S & FLTRX/S |
| 3736B | ROCKER ARM ASSEMBLY & PUSHRODS - TWIN CAM 103™ |
| 37496-90A | CLUTCH - CONVENTIONAL - TWIN CAM 103™ - FLHR/C, FLHTCU, FLHTK, FLHX/S & FLTRX/S CLUTCH - ASSIST & SLIP - TWIN CAM 103™ - FLHTCUL & FLHTKL |
| 37554-11 | CLUTCH - CONVENTIONAL - TWIN CAM 103™ - FLHR/C, FLHTCU, FLHTK, FLHX/S & FLTRX/S |
| 3767B | TOUR-PAK (BOTTOM) LOOSE PARTS (1 OF 2) |
| 3787 | FRAME & JIFFY STAND (1 OF 2) FRAME & JIFFY STAND (1 OF 2) FAIRING, INNER - FLTRX & FLTRXS (1 OF 2) |
| 37871-98A | CLUTCH - CONVENTIONAL - TWIN CAM 103™ - FLHR/C, FLHTCU, FLHTK, FLHX/S & FLTRX/S CLUTCH - CONVENTIONAL - TWIN CAM 103™ - FLHR/C, FLHTCU, FLHTK, FLHX/S & FLTRX/S |
| 37872-00 | CLUTCH - CONVENTIONAL - TWIN CAM 103™ - FLHR/C, FLHTCU, FLHTK, FLHX/S & FLTRX/S |
| 37883-98 | CLUTCH - CONVENTIONAL - TWIN CAM 103™ - FLHR/C, FLHTCU, FLHTK, FLHX/S & FLTRX/S |
| 37884-98 | CLUTCH - CONVENTIONAL - TWIN CAM 103™ - FLHR/C, FLHTCU, FLHTK, FLHX/S & FLTRX/S |
| 37903-90 | CLUTCH - CONVENTIONAL - TWIN CAM 103™ - FLHR/C, FLHTCU, FLHTK, FLHX/S & FLTRX/S |
| 37904-90 | CLUTCH - CONVENTIONAL - TWIN CAM 103™ - FLHR/C, FLHTCU, FLHTK, FLHX/S & FLTRX/S CLUTCH - ASSIST & SLIP - TWIN CAM 103™ - FLHTCUL & FLHTKL |
| 37905-00 | CLUTCH - CONVENTIONAL - TWIN CAM 103™ - FLHR/C, FLHTCU, FLHTK, FLHX/S & FLTRX/S CLUTCH - ASSIST & SLIP - TWIN CAM 103™ - FLHTCUL & FLHTKL |
| 37906-11 | CLUTCH - CONVENTIONAL - TWIN CAM 103™ - FLHR/C, FLHTCU, FLHTK, FLHX/S & FLTRX/S CLUTCH - ASSIST & SLIP - TWIN CAM 103™ - FLHTCUL & FLHTKL |
| 37909-90 | CLUTCH - CONVENTIONAL - TWIN CAM 103™ - FLHR/C, FLHTCU, FLHTK, FLHX/S & FLTRX/S CLUTCH - ASSIST & SLIP - TWIN CAM 103™ - FLHTCUL & FLHTKL |
| 37912-00 | CLUTCH - CONVENTIONAL - TWIN CAM 103™ - FLHR/C, FLHTCU, FLHTK, FLHX/S & FLTRX/S |
| 37913-98 | CLUTCH - CONVENTIONAL - TWIN CAM 103™ - FLHR/C, FLHTCU, FLHTK, FLHX/S & FLTRX/S |
| 37932-98 | CLUTCH - CONVENTIONAL - TWIN CAM 103™ - FLHR/C, FLHTCU, FLHTK, FLHX/S & FLTRX/S |
| 38630-88 | TRANSMISSION BEARINGS & COVERS CLUTCH CONTROL (NON-FAIRING MODELS) |
| 38700-08A | CLUTCH CONTROL (NON-FAIRING MODELS) |
| 38722-94 | WINDSHIELD - FLHR & FLHRC |

| | |
|-----------|--|
| 38738-08 | CLUTCH CONTROL (NON-FAIRING MODELS) CLUTCH CONTROL (FAIRING MODELS) |
| 38900-08 | CLUTCH CONTROL (NON-FAIRING MODELS) |
| 3892 | BELT, CHAINS & SPROCKETS |
| 3901 | SEATS |
| 3910 | TOUR-PAK (BOTTOM) |
| 3929 | EXHAUST SYSTEM |
| 3983 | TRANSMISSION HOUSING, TOP COVER & OIL PAN |
| 3987 | FRAME & JIFFY STAND (1 OF 2) TURN SIGNALS, FRONT - FLHX & FLHXS |
| 39929-06B | PRIMARY HOUSING |
| 3993 | ACTIVE INTAKE & EXHAUST |
| 39968-06 | CAMSHAFTS & CAMSHAFT COVER - TWIN CAM 103™ |
| 39969-06 | CAMSHAFTS & CAMSHAFT COVER - TWIN CAM 103™ |
| 40024-09 | BELT, CHAINS & SPROCKETS |
| 40037-07 | BELT, CHAINS & SPROCKETS |
| 40100041 | BELT, CHAINS & SPROCKETS |
| 40217-09 | BELT, CHAINS & SPROCKETS WHEELS, REAR |
| 40278-09 | BELT, CHAINS & SPROCKETS WHEELS, REAR |
| 40323-00 | CAMSHAFTS & CAMSHAFT COVER - TWIN CAM 103™ |
| 4032A | FOOTBOARDS & FOOTPEGS |
| 40558-82 | WHEELS, FRONT |
| 40592-09 | WHEELS, REAR |
| 40615-08 | WHEELS, REAR |
| 40659-06 | BELT, CHAINS & SPROCKETS |
| 40900026 | WHEELS, REAR |
| 40900033 | WHEELS, REAR |
| 40900213 | WHEELS, REAR |
| 40901-05 | AUXILIARY/FOG LAMPS & TURN SIGNALS, FRONT - FLHTCU, FLHTCUL, FTHTK & FLHTKL |
| 40960-09 | WHEELS, FRONT |
| 40999-87 | WHEELS, FRONT WHEELS, REAR |
| 41000057 | ELECTRONIC CONTROL MODULE (ECM) & COIL |

| | |
|-----------|--|
| 41052-09A | WHEELS, REAR |
| 41100013 | BRAKE LINES & MODULE, REAR - ABS |
| 41123-79 | WHEELS, FRONT WHEELS, REAR SHOCK ABSORBERS, REAR & AIR SUSPENSION SYSTEM - FLHR, FLHRC, FLHTCU, FLHTK, FLHX & FLTRX |
| 41229-08 | WHEELS, REAR |
| 41242-08 | WHEELS, REAR |
| 4132 | CLUTCH CONTROL (NON-FAIRING MODELS) CLUTCH CONTROL (FAIRING MODELS) BRAKE CONTROL, FRONT |
| 41349-07 | WHEELS, REAR |
| 41445-09 | WHEELS, REAR |
| 41500017 | WHEELS, FRONT |
| 41500018 | WHEELS, FRONT |
| 41500019 | WHEELS, FRONT |
| 41500020 | WHEELS, FRONT |
| 41547-07A | WHEELS, FRONT |
| 41600029 | BRAKE LINE, FRONT - NON-ABS BRAKE LINES, FRONT - ABS FORK BRACKETS, FRONT |
| 41600031 | CLUTCH CONTROL (FAIRING MODELS) BRAKE LINES, FRONT - ABS |
| 41600032 | BRAKE LINES, FRONT - ABS |
| 41600078 | BRAKE LINES & MODULE, REAR - ABS |
| 41600091 | BRAKE CONTROL, REAR BRAKE LINES & MODULE, REAR - ABS |
| 41700028 | BRAKE CONTROL, REAR |
| 41700195 | BRAKE CONTROL, REAR |
| 41700321 | BRAKE CONTROL, FRONT |
| 41700367 | BRAKE CONTROL, FRONT |
| 41746-09 | WHEELS, REAR |
| 41750-06B | CLUTCH CONTROL (FAIRING MODELS) BRAKE CONTROL, FRONT BRAKE LINE, FRONT - NON-ABS BRAKE LINES, FRONT - ABS BRAKE CONTROL, REAR BRAKE CONTROL, REAR BRAKE LINES & MODULE, REAR - ABS |
| 41751-06A | CLUTCH CONTROL (FAIRING MODELS) BRAKE CONTROL, FRONT |

| | |
|-----------|--|
| | BRAKE LINE, FRONT - NON-ABS BRAKE LINES, FRONT - ABS BRAKE CONTROL, REAR BRAKE CONTROL, REAR BRAKE LINES & MODULE, REAR - ABS |
| 41783-08 | BRAKE LINE, FRONT - NON-ABS BRAKE LINES, FRONT - ABS |
| 41800009 | BRAKE LINES, FRONT - ABS |
| 41800010 | BRAKE LINES, FRONT - ABS |
| 41800011 | BRAKE LINES, FRONT - ABS |
| 41800012 | BRAKE CONTROL, REAR BRAKE LINES & MODULE, REAR - ABS |
| 41800013 | BRAKE LINES & MODULE, REAR - ABS |
| 41800174 | BRAKE LINE, FRONT - NON-ABS |
| 41800175 | BRAKE CONTROL, REAR |
| 41800194 | BRAKE LINES, FRONT - ABS |
| 41800195 | BRAKE LINES, FRONT - ABS |
| 41800314 | BRAKE LINES, FRONT - ABS |
| 41800315 | BRAKE LINES, FRONT - ABS |
| 41800316 | BRAKE LINES, FRONT - ABS |
| 41800340 | BRAKE LINE, FRONT - NON-ABS |
| 41808-08A | WHEELS, FRONT |
| 41809-08A | WHEELS, FRONT |
| 41810-08B | WHEELS, REAR |
| 41819-02 | WHEELS, REAR |
| 41852-08B | BRAKE CALIPER, REAR |
| 41854-08 | BRAKE CALIPER, FRONT |
| 41900-08 | WHEELS, FRONT |
| 41901-08 | WHEELS, FRONT WHEELS, FRONT |
| 4194 | CONSOLE, FUEL TANK - FLHTCU, FLHTCUL, FLHTK, FLHTKL, FLHX, FLHXS, FLTRX & FLTRXS (1 OF 2) INSTRUMENTS, FUEL TANK - FLHR & FLHRC |
| 42018-09 | WHEELS, REAR |
| 42145-06 | CLUTCH CONTROL (FAIRING MODELS) |
| 4240 | FORK BRACKETS, FRONT HANDLEBAR |
| 42410-04 | BRAKE CONTROL, REAR |

| | |
|-----------|--|
| 42416-06 | BRAKE CONTROL, REAR |
| 42444-04 | BRAKE CONTROL, REAR |
| 42460-80B | BRAKE CONTROL, REAR |
| 42642-00A | PRIMARY HOUSING |
| 4266A | COOLANT DISTRIBUTION CRANKCASE, ENGINE OIL FILTER & COOLER - TWIN CAM 103™ (1 OF 2) |
| 42849-08 | BRAKE CALIPER, FRONT |
| 42851-06 | BRAKE CALIPER, FRONT |
| 42852-06A | BRAKE CALIPER, FRONT |
| 42853-06 | BRAKE LINE, FRONT - NON-ABS BRAKE LINES, FRONT - ABS BRAKE CALIPER, REAR |
| 42854-06 | BRAKE CONTROL, FRONT BRAKE CONTROL, REAR |
| 42855-06C | BRAKE CONTROL, FRONT |
| 42856-06 | BRAKE CONTROL, FRONT |
| 42857-06B | BRAKE CONTROL, FRONT |
| 42858-06A | BRAKE CONTROL, FRONT BRAKE CONTROL, REAR |
| 42859-06B | BRAKE CONTROL, FRONT |
| 42860-06B | BRAKE CONTROL, FRONT |
| 42861-06B | BRAKE CONTROL, FRONT |
| 42862-06B | BRAKE CONTROL, FRONT |
| 42863-06 | BRAKE CALIPER, REAR |
| 42865-06B | BRAKE CALIPER, REAR |
| 42867-06A | BRAKE CALIPER, REAR |
| 42889-06 | BRAKE CONTROL, REAR |
| 42932-08A | BRAKE CONTROL, REAR |
| 42934-08 | BRAKE CONTROL, REAR |
| 42937-08B | BRAKE CONTROL, REAR |
| 43000002 | WHEELS, REAR |
| 43027-08 | BRAKE CALIPER, FRONT |
| 43085-97 | WHEELS, FRONT |
| 43099-09 | WHEELS, REAR |
| 43100013 | WHEELS, FRONT |

| | |
|-----------|--|
| 43109-09A | WHEELS, FRONT |
| 43118-92A | WHEELS, FRONT |
| 4312C | BATTERY |
| 4313 | ENGINE MOUNTS & STABILIZER LINK |
| 43147-40 | WHEELS, FRONT |
| 43200027 | WHEELS, REAR |
| 43230-09 | WHEELS, REAR |
| 43241-05 | WHEELS, FRONT |
| 43300019 | WHEELS, FRONT |
| 43300027 | WHEELS, FRONT |
| 43300221 | WHEELS, FRONT |
| 43567-92 | WHEELS, REAR |
| 4400 | ROCKER ARM ASSEMBLY & PUSHRODS - TWIN CAM 103™ |
| 44023-08 | BRAKE CALIPER, FRONT |
| 44080-08C | BRAKE CALIPER, REAR |
| 44089-08 | BRAKE CALIPER, REAR |
| 44160-00 | BRAKE CALIPER, FRONT |
| 4419 | STARTER MOTOR |
| 44341-08 | BRAKE CALIPER, FRONT |
| 44551-08E | BRAKE CONTROL, FRONT |
| 44613-02 | TRANSMISSION BEARINGS & COVERS |
| 45021-86 | CLUTCH CONTROL (NON-FAIRING MODELS) |
| 45041-01A | FOOTBOARDS & FOOTPEGS |
| 45080-08 | CLUTCH CONTROL (NON-FAIRING MODELS) |
| 45138-08A | CLUTCH CONTROL (NON-FAIRING MODELS) CLUTCH CONTROL (FAIRING MODELS) BRAKE CONTROL, FRONT |
| 45400021 | FORK, FRONT, LEFT & RIGHT - STANDARD |
| 45400022 | FORK, FRONT, LEFT & RIGHT - STANDARD |
| 45400056 | FORK, FRONT, LEFT & RIGHT - LOW |
| 45400057 | FORK, FRONT, LEFT & RIGHT - LOW |
| 45423-92 | CLUTCH CONTROL (NON-FAIRING MODELS) CLUTCH CONTROL (FAIRING MODELS) |
| 45500109 | FORK, FRONT, LEFT & RIGHT - STANDARD |

| | |
|-----------|--|
| | FORK, FRONT, LEFT & RIGHT - LOW |
| 45500111 | FORK, FRONT, LEFT & RIGHT - STANDARD FORK, FRONT, LEFT & RIGHT - LOW |
| 45500113 | FORK, FRONT, LEFT & RIGHT - STANDARD |
| 45500114 | FORK, FRONT, LEFT & RIGHT - STANDARD |
| 45500116 | FORK, FRONT, LEFT & RIGHT - STANDARD |
| 45500117 | FORK, FRONT, LEFT & RIGHT - STANDARD FORK, FRONT, LEFT & RIGHT - LOW |
| 45500118 | FORK, FRONT, LEFT & RIGHT - STANDARD FORK, FRONT, LEFT & RIGHT - LOW |
| 45500132 | FORK, FRONT, LEFT & RIGHT - STANDARD FORK, FRONT, LEFT & RIGHT - LOW |
| 45500225 | FORK, FRONT, LEFT & RIGHT - LOW |
| 45500233 | FORK, FRONT, LEFT & RIGHT - LOW |
| 45500234 | FORK, FRONT, LEFT & RIGHT - LOW |
| 45500235 | FORK, FRONT, LEFT & RIGHT - LOW |
| 45500236 | FORK, FRONT, LEFT & RIGHT - LOW |
| 45500237 | FORK, FRONT, LEFT & RIGHT - LOW |
| 45500251 | FORK, FRONT, LEFT & RIGHT - STANDARD FORK, FRONT, LEFT & RIGHT - LOW |
| 45500252 | FORK, FRONT, LEFT & RIGHT - LOW |
| 45500253 | FORK, FRONT, LEFT & RIGHT - LOW |
| 45600003 | FORK BRACKETS, FRONT |
| 45700009 | FORK BRACKETS, FRONT FRAME & JIFFY STAND (2 OF 2) |
| 45700020A | FORK BRACKETS, FRONT |
| 45800023 | FORK BRACKETS, FRONT |
| 45893-99 | TRANSMISSION HOUSING, TOP COVER & OIL PAN |
| 45900024 | FORK BRACKETS, FRONT |
| 45900091A | FORK BRACKETS, FRONT |
| 4597M | BRAKE CALIPER, REAR |
| 46080-01 | FORK, FRONT, LEFT & RIGHT - STANDARD FORK, FRONT, LEFT & RIGHT - LOW |
| 4612 | EVAPORATIVE EMISSIONS COMPONENTS FAIRING, INNER - FLTRX & FLTRXS (1 OF 2) |
| 46236-02 | FORK, FRONT, LEFT & RIGHT - LOW |
| 46237-02 | FORK, FRONT, LEFT & RIGHT - LOW |

| | |
|-------------|--|
| 46246-01 | CLUTCH CONTROL (FAIRING MODELS) |
| 46262-02 | FORK, FRONT, LEFT & RIGHT - LOW |
| 46322-06 | CLUTCH CONTROL (FAIRING MODELS) |
| 46324-06 | CLUTCH CONTROL (FAIRING MODELS) |
| 46508-01 | FORK, FRONT, LEFT & RIGHT - STANDARD FORK, FRONT, LEFT & RIGHT - LOW |
| 46509-01 | FORK, FRONT, LEFT & RIGHT - STANDARD FORK, FRONT, LEFT & RIGHT - LOW |
| 46510-07 | FORK, FRONT, LEFT & RIGHT - STANDARD FORK, FRONT, LEFT & RIGHT - LOW |
| 46513-01 | FORK, FRONT, LEFT & RIGHT - STANDARD FORK, FRONT, LEFT & RIGHT - LOW |
| 46514-01A | FORK, FRONT, LEFT & RIGHT - STANDARD FORK, FRONT, LEFT & RIGHT - LOW |
| 46515-01 | FORK, FRONT, LEFT & RIGHT - STANDARD FORK, FRONT, LEFT & RIGHT - LOW |
| 46516-01 | FORK, FRONT, LEFT & RIGHT - STANDARD FORK, FRONT, LEFT & RIGHT - LOW |
| 46517-01 | FORK, FRONT, LEFT & RIGHT - STANDARD FORK, FRONT, LEFT & RIGHT - LOW |
| 46615-06 | FORK, FRONT, LEFT & RIGHT - STANDARD FORK, FRONT, LEFT & RIGHT - LOW |
| 4688 | ENGINE MOUNTS & STABILIZER LINK FRAME & JIFFY STAND (1 OF 2) FOOTBOARDS & FOOTPEGS |
| 4694 | FAIRING, INNER - FLTRX & FLTRXS (1 OF 2) |
| 4705 | INDUCTION MODULE, FUEL SENSORS & SWITCHES, ENGINE TRANSMISSION BEARINGS & COVERS TRANSMISSION HOUSING, TOP COVER & OIL PAN EXHAUST SYSTEM |
| 4706 | FAIRING, INNER - FLTRX & FLTRXS (1 OF 2) |
| 47159-09BHP | ENGINE MOUNTS & STABILIZER LINK |
| 4718A | TRANSMISSION BEARINGS & COVERS TRANSMISSION BEARINGS & COVERS |
| 47200080 | FRAME & FORK, REAR & TOUR-PAK SUPPORT |
| 47200081 | FRAME & FORK, REAR & TOUR-PAK SUPPORT |
| 47200217 | SOUND SYSTEM - FLTRX & FLTRXS |
| 47200261 | FAIRING, INNER - FLTRX & FLTRXS (1 OF 2) |
| 47200262 | FAIRING, INNER - FLTRX & FLTRXS (1 OF 2) |
| 47200266 | FAIRING, INNER - FLTRX & FLTRXS (1 OF 2) |

| | |
|-------------|--|
| 47200275 | FAIRING LOWERS - ULTRA - AIR COOLED FAIRING LOWERS - ULTRA - TWIN-COOLED™ |
| 4721 | ENGINE MOUNTS & STABILIZER LINK |
| 47365-09 | FOOTBOARDS & FOOTPEGS |
| 4740A | CAMSHAFTS & CAMSHAFT COVER - TWIN CAM 103™ |
| 4741A | ROCKER ARM ASSEMBLY & PUSHRODS - TWIN CAM 103™ COOLANT DISTRIBUTION CAMSHAFTS & CAMSHAFT COVER - TWIN CAM 103™ TRANSMISSION BEARINGS & COVERS TRANSMISSION HOUSING, TOP COVER & OIL PAN WINDSHIELD, FAIRING & HEADLAMP - FLTRX & FLTRXS |
| 47540-11 | FRAME & FORK, REAR & TOUR-PAK SUPPORT |
| 47549-09 | FRAME & FORK, REAR & TOUR-PAK SUPPORT |
| 47584-09 | FRAME & FORK, REAR & TOUR-PAK SUPPORT |
| 4775 | HORN |
| 4790 | WINDSHIELD, FAIRING & HEADLAMP - FLHTCU/L, FLHTK/L, FLHX & FLHXS (1 OF 2) |
| 47900-14BHP | FRAME & JIFFY STAND (1 OF 2) |
| 48079-09BHP | FRAME & FORK, REAR & TOUR-PAK SUPPORT |
| 4813A | PRIMARY HOUSING |
| 4816A | WINDSHIELD, FAIRING & HEADLAMP - FLTRX & FLTRXS |
| 4826 | ELECTRONIC CONTROL MODULE (ECM) & COIL |
| 4838 | ENGINE MOUNTS & STABILIZER LINK |
| 48487-02 | FRAME & FORK, REAR & TOUR-PAK SUPPORT |
| 48489-02 | FRAME & FORK, REAR & TOUR-PAK SUPPORT |
| 4856 | CONSOLE, FUEL TANK - FLHTCU, FLHTCUL, FLHTK, FLHTKL, FLHX, FLHXS, FLTRX & FLTRXS (1 OF 2) INSTRUMENTS, FUEL TANK - FLHR & FLHRC |
| 4867 | ANTENNAS |
| 4868 | ENGINE MOUNTS & STABILIZER LINK |
| 4881 | ROCKER ARM ASSEMBLY & PUSHRODS - TWIN CAM 103™ |
| 4890 | BRAKE LINE, FRONT - NON-ABS BRAKE LINES, FRONT - ABS BRAKE CALIPER, REAR |
| 49015-04A | FOOTBOARDS & FOOTPEGS |
| 49036-04A | FOOTBOARDS & FOOTPEGS |
| 4916 | FOOTBOARDS & FOOTPEGS |
| 49184-09A | FRAME & JIFFY STAND (1 OF 2) |
| | |

| | |
|-----------|---|
| 4924 | FRAME & JIFFY STAND (1 OF 2) SEATS GUARDS, SADDLEBAG GUARDS, SADDLEBAG |
| 49725-07A | FRAME & JIFFY STAND (1 OF 2) |
| 50000083 | FRAME & JIFFY STAND (2 OF 2) |
| 50015-74A | FRAME & JIFFY STAND (1 OF 2) |
| 50075-07A | FRAME & JIFFY STAND (1 OF 2) |
| 50096-09 | FRAME & JIFFY STAND (1 OF 2) |
| 50126-08A | FRAME & JIFFY STAND (1 OF 2) |
| 50208-04 | FOOTBOARDS & FOOTPEGS |
| 50245-07 | FRAME & JIFFY STAND (1 OF 2) |
| 50345-04 | FOOTBOARDS & FOOTPEGS |
| 50350-04 | FOOTBOARDS & FOOTPEGS |
| 50500143 | FOOTBOARDS & FOOTPEGS |
| 50500145 | FOOTBOARDS & FOOTPEGS |
| 50500146 | FOOTBOARDS & FOOTPEGS |
| 50500332 | FOOTBOARDS & FOOTPEGS |
| 50500334 | FOOTBOARDS & FOOTPEGS |
| 50500339 | FOOTBOARDS & FOOTPEGS |
| 50500360 | FOOTBOARDS & FOOTPEGS |
| 50518-09 | FOOTBOARDS & FOOTPEGS |
| 50600067 | BRAKE CONTROL, REAR |
| 50606-06 | FOOTBOARDS & FOOTPEGS |
| 50613-91A | FOOTBOARDS & FOOTPEGS |
| 50614-06 | FOOTBOARDS & FOOTPEGS |
| 50621-06 | FOOTBOARDS & FOOTPEGS |
| 50622-09A | FOOTBOARDS & FOOTPEGS |
| 50674-05 | FOOTBOARDS & FOOTPEGS |
| 50683-04 | FOOTBOARDS & FOOTPEGS |
| 50684-11 | FOOTBOARDS & FOOTPEGS |
| 50688-04 | FOOTBOARDS & FOOTPEGS |
| 50689-11 | FOOTBOARDS & FOOTPEGS |
| 50899-99A | FOOTBOARDS & FOOTPEGS |

| | |
|-----------|--|
| 50912-72 | FOOTBOARDS & FOOTPEGS |
| 50933-86A | FOOTBOARDS & FOOTPEGS |
| 5118 | AUXILIARY/FOG LAMPS & TURN SIGNALS, FRONT - FLHTCU, FLHTCUL, FTHTK & FLHTKL TURN SIGNALS, FRONT - FLHX & FLHXS TURN SIGNALS, FRONT - FLHX & FLHXS WINDSHIELD, FAIRING & HEADLAMP - FLTRX & FLTRXS FAIRING, INNER - FLTRX & FLTRXS (1 OF 2) SWITCHES, HANDLEBAR, RIGHT WIRING HARNESS, MAIN, NON-ABS (NON-FAIRING MODELS) (2 OF 8) WIRING HARNESS, MAIN, ABS (NON-FAIRING MODELS) (2 OF 8) WIRING HARNESS, MAIN, NON-ABS (FAIRING MODELS) - FLTRX & FLTRXS (2 OF 8) WIRING HARNESS, MAIN, ABS (FAIRING MODELS) - FLTRX & FLTRXS (2 OF 8) WIRING HARNESS, FAIRING - FLHTCU/L, FLHTK/L, FLHX & FLHXS (1 OF 2) WIRING HARNESS, FAIRING - FLTRX & FLTRXS |
| 515 | BRAKE CONTROL, REAR |
| 52000033 | SEATS |
| 52000038 | SEATS |
| 52000060 | SEATS |
| 52000122 | SEATS |
| 52000142 | SEATS |
| 52000173 | SEATS |
| 52000174 | SEATS |
| 5210 | NACELLE & HEADLAMP - FLHR & FLHRC LAMPS & SPEAKER HOUSINGS, ULTRA TOUR-PAK (1 OF 2) |
| 5211 | LAMPS & SPEAKER HOUSINGS, ULTRA TOUR-PAK (1 OF 2) |
| 52300053 | SEATS LOOSE PARTS (1 OF 2) |
| 52300121 | SEATS |
| 52300122 | SEATS |
| 52300123 | SEATS |
| 52300127 | SEATS |
| 52320-11 | SEATS |
| 52400015 | SEATS |
| 52400016 | SEATS |
| 52400017 | SEATS |
| 52400018 | SEATS |
| 52400021 | SEATS |
| 52400054 | SEATS |
| 52400067 | SEATS |
| | |

| | |
|-----------|--|
| 52400099 | SEATS |
| 52400116 | SEATS |
| 52441-95 | TAIL LAMP & TURN SIGNALS, REAR (1 OF 2) |
| 52719-10 | FOOTBOARDS & FOOTPEGS |
| 53000090 | TOUR-PAK (COVER) |
| 53000091 | TOUR-PAK (BOTTOM) |
| 53000123 | TOUR-PAK (BOTTOM) |
| 53000124 | TOUR-PAK (BOTTOM) |
| 53000125 | FRAME & FORK, REAR & TOUR-PAK SUPPORT |
| 53000132 | TOUR-PAK (BOTTOM) |
| 53000137 | TOUR-PAK (COVER) |
| 53000138 | TOUR-PAK (BOTTOM) |
| 53000139 | TOUR-PAK (BOTTOM) TOUR-PAK (COVER) |
| 53000140 | TOUR-PAK (BOTTOM) TOUR-PAK (COVER) |
| 53000141 | TOUR-PAK (COVER) |
| 53000308 | TOUR-PAK (BOTTOM) |
| 53000311 | TOUR-PAK (BOTTOM) LOOSE PARTS (1 OF 2) |
| 53000346 | TOUR-PAK (BOTTOM) |
| 53000347 | TOUR-PAK (COVER) |
| 53000370 | TOUR-PAK (COVER) |
| 53436-97 | NACELLE & HEADLAMP - FLHR & FLHRC WINDSHIELD, FAIRING & HEADLAMP - FLHTCU/L, FLHTK/L, FLHX & FLHXS (1 OF 2) |
| 53598-88A | TOUR-PAK (BOTTOM) LOOSE PARTS (1 OF 2) |
| 53665-87 | TOUR-PAK (COVER) |
| 53734-06 | TOUR-PAK (BOTTOM) |
| 53735-06 | TOUR-PAK (BOTTOM) |
| 53788-06 | TOUR-PAK (BOTTOM) |
| 53789-06 | TOUR-PAK (BOTTOM) |
| 53919-04A | CONSOLE, FUEL TANK - FLHTCU, FLHTCUL, FLHTK, FLHTKL, FLHX, FLHXS, FLTRX & FLTRXS (1 OF 2) |
| 54000036 | SHOCK ABSORBERS, REAR & AIR SUSPENSION SYSTEM - FLHR, FLHRC, FLHTCU, FLHTK, FLHX & FLTRX |
| | |

| | |
|-----------|---|
| 54000038 | SHOCK ABSORBERS, REAR & AIR SUSPENSION SYSTEM - FLHR, FLHRC, FLHTCU, FLHTK, FLHX & FLTRX |
| 54000039 | SHOCK ABSORBERS, REAR & AIR SUSPENSION SYSTEM - FLHR, FLHRC, FLHTCU, FLHTK, FLHX & FLTRX |
| 54000081 | SHOCK ABSORBERS, REAR - FLHTCUL, FLHTKL, FLHXS & FLTRXS |
| 54000082 | SHOCK ABSORBERS, REAR - FLHTCUL, FLHTKL, FLHXS & FLTRXS |
| 5416 | EXHAUST SYSTEM |
| 54320-97 | SHOCK ABSORBERS, REAR & AIR SUSPENSION SYSTEM - FLHR, FLHRC, FLHTCU, FLHTK, FLHX & FLTRX |
| 54321-85 | WHEELS, FRONT WHEELS, REAR SHOCK ABSORBERS, REAR & AIR SUSPENSION SYSTEM - FLHR, FLHRC, FLHTCU, FLHTK, FLHX & FLTRX |
| 54354-94A | SHOCK ABSORBERS, REAR & AIR SUSPENSION SYSTEM - FLHR, FLHRC, FLHTCU, FLHTK, FLHX & FLTRX |
| 54357-03 | SHOCK ABSORBERS, REAR & AIR SUSPENSION SYSTEM - FLHR, FLHRC, FLHTCU, FLHTK, FLHX & FLTRX |
| 54395-10 | SEATS |
| 54662-09 | SHOCK ABSORBERS, REAR & AIR SUSPENSION SYSTEM - FLHR, FLHRC, FLHTCU, FLHTK, FLHX & FLTRX |
| 54677-10 | SHOCK ABSORBERS, REAR - FLHTCUL, FLHTKL, FLHXS & FLTRXS |
| 55800091 | NACELLE & HEADLAMP - FLHR & FLHRC |
| 55800099 | HANDLEBAR |
| 55800305 | HANDLEBAR |
| 55800332 | HANDLEBAR |
| 55900071 | HANDLEBAR |
| 55900078 | HANDLEBAR |
| 55918-08 | HANDLEBAR |
| 55924-14 | HANDLEBAR |
| 56000011 | MIRRORS |
| 56000012 | MIRRORS |
| 56000015 | MIRRORS |
| 56000016 | MIRRORS |
| 56100075 | THROTTLE CONTROL |
| 56159-73 | HANDLEBAR |
| 56161-83A | HANDLEBAR |
| 56163-93 | HANDLEBAR |
| | |

| | |
|-------------|---|
| 56209-10 | THROTTLE CONTROL |
| 56248-08 | THROTTLE CONTROL |
| 56249-10 | THROTTLE CONTROL |
| 56250-10 | THROTTLE CONTROL |
| 56304-08 | THROTTLE CONTROL |
| 56667-04 | THROTTLE CONTROL |
| 57000017 | FAIRING, INNER - FLHTCU, FLHTCUL, FLHTK, FLHTKL, FLHX & FLHXS (1 OF 2) |
| 57000064BYM | FAIRING, INNER - FLHTCU, FLHTCUL, FLHTK, FLHTKL, FLHX & FLHXS (1 OF 2) |
| 57000064DH | FAIRING, INNER - FLHTCU, FLHTCUL, FLHTK, FLHTKL, FLHX & FLHXS (1 OF 2) |
| 57000065BYM | FAIRING, INNER - FLHTCU, FLHTCUL, FLHTK, FLHTKL, FLHX & FLHXS (1 OF 2) |
| 57000065DH | FAIRING, INNER - FLHTCU, FLHTCUL, FLHTK, FLHTKL, FLHX & FLHXS (1 OF 2) |
| 57000169 | FAIRING, INNER - FLHTCU, FLHTCUL, FLHTK, FLHTKL, FLHX & FLHXS (1 OF 2) |
| 57000170 | FAIRING, INNER - FLHTCU, FLHTCUL, FLHTK, FLHTKL, FLHX & FLHXS (1 OF 2) |
| 57000172 | FAIRING, INNER - FLHTCU, FLHTCUL, FLHTK, FLHTKL, FLHX & FLHXS (1 OF 2) |
| 57000175 | FAIRING, INNER - FLHTCU, FLHTCUL, FLHTK, FLHTKL, FLHX & FLHXS (2 OF 2) |
| 57000186 | FAIRING, INNER - FLHTCU, FLHTCUL, FLHTK, FLHTKL, FLHX & FLHXS (2 OF 2) |
| 57000247 | SOUND SYSTEM - FLHTCU/L, FLHTK/L, FLHX & FLHXS (1 OF 2) |
| 57000299 | FAIRING, INNER - FLHTCU, FLHTCUL, FLHTK, FLHTKL, FLHX & FLHXS (2 OF 2) |
| 57000305 | FAIRING, INNER - FLTRX & FLTRXS (2 OF 2) |
| 57000377 | WINDSHIELD, FAIRING & HEADLAMP - FLHTCU/L, FLHTK/L, FLHX & FLHXS (1 OF 2) |
| 57000383 | WINDSHIELD, FAIRING & HEADLAMP - FLHTCU/L, FLHTK/L, FLHX & FLHXS (1 OF 2) |
| 57000412 | INSTRUMENT HOUSING - FLTRX & FLTRXS |
| 57000501 | WINDSHIELD, FAIRING & HEADLAMP - FLTRX & FLTRXS |
| 57000504 | WINDSHIELD, FAIRING & HEADLAMP - FLTRX & FLTRXS |
| 57000508 | INSTRUMENT HOUSING - FLTRX & FLTRXS |
| 57100098 | FAIRING LOWERS - ULTRA - AIR COOLED |
| 57100099 | FAIRING LOWERS - ULTRA - TWIN-COOLED™ |
| 57100101 | FAIRING LOWERS - ULTRA - AIR COOLED |
| 57100102 | FAIRING LOWERS - ULTRA - AIR COOLED |
| 57100103 | FAIRING LOWERS - ULTRA - AIR COOLED |
| 57100104 | FAIRING LOWERS - ULTRA - AIR COOLED |
| 57100107 | FAIRING LOWERS - ULTRA - TWIN-COOLED™ |
| 57100108 | FAIRING LOWERS - ULTRA - AIR COOLED |

| | |
|----------|--|
| 57100109 | FAIRING LOWERS - ULTRA - TWIN-COOLED™ |
| 57100110 | FAIRING LOWERS - ULTRA - AIR COOLED |
| 57100111 | FAIRING LOWERS - ULTRA - AIR COOLED FAIRING LOWERS - ULTRA - TWIN-COOLED™ |
| 57100112 | FAIRING LOWERS - ULTRA - AIR COOLED FAIRING LOWERS - ULTRA - TWIN-COOLED™ |
| 57100113 | FAIRING LOWERS - ULTRA - AIR COOLED FAIRING LOWERS - ULTRA - TWIN-COOLED™ |
| 57100114 | FAIRING LOWERS - ULTRA - AIR COOLED FAIRING LOWERS - ULTRA - TWIN-COOLED™ |
| 57100147 | FAIRING LOWERS - ULTRA - TWIN-COOLED™ |
| 57100148 | FAIRING LOWERS - ULTRA - TWIN-COOLED™ |
| 57100149 | FAIRING LOWERS - ULTRA - AIR COOLED |
| 57100150 | FAIRING LOWERS - ULTRA - AIR COOLED |
| 57100151 | FAIRING LOWERS - ULTRA - TWIN-COOLED™ |
| 57100152 | FAIRING LOWERS - ULTRA - TWIN-COOLED™ |
| 57100153 | FAIRING LOWERS - ULTRA - TWIN-COOLED™ |
| 57100154 | FAIRING LOWERS - ULTRA - AIR COOLED FAIRING LOWERS - ULTRA - TWIN-COOLED™ |
| 57100155 | FAIRING LOWERS - ULTRA - AIR COOLED FAIRING LOWERS - ULTRA - TWIN-COOLED™ |
| 57100161 | FAIRING LOWERS - ULTRA - AIR COOLED |
| 57100162 | FAIRING LOWERS - ULTRA - AIR COOLED |
| 57100164 | FAIRING LOWERS - ULTRA - AIR COOLED FAIRING LOWERS - ULTRA - TWIN-COOLED™ |
| 57100165 | FAIRING LOWERS - ULTRA - AIR COOLED FAIRING LOWERS - ULTRA - TWIN-COOLED™ |
| 57100166 | FAIRING LOWERS - ULTRA - AIR COOLED |
| 57100167 | WINDSHIELD, FAIRING & HEADLAMP - FLTRX & FLTRXS FAIRING, INNER - FLTRX & FLTRXS (2 OF 2) FAIRING LOWERS - ULTRA - AIR COOLED |
| 57100170 | FAIRING LOWERS - ULTRA - AIR COOLED FAIRING LOWERS - ULTRA - TWIN-COOLED™ |
| 57100171 | FAIRING LOWERS - ULTRA - AIR COOLED FAIRING LOWERS - ULTRA - TWIN-COOLED™ |
| 57100172 | FAIRING LOWERS - ULTRA - TWIN-COOLED™ |
| 57100187 | FAIRING LOWERS - ULTRA - AIR COOLED FAIRING LOWERS - ULTRA - TWIN-COOLED™ |
| 57100188 | FAIRING LOWERS - ULTRA - AIR COOLED |

| | |
|----------|--|
| 57100200 | FAIRING LOWERS - ULTRA - AIR COOLED FAIRING LOWERS - ULTRA - TWIN-COOLED™ |
| 57100208 | FAIRING LOWERS - ULTRA - AIR COOLED |
| 57100225 | FAIRING LOWERS - ULTRA - AIR COOLED FAIRING LOWERS - ULTRA - TWIN-COOLED™ |
| 57100227 | FAIRING, INNER - FLHTCU, FLHTCUL, FLHTK, FLHTKL, FLHX & FLHXS (1 OF 2) |
| 57100247 | FAIRING, INNER - FLTRX & FLTRXS (2 OF 2) |
| 57100256 | FAIRING LOWERS - ULTRA - TWIN-COOLED™ |
| 57200012 | FAIRING, INNER - FLHTCU, FLHTCUL, FLHTK, FLHTKL, FLHX & FLHXS (2 OF 2) |
| 57200017 | FAIRING, INNER - FLHTCU, FLHTCUL, FLHTK, FLHTKL, FLHX & FLHXS (2 OF 2) |
| 57200063 | FAIRING, INNER - FLTRX & FLTRXS (2 OF 2) |
| 57200064 | FAIRING, INNER - FLTRX & FLTRXS (2 OF 2) |
| 57300063 | MIRRORS |
| 57400001 | WINDSHIELD, FAIRING & HEADLAMP - FLHTCU/L, FLHTK/L, FLHX & FLHXS (1 OF 2) WINDSHIELD, FAIRING & HEADLAMP - FLHTCU/L, FLHTK/L, FLHX & FLHXS (1 OF 2) LOOSE PARTS (1 OF 2) LOOSE PARTS (1 OF 2) |
| 57400002 | WINDSHIELD, FAIRING & HEADLAMP - FLHTCU/L, FLHTK/L, FLHX & FLHXS (1 OF 2) LOOSE PARTS (1 OF 2) |
| 57400003 | WINDSHIELD, FAIRING & HEADLAMP - FLHTCU/L, FLHTK/L, FLHX & FLHXS (1 OF 2) WINDSHIELD, FAIRING & HEADLAMP - FLHTCU/L, FLHTK/L, FLHX & FLHXS (1 OF 2) LOOSE PARTS (2 OF 2) LOOSE PARTS (2 OF 2) |
| 57400004 | WINDSHIELD, FAIRING & HEADLAMP - FLHTCU/L, FLHTK/L, FLHX & FLHXS (1 OF 2) LOOSE PARTS (2 OF 2) |
| 57400005 | WINDSHIELD - FLHR & FLHRC |
| 57400058 | WINDSHIELD, FAIRING & HEADLAMP - FLHTCU/L, FLHTK/L, FLHX & FLHXS (1 OF 2) LOOSE PARTS (1 OF 2) LOOSE PARTS (2 OF 2) |
| 57400187 | WINDSHIELD, FAIRING & HEADLAMP - FLTRX & FLTRXS |
| 57400190 | WINDSHIELD, FAIRING & HEADLAMP - FLTRX & FLTRXS LOOSE PARTS (2 OF 2) |
| 57400191 | WINDSHIELD, FAIRING & HEADLAMP - FLTRX & FLTRXS LOOSE PARTS (2 OF 2) |
| 57400250 | WINDSHIELD, FAIRING & HEADLAMP - FLHTCU/L, FLHTK/L, FLHX & FLHXS (1 OF 2) LOOSE PARTS (1 OF 2) |
| 57450-14 | HANDLEBAR |
| 57451-14 | HANDLEBAR |
| 57638-08 | FAIRING, INNER - FLHTCU, FLHTCUL, FLHTK, FLHTKL, FLHX & FLHXS (1 OF 2) |
| 57668-10 | WINDSHIELD - FLHR & FLHRC LOOSE PARTS (1 OF 2) |

| | |
|-----------|--|
| 57978-00 | TOUR-PAK (BOTTOM) |
| 57994-94 | WINDSHIELD - FLHR & FLHRC WINDSHIELD - FLHR & FLHRC LOOSE PARTS (1 OF 2) |
| 58002-09 | LOOSE PARTS (1 OF 2) LOOSE PARTS (1 OF 2) LOOSE PARTS (2 OF 2) |
| 58084-94 | WINDSHIELD - FLHR & FLHRC |
| 58088-94 | WINDSHIELD - FLHR & FLHRC |
| 58167-09 | FRAME & JIFFY STAND (1 OF 2) FRAME & JIFFY STAND (1 OF 2) |
| 58169-09 | FRAME & JIFFY STAND (1 OF 2) FRAME & JIFFY STAND (1 OF 2) |
| 5817 | SHIFTER, GEAR |
| 58193-94 | WINDSHIELD - FLHR & FLHRC WINDSHIELD - FLHR & FLHRC |
| 58325-06 | WINDSHIELD - FLHR & FLHRC LOOSE PARTS (1 OF 2) |
| 58327-06 | WINDSHIELD - FLHR & FLHRC |
| 5837A | TRANSMISSION GEARS |
| 58406-75A | WINDSHIELD - FLHR & FLHRC |
| 58408-75A | WINDSHIELD - FLHR & FLHRC |
| 58416-77A | WINDSHIELD - FLHR & FLHRC |
| 58417-77 | WINDSHIELD - FLHR & FLHRC |
| 58428-94 | WINDSHIELD - FLHR & FLHRC |
| 58431-94 | WINDSHIELD - FLHR & FLHRC |
| 58702-09 | FENDERS, REAR (1 OF 2) FENDERS, REAR (1 OF 2) |
| 58888-98A | FAIRING, INNER - FLTRX & FLTRXS (1 OF 2) |
| 58900009 | FENDERS, FRONT |
| 58900032 | FENDERS, FRONT |
| 59174-99 | FENDERS, REAR (1 OF 2) |
| 59211-74A | FENDERS, FRONT |
| 59259-90 | LICENSE PLATE BRACKETS LICENSE PLATE BRACKETS |
| 59292-94 | FRAME & FORK, REAR & TOUR-PAK SUPPORT LOOSE PARTS (1 OF 2) |
| 59481-00 | FORK, FRONT, LEFT & RIGHT - STANDARD |

| | |
|-----------|---|
| | FORK, FRONT, LEFT & RIGHT - LOW |
| 59482-00 | FORK, FRONT, LEFT & RIGHT - STANDARD FORK, FRONT, LEFT & RIGHT - LOW |
| 59500046 | FENDERS, REAR (1 OF 2) |
| 59581-05 | FENDERS, REAR (1 OF 2) FENDERS, REAR (1 OF 2) FENDERS, REAR (1 OF 2) |
| 59600003 | FENDERS, FRONT |
| 59600006 | FENDERS, FRONT |
| 59600008 | FENDERS, REAR (2 OF 2) |
| 59600009 | FENDERS, FRONT |
| 59672-09A | FENDERS, REAR (1 OF 2) |
| 59731-09 | FENDERS, REAR (1 OF 2) |
| 59739-09 | FENDERS, REAR (1 OF 2) |
| 59749-06 | FENDERS, REAR (1 OF 2) |
| 59768-97 | SEATS |
| 59778-06 | FENDERS, REAR (1 OF 2) |
| 59786-01 | FENDERS, REAR (1 OF 2) |
| 59788-01 | FENDERS, REAR (1 OF 2) |
| 59818-09 | FENDERS, REAR (1 OF 2) |
| 59988-72A | LICENSE PLATE BRACKETS LICENSE PLATE BRACKETS |
| 601 | CAMSHAFTS & CAMSHAFT COVER - TWIN CAM 103™ |
| 6012 | SHOCK ABSORBERS, REAR & AIR SUSPENSION SYSTEM - FLHR, FLHRC, FLHTCU, FLHTK, FLHX & FLTRX SHOCK ABSORBERS, REAR - FLHTCUL, FLHTKL, FLHXS & FLTRXS |
| 6016 | SHIFTER, GEAR |
| 6019 | HORN |
| 60254-07 | GUARDS, SADDLEBAG |
| 6026 | SEATS |
| 60328-98B | TRANSMISSION HOUSING, TOP COVER & OIL PAN PRIMARY HOUSING |
| 6036 | FRAME & JIFFY STAND (1 OF 2) FRAME & JIFFY STAND (1 OF 2) |
| 60386-09 | BELT, CHAINS & SPROCKETS |
| 60432-07A | PRIMARY HOUSING |
| 6054 | WINDSHIELD, FAIRING & HEADLAMP - FLTRX & FLTRXS |

| | |
|-----------|---|
| 60553-07A | PRIMARY HOUSING |
| 60575-10 | FENDERS, REAR (1 OF 2) |
| 60678-85 | PRIMARY HOUSING |
| 6072 | AUXILIARY/FOG LAMPS & TURN SIGNALS, FRONT - FLHR & FLHRC |
| 60766-06 | PRIMARY HOUSING |
| 60800006 | EVAPORATIVE EMISSIONS COMPONENTS |
| 60818-07 | PRIMARY HOUSING |
| 60900005 | AIR CLEANER |
| 60907-09 | LICENSE PLATE BRACKETS |
| 60909-09 | LICENSE PLATE BRACKETS LICENSE PLATE BRACKETS |
| 60918-10A | LICENSE PLATE BRACKETS LICENSE PLATE BRACKETS |
| 6101 | CLUTCH CONTROL (NON-FAIRING MODELS) CLUTCH CONTROL (FAIRING MODELS) BRAKE CONTROL, FRONT |
| 61011-04A | FUEL PUMP - FLHTCU, FLHTCUL, FLHTK, FLHTKL, FLHX, FLHXS, FLTRX & FLTRXS FUEL PUMP - FLHR & FLHRC |
| 61012-04A | FUEL PUMP - FLHTCU, FLHTCUL, FLHTK, FLHTKL, FLHX, FLHXS, FLTRX & FLTRXS FUEL PUMP - FLHR & FLHRC |
| 61015-04A | FUEL PUMP - FLHTCU, FLHTCUL, FLHTK, FLHTKL, FLHX, FLHXS, FLTRX & FLTRXS FUEL PUMP - FLHR & FLHRC |
| 61029-92A | CONSOLE, FUEL TANK - FLHTCU, FLHTCUL, FLHTK, FLHTKL, FLHX, FLHXS, FLTRX & FLTRXS (1 OF 2) |
| 61081-92 | CONSOLE, FUEL TANK - FLHTCU, FLHTCUL, FLHTK, FLHTKL, FLHX, FLHXS, FLTRX & FLTRXS (1 OF 2) INSTRUMENTS, FUEL TANK - FLHR & FLHRC NACELLE & HEADLAMP - FLHR & FLHRC SWITCHES TOUR-PAK (BOTTOM) |
| 6109 | HORN |
| 61100055 | FUEL TANK - FLHR & FLHRC |
| 61109-85D | FUEL TANK - FLHR & FLHRC CONSOLE, FUEL TANK - FLHTCU, FLHTCUL, FLHTK, FLHTKL, FLHX, FLHXS, FLTRX & FLTRXS (1 OF 2) |
| 61112-08 | CONSOLE, FUEL TANK - FLHTCU, FLHTCUL, FLHTK, FLHTKL, FLHX, FLHXS, FLTRX & FLTRXS (1 OF 2) |
| 6113 | LAMPS & SPEAKER HOUSINGS, ULTRA TOUR-PAK (1 OF 2) |
| 6116 | FRAME & JIFFY STAND (1 OF 2) |
| 6119 | WINDSHIELD - FLHR & FLHRC ACTIVE INTAKE & EXHAUST |

| | |
|-----------|---|
| 61192-96A | INSTRUMENTS, FUEL TANK - FLHR & FLHRC |
| 61208-10 | INDUCTION MODULE, FUEL FUEL TANK - FLHTCU, FLHTCUL, FLHTK, FLHTKL, FLHX, FLHXS, FLTRX & FLTRXS FUEL TANK - FLHR & FLHRC |
| 61213-04A | FUEL PUMP - FLHTCU, FLHTCUL, FLHTK, FLHTKL, FLHX, FLHXS, FLTRX & FLTRXS FUEL PUMP - FLHR & FLHRC |
| 61268-08 | FUEL TANK - FLHR & FLHRC |
| 6127 | ENGINE MOUNTS & STABILIZER LINK |
| 61270-08 | CONSOLE, FUEL TANK - FLHTCU, FLHTCUL, FLHTK, FLHTKL, FLHX, FLHXS, FLTRX & FLTRXS (1 OF 2) |
| 61272-92C | FUEL TANK - FLHR & FLHRC |
| 61274-92 | CONSOLE, FUEL TANK - FLHTCU, FLHTCUL, FLHTK, FLHTKL, FLHX, FLHXS, FLTRX & FLTRXS (1 OF 2) |
| 61278-08 | CONSOLE, FUEL TANK - FLHTCU, FLHTCUL, FLHTK, FLHTKL, FLHX, FLHXS, FLTRX & FLTRXS (1 OF 2) |
| 61300054 | AIR CLEANER |
| 61300063 | AIR CLEANER |
| 61300064 | AIR CLEANER |
| 61300095 | NACELLE & HEADLAMP - FLHR & FLHRC |
| 61300096 | NACELLE & HEADLAMP - FLHR & FLHRC |
| 61300273 | AIR CLEANER |
| 61300478 | HORN |
| 61313-88 | CONSOLE, FUEL TANK - FLHTCU, FLHTCUL, FLHTK, FLHTKL, FLHX, FLHXS, FLTRX & FLTRXS (1 OF 2) FAIRING, INNER - FLTRX & FLTRXS (1 OF 2) |
| 61356-08 | FUEL TANK - FLHTCU, FLHTCUL, FLHTK, FLHTKL, FLHX, FLHXS, FLTRX & FLTRXS |
| 61400057 | FENDERS, FRONT |
| 61400063 | FAIRING, INNER - FLHTCU, FLHTCUL, FLHTK, FLHTKL, FLHX & FLHXS (2 OF 2) |
| 61400064 | FAIRING, INNER - FLHTCU, FLHTCUL, FLHTK, FLHTKL, FLHX & FLHXS (2 OF 2) |
| 61400077 | NACELLE & HEADLAMP - FLHR & FLHRC |
| 61400080 | INSTRUMENTS - FLHTCU, FLHTCUL, FLHTK, FLHTKL, FLHX & FLHXS INSTRUMENTS - FLTRX & FLTRXS |
| 61400081 | INSTRUMENTS - FLHTCU, FLHTCUL, FLHTK, FLHTKL, FLHX & FLHXS INSTRUMENTS - FLTRX & FLTRXS |
| 61400135 | WINDSHIELD, FAIRING & HEADLAMP - FLHTCU/L, FLHTK/L, FLHX & FLHXS (2 OF 2) |
| 61400159 | NACELLE & HEADLAMP - FLHR & FLHRC LOOSE PARTS (1 OF 2) |
| 61400173 | WINDSHIELD, FAIRING & HEADLAMP - FLTRX & FLTRXS |
| | |

| | |
|-----------|---|
| 61400198 | WINDSHIELD, FAIRING & HEADLAMP - FLTRX & FLTRXS |
| 61402-08 | FUEL PUMP - FLHTCU, FLHTCUL, FLHTK, FLHTKL, FLHX, FLHXS, FLTRX & FLTRXS FUEL PUMP - FLHR & FLHRC |
| 6150W | NACELLE & HEADLAMP - FLHR & FLHRC SWITCHES |
| 62152-08 | FUEL TANK TRIM |
| 62153-08 | FUEL TANK TRIM |
| 6220W | BRAKE CONTROL, REAR LAMPS & SPEAKER HOUSINGS, ULTRA TOUR-PAK (1 OF 2) |
| 62228-08B | FUEL TANK - FLHTCU, FLHTCUL, FLHTK, FLHTKL, FLHX, FLHXS, FLTRX & FLTRXS FUEL TANK - FLHR & FLHRC |
| 62229-08B | FUEL PUMP - FLHTCU, FLHTCUL, FLHTK, FLHTKL, FLHX, FLHXS, FLTRX & FLTRXS FUEL PUMP - FLHR & FLHRC |
| 62241-08 | FUEL TANK TRIM LOOSE PARTS (1 OF 2) |
| 62242-08 | FUEL TANK TRIM LOOSE PARTS (1 OF 2) |
| 62243-08 | FUEL TANK TRIM LOOSE PARTS (1 OF 2) |
| 6229W | SADDLEBAGS (1 OF 2) SADDLEBAGS - FLHRC |
| 6235 | FAIRING LOWERS - ULTRA - AIR COOLED FAIRING LOWERS - ULTRA - TWIN-COOLED™ |
| 62372-09 | TRANSMISSION HOUSING, TOP COVER & OIL PAN |
| 62435-11 | FUEL TANK TRIM |
| 62437-11 | FUEL TANK TRIM |
| 62489-99A | TRANSMISSION HOUSING, TOP COVER & OIL PAN |
| 62519-03 | INSTRUMENTS, FUEL TANK - FLHR & FLHRC |
| 62533-11 | CRANKCASE, ENGINE OIL FILTER & COOLER - TWIN CAM 103™ (2 OF 2) |
| 62629-11 | CRANKCASE, ENGINE OIL FILTER & COOLER - TWIN CAM 103™ (2 OF 2) |
| 62641-11 | CRANKCASE, ENGINE OIL FILTER & COOLER - TWIN CAM 103™ (2 OF 2) |
| 62700026 | TRANSMISSION HOUSING, TOP COVER & OIL PAN |
| 62775-08 | CONSOLE, FUEL TANK - FLHTCU, FLHTCUL, FLHTK, FLHTKL, FLHX, FLHXS, FLTRX & FLTRXS (1 OF 2) INSTRUMENTS, FUEL TANK - FLHR & FLHRC |
| 62800001 | COOLANT DISTRIBUTION |
| 62800003 | COOLANT DISTRIBUTION |
| 62800004 | RADIATOR, COOLANT HOSES & BOTTLE |
| 62800013 | CRANKCASE, ENGINE OIL FILTER & COOLER - TWIN CAM 103™ (2 OF 2) |

| | |
|-----------|--|
| 62908-08 | FUEL PUMP - FLHTCU, FLHTCUL, FLHTK, FLHTKL, FLHX, FLHXS, FLTRX & FLTRXS FUEL PUMP - FLHR & FLHRC |
| 6294 | CAMSHAFTS & CAMSHAFT COVER - TWIN CAM 103™ |
| 63059-09A | CRANKCASE, ENGINE OIL FILTER & COOLER - TWIN CAM 103™ (2 OF 2) |
| 63083-11A | CRANKCASE, ENGINE OIL FILTER & COOLER - TWIN CAM 103™ (2 OF 2) |
| 6333 | INSTRUMENT HOUSING - FLTRX & FLTRXS |
| 63533-41A | CRANKCASE, ENGINE OIL FILTER & COOLER - TWIN CAM 103™ (2 OF 2) |
| 63731-99A | CRANKCASE, ENGINE OIL FILTER & COOLER - TWIN CAM 103™ (2 OF 2) CRANKCASE & ENGINE OIL FILTER - TWIN-COOLED™ TWIN CAM 103™ |
| 6416 | BRAKE CONTROL, REAR |
| 6421 | BRAKE CONTROL, REAR |
| 64900016A | EXHAUST SYSTEM |
| 6497HW | SHIFTER, GEAR |
| 65296-95A | EXHAUST SYSTEM |
| 6532 | FRAME & FORK, REAR & TOUR-PAK SUPPORT |
| 65324-83B | EXHAUST SYSTEM |
| 65325-83A | EXHAUST SYSTEM |
| 65328-83A | EXHAUST SYSTEM |
| 65538-09 | EXHAUST SYSTEM |
| 65592-09A | EXHAUST SYSTEM |
| 65634-09 | EXHAUST SYSTEM |
| 65636-09 | EXHAUST SYSTEM |
| 65678-09 | EXHAUST SYSTEM |
| 65723-85 | EXHAUST SYSTEM |
| 65724-85 | EXHAUST SYSTEM |
| 65748-09 | EXHAUST SYSTEM |
| 65846-10A | EXHAUST SYSTEM |
| 65863-09 | EXHAUST SYSTEM |
| 6594 | WHEELS, FRONT |
| 65949-09 | EXHAUST SYSTEM |
| 65951-09 | EXHAUST SYSTEM |
| 65952-09 | EXHAUST SYSTEM |
| 66000010 | BATTERY |
| | |

| | |
|-----------|--|
| 66000066 | BATTERY |
| 66010-97C | BATTERY |
| 66048-09A | FRAME & JIFFY STAND (1 OF 2) |
| 66051-08 | BATTERY |
| 66200-09 | ELECTRONIC CONTROL MODULE (ECM) & COIL BATTERY |
| 66250-09 | FRAME & JIFFY STAND (1 OF 2) |
| 66290-06 | TRANSMISSION HOUSING, TOP COVER & OIL PAN |
| 66373-06 | SWITCHES |
| 66767-07 | ACTIVE INTAKE & EXHAUST |
| 66813-09 | EXHAUST SYSTEM |
| 66849-10 | EXHAUST SYSTEM |
| 66855-10A | EXHAUST SYSTEM |
| 66858-09 | EXHAUST SYSTEM |
| 66859-09 | EXHAUST SYSTEM |
| 66861-09A | EXHAUST SYSTEM |
| 66881-09 | EXHAUST SYSTEM |
| 6702 | FRAME & JIFFY STAND (1 OF 2) |
| 6703 | SEATS FENDERS, REAR (1 OF 2) FAIRING, INNER - FLTRX & FLTRXS (1 OF 2) TOUR-PAK (BOTTOM) TOUR-PAK (BOTTOM) TOUR-PAK (COVER) LOOSE PARTS (1 OF 2) |
| 67208-08 | INSTRUMENTS, FUEL TANK - FLHR & FLHRC |
| 67266-94 | FENDERS, REAR (1 OF 2) FENDERS, REAR (1 OF 2) FENDERS, REAR (1 OF 2) TAIL LAMP & TURN SIGNALS, REAR (1 OF 2) |
| 67341-04B | INSTRUMENTS, FUEL TANK - FLHR & FLHRC |
| 67493-08 | CONSOLE, FUEL TANK - FLHTCU, FLHTCUL, FLHTK, FLHTKL, FLHX, FLHXS, FLTRX & FLTRXS (1 OF 2) INSTRUMENTS, FUEL TANK - FLHR & FLHRC |
| 67621-94 | AUXILIARY/FOG LAMPS & TURN SIGNALS, FRONT - FLHR & FLHRC WINDSHIELD - FLHR & FLHRC |
| 6762B | ROCKER ARM ASSEMBLY & PUSHRODS - TWIN CAM 103™ |
| 67700062 | NACELLE & HEADLAMP - FLHR & FLHRC WINDSHIELD, FAIRING & HEADLAMP - FLHTCU/L, FLHTK/L, FLHX & FLHXS (2 OF 2) |
| 67700065 | NACELLE & HEADLAMP - FLHR & FLHRC |

| | |
|-----------|--|
| | WINDSHIELD, FAIRING & HEADLAMP - FLHTCU/L, FLHTK/L, FLHX & FLHXS (2 OF 2) |
| 67700066 | WINDSHIELD, FAIRING & HEADLAMP - FLHTCU/L, FLHTK/L, FLHX & FLHXS (2 OF 2) |
| 67700105 | NACELLE & HEADLAMP - FLHR & FLHRC |
| 67700199 | WINDSHIELD, FAIRING & HEADLAMP - FLTRX & FLTRXS |
| 67700204 | NACELLE & HEADLAMP - FLHR & FLHRC WINDSHIELD, FAIRING & HEADLAMP - FLHTCU/L, FLHTK/L, FLHX & FLHXS (2 OF 2) |
| 67700205 | NACELLE & HEADLAMP - FLHR & FLHRC WINDSHIELD, FAIRING & HEADLAMP - FLHTCU/L, FLHTK/L, FLHX & FLHXS (2 OF 2) |
| 67712-83B | NACELLE & HEADLAMP - FLHR & FLHRC WINDSHIELD, FAIRING & HEADLAMP - FLHTCU/L, FLHTK/L, FLHX & FLHXS (1 OF 2) |
| 67716-60C | NACELLE & HEADLAMP - FLHR & FLHRC WINDSHIELD, FAIRING & HEADLAMP - FLHTCU/L, FLHTK/L, FLHX & FLHXS (1 OF 2) |
| 67717-01 | NACELLE & HEADLAMP - FLHR & FLHRC WINDSHIELD, FAIRING & HEADLAMP - FLHTCU/L, FLHTK/L, FLHX & FLHXS (1 OF 2) |
| 67721-48 | NACELLE & HEADLAMP - FLHR & FLHRC WINDSHIELD, FAIRING & HEADLAMP - FLHTCU/L, FLHTK/L, FLHX & FLHXS (1 OF 2) |
| 67726-08 | NACELLE & HEADLAMP - FLHR & FLHRC WINDSHIELD, FAIRING & HEADLAMP - FLHTCU/L, FLHTK/L, FLHX & FLHXS (1 OF 2) |
| 67778-60A | NACELLE & HEADLAMP - FLHR & FLHRC WINDSHIELD, FAIRING & HEADLAMP - FLHTCU/L, FLHTK/L, FLHX & FLHXS (1 OF 2) |
| 67780-60A | NACELLE & HEADLAMP - FLHR & FLHRC WINDSHIELD, FAIRING & HEADLAMP - FLHTCU/L, FLHTK/L, FLHX & FLHXS (1 OF 2) |
| 67800093 | LAMPS & SPEAKER HOUSINGS, ULTRA TOUR-PAK (1 OF 2) |
| 67800101 | LAMPS & SPEAKER HOUSINGS, ULTRA TOUR-PAK (1 OF 2) |
| 67800102 | LAMPS & SPEAKER HOUSINGS, ULTRA TOUR-PAK (1 OF 2) |
| 67800103 | AUXILIARY/FOG LAMPS & TURN SIGNALS, FRONT - FLHTCU, FLHTCUL, FTHTK & FLHTKL |
| 67800104 | AUXILIARY/FOG LAMPS & TURN SIGNALS, FRONT - FLHTCU, FLHTCUL, FTHTK & FLHTKL |
| 67800109 | AUXILIARY/FOG LAMPS & TURN SIGNALS, FRONT - FLHTCU, FLHTCUL, FTHTK & FLHTKL |
| 67800132 | TAIL LAMP & TURN SIGNALS, REAR (2 OF 2) |
| 67800147 | WINDSHIELD, FAIRING & HEADLAMP - FLTRX & FLTRXS |
| 67800148 | WINDSHIELD, FAIRING & HEADLAMP - FLTRX & FLTRXS |
| 67800254 | AUXILIARY/FOG LAMPS & TURN SIGNALS, FRONT - FLHTCU, FLHTCUL, FTHTK & FLHTKL |
| 67800299 | WINDSHIELD, FAIRING & HEADLAMP - FLTRX & FLTRXS |
| 67800300 | WINDSHIELD, FAIRING & HEADLAMP - FLTRX & FLTRXS |
| 67800301 | WINDSHIELD, FAIRING & HEADLAMP - FLTRX & FLTRXS |
| 67800302 | WINDSHIELD, FAIRING & HEADLAMP - FLTRX & FLTRXS |
| 67800303 | WINDSHIELD, FAIRING & HEADLAMP - FLTRX & FLTRXS |
| | |

| | |
|-----------|---|
| 67800471 | WINDSHIELD, FAIRING & HEADLAMP - FLTRX & FLTRXS |
| 67800512 | WINDSHIELD, FAIRING & HEADLAMP - FLTRX & FLTRXS |
| 67800513 | WINDSHIELD, FAIRING & HEADLAMP - FLTRX & FLTRXS |
| 67875-11 | FRAME & FORK, REAR & TOUR-PAK SUPPORT |
| 6789 | NACELLE & HEADLAMP - FLHR & FLHRC |
| 67900065 | SADDLEBAGS (1 OF 2) |
| 67900066 | SADDLEBAGS (1 OF 2) |
| 67900067 | SADDLEBAGS (1 OF 2) |
| 67900068 | SADDLEBAGS (1 OF 2) |
| 67900120 | GUARDS, SADDLEBAG |
| 67900210 | LICENSE PLATE BRACKETS |
| 67900213A | LICENSE PLATE BRACKETS LICENSE PLATE BRACKETS |
| 67900256 | SADDLEBAGS (1 OF 2) |
| 68000020 | AUXILIARY/FOG LAMPS & TURN SIGNALS, FRONT - FLHTCU, FLHTCUL, FTHTK & FLHTKL |
| 68000021 | AUXILIARY/FOG LAMPS & TURN SIGNALS, FRONT - FLHTCU, FLHTCUL, FTHTK & FLHTKL |
| 68000022 | AUXILIARY/FOG LAMPS & TURN SIGNALS, FRONT - FLHTCU, FLHTCUL, FTHTK & FLHTKL |
| 68000036 | TURN SIGNALS, FRONT - FLHX & FLHXS |
| 68000037 | TURN SIGNALS, FRONT - FLHX & FLHXS |
| 68000038 | NACELLE & HEADLAMP - FLHR & FLHRC WINDSHIELD, FAIRING & HEADLAMP - FLHTCU/L, FLHTK/L, FLHX & FLHXS (2 OF 2) |
| 68000056 | AUXILIARY/FOG LAMPS & TURN SIGNALS, FRONT - FLHR & FLHRC |
| 68026-99 | TAIL LAMP |
| 68042-99 | CRANKCASE, ENGINE OIL FILTER & COOLER - TWIN CAM 103™ (2 OF 2) CRANKCASE & ENGINE OIL FILTER - TWIN-COOLED™ TWIN CAM 103™ |
| 68066-99A | TAIL LAMP |
| 68120-00 | CAMSHAFTS & CAMSHAFT COVER - TWIN CAM 103™ |
| 68140-04 | TAIL LAMP |
| 68142-04 | TAIL LAMP |
| 68163-84 | AUXILIARY/FOG LAMPS & TURN SIGNALS, FRONT - FLHR & FLHRC AUXILIARY/FOG LAMPS & TURN SIGNALS, FRONT - FLHTCU, FLHTCUL, FTHTK & FLHTKL TURN SIGNALS, FRONT - FLHX & FLHXS WINDSHIELD, FAIRING & HEADLAMP - FLTRX & FLTRXS TAIL LAMP & TURN SIGNALS, REAR (1 OF 2) |
| 68167-04 | TAIL LAMP TAIL LAMP |
| 68168-89A | AUXILIARY/FOG LAMPS & TURN SIGNALS, FRONT - FLHR & FLHRC |

| | |
|-----------|---|
| | AUXILIARY/FOG LAMPS & TURN SIGNALS, FRONT - FLHTCU, FLHTCUL, FTHTK & FLHTKL TURN SIGNALS, FRONT - FLHX & FLHXS WINDSHIELD, FAIRING & HEADLAMP - FLTRX & FLTRXS TAIL LAMP & TURN SIGNALS, REAR (1 OF 2) |
| 68245-03 | TAIL LAMP |
| 68253-08A | INSTRUMENTS, FUEL TANK - FLHR & FLHRC |
| 68296-99A | TAIL LAMP |
| 68331-02 | AUXILIARY/FOG LAMPS & TURN SIGNALS, FRONT - FLHR & FLHRC AUXILIARY/FOG LAMPS & TURN SIGNALS, FRONT - FLHTCU, FLHTCUL, FTHTK & FLHTKL |
| 68369-03 | TAIL LAMP |
| 68370-03A | TAIL LAMP |
| 68414-05A | AUXILIARY/FOG LAMPS & TURN SIGNALS, FRONT - FLHR & FLHRC |
| 68440-86 | AUXILIARY/FOG LAMPS & TURN SIGNALS, FRONT - FLHR & FLHRC TAIL LAMP & TURN SIGNALS, REAR (1 OF 2) |
| 68452-86 | AUXILIARY/FOG LAMPS & TURN SIGNALS, FRONT - FLHR & FLHRC TAIL LAMP & TURN SIGNALS, REAR (1 OF 2) |
| 68497-07 | TAIL LAMP & TURN SIGNALS, REAR (1 OF 2) |
| 68505-90 | AUXILIARY/FOG LAMPS & TURN SIGNALS, FRONT - FLHR & FLHRC |
| 68506-92 | TAIL LAMP & TURN SIGNALS, REAR (1 OF 2) |
| 68519-68A | AUXILIARY/FOG LAMPS & TURN SIGNALS, FRONT - FLHR & FLHRC |
| 68550-09 | TAIL LAMP & TURN SIGNALS, REAR (1 OF 2) |
| 68558-03 | TAIL LAMP |
| 68559-07 | TAIL LAMP & TURN SIGNALS, REAR (1 OF 2) |
| 68572-64B | TAIL LAMP & TURN SIGNALS, REAR (1 OF 2) |
| 68629-05 | TAIL LAMP & TURN SIGNALS, REAR (1 OF 2) |
| 68712-94A | AUXILIARY/FOG LAMPS & TURN SIGNALS, FRONT - FLHR & FLHRC |
| 68713-94A | TAIL LAMP & TURN SIGNALS, REAR (1 OF 2) |
| 68720-62 | AUXILIARY/FOG LAMPS & TURN SIGNALS, FRONT - FLHR & FLHRC |
| 68721-62 | AUXILIARY/FOG LAMPS & TURN SIGNALS, FRONT - FLHR & FLHRC |
| 68725-62A | AUXILIARY/FOG LAMPS & TURN SIGNALS, FRONT - FLHR & FLHRC AUXILIARY/FOG LAMPS & TURN SIGNALS, FRONT - FLHTCU, FLHTCUL, FTHTK & FLHTKL |
| 68742-09 | TAIL LAMP & TURN SIGNALS, REAR (1 OF 2) |
| 68765-94A | TAIL LAMP & TURN SIGNALS, REAR (1 OF 2) |
| 68766-94 | AUXILIARY/FOG LAMPS & TURN SIGNALS, FRONT - FLHR & FLHRC |
| 68767-94 | AUXILIARY/FOG LAMPS & TURN SIGNALS, FRONT - FLHR & FLHRC |
| 68821-00 | AUXILIARY/FOG LAMPS & TURN SIGNALS, FRONT - FLHTCU, FLHTCUL, FTHTK & FLHTKL |
| | |

| | |
|-----------|--|
| 68830-99A | TAIL LAMP |
| 68846-09 | AUXILIARY/FOG LAMPS & TURN SIGNALS, FRONT - FLHR & FLHRC |
| 68847-09 | AUXILIARY/FOG LAMPS & TURN SIGNALS, FRONT - FLHR & FLHRC |
| 68881-01 | NACELLE & HEADLAMP - FLHR & FLHRC WINDSHIELD, FAIRING & HEADLAMP - FLHTCU/L, FLHTK/L, FLHX & FLHXS (1 OF 2) |
| 68904-00 | AUXILIARY/FOG LAMPS & TURN SIGNALS, FRONT - FLHTCU, FLHTCUL, FTHTK & FLHTKL TURN SIGNALS, FRONT - FLHX & FLHXS |
| 68905-00 | TAIL LAMP & TURN SIGNALS, REAR (1 OF 2) |
| 68926-07 | SWITCHES LOOSE PARTS (1 OF 2) |
| 68956-07 | SWITCHES |
| 68958-07C | SWITCHES |
| 68973-00 | AUXILIARY/FOG LAMPS & TURN SIGNALS, FRONT - FLHTCU, FLHTCUL, FTHTK & FLHTKL TURN SIGNALS, FRONT - FLHX & FLHXS WINDSHIELD, FAIRING & HEADLAMP - FLTRX & FLTRXS TAIL LAMP & TURN SIGNALS, REAR (1 OF 2) |
| 68997-09 | TAIL LAMP & TURN SIGNALS, REAR (1 OF 2) |
| 69060-90H | HORN |
| 69062-91A | HORN |
| 69120-91 | HORN |
| 69123-92A | HORN |
| 69187-03A | TAIL LAMP |
| 69200031 | FAIRING, INNER - FLHTCU, FLHTCUL, FLHTK, FLHTKL, FLHX & FLHXS (2 OF 2) |
| 69200032 | WIRING HARNESS, MAIN, ABS (FAIRING MODELS) - FLHTCU/L & FLHTK/L (1 OF 8) WIRING HARNESS, MAIN, ABS (FAIRING MODELS) - FLHTCU/L & FLHTK/L (5 OF 8) SOUND SYSTEM - FLHTCU/L, FLHTK/L, FLHX & FLHXS (1 OF 2) |
| 69200109 | WIRING HARNESS, FAIRING - FLHTCU/L, FLHTK/L, FLHX & FLHXS (1 OF 2) |
| 69200111 | WIRING HARNESS, MAIN, NON-ABS (NON-FAIRING MODELS) (1 OF 8) WIRING HARNESS, MAIN, NON-ABS (NON-FAIRING MODELS) (2 OF 8) WIRING HARNESS, MAIN, NON-ABS (NON-FAIRING MODELS) (3 OF 8) WIRING HARNESS, MAIN, NON-ABS (NON-FAIRING MODELS) (4 OF 8) WIRING HARNESS, MAIN, NON-ABS (NON-FAIRING MODELS) (5 OF 8) WIRING HARNESS, MAIN, NON-ABS (NON-FAIRING MODELS) (6 OF 8) WIRING HARNESS, MAIN, NON-ABS (NON-FAIRING MODELS) (7 OF 8) WIRING HARNESS, MAIN, NON-ABS (NON-FAIRING MODELS) (8 OF 8) |
| 69200112 | WIRING HARNESS, MAIN, ABS (NON-FAIRING MODELS) (1 OF 8) WIRING HARNESS, MAIN, ABS (NON-FAIRING MODELS) (2 OF 8) WIRING HARNESS, MAIN, ABS (NON-FAIRING MODELS) (3 OF 8) WIRING HARNESS, MAIN, ABS (NON-FAIRING MODELS) (4 OF 8) WIRING HARNESS, MAIN, ABS (NON-FAIRING MODELS) (5 OF 8) WIRING HARNESS, MAIN, ABS (NON-FAIRING MODELS) (6 OF 8) WIRING HARNESS, MAIN, ABS (NON-FAIRING MODELS) (7 OF 8) WIRING HARNESS, MAIN, ABS (NON-FAIRING MODELS) (8 OF 8) |
| 69200115 | WIRING HARNESS, MAIN, NON-ABS (FAIRING MODELS) - FLHX (1 OF 8) |

| | |
|----------|---|
| | <p>WIRING HARNESS, MAIN, NON-ABS (FAIRING MODELS) - FLHX (2 OF 8) WIRING HARNESS, MAIN, NON-ABS (FAIRING MODELS) - FLHX (3 OF 8) WIRING HARNESS, MAIN, NON-ABS (FAIRING MODELS) - FLHX (4 OF 8) WIRING HARNESS, MAIN, NON-ABS (FAIRING MODELS) - FLHX (5 OF 8) WIRING HARNESS, MAIN, NON-ABS (FAIRING MODELS) - FLHX (6 OF 8) WIRING HARNESS, MAIN, NON-ABS (FAIRING MODELS) - FLHX (7 OF 8) WIRING HARNESS, MAIN, NON-ABS (FAIRING MODELS) - FLHX (8 OF 8)</p> |
| 69200116 | <p>WIRING HARNESS, MAIN, ABS (FAIRING MODELS) - FLHX & FLHXS (1 OF 8) WIRING HARNESS, MAIN, ABS (FAIRING MODELS) - FLHX & FLHXS (2 OF 8) WIRING HARNESS, MAIN, ABS (FAIRING MODELS) - FLHX & FLHXS (3 OF 8) WIRING HARNESS, MAIN, ABS (FAIRING MODELS) - FLHX & FLHXS (4 OF 8) WIRING HARNESS, MAIN, ABS (FAIRING MODELS) - FLHX & FLHXS (5 OF 8) WIRING HARNESS, MAIN, ABS (FAIRING MODELS) - FLHX & FLHXS (6 OF 8) WIRING HARNESS, MAIN, ABS (FAIRING MODELS) - FLHX & FLHXS (7 OF 8) WIRING HARNESS, MAIN, ABS (FAIRING MODELS) - FLHX & FLHXS (8 OF 8)</p> |
| 69200117 | <p>WIRING HARNESS, MAIN, ABS (FAIRING MODELS) - FLHTCU/L & FLHTK/L (1 OF 8) WIRING HARNESS, MAIN, ABS (FAIRING MODELS) - FLHTCU/L & FLHTK/L (2 OF 8) WIRING HARNESS, MAIN, ABS (FAIRING MODELS) - FLHTCU/L & FLHTK/L (3 OF 8) WIRING HARNESS, MAIN, ABS (FAIRING MODELS) - FLHTCU/L & FLHTK/L (4 OF 8) WIRING HARNESS, MAIN, ABS (FAIRING MODELS) - FLHTCU/L & FLHTK/L (5 OF 8) WIRING HARNESS, MAIN, ABS (FAIRING MODELS) - FLHTCU/L & FLHTK/L (6 OF 8) WIRING HARNESS, MAIN, ABS (FAIRING MODELS) - FLHTCU/L & FLHTK/L (7 OF 8) WIRING HARNESS, MAIN, ABS (FAIRING MODELS) - FLHTCU/L & FLHTK/L (8 OF 8)</p> |
| 69200118 | <p>WIRING HARNESS, MAIN, ABS (FAIRING MODELS) - FLHTCU/L & FLHTK/L (1 OF 8) WIRING HARNESS, MAIN, ABS (FAIRING MODELS) - FLHTCU/L & FLHTK/L (2 OF 8) WIRING HARNESS, MAIN, ABS (FAIRING MODELS) - FLHTCU/L & FLHTK/L (3 OF 8) WIRING HARNESS, MAIN, ABS (FAIRING MODELS) - FLHTCU/L & FLHTK/L (4 OF 8) WIRING HARNESS, MAIN, ABS (FAIRING MODELS) - FLHTCU/L & FLHTK/L (5 OF 8) WIRING HARNESS, MAIN, ABS (FAIRING MODELS) - FLHTCU/L & FLHTK/L (6 OF 8) WIRING HARNESS, MAIN, ABS (FAIRING MODELS) - FLHTCU/L & FLHTK/L (7 OF 8) WIRING HARNESS, MAIN, ABS (FAIRING MODELS) - FLHTCU/L & FLHTK/L (8 OF 8)</p> |
| 69200121 | <p>INSTRUMENTS - FLHTCU, FLHTCUL, FLHTK, FLHTKL, FLHX & FLHXS WIRING HARNESS, FAIRING - FLHTCU/L, FLHTK/L, FLHX & FLHXS (1 OF 2) WIRING HARNESS, FAIRING - FLHTCU/L, FLHTK/L, FLHX & FLHXS (2 OF 2)</p> |
| 69200122 | <p>INSTRUMENTS - FLTRX & FLTRXS WIRING HARNESS, FAIRING - FLTRX & FLTRXS</p> |
| 69200124 | <p>INSTRUMENTS, FUEL TANK - FLHR & FLHRC WIRING HARNESS, CONSOLE - FLHR & FLHRC</p> |
| 69200125 | <p>CONSOLE, FUEL TANK - FLHTCU, FLHTCUL, FLHTK, FLHTKL, FLHX, FLHXS, FLTRX & FLTRXS (2 OF 2) FUEL PUMP - FLHTCU, FLHTCUL, FLHTK, FLHTKL, FLHX, FLHXS, FLTRX & FLTRXS</p> |
| 69200127 | <p>CB & INTERCOM CONTROL POD</p> |
| 69200128 | <p>FENDERS, REAR (2 OF 2) TAIL LAMP & TURN SIGNALS, REAR (2 OF 2) TAIL LAMP</p> |
| 69200129 | <p>FENDERS, REAR (2 OF 2) TAIL LAMP & TURN SIGNALS, REAR (2 OF 2)</p> |
| 69200130 | <p>FENDERS, REAR (2 OF 2) TAIL LAMP & TURN SIGNALS, REAR (2 OF 2)</p> |
| 69200131 | <p>LAMPS & SPEAKER HOUSINGS, ULTRA TOUR-PAK (1 OF 2)</p> |
| 69200133 | <p>RADIATOR, COOLANT HOSES & BOTTLE</p> |
| 69200135 | <p>LAMPS & SPEAKER HOUSINGS, ULTRA TOUR-PAK (1 OF 2)</p> |

| | |
|----------|--|
| 69200136 | <p>WIRING HARNESS, MAIN, ABS (FAIRING MODELS) - FLHTCU/L & FLHTK/L (1 OF 8)</p> <p>WIRING HARNESS, MAIN, ABS (FAIRING MODELS) - FLHTCU/L & FLHTK/L (5 OF 8)</p> <p>SOUND SYSTEM - FLHTCU/L, FLHTK/L, FLHX & FLHXS (1 OF 2)</p> |
| 69200137 | <p>WIRING HARNESS, MAIN, NON-ABS (FAIRING MODELS) - FLHX (8 OF 8)</p> <p>WIRING HARNESS, MAIN, ABS (FAIRING MODELS) - FLHX & FLHXS (8 OF 8)</p> <p>WIRING HARNESS, MAIN, ABS (FAIRING MODELS) - FLHTCU/L & FLHTK/L (8 OF 8)</p> <p>WIRING HARNESS, MAIN, NON-ABS (NON-FAIRING MODELS) (8 OF 8)</p> <p>WIRING HARNESS, MAIN, ABS (NON-FAIRING MODELS) (8 OF 8)</p> <p>WIRING HARNESS, MAIN, NON-ABS (FAIRING MODELS) - FLTRX & FLTRXS (8 OF 8)</p> <p>WIRING HARNESS, MAIN, ABS (FAIRING MODELS) - FLTRX & FLTRXS (8 OF 8)</p> <p>BATTERY</p> |
| 69200138 | LAMPS & SPEAKER HOUSINGS, ULTRA TOUR-PAK (1 OF 2) |
| 69200139 | LAMPS & SPEAKER HOUSINGS, ULTRA TOUR-PAK (1 OF 2) |
| 69200170 | <p>FAIRING, INNER - FLHTCU, FLHTCUL, FLHTK, FLHTKL, FLHX & FLHXS (2 OF 2)</p> <p>FAIRING, INNER - FLTRX & FLTRXS (2 OF 2)</p> |
| 69200171 | <p>FAIRING, INNER - FLHTCU, FLHTCUL, FLHTK, FLHTKL, FLHX & FLHXS (2 OF 2)</p> <p>FAIRING, INNER - FLTRX & FLTRXS (2 OF 2)</p> |
| 69200172 | FAIRING, INNER - FLHTCU, FLHTCUL, FLHTK, FLHTKL, FLHX & FLHXS (2 OF 2) |
| 69200173 | FAIRING, INNER - FLHTCU, FLHTCUL, FLHTK, FLHTKL, FLHX & FLHXS (2 OF 2) |
| 69200174 | ELECTRONIC CONTROL MODULE (ECM) & COIL BATTERY |
| 69200175 | <p>WIRING HARNESS, MAIN, NON-ABS (FAIRING MODELS) - FLHX (6 OF 8)</p> <p>WIRING HARNESS, MAIN, ABS (FAIRING MODELS) - FLHX & FLHXS (6 OF 8)</p> <p>WIRING HARNESS, MAIN, ABS (FAIRING MODELS) - FLHTCU/L & FLHTK/L (6 OF 8)</p> <p>WIRING HARNESS, MAIN, NON-ABS (NON-FAIRING MODELS) (6 OF 8)</p> <p>WIRING HARNESS, MAIN, ABS (NON-FAIRING MODELS) (6 OF 8)</p> <p>WIRING HARNESS, MAIN, NON-ABS (FAIRING MODELS) - FLTRX & FLTRXS (6 OF 8)</p> <p>WIRING HARNESS, MAIN, ABS (FAIRING MODELS) - FLTRX & FLTRXS (6 OF 8)</p> |
| 69200178 | SWITCHES, HANDLEBAR, LEFT |
| 69200179 | SWITCHES, HANDLEBAR, RIGHT |
| 69200183 | <p>WIRING HARNESS, MAIN, ABS (FAIRING MODELS) - FLHX & FLHXS (7 OF 8)</p> <p>WIRING HARNESS, MAIN, ABS (FAIRING MODELS) - FLHTCU/L & FLHTK/L (7 OF 8)</p> <p>WIRING HARNESS, MAIN, ABS (NON-FAIRING MODELS) (7 OF 8)</p> <p>WIRING HARNESS, MAIN, ABS (FAIRING MODELS) - FLTRX & FLTRXS (7 OF 8)</p> |
| 69200184 | <p>WIRING HARNESS, MAIN, ABS (FAIRING MODELS) - FLHX & FLHXS (7 OF 8)</p> <p>WIRING HARNESS, MAIN, ABS (FAIRING MODELS) - FLHTCU/L & FLHTK/L (7 OF 8)</p> <p>WIRING HARNESS, MAIN, ABS (NON-FAIRING MODELS) (7 OF 8)</p> <p>WIRING HARNESS, MAIN, ABS (FAIRING MODELS) - FLTRX & FLTRXS (7 OF 8)</p> |
| 69200185 | <p>WIRING HARNESS, MAIN, ABS (FAIRING MODELS) - FLHX & FLHXS (7 OF 8)</p> <p>WIRING HARNESS, MAIN, ABS (FAIRING MODELS) - FLHTCU/L & FLHTK/L (7 OF 8)</p> <p>WIRING HARNESS, MAIN, ABS (NON-FAIRING MODELS) (7 OF 8)</p> <p>WIRING HARNESS, MAIN, ABS (FAIRING MODELS) - FLTRX & FLTRXS (7 OF 8)</p> |
| 69200186 | <p>WIRING HARNESS, MAIN, ABS (FAIRING MODELS) - FLHX & FLHXS (7 OF 8)</p> <p>WIRING HARNESS, MAIN, ABS (FAIRING MODELS) - FLHTCU/L & FLHTK/L (7 OF 8)</p> <p>WIRING HARNESS, MAIN, ABS (NON-FAIRING MODELS) (7 OF 8)</p> <p>WIRING HARNESS, MAIN, ABS (FAIRING MODELS) - FLTRX & FLTRXS (7 OF 8)</p> |
| 69200187 | <p>WIRING HARNESS, MAIN, ABS (FAIRING MODELS) - FLHX & FLHXS (7 OF 8)</p> <p>WIRING HARNESS, MAIN, ABS (FAIRING MODELS) - FLHTCU/L & FLHTK/L (7 OF 8)</p> <p>WIRING HARNESS, MAIN, ABS (NON-FAIRING MODELS) (7 OF 8)</p> |

| | |
|----------|---|
| | <p>WIRING HARNESS, MAIN, NON-ABS (NON-FAIRING MODELS) (1 OF 8) WIRING HARNESS, MAIN, ABS (NON-FAIRING MODELS) (1 OF 8) WIRING HARNESS, MAIN, NON-ABS (FAIRING MODELS) - FLTRX & FLTRXS (1 OF 8) WIRING HARNESS, MAIN, ABS (FAIRING MODELS) - FLTRX & FLTRXS (1 OF 8)</p> |
| 69200203 | <p>FRAME & JIFFY STAND (2 OF 2) WIRING HARNESS, MAIN, NON-ABS (FAIRING MODELS) - FLHX (1 OF 8) WIRING HARNESS, MAIN, ABS (FAIRING MODELS) - FLHX & FLHXS (1 OF 8) WIRING HARNESS, MAIN, ABS (FAIRING MODELS) - FLHTCU/L & FLHTK/L (1 OF 8) WIRING HARNESS, MAIN, NON-ABS (NON-FAIRING MODELS) (1 OF 8) WIRING HARNESS, MAIN, ABS (NON-FAIRING MODELS) (1 OF 8) WIRING HARNESS, MAIN, NON-ABS (FAIRING MODELS) - FLTRX & FLTRXS (1 OF 8) WIRING HARNESS, MAIN, ABS (FAIRING MODELS) - FLTRX & FLTRXS (1 OF 8)</p> |
| 69200204 | <p>WIRING HARNESS, MAIN, NON-ABS (FAIRING MODELS) - FLHX (8 OF 8) WIRING HARNESS, MAIN, ABS (FAIRING MODELS) - FLHX & FLHXS (8 OF 8) WIRING HARNESS, MAIN, ABS (FAIRING MODELS) - FLHTCU/L & FLHTK/L (8 OF 8) WIRING HARNESS, MAIN, NON-ABS (NON-FAIRING MODELS) (8 OF 8) WIRING HARNESS, MAIN, ABS (NON-FAIRING MODELS) (8 OF 8) WIRING HARNESS, MAIN, NON-ABS (FAIRING MODELS) - FLTRX & FLTRXS (8 OF 8) WIRING HARNESS, MAIN, ABS (FAIRING MODELS) - FLTRX & FLTRXS (8 OF 8)</p> |
| 69200205 | <p>WIRING HARNESS, MAIN, NON-ABS (FAIRING MODELS) - FLHX (2 OF 8) WIRING HARNESS, MAIN, ABS (FAIRING MODELS) - FLHX & FLHXS (2 OF 8) WIRING HARNESS, MAIN, ABS (FAIRING MODELS) - FLHTCU/L & FLHTK/L (2 OF 8) WIRING HARNESS, MAIN, NON-ABS (FAIRING MODELS) - FLTRX & FLTRXS (2 OF 8) WIRING HARNESS, MAIN, ABS (FAIRING MODELS) - FLTRX & FLTRXS (2 OF 8)</p> |
| 69200210 | <p>ANTENNAS LAMPS & SPEAKER HOUSINGS, ULTRA TOUR-PAK (1 OF 2)</p> |
| 69200211 | <p>ANTENNAS LAMPS & SPEAKER HOUSINGS, ULTRA TOUR-PAK (1 OF 2)</p> |
| 69200212 | <p>WIRING HARNESS, MAIN, NON-ABS (FAIRING MODELS) - FLHX (8 OF 8) WIRING HARNESS, MAIN, ABS (FAIRING MODELS) - FLHX & FLHXS (8 OF 8) WIRING HARNESS, MAIN, ABS (FAIRING MODELS) - FLHTCU/L & FLHTK/L (8 OF 8) WIRING HARNESS, MAIN, NON-ABS (NON-FAIRING MODELS) (8 OF 8) WIRING HARNESS, MAIN, ABS (NON-FAIRING MODELS) (8 OF 8) WIRING HARNESS, MAIN, NON-ABS (FAIRING MODELS) - FLTRX & FLTRXS (8 OF 8) WIRING HARNESS, MAIN, ABS (FAIRING MODELS) - FLTRX & FLTRXS (8 OF 8)</p> |
| 69200214 | <p>WIRING HARNESS, MAIN, NON-ABS (FAIRING MODELS) - FLHX (1 OF 8) WIRING HARNESS, MAIN, ABS (FAIRING MODELS) - FLHX & FLHXS (1 OF 8) WIRING HARNESS, MAIN, ABS (FAIRING MODELS) - FLHTCU/L & FLHTK/L (1 OF 8)</p> |
| 69200215 | <p>WIRING HARNESS, MAIN, NON-ABS (FAIRING MODELS) - FLHX (2 OF 8) WIRING HARNESS, MAIN, ABS (FAIRING MODELS) - FLHX & FLHXS (2 OF 8) WIRING HARNESS, MAIN, ABS (FAIRING MODELS) - FLHTCU/L & FLHTK/L (2 OF 8)</p> |
| 69200220 | <p>WINDSHIELD, FAIRING & HEADLAMP - FLHTCU/L, FLHTK/L, FLHX & FLHXS (2 OF 2) WIRING HARNESS, MAIN, NON-ABS (NON-FAIRING MODELS) (2 OF 8) WIRING HARNESS, MAIN, ABS (NON-FAIRING MODELS) (2 OF 8)</p> |
| 69200221 | <p>WINDSHIELD, FAIRING & HEADLAMP - FLHTCU/L, FLHTK/L, FLHX & FLHXS (2 OF 2) WIRING HARNESS, MAIN, NON-ABS (NON-FAIRING MODELS) (2 OF 8) WIRING HARNESS, MAIN, ABS (NON-FAIRING MODELS) (2 OF 8)</p> |
| 69200222 | <p>WINDSHIELD, FAIRING & HEADLAMP - FLHTCU/L, FLHTK/L, FLHX & FLHXS (2 OF 2) WIRING HARNESS, MAIN, NON-ABS (NON-FAIRING MODELS) (2 OF 8) WIRING HARNESS, MAIN, ABS (NON-FAIRING MODELS) (2 OF 8)</p> |
| 69200223 | <p>WINDSHIELD, FAIRING & HEADLAMP - FLHTCU/L, FLHTK/L, FLHX & FLHXS (2 OF 2)</p> |
| 69200224 | <p>FORK BRACKETS, FRONT HANDLEBAR</p> |

| | |
|-----------|--|
| 69200225 | LAMPS & SPEAKER HOUSINGS, ULTRA TOUR-PAK (2 OF 2) |
| 69200226 | LAMPS & SPEAKER HOUSINGS, ULTRA TOUR-PAK (2 OF 2) |
| 69200231 | BRAKE LINES & MODULE, REAR - ABS |
| 69200237 | LAMPS & SPEAKER HOUSINGS, ULTRA TOUR-PAK (2 OF 2) |
| 69200238 | WIRING HARNESS, MAIN, NON-ABS (FAIRING MODELS) - FLHX (7 OF 8) WIRING HARNESS, MAIN, ABS (FAIRING MODELS) - FLHX & FLHXS (7 OF 8) WIRING HARNESS, MAIN, ABS (FAIRING MODELS) - FLHTCU/L & FLHTK/L (7 OF 8) WIRING HARNESS, MAIN, NON-ABS (NON-FAIRING MODELS) (7 OF 8) WIRING HARNESS, MAIN, ABS (NON-FAIRING MODELS) (7 OF 8) WIRING HARNESS, MAIN, NON-ABS (FAIRING MODELS) - FLTRX & FLTRXS (7 OF 8) WIRING HARNESS, MAIN, ABS (FAIRING MODELS) - FLTRX & FLTRXS (7 OF 8) |
| 69200247 | SOUND SYSTEM - FLHTCU/L, FLHTK/L, FLHX & FLHXS (1 OF 2) |
| 69200248 | FAIRING, INNER - FLTRX & FLTRXS (2 OF 2) |
| 69200254 | WIRING HARNESS, FAIRING - FLHTCU/L, FLHTK/L, FLHX & FLHXS (1 OF 2) WIRING HARNESS, FAIRING - FLTRX & FLTRXS |
| 69200255 | WINDSHIELD, FAIRING & HEADLAMP - FLHTCU/L, FLHTK/L, FLHX & FLHXS (2 OF 2) |
| 69200256 | WINDSHIELD, FAIRING & HEADLAMP - FLHTCU/L, FLHTK/L, FLHX & FLHXS (2 OF 2) WIRING HARNESS, FAIRING - FLHTCU/L, FLHTK/L, FLHX & FLHXS (1 OF 2) WIRING HARNESS, FAIRING - FLTRX & FLTRXS |
| 69200257 | INSTRUMENTS - FLHTCU, FLHTCUL, FLHTK, FLHTKL, FLHX & FLHXS INSTRUMENTS - FLTRX & FLTRXS |
| 69200258 | INSTRUMENTS - FLHTCU, FLHTCUL, FLHTK, FLHTKL, FLHX & FLHXS INSTRUMENTS - FLTRX & FLTRXS |
| 69200267A | WIRING HARNESS, MAIN, NON-ABS (FAIRING MODELS) - FLHX (4 OF 8) WIRING HARNESS, MAIN, ABS (FAIRING MODELS) - FLHX & FLHXS (4 OF 8) WIRING HARNESS, MAIN, ABS (FAIRING MODELS) - FLHTCU/L & FLHTK/L (4 OF 8) WIRING HARNESS, MAIN, NON-ABS (NON-FAIRING MODELS) (4 OF 8) WIRING HARNESS, MAIN, ABS (NON-FAIRING MODELS) (4 OF 8) WIRING HARNESS, MAIN, NON-ABS (FAIRING MODELS) - FLTRX & FLTRXS (4 OF 8) WIRING HARNESS, MAIN, ABS (FAIRING MODELS) - FLTRX & FLTRXS (4 OF 8) |
| 69200268A | WIRING HARNESS, MAIN, NON-ABS (FAIRING MODELS) - FLHX (4 OF 8) WIRING HARNESS, MAIN, ABS (FAIRING MODELS) - FLHX & FLHXS (4 OF 8) WIRING HARNESS, MAIN, ABS (FAIRING MODELS) - FLHTCU/L & FLHTK/L (4 OF 8) WIRING HARNESS, MAIN, NON-ABS (NON-FAIRING MODELS) (4 OF 8) WIRING HARNESS, MAIN, ABS (NON-FAIRING MODELS) (4 OF 8) WIRING HARNESS, MAIN, NON-ABS (FAIRING MODELS) - FLTRX & FLTRXS (4 OF 8) WIRING HARNESS, MAIN, ABS (FAIRING MODELS) - FLTRX & FLTRXS (4 OF 8) |
| 69200271 | RADIATOR, COOLANT HOSES & BOTTLE WIRING HARNESS, FAIRING - FLHTCU/L, FLHTK/L, FLHX & FLHXS (2 OF 2) WIRING HARNESS, FAIRING - FLTRX & FLTRXS |
| 69200272 | WIRING HARNESS, MAIN, ABS (FAIRING MODELS) - FLHTCU/L & FLHTK/L (7 OF 8) SOUND SYSTEM - FLHTCU/L, FLHTK/L, FLHX & FLHXS (1 OF 2) SOUND SYSTEM - FLTRX & FLTRXS |
| 69200284 | WIRING HARNESS, MAIN, NON-ABS (NON-FAIRING MODELS) (1 OF 8) WIRING HARNESS, MAIN, ABS (NON-FAIRING MODELS) (1 OF 8) |
| 69200285 | WIRING HARNESS, MAIN, NON-ABS (NON-FAIRING MODELS) (2 OF 8) WIRING HARNESS, MAIN, ABS (NON-FAIRING MODELS) (2 OF 8) |

| | |
|-----------|--|
| 69200291A | WIRING HARNESS, MAIN, ABS (FAIRING MODELS) - FLHTCU/L & FLHTK/L (4 OF 8) |
| 69200293 | WIRING HARNESS, MAIN, NON-ABS (FAIRING MODELS) - FLHX (8 OF 8) WIRING HARNESS, MAIN, ABS (FAIRING MODELS) - FLHX & FLHXS (8 OF 8) WIRING HARNESS, MAIN, ABS (FAIRING MODELS) - FLHTCU/L & FLHTK/L (8 OF 8) WIRING HARNESS, MAIN, NON-ABS (NON-FAIRING MODELS) (8 OF 8) WIRING HARNESS, MAIN, ABS (NON-FAIRING MODELS) (8 OF 8) WIRING HARNESS, MAIN, NON-ABS (FAIRING MODELS) - FLTRX & FLTRXS (8 OF 8) WIRING HARNESS, MAIN, ABS (FAIRING MODELS) - FLTRX & FLTRXS (8 OF 8) |
| 69200294 | WIRING HARNESS, MAIN, NON-ABS (FAIRING MODELS) - FLHX (1 OF 8) WIRING HARNESS, MAIN, NON-ABS (FAIRING MODELS) - FLHX (5 OF 8) WIRING HARNESS, MAIN, ABS (FAIRING MODELS) - FLHX & FLHXS (1 OF 8) WIRING HARNESS, MAIN, ABS (FAIRING MODELS) - FLHX & FLHXS (5 OF 8) SOUND SYSTEM - FLHTCU/L, FLHTK/L, FLHX & FLHXS (1 OF 2) |
| 69200295 | ANTENNAS |
| 69200298 | WINDSHIELD, FAIRING & HEADLAMP - FLHTCU/L, FLHTK/L, FLHX & FLHXS (2 OF 2) |
| 69200305 | SWITCHES, HANDLEBAR, RIGHT |
| 69200306 | SWITCHES, HANDLEBAR, LEFT SWITCHES, HANDLEBAR, RIGHT |
| 69200307 | SWITCHES, HANDLEBAR, LEFT SWITCHES, HANDLEBAR, RIGHT |
| 69200308 | SWITCHES, HANDLEBAR, LEFT SWITCHES, HANDLEBAR, RIGHT |
| 69200311 | RADIATOR, COOLANT HOSES & BOTTLE |
| 69200312 | WIRING HARNESS, MAIN, NON-ABS (FAIRING MODELS) - FLHX (8 OF 8) WIRING HARNESS, MAIN, ABS (FAIRING MODELS) - FLHX & FLHXS (8 OF 8) WIRING HARNESS, MAIN, ABS (FAIRING MODELS) - FLHTCU/L & FLHTK/L (8 OF 8) WIRING HARNESS, MAIN, NON-ABS (NON-FAIRING MODELS) (8 OF 8) WIRING HARNESS, MAIN, ABS (NON-FAIRING MODELS) (8 OF 8) WIRING HARNESS, MAIN, NON-ABS (FAIRING MODELS) - FLTRX & FLTRXS (8 OF 8) WIRING HARNESS, MAIN, ABS (FAIRING MODELS) - FLTRX & FLTRXS (8 OF 8) |
| 69200313 | ANTENNAS |
| 69200336 | WIRING HARNESS, MAIN, NON-ABS (FAIRING MODELS) - FLHX (8 OF 8) WIRING HARNESS, MAIN, ABS (FAIRING MODELS) - FLHX & FLHXS (8 OF 8) WIRING HARNESS, MAIN, ABS (FAIRING MODELS) - FLHTCU/L & FLHTK/L (8 OF 8) WIRING HARNESS, MAIN, NON-ABS (NON-FAIRING MODELS) (8 OF 8) WIRING HARNESS, MAIN, ABS (NON-FAIRING MODELS) (8 OF 8) WIRING HARNESS, MAIN, NON-ABS (FAIRING MODELS) - FLTRX & FLTRXS (8 OF 8) WIRING HARNESS, MAIN, ABS (FAIRING MODELS) - FLTRX & FLTRXS (8 OF 8) LOOSE PARTS (1 OF 2) |
| 69200337 | FAIRING, INNER - FLTRX & FLTRXS (2 OF 2) WIRING HARNESS, FAIRING - FLHTCU/L, FLHTK/L, FLHX & FLHXS (2 OF 2) |
| 69200338 | THROTTLE CONTROL |
| 69200437 | WIRING HARNESS, MAIN, NON-ABS (FAIRING MODELS) - FLHX (3 OF 8) WIRING HARNESS, MAIN, ABS (FAIRING MODELS) - FLHX & FLHXS (3 OF 8) WIRING HARNESS, MAIN, ABS (FAIRING MODELS) - FLHTCU/L & FLHTK/L (3 OF 8) WIRING HARNESS, MAIN, NON-ABS (NON-FAIRING MODELS) (3 OF 8) WIRING HARNESS, MAIN, ABS (NON-FAIRING MODELS) (3 OF 8) WIRING HARNESS, MAIN, NON-ABS (FAIRING MODELS) - FLTRX & FLTRXS (3 OF 8) WIRING HARNESS, MAIN, ABS (FAIRING MODELS) - FLTRX & FLTRXS (3 OF 8) |
| 69200529 | AUXILIARY/FOG LAMPS & TURN SIGNALS, FRONT - FLHTCU, FLHTCUL, FTHTK & FLHTKL |

| | |
|-------------|--|
| 69200536 | HANDLEBAR |
| 69200576 | WIRING HARNESS, MAIN, NON-ABS (FAIRING MODELS) - FLTRX & FLTRXS (1 OF 8) WIRING HARNESS, MAIN, NON-ABS (FAIRING MODELS) - FLTRX & FLTRXS (2 OF 8) WIRING HARNESS, MAIN, NON-ABS (FAIRING MODELS) - FLTRX & FLTRXS (3 OF 8) WIRING HARNESS, MAIN, NON-ABS (FAIRING MODELS) - FLTRX & FLTRXS (4 OF 8) WIRING HARNESS, MAIN, NON-ABS (FAIRING MODELS) - FLTRX & FLTRXS (5 OF 8) WIRING HARNESS, MAIN, NON-ABS (FAIRING MODELS) - FLTRX & FLTRXS (6 OF 8) WIRING HARNESS, MAIN, NON-ABS (FAIRING MODELS) - FLTRX & FLTRXS (7 OF 8) WIRING HARNESS, MAIN, NON-ABS (FAIRING MODELS) - FLTRX & FLTRXS (8 OF 8) |
| 69200623 | WIRING HARNESS, MAIN, ABS (FAIRING MODELS) - FLTRX & FLTRXS (1 OF 8) WIRING HARNESS, MAIN, ABS (FAIRING MODELS) - FLTRX & FLTRXS (2 OF 8) WIRING HARNESS, MAIN, ABS (FAIRING MODELS) - FLTRX & FLTRXS (3 OF 8) WIRING HARNESS, MAIN, ABS (FAIRING MODELS) - FLTRX & FLTRXS (4 OF 8) WIRING HARNESS, MAIN, ABS (FAIRING MODELS) - FLTRX & FLTRXS (5 OF 8) WIRING HARNESS, MAIN, ABS (FAIRING MODELS) - FLTRX & FLTRXS (6 OF 8) WIRING HARNESS, MAIN, ABS (FAIRING MODELS) - FLTRX & FLTRXS (7 OF 8) WIRING HARNESS, MAIN, ABS (FAIRING MODELS) - FLTRX & FLTRXS (8 OF 8) |
| 69200629 | WIRING HARNESS, MAIN, NON-ABS (FAIRING MODELS) - FLTRX & FLTRXS (1 OF 8) WIRING HARNESS, MAIN, NON-ABS (FAIRING MODELS) - FLTRX & FLTRXS (5 OF 8) WIRING HARNESS, MAIN, ABS (FAIRING MODELS) - FLTRX & FLTRXS (1 OF 8) WIRING HARNESS, MAIN, ABS (FAIRING MODELS) - FLTRX & FLTRXS (5 OF 8) SOUND SYSTEM - FLHTCU/L, FLHTK/L, FLHX & FLHXS (1 OF 2) |
| 69200700 | WIRING HARNESS, MAIN, NON-ABS (FAIRING MODELS) - FLTRX & FLTRXS (1 OF 8) WIRING HARNESS, MAIN, NON-ABS (FAIRING MODELS) - FLTRX & FLTRXS (2 OF 8) WIRING HARNESS, MAIN, ABS (FAIRING MODELS) - FLTRX & FLTRXS (1 OF 8) WIRING HARNESS, MAIN, ABS (FAIRING MODELS) - FLTRX & FLTRXS (2 OF 8) |
| 69200701 | FAIRING, INNER - FLTRX & FLTRXS (2 OF 2) |
| 69200702 | FAIRING, INNER - FLTRX & FLTRXS (2 OF 2) |
| 69200752 | SOUND SYSTEM - FLTRX & FLTRXS |
| 69200753 | FAIRING, INNER - FLTRX & FLTRXS (2 OF 2) |
| 69200826 | LAMPS & SPEAKER HOUSINGS, ULTRA TOUR-PAK (2 OF 2) |
| 69200859 | THROTTLE CONTROL |
| 69214-08 | CONSOLE, FUEL TANK - FLHTCU, FLHTCUL, FLHTK, FLHTKL, FLHX, FLHXS, FLTRX & FLTRXS (1 OF 2) |
| 69241-08 | CONSOLE, FUEL TANK - FLHTCU, FLHTCUL, FLHTK, FLHTKL, FLHX, FLHXS, FLTRX & FLTRXS (1 OF 2) |
| 69292-06 | TURN SIGNALS, FRONT - FLHX & FLHXS |
| 69293-06 | TURN SIGNALS, FRONT - FLHX & FLHXS |
| 69309-10 | SWITCHES |
| 69353-05 | TAIL LAMP & TURN SIGNALS, REAR (1 OF 2) |
| 69377-10 | FENDERS, REAR (2 OF 2) |
| 69378-09 | TAIL LAMP & TURN SIGNALS, REAR (1 OF 2) TAIL LAMP & TURN SIGNALS, REAR (1 OF 2) |
| 69380-09BHP | LICENSE PLATE BRACKETS LICENSE PLATE BRACKETS LICENSE PLATE BRACKETS |

| | |
|-----------|---|
| 69490-07 | SADDLEBAGS (1 OF 2) |
| 69563-06 | AUXILIARY/FOG LAMPS & TURN SIGNALS, FRONT - FLHTCU, FLHTCUL, FTHTK & FLHTKL |
| 69615-10 | FENDERS, REAR (2 OF 2) |
| 6982 | FRAME & FORK, REAR & TOUR-PAK SUPPORT |
| 6990 | WIRING HARNESS, MAIN, NON-ABS (FAIRING MODELS) - FLHX (8 OF 8) WIRING HARNESS, MAIN, ABS (FAIRING MODELS) - FLHX & FLHXS (8 OF 8) WIRING HARNESS, MAIN, ABS (FAIRING MODELS) - FLHTCU/L & FLHTK/L (8 OF 8) WIRING HARNESS, MAIN, NON-ABS (NON-FAIRING MODELS) (8 OF 8) WIRING HARNESS, MAIN, ABS (NON-FAIRING MODELS) (8 OF 8) WIRING HARNESS, MAIN, NON-ABS (FAIRING MODELS) - FLTRX & FLTRXS (8 OF 8) WIRING HARNESS, MAIN, ABS (FAIRING MODELS) - FLTRX & FLTRXS (8 OF 8) |
| 69992-12B | SWITCHES |
| 69994-12B | SWITCHES |
| 69995-11 | SWITCHES LOOSE PARTS (1 OF 2) |
| 69996-12B | SWITCHES |
| 70267-09 | BATTERY |
| 70291-89 | WIRING HARNESS, MAIN, NON-ABS (NON-FAIRING MODELS) (1 OF 8) WIRING HARNESS, MAIN, NON-ABS (NON-FAIRING MODELS) (2 OF 8) WIRING HARNESS, MAIN, ABS (NON-FAIRING MODELS) (1 OF 8) WIRING HARNESS, MAIN, ABS (NON-FAIRING MODELS) (2 OF 8) |
| 70292-89 | NACELLE & HEADLAMP - FLHR & FLHRC |
| 70345-84 | HANDLEBAR |
| 7036 | LICENSE PLATE BRACKETS LICENSE PLATE BRACKETS |
| 7038 | FOOTBOARDS & FOOTPEGS |
| 703B | CRANKCASE, ENGINE OIL FILTER & COOLER - TWIN CAM 103™ (1 OF 2) CRANKCASE & ENGINE OIL FILTER - TWIN-COOLED™ TWIN CAM 103™ |
| 7041 | SHIFTER, GEAR FRAME & JIFFY STAND (1 OF 2) AUXILIARY/FOG LAMPS & TURN SIGNALS, FRONT - FLHTCU, FLHTCUL, FTHTK & FLHTKL EXHAUST SYSTEM |
| 70493-08 | WHEELS, FRONT |
| 70494-08 | WHEELS, FRONT |
| 70522-06B | FENDERS, REAR (2 OF 2) TAIL LAMP & TURN SIGNALS, REAR (1 OF 2) TAIL LAMP |
| 70554-69 | AUXILIARY/FOG LAMPS & TURN SIGNALS, FRONT - FLHR & FLHRC |
| 70578-89 | BATTERY |
| 70598-99 | WIRING HARNESS, MAIN, ABS (FAIRING MODELS) - FLHTCU/L & FLHTK/L (7 OF 8) |
| 70631-08 | BRAKE LINES & MODULE, REAR - ABS |

| | |
|-------------|--|
| | WHEELS, FRONT |
| 7068 | SHOCK ABSORBERS, REAR & AIR SUSPENSION SYSTEM - FLHR, FLHRC, FLHTCU, FLHTK, FLHX & FLTRX SHOCK ABSORBERS, REAR - FLHTCUL, FLHTKL, FLHXS & FLTRXS |
| 70681-09 | ELECTRONIC CONTROL MODULE (ECM) & COIL EVAPORATIVE EMISSIONS COMPONENTS |
| 70900117 | INSTRUMENTS, FUEL TANK - FLHR & FLHRC |
| 70900118A | INSTRUMENTS - FLHTCU, FLHTCUL, FLHTK, FLHTKL, FLHX & FLHXS |
| 70900119 | INSTRUMENTS - FLHTCU, FLHTCUL, FLHTK, FLHTKL, FLHX & FLHXS |
| 70900120 | INSTRUMENTS - FLHTCU, FLHTCUL, FLHTK, FLHTKL, FLHX & FLHXS |
| 70900121 | INSTRUMENTS - FLHTCU, FLHTCUL, FLHTK, FLHTKL, FLHX & FLHXS |
| 70900122 | INSTRUMENTS - FLHTCU, FLHTCUL, FLHTK, FLHTKL, FLHX & FLHXS |
| 70900123 | INSTRUMENTS - FLHTCU, FLHTCUL, FLHTK, FLHTKL, FLHX & FLHXS |
| 70900124A | INSTRUMENTS - FLHTCU, FLHTCUL, FLHTK, FLHTKL, FLHX & FLHXS INSTRUMENTS - FLTRX & FLTRXS |
| 70900125 | INSTRUMENTS - FLHTCU, FLHTCUL, FLHTK, FLHTKL, FLHX & FLHXS INSTRUMENTS - FLTRX & FLTRXS |
| 70900126 | INSTRUMENTS - FLHTCU, FLHTCUL, FLHTK, FLHTKL, FLHX & FLHXS INSTRUMENTS - FLTRX & FLTRXS |
| 70900138 | INSTRUMENT HOUSING - FLTRX & FLTRXS FAIRING, INNER - FLHTCU, FLHTCUL, FLHTK, FLHTKL, FLHX & FLHXS (2 OF 2) FAIRING, INNER - FLHTCU, FLHTCUL, FLHTK, FLHTKL, FLHX & FLHXS (2 OF 2) |
| 70900161 | INSTRUMENTS - FLHTCU, FLHTCUL, FLHTK, FLHTKL, FLHX & FLHXS |
| 70900162 | INSTRUMENTS - FLHTCU, FLHTCUL, FLHTK, FLHTKL, FLHX & FLHXS |
| 70900163 | INSTRUMENTS - FLHTCU, FLHTCUL, FLHTK, FLHTKL, FLHX & FLHXS INSTRUMENTS - FLTRX & FLTRXS |
| 70900164 | INSTRUMENTS - FLHTCU, FLHTCUL, FLHTK, FLHTKL, FLHX & FLHXS |
| 70900165 | INSTRUMENTS - FLHTCU, FLHTCUL, FLHTK, FLHTKL, FLHX & FLHXS |
| 70900166 | INSTRUMENTS - FLHTCU, FLHTCUL, FLHTK, FLHTKL, FLHX & FLHXS INSTRUMENTS - FLTRX & FLTRXS |
| 70900167A | INSTRUMENTS, FUEL TANK - FLHR & FLHRC |
| 70900168 | INSTRUMENTS, FUEL TANK - FLHR & FLHRC |
| 70900169 | INSTRUMENTS, FUEL TANK - FLHR & FLHRC |
| 70900372 | INSTRUMENT HOUSING - FLTRX & FLTRXS |
| 70900373 | INSTRUMENT HOUSING - FLTRX & FLTRXS |
| 70900374 | INSTRUMENT HOUSING - FLTRX & FLTRXS |
| 70900392BYM | FAIRING, INNER - FLHTCU, FLHTCUL, FLHTK, FLHTKL, FLHX & FLHXS (2 OF 2) |
| 70900392DH | FAIRING, INNER - FLHTCU, FLHTCUL, FLHTK, FLHTKL, FLHX & FLHXS (2 OF 2) |

| | |
|----------|---|
| 70901-09 | FUEL TANK - FLHTCU, FLHTCUL, FLHTK, FLHTKL, FLHX, FLHXS, FLTRX & FLTRXS FUEL TANK - FLHR & FLHRC |
| 70991-07 | ACTIVE INTAKE & EXHAUST |
| 70999-09 | FUEL TANK - FLHTCU, FLHTCUL, FLHTK, FLHTKL, FLHX, FLHXS, FLTRX & FLTRXS FUEL TANK - FLHR & FLHRC |
| 71019-07 | ACTIVE INTAKE & EXHAUST |
| 7129 | ANTENNAS |
| 71294-08 | CONSOLE, FUEL TANK - FLHTCU, FLHTCUL, FLHTK, FLHTKL, FLHX, FLHXS, FLTRX & FLTRXS (1 OF 2) INSTRUMENTS, FUEL TANK - FLHR & FLHRC |
| 7130W | AUXILIARY/FOG LAMPS & TURN SIGNALS, FRONT - FLHTCU, FLHTCUL, FTHTK & FLHTKL |
| 71310-94 | NACELLE & HEADLAMP - FLHR & FLHRC |
| 71400005 | LAMPS & SPEAKER HOUSINGS, ULTRA TOUR-PAK (2 OF 2) |
| 71400006 | LAMPS & SPEAKER HOUSINGS, ULTRA TOUR-PAK (2 OF 2) |
| 71400007 | LAMPS & SPEAKER HOUSINGS, ULTRA TOUR-PAK (2 OF 2) |
| 71400010 | INSTRUMENTS, FUEL TANK - FLHR & FLHRC NACELLE & HEADLAMP - FLHR & FLHRC SWITCHES SADDLEBAGS (1 OF 2) |
| 71400011 | INSTRUMENTS, FUEL TANK - FLHR & FLHRC NACELLE & HEADLAMP - FLHR & FLHRC SWITCHES |
| 71400012 | SWITCHES |
| 71400013 | SWITCHES |
| 71400015 | SWITCHES SADDLEBAGS (1 OF 2) |
| 71400016 | SWITCHES SADDLEBAGS (1 OF 2) |
| 71400017 | SWITCHES |
| 71400031 | FAIRING, INNER - FLHTCU, FLHTCUL, FLHTK, FLHTKL, FLHX & FLHXS (2 OF 2) |
| 71400044 | FAIRING, INNER - FLHTCU, FLHTCUL, FLHTK, FLHTKL, FLHX & FLHXS (2 OF 2) |
| 71400073 | SWITCHES |
| 71400081 | SWITCHES |
| 71500041 | SWITCHES, HANDLEBAR, RIGHT |
| 71500044 | SWITCHES, HANDLEBAR, LEFT |
| 71500045 | SWITCHES, HANDLEBAR, LEFT |
| 71500046 | SWITCHES, HANDLEBAR, RIGHT |
| 71500047 | SWITCHES, HANDLEBAR, LEFT |

| | |
|-----------|--|
| 71500048 | SWITCHES, HANDLEBAR, LEFT |
| 71500049 | SWITCHES, HANDLEBAR, RIGHT |
| 71500050 | SWITCHES, HANDLEBAR, RIGHT |
| 71500053 | SWITCHES, HANDLEBAR, LEFT |
| 71500054 | SWITCHES, HANDLEBAR, LEFT |
| 71500055 | SWITCHES, HANDLEBAR, LEFT |
| 71500056 | SWITCHES, HANDLEBAR, RIGHT |
| 71500057 | SWITCHES, HANDLEBAR, RIGHT |
| 71500063 | SWITCHES, HANDLEBAR, RIGHT |
| 71500094 | SWITCHES, HANDLEBAR, LEFT |
| 71500119 | SWITCHES, HANDLEBAR, LEFT |
| 71500121 | SWITCHES, HANDLEBAR, RIGHT |
| 71500126 | SWITCHES, HANDLEBAR, LEFT |
| 71500127A | SWITCHES, HANDLEBAR, RIGHT |
| 71500128 | SWITCHES, HANDLEBAR, LEFT |
| 71500129A | SWITCHES, HANDLEBAR, RIGHT SWITCHES, HANDLEBAR, RIGHT |
| 71500130A | SWITCHES, HANDLEBAR, RIGHT |
| 71517-11 | INSTRUMENTS, FUEL TANK - FLHR & FLHRC |
| 71522-08 | NACELLE & HEADLAMP - FLHR & FLHRC |
| 71540-94A | NACELLE & HEADLAMP - FLHR & FLHRC SWITCHES |
| 7155 | MIRRORS |
| 71565-08 | NACELLE & HEADLAMP - FLHR & FLHRC |
| 71660-03 | SWITCHES |
| 72007-05 | WIRING HARNESS, MAIN, NON-ABS (FAIRING MODELS) - FLHX (3 OF 8) WIRING HARNESS, MAIN, ABS (FAIRING MODELS) - FLHX & FLHXS (3 OF 8) WIRING HARNESS, MAIN, ABS (FAIRING MODELS) - FLHTCU/L & FLHTK/L (3 OF 8) WIRING HARNESS, MAIN, NON-ABS (NON-FAIRING MODELS) (3 OF 8) WIRING HARNESS, MAIN, ABS (NON-FAIRING MODELS) (3 OF 8) WIRING HARNESS, MAIN, NON-ABS (FAIRING MODELS) - FLTRX & FLTRXS (3 OF 8) WIRING HARNESS, MAIN, ABS (FAIRING MODELS) - FLTRX & FLTRXS (3 OF 8) |
| 72009-05 | CYLINDERS, HEADS & VALVES - TWIN CAM 103™ CYLINDERS, HEADS & VALVES, TWIN-COOLED™ - TWIN CAM 103™ |
| 72010-05 | WIRING HARNESS, MAIN, NON-ABS (FAIRING MODELS) - FLHX (3 OF 8) WIRING HARNESS, MAIN, NON-ABS (FAIRING MODELS) - FLHX (7 OF 8) WIRING HARNESS, MAIN, ABS (FAIRING MODELS) - FLHX & FLHXS (3 OF 8) WIRING HARNESS, MAIN, ABS (FAIRING MODELS) - FLHX & FLHXS (7 OF 8) WIRING HARNESS, MAIN, ABS (FAIRING MODELS) - FLHTCU/L & FLHTK/L (3 OF 8) WIRING HARNESS, MAIN, ABS (FAIRING MODELS) - FLHTCU/L & FLHTK/L (7 OF 8) |

| | |
|-----------|---|
| | <p>WIRING HARNESS, MAIN, NON-ABS (NON-FAIRING MODELS) (3 OF 8) WIRING HARNESS, MAIN, NON-ABS (NON-FAIRING MODELS) (7 OF 8) WIRING HARNESS, MAIN, ABS (NON-FAIRING MODELS) (3 OF 8) WIRING HARNESS, MAIN, ABS (NON-FAIRING MODELS) (7 OF 8) WIRING HARNESS, MAIN, NON-ABS (FAIRING MODELS) - FLTRX & FLTRXS (3 OF 8) WIRING HARNESS, MAIN, NON-ABS (FAIRING MODELS) - FLTRX & FLTRXS (7 OF 8) WIRING HARNESS, MAIN, ABS (FAIRING MODELS) - FLTRX & FLTRXS (3 OF 8) WIRING HARNESS, MAIN, ABS (FAIRING MODELS) - FLTRX & FLTRXS (7 OF 8)</p> |
| 72011-05 | <p>CYLINDERS, HEADS & VALVES - TWIN CAM 103™ CYLINDERS, HEADS & VALVES, TWIN-COOLED™ - TWIN CAM 103™</p> |
| 72012-07 | <p>WIRING HARNESS, MAIN, NON-ABS (FAIRING MODELS) - FLHX (7 OF 8) WIRING HARNESS, MAIN, ABS (FAIRING MODELS) - FLHX & FLHXS (7 OF 8) WIRING HARNESS, MAIN, ABS (FAIRING MODELS) - FLHTCU/L & FLHTK/L (7 OF 8) WIRING HARNESS, MAIN, NON-ABS (NON-FAIRING MODELS) (7 OF 8) WIRING HARNESS, MAIN, ABS (NON-FAIRING MODELS) (7 OF 8) WIRING HARNESS, MAIN, NON-ABS (FAIRING MODELS) - FLTRX & FLTRXS (7 OF 8) WIRING HARNESS, MAIN, ABS (FAIRING MODELS) - FLTRX & FLTRXS (7 OF 8)</p> |
| 72014-07 | <p>WIRING HARNESS, MAIN, NON-ABS (FAIRING MODELS) - FLHX (7 OF 8) WIRING HARNESS, MAIN, ABS (FAIRING MODELS) - FLHX & FLHXS (7 OF 8) WIRING HARNESS, MAIN, ABS (FAIRING MODELS) - FLHTCU/L & FLHTK/L (7 OF 8) WIRING HARNESS, MAIN, NON-ABS (NON-FAIRING MODELS) (7 OF 8) WIRING HARNESS, MAIN, ABS (NON-FAIRING MODELS) (7 OF 8) WIRING HARNESS, MAIN, NON-ABS (FAIRING MODELS) - FLTRX & FLTRXS (7 OF 8) WIRING HARNESS, MAIN, ABS (FAIRING MODELS) - FLTRX & FLTRXS (7 OF 8)</p> |
| 72023-51E | <p>BRAKE CONTROL, REAR SWITCHES</p> |
| 72024-08 | <p>WIRING HARNESS, MAIN, NON-ABS (FAIRING MODELS) - FLHX (3 OF 8) WIRING HARNESS, MAIN, NON-ABS (FAIRING MODELS) - FLHX (7 OF 8) WIRING HARNESS, MAIN, ABS (FAIRING MODELS) - FLHX & FLHXS (3 OF 8) WIRING HARNESS, MAIN, ABS (FAIRING MODELS) - FLHX & FLHXS (7 OF 8) WIRING HARNESS, MAIN, ABS (FAIRING MODELS) - FLHTCU/L & FLHTK/L (3 OF 8) WIRING HARNESS, MAIN, ABS (FAIRING MODELS) - FLHTCU/L & FLHTK/L (7 OF 8) WIRING HARNESS, MAIN, NON-ABS (NON-FAIRING MODELS) (3 OF 8) WIRING HARNESS, MAIN, NON-ABS (NON-FAIRING MODELS) (7 OF 8) WIRING HARNESS, MAIN, ABS (NON-FAIRING MODELS) (3 OF 8) WIRING HARNESS, MAIN, ABS (NON-FAIRING MODELS) (7 OF 8) WIRING HARNESS, MAIN, NON-ABS (FAIRING MODELS) - FLTRX & FLTRXS (3 OF 8) WIRING HARNESS, MAIN, NON-ABS (FAIRING MODELS) - FLTRX & FLTRXS (7 OF 8) WIRING HARNESS, MAIN, ABS (FAIRING MODELS) - FLTRX & FLTRXS (3 OF 8) WIRING HARNESS, MAIN, ABS (FAIRING MODELS) - FLTRX & FLTRXS (7 OF 8)</p> |
| 72038-71A | <p>NACELLE & HEADLAMP - FLHR & FLHRC</p> |
| 72039-71A | <p>WIRING HARNESS, MAIN, NON-ABS (NON-FAIRING MODELS) (1 OF 8) WIRING HARNESS, MAIN, NON-ABS (NON-FAIRING MODELS) (2 OF 8) WIRING HARNESS, MAIN, ABS (NON-FAIRING MODELS) (1 OF 8) WIRING HARNESS, MAIN, ABS (NON-FAIRING MODELS) (2 OF 8)</p> |
| 72053-92 | <p>HANDLEBAR</p> |
| 72062-06 | <p>WIRING HARNESS, MAIN, NON-ABS (FAIRING MODELS) - FLHX (2 OF 8) WIRING HARNESS, MAIN, ABS (FAIRING MODELS) - FLHX & FLHXS (2 OF 8) WIRING HARNESS, MAIN, ABS (FAIRING MODELS) - FLHTCU/L & FLHTK/L (2 OF 8) WIRING HARNESS, MAIN, NON-ABS (FAIRING MODELS) - FLTRX & FLTRXS (2 OF 8) WIRING HARNESS, MAIN, ABS (FAIRING MODELS) - FLTRX & FLTRXS (2 OF 8) WIRING HARNESS, CONSOLE - FLHR & FLHRC</p> |
| 72063-06 | <p>RADIATOR, COOLANT HOSES & BOTTLE WIRING HARNESS, MAIN, NON-ABS (FAIRING MODELS) - FLHX (3 OF 8) WIRING HARNESS, MAIN, ABS (FAIRING MODELS) - FLHX & FLHXS (3 OF 8) WIRING HARNESS, MAIN, ABS (FAIRING MODELS) - FLHTCU/L & FLHTK/L (3 OF 8)</p> |

| | |
|------------|---|
| | <p>WIRING HARNESS, MAIN, ABS (FAIRING MODELS) - FLHTCU/L & FLHTK/L (7 OF 8) WIRING HARNESS, MAIN, NON-ABS (NON-FAIRING MODELS) (3 OF 8) WIRING HARNESS, MAIN, ABS (NON-FAIRING MODELS) (3 OF 8) WIRING HARNESS, MAIN, NON-ABS (FAIRING MODELS) - FLTRX & FLTRXS (3 OF 8) WIRING HARNESS, MAIN, ABS (FAIRING MODELS) - FLTRX & FLTRXS (3 OF 8)</p> |
| 72064-06 | <p>WIRING HARNESS, MAIN, NON-ABS (FAIRING MODELS) - FLHX (8 OF 8) WIRING HARNESS, MAIN, ABS (FAIRING MODELS) - FLHX & FLHXS (8 OF 8) WIRING HARNESS, MAIN, ABS (FAIRING MODELS) - FLHTCU/L & FLHTK/L (8 OF 8) WIRING HARNESS, MAIN, NON-ABS (NON-FAIRING MODELS) (8 OF 8) WIRING HARNESS, MAIN, ABS (NON-FAIRING MODELS) (8 OF 8) WIRING HARNESS, MAIN, NON-ABS (FAIRING MODELS) - FLTRX & FLTRXS (8 OF 8) WIRING HARNESS, MAIN, ABS (FAIRING MODELS) - FLTRX & FLTRXS (8 OF 8)</p> |
| 72066-06A | <p>FAIRING, INNER - FLTRX & FLTRXS (1 OF 2) WIRING HARNESS, MAIN, NON-ABS (FAIRING MODELS) - FLHX (4 OF 8) WIRING HARNESS, MAIN, ABS (FAIRING MODELS) - FLHX & FLHXS (4 OF 8) WIRING HARNESS, MAIN, ABS (FAIRING MODELS) - FLHTCU/L & FLHTK/L (4 OF 8) WIRING HARNESS, MAIN, NON-ABS (NON-FAIRING MODELS) (4 OF 8) WIRING HARNESS, MAIN, ABS (NON-FAIRING MODELS) (4 OF 8) WIRING HARNESS, MAIN, NON-ABS (FAIRING MODELS) - FLTRX & FLTRXS (4 OF 8) WIRING HARNESS, MAIN, ABS (FAIRING MODELS) - FLTRX & FLTRXS (4 OF 8) WIRING HARNESS, FAIRING - FLHTCU/L, FLHTK/L, FLHX & FLHXS (2 OF 2)</p> |
| 72081-11 | <p>WIRING HARNESS, MAIN, NON-ABS (FAIRING MODELS) - FLHX (8 OF 8) WIRING HARNESS, MAIN, ABS (FAIRING MODELS) - FLHX & FLHXS (8 OF 8) WIRING HARNESS, MAIN, ABS (FAIRING MODELS) - FLHTCU/L & FLHTK/L (8 OF 8) WIRING HARNESS, MAIN, NON-ABS (NON-FAIRING MODELS) (8 OF 8) WIRING HARNESS, MAIN, ABS (NON-FAIRING MODELS) (8 OF 8) WIRING HARNESS, MAIN, NON-ABS (FAIRING MODELS) - FLTRX & FLTRXS (8 OF 8) WIRING HARNESS, MAIN, ABS (FAIRING MODELS) - FLTRX & FLTRXS (8 OF 8)</p> |
| 72097-06 | <p>FAIRING, INNER - FLTRX & FLTRXS (1 OF 2) WIRING HARNESS, FAIRING - FLHTCU/L, FLHTK/L, FLHX & FLHXS (2 OF 2)</p> |
| 72106-94BK | <p>WIRING HARNESS, MAIN, NON-ABS (FAIRING MODELS) - FLHX (8 OF 8) WIRING HARNESS, MAIN, ABS (FAIRING MODELS) - FLHX & FLHXS (8 OF 8) WIRING HARNESS, MAIN, ABS (FAIRING MODELS) - FLHTCU/L & FLHTK/L (8 OF 8) WIRING HARNESS, MAIN, NON-ABS (NON-FAIRING MODELS) (8 OF 8) WIRING HARNESS, MAIN, ABS (NON-FAIRING MODELS) (8 OF 8) WIRING HARNESS, MAIN, NON-ABS (FAIRING MODELS) - FLTRX & FLTRXS (8 OF 8) WIRING HARNESS, MAIN, ABS (FAIRING MODELS) - FLTRX & FLTRXS (8 OF 8)</p> |
| 72111-06 | <p>RADIATOR, COOLANT HOSES & BOTTLE WIRING HARNESS, MAIN, NON-ABS (FAIRING MODELS) - FLHX (3 OF 8) WIRING HARNESS, MAIN, ABS (FAIRING MODELS) - FLHX & FLHXS (3 OF 8) WIRING HARNESS, MAIN, ABS (FAIRING MODELS) - FLHTCU/L & FLHTK/L (3 OF 8) WIRING HARNESS, MAIN, ABS (FAIRING MODELS) - FLHTCU/L & FLHTK/L (7 OF 8) WIRING HARNESS, MAIN, NON-ABS (NON-FAIRING MODELS) (3 OF 8) WIRING HARNESS, MAIN, ABS (NON-FAIRING MODELS) (3 OF 8) WIRING HARNESS, MAIN, NON-ABS (FAIRING MODELS) - FLTRX & FLTRXS (3 OF 8) WIRING HARNESS, MAIN, ABS (FAIRING MODELS) - FLTRX & FLTRXS (3 OF 8)</p> |
| 72130-04 | <p>FENDERS, REAR (2 OF 2) TAIL LAMP & TURN SIGNALS, REAR (1 OF 2) WIRING HARNESS, MAIN, NON-ABS (FAIRING MODELS) - FLTRX & FLTRXS (1 OF 8) WIRING HARNESS, MAIN, ABS (FAIRING MODELS) - FLTRX & FLTRXS (1 OF 8) WIRING HARNESS, FAIRING - FLHTCU/L, FLHTK/L, FLHX & FLHXS (2 OF 2) WIRING HARNESS, CONSOLE - FLHR & FLHRC</p> |
| 72135-06 | <p>FAIRING, INNER - FLTRX & FLTRXS (1 OF 2) WIRING HARNESS, MAIN, NON-ABS (FAIRING MODELS) - FLHX (4 OF 8) WIRING HARNESS, MAIN, ABS (FAIRING MODELS) - FLHX & FLHXS (4 OF 8) WIRING HARNESS, MAIN, ABS (FAIRING MODELS) - FLHTCU/L & FLHTK/L (4 OF 8) WIRING HARNESS, MAIN, NON-ABS (NON-FAIRING MODELS) (4 OF 8) WIRING HARNESS, MAIN, ABS (NON-FAIRING MODELS) (4 OF 8)</p> |

| | |
|------------|---|
| | <p>WIRING HARNESS, MAIN, NON-ABS (FAIRING MODELS) - FLTRX & FLTRXS (4 OF 8) WIRING HARNESS, MAIN, ABS (FAIRING MODELS) - FLTRX & FLTRXS (4 OF 8) WIRING HARNESS, FAIRING - FLHTCU/L, FLHTK/L, FLHX & FLHXS (2 OF 2)</p> |
| 72146-94 | <p>WIRING HARNESS, MAIN, NON-ABS (FAIRING MODELS) - FLHX (8 OF 8) WIRING HARNESS, MAIN, ABS (FAIRING MODELS) - FLHX & FLHXS (8 OF 8) WIRING HARNESS, MAIN, ABS (FAIRING MODELS) - FLHTCU/L & FLHTK/L (8 OF 8) WIRING HARNESS, MAIN, NON-ABS (NON-FAIRING MODELS) (8 OF 8) WIRING HARNESS, MAIN, ABS (NON-FAIRING MODELS) (8 OF 8) WIRING HARNESS, MAIN, NON-ABS (FAIRING MODELS) - FLTRX & FLTRXS (8 OF 8) WIRING HARNESS, MAIN, ABS (FAIRING MODELS) - FLTRX & FLTRXS (8 OF 8)</p> |
| 72160-06 | <p>AUXILIARY/FOG LAMPS & TURN SIGNALS, FRONT - FLHR & FLHRC</p> |
| 72161-06 | <p>AUXILIARY/FOG LAMPS & TURN SIGNALS, FRONT - FLHR & FLHRC</p> |
| 72166-07BK | <p>WIRING HARNESS, MAIN, NON-ABS (FAIRING MODELS) - FLHX (2 OF 8) WIRING HARNESS, MAIN, ABS (FAIRING MODELS) - FLHX & FLHXS (2 OF 8) WIRING HARNESS, MAIN, ABS (FAIRING MODELS) - FLHTCU/L & FLHTK/L (2 OF 8) WIRING HARNESS, FAIRING - FLTRX & FLTRXS LAMPS & SPEAKER HOUSINGS, ULTRA TOUR-PAK (1 OF 2)</p> |
| 72167-07BK | <p>WIRING HARNESS, MAIN, ABS (FAIRING MODELS) - FLHTCU/L & FLHTK/L (5 OF 8) WIRING HARNESS, MAIN, NON-ABS (FAIRING MODELS) - FLTRX & FLTRXS (2 OF 8) WIRING HARNESS, MAIN, ABS (FAIRING MODELS) - FLTRX & FLTRXS (2 OF 8) WIRING HARNESS, FAIRING - FLHTCU/L, FLHTK/L, FLHX & FLHXS (1 OF 2)</p> |
| 72168-07 | <p>RADIATOR, COOLANT HOSES & BOTTLE FENDERS, REAR (2 OF 2) CONSOLE, FUEL TANK - FLHTCU, FLHTCUL, FLHTK, FLHTKL, FLHX, FLHXS, FLTRX & FLTRXS (1 OF 2) FUEL PUMP - FLHTCU, FLHTCUL, FLHTK, FLHTKL, FLHX, FLHXS, FLTRX & FLTRXS TAIL LAMP & TURN SIGNALS, REAR (1 OF 2) TAIL LAMP WIRING HARNESS, MAIN, NON-ABS (FAIRING MODELS) - FLHX (1 OF 8) WIRING HARNESS, MAIN, NON-ABS (FAIRING MODELS) - FLHX (2 OF 8) WIRING HARNESS, MAIN, NON-ABS (FAIRING MODELS) - FLHX (7 OF 8) WIRING HARNESS, MAIN, ABS (FAIRING MODELS) - FLHX & FLHXS (1 OF 8) WIRING HARNESS, MAIN, ABS (FAIRING MODELS) - FLHX & FLHXS (2 OF 8) WIRING HARNESS, MAIN, ABS (FAIRING MODELS) - FLHX & FLHXS (7 OF 8) WIRING HARNESS, MAIN, ABS (FAIRING MODELS) - FLHTCU/L & FLHTK/L (1 OF 8) WIRING HARNESS, MAIN, ABS (FAIRING MODELS) - FLHTCU/L & FLHTK/L (2 OF 8) WIRING HARNESS, MAIN, ABS (FAIRING MODELS) - FLHTCU/L & FLHTK/L (5 OF 8) WIRING HARNESS, MAIN, ABS (FAIRING MODELS) - FLHTCU/L & FLHTK/L (7 OF 8) WIRING HARNESS, MAIN, NON-ABS (NON-FAIRING MODELS) (7 OF 8) WIRING HARNESS, MAIN, ABS (NON-FAIRING MODELS) (7 OF 8) WIRING HARNESS, MAIN, NON-ABS (FAIRING MODELS) - FLTRX & FLTRXS (1 OF 8) WIRING HARNESS, MAIN, NON-ABS (FAIRING MODELS) - FLTRX & FLTRXS (2 OF 8) WIRING HARNESS, MAIN, NON-ABS (FAIRING MODELS) - FLTRX & FLTRXS (7 OF 8) WIRING HARNESS, MAIN, ABS (FAIRING MODELS) - FLTRX & FLTRXS (1 OF 8) WIRING HARNESS, MAIN, ABS (FAIRING MODELS) - FLTRX & FLTRXS (2 OF 8) WIRING HARNESS, MAIN, ABS (FAIRING MODELS) - FLTRX & FLTRXS (7 OF 8) WIRING HARNESS, CONSOLE - FLHR & FLHRC WIRING HARNESS, FAIRING - FLTRX & FLTRXS SOUND SYSTEM - FLHTCU/L, FLHTK/L, FLHX & FLHXS (1 OF 2) CB & INTERCOM CONTROL POD LAMPS & SPEAKER HOUSINGS, ULTRA TOUR-PAK (1 OF 2)</p> |
| 72169-07 | <p>FRAME & JIFFY STAND (1 OF 2) WIRING HARNESS, MAIN, NON-ABS (FAIRING MODELS) - FLHX (2 OF 8) WIRING HARNESS, MAIN, NON-ABS (FAIRING MODELS) - FLHX (5 OF 8) WIRING HARNESS, MAIN, NON-ABS (FAIRING MODELS) - FLHX (7 OF 8) WIRING HARNESS, MAIN, NON-ABS (FAIRING MODELS) - FLHX (8 OF 8) WIRING HARNESS, MAIN, ABS (FAIRING MODELS) - FLHX & FLHXS (2 OF 8) WIRING HARNESS, MAIN, ABS (FAIRING MODELS) - FLHX & FLHXS (5 OF 8) WIRING HARNESS, MAIN, ABS (FAIRING MODELS) - FLHX & FLHXS (7 OF 8)</p> |

| | |
|------------|--|
| | <p> WIRING HARNESS, MAIN, ABS (FAIRING MODELS) - FLHX & FLHXS (8 OF 8) WIRING HARNESS, MAIN, ABS (FAIRING MODELS) - FLHTCU/L & FLHTK/L (2 OF 8) WIRING HARNESS, MAIN, ABS (FAIRING MODELS) - FLHTCU/L & FLHTK/L (5 OF 8) WIRING HARNESS, MAIN, ABS (FAIRING MODELS) - FLHTCU/L & FLHTK/L (7 OF 8) WIRING HARNESS, MAIN, ABS (FAIRING MODELS) - FLHTCU/L & FLHTK/L (7 OF 8) WIRING HARNESS, MAIN, ABS (FAIRING MODELS) - FLHTCU/L & FLHTK/L (8 OF 8) WIRING HARNESS, MAIN, NON-ABS (NON-FAIRING MODELS) (1 OF 8) WIRING HARNESS, MAIN, NON-ABS (NON-FAIRING MODELS) (5 OF 8) WIRING HARNESS, MAIN, NON-ABS (NON-FAIRING MODELS) (7 OF 8) WIRING HARNESS, MAIN, NON-ABS (NON-FAIRING MODELS) (8 OF 8) WIRING HARNESS, MAIN, ABS (NON-FAIRING MODELS) (1 OF 8) WIRING HARNESS, MAIN, ABS (NON-FAIRING MODELS) (5 OF 8) WIRING HARNESS, MAIN, ABS (NON-FAIRING MODELS) (7 OF 8) WIRING HARNESS, MAIN, ABS (NON-FAIRING MODELS) (8 OF 8) WIRING HARNESS, MAIN, NON-ABS (FAIRING MODELS) - FLTRX & FLTRXS (1 OF 8) WIRING HARNESS, MAIN, NON-ABS (FAIRING MODELS) - FLTRX & FLTRXS (2 OF 8) WIRING HARNESS, MAIN, NON-ABS (FAIRING MODELS) - FLTRX & FLTRXS (5 OF 8) WIRING HARNESS, MAIN, NON-ABS (FAIRING MODELS) - FLTRX & FLTRXS (7 OF 8) WIRING HARNESS, MAIN, NON-ABS (FAIRING MODELS) - FLTRX & FLTRXS (8 OF 8) WIRING HARNESS, MAIN, ABS (FAIRING MODELS) - FLTRX & FLTRXS (1 OF 8) WIRING HARNESS, MAIN, ABS (FAIRING MODELS) - FLTRX & FLTRXS (2 OF 8) WIRING HARNESS, MAIN, ABS (FAIRING MODELS) - FLTRX & FLTRXS (5 OF 8) WIRING HARNESS, MAIN, ABS (FAIRING MODELS) - FLTRX & FLTRXS (7 OF 8) WIRING HARNESS, MAIN, ABS (FAIRING MODELS) - FLTRX & FLTRXS (8 OF 8) WIRING HARNESS, FAIRING - FLHTCU/L, FLHTK/L, FLHX & FLHXS (1 OF 2) SOUND SYSTEM - FLHTCU/L, FLHTK/L, FLHX & FLHXS (1 OF 2) SOUND SYSTEM - FLTRX & FLTRXS LAMPS & SPEAKER HOUSINGS, ULTRA TOUR-PAK (1 OF 2) </p> |
| 72175-07BK | <p> WIRING HARNESS, MAIN, NON-ABS (FAIRING MODELS) - FLHX (2 OF 8) WIRING HARNESS, MAIN, NON-ABS (FAIRING MODELS) - FLHX (7 OF 8) WIRING HARNESS, MAIN, ABS (FAIRING MODELS) - FLHX & FLHXS (2 OF 8) WIRING HARNESS, MAIN, ABS (FAIRING MODELS) - FLHX & FLHXS (7 OF 8) WIRING HARNESS, MAIN, ABS (FAIRING MODELS) - FLHTCU/L & FLHTK/L (7 OF 8) WIRING HARNESS, MAIN, ABS (FAIRING MODELS) - FLHTCU/L & FLHTK/L (7 OF 8) WIRING HARNESS, MAIN, NON-ABS (NON-FAIRING MODELS) (7 OF 8) WIRING HARNESS, MAIN, ABS (NON-FAIRING MODELS) (7 OF 8) WIRING HARNESS, MAIN, NON-ABS (FAIRING MODELS) - FLTRX & FLTRXS (2 OF 8) WIRING HARNESS, MAIN, NON-ABS (FAIRING MODELS) - FLTRX & FLTRXS (7 OF 8) WIRING HARNESS, MAIN, ABS (FAIRING MODELS) - FLTRX & FLTRXS (2 OF 8) WIRING HARNESS, MAIN, ABS (FAIRING MODELS) - FLTRX & FLTRXS (7 OF 8) </p> |
| 72177-07BK | <p> RADIATOR, COOLANT HOSES & BOTTLE EXHAUST SYSTEM </p> |
| 72188-07BK | <p> WIRING HARNESS, MAIN, NON-ABS (FAIRING MODELS) - FLHX (2 OF 8) WIRING HARNESS, MAIN, NON-ABS (FAIRING MODELS) - FLHX (8 OF 8) WIRING HARNESS, MAIN, ABS (FAIRING MODELS) - FLHX & FLHXS (2 OF 8) WIRING HARNESS, MAIN, ABS (FAIRING MODELS) - FLHX & FLHXS (8 OF 8) WIRING HARNESS, MAIN, ABS (FAIRING MODELS) - FLHTCU/L & FLHTK/L (2 OF 8) WIRING HARNESS, MAIN, ABS (FAIRING MODELS) - FLHTCU/L & FLHTK/L (5 OF 8) WIRING HARNESS, MAIN, ABS (FAIRING MODELS) - FLHTCU/L & FLHTK/L (8 OF 8) WIRING HARNESS, MAIN, NON-ABS (NON-FAIRING MODELS) (1 OF 8) WIRING HARNESS, MAIN, NON-ABS (NON-FAIRING MODELS) (8 OF 8) WIRING HARNESS, MAIN, ABS (NON-FAIRING MODELS) (1 OF 8) WIRING HARNESS, MAIN, ABS (NON-FAIRING MODELS) (8 OF 8) WIRING HARNESS, MAIN, NON-ABS (FAIRING MODELS) - FLTRX & FLTRXS (2 OF 8) WIRING HARNESS, MAIN, NON-ABS (FAIRING MODELS) - FLTRX & FLTRXS (8 OF 8) WIRING HARNESS, MAIN, ABS (FAIRING MODELS) - FLTRX & FLTRXS (2 OF 8) WIRING HARNESS, MAIN, ABS (FAIRING MODELS) - FLTRX & FLTRXS (8 OF 8) LAMPS & SPEAKER HOUSINGS, ULTRA TOUR-PAK (1 OF 2) </p> |
| 72189-04 | <p> FENDERS, REAR (2 OF 2) FENDERS, REAR (2 OF 2) TAIL LAMP & TURN SIGNALS, REAR (1 OF 2) TAIL LAMP & TURN SIGNALS, REAR (1 OF 2) </p> |

| | |
|----------|---|
| | <p>WIRING HARNESS, MAIN, NON-ABS (FAIRING MODELS) - FLTRX & FLTRXS (1 OF 8) WIRING HARNESS, MAIN, ABS (FAIRING MODELS) - FLTRX & FLTRXS (1 OF 8) WIRING HARNESS, FAIRING - FLHTCU/L, FLHTK/L, FLHX & FLHXS (2 OF 2) WIRING HARNESS, CONSOLE - FLHR & FLHRC</p> |
| 72190-94 | <p>WIRING HARNESS, MAIN, NON-ABS (FAIRING MODELS) - FLHX (8 OF 8) WIRING HARNESS, MAIN, ABS (FAIRING MODELS) - FLHX & FLHXS (8 OF 8) WIRING HARNESS, MAIN, ABS (FAIRING MODELS) - FLHTCU/L & FLHTK/L (8 OF 8) WIRING HARNESS, MAIN, NON-ABS (NON-FAIRING MODELS) (8 OF 8) WIRING HARNESS, MAIN, ABS (NON-FAIRING MODELS) (8 OF 8) WIRING HARNESS, MAIN, NON-ABS (FAIRING MODELS) - FLTRX & FLTRXS (8 OF 8) WIRING HARNESS, MAIN, ABS (FAIRING MODELS) - FLTRX & FLTRXS (8 OF 8)</p> |
| 72194-94 | <p>WIRING HARNESS, MAIN, NON-ABS (FAIRING MODELS) - FLHX (8 OF 8) WIRING HARNESS, MAIN, ABS (FAIRING MODELS) - FLHX & FLHXS (8 OF 8) WIRING HARNESS, MAIN, ABS (FAIRING MODELS) - FLHTCU/L & FLHTK/L (8 OF 8) WIRING HARNESS, MAIN, NON-ABS (NON-FAIRING MODELS) (8 OF 8) WIRING HARNESS, MAIN, ABS (NON-FAIRING MODELS) (8 OF 8) WIRING HARNESS, MAIN, NON-ABS (FAIRING MODELS) - FLTRX & FLTRXS (8 OF 8) WIRING HARNESS, MAIN, ABS (FAIRING MODELS) - FLTRX & FLTRXS (8 OF 8)</p> |
| 72195-94 | <p>WIRING HARNESS, MAIN, NON-ABS (FAIRING MODELS) - FLHX (8 OF 8) WIRING HARNESS, MAIN, ABS (FAIRING MODELS) - FLHX & FLHXS (8 OF 8) WIRING HARNESS, MAIN, ABS (FAIRING MODELS) - FLHTCU/L & FLHTK/L (8 OF 8) WIRING HARNESS, MAIN, NON-ABS (NON-FAIRING MODELS) (8 OF 8) WIRING HARNESS, MAIN, ABS (NON-FAIRING MODELS) (8 OF 8) WIRING HARNESS, MAIN, NON-ABS (FAIRING MODELS) - FLTRX & FLTRXS (8 OF 8) WIRING HARNESS, MAIN, ABS (FAIRING MODELS) - FLTRX & FLTRXS (8 OF 8)</p> |
| 72209-11 | <p>WIRING HARNESS, MAIN, NON-ABS (FAIRING MODELS) - FLHX (8 OF 8) WIRING HARNESS, MAIN, ABS (FAIRING MODELS) - FLHX & FLHXS (2 OF 8) WIRING HARNESS, MAIN, ABS (FAIRING MODELS) - FLHX & FLHXS (8 OF 8) WIRING HARNESS, MAIN, ABS (FAIRING MODELS) - FLHTCU/L & FLHTK/L (2 OF 8) WIRING HARNESS, MAIN, ABS (FAIRING MODELS) - FLHTCU/L & FLHTK/L (8 OF 8) WIRING HARNESS, MAIN, NON-ABS (NON-FAIRING MODELS) (8 OF 8) WIRING HARNESS, MAIN, NON-ABS (FAIRING MODELS) - FLTRX & FLTRXS (2 OF 8) WIRING HARNESS, MAIN, NON-ABS (FAIRING MODELS) - FLTRX & FLTRXS (8 OF 8) WIRING HARNESS, MAIN, ABS (FAIRING MODELS) - FLTRX & FLTRXS (2 OF 8) WIRING HARNESS, MAIN, ABS (FAIRING MODELS) - FLTRX & FLTRXS (8 OF 8)</p> |
| 72213-94 | <p>RADIATOR, COOLANT HOSES & BOTTLE WIRING HARNESS, MAIN, NON-ABS (FAIRING MODELS) - FLHX (4 OF 8) WIRING HARNESS, MAIN, NON-ABS (FAIRING MODELS) - FLHX (7 OF 8) WIRING HARNESS, MAIN, ABS (FAIRING MODELS) - FLHX & FLHXS (2 OF 8) WIRING HARNESS, MAIN, ABS (FAIRING MODELS) - FLHX & FLHXS (4 OF 8) WIRING HARNESS, MAIN, ABS (FAIRING MODELS) - FLHX & FLHXS (7 OF 8) WIRING HARNESS, MAIN, ABS (FAIRING MODELS) - FLHTCU/L & FLHTK/L (2 OF 8) WIRING HARNESS, MAIN, ABS (FAIRING MODELS) - FLHTCU/L & FLHTK/L (4 OF 8) WIRING HARNESS, MAIN, ABS (FAIRING MODELS) - FLHTCU/L & FLHTK/L (7 OF 8) WIRING HARNESS, MAIN, NON-ABS (NON-FAIRING MODELS) (4 OF 8) WIRING HARNESS, MAIN, ABS (NON-FAIRING MODELS) (4 OF 8) WIRING HARNESS, MAIN, ABS (NON-FAIRING MODELS) (7 OF 8) WIRING HARNESS, MAIN, NON-ABS (FAIRING MODELS) - FLTRX & FLTRXS (4 OF 8) WIRING HARNESS, MAIN, NON-ABS (FAIRING MODELS) - FLTRX & FLTRXS (7 OF 8) WIRING HARNESS, MAIN, ABS (FAIRING MODELS) - FLTRX & FLTRXS (2 OF 8) WIRING HARNESS, MAIN, ABS (FAIRING MODELS) - FLTRX & FLTRXS (4 OF 8) WIRING HARNESS, MAIN, ABS (FAIRING MODELS) - FLTRX & FLTRXS (7 OF 8) WIRING HARNESS, FAIRING - FLHTCU/L, FLHTK/L, FLHX & FLHXS (1 OF 2) WIRING HARNESS, FAIRING - FLTRX & FLTRXS LAMPS & SPEAKER HOUSINGS, ULTRA TOUR-PAK (1 OF 2)</p> |
| 72214-94 | <p>WINDSHIELD, FAIRING & HEADLAMP - FLHTCU/L, FLHTK/L, FLHX & FLHXS (1 OF 2)</p> |
| 72222-11 | <p>WIRING HARNESS, MAIN, NON-ABS (FAIRING MODELS) - FLHX (2 OF 8) WIRING HARNESS, MAIN, NON-ABS (FAIRING MODELS) - FLHX (8 OF 8) WIRING HARNESS, MAIN, ABS (FAIRING MODELS) - FLHX & FLHXS (2 OF 8)</p> |

| | |
|----------|--|
| | WIRING HARNESS, MAIN, NON-ABS (FAIRING MODELS) - FLTRX & FLTRXS (8 OF 8) WIRING HARNESS, MAIN, ABS (FAIRING MODELS) - FLTRX & FLTRXS (2 OF 8) WIRING HARNESS, MAIN, ABS (FAIRING MODELS) - FLTRX & FLTRXS (8 OF 8) |
| 72264-94 | FAIRING, INNER - FLTRX & FLTRXS (1 OF 2) WIRING HARNESS, FAIRING - FLHTCU/L, FLHTK/L, FLHX & FLHXS (2 OF 2) |
| 72272-07 | WIRING HARNESS, MAIN, NON-ABS (FAIRING MODELS) - FLHX (1 OF 8) WIRING HARNESS, MAIN, ABS (FAIRING MODELS) - FLHX & FLHXS (1 OF 8) WIRING HARNESS, MAIN, ABS (FAIRING MODELS) - FLHTCU/L & FLHTK/L (1 OF 8) WIRING HARNESS, FAIRING - FLHTCU/L, FLHTK/L, FLHX & FLHXS (2 OF 2) WIRING HARNESS, FAIRING - FLTRX & FLTRXS |
| 72283-09 | WIRING HARNESS, MAIN, NON-ABS (FAIRING MODELS) - FLHX (3 OF 8) WIRING HARNESS, MAIN, ABS (FAIRING MODELS) - FLHX & FLHXS (3 OF 8) WIRING HARNESS, MAIN, ABS (FAIRING MODELS) - FLHTCU/L & FLHTK/L (3 OF 8) WIRING HARNESS, MAIN, NON-ABS (NON-FAIRING MODELS) (3 OF 8) WIRING HARNESS, MAIN, ABS (NON-FAIRING MODELS) (3 OF 8) WIRING HARNESS, MAIN, NON-ABS (FAIRING MODELS) - FLTRX & FLTRXS (3 OF 8) WIRING HARNESS, MAIN, ABS (FAIRING MODELS) - FLTRX & FLTRXS (3 OF 8) |
| 72290-94 | SOUND SYSTEM - FLHTCU/L, FLHTK/L, FLHX & FLHXS (1 OF 2) SOUND SYSTEM - FLTRX & FLTRXS LAMPS & SPEAKER HOUSINGS, ULTRA TOUR-PAK (1 OF 2) |
| 72291-94 | WIRING HARNESS, MAIN, NON-ABS (FAIRING MODELS) - FLHX (6 OF 8) WIRING HARNESS, MAIN, ABS (FAIRING MODELS) - FLHX & FLHXS (6 OF 8) WIRING HARNESS, MAIN, ABS (FAIRING MODELS) - FLHTCU/L & FLHTK/L (6 OF 8) WIRING HARNESS, MAIN, NON-ABS (NON-FAIRING MODELS) (6 OF 8) WIRING HARNESS, MAIN, ABS (NON-FAIRING MODELS) (6 OF 8) WIRING HARNESS, MAIN, NON-ABS (FAIRING MODELS) - FLTRX & FLTRXS (6 OF 8) WIRING HARNESS, MAIN, ABS (FAIRING MODELS) - FLTRX & FLTRXS (6 OF 8) |
| 72294-94 | SOUND SYSTEM - FLHTCU/L, FLHTK/L, FLHX & FLHXS (1 OF 2) SOUND SYSTEM - FLTRX & FLTRXS LAMPS & SPEAKER HOUSINGS, ULTRA TOUR-PAK (1 OF 2) |
| 72295-94 | WIRING HARNESS, MAIN, NON-ABS (FAIRING MODELS) - FLHX (6 OF 8) WIRING HARNESS, MAIN, ABS (FAIRING MODELS) - FLHX & FLHXS (6 OF 8) WIRING HARNESS, MAIN, ABS (FAIRING MODELS) - FLHTCU/L & FLHTK/L (6 OF 8) WIRING HARNESS, MAIN, NON-ABS (NON-FAIRING MODELS) (6 OF 8) WIRING HARNESS, MAIN, ABS (NON-FAIRING MODELS) (6 OF 8) WIRING HARNESS, MAIN, NON-ABS (FAIRING MODELS) - FLTRX & FLTRXS (6 OF 8) WIRING HARNESS, MAIN, ABS (FAIRING MODELS) - FLTRX & FLTRXS (6 OF 8) |
| 72296-95 | WIRING HARNESS, MAIN, NON-ABS (FAIRING MODELS) - FLHX (8 OF 8) WIRING HARNESS, MAIN, ABS (FAIRING MODELS) - FLHX & FLHXS (8 OF 8) WIRING HARNESS, MAIN, ABS (FAIRING MODELS) - FLHTCU/L & FLHTK/L (8 OF 8) WIRING HARNESS, MAIN, NON-ABS (NON-FAIRING MODELS) (8 OF 8) WIRING HARNESS, MAIN, ABS (NON-FAIRING MODELS) (8 OF 8) WIRING HARNESS, MAIN, NON-ABS (FAIRING MODELS) - FLTRX & FLTRXS (8 OF 8) WIRING HARNESS, MAIN, ABS (FAIRING MODELS) - FLTRX & FLTRXS (8 OF 8) |
| 72298-95 | AUXILIARY/FOG LAMPS & TURN SIGNALS, FRONT - FLHR & FLHRC AUXILIARY/FOG LAMPS & TURN SIGNALS, FRONT - FLHTCU, FLHTCUL, FTHTK & FLHTKL WIRING HARNESS, MAIN, NON-ABS (FAIRING MODELS) - FLHX (8 OF 8) WIRING HARNESS, MAIN, ABS (FAIRING MODELS) - FLHX & FLHXS (8 OF 8) WIRING HARNESS, MAIN, ABS (FAIRING MODELS) - FLHTCU/L & FLHTK/L (8 OF 8) WIRING HARNESS, MAIN, NON-ABS (NON-FAIRING MODELS) (8 OF 8) WIRING HARNESS, MAIN, ABS (NON-FAIRING MODELS) (8 OF 8) WIRING HARNESS, MAIN, NON-ABS (FAIRING MODELS) - FLTRX & FLTRXS (8 OF 8) WIRING HARNESS, MAIN, ABS (FAIRING MODELS) - FLTRX & FLTRXS (8 OF 8) |
| 72299-95 | WIRING HARNESS, MAIN, NON-ABS (FAIRING MODELS) - FLHX (8 OF 8) WIRING HARNESS, MAIN, ABS (FAIRING MODELS) - FLHX & FLHXS (8 OF 8) WIRING HARNESS, MAIN, ABS (FAIRING MODELS) - FLHTCU/L & FLHTK/L (8 OF 8) |

| | |
|------------|--|
| | <p>WIRING HARNESS, MAIN, NON-ABS (FAIRING MODELS) - FLTRX & FLTRXS (3 OF 8) WIRING HARNESS, MAIN, ABS (FAIRING MODELS) - FLTRX & FLTRXS (3 OF 8)</p> |
| 72414-07BK | <p>FENDERS, REAR (2 OF 2) THROTTLE CONTROL TAIL LAMP & TURN SIGNALS, REAR (2 OF 2) TAIL LAMP WIRING HARNESS, MAIN, NON-ABS (FAIRING MODELS) - FLHX (1 OF 8) WIRING HARNESS, MAIN, NON-ABS (FAIRING MODELS) - FLHX (2 OF 8) WIRING HARNESS, MAIN, ABS (FAIRING MODELS) - FLHX & FLHXS (1 OF 8) WIRING HARNESS, MAIN, ABS (FAIRING MODELS) - FLHX & FLHXS (2 OF 8) WIRING HARNESS, MAIN, ABS (FAIRING MODELS) - FLHTCU/L & FLHTK/L (1 OF 8) WIRING HARNESS, MAIN, ABS (FAIRING MODELS) - FLHTCU/L & FLHTK/L (2 OF 8) WIRING HARNESS, MAIN, ABS (FAIRING MODELS) - FLHTCU/L & FLHTK/L (5 OF 8) WIRING HARNESS, MAIN, NON-ABS (FAIRING MODELS) - FLTRX & FLTRXS (1 OF 8) WIRING HARNESS, MAIN, NON-ABS (FAIRING MODELS) - FLTRX & FLTRXS (2 OF 8) WIRING HARNESS, MAIN, ABS (FAIRING MODELS) - FLTRX & FLTRXS (1 OF 8) WIRING HARNESS, MAIN, ABS (FAIRING MODELS) - FLTRX & FLTRXS (2 OF 8) CB & INTERCOM CONTROL POD</p> |
| 72415-07GY | <p>WIRING HARNESS, MAIN, NON-ABS (FAIRING MODELS) - FLHX (5 OF 8) WIRING HARNESS, MAIN, NON-ABS (FAIRING MODELS) - FLHX (7 OF 8) WIRING HARNESS, MAIN, ABS (FAIRING MODELS) - FLHX & FLHXS (5 OF 8) WIRING HARNESS, MAIN, ABS (FAIRING MODELS) - FLHX & FLHXS (7 OF 8) WIRING HARNESS, MAIN, ABS (FAIRING MODELS) - FLHTCU/L & FLHTK/L (5 OF 8) WIRING HARNESS, MAIN, ABS (FAIRING MODELS) - FLHTCU/L & FLHTK/L (7 OF 8) WIRING HARNESS, MAIN, NON-ABS (NON-FAIRING MODELS) (7 OF 8) WIRING HARNESS, MAIN, ABS (NON-FAIRING MODELS) (7 OF 8) WIRING HARNESS, MAIN, NON-ABS (FAIRING MODELS) - FLTRX & FLTRXS (5 OF 8) WIRING HARNESS, MAIN, NON-ABS (FAIRING MODELS) - FLTRX & FLTRXS (7 OF 8) WIRING HARNESS, MAIN, ABS (FAIRING MODELS) - FLTRX & FLTRXS (5 OF 8) WIRING HARNESS, MAIN, ABS (FAIRING MODELS) - FLTRX & FLTRXS (7 OF 8)</p> |
| 72444-07GY | <p>CONSOLE, FUEL TANK - FLHTCU, FLHTCUL, FLHTK, FLHTKL, FLHX, FLHXS, FLTRX & FLTRXS (1 OF 2) FUEL PUMP - FLHTCU, FLHTCUL, FLHTK, FLHTKL, FLHX, FLHXS, FLTRX & FLTRXS EXHAUST SYSTEM</p> |
| 72447-07GY | <p>WIRING HARNESS, MAIN, NON-ABS (FAIRING MODELS) - FLHX (8 OF 8) WIRING HARNESS, MAIN, ABS (FAIRING MODELS) - FLHX & FLHXS (8 OF 8) WIRING HARNESS, MAIN, ABS (FAIRING MODELS) - FLHTCU/L & FLHTK/L (8 OF 8) WIRING HARNESS, MAIN, NON-ABS (NON-FAIRING MODELS) (8 OF 8) WIRING HARNESS, MAIN, ABS (NON-FAIRING MODELS) (8 OF 8) WIRING HARNESS, MAIN, NON-ABS (FAIRING MODELS) - FLTRX & FLTRXS (8 OF 8) WIRING HARNESS, MAIN, ABS (FAIRING MODELS) - FLTRX & FLTRXS (8 OF 8)</p> |
| 72449-01 | <p>WINDSHIELD, FAIRING & HEADLAMP - FLHTCU/L, FLHTK/L, FLHX & FLHXS (1 OF 2) WIRING HARNESS, MAIN, NON-ABS (NON-FAIRING MODELS) (2 OF 8) WIRING HARNESS, MAIN, ABS (NON-FAIRING MODELS) (2 OF 8)</p> |
| 72450-01 | <p>WINDSHIELD, FAIRING & HEADLAMP - FLHTCU/L, FLHTK/L, FLHX & FLHXS (1 OF 2) WIRING HARNESS, MAIN, NON-ABS (NON-FAIRING MODELS) (2 OF 8) WIRING HARNESS, MAIN, ABS (NON-FAIRING MODELS) (2 OF 8)</p> |
| 72462-00 | <p>WIRING HARNESS, MAIN, ABS (FAIRING MODELS) - FLHTCU/L & FLHTK/L (8 OF 8)</p> |
| 72473-07 | <p>WIRING HARNESS, MAIN, NON-ABS (FAIRING MODELS) - FLHX (1 OF 8) WIRING HARNESS, MAIN, NON-ABS (FAIRING MODELS) - FLHX (2 OF 8) WIRING HARNESS, MAIN, ABS (FAIRING MODELS) - FLHX & FLHXS (1 OF 8) WIRING HARNESS, MAIN, ABS (FAIRING MODELS) - FLHX & FLHXS (2 OF 8) WIRING HARNESS, MAIN, ABS (FAIRING MODELS) - FLHTCU/L & FLHTK/L (1 OF 8) WIRING HARNESS, MAIN, ABS (FAIRING MODELS) - FLHTCU/L & FLHTK/L (2 OF 8) WIRING HARNESS, MAIN, ABS (FAIRING MODELS) - FLHTCU/L & FLHTK/L (5 OF 8) WIRING HARNESS, MAIN, NON-ABS (NON-FAIRING MODELS) (8 OF 8) WIRING HARNESS, MAIN, ABS (NON-FAIRING MODELS) (8 OF 8) WIRING HARNESS, MAIN, NON-ABS (FAIRING MODELS) - FLTRX & FLTRXS (1 OF 8)</p> |

| | |
|------------|---|
| | <p>WIRING HARNESS, MAIN, NON-ABS (FAIRING MODELS) - FLTRX & FLTRXS (2 OF 8) WIRING HARNESS, MAIN, ABS (FAIRING MODELS) - FLTRX & FLTRXS (1 OF 8) WIRING HARNESS, MAIN, ABS (FAIRING MODELS) - FLTRX & FLTRXS (2 OF 8) WIRING HARNESS, FAIRING - FLHTCU/L, FLHTK/L, FLHX & FLHXS (1 OF 2) WIRING HARNESS, FAIRING - FLTRX & FLTRXS SOUND SYSTEM - FLHTCU/L, FLHTK/L, FLHX & FLHXS (1 OF 2) LAMPS & SPEAKER HOUSINGS, ULTRA TOUR-PAK (1 OF 2)</p> |
| 72478-07BK | <p>WIRING HARNESS, MAIN, NON-ABS (NON-FAIRING MODELS) (5 OF 8) WIRING HARNESS, MAIN, ABS (NON-FAIRING MODELS) (5 OF 8)</p> |
| 72479-07BK | <p>WIRING HARNESS, CONSOLE - FLHR & FLHRC</p> |
| 72483-08BK | <p>WIRING HARNESS, MAIN, NON-ABS (FAIRING MODELS) - FLHX (3 OF 8) WIRING HARNESS, MAIN, ABS (FAIRING MODELS) - FLHX & FLHXS (3 OF 8) WIRING HARNESS, MAIN, ABS (FAIRING MODELS) - FLHTCU/L & FLHTK/L (3 OF 8) WIRING HARNESS, MAIN, NON-ABS (NON-FAIRING MODELS) (3 OF 8) WIRING HARNESS, MAIN, ABS (NON-FAIRING MODELS) (3 OF 8) WIRING HARNESS, MAIN, NON-ABS (FAIRING MODELS) - FLTRX & FLTRXS (3 OF 8) WIRING HARNESS, MAIN, ABS (FAIRING MODELS) - FLTRX & FLTRXS (3 OF 8)</p> |
| 72484-08 | <p>RADIATOR, COOLANT HOSES & BOTTLE FAIRING, INNER - FLTRX & FLTRXS (1 OF 2) WIRING HARNESS, MAIN, NON-ABS (FAIRING MODELS) - FLHX (2 OF 8) WIRING HARNESS, MAIN, NON-ABS (FAIRING MODELS) - FLHX (3 OF 8) WIRING HARNESS, MAIN, NON-ABS (FAIRING MODELS) - FLHX (4 OF 8) WIRING HARNESS, MAIN, NON-ABS (FAIRING MODELS) - FLHX (6 OF 8) WIRING HARNESS, MAIN, NON-ABS (FAIRING MODELS) - FLHX (8 OF 8) WIRING HARNESS, MAIN, ABS (FAIRING MODELS) - FLHX & FLHXS (2 OF 8) WIRING HARNESS, MAIN, ABS (FAIRING MODELS) - FLHX & FLHXS (3 OF 8) WIRING HARNESS, MAIN, ABS (FAIRING MODELS) - FLHX & FLHXS (4 OF 8) WIRING HARNESS, MAIN, ABS (FAIRING MODELS) - FLHX & FLHXS (6 OF 8) WIRING HARNESS, MAIN, ABS (FAIRING MODELS) - FLHX & FLHXS (8 OF 8) WIRING HARNESS, MAIN, ABS (FAIRING MODELS) - FLHTCU/L & FLHTK/L (2 OF 8) WIRING HARNESS, MAIN, ABS (FAIRING MODELS) - FLHTCU/L & FLHTK/L (3 OF 8) WIRING HARNESS, MAIN, ABS (FAIRING MODELS) - FLHTCU/L & FLHTK/L (4 OF 8) WIRING HARNESS, MAIN, ABS (FAIRING MODELS) - FLHTCU/L & FLHTK/L (6 OF 8) WIRING HARNESS, MAIN, ABS (FAIRING MODELS) - FLHTCU/L & FLHTK/L (7 OF 8) WIRING HARNESS, MAIN, ABS (FAIRING MODELS) - FLHTCU/L & FLHTK/L (8 OF 8) WIRING HARNESS, MAIN, NON-ABS (NON-FAIRING MODELS) (3 OF 8) WIRING HARNESS, MAIN, NON-ABS (NON-FAIRING MODELS) (4 OF 8) WIRING HARNESS, MAIN, NON-ABS (NON-FAIRING MODELS) (6 OF 8) WIRING HARNESS, MAIN, NON-ABS (NON-FAIRING MODELS) (8 OF 8) WIRING HARNESS, MAIN, ABS (NON-FAIRING MODELS) (3 OF 8) WIRING HARNESS, MAIN, ABS (NON-FAIRING MODELS) (4 OF 8) WIRING HARNESS, MAIN, ABS (NON-FAIRING MODELS) (6 OF 8) WIRING HARNESS, MAIN, ABS (NON-FAIRING MODELS) (8 OF 8) WIRING HARNESS, MAIN, NON-ABS (FAIRING MODELS) - FLTRX & FLTRXS (2 OF 8) WIRING HARNESS, MAIN, NON-ABS (FAIRING MODELS) - FLTRX & FLTRXS (3 OF 8) WIRING HARNESS, MAIN, NON-ABS (FAIRING MODELS) - FLTRX & FLTRXS (4 OF 8) WIRING HARNESS, MAIN, NON-ABS (FAIRING MODELS) - FLTRX & FLTRXS (6 OF 8) WIRING HARNESS, MAIN, NON-ABS (FAIRING MODELS) - FLTRX & FLTRXS (8 OF 8) WIRING HARNESS, MAIN, ABS (FAIRING MODELS) - FLTRX & FLTRXS (2 OF 8) WIRING HARNESS, MAIN, ABS (FAIRING MODELS) - FLTRX & FLTRXS (3 OF 8) WIRING HARNESS, MAIN, ABS (FAIRING MODELS) - FLTRX & FLTRXS (4 OF 8) WIRING HARNESS, MAIN, ABS (FAIRING MODELS) - FLTRX & FLTRXS (6 OF 8) WIRING HARNESS, MAIN, ABS (FAIRING MODELS) - FLTRX & FLTRXS (8 OF 8) WIRING HARNESS, FAIRING - FLHTCU/L, FLHTK/L, FLHX & FLHXS (2 OF 2) WIRING HARNESS, CONSOLE - FLHR & FLHRC</p> |
| 72485-07 | <p>CONSOLE, FUEL TANK - FLHTCU, FLHTCUL, FLHTK, FLHTKL, FLHX, FLHXS, FLTRX & FLTRXS (1 OF 2) FUEL PUMP - FLHTCU, FLHTCUL, FLHTK, FLHTKL, FLHX, FLHXS, FLTRX & FLTRXS WIRING HARNESS, CONSOLE - FLHR & FLHRC</p> |
| 72486-08 | <p>RADIATOR, COOLANT HOSES & BOTTLE</p> |

| | |
|------------|---|
| | <p>FAIRING, INNER - FLTRX & FLTRXS (1 OF 2)</p> <p>WIRING HARNESS, MAIN, NON-ABS (FAIRING MODELS) - FLHX (2 OF 8)</p> <p>WIRING HARNESS, MAIN, NON-ABS (FAIRING MODELS) - FLHX (3 OF 8)</p> <p>WIRING HARNESS, MAIN, NON-ABS (FAIRING MODELS) - FLHX (4 OF 8)</p> <p>WIRING HARNESS, MAIN, NON-ABS (FAIRING MODELS) - FLHX (6 OF 8)</p> <p>WIRING HARNESS, MAIN, NON-ABS (FAIRING MODELS) - FLHX (8 OF 8)</p> <p>WIRING HARNESS, MAIN, ABS (FAIRING MODELS) - FLHX & FLHXS (2 OF 8)</p> <p>WIRING HARNESS, MAIN, ABS (FAIRING MODELS) - FLHX & FLHXS (3 OF 8)</p> <p>WIRING HARNESS, MAIN, ABS (FAIRING MODELS) - FLHX & FLHXS (4 OF 8)</p> <p>WIRING HARNESS, MAIN, ABS (FAIRING MODELS) - FLHX & FLHXS (6 OF 8)</p> <p>WIRING HARNESS, MAIN, ABS (FAIRING MODELS) - FLHX & FLHXS (8 OF 8)</p> <p>WIRING HARNESS, MAIN, ABS (FAIRING MODELS) - FLHTCU/L & FLHTK/L (2 OF 8)</p> <p>WIRING HARNESS, MAIN, ABS (FAIRING MODELS) - FLHTCU/L & FLHTK/L (3 OF 8)</p> <p>WIRING HARNESS, MAIN, ABS (FAIRING MODELS) - FLHTCU/L & FLHTK/L (4 OF 8)</p> <p>WIRING HARNESS, MAIN, ABS (FAIRING MODELS) - FLHTCU/L & FLHTK/L (6 OF 8)</p> <p>WIRING HARNESS, MAIN, ABS (FAIRING MODELS) - FLHTCU/L & FLHTK/L (7 OF 8)</p> <p>WIRING HARNESS, MAIN, ABS (FAIRING MODELS) - FLHTCU/L & FLHTK/L (8 OF 8)</p> <p>WIRING HARNESS, MAIN, NON-ABS (NON-FAIRING MODELS) (3 OF 8)</p> <p>WIRING HARNESS, MAIN, NON-ABS (NON-FAIRING MODELS) (4 OF 8)</p> <p>WIRING HARNESS, MAIN, NON-ABS (NON-FAIRING MODELS) (6 OF 8)</p> <p>WIRING HARNESS, MAIN, NON-ABS (NON-FAIRING MODELS) (8 OF 8)</p> <p>WIRING HARNESS, MAIN, ABS (NON-FAIRING MODELS) (3 OF 8)</p> <p>WIRING HARNESS, MAIN, ABS (NON-FAIRING MODELS) (4 OF 8)</p> <p>WIRING HARNESS, MAIN, ABS (NON-FAIRING MODELS) (6 OF 8)</p> <p>WIRING HARNESS, MAIN, ABS (NON-FAIRING MODELS) (8 OF 8)</p> <p>WIRING HARNESS, MAIN, NON-ABS (FAIRING MODELS) - FLTRX & FLTRXS (2 OF 8)</p> <p>WIRING HARNESS, MAIN, NON-ABS (FAIRING MODELS) - FLTRX & FLTRXS (3 OF 8)</p> <p>WIRING HARNESS, MAIN, NON-ABS (FAIRING MODELS) - FLTRX & FLTRXS (4 OF 8)</p> <p>WIRING HARNESS, MAIN, NON-ABS (FAIRING MODELS) - FLTRX & FLTRXS (6 OF 8)</p> <p>WIRING HARNESS, MAIN, NON-ABS (FAIRING MODELS) - FLTRX & FLTRXS (8 OF 8)</p> <p>WIRING HARNESS, MAIN, ABS (FAIRING MODELS) - FLTRX & FLTRXS (2 OF 8)</p> <p>WIRING HARNESS, MAIN, ABS (FAIRING MODELS) - FLTRX & FLTRXS (3 OF 8)</p> <p>WIRING HARNESS, MAIN, ABS (FAIRING MODELS) - FLTRX & FLTRXS (4 OF 8)</p> <p>WIRING HARNESS, MAIN, ABS (FAIRING MODELS) - FLTRX & FLTRXS (6 OF 8)</p> <p>WIRING HARNESS, MAIN, ABS (FAIRING MODELS) - FLTRX & FLTRXS (8 OF 8)</p> <p>WIRING HARNESS, FAIRING - FLHTCU/L, FLHTK/L, FLHX & FLHXS (2 OF 2)</p> <p>WIRING HARNESS, CONSOLE - FLHR & FLHRC</p> |
| 72487-07BK | SOUND SYSTEM - FLHTCU/L, FLHTK/L, FLHX & FLHXS (1 OF 2) |
| 72488-07BK | <p>WIRING HARNESS, MAIN, NON-ABS (FAIRING MODELS) - FLHX (2 OF 8)</p> <p>WIRING HARNESS, MAIN, ABS (FAIRING MODELS) - FLHX & FLHXS (2 OF 8)</p> <p>WIRING HARNESS, MAIN, ABS (FAIRING MODELS) - FLHTCU/L & FLHTK/L (2 OF 8)</p> <p>WIRING HARNESS, MAIN, NON-ABS (FAIRING MODELS) - FLTRX & FLTRXS (2 OF 8)</p> <p>WIRING HARNESS, MAIN, ABS (FAIRING MODELS) - FLTRX & FLTRXS (2 OF 8)</p> |
| 72489-07GY | <p>WIRING HARNESS, MAIN, NON-ABS (FAIRING MODELS) - FLHX (1 OF 8)</p> <p>WIRING HARNESS, MAIN, ABS (FAIRING MODELS) - FLHX & FLHXS (1 OF 8)</p> <p>WIRING HARNESS, MAIN, ABS (FAIRING MODELS) - FLHTCU/L & FLHTK/L (1 OF 8)</p> <p>WIRING HARNESS, FAIRING - FLTRX & FLTRXS</p> |
| 72490-07GY | <p>WIRING HARNESS, MAIN, NON-ABS (FAIRING MODELS) - FLHX (2 OF 8)</p> <p>WIRING HARNESS, MAIN, ABS (FAIRING MODELS) - FLHX & FLHXS (2 OF 8)</p> <p>WIRING HARNESS, MAIN, ABS (FAIRING MODELS) - FLHTCU/L & FLHTK/L (2 OF 8)</p> <p>WIRING HARNESS, MAIN, NON-ABS (FAIRING MODELS) - FLTRX & FLTRXS (1 OF 8)</p> <p>WIRING HARNESS, MAIN, NON-ABS (FAIRING MODELS) - FLTRX & FLTRXS (2 OF 8)</p> <p>WIRING HARNESS, MAIN, ABS (FAIRING MODELS) - FLTRX & FLTRXS (1 OF 8)</p> <p>WIRING HARNESS, MAIN, ABS (FAIRING MODELS) - FLTRX & FLTRXS (2 OF 8)</p> <p>WIRING HARNESS, FAIRING - FLHTCU/L, FLHTK/L, FLHX & FLHXS (1 OF 2)</p> |
| 72493-07 | <p>CONSOLE, FUEL TANK - FLHTCU, FLHTCUL, FLHTK, FLHTKL, FLHX, FLHXS, FLTRX & FLTRXS (1 OF 2)</p> <p>FUEL PUMP - FLHTCU, FLHTCUL, FLHTK, FLHTKL, FLHX, FLHXS, FLTRX & FLTRXS</p> <p>WIRING HARNESS, CONSOLE - FLHR & FLHRC</p> |
| 72494-07 | CONSOLE, FUEL TANK - FLHTCU, FLHTCUL, FLHTK, FLHTKL, FLHX, FLHXS, FLTRX & FLTRXS |

| | |
|------------|--|
| | (2 OF 2) FUEL PUMP - FLHTCU, FLHTCUL, FLHTK, FLHTKL, FLHX, FLHXS, FLTRX & FLTRXS WIRING HARNESS, CONSOLE - FLHR & FLHRC |
| 72511-07BK | FRAME & JIFFY STAND (1 OF 2) |
| 72512-07BK | WIRING HARNESS, MAIN, NON-ABS (FAIRING MODELS) - FLHX (7 OF 8) WIRING HARNESS, MAIN, ABS (FAIRING MODELS) - FLHX & FLHXS (7 OF 8) WIRING HARNESS, MAIN, ABS (FAIRING MODELS) - FLHTCU/L & FLHTK/L (7 OF 8) WIRING HARNESS, MAIN, NON-ABS (NON-FAIRING MODELS) (7 OF 8) WIRING HARNESS, MAIN, ABS (NON-FAIRING MODELS) (7 OF 8) WIRING HARNESS, MAIN, NON-ABS (FAIRING MODELS) - FLTRX & FLTRXS (7 OF 8) WIRING HARNESS, MAIN, ABS (FAIRING MODELS) - FLTRX & FLTRXS (7 OF 8) |
| 72518-01 | WIRING HARNESS, MAIN, NON-ABS (FAIRING MODELS) - FLHX (4 OF 8) WIRING HARNESS, MAIN, ABS (FAIRING MODELS) - FLHX & FLHXS (4 OF 8) WIRING HARNESS, MAIN, ABS (FAIRING MODELS) - FLHTCU/L & FLHTK/L (4 OF 8) WIRING HARNESS, MAIN, NON-ABS (NON-FAIRING MODELS) (4 OF 8) WIRING HARNESS, MAIN, ABS (NON-FAIRING MODELS) (4 OF 8) WIRING HARNESS, MAIN, NON-ABS (FAIRING MODELS) - FLTRX & FLTRXS (4 OF 8) WIRING HARNESS, MAIN, ABS (FAIRING MODELS) - FLTRX & FLTRXS (4 OF 8) |
| 72519-09BK | WIRING HARNESS, MAIN, NON-ABS (FAIRING MODELS) - FLHX (7 OF 8) WIRING HARNESS, MAIN, ABS (FAIRING MODELS) - FLHX & FLHXS (7 OF 8) WIRING HARNESS, MAIN, ABS (FAIRING MODELS) - FLHTCU/L & FLHTK/L (7 OF 8) WIRING HARNESS, MAIN, NON-ABS (NON-FAIRING MODELS) (7 OF 8) WIRING HARNESS, MAIN, ABS (NON-FAIRING MODELS) (7 OF 8) WIRING HARNESS, MAIN, NON-ABS (FAIRING MODELS) - FLTRX & FLTRXS (7 OF 8) WIRING HARNESS, MAIN, ABS (FAIRING MODELS) - FLTRX & FLTRXS (7 OF 8) |
| 72527-01 | WINDSHIELD, FAIRING & HEADLAMP - FLHTCU/L, FLHTK/L, FLHX & FLHXS (1 OF 2) WIRING HARNESS, MAIN, NON-ABS (NON-FAIRING MODELS) (2 OF 8) WIRING HARNESS, MAIN, ABS (NON-FAIRING MODELS) (2 OF 8) |
| 72533-06 | WIRING HARNESS, MAIN, NON-ABS (FAIRING MODELS) - FLHX (4 OF 8) WIRING HARNESS, MAIN, ABS (FAIRING MODELS) - FLHX & FLHXS (4 OF 8) WIRING HARNESS, MAIN, ABS (FAIRING MODELS) - FLHTCU/L & FLHTK/L (4 OF 8) WIRING HARNESS, MAIN, NON-ABS (NON-FAIRING MODELS) (4 OF 8) WIRING HARNESS, MAIN, ABS (NON-FAIRING MODELS) (4 OF 8) WIRING HARNESS, MAIN, NON-ABS (FAIRING MODELS) - FLTRX & FLTRXS (4 OF 8) WIRING HARNESS, MAIN, ABS (FAIRING MODELS) - FLTRX & FLTRXS (4 OF 8) |
| 72543-07BK | WIRING HARNESS, MAIN, NON-ABS (FAIRING MODELS) - FLHX (6 OF 8) WIRING HARNESS, MAIN, ABS (FAIRING MODELS) - FLHX & FLHXS (6 OF 8) WIRING HARNESS, MAIN, ABS (FAIRING MODELS) - FLHTCU/L & FLHTK/L (6 OF 8) WIRING HARNESS, MAIN, NON-ABS (NON-FAIRING MODELS) (6 OF 8) WIRING HARNESS, MAIN, ABS (NON-FAIRING MODELS) (6 OF 8) WIRING HARNESS, MAIN, NON-ABS (FAIRING MODELS) - FLTRX & FLTRXS (6 OF 8) WIRING HARNESS, MAIN, ABS (FAIRING MODELS) - FLTRX & FLTRXS (6 OF 8) |
| 72544-07 | WIRING HARNESS, MAIN, NON-ABS (FAIRING MODELS) - FLHX (6 OF 8) WIRING HARNESS, MAIN, ABS (FAIRING MODELS) - FLHX & FLHXS (6 OF 8) WIRING HARNESS, MAIN, ABS (FAIRING MODELS) - FLHTCU/L & FLHTK/L (6 OF 8) WIRING HARNESS, MAIN, NON-ABS (NON-FAIRING MODELS) (6 OF 8) WIRING HARNESS, MAIN, ABS (NON-FAIRING MODELS) (6 OF 8) WIRING HARNESS, MAIN, NON-ABS (FAIRING MODELS) - FLTRX & FLTRXS (6 OF 8) WIRING HARNESS, MAIN, ABS (FAIRING MODELS) - FLTRX & FLTRXS (6 OF 8) |
| 72557-07 | CONSOLE, FUEL TANK - FLHTCU, FLHTCUL, FLHTK, FLHTKL, FLHX, FLHXS, FLTRX & FLTRXS (2 OF 2) FUEL PUMP - FLHTCU, FLHTCUL, FLHTK, FLHTKL, FLHX, FLHXS, FLTRX & FLTRXS WIRING HARNESS, CONSOLE - FLHR & FLHRC |
| 72575-11 | WIRING HARNESS, MAIN, NON-ABS (FAIRING MODELS) - FLHX (8 OF 8) WIRING HARNESS, MAIN, ABS (FAIRING MODELS) - FLHX & FLHXS (8 OF 8) WIRING HARNESS, MAIN, ABS (FAIRING MODELS) - FLHTCU/L & FLHTK/L (8 OF 8) |

| | |
|----------|--|
| | WIRING HARNESS, MAIN, NON-ABS (NON-FAIRING MODELS) (8 OF 8) WIRING HARNESS, MAIN, ABS (NON-FAIRING MODELS) (8 OF 8) WIRING HARNESS, MAIN, NON-ABS (FAIRING MODELS) - FLTRX & FLTRXS (8 OF 8) WIRING HARNESS, MAIN, ABS (FAIRING MODELS) - FLTRX & FLTRXS (8 OF 8) |
| 72594-11 | SWITCHES |
| 72606-08 | RADIATOR, COOLANT HOSES & BOTTLE WIRING HARNESS, MAIN, ABS (FAIRING MODELS) - FLHX & FLHXS (2 OF 8) WIRING HARNESS, MAIN, ABS (FAIRING MODELS) - FLHX & FLHXS (7 OF 8) WIRING HARNESS, MAIN, ABS (FAIRING MODELS) - FLHTCU/L & FLHTK/L (2 OF 8) WIRING HARNESS, MAIN, ABS (FAIRING MODELS) - FLHTCU/L & FLHTK/L (7 OF 8) WIRING HARNESS, MAIN, ABS (NON-FAIRING MODELS) (7 OF 8) WIRING HARNESS, MAIN, ABS (FAIRING MODELS) - FLTRX & FLTRXS (2 OF 8) WIRING HARNESS, MAIN, ABS (FAIRING MODELS) - FLTRX & FLTRXS (7 OF 8) |
| 72607-08 | RADIATOR, COOLANT HOSES & BOTTLE WHEELS, FRONT WHEELS, REAR |
| 72608-08 | RADIATOR, COOLANT HOSES & BOTTLE WHEELS, FRONT WHEELS, REAR WINDSHIELD, FAIRING & HEADLAMP - FLHTCU/L, FLHTK/L, FLHX & FLHXS (1 OF 2) |
| 72609-08 | RADIATOR, COOLANT HOSES & BOTTLE WIRING HARNESS, MAIN, NON-ABS (FAIRING MODELS) - FLHX (4 OF 8) WIRING HARNESS, MAIN, ABS (FAIRING MODELS) - FLHX & FLHXS (4 OF 8) WIRING HARNESS, MAIN, ABS (FAIRING MODELS) - FLHX & FLHXS (7 OF 8) WIRING HARNESS, MAIN, ABS (FAIRING MODELS) - FLHTCU/L & FLHTK/L (4 OF 8) WIRING HARNESS, MAIN, ABS (FAIRING MODELS) - FLHTCU/L & FLHTK/L (7 OF 8) WIRING HARNESS, MAIN, NON-ABS (NON-FAIRING MODELS) (4 OF 8) WIRING HARNESS, MAIN, ABS (NON-FAIRING MODELS) (4 OF 8) WIRING HARNESS, MAIN, ABS (NON-FAIRING MODELS) (7 OF 8) WIRING HARNESS, MAIN, NON-ABS (FAIRING MODELS) - FLTRX & FLTRXS (4 OF 8) WIRING HARNESS, MAIN, ABS (FAIRING MODELS) - FLTRX & FLTRXS (4 OF 8) WIRING HARNESS, MAIN, ABS (FAIRING MODELS) - FLTRX & FLTRXS (7 OF 8) |
| 72610-08 | RADIATOR, COOLANT HOSES & BOTTLE WIRING HARNESS, MAIN, NON-ABS (FAIRING MODELS) - FLHX (4 OF 8) WIRING HARNESS, MAIN, NON-ABS (FAIRING MODELS) - FLHX (7 OF 8) WIRING HARNESS, MAIN, ABS (FAIRING MODELS) - FLHX & FLHXS (2 OF 8) WIRING HARNESS, MAIN, ABS (FAIRING MODELS) - FLHX & FLHXS (4 OF 8) WIRING HARNESS, MAIN, ABS (FAIRING MODELS) - FLHX & FLHXS (7 OF 8) WIRING HARNESS, MAIN, ABS (FAIRING MODELS) - FLHTCU/L & FLHTK/L (2 OF 8) WIRING HARNESS, MAIN, ABS (FAIRING MODELS) - FLHTCU/L & FLHTK/L (4 OF 8) WIRING HARNESS, MAIN, ABS (FAIRING MODELS) - FLHTCU/L & FLHTK/L (7 OF 8) WIRING HARNESS, MAIN, NON-ABS (NON-FAIRING MODELS) (4 OF 8) WIRING HARNESS, MAIN, ABS (NON-FAIRING MODELS) (4 OF 8) WIRING HARNESS, MAIN, ABS (NON-FAIRING MODELS) (7 OF 8) WIRING HARNESS, MAIN, NON-ABS (FAIRING MODELS) - FLTRX & FLTRXS (4 OF 8) WIRING HARNESS, MAIN, NON-ABS (FAIRING MODELS) - FLTRX & FLTRXS (7 OF 8) WIRING HARNESS, MAIN, ABS (FAIRING MODELS) - FLTRX & FLTRXS (2 OF 8) WIRING HARNESS, MAIN, ABS (FAIRING MODELS) - FLTRX & FLTRXS (4 OF 8) WIRING HARNESS, MAIN, ABS (FAIRING MODELS) - FLTRX & FLTRXS (7 OF 8) WIRING HARNESS, FAIRING - FLHTCU/L, FLHTK/L, FLHX & FLHXS (1 OF 2) WIRING HARNESS, FAIRING - FLTRX & FLTRXS LAMPS & SPEAKER HOUSINGS, ULTRA TOUR-PAK (1 OF 2) |
| 72632-10 | WIRING HARNESS, MAIN, NON-ABS (FAIRING MODELS) - FLHX (2 OF 8) WIRING HARNESS, MAIN, ABS (FAIRING MODELS) - FLHX & FLHXS (2 OF 8) WIRING HARNESS, MAIN, NON-ABS (FAIRING MODELS) - FLTRX & FLTRXS (2 OF 8) WIRING HARNESS, MAIN, ABS (FAIRING MODELS) - FLTRX & FLTRXS (2 OF 8) |
| 72633-02 | WINDSHIELD, FAIRING & HEADLAMP - FLHTCU/L, FLHTK/L, FLHX & FLHXS (1 OF 2) WIRING HARNESS, MAIN, NON-ABS (NON-FAIRING MODELS) (2 OF 8) |

| | |
|------------|--|
| | WIRING HARNESS, MAIN, ABS (NON-FAIRING MODELS) (2 OF 8) |
| 72639-10 | WHEELS, FRONT WHEELS, REAR WIRING HARNESS, MAIN, ABS (FAIRING MODELS) - FLHX & FLHXS (2 OF 8) WIRING HARNESS, MAIN, ABS (FAIRING MODELS) - FLHTCU/L & FLHTK/L (2 OF 8) WIRING HARNESS, MAIN, ABS (FAIRING MODELS) - FLTRX & FLTRXS (2 OF 8) |
| 72662-11 | WIRING HARNESS, CONSOLE - FLHR & FLHRC |
| 72663-11 | WIRING HARNESS, MAIN, NON-ABS (FAIRING MODELS) - FLHX (3 OF 8) WIRING HARNESS, MAIN, ABS (FAIRING MODELS) - FLHX & FLHXS (3 OF 8) WIRING HARNESS, MAIN, ABS (FAIRING MODELS) - FLHTCU/L & FLHTK/L (3 OF 8) WIRING HARNESS, MAIN, NON-ABS (NON-FAIRING MODELS) (3 OF 8) WIRING HARNESS, MAIN, ABS (NON-FAIRING MODELS) (3 OF 8) WIRING HARNESS, MAIN, NON-ABS (FAIRING MODELS) - FLTRX & FLTRXS (3 OF 8) WIRING HARNESS, MAIN, ABS (FAIRING MODELS) - FLTRX & FLTRXS (3 OF 8) |
| 72664-12A | WIRING HARNESS, MAIN, NON-ABS (FAIRING MODELS) - FLHX (4 OF 8) WIRING HARNESS, MAIN, ABS (FAIRING MODELS) - FLHX & FLHXS (4 OF 8) WIRING HARNESS, MAIN, ABS (FAIRING MODELS) - FLHTCU/L & FLHTK/L (4 OF 8) WIRING HARNESS, MAIN, NON-ABS (NON-FAIRING MODELS) (4 OF 8) WIRING HARNESS, MAIN, ABS (NON-FAIRING MODELS) (4 OF 8) WIRING HARNESS, MAIN, NON-ABS (FAIRING MODELS) - FLTRX & FLTRXS (4 OF 8) WIRING HARNESS, MAIN, ABS (FAIRING MODELS) - FLTRX & FLTRXS (4 OF 8) |
| 72666-12 | WIRING HARNESS, MAIN, NON-ABS (FAIRING MODELS) - FLHX (4 OF 8) WIRING HARNESS, MAIN, ABS (FAIRING MODELS) - FLHX & FLHXS (4 OF 8) WIRING HARNESS, MAIN, ABS (FAIRING MODELS) - FLHTCU/L & FLHTK/L (4 OF 8) WIRING HARNESS, MAIN, ABS (FAIRING MODELS) - FLHTCU/L & FLHTK/L (4 OF 8) WIRING HARNESS, MAIN, NON-ABS (NON-FAIRING MODELS) (4 OF 8) WIRING HARNESS, MAIN, ABS (NON-FAIRING MODELS) (4 OF 8) WIRING HARNESS, MAIN, NON-ABS (FAIRING MODELS) - FLTRX & FLTRXS (4 OF 8) WIRING HARNESS, MAIN, ABS (FAIRING MODELS) - FLTRX & FLTRXS (4 OF 8) |
| 72720-07 | WIRING HARNESS, MAIN, NON-ABS (FAIRING MODELS) - FLHX (4 OF 8) WIRING HARNESS, MAIN, ABS (FAIRING MODELS) - FLHX & FLHXS (4 OF 8) WIRING HARNESS, MAIN, ABS (FAIRING MODELS) - FLHTCU/L & FLHTK/L (4 OF 8) WIRING HARNESS, MAIN, NON-ABS (NON-FAIRING MODELS) (4 OF 8) WIRING HARNESS, MAIN, ABS (NON-FAIRING MODELS) (4 OF 8) WIRING HARNESS, MAIN, NON-ABS (FAIRING MODELS) - FLTRX & FLTRXS (4 OF 8) WIRING HARNESS, MAIN, ABS (FAIRING MODELS) - FLTRX & FLTRXS (4 OF 8) |
| 72721-07 | WIRING HARNESS, MAIN, NON-ABS (FAIRING MODELS) - FLHX (1 OF 8) WIRING HARNESS, MAIN, NON-ABS (FAIRING MODELS) - FLHX (4 OF 8) WIRING HARNESS, MAIN, ABS (FAIRING MODELS) - FLHX & FLHXS (1 OF 8) WIRING HARNESS, MAIN, ABS (FAIRING MODELS) - FLHX & FLHXS (4 OF 8) WIRING HARNESS, MAIN, ABS (FAIRING MODELS) - FLHTCU/L & FLHTK/L (1 OF 8) WIRING HARNESS, MAIN, ABS (FAIRING MODELS) - FLHTCU/L & FLHTK/L (4 OF 8) WIRING HARNESS, MAIN, NON-ABS (NON-FAIRING MODELS) (4 OF 8) WIRING HARNESS, MAIN, ABS (NON-FAIRING MODELS) (4 OF 8) WIRING HARNESS, MAIN, NON-ABS (FAIRING MODELS) - FLTRX & FLTRXS (1 OF 8) WIRING HARNESS, MAIN, NON-ABS (FAIRING MODELS) - FLTRX & FLTRXS (4 OF 8) WIRING HARNESS, MAIN, ABS (FAIRING MODELS) - FLTRX & FLTRXS (1 OF 8) WIRING HARNESS, MAIN, ABS (FAIRING MODELS) - FLTRX & FLTRXS (4 OF 8) |
| 72902-01BK | THROTTLE CONTROL THROTTLE CONTROL WIRING HARNESS, MAIN, NON-ABS (FAIRING MODELS) - FLTRX & FLTRXS (1 OF 8) WIRING HARNESS, MAIN, ABS (FAIRING MODELS) - FLTRX & FLTRXS (1 OF 8) WIRING HARNESS, FAIRING - FLHTCU/L, FLHTK/L, FLHX & FLHXS (1 OF 2) |
| 72904-01BK | INSTRUMENTS, FUEL TANK - FLHR & FLHRC |
| 72905-11 | WIRING HARNESS, MAIN, NON-ABS (NON-FAIRING MODELS) (2 OF 8) WIRING HARNESS, MAIN, ABS (NON-FAIRING MODELS) (2 OF 8) |

| | |
|------------|---|
| | <p>WIRING HARNESS, MAIN, NON-ABS (FAIRING MODELS) - FLTRX & FLTRXS (2 OF 8) WIRING HARNESS, MAIN, ABS (FAIRING MODELS) - FLTRX & FLTRXS (2 OF 8) WIRING HARNESS, FAIRING - FLHTCU/L, FLHTK/L, FLHX & FLHXS (1 OF 2)</p> |
| 72906-11 | <p>SWITCHES, HANDLEBAR, RIGHT</p> |
| 72907-11 | <p>WIRING HARNESS, MAIN, NON-ABS (NON-FAIRING MODELS) (1 OF 8) WIRING HARNESS, MAIN, NON-ABS (NON-FAIRING MODELS) (2 OF 8) WIRING HARNESS, MAIN, ABS (NON-FAIRING MODELS) (1 OF 8) WIRING HARNESS, MAIN, ABS (NON-FAIRING MODELS) (2 OF 8) WIRING HARNESS, MAIN, NON-ABS (FAIRING MODELS) - FLTRX & FLTRXS (2 OF 8) WIRING HARNESS, MAIN, ABS (FAIRING MODELS) - FLTRX & FLTRXS (2 OF 8) WIRING HARNESS, FAIRING - FLHTCU/L, FLHTK/L, FLHX & FLHXS (1 OF 2) WIRING HARNESS, FAIRING - FLTRX & FLTRXS</p> |
| 72908-11 | <p>AUXILIARY/FOG LAMPS & TURN SIGNALS, FRONT - FLHTCU, FLHTCUL, FTHTK & FLHTKL TURN SIGNALS, FRONT - FLHX & FLHXS WINDSHIELD, FAIRING & HEADLAMP - FLTRX & FLTRXS FAIRING, INNER - FLTRX & FLTRXS (1 OF 2) SWITCHES, HANDLEBAR, LEFT SWITCHES, HANDLEBAR, RIGHT WIRING HARNESS, FAIRING - FLTRX & FLTRXS</p> |
| 72909-11 | <p>WIRING HARNESS, MAIN, NON-ABS (NON-FAIRING MODELS) (1 OF 8) WIRING HARNESS, MAIN, NON-ABS (NON-FAIRING MODELS) (2 OF 8) WIRING HARNESS, MAIN, ABS (NON-FAIRING MODELS) (1 OF 8) WIRING HARNESS, MAIN, ABS (NON-FAIRING MODELS) (2 OF 8) WIRING HARNESS, MAIN, NON-ABS (FAIRING MODELS) - FLTRX & FLTRXS (2 OF 8) WIRING HARNESS, MAIN, ABS (FAIRING MODELS) - FLTRX & FLTRXS (2 OF 8) WIRING HARNESS, FAIRING - FLHTCU/L, FLHTK/L, FLHX & FLHXS (1 OF 2) WIRING HARNESS, FAIRING - FLTRX & FLTRXS</p> |
| 72910-11 | <p>AUXILIARY/FOG LAMPS & TURN SIGNALS, FRONT - FLHTCU, FLHTCUL, FTHTK & FLHTKL AUXILIARY/FOG LAMPS & TURN SIGNALS, FRONT - FLHTCU, FLHTCUL, FTHTK & FLHTKL TURN SIGNALS, FRONT - FLHX & FLHXS TURN SIGNALS, FRONT - FLHX & FLHXS WINDSHIELD, FAIRING & HEADLAMP - FLTRX & FLTRXS FAIRING, INNER - FLTRX & FLTRXS (1 OF 2) WIRING HARNESS, FAIRING - FLTRX & FLTRXS</p> |
| 72912-01BK | <p>THROTTLE CONTROL THROTTLE CONTROL WIRING HARNESS, MAIN, NON-ABS (FAIRING MODELS) - FLTRX & FLTRXS (1 OF 8) WIRING HARNESS, MAIN, ABS (FAIRING MODELS) - FLTRX & FLTRXS (1 OF 8) WIRING HARNESS, FAIRING - FLHTCU/L, FLHTK/L, FLHX & FLHXS (1 OF 2)</p> |
| 72914-01BK | <p>WIRING HARNESS, MAIN, NON-ABS (NON-FAIRING MODELS) (1 OF 8) WIRING HARNESS, MAIN, ABS (NON-FAIRING MODELS) (1 OF 8)</p> |
| 72990-01 | <p>INSTRUMENTS, FUEL TANK - FLHR & FLHRC THROTTLE CONTROL</p> |
| 72991-01 | <p>THROTTLE CONTROL WIRING HARNESS, MAIN, NON-ABS (NON-FAIRING MODELS) (1 OF 8) WIRING HARNESS, MAIN, ABS (NON-FAIRING MODELS) (1 OF 8) WIRING HARNESS, MAIN, NON-ABS (FAIRING MODELS) - FLTRX & FLTRXS (1 OF 8) WIRING HARNESS, MAIN, ABS (FAIRING MODELS) - FLTRX & FLTRXS (1 OF 8) WIRING HARNESS, FAIRING - FLHTCU/L, FLHTK/L, FLHX & FLHXS (1 OF 2)</p> |
| 73101-96BK | <p>WIRING HARNESS, FAIRING - FLHTCU/L, FLHTK/L, FLHX & FLHXS (2 OF 2)</p> |
| 73102-96BK | <p>WIRING HARNESS, FAIRING - FLHTCU/L, FLHTK/L, FLHX & FLHXS (2 OF 2) WIRING HARNESS, FAIRING - FLTRX & FLTRXS LAMPS & SPEAKER HOUSINGS, ULTRA TOUR-PAK (1 OF 2) LAMPS & SPEAKER HOUSINGS, ULTRA TOUR-PAK (1 OF 2)</p> |
| | |

| | |
|------------|--|
| 73104-96BK | WIRING HARNESS, MAIN, NON-ABS (NON-FAIRING MODELS) (1 OF 8) WIRING HARNESS, MAIN, ABS (NON-FAIRING MODELS) (1 OF 8) |
| 73106-96BK | WIRING HARNESS, MAIN, NON-ABS (NON-FAIRING MODELS) (1 OF 8) WIRING HARNESS, MAIN, ABS (NON-FAIRING MODELS) (1 OF 8) |
| 73152-96BK | FENDERS, FRONT FAIRING, INNER - FLTRX & FLTRXS (1 OF 2) TAIL LAMP & TURN SIGNALS, REAR (2 OF 2) TAIL LAMP & TURN SIGNALS, REAR (2 OF 2) WIRING HARNESS, FAIRING - FLHTCU/L, FLHTK/L, FLHX & FLHXS (2 OF 2) WIRING HARNESS, FAIRING - FLTRX & FLTRXS TOUR-PAK (BOTTOM) |
| 73152-96WE | FENDERS, FRONT LAMPS & SPEAKER HOUSINGS, ULTRA TOUR-PAK (1 OF 2) |
| 73153-96BK | FENDERS, REAR (2 OF 2) TAIL LAMP & TURN SIGNALS, REAR (2 OF 2) TAIL LAMP & TURN SIGNALS, REAR (2 OF 2) |
| 73154-96BK | AUXILIARY/FOG LAMPS & TURN SIGNALS, FRONT - FLHR & FLHRC TAIL LAMP |
| 73156-96BK | FENDERS, REAR (2 OF 2) AUXILIARY/FOG LAMPS & TURN SIGNALS, FRONT - FLHR & FLHRC TAIL LAMP & TURN SIGNALS, REAR (2 OF 2) TAIL LAMP |
| 73190-96 | WIRING HARNESS, MAIN, NON-ABS (NON-FAIRING MODELS) (1 OF 8) WIRING HARNESS, MAIN, ABS (NON-FAIRING MODELS) (1 OF 8) WIRING HARNESS, FAIRING - FLHTCU/L, FLHTK/L, FLHX & FLHXS (2 OF 2) WIRING HARNESS, FAIRING - FLTRX & FLTRXS LAMPS & SPEAKER HOUSINGS, ULTRA TOUR-PAK (1 OF 2) LAMPS & SPEAKER HOUSINGS, ULTRA TOUR-PAK (1 OF 2) |
| 73191-96 | FENDERS, FRONT FENDERS, REAR (2 OF 2) FENDERS, REAR (2 OF 2) FENDERS, REAR (2 OF 2) AUXILIARY/FOG LAMPS & TURN SIGNALS, FRONT - FLHR & FLHRC AUXILIARY/FOG LAMPS & TURN SIGNALS, FRONT - FLHR & FLHRC FAIRING, INNER - FLTRX & FLTRXS (1 OF 2) TAIL LAMP & TURN SIGNALS, REAR (2 OF 2) TAIL LAMP TAIL LAMP TOUR-PAK (BOTTOM) LAMPS & SPEAKER HOUSINGS, ULTRA TOUR-PAK (1 OF 2) |
| 73198-96 | SENSORS & SWITCHES, ENGINE |
| 73213-07 | FRAME & JIFFY STAND (1 OF 2) WIRING HARNESS, MAIN, NON-ABS (FAIRING MODELS) - FLHX (2 OF 8) WIRING HARNESS, MAIN, NON-ABS (FAIRING MODELS) - FLHX (5 OF 8) WIRING HARNESS, MAIN, NON-ABS (FAIRING MODELS) - FLHX (7 OF 8) WIRING HARNESS, MAIN, NON-ABS (FAIRING MODELS) - FLHX (8 OF 8) WIRING HARNESS, MAIN, ABS (FAIRING MODELS) - FLHX & FLHXS (2 OF 8) WIRING HARNESS, MAIN, ABS (FAIRING MODELS) - FLHX & FLHXS (5 OF 8) WIRING HARNESS, MAIN, ABS (FAIRING MODELS) - FLHX & FLHXS (7 OF 8) WIRING HARNESS, MAIN, ABS (FAIRING MODELS) - FLHX & FLHXS (8 OF 8) WIRING HARNESS, MAIN, ABS (FAIRING MODELS) - FLHTCU/L & FLHTK/L (2 OF 8) WIRING HARNESS, MAIN, ABS (FAIRING MODELS) - FLHTCU/L & FLHTK/L (5 OF 8) WIRING HARNESS, MAIN, ABS (FAIRING MODELS) - FLHTCU/L & FLHTK/L (7 OF 8) WIRING HARNESS, MAIN, ABS (FAIRING MODELS) - FLHTCU/L & FLHTK/L (7 OF 8) WIRING HARNESS, MAIN, ABS (FAIRING MODELS) - FLHTCU/L & FLHTK/L (8 OF 8) WIRING HARNESS, MAIN, NON-ABS (NON-FAIRING MODELS) (5 OF 8) |

| | |
|----------|---|
| | <p>WIRING HARNESS, MAIN, NON-ABS (NON-FAIRING MODELS) (7 OF 8) WIRING HARNESS, MAIN, NON-ABS (NON-FAIRING MODELS) (8 OF 8) WIRING HARNESS, MAIN, ABS (NON-FAIRING MODELS) (5 OF 8) WIRING HARNESS, MAIN, ABS (NON-FAIRING MODELS) (7 OF 8) WIRING HARNESS, MAIN, ABS (NON-FAIRING MODELS) (8 OF 8) WIRING HARNESS, MAIN, NON-ABS (FAIRING MODELS) - FLTRX & FLTRXS (1 OF 8) WIRING HARNESS, MAIN, NON-ABS (FAIRING MODELS) - FLTRX & FLTRXS (2 OF 8) WIRING HARNESS, MAIN, NON-ABS (FAIRING MODELS) - FLTRX & FLTRXS (5 OF 8) WIRING HARNESS, MAIN, NON-ABS (FAIRING MODELS) - FLTRX & FLTRXS (7 OF 8) WIRING HARNESS, MAIN, NON-ABS (FAIRING MODELS) - FLTRX & FLTRXS (8 OF 8) WIRING HARNESS, MAIN, ABS (FAIRING MODELS) - FLTRX & FLTRXS (1 OF 8) WIRING HARNESS, MAIN, ABS (FAIRING MODELS) - FLTRX & FLTRXS (2 OF 8) WIRING HARNESS, MAIN, ABS (FAIRING MODELS) - FLTRX & FLTRXS (5 OF 8) WIRING HARNESS, MAIN, ABS (FAIRING MODELS) - FLTRX & FLTRXS (7 OF 8) WIRING HARNESS, MAIN, ABS (FAIRING MODELS) - FLTRX & FLTRXS (8 OF 8) SOUND SYSTEM - FLHTCU/L, FLHTK/L, FLHX & FLHXS (1 OF 2) SOUND SYSTEM - FLTRX & FLTRXS LAMPS & SPEAKER HOUSINGS, ULTRA TOUR-PAK (1 OF 2)</p> |
| 73254-10 | TAIL LAMP & TURN SIGNALS, REAR (2 OF 2) |
| 73255-10 | LICENSE PLATE BRACKETS LICENSE PLATE BRACKETS |
| 73301-04 | <p>WIRING HARNESS, MAIN, NON-ABS (FAIRING MODELS) - FLHX (8 OF 8) WIRING HARNESS, MAIN, ABS (FAIRING MODELS) - FLHX & FLHXS (8 OF 8) WIRING HARNESS, MAIN, ABS (FAIRING MODELS) - FLHTCU/L & FLHTK/L (8 OF 8) WIRING HARNESS, MAIN, NON-ABS (NON-FAIRING MODELS) (8 OF 8) WIRING HARNESS, MAIN, ABS (NON-FAIRING MODELS) (8 OF 8) WIRING HARNESS, MAIN, NON-ABS (FAIRING MODELS) - FLTRX & FLTRXS (8 OF 8) WIRING HARNESS, MAIN, ABS (FAIRING MODELS) - FLTRX & FLTRXS (8 OF 8)</p> |
| 73303-04 | <p>WIRING HARNESS, MAIN, NON-ABS (FAIRING MODELS) - FLHX (8 OF 8) WIRING HARNESS, MAIN, ABS (FAIRING MODELS) - FLHX & FLHXS (8 OF 8) WIRING HARNESS, MAIN, ABS (FAIRING MODELS) - FLHTCU/L & FLHTK/L (8 OF 8) WIRING HARNESS, MAIN, NON-ABS (NON-FAIRING MODELS) (8 OF 8) WIRING HARNESS, MAIN, ABS (NON-FAIRING MODELS) (8 OF 8) WIRING HARNESS, MAIN, NON-ABS (FAIRING MODELS) - FLTRX & FLTRXS (8 OF 8) WIRING HARNESS, MAIN, ABS (FAIRING MODELS) - FLTRX & FLTRXS (8 OF 8)</p> |
| 73304-04 | <p>WIRING HARNESS, MAIN, NON-ABS (FAIRING MODELS) - FLHX (8 OF 8) WIRING HARNESS, MAIN, ABS (FAIRING MODELS) - FLHX & FLHXS (8 OF 8) WIRING HARNESS, MAIN, ABS (FAIRING MODELS) - FLHTCU/L & FLHTK/L (8 OF 8) WIRING HARNESS, MAIN, NON-ABS (NON-FAIRING MODELS) (8 OF 8) WIRING HARNESS, MAIN, ABS (NON-FAIRING MODELS) (8 OF 8) WIRING HARNESS, MAIN, NON-ABS (FAIRING MODELS) - FLTRX & FLTRXS (8 OF 8) WIRING HARNESS, MAIN, ABS (FAIRING MODELS) - FLTRX & FLTRXS (8 OF 8) BATTERY</p> |
| 73305-04 | <p>WIRING HARNESS, MAIN, NON-ABS (FAIRING MODELS) - FLHX (8 OF 8) WIRING HARNESS, MAIN, ABS (FAIRING MODELS) - FLHX & FLHXS (8 OF 8) WIRING HARNESS, MAIN, ABS (FAIRING MODELS) - FLHTCU/L & FLHTK/L (8 OF 8) WIRING HARNESS, MAIN, NON-ABS (NON-FAIRING MODELS) (8 OF 8) WIRING HARNESS, MAIN, ABS (NON-FAIRING MODELS) (8 OF 8) WIRING HARNESS, MAIN, NON-ABS (FAIRING MODELS) - FLTRX & FLTRXS (8 OF 8) WIRING HARNESS, MAIN, ABS (FAIRING MODELS) - FLTRX & FLTRXS (8 OF 8) BATTERY</p> |
| 73307-10 | EXHAUST SYSTEM |
| 73309-10 | TAIL LAMP & TURN SIGNALS, REAR (2 OF 2) |
| 7331 | MIRRORS |
| 73314-10 | TAIL LAMP & TURN SIGNALS, REAR (2 OF 2) |
| | |

| | |
|------------|---|
| 7340 | TRANSMISSION BEARINGS & COVERS TRANSMISSION GEARS |
| 74112-98BK | WIRING HARNESS, MAIN, NON-ABS (FAIRING MODELS) - FLHX (7 OF 8) WIRING HARNESS, MAIN, ABS (FAIRING MODELS) - FLHX & FLHXS (7 OF 8) WIRING HARNESS, MAIN, ABS (FAIRING MODELS) - FLHTCU/L & FLHTK/L (7 OF 8) WIRING HARNESS, MAIN, NON-ABS (NON-FAIRING MODELS) (7 OF 8) WIRING HARNESS, MAIN, ABS (NON-FAIRING MODELS) (2 OF 8) WIRING HARNESS, MAIN, ABS (NON-FAIRING MODELS) (7 OF 8) WIRING HARNESS, MAIN, NON-ABS (FAIRING MODELS) - FLTRX & FLTRXS (7 OF 8) WIRING HARNESS, MAIN, ABS (FAIRING MODELS) - FLTRX & FLTRXS (7 OF 8) |
| 74120-08 | ALTERNATOR & REGULATOR WIRING HARNESS, MAIN, NON-ABS (FAIRING MODELS) - FLHX (7 OF 8) WIRING HARNESS, MAIN, ABS (FAIRING MODELS) - FLHX & FLHXS (7 OF 8) WIRING HARNESS, MAIN, ABS (FAIRING MODELS) - FLHTCU/L & FLHTK/L (7 OF 8) WIRING HARNESS, MAIN, NON-ABS (NON-FAIRING MODELS) (7 OF 8) WIRING HARNESS, MAIN, ABS (NON-FAIRING MODELS) (7 OF 8) WIRING HARNESS, MAIN, NON-ABS (FAIRING MODELS) - FLTRX & FLTRXS (7 OF 8) WIRING HARNESS, MAIN, ABS (FAIRING MODELS) - FLTRX & FLTRXS (7 OF 8) |
| 74152-98 | WIRING HARNESS, MAIN, NON-ABS (FAIRING MODELS) - FLHX (7 OF 8) WIRING HARNESS, MAIN, ABS (FAIRING MODELS) - FLHX & FLHXS (7 OF 8) WIRING HARNESS, MAIN, ABS (FAIRING MODELS) - FLHTCU/L & FLHTK/L (7 OF 8) WIRING HARNESS, MAIN, NON-ABS (NON-FAIRING MODELS) (7 OF 8) WIRING HARNESS, MAIN, ABS (NON-FAIRING MODELS) (2 OF 8) WIRING HARNESS, MAIN, ABS (NON-FAIRING MODELS) (7 OF 8) WIRING HARNESS, MAIN, NON-ABS (FAIRING MODELS) - FLTRX & FLTRXS (7 OF 8) WIRING HARNESS, MAIN, ABS (FAIRING MODELS) - FLTRX & FLTRXS (7 OF 8) |
| 7415A | FAIRING LOWERS - ULTRA - AIR COOLED FAIRING LOWERS - ULTRA - TWIN-COOLED™ |
| 74190-98 | WHEELS, FRONT |
| 74191-98 | WIRING HARNESS, MAIN, NON-ABS (FAIRING MODELS) - FLHX (7 OF 8) WIRING HARNESS, MAIN, ABS (FAIRING MODELS) - FLHX & FLHXS (7 OF 8) WIRING HARNESS, MAIN, ABS (FAIRING MODELS) - FLHTCU/L & FLHTK/L (7 OF 8) WIRING HARNESS, MAIN, NON-ABS (NON-FAIRING MODELS) (7 OF 8) WIRING HARNESS, MAIN, ABS (NON-FAIRING MODELS) (2 OF 8) WIRING HARNESS, MAIN, ABS (NON-FAIRING MODELS) (7 OF 8) WIRING HARNESS, MAIN, NON-ABS (FAIRING MODELS) - FLTRX & FLTRXS (7 OF 8) WIRING HARNESS, MAIN, ABS (FAIRING MODELS) - FLTRX & FLTRXS (7 OF 8) |
| 74194-98 | SENSORS & SWITCHES, ENGINE |
| 74196-04 | FENDERS, REAR (2 OF 2) TAIL LAMP & TURN SIGNALS, REAR (2 OF 2) WIRING HARNESS, MAIN, NON-ABS (FAIRING MODELS) - FLTRX & FLTRXS (1 OF 8) WIRING HARNESS, MAIN, ABS (FAIRING MODELS) - FLTRX & FLTRXS (1 OF 8) WIRING HARNESS, FAIRING - FLHTCU/L, FLHTK/L, FLHX & FLHXS (2 OF 2) WIRING HARNESS, CONSOLE - FLHR & FLHRC |
| 74197-04 | FENDERS, REAR (2 OF 2) FENDERS, REAR (2 OF 2) TAIL LAMP & TURN SIGNALS, REAR (2 OF 2) WIRING HARNESS, MAIN, NON-ABS (FAIRING MODELS) - FLTRX & FLTRXS (1 OF 8) WIRING HARNESS, MAIN, ABS (FAIRING MODELS) - FLTRX & FLTRXS (1 OF 8) WIRING HARNESS, FAIRING - FLHTCU/L, FLHTK/L, FLHX & FLHXS (2 OF 2) WIRING HARNESS, CONSOLE - FLHR & FLHRC |
| 7434 | FENDERS, REAR (1 OF 2) |
| 74402-05B | TRANSMISSION HOUSING, TOP COVER & OIL PAN |
| 74408-08A | NACELLE & HEADLAMP - FLHR & FLHRC |

| | |
|-----------|--|
| 74438-99A | SENSORS & SWITCHES, ENGINE |
| 74505-09A | ALTERNATOR & REGULATOR |
| 7492 | LAMPS & SPEAKER HOUSINGS, ULTRA TOUR-PAK (1 OF 2) |
| 7495 | FRAME & JIFFY STAND (1 OF 2) HORN |
| 7499 | FENDERS, REAR (1 OF 2) FENDERS, REAR (1 OF 2) |
| 75069-08C | FUEL PUMP - FLHTCU, FLHTCUL, FLHTK, FLHTKL, FLHX, FLHXS, FLTRX & FLTRXS |
| 75076-08B | FUEL PUMP - FLHR & FLHRC |
| 75089-08 | FUEL PUMP - FLHTCU, FLHTCUL, FLHTK, FLHTKL, FLHX, FLHXS, FLTRX & FLTRXS FUEL PUMP - FLHR & FLHRC |
| 75147-08B | FUEL PUMP - FLHTCU, FLHTCUL, FLHTK, FLHTKL, FLHX, FLHXS, FLTRX & FLTRXS |
| 75205-08A | FUEL PUMP - FLHTCU, FLHTCUL, FLHTK, FLHTKL, FLHX, FLHXS, FLTRX & FLTRXS FUEL PUMP - FLHR & FLHRC |
| 75229-08 | FUEL PUMP - FLHTCU, FLHTCUL, FLHTK, FLHTKL, FLHX, FLHXS, FLTRX & FLTRXS FUEL PUMP - FLHR & FLHRC |
| 75241-08 | INSTRUMENTS, FUEL TANK - FLHR & FLHRC |
| 75254-04A | FUEL PUMP - FLHTCU, FLHTCUL, FLHTK, FLHTKL, FLHX, FLHXS, FLTRX & FLTRXS FUEL PUMP - FLHR & FLHRC |
| 75269-08 | FUEL PUMP - FLHTCU, FLHTCUL, FLHTK, FLHTKL, FLHX, FLHXS, FLTRX & FLTRXS FUEL PUMP - FLHR & FLHRC |
| 75291-08A | FUEL PUMP - FLHR & FLHRC |
| 7531 | SEATS FENDERS, REAR (1 OF 2) GUARDS, SADDLEBAG |
| 75322-09 | FUEL PUMP - FLHTCU, FLHTCUL, FLHTK, FLHTKL, FLHX, FLHXS, FLTRX & FLTRXS FUEL PUMP - FLHR & FLHRC |
| 7549A | BRAKE CONTROL, REAR HORN |
| 755 | FENDERS, FRONT |
| 7576 | FAIRING LOWERS - ULTRA - AIR COOLED FAIRING LOWERS - ULTRA - TWIN-COOLED™ |
| 7586 | TOUR-PAK (BOTTOM) SADDLEBAGS (1 OF 2) |
| 7593 | EXHAUST SYSTEM |
| 7600 | FENDERS, FRONT |
| 76000055 | SOUND SYSTEM - FLHTCU/L, FLHTK/L, FLHX & FLHXS (1 OF 2) |
| 76000075 | SOUND SYSTEM - FLHTCU/L, FLHTK/L, FLHX & FLHXS (2 OF 2) SOUND SYSTEM - FLHTCU/L, FLHTK/L, FLHX & FLHXS (2 OF 2) SOUND SYSTEM - FLTRX & FLTRXS |

| | |
|----------|---|
| 76000076 | SOUND SYSTEM - FLHTCU/L, FLHTK/L, FLHX & FLHXS (2 OF 2) SOUND SYSTEM - FLTRX & FLTRXS |
| 76000092 | LAMPS & SPEAKER HOUSINGS, ULTRA TOUR-PAK (2 OF 2) |
| 76000096 | SOUND SYSTEM - FLHTCU/L, FLHTK/L, FLHX & FLHXS (2 OF 2) SOUND SYSTEM - FLTRX & FLTRXS LAMPS & SPEAKER HOUSINGS, ULTRA TOUR-PAK (2 OF 2) |
| 76000107 | FAIRING, INNER - FLHTCU, FLHTCUL, FLHTK, FLHTKL, FLHX & FLHXS (2 OF 2) |
| 76000127 | FAIRING, INNER - FLHTCU, FLHTCUL, FLHTK, FLHTKL, FLHX & FLHXS (2 OF 2) |
| 76000160 | LAMPS & SPEAKER HOUSINGS, ULTRA TOUR-PAK (2 OF 2) |
| 76000161 | LAMPS & SPEAKER HOUSINGS, ULTRA TOUR-PAK (2 OF 2) |
| 76000164 | LAMPS & SPEAKER HOUSINGS, ULTRA TOUR-PAK (2 OF 2) |
| 76000165 | LAMPS & SPEAKER HOUSINGS, ULTRA TOUR-PAK (2 OF 2) |
| 76000166 | LAMPS & SPEAKER HOUSINGS, ULTRA TOUR-PAK (2 OF 2) |
| 76000172 | TOUR-PAK (BOTTOM) |
| 76000173 | TOUR-PAK (BOTTOM) |
| 76000174 | TOUR-PAK (BOTTOM) |
| 76000177 | LAMPS & SPEAKER HOUSINGS, ULTRA TOUR-PAK (2 OF 2) |
| 76000183 | ANTENNAS |
| 76000186 | LAMPS & SPEAKER HOUSINGS, ULTRA TOUR-PAK (2 OF 2) |
| 76000188 | SOUND SYSTEM - FLHTCU/L, FLHTK/L, FLHX & FLHXS (2 OF 2) |
| 76000208 | LAMPS & SPEAKER HOUSINGS, ULTRA TOUR-PAK (2 OF 2) |
| 76000222 | SOUND SYSTEM - FLHTCU/L, FLHTK/L, FLHX & FLHXS (2 OF 2) SOUND SYSTEM - FLTRX & FLTRXS |
| 76000230 | SOUND SYSTEM - FLHTCU/L, FLHTK/L, FLHX & FLHXS (2 OF 2) SOUND SYSTEM - FLHTCU/L, FLHTK/L, FLHX & FLHXS (2 OF 2) |
| 76000231 | SOUND SYSTEM - FLHTCU/L, FLHTK/L, FLHX & FLHXS (2 OF 2) SOUND SYSTEM - FLTRX & FLTRXS |
| 76000232 | SOUND SYSTEM - FLHTCU/L, FLHTK/L, FLHX & FLHXS (2 OF 2) SOUND SYSTEM - FLTRX & FLTRXS |
| 76000234 | FAIRING, INNER - FLHTCU, FLHTCUL, FLHTK, FLHTKL, FLHX & FLHXS (2 OF 2) |
| 76000243 | SOUND SYSTEM - FLHTCU/L, FLHTK/L, FLHX & FLHXS (2 OF 2) SOUND SYSTEM - FLHTCU/L, FLHTK/L, FLHX & FLHXS (2 OF 2) |
| 76000252 | SOUND SYSTEM - FLHTCU/L, FLHTK/L, FLHX & FLHXS (2 OF 2) SOUND SYSTEM - FLTRX & FLTRXS |
| 76000370 | FAIRING, INNER - FLTRX & FLTRXS (2 OF 2) |
| 76000373 | FAIRING, INNER - FLTRX & FLTRXS (2 OF 2) |
| 76000374 | FAIRING, INNER - FLTRX & FLTRXS (2 OF 2) |

| | |
|-------------|--|
| 76000376BYM | FAIRING, INNER - FLTRX & FLTRXS (2 OF 2) |
| 76000376DH | FAIRING, INNER - FLTRX & FLTRXS (2 OF 2) |
| 76000398 | FAIRING, INNER - FLTRX & FLTRXS (2 OF 2) |
| 76000409BYM | FAIRING, INNER - FLHTCU, FLHTCUL, FLHTK, FLHTKL, FLHX & FLHXS (2 OF 2) |
| 76000409DH | FAIRING, INNER - FLHTCU, FLHTCUL, FLHTK, FLHTKL, FLHX & FLHXS (2 OF 2) |
| 76000422 | FAIRING, INNER - FLTRX & FLTRXS (2 OF 2) |
| 76000425 | FAIRING, INNER - FLTRX & FLTRXS (2 OF 2) |
| 76000426BYM | FAIRING, INNER - FLTRX & FLTRXS (2 OF 2) |
| 76000426DH | FAIRING, INNER - FLTRX & FLTRXS (2 OF 2) |
| 76000436 | FAIRING, INNER - FLTRX & FLTRXS (2 OF 2) |
| 76000453 | SOUND SYSTEM - FLTRX & FLTRXS |
| 76000454 | SOUND SYSTEM - FLTRX & FLTRXS |
| 76000455 | SOUND SYSTEM - FLTRX & FLTRXS |
| 76000456 | SOUND SYSTEM - FLTRX & FLTRXS |
| 76000458 | FAIRING, INNER - FLTRX & FLTRXS (2 OF 2) |
| 76000460 | FAIRING, INNER - FLTRX & FLTRXS (2 OF 2) |
| 76000468 | SOUND SYSTEM - FLTRX & FLTRXS |
| 7601 | CRANKCASE, ENGINE OIL FILTER & COOLER - TWIN CAM 103™ (1 OF 2) FOOTBOARDS & FOOTPEGS AUXILIARY/FOG LAMPS & TURN SIGNALS, FRONT - FLHR & FLHRC FAIRING, INNER - FLTRX & FLTRXS (1 OF 2) EXHAUST SYSTEM GUARDS, SADDLEBAG |
| 7606 | AUXILIARY/FOG LAMPS & TURN SIGNALS, FRONT - FLHR & FLHRC AUXILIARY/FOG LAMPS & TURN SIGNALS, FRONT - FLHTCU, FLHTCUL, FTHTK & FLHTKL |
| 7624 | FENDERS, FRONT |
| 76250-09 | ANTENNAS LOOSE PARTS (1 OF 2) |
| 76259-86 | ANTENNAS |
| 76266-98A | CB & INTERCOM CONTROL POD |
| 7629 | FENDERS, FRONT |
| 76335-87 | ANTENNAS |
| 76353-00 | LAMPS & SPEAKER HOUSINGS, ULTRA TOUR-PAK (1 OF 2) |
| 765 | CRANKCASE, ENGINE OIL FILTER & COOLER - TWIN CAM 103™ (1 OF 2) CRANKCASE & ENGINE OIL FILTER - TWIN-COOLED™ TWIN CAM 103™ |
| 76503-08 | ANTENNAS LOOSE PARTS (1 OF 2) LOOSE PARTS (2 OF 2) |

| | |
|----------|---|
| | LOOSE PARTS (2 OF 2) |
| 7651A | WINDSHIELD - FLHR & FLHRC |
| 7667 | AUXILIARY/FOG LAMPS & TURN SIGNALS, FRONT - FLHTCU, FLHTCUL, FTHTK & FLHTKL |
| 7686 | FENDERS, REAR (1 OF 2) GUARDS, SADDLEBAG |
| 7687 | MIRRORS |
| 77117-10 | SOUND SYSTEM - FLHTCU/L, FLHTK/L, FLHX & FLHXS (1 OF 2) SOUND SYSTEM - FLHTCU/L, FLHTK/L, FLHX & FLHXS (1 OF 2) LOOSE PARTS (1 OF 2) LOOSE PARTS (1 OF 2) |
| 77126-10 | SOUND SYSTEM - FLHTCU/L, FLHTK/L, FLHX & FLHXS (1 OF 2) SOUND SYSTEM - FLHTCU/L, FLHTK/L, FLHX & FLHXS (1 OF 2) |
| 77148-10 | SOUND SYSTEM - FLHTCU/L, FLHTK/L, FLHX & FLHXS (1 OF 2) SOUND SYSTEM - FLHTCU/L, FLHTK/L, FLHX & FLHXS (1 OF 2) |
| 7716 | COOLING SYSTEM, ENGINE, TWIN-COOLED™ - TWIN CAM 103™ RADIATOR, COOLANT HOSES & BOTTLE ALTERNATOR & REGULATOR FOOTBOARDS & FOOTPEGS FAIRING LOWERS - ULTRA - AIR COOLED FAIRING LOWERS - ULTRA - TWIN-COOLED™ TOUR-PAK (BOTTOM) |
| 7744 | SHIFTER, GEAR |
| 7783 | ENGINE MOUNTS & STABILIZER LINK |
| 7792 | TRANSMISSION HOUSING, TOP COVER & OIL PAN BATTERY |
| 780 | SHIFTER, GEAR |
| 7813A | WHEELS, FRONT |
| 7825 | BRAKE CONTROL, REAR |
| 7838 | STARTER MOTOR |
| 7848W | CLUTCH - CONVENTIONAL - TWIN CAM 103™ - FLHR/C, FLHTCU, FLHTK, FLHX/S & FLTRX/S |
| 786A | PRIMARY HOUSING |
| 787 | NACELLE & HEADLAMP - FLHR & FLHRC |
| 7880 | FENDERS, REAR (1 OF 2) |
| 7888A | NACELLE & HEADLAMP - FLHR & FLHRC |
| 7889 | NACELLE & HEADLAMP - FLHR & FLHRC |
| 7900 | WINDSHIELD, FAIRING & HEADLAMP - FLHTCU/L, FLHTK/L, FLHX & FLHXS (1 OF 2) WINDSHIELD, FAIRING & HEADLAMP - FLTRX & FLTRXS |
| 791A | PRIMARY HOUSING PRIMARY HOUSING |
| 7964 | TAIL LAMP |
| | |

| | |
|-----------|--|
| 7992 | AUXILIARY/FOG LAMPS & TURN SIGNALS, FRONT - FLHR & FLHRC AUXILIARY/FOG LAMPS & TURN SIGNALS, FRONT - FLHTCU, FLHTCUL, FTHTK & FLHTKL TURN SIGNALS, FRONT - FLHX & FLHXS WINDSHIELD - FLHR & FLHRC |
| 8020 | WHEELS, REAR |
| 8026K | TRANSMISSION GEARS |
| 8041 | TRANSMISSION GEARS |
| 8042 | TRANSMISSION GEARS |
| 8108 | FRAME & JIFFY STAND (1 OF 2) FRAME & JIFFY STAND (1 OF 2) HORN |
| 8126A | SADDLEBAGS - FLHRC |
| 8135B | MIRRORS |
| 8142 | CONSOLE, FUEL TANK - FLHTCU, FLHTCUL, FLHTK, FLHTKL, FLHX, FLHXS, FLTRX & FLTRXS (1 OF 2) INSTRUMENTS, FUEL TANK - FLHR & FLHRC |
| 8175 | FAIRING LOWERS - ULTRA - AIR COOLED FAIRING LOWERS - ULTRA - TWIN-COOLED™ |
| 8194 | FRAME & JIFFY STAND (1 OF 2) FRAME & JIFFY STAND (1 OF 2) |
| 83936-09A | BELT, CHAINS & SPROCKETS |
| 84850-92 | CONSOLE, FUEL TANK - FLHTCU, FLHTCUL, FLHTK, FLHTKL, FLHX, FLHXS, FLTRX & FLTRXS (2 OF 2) |
| 856A | SHIFTER, GEAR |
| 88002-15D | LOOSE PARTS (1 OF 2) |
| 8860 | FOOTBOARDS & FOOTPEGS |
| 8873 | CAMSHAFTS & CAMSHAFT COVER - TWIN CAM 103™ TRANSMISSION BEARINGS & COVERS |
| 8885 | CLUTCH - CONVENTIONAL - TWIN CAM 103™ - FLHR/C, FLHTCU, FLHTK, FLHX/S & FLTRX/S CLUTCH - ASSIST & SLIP - TWIN CAM 103™ - FLHTCUL & FLHTKL |
| 895 | CRANKCASE, ENGINE OIL FILTER & COOLER - TWIN CAM 103™ (1 OF 2) CRANKCASE & ENGINE OIL FILTER - TWIN-COOLED™ TWIN CAM 103™ |
| 8963 | TRANSMISSION BEARINGS & COVERS |
| 8967 | TRANSMISSION BEARINGS & COVERS |
| 8970A | TRANSMISSION BEARINGS & COVERS |
| 8972 | CRANKCASE, ENGINE OIL FILTER & COOLER - TWIN CAM 103™ (1 OF 2) CRANKCASE & ENGINE OIL FILTER - TWIN-COOLED™ TWIN CAM 103™ |
| 90200411 | SADDLEBAGS (1 OF 2) |
| 90200412 | SADDLEBAGS (1 OF 2) |
| 90200413 | SADDLEBAGS (1 OF 2) |

| | |
|-------------|--|
| 90200414 | SADDLEBAGS (1 OF 2) |
| 90200415 | SADDLEBAGS (1 OF 2) |
| 90200467 | SADDLEBAGS (1 OF 2) |
| 90200488 | SADDLEBAGS (1 OF 2) LOOSE PARTS (1 OF 2) |
| 90200489 | SADDLEBAGS (1 OF 2) LOOSE PARTS (1 OF 2) |
| 90200499 | FRAME & FORK, REAR & TOUR-PAK SUPPORT GUARDS, SADDLEBAG |
| 90200501 | FRAME & FORK, REAR & TOUR-PAK SUPPORT GUARDS, SADDLEBAG |
| 90200504 | GUARDS, SADDLEBAG |
| 90200505 | GUARDS, SADDLEBAG |
| 90200506 | GUARDS, SADDLEBAG |
| 90200507 | GUARDS, SADDLEBAG |
| 90200519 | SADDLEBAGS (1 OF 2) |
| 90200520 | SADDLEBAGS (1 OF 2) |
| 90200521 | SADDLEBAGS (1 OF 2) |
| 90200522 | SADDLEBAGS (2 OF 2) |
| 90200543 | GUARDS, SADDLEBAG |
| 90200547 | FRAME & FORK, REAR & TOUR-PAK SUPPORT GUARDS, SADDLEBAG |
| 90200549 | GUARDS, SADDLEBAG |
| 90200550 | GUARDS, SADDLEBAG |
| 90200611 | SADDLEBAGS (2 OF 2) |
| 90200684 | SADDLEBAGS - FLHRC |
| 90200685 | SADDLEBAGS - FLHRC |
| 90200899 | SADDLEBAGS (2 OF 2) |
| 90200900 | SADDLEBAGS (2 OF 2) |
| 90200901 | SADDLEBAGS (2 OF 2) |
| 90200902 | SADDLEBAGS (2 OF 2) |
| 90200903 | SADDLEBAGS (2 OF 2) |
| 90200905 | SADDLEBAGS - FLHRC |
| 90200983BHT | SADDLEBAGS (2 OF 2) |
| 90200983BYM | SADDLEBAGS (2 OF 2) |

| | |
|-------------|--|
| 90200983DH | SADDLEBAGS (2 OF 2) |
| 90200983DST | SADDLEBAGS (2 OF 2) |
| 90200983DSW | SADDLEBAGS (2 OF 2) |
| 90200983DTC | SADDLEBAGS (2 OF 2) |
| 90200983DTF | SADDLEBAGS (2 OF 2) |
| 90200983DUM | SADDLEBAGS (2 OF 2) |
| 90200983DWC | SADDLEBAGS (2 OF 2) |
| 90200983DWF | SADDLEBAGS (2 OF 2) |
| 90200984BHT | SADDLEBAGS (2 OF 2) |
| 90200984BYM | SADDLEBAGS (2 OF 2) |
| 90200984DH | SADDLEBAGS (2 OF 2) |
| 90200984DST | SADDLEBAGS (2 OF 2) |
| 90200984DSW | SADDLEBAGS (2 OF 2) |
| 90200984DTC | SADDLEBAGS (2 OF 2) |
| 90200984DTF | SADDLEBAGS (2 OF 2) |
| 90200984DUM | SADDLEBAGS (2 OF 2) |
| 90200984DWC | SADDLEBAGS (2 OF 2) |
| 90200984DWF | SADDLEBAGS (2 OF 2) |
| 90201295 | SADDLEBAGS (2 OF 2) |
| 90201296 | SADDLEBAGS (2 OF 2) |
| 90300024 | SADDLEBAGS (2 OF 2) |
| 90300030 | TOUR-PAK (BOTTOM) |
| 90300043 | CONSOLE, FUEL TANK - FLHTCU, FLHTCUL, FLHTK, FLHTKL, FLHX, FLHXS, FLTRX & FLTRXS (2 OF 2) INSTRUMENTS, FUEL TANK - FLHR & FLHRC NACELLE & HEADLAMP - FLHR & FLHRC SWITCHES TOUR-PAK (BOTTOM) SADDLEBAGS (2 OF 2) LOOSE PARTS (1 OF 2) |
| 90300093 | FUEL TANK - FLHR & FLHRC |
| 90382-98 | SADDLEBAGS - FLHRC |
| 90383-98 | INDUCTION MODULE, FUEL |
| 90425-98 | SADDLEBAGS - FLHRC |
| 90439-10 | SADDLEBAGS - FLHRC |
| 90482-10 | SADDLEBAGS - FLHRC |

| | |
|-----------|---|
| 90520-07 | FRAME & JIFFY STAND (2 OF 2) |
| 90770-79 | CLUTCH CONTROL (NON-FAIRING MODELS) |
| 90820-93D | SHOCK ABSORBERS, REAR & AIR SUSPENSION SYSTEM - FLHR, FLHRC, FLHTCU, FLHTK, FLHX & FLTRX SHOCK ABSORBERS, REAR - FLHTCUL, FLHTKL, FLHXS & FLTRXS SADDLEBAGS - FLHRC LABELS |
| 90821-74C | TOUR-PAK (COVER) LABELS |
| 90834-95B | SADDLEBAGS (1 OF 2) SADDLEBAGS - FLHRC |
| 90844-80 | TOUR-PAK (BOTTOM) |
| 90869-85A | TOUR-PAK (COVER) |
| 91140-09 | FENDERS, REAR (2 OF 2) |
| 91700025A | FORK, FRONT, LEFT & RIGHT - STANDARD FORK, FRONT, LEFT & RIGHT - LOW |
| 91700034 | SOUND SYSTEM - FLHTCU/L, FLHTK/L, FLHX & FLHXS (2 OF 2) SOUND SYSTEM - FLTRX & FLTRXS |
| 91800042 | ENGINE ASSEMBLY - TWIN CAM 103™ ENGINE ASSEMBLY, TWIN-COOLED™ - TWIN CAM 103™ |
| 91840-03B | MIRRORS |
| 91845-03B | MIRRORS |
| 92038-10 | TOUR-PAK (BOTTOM) LOOSE PARTS (1 OF 2) |
| 9208 | FRAME & FORK, REAR & TOUR-PAK SUPPORT |
| 9215 | CRANKCASE, ENGINE OIL FILTER & COOLER - TWIN CAM 103™ (1 OF 2) CRANKCASE & ENGINE OIL FILTER - TWIN-COOLED™ TWIN CAM 103™ CAMSHAFTS & CAMSHAFT COVER - TWIN CAM 103™ |
| 923 | TOUR-PAK (COVER) |
| 9231 | PRIMARY HOUSING |
| 925 | STARTER MOTOR |
| 9252 | WHEELS, FRONT WHEELS, REAR |
| 926 | COOLANT DISTRIBUTION |
| 9276A | BELT, CHAINS & SPROCKETS WHEELS, FRONT WHEELS, FRONT WHEELS, REAR WHEELS, REAR |
| 933 | WINDSHIELD, FAIRING & HEADLAMP - FLTRX & FLTRXS |
| 94000084 | LOOSE PARTS (1 OF 2) |
| | |

| | |
|------------|--|
| 942 | CAMSHAFTS & CAMSHAFT COVER - TWIN CAM 103™ |
| 94435-10 | SADDLEBAGS (1 OF 2) LOOSE PARTS (1 OF 2) LOOSE PARTS (2 OF 2) LOOSE PARTS (2 OF 2) |
| 946 | AIR CLEANER |
| 95594-84A | WHEELS, FRONT WHEELS, REAR |
| 95595-84B | WHEELS, FRONT WHEELS, REAR |
| 9701A | TRANSMISSION BEARINGS & COVERS |
| 9819 | WIRING HARNESS, MAIN, NON-ABS (FAIRING MODELS) - FLHX (5 OF 8) WIRING HARNESS, MAIN, ABS (FAIRING MODELS) - FLHX & FLHXS (5 OF 8) WIRING HARNESS, MAIN, ABS (FAIRING MODELS) - FLHTCU/L & FLHTK/L (5 OF 8) WIRING HARNESS, MAIN, NON-ABS (NON-FAIRING MODELS) (5 OF 8) WIRING HARNESS, MAIN, ABS (NON-FAIRING MODELS) (5 OF 8) WIRING HARNESS, MAIN, NON-ABS (FAIRING MODELS) - FLTRX & FLTRXS (5 OF 8) WIRING HARNESS, MAIN, ABS (FAIRING MODELS) - FLTRX & FLTRXS (5 OF 8) |
| 9853 | HANDLEBAR |
| 9907 | BRAKE CONTROL, REAR SWITCHES |
| 99461-89 | TOUR-PAK (BOTTOM) LOOSE PARTS (1 OF 2) |
| 99466-15 | LOOSE PARTS (1 OF 2) |
| 99517-15EN | LOOSE PARTS (1 OF 2) LOOSE PARTS (2 OF 2) LOOSE PARTS (2 OF 2) |
| 9955 | EXHAUST SYSTEM |
| 9956 | EXHAUST SYSTEM |
| 9990W | CLUTCH CONTROL (NON-FAIRING MODELS) WINDSHIELD - FLHR & FLHRC |
| J00761 | LOOSE PARTS (1 OF 2) |

Component Types and Introduction Dates

Common Service Parts

BEARINGS, SEALS & HARDWARE

| Part No. | Description | Part and Model(s) |
|----------|-------------|--|
| 1062 | SCREW | <i>PRIMARY HOUSING: All Models</i> <i>BRAKE LINES & MODULE, REAR - ABS: All Models</i> <i>FAIRING, INNER - FLTRX & FLTRXS (1 OF 2):</i> FLTRX FLTRXS |
| | | |

| | | |
|----------|----------------|---|
| 11000101 | OIL SEAL | SHIFTER, GEAR: All Models TRANSMISSION BEARINGS & COVERS: All Models |
| 11105 | O-RING | TRANSMISSION HOUSING, TOP COVER & OIL PAN: All Models PRIMARY HOUSING: All Models |
| 11132A | O-RING | ROCKER ARM ASSEMBLY & PUSHRODS - TWIN CAM 103™: All Models TRANSMISSION BEARINGS & COVERS: All Models |
| 11143 | RING | CLUTCH - CONVENTIONAL - TWIN CAM 103™ - FLHR/C, FLHTCU, FLHTK, FLHX/S & FLTRX/S: FLHTCU FLHX FLHXS FLHTK FLHTCU TC FLTRX FLTRXS CLUTCH - ASSIST & SLIP - TWIN CAM 103™ - FLHTCUL & FLHTKL: FLHTCUL FLHTCUL TC FLHTKL CLUTCH CONTROL (NON-FAIRING MODELS): FLHR FLHRC CLUTCH CONTROL (FAIRING MODELS): FLHTCU FLHX FLHXS FLHTCU TC FLHTK FLHTCUL FLHTCUL TC FLHTKL FLTRX FLTRXS |
| 11145A | O-RING | ROCKER ARM ASSEMBLY & PUSHRODS - TWIN CAM 103™: All Models |
| 11150 | RETAINING RING | SHIFTER, GEAR: All Models |
| 11270 | O-RING | ROCKER ARM ASSEMBLY & PUSHRODS - TWIN CAM 103™: All Models |
| 11293 | O-RING | ROCKER ARM ASSEMBLY & PUSHRODS - TWIN CAM 103™: All Models CAMSHAFTS & CAMSHAFT COVER - TWIN CAM 103™: All Models |
| 11301 | O-RING | CAMSHAFTS & CAMSHAFT COVER - TWIN CAM 103™: All Models |
| 11304 | RING | FOOTBOARDS & FOOTPEGS: FLHX FLHXS FLTRX FLTRXS FLHTKL FLHTCUL FLHTCUL TC |
| 12052A | SEAL | PRIMARY HOUSING: All Models |

| | | |
|-----------|----------------------------------|--|
| 12074 | SEAL | TRANSMISSION BEARINGS & COVERS: All Models |
| 16715-83 | STUD | <p><i>CYLINDERS, HEADS & VALVES - TWIN CAM 103™:</i> FLHR FLHTCU FLHRC FLHX FLHXS FLTRX FLTRXS FLHTCUL</p> <p><i>CYLINDERS, HEADS & VALVES, TWIN-COOLED™ - TWIN CAM 103™:</i> FLHTCU TC FLHTK FLHTCUL TC FLHTKL</p> |
| 16719-99B | GASKET | ROCKER ARM ASSEMBLY & PUSHRODS - TWIN CAM 103™: All Models |
| 17045-99D | GASKET KIT | <p>ROCKER ARM ASSEMBLY & PUSHRODS - TWIN CAM 103™: All Models CAMSHAFTS & CAMSHAFT COVER - TWIN CAM 103™: All Models</p> |
| 17369-06 | GASKET SERVICE KIT (1K, 5K, 10K) | PRIMARY HOUSING: All Models |
| 17386-99A | GASKET | ROCKER ARM ASSEMBLY & PUSHRODS - TWIN CAM 103™: All Models |
| 18635-99B | GASKET | ROCKER ARM ASSEMBLY & PUSHRODS - TWIN CAM 103™: All Models |
| 2445 | SCREW | <p><i>WINDSHIELD, FAIRING & HEADLAMP - FLHTCU/L, FLHTK/L, FLHX & FLHXS (1 OF 2):</i> FLHTCU FLHX FLHTCUL FLHTK FLHTCUL TC FLHTKL FLHXS FLHTCU TC</p> <p><i>FAIRING, INNER - FLHTCU, FLHTCUL, FLHTK, FLHTKL, FLHX & FLHXS (1 OF 2):</i> FLHTCU FLHX FLHTCUL FLHTK FLHTCUL TC FLHTKL FLHXS FLHTCU TC</p> |
| 2446 | SCREW | <p><i>LICENSE PLATE BRACKETS:</i> FLHX FLHXS FLTRX FLTRXS</p> <p><i>LICENSE PLATE BRACKETS:</i> FLHTK FLHTCU TC FLHTCUL TC FLHTKL</p> |

| | | |
|-----------|------------|--|
| 25244-99A | GASKET | CAMSHAFTS & CAMSHAFT COVER - TWIN CAM 103™: All Models |
| 2531 | SCREW | <i>FENDERS, FRONT:</i> FLHR FLHTCU FLHRC FLHTK FLHTCU TC FLHTCUL FLHTCUL TC FLHTKL |
| 2563 | SCREW | <i>INSTRUMENTS - FLHTCU, FLHTCUL, FLHTK, FLHTKL, FLHX & FLHXS:</i> FLHTCU FLHX FLHTCUL FLHTK FLHTCUL TC FLHTKL FLHXS FLHTCU TC <i>INSTRUMENTS - FLTRX & FLTRXS:</i> FLTRX FLTRXS <i>WINDSHIELD, FAIRING & HEADLAMP - FLTRX & FLTRXS:</i> FLTRX FLTRXS <i>FAIRING, INNER - FLHTCU, FLHTCUL, FLHTK, FLHTKL, FLHX & FLHXS (1 OF 2):</i> FLHX FLHXS <i>FAIRING, INNER - FLHTCU, FLHTCUL, FLHTK, FLHTKL, FLHX & FLHXS (1 OF 2):</i> FLHTCU FLHTCUL FLHTK FLHTCUL TC FLHTKL FLHTCU TC <i>FAIRING, INNER - FLTRX & FLTRXS (1 OF 2):</i> FLTRX FLTRXS |
| 25700226 | GASKET KIT | PRIMARY HOUSING: All Models |
| 26995-86B | SEAL | INDUCTION MODULE, FUEL: All Models |
| 27444-00Y | O-RING | STARTER MOTOR: All Models |
| 2952A | SCREW | SEATS: All Models |
| 2995 | SCREW | <i>FENDERS, REAR (1 OF 2):</i> FLHX FLHXS FLTRX FLTRXS <i>FAIRING LOWERS - ULTRA - AIR COOLED:</i> FLHTCU FLHTCUL |
| 3050 | SCREW | ALTERNATOR & REGULATOR: All Models |
| 3275 | SCREW | INDUCTION MODULE, FUEL: All Models |

| | | |
|-----------|---------|---|
| | | SHIFTER, GEAR: All Models |
| 34091-08 | BEARING | TRANSMISSION GEARS: All Models |
| 34901-07 | GASKET | PRIMARY HOUSING: All Models |
| 34917-06 | GASKET | TRANSMISSION HOUSING, TOP COVER & OIL PAN: All Models |
| 34934-06 | GASKET | PRIMARY HOUSING: All Models |
| 35654-06 | GASKET | TRANSMISSION BEARINGS & COVERS: All Models |
| 3655A | SCREW | WHEELS, FRONT: FLHR FLHRC FAIRING LOWERS - ULTRA - AIR COOLED: FLHTCU FLHTCUL FAIRING LOWERS - ULTRA - TWIN-COOLED™: FLHTCU TC FLHTK FLHTCUL TC FLHTKL |
| 3656 | SCREW | SADDLEBAGS (1 OF 2): FLHR FLHTCU FLHX FLHTCUL FLHTK FLHTCUL TC FLTRX FLHTKL FLHXS FLHTCU TC FLTRXS |
| 36805-06 | GASKET | TRANSMISSION BEARINGS & COVERS: All Models |
| 4132 | SCREW | CLUTCH CONTROL (NON-FAIRING MODELS): FLHR FLHRC CLUTCH CONTROL (FAIRING MODELS): FLHTCU FLHX FLHXS FLHTCU TC FLHTK FLHTCUL FLHTCUL TC FLHTKL FLTRX FLTRXS BRAKE CONTROL, FRONT: All Models |
| 41751-06A | GASKET | CLUTCH CONTROL (FAIRING MODELS): FLHTCU FLHX FLHXS FLHTCU TC FLHTK FLHTCUL FLHTCUL TC FLHTKL FLTRX |

| | | |
|-----------|----------------|--|
| | | FLTRXS BRAKE CONTROL, FRONT: All Models <i>BRAKE LINE, FRONT - NON-ABS:</i> FLHR FLHX FLTRX BRAKE LINES, FRONT - ABS: All Models BRAKE CONTROL, REAR: FLHR FLHX FLTRX BRAKE CONTROL, REAR: All Models BRAKE LINES & MODULE, REAR - ABS: All Models |
| 43567-92 | SCREW | WHEELS, REAR: All Models |
| 4740A | SCREW | CAMSHAFTS & CAMSHAFT COVER - TWIN CAM 103™: All Models |
| 5210 | WELL NUT | <i>NACELLE & HEADLAMP - FLHR & FLHRC:</i> FLHR FLHRC <i>LAMPS & SPEAKER HOUSINGS, ULTRA TOUR-PAK (1 OF 2):</i> FLHTCU FLHTCUL FLHTK FLHTCUL TC FLHTKL FLHTCU TC |
| 59768-97 | SEAT NUT KIT | SEATS: All Models |
| 6054 | WASHER | <i>WINDSHIELD, FAIRING & HEADLAMP - FLTRX & FLTRXS:</i> FLTRX FLTRXS |
| 60678-85 | RETAINING RING | PRIMARY HOUSING: All Models |
| 6229W | WASHER | <i>SADDLEBAGS (1 OF 2):</i> FLHR FLHTCU FLHX FLHTCUL FLHTK FLHTCUL TC FLTRX FLHTKL FLHXS FLHTCU TC FLTRXS <i>SADDLEBAGS - FLHRC:</i> FLHRC |
| 65324-83B | GASKET | EXHAUST SYSTEM: All Models |
| 65325-83A | RETAINING RING | EXHAUST SYSTEM: All Models |
| 6702 | WASHER | FRAME & JIFFY STAND (1 OF 2): All Models |
| 7041 | LOCKWASHER | SHIFTER, GEAR: All Models FRAME & JIFFY STAND (1 OF 2): All Models <i>AUXILIARY/FOG LAMPS & TURN SIGNALS, FRONT -</i> <i>FLHTCU, FLHTCUL, FTHTK & FLHTKL:</i> FLHTCU FLHTK FLHTCU TC |

| | | |
|------|---------|--|
| | | FLHTCUL FLHTCUL TC FLHTKL EXHAUST SYSTEM: All Models |
| 7586 | JAMNUT | <i>TOUR-PAK (BOTTOM):</i> FLHTCU FLHTCUL FLHTK FLHTCUL TC FLHTKL FLHTCU TC <i>SADDLEBAGS (1 OF 2):</i> FLHR FLHTCU FLHX FLHTCUL FLHTK FLHTCUL TC FLTRX FLHTKL FLHXS FLHTCU TC FLTRXS |
| 7593 | NUT | EXHAUST SYSTEM: All Models |
| 7600 | NUT | <i>FENDERS, FRONT:</i> FLHR FLHTCU FLHRC FLHTK FLHTCU TC FLHTCUL FLHTCUL TC FLHTKL |
| 7716 | LOCKNUT | <i>COOLING SYSTEM, ENGINE, TWIN-COOLED™ - TWIN CAM 103™:</i> FLHTCU TC FLHTK FLHTCUL TC FLHTKL <i>RADIATOR, COOLANT HOSES & BOTTLE:</i> FLHTCU TC FLHTK FLHTCUL TC FLHTKL ALTERNATOR & REGULATOR: All Models FOOTBOARDS & FOOTPEGS: All Models <i>FAIRING LOWERS - ULTRA - AIR COOLED:</i> FLHTCU FLHTCUL <i>FAIRING LOWERS - ULTRA - TWIN-COOLED™:</i> FLHTCU TC FLHTK FLHTCUL TC FLHTKL <i>TOUR-PAK (BOTTOM):</i> FLHTCU FLHTCUL FLHTK FLHTCUL TC FLHTKL FLHTCU TC |
| | | |

| | | |
|-----------|----------------|--|
| 786A | BOLT | PRIMARY HOUSING: All Models |
| 856A | SCREW | SHIFTER, GEAR: All Models |
| 90834-95B | BAIL HEAD STUD | SADDLEBAGS (1 OF 2): FLHR FLHTCU FLHX FLHTCUL FLHTK FLHTCUL TC FLTRX FLHTKL FLHXS FLHTCU TC FLTRXS SADDLEBAGS - FLHRC: FLHRC |
| 9252 | BALL BEARING | WHEELS, FRONT: All Models WHEELS, REAR: All Models |
| 9276A | BALL BEARING | BELT, CHAINS & SPROCKETS: All Models WHEELS, FRONT: FLHR FLHRC FLTRX WHEELS, FRONT: All Models WHEELS, REAR: All Models WHEELS, REAR: FLHR FLHX FLTRX |
| 933 | SCREW | WINDSHIELD, FAIRING & HEADLAMP - FLTRX & FLTRXS: FLTRX FLTRXS |
| 9955 | CLAMP | EXHAUST SYSTEM: All Models |

BRAKING & SUSPENSION

| Part No. | Description | Part and Model(s) |
|-----------|---------------|---|
| 41852-08B | PAD & PIN KIT | BRAKE CALIPER, REAR: All Models |
| 41854-08 | PAD & PIN KIT | BRAKE CALIPER, FRONT: All Models |
| 46514-01A | OIL SEAL | FORK, FRONT, LEFT & RIGHT - STANDARD: FLHR FLHTCU FLHRC FLHX FLHTK FLTRX FLHXS FLHTCU TC FLTRXS FORK, FRONT, LEFT & RIGHT - LOW: FLHTCUL FLHTCUL TC FLHTKL |
| 46615-06 | PACKING SEAL | FORK, FRONT, LEFT & RIGHT - STANDARD: |

| | | |
|--|--|---|
| | | FLHR FLHTCU FLHRC FLHX FLHTK FLTRX FLHXS FLHTCU TC FLTRXS <i>FORK, FRONT, LEFT & RIGHT - LOW:</i> FLHTCUL FLHTCUL TC FLHTKL |
|--|--|---|

CHASSIS & COMPONENTS

| Part No. | Description | Part and Model(s) |
|-----------|-------------|---|
| 49725-07A | SPRING | <i>FRAME & JIFFY STAND (1 OF 2): All Models</i> |
| 50245-07 | BUMPER | <i>FRAME & JIFFY STAND (1 OF 2): All Models</i> |

DECORATIVE & TRIM

| Part No. | Description | Part and Model(s) |
|----------|-----------------|---|
| 61274-92 | FUEL FILLER CAP | <i>CONSOLE, FUEL TANK - FLHTCU, FLHTCUL, FLHTK, FLHTKL, FLHX, FLHXS, FLTRX & FLTRXS (1 OF 2):</i> FLHTCU FLHTCU TC FLHX FLHTK FLHXS FLHTCUL FLHTCUL TC FLTRXS FLHTKL FLTRX |

ELECTRICAL

| Part No. | Description | Part and Model(s) |
|-----------|-----------------|---|
| 29987-06D | STATOR ASSEMBLY | <i>ALTERNATOR & REGULATOR: All Models</i> |
| 70345-84 | RETAINER | <i>HANDLEBAR:</i> FLHR FLHRC |
| 72023-51E | KIT SWITCH | <i>BRAKE CONTROL, REAR: All Models</i> <i>SWITCHES: All Models</i> |

ENGINE, TRANSMISSION & PRIMARY

| Part No. | Description | Part and Model(s) |
|-----------|-------------------|--|
| 17025-03A | BREATHER ASSEMBLY | <i>ROCKER ARM ASSEMBLY & PUSHRODS - TWIN CAM 103™:</i> All Models |
| | | |

| | | |
|-----------|------------------|--|
| 18538-99C | HYDRAULIC LIFTER | ROCKER ARM ASSEMBLY & PUSHRODS - TWIN CAM 103™: All Models |
| 33709-82A | SHAFT | SHIFTER, GEAR: All Models |
| 37909-90 | RETAINING RING | <i>CLUTCH - CONVENTIONAL - TWIN CAM 103™ - FLHR/C, FLHTCU, FLHTK, FLHX/S & FLTRX/S:</i> FLHR FLHRC FLHTCU FLHX FLHXS FLHTK FLHTCU TC FLTRX FLTRXS <i>CLUTCH - ASSIST & SLIP - TWIN CAM 103™ - FLHTCUL & FLHTKL:</i> FLHTCUL FLHTCUL TC FLHTKL |
| 37913-98 | PLATE CLUTCH | <i>CLUTCH - CONVENTIONAL - TWIN CAM 103™ - FLHR/C, FLHTCU, FLHTK, FLHX/S & FLTRX/S:</i> FLHR FLHRC FLHTCU FLHX FLHXS FLHTK FLHTCU TC FLTRX FLTRXS |

FOOT CONTROLS

| Part No. | Description | Part and Model(s) |
|-----------|---------------------|----------------------------------|
| 33895-82D | SHIFT LEVER KIT | SHIFTER, GEAR: All Models |
| 34611-65A | SHIFTER TOE PEG KIT | SHIFTER, GEAR: All Models |

INTAKE, EXHAUST & FUEL MGMT

| Part No. | Description | Part and Model(s) |
|-----------|-----------------|---|
| 61011-04A | FUEL FILTER KIT | <i>FUEL PUMP - FLHTCU, FLHTCUL, FLHTK, FLHTKL, FLHX, FLHXS, FLTRX & FLTRXS:</i> FLHTCU FLHTCU TC FLHX FLHTK FLHXS FLHTCUL FLHTCUL TC FLTRXS FLHTKL FLTRX <i>FUEL PUMP - FLHR & FLHRC:</i> FLHR FLHRC |
| 65296-95A | MUFFLER CLAMP | EXHAUST SYSTEM: All Models |

| | | |
|----------|-------|-----------------------------------|
| 65724-85 | MOUNT | EXHAUST SYSTEM: All Models |
|----------|-------|-----------------------------------|

LIGHTING

| Part No. | Description | Part and Model(s) |
|-----------------|--------------------|--|
| 68000056 | BULB | AUXILIARY/FOG LAMPS & TURN SIGNALS, FRONT - FLHR & FLHRC: FLHR FLHRC |
| 68168-89A | BULB | AUXILIARY/FOG LAMPS & TURN SIGNALS, FRONT - FLHR & FLHRC: FLHR AUXILIARY/FOG LAMPS & TURN SIGNALS, FRONT - FLHTCU, FLHTCUL, FTHTK & FLHTKL: FLHTCU FLHTK FLHTCUL FLHTKL TURN SIGNALS, FRONT - FLHX & FLHXS: FLHX FLHXS WINDSHIELD, FAIRING & HEADLAMP - FLTRX & FLTRXS: FLTRX FLTRXS TAIL LAMP & TURN SIGNALS, REAR (1 OF 2): FLHX FLHXS FLTRX FLTRXS |
| 68572-64B | BULB | TAIL LAMP & TURN SIGNALS, REAR (1 OF 2): FLHR FLHX FLHXS FLTRX FLTRXS |
| 68973-00 | LENS | AUXILIARY/FOG LAMPS & TURN SIGNALS, FRONT - FLHTCU, FLHTCUL, FTHTK & FLHTKL: FLHTCU FLHTK FLHTCU TC FLHTCUL FLHTCUL TC FLHTKL TURN SIGNALS, FRONT - FLHX & FLHXS: FLHX FLHXS WINDSHIELD, FAIRING & HEADLAMP - FLTRX & FLTRXS: FLTRX FLTRXS TAIL LAMP & TURN SIGNALS, REAR (1 OF 2): FLHX FLHXS FLHTCU FLHTK FLHTCU TC FLHTCUL TC FLHTKL FLTRX FLTRXS |

MAINTENANCE & TOOLS

| Part No. | Description | Part and Model(s) |
|-----------|-------------|---|
| 63731-99A | OIL FILTER | <p>CRANKCASE, ENGINE OIL FILTER & COOLER - TWIN CAM 103™ (2 OF 2):</p> <p>FLHR FLHTCU FLHRC FLHX FLHXS FLTRX FLTRXS FLHTCUL</p> <p>CRANKCASE & ENGINE OIL FILTER - TWIN-COOLED™ TWIN CAM 103™:</p> <p>FLHTCU TC FLHTK FLHTCUL TC FLHTKL</p> |
| 66010-97C | BATTERY | BATTERY: All Models |
| 66373-06 | BATTERY | SWITCHES: All Models |
| 95594-84A | WEIGHT | <p>WHEELS, FRONT:</p> <p>FLHR FLHTCU FLHTCU TC FLHX FLHTK FLHXS FLHTCUL FLHTCUL TC FLTRX FLTRXS</p> <p>WHEELS, REAR:</p> <p>FLHR FLHTCU FLHTCU TC FLHX FLHTK FLHXS FLHTKL FLHTCUL FLHTCUL TC</p> |
| 95595-84B | WEIGHT | <p>WHEELS, FRONT:</p> <p>FLHR FLHRC</p> <p>WHEELS, REAR:</p> <p>FLHR FLHRC</p> |

SECURITY & STORAGE

| Part No. | Description | Part and Model(s) |
|----------|--------------------|---|
| 68926-07 | REMOTE CONTROL FOB | <p>SWITCHES: All Models</p> <p>LOOSE PARTS (1 OF 2): All Models</p> |

TIRES

| Part No. | Description | Part and Model(s) |
|-----------|-------------|---|
| 40558-82 | INNER TUBE | <i>WHEELS, FRONT:</i> FLHR FLHRC |
| 40999-87 | VALVE STEM | <i>WHEELS, FRONT:</i> FLHR FLHTCU FLHTCU TC FLHX FLHTK FLHTCU TC FLHXS FLHTCUL FLHTCUL TC FLTRX FLTRXS <i>WHEELS, REAR:</i> FLHR FLHTCU FLHTCU TC FLHX FLHTK FLHTCU TC FLHXS FLHTCUL FLHTCUL TC FLTRX FLTRXS |
| 43109-09A | TIRE | <i>WHEELS, FRONT:</i> FLHR FLHTCU FLHTCU TC FLHTK FLHTCUL FLHTCUL TC FLHTKL |
| 43118-92A | TIRE | <i>WHEELS, FRONT:</i> FLHR FLHRC |
| 43147-40 | RIM STRIP | <i>WHEELS, FRONT:</i> FLHR FLHRC |
| 43200027 | TIRE | <i>WHEELS, REAR:</i> FLHR FLHTCU FLHTCU TC FLHX FLHTK FLHTCU TC FLHXS FLHTCUL FLHTCUL TC FLTRX FLTRXS |

WINDSHIELDS & AIR DEFLECTORS

| Part No. | Description | Part and Model(s) |
|----------|-------------|---|
| 67621-94 | BUSHING | <i>AUXILIARY/FOG LAMPS & TURN SIGNALS, FRONT - FLHR & FLHRC:</i> FLHR FLHRC <i>WINDSHIELD - FLHR & FLHRC:</i> FLHR FLHRC |