

2016 Softail Models Parts Catalog

Alphabetical List

Parts

Hardware List

New Parts List

Numerical Index

Component Types and Introduction Dates

Common Service Parts

AIR CLEANER - FXSB, FLSTC, FLSTF, FLSTN, FLSTFB, FLS

AIR CLEANER - TWIN CAM 110™ - FLSS

AIR CLEANER - TWIN CAM 110™ - FLSTFBS

ALTERNATOR AND REGULATOR

AUXILIARY/FOG LAMPS AND TURN SIGNALS, FRONT - FLSTC, FLSTN (1 OF 2)

AUXILIARY/FOG LAMPS AND TURN SIGNALS, FRONT - FLSTC, FLSTN (2 OF 2)

BATTERY

BELT, CHAINS AND SPROCKETS

BRAKE CALIPER, FRONT

BRAKE CALIPER, REAR

BRAKE CONTROL, FRONT

BRAKE CONTROL, REAR

BRAKE LINE AND MODULE, REAR, ABS

BRAKE LINES, FRONT, ABS

BRAKE LINES, FRONT, NON-ABS - FLS

CAMSHAFTS AND CAMSHAFT COVER - TWIN CAM 103™

CAMSHAFTS and CAMSHAFT COVER - TWIN CAM 110™

CLUTCH - ASSIST AND SLIP - TWIN CAM 110™

CLUTCH - TWIN CAM 103™

CLUTCH CONTROL - FLS, FLSTC, FLSTF, FLSTFB, FLSTN AND FXSB

CLUTCH CONTROL - FLSS AND FLSTFBS

CRANKCASE AND ENGINE OIL FILTER - TWIN CAM 103™

CRANKCASE AND ENGINE OIL FILTER - TWIN CAM 110™

CYLINDERS, HEADS AND VALVES - TWIN CAM 110™

CYLINDERS, HEADS, VALVES - TWIN CAM 103™

ELECTRONIC CONTROL MODULE (ECM) AND COIL

ENGINE ASSEMBLY - TWIN CAM 103™

ENGINE ASSEMBLY - TWIN CAM 110™

ENGINE BALANCER

ENGINE MOUNTS

EVAPORATIVE EMISSIONS COMPONENTS

EXHAUST SYSTEM - FLS, FLSS, FLSTF, FLSTFB, FLSTFBS AND FLSTN (1 OF 2)

EXHAUST SYSTEM - FLS, FLSS, FLSTF, FLSTFB, FLSTFBS AND FLSTN (2 OF 2)

EXHAUST SYSTEM - FLSTC

EXHAUST SYSTEM - FXSB

FENDER, FRONT

FENDERS AND SUPPORTS, REAR - FLSTN

FENDERS AND SUPPORTS, REAR - FLS AND FLSS

FENDERS AND SUPPORTS, REAR - FLSTC

FENDERS AND SUPPORTS, REAR - FLSTF, FLSTFB AND FLSTFBS

FENDERS AND SUPPORTS, REAR - FXSB

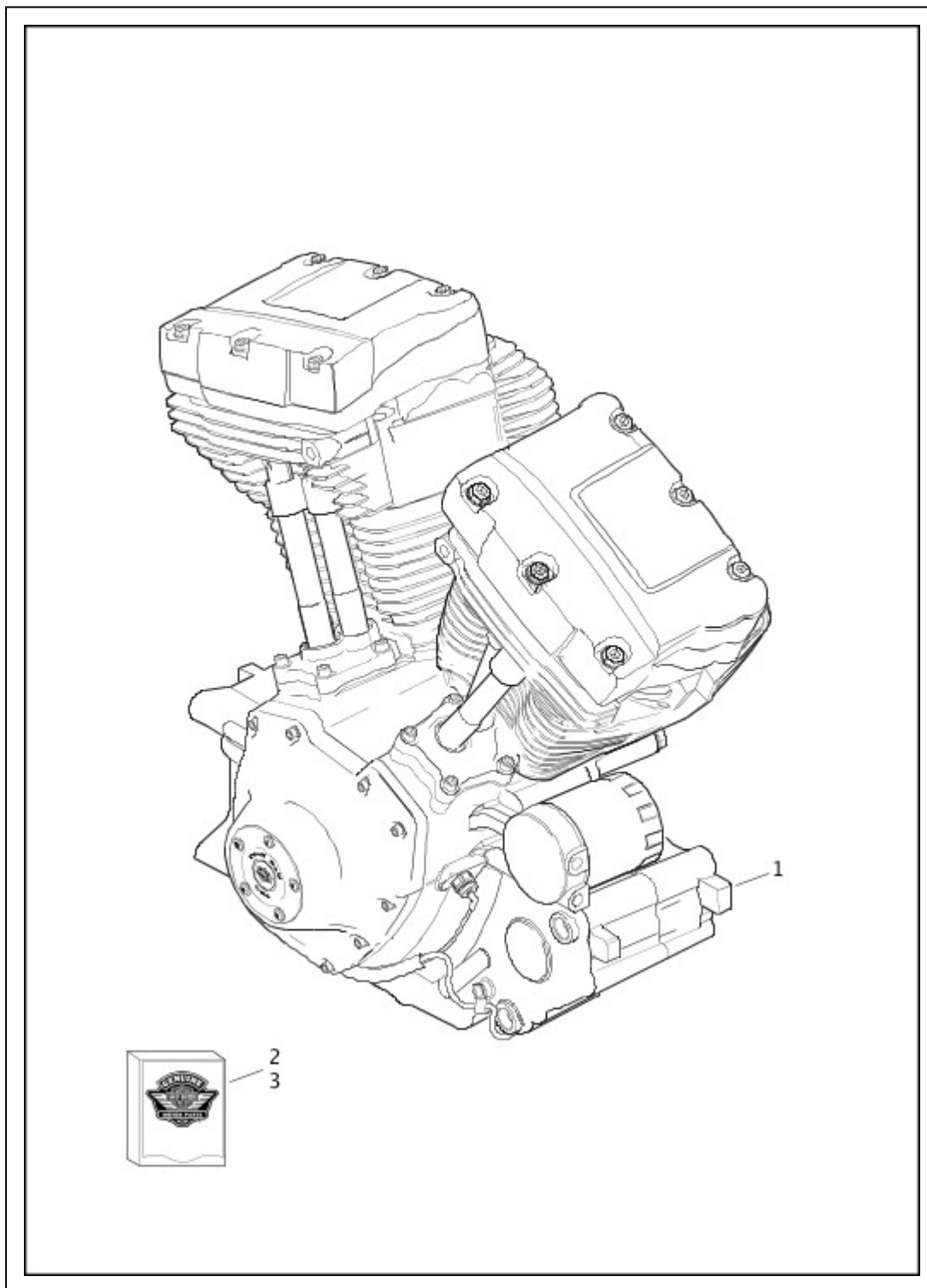
FOOTRESTS AND FOOTBOARDS

FORK BRACKETS, FRONT - FLS, FLSS, FLSTC, FLSTF, FLSTFB, FLSTFBS AND FLSTN
FORK BRACKETS, FRONT - FXSB
FORK, FRONT - FXSB
FORK, FRONT-FLS,FLSS,FLSTC,FLSTF,FLSTFB,FLSTFBS AND FLSTN (1 OF 2)
FORK, FRONT-FLS,FLSS,FLSTC,FLSTF,FLSTFB,FLSTFBS AND FLSTN (2 OF 2)
FORK, REAR AND SHOCK ABSORBERS
FRAME AND JIFFY STAND
FUEL PUMP
FUEL TANK
FUEL TANK TRIM
GUARDS, SAREE
HANDLEBAR
HEADLAMP (1 OF 2)
HEADLAMP (2 OF 2)
HORN
INDUCTION MODULE, FUEL
INSTRUMENTS - FLS, FLSS AND FLSTC
INSTRUMENTS - FLSTF, FLSTFB, FLSTFBS AND FLSTN
INSTRUMENTS - FXSB
LABELS
LICENSE PLATE BRACKETS - FLS AND FLSS
LICENSE PLATE BRACKETS - FLSTC, FLSTF, FLSTN, FLSTFB AND FLSTFBS
LICENSE PLATE BRACKETS - FXSB
LOOSE PARTS
MIRRORS
OIL TANK AND LINES - EXCEPT FXSB
OIL TANK AND LINES - FXSB
PISTONS AND FLYWHEEL ASSEMBLY - TWIN CAM 103™
PISTONS AND FLYWHEEL ASSEMBLY - TWIN CAM 110™
PRIMARY HOUSING
REAR BELT GUARD
ROCKER ARM ASSEMBLY AND PUSH RODS - TWIN CAM 110™
ROCKER ARM ASSEMBLY AND PUSHRODS - TWIN CAM 103™
SADDLEBAGS - FLSTC
SEATS
SENSORS AND SWITCHES, ENGINE - TWIN CAM 103™
SENSORS AND SWITCHES, ENGINE - TWIN CAM 110™
SHIFTER, GEAR
STARTER MOTOR
SWITCHES
SWITCHES, HANDLEBAR LEFT, FRONT
SWITCHES, HANDLEBAR RIGHT, FRONT
TAIL LAMP - FLSTC, FLSTF, FLSTFB AND FLSTFBS
TAIL LAMP - FLSTN
THROTTLE CONTROL
TRANSMISSION GEARS
TRANSMISSION HOUSING - FLSS AND FLSTFBS
TRANSMISSION HOUSING - FXSB, FLSTC, FLSTF, FLSTN, FLSTFB AND FLS
TURN SIGNALS, FRONT - FLS, FLSS, FLSTF, FLSTFB, FLSTFBS, FXSB
TURN SIGNALS, REAR (1 OF 2)
TURN SIGNALS, REAR (2 OF 2)
WHEELS, FRONT (1 OF 2)
WHEELS, FRONT (2 OF 2)
WHEELS, REAR (1 OF 2)
WHEELS, REAR (2 OF 2)
WINDSHIELD - FLSTC

WIRING HARNESS, MAIN, ABS - FLSTC AND FLSTN (5 OF 5)
WIRING HARNESS, MAIN, ABS - FLS AND FLSS (1 OF 5)
WIRING HARNESS, MAIN, ABS - FLS AND FLSS (2 OF 5)
WIRING HARNESS, MAIN, ABS - FLS AND FLSS (3 OF 5)
WIRING HARNESS, MAIN, ABS - FLS AND FLSS (4 OF 5)
WIRING HARNESS, MAIN, ABS - FLS AND FLSS (5 OF 5)
WIRING HARNESS, MAIN, ABS - FLSTC AND FLSTN (1 OF 5)
WIRING HARNESS, MAIN, ABS - FLSTC AND FLSTN (2 OF 5)
WIRING HARNESS, MAIN, ABS - FLSTC AND FLSTN (3 OF 5)
WIRING HARNESS, MAIN, ABS - FLSTC AND FLSTN (4 OF 5)
WIRING HARNESS, MAIN, ABS - FLSTF, FLSTFB AND FLSTFBS (1 OF 5)
WIRING HARNESS, MAIN, ABS - FLSTF, FLSTFB AND FLSTFBS (2 OF 5)
WIRING HARNESS, MAIN, ABS - FLSTF, FLSTFB AND FLSTFBS (3 OF 5)
WIRING HARNESS, MAIN, ABS - FLSTF, FLSTFB AND FLSTFBS (4 OF 5)
WIRING HARNESS, MAIN, ABS - FLSTF, FLSTFB AND FLSTFBS (5 OF 5)
WIRING HARNESS, MAIN, ABS - FXSB (1 OF 5)
WIRING HARNESS, MAIN, ABS - FXSB (2 OF 5)
WIRING HARNESS, MAIN, ABS - FXSB (3 OF 5)
WIRING HARNESS, MAIN, ABS - FXSB (4 OF 5)
WIRING HARNESS, MAIN, ABS - FXSB (5 OF 5)
WIRING HARNESS, MAIN, NON-ABS - FLS (1 OF 5)
WIRING HARNESS, MAIN, NON-ABS - FLS (2 OF 5)
WIRING HARNESS, MAIN, NON-ABS - FLS (3 OF 5)
WIRING HARNESS, MAIN, NON-ABS - FLS (4 OF 5)
WIRING HARNESS, MAIN, NON-ABS - FLS (5 OF 5)

Parts

ENGINE ASSEMBLY - TWIN CAM 103™

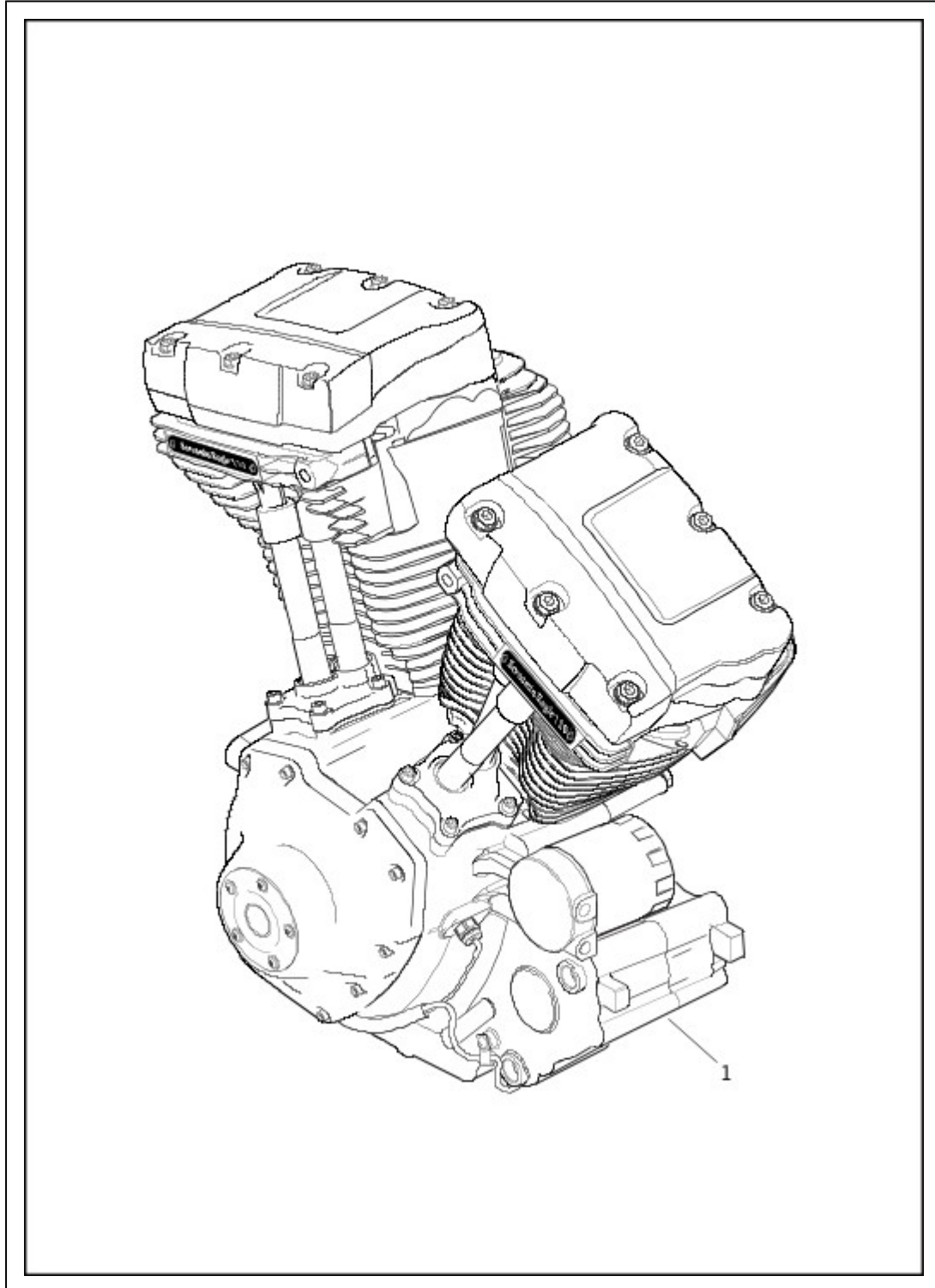


Index No.	Part No.	Description	Model(s)
1	19811-16	ENGINE ASSEMBLY	FLSTC, FLSTF, FLSTN, FXSB
	19816-16	ENGINE ASSEMBLY	FLSTFB
	19818-16	ENGINE ASSEMBLY	FLS
2	16200069	ENGINE ASSEMBLY, shortblock, with 91800042, crankcase, flywheel assembly, camshaft support plate assembly, oil pump, engine balancer and cylinder studs (See Note)	FXSB, FLSTC, FLSTF, FLSTN, FLSTFB, FLS
3	91800042	KIT, shortblock installation, with 17052-99C upper end gasket kit, 25700226	FXSB, FLSTC,

	inner primary gasket kit, camshaft sprockets, camshaft drive chains and camshaft tensioners	FLSTF, FLSTN, FLSTFB, FLS
--	---	---------------------------

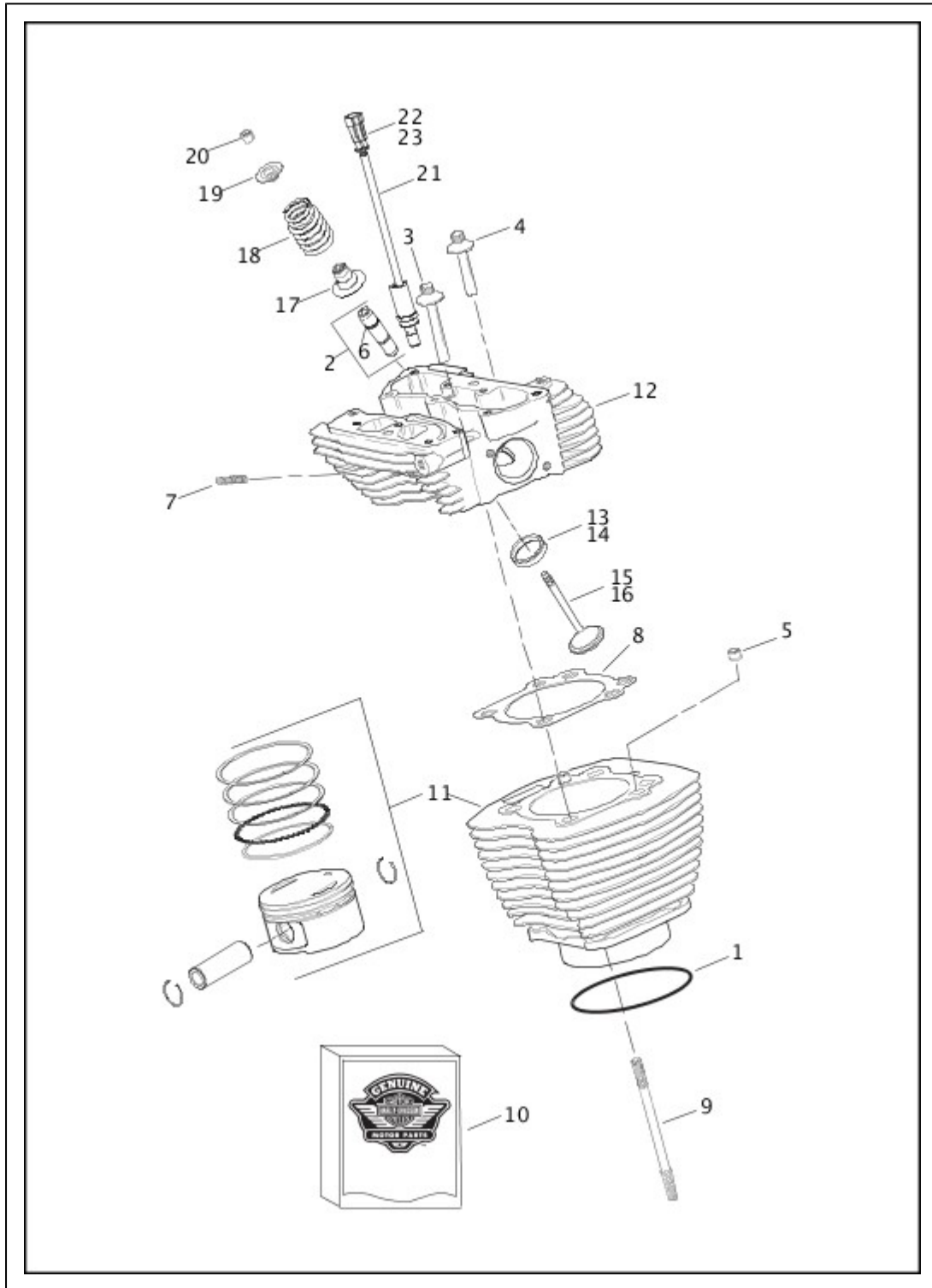
Note: Cylinders, cylinder heads, rocker arms, pushrods, pushrod covers, camshafts, piston assemblies, tappets, oil filter and cosmetic covers are not included with the shortblock assembly. These parts must be removed from the original engine and installed on the replacement shortblock assembly.

ENGINE ASSEMBLY - TWIN CAM 110™



Index No.	Part No.	Description	Model(s)
1	16200175	ENGINE ASSEMBLY, (black)	FLSS, FLSTFBS

CYLINDERS, HEADS, VALVES - TWIN CAM 103™

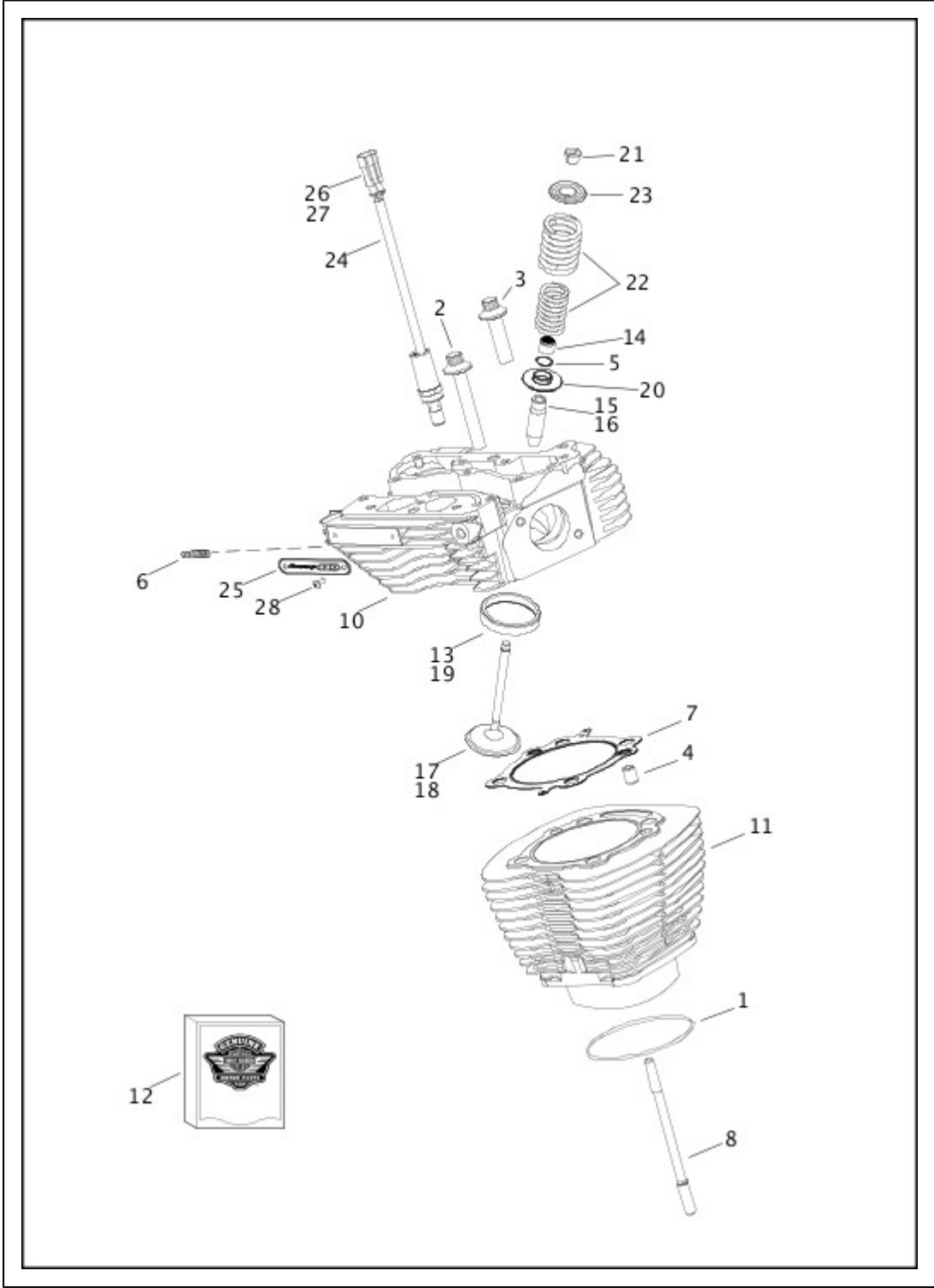


Index No.	Part No.	Description	Model(s)
1	11256	O-RING, cylinder base (2)	FLSTC, FLSTF, FLSTN, FLSTFB, FLS, FXSB
2	16465-06	VALVE GUIDE, intake and exhaust, with retaining ring (4)	FLSTC, FLSTF, FLSTN, FLSTFB, FLS, FXSB
3	16478-85A	SCREW, internal thread 3-3/16 in long (4)	FLSTC, FLSTF, FLSTN, FLSTFB, FLS, FXSB

4	16480-92A	SCREW, internal thread 1-7/8 in long (4)	FLSTC, FLSTF, FLSTN, FLSTFB, FLS, FXSB
5	16595-99A	DOWEL PIN, cylinder-to-head (4)	FLSTC, FLSTF, FLSTN, FLSTFB, FLS, FXSB
6	16699-06	SNAP RING (2)	FLSTC, FLSTF, FLSTN, FLSTFB, FLS, FXSB
7	16715-83	STUD, exhaust port (4)	FLSTC, FLSTF, FLSTN, FLSTFB, FLS, FXSB
8	16787-99A	GASKET, cylinder head (2)	FLSTC, FLSTF, FLSTN, FLSTFB, FLS, FXSB
9	16834-99A	STUD, cylinder (8)	FLSTC, FLSTF, FLSTN, FLSTFB, FLS, FXSB
10	17052-99C	GASKET KIT, top end	FLSTC, FLSTF, FLSTN, FLSTFB, FLS, FXSB
	17053-99C	GASKET KIT, engine overhaul	FLSTC, FLSTF, FLSTN, FLSTFB, FLS, FXSB
11	17460-07A	CYLINDER/PISTON ASSEMBLY KIT, (black highlighted) (2)	FLSTC, FLSTF, FLSTFB, FLSTN, FXSB
	16800003A	CYLINDER/PISTON ASSEMBLY KIT, (black non-highlighted) (2)	FLS
12	17729-08	CYLINDER HEAD, rear, with guides and seats (black)	FLSTC, FLSTF, FLSTN, FLSTFB, FXSB
	16500023	CYLINDER HEAD, front, with guides and seats (black)	FLSTC, FLSTF, FLSTN, FLSTFB, FXSB
	16500026	CYLINDER HEAD, front, with guides and seats (black)	FLS
	16500027	CYLINDER HEAD, rear, with guides and seats (black)	FLS
13	18011-86	INSERT, exhaust valve seat (2)	FLSTC, FLSTF, FLSTN, FLSTFB, FLS, FXSB
14	18020-83	INSERT, intake valve seat (2)	FLSTC, FLSTF, FLSTN, FLSTFB, FLS, FXSB
15	18074-05A	INTAKE VALVE (2)	FLSTC, FLSTF, FLSTN, FLSTFB, FLS, FXSB
16	18085-05B	EXHAUST VALVE (2)	FLSTC, FLSTF, FLSTN, FLSTFB, FLS, FXSB
17	18094-02A	SEAL KIT, valve	FLSTC, FLSTF, FLSTN, FLSTFB, FLS, FXSB
18	18245-02	VALVE SPRING (4)	FLSTC, FLSTF, FLSTN, FLSTFB, FLS, FXSB
19	18258-02	COLLAR, valve spring (4)	FLSTC, FLSTF, FLSTN, FLSTFB, FLS, FXSB
20	18260-02	RETAINER, valve collar (8)	FLSTC, FLSTF, FLSTN, FLSTFB, FLS, FXSB

21	28861-07A	SOLENOID, auto compression release, with 72009-05 and 72011-05 (2)	FLSTC, FLSTF, FLSTN, FLSTFB, FLS, FXSB
22	72009-05	HOUSING, two-way, pin (2)	FLSTC, FLSTF, FLSTN, FLSTFB, FLS, FXSB
23	72011-05	WIRE SEAL, 16-20 AWG (yellow) (4)	FLSTC, FLSTF, FLSTN, FLSTFB, FLS, FXSB

CYLINDERS, HEADS AND VALVES - TWIN CAM 110™

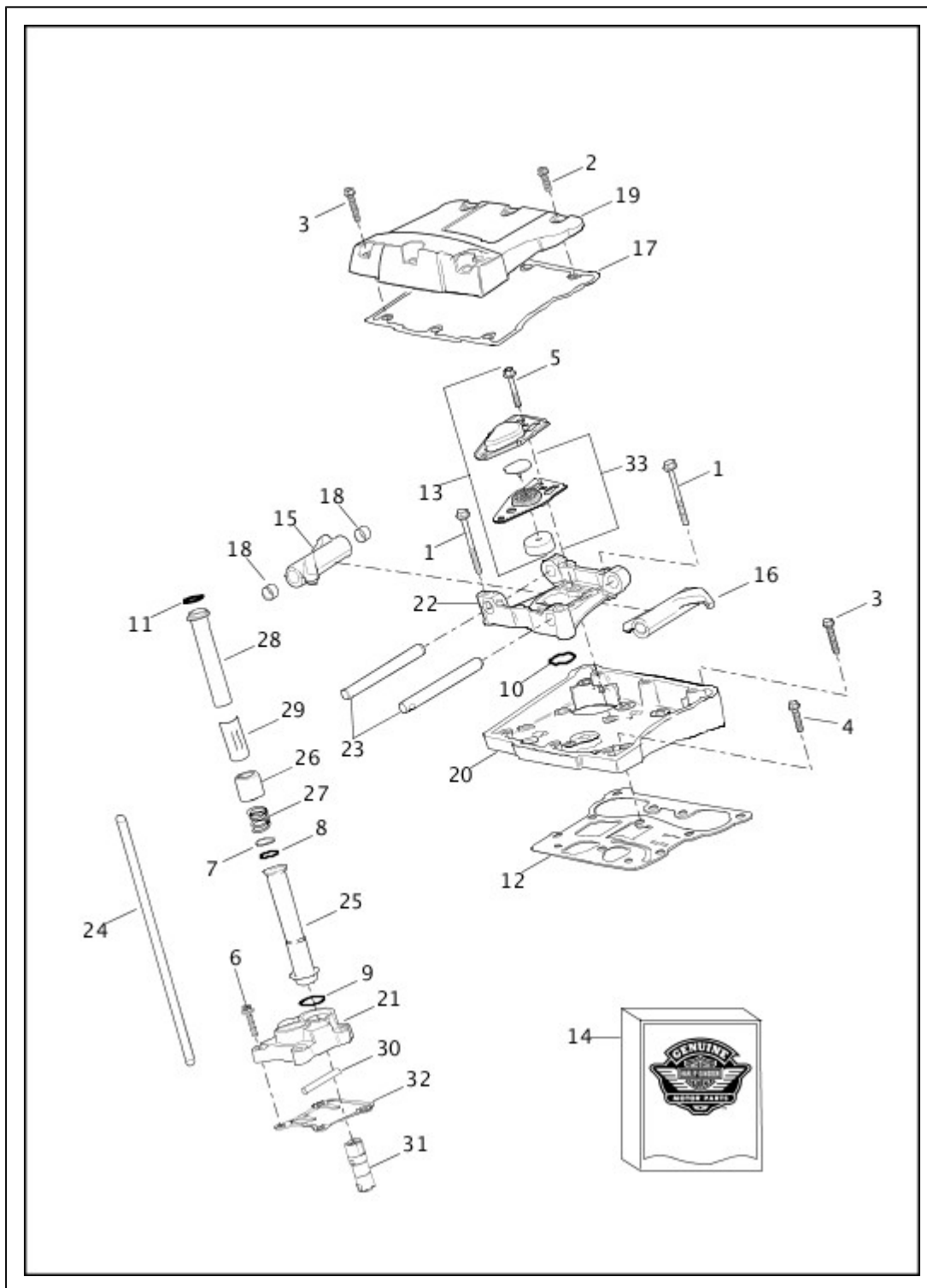


Index	Part No.	Description	Model(s)
-------	----------	-------------	----------

No.			
1	11907	O-RING KIT, cylinder-base (set of 2)	FLSS, FLSTFBS
2	16478-85A	SCREW, internal-thread, 3-3/16 in long (4)	FLSS, FLSTFBS
3	16480-92A	SCREW, internal-thread, 1-7/8 in long (4)	FLSS, FLSTFBS
4	16595-99A	DOWEL, pin (4)	FLSS, FLSTFBS
5	16699-06	RETAINING RING (4)	FLSS, FLSTFBS
6	16715-83	STUD, exhaust-port (4)	FLSS, FLSTFBS
7	16801-07B	GASKET, cylinder-head (2)	FLSS, FLSTFBS
8	16834-99A	STUD, cylinder (8)	FLSS, FLSTFBS
9	17251-07B	HEAD ASSEMBLY, cylinder, front, with 5, 6, 10, 14, 17, 18, 20, 21 and 22 (black)	FLSS, FLSTFBS
	17252-07A	HEAD ASSEMBLY, cylinder, rear, with 5, 6, 10, 14, 17, 18, 20, 21 and 22 (black)	FLSS, FLSTFBS
10	17253-07B	HEAD, cylinder, front, with 18048-98A, 18161-08, 18168-08 and 18189-07 (black)	FLSS, FLSTFBS
	17257-07A	HEAD, cylinder, rear, with 18048-98A, 18161-08, 18168-08 and 18189-07 (black)	FLSS, FLSTFBS
11	17285-07A	CYLINDER ASSEMBLY, with 16595-99A (black) (2)	FLSS, FLSTFBS
12	17349-07B	GASKET KIT, top-end	FLSS, FLSTFBS
	17350-07B	GASKET KIT, engine overhaul	FLSS, FLSTFBS
13	18048-98A	SEAT, exhaust-valve (2)	FLSS, FLSTFBS
14	18067-09	SEAL, valve (4)	FLSS, FLSTFBS
15	18161-08	GUIDE, intake-valve (2)	FLSS, FLSTFBS
16	18168-08	GUIDE, exhaust-valve (2)	FLSS, FLSTFBS
17	18183-03	VALVE, exhaust (2)	FLSS, FLSTFBS
18	18187-07	VALVE, intake (2)	FLSS, FLSTFBS

19	18189-07	SEAT, intake-valve (2)	FLSS, FLSTFBS
20	18270-00A	COLLAR, lower, valve-spring (4)	FLSS, FLSTFBS
21	18271-00	KEY, collar, valve-spring (8)	FLSS, FLSTFBS
22	18272-00	SPRING SET, inner and outer, valve (4)	FLSS, FLSTFBS
23	18280-07	COLLAR, upper, valve-spring (4)	FLSS, FLSTFBS
24	28861-07A	SOLENOID, auto compression release, with 72009-05 and 72011-05 (2)	FLSS, FLSTFBS
25	29517-07A	MEDALLION KIT	FLSS, FLSTFBS
26	72009-05	HOUSING, two-way pin (2)	FLSS, FLSTFBS
27	72011-05	WIRE SEAL, 16-20 AWG (yellow) (4)	FLSS, FLSTFBS
28	25800017	SCREW, medallion (4)	FLSS, FLSTFBS

ROCKER ARM ASSEMBLY AND PUSHRODS - TWIN CAM 103™

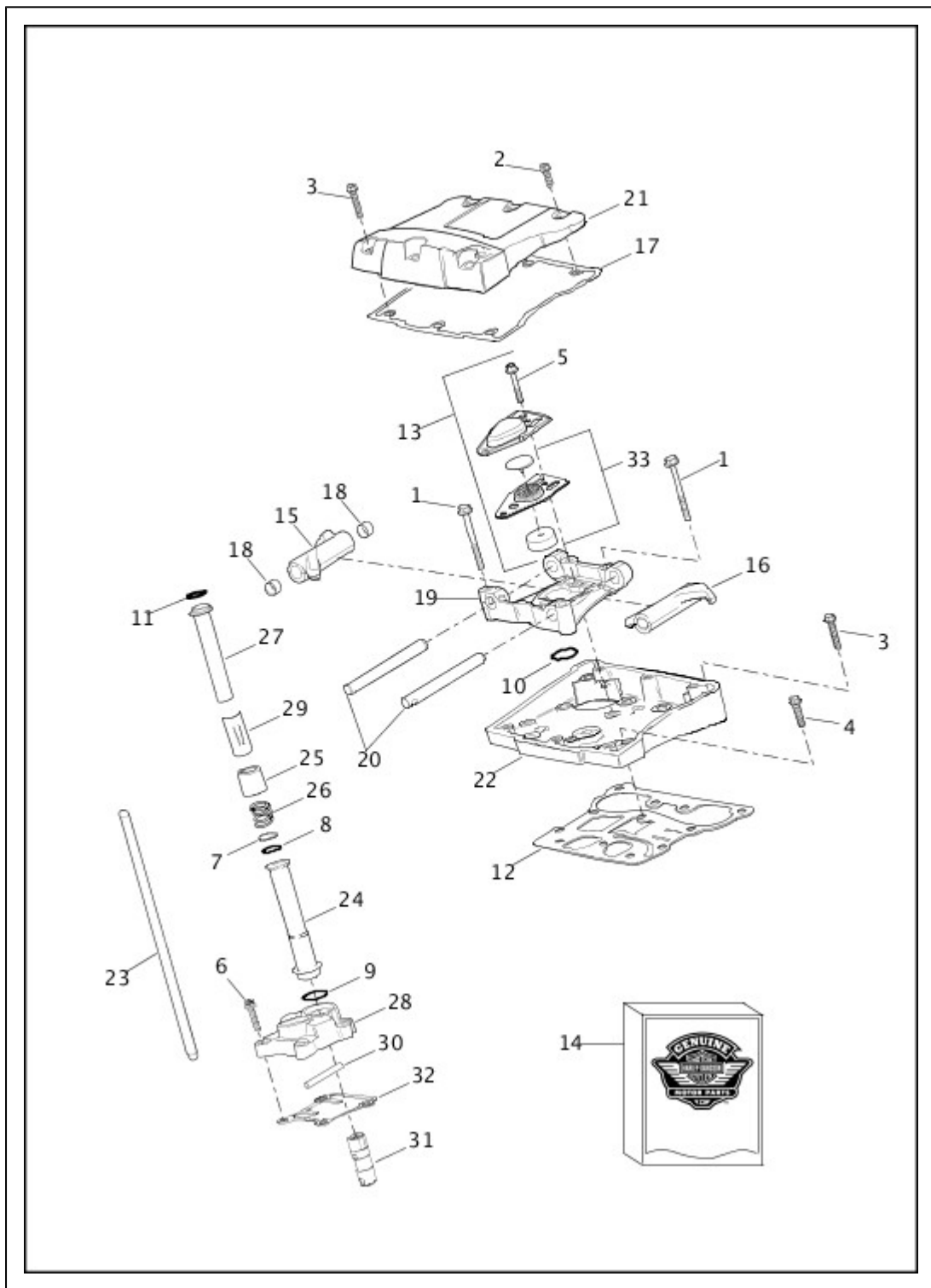


Index No.	Part No.	Description	Model(s)
1	1039	SCREW (8)	FXSB, FLSTC, FLSTF, FLSTN, FLSTFB, FLS
2	3692A	SCREW (6)	FXSB, FLSTC, FLSTF, FLSTN, FLSTFB, FLS
3	3693A	SCREW (10)	FXSB, FLSTC, FLSTF, FLSTN, FLSTFB, FLS
4	3736B	SCREW (8)	FXSB, FLSTC, FLSTF, FLSTN, FLSTFB, FLS

5	4400	BOLT (4)	FXSB, FLSTC, FLSTF, FLSTN, FLSTFB, FLS
6	4741A	SCREW (8)	FXSB, FLSTC, FLSTF, FLSTN, FLSTFB, FLS
7	6762B	WASHER (4)	FXSB, FLSTC, FLSTF, FLSTN, FLSTFB, FLS
8	11132A	O-RING, pushrod cover (4)	FXSB, FLSTC, FLSTF, FLSTN, FLSTFB, FLS
9	11145A	O-RING, pushrod cover (4)	FXSB, FLSTC, FLSTF, FLSTN, FLSTFB, FLS
10	11270	O-RING (2)	FXSB, FLSTC, FLSTF, FLSTN, FLSTFB, FLS
11	11293	O-RING (4)	FXSB, FLSTC, FLSTF, FLSTN, FLSTFB, FLS
12	16719-99B	GASKET, rocker housing (2)	FXSB, FLSTC, FLSTF, FLSTN, FLSTFB, FLS
13	17025-03A	BREATHER ASSEMBLY (2)	FXSB, FLSTC, FLSTF, FLSTN, FLSTFB, FLS
14	17045-99D	GASKET KIT, camshaft service	FXSB, FLSTC, FLSTF, FLSTN, FLSTFB, FLS
15	17360-83A	ROCKER ARM, front intake, rear exhaust, with 17429-91 (2)	FXSB, FLSTC, FLSTF, FLSTN, FLSTFB, FLS
16	17375-83A	ROCKER ARM, rear intake, front exhaust, with 17429-91 (2)	FXSB, FLSTC, FLSTF, FLSTN, FLSTFB, FLS
17	17386-99A	GASKET, rocker cover (2)	FXSB, FLSTC, FLSTF, FLSTN, FLSTFB, FLS
18	17429-91	BEARING, rocker arm (8)	FXSB, FLSTC, FLSTF, FLSTN, FLSTFB, FLS
19	17572-99	ROCKER COVER, (chrome) (2)	FLSTC, FLSTF, FLSTN, FXSB
	17575-99	ROCKER COVER, (polished) (2)	FLS
	17595-10	ROCKER COVER, (satin chrome) (2)	FLSTFB
20	17573-99A	ROCKER HOUSING, (chrome) (2)	FLSTC, FLSTF, FLSTN, FXSB
	17574-99A	ROCKER HOUSING, (polished) (2)	FLS
	17587-10	ROCKER HOUSING, (satin chrome) (2)	FLSTFB
21	17576-99	LIFTER COVER, front (polished)	FLS
	17577-99	LIFTER COVER, rear (polished)	FLS
	17596-10	LIFTER COVER, front (satin chrome)	FLSTFB
	17654-10	LIFTER COVER, rear (satin chrome)	FLSTFB
	17964-99	LIFTER COVER, front (chrome)	FLSTC, FLSTF, FLSTN, FXSB

	17966-99	LIFTER COVER, rear (chrome)	FLSTC, FLSTF, FLSTN, FXSB
22	17594-99	SUPPORT, rocker arm (2)	FXSB, FLSTC, FLSTF, FLSTN, FLSTFB, FLS
23	17611-83	SHAFT, rocker arm (4)	FXSB, FLSTC, FLSTF, FLSTN, FLSTFB, FLS
24	17922-99	PUSHROD, exhaust, 10.536 in length (black oxide finish) (2)	FXSB, FLSTC, FLSTF, FLSTN, FLSTFB, FLS
	17923-99	PUSHROD, intake, 10.418 in length (plain finish) (2)	FXSB, FLSTC, FLSTF, FLSTN, FLSTFB, FLS
25	17939-99	COVER, pushrod (lower) (4)	FXSB, FLSTC, FLSTF, FLSTN, FLSTFB, FLS
26	17945-36B	CAP, cover spring (4)	FXSB, FLSTC, FLSTF, FLSTN, FLSTFB, FLS
27	17947-36	SPRING, pushrod cover (4)	FXSB, FLSTC, FLSTF, FLSTN, FLSTFB, FLS
28	17948-99	COVER, pushrod (upper) (4)	FXSB, FLSTC, FLSTF, FLSTN, FLSTFB, FLS
29	17968-99	RETAINER, spring cap (4)	FXSB, FLSTC, FLSTF, FLSTN, FLSTFB, FLS
30	18535-99	PIN, anti-rotation (2)	FXSB, FLSTC, FLSTF, FLSTN, FLSTFB, FLS
31	18538-99C	HYDRAULIC LIFTER (4)	FXSB, FLSTC, FLSTF, FLSTN, FLSTFB, FLS
32	18635-99B	GASKET, lifter cover (2)	FXSB, FLSTC, FLSTF, FLSTN, FLSTFB, FLS
33	26500002	BREATHER, baffle assembly, with gaskets (2)	FXSB, FLSTC, FLSTF, FLSTN, FLSTFB, FLS

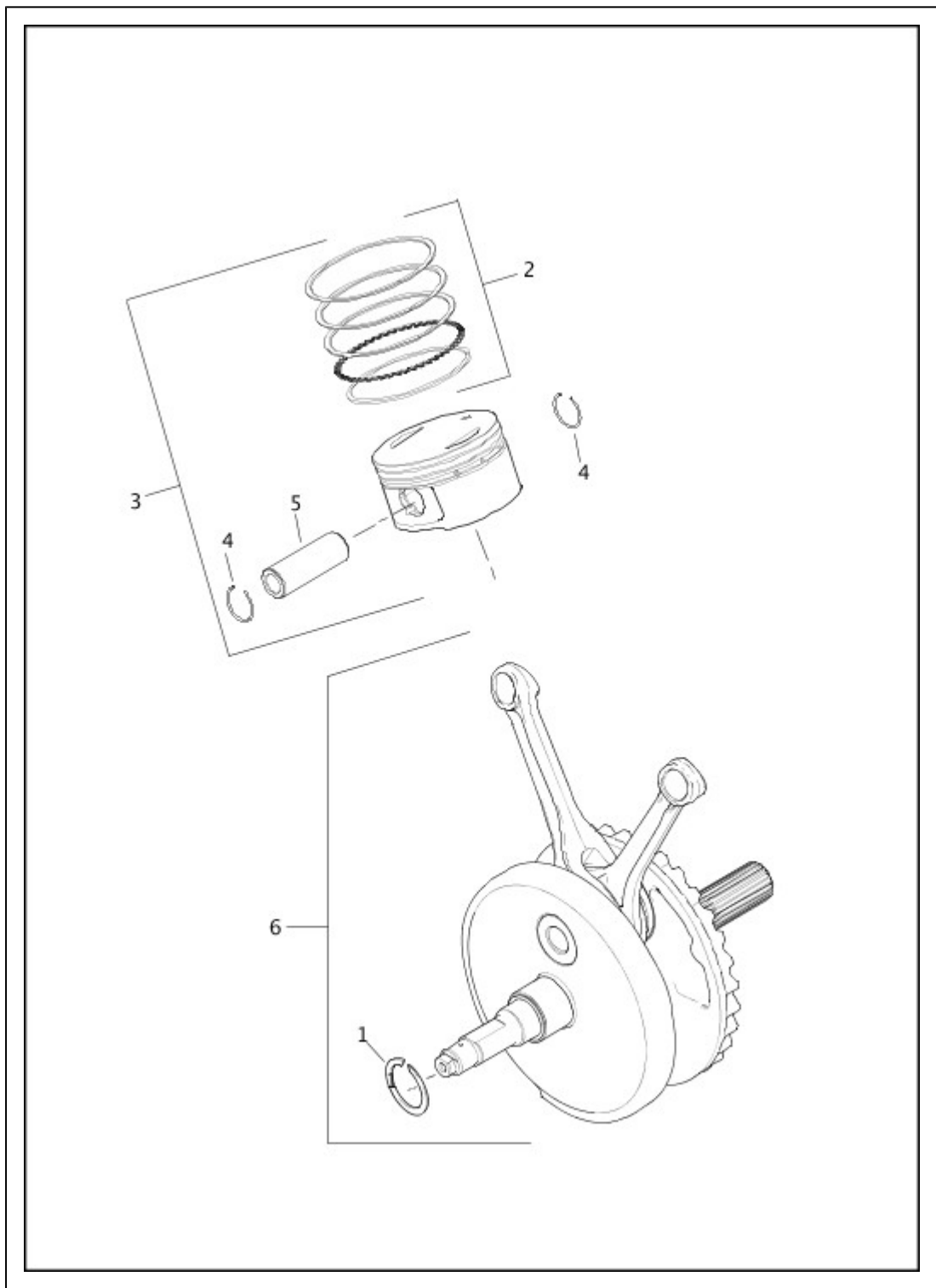
ROCKER ARM ASSEMBLY AND PUSH RODS - TWIN CAM 110™



Index No.	Part No.	Description	Model(s)
1	1039	SCREW (8)	FLSS, FLSTFBFS
2	3692A	SCREW (6)	FLSS, FLSTFBFS
3	3693A	SCREW (10)	FLSS, FLSTFBFS
4	3736B	SCREW (8)	FLSS, FLSTFBFS
5	4400	BOLT (4)	FLSS, FLSTFBFS
6	4741A	SCREW (8)	FLSS, FLSTFBFS
7	6762B	WASHER (4)	FLSS, FLSTFBFS

8	11132A	O-RING, push rod cover (4)	FLSS, FLSTFBS
9	11145A	O-RING, push rod cover (4)	FLSS, FLSTFBS
10	11270	O-RING (2)	FLSS, FLSTFBS
11	11293	O-RING (4)	FLSS, FLSTFBS
12	16719-99B	GASKET, rocker housing (2)	FLSS, FLSTFBS
13	17025-03A	BREATHER ASSEMBLY (2)	FLSS, FLSTFBS
14	17045-99D	GASKET KIT, cam service	FLSS, FLSTFBS
15	17360-83A	ROCKER ARM, front intake, rear exhaust, with bushings (2)	FLSS, FLSTFBS
16	17375-83A	ROCKER ARM, rear intake, front exhaust, with bushings (2)	FLSS, FLSTFBS
17	17386-99A	GASKET, rocker cover (2)	FLSS, FLSTFBS
18	17429-91	BEARING, rocker arm (8)	FLSS, FLSTFBS
19	17594-99	SUPPORT, rocker arm (2)	FLSS, FLSTFBS
20	17611-83	SHAFT, rocker arm (4)	FLSS, FLSTFBS
21	17707-11	ROCKER COVER, (black) (2)	FLSS, FLSTFBS
22	17709-11	ROCKER HOUSING, (black) (2)	FLSS, FLSTFBS
23	17922-99	PUSH ROD, exhaust, 10.536 in long (black oxide finish) (2)	FLSS, FLSTFBS
	17923-99	PUSH ROD, intake, 10.418 in long (plain finish) (2)	FLSS, FLSTFBS
24	17939-99	COVER, push rod, lower (4)	FLSS, FLSTFBS
25	17945-36B	CAP, cover spring (4)	FLSS, FLSTFBS
26	17947-36	SPRING, push rod cover (4)	FLSS, FLSTFBS
27	17948-99	COVER, push rod, upper (4)	FLSS, FLSTFBS
28	17964-99	LIFTER COVER, front (chrome)	FLSS, FLSTFBS
	17966-99	LIFTER COVER, rear (chrome)	FLSS, FLSTFBS
29	17968-99	RETAINER, spring cap (4)	FLSS, FLSTFBS
30	18535-99	PIN, anti-rotation (2)	FLSS, FLSTFBS
31	18572-13	KIT-TAPPET	FLSS, FLSTFBS
32	18635-99B	GASKET, lifter cover (2)	FLSS, FLSTFBS
33	26500002	BREATHER, baffle assembly, with gaskets (2)	FLSS, FLSTFBS

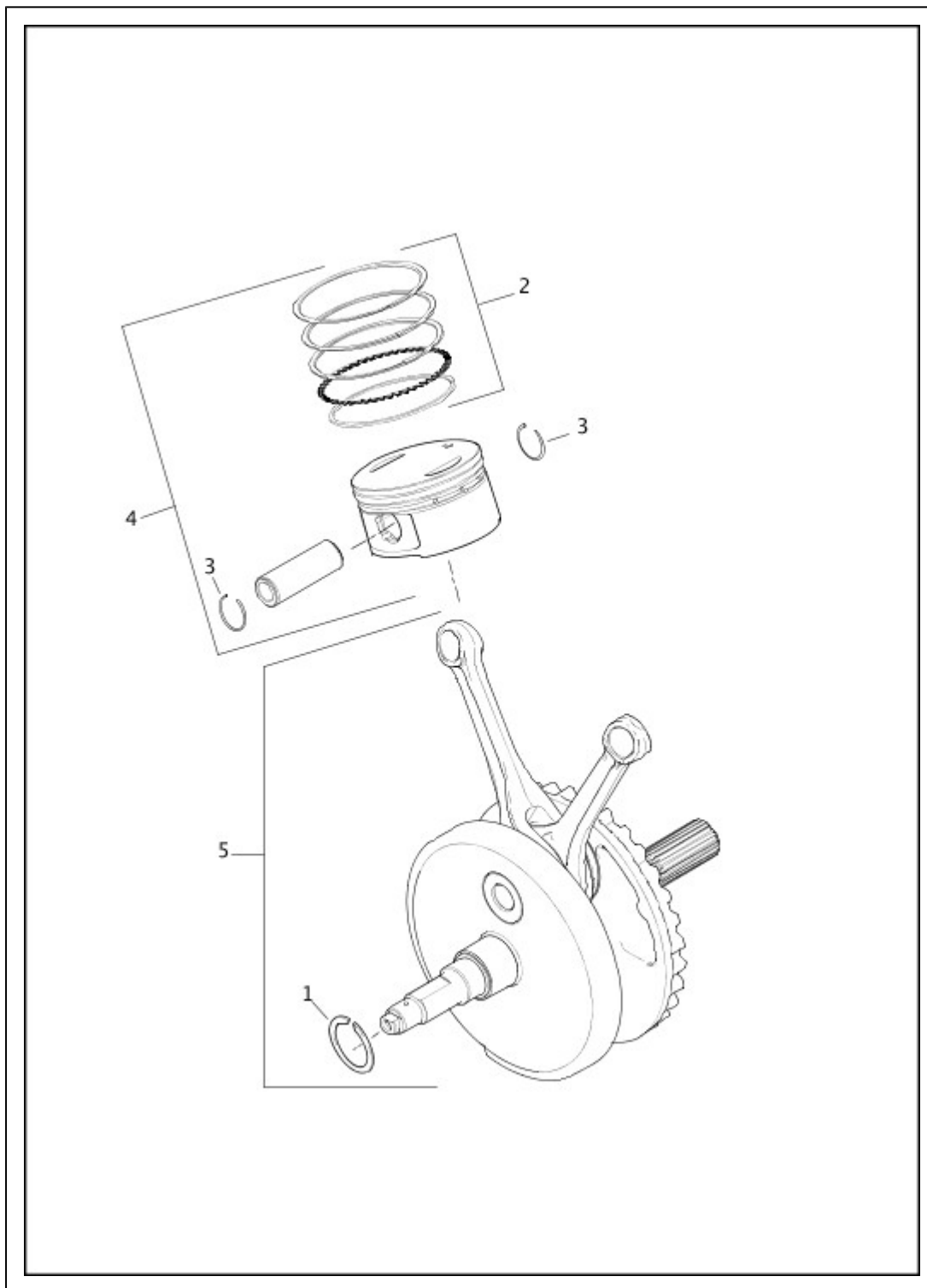
PISTONS AND FLYWHEEL ASSEMBLY - TWIN CAM 103™



Index No.	Part No.	Description	Model(s)
1	11177A	RETAINING RING	FXSB, FLSTC, FLSTF, FLSTN, FLSTFB, FLS
2	21918-99	PISTON RING SET, standard (2)	FXSB, FLSTC, FLSTF, FLSTN, FLSTFB, FLS
	21919-99	PISTON RING SET, 0.005 in over-size (2)	FXSB, FLSTC, FLSTF, FLSTN, FLSTFB, FLS
	21945-99	PISTON RING SET, 0.010 in over-size (2)	FXSB, FLSTC, FLSTF, FLSTN, FLSTFB, FLS

3	21962-07	PISTON AND RINGS ASSEMBLY, with piston pin and lock rings, standard (2)	FXSB, FLSTC, FLSTF, FLSTN, FLSTFB, FLS
	21963-07	PISTON AND RINGS ASSEMBLY, with piston pin and lock rings, 0.005 in over-size (2)	FXSB, FLSTC, FLSTF, FLSTN, FLSTFB, FLS
	21964-07	PISTON AND RINGS ASSEMBLY, with piston pin and lock rings, 0.010 in over-size (2)	FXSB, FLSTC, FLSTF, FLSTN, FLSTFB, FLS
4	22097-99	LOCK RING, piston pin (4)	FXSB, FLSTC, FLSTF, FLSTN, FLSTFB, FLS
5	22131-05	PISTON PIN (2)	FXSB, FLSTC, FLSTF, FLSTN, FLSTFB, FLS
6	23912-07B	FLYWHEEL ASSEMBLY KIT	FXSB, FLSTC, FLSTF, FLSTN, FLSTFB, FLS

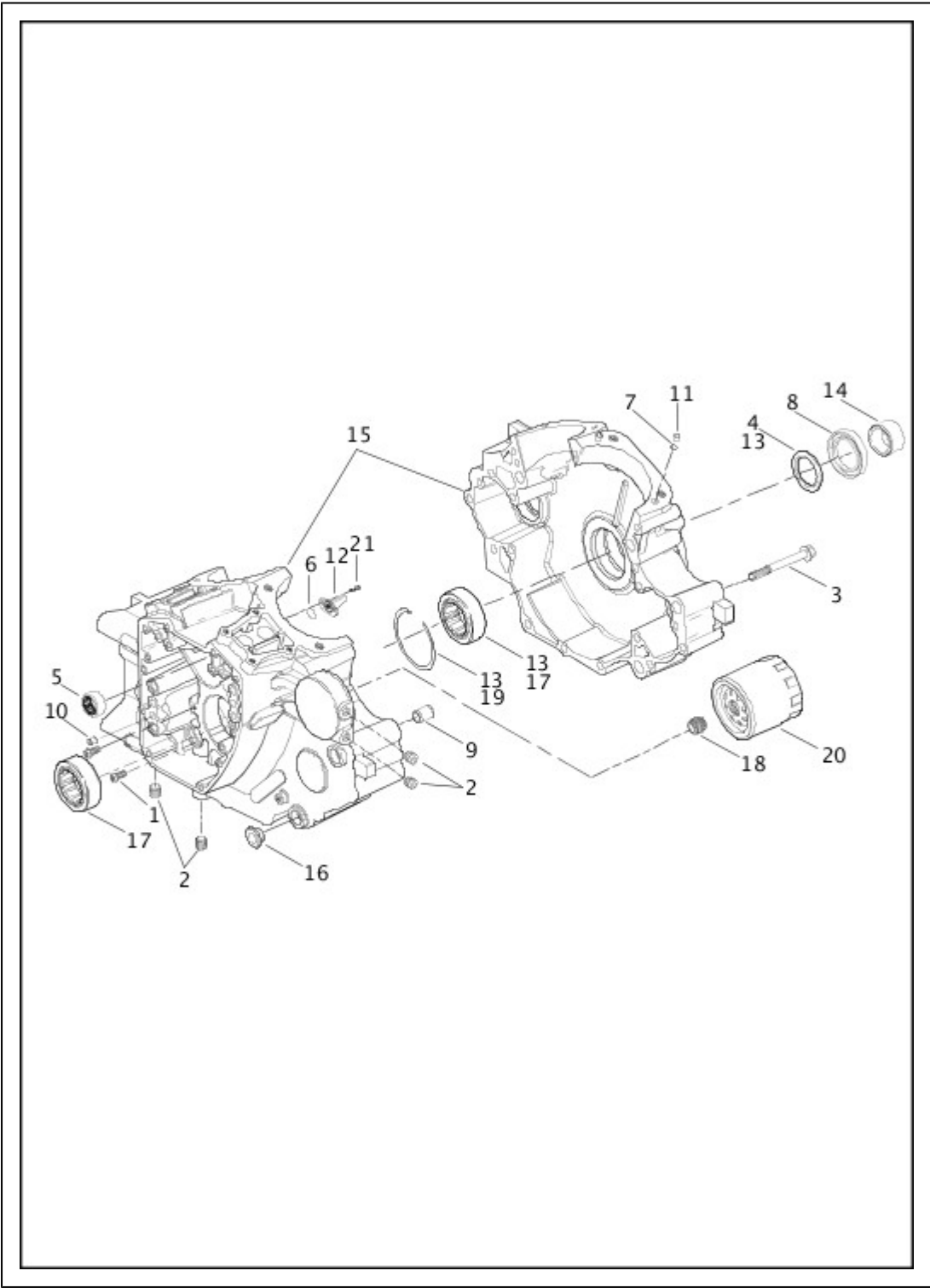
PISTONS AND FLYWHEEL ASSEMBLY - TWIN CAM 110™



Index No.	Part No.	Description	Model(s)
1	11177A	RETAINING RING	FLSS, FLSTFBS
2	21951-11	KIT PISTON RING SET, standard (2)	FLSS, FLSTFBS
	21953-11	KIT PISTON RING SET, 0.010 in OS (2)	FLSS, FLSTFBS
3	22097-99	LOCK RING, piston pin (4)	FLSS, FLSTFBS

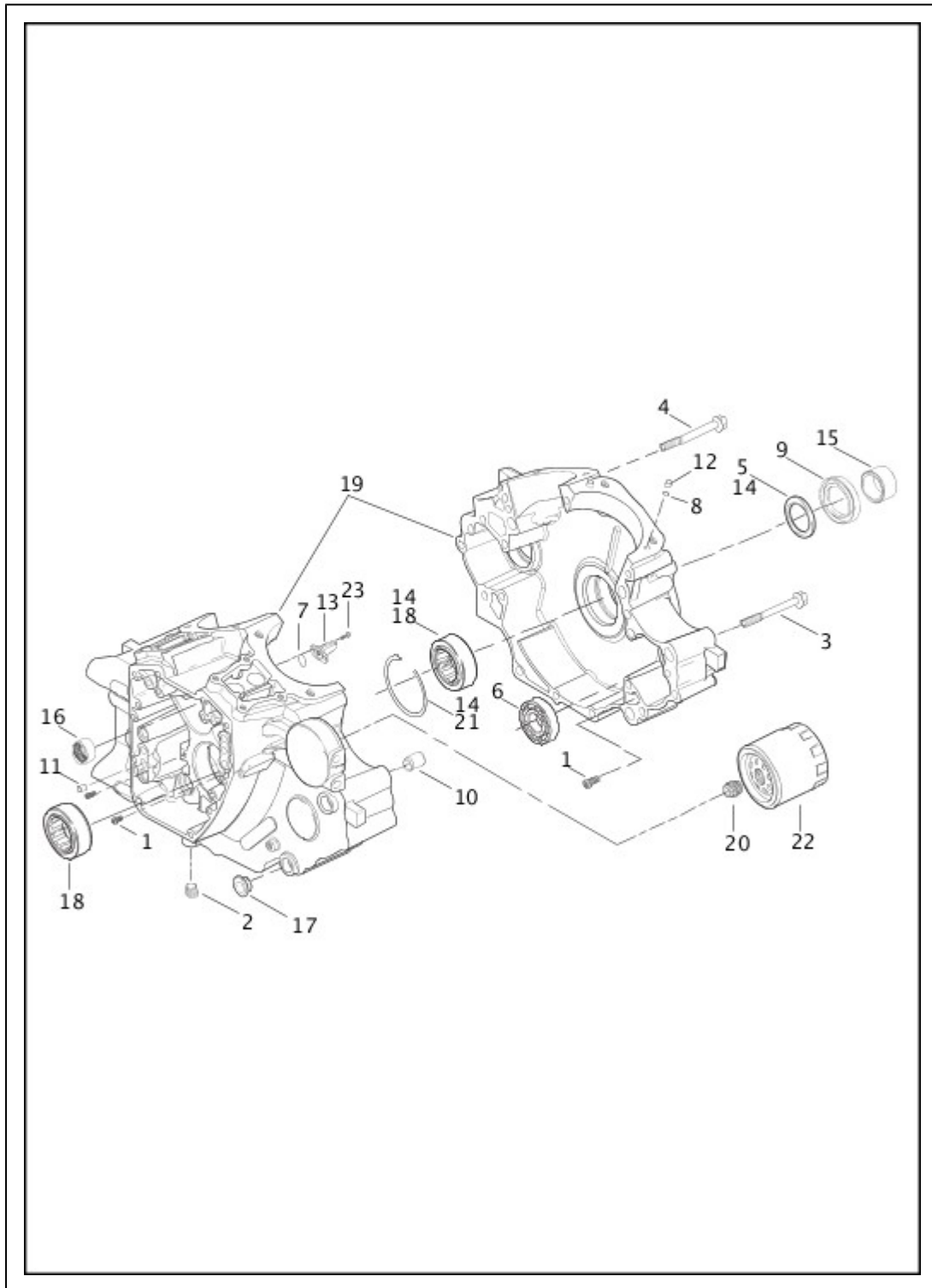
4	22000001	KIT PISTON AND RINGS ASSEMBLY, with piston pin and lock rings - standard (2)	FLSS, FLSTFBS
	22000003	KIT PISTON AND RINGS ASSEMBLY, with piston pin and lock rings - 0.010 in over-size (2)	FLSS, FLSTFBS
5	24100022	FLYWHEEL, with 11177A, thrust washer, plugs, inner race, connecting rods, flywheels, bearings, crankpin and ring	FLSS, FLSTFBS

CRANKCASE AND ENGINE OIL FILTER - TWIN CAM 103™



Index	Part	Description	Model(s)
-------	------	-------------	----------

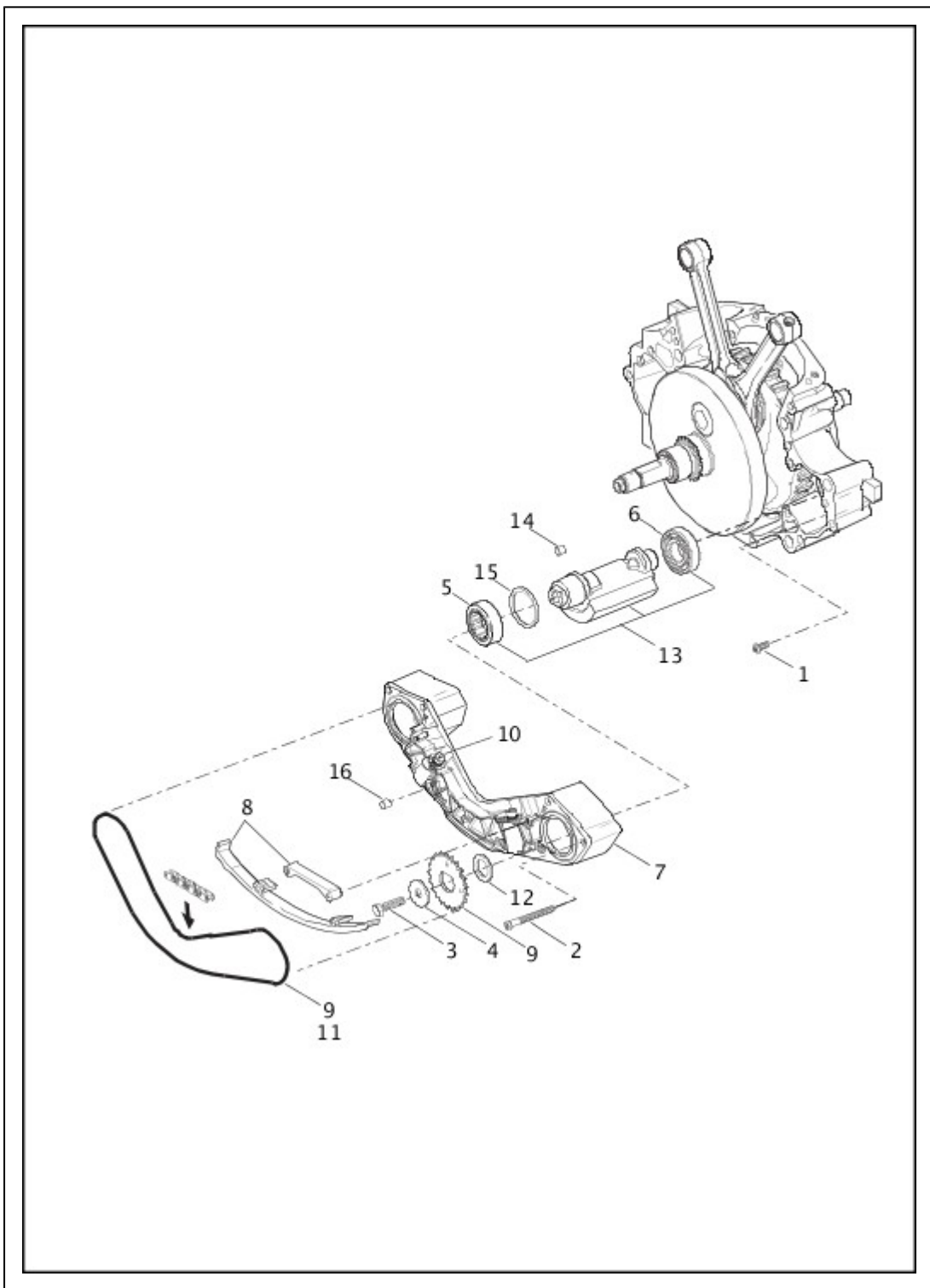
No.	No.		
1	703B	SCREW (2)	FXSB, FLSTC, FLSTF, FLSTN, FLSTFB, FLS
2	765	PLUG (4)	FXSB, FLSTC, FLSTF, FLSTN, FLSTFB, FLS
3	895	SCREW (12)	FXSB, FLSTC, FLSTF, FLSTN, FLSTFB, FLS
4	8972	WASHER (2)	FXSB, FLSTC, FLSTF, FLSTN, FLSTFB, FLS
5	9215	NEEDLE BEARING, left side of camshafts (2)	FXSB, FLSTC, FLSTF, FLSTN, FLSTFB, FLS
6	11140	O-RING (2)	FXSB, FLSTC, FLSTF, FLSTN, FLSTFB, FLS
7	11273	O-RING (2)	FXSB, FLSTC, FLSTF, FLSTN, FLSTFB, FLS
8	12068	OIL SEAL	FXSB, FLSTC, FLSTF, FLSTN, FLSTFB, FLS
9	16574-99A	DOWEL PIN (2)	FXSB, FLSTC, FLSTF, FLSTN, FLSTFB, FLS
10	16589-99A	DOWEL PIN (2)	FXSB, FLSTC, FLSTF, FLSTN, FLSTFB, FLS
11	16595-99A	DOWEL PIN (4)	FXSB, FLSTC, FLSTF, FLSTN, FLSTFB, FLS
12	22307-99	PISTON COOLING JET, with 11140 (2)	FXSB, FLSTC, FLSTF, FLSTN, FLSTFB, FLS
13	24004-03B	BEARING KIT, left side with 8972, 24605-07 and 35114-02	FXSB, FLSTC, FLSTF, FLSTN, FLSTFB, FLS
14	24009-06	SPACER, sprocket shaft	FXSB, FLSTC, FLSTF, FLSTN, FLSTFB, FLS
15	24722-07B	SET OF CRANKCASES, with bearings, cooling jets and through bolts (black)	FXSB, FLSTC, FLSTF, FLSTN, FLSTFB, FLS
16	24603-00	SPACER (4)	FXSB, FLSTC, FLSTF, FLSTN, FLSTFB, FLS
17	24605-07	BEARING, main (2)	FXSB, FLSTC, FLSTF, FLSTN, FLSTFB, FLS
18	26352-95A	ADAPTER, oil filter	FXSB, FLSTC, FLSTF, FLSTN, FLSTFB, FLS
19	35114-02	RETAINING RING	FXSB, FLSTC, FLSTF, FLSTN, FLSTFB, FLS
20	63798-99A	OIL FILTER, (chrome)	FLSTC, FLSTF, FLSTN, FXSB
	63731-99A	OIL FILTER, (black)	FLSTFB, FLS

CRANKCASE AND ENGINE OIL FILTER - TWIN CAM 110™

Index No.	Part No.	Description	Model(s)
1	703B	SCREW (2)	FLSS, FLSTFBS
2	765	PLUG (4)	FLSS, FLSTFBS
3	895	SCREW (11)	FLSS, FLSTFBS

4	1090A	SCREW	FLSS, FLSTFBS
5	8972	WASHER (2)	FLSS, FLSTFBS
6	8992A	BEARING (2)	FLSS, FLSTFBS
7	11140	O-RING (2)	FLSS, FLSTFBS
8	11907	O-RING KIT, with cylinder base O-ring	FLSS, FLSTFBS
9	12068	OIL SEAL	FLSS, FLSTFBS
10	16574-99A	DOWEL RING (2)	FLSS, FLSTFBS
11	16589-99A	DOWEL RING (2)	FLSS, FLSTFBS
12	16595-99A	DOWEL, pin (4)	FLSS, FLSTFBS
13	22307-99	PISTON COOLING JET, with 11140 (2)	FLSS, FLSTFBS
14	24004-03B	BEARING ASSEMBLY, with 8972, 24605-07 and 35114-02	FLSS, FLSTFBS
15	24009-06	SPACER, sprocket shaft	FLSS, FLSTFBS
16	24018-10	NEEDLE BEARING, left side of camshafts (2)	FLSS, FLSTFBS
17	24603-00	SPACER (4)	FLSS, FLSTFBS
18	24605-07	BEARING (2)	FLSS, FLSTFBS
19	24722-07B	SET OF CRANKCASES, (black)	FLSS, FLSTFBS
20	26352-95A	ADAPTER, oil filter	FLSS, FLSTFBS
21	35114-02	RETAINING RING	FLSS, FLSTFBS
22	63731-99A	OIL FILTER, (black)	FLSS, FLSTFBS
23	68042-99	SCREW (4)	FLSS, FLSTFBS

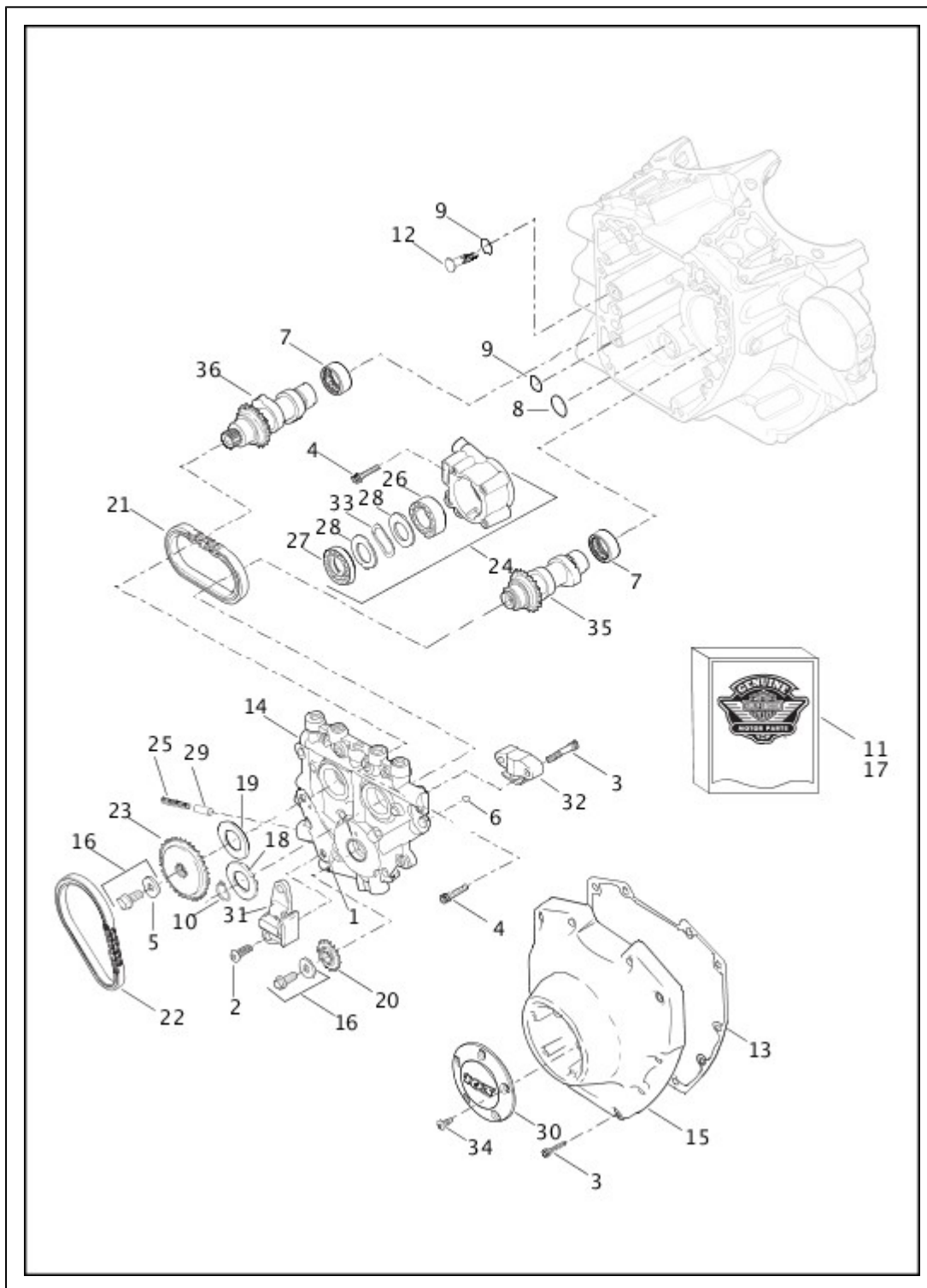
ENGINE BALANCER



Index No.	Part No.	Description	Model(s)
1	703B	SCREW (2)	
2	956	SCREW (6)	
3	3110	BOLT, balancer shift bolt (2)	
4	6456	WASHER, balancer shift bolt (2)	
5	8959	BEARING, shell (2)	
6	8992A	BEARING (2)	
7	14728-07	SUPPORT ASSEMBLY, chain guide, includes tensioner pistons	

8	14761-00	GUIDE KIT, chain tensioner, includes lower, front and rear guides	
9	14762-00	CHAIN DRIVE KIT, with 14769-00, front and rear sprockets	
10	14764-00	PISTON ASSEMBLY KIT, chain tensioner (2)	
11	14769-00	CHAIN, balancer drive	
12	14784-07	SPACER, .039 in thick (2)	
13	14789-07	BALANCE SHAFT KIT, with 8959, 8992A and balance shaft (2)	
14	16583-00A	BUSHING, dowel (2)	
15	35240-07	RETAINING RING, balancer shift bearing (2)	
16	45359-00	SEAL, oil interconnect	

CAMSHAFTS AND CAMSHAFT COVER - TWIN CAM 103™

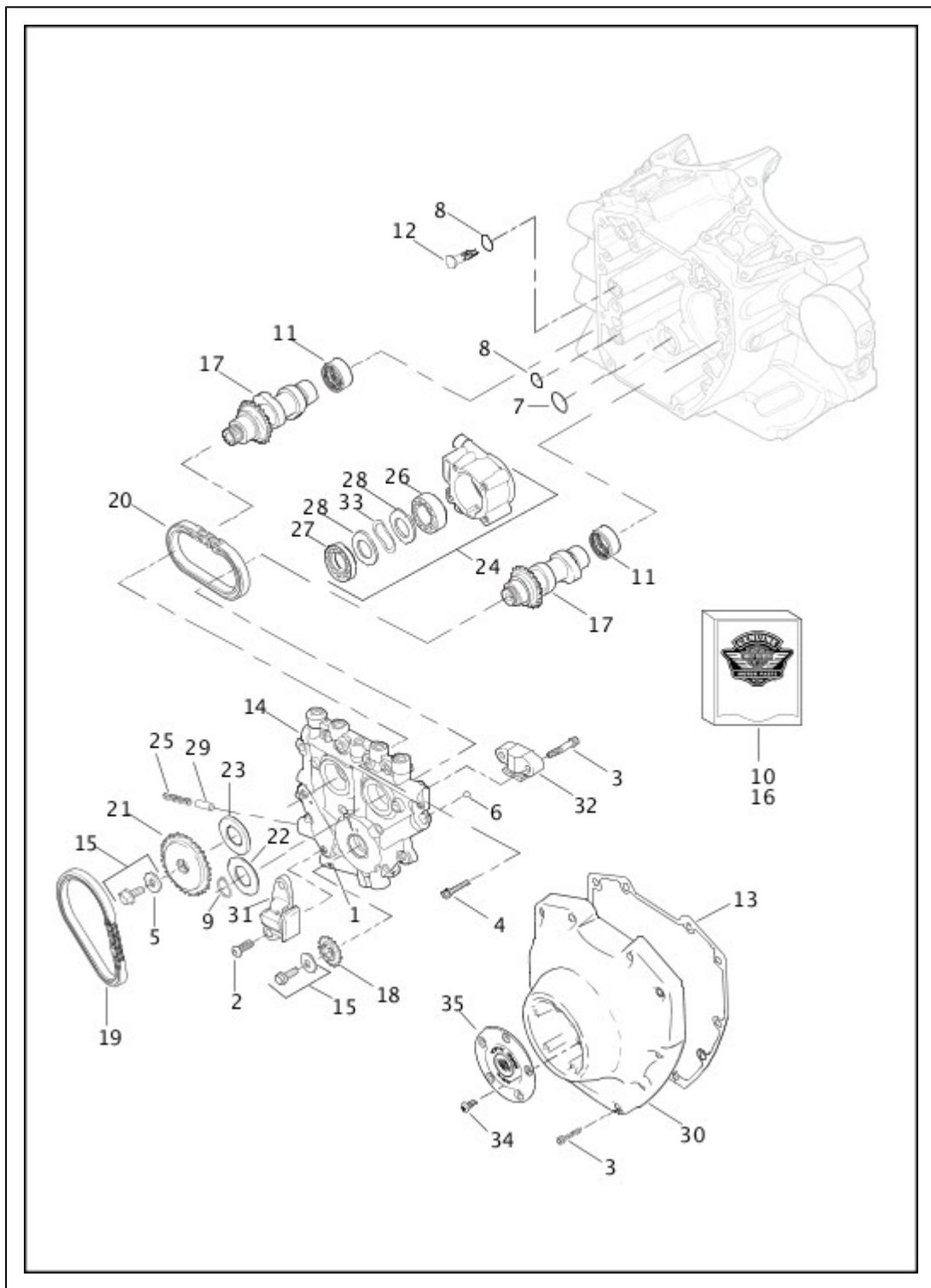


Index No.	Part No.	Description	Model(s)
1	601	ROLL PIN	FXSB, FLSTC, FLSTF, FLSTN, FLSTFB, FLS
2	942	SCREW, primary camshaft chain tensioner (2)	FXSB, FLSTC, FLSTF, FLSTN, FLSTFB, FLS
3	4740A	SCREW, camshaft cover (10)	FXSB, FLSTC, FLSTF, FLSTN, FLSTFB, FLS
3	4740A	SCREW, secondary camshaft tensioner (2)	FXSB, FLSTC, FLSTF, FLSTN, FLSTFB, FLS

4	4741A	SCREW (10)	FXSB, FLSTC, FLSTF, FLSTN, FLSTFB, FLS
5	6294	WASHER	FXSB, FLSTC, FLSTF, FLSTN, FLSTFB, FLS
6	8873	BALL (14)	FXSB, FLSTC, FLSTF, FLSTN, FLSTFB, FLS
7	9215	NEEDLE BEARING, camshaft (2)	FXSB, FLSTC, FLSTF, FLSTN, FLSTFB, FLS
8	11293	O-RING	FXSB, FLSTC, FLSTF, FLSTN, FLSTFB, FLS
9	11301	O-RING (2)	FXSB, FLSTC, FLSTF, FLSTN, FLSTFB, FLS
10	11461	RETAINING RING	FXSB, FLSTC, FLSTF, FLSTN, FLSTFB, FLS
11	17045-99D	GASKET KIT, camshaft service	FXSB, FLSTC, FLSTF, FLSTN, FLSTFB, FLS
12	24983-00	SCREEN, oil	FXSB, FLSTC, FLSTF, FLSTN, FLSTFB, FLS
13	25244-99A	GASKET, camshaft cover	FXSB, FLSTC, FLSTF, FLSTN, FLSTFB, FLS
14	25355-06A	CAMSHAFT SUPPORT PLATE, with bypass valve	FXSB, FLSTC, FLSTF, FLSTN, FLSTFB, FLS
15	25363-01B	CAMSHAFT COVER, (polished)	FLS
	25369-01B	CAMSHAFT COVER, (chrome)	FLSTC, FLSTF, FLSTN, FXSB
	25395-10	CAMSHAFT COVER, (satin chrome)	FLSTFB
16	25566-06	CAMSHAFT DRIVE SPROCKET RETENTION KIT, with screws and washers	FXSB, FLSTC, FLSTF, FLSTN, FLSTFB, FLS
17	25585-06	CAMSHAFT CHAIN AND FASTENER KIT	FXSB, FLSTC, FLSTF, FLSTN, FLSTFB, FLS
18	25729-06	SPACER, camshaft drive sprocket alignment 0.100 in thick	FXSB, FLSTC, FLSTF, FLSTN, FLSTFB, FLS
19	25729-06	SPACER, camshaft drive sprocket alignment 0.100 in thick (use as required)	FXSB, FLSTC, FLSTF, FLSTN, FLSTFB, FLS
	25731-06	SPACER, camshaft drive sprocket alignment 0.110 in thick (use as required)	FXSB, FLSTC, FLSTF, FLSTN, FLSTFB, FLS
	25734-06	SPACER, camshaft drive sprocket alignment 0.120 in thick (use as required)	FXSB, FLSTC, FLSTF, FLSTN, FLSTFB, FLS
	25736-06	SPACER, camshaft drive sprocket alignment 0.130 in thick (use as required)	FXSB, FLSTC, FLSTF, FLSTN, FLSTFB, FLS
	25737-06	SPACER, camshaft drive sprocket alignment 0.140 in thick (use as required)	FXSB, FLSTC, FLSTF, FLSTN, FLSTFB, FLS

	25738-06	SPACER, camshaft drive sprocket alignment 0.150 in thick (use as required)	FXSB, FLSTC, FLSTF, FLSTN, FLSTFB, FLS
20	25673-06	SPROCKET, camshaft drive on crankshaft, 17 teeth	FXSB, FLSTC, FLSTF, FLSTN, FLSTFB, FLS
21	25683-06	CHAIN, secondary camshaft drive	FXSB, FLSTC, FLSTF, FLSTN, FLSTFB, FLS
22	25675-06	CHAIN, primary camshaft drive	FXSB, FLSTC, FLSTF, FLSTN, FLSTFB, FLS
23	25728-06	SPROCKET, camshaft drive, 34 teeth	FXSB, FLSTC, FLSTF, FLSTN, FLSTFB, FLS
24	26037-06	OIL PUMP ASSEMBLY, with body and internal parts	FXSB, FLSTC, FLSTF, FLSTN, FLSTFB, FLS
25	26210-99	SPRING, relief valve	FXSB, FLSTC, FLSTF, FLSTN, FLSTFB, FLS
26	26278-06	GEROTOR ASSEMBLY, scavenge	FXSB, FLSTC, FLSTF, FLSTN, FLSTFB, FLS
27	26281-06	GEROTOR ASSEMBLY, pressure	FXSB, FLSTC, FLSTF, FLSTN, FLSTFB, FLS
28	26282-06	SEPARATOR PLATE, gerotor (2)	FXSB, FLSTC, FLSTF, FLSTN, FLSTFB, FLS
29	26400-82B	RELIEF VALVE, oil pump	FXSB, FLSTC, FLSTF, FLSTN, FLSTFB, FLS
30	32727-00	TIMER COVER, (chrome)	FXSB, FLSTC, FLSTF, FLSTN, FLSTFB
	32543-07	TIMER COVER, (denim black)	FLS
31	39968-06	CHAIN TENSIONER, primary camshaft drive chain	FXSB, FLSTC, FLSTF, FLSTN, FLSTFB, FLS
32	39969-06	CHAIN TENSIONER, secondary camshaft drive chain	FXSB, FLSTC, FLSTF, FLSTN, FLSTFB, FLS
33	40323-00	SPRING, separator	FXSB, FLSTC, FLSTF, FLSTN, FLSTFB, FLS
34	68120-00	SCREW (5)	FXSB, FLSTC, FLSTF, FLSTN, FLSTFB, FLS
35	25400002	CAMSHAFT, front	FXSB, FLSTC, FLSTF, FLSTN, FLSTFB, FLS
36	25400003	CAMSHAFT, rear	FXSB, FLSTC, FLSTF, FLSTN, FLSTFB, FLS

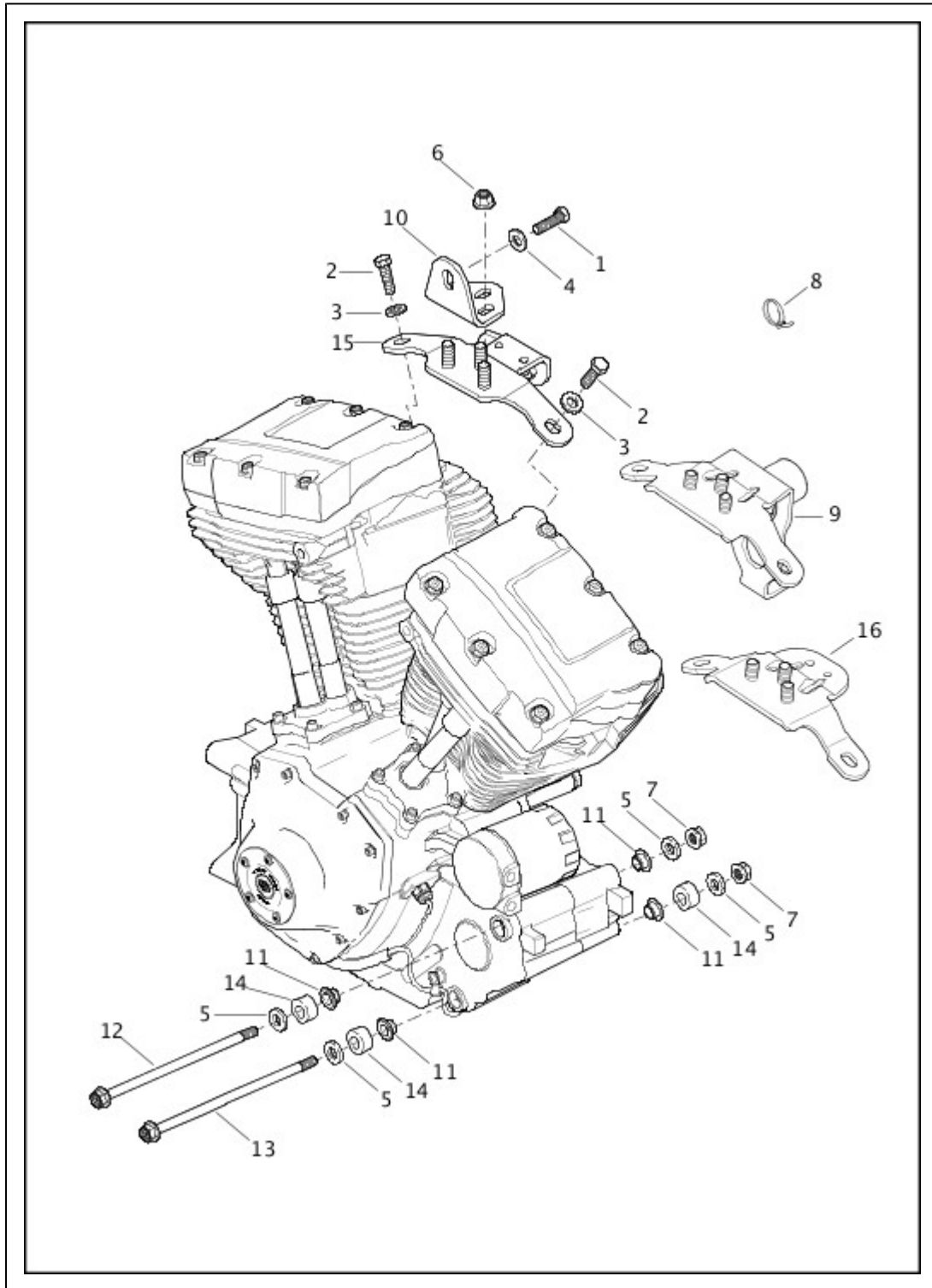
CAMSHAFTS and CAMSHAFT COVER - TWIN CAM 110™



Index No.	Part No.	Description	Model(s)
1	601	ROLL PIN	FLSS, FLSTFBS
2	942	SCREW (2)	FLSS, FLSTFBS
3	4740A	SCREW (12)	FLSS, FLSTFBS
4	4741A	SCREW (10)	FLSS, FLSTFBS
5	6294	WASHER	FLSS, FLSTFBS
6	8873	BALL (12)	FLSS, FLSTFBS
7	11293	O-RING	FLSS, FLSTFBS

8	11301	O-RING (2)	FLSS, FLSTFBS
9	11461	RETAINING RING	FLSS, FLSTFBS
10	17045-99D	GASKET KIT, cam service	FLSS, FLSTFBS
11	24018-10	NEEDLE BEARING, camshaft	FLSS, FLSTFBS
12	24983-00	SCREEN, oil	FLSS, FLSTFBS
13	25244-99A	GASKET, cam cover	FLSS, FLSTFBS
14	25355-06A	CAM SUPPORT PLATE, with bypass valve	FLSS, FLSTFBS
15	25566-06	CAM DRIVE SPROCKET RETENTION KIT, with screws and washers	FLSS, FLSTFBS
16	25585-06	CAMSHAFT CHAIN AND FASTENER KIT	FLSS, FLSTFBS
17	25638-07	CAMSHAFT KIT	FLSS, FLSTFBS
18	25673-06	SPROCKET, cam drive on crankshaft, 17 T	FLSS, FLSTFBS
19	25675-06	CHAIN, primary cam drive	FLSS, FLSTFBS
20	25683-06	CHAIN, secondary cam drive	FLSS, FLSTFBS
21	25728-06	SPROCKET, cam drive, 34 T	FLSS, FLSTFBS
22	25729-06	SPACER, cam drive sprocket alignment 0.100 in thick	FLSS, FLSTFBS
23	25729-06	SPACER, cam drive sprocket alignment 0.100 in thick (use as required)	FLSS, FLSTFBS
	25731-06	SPACER, cam drive sprocket alignment 0.110 in thick (use as required)	FLSS, FLSTFBS
	25734-06	SPACER, cam drive sprocket alignment 0.120 in thick (use as required)	FLSS, FLSTFBS
	25736-06	SPACER, cam drive sprocket alignment 0.130 in thick (use as required)	FLSS, FLSTFBS
	25737-06	SPACER, cam drive sprocket alignment 0.140 in thick (use as required)	FLSS, FLSTFBS
	25738-06	SPACER, cam drive sprocket alignment 0.150 in thick (use as required)	FLSS, FLSTFBS
24	26037-06	OIL PUMP, with body and internal parts	FLSS, FLSTFBS
25	26210-99	SPRING, relief valve	FLSS, FLSTFBS
26	26278-06	GEROTOR ASSEMBLY, scavenge	FLSS, FLSTFBS
27	26281-06	GEROTOR ASSEMBLY, pressure	FLSS, FLSTFBS
28	26282-06	SEPARATOR PLATE, gerotor (2)	FLSS, FLSTFBS
29	26400-82B	RELIEF VALVE, oil pump	FLSS, FLSTFBS
30	37198-11	CAM COVER, (gloss black)	FLSS, FLSTFBS
31	39968-06	CHAIN TENSIONER, primary cam drive chain	FLSS, FLSTFBS
32	39969-06	CHAIN TENSIONER, secondary cam drive chain	FLSS, FLSTFBS
33	40323-00	SPRING, separator	FLSS, FLSTFBS
34	68120-00	SCREW (5)	FLSS, FLSTFBS

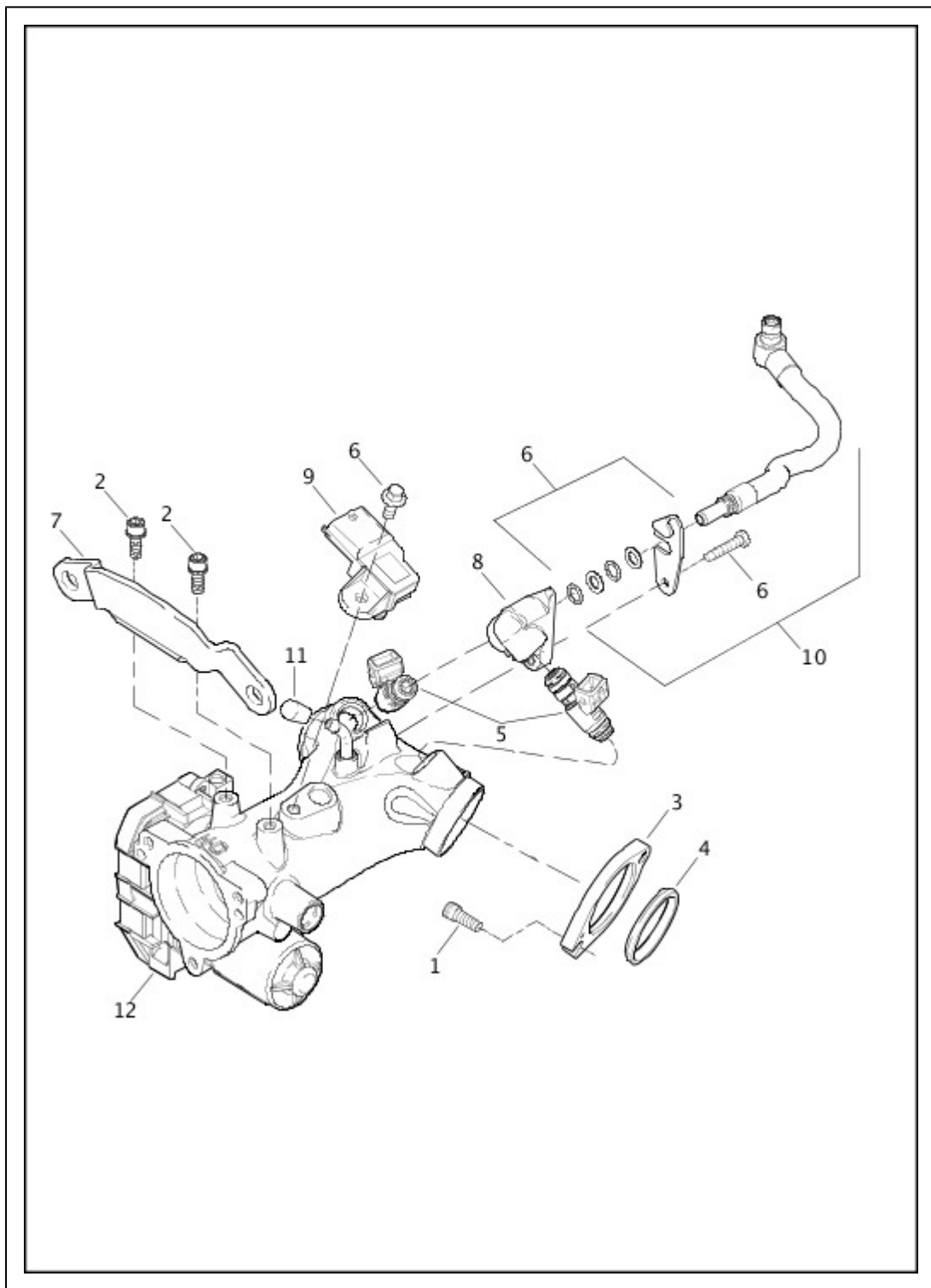
ENGINE MOUNTS



Index No.	Part No.	Description	Model(s)
1	4729	BOLT	
2	4775	SCREW (2)	
3	6019	WASHER (2)	

4	6516HW	WASHER	
5	6530	WASHER (4)	
6	7601	LOCKNUT (3)	
7	7879	NUT, flange (2)	
8	10177	CABLE STRAP (2)	
9	16236-08A	BRACKET ASSEMBLY, engine mount	FXSB
10	16247-06	BRACKET, engine mount	
11	24603-00	SPACER (4)	
12	48054-00	BOLT	
13	48093-00	BOLT	
14	48094-00	SPACER, engine mount (3)	
15	69046-06A	BRACKET ASSEMBLY, engine mount	FLSTC, FLSTF, FLSTN, FLSTFB, FLS, FLSS, FLSTFBS
16	16400017	BRACKET ASSEMBLY, engine mount, without horn (India only)	FLSTC, FLSTF, FLSTFB, FXSB

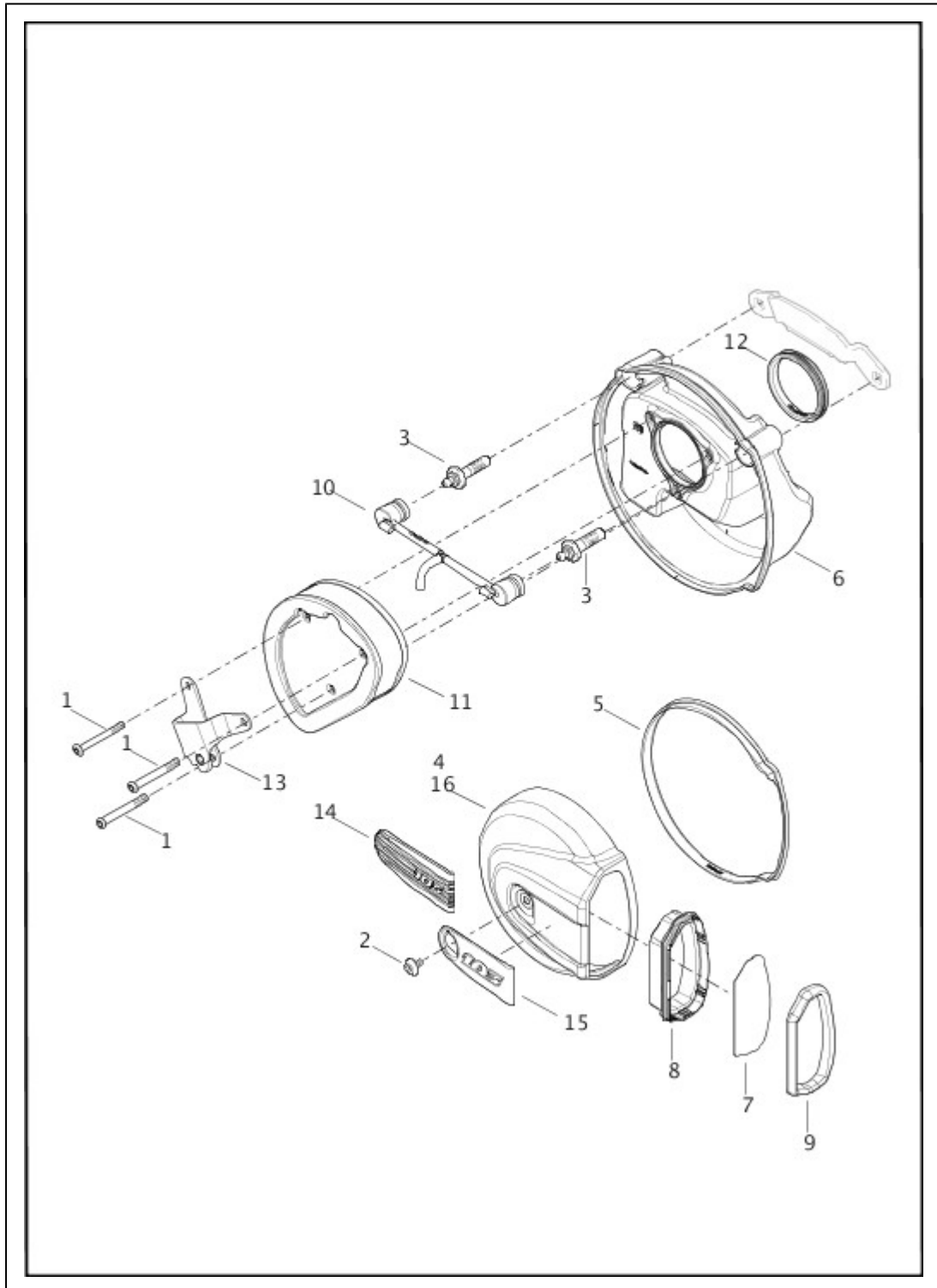
INDUCTION MODULE, FUEL



Index No.	Part No.	Description	Model(s)
1	3275	SCREW (4)	
2	4705	SCREW (2)	
3	26993-06	FLANGE, mounting (2)	
4	26995-86B	SEAL, intake manifold (2)	
5	27609-01B	FUEL INJECTOR ASSEMBLY, with O-ring (2)	
6	27711-08	INDUCTION MODULE SERVICE KIT	
7	27712-08	BRACKET, induction module	

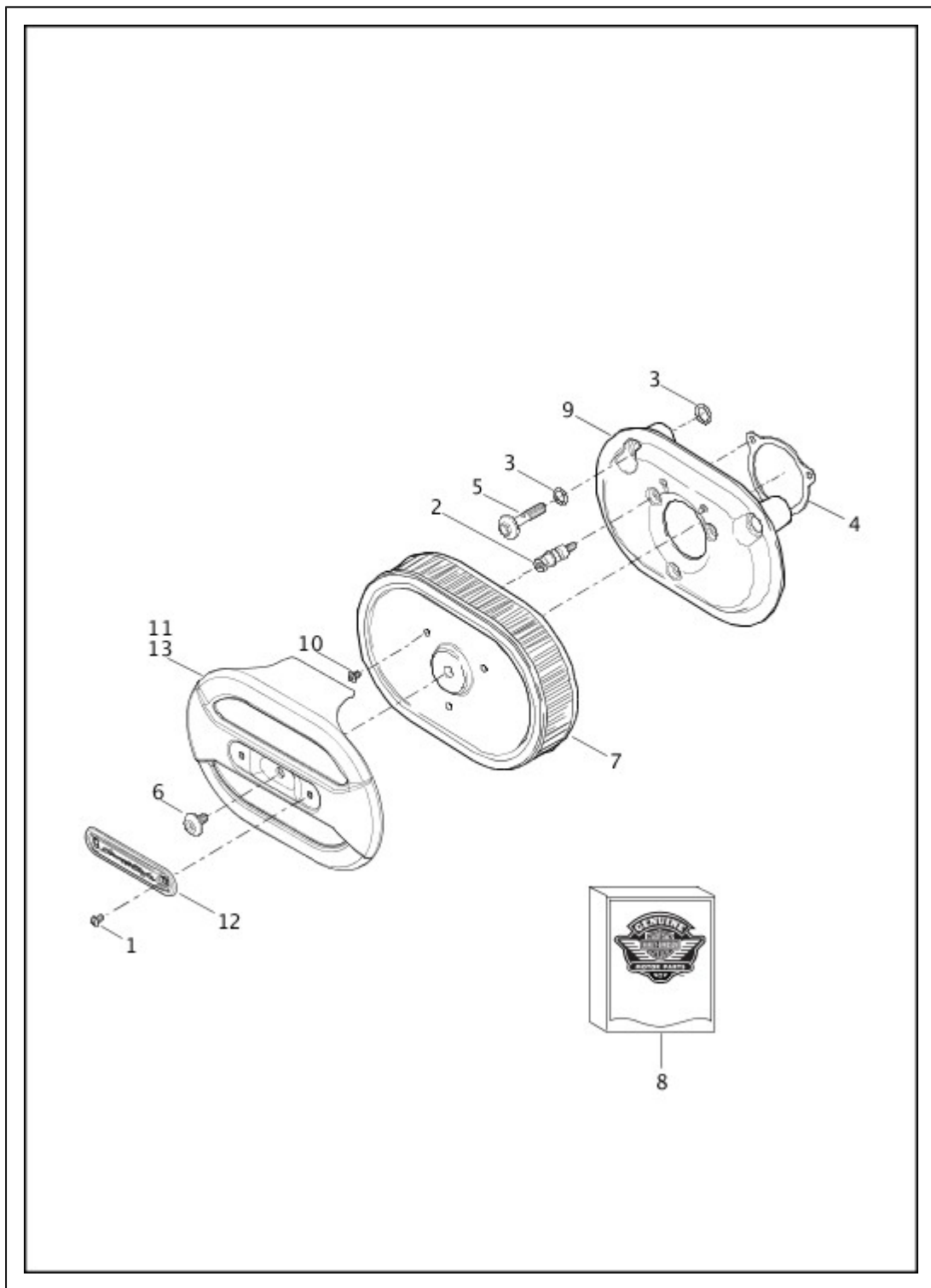
8	27721-08	FUEL RAIL	
9	32319-07A	SENSOR, temperature manifold absolute pressure, with O-ring	
10	61208-10	FUEL LINE KIT	
11	90383-98	CAP, purge tube	
12	27200002	INDUCTION MODULE KIT, with 27711-08 and 90383-98	

AIR CLEANER - FXSB, FLSTC, FLSTF, FLSTN, FLSTFB, FLS



Index No.	Part No.	Description	Model(s)
1	946	SCREW (3)	FXSB, FLSTC, FLSTF, FLSTN, FLSTFB, FLS
2	29269-83A	SCREW	FXSB, FLSTC, FLSTF, FLSTN, FLSTFB, FLS
3	29465-08A	BREATHER BOLT (2)	FXSB, FLSTC, FLSTF, FLSTN, FLSTFB, FLS
4	14000347	WARNING LABEL, air cleaner (chrome) (Domestic, California)	FXSB, FLSTC, FLSTF, FLSTN, FLSTFB, FLS
5	29000026	SEAL, air cleaner cover	FXSB, FLSTC, FLSTF, FLSTN, FLSTFB, FLS
6	29000033	BACKPLATE ASSEMBLY	FXSB, FLSTC, FLSTF, FLSTN, FLSTFB, FLS
7	29200014	SCREEN, air cleaner	FXSB, FLSTC, FLSTF, FLSTN, FLSTFB, FLS
8	29200015	SNORKEL, air cleaner cover (Domestic, California, Canada)	FXSB, FLSTC, FLSTF, FLSTN, FLSTFB, FLS
	29200018	SNORKEL, air cleaner cover (HDI)	FXSB, FLSTC, FLSTF, FLSTN, FLSTFB, FLS
9	29200017	BEZEL, air cleaner	FXSB, FLSTC, FLSTF, FLSTN, FLSTFB, FLS
10	29400043	BREATHER HOSE	FXSB, FLSTC, FLSTF, FLSTN, FLSTFB, FLS
11	29400045	FILTER ELEMENT	FXSB, FLSTC, FLSTF, FLSTN, FLSTFB, FLS
12	29400046	GASKET, induction module to backplate	FXSB, FLSTC, FLSTF, FLSTN, FLSTFB, FLS
13	60900005	BRACKET ASSEMBLY, air cleaner cover	FXSB, FLSTC, FLSTF, FLSTN, FLSTFB, FLS
14	61300063	INSERT, air cleaner cover	FLSTC, FLSTF, FLSTN, FLSTFB
	61300526	INSERT, air cleaner cover	FLS
15	61300064	INSERT, air cleaner cover	FXSB
16	61300273	COVER KIT, air cleaner, with 14000347	FXSB, FLSTC, FLSTF, FLSTN, FLSTFB, FLS
	61300535	COVER KIT, air cleaner, with 14000347	FLSTFB
	61300536	COVER KIT, air cleaner, with 14000347	FLS

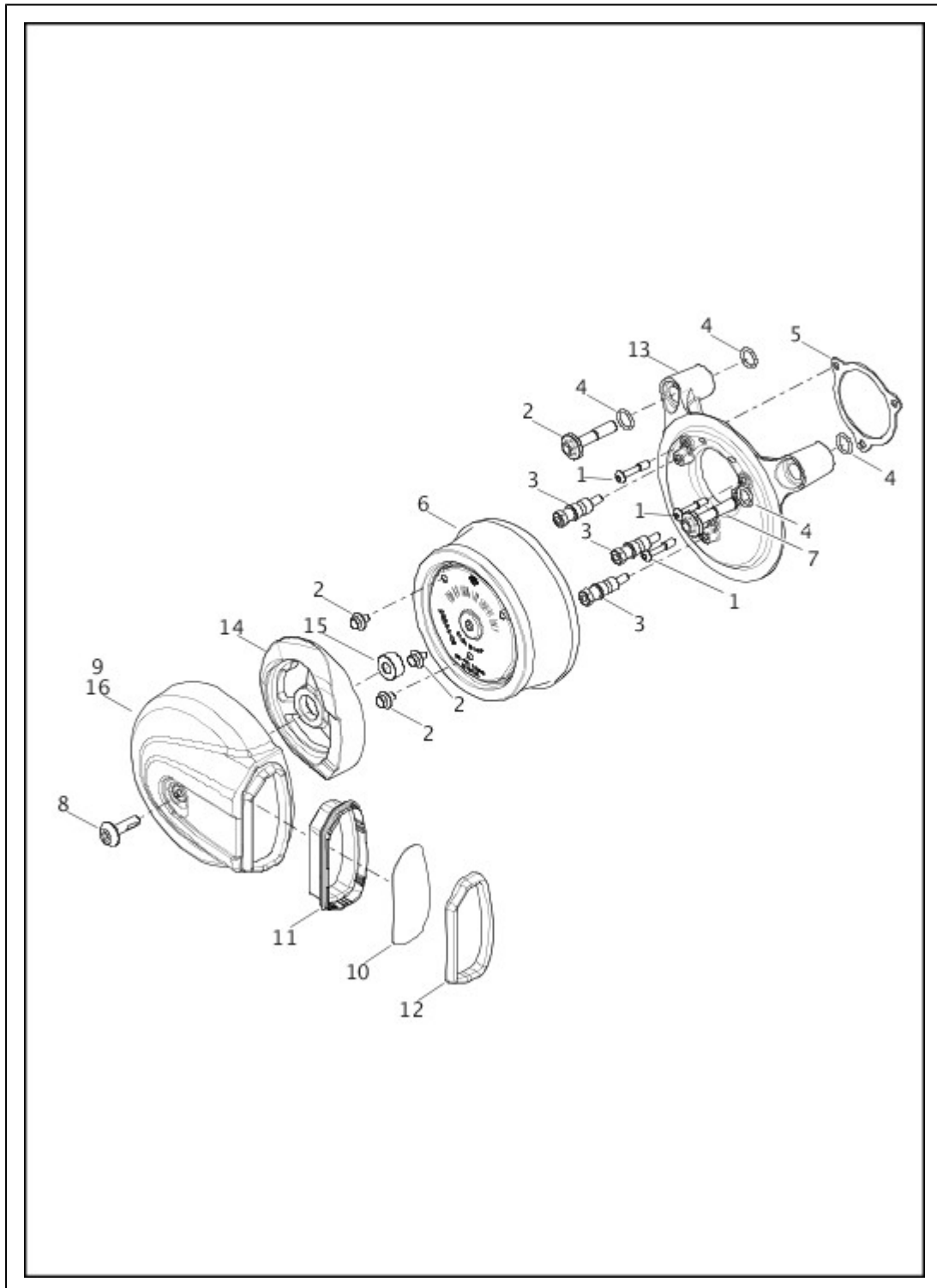
AIR CLEANER - TWIN CAM 110™ - FLSTFBS



Index No.	Part No.	Description	Model(s)
1	3048	SCREW (2)	FLSTFBS
2	8250	STUD, air cleaner (3)	FLSTFBS
3	11292	O-RING (4)	FLSTFBS
4	29241-08	GASKET	FLSTFBS
5	29267-08A	BOLT, breather (2)	FLSTFBS
6	29269-83A	SCREW, air cleaner	FLSTFBS
7	29670-09	ELEMENT, air filter	FLSTFBS

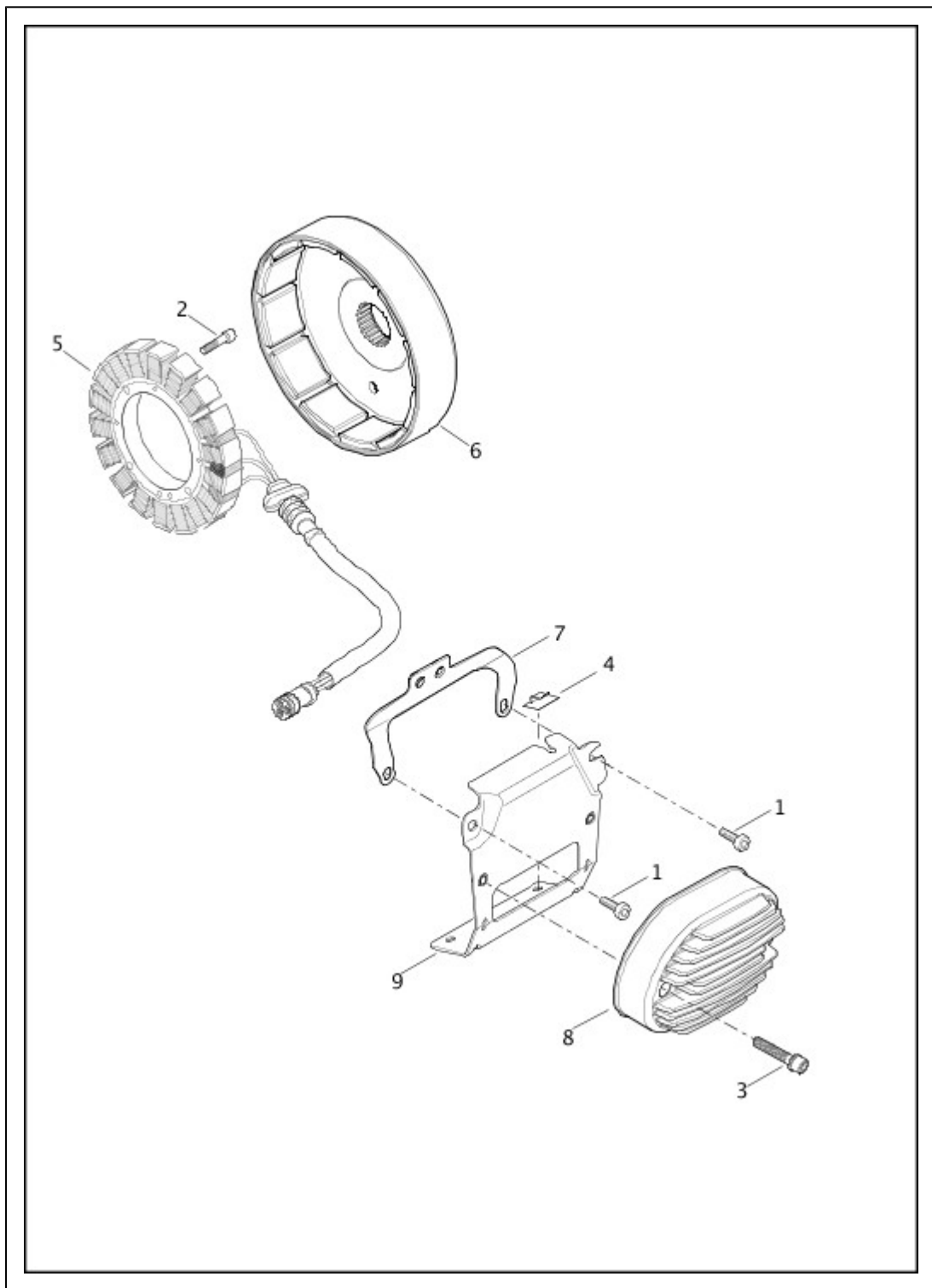
8	29762-09	RAINSOCK	FLSTFBS
9	29763-09	BACKPLATE ASSEMBLY, air cleaner (black)	FLSTFBS
10	10500053	SCREW (3)	FLSTFBS
11	14000377	LABEL, air cleaner warning (Domestic, California)	FLSTFBS
12	14100699	INSERT, air cleaner cover	FLSTFBS
13	61300365	COVER, air cleaner, with 14000377 (black)	FLSTFBS

AIR CLEANER - TWIN CAM 110™ - FLSS



Index No.	Part No.	Description	Model(s)
1	869	SCREW (3)	FLSS
2	3563	SCREW (3)	FLSS
3	8250	STUD, mounting (3)	FLSS
4	11292	O-RING (4)	FLSS
5	29241-08	GASKET, throttle body	FLSS
6	29244-08	ELEMENT	FLSS
7	29267-08A	BREATHER BOLT	FLSS
8	29327-94	SCREW	FLSS
9	14000347	WARNING LABEL, air cleaner (chrome) (Domestic, California)	FLSS
10	29200014	SCREEN, air cleaner	FLSS
11	29200015	SNORKEL, air cleaner cover (Domestic, California, Canada)	FLSS
	29200018	SNORKEL, air cleaner cover (HDI)	FLSS
12	29200017	BEZEL, air cleaner	FLSS
13	29000123	BACKPLATE	FLSS
14	29400159	ADAPTER, air cleaner cover	FLSS
15	29400161	SPACER, air cleaner cover adapter	FLSS
16	61300536	COVER KIT, air cleaner, with 14000347	FLSS

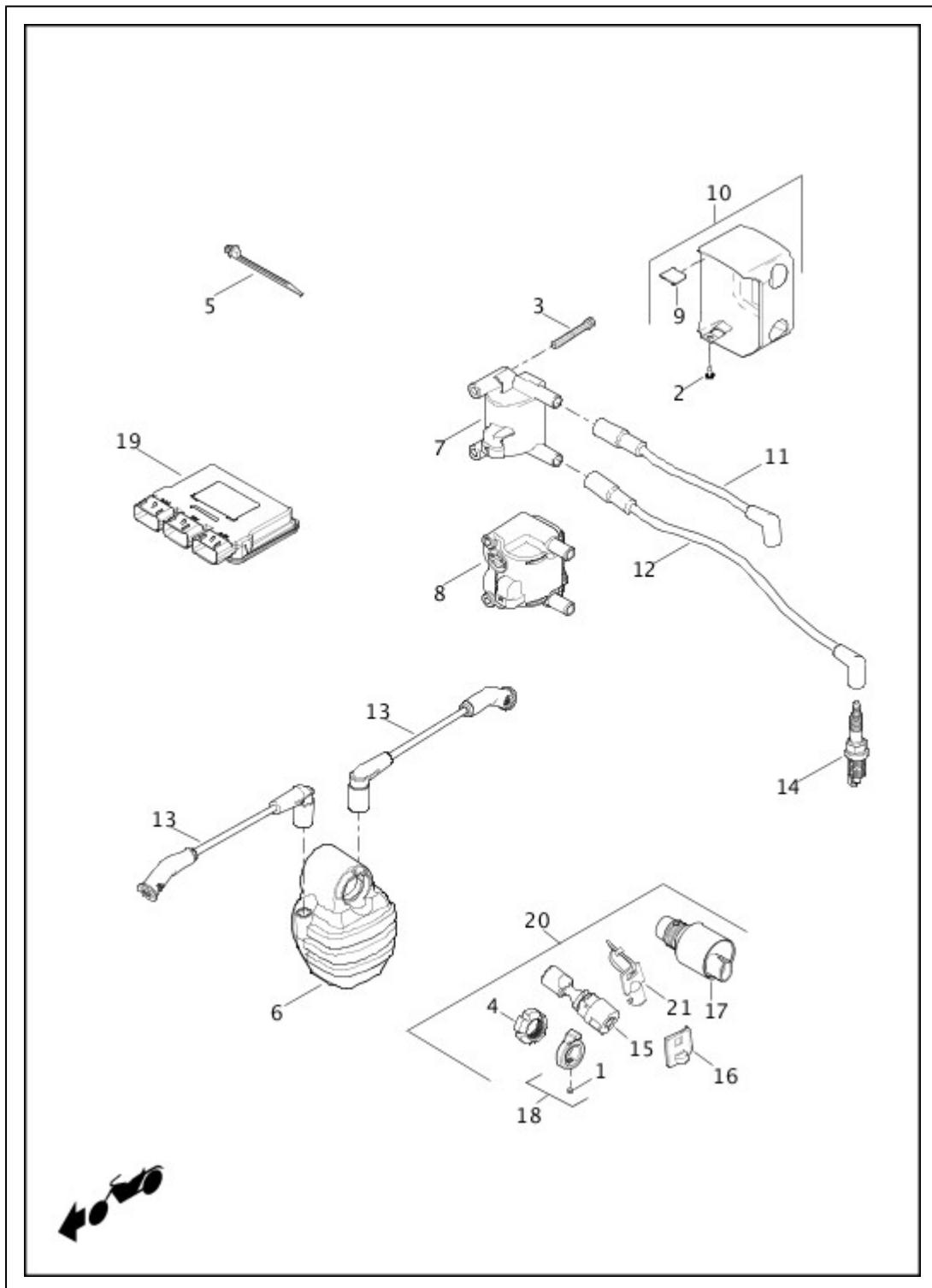
ALTERNATOR AND REGULATOR



Index No.	Part No.	Description	Model(s)
1	2941	SCREW (2)	
2	3050	SCREW, stator to crankcase (4)	
3	4814A	SCREW (2)	
4	10102	CLIP	
5	30017-08	STATOR	
6	30041-08A	ROTOR ASSEMBLY	
7	46668-11	BRACKET, front HCU	

8	74540-11	VOLTAGE REGULATOR	
9	69200052	BRACKET, regulator mounting	

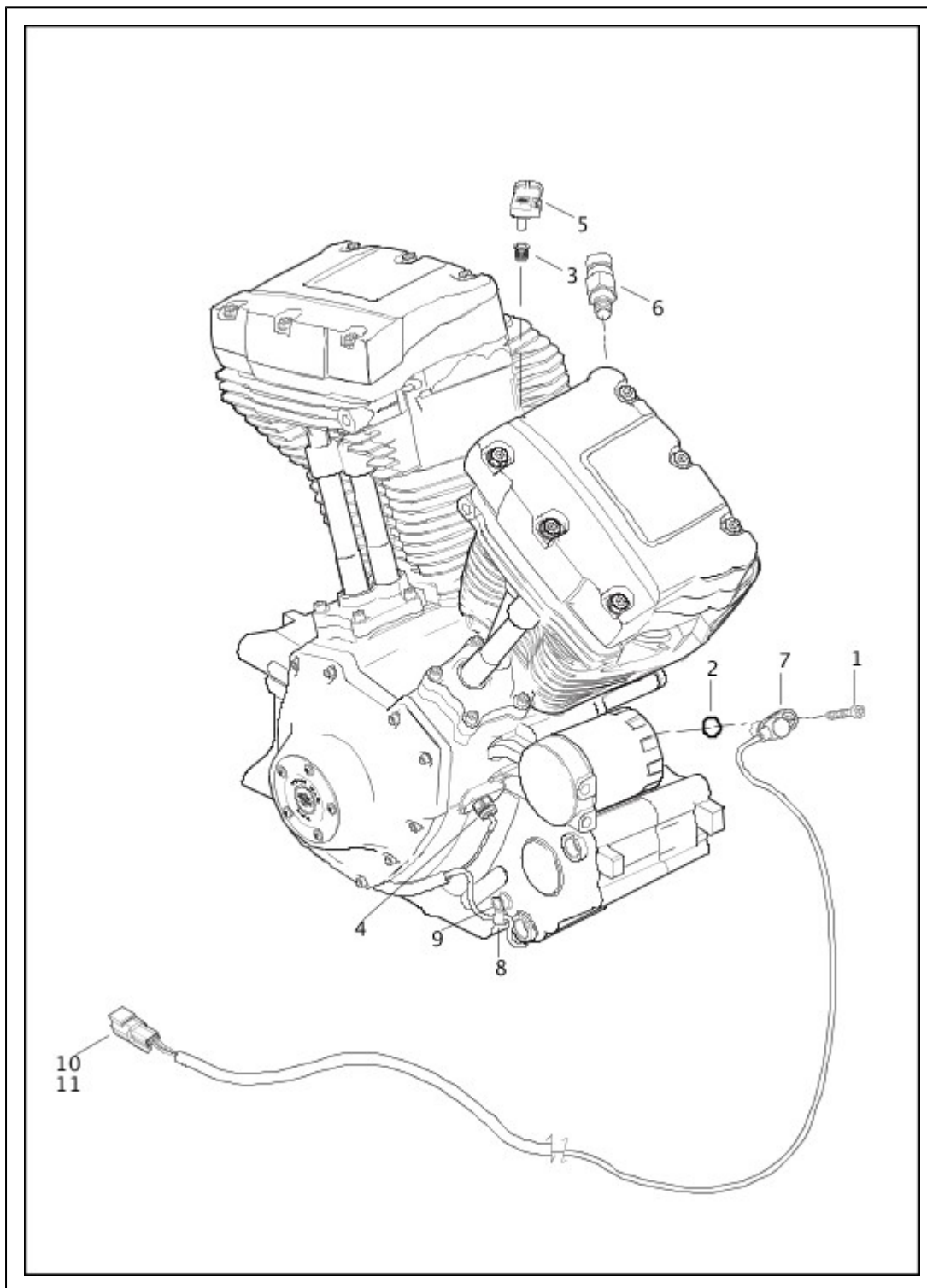
ELECTRONIC CONTROL MODULE (ECM) AND COIL



Index No.	Part No.	Description	Model(s)
1	1565	LOCK PIN	FXSB
2	3144	SCREW	FLSTC, FLSTF, FLSTFB, FLSTN,

			FLSTFBS
3	4717A	SCREW (2)	FLSTC, FLSTF, FLSTFB, FLSTN, FLS, FLSS, FLSTFBS
4	7343	NUT	FXSB
5	10177	CABLE STRAP, with plug-in retainer (4)	
6	31684-11	IGNITION COIL	FXSB
7	31696-07A	IGNITION COIL, dual	FLSTC, FLSTF, FLSTN, FLSTFB, FLSTFBS
8	31743-01	IGNITION COIL	FLS, FLSS
9	31742-00	PAD, coil cover	FLSTC, FLSTF, FLSTN, FLSTFB, FLSTFBS
10	31772-07	COIL COVER ASSEMBLY, with 31742-00 (chrome)	FLSTC, FLSTF, FLSTN
	31802-10	COIL COVER ASSEMBLY, with 31742-00 (black denim)	FLSTFB, FLSTFBS
11	31960-99A	SPARK PLUG CABLE, rear cylinder	FLSTC, FLSTF, FLSTFB, FLSTN, FLS, FLSS, FLSTFBS
12	31981-99C	SPARK PLUG CABLE, front cylinder	FLSTC, FLSTF, FLSTFB, FLSTN, FLS, FLSS, FLSTFBS
13	32001-08A	CABLE ASSEMBLY, spark plug (2)	FXSB
14	32362-04A	SPARK PLUG, 6R12 (2)	
15	45680-90	FORK LOCK	FXSB
16	61081-92	COVER, key head set	FXSB
17	71794-11	SWITCH ASSEMBLY, ignition	FXSB
18	71796-11	IGNITION SWITCH KNOB KIT, with 1565	FXSB
19	41000057	ELECTRONIC CONTROL MODULE, base level, Requires digital programming.	
20	71400077	IGNITION SWITCH AND FORK LOCKSET, with 90300043 keys, ignition switch and fork lock	FXSB
21	90300043	KEY, with 61081-92 (set of two) (specify key number)	FXSB

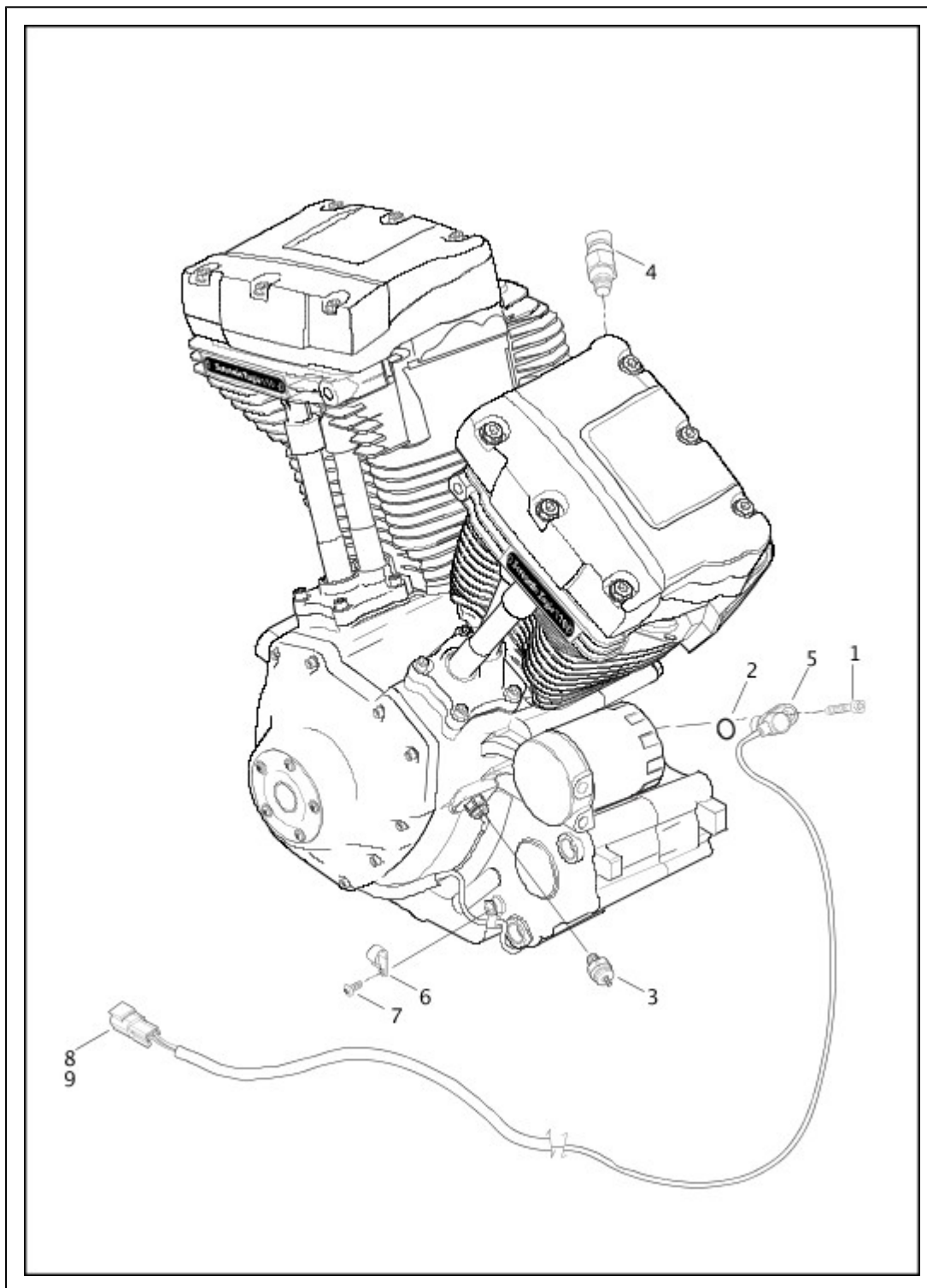
SENSORS AND SWITCHES, ENGINE - TWIN CAM 103™



Index No.	Part No.	Description	Model(s)
1	4741A	SCREW	FXSB, FLSTC, FLSTF, FLSTN, FLSTFB, FLS
2	11289A	O-RING	FXSB, FLSTC, FLSTF, FLSTN, FLSTFB, FLS
3	11291	SEAL, manifold air pressure sensor	FXSB, FLSTC, FLSTF, FLSTN, FLSTFB, FLS
4	26561-99	OIL PRESSURE SWITCH	FXSB, FLSTC, FLSTF, FLSTN, FLSTFB, FLS

5	32417-10	SENSOR, manifold air pressure, with 11291	FXSB, FLSTC, FLSTF, FLSTN, FLSTFB, FLS
6	32446-99	SENSOR, engine temperature	FXSB, FLSTC, FLSTF, FLSTN, FLSTFB, FLS
7	32707-01C	SENSOR, crankshaft position, with 11289A, 72199-94 and 74194-98	FXSB, FLSTC, FLSTF, FLSTN, FLSTFB, FLS
8	38769-07A	CLAMP	FXSB, FLSTC, FLSTF, FLSTN, FLSTFB, FLS
9	68042-99	SCREW	FXSB, FLSTC, FLSTF, FLSTN, FLSTFB, FLS
10	72199-94	CONNECTOR ANCHOR	FXSB, FLSTC, FLSTF, FLSTN, FLSTFB, FLS
11	74194-98	TERMINAL, pin, solid (2)	FXSB, FLSTC, FLSTF, FLSTN, FLSTFB, FLS

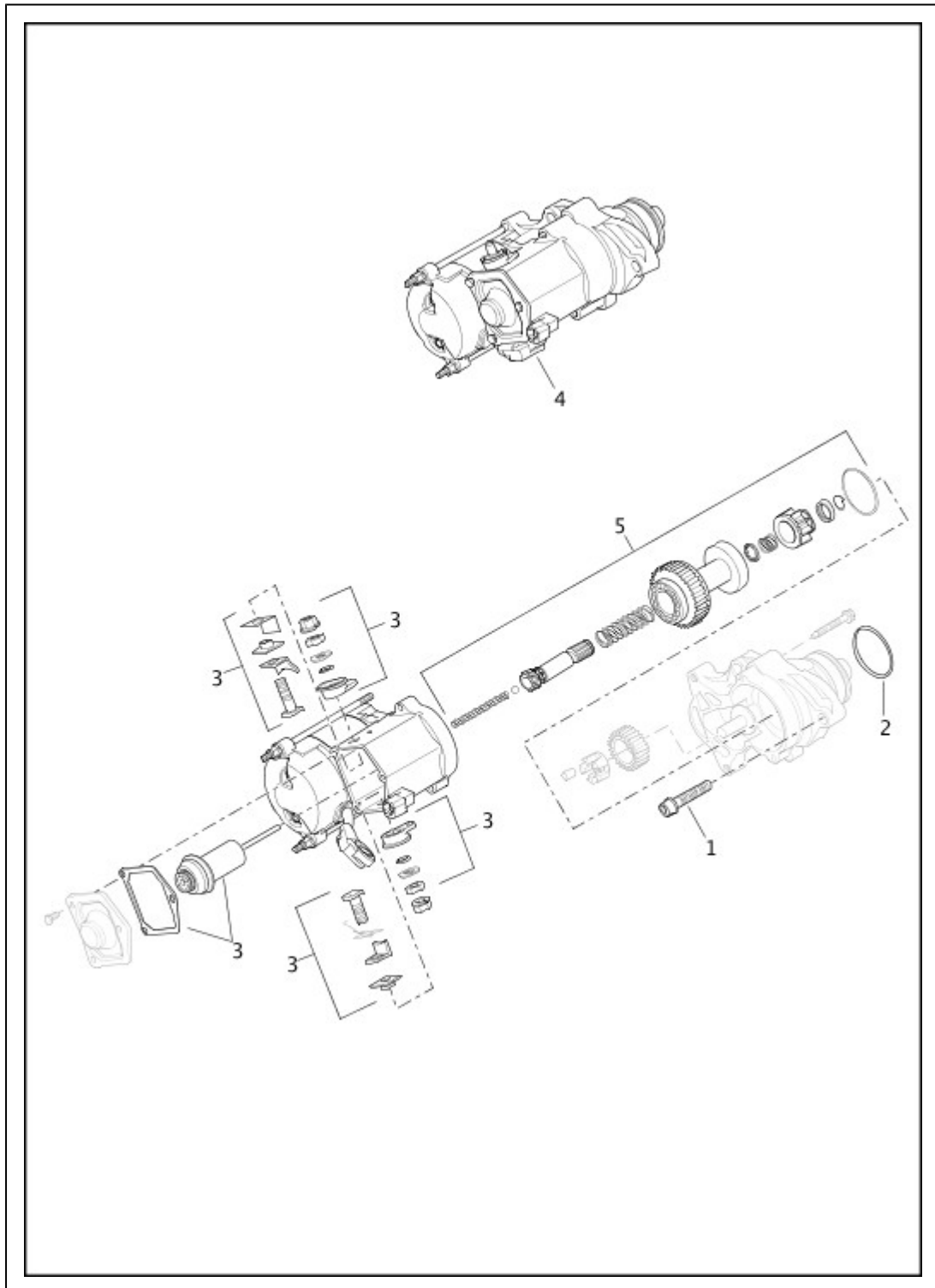
SENSORS AND SWITCHES, ENGINE - TWIN CAM 110™



Index No.	Part No.	Description	Model(s)
1	4705	SCREW	FLSS, FLSTFBS
2	11289A	O-RING	FLSS, FLSTFBS
3	26561-99	OIL PRESSURE SWITCH	FLSS, FLSTFBS
4	32446-99	SENSOR, engine temperature	FLSS, FLSTFBS
5	32707-01C	SENSOR, crankshaft position, with 11289A, 72199-94 and 74194-98	FLSS, FLSTFBS
6	38769-07A	CLAMP	FLSS, FLSTFBS
7	68042-99	SCREW	FLSS, FLSTFBS

8	72199-94	CONNECTOR ANCHOR	FLSS, FLSTFBS
9	74194-98	TERMINAL PIN, solid (2)	FLSS, FLSTFBS

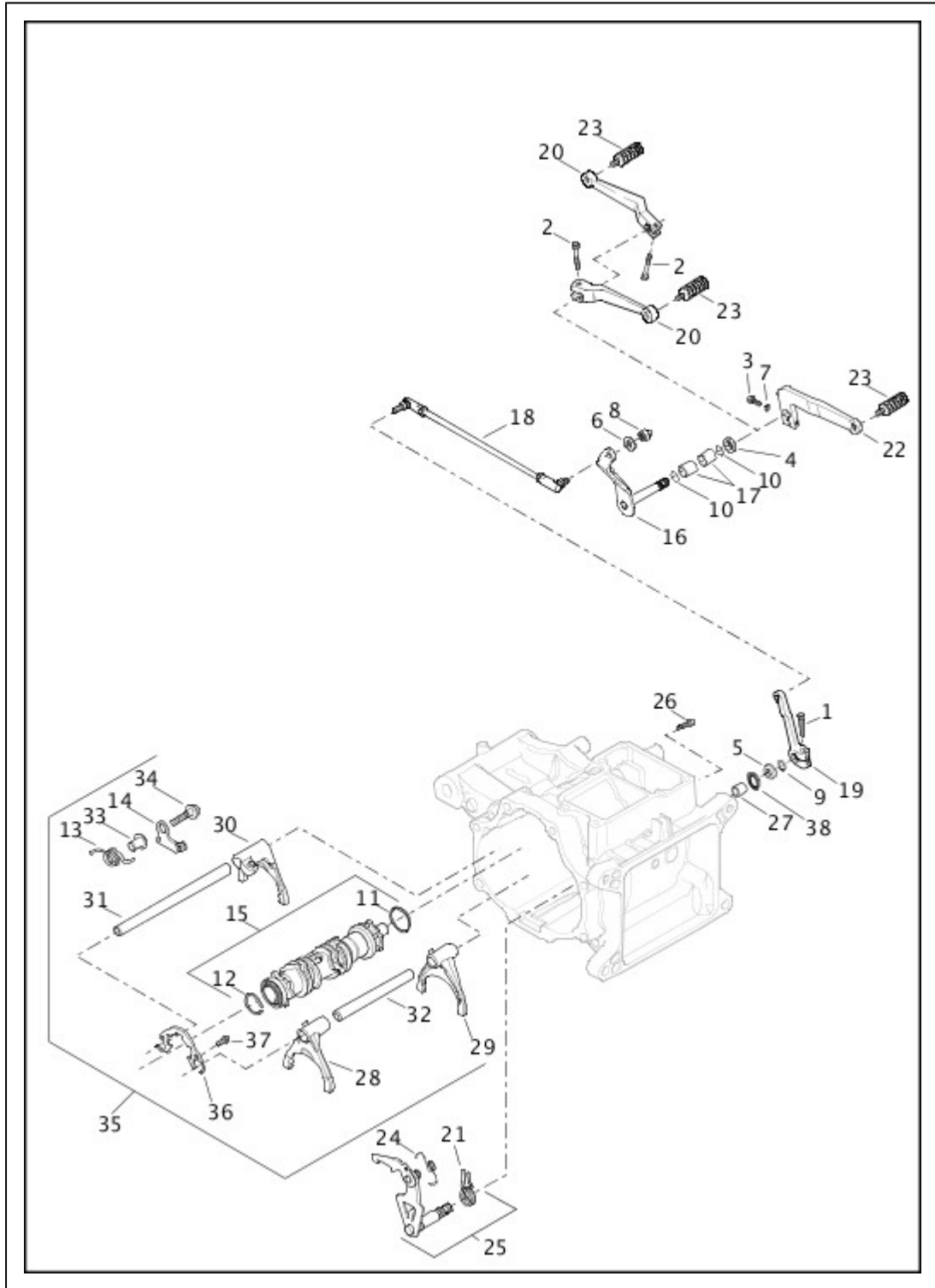
STARTER MOTOR



Index No.	Part No.	Description	Model(s)
1	4419	SCREW, starter mount (2)	
2	27444-00Y	O-RING, starter-to-case	

3	31604-06	SOLENOID REPAIR KIT	
4	31618-06A	STARTER ASSEMBLY COMPLETE, (black)	
5	31633-07A	CLUTCH SUBASSEMBLY	

SHIFTER, GEAR

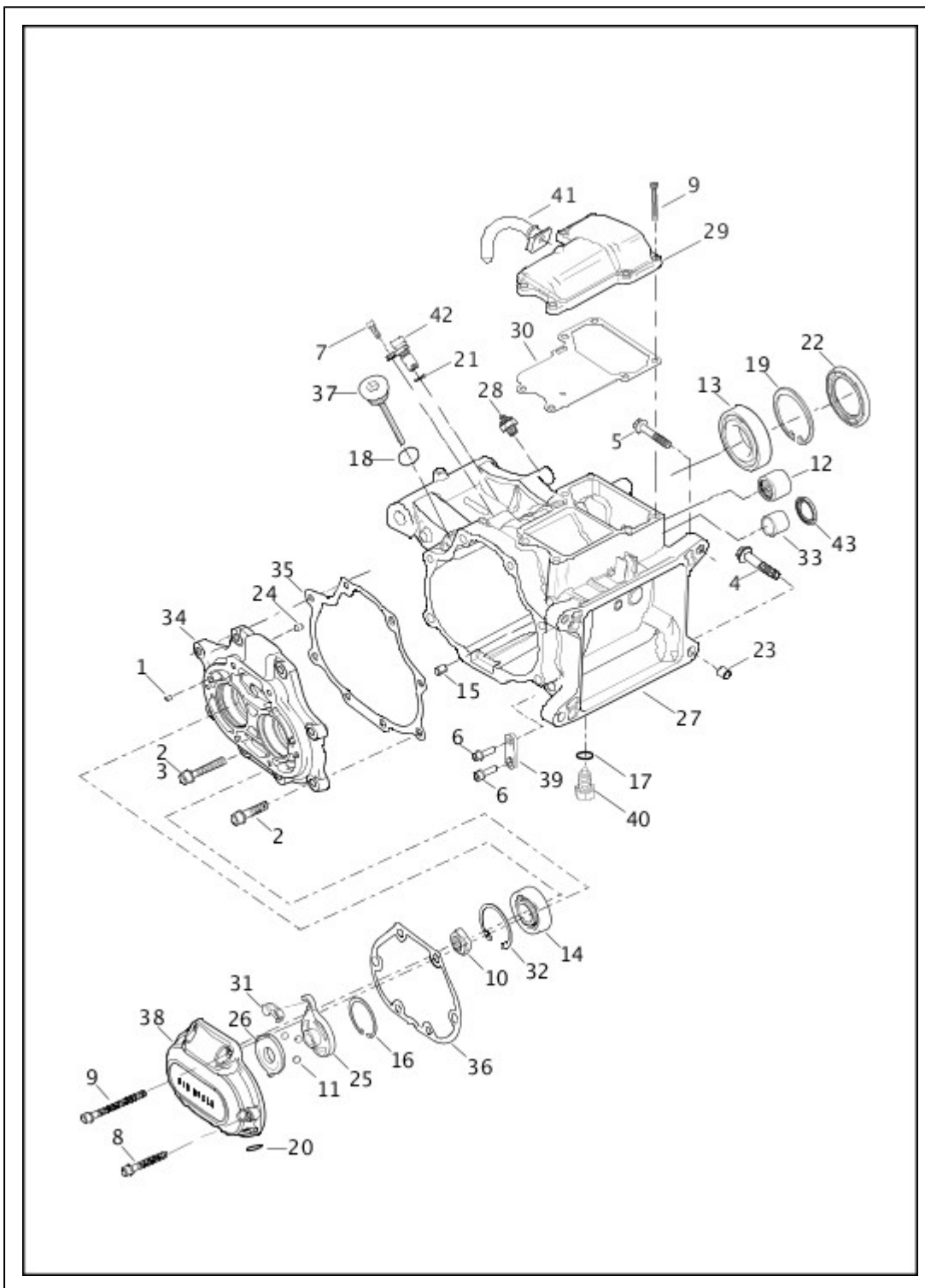


Index No.	Part No.	Description	Model(s)
1	856A	SCREW	

2	3275	SCREW (2)	
3	4017	BOLT	FXSB
4	6057	WASHER	
5	6497HW	WASHER	
6	6702	WASHER	
7	7041	LOCKWASHER	FXSB
8	7330	ACORN NUT	
9	11150	RETAINING RING	
10	11191	O-RING (2)	
11	11389	RING, shift cam retaining	
12	11575	RING, shift cam retaining	
13	33389-07	SPRING, detent	
14	33409-06B	DETENT ARM ASSEMBLY, with 33389-07	
15	33413-06A	CAM, shift, with 11389, 11575 and bearing	
16	33660-07	SHIFT LEVER, (chrome)	FXSB
	33668-07	SHIFT LEVER, (chrome)	FLSTC, FLSTF, FLSTN, FLSTFB, FLS, FLSS, FLSTFBS
17	33708-94	BEARING SLEEVE (2)	
18	33719-79B	SHIFTER ROD	
19	33849-97	LEVER, shifter rod	
20	33895-82D	SHIFT LEVER KIT, with 3275 and shifter lever (2)	FLSTC, FLSTF, FLSTN, FLSTFB, FLS, FLSS, FLSTFBS
21	34064-00C	SPRING, shift lever centering	
22	34564-90B	SHIFT LEVER, (chrome)	FXSB
23	34611-65A	PEG, shift lever	FXSB
23	34611-65A	PEG, shift lever (2)	FLSTC, FLSTF, FLSTN, FLSTFB, FLS, FLSS, FLSTFBS
24	34987-06	SPRING, ratchet lever	
25	35081-06	SHIFT MECHANISM, with 34064-00C and 34987-06	
26	35082-07	CENTERING SCREW, shift lever	

27	35186-06	SLEEVE	
28	35187-06	FORK, shift 1 - 2	
29	35210-06	FORK, shift 3 - 4	
30	35217-06	FORK, shift 5 - 6	
31	35222-06	SHAFT, 5 - 6 shift fork	
32	35223-06	SHAFT, 1 - 2 and 3 - 4 shift fork	
33	35243-06	SLEEVE	
34	35244-06	SCREW, detent	
35	35246-10A	GEAR PACK, FORKS AND DRUM SUBASSEMBLY, with 11, 12, 13, 14, 15, 28, 29, 30, 31, 32, 33, 34, 35, 36, 7340, 35260-06, input shaft, countershaft and gears (black)	
36	35249-06A	LOCK PLATE, shift cam	
37	35259-06	SCREW, shift drum support (2)	
38	11000101	OIL SEAL	

TRANSMISSION HOUSING - FXSB, FLSTC, FLSTF, FLSTN, FLSTFB AND FLS



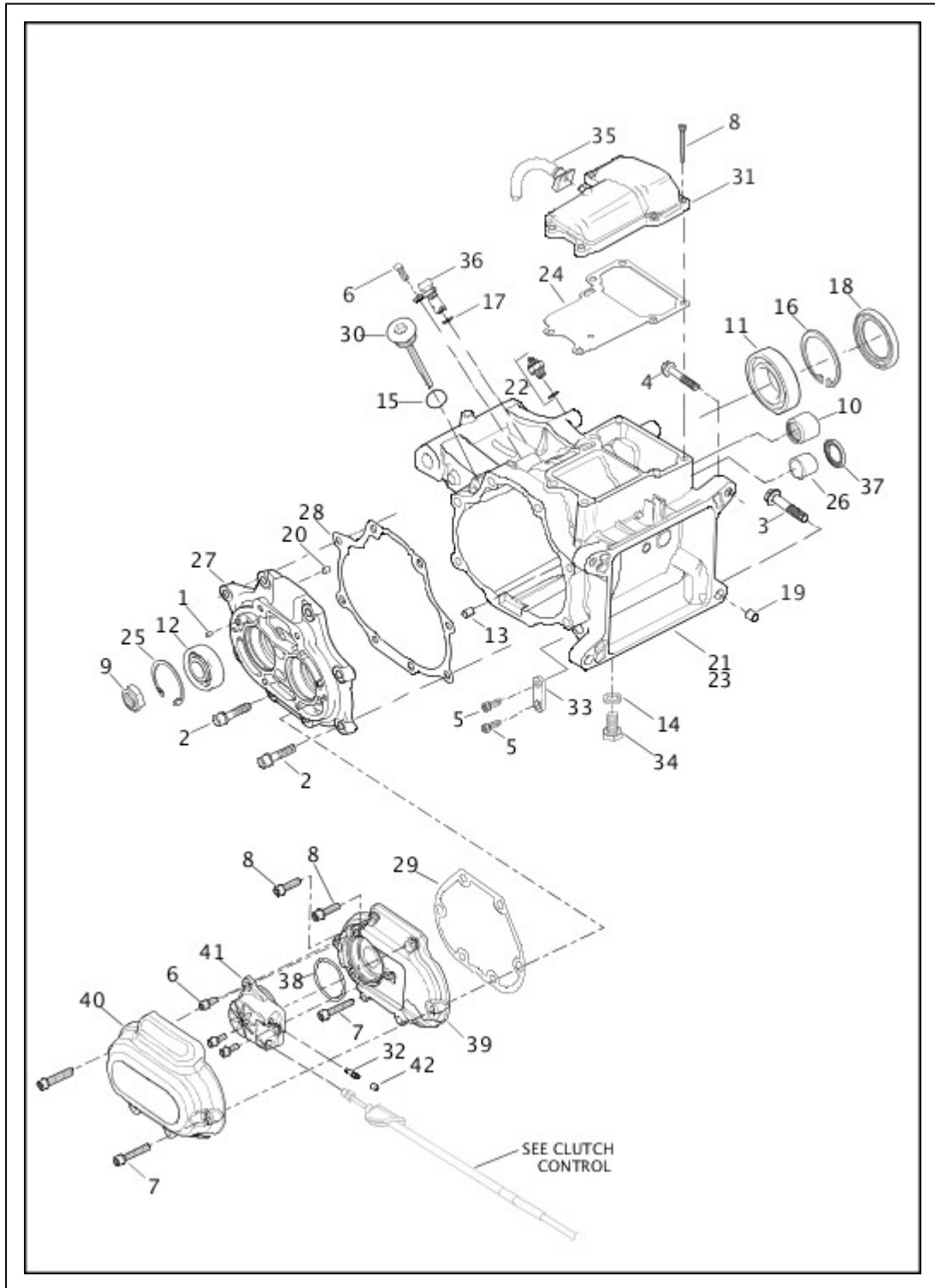
Index No.	Part No.	Description	Model(s)
1	221	PIN (2)	FXSB, FLSTC, FLSTF, FLSTN, FLSTFB, FLS
2	3249	SCREW (6)	FLSTF, FLSTN, FLSTFB, FLS
2	3249	SCREW (8)	FLSTC, FXSB
3	3300	SCREW, bottom two holes of bearing housing (2)	FLSTF, FLSTN, FLSTFB, FLS
4	3699D	SCREW (2)	FXSB, FLSTC, FLSTF, FLSTN, FLSTFB, FLS

5	3983	SCREW (2)	FXSB, FLSTC, FLSTF, FLSTN, FLSTFB, FLS
6	4688	SCREW (2)	FXSB, FLSTC, FLSTF, FLSTN, FLSTFB, FLS
7	4705	SCREW	FXSB, FLSTC, FLSTF, FLSTN, FLSTFB, FLS
8	4718A	SCREW, side cover to bearing plate (4)	FXSB, FLSTC, FLSTF, FLSTN, FLSTFB, FLS
9	4741A	SCREW (8)	FXSB, FLSTC, FLSTF, FLSTN, FLSTFB, FLS
10	7340	NUT (2)	FXSB, FLSTC, FLSTF, FLSTN, FLSTFB, FLS
11	8873	BALL (3)	FXSB, FLSTC, FLSTF, FLSTN, FLSTFB, FLS
12	8963	NEEDLE BEARING	FXSB, FLSTC, FLSTF, FLSTN, FLSTFB, FLS
13	8967	BALL BEARING	FXSB, FLSTC, FLSTF, FLSTN, FLSTFB, FLS
14	8970A	BALL BEARING (2)	FXSB, FLSTC, FLSTF, FLSTN, FLSTFB, FLS
15	9701A	BUSHING	FXSB, FLSTC, FLSTF, FLSTN, FLSTFB, FLS
16	10998	RETAINING RING	FXSB, FLSTC, FLSTF, FLSTN, FLSTFB, FLS
17	11105	O-RING, drain plug	FXSB, FLSTC, FLSTF, FLSTN, FLSTFB, FLS
18	11132A	O-RING, filler plug	FXSB, FLSTC, FLSTF, FLSTN, FLSTFB, FLS
19	11161	RETAINING RING, ball bearing	FXSB, FLSTC, FLSTF, FLSTN, FLSTFB, FLS
20	11179	O-RING, clutch cable	FXSB, FLSTC, FLSTF, FLSTN, FLSTFB, FLS
21	11289A	O-RING	FXSB, FLSTC, FLSTF, FLSTN, FLSTFB, FLS
22	12074	OIL SEAL (4)	FXSB, FLSTC, FLSTF, FLSTN, FLSTFB, FLS
23	16574-99A	DOWEL PIN (2)	FXSB, FLSTC, FLSTF, FLSTN, FLSTFB, FLS
24	16583-00A	BUSHING, dowel (2)	FXSB, FLSTC, FLSTF, FLSTN, FLSTFB, FLS
25	25604-00A	INNER RAMP	FXSB, FLSTC, FLSTF, FLSTN, FLSTFB, FLS
26	25605-00A	OUTER RAMP	FXSB, FLSTC, FLSTF, FLSTN, FLSTFB, FLS

27	33009-10A	TRANSMISSION REPLACEMENT, wide, without cable, covers and sensors (black)	FXSB
	33012-10A	TRANSMISSION REPLACEMENT, without cable, covers and sensors (black)	FLSTC, FLSTF, FLSTN, FLSTFB, FLS
	34799-07	TRANSMISSION CASE SUBASSEMBLY, (black)	FLSTC, FLSTF, FLSTN, FLSTFB, FLS
	34854-08	TRANSMISSION CASE SUBASSEMBLY, (black)	FXSB
28	33926-06B	SWITCH, neutral indicator, with O-ring	FXSB, FLSTC, FLSTF, FLSTN, FLSTFB, FLS
29	34469-06B	COVER, (upper) (chrome)	FLSTC, FLSTF, FLSTN, FXSB
	34521-06B	COVER, (upper) (black wrinkle)	FLSTFB
	37143-07A	COVER, (upper) (polished)	FLS
30	34917-06	GASKET, upper cover	FXSB, FLSTC, FLSTF, FLSTN, FLSTFB, FLS
31	34920-86A	COUPLING	FXSB, FLSTC, FLSTF, FLSTN, FLSTFB, FLS
32	35087-99A	RETAINING RING, bearing (2)	FXSB, FLSTC, FLSTF, FLSTN, FLSTFB, FLS
33	35186-06	SLEEVE	FXSB, FLSTC, FLSTF, FLSTN, FLSTFB, FLS
34	35260-06A	BEARING HOUSING ASSEMBLY, (black)	FLSTC, FLSTF, FLSTN, FLSTFB, FLS, FXSB
35	35654-06	GASKET, bearing housing	FXSB, FLSTC, FLSTF, FLSTN, FLSTFB, FLS
36	36805-06	GASKET, right side cover	FXSB, FLSTC, FLSTF, FLSTN, FLSTFB, FLS
37	37065-06	DIPSTICK, (chrome)	FXSB, FLSTC, FLSTF, FLSTN, FLSTFB, FLS
38	37116-06	CLUTCH RELEASE COVER, (chrome)	FLSTC, FLSTF, FLSTN
	37142-07	CLUTCH RELEASE COVER, (polished)	FLS
	37144-08	CLUTCH RELEASE COVER, (chrome)	FXSB
	37186-10	CLUTCH RELEASE COVER, (satin chrome)	FLSTFB
39	48052-07	BRACKET, transmission mounting (right)	FXSB, FLSTC, FLSTF, FLSTN, FLSTFB, FLS
40	60328-98B	PLUG ASSEMBLY, magnetic drain, with 11105	FXSB, FLSTC, FLSTF, FLSTN, FLSTFB, FLS
41	62372-09	VENT HOSE	FXSB, FLSTC, FLSTF, FLSTN, FLSTFB, FLS
42	74402-	SENSOR, speedometer	FXSB, FLSTC, FLSTF, FLSTN,

	05B		FLSTFB, FLS
43	11000101	OIL SEAL	FXSB, FLSTC, FLSTF, FLSTN, FLSTFB, FLS

TRANSMISSION HOUSING - FLSS AND FLSTFBS

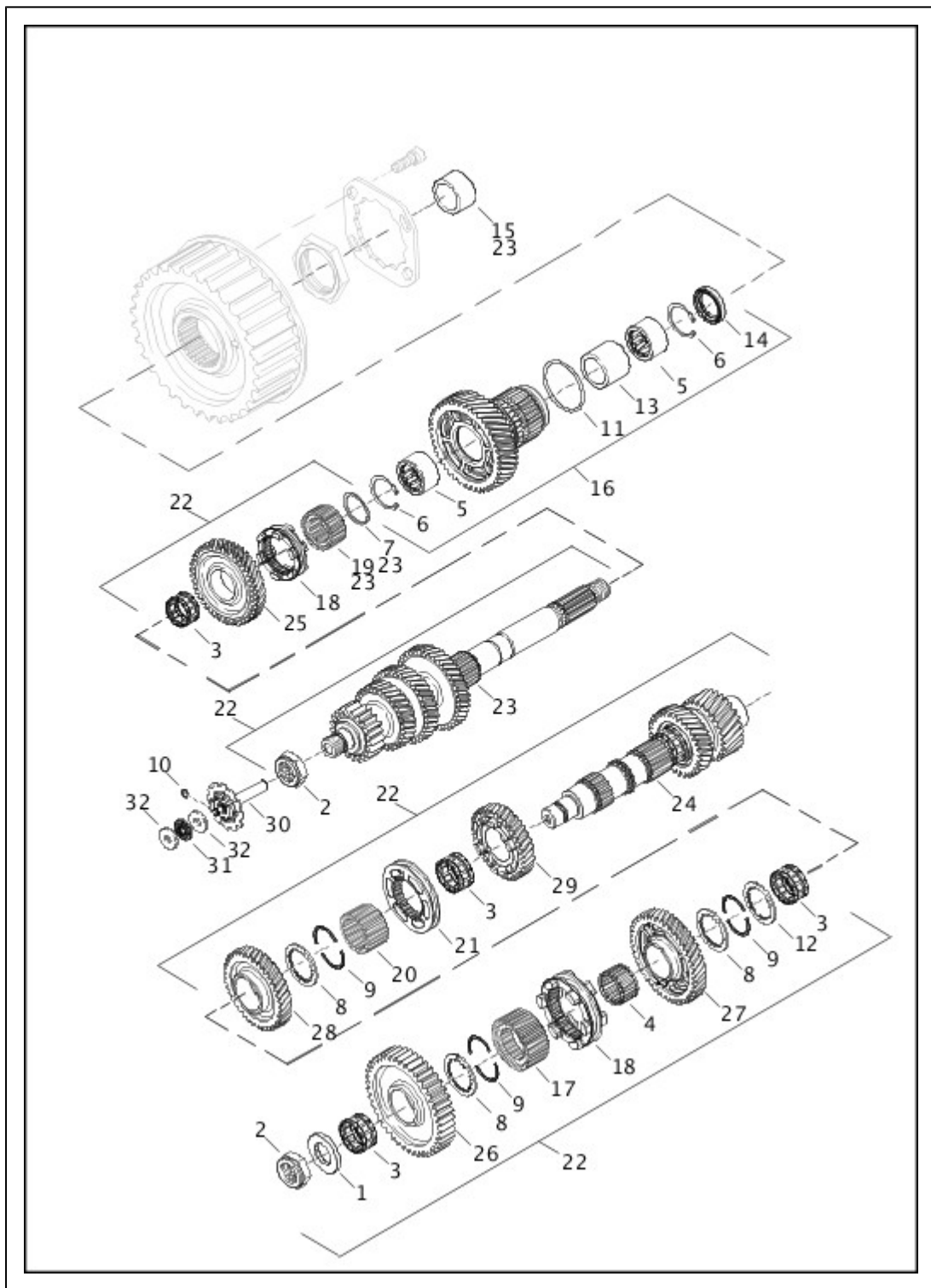


Index No.	Part No.	Description	Model(s)
1	221	PIN (2)	FLSS, FLSTFBS

2	3249	SCREW (8)	FLSS, FLSTFBS
3	3699D	SCREW (2)	FLSS, FLSTFBS
4	3983	SCREW (2)	FLSS, FLSTFBS
5	4688	SCREW	FLSS, FLSTFBS
6	4705	SCREW (4)	FLSS, FLSTFBS
7	4718A	SCREW (4)	FLSS, FLSTFBS
8	4741A	SCREW (8)	FLSS, FLSTFBS
9	7340	NUT, mainshaft and countershaft (2)	FLSS, FLSTFBS
10	8963	NEEDLE BEARING	FLSS, FLSTFBS
11	8967	BALL BEARING	FLSS, FLSTFBS
12	8970A	BALL BEARING (2)	FLSS, FLSTFBS
13	9701A	BUSHING	FLSS, FLSTFBS
14	11105	O-RING, drain plug	FLSS, FLSTFBS
15	11132A	O-RING, filler plug	FLSS, FLSTFBS
16	11161	RETAINING RING, ball bearing	FLSS, FLSTFBS
17	11289A	O-RING	FLSS, FLSTFBS
18	12074	OIL SEAL	FLSS, FLSTFBS
19	16574-99A	DOWEL RING (2)	FLSS, FLSTFBS
20	16583-00A	BUSHING, dowel (2)	FLSS, FLSTFBS
21	33012-10A	TRANSMISSION REPLACEMENT, without covers and sensors (black)	FLSS, FLSTFBS
22	33926-06B	SWITCH, neutral indicator, with O-ring	FLSS, FLSTFBS
23	34799-07	TRANSMISSION CASE SUBASSEMBLY, with 3594, 8963, 8967, 9701A, 11161, 12074, 16574-99A, 35122-06, 35186-06, 35241-06, 35242-061, 40659-06, 60328-	FLSS, FLSTFBS

		98B, 11000101 and shift lever centering screw (black)	
24	34917-06	GASKET, upper cover	FLSS, FLSTFBS
25	35087-99A	RETAINING RING, bearing (2)	FLSS, FLSTFBS
26	35186-06	SLEEVE	FLSS, FLSTFBS
27	35260-06A	BEARING HOUSING ASSEMBLY, with 221, 8970A, 16583-00A and 35087-99A (black)	FLSS, FLSTFBS
28	35654-06	GASKET, bearing housing	FLSS, FLSTFBS
29	36805-06	GASKET, right side cover	FLSS, FLSTFBS
30	37065-06	FILLER PLUG, (chrome)	FLSS, FLSTFBS
31	37195-11	COVER, upper (black)	FLSS, FLSTFBS
32	44613-02	BLEEDER SCREW	FLSS, FLSTFBS
33	48052-07	BRACKET, transmission mounting, right	FLSS, FLSTFBS
34	60328-98B	PLUG ASSEMBLY, magnetic, with 11105	FLSS, FLSTFBS
35	62372-09	VENT HOSE	FLSS, FLSTFBS
36	74402-05B	SENSOR, speedometer	FLSS, FLSTFBS
37	11000101	OIL SEAL	FLSS, FLSTFBS
38	11900035	O-RING	FLSS, FLSTFBS
39	25700178	INNER SIDE COVER	FLSS, FLSTFBS
40	25700180	SIDE COVER, (black)	FLSS, FLSTFBS
41	37200023	SECONDARY CLUTCH ACTUATOR, with 44613-02, 11900035 and 37200034	FLSS, FLSTFBS
42	37200034	CAP, bleeder screw	FLSS, FLSTFBS

TRANSMISSION GEARS

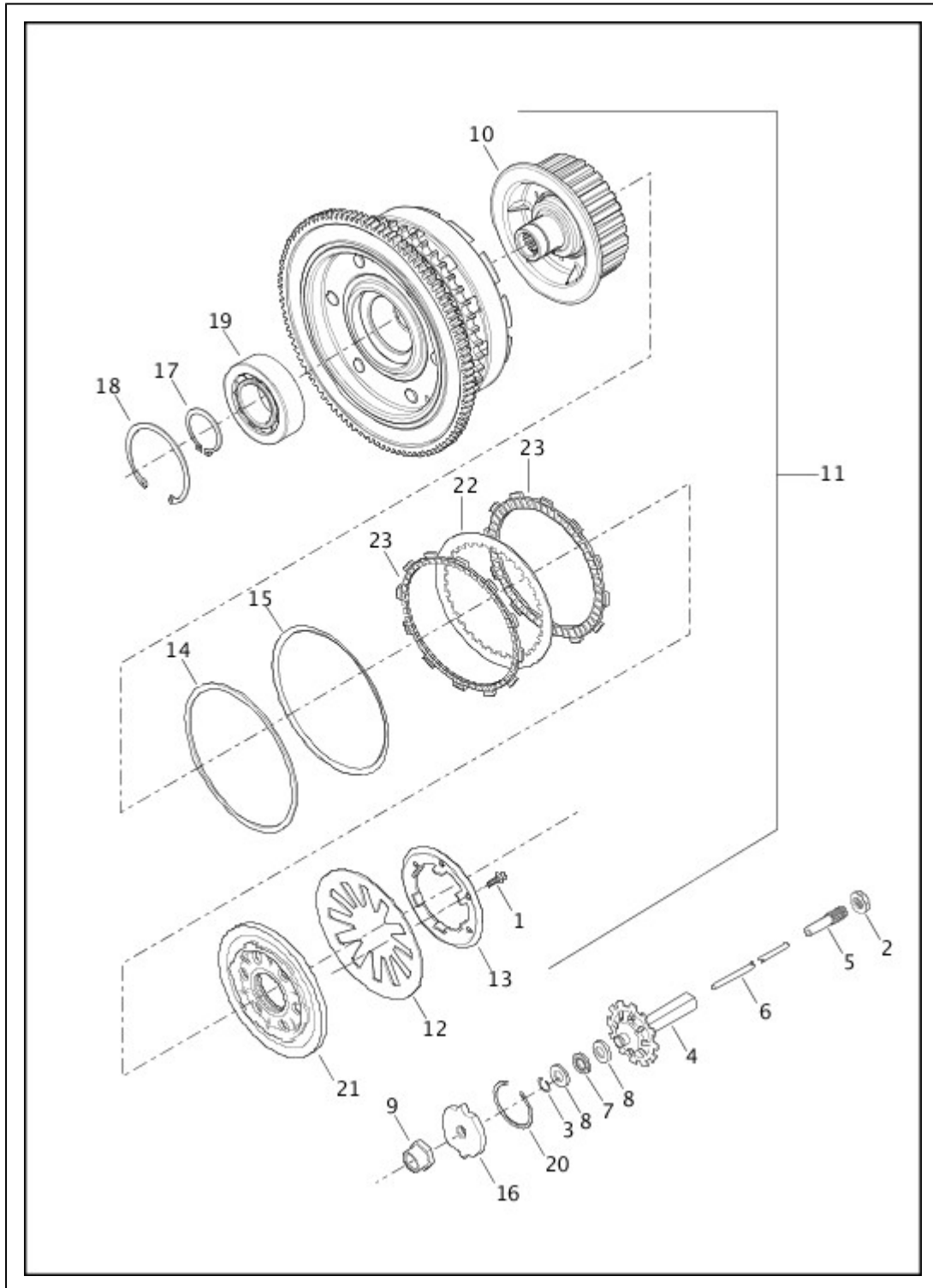


Index No.	Part No.	Description	Model(s)
1	5837A	SPACER	
2	7340	NUT (2)	
3	8026K	BEARING, needle (4)	
4	8041	BEARING, needle	
5	8042	BEARING, needle (2)	
6	10991A	RETAINING RING (2)	

7	11061A	RETAINING RING	
8	11081A	RING, lock (3)	
9	11082	SECURING SEGMENT (6)	
10	11096	RETAINING RING	FXSB, FLSTC, FLSTF, FLSTN, FLSTFB, FLS
11	11201	O-RING	
12	11207A	WASHER, internal spline	
13	11599A	SPACER, bearing	
14	12077	OIL SEAL	
15	34091-08	BEARING, inner race	
16	35122-06	GEAR ASSEMBLY, driven output, with 8042, 10991A, 11201, 11599A and 12077	
17	35124-06	GUIDE HUB, dog ring	
18	35126-06	DOG RING, lugged (2)	
19	35201-10	GUIDE HUB, dog ring	
20	35202-06	GUIDE HUB, dog ring	
21	35204-06	DOG RING, pocketed	
22	35246-10A	GEAR PACK, FORKS AND DRUM SUBASSEMBLY, with 1, 2, 3, 4, 7, 8, 9, 12, 17, 18, 19, 20, 21, 23, 24, 25, 26, 27, 28, 29, 35260-06, shifter cam and forks (black)	
23	35467-06B	INPUT SHAFT KIT, with 11061A, 34091-08 and 35201-10	
24	35470-10	COUNTER SHAFT ASSEMBLY	
25	35801-10	GEAR, fifth input	
26	35805-06A	GEAR, countershaft first	
27	35807-06	GEAR, countershaft second	
28	35811-06	GEAR, countershaft third	
29	35814-06	GEAR, countershaft fourth	
30	37069-	ROD ASSEMBLY	FXSB, FLSTC,

	90A		FLSTF, FLSTN, FLSTFB, FLS
31	37312-75	BEARING	FXSB, FLSTC, FLSTF, FLSTN, FLSTFB, FLS
32	37313-80	THRUST RACE BEARING (2)	FXSB, FLSTC, FLSTF, FLSTN, FLSTFB, FLS

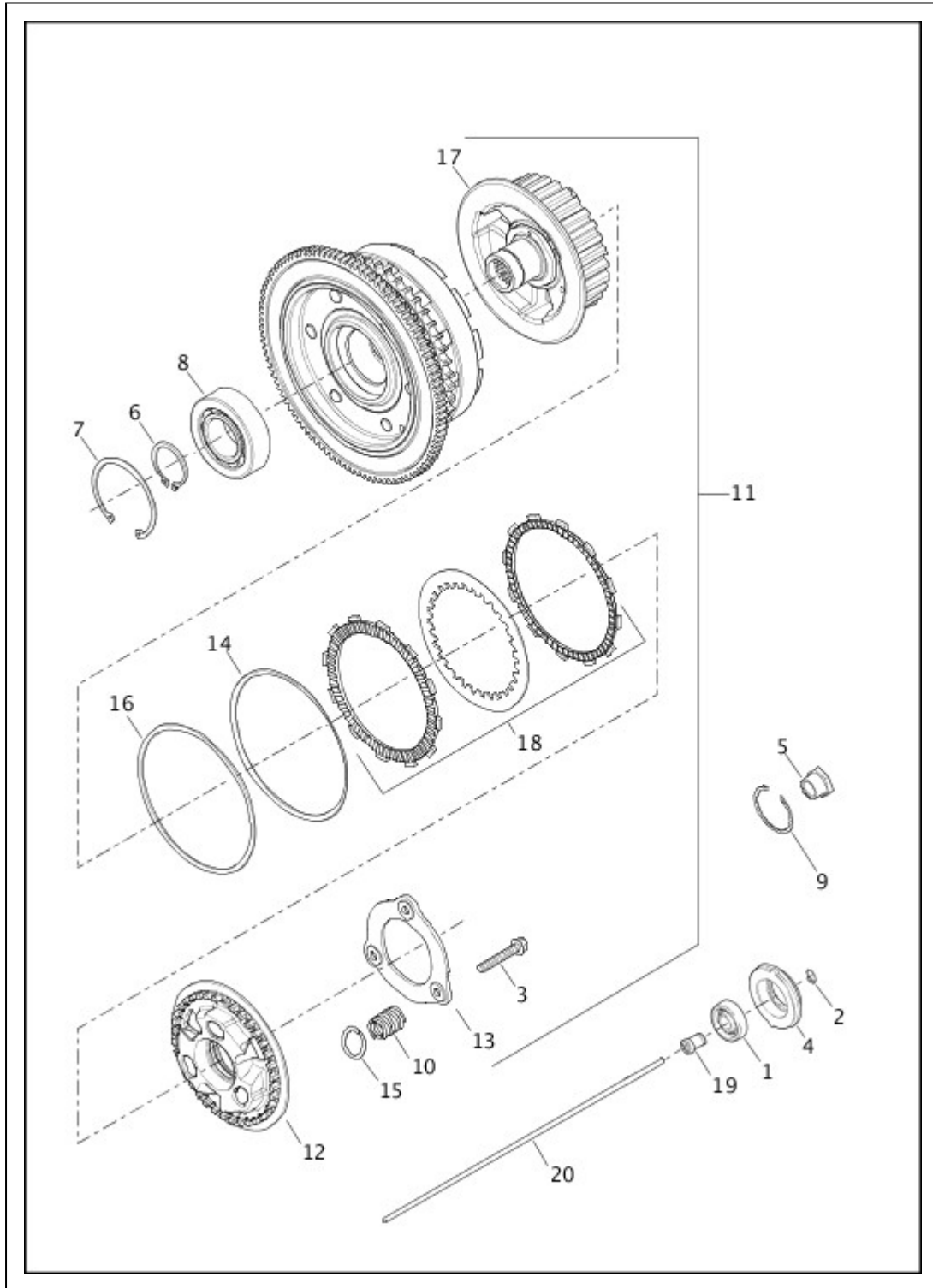
CLUTCH - TWIN CAM 103™



Index No.	Part No.	Description	Model(s)
1	2980	SCREW (6)	FLSTC, FLSTF, FLSTN, FLSTFB, FLS, FXSB
2	7848W	JAMNUT	FLSTC, FLSTF, FLSTN, FLSTFB, FLS, FXSB
3	11096	RETAINING RING	FLSTC, FLSTF, FLSTN, FLSTFB, FLS, FXSB
4	37069-90A	ROD ASSEMBLY	FLSTC, FLSTF, FLSTN, FLSTFB, FLS, FXSB
5	37090-98A	SCREW, adjuster	FLSTC, FLSTF, FLSTN, FLSTFB, FLS, FXSB
6	37092-06	PUSHROD, clutch release (through mainshaft)	FLSTC, FLSTF, FLSTN, FLSTFB, FLS, FXSB
7	37312-75	BEARING, pushrod	FLSTC, FLSTF, FLSTN, FLSTFB, FLS, FXSB
8	37313-80	THRUST RACE BEARING (2)	FLSTC, FLSTF, FLSTN, FLSTFB, FLS, FXSB
9	37496-90A	NUT, mainshaft	FLSTC, FLSTF, FLSTN, FLSTFB, FLS, FXSB
10	37554-11	CLUTCH HUB, with hub, thrust washer, spring washer and retaining ring	FLSTC, FLSTF, FLSTN, FLSTFB, FLS, FXSB
11	37816-11	CLUTCH ASSEMBLY, with 1, 10, 12, 13, 14, 15, 17, 18, 19, 21, 22 and 23	FLSTC, FLSTF, FLSTN, FLSTFB, FLS, FXSB
12	37871-04	SPRING, diaphragm (yellow)	FLSTC, FLSTF, FLSTN, FLSTFB, FLS, FXSB
	37871-98A	SPRING, diaphragm	FLSTC, FLSTF, FLSTN, FLSTFB, FXSB
13	37872-00	CLUTCH SPRING SEAT	FLSTC, FLSTF, FLSTN, FLSTFB, FLS, FXSB
14	37883-98	SEAT, damper spring	FLSTC, FLSTF, FLSTN, FLSTFB, FLS, FXSB
15	37884-98	DAMPER SPRING	FLSTC, FLSTF, FLSTN, FLSTFB, FLS, FXSB
16	37903-90	RELEASE PLATE	FLSTC, FLSTF, FLSTN, FLSTFB, FLS, FXSB
17	37904-90	RETAINING RING, internal	FLSTC, FLSTF, FLSTN, FLSTFB, FLS, FXSB
18	37905-00	RETAINING RING, internal	FLSTC, FLSTF, FLSTN, FLSTFB, FLS, FXSB
19	37906-11	BEARING, ball - double row	FLSTC, FLSTF, FLSTN, FLSTFB, FLS, FXSB
20	37909-90	RETAINING RING, internal	FLSTC, FLSTF, FLSTN, FLSTFB, FLS, FXSB

21	37912-00	PLATE, clutch, pressure	FLSTC, FLSTF, FLSTN, FLSTFB, FLS, FXSB
22	37913-98	PLATE CLUTCH (8)	FLSTC, FLSTF, FLSTN, FLSTFB, FLS, FXSB
23	37932-98	FRICITION PLATE KIT, includes all nine friction plates	FLSTC, FLSTF, FLSTN, FLSTFB, FLS, FXSB

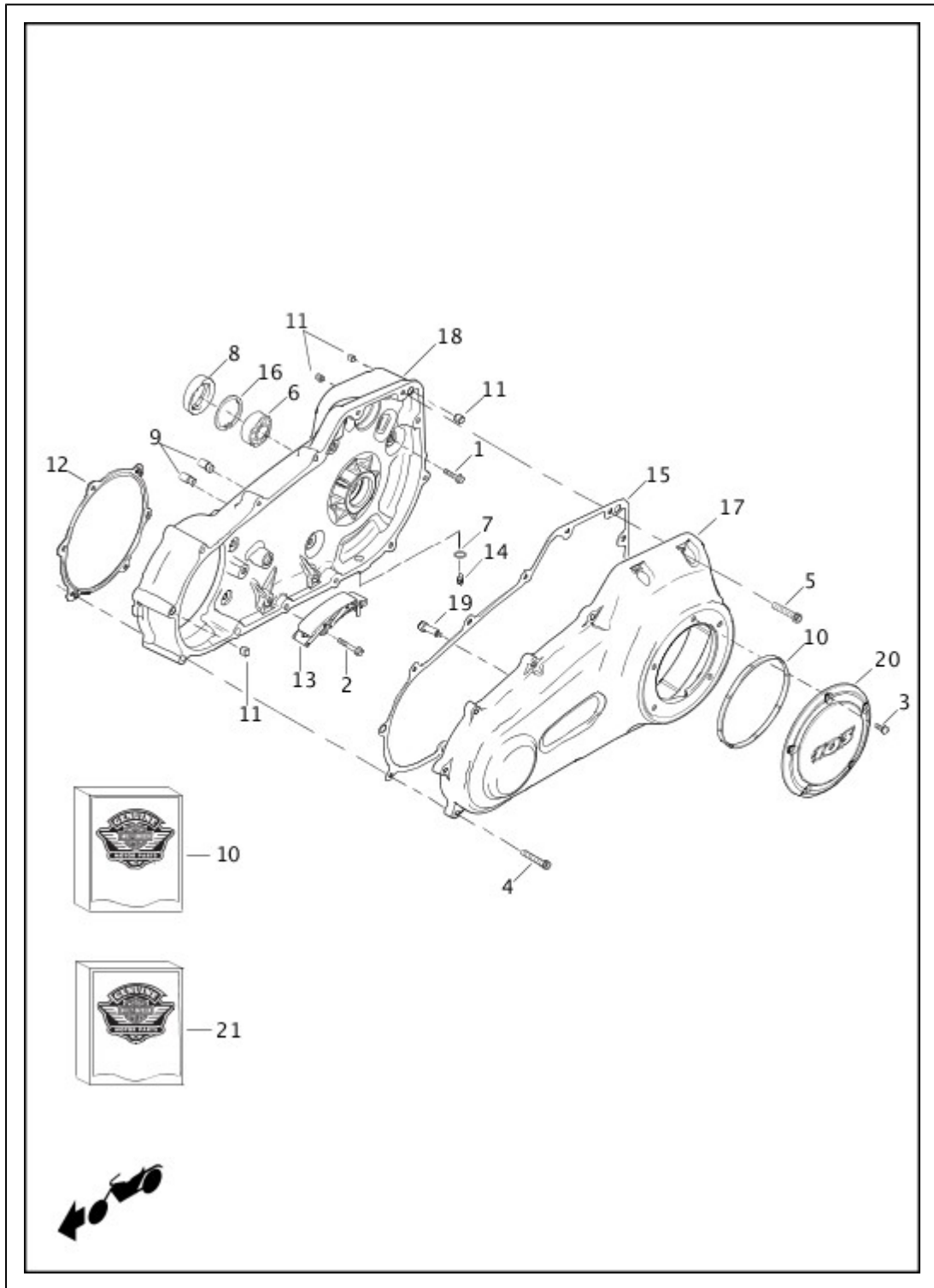
CLUTCH - ASSIST AND SLIP - TWIN CAM 110™



Index	Part No.	Description	Model(s)
-------	----------	-------------	----------

No.			
1	8885	BEARING	FLSS, FLSTFBS
2	11143	RETAINING RING, external	FLSS, FLSTFBS
3	36706-01K	BOLT (3)	FLSS, FLSTFBS
4	36731-91	PLATE, release, with 8885	FLSS, FLSTFBS
5	37496-90A	NUT, mainshaft	FLSS, FLSTFBS
6	37904-90	RETAINING RING, external	FLSS, FLSTFBS
7	37905-00	RETAINING RING, internal	FLSS, FLSTFBS
8	37906-11	BEARING, ball, double-row	FLSS, FLSTFBS
9	37909-90	RING, retaining, internal	FLSS, FLSTFBS
10	11700002	COIL SPRING (3)	FLSS, FLSTFBS
11	37000026	CLUTCH ASSEMBLY, assist and slip, complete, with 3, 6, 7, 8, 10, 12, 13, 14, 15, 16, 17 and 18	FLSS, FLSTFBS
12	37000032	PRESSURE PLATE, clutch	FLSS, FLSTFBS
13	37000033	STOPPER PLATE	FLSS, FLSTFBS
14	37000034	SPRING, damper	FLSS, FLSTFBS
15	37000035	SEAT (3)	FLSS, FLSTFBS
16	37000036	SEAT, damper-spring	FLSS, FLSTFBS
17	37000083	HUB ASSEMBLY	FLSS, FLSTFBS
18	37000118	CLUTCH DISKS KIT	FLSS, FLSTFBS
19	37000217	RELEASE ROD, clutch	FLSS, FLSTFBS
20	37000218	PUSHROD, clutch release	FLSS, FLSTFBS

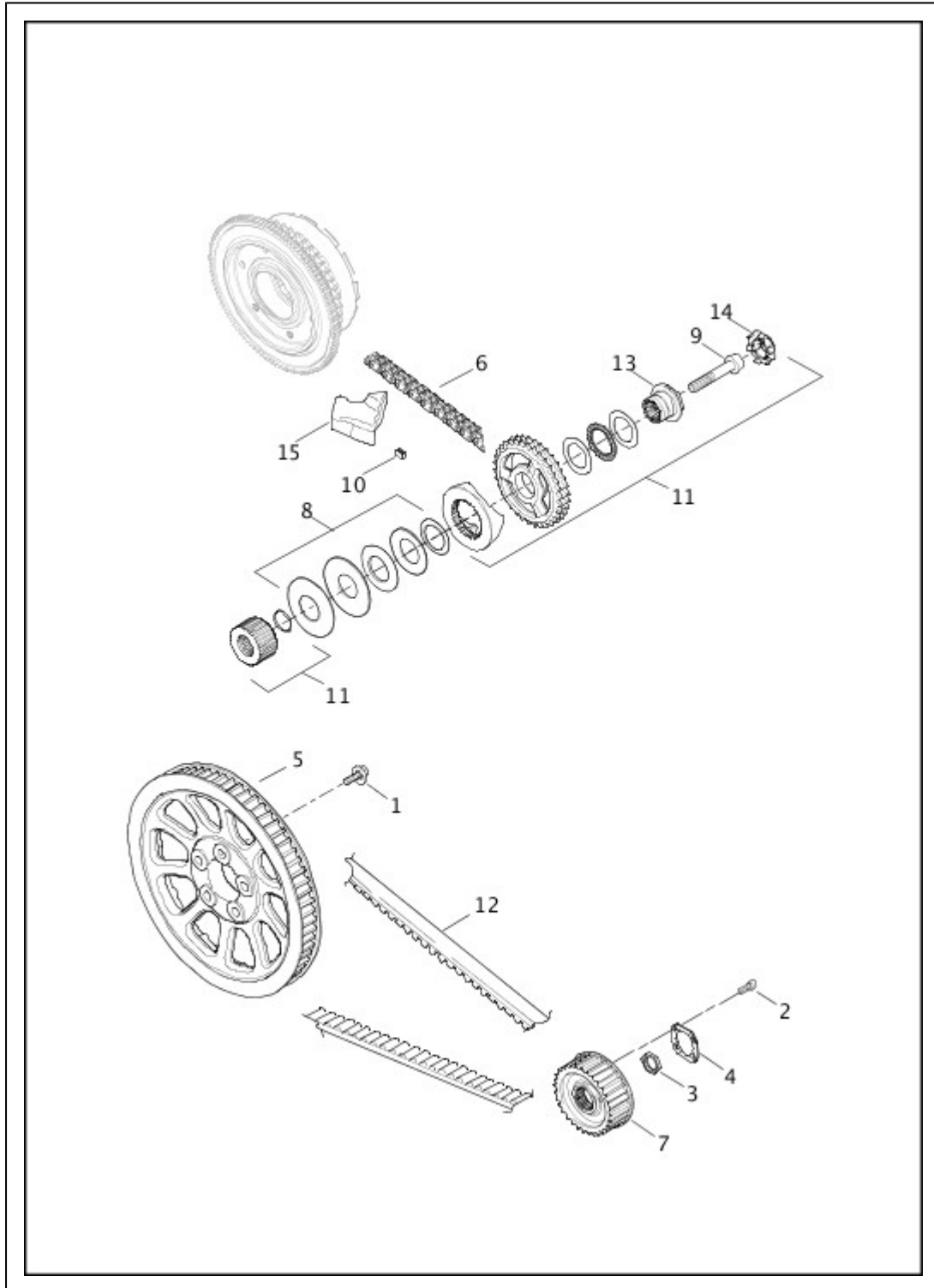
PRIMARY HOUSING



Index No.	Part No.	Description	Model(s)
1	786A	BOLT (5)	
2	791A	SCREW (2)	
3	1062	SCREW (5)	
4	1775	SCREW (4)	FLSTC, FLSTF, FLSTN, FLSTFB, FLS, FLSS, FLSTFBS
	1778	SCREW (4)	FXSB

5	4813A	SCREW (9)	
6	9231	BEARING	
7	11105	O-RING	
8	12052A	OIL SEAL	
9	16583-00A	BUSHING, dowel (2)	
10	17369-06	GASKET SERVICE KIT, 1,000 mi (1600 km), 5000 mi (8000 km), 10,000 mi (16,000 km)	
11	24754-75A	DOWEL BUSHING (4)	
12	34934-06	GASKET, primary housing	FXSB, FLSTC, FLSTF, FLSTN, FLSTFB, FLS
	34948-08	GASKET, primary housing (black)	FLSS, FLSTFBS
13	39929-06B	CHAIN TENSIONER	
14	60328-98B	PLUG ASSEMBLY, magnetic drain, with 11105	
15	60547-06	GASKET, primary cover	
16	60678-85	RETAINING RING	
17	60782-06A	COVER, primary (chrome)	FLSTC, FLSTF, FLSTN, FXSB
	60563-08A	COVER, primary (polished)	FLS
	60876-11A	COVER, primary (gloss black)	FLSS, FLSTFBS
	60882-10A	COVER, primary (satin chrome)	FLSTFB
18	60776-08A	INNER PRIMARY HOUSING, (wide)(black)	FXSB
	60791-06C	INNER PRIMARY HOUSING, (black)	FLSTC, FLSTF, FLSTN, FLSTFB, FLS, FLSS, FLSTFBS
19	60813-07	SCREW, primary cover	
20	25700037	COVER, clutch (chrome)	FLSTC, FLSTF, FLSTN
	25700020	COVER, clutch (gloss black) (not illustrated)	FLSS, FLSTFBS
	25700038	COVER, clutch (polished) (not illustrated)	FLS
	25700043	COVER, clutch (black) (not illustrated)	FLSTFB
	25700234	COVER, clutch (gloss black) (not illustrated)	FXSB
21	25700226	GASKET KIT, inner primary, with 1, 7, 8, 10, 12, 11150, 27444-00Y and 37909-90	

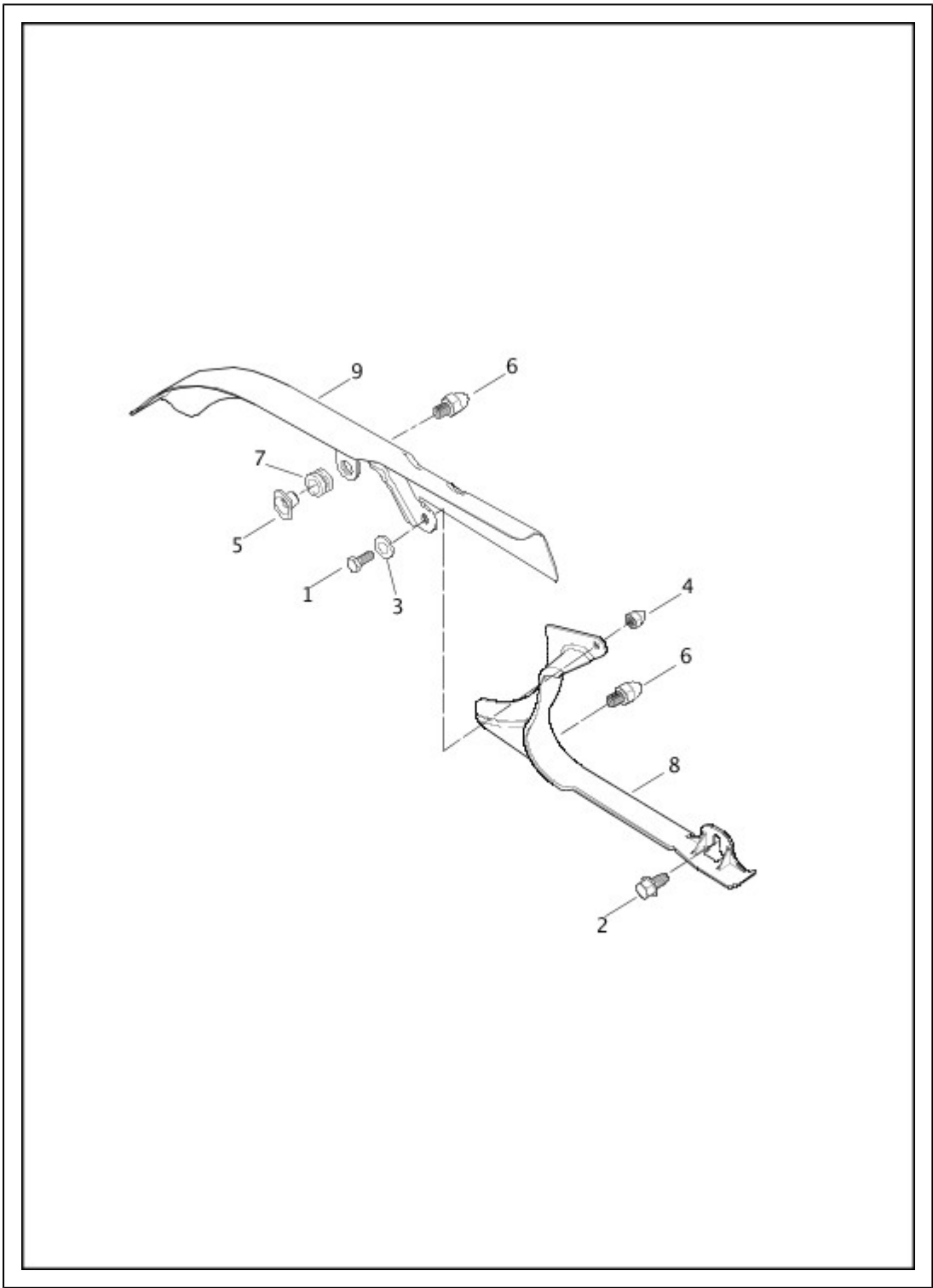
BELT, CHAINS AND SPROCKETS



Index No.	Part No.	Description	Model(s)
1	3109	SCREW (5)	
2	3594	SCREW (2)	
3	35241-06	NUT, sprocket	
4	35242-06	LOCKPLATE, sprocket nut	

5	40325-07	SPROCKET, rear, 66 teeth (black)	
6	40036-06	PRIMARY CHAIN	
7	40659-06	SPROCKET, transmission, 32 teeth	
8	83936-09A	SPRING PACK	
9	10500031	SCREW, compensator to crank	
10	12200065	CLIP, retention	FXSB
11	36500034A	COMPENSATOR ASSEMBLY	FLSTC, FLSTN, FLSTF, FLSTFB, FLS, FLSS, FLSTFBS
	36500078A	COMPENSATOR ASSEMBLY, (wide)	FXSB
12	40000001	REAR BELT, 133 teeth, 24 mm wide (blue)	FLSTC, FLSTN, FLSTF, FLSTFB, FLS, FLSS, FLSTFBS
	40059-09A	REAR BELT, 132 teeth, 24 mm wide (white)	FXSB
13	40100041	RETAINER, sprocket	
14	62700062	OIL SPINNER	FXSB
15	62700064	OIL DEFLECTOR	FXSB

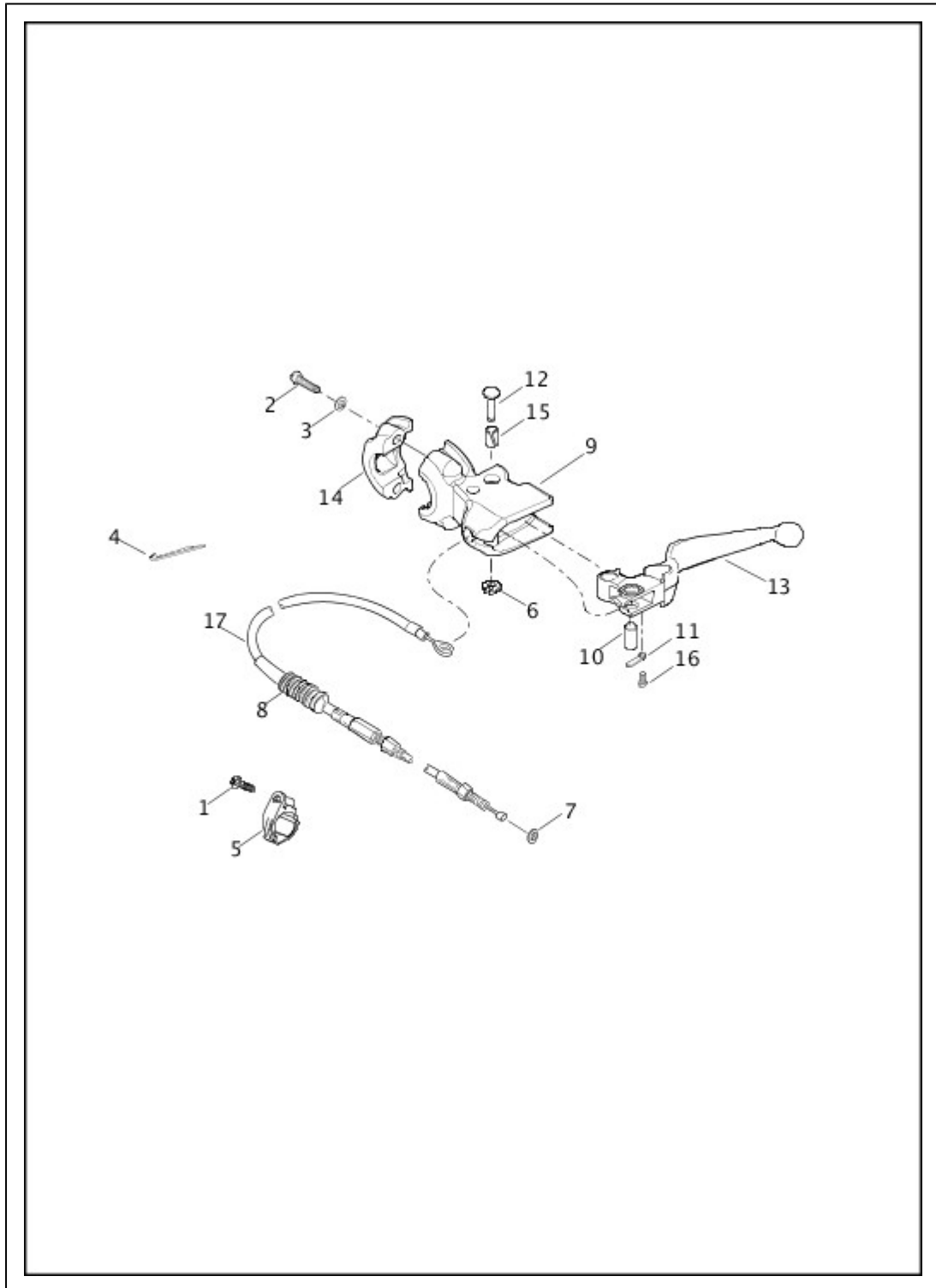
REAR BELT GUARD



Index No.	Part No.	Description	Model(s)
1	3987	BOLT	
2	4407	SCREW	
3	6702	WASHER	
4	7549A	ACORN NUT	
5	7669	NUT, tee	
6	8201	BOLT, acorn (2)	
7	11413	GROMMET	

8	60362-07A	DEBRIS DEFLECTOR, 1 in	FLSTC, FLSTN, FLS, FLSS
	60452-07A	DEBRIS DEFLECTOR, 20 mm	FXSB, FLSTF, FLSTFB, FLSTFBS
9	60570-07B	BELT GUARD, (gloss black)	FLSTFB, FLS, FLSS, FLSTFBS
	60867-08	BELT GUARD, 1 in, with warning label (chrome)	FLSTC, FLSTF, FLSTN, FXSB

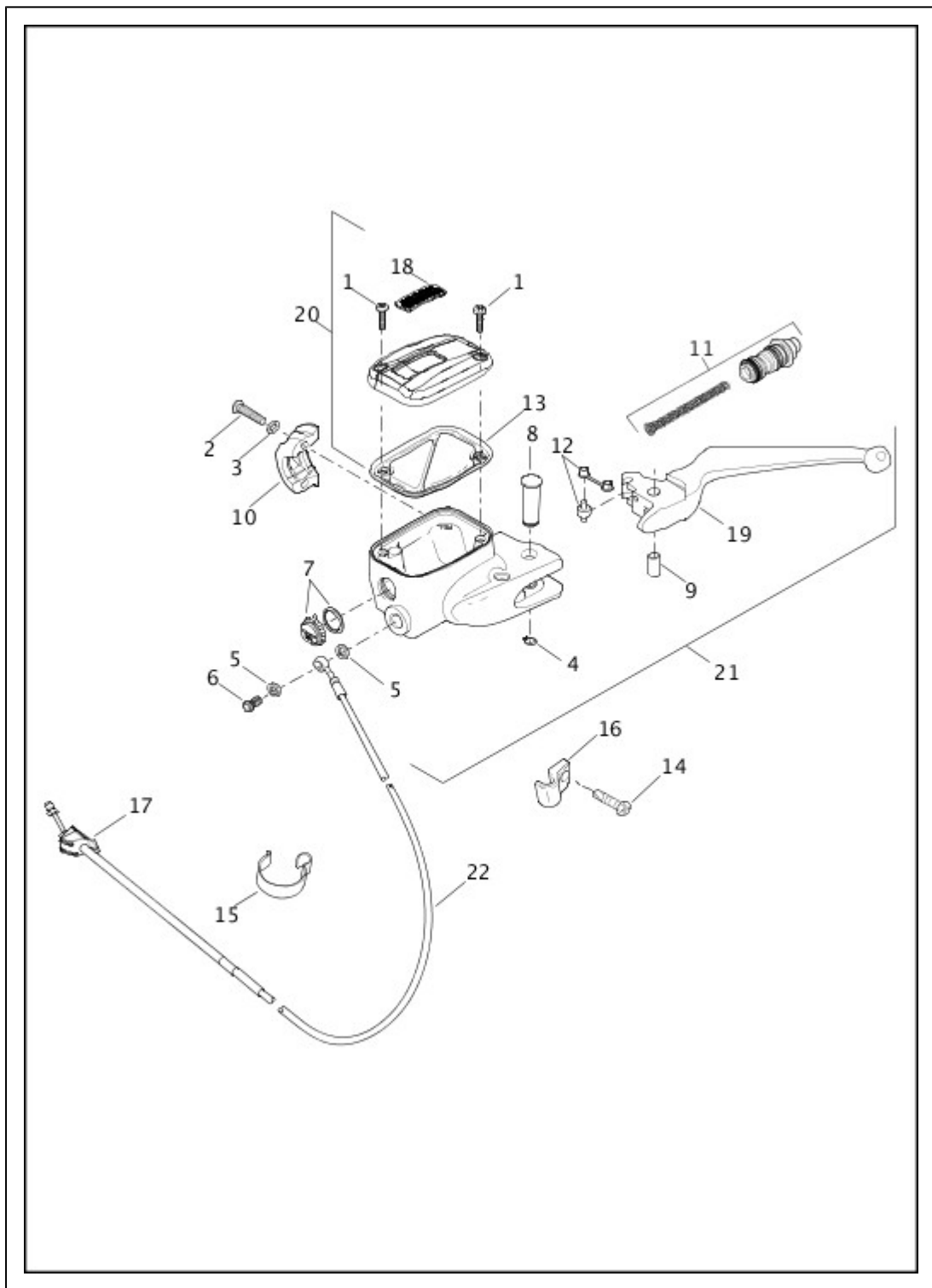
CLUTCH CONTROL - FLS, FLSTC, FLSTF, FLSTFB, FLSTN AND FXSB



Index	Part No.	Description	Model(s)
-------	----------	-------------	----------

No.			
1	2566	SCREW	FXSB, FLSTC, FLSTF, FLSTN, FLSTFB, FLS
2	4132	SCREW (2)	FXSB, FLSTC, FLSTF, FLSTN, FLSTFB, FLS
3	6101	WASHER (2)	FXSB, FLSTC, FLSTF, FLSTN, FLSTFB, FLS
4	10039	CABLE STRAP	FXSB, FLSTC, FLSTF, FLSTN, FLSTFB, FLS
5	10124	CLAMP	FXSB, FLSTC, FLSTF, FLSTN, FLSTFB, FLS
6	11143	RETAINING RING	FXSB, FLSTC, FLSTF, FLSTN, FLSTFB, FLS
7	11179	O-RING	FXSB, FLSTC, FLSTF, FLSTN, FLSTFB, FLS
8	38630-88	BOOT, clutch cable	FXSB, FLSTC, FLSTF, FLSTN, FLSTFB, FLS
9	38700-08A	BRACKET, hand lever (gloss black)	FXSB, FLSTC, FLSTF, FLSTN, FLSTFB, FLS
10	38900-08	ANCHOR PIN	FXSB, FLSTC, FLSTF, FLSTN, FLSTFB, FLS
11	45021-86	SPRING, anti-rattle	FXSB, FLSTC, FLSTF, FLSTN, FLSTFB, FLS
12	45032-82	PIVOT PIN, hand lever	FXSB, FLSTC, FLSTF, FLSTN, FLSTFB, FLS
13	45080-08	HAND LEVER, clutch, with 45021-86, 45423-92 and 90770-79	FXSB, FLSTC, FLSTF, FLSTN, FLSTFB, FLS
14	45138-08A	CLAMP, lever bracket (gloss black)	FXSB, FLSTC, FLSTF, FLSTN, FLSTFB, FLS
15	45423-92	BUSHING	FXSB, FLSTC, FLSTF, FLSTN, FLSTFB, FLS
16	90770-79	SCREW	FXSB, FLSTC, FLSTF, FLSTN, FLSTFB, FLS
17	37200115	CABLE, clutch control, includes O-ring, anchor pin and boot	FXSB
	37200117	CABLE, clutch control, includes O-ring, anchor pin and boot	FLSTF, FLSTN, FLSTFB, FLS
	37200119	CABLE, clutch control, includes O-ring, anchor pin and boot	FLSTC

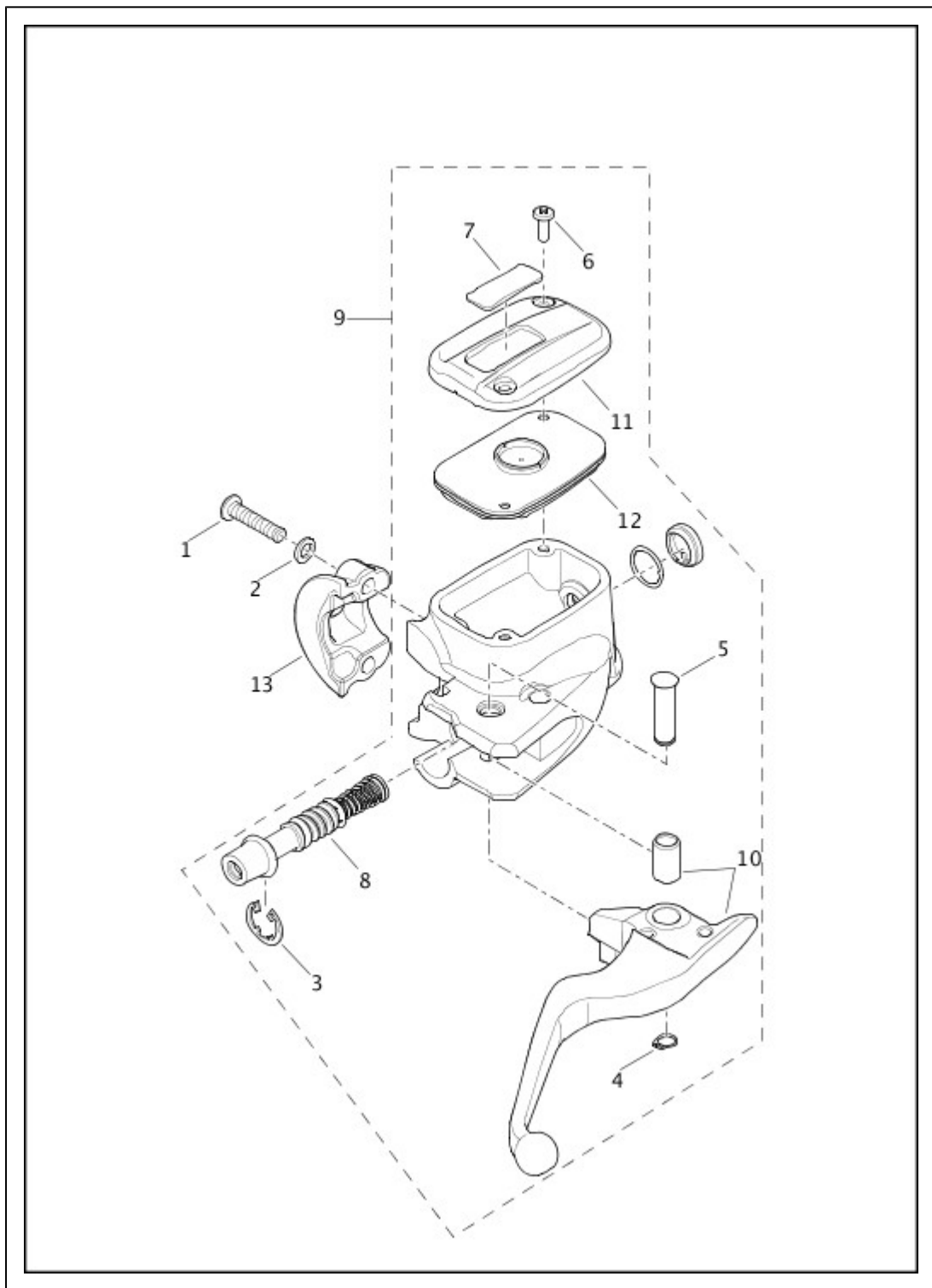
CLUTCH CONTROL - FLSS AND FLSTFBS



Index No.	Part No.	Description	Model(s)
1	2590	SCREW, (set of two)	FLSS, FLSTFBS
2	4132	SCREW (2)	FLSS, FLSTFBS
3	6101	WASHER (2)	FLSS, FLSTFBS
4	11143	RETAINING RING	FLSS, FLSTFBS

5	41751-06A	GASKET, banjo bolt (2)	FLSS, FLSTFBS
6	42010-06B	BOLT, banjo	FLSS, FLSTFBS
7	42145-06	SIGHT GLASS KIT	FLSS, FLSTFBS
8	45032-82	PIVOT PIN	FLSS, FLSTFBS
9	45423-92	BUSHING, hand lever	FLSS, FLSTFBS
10	45138-08A	CLAMP, master cylinder and clutch (black)	FLSS, FLSTFBS
11	37200096B	REPAIR KIT, with 41751-06A (black)	FLSS, FLSTFBS
12	46246-01	BUSHING AND ROLLER, kit	FLSS, FLSTFBS
13	46322-06	GASKET, cover, master cylinder	FLSS, FLSTFBS
14	68042-99	SCREW	FLSS, FLSTFBS
15	10800060	CLAMP, clutch line	FLSS, FLSTFBS
16	10800102	CLAMP, hose (black)	FLSS, FLSTFBS
17	12100028	GROMMET	FLSS, FLSTFBS
18	14100605	DECAL, master cylinder	FLSS, FLSTFBS
19	36700144	CLUTCH LEVER, with 11143, 45423-92, 46246-01 (black)	FLSS, FLSTFBS
20	36700145	COVER, with 2590, 14100605, 46322-06 (black)	FLSS, FLSTFBS
21	36700186	MASTER CYLINDER, clutch lever, with 36700144, 36700145, 42145-06, 45032-82 (black)	FLSS, FLSTFBS
22	37200186	CLUTCH LINE, (black)	FLSS, FLSTFBS

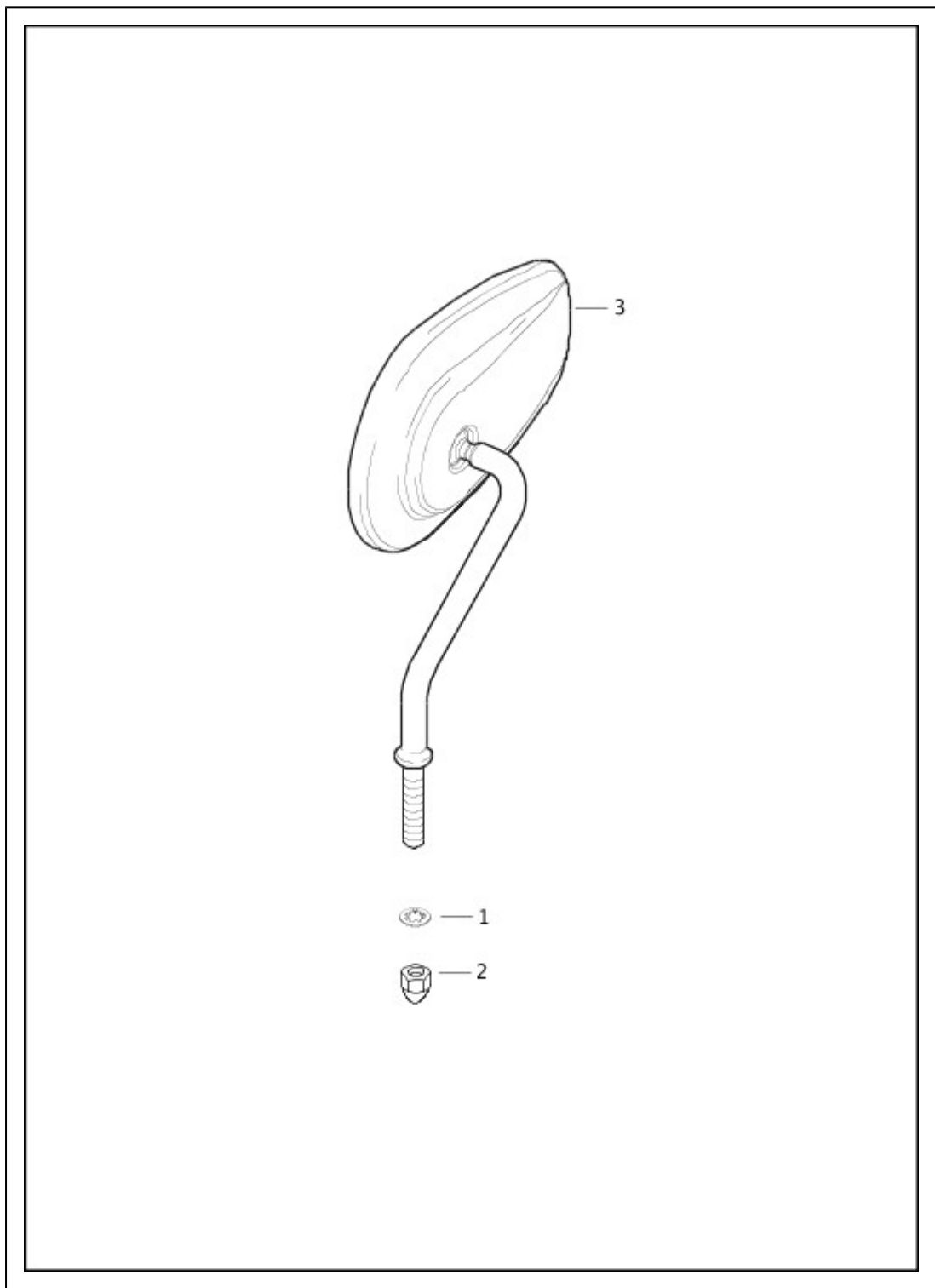
BRAKE CONTROL, FRONT



Index No.	Part No.	Description	Model(s)
1	4132	SCREW (2)	
2	6101	WASHER (2)	
3	11142	RETAINING RING	
4	11379	RETAINING RING	
5	42807-04	PIVOT PIN	
6	10500041	SCREW (2)	

7	14100605	DECAL	
8	41700087	REPAIR KIT, master cylinder, with 11142	
9	41700233	MASTER CYLINDER, front, with hand lever	FXSB, FLSTC, FLSTF, FLSTN, FLSTFB, FLS
	41700451	MASTER CYLINDER, front, with hand lever (black)	FLSS, FLSTFBS
10	41700235	HAND LEVER, front brake control	FXSB, FLSTC, FLSTF, FLSTN, FLSTFB, FLS
	41700313	HAND LEVER, front brake control (black)	FLSS, FLSTFBS
11	41700237	COVER KIT, reservoir, with 14100605	
12	41700238	GASKET KIT, master cylinder	
13	41700320	CLAMP, handlebar control	

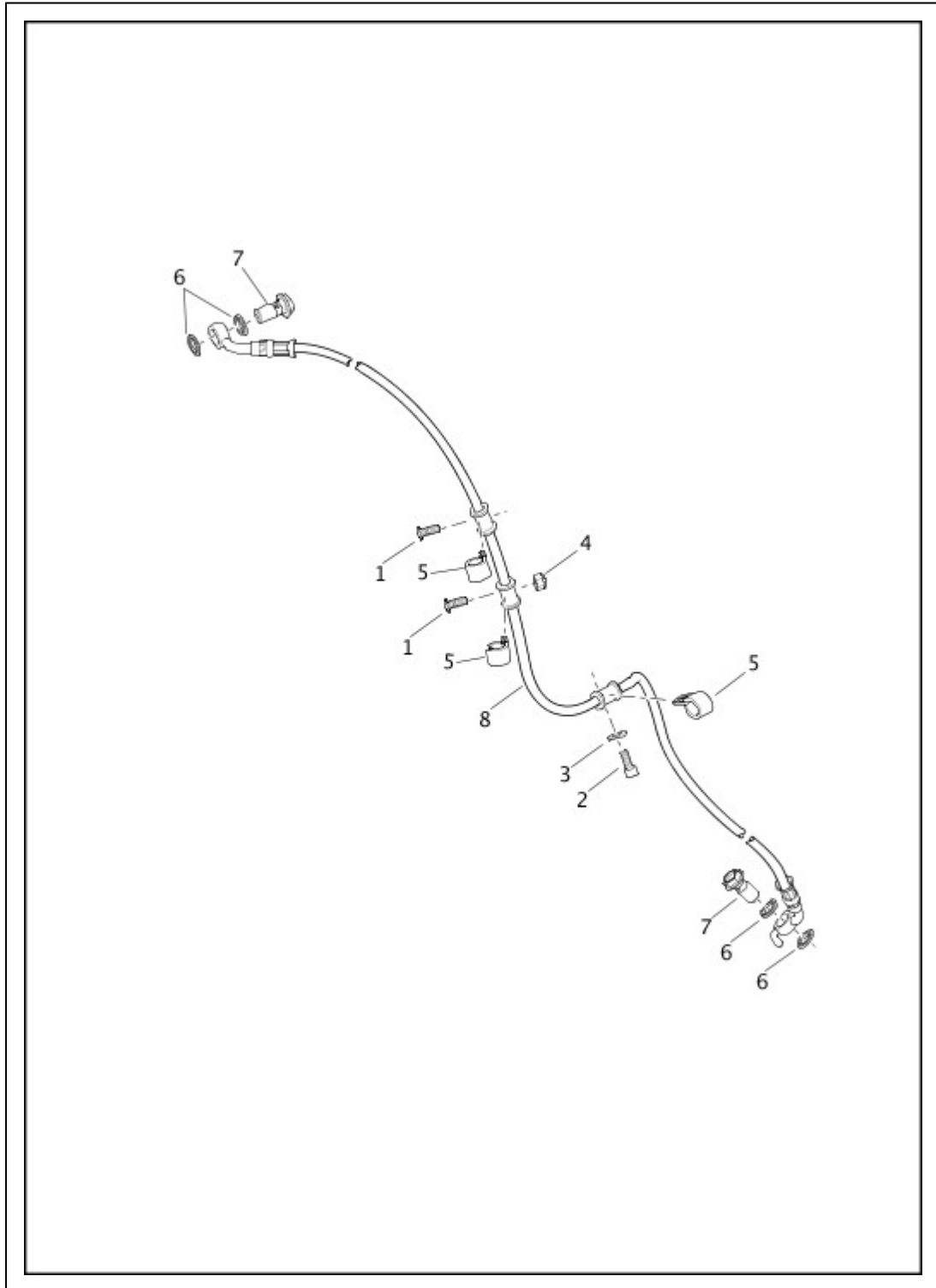
MIRRORS



Index No.	Part No.	Description	Model(s)
1	7155	LOCKWASHER (2)	
2	7331	ACORN NUT (2)	FLSTC, FLSTF, FLSTN, FLS, FLSTFB, FXSB
	7352	ACORN NUT, (black) (2)	FLSS, FLSTFBS
3	91840-03B	MIRROR KIT, short, convex (right) (chrome)	FLSTC, FLSTF, FLSTN, FLS, FXSB
	91845-03B	MIRROR KIT, short, convex (left) (chrome)	FLSTC, FLSTF, FLSTN, FLS, FXSB

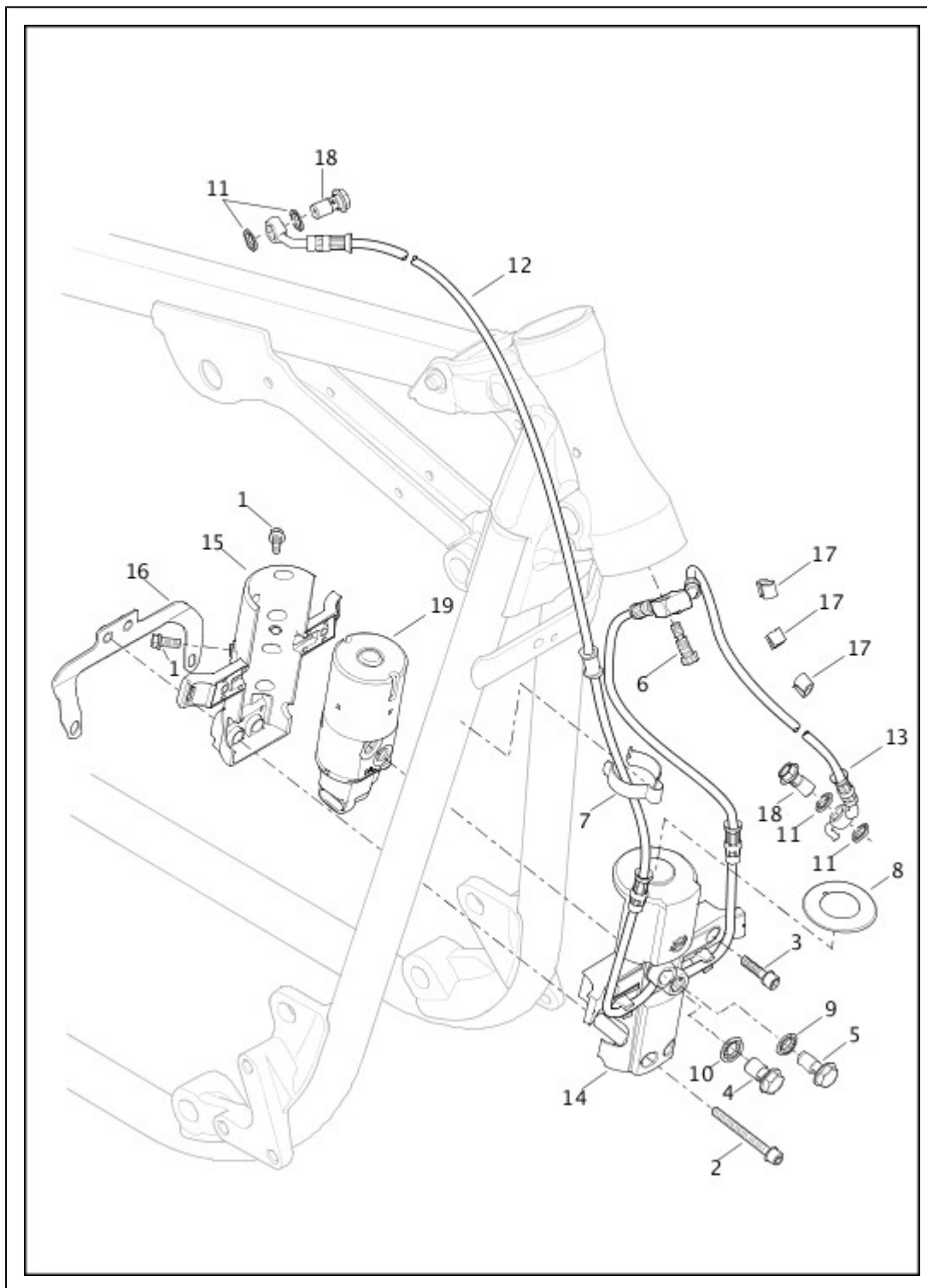
	91982-03B	MIRROR KIT, short, convex (right) (black)	FLSTFB
	91983-03B	MIRROR KIT, short, convex (left) (black)	FLSTFB
	92614-10	MIRROR KIT, short, convex (right) (black)	FLSS, FLSTFBS
	92615-10	MIRROR KIT, short, convex (left) (black)	FLSS, FLSTFBS

BRAKE LINES, FRONT, NON-ABS - FLS



Index No.	Part No.	Description	Model(s)
1	941	SCREW (2)	FLS
2	3594	SCREW	FLS
3	6703	WASHER	FLS
4	7686	LOCKNUT	FLS
5	10800096	CLAMP (3)	FLS
6	41756-08	GASKET, master cylinder (4)	FLS
7	11600001	BOLT, BANJO, master cylinder (2)	FLS
8	41800303	BRAKE LINE, front	FLS

BRAKE LINES, FRONT, ABS



Index No.	Part No.	Description	Model(s)
1	4484M	SCREW (2)	
2	4717A	SCREW (2)	
3	4741A	SCREW (2)	
4	5001	BOLT, BANJO, brake line	
5	5002	BOLT, BANJO, brake line	
6	5004	BOLT, shoulder, bearing	

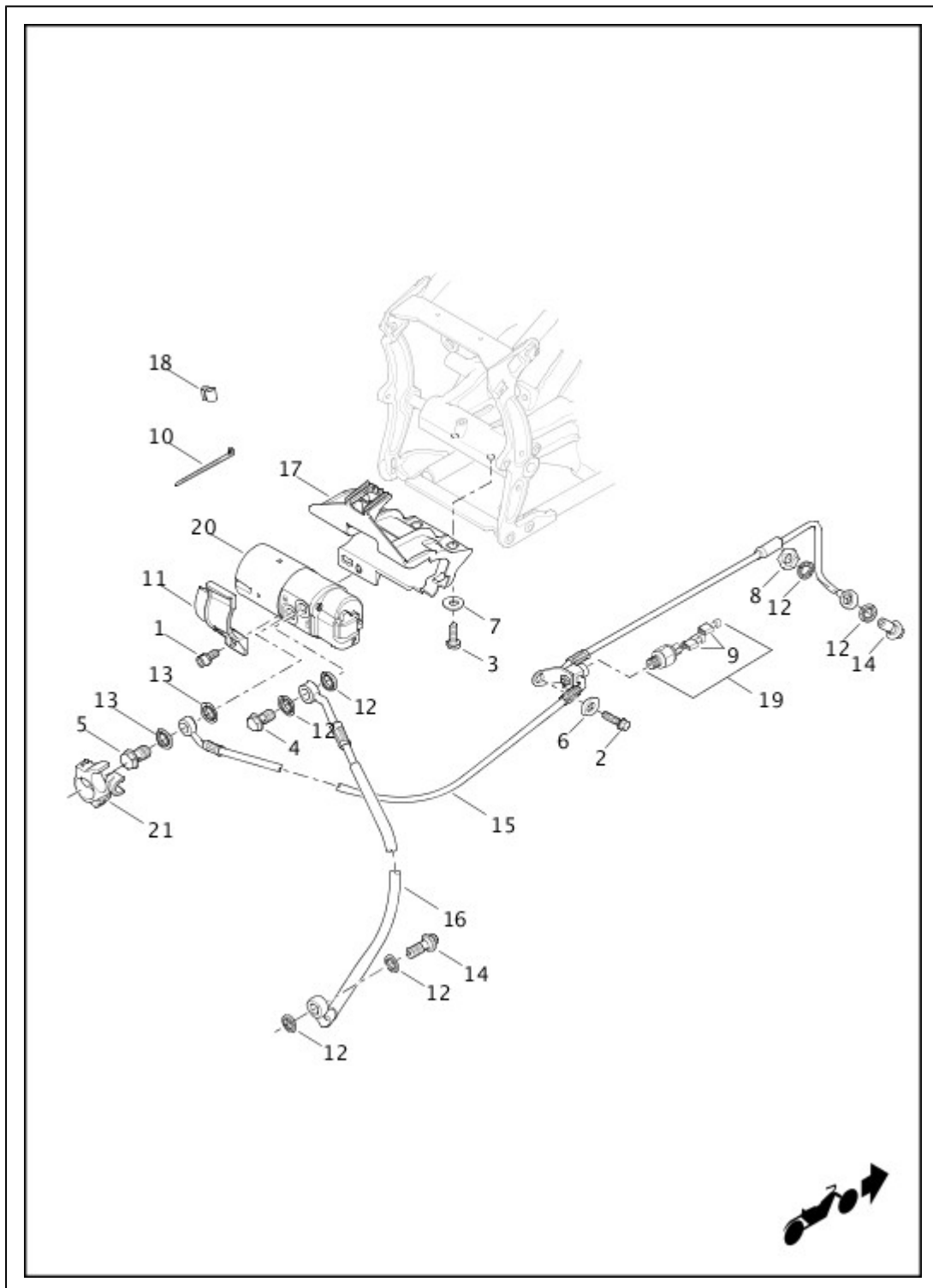
7	10861	CLIP, brake line (2)	
8	32009-11	TRIM RING, HCU	
9	41731-01	GASKET, brake line (2)	
10	41733-88	GASKET, bolt, banjo (2)	
11	41756-08	GASKET (4)	
12	41800299	BRAKE LINE, front, master cylinder to HCU	FLSTC
	41800300	BRAKE LINE, front, master cylinder to HCU	FLSTN
	41800302	BRAKE LINE, front, master cylinder to HCU	FXSB
	41800319	BRAKE LINE, front, master cylinder to HCU	FLSTF, FLSTFB, FLSTFBS
	41800320	BRAKE LINE, front, master cylinder to HCU	FLS, FLSS
13	41800305	BRAKE LINE, front, caliper to HCU	FLSTF, FLSTN, FLSTFB, FLS, FLSTC, FLSS, FLSTFBS
	41800307	BRAKE LINE, front, caliper to HCU	FXSB
14	46663-11	HOLDER, front, HCU	
15	46664-11	CAP, front, HCU holder	
16	46668-11	BRACKET, front, HCU	
17	70631-08	CLIP, conduit (3)	FXSB
17	70631-08	CLIP, conduit (4)	FLSTC, FLSTF, FLSTN, FLSTFB, FLS, FLSS, FLSTFBS
18	11600001	BOLT, BANJO, brake line (2)	
19	41100037	ABS MODULE (HCU)	

BRAKE CONTROL, REAR

7	8405	JAMNUT	
8	9907	WIRE TERMINAL (2)	
9	10039	CABLE STRAP	
10	11364	O-RING (2)	
11	11688	RETAINING RING	
12	40918-87	RETAINING RING	
13	40920-87	SPRING, brake return	
14	40922-87A	BOOT, pushrod	
15	41731-01	GASKET (4)	
16	41747-82A	BOLT, BANJO (2)	
17	41767-05E	MASTER CYLINDER ASSEMBLY	
18	41957-97A	PUSHROD KIT	
19	42261-11A	BRAKE LINE ASSEMBLY, rear, NON-ABS	FLS
	43373-11A	BRAKE LINE ASSEMBLY, rear, ABS, HCU to master cylinder	
	43384-11A	BRAKE LINE ASSEMBLY, rear, ABS, HCU to caliper (not shown)	
20	42382-87E	REBUILD KIT, master cylinder	
21	42416-06	PAD, brake lever	FLSTF, FLSTN, FLSTFB, FLSTFBS
22	42454-99A	RESERVOIR, master cylinder, with O-rings	
23	42460-80B	CLEVIS PIN	
24	42532-06	PAD, brake lever	FXSB
25	42568-05A	GASKET, master cylinder reservoir	
26	42597-00A	LEVER, foot brake, includes bushings, with 57217-02A (chrome)	FLSTC, FLSTF, FLSTN, FLSTFB, FLS, FLSS, FLSTFBS
27	43992-08	PAD, brake lever	FLSTC, FLS, FLSS
28	46457-05B	COVER KIT, reservoir, with 42568-05A	
29	57217-02A	BUSHING, brake lever (2)	
30	72023-	STOP LAMP SWITCH, rear, with 9907	

	51E		
31	50600095	LEVER, foot brake, with 57217-02A (chrome)	FXSB

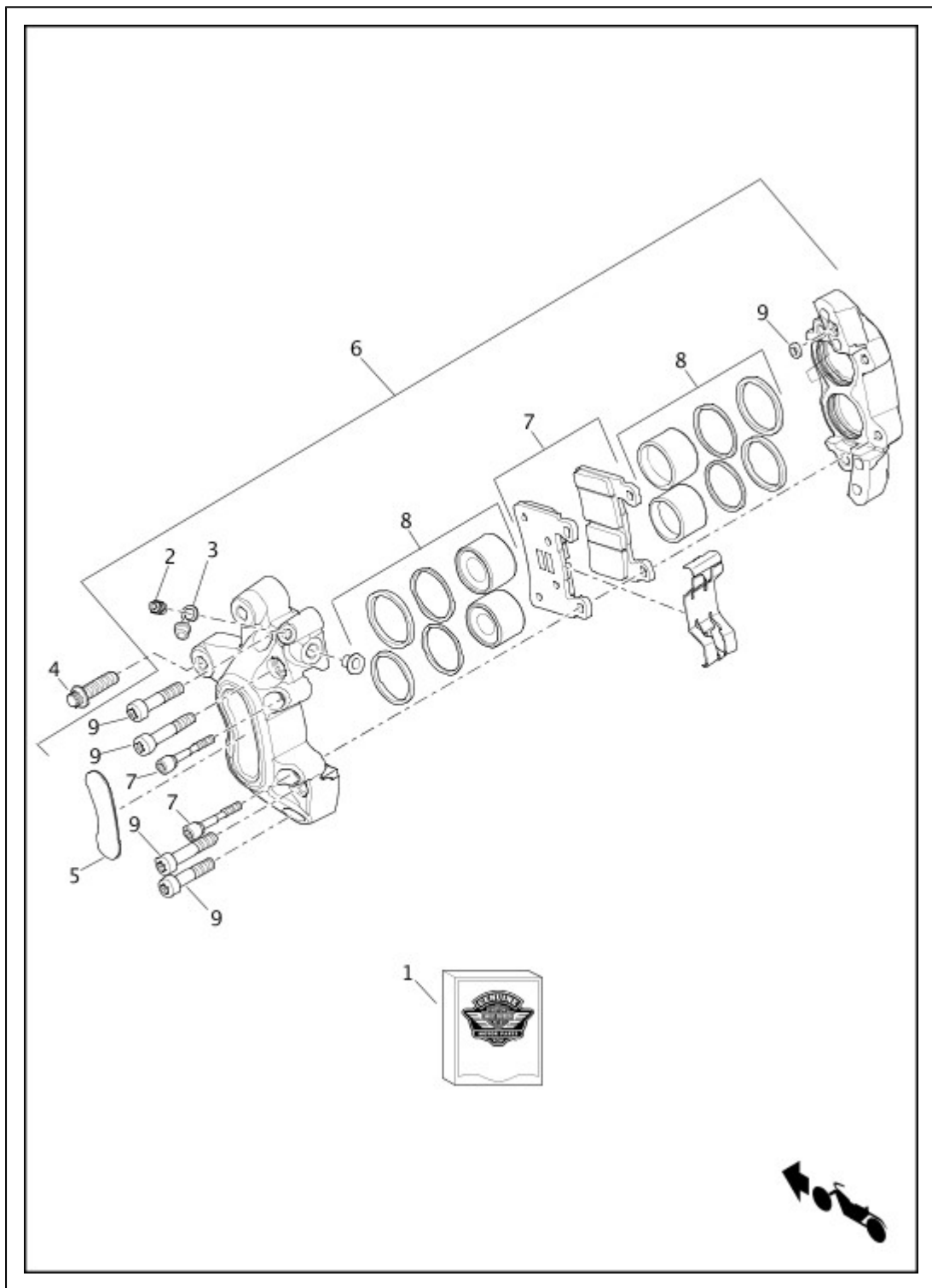
BRAKE LINE AND MODULE, REAR, ABS



Index No.	Part No.	Description	Model(s)
1	3061	SCREW	
2	4168A	SCREW	

3	4751	SCREW (2)	
4	5001	BOLT, BANJO, brake line	
5	5002	BOLT, BANJO, brake line	
6	6532	WASHER (2)	
7	6703	WASHER (2)	
8	8405	JAMNUT	
9	9907	TERMINAL, 14-16 AWG	
10	10006	CABLE STRAP	
11	10851	CLAMP, rear HCU (2)	
12	41731-01	GASKET (6)	
13	41733-88	GASKET (2)	
14	41747-82A	BOLT, BANJO, brake line (2)	
15	43373-11A	BRAKE LINE ASSEMBLY, rear, ABS, HCU to master cylinder	
16	43384-11A	BRAKE LINE ASSEMBLY, rear, ABS, HCU to caliper	
17	46677-11	BRACKET, rear HCU	
18	70635-08	CLIP, conduit (2)	
19	72023-51E	STOP LAMP SWITCH, rear, with 9907	
20	41100037	ABS MODULE (HCU)	
21	41600017	BRAKE LINE GUIDE, anti-rotation	

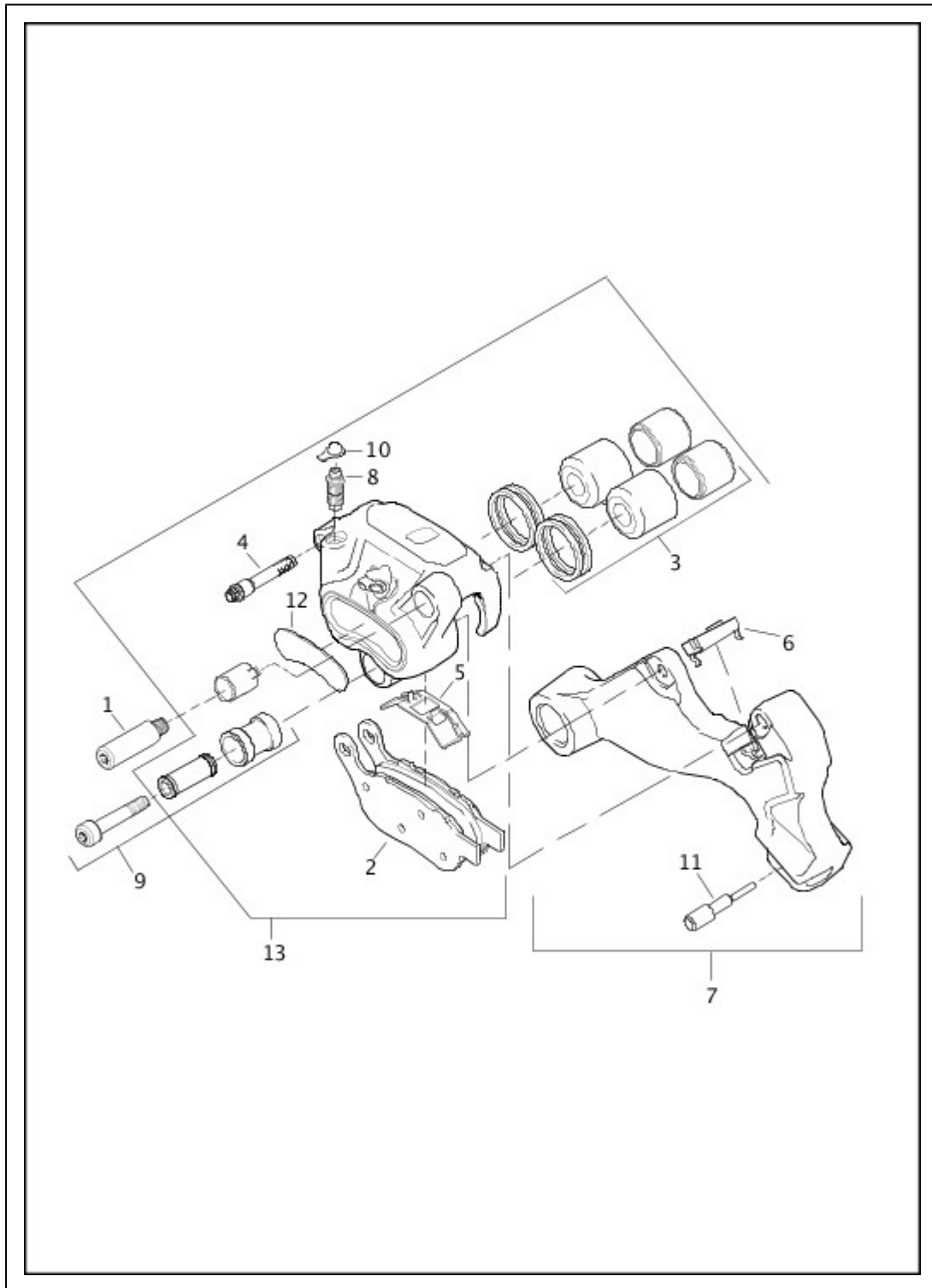
BRAKE CALIPER, FRONT



Index No.	Part No.	Description	Model(s)
1	42820-04	GREASE	
2	42827-04	SCREW, bleeder	
3	42828-04	CAP, bleeder	
4	44160-00	BOLT, caliper mounting (lower) (2)	
5	14100606	DECAL	
6	41300095	CALIPER ASSEMBLY, (left)	
7	41300102	PAD KIT	

8	41300103	PISTON KIT, with 42820-04	
9	41300104	BOLT KIT, brake caliper	

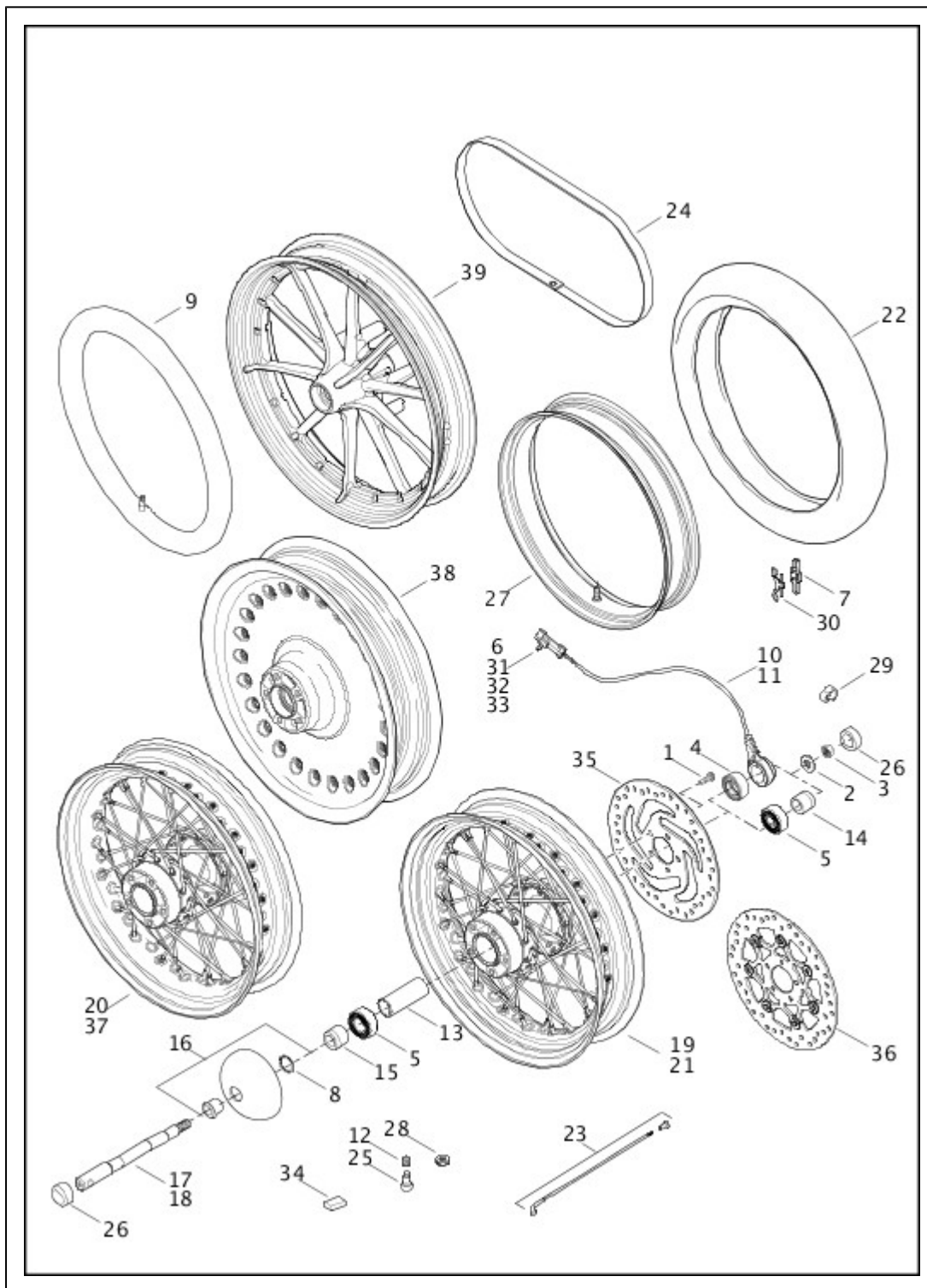
BRAKE CALIPER, REAR



Index No.	Part No.	Description	Model(s)
1	42143-08B	BOLT, (lower)	
2	42298-08	PAD KIT	

3	42344-08A	PISTON KIT	
4	42345-08	PAD PIN KIT	
5	42347-08	BRAKE SPRING KIT	
6	42348-08	TORQUE CLIP KIT	
7	42895-08A	MOUNTING BRACKET, rear	
8	44048-83A	SCREW, bleeder	
9	44066-08A	CALIPER PIN KIT	
10	44147-87A	CAP, bleeder screw	
11	44351-00	BUMPER	
12	14100606	DECAL	
13	41300097	CALIPER ASSEMBLY, rear brake	

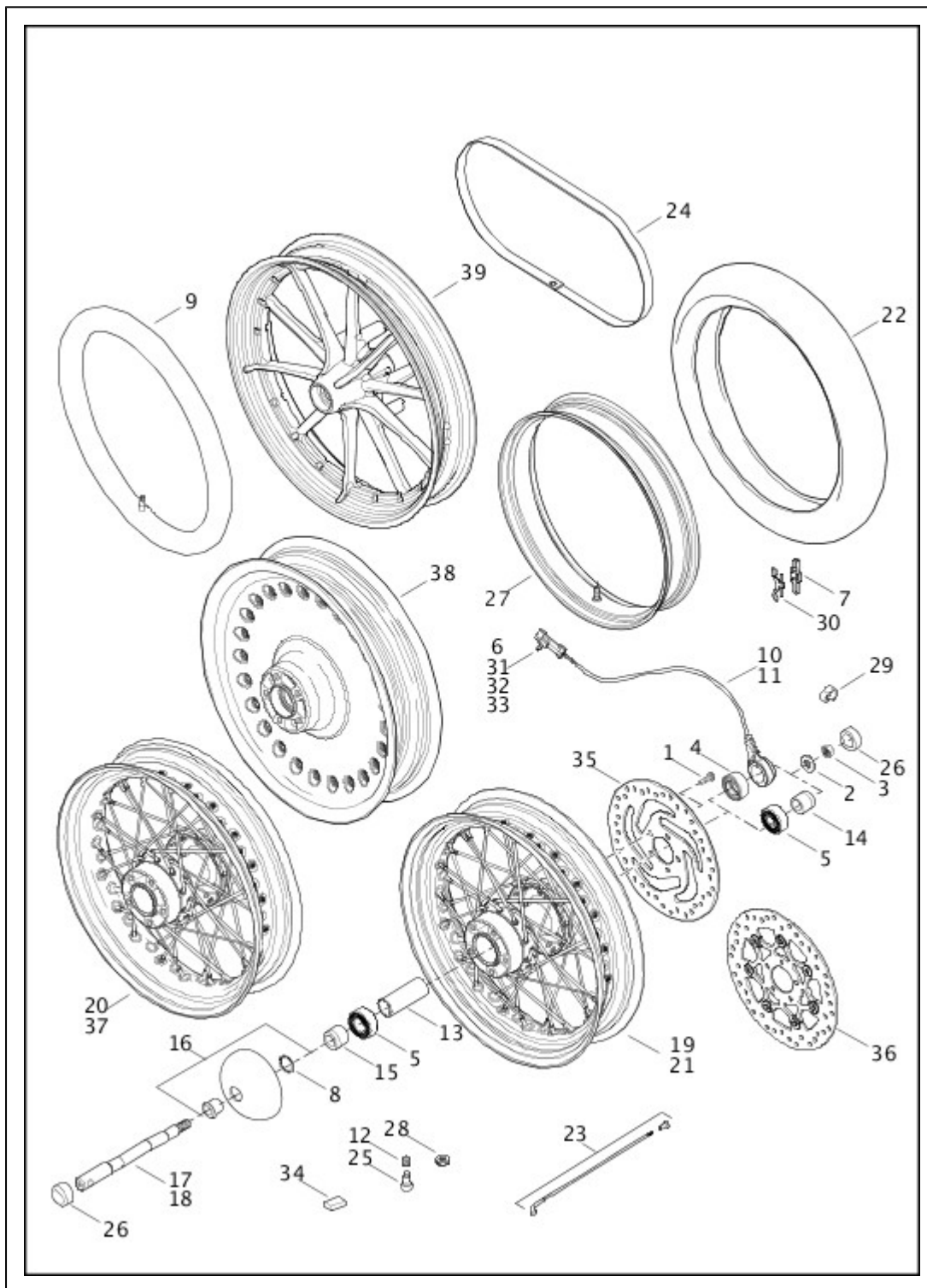
WHEELS, FRONT (1 OF 2)



Index No.	Part No.	Description	Model(s)
1	3655A	SCREW (5)	
2	6594	WASHER	
3	7813A	NUT	
4	9252	BALL BEARING, with encoder, ABS	
5	9276A	BALL BEARING, 25 mm, NON-ABS (2)	FLS
5	9276A	BALL BEARING, 25 mm, ABS	

6	10147	CLIP, connector	
7	10850	CLIP, wheel speed sensor, ABS	
8	11180	RETAINING RING	FLSTC, FLSTN
9	40558-82	INNER TUBE, 16 in, offset valve	FLSTC, FLSTN, FLS, FLSS
10	40716-11	SENSOR, wheel speed, ABS	FXSB
11	40982-11	SENSOR, wheel speed, ABS	FLSTC, FLSTN, FLSTF, FLSTFB, FLS, FLSS, FLSTFBS
12	41123-79	VALVE CAP	
13	41349-07	SLEEVE, spacer	
	43300200	SLEEVE, spacer	FXSB
14	41502-07	SPACER, left side of wheel, NON-ABS	FLS
15	41504-07	SPACER, right side of wheel	FXSB
	41695-07	SPACER, right side of wheel	FLSTF, FLSTFB, FLS, FLSS, FLSTFBS
16	41510-07	HUB CAP ASSEMBLY, front (chrome)	FLSTC, FLSTN
17	41545-07A	AXLE, front	FLSTC, FLSTF, FLSTN, FLSTFB, FLS, FLSS, FLSTFBS
18	41547-07A	AXLE, front	FXSB
19	41559-08	WHEEL ASSEMBLY, front, 16 in laced, without bearings and sleeve	FLSTC, FLSTN
	55107-12	WHEEL ASSEMBLY, front, 16 in laced, without bearings and sleeve (black)	FLS, FLSS
20	41992-11	RIM, 16 in (used on 43300041 wheel assemblies) (chrome)	FLSTC, FLSTN
21	43017-07	RIM, 16 in (black)	FLS, FLSS
	43085-97	RIM, 16 in (chrome)	FLSTC, FLSTN

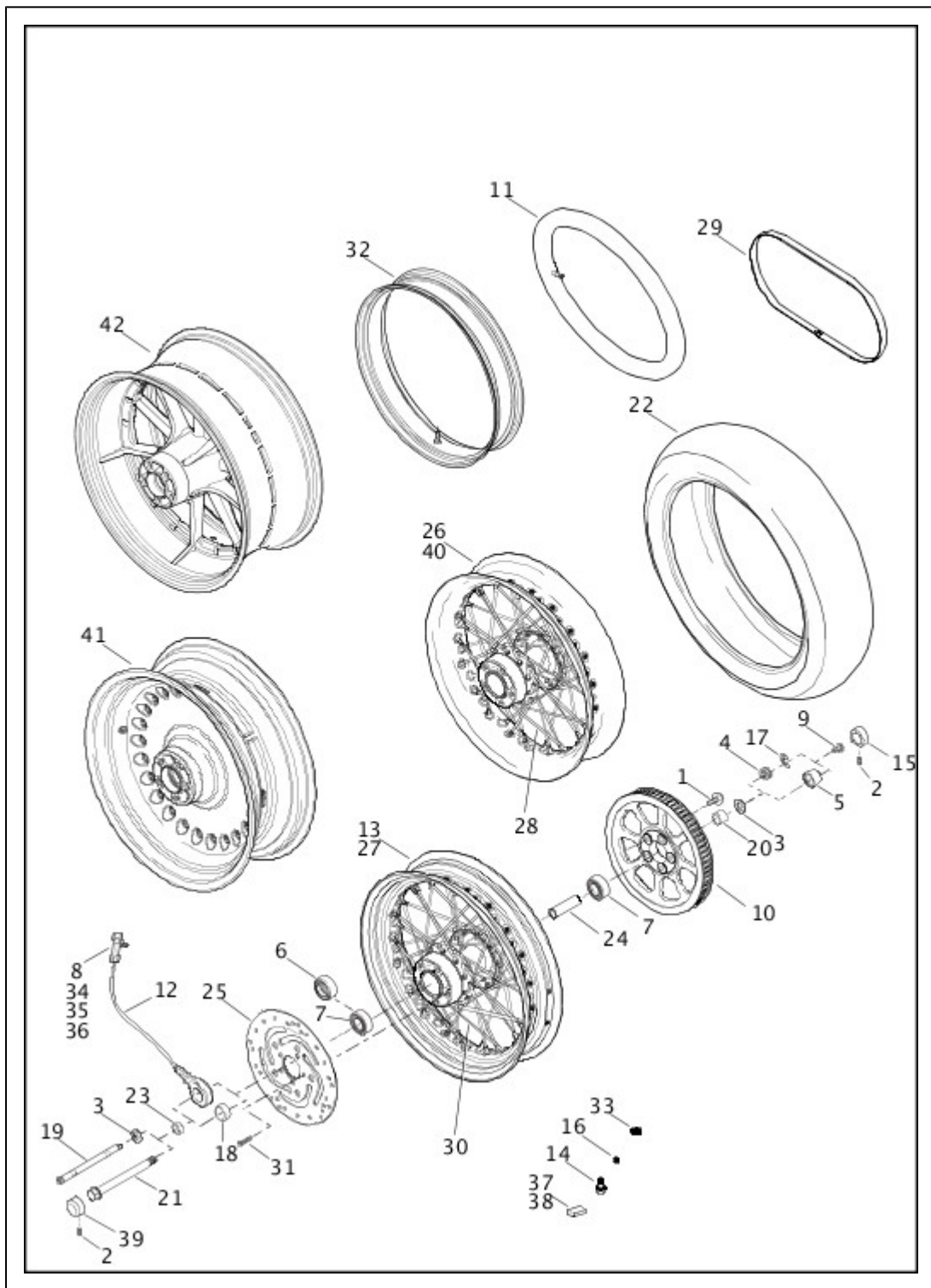
WHEELS, FRONT (2 OF 2)



Index No.	Part No.	Description	Model(s)
22	43022-91A	TIRE, 16 in	FLS, FLSS
	43118-92A	TIRE, 16 in, wide white wall	FLSTC, FLSTN
	41474-06B	TIRE, 17 in	FLSTF, FLSTFB, FLSS
	43100008	TIRE, 21 in	FXSB
23	43052-	SPOKE AND NIPPLE SET, 16 in (set of 40) (used on 43300041	FLSTC, FLSTN

	05A	wheel assembly)	
	43241-05	SPOKE AND NIPPLE SET, 16 in (set of 40)	FLSTN, FLSTC, FLS, FLSS
24	43147-40	RIM FLAP, 16 in laced	FLSTN, FLSTC, FLS, FLSS
	43164-05	RIM FLAP, 16 in profile laced, (used on 43300041 wheel assembly)	FLSTN, FLSTC
25	43157-83A	VALVE STEM ASSEMBLY	FLSTF, FLSTFB, FLSTFBS
	40999-87	VALVE STEM	FXSB
26	43583-09	COVER, axle nut (black) (2)	FLSS, FLSTFBS
27	44752-11	RIM SEAL KIT, 16 X 3 inch, with 41123-79, 43164-05 and 54321-85 (used on 43300041 wheel assembly)	FLSTC, FLSTN
28	54321-85	NUT, valve stem	
29	70631-08	CLIP, conduit	FXSB
30	70684-11A	BRACKET, wheel speed sensor, ABS	
31	72607-08	HOUSING, two-way pin	
32	72608-08	TERMINAL, pin, 16-20 AWG (2)	
33	72639-10	SECONDARY LOCK, two-way	
34	95594-84B	WEIGHT, 5 g (black)	FLS, FXSB, FLSS
	95595-84B	WEIGHT, 5 g (silver)	FLSTC, FLSTF, FLSTN, FLSTFB, FLSTFBS
35	41500022	BRAKE DISC, front	FLSTC, FLSTN, FLS
36	41500088	BRAKE DISC, front	FXSB, FLSS, FLSTFBS
	41500068	BRAKE DISC, front	FLSTF, FLSTFB
37	43300041	WHEEL ASSEMBLY, front, 16 in profile laced, without bearings and sleeve	FLSTC, FLSTN
38	43300171	WHEEL ASSEMBLY, 17 in, without bearings and sleeve (black)	FLSTFB, FLSTFBS
	43590-09	WHEEL ASSEMBLY, 17 in, without bearings and sleeve (chrome)	FLSTF
39	43300210	WHEEL ASSEMBLY, 21 in without bearings and sleeve	FXSB

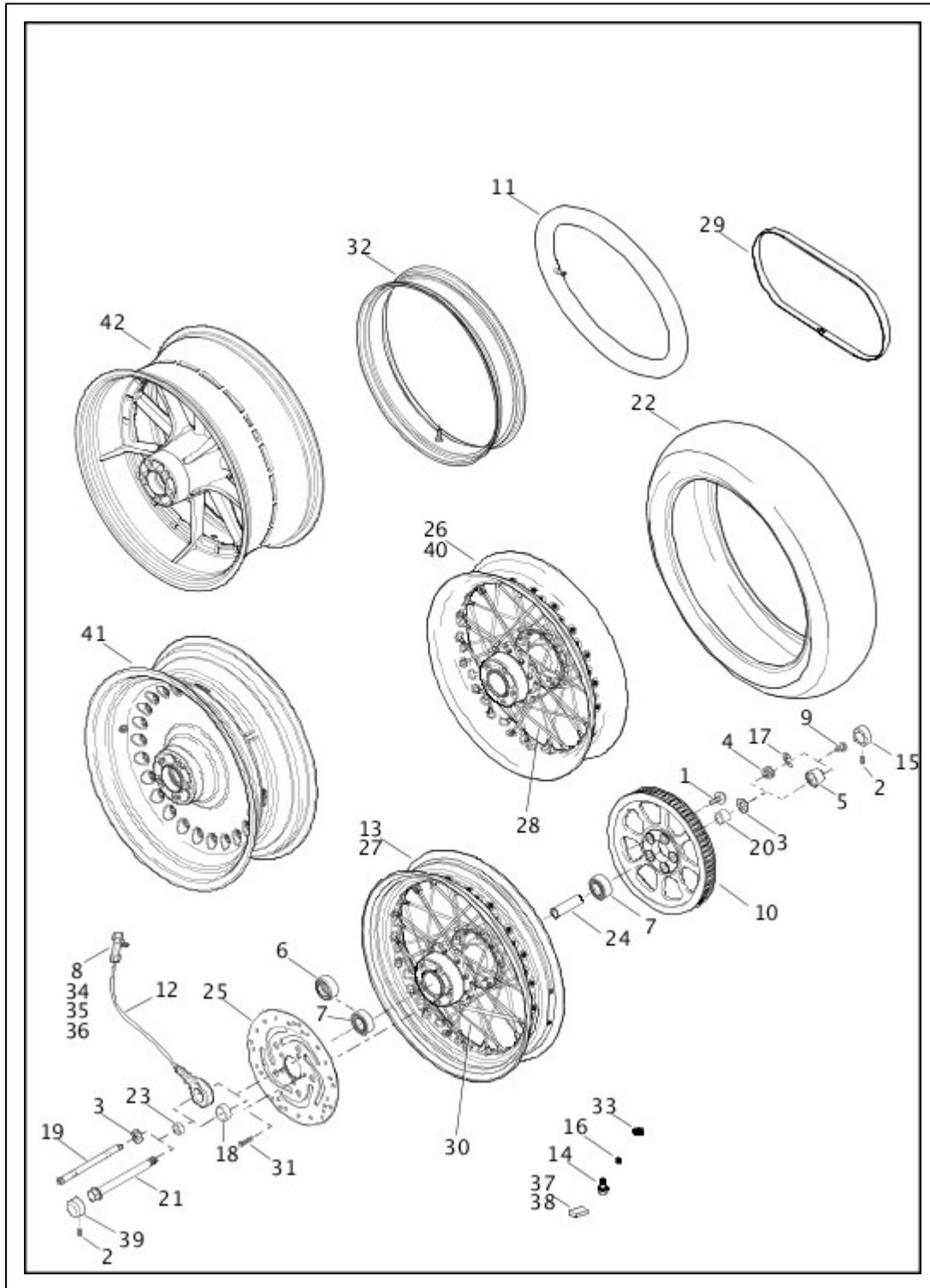
WHEELS, REAR (1 OF 2)



Index No.	Part No.	Description	Model(s)
1	3109	SCREW, with washer (5)	
2	4636	SCREW (2)	FLSS, FLSTFBS
3	6551	WASHER (2)	FXSB
3	6551	WASHER	FLSTC, FLSTF, FLSTN, FLSTFB, FLS, FLSS, FLSTFBS
4	8020	NUT	FLSTC, FLSTF, FLSTN, FLSTFB, FLS, FLSS, FLSTFBS

5	8184	NUT	FXSB
6	9252	BALL BEARING, with encoder, ABS	
7	9276A	BALL BEARING, 25 mm, NON-ABS (2)	FLS
7	9276A	BALL BEARING, 25 mm, ABS	
8	10147	CLIP, connector, ABS	
9	10326A	PLUNGE CLIP, (HDI)	FXSB, FLSTF, FLSTN, FLSTFB, FLS
9	10326A	PLUNGE CLIP	FXSB
10	40325-07	SPROCKET, rear, 66 T (black)	FXSB, FLSTC, FLSTF, FLSTN, FLSTFB, FLS, FLSS, FLSTFBS
11	40558-82	INNER TUBE, 16 in laced, offset valve	FLSTC, FLSTN, FLS, FLSS
12	40615-08	SENSOR, wheel speed, ABS, with 10147, 72607-08, 72608-08 and 72639-10	
13	40700-08A	WHEEL ASSEMBLY, rear, 16 in, laced, without bearings and sleeve (chrome)	FLSTC, FLSTN
	55109-12	WHEEL ASSEMBLY, rear, 16 in, laced, without bearings and sleeve (black)	FLS
14	40999-87	VALVE STEM	FXSB
	43157-83A	VALVE STEM ASSEMBLY	FLSTF, FLSTFB, FLSTFBS
15	41063-09	COVER, nut, left (black)	FLSS, FLSTFBS
16	41123-79	VALVE CAP	
17	41229-08	RETAINING PIN	FLSTC, FLSTF, FLSTN, FLSTFB, FLS, FLSS, FLSTFBS
18	41242-08	SPACER, wheel, NON-ABS (right)	FLS
19	41347-08	AXLE ASSEMBLY	FXSB
20	41359-08	SPACER, rear axle (left)	
21	41641-08	AXLE ASSEMBLY	FLSTC, FLSTF, FLSTN, FLSTFB, FLS, FLSS, FLSTFBS
22	41688-08A	TIRE, 18 in	FXSB
	43242-06B	TIRE, 17 in	FLSTF, FLSTFB, FLSTFBS
	43264-02	TIRE, 16 in	FLSTC
	43353-03	TIRE, 16 in, wide white wall	FLSTC, FLSTN
	43200001	TIRE, 16 in	FLS, FLSS
23	41694-08	SPACER, rear wheel adjustment	

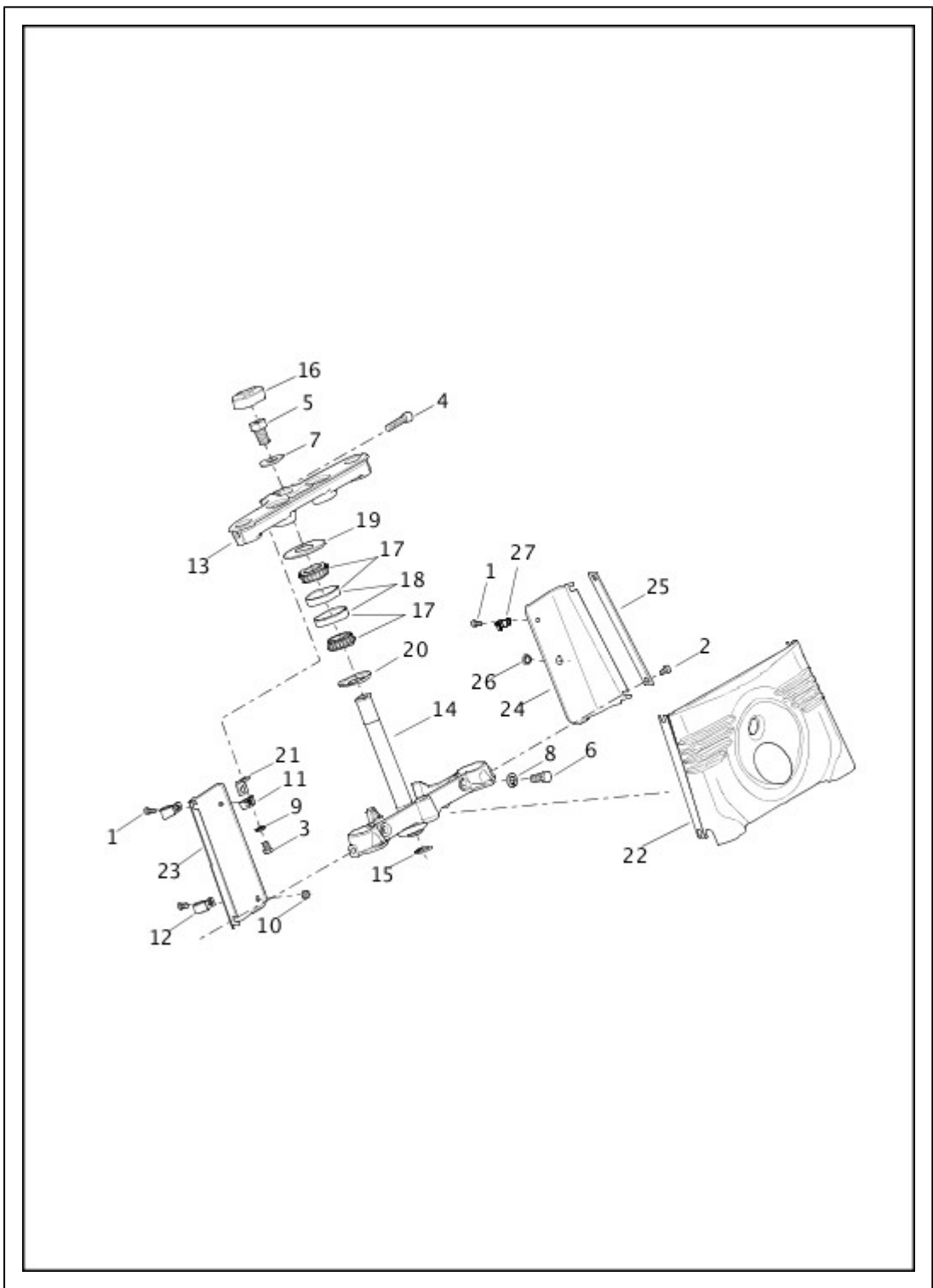
WHEELS, REAR (2 OF 2)



Index No.	Part No.	Description	Model(s)
24	41696-08	SLEEVE, spacer	FLSTC, FLSTF, FLSTN, FLSTFB, FLS, FLSS, FLSTFBS
	41358-08	SLEEVE, spacer	FXSB
25	41797-00	BRAKE DISC, rear	FLSTC, FLSTF, FLSTN, FLSTFB, FLS
	41500089	BRAKE DISC, rear	FLSS, FLSTFBS, FXSB

26	41992-11	RIM, 16 in (used on 40900050A wheel assembly) (chrome)	FLSTC, FLSTN
27	43017-07	RIM, 16 in (black)	FLS, FLSS
	43085-97	RIM, 16 in (used on 40700-08A wheel assembly) (chrome)	FLSTC, FLSTN
28	43052-05A	SPOKE AND NIPPLE SET, 16/17 in rim (set of 40) (used with 40900050A)	FLSTC, FLSTN
29	43147-40	RIM FLAP, 16 in laced	FLSTC, FLSTN, FLS, FLSS
	43164-05	RIM FLAP, 16 in profile laced	FLSTC, FLSTN
30	43241-05	SPOKE AND NIPPLE SET, 16 in rim (set of 40) (used with 40700-08A and 55109-12)	FLSTC, FLSTN, FLS
31	43567-92	SCREW (5)	
32	44752-11	RIM SEAL KIT, 16 X 3 inch, with 41123-79, 43164-05 and 54321-85 (used on 40900050A wheel assembly)	FLSTC, FLSTN
33	54321-85	NUT, valve stem	
34	72607-08	HOUSING, two-way pin	
35	72608-08	TERMINAL, pin, 16-20 AWG (2)	
36	72639-10	SECONDARY LOCK, two-way	
37	95594-84B	WEIGHT, 5 g (black)	FLS, FXSB
38	95595-84B	WEIGHT, 5 g (silver)	FLSTC, FLSTF, FLSTN, FLSTFB, FLSTFBS
39	12600177	COVER, nut, right (black)	FLSS, FLSTFBS
40	40900050A	WHEEL ASSEMBLY, rear, 16 in, profile laced, without bearings and sleeve, with rim seal kit 44752-11 (chrome)	FLSTC, FLSTN
41	40900182	WHEEL ASSEMBLY, rear, 17 in disc, without bearings and sleeve (black)	FLSTFBS, FLSTFB
	43596-09	WHEEL ASSEMBLY, rear, 17 in disc, without bearings and sleeve (chrome)	FLSTF
42	40900206	WHEEL ASSEMBLY, rear, 18 in, without bearings and sleeve (black)	FXSB

FORK BRACKETS, FRONT - FLS, FLSS, FLSTC, FLSTF, FLSTFB, FLSTFBS AND FLSTN

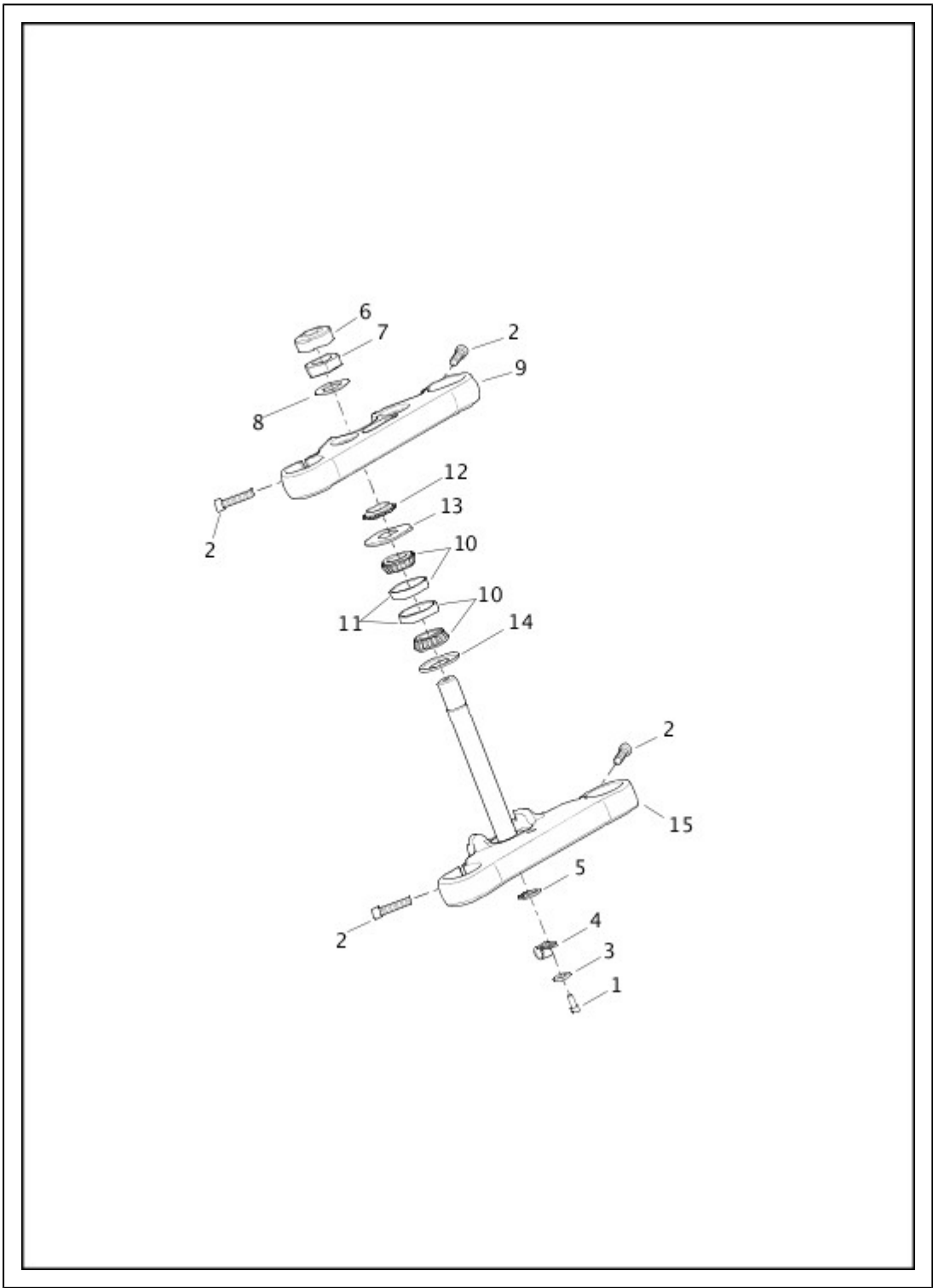


Index No.	Part No.	Description	Model(s)
1	941	SCREW (4)	FLSTC, FLSTF, FLSTN, FLSTFB, FLS, FLSS, FLSTFBS
2	3538	SCREW (4)	FLSTF, FLSTFB, FLS, FLSS, FLSTFBS
3	3953W	BOLT (2)	FLSTC, FLSTF, FLSTN, FLSTFB, FLS, FLSS, FLSTFBS
4	4350A	SCREW	FLSTC, FLSTF, FLSTN, FLSTFB, FLS, FLSS, FLSTFBS
5	4453	BOLT	FLSTC, FLSTF, FLSTN, FLSTFB, FLS,

			FLSS, FLSTFBS
6	4945	SCREW (2)	FLSTC, FLSTF, FLSTN, FLSTFB, FLS, FLSS, FLSTFBS
7	6655	WASHER	FLSTC, FLSTF, FLSTN, FLSTFB, FLS, FLSS, FLSTFBS
8	7039	LOCKWASHER (2)	FLSTC, FLSTF, FLSTN, FLSTFB, FLS, FLSS, FLSTFBS
9	7041	LOCKWASHER (2)	FLSS, FLSTFBS
	7062	LOCKWASHER (2)	FLSTC, FLSTF, FLSTN, FLSTFB, FLS
10	7686	LOCKNUT (2)	FLSTC, FLSTF, FLSTN, FLSTFB, FLS, FLSS, FLSTFBS
11	8108	SPEEDNUT (2)	FLSTC, FLSTF, FLSTN, FLSTFB, FLS, FLSS, FLSTFBS
12	10053	CLAMP (3)	FLSTC, FLSTF, FLSTN, FLSTFB
12	10800096	CLAMP (2)	FLS
13	45456-86B	BRACKET, (upper)	FLSTC, FLSTF, FLSTN, FLSTFB, FLS
	45900150	BRACKET, (upper)	FLSS, FLSTFBS
14	45605-00A	STEM AND BRACKET ASSEMBLY, including lower bearing cone	FLSTC, FLSTF, FLSTN, FLSTFB, FLS, FLSS, FLSTFBS
15	45611-86	RETAINING RING, fork stem	FLSTC, FLSTF, FLSTN, FLSTFB, FLS, FLSS, FLSTFBS
16	45670-80A	CAP, fork stem	FLSTC, FLSTF, FLSTN, FLSTFB, FLS
	45800081	CAP, fork stem	FLSS, FLSTFBS
17	48300-60	ROLLER BEARING, with cup (2)	FLSTC, FLSTF, FLSTN, FLSTFB, FLS, FLSS, FLSTFBS
18	48315-60	BEARING CUP (2)	FLSTC, FLSTF, FLSTN, FLSTFB, FLS, FLSS, FLSTFBS
19	48361-80	DUST SHIELD, bearing (upper)	FLSTC, FLSTF, FLSTN, FLSTFB, FLS, FLSS, FLSTFBS
20	48365-48A	DUST SHIELD, bearing (lower)	FLSTC, FLSTF, FLSTN, FLSTFB, FLS, FLSS, FLSTFBS
21	50991-86	BRACKET, front panel (2)	FLSTC, FLSTF, FLSTN, FLSTFB, FLS, FLSS, FLSTFBS
22	67605-05	FRONT PANEL, (chrome)	FLSTN
	67830-09	FRONT PANEL, (chrome)	FLSTC
	67982-07	FRONT PANEL, (chrome)	FLSTF
	67987-10BHP	FRONT PANEL, (gloss black)	FLSTFB, FLSTFBS

	45900032	FRONT PANEL, (gloss black)	FLS, FLSS
23	67814-86	BACK PANEL, right rear (stainless steel)	FLSTC, FLSTF, FLSTN, FLSTFB, FLS
	67988-10BHP	BACK PANEL, right rear (gloss black)	FLSTFB, FLS, FLSS, FLSTFBS
24	67821-87	BACK PANEL, left rear with switch hole (stainless steel)	FLSTC, FLSTF, FLSTN
	67993-10BHP	BACK PANEL, left rear with switch hole (gloss black)	FLSTFB, FLS, FLSS, FLSTFBS
25	67891-99	TRIM STRIP KIT, front panel	FLSTF, FLS
	68055-10BHP	TRIM STRIP, front panel (2)	FLSTFB, FLSS, FLSTFBS
26	90357-89	PLUG	FLSTF, FLSTFB, FLS, FLSS, FLSTFBS
27	10800101	CLAMP	FLSS, FLSTFBS

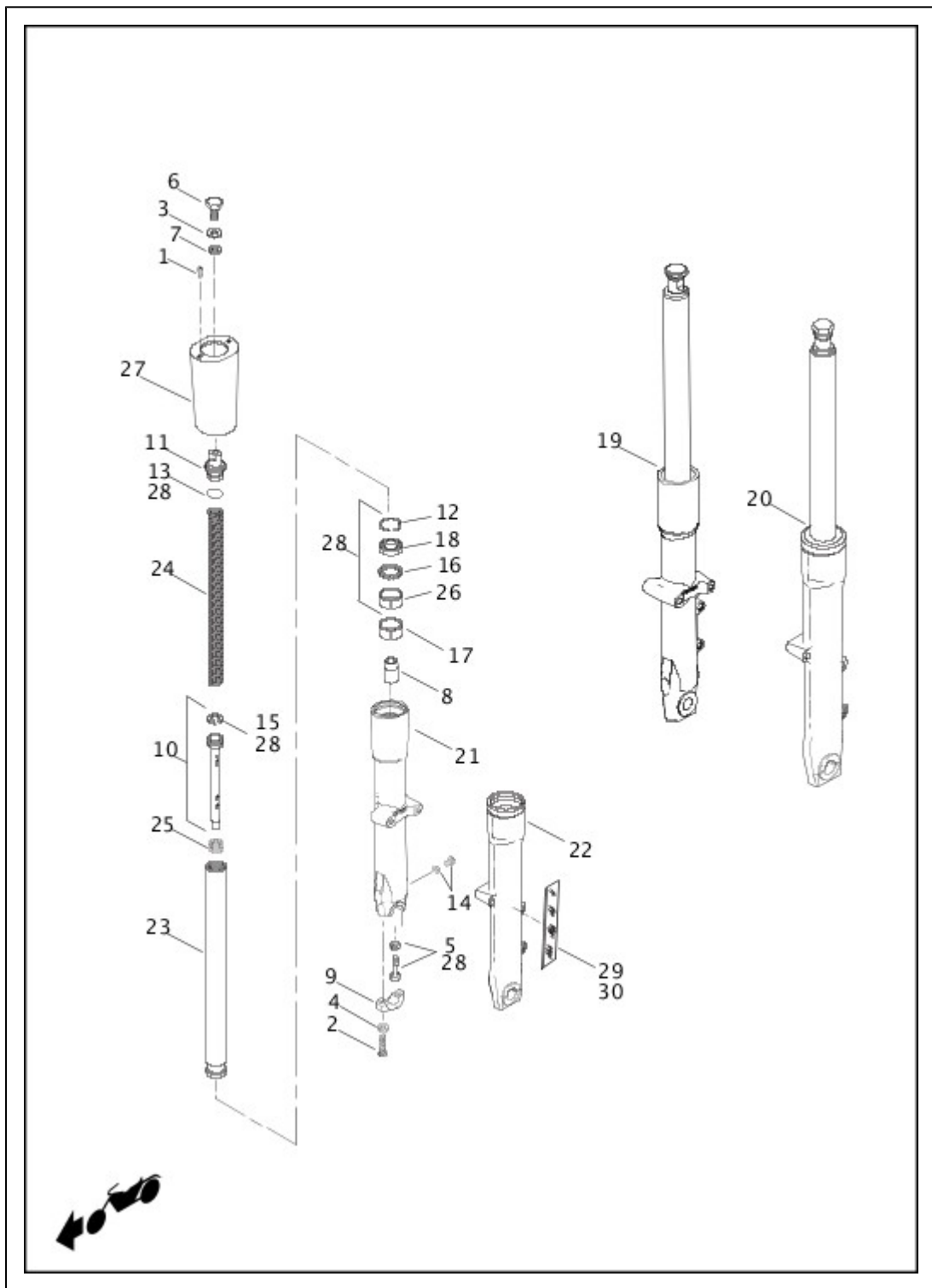
FORK BRACKETS, FRONT - FXSB



Index No.	Part No.	Description	Model(s)
1	3594	SCREW	FXSB
2	4311	SCREW (4)	FXSB
3	6703	WASHER	FXSB
4	10053	CLAMP	FXSB
5	45611-86	RETAINING RING, fork stem	FXSB
6	45670-80A	CAP, fork stem	FXSB
7	45718-60	NUT, fork stem	FXSB

8	45727-08	WASHER	FXSB
9	46700-08	BRACKET, (upper)	FXSB
10	48300-60	ROLLER BEARING, with cup (2)	FXSB
11	48315-60	BEARING CUP (2)	FXSB
12	48324-00A	NUT	FXSB
13	48361-80	DUST SHIELD, bearing (upper)	FXSB
14	48365-48A	DUST SHIELD, bearing (lower)	FXSB
15	45900073	BRACKET ASSEMBLY, with 45611-86 and 48365-48A	FXSB

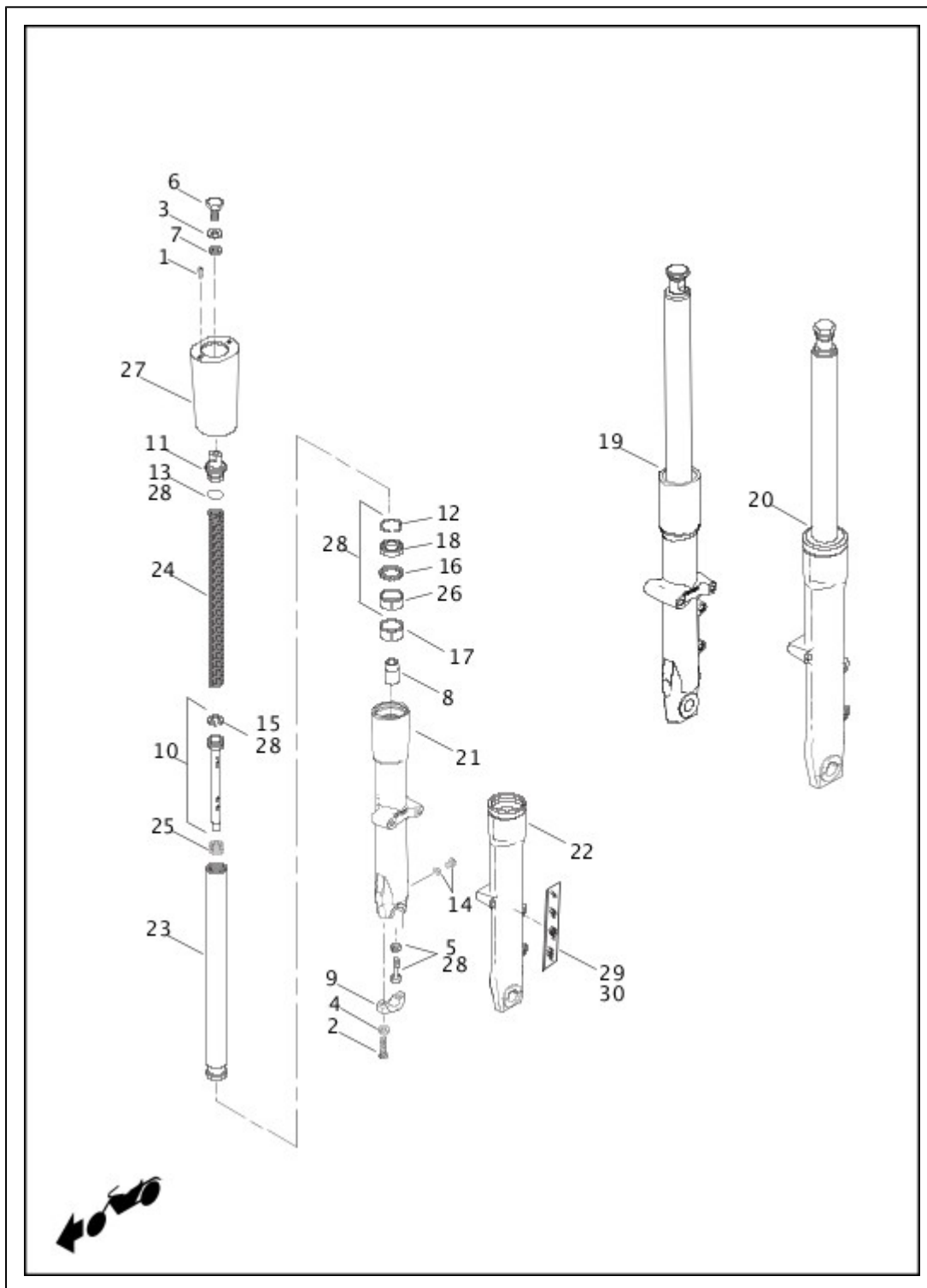
**FORK, FRONT-FLS,FLSS,FLSTC,FLSTF,FLSTFB,FLSTFBS AND
FLSTN (1 OF 2)**



Index No.	Part No.	Description	Model(s)
1	3537	SCREW (4)	FLSTC, FLSTF, FLSTN, FLSTFB, FLS, FLSS, FLSTFBS
2	4042	SCREW (2)	FLSTC, FLSTF, FLSTN, FLSTFB, FLS, FLSS, FLSTFBS
3	5710	WASHER (2)	FLSTC, FLSTF, FLSTN, FLSTFB, FLS, FLSS, FLSTFBS
4	7062	LOCKWASHER (2)	FLSTC, FLSTF, FLSTN, FLSTFB, FLS, FLSS, FLSTFBS

5	45405-75A	SCREW, with washer	FLSTC, FLSTF, FLSTN, FLSTFB, FLS, FLSS, FLSTFBS
6	45419-80	CAP, slider tube (2)	FLSTC, FLSTF, FLSTN, FLSTFB, FLS, FLSS, FLSTFBS
7	45733-48	OIL SEAL, fork tube plug (2)	FLSTC, FLSTF, FLSTN, FLSTFB, FLS, FLSS, FLSTFBS
8	45803-97	OIL LOCK STOP (2)	FLSTC, FLSTF, FLSTN, FLSTFB, FLS, FLSS, FLSTFBS
9	45835-00	AXLE CAP, right slider	FLSTC, FLSTF, FLSTN, FLSTFB, FLS
	46550-03	AXLE CAP, right slider (black)	FLSS, FLSTFBS
10	45837-07	DAMPER TUBE, with 45859-77A (2)	FLSTC, FLSTF, FLSTN, FLSTFB, FLS, FLSS, FLSTFBS
11	45838-77	PLUG, fork tube (2)	FLSTC, FLSTF, FLSTN, FLSTFB, FLS, FLSS, FLSTFBS
12	45842-77A	RETAINING RING	FLSTC, FLSTF, FLSTN, FLSTFB, FLS, FLSS, FLSTFBS
13	45845-77	O-RING	FLSTC, FLSTF, FLSTN, FLSTFB, FLS, FLSS, FLSTFBS
14	45858-77	DRAIN SCREW, with washer and slider (2)	FLSTC, FLSTF, FLSTN, FLSTFB, FLS, FLSS, FLSTFBS
15	45859-77A	DAMPER TUBE RING	FLSTC, FLSTF, FLSTN, FLSTFB, FLS, FLSS, FLSTFBS

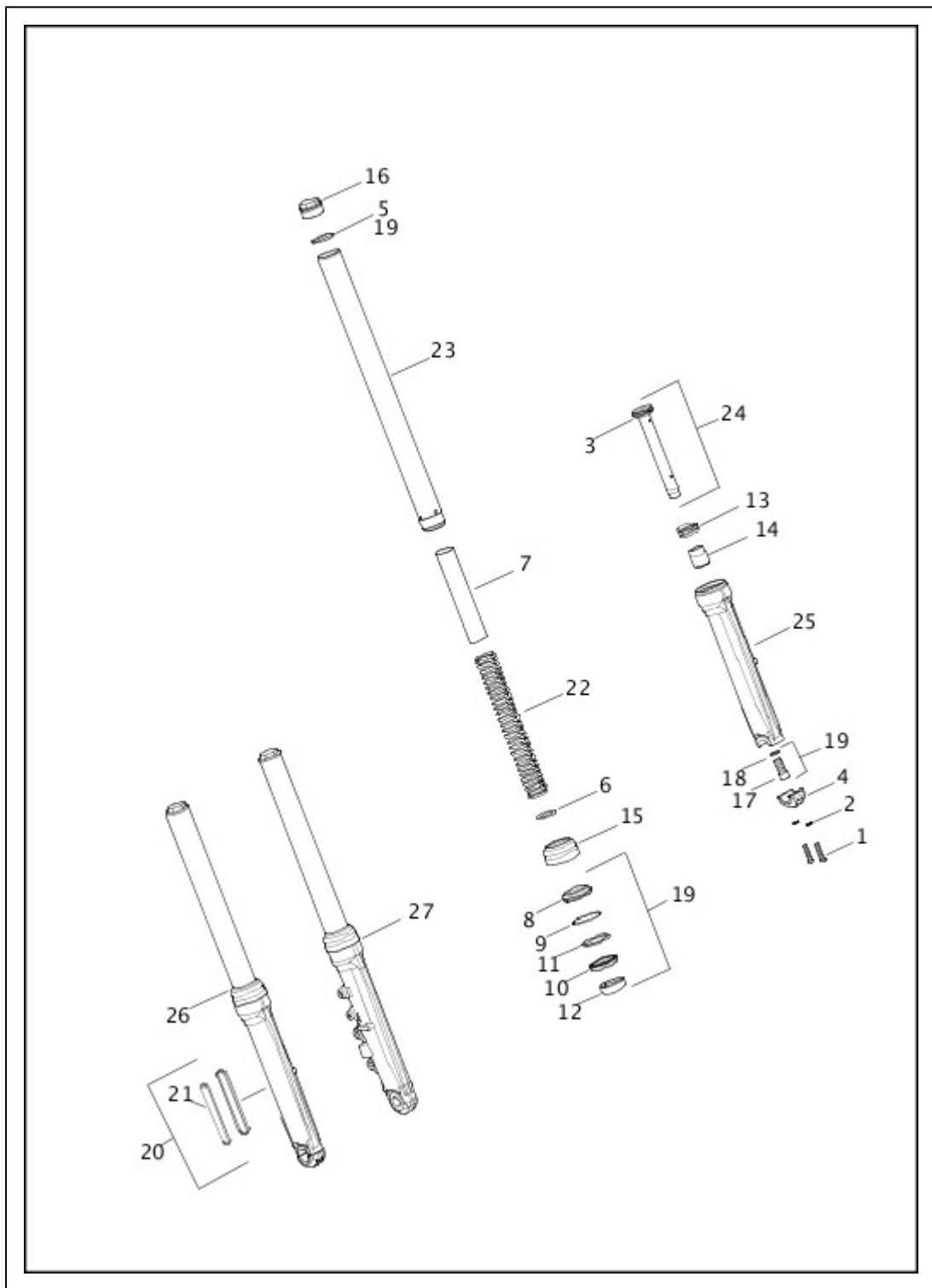
FORK, FRONT-FLS,FLSS,FLSTC,FLSTF,FLSTFB,FLSTFBS AND FLSTN (2 OF 2)



Index No.	Part No.	Description	Model(s)
16	45865-84	SLIDER WASHER	FLSTC, FLSTF, FLSTN, FLSTFB, FLS, FLSS, FLSTFBS
17	45866-84	BUSHING, slider	FLSTC, FLSTF, FLSTN, FLSTFB, FLS, FLSS, FLSTFBS
18	45875-84A	OIL SEAL	FLSTC, FLSTF, FLSTN, FLSTFB, FLS, FLSS
19	45915-08A	FORK SLIDER AND TUBE ASSEMBLY, (right)	FLSTC, FLSTF, FLSTN, FLSTFB, FLS
	45400147	FORK SLIDER AND TUBE ASSEMBLY,	FLSS, FLSTFBS

		(right) (black)	
20	45916-07A	FORK SLIDER AND TUBE ASSEMBLY, (left)	FLSTC, FLSTF, FLSTN, FLSTFB, FLS
	45400148	FORK SLIDER AND TUBE ASSEMBLY, (left) (black)	FLSS, FLSTFBS
21	45917-08A	SLIDER ASSEMBLY, (right)	FLSTC, FLSTF, FLSTN, FLSTFB, FLS
	45500367	SLIDER ASSEMBLY, (right) (black)	FLSS, FLSTFBS
22	45918-07A	SLIDER ASSEMBLY, (left)	FLSTC, FLSTF, FLSTN, FLSTFB, FLS
	45500366	SLIDER ASSEMBLY, (left) (black)	FLSS, FLSTFBS
23	45930-00	STANCHION TUBE, with 45866-84 (2)	FLSTC, FLSTF, FLSTN, FLSTFB, FLS, FLSS, FLSTFBS
24	45931-00	SPRING (2)	FLSTC, FLSTF, FLSTN, FLSTFB, FLS, FLSS, FLSTFBS
25	45933-86	SPRING, damper tube (2)	FLSTC, FLSTF, FLSTN, FLSTFB, FLS, FLSS, FLSTFBS
26	45940-84	SLIDER BUSHING	FLSTC, FLSTF, FLSTN, FLSTFB, FLS, FLSS, FLSTFBS
27	45964-86	COVER, slider (2)	FLSTC, FLSTF, FLSTN, FLS
	54673-10BYM	COVER, slider (2)	FLSTFB
	46541-02	COVER, slider (black) (2)	FLSS, FLSTFBS
28	49377-09A	FORK REBUILD KIT	FLSTC, FLSTF, FLSTN, FLSTFB, FLS, FLSS, FLSTFBS
29	60253-07	BRACKET ASSEMBLY, reflector, with 60254-07 (2)	FLSTC, FLSTF, FLSTN, FLSTFB, FLS, FLSS, FLSTFBS
30	60254-07	REFLECTOR, amber (2)	FLSTC, FLSTF, FLSTN, FLSTFB, FLS, FLSS, FLSTFBS

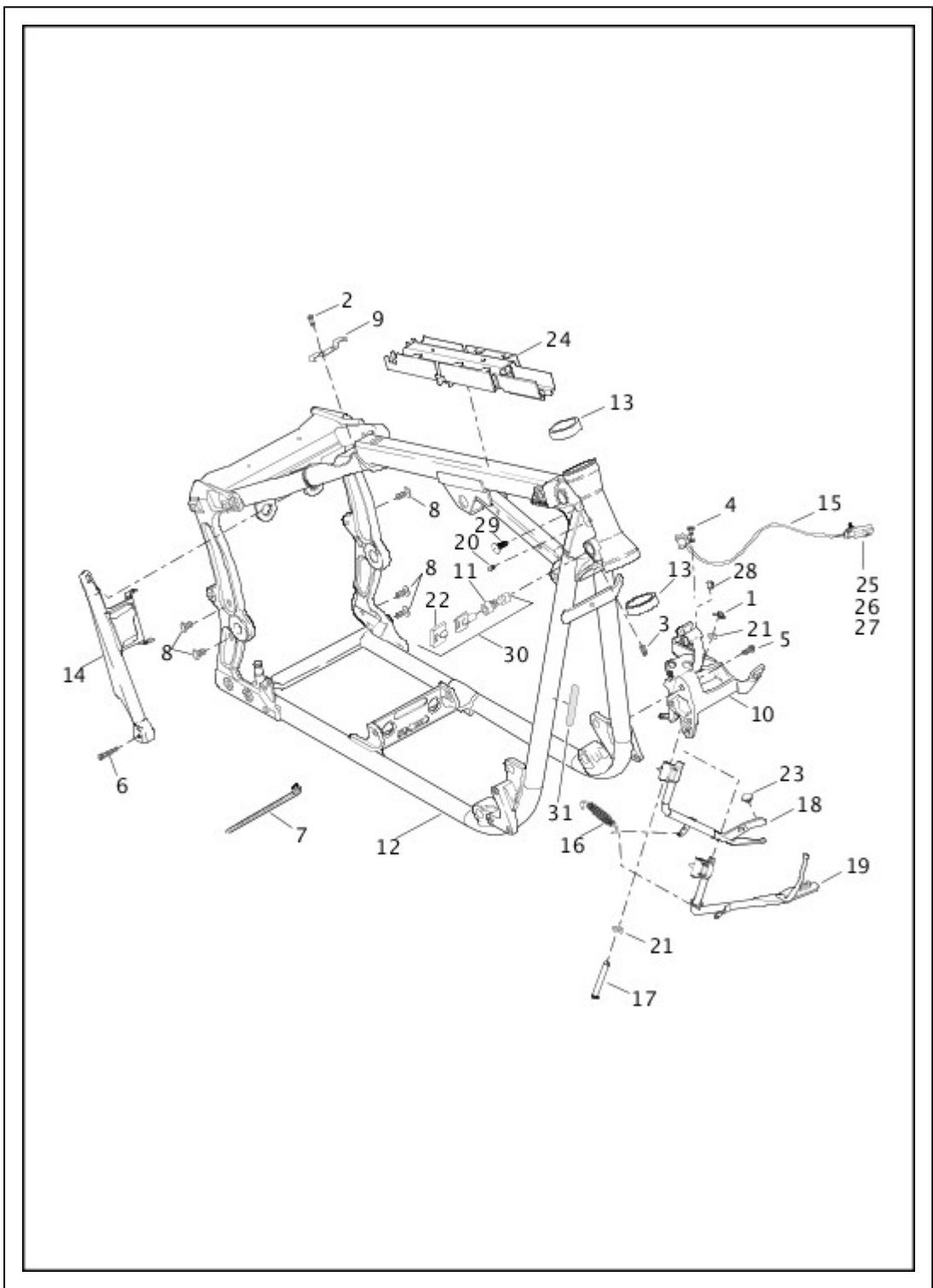
FORK, FRONT - FXSB



Index No.	Part No.	Description	Model(s)
1	4042	SCREW (2)	FXSB
2	7062	LOCKWASHER (2)	FXSB
3	11689	PISTON RING (2)	FXSB
4	45104-08	AXLE CAP, right side (black)	FXSB
5	46508-01	O-RING (2)	FXSB
6	46509-01	WASHER (2)	FXSB
7	46510-07	COLLAR SPRING (2)	FXSB

8	46512-01A	DUST SEAL	FXSB
9	46513-01	RING STOPPER	FXSB
10	46514-01A	OIL SEAL	FXSB
11	46515-01	SPACER SEAL	FXSB
12	46516-01	BUSHING GUIDE	FXSB
13	46517-01	SPRING, rebound (2)	FXSB
14	46609-06	OIL SEAL, fork tube plug (2)	FXSB
15	46611-06	COVER, case (2)	FXSB
16	46612-06	BOLT (2)	FXSB
17	46614-06	BOLT	FXSB
18	46615-06	CU PACKING	FXSB
19	49379-09	FORK REBUILD KIT (2)	FXSB
20	60253-07	BRACKET ASSEMBLY, reflector (2)	FXSB
21	60254-07	REFLECTOR, amber (2)	FXSB
22	45500150	FORK SPRING (2)	FXSB
23	45500151	FORK PIPE (2)	FXSB
24	45500152	SEAT PIPE, with 11689 (2)	FXSB
25	45500159	SLIDER ASSEMBLY, left side (black)	FXSB
	45500161	SLIDER ASSEMBLY, right side (black) (not shown)	FXSB
26	45800026	FORK SLIDER AND TUBE ASSEMBLY, (right)	FXSB
27	45800027	FORK SLIDER AND TUBE ASSEMBLY, (left)	FXSB

FRAME AND JIFFY STAND

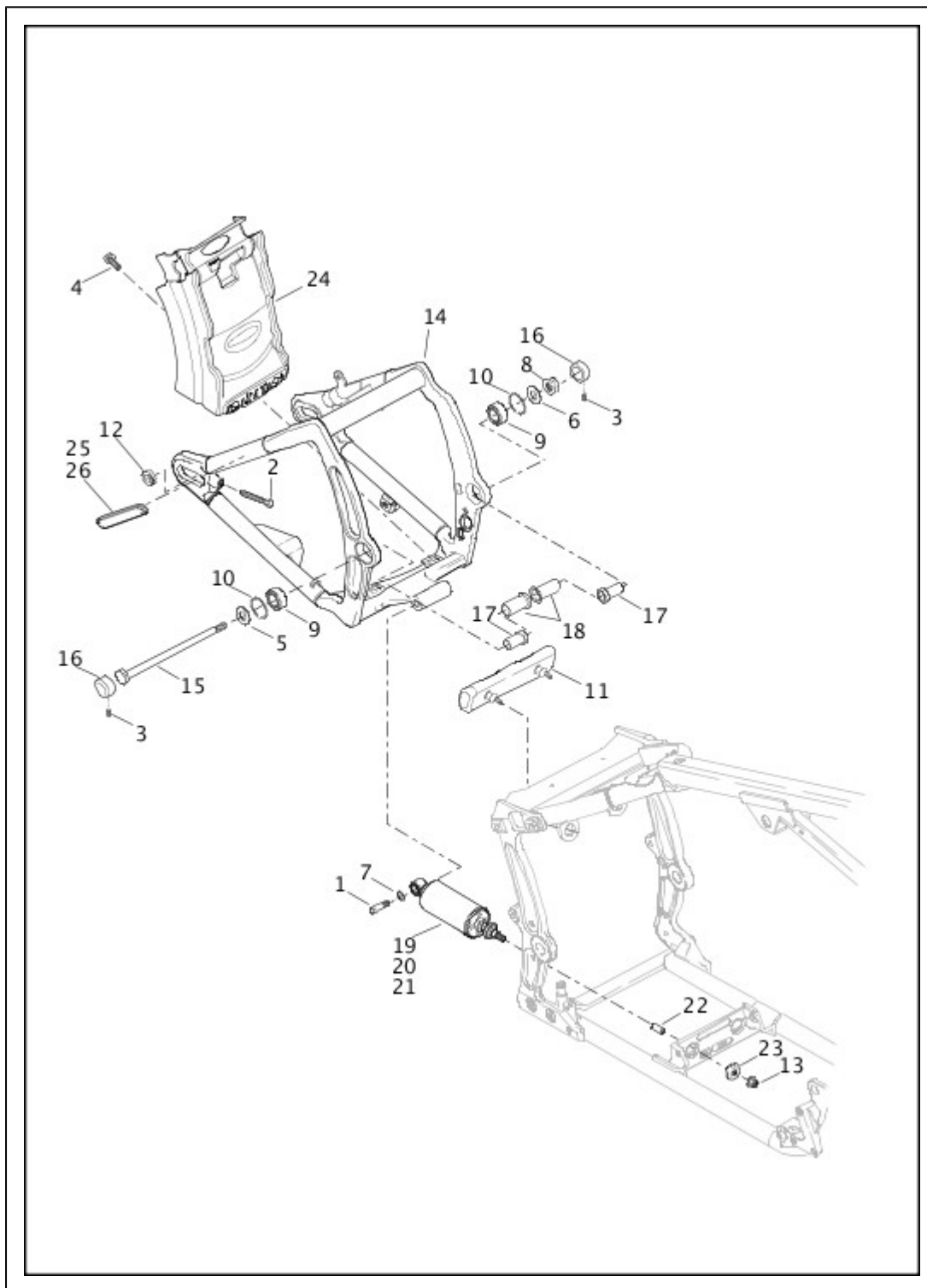


Index No.	Part No.	Description	Model(s)
1	554A	PRETZEL CLIP, jiffy stand	
2	939	SCREW (2)	
3	3233	SCREW	
4	3594	SCREW, (HDI, Brazil, England)	FLS, FLSTC, FLSTF, FLSTN, FLSTFB, FXSB, FLSS, FLSTFBS
5	4512A	SCREW (6)	
6	4813A	SCREW	FLSTC, FLSTF, FLSTN, FLSTFB,

			FLS, FLSS, FLSTFBS
7	10006	CABLE STRAP (3)	
	10065	CABLE STRAP, keys	
8	10040	CLIP (5)	FLS
8	10040	CLIP (4)	FLSTC, FLSTF, FLSTFB, FLSTFBS
8	10040	CLIP (3)	FLSTN
8	10040	CLIP (2)	FXSB
9	10193	WIRE CLAMP	
10	33630-07A	BRACKET, jiffy stand, shift lever and footboard, includes shifter bushings	FLSTC, FLSTF, FLSTN, FLSTFB, FLS, FLSS, FLSTFBS
	33683-07A	BRACKET, jiffy stand, shift lever and footrest, includes shifter bushings (black)	FXSB
11	45680-90	FORK LOCK, (specify key number)	
12	47173-11BHP	FRAME, (gloss black)	FLSTC, FLSTF, FLSTN, FLS, FLSS
	47173-11BYM	FRAME, (denim black)	FLSTFB, FLSTFBS
	47167-11BHP	FRAME, (gloss black)	FXSB
13	48315-60	BEARING CUP (2)	
14	48868-07	POST, seat	FLSTC, FLSTF, FLSTN, FLSTFB, FLS, FLSS, FLSTFBS
15	49716-08A	JIFFY STAND SENSOR, with 72169-07, 72511-07BK, 73213-07 (HDI, Brazil, England)	
16	49725-07A	SPRING, jiffy stand leg	
17	50003-89B	CLEVIS PIN, jiffy stand	
18	50087-07A	LEG, jiffy stand (chrome)	FLSTC, FLSTF
19	50103-07B	LEG, jiffy stand	FLSTN, FLSTFB, FLS, FLSS, FLSTFBS
	50000053	LEG, jiffy stand	FXSB
20	50972-75	FITTING, lubrication	
21	53176-08	BUSHING, jiffy stand (2)	
22	61081-92	COVER, key head set (2)	
23	62123-07	BUMPER	FLS, FLSTC, FLSTF, FLSTN, FLSTFB
23	62123-	BUMPER	FXSB, FLSS, FLSTFBS

	66A		
24	71044-11	WIRE TROUGH	
25	72169-07	TERMINAL, pin 16-20 AWG (HDI, Brazil, England) (3)	FLS, FLSTC, FLSTF, FLSTN, FLSTFB, FXSB, FLSS, FLSTFBS
26	72511-07BK	HOUSING, three-way, pin (HDI, Brazil, England)	FLS, FLSTC, FLSTF, FLSTN, FLSTFB, FXSB, FLSS, FLSTFBS
27	73213-07	RETAINER, anchored (HDI, Brazil, England)	FLS, FLSTC, FLSTF, FLSTN, FLSTFB, FLSS, FLSTFBS, FXSB
28	90520-07	PLUG, (Asia-Pacific, Australia, California, Canada, Domestic, India, Japan)	
29	12600015	FASTENER, anchored	
30	71400076	IGNITION SWITCH AND FORK LOCKSET, with 90300043 keys, ignition switch and fork lock	FLSTC, FLSTF, FLSTN, FLSTFB, FLS, FLSS, FLSTFBS

FORK, REAR AND SHOCK ABSORBERS

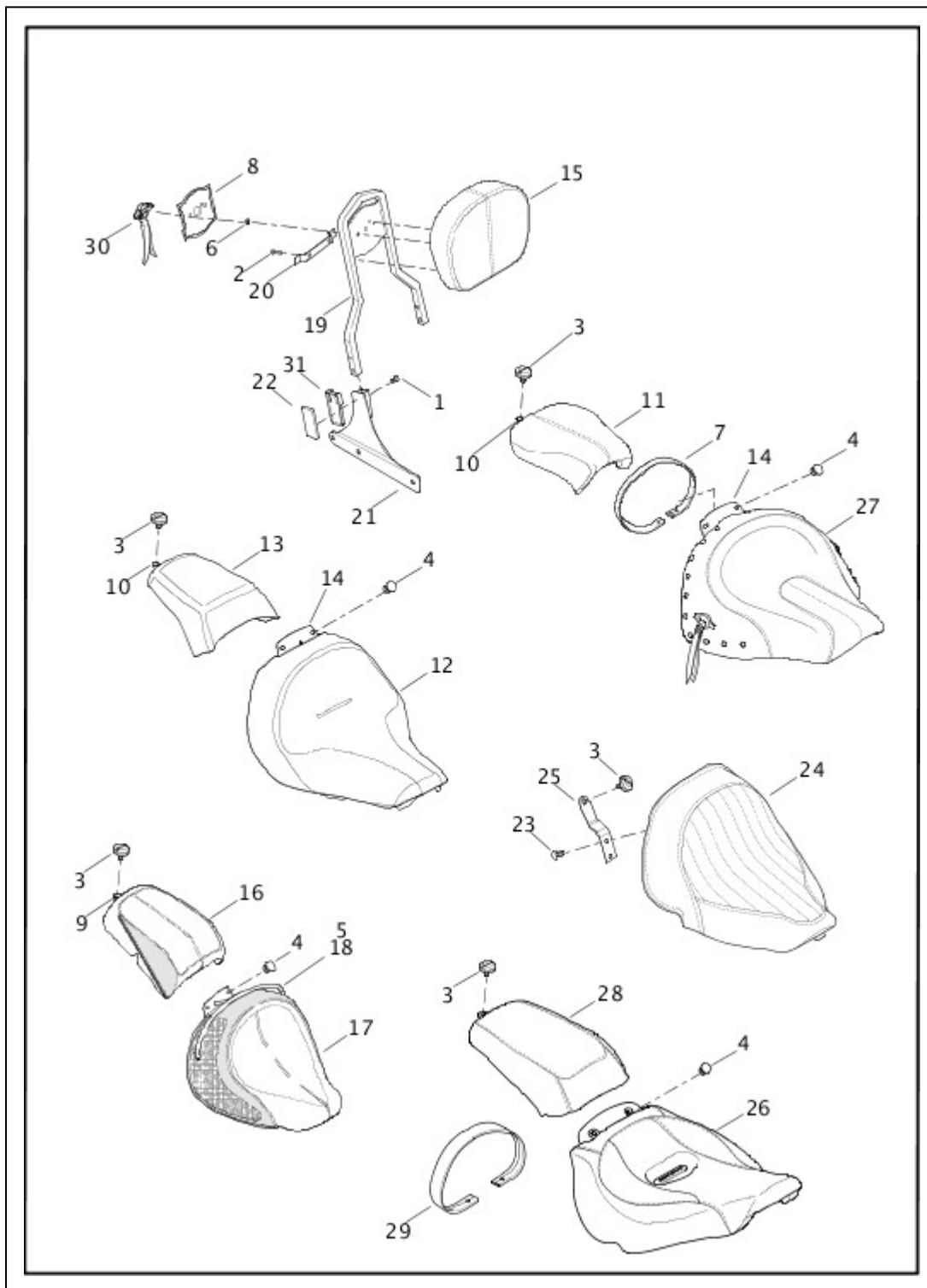


Index No.	Part No.	Description	Model(s)
1	4074A	BOLT (2)	
2	4433	ADJUSTING SCREW, rear axle (2)	
3	4636	SET SCREW	FLSS, FLSTFBS
4	4867	SCREW	
5	6534	WASHER, hardened, right side	
6	6535	WASHER, hardened, left side	

7	6724	WASHER (2)	
8	7479	NUT	
9	9209	BEARING, rear fork pivot (2)	
10	11282	RETAINING RING, fork bearing (2)	
11	11514	BUMPER, rear fork	FLSTC, FLSTF, FLSTN, FLSTFB, FLS, FLSS, FLSTFBS
	11565C	BUMPER, rear fork	FXSB
12	41694-08	SPACER, rear axle adjuster	
13	45764-00	LOCKNUT (2)	
14	47573-11BHP	REAR FORK KIT, with 11282 and bearing (gloss black)	FLSTC, FLSTF, FLSTN, FLS, FLSS
	47573-11BYM	REAR FORK KIT, with 11282 and bearing (black denim)	FLSTFB, FLSTFBS
	47694-11BHP	REAR FORK KIT, with 11282 (gloss black)	FXSB
15	47610-08	PIVOT SHAFT	FLSTC, FLSTF, FLSTN, FLSTFB, FLS, FLSS, FLSTFBS
	47670-08	PIVOT SHAFT	FXSB
16	47683-09	COVER, bolt (black)	FLSS, FLSTFBS
17	48048-00A	BUSHING, rear fork (2)	
18	48619-07A	SPACER, rear fork (right)	FLSTC, FLSTF, FLSTN, FLSTFB, FLS, FLSS, FLSTFBS
	48104-08	SPACER, rear fork (right)	FXSB
	48076-08	SPACER, rear fork (left)	FLSTC, FLSTF, FLSTN, FLSTFB, FLS, FLSS, FLSTFBS
	48049-08	SPACER, rear fork (left)	FXSB
19	54508-00B	SHOCK ABSORBER, complete (2)	FLSTC, FLSTF
19	54508-00B	SHOCK ABSORBER, complete (Brazil, England, HDI, India) (2)	FLSTFB, FLSTFBS
19	54508-00B	SHOCK ABSORBER, complete (Asia-Pacific, Australia) (2)	FLS, FLSS
20	54549-04	SHOCK ABSORBER, complete (2)	FLSTN
20	54549-04	SHOCK ABSORBER, complete (Asia-Pacific, Australia, Domestic, Canada, Japan) (2)	FLSTFB, FLSTFBS
20	54549-04	SHOCK ABSORBER, complete (Canada, Domestic, England, HDI, Japan) (2)	FLS, FLSS
21	54000045	SHOCK ABSORBER, complete (2)	FXSB

22	56182-00A	BUSHING (2)	
23	56183-00	WASHER, with grommet (4)	
24	60363-11	SPLASH GUARD	FLSTC, FLSTN, FLS, FLSS
	60456-11	SPLASH GUARD	FLSTF, FLSTFB, FLSTFBS
	49000014	SPLASH GUARD	FXSB
25	60254-07	REFLECTOR, (amber) (HDI)	FXSB
	69490-07	REFLECTOR, (red)	FXSB
26	60271-08	REFLECTOR ASSEMBLY, (red)	FXSB
	59405-09	REFLECTOR ASSEMBLY, (amber) (HDI)	FXSB

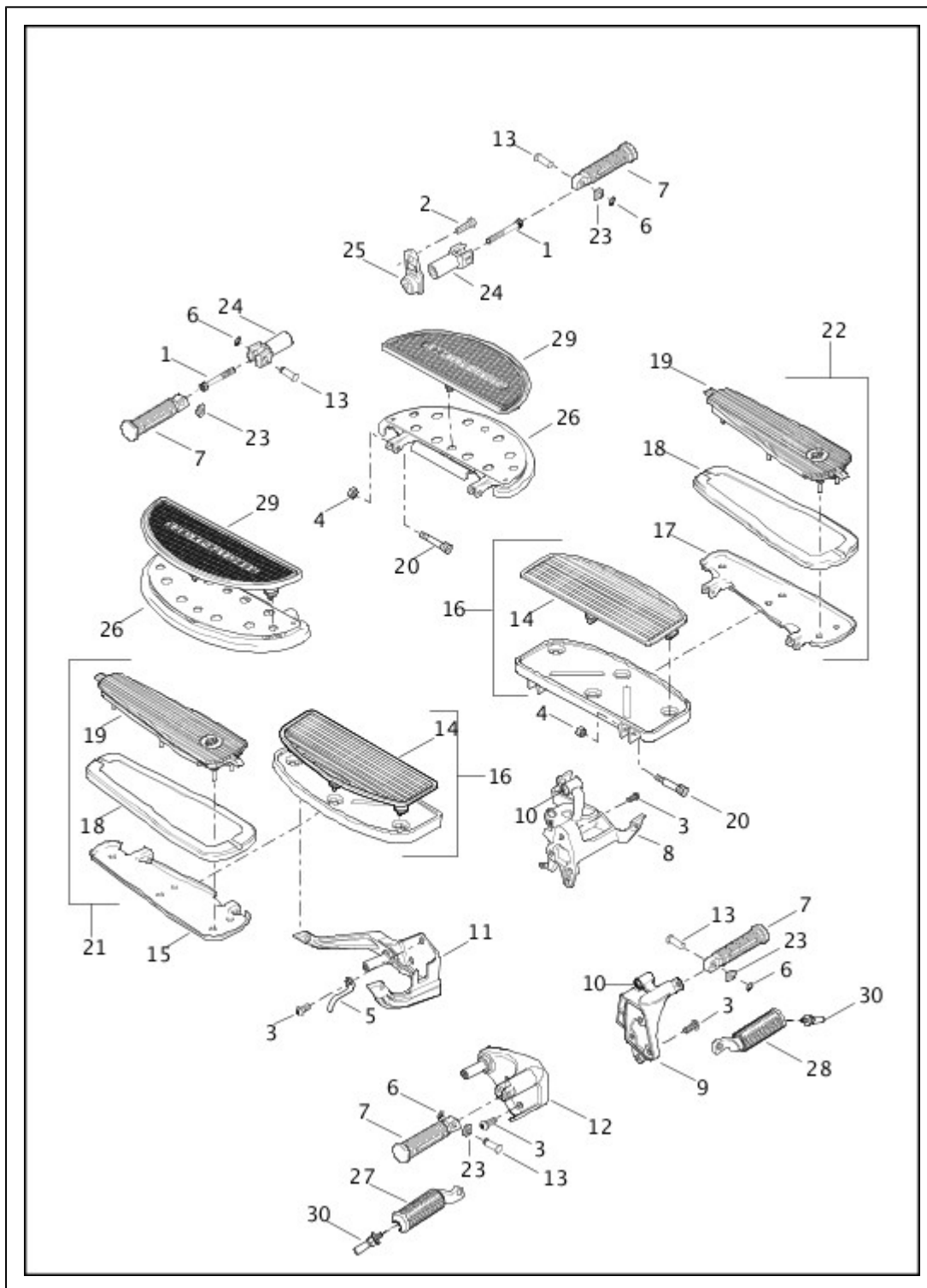
SEATS



Index No.	Part No.	Description	Model(s)
1	1001	SCREW (4)	FLSTC
2	2538	SCREW (3)	FLSTC
3	3075	SCREW	FLSTN, FLSTF, FLSTFB, FLS, FLSS, FLSTFBS
4	3633	NUT, seat mounting (2)	FLSTC, FLSTN, FLSTF, FLSTFB, FLSTFBS
5	6036	WASHER (2)	FLSTN

6	8126A	RETAINER CLIP (2)	FLSTC
7	51184-00	PASSENGER STRAP	FLSTC, FLSTF, FLSTFB, FLSTFBS
8	51494-11	TRIM PANEL, backrest	FLSTC
9	51669-07	BRACKET	FLSTN
10	51740-10	BRACKET, seat mounting (gloss black)	FLSTF, FLSTFB, FLSTFBS
	51652-97A	BRACKET, seat mounting	FLSTC
11	51812-09	PILLION ASSEMBLY	FLSTC
12	51873-10A	SEAT ASSEMBLY	FLSTF, FLSTFB, FLSTFBS
13	51874-10A	PILLION ASSEMBLY	FLSTF, FLSTFB, FLSTFBS
14	52125-05	BRACKET	FLSTF, FLSTFB, FLSTFBS
15	52189-09	BACKREST	FLSTC
16	52237-07	SEAT, passenger, with 51669-07	FLSTN
17	52502-05C	SEAT ASSEMBLY, front, with 6036 and 52691-05	FLSTN
18	52691-05	GRAB RAIL	FLSTN
19	52731-00	SISSY BAR UPRIGHT	FLSTC
20	52771-82	BRACKET, backrest	FLSTC
21	52787-00	SIDE PLATE, (right)	FLSTC
	52788-00	SIDE PLATE, (left)	FLSTC
22	59259-90	REFLECTOR, (Domestic, Canada) (2)	FLSTC
	59256-84A	REFLECTOR, (amber) (HDI, Asia-Pacific, Australia, England, Japan) (2)	FLSTC, FLS, FLSS
23	67956-96	SCREW	FLS, FLSS
24	52000031A	SEAT	FLS, FLSS
25	52000032	BRACKET, mounting	FLS, FLSS
26	52000096	SEAT	FXSB
27	52000222	SEAT ASSEMBLY	FLSTC
28	52400065	PILLION	FXSB
29	52400072	PASSENGER STRAP	FXSB
30	61400327	CONCHO	FLSTC
31	67900140	BRACKET, reflector	FLSTC

FOOTRESTS AND FOOTBOARDS

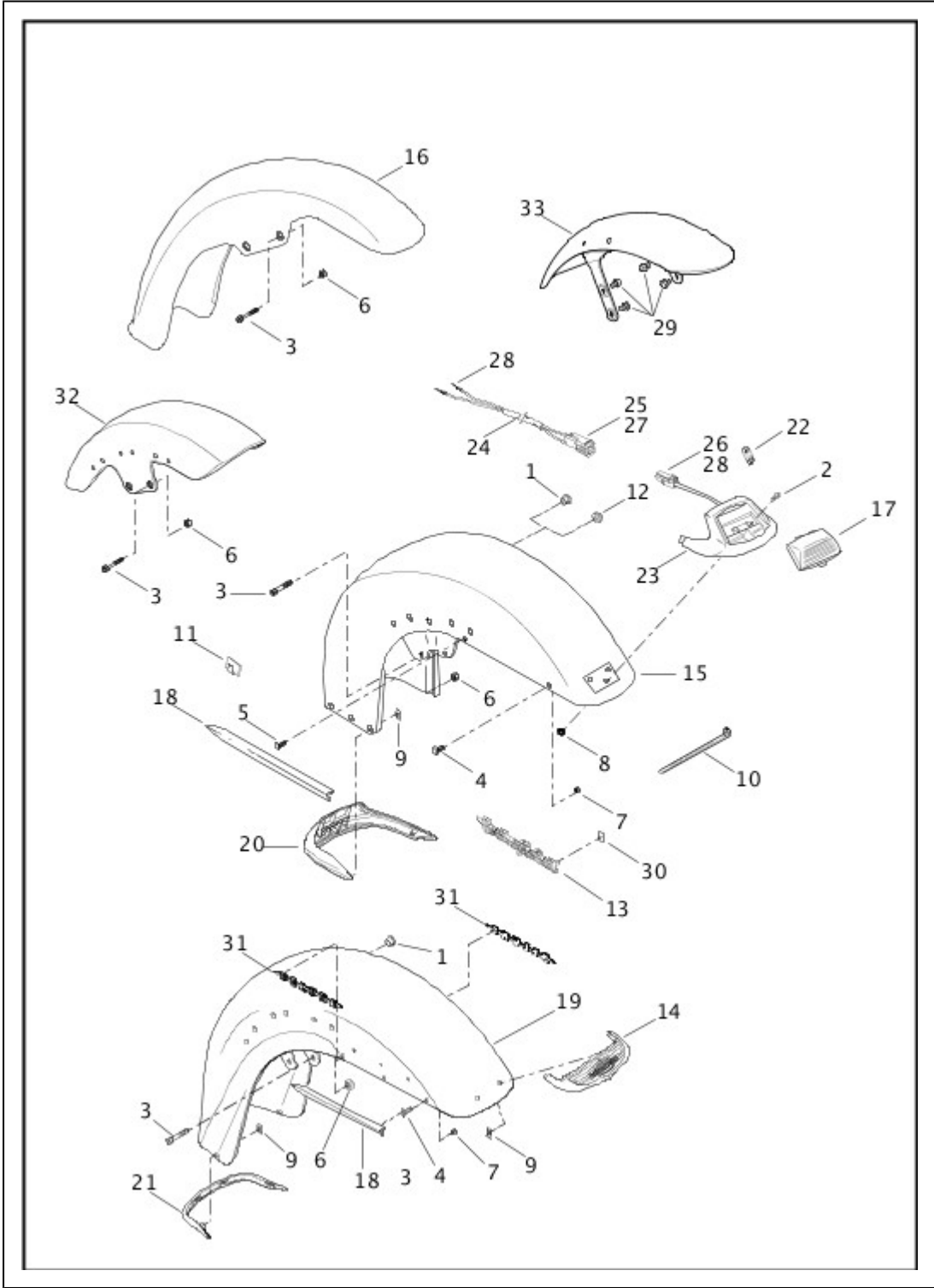


Index No.	Part No.	Description	Model(s)
1	4454	SCREW (2)	FLSTC, FXSB
1	4454	SCREW	FLSTF, FLSTN, FLSTFB, FLSTFBS
	4836	SCREW, (right)	FLSTF, FLSTN, FLSTFB, FLSTFBS
2	4390	SCREW (2)	FLSTN
3	4512A	SCREW (6)	
4	7716	LOCKNUT (4)	FLSTC, FLSTF, FLSTN, FLSTFB, FLS, FLSS, FLSTFBS

5	10866	CLIP, master cylinder retention	
6	11304	RETAINING RING (2)	FLSTC, FLSTF, FLSTN, FLSTFB, FXSB, FLSTFBS
7	33048-72	FOOTREST, with 33189-63 (2)	FLSTC, FLSTF, FLSTN, FLSTFB, FXSB, FLSTFBS
	33189-63	FOOTREST COVER, (black) (2)	FLSTC, FLSTF, FLSTN, FLSTFB, FXSB, FLSTFBS
8	33630-07A	BRACKET, jiffy stand, shift lever, footboard and 33708-94	FLSTC, FLSTF, FLSTN, FLSTFB, FLS, FLSS, FLSTFBS
9	33683-07A	BRACKET, jiffy stand, shift lever, footboard and 33708-94 (black)	FXSB
10	33708-94	BEARING SLEEVE (2)	
11	42431-11	SUPPORT ASSEMBLY, footboard and brake (right)	FLSTC, FLSTF, FLSTN, FLSTFB, FLS, FLSS, FLSTFBS
12	42508-11BHP	BRACKET, brake lever and footrest (black)	FXSB
13	45041-01A	PIN, clevis (2)	FLSTC, FLSTF, FLSTN, FLSTFB, FLSTFBS
	45041-01A	PIN, clevis (4)	FXSB
14	50614-06	PAD (2)	FLSTF
15	50617-05	FOOTBOARD BOTTOM, (right)	FLSTN
16	50621-06	FOOTBOARD, includes pad (2)	FLSTF
17	50624-05	FOOTBOARD BOTTOM, (left)	FLSTN
18	50625-05	FOOTBOARD COVER (2)	FLSTN
19	50630-05	FOOTBOARD PAD (2)	FLSTN
20	50674-05	BOLT, footboard hinge (4)	FLSTC, FLSTF, FLSTN, FLSTFB, FLS, FLSS, FLSTFBS
21	50698-05	FOOTBOARD ASSEMBLY, with 50617-05, 50625-05 and 50630-05 (right)	FLSTN
22	50699-05	FOOTBOARD ASSEMBLY, with 50624-05, 50625-05 and 50630-05 (left)	FLSTN
23	50912-72	WASHER, SPRING (2)	FLSTC, FLSTF, FLSTN, FLSTFB, FLSTFBS
	50912-72	WASHER, SPRING (4)	FXSB
24	50943-05A	SUPPORT, passenger footrest (black) (2)	FLSTC, FLSTF, FLSTN, FLSTFB, FXSB, FLSTFBS
25	50944-05	SUPPORT, passenger footrest (left)	FLSTN
26	51218-09A	FOOTBOARD BOTTOM, (polished) (2)	FLSTC

	51402-08A	FOOTBOARD BOTTOM, (gloss black) (2)	FLSTFB, FLS, FLSS, FLSTFBS
27	51323-08	FOOT PEG, (right)	FXSB
28	51327-08	FOOT PEG, (left)	FXSB
29	51403-08	PAD, footboard (2)	FLSTC, FLSTFB, FLS, FLSS, FLSTFBS
30	54204-11	WEAR PEG, footrest (2)	FXSB

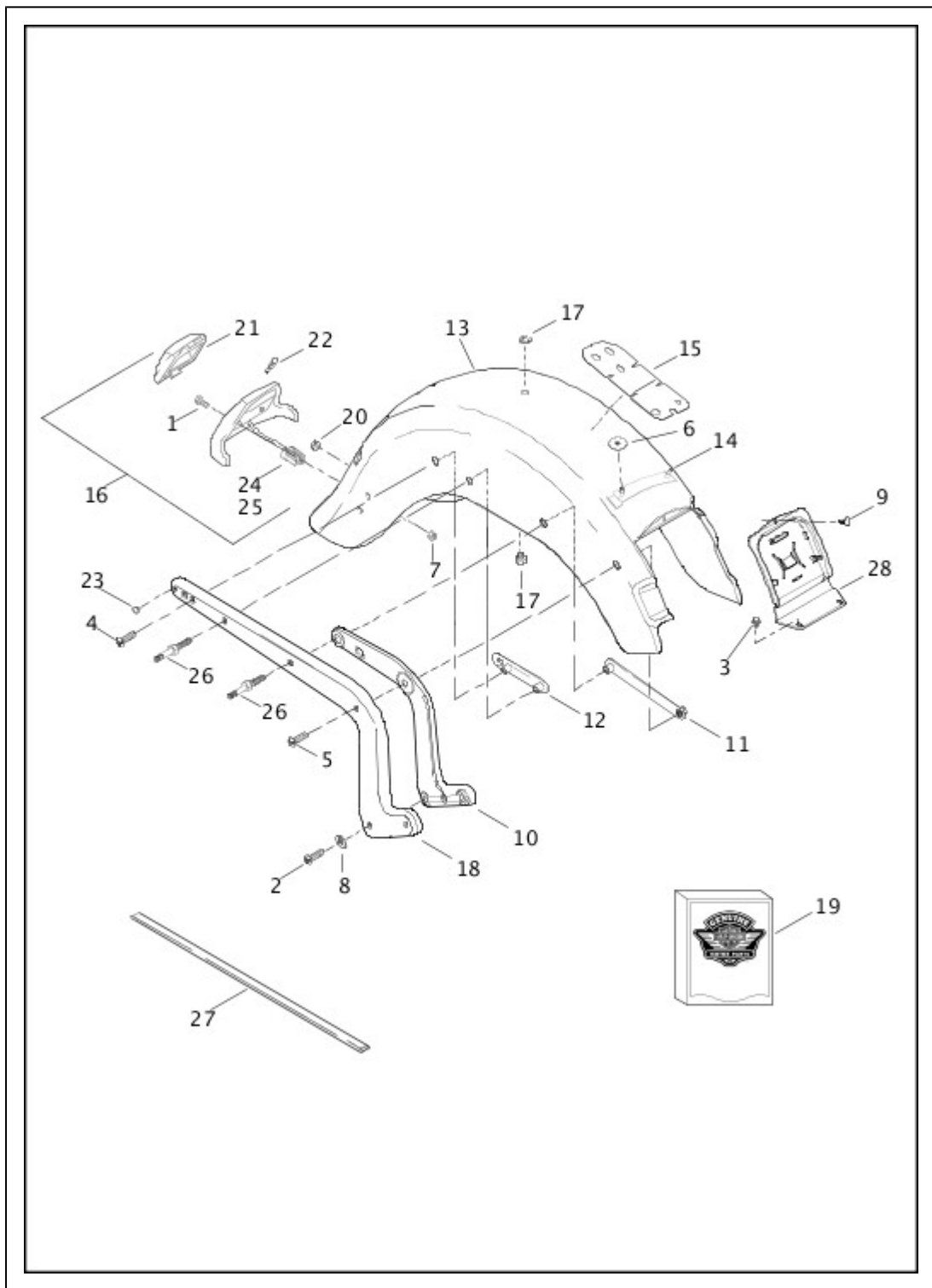
FENDER, FRONT



Index No.	Part No.	Description	Model(s)
NOTE: Refer to the Service Section of h-dnet.com for painted part numbers.			
1	755	HOLE PLUG	FLSTN
	755	HOLE PLUG, (HDI) (2)	FLSTC
2	2604	SCREW (2)	FLSTC
3	3485A	SCREW (4)	FLSTC, FLSTN, FLSTF, FLSTFB, FLS, FLSS, FLSTFBS
4	3560WA	BOLT, tee (2)	FLSTC, FLSTN
5	3561WC	BOLT, tee (2)	FLSTC, FLSTN
6	7531	LOCKNUT (4)	FLSTC, FLSTN, FLSTF, FLSTFB, FLS, FLSS, FLSTFBS
7	7624	LOCKNUT (4)	FLSTC, FLSTN
8	7629	NUT (2)	FLSTC
9	8037	NUT (3)	FLSTC
	8037	NUT (5)	FLSTN
10	10065	CABLE STRAP (2)	FLSTC
11	10102	CLIP	FLSTC
12	11437	GROMMET	FLSTC
13	14142-09	TRIM, Heritage Softail (2)	FLSTC
14	59019-05	FRONT FENDER TIP	FLSTN
15	59129-09	FENDER, (prime)	FLSTC
16	59139-00A	FENDER, (prime)	FLSTF, FLSTFB, FLSTFBS
17	59180-80	LENS, fender tip lamp (amber)	FLSTC
	59201-96	LENS, fender tip (HDI)	FLSTC
18	59211-74A	SIDE TRIM (2)	FLSTC, FLSTN
19	59234-05	FENDER, (prime)	FLSTN
20	59235-09	TRIM SKIRT, (lower)	FLSTC
21	59360-05	TRIM SKIRT, (lower)	FLSTN
22	68193-95	BULB, fender tip lamp	FLSTC
23	68706-00	LAMP ASSEMBLY FENDER TIP, with 59180-80, 68193-95, 73152-96BK and 73191-96	FLSTC
	59116-96	LAMP ASSEMBLY FENDER TIP, with 59201-96 (HDI)	FLSTC
24	70196-00	HARNESS ASSEMBLY, fender tip light, with 73102-	FLSTC

		96BK, 73190-96 and 73191-96	
25	73102-96BK	HOUSING, two-way	FLSTC
26	73152-96BK	HOUSING, two-way socket	FLSTC
27	73190-96	TERMINAL, pin, 16-20 AWG (2)	FLSTC
28	73191-96	TERMINAL, socket, 16-20 AWG (4)	FLSTC
29	10200201	SCREW (4)	FXSB
30	12200092	CLIP, retaining (6)	FLSTC, FLSTN
31	14100756	NAMEPLATE (2)	FLSTN
32	58900021	FENDER, (prime)	FLS, FLSS
33	58900042	FENDER, (prime)	FXSB

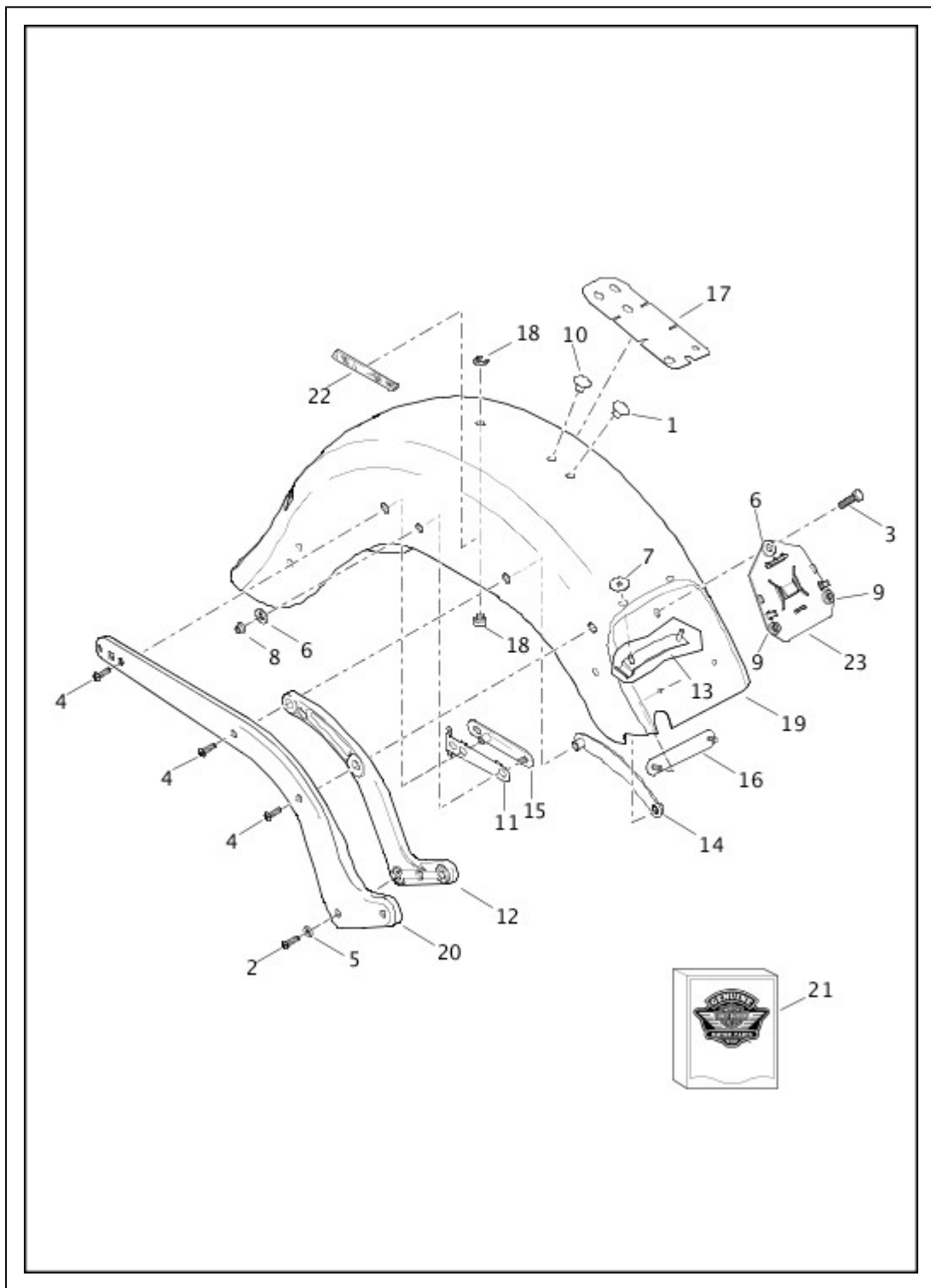
FENDERS AND SUPPORTS, REAR - FLSTC



Index No.	Part No.	Description	Model(s)
NOTE: Refer to the Service Section of h-dnet.com for painted part numbers.			
1	2604	SCREW (2)	FLSTC
2	3056	SCREW (4)	FLSTC
3	3391	SCREW (2)	FLSTC
4	4266A	SCREW (2)	FLSTC
5	4267	SCREW (2)	FLSTC
6	7434	WASHER (2)	FLSTC

7	7629	NUT (2)	FLSTC
8	6400HB	WASHER (4)	FLSTC
9	10226	FASTENER, nylon	FLSTC
10	47798-08BHP	SUPPORT, (left)	FLSTC
	47807-08BHP	SUPPORT, (right)	FLSTC
11	59050-03	BRACKET, fender mounting, front (2)	FLSTC
12	59119-03	BRACKET, fender mounting, rear (2)	FLSTC
13	59144-06A	REAR FENDER, (prime)	FLSTC
14	59174-99	STUD PLATE	FLSTC
15	59567-00C	PROTECTIVE TAPE	FLSTC
16	59683-03	LAMP ASSEMBLY FENDER TIP, with 68046-79 (Domestic)	FLSTC
	59117-96	LAMP ASSEMBLY FENDER TIP, with lens (HDI)	FLSTC
17	59768-97	FENDER SEAT NUT KIT	FLSTC
18	59954-08	COVER, (left) (chrome)	FLSTC
	59955-08	COVER, (right) (chrome)	FLSTC
19	60832-07	INNER FENDER DAMPING KIT	FLSTC
20	67266-94	GROMMET, turn signal (2)	FLSTC
21	68046-79	LENS, rear fender lamp (Domestic)	FLSTC
22	68193-95	BULB, rear fender lamp	FLSTC
23	68446-00	PLUG, button (2)	FLSTC
24	73191-96	TERMINAL, socket, 16-20 AWG (3)	FLSTC
25	73153-96BK	HOUSING, three-way socket	FLSTC
26	90367-03	STUD, saddlebag (4)	FLSTC
27	69200018	CONDUIT	FLSTC
28	69200626	CADDY, ECM	FLSTC

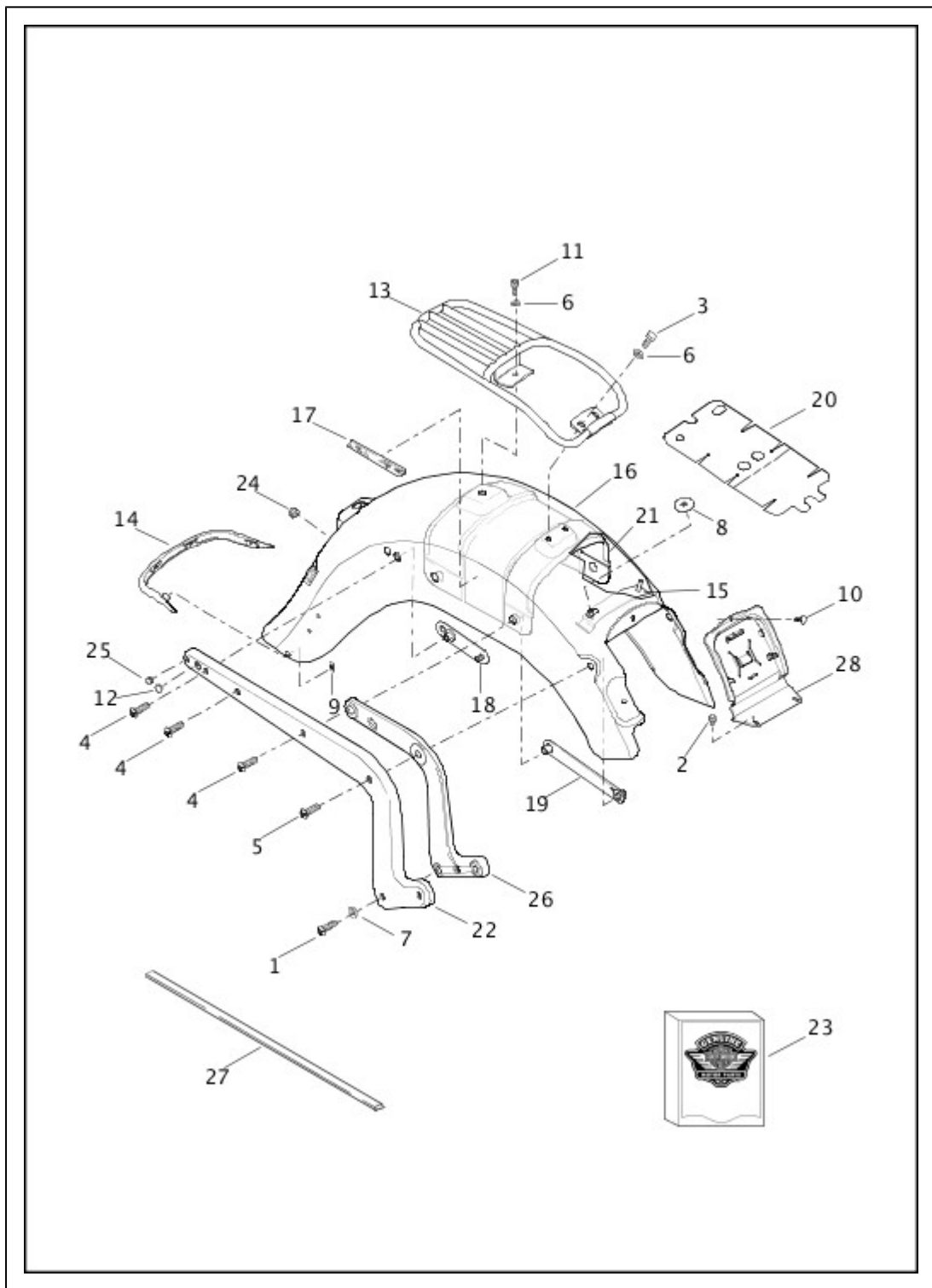
FENDERS AND SUPPORTS, REAR - FLSTF, FLSTFB AND FLSTFBS



Index No.	Part No.	Description	Model(s)
NOTE: Refer to the Service Section of h-dnet.com for painted part numbers.			
1	761	PLUG	FLSTF, FLSTFB, FLSTFBS
2	3056	SCREW (4)	FLSTF, FLSTFB, FLSTFBS
3	3767B	BOLT	FLSTF, FLSTFB, FLSTFBS
4	4266A	SCREW (6)	FLSTF, FLSTFB, FLSTFBS
5	6400HB	WASHER (4)	FLSTF, FLSTFB, FLSTFBS
6	6701	WASHER (2)	FLSTF, FLSTFB, FLSTFBS

7	7434	WASHER (2)	FLSTF, FLSTFB, FLSTFBS
8	7601	LOCKNUT (2)	FLSTF, FLSTFB, FLSTFBS
9	7792	NUT (2)	FLSTF, FLSTFB, FLSTFBS
10	10228	PLUG	FLSTF, FLSTFB, FLSTFBS
11	45550-03	PLATE, wire retainer (2)	FLSTF, FLSTFB, FLSTFBS
12	47809-08BHP	SUPPORT, (left) (chrome)	FLSTF, FLSTFB, FLSTFBS
	47813-08BHP	SUPPORT, (right) (chrome)	FLSTF, FLSTFB, FLSTFBS
13	51803-07	STUD PLATE ASSEMBLY	FLSTF, FLSTFB, FLSTFBS
14	59798-06	BRACKET, fender mounting, front (2)	FLSTF, FLSTFB, FLSTFBS
15	59088-03	BRACKET, fender mounting, rear (2)	FLSTF, FLSTFB, FLSTFBS
16	59438-00	BRACKET ASSEMBLY	FLSTF, FLSTFB, FLSTFBS
17	61008-10	PROTECTIVE TAPE	FLSTF, FLSTFB, FLSTFBS
18	59768-97	FENDER SEAT NUT KIT (2)	FLSTF, FLSTFB, FLSTFBS
19	59819-06B	REAR FENDER, (prime)	FLSTF, FLSTFB, FLSTFBS
20	59430-08	COVER, (right) (chrome)	FLSTF
	59434-08	COVER, (left) (chrome)	FLSTF
	59821-08	COVER, (right) (black)	FLSTFB, FLSTFBS
	59824-08	COVER, (left) (black)	FLSTFB, FLSTFBS
21	60832-07	INNER FENDER DAMPING KIT	FLSTF, FLSTFB, FLSTFBS
22	69490-07	REFLECTOR, rear fender (2)	FLSTF, FLSTFB, FLSTFBS
	60254-07	REFLECTOR, amber (HDI, Australia, England, Japan) (2)	FLSTF, FLSTFB, FLSTFBS
23	69201084	CADDY, ECM	FLSTF, FLSTFB, FLSTFBS

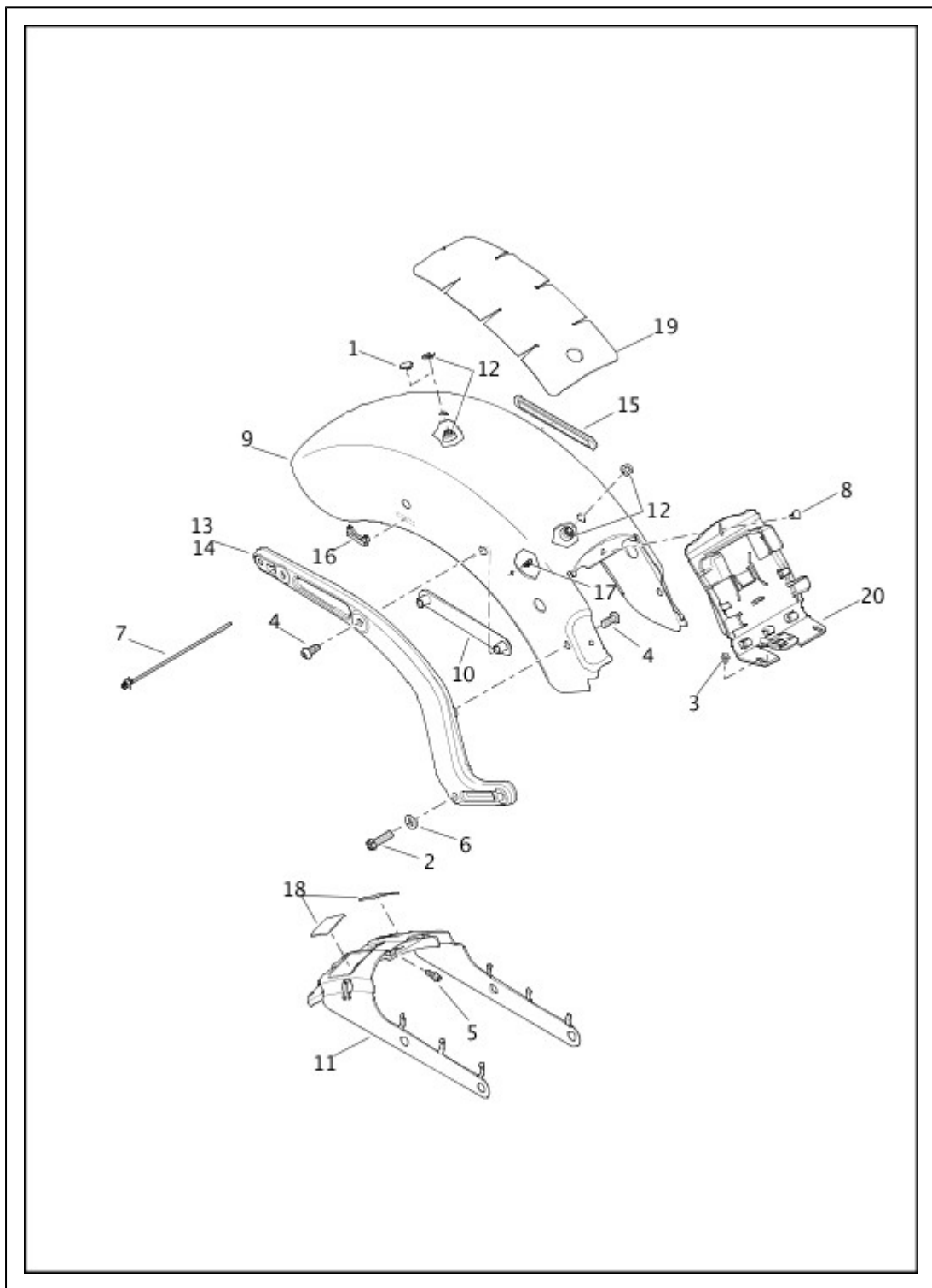
FENDERS AND SUPPORTS, REAR - FLSTN



Index No.	Part No.	Description	Model(s)
NOTE: Refer to the Service Section of h-dnet.com for painted part numbers.			
1	3056	SCREW (4)	FLSTN
2	3391	SCREW (2)	FLSTN
3	3767B	BOLT (2)	FLSTN
4	4266A	SCREW (6)	FLSTN
5	4267	SCREW (2)	FLSTN

6	6110	WASHER (3)	FLSTN
7	6400HB	WASHER (4)	FLSTN
8	7434	WASHER (2)	FLSTN
9	8037	NUT (3)	FLSTN
10	10226	FASTENER, nylon	FLSTN
11	53462-05	STUD, rear seat mounting	FLSTN
12	53830-00	PLUG (2)	FLSTN
13	53860-05	LUGGAGE RACK	FLSTN
14	59026-05	REAR FENDER TIP	FLSTN
15	59174-99	STUD PLATE	FLSTN
16	59238-05A	REAR FENDER, (prime)	FLSTN
17	69490-07	REFLECTOR, red (2)	FLSTN
	60254-07	REFLECTOR, amber (Asia-Pacific, Australia, Brazil, England, HDI, Japan) (2)	FLSTN
18	59474-07	BRACKET FENDER MOUNT, rear	FLSTN
19	59475-05	BRACKET FENDER MOUNT, front	FLSTN
20	59572-05	PROTECTIVE TAPE	FLSTN
21	59770-05BEO	COVER, fender	FLSTN
22	59954-08	COVER, (left) (chrome)	FLSTN
	59955-08	COVER, (right) (chrome)	FLSTN
23	60833-07	INNER FENDER DAMPING KIT	FLSTN
24	67267-05	GROMMET, turn signal (2)	FLSTN
25	68446-00	PLUG, button (2)	FLSTN
26	47798-08BHP	SUPPORT, (left)	FLSTN
	47807-08BHP	SUPPORT, (right)	FLSTN
27	69200018	CONDUIT	FLSTN
28	69200626	CADDY, ECM	FLSTN

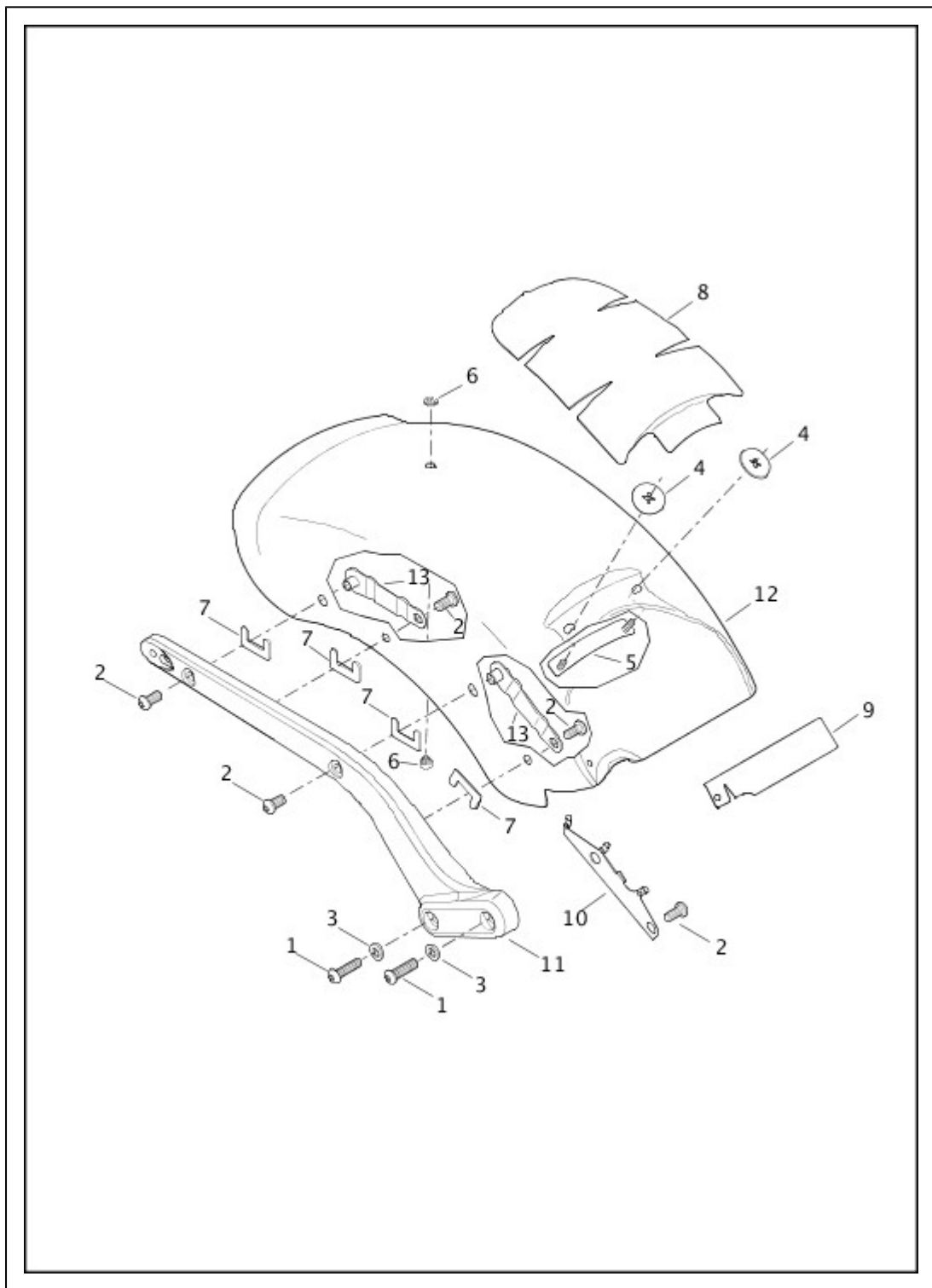
FENDERS AND SUPPORTS, REAR - FLS AND FLSS



Index No.	Part No.	Description	Model(s)
NOTE: Refer to the Service Section of h-dnet.com for painted part numbers.			
1	761	PLUG	FLS, FLSS
2	3056	SCREW (4)	FLS, FLSS
3	3391	SCREW (2)	FLS, FLSS
4	4266A	SCREW (4)	FLS,

			FLSS
5	4705	SCREW (2)	FLS, FLSS
6	6400HB	WASHER (4)	FLS, FLSS
7	10177	CABLE STRAP, anchored	FLS, FLSS
8	10226	FASTENER, nylon	FLS, FLSS
9	59500-11	REAR FENDER, (prime)	FLS, FLSS
10	59548-11	BRACKET, fender mount (2)	FLS, FLSS
11	59679-11	BRACKET ASSEMBLY, license plate support (HDI, Australia, Canada, England, Japan)	FLS, FLSS
	69200356	BRACKET ASSEMBLY, license plate support (Domestic)	FLS
12	59768-97	FENDER SEAT NUT KIT	FLS, FLSS
13	59904-12BHP	SUPPORT, left side fender (not shown)	FLS, FLSS
14	60187-12BHP	SUPPORT, right side fender	FLS, FLSS
15	69490-07	REFLECTOR (2)	FLS, FLSS
	60254-07	REFLECTOR, amber (HDI, Asia-Pacific, Australia, England, Japan) (2)	FLS, FLSS
16	73412-11	WIRE GUIDE (2)	FLS, FLSS
17	73422-11	WIRE CLIP	FLS, FLSS
18	11100010	TAPE, pad mounting (2)	FLS, FLSS
19	11100014	PROTECTIVE TAPE, fender	FLS, FLSS
20	69201085	CADDY, ECM	FLS, FLSS

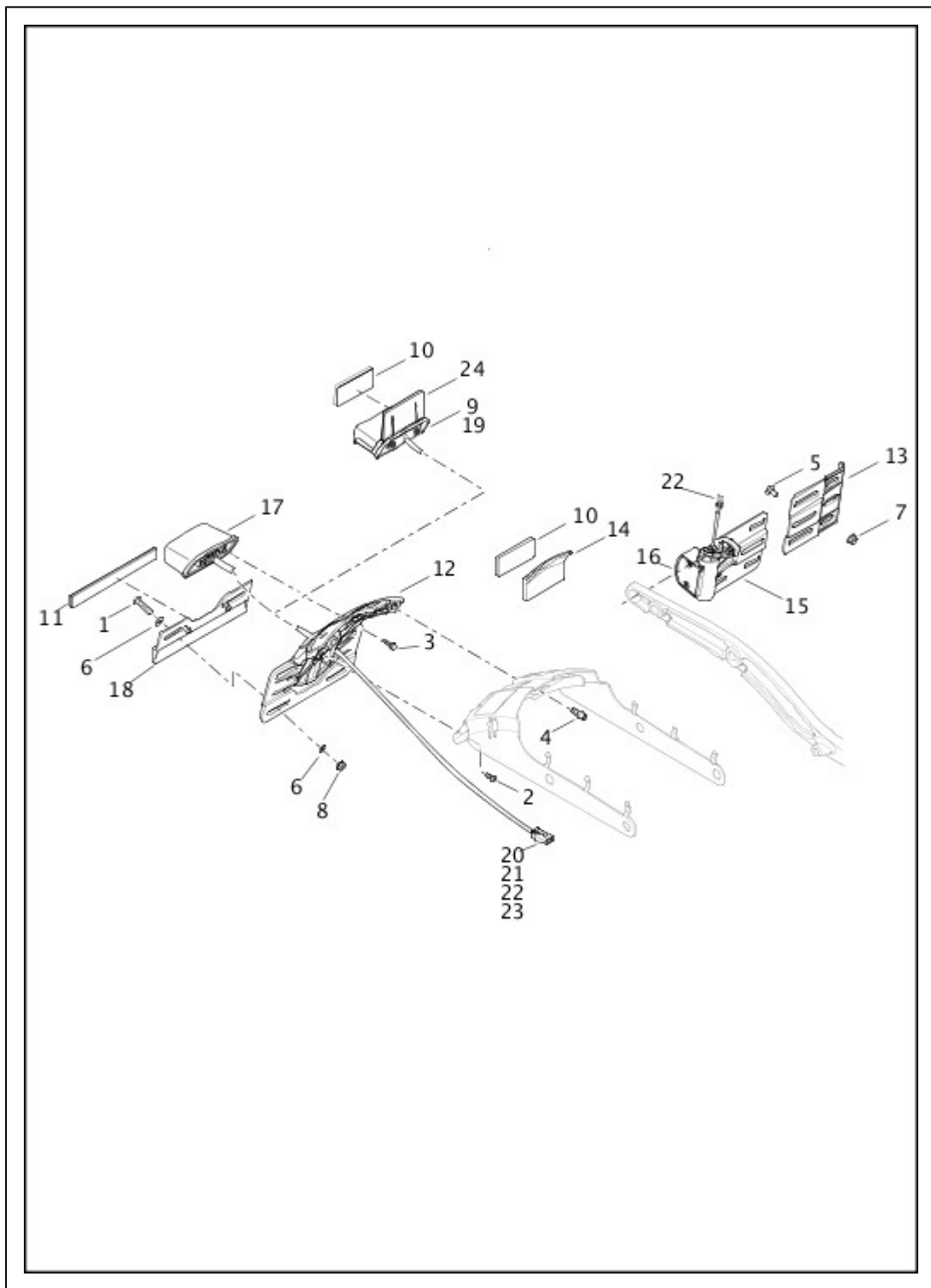
FENDERS AND SUPPORTS, REAR - FXSB



Index No.	Part No.	Description	Model(s)
NOTE: Refer to the Service Section of h-dnet.com for painted part numbers.			
1	3056	SCREW, (Canada) (4)	FXSB
2	4266A	SCREW (2)	FXSB
3	6400HB	WASHER (4)	FXSB
4	7434	WASHER (2)	FXSB
5	51803-07	STUD PLATE ASSEMBLY	FXSB
6	59768-97	FENDER SEAT NUT KIT, (Canada)	FXSB

7	11100066	RETENTION PAD (8)	FXSB
8	11100069	PROTECTIVE TAPE, (Canada)	FXSB
9	11100106	PROTECTIVE TAPE	FXSB
10	12200060	PLATE, wire retainer (Australia, England, HDI, India, Japan)	FXSB
11	59500103	SUPPORT, (right)	FXSB
	59500101	SUPPORT, (left)	FXSB
12	59500099	REAR FENDER, (prime)	FXSB
13	59500104	BRACKET, mounting (4)	FXSB

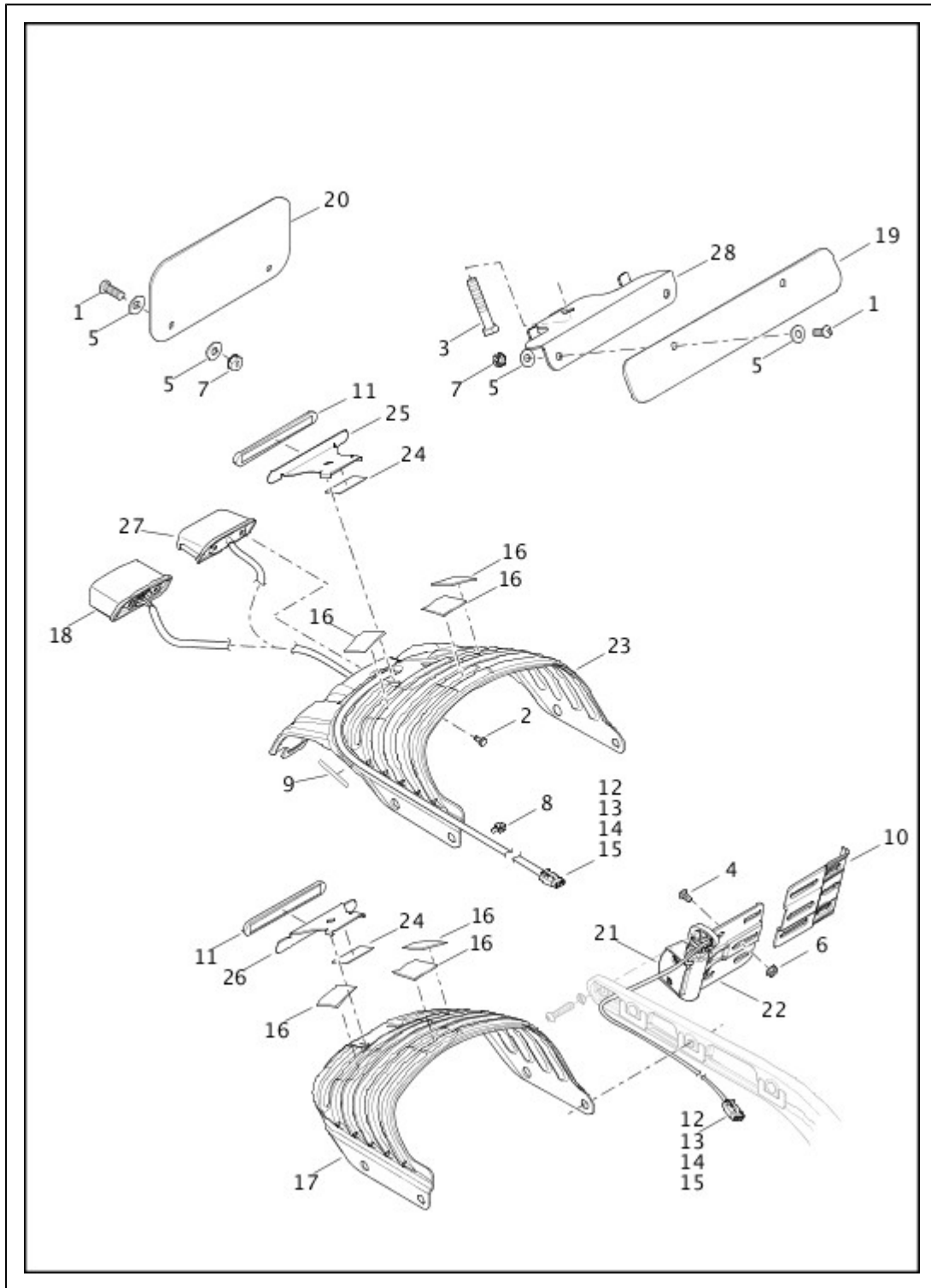
LICENSE PLATE BRACKETS - FLS AND FLSS



Index No.	Part No.	Description	Model(s)
1	940	SCREW, (Canada) (2)	FLS, FLSS
2	3387	SCREW, (Canada) (2)	FLS, FLSS
3	3612	SCREW (2)	FLS, FLSS
3	3612	SCREW, (Asia-Pacific, Australia, Canada, England, HDI, Japan) (2)	FLS, FLSS

4	4705	SCREW, (Asia-Pacific, Australia, Canada, England, HDI, Japan) (2)	FLS, FLSS
5	5403B	BOLT	FLS, FLSS
6	6703	WASHER, (Canada) (4)	FLS, FLSS
7	7716	LOCKNUT	FLS, FLSS
8	7792	NUT, (Canada) (2)	FLS, FLSS
9	52441-95	BULB, illuminator (Asia-Pacific, Australia, England, HDI, Japan) (2)	FLS, FLSS
10	59259-90	REFLECTOR, (red)	FLS, FLSS
11	59988-72A	REFLECTOR, (red) (Canada)	FLS, FLSS
12	60154-11	BRACKET, license plate (Asia-Pacific, Australia, Canada, England, HDI, Japan)	FLS, FLSS
13	68702-07	BRACKET, license plate, adjustable	FLS, FLSS
14	69557-10	BLOCK, mounting	FLS, FLSS
15	67900115	LICENSE PLATE ASSEMBLY	FLS, FLSS
16	67900117	ILLUMINATOR	FLS, FLSS
17	73403-11	TAIL LAMP ASSEMBLY, (Canada)	FLS, FLSS
18	73410-11	BRACKET, reflector (Canada)	FLS, FLSS
19	73504-11	ILLUMINATOR, license plate (Asia-Pacific, Australia, England, HDI, Japan)	FLS, FLSS
20	74113-98BK	HOUSING, three-way socket (black) (Asia-Pacific, Australia, Canada, England, HDI, Japan)	FLS, FLSS
21	74153-98	SECONDARY LOCK, three-way socket (black) (Asia-Pacific, Australia, Canada, England, HDI, Japan)	FLS, FLSS
22	74191-98	SOCKET TERMINAL, (Asia-Pacific, Australia, Canada, England, HDI, Japan) (2)	FLS, FLSS
23	74195-98	SEAL PIN, (Asia-Pacific, Australia, Canada, England, HDI, Japan) (2)	FLS, FLSS
24	67900231	BRACKET, with 59259-90(HDI)	FLS, FLSS

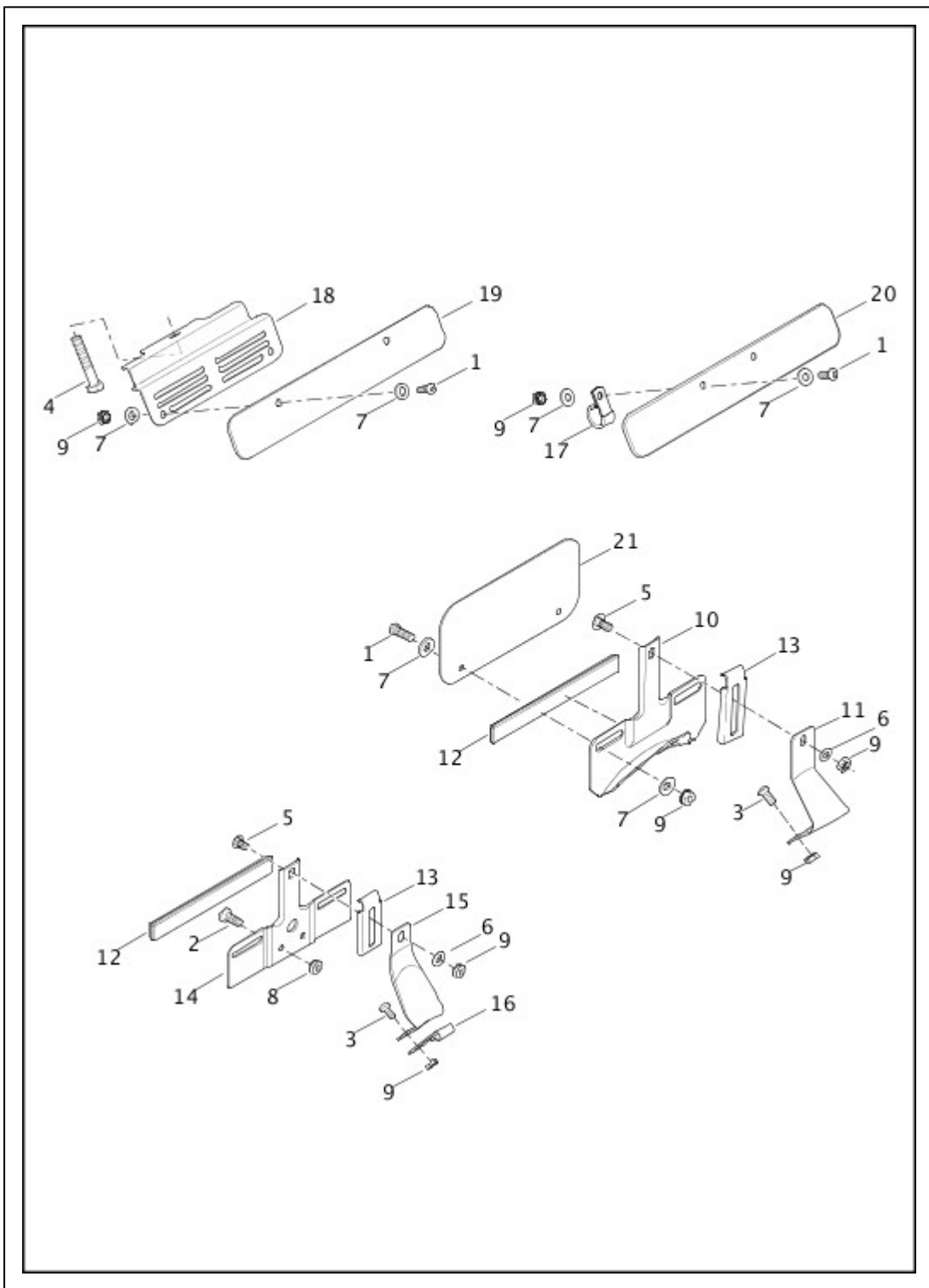
LICENSE PLATE BRACKETS - FXSB



Index No.	Part No.	Description	Model(s)
1	927A	SCREW, (India) (4)	FXSB
2	4091	SCREW, (Canada, HDI) (2)	FXSB
3	4380W	BOLT, (India)	FXSB
4	5403B	BOLT	FXSB
5	6703	WASHER, (India) (8)	FXSB
6	7716	LOCKNUT	FXSB

7	7792	NUT, (India) (4)	FXSB
8	10177	CABLE STRAP, with plug-in retainer (Canada, HDI)	FXSB
9	58382-89	SEAL, (Canada, HDI)	FXSB
10	68702-07	BRACKET, license plate, adjustable	FXSB
11	69490-07	REFLECTOR, red	FXSB
12	74113-98BK	HOUSING, three-way socket (black) (Canada, HDI)	FXSB
13	74153-98	SECONDARY LOCK, three-way socket (black) (Canada, HDI)	FXSB
14	74191-98	SOCKET TERMINAL, (Canada, HDI) (2)	FXSB
15	74195-98	SEAL PIN, (HDI) (2)	FXSB
16	11100103	TAPE, pad mounting (3)	FXSB
17	59500108	INNER SUPPORT, (Domestic)	FXSB
18	67800244	TAIL LIGHT ASSEMBLY, (Canada)	FXSB
19	67900089	LICENSE PLATE, front (India)	FXSB
20	67900093	LICENSE PLATE, rear (India)	FXSB
21	67900117	ILLUMINATOR	FXSB
22	67900145	LICENSE PLATE BRACKET, with 67900117	FXSB
23	67900147	BRACKET, license plate support(Canada, HDI)	FXSB
24	67900163	TAPE, reflector	FXSB
25	67900164	REFLECTOR ASSEMBLY, with 67900163 (Canada, HDI)	FXSB
26	67900165	REFLECTOR ASSEMBLY, with 67900163 (Domestic)	FXSB
27	67900166	LIGHT, license plate (HDI)	FXSB
28	67900283	BRACKET, license plate, front (India)	FXSB

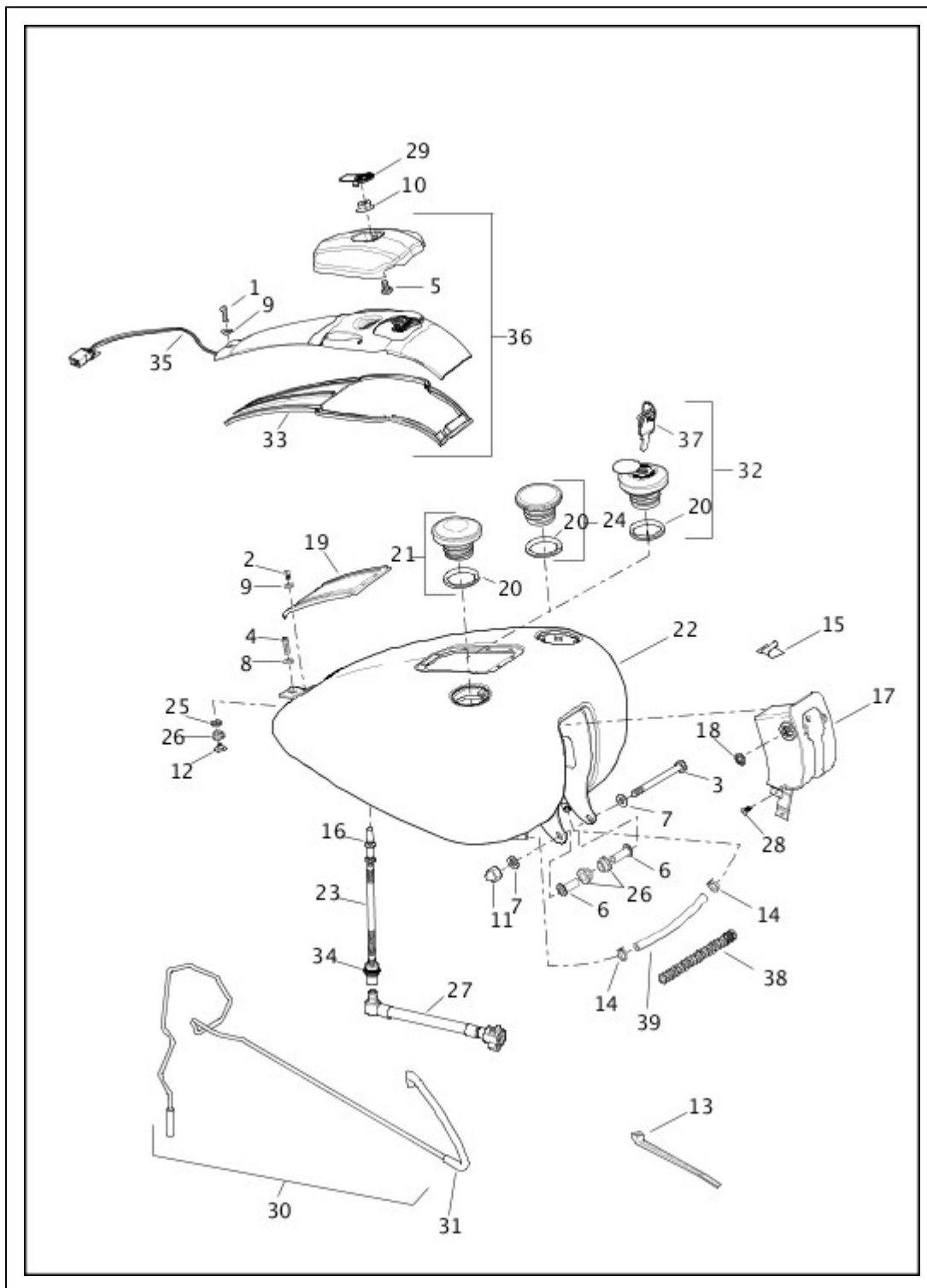
LICENSE PLATE BRACKETS - FLSTC, FLSTF, FLSTN, FLSTFB AND FLSTFBS



Index No.	Part No.	Description	Model(s)
1	927A	SCREW, (India) (4)	FLSTC, FLSTF, FLSTFB
2	2604	SCREW (2)	FLSTN
3	2773	SCREW (3)	FLSTC, FLSTF, FLSTFB, FLSTFBS
	2773	SCREW (2)	FLSTN
4	4380W	BOLT, (India)	FLSTF, FLSTFB
5	5403B	BOLT	FLSTC, FLSTF, FLSTN, FLSTFB, FLSTFBS
6	6110	WASHER	FLSTC, FLSTF, FLSTN, FLSTFB, FLSTFBS

7	6703	WASHER, (India) (8)	FLSTC, FLSTF, FLSTFB
8	7629	NUT (2)	FLSTN
9	7792	NUT (3)	FLSTC, FLSTN, FLSTFBS
	7792	NUT, (India) (4)	FLSTC, FLSTF, FLSTFB
10	59984-73	BRACKET, license plate	FLSTC, FLSTF, FLSTFB, FLSTFBS
11	59986-75	SUPPORT, license plate	FLSTC, FLSTF, FLSTFB, FLSTFBS
12	59988-72A	REFLECTOR	FLSTC, FLSTF, FLSTN, FLSTFB, FLSTFBS
13	60001-55	CLAMP	FLSTC, FLSTF, FLSTFB, FLSTFBS
	60003-89	CLAMP	FLSTN
14	60020-97	BRACKET, license plate	FLSTN
15	60021-97	SUPPORT, license plate	FLSTN
16	68004-05	CLIP	FLSTN
17	10800007	P-CLAMP, (India) (2)	FLSTC
18	67900016	BRACKET, license plate, front (India)	FLSTF, FLSTFB
19	67900089	LICENSE PLATE, front (India)	FLSTF, FLSTFB
20	67900092	LICENSE PLATE, front (India)	FLSTC
21	67900093	LICENSE PLATE, rear (India)	FLSTC, FLSTF, FLSTFB

FUEL TANK

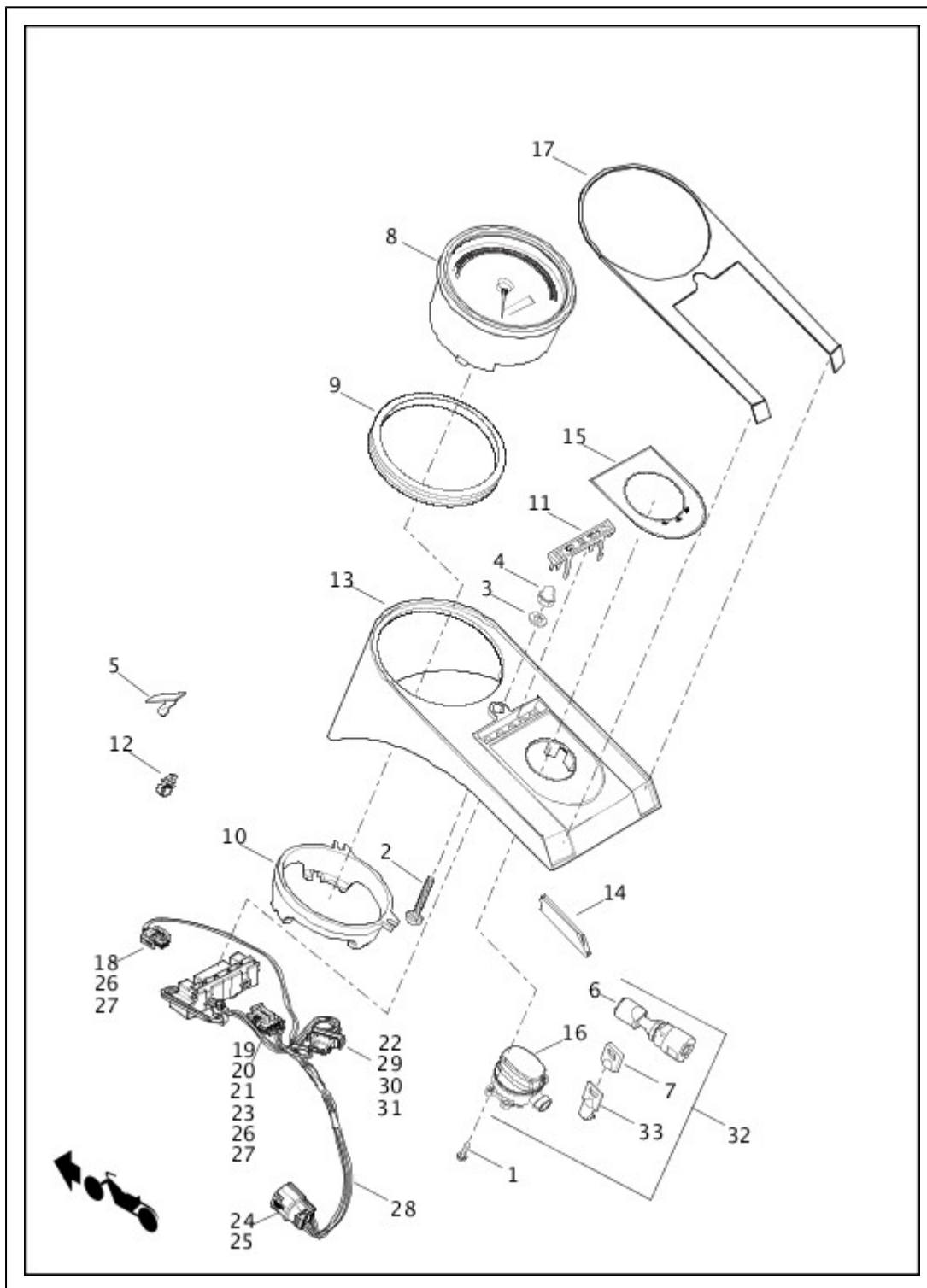


Index No.	Part No.	Description	Model(s)
NOTE: Refer to the Service Section of h-dnet.com for painted part numbers.			
1	2441	SCREW	FXSB
2	3017	SCREW	FLSTC, FLSTF, FLSTN, FLSTFB, FLS, FLSS, FLSTFBS
3	4197	BOLT	
4	4763	SCREW	
5	5471	BOLT	FXSB

6	5818A	BUSHING, front tank mount (2)	
7	6545	WASHER (2)	
8	6702	WASHER	
9	6716	WASHER	
10	7576	NUT	FXSB
11	7862	ACORN NUT	
12	7965	TEE NUT	
13	10006	CABLE STRAP (2)	
14	10038A	CLAMP, fuel crossover hose (2)	
15	10102	CLIP	FLSTC, FLSTF, FLSTN, FLSTFB, FLS, FLSS, FLSTFBS
16	11387A	O-RING	
17	11529	RUBBER TRIM, fuel tank	
18	11533	RETAINING RING (2)	
19	61183-10	TRIM PANEL, fuel tank	FLSTFB, FLSTF, FLSTFBS
	61257-05	TRIM PANEL, fuel tank	FLSTN
	61300537	TRIM PANEL, fuel tank	FLSTC
	70900170	TRIM PANEL, fuel tank	FLS, FLSS
20	61109-85D	GASKET	
21	61272-92C	CAP, fuel filler, right, with 61109-85D	FLSTC, FLSTF, FLSTN, FLSTFB, FLS, FLSS, FLSTFBS
22	61625-11	FUEL TANK, 5 gallon (prime)	FLSTC, FLSTF, FLSTN, FLSTFB, FLS, FLSS, FLSTFBS
	62322-11	FUEL TANK, 5 gallon (prime) (not shown)	FXSB
23	62189-08A	CHECK VALVE, out	
24	62543-11	CAP, fuel, low profile with 61109-85D	FXSB
25	62880-00	GROMMET, fuel tank, upper rear	
26	62881-00	GROMMET, fuel tank, lower rear and front (3)	
27	62900-01D	FUEL LINE, from tank to intake	
28	12600067	FASTENER, plastic	
29	14100435	MEDALLION, tank console	FXSB
30	61100001	VENT LINE ASSEMBLY, fuel tank to vapor valve (except California and Asia-Pacific)	
31	61100003	VENT HOSE, (except California and Asia-Pacific)	

32	61100055	CAP, fuel, locking with 90300093 (Asia-Pacific, Japan)	FLSS, FLSTFBS
33	61300170A	GASKET	FXSB
34	11323	O-RING, check valve to fuel tank	
35	69200531	WIRING HARNESS, fuel pump	FXSB
36	70900323A	CONSOLE, with 61300170A, 69200531	FXSB
37	90300093	KEY, locking fuel cap (set of two) (Asia-Pacific, Japan)	FLSS, FLSTFBS
NOTE: Hose or insulator is sold in bulk length under the following part numbers. Cut to length.			
38	62555-95	INSULATOR, 5/8 in ID (nylon) (8 ft length)	
39	63521-95A	HOSE, 5/16 in ID x 5/8 in OD (rubber) (25 ft length)	

INSTRUMENTS - FLSTF, FLSTFB, FLSTFBS AND FLSTN



Index No.	Part No.	Description	Model(s)
1	2501A	SCREW (4)	FLSTF, FLSTN, FLSTFB, FLSTFBS
2	5419	BOLT	FLSTF, FLSTN, FLSTFB, FLSTFBS
3	6771A	WASHER	FLSTF, FLSTN, FLSTFB, FLSTFBS
4	7549A	ACORN NUT	FLSTF, FLSTN, FLSTFB, FLSTFBS

5	10103	CLIP, adhesive backed	FLSTF, FLSTN, FLSTFB, FLSTFBS
6	45680-90	FORK LOCK	FLSTF, FLSTN, FLSTFB, FLSTFBS
7	61081-92	COVER, key head set (2)	FLSTF, FLSTN, FLSTFB, FLSTFBS
8	67033-11B	SPEEDOMETER, mph	FLSTF, FLSTFB, FLSTFBS
	67439-11C	SPEEDOMETER, mph	FLSTN
	67197-11A	SPEEDOMETER, km/h (HDI, Asia-Pacific, Brazil, Australia, Canada, Japan)	FLSTF, FLSTN, FLSTFB, FLSTFBS
	67196-11A	SPEEDOMETER, mph/km/h (England)	FLSTF, FLSTN, FLSTFB, FLSTFBS
9	67190-89	SEAL, speedometer	FLSTF, FLSTN, FLSTFB, FLSTFBS
10	67271-04A	BACKCLAMP	FLSTF, FLSTN, FLSTFB, FLSTFBS
11	68112-99A	BEZEL, indicator lamps	FLSTF, FLSTN, FLSTFB, FLSTFBS
12	70345-84	RETAINER, wiring	FLSTF, FLSTN, FLSTFB, FLSTFBS
13	71250-11	INSTRUMENT PANEL, (chrome)	FLSTF, FLSTN
	71257-11	INSTRUMENT PANEL, (satin chrome)	FLSTFB
	70900622	INSTRUMENT PANEL, (gloss black)	FLSTFBS
14	71265-95	TRIM, instrument panel	FLSTF, FLSTN, FLSTFB, FLSTFBS
15	71302-93A	NAMEPLATE, ignition switch (satin black)	FLSTF, FLSTFB, FLSTFBS
	71669-05	NAMEPLATE, ignition switch (gloss black)	FLSTN
16	71517-11	IGNITION SWITCH, (specify key number)	FLSTF, FLSTN, FLSTFB, FLSTFBS
17	71664-05	NAMEPLATE INLAY, console	FLSTF, FLSTN, FLSTFB
18	72062-06	HOUSING, two-way socket (2)	FLSTF, FLSTN, FLSTFB, FLSTFBS
19	72066-06A	HOUSING, four-way socket (black) (3)	FLSTF, FLSTN, FLSTFB, FLSTFBS
20	72094-06	TERMINAL, socket, 18 AWG (2)	FLSTF, FLSTN, FLSTFB, FLSTFBS
21	72096-06	WIRE SEAL, 18 AWG (yellow) (2)	FLSTF, FLSTN, FLSTFB, FLSTFBS
22	72130-04	HOUSING, 12-way socket (black)	FLSTF, FLSTN, FLSTFB,

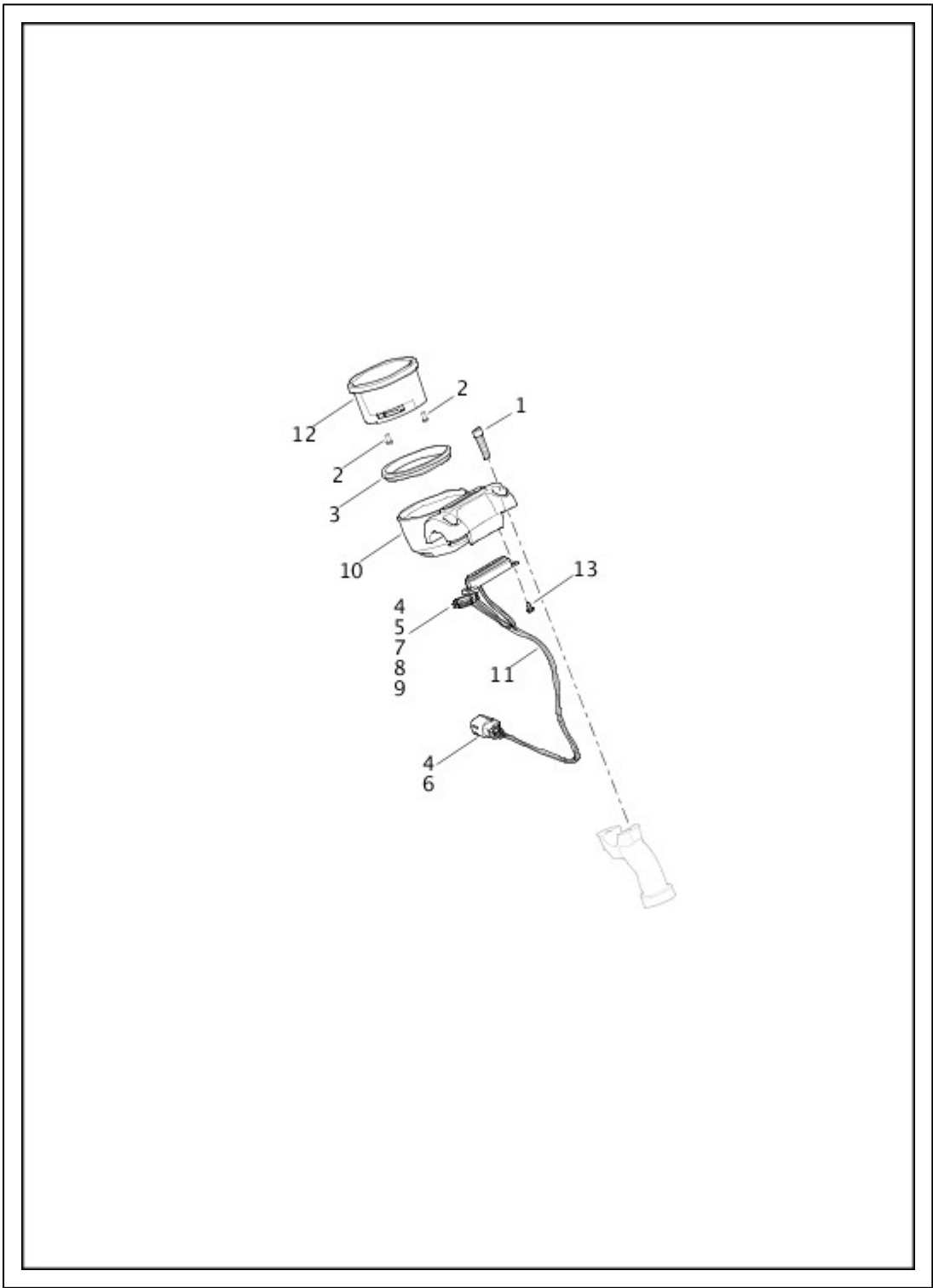
			FLSTFBS
23	72135-06	SECONDARY LOCK, four-way socket (gray) (3)	FLSTF, FLSTN, FLSTFB, FLSTFBS
24	72168-07	TERMINAL, socket, 18-20 AWG (12)	FLSTF, FLSTN, FLSTFB, FLSTFBS
25	72479-07BK	HOUSING, eight-way socket (black)	FLSTF, FLSTN, FLSTFB, FLSTFBS
26	72484-08	TERMINAL, socket, 20 AWG (2)	FLSTF, FLSTN, FLSTFB, FLSTFBS
27	72486-08	WIRE SEAL, 20 AWG (green) (2)	FLSTF, FLSTN, FLSTFB, FLSTFBS
28	72657-12	WIRING HARNESS, instrument controls	FLSTF, FLSTN, FLSTFB, FLSTFBS
29	72662-11	TERMINAL, socket, 22 AWG (5)	FLSTF, FLSTN, FLSTFB, FLSTFBS
30	74196-04	TERMINAL, socket, 20 AWG (4)	FLSTF, FLSTN, FLSTFB, FLSTFBS
31	74197-04	SECONDARY LOCK, 12-way socket	FLSTF, FLSTN, FLSTFB, FLSTFBS
32	71400076	IGNITION SWITCH AND FORK LOCKSET, with 90300043 keys, ignition switch and fork lock	FLSTF, FLSTN, FLSTFB, FLSTFBS
33	90300043	KEY, with 61081-92 (set of two) (specify key number)	FLSTF, FLSTN, FLSTFB, FLSTFBS

INSTRUMENTS - FLS, FLSS AND FLSTC

5	10103	CLIP, adhesive backed	FLSTC, FLS, FLSS
6	45680-90	FORK LOCK	FLSTC, FLS, FLSS
7	61081-92	COVER, key	FLSTC, FLS, FLSS
8	67190-89	SEAL	FLSTC, FLS, FLSS
9	67341-04B	BACKCLAMP	FLSTC, FLS, FLSS
10	67525-11B	SPEEDOMETER, mph	FLSTC
	70700-11B	SPEEDOMETER, mph	FLS, FLSS
	67196-11A	SPEEDOMETER, mph/km/h (England)	FLSTC, FLS, FLSS
	67197-11A	SPEEDOMETER, km/h (HDI, Asia-Pacific, Australia, Brazil, Canada, India, Japan)	FLSTC, FLS, FLSS
11	70345-84	RETAINER, wiring	FLSTC, FLS, FLSS
12	71512-11	INSTRUMENT PANEL, (chrome)	FLSTC
	71953-11	INSTRUMENT PANEL, (gloss black)	FLS, FLSS
13	71517-11	IGNITION SWITCH, (specify key number)	FLSTC, FLS, FLSS
14	71978-08	TRIM, rubber	FLSTC, FLS, FLSS
15	71990-09	NAMEPLATE, ignition switch	FLSTC
	71989-08	NAMEPLATE, ignition switch	FLS, FLSS
16	72062-06	HOUSING, two-way socket (2)	FLSTC, FLS, FLSS
17	72066-06A	HOUSING, four-way socket (black) (3)	FLSTC, FLS, FLSS
18	72094-06	TERMINAL, socket, 18 AWG (2)	FLSTC, FLS, FLSS
19	72096-06	WIRE SEAL, 18 AWG (yellow) (2)	FLSTC, FLS, FLSS
20	72130-04	HOUSING, 12-way socket (black)	FLSTC, FLS, FLSS
21	72135-06	SECONDARY LOCK, four-way socket (gray) (3)	FLSTC, FLS, FLSS
22	72168-07	TERMINAL, socket, 18-20 AWG (12)	FLSTC, FLS, FLSS

23	72189-04	SEAL PIN (2)	FLSTC, FLS, FLSS
24	72479-07BK	HOUSING, eight-way socket (black)	FLSTC, FLS, FLSS
25	72484-08	TERMINAL, socket, 20 AWG (2)	FLSTC, FLS, FLSS
26	72486-08	WIRE SEAL, 20 AWG (green) (2)	FLSTC, FLS, FLSS
27	72658-12	HARNESS, instrument console, with LED indicator array	FLSTC, FLS, FLSS
28	72662-11	TERMINAL, socket, 22 AWG (5)	FLSTC, FLS, FLSS
29	74196-04	TERMINAL, socket, 20 AWG (4)	FLSTC, FLS, FLSS
30	74197-04	SECONDARY LOCK, 12-way socket	FLSTC, FLS, FLSS
31	71400076	IGNITION SWITCH AND FORK LOCKSET, with 90300043 keys, ignition switch and fork lock	FLSTC, FLS, FLSS
32	90300043	KEY, with 61081-92 (set of two) (specify key number)	FLSTC, FLS, FLSS

INSTRUMENTS - FXSB



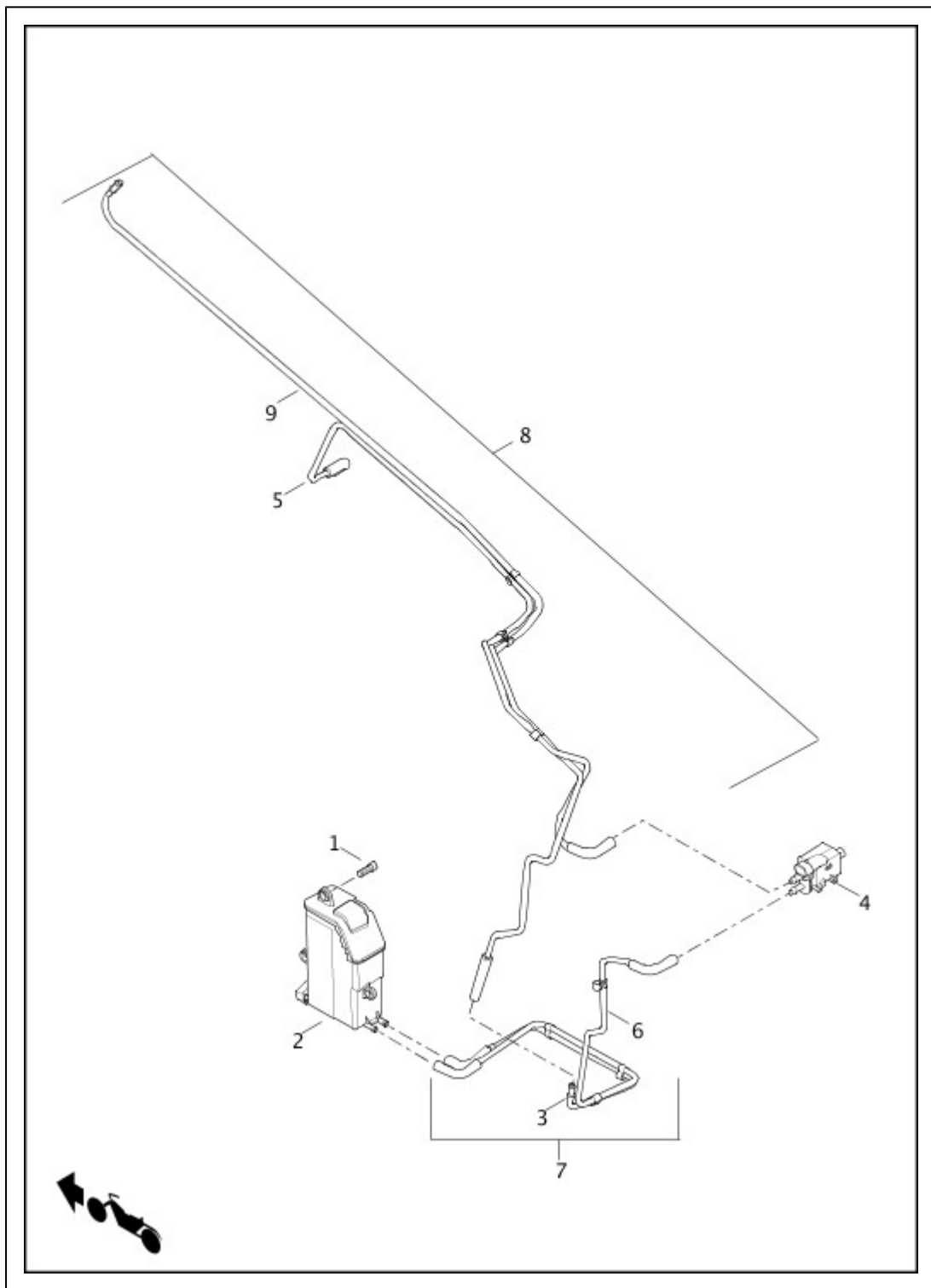
Index No.	Part No.	Description	Model(s)
1	3210A	SCREW (2)	FXSB
2	3656	SCREW (2)	FXSB
3	67121-95A	GASKET	FXSB
4	72130-04	HOUSING, 12-way, socket (black)	FXSB
5	72189-04	SEAL PIN (5)	FXSB
6	72546-09GY	HOUSING, six-way, socket (gray)	FXSB
7	72662-11	TERMINAL, socket, 22 AWG (5)	FXSB

8	74196-04	TERMINAL, socket, 20 AWG (5)	FXSB
9	74197-04	SECONDARY LOCK, 12-way, socket	FXSB
10	55900043	UPPER CLAMP, with speedometer housing	FXSB
11	69200530	HARNESS, instrument	FXSB
12	70900369C	SPEEDOMETER, mph	FXSB
	70900370A	SPEEDOMETER, km/h (Australia, Brazil, Canada, HDI, Japan)	FXSB
	70900371A	SPEEDOMETER, mph/km/h (England)	FXSB
13	2501A	SCREW (2)	FXSB

FUEL PUMP

7	61015-04A	FUEL REGULATOR KIT, with O-rings, spacer and screen	
8	61192-96A	GASKET, fuel gauge	FLSTF, FLSTFB, FLSTN, FLS, FLSTC, FLSS, FLSTFBS
9	61381-02A	GASKET, top plate	
10	62143-11	TUBE, roll over valve to top plate	
11	62155-11	VALVE, roll over	
12	62158-11	BRACKET, roll over valve	
13	72904-01BK	HOUSING, four-way pin	FLSTF, FLSTFB, FLSTN, FLS, FLSTC, FLSS, FLSTFBS
14	72990-01	TERMINAL, pin (3)	FLSTF, FLSTFB, FLSTN, FLS, FLSTC, FLSS, FLSTFBS
15	75141-11A	TOP PLATE ASSEMBLY, with 61381-02A and 75282-08A	FLSTF, FLSTN, FLSTFB, FLSTFBS
	75252-11A	TOP PLATE ASSEMBLY, with 61381-02A and 75282-08A	FLSTC, FLS, FXSB, FLSS
16	75241-08	FUEL GAUGE	FLSTF, FLSTFB, FLSTN, FLS, FLSTC, FLSS, FLSTFBS
17	75276-08A	SENDER, fuel level	
18	75282-08A	FILTER MODULE ASSEMBLY	
19	75284-08A	MODULE ASSEMBLY, fuel pump with 75289-08 and 75290-08	
20	75289-08	KIT-HARNESS ASSEMBLY, fuel pump	
21	75290-08	STRAINER, fuel pump	
22	91072-11	BUMPER, rubber	
23	10200374	SCREW (10)	
24	60900001	TOP PLATE, with 61381-02A	FLSTF, FLSTN, FLSTFB, FLSTFBS
	60900003	TOP PLATE, with 61381-02A	FXSB, FLSTC, FLS, FLSS

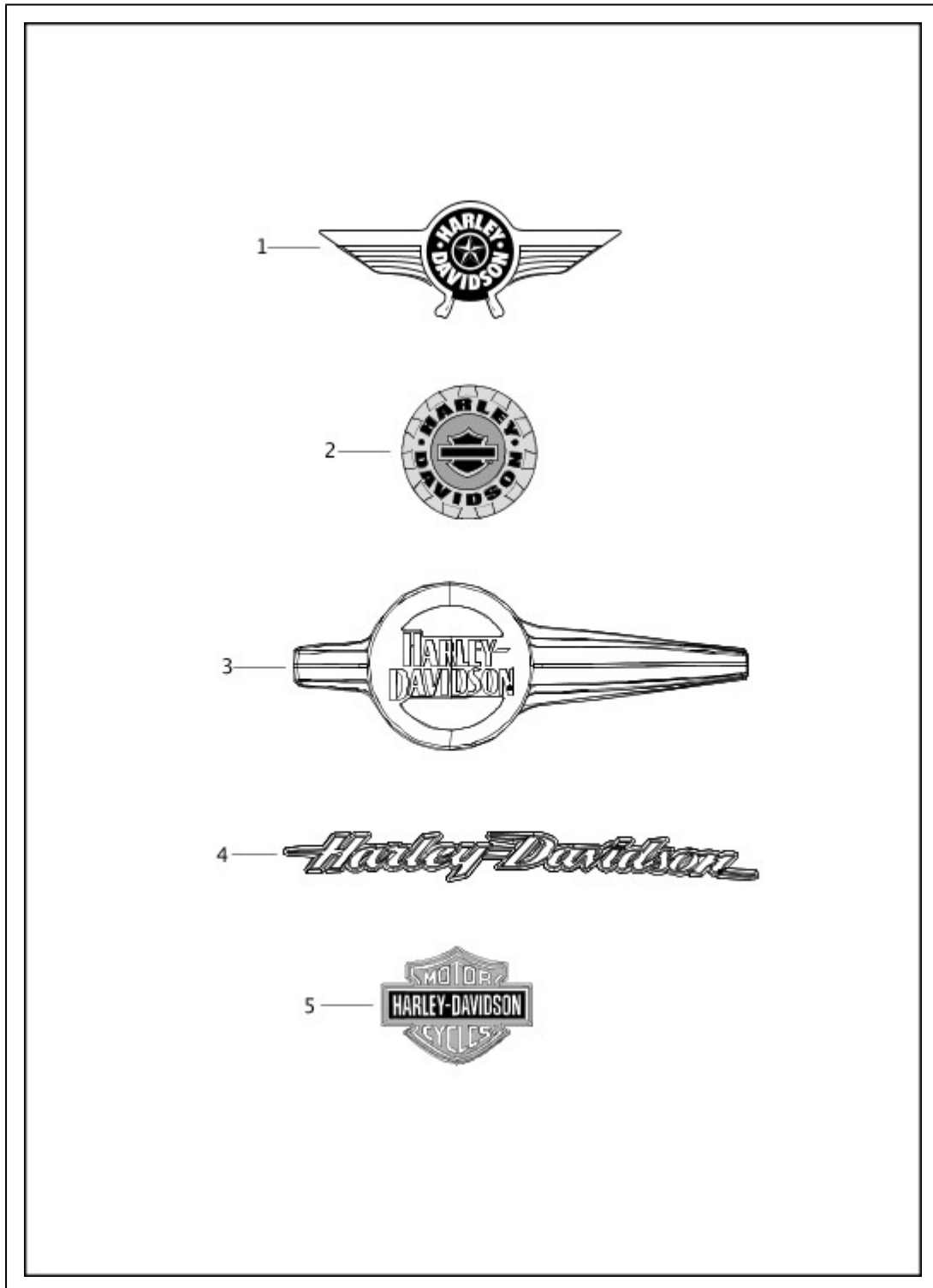
EVAPORATIVE EMISSIONS COMPONENTS



Index No.	Part No.	Description	Model(s)
NOTE: These parts are required for motorcycles sold in the state of California.			
1	940	SCREW (3)	
2	27050-11	CARBON CANISTER ASSEMBLY	
3	27246-11	EVAPORATIVE LINE, tank to canister	
4	27715-07	PURGE SOLENOID	
5	28839-11	VENTLINE ASSEMBLY	
6	28860-11	HOSE, canister to purge	

7	28864-11	VENTLINE ASSEMBLY, with 27246-11 and 28860-11 (lower)	
8	60800007	EVAPORATIVE SYSTEM ASSEMBLY, with 28839-11 and 61100001 (upper)	
9	61100001	VENTLINE ASSEMBLY, tank	

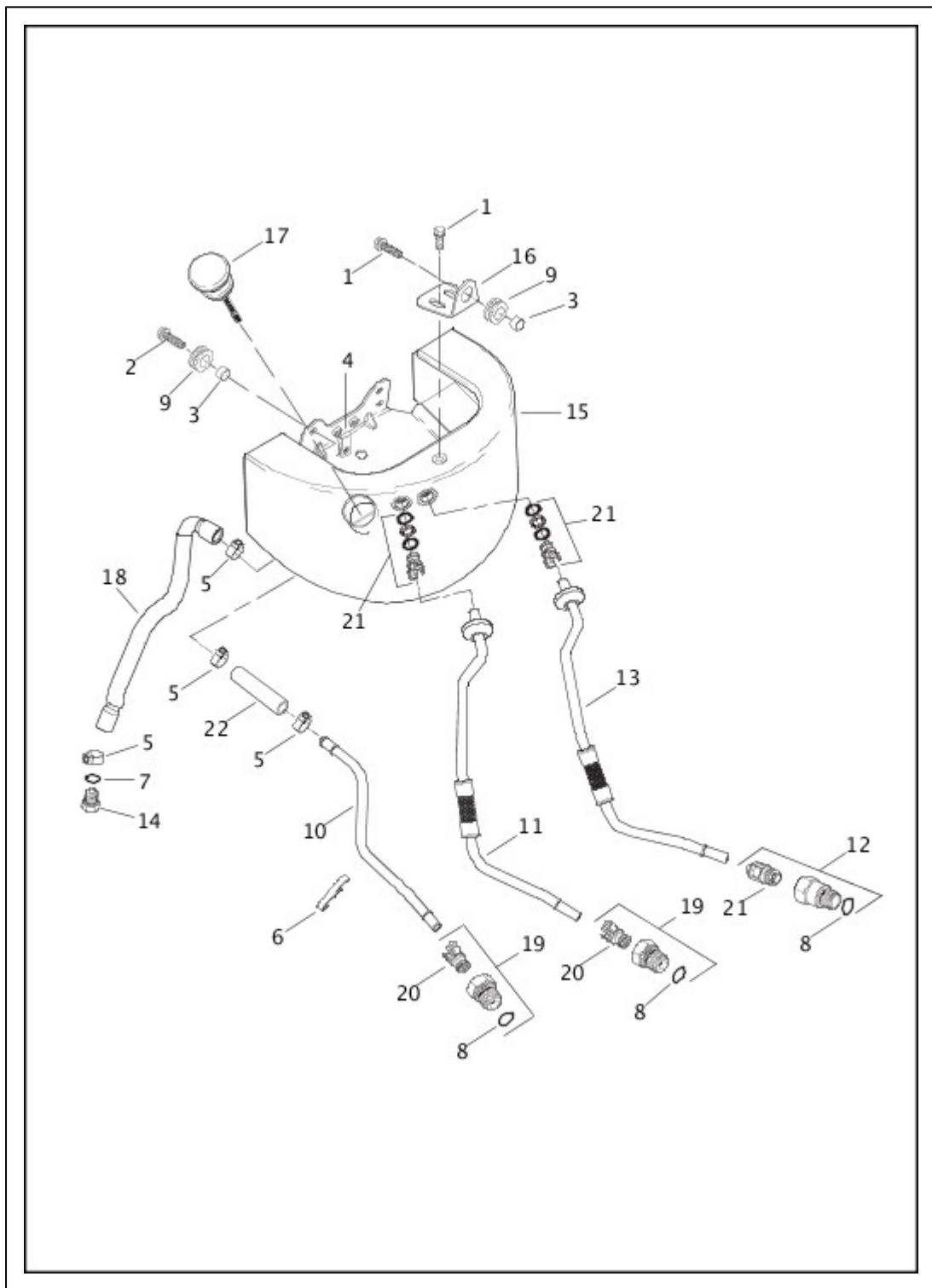
FUEL TANK TRIM



Index No.	Part No.	Description	Model(s)
1	61264-10	MEDALLION, (right) (for vivid black, amber whiskey, black denim, charcoal	FLSTFB,

		denim and crushed ice pearl tanks)	FLSTFBS
	61265-10	MEDALLION, (left) (for vivid black, amber whiskey, black denim, charcoal denim and crushed ice pearl tanks)	FLSTFB, FLSTFBS
	14100035	MEDALLION, (right) (for vivid black, charcoal pearl, velocity red sunglo and 2-tone billet silver/vivid black tanks)	FLSTF
	14100036	MEDALLION, (left) (for vivid black, charcoal pearl, velocity red sunglo and 2-tone billet silver/vivid black tanks)	FLSTF
2	14100628BAAA	MEDALLION, fuel tank (graphite glass) (for vivid black and charcoal denim tanks) (2)	FXSB
	14100628BAAB	MEDALLION, fuel tank (blue glass) (for billet silver and crushed ice pearl tanks) (2)	FXSB
	14100628BAAC	MEDALLION, fuel tank (red glass) (for velocity red sunglo tanks) (2)	FXSB
3	14100750	MEDALLION, (left) (for vivid black, superior blue, billet silver, olive gold and 2-tone amber whiskey/vivid black and crushed ice pearl/frosted teal pearl tanks)	FLSTC
	14100751	MEDALLION, (right) (for vivid black, superior blue, billet silver, olive gold and 2-tone amber whiskey/vivid black and crushed ice pearl/frosted teal pearl tanks)	FLSTC
4	14100754	MEDALLION, fuel tank, (right) (for vivid black, superior blue and 2-tone mysterious red/velocity red sunglo and crushed ice pearl/frosted teal pearl tanks)	FLSTN
	14100755	MEDALLION, fuel tank, (left) (for vivid black, superior blue and 2-tone mysterious red/velocity red sunglo and crushed ice pearl/frosted teal pearl tanks)	FLSTN
5	61400055	MEDALLION, fuel tank, (left) (for vivid black, charcoal pearl, black denim, velocity red sunglo, olive gold, olive gold denim and 2-tone charcoal satin/vivid black satin tanks)	FLS, FLSS
	61400056	MEDALLION, fuel tank, (right) (for vivid black, charcoal pearl, black denim, velocity red sunglo, olive gold, olive gold denim and 2-tone charcoal satin/vivid black satin tanks)	FLS, FLSS

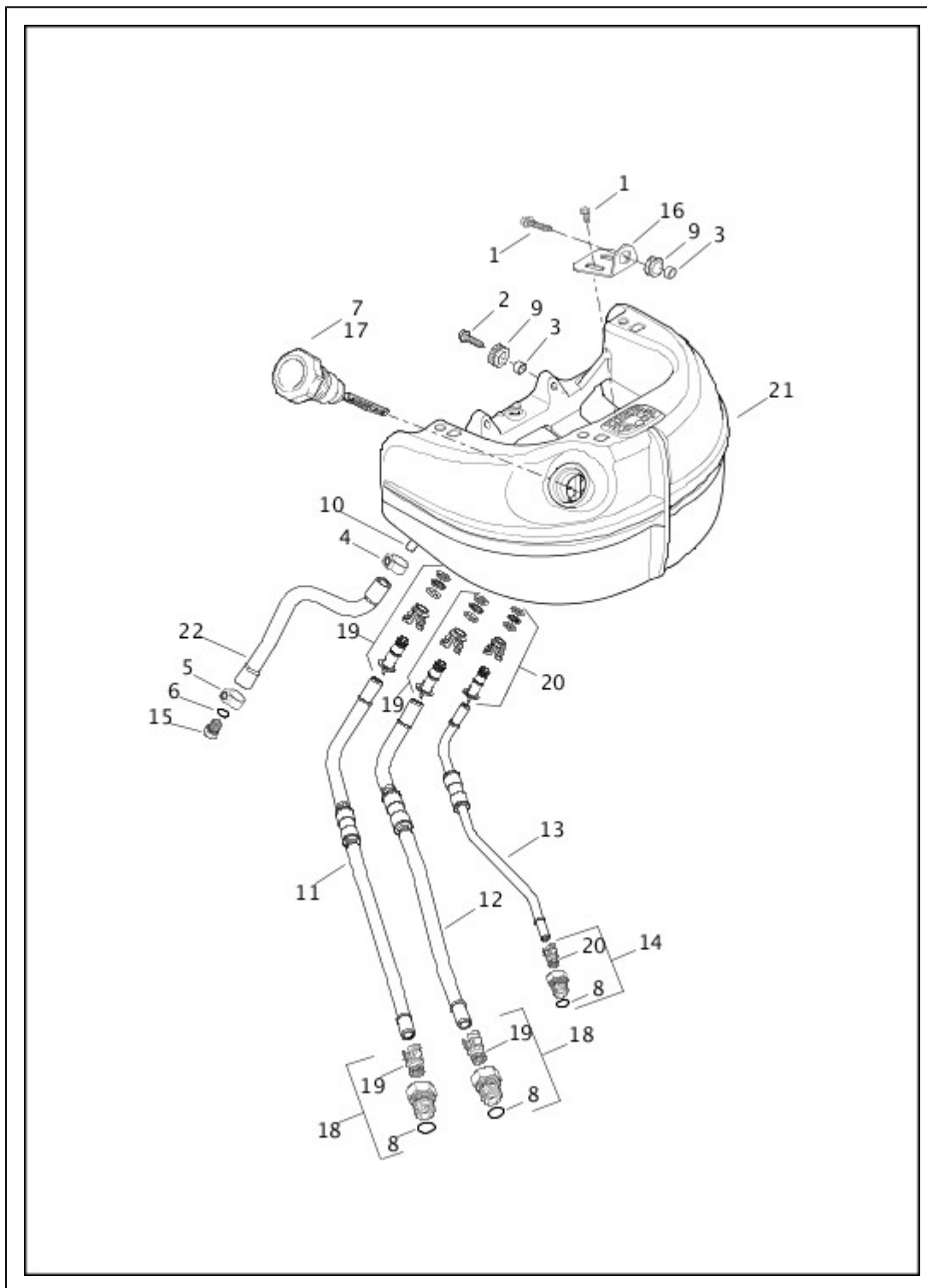
OIL TANK AND LINES - EXCEPT FXSB



Index No.	Part No.	Description	Model(s)
1	4216	SCREW (3)	FLSTC, FLSTF, FLSTN, FLSTFB, FLS, FLSS, FLSTFBS
2	4217	SCREW (2)	FLSTC, FLSTF, FLSTN, FLSTFB, FLS, FLSS, FLSTFBS
3	5775	WASHER (3)	FLSTC, FLSTF, FLSTN, FLSTFB, FLS, FLSS, FLSTFBS
4	8144	LOCKNUT (2)	FLSTC, FLSTF, FLSTN, FLSTFB, FLS, FLSS, FLSTFBS

5	10208	CLAMP (4)	FLSTC, FLSTF, FLSTN, FLSTFB, FLS, FLSS, FLSTFBS
6	10216	CLIP, oil lines	FLSTC, FLSTF, FLSTN, FLSTFB, FLS, FLSS, FLSTFBS
7	11105	O-RING	FLSTC, FLSTF, FLSTN, FLSTFB, FLS, FLSS, FLSTFBS
8	11326	O-RING (3)	FLSTC, FLSTF, FLSTN, FLSTFB, FLS, FLSS, FLSTFBS
9	11447	GROMMET (3)	FLSTC, FLSTF, FLSTN, FLSTFB, FLS, FLSS, FLSTFBS
10	33525-07	OIL LINE, feed	FLSTC, FLSTF, FLSTN, FLSTFB, FLS, FLSS, FLSTFBS
11	33531-07	OIL LINE, return	FLSTC, FLSTF, FLSTN, FLSTFB, FLS, FLSS, FLSTFBS
12	45468-00	CONNECTOR ASSEMBLY, vent, with 11326 and 63783-00	FLSTC, FLSTF, FLSTN, FLSTFB, FLS, FLSS, FLSTFBS
13	45806-07	OIL LINE, vent	FLSTC, FLSTF, FLSTN, FLSTFB, FLS, FLSS, FLSTFBS
14	60328-98B	PLUG ASSEMBLY, magnetic drain, with 11105	FLSTC, FLSTF, FLSTN, FLSTFB, FLS, FLSS, FLSTFBS
15	62498-01A	OIL TANK, (chrome)	FLSTC, FLSTF, FLSTN
	62507-10BYM	OIL TANK, (denim black)	FLSTFB
	62492-01A	OIL TANK, (black)	FLS, FLSS, FLSTFBS
16	62769-00A	BRACKET, oil tank top	FLSTC, FLSTF, FLSTN, FLSTFB, FLS, FLSS, FLSTFBS
17	62845-00A	FILLER CAP, with dipstick	FLSTC, FLSTF, FLSTN, FLSTFB, FLS, FLSS, FLSTFBS
18	63553-00B	HOSE, oil tank drain	FLSTC, FLSTF, FLSTN, FLSTFB, FLS, FLSS, FLSTFBS
19	63601-00	CONNECTOR ASSEMBLY, oil line, with 11326 and 63632-00 (2)	FLSTC, FLSTF, FLSTN, FLSTFB, FLS, FLSS, FLSTFBS
20	63632-00	OIL LINE RETAINER ASSEMBLY (2)	FLSTC, FLSTF, FLSTN, FLSTFB, FLS, FLSS, FLSTFBS
21	63783-00	OIL LINE RETAINER ASSEMBLY (3)	FLSTC, FLSTF, FLSTN, FLSTFB, FLS, FLSS, FLSTFBS
22	63611-00	HOSE, oil feed	FLSTC, FLSTF, FLSTN, FLSTFB, FLS, FLSS, FLSTFBS

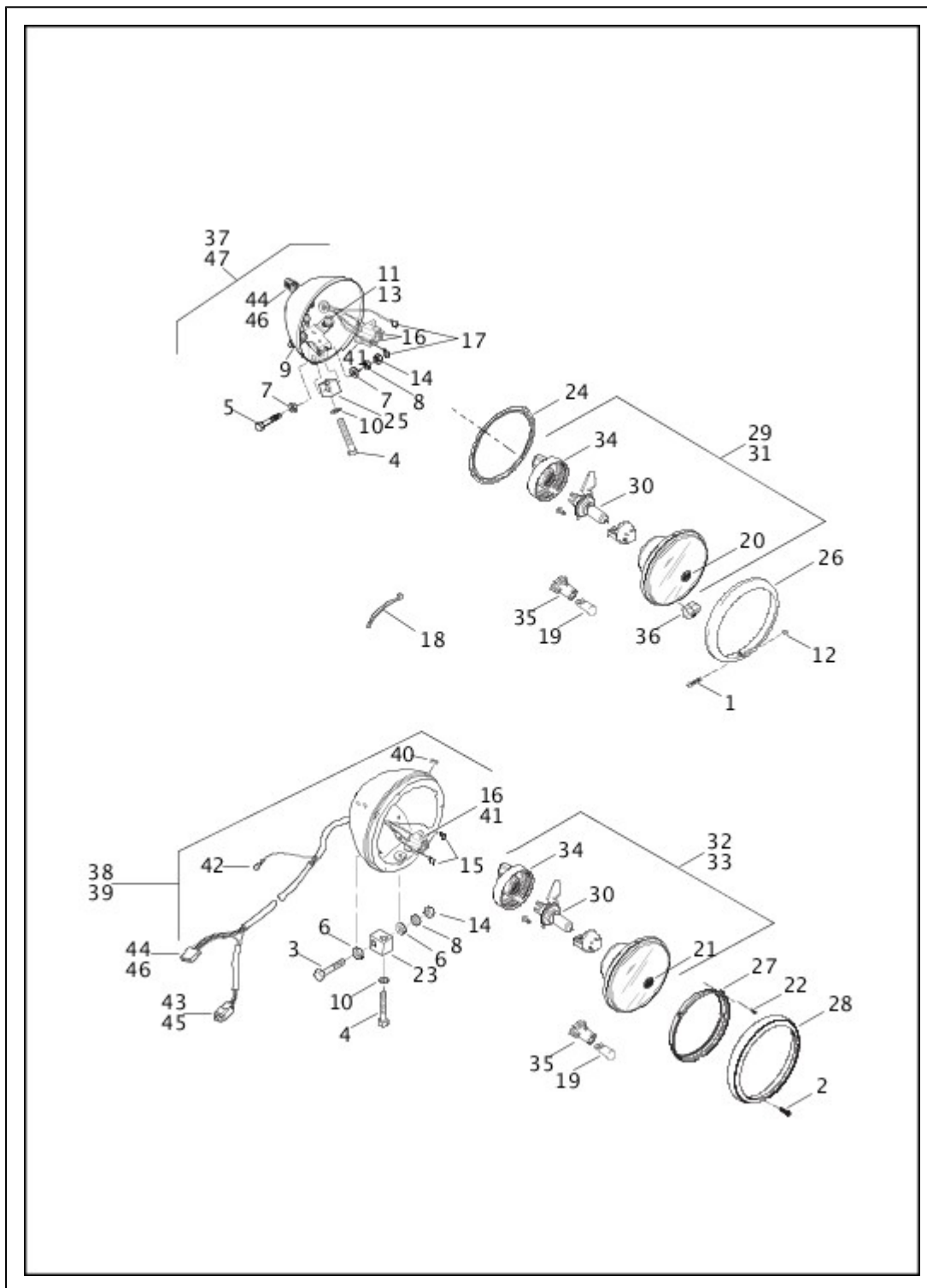
OIL TANK AND LINES - FXSB



Index No.	Part No.	Description	Model(s)
1	4216	SCREW (3)	FXSB
2	4217	SCREW (2)	FXSB
3	5775	WASHER (3)	FXSB
4	10080	CLAMP, drain hose	FXSB
5	10208	CLAMP	FXSB
6	11105	O-RING	FXSB
7	11120	O-RING	FXSB

8	11326	O-RING (3)	FXSB
9	11447	GROMMET (3)	FXSB
10	26314-99	FITTING	FXSB
11	33527-08	OIL LINE, feed	FXSB
12	33528-08	OIL LINE, return	FXSB
13	33529-08	OIL LINE, vent	FXSB
14	45468-00	CONNECTOR ASSEMBLY, vent, with 11326, and 63783-00	FXSB
15	60328-98B	PLUG ASSEMBLY, magnetic drain, with 11105	FXSB
16	62769-00A	BRACKET, oil tank top	FXSB
17	63034-08	FILLER CAP, with dipstick (silver)	FXSB
18	63601-00	CONNECTOR ASSEMBLY, oil line, with 11326 and 63632-00 (2)	FXSB
19	63632-00	OIL LINE RETAINER ASSEMBLY (4)	FXSB
20	63783-00	OIL LINE RETAINER ASSEMBLY	FXSB
21	62500015	OIL TANK, with 26314-99 (gloss black)	FXSB
22	62700056	HOSE, oil tank drain	FXSB

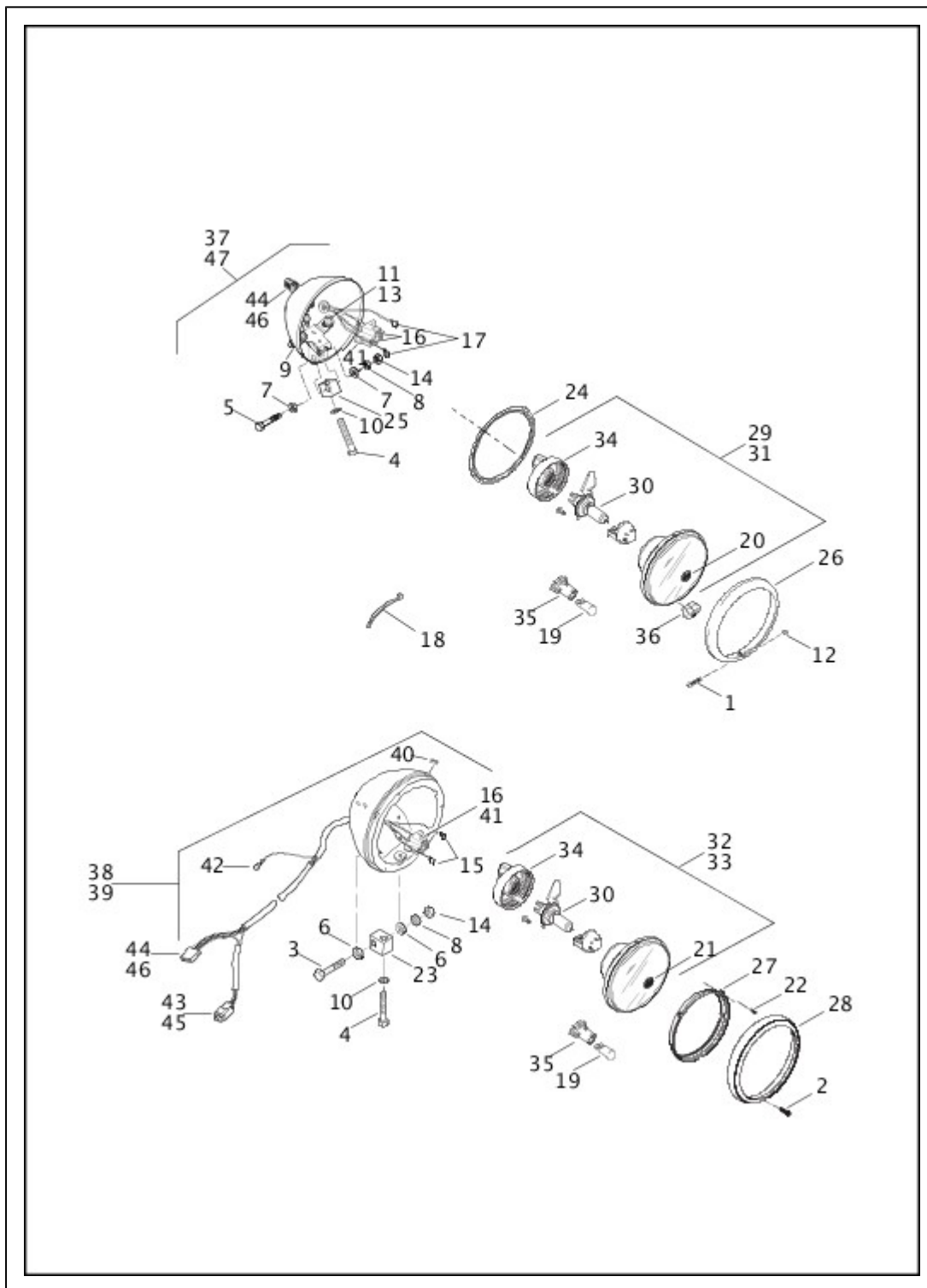
HEADLAMP (1 OF 2)



Index No.	Part No.	Description	Model(s)
1	3514	SCREW	FXSB
2	3615	SCREW	FLSTC, FLSTF, FLSTN, FLSTFB, FLS, FLSS, FLSTFBS
3	4411	BOLT	FLSTC, FLSTF, FLSTN, FLSTFB, FLS, FLSS, FLSTFBS
4	4722	BOLT	
5	4724	BOLT	FXSB

6	6400HB	WASHER (2)	FLSTC, FLSTF, FLSTN, FLSTFB, FLS, FLSS, FLSTFBS
7	6701	WASHER (2)	FXSB
8	7038	LOCKWASHER	
9	7073	LOCKWASHER (3)	FXSB
10	7130W	LOCKWASHER	
11	7230	LOCKWASHER (3)	FXSB
12	7606	LOCKNUT	FXSB
13	7716	LOCKNUT	FXSB
14	7800W	NUT	
15	9841	TERMINAL, (HDI) (2)	FLSTC, FLSTF, FLSTN
16	9847	WIRE TERMINAL, socket spade, right hand	
	9848	WIRE TERMINAL, socket spade, left hand (2)	
17	9898	TERMINAL, socket flag (Asia-Pacific, Australia, Brazil, England, HDI, India, Japan) (2)	
18	10065	CABLE STRAP	
19	53436-97	BULB, position lamp (Asia-Pacific, Australia, Brazil, England, HDI, Japan)	
20	67667-05	MEDALLION, lens	FXSB
21	67668-05	MEDALLION, lens	FLSTC, FLSTF, FLSTN, FLSTFB, FLS, FLSS, FLSTFBS
22	67721-48	SCREW (3)	FLSTC, FLSTF, FLSTN, FLSTFB, FLS, FLSS, FLSTFBS
23	67768-97	MOUNTING BLOCK	FLSTC, FLSTF, FLSTN, FLSTFB, FLS, FLSS, FLSTFBS
24	67769-93	ADAPTER RING	FXSB
25	67772-97	MOUNTING BLOCK	FXSB
26	67790-93A	BEZEL RING, (chrome)	FXSB
27	68050-93A	RETAINING RING	FLSTC, FLSTF, FLSTN, FLSTFB, FLS, FLSS, FLSTFBS

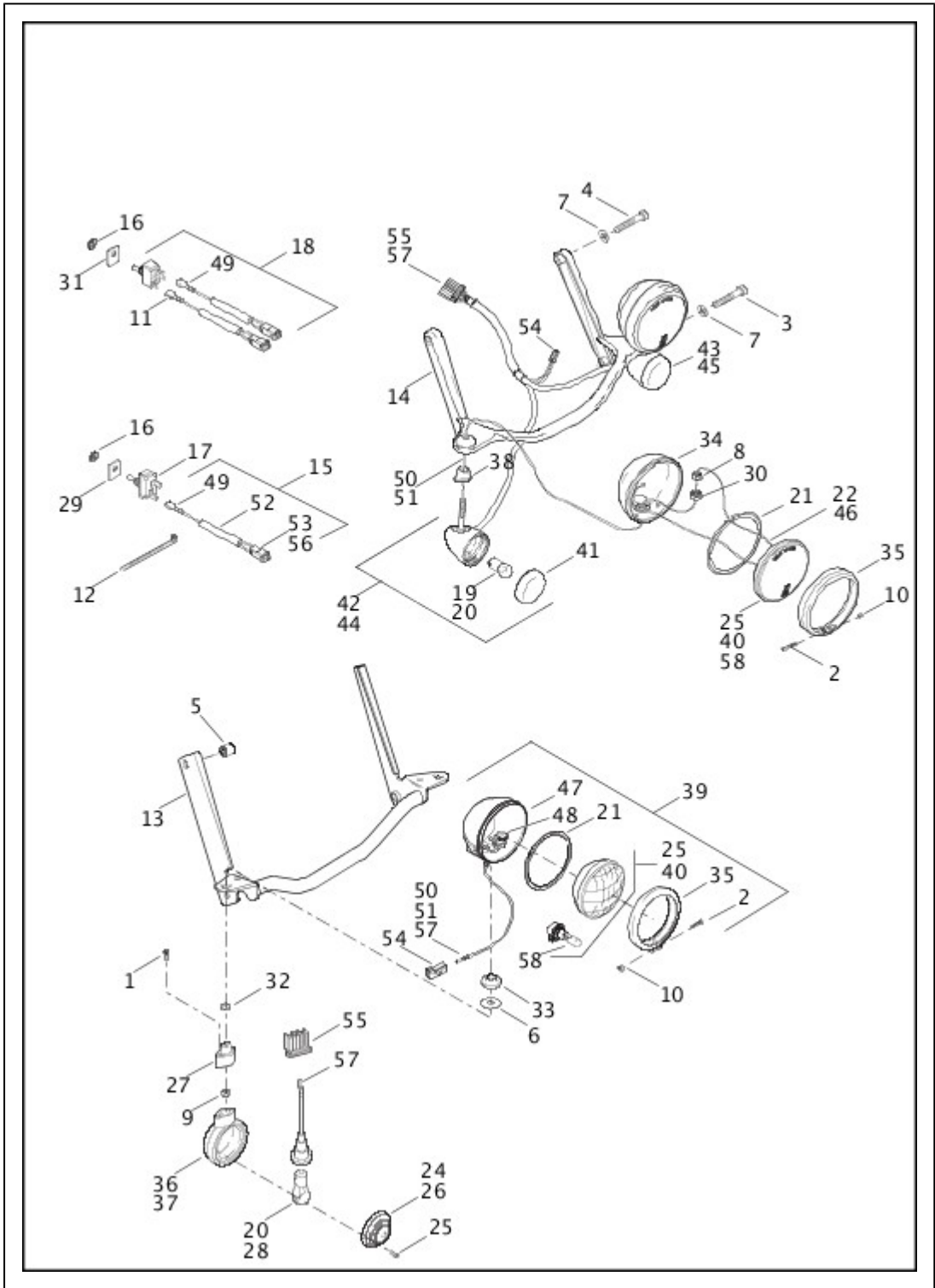
HEADLAMP (2 OF 2)



Index No.	Part No.	Description	Model(s)
28	68051-08	TRIM RING, (chrome)	FLSTC, FLSTF, FLSTN, FLSTFB, FLS
	67700115	TRIM RING, (black)	FLSS, FLSTFBS
29	68297-05A	REFLECTOR ASSEMBLY, 5-3/4 in	FXSB
30	68329-03	BULB, HB2/H4	
31	68335-05A	REFLECTOR ASSEMBLY, left dip, 5-3/4 in (Australia, Brazil, England, Japan)	FXSB

	68341-05A	REFLECTOR ASSEMBLY, right dip, 5-3/4 in (Asia-Pacific, HDI)	FXSB
32	68342-05A	LENS ASSEMBLY, 7 in	FLSTC, FLSTF, FLSTN, FLSTFB, FLS, FLSS, FLSTFBS
33	68344-05A	REFLECTOR ASSEMBLY, left dip, 7 in (Australia, England, India, Japan)	FLSTC, FLSTF, FLSTN, FLSTFB, FLS, FLSS, FLSTFBS
	68345-05A	REFLECTOR ASSEMBLY, right dip, 7 in (Asia-Pacific, Brazil, HDI)	FLSTC, FLSTF, FLSTN, FLSTFB, FLS
34	68380-05	BOOT	FXSB
	68380-05	BOOT, (HDI, Australia, Brazil, England, India, Japan)	
	68390-05	BOOT	FLSTC, FLSTF, FLSTN, FLSTFB, FLS, FLSS, FLSTFBS
35	68653-05	SOCKET, position lamp (Asia-Pacific, Australia, Brazil, England, HDI, India, Japan)	
36	69609-00	BUMPER, rubber	FXSB
37	67700094	SHELL ASSEMBLY, (Australia, England, Japan)	FXSB
	67700029	SHELL ASSEMBLY, (Asia-Pacific, HDI, India)	FXSB
38	69748-05B	SHELL ASSEMBLY, 7.0 in	FLSTC, FLSTF, FLSTN
	73295-10	SHELL ASSEMBLY, 7.0 in (black)	FLS, FLSTFB, FLSS, FLSTFBS
39	69750-05C	SHELL ASSEMBLY, 7 in, left dip (Australia, England, India, Japan)	FLSTC, FLSTF, FLSTN
	69783-08A	SHELL ASSEMBLY, 7 in, right dip (Asia-Pacific, Brazil, HDI)	FLSTC, FLSTF, FLSTN
	73293-10A	SHELL ASSEMBLY, 7 in, left dip (Australia, England, India, Japan)	FLSTFB, FLS, FLSS, FLSTFBS
	73294-10	SHELL ASSEMBLY, 7 in, right dip (HDI, Asia-Pacific, Brazil)	FLSTFB, FLS, FLSS, FLSTFBS, FLSS, FLSTFBS
40	69969-08	SLEEVE (2)	FLSTC, FLSTF, FLSTN, FLSTFB, FLS, FLSS, FLSTFBS
41	72056-92	INSULATOR, spade terminal, three-way	
42	72249-94	HEAT SHRINK TUBE, .415 x 1 (black)	FLSTC, FLSTF, FLSTN
43	73101-96BK	HOUSING, pin, two-way	FLSTC, FLSTF, FLSTN
44	73154-96BK	HOUSING, four-way socket	
45	73190-96	TERMINAL, pin, 16-20 AWG (2)	FLSTC, FLSTF, FLSTN, FLSTFB, FLS, FLSS, FLSTFBS
46	73191-96	TERMINAL, socket, 16-20 AWG (4)	
47	67700029	SHELL ASSEMBLY, (Domestic)	FXSB

AUXILIARY/FOG LAMPS AND TURN SIGNALS, FRONT - FLSTC, FLSTN (1 OF 2)

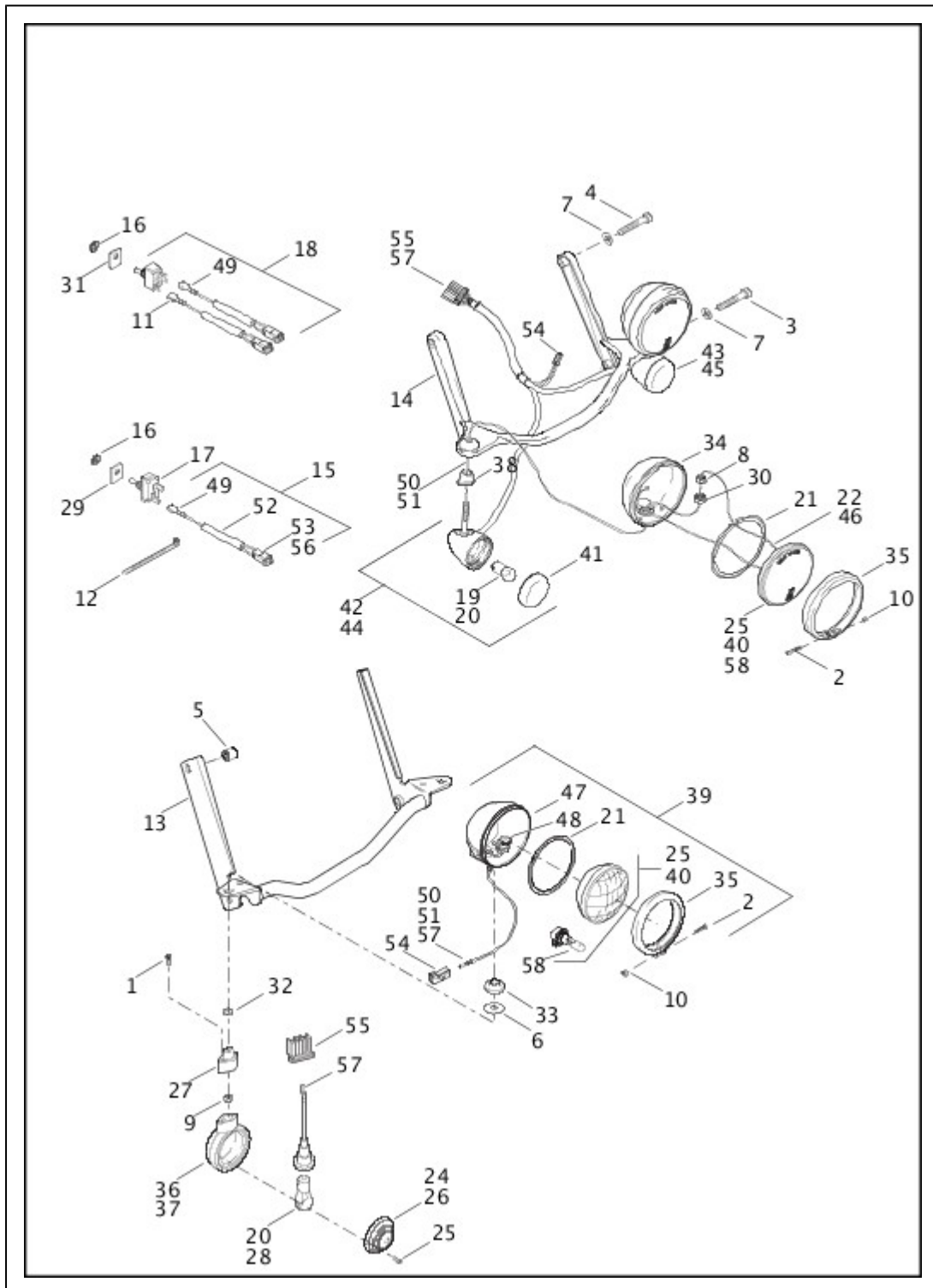


Index No.	Part No.	Description	Model(s)
1	2647B	SCREW (4)	FLSTC
2	3383	SCREW (2)	FLSTN
	3514	SCREW (2)	FLSTC

3	4481	SCREW (2)	FLSTN
4	4482	SCREW (2)	FLSTC, FLSTN
5	5885	SPACER (2)	FLSTC
6	6072	WASHER (2)	FLSTC
7	6109	WASHER (4)	FLSTN
8	7137	NUT (2)	FLSTN
9	7601	LOCKNUT (2)	FLSTC
10	7606	LOCKNUT (2)	FLSTC, FLSTN
11	9897	TERMINAL, wire (Asia-Pacific, Australia, England, HDI, Japan)	FLSTC, FLSTN
12	10065	CABLE STRAP (2)	FLSTC, FLSTN
13	58082-02A	BRACKET, auxiliary/fog lamps	FLSTC
14	58092-05	LIGHT BAR	FLSTN
15	67615-96	WIRING HARNESS, auxiliary/fog lamps	FLSTC, FLSTN
16	67846-70	NUT, toggle switch	FLSTC, FLSTN
17	67858-89	TOGGLE SWITCH, auxiliary/fog lamps, with 67846-70	FLSTC, FLSTN
18	67873-08A	TOGGLE SWITCH, auxiliary/fog lamps, with 9897, 67846-70 and 72290-94 (Australia, England, Japan)	FLSTC, FLSTN
19	68163-84	BULB, turn signal (HDI) (2)	FLSTN
20	68168-89A	BULB, turn signal (2)	FLSTC, FLSTN
21	68331-02	RING, auxiliary/fog lamps (2)	FLSTC, FLSTN
22	68337-05	JUMPER WIRE, auxiliary/fog lamps, with 9839 and 72049-92 (HDI) (2)	FLSTN
23	68414-05A	AUXILIARY/FOG LAMP, with 68000056 (2)	FLSTC, FLSTN
24	68440-86	LENS, turn signal (amber) (2)	FLSTC
25	68452-86	SCREW (4)	FLSTC
26	68505-90	LENS, turn signal (amber) (Asia-Pacific, Australia, England, HDI, Japan) (2)	FLSTC

27	68519-68A	MOUNTING BRACKET (2)	FLSTC
28	68572-64B	BULB, turn signal (Asia-Pacific, Australia, England, HDI, Japan) (2)	FLSTC
29	68619-83	LABEL, spotlight	FLSTC, FLSTN
30	68673-05	COLLAR (2)	FLSTN

AUXILIARY/FOG LAMPS AND TURN SIGNALS, FRONT - FLSTC, FLSTN (2 OF 2)

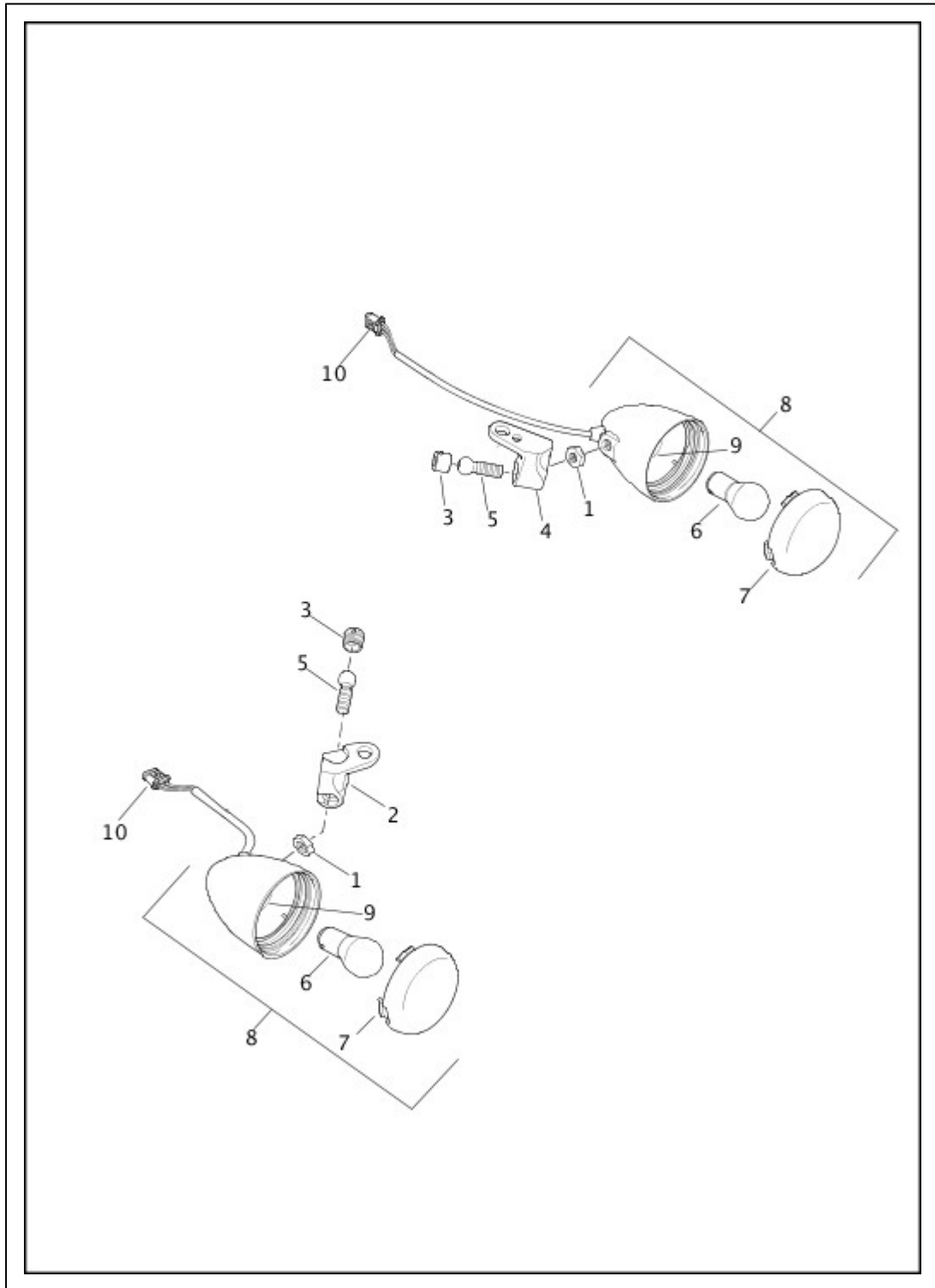


Index No.	Part No.	Description	Model(s)
31	15346-98A	LABEL, spotlight (Asia-Pacific, Australia, Brazil, England, HDI, Japan)	FLSTC, FLSTN
32	68720-62	CLAMP BLOCK, auxiliary/fog lamps (2)	FLSTC
33	68721-62	SWIVEL BLOCK, auxiliary/fog lamps (2)	FLSTC
34	68722-06	HOUSING, auxiliary/fog lamps, with 72298-95 and 72356-95 (2)	FLSTN
35	68725-62A	BEZEL RING, auxiliary/fog lamps (2)	FLSTC, FLSTN
36	68766-94	TURN SIGNAL, front, with 68168-89A, 68440-86 and 68452-86 (2)	FLSTC
37	68767-94	TURN SIGNAL, (Asia-Pacific, Australia, England, HDI, Japan) (2)	FLSTC
38	68840-05	SUPPORT (2)	FLSTN
39	68846-09	FOG LAMP ASSEMBLY, with 3514, 7606, 68331-02, 68725-62A, 68847-09 and 72160-06 (Asia-Pacific, Australia, England, HDI, Japan)	FLSTC
40	68847-09	BULB UNIT, auxiliary/fog lamps, with 68000056 (Asia-Pacific, Australia, England, HDI, Japan) (2)	FLSTC, FLSTN
41	68973-00	LENS, turn signal (2)	FLSTN
42	69220-06	TURN SIGNAL ASSEMBLY, (right)	FLSTN
43	69221-06	TURN SIGNAL ASSEMBLY, (left)	FLSTN
44	69222-09	TURN SIGNAL ASSEMBLY, (right) (Asia-Pacific, Australia, England, HDI, Japan)	FLSTN
45	69223-09	TURN SIGNAL ASSEMBLY, (left) (Asia-Pacific, Australia, England, HDI, Japan)	FLSTN
46	72049-92	HOUSING, jumper wire (HDI) (2)	FLSTN
47	72160-06	HOUSING, with 72161-06, 72298-95 and 72356-95 (2)	FLSTC
48	72161-06	HOUSING, two-way socket	FLSTC, FLSTN
49	72290-94	TERMINAL	FLSTC, FLSTN
50	72298-95	WIRE SEAL, green (4)	FLSTC, FLSTN
51	72356-95	TERMINAL, socket, 18-20 AWG (4)	FLSTC, FLSTN
52	72411-97	SHRINK TUBE	FLSTC, FLSTN
53	73102-96BK	HOUSING, two-way pin	FLSTC, FLSTN
54	73152-96BK	HOUSING, two-way socket	FLSTC, FLSTN
55	73156-	HOUSING, six-way socket	FLSTC,

	96BK		FLSTN
56	73190-96	TERMINAL, pin, 16-20 AWG	FLSTC, FLSTN
57	73191-96	TERMINAL, socket, 16-20 AWG (8)	FLSTC, FLSTN
58	68000056	BULB	FLSTC, FLSTN

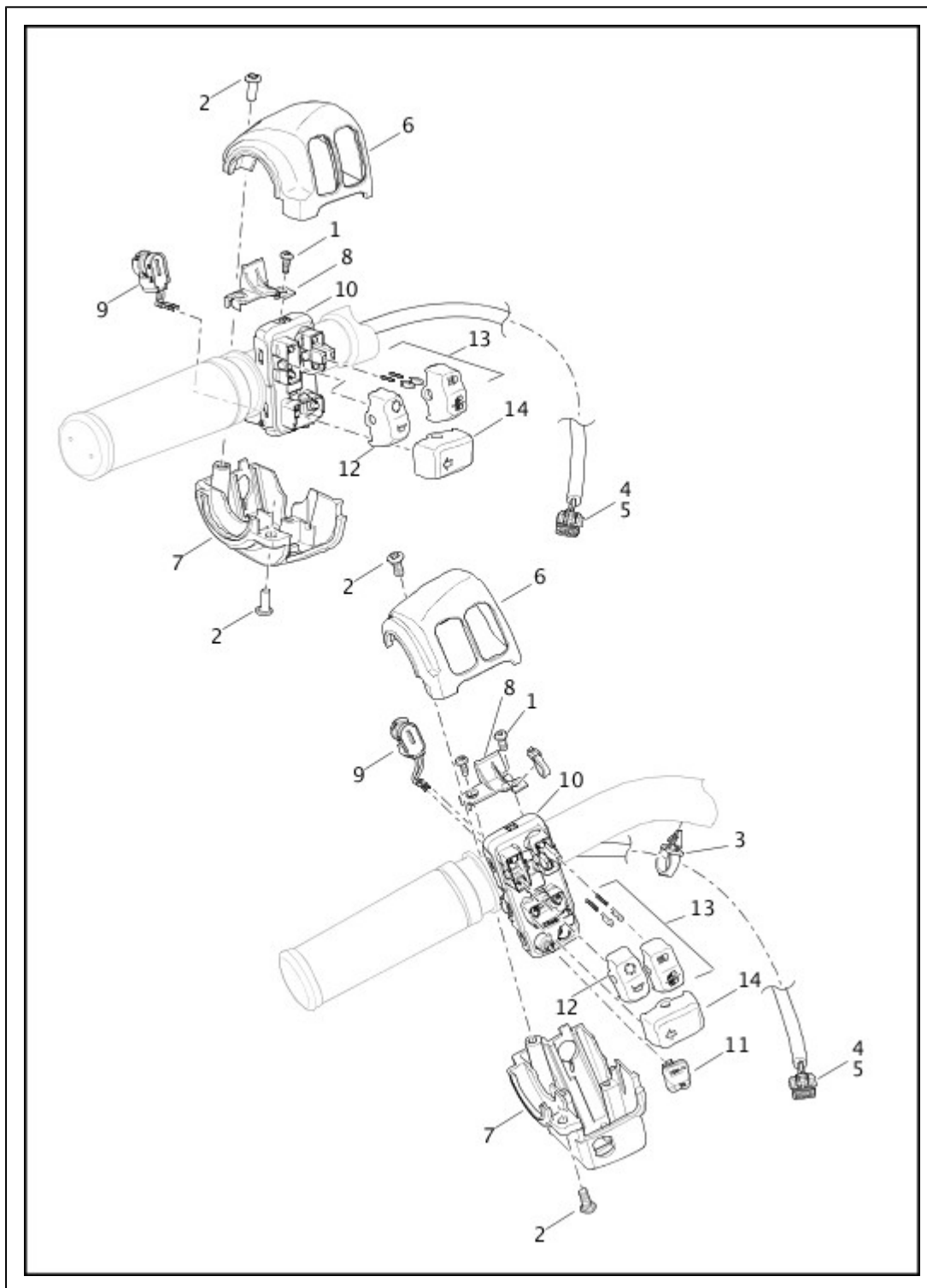
The Wiring Harness Kit for the fog lamps is shown for reference only and must be ordered separately through Parts and Accessories. See a Harley-Davidson dealer.

TURN SIGNALS, FRONT - FLS, FLSS, FLSTF, FLSTFB, FLSTFBS, FXSB



Index No.	Part No.	Description	Model(s)
1	7744	JAMNUT (2)	FLSTF, FLSTFB, FLS, FXSB, FLSS, FLSTFBS
2	67013-04A	BRACKET, turn signal mount (right) (chrome)	FLSTF, FLSTFB, FLS, FXSB
	67800630	BRACKET, turn signal mount (right) (black)	FLSS, FLSTFBS
3	67015-02	SCREW LOCK (2)	FLSTF, FLSTFB, FLS, FXSB
4	67019-04A	BRACKET, turn signal mount (left) (chrome)	FLSTF, FLSTFB, FLS, FXSB
	67800628	BRACKET, turn signal mount (left) (black)	FLSS, FLSTFBS
5	67822-88	BALL STUD (2)	FLSTF, FLSTFB, FLS, FXSB, FLSS, FLSTFBS
6	68168-89A	BULB, front turn signals (2)	FLSTF, FLSTFB, FLS, FXSB, FLSS, FLSTFBS
	68163-84	BULB, (Asia-Pacific, Australia, Brazil, England, HDI, Japan) (2)	FLSTF, FLSTFB, FLS, FXSB, FLSS, FLSTFBS
7	68973-00	LENS (2)	FLSTF, FLSTFB, FLS, FXSB, FLSS, FLSTFBS
8	67800141	TURN SIGNAL, with 68163-84, 68973-00, 67800148 (HDI) (2)	FLSTF
	67800519	TURN SIGNAL, with 68168-89A, 68973-00, 67800147 (chrome) (2)	FLSTF
	67800520	TURN SIGNAL, with 68168-89A, 68973-00, 67800147 (black) (2)	FXSB, FLSTFB, FLSTFBS
	67800521	TURN SIGNAL, with 68163-84, 68973-00, 67800148 (HDI) (black) (2)	FXSB, FLSTFB, FLSTFBS
	67800523	TURN SIGNAL, with 68168-89A, 68973-00, 67800147 (gloss black) (2)	FLS, FLSS
	67800525	TURN SIGNAL, with 68163-84, 68973-00, 67800148 (HDI) (gloss black) (2)	FLS, FLSS
9	67800147	SOCKET ASSEMBLY (2)	FXSB, FLSTF, FLSTFB, FLS, FLSS, FLSTFBS
	67800148	SOCKET ASSEMBLY, (HDI) (2)	FXSB, FLSTF, FLSTFB, FLS, FLSS, FLSTFBS
10	69201179	HOUSING, four-way socket (gray) (2)	FXSB, FLSTF, FLSTFB, FLS, FLSS, FLSTFBS

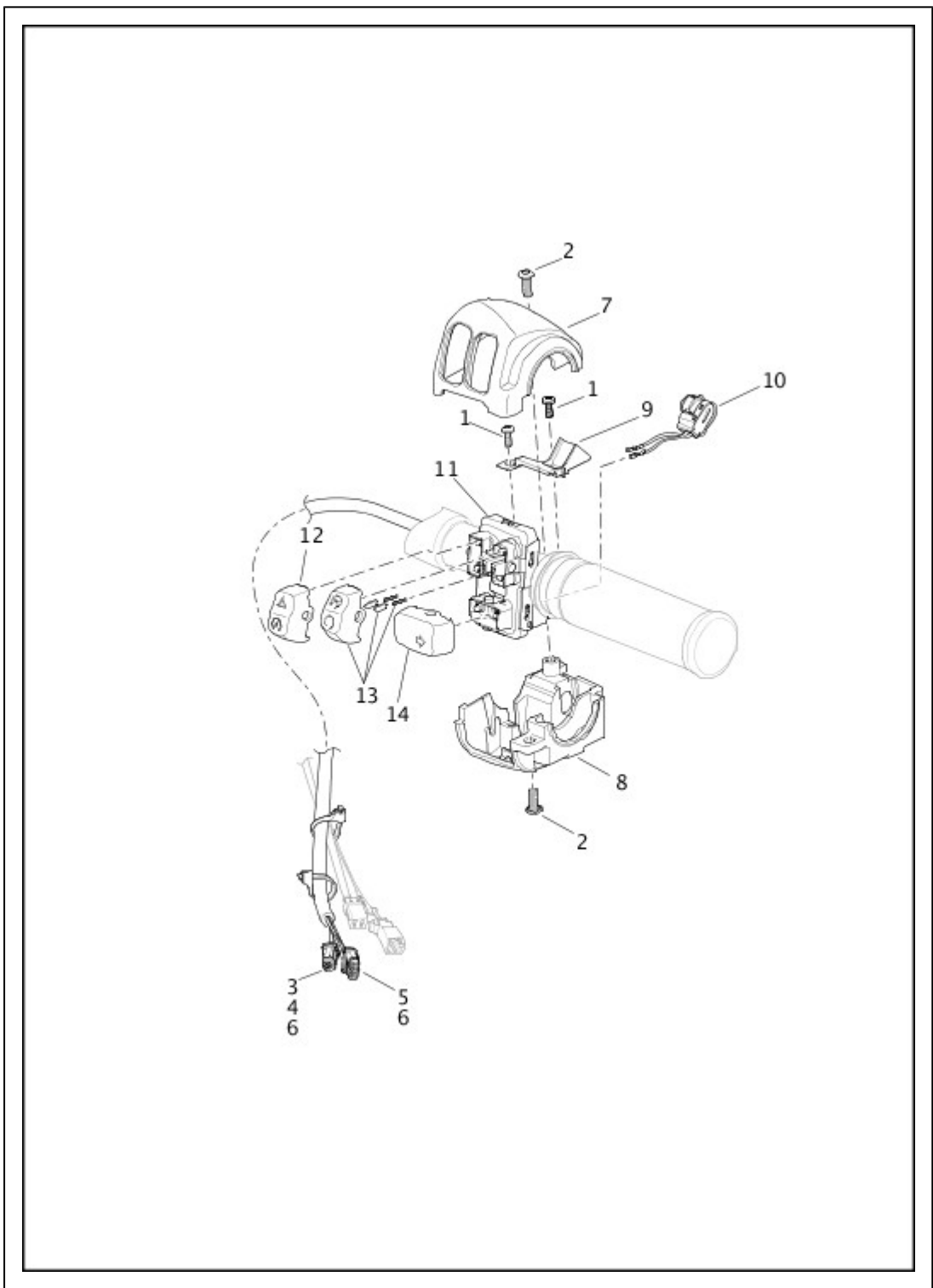
SWITCHES, HANDLEBAR LEFT, FRONT



Index No.	Part No.	Description	Model(s)
1	2261	SCREW (2)	
2	3658	SCREW (2)	
3	70345-84	RETAINER, wire harness	
4	72908-11	HOUSING, four-way socket	
5	72910-11	TERMINAL, socket 20-22 AWG (4)	
6	72920-11	HOUSING, (upper) (left) (black)	
7	72922-11	HOUSING, (lower) (left) (black)	FXSB, FLSTF, FLSTFB, FLS

	71500289	HOUSING, (lower) (left) (black)	FLSTC, FLSTN, FLSS, FLSTFBS
8	72941-11	BRACKET, lower switch	
9	71500117	SWITCH, clutch switch	
	71500114	SWITCH, clutch switch	FLSS, FLSTFBS
10	71500288	SWITCH MODULE, left (black)	FLSTC, FLSTN
	71500292	SWITCH MODULE, left (black)	FXSB, FLSTF, FLSTFB, FLS
	71500448	SWITCH MODULE, left (black)	FLSS, FLSTFBS
11	71500290	SWITCH CAP, set/resume	FLSTC, FLSTN
12	71500293	SWITCH CAP, horn/trip switch	
13	71500294	SWITCH CAP, lights switch	
14	71500295	SWITCH CAP, left turn switch	

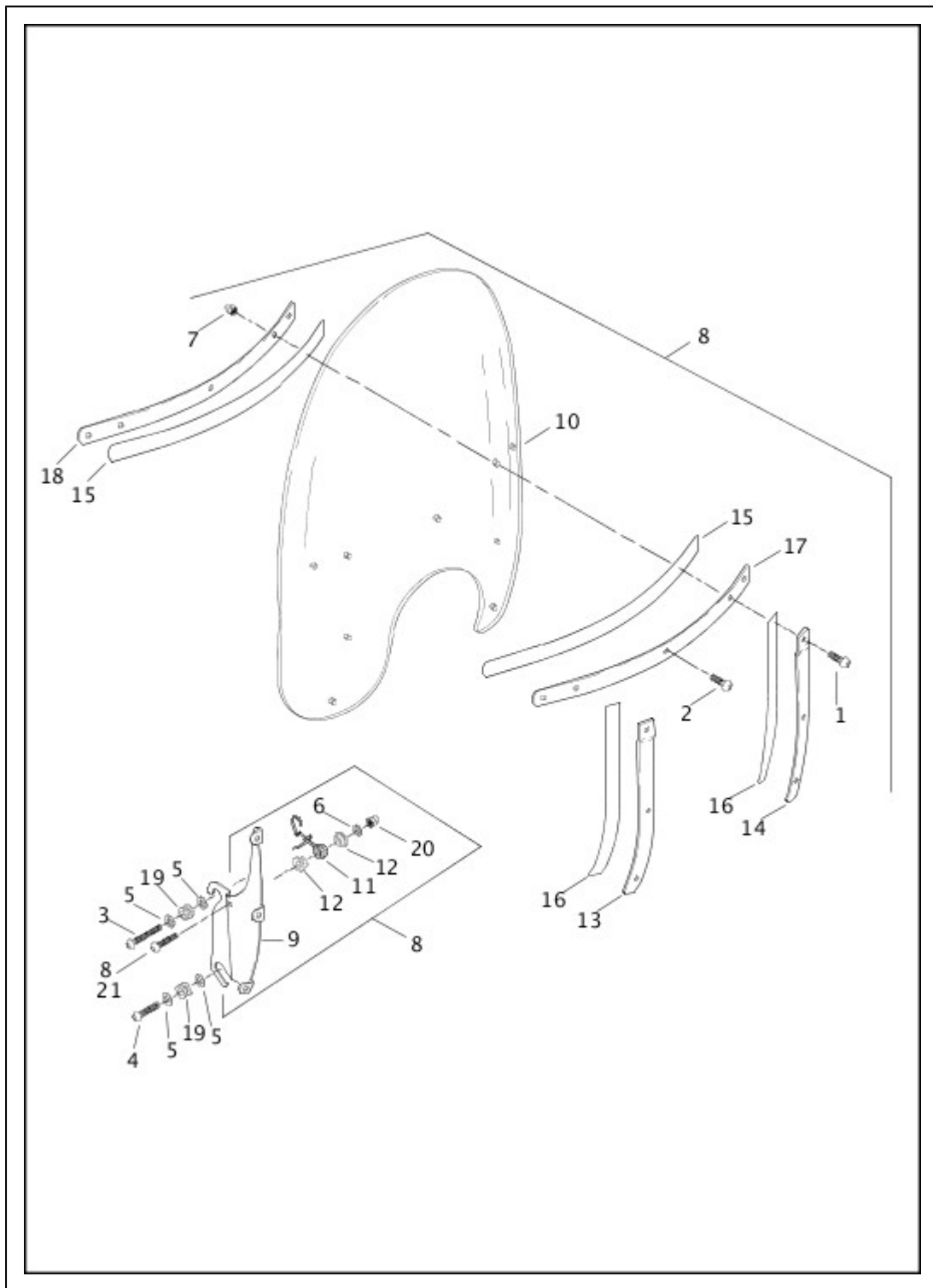
SWITCHES, HANDLEBAR RIGHT, FRONT



Index No.	Part No.	Description	Model(s)
1	2261	SCREW (2)	
2	3658	SCREW (2)	
3	5118	SEAL PIN	
4	72906-11	HOUSING, two-way socket	
5	72908-11	HOUSING, four-way socket	
6	72910-11	TERMINAL, socket 20-22 AWG (5)	
7	72921-11	HOUSING, (upper) (right) (black)	

8	72923-11	HOUSING, (lower) (right) (black)	
9	72940-11	BRACKET, lower switch	
10	71500118	SWITCH, brake	
11	71500297	SWITCH MODULE, right side	
12	71500298	SWITCH CAP, hazard switch	
13	71500299	SWITCH CAP, off/run switch, with pins and springs	
14	71500300	SWITCH CAP, right turn switch	

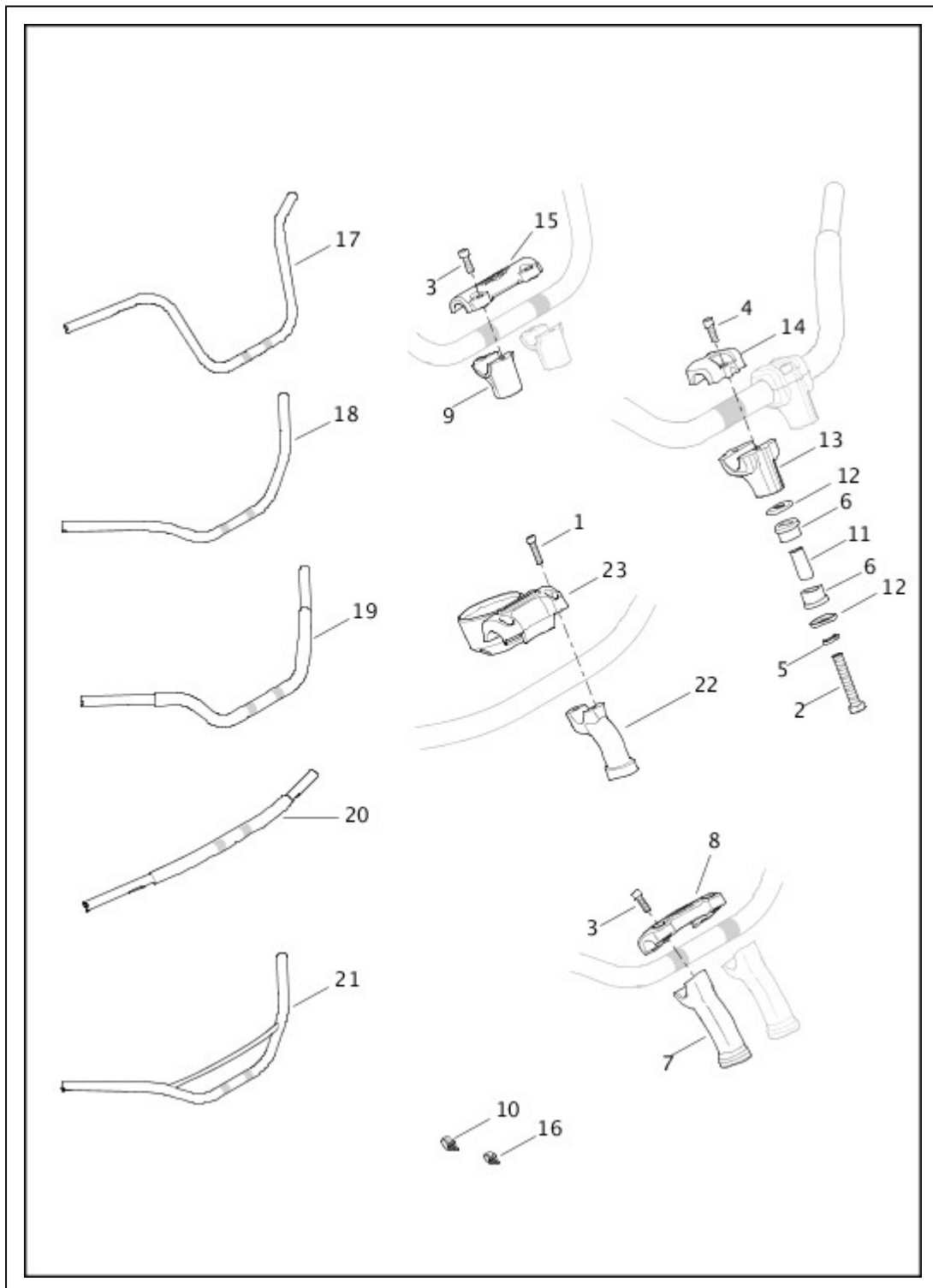
WINDSHIELD - FLSTC



Index No.	Part No.	Description	Model(s)
1	2452	SCREW (2)	FLSTC
2	2921	SCREW (7)	FLSTC
3	4343	SCREW (2)	FLSTC
4	4482	SCREW (2)	FLSTC
5	6400HB	WASHER (8)	FLSTC
6	6703	WASHER (2)	FLSTC
7	7651A	ACORN NUT (9)	FLSTC
8	57061-09	WINDSHIELD ASSEMBLY, complete	FLSTC
	57061-09	WINDSHIELD ASSEMBLY, complete (Australia, India)	FLSTC
	57091-06A	WINDSHIELD ASSEMBLY, complete (HDI, England, Japan)	FLSTC
9	57062-00A	BRACKET, windshield (right)	FLSTC
	57063-00A	BRACKET, windshield (left)	FLSTC
10	57250-06	WINDSHIELD KIT, replacement, with 58416-77A and 58417-77 (HDI, Japan)	FLSTC
	57634-07	WINDSHIELD KIT, low, replacement, with 58416-77A and 58417-77 (Asia-Pacific, HDI)	FLSTC
	58294-09	WINDSHIELD KIT, replacement, with 58416-77A and 58417-77	FLSTC
11	58252-95	RETAINER, windshield (left)	FLSTC
	58253-95	RETAINER, windshield (right)	FLSTC
12	58272-95	BUSHING, nylon (4)	FLSTC
13	58406-75A	BRACKET, windshield, outer (right)	FLSTC
14	58408-75A	BRACKET, windshield, outer (left)	FLSTC
15	58416-77A	TAPE, windshield, horizontal (2)	FLSTC
16	58417-77	TAPE, windshield, vertical (2)	FLSTC
17	58428-94	HORIZONTAL BRACE, windshield, outer	FLSTC
18	58431-94	HORIZONTAL BRACE, windshield, inner	FLSTC
19	67621-94	BUSHING (4)	FLSTC
20	94004-	ACORN NUT (2)	FLSTC

	90T		
21	94426-95	SCREW (2)	FLSTC

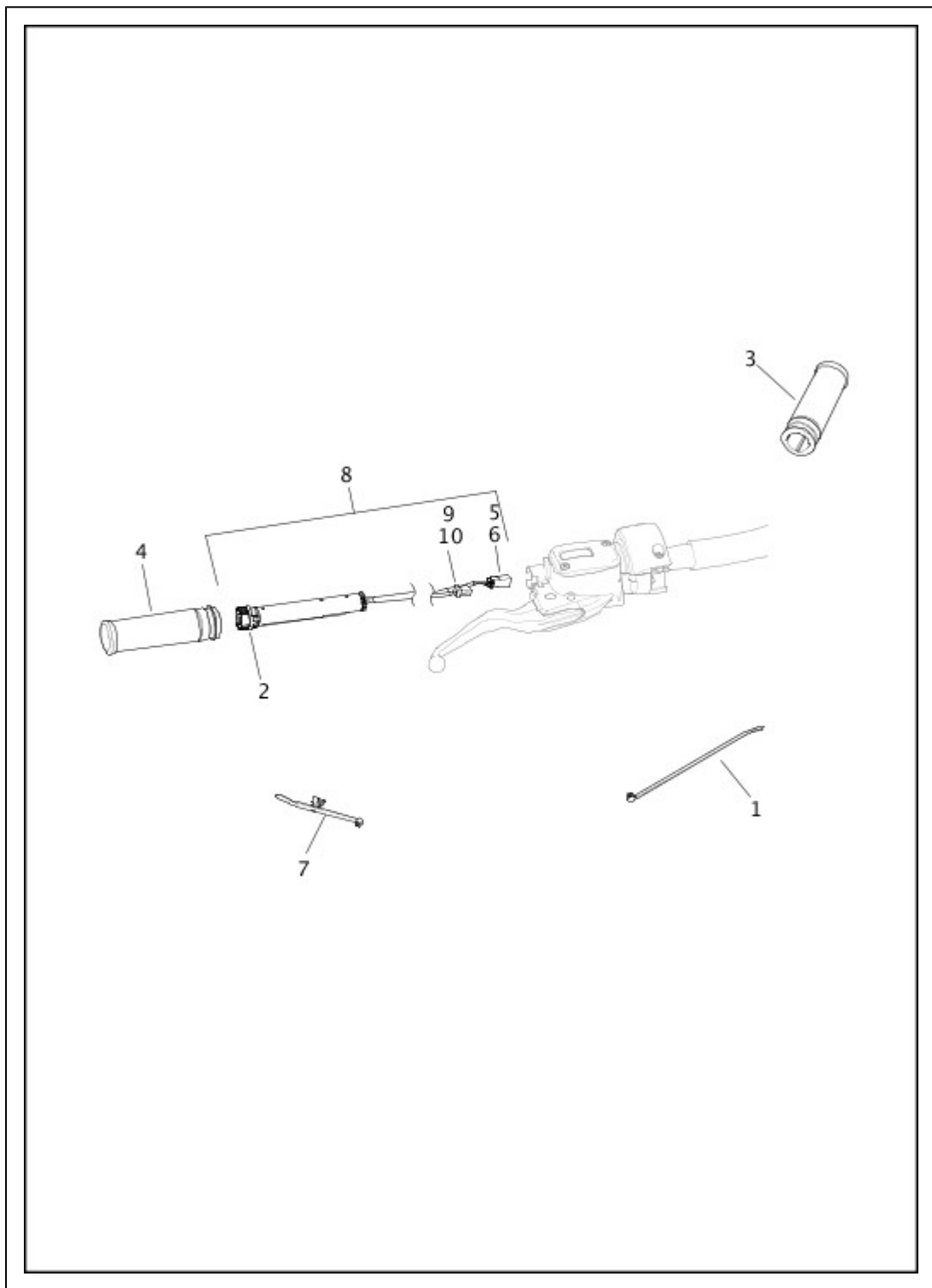
HANDLEBAR



Index No.	Part No.	Description	Model(s)
1	3210A	SCREW (2)	FXSB
2	3471	BOLT (2)	

3	3494A	BOLT (4)	FLSTC, FLSTN, FLS, FLSS
4	4350A	SCREW (4)	FLSTF, FLSTFB, FLSTFBS
5	7068	LOCKWASHER (2)	
6	53156-86	BUSHING, (rubber) (4)	
7	55902-05	CLAMP, (lower) (2)	FLSTN
8	55903-05	CLAMP, (upper)	FLSTN
9	55984-07	RISER (2)	FLSTC, FLS
	55900098	RISER, (gloss black) (2)	FLSS
10	56073-83	RETAINER (3)	FLSTC, FLSTN
11	56153-73	SPACER (2)	FLSTC, FLSTF, FLSTN, FLSTFB, FLS, FXSB
12	56159-73	CUP WASHER (4)	FLSTC, FLSTF, FLSTN, FLSTFB, FLS, FXSB, FLSS, FLSTFBS
13	56887-07	RISER (2)	FLSTF, FLSTFB
	55900097	RISER, (gloss black) (2)	FLSTFBS
14	56889-07	CAP (2)	FLSTF, FLSTFB
	55900096	CAP, (gloss black) (2)	FLSTFBS
15	56998-09	CLAMP	FLSTC, FLS
	55900099	CLAMP, (gloss black)	FLSS
16	70345-84	RETAINER (4)	
17	55800396	HANDLEBAR	FLSTC
18	55800399	HANDLEBAR	FLSTN
19	55800405	HANDLEBAR	FLSTFB, FLSTF
	55800634	HANDLEBAR, (gloss black)	FLSTFBS
20	55800411	HANDLEBAR	FXSB
21	55800579	HANDLEBAR	FLS, FLSS
22	55900034	CLAMP, riser	FXSB
23	55900043	UPPER CLAMP, with speedometer housing	FXSB

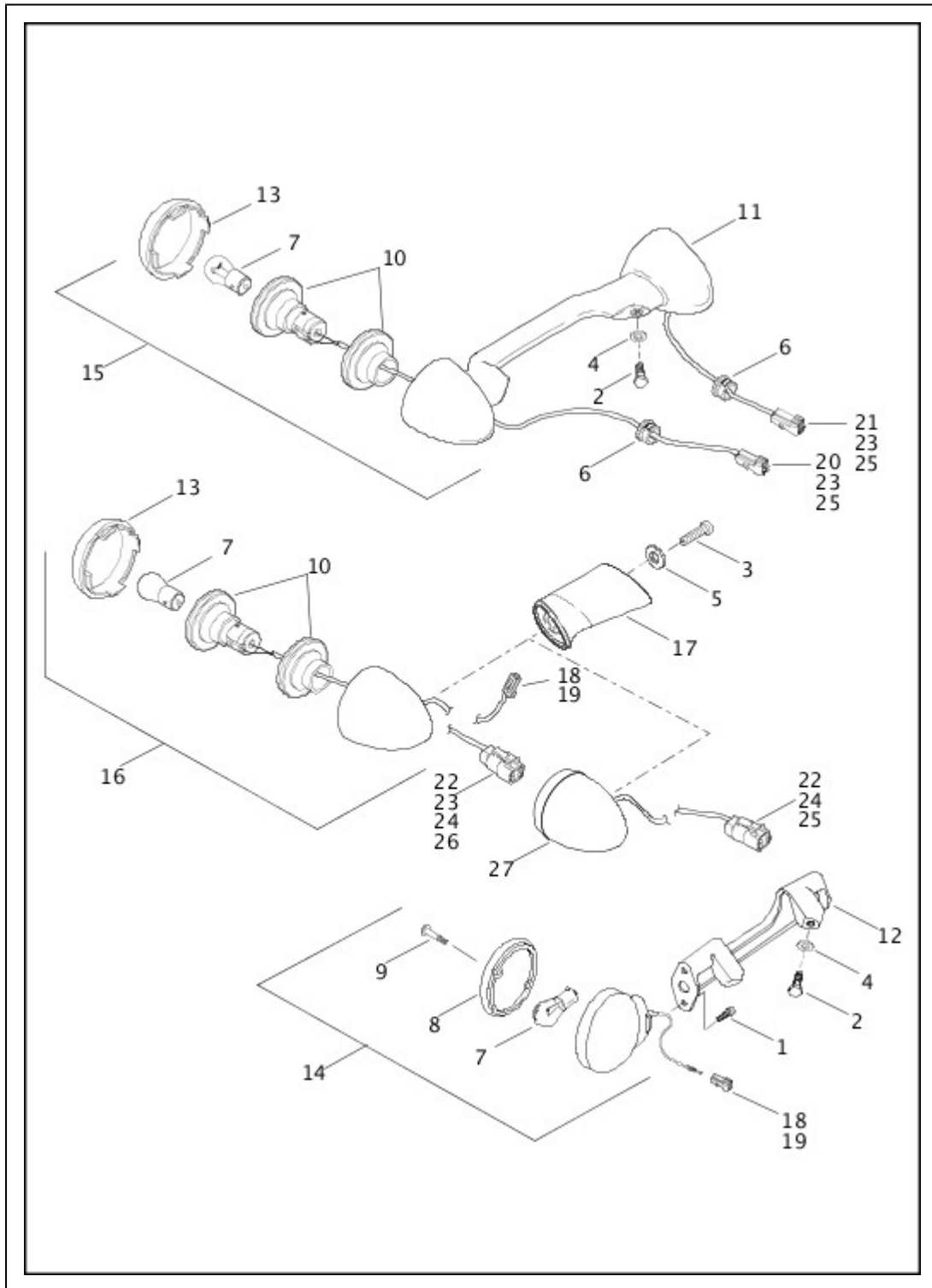
THROTTLE CONTROL



Index No.	Part No.	Description	Model(s)
1	10006	CABLE STRAP	
2	32306-08	SEAL CAP	
3	56248-08	GRIP, (left)	
4	56304-08	THROTTLE SLEEVE AND GRIP	
5	72902-01BK	HOUSING, two-way pin (black)	
6	72990-01	TERMINAL, pin 18-22 AWG (2)	
7	12500001	CABLE STRAP	

8	32700050	SENSOR, twist grip	
9	69200307	TERMINAL, socket 22 AWG (6)	
10	69201162	CONNECTOR, six-way socket (black)	

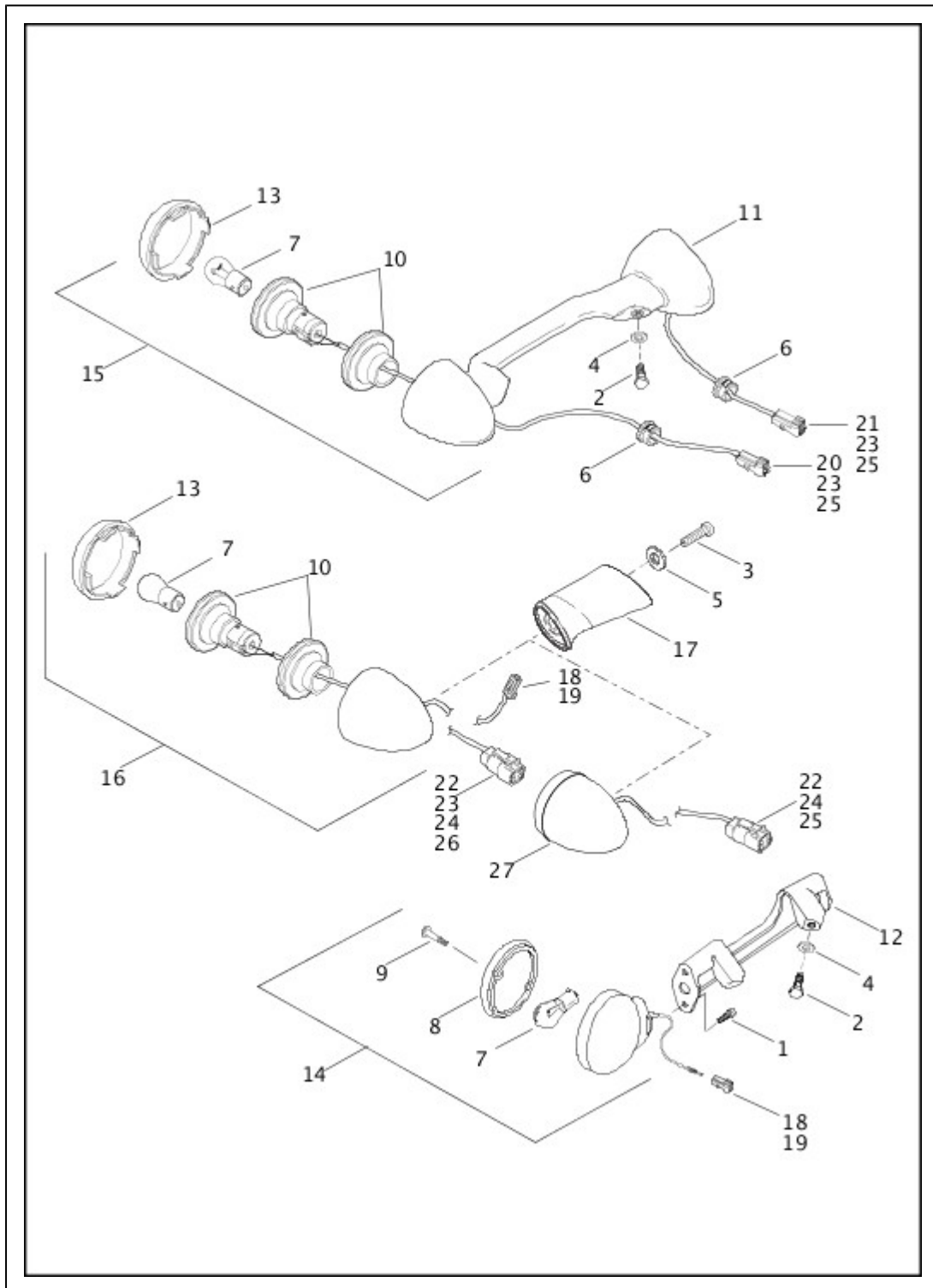
TURN SIGNALS, REAR (1 OF 2)



Index No.	Part No.	Description	Model(s)
1	2692WB	SCREW (4)	FLSTC

2	3987	BOLT (2)	FLSTC, FLSTN
3	4549	SCREW (2)	FLSTF, FLSTFB, FLS, FLSS, FLSTFBS
	8329	SCREW (2)	FXSB
4	6336B	WASHER (2)	FLSTC, FLSTN
5	6771A	WASHER (2)	FLSTF, FLSTFB, FLS, FXSB, FLSS, FLSTFBS
6	67267-05	GROMMET (2)	FLSTN
7	68163-84	BULB, rear turn signal (2)	FLSTF, FLSTN, FLSTFB, FLSTFBS
	68572-64B	BULB, rear turn signal (2)	FLSTC
	68168-89A	BULB, rear turn signal (2)	FLS, FXSB
8	68440-86	LENS, rear turn signal (amber) (2)	FLSTC
	68506-92	LENS, turn signal (amber) (HDI) (2)	FLSTC
9	68452-86	SCREW (4)	FLSTC
10	68497-07	SOCKET	FXSB
	68905-00	SOCKET	FLSTN, FLSTF, FLSTFB
	67800216	SOCKET	FLS, FLSS
11	68508-04	REAR TURN SIGNAL BAR	FLSTN
12	68510-74C	BRACKET, rear turn signal	FLSTC
13	68559-07	LENS, (red) (2)	FLS, FXSB, FLSS
	68973-00	LENS, (amber) (2)	FLSTN, FLSTF, FLSTFB, FLSS, FLSTFBS
14	68713-94A	TURN SIGNAL, rear, with 68440-86, 68452-86 and 68572-64B (amber) (2)	FLSTC
	68765-94A	TURN SIGNAL, with 68163-84, 68452-86 and 68506-92 (amber) (HDI) (2)	FLSTC
15	68969-05	DIRECTIONAL LAMP ASSEMBLY, with 68163-84, 68508-04, 68973-00, 74191-98 and socket	FLSTN
16	68978-00	TURN SIGNAL, rear, with 68163-84, 68973-00 and socket (chrome) (2)	FLSTF
	69935-08	TURN SIGNAL, rear, with 68163-84, 68973-00 and socket (black) (2)	FLSTFB, FLSTFBS
	67800217	TURN SIGNAL, with 68168-89A, 68559-07 and 67800216 (black) (2)	FLS, FLSS
	68461-09	TURN SIGNAL, with 68168-89A, 68497-07 and 68559-07	FXSB

TURN SIGNALS, REAR (2 OF 2)



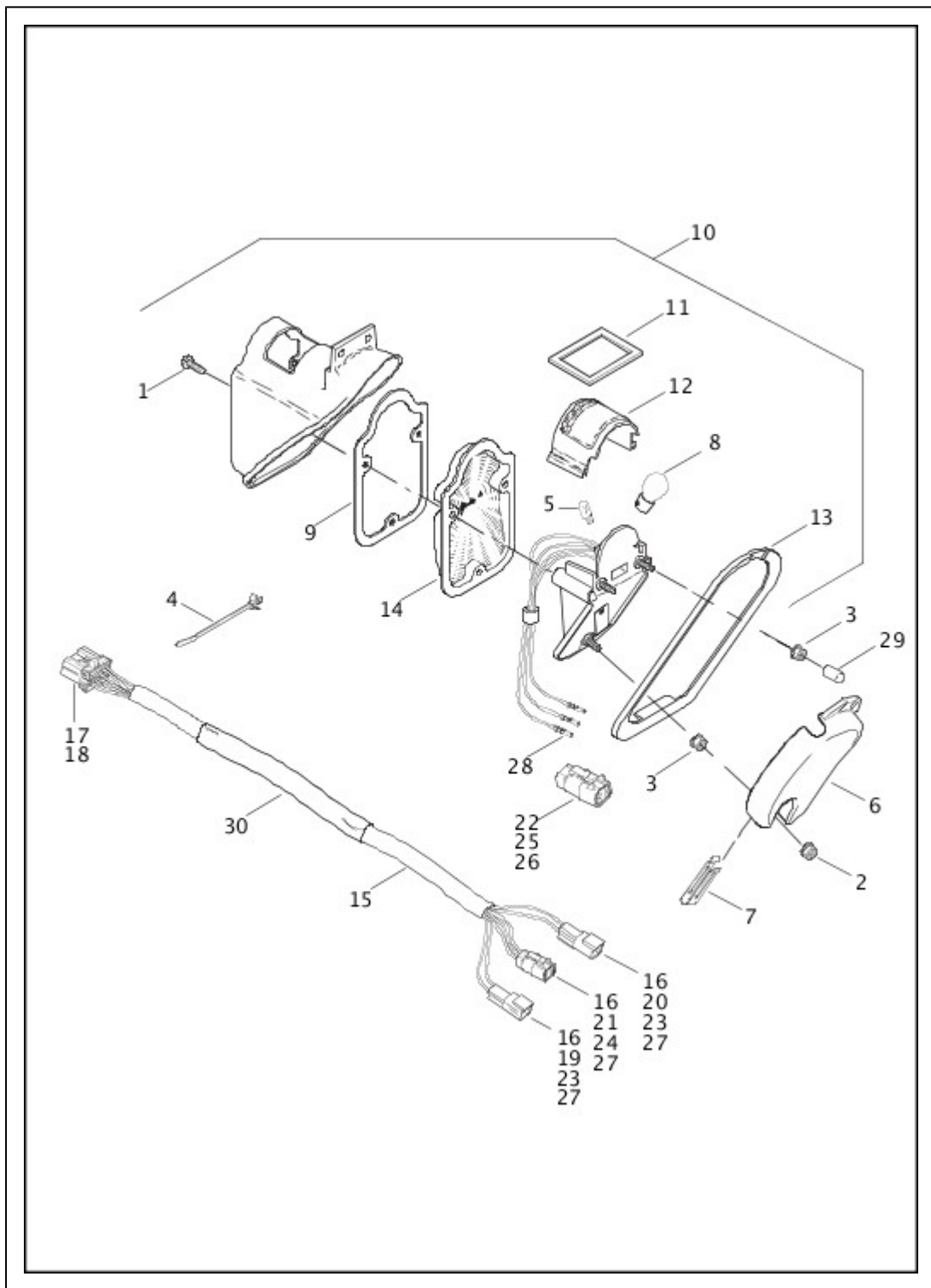
Index No.	Part No.	Description	Model(s)
17	69438-06	SUPPORT, rear lamp mounting (2)	FLSTF
	69933-08	SUPPORT, rear lamp mounting (black) (right side only) (Domestic)	FLS, FLSS

	69933-08	SUPPORT, rear lamp mounting (black) (2)	FLSTFB, FLSTFBS
	67800184	SUPPORT, rear lamp mounting (black) (left side only) (Domestic)	FLS, FLSS
	67800223	SUPPORT, rear lamp mounting (left side only) (Domestic)	FXSB
	67800224	SUPPORT, rear lamp mounting (Australia, Asia-Pacific, Brazil, Canada, England, HDI, India, Japan) (2)	FXSB
	67800224	SUPPORT, rear lamp mounting (right side only) (Domestic)	FXSB
	69933-08	SUPPORT, (black) (Australia, Asia-Pacific, Canada, England, HDI, Japan) (2)	FLS, FLSS
18	73152-96BK	HOUSING, two-way socket (black) (2)	FLSTC, FLSTF, FLSTN, FLSTFB, FLSS, FLSTFBS
19	73191-96	TERMINAL, socket, 16-20 AWG (4)	FLSTC, FLSTF, FLSTN, FLSTFB, FLSS, FLSTFBS
20	74112-98BK	HOUSING, two-way socket, right (black)	FLSTN
21	74112-05GY	HOUSING, two-way socket, left (gray)	FLSTN
22	74114-98BK	HOUSING, four-way socket, left turn signal (black)	FLSTN, FLS, FXSB, FLSS
	69200011	HOUSING, four-way socket, right turn signal (gray)	FLSTN, FLS, FXSB, FLSS
23	74152-98	SECONDARY LOCK, terminal (2)	FLSTN
24	74154-98	SECONDARY LOCK, four-way socket (2)	FLSTN, FLS, FXSB, FLSS
25	74191-98	TERMINAL, socket (4)	FLSTN, FLS, FXSB, FLSS
26	74195-98	SEAL PIN (2)	FXSB, FLSS
27	67800171	TURN SIGNAL, rear, with 74191-98 (black) (HDI) (2)	FLS, FLSS
	67800238	TURN SIGNAL, rear, with 74191-98 (chrome) (Australia, Asia-Pacific, Brazil, Japan, HDI) (2)	FXSB

TAIL LAMP - FLSTC, FLSTF, FLSTFB AND FLSTFBS

	10183	CLIP, T-stud (2)	FLSTF, FLSTFB, FLSTFBS
6	68026-99	SCREW, tail lamp (2)	FLSTC, FLSTF, FLSTFB, FLSTFBS
7	68066-99A	BASE ASSEMBLY, tail light, chrome, with 68296-99A and 68830-99A	FLSTC, FLSTF, FLSTFB, FLSTFBS
8	68140-04	LIGHT ASSEMBLY, tail lamp, with 68369-03 and 68370-03A	FLSTC, FLSTF, FLSTFB, FLSTFBS
	68141-04	LIGHT ASSEMBLY, tail lamp, with 68372-03 and 69187-03A (HDI)	FLSTC, FLSTF, FLSTFB, FLSTFBS
9	68167-04	BULB, tail lamp, wedge mount	FLSTC, FLSTF, FLSTFB, FLSTFBS
	68167-04	BULB, tail lamp (HDI), wedge mount (HDI)	FLSTC, FLSTF, FLSTFB, FLSTFBS
10	68296-99A	TAIL LIGHT BASE, chrome	FLSTC, FLSTF, FLSTFB, FLSTFBS
11	68369-03	LENS, tail lamp, with 68026-99	FLSTC, FLSTF, FLSTFB, FLSTFBS
	68372-03	LENS, tail lamp, with 68026-99 (HDI)	FLSTC, FLSTF, FLSTFB, FLSTFBS
12	68370-03A	BULB SOCKET ASSEMBLY, with 68167-04, 73154-96BK and 73191-96	FLSTC, FLSTF, FLSTFB, FLSTFBS
	69187-03A	BULB SOCKET ASSEMBLY, with 68167-04, 73154-96BK and 73191-96 (HDI)	FLSTC, FLSTF, FLSTFB, FLSTFBS
13	68818-03B	HARNESS, rear lamps, with 10115, 70523-06, 73156-96BK, 73158-96BK and 73191-96	FLSTC
	69486-06B	HARNESS, rear lamps, with 73156-96BK, 73158-96BK and 73191-96	FLSTF, FLSTFB, FLSTFBS
14	68830-99A	CIRCUIT BOARD AND COVER	FLSTC, FLSTF, FLSTFB, FLSTFBS
15	73154-96BK	HOUSING, four-way socket	FLSTC, FLSTF, FLSTFB, FLSTFBS
16	73156-96BK	HOUSING, six-way socket	FLSTC, FLSTF, FLSTFB, FLSTFBS
17	73158-96BK	HOUSING, eight-way socket	FLSTC, FLSTF, FLSTFB, FLSTFBS
18	73191-96	TERMINAL, socket, 16-20 AWG (16)	FLSTC, FLSTF, FLSTFB, FLSTFBS
19	69200018	CONDUIT, harness	FLSTC

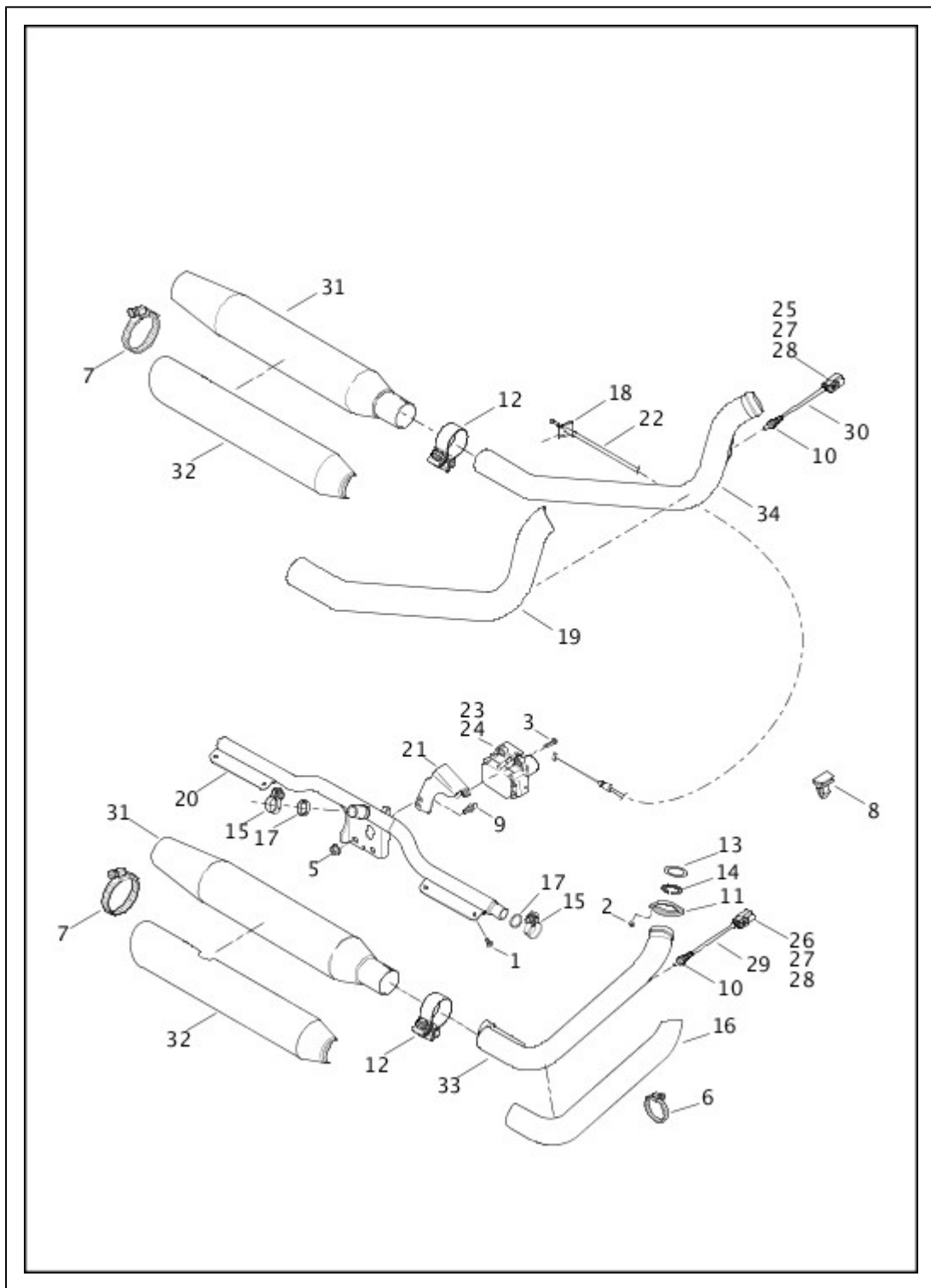
TAIL LAMP - FLSTN



Index No.	Part No.	Description	Model(s)
1	4166	SCREW (3)	FLSTN
2	7686	LOCKNUT	FLSTN
3	7792	NUT (3)	FLSTN
4	10115	CABLE STRAP	FLSTN
5	52441-95	BULB, license lamp	FLSTN
	53436-97	BULB, license lamp (HDI)	FLSTN
6	68003-05	COVER, tail light connector	FLSTN

7	68089-05	CLIP, tail lamp connector cover	FLSTN
8	68168-89A	BULB, tail lamp	FLSTN
	68169-90A	BULB, tail lamp (Asia-Pacific, Australia, Brazil, HDI, Japan)	FLSTN
9	68226-97	GASKET, lens	FLSTN
10	68280-05	TAIL LAMP ASSEMBLY	FLSTN
	68281-05	TAIL LAMP ASSEMBLY, (Asia-Pacific, Australia, Brazil, HDI, Japan)	FLSTN
11	68235-97	GASKET, license plate lens	FLSTN
12	68236-97	LENS, license plate	FLSTN
13	68237-97	PAD, mounting	FLSTN
14	68238-97	LENS	FLSTN
	68239-97	LENS, tail lamp (red) (Asia-Pacific, Australia, Brazil, HDI, Japan)	FLSTN
15	68834-05A	HARNESS, rear lighting	FLSTN
16	72199-94	CONNECTOR ANCHOR (3)	FLSTN
17	73158-96BK	HOUSING, eight-way socket (black)	FLSTN
18	73191-96	TERMINAL, socket, 16-20 AWG (8)	FLSTN
19	74102-98BK	HOUSING, two-way pin (black)	FLSTN
20	74102-05GY	HOUSING, two-way pin (gray)	FLSTN
21	74104-98BK	HOUSING, four-way pin (black)	FLSTN
22	74114-98BK	HOUSING, four-way socket (black)	FLSTN
23	74142-98	SECONDARY LOCK, two-way (2)	FLSTN
24	74144-98	SECONDARY LOCK, four-way	FLSTN
25	74154-98	SECONDARY LOCK, four-way socket	FLSTN
26	74195-98	SEAL PIN	FLSTN
27	74190-98	TERMINAL, pin (8)	FLSTN
28	74191-98	TERMINAL, socket (3)	FLSTN
29	89587-05	CAP, thread protector (2)	FLSTN
30	69200018	CONDUIT, harness	FLSTN

EXHAUST SYSTEM - FXSB

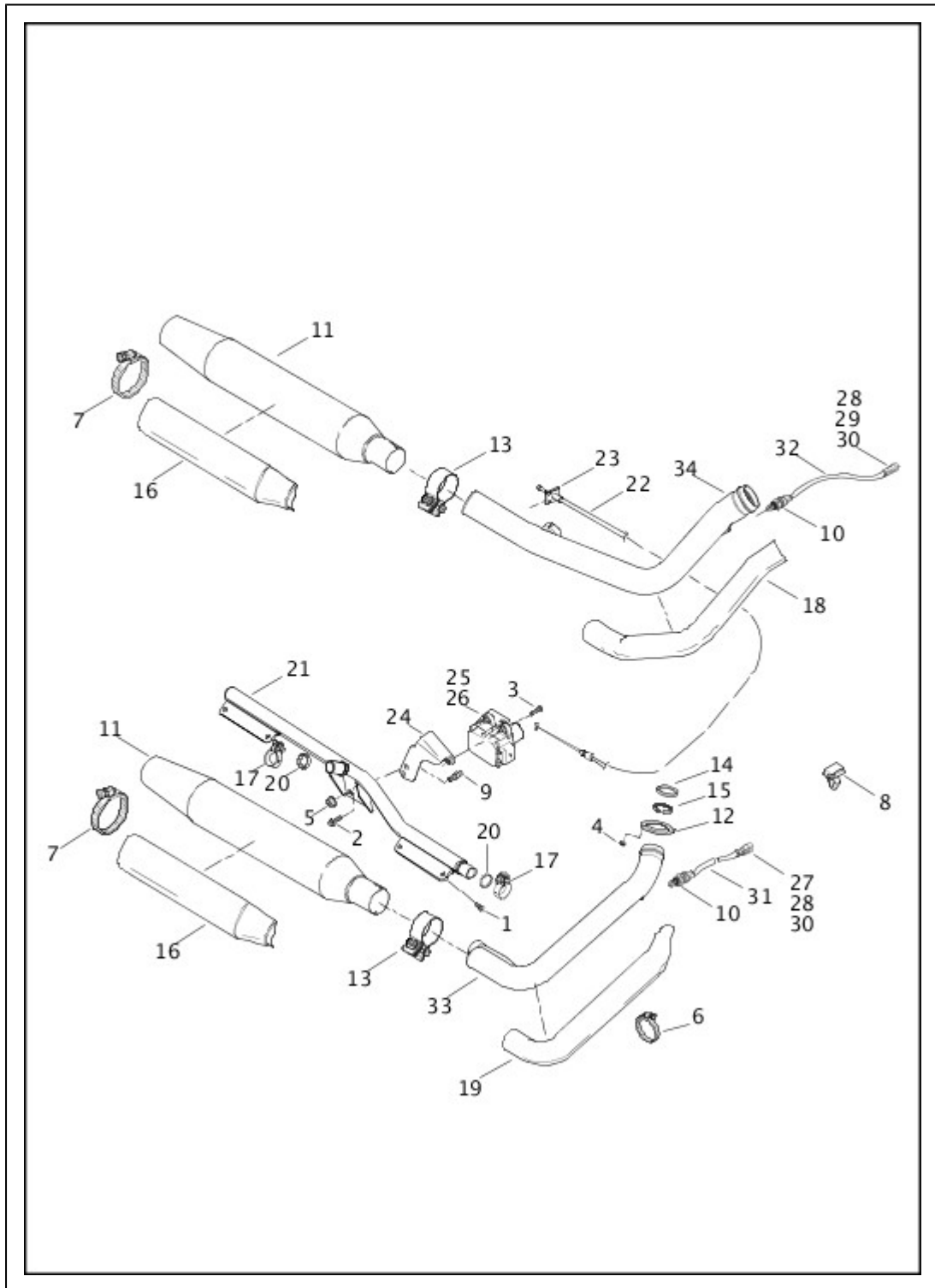


Index No.	Part No.	Description	Model(s)
1	3391	SCREW (4)	FXSB
2	3574	SCREW (2)	FXSB
3	3799	SCREW, (Australia England, HDI, India) (2)	FXSB
4	7593	NUT (4)	FXSB
5	7601	LOCKNUT (2)	FXSB
6	9955	CLAMP, shield (4)	FXSB

7	10074	CLAMP, shield (4)	FXSB
8	10147	CLIP, connector oxygen sensor (not illustrated) (2)	FXSB
9	11860	STUD, spacer (2)	FXSB
10	11936	GASKET, oxygen sensor (2)	FXSB
11	65184-02	FLANGE, exhaust pipe (2)	FXSB
12	65296-95A	CLAMP, muffler (2)	FXSB
13	65324-83B	GASKET, exhaust port (2)	FXSB
14	65325-83A	RETAINING RING, exhaust gasket (2)	FXSB
15	65521-10	KIT-CLAMP, interconnect, with 65830-10 (2)	FXSB
16	65707-10A	SHIELD, front exhaust	FXSB
17	65830-10	GASKET, exhaust interconnect (2)	FXSB
18	66767-07	RETAINER, front/rear (Australia, England, HDI)	FXSB
19	66772-08A	SHIELD, rear exhaust	FXSB
20	66773-10	TUBE ASSEMBLY, interconnect	FXSB
21	66797-07	BRACKET ASSEMBLY, actuator support (Australia, England, HDI, India)	FXSB
22	66847-08	CABLE, with 66767-07 (Australia, England, HDI)	FXSB
23	70991-07	EXHAUST ACTUATOR, with 71019-07 (Australia, England, HDI, India)	FXSB
24	71019-07	SHROUD, exhaust actuator (Australia, England, HDI, India)	FXSB
25	72177-07BK	HOUSING, four-way, socket (black)	FXSB
26	72344-10	TERMINAL, socket, 22 AWG (gold) (4)	FXSB
27	72444-07GY	HOUSING, four-way, socket (gray)	FXSB
28	73307-10	TERMINAL, socket, 22 AWG (4)	FXSB
29	32700005	OXYGEN SENSOR, front, with 11936, 72344-10, 72444-07GY and 73307-10	FXSB
30	32700006	OXYGEN SENSOR, rear, with 11936, 72177-07BK, 72344-10 and 73307-10	FXSB
31	64900168	MUFFLER ASSEMBLY, front (Australia)	FXSB
	64900169	MUFFLER ASSEMBLY, rear (Australia)	FXSB
	64900170	MUFFLER ASSEMBLY, front/rear (2)	FXSB
	64900171	MUFFLER ASSEMBLY, rear (England, HDI, India)	FXSB
	64900172	MUFFLER ASSEMBLY, front (England, HDI, India)	FXSB
	64900172	MUFFLER ASSEMBLY, front/rear (Brazil, Japan) (2)	FXSB
	65682-07	MUFFLER ASSEMBLY, front/rear (Asia-Pacific) (2)	FXSB
32	65400106	SHIELD, muffler, front	FXSB

	65400107	SHIELD, muffler, rear	FXSB
	65463-00	SHIELD, muffler (Asia-Pacific) (2)	FXSB
33	65600031	EXHAUST PIPE ASSEMBLY, front	FXSB
34	65600056	EXHAUST PIPE ASSEMBLY, rear (Asia-Pacific, Brazil, Canada, Domestic, Japan)	FXSB
	65600059	EXHAUST PIPE ASSEMBLY, rear (Australia, England, HDI)	FXSB

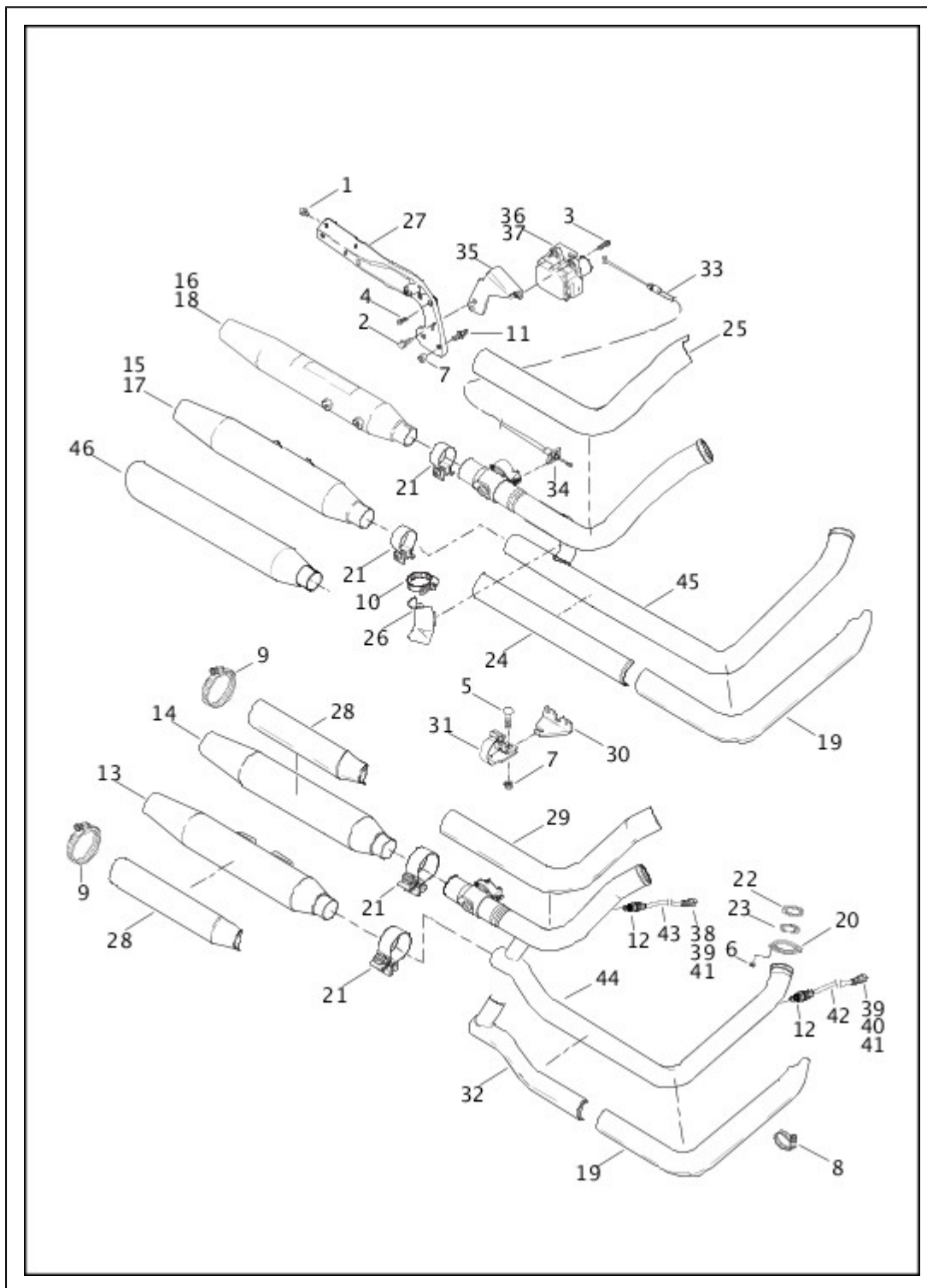
EXHAUST SYSTEM - FLSTC



Index No.	Part No.	Description	Model(s)
1	3391	SCREW (4)	FLSTC
2	3574	SCREW, (HDI, Australia, England, India) (2)	FLSTC
3	3799	SCREW, (HDI, Australia, England, India) (2)	FLSTC
4	7593	NUT (4)	FLSTC
5	7601	LOCKNUT (2)	FLSTC
6	9955	CLAMP, shield (4)	FLSTC
7	10074	CLAMP, shield (4)	FLSTC
8	10147	CLIP, connector oxygen sensor (2)	FLSTC
9	11860	STUD, spacer (2)	FLSTC
10	11936	GASKET, oxygen sensor	FLSTC
11	64708-08B	MUFFLER ASSEMBLY, front and rear (California, Canada, Domestic) (2)	FLSTC
	65682-07	MUFFLER ASSEMBLY, front and rear (Brazil) (2)	FLSTC
	65682-07	MUFFLER ASSEMBLY, front (HDI, England, India)	FLSTC
	65685-07	MUFFLER ASSEMBLY, rear (HDI, England, India)	FLSTC
	64900105	MUFFLER ASSEMBLY, front (Australia)	FLSTC
	64900106	MUFFLER ASSEMBLY, rear (Australia)	FLSTC
12	65184-02	FLANGE, exhaust pipe (2)	FLSTC
13	65296-95A	CLAMP, muffler (2)	FLSTC
14	65324-83B	GASKET, exhaust port	FLSTC
15	65325-83A	RETAINING RING, exhaust gasket (2)	FLSTC
16	65463-00	SHIELD, muffler (2)	FLSTC
17	65521-10	KIT-CLAMP, interconnect (2)	FLSTC
18	65702-00A	SHIELD, rear exhaust	FLSTC
19	65715-10	SHIELD, front exhaust	FLSTC
20	65830-10	GASKET, exhaust interconnect (2)	FLSTC
21	66737-10A	TUBE ASSEMBLY, interconnect	FLSTC
22	66763-07	EXHAUST ACTUATOR CABLE, with 66767-07 (HDI, Australia, England, India)	FLSTC
23	66767-07	RETAINER, cable (HDI, Australia, England, India)	FLSTC
24	66797-07	BRACKET ASSEMBLY, exhaust actuator (HDI, Australia, England, India)	FLSTC
25	70991-07	EXHAUST ACTUATOR, with 71019-07 (HDI, Australia, England, India)	FLSTC

26	71019-07	SHROUD, exhaust actuator (HDI, Australia, England, India)	FLSTC
27	72177-07BK	HOUSING, four-way socket (black)	FLSTC
28	72344-10	TERMINAL, socket 22 AWG (gold) (2)	FLSTC
29	72444-07GY	HOUSING, four-way socket (gray)	FLSTC
30	73307-10	TERMINAL, socket 22 AWG (2)	FLSTC
31	32700005	OXYGEN SENSOR, front, with 11936, 72344-10, 72444-07GY and 73307-10	FLSTC
32	32700006	OXYGEN SENSOR, rear, with 11936, 72177-07BK, 72344-10 and 73307-10	FLSTC
33	65600031	EXHAUST PIPE ASSEMBLY, front	FLSTC
34	65600035A	EXHAUST PIPE ASSEMBLY, rear (Domestic, California, Canada)	FLSTC
	65600039A	EXHAUST PIPE ASSEMBLY, rear (HDI, Australia, England, India)	FLSTC
	65600035A	EXHAUST PIPE ASSEMBLY, rear (Asia-Pacific, Brazil, Japan)	FLSTC

EXHAUST SYSTEM - FLS, FLSS, FLSTF, FLSTFB, FLSTFBS AND FLSTN (1 OF 2)

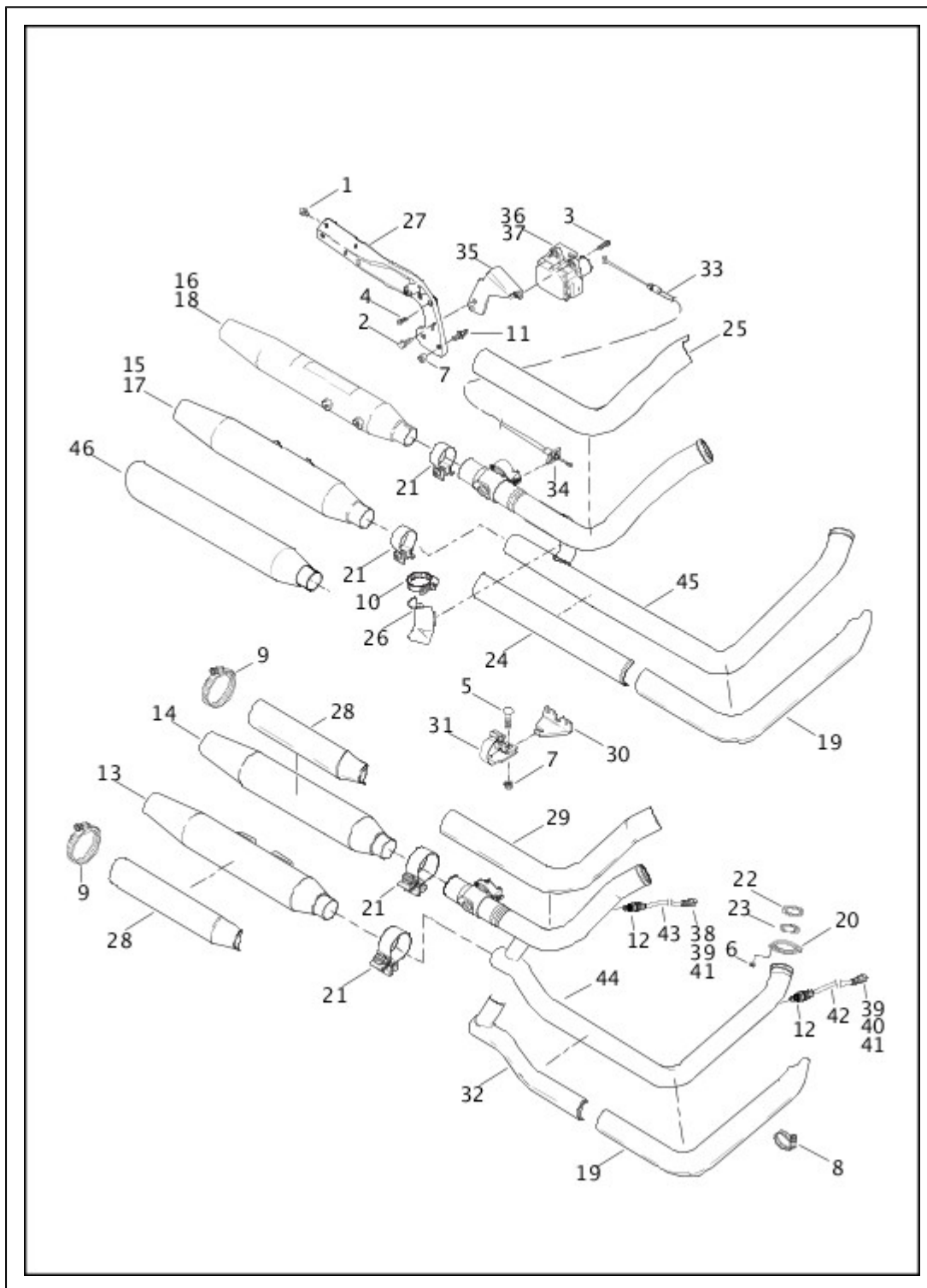


Index No.	Part No.	Description	Model(s)
1	3391	SCREW (4)	FLSTN, FLS, FLSS
	3391	SCREW (6)	FLSTF, FLSTFB, FLSTFBS
2	3574	SCREW, (HDI, Australia, England, India) (2)	FLSTF, FLSTN, FLSTFB, FLS
3	3799	SCREW, (HDI, Australia, England, India) (2)	FLSTF, FLSTN, FLSTFB, FLS
4	4190	SCREW	FLSTN, FLS, FLSS
5	5416	BOLT	FLSTF, FLSTN, FLSTFB, FLS, FLSS, FLSTFBS

6	7593	NUT (4)	FLSTF, FLSTN, FLSTFB, FLS, FLSS, FLSTFBS
7	7601	LOCKNUT (3)	FLSTF, FLSTN, FLSTFB, FLS, FLSS, FLSTFBS
8	9955	CLAMP (7)	FLSTF, FLSTFB, FLSTFBS
	9955	CLAMP (8)	FLSTN, FLS, FLSS
9	10074	CLAMP, muffler shield (4)	FLSTF, FLSTN, FLSTFB, FLS
	10800010	CLAMP, muffler shield (black) (4)	FLSS, FLSTFBS
10	10119	CLAMP	FLSTN, FLS
11	11860	STUD, spacer (2)	FLSTF, FLSTN, FLSTFB, FLS, FLSS, FLSTFBS
12	11936	GASKET, oxygen sensor	FLSTF, FLSTN, FLSTFB, FLS
13	64709-08B	MUFFLER ASSEMBLY, front (chrome)	FLSTF
	65822-10A	MUFFLER ASSEMBLY, front (satin chrome)	FLSTFB
	65870-10	MUFFLER ASSEMBLY, front (HDI, Asia-Pacific, Brazil, England, India, Japan)	FLSTFB
	65939-07	MUFFLER ASSEMBLY, front (HDI, Asia-Pacific, Brazil, England, India, Japan)	FLSTF
	64900139	MUFFLER ASSEMBLY, front (Australia)	FLSTF
	64900144	MUFFLER ASSEMBLY, front (Australia)	FLSTFB
14	64710-08B	MUFFLER ASSEMBLY, rear (chrome)	FLSTF
	64729-08	MUFFLER ASSEMBLY, rear (chrome) (Asia-Pacific, Japan)	FLS
	64961-07	MUFFLER ASSEMBLY, rear (Asia-Pacific, Brazil, Japan)	FLSTF
	65862-10A	MUFFLER ASSEMBLY, rear (satin chrome)	FLSTFB
	65920-10	MUFFLER ASSEMBLY, rear (chrome) (Asia-Pacific, Brazil, Japan)	FLSTFB
	64900143	MUFFLER ASSEMBLY, rear (Australia)	FLSTF
	64900145	MUFFLER ASSEMBLY, rear (Australia)	FLSTFB
	65880-10	MUFFLER ASSEMBLY, rear (HDI, England, India)	FLSTFB
	65950-07	MUFFLER ASSEMBLY, rear (HDI, England, India)	FLSTF
15	64711-08B	MUFFLER ASSEMBLY, front (chrome)	FLSTN
	65368-07	MUFFLER ASSEMBLY, front (HDI, Asia-Pacific, Brazil, England, Japan)	FLSTN

	64900141	MUFFLER ASSEMBLY, front (Australia)	FLSTN
16	64712-08B	MUFFLER ASSEMBLY, rear (chrome)	FLSTN
	65372-07	MUFFLER ASSEMBLY, rear (HDI, England)	FLSTN
	64960-07	MUFFLER ASSEMBLY, rear (Asia-Pacific, Brazil, Japan)	FLSTN
	64900142	MUFFLER ASSEMBLY, rear (Australia)	FLSTN
17	64734-08A	MUFFLER ASSEMBLY, front, catalytic (chrome)	FLS
	64727-08	MUFFLER ASSEMBLY, front, catalytic (Asia-Pacific, England, HDI, Japan) (chrome)	FLS
	64900140	MUFFLER ASSEMBLY, front (Australia) (chrome)	FLS
18	64735-08A	MUFFLER ASSEMBLY, rear, catalytic (chrome)	FLS
	64728-08	MUFFLER ASSEMBLY, rear, catalytic (England, HDI) (chrome)	FLS
	64900146	MUFFLER ASSEMBLY, rear (Australia) (chrome)	FLS

EXHAUST SYSTEM - FLS, FLSS, FLSTF, FLSTFB, FLSTFBS AND FLSTN (2 OF 2)

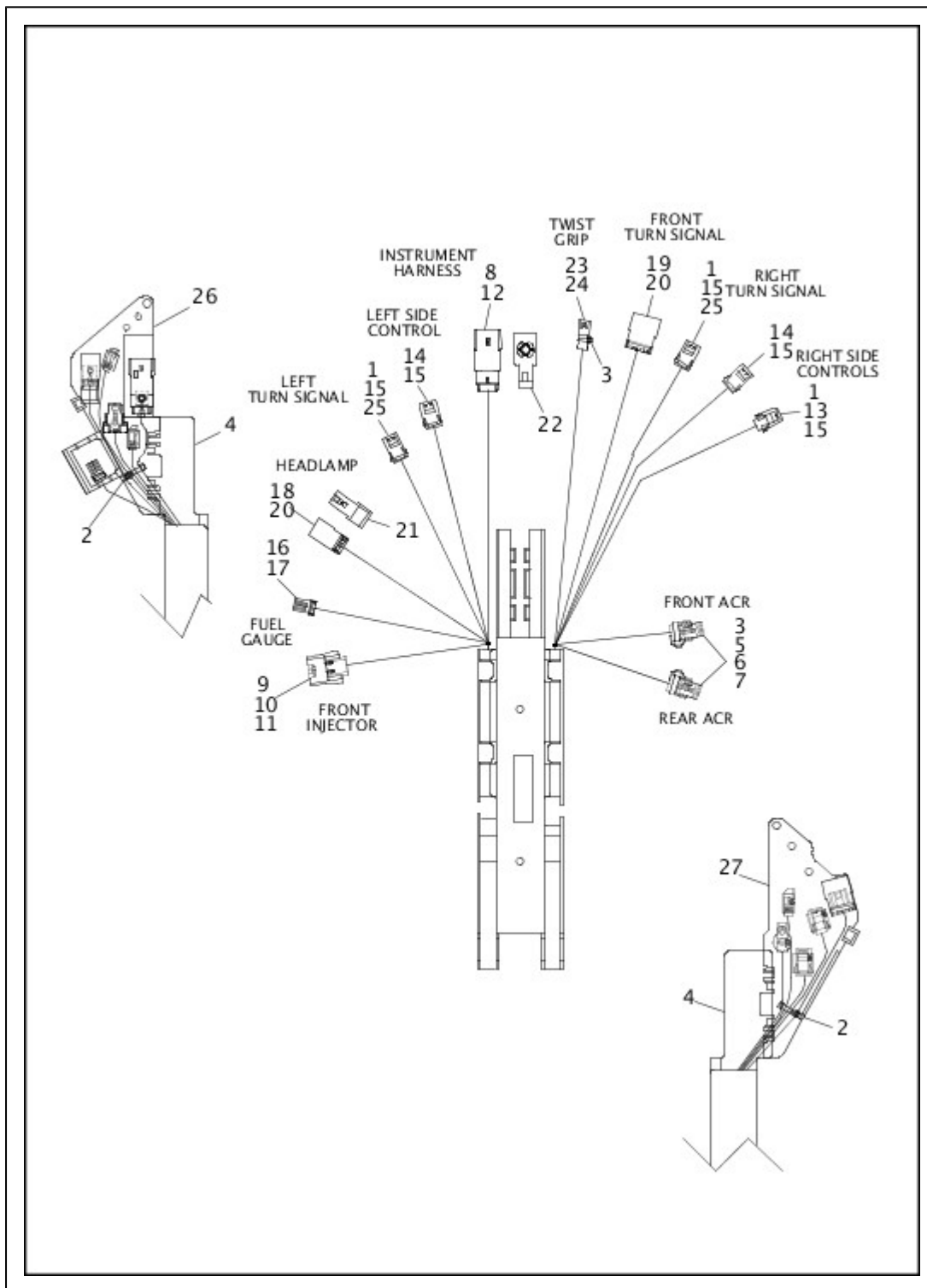


Index No.	Part No.	Description	Model(s)
19	65148-00B	SHIELD, front exhaust	FLSTF, FLSTN, FLS
	66899-10A	SHIELD, front exhaust	FLSTFB, FLSS, FLSTFBS
20	65184-02	FLANGE, exhaust manifold (2)	FLSTF, FLSTN, FLSTFB, FLS, FLSS, FLSTFBS
21	65296-95A	CLAMP, muffler (2)	FLSTF, FLSTN, FLSTFB, FLS, FLSTFBS

22	65324-83B	GASKET, exhaust port (2)	FLSTF, FLSTN, FLSTFB, FLS, FLSS
23	65325-83A	RETAINING RING, exhaust gasket (2)	FLSTF, FLSTN, FLSTFB, FLS, FLSTFBS
24	65383-05	SHIELD, exhaust pipe	FLSTN, FLS
	80826-10	SHIELD, exhaust pipe (black)	FLSS
25	65389-05B	SHIELD, rear exhaust pipe	FLSTN, FLS
	80830-10A	SHIELD, rear exhaust pipe (black)	FLSS
26	65395-05	SHIELD, interconnect	FLSTN, FLS, FLSS
27	65399-07	MUFFLER SUPPORT	FLSTN, FLS, FLSS
	65435-07BHP	MUFFLER SUPPORT, (gloss black)	FLSTF, FLSTFB
	65688-11BHP	MUFFLER SUPPORT, (gloss black)	FLSTFBS
28	65463-00	SHIELD, muffler (2)	FLSTF, FLSTN, FLS, FLSS
	66901-10	SHIELD, muffler (2)	FLSTFB
	65400277	SHIELD, muffler (2)	FLSS, FLSTFBS
29	65464-07A	SHIELD, rear exhaust pipe	FLSTF
	66897-10A	SHIELD, rear exhaust pipe	FLSTFB, FLSTFBS
30	65652-07	BRACKET, exhaust	FLSTF, FLSTN, FLSTFB, FLS, FLSS, FLSTFBS
31	65946-07	EXHAUST CLAMP ASSEMBLY	FLSTF, FLSTN, FLSTFB, FLS, FLSS, FLSTFBS
32	66274-07	SHIELD, exhaust pipe	FLSTF
	66882-10	SHIELD, exhaust pipe	FLSTFB, FLSTFBS
33	66764-07	EXHAUST ACTUATOR CABLE, (Australia, England, HDI, India)	FLSTF, FLSTFB, FLSTFBS
	66765-07	EXHAUST ACTUATOR CABLE, (Australia, England, HDI, India)	FLSTN, FLS
34	66767-07	RETAINER, cable (Australia, England, HDI, India)	FLSTF, FLSTN, FLSTFB, FLS
35	66797-07	BRACKET ASSEMBLY, exhaust actuator (Australia, England, HDI, India)	FLSTF, FLSTN, FLSTFB, FLS
36	70991-07	EXHAUST ACTUATOR, with 71019-07 (HDI, Australia, England)	FLSTF, FLSTN, FLSTFB, FLS
37	71019-07	SHROUD, exhaust actuator (Australia, England, HDI, India)	FLSTF, FLSTN, FLSTFB, FLS

38	72177-07BK	HOUSING, four-way socket (black)	FLSTF, FLSTN, FLSTFB, FLS
39	72344-10	TERMINAL, socket 22 AWG (gold) (2)	FLSTF, FLSTN, FLSTFB, FLS, FLSS, FLSTFBS
40	72444-07GY	HOUSING, four-way socket (gray)	FLSTF, FLSTN, FLSTFB, FLS, FLSS, FLSTFBS
41	73307-10	TERMINAL, socket 22 AWG (2)	FLSTF, FLSTN, FLSTFB, FLS, FLSS, FLSTFBS
42	32700005	OXYGEN SENSOR, front, with 11936, 72344-10, 72444-07GY and 73307-10	FLSTF, FLSTN, FLSTFB, FLS, FLSS, FLSTFBS
43	32700006	OXYGEN SENSOR, rear, with 11936, 72177-07BK, 72344-10 and 73307-10	FLSTF, FLSTN, FLSTFB, FLS, FLSS, FLSTFBS
44	65600042	EXHAUST PIPE ASSEMBLY	FLSTF, FLSTFB, FLSTFBS
	65600042	EXHAUST PIPE ASSEMBLY, (Asia-Pacific, Brazil, Japan)	FLSTF, FLSTFB
	65600046	EXHAUST PIPE ASSEMBLY, (HDI, Australia, England, India)	FLSTF, FLSTFB
45	65600049	EXHAUST PIPE ASSEMBLY	FLSTN, FLS, FLSS
	65600049	EXHAUST PIPE ASSEMBLY, (Asia-Pacific, Brazil, Japan)	FLSTN, FLS
	65600053	EXHAUST PIPE ASSEMBLY, (HDI, Australia, England)	FLSTN, FLS
46	64900468	MUFFLER ASSEMBLY, front (black)	FLSS, FLSTFBS
	64900469	MUFFLER ASSEMBLY, rear (black)	FLSS, FLSTFBS
	64900470	MUFFLER ASSEMBLY, front (black) (Japan)	FLSS, FLSTFBS
	64900471	MUFFLER ASSEMBLY, rear (black) (Japan)	FLSS, FLSTFBS
	64900472	MUFFLER ASSEMBLY, front (black) (Australia, England, HDI)	FLSS, FLSTFBS
	64900473	MUFFLER ASSEMBLY, rear (black) (Australia, England, HDI)	FLSS, FLSTFBS

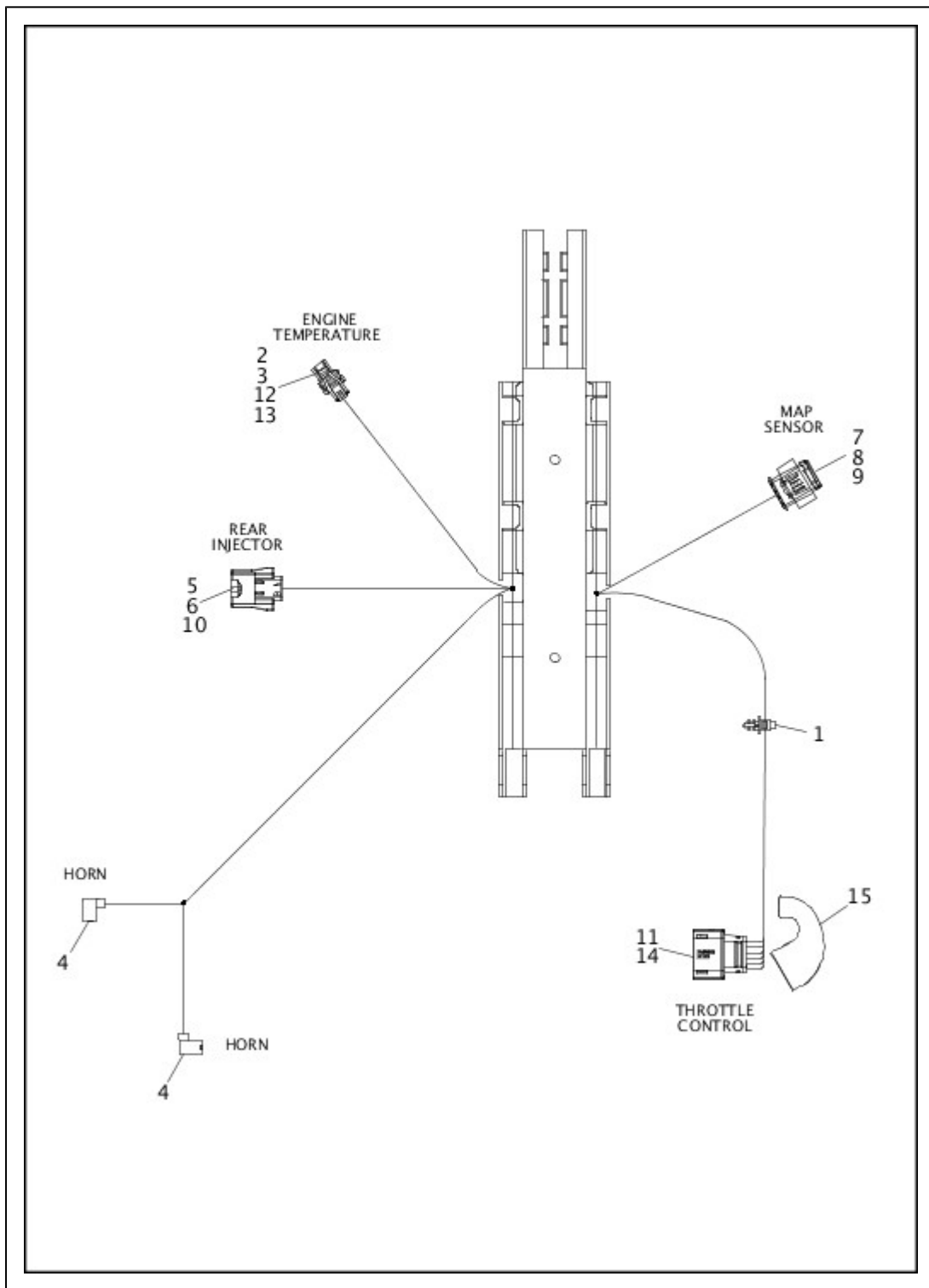
WIRING HARNESS, MAIN, NON-ABS - FLS (1 OF 5)



Index No.	Part No.	Description	Model(s)
	69201079	WIRING HARNESS, MAIN	FLS
NOTE: Includes the following parts.			
1	5118	SEAL PIN (3)	FLS
2	10065	CABLE STRAP (2)	FLS
3	10177	CABLE STRAP (3)	FLS
4	71044-11	WIRE TROUGH	FLS
5	72007-05	HOUSING, two-way socket (2)	FLS

6	72010-05	WIRE SEAL, 22-26 AWG (green) (4)	FLS
7	72024-08	TERMINAL, socket, 20-22 AWG (4)	FLS
8	72169-07	TERMINAL, pin, 16-20 AWG (8)	FLS
9	72251-07	SECONDARY LOCK, two-way socket (yellow) (2)	FLS
10	72402-07	HOUSING, two-way socket	FLS
11	72413-07	TERMINAL, socket, 18-20 AWG (2)	FLS
12	72478-07BK	HOUSING, eight-way pin (black)	FLS
13	72905-11	HOUSING, two-way pin	FLS
14	72907-11	HOUSING, four-way pin (2)	FLS
15	72909-11	TERMINAL, pin, 20-21 AWG (15)	FLS
16	72914-01BK	HOUSING, four-way socket (black)	FLS
17	72991-01	TERMINAL, socket, 18-22 AWG (3)	FLS
18	73104-96BK	HOUSING, four-way pin	FLS
19	73106-96BK	HOUSING, six-way pin	FLS
20	73190-96	TERMINAL, pin, 16-20 AWG (10)	FLS
21	73198-96	RETAINER, anchored clip	FLS
22	73213-07	RETAINER, anchored clip	FLS
23	69201163	HOUSING, six-way pin	FLS
24	69201164	TERMINAL, pin, 22 AWG (6)	FLS
25	69201180	HOUSING, four-way pin (gray) (2)	FLS
26	69201296	BRACKET, electrical connector, right	FLS
27	69201297	BRACKET, electrical connector, left	FLS

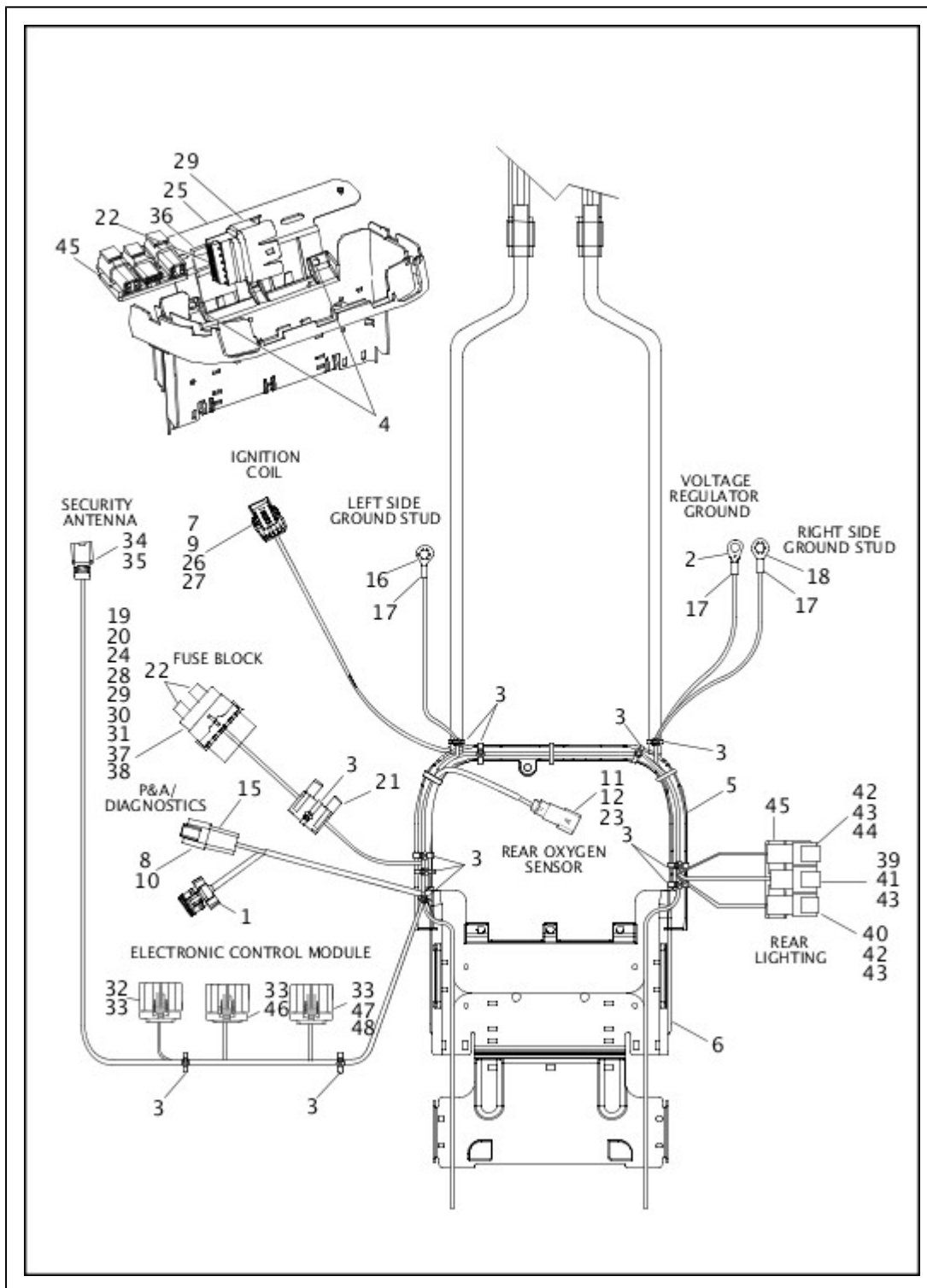
WIRING HARNESS, MAIN, NON-ABS - FLS (2 OF 5)



Index No.	Part No.	Description	Model(s)
	69201079	WIRING HARNESS, MAIN	FLS
NOTE: Includes the following parts.			
1	10177	CABLE STRAP	FLS
2	72063-06	HOUSING, two-way socket	FLS
3	72111-06	SECONDARY LOCK, two-way socket (gray)	FLS
4	72283-09	TERMINAL, socket, 14-16 AWG (2)	FLS
5	72251-07	SECONDARY LOCK, two-way socket (yellow)	FLS

6	72402-07	HOUSING, two-way socket (black)	FLS
7	72406-07A	HOUSING, four-way socket	FLS
8	72407-07	TERMINAL, socket, 16-20 AWG (4)	FLS
9	72408-07	WIRE SEAL, 20 AWG (blue) (4)	FLS
10	72413-07	TERMINAL, socket, 18-20 AWG (2)	FLS
11	72483-08BK	HOUSING, six-way socket (black)	FLS
12	72484-08	TERMINAL, socket, 20 AWG (2)	FLS
13	72486-08	WIRE SEAL, 20 AWG (green) (2)	FLS
14	72663-11	TERMINAL, socket, 18-20 AWG (silver) (6)	FLS
15	69200437	BOOT, rubber	FLS

WIRING HARNESS, MAIN, NON-ABS - FLS (3 OF 5)

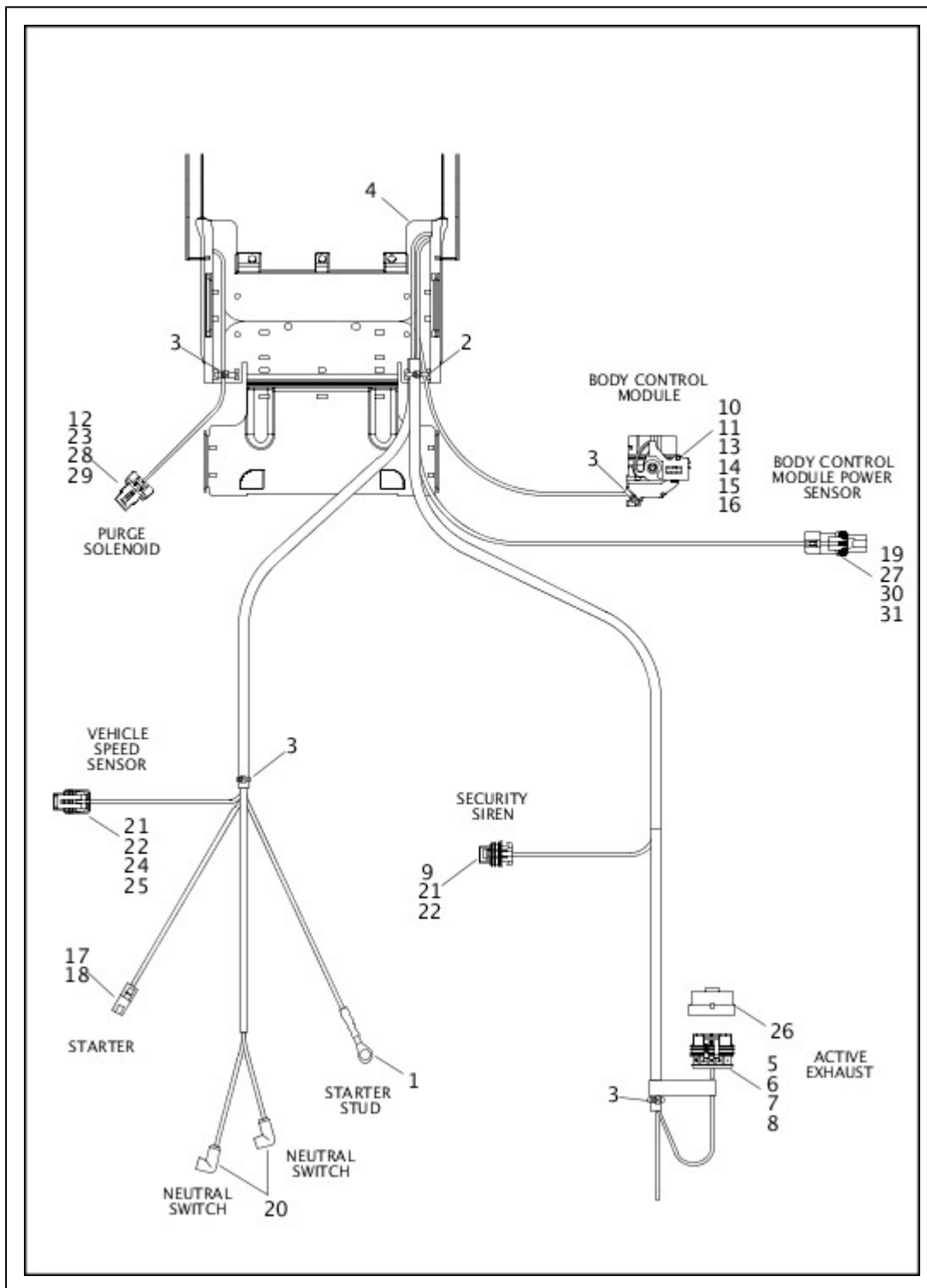


Index No.	Part No.	Description	Model(s)
	69201079	WIRING HARNESS, MAIN	FLS
NOTE: Includes the following parts.			
1	6990	PLUG, weather, six-way pin	FLS
2	9819	TERMINAL RING, .25 stud, 12 AWGX2	FLS
3	10065	CABLE STRAP (12)	FLS
4	11785	FASTENER, push-in (2)	FLS
5	70974-08A	LOOM SHIELD, wire harness	FLS

6	70982-08	WIRE SHIELD	FLS
7	72066-06A	HOUSING, four-way socket (black)	FLS
8	72106-94BK	HOUSING, six-way (black) (replaces gray connector)	FLS
9	72135-06	SECONDARY LOCK, four-way socket (gray)	FLS
10	72146-94	PIN LOCK, sec 6	FLS
11	72169-07	TERMINAL, pin, 16-20 AWG (2)	FLS
12	72175-07BK	HOUSING, four-way, pin (black)	FLS
13	72190-94	TERMINAL, pin, #16-18 AWG (3)	FLS
14	72194-94	TERMINAL, pin, 20 AWG (3)	FLS
15	72199-94	CONNECTOR ANCHOR	FLS
16	72242-94	TERMINAL, 1/4 ring	FLS
17	72249-94	HEAT SHRINK TUBE, .415 x 1 (black)	FLS
18	72254-94	TERMINAL RING, .25 stud, 14-16 AWG	FLS
19	72298-95	WIRE SEAL, 14-18 AWG (green) (4)	FLS
20	72308-97	TERMINAL, socket, #12-14 AWG (2)	FLS
21	72314-01	MAIN FUSE, 40 A	FLS
22	72330-95	FUSE, 15 A (blue) (2)	FLS
23	72343-10	TERMINAL, pin, 16-20 AWG (gold) (2)	FLS
24	72356-95	TERMINAL, socket, 18-20 AWG (2)	FLS
25	72369-08A	BRACKET, fuse block holder, (black)	FLS
26	72484-08	TERMINAL, socket, 20 AWG (4)	FLS
27	72486-08	WIRE SEAL, 20 AWG (green) (4)	FLS
28	72582-11	FUSE BLOCK	FLS
29	72586-11	COVER, fuse block	FLS
30	72587-11	SECONDARY LOCK, fuse block	FLS
31	72595-11	SEAL, fuse block	FLS
32	72664-12A	HOUSING, 18-way, socket, key A (black)	FLS
33	72666-12	TERMINAL, socket, 18-20 AWG (silver) (36)	FLS
34	72720-07	HOUSING, two-way socket	FLS
35	72721-07	TERMINAL, socket, 18-20 AWG (2)	FLS
36	73229-11	BRACKET, fuse block mounting	FLS
37	73304-04	TERMINAL, .31 socket, 10 AWG (2)	FLS

38	73305-04	SEAL WIRE, 10 AWG (blue) (2)	FLS
39	74103-98BK	HOUSING, three-way pin	FLS
40	74104-98BK	HOUSING, four-way pin (black)	FLS
41	74143-98	SECONDARY LOCK, three-way pin	FLS
42	74144-98	SECONDARY LOCK, four-way pin (2)	FLS
43	74190-98	TERMINAL, pin, 16-20 AWG (11)	FLS
44	69200010	CONNECTOR, four-way pin (gray)	FLS
45	69200012	BRACKET, pin housing	FLS
46	69200267A	HOUSING, 18-way, socket, key B (gray)	FLS
47	69200268A	HOUSING, 18-way, socket, key C (brown)	FLS
48	69201168	TERMINAL, socket, 22 AWG (silver)	FLS

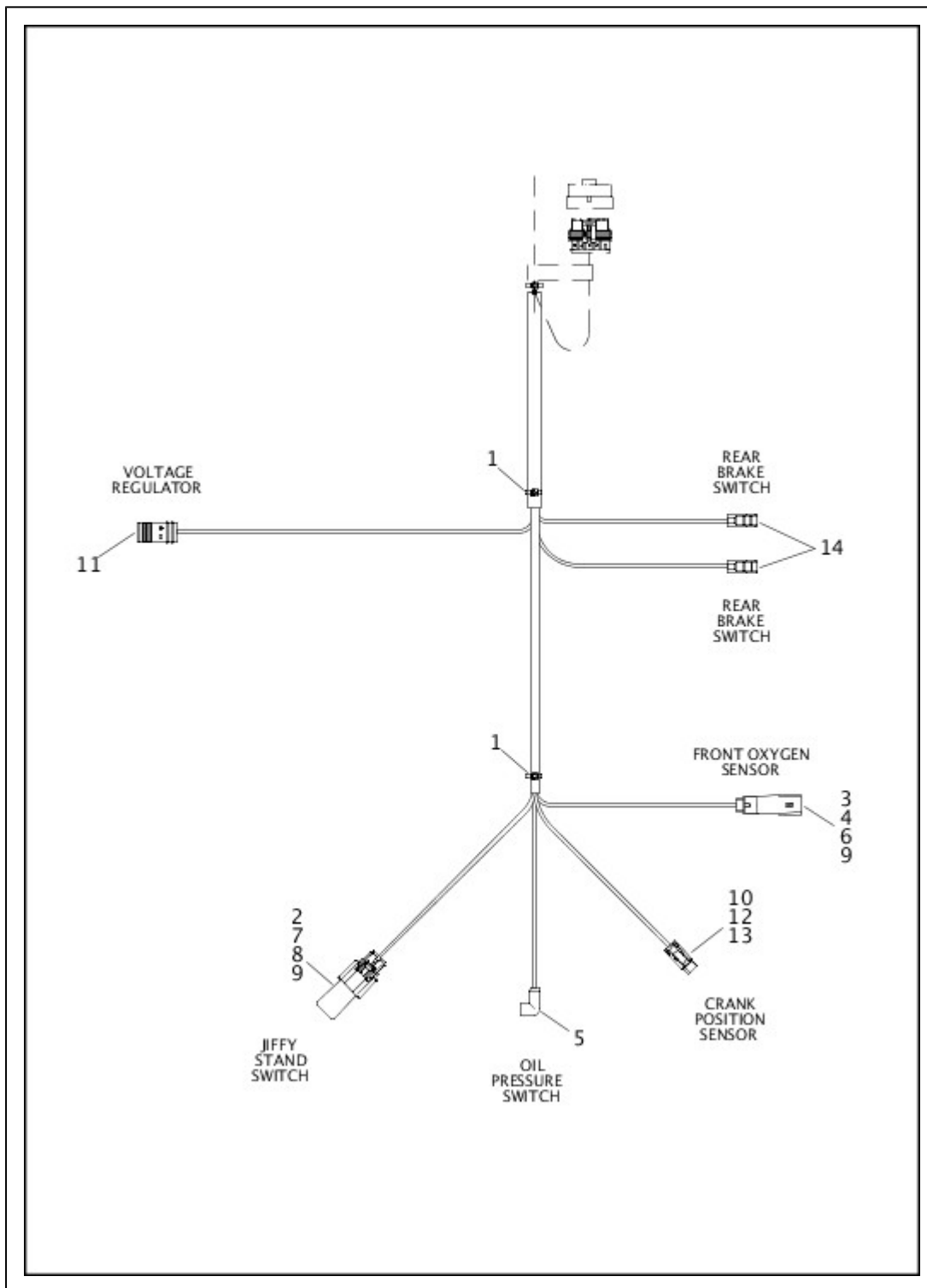
WIRING HARNESS, MAIN, NON-ABS - FLS (4 OF 5)



Index No.	Part No.	Description	Model(s)
	69201079	WIRING HARNESS, MAIN	FLS
NOTE: Includes the following parts.			
1	9842	TERMINAL RING, .31 10-12 AWG	FLS
2	10006	CABLE STRAP	FLS
3	10065	CABLE STRAP (4)	FLS
4	70982-08	WIRE SHIELD	FLS
5	72010-05	WIRE SEAL, 22-26 AWG (green) (4)	FLS

6	72012-07	HOUSING, five-way socket	FLS
7	72014-07	SEAL PIN	FLS
8	72024-08	TERMINAL, socket, 20-22 AWG (4)	FLS
9	72064-06	HOUSING, three-way socket (2)	FLS
10	72081-11	HOUSING, 48-way socket	FLS
11	72209-11	COVER, wire	FLS
12	72213-94	TERMINAL, socket, 16-20 AWG (2)	FLS
13	72222-11	TERMINAL SOCKET, 18-20 AWG (20)	FLS
14	72226-11	TERMINAL SOCKET, 14-16 AWG	FLS
15	72227-11	TERMINAL, socket, 18-20 AWG (5)	FLS
16	72256-11	SEAL PIN, .6mm, plug (10)	FLS
17	72291-94	TERMINAL, 14-16 AWG	FLS
18	72295-94	HOUSING, starter connection	FLS
19	72350-11	HOUSING, one-way	FLS
20	72405-98BK	PUSH ON 90 DEGREE CONNECTOR (2)	FLS
21	72484-08	TERMINAL, socket, 20 AWG (6)	FLS
22	72486-08	WIRE SEAL, 20 AWG (green) (6)	FLS
23	72518-01	HOUSING, socket, two-way (red)	FLS
24	72543-07BK	HOUSING, three-way socket (black)	FLS
25	72544-07	SECONDARY LOCK, three-way socket	FLS
26	72553-07	DUST CAP, five-way	FLS
27	72575-11	SECONDARY LOCK	FLS
28	72609-08	SECONDARY LOCK, two-way socket (black)	FLS
29	72610-08	SEAL, cable, 18-20 AWG (white) (2)	FLS
30	73304-04	TERMINAL, .31 socket, 10 AWG (2)	FLS
31	73305-04	SEAL WIRE, 10 AWG (blue) (2)	FLS

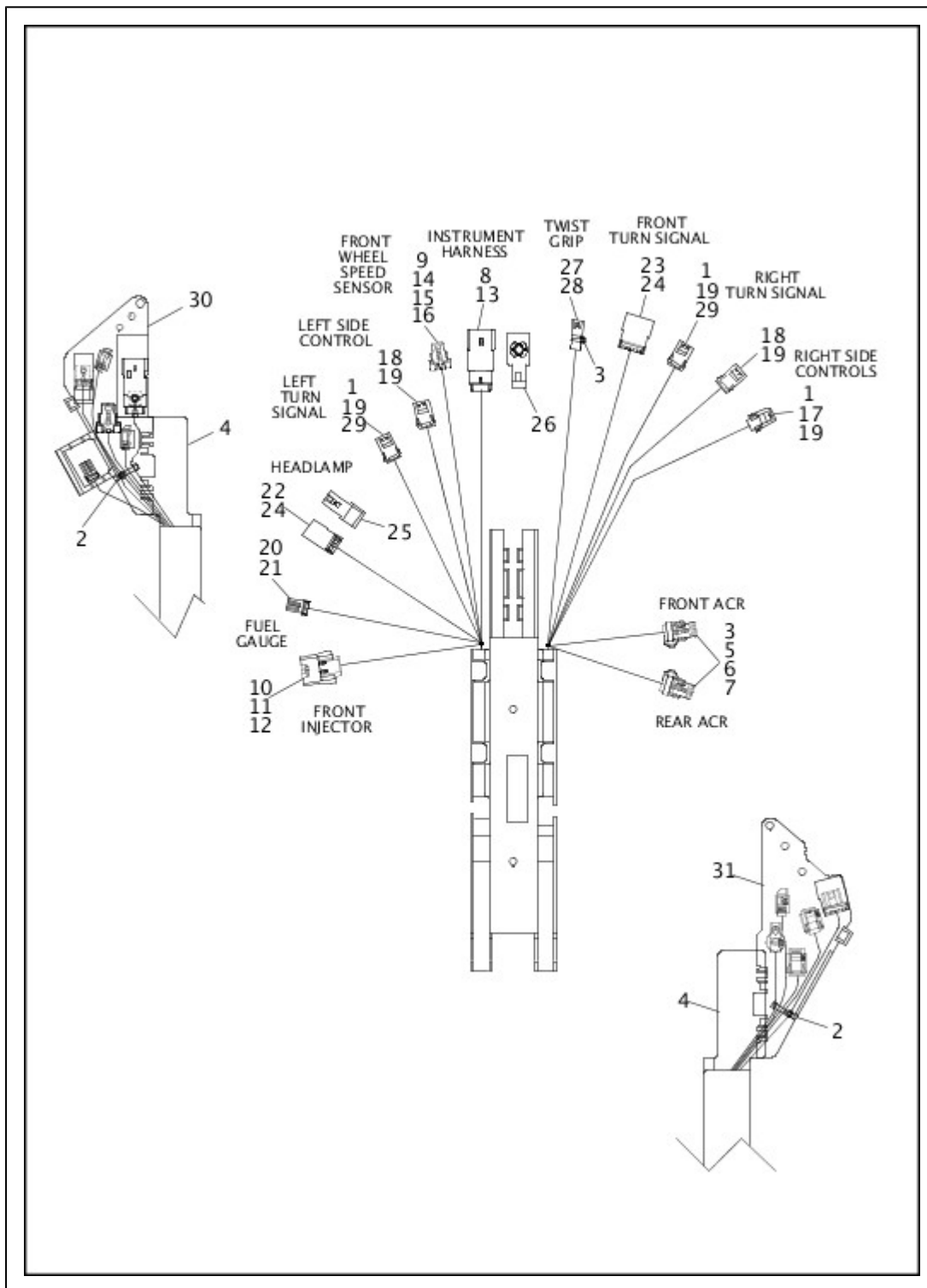
WIRING HARNESS, MAIN, NON-ABS - FLS (5 OF 5)



Index No.	Part No.	Description	Model(s)
	69201079	WIRING HARNESS, MAIN	FLS
NOTE: Includes the following parts.			
1	10065	CABLE STRAP (2)	FLS
2	72168-07	TERMINAL, socket, 18-20 AWG (3)	FLS
3	72169-07	TERMINAL, pin, 16-20 AWG (2)	FLS
4	72343-10	TERMINAL, pin, 16-20 AWG (gold) (2)	FLS
5	72405-98BK	PUSH ON 90 DEGREE CONNECTOR	FLS

6	72415-07GY	HOUSING, four-way pin (gray)	FLS
7	72512-07BK	HOUSING, three-way socket (black)	FLS
8	72519-09BK	DUST CAP, three-way socket	FLS
9	73213-07	RETAINER, anchored clip (2)	FLS
10	74112-98BK	HOUSING, two-way socket (black)	FLS
11	74120-08	DC LEAD ASSEMBLY	FLS
12	74152-98	SECONDARY LOCK, two-way socket	FLS
13	74191-98	TERMINAL, socket (2)	FLS
14	69200238	TERMINAL, insulated (2)	FLS

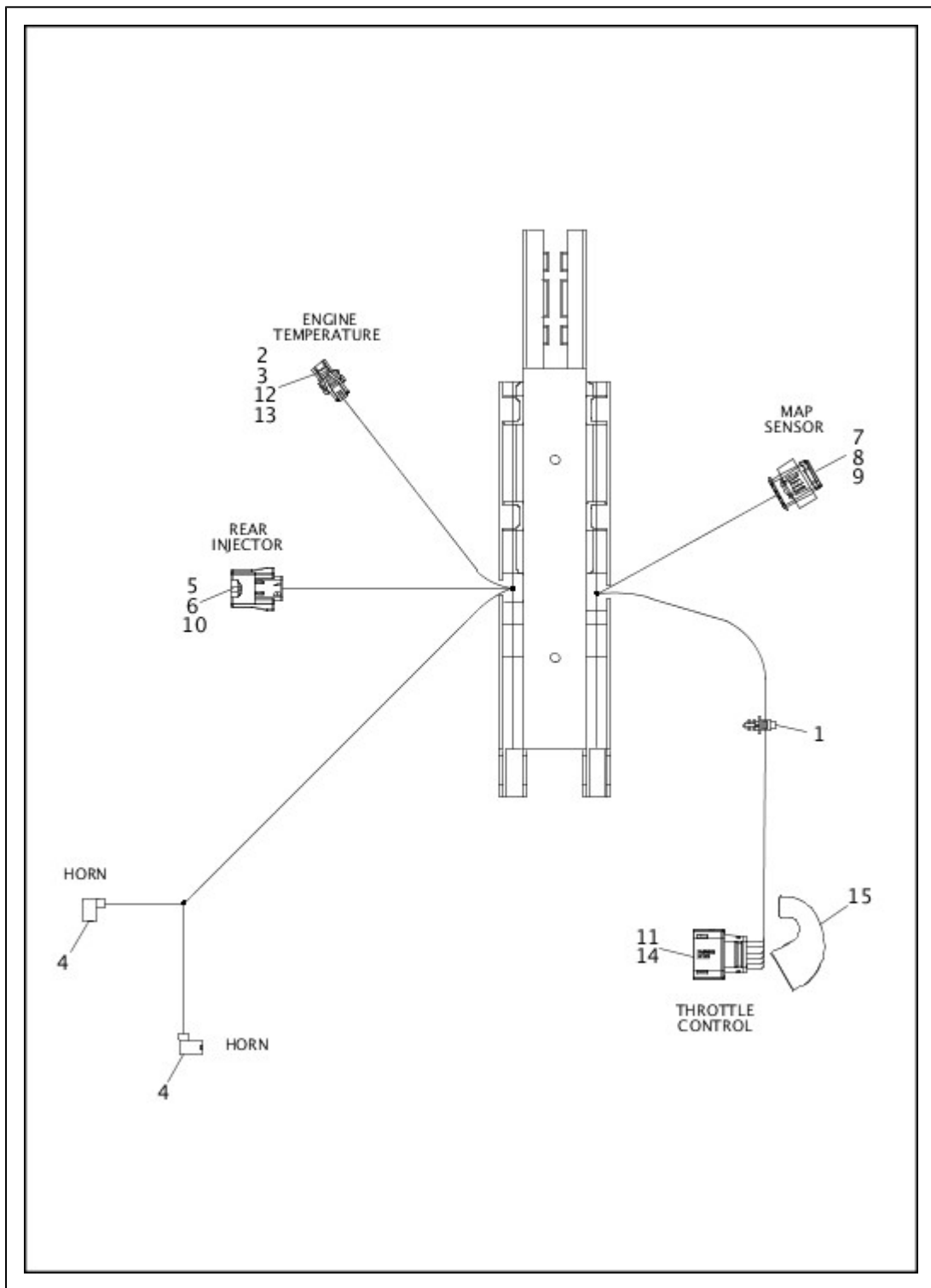
WIRING HARNESS, MAIN, ABS - FLS AND FLSS (1 OF 5)



Index No.	Part No.	Description	Model(s)
	69201080	WIRING HARNESS, MAIN	FLS, FLSS
NOTE: Includes the following parts.			
1	5118	SEAL PIN (3)	FLS, FLSS
2	10065	CABLE STRAP (2)	FLS, FLSS
3	10177	CABLE STRAP (3)	FLS, FLSS
4	71044-11	WIRE TROUGH	FLS, FLSS
5	72007-05	HOUSING, two-way socket (2)	FLS, FLSS

6	72010-05	WIRE SEAL, 22-26 AWG (green) (4)	FLS, FLSS
7	72024-08	TERMINAL, socket, 20-22 AWG (4)	FLS, FLSS
8	72169-07	TERMINAL, pin, 16-20 AWG (8)	FLS, FLSS
9	72213-94	TERMINAL, socket, 16-20 AWG (2)	FLS, FLSS
10	72251-07	SECONDARY LOCK, two-way socket (yellow) (2)	FLS, FLSS
11	72402-07	HOUSING, two-way socket	FLS, FLSS
12	72413-07	TERMINAL, socket, 18-20 AWG (2)	FLS, FLSS
13	72478-07BK	HOUSING, eight-way pin (black)	FLS, FLSS
14	72606-08	HOUSING, two-way socket	FLS, FLSS
15	72609-08	SECONDARY LOCK, two-way socket (black)	FLS, FLSS
16	72610-08	SEAL, cable, 18-20 AWG (white) (2)	FLS, FLSS
17	72905-11	HOUSING, two-way pin	FLS, FLSS
18	72907-11	HOUSING, four-way pin (2)	FLS, FLSS
19	72909-11	TERMINAL, pin, 20-21 AWG (15)	FLS, FLSS
20	72914-01BK	HOUSING, four-way socket (black)	FLS, FLSS
21	72991-01	TERMINAL, socket, 18-22 AWG (3)	FLS, FLSS
22	73104-96BK	HOUSING, four-way pin	FLS, FLSS
23	73106-96BK	HOUSING, six-way pin	FLS, FLSS
24	73190-96	TERMINAL, pin, 16-20 AWG (10)	FLS, FLSS
25	73198-96	RETAINER, anchored clip	FLS, FLSS
26	73213-07	RETAINER, anchored clip	FLS, FLSS
27	69201163	HOUSING, six-way pin	FLS, FLSS
28	69201164	TERMINAL, pin, 22 AWG (6)	FLS, FLSS
29	69201180	HOUSING, four-way pin (gray) (2)	FLS, FLSS
30	69201296	BRACKET, electrical connector, right	FLS, FLSS
31	69201297	BRACKET, electrical connector, left	FLS, FLSS

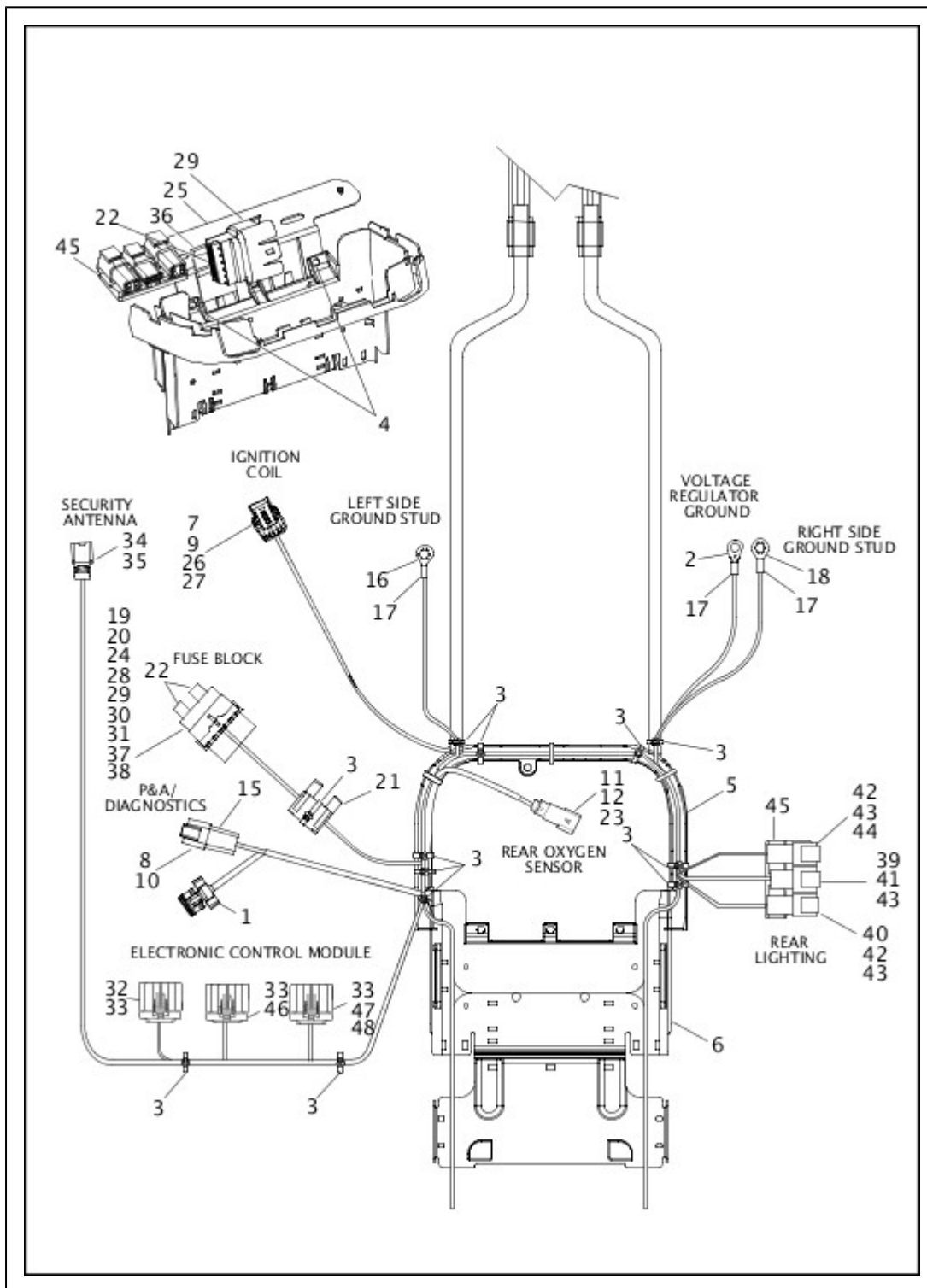
WIRING HARNESS, MAIN, ABS - FLS AND FLSS (2 OF 5)



Index No.	Part No.	Description	Model(s)
	69201080	WIRING HARNESS, MAIN	FLS, FLSS
NOTE: Includes the following parts.			
1	10177	CABLE STRAP	FLS, FLSS
2	72063-06	HOUSING, two-way socket	FLS, FLSS
3	72111-06	SECONDARY LOCK, two-way socket (gray)	FLS, FLSS
4	72283-09	TERMINAL, socket, 14-16 AWG (2)	FLS, FLSS
5	72251-07	SECONDARY LOCK, two-way socket (yellow)	FLS, FLSS

6	72402-07	HOUSING, two-way socket (black)	FLS, FLSS
7	72406-07A	HOUSING, four-way socket	FLS, FLSS
8	72407-07	TERMINAL, socket, 16-20 AWG (4)	FLS, FLSS
9	72408-07	WIRE SEAL, 20 AWG (blue) (4)	FLS, FLSS
10	72413-07	TERMINAL, socket, 18-20 AWG (2)	FLS, FLSS
11	72483-08BK	HOUSING, six-way socket (black)	FLS, FLSS
12	72484-08	TERMINAL, socket, 20 AWG (2)	FLS, FLSS
13	72486-08	WIRE SEAL, 20 AWG (green) (2)	FLS, FLSS
14	72663-11	TERMINAL, socket, 18-20 AWG (silver) (6)	FLS, FLSS
15	69200437	BOOT, rubber	FLS, FLSS

WIRING HARNESS, MAIN, ABS - FLS AND FLSS (3 OF 5)

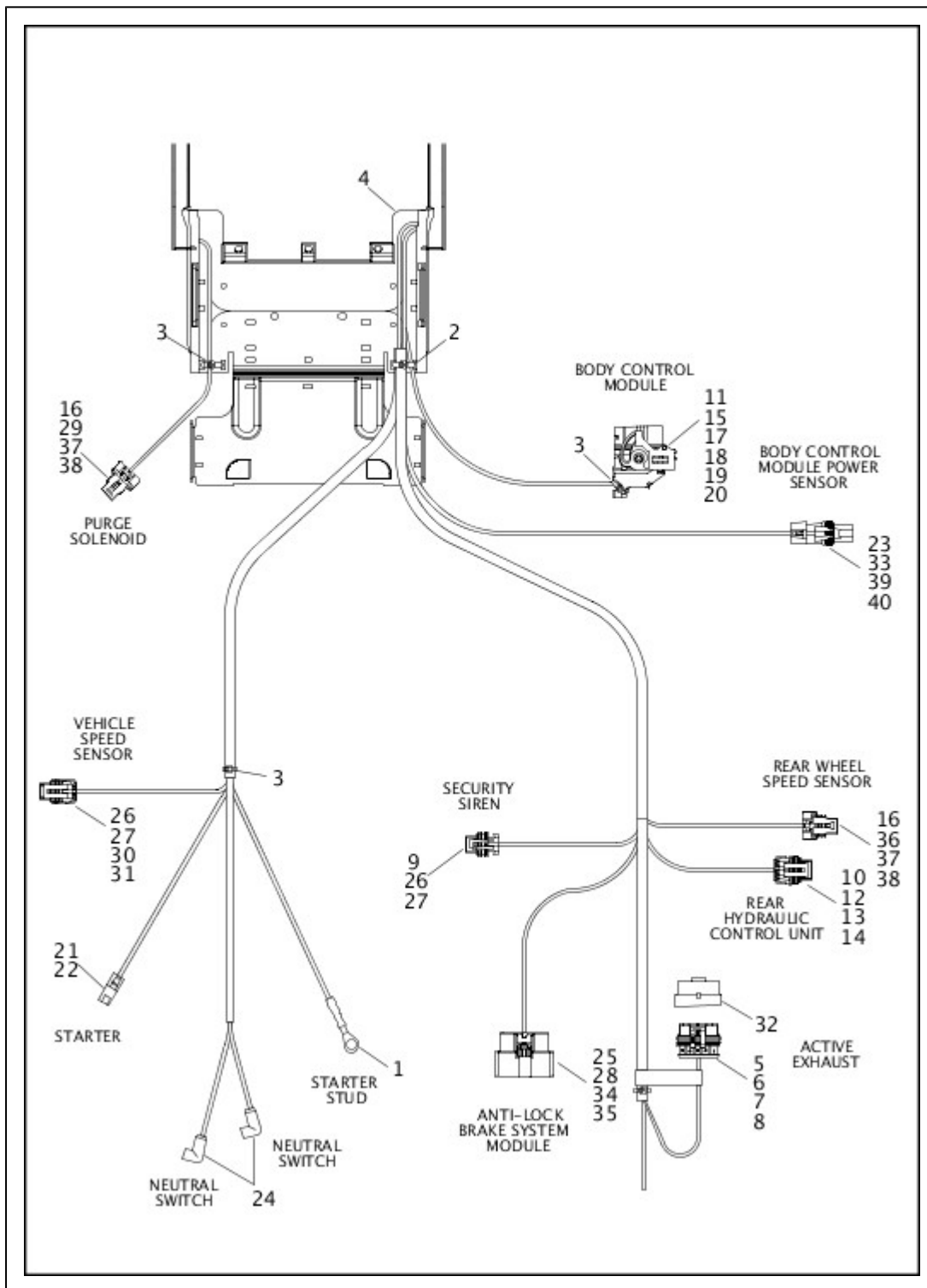


Index No.	Part No.	Description	Model(s)
	69201080	WIRING HARNESS, MAIN	FLS, FLSS
NOTE: Includes the following parts.			
1	6990	PLUG, weather, six-way pin	FLS, FLSS
2	9819	TERMINAL RING, .25 stud, 12 AWGX2	FLS, FLSS
3	10065	CABLE STRAP (12)	FLS, FLSS
4	11785	FASTENER, push-in (2)	FLS, FLSS
5	70974-08A	LOOM SHIELD, wire harness	FLS, FLSS

6	70982-08	WIRE SHIELD	FLS, FLSS
7	72066-06A	HOUSING, four-way socket (black)	FLS, FLSS
8	72106-94BK	HOUSING, six-way (black) (replaces gray connector)	FLS, FLSS
9	72135-06	SECONDARY LOCK, four-way socket (gray)	FLS, FLSS
10	72146-94	PIN LOCK, sec 6	FLS, FLSS
11	72169-07	TERMINAL, pin, 16-20 AWG (2)	FLS, FLSS
12	72175-07BK	HOUSING, four-way, pin (black)	FLS, FLSS
13	72190-94	TERMINAL, pin, 16-18 AWG (3)	FLS, FLSS
14	72194-94	TERMINAL, pin, 20 AWG (3)	FLS, FLSS
15	72199-94	CONNECTOR ANCHOR	FLS, FLSS
16	72242-94	TERMINAL, 1/4 ring	FLS, FLSS
17	72249-94	HEAT SHRINK TUBE, .415 x 1 (black)	FLS, FLSS
18	72254-94	TERMINAL RING, .25 stud, 14-16 AWG	FLS, FLSS
19	72298-95	WIRE SEAL, 14-18 AWG (green) (4)	FLS, FLSS
20	72308-97	TERMINAL, socket, 12-14 AWG (2)	FLS, FLSS
21	72314-01	MAIN FUSE, 40 A	FLS, FLSS
22	72330-95	FUSE, 15 A (blue) (2)	FLS, FLSS
23	72343-10	TERMINAL, pin, 16-20 AWG (gold) (2)	FLS, FLSS
24	72356-95	TERMINAL, socket, 18-20 AWG (2)	FLS, FLSS
25	72369-08A	BRACKET, fuse block holder, (black)	FLS, FLSS
26	72484-08	TERMINAL, socket, 20 AWG (4)	FLS, FLSS
27	72486-08	WIRE SEAL, 20 AWG (green) (4)	FLS, FLSS
28	72582-11	FUSE BLOCK	FLS, FLSS
29	72586-11	COVER, fuse block	FLS, FLSS
30	72587-11	SECONDARY LOCK, fuse block	FLS, FLSS
31	72595-11	SEAL, fuse block	FLS, FLSS
32	72664-12A	HOUSING, 18-way, socket, key A (black)	FLS, FLSS
33	72666-12	TERMINAL, socket, 18-20 AWG (silver) (36)	FLS, FLSS
34	72720-07	HOUSING, two-way socket	FLS, FLSS
35	72721-07	TERMINAL, socket, 18-20 AWG (2)	FLS, FLSS
36	73229-11	BRACKET, fuse block mounting	FLS, FLSS
37	73304-04	TERMINAL, .31 socket, 10 AWG (2)	FLS, FLSS

38	73305-04	SEAL WIRE, 10 AWG (blue) (2)	FLS, FLSS
39	74103-98BK	HOUSING, three-way pin	FLS, FLSS
40	74104-98BK	HOUSING, four-way pin (black)	FLS, FLSS
41	74143-98	SECONDARY LOCK, three-way pin	FLS, FLSS
42	74144-98	SECONDARY LOCK, four-way pin (2)	FLS, FLSS
43	74190-98	TERMINAL, pin, 16-20 AWG (11)	FLS, FLSS
44	69200010	CONNECTOR, four-way pin (gray)	FLS, FLSS
45	69200012	BRACKET, pin housing	FLS, FLSS
46	69200267A	HOUSING, 18-way, socket, key B (gray)	FLS, FLSS
47	69200268A	HOUSING, 18-way, socket, key C (brown)	FLS, FLSS
48	69201168	TERMINAL, socket, 22 AWG (silver)	FLS, FLSS

WIRING HARNESS, MAIN, ABS - FLS AND FLSS (4 OF 5)

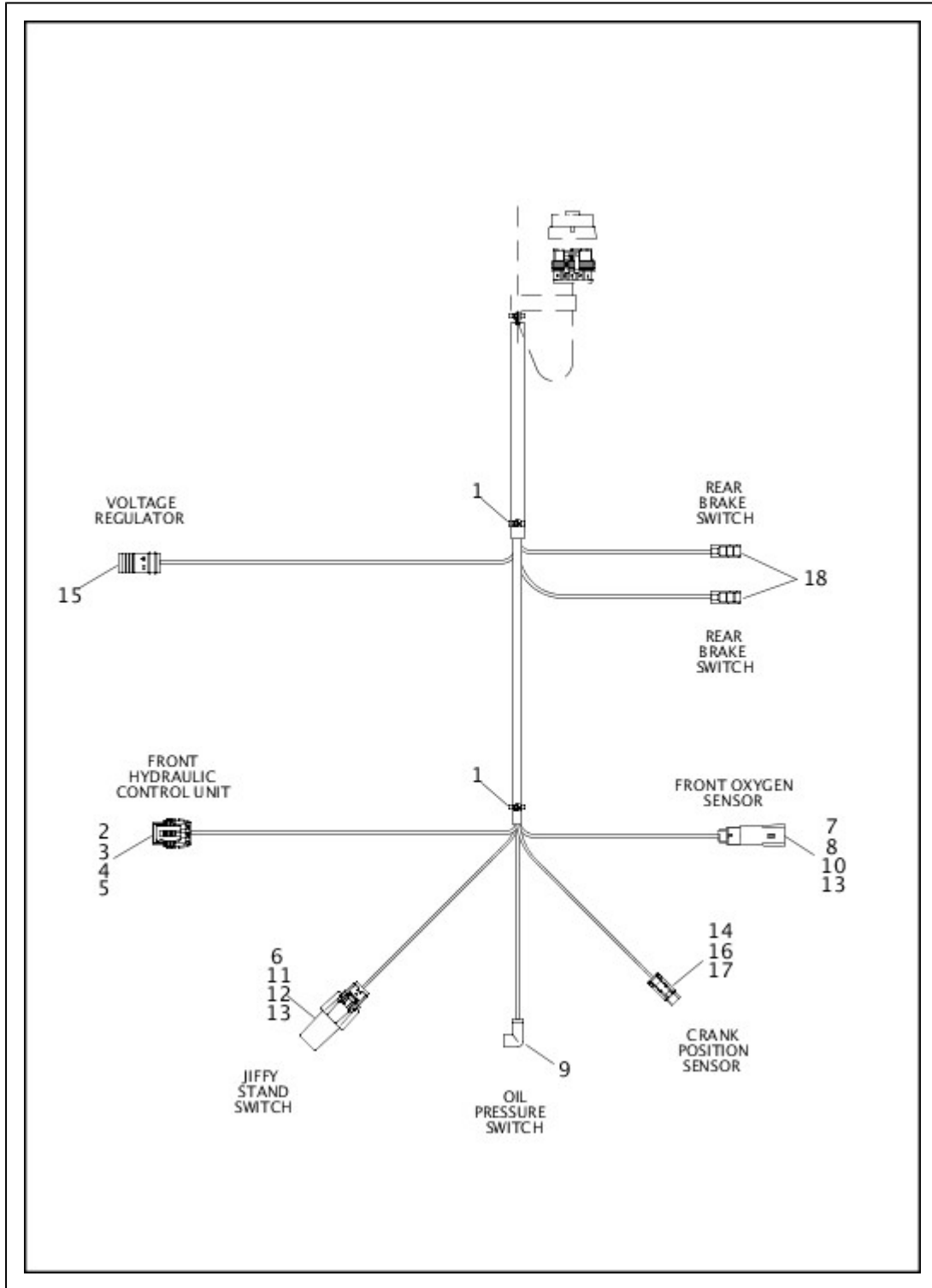


Index No.	Part No.	Description	Model(s)
	69201080	WIRING HARNESS, MAIN	FLS, FLSS
NOTE: Includes the following parts.			
1	9842	TERMINAL RING, .31 10-12 AWG	FLS, FLSS
2	10006	CABLE STRAP	FLS, FLSS
3	10065	CABLE STRAP (3)	FLS, FLSS
4	70982-08	WIRE SHIELD	FLS, FLSS
5	72010-05	WIRE SEAL, 22-26 AWG (green) (4)	FLS, FLSS

6	72012-07	HOUSING, five-way socket	FLS, FLSS
7	72014-07	SEAL PIN	FLS, FLSS
8	72024-08	TERMINAL, socket, 20-22 AWG (4)	FLS, FLSS
9	72064-06	HOUSING, three-way socket	FLS, FLSS
10	72066-06A	HOUSING, four-way socket (black)	FLS, FLSS
11	72081-11	HOUSING, 48-way socket	FLS, FLSS
12	72094-06	TERMINAL, socket 18 AWG (4)	FLS, FLSS
13	72096-06	WIRE SEAL, 18 AWG (yellow) (4)	FLS, FLSS
14	72135-06	SECONDARY LOCK, four-way socket (gray)	FLS, FLSS
15	72209-11	COVER, wire	FLS, FLSS
16	72213-94	TERMINAL, socket, 16-20 AWG (4)	FLS, FLSS
17	72222-11	TERMINAL SOCKET, 18-20 AWG (20)	FLS, FLSS
18	72226-11	TERMINAL SOCKET, 14-16 AWG	FLS, FLSS
19	72227-11	TERMINAL, socket, 18-20 AWG (5)	FLS, FLSS
20	72256-11	SEAL PIN, .6mm, plug (10)	FLS, FLSS
21	72291-94	TERMINAL, 14-16 AWG	FLS, FLSS
22	72295-94	HOUSING, starter connection	FLS, FLSS
23	72350-11	HOUSING, one-way	FLS, FLSS
24	72405-98BK	PUSH ON 90 DEGREE CONNECTOR (2)	FLS, FLSS
25	72473-07	SEAL PIN (5)	FLS, FLSS
26	72484-08	TERMINAL, socket, 20 AWG (6)	FLS, FLSS
27	72486-08	WIRE SEAL, 20 AWG (green) (6)	FLS, FLSS
28	72500-07ABK	HOUSING, 20-way socket (black)	FLS, FLSS
29	72518-01	HOUSING, socket, two-way (red)	FLS, FLSS
30	72543-07BK	HOUSING, three-way socket (black)	FLS, FLSS
31	72544-07	SECONDARY LOCK, three-way socket	FLS, FLSS
32	72553-07	DUST CAP, five-way	FLS, FLSS
33	72575-11	SECONDARY LOCK	FLS, FLSS
34	72581-11	TERMINAL, socket, 18-20 AWG (gold) (12)	FLS, FLSS
35	72593-11	TERMINAL, socket, 14-16 AWG (gold) (3)	FLS, FLSS
36	72606-08	HOUSING, two-way socket	FLS, FLSS
37	72609-08	SECONDARY LOCK, two-way socket (black) (2)	FLS, FLSS

38	72610-08	SEAL, cable, 18-20 AWG (white) (4)	FLS, FLSS
39	73304-04	TERMINAL, .31 socket, 10 AWG	FLS, FLSS
40	73305-04	SEAL WIRE, 10 AWG (blue)	FLS, FLSS

WIRING HARNESS, MAIN, ABS - FLS AND FLSS (5 OF 5)

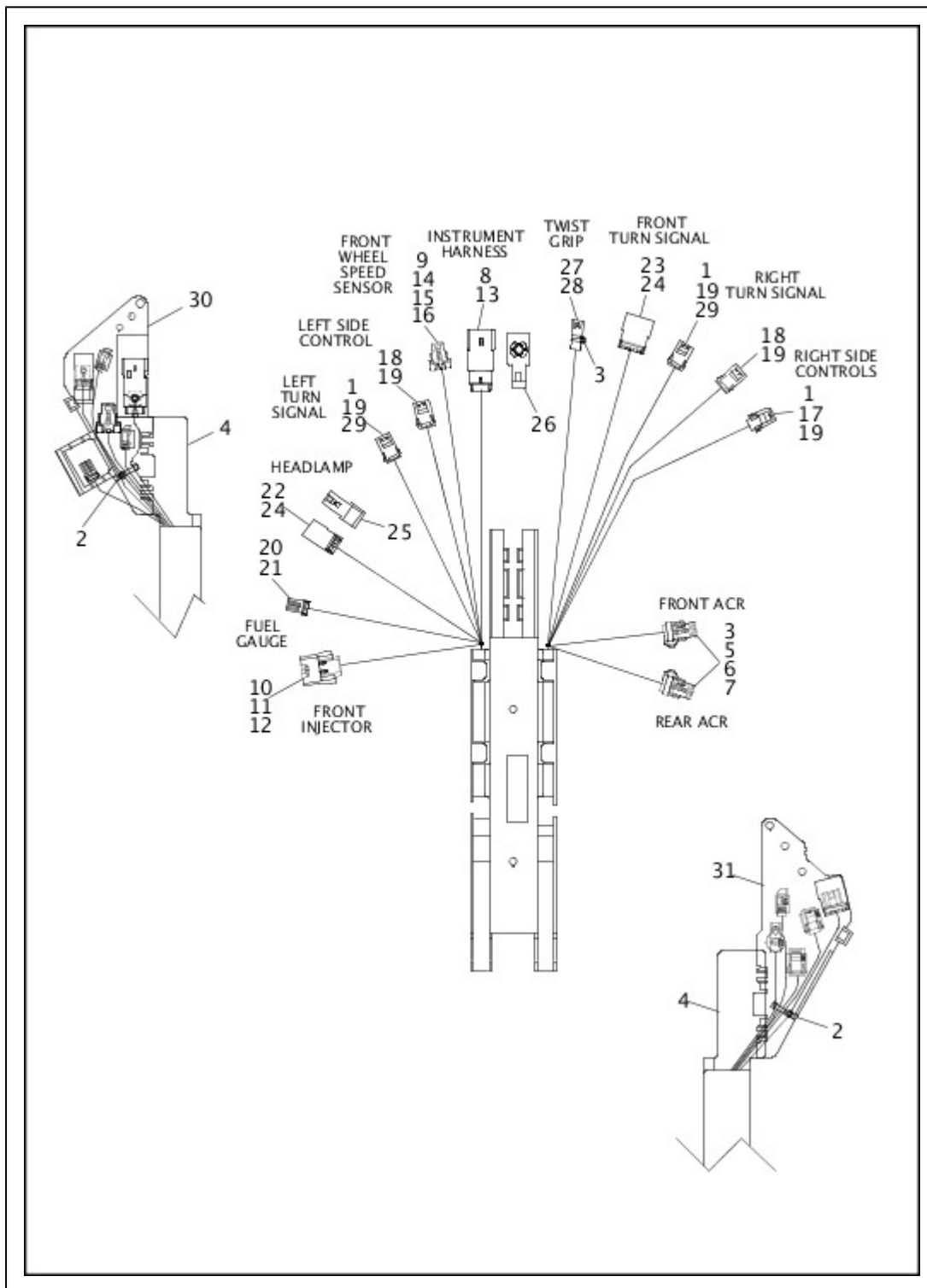


Index No.	Part No.	Description	Model(s)
	69201080	WIRING HARNESS, MAIN	FLS, FLSS

NOTE: Includes the following parts.

1	10065	CABLE STRAP (2)	FLS, FLSS
2	72066-06A	HOUSING, four-way socket (black)	FLS, FLSS
3	72094-06	TERMINAL, socket, socket 18 AWG (4)	FLS, FLSS
4	72096-06	WIRE SEAL, 18 AWG (yellow) (4)	FLS, FLSS
5	72135-06	SECONDARY LOCK, four-way socket (gray)	FLS, FLSS
6	72168-07	TERMINAL, socket, 18-20 AWG (3)	FLS, FLSS
7	72169-07	TERMINAL, pin, 16-20 AWG (2)	FLS, FLSS
8	72343-10	TERMINAL, pin, 16-20 AWG (gold) (2)	FLS, FLSS
9	72405-98BK	PUSH ON 90 DEGREE CONNECTOR	FLS, FLSS
10	72415-07GY	HOUSING, four-way pin (gray)	FLS, FLSS
11	72512-07BK	HOUSING, three-way socket (black)	FLS, FLSS
12	72519-09BK	DUST CAP, three-way socket	FLS, FLSS
13	73213-07	RETAINER, anchored clip (2)	FLS, FLSS
14	74112-98BK	HOUSING, two-way socket (black)	FLS, FLSS
15	74120-08	DC LEAD ASSEMBLY	FLS, FLSS
16	74152-98	SECONDARY LOCK, two-way socket	FLS, FLSS
17	74191-98	TERMINAL, socket (2)	FLS, FLSS
18	69200238	TERMINAL, insulated (2)	FLS, FLSS

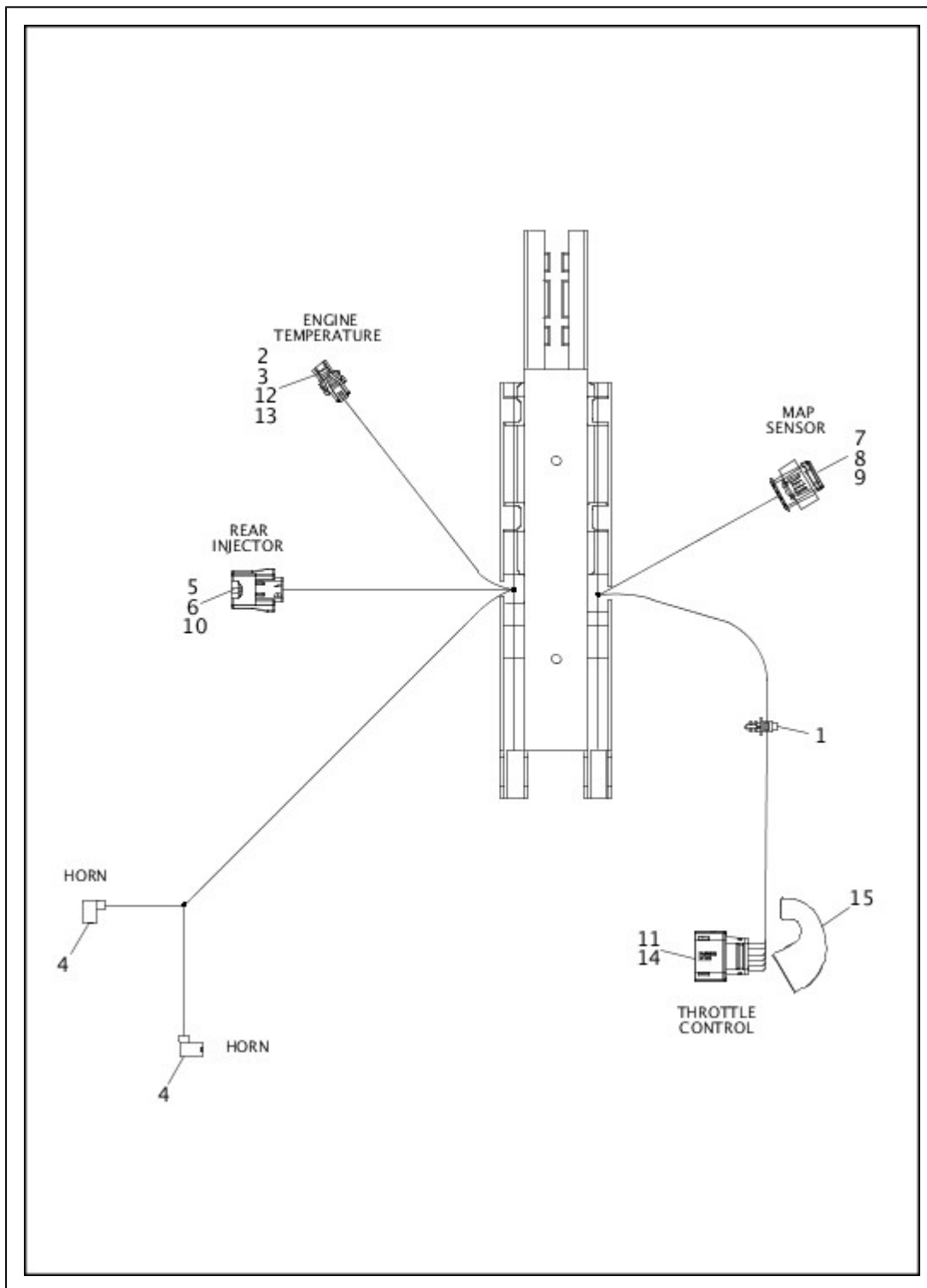
WIRING HARNESS, MAIN, ABS - FLSTF, FLSTFB AND FLSTFBS (1 OF 5)



Index No.	Part No.	Description	Model(s)
	69201184	WIRING HARNESS, MAIN	FLSTF, FLSTFB, FLSTFBS
	69201185	WIRING HARNESS, MAIN (Brazil)	FLSTF, FLSTFB
NOTE: Includes the following parts.			
1	5118	SEAL PIN (3)	FLSTF, FLSTFB, FLSTFBS
2	10065	CABLE STRAP (2)	FLSTF, FLSTFB, FLSTFBS
3	10177	CABLE STRAP (3)	FLSTF, FLSTFB, FLSTFBS
4	71044-11	WIRE TROUGH	FLSTF, FLSTFB, FLSTFBS

5	72007-05	HOUSING, two-way socket (2)	FLSTF, FLSTFB, FLSTFBS
6	72010-05	WIRE SEAL, 22-26 AWG (green) (4)	FLSTF, FLSTFB, FLSTFBS
7	72024-08	TERMINAL, socket, 20-22 AWG (4)	FLSTF, FLSTFB, FLSTFBS
8	72169-07	TERMINAL, pin, 16-20 AWG (8)	FLSTF, FLSTFB, FLSTFBS
9	72213-94	TERMINAL, socket, 16-20 AWG (2)	FLSTF, FLSTFB, FLSTFBS
10	72251-07	SECONDARY LOCK, two-way socket (yellow)	FLSTF, FLSTFB, FLSTFBS
11	72402-07	HOUSING, two-way socket	FLSTF, FLSTFB, FLSTFBS
12	72413-07	TERMINAL, socket, 18-20 AWG (2)	FLSTF, FLSTFB, FLSTFBS
13	72478-07BK	HOUSING, eight-way pin (black)	FLSTF, FLSTFB, FLSTFBS
14	72606-08	HOUSING, two-way socket	FLSTF, FLSTFB, FLSTFBS
15	72609-08	SECONDARY LOCK, two-way socket (black)	FLSTF, FLSTFB, FLSTFBS
16	72610-08	SEAL, cable, 18-20 AWG (white) (2)	FLSTF, FLSTFB, FLSTFBS
17	72905-11	HOUSING, two-way pin	FLSTF, FLSTFB, FLSTFBS
18	72907-11	HOUSING, four-way pin (2)	FLSTF, FLSTFB, FLSTFBS
19	72909-11	TERMINAL, pin, 20-21 AWG (15)	FLSTF, FLSTFB, FLSTFBS
20	72914-01BK	HOUSING, four-way socket (black)	FLSTF, FLSTFB, FLSTFBS
21	72991-01	TERMINAL, socket, 18-22 AWG (3)	FLSTF, FLSTFB, FLSTFBS
22	73104-96BK	HOUSING, four-way pin	FLSTF, FLSTFB, FLSTFBS
23	73106-96BK	HOUSING, six-way pin	FLSTF, FLSTFB, FLSTFBS
24	73190-96	TERMINAL, pin, 16-20 AWG (10)	FLSTF, FLSTFB, FLSTFBS
25	73198-96	RETAINER, anchored clip	FLSTF, FLSTFB, FLSTFBS
26	73213-07	RETAINER, anchored clip	FLSTF, FLSTFB, FLSTFBS
27	69201163	HOUSING, six-way pin	FLSTF, FLSTFB, FLSTFBS
28	69201164	TERMINAL, pin, 22 AWG (6)	FLSTF, FLSTFB, FLSTFBS
29	69201180	HOUSING, four-way pin (gray) (2)	FLSTF, FLSTFB, FLSTFBS
30	69201296	BRACKET, electrical connector, right	FLSTF, FLSTFB, FLSTFBS
31	69201297	BRACKET, electrical connector, left	FLSTF, FLSTFB, FLSTFBS

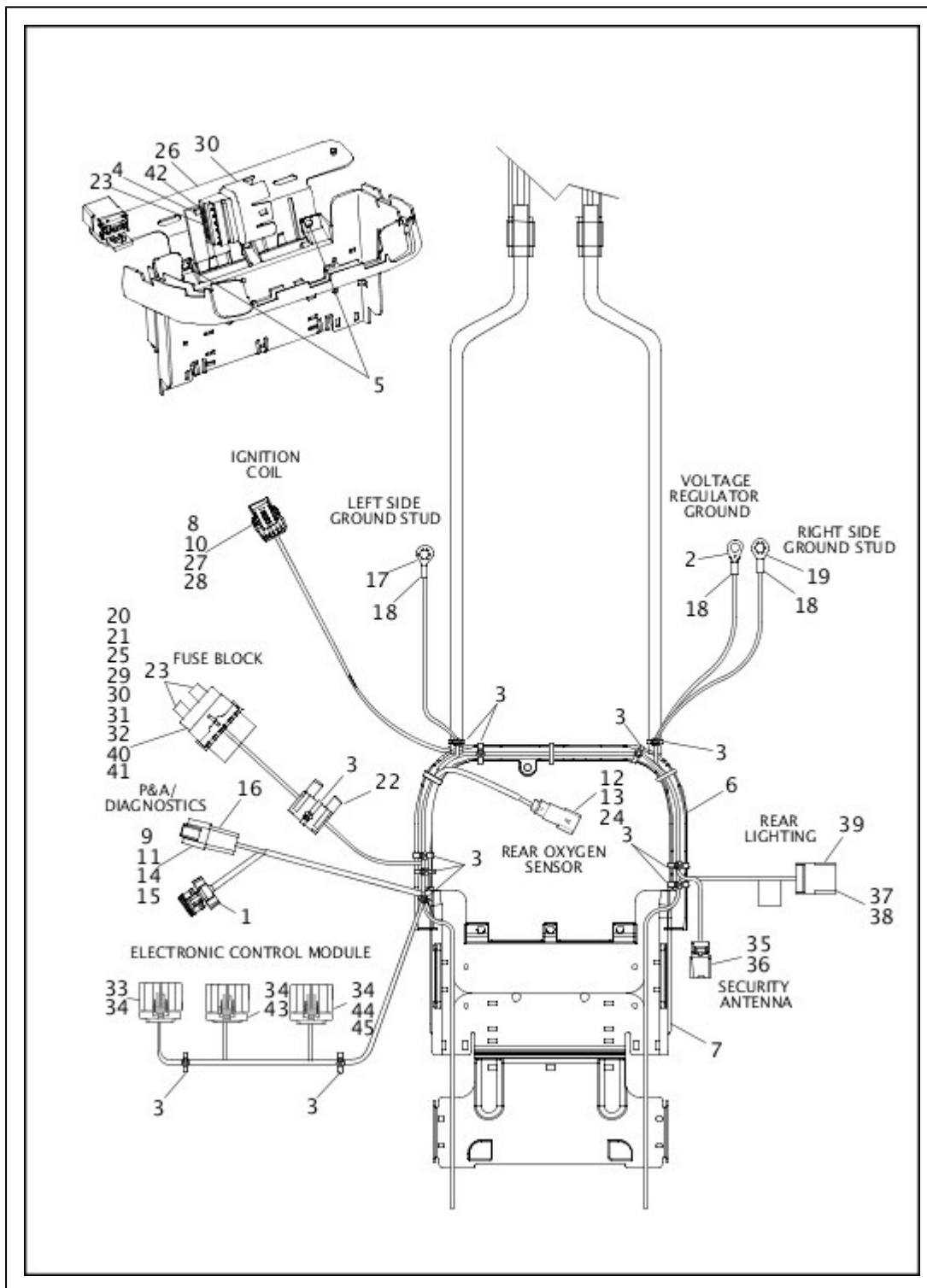
WIRING HARNESS, MAIN, ABS - FLSTF, FLSTFB AND FLSTFBS (2 OF 5)



Index No.	Part No.	Description	Model(s)
	69201184	WIRING HARNESS, MAIN	FLSTF, FLSTFB, FLSTFBS
	69201185	WIRING HARNESS, MAIN (Brazil)	FLSTF, FLSTFB
NOTE: Includes the following parts.			
1	10177	CABLE STRAP	FLSTF, FLSTFB, FLSTFBS
2	72063-06	HOUSING, two-way socket	FLSTF, FLSTFB, FLSTFBS
3	72111-06	SECONDARY LOCK, two-way socket (gray)	FLSTF, FLSTFB, FLSTFBS
4	72283-09	TERMINAL, socket, 14-16 AWG (2)	FLSTF, FLSTFB, FLSTFBS

5	72251-07	SECONDARY LOCK, two-way socket (yellow)	FLSTF, FLSTFB, FLSTFBS
6	72402-07	HOUSING, two-way socket (black)	FLSTF, FLSTFB, FLSTFBS
7	72406-07A	HOUSING, four-way socket	FLSTF, FLSTFB, FLSTFBS
8	72407-07	TERMINAL, socket, 16-20 AWG (4)	FLSTF, FLSTFB, FLSTFBS
9	72408-07	WIRE SEAL, 20 AWG (blue) (4)	FLSTF, FLSTFB, FLSTFBS
10	72413-07	TERMINAL, socket, 18-20 AWG (2)	FLSTF, FLSTFB, FLSTFBS
11	72483-08BK	HOUSING, six-way socket (black)	FLSTF, FLSTFB, FLSTFBS
12	72484-08	TERMINAL, socket, 20 AWG (2)	FLSTF, FLSTFB, FLSTFBS
13	72486-08	WIRE SEAL, 20 AWG (green) (2)	FLSTF, FLSTFB, FLSTFBS
14	72663-11	TERMINAL, socket, 18-20 AWG (silver) (6)	FLSTF, FLSTFB, FLSTFBS
15	69200437	BOOT, rubber	FLSTF, FLSTFB, FLSTFBS

WIRING HARNESS, MAIN, ABS - FLSTF, FLSTFB AND FLSTFBS (3 OF 5)

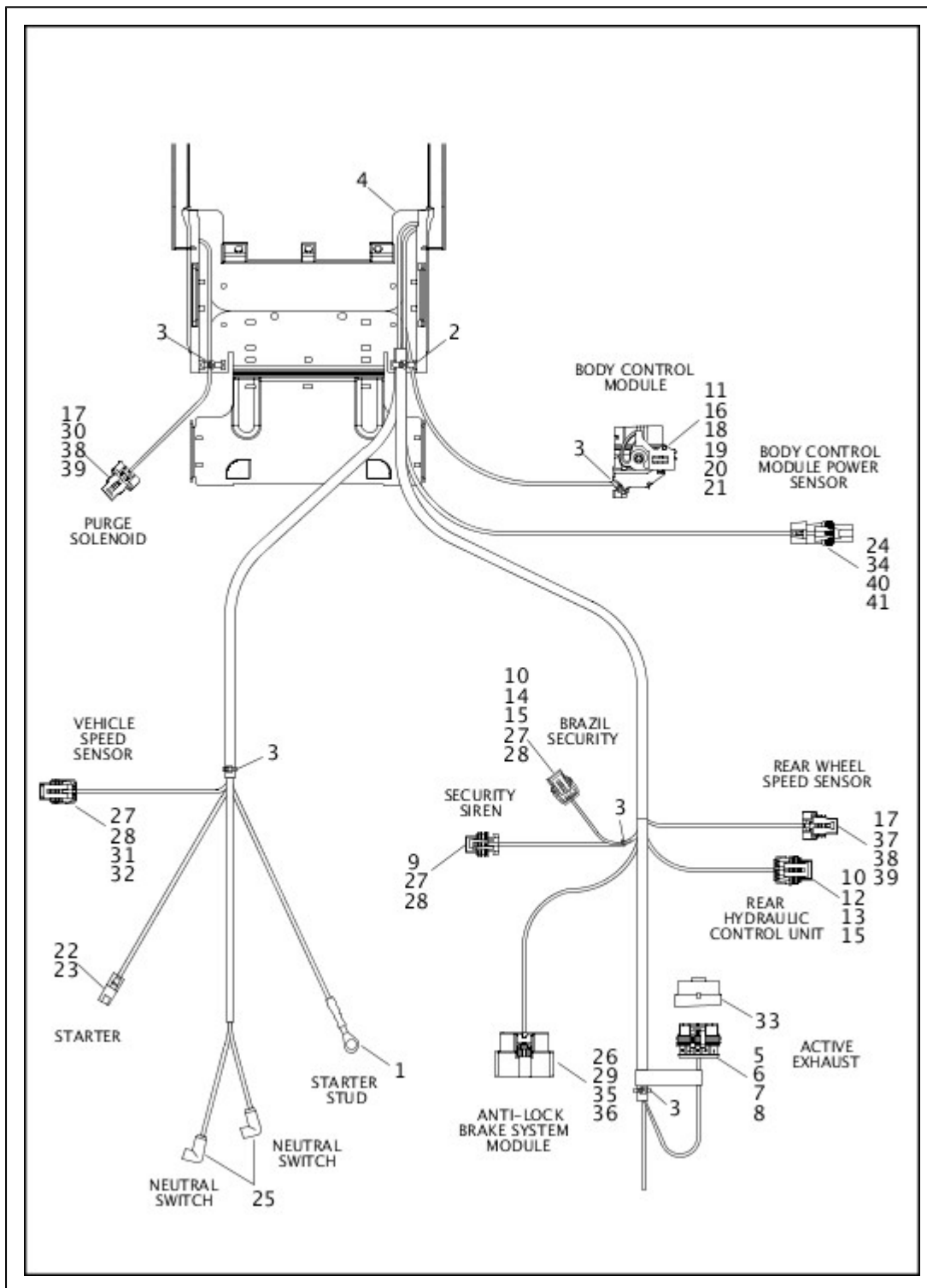


Index No.	Part No.	Description	Model(s)
	69201184	WIRING HARNESS, MAIN	FLSTF, FLSTFB, FLSTFBS
	69201185	WIRING HARNESS, MAIN (Brazil)	FLSTF, FLSTFB
NOTE: Includes the following parts.			
1	6990	PLUG, weather, six-way pin	FLSTF, FLSTFB, FLSTFBS
2	9819	TERMINAL RING, .25 stud, 12 AWGX2	FLSTF, FLSTFB, FLSTFBS
3	10065	CABLE STRAP (12)	FLSTF, FLSTFB, FLSTFBS
4	10147	CLIP, connector (2)	FLSTF, FLSTFB, FLSTFBS

5	11785	FASTENER, push-in (2)	FLSTF, FLSTFB, FLSTFBS
6	70974-08A	LOOM SHIELD, wire harness	FLSTF, FLSTFB, FLSTFBS
7	70982-08	WIRE SHIELD	FLSTF, FLSTFB, FLSTFBS
8	72066-06A	HOUSING, four-way socket (black)	FLSTF, FLSTFB, FLSTFBS
9	72106-94BK	HOUSING, six-way (black) (replaces gray connector)	FLSTF, FLSTFB, FLSTFBS
10	72135-06	SECONDARY LOCK, four-way socket (gray)	FLSTF, FLSTFB, FLSTFBS
11	72146-94	PIN LOCK, sec 6	FLSTF, FLSTFB, FLSTFBS
12	72169-07	TERMINAL, pin, 16-20 AWG (2)	FLSTF, FLSTFB, FLSTFBS
13	72175-07BK	HOUSING, four-way, pin (black)	FLSTF, FLSTFB, FLSTFBS
14	72190-94	TERMINAL, pin, 16-18 AWG (3)	FLSTF, FLSTFB, FLSTFBS
15	72194-94	TERMINAL, pin, 20 AWG (3)	FLSTF, FLSTFB, FLSTFBS
16	72199-94	CONNECTOR ANCHOR	FLSTF, FLSTFB, FLSTFBS
17	72242-94	TERMINAL, 1/4 ring	FLSTF, FLSTFB, FLSTFBS
18	72249-94	HEAT SHRINK TUBE, .415 x 1 (black)	FLSTF, FLSTFB, FLSTFBS
19	72254-94	TERMINAL RING, .25 stud, 14-16 AWG	FLSTF, FLSTFB, FLSTFBS
20	72298-95	WIRE SEAL, 14-18 AWG (green) (4)	FLSTF, FLSTFB, FLSTFBS
21	72308-97	TERMINAL, socket, 12-14 AWG (2)	FLSTF, FLSTFB, FLSTFBS
22	72314-01	MAIN FUSE, 40 A	FLSTF, FLSTFB, FLSTFBS
23	72330-95	FUSE, 15 A (blue) (2)	FLSTF, FLSTFB, FLSTFBS
24	72343-10	TERMINAL, pin, 16-20 AWG (gold) (2)	FLSTF, FLSTFB, FLSTFBS
25	72356-95	TERMINAL, socket, 18-20 AWG (2)	FLSTF, FLSTFB, FLSTFBS
26	72369-08A	BRACKET, fuse block holder, (black)	FLSTF, FLSTFB, FLSTFBS
27	72484-08	TERMINAL, socket, 20 AWG (4)	FLSTF, FLSTFB, FLSTFBS
28	72486-08	WIRE SEAL, 20 AWG (green) (4)	FLSTF, FLSTFB, FLSTFBS
29	72582-11	FUSE BLOCK	FLSTF, FLSTFB, FLSTFBS
30	72586-11	COVER, fuse block	FLSTF, FLSTFB, FLSTFBS
31	72587-11	SECONDARY LOCK, fuse block	FLSTF, FLSTFB, FLSTFBS
32	72595-11	SEAL, fuse block	FLSTF, FLSTFB, FLSTFBS
33	72664-12A	HOUSING, 18-way, socket, key A (black)	FLSTF, FLSTFB, FLSTFBS
34	72666-12	TERMINAL, socket, 18-20 AWG (silver) (36)	FLSTF, FLSTFB, FLSTFBS
35	72720-07	HOUSING, two-way socket	FLSTF, FLSTFB, FLSTFBS
36	72721-07	TERMINAL, socket, 18-20 AWG (2)	FLSTF, FLSTFB, FLSTFBS

37	73108-96BK	HOUSING, eight-way pin	FLSTF, FLSTFB, FLSTFBS
38	73190-96	TERMINAL, pin, 16-20 AWG (8)	FLSTF, FLSTFB, FLSTFBS
39	73196-96	ANCHOR, T-stud	FLSTF, FLSTFB, FLSTFBS
40	73304-04	TERMINAL, .31 socket, 10 AWG (2)	FLSTF, FLSTFB, FLSTFBS
41	73305-04	SEAL WIRE, 10 AWG (blue) (2)	FLSTF, FLSTFB, FLSTFBS
42	12200044	BRACKET, fuse block mounting	FLSTF, FLSTFB, FLSTFBS
43	69200267A	HOUSING, 18-way, socket, key B (gray)	FLSTF, FLSTFB, FLSTFBS
44	69200268A	HOUSING, 18-way, socket, key C (brown)	FLSTF, FLSTFB, FLSTFBS
45	69201168	TERMINAL, socket, 22 AWG (silver) (2)	FLSTF, FLSTFB, FLSTFBS

WIRING HARNESS, MAIN, ABS - FLSTF, FLSTFB AND FLSTFBS (4 OF 5)



Index No.	Part No.	Description	Model(s)
	69201184	WIRING HARNESS, MAIN	FLSTF, FLSTFB, FLSTFBS
	69201185	WIRING HARNESS, MAIN (Brazil)	FLSTF, FLSTFB

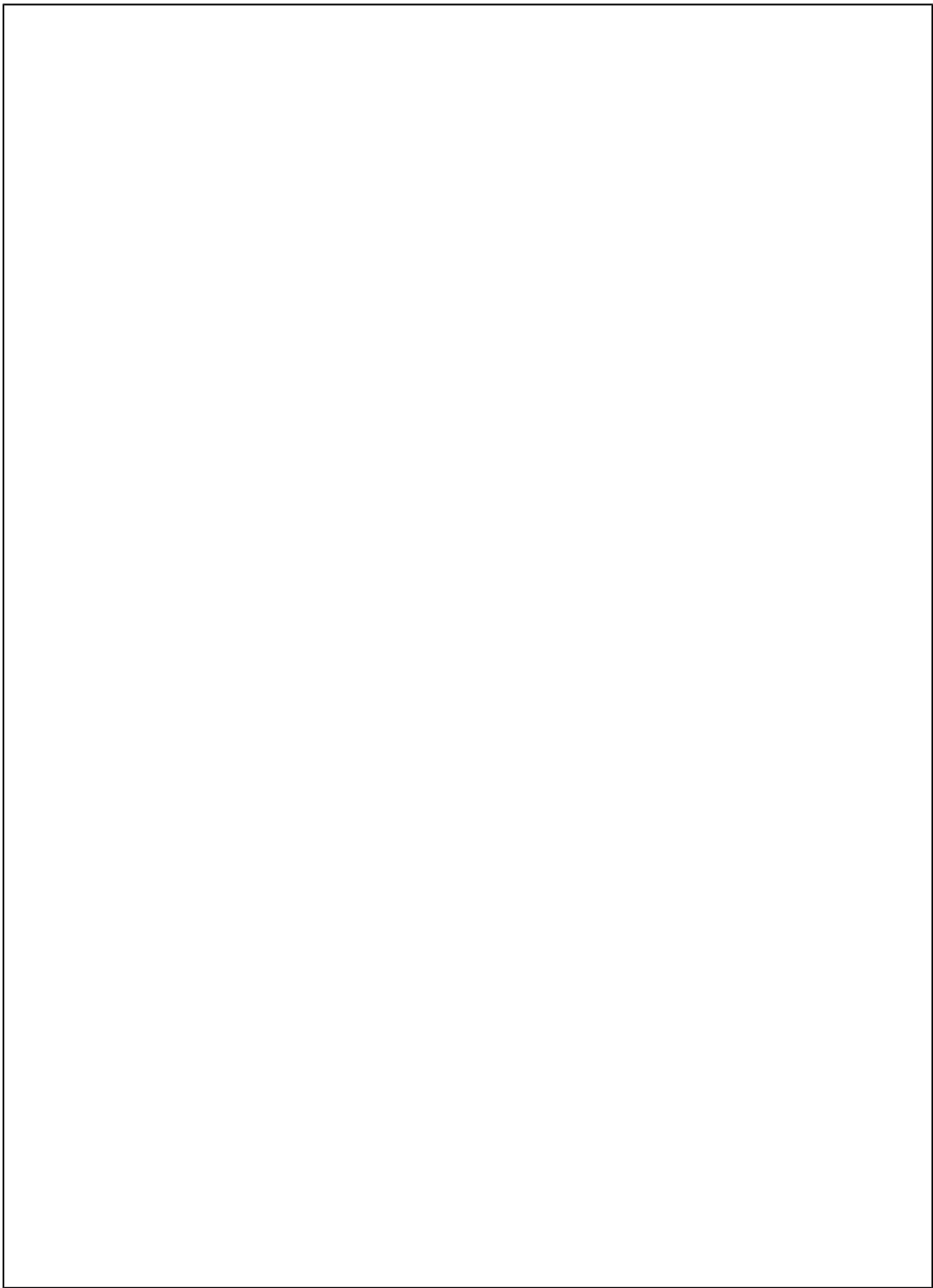
NOTE: Includes the following parts.

1	9842	TERMINAL RING, .31 10-12 GA	FLSTF, FLSTFB, FLSTFBS
2	10006	CABLE STRAP	FLSTF, FLSTFB, FLSTFBS
3	10065	CABLE STRAP (5)	FLSTF, FLSTFB, FLSTFBS
4	70982-08	WIRE SHIELD	FLSTF, FLSTFB, FLSTFBS

5	72010-05	WIRE SEAL, 22-26 AWG (green) (4)	FLSTF, FLSTFB, FLSTFBS
6	72012-07	HOUSING, five-way socket	FLSTF, FLSTFB, FLSTFBS
7	72014-07	SEAL PIN	FLSTF, FLSTFB, FLSTFBS
8	72024-08	TERMINAL, socket, 20-22 AWG (4)	FLSTF, FLSTFB, FLSTFBS
9	72064-06	HOUSING, three-way socket	FLSTF, FLSTFB, FLSTFBS
10	72066-06A	HOUSING, four-way socket (black) (2)	FLSTF, FLSTFB, FLSTFBS
11	72081-11	HOUSING, 48-way socket	FLSTF, FLSTFB, FLSTFBS
12	72094-06	TERMINAL, socket, socket 18 AWG (4)	FLSTF, FLSTFB, FLSTFBS
13	72096-06	WIRE SEAL, 18 AWG (yellow) (4)	FLSTF, FLSTFB, FLSTFBS
14	72097-06	PLUG, oval (orange) (Brazil) (2)	FLSTF, FLSTFB
15	72135-06	SECONDARY LOCK, four-way socket (gray) (2)	FLSTF, FLSTFB, FLSTFBS
16	72209-11	COVER, wire	FLSTF, FLSTFB, FLSTFBS
17	72213-94	TERMINAL, socket, 16-20 AWG (4)	FLSTF, FLSTFB, FLSTFBS
18	72222-11	TERMINAL SOCKET, 18-20 AWG (20)	FLSTF, FLSTFB, FLSTFBS
19	72226-11	TERMINAL SOCKET, 14-16 AWG	FLSTF, FLSTFB, FLSTFBS
20	72227-11	TERMINAL, socket, 18-20 AWG (5)	FLSTF, FLSTFB, FLSTFBS
21	72256-11	SEAL PIN, .6mm, plug (10)	FLSTF, FLSTFB, FLSTFBS
22	72291-94	TERMINAL, 14-16 AWG	FLSTF, FLSTFB, FLSTFBS
23	72295-94	HOUSING, starter connection	FLSTF, FLSTFB, FLSTFBS
24	72350-11	HOUSING, one-way	FLSTF, FLSTFB, FLSTFBS
25	72405-98BK	PUSH ON 90 DEGREE CONNECTOR (2)	FLSTF, FLSTFB, FLSTFBS
26	72473-07	SEAL PIN (5)	FLSTF, FLSTFB, FLSTFBS
27	72484-08	TERMINAL, socket, 20 AWG (6)	FLSTF, FLSTFB, FLSTFBS
27	72484-08	TERMINAL, socket, 20 AWG (Brazil) (8)	FLSTF, FLSTFB
28	72486-08	WIRE SEAL, 20 AWG (green) (6)	FLSTF, FLSTFB, FLSTFBS
28	72486-08	WIRE SEAL, 20 AWG (green) (Brazil) (8)	FLSTF, FLSTFB
29	72500-07ABK	HOUSING, 20-way socket (black)	FLSTF, FLSTFB, FLSTFBS
30	72518-01	HOUSING, socket, two-way (red)	FLSTF, FLSTFB, FLSTFBS
31	72543-07BK	HOUSING, three-way socket (black)	FLSTF, FLSTFB, FLSTFBS
32	72544-07	SECONDARY LOCK, three-way socket	FLSTF, FLSTFB, FLSTFBS
33	72553-07	DUST CAP, five-way	FLSTF, FLSTFB, FLSTFBS
34	72575-11	SECONDARY LOCK	FLSTF, FLSTFB, FLSTFBS

35	72581-11	TERMINAL, socket, 18-20 AWG (gold) (12)	FLSTF, FLSTFB, FLSTFBS
36	72593-11	TERMINAL, socket, 14-16 AWG (gold) (3)	FLSTF, FLSTFB, FLSTFBS
37	72606-08	HOUSING, two-way socket	FLSTF, FLSTFB, FLSTFBS
38	72609-08	SECONDARY LOCK, two-way socket (black) (2)	FLSTF, FLSTFB, FLSTFBS
39	72610-08	SEAL, cable, 18-20 AWG (white) (4)	FLSTF, FLSTFB, FLSTFBS
40	73304-04	TERMINAL, .31 socket, 10 AWG	FLSTF, FLSTFB, FLSTFBS
41	73305-04	SEAL WIRE, 10 AWG (blue)	FLSTF, FLSTFB, FLSTFBS

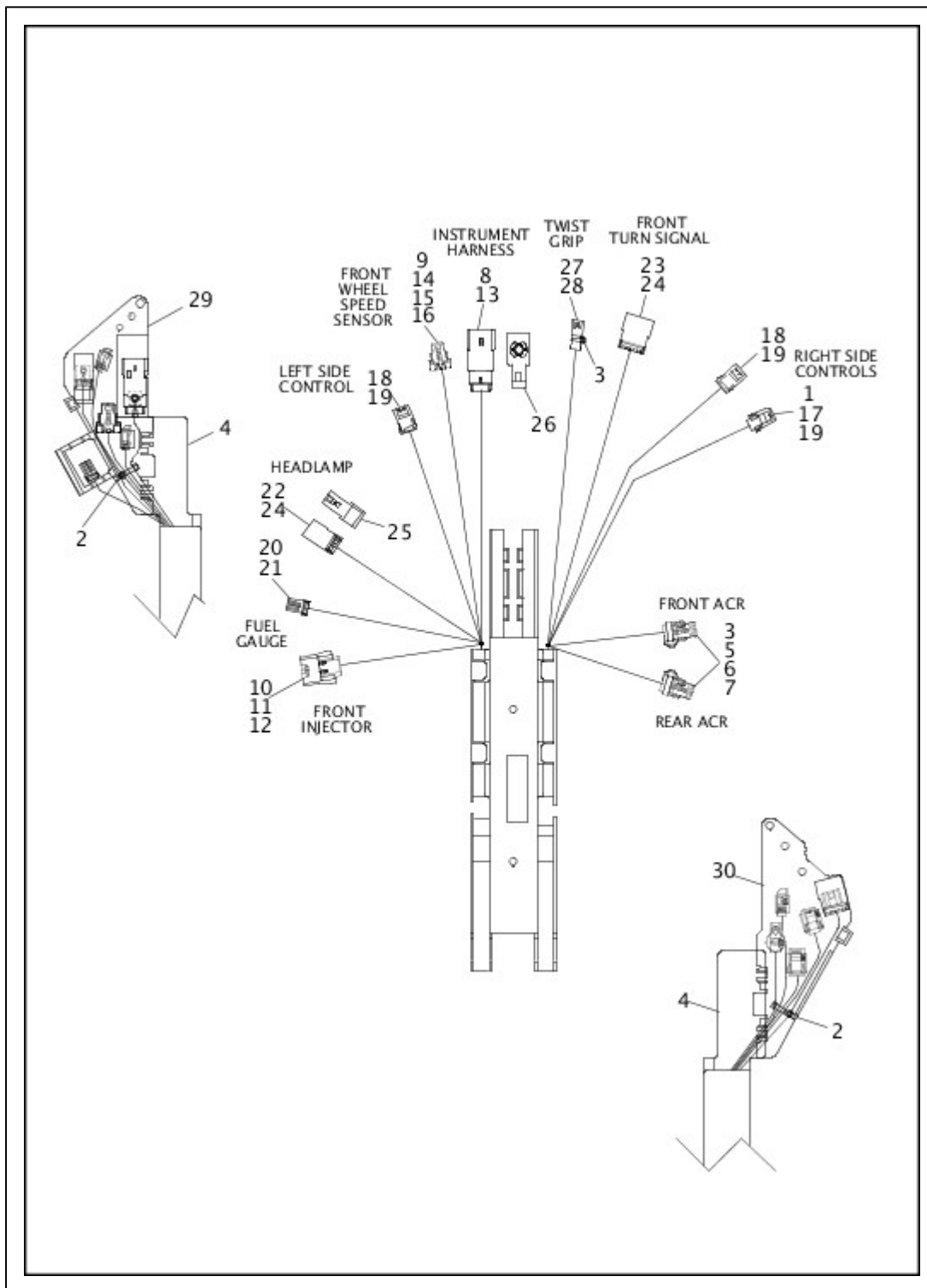
WIRING HARNESS, MAIN, ABS - FLSTF, FLSTFB AND FLSTFBS (5 OF 5)



Index No.	Part No.	Description	Model(s)
	69201184	WIRING HARNESS, MAIN	FLSTF, FLSTFB, FLSTFBS
	69201185	WIRING HARNESS, MAIN (Brazil)	FLSTF, FLSTFB
NOTE: Includes the following parts.			
1	10065	CABLE STRAP (2)	FLSTF, FLSTFB, FLSTFBS
2	72066-06A	HOUSING, four-way socket (black)	FLSTF, FLSTFB, FLSTFBS
3	72094-06	TERMINAL, socket, socket 18 AWG (4)	FLSTF, FLSTFB, FLSTFBS
4	72096-06	WIRE SEAL, 18 AWG (yellow) (4)	FLSTF, FLSTFB, FLSTFBS

5	72135-06	SECONDARY LOCK, four-way socket (gray)	FLSTF, FLSTFB, FLSTFBS
6	72168-07	TERMINAL, socket, 18-20 AWG (3)	FLSTF, FLSTFB, FLSTFBS
7	72169-07	TERMINAL, pin, 16-20 AWG (2)	FLSTF, FLSTFB, FLSTFBS
8	72343-10	TERMINAL, pin, 16-20 AWG (gold) (2)	FLSTF, FLSTFB, FLSTFBS
9	72405-98BK	PUSH ON 90 DEGREE CONNECTOR	FLSTF, FLSTFB, FLSTFBS
10	72415-07GY	HOUSING, four-way pin (gray)	FLSTF, FLSTFB, FLSTFBS
11	72512-07BK	HOUSING, three-way socket (black)	FLSTF, FLSTFB, FLSTFBS
12	72519-09BK	DUST CAP, three-way socket	FLSTF, FLSTFB, FLSTFBS
13	73213-07	RETAINER, anchored clip (2)	FLSTF, FLSTFB, FLSTFBS
14	74112-98BK	HOUSING, two-way socket (black)	FLSTF, FLSTFB, FLSTFBS
15	74120-08	DC LEAD ASSEMBLY	FLSTF, FLSTFB, FLSTFBS
16	74152-98	SECONDARY LOCK, two-way socket	FLSTF, FLSTFB, FLSTFBS
17	74191-98	TERMINAL, socket (2)	FLSTF, FLSTFB, FLSTFBS
18	69200238	TERMINAL, insulated (2)	FLSTF, FLSTFB, FLSTFBS

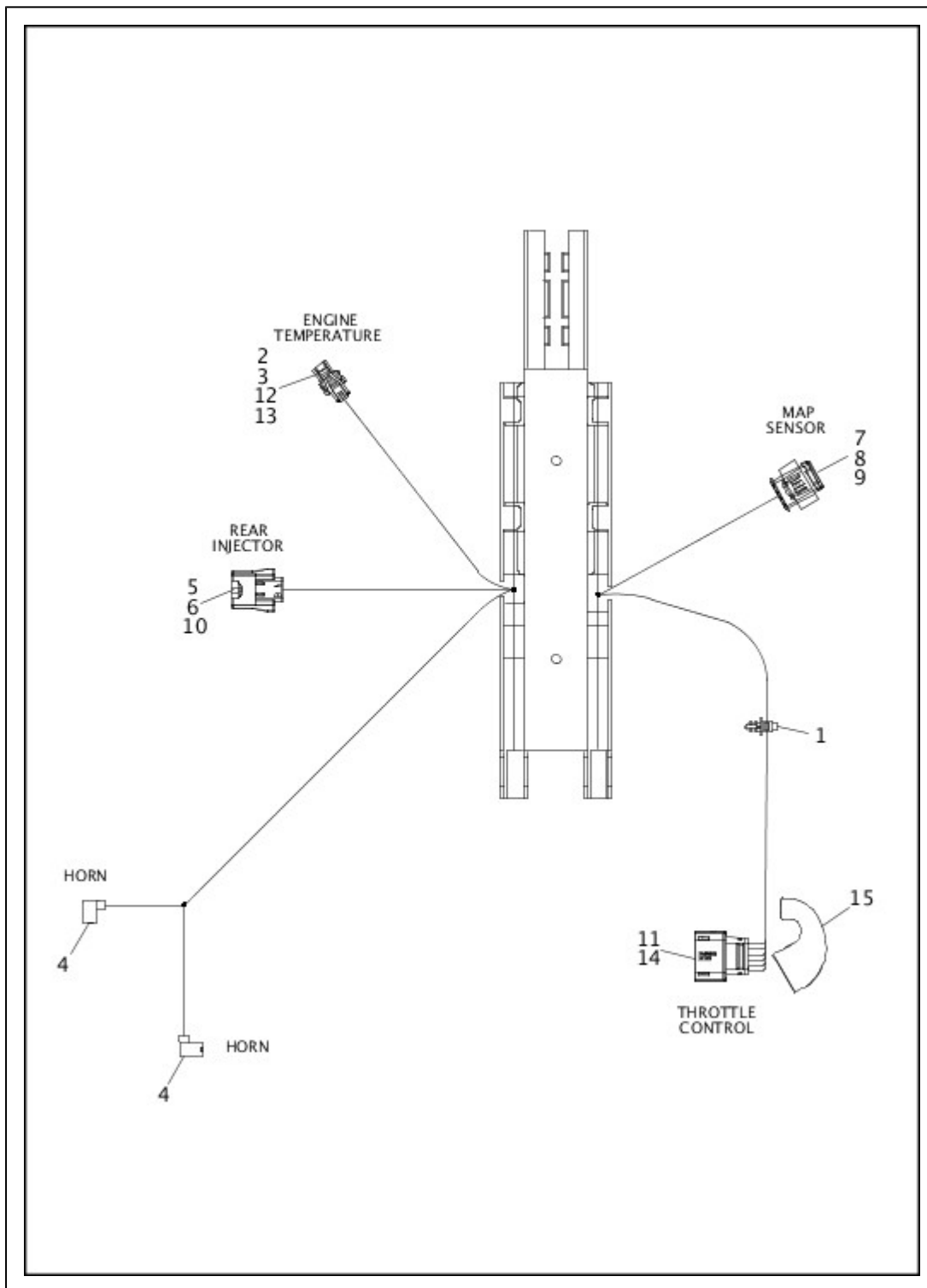
WIRING HARNESS, MAIN, ABS - FLSTC AND FLSTN (1 OF 5)



Index No.	Part No.	Description	Model(s)
	69201077	WIRING HARNESS, MAIN	FLSTN, FLSTC
	69201078	WIRING HARNESS, MAIN (Brazil)	FLSTN, FLSTC
NOTE: Includes the following parts.			
1	5118	SEAL PIN	FLSTN, FLSTC
2	10065	CABLE STRAP (2)	FLSTN, FLSTC
3	10177	CABLE STRAP (3)	FLSTN, FLSTC
4	71044-11	WIRE TROUGH	FLSTN, FLSTC

5	72007-05	HOUSING, two-way socket (2)	FLSTN, FLSTC
6	72010-05	WIRE SEAL, 22-26 AWG (green) (4)	FLSTN, FLSTC
7	72024-08	TERMINAL, socket, 20-22 AWG (4)	FLSTN, FLSTC
8	72169-07	TERMINAL, pin, 16-20 AWG (8)	FLSTN, FLSTC
9	72213-94	TERMINAL, socket, 16-20 AWG (2)	FLSTN, FLSTC
10	72251-07	SECONDARY LOCK, two-way socket (yellow)	FLSTN, FLSTC
11	72402-07	HOUSING, two-way socket	FLSTN, FLSTC
12	72413-07	TERMINAL, socket, 18-20 AWG (2)	FLSTN, FLSTC
13	72478-07BK	HOUSING, eight-way pin (black)	FLSTN, FLSTC
14	72606-08	HOUSING, two-way socket	FLSTN, FLSTC
15	72609-08	SECONDARY LOCK, two-way socket (black)	FLSTN, FLSTC
16	72610-08	SEAL, cable, 18-20 AWG (white) (2)	FLSTN, FLSTC
17	72905-11	HOUSING, two-way pin	FLSTN, FLSTC
18	72907-11	HOUSING, four-way pin (2)	FLSTN, FLSTC
19	72909-11	TERMINAL, pin, 20-21 AWG (9)	FLSTN, FLSTC
20	72914-01BK	HOUSING, four-way socket (black)	FLSTN, FLSTC
21	72991-01	TERMINAL, socket, 18-22 AWG (3)	FLSTN, FLSTC
22	73104-96BK	HOUSING, four-way pin	FLSTN, FLSTC
23	73106-96BK	HOUSING, six-way pin	FLSTN, FLSTC
24	73190-96	TERMINAL, pin, 16-20 AWG (10)	FLSTN, FLSTC
25	73198-96	RETAINER, anchored clip	FLSTN, FLSTC
26	73213-07	RETAINER, anchored clip	FLSTN, FLSTC
27	69201163	HOUSING, six-way pin	FLSTN, FLSTC
28	69201164	TERMINAL, pin, 22 AWG (6)	FLSTN, FLSTC
29	69201296	BRACKET, electrical connector, right	FLSTN, FLSTC
30	69201297	BRACKET, electrical connector, left	FLSTN, FLSTC

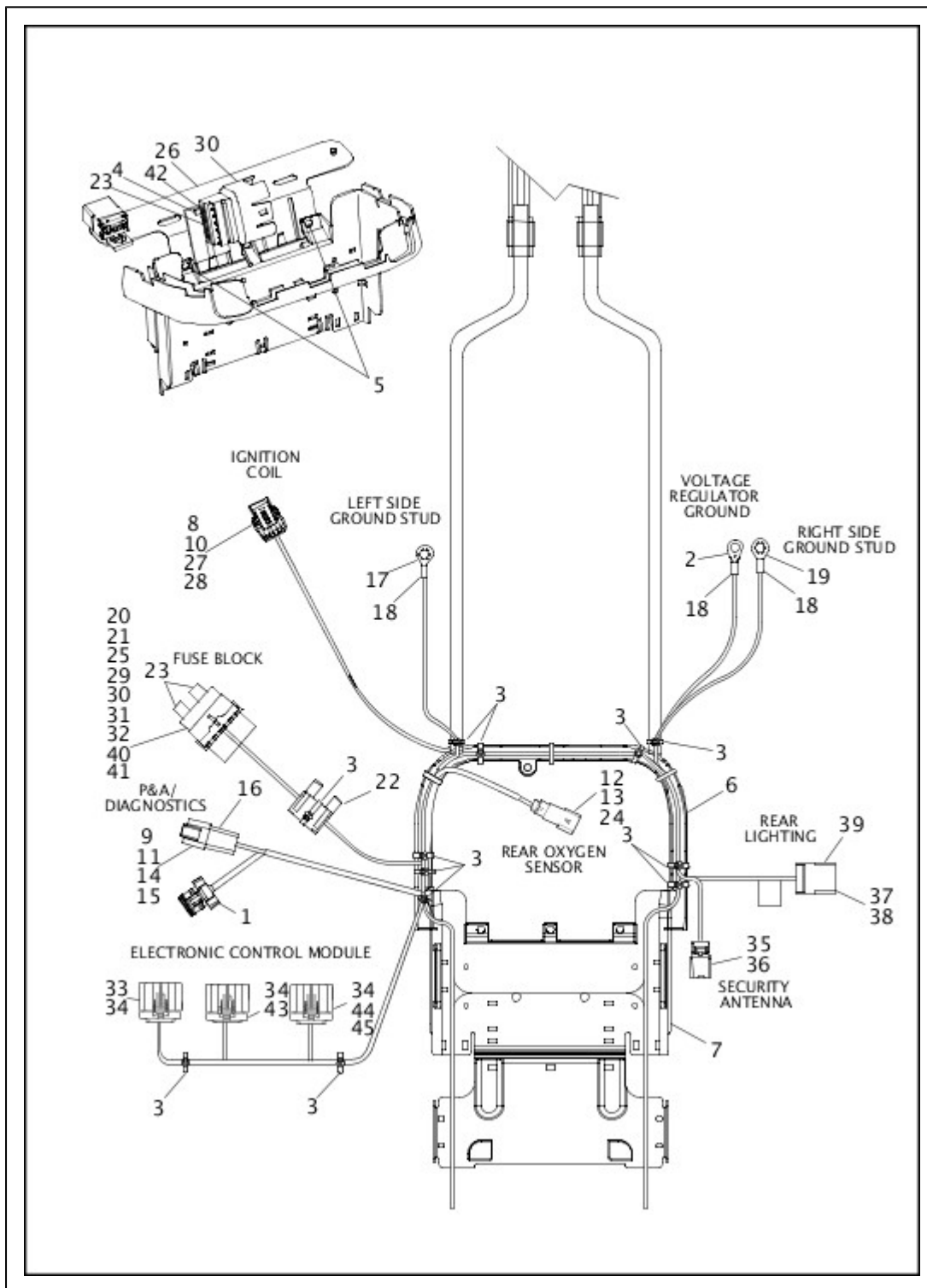
WIRING HARNESS, MAIN, ABS - FLSTC AND FLSTN (2 OF 5)



Index No.	Part No.	Description	Model(s)
	69201077	WIRING HARNESS, MAIN	FLSTN, FLSTC
	69201078	WIRING HARNESS, MAIN (Brazil)	FLSTN, FLSTC
NOTE: Includes the following parts.			
1	10177	CABLE STRAP	FLSTN, FLSTC
2	72063-06	HOUSING, two-way socket	FLSTN, FLSTC
3	72111-06	SECONDARY LOCK, two-way socket (gray)	FLSTN, FLSTC
4	72283-09	TERMINAL, socket, 14-16 AWG (2)	FLSTN, FLSTC

5	72251-07	SECONDARY LOCK, two-way socket (yellow)	FLSTN, FLSTC
6	72402-07	HOUSING, two-way socket (black)	FLSTN, FLSTC
7	72406-07A	HOUSING, four-way socket	FLSTN, FLSTC
8	72407-07	TERMINAL, socket, 16-20 AWG (4)	FLSTN, FLSTC
9	72408-07	WIRE SEAL, 20 AWG (blue) (4)	FLSTN, FLSTC
10	72413-07	TERMINAL, socket, 18-20 AWG (2)	FLSTN, FLSTC
11	72483-08BK	HOUSING, six-way socket (black)	FLSTN, FLSTC
12	72484-08	TERMINAL, socket, 20 AWG (2)	FLSTN, FLSTC
13	72486-08	WIRE SEAL, 20 AWG (green) (2)	FLSTN, FLSTC
14	72663-11	TERMINAL, socket, 18-20 AWG (silver) (6)	FLSTN, FLSTC
15	69200437	BOOT, rubber	FLSTN, FLSTC

WIRING HARNESS, MAIN, ABS - FLSTC AND FLSTN (3 OF 5)

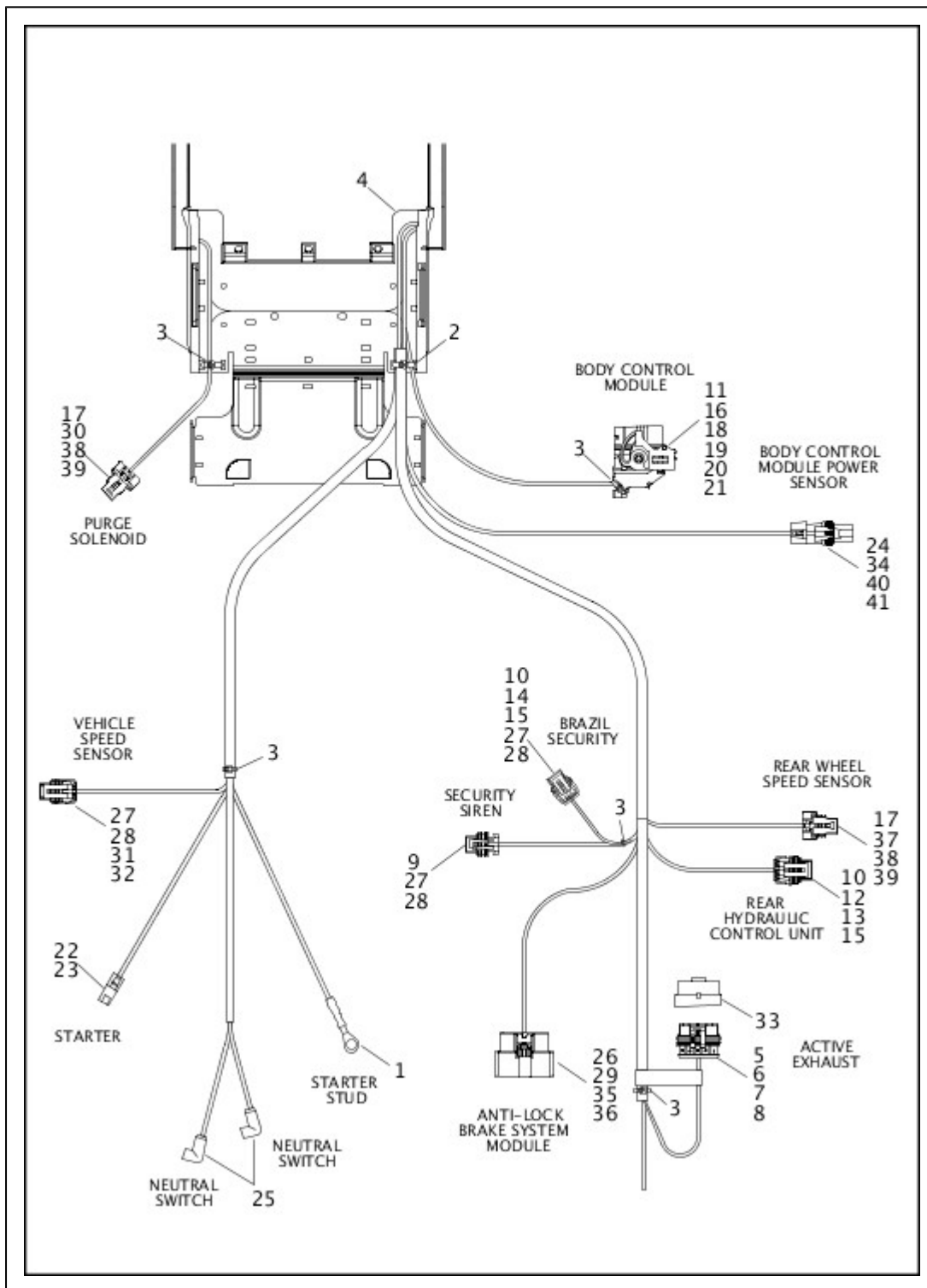


Index No.	Part No.	Description	Model(s)
	69201077	WIRING HARNESS, MAIN	FLSTN, FLSTC
	69201078	WIRING HARNESS, MAIN (Brazil)	FLSTN, FLSTC
NOTE: Includes the following parts.			
1	6990	PLUG, weather, six-way pin	FLSTN, FLSTC
2	9819	TERMINAL RING, .25 stud, 12 AWGX2	FLSTN, FLSTC
3	10065	CABLE STRAP (12)	FLSTN, FLSTC
4	10147	CLIP, connector (2)	FLSTN, FLSTC

5	11785	FASTENER, push-in (2)	FLSTN, FLSTC
6	70974-08A	LOOM SHIELD, wire harness	FLSTN, FLSTC
7	70982-08	WIRE SHIELD	FLSTN, FLSTC
8	72066-06A	HOUSING, four-way socket (black)	FLSTN, FLSTC
9	72106-94BK	HOUSING, six-way (black) (replaces gray connector)	FLSTN, FLSTC
10	72135-06	SECONDARY LOCK, four-way socket (gray)	FLSTN, FLSTC
11	72146-94	PIN LOCK, sec 6	FLSTN, FLSTC
12	72169-07	TERMINAL, pin, 16-20 AWG (2)	FLSTN, FLSTC
13	72175-07BK	HOUSING, four-way, pin (black)	FLSTN, FLSTC
14	72190-94	TERMINAL, pin, 16-18 AWG (3)	FLSTN, FLSTC
15	72194-94	TERMINAL, pin, 20 AWG (3)	FLSTN, FLSTC
16	72199-94	CONNECTOR ANCHOR	FLSTN, FLSTC
17	72242-94	TERMINAL, 1/4 ring	FLSTN, FLSTC
18	72249-94	HEAT SHRINK TUBE, .415 x 1 (black)	FLSTN, FLSTC
19	72254-94	TERMINAL RING, .25 stud, 14-16 AWG	FLSTN, FLSTC
20	72298-95	WIRE SEAL, 14-18 AWG (green) (4)	FLSTN, FLSTC
21	72308-97	TERMINAL, socket, 12-14 AWG (2)	FLSTN, FLSTC
22	72314-01	MAIN FUSE, 40 A	FLSTN, FLSTC
23	72330-95	FUSE, 15 A (blue) (2)	FLSTN, FLSTC
24	72343-10	TERMINAL, pin, 16-20 AWG (gold) (2)	FLSTN, FLSTC
25	72356-95	TERMINAL, socket, 18-20 AWG (2)	FLSTN, FLSTC
26	72369-08A	BRACKET, fuse block holder, (black)	FLSTN, FLSTC
27	72484-08	TERMINAL, socket, 20 AWG (4)	FLSTN, FLSTC
28	72486-08	WIRE SEAL, 20 AWG (green) (4)	FLSTN, FLSTC
29	72582-11	FUSE BLOCK	FLSTN, FLSTC
30	72586-11	COVER, fuse block	FLSTN, FLSTC
31	72587-11	SECONDARY LOCK, fuse block	FLSTN, FLSTC
32	72595-11	SEAL, fuse block	FLSTN, FLSTC
33	72664-12A	HOUSING, 18-way, socket, key A (black)	FLSTN, FLSTC
34	72666-12	TERMINAL, socket, 18-20 AWG (silver) (36)	FLSTN, FLSTC
35	72720-07	HOUSING, two-way socket	FLSTN, FLSTC
36	72721-07	TERMINAL, socket, 18-20 AWG (2)	FLSTN, FLSTC

37	73108-96BK	HOUSING, eight-way pin	FLSTN, FLSTC
38	73190-96	TERMINAL, pin, 16-20 AWG (8)	FLSTN, FLSTC
39	73196-96	ANCHOR, T-stud	FLSTN, FLSTC
40	73304-04	TERMINAL, .31 socket, 10 AWG (2)	FLSTN, FLSTC
41	73305-04	SEAL WIRE, 10 AWG (blue) (2)	FLSTN, FLSTC
42	12200044	BRACKET, fuse block mounting	FLSTN, FLSTC
43	69200267A	HOUSING, 18-way, socket, key B (gray)	FLSTN, FLSTC
44	69200268A	HOUSING, 18-way, socket, key C (brown)	FLSTN, FLSTC
45	69201168	TERMINAL, socket, 22 AWG (silver) (2)	FLSTN, FLSTC

WIRING HARNESS, MAIN, ABS - FLSTC AND FLSTN (4 OF 5)

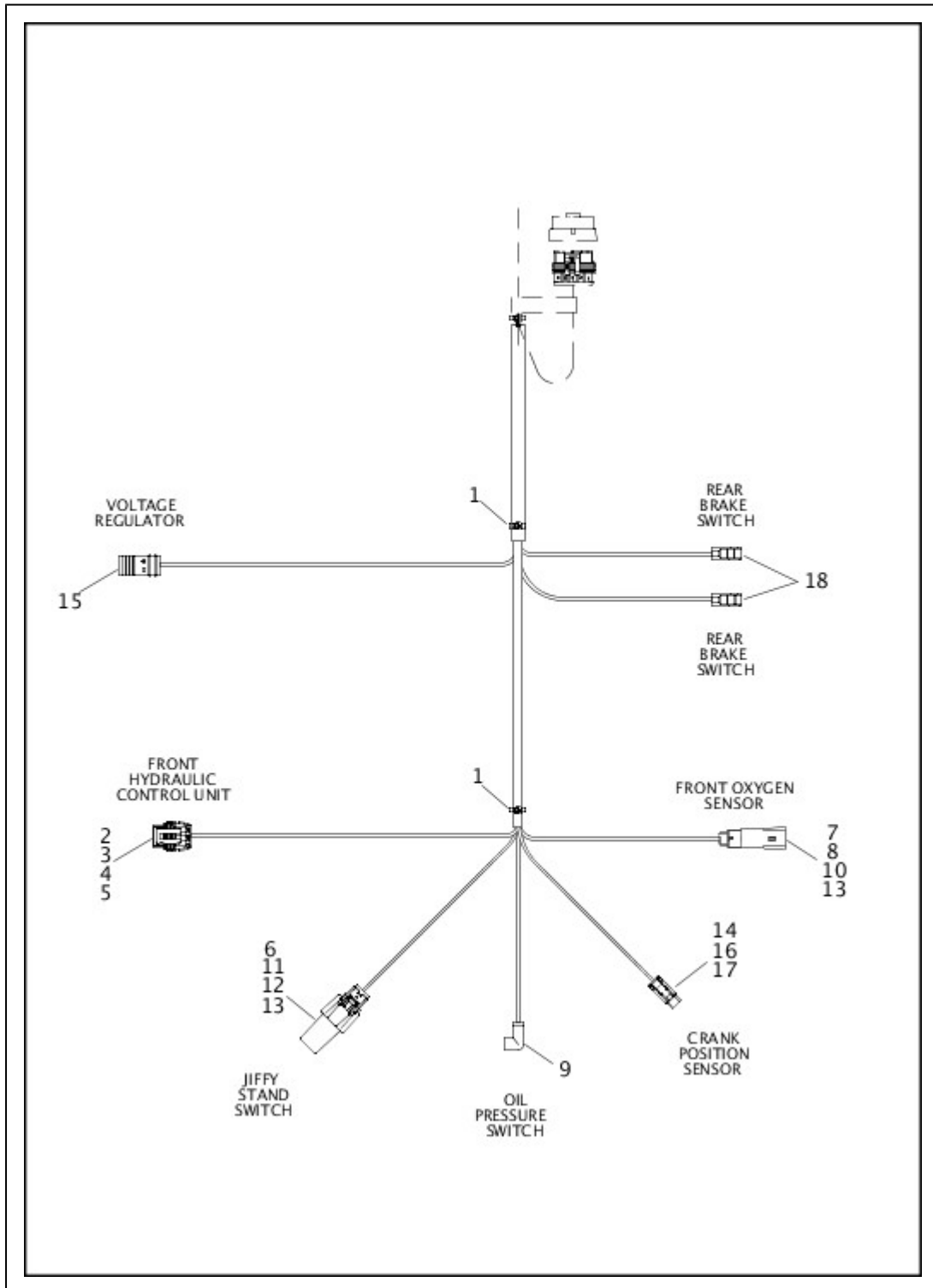


Index No.	Part No.	Description	Model(s)
	69201077	WIRING HARNESS, MAIN	FLSTN, FLSTC
	69201078	WIRING HARNESS, MAIN (Brazil)	FLSTN, FLSTC
NOTE: Includes the following parts.			
1	9842	TERMINAL RING, .31 10-12 GA	FLSTN, FLSTC
2	10006	CABLE STRAP	FLSTN, FLSTC
3	10065	CABLE STRAP (5)	FLSTN, FLSTC
4	70982-08	WIRE SHIELD	FLSTN, FLSTC

5	72010-05	WIRE SEAL, 22-26 AWG (green) (4)	FLSTN, FLSTC
6	72012-07	HOUSING, five-way socket	FLSTN, FLSTC
7	72014-07	SEAL PIN	FLSTN, FLSTC
8	72024-08	TERMINAL, socket, 20-22 AWG (4)	FLSTN, FLSTC
9	72064-06	HOUSING, three-way socket	FLSTN, FLSTC
10	72066-06A	HOUSING, four-way socket (black) (2)	FLSTN, FLSTC
11	72081-11	HOUSING, 48-way socket	FLSTN, FLSTC
12	72094-06	TERMINAL, socket, socket 18 AWG (4)	FLSTN, FLSTC
13	72096-06	WIRE SEAL, 18 AWG (yellow) (4)	FLSTN, FLSTC
14	72097-06	PLUG, oval (orange) (Brazil) (2)	FLSTN, FLSTC
15	72135-06	SECONDARY LOCK, four-way socket (gray) (2)	FLSTN, FLSTC
16	72209-11	COVER, wire	FLSTN, FLSTC
17	72213-94	TERMINAL, socket, 16-20 AWG (4)	FLSTN, FLSTC
18	72222-11	TERMINAL SOCKET, 18-20 AWG (20)	FLSTN, FLSTC
19	72226-11	TERMINAL SOCKET, 14-16 AWG	FLSTN, FLSTC
20	72227-11	TERMINAL, socket, 18-20 AWG (5)	FLSTN, FLSTC
21	72256-11	SEAL PIN, .6mm, plug (10)	FLSTN, FLSTC
22	72291-94	TERMINAL, 14-16 AWG	FLSTN, FLSTC
23	72295-94	HOUSING, starter connection	FLSTN, FLSTC
24	72350-11	HOUSING, one-way	FLSTN, FLSTC
25	72405-98BK	PUSH ON 90 DEGREE CONNECTOR (2)	FLSTN, FLSTC
26	72473-07	SEAL PIN (5)	FLSTN, FLSTC
27	72484-08	TERMINAL, socket, 20 AWG (6)	FLSTN, FLSTC
27	72484-08	TERMINAL, socket, 20 AWG (Brazil) (8)	FLSTN, FLSTC
28	72486-08	WIRE SEAL, 20 AWG (green) (6)	FLSTN, FLSTC
28	72486-08	WIRE SEAL, 20 AWG (green) (Brazil) (8)	FLSTN, FLSTC
29	72500-07ABK	HOUSING, 20-way socket (black)	FLSTN, FLSTC
30	72518-01	HOUSING, socket, two-way (red)	FLSTN, FLSTC
31	72543-07BK	HOUSING, three-way socket (black)	FLSTN, FLSTC
32	72544-07	SECONDARY LOCK, three-way socket	FLSTN, FLSTC
33	72553-07	DUST CAP, five-way	FLSTN, FLSTC
34	72575-11	SECONDARY LOCK	FLSTN, FLSTC

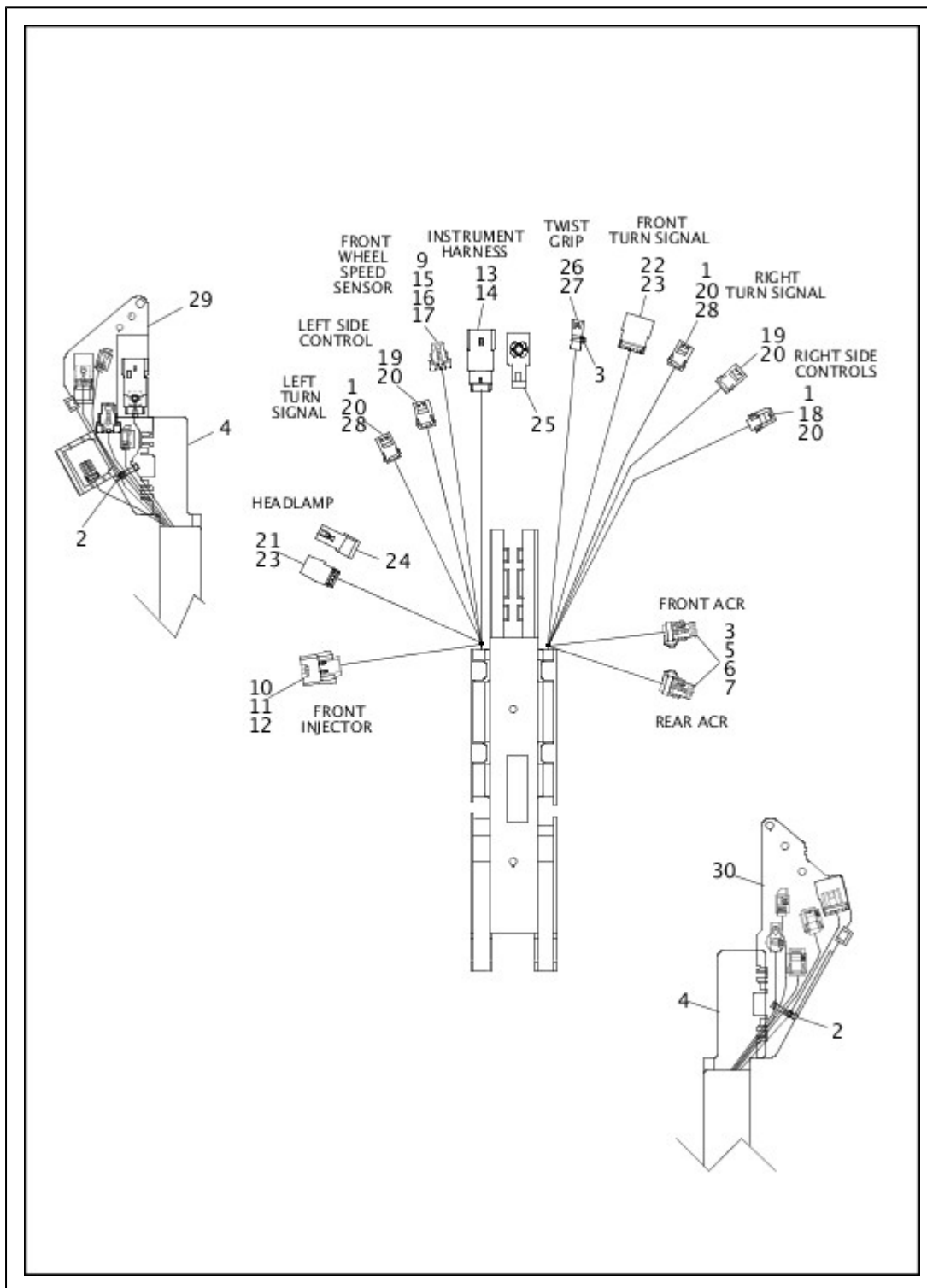
35	72581-11	TERMINAL, socket, 18-20 AWG (gold) (12)	FLSTN, FLSTC
36	72593-11	TERMINAL, socket, 14-16 AWG (gold) (3)	FLSTN, FLSTC
37	72606-08	HOUSING, two-way socket	FLSTN, FLSTC
38	72609-08	SECONDARY LOCK, two-way socket (black) (2)	FLSTN, FLSTC
39	72610-08	SEAL, cable, 18-20 AWG (white) (4)	FLSTN, FLSTC
40	73304-04	TERMINAL, .31 socket, 10 AWG	FLSTN, FLSTC
41	73305-04	SEAL WIRE, 10 AWG (blue)	FLSTN, FLSTC

WIRING HARNESS, MAIN, ABS - FLSTC AND FLSTN (5 OF 5)



Index No.	Part No.	Description	Model(s)
	69201077	WIRING HARNESS, MAIN	FLSTN, FLSTC
	69201078	WIRING HARNESS, MAIN (Brazil)	FLSTN, FLSTC
NOTE: Includes the following parts.			
1	10065	CABLE STRAP (2)	FLSTN, FLSTC
2	72066-06A	HOUSING, four-way socket (black)	FLSTN, FLSTC
3	72094-06	TERMINAL, socket, socket 18 AWG (4)	FLSTN, FLSTC
4	72096-06	WIRE SEAL, 18 AWG (yellow) (4)	FLSTN, FLSTC
5	72135-06	SECONDARY LOCK, four-way socket (gray) (3)	FLSTN, FLSTC
6	72168-07	TERMINAL, socket, 18-20 AWG (3)	FLSTN, FLSTC
7	72169-07	TERMINAL, pin, 16-20 AWG (2)	FLSTN, FLSTC
8	72343-10	TERMINAL, pin, 16-20 AWG (gold) (2)	FLSTN, FLSTC
9	72405-98BK	PUSH ON 90 DEGREE CONNECTOR	FLSTN, FLSTC
10	72415-07GY	HOUSING, four-way pin (gray)	FLSTN, FLSTC
11	72512-07BK	HOUSING, three-way socket (black)	FLSTN, FLSTC
12	72519-09BK	DUST CAP, three-way socket	FLSTN, FLSTC
13	73213-07	RETAINER, anchored clip	FLSTN, FLSTC
14	74112-98BK	HOUSING, two-way socket (black)	FLSTN, FLSTC
15	74120-08	DC LEAD ASSEMBLY	FLSTN, FLSTC
16	74152-98	SECONDARY LOCK, two-way socket	FLSTN, FLSTC
17	74191-98	TERMINAL, socket (2)	FLSTN, FLSTC
18	69200238	TERMINAL, insulated (2)	FLSTN, FLSTC

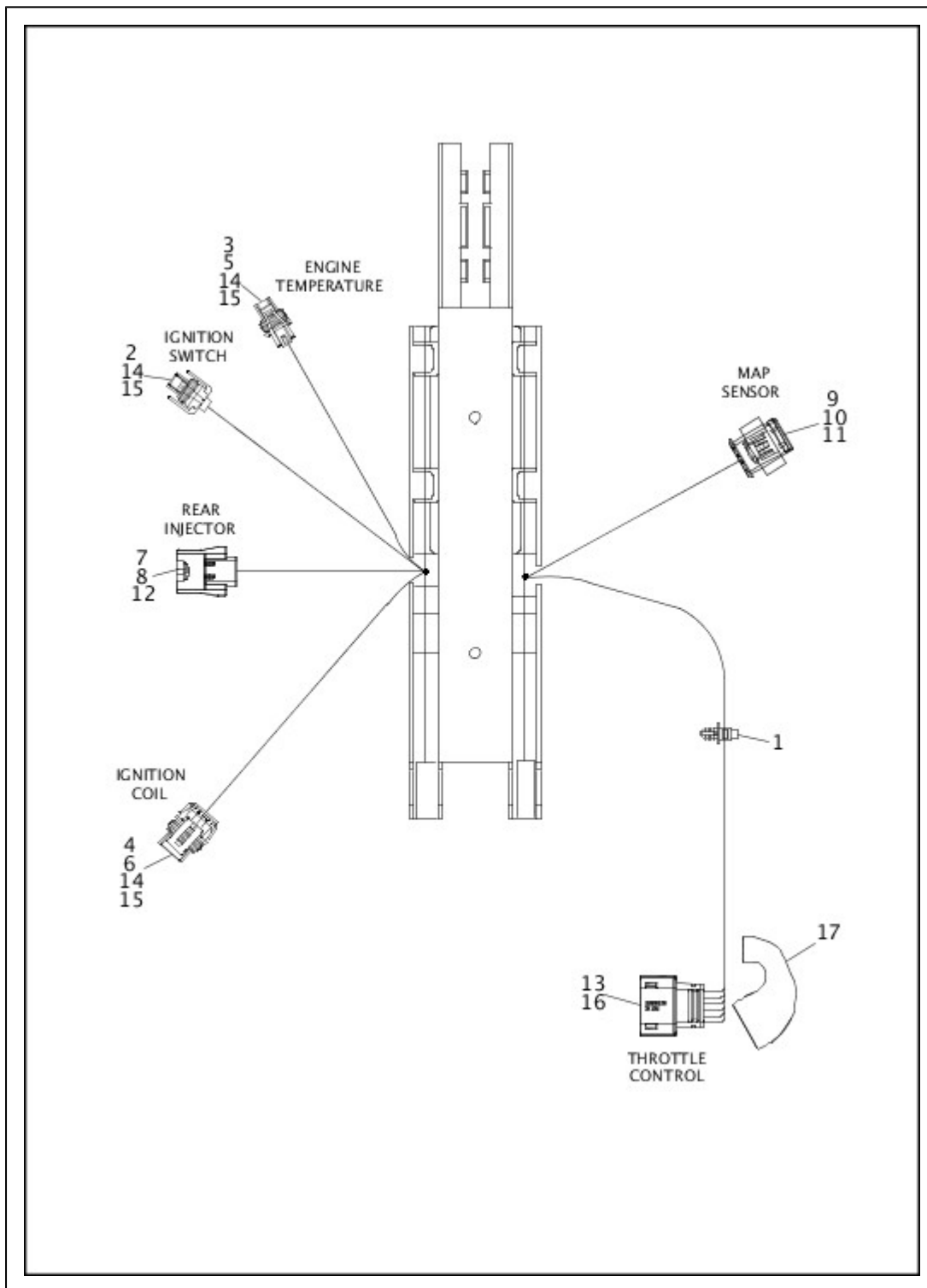
WIRING HARNESS, MAIN, ABS - FXSB (1 OF 5)



Index No.	Part No.	Description	Model(s)
	69201082	WIRING HARNESS, MAIN	FXSB
	69201083	WIRING HARNESS, MAIN (Brazil)	FXSB
NOTE: Includes the following parts.			
1	5118	SEAL PIN (3)	FXSB
2	10065	CABLE STRAP (2)	FXSB
3	10177	CABLE STRAP (3)	FXSB
4	71044-11	WIRE TROUGH	FXSB

5	72007-05	HOUSING, two-way socket (2)	FXSB
6	72010-05	WIRE SEAL, 22-26 AWG (green) (4)	FXSB
7	72024-08	TERMINAL, socket, 20-22 AWG (4)	FXSB
8	72169-07	TERMINAL, pin, 16-20 AWG (8)	FXSB
9	72213-94	TERMINAL, socket, 16-20 AWG (2)	FXSB
10	72251-07	SECONDARY LOCK, two-way socket (yellow)	FXSB
11	72402-07	HOUSING, two-way socket	FXSB
12	72413-07	TERMINAL, socket, 18-20 AWG (2)	FXSB
13	72473-07	SEAL PIN	FXSB
14	72554-09GY	HOUSING, six-way pin	FXSB
15	72606-08	HOUSING, two-way socket	FXSB
16	72609-08	SECONDARY LOCK, two-way socket (black)	FXSB
17	72610-08	SEAL, cable, 18-20 AWG (white) (2)	FXSB
18	72905-11	HOUSING, two-way pin	FXSB
19	72907-11	HOUSING, four-way pin (2)	FXSB
20	72909-11	TERMINAL, pin, 20-21 AWG (15)	FXSB
21	73104-96BK	HOUSING, four-way pin	FXSB
22	73106-96BK	HOUSING, six-way pin	FXSB
23	73190-96	TERMINAL, pin, 16-20 AWG (10)	FXSB
24	73198-96	RETAINER, anchored clip	FXSB
25	73213-07	RETAINER, anchored clip	FXSB
26	69201163	HOUSING, six-way pin	FXSB
27	69201164	TERMINAL, pin, 22 AWG (6)	FXSB
28	69201180	HOUSING, four-way pin (gray) (2)	FXSB
29	69201296	BRACKET, electrical connector, right	FXSB
30	69201297	BRACKET, electrical connector, left	FXSB

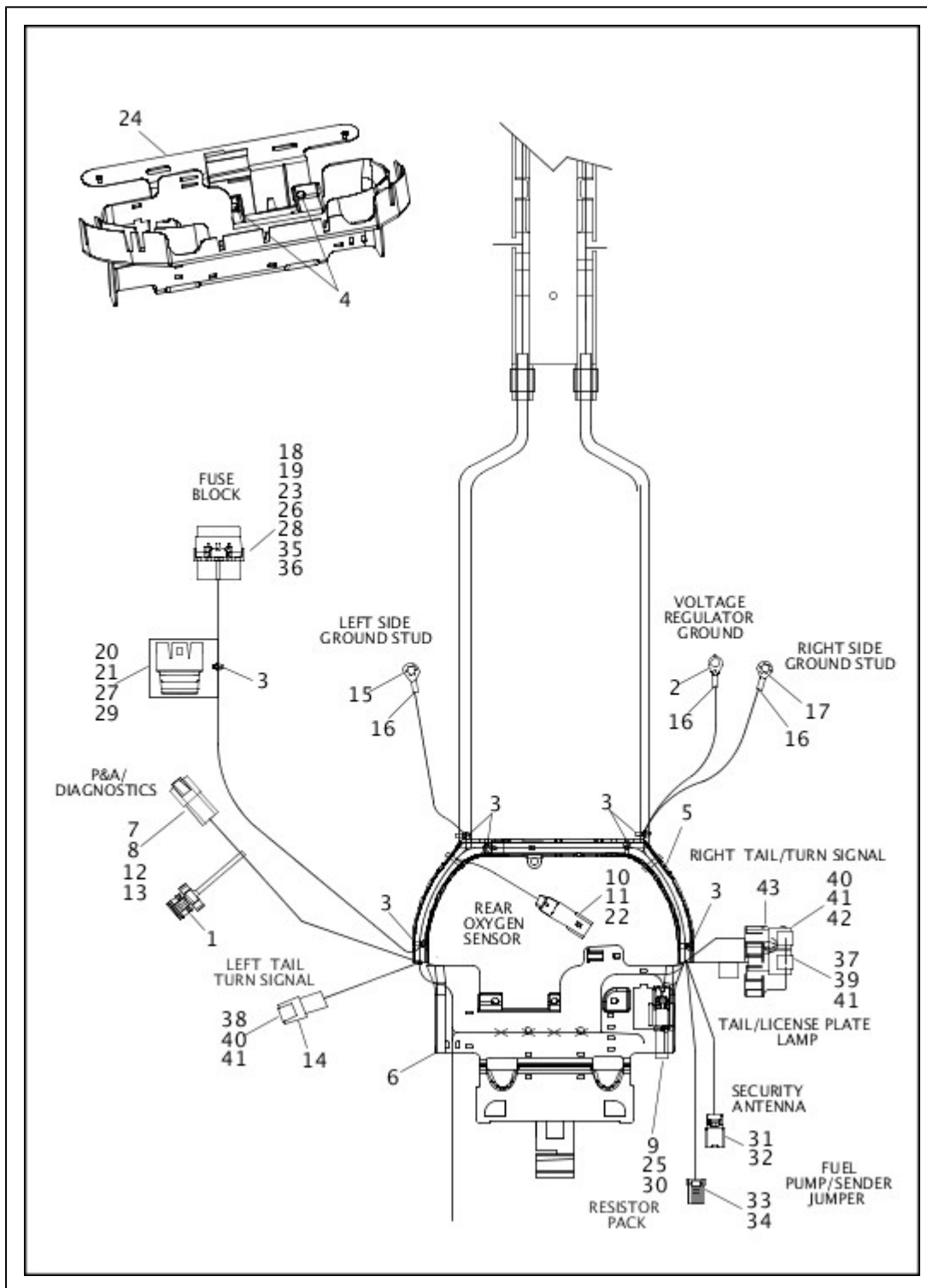
WIRING HARNESS, MAIN, ABS - FXSB (2 OF 5)



Index No.	Part No.	Description	Model(s)
	69201082	WIRING HARNESS, MAIN	FXSB
	69201083	WIRING HARNESS, MAIN (Brazil)	FXSB
NOTE: Includes the following parts.			
1	10177	CABLE STRAP	FXSB
2	72062-06	HOUSING, two-way socket	FXSB
3	72063-06	HOUSING, two-way socket	FXSB
4	72066-06A	HOUSING, four-way socket (black)	FXSB

5	72111-06	SECONDARY LOCK, two-way socket (gray)	FXSB
6	72135-06	SECONDARY LOCK, four-way socket (gray)	FXSB
7	72251-07	SECONDARY LOCK, two-way socket (yellow)	FXSB
8	72402-07	HOUSING, two-way socket (black)	FXSB
9	72406-07A	HOUSING, four-way socket	FXSB
10	72407-07	TERMINAL, socket, 16-20 AWG (4)	FXSB
11	72408-07	WIRE SEAL, 20 AWG (blue) (4)	FXSB
12	72413-07	TERMINAL, socket, 18-20 AWG (2)	FXSB
13	72483-08BK	HOUSING, six-way socket (black)	FXSB
14	72484-08	TERMINAL, socket, 20 AWG (8)	FXSB
15	72486-08	WIRE SEAL, 20 AWG (green) (8)	FXSB
16	72663-11	TERMINAL, socket, 18-20 AWG (silver) (6)	FXSB
17	69200437	BOOT, rubber	FXSB

WIRING HARNESS, MAIN, ABS - FXSB (3 OF 5)

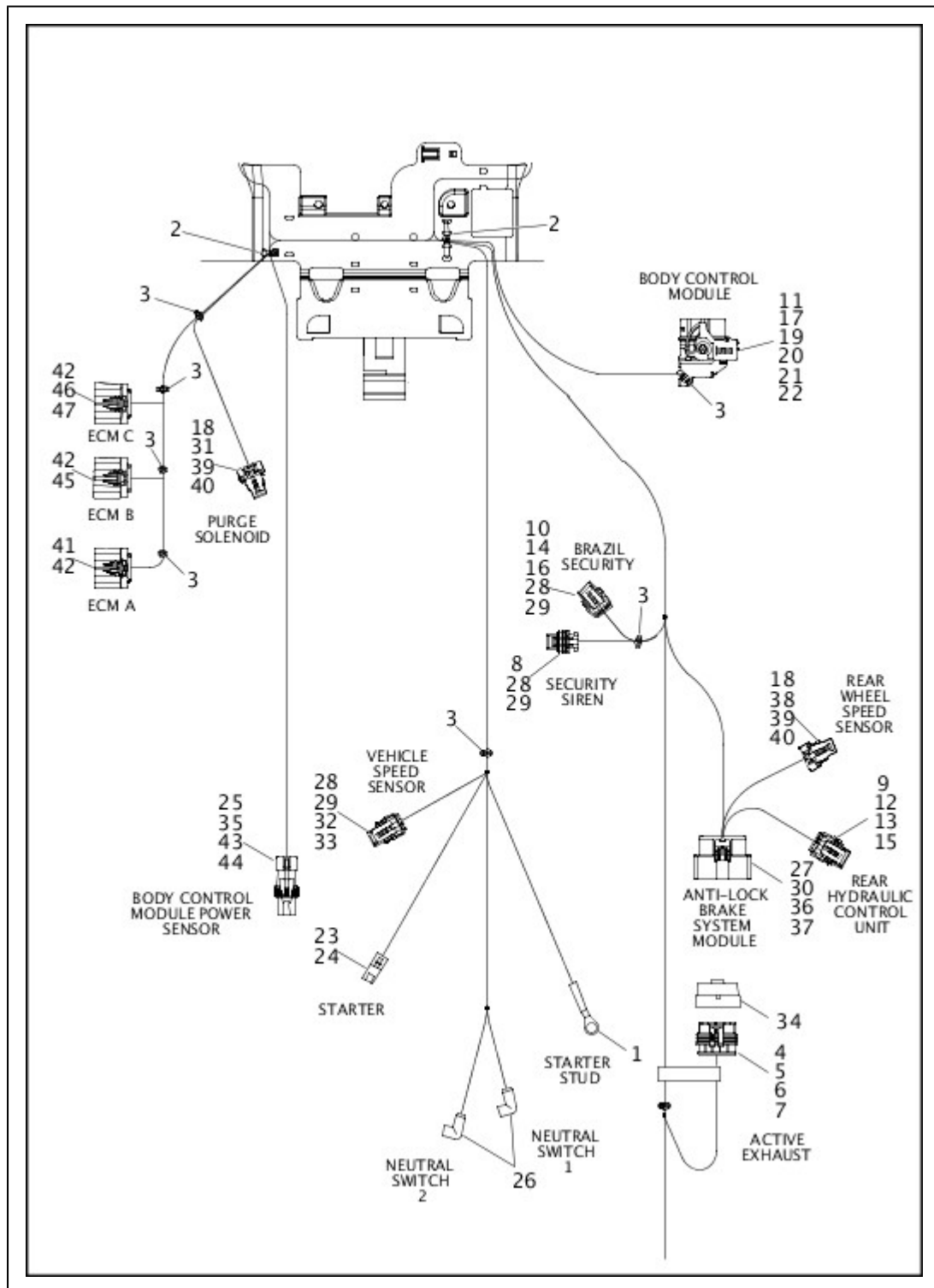


Index No.	Part No.	Description	Model(s)
	69201082	WIRING HARNESS, MAIN	FXSB
	69201083	WIRING HARNESS, MAIN (Brazil)	FXSB
NOTE: Includes the following parts.			
1	6990	PLUG, weather, six-way pin	FXSB
2	9819	TERMINAL RING, .25 stud, 12 AWGX2	FXSB
3	10065	CABLE STRAP (8)	FXSB
4	11785	FASTENER, push-in (2)	FXSB

5	70996-08	LOOM SHIELD, wire harness	FXSB
6	71060-11A	WIRE SHIELD	FXSB
7	72106-94BK	HOUSING, six-way (black) (replaces gray connector)	FXSB
8	72146-94	PIN LOCK, sec 6	FXSB
9	72168-07	TERMINAL, socket, 18-20 AWG (3)	FXSB
10	72169-07	TERMINAL, pin, 16-20 AWG (2)	FXSB
11	72175-07BK	HOUSING, four-way, pin (black)	FXSB
12	72190-94	TERMINAL, pin, 16-18 AWG (3)	FXSB
13	72194-94	TERMINAL, pin, 20 AWG (3)	FXSB
14	72199-94	CONNECTOR ANCHOR	FXSB
15	72242-94	TERMINAL, 1/4 ring (2)	FXSB
16	72249-94	HEAT SHRINK TUBE, .415 x 1 (black)	FXSB
17	72254-94	TERMINAL RING, .25 stud, 14-16 AWG	FXSB
18	72298-95	WIRE SEAL, 14-18 AWG (green) (4)	FXSB
19	72308-97	TERMINAL, socket, 12-14 AWG (2)	FXSB
20	72314-01	MAIN FUSE, 40 A	FXSB
21	72330-95	FUSE, 15 A (blue) (4)	FXSB
22	72343-10	TERMINAL, pin, 16-20 AWG (gold) (2)	FXSB
23	72356-95	TERMINAL, socket, 18-20 AWG (2)	FXSB
24	72369-08A	BRACKET, fuse block holder (black)	FXSB
25	72514-07GY	HOUSING, three-way socket (gray)	FXSB
26	72582-11	FUSE BLOCK	FXSB
27	72586-11	COVER, fuse block	FXSB
28	72587-11	SECONDARY LOCK, fuse block	FXSB
29	72595-11	SEAL, fuse block	FXSB
30	72677-11	RESISTOR ASSEMBLY, fuel sender	FXSB
31	72720-07	HOUSING, two-way socket	FXSB
32	72721-07	TERMINAL, SOCKET, 18-20 AWG (2)	FXSB
33	73154-96BK	HOUSING, four-way, socket	FXSB
34	73191-96	TERMINAL, socket, 16-20 AWG (4)	FXSB
35	73304-04	TERMINAL, .31 socket, 10 AWG (2)	FXSB
36	73305-04	SEAL WIRE, 10 AWG (blue) (2)	FXSB

37	74103-98BK	HOUSING, three-way pin	FXSB
38	74104-98BK	HOUSING, four-way pin (black)	FXSB
39	74143-98	SECONDARY LOCK, three-way pin	FXSB
40	74144-98	SECONDARY LOCK, four-way pin (2)	FXSB
41	74190-98	TERMINAL, pin, 16-20 AWG (11)	FXSB
42	69200010	CONNECTOR, four-way pin (gray)	FXSB
43	69200012	BRACKET, pin housing	FXSB

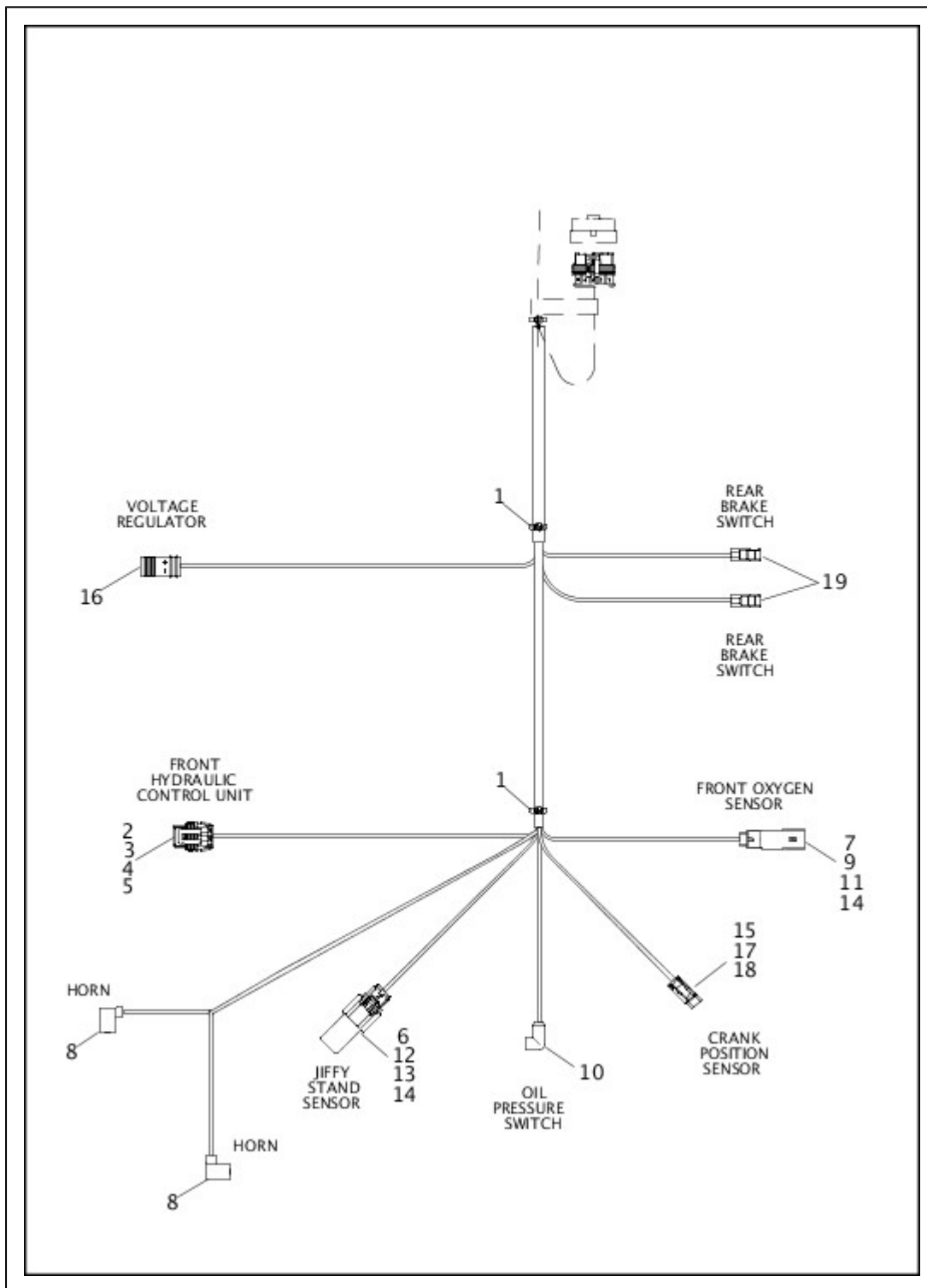
WIRING HARNESS, MAIN, ABS - FXSB (4 OF 5)



Index No.	Part No.	Description	Model(s)
	69201082	WIRING HARNESS, MAIN	FXSB
	69201083	WIRING HARNESS, MAIN (Brazil)	FXSB
NOTE: Includes the following parts.			
1	9842	TERMINAL RING, .31 10-12 AWG	FXSB
2	10006	CABLE STRAP (2)	FXSB
3	10065	CABLE STRAP (7)	FXSB
4	72010-05	WIRE SEAL, 22-26 AWG (green) (4)	FXSB
5	72012-07	HOUSING, five-way socket	FXSB
6	72014-07	SEAL PIN	FXSB
7	72024-08	TERMINAL, socket, 20-22 AWG (4)	FXSB
8	72064-06	HOUSING, three-way socket	FXSB
9	72066-06A	HOUSING, four-way socket (black)	FXSB
10	72066-06A	HOUSING, four-way socket (black) (Brazil)	FXSB
11	72081-11	HOUSING, 48-way socket	FXSB
12	72094-06	TERMINAL, socket, socket 18 AWG (4)	FXSB
13	72096-06	WIRE SEAL, 18 AWG (yellow) (4)	FXSB
14	72097-06	PLUG, oval (orange) (2)	FXSB
15	72135-06	SECONDARY LOCK, four-way socket (gray)	FXSB
16	72135-06	SECONDARY LOCK, four-way socket (gray) (Brazil)	FXSB
17	72209-11	COVER, wire	FXSB
18	72213-94	TERMINAL, socket, 16-20 AWG (4)	FXSB
19	72222-11	TERMINAL SOCKET, 18-20 AWG (20)	FXSB
20	72226-11	TERMINAL SOCKET, 14-16 AWG	FXSB
21	72227-11	TERMINAL, socket, 18-20 AWG (5)	FXSB
22	72256-11	SEAL PIN, .6mm, plug (9)	FXSB
23	72291-94	TERMINAL, 14-16 AWG	FXSB
24	72295-94	HOUSING, starter connection	FXSB
25	72350-11	HOUSING, one-way	FXSB
26	72405-98BK	PUSH ON 90 DEGREE CONNECTOR (2)	FXSB
27	72473-07	SEAL PIN (5)	FXSB

28	72484-08	TERMINAL, socket, 20 AWG (6)	FXSB
28	72484-08	TERMINAL, socket, 20 AWG (Brazil) (8)	FXSB
29	72486-08	WIRE SEAL, 20 AWG (green) (6)	FXSB
29	72486-08	WIRE SEAL, 20 AWG (green) (Brazil) (8)	FXSB
30	72500-07ABK	HOUSING, 20-way socket (black)	FXSB
31	72518-01	HOUSING, socket, two-way (red)	FXSB
32	72543-07BK	HOUSING, three-way socket (black)	FXSB
33	72544-07	SECONDARY LOCK, three-way socket	FXSB
34	72553-07	DUST CAP, five-way	FXSB
35	72575-11	SECONDARY LOCK	FXSB
36	72581-11	TERMINAL, socket, 18-20 AWG (gold) (12)	FXSB
37	72593-11	TERMINAL, socket, 14-16 AWG (gold) (3)	FXSB
38	72606-08	HOUSING, two-way socket	FXSB
39	72609-08	SECONDARY LOCK, two-way socket (black) (2)	FXSB
40	72610-08	SEAL, cable, 18-20 AWG (white) (4)	FXSB
41	72664-12A	HOUSING, 18-way, socket, key A (black)	FXSB
42	72666-12	TERMINAL, socket, 18-20 AWG (silver) (36)	FXSB
43	73304-04	TERMINAL, .31 socket, 10 AWG	FXSB
44	73305-04	SEAL WIRE, 10 AWG (blue)	FXSB
45	69200267A	HOUSING, 18-way, socket, key B (gray)	FXSB
46	69200268A	HOUSING, 18-way, socket, key C (brown)	FXSB
47	69201168	TERMINAL, socket, 22 AWG (silver)	FXSB

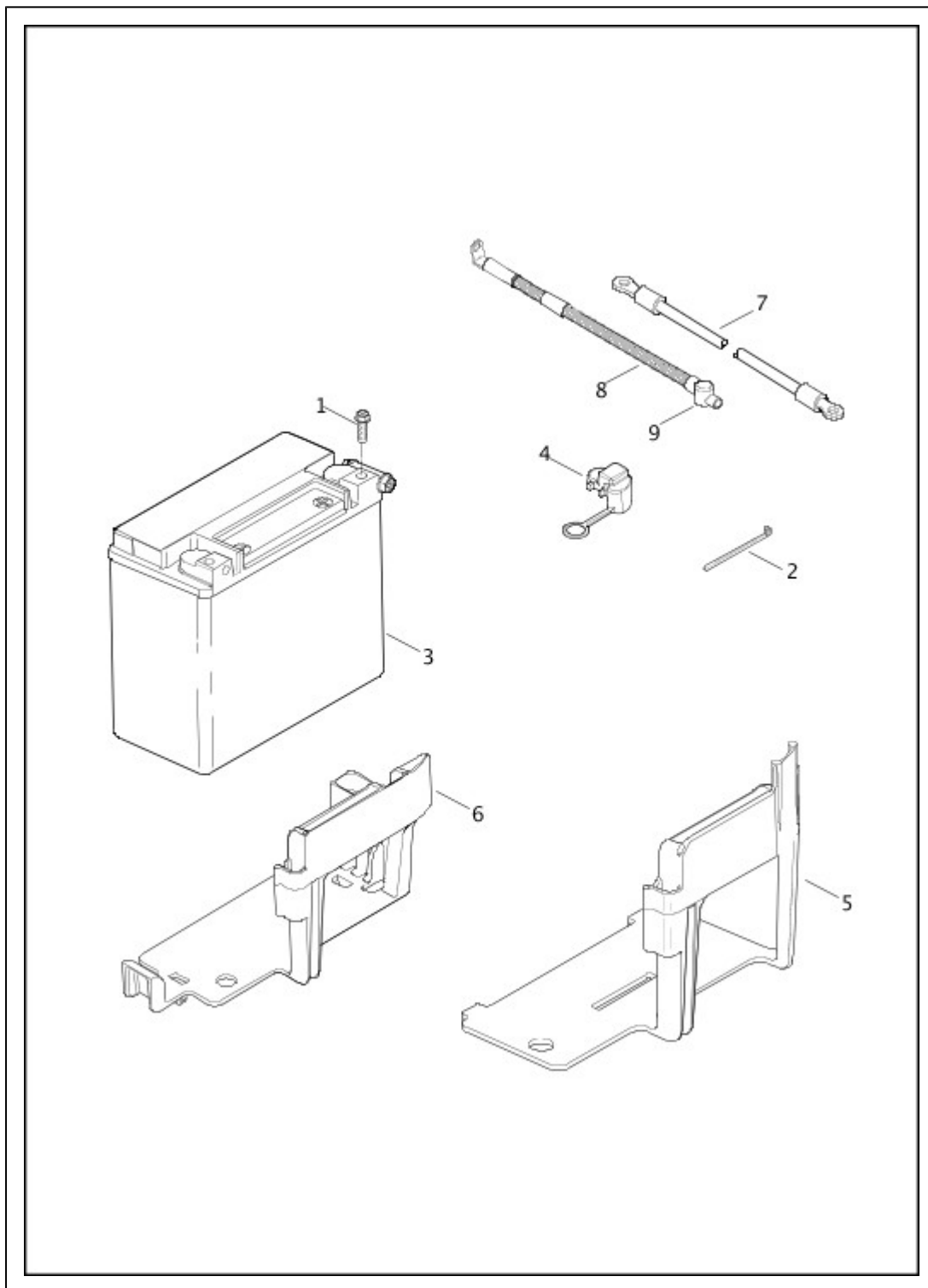
WIRING HARNESS, MAIN, ABS - FXSB (5 OF 5)



Index No.	Part No.	Description	Model(s)
	69201082	WIRING HARNESS, MAIN	FXSB
	69201083	WIRING HARNESS, MAIN (Brazil)	FXSB
NOTE: Includes the following parts.			
1	10065	CABLE STRAP (2)	FXSB
2	72066-06A	HOUSING, four-way socket (black)	FXSB
3	72094-06	TERMINAL, socket, socket 18 AWG (4)	FXSB
4	72096-06	WIRE SEAL, 18 AWG (yellow) (4)	FXSB

5	72135-06	SECONDARY LOCK, four-way socket (gray)	FXSB
6	72168-07	TERMINAL, socket, 18-20 AWG (3)	FXSB
7	72169-07	TERMINAL, pin, 16-20 AWG (2)	FXSB
8	72283-09	TERMINAL, socket, 14-16 AWG	FXSB
9	72343-10	TERMINAL, pin, 16-20 AWG (gold) (2)	FXSB
10	72405-98BK	PUSH ON 90 DEGREE CONNECTOR	FXSB
11	72415-07GY	HOUSING, four-way pin (gray)	FXSB
12	72512-07BK	HOUSING, three-way socket (black)	FXSB
13	72519-09BK	DUST CAP, three-way socket	FXSB
14	73213-07	RETAINER, anchored clip (2)	FXSB
15	74112-98BK	HOUSING, two-way socket (black)	FXSB
16	74120-08	DC LEAD ASSEMBLY	FXSB
17	74152-98	SECONDARY LOCK, two-way socket	FXSB
18	74191-98	TERMINAL, socket (2)	FXSB
19	69200238	TERMINAL, insulated (2)	FXSB

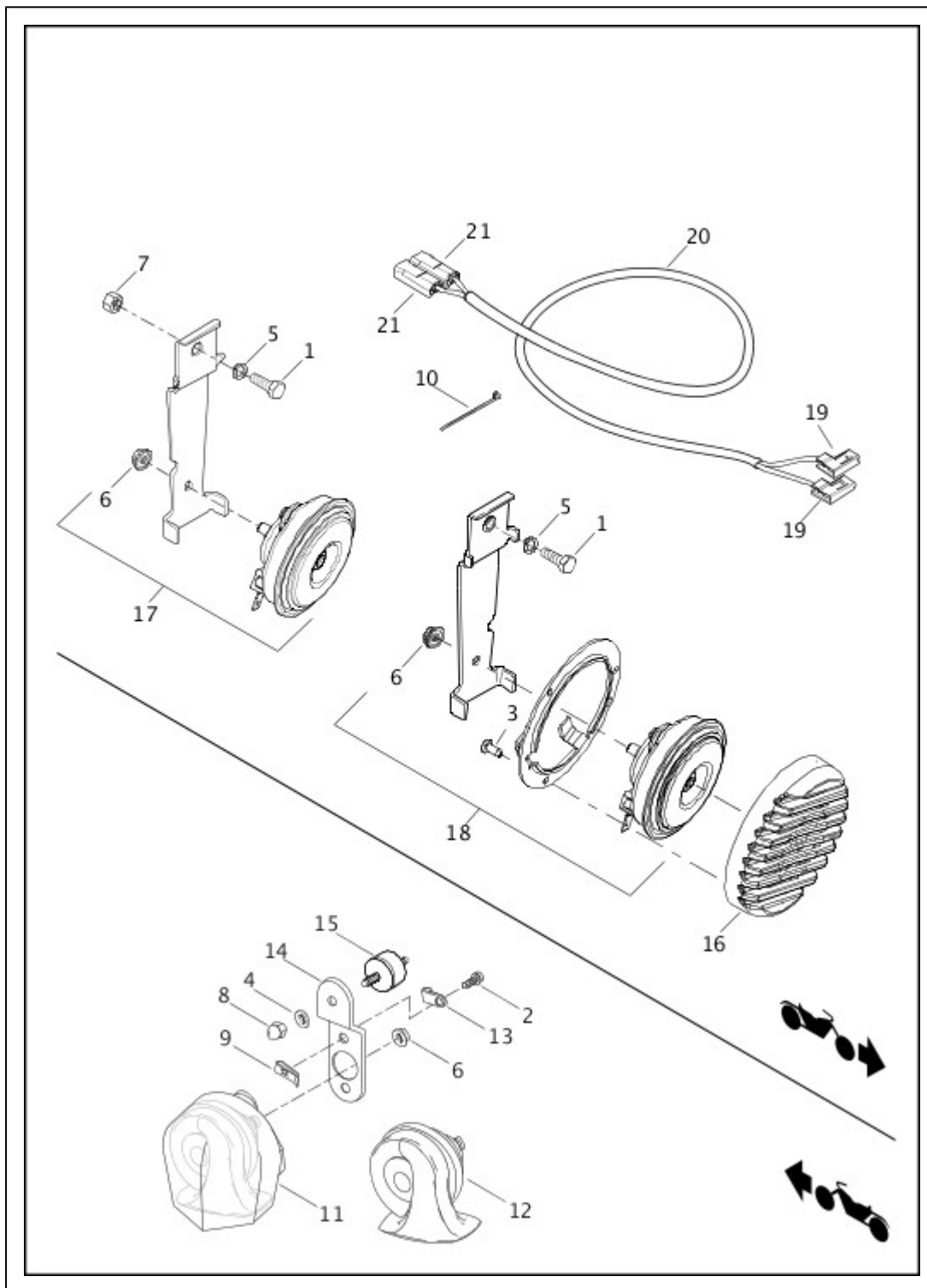
BATTERY



Index No.	Part No.	Description	Model(s)
1	4312C	SCREW (2)	
2	10065	CABLE STRAP (2)	
3	65989-97C	BATTERY, sealed	
	66000065	BATTERY, sealed (Brazil)	FXSB, FLSTC, FLSTF, FLSTN, FLSTFB
4	66415-08A	COVER, battery terminal	

5	70111-07	CADDY	FLSTC, FLSTF, FLSTN, FLSTFB, FLS, FLSS, FLSTFBS
6	70112-08	CADDY	FXSB
7	70060-08A	CABLE ASSEMBLY, battery negative	
8	70078-08A	CABLE ASSEMBLY, battery positive, with 70593-08	FLSTC, FLSTF, FLSTN, FLSTFB, FLS, FLSS, FLSTFBS
	70082-08A	CABLE ASSEMBLY, battery positive, with 70593-08	FXSB
9	70593-08	BOOT	

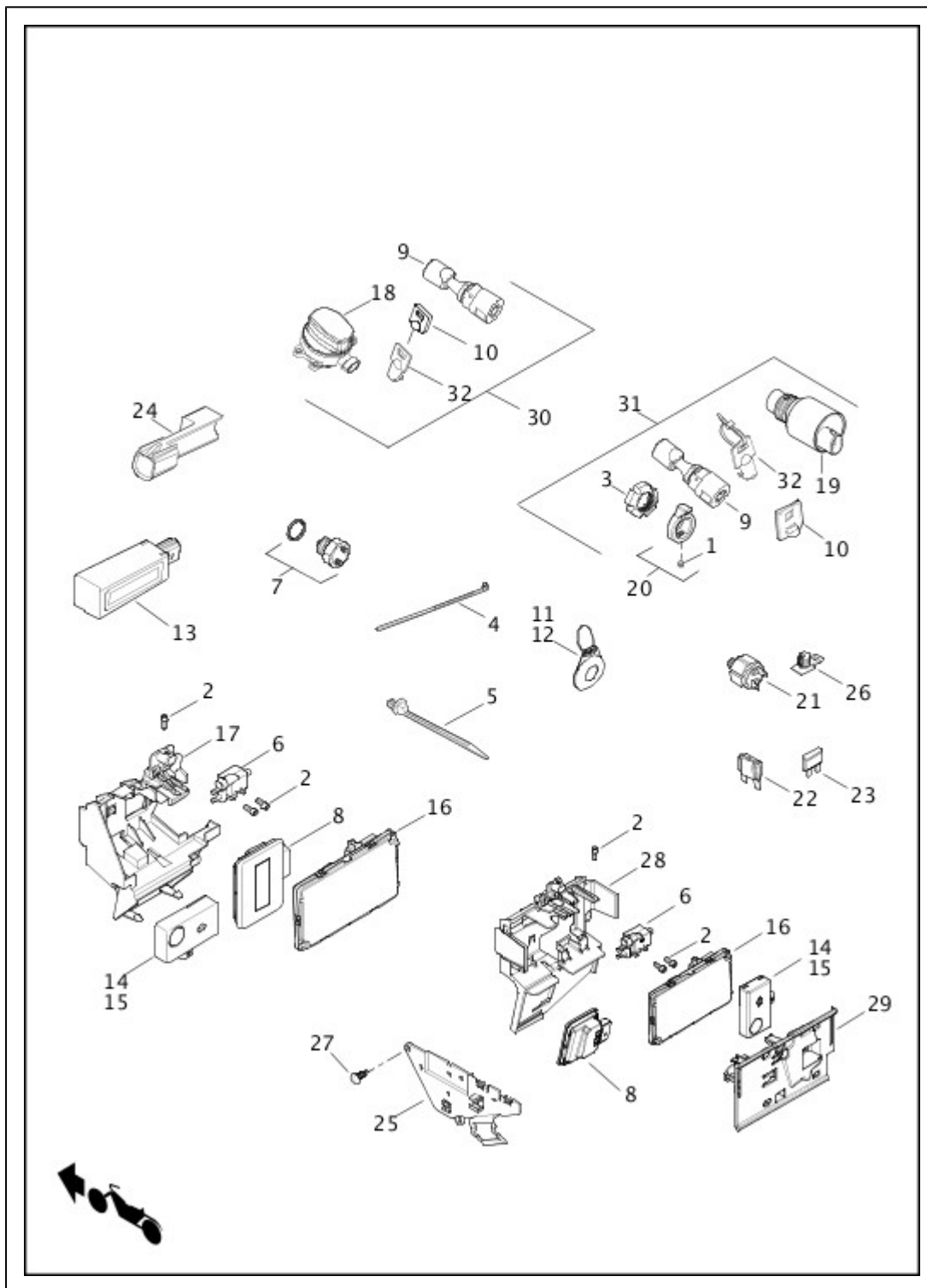
HORN



Index No.	Part No.	Description	Model(s)
1	2882W	SCREW	FLSTC, FLSTFB, FLSTF, FXSB
2	3563	SCREW (2)	FLSTC, FLSTF, FLSTN, FLSTFB, FLS, FLSS, FLSTFBS
3	4694	SCREW (2)	FXSB
4	6109	WASHER	FLSTC, FLSTF, FLSTN, FLSTFB, FLS, FLSS, FLSTFBS
5	6702	WASHER	FLSTC, FLSTFB, FLSTF, FXSB

6	7495	NUT	FLSTC, FLSTF, FLSTN, FLSTFB, FLS, FXSB, FLSS, FLSTFBS
7	7531	LOCKNUT, (India) (2)	FLSTC
8	7549A	ACORN NUT	FLSTC, FLSTF, FLSTN, FLSTFB, FLS, FLSS, FLSTFBS
9	8108	SPEEDNUT (2)	FLSTC, FLSTF, FLSTN, FLSTFB, FLS, FLSS, FLSTFBS
10	10006	CABLE STRAP (2)	FXSB
11	61300477	COVER, horn (gloss black)	FLS, FLSS, FLSTFBS
	61300478	COVER, horn (chrome)	FLSTC, FLSTF, FLSTN
	61300481	COVER, horn (black denim)	FLSTFB
12	69060-90H	HORN ASSEMBLY	FLSTC, FLSTF, FLSTN, FLSTFB, FLS, FLSS, FLSTFBS
13	69062-91A	CLAMP	FLSTC, FLSTF, FLSTN, FLSTFB, FLS, FLSS, FLSTFBS
14	69120-91	BRACKET, horn	FLSTC, FLSTF, FLSTN, FLS, FLSS, FLSTFBS
	69130-10BYM	BRACKET, horn	FLSTFB
15	69123-92A	MOUNT, horn (rubber)	FLSTC, FLSTF, FLSTN, FLSTFB, FLS, FLSS, FLSTFBS
16	69170-08	COVER, horn	FXSB
17	69000026	HORN ASSEMBLY, with 7495 (India)	FLSTC
	69000033	HORN ASSEMBLY, with 7495 (India)	FLSTFB, FLSTF, FXSB
18	69000006	HORN ASSEMBLY, with 7495	FXSB
19	72283-09	TERMINAL, 14-16 AWG, 90-degree (India) (2)	FLSTC, FLSTFB, FLSTF
20	69200282	JUMPER, horn (India)	FLSTC, FLSTFB, FLSTF
21	69200283	TERMINAL, 14-16 AWG (India) (2)	FLSTC, FLSTFB, FLSTF

SWITCHES

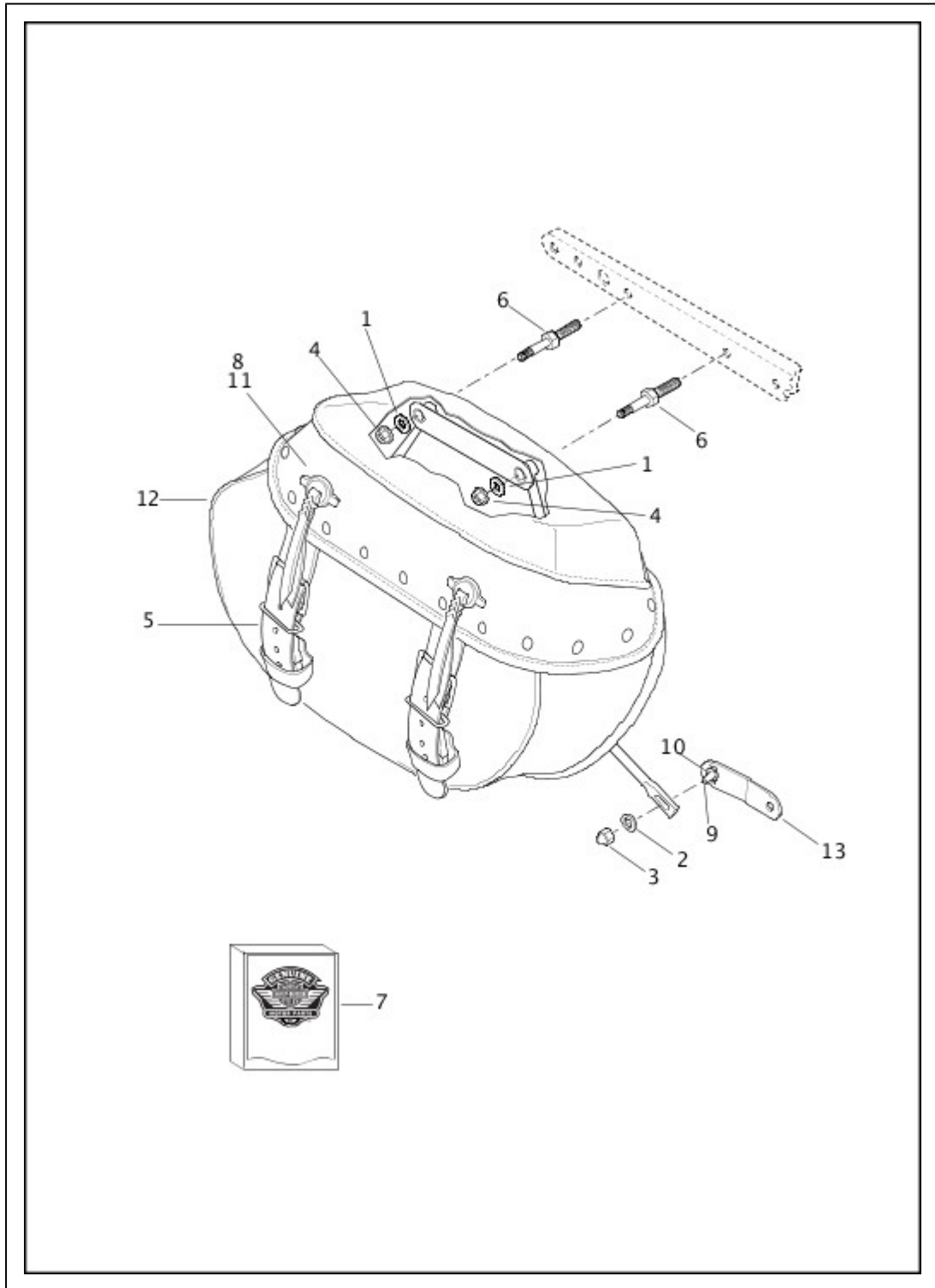


Index No.	Part No.	Description	Model(s)
1	1565	LOCK PIN	FXSB
2	4867	SCREW (3)	
3	7343	NUT	FXSB
4	10006	CABLE STRAP	
5	10177	CABLE STRAP, (Japan)	
6	27715-07	PURGE SOLENOID	

7	33926-06B	SWITCH, neutral indicator	
8	41100036	ABS MODULE (ECU)	
9	45680-90	FORK LOCK	
10	61081-92	COVER, key head set	
11	66373-06	BATTERY, remote control fob	
12	68926-07	REMOTE CONTROL FOB, with 66373-06	
	69995-11	REMOTE CONTROL FOB, with 66373-06 (Japan)	
13	68956-07	MODULE, antenna security (except Japan)	
14	68958-07C	SIREN ALARM, for siren vehicles (Asia-Pacific, Australia, Brazil, England, HDI, Japan)	
15	69309-10	BATTERY, siren (Asia-Pacific, Australia, Brazil, England, HDI, Japan)	
16	69991-11C	BODY CONTROL MODULE (BCM), base level	
	69993-11C	BODY CONTROL MODULE (BCM), 434 MHZ, security	
	69997-11C	BODY CONTROL MODULE (BCM), 315 MHZ, security (Japan)	
17	70354-11	BRACKET, electrical	FLSTC, FLSTF, FLSTN, FLSTFB, FLS, FLSS, FLSTFBS
18	71517-11	IGNITION SWITCH, (specify key number)	FLSTC, FLSTF, FLSTN, FLSTFB, FLS, FLSS, FLSTFBS
19	71794-11	SWITCH ASSEMBLY, ignition	FXSB
20	71796-11	IGNITION SWITCH KNOB KIT, with 1565	FXSB
21	72023-51E	STOP LAMP SWITCH, rear	
22	72314-01	MAIN FUSE, 40 A	
23	72330-95	FUSE, 15 A (6)	
24	72594-11	DUST CAP, two-way socket, non-security	
25	72596-11	BRACKET, electrical connectors (right) (not illustrated)	
	72597-11	BRACKET, electrical connectors (left)	
26	73213-07	RETAINER, anchored	FLSTC, FLSTF, FLSTN, FLS, FLSTFB, FLSS, FLSTFBS
27	12600015	FASTENER, push-in	
28	69200451	CADDY, electrical	FXSB
29	69200452	COVER, electrical caddy	FXSB
30	71400076	IGNITION SWITCH AND FORK LOCKSET, with 90300043	FLSTC, FLSTF, FLSTN, FLSTFB,

		keys, ignition switch and fork lock	FLS, FLSS, FLSTFBS
31	71400077	IGNITION SWITCH AND FORK LOCKSET, with 90300043 keys, ignition switch and fork lock	FXSB
32	90300043	KEY, with 61081-92 (set of two) (specify key number)	

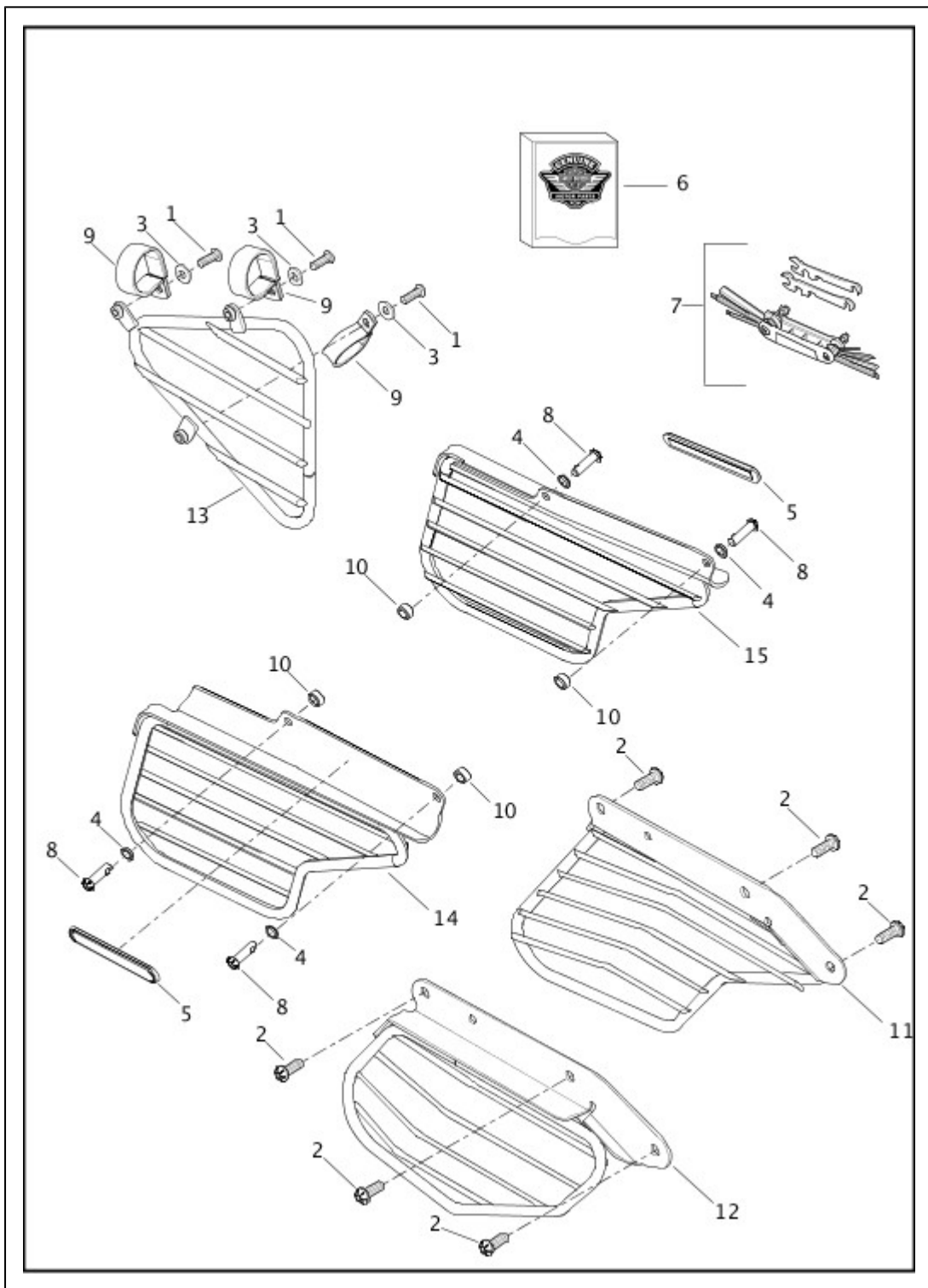
SADDLEBAGS - FLSTC



Index No.	Part No.	Description	Model(s)
1	6229W	WASHER (4)	FLSTC

2	6702	WASHER (2)	FLSTC
3	7549A	ACORN NUT (2)	FLSTC
4	7531	LOCKNUT (4)	FLSTC
5	90247-00	BUCKLE ASSEMBLY (4)	FLSTC
6	90367-03	STUD (4)	FLSTC
7	90438-10	SADDLEBAG STRAP REPAIR KIT (4)	FLSTC
8	91679-00	BACKPLATE (4)	FLSTC
9	10200410	BOLT (2)	FLSTC
10	10300100	WASHER, retaining (2)	FLSTC
11	61400327	CONCHO (4)	FLSTC
12	90201299	SADDLEBAG, (left) (not shown)	FLSTC
	90201300	SADDLEBAG, (right)	FLSTC
13	90201305	SUPPORT BAR, saddlebag	FLSTC

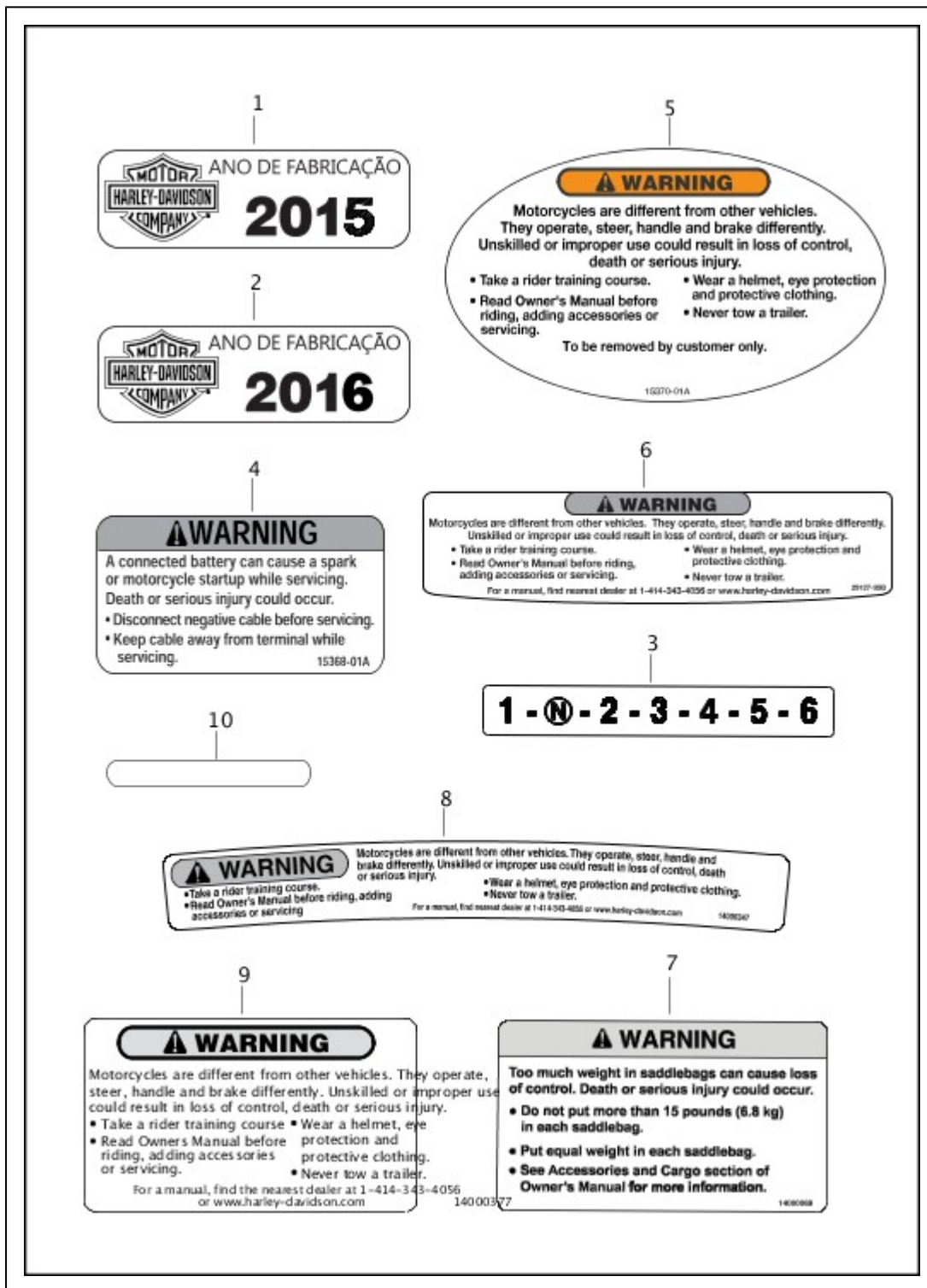
GUARDS, SAREE



Index No.	Part No.	Description	Model(s)
NOTE: These parts are required for motorcycles sold in the India market.			
1	927A	SCREW (3)	FLSTFB, FXSB, FLSTF
2	4512A	SCREW (6)	FLSTFB, FLSTF
3	6703	WASHER (3)	FLSTFB, FXSB, FLSTF
4	6812	WASHER (4)	FXSB
5	60254-07	REFLECTOR (2)	FXSB
6	93511-10	FIRST AID KIT	FLSTFB, FXSB, FLSTC, FLSTF

7	94435-10	FOLDING TOOL	FLSTFB, FXSB, FLSTC, FLSTF
8	10200386	SCREW (4)	FXSB
9	10800054	P-CLAMP (3)	FLSTFB, FLSTF
	10800093	P-CLAMP, (not shown) (3)	FXSB
10	12400108	SPACER (4)	FXSB
11	60300018	SAREE GUARD, rear (left)	FLSTFB, FLSTF
12	60300019	SAREE GUARD, (right)	FLSTFB, FLSTF
13	60300032A	SAREE GUARD, front (left)	FLSTFB, FXSB, FLSTF
14	60300109	SAREE GUARD, with 60254-07 (right)	FXSB
15	60300110	SAREE GUARD, with 60254-07 (left)	FXSB

LABELS

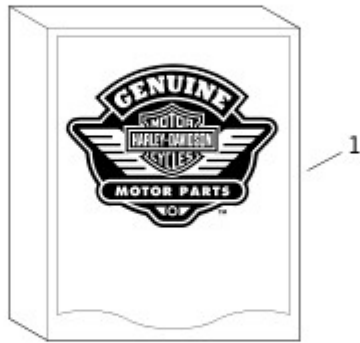


Index No.	Part No.	Description	Model(s)
1	13729-15	YEAR OF MANUFACTURE LABEL, (Brazil)	FXSB, FLSTC, FLSTF, FLSTN, FLSTFB
2	13729-16	YEAR OF MANUFACTURE LABEL, (Brazil)	FXSB, FLSTC, FLSTF, FLSTN, FLSTFB
3	14272-06	LABEL, shift pattern (Japan)	
4	15368-01A	LABEL, battery warning	
5	15370-	LABEL, mirror/general warning	

	01A		
	15385-08	LABEL, mirror warning, Portugese (Brazil)	FXSB, FLSTC, FLSTF, FLSTN, FLSTFB
6	29127-95B	LABEL, air cleaner warning	FLSTC, FLSTF, FLSTN, FXSB
	29404-01A	LABEL, air cleaner warning	FLSTFB, FLS
7	14000069	LABEL, warning, saddlebag	FLSTC
8	14000347	LABEL, air cleaner warning (Domestic, California)	FLSS
9	14000377	LABEL, air cleaner warning (Domestic, California)	FLSTFBS
10	14000827	CLEAR OVERLAY, VIN label (Japan)	

NOTE: When ordering any VIN, Emissions, or Noise Labels you must contact your local dealer with the VIN number and model year of your motorcycle and the label type needed. Replacement VIN and Emissions labels can only be ordered for warranty purposes through h-dnet Service eForm.

LOOSE PARTS



Index No.	Part No.	Description	Model(s)
1	68926-07	REMOTE CONTROL FOB, with 66373-06 (except Japan) (2)	
	69995-11	REMOTE CONTROL FOB, with 66373-06 (Japan) (2)	
	72314-01	MAIN FUSE, 40 A	
	99469-16	OWNER'S MANUAL, (English)	
	94000326	OWNER'S KIT CONTENT, (Domestic)	
	90300043	KEY, with 61081-92 (set of two) (specify key number)	

	94000084	ABS DVD, (ABS Models)	
	57061-09	WINDSHIELD ASSEMBLY, complete (Australia,Canada, Domestic, India)	FLSTC
	57091-06A	WINDSHIELD ASSEMBLY, complete (England, HDI, Japan)	FLSTC
	93511-10	FIRST AID KIT, (India)	FLSTC
	94435-10	FOLDING TOOL, (India)	FLSTC
	93511-10	FIRST AID KIT, (India)	FLSTFB, FXSB, FLSTF
	94435-10	FOLDING TOOL, (India)	FLSTFB, FXSB, FLSTF
	29762-09	RAINSOCK	FLSTFBS

ALL SOFTAILFLSTCFXSB, FLSTF, FLSTFBFLSTFBS

Hardware List

Part No.	Description
1001	SCREW 1/4-20 X 5/8 TORX button hd., self-tapping (Grade 8)
1039	SCREW 5/16-18 X 2-1/2 hex flange hd. (Grade 8)
10500053	SCREW 1/4-20 X 3/8 TORX button hd., w/ lockpatch (zinc)
1062	SCREW 1/4-20 X 5/8 TORX hd. (Grade 8)
1090A	SCREW 5/16-18 X 3-3/4 hex flange hd.w/ seal ring
1775	SCREW 1/4-20 X 4 hex socket hd. (Grade 8)
1778	SCREW 1/4-20 X 4-1/2 hex socket hd. w/lock patch
2441	SCREW No. 10-24 X 1/2 TORX pan hd.
2452	SCREW No. 12-24 X 13/16 pan hd., w/lockpatch
2501A	SCREW No. 8-32 X 3/8 hex hd., self-tapping
2538	SCREW 1/4-20 X 1 Pozidriv pan hd. (Grade 2)
2566	SCREW No. 8-32 X 7/8 self-tapping
2579A	SCREW No. 8-32 X 5/16 Pozidriv oval hd.
2590	SCREW No. 8-32 X 5/8 Phillips hd.
2604	SCREW No. 10-32 X 1/2 Pozidriv pan hd. (Grade 2)
2647B	SCREW No. 10-24 X 3/4 socket hd., self-locking
2692WB	SCREW No. 10-24 X 1/2 socket fillister hd. (Grade 8)
2773	SCREW 1/4-20 X 1/2 Pozidriv pan hd. (Grade 2)
2882W	SCREW 5/16-18 X 5/8 hex hd. (Grade 5)

2921	SCREW No. 12 X 5/8 TORX pan hd.
29269-83A	SCREW 15/16-18 X 5/8 hex button hd., w/lockpatch
29327-94	SCREW 5/16-18 X 1-1/4 lock patch
2941	SCREW 1/4-20 X 35/64 socket hd., self-tapping (Grade 5)
2980	SCREW M6 X 1 X 16mm hex flange hd.
3017	SCREW No. 10-24 X 0.44 TORX pan hd., self-tapping
3022A	SCREW 1/4-20 X 5/8 socket fillister hd., w/lockpatch
3048	SCREW No. 10-24 X 3/8 hex button hd.
3050	SCREW No. 10-24 X 1-3/8 TORX hd.
3056	SCREW 3/8-16 X 1-1/2 TORX button hd.
3061	SCREW 1/4-20 X 5/8 SEMS hex hd.
3075	SCREW 1/4-20 X 11/32 pan hd.
3109	SCREW 7/16-14 X 2-5/8 hex cap w/washer, lock patch
3110	BOLT 3/8-16 X 1-3/4 hex hd.
3210A	SCREW 5/16-18 X 1-1/4 knurled hd.
3233	SCREW 1/4-28 X 1/4 socket hd.
3249	SCREW 5/16-18 X 1-3/16 socket hd. (Grade 8)
3275	SCREW 5/16-18 X 3/4 socket hd. (Grade 8)
3300	SCREW 5/16-18 X 1-1/2 socket hd., w/lockpatch (Grade 8)
3383	SCREW No. 8-32 X 1-1/4 fillister hd. (Grade 2)
3387	SCREW No. 10-16 X 1.0 TORX pan hd., self-tapping
3391	SCREW 1/4-20 X 7/16 hex flange hd.
3471	BOLT 1/2-13 X 2-3/4 hex hd. (Grade 5)
3485A	SCREW 5/16-18 X 1-3/4 knurled hd. (Grade 8)
3494A	BOLT 5/16-18 X 7/8 hex hd.
3514	SCREW No. 8-32 X 1 fillister hd. (Grade 5)
35241-06	NUT 1-3/4-20 X .350 X 2-1/4 hex hd.
35244-06	SCREW 5/16-18 X 1-1/4 hex flange hd.
35259-06	SCREW No. 10-24 X 1/2 hex hd. (Grade 8)
3537	SCREW 1/4-28 X 1/2 flange hd., w/lockpatch
3538	SCREW 5/16-24 X 1/2 socket button hd.
3560WA	BOLT No. 10-24 X 3/8
3561WC	BOLT No. 10-24 X 3/8

3563	SCREW 1/4-20 X 3/8 hex flange hd. (Grade 5)
3574	SCREW 1/4-20 X 3/4 flange
3594	SCREW 1/4-20 X 5/8 knurled hd. (Grade 8)
3612	SCREW No. 10-16 X 1/2 TORX pan hd., self-tapping
3615	SCREW No. 8-32 X 1, pan hd., thread-cutting
3655A	SCREW 5/16-18 X 7/8 TORX pan hd., w/lockpatch (Grade 8)
3656	SCREW No. 8-32 X 3/8 TORX pan hd. (Grade 5)
3658	SCREW No. 10-24 X 1/2 TORX hd. (Grade 5)
36706-01K	BOLT M6 X 1.0 X 30 hex flange hd.
3692A	SCREW 5/16-18 X 1.0 hex hd., w/lockpatch
3693A	SCREW 5/16-18 X 1-3/4 hex hd., w/lockpatch
3699D	SCREW 3/8-16 X 2.0 hex flange hd. (Grade 8)
3736B	SCREW 5/16-18 X 1-1/4 hex flange hd., w/lockpatch
3767B	BOLT 1/4-20 X 5/8 hex hd. (Grade 5)
3799	SCREW 1/4-20 X 3/4 flange hd.
3953W	BOLT 5/16-24 X 1/2 hex hd. (Grade 5)
3983	SCREW 3/8-16 X 1-5/8 hex flange hd., w/washer (Grade 8)
3987	BOLT 5/16-18 X 3/4 hex hd. (Grade 5)
4017	BOLT 5/16-18 X 1 hex hd. (Grade 5)
4042	SCREW M8 X 1.25 X 35 hex button hd.
4074A	BOLT 1/2-13 X 2 hex hd., shoulder
4091	SCREW No. 10-24 X 1/2 hex hd., w/washer, self-tapping (zinc)
4132	SCREW 1/4-20 X 1-1/8 TORX button hd. (Grade 5) (black)
4166	SCREW No. 8-32 X 1/2 socket button hd. (Grade 8) (chrome)
4168A	SCREW 3/8-16 X 1 self-tapping
4190	SCREW 3/8-16 X 3/4 TORX button hd.
4197	BOLT 3/8-16 X 3-3/4 hex hd. (Grade 5)
4216	SCREW 5/16-18 X 7/8 hex flange hd. (Grade 5)
4217	SCREW 5/16-18 X 1.0 hex flange hd. (Grade 5)
4266A	SCREW 3/8-16 X 7/8 button hd. (Grade 5)
4267	SCREW 3/8-16 X 1-1/4 button hd. (Grade 5)
4311	SCREW 3/8-16 X 1-5/8 socket hd.

4312C	SCREW M6 X 1.0 X 14mm, SEMS flange hd. (stainless)
4343	SCREW 5/16-24 X 1-3/4 socket button hd., w/adhesive
4350A	SCREW 3/8-16 X 1-1/2 socket hd.
43567-92	SCREW 3/8-16 X 1 TORX pan hd., w/lockpatch
4380W	BOLT 3/8-24 X 2 hex hd. (Grade 5)
4390	SCREW 1/2-13 X 2 hex hd., shoulder
4400	BOLT 1/4-20 X 1-11/16 hex hd. w/Scotch grip (Grade 8)
4407	SCREW 5/16-18 X 5/8 hex hd., w/washer
4411	BOLT 3/8-24 X 1-3/4 hex hd. (Grade 5)
4419	SCREW 5/16-18 X 1-3/4 SEMS hex hd.
4453	BOLT 1/4-20 X 7/8 hex hd. SPECIAL WITH TAPPED HOLE
4454	SCREW 3/4-16 X 2-1/4 TORX hd. (Grade 8)
4481	SCREW 5/16-24 X 1 socket button hd., w/lockpatch (Grade 8)
4482	SCREW 5/16-24 X 1-3/8 socket button hd., w/lockptach (Grade 8)
4484M	SCREW M5 X 0.8 X 16 SEMS hex hd.
4512A	SCREW 3/8-16 X 1 TORX recessed button hd. (Grade 8)
45405-75A	SCREW M8 X 1.25 x 27 hex socket hd.
4549	SCREW 5/16-18 X 1-3/4 TORX button hd. (Grade 5)
45718-60	NUT 1-24 X 1.5 X 0.47
45727-08	WASHER 1-1/32 X 2.0 X 1/16
46509-01	WASHER 30 X 43 X 2.3
46614-06	BOLT M14 X 1.25 X 30 socket hd.
4688	SCREW 3/8-16 X 1-1/4 SEMS hex socket hd., w/ lock patch
4694	SCREW No. 8-32 X 3/8 TORX pan hd., w/lockpatch
4705	SCREW 1/4-20 X 11/16 SEMS socket hd., w/lockpatch
4717A	SCREW 1/4-20 X 2-1/4 knurled hd., w/lockpatch
4718A	SCREW 1/4-20 X 1-1/2 knurled hd., w/lockpatch
4722	BOLT 3/8-16 X 2-1/4 hex hd. (Grade 5)
4724	BOLT 3/8-24 X 1-1/2 hex hd. (Grade 5)
4729	BOLT 7/16-20 X 1-1/4 hex hd. (Grade 5)
4740A	SCREW 1/4-20 X 1-1/4 knurled hd., w/lockpatch (Grade 8)
4741A	SCREW 1/4-20 X 1 socket hd., w/lockpatch
4751	SCREW 1/4-20 X 3/4 hex hd., w/lockpatch (Grade 8) (zinc)

4763	SCREW 5/16-18 X 1-1/4 TORX button hd. (Grade 5)
4775	SCREW 3/8-16 X 1-1/4 hex hd. (Grade 5)
4813A	SCREW 1/4-20 X 1-3/8 knurled hd., w/lockpatch
4814A	SCREW 1/4-20 X 1-1/8 knurled hd., w/lockpatch
4836	SCREW 3/8-16 X 4 TORX socket hd. (Grade 8)
4867	SCREW hex hd., socket
4945	SCREW 7/16-20 UNRF X 1-1/4 hex hd. (zinc plate)
5403B	BOLT 1/4-20 X 3/8 carriage
5416	BOLT 3/8-16 X 1/8 carriage (Grade 5)
5419	BOLT 5/16-18 X 1-3/4 carriage
54321-85	NUT No. 8-32 X 1/2 X 1/8 (brass)
5471	BOLT 5/16-18 X 5/8 round hd. carriage
5710	WASHER 63/64 X 1-1/2 X 5/64
5775	WASHER 11/32 X 1/2 X 31/64
6019	WASHER 3/8 X 29/32 X 1/16
6036	WASHER 17/64 X 1 X 1/16
6057	WASHER 1/2 X 7/8 X 3/16, nylon
6072	WASHER 3/8 X 1 1/4 X 5/64
6099	WASHER 1/4 X 7/16 X 1/16
6101	WASHER 17/64 X 27/64 X 1/16
6109	WASHER 5/16 X 11/16 X 1/8
6110	WASHER 9/32 X 5/8 X 1/16
6229W	WASHER 5/16 X 1-1/16 X 3/64
6237	WASHER 5/16 X 1-1/8 X 5/64
6294	WASHER 3/8 X 1-1/8 X 7/32
6336B	WASHER 5/16 X 15/16 X 3/16
6400HB	WASHER 5/16 X 13/16 X 3/32
6456	WASHER 13/32 X 1-3/16 X 9/64
6497HW	WASHER 29/64 X 1-1/8 X 1/16
6516HW	WASHER 7/16 X 1-1/8 X 1/8
6530	WASHER 1/2 X 1 X 3/16
6532	WASHER 3/8 X 3/4 X 1/8

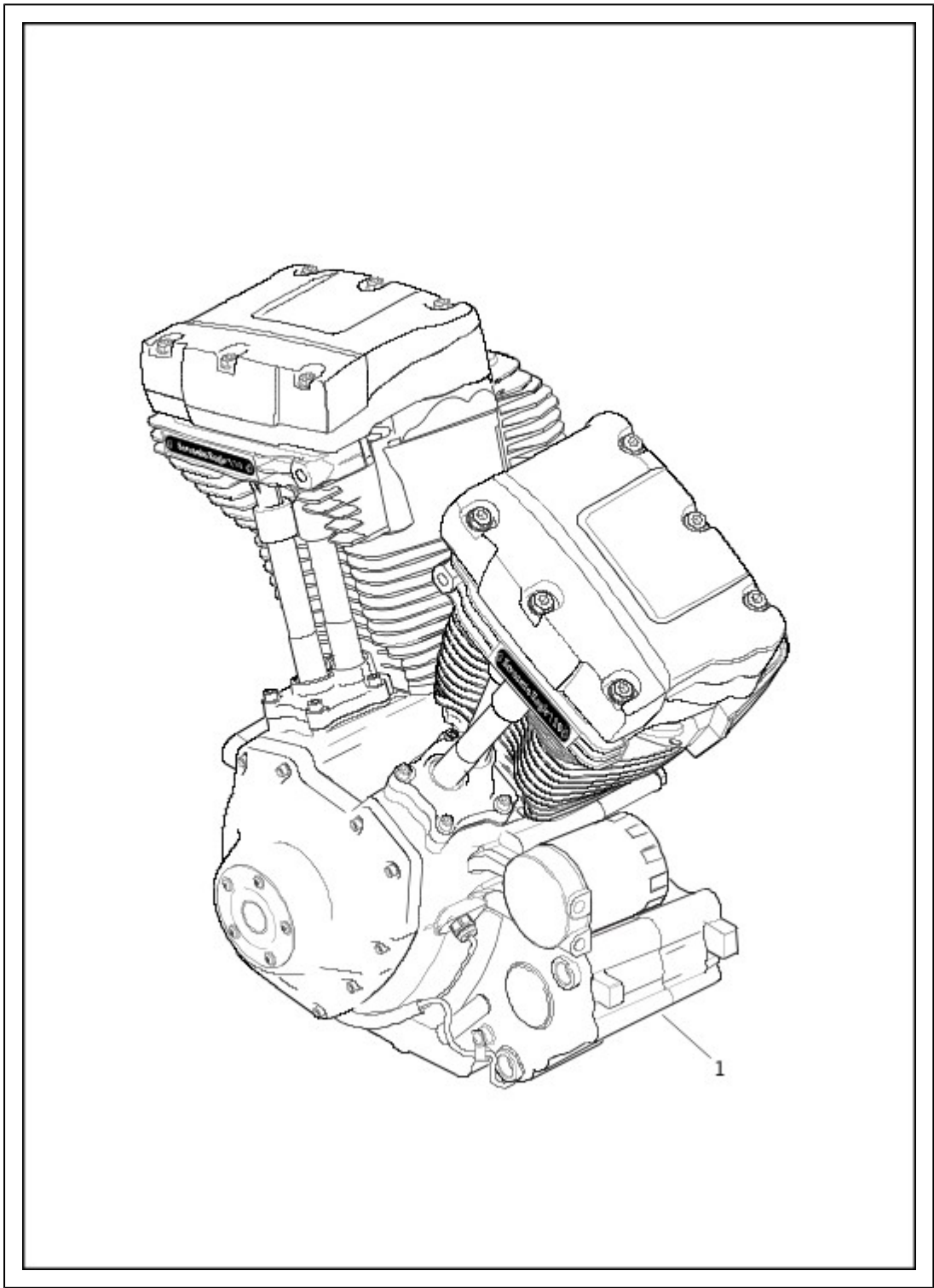
6534	WASHER 3/8 X 1-3/4 X 3/32 hardened
6535	WASHER 5/16 X 1-1/4 X 3/32 hardened
6545	WASHER ferrous, heat-treated
6551	WASHER 1 X 1-5/8 X 1/8 hardened
6594	WASHER 5/8 X 1-1/8 X 3/32
6655	WASHER 5/8 X 1-1/2 X 7/64
6701	WASHER 3/8 X 13/16 X 1/16
6702	WASHER 5/16 X 11/16 X 1/16
6703	WASHER 1/4 X 5/8 X 1/16
6716	WASHER No. 10 X 1/2 X 3/64
6724	WASHER 21/32 X 1-1/16 X 1/16
6762B	WASHER 11/16 X 29/32 X 1/32
6771A	WASHER 5/16 X 1/2 X 1/16
67721-48	SCREW headlamp retainer ring
67956-96	SCREW 1/4-20 X 3/4 socket flat hd.
68026-99	SCREW No. 8-32 X 1 Phillips pan hd. (stainless)
68042-99	SCREW No. 8-32 X 3/8 TORX hd.
6812	WASHER 13/32 X 11/16 X 1/16
68120-00	SCREW No. 8-32 x 1-2 TORX hd., self-tapping
7038	LOCKWASHER 3/8
7039	LOCKWASHER 7/16
703B	SCREW 1/4-20 X 7/16 TORX socket button hd.
7041	LOCKWASHER 5/16
7062	LOCKWASHER M8.4 X 13 X 1.2
7068	LOCKWASHER 1/2
7073	LOCKWASHER 1/4 external tooth
7130W	LOCKWASHER 3/8 internal tooth
7137	NUT keps 5/16-18 (Grade 5)
7155	LOCKWASHER 5/16 internal tooth (black)
7230	LOCKWASHER 1/4 external tooth
7330	ACORN NUT 5/16-24 (chrome)
7331	ACORN NUT 5/16-24
7352	ACORN NUT 5/16-24 (black)

7434	WASHER 1/4 X 1-29/64 X 1/16 nylon
7479	NUT 5/8-11 flange (Grade 6)
7495	NUT M6 flange
7531	LOCKNUT 5/16-18 X 9/32 X 1/2 flange
7549A	ACORN NUT 5/16-18 X 9/16 X 1/2
7576	NUT 5/16-18 UNC keps flange
7593	NUT 5/16-24 flange
7601	LOCKNUT 3/8-16 flange
7606	LOCKNUT No. 8-32 X 1/4 X 1/4 hex (chrome)
7624	LOCKNUT No. 10-24 X 1/4 X 3/8
7629	NUT No. 10-32 X 3/8 keps
7651A	ACORN NUT No. 12-24 (Grade 2) (chrome)
7669	NUT 5/16-18
7686	LOCKNUT 1/4-20 X 5/16 X 7/16
7716	LOCKNUT 1/4-20 X 7/16 flange
7744	JAMNUT 5/16-24 X 3/16 X 1/2 (Grade 2)
7792	NUT 1/4-20 X 1/4 (Grade 2)
7800W	NUT 3/8-24 X 5/16 X 9/16 (Grade 2)
7813A	NUT 5/8-18 X 9/16 X 15/16 (Grade 2)
7848W	JAMNUT 7/16-20 X 1/4 X 11/16 (Grade 2)
7862	ACORN NUT 3/8-16 (chrome)
786A	BOLT 5/16-18 X 2-1/4 hex hd. (Grade 5)
7879	NUT 1/2-13 X 1/2 X 3/4 flange (Grade 6)
791A	SCREW 3/8-18 X 2-1/4 hex flange hd. (Grade 5)
8020	NUT M24 X 2.0 X 15
8108	SPEEDNUT 1/4-20
8144	LOCKNUT 5/16-18
8329	SCREW button, TORX
8405	JAMNUT .750-16UNF-2B
856A	SCREW 5/16-24 X 1 socket hd. (Grade 8)
869	SCREW 1/4-20 X 1-1/4 socket button hd. (Grade 8)
895	SCREW 5/16-18 X 3.0 hex flange hd. (Grade 5)

8972	WASHER 1-1/4 X 1-53/64 X 1/8
90770-79	SCREW No. 8-32 X 3/8 Pozidriv hd., self-tapping
927A	SCREW 1/4-20 X 3/4 button hd. (Grade 8)
939	SCREW 1/4-20 X 1 self-tapping, w/washer (Grade 2)
940	SCREW 1/4-20 X 3/4 TORX button hd.
94004-90T	ACORN NUT 1/4-20 X 5/8 X 7/16 (chrome)
941	SCREW 1/4-20 X 5/8 socket button hd. (Grade 8)
942	SCREW 1/4-20 X 3/4 TORX button hd., w/lockpatch (Grade 8)
946	SCREW 1/4-20 X 2-1/4 socket button hd., w/lockpatch (Grade 8)
956	SCREW 5/16-18 X 3-1/4 button hd., w/lockpatch (Grade 8)

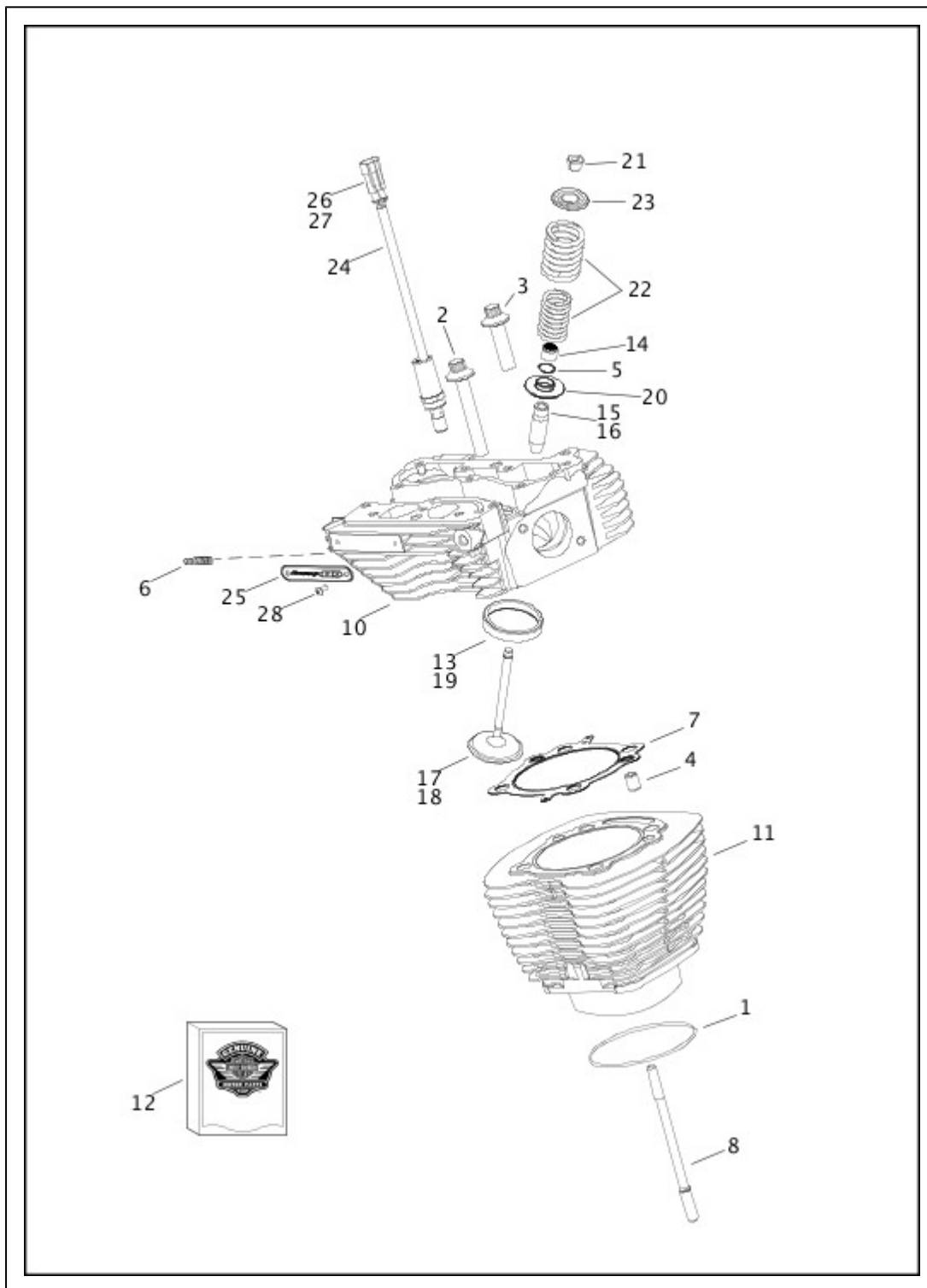
New Parts List

ENGINE ASSEMBLY - TWIN CAM 110™



Index No.	Part No.	Description	Model(s)
1	16200175	ENGINE ASSEMBLY, (black)	FLSS, FLSTFBS

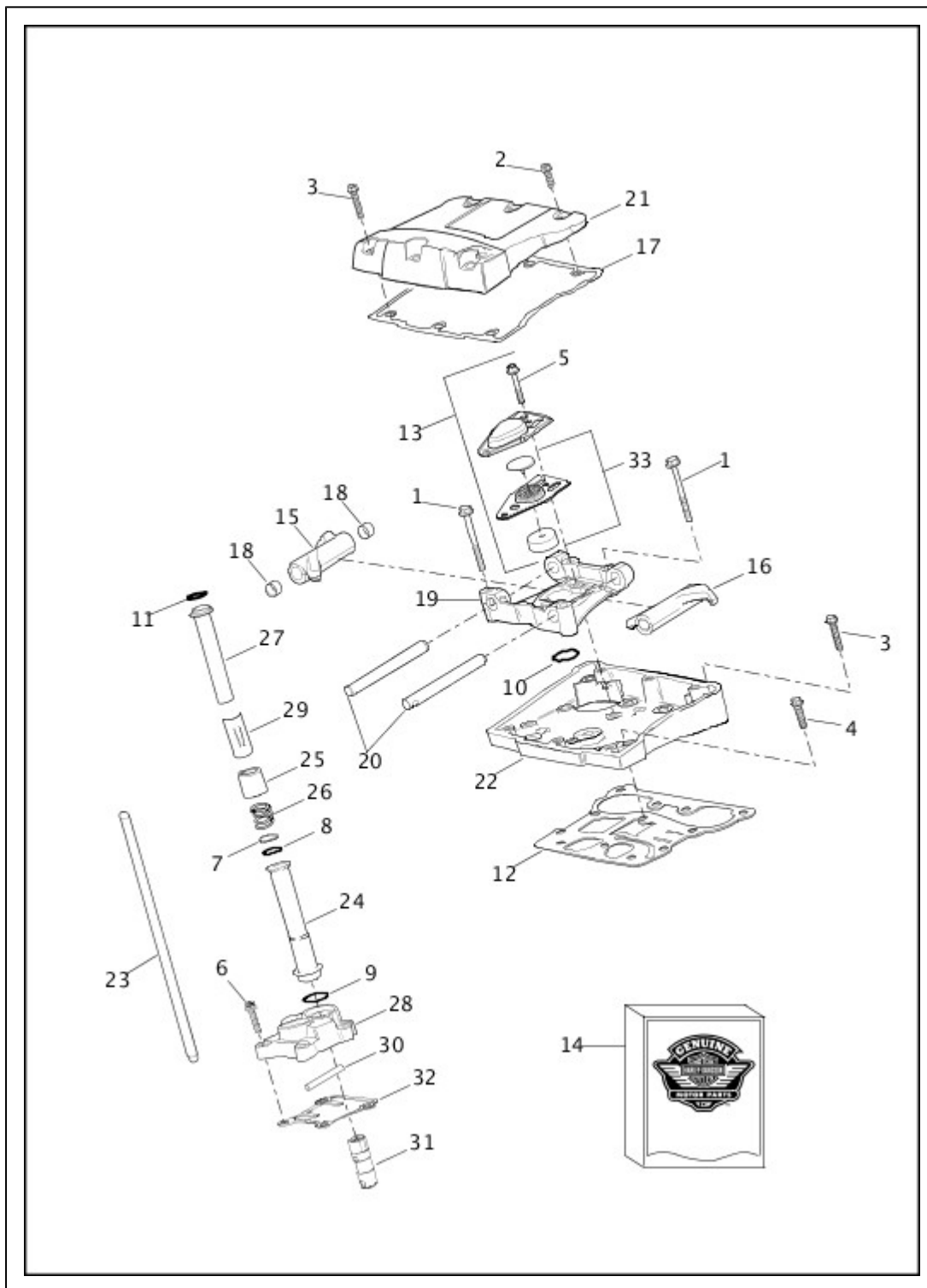
CYLINDERS, HEADS AND VALVES - TWIN CAM 110™



Index No.	Part No.	Description	Model(s)
1	11907	O-RING KIT, cylinder-base (set of 2)	FLSS, FLSTFBS
7	16801-07B	GASKET, cylinder-head (2)	FLSS, FLSTFBS
9	17251-07B	HEAD ASSEMBLY, cylinder, front, with 5, 6, 10, 14, 17, 18, 20, 21 and 22 (black)	FLSS, FLSTFBS
	17252-07A	HEAD ASSEMBLY, cylinder, rear, with 5, 6, 10, 14, 17, 18, 20, 21 and 22 (black)	FLSS, FLSTFBS

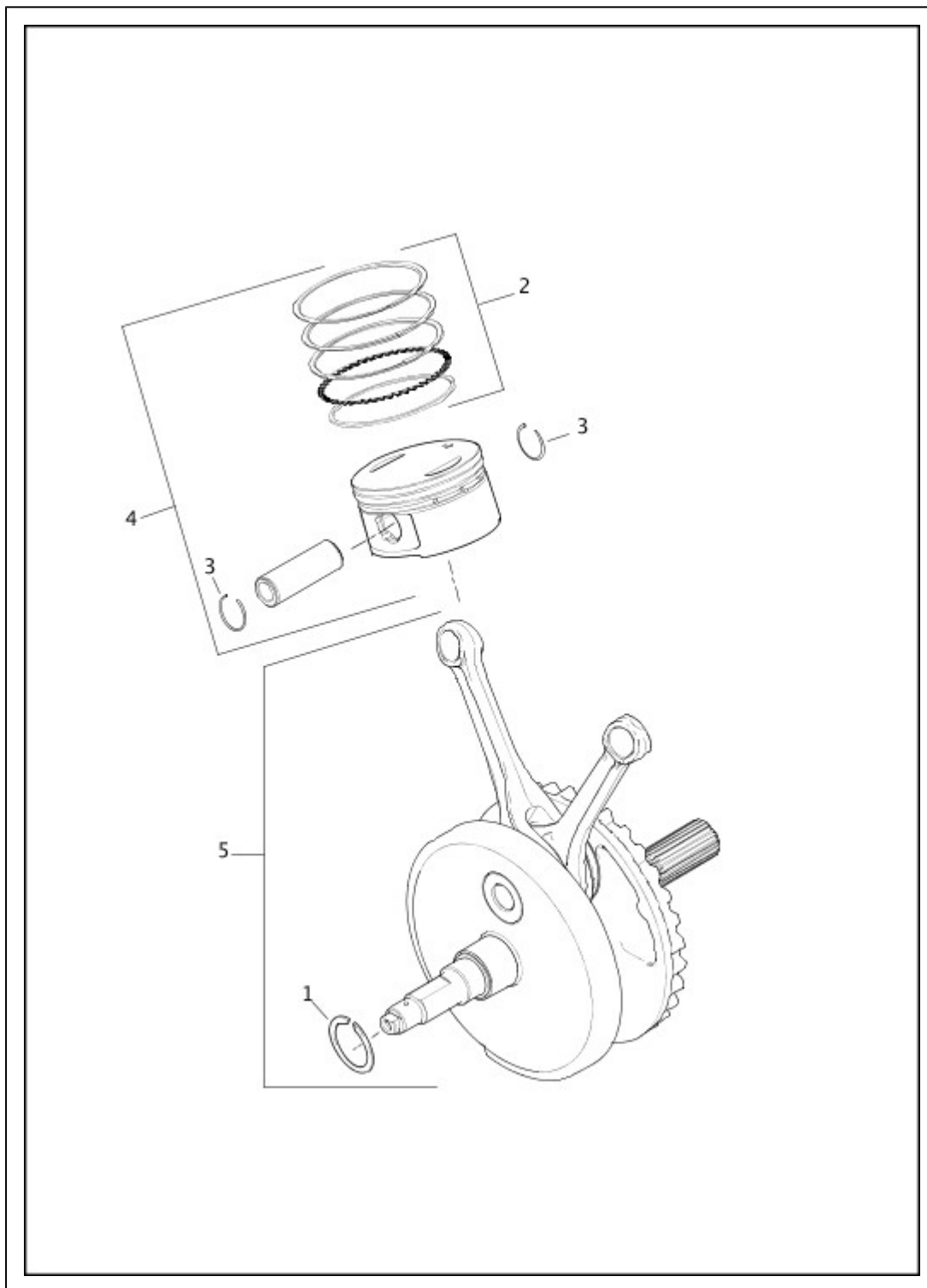
10	17253-07B	HEAD, cylinder, front, with 18048-98A, 18161-08, 18168-08 and 18189-07 (black)	FLSS, FLSTFBS
	17257-07A	HEAD, cylinder, rear, with 18048-98A, 18161-08, 18168-08 and 18189-07 (black)	FLSS, FLSTFBS
11	17285-07A	CYLINDER ASSEMBLY, with 16595-99A (black) (2)	FLSS, FLSTFBS
13	18048-98A	SEAT, exhaust-valve (2)	FLSS, FLSTFBS
14	18067-09	SEAL, valve (4)	FLSS, FLSTFBS
15	18161-08	GUIDE, intake-valve (2)	FLSS, FLSTFBS
16	18168-08	GUIDE, exhaust-valve (2)	FLSS, FLSTFBS
17	18183-03	VALVE, exhaust (2)	FLSS, FLSTFBS
18	18187-07	VALVE, intake (2)	FLSS, FLSTFBS
19	18189-07	SEAT, intake-valve (2)	FLSS, FLSTFBS
20	18270-00A	COLLAR, lower, valve-spring (4)	FLSS, FLSTFBS
21	18271-00	KEY, collar, valve-spring (8)	FLSS, FLSTFBS
22	18272-00	SPRING SET, inner and outer, valve (4)	FLSS, FLSTFBS
23	18280-07	COLLAR, upper, valve-spring (4)	FLSS, FLSTFBS
28	25800017	SCREW, medallion (4)	FLSS, FLSTFBS

ROCKER ARM ASSEMBLY AND PUSH RODS - TWIN CAM 110™



Index No.	Part No.	Description	Model(s)
21	17707-11	ROCKER COVER, (black) (2)	FLSS, FLSTFBS
22	17709-11	ROCKER HOUSING, (black) (2)	FLSS, FLSTFBS
31	18572-13	KIT-TAPPET	FLSS, FLSTFBS

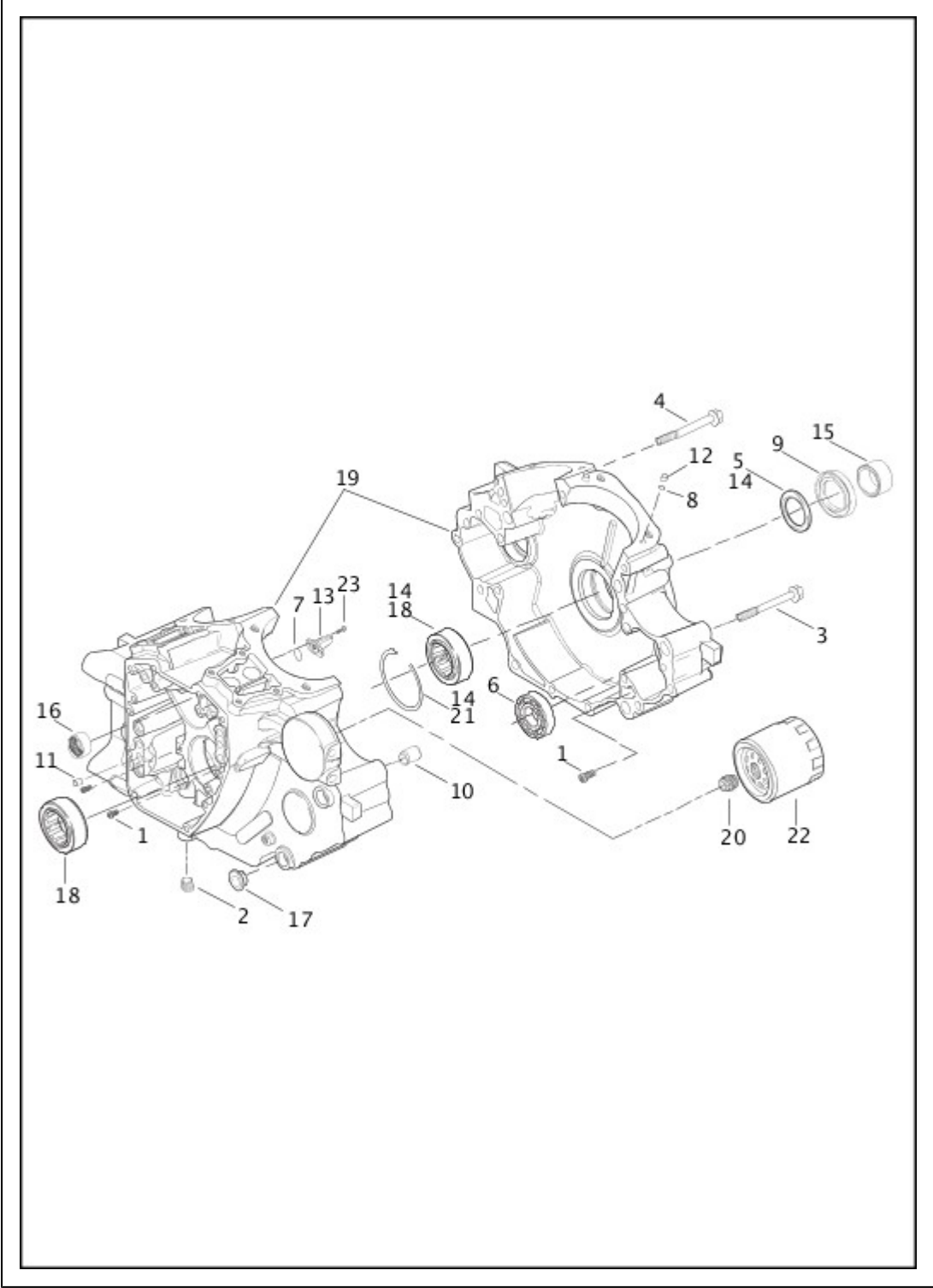
PISTONS AND FLYWHEEL ASSEMBLY - TWIN CAM 110™



Index No.	Part No.	Description	Model(s)
2	21951-11	KIT PISTON RING SET, standard (2)	FLSS, FLSTFBS
	21953-11	KIT PISTON RING SET, 0.010 in OS (2)	FLSS, FLSTFBS
4	22000001	KIT PISTON AND RINGS ASSEMBLY, with piston pin and lock rings - standard (2)	FLSS, FLSTFBS
	22000003	KIT PISTON AND RINGS ASSEMBLY, with piston pin and lock rings - 0.010 in over-size (2)	FLSS, FLSTFBS

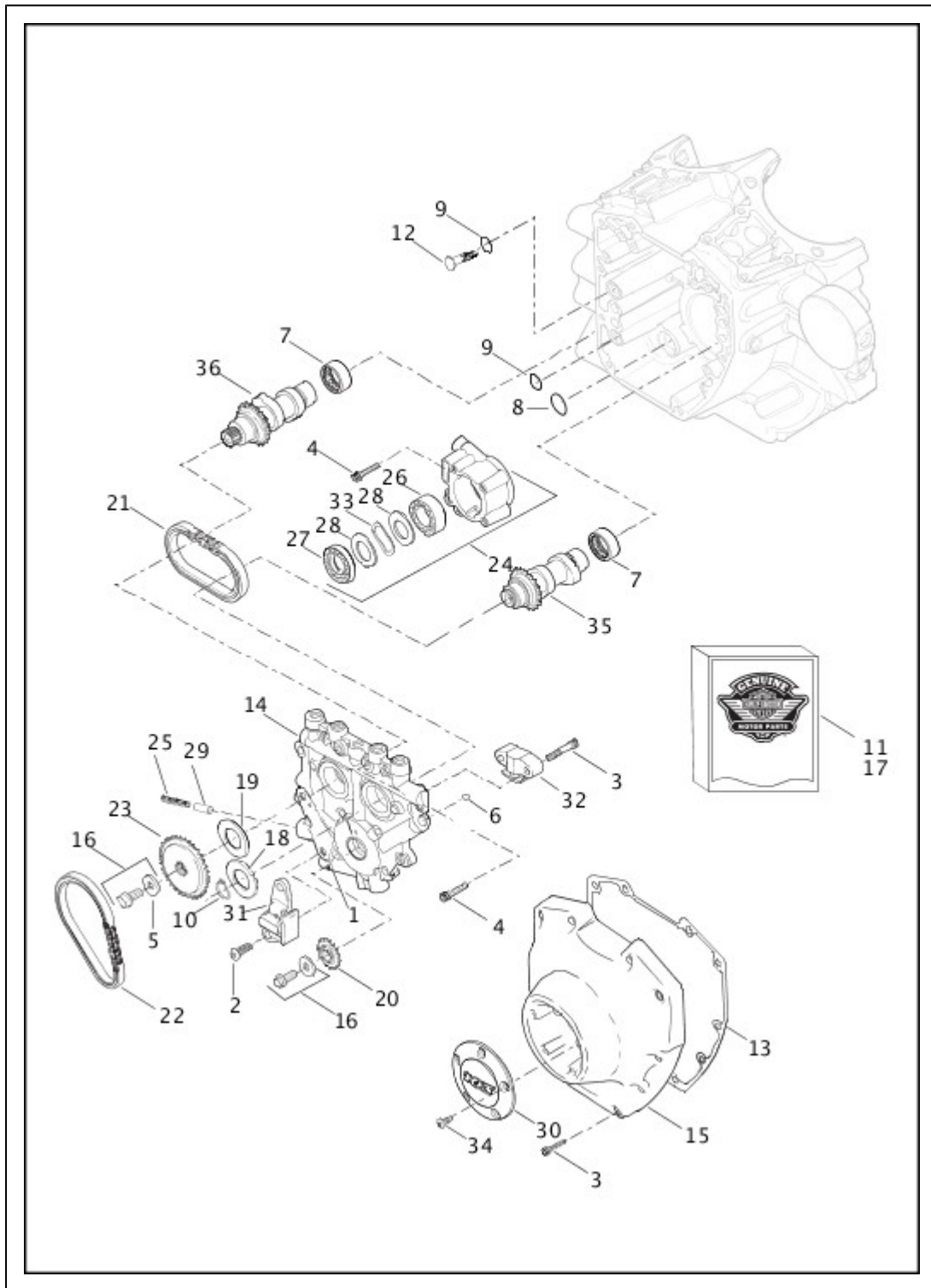
5	24100022	FLYWHEEL, with 11177A, thrust washer, plugs, inner race, connecting rods, flywheels, bearings, crankpin and ring	FLSS, FLSTFBS
---	----------	--	------------------

CRANKCASE AND ENGINE OIL FILTER - TWIN CAM 110™



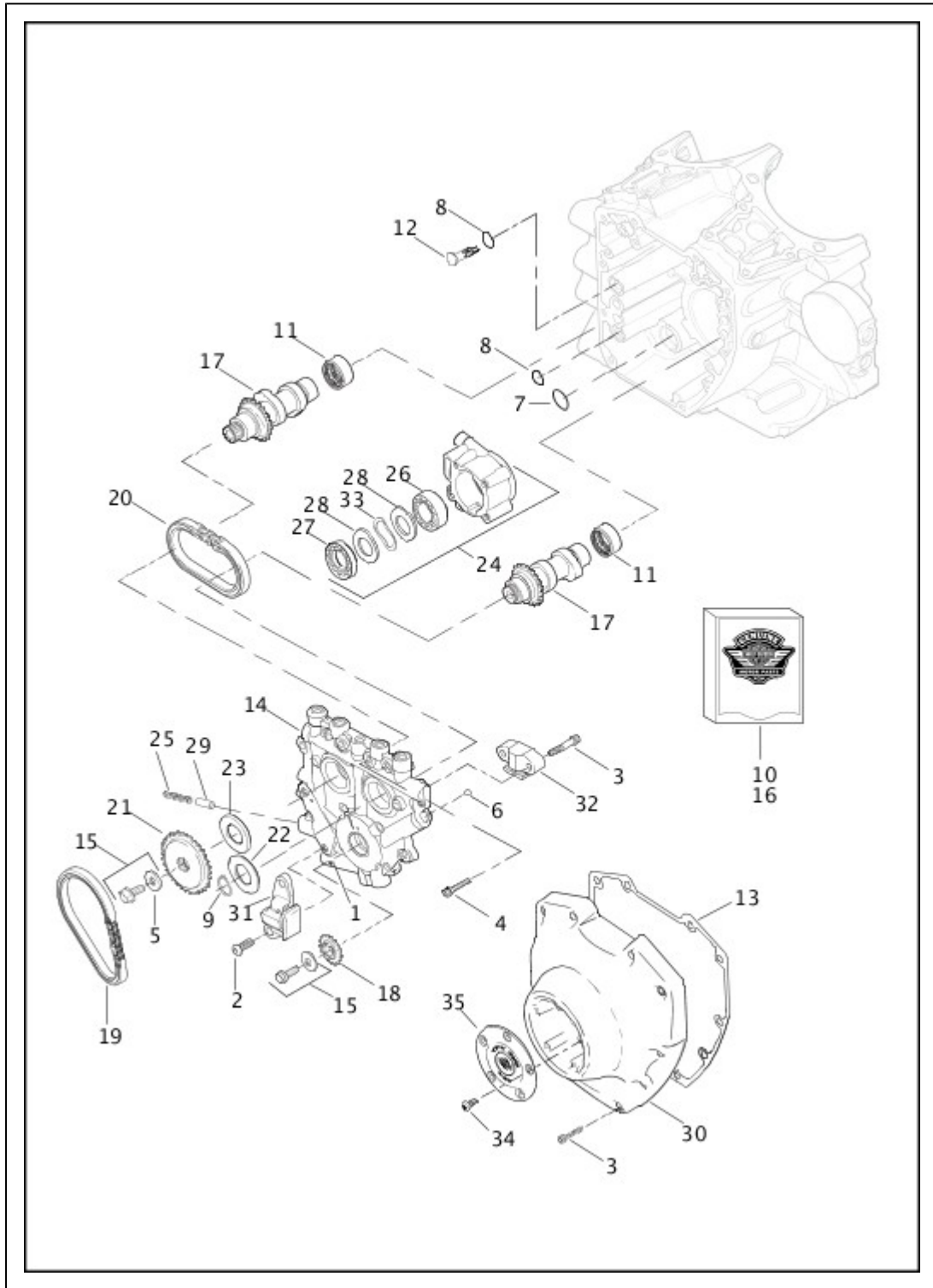
Index No.	Part No.	Description	Model(s)
4	1090A	SCREW	FLSS, FLSTFBS
8	11907	O-RING KIT, with cylinder base O-ring	FLSS, FLSTFBS

CAMSHAFTS AND CAMSHAFT COVER - TWIN CAM 103™



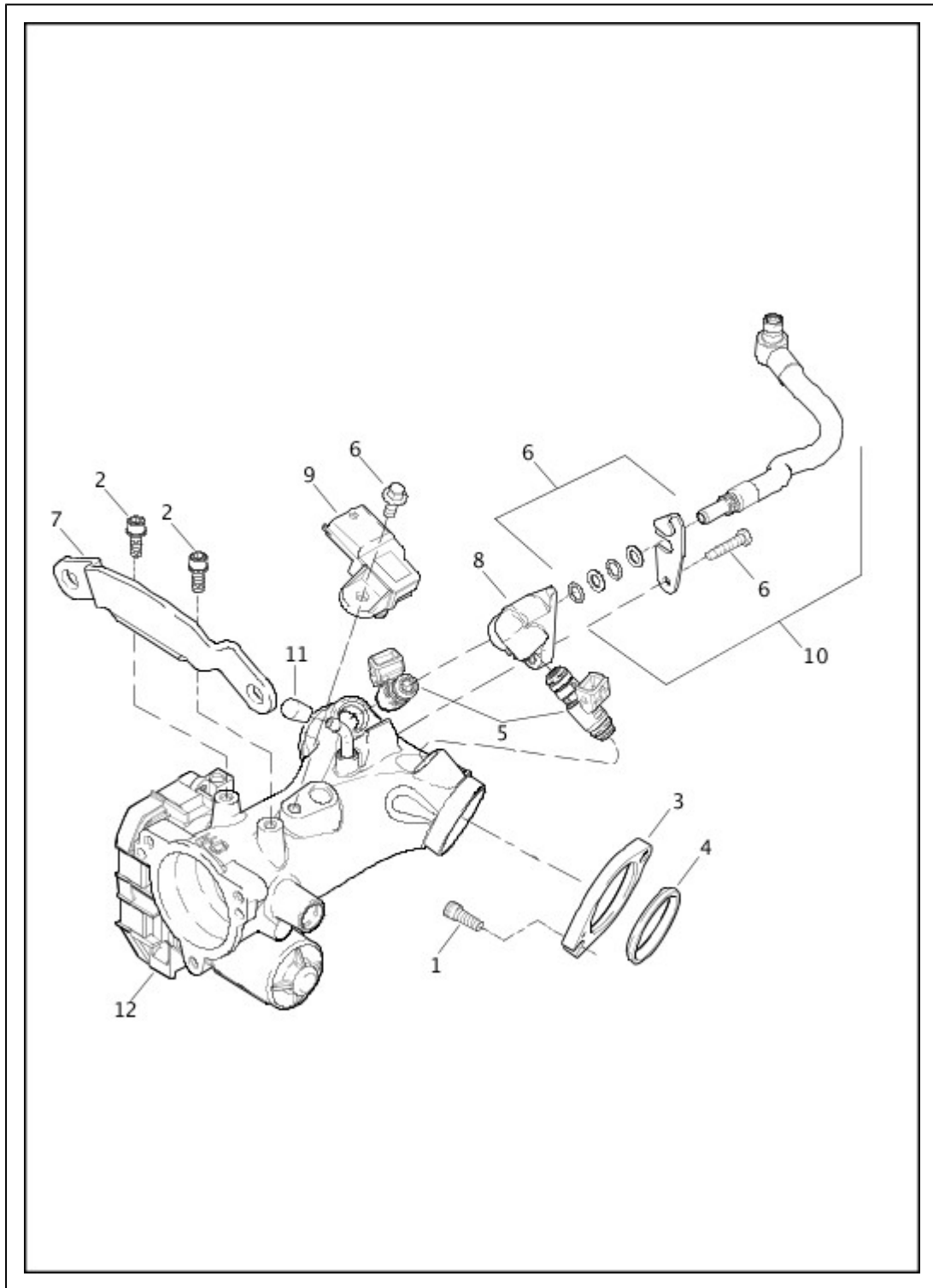
Index No.	Part No.	Description	Model(s)
30	32727-00	TIMER COVER, (chrome)	FXSB, FLSTC, FLSTF, FLSTN, FLSTFB
	32543-07	TIMER COVER, (denim black)	FLS
35	25400002	CAMSHAFT, front	FXSB, FLSTC, FLSTF, FLSTN, FLSTFB, FLS
36	25400003	CAMSHAFT, rear	FXSB, FLSTC, FLSTF, FLSTN, FLSTFB, FLS

CAMSHAFTS and CAMSHAFT COVER - TWIN CAM 110™



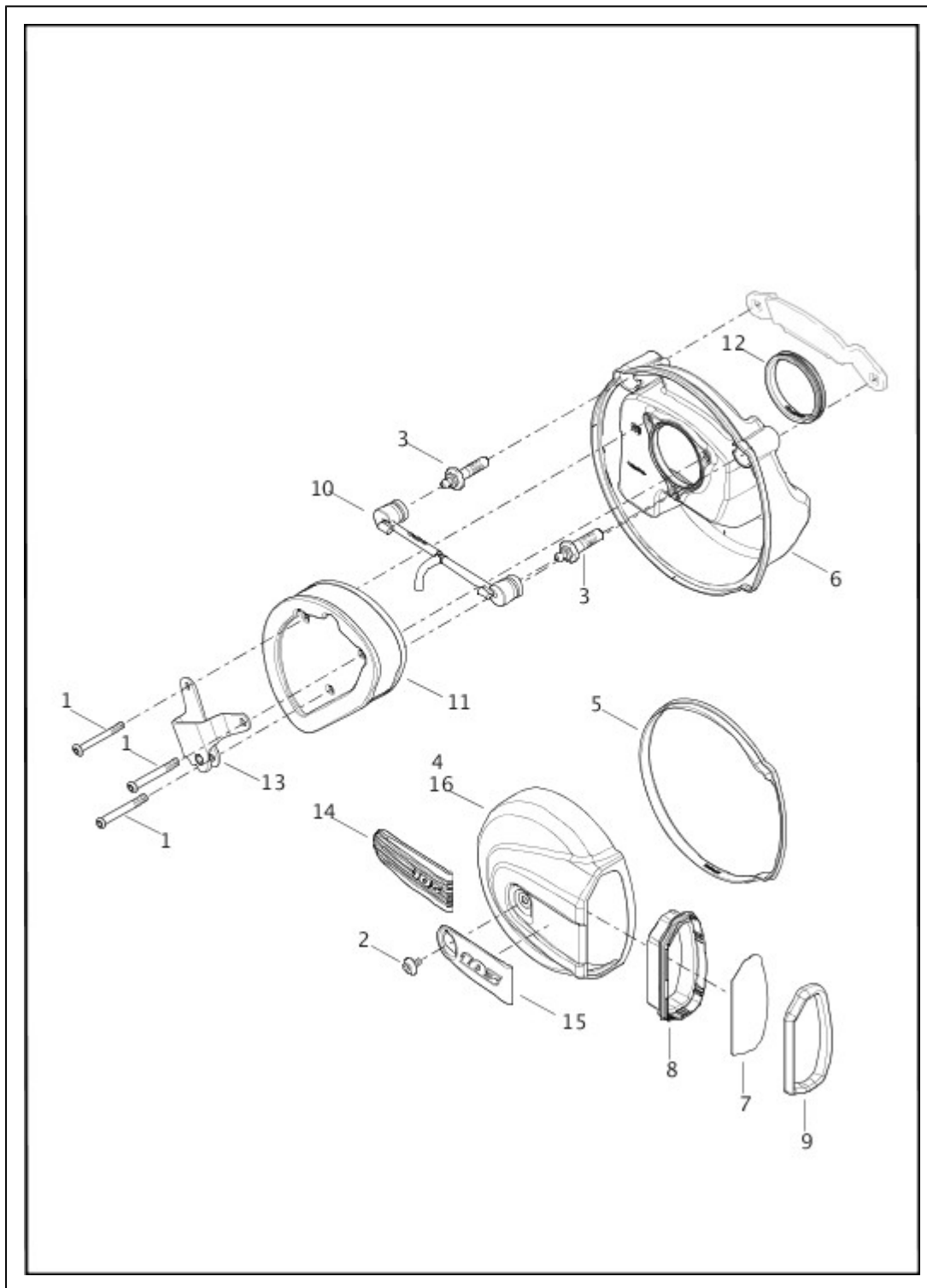
Index No.	Part No.	Description	Model(s)
11	24018-10	NEEDLE BEARING, camshaft	FLSS, FLSTFBS
17	25638-07	CAMSHAFT KIT	FLSS, FLSTFBS
30	37198-11	CAM COVER, (gloss black)	FLSS, FLSTFBS
35	25600012	TIMER COVER, (black)	FLSS, FLSTFBS

INDUCTION MODULE, FUEL



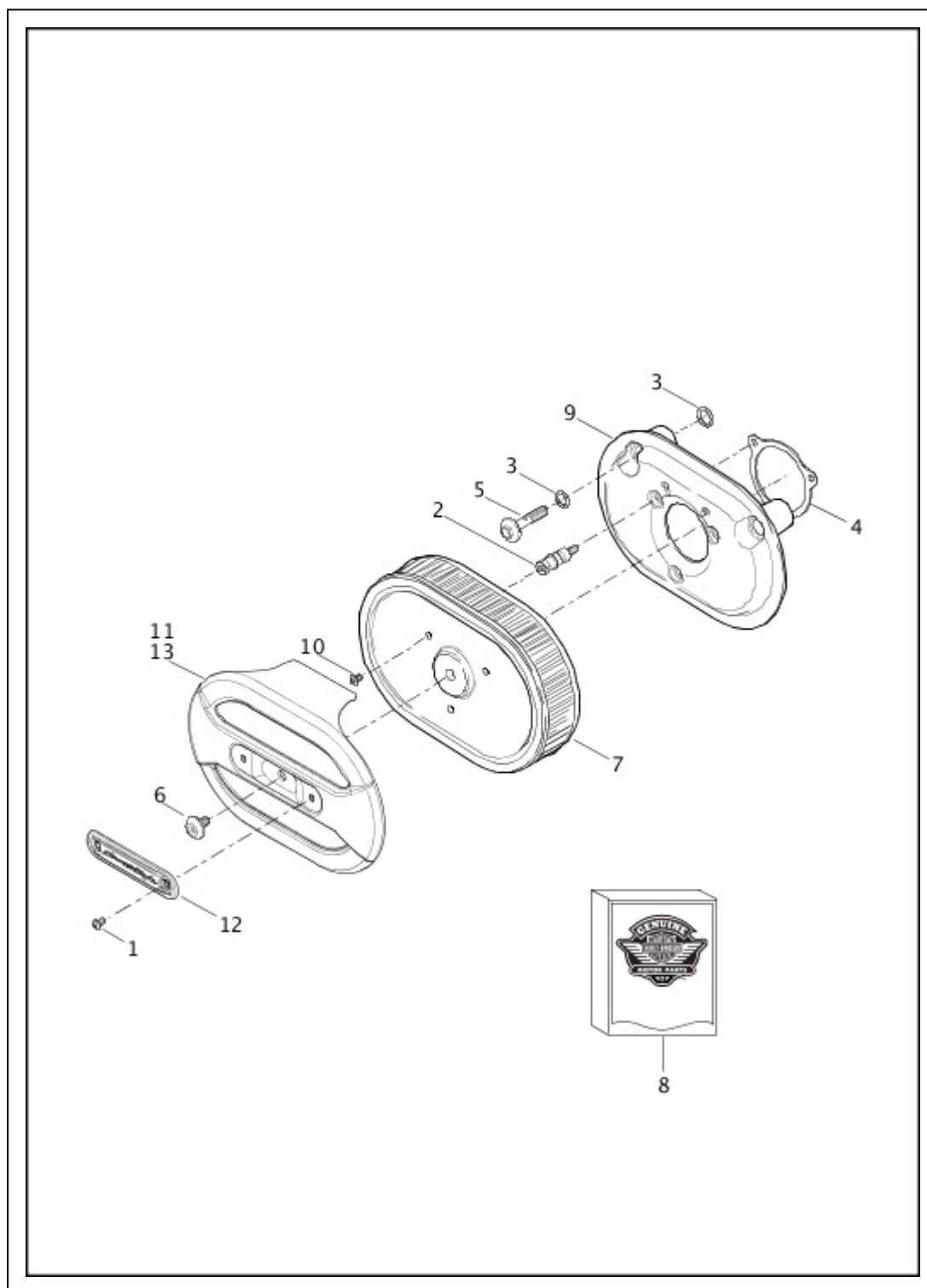
Index No.	Part No.	Description	Model(s)
2	4705	SCREW (2)	
5	27609-01B	FUEL INJECTOR ASSEMBLY, with O-ring (2)	
6	27711-08	INDUCTION MODULE SERVICE KIT	
7	27712-08	BRACKET, induction module	
8	27721-08	FUEL RAIL	
9	32319-07A	SENSOR, temperature manifold absolute pressure, with O-ring	

AIR CLEANER - FXSB, FLSTC, FLSTF, FLSTN, FLSTFB, FLS



Index No.	Part No.	Description	Model(s)
	61300526	INSERT, air cleaner cover	FLS
	61300535	COVER KIT, air cleaner, with 14000347	FLSTFB
	61300536	COVER KIT, air cleaner, with 14000347	FLS

AIR CLEANER - TWIN CAM 110™ - FLSTFBS



Index No.	Part No.	Description	Model(s)
1	3048	SCREW (2)	FLSTFBS
2	8250	STUD, air cleaner (3)	FLSTFBS
3	11292	O-RING (4)	FLSTFBS
4	29241-08	GASKET	FLSTFBS
5	29267-08A	BOLT, breather (2)	FLSTFBS

7	29670-09	ELEMENT, air filter	FLSTFBS
8	29762-09	RAINSOCK	FLSTFBS
9	29763-09	BACKPLATE ASSEMBLY, air cleaner (black)	FLSTFBS
10	10500053	SCREW (3)	FLSTFBS
11	14000377	LABEL, air cleaner warning (Domestic, California)	FLSTFBS
12	14100699	INSERT, air cleaner cover	FLSTFBS
13	61300365	COVER, air cleaner, with 14000377 (black)	FLSTFBS

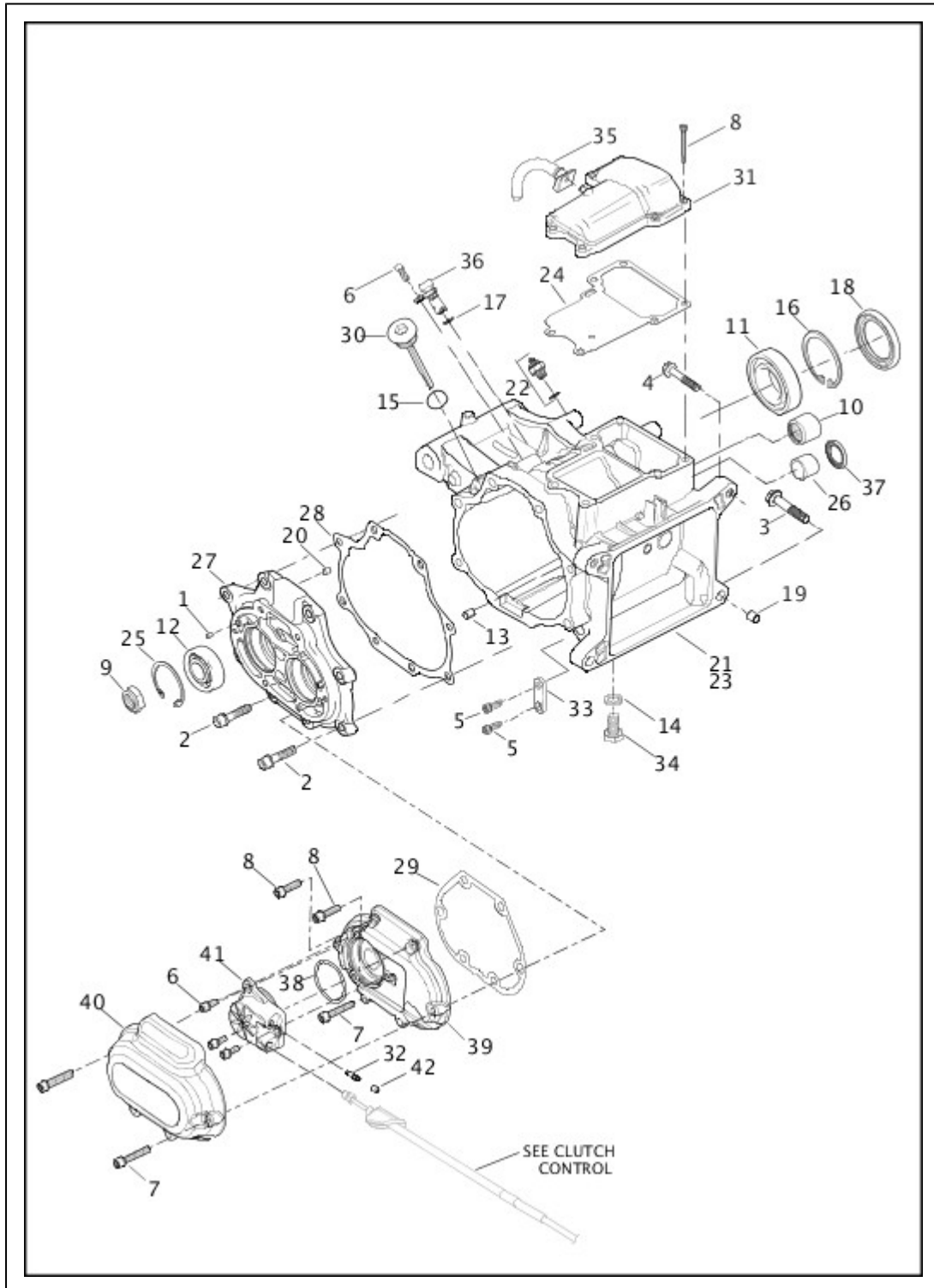
AIR CLEANER - TWIN CAM 110™ - FLSS



Index No.	Part No.	Description	Model(s)
1	869	SCREW (3)	FLSS
2	3563	SCREW (3)	FLSS
3	8250	STUD, mounting (3)	FLSS
4	11292	O-RING (4)	FLSS
5	29241-08	GASKET, throttle body	FLSS
6	29244-08	ELEMENT	FLSS
7	29267-08A	BREATHER BOLT	FLSS

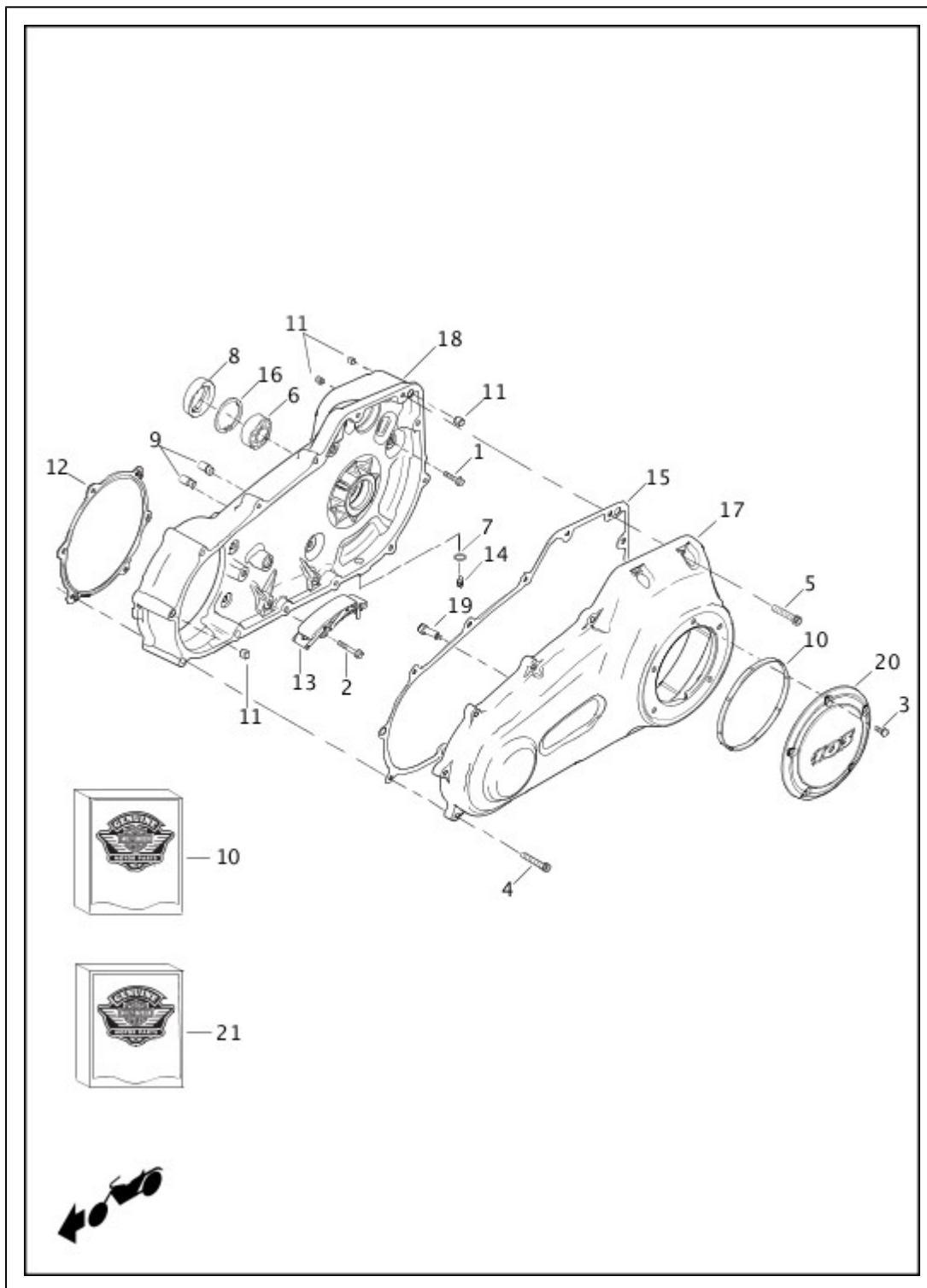
8	29327-94	SCREW	FLSS
13	29000123	BACKPLATE	FLSS
14	29400159	ADAPTER, air cleaner cover	FLSS
15	29400161	SPACER, air cleaner cover adapter	FLSS
16	61300536	COVER KIT, air cleaner, with 14000347	FLSS

TRANSMISSION HOUSING - FLSS AND FLSTFBS



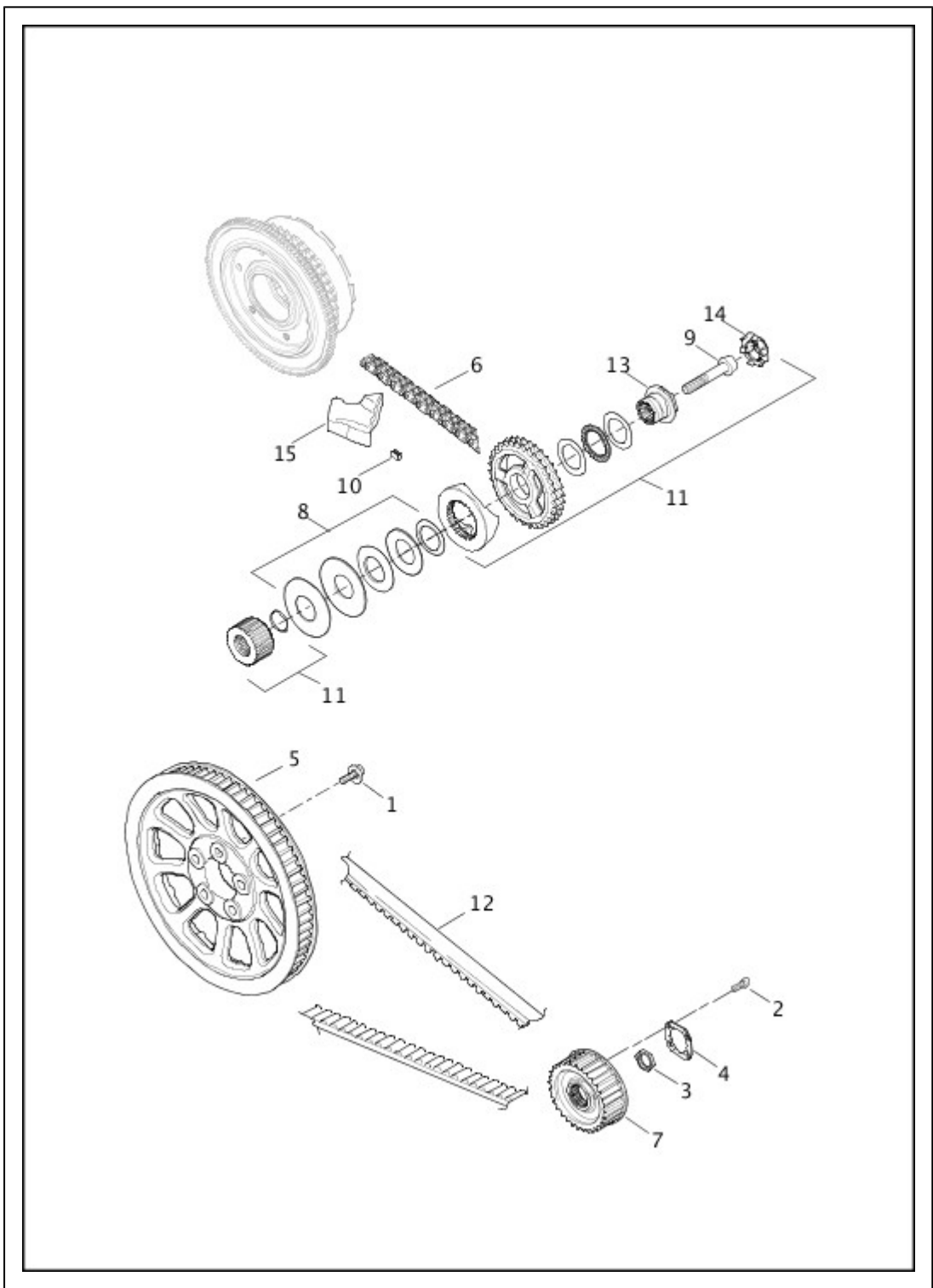
Index No.	Part No.	Description	Model(s)
21	33012-10A	TRANSMISSION REPLACEMENT, without covers and sensors (black)	FLSS, FLSTFBS
23	34799-07	TRANSMISSION CASE SUBASSEMBLY, with 3594, 8963, 8967, 9701A, 11161, 12074, 16574-99A, 35122-06, 35186-06, 35241-06, 35242-061, 40659-06, 60328-98B, 11000101 and shift lever centering screw (black)	FLSS, FLSTFBS
31	37195-11	COVER, upper (black)	FLSS, FLSTFBS
32	44613-02	BLEEDER SCREW	FLSS, FLSTFBS
38	11900035	O-RING	FLSS, FLSTFBS
39	25700178	INNER SIDE COVER	FLSS, FLSTFBS
40	25700180	SIDE COVER, (black)	FLSS, FLSTFBS
41	37200023	SECONDARY CLUTCH ACTUATOR, with 44613-02, 11900035 and 37200034	FLSS, FLSTFBS
42	37200034	CAP, bleeder screw	FLSS, FLSTFBS

PRIMARY HOUSING



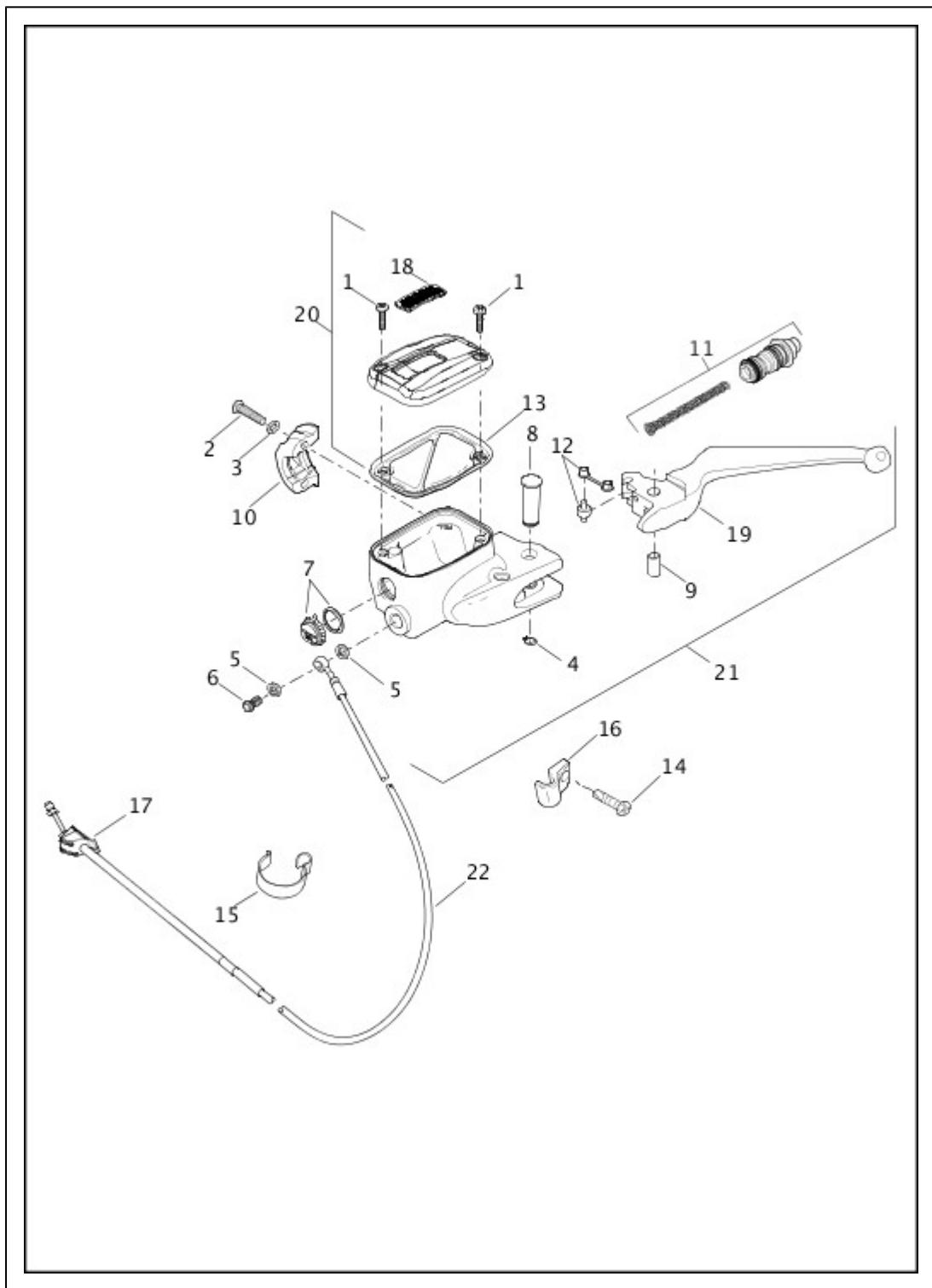
Index No.	Part No.	Description	Model(s)
	34948-08	GASKET, primary housing (black)	FLSS, FLSTFBS
	60876-11A	COVER, primary (gloss black)	FLSS, FLSTFBS
	25700020	COVER, clutch (gloss black) (not illustrated)	FLSS, FLSTFBS

BELT, CHAINS AND SPROCKETS



Index No.	Part No.	Description	Model(s)
5	40325-07	SPROCKET, rear, 66 teeth (black)	

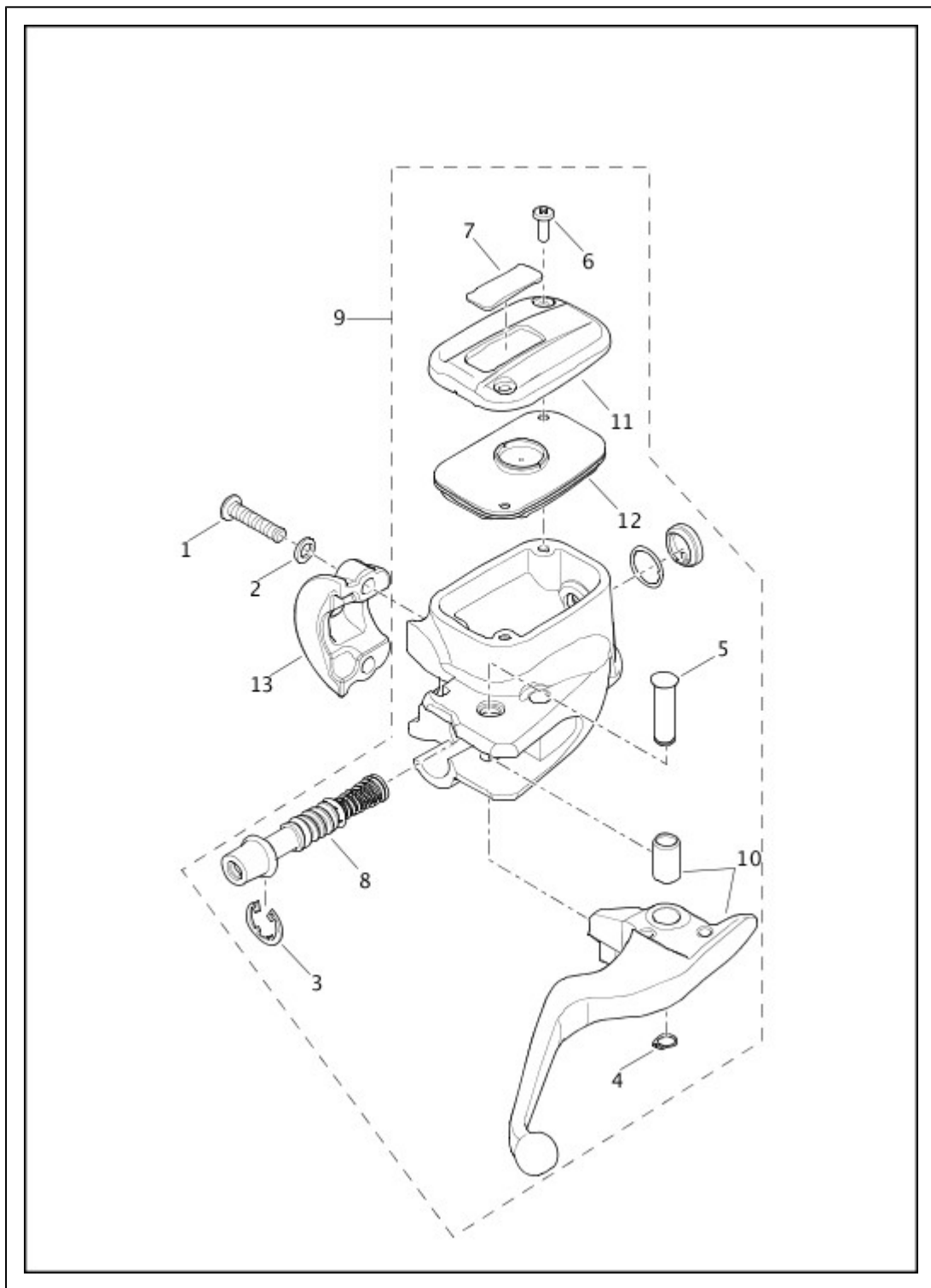
CLUTCH CONTROL - FLSS AND FLSTFBS



Index No.	Part No.	Description	Model(s)
1	2590	SCREW, (set of two)	FLSS, FLSTFBS
5	41751-06A	GASKET, banjo bolt (2)	FLSS, FLSTFBS
6	42010-06B	BOLT, banjo	FLSS, FLSTFBS
7	42145-06	SIGHT GLASS KIT	FLSS, FLSTFBS

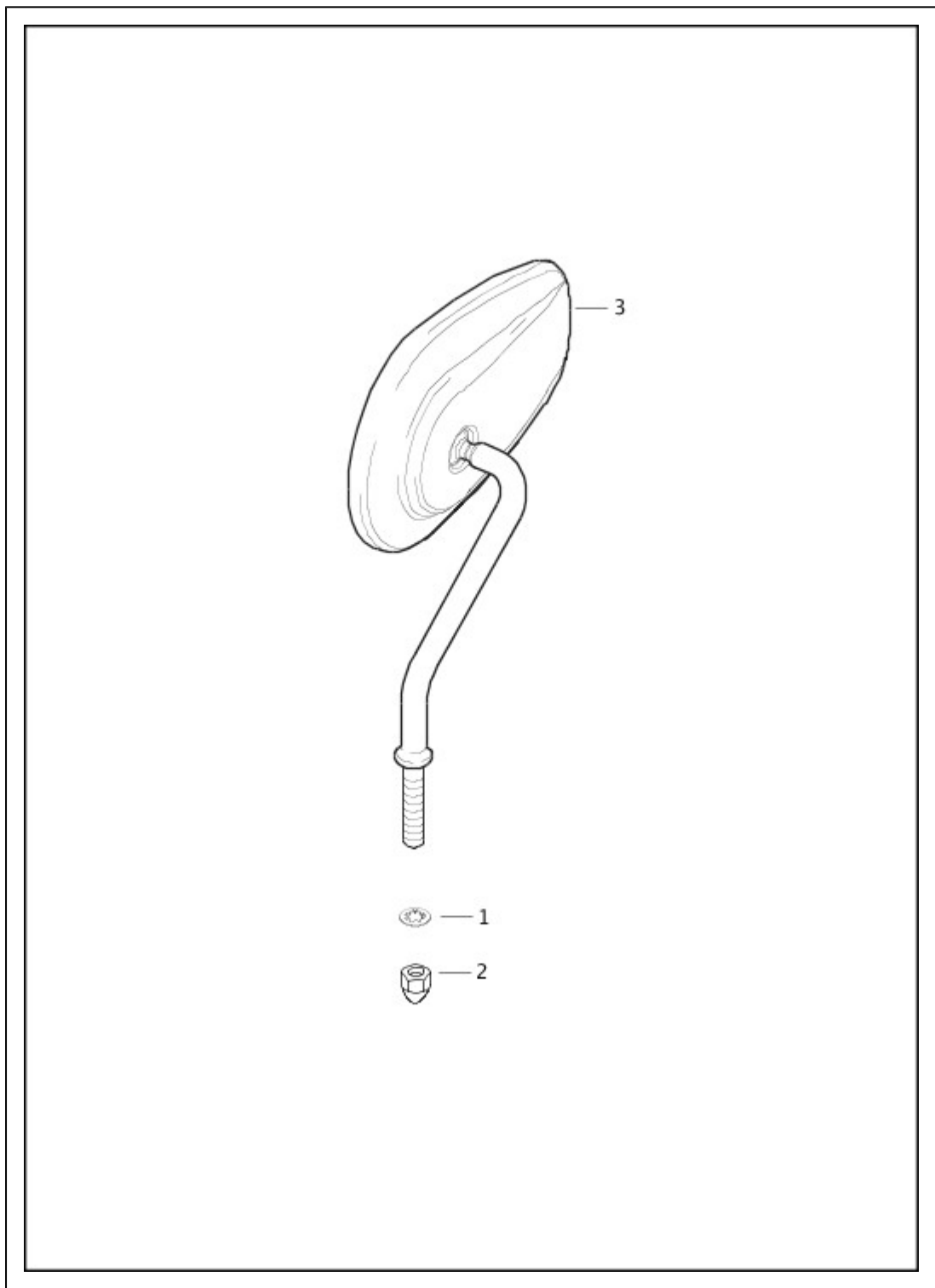
8	45032-82	PIVOT PIN	FLSS, FLSTFBS
9	45423-92	BUSHING, hand lever	FLSS, FLSTFBS
10	45138-08A	CLAMP, master cylinder and clutch (black)	FLSS, FLSTFBS
11	37200096B	REPAIR KIT, with 41751-06A (black)	FLSS, FLSTFBS
12	46246-01	BUSHING AND ROLLER, kit	FLSS, FLSTFBS
13	46322-06	GASKET, cover, master cylinder	FLSS, FLSTFBS
14	68042-99	SCREW	FLSS, FLSTFBS
15	10800060	CLAMP, clutch line	FLSS, FLSTFBS
16	10800102	CLAMP, hose (black)	FLSS, FLSTFBS
17	12100028	GROMMET	FLSS, FLSTFBS
18	14100605	DECAL, master cylinder	FLSS, FLSTFBS
19	36700144	CLUTCH LEVER, with 11143, 45423-92, 46246-01 (black)	FLSS, FLSTFBS
20	36700145	COVER, with 2590, 14100605, 46322-06 (black)	FLSS, FLSTFBS
21	36700186	MASTER CYLINDER, clutch lever, with 36700144, 36700145, 42145-06, 45032-82 (black)	FLSS, FLSTFBS
22	37200186	CLUTCH LINE, (black)	FLSS, FLSTFBS

BRAKE CONTROL, FRONT



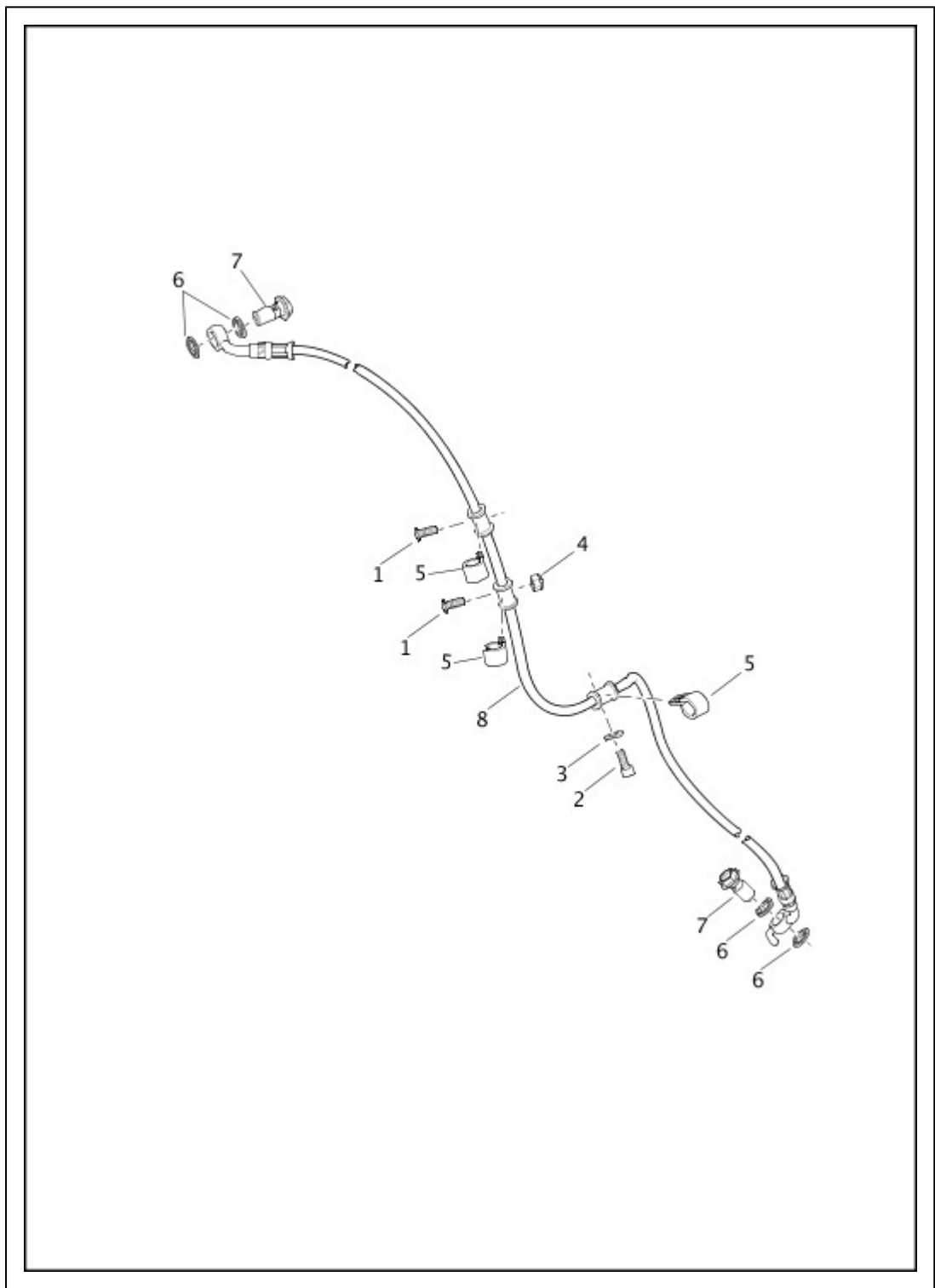
Index No.	Part No.	Description	Model(s)
	41700451	MASTER CYLINDER, front, with hand lever (black)	FLSS, FLSTFBS
	41700313	HAND LEVER, front brake control (black)	FLSS, FLSTFBS

MIRRORS



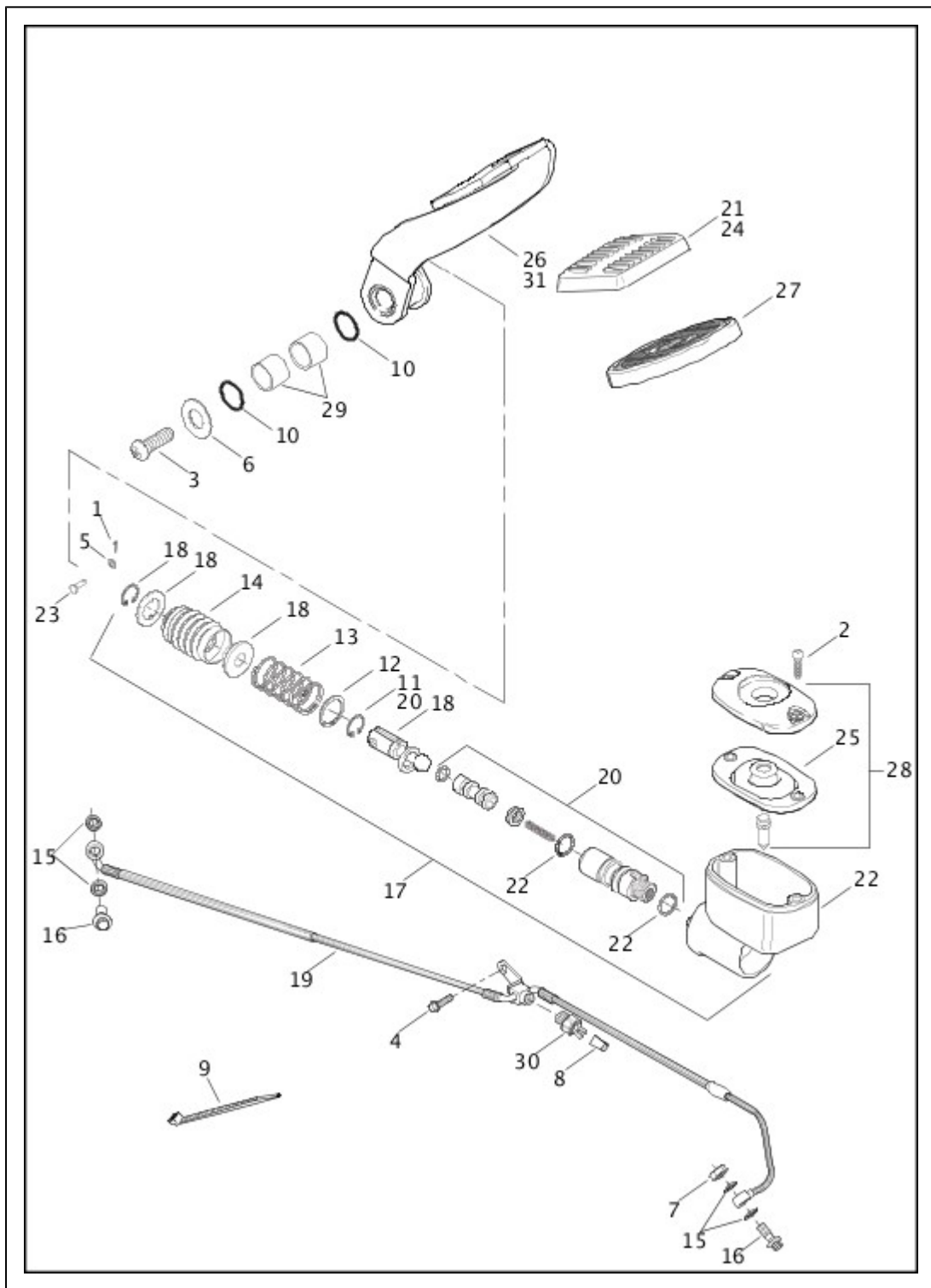
Index No.	Part No.	Description	Model(s)
	7352	ACORN NUT, (black) (2)	FLSS, FLSTFBS
	92614-10	MIRROR KIT, short, convex (right) (black)	FLSS, FLSTFBS
	92615-10	MIRROR KIT, short, convex (left) (black)	FLSS, FLSTFBS

BRAKE LINES, FRONT, NON-ABS - FLS



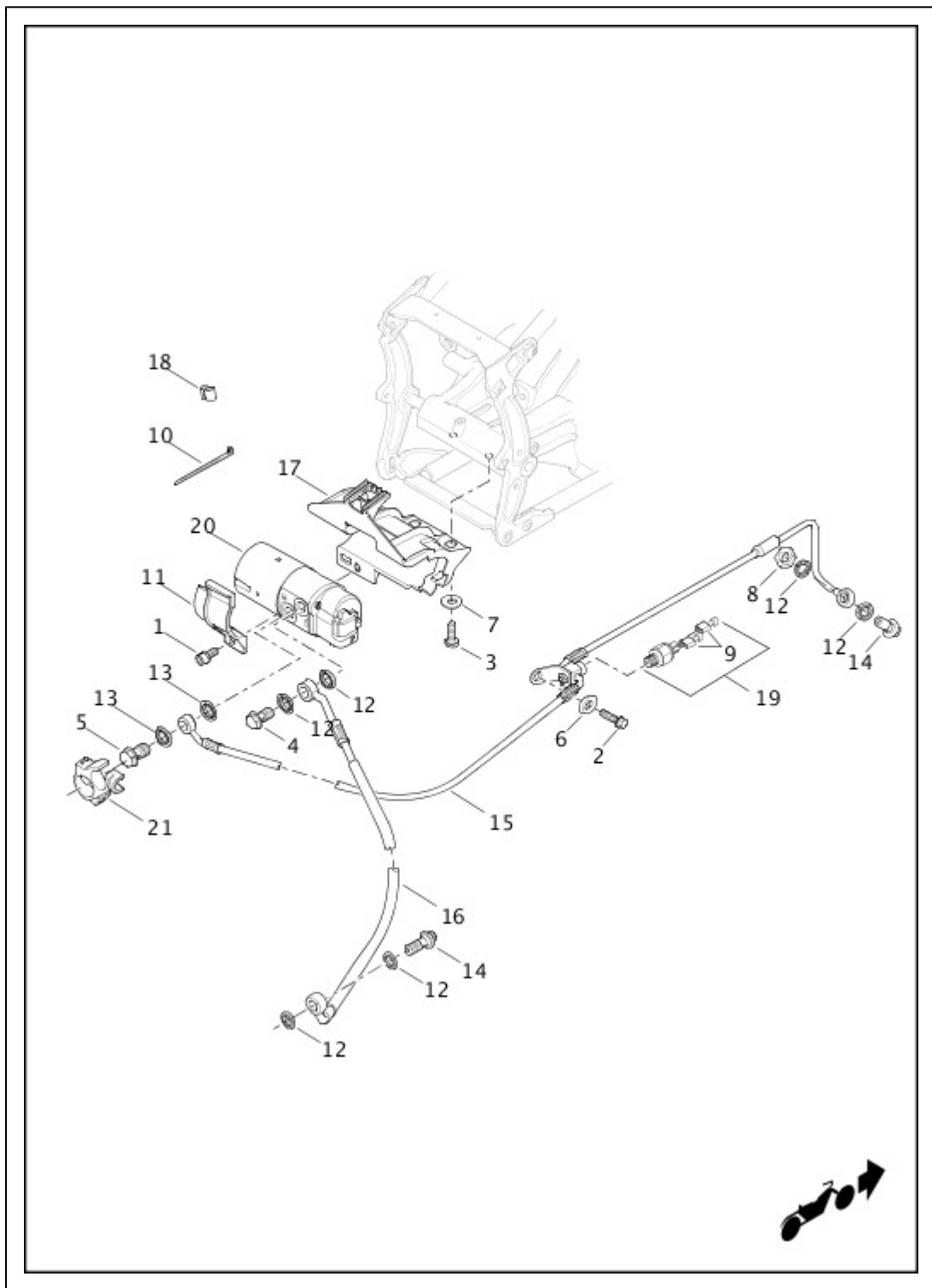
Index No.	Part No.	Description	Model(s)
5	10800096	CLAMP (3)	FLS

BRAKE CONTROL, REAR



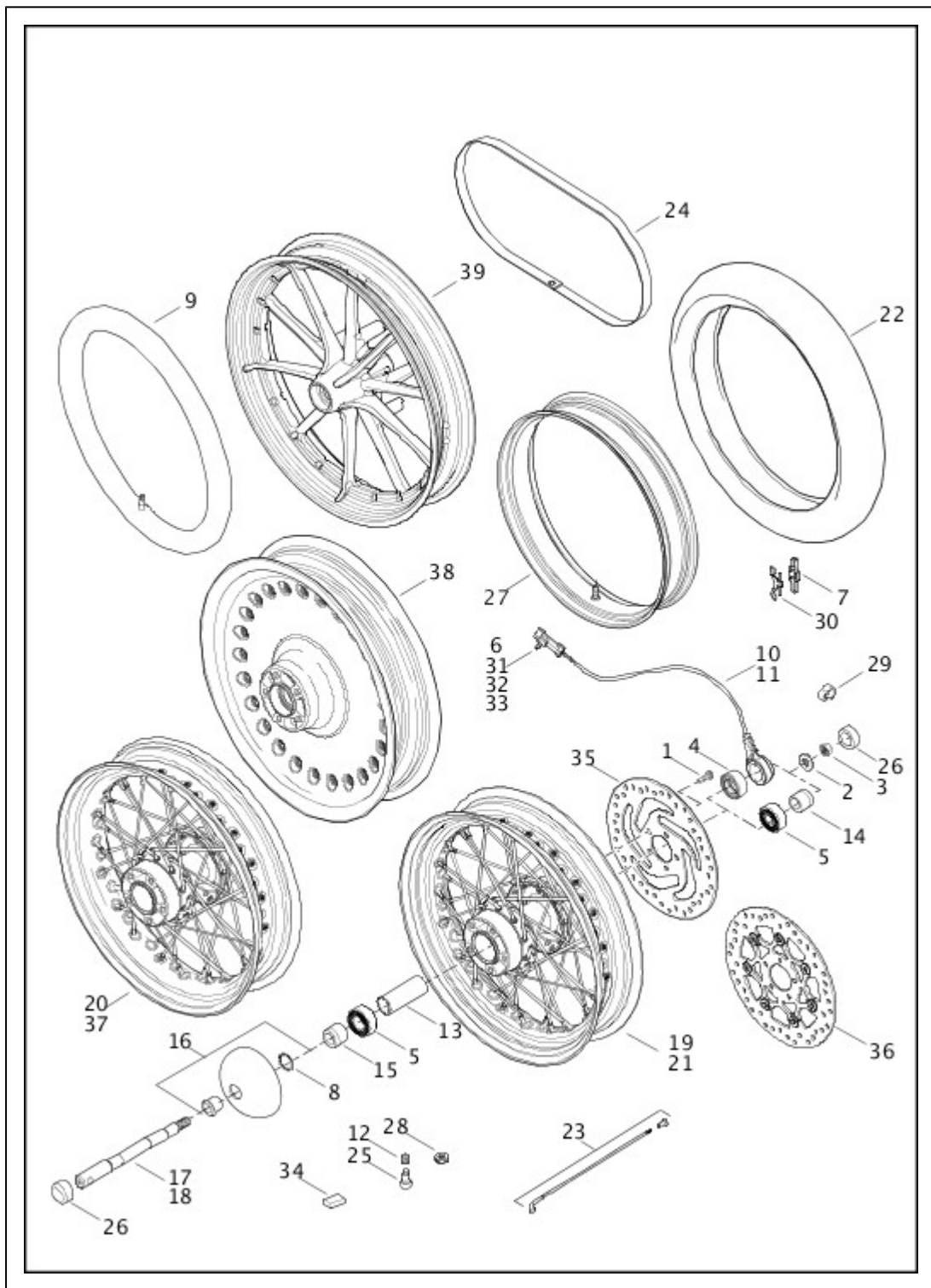
Index No.	Part No.	Description	Model(s)
11	11688	RETAINING RING	

BRAKE LINE AND MODULE, REAR, ABS



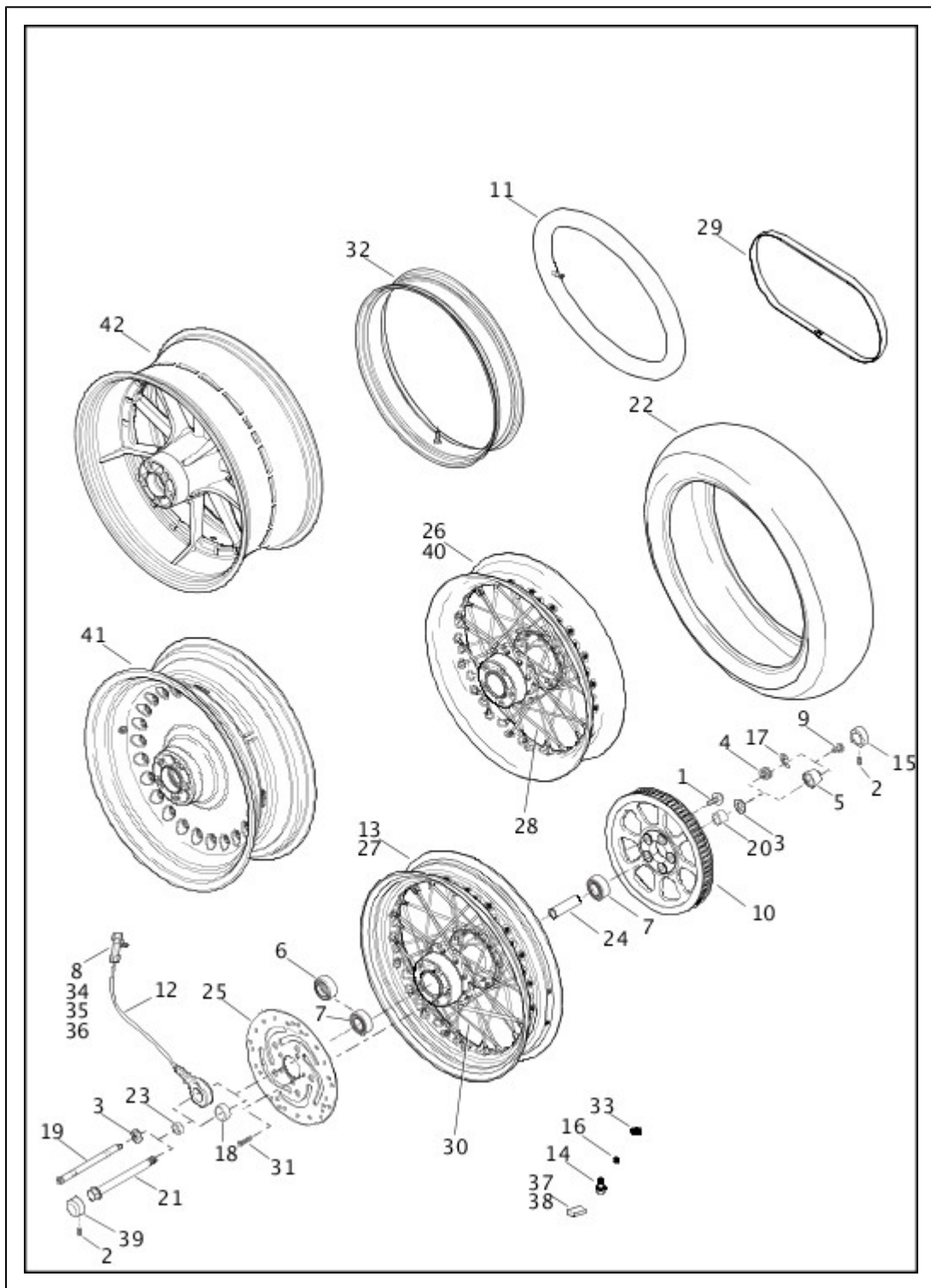
Index No.	Part No.	Description	Model(s)
16	43384-11A	BRAKE LINE ASSEMBLY, rear, ABS, HCU to caliper	

WHEELS, FRONT (2 OF 2)



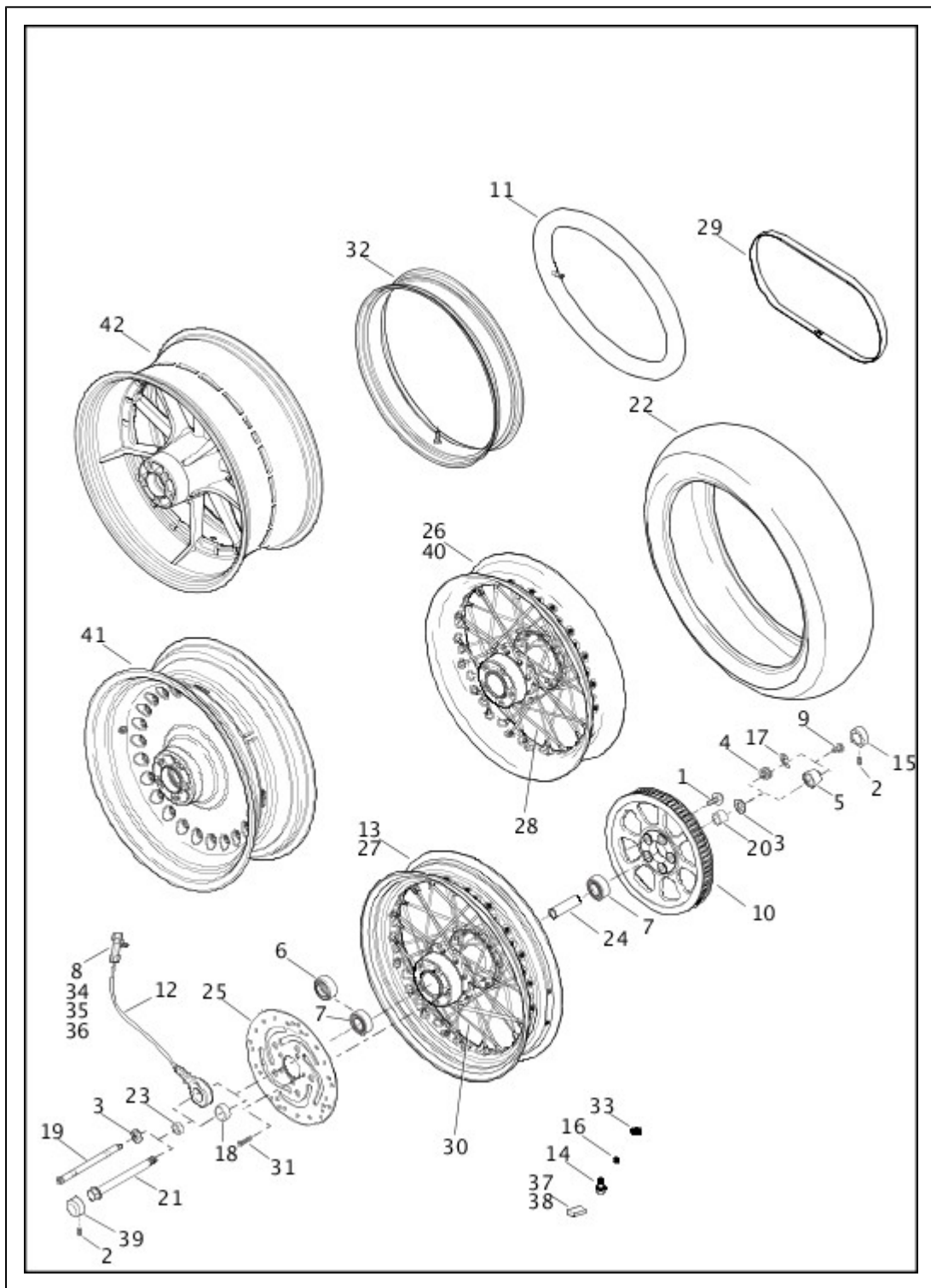
Index No.	Part No.	Description	Model(s)
26	43583-09	COVER, axle nut (black) (2)	FLSS, FLSTFBS
34	95594-84B	WEIGHT, 5 g (black)	FLS, FXSB, FLSS
	43590-09	WHEEL ASSEMBLY, 17 in, without bearings and sleeve (chrome)	FLSTF

WHEELS, REAR (1 OF 2)



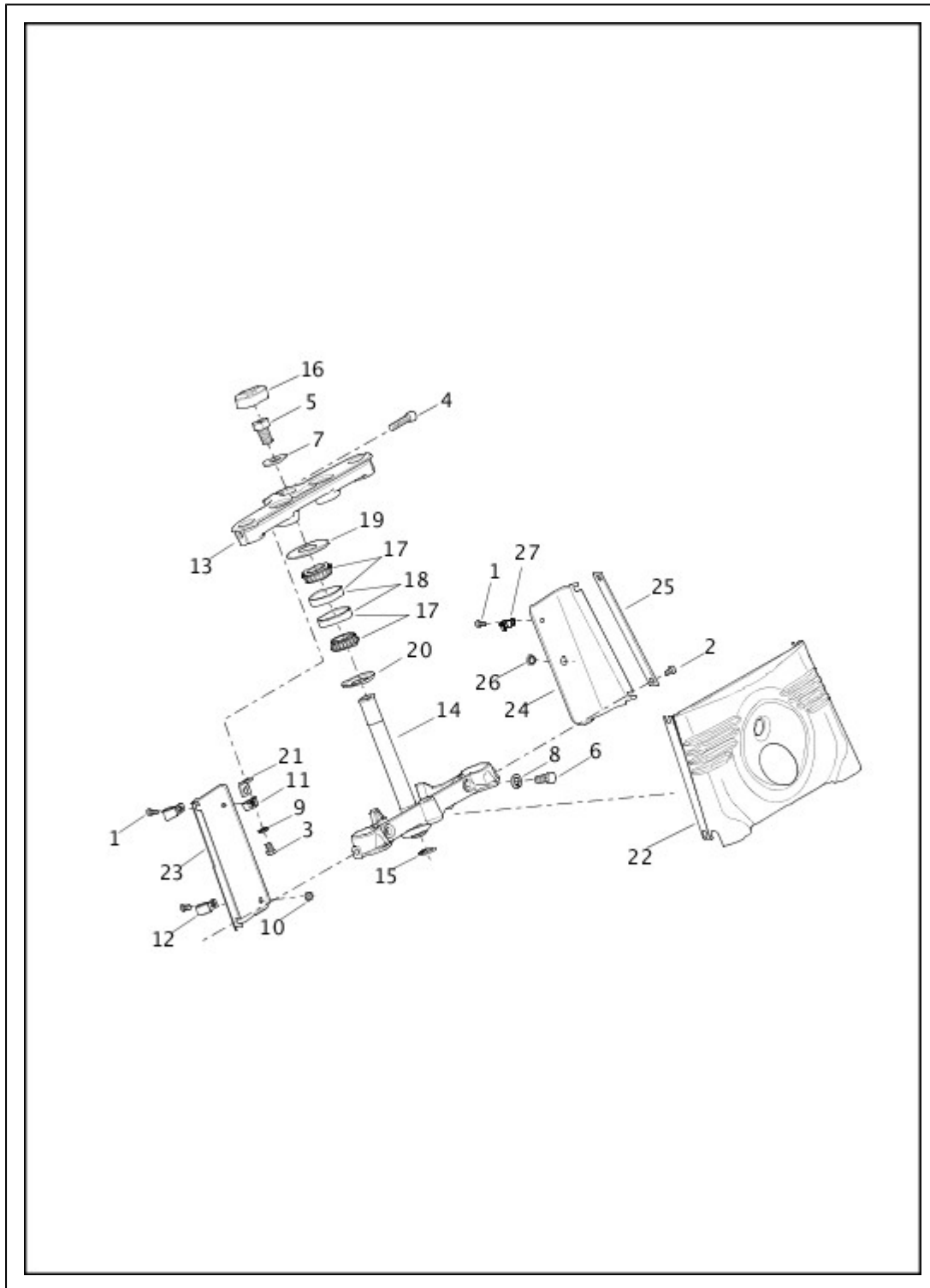
Index No.	Part No.	Description	Model(s)
2	4636	SCREW (2)	FLSS, FLSTFBS
15	41063-09	COVER, nut, left (black)	FLSS, FLSTFBS

WHEELS, REAR (2 OF 2)



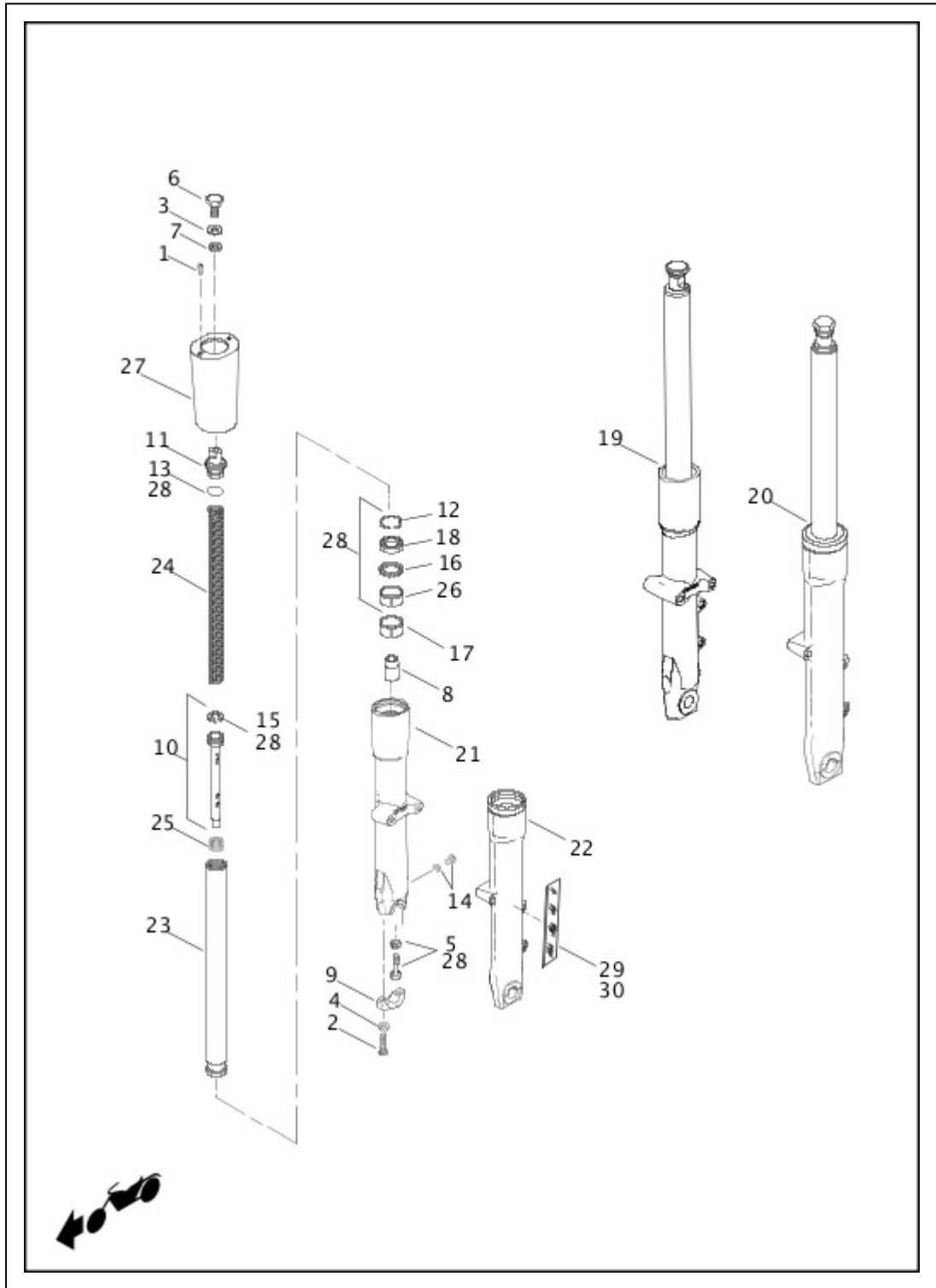
Index No.	Part No.	Description	Model(s)
37	95594-84B	WEIGHT, 5 g (black)	FLS, FXSB
39	12600177	COVER, nut, right (black)	FLSS, FLSTFBS
41	40900182	WHEEL ASSEMBLY, rear, 17 in disc, without bearings and sleeve (black)	FLSTFBS, FLSTFB
	43596-09	WHEEL ASSEMBLY, rear, 17 in disc, without bearings and sleeve (chrome)	FLSTF

FORK BRACKETS, FRONT - FLS, FLSS, FLSTC, FLSTF, FLSTFB, FLSTFBS AND FLSTN



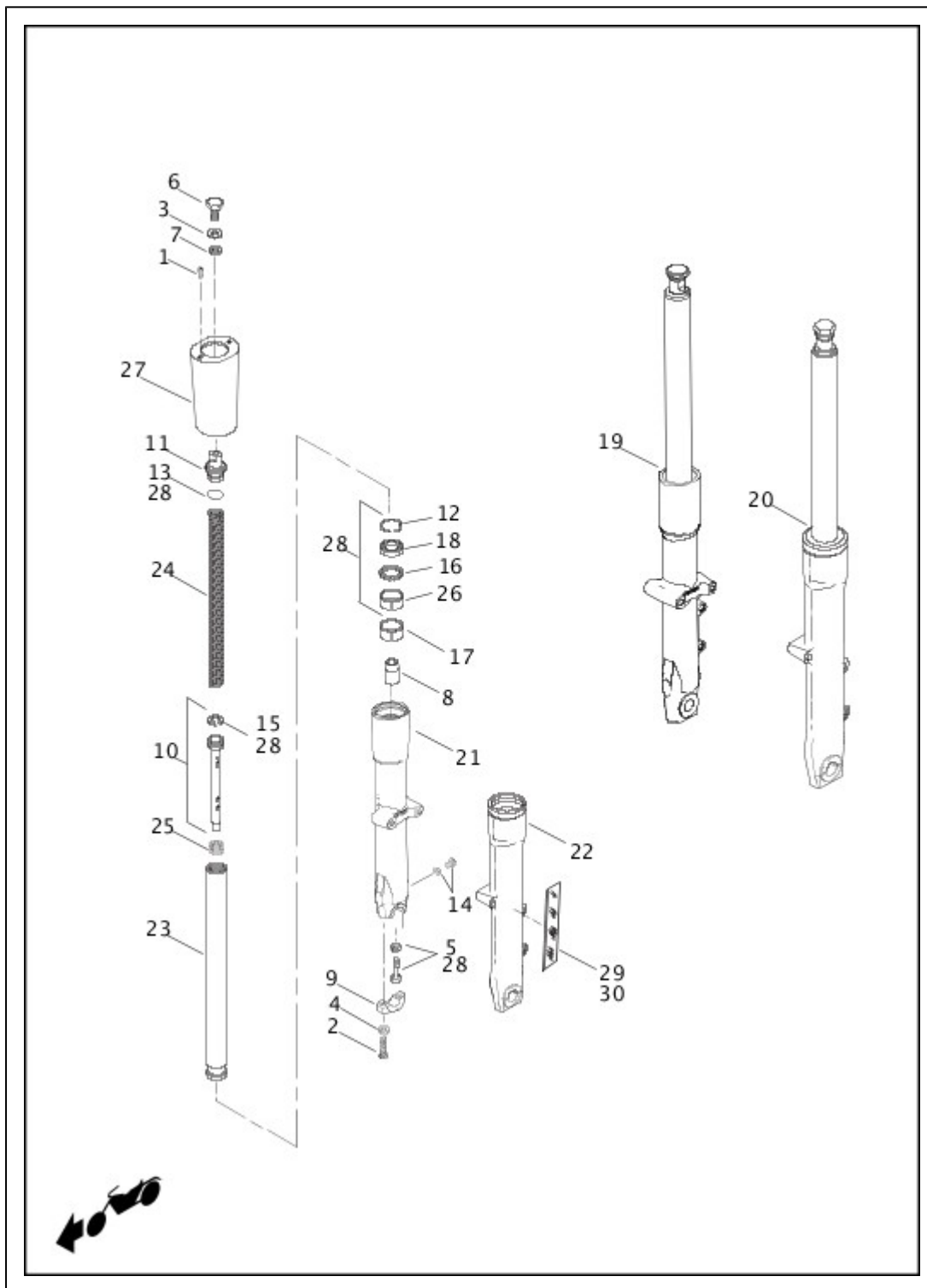
Index No.	Part No.	Description	Model(s)
9	7041	LOCKWASHER (2)	FLSS, FLSTFBS
	45900150	BRACKET, (upper)	FLSS, FLSTFBS
	45800081	CAP, fork stem	FLSS, FLSTFBS
27	10800101	CLAMP	FLSS, FLSTFBS

FORK, FRONT-FLS,FLSS,FLSTC,FLSTF,FLSTFB,FLSTFBS AND FLSTN (1 OF 2)



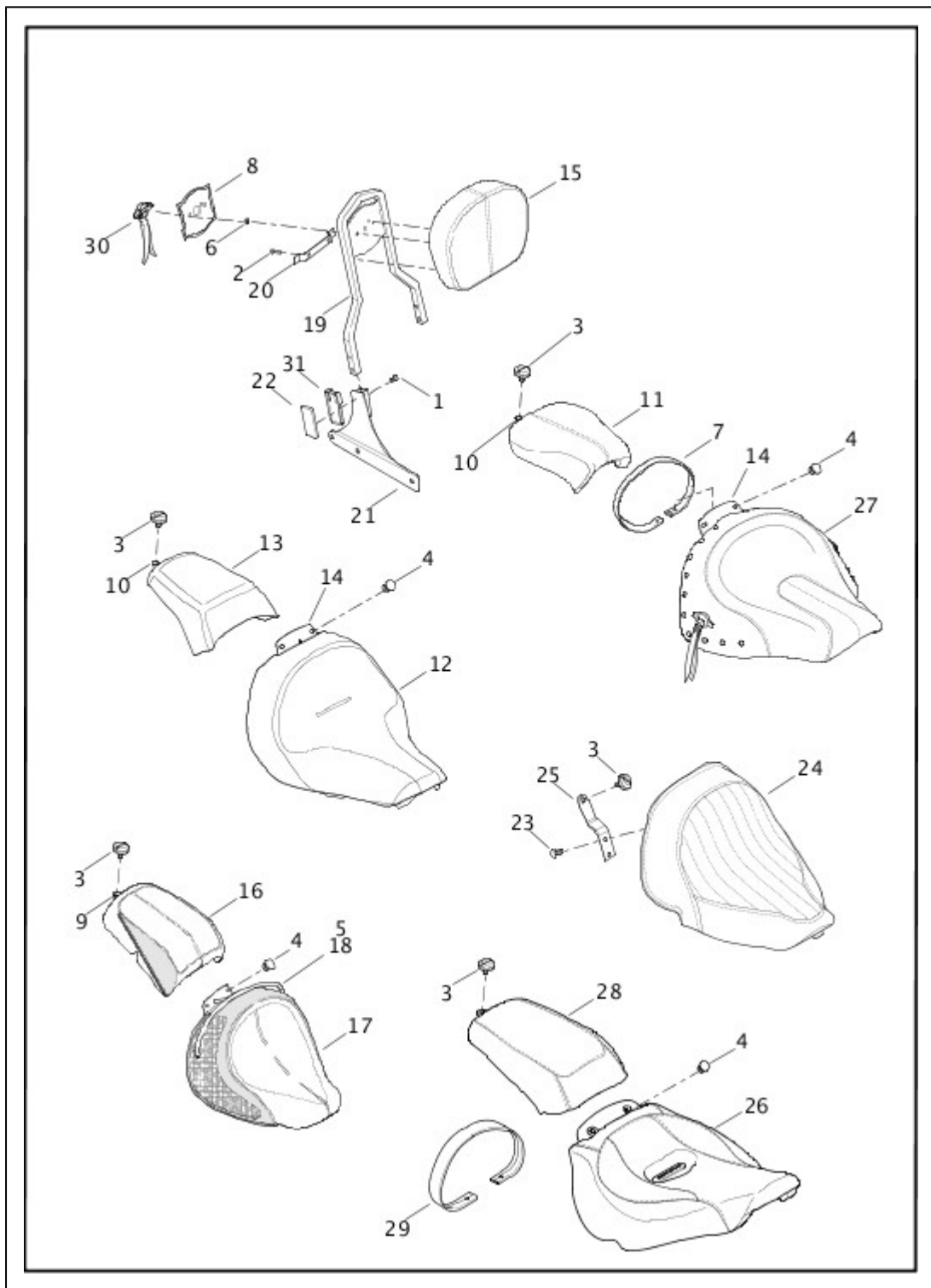
Index No.	Part No.	Description	Model(s)
	46550-03	AXLE CAP, right slider (black)	FLSS, FLSTFBS

FORK, FRONT-FLS,FLSS,FLSTC,FLSTF,FLSTFB,FLSTFBS AND FLSTN (2 OF 2)



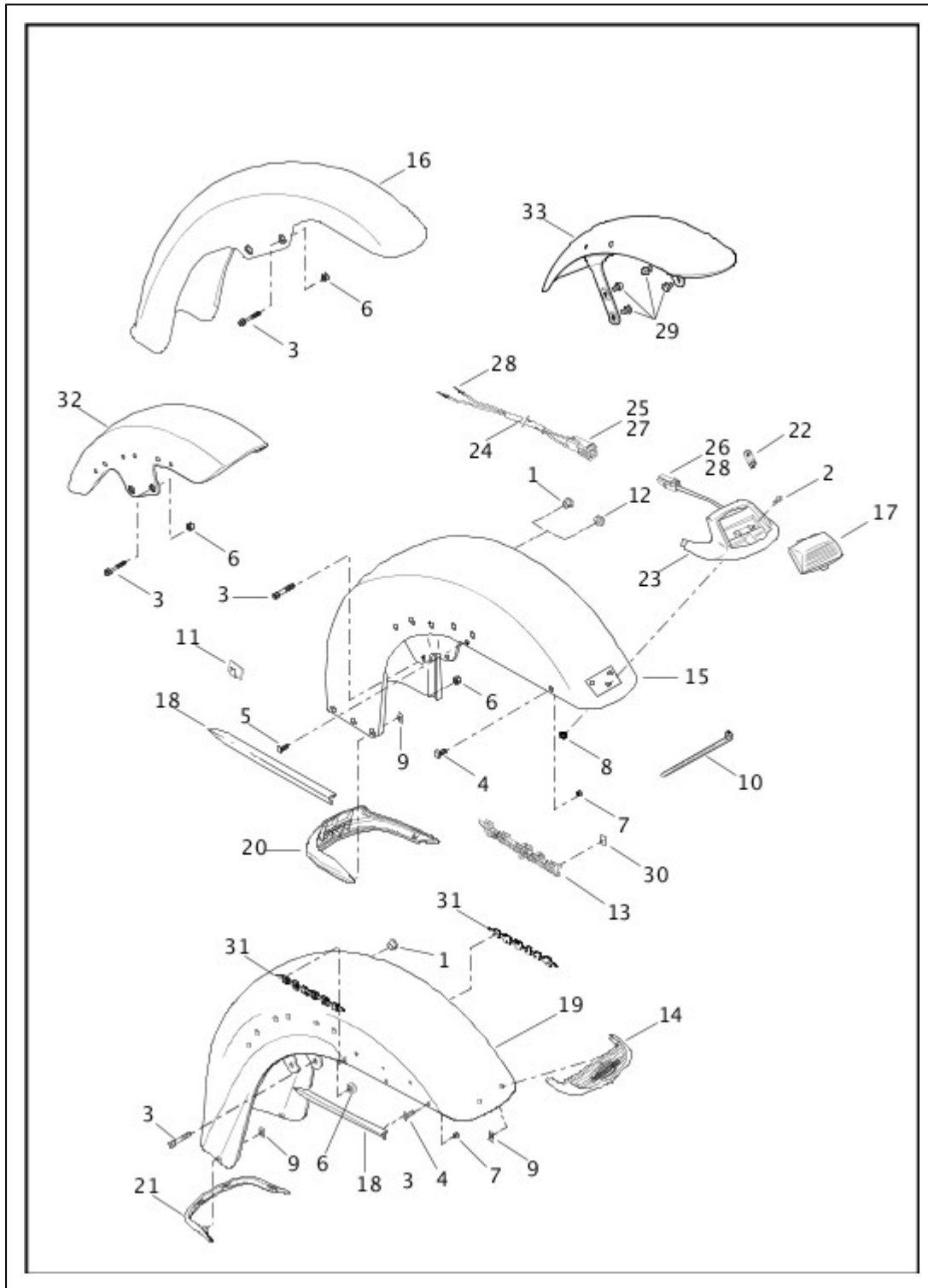
Index No.	Part No.	Description	Model(s)
	45400147	FORK SLIDER AND TUBE ASSEMBLY, (right) (black)	FLSS, FLSTFBS
	45400148	FORK SLIDER AND TUBE ASSEMBLY, (left) (black)	FLSS, FLSTFBS
	45500367	SLIDER ASSEMBLY, (right) (black)	FLSS, FLSTFBS
	46541-02	COVER, slider (black) (2)	FLSS, FLSTFBS

FORK, REAR AND SHOCK ABSORBERS



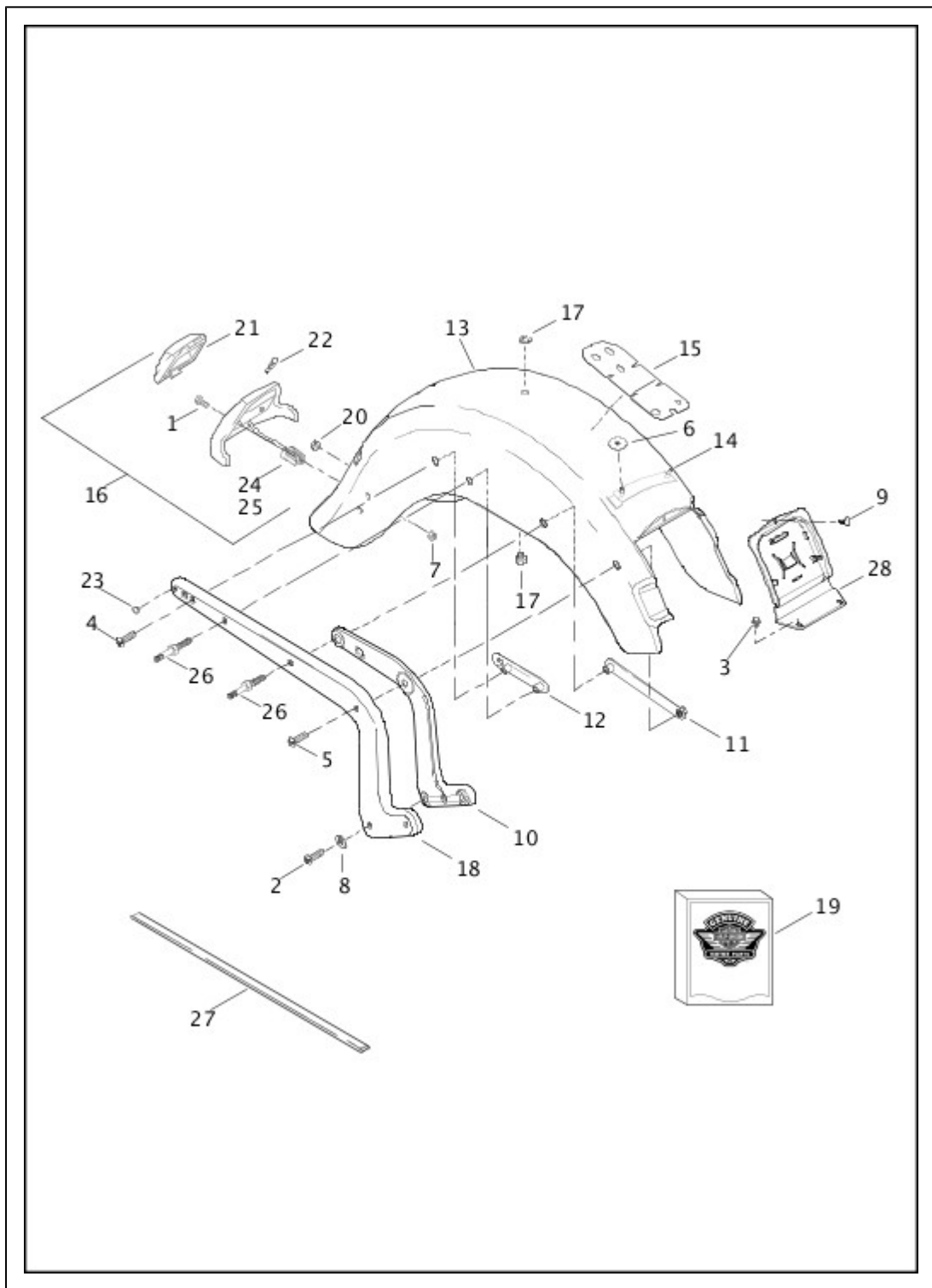
Index No.	Part No.	Description	Model(s)
26	52000096	SEAT	FXSB
27	52000222	SEAT ASSEMBLY	FLSTC
28	52400065	PILLION	FXSB
29	52400072	PASSENGER STRAP	FXSB
30	61400327	CONCHO	FLSTC

FENDER, FRONT



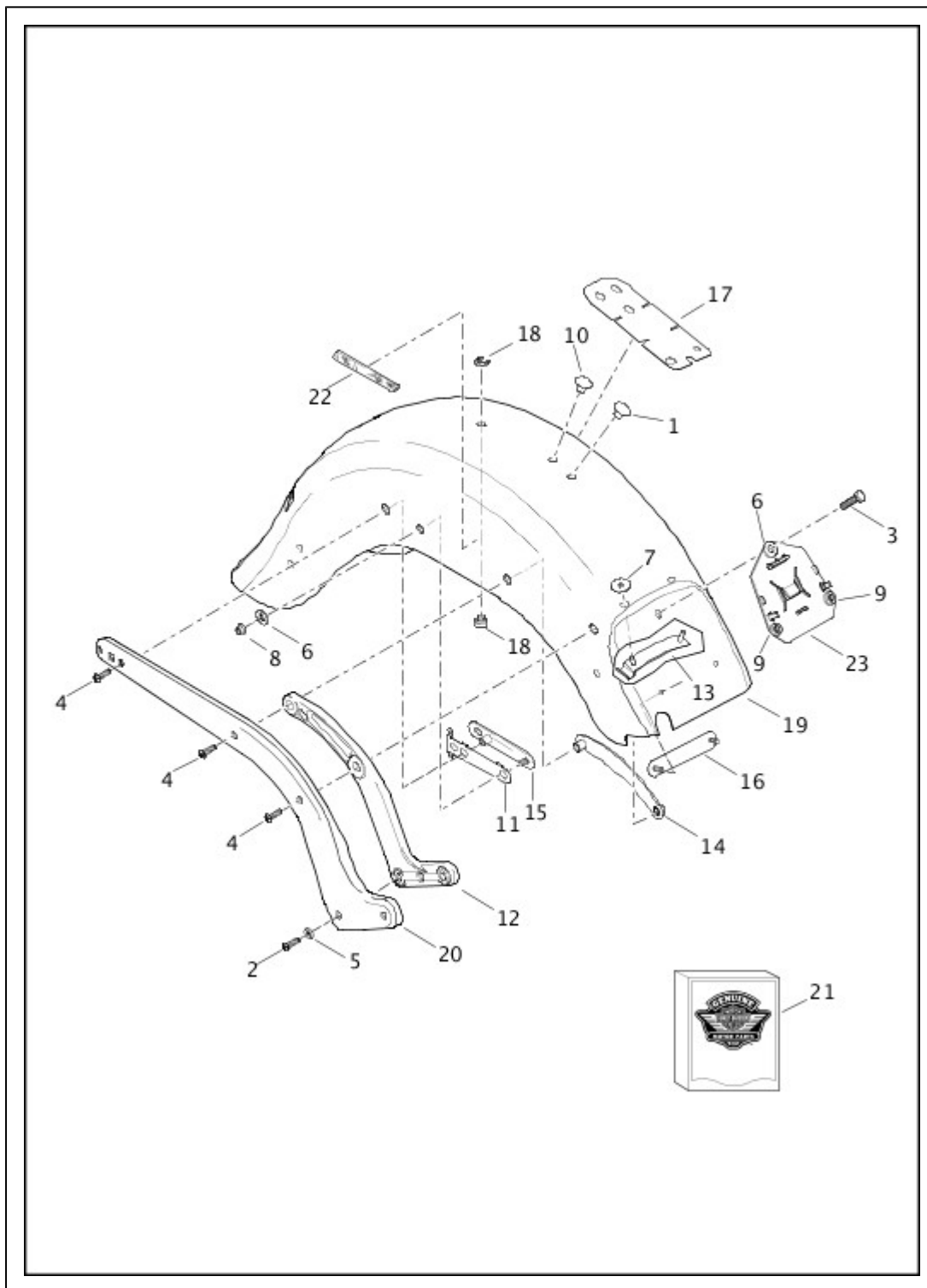
Index No.	Part No.	Description	Model(s)
31	14100756	NAMEPLATE (2)	FLSTN

FENDERS AND SUPPORTS, REAR - FLSTC



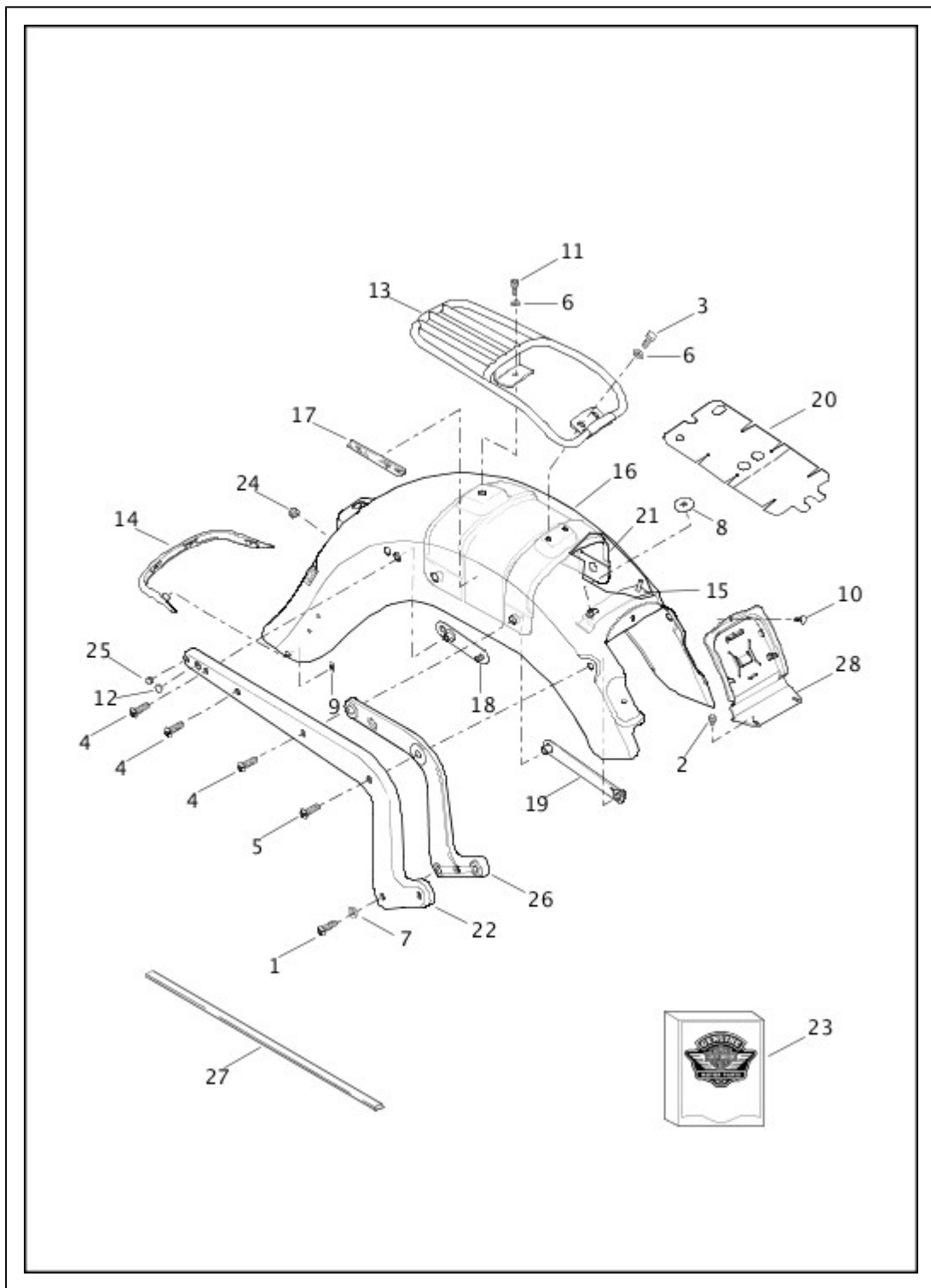
Index No.	Part No.	Description	Model(s)
28	69200626	CADDY, ECM	FLSTC

FENDERS AND SUPPORTS, REAR - FLSTF, FLSTFB AND FLSTFBS



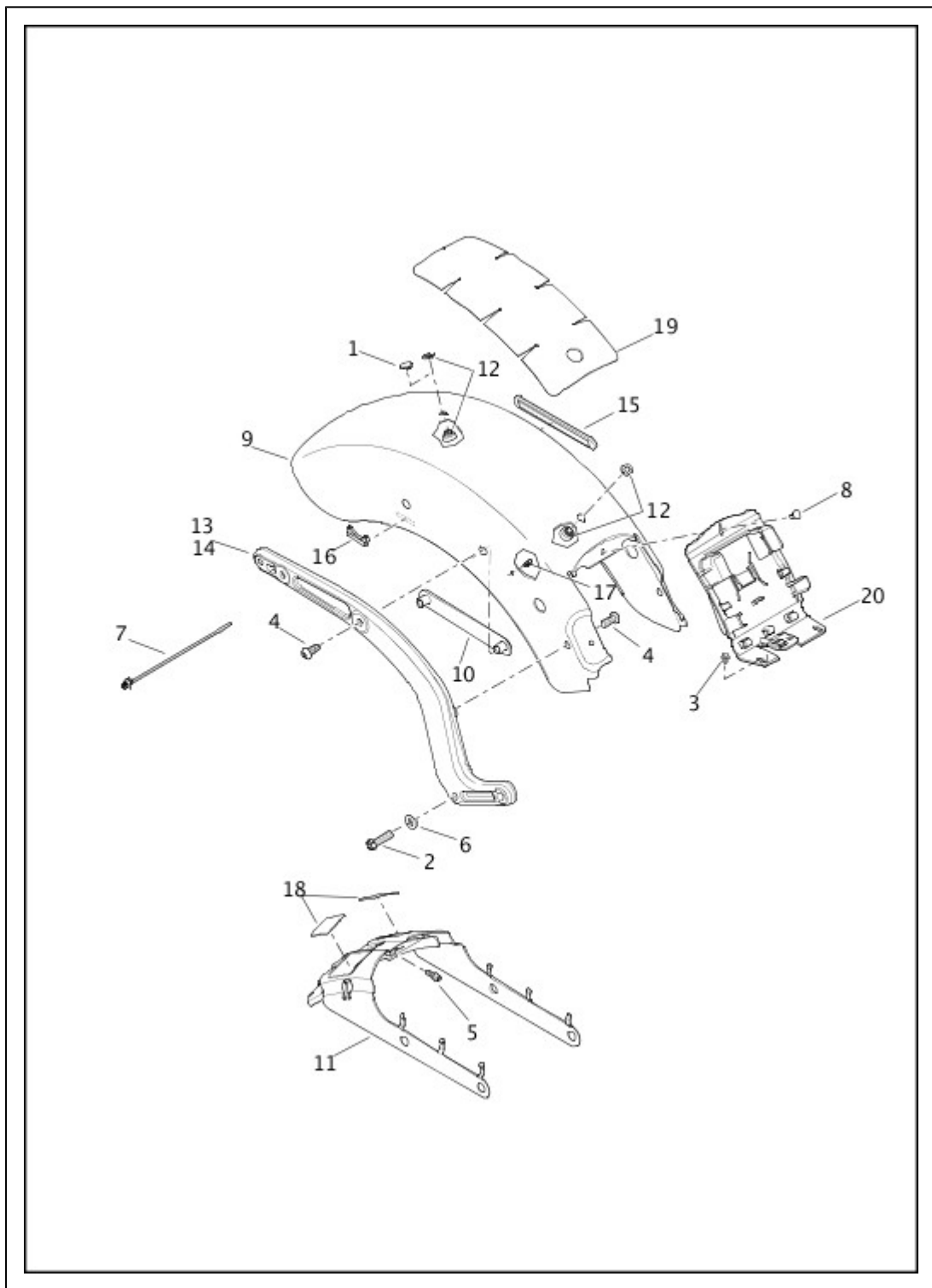
Index No.	Part No.	Description	Model(s)
23	69201084	CADDY, ECM	FLSTF, FLSTFB, FLSTFBS

FENDERS AND SUPPORTS, REAR - FLSTN



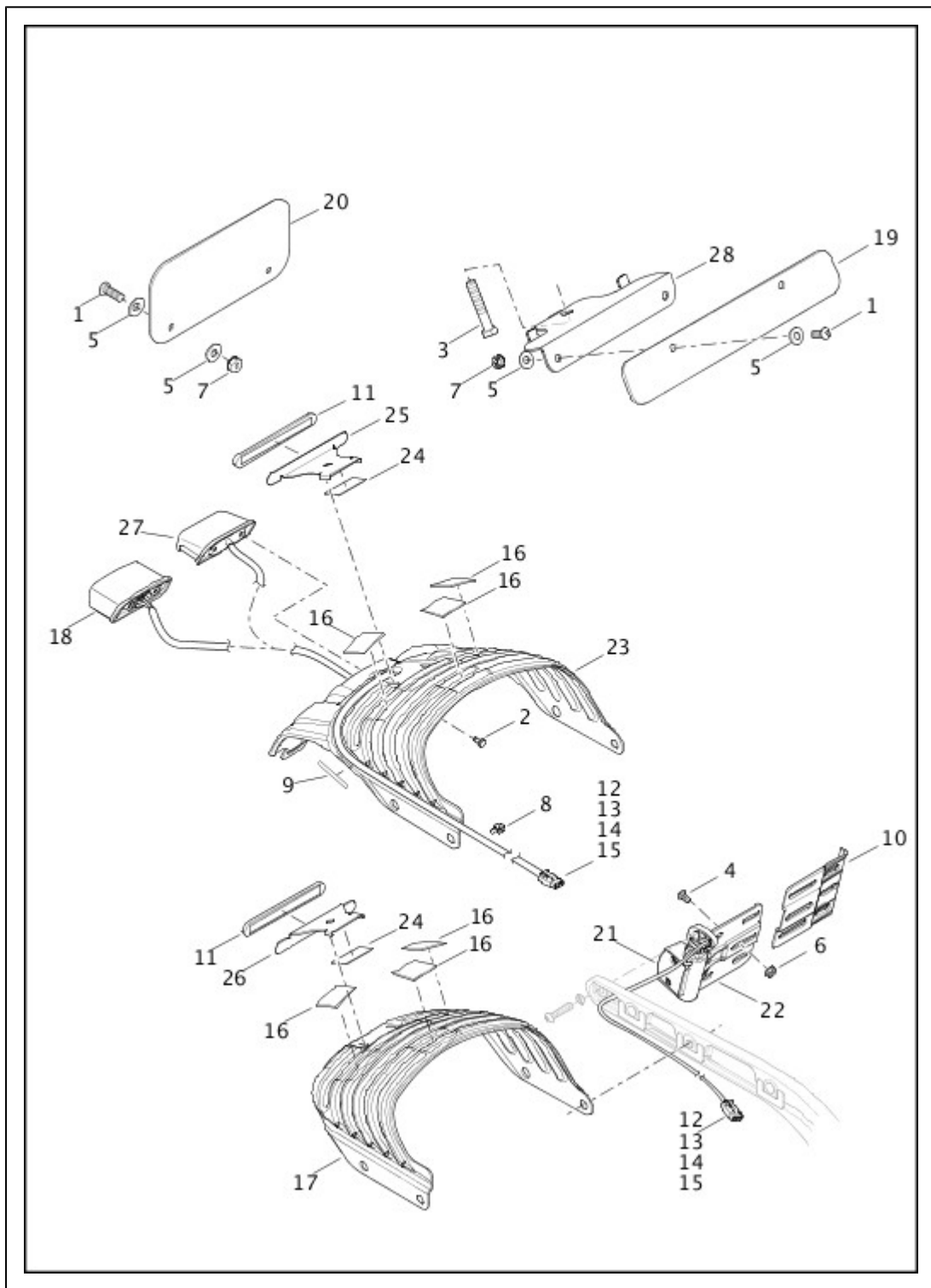
Index No.	Part No.	Description	Model(s)
28	69200626	CADDY, ECM	FLSTN

FENDERS AND SUPPORTS, REAR - FLS AND FLSS



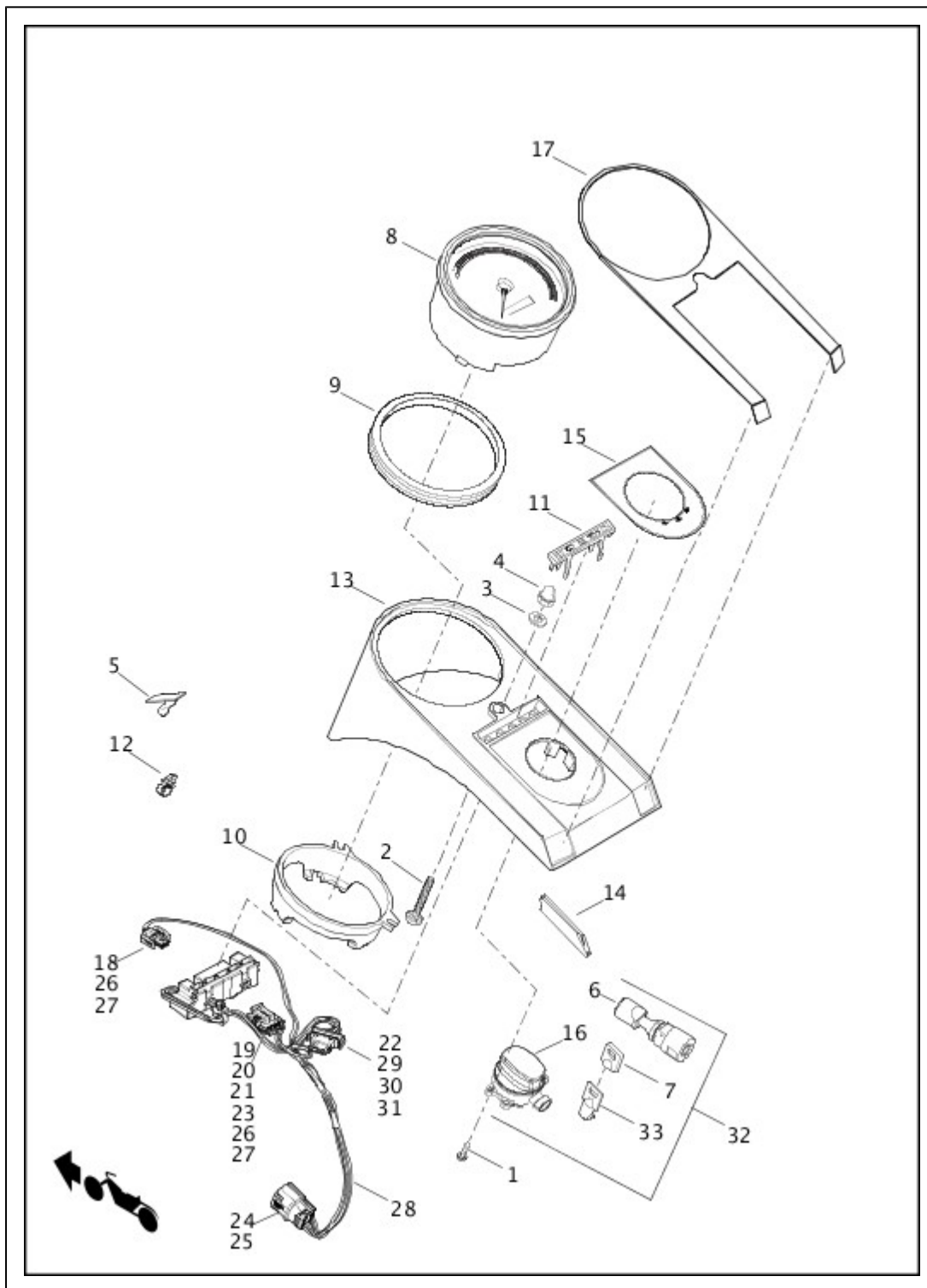
Index No.	Part No.	Description	Model(s)
20	69201085	CADDY, ECM	FLS, FLSS

LICENSE PLATE BRACKETS - FXSB



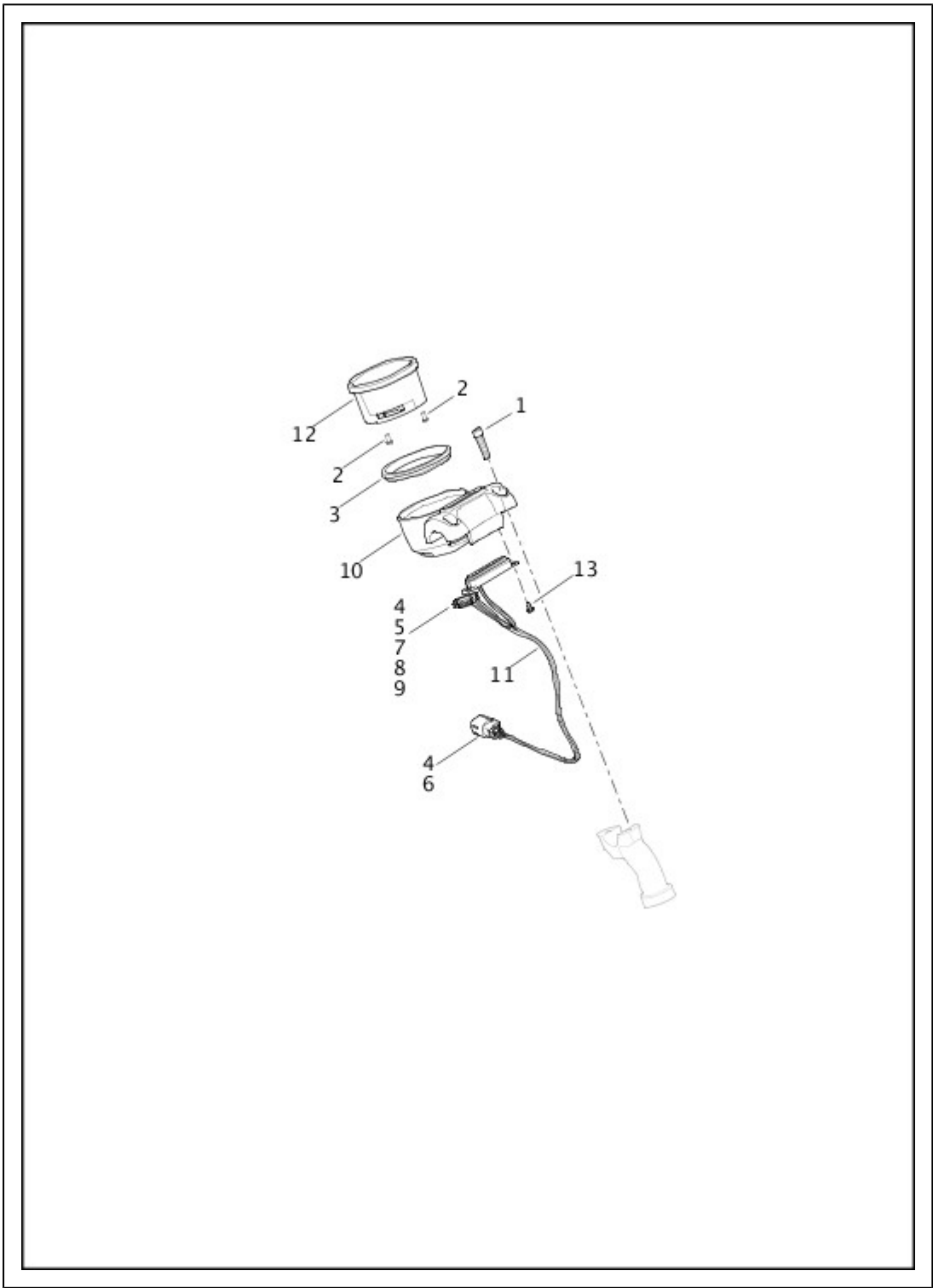
Index No.	Part No.	Description	Model(s)
16	11100103	TAPE, pad mounting (3)	FXSB
28	67900283	BRACKET, license plate, front (India)	FXSB

FUEL TANK



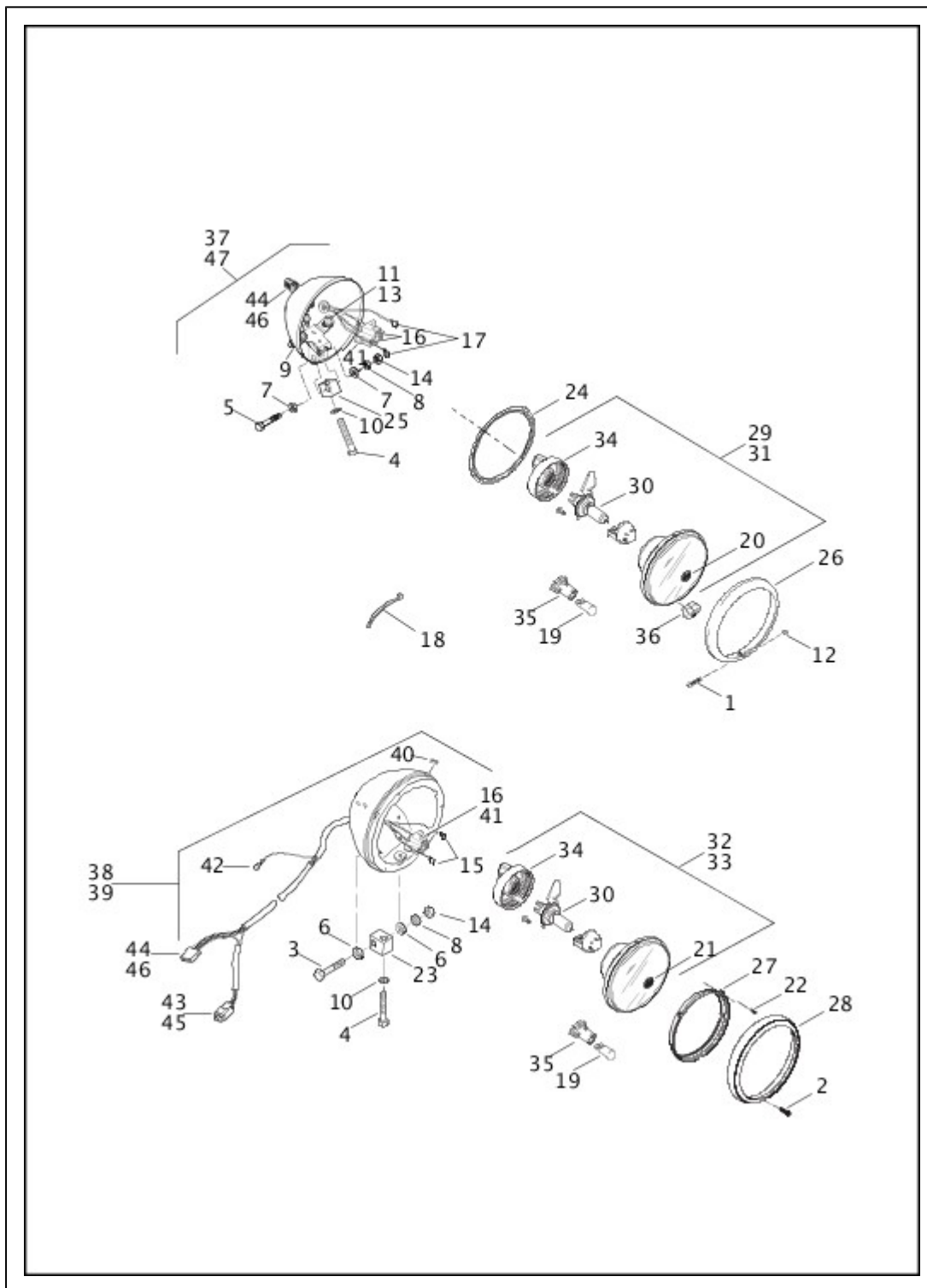
Index No.	Part No.	Description	Model(s)
	67439-11C	SPEEDOMETER, mph	FLSTN
	70900622	INSTRUMENT PANEL, (gloss black)	FLSTFBS

INSTRUMENTS - FXSB



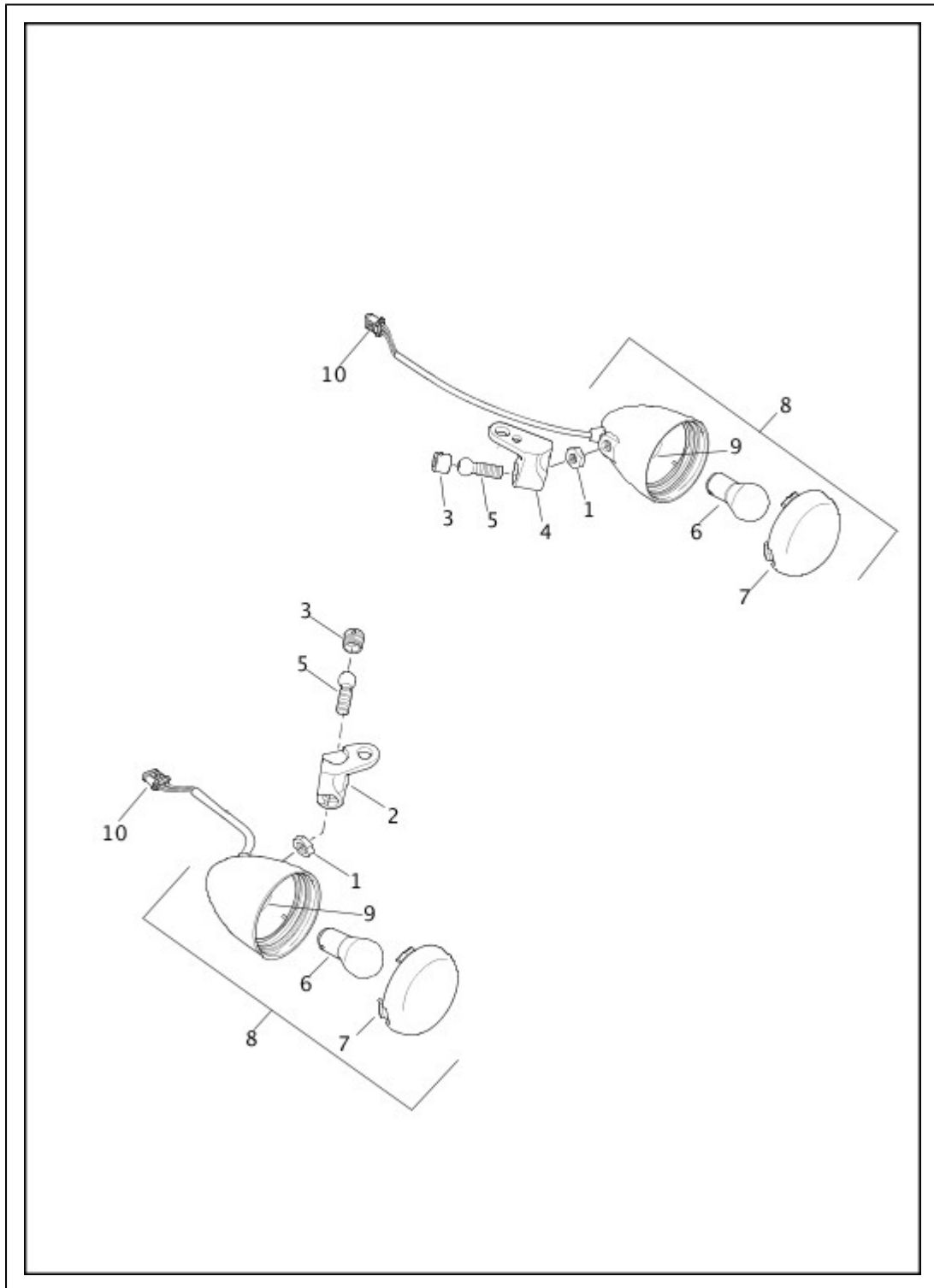
Index No.	Part No.	Description	Model(s)
12	70900369C	SPEEDOMETER, mph	FXSB
	70900371A	SPEEDOMETER, mph/km/h (England)	FXSB

HEADLAMP (2 OF 2)



Index No.	Part No.	Description	Model(s)
	67700115	TRIM RING, (black)	FLSS, FLSTFBS
29	68297-05A	REFLECTOR ASSEMBLY, 5-3/4 in	FXSB
31	68335-05A	REFLECTOR ASSEMBLY, left dip, 5-3/4 in (Australia, Brazil, England, Japan)	FXSB
	68341-05A	REFLECTOR ASSEMBLY, right dip, 5-3/4 in (Asia-Pacific, HDI)	FXSB
32	68342-	LENS ASSEMBLY, 7 in	FLSTC, FLSTF, FLSTN, FLSTFB, FLS,

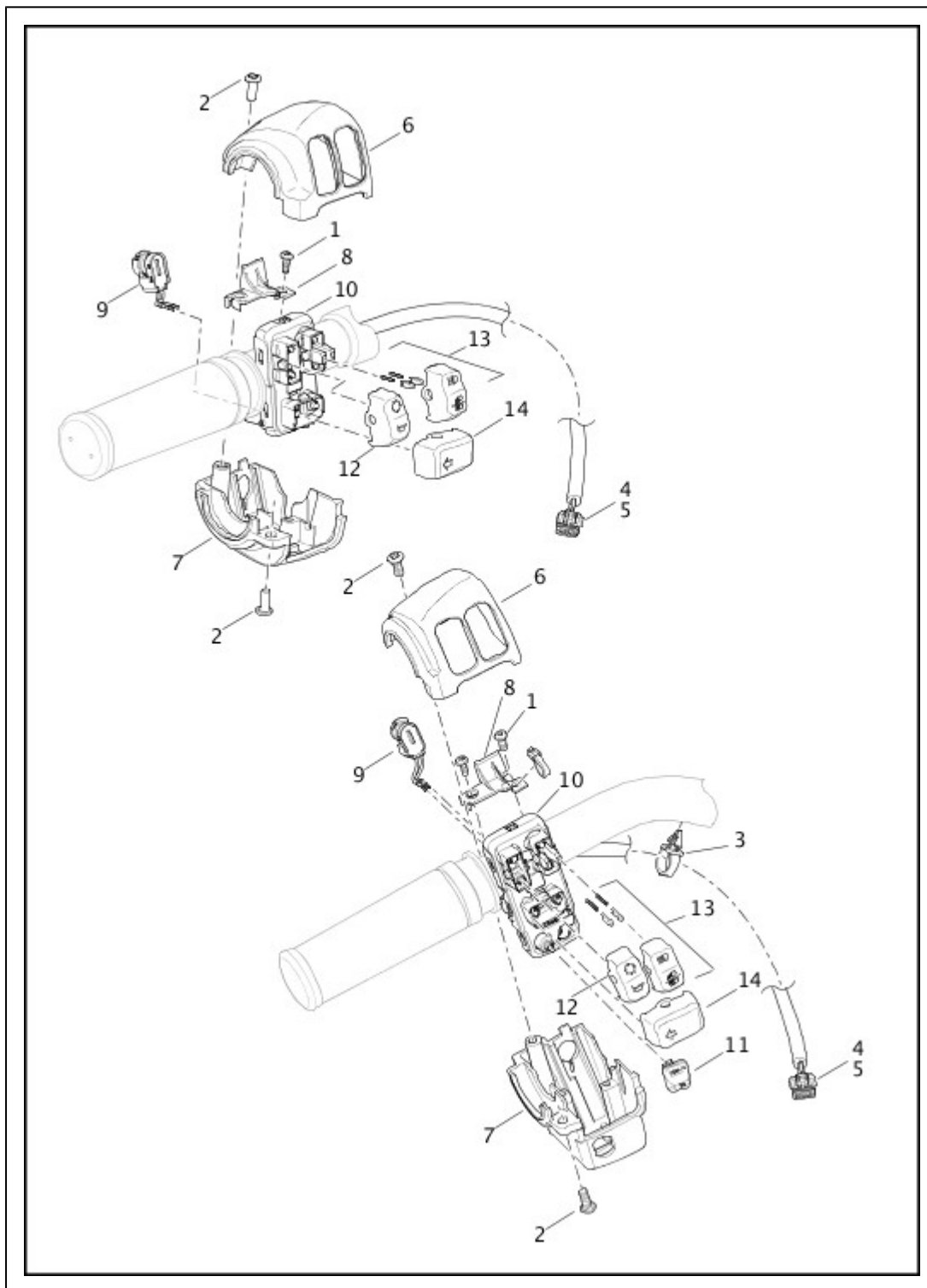
TURN SIGNALS, FRONT - FLS, FLSS, FLSTF, FLSTFB, FLSTFBS, FXSB



Index No.	Part No.	Description	Model(s)
	67800630	BRACKET, turn signal mount (right) (black)	FLSS, FLSTFBS
	67800628	BRACKET, turn signal mount (left) (black)	FLSS, FLSTFBS

8	67800141	TURN SIGNAL, with 68163-84, 68973-00, 67800148 (HDI) (2)	FLSTF
	67800519	TURN SIGNAL, with 68168-89A, 68973-00, 67800147 (chrome) (2)	FLSTF
	67800520	TURN SIGNAL, with 68168-89A, 68973-00, 67800147 (black) (2)	FXSB, FLSTFB, FLSTFBS
	67800521	TURN SIGNAL, with 68163-84, 68973-00, 67800148 (HDI) (black) (2)	FXSB, FLSTFB, FLSTFBS
	67800523	TURN SIGNAL, with 68168-89A, 68973-00, 67800147 (gloss black) (2)	FLS, FLSS
	67800525	TURN SIGNAL, with 68163-84, 68973-00, 67800148 (HDI) (gloss black) (2)	FLS, FLSS
9	67800147	SOCKET ASSEMBLY (2)	FXSB, FLSTF, FLSTFB, FLS, FLSS, FLSTFBS
	67800148	SOCKET ASSEMBLY, (HDI) (2)	FXSB, FLSTF, FLSTFB, FLS, FLSS, FLSTFBS
10	69201179	HOUSING, four-way socket (gray) (2)	FXSB, FLSTF, FLSTFB, FLS, FLSS, FLSTFBS

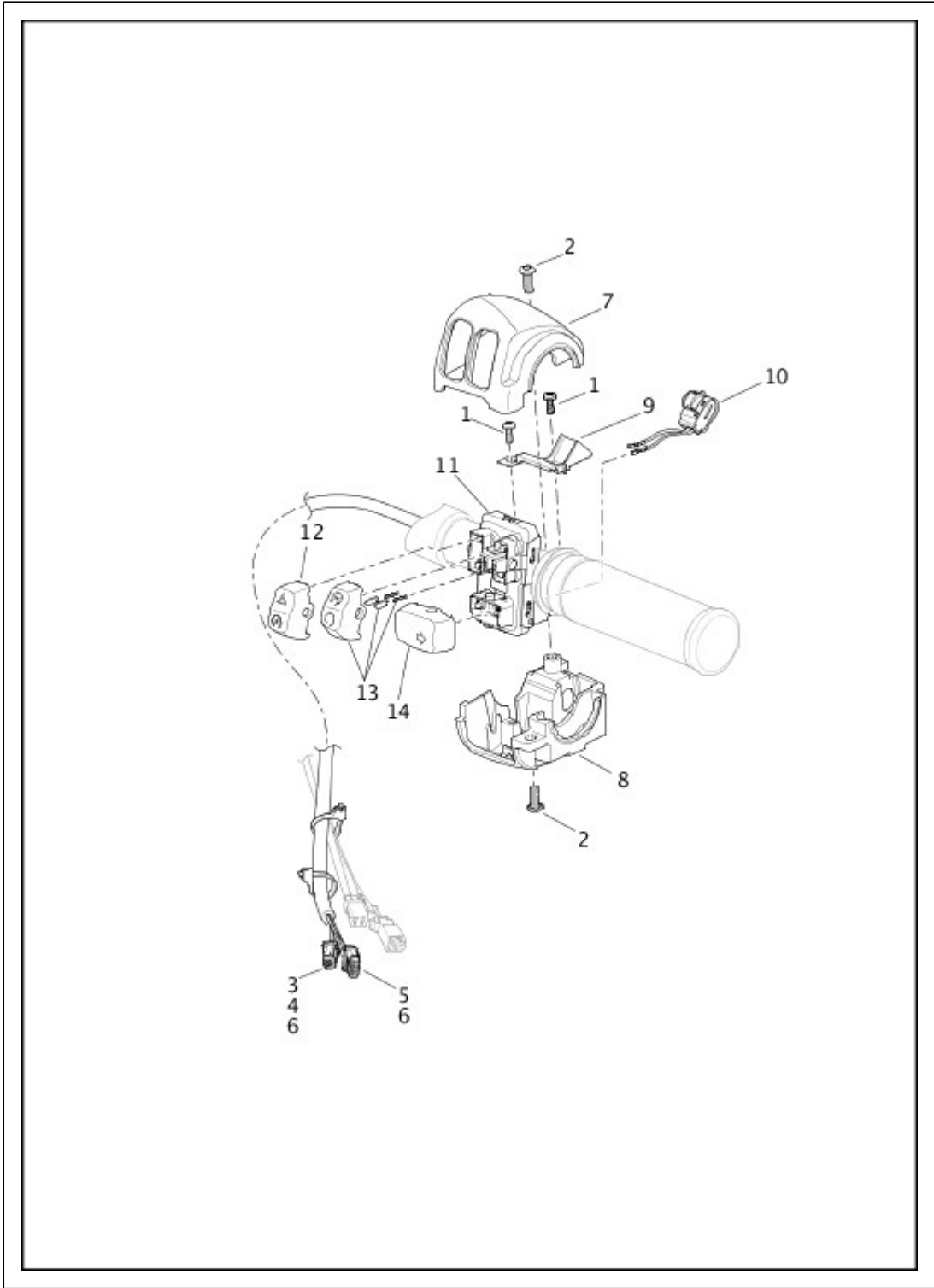
SWITCHES, HANDLEBAR LEFT, FRONT



Index No.	Part No.	Description	Model(s)
	71500289	HOUSING, (lower) (left) (black)	FLSTC, FLSTN, FLSS, FLSTFBS
	71500114	SWITCH, clutch switch	FLSS, FLSTFBS
10	71500288	SWITCH MODULE, left (black)	FLSTC, FLSTN
	71500292	SWITCH MODULE, left (black)	FXSB, FLSTF, FLSTFB, FLS
	71500448	SWITCH MODULE, left (black)	FLSS, FLSTFBS
11	71500290	SWITCH CAP, set/resume	FLSTC, FLSTN
12	71500293	SWITCH CAP, horn/trip switch	

13	71500294	SWITCH CAP, lights switch	
14	71500295	SWITCH CAP, left turn switch	

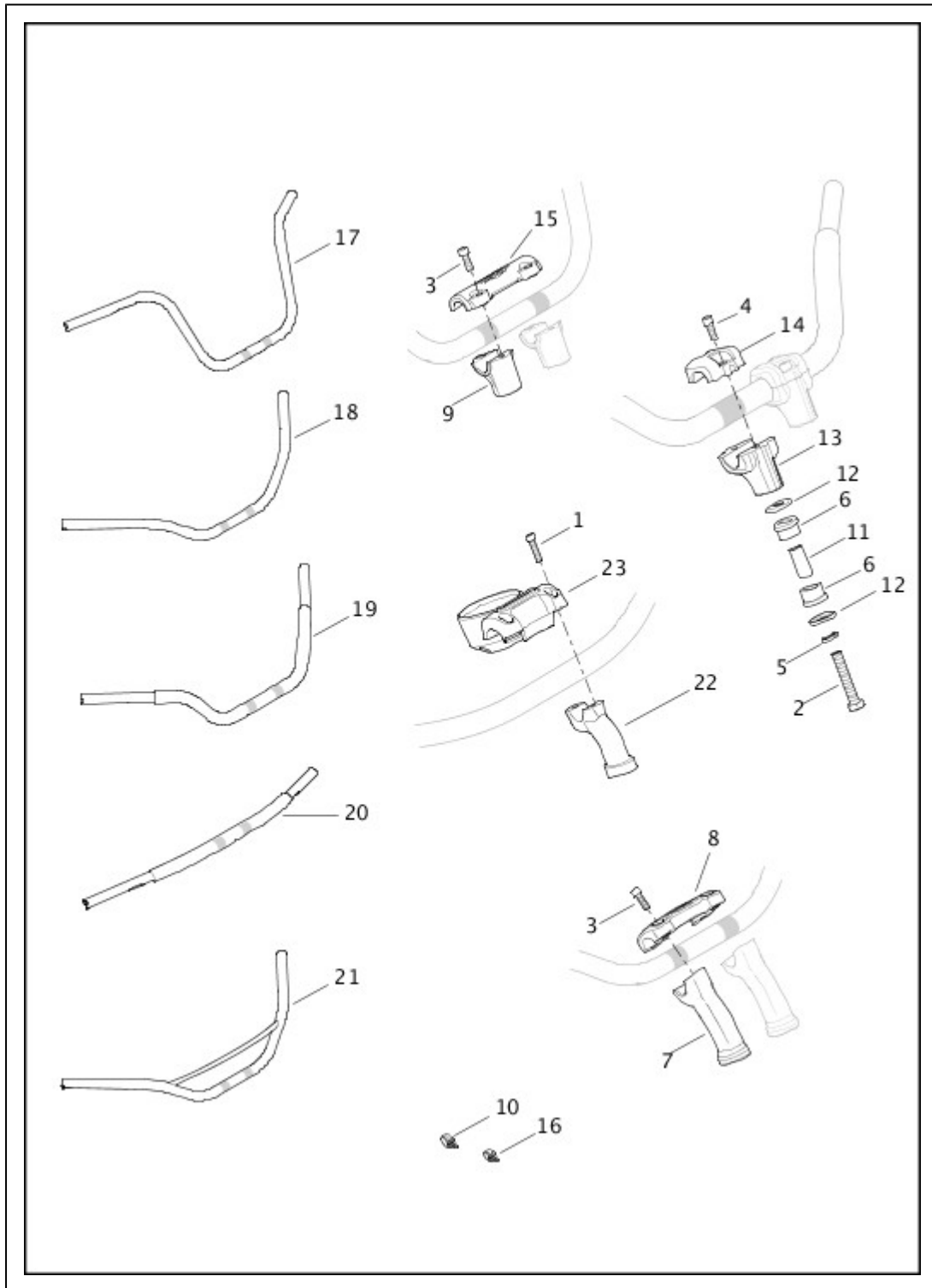
SWITCHES, HANDLEBAR RIGHT, FRONT



Index No.	Part No.	Description	Model(s)
11	71500297	SWITCH MODULE, right side	
12	71500298	SWITCH CAP, hazard switch	

13	71500299	SWITCH CAP, off/run switch, with pins and springs	
14	71500300	SWITCH CAP, right turn switch	

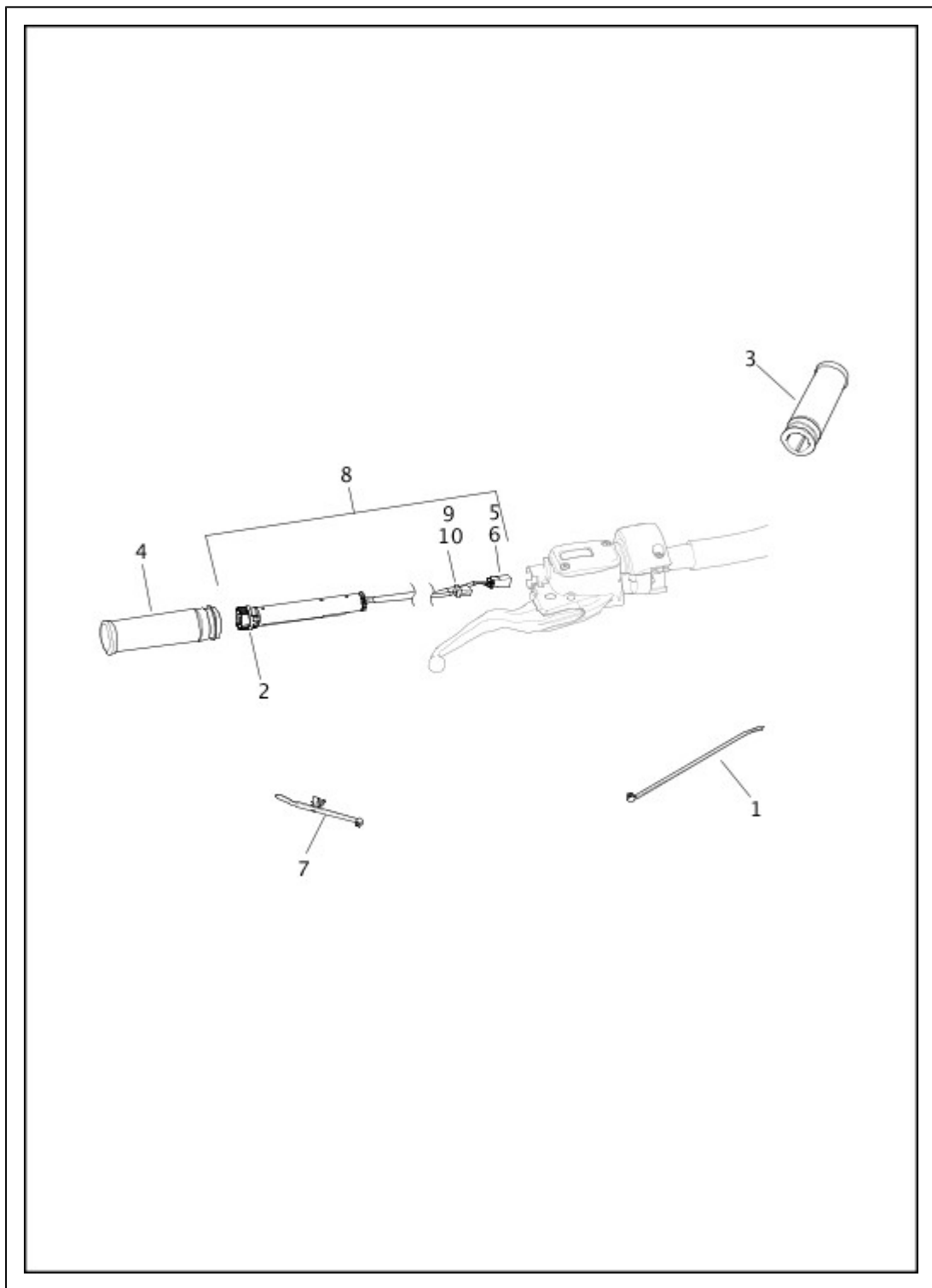
HANDLEBAR



Index No.	Part No.	Description	Model(s)
	55900098	RISER, (gloss black) (2)	FLSS
	55900097	RISER, (gloss black) (2)	FLSTFBS

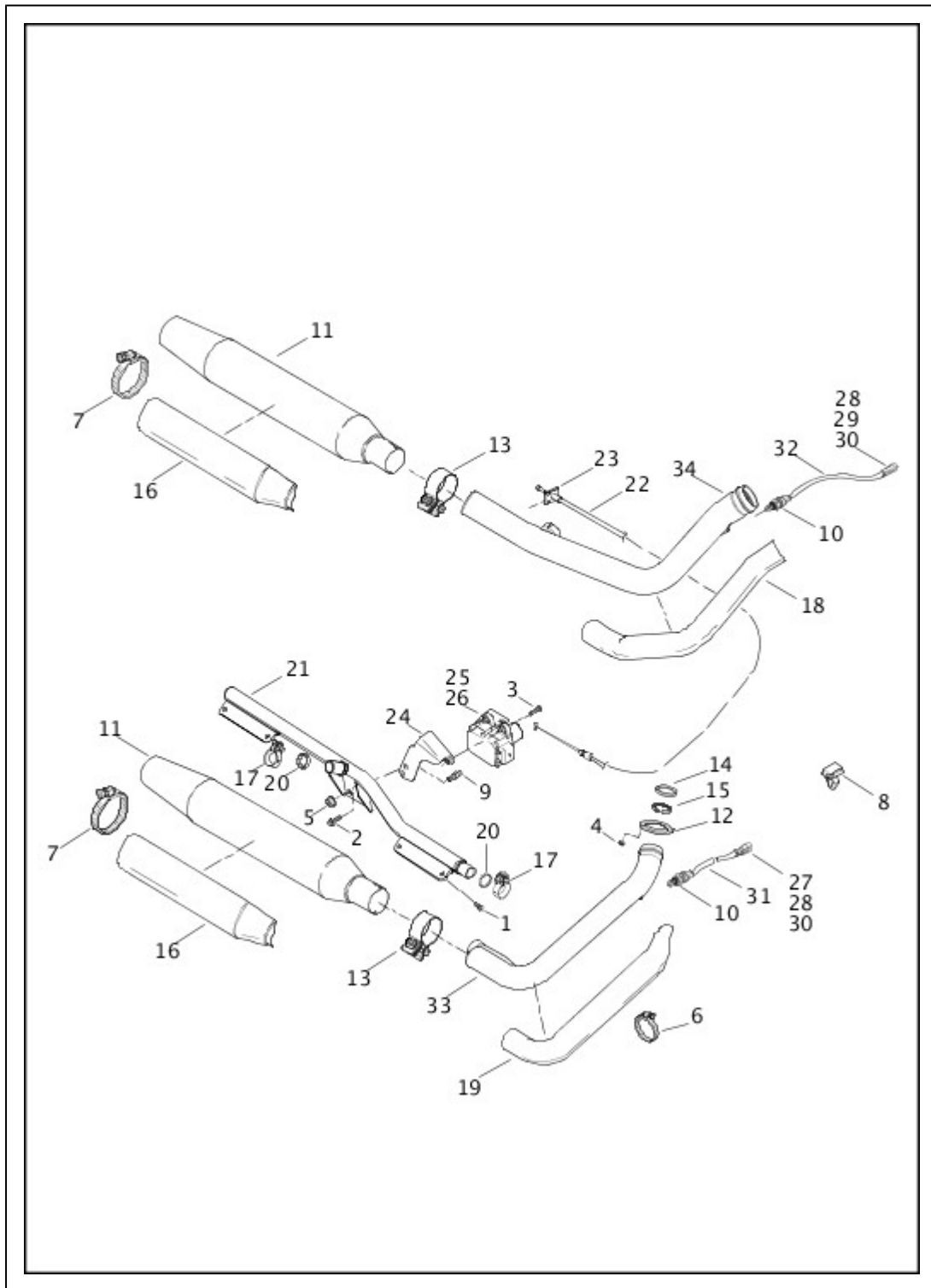
	55900096	CAP, (gloss black) (2)	FLSTFBS
	55900099	CLAMP, (gloss black)	FLSS
17	55800396	HANDLEBAR	FLSTC
18	55800399	HANDLEBAR	FLSTN
19	55800405	HANDLEBAR	FLSTFB, FLSTF
	55800634	HANDLEBAR, (gloss black)	FLSTFBS
20	55800411	HANDLEBAR	FXSB
21	55800579	HANDLEBAR	FLS, FLSS

THROTTLE CONTROL



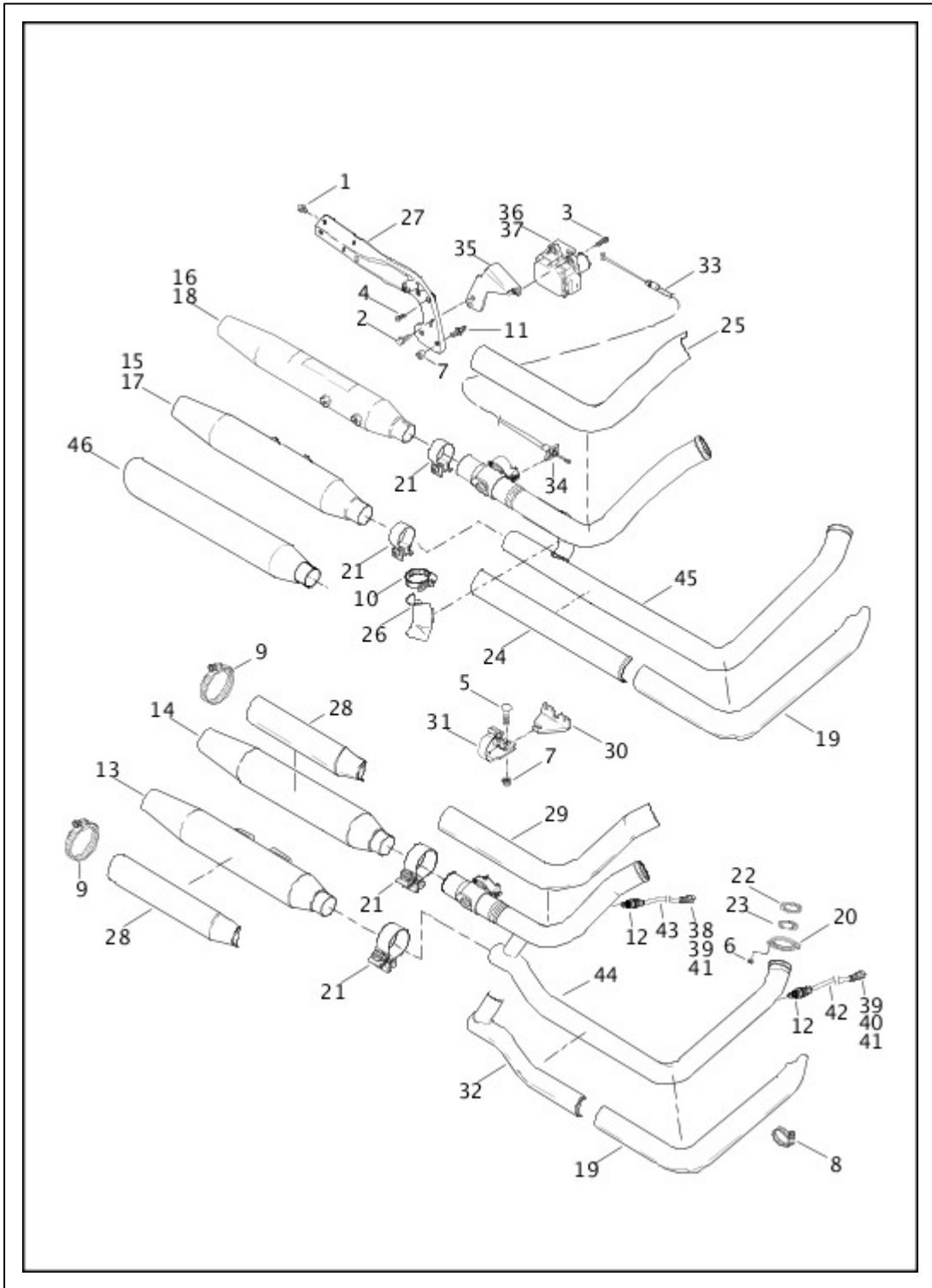
Index No.	Part No.	Description	Model(s)
2	32306-08	SEAL CAP	
4	56304-08	THROTTLE SLEEVE AND GRIP	
5	72902-01BK	HOUSING, two-way pin (black)	
6	72990-01	TERMINAL, pin 18-22 AWG (2)	
7	12500001	CABLE STRAP	
8	32700050	SENSOR, twist grip	
9	69200307	TERMINAL, socket 22 AWG (6)	

EXHAUST SYSTEM - FLSTC



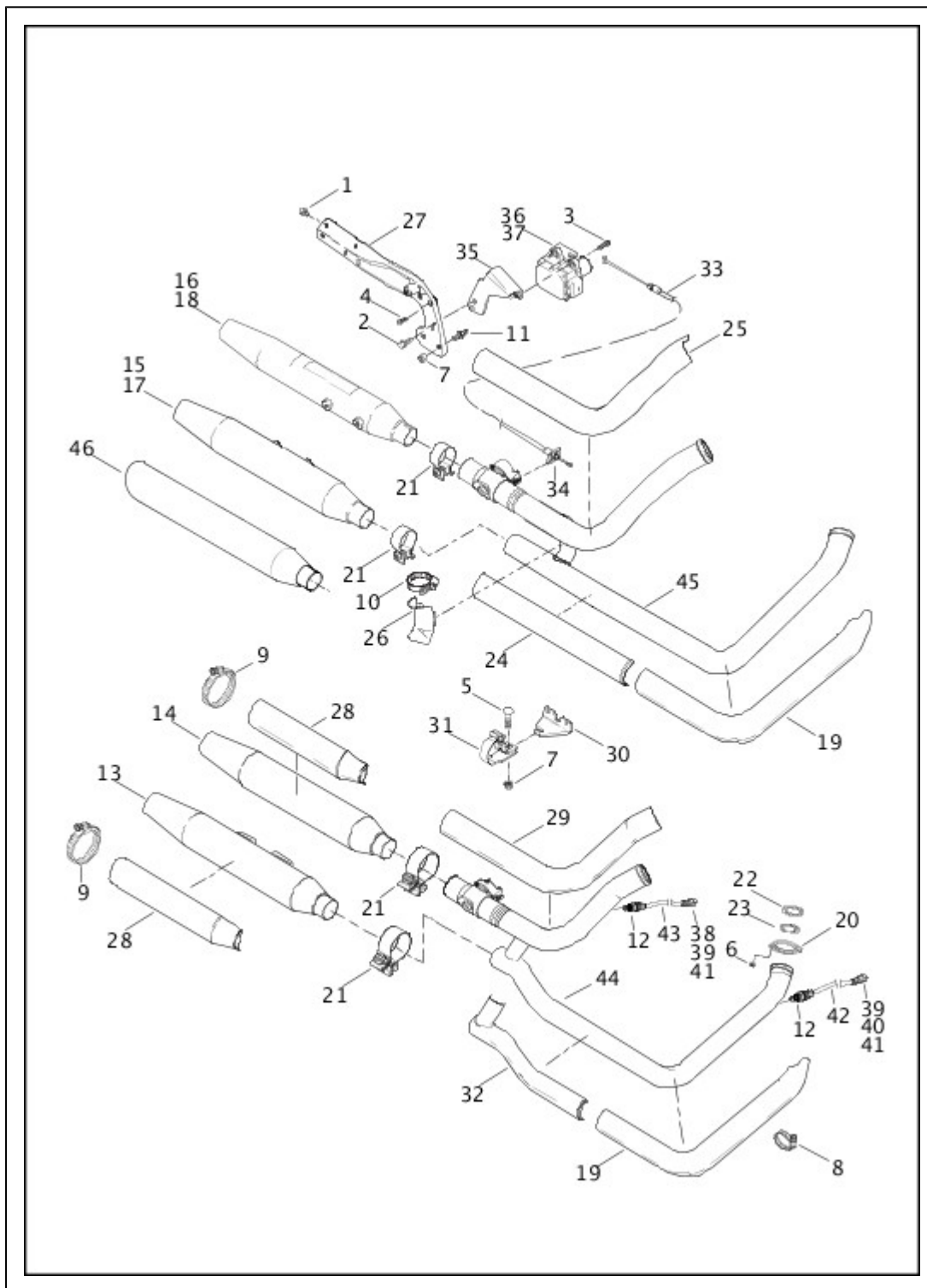
Index No.	Part No.	Description	Model(s)
3	3799	SCREW, (HDI, Australia, England, India) (2)	FLSTC

EXHAUST SYSTEM - FLS, FLSS, FLSTF, FLSTFB, FLSTFBS AND FLSTN (1 OF 2)



Index No.	Part No.	Description	Model(s)
3	3799	SCREW, (HDI, Australia, England, India) (2)	FLSTF, FLSTN, FLSTFB, FLS
	10800010	CLAMP, muffler shield (black) (4)	FLSS, FLSTFBS

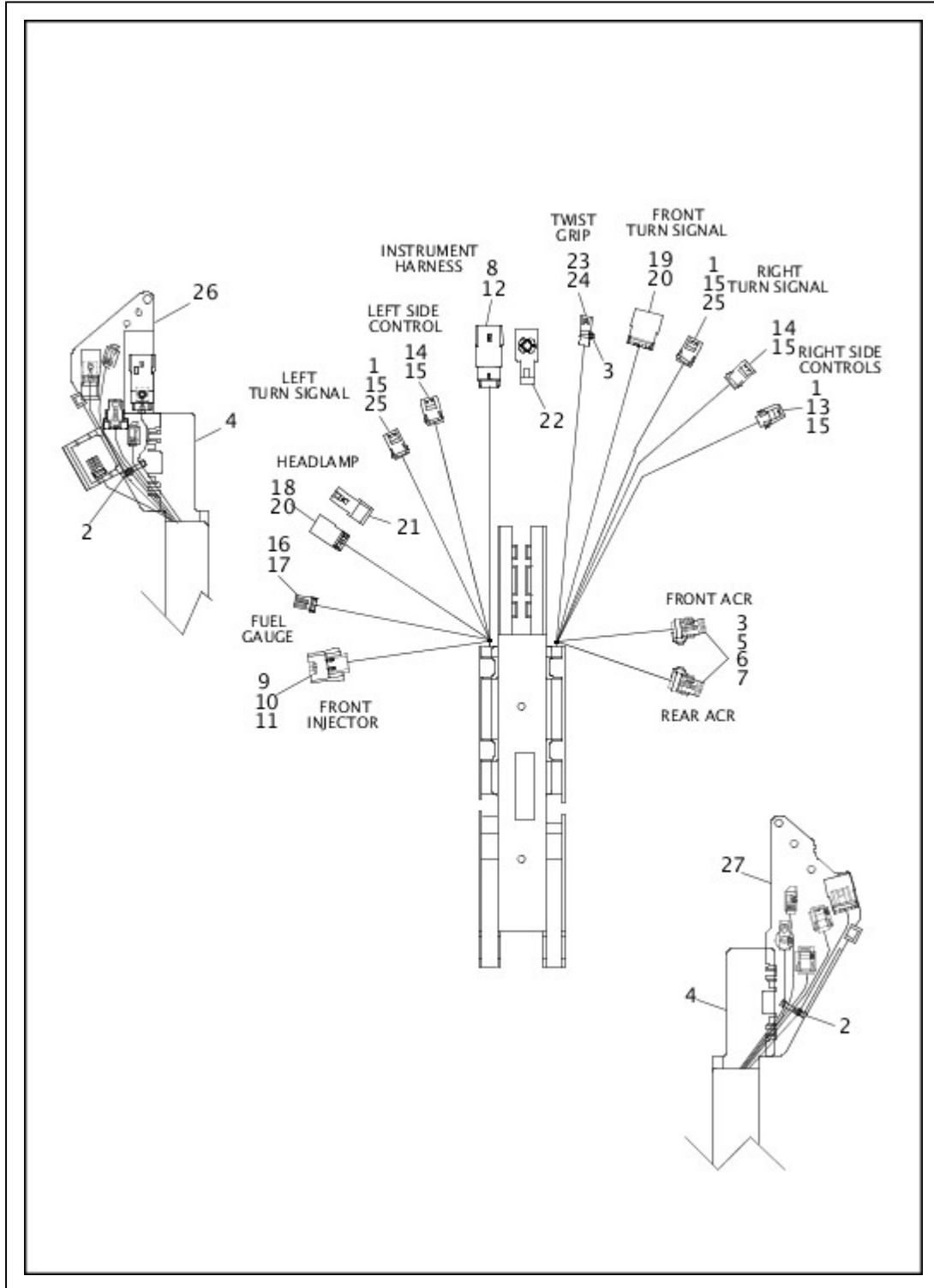
EXHAUST SYSTEM - FLS, FLSS, FLSTF, FLSTFB, FLSTFBS AND FLSTN (2 OF 2)



Index No.	Part No.	Description	Model(s)
	80826-10	SHIELD, exhaust pipe (black)	FLSS
	80830-10A	SHIELD, rear exhaust pipe (black)	FLSS
	65688-11BHP	MUFFLER SUPPORT, (gloss black)	FLSTFBS
	65400277	SHIELD, muffler (2)	FLSS, FLSTFBS
46	64900468	MUFFLER ASSEMBLY, front (black)	FLSS, FLSTFBS
	64900469	MUFFLER ASSEMBLY, rear (black)	FLSS, FLSTFBS
	64900470	MUFFLER ASSEMBLY, front (black) (Japan)	FLSS, FLSTFBS

64900471	MUFFLER ASSEMBLY, rear (black) (Japan)	FLSS, FLSTFBS
64900472	MUFFLER ASSEMBLY, front (black) (Australia, England, HDI)	FLSS, FLSTFBS
64900473	MUFFLER ASSEMBLY, rear (black) (Australia, England, HDI)	FLSS, FLSTFBS

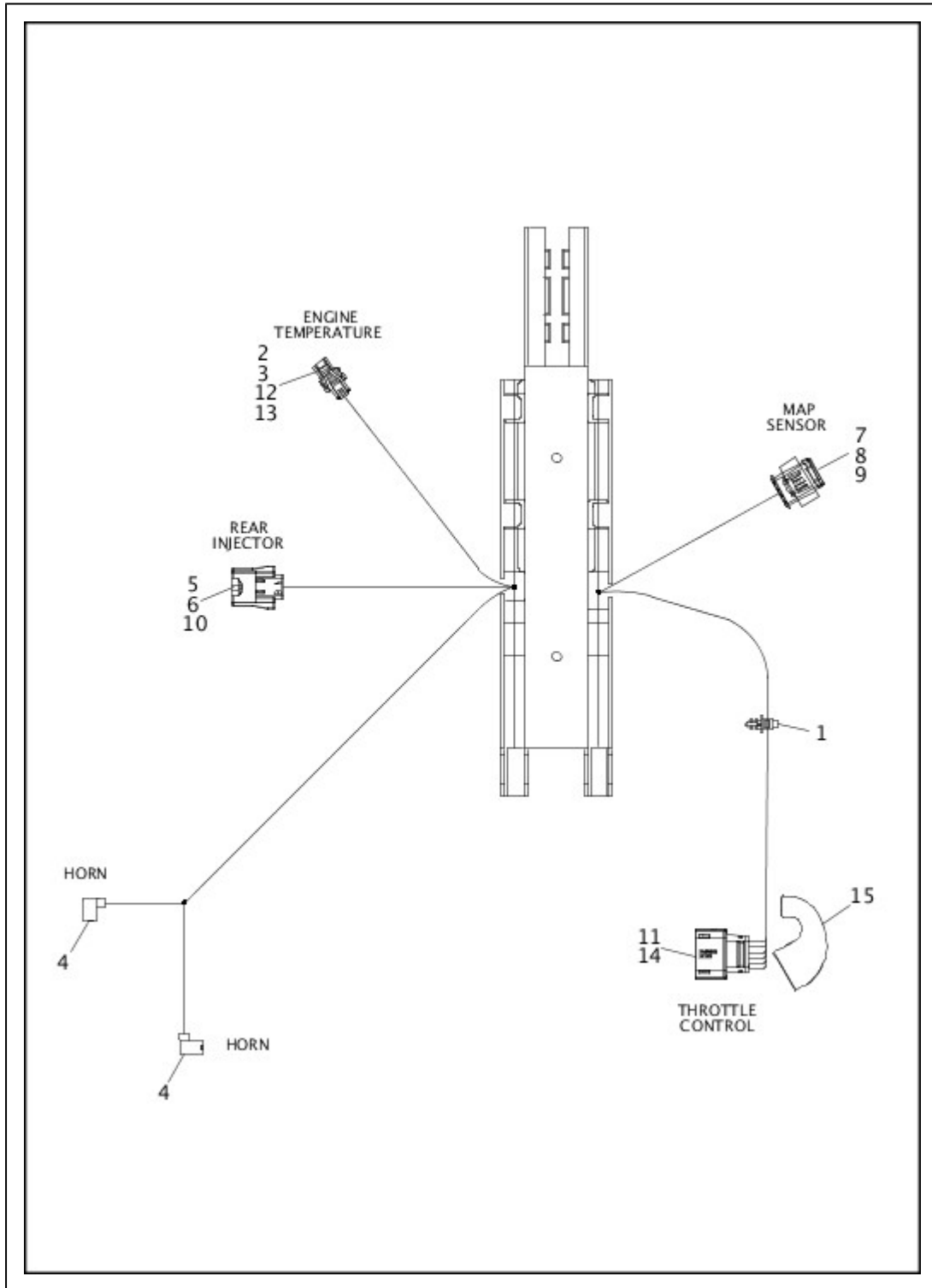
WIRING HARNESS, MAIN, NON-ABS - FLS (1 OF 5)



Index No.	Part No.	Description	Model(s)
23	69201163	HOUSING, six-way pin	FLS

24	69201164	TERMINAL, pin, 22 AWG (6)	FLS
25	69201180	HOUSING, four-way pin (gray) (2)	FLS
26	69201296	BRACKET, electrical connector, right	FLS
27	69201297	BRACKET, electrical connector, left	FLS

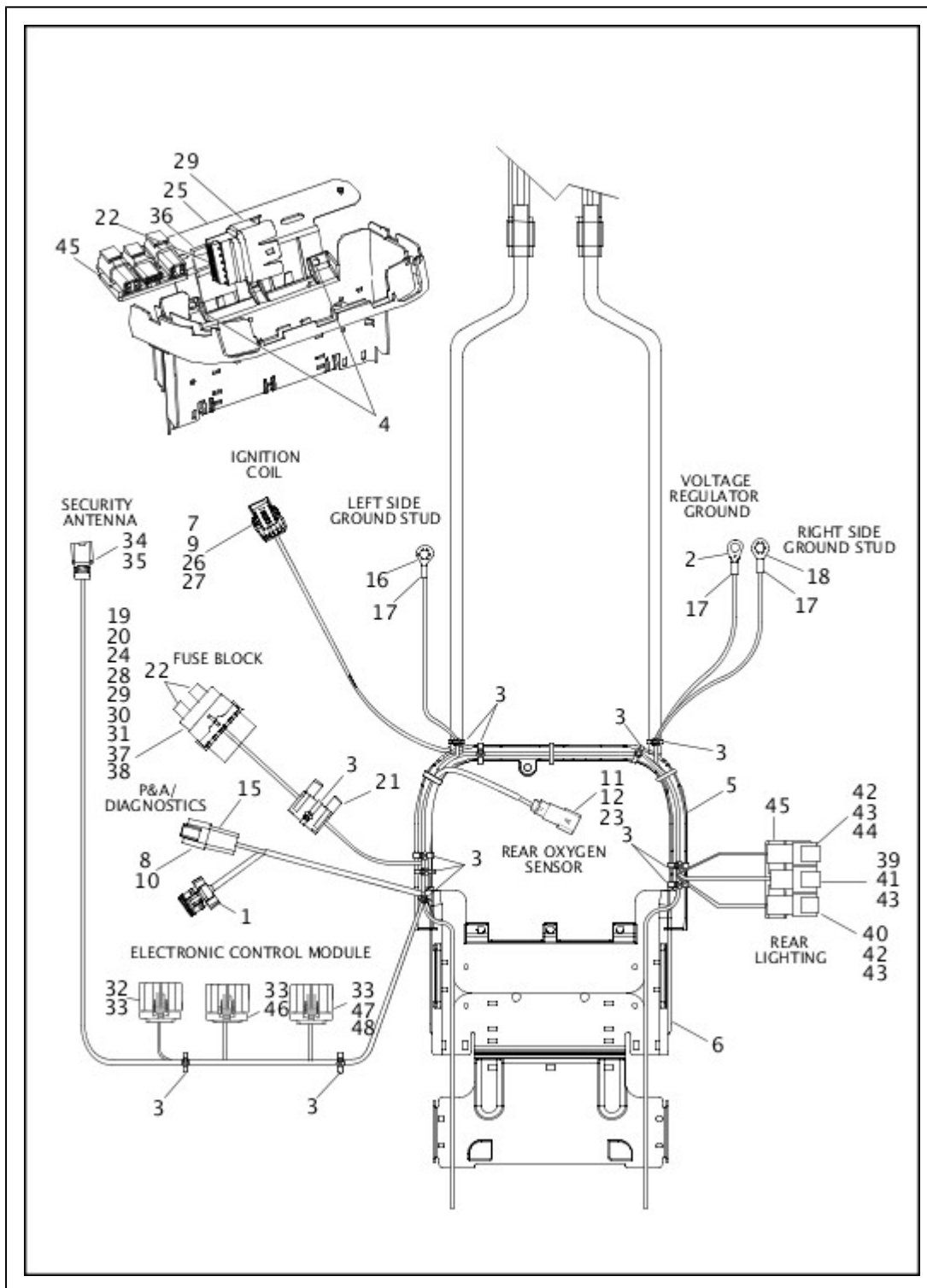
WIRING HARNESS, MAIN, NON-ABS - FLS (2 OF 5)



Index No.	Part No.	Description	Model(s)

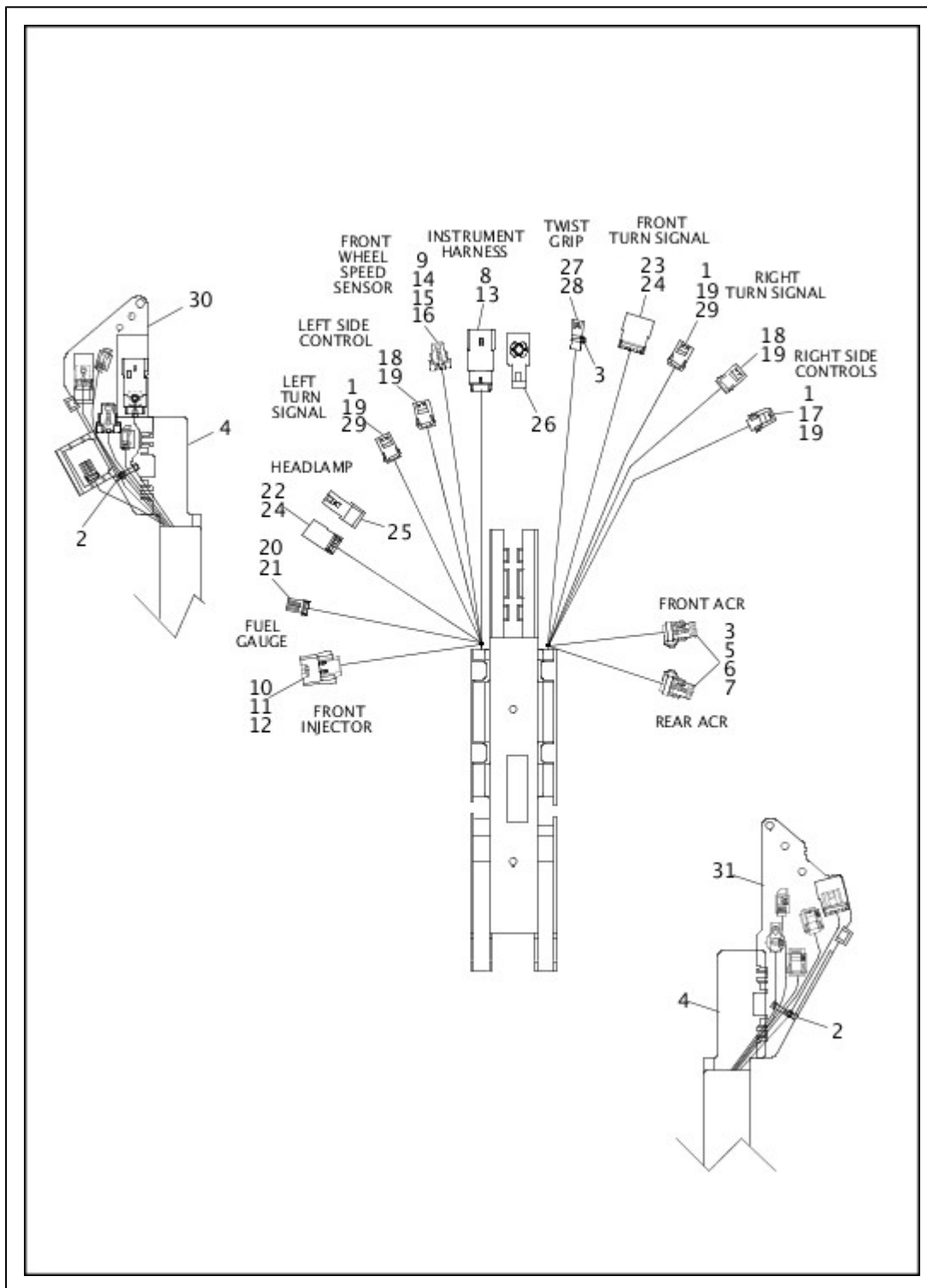
5	72251-07	SECONDARY LOCK, two-way socket (yellow)	FLS
6	72402-07	HOUSING, two-way socket (black)	FLS
7	72406-07A	HOUSING, four-way socket	FLS
8	72407-07	TERMINAL, socket, 16-20 AWG (4)	FLS
9	72408-07	WIRE SEAL, 20 AWG (blue) (4)	FLS
10	72413-07	TERMINAL, socket, 18-20 AWG (2)	FLS
11	72483-08BK	HOUSING, six-way socket (black)	FLS
15	69200437	BOOT, rubber	FLS

WIRING HARNESS, MAIN, NON-ABS - FLS (3 OF 5)



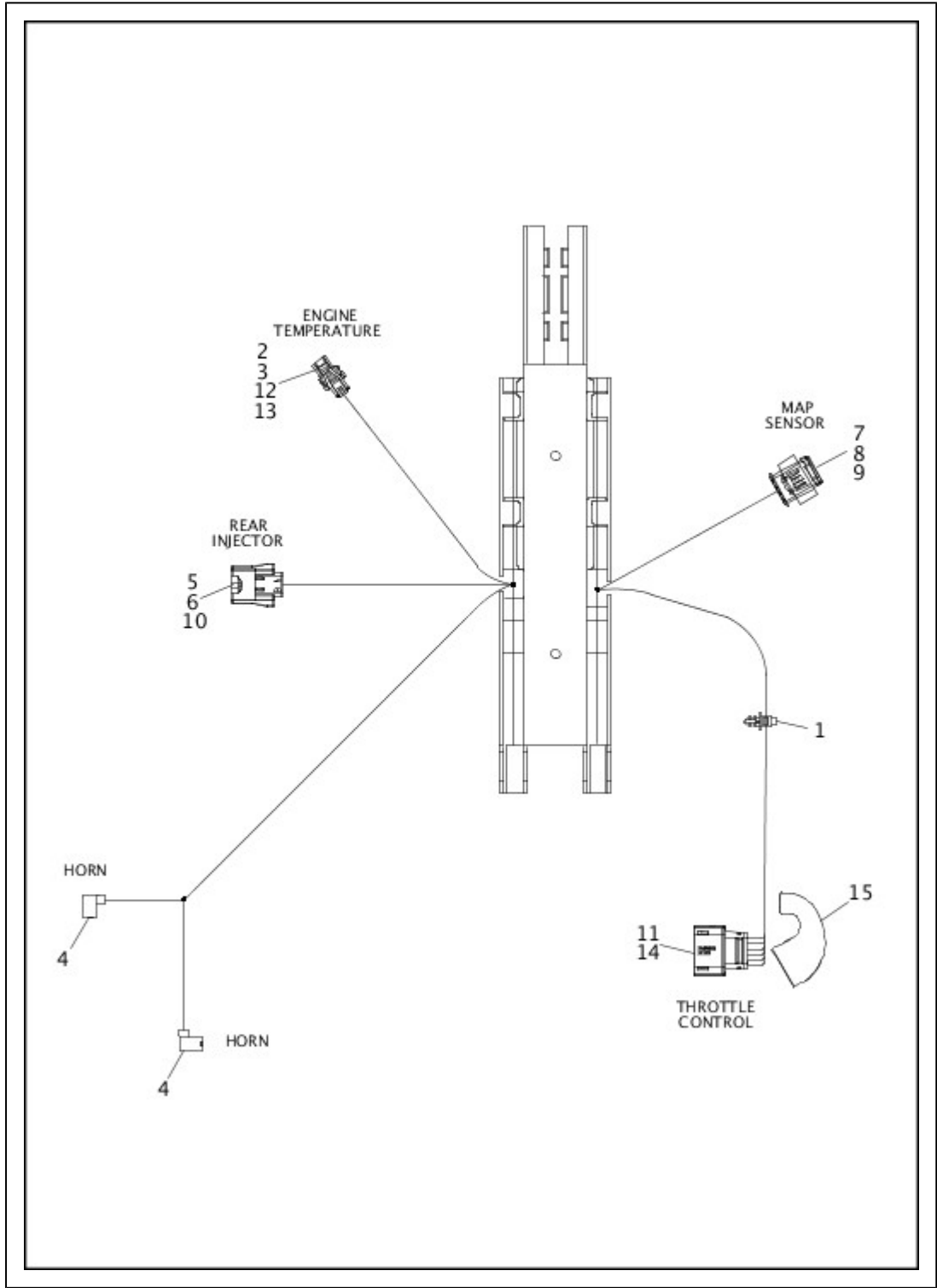
Index No.	Part No.	Description	Model(s)
46	69200267A	HOUSING, 18-way, socket, key B (gray)	FLS
47	69200268A	HOUSING, 18-way, socket, key C (brown)	FLS
48	69201168	TERMINAL, socket, 22 AWG (silver)	FLS

WIRING HARNESS, MAIN, ABS - FLS AND FLSS (1 OF 5)



Index No.	Part No.	Description	Model(s)
27	69201163	HOUSING, six-way pin	FLS, FLSS
28	69201164	TERMINAL, pin, 22 AWG (6)	FLS, FLSS
29	69201180	HOUSING, four-way pin (gray) (2)	FLS, FLSS
30	69201296	BRACKET, electrical connector, right	FLS, FLSS
31	69201297	BRACKET, electrical connector, left	FLS, FLSS

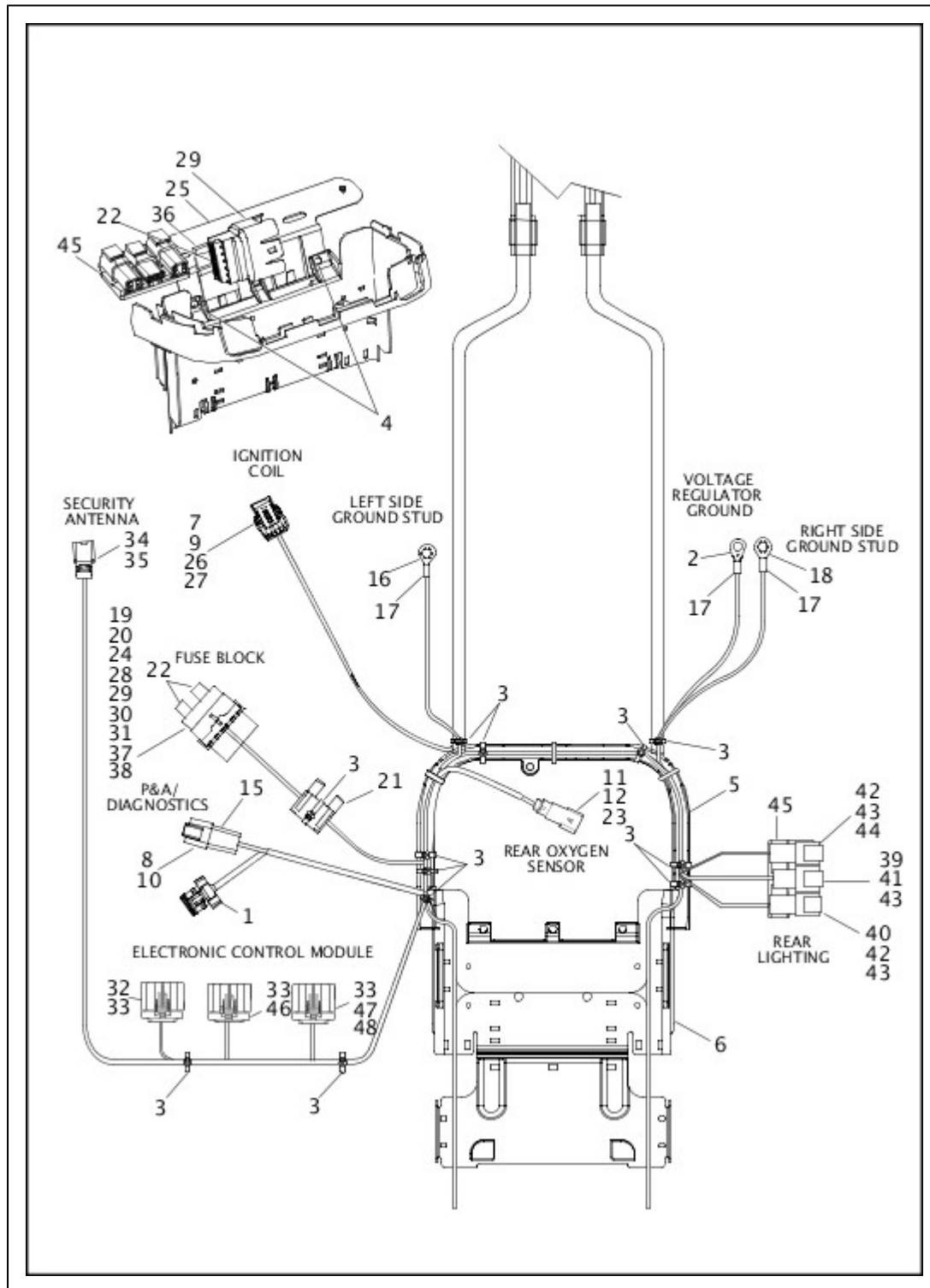
WIRING HARNESS, MAIN, ABS - FLS AND FLSS (2 OF 5)



Index No.	Part No.	Description	Model(s)
5	72251-07	SECONDARY LOCK, two-way socket (yellow)	FLS, FLSS
6	72402-07	HOUSING, two-way socket (black)	FLS, FLSS
7	72406-07A	HOUSING, four-way socket	FLS, FLSS
8	72407-07	TERMINAL, socket, 16-20 AWG (4)	FLS, FLSS
9	72408-07	WIRE SEAL, 20 AWG (blue) (4)	FLS, FLSS
10	72413-07	TERMINAL, socket, 18-20 AWG (2)	FLS, FLSS

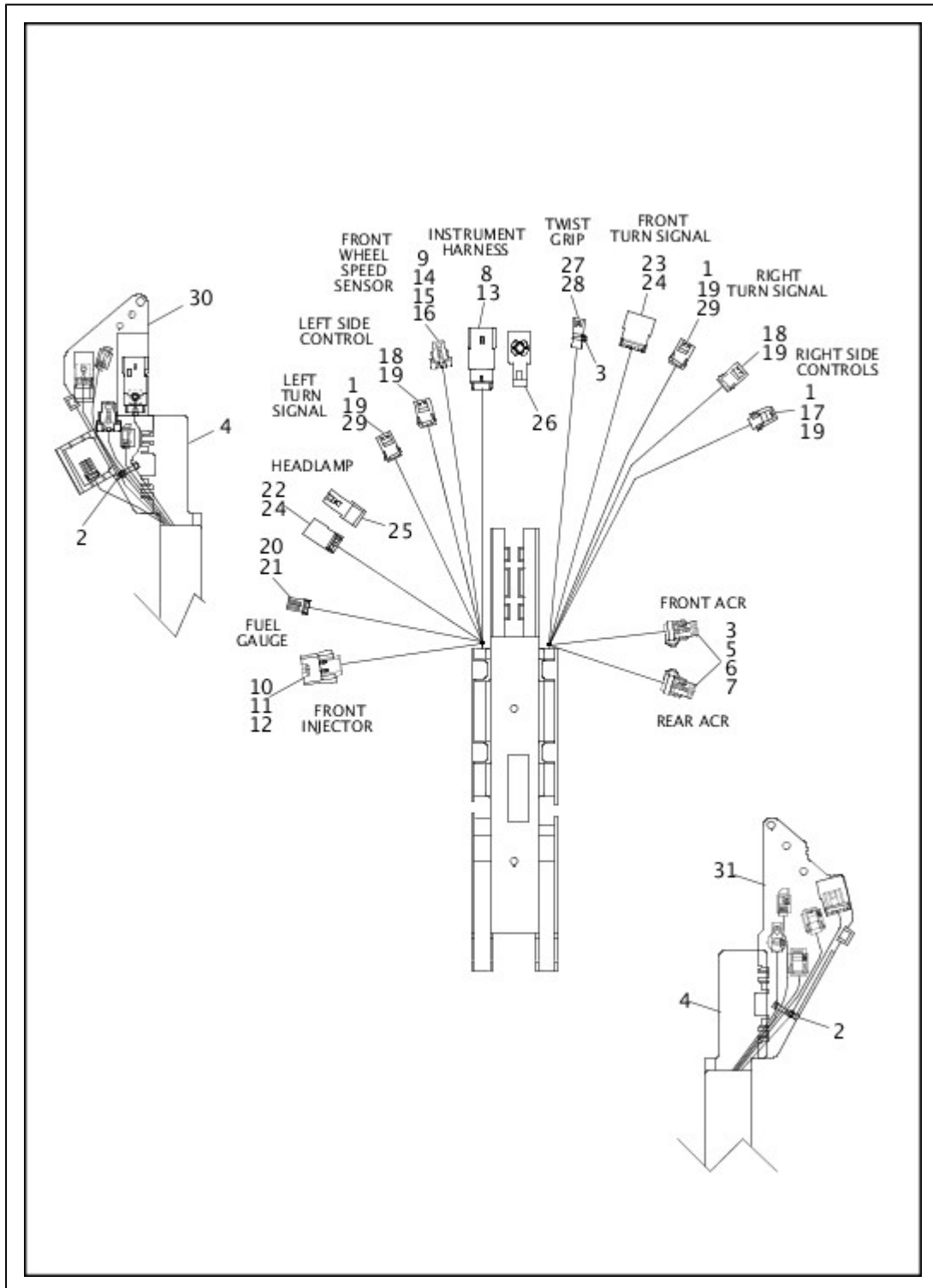
11	72483-08BK	HOUSING, six-way socket (black)	FLS, FLSS
15	69200437	BOOT, rubber	FLS, FLSS

WIRING HARNESS, MAIN, ABS - FLS AND FLSS (3 OF 5)



Index No.	Part No.	Description	Model(s)
46	69200267A	HOUSING, 18-way, socket, key B (gray)	FLS, FLSS
47	69200268A	HOUSING, 18-way, socket, key C (brown)	FLS, FLSS

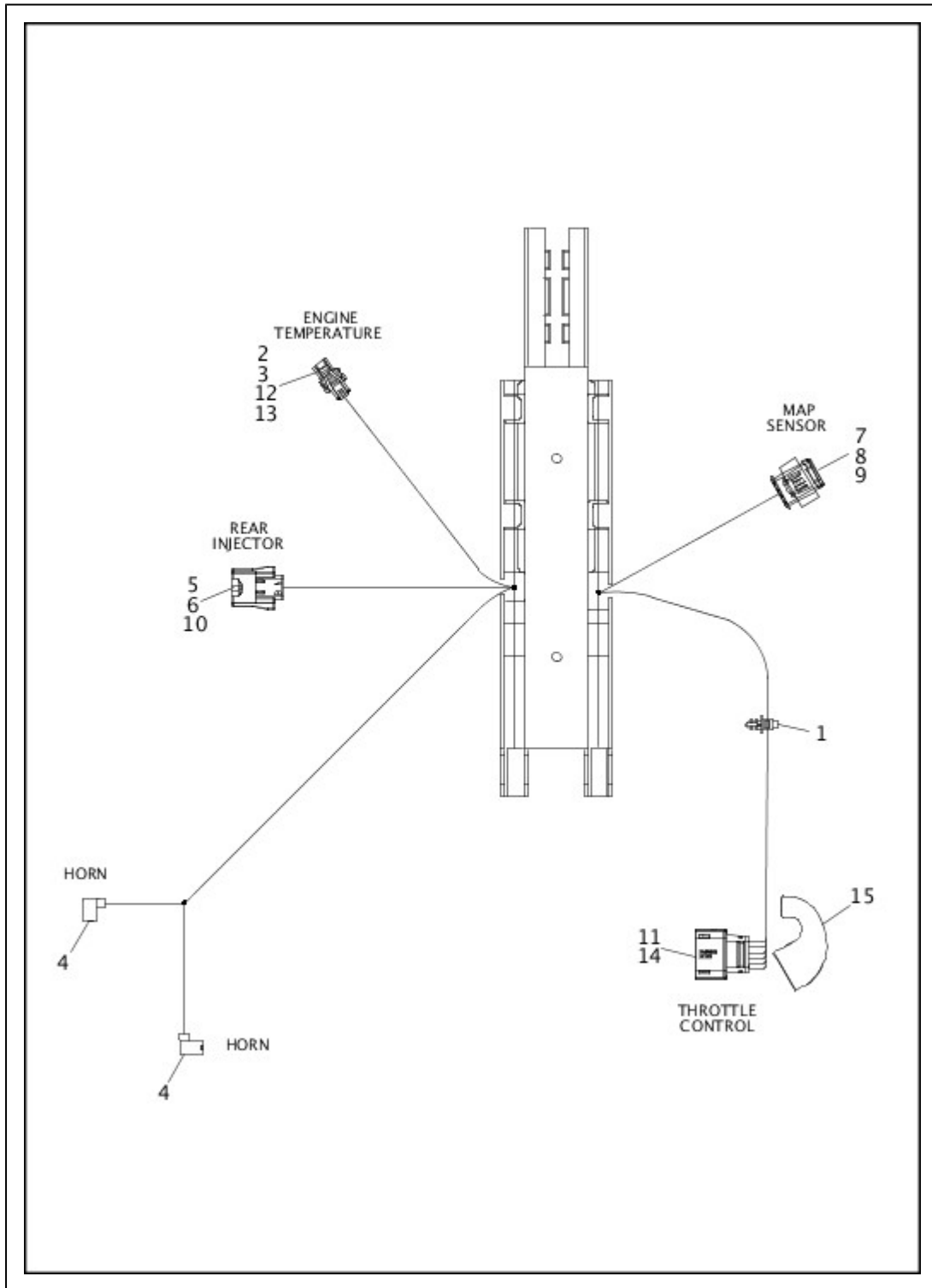
WIRING HARNESS, MAIN, ABS - FLSTF, FLSTFB AND FLSTFBS (1 OF 5)



Index No.	Part No.	Description	Model(s)
27	69201163	HOUSING, six-way pin	FLSTF, FLSTFB, FLSTFBS
28	69201164	TERMINAL, pin, 22 AWG (6)	FLSTF, FLSTFB, FLSTFBS
29	69201180	HOUSING, four-way pin (gray) (2)	FLSTF, FLSTFB, FLSTFBS

30	69201296	BRACKET, electrical connector, right	FLSTF, FLSTFB, FLSTFBS
31	69201297	BRACKET, electrical connector, left	FLSTF, FLSTFB, FLSTFBS

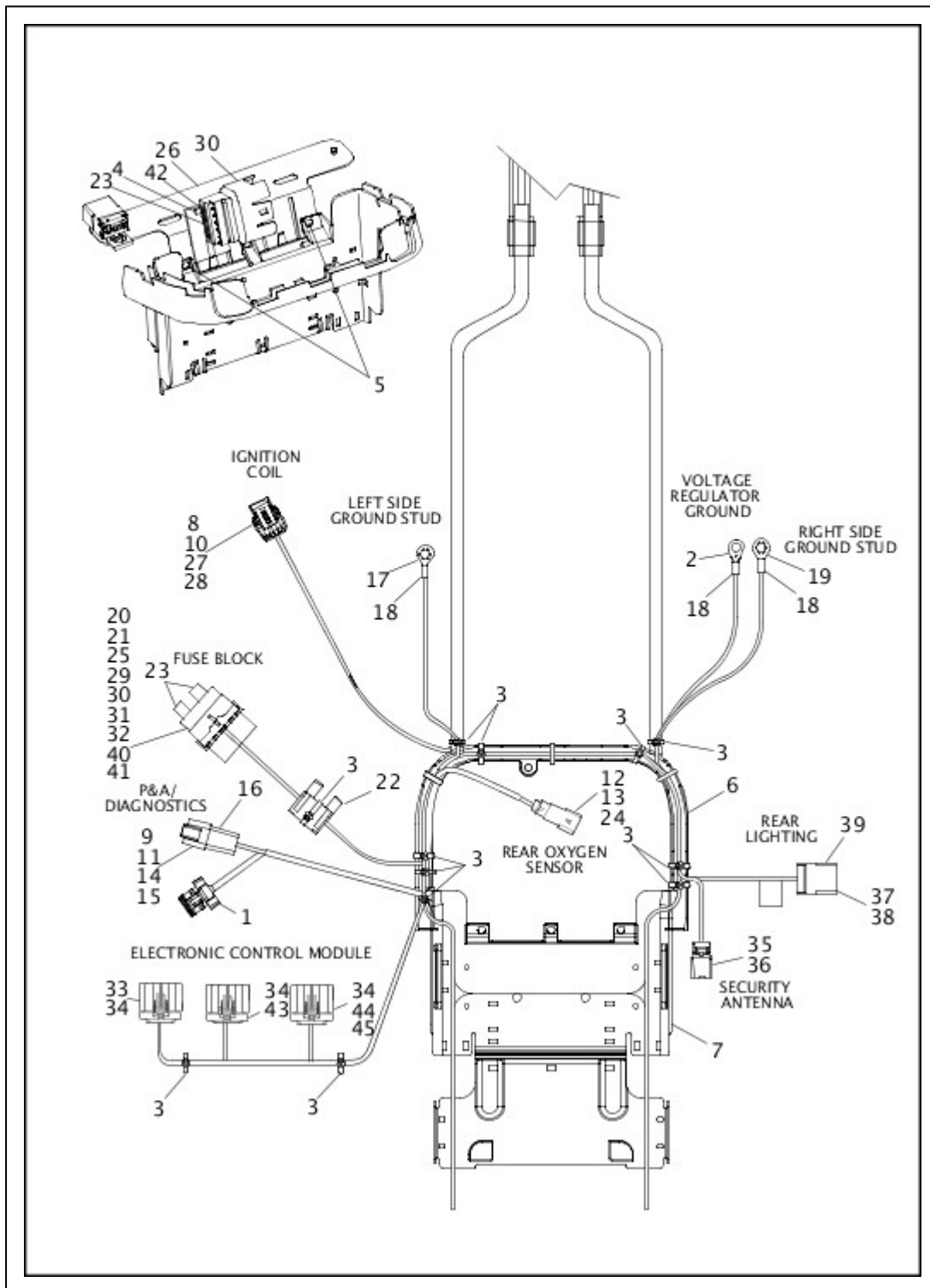
WIRING HARNESS, MAIN, ABS - FLSTF, FLSTFB AND FLSTFBS (2 OF 5)



Index No.	Part No.	Description	Model(s)
5	72251-07	SECONDARY LOCK, two-way socket (yellow)	FLSTF, FLSTFB, FLSTFBS
6	72402-07	HOUSING, two-way socket (black)	FLSTF, FLSTFB, FLSTFBS

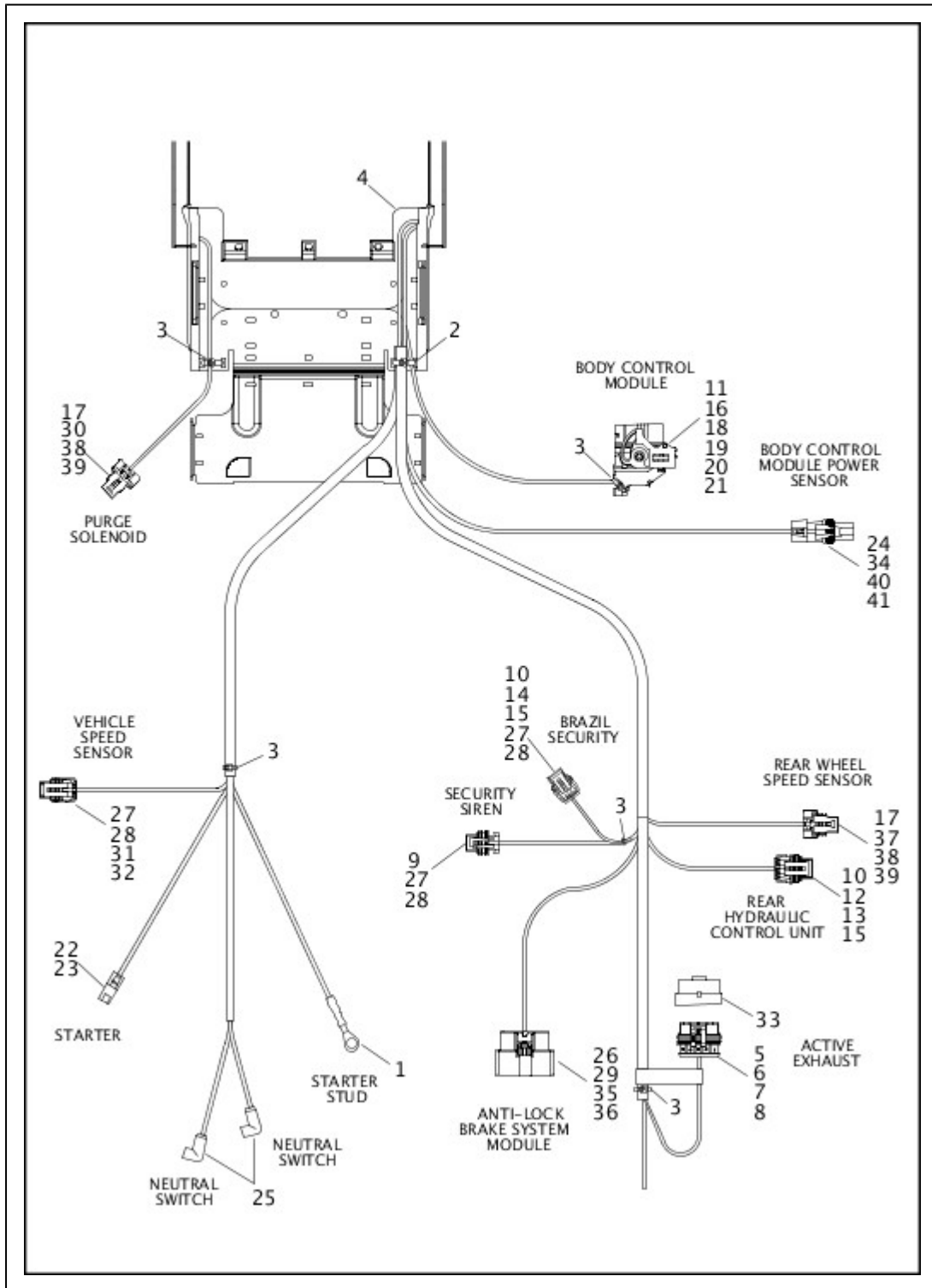
7	72406-07A	HOUSING, four-way socket	FLSTF, FLSTFB, FLSTFBS
8	72407-07	TERMINAL, socket, 16-20 AWG (4)	FLSTF, FLSTFB, FLSTFBS
9	72408-07	WIRE SEAL, 20 AWG (blue) (4)	FLSTF, FLSTFB, FLSTFBS
10	72413-07	TERMINAL, socket, 18-20 AWG (2)	FLSTF, FLSTFB, FLSTFBS
11	72483-08BK	HOUSING, six-way socket (black)	FLSTF, FLSTFB, FLSTFBS
15	69200437	BOOT, rubber	FLSTF, FLSTFB, FLSTFBS

WIRING HARNESS, MAIN, ABS - FLSTF, FLSTFB AND FLSTFBS (3 OF 5)



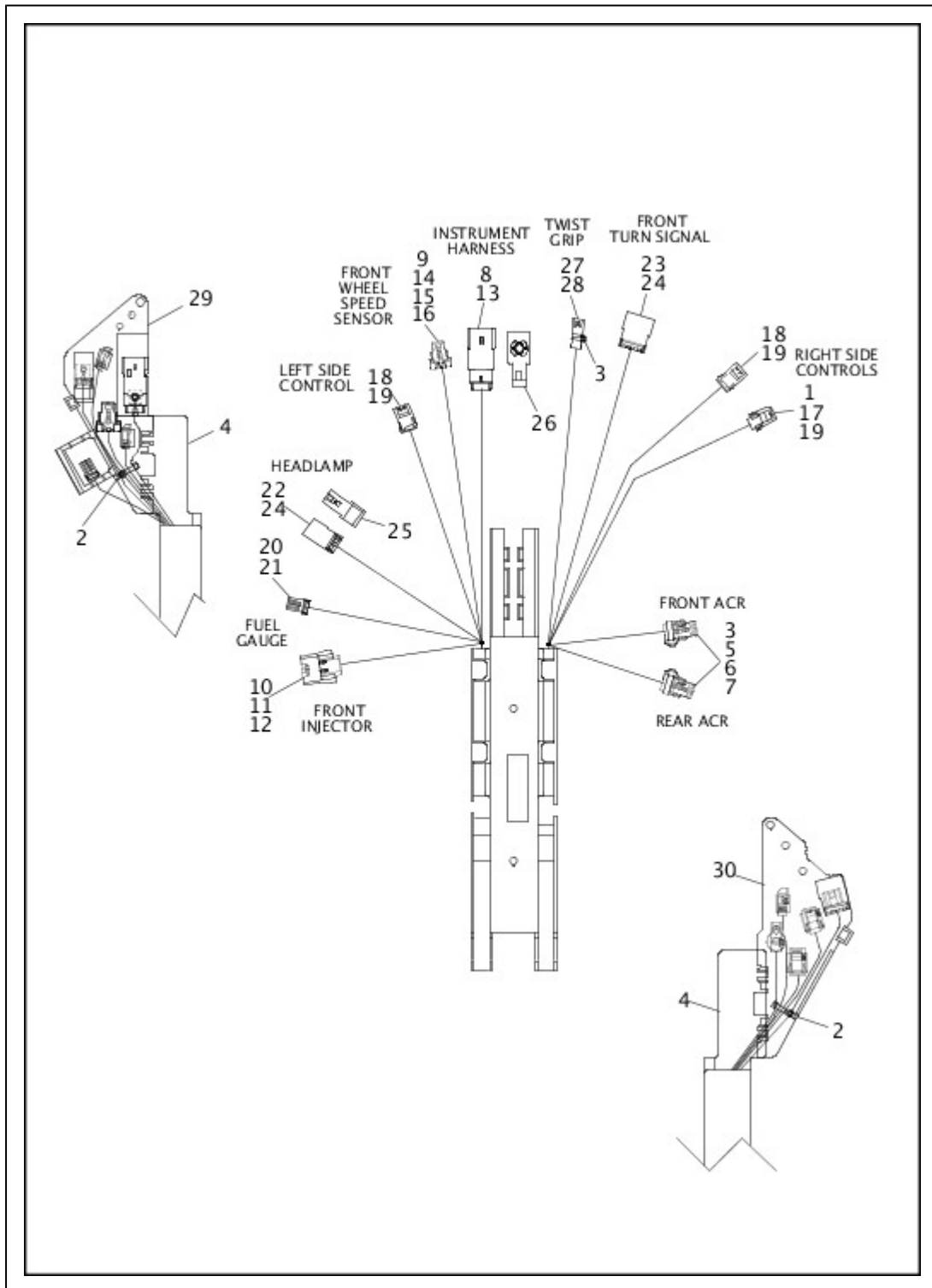
Index No.	Part No.	Description	Model(s)
43	69200267A	HOUSING, 18-way, socket, key B (gray)	FLSTF, FLSTFB, FLSTFBS
44	69200268A	HOUSING, 18-way, socket, key C (brown)	FLSTF, FLSTFB, FLSTFBS
45	69201168	TERMINAL, socket, 22 AWG (silver) (2)	FLSTF, FLSTFB, FLSTFBS

WIRING HARNESS, MAIN, ABS - FLSTF, FLSTFB AND FLSTFBS (4 OF 5)



Index No.	Part No.	Description	Model(s)
14	72097-06	PLUG, oval (orange) (Brazil) (2)	FLSTF, FLSTFB

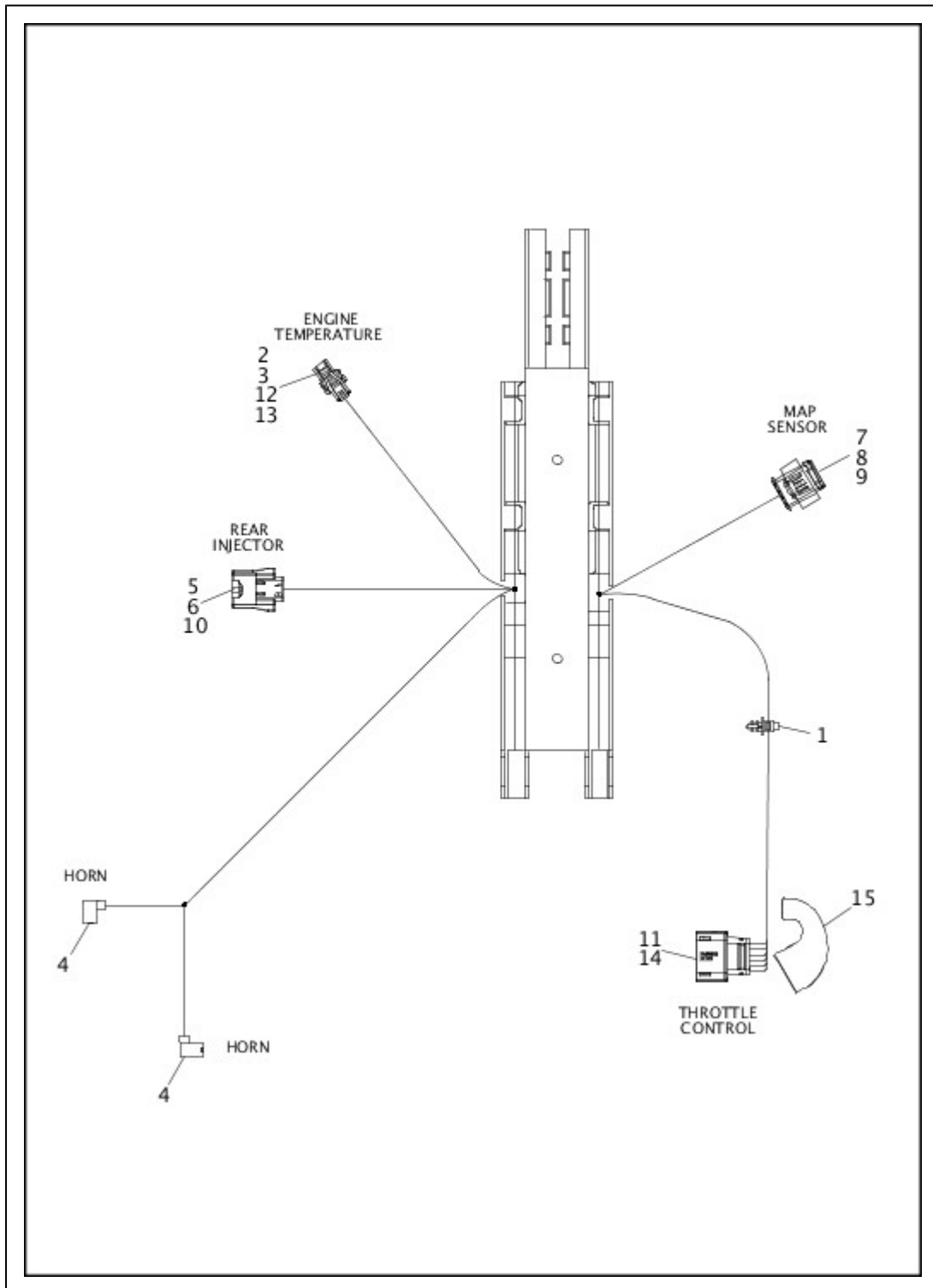
WIRING HARNESS, MAIN, ABS - FLSTC AND FLSTN (1 OF 5)



Index No.	Part No.	Description	Model(s)
27	69201163	HOUSING, six-way pin	FLSTN, FLSTC
28	69201164	TERMINAL, pin, 22 AWG (6)	FLSTN, FLSTC

29	69201296	BRACKET, electrical connector, right	FLSTN, FLSTC
30	69201297	BRACKET, electrical connector, left	FLSTN, FLSTC

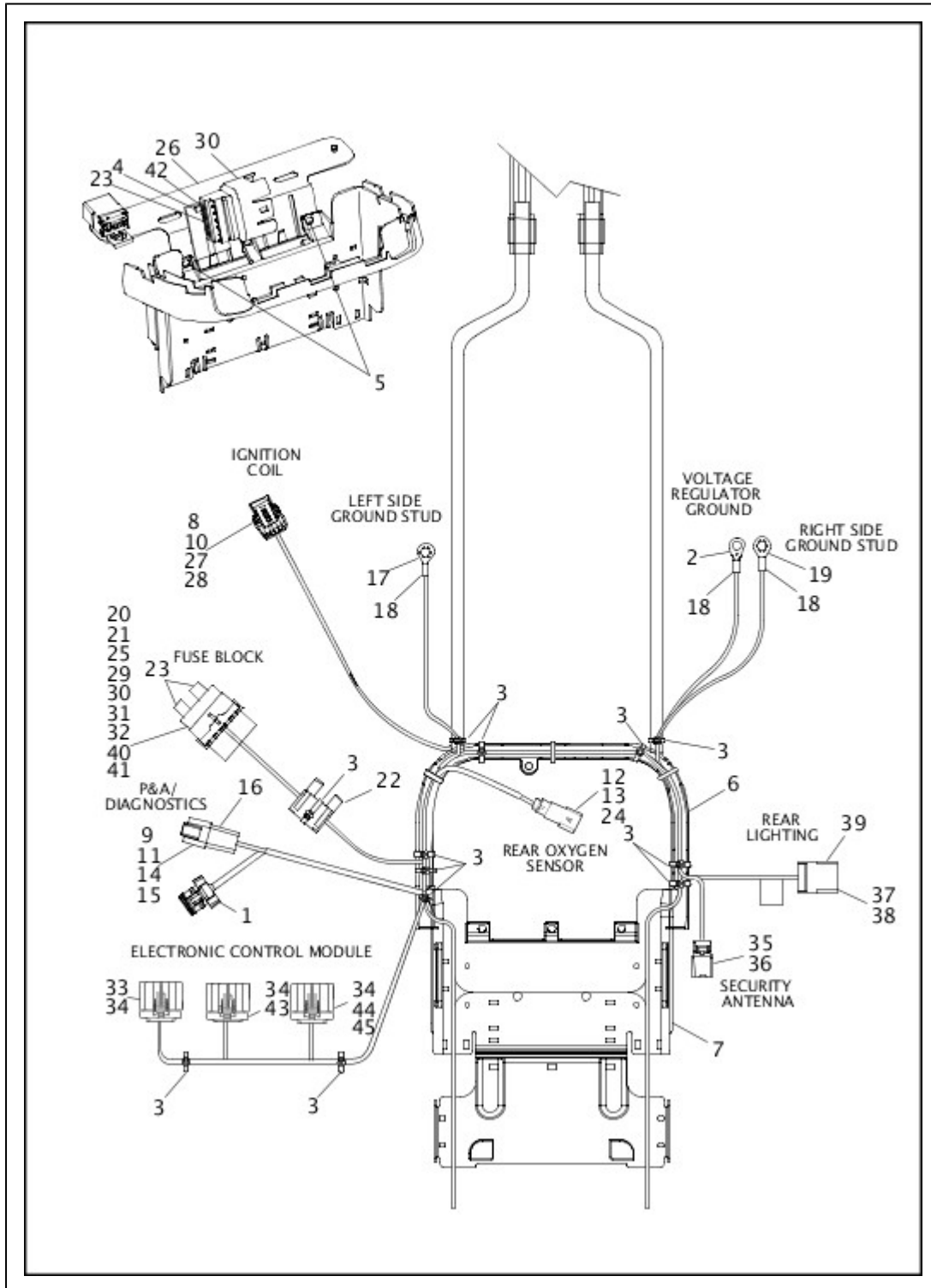
WIRING HARNESS, MAIN, ABS - FLSTC AND FLSTN (2 OF 5)



Index No.	Part No.	Description	Model(s)
5	72251-07	SECONDARY LOCK, two-way socket (yellow)	FLSTN, FLSTC
6	72402-07	HOUSING, two-way socket (black)	FLSTN, FLSTC

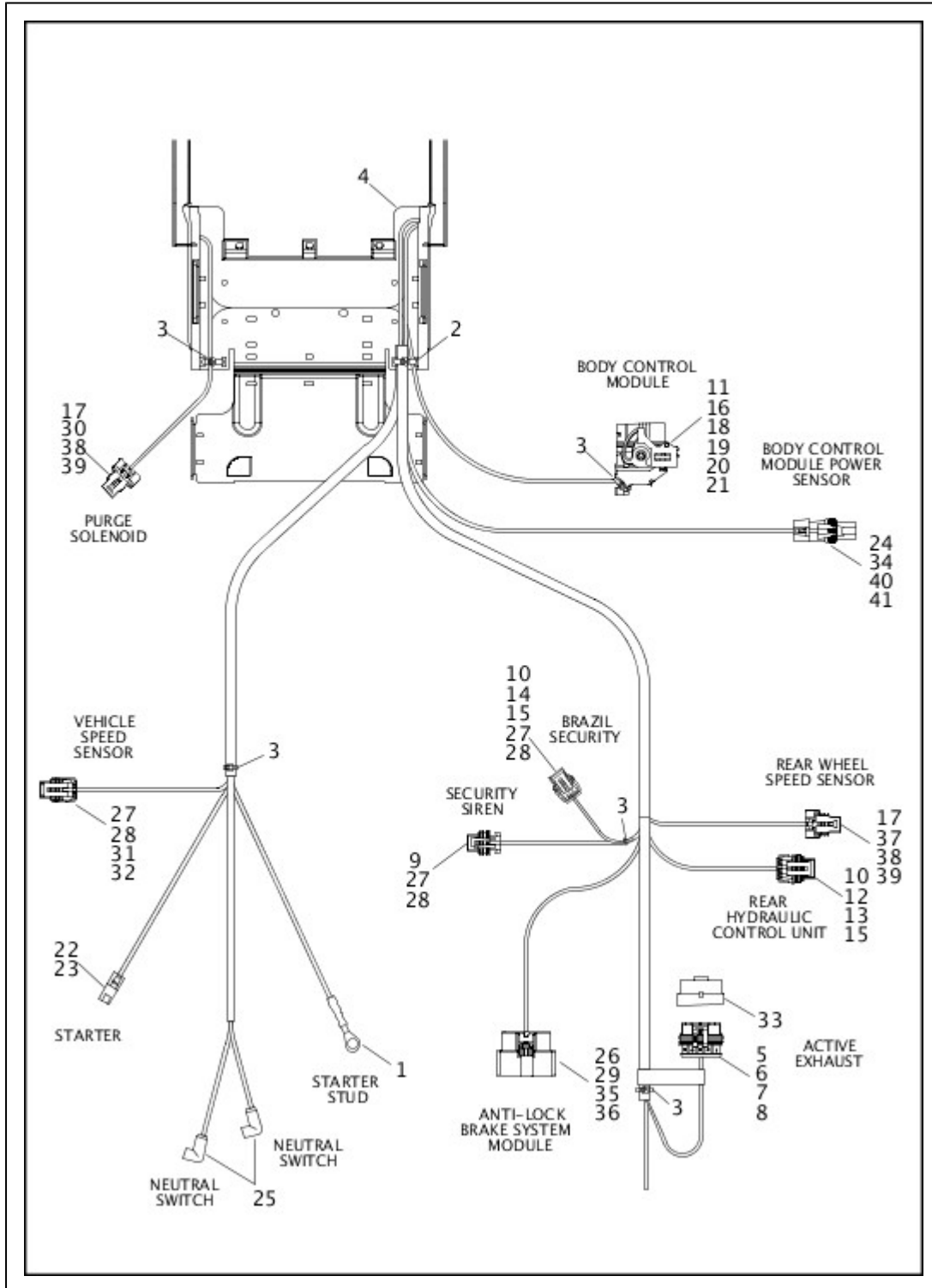
7	72406-07A	HOUSING, four-way socket	FLSTN, FLSTC
8	72407-07	TERMINAL, socket, 16-20 AWG (4)	FLSTN, FLSTC
9	72408-07	WIRE SEAL, 20 AWG (blue) (4)	FLSTN, FLSTC
10	72413-07	TERMINAL, socket, 18-20 AWG (2)	FLSTN, FLSTC
11	72483-08BK	HOUSING, six-way socket (black)	FLSTN, FLSTC
15	69200437	BOOT, rubber	FLSTN, FLSTC

WIRING HARNESS, MAIN, ABS - FLSTC AND FLSTN (3 OF 5)



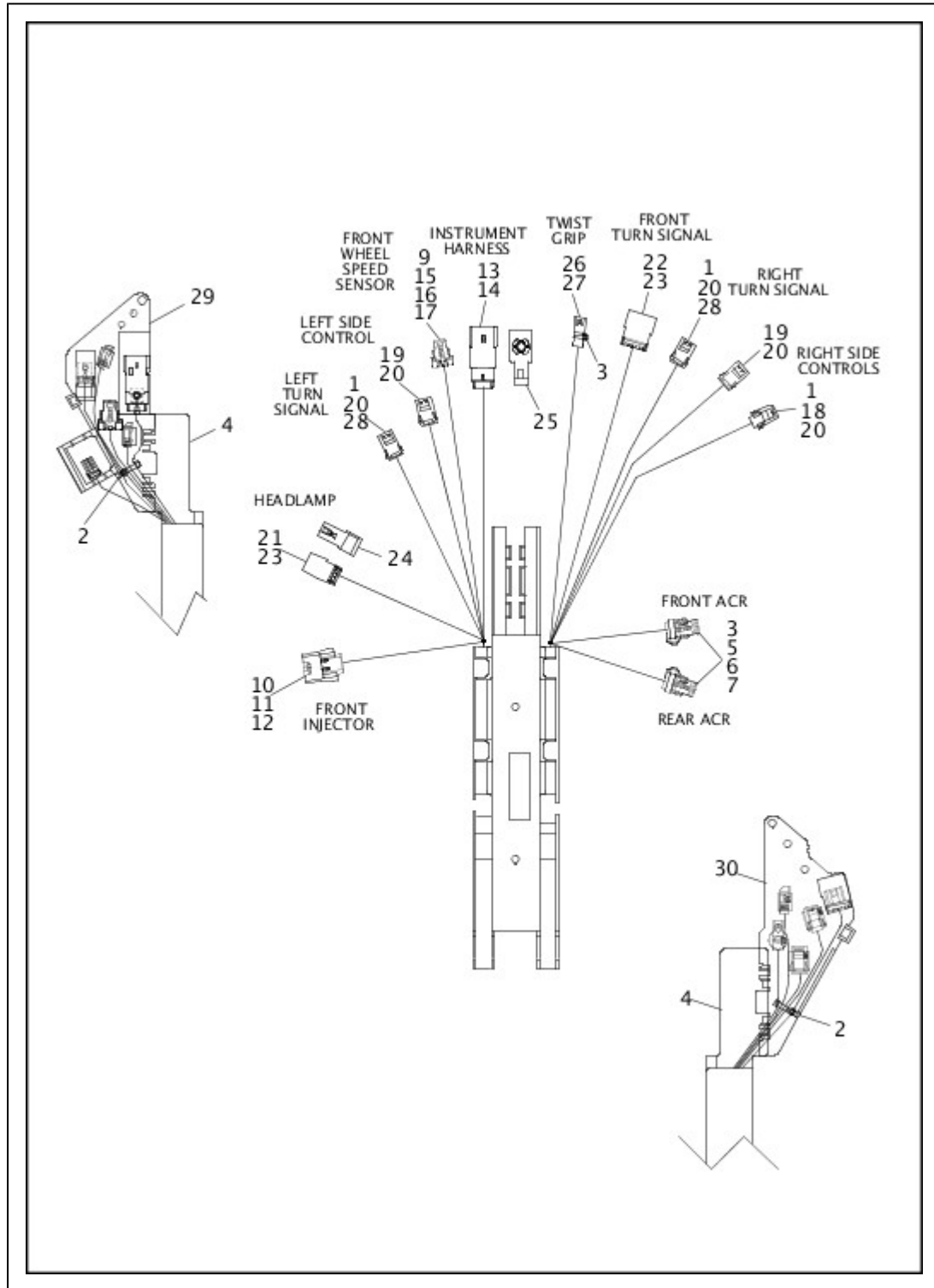
Index No.	Part No.	Description	Model(s)
43	69200267A	HOUSING, 18-way, socket, key B (gray)	FLSTN, FLSTC
44	69200268A	HOUSING, 18-way, socket, key C (brown)	FLSTN, FLSTC
45	69201168	TERMINAL, socket, 22 AWG (silver) (2)	FLSTN, FLSTC

WIRING HARNESS, MAIN, ABS - FLSTC AND FLSTN (4 OF 5)



Index No.	Part No.	Description	Model(s)
-----------	----------	-------------	----------

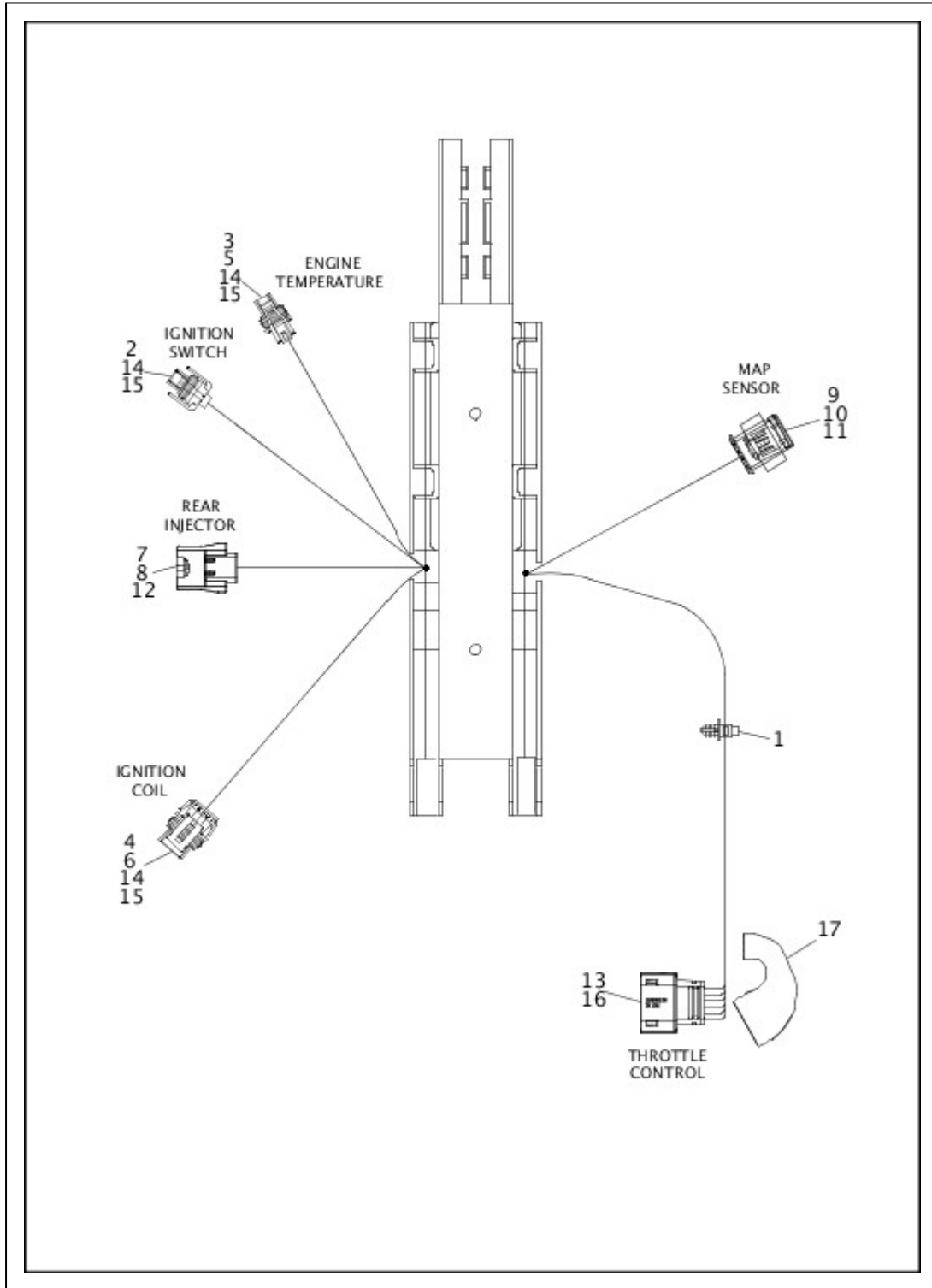
WIRING HARNESS, MAIN, ABS - FXSB (1 OF 5)



Index No.	Part No.	Description	Model(s)
14	72554-09GY	HOUSING, six-way pin	FXSB
26	69201163	HOUSING, six-way pin	FXSB
27	69201164	TERMINAL, pin, 22 AWG (6)	FXSB

28	69201180	HOUSING, four-way pin (gray) (2)	FXSB
29	69201296	BRACKET, electrical connector, right	FXSB
30	69201297	BRACKET, electrical connector, left	FXSB

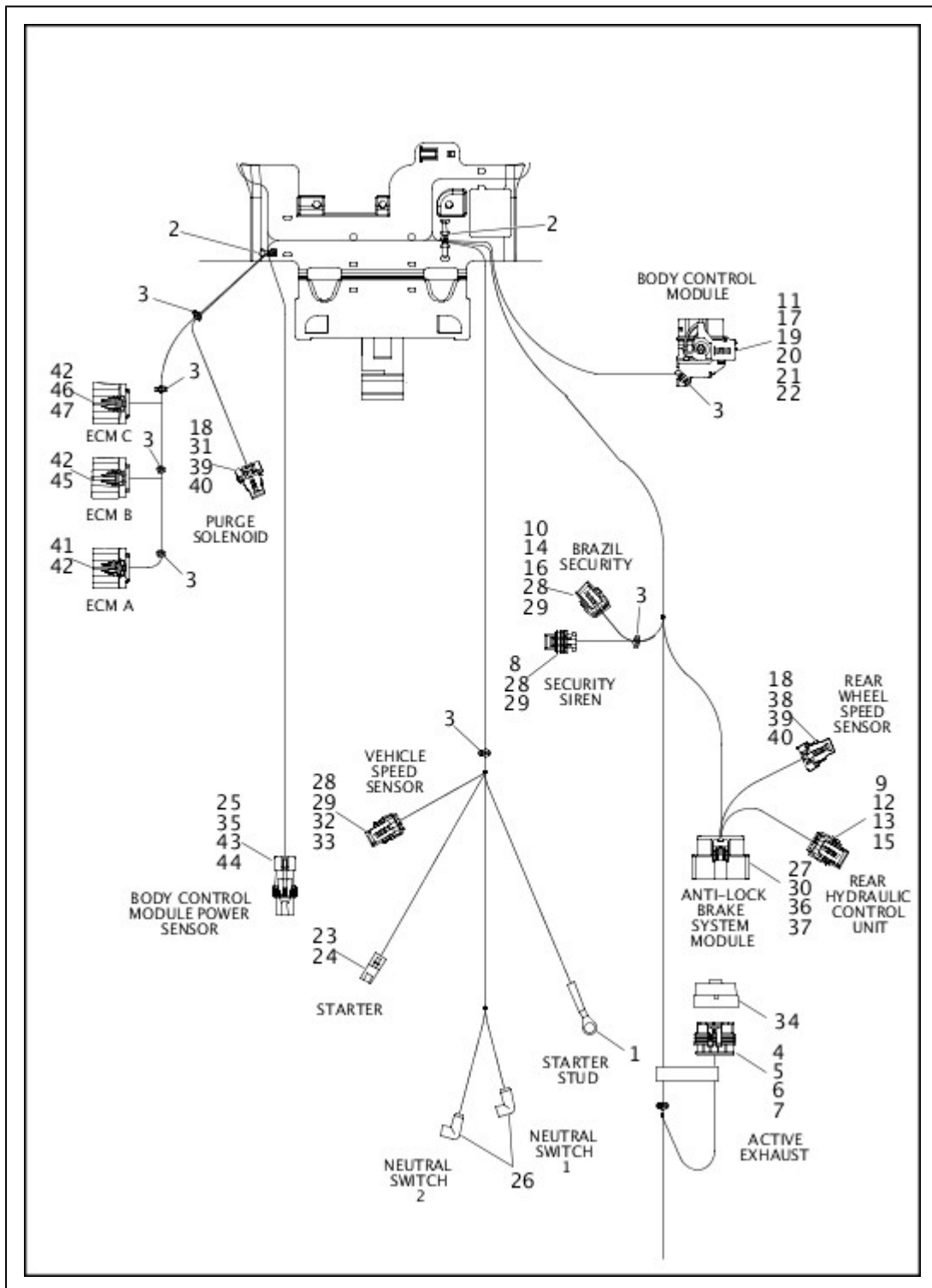
WIRING HARNESS, MAIN, ABS - FXSB (2 OF 5)



Index No.	Part No.	Description	Model(s)
7	72251-07	SECONDARY LOCK, two-way socket (yellow)	FXSB

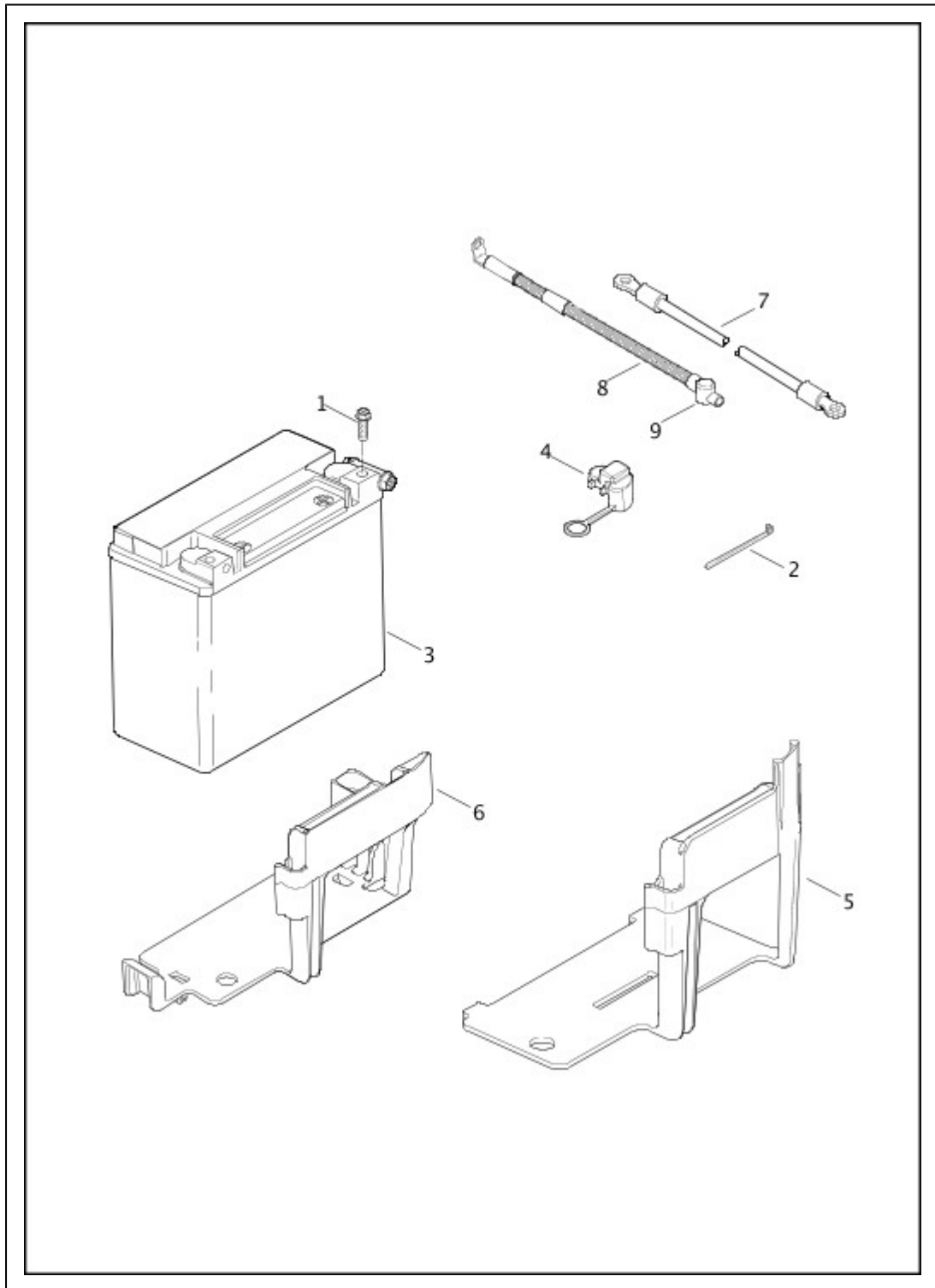
8	72402-07	HOUSING, two-way socket (black)	FXSB
9	72406-07A	HOUSING, four-way socket	FXSB
10	72407-07	TERMINAL, socket, 16-20 AWG (4)	FXSB
11	72408-07	WIRE SEAL, 20 AWG (blue) (4)	FXSB
12	72413-07	TERMINAL, socket, 18-20 AWG (2)	FXSB
13	72483-08BK	HOUSING, six-way socket (black)	FXSB
17	69200437	BOOT, rubber	FXSB

WIRING HARNESS, MAIN, ABS - FXSB (4 OF 5)



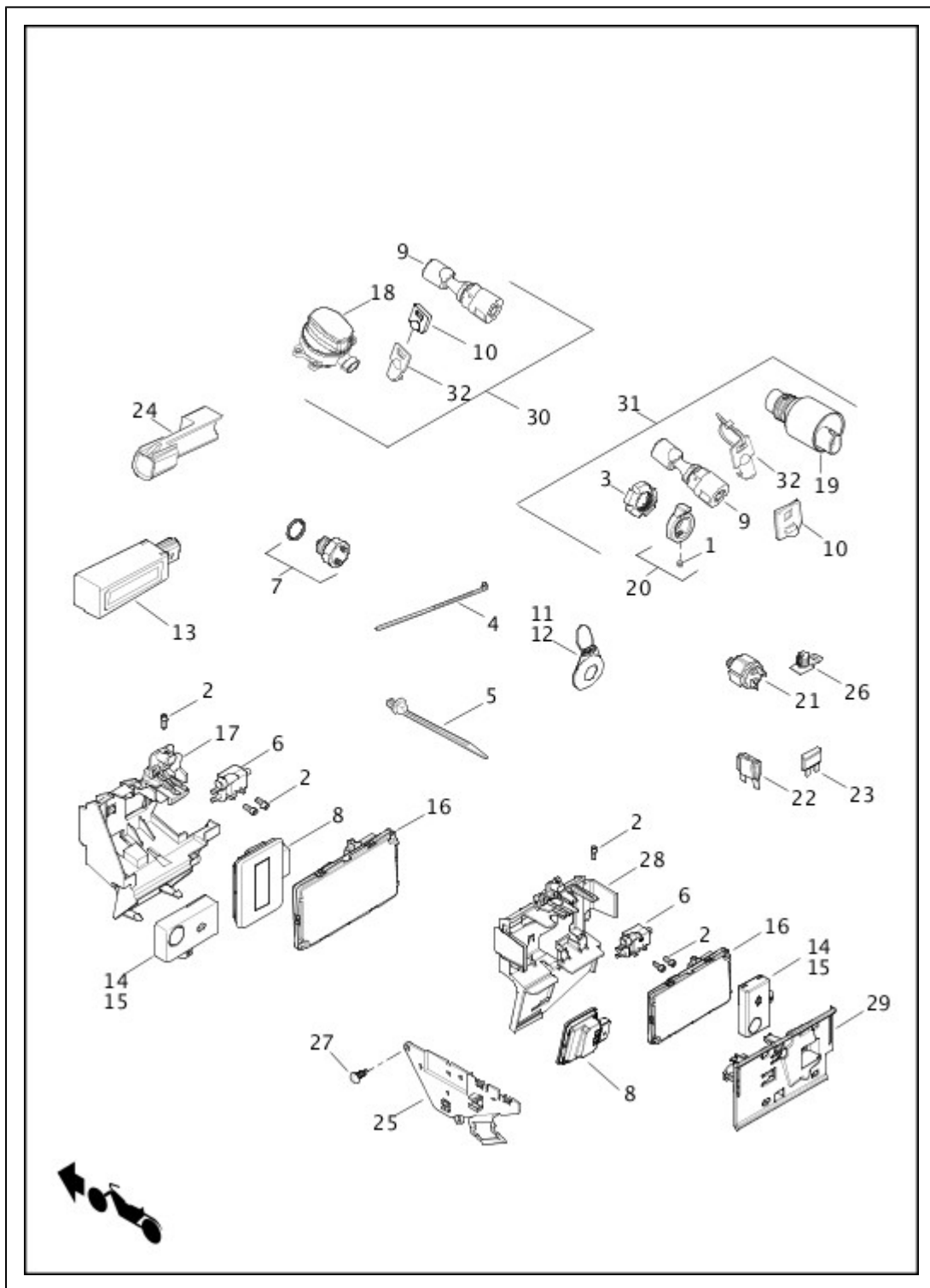
Index No.	Part No.	Description	Model(s)
45	69200267A	HOUSING, 18-way, socket, key B (gray)	FXSB
46	69200268A	HOUSING, 18-way, socket, key C (brown)	FXSB
47	69201168	TERMINAL, socket, 22 AWG (silver)	FXSB

BATTERY



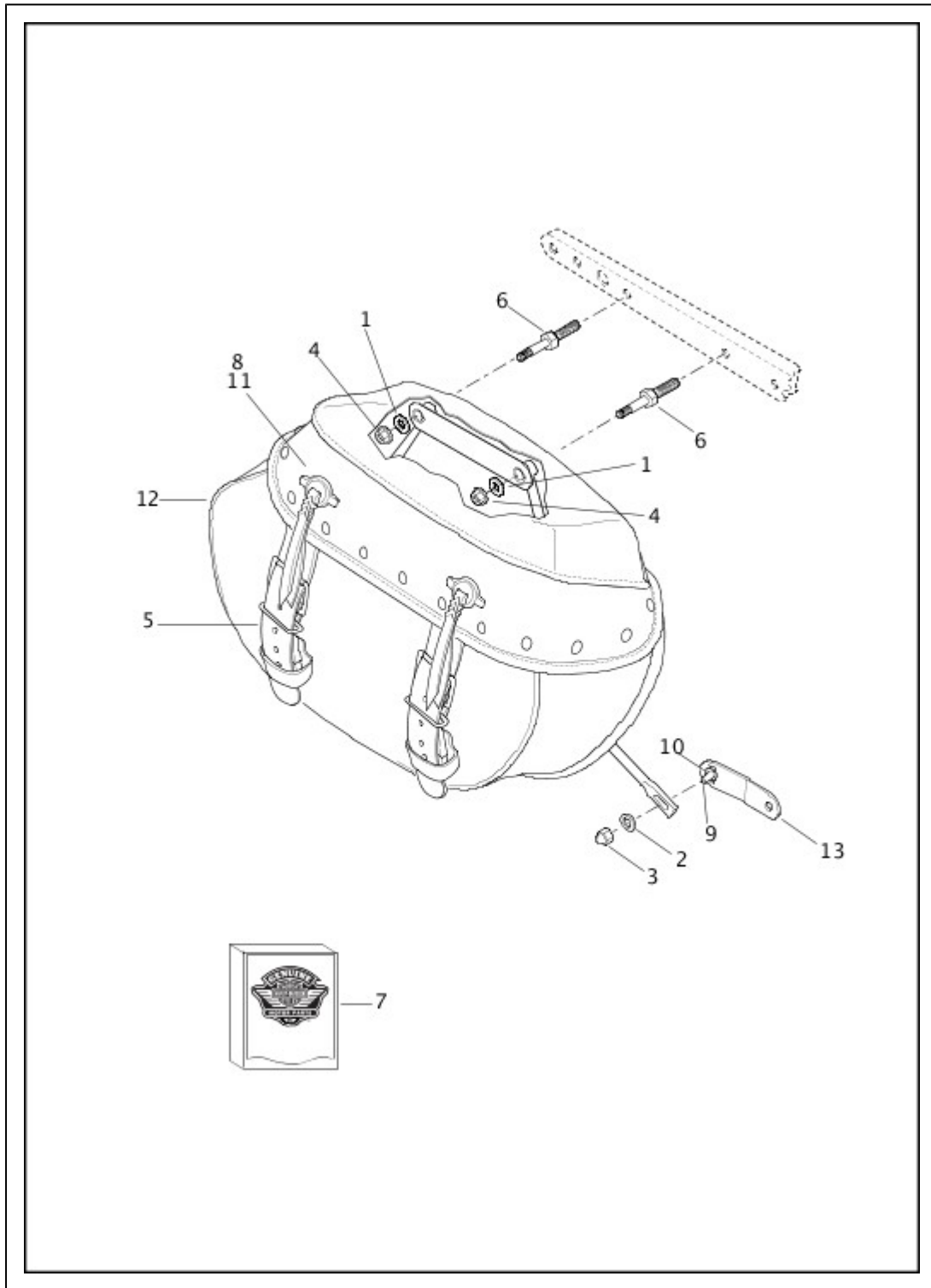
Index No.	Part No.	Description	Model(s)
	66000065	BATTERY, sealed (Brazil)	FXSB, FLSTC, FLSTF, FLSTN, FLSTFB

SWITCHES



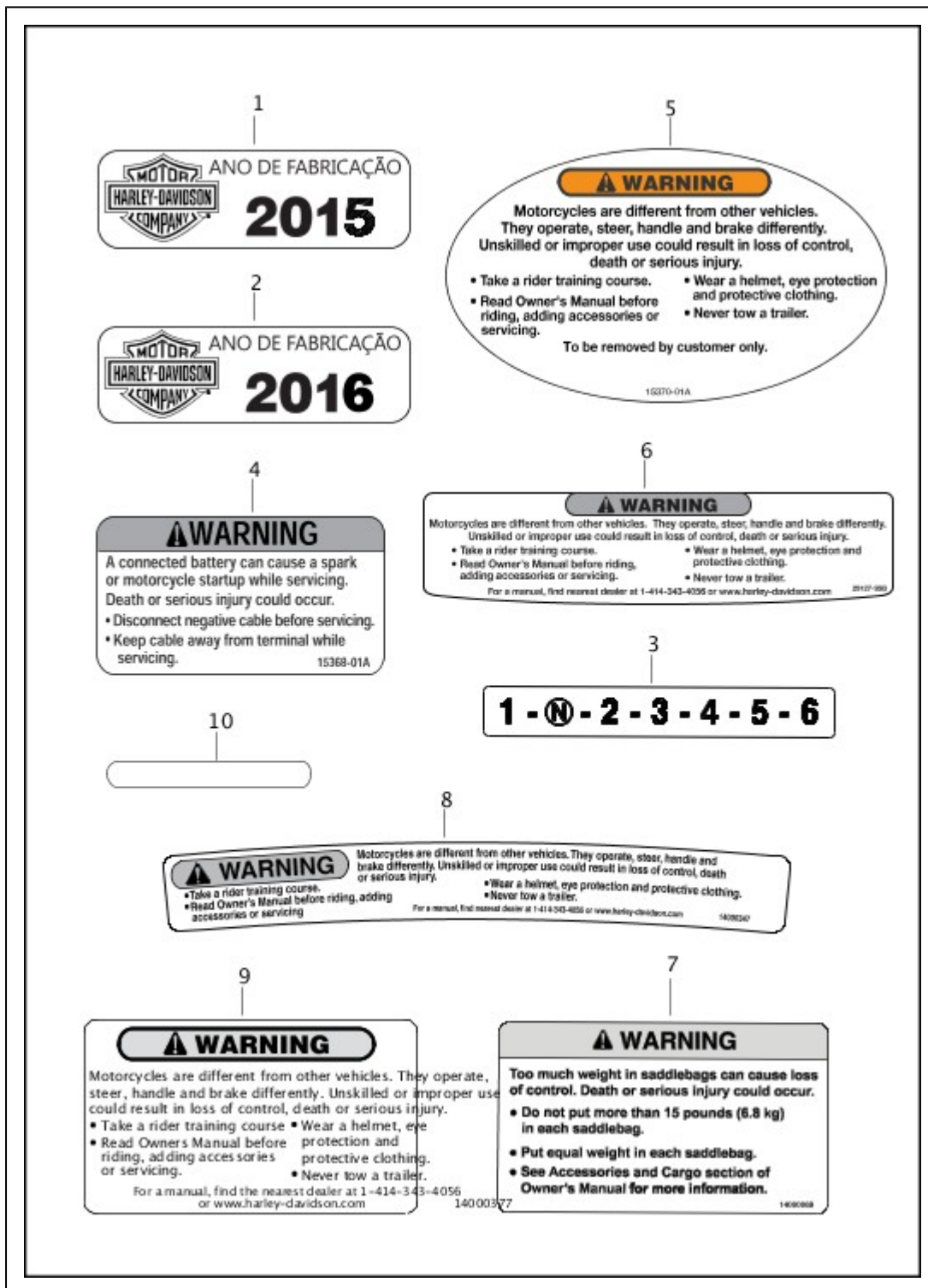
Index No.	Part No.	Description	Model(s)
5	10177	CABLE STRAP, (Japan)	

SADDLEBAGS - FLSTC



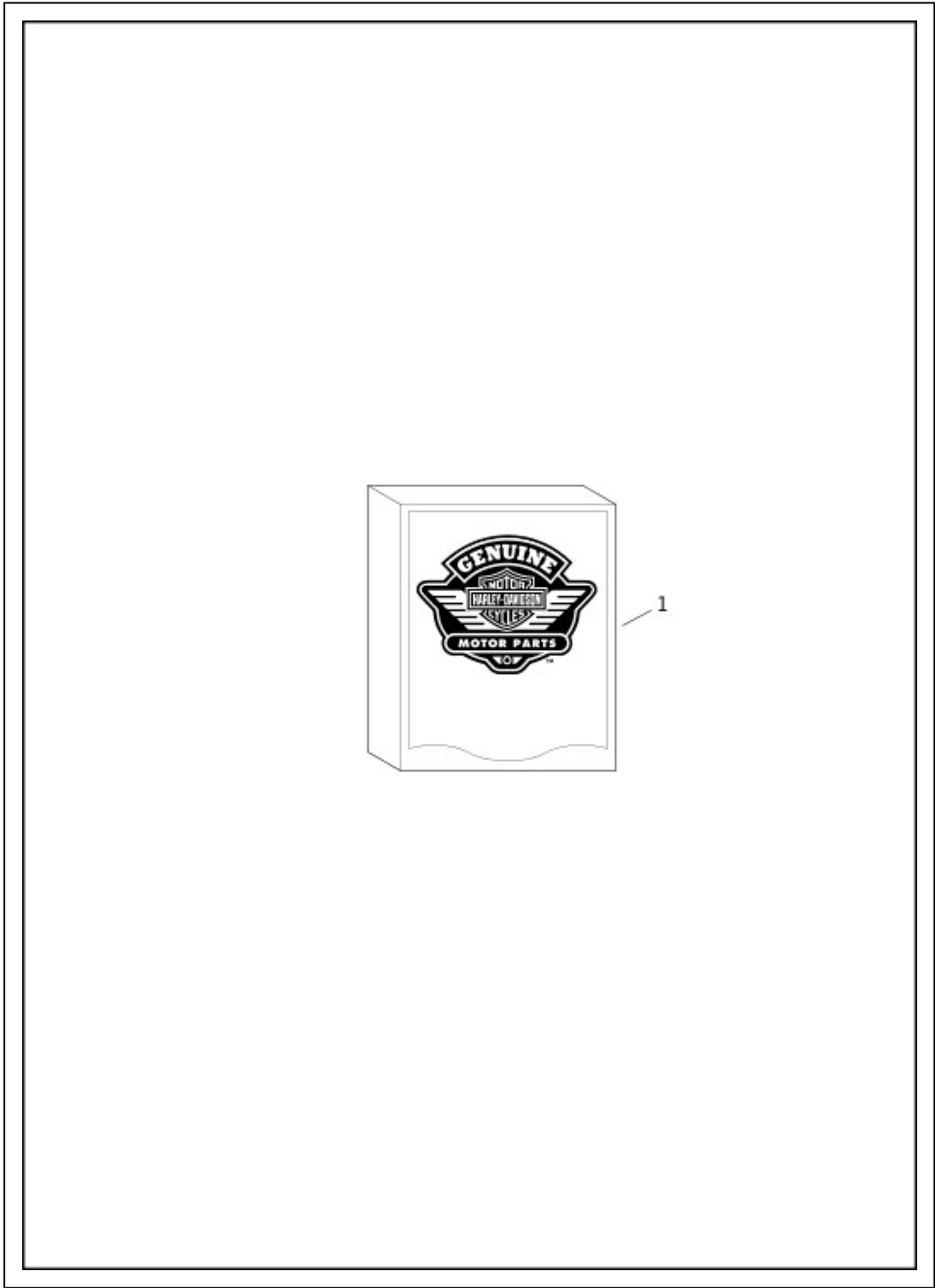
Index No.	Part No.	Description	Model(s)
9	10200410	BOLT (2)	FLSTC
10	10300100	WASHER, retaining (2)	FLSTC
11	61400327	CONCHO (4)	FLSTC
12	90201299	SADDLEBAG, (left) (not shown)	FLSTC
	90201300	SADDLEBAG, (right)	FLSTC
13	90201305	SUPPORT BAR, saddlebag	FLSTC

LABELS



Index No.	Part No.	Description	Model(s)
8	14000347	LABEL, air cleaner warning (Domestic, California)	FLSS
9	14000377	LABEL, air cleaner warning (Domestic, California)	FLSTFBS

LOOSE PARTS



Index No.	Part No.	Description	Model(s)
	99469-16	OWNER'S MANUAL, (English)	
	94000326	OWNER'S KIT CONTENT, (Domestic)	
	29762-09	RAINSOCK	FLSTFBS

Numerical Index

10006	BRAKE LINE AND MODULE, REAR, ABS FRAME AND JIFFY STAND
-------	---

	FUEL TANK FUEL PUMP THROTTLE CONTROL WIRING HARNESS, MAIN, NON-ABS - FLS (4 OF 5) WIRING HARNESS, MAIN, ABS - FLS AND FLSS (4 OF 5) WIRING HARNESS, MAIN, ABS - FLSTF, FLSTFB AND FLSTFBS (4 OF 5) WIRING HARNESS, MAIN, ABS - FLSTC AND FLSTN (4 OF 5) WIRING HARNESS, MAIN, ABS - FXSB (4 OF 5) HORN SWITCHES
1001	SEATS
10038A	FUEL TANK
10039	CLUTCH CONTROL - FLS, FLSTC, FLSTF, FLSTFB, FLSTN AND FXSB BRAKE CONTROL, REAR
10040	FRAME AND JIFFY STAND FRAME AND JIFFY STAND FRAME AND JIFFY STAND FRAME AND JIFFY STAND
10053	FORK BRACKETS, FRONT - FLS, FLSS, FLSTC, FLSTF, FLSTFB, FLSTFBS AND FLSTN FORK BRACKETS, FRONT - FXSB
10065	FRAME AND JIFFY STAND FENDER, FRONT FUEL PUMP HEADLAMP (1 OF 2) AUXILIARY/FOG LAMPS AND TURN SIGNALS, FRONT - FLSTC, FLSTN (1 OF 2) WIRING HARNESS, MAIN, NON-ABS - FLS (1 OF 5) WIRING HARNESS, MAIN, NON-ABS - FLS (3 OF 5) WIRING HARNESS, MAIN, NON-ABS - FLS (4 OF 5) WIRING HARNESS, MAIN, NON-ABS - FLS (5 OF 5) WIRING HARNESS, MAIN, ABS - FLS AND FLSS (1 OF 5) WIRING HARNESS, MAIN, ABS - FLS AND FLSS (3 OF 5) WIRING HARNESS, MAIN, ABS - FLS AND FLSS (4 OF 5) WIRING HARNESS, MAIN, ABS - FLS AND FLSS (5 OF 5) WIRING HARNESS, MAIN, ABS - FLSTF, FLSTFB AND FLSTFBS (1 OF 5) WIRING HARNESS, MAIN, ABS - FLSTF, FLSTFB AND FLSTFBS (3 OF 5) WIRING HARNESS, MAIN, ABS - FLSTF, FLSTFB AND FLSTFBS (4 OF 5) WIRING HARNESS, MAIN, ABS - FLSTF, FLSTFB AND FLSTFBS (5 OF 5) WIRING HARNESS, MAIN, ABS - FLSTC AND FLSTN (1 OF 5) WIRING HARNESS, MAIN, ABS - FLSTC AND FLSTN (3 OF 5) WIRING HARNESS, MAIN, ABS - FLSTC AND FLSTN (4 OF 5) WIRING HARNESS, MAIN, ABS - FLSTC AND FLSTN (5 OF 5) WIRING HARNESS, MAIN, ABS - FXSB (1 OF 5) WIRING HARNESS, MAIN, ABS - FXSB (3 OF 5) WIRING HARNESS, MAIN, ABS - FXSB (4 OF 5) WIRING HARNESS, MAIN, ABS - FXSB (5 OF 5) BATTERY
10074	EXHAUST SYSTEM - FXSB EXHAUST SYSTEM - FLSTC EXHAUST SYSTEM - FLS, FLSS, FLSTF, FLSTFB, FLSTFBS AND FLSTN (1 OF 2)
10080	OIL TANK AND LINES - FXSB
10102	ALTERNATOR AND REGULATOR FENDER, FRONT FUEL TANK
10103	INSTRUMENTS - FLSTF, FLSTFB, FLSTFBS AND FLSTN INSTRUMENTS - FLS, FLSS AND FLSTC

10113	TAIL LAMP - FLSTC, FLSTF, FLSTFB AND FLSTFBS
10115	TAIL LAMP - FLSTC, FLSTF, FLSTFB AND FLSTFBS TAIL LAMP - FLSTN
10119	EXHAUST SYSTEM - FLS, FLSS, FLSTF, FLSTFB, FLSTFBS AND FLSTN (1 OF 2)
10124	CLUTCH CONTROL - FLS, FLSTC, FLSTF, FLSTFB, FLSTN AND FXSB
10147	WHEELS, FRONT (1 OF 2) WHEELS, REAR (1 OF 2) EXHAUST SYSTEM - FXSB EXHAUST SYSTEM - FLSTC WIRING HARNESS, MAIN, ABS - FLSTF, FLSTFB AND FLSTFBS (3 OF 5) WIRING HARNESS, MAIN, ABS - FLSTC AND FLSTN (3 OF 5)
10177	ENGINE MOUNTS ELECTRONIC CONTROL MODULE (ECM) AND COIL FENDERS AND SUPPORTS, REAR - FLS AND FLSS LICENSE PLATE BRACKETS - FXSB WIRING HARNESS, MAIN, NON-ABS - FLS (1 OF 5) WIRING HARNESS, MAIN, NON-ABS - FLS (2 OF 5) WIRING HARNESS, MAIN, ABS - FLS AND FLSS (1 OF 5) WIRING HARNESS, MAIN, ABS - FLS AND FLSS (2 OF 5) WIRING HARNESS, MAIN, ABS - FLSTF, FLSTFB AND FLSTFBS (1 OF 5) WIRING HARNESS, MAIN, ABS - FLSTF, FLSTFB AND FLSTFBS (2 OF 5) WIRING HARNESS, MAIN, ABS - FLSTC AND FLSTN (1 OF 5) WIRING HARNESS, MAIN, ABS - FLSTC AND FLSTN (2 OF 5) WIRING HARNESS, MAIN, ABS - FXSB (1 OF 5) WIRING HARNESS, MAIN, ABS - FXSB (2 OF 5) SWITCHES
10183	TAIL LAMP - FLSTC, FLSTF, FLSTFB AND FLSTFBS TAIL LAMP - FLSTC, FLSTF, FLSTFB AND FLSTFBS
10193	FRAME AND JIFFY STAND
10200201	FENDER, FRONT
10200374	FUEL PUMP
10200386	GUARDS, SAREE
10200410	SADDLEBAGS - FLSTC
10208	OIL TANK AND LINES - EXCEPT FXSB OIL TANK AND LINES - FXSB
10216	OIL TANK AND LINES - EXCEPT FXSB
10226	FENDERS AND SUPPORTS, REAR - FLSTC FENDERS AND SUPPORTS, REAR - FLSTN FENDERS AND SUPPORTS, REAR - FLS AND FLSS
10228	FENDERS AND SUPPORTS, REAR - FLSTF, FLSTFB AND FLSTFBS
10300100	SADDLEBAGS - FLSTC
10326A	WHEELS, REAR (1 OF 2) WHEELS, REAR (1 OF 2)
1039	ROCKER ARM ASSEMBLY AND PUSHRODS - TWIN CAM 103™ ROCKER ARM ASSEMBLY AND PUSH RODS - TWIN CAM 110™
10500031	BELT, CHAINS AND SPROCKETS

10500041	BRAKE CONTROL, FRONT
10500053	AIR CLEANER - TWIN CAM 110™ - FLSTFBS
1062	PRIMARY HOUSING
10800007	LICENSE PLATE BRACKETS - FLSTC, FLSTF, FLSTN, FLSTFB AND FLSTFBS
10800010	EXHAUST SYSTEM - FLS, FLSS, FLSTF, FLSTFB, FLSTFBS AND FLSTN (1 OF 2)
10800054	GUARDS, SAREE
10800060	CLUTCH CONTROL - FLSS AND FLSTFBS
10800093	GUARDS, SAREE
10800096	BRAKE LINES, FRONT, NON-ABS - FLS FORK BRACKETS, FRONT - FLS, FLSS, FLSTC, FLSTF, FLSTFB, FLSTFBS AND FLSTN
10800101	FORK BRACKETS, FRONT - FLS, FLSS, FLSTC, FLSTF, FLSTFB, FLSTFBS AND FLSTN
10800102	CLUTCH CONTROL - FLSS AND FLSTFBS
10850	WHEELS, FRONT (1 OF 2)
10851	BRAKE LINE AND MODULE, REAR, ABS
10861	BRAKE LINES, FRONT, ABS
10866	FOOTRESTS AND FOOTBOARDS
10871	FUEL PUMP
1090A	CRANKCASE AND ENGINE OIL FILTER - TWIN CAM 110™
10991A	TRANSMISSION GEARS
10998	TRANSMISSION HOUSING - FXSB, FLSTC, FLSTF, FLSTN, FLSTFB AND FLS
11000101	SHIFTER, GEAR TRANSMISSION HOUSING - FXSB, FLSTC, FLSTF, FLSTN, FLSTFB AND FLS TRANSMISSION HOUSING - FLSS AND FLSTFBS
11061A	TRANSMISSION GEARS
11081A	TRANSMISSION GEARS
11082	TRANSMISSION GEARS
11096	TRANSMISSION GEARS CLUTCH - TWIN CAM 103™
11100010	FENDERS AND SUPPORTS, REAR - FLS AND FLSS
11100014	FENDERS AND SUPPORTS, REAR - FLS AND FLSS
11100066	FENDERS AND SUPPORTS, REAR - FXSB
11100069	FENDERS AND SUPPORTS, REAR - FXSB
11100103	LICENSE PLATE BRACKETS - FXSB
11100106	FENDERS AND SUPPORTS, REAR - FXSB
11105	TRANSMISSION HOUSING - FXSB, FLSTC, FLSTF, FLSTN, FLSTFB AND FLS

	TRANSMISSION HOUSING - FLSS AND FLSTFBS PRIMARY HOUSING OIL TANK AND LINES - EXCEPT FXSB OIL TANK AND LINES - FXSB
11120	OIL TANK AND LINES - FXSB
11132A	ROCKER ARM ASSEMBLY AND PUSHRODS - TWIN CAM 103™ ROCKER ARM ASSEMBLY AND PUSH RODS - TWIN CAM 110™ TRANSMISSION HOUSING - FXSB, FLSTC, FLSTF, FLSTN, FLSTFB AND FLS TRANSMISSION HOUSING - FLSS AND FLSTFBS
11140	CRANKCASE AND ENGINE OIL FILTER - TWIN CAM 103™ CRANKCASE AND ENGINE OIL FILTER - TWIN CAM 110™
11142	BRAKE CONTROL, FRONT
11143	CLUTCH - ASSIST AND SLIP - TWIN CAM 110™ CLUTCH CONTROL - FLS, FLSTC, FLSTF, FLSTFB, FLSTN AND FXSB CLUTCH CONTROL - FLSS AND FLSTFBS
11145A	ROCKER ARM ASSEMBLY AND PUSHRODS - TWIN CAM 103™ ROCKER ARM ASSEMBLY AND PUSH RODS - TWIN CAM 110™
11150	SHIFTER, GEAR
11161	TRANSMISSION HOUSING - FXSB, FLSTC, FLSTF, FLSTN, FLSTFB AND FLS TRANSMISSION HOUSING - FLSS AND FLSTFBS
11177A	PISTONS AND FLYWHEEL ASSEMBLY - TWIN CAM 103™ PISTONS AND FLYWHEEL ASSEMBLY - TWIN CAM 110™
11179	TRANSMISSION HOUSING - FXSB, FLSTC, FLSTF, FLSTN, FLSTFB AND FLS CLUTCH CONTROL - FLS, FLSTC, FLSTF, FLSTFB, FLSTN AND FXSB
11180	WHEELS, FRONT (1 OF 2)
11191	SHIFTER, GEAR
11201	TRANSMISSION GEARS
11207A	TRANSMISSION GEARS
11256	CYLINDERS, HEADS, VALVES - TWIN CAM 103™
11270	ROCKER ARM ASSEMBLY AND PUSHRODS - TWIN CAM 103™ ROCKER ARM ASSEMBLY AND PUSH RODS - TWIN CAM 110™
11273	CRANKCASE AND ENGINE OIL FILTER - TWIN CAM 103™
11282	FORK, REAR AND SHOCK ABSORBERS
11289A	SENSORS AND SWITCHES, ENGINE - TWIN CAM 103™ SENSORS AND SWITCHES, ENGINE - TWIN CAM 110™ TRANSMISSION HOUSING - FXSB, FLSTC, FLSTF, FLSTN, FLSTFB AND FLS TRANSMISSION HOUSING - FLSS AND FLSTFBS
11291	SENSORS AND SWITCHES, ENGINE - TWIN CAM 103™
11292	AIR CLEANER - TWIN CAM 110™ - FLSTFBS AIR CLEANER - TWIN CAM 110™ - FLSS
11293	ROCKER ARM ASSEMBLY AND PUSHRODS - TWIN CAM 103™ ROCKER ARM ASSEMBLY AND PUSH RODS - TWIN CAM 110™ CAMSHAFTS AND CAMSHAFT COVER - TWIN CAM 103™

	CAMSHAFTS and CAMSHAFT COVER - TWIN CAM 110™
11301	CAMSHAFTS AND CAMSHAFT COVER - TWIN CAM 103™ CAMSHAFTS and CAMSHAFT COVER - TWIN CAM 110™
11304	FOOTRESTS AND FOOTBOARDS
11323	FUEL TANK
11326	OIL TANK AND LINES - EXCEPT FXSB OIL TANK AND LINES - FXSB
11364	BRAKE CONTROL, REAR
11379	BRAKE CONTROL, FRONT
11387A	FUEL TANK FUEL PUMP
11389	SHIFTER, GEAR
11413	REAR BELT GUARD
11437	FENDER, FRONT
11447	OIL TANK AND LINES - EXCEPT FXSB OIL TANK AND LINES - FXSB
11461	CAMSHAFTS AND CAMSHAFT COVER - TWIN CAM 103™ CAMSHAFTS and CAMSHAFT COVER - TWIN CAM 110™
11514	FORK, REAR AND SHOCK ABSORBERS
11529	FUEL TANK
11533	FUEL TANK
11565C	FORK, REAR AND SHOCK ABSORBERS
11575	SHIFTER, GEAR
11599A	TRANSMISSION GEARS
11600001	BRAKE LINES, FRONT, NON-ABS - FLS BRAKE LINES, FRONT, ABS
11688	BRAKE CONTROL, REAR
11689	FORK, FRONT - FXSB
11700002	CLUTCH - ASSIST AND SLIP - TWIN CAM 110™
11785	WIRING HARNESS, MAIN, NON-ABS - FLS (3 OF 5) WIRING HARNESS, MAIN, ABS - FLS AND FLSS (3 OF 5) WIRING HARNESS, MAIN, ABS - FLSTF, FLSTFB AND FLSTFBS (3 OF 5) WIRING HARNESS, MAIN, ABS - FLSTC AND FLSTN (3 OF 5) WIRING HARNESS, MAIN, ABS - FXSB (3 OF 5)
11860	EXHAUST SYSTEM - FXSB EXHAUST SYSTEM - FLSTC EXHAUST SYSTEM - FLS, FLSS, FLSTF, FLSTFB, FLSTFBS AND FLSTN (1 OF 2)
11900035	TRANSMISSION HOUSING - FLSS AND FLSTFBS
11907	CYLINDERS, HEADS AND VALVES - TWIN CAM 110™

	CRANKCASE AND ENGINE OIL FILTER - TWIN CAM 110™
11936	EXHAUST SYSTEM - FXSB EXHAUST SYSTEM - FLSTC EXHAUST SYSTEM - FLS, FLSS, FLSTF, FLSTFB, FLSTFBS AND FLSTN (1 OF 2)
12052A	PRIMARY HOUSING
12068	CRANKCASE AND ENGINE OIL FILTER - TWIN CAM 103™ CRANKCASE AND ENGINE OIL FILTER - TWIN CAM 110™
12074	TRANSMISSION HOUSING - FXSB, FLSTC, FLSTF, FLSTN, FLSTFB AND FLS TRANSMISSION HOUSING - FLSS AND FLSTFBS
12077	TRANSMISSION GEARS
12100028	CLUTCH CONTROL - FLSS AND FLSTFBS
12200044	WIRING HARNESS, MAIN, ABS - FLSTF, FLSTFB AND FLSTFBS (3 OF 5) WIRING HARNESS, MAIN, ABS - FLSTC AND FLSTN (3 OF 5)
12200060	FENDERS AND SUPPORTS, REAR - FXSB
12200065	BELT, CHAINS AND SPROCKETS
12200092	FENDER, FRONT
12400108	GUARDS, SAREE
12500001	THROTTLE CONTROL
12600015	FRAME AND JIFFY STAND SWITCHES
12600067	FUEL TANK
12600177	WHEELS, REAR (2 OF 2)
13729-15	LABELS
13729-16	LABELS
14000069	LABELS
14000347	AIR CLEANER - FXSB, FLSTC, FLSTF, FLSTN, FLSTFB, FLS AIR CLEANER - TWIN CAM 110™ - FLSS LABELS
14000377	AIR CLEANER - TWIN CAM 110™ - FLSTFBS LABELS
14000827	LABELS
14100035	FUEL TANK TRIM
14100036	FUEL TANK TRIM
14100435	FUEL TANK
14100605	CLUTCH CONTROL - FLSS AND FLSTFBS BRAKE CONTROL, FRONT
14100606	BRAKE CALIPER, FRONT BRAKE CALIPER, REAR

14100628BAAA	FUEL TANK TRIM
14100628BAAB	FUEL TANK TRIM
14100628BAAC	FUEL TANK TRIM
14100699	AIR CLEANER - TWIN CAM 110™ - FLSTFBS
14100750	FUEL TANK TRIM
14100751	FUEL TANK TRIM
14100754	FUEL TANK TRIM
14100755	FUEL TANK TRIM
14100756	FENDER, FRONT
14142-09	FENDER, FRONT
14272-06	LABELS
14728-07	ENGINE BALANCER
14761-00	ENGINE BALANCER
14762-00	ENGINE BALANCER
14764-00	ENGINE BALANCER
14769-00	ENGINE BALANCER
14784-07	ENGINE BALANCER
14789-07	ENGINE BALANCER
15346-98A	AUXILIARY/FOG LAMPS AND TURN SIGNALS, FRONT - FLSTC, FLSTN (2 OF 2)
15368-01A	LABELS
15370-01A	LABELS
15385-08	LABELS
1565	ELECTRONIC CONTROL MODULE (ECM) AND COIL SWITCHES
16200069	ENGINE ASSEMBLY - TWIN CAM 103™
16200175	ENGINE ASSEMBLY - TWIN CAM 110™
16236-08A	ENGINE MOUNTS
16247-06	ENGINE MOUNTS
16400017	ENGINE MOUNTS
16465-06	CYLINDERS, HEADS, VALVES - TWIN CAM 103™
16478-85A	CYLINDERS, HEADS, VALVES - TWIN CAM 103™ CYLINDERS, HEADS AND VALVES - TWIN CAM 110™
16480-92A	CYLINDERS, HEADS, VALVES - TWIN CAM 103™ CYLINDERS, HEADS AND VALVES - TWIN CAM 110™

16500023	CYLINDERS, HEADS, VALVES - TWIN CAM 103™
16500026	CYLINDERS, HEADS, VALVES - TWIN CAM 103™
16500027	CYLINDERS, HEADS, VALVES - TWIN CAM 103™
16574-99A	CRANKCASE AND ENGINE OIL FILTER - TWIN CAM 103™ CRANKCASE AND ENGINE OIL FILTER - TWIN CAM 110™ TRANSMISSION HOUSING - FXSB, FLSTC, FLSTF, FLSTN, FLSTFB AND FLS TRANSMISSION HOUSING - FLSS AND FLSTFBS
16583-00A	ENGINE BALANCER TRANSMISSION HOUSING - FXSB, FLSTC, FLSTF, FLSTN, FLSTFB AND FLS TRANSMISSION HOUSING - FLSS AND FLSTFBS PRIMARY HOUSING
16589-99A	CRANKCASE AND ENGINE OIL FILTER - TWIN CAM 103™ CRANKCASE AND ENGINE OIL FILTER - TWIN CAM 110™
16595-99A	CYLINDERS, HEADS, VALVES - TWIN CAM 103™ CYLINDERS, HEADS AND VALVES - TWIN CAM 110™ CRANKCASE AND ENGINE OIL FILTER - TWIN CAM 103™ CRANKCASE AND ENGINE OIL FILTER - TWIN CAM 110™
16699-06	CYLINDERS, HEADS, VALVES - TWIN CAM 103™ CYLINDERS, HEADS AND VALVES - TWIN CAM 110™
16715-83	CYLINDERS, HEADS, VALVES - TWIN CAM 103™ CYLINDERS, HEADS AND VALVES - TWIN CAM 110™
16719-99B	ROCKER ARM ASSEMBLY AND PUSHRODS - TWIN CAM 103™ ROCKER ARM ASSEMBLY AND PUSH RODS - TWIN CAM 110™
16787-99A	CYLINDERS, HEADS, VALVES - TWIN CAM 103™
16800003A	CYLINDERS, HEADS, VALVES - TWIN CAM 103™
16801-07B	CYLINDERS, HEADS AND VALVES - TWIN CAM 110™
16834-99A	CYLINDERS, HEADS, VALVES - TWIN CAM 103™ CYLINDERS, HEADS AND VALVES - TWIN CAM 110™
17025-03A	ROCKER ARM ASSEMBLY AND PUSHRODS - TWIN CAM 103™ ROCKER ARM ASSEMBLY AND PUSH RODS - TWIN CAM 110™
17045-99D	ROCKER ARM ASSEMBLY AND PUSHRODS - TWIN CAM 103™ ROCKER ARM ASSEMBLY AND PUSH RODS - TWIN CAM 110™ CAMSHAFTS AND CAMSHAFT COVER - TWIN CAM 103™ CAMSHAFTS and CAMSHAFT COVER - TWIN CAM 110™
17052-99C	CYLINDERS, HEADS, VALVES - TWIN CAM 103™
17053-99C	CYLINDERS, HEADS, VALVES - TWIN CAM 103™
17251-07B	CYLINDERS, HEADS AND VALVES - TWIN CAM 110™
17252-07A	CYLINDERS, HEADS AND VALVES - TWIN CAM 110™
17253-07B	CYLINDERS, HEADS AND VALVES - TWIN CAM 110™
17257-07A	CYLINDERS, HEADS AND VALVES - TWIN CAM 110™
17285-07A	CYLINDERS, HEADS AND VALVES - TWIN CAM 110™
17349-07B	CYLINDERS, HEADS AND VALVES - TWIN CAM 110™

17350-07B	CYLINDERS, HEADS AND VALVES - TWIN CAM 110™
17360-83A	ROCKER ARM ASSEMBLY AND PUSHRODS - TWIN CAM 103™ ROCKER ARM ASSEMBLY AND PUSH RODS - TWIN CAM 110™
17369-06	PRIMARY HOUSING
17375-83A	ROCKER ARM ASSEMBLY AND PUSHRODS - TWIN CAM 103™ ROCKER ARM ASSEMBLY AND PUSH RODS - TWIN CAM 110™
17386-99A	ROCKER ARM ASSEMBLY AND PUSHRODS - TWIN CAM 103™ ROCKER ARM ASSEMBLY AND PUSH RODS - TWIN CAM 110™
17429-91	ROCKER ARM ASSEMBLY AND PUSHRODS - TWIN CAM 103™ ROCKER ARM ASSEMBLY AND PUSH RODS - TWIN CAM 110™
17460-07A	CYLINDERS, HEADS, VALVES - TWIN CAM 103™
17572-99	ROCKER ARM ASSEMBLY AND PUSHRODS - TWIN CAM 103™
17573-99A	ROCKER ARM ASSEMBLY AND PUSHRODS - TWIN CAM 103™
17574-99A	ROCKER ARM ASSEMBLY AND PUSHRODS - TWIN CAM 103™
17575-99	ROCKER ARM ASSEMBLY AND PUSHRODS - TWIN CAM 103™
17576-99	ROCKER ARM ASSEMBLY AND PUSHRODS - TWIN CAM 103™
17577-99	ROCKER ARM ASSEMBLY AND PUSHRODS - TWIN CAM 103™
17587-10	ROCKER ARM ASSEMBLY AND PUSHRODS - TWIN CAM 103™
17594-99	ROCKER ARM ASSEMBLY AND PUSHRODS - TWIN CAM 103™ ROCKER ARM ASSEMBLY AND PUSH RODS - TWIN CAM 110™
17595-10	ROCKER ARM ASSEMBLY AND PUSHRODS - TWIN CAM 103™
17596-10	ROCKER ARM ASSEMBLY AND PUSHRODS - TWIN CAM 103™
17611-83	ROCKER ARM ASSEMBLY AND PUSHRODS - TWIN CAM 103™ ROCKER ARM ASSEMBLY AND PUSH RODS - TWIN CAM 110™
17654-10	ROCKER ARM ASSEMBLY AND PUSHRODS - TWIN CAM 103™
17707-11	ROCKER ARM ASSEMBLY AND PUSH RODS - TWIN CAM 110™
17709-11	ROCKER ARM ASSEMBLY AND PUSH RODS - TWIN CAM 110™
17729-08	CYLINDERS, HEADS, VALVES - TWIN CAM 103™
1775	PRIMARY HOUSING
1778	PRIMARY HOUSING
17922-99	ROCKER ARM ASSEMBLY AND PUSHRODS - TWIN CAM 103™ ROCKER ARM ASSEMBLY AND PUSH RODS - TWIN CAM 110™
17923-99	ROCKER ARM ASSEMBLY AND PUSHRODS - TWIN CAM 103™ ROCKER ARM ASSEMBLY AND PUSH RODS - TWIN CAM 110™
17939-99	ROCKER ARM ASSEMBLY AND PUSHRODS - TWIN CAM 103™ ROCKER ARM ASSEMBLY AND PUSH RODS - TWIN CAM 110™
17945-36B	ROCKER ARM ASSEMBLY AND PUSHRODS - TWIN CAM 103™ ROCKER ARM ASSEMBLY AND PUSH RODS - TWIN CAM 110™

17947-36	ROCKER ARM ASSEMBLY AND PUSHRODS - TWIN CAM 103™ ROCKER ARM ASSEMBLY AND PUSH RODS - TWIN CAM 110™
17948-99	ROCKER ARM ASSEMBLY AND PUSHRODS - TWIN CAM 103™ ROCKER ARM ASSEMBLY AND PUSH RODS - TWIN CAM 110™
17964-99	ROCKER ARM ASSEMBLY AND PUSHRODS - TWIN CAM 103™ ROCKER ARM ASSEMBLY AND PUSH RODS - TWIN CAM 110™
17966-99	ROCKER ARM ASSEMBLY AND PUSHRODS - TWIN CAM 103™ ROCKER ARM ASSEMBLY AND PUSH RODS - TWIN CAM 110™
17968-99	ROCKER ARM ASSEMBLY AND PUSHRODS - TWIN CAM 103™ ROCKER ARM ASSEMBLY AND PUSH RODS - TWIN CAM 110™
18011-86	CYLINDERS, HEADS, VALVES - TWIN CAM 103™
18020-83	CYLINDERS, HEADS, VALVES - TWIN CAM 103™
18048-98A	CYLINDERS, HEADS AND VALVES - TWIN CAM 110™
18067-09	CYLINDERS, HEADS AND VALVES - TWIN CAM 110™
18074-05A	CYLINDERS, HEADS, VALVES - TWIN CAM 103™
18085-05B	CYLINDERS, HEADS, VALVES - TWIN CAM 103™
18094-02A	CYLINDERS, HEADS, VALVES - TWIN CAM 103™
18161-08	CYLINDERS, HEADS AND VALVES - TWIN CAM 110™
18168-08	CYLINDERS, HEADS AND VALVES - TWIN CAM 110™
18183-03	CYLINDERS, HEADS AND VALVES - TWIN CAM 110™
18187-07	CYLINDERS, HEADS AND VALVES - TWIN CAM 110™
18189-07	CYLINDERS, HEADS AND VALVES - TWIN CAM 110™
18245-02	CYLINDERS, HEADS, VALVES - TWIN CAM 103™
18258-02	CYLINDERS, HEADS, VALVES - TWIN CAM 103™
18260-02	CYLINDERS, HEADS, VALVES - TWIN CAM 103™
18270-00A	CYLINDERS, HEADS AND VALVES - TWIN CAM 110™
18271-00	CYLINDERS, HEADS AND VALVES - TWIN CAM 110™
18272-00	CYLINDERS, HEADS AND VALVES - TWIN CAM 110™
18280-07	CYLINDERS, HEADS AND VALVES - TWIN CAM 110™
18535-99	ROCKER ARM ASSEMBLY AND PUSHRODS - TWIN CAM 103™ ROCKER ARM ASSEMBLY AND PUSH RODS - TWIN CAM 110™
18538-99C	ROCKER ARM ASSEMBLY AND PUSHRODS - TWIN CAM 103™
18572-13	ROCKER ARM ASSEMBLY AND PUSH RODS - TWIN CAM 110™
18635-99B	ROCKER ARM ASSEMBLY AND PUSHRODS - TWIN CAM 103™ ROCKER ARM ASSEMBLY AND PUSH RODS - TWIN CAM 110™
19811-16	ENGINE ASSEMBLY - TWIN CAM 103™

19816-16	ENGINE ASSEMBLY - TWIN CAM 103™
19818-16	ENGINE ASSEMBLY - TWIN CAM 103™
21918-99	PISTONS AND FLYWHEEL ASSEMBLY - TWIN CAM 103™
21919-99	PISTONS AND FLYWHEEL ASSEMBLY - TWIN CAM 103™
21945-99	PISTONS AND FLYWHEEL ASSEMBLY - TWIN CAM 103™
21951-11	PISTONS AND FLYWHEEL ASSEMBLY - TWIN CAM 110™
21953-11	PISTONS AND FLYWHEEL ASSEMBLY - TWIN CAM 110™
21962-07	PISTONS AND FLYWHEEL ASSEMBLY - TWIN CAM 103™
21963-07	PISTONS AND FLYWHEEL ASSEMBLY - TWIN CAM 103™
21964-07	PISTONS AND FLYWHEEL ASSEMBLY - TWIN CAM 103™
22000001	PISTONS AND FLYWHEEL ASSEMBLY - TWIN CAM 110™
22000003	PISTONS AND FLYWHEEL ASSEMBLY - TWIN CAM 110™
22097-99	PISTONS AND FLYWHEEL ASSEMBLY - TWIN CAM 103™ PISTONS AND FLYWHEEL ASSEMBLY - TWIN CAM 110™
221	TRANSMISSION HOUSING - FXSB, FLSTC, FLSTF, FLSTN, FLSTFB AND FLS TRANSMISSION HOUSING - FLSS AND FLSTFBS
22131-05	PISTONS AND FLYWHEEL ASSEMBLY - TWIN CAM 103™
22307-99	CRANKCASE AND ENGINE OIL FILTER - TWIN CAM 103™ CRANKCASE AND ENGINE OIL FILTER - TWIN CAM 110™
2261	SWITCHES, HANDLEBAR LEFT, FRONT SWITCHES, HANDLEBAR RIGHT, FRONT
23912-07B	PISTONS AND FLYWHEEL ASSEMBLY - TWIN CAM 103™
24004-03B	CRANKCASE AND ENGINE OIL FILTER - TWIN CAM 103™ CRANKCASE AND ENGINE OIL FILTER - TWIN CAM 110™
24009-06	CRANKCASE AND ENGINE OIL FILTER - TWIN CAM 103™ CRANKCASE AND ENGINE OIL FILTER - TWIN CAM 110™
24018-10	CRANKCASE AND ENGINE OIL FILTER - TWIN CAM 110™ CAMSHAFTS and CAMSHAFT COVER - TWIN CAM 110™
24100022	PISTONS AND FLYWHEEL ASSEMBLY - TWIN CAM 110™
2441	FUEL TANK
2452	WINDSHIELD - FLSTC
24603-00	CRANKCASE AND ENGINE OIL FILTER - TWIN CAM 103™ CRANKCASE AND ENGINE OIL FILTER - TWIN CAM 110™ ENGINE MOUNTS
24605-07	CRANKCASE AND ENGINE OIL FILTER - TWIN CAM 103™ CRANKCASE AND ENGINE OIL FILTER - TWIN CAM 110™
24722-07B	CRANKCASE AND ENGINE OIL FILTER - TWIN CAM 103™ CRANKCASE AND ENGINE OIL FILTER - TWIN CAM 110™

24754-75A	PRIMARY HOUSING
24983-00	CAMSHAFTS AND CAMSHAFT COVER - TWIN CAM 103™ CAMSHAFTS and CAMSHAFT COVER - TWIN CAM 110™
2501A	INSTRUMENTS - FLSTF, FLSTFB, FLSTFBS AND FLSTN INSTRUMENTS - FLS, FLSS AND FLSTC INSTRUMENTS - FXSB
25244-99A	CAMSHAFTS AND CAMSHAFT COVER - TWIN CAM 103™ CAMSHAFTS and CAMSHAFT COVER - TWIN CAM 110™
25355-06A	CAMSHAFTS AND CAMSHAFT COVER - TWIN CAM 103™ CAMSHAFTS and CAMSHAFT COVER - TWIN CAM 110™
25363-01B	CAMSHAFTS AND CAMSHAFT COVER - TWIN CAM 103™
25369-01B	CAMSHAFTS AND CAMSHAFT COVER - TWIN CAM 103™
2538	SEATS
25395-10	CAMSHAFTS AND CAMSHAFT COVER - TWIN CAM 103™
25400002	CAMSHAFTS AND CAMSHAFT COVER - TWIN CAM 103™
25400003	CAMSHAFTS AND CAMSHAFT COVER - TWIN CAM 103™
25566-06	CAMSHAFTS AND CAMSHAFT COVER - TWIN CAM 103™ CAMSHAFTS and CAMSHAFT COVER - TWIN CAM 110™
25585-06	CAMSHAFTS AND CAMSHAFT COVER - TWIN CAM 103™ CAMSHAFTS and CAMSHAFT COVER - TWIN CAM 110™
25600012	CAMSHAFTS and CAMSHAFT COVER - TWIN CAM 110™
25604-00A	TRANSMISSION HOUSING - FXSB, FLSTC, FLSTF, FLSTN, FLSTFB AND FLS
25605-00A	TRANSMISSION HOUSING - FXSB, FLSTC, FLSTF, FLSTN, FLSTFB AND FLS
25638-07	CAMSHAFTS and CAMSHAFT COVER - TWIN CAM 110™
2566	CLUTCH CONTROL - FLS, FLSTC, FLSTF, FLSTFB, FLSTN AND FXSB
25673-06	CAMSHAFTS AND CAMSHAFT COVER - TWIN CAM 103™ CAMSHAFTS and CAMSHAFT COVER - TWIN CAM 110™
25675-06	CAMSHAFTS AND CAMSHAFT COVER - TWIN CAM 103™ CAMSHAFTS and CAMSHAFT COVER - TWIN CAM 110™
25683-06	CAMSHAFTS AND CAMSHAFT COVER - TWIN CAM 103™ CAMSHAFTS and CAMSHAFT COVER - TWIN CAM 110™
25700020	PRIMARY HOUSING
25700037	PRIMARY HOUSING
25700038	PRIMARY HOUSING
25700043	PRIMARY HOUSING
25700178	TRANSMISSION HOUSING - FLSS AND FLSTFBS
25700180	TRANSMISSION HOUSING - FLSS AND FLSTFBS
25700226	PRIMARY HOUSING

25700234	PRIMARY HOUSING
25728-06	CAMSHAFTS AND CAMSHAFT COVER - TWIN CAM 103™ CAMSHAFTS and CAMSHAFT COVER - TWIN CAM 110™
25729-06	CAMSHAFTS AND CAMSHAFT COVER - TWIN CAM 103™ CAMSHAFTS AND CAMSHAFT COVER - TWIN CAM 103™ CAMSHAFTS and CAMSHAFT COVER - TWIN CAM 110™ CAMSHAFTS and CAMSHAFT COVER - TWIN CAM 110™
25731-06	CAMSHAFTS AND CAMSHAFT COVER - TWIN CAM 103™ CAMSHAFTS and CAMSHAFT COVER - TWIN CAM 110™
25734-06	CAMSHAFTS AND CAMSHAFT COVER - TWIN CAM 103™ CAMSHAFTS and CAMSHAFT COVER - TWIN CAM 110™
25736-06	CAMSHAFTS AND CAMSHAFT COVER - TWIN CAM 103™ CAMSHAFTS and CAMSHAFT COVER - TWIN CAM 110™
25737-06	CAMSHAFTS AND CAMSHAFT COVER - TWIN CAM 103™ CAMSHAFTS and CAMSHAFT COVER - TWIN CAM 110™
25738-06	CAMSHAFTS AND CAMSHAFT COVER - TWIN CAM 103™ CAMSHAFTS and CAMSHAFT COVER - TWIN CAM 110™
2579A	BRAKE CONTROL, REAR
25800017	CYLINDERS, HEADS AND VALVES - TWIN CAM 110™
2590	CLUTCH CONTROL - FLSS AND FLSTFBS
26037-06	CAMSHAFTS AND CAMSHAFT COVER - TWIN CAM 103™ CAMSHAFTS and CAMSHAFT COVER - TWIN CAM 110™
2604	FENDER, FRONT FENDERS AND SUPPORTS, REAR - FLSTC LICENSE PLATE BRACKETS - FLSTC, FLSTF, FLSTN, FLSTFB AND FLSTFBS
26210-99	CAMSHAFTS AND CAMSHAFT COVER - TWIN CAM 103™ CAMSHAFTS and CAMSHAFT COVER - TWIN CAM 110™
26278-06	CAMSHAFTS AND CAMSHAFT COVER - TWIN CAM 103™ CAMSHAFTS and CAMSHAFT COVER - TWIN CAM 110™
26281-06	CAMSHAFTS AND CAMSHAFT COVER - TWIN CAM 103™ CAMSHAFTS and CAMSHAFT COVER - TWIN CAM 110™
26282-06	CAMSHAFTS AND CAMSHAFT COVER - TWIN CAM 103™ CAMSHAFTS and CAMSHAFT COVER - TWIN CAM 110™
26314-99	OIL TANK AND LINES - FXSB
26352-95A	CRANKCASE AND ENGINE OIL FILTER - TWIN CAM 103™ CRANKCASE AND ENGINE OIL FILTER - TWIN CAM 110™
26400-82B	CAMSHAFTS AND CAMSHAFT COVER - TWIN CAM 103™ CAMSHAFTS and CAMSHAFT COVER - TWIN CAM 110™
2647B	AUXILIARY/FOG LAMPS AND TURN SIGNALS, FRONT - FLSTC, FLSTN (1 OF 2)
26500002	ROCKER ARM ASSEMBLY AND PUSHRODS - TWIN CAM 103™ ROCKER ARM ASSEMBLY AND PUSH RODS - TWIN CAM 110™
26561-99	SENSORS AND SWITCHES, ENGINE - TWIN CAM 103™

	SENSORS AND SWITCHES, ENGINE - TWIN CAM 110™
2692WB	TURN SIGNALS, REAR (1 OF 2)
26993-06	INDUCTION MODULE, FUEL
26995-86B	INDUCTION MODULE, FUEL
27050-11	EVAPORATIVE EMISSIONS COMPONENTS
27200002	INDUCTION MODULE, FUEL
27246-11	EVAPORATIVE EMISSIONS COMPONENTS
27444-00Y	STARTER MOTOR
27609-01B	INDUCTION MODULE, FUEL
27711-08	INDUCTION MODULE, FUEL
27712-08	INDUCTION MODULE, FUEL
27715-07	EVAPORATIVE EMISSIONS COMPONENTS SWITCHES
27721-08	INDUCTION MODULE, FUEL
2773	LICENSE PLATE BRACKETS - FLSTC, FLSTF, FLSTN, FLSTFB AND FLSTFBS LICENSE PLATE BRACKETS - FLSTC, FLSTF, FLSTN, FLSTFB AND FLSTFBS
2882W	HORN
28839-11	EVAPORATIVE EMISSIONS COMPONENTS
28860-11	EVAPORATIVE EMISSIONS COMPONENTS
28861-07A	CYLINDERS, HEADS, VALVES - TWIN CAM 103™ CYLINDERS, HEADS AND VALVES - TWIN CAM 110™
28864-11	EVAPORATIVE EMISSIONS COMPONENTS
29000026	AIR CLEANER - FXSB, FLSTC, FLSTF, FLSTN, FLSTFB, FLS
29000033	AIR CLEANER - FXSB, FLSTC, FLSTF, FLSTN, FLSTFB, FLS
29000123	AIR CLEANER - TWIN CAM 110™ - FLSS
29127-95B	LABELS
29200014	AIR CLEANER - FXSB, FLSTC, FLSTF, FLSTN, FLSTFB, FLS AIR CLEANER - TWIN CAM 110™ - FLSS
29200015	AIR CLEANER - FXSB, FLSTC, FLSTF, FLSTN, FLSTFB, FLS AIR CLEANER - TWIN CAM 110™ - FLSS
29200017	AIR CLEANER - FXSB, FLSTC, FLSTF, FLSTN, FLSTFB, FLS AIR CLEANER - TWIN CAM 110™ - FLSS
29200018	AIR CLEANER - FXSB, FLSTC, FLSTF, FLSTN, FLSTFB, FLS AIR CLEANER - TWIN CAM 110™ - FLSS
2921	WINDSHIELD - FLSTC
29241-08	AIR CLEANER - TWIN CAM 110™ - FLSTFBS AIR CLEANER - TWIN CAM 110™ - FLSS

29244-08	AIR CLEANER - TWIN CAM 110™ - FLSS
29267-08A	AIR CLEANER - TWIN CAM 110™ - FLSTFBS AIR CLEANER - TWIN CAM 110™ - FLSS
29269-83A	AIR CLEANER - FXSB, FLSTC, FLSTF, FLSTN, FLSTFB, FLS AIR CLEANER - TWIN CAM 110™ - FLSTFBS
29327-94	AIR CLEANER - TWIN CAM 110™ - FLSS
29400043	AIR CLEANER - FXSB, FLSTC, FLSTF, FLSTN, FLSTFB, FLS
29400045	AIR CLEANER - FXSB, FLSTC, FLSTF, FLSTN, FLSTFB, FLS
29400046	AIR CLEANER - FXSB, FLSTC, FLSTF, FLSTN, FLSTFB, FLS
29400159	AIR CLEANER - TWIN CAM 110™ - FLSS
29400161	AIR CLEANER - TWIN CAM 110™ - FLSS
29404-01A	LABELS
2941	ALTERNATOR AND REGULATOR
29465-08A	AIR CLEANER - FXSB, FLSTC, FLSTF, FLSTN, FLSTFB, FLS
29517-07A	CYLINDERS, HEADS AND VALVES - TWIN CAM 110™
29670-09	AIR CLEANER - TWIN CAM 110™ - FLSTFBS
29762-09	AIR CLEANER - TWIN CAM 110™ - FLSTFBS LOOSE PARTS
29763-09	AIR CLEANER - TWIN CAM 110™ - FLSTFBS
2980	CLUTCH - TWIN CAM 103™
30017-08	ALTERNATOR AND REGULATOR
30041-08A	ALTERNATOR AND REGULATOR
3017	FUEL TANK
3022A	TAIL LAMP - FLSTC, FLSTF, FLSTFB AND FLSTFBS
3048	AIR CLEANER - TWIN CAM 110™ - FLSTFBS
3050	ALTERNATOR AND REGULATOR
3056	FENDERS AND SUPPORTS, REAR - FLSTC FENDERS AND SUPPORTS, REAR - FLSTF, FLSTFB AND FLSTFBS FENDERS AND SUPPORTS, REAR - FLSTN FENDERS AND SUPPORTS, REAR - FLS AND FLSS FENDERS AND SUPPORTS, REAR - FXSB
3061	BRAKE LINE AND MODULE, REAR, ABS
3075	SEATS
3109	BELT, CHAINS AND SPROCKETS WHEELS, REAR (1 OF 2)
3110	ENGINE BALANCER

3144	ELECTRONIC CONTROL MODULE (ECM) AND COIL
31604-06	STARTER MOTOR
31618-06A	STARTER MOTOR
31633-07A	STARTER MOTOR
31684-11	ELECTRONIC CONTROL MODULE (ECM) AND COIL
31696-07A	ELECTRONIC CONTROL MODULE (ECM) AND COIL
31742-00	ELECTRONIC CONTROL MODULE (ECM) AND COIL
31743-01	ELECTRONIC CONTROL MODULE (ECM) AND COIL
31772-07	ELECTRONIC CONTROL MODULE (ECM) AND COIL
31802-10	ELECTRONIC CONTROL MODULE (ECM) AND COIL
31960-99A	ELECTRONIC CONTROL MODULE (ECM) AND COIL
31981-99C	ELECTRONIC CONTROL MODULE (ECM) AND COIL
32001-08A	ELECTRONIC CONTROL MODULE (ECM) AND COIL
32009-11	BRAKE LINES, FRONT, ABS
3210A	INSTRUMENTS - FXSB HANDLEBAR
32306-08	THROTTLE CONTROL
32319-07A	INDUCTION MODULE, FUEL
3233	FRAME AND JIFFY STAND
32362-04A	ELECTRONIC CONTROL MODULE (ECM) AND COIL
32417-10	SENSORS AND SWITCHES, ENGINE - TWIN CAM 103™
32446-99	SENSORS AND SWITCHES, ENGINE - TWIN CAM 103™ SENSORS AND SWITCHES, ENGINE - TWIN CAM 110™
3249	TRANSMISSION HOUSING - FXSB, FLSTC, FLSTF, FLSTN, FLSTFB AND FLS TRANSMISSION HOUSING - FXSB, FLSTC, FLSTF, FLSTN, FLSTFB AND FLS TRANSMISSION HOUSING - FLSS AND FLSTFBS
32543-07	CAMSHAFTS AND CAMSHAFT COVER - TWIN CAM 103™
32700005	EXHAUST SYSTEM - FXSB EXHAUST SYSTEM - FLSTC EXHAUST SYSTEM - FLS, FLSS, FLSTF, FLSTFB, FLSTFBS AND FLSTN (2 OF 2)
32700006	EXHAUST SYSTEM - FXSB EXHAUST SYSTEM - FLSTC EXHAUST SYSTEM - FLS, FLSS, FLSTF, FLSTFB, FLSTFBS AND FLSTN (2 OF 2)
32700050	THROTTLE CONTROL
32707-01C	SENSORS AND SWITCHES, ENGINE - TWIN CAM 103™ SENSORS AND SWITCHES, ENGINE - TWIN CAM 110™
32727-00	CAMSHAFTS AND CAMSHAFT COVER - TWIN CAM 103™

3275	INDUCTION MODULE, FUEL SHIFTER, GEAR
3300	TRANSMISSION HOUSING - FXSB, FLSTC, FLSTF, FLSTN, FLSTFB AND FLS
33009-10A	TRANSMISSION HOUSING - FXSB, FLSTC, FLSTF, FLSTN, FLSTFB AND FLS
33012-10A	TRANSMISSION HOUSING - FXSB, FLSTC, FLSTF, FLSTN, FLSTFB AND FLS TRANSMISSION HOUSING - FLSS AND FLSTFBS
33048-72	FOOTRESTS AND FOOTBOARDS
33189-63	FOOTRESTS AND FOOTBOARDS
33389-07	SHIFTER, GEAR
33409-06B	SHIFTER, GEAR
33413-06A	SHIFTER, GEAR
33525-07	OIL TANK AND LINES - EXCEPT FXSB
33527-08	OIL TANK AND LINES - FXSB
33528-08	OIL TANK AND LINES - FXSB
33529-08	OIL TANK AND LINES - FXSB
33531-07	OIL TANK AND LINES - EXCEPT FXSB
33630-07A	FRAME AND JIFFY STAND FOOTRESTS AND FOOTBOARDS
33660-07	SHIFTER, GEAR
33668-07	SHIFTER, GEAR
33683-07A	FRAME AND JIFFY STAND FOOTRESTS AND FOOTBOARDS
33708-94	SHIFTER, GEAR FOOTRESTS AND FOOTBOARDS
33719-79B	SHIFTER, GEAR
3383	AUXILIARY/FOG LAMPS AND TURN SIGNALS, FRONT - FLSTC, FLSTN (1 OF 2)
33849-97	SHIFTER, GEAR
3387	LICENSE PLATE BRACKETS - FLS AND FLSS
33895-82D	SHIFTER, GEAR
3391	FENDERS AND SUPPORTS, REAR - FLSTC FENDERS AND SUPPORTS, REAR - FLSTN FENDERS AND SUPPORTS, REAR - FLS AND FLSS EXHAUST SYSTEM - FXSB EXHAUST SYSTEM - FLSTC EXHAUST SYSTEM - FLS, FLSS, FLSTF, FLSTFB, FLSTFBS AND FLSTN (1 OF 2) EXHAUST SYSTEM - FLS, FLSS, FLSTF, FLSTFB, FLSTFBS AND FLSTN (1 OF 2)
33926-06B	TRANSMISSION HOUSING - FXSB, FLSTC, FLSTF, FLSTN, FLSTFB AND FLS TRANSMISSION HOUSING - FLSS AND FLSTFBS SWITCHES

34064-00C	SHIFTER, GEAR
34091-08	TRANSMISSION GEARS
34469-06B	TRANSMISSION HOUSING - FXSB, FLSTC, FLSTF, FLSTN, FLSTFB AND FLS
34521-06B	TRANSMISSION HOUSING - FXSB, FLSTC, FLSTF, FLSTN, FLSTFB AND FLS
34564-90B	SHIFTER, GEAR
34611-65A	SHIFTER, GEAR SHIFTER, GEAR
3471	HANDLEBAR
34799-07	TRANSMISSION HOUSING - FXSB, FLSTC, FLSTF, FLSTN, FLSTFB AND FLS TRANSMISSION HOUSING - FLSS AND FLSTFBS
34854-08	TRANSMISSION HOUSING - FXSB, FLSTC, FLSTF, FLSTN, FLSTFB AND FLS
3485A	FENDER, FRONT
34917-06	TRANSMISSION HOUSING - FXSB, FLSTC, FLSTF, FLSTN, FLSTFB AND FLS TRANSMISSION HOUSING - FLSS AND FLSTFBS
34920-86A	TRANSMISSION HOUSING - FXSB, FLSTC, FLSTF, FLSTN, FLSTFB AND FLS
34934-06	PRIMARY HOUSING
34948-08	PRIMARY HOUSING
3494A	HANDLEBAR
34987-06	SHIFTER, GEAR
35081-06	SHIFTER, GEAR
35082-07	SHIFTER, GEAR
35087-99A	TRANSMISSION HOUSING - FXSB, FLSTC, FLSTF, FLSTN, FLSTFB AND FLS TRANSMISSION HOUSING - FLSS AND FLSTFBS
35114-02	CRANKCASE AND ENGINE OIL FILTER - TWIN CAM 103™ CRANKCASE AND ENGINE OIL FILTER - TWIN CAM 110™
35122-06	TRANSMISSION GEARS
35124-06	TRANSMISSION GEARS
35126-06	TRANSMISSION GEARS
3514	HEADLAMP (1 OF 2) AUXILIARY/FOG LAMPS AND TURN SIGNALS, FRONT - FLSTC, FLSTN (1 OF 2)
35186-06	SHIFTER, GEAR TRANSMISSION HOUSING - FXSB, FLSTC, FLSTF, FLSTN, FLSTFB AND FLS TRANSMISSION HOUSING - FLSS AND FLSTFBS
35187-06	SHIFTER, GEAR
35201-10	TRANSMISSION GEARS
35202-06	TRANSMISSION GEARS
35204-06	TRANSMISSION GEARS

35210-06	SHIFTER, GEAR
35217-06	SHIFTER, GEAR
35222-06	SHIFTER, GEAR
35223-06	SHIFTER, GEAR
35240-07	ENGINE BALANCER
35241-06	BELT, CHAINS AND SPROCKETS
35242-06	BELT, CHAINS AND SPROCKETS
35243-06	SHIFTER, GEAR
35244-06	SHIFTER, GEAR
35246-10A	SHIFTER, GEAR TRANSMISSION GEARS
35249-06A	SHIFTER, GEAR
35259-06	SHIFTER, GEAR
35260-06A	TRANSMISSION HOUSING - FXSB, FLSTC, FLSTF, FLSTN, FLSTFB AND FLS TRANSMISSION HOUSING - FLSS AND FLSTFBS
3537	FORK, FRONT-FLS,FLSS,FLSTC,FLSTF,FLSTFB,FLSTFBS AND FLSTN (1 OF 2)
3538	FORK BRACKETS, FRONT - FLS, FLSS, FLSTC, FLSTF, FLSTFB, FLSTFBS AND FLSTN
35467-06B	TRANSMISSION GEARS
35470-10	TRANSMISSION GEARS
3560WA	FENDER, FRONT
3561WC	FENDER, FRONT
3563	AIR CLEANER - TWIN CAM 110™ - FLSS HORN
35654-06	TRANSMISSION HOUSING - FXSB, FLSTC, FLSTF, FLSTN, FLSTFB AND FLS TRANSMISSION HOUSING - FLSS AND FLSTFBS
3574	EXHAUST SYSTEM - FXSB EXHAUST SYSTEM - FLSTC EXHAUST SYSTEM - FLS, FLSS, FLSTF, FLSTFB, FLSTFBS AND FLSTN (1 OF 2)
35801-10	TRANSMISSION GEARS
35805-06A	TRANSMISSION GEARS
35807-06	TRANSMISSION GEARS
35811-06	TRANSMISSION GEARS
35814-06	TRANSMISSION GEARS
3594	BELT, CHAINS AND SPROCKETS BRAKE LINES, FRONT, NON-ABS - FLS FORK BRACKETS, FRONT - FXSB FRAME AND JIFFY STAND

3612	LICENSE PLATE BRACKETS - FLS AND FLSS LICENSE PLATE BRACKETS - FLS AND FLSS
3615	HEADLAMP (1 OF 2)
3633	SEATS
36500034A	BELT, CHAINS AND SPROCKETS
36500078A	BELT, CHAINS AND SPROCKETS
3655A	BRAKE CONTROL, REAR WHEELS, FRONT (1 OF 2)
3656	INSTRUMENTS - FXSB
3658	SWITCHES, HANDLEBAR LEFT, FRONT SWITCHES, HANDLEBAR RIGHT, FRONT
36700144	CLUTCH CONTROL - FLSS AND FLSTFBS
36700145	CLUTCH CONTROL - FLSS AND FLSTFBS
36700186	CLUTCH CONTROL - FLSS AND FLSTFBS
36706-01K	CLUTCH - ASSIST AND SLIP - TWIN CAM 110™
36731-91	CLUTCH - ASSIST AND SLIP - TWIN CAM 110™
36805-06	TRANSMISSION HOUSING - FXSB, FLSTC, FLSTF, FLSTN, FLSTFB AND FLS TRANSMISSION HOUSING - FLSS AND FLSTFBS
3692A	ROCKER ARM ASSEMBLY AND PUSHRODS - TWIN CAM 103™ ROCKER ARM ASSEMBLY AND PUSH RODS - TWIN CAM 110™
3693A	ROCKER ARM ASSEMBLY AND PUSHRODS - TWIN CAM 103™ ROCKER ARM ASSEMBLY AND PUSH RODS - TWIN CAM 110™
3699D	TRANSMISSION HOUSING - FXSB, FLSTC, FLSTF, FLSTN, FLSTFB AND FLS TRANSMISSION HOUSING - FLSS AND FLSTFBS
37000026	CLUTCH - ASSIST AND SLIP - TWIN CAM 110™
37000032	CLUTCH - ASSIST AND SLIP - TWIN CAM 110™
37000033	CLUTCH - ASSIST AND SLIP - TWIN CAM 110™
37000034	CLUTCH - ASSIST AND SLIP - TWIN CAM 110™
37000035	CLUTCH - ASSIST AND SLIP - TWIN CAM 110™
37000036	CLUTCH - ASSIST AND SLIP - TWIN CAM 110™
37000083	CLUTCH - ASSIST AND SLIP - TWIN CAM 110™
37000118	CLUTCH - ASSIST AND SLIP - TWIN CAM 110™
37000217	CLUTCH - ASSIST AND SLIP - TWIN CAM 110™
37000218	CLUTCH - ASSIST AND SLIP - TWIN CAM 110™
37065-06	TRANSMISSION HOUSING - FXSB, FLSTC, FLSTF, FLSTN, FLSTFB AND FLS TRANSMISSION HOUSING - FLSS AND FLSTFBS
37069-90A	TRANSMISSION GEARS

	CLUTCH - TWIN CAM 103™
37090-98A	CLUTCH - TWIN CAM 103™
37092-06	CLUTCH - TWIN CAM 103™
37116-06	TRANSMISSION HOUSING - FXSB, FLSTC, FLSTF, FLSTN, FLSTFB AND FLS
37142-07	TRANSMISSION HOUSING - FXSB, FLSTC, FLSTF, FLSTN, FLSTFB AND FLS
37143-07A	TRANSMISSION HOUSING - FXSB, FLSTC, FLSTF, FLSTN, FLSTFB AND FLS
37144-08	TRANSMISSION HOUSING - FXSB, FLSTC, FLSTF, FLSTN, FLSTFB AND FLS
37186-10	TRANSMISSION HOUSING - FXSB, FLSTC, FLSTF, FLSTN, FLSTFB AND FLS
37195-11	TRANSMISSION HOUSING - FLSS AND FLSTFBS
37198-11	CAMSHAFTS and CAMSHAFT COVER - TWIN CAM 110™
37200023	TRANSMISSION HOUSING - FLSS AND FLSTFBS
37200034	TRANSMISSION HOUSING - FLSS AND FLSTFBS
37200096B	CLUTCH CONTROL - FLSS AND FLSTFBS
37200115	CLUTCH CONTROL - FLS, FLSTC, FLSTF, FLSTFB, FLSTN AND FXSB
37200117	CLUTCH CONTROL - FLS, FLSTC, FLSTF, FLSTFB, FLSTN AND FXSB
37200119	CLUTCH CONTROL - FLS, FLSTC, FLSTF, FLSTFB, FLSTN AND FXSB
37200186	CLUTCH CONTROL - FLSS AND FLSTFBS
37312-75	TRANSMISSION GEARS CLUTCH - TWIN CAM 103™
37313-80	TRANSMISSION GEARS CLUTCH - TWIN CAM 103™
3736B	ROCKER ARM ASSEMBLY AND PUSHRODS - TWIN CAM 103™ ROCKER ARM ASSEMBLY AND PUSH RODS - TWIN CAM 110™
37496-90A	CLUTCH - TWIN CAM 103™ CLUTCH - ASSIST AND SLIP - TWIN CAM 110™
37554-11	CLUTCH - TWIN CAM 103™
3767B	FENDERS AND SUPPORTS, REAR - FLSTF, FLSTFB AND FLSTFBS FENDERS AND SUPPORTS, REAR - FLSTN
37816-11	CLUTCH - TWIN CAM 103™
37871-04	CLUTCH - TWIN CAM 103™
37871-98A	CLUTCH - TWIN CAM 103™
37872-00	CLUTCH - TWIN CAM 103™
37883-98	CLUTCH - TWIN CAM 103™
37884-98	CLUTCH - TWIN CAM 103™
37903-90	CLUTCH - TWIN CAM 103™

37904-90	CLUTCH - TWIN CAM 103™ CLUTCH - ASSIST AND SLIP - TWIN CAM 110™
37905-00	CLUTCH - TWIN CAM 103™ CLUTCH - ASSIST AND SLIP - TWIN CAM 110™
37906-11	CLUTCH - TWIN CAM 103™ CLUTCH - ASSIST AND SLIP - TWIN CAM 110™
37909-90	CLUTCH - TWIN CAM 103™ CLUTCH - ASSIST AND SLIP - TWIN CAM 110™
37912-00	CLUTCH - TWIN CAM 103™
37913-98	CLUTCH - TWIN CAM 103™
37932-98	CLUTCH - TWIN CAM 103™
3799	EXHAUST SYSTEM - FXSB EXHAUST SYSTEM - FLSTC EXHAUST SYSTEM - FLS, FLSS, FLSTF, FLSTFB, FLSTFBS AND FLSTN (1 OF 2)
38630-88	CLUTCH CONTROL - FLS, FLSTC, FLSTF, FLSTFB, FLSTN AND FXSB
38700-08A	CLUTCH CONTROL - FLS, FLSTC, FLSTF, FLSTFB, FLSTN AND FXSB
38769-07A	SENSORS AND SWITCHES, ENGINE - TWIN CAM 103™ SENSORS AND SWITCHES, ENGINE - TWIN CAM 110™
38900-08	CLUTCH CONTROL - FLS, FLSTC, FLSTF, FLSTFB, FLSTN AND FXSB
3953W	FORK BRACKETS, FRONT - FLS, FLSS, FLSTC, FLSTF, FLSTFB, FLSTFBS AND FLSTN
3983	TRANSMISSION HOUSING - FXSB, FLSTC, FLSTF, FLSTN, FLSTFB AND FLS TRANSMISSION HOUSING - FLSS AND FLSTFBS
3987	REAR BELT GUARD TURN SIGNALS, REAR (1 OF 2)
39929-06B	PRIMARY HOUSING
39968-06	CAMSHAFTS AND CAMSHAFT COVER - TWIN CAM 103™ CAMSHAFTS and CAMSHAFT COVER - TWIN CAM 110™
39969-06	CAMSHAFTS AND CAMSHAFT COVER - TWIN CAM 103™ CAMSHAFTS and CAMSHAFT COVER - TWIN CAM 110™
40000001	BELT, CHAINS AND SPROCKETS
40036-06	BELT, CHAINS AND SPROCKETS
40059-09A	BELT, CHAINS AND SPROCKETS
40100041	BELT, CHAINS AND SPROCKETS
4017	SHIFTER, GEAR
40323-00	CAMSHAFTS AND CAMSHAFT COVER - TWIN CAM 103™ CAMSHAFTS and CAMSHAFT COVER - TWIN CAM 110™
40325-07	BELT, CHAINS AND SPROCKETS WHEELS, REAR (1 OF 2)
4042	FORK, FRONT-FLS,FLSS,FLSTC,FLSTF,FLSTFB,FLSTFBS AND FLSTN (1 OF 2) FORK, FRONT - FXSB

40558-82	WHEELS, FRONT (1 OF 2) WHEELS, REAR (1 OF 2)
40615-08	WHEELS, REAR (1 OF 2)
40659-06	BELT, CHAINS AND SPROCKETS
40700-08A	WHEELS, REAR (1 OF 2)
40716-11	WHEELS, FRONT (1 OF 2)
4074A	FORK, REAR AND SHOCK ABSORBERS
40900050A	WHEELS, REAR (2 OF 2)
40900182	WHEELS, REAR (2 OF 2)
40900206	WHEELS, REAR (2 OF 2)
4091	LICENSE PLATE BRACKETS - FXSB
40918-87	BRAKE CONTROL, REAR
40920-87	BRAKE CONTROL, REAR
40922-87A	BRAKE CONTROL, REAR
40982-11	WHEELS, FRONT (1 OF 2)
40999-87	WHEELS, FRONT (2 OF 2) WHEELS, REAR (1 OF 2)
41000057	ELECTRONIC CONTROL MODULE (ECM) AND COIL
41063-09	WHEELS, REAR (1 OF 2)
41100036	SWITCHES
41100037	BRAKE LINES, FRONT, ABS BRAKE LINE AND MODULE, REAR, ABS
41123-79	WHEELS, FRONT (1 OF 2) WHEELS, REAR (1 OF 2)
41229-08	WHEELS, REAR (1 OF 2)
41242-08	WHEELS, REAR (1 OF 2)
41300095	BRAKE CALIPER, FRONT
41300097	BRAKE CALIPER, REAR
41300102	BRAKE CALIPER, FRONT
41300103	BRAKE CALIPER, FRONT
41300104	BRAKE CALIPER, FRONT
4132	CLUTCH CONTROL - FLS, FLSTC, FLSTF, FLSTFB, FLSTN AND FXSB CLUTCH CONTROL - FLSS AND FLSTFBS BRAKE CONTROL, FRONT
41347-08	WHEELS, REAR (1 OF 2)

41349-07	WHEELS, FRONT (1 OF 2)
41358-08	WHEELS, REAR (2 OF 2)
41359-08	WHEELS, REAR (1 OF 2)
41474-06B	WHEELS, FRONT (2 OF 2)
41500022	WHEELS, FRONT (2 OF 2)
41500068	WHEELS, FRONT (2 OF 2)
41500088	WHEELS, FRONT (2 OF 2)
41500089	WHEELS, REAR (2 OF 2)
41502-07	WHEELS, FRONT (1 OF 2)
41504-07	WHEELS, FRONT (1 OF 2)
41510-07	WHEELS, FRONT (1 OF 2)
41545-07A	WHEELS, FRONT (1 OF 2)
41547-07A	WHEELS, FRONT (1 OF 2)
41559-08	WHEELS, FRONT (1 OF 2)
41600017	BRAKE LINE AND MODULE, REAR, ABS
41641-08	WHEELS, REAR (1 OF 2)
4166	TAIL LAMP - FLSTN
41688-08A	WHEELS, REAR (1 OF 2)
4168A	BRAKE CONTROL, REAR BRAKE LINE AND MODULE, REAR, ABS
41694-08	WHEELS, REAR (1 OF 2) FORK, REAR AND SHOCK ABSORBERS
41695-07	WHEELS, FRONT (1 OF 2)
41696-08	WHEELS, REAR (2 OF 2)
41700087	BRAKE CONTROL, FRONT
41700233	BRAKE CONTROL, FRONT
41700235	BRAKE CONTROL, FRONT
41700237	BRAKE CONTROL, FRONT
41700238	BRAKE CONTROL, FRONT
41700313	BRAKE CONTROL, FRONT
41700320	BRAKE CONTROL, FRONT
41700451	BRAKE CONTROL, FRONT
41731-01	BRAKE LINES, FRONT, ABS BRAKE CONTROL, REAR BRAKE LINE AND MODULE, REAR, ABS

41733-88	BRAKE LINES, FRONT, ABS BRAKE LINE AND MODULE, REAR, ABS
41747-82A	BRAKE CONTROL, REAR BRAKE LINE AND MODULE, REAR, ABS
41751-06A	CLUTCH CONTROL - FLSS AND FLSTFBS
41756-08	BRAKE LINES, FRONT, NON-ABS - FLS BRAKE LINES, FRONT, ABS
41767-05E	BRAKE CONTROL, REAR
41797-00	WHEELS, REAR (2 OF 2)
41800299	BRAKE LINES, FRONT, ABS
41800300	BRAKE LINES, FRONT, ABS
41800302	BRAKE LINES, FRONT, ABS
41800303	BRAKE LINES, FRONT, NON-ABS - FLS
41800305	BRAKE LINES, FRONT, ABS
41800307	BRAKE LINES, FRONT, ABS
41800319	BRAKE LINES, FRONT, ABS
41800320	BRAKE LINES, FRONT, ABS
4190	EXHAUST SYSTEM - FLS, FLSS, FLSTF, FLSTFB, FLSTFBS AND FLSTN (1 OF 2)
41957-97A	BRAKE CONTROL, REAR
4197	FUEL TANK
41992-11	WHEELS, FRONT (1 OF 2) WHEELS, REAR (2 OF 2)
42010-06B	CLUTCH CONTROL - FLSS AND FLSTFBS
42143-08B	BRAKE CALIPER, REAR
42145-06	CLUTCH CONTROL - FLSS AND FLSTFBS
4216	OIL TANK AND LINES - EXCEPT FXSB OIL TANK AND LINES - FXSB
4217	OIL TANK AND LINES - EXCEPT FXSB OIL TANK AND LINES - FXSB
42261-11A	BRAKE CONTROL, REAR
42298-08	BRAKE CALIPER, REAR
42344-08A	BRAKE CALIPER, REAR
42345-08	BRAKE CALIPER, REAR
42347-08	BRAKE CALIPER, REAR
42348-08	BRAKE CALIPER, REAR

42382-87E	BRAKE CONTROL, REAR
42416-06	BRAKE CONTROL, REAR
42431-11	FOOTRESTS AND FOOTBOARDS
42454-99A	BRAKE CONTROL, REAR
42460-80B	BRAKE CONTROL, REAR
42508-11BHP	FOOTRESTS AND FOOTBOARDS
42532-06	BRAKE CONTROL, REAR
42568-05A	BRAKE CONTROL, REAR
42597-00A	BRAKE CONTROL, REAR
4266A	FENDERS AND SUPPORTS, REAR - FLSTC FENDERS AND SUPPORTS, REAR - FLSTF, FLSTFB AND FLSTFBS FENDERS AND SUPPORTS, REAR - FLSTN FENDERS AND SUPPORTS, REAR - FLS AND FLSS FENDERS AND SUPPORTS, REAR - FXSB
4267	FENDERS AND SUPPORTS, REAR - FLSTC FENDERS AND SUPPORTS, REAR - FLSTN
42807-04	BRAKE CONTROL, FRONT
42820-04	BRAKE CALIPER, FRONT
42827-04	BRAKE CALIPER, FRONT
42828-04	BRAKE CALIPER, FRONT
42895-08A	BRAKE CALIPER, REAR
43017-07	WHEELS, FRONT (1 OF 2) WHEELS, REAR (2 OF 2)
43022-91A	WHEELS, FRONT (2 OF 2)
43052-05A	WHEELS, FRONT (2 OF 2) WHEELS, REAR (2 OF 2)
43085-97	WHEELS, FRONT (1 OF 2) WHEELS, REAR (2 OF 2)
43100008	WHEELS, FRONT (2 OF 2)
4311	FORK BRACKETS, FRONT - FXSB
43118-92A	WHEELS, FRONT (2 OF 2)
4312C	BATTERY
43147-40	WHEELS, FRONT (2 OF 2) WHEELS, REAR (2 OF 2)
43157-83A	WHEELS, FRONT (2 OF 2) WHEELS, REAR (1 OF 2)
43164-05	WHEELS, FRONT (2 OF 2) WHEELS, REAR (2 OF 2)

43200001	WHEELS, REAR (1 OF 2)
43241-05	WHEELS, FRONT (2 OF 2) WHEELS, REAR (2 OF 2)
43242-06B	WHEELS, REAR (1 OF 2)
43264-02	WHEELS, REAR (1 OF 2)
43300041	WHEELS, FRONT (2 OF 2)
43300171	WHEELS, FRONT (2 OF 2)
43300200	WHEELS, FRONT (1 OF 2)
43300210	WHEELS, FRONT (2 OF 2)
43353-03	WHEELS, REAR (1 OF 2)
43373-11A	BRAKE CONTROL, REAR BRAKE LINE AND MODULE, REAR, ABS
43384-11A	BRAKE CONTROL, REAR BRAKE LINE AND MODULE, REAR, ABS
4343	WINDSHIELD - FLSTC
4350A	FORK BRACKETS, FRONT - FLS, FLSS, FLSTC, FLSTF, FLSTFB, FLSTFBS AND FLSTN HANDLEBAR
43567-92	WHEELS, REAR (2 OF 2)
43583-09	WHEELS, FRONT (2 OF 2)
43590-09	WHEELS, FRONT (2 OF 2)
43596-09	WHEELS, REAR (2 OF 2)
4380W	LICENSE PLATE BRACKETS - FXSB LICENSE PLATE BRACKETS - FLSTC, FLSTF, FLSTN, FLSTFB AND FLSTFBS
4390	FOOTRESTS AND FOOTBOARDS
43992-08	BRAKE CONTROL, REAR
4400	ROCKER ARM ASSEMBLY AND PUSHRODS - TWIN CAM 103™ ROCKER ARM ASSEMBLY AND PUSH RODS - TWIN CAM 110™
44048-83A	BRAKE CALIPER, REAR
44066-08A	BRAKE CALIPER, REAR
4407	REAR BELT GUARD
4411	HEADLAMP (1 OF 2)
44147-87A	BRAKE CALIPER, REAR
44160-00	BRAKE CALIPER, FRONT
4419	STARTER MOTOR
4433	FORK, REAR AND SHOCK ABSORBERS
44351-00	BRAKE CALIPER, REAR

4453	FORK BRACKETS, FRONT - FLS, FLSS, FLSTC, FLSTF, FLSTFB, FLSTFBS AND FLSTN
4454	FOOTRESTS AND FOOTBOARDS FOOTRESTS AND FOOTBOARDS
44613-02	TRANSMISSION HOUSING - FLSS AND FLSTFBS
44752-11	WHEELS, FRONT (2 OF 2) WHEELS, REAR (2 OF 2)
4481	AUXILIARY/FOG LAMPS AND TURN SIGNALS, FRONT - FLSTC, FLSTN (1 OF 2)
4482	AUXILIARY/FOG LAMPS AND TURN SIGNALS, FRONT - FLSTC, FLSTN (1 OF 2) WINDSHIELD - FLSTC
4484M	BRAKE LINES, FRONT, ABS
45021-86	CLUTCH CONTROL - FLS, FLSTC, FLSTF, FLSTFB, FLSTN AND FXSB
45032-82	CLUTCH CONTROL - FLS, FLSTC, FLSTF, FLSTFB, FLSTN AND FXSB CLUTCH CONTROL - FLSS AND FLSTFBS
45041-01A	FOOTRESTS AND FOOTBOARDS FOOTRESTS AND FOOTBOARDS
45080-08	CLUTCH CONTROL - FLS, FLSTC, FLSTF, FLSTFB, FLSTN AND FXSB
45104-08	FORK, FRONT - FXSB
4512A	FRAME AND JIFFY STAND FOOTRESTS AND FOOTBOARDS GUARDS, SAREE
45138-08A	CLUTCH CONTROL - FLS, FLSTC, FLSTF, FLSTFB, FLSTN AND FXSB CLUTCH CONTROL - FLSS AND FLSTFBS
45359-00	ENGINE BALANCER
45400147	FORK, FRONT-FLS,FLSS,FLSTC,FLSTF,FLSTFB,FLSTFBS AND FLSTN (2 OF 2)
45400148	FORK, FRONT-FLS,FLSS,FLSTC,FLSTF,FLSTFB,FLSTFBS AND FLSTN (2 OF 2)
45405-75A	FORK, FRONT-FLS,FLSS,FLSTC,FLSTF,FLSTFB,FLSTFBS AND FLSTN (1 OF 2)
45419-80	FORK, FRONT-FLS,FLSS,FLSTC,FLSTF,FLSTFB,FLSTFBS AND FLSTN (1 OF 2)
45423-92	CLUTCH CONTROL - FLS, FLSTC, FLSTF, FLSTFB, FLSTN AND FXSB CLUTCH CONTROL - FLSS AND FLSTFBS
45456-86B	FORK BRACKETS, FRONT - FLS, FLSS, FLSTC, FLSTF, FLSTFB, FLSTFBS AND FLSTN
45468-00	OIL TANK AND LINES - EXCEPT FXSB OIL TANK AND LINES - FXSB
4549	TURN SIGNALS, REAR (1 OF 2)
45500150	FORK, FRONT - FXSB
45500151	FORK, FRONT - FXSB
45500152	FORK, FRONT - FXSB
45500159	FORK, FRONT - FXSB

45500161	FORK, FRONT - FXSB
45500366	FORK, FRONT-FLS,FLSS,FLSTC,FLSTF,FLSTFB,FLSTFBS AND FLSTN (2 OF 2)
45500367	FORK, FRONT-FLS,FLSS,FLSTC,FLSTF,FLSTFB,FLSTFBS AND FLSTN (2 OF 2)
45550-03	FENDERS AND SUPPORTS, REAR - FLSTF, FLSTFB AND FLSTFBS
45605-00A	FORK BRACKETS, FRONT - FLS, FLSS, FLSTC, FLSTF, FLSTFB, FLSTFBS AND FLSTN
45611-86	FORK BRACKETS, FRONT - FLS, FLSS, FLSTC, FLSTF, FLSTFB, FLSTFBS AND FLSTN FORK BRACKETS, FRONT - FXSB
45670-80A	FORK BRACKETS, FRONT - FLS, FLSS, FLSTC, FLSTF, FLSTFB, FLSTFBS AND FLSTN FORK BRACKETS, FRONT - FXSB
45680-90	ELECTRONIC CONTROL MODULE (ECM) AND COIL FRAME AND JIFFY STAND INSTRUMENTS - FLSTF, FLSTFB, FLSTFBS AND FLSTN INSTRUMENTS - FLS, FLSS AND FLSTC SWITCHES
45718-60	FORK BRACKETS, FRONT - FXSB
45727-08	FORK BRACKETS, FRONT - FXSB
45733-48	FORK, FRONT-FLS,FLSS,FLSTC,FLSTF,FLSTFB,FLSTFBS AND FLSTN (1 OF 2)
45764-00	FORK, REAR AND SHOCK ABSORBERS
45800026	FORK, FRONT - FXSB
45800027	FORK, FRONT - FXSB
45800081	FORK BRACKETS, FRONT - FLS, FLSS, FLSTC, FLSTF, FLSTFB, FLSTFBS AND FLSTN
45803-97	FORK, FRONT-FLS,FLSS,FLSTC,FLSTF,FLSTFB,FLSTFBS AND FLSTN (1 OF 2)
45806-07	OIL TANK AND LINES - EXCEPT FXSB
45835-00	FORK, FRONT-FLS,FLSS,FLSTC,FLSTF,FLSTFB,FLSTFBS AND FLSTN (1 OF 2)
45837-07	FORK, FRONT-FLS,FLSS,FLSTC,FLSTF,FLSTFB,FLSTFBS AND FLSTN (1 OF 2)
45838-77	FORK, FRONT-FLS,FLSS,FLSTC,FLSTF,FLSTFB,FLSTFBS AND FLSTN (1 OF 2)
45842-77A	FORK, FRONT-FLS,FLSS,FLSTC,FLSTF,FLSTFB,FLSTFBS AND FLSTN (1 OF 2)
45845-77	FORK, FRONT-FLS,FLSS,FLSTC,FLSTF,FLSTFB,FLSTFBS AND FLSTN (1 OF 2)
45858-77	FORK, FRONT-FLS,FLSS,FLSTC,FLSTF,FLSTFB,FLSTFBS AND FLSTN (1 OF 2)
45859-77A	FORK, FRONT-FLS,FLSS,FLSTC,FLSTF,FLSTFB,FLSTFBS AND FLSTN (1 OF 2)
45865-84	FORK, FRONT-FLS,FLSS,FLSTC,FLSTF,FLSTFB,FLSTFBS AND FLSTN (2 OF 2)
45866-84	FORK, FRONT-FLS,FLSS,FLSTC,FLSTF,FLSTFB,FLSTFBS AND FLSTN (2 OF 2)
45875-84A	FORK, FRONT-FLS,FLSS,FLSTC,FLSTF,FLSTFB,FLSTFBS AND FLSTN (2 OF 2)
45900032	FORK BRACKETS, FRONT - FLS, FLSS, FLSTC, FLSTF, FLSTFB, FLSTFBS AND FLSTN
45900073	FORK BRACKETS, FRONT - FXSB
45900150	FORK BRACKETS, FRONT - FLS, FLSS, FLSTC, FLSTF, FLSTFB, FLSTFBS AND FLSTN

45915-08A	FORK, FRONT-FLS,FLSS,FLSTC,FLSTF,FLSTFB,FLSTFBS AND FLSTN (2 OF 2)
45916-07A	FORK, FRONT-FLS,FLSS,FLSTC,FLSTF,FLSTFB,FLSTFBS AND FLSTN (2 OF 2)
45917-08A	FORK, FRONT-FLS,FLSS,FLSTC,FLSTF,FLSTFB,FLSTFBS AND FLSTN (2 OF 2)
45918-07A	FORK, FRONT-FLS,FLSS,FLSTC,FLSTF,FLSTFB,FLSTFBS AND FLSTN (2 OF 2)
45930-00	FORK, FRONT-FLS,FLSS,FLSTC,FLSTF,FLSTFB,FLSTFBS AND FLSTN (2 OF 2)
45931-00	FORK, FRONT-FLS,FLSS,FLSTC,FLSTF,FLSTFB,FLSTFBS AND FLSTN (2 OF 2)
45933-86	FORK, FRONT-FLS,FLSS,FLSTC,FLSTF,FLSTFB,FLSTFBS AND FLSTN (2 OF 2)
45940-84	FORK, FRONT-FLS,FLSS,FLSTC,FLSTF,FLSTFB,FLSTFBS AND FLSTN (2 OF 2)
45964-86	FORK, FRONT-FLS,FLSS,FLSTC,FLSTF,FLSTFB,FLSTFBS AND FLSTN (2 OF 2)
46246-01	CLUTCH CONTROL - FLSS AND FLSTFBS
46322-06	CLUTCH CONTROL - FLSS AND FLSTFBS
4636	WHEELS, REAR (1 OF 2) FORK, REAR AND SHOCK ABSORBERS
46457-05B	BRAKE CONTROL, REAR
46508-01	FORK, FRONT - FXSB
46509-01	FORK, FRONT - FXSB
46510-07	FORK, FRONT - FXSB
46512-01A	FORK, FRONT - FXSB
46513-01	FORK, FRONT - FXSB
46514-01A	FORK, FRONT - FXSB
46515-01	FORK, FRONT - FXSB
46516-01	FORK, FRONT - FXSB
46517-01	FORK, FRONT - FXSB
46541-02	FORK, FRONT-FLS,FLSS,FLSTC,FLSTF,FLSTFB,FLSTFBS AND FLSTN (2 OF 2)
46550-03	FORK, FRONT-FLS,FLSS,FLSTC,FLSTF,FLSTFB,FLSTFBS AND FLSTN (1 OF 2)
46609-06	FORK, FRONT - FXSB
46611-06	FORK, FRONT - FXSB
46612-06	FORK, FRONT - FXSB
46614-06	FORK, FRONT - FXSB
46615-06	FORK, FRONT - FXSB
46663-11	BRAKE LINES, FRONT, ABS
46664-11	BRAKE LINES, FRONT, ABS
46668-11	ALTERNATOR AND REGULATOR

	BRAKE LINES, FRONT, ABS
46677-11	BRAKE LINE AND MODULE, REAR, ABS
46700-08	FORK BRACKETS, FRONT - FXSB
4688	TRANSMISSION HOUSING - FXSB, FLSTC, FLSTF, FLSTN, FLSTFB AND FLS TRANSMISSION HOUSING - FLSS AND FLSTFBS
4694	HORN
4705	INDUCTION MODULE, FUEL SENSORS AND SWITCHES, ENGINE - TWIN CAM 110™ TRANSMISSION HOUSING - FXSB, FLSTC, FLSTF, FLSTN, FLSTFB AND FLS TRANSMISSION HOUSING - FLSS AND FLSTFBS FENDERS AND SUPPORTS, REAR - FLS AND FLSS LICENSE PLATE BRACKETS - FLS AND FLSS
47167-11BHP	FRAME AND JIFFY STAND
47173-11BHP	FRAME AND JIFFY STAND
47173-11BYM	FRAME AND JIFFY STAND
4717A	ELECTRONIC CONTROL MODULE (ECM) AND COIL BRAKE LINES, FRONT, ABS
4718A	TRANSMISSION HOUSING - FXSB, FLSTC, FLSTF, FLSTN, FLSTFB AND FLS TRANSMISSION HOUSING - FLSS AND FLSTFBS
4722	HEADLAMP (1 OF 2)
4724	HEADLAMP (1 OF 2)
4729	ENGINE MOUNTS
4740A	CAMSHAFTS AND CAMSHAFT COVER - TWIN CAM 103™ CAMSHAFTS AND CAMSHAFT COVER - TWIN CAM 103™ CAMSHAFTS and CAMSHAFT COVER - TWIN CAM 110™
4741A	ROCKER ARM ASSEMBLY AND PUSHRODS - TWIN CAM 103™ ROCKER ARM ASSEMBLY AND PUSH RODS - TWIN CAM 110™ CAMSHAFTS AND CAMSHAFT COVER - TWIN CAM 103™ CAMSHAFTS and CAMSHAFT COVER - TWIN CAM 110™ SENSORS AND SWITCHES, ENGINE - TWIN CAM 103™ TRANSMISSION HOUSING - FXSB, FLSTC, FLSTF, FLSTN, FLSTFB AND FLS TRANSMISSION HOUSING - FLSS AND FLSTFBS BRAKE LINES, FRONT, ABS
4751	BRAKE LINE AND MODULE, REAR, ABS
47573-11BHP	FORK, REAR AND SHOCK ABSORBERS
47573-11BYM	FORK, REAR AND SHOCK ABSORBERS
47610-08	FORK, REAR AND SHOCK ABSORBERS
4763	FUEL TANK
47670-08	FORK, REAR AND SHOCK ABSORBERS
47683-09	FORK, REAR AND SHOCK ABSORBERS
47694-11BHP	FORK, REAR AND SHOCK ABSORBERS

4775	ENGINE MOUNTS
47798-08BHP	FENDERS AND SUPPORTS, REAR - FLSTC FENDERS AND SUPPORTS, REAR - FLSTN
47807-08BHP	FENDERS AND SUPPORTS, REAR - FLSTC FENDERS AND SUPPORTS, REAR - FLSTN
47809-08BHP	FENDERS AND SUPPORTS, REAR - FLSTF, FLSTFB AND FLSTFBS
47813-08BHP	FENDERS AND SUPPORTS, REAR - FLSTF, FLSTFB AND FLSTFBS
48048-00A	FORK, REAR AND SHOCK ABSORBERS
48049-08	FORK, REAR AND SHOCK ABSORBERS
48052-07	TRANSMISSION HOUSING - FXSB, FLSTC, FLSTF, FLSTN, FLSTFB AND FLS TRANSMISSION HOUSING - FLSS AND FLSTFBS
48054-00	ENGINE MOUNTS
48076-08	FORK, REAR AND SHOCK ABSORBERS
48093-00	ENGINE MOUNTS
48094-00	ENGINE MOUNTS
48104-08	FORK, REAR AND SHOCK ABSORBERS
4813A	PRIMARY HOUSING FRAME AND JIFFY STAND
4814A	ALTERNATOR AND REGULATOR
48300-60	FORK BRACKETS, FRONT - FLS, FLSS, FLSTC, FLSTF, FLSTFB, FLSTFBS AND FLSTN FORK BRACKETS, FRONT - FXSB
48315-60	FORK BRACKETS, FRONT - FLS, FLSS, FLSTC, FLSTF, FLSTFB, FLSTFBS AND FLSTN FORK BRACKETS, FRONT - FXSB FRAME AND JIFFY STAND
48324-00A	FORK BRACKETS, FRONT - FXSB
4836	FOOTRESTS AND FOOTBOARDS
48361-80	FORK BRACKETS, FRONT - FLS, FLSS, FLSTC, FLSTF, FLSTFB, FLSTFBS AND FLSTN FORK BRACKETS, FRONT - FXSB
48365-48A	FORK BRACKETS, FRONT - FLS, FLSS, FLSTC, FLSTF, FLSTFB, FLSTFBS AND FLSTN FORK BRACKETS, FRONT - FXSB
48619-07A	FORK, REAR AND SHOCK ABSORBERS
4867	FORK, REAR AND SHOCK ABSORBERS SWITCHES
48868-07	FRAME AND JIFFY STAND
49000014	FORK, REAR AND SHOCK ABSORBERS
49377-09A	FORK, FRONT-FLS,FLSS,FLSTC,FLSTF,FLSTFB,FLSTFBS AND FLSTN (2 OF 2)
49379-09	FORK, FRONT - FXSB
4945	FORK BRACKETS, FRONT - FLS, FLSS, FLSTC, FLSTF, FLSTFB, FLSTFBS AND FLSTN

49716-08A	FRAME AND JIFFY STAND
49725-07A	FRAME AND JIFFY STAND
50000053	FRAME AND JIFFY STAND
50003-89B	FRAME AND JIFFY STAND
5001	BRAKE LINES, FRONT, ABS BRAKE LINE AND MODULE, REAR, ABS
5002	BRAKE LINES, FRONT, ABS BRAKE LINE AND MODULE, REAR, ABS
5004	BRAKE LINES, FRONT, ABS
50087-07A	FRAME AND JIFFY STAND
50103-07B	FRAME AND JIFFY STAND
50600095	BRAKE CONTROL, REAR
50614-06	FOOTRESTS AND FOOTBOARDS
50617-05	FOOTRESTS AND FOOTBOARDS
50621-06	FOOTRESTS AND FOOTBOARDS
50624-05	FOOTRESTS AND FOOTBOARDS
50625-05	FOOTRESTS AND FOOTBOARDS
50630-05	FOOTRESTS AND FOOTBOARDS
50674-05	FOOTRESTS AND FOOTBOARDS
50698-05	FOOTRESTS AND FOOTBOARDS
50699-05	FOOTRESTS AND FOOTBOARDS
50912-72	FOOTRESTS AND FOOTBOARDS FOOTRESTS AND FOOTBOARDS
50943-05A	FOOTRESTS AND FOOTBOARDS
50944-05	FOOTRESTS AND FOOTBOARDS
50972-75	FRAME AND JIFFY STAND
50991-86	FORK BRACKETS, FRONT - FLS, FLSS, FLSTC, FLSTF, FLSTFB, FLSTFBS AND FLSTN
5118	SWITCHES, HANDLEBAR RIGHT, FRONT WIRING HARNESS, MAIN, NON-ABS - FLS (1 OF 5) WIRING HARNESS, MAIN, ABS - FLS AND FLSS (1 OF 5) WIRING HARNESS, MAIN, ABS - FLSTF, FLSTFB AND FLSTFBS (1 OF 5) WIRING HARNESS, MAIN, ABS - FLSTC AND FLSTN (1 OF 5) WIRING HARNESS, MAIN, ABS - FXSB (1 OF 5)
51184-00	SEATS
51218-09A	FOOTRESTS AND FOOTBOARDS
51323-08	FOOTRESTS AND FOOTBOARDS

51327-08	FOOTRESTS AND FOOTBOARDS
51402-08A	FOOTRESTS AND FOOTBOARDS
51403-08	FOOTRESTS AND FOOTBOARDS
51494-11	SEATS
515	BRAKE CONTROL, REAR
51652-97A	SEATS
51669-07	SEATS
51740-10	SEATS
51803-07	FENDERS AND SUPPORTS, REAR - FLSTF, FLSTFB AND FLSTFBS FENDERS AND SUPPORTS, REAR - FXSB
51812-09	SEATS
51873-10A	SEATS
51874-10A	SEATS
52000031A	SEATS
52000032	SEATS
52000096	SEATS
52000222	SEATS
52125-05	SEATS
52189-09	SEATS
52237-07	SEATS
52400065	SEATS
52400072	SEATS
52441-95	LICENSE PLATE BRACKETS - FLS AND FLSS TAIL LAMP - FLSTN
52502-05C	SEATS
52691-05	SEATS
52731-00	SEATS
52771-82	SEATS
52787-00	SEATS
52788-00	SEATS
53156-86	HANDLEBAR
53176-08	FRAME AND JIFFY STAND
53436-97	HEADLAMP (1 OF 2) TAIL LAMP - FLSTN

53462-05	FENDERS AND SUPPORTS, REAR - FLSTN
53830-00	FENDERS AND SUPPORTS, REAR - FLSTN
53860-05	FENDERS AND SUPPORTS, REAR - FLSTN
54000045	FORK, REAR AND SHOCK ABSORBERS
5403B	LICENSE PLATE BRACKETS - FLS AND FLSS LICENSE PLATE BRACKETS - FXSB LICENSE PLATE BRACKETS - FLSTC, FLSTF, FLSTN, FLSTFB AND FLSTFBS
5416	EXHAUST SYSTEM - FLS, FLSS, FLSTF, FLSTFB, FLSTFBS AND FLSTN (1 OF 2)
5419	INSTRUMENTS - FLSTF, FLSTFB, FLSTFBS AND FLSTN
54204-11	FOOTRESTS AND FOOTBOARDS
54321-85	WHEELS, FRONT (2 OF 2) WHEELS, REAR (2 OF 2)
5442	INSTRUMENTS - FLS, FLSS AND FLSTC
54508-00B	FORK, REAR AND SHOCK ABSORBERS FORK, REAR AND SHOCK ABSORBERS FORK, REAR AND SHOCK ABSORBERS
54549-04	FORK, REAR AND SHOCK ABSORBERS FORK, REAR AND SHOCK ABSORBERS FORK, REAR AND SHOCK ABSORBERS
54673-10BYM	FORK, FRONT-FLS,FLSS,FLSTC,FLSTF,FLSTFB,FLSTFBS AND FLSTN (2 OF 2)
5471	FUEL TANK
55107-12	WHEELS, FRONT (1 OF 2)
55109-12	WHEELS, REAR (1 OF 2)
554A	FRAME AND JIFFY STAND
55800396	HANDLEBAR
55800399	HANDLEBAR
55800405	HANDLEBAR
55800411	HANDLEBAR
55800579	HANDLEBAR
55800634	HANDLEBAR
55900034	HANDLEBAR
55900043	INSTRUMENTS - FXSB HANDLEBAR
55900096	HANDLEBAR
55900097	HANDLEBAR
55900098	HANDLEBAR
55900099	HANDLEBAR

55902-05	HANDLEBAR
55903-05	HANDLEBAR
55984-07	HANDLEBAR
56073-83	HANDLEBAR
56153-73	HANDLEBAR
56159-73	HANDLEBAR
56182-00A	FORK, REAR AND SHOCK ABSORBERS
56183-00	FORK, REAR AND SHOCK ABSORBERS
56248-08	THROTTLE CONTROL
56304-08	THROTTLE CONTROL
56887-07	HANDLEBAR
56889-07	HANDLEBAR
56998-09	HANDLEBAR
57061-09	WINDSHIELD - FLSTC WINDSHIELD - FLSTC LOOSE PARTS
57062-00A	WINDSHIELD - FLSTC
57063-00A	WINDSHIELD - FLSTC
57091-06A	WINDSHIELD - FLSTC LOOSE PARTS
5710	FORK, FRONT-FLS,FLSS,FLSTC,FLSTF,FLSTFB,FLSTFBS AND FLSTN (1 OF 2)
57217-02A	BRAKE CONTROL, REAR
57250-06	WINDSHIELD - FLSTC
57634-07	WINDSHIELD - FLSTC
5775	OIL TANK AND LINES - EXCEPT FXSB OIL TANK AND LINES - FXSB
58082-02A	AUXILIARY/FOG LAMPS AND TURN SIGNALS, FRONT - FLSTC, FLSTN (1 OF 2)
58092-05	AUXILIARY/FOG LAMPS AND TURN SIGNALS, FRONT - FLSTC, FLSTN (1 OF 2)
5818A	FUEL TANK
58252-95	WINDSHIELD - FLSTC
58253-95	WINDSHIELD - FLSTC
58272-95	WINDSHIELD - FLSTC
58294-09	WINDSHIELD - FLSTC
5837A	TRANSMISSION GEARS

58382-89	LICENSE PLATE BRACKETS - FXSB
58406-75A	WINDSHIELD - FLSTC
58408-75A	WINDSHIELD - FLSTC
58416-77A	WINDSHIELD - FLSTC
58417-77	WINDSHIELD - FLSTC
58428-94	WINDSHIELD - FLSTC
58431-94	WINDSHIELD - FLSTC
5885	AUXILIARY/FOG LAMPS AND TURN SIGNALS, FRONT - FLSTC, FLSTN (1 OF 2)
58900021	FENDER, FRONT
58900042	FENDER, FRONT
59019-05	FENDER, FRONT
59026-05	FENDERS AND SUPPORTS, REAR - FLSTN
59050-03	FENDERS AND SUPPORTS, REAR - FLSTC
59088-03	FENDERS AND SUPPORTS, REAR - FLSTF, FLSTFB AND FLSTFBS
59116-96	FENDER, FRONT
59117-96	FENDERS AND SUPPORTS, REAR - FLSTC
59119-03	FENDERS AND SUPPORTS, REAR - FLSTC
59129-09	FENDER, FRONT
59139-00A	FENDER, FRONT
59144-06A	FENDERS AND SUPPORTS, REAR - FLSTC
59174-99	FENDERS AND SUPPORTS, REAR - FLSTC FENDERS AND SUPPORTS, REAR - FLSTN
59180-80	FENDER, FRONT
59201-96	FENDER, FRONT
59211-74A	FENDER, FRONT
59234-05	FENDER, FRONT
59235-09	FENDER, FRONT
59238-05A	FENDERS AND SUPPORTS, REAR - FLSTN
59256-84A	SEATS
59259-90	SEATS LICENSE PLATE BRACKETS - FLS AND FLSS
59360-05	FENDER, FRONT
59405-09	FORK, REAR AND SHOCK ABSORBERS
59430-08	FENDERS AND SUPPORTS, REAR - FLSTF, FLSTFB AND FLSTFBS

59434-08	FENDERS AND SUPPORTS, REAR - FLSTF, FLSTFB AND FLSTFBS
59438-00	FENDERS AND SUPPORTS, REAR - FLSTF, FLSTFB AND FLSTFBS
59474-07	FENDERS AND SUPPORTS, REAR - FLSTN
59475-05	FENDERS AND SUPPORTS, REAR - FLSTN
59500-11	FENDERS AND SUPPORTS, REAR - FLS AND FLSS
59500099	FENDERS AND SUPPORTS, REAR - FXSB
59500101	FENDERS AND SUPPORTS, REAR - FXSB
59500103	FENDERS AND SUPPORTS, REAR - FXSB
59500104	FENDERS AND SUPPORTS, REAR - FXSB
59500108	LICENSE PLATE BRACKETS - FXSB
59548-11	FENDERS AND SUPPORTS, REAR - FLS AND FLSS
59567-00C	FENDERS AND SUPPORTS, REAR - FLSTC
59572-05	FENDERS AND SUPPORTS, REAR - FLSTN
59679-11	FENDERS AND SUPPORTS, REAR - FLS AND FLSS
59683-03	FENDERS AND SUPPORTS, REAR - FLSTC
59768-97	FENDERS AND SUPPORTS, REAR - FLSTC FENDERS AND SUPPORTS, REAR - FLSTF, FLSTFB AND FLSTFBS FENDERS AND SUPPORTS, REAR - FLS AND FLSS FENDERS AND SUPPORTS, REAR - FXSB
59770-05BEO	FENDERS AND SUPPORTS, REAR - FLSTN
59798-06	FENDERS AND SUPPORTS, REAR - FLSTF, FLSTFB AND FLSTFBS
59819-06B	FENDERS AND SUPPORTS, REAR - FLSTF, FLSTFB AND FLSTFBS
59821-08	FENDERS AND SUPPORTS, REAR - FLSTF, FLSTFB AND FLSTFBS
59824-08	FENDERS AND SUPPORTS, REAR - FLSTF, FLSTFB AND FLSTFBS
59904-12BHP	FENDERS AND SUPPORTS, REAR - FLS AND FLSS
59954-08	FENDERS AND SUPPORTS, REAR - FLSTC FENDERS AND SUPPORTS, REAR - FLSTN
59955-08	FENDERS AND SUPPORTS, REAR - FLSTC FENDERS AND SUPPORTS, REAR - FLSTN
59984-73	LICENSE PLATE BRACKETS - FLSTC, FLSTF, FLSTN, FLSTFB AND FLSTFBS
59986-75	LICENSE PLATE BRACKETS - FLSTC, FLSTF, FLSTN, FLSTFB AND FLSTFBS
59988-72A	LICENSE PLATE BRACKETS - FLS AND FLSS LICENSE PLATE BRACKETS - FLSTC, FLSTF, FLSTN, FLSTFB AND FLSTFBS
60001-55	LICENSE PLATE BRACKETS - FLSTC, FLSTF, FLSTN, FLSTFB AND FLSTFBS
60003-89	LICENSE PLATE BRACKETS - FLSTC, FLSTF, FLSTN, FLSTFB AND FLSTFBS

60020-97	LICENSE PLATE BRACKETS - FLSTC, FLSTF, FLSTN, FLSTFB AND FLSTFBS
60021-97	LICENSE PLATE BRACKETS - FLSTC, FLSTF, FLSTN, FLSTFB AND FLSTFBS
601	CAMSHAFTS AND CAMSHAFT COVER - TWIN CAM 103™ CAMSHAFTS and CAMSHAFT COVER - TWIN CAM 110™
60154-11	LICENSE PLATE BRACKETS - FLS AND FLSS
60187-12BHP	FENDERS AND SUPPORTS, REAR - FLS AND FLSS
6019	ENGINE MOUNTS
60253-07	FORK, FRONT-FLS,FLSS,FLSTC,FLSTF,FLSTFB,FLSTFBS AND FLSTN (2 OF 2) FORK, FRONT - FXSB
60254-07	FORK, FRONT-FLS,FLSS,FLSTC,FLSTF,FLSTFB,FLSTFBS AND FLSTN (2 OF 2) FORK, FRONT - FXSB FORK, REAR AND SHOCK ABSORBERS FENDERS AND SUPPORTS, REAR - FLSTF, FLSTFB AND FLSTFBS FENDERS AND SUPPORTS, REAR - FLSTN FENDERS AND SUPPORTS, REAR - FLS AND FLSS GUARDS, SAREE
60271-08	FORK, REAR AND SHOCK ABSORBERS
60300018	GUARDS, SAREE
60300019	GUARDS, SAREE
60300032A	GUARDS, SAREE
60300109	GUARDS, SAREE
60300110	GUARDS, SAREE
60328-98B	TRANSMISSION HOUSING - FXSB, FLSTC, FLSTF, FLSTN, FLSTFB AND FLS TRANSMISSION HOUSING - FLSS AND FLSTFBS PRIMARY HOUSING OIL TANK AND LINES - EXCEPT FXSB OIL TANK AND LINES - FXSB
6036	SEATS
60362-07A	REAR BELT GUARD
60363-11	FORK, REAR AND SHOCK ABSORBERS
60452-07A	REAR BELT GUARD
60456-11	FORK, REAR AND SHOCK ABSORBERS
60547-06	PRIMARY HOUSING
60563-08A	PRIMARY HOUSING
6057	SHIFTER, GEAR
60570-07B	REAR BELT GUARD
60678-85	PRIMARY HOUSING
6072	AUXILIARY/FOG LAMPS AND TURN SIGNALS, FRONT - FLSTC, FLSTN (1 OF 2)
60776-08A	PRIMARY HOUSING

60782-06A	PRIMARY HOUSING
60791-06C	PRIMARY HOUSING
60800007	EVAPORATIVE EMISSIONS COMPONENTS
60813-07	PRIMARY HOUSING
60832-07	FENDERS AND SUPPORTS, REAR - FLSTC FENDERS AND SUPPORTS, REAR - FLSTF, FLSTFB AND FLSTFBS
60833-07	FENDERS AND SUPPORTS, REAR - FLSTN
60867-08	REAR BELT GUARD
60876-11A	PRIMARY HOUSING
60882-10A	PRIMARY HOUSING
60900001	FUEL PUMP
60900003	FUEL PUMP
60900005	AIR CLEANER - FXSB, FLSTC, FLSTF, FLSTN, FLSTFB, FLS
6099	BRAKE CONTROL, REAR
61008-10	FENDERS AND SUPPORTS, REAR - FLSTF, FLSTFB AND FLSTFBS
6101	CLUTCH CONTROL - FLS, FLSTC, FLSTF, FLSTFB, FLSTN AND FXSB CLUTCH CONTROL - FLSS AND FLSTFBS BRAKE CONTROL, FRONT
61011-04A	FUEL PUMP
61015-04A	FUEL PUMP
61081-92	ELECTRONIC CONTROL MODULE (ECM) AND COIL FRAME AND JIFFY STAND INSTRUMENTS - FLSTF, FLSTFB, FLSTFBS AND FLSTN INSTRUMENTS - FLS, FLSS AND FLSTC SWITCHES
6109	AUXILIARY/FOG LAMPS AND TURN SIGNALS, FRONT - FLSTC, FLSTN (1 OF 2) HORN
6110	FENDERS AND SUPPORTS, REAR - FLSTN LICENSE PLATE BRACKETS - FLSTC, FLSTF, FLSTN, FLSTFB AND FLSTFBS
61100001	FUEL TANK EVAPORATIVE EMISSIONS COMPONENTS
61100003	FUEL TANK
61100055	FUEL TANK
61109-85D	FUEL TANK
61183-10	FUEL TANK
61192-96A	FUEL PUMP
61208-10	INDUCTION MODULE, FUEL

61257-05	FUEL TANK
61264-10	FUEL TANK TRIM
61265-10	FUEL TANK TRIM
61272-92C	FUEL TANK
61300063	AIR CLEANER - FXSB, FLSTC, FLSTF, FLSTN, FLSTFB, FLS
61300064	AIR CLEANER - FXSB, FLSTC, FLSTF, FLSTN, FLSTFB, FLS
61300170A	FUEL TANK
61300273	AIR CLEANER - FXSB, FLSTC, FLSTF, FLSTN, FLSTFB, FLS
61300365	AIR CLEANER - TWIN CAM 110™ - FLSTFBS
61300477	HORN
61300478	HORN
61300481	HORN
61300526	AIR CLEANER - FXSB, FLSTC, FLSTF, FLSTN, FLSTFB, FLS
61300535	AIR CLEANER - FXSB, FLSTC, FLSTF, FLSTN, FLSTFB, FLS
61300536	AIR CLEANER - FXSB, FLSTC, FLSTF, FLSTN, FLSTFB, FLS AIR CLEANER - TWIN CAM 110™ - FLSS
61300537	FUEL TANK
61381-02A	FUEL PUMP
61400055	FUEL TANK TRIM
61400056	FUEL TANK TRIM
61400327	SEATS SADDLEBAGS - FLSTC
61625-11	FUEL TANK
62123-07	FRAME AND JIFFY STAND
62123-66A	FRAME AND JIFFY STAND
62143-11	FUEL PUMP
62155-11	FUEL PUMP
62158-11	FUEL PUMP
62189-08A	FUEL TANK
6229W	SADDLEBAGS - FLSTC
62322-11	FUEL TANK
6237	BRAKE CONTROL, REAR
62372-09	TRANSMISSION HOUSING - FXSB, FLSTC, FLSTF, FLSTN, FLSTFB AND FLS TRANSMISSION HOUSING - FLSS AND FLSTFBS

62492-01A	OIL TANK AND LINES - EXCEPT FXSB
62498-01A	OIL TANK AND LINES - EXCEPT FXSB
62500015	OIL TANK AND LINES - FXSB
62507-10BYM	OIL TANK AND LINES - EXCEPT FXSB
62543-11	FUEL TANK
62555-95	FUEL TANK
62700056	OIL TANK AND LINES - FXSB
62700062	BELT, CHAINS AND SPROCKETS
62700064	BELT, CHAINS AND SPROCKETS
62769-00A	OIL TANK AND LINES - EXCEPT FXSB OIL TANK AND LINES - FXSB
62845-00A	OIL TANK AND LINES - EXCEPT FXSB
62880-00	FUEL TANK
62881-00	FUEL TANK
62900-01D	FUEL TANK
6294	CAMSHAFTS AND CAMSHAFT COVER - TWIN CAM 103™ CAMSHAFTS and CAMSHAFT COVER - TWIN CAM 110™
63034-08	OIL TANK AND LINES - FXSB
6336B	TURN SIGNALS, REAR (1 OF 2)
63521-95A	FUEL TANK
63553-00B	OIL TANK AND LINES - EXCEPT FXSB
63601-00	OIL TANK AND LINES - EXCEPT FXSB OIL TANK AND LINES - FXSB
63611-00	OIL TANK AND LINES - EXCEPT FXSB
63632-00	OIL TANK AND LINES - EXCEPT FXSB OIL TANK AND LINES - FXSB
63731-99A	CRANKCASE AND ENGINE OIL FILTER - TWIN CAM 103™ CRANKCASE AND ENGINE OIL FILTER - TWIN CAM 110™
63783-00	OIL TANK AND LINES - EXCEPT FXSB OIL TANK AND LINES - FXSB
63798-99A	CRANKCASE AND ENGINE OIL FILTER - TWIN CAM 103™
6400HB	FENDERS AND SUPPORTS, REAR - FLSTC FENDERS AND SUPPORTS, REAR - FLSTF, FLSTFB AND FLSTFBS FENDERS AND SUPPORTS, REAR - FLSTN FENDERS AND SUPPORTS, REAR - FLS AND FLSS FENDERS AND SUPPORTS, REAR - FXSB HEADLAMP (1 OF 2) WINDSHIELD - FLSTC
6456	ENGINE BALANCER

64708-08B	EXHAUST SYSTEM - FLSTC
64709-08B	EXHAUST SYSTEM - FLS, FLSS, FLSTF, FLSTFB, FLSTFBS AND FLSTN (1 OF 2)
64710-08B	EXHAUST SYSTEM - FLS, FLSS, FLSTF, FLSTFB, FLSTFBS AND FLSTN (1 OF 2)
64711-08B	EXHAUST SYSTEM - FLS, FLSS, FLSTF, FLSTFB, FLSTFBS AND FLSTN (1 OF 2)
64712-08B	EXHAUST SYSTEM - FLS, FLSS, FLSTF, FLSTFB, FLSTFBS AND FLSTN (1 OF 2)
64727-08	EXHAUST SYSTEM - FLS, FLSS, FLSTF, FLSTFB, FLSTFBS AND FLSTN (1 OF 2)
64728-08	EXHAUST SYSTEM - FLS, FLSS, FLSTF, FLSTFB, FLSTFBS AND FLSTN (1 OF 2)
64729-08	EXHAUST SYSTEM - FLS, FLSS, FLSTF, FLSTFB, FLSTFBS AND FLSTN (1 OF 2)
64734-08A	EXHAUST SYSTEM - FLS, FLSS, FLSTF, FLSTFB, FLSTFBS AND FLSTN (1 OF 2)
64735-08A	EXHAUST SYSTEM - FLS, FLSS, FLSTF, FLSTFB, FLSTFBS AND FLSTN (1 OF 2)
64900105	EXHAUST SYSTEM - FLSTC
64900106	EXHAUST SYSTEM - FLSTC
64900139	EXHAUST SYSTEM - FLS, FLSS, FLSTF, FLSTFB, FLSTFBS AND FLSTN (1 OF 2)
64900140	EXHAUST SYSTEM - FLS, FLSS, FLSTF, FLSTFB, FLSTFBS AND FLSTN (1 OF 2)
64900141	EXHAUST SYSTEM - FLS, FLSS, FLSTF, FLSTFB, FLSTFBS AND FLSTN (1 OF 2)
64900142	EXHAUST SYSTEM - FLS, FLSS, FLSTF, FLSTFB, FLSTFBS AND FLSTN (1 OF 2)
64900143	EXHAUST SYSTEM - FLS, FLSS, FLSTF, FLSTFB, FLSTFBS AND FLSTN (1 OF 2)
64900144	EXHAUST SYSTEM - FLS, FLSS, FLSTF, FLSTFB, FLSTFBS AND FLSTN (1 OF 2)
64900145	EXHAUST SYSTEM - FLS, FLSS, FLSTF, FLSTFB, FLSTFBS AND FLSTN (1 OF 2)
64900146	EXHAUST SYSTEM - FLS, FLSS, FLSTF, FLSTFB, FLSTFBS AND FLSTN (1 OF 2)
64900168	EXHAUST SYSTEM - FXSB
64900169	EXHAUST SYSTEM - FXSB
64900170	EXHAUST SYSTEM - FXSB
64900171	EXHAUST SYSTEM - FXSB
64900172	EXHAUST SYSTEM - FXSB EXHAUST SYSTEM - FXSB
64900468	EXHAUST SYSTEM - FLS, FLSS, FLSTF, FLSTFB, FLSTFBS AND FLSTN (2 OF 2)
64900469	EXHAUST SYSTEM - FLS, FLSS, FLSTF, FLSTFB, FLSTFBS AND FLSTN (2 OF 2)
64900470	EXHAUST SYSTEM - FLS, FLSS, FLSTF, FLSTFB, FLSTFBS AND FLSTN (2 OF 2)
64900471	EXHAUST SYSTEM - FLS, FLSS, FLSTF, FLSTFB, FLSTFBS AND FLSTN (2 OF 2)
64900472	EXHAUST SYSTEM - FLS, FLSS, FLSTF, FLSTFB, FLSTFBS AND FLSTN (2 OF 2)
64900473	EXHAUST SYSTEM - FLS, FLSS, FLSTF, FLSTFB, FLSTFBS AND FLSTN (2 OF 2)
64960-07	EXHAUST SYSTEM - FLS, FLSS, FLSTF, FLSTFB, FLSTFBS AND FLSTN (1 OF 2)

64961-07	EXHAUST SYSTEM - FLS, FLSS, FLSTF, FLSTFB, FLSTFBS AND FLSTN (1 OF 2)
6497HW	SHIFTER, GEAR
65148-00B	EXHAUST SYSTEM - FLS, FLSS, FLSTF, FLSTFB, FLSTFBS AND FLSTN (2 OF 2)
6516HW	ENGINE MOUNTS
65184-02	EXHAUST SYSTEM - FXSB EXHAUST SYSTEM - FLSTC EXHAUST SYSTEM - FLS, FLSS, FLSTF, FLSTFB, FLSTFBS AND FLSTN (2 OF 2)
65296-95A	EXHAUST SYSTEM - FXSB EXHAUST SYSTEM - FLSTC EXHAUST SYSTEM - FLS, FLSS, FLSTF, FLSTFB, FLSTFBS AND FLSTN (2 OF 2)
6530	ENGINE MOUNTS
6532	BRAKE LINE AND MODULE, REAR, ABS
65324-83B	EXHAUST SYSTEM - FXSB EXHAUST SYSTEM - FLSTC EXHAUST SYSTEM - FLS, FLSS, FLSTF, FLSTFB, FLSTFBS AND FLSTN (2 OF 2)
65325-83A	EXHAUST SYSTEM - FXSB EXHAUST SYSTEM - FLSTC EXHAUST SYSTEM - FLS, FLSS, FLSTF, FLSTFB, FLSTFBS AND FLSTN (2 OF 2)
6534	FORK, REAR AND SHOCK ABSORBERS
6535	FORK, REAR AND SHOCK ABSORBERS
65368-07	EXHAUST SYSTEM - FLS, FLSS, FLSTF, FLSTFB, FLSTFBS AND FLSTN (1 OF 2)
65372-07	EXHAUST SYSTEM - FLS, FLSS, FLSTF, FLSTFB, FLSTFBS AND FLSTN (1 OF 2)
65383-05	EXHAUST SYSTEM - FLS, FLSS, FLSTF, FLSTFB, FLSTFBS AND FLSTN (2 OF 2)
65389-05B	EXHAUST SYSTEM - FLS, FLSS, FLSTF, FLSTFB, FLSTFBS AND FLSTN (2 OF 2)
65395-05	EXHAUST SYSTEM - FLS, FLSS, FLSTF, FLSTFB, FLSTFBS AND FLSTN (2 OF 2)
65399-07	EXHAUST SYSTEM - FLS, FLSS, FLSTF, FLSTFB, FLSTFBS AND FLSTN (2 OF 2)
65400106	EXHAUST SYSTEM - FXSB
65400107	EXHAUST SYSTEM - FXSB
65400277	EXHAUST SYSTEM - FLS, FLSS, FLSTF, FLSTFB, FLSTFBS AND FLSTN (2 OF 2)
65435-07BHP	EXHAUST SYSTEM - FLS, FLSS, FLSTF, FLSTFB, FLSTFBS AND FLSTN (2 OF 2)
6545	FUEL TANK
65463-00	EXHAUST SYSTEM - FXSB EXHAUST SYSTEM - FLSTC EXHAUST SYSTEM - FLS, FLSS, FLSTF, FLSTFB, FLSTFBS AND FLSTN (2 OF 2)
65464-07A	EXHAUST SYSTEM - FLS, FLSS, FLSTF, FLSTFB, FLSTFBS AND FLSTN (2 OF 2)
6551	WHEELS, REAR (1 OF 2) WHEELS, REAR (1 OF 2)
65521-10	EXHAUST SYSTEM - FXSB EXHAUST SYSTEM - FLSTC

65600031	EXHAUST SYSTEM - FXSB EXHAUST SYSTEM - FLSTC
65600035A	EXHAUST SYSTEM - FLSTC EXHAUST SYSTEM - FLSTC
65600039A	EXHAUST SYSTEM - FLSTC
65600042	EXHAUST SYSTEM - FLS, FLSS, FLSTF, FLSTFB, FLSTFBS AND FLSTN (2 OF 2) EXHAUST SYSTEM - FLS, FLSS, FLSTF, FLSTFB, FLSTFBS AND FLSTN (2 OF 2)
65600046	EXHAUST SYSTEM - FLS, FLSS, FLSTF, FLSTFB, FLSTFBS AND FLSTN (2 OF 2)
65600049	EXHAUST SYSTEM - FLS, FLSS, FLSTF, FLSTFB, FLSTFBS AND FLSTN (2 OF 2) EXHAUST SYSTEM - FLS, FLSS, FLSTF, FLSTFB, FLSTFBS AND FLSTN (2 OF 2)
65600053	EXHAUST SYSTEM - FLS, FLSS, FLSTF, FLSTFB, FLSTFBS AND FLSTN (2 OF 2)
65600056	EXHAUST SYSTEM - FXSB
65600059	EXHAUST SYSTEM - FXSB
65652-07	EXHAUST SYSTEM - FLS, FLSS, FLSTF, FLSTFB, FLSTFBS AND FLSTN (2 OF 2)
65682-07	EXHAUST SYSTEM - FXSB EXHAUST SYSTEM - FLSTC EXHAUST SYSTEM - FLSTC
65685-07	EXHAUST SYSTEM - FLSTC
65688-11BHP	EXHAUST SYSTEM - FLS, FLSS, FLSTF, FLSTFB, FLSTFBS AND FLSTN (2 OF 2)
65702-00A	EXHAUST SYSTEM - FLSTC
65707-10A	EXHAUST SYSTEM - FXSB
65715-10	EXHAUST SYSTEM - FLSTC
65822-10A	EXHAUST SYSTEM - FLS, FLSS, FLSTF, FLSTFB, FLSTFBS AND FLSTN (1 OF 2)
65830-10	EXHAUST SYSTEM - FXSB EXHAUST SYSTEM - FLSTC
65862-10A	EXHAUST SYSTEM - FLS, FLSS, FLSTF, FLSTFB, FLSTFBS AND FLSTN (1 OF 2)
65870-10	EXHAUST SYSTEM - FLS, FLSS, FLSTF, FLSTFB, FLSTFBS AND FLSTN (1 OF 2)
65880-10	EXHAUST SYSTEM - FLS, FLSS, FLSTF, FLSTFB, FLSTFBS AND FLSTN (1 OF 2)
65920-10	EXHAUST SYSTEM - FLS, FLSS, FLSTF, FLSTFB, FLSTFBS AND FLSTN (1 OF 2)
65939-07	EXHAUST SYSTEM - FLS, FLSS, FLSTF, FLSTFB, FLSTFBS AND FLSTN (1 OF 2)
6594	WHEELS, FRONT (1 OF 2)
65946-07	EXHAUST SYSTEM - FLS, FLSS, FLSTF, FLSTFB, FLSTFBS AND FLSTN (2 OF 2)
65950-07	EXHAUST SYSTEM - FLS, FLSS, FLSTF, FLSTFB, FLSTFBS AND FLSTN (1 OF 2)
65989-97C	BATTERY
66000065	BATTERY
66274-07	EXHAUST SYSTEM - FLS, FLSS, FLSTF, FLSTFB, FLSTFBS AND FLSTN (2 OF 2)

66373-06	SWITCHES
66415-08A	BATTERY
6655	FORK BRACKETS, FRONT - FLS, FLSS, FLSTC, FLSTF, FLSTFB, FLSTFBS AND FLSTN
66737-10A	EXHAUST SYSTEM - FLSTC
66763-07	EXHAUST SYSTEM - FLSTC
66764-07	EXHAUST SYSTEM - FLS, FLSS, FLSTF, FLSTFB, FLSTFBS AND FLSTN (2 OF 2)
66765-07	EXHAUST SYSTEM - FLS, FLSS, FLSTF, FLSTFB, FLSTFBS AND FLSTN (2 OF 2)
66767-07	EXHAUST SYSTEM - FXSB EXHAUST SYSTEM - FLSTC EXHAUST SYSTEM - FLS, FLSS, FLSTF, FLSTFB, FLSTFBS AND FLSTN (2 OF 2)
66772-08A	EXHAUST SYSTEM - FXSB
66773-10	EXHAUST SYSTEM - FXSB
66797-07	EXHAUST SYSTEM - FXSB EXHAUST SYSTEM - FLSTC EXHAUST SYSTEM - FLS, FLSS, FLSTF, FLSTFB, FLSTFBS AND FLSTN (2 OF 2)
66847-08	EXHAUST SYSTEM - FXSB
66882-10	EXHAUST SYSTEM - FLS, FLSS, FLSTF, FLSTFB, FLSTFBS AND FLSTN (2 OF 2)
66897-10A	EXHAUST SYSTEM - FLS, FLSS, FLSTF, FLSTFB, FLSTFBS AND FLSTN (2 OF 2)
66899-10A	EXHAUST SYSTEM - FLS, FLSS, FLSTF, FLSTFB, FLSTFBS AND FLSTN (2 OF 2)
66901-10	EXHAUST SYSTEM - FLS, FLSS, FLSTF, FLSTFB, FLSTFBS AND FLSTN (2 OF 2)
6701	FENDERS AND SUPPORTS, REAR - FLSTF, FLSTFB AND FLSTFBS HEADLAMP (1 OF 2)
67013-04A	TURN SIGNALS, FRONT - FLS, FLSS, FLSTF, FLSTFB, FLSTFBS, FXSB
67015-02	TURN SIGNALS, FRONT - FLS, FLSS, FLSTF, FLSTFB, FLSTFBS, FXSB
67019-04A	TURN SIGNALS, FRONT - FLS, FLSS, FLSTF, FLSTFB, FLSTFBS, FXSB
6702	SHIFTER, GEAR REAR BELT GUARD FUEL TANK HORN SADDLEBAGS - FLSTC
6703	BRAKE LINES, FRONT, NON-ABS - FLS BRAKE LINE AND MODULE, REAR, ABS FORK BRACKETS, FRONT - FXSB LICENSE PLATE BRACKETS - FLS AND FLSS LICENSE PLATE BRACKETS - FXSB LICENSE PLATE BRACKETS - FLSTC, FLSTF, FLSTN, FLSTFB AND FLSTFBS WINDSHIELD - FLSTC GUARDS, SAREE
67033-11B	INSTRUMENTS - FLSTF, FLSTFB, FLSTFBS AND FLSTN
67121-95A	INSTRUMENTS - FXSB
6716	FUEL TANK

67190-89	INSTRUMENTS - FLSTF, FLSTFB, FLSTFBS AND FLSTN INSTRUMENTS - FLS, FLSS AND FLSTC
67196-11A	INSTRUMENTS - FLSTF, FLSTFB, FLSTFBS AND FLSTN INSTRUMENTS - FLS, FLSS AND FLSTC
67197-11A	INSTRUMENTS - FLSTF, FLSTFB, FLSTFBS AND FLSTN INSTRUMENTS - FLS, FLSS AND FLSTC
6724	FORK, REAR AND SHOCK ABSORBERS
67266-94	FENDERS AND SUPPORTS, REAR - FLSTC
67267-05	FENDERS AND SUPPORTS, REAR - FLSTN TURN SIGNALS, REAR (1 OF 2)
67271-04A	INSTRUMENTS - FLSTF, FLSTFB, FLSTFBS AND FLSTN
67341-04B	INSTRUMENTS - FLS, FLSS AND FLSTC
67439-11C	INSTRUMENTS - FLSTF, FLSTFB, FLSTFBS AND FLSTN
67525-11B	INSTRUMENTS - FLS, FLSS AND FLSTC
67605-05	FORK BRACKETS, FRONT - FLS, FLSS, FLSTC, FLSTF, FLSTFB, FLSTFBS AND FLSTN
67615-96	AUXILIARY/FOG LAMPS AND TURN SIGNALS, FRONT - FLSTC, FLSTN (1 OF 2)
67621-94	WINDSHIELD - FLSTC
6762B	ROCKER ARM ASSEMBLY AND PUSHRODS - TWIN CAM 103™ ROCKER ARM ASSEMBLY AND PUSH RODS - TWIN CAM 110™
67667-05	HEADLAMP (1 OF 2)
67668-05	HEADLAMP (1 OF 2)
67700029	HEADLAMP (2 OF 2) HEADLAMP (2 OF 2)
67700094	HEADLAMP (2 OF 2)
67700115	HEADLAMP (2 OF 2)
6771A	INSTRUMENTS - FLSTF, FLSTFB, FLSTFBS AND FLSTN INSTRUMENTS - FLS, FLSS AND FLSTC TURN SIGNALS, REAR (1 OF 2)
67721-48	HEADLAMP (1 OF 2)
67768-97	HEADLAMP (1 OF 2)
67769-93	HEADLAMP (1 OF 2)
67772-97	HEADLAMP (1 OF 2)
67790-93A	HEADLAMP (1 OF 2)
67800141	TURN SIGNALS, FRONT - FLS, FLSS, FLSTF, FLSTFB, FLSTFBS, FXSB
67800147	TURN SIGNALS, FRONT - FLS, FLSS, FLSTF, FLSTFB, FLSTFBS, FXSB
67800148	TURN SIGNALS, FRONT - FLS, FLSS, FLSTF, FLSTFB, FLSTFBS, FXSB

67800171	TURN SIGNALS, REAR (2 OF 2)
67800184	TURN SIGNALS, REAR (2 OF 2)
67800216	TURN SIGNALS, REAR (1 OF 2)
67800217	TURN SIGNALS, REAR (1 OF 2)
67800223	TURN SIGNALS, REAR (2 OF 2)
67800224	TURN SIGNALS, REAR (2 OF 2) TURN SIGNALS, REAR (2 OF 2)
67800238	TURN SIGNALS, REAR (2 OF 2)
67800244	LICENSE PLATE BRACKETS - FXSB
67800519	TURN SIGNALS, FRONT - FLS, FLSS, FLSTF, FLSTFB, FLSTFBS, FXSB
67800520	TURN SIGNALS, FRONT - FLS, FLSS, FLSTF, FLSTFB, FLSTFBS, FXSB
67800521	TURN SIGNALS, FRONT - FLS, FLSS, FLSTF, FLSTFB, FLSTFBS, FXSB
67800523	TURN SIGNALS, FRONT - FLS, FLSS, FLSTF, FLSTFB, FLSTFBS, FXSB
67800525	TURN SIGNALS, FRONT - FLS, FLSS, FLSTF, FLSTFB, FLSTFBS, FXSB
67800628	TURN SIGNALS, FRONT - FLS, FLSS, FLSTF, FLSTFB, FLSTFBS, FXSB
67800630	TURN SIGNALS, FRONT - FLS, FLSS, FLSTF, FLSTFB, FLSTFBS, FXSB
67814-86	FORK BRACKETS, FRONT - FLS, FLSS, FLSTC, FLSTF, FLSTFB, FLSTFBS AND FLSTN
67821-87	FORK BRACKETS, FRONT - FLS, FLSS, FLSTC, FLSTF, FLSTFB, FLSTFBS AND FLSTN
67822-88	TURN SIGNALS, FRONT - FLS, FLSS, FLSTF, FLSTFB, FLSTFBS, FXSB
67830-09	FORK BRACKETS, FRONT - FLS, FLSS, FLSTC, FLSTF, FLSTFB, FLSTFBS AND FLSTN
67846-70	AUXILIARY/FOG LAMPS AND TURN SIGNALS, FRONT - FLSTC, FLSTN (1 OF 2)
67858-89	AUXILIARY/FOG LAMPS AND TURN SIGNALS, FRONT - FLSTC, FLSTN (1 OF 2)
67873-08A	AUXILIARY/FOG LAMPS AND TURN SIGNALS, FRONT - FLSTC, FLSTN (1 OF 2)
67891-99	FORK BRACKETS, FRONT - FLS, FLSS, FLSTC, FLSTF, FLSTFB, FLSTFBS AND FLSTN
67900016	LICENSE PLATE BRACKETS - FLSTC, FLSTF, FLSTN, FLSTFB AND FLSTFBS
67900089	LICENSE PLATE BRACKETS - FXSB LICENSE PLATE BRACKETS - FLSTC, FLSTF, FLSTN, FLSTFB AND FLSTFBS
67900092	LICENSE PLATE BRACKETS - FLSTC, FLSTF, FLSTN, FLSTFB AND FLSTFBS
67900093	LICENSE PLATE BRACKETS - FXSB LICENSE PLATE BRACKETS - FLSTC, FLSTF, FLSTN, FLSTFB AND FLSTFBS
67900115	LICENSE PLATE BRACKETS - FLS AND FLSS
67900117	LICENSE PLATE BRACKETS - FLS AND FLSS LICENSE PLATE BRACKETS - FXSB
67900140	SEATS
67900145	LICENSE PLATE BRACKETS - FXSB

67900147	LICENSE PLATE BRACKETS - FXSB
67900163	LICENSE PLATE BRACKETS - FXSB
67900164	LICENSE PLATE BRACKETS - FXSB
67900165	LICENSE PLATE BRACKETS - FXSB
67900166	LICENSE PLATE BRACKETS - FXSB
67900231	LICENSE PLATE BRACKETS - FLS AND FLSS
67900283	LICENSE PLATE BRACKETS - FXSB
67956-96	SEATS
67982-07	FORK BRACKETS, FRONT - FLS, FLSS, FLSTC, FLSTF, FLSTFB, FLSTFBS AND FLSTN
67987-10BHP	FORK BRACKETS, FRONT - FLS, FLSS, FLSTC, FLSTF, FLSTFB, FLSTFBS AND FLSTN
67988-10BHP	FORK BRACKETS, FRONT - FLS, FLSS, FLSTC, FLSTF, FLSTFB, FLSTFBS AND FLSTN
67993-10BHP	FORK BRACKETS, FRONT - FLS, FLSS, FLSTC, FLSTF, FLSTFB, FLSTFBS AND FLSTN
68000056	AUXILIARY/FOG LAMPS AND TURN SIGNALS, FRONT - FLSTC, FLSTN (2 OF 2)
68003-05	TAIL LAMP - FLSTN
68004-05	LICENSE PLATE BRACKETS - FLSTC, FLSTF, FLSTN, FLSTFB AND FLSTFBS
68026-99	TAIL LAMP - FLSTC, FLSTF, FLSTFB AND FLSTFBS
68042-99	CRANKCASE AND ENGINE OIL FILTER - TWIN CAM 103™ CRANKCASE AND ENGINE OIL FILTER - TWIN CAM 110™ SENSORS AND SWITCHES, ENGINE - TWIN CAM 103™ SENSORS AND SWITCHES, ENGINE - TWIN CAM 110™ CLUTCH CONTROL - FLSS AND FLSTFBS
68046-79	FENDERS AND SUPPORTS, REAR - FLSTC
68050-93A	HEADLAMP (1 OF 2)
68051-08	HEADLAMP (2 OF 2)
68055-10BHP	FORK BRACKETS, FRONT - FLS, FLSS, FLSTC, FLSTF, FLSTFB, FLSTFBS AND FLSTN
68066-99A	TAIL LAMP - FLSTC, FLSTF, FLSTFB AND FLSTFBS
68089-05	TAIL LAMP - FLSTN
68112-99A	INSTRUMENTS - FLSTF, FLSTFB, FLSTFBS AND FLSTN
6812	GUARDS, SAREE
68120-00	CAMSHAFTS AND CAMSHAFT COVER - TWIN CAM 103™ CAMSHAFTS and CAMSHAFT COVER - TWIN CAM 110™
68140-04	TAIL LAMP - FLSTC, FLSTF, FLSTFB AND FLSTFBS
68141-04	TAIL LAMP - FLSTC, FLSTF, FLSTFB AND FLSTFBS
68163-84	AUXILIARY/FOG LAMPS AND TURN SIGNALS, FRONT - FLSTC, FLSTN (1 OF 2) TURN SIGNALS, FRONT - FLS, FLSS, FLSTF, FLSTFB, FLSTFBS, FXSB TURN SIGNALS, REAR (1 OF 2)

68167-04	TAIL LAMP - FLSTC, FLSTF, FLSTFB AND FLSTFBS TAIL LAMP - FLSTC, FLSTF, FLSTFB AND FLSTFBS
68168-89A	AUXILIARY/FOG LAMPS AND TURN SIGNALS, FRONT - FLSTC, FLSTN (1 OF 2) TURN SIGNALS, FRONT - FLS, FLSS, FLSTF, FLSTFB, FLSTFBS, FXSB TURN SIGNALS, REAR (1 OF 2) TAIL LAMP - FLSTN
68169-90A	TAIL LAMP - FLSTN
68193-95	FENDER, FRONT FENDERS AND SUPPORTS, REAR - FLSTC
68226-97	TAIL LAMP - FLSTN
68235-97	TAIL LAMP - FLSTN
68236-97	TAIL LAMP - FLSTN
68237-97	TAIL LAMP - FLSTN
68238-97	TAIL LAMP - FLSTN
68239-97	TAIL LAMP - FLSTN
68280-05	TAIL LAMP - FLSTN
68281-05	TAIL LAMP - FLSTN
68296-99A	TAIL LAMP - FLSTC, FLSTF, FLSTFB AND FLSTFBS
68297-05A	HEADLAMP (2 OF 2)
68329-03	HEADLAMP (2 OF 2)
68331-02	AUXILIARY/FOG LAMPS AND TURN SIGNALS, FRONT - FLSTC, FLSTN (1 OF 2)
68335-05A	HEADLAMP (2 OF 2)
68337-05	AUXILIARY/FOG LAMPS AND TURN SIGNALS, FRONT - FLSTC, FLSTN (1 OF 2)
68341-05A	HEADLAMP (2 OF 2)
68342-05A	HEADLAMP (2 OF 2)
68344-05A	HEADLAMP (2 OF 2)
68345-05A	HEADLAMP (2 OF 2)
68369-03	TAIL LAMP - FLSTC, FLSTF, FLSTFB AND FLSTFBS
68370-03A	TAIL LAMP - FLSTC, FLSTF, FLSTFB AND FLSTFBS
68372-03	TAIL LAMP - FLSTC, FLSTF, FLSTFB AND FLSTFBS
68380-05	HEADLAMP (2 OF 2) HEADLAMP (2 OF 2)
68390-05	HEADLAMP (2 OF 2)
68414-05A	AUXILIARY/FOG LAMPS AND TURN SIGNALS, FRONT - FLSTC, FLSTN (1 OF 2)
68440-86	AUXILIARY/FOG LAMPS AND TURN SIGNALS, FRONT - FLSTC, FLSTN (1 OF 2) TURN SIGNALS, REAR (1 OF 2)

68446-00	FENDERS AND SUPPORTS, REAR - FLSTC FENDERS AND SUPPORTS, REAR - FLSTN
68452-86	AUXILIARY/FOG LAMPS AND TURN SIGNALS, FRONT - FLSTC, FLSTN (1 OF 2) TURN SIGNALS, REAR (1 OF 2)
68461-09	TURN SIGNALS, REAR (1 OF 2)
68497-07	TURN SIGNALS, REAR (1 OF 2)
68505-90	AUXILIARY/FOG LAMPS AND TURN SIGNALS, FRONT - FLSTC, FLSTN (1 OF 2)
68506-92	TURN SIGNALS, REAR (1 OF 2)
68508-04	TURN SIGNALS, REAR (1 OF 2)
68510-74C	TURN SIGNALS, REAR (1 OF 2)
68519-68A	AUXILIARY/FOG LAMPS AND TURN SIGNALS, FRONT - FLSTC, FLSTN (1 OF 2)
68559-07	TURN SIGNALS, REAR (1 OF 2)
68572-64B	AUXILIARY/FOG LAMPS AND TURN SIGNALS, FRONT - FLSTC, FLSTN (1 OF 2) TURN SIGNALS, REAR (1 OF 2)
68619-83	AUXILIARY/FOG LAMPS AND TURN SIGNALS, FRONT - FLSTC, FLSTN (1 OF 2)
68653-05	HEADLAMP (2 OF 2)
68673-05	AUXILIARY/FOG LAMPS AND TURN SIGNALS, FRONT - FLSTC, FLSTN (1 OF 2)
68702-07	LICENSE PLATE BRACKETS - FLS AND FLSS LICENSE PLATE BRACKETS - FXSB
68706-00	FENDER, FRONT
68713-94A	TURN SIGNALS, REAR (1 OF 2)
68720-62	AUXILIARY/FOG LAMPS AND TURN SIGNALS, FRONT - FLSTC, FLSTN (2 OF 2)
68721-62	AUXILIARY/FOG LAMPS AND TURN SIGNALS, FRONT - FLSTC, FLSTN (2 OF 2)
68722-06	AUXILIARY/FOG LAMPS AND TURN SIGNALS, FRONT - FLSTC, FLSTN (2 OF 2)
68725-62A	AUXILIARY/FOG LAMPS AND TURN SIGNALS, FRONT - FLSTC, FLSTN (2 OF 2)
68765-94A	TURN SIGNALS, REAR (1 OF 2)
68766-94	AUXILIARY/FOG LAMPS AND TURN SIGNALS, FRONT - FLSTC, FLSTN (2 OF 2)
68767-94	AUXILIARY/FOG LAMPS AND TURN SIGNALS, FRONT - FLSTC, FLSTN (2 OF 2)
68818-03B	TAIL LAMP - FLSTC, FLSTF, FLSTFB AND FLSTFBS
68830-99A	TAIL LAMP - FLSTC, FLSTF, FLSTFB AND FLSTFBS
68834-05A	TAIL LAMP - FLSTN
68840-05	AUXILIARY/FOG LAMPS AND TURN SIGNALS, FRONT - FLSTC, FLSTN (2 OF 2)
68846-09	AUXILIARY/FOG LAMPS AND TURN SIGNALS, FRONT - FLSTC, FLSTN (2 OF 2)
68847-09	AUXILIARY/FOG LAMPS AND TURN SIGNALS, FRONT - FLSTC, FLSTN (2 OF 2)
68905-00	TURN SIGNALS, REAR (1 OF 2)

68926-07	SWITCHES LOOSE PARTS
68956-07	SWITCHES
68958-07C	SWITCHES
68969-05	TURN SIGNALS, REAR (1 OF 2)
68973-00	AUXILIARY/FOG LAMPS AND TURN SIGNALS, FRONT - FLSTC, FLSTN (2 OF 2) TURN SIGNALS, FRONT - FLS, FLSS, FLSTF, FLSTFB, FLSTFBS, FXSB TURN SIGNALS, REAR (1 OF 2)
68978-00	TURN SIGNALS, REAR (1 OF 2)
69000006	HORN
69000026	HORN
69000033	HORN
69046-06A	ENGINE MOUNTS
69060-90H	HORN
69062-91A	HORN
69120-91	HORN
69123-92A	HORN
69130-10BYM	HORN
69170-08	HORN
69187-03A	TAIL LAMP - FLSTC, FLSTF, FLSTFB AND FLSTFBS
69200010	WIRING HARNESS, MAIN, NON-ABS - FLS (3 OF 5) WIRING HARNESS, MAIN, ABS - FLS AND FLSS (3 OF 5) WIRING HARNESS, MAIN, ABS - FXSB (3 OF 5)
69200011	TURN SIGNALS, REAR (2 OF 2)
69200012	WIRING HARNESS, MAIN, NON-ABS - FLS (3 OF 5) WIRING HARNESS, MAIN, ABS - FLS AND FLSS (3 OF 5) WIRING HARNESS, MAIN, ABS - FXSB (3 OF 5)
69200018	FENDERS AND SUPPORTS, REAR - FLSTC FENDERS AND SUPPORTS, REAR - FLSTN TAIL LAMP - FLSTC, FLSTF, FLSTFB AND FLSTFBS TAIL LAMP - FLSTN
69200052	ALTERNATOR AND REGULATOR
69200238	WIRING HARNESS, MAIN, NON-ABS - FLS (5 OF 5) WIRING HARNESS, MAIN, ABS - FLS AND FLSS (5 OF 5) WIRING HARNESS, MAIN, ABS - FLSTF, FLSTFB AND FLSTFBS (5 OF 5) WIRING HARNESS, MAIN, ABS - FLSTC AND FLSTN (5 OF 5) WIRING HARNESS, MAIN, ABS - FXSB (5 OF 5)
69200267A	WIRING HARNESS, MAIN, NON-ABS - FLS (3 OF 5) WIRING HARNESS, MAIN, ABS - FLS AND FLSS (3 OF 5) WIRING HARNESS, MAIN, ABS - FLSTF, FLSTFB AND FLSTFBS (3 OF 5) WIRING HARNESS, MAIN, ABS - FLSTC AND FLSTN (3 OF 5)

	WIRING HARNESS, MAIN, ABS - FXSB (4 OF 5)
69200268A	WIRING HARNESS, MAIN, NON-ABS - FLS (3 OF 5) WIRING HARNESS, MAIN, ABS - FLS AND FLSS (3 OF 5) WIRING HARNESS, MAIN, ABS - FLSTF, FLSTFB AND FLSTFBS (3 OF 5) WIRING HARNESS, MAIN, ABS - FLSTC AND FLSTN (3 OF 5) WIRING HARNESS, MAIN, ABS - FXSB (4 OF 5)
69200282	HORN
69200283	HORN
69200307	THROTTLE CONTROL
69200356	FENDERS AND SUPPORTS, REAR - FLS AND FLSS
69200437	WIRING HARNESS, MAIN, NON-ABS - FLS (2 OF 5) WIRING HARNESS, MAIN, ABS - FLS AND FLSS (2 OF 5) WIRING HARNESS, MAIN, ABS - FLSTF, FLSTFB AND FLSTFBS (2 OF 5) WIRING HARNESS, MAIN, ABS - FLSTC AND FLSTN (2 OF 5) WIRING HARNESS, MAIN, ABS - FXSB (2 OF 5)
69200451	SWITCHES
69200452	SWITCHES
69200530	INSTRUMENTS - FXSB
69200531	FUEL TANK
69200626	FENDERS AND SUPPORTS, REAR - FLSTC FENDERS AND SUPPORTS, REAR - FLSTN
69201077	WIRING HARNESS, MAIN, ABS - FLSTC AND FLSTN (1 OF 5) WIRING HARNESS, MAIN, ABS - FLSTC AND FLSTN (2 OF 5) WIRING HARNESS, MAIN, ABS - FLSTC AND FLSTN (3 OF 5) WIRING HARNESS, MAIN, ABS - FLSTC AND FLSTN (4 OF 5) WIRING HARNESS, MAIN, ABS - FLSTC AND FLSTN (5 OF 5)
69201078	WIRING HARNESS, MAIN, ABS - FLSTC AND FLSTN (1 OF 5) WIRING HARNESS, MAIN, ABS - FLSTC AND FLSTN (2 OF 5) WIRING HARNESS, MAIN, ABS - FLSTC AND FLSTN (3 OF 5) WIRING HARNESS, MAIN, ABS - FLSTC AND FLSTN (4 OF 5) WIRING HARNESS, MAIN, ABS - FLSTC AND FLSTN (5 OF 5)
69201079	WIRING HARNESS, MAIN, NON-ABS - FLS (1 OF 5) WIRING HARNESS, MAIN, NON-ABS - FLS (2 OF 5) WIRING HARNESS, MAIN, NON-ABS - FLS (3 OF 5) WIRING HARNESS, MAIN, NON-ABS - FLS (4 OF 5) WIRING HARNESS, MAIN, NON-ABS - FLS (5 OF 5)
69201080	WIRING HARNESS, MAIN, ABS - FLS AND FLSS (1 OF 5) WIRING HARNESS, MAIN, ABS - FLS AND FLSS (2 OF 5) WIRING HARNESS, MAIN, ABS - FLS AND FLSS (3 OF 5) WIRING HARNESS, MAIN, ABS - FLS AND FLSS (4 OF 5) WIRING HARNESS, MAIN, ABS - FLS AND FLSS (5 OF 5)
69201082	WIRING HARNESS, MAIN, ABS - FXSB (1 OF 5) WIRING HARNESS, MAIN, ABS - FXSB (2 OF 5) WIRING HARNESS, MAIN, ABS - FXSB (3 OF 5) WIRING HARNESS, MAIN, ABS - FXSB (4 OF 5) WIRING HARNESS, MAIN, ABS - FXSB (5 OF 5)
69201083	WIRING HARNESS, MAIN, ABS - FXSB (1 OF 5) WIRING HARNESS, MAIN, ABS - FXSB (2 OF 5) WIRING HARNESS, MAIN, ABS - FXSB (3 OF 5)

	<p>WIRING HARNESS, MAIN, ABS - FXSB (4 OF 5) WIRING HARNESS, MAIN, ABS - FXSB (5 OF 5)</p>
69201084	FENDERS AND SUPPORTS, REAR - FLSTF, FLSTFB AND FLSTFBS
69201085	FENDERS AND SUPPORTS, REAR - FLS AND FLSS
69201162	THROTTLE CONTROL
69201163	<p>WIRING HARNESS, MAIN, NON-ABS - FLS (1 OF 5) WIRING HARNESS, MAIN, ABS - FLS AND FLSS (1 OF 5) WIRING HARNESS, MAIN, ABS - FLSTF, FLSTFB AND FLSTFBS (1 OF 5) WIRING HARNESS, MAIN, ABS - FLSTC AND FLSTN (1 OF 5) WIRING HARNESS, MAIN, ABS - FXSB (1 OF 5)</p>
69201164	<p>WIRING HARNESS, MAIN, NON-ABS - FLS (1 OF 5) WIRING HARNESS, MAIN, ABS - FLS AND FLSS (1 OF 5) WIRING HARNESS, MAIN, ABS - FLSTF, FLSTFB AND FLSTFBS (1 OF 5) WIRING HARNESS, MAIN, ABS - FLSTC AND FLSTN (1 OF 5) WIRING HARNESS, MAIN, ABS - FXSB (1 OF 5)</p>
69201168	<p>WIRING HARNESS, MAIN, NON-ABS - FLS (3 OF 5) WIRING HARNESS, MAIN, ABS - FLS AND FLSS (3 OF 5) WIRING HARNESS, MAIN, ABS - FLSTF, FLSTFB AND FLSTFBS (3 OF 5) WIRING HARNESS, MAIN, ABS - FLSTC AND FLSTN (3 OF 5) WIRING HARNESS, MAIN, ABS - FXSB (4 OF 5)</p>
69201179	TURN SIGNALS, FRONT - FLS, FLSS, FLSTF, FLSTFB, FLSTFBS, FXSB
69201180	<p>WIRING HARNESS, MAIN, NON-ABS - FLS (1 OF 5) WIRING HARNESS, MAIN, ABS - FLS AND FLSS (1 OF 5) WIRING HARNESS, MAIN, ABS - FLSTF, FLSTFB AND FLSTFBS (1 OF 5) WIRING HARNESS, MAIN, ABS - FXSB (1 OF 5)</p>
69201184	<p>WIRING HARNESS, MAIN, ABS - FLSTF, FLSTFB AND FLSTFBS (1 OF 5) WIRING HARNESS, MAIN, ABS - FLSTF, FLSTFB AND FLSTFBS (2 OF 5) WIRING HARNESS, MAIN, ABS - FLSTF, FLSTFB AND FLSTFBS (3 OF 5) WIRING HARNESS, MAIN, ABS - FLSTF, FLSTFB AND FLSTFBS (4 OF 5) WIRING HARNESS, MAIN, ABS - FLSTF, FLSTFB AND FLSTFBS (5 OF 5)</p>
69201185	<p>WIRING HARNESS, MAIN, ABS - FLSTF, FLSTFB AND FLSTFBS (1 OF 5) WIRING HARNESS, MAIN, ABS - FLSTF, FLSTFB AND FLSTFBS (2 OF 5) WIRING HARNESS, MAIN, ABS - FLSTF, FLSTFB AND FLSTFBS (3 OF 5) WIRING HARNESS, MAIN, ABS - FLSTF, FLSTFB AND FLSTFBS (4 OF 5) WIRING HARNESS, MAIN, ABS - FLSTF, FLSTFB AND FLSTFBS (5 OF 5)</p>
69201296	<p>WIRING HARNESS, MAIN, NON-ABS - FLS (1 OF 5) WIRING HARNESS, MAIN, ABS - FLS AND FLSS (1 OF 5) WIRING HARNESS, MAIN, ABS - FLSTF, FLSTFB AND FLSTFBS (1 OF 5) WIRING HARNESS, MAIN, ABS - FLSTC AND FLSTN (1 OF 5) WIRING HARNESS, MAIN, ABS - FXSB (1 OF 5)</p>
69201297	<p>WIRING HARNESS, MAIN, NON-ABS - FLS (1 OF 5) WIRING HARNESS, MAIN, ABS - FLS AND FLSS (1 OF 5) WIRING HARNESS, MAIN, ABS - FLSTF, FLSTFB AND FLSTFBS (1 OF 5) WIRING HARNESS, MAIN, ABS - FLSTC AND FLSTN (1 OF 5) WIRING HARNESS, MAIN, ABS - FXSB (1 OF 5)</p>
69220-06	AUXILIARY/FOG LAMPS AND TURN SIGNALS, FRONT - FLSTC, FLSTN (2 OF 2)
69221-06	AUXILIARY/FOG LAMPS AND TURN SIGNALS, FRONT - FLSTC, FLSTN (2 OF 2)
69222-09	AUXILIARY/FOG LAMPS AND TURN SIGNALS, FRONT - FLSTC, FLSTN (2 OF 2)
69223-09	AUXILIARY/FOG LAMPS AND TURN SIGNALS, FRONT - FLSTC, FLSTN (2 OF 2)

69309-10	SWITCHES
69438-06	TURN SIGNALS, REAR (2 OF 2)
69486-06B	TAIL LAMP - FLSTC, FLSTF, FLSTFB AND FLSTFBS
69490-07	FORK, REAR AND SHOCK ABSORBERS FENDERS AND SUPPORTS, REAR - FLSTF, FLSTFB AND FLSTFBS FENDERS AND SUPPORTS, REAR - FLSTN FENDERS AND SUPPORTS, REAR - FLS AND FLSS LICENSE PLATE BRACKETS - FXSB
69557-10	LICENSE PLATE BRACKETS - FLS AND FLSS
69609-00	HEADLAMP (2 OF 2)
69748-05B	HEADLAMP (2 OF 2)
69750-05C	HEADLAMP (2 OF 2)
69783-08A	HEADLAMP (2 OF 2)
6990	WIRING HARNESS, MAIN, NON-ABS - FLS (3 OF 5) WIRING HARNESS, MAIN, ABS - FLS AND FLSS (3 OF 5) WIRING HARNESS, MAIN, ABS - FLSTF, FLSTFB AND FLSTFBS (3 OF 5) WIRING HARNESS, MAIN, ABS - FLSTC AND FLSTN (3 OF 5) WIRING HARNESS, MAIN, ABS - FXSB (3 OF 5)
69933-08	TURN SIGNALS, REAR (2 OF 2) TURN SIGNALS, REAR (2 OF 2) TURN SIGNALS, REAR (2 OF 2)
69935-08	TURN SIGNALS, REAR (1 OF 2)
69969-08	HEADLAMP (2 OF 2)
69991-11C	SWITCHES
69993-11C	SWITCHES
69995-11	SWITCHES LOOSE PARTS
69997-11C	SWITCHES
70060-08A	BATTERY
70078-08A	BATTERY
70082-08A	BATTERY
70111-07	BATTERY
70112-08	BATTERY
70196-00	FENDER, FRONT
70345-84	INSTRUMENTS - FLSTF, FLSTFB, FLSTFBS AND FLSTN INSTRUMENTS - FLS, FLSS AND FLSTC SWITCHES, HANDLEBAR LEFT, FRONT HANDLEBAR
70354-11	SWITCHES
7038	HEADLAMP (1 OF 2)

7039	FORK BRACKETS, FRONT - FLS, FLSS, FLSTC, FLSTF, FLSTFB, FLSTFBS AND FLSTN
703B	CRANKCASE AND ENGINE OIL FILTER - TWIN CAM 103™ CRANKCASE AND ENGINE OIL FILTER - TWIN CAM 110™ ENGINE BALANCER
7041	SHIFTER, GEAR FORK BRACKETS, FRONT - FLS, FLSS, FLSTC, FLSTF, FLSTFB, FLSTFBS AND FLSTN
70593-08	BATTERY
7062	FORK BRACKETS, FRONT - FLS, FLSS, FLSTC, FLSTF, FLSTFB, FLSTFBS AND FLSTN FORK, FRONT-FLS,FLSS,FLSTC,FLSTF,FLSTFB,FLSTFBS AND FLSTN (1 OF 2) FORK, FRONT - FXSB
70631-08	BRAKE LINES, FRONT, ABS BRAKE LINES, FRONT, ABS WHEELS, FRONT (2 OF 2)
70635-08	BRAKE LINE AND MODULE, REAR, ABS
7068	HANDLEBAR
70684-11A	WHEELS, FRONT (2 OF 2)
70700-11B	INSTRUMENTS - FLS, FLSS AND FLSTC
7073	HEADLAMP (1 OF 2)
70900170	FUEL TANK
70900323A	FUEL TANK
70900369C	INSTRUMENTS - FXSB
70900370A	INSTRUMENTS - FXSB
70900371A	INSTRUMENTS - FXSB
70900622	INSTRUMENTS - FLSTF, FLSTFB, FLSTFBS AND FLSTN
70974-08A	WIRING HARNESS, MAIN, NON-ABS - FLS (3 OF 5) WIRING HARNESS, MAIN, ABS - FLS AND FLSS (3 OF 5) WIRING HARNESS, MAIN, ABS - FLSTF, FLSTFB AND FLSTFBS (3 OF 5) WIRING HARNESS, MAIN, ABS - FLSTC AND FLSTN (3 OF 5)
70982-08	WIRING HARNESS, MAIN, NON-ABS - FLS (3 OF 5) WIRING HARNESS, MAIN, NON-ABS - FLS (4 OF 5) WIRING HARNESS, MAIN, ABS - FLS AND FLSS (3 OF 5) WIRING HARNESS, MAIN, ABS - FLS AND FLSS (4 OF 5) WIRING HARNESS, MAIN, ABS - FLSTF, FLSTFB AND FLSTFBS (3 OF 5) WIRING HARNESS, MAIN, ABS - FLSTF, FLSTFB AND FLSTFBS (4 OF 5) WIRING HARNESS, MAIN, ABS - FLSTC AND FLSTN (3 OF 5) WIRING HARNESS, MAIN, ABS - FLSTC AND FLSTN (4 OF 5)
70991-07	EXHAUST SYSTEM - FXSB EXHAUST SYSTEM - FLSTC EXHAUST SYSTEM - FLS, FLSS, FLSTF, FLSTFB, FLSTFBS AND FLSTN (2 OF 2)
70996-08	WIRING HARNESS, MAIN, ABS - FXSB (3 OF 5)
71019-07	EXHAUST SYSTEM - FXSB EXHAUST SYSTEM - FLSTC EXHAUST SYSTEM - FLS, FLSS, FLSTF, FLSTFB, FLSTFBS AND FLSTN (2 OF 2)

71044-11	FRAME AND JIFFY STAND WIRING HARNESS, MAIN, NON-ABS - FLS (1 OF 5) WIRING HARNESS, MAIN, ABS - FLS AND FLSS (1 OF 5) WIRING HARNESS, MAIN, ABS - FLSTF, FLSTFB AND FLSTFBS (1 OF 5) WIRING HARNESS, MAIN, ABS - FLSTC AND FLSTN (1 OF 5) WIRING HARNESS, MAIN, ABS - FXSB (1 OF 5)
71060-11A	WIRING HARNESS, MAIN, ABS - FXSB (3 OF 5)
71250-11	INSTRUMENTS - FLSTF, FLSTFB, FLSTFBS AND FLSTN
71257-11	INSTRUMENTS - FLSTF, FLSTFB, FLSTFBS AND FLSTN
71265-95	INSTRUMENTS - FLSTF, FLSTFB, FLSTFBS AND FLSTN
71302-93A	INSTRUMENTS - FLSTF, FLSTFB, FLSTFBS AND FLSTN
7130W	HEADLAMP (1 OF 2)
7137	AUXILIARY/FOG LAMPS AND TURN SIGNALS, FRONT - FLSTC, FLSTN (1 OF 2)
71400076	FRAME AND JIFFY STAND INSTRUMENTS - FLSTF, FLSTFB, FLSTFBS AND FLSTN INSTRUMENTS - FLS, FLSS AND FLSTC SWITCHES
71400077	ELECTRONIC CONTROL MODULE (ECM) AND COIL SWITCHES
71500114	SWITCHES, HANDLEBAR LEFT, FRONT
71500117	SWITCHES, HANDLEBAR LEFT, FRONT
71500118	SWITCHES, HANDLEBAR RIGHT, FRONT
71500288	SWITCHES, HANDLEBAR LEFT, FRONT
71500289	SWITCHES, HANDLEBAR LEFT, FRONT
71500290	SWITCHES, HANDLEBAR LEFT, FRONT
71500292	SWITCHES, HANDLEBAR LEFT, FRONT
71500293	SWITCHES, HANDLEBAR LEFT, FRONT
71500294	SWITCHES, HANDLEBAR LEFT, FRONT
71500295	SWITCHES, HANDLEBAR LEFT, FRONT
71500297	SWITCHES, HANDLEBAR RIGHT, FRONT
71500298	SWITCHES, HANDLEBAR RIGHT, FRONT
71500299	SWITCHES, HANDLEBAR RIGHT, FRONT
71500300	SWITCHES, HANDLEBAR RIGHT, FRONT
71500448	SWITCHES, HANDLEBAR LEFT, FRONT
71512-11	INSTRUMENTS - FLS, FLSS AND FLSTC
71517-11	INSTRUMENTS - FLSTF, FLSTFB, FLSTFBS AND FLSTN INSTRUMENTS - FLS, FLSS AND FLSTC SWITCHES

7155	MIRRORS
71664-05	INSTRUMENTS - FLSTF, FLSTFB, FLSTFBS AND FLSTN
71669-05	INSTRUMENTS - FLSTF, FLSTFB, FLSTFBS AND FLSTN
71794-11	ELECTRONIC CONTROL MODULE (ECM) AND COIL SWITCHES
71796-11	ELECTRONIC CONTROL MODULE (ECM) AND COIL SWITCHES
71953-11	INSTRUMENTS - FLS, FLSS AND FLSTC
71978-08	INSTRUMENTS - FLS, FLSS AND FLSTC
71989-08	INSTRUMENTS - FLS, FLSS AND FLSTC
71990-09	INSTRUMENTS - FLS, FLSS AND FLSTC
72007-05	WIRING HARNESS, MAIN, NON-ABS - FLS (1 OF 5) WIRING HARNESS, MAIN, ABS - FLS AND FLSS (1 OF 5) WIRING HARNESS, MAIN, ABS - FLSTF, FLSTFB AND FLSTFBS (1 OF 5) WIRING HARNESS, MAIN, ABS - FLSTC AND FLSTN (1 OF 5) WIRING HARNESS, MAIN, ABS - FXSB (1 OF 5)
72009-05	CYLINDERS, HEADS, VALVES - TWIN CAM 103™ CYLINDERS, HEADS AND VALVES - TWIN CAM 110™
72010-05	WIRING HARNESS, MAIN, NON-ABS - FLS (1 OF 5) WIRING HARNESS, MAIN, NON-ABS - FLS (4 OF 5) WIRING HARNESS, MAIN, ABS - FLS AND FLSS (1 OF 5) WIRING HARNESS, MAIN, ABS - FLS AND FLSS (4 OF 5) WIRING HARNESS, MAIN, ABS - FLSTF, FLSTFB AND FLSTFBS (1 OF 5) WIRING HARNESS, MAIN, ABS - FLSTF, FLSTFB AND FLSTFBS (4 OF 5) WIRING HARNESS, MAIN, ABS - FLSTC AND FLSTN (1 OF 5) WIRING HARNESS, MAIN, ABS - FLSTC AND FLSTN (4 OF 5) WIRING HARNESS, MAIN, ABS - FXSB (1 OF 5) WIRING HARNESS, MAIN, ABS - FXSB (4 OF 5)
72011-05	CYLINDERS, HEADS, VALVES - TWIN CAM 103™ CYLINDERS, HEADS AND VALVES - TWIN CAM 110™
72012-07	WIRING HARNESS, MAIN, NON-ABS - FLS (4 OF 5) WIRING HARNESS, MAIN, ABS - FLS AND FLSS (4 OF 5) WIRING HARNESS, MAIN, ABS - FLSTF, FLSTFB AND FLSTFBS (4 OF 5) WIRING HARNESS, MAIN, ABS - FLSTC AND FLSTN (4 OF 5) WIRING HARNESS, MAIN, ABS - FXSB (4 OF 5)
72014-07	WIRING HARNESS, MAIN, NON-ABS - FLS (4 OF 5) WIRING HARNESS, MAIN, ABS - FLS AND FLSS (4 OF 5) WIRING HARNESS, MAIN, ABS - FLSTF, FLSTFB AND FLSTFBS (4 OF 5) WIRING HARNESS, MAIN, ABS - FLSTC AND FLSTN (4 OF 5) WIRING HARNESS, MAIN, ABS - FXSB (4 OF 5)
72023-51E	BRAKE CONTROL, REAR BRAKE LINE AND MODULE, REAR, ABS SWITCHES
72024-08	WIRING HARNESS, MAIN, NON-ABS - FLS (1 OF 5) WIRING HARNESS, MAIN, NON-ABS - FLS (4 OF 5) WIRING HARNESS, MAIN, ABS - FLS AND FLSS (1 OF 5) WIRING HARNESS, MAIN, ABS - FLS AND FLSS (4 OF 5) WIRING HARNESS, MAIN, ABS - FLSTF, FLSTFB AND FLSTFBS (1 OF 5) WIRING HARNESS, MAIN, ABS - FLSTF, FLSTFB AND FLSTFBS (4 OF 5) WIRING HARNESS, MAIN, ABS - FLSTC AND FLSTN (1 OF 5)

	WIRING HARNESS, MAIN, ABS - FLSTC AND FLSTN (4 OF 5) WIRING HARNESS, MAIN, ABS - FXSB (1 OF 5) WIRING HARNESS, MAIN, ABS - FXSB (4 OF 5)
72049-92	AUXILIARY/FOG LAMPS AND TURN SIGNALS, FRONT - FLSTC, FLSTN (2 OF 2)
72056-92	HEADLAMP (2 OF 2)
72062-06	INSTRUMENTS - FLSTF, FLSTFB, FLSTFBS AND FLSTN INSTRUMENTS - FLS, FLSS AND FLSTC WIRING HARNESS, MAIN, ABS - FXSB (2 OF 5)
72063-06	WIRING HARNESS, MAIN, NON-ABS - FLS (2 OF 5) WIRING HARNESS, MAIN, ABS - FLS AND FLSS (2 OF 5) WIRING HARNESS, MAIN, ABS - FLSTF, FLSTFB AND FLSTFBS (2 OF 5) WIRING HARNESS, MAIN, ABS - FLSTC AND FLSTN (2 OF 5) WIRING HARNESS, MAIN, ABS - FXSB (2 OF 5)
72064-06	WIRING HARNESS, MAIN, NON-ABS - FLS (4 OF 5) WIRING HARNESS, MAIN, ABS - FLS AND FLSS (4 OF 5) WIRING HARNESS, MAIN, ABS - FLSTF, FLSTFB AND FLSTFBS (4 OF 5) WIRING HARNESS, MAIN, ABS - FLSTC AND FLSTN (4 OF 5) WIRING HARNESS, MAIN, ABS - FXSB (4 OF 5)
72066-06A	INSTRUMENTS - FLSTF, FLSTFB, FLSTFBS AND FLSTN INSTRUMENTS - FLS, FLSS AND FLSTC WIRING HARNESS, MAIN, NON-ABS - FLS (3 OF 5) WIRING HARNESS, MAIN, ABS - FLS AND FLSS (3 OF 5) WIRING HARNESS, MAIN, ABS - FLS AND FLSS (4 OF 5) WIRING HARNESS, MAIN, ABS - FLS AND FLSS (5 OF 5) WIRING HARNESS, MAIN, ABS - FLSTF, FLSTFB AND FLSTFBS (3 OF 5) WIRING HARNESS, MAIN, ABS - FLSTF, FLSTFB AND FLSTFBS (4 OF 5) WIRING HARNESS, MAIN, ABS - FLSTF, FLSTFB AND FLSTFBS (5 OF 5) WIRING HARNESS, MAIN, ABS - FLSTC AND FLSTN (3 OF 5) WIRING HARNESS, MAIN, ABS - FLSTC AND FLSTN (4 OF 5) WIRING HARNESS, MAIN, ABS - FLSTC AND FLSTN (5 OF 5) WIRING HARNESS, MAIN, ABS - FXSB (2 OF 5) WIRING HARNESS, MAIN, ABS - FXSB (4 OF 5) WIRING HARNESS, MAIN, ABS - FXSB (4 OF 5) WIRING HARNESS, MAIN, ABS - FXSB (5 OF 5)
72081-11	WIRING HARNESS, MAIN, NON-ABS - FLS (4 OF 5) WIRING HARNESS, MAIN, ABS - FLS AND FLSS (4 OF 5) WIRING HARNESS, MAIN, ABS - FLSTF, FLSTFB AND FLSTFBS (4 OF 5) WIRING HARNESS, MAIN, ABS - FLSTC AND FLSTN (4 OF 5) WIRING HARNESS, MAIN, ABS - FXSB (4 OF 5)
72094-06	INSTRUMENTS - FLSTF, FLSTFB, FLSTFBS AND FLSTN INSTRUMENTS - FLS, FLSS AND FLSTC WIRING HARNESS, MAIN, ABS - FLS AND FLSS (4 OF 5) WIRING HARNESS, MAIN, ABS - FLS AND FLSS (5 OF 5) WIRING HARNESS, MAIN, ABS - FLSTF, FLSTFB AND FLSTFBS (4 OF 5) WIRING HARNESS, MAIN, ABS - FLSTF, FLSTFB AND FLSTFBS (5 OF 5) WIRING HARNESS, MAIN, ABS - FLSTC AND FLSTN (4 OF 5) WIRING HARNESS, MAIN, ABS - FLSTC AND FLSTN (5 OF 5) WIRING HARNESS, MAIN, ABS - FXSB (4 OF 5) WIRING HARNESS, MAIN, ABS - FXSB (5 OF 5)
72096-06	INSTRUMENTS - FLSTF, FLSTFB, FLSTFBS AND FLSTN INSTRUMENTS - FLS, FLSS AND FLSTC WIRING HARNESS, MAIN, ABS - FLS AND FLSS (4 OF 5) WIRING HARNESS, MAIN, ABS - FLS AND FLSS (5 OF 5) WIRING HARNESS, MAIN, ABS - FLSTF, FLSTFB AND FLSTFBS (4 OF 5) WIRING HARNESS, MAIN, ABS - FLSTF, FLSTFB AND FLSTFBS (5 OF 5) WIRING HARNESS, MAIN, ABS - FLSTC AND FLSTN (4 OF 5) WIRING HARNESS, MAIN, ABS - FLSTC AND FLSTN (5 OF 5)

	<p>WIRING HARNESS, MAIN, ABS - FXSB (4 OF 5) WIRING HARNESS, MAIN, ABS - FXSB (5 OF 5)</p>
72097-06	<p>WIRING HARNESS, MAIN, ABS - FLSTF, FLSTFB AND FLSTFBS (4 OF 5) WIRING HARNESS, MAIN, ABS - FLSTC AND FLSTN (4 OF 5) WIRING HARNESS, MAIN, ABS - FXSB (4 OF 5)</p>
72106-94BK	<p>WIRING HARNESS, MAIN, NON-ABS - FLS (3 OF 5) WIRING HARNESS, MAIN, ABS - FLS AND FLSS (3 OF 5) WIRING HARNESS, MAIN, ABS - FLSTF, FLSTFB AND FLSTFBS (3 OF 5) WIRING HARNESS, MAIN, ABS - FLSTC AND FLSTN (3 OF 5) WIRING HARNESS, MAIN, ABS - FXSB (3 OF 5)</p>
72111-06	<p>WIRING HARNESS, MAIN, NON-ABS - FLS (2 OF 5) WIRING HARNESS, MAIN, ABS - FLS AND FLSS (2 OF 5) WIRING HARNESS, MAIN, ABS - FLSTF, FLSTFB AND FLSTFBS (2 OF 5) WIRING HARNESS, MAIN, ABS - FLSTC AND FLSTN (2 OF 5) WIRING HARNESS, MAIN, ABS - FXSB (2 OF 5)</p>
72130-04	<p>INSTRUMENTS - FLSTF, FLSTFB, FLSTFBS AND FLSTN INSTRUMENTS - FLS, FLSS AND FLSTC INSTRUMENTS - FXSB</p>
72135-06	<p>INSTRUMENTS - FLSTF, FLSTFB, FLSTFBS AND FLSTN INSTRUMENTS - FLS, FLSS AND FLSTC WIRING HARNESS, MAIN, NON-ABS - FLS (3 OF 5) WIRING HARNESS, MAIN, ABS - FLS AND FLSS (3 OF 5) WIRING HARNESS, MAIN, ABS - FLS AND FLSS (4 OF 5) WIRING HARNESS, MAIN, ABS - FLS AND FLSS (5 OF 5) WIRING HARNESS, MAIN, ABS - FLSTF, FLSTFB AND FLSTFBS (3 OF 5) WIRING HARNESS, MAIN, ABS - FLSTF, FLSTFB AND FLSTFBS (4 OF 5) WIRING HARNESS, MAIN, ABS - FLSTF, FLSTFB AND FLSTFBS (5 OF 5) WIRING HARNESS, MAIN, ABS - FLSTC AND FLSTN (3 OF 5) WIRING HARNESS, MAIN, ABS - FLSTC AND FLSTN (4 OF 5) WIRING HARNESS, MAIN, ABS - FLSTC AND FLSTN (5 OF 5) WIRING HARNESS, MAIN, ABS - FXSB (2 OF 5) WIRING HARNESS, MAIN, ABS - FXSB (4 OF 5) WIRING HARNESS, MAIN, ABS - FXSB (4 OF 5) WIRING HARNESS, MAIN, ABS - FXSB (5 OF 5)</p>
72146-94	<p>WIRING HARNESS, MAIN, NON-ABS - FLS (3 OF 5) WIRING HARNESS, MAIN, ABS - FLS AND FLSS (3 OF 5) WIRING HARNESS, MAIN, ABS - FLSTF, FLSTFB AND FLSTFBS (3 OF 5) WIRING HARNESS, MAIN, ABS - FLSTC AND FLSTN (3 OF 5) WIRING HARNESS, MAIN, ABS - FXSB (3 OF 5)</p>
72160-06	<p>AUXILIARY/FOG LAMPS AND TURN SIGNALS, FRONT - FLSTC, FLSTN (2 OF 2)</p>
72161-06	<p>AUXILIARY/FOG LAMPS AND TURN SIGNALS, FRONT - FLSTC, FLSTN (2 OF 2)</p>
72168-07	<p>INSTRUMENTS - FLSTF, FLSTFB, FLSTFBS AND FLSTN INSTRUMENTS - FLS, FLSS AND FLSTC WIRING HARNESS, MAIN, NON-ABS - FLS (5 OF 5) WIRING HARNESS, MAIN, ABS - FLS AND FLSS (5 OF 5) WIRING HARNESS, MAIN, ABS - FLSTF, FLSTFB AND FLSTFBS (5 OF 5) WIRING HARNESS, MAIN, ABS - FLSTC AND FLSTN (5 OF 5) WIRING HARNESS, MAIN, ABS - FXSB (3 OF 5) WIRING HARNESS, MAIN, ABS - FXSB (5 OF 5)</p>
72169-07	<p>FRAME AND JIFFY STAND WIRING HARNESS, MAIN, NON-ABS - FLS (1 OF 5) WIRING HARNESS, MAIN, NON-ABS - FLS (3 OF 5) WIRING HARNESS, MAIN, NON-ABS - FLS (5 OF 5) WIRING HARNESS, MAIN, ABS - FLS AND FLSS (1 OF 5) WIRING HARNESS, MAIN, ABS - FLS AND FLSS (3 OF 5) WIRING HARNESS, MAIN, ABS - FLS AND FLSS (5 OF 5)</p>

	<p>WIRING HARNESS, MAIN, ABS - FLSTF, FLSTFB AND FLSTFBS (1 OF 5) WIRING HARNESS, MAIN, ABS - FLSTF, FLSTFB AND FLSTFBS (3 OF 5) WIRING HARNESS, MAIN, ABS - FLSTF, FLSTFB AND FLSTFBS (5 OF 5) WIRING HARNESS, MAIN, ABS - FLSTC AND FLSTN (1 OF 5) WIRING HARNESS, MAIN, ABS - FLSTC AND FLSTN (3 OF 5) WIRING HARNESS, MAIN, ABS - FLSTC AND FLSTN (5 OF 5) WIRING HARNESS, MAIN, ABS - FXSB (1 OF 5) WIRING HARNESS, MAIN, ABS - FXSB (3 OF 5) WIRING HARNESS, MAIN, ABS - FXSB (5 OF 5)</p>
72175-07BK	<p>WIRING HARNESS, MAIN, NON-ABS - FLS (3 OF 5) WIRING HARNESS, MAIN, ABS - FLS AND FLSS (3 OF 5) WIRING HARNESS, MAIN, ABS - FLSTF, FLSTFB AND FLSTFBS (3 OF 5) WIRING HARNESS, MAIN, ABS - FLSTC AND FLSTN (3 OF 5) WIRING HARNESS, MAIN, ABS - FXSB (3 OF 5)</p>
72177-07BK	<p>EXHAUST SYSTEM - FXSB EXHAUST SYSTEM - FLSTC EXHAUST SYSTEM - FLS, FLSS, FLSTF, FLSTFB, FLSTFBS AND FLSTN (2 OF 2)</p>
72189-04	<p>INSTRUMENTS - FLS, FLSS AND FLSTC INSTRUMENTS - FXSB</p>
72190-94	<p>WIRING HARNESS, MAIN, NON-ABS - FLS (3 OF 5) WIRING HARNESS, MAIN, ABS - FLS AND FLSS (3 OF 5) WIRING HARNESS, MAIN, ABS - FLSTF, FLSTFB AND FLSTFBS (3 OF 5) WIRING HARNESS, MAIN, ABS - FLSTC AND FLSTN (3 OF 5) WIRING HARNESS, MAIN, ABS - FXSB (3 OF 5)</p>
72194-94	<p>WIRING HARNESS, MAIN, NON-ABS - FLS (3 OF 5) WIRING HARNESS, MAIN, ABS - FLS AND FLSS (3 OF 5) WIRING HARNESS, MAIN, ABS - FLSTF, FLSTFB AND FLSTFBS (3 OF 5) WIRING HARNESS, MAIN, ABS - FLSTC AND FLSTN (3 OF 5) WIRING HARNESS, MAIN, ABS - FXSB (3 OF 5)</p>
72199-94	<p>SENSORS AND SWITCHES, ENGINE - TWIN CAM 103™ SENSORS AND SWITCHES, ENGINE - TWIN CAM 110™ TAIL LAMP - FLSTN WIRING HARNESS, MAIN, NON-ABS - FLS (3 OF 5) WIRING HARNESS, MAIN, ABS - FLS AND FLSS (3 OF 5) WIRING HARNESS, MAIN, ABS - FLSTF, FLSTFB AND FLSTFBS (3 OF 5) WIRING HARNESS, MAIN, ABS - FLSTC AND FLSTN (3 OF 5) WIRING HARNESS, MAIN, ABS - FXSB (3 OF 5)</p>
72209-11	<p>WIRING HARNESS, MAIN, NON-ABS - FLS (4 OF 5) WIRING HARNESS, MAIN, ABS - FLS AND FLSS (4 OF 5) WIRING HARNESS, MAIN, ABS - FLSTF, FLSTFB AND FLSTFBS (4 OF 5) WIRING HARNESS, MAIN, ABS - FLSTC AND FLSTN (4 OF 5) WIRING HARNESS, MAIN, ABS - FXSB (4 OF 5)</p>
72213-94	<p>WIRING HARNESS, MAIN, NON-ABS - FLS (4 OF 5) WIRING HARNESS, MAIN, ABS - FLS AND FLSS (1 OF 5) WIRING HARNESS, MAIN, ABS - FLS AND FLSS (4 OF 5) WIRING HARNESS, MAIN, ABS - FLSTF, FLSTFB AND FLSTFBS (1 OF 5) WIRING HARNESS, MAIN, ABS - FLSTF, FLSTFB AND FLSTFBS (4 OF 5) WIRING HARNESS, MAIN, ABS - FLSTC AND FLSTN (1 OF 5) WIRING HARNESS, MAIN, ABS - FLSTC AND FLSTN (4 OF 5) WIRING HARNESS, MAIN, ABS - FXSB (1 OF 5) WIRING HARNESS, MAIN, ABS - FXSB (4 OF 5)</p>
72222-11	<p>WIRING HARNESS, MAIN, NON-ABS - FLS (4 OF 5) WIRING HARNESS, MAIN, ABS - FLS AND FLSS (4 OF 5) WIRING HARNESS, MAIN, ABS - FLSTF, FLSTFB AND FLSTFBS (4 OF 5) WIRING HARNESS, MAIN, ABS - FLSTC AND FLSTN (4 OF 5) WIRING HARNESS, MAIN, ABS - FXSB (4 OF 5)</p>

72226-11	<p>WIRING HARNESS, MAIN, NON-ABS - FLS (4 OF 5) WIRING HARNESS, MAIN, ABS - FLS AND FLSS (4 OF 5) WIRING HARNESS, MAIN, ABS - FLSTF, FLSTFB AND FLSTFBS (4 OF 5) WIRING HARNESS, MAIN, ABS - FLSTC AND FLSTN (4 OF 5) WIRING HARNESS, MAIN, ABS - FXSB (4 OF 5)</p>
72227-11	<p>WIRING HARNESS, MAIN, NON-ABS - FLS (4 OF 5) WIRING HARNESS, MAIN, ABS - FLS AND FLSS (4 OF 5) WIRING HARNESS, MAIN, ABS - FLSTF, FLSTFB AND FLSTFBS (4 OF 5) WIRING HARNESS, MAIN, ABS - FLSTC AND FLSTN (4 OF 5) WIRING HARNESS, MAIN, ABS - FXSB (4 OF 5)</p>
72242-94	<p>WIRING HARNESS, MAIN, NON-ABS - FLS (3 OF 5) WIRING HARNESS, MAIN, ABS - FLS AND FLSS (3 OF 5) WIRING HARNESS, MAIN, ABS - FLSTF, FLSTFB AND FLSTFBS (3 OF 5) WIRING HARNESS, MAIN, ABS - FLSTC AND FLSTN (3 OF 5) WIRING HARNESS, MAIN, ABS - FXSB (3 OF 5)</p>
72249-94	<p>HEADLAMP (2 OF 2) WIRING HARNESS, MAIN, NON-ABS - FLS (3 OF 5) WIRING HARNESS, MAIN, ABS - FLS AND FLSS (3 OF 5) WIRING HARNESS, MAIN, ABS - FLSTF, FLSTFB AND FLSTFBS (3 OF 5) WIRING HARNESS, MAIN, ABS - FLSTC AND FLSTN (3 OF 5) WIRING HARNESS, MAIN, ABS - FXSB (3 OF 5)</p>
72251-07	<p>WIRING HARNESS, MAIN, NON-ABS - FLS (1 OF 5) WIRING HARNESS, MAIN, NON-ABS - FLS (2 OF 5) WIRING HARNESS, MAIN, ABS - FLS AND FLSS (1 OF 5) WIRING HARNESS, MAIN, ABS - FLS AND FLSS (2 OF 5) WIRING HARNESS, MAIN, ABS - FLSTF, FLSTFB AND FLSTFBS (1 OF 5) WIRING HARNESS, MAIN, ABS - FLSTF, FLSTFB AND FLSTFBS (2 OF 5) WIRING HARNESS, MAIN, ABS - FLSTC AND FLSTN (1 OF 5) WIRING HARNESS, MAIN, ABS - FLSTC AND FLSTN (2 OF 5) WIRING HARNESS, MAIN, ABS - FXSB (1 OF 5) WIRING HARNESS, MAIN, ABS - FXSB (2 OF 5)</p>
72254-94	<p>WIRING HARNESS, MAIN, NON-ABS - FLS (3 OF 5) WIRING HARNESS, MAIN, ABS - FLS AND FLSS (3 OF 5) WIRING HARNESS, MAIN, ABS - FLSTF, FLSTFB AND FLSTFBS (3 OF 5) WIRING HARNESS, MAIN, ABS - FLSTC AND FLSTN (3 OF 5) WIRING HARNESS, MAIN, ABS - FXSB (3 OF 5)</p>
72256-11	<p>WIRING HARNESS, MAIN, NON-ABS - FLS (4 OF 5) WIRING HARNESS, MAIN, ABS - FLS AND FLSS (4 OF 5) WIRING HARNESS, MAIN, ABS - FLSTF, FLSTFB AND FLSTFBS (4 OF 5) WIRING HARNESS, MAIN, ABS - FLSTC AND FLSTN (4 OF 5) WIRING HARNESS, MAIN, ABS - FXSB (4 OF 5)</p>
72283-09	<p>WIRING HARNESS, MAIN, NON-ABS - FLS (2 OF 5) WIRING HARNESS, MAIN, ABS - FLS AND FLSS (2 OF 5) WIRING HARNESS, MAIN, ABS - FLSTF, FLSTFB AND FLSTFBS (2 OF 5) WIRING HARNESS, MAIN, ABS - FLSTC AND FLSTN (2 OF 5) WIRING HARNESS, MAIN, ABS - FXSB (5 OF 5) HORN</p>
72290-94	<p>AUXILIARY/FOG LAMPS AND TURN SIGNALS, FRONT - FLSTC, FLSTN (2 OF 2)</p>
72291-94	<p>WIRING HARNESS, MAIN, NON-ABS - FLS (4 OF 5) WIRING HARNESS, MAIN, ABS - FLS AND FLSS (4 OF 5) WIRING HARNESS, MAIN, ABS - FLSTF, FLSTFB AND FLSTFBS (4 OF 5) WIRING HARNESS, MAIN, ABS - FLSTC AND FLSTN (4 OF 5) WIRING HARNESS, MAIN, ABS - FXSB (4 OF 5)</p>
72295-94	<p>WIRING HARNESS, MAIN, NON-ABS - FLS (4 OF 5) WIRING HARNESS, MAIN, ABS - FLS AND FLSS (4 OF 5) WIRING HARNESS, MAIN, ABS - FLSTF, FLSTFB AND FLSTFBS (4 OF 5)</p>

	<p>WIRING HARNESS, MAIN, ABS - FLSTC AND FLSTN (4 OF 5) WIRING HARNESS, MAIN, ABS - FXSB (4 OF 5)</p>
72298-95	<p>AUXILIARY/FOG LAMPS AND TURN SIGNALS, FRONT - FLSTC, FLSTN (2 OF 2) WIRING HARNESS, MAIN, NON-ABS - FLS (3 OF 5) WIRING HARNESS, MAIN, ABS - FLS AND FLSS (3 OF 5) WIRING HARNESS, MAIN, ABS - FLSTF, FLSTFB AND FLSTFBS (3 OF 5) WIRING HARNESS, MAIN, ABS - FLSTC AND FLSTN (3 OF 5) WIRING HARNESS, MAIN, ABS - FXSB (3 OF 5)</p>
7230	<p>HEADLAMP (1 OF 2)</p>
72308-97	<p>WIRING HARNESS, MAIN, NON-ABS - FLS (3 OF 5) WIRING HARNESS, MAIN, ABS - FLS AND FLSS (3 OF 5) WIRING HARNESS, MAIN, ABS - FLSTF, FLSTFB AND FLSTFBS (3 OF 5) WIRING HARNESS, MAIN, ABS - FLSTC AND FLSTN (3 OF 5) WIRING HARNESS, MAIN, ABS - FXSB (3 OF 5)</p>
72314-01	<p>WIRING HARNESS, MAIN, NON-ABS - FLS (3 OF 5) WIRING HARNESS, MAIN, ABS - FLS AND FLSS (3 OF 5) WIRING HARNESS, MAIN, ABS - FLSTF, FLSTFB AND FLSTFBS (3 OF 5) WIRING HARNESS, MAIN, ABS - FLSTC AND FLSTN (3 OF 5) WIRING HARNESS, MAIN, ABS - FXSB (3 OF 5) SWITCHES LOOSE PARTS</p>
72330-95	<p>WIRING HARNESS, MAIN, NON-ABS - FLS (3 OF 5) WIRING HARNESS, MAIN, ABS - FLS AND FLSS (3 OF 5) WIRING HARNESS, MAIN, ABS - FLSTF, FLSTFB AND FLSTFBS (3 OF 5) WIRING HARNESS, MAIN, ABS - FLSTC AND FLSTN (3 OF 5) WIRING HARNESS, MAIN, ABS - FXSB (3 OF 5) SWITCHES</p>
72343-10	<p>WIRING HARNESS, MAIN, NON-ABS - FLS (3 OF 5) WIRING HARNESS, MAIN, NON-ABS - FLS (5 OF 5) WIRING HARNESS, MAIN, ABS - FLS AND FLSS (3 OF 5) WIRING HARNESS, MAIN, ABS - FLS AND FLSS (5 OF 5) WIRING HARNESS, MAIN, ABS - FLSTF, FLSTFB AND FLSTFBS (3 OF 5) WIRING HARNESS, MAIN, ABS - FLSTF, FLSTFB AND FLSTFBS (5 OF 5) WIRING HARNESS, MAIN, ABS - FLSTC AND FLSTN (3 OF 5) WIRING HARNESS, MAIN, ABS - FLSTC AND FLSTN (5 OF 5) WIRING HARNESS, MAIN, ABS - FXSB (3 OF 5) WIRING HARNESS, MAIN, ABS - FXSB (5 OF 5)</p>
72344-10	<p>EXHAUST SYSTEM - FXSB EXHAUST SYSTEM - FLSTC EXHAUST SYSTEM - FLS, FLSS, FLSTF, FLSTFB, FLSTFBS AND FLSTN (2 OF 2)</p>
72350-11	<p>WIRING HARNESS, MAIN, NON-ABS - FLS (4 OF 5) WIRING HARNESS, MAIN, ABS - FLS AND FLSS (4 OF 5) WIRING HARNESS, MAIN, ABS - FLSTF, FLSTFB AND FLSTFBS (4 OF 5) WIRING HARNESS, MAIN, ABS - FLSTC AND FLSTN (4 OF 5) WIRING HARNESS, MAIN, ABS - FXSB (4 OF 5)</p>
72356-95	<p>AUXILIARY/FOG LAMPS AND TURN SIGNALS, FRONT - FLSTC, FLSTN (2 OF 2) WIRING HARNESS, MAIN, NON-ABS - FLS (3 OF 5) WIRING HARNESS, MAIN, ABS - FLS AND FLSS (3 OF 5) WIRING HARNESS, MAIN, ABS - FLSTF, FLSTFB AND FLSTFBS (3 OF 5) WIRING HARNESS, MAIN, ABS - FLSTC AND FLSTN (3 OF 5) WIRING HARNESS, MAIN, ABS - FXSB (3 OF 5)</p>
72369-08A	<p>WIRING HARNESS, MAIN, NON-ABS - FLS (3 OF 5) WIRING HARNESS, MAIN, ABS - FLS AND FLSS (3 OF 5) WIRING HARNESS, MAIN, ABS - FLSTF, FLSTFB AND FLSTFBS (3 OF 5) WIRING HARNESS, MAIN, ABS - FLSTC AND FLSTN (3 OF 5) WIRING HARNESS, MAIN, ABS - FXSB (3 OF 5)</p>

72402-07	<p>WIRING HARNESS, MAIN, NON-ABS - FLS (1 OF 5) WIRING HARNESS, MAIN, NON-ABS - FLS (2 OF 5) WIRING HARNESS, MAIN, ABS - FLS AND FLSS (1 OF 5) WIRING HARNESS, MAIN, ABS - FLS AND FLSS (2 OF 5) WIRING HARNESS, MAIN, ABS - FLSTF, FLSTFB AND FLSTFBS (1 OF 5) WIRING HARNESS, MAIN, ABS - FLSTF, FLSTFB AND FLSTFBS (2 OF 5) WIRING HARNESS, MAIN, ABS - FLSTC AND FLSTN (1 OF 5) WIRING HARNESS, MAIN, ABS - FLSTC AND FLSTN (2 OF 5) WIRING HARNESS, MAIN, ABS - FXSB (1 OF 5) WIRING HARNESS, MAIN, ABS - FXSB (2 OF 5)</p>
72405-98BK	<p>WIRING HARNESS, MAIN, NON-ABS - FLS (4 OF 5) WIRING HARNESS, MAIN, NON-ABS - FLS (5 OF 5) WIRING HARNESS, MAIN, ABS - FLS AND FLSS (4 OF 5) WIRING HARNESS, MAIN, ABS - FLS AND FLSS (5 OF 5) WIRING HARNESS, MAIN, ABS - FLSTF, FLSTFB AND FLSTFBS (4 OF 5) WIRING HARNESS, MAIN, ABS - FLSTF, FLSTFB AND FLSTFBS (5 OF 5) WIRING HARNESS, MAIN, ABS - FLSTC AND FLSTN (4 OF 5) WIRING HARNESS, MAIN, ABS - FLSTC AND FLSTN (5 OF 5) WIRING HARNESS, MAIN, ABS - FXSB (4 OF 5) WIRING HARNESS, MAIN, ABS - FXSB (5 OF 5)</p>
72406-07A	<p>WIRING HARNESS, MAIN, NON-ABS - FLS (2 OF 5) WIRING HARNESS, MAIN, ABS - FLS AND FLSS (2 OF 5) WIRING HARNESS, MAIN, ABS - FLSTF, FLSTFB AND FLSTFBS (2 OF 5) WIRING HARNESS, MAIN, ABS - FLSTC AND FLSTN (2 OF 5) WIRING HARNESS, MAIN, ABS - FXSB (2 OF 5)</p>
72407-07	<p>WIRING HARNESS, MAIN, NON-ABS - FLS (2 OF 5) WIRING HARNESS, MAIN, ABS - FLS AND FLSS (2 OF 5) WIRING HARNESS, MAIN, ABS - FLSTF, FLSTFB AND FLSTFBS (2 OF 5) WIRING HARNESS, MAIN, ABS - FLSTC AND FLSTN (2 OF 5) WIRING HARNESS, MAIN, ABS - FXSB (2 OF 5)</p>
72408-07	<p>WIRING HARNESS, MAIN, NON-ABS - FLS (2 OF 5) WIRING HARNESS, MAIN, ABS - FLS AND FLSS (2 OF 5) WIRING HARNESS, MAIN, ABS - FLSTF, FLSTFB AND FLSTFBS (2 OF 5) WIRING HARNESS, MAIN, ABS - FLSTC AND FLSTN (2 OF 5) WIRING HARNESS, MAIN, ABS - FXSB (2 OF 5)</p>
72411-97	<p>AUXILIARY/FOG LAMPS AND TURN SIGNALS, FRONT - FLSTC, FLSTN (2 OF 2)</p>
72413-07	<p>WIRING HARNESS, MAIN, NON-ABS - FLS (1 OF 5) WIRING HARNESS, MAIN, NON-ABS - FLS (2 OF 5) WIRING HARNESS, MAIN, ABS - FLS AND FLSS (1 OF 5) WIRING HARNESS, MAIN, ABS - FLS AND FLSS (2 OF 5) WIRING HARNESS, MAIN, ABS - FLSTF, FLSTFB AND FLSTFBS (1 OF 5) WIRING HARNESS, MAIN, ABS - FLSTF, FLSTFB AND FLSTFBS (2 OF 5) WIRING HARNESS, MAIN, ABS - FLSTC AND FLSTN (1 OF 5) WIRING HARNESS, MAIN, ABS - FLSTC AND FLSTN (2 OF 5) WIRING HARNESS, MAIN, ABS - FXSB (1 OF 5) WIRING HARNESS, MAIN, ABS - FXSB (2 OF 5)</p>
72415-07GY	<p>WIRING HARNESS, MAIN, NON-ABS - FLS (5 OF 5) WIRING HARNESS, MAIN, ABS - FLS AND FLSS (5 OF 5) WIRING HARNESS, MAIN, ABS - FLSTF, FLSTFB AND FLSTFBS (5 OF 5) WIRING HARNESS, MAIN, ABS - FLSTC AND FLSTN (5 OF 5) WIRING HARNESS, MAIN, ABS - FXSB (5 OF 5)</p>
72444-07GY	<p>EXHAUST SYSTEM - FXSB EXHAUST SYSTEM - FLSTC EXHAUST SYSTEM - FLS, FLSS, FLSTF, FLSTFB, FLSTFBS AND FLSTN (2 OF 2)</p>
72473-07	<p>WIRING HARNESS, MAIN, ABS - FLS AND FLSS (4 OF 5) WIRING HARNESS, MAIN, ABS - FLSTF, FLSTFB AND FLSTFBS (4 OF 5) WIRING HARNESS, MAIN, ABS - FLSTC AND FLSTN (4 OF 5)</p>

	<p>WIRING HARNESS, MAIN, ABS - FXSB (1 OF 5) WIRING HARNESS, MAIN, ABS - FXSB (4 OF 5)</p>
72478-07BK	<p>WIRING HARNESS, MAIN, NON-ABS - FLS (1 OF 5) WIRING HARNESS, MAIN, ABS - FLS AND FLSS (1 OF 5) WIRING HARNESS, MAIN, ABS - FLSTF, FLSTFB AND FLSTFBS (1 OF 5) WIRING HARNESS, MAIN, ABS - FLSTC AND FLSTN (1 OF 5)</p>
72479-07BK	<p>INSTRUMENTS - FLSTF, FLSTFB, FLSTFBS AND FLSTN INSTRUMENTS - FLS, FLSS AND FLSTC</p>
72483-08BK	<p>WIRING HARNESS, MAIN, NON-ABS - FLS (2 OF 5) WIRING HARNESS, MAIN, ABS - FLS AND FLSS (2 OF 5) WIRING HARNESS, MAIN, ABS - FLSTF, FLSTFB AND FLSTFBS (2 OF 5) WIRING HARNESS, MAIN, ABS - FLSTC AND FLSTN (2 OF 5) WIRING HARNESS, MAIN, ABS - FXSB (2 OF 5)</p>
72484-08	<p>INSTRUMENTS - FLSTF, FLSTFB, FLSTFBS AND FLSTN INSTRUMENTS - FLS, FLSS AND FLSTC WIRING HARNESS, MAIN, NON-ABS - FLS (2 OF 5) WIRING HARNESS, MAIN, NON-ABS - FLS (3 OF 5) WIRING HARNESS, MAIN, NON-ABS - FLS (4 OF 5) WIRING HARNESS, MAIN, ABS - FLS AND FLSS (2 OF 5) WIRING HARNESS, MAIN, ABS - FLS AND FLSS (3 OF 5) WIRING HARNESS, MAIN, ABS - FLS AND FLSS (4 OF 5) WIRING HARNESS, MAIN, ABS - FLSTF, FLSTFB AND FLSTFBS (2 OF 5) WIRING HARNESS, MAIN, ABS - FLSTF, FLSTFB AND FLSTFBS (3 OF 5) WIRING HARNESS, MAIN, ABS - FLSTF, FLSTFB AND FLSTFBS (4 OF 5) WIRING HARNESS, MAIN, ABS - FLSTF, FLSTFB AND FLSTFBS (4 OF 5) WIRING HARNESS, MAIN, ABS - FLSTC AND FLSTN (2 OF 5) WIRING HARNESS, MAIN, ABS - FLSTC AND FLSTN (3 OF 5) WIRING HARNESS, MAIN, ABS - FLSTC AND FLSTN (4 OF 5) WIRING HARNESS, MAIN, ABS - FLSTC AND FLSTN (4 OF 5) WIRING HARNESS, MAIN, ABS - FXSB (2 OF 5) WIRING HARNESS, MAIN, ABS - FXSB (4 OF 5) WIRING HARNESS, MAIN, ABS - FXSB (4 OF 5)</p>
72486-08	<p>INSTRUMENTS - FLSTF, FLSTFB, FLSTFBS AND FLSTN INSTRUMENTS - FLS, FLSS AND FLSTC WIRING HARNESS, MAIN, NON-ABS - FLS (2 OF 5) WIRING HARNESS, MAIN, NON-ABS - FLS (3 OF 5) WIRING HARNESS, MAIN, NON-ABS - FLS (4 OF 5) WIRING HARNESS, MAIN, ABS - FLS AND FLSS (2 OF 5) WIRING HARNESS, MAIN, ABS - FLS AND FLSS (3 OF 5) WIRING HARNESS, MAIN, ABS - FLS AND FLSS (4 OF 5) WIRING HARNESS, MAIN, ABS - FLSTF, FLSTFB AND FLSTFBS (2 OF 5) WIRING HARNESS, MAIN, ABS - FLSTF, FLSTFB AND FLSTFBS (3 OF 5) WIRING HARNESS, MAIN, ABS - FLSTF, FLSTFB AND FLSTFBS (4 OF 5) WIRING HARNESS, MAIN, ABS - FLSTF, FLSTFB AND FLSTFBS (4 OF 5) WIRING HARNESS, MAIN, ABS - FLSTC AND FLSTN (2 OF 5) WIRING HARNESS, MAIN, ABS - FLSTC AND FLSTN (3 OF 5) WIRING HARNESS, MAIN, ABS - FLSTC AND FLSTN (4 OF 5) WIRING HARNESS, MAIN, ABS - FLSTC AND FLSTN (4 OF 5) WIRING HARNESS, MAIN, ABS - FXSB (2 OF 5) WIRING HARNESS, MAIN, ABS - FXSB (4 OF 5) WIRING HARNESS, MAIN, ABS - FXSB (4 OF 5)</p>
72500-07ABK	<p>WIRING HARNESS, MAIN, ABS - FLS AND FLSS (4 OF 5) WIRING HARNESS, MAIN, ABS - FLSTF, FLSTFB AND FLSTFBS (4 OF 5) WIRING HARNESS, MAIN, ABS - FLSTC AND FLSTN (4 OF 5) WIRING HARNESS, MAIN, ABS - FXSB (4 OF 5)</p>
72511-07BK	<p>FRAME AND JIFFY STAND</p>
72512-07BK	<p>WIRING HARNESS, MAIN, NON-ABS - FLS (5 OF 5) WIRING HARNESS, MAIN, ABS - FLS AND FLSS (5 OF 5)</p>

	<p>WIRING HARNESS, MAIN, ABS - FLSTC AND FLSTN (3 OF 5)</p> <p>WIRING HARNESS, MAIN, ABS - FXSB (3 OF 5)</p>
72593-11	<p>WIRING HARNESS, MAIN, ABS - FLS AND FLSS (4 OF 5)</p> <p>WIRING HARNESS, MAIN, ABS - FLSTF, FLSTFB AND FLSTFBS (4 OF 5)</p> <p>WIRING HARNESS, MAIN, ABS - FLSTC AND FLSTN (4 OF 5)</p> <p>WIRING HARNESS, MAIN, ABS - FXSB (4 OF 5)</p>
72594-11	<p>SWITCHES</p>
72595-11	<p>WIRING HARNESS, MAIN, NON-ABS - FLS (3 OF 5)</p> <p>WIRING HARNESS, MAIN, ABS - FLS AND FLSS (3 OF 5)</p> <p>WIRING HARNESS, MAIN, ABS - FLSTF, FLSTFB AND FLSTFBS (3 OF 5)</p> <p>WIRING HARNESS, MAIN, ABS - FLSTC AND FLSTN (3 OF 5)</p> <p>WIRING HARNESS, MAIN, ABS - FXSB (3 OF 5)</p>
72596-11	<p>SWITCHES</p>
72597-11	<p>SWITCHES</p>
72606-08	<p>WIRING HARNESS, MAIN, ABS - FLS AND FLSS (1 OF 5)</p> <p>WIRING HARNESS, MAIN, ABS - FLS AND FLSS (4 OF 5)</p> <p>WIRING HARNESS, MAIN, ABS - FLSTF, FLSTFB AND FLSTFBS (1 OF 5)</p> <p>WIRING HARNESS, MAIN, ABS - FLSTF, FLSTFB AND FLSTFBS (4 OF 5)</p> <p>WIRING HARNESS, MAIN, ABS - FLSTC AND FLSTN (1 OF 5)</p> <p>WIRING HARNESS, MAIN, ABS - FLSTC AND FLSTN (4 OF 5)</p> <p>WIRING HARNESS, MAIN, ABS - FXSB (1 OF 5)</p> <p>WIRING HARNESS, MAIN, ABS - FXSB (4 OF 5)</p>
72607-08	<p>WHEELS, FRONT (2 OF 2)</p> <p>WHEELS, REAR (2 OF 2)</p>
72608-08	<p>WHEELS, FRONT (2 OF 2)</p> <p>WHEELS, REAR (2 OF 2)</p>
72609-08	<p>WIRING HARNESS, MAIN, NON-ABS - FLS (4 OF 5)</p> <p>WIRING HARNESS, MAIN, ABS - FLS AND FLSS (1 OF 5)</p> <p>WIRING HARNESS, MAIN, ABS - FLS AND FLSS (4 OF 5)</p> <p>WIRING HARNESS, MAIN, ABS - FLSTF, FLSTFB AND FLSTFBS (1 OF 5)</p> <p>WIRING HARNESS, MAIN, ABS - FLSTF, FLSTFB AND FLSTFBS (4 OF 5)</p> <p>WIRING HARNESS, MAIN, ABS - FLSTC AND FLSTN (1 OF 5)</p> <p>WIRING HARNESS, MAIN, ABS - FLSTC AND FLSTN (4 OF 5)</p> <p>WIRING HARNESS, MAIN, ABS - FXSB (1 OF 5)</p> <p>WIRING HARNESS, MAIN, ABS - FXSB (4 OF 5)</p>
72610-08	<p>WIRING HARNESS, MAIN, NON-ABS - FLS (4 OF 5)</p> <p>WIRING HARNESS, MAIN, ABS - FLS AND FLSS (1 OF 5)</p> <p>WIRING HARNESS, MAIN, ABS - FLS AND FLSS (4 OF 5)</p> <p>WIRING HARNESS, MAIN, ABS - FLSTF, FLSTFB AND FLSTFBS (1 OF 5)</p> <p>WIRING HARNESS, MAIN, ABS - FLSTF, FLSTFB AND FLSTFBS (4 OF 5)</p> <p>WIRING HARNESS, MAIN, ABS - FLSTC AND FLSTN (1 OF 5)</p> <p>WIRING HARNESS, MAIN, ABS - FLSTC AND FLSTN (4 OF 5)</p> <p>WIRING HARNESS, MAIN, ABS - FXSB (1 OF 5)</p> <p>WIRING HARNESS, MAIN, ABS - FXSB (4 OF 5)</p>
72639-10	<p>WHEELS, FRONT (2 OF 2)</p> <p>WHEELS, REAR (2 OF 2)</p>
72657-12	<p>INSTRUMENTS - FLSTF, FLSTFB, FLSTFBS AND FLSTN</p>
72658-12	<p>INSTRUMENTS - FLS, FLSS AND FLSTC</p>
72662-11	<p>INSTRUMENTS - FLSTF, FLSTFB, FLSTFBS AND FLSTN</p> <p>INSTRUMENTS - FLS, FLSS AND FLSTC</p> <p>INSTRUMENTS - FXSB</p>

72663-11	<p>WIRING HARNESS, MAIN, NON-ABS - FLS (2 OF 5) WIRING HARNESS, MAIN, ABS - FLS AND FLSS (2 OF 5) WIRING HARNESS, MAIN, ABS - FLSTF, FLSTFB AND FLSTFBS (2 OF 5) WIRING HARNESS, MAIN, ABS - FLSTC AND FLSTN (2 OF 5) WIRING HARNESS, MAIN, ABS - FXSB (2 OF 5)</p>
72664-12A	<p>WIRING HARNESS, MAIN, NON-ABS - FLS (3 OF 5) WIRING HARNESS, MAIN, ABS - FLS AND FLSS (3 OF 5) WIRING HARNESS, MAIN, ABS - FLSTF, FLSTFB AND FLSTFBS (3 OF 5) WIRING HARNESS, MAIN, ABS - FLSTC AND FLSTN (3 OF 5) WIRING HARNESS, MAIN, ABS - FXSB (4 OF 5)</p>
72666-12	<p>WIRING HARNESS, MAIN, NON-ABS - FLS (3 OF 5) WIRING HARNESS, MAIN, ABS - FLS AND FLSS (3 OF 5) WIRING HARNESS, MAIN, ABS - FLSTF, FLSTFB AND FLSTFBS (3 OF 5) WIRING HARNESS, MAIN, ABS - FLSTC AND FLSTN (3 OF 5) WIRING HARNESS, MAIN, ABS - FXSB (4 OF 5)</p>
72677-11	<p>WIRING HARNESS, MAIN, ABS - FXSB (3 OF 5)</p>
72720-07	<p>WIRING HARNESS, MAIN, NON-ABS - FLS (3 OF 5) WIRING HARNESS, MAIN, ABS - FLS AND FLSS (3 OF 5) WIRING HARNESS, MAIN, ABS - FLSTF, FLSTFB AND FLSTFBS (3 OF 5) WIRING HARNESS, MAIN, ABS - FLSTC AND FLSTN (3 OF 5) WIRING HARNESS, MAIN, ABS - FXSB (3 OF 5)</p>
72721-07	<p>WIRING HARNESS, MAIN, NON-ABS - FLS (3 OF 5) WIRING HARNESS, MAIN, ABS - FLS AND FLSS (3 OF 5) WIRING HARNESS, MAIN, ABS - FLSTF, FLSTFB AND FLSTFBS (3 OF 5) WIRING HARNESS, MAIN, ABS - FLSTC AND FLSTN (3 OF 5) WIRING HARNESS, MAIN, ABS - FXSB (3 OF 5)</p>
72902-01BK	<p>THROTTLE CONTROL</p>
72904-01BK	<p>FUEL PUMP</p>
72905-11	<p>WIRING HARNESS, MAIN, NON-ABS - FLS (1 OF 5) WIRING HARNESS, MAIN, ABS - FLS AND FLSS (1 OF 5) WIRING HARNESS, MAIN, ABS - FLSTF, FLSTFB AND FLSTFBS (1 OF 5) WIRING HARNESS, MAIN, ABS - FLSTC AND FLSTN (1 OF 5) WIRING HARNESS, MAIN, ABS - FXSB (1 OF 5)</p>
72906-11	<p>SWITCHES, HANDLEBAR RIGHT, FRONT</p>
72907-11	<p>WIRING HARNESS, MAIN, NON-ABS - FLS (1 OF 5) WIRING HARNESS, MAIN, ABS - FLS AND FLSS (1 OF 5) WIRING HARNESS, MAIN, ABS - FLSTF, FLSTFB AND FLSTFBS (1 OF 5) WIRING HARNESS, MAIN, ABS - FLSTC AND FLSTN (1 OF 5) WIRING HARNESS, MAIN, ABS - FXSB (1 OF 5)</p>
72908-11	<p>SWITCHES, HANDLEBAR LEFT, FRONT SWITCHES, HANDLEBAR RIGHT, FRONT</p>
72909-11	<p>WIRING HARNESS, MAIN, NON-ABS - FLS (1 OF 5) WIRING HARNESS, MAIN, ABS - FLS AND FLSS (1 OF 5) WIRING HARNESS, MAIN, ABS - FLSTF, FLSTFB AND FLSTFBS (1 OF 5) WIRING HARNESS, MAIN, ABS - FLSTC AND FLSTN (1 OF 5) WIRING HARNESS, MAIN, ABS - FXSB (1 OF 5)</p>
72910-11	<p>SWITCHES, HANDLEBAR LEFT, FRONT SWITCHES, HANDLEBAR RIGHT, FRONT</p>
72914-01BK	<p>WIRING HARNESS, MAIN, NON-ABS - FLS (1 OF 5) WIRING HARNESS, MAIN, ABS - FLS AND FLSS (1 OF 5) WIRING HARNESS, MAIN, ABS - FLSTF, FLSTFB AND FLSTFBS (1 OF 5) WIRING HARNESS, MAIN, ABS - FLSTC AND FLSTN (1 OF 5)</p>

72920-11	SWITCHES, HANDLEBAR LEFT, FRONT
72921-11	SWITCHES, HANDLEBAR RIGHT, FRONT
72922-11	SWITCHES, HANDLEBAR LEFT, FRONT
72923-11	SWITCHES, HANDLEBAR RIGHT, FRONT
72940-11	SWITCHES, HANDLEBAR RIGHT, FRONT
72941-11	SWITCHES, HANDLEBAR LEFT, FRONT
72990-01	FUEL PUMP THROTTLE CONTROL
72991-01	WIRING HARNESS, MAIN, NON-ABS - FLS (1 OF 5) WIRING HARNESS, MAIN, ABS - FLS AND FLSS (1 OF 5) WIRING HARNESS, MAIN, ABS - FLSTF, FLSTFB AND FLSTFBS (1 OF 5) WIRING HARNESS, MAIN, ABS - FLSTC AND FLSTN (1 OF 5)
73101-96BK	HEADLAMP (2 OF 2)
73102-96BK	FENDER, FRONT AUXILIARY/FOG LAMPS AND TURN SIGNALS, FRONT - FLSTC, FLSTN (2 OF 2)
73104-96BK	WIRING HARNESS, MAIN, NON-ABS - FLS (1 OF 5) WIRING HARNESS, MAIN, ABS - FLS AND FLSS (1 OF 5) WIRING HARNESS, MAIN, ABS - FLSTF, FLSTFB AND FLSTFBS (1 OF 5) WIRING HARNESS, MAIN, ABS - FLSTC AND FLSTN (1 OF 5) WIRING HARNESS, MAIN, ABS - FXSB (1 OF 5)
73106-96BK	WIRING HARNESS, MAIN, NON-ABS - FLS (1 OF 5) WIRING HARNESS, MAIN, ABS - FLS AND FLSS (1 OF 5) WIRING HARNESS, MAIN, ABS - FLSTF, FLSTFB AND FLSTFBS (1 OF 5) WIRING HARNESS, MAIN, ABS - FLSTC AND FLSTN (1 OF 5) WIRING HARNESS, MAIN, ABS - FXSB (1 OF 5)
73108-96BK	WIRING HARNESS, MAIN, ABS - FLSTF, FLSTFB AND FLSTFBS (3 OF 5) WIRING HARNESS, MAIN, ABS - FLSTC AND FLSTN (3 OF 5)
73152-96BK	FENDER, FRONT AUXILIARY/FOG LAMPS AND TURN SIGNALS, FRONT - FLSTC, FLSTN (2 OF 2) TURN SIGNALS, REAR (2 OF 2)
73153-96BK	FENDERS AND SUPPORTS, REAR - FLSTC
73154-96BK	HEADLAMP (2 OF 2) TAIL LAMP - FLSTC, FLSTF, FLSTFB AND FLSTFBS WIRING HARNESS, MAIN, ABS - FXSB (3 OF 5)
73156-96BK	AUXILIARY/FOG LAMPS AND TURN SIGNALS, FRONT - FLSTC, FLSTN (2 OF 2) TAIL LAMP - FLSTC, FLSTF, FLSTFB AND FLSTFBS
73158-96BK	TAIL LAMP - FLSTC, FLSTF, FLSTFB AND FLSTFBS TAIL LAMP - FLSTN
73190-96	FENDER, FRONT HEADLAMP (2 OF 2) AUXILIARY/FOG LAMPS AND TURN SIGNALS, FRONT - FLSTC, FLSTN (2 OF 2) WIRING HARNESS, MAIN, NON-ABS - FLS (1 OF 5) WIRING HARNESS, MAIN, ABS - FLS AND FLSS (1 OF 5) WIRING HARNESS, MAIN, ABS - FLSTF, FLSTFB AND FLSTFBS (1 OF 5) WIRING HARNESS, MAIN, ABS - FLSTF, FLSTFB AND FLSTFBS (3 OF 5) WIRING HARNESS, MAIN, ABS - FLSTC AND FLSTN (1 OF 5) WIRING HARNESS, MAIN, ABS - FLSTC AND FLSTN (3 OF 5)

	WIRING HARNESS, MAIN, ABS - FXSB (1 OF 5)
73191-96	FENDER, FRONT FENDERS AND SUPPORTS, REAR - FLSTC HEADLAMP (2 OF 2) AUXILIARY/FOG LAMPS AND TURN SIGNALS, FRONT - FLSTC, FLSTN (2 OF 2) TURN SIGNALS, REAR (2 OF 2) TAIL LAMP - FLSTC, FLSTF, FLSTFB AND FLSTFBS TAIL LAMP - FLSTN WIRING HARNESS, MAIN, ABS - FXSB (3 OF 5)
73196-96	WIRING HARNESS, MAIN, ABS - FLSTF, FLSTFB AND FLSTFBS (3 OF 5) WIRING HARNESS, MAIN, ABS - FLSTC AND FLSTN (3 OF 5)
73198-96	WIRING HARNESS, MAIN, NON-ABS - FLS (1 OF 5) WIRING HARNESS, MAIN, ABS - FLS AND FLSS (1 OF 5) WIRING HARNESS, MAIN, ABS - FLSTF, FLSTFB AND FLSTFBS (1 OF 5) WIRING HARNESS, MAIN, ABS - FLSTC AND FLSTN (1 OF 5) WIRING HARNESS, MAIN, ABS - FXSB (1 OF 5)
73213-07	FRAME AND JIFFY STAND WIRING HARNESS, MAIN, NON-ABS - FLS (1 OF 5) WIRING HARNESS, MAIN, NON-ABS - FLS (5 OF 5) WIRING HARNESS, MAIN, ABS - FLS AND FLSS (1 OF 5) WIRING HARNESS, MAIN, ABS - FLS AND FLSS (5 OF 5) WIRING HARNESS, MAIN, ABS - FLSTF, FLSTFB AND FLSTFBS (1 OF 5) WIRING HARNESS, MAIN, ABS - FLSTF, FLSTFB AND FLSTFBS (5 OF 5) WIRING HARNESS, MAIN, ABS - FLSTC AND FLSTN (1 OF 5) WIRING HARNESS, MAIN, ABS - FLSTC AND FLSTN (5 OF 5) WIRING HARNESS, MAIN, ABS - FXSB (1 OF 5) WIRING HARNESS, MAIN, ABS - FXSB (5 OF 5) SWITCHES
73229-11	WIRING HARNESS, MAIN, NON-ABS - FLS (3 OF 5) WIRING HARNESS, MAIN, ABS - FLS AND FLSS (3 OF 5)
73293-10A	HEADLAMP (2 OF 2)
73294-10	HEADLAMP (2 OF 2)
73295-10	HEADLAMP (2 OF 2)
7330	SHIFTER, GEAR
73304-04	WIRING HARNESS, MAIN, NON-ABS - FLS (3 OF 5) WIRING HARNESS, MAIN, NON-ABS - FLS (4 OF 5) WIRING HARNESS, MAIN, ABS - FLS AND FLSS (3 OF 5) WIRING HARNESS, MAIN, ABS - FLS AND FLSS (4 OF 5) WIRING HARNESS, MAIN, ABS - FLSTF, FLSTFB AND FLSTFBS (3 OF 5) WIRING HARNESS, MAIN, ABS - FLSTF, FLSTFB AND FLSTFBS (4 OF 5) WIRING HARNESS, MAIN, ABS - FLSTC AND FLSTN (3 OF 5) WIRING HARNESS, MAIN, ABS - FLSTC AND FLSTN (4 OF 5) WIRING HARNESS, MAIN, ABS - FXSB (3 OF 5) WIRING HARNESS, MAIN, ABS - FXSB (4 OF 5)
73305-04	WIRING HARNESS, MAIN, NON-ABS - FLS (3 OF 5) WIRING HARNESS, MAIN, NON-ABS - FLS (4 OF 5) WIRING HARNESS, MAIN, ABS - FLS AND FLSS (3 OF 5) WIRING HARNESS, MAIN, ABS - FLS AND FLSS (4 OF 5) WIRING HARNESS, MAIN, ABS - FLSTF, FLSTFB AND FLSTFBS (3 OF 5) WIRING HARNESS, MAIN, ABS - FLSTF, FLSTFB AND FLSTFBS (4 OF 5) WIRING HARNESS, MAIN, ABS - FLSTC AND FLSTN (3 OF 5) WIRING HARNESS, MAIN, ABS - FLSTC AND FLSTN (4 OF 5) WIRING HARNESS, MAIN, ABS - FXSB (3 OF 5) WIRING HARNESS, MAIN, ABS - FXSB (4 OF 5)

73307-10	EXHAUST SYSTEM - FXSB EXHAUST SYSTEM - FLSTC EXHAUST SYSTEM - FLS, FLSS, FLSTF, FLSTFB, FLSTFBS AND FLSTN (2 OF 2)
7331	MIRRORS
7340	TRANSMISSION HOUSING - FXSB, FLSTC, FLSTF, FLSTN, FLSTFB AND FLS TRANSMISSION HOUSING - FLSS AND FLSTFBS TRANSMISSION GEARS
73403-11	LICENSE PLATE BRACKETS - FLS AND FLSS
73410-11	LICENSE PLATE BRACKETS - FLS AND FLSS
73412-11	FENDERS AND SUPPORTS, REAR - FLS AND FLSS
73422-11	FENDERS AND SUPPORTS, REAR - FLS AND FLSS
7343	ELECTRONIC CONTROL MODULE (ECM) AND COIL SWITCHES
73504-11	LICENSE PLATE BRACKETS - FLS AND FLSS
7352	MIRRORS
74102-05GY	TAIL LAMP - FLSTN
74102-98BK	TAIL LAMP - FLSTN
74103-98BK	WIRING HARNESS, MAIN, NON-ABS - FLS (3 OF 5) WIRING HARNESS, MAIN, ABS - FLS AND FLSS (3 OF 5) WIRING HARNESS, MAIN, ABS - FXSB (3 OF 5)
74104-98BK	TAIL LAMP - FLSTN WIRING HARNESS, MAIN, NON-ABS - FLS (3 OF 5) WIRING HARNESS, MAIN, ABS - FLS AND FLSS (3 OF 5) WIRING HARNESS, MAIN, ABS - FXSB (3 OF 5)
74112-05GY	TURN SIGNALS, REAR (2 OF 2)
74112-98BK	TURN SIGNALS, REAR (2 OF 2) WIRING HARNESS, MAIN, NON-ABS - FLS (5 OF 5) WIRING HARNESS, MAIN, ABS - FLS AND FLSS (5 OF 5) WIRING HARNESS, MAIN, ABS - FLSTF, FLSTFB AND FLSTFBS (5 OF 5) WIRING HARNESS, MAIN, ABS - FLSTC AND FLSTN (5 OF 5) WIRING HARNESS, MAIN, ABS - FXSB (5 OF 5)
74113-98BK	LICENSE PLATE BRACKETS - FLS AND FLSS LICENSE PLATE BRACKETS - FXSB
74114-98BK	TURN SIGNALS, REAR (2 OF 2) TAIL LAMP - FLSTN
74120-08	WIRING HARNESS, MAIN, NON-ABS - FLS (5 OF 5) WIRING HARNESS, MAIN, ABS - FLS AND FLSS (5 OF 5) WIRING HARNESS, MAIN, ABS - FLSTF, FLSTFB AND FLSTFBS (5 OF 5) WIRING HARNESS, MAIN, ABS - FLSTC AND FLSTN (5 OF 5) WIRING HARNESS, MAIN, ABS - FXSB (5 OF 5)
74142-98	TAIL LAMP - FLSTN
74143-98	WIRING HARNESS, MAIN, NON-ABS - FLS (3 OF 5) WIRING HARNESS, MAIN, ABS - FLS AND FLSS (3 OF 5) WIRING HARNESS, MAIN, ABS - FXSB (3 OF 5)

74144-98	TAIL LAMP - FLSTN WIRING HARNESS, MAIN, NON-ABS - FLS (3 OF 5) WIRING HARNESS, MAIN, ABS - FLS AND FLSS (3 OF 5) WIRING HARNESS, MAIN, ABS - FXSB (3 OF 5)
74152-98	TURN SIGNALS, REAR (2 OF 2) WIRING HARNESS, MAIN, NON-ABS - FLS (5 OF 5) WIRING HARNESS, MAIN, ABS - FLS AND FLSS (5 OF 5) WIRING HARNESS, MAIN, ABS - FLSTF, FLSTFB AND FLSTFBS (5 OF 5) WIRING HARNESS, MAIN, ABS - FLSTC AND FLSTN (5 OF 5) WIRING HARNESS, MAIN, ABS - FXSB (5 OF 5)
74153-98	LICENSE PLATE BRACKETS - FLS AND FLSS LICENSE PLATE BRACKETS - FXSB
74154-98	TURN SIGNALS, REAR (2 OF 2) TAIL LAMP - FLSTN
74190-98	TAIL LAMP - FLSTN WIRING HARNESS, MAIN, NON-ABS - FLS (3 OF 5) WIRING HARNESS, MAIN, ABS - FLS AND FLSS (3 OF 5) WIRING HARNESS, MAIN, ABS - FXSB (3 OF 5)
74191-98	LICENSE PLATE BRACKETS - FLS AND FLSS LICENSE PLATE BRACKETS - FXSB TURN SIGNALS, REAR (2 OF 2) TAIL LAMP - FLSTN WIRING HARNESS, MAIN, NON-ABS - FLS (5 OF 5) WIRING HARNESS, MAIN, ABS - FLS AND FLSS (5 OF 5) WIRING HARNESS, MAIN, ABS - FLSTF, FLSTFB AND FLSTFBS (5 OF 5) WIRING HARNESS, MAIN, ABS - FLSTC AND FLSTN (5 OF 5) WIRING HARNESS, MAIN, ABS - FXSB (5 OF 5)
74194-98	SENSORS AND SWITCHES, ENGINE - TWIN CAM 103™ SENSORS AND SWITCHES, ENGINE - TWIN CAM 110™
74195-98	LICENSE PLATE BRACKETS - FLS AND FLSS LICENSE PLATE BRACKETS - FXSB TURN SIGNALS, REAR (2 OF 2) TAIL LAMP - FLSTN
74196-04	INSTRUMENTS - FLSTF, FLSTFB, FLSTFBS AND FLSTN INSTRUMENTS - FLS, FLSS AND FLSTC INSTRUMENTS - FXSB
74197-04	INSTRUMENTS - FLSTF, FLSTFB, FLSTFBS AND FLSTN INSTRUMENTS - FLS, FLSS AND FLSTC INSTRUMENTS - FXSB
7434	FENDERS AND SUPPORTS, REAR - FLSTC FENDERS AND SUPPORTS, REAR - FLSTF, FLSTFB AND FLSTFBS FENDERS AND SUPPORTS, REAR - FLSTN FENDERS AND SUPPORTS, REAR - FXSB
74402-05B	TRANSMISSION HOUSING - FXSB, FLSTC, FLSTF, FLSTN, FLSTFB AND FLS TRANSMISSION HOUSING - FLSS AND FLSTFBS
74540-11	ALTERNATOR AND REGULATOR
7479	FORK, REAR AND SHOCK ABSORBERS
7495	HORN
75141-11A	FUEL PUMP
75241-08	FUEL PUMP

75252-11A	FUEL PUMP
75276-08A	FUEL PUMP
75282-08A	FUEL PUMP
75284-08A	FUEL PUMP
75289-08	FUEL PUMP
75290-08	FUEL PUMP
7531	FENDER, FRONT HORN SADDLEBAGS - FLSTC
7549A	REAR BELT GUARD INSTRUMENTS - FLSTF, FLSTFB, FLSTFBS AND FLSTN INSTRUMENTS - FLS, FLSS AND FLSTC HORN SADDLEBAGS - FLSTC
755	FENDER, FRONT FENDER, FRONT
7576	FUEL TANK FUEL PUMP
7593	EXHAUST SYSTEM - FXSB EXHAUST SYSTEM - FLSTC EXHAUST SYSTEM - FLS, FLSS, FLSTF, FLSTFB, FLSTFBS AND FLSTN (1 OF 2)
7601	ENGINE MOUNTS FENDERS AND SUPPORTS, REAR - FLSTF, FLSTFB AND FLSTFBS AUXILIARY/FOG LAMPS AND TURN SIGNALS, FRONT - FLSTC, FLSTN (1 OF 2) EXHAUST SYSTEM - FXSB EXHAUST SYSTEM - FLSTC EXHAUST SYSTEM - FLS, FLSS, FLSTF, FLSTFB, FLSTFBS AND FLSTN (1 OF 2)
7606	HEADLAMP (1 OF 2) AUXILIARY/FOG LAMPS AND TURN SIGNALS, FRONT - FLSTC, FLSTN (1 OF 2)
761	FENDERS AND SUPPORTS, REAR - FLSTF, FLSTFB AND FLSTFBS FENDERS AND SUPPORTS, REAR - FLS AND FLSS
7624	FENDER, FRONT
7629	FENDER, FRONT FENDERS AND SUPPORTS, REAR - FLSTC LICENSE PLATE BRACKETS - FLSTC, FLSTF, FLSTN, FLSTFB AND FLSTFBS
765	CRANKCASE AND ENGINE OIL FILTER - TWIN CAM 103™ CRANKCASE AND ENGINE OIL FILTER - TWIN CAM 110™
7651A	WINDSHIELD - FLSTC
7669	REAR BELT GUARD
7686	BRAKE LINES, FRONT, NON-ABS - FLS FORK BRACKETS, FRONT - FLS, FLSS, FLSTC, FLSTF, FLSTFB, FLSTFBS AND FLSTN TAIL LAMP - FLSTN
7716	FOOTRESTS AND FOOTBOARDS LICENSE PLATE BRACKETS - FLS AND FLSS LICENSE PLATE BRACKETS - FXSB

	HEADLAMP (1 OF 2)
7744	TURN SIGNALS, FRONT - FLS, FLSS, FLSTF, FLSTFB, FLSTFBS, FXSB
7792	FENDERS AND SUPPORTS, REAR - FLSTF, FLSTFB AND FLSTFBS LICENSE PLATE BRACKETS - FLS AND FLSS LICENSE PLATE BRACKETS - FXSB LICENSE PLATE BRACKETS - FLSTC, FLSTF, FLSTN, FLSTFB AND FLSTFBS LICENSE PLATE BRACKETS - FLSTC, FLSTF, FLSTN, FLSTFB AND FLSTFBS TAIL LAMP - FLSTN
7800W	HEADLAMP (1 OF 2)
7813A	WHEELS, FRONT (1 OF 2)
7848W	CLUTCH - TWIN CAM 103™
7862	FUEL TANK
786A	PRIMARY HOUSING
7879	ENGINE MOUNTS
791A	PRIMARY HOUSING
7964	TAIL LAMP - FLSTC, FLSTF, FLSTFB AND FLSTFBS
7965	FUEL TANK
8020	WHEELS, REAR (1 OF 2)
8026K	TRANSMISSION GEARS
8037	FENDER, FRONT FENDER, FRONT FENDERS AND SUPPORTS, REAR - FLSTN
8041	TRANSMISSION GEARS
8042	TRANSMISSION GEARS
80826-10	EXHAUST SYSTEM - FLS, FLSS, FLSTF, FLSTFB, FLSTFBS AND FLSTN (2 OF 2)
80830-10A	EXHAUST SYSTEM - FLS, FLSS, FLSTF, FLSTFB, FLSTFBS AND FLSTN (2 OF 2)
8108	FORK BRACKETS, FRONT - FLS, FLSS, FLSTC, FLSTF, FLSTFB, FLSTFBS AND FLSTN HORN
8126A	SEATS
8144	OIL TANK AND LINES - EXCEPT FXSB
8184	WHEELS, REAR (1 OF 2)
8201	REAR BELT GUARD
8250	AIR CLEANER - TWIN CAM 110™ - FLSTFBS AIR CLEANER - TWIN CAM 110™ - FLSS
8329	TURN SIGNALS, REAR (1 OF 2)
83936-09A	BELT, CHAINS AND SPROCKETS
8405	BRAKE CONTROL, REAR BRAKE LINE AND MODULE, REAR, ABS

856A	SHIFTER, GEAR
869	AIR CLEANER - TWIN CAM 110™ - FLSS
8873	CAMSHAFTS AND CAMSHAFT COVER - TWIN CAM 103™ CAMSHAFTS and CAMSHAFT COVER - TWIN CAM 110™ TRANSMISSION HOUSING - FXSB, FLSTC, FLSTF, FLSTN, FLSTFB AND FLS
8885	CLUTCH - ASSIST AND SLIP - TWIN CAM 110™
895	CRANKCASE AND ENGINE OIL FILTER - TWIN CAM 103™ CRANKCASE AND ENGINE OIL FILTER - TWIN CAM 110™
89587-05	TAIL LAMP - FLSTN
8959	ENGINE BALANCER
8963	TRANSMISSION HOUSING - FXSB, FLSTC, FLSTF, FLSTN, FLSTFB AND FLS TRANSMISSION HOUSING - FLSS AND FLSTFBS
8967	TRANSMISSION HOUSING - FXSB, FLSTC, FLSTF, FLSTN, FLSTFB AND FLS TRANSMISSION HOUSING - FLSS AND FLSTFBS
8970A	TRANSMISSION HOUSING - FXSB, FLSTC, FLSTF, FLSTN, FLSTFB AND FLS TRANSMISSION HOUSING - FLSS AND FLSTFBS
8972	CRANKCASE AND ENGINE OIL FILTER - TWIN CAM 103™ CRANKCASE AND ENGINE OIL FILTER - TWIN CAM 110™
8992A	CRANKCASE AND ENGINE OIL FILTER - TWIN CAM 110™ ENGINE BALANCER
90201299	SADDLEBAGS - FLSTC
90201300	SADDLEBAGS - FLSTC
90201305	SADDLEBAGS - FLSTC
90247-00	SADDLEBAGS - FLSTC
90300043	ELECTRONIC CONTROL MODULE (ECM) AND COIL INSTRUMENTS - FLSTF, FLSTFB, FLSTFBS AND FLSTN INSTRUMENTS - FLS, FLSS AND FLSTC SWITCHES LOOSE PARTS
90300093	FUEL TANK
90357-89	FORK BRACKETS, FRONT - FLS, FLSS, FLSTC, FLSTF, FLSTFB, FLSTFBS AND FLSTN
90367-03	FENDERS AND SUPPORTS, REAR - FLSTC SADDLEBAGS - FLSTC
90383-98	INDUCTION MODULE, FUEL
90438-10	SADDLEBAGS - FLSTC
90520-07	FRAME AND JIFFY STAND
90770-79	CLUTCH CONTROL - FLS, FLSTC, FLSTF, FLSTFB, FLSTN AND FXSB
91072-11	FUEL PUMP
91679-00	SADDLEBAGS - FLSTC

91800042	ENGINE ASSEMBLY - TWIN CAM 103™
91840-03B	MIRRORS
91845-03B	MIRRORS
91982-03B	MIRRORS
91983-03B	MIRRORS
9209	FORK, REAR AND SHOCK ABSORBERS
9215	CRANKCASE AND ENGINE OIL FILTER - TWIN CAM 103™ CAMSHAFTS AND CAMSHAFT COVER - TWIN CAM 103™
9231	PRIMARY HOUSING
9252	WHEELS, FRONT (1 OF 2) WHEELS, REAR (1 OF 2)
92614-10	MIRRORS
92615-10	MIRRORS
9276A	WHEELS, FRONT (1 OF 2) WHEELS, FRONT (1 OF 2) WHEELS, REAR (1 OF 2) WHEELS, REAR (1 OF 2)
927A	LICENSE PLATE BRACKETS - FXSB LICENSE PLATE BRACKETS - FLSTC, FLSTF, FLSTN, FLSTFB AND FLSTFBS GUARDS, SAREE
93511-10	GUARDS, SAREE LOOSE PARTS LOOSE PARTS
939	FRAME AND JIFFY STAND
940	LICENSE PLATE BRACKETS - FLS AND FLSS EVAPORATIVE EMISSIONS COMPONENTS
94000084	LOOSE PARTS
94000326	LOOSE PARTS
94004-90T	WINDSHIELD - FLSTC
941	BRAKE LINES, FRONT, NON-ABS - FLS FORK BRACKETS, FRONT - FLS, FLSS, FLSTC, FLSTF, FLSTFB, FLSTFBS AND FLSTN
942	CAMSHAFTS AND CAMSHAFT COVER - TWIN CAM 103™ CAMSHAFTS and CAMSHAFT COVER - TWIN CAM 110™
94426-95	WINDSHIELD - FLSTC
94435-10	GUARDS, SAREE LOOSE PARTS LOOSE PARTS
946	AIR CLEANER - FXSB, FLSTC, FLSTF, FLSTN, FLSTFB, FLS
95594-84B	WHEELS, FRONT (2 OF 2) WHEELS, REAR (2 OF 2)

95595-84B	WHEELS, FRONT (2 OF 2) WHEELS, REAR (2 OF 2)
956	ENGINE BALANCER
9701A	TRANSMISSION HOUSING - FXSB, FLSTC, FLSTF, FLSTN, FLSTFB AND FLS TRANSMISSION HOUSING - FLSS AND FLSTFBS
9819	WIRING HARNESS, MAIN, NON-ABS - FLS (3 OF 5) WIRING HARNESS, MAIN, ABS - FLS AND FLSS (3 OF 5) WIRING HARNESS, MAIN, ABS - FLSTF, FLSTFB AND FLSTFBS (3 OF 5) WIRING HARNESS, MAIN, ABS - FLSTC AND FLSTN (3 OF 5) WIRING HARNESS, MAIN, ABS - FXSB (3 OF 5)
9841	HEADLAMP (1 OF 2)
9842	WIRING HARNESS, MAIN, NON-ABS - FLS (4 OF 5) WIRING HARNESS, MAIN, ABS - FLS AND FLSS (4 OF 5) WIRING HARNESS, MAIN, ABS - FLSTF, FLSTFB AND FLSTFBS (4 OF 5) WIRING HARNESS, MAIN, ABS - FLSTC AND FLSTN (4 OF 5) WIRING HARNESS, MAIN, ABS - FXSB (4 OF 5)
9847	HEADLAMP (1 OF 2)
9848	HEADLAMP (1 OF 2)
9897	AUXILIARY/FOG LAMPS AND TURN SIGNALS, FRONT - FLSTC, FLSTN (1 OF 2)
9898	HEADLAMP (1 OF 2)
9907	BRAKE CONTROL, REAR BRAKE LINE AND MODULE, REAR, ABS
99469-16	LOOSE PARTS
9955	EXHAUST SYSTEM - FXSB EXHAUST SYSTEM - FLSTC EXHAUST SYSTEM - FLS, FLSS, FLSTF, FLSTFB, FLSTFBS AND FLSTN (1 OF 2) EXHAUST SYSTEM - FLS, FLSS, FLSTF, FLSTFB, FLSTFBS AND FLSTN (1 OF 2)

Component Types and Introduction Dates

Common Service Parts

BEARINGS, SEALS & HARDWARE

Part No.	Description	Part and Model(s)
10038A	CLAMP	<i>FUEL TANK: All Models</i>
10080	CLAMP	<i>OIL TANK AND LINES - FXSB: FXSB</i>
10102	CLIP	<i>ALTERNATOR AND REGULATOR: All Models FENDER, FRONT: FLSTC FUEL TANK: FLSTC FLSTF FLSTN FLSTFB FLS FLSS</i>

		FLSTFBS
1062	SCREW	PRIMARY HOUSING: All Models
11000101	OIL SEAL	SHIFTER, GEAR: All Models TRANSMISSION HOUSING - FXSB, FLSTC, FLSTF, FLSTN, FLSTFB AND FLS: FXSB FLSTC FLSTF FLSTN FLSTFB FLS TRANSMISSION HOUSING - FLSS AND FLSTFBS: FLSS FLSTFBS
11105	O-RING	TRANSMISSION HOUSING - FXSB, FLSTC, FLSTF, FLSTN, FLSTFB AND FLS: FXSB FLSTC FLSTF FLSTN FLSTFB FLS TRANSMISSION HOUSING - FLSS AND FLSTFBS: FLSS FLSTFBS PRIMARY HOUSING: All Models OIL TANK AND LINES - EXCEPT FXSB: FLSTC FLSTF FLSTN FLSTFB FLS FLSS FLSTFBS OIL TANK AND LINES - FXSB: FXSB
11132A	O-RING	ROCKER ARM ASSEMBLY AND PUSHRODS - TWIN CAM 103™: FXSB FLSTC FLSTF FLSTN FLSTFB FLS ROCKER ARM ASSEMBLY AND PUSH RODS - TWIN CAM 110™: FLSS FLSTFBS TRANSMISSION HOUSING - FXSB, FLSTC, FLSTF, FLSTN, FLSTFB AND FLS: FXSB FLSTC FLSTF FLSTN FLSTFB FLS TRANSMISSION HOUSING - FLSS AND FLSTFBS: FLSS FLSTFBS
11143	RETAINING RING	CLUTCH - ASSIST AND SLIP - TWIN CAM 110™: FLSS

		FLSTFBS <i>CLUTCH CONTROL - FLS, FLSTC, FLSTF, FLSTFB, FLSTN AND FXSB:</i> FXSB FLSTC FLSTF FLSTN FLSTFB FLS <i>CLUTCH CONTROL - FLSS AND FLSTFBS:</i> FLSS FLSTFBS
11145A	O-RING	<i>ROCKER ARM ASSEMBLY AND PUSHRODS - TWIN CAM 103™:</i> FXSB FLSTC FLSTF FLSTN FLSTFB FLS <i>ROCKER ARM ASSEMBLY AND PUSH RODS - TWIN CAM 110™:</i> FLSS FLSTFBS
11150	RETAINING RING	SHIFTER, GEAR: All Models
11270	O-RING	<i>ROCKER ARM ASSEMBLY AND PUSHRODS - TWIN CAM 103™:</i> FXSB FLSTC FLSTF FLSTN FLSTFB FLS <i>ROCKER ARM ASSEMBLY AND PUSH RODS - TWIN CAM 110™:</i> FLSS FLSTFBS
11292	O-RING	<i>AIR CLEANER - TWIN CAM 110™ - FLSTFBS:</i> FLSTFBS <i>AIR CLEANER - TWIN CAM 110™ - FLSS:</i> FLSS
11293	O-RING	<i>ROCKER ARM ASSEMBLY AND PUSHRODS - TWIN CAM 103™:</i> FXSB FLSTC FLSTF FLSTN FLSTFB FLS <i>ROCKER ARM ASSEMBLY AND PUSH RODS - TWIN CAM 110™:</i> FLSS FLSTFBS <i>CAMSHAFTS AND CAMSHAFT COVER - TWIN CAM 103™:</i> FXSB FLSTC FLSTF FLSTN FLSTFB FLS <i>CAMSHAFTS and CAMSHAFT COVER - TWIN CAM 110™:</i>

		FLSS FLSTFBS
11301	O-RING	<i>CAMSHAFTS AND CAMSHAFT COVER - TWIN CAM 103™:</i> FXSB FLSTC FLSTF FLSTN FLSTFB FLS <i>CAMSHAFTS and CAMSHAFT COVER - TWIN CAM 110™:</i> FLSS FLSTFBS
11304	RETAINING RING	<i>FOOTRESTS AND FOOTBOARDS:</i> FLSTC FLSTF FLSTN FLSTFB FXSB FLSTFBS
11379	RETAINING RING	<i>BRAKE CONTROL, FRONT: All Models</i>
11447	GROMMET	<i>OIL TANK AND LINES - EXCEPT FXSB:</i> FLSTC FLSTF FLSTN FLSTFB FLS FLSS FLSTFBS <i>OIL TANK AND LINES - FXSB:</i> FXSB
12052A	OIL SEAL	<i>PRIMARY HOUSING: All Models</i>
12074	OIL SEAL	<i>TRANSMISSION HOUSING - FXSB, FLSTC, FLSTF, FLSTN, FLSTFB AND FLS:</i> FXSB FLSTC FLSTF FLSTN FLSTFB FLS <i>TRANSMISSION HOUSING - FLSS AND FLSTFBS:</i> FLSS FLSTFBS
16715-83	STUD	<i>CYLINDERS, HEADS, VALVES - TWIN CAM 103™:</i> FLSTC FLSTF FLSTN FLSTFB FLS FXSB <i>CYLINDERS, HEADS AND VALVES - TWIN CAM 110™:</i> FLSS FLSTFBS
16719-99B	GASKET	<i>ROCKER ARM ASSEMBLY AND PUSHRODS - TWIN CAM 103™:</i> FXSB FLSTC FLSTF FLSTN

		FLSTFB FLS <i>ROCKER ARM ASSEMBLY AND PUSH RODS - TWIN CAM 110™:</i> FLSS FLSTFBS
17045-99D	GASKET KIT	<i>ROCKER ARM ASSEMBLY AND PUSHRODS - TWIN CAM 103™:</i> FXSB FLSTC FLSTF FLSTN FLSTFB FLS <i>ROCKER ARM ASSEMBLY AND PUSH RODS - TWIN CAM 110™:</i> FLSS FLSTFBS <i>CAMSHAFTS AND CAMSHAFT COVER - TWIN CAM 103™:</i> FXSB FLSTC FLSTF FLSTN FLSTFB FLS <i>CAMSHAFTS and CAMSHAFT COVER - TWIN CAM 110™:</i> FLSS FLSTFBS
17369-06	GASKET SERVICE KIT	PRIMARY HOUSING: All Models
17386-99A	GASKET	<i>ROCKER ARM ASSEMBLY AND PUSHRODS - TWIN CAM 103™:</i> FXSB FLSTC FLSTF FLSTN FLSTFB FLS <i>ROCKER ARM ASSEMBLY AND PUSH RODS - TWIN CAM 110™:</i> FLSS FLSTFBS
18635-99B	GASKET	<i>ROCKER ARM ASSEMBLY AND PUSHRODS - TWIN CAM 103™:</i> FXSB FLSTC FLSTF FLSTN FLSTFB FLS <i>ROCKER ARM ASSEMBLY AND PUSH RODS - TWIN CAM 110™:</i> FLSS FLSTFBS
25244-99A	GASKET	<i>CAMSHAFTS AND CAMSHAFT COVER - TWIN CAM 103™:</i> FXSB FLSTC FLSTF FLSTN FLSTFB FLS <i>CAMSHAFTS and CAMSHAFT COVER - TWIN CAM 110™:</i>

		FLSS FLSTFBS
25700226	GASKET KIT	PRIMARY HOUSING: All Models
26995-86B	SEAL	INDUCTION MODULE, FUEL: All Models
27444-00Y	O-RING	STARTER MOTOR: All Models
3050	SCREW	ALTERNATOR AND REGULATOR: All Models
3109	SCREW	BELT, CHAINS AND SPROCKETS: All Models WHEELS, REAR (1 OF 2): All Models
3275	SCREW	INDUCTION MODULE, FUEL: All Models SHIFTER, GEAR: All Models
34091-08	BEARING	TRANSMISSION GEARS: All Models
34917-06	GASKET	<i>TRANSMISSION HOUSING - FXSB, FLSTC, FLSTF, FLSTN, FLSTFB AND FLS:</i> FXSB FLSTC FLSTF FLSTN FLSTFB FLS <i>TRANSMISSION HOUSING - FLSS AND FLSTFBS:</i> FLSS FLSTFBS
34934-06	GASKET	<i>PRIMARY HOUSING:</i> FXSB FLSTC FLSTF FLSTN FLSTFB FLS
35654-06	GASKET	<i>TRANSMISSION HOUSING - FXSB, FLSTC, FLSTF, FLSTN, FLSTFB AND FLS:</i> FXSB FLSTC FLSTF FLSTN FLSTFB FLS <i>TRANSMISSION HOUSING - FLSS AND FLSTFBS:</i> FLSS FLSTFBS
3655A	SCREW	BRAKE CONTROL, REAR: All Models WHEELS, FRONT (1 OF 2): All Models
3656	SCREW	<i>INSTRUMENTS - FXSB:</i> FXSB
3658	SCREW	SWITCHES, HANDLEBAR LEFT, FRONT: All Models SWITCHES, HANDLEBAR RIGHT, FRONT: All Models
36805-06	GASKET	<i>TRANSMISSION HOUSING - FXSB, FLSTC, FLSTF, FLSTN, FLSTFB AND FLS:</i> FXSB FLSTC FLSTF FLSTN

		FLSTFB FLS <i>TRANSMISSION HOUSING - FLSS AND FLSTFBs:</i> FLSS FLSTFBs
4132	SCREW	<i>CLUTCH CONTROL - FLS, FLSTC, FLSTF, FLSTFB, FLSTN AND FXSB:</i> FXSB FLSTC FLSTF FLSTN FLSTFB FLS <i>CLUTCH CONTROL - FLSS AND FLSTFBs:</i> FLSS FLSTFBs BRAKE CONTROL, FRONT: All Models
41731-01	GASKET	BRAKE LINES, FRONT, ABS: All Models BRAKE CONTROL, REAR: All Models BRAKE LINE AND MODULE, REAR, ABS: All Models
41733-88	GASKET	BRAKE LINES, FRONT, ABS: All Models BRAKE LINE AND MODULE, REAR, ABS: All Models
41751-06A	GASKET	<i>CLUTCH CONTROL - FLSS AND FLSTFBs:</i> FLSS FLSTFBs
43567-92	SCREW	WHEELS, REAR (2 OF 2): All Models
45405-75A	SCREW	<i>FORK, FRONT-FLS,FLSS,FLSTC,FLSTF,FLSTFB,FLSTFBs AND FLSTN (1 OF 2):</i> FLSTC FLSTF FLSTN FLSTFB FLS FLSS FLSTFBs
45733-48	OIL SEAL	<i>FORK, FRONT-FLS,FLSS,FLSTC,FLSTF,FLSTFB,FLSTFBs AND FLSTN (1 OF 2):</i> FLSTC FLSTF FLSTN FLSTFB FLS FLSS FLSTFBs
45845-77	O-RING	<i>FORK, FRONT-FLS,FLSS,FLSTC,FLSTF,FLSTFB,FLSTFBs AND FLSTN (1 OF 2):</i> FLSTC FLSTF FLSTN FLSTFB FLS FLSS FLSTFBs
45858-77	DRAIN SCREW	<i>FORK, FRONT-FLS,FLSS,FLSTC,FLSTF,FLSTFB,FLSTFBs AND FLSTN (1 OF 2):</i> FLSTC FLSTF

		FLSTN FLSTFB FLS FLSS FLSTFBS
4740A	SCREW	<i>CAMSHAFTS AND CAMSHAFT COVER - TWIN CAM 103™:</i> FXSB FLSTC FLSTF FLSTN FLSTFB FLS <i>CAMSHAFTS AND CAMSHAFT COVER - TWIN CAM 103™:</i> FXSB FLSTC FLSTF FLSTN FLSTFB FLS <i>CAMSHAFTS and CAMSHAFT COVER - TWIN CAM 110™:</i> FLSS FLSTFBS
48300-60	ROLLER BEARING	<i>FORK BRACKETS, FRONT - FLS, FLSS, FLSTC, FLSTF, FLSTFB, FLSTFBS AND FLSTN:</i> FLSTC FLSTF FLSTN FLSTFB FLS FLSS FLSTFBS <i>FORK BRACKETS, FRONT - FXSB:</i> FXSB
53156-86	BUSHING	HANDLEBAR: All Models
59768-97	FENDER SEAT NUT KIT	<i>FENDERS AND SUPPORTS, REAR - FLSTC:</i> FLSTC <i>FENDERS AND SUPPORTS, REAR - FLSTF, FLSTFB AND FLSTFBS:</i> FLSTF FLSTFB FLSTFBS <i>FENDERS AND SUPPORTS, REAR - FLS AND FLSS:</i> FLS FLSS <i>FENDERS AND SUPPORTS, REAR - FXSB:</i> FXSB
60547-06	GASKET	PRIMARY HOUSING: All Models
60678-85	RETAINING RING	PRIMARY HOUSING: All Models
6229W	WASHER	<i>SADDLEBAGS - FLSTC:</i> FLSTC
6516HW	WASHER	ENGINE MOUNTS: All Models
65324-83B	GASKET	<i>EXHAUST SYSTEM - FXSB:</i> FXSB <i>EXHAUST SYSTEM - FLSTC:</i> FLSTC <i>EXHAUST SYSTEM - FLS, FLSS, FLSTF, FLSTFB, FLSTFBS AND FLSTN (2 OF 2):</i>

		FLSTF FLSTN FLSTFB FLS FLSS
65325-83A	RETAINING RING	<i>EXHAUST SYSTEM - FXSB:</i> FXSB <i>EXHAUST SYSTEM - FLSTC:</i> FLSTC <i>EXHAUST SYSTEM - FLS, FLSS, FLSTF, FLSTFB, FLSTFBS AND FLSTN (2 OF 2):</i> FLSTF FLSTN FLSTFB FLS FLSTFBS
6702	WASHER	SHIFTER, GEAR: All Models REAR BELT GUARD: All Models FUEL TANK: All Models <i>HORN:</i> FLSTC FLSTFB FLSTF FXSB <i>SADDLEBAGS - FLSTC:</i> FLSTC
7041	LOCKWASHER	<i>SHIFTER, GEAR:</i> FXSB <i>FORK BRACKETS, FRONT - FLS, FLSS, FLSTC, FLSTF, FLSTFB, FLSTFBS AND FLSTN:</i> FLSS FLSTFBS
7593	NUT	<i>EXHAUST SYSTEM - FXSB:</i> FXSB <i>EXHAUST SYSTEM - FLSTC:</i> FLSTC <i>EXHAUST SYSTEM - FLS, FLSS, FLSTF, FLSTFB, FLSTFBS AND FLSTN (1 OF 2):</i> FLSTF FLSTN FLSTFB FLS FLSS FLSTFBS
7716	LOCKNUT	<i>FOOTRESTS AND FOOTBOARDS:</i> FLSTC FLSTF FLSTN FLSTFB FLS FLSS FLSTFBS <i>LICENSE PLATE BRACKETS - FLS AND FLSS:</i> FLS FLSS <i>LICENSE PLATE BRACKETS - FXSB:</i> FXSB <i>HEADLAMP (1 OF 2):</i> FXSB
786A	BOLT	PRIMARY HOUSING: All Models

8037	NUT	<i>FENDER, FRONT:</i> FLSTC <i>FENDER, FRONT:</i> FLSTN <i>FENDERS AND SUPPORTS, REAR - FLSTN:</i> FLSTN
856A	SCREW	SHIFTER, GEAR: All Models
9252	BALL BEARING	WHEELS, FRONT (1 OF 2): All Models WHEELS, REAR (1 OF 2): All Models
9276A	BALL BEARING	<i>WHEELS, FRONT (1 OF 2):</i> FLS WHEELS, FRONT (1 OF 2): All Models <i>WHEELS, REAR (1 OF 2):</i> FLS WHEELS, REAR (1 OF 2): All Models
9955	CLAMP	<i>EXHAUST SYSTEM - FXSB:</i> FXSB <i>EXHAUST SYSTEM - FLSTC:</i> FLSTC <i>EXHAUST SYSTEM - FLS, FLSS, FLSTF, FLSTFB, FLSTFBS AND FLSTN (1 OF 2):</i> FLSTF FLSTFB FLSTFBS <i>EXHAUST SYSTEM - FLS, FLSS, FLSTF, FLSTFB, FLSTFBS AND FLSTN (1 OF 2):</i> FLSTN FLS FLSS

BRAKING & SUSPENSION

Part No.	Description	Part and Model(s)
42298-08	PAD KIT	BRAKE CALIPER, REAR: All Models
45875-84A	OIL SEAL	<i>FORK, FRONT-FLS,FLSS,FLSTC,FLSTF,FLSTFB,FLSTFBS AND FLSTN (2 OF 2):</i> FLSTC FLSTF FLSTN FLSTFB FLS FLSS
46514-01A	OIL SEAL	<i>FORK, FRONT - FXSB:</i> FXSB
46615-06	CU PACKING	<i>FORK, FRONT - FXSB:</i> FXSB

CHASSIS & COMPONENTS

Part No.	Description	Part and Model(s)
49725-07A	SPRING	FRAME AND JIFFY STAND: All Models

ELECTRICAL

Part No.	Description	Part and Model(s)
70345-84	RETAINER	<i>INSTRUMENTS - FLSTF, FLSTFB, FLSTFBS AND FLSTN:</i> FLSTF FLSTN FLSTFB FLSTFBS <i>INSTRUMENTS - FLS, FLSS AND FLSTC:</i> FLSTC FLS FLSS SWITCHES, HANDLEBAR LEFT, FRONT: All Models HANDLEBAR: All Models
72023-51E	STOP LAMP SWITCH	BRAKE CONTROL, REAR: All Models BRAKE LINE AND MODULE, REAR, ABS: All Models SWITCHES: All Models
72330-95	FUSE	<i>WIRING HARNESS, MAIN, NON-ABS - FLS (3 OF 5):</i> FLS <i>WIRING HARNESS, MAIN, ABS - FLS AND FLSS (3 OF 5):</i> FLS FLSS <i>WIRING HARNESS, MAIN, ABS - FLSTF, FLSTFB AND FLSTFBS (3 OF 5):</i> FLSTF FLSTFB FLSTFBS <i>WIRING HARNESS, MAIN, ABS - FLSTC AND FLSTN (3 OF 5):</i> FLSTN FLSTC <i>WIRING HARNESS, MAIN, ABS - FXSB (3 OF 5):</i> FXSB SWITCHES: All Models

ENGINE, TRANSMISSION & PRIMARY

Part No.	Description	Part and Model(s)
17025-03A	BREATHER ASSEMBLY	<i>ROCKER ARM ASSEMBLY AND PUSHRODS - TWIN CAM 103™:</i> FXSB FLSTC FLSTF FLSTN FLSTFB FLS <i>ROCKER ARM ASSEMBLY AND PUSH RODS - TWIN CAM 110™:</i> FLSS FLSTFBS
18538-99C	HYDRAULIC LIFTER	<i>ROCKER ARM ASSEMBLY AND PUSHRODS - TWIN CAM 103™:</i> FXSB FLSTC FLSTF FLSTN FLSTFB FLS
37909-90	RETAINING RING	<i>CLUTCH - TWIN CAM 103™:</i>

		FLSTC FLSTF FLSTN FLSTFB FLS FXSB <i>CLUTCH - ASSIST AND SLIP - TWIN CAM 110™:</i> FLSS FLSTFBS
37913-98	PLATE CLUTCH	<i>CLUTCH - TWIN CAM 103™:</i> FLSTC FLSTF FLSTN FLSTFB FLS FXSB

FOOT CONTROLS

Part No.	Description	Part and Model(s)
33895-82D	SHIFT LEVER KIT	<i>SHIFTER, GEAR:</i> FLSTC FLSTF FLSTN FLSTFB FLS FLSS FLSTFBS
34611-65A	PEG	<i>SHIFTER, GEAR:</i> FXSB <i>SHIFTER, GEAR:</i> FLSTC FLSTF FLSTN FLSTFB FLS FLSS FLSTFBS

INTAKE, EXHAUST & FUEL MGMT

Part No.	Description	Part and Model(s)
61011-04A	FILTER	<i>FUEL PUMP: All Models</i>
65296-95A	CLAMP	<i>EXHAUST SYSTEM - FXSB:</i> FXSB <i>EXHAUST SYSTEM - FLSTC:</i> FLSTC <i>EXHAUST SYSTEM - FLS, FLSS, FLSTF, FLSTFB, FLSTFBS AND FLSTN (2 OF 2):</i> FLSTF FLSTN FLSTFB FLS FLSTFBS

LIGHTING

Part No.	Description	Part and Model(s)
68000056	BULB	AUXILIARY/FOG LAMPS AND TURN SIGNALS, FRONT - FLSTC, FLSTN (2 OF 2): FLSTC FLSTN
68168-89A	BULB	AUXILIARY/FOG LAMPS AND TURN SIGNALS, FRONT - FLSTC, FLSTN (1 OF 2): FLSTC FLSTN TURN SIGNALS, FRONT - FLS, FLSS, FLSTF, FLSTFB, FLSTFBS, FXSB: FLSTF FLSTFB FLS FXSB FLSS FLSTFBS TURN SIGNALS, REAR (1 OF 2): FLS FXSB TAIL LAMP - FLSTN: FLSTN
68193-95	BULB	FENDER, FRONT: FLSTC FENDERS AND SUPPORTS, REAR - FLSTC: FLSTC
68329-03	BULB	HEADLAMP (2 OF 2): All Models
68572-64B	BULB	AUXILIARY/FOG LAMPS AND TURN SIGNALS, FRONT - FLSTC, FLSTN (1 OF 2): FLSTC TURN SIGNALS, REAR (1 OF 2): FLSTC
68973-00	LENS	AUXILIARY/FOG LAMPS AND TURN SIGNALS, FRONT - FLSTC, FLSTN (2 OF 2): FLSTN TURN SIGNALS, FRONT - FLS, FLSS, FLSTF, FLSTFB, FLSTFBS, FXSB: FLSTF FLSTFB FLS FXSB FLSS FLSTFBS TURN SIGNALS, REAR (1 OF 2): FLSTN FLSTF FLSTFB FLSS FLSTFBS

MAINTENANCE & TOOLS

Part No.	Description	Part and Model(s)
63731-99A	OIL FILTER	CRANKCASE AND ENGINE OIL FILTER - TWIN CAM 103™: FLSTFB FLS CRANKCASE AND ENGINE OIL FILTER - TWIN CAM 110™:

		FLSS FLSTFBS
63798-99A	OIL FILTER	<i>CRANKCASE AND ENGINE OIL FILTER - TWIN CAM 103™:</i> FLSTC FLSTF FLSTN FXSB
65989-97C	BATTERY	BATTERY: All Models
66373-06	BATTERY	SWITCHES: All Models
95594-84B	WEIGHT	<i>WHEELS, FRONT (2 OF 2):</i> FLS FXSB FLSS <i>WHEELS, REAR (2 OF 2):</i> FLS FXSB
95595-84B	WEIGHT	<i>WHEELS, FRONT (2 OF 2):</i> FLSTC FLSTF FLSTN FLSTFB FLSTFBS <i>WHEELS, REAR (2 OF 2):</i> FLSTC FLSTF FLSTN FLSTFB FLSTFBS

SECURITY & STORAGE

Part No.	Description	Part and Model(s)
68926-07	REMOTE CONTROL FOB	SWITCHES: All Models LOOSE PARTS: All Models

TIRES

Part No.	Description	Part and Model(s)
40558-82	INNER TUBE	<i>WHEELS, FRONT (1 OF 2):</i> FLSTC FLSTN FLS FLSS <i>WHEELS, REAR (1 OF 2):</i> FLSTC FLSTN FLS FLSS
40999-87	VALVE STEM	<i>WHEELS, FRONT (2 OF 2):</i> FXSB <i>WHEELS, REAR (1 OF 2):</i> FXSB
43022-91A	TIRE	<i>WHEELS, FRONT (2 OF 2):</i> FLS

		FLSS
43118-92A	TIRE	<i>WHEELS, FRONT (2 OF 2):</i> FLSTC FLSTN
43147-40	RIM FLAP	<i>WHEELS, FRONT (2 OF 2):</i> FLSTN FLSTC FLS FLSS <i>WHEELS, REAR (2 OF 2):</i> FLSTC FLSTN FLS FLSS
43157-83A	VALVE STEM ASSEMBLY	<i>WHEELS, FRONT (2 OF 2):</i> FLSTF FLSTFB FLSTFBS <i>WHEELS, REAR (1 OF 2):</i> FLSTF FLSTFB FLSTFBS
43164-05	RIM FLAP	<i>WHEELS, FRONT (2 OF 2):</i> FLSTN FLSTC <i>WHEELS, REAR (2 OF 2):</i> FLSTC FLSTN
43200001	TIRE	<i>WHEELS, REAR (1 OF 2):</i> FLS FLSS
43264-02	TIRE	<i>WHEELS, REAR (1 OF 2):</i> FLSTC
43353-03	TIRE	<i>WHEELS, REAR (1 OF 2):</i> FLSTC FLSTN

WINDSHIELDS & AIR DEFLECTORS

Part No.	Description	Part and Model(s)
67621-94	BUSHING	<i>WINDSHIELD - FLSTC:</i> FLSTC