

2001 HARLEY-DAVIDSON® SOFTAIL MODELS PARTS CATALOG



Part No. 99455-01A

2001 Softail Models Parts Catalog

Alphabetical List

Parts

Hardware List

New Parts List

Numerical Index

Component Types and Introduction Dates

Common Service Parts

READER'S COMMENTS

The Harley-Davidson Service Communications Department maintains a continuous effort to improve the quality and usefulness of its publications. To do this effectively, we need user feedback - your critical evaluation of this manual.

Please comment on the completeness, accuracy, organization, usability, and readability of this manual.

Please list the page, item, and part number(s) of any errors you find in this manual.

Please tell us how we can improve this manual.

Table 1.

Name		Document
Occupation		Dealership
Street		Department
City	State	Zip

- Return this form to:

Harley-Davidson Motor Company
Department 625 Service Communications
P.O. Box 653

quantity needed for complete assembly. If there is no number in parentheses, only one is used. Prices of parts in this catalog are published separately.

When ordering parts, the following instructions should be followed carefully.

- Make sure to specify the correct part number for each item. The part numbers appear under the "PART NO." column in the parts lists.
- Orders may be placed via your computer for all parts. Review your system documentation on placing orders electronically. All non-warranty replacement crankcase orders require return of the complete left crankcase half with vehicle identification number (VIN). All non-warranty replacement frame orders require return of the steering neck with vehicle identification number (VIN). Non-compliance will result in a fine. See non-warranty frame and crankcase policy or contact Dealer Services.
- The sale or use of these parts or accessories does not grant the purchaser a license or other right under any Harley-Davidson patent.
- For all 2008 and later painted parts, refer to the Service Section of h-dnet.com which features a listing of painted part numbers, except CVO (Custom Vehicle Operations) models which are located in their own respective catalogs.
- All parts that were added for the new model year will have the entire line shaded on the parts list page. This can be used to identify any new parts that are unique to a specific model, and help distinguish new and previous model year parts.
- Parts marked "**RESTRICTED SALE PART**" are limited edition items and can only be ordered as direct replacements.
- Orientation symbols are used when the illustration is not in the standard "Right-Front" orientation. The symbol is a motorcycle with an arrow in the front indicating the direction of view. The symbol is at the bottom left or right side of the illustration page.
- To request a missing or loose part, simply submit a Return Material Authorization (RMA) claim on h-dnet.com with code "T-part not included with vehicle" for all vehicle missing parts claims. Then place an order for the missing item on your next Parts and Accessories order. Upon filing the RMA claim, your dealership will be credited for the dealer net cost of the part. The Vehicle Identification Number must be included on the RMA claim in order for you to receive credit. This process is to be used for vehicles manufactured at all plants.

To the best knowledge of Harley-Davidson Motor Company, the material contained herein is accurate as of the date this publication was approved for printing. Harley-Davidson Motor Company reserves the right to change specifications, equipment or designs at any time without notice and without incurring obligation.

©2018 H-D.

GENERAL INFORMATION

LOOSE PARTS

The Loose Parts section is located at the back of this parts catalog. This section lists the parts which are shipped unfastened with the vehicles covered in this catalog.

HARDWARE LIST

The Hardware List is located at the back of this parts catalog. This section contains the information for each piece of hardware found in each parts list.

NEW PARTS LIST

The New Parts List is located at the back of this parts catalog. This list serves as a summary of new parts.

NUMERICAL INDEX

The Numerical Index is located at the back of this parts catalog. This index includes all part numbers used in this catalog and the page numbers of where they can be found.

COMPONENT TYPES AND INTRODUCTION DATES

The Component Types and Introduction Dates section is located at the back of this parts catalog. This section contains a list of component part numbers and year of introduction.

COMMON SERVICE PARTS

The Common Service Parts section is located at the back of this parts catalog. This section contains the most commonly ordered parts for service on vehicles covered in this catalog. These parts are ordered through the normal ordering process.

SIP (SERVICE INFORMATION PORTAL)

For the latest updates to these manuals, see the Service Information Portal.

VEHICLE IDENTIFICATION NUMBER

See Figure 1. A unique 17-digit serial, or vehicle identification number (VIN), is assigned to each motorcycle. For a description of each digit in the vehicle identification number (VIN), refer to Table 1.

For all models except V-Rod the full 17-digit serial, or vehicle identification number (VIN), is stamped on the right side of the frame backbone at the rear of the steering head. The vehicle identification number (VIN) is also printed on a label on the right front downtube. An abbreviated vehicle identification number (VIN) is stamped on the left side crankcase between the front and rear cylinders.

For V-Rod models only the full 17-digit serial, or vehicle identification number (VIN), is stamped on the right side of the steering head. The vehicle identification number (VIN) is also printed on a label on the left frame tube above the front engine cylinder. An abbreviated vehicle identification number (VIN) is stamped on the left side crankcase below the rear cylinder head.

Always give the full 17-digit vehicle identification number (VIN) when ordering parts or making any inquiry about your motorcycle.

2001 SOFTAIL MODELS

VIN Model Codes

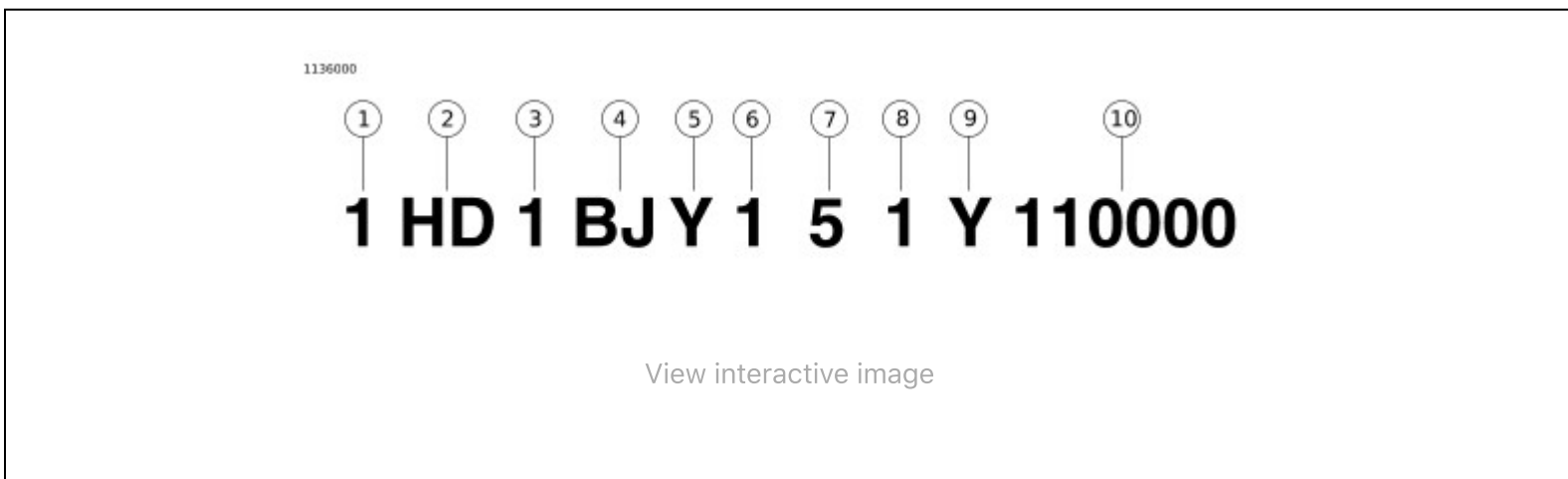


Figure 1. Typical Harley-Davidson VIN

Table 2. Harley-Davidson VIN Breakdown

POSITION	DESCRIPTION	POSSIBLE VALUES
1	Market designation	1=Domestic 5=International
2	Manufacturer	HD=Harley-Davidson
3	Motorcycle type	1=Heavyweight motorcycle (901 cc and larger)
4	Model	See model table
5	Engine type	Y=Twin Cam 88B™ carbureted, balanced B=Twin Cam 88B™ fuel injected, balanced

POSITION	DESCRIPTION	POSSIBLE VALUES
6	Introduction date	1=Regular 2=Mid-year 3=California 4=Special Edition
7	V.I.N. check digit	Can be 0-9 or X
8	Model year	1=2001
9	Assembly plant	Y=York, PA
10	Sequential number	varies

Table 3. VIN Model Codes

CODE	MODEL	CODE	MODEL	CODE	MODEL
BH	FXST	BW	FLSTCI	BR	FLSTS
BZ	FXSTSI	BS	FXSTD	BV	FXSTI
BM	FLSTF	BY	FLSTSI	BT	FXSTB
JB	FXSTDI	BJ	FLSTC	BX	FLSTFI
BL	FXSTS	JA	FXSTBI		

NOTES

AIR CLEANER & ENRICHENER - CARBURETED MODELS

AIR CLEANER - FUEL INJECTED MODELS

ALTERNATOR & REGULATOR

AUXILIARY/FOG LAMPS - FLSTC/I & FLSTS/I, FRONT TURN SIGNALS - FLSTC/I

AXLE, FRONT

BATTERY

BATTERY CABLES

BELT GUARD

BELTS, CHAINS & SPROCKETS

BRACKET, ELECTRONIC CONTROL MODULE - FUEL INJECTED MODELS

BRACKET, IGNITION MODEL - CARBURETED MODELS

BRAKE CONTROL, FRONT

BRAKE CONTROL, REAR

BRAKE CONTROL, REAR

BRAKE CONTROL, REAR

BRAKE DISC, FRONT

BRAKE DISC, REAR

BRAKE LINES, FRONT

BRAKE LINES, REAR

CABLE, CLUTCH CONTROL

CALIFORNIA EVAPORATIVE EMISSIONS COMPONENTS

CALIPER, FRONT

CALIPER, REAR

CAMSHAFTS & CAM COVER - Twin Cam 88B™

CARBURETOR (1 OF 2)

CARBURETOR (2 OF 2)

CLAMPS, HANDLEBAR UPPER & LOWER

CLUTCH
CLUTCH CONTROL
COMPLETE ENGINE - Twin Cam 88B™
CONNECTING RODS
COVER, ELECTRICAL CADDY
CRANKCASE & ENGINE OIL FILTER - Twin Cam 88B™
CYLINDERS, HEADS & VALVES - Twin Cam 88B™
DECALS, FUEL TANK
ELECTRICAL MOUNTING BRACKETS
ELECTRONIC CONTROL MODULE & COIL - FUEL INJECTED
ENGINE BALANCER - Twin Cam 88B™
ENGINE MOUNTS
ENGINE SENSORS & SWITCHES
EXHAUST SYSTEM - FLSTF/I & FXSTD/I
EXHAUST SYSTEM - FLSTS/I
EXHAUST SYSTEM - FXST/I, FLSTC/I, FXSTS/I & FXSTB/I
FILTER, ENGINE AIR - CARBURETED MODELS
FILTER, ENGINE AIR - FUEL INJECTED MODELS
FOOTRESTS & FOOTBOARDS
FORK ROCKERS & CALIPER MOUNTING - FLSTS/I
FORK ROCKERS & CALIPER MOUNTING - FXSTS/I
FRAME & JIFFY STAND
FRONT BRAKE CALIPER
FRONT BRAKE CALIPER - SPRINGER MODELS
FRONT BRAKE CONTROL
FRONT FENDER - FLSTS/I
FRONT FENDER - FXST/I, FXSTB/I, FXSTD/I, FLSTC/I & FLSTF/I
FRONT FENDER - FXSTS/I
FRONT FORK - FLSTC/I & FLSTF/I (1 OF 2)
FRONT FORK - FLSTC/I & FLSTF/I (2 OF 2)
FRONT FORK - FLSTS/I
FRONT FORK - FXST/I & FXSTB/I
FRONT FORK - FXSTD/I
FRONT FORK - FXSTS/I
FRONT TURN SIGNALS
FRONT WHEEL (1 OF 2)
FRONT WHEEL (2 OF 2)
FUEL INJECTOR
FUEL PUMP - FUEL INJECTED
FUEL TANK
FUEL TANK - FUEL INJECTED
FUEL TANK - FXSTD
FUEL TANK - FXSTD - FUEL INJECTED
FUEL TANK TRIM
FUSES
GASKET KIT, INNER PRIMARY
GASKET KIT, TOP END
GASKET, ENGINE OVERHAUL
GEAR SHIFTER
GEARS, TRANSMISSION
HAND LEVER, CLUTCH CONTROL
HANDLEBAR
HANDLEBAR GRIPS
HANDLEBAR SWITCHES
HEADLAMP (1 OF 2)
HEADLAMP (2 OF 2)
HORN
IGNITION MODULE & COIL - CARBURETED

INDICATOR LAMPS
INDUCTION MODULE - FUEL INJECTED
INSTRUMENTS
INSTRUMENTS - FXSTD/I
JIFFY STAND
LICENSE PLATE BRACKETS
MASTER CYLINDER ASSEMBLY
MEDALLION - FUEL TANK
MIRRORS
MUFFLER - FLSTS/I
MUFFLER - FXST/I, FLSTC/I, FXSTS/I & FXSTB/I
OIL TANK & LINES
PISTONS & FLYWHEEL ASSEMBLY - Twin Cam 88B™
PRIMARY COVER
PRIMARY HOUSING
PUSH RODS
REAR BELT GUARD
REAR BRAKE CALIPER
REAR BRAKE CONTROL
REAR FENDER & SUPPORTS - FLSTC/I, FLSTF/I & FLSTS/I
REAR FENDER & SUPPORTS - FXST/I, FXSTS/I & FXSTB/I
REAR FENDER, SUPPORTS & LICENSE PLATE BRACKET - FXSTD/I
REAR FORK & SHOCK ABSORBERS
REAR TURN SIGNALS
REAR WHEEL
REGULATOR, VOLTAGE
RELAY, STARTER
REMOTE CONTROL - FOB
ROCKER ARM ASSEMBLY & PUSH RODS - Twin Cam 88B™
SADDLEBAGS - FLSTC/I
SADDLEBAGS - FLSTS/I
SEAT - FLSTS/I
SEATS
SENDING UNITS - CARBURETED MODELS
SENSOR, CRANKSHAFT POSITION
SENSOR, ENGINE OIL PRESSURE
SENSOR, INTAKE AIR TEMPERATURE
SENSOR, MANIFOLD AIR PRESSURE
SENSOR, THROTTLE POSITION
SHIFTER FORK
SISSY BAR
SPROCKET, REAR 70T
STARTER MOTOR
SWITCH - NEUTRAL INDICATOR
SWITCH, IGNITION
SWITCH, IGNITION
SWITCHES & CIRCUIT BREAKERS
TAIL LAMP (1 OF 2)
TAIL LAMP (2 OF 2)
TAIL LAMP - FXSTD/I
THROTTLE CONTROL
TRANSMISSION BEARINGS
TRANSMISSION GEARS
TRANSMISSION HOUSING (1 OF 2)
TRANSMISSION HOUSING (2 OF 2)
TURN SIGNAL CANCELLER
TURN SIGNALS, FRONT
TURN SIGNALS, REAR

WHEEL, FRONT

WHEEL, REAR

WINDSHIELD - FLSTC/I

WIRING HARNESS, MAIN - CARBURETED (1 OF 2)

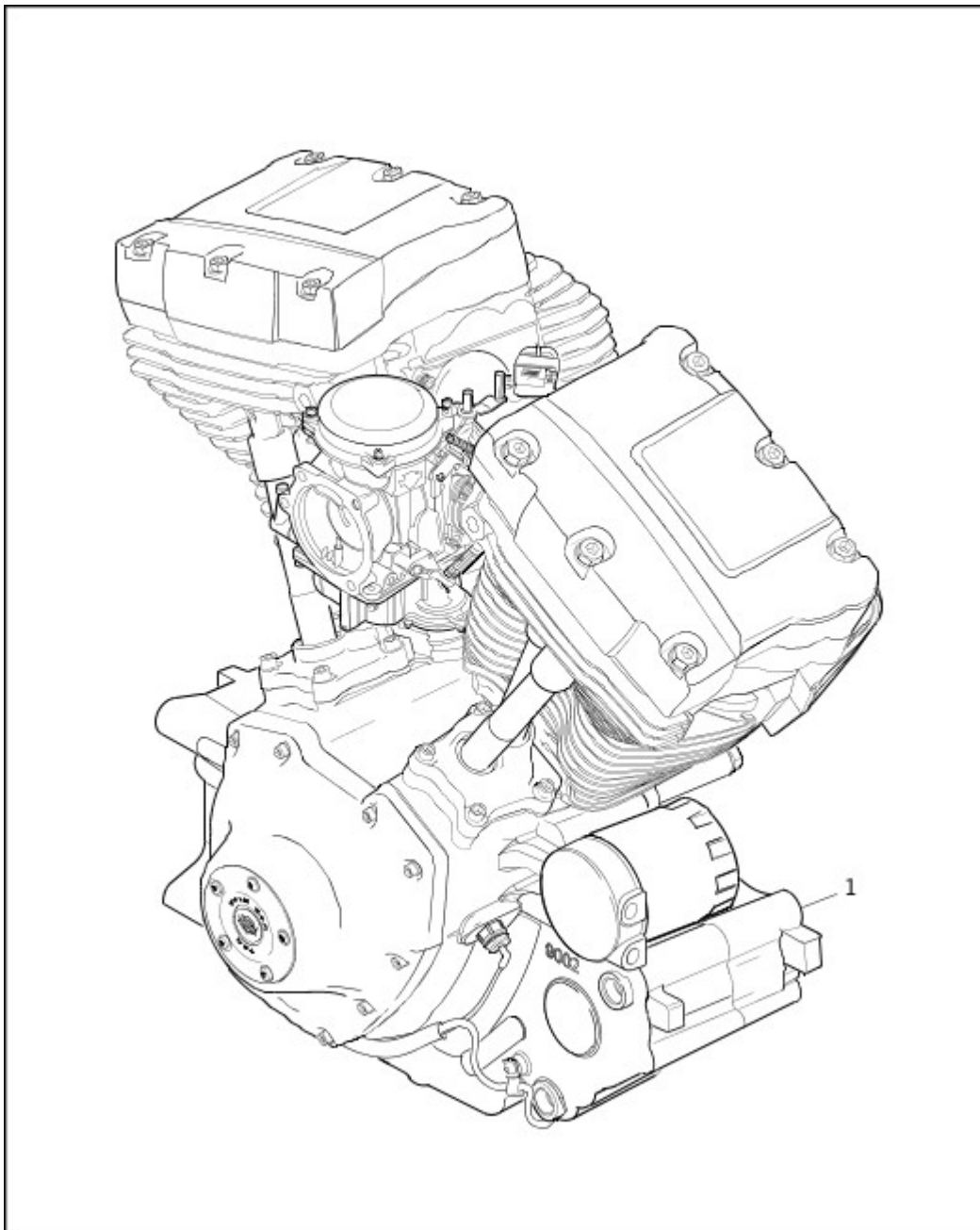
WIRING HARNESS, MAIN - CARBURETED (2 OF 2)

WIRING HARNESS, MAIN - FUEL INJECTED (1 OF 2)

WIRING HARNESS, MAIN - FUEL INJECTED (2 OF 2)

Parts

COMPLETE ENGINE - Twin Cam 88B™



[View interactive image](#)

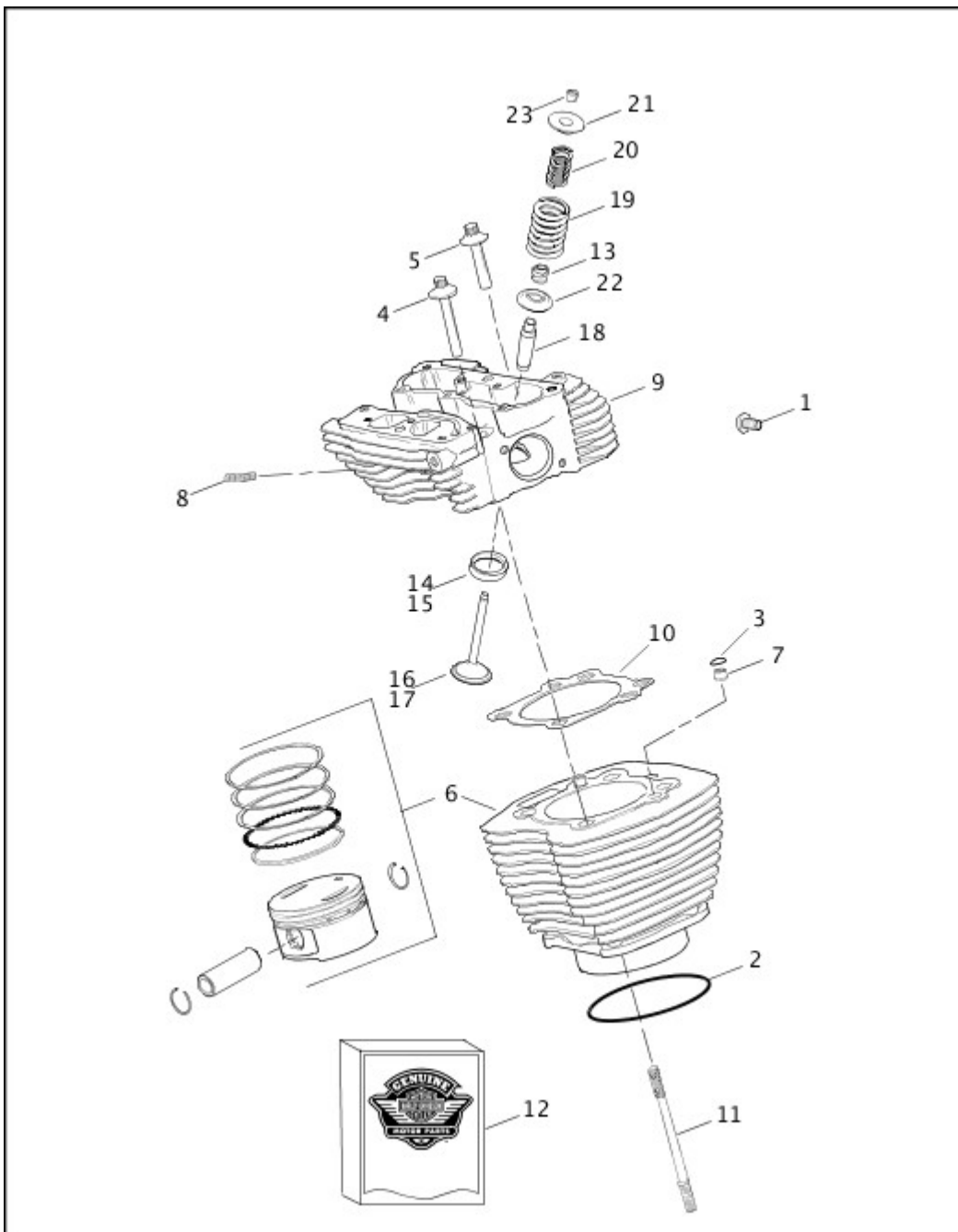
[View interactive table](#)

INDEX NO.	PART NO.	DESCRIPTION	MODEL(S)
1	16118-01	ENGINE ASSEMBLY, complete (polished & silver painted)	FXST

INDEX NO.	PART NO.	DESCRIPTION	MODEL(S)
	16119-01	ENGINE ASSEMBLY, complete (polished & silver painted) (California)	FXST
	16121-01	ENGINE ASSEMBLY, complete (chrome & black texture)	FLSTC, FLSTF, FLSTS, FXSTS
	16126-01	ENGINE ASSEMBLY, complete (chrome & black texture) (California)	FLSTC, FLSTF, FLSTS, FXSTS
	16128-01	ENGINE ASSEMBLY, complete (chrome & black texture)	FXSTD
	16129-01	ENGINE ASSEMBLY, complete (chrome & black texture) (California)	FXSTD
	16132-01	ENGINE ASSEMBLY, complete (black wrinkle) (California)	FXSTB
	16155-01	ENGINE ASSEMBLY, complete (black wrinkle)	FXSTB
	16113-01	ENGINE ASSEMBLY, complete, w/ EFI (black wrinkle)	FXSTBI
	16114-01	ENGINE ASSEMBLY, complete, w/ EFI (polished & silver painted)	FXSTI
	16142-01	ENGINE ASSEMBLY, complete, w/ EFI (chrome & black texture)	FLSTCI, FLSTFI, FLSTSI, FXSTDI, FXSTSI

INTERNATIONAL MODELS ONLY

CYLINDERS, HEADS & VALVES - Twin Cam 88B™



[View interactive image](#)

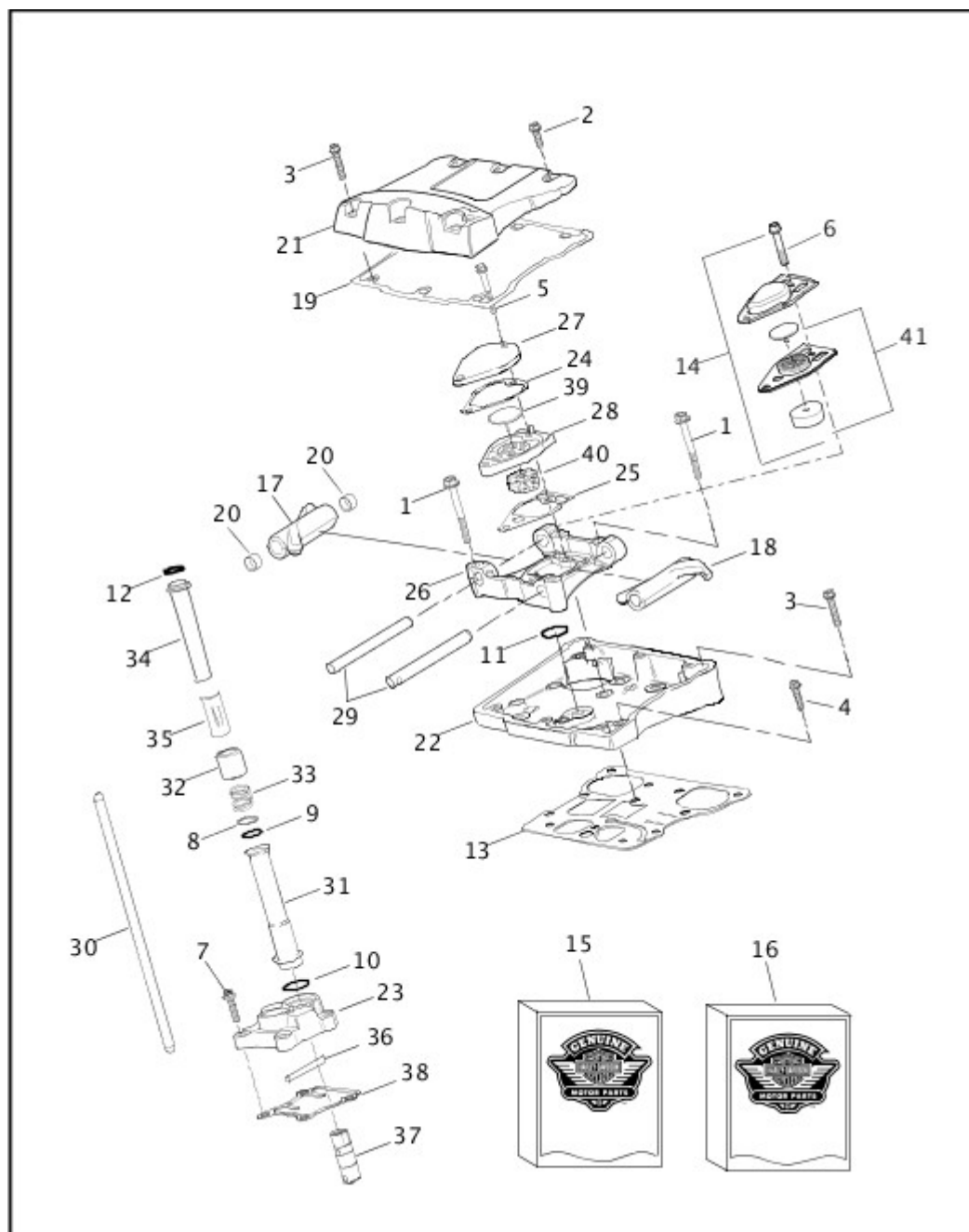
[View interactive table](#)

INDEX NO.	PART NO.	DESCRIPTION	MODEL(S)
1	4175	SCREW (plugs temperature sensor hole on front cylinder head)	ALL
2	11256	O-RING, cylinder base (2)	ALL
3	11273	O-RING (4)	ALL
4	16478-85A	SCREW, internal thread 3-3/16 inch long (4)	ALL
5	16480-92A	SCREW, internal thread 1-7/8 inch long (4)	ALL

INDEX NO.	PART NO.	DESCRIPTION	MODEL(S)
6	16525-99	CYLINDER ASSEMBLY, w/ piston, rings, piston pin & retaining rings (silver) (2)	FXST, FXSTI
	16526-99	CYLINDER ASSEMBLY, w/ piston, rings, piston pin & retaining rings (black) (2)	FLSTC, FLSTCI, FLSTF, FLSTFI, FLSTS, FLSTSI, FXSTB, FXSTBI, FXSTD, FXSTDI, FXSTS, FXSTSI
7	16595-99A	DOWEL, cylinder to head (4)	ALL
8	16715-83	STUD, exhaust port (4)	ALL
9	16716-99	CYLINDER HEAD, front, w/ 18011-86, 18020-83 & 18101- 83D (silver)	FXST, FXSTI
	16717-99	CYLINDER HEAD, rear, w/ 18011-86, 18020-83 & 18101- 83D (silver)	FXST, FXSTI
	16722-99	CYLINDER HEAD, front, w/ 18011-86, 18020-83 & 18101- 83D (black)	FLSTC, FLSTCI, FLSTF, FLSTFI, FLSTS, FLSTSI, FXSTB, FXSTBI, FXSTD, FXSTDI, FXSTS, FXSTSI
	16724-99	CYLINDER HEAD, rear, w/ 18011-86, 18020-83 & 18101- 83D (black)	FLSTC, FLSTCI, FLSTF, FLSTFI, FLSTS, FLSTSI, FXSTB, FXSTBI, FXSTD, FXSTDI, FXSTS, FXSTSI
10	16775-99B	GASKET, cylinder head (2)	ALL
11	16834-99A	STUD, cylinder (8)	ALL
12	17052-99C	GASKET KIT, top end	ALL
	17053-99C	GASKET KIT, engine overhaul	ALL
13	18001-83B	SEAL, valve (4)	ALL
14	18011-86	INSERT, exhaust valve seat (2)	ALL
	18124-83	INSERT, exhaust valve seat, 0.005 O.S. (2)	ALL
15	18020-83	INSERT, intake valve seat (2)	ALL
	18134-83	INSERT, intake valve seat, 0.005 O.S. (2)	ALL
16	18074-83B	INTAKE VALVE (2)	ALL
	18076-83	INTAKE VALVE, 0.03 short (2)	ALL
17	18082-83A	EXHAUST VALVE (2)	ALL
18	18101-83D	VALVE GUIDE, intake & exhaust (4)	ALL
	18130-83D	VALVE GUIDE, intake & exhaust, 0.001 O.S. (4)	ALL
	18131-83D	VALVE GUIDE, intake & exhaust, 0.003 O.S. (4)	ALL
	18133-83B	VALVE GUIDE, intake & exhaust, 0.002 O.S. (4)	ALL

INDEX NO.	PART NO.	DESCRIPTION	MODEL(S)
19	18201-83	VALVE SPRING, outer (4)	ALL
20	18202-83	VALVE SPRING, inner (4)	ALL
21	18219-83A	COLLAR, valve spring, upper (4)	ALL
22	18222-83A	COLLAR, valve spring, lower (4)	ALL
23	18229-83A	RETAINER, valve collar (8)	ALL

ROCKER ARM ASSEMBLY & PUSH RODS - Twin Cam 88B™



[View interactive image](#)

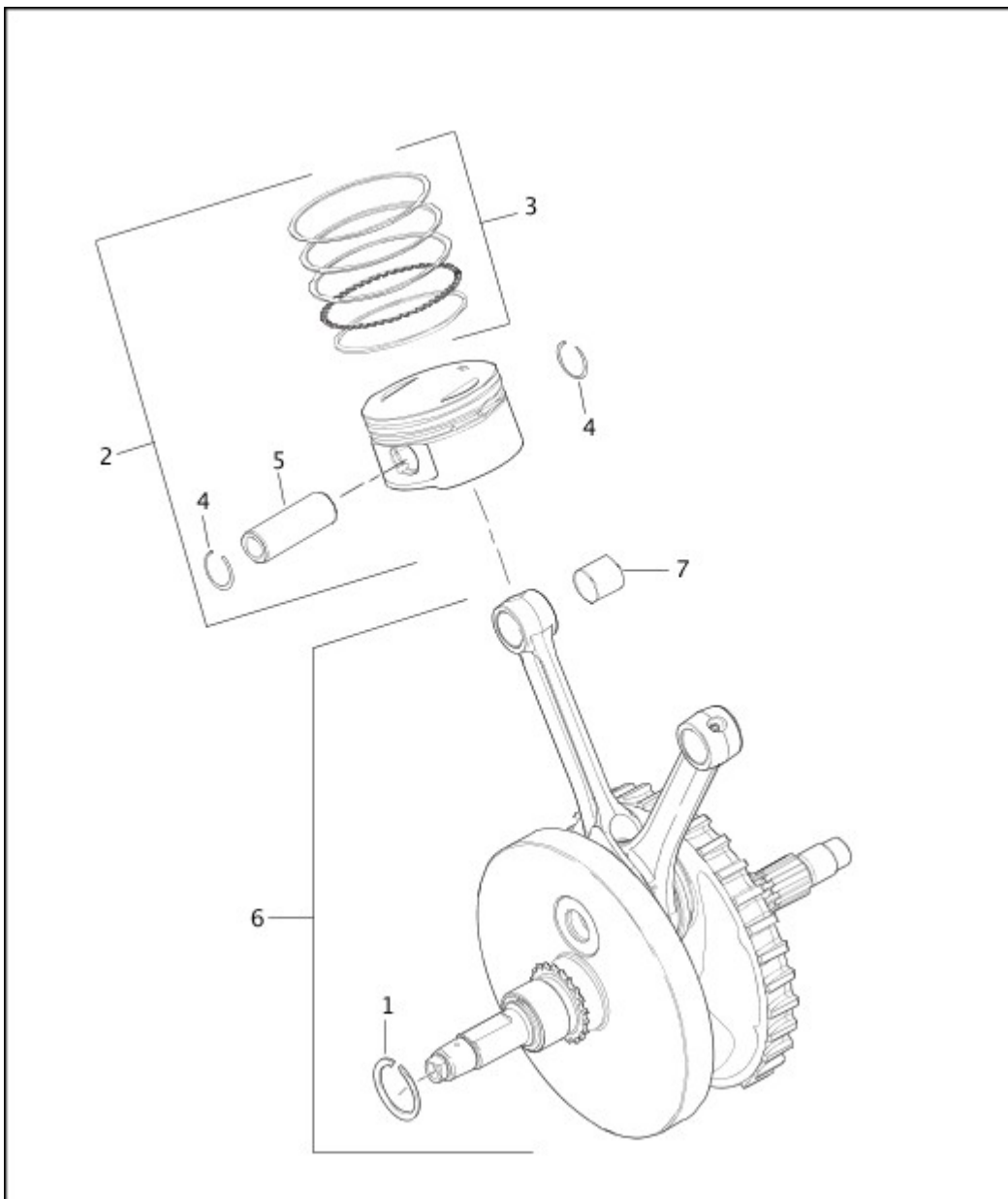
[View interactive table](#)

INDEX NO.	PART NO.	DESCRIPTION	MODEL(S)
-----------	----------	-------------	----------

INDEX NO.	PART NO.	DESCRIPTION	MODEL(S)
1	1039	SCREW (8)	ALL
2	3692A	SCREW (6)	ALL
3	3693A	SCREW (10)	ALL
4	3736A	SCREW (8)	ALL
5	3746A	SCREW (used w/ 17596-99) (4)	ALL
6	4400	BOLT (used w/ 17025-03A) (4)	ALL
7	4741A	SCREW (8)	ALL
8	6762B	WASHER (4)	ALL
9	11132A	O-RING, push rod cover (4)	ALL
10	11145A	O-RING, push rod cover (4)	ALL
11	11270	O-RING (2)	ALL
12	11293	O-RING (4)	ALL
13	16719-99B	GASKET, rocker housing (2)	ALL
14	17025-03A	BREATHER ASSEMBLY KIT, w/ 4400 & 26500002 (replaces 17595-99 & 17596-99) (2)	ALL
15	17045-99D	GASKET KIT, cam service	ALL
16	17162-03	GASKET KIT, breather, w/ 26858-99 & 63815-99 (replaces 17591-99 & 17592-99)	ALL
17	17360-83A	ROCKER ARM, front intake, rear exhaust, w/ 17429-91 (2)	ALL
18	17375-83A	ROCKER ARM, rear intake, front exhaust, w/ 17429-91 (2)	ALL
19	17386-99A	GASKET, rocker cover (2)	ALL
20	17429-91	BEARING, rocker arm (8)	ALL
21	17572-99	ROCKER COVER, chrome (2)	FLSTC, FLSTCI, FLSTF, FLSTFI, FLSTS, FLSTSI, FXSTD, FXSTDI, FXSTS, FXSTSI
	17575-99	ROCKER COVER, polished (2)	FXST, FXSTI
	17620-99	ROCKER COVER, black texture (2)	FXSTB, FXSTBI
22	17573-99A	ROCKER HOUSING, chrome (2)	FLSTC, FLSTCI, FLSTF, FLSTFI, FLSTS, FLSTSI, FXSTD, FXSTDI, FXSTS, FXSTSI
	17574-99A	ROCKER HOUSING, polished (2)	FXST, FXSTI
	17618-99A	ROCKER HOUSING, black texture (2)	FXSTB, FXSTBI
23	17576-99	LIFTER COVER, front, polished	FXST, FXSTI

INDEX NO.	PART NO.	DESCRIPTION	MODEL(S)
	17577-99	LIFTER COVER, rear, polished	FXST, FXSTI
	17964-99	LIFTER COVER, front, chrome	FLSTC, FLSTCI, FLSTF, FLSTFI, FLSTS, FLSTSI, FXSTB, FXSTBI, FXSTD, FXSTDI, FXSTS, FXSTSI
	17966-99	LIFTER COVER, rear, chrome	FLSTC, FLSTCI, FLSTF, FLSTFI, FLSTS, FLSTSI, FXSTB, FXSTBI, FXSTD, FXSTDI, FXSTS, FXSTSI
24	17591-99	GASKET, breather cover (use 17162-03) (2)	ALL
25	17592-99	GASKET, breather baffle (use 17162-03) (2)	ALL
26	17594-99	SUPPORT, rocker arm (2)	ALL
27	17595-99	COVER, breather (use 17025-03A) (2)	ALL
28	17596-99	BAFFLE, breather (use 17025-03A) (2)	ALL
29	17611-83	SHAFT, rocker arm (4)	ALL
30	17922-99	PUSHROD, exhaust, 10.536 inch long (black oxide finish) (2)	ALL
	17923-99	PUSHROD, intake, 10.418 inch long (plain finish) (2)	ALL
31	17939-99	COVER, push rod, lower (4)	ALL
32	17945-36B	CAP, cover spring (4)	ALL
33	17947-36	SPRING, push rod cover (4)	ALL
34	17948-99	COVER, push rod, upper (4)	ALL
35	17968-99	RETAINER, spring cap (4)	ALL
36	18535-99	PIN, anti-rotation (2)	ALL
37	18538-99C	HYDRAULIC LIFTER (4)	ALL
38	18635-99B	GASKET, lifter cover (2)	ALL
39	26858-99	VALVE, umbrella (used w/ 17162-03) (2)	ALL
40	63815-99	FILTER ELEMENT, breather (used w/ 17162-03) (2)	ALL
41	26500002	BAFFLE ASSEMBLY, breather, w/ breather valve & filter (used w/ 17025-03A) (2)	ALL

PISTONS & FLYWHEEL ASSEMBLY - Twin Cam 88B™



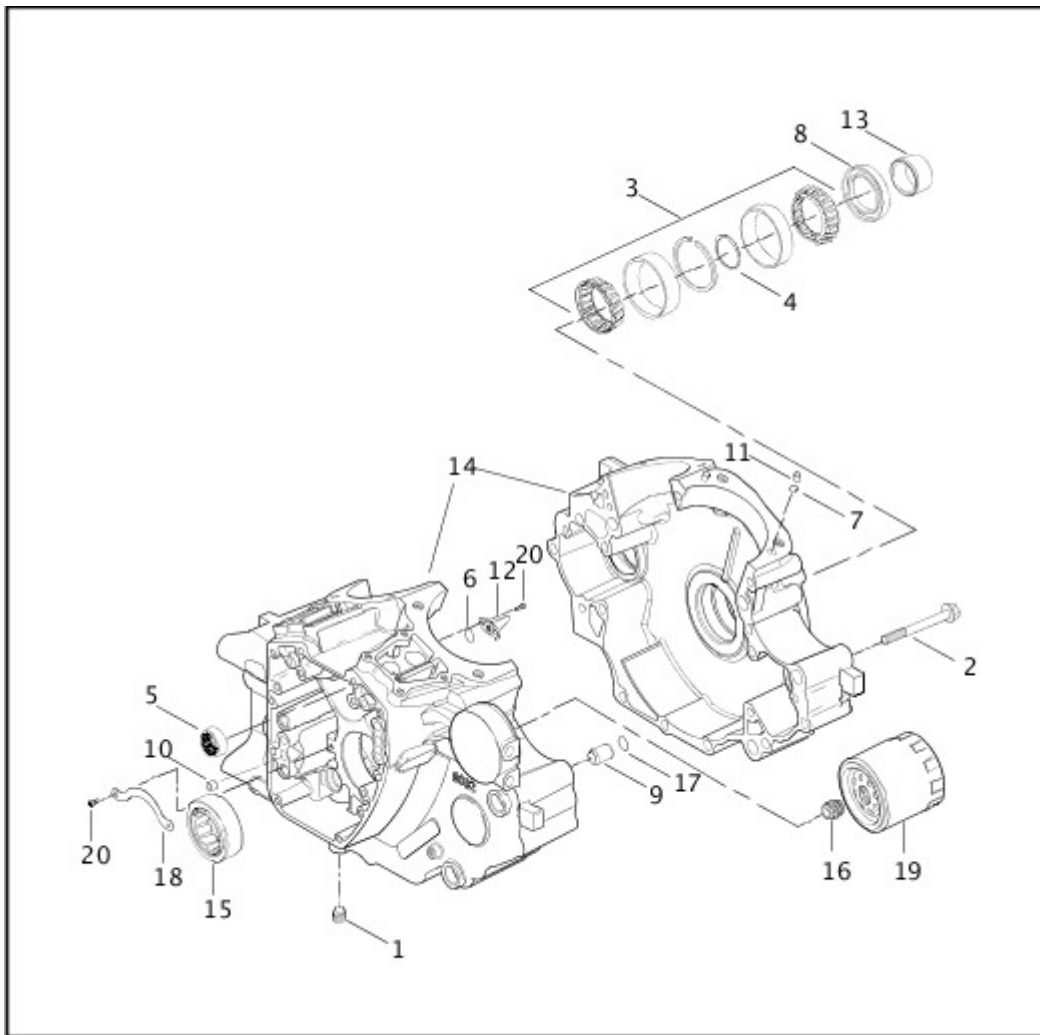
[View interactive image](#)

[View interactive table](#)

INDEX NO.	PART NO.	DESCRIPTION	MODEL(S)
1	11177A	RETAINING RING	ALL
2	21930-99	PISTON AND RINGS ASSEMBLY, standard, w/ 21936-99, 22097-99 & 22132-99 (2)	ALL
	21931-99	PISTON AND RINGS ASSEMBLY, 0.005 inch O.S., w/ 21937-99, 22097-99 & 22132-99 (2)	ALL
	21933-99	PISTON AND RINGS ASSEMBLY, 0.010 inch O.S., w/ 21938-99, 22097-99 & 22132-99 (2)	ALL
3	21936-99	PISTON RING SET, standard (2)	ALL
	21937-99	PISTON RING SET, 0.005 inch O.S. (2)	ALL

INDEX NO.	PART NO.	DESCRIPTION	MODEL(S)
	21938-99	PISTON RING SET, 0.010 inch O.S. (2)	ALL
4	22097-99	LOCK RING, piston pin (4)	ALL
5	22132-99	PISTON PIN (2)	ALL
6	23912-00D	FLYWHEEL ASSEMBLY, w/ 11177A, thrust washer, expansion plug, crankpin, connecting rods, bearings & flywheels	ALL
7	24316-99	BUSHING, piston pin, 0.002 inch O.S. (2)	ALL

CRANKCASE & ENGINE OIL FILTER - Twin Cam 88B™



[View interactive image](#)

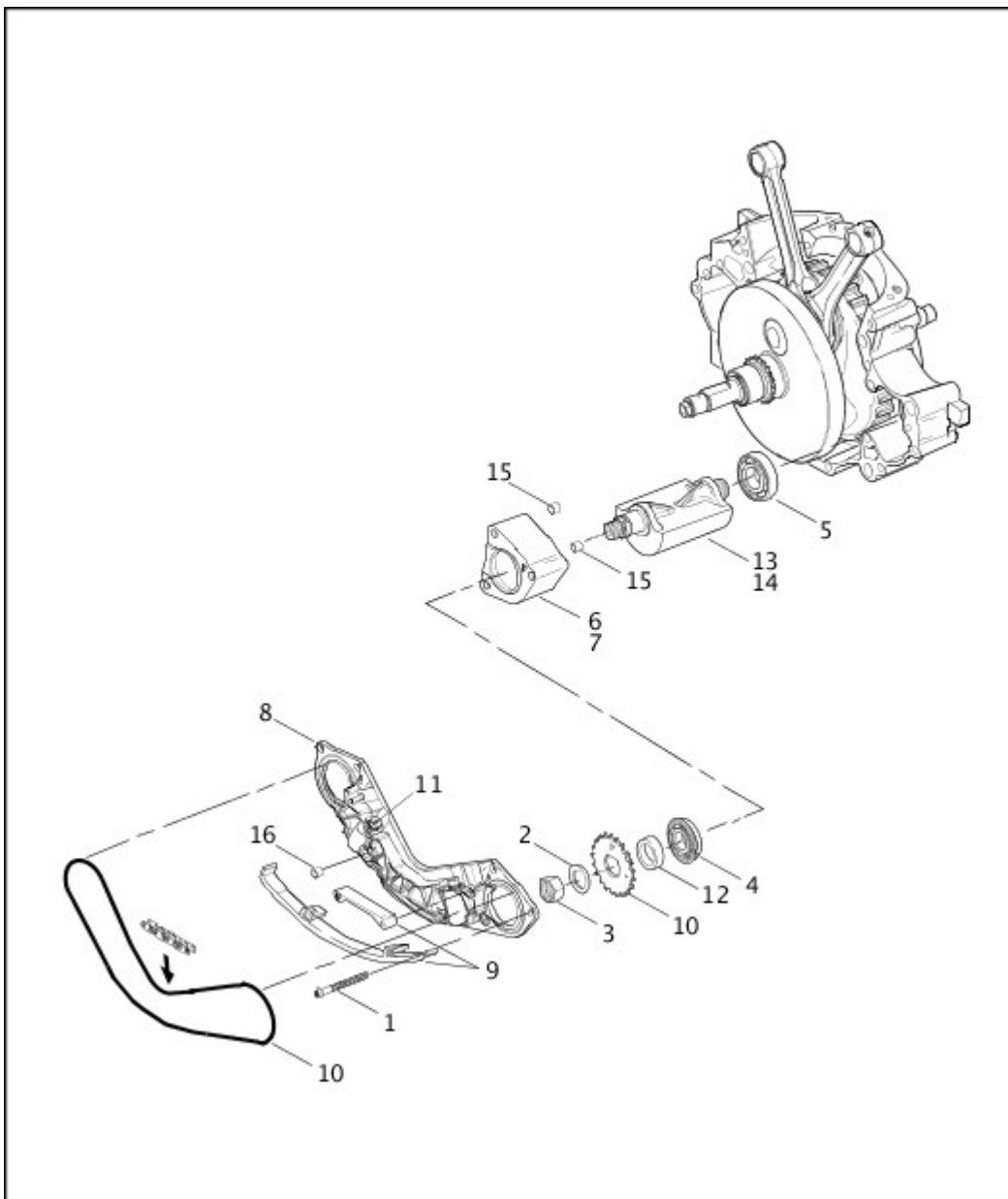
[View interactive table](#)

INDEX NO.	PART NO.	DESCRIPTION	MODEL(S)
1	765	PLUG	ALL
2	895	SCREW (12)	ALL

INDEX NO.	PART NO.	DESCRIPTION	MODEL(S)
3	9028	BEARING ASSEMBLY, main, left side of crankshaft	ALL
4	9110	SHIM, bearing assembly 0.0905 - .0895 inch	ALL
	9120	SHIM, bearing assembly 0.0925 - .0915 inch	ALL
	9121	SHIM, bearing assembly 0.0945 - .0935 inch	ALL
	9122	SHIM, bearing assembly 0.0965 - .0955 inch	ALL
	9123	SHIM, bearing assembly 0.0985 - .0975 inch	ALL
	9124	SHIM, bearing assembly 0.1005 - .0995 inch	ALL
	9125	SHIM, bearing assembly 0.1025 - .1015 inch	ALL
	9126	SHIM, bearing assembly 0.1045 - .1035 inch	ALL
	9127	SHIM, bearing assembly 0.1065 - .1055 inch	ALL
	9128	SHIM, bearing assembly 0.1085 - .1075 inch	ALL
	9129	SHIM, bearing assembly 0.1105 - .1095 inch	ALL
	9130	SHIM, bearing assembly 0.1125 - .1115 inch	ALL
	9131	SHIM, bearing assembly 0.1145 - .1135 inch	ALL
	9132	SHIM, bearing assembly 0.1165 - .1155 inch	ALL
	9133	SHIM, bearing assembly 0.1185 - .1175 inch	ALL
	9134	SHIM, bearing assembly 0.1205 - .1195 inch	ALL
5	9198	NEEDLE BEARING, left side of camshafts (2)	ALL
6	11140	O-RING (2)	ALL
7	11273	O-RING (2)	ALL
8	12068	OIL SEAL	ALL
9	16574-99A	DOWEL RING (2)	ALL
10	16589-99A	DOWEL RING (2)	ALL
11	16595-99A	DOWEL RING (4)	ALL

INDEX NO.	PART NO.	DESCRIPTION	MODEL(S)
12	22307-99	PISTON COOLING JET, w/ O-ring (2)	ALL
13	24039-01A	SPACER, sprocket shaft	ALL
14	24619-00A	SET OF CRANKCASES, w/ bearings, cooling jets & through bolts (silver)	FXST, FXSTI
	24620-00A	SET OF CRANKCASES, w/ bearings, cooling jets & through bolts (black)	FLSTC, FLSTCI, FLSTF, FLSTFI, FLSTS, FLSTSI, FXSTB, FXSTBI, FXSTD, FXSTDI, FXSTS, FXSTSI
15	24605-07	BEARING, main, right side of crankshaft	ALL
16	26352-95A	ADAPTOR, oil filter	ALL
17	26432-76A	O-RING (2)	ALL
18	35093-00	PLATE, bearing retaining	ALL
19	63798-99A	OIL FILTER (chrome)	FLSTC, FLSTCI, FLSTF, FLSTFI, FLSTS, FLSTSI, FXST, FXSTD, FXSTDI, FXSTI, FXSTS, FXSTSI
	63731-99A	OIL FILTER (black)	FXSTB, FXSTBI
20	68042-99	SCREW (6)	ALL

ENGINE BALANCER - Twin Cam 88B™



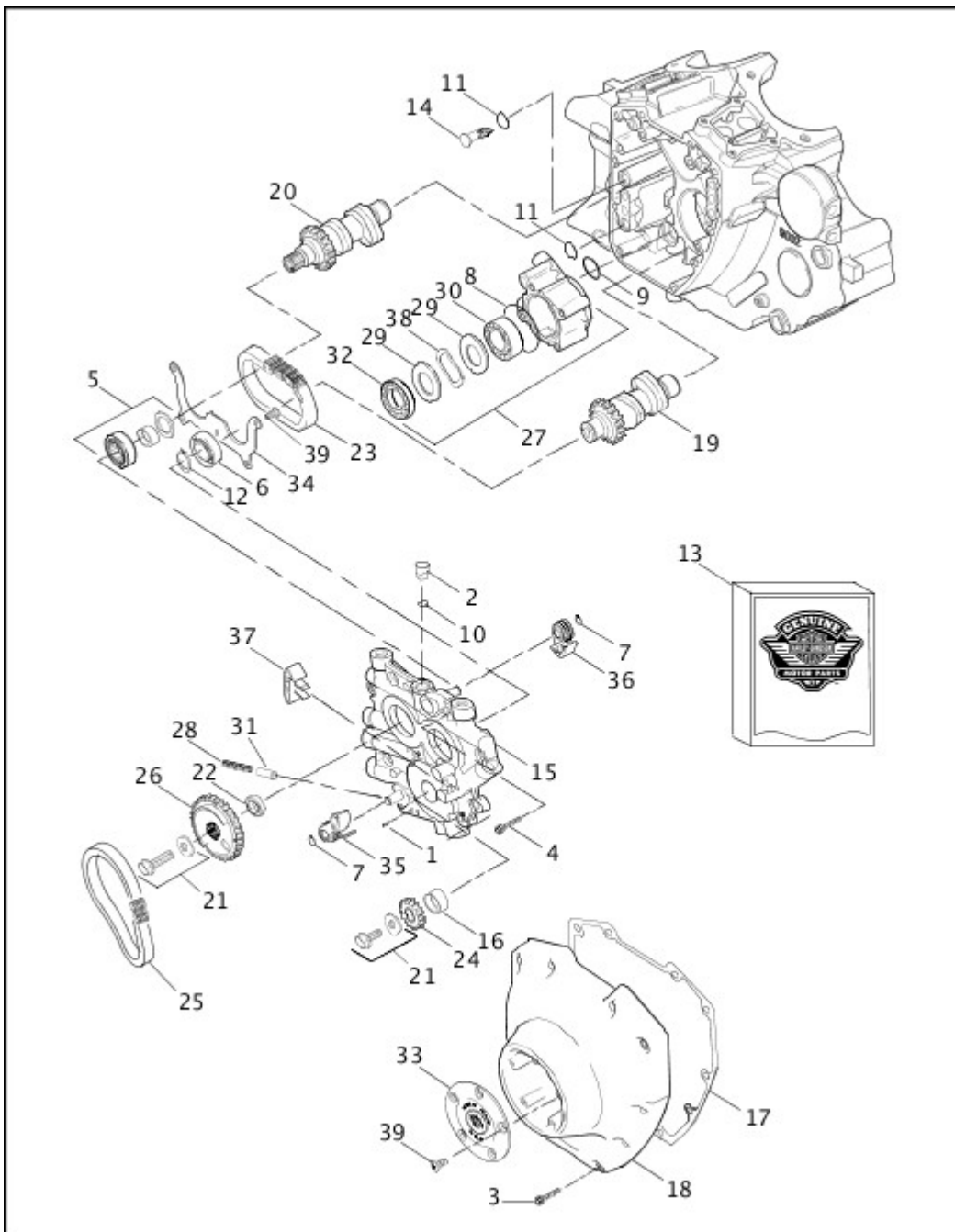
[View interactive image](#)

[View interactive table](#)

INDEX NO.	PART NO.	DESCRIPTION	MODEL(S)
1	956	SCREW (6)	ALL
2	6852	WASHER (2)	ALL
3	7974	JAM NUT (2)	ALL
4	8991	BEARING (2)	ALL
5	8989	BEARING (2)	ALL
6	14716-00	SUPPORT, front balance shaft	ALL
7	14717-00	SUPPORT, rear balance shaft	ALL
8	14728-00	SUPPORT ASSEMBLY, chain guide, includes tensioner pistons	ALL

INDEX NO.	PART NO.	DESCRIPTION	MODEL(S)
9	14761-00	GUIDE KIT, chain tensioner, includes lower, front and rear guides	ALL
10	14762-00	CHAIN DRIVE KIT, includes chain, front and rear sprockets	ALL
11	14764-00	PISTON ASSEMBLY KIT, chain tensioner (2)	ALL
12	14780-00	SPACER, .130 inch thick	ALL
	14781-00	SPACER, .140 inch thick	ALL
	14782-00	SPACER, .150 inch thick	ALL
	14783-00	SPACER, .160 inch thick	ALL
	14784-00	SPACER, .170 inch thick	ALL
	14785-00	SPACER, .180 inch thick	ALL
	14786-00	SPACER, .190 inch thick	ALL
	14787-00	SPACER, .200 inch thick	ALL
	14788-00	SPACER, .210 inch thick	ALL
13	14789-00	BALANCE SHAFT KIT, front, includes balance shaft and sprocket	ALL
14	14790-00	BALANCE SHAFT KIT, rear, includes balance shaft and sprocket	ALL
15	16583-00A	DOWEL (4)	ALL
16	45359-00	SEAL, oil interconnect	ALL

CAMSHAFTS & CAM COVER - Twin Cam 88B™



[View interactive image](#)

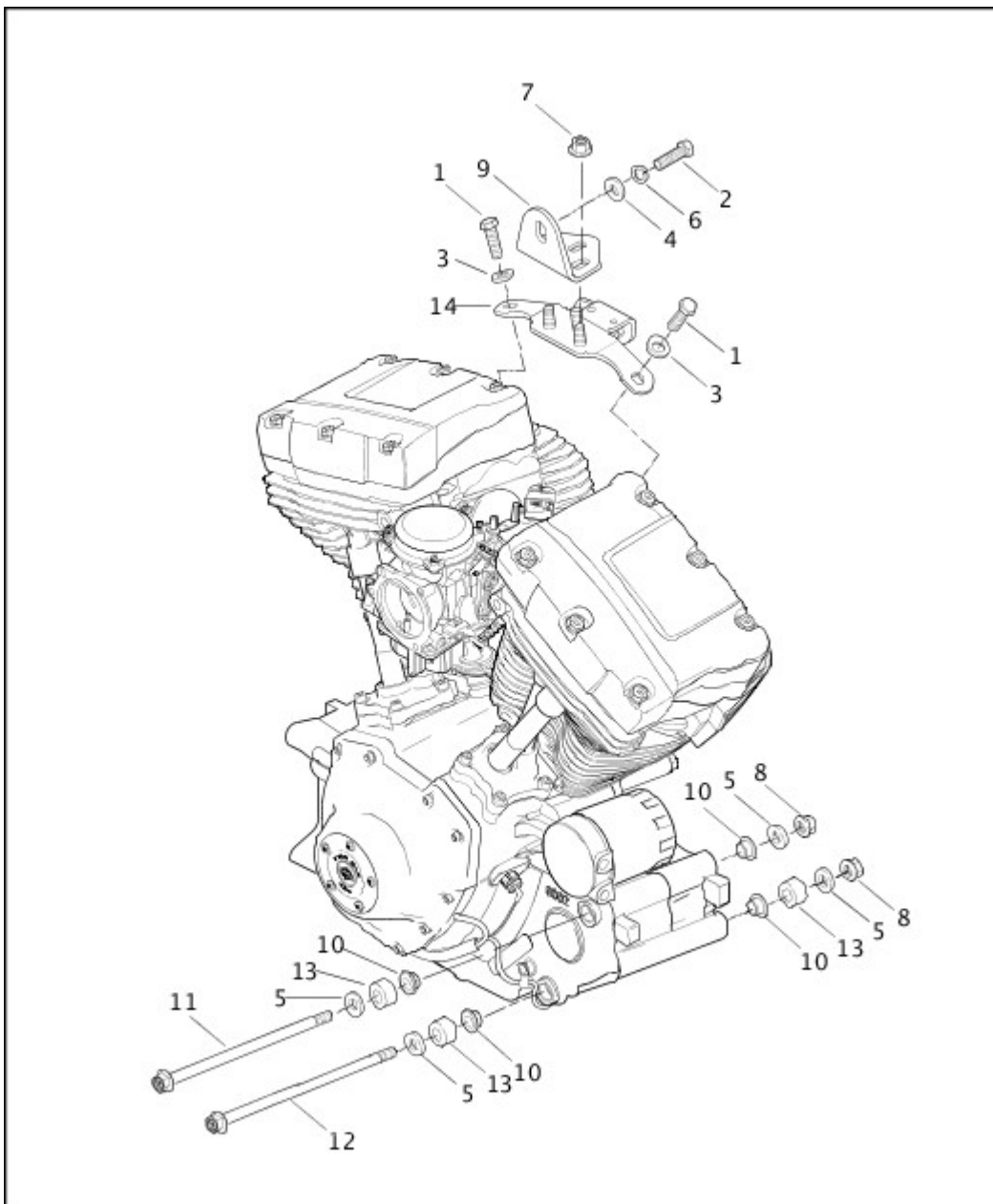
[View interactive table](#)

INDEX NO.	PART NO.	DESCRIPTION	MODEL(S)
1	601	ROLL PIN	ALL
2	3290	PLUG, cam support plate	ALL
3	4740A	SCREW (10)	ALL
4	4741A	SCREW (10)	ALL
5	8983	BEARING ASSEMBLY	ALL
6	8990A	BALL BEARING	ALL
7	11031	RETAINING RING (2)	ALL
8	11286	O-RING	ALL

INDEX NO.	PART NO.	DESCRIPTION	MODEL(S)
9	11293	O-RING	ALL
10	11298	O-RING, viton	ALL
11	11301	O-RING (2)	ALL
12	11494	RETAINING RING	ALL
13	17045-99D	GASKET KIT, cam service	ALL
14	24983-00	SCREEN, oil	ALL
15	25267-99B	CAM SUPPORT ASSEMBLY, w/ bearings, retaining plate, tensioners & bypass valve	ALL
16	25344-99	BUSHING, crankshaft	ALL
17	25244-99A	GASKET, cam cover	ALL
18	25369-01B	CAM COVER, chrome	FLSTC, FLSTCI, FLSTF, FLSTFI, FLSTS, FLSTSI, FXSTD, FXSTDI, FXSTS, FXSTSI
	25364-01B	CAM COVER, black texture	FXSTB, FXSTBI
	25367-01B	CAM COVER, silver painted	FXST, FXSTI
19	25534-99	CAMSHAFT, front (stamped A)	ALL
20	25544-00	CAMSHAFT, rear (stamped A)	ALL
21	25533-99A	CAM DRIVE SPROCKET RETENTION KIT, includes 2 screws & washers	ALL
22	25938-00	SPACER KIT	ALL
	25717-00	SPACER, cam drive sprocket alignment 0.327 inch thick (use as required)	ALL
	25719-00	SPACER, cam drive sprocket alignment 0.317 inch thick (use as required)	ALL
	25721-00	SPACER, cam drive sprocket alignment 0.307 inch thick (use as required)	ALL
	25722-00	SPACER, cam drive sprocket alignment 0.287 inch thick (use as required)	ALL
	25723-00	SPACER, cam drive sprocket alignment 0.297 inch thick (use as required)	ALL
23	25607-99	CHAIN, secondary cam drive	ALL
24	25609-99	SPROCKET, cam drive on crankshaft, 17-tooth	ALL
25	25610-99	CHAIN, primary cam drive	ALL

INDEX NO.	PART NO.	DESCRIPTION	MODEL(S)
26	25716-99	SPROCKET, cam drive, 34-tooth	ALL
27	26035-99B	OIL PUMP ASSEMBLY, w/ body and internal parts	ALL
28	26210-99	SPRING, relief valve	ALL
29	26248-00	SEPARATOR PLATE, gerotor (2)	ALL
30	26255-00	GEROTOR ASSEMBLY, scavenge	ALL
31	26400-82B	RELIEF VALVE, oil pump	ALL
32	26464-99	GEROTOR ASSEMBLY, pressure	ALL
33	32543-99	CAM POSITION SENSOR COVER, silver	FLSTC, FLSTCI, FLSTF, FLSTFI, FLSTS, FLSTSI, FXST, FXSTD, FXSTDI, FXSTI, FXSTS, FXSTSI
	32727-00	CAM POSITION SENSOR COVER, black	FXSTB, FXSTBI
34	35060-00	PLATE, bearing retaining	ALL
35	39954-99A	CHAIN TENSIONER, primary cam drive chain	ALL
36	39964-99A	CHAIN TENSIONER, secondary cam drive chain	ALL
37	39965-99	CHAIN GUIDE	ALL
38	40323-00	SPRING, separator	ALL
39	68042-99	SCREW (9)	ALL

ENGINE MOUNTS



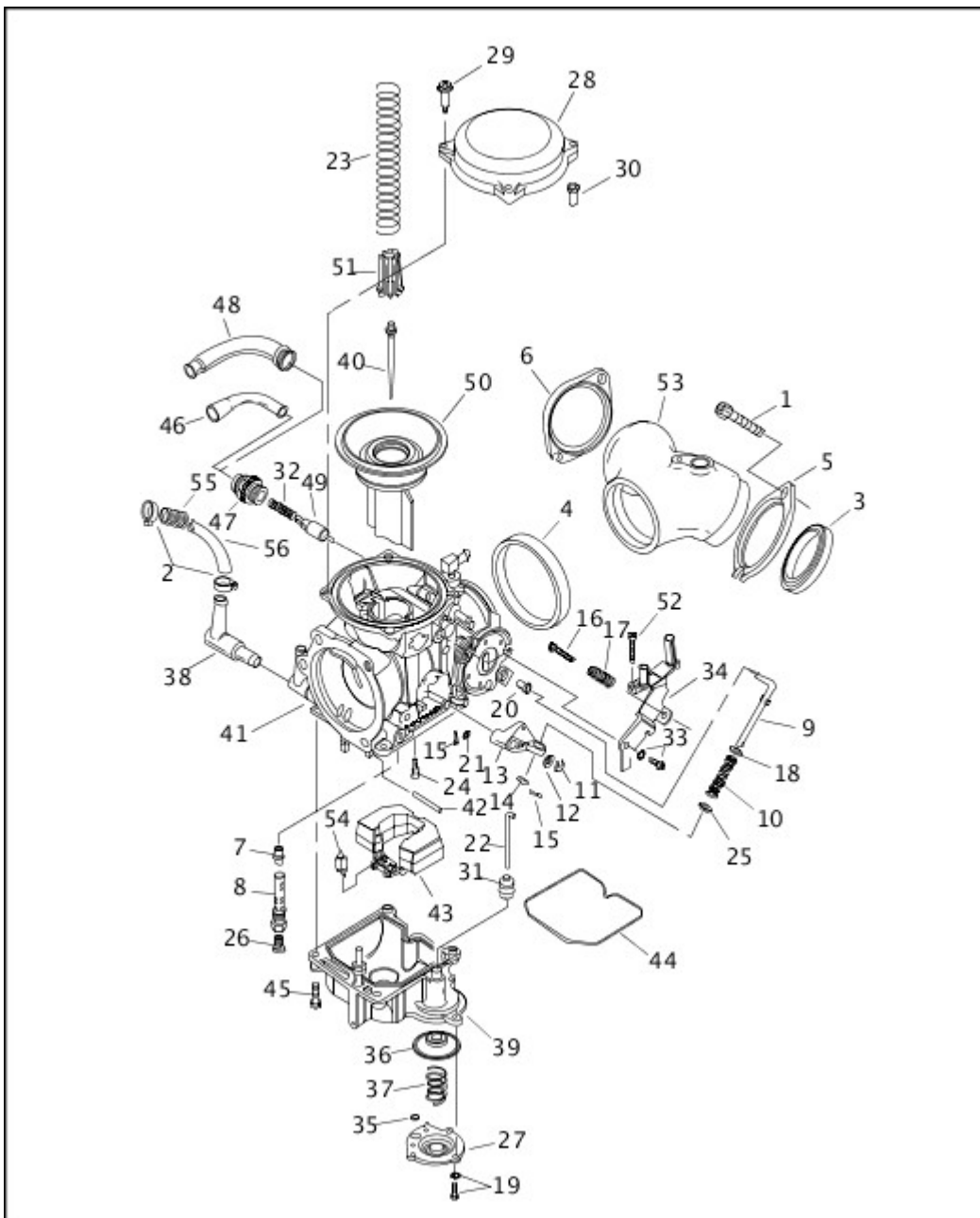
[View interactive image](#)

[View interactive table](#)

INDEX NO.	PART NO.	DESCRIPTION	MODEL(S)
1	4716W	SCREW (2)	ALL
2	4726	BOLT	ALL
3	6019	WASHER (2)	ALL
4	6516HW	WASHER	ALL
5	6530	WASHER (4)	ALL
6	7039	LOCKWASHER	ALL
7	7601	LOCKNUT (3)	ALL
8	7879	NUT (2)	ALL
9	16247-00	BRACKET, top engine mount	ALL

INDEX NO.	PART NO.	DESCRIPTION	MODEL(S)
10	24603-00	SPACER (4)	ALL
11	48054-00	BOLT	ALL
12	48093-00	BOLT	ALL
13	48094-00	SPACER, engine mount (3)	ALL
14	69136-00	BRACKET, top engine mount, horn and enrichener cable	FLSTC, FLSTF, FXST, FXSTB, FXSTD, FXSTS
	69046-01	BRACKET, EFI, top engine mount, horn and enrichener cable	FLSTCI, FLSTFI, FXSTBI, FXSTDI, FXSTI, FXSTSI
	69137-00	BRACKET, top engine mount, auxiliary lamp switch and enrichener cable	FLSTS
	69047-01	BRACKET, EFI, top engine mount, auxiliary lamp switch and enrichener cable	FLSTSI

CARBURETOR (1 OF 2)



[View interactive image](#)

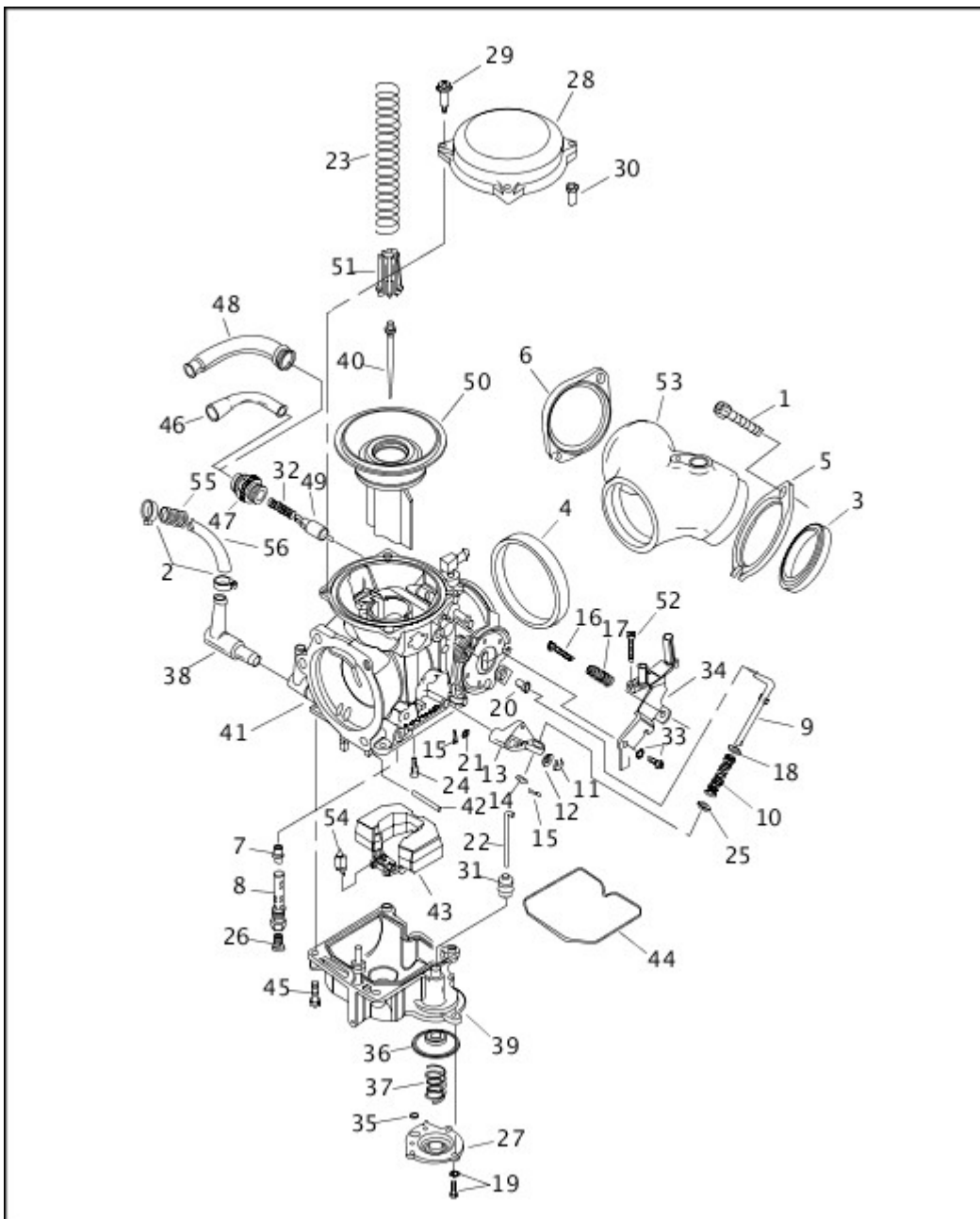
[View interactive table](#)

INDEX NO.	PART NO.	DESCRIPTION	MODEL(S)
1	3275	SCREW (4)	FLSTC, FLSTF, FLSTS, FXST, FXSTB, FXSTD, FXSTS
2	10014	CLAMP (2)	FLSTC, FLSTF, FLSTS, FXST, FXSTB, FXSTD, FXSTS
3	26995-86B	SEAL, intake manifold (2)	FLSTC, FLSTF, FLSTS, FXST, FXSTB, FXSTD, FXSTS
4	27002-89	SEAL RING	FLSTC, FLSTF, FLSTS, FXST, FXSTB, FXSTD, FXSTS
5	27009-86A	FLANGE, mounting, front	FLSTC, FLSTF, FLSTS, FXST, FXSTB, FXSTD, FXSTS
6	27010-86A	FLANGE, mounting, rear	FLSTC, FLSTF, FLSTS, FXST, FXSTB, FXSTD, FXSTS

INDEX NO.	PART NO.	DESCRIPTION	MODEL(S)
7	27100-88	NEEDLE JET	FLSTC, FLSTF, FLSTS, FXST, FXSTB, FXSTD, FXSTS
8	27101-88	NEEDLE JET HOLDER	FLSTC, FLSTF, FLSTS, FXST, FXSTB, FXSTD, FXSTS
9	27122-89	ROD	FLSTC, FLSTF, FLSTS, FXST, FXSTB, FXSTD, FXSTS
10	27123-89A	SPRING	FLSTC, FLSTF, FLSTS, FXST, FXSTB, FXSTD, FXSTS
11	27124-89	E-CLIP	FLSTC, FLSTF, FLSTS, FXST, FXSTB, FXSTD, FXSTS
12	27125-89	WASHER	FLSTC, FLSTF, FLSTS, FXST, FXSTB, FXSTD, FXSTS
13	27126-89	LEVER	FLSTC, FLSTF, FLSTS, FXST, FXSTB, FXSTD, FXSTS
14	27127-89	WASHER	FLSTC, FLSTF, FLSTS, FXST, FXSTB, FXSTD, FXSTS
15	27128-89	PIN (2)	FLSTC, FLSTF, FLSTS, FXST, FXSTB, FXSTD, FXSTS
16	27130-90	IDLE SCREW	FLSTC, FLSTF, FLSTS, FXST, FXSTB, FXSTD, FXSTS
17	27136-90A	SPRING	FLSTC, FLSTF, FLSTS, FXST, FXSTB, FXSTD, FXSTS
18	27137-81	WASHER	FLSTC, FLSTF, FLSTS, FXST, FXSTB, FXSTD, FXSTS
19	27146-89	SCREW, w/ washer (3)	FLSTC, FLSTF, FLSTS, FXST, FXSTB, FXSTD, FXSTS
20	27147-89	COLLAR	FLSTC, FLSTF, FLSTS, FXST, FXSTB, FXSTD, FXSTS
21	27148-89	WASHER	FLSTC, FLSTF, FLSTS, FXST, FXSTB, FXSTD, FXSTS
22	27156-89	ROD	FLSTC, FLSTF, FLSTS, FXST, FXSTB, FXSTD, FXSTS
23	27162-89	SPRING	FLSTC, FLSTF, FLSTS, FXST, FXSTB, FXSTD, FXSTS
24	27170-89	SLOW JET	FLSTC, FLSTF, FLSTS, FXST, FXSTB, FXSTD, FXSTS
25	27231-98	COLLAR	FLSTC, FLSTF, FLSTS, FXST, FXSTB, FXSTD, FXSTS
26	27243-95	MAIN JET	FLSTC, FLSTF, FLSTS, FXST, FXSTB, FXSTD, FXSTS
27	27260-00	PUMP HOUSING	FLSTC, FLSTF, FLSTS, FXST, FXSTB, FXSTD, FXSTS
28	27261-96	TOP, carburetor	FLSTC, FLSTF, FLSTS, FXST, FXSTB, FXSTS

INDEX NO.	PART NO.	DESCRIPTION	MODEL(S)
	27267-00	TOP, carburetor (chrome)	FXSTD
29	27262-96	SCREW, top (3)	FLSTC, FLSTF, FLSTS, FXST, FXSTB, FXSTD, FXSTS
30	27263-96	COLLAR, carb top	FLSTC, FLSTF, FLSTS, FXST, FXSTB, FXSTD, FXSTS
31	27311-76	BOOT, accelerator pump	FLSTC, FLSTF, FLSTS, FXST, FXSTB, FXSTD, FXSTS
32	27315-88A	SPRING	FLSTC, FLSTF, FLSTS, FXST, FXSTB, FXSTD, FXSTS
33	27317-88	SCREW	FLSTC, FLSTF, FLSTS, FXST, FXSTB, FXSTD, FXSTS
34	27339-90	BRACKET, throttle cables	FLSTC, FLSTF, FLSTS, FXST, FXSTB, FXSTD, FXSTS
35	27360-76	O-RING	FLSTC, FLSTF, FLSTS, FXST, FXSTB, FXSTD, FXSTS

CARBURETOR (2 OF 2)



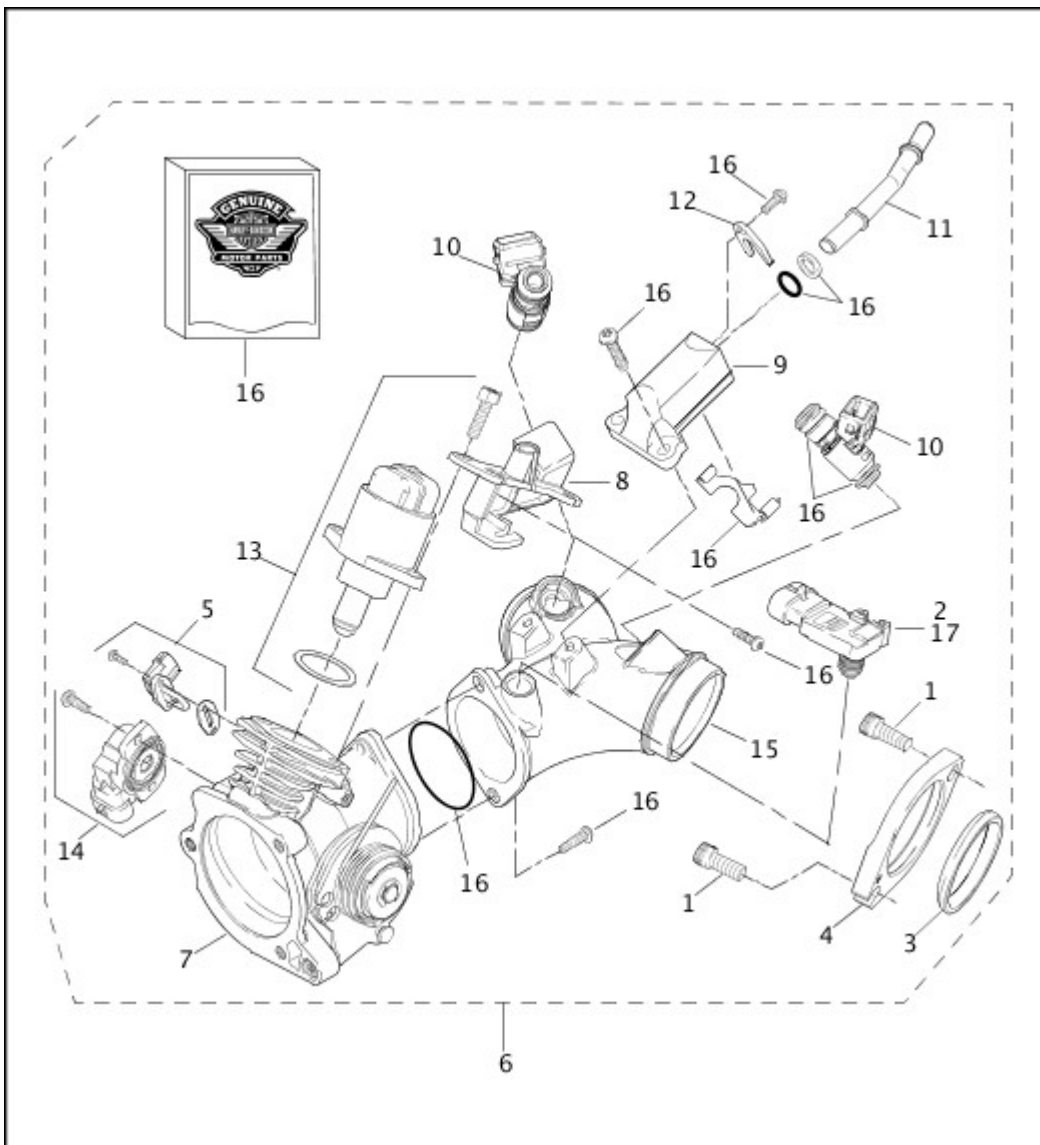
View interactive image

View interactive table

INDEX NO.	PART NO.	DESCRIPTION	MODEL(S)
36	27361-76A	DIAPHRAGM, accelerator pump	FLSTC, FLSTF, FLSTS, FXST, FXSTB, FXSTD, FXSTS
37	27362-76	SPRING, diaphragm	FLSTC, FLSTF, FLSTS, FXST, FXSTB, FXSTD, FXSTS
38	27371-76A	FITTING	FLSTC, FLSTF, FLSTS, FXST, FXSTB, FXSTD, FXSTS
39	27405-00	CHAMBER ASSEMBLY, carburetor float	FLSTC, FLSTF, FLSTS, FXST, FXSTB, FXSTD, FXSTS
40	27406-00	JET NEEDLE	FLSTC, FLSTF, FLSTS, FXST, FXSTB, FXSTD, FXSTS
41	27414-99C	CARBURETOR (California)	FLSTC, FLSTF, FLSTS, FXST, FXSTB, FXSTS

INDEX NO.	PART NO.	DESCRIPTION	MODEL(S)
	27421-99C	CARBURETOR	FLSTC, FLSTF, FLSTS, FXST, FXSTB, FXSTS
	27428-00B	CARBURETOR (California)	FXSTD
	27429-00B	CARBURETOR	FXSTD
42	27575-88A	PIN	FLSTC, FLSTF, FLSTS, FXST, FXSTB, FXSTD, FXSTS
43	27576-92	FLOAT	FLSTC, FLSTF, FLSTS, FXST, FXSTB, FXSTD, FXSTS
44	27577-92	O-RING, float chamber	FLSTC, FLSTF, FLSTS, FXST, FXSTB, FXSTD, FXSTS
45	27579-88A	SCREW (4)	FLSTC, FLSTF, FLSTS, FXST, FXSTB, FXSTD, FXSTS
46	27580-88	CABLE GUIDE	FLSTC, FLSTF, FLSTS, FXST, FXSTB, FXSTD, FXSTS
47	27581-88	STARTER CAP	FLSTC, FLSTF, FLSTS, FXST, FXSTB, FXSTD, FXSTS
48	27582-88	CABLE SEALING CAP	FLSTC, FLSTF, FLSTS, FXST, FXSTB, FXSTD, FXSTS
49	27583-88	STARTER VALVE	FLSTC, FLSTF, FLSTS, FXST, FXSTB, FXSTD, FXSTS
50	27585-88	VACUUM PISTON	FLSTC, FLSTF, FLSTS, FXST, FXSTB, FXSTD, FXSTS
51	27586-88	SPRING SEAT	FLSTC, FLSTF, FLSTS, FXST, FXSTB, FXSTD, FXSTS
52	27587-88	SCREW	FLSTC, FLSTF, FLSTS, FXST, FXSTB, FXSTD, FXSTS
53	27613-99	MANIFOLD	FLSTC, FLSTF, FLSTS, FXST, FXSTB, FXSTD, FXSTS
54	27886-78A	VALVE, w/ clip	FLSTC, FLSTF, FLSTS, FXST, FXSTB, FXSTD, FXSTS
NOTE: Hose or insulator is sold in bulk length under the following part numbers. Cut to length.			
55	62555-95	INSULATOR, 5/8 inch I.D. (nylon) (8 feet)	FLSTC, FLSTF, FLSTS, FXST, FXSTB, FXSTD, FXSTS
56	63501-68B	HOSE, 1/4 inch I.D. x 5/8 inch O.D. (rubber) (25 feet)	FLSTC, FLSTF, FLSTS, FXST, FXSTB, FXSTD, FXSTS

INDUCTION MODULE - FUEL INJECTED



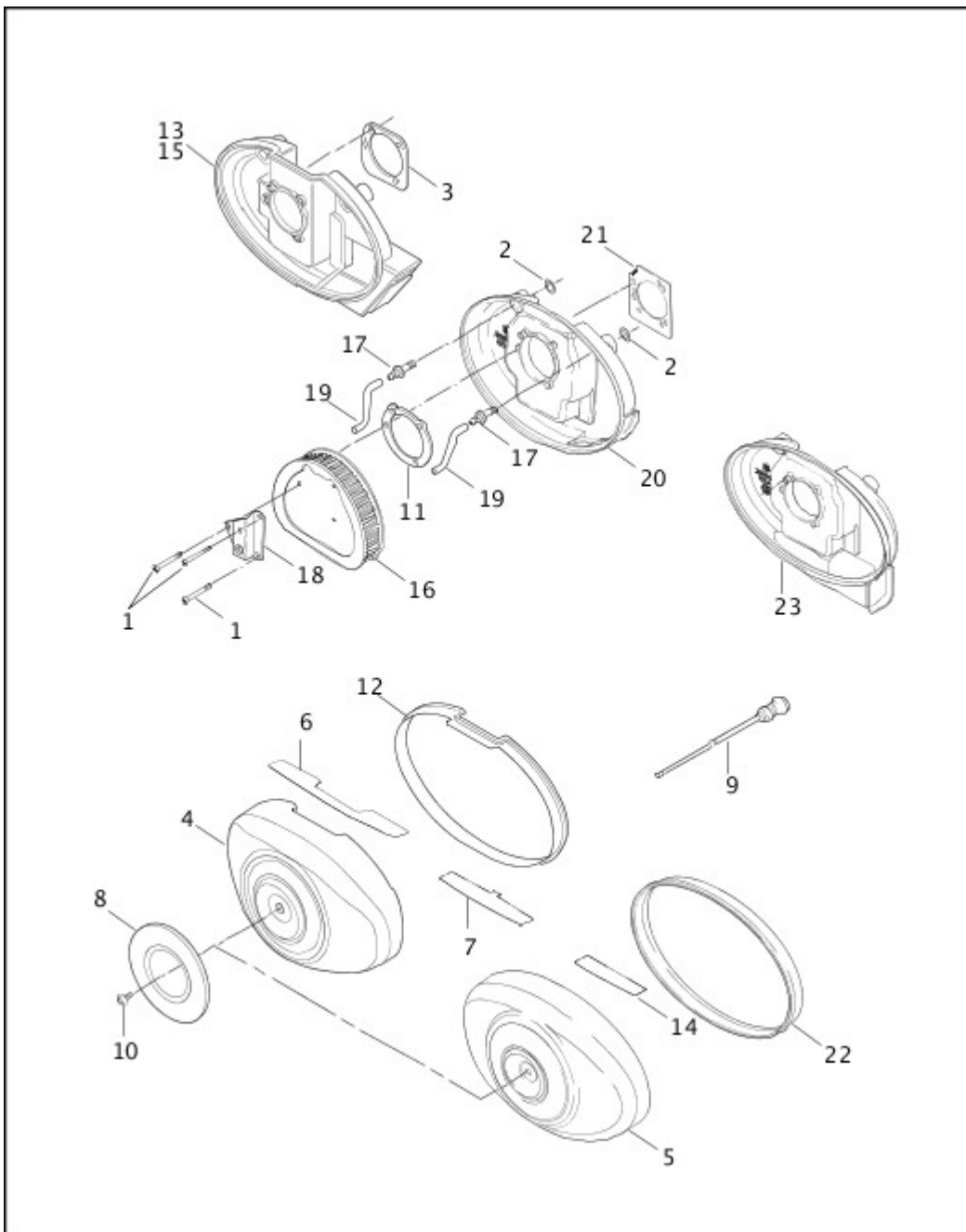
[View interactive image](#)

[View interactive table](#)

INDEX NO.	PART NO.	DESCRIPTION	MODEL(S)
1	3275	SCREW (4)	FLSTCI, FLSTFI, FLSTSI, FXSTBI, FXSTDI, FXSTI, FXSTSI
2	11291	SEAL, manifold air pressure sensor	FLSTCI, FLSTFI, FLSTSI, FXSTBI, FXSTDI, FXSTI, FXSTSI
3	26995-86B	SEAL, intake manifold (2)	FLSTCI, FLSTFI, FLSTSI, FXSTBI, FXSTDI, FXSTI, FXSTSI
4	27009-86A	FLANGE, mounting, front	FLSTCI, FLSTFI, FLSTSI, FXSTBI, FXSTDI, FXSTI, FXSTSI
	27010-86A	FLANGE, mounting, rear	FLSTCI, FLSTFI, FLSTSI, FXSTBI, FXSTDI, FXSTI, FXSTSI
5	27270-95	INTAKE AIR TEMPERATURE KIT, w/ 2 screws & gasket	FLSTCI, FLSTFI, FLSTSI, FXSTBI, FXSTDI, FXSTI, FXSTSI
6	27600-01A	INDUCTION MODULE ASSEMBLY, complete	FLSTCI, FLSTFI, FLSTSI, FXSTBI, FXSTDI, FXSTI, FXSTSI

INDEX NO.	PART NO.	DESCRIPTION	MODEL(S)
7	27603-01	THROTTLE BODY ASSEMBLY, w/ idle screw	FLSTCI, FLSTFI, FLSTSI, FXSTBI, FXSTDI, FXSTI, FXSTSI
8	27604-01A	THROTTLE HOUSING, stop	FLSTCI, FLSTFI, FLSTSI, FXSTBI, FXSTDI, FXSTI, FXSTSI
9	27608-01A	FUEL RAIL	FLSTCI, FLSTFI, FLSTSI, FXSTBI, FXSTDI, FXSTI, FXSTSI
10	27609-01B	INJECTOR, fuel (2)	FLSTCI, FLSTFI, FLSTSI, FXSTBI, FXSTDI, FXSTI, FXSTSI
11	27612-01	TUBE, fuel supply	FLSTCI, FLSTFI, FLSTSI, FXSTBI, FXSTDI, FXSTI, FXSTSI
12	27627-01	CLIP, fuel tube retaining	FLSTCI, FLSTFI, FLSTSI, FXSTBI, FXSTDI, FXSTI, FXSTSI
13	27628-01A	IDLE KIT, air control, w/ 2 screws, O-ring & idle control	FLSTCI, FLSTFI, FLSTSI, FXSTBI, FXSTDI, FXSTI, FXSTSI
14	27629-01A	THROTTLE KIT, position sensor, w/ 2 screws & sensor throttle	FLSTCI, FLSTFI, FLSTSI, FXSTBI, FXSTDI, FXSTI, FXSTSI
15	27630-01	MANIFOLD INTAKE	FLSTCI, FLSTFI, FLSTSI, FXSTBI, FXSTDI, FXSTI, FXSTSI
16	27635-01B	KIT HARDWARE INDUCTION MODULE	FLSTCI, FLSTFI, FLSTSI, FXSTBI, FXSTDI, FXSTI, FXSTSI
17	32416-10	SENSOR, manifold air pressure, w/ 11291	FLSTCI, FLSTFI, FLSTSI, FXSTBI, FXSTDI, FXSTI, FXSTSI

AIR CLEANER & ENRICHENER - CARBURETED MODELS



[View interactive image](#)

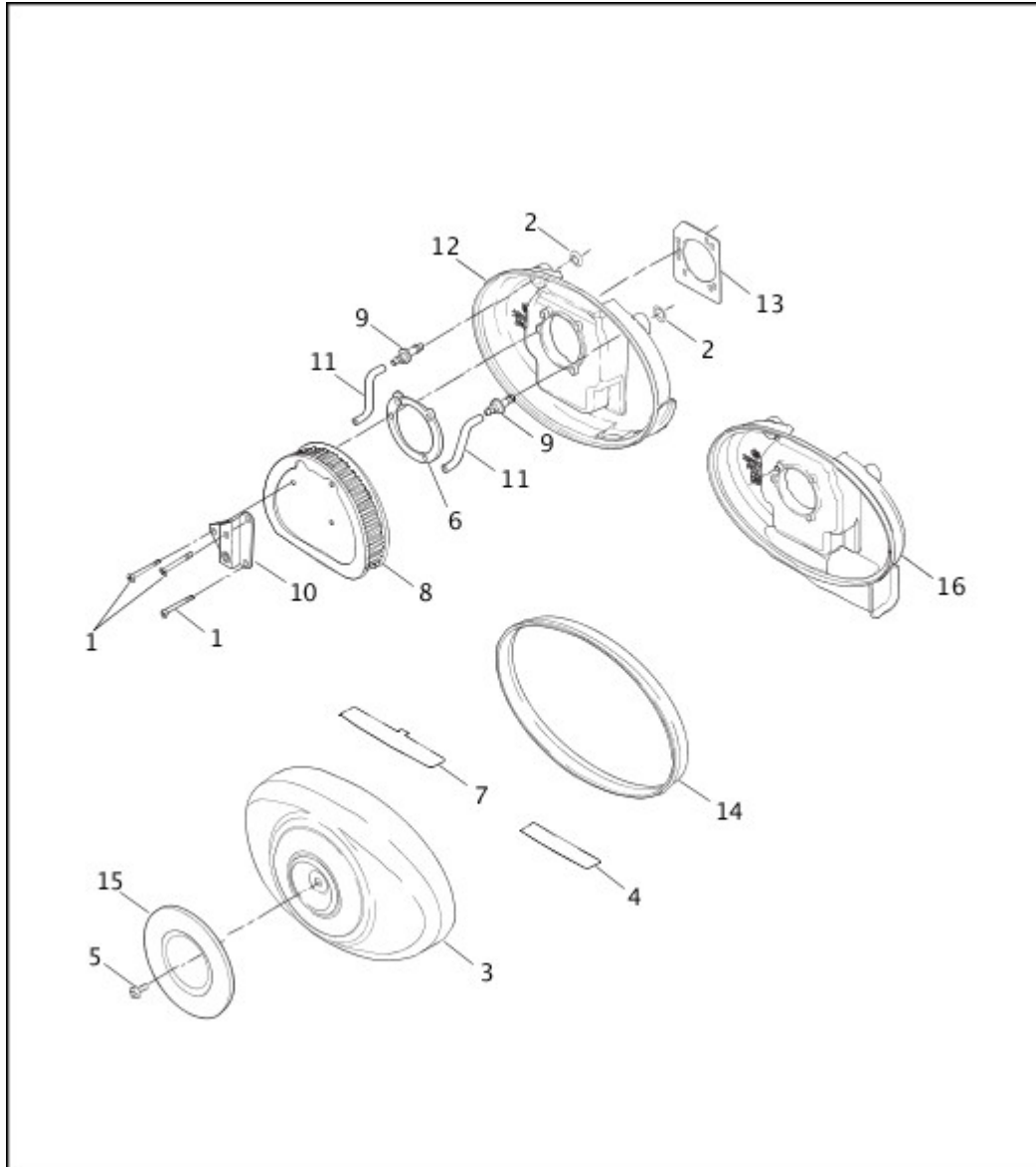
[View interactive table](#)

INDEX NO.	PART NO.	DESCRIPTION	MODEL(S)
1	946	SCREW (3)	FLSTC, FLSTF, FLSTS, FXST, FXSTB, FXSTD, FXSTS
2	11292	O-RING (2)	FLSTC, FLSTF, FLSTS, FXST, FXSTB, FXSTD, FXSTS
3	29062-95B	GASKET, carburetor to backplate (California)	FLSTC, FLSTF, FLSTS, FXST, FXSTB, FXSTD, FXSTS
4	29075-99	COVER, air cleaner (chrome) (California)	FLSTC, FLSTF, FLSTS, FXST, FXSTD, FXSTS
	29089-99	COVER, air cleaner (black wrinkle) (California)	FXSTB
5	29094-01	COVER, air cleaner (black wrinkle)	FXSTB

INDEX NO.	PART NO.	DESCRIPTION	MODEL(S)
	29121-01	COVER, air cleaner (chrome)	FLSTC, FLSTF, FLSTS, FXST, FXSTD, FXSTS
6	29126-90B	SAFETY LABEL (California)	FLSTC, FLSTF, FLSTS, FXST, FXSTD, FXSTS
	29449-98B	SAFETY LABEL (California)	FXSTB
7	29127-95B	SAFETY LABEL	FLSTC, FLSTF, FLSTS, FXST, FXSTD, FXSTS
8	29161-00	TRIM, air cleaner, "Heritage Softail"	FLSTC
	29169-00	TRIM, air cleaner, "Softail"	FXST, FXSTD
	29181-00	TRIM, air cleaner, "Springer Softail"	FXSTS
	29256-00	TRIM, air cleaner, "Fat Boy"	FLSTF
	29366-00	TRIM, air cleaner, "Heritage Springer"	FLSTS
	29482-00	TRIM, air cleaner, "Softail" (black)	FXSTB
9	29229-88D	CABLE, enrichment	FLSTC, FLSTF, FLSTS, FXST, FXSTB, FXSTD, FXSTS
10	29269-83A	SCREW	FLSTC, FLSTF, FLSTS, FXST, FXSTB, FXSTD, FXSTS
11	29313-95	GASKET, filter element	FLSTC, FLSTF, FLSTS, FXST, FXSTB, FXSTD, FXSTS
12	29338-99	SEAL, air cleaner cover (California)	FLSTC, FLSTF, FLSTS, FXST, FXSTB, FXSTD, FXSTS
13	29342-99	GROMMET, backplate (California)	FLSTC, FLSTF, FLSTS, FXST, FXSTB, FXSTD, FXSTS
14	29404-01A	SAFETY LABEL	FXSTB
15	29456-99	BACKPLATE ASSEMBLY, w/ 29342-99 (California)	FLSTC, FLSTF, FLSTS, FXST, FXSTB, FXSTD, FXSTS
16	29461-99	FILTER ELEMENT, w/ 29313-95	FLSTC, FLSTF, FLSTS, FXST, FXSTB, FXSTD, FXSTS
17	29465-99	SCREW, breather (2)	FLSTC, FLSTF, FLSTS, FXST, FXSTB, FXSTD, FXSTS
18	29474-99A	BRACKET, air cleaner cover	FLSTC, FLSTF, FLSTS, FXST, FXSTB, FXSTD, FXSTS
19	29476-99	BREATHING TUBE (2)	FLSTC, FLSTF, FLSTS, FXST, FXSTB, FXSTD, FXSTS
20	29581-01B	BACKPLATE ASSEMBLY	FLSTC, FLSTF, FLSTS, FXST, FXSTB, FXSTD, FXSTS
21	29583-01A	GASKET, carburetor to backplate	FLSTC, FLSTF, FLSTS, FXST, FXSTB, FXSTD, FXSTS

INDEX NO.	PART NO.	DESCRIPTION	MODEL(S)
22	29584-01	SEAL, air cleaner cover	FLSTC, FLSTF, FLSTS, FXST, FXSTB, FXSTD, FXSTS
INTERNATIONAL MODELS ONLY			
23	29582-01B	BACKPLATE (HDI)	FLSTC, FLSTF, FLSTS, FXST, FXSTB, FXSTD, FXSTS

AIR CLEANER - FUEL INJECTED MODELS



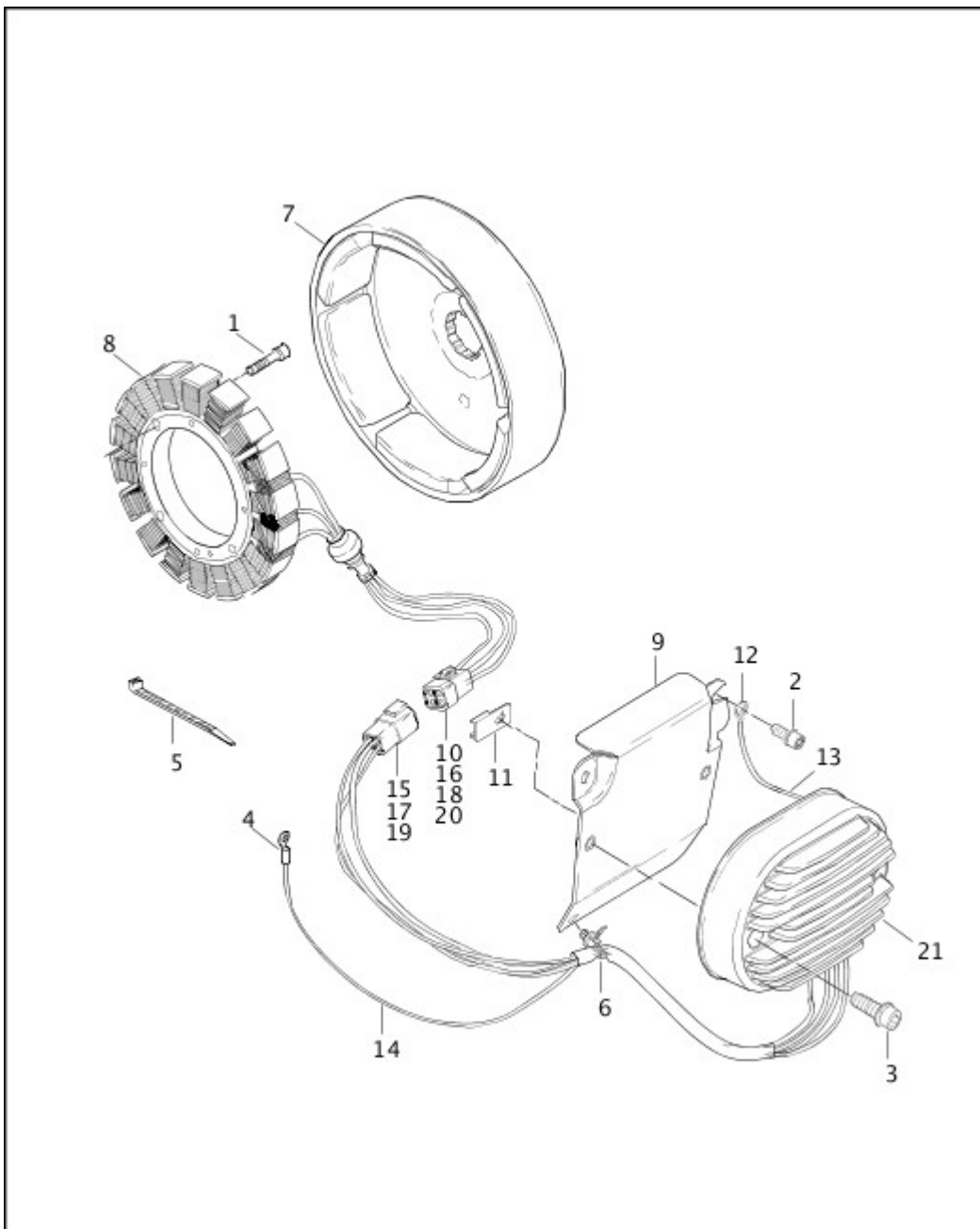
[View interactive image](#)

[View interactive table](#)

INDEX NO.	PART NO.	DESCRIPTION	MODEL(S)
1	946	SCREW (3)	FLSTCI, FLSTFI, FLSTSI, FXSTBI, FXSTDI, FXSTI, FXSTSI
2	11292	O-RING (2)	FLSTCI, FLSTFI, FLSTSI, FXSTBI, FXSTDI, FXSTI, FXSTSI

INDEX NO.	PART NO.	DESCRIPTION	MODEL(S)
3	29094-01	COVER, air cleaner (black wrinkle)	FXSTBI
	29121-01	COVER, air cleaner (chrome)	FLSTCI, FLSTFI, FLSTSI, FXSTDI, FXSTI, FXSTSI
4	29127-95B	SAFETY LABEL	FLSTCI, FLSTFI, FLSTSI, FXSTDI, FXSTI, FXSTSI
5	29269-83A	SCREW	FLSTCI, FLSTFI, FLSTSI, FXSTBI, FXSTDI, FXSTI, FXSTSI
6	29313-95	GASKET, filter element	FLSTCI, FLSTFI, FLSTSI, FXSTBI, FXSTDI, FXSTI, FXSTSI
7	29404-01A	SAFETY LABEL	FXSTBI
8	29461-99	FILTER ELEMENT, w/ 29313-95	FLSTCI, FLSTFI, FLSTSI, FXSTBI, FXSTDI, FXSTI, FXSTSI
9	29465-99	SCREW, breather (2)	FLSTCI, FLSTFI, FLSTSI, FXSTBI, FXSTDI, FXSTI, FXSTSI
10	29474-99A	BRACKET, air cleaner cover	FLSTCI, FLSTFI, FLSTSI, FXSTBI, FXSTDI, FXSTI, FXSTSI
11	29476-99	BREATHER TUBE (2)	FLSTCI, FLSTFI, FLSTSI, FXSTBI, FXSTDI, FXSTI, FXSTSI
12	29581-01B	BACKPLATE ASSEMBLY	FLSTCI, FLSTFI, FLSTSI, FXSTBI, FXSTDI, FXSTI, FXSTSI
13	29583-01A	GASKET, backplate	FLSTCI, FLSTFI, FLSTSI, FXSTBI, FXSTDI, FXSTI, FXSTSI
14	29584-01	SEAL, air cleaner cover	FLSTCI, FLSTFI, FLSTSI, FXSTBI, FXSTDI, FXSTI, FXSTSI
15	29658-01	TRIM, sequential port injection, "Softail"	FXSTDI, FXSTI
	29660-01	TRIM, sequential port injection, "Softail" (black)	FXSTBI
	29662-01	TRIM, sequential port injection, "Springer Softail"	FXSTSI
	29664-01	TRIM, sequential port injection, "Heritage Softail"	FLSTCI
	29666-01	TRIM, sequential port injection, "Fat Boy"	FLSTFI
	29668-01	TRIM, sequential port injection, "Heritage Springer"	FLSTSI
INTERNATIONAL MODELS ONLY			
16	29582-01B	BACKPLATE (HDI)	FLSTCI, FLSTFI, FLSTSI, FXSTBI, FXSTDI, FXSTI, FXSTSI

ALTERNATOR & REGULATOR



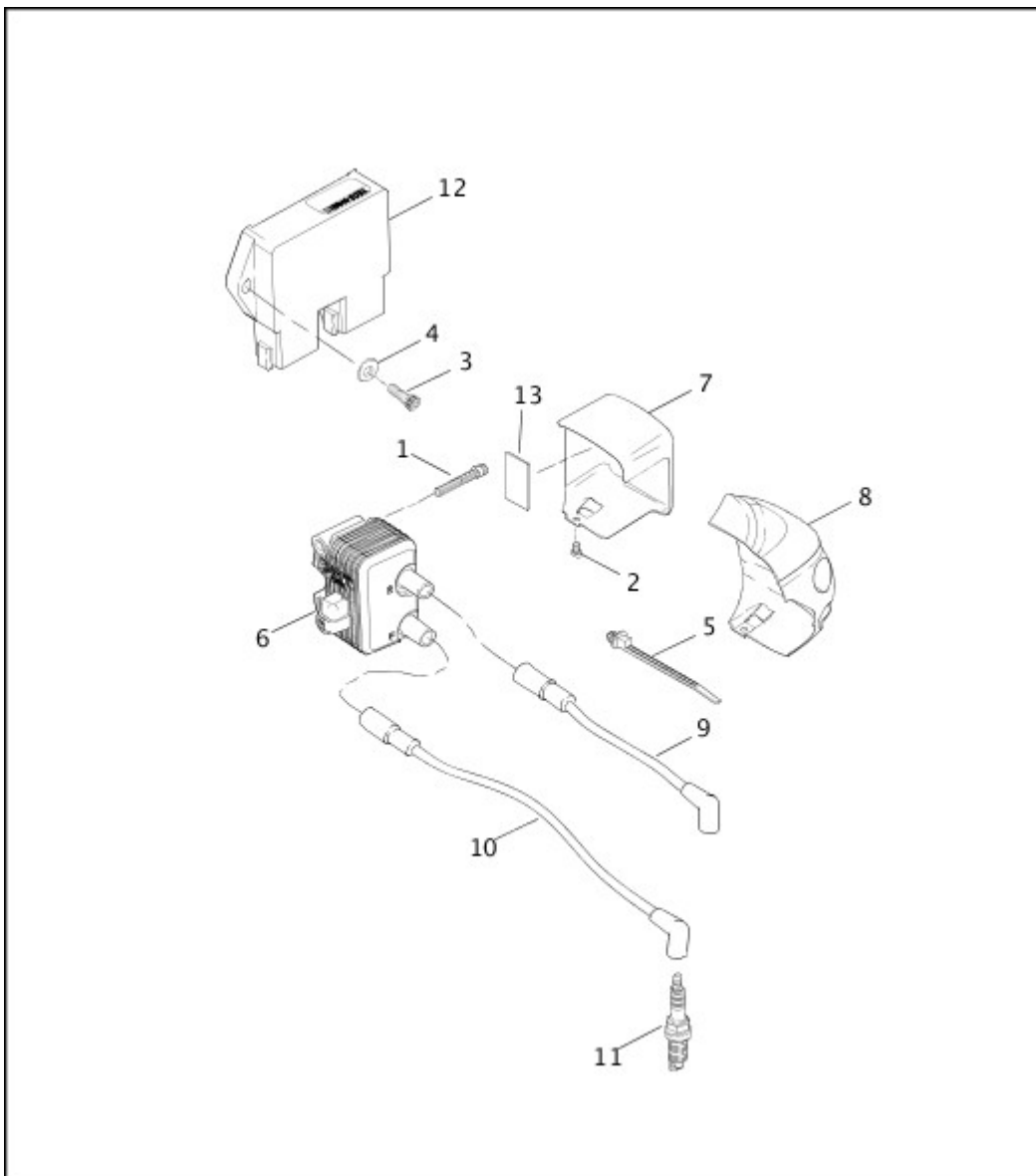
[View interactive image](#)

[View interactive table](#)

INDEX NO.	PART NO.	DESCRIPTION	MODEL(S)
1	2720	SCREW (4)	ALL
2	2941	SCREW (2)	ALL
3	4814A	SCREW (2)	ALL
4	9843	TERMINAL, #10 ring, 10-12 AWG	ALL
5	10006	CABLE STRAP (4)	ALL
6	10177	RETAINER	ALL
7	29981-95	ROTOR ASSEMBLY	ALL
8	30017-01B	STATOR	ALL
9	48127-01	BRACKET, regulator mounting	ALL

INDEX NO.	PART NO.	DESCRIPTION	MODEL(S)
10	72195-94	SEAL PIN	ALL
11	72199-94	ANCHOR, connector	ALL
12	72242-94	TERMINAL, 1/4 ring, 10-12 AWG	ALL
13	72249-94	SHRINK TUBE (black)	ALL
14	72366-95	SHRINK TUBE (yellow)	ALL
15	72604-01BK	PIN HOUSING, 4-way (black)	ALL
16	72614-01BK	SOCKET HOUSING, 4-way (black)	ALL
17	72644-01	SECONDARY LOCK, pin housing	ALL
18	72654-01	SECONDARY LOCK, socket housing	ALL
19	72690-01	TERMINAL, pin (3)	ALL
20	72691-01	TERMINAL, socket (3)	ALL
21	74540-01	VOLTAGE REGULATOR	ALL

IGNITION MODULE & COIL - CARBURETED



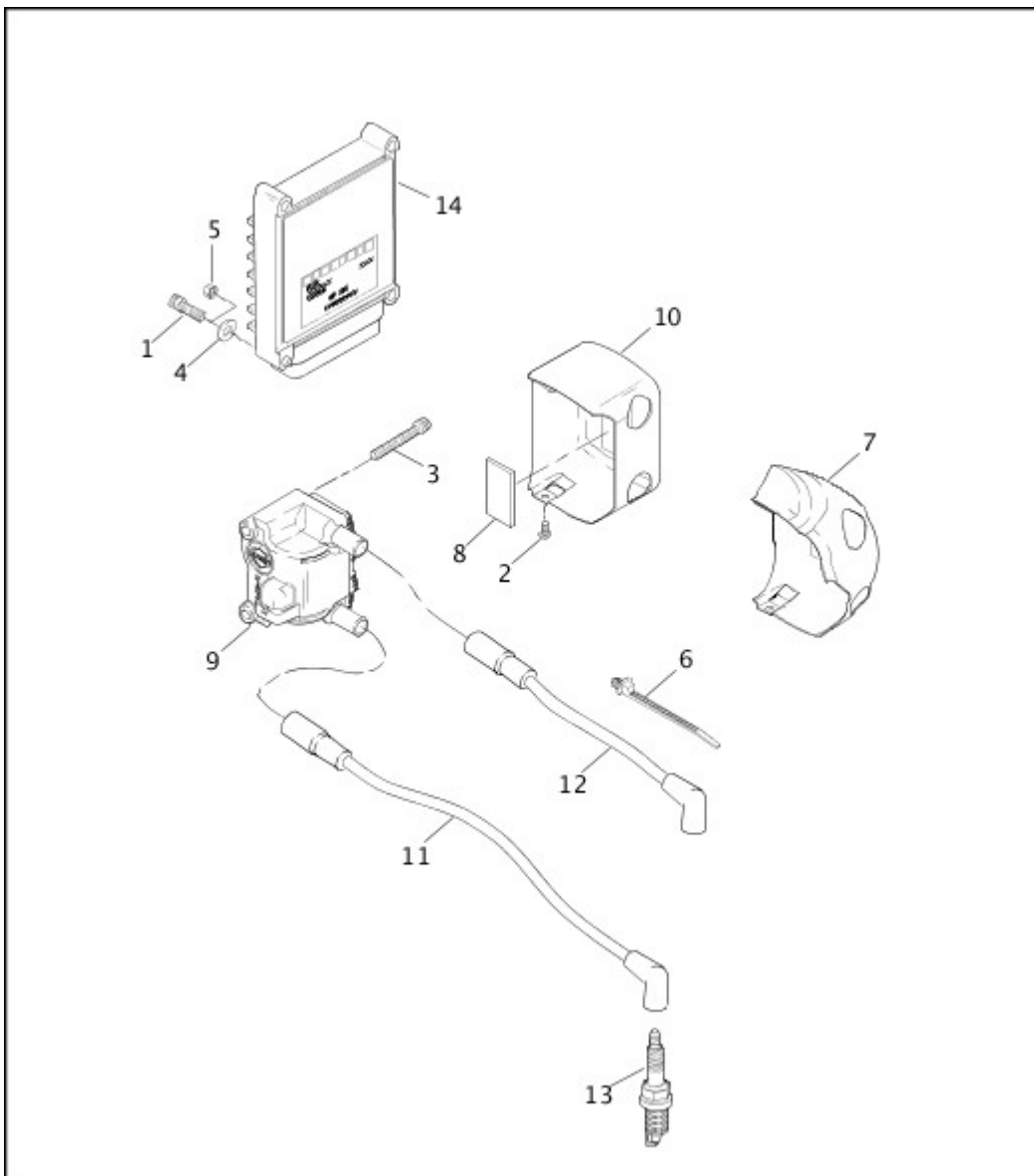
[View interactive image](#)

[View interactive table](#)

INDEX NO.	PART NO.	DESCRIPTION	MODEL(S)
1	4717A	SCREW (2)	FLSTC, FLSTF, FLSTS, FXST, FXSTB, FXSTD, FXSTS
2	3602A	SCREW, w/ washer	FLSTC, FLSTF, FLSTS, FXST, FXSTB, FXSTD, FXSTS
3	4741A	SCREW (2)	FLSTC, FLSTF, FLSTS, FXST, FXSTB, FXSTD, FXSTS
4	6099	WASHER (2)	FLSTC, FLSTF, FLSTS, FXST, FXSTB, FXSTD, FXSTS
5	10177	CABLE STRAP, w/ plug-in retainer (2)	FLSTC, FLSTF, FLSTS, FXST, FXSTB, FXSTD, FXSTS
6	31655-99	IGNITION COIL, dual	FLSTC, FLSTF, FLSTS, FXST, FXSTB, FXSTD, FXSTS
7	31725-00	COIL COVER ASSEMBLY, w/ pad (black wrinkle)	FXSTB

INDEX NO.	PART NO.	DESCRIPTION	MODEL(S)
	31606-00	COIL COVER ASSEMBLY, w/ pad (chrome)	FLSTC, FLSTF, FLSTS, FXST, FXSTS
8	31682-00	COIL COVER ASSEMBLY, w/ pad (chrome)	FXSTD
9	31983-00C	SPARK PLUG CABLE, rear cylinder	FLSTC, FLSTF, FLSTS, FXST, FXSTB, FXSTD, FXSTS
10	31981-99C	SPARK PLUG CABLE, front cylinder	FLSTC, FLSTF, FLSTS, FXST, FXSTB, FXSTD, FXSTS
11	32362-04	SPARK PLUG, 6R12 (2)	FLSTC, FLSTF, FLSTS, FXST, FXSTB, FXSTD, FXSTS
12	32568-00C	IGNITION MODULE	FLSTC, FLSTF, FLSTS, FXST, FXSTB, FXSTD, FXSTS
13	31742-00	PAD, coil cover	FLSTC, FLSTF, FLSTS, FXST, FXSTB, FXSTD, FXSTS

ELECTRONIC CONTROL MODULE & COIL - FUEL INJECTED



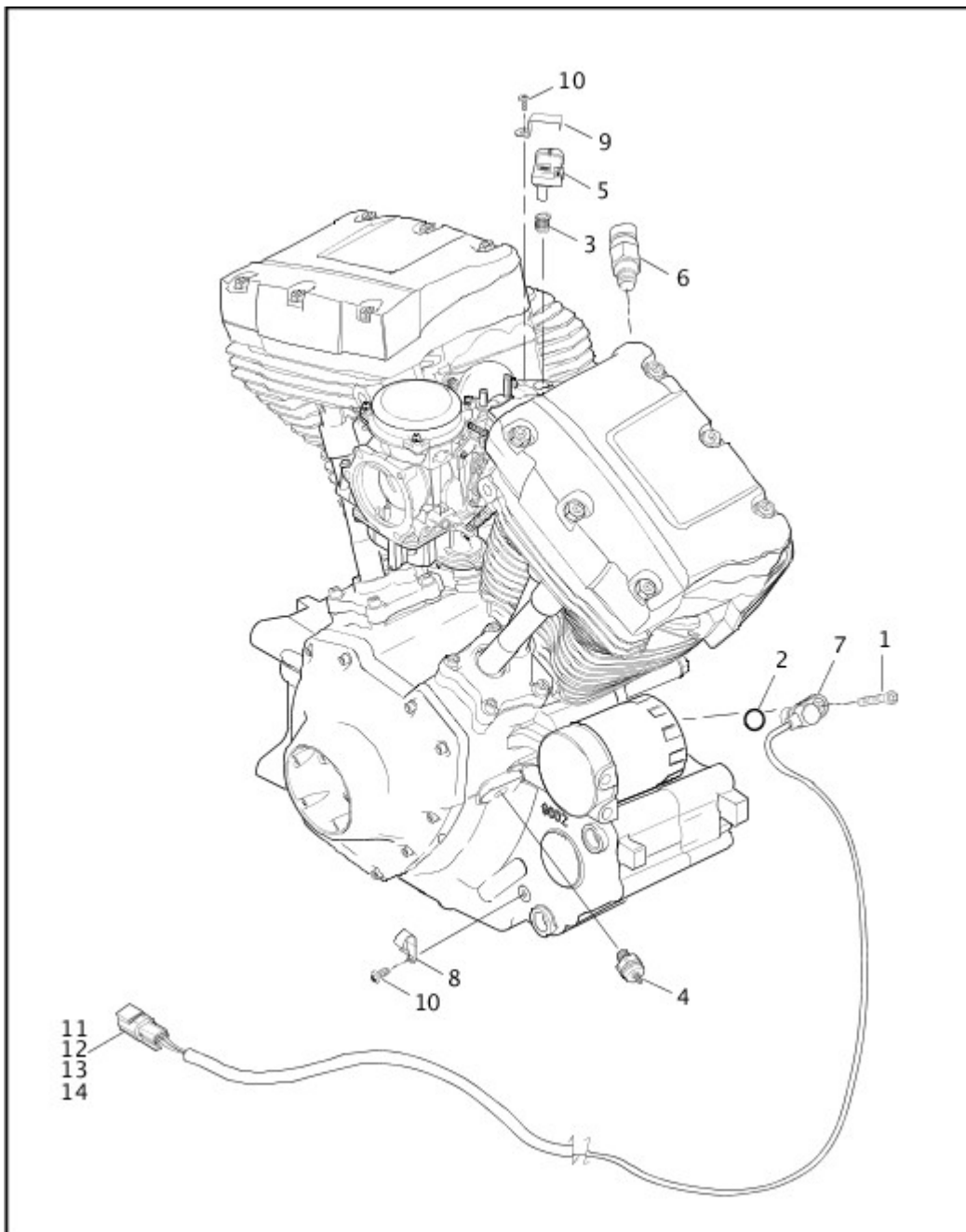
[View interactive image](#)

[View interactive table](#)

INDEX NO.	PART NO.	DESCRIPTION	MODEL(S)
1	3601	SCREW (4)	FLSTCI, FLSTFI, FLSTSI, FXSTBI, FXSTI, FXSTSI
2	3602A	SCREW, w/ washer	FLSTCI, FLSTFI, FLSTSI, FXSTBI, FXSTDI, FXSTI, FXSTSI
3	4717A	SCREW (2)	FLSTCI, FLSTFI, FLSTSI, FXSTBI, FXSTDI, FXSTI, FXSTSI
4	6099	WASHER (4)	FLSTCI, FLSTFI, FLSTSI, FXSTBI, FXSTI, FXSTSI
	6716	WASHER (4)	FXSTDI
5	7629	NUT (4)	FXSTDI
6	10177	CABLE STRAP, w/ plug-in retainer (4)	FLSTCI, FLSTFI, FLSTSI, FXSTBI, FXSTDI, FXSTI, FXSTSI
7	30202-01	COIL COVER ASSEMBLY, w/ 31742-00 (chrome)	FXSTDI

INDEX NO.	PART NO.	DESCRIPTION	MODEL(S)
8	31742-00	PAD, coil cover	FLSTCI, FLSTFI, FLSTSI, FXSTBI, FXSTDI, FXSTI, FXSTSI
9	31743-01	IGNITION COIL, dual	FLSTCI, FLSTFI, FLSTSI, FXSTBI, FXSTDI, FXSTI, FXSTSI
10	31772-01	COIL COVER ASSEMBLY, w/ 31742-00 (chrome)	FLSTCI, FLSTFI, FLSTSI, FXSTI, FXSTSI
	31773-01	COIL COVER ASSEMBLY, w/ 31742-00 (black wrinkle)	FXSTBI
11	31981-99C	SPARK PLUG CABLE, front cylinder	FLSTCI, FLSTFI, FLSTSI, FXSTBI, FXSTDI, FXSTI, FXSTSI
12	31983-00C	SPARK PLUG CABLE, rear cylinder	FLSTCI, FLSTFI, FLSTSI, FXSTBI, FXSTDI, FXSTI, FXSTSI
13	32362-04	SPARK PLUG, 6R12 (2)	FLSTCI, FLSTFI, FLSTSI, FXSTBI, FXSTDI, FXSTI, FXSTSI
14	32534-11	ELECTRONIC CONTROL MODULE, base level, blank (Note: Requires digital tech programming.)	FLSTCI, FLSTFI, FLSTSI, FXSTBI, FXSTDI, FXSTI, FXSTSI

ENGINE SENSORS & SWITCHES



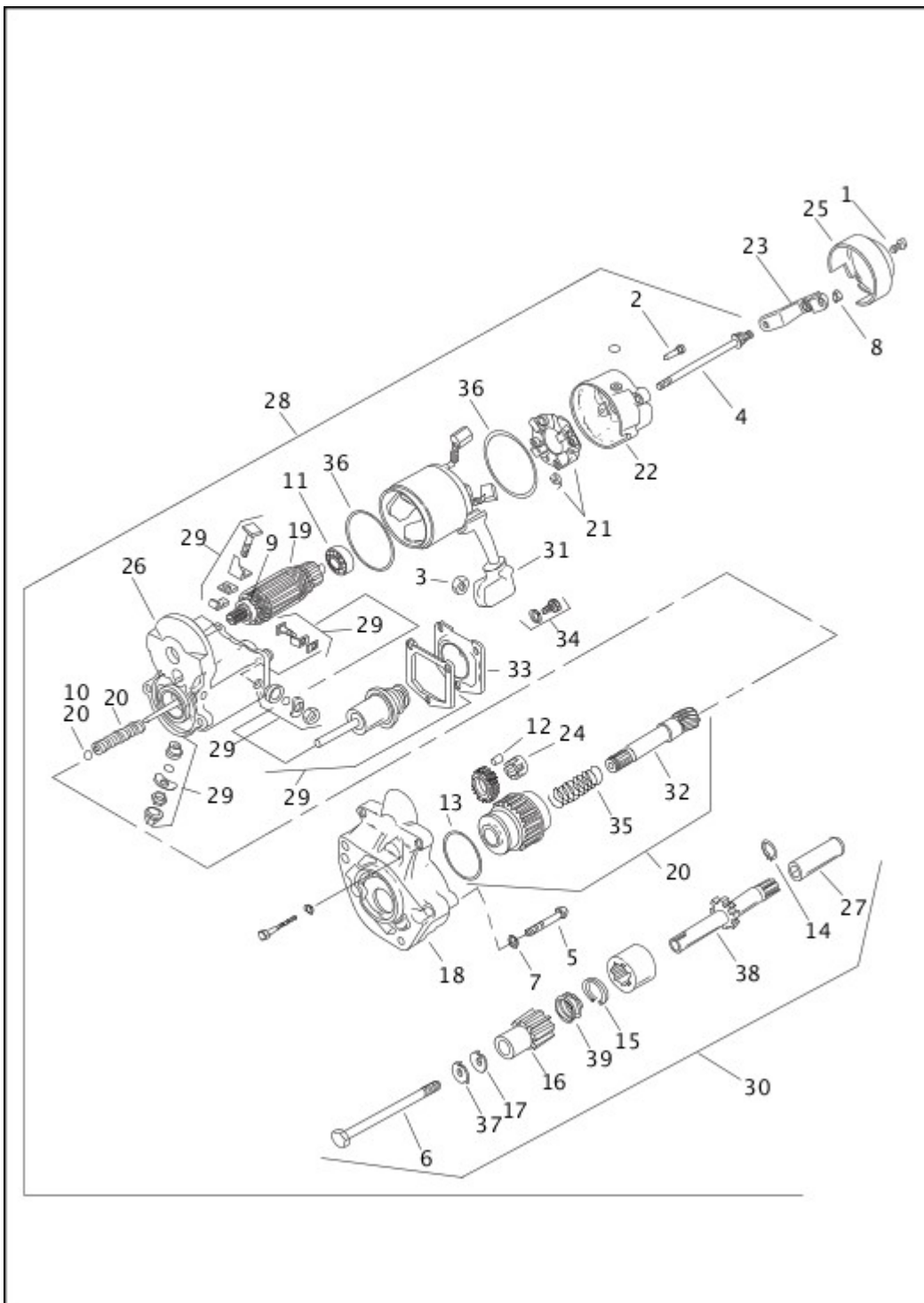
[View interactive image](#)

[View interactive table](#)

INDEX NO.	PART NO.	DESCRIPTION	MODEL(S)
1	4741A	SCREW	ALL
2	11289A	O-RING	ALL
3	11291	SEAL, manifold air pressure sensor	FLSTC, FLSTF, FLSTS, FXST, FXSTB, FXSTD, FXSTS
4	26561-99	OIL PRESSURE SWITCH	ALL
5	32416-10	SENSOR, manifold air pressure, w/ 11291	FLSTC, FLSTF, FLSTS, FXST, FXSTB, FXSTD, FXSTS
6	32446-99	SENSOR, engine temperature	FLSTCI, FLSTFI, FLSTSI, FXSTBI, FXSTDI, FXSTI, FXSTSI

INDEX NO.	PART NO.	DESCRIPTION	MODEL(S)
7	32707-01	SENSOR, crankshaft position, w/ 11289A, 72199-94 & 74192-98 (use 32707-01C)	ALL
	32707-01C	SENSOR, crankshaft position, w/ 11289A, 72199-94 & 74194-98 (replaces 32707-01)	ALL
8	38712-68	CLAMP	ALL
9	38723-99	RETAINING CLIP, manifold air pressure sensor	FLSTC, FLSTF, FLSTS, FXST, FXSTB, FXSTD, FXSTS
10	68042-99	SCREW	FLSTCI, FLSTFI, FLSTSI, FXSTBI, FXSTDI, FXSTI, FXSTSI
10	68042-99	SCREW (2)	FLSTC, FLSTF, FLSTS, FXST, FXSTB, FXSTD, FXSTS
11	72199-94	ANCHOR, T-stud	ALL
12	74102-98BK	PIN HOUSING, 2-place	ALL
13	74142-98	SECONDARY LOCK, 2-place pin housing	ALL
14	74192-98	TERMINAL PIN, solid gold-plated (used w/ 32707-01) (2)	ALL
	74194-98	TERMINAL PIN, #20-24 AWG (used w/ 32707-01C) (2)	ALL

STARTER MOTOR



[View interactive image](#)

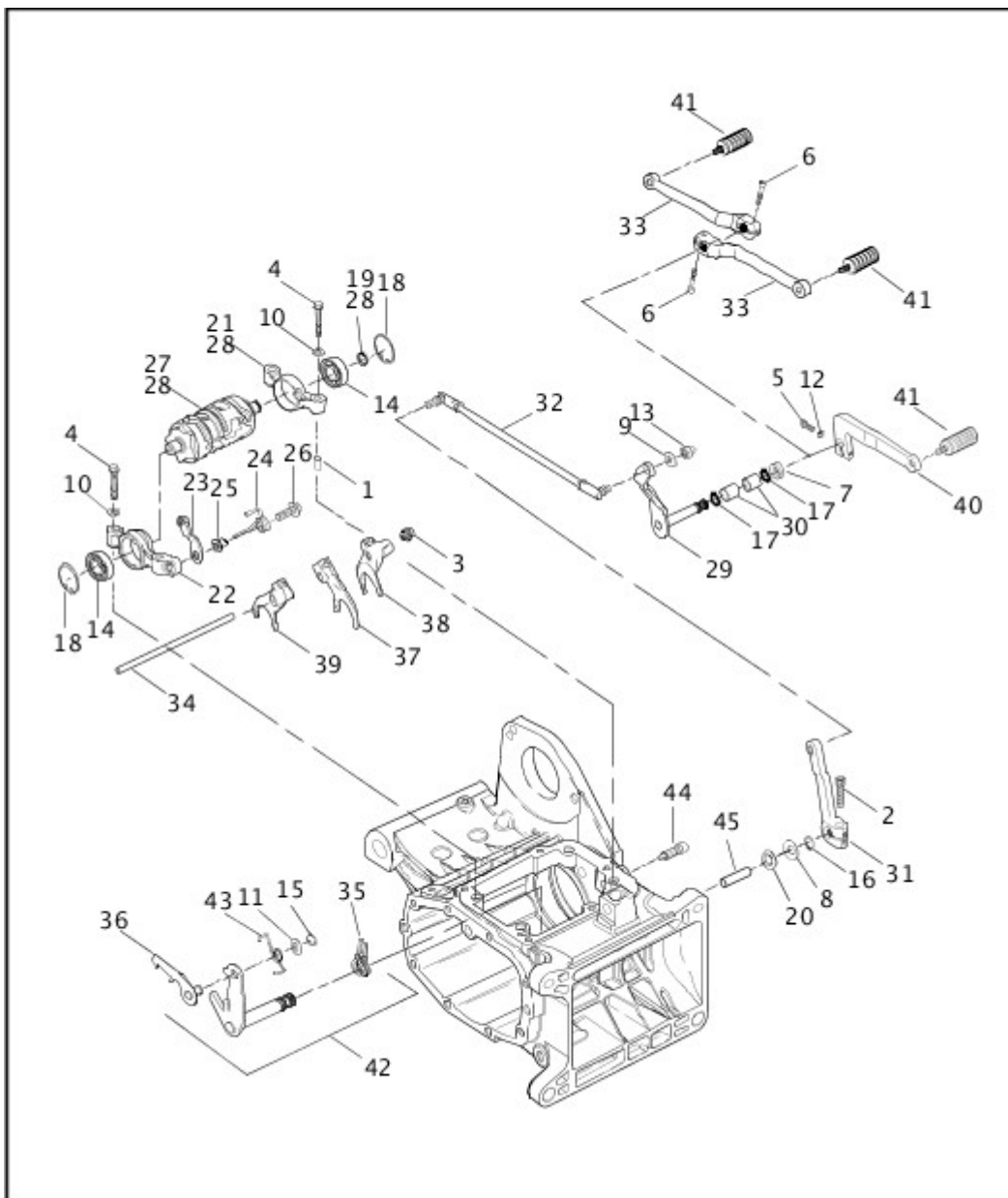
[View interactive table](#)

INDEX NO.	PART NO.	DESCRIPTION	MODEL(S)
1	925	SCREW, cover	ALL
2	929A	SCREW (2)	ALL
3	3403	LOCKNUT, flange	ALL
4	3559	BOLT, starter (2)	ALL
5	4326A	SCREW (2)	ALL
6	4358A	SCREW	ALL

INDEX NO.	PART NO.	DESCRIPTION	MODEL(S)
7	7041	LOCKWASHER (2)	ALL
8	7838	NUT, w/ washer (2)	ALL
9	8871	BALL BEARING	ALL
10	8879	BALL	ALL
11	8883	BALL BEARING	ALL
12	9077	CLUTCH ROLLER (5)	ALL
13	10957	O-RING (use 31516-94A)	ALL
14	11182	RETAINING RING	ALL
15	11248	RETAINING RING	ALL
16	31342-94	PINION GEAR	ALL
17	31430-94	WASHER, thrust	ALL
18	31510-90	HOUSING, starter	ALL
19	31515-90	ARMATURE ASSEMBLY, w/ 8871 & 8883	ALL
20	31516-94A	CLUTCH ASSEMBLY, starter, w/ 8879, 10957, 31664-94, 31692-90 & return spring	ALL
21	31518-90	BRUSH HOLDER ASSEMBLY	ALL
22	31519-90	FRAME, starter end	ALL
23	31527-90	BRACKET, cover	ALL
24	31530-90	RETAINER, idler gear	ALL
25	31535-91	COVER (chrome) (used w/ 31553-94B)	FLSTC, FLSTCI, FLSTF, FLSTFI, FLSTS, FLSTSI, FXST, FXSTD, FXSTDI, FXSTI, FXSTS, FXSTSI
	31703-98	COVER (black wrinkle) (used w/ 37102-98)	FXSTB, FXSTBI
26	31538-98	SWITCH ASSEMBLY, magnetic	ALL
27	31548-90	COUPLING	ALL
28	31553-94B	STARTER, complete (black texture) (replaces 31702-98 BT & JA)	ALL
	31702-98	STARTER, complete (black wrinkle) (use 31553-94B)	FXSTB, FXSTBI
29	31604-91A	STARTER SOLENOID REPAIR KIT	ALL
30	31612-09	JACKSHAFT KIT, starter	ALL
31	31662-90	BOOT, insulating	ALL
32	31664-94	SHAFT, output (use 31516-94A)	ALL

INDEX NO.	PART NO.	DESCRIPTION	MODEL(S)
33	31688-90	COVER, solenoid	ALL
34	31689-90	BOLT, w/ washer (3)	ALL
35	31692-90	SPRING	ALL
36	31695-90	O-RING (2)	ALL
37	33126-94	LOCKPLATE	ALL
38	33127-94	SHAFT, extension	ALL
39	33449-94	SPRING, pinion gear	ALL

GEAR SHIFTER



View interactive image

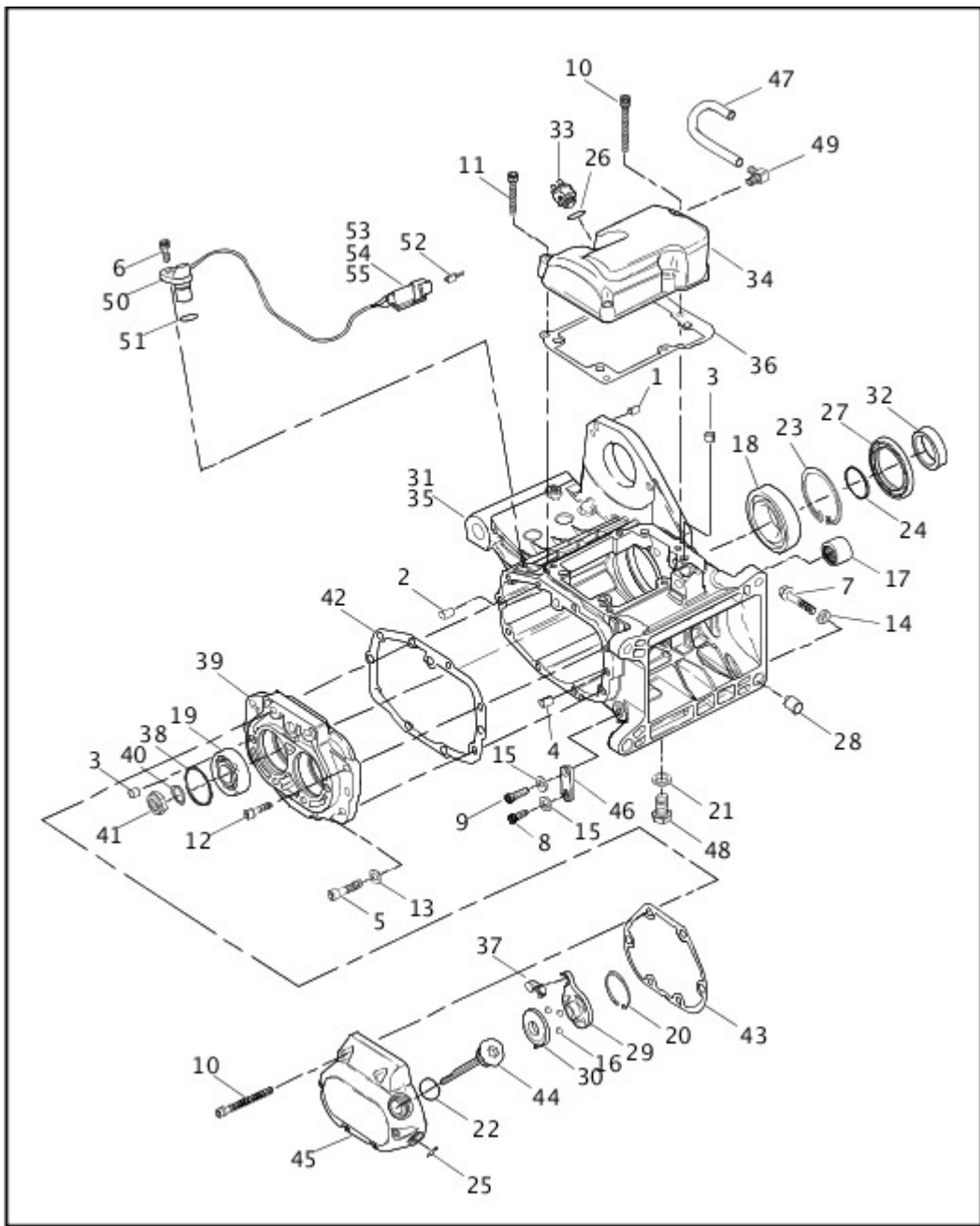
[View interactive table](#)

INDEX NO.	PART NO.	DESCRIPTION	MODEL(S)
-----------	----------	-------------	----------

INDEX NO.	PART NO.	DESCRIPTION	MODEL(S)
1	609	PIN (4)	ALL
2	856A	SCREW	ALL
3	3784	SET SCREW, shifter fork shaft, left	ALL
4	3993	BOLT (4)	ALL
5	4017	BOLT	FXST, FXSTB, FXSTBI, FXSTD, FXSTDI, FXSTI, FXSTS, FXSTSI
6	780	SCREW (2)	FLSTC, FLSTCI, FLSTF, FLSTFI, FLSTS, FLSTSI
7	6057	WASHER, nylon	ALL
8	6497HW	WASHER	ALL
9	6702	WASHER	ALL
10	6736	WASHER (4)	ALL
11	6846	WASHER	ALL
12	7041	LOCKWASHER	FXST, FXSTB, FXSTBI, FXSTD, FXSTDI, FXSTI, FXSTS, FXSTSI
13	7736	ACORN NUT	ALL
14	9837	BALL BEARING (2)	ALL
15	11016	RETAINING RING	ALL
16	11150	RETAINING RING	ALL
17	11191	O-RING (2)	ALL
18	11319A	RETAINING RING (2)	ALL
19	11342	RETAINING RING	ALL
20	12045	SEAL	ALL
21	33301-00A	SUPPORT ASSEMBLY, shifter cam, left, w/ bearing and retaining ring	ALL
22	33304-00	SUPPORT ASSEMBLY, shifter cam, right, w/ bearing and retaining ring	ALL
23	33364-00A	DETENT FOLLOWER ASSEMBLY	ALL
24	33374-00	SPRING, detent arm	ALL
25	33375-00A	SLEEVE, detent arm spring	ALL
26	33376-00	PIVOT SCREW, detent arm	ALL
27	33383-00A	SHIFTER CAM (use 33386-02)	ALL
	33383-02	SHIFTER CAM (used w/ 33386-02)	ALL

INDEX NO.	PART NO.	DESCRIPTION	MODEL(S)
28	33386-02	CAM SHIFTER/LEVER KIT, w/ 11342, 33301-00A, 33383-02, 34972-02B & 34978-00	ALL
29	33660-90B	SHIFT LEVER (chrome)	FXST, FXSTB, FXSTBI, FXSTD, FXSTDI, FXSTI, FXSTS, FXSTSI
	33668-90C	SHIFT LEVER (chrome)	FLSTC, FLSTCI, FLSTF, FLSTFI, FLSTS, FLSTSI
30	33708-94	BEARING SLEEVE (2)	ALL
31	33849-97	LEVER, shifter rod	ALL
32	33719-79B	SHIFTER ROD	ALL
33	33895-82D	SHIFT LEVER (chrome) (2)	FLSTC, FLSTCI, FLSTF, FLSTFI, FLSTS, FLSTSI
34	34088-87A	SHAFT, shifter fork	ALL
35	34064-00C	SPRING, shift lever centering	ALL
36	34095-00	PAWL, shifter cam	ALL
37	34191-79E	SHIFTER FORK	ALL
38	34193-79E	SHIFTER FORK	ALL
39	34195-79E	SHIFTER FORK	ALL
40	34564-90B	SHIFT LEVER (chrome)	FXST, FXSTB, FXSTBI, FXSTD, FXSTDI, FXSTI, FXSTS, FXSTSI
41	34611-65A	PEG, shift lever	FXST, FXSTB, FXSTBI, FXSTD, FXSTDI, FXSTI, FXSTS, FXSTSI
41	34611-65A	PEG, shift lever (2)	FLSTC, FLSTCI, FLSTF, FLSTFI, FLSTS, FLSTSI
42	34972-02B	LEVER ASSEMBLY, shifter pawl	ALL
43	34977-00A	SPRING, shifter shaft lever	ALL
44	34978-00	CENTERING PIN	ALL
45	34979-00	SHIFTER SHAFT SLEEVE	ALL

TRANSMISSION HOUSING (1 OF 2)



[View interactive image](#)

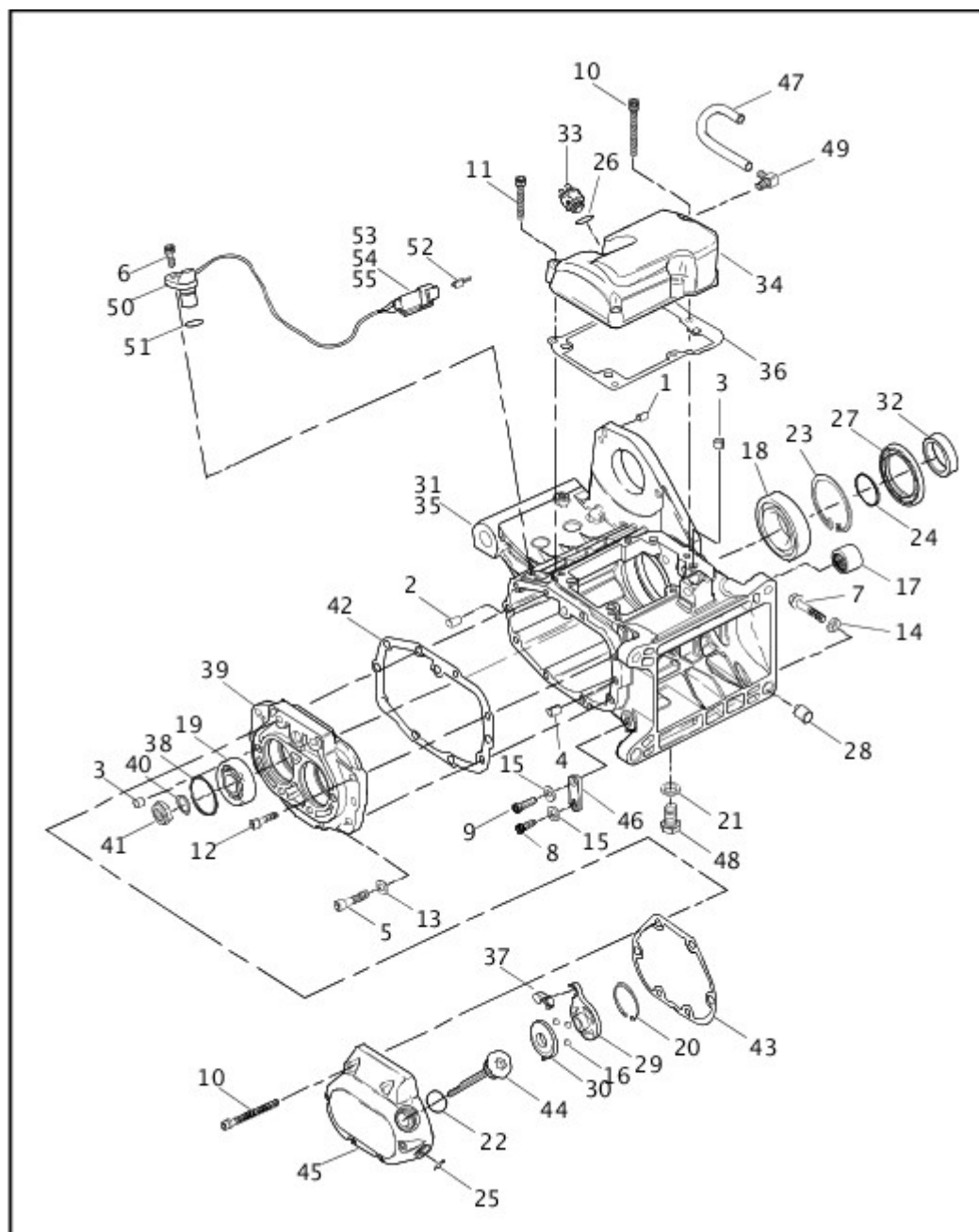
[View interactive table](#)

INDEX NO.	PART NO.	DESCRIPTION	MODEL(S)
1	337	DOWEL PIN	ALL
2	375	DOWEL PIN	ALL
3	609	PIN (6)	ALL
4	634	PIN	ALL
5	3210A	SCREW (4)	ALL
6	3594	SCREW	ALL
7	3699D	SCREW, w/ washer (4)	ALL
8	4168	SCREW (2)	ALL
9	4313	SCREW (2)	ALL

INDEX NO.	PART NO.	DESCRIPTION	MODEL(S)
10	4717A	SCREW (5)	ALL
11	4740A	SCREW (4)	ALL
12	4814A	SCREW (4)	ALL
13	6016	WASHER (4)	ALL
14	6448HB	WASHER (use 3699D) (4)	ALL
15	6532	WASHER (4)	ALL
16	8873	BALL (3)	ALL
17	8977	NEEDLE BEARING	ALL
18	8996A	BALL BEARING, mainshaft, left side	ALL
19	8992A	BALL BEARING (2)	ALL
20	10998	RETAINING RING	ALL
21	11105	O-RING, drain plug	ALL
22	11132A	O-RING, filler plug	ALL
23	11161	RETAINING RING, ball bearing	ALL
24	11165	QUAD SEAL, ball bearing	ALL
25	11179	O-RING, clutch cable	ALL
26	11290	O-RING	ALL
27	12067B	OIL SEAL, mainshaft, left side	ALL
28	16574-99A	DOWEL (2)	ALL
29	25604-00A	INNER RAMP	ALL
30	25605-00A	OUTER RAMP	ALL
31	33005-01	TRANSMISSION ASSEMBLY (silver painted)	FXST, FXSTI
	33006-01	TRANSMISSION ASSEMBLY (chrome & black)	FLSTC, FLSTCI, FXSTS, FXSTSI
	33007-01	TRANSMISSION ASSEMBLY (chrome & black)	FLSTF, FLSTFI, FLSTS, FLSTSI
	33051-01	TRANSMISSION ASSEMBLY (black wrinkle)	FXSTB, FXSTBI
	33052-01	TRANSMISSION ASSEMBLY (chrome & black)	FXSTD, FXSTDI
32	33344-94	SPACER, sprocket	ALL
33	33904-00A	SWITCH, neutral indicator, w/ O-ring	ALL

INDEX NO.	PART NO.	DESCRIPTION	MODEL(S)
34	34541-00	COVER, upper (chrome) (replaces 34546-00)	FLSTC, FLSTCI, FLSTF, FLSTFI, FLSTS, FLSTSI, FXST, FXSTD, FXSTDI, FXSTI, FXSTS, FXSTSI
	34544-00	COVER, upper (black wrinkle)	FXSTB, FXSTBI
	34546-00	COVER, upper (silver painted) (use 34541-00)	FXST, FXSTI

TRANSMISSION HOUSING (2 OF 2)



[View interactive image](#)

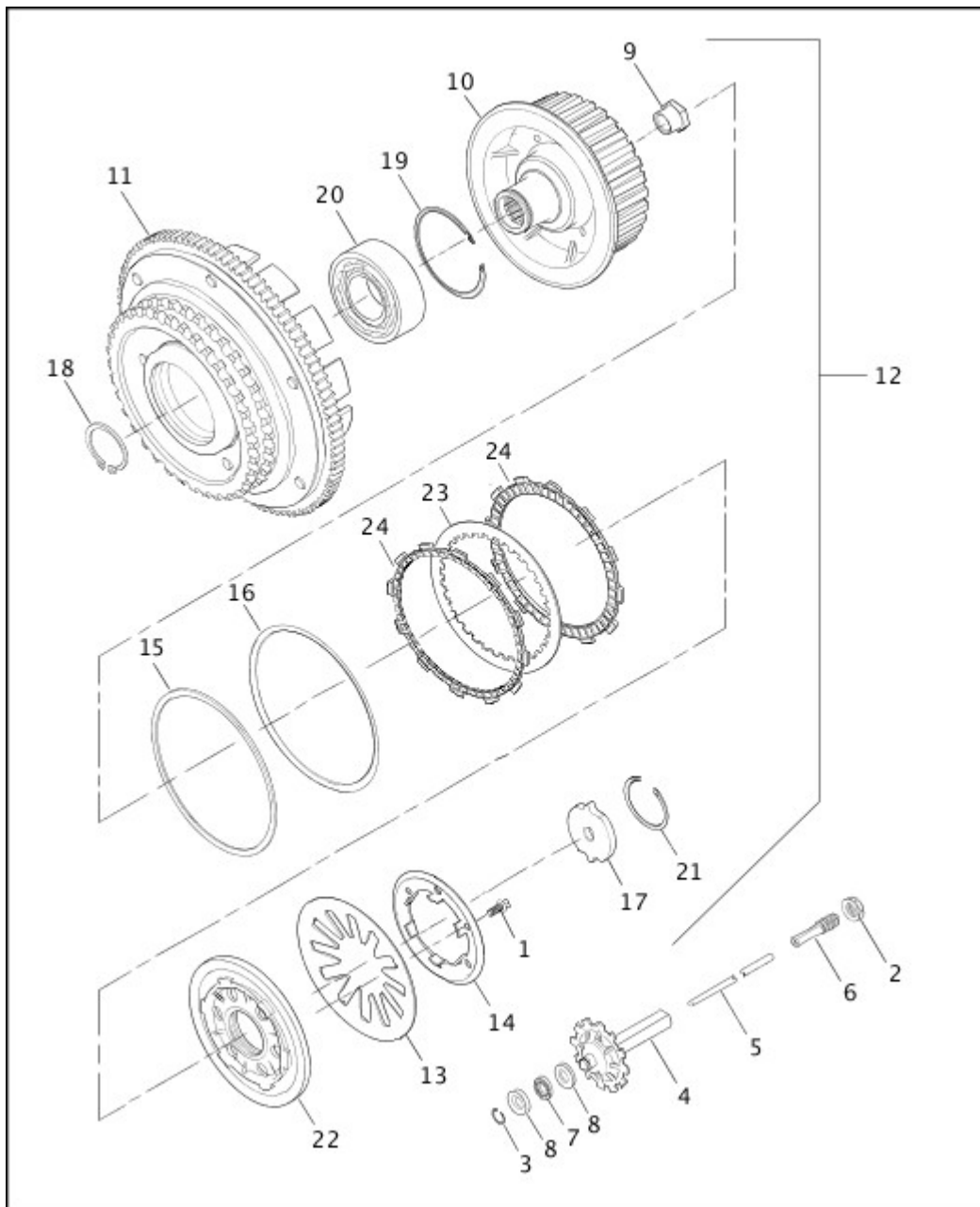
[View interactive table](#)

INDEX NO.	PART NO.	DESCRIPTION	MODEL(S)
-----------	----------	-------------	----------

INDEX NO.	PART NO.	DESCRIPTION	MODEL(S)
35	34732-00A	TRANSMISSION HOUSING ASSEMBLY (black)	FLSTC, FLSTCI, FLSTF, FLSTFI, FLSTS, FLSTSI, FXSTB, FXSTBI, FXSTD, FXSTDI, FXSTS, FXSTSI
	34774-00A	TRANSMISSION HOUSING ASSEMBLY (silver painted)	FXST, FXSTI
36	34904-86D	GASKET, upper cover	ALL
37	34920-86A	COUPLING	ALL
38	35087-99A	RETAINING RING, bearing (2)	ALL
39	35251-93C	BEARING HOUSING ASSEMBLY, w/ bearings & retaining rings (sliver)	FXST, FXSTI
	35252-93B	BEARING HOUSING ASSEMBLY, w/ bearings & retaining rings (black)	FLSTC, FLSTCI, FLSTF, FLSTFI, FLSTS, FLSTSI, FXSTB, FXSTBI, FXSTD, FXSTDI, FXSTS, FXSTSI
40	35076-79	SPACER (2)	ALL
41	35078-79	NUT, mainshaft & countershaft (2)	ALL
42	35653-98A	GASKET, bearing housing	ALL
43	36801-87C	GASKET, right side cover	ALL
44	37071-87	FILLER PLUG (polished) (use 37075-87)	FXST, FXSTI
	37075-87	FILLER PLUG (chrome) (replaces 37071-87)	FLSTC, FLSTCI, FLSTF, FLSTFI, FLSTS, FLSTSI, FXST, FXSTB, FXSTBI, FXSTD, FXSTDI, FXSTI, FXSTS, FXSTSI
45	37105-99	CLUTCH RELEASE COVER (chrome)	FLSTC, FLSTCI, FLSTF, FLSTFI, FLSTS, FLSTSI, FXSTD, FXSTDI, FXSTS, FXSTSI
	37189-99	CLUTCH RELEASE COVER (black wrinkle)	FXSTB, FXSTBI
	37232-00	CLUTCH RELEASE COVER (silver painted)	FXST, FXSTI
46	48052-00A	BRACKET, transmission mounting, right	ALL
	48053-00	BRACKET, transmission mounting, left	ALL
47	42533-91A	VENT HOSE	ALL
48	60328-98B	DRAIN PLUG, w/ O-ring	ALL
49	62375-57A	FITTING, upper cover	ALL
50	74430-00D	SENSOR, speedometer, w/ 11140, 72143-94, 72163-94BK & 72190-94) (use 74430-00D)	ALL

INDEX NO.	PART NO.	DESCRIPTION	MODEL(S)
1	6003	WASHER (5)	ALL
2	8876A	BEARING (4)	ALL
3	11067	RETAINING RING (6)	ALL
4	12035B	OIL SEAL, mainshaft fifth gear	ALL
5	34091-85A	BEARING, inner race	ALL
6	35025-79B	FIRST GEAR, mainshaft	ALL
7	35026-94	GEAR, mainshaft 2nd & countershaft 3rd (2)	ALL
8	35027-94	GEAR, mainshaft 3rd & countershaft 2nd (2)	ALL
9	35028-94	FOURTH GEAR, mainshaft	ALL
10	35029-94	FIFTH GEAR, mainshaft	ALL
11	35042-91	MAINSHAFT	ALL
12	35051-89A	NEEDLE BEARING (2)	ALL
13	35064-79	SPACER, mainshaft	ALL
14	35622-79C	FIRST GEAR, countershaft	ALL
15	35625-94	FOURTH GEAR, countershaft	ALL
16	35626-94	FIFTH GEAR, countershaft	ALL
17	35629-79	SPACER	ALL
18	35632-79	COUNTERSHAFT	ALL

CLUTCH



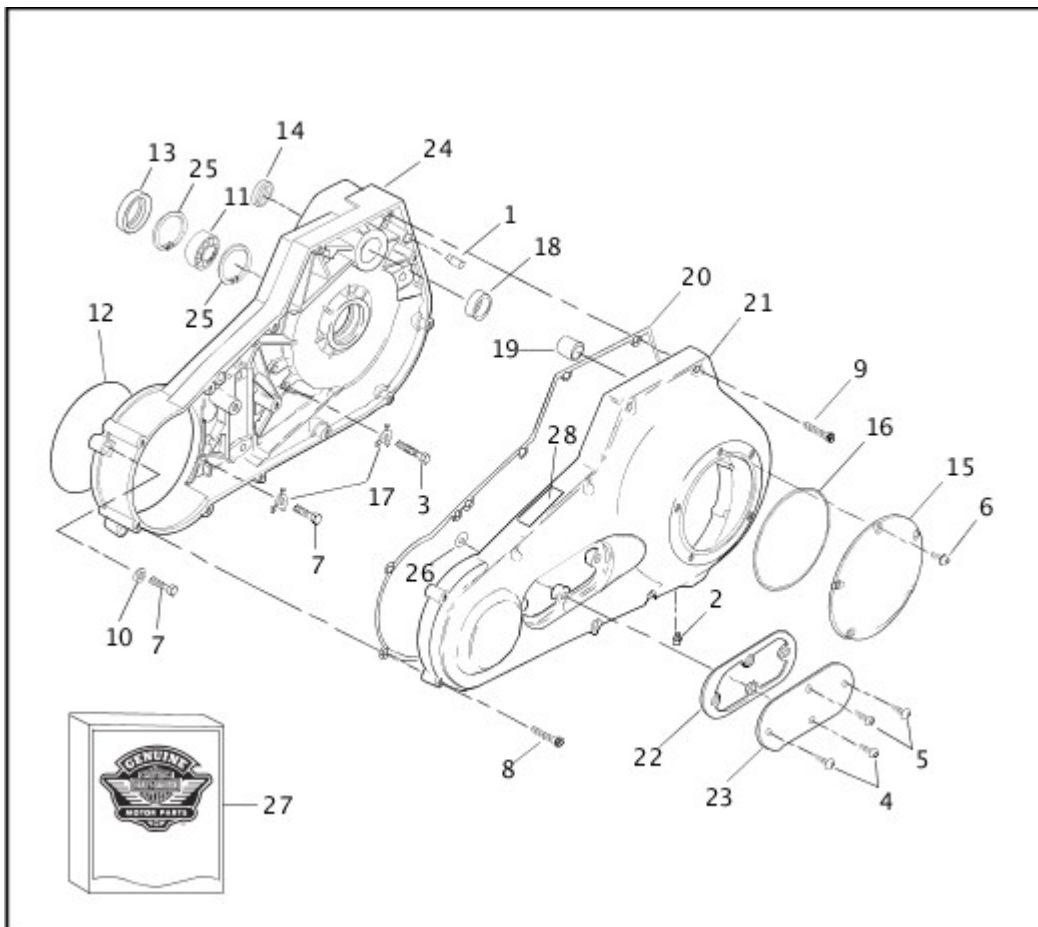
[View interactive image](#)

[View interactive table](#)

INDEX NO.	PART NO.	DESCRIPTION	MODEL(S)
1	2980	SCREW (6)	ALL
2	7848W	JAM NUT	ALL
3	11096	RETAINING RING	ALL
4	37069-90A	OIL SLINGER ASSEMBLY	ALL
5	37088-90	PUSH ROD, clutch release	ALL
6	37090-98A	END, push rod, left	ALL
7	37312-75	BEARING, push rod	ALL
8	37313-80	THRUST WASHER (2)	ALL
9	37496-90A	NUT, mainshaft	ALL

INDEX NO.	PART NO.	DESCRIPTION	MODEL(S)
10	37550-98	CLUTCH HUB	ALL
11	37707-98A	CLUTCH SHELL & SPROCKET, w/ 37905-00 & 37906-90	ALL
12	37802-98B	CLUTCH ASSEMBLY, w/ 1, 9, 10, 11, 13, 14, 15, 16, 17, 18, 21, 22, 23 & 24	ALL
13	37871-98A	SPRING, diaphragm (white)	ALL
14	37872-00	SEAT, clutch spring	ALL
15	37883-98	SEAT, damper spring	ALL
16	37884-98	DAMPER SPRING	ALL
17	37903-90	RELEASE PLATE	ALL
18	37904-90	RETAINING RING, internal	ALL
19	37905-00	RETAINING RING, internal	ALL
20	37906-90	BEARING, ball, double row	ALL
21	37909-90	RETAINING RING, internal	ALL
22	37912-00	PRESSURE PLATE	ALL
23	37913-98	CLUTCH PLATE (8)	ALL
24	37932-98	FRICITION PLATE KIT, includes all 9 friction plates	ALL

PRIMARY HOUSING



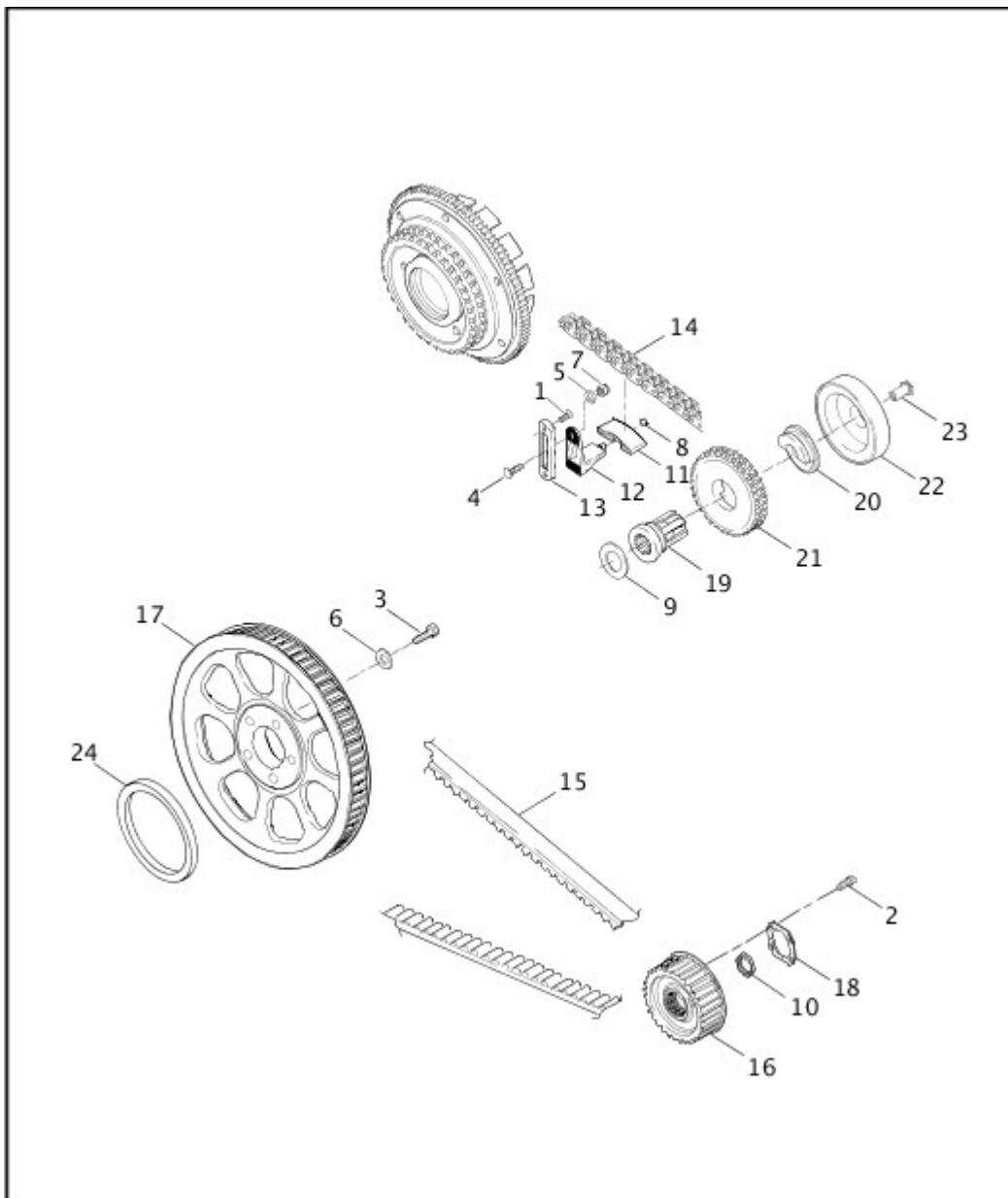
[View interactive image](#)

[View interactive table](#)

INDEX NO.	PART NO.	DESCRIPTION	MODEL(S)
1	375	PIN	ALL
2	739A	PLUG, magnetic	ALL
3	858A	BOLT (4)	ALL
4	941	SCREW (2)	ALL
5	945	SCREW (2)	ALL
6	961	SCREW (5)	ALL
7	2887WA	SCREW (4)	ALL
8	4740A	SCREW, w/ washer (7)	ALL
9	4820A	SCREW, w/ washer (5)	ALL
10	6016	WASHER (2)	ALL
11	9135	BEARING	ALL
12	11147B	O-RING, housing cover	ALL
13	12052A	OIL SEAL	ALL
14	12066A	OIL SEAL	ALL
15	25414-99	COVER, clutch (polished)	FXST, FXSTI

INDEX NO.	PART NO.	DESCRIPTION	MODEL(S)
	60668-99	COVER, clutch (chrome)	FLSTC, FLSTCI, FLSTF, FLSTFI, FLSTS, FLSTSI, FXSTD, FXSTDI, FXSTS, FXSTSI
	60713-99	COVER, clutch (black wrinkle)	FXSTB, FXSTBI
16	25416-99C	SEAL, clutch cover	ALL
17	33318-85	LOCKING TAB (6)	ALL
18	33445-94A	BUSHING	ALL
19	33446-94A	BUSHING	ALL
20	60539-94B	GASKET, primary cover	ALL
21	60543-99B	COVER ASSEMBLY, primary (chrome)	FLSTC, FLSTCI, FLSTF, FLSTFI, FLSTS, FLSTSI, FXSTD, FXSTDI, FXSTS, FXSTSI
	60715-99B	COVER ASSEMBLY, primary (black wrinkle)	FXSTB, FXSTBI
	60721-99B	COVER ASSEMBLY, primary (silver)	FXST, FXSTI
22	60567-90C	GASKET, inspection cover	ALL
23	60572-86	COVER, primary chain inspection (chrome) (replaces 60714-98)	ALL
	60714-98	COVER, primary chain inspection (black wrinkle paint) (use 60572-86)	FXSTB, FXSTBI
24	60586-99A	PRIMARY HOUSING ASSEMBLY (silver)	FXST, FXSTI
	60630-94B	PRIMARY HOUSING ASSEMBLY (black texture)	FLSTC, FLSTCI, FLSTF, FLSTFI, FLSTS, FLSTSI, FXSTD, FXSTDI, FXSTS, FXSTSI
	60724-98A	PRIMARY HOUSING ASSEMBLY (black wrinkle)	FXSTB, FXSTBI
25	60678-85	RETAINING RING (2)	ALL
26	63859-95B	GASKET (2)	ALL
27	25700225	GASKET KIT, inner primary	ALL
INTERNATIONAL MODELS ONLY			
28	14270-92	DECAL, shift pattern (Japan)	ALL

BELTS, CHAINS & SPROCKETS



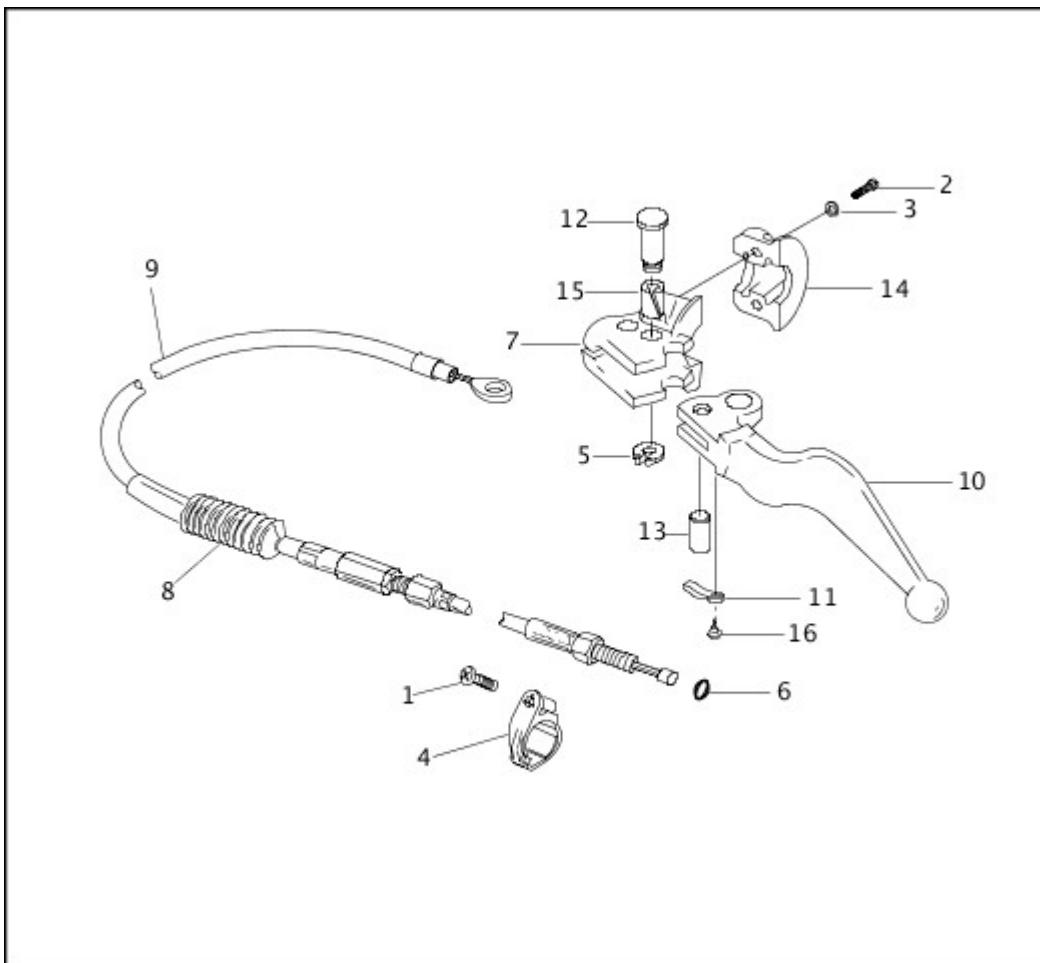
[View interactive image](#)

[View interactive table](#)

INDEX NO.	PART NO.	DESCRIPTION	MODEL(S)
1	1783C	SCREW (2)	ALL
2	3594	SCREW (2)	ALL
3	3737A	SCREW (5)	ALL
4	5416	BOLT	ALL
5	6400HB	WASHER	ALL
6	6516HW	WASHER (5)	ALL
7	7778	LOCKNUT	ALL
8	11031	RETAINING RING	ALL
9	29923-01A	SPACER	ALL
10	35211-91B	NUT, sprocket	ALL

INDEX NO.	PART NO.	DESCRIPTION	MODEL(S)
11	39976-01	PAD, chain tensioner	ALL
12	39990-01	CHAIN TENSIONER	ALL
13	39998-65A	ANCHOR PLATE, chain tensioner	ALL
14	40007-36B	PRIMARY CHAIN	ALL
15	40307-00B	REAR BELT, 135 T	ALL
16	40250-94C	SPROCKET, transmission, 32 T	ALL
17	40295-00	SPROCKET, rear, 70 T (silver)	FLSTF, FLSTFI
	40289-00	SPROCKET, rear, 70 T (black)	FLSTC, FLSTCI, FLSTS, FLSTSI, FXST, FXSTB, FXSTBI, FXSTI, FXSTS, FXSTSI
	40303-00	SPROCKET, rear, 70 T (silver)	FXSTD, FXSTDI
18	40251-92A	LOCKPLATE	ALL
19	40266-85	SHAFT EXTENSION	ALL
20	40299-83A	SLIDING CAM	ALL
21	40308-94	COMPENSATING SPROCKET, 25 T	ALL
22	40384-91	COVER ASSEMBLY, w/ springs	ALL
23	40392-91	NUT	ALL
24	43727-00	SEAL RING	FXSTD, FXSTDI

CLUTCH CONTROL



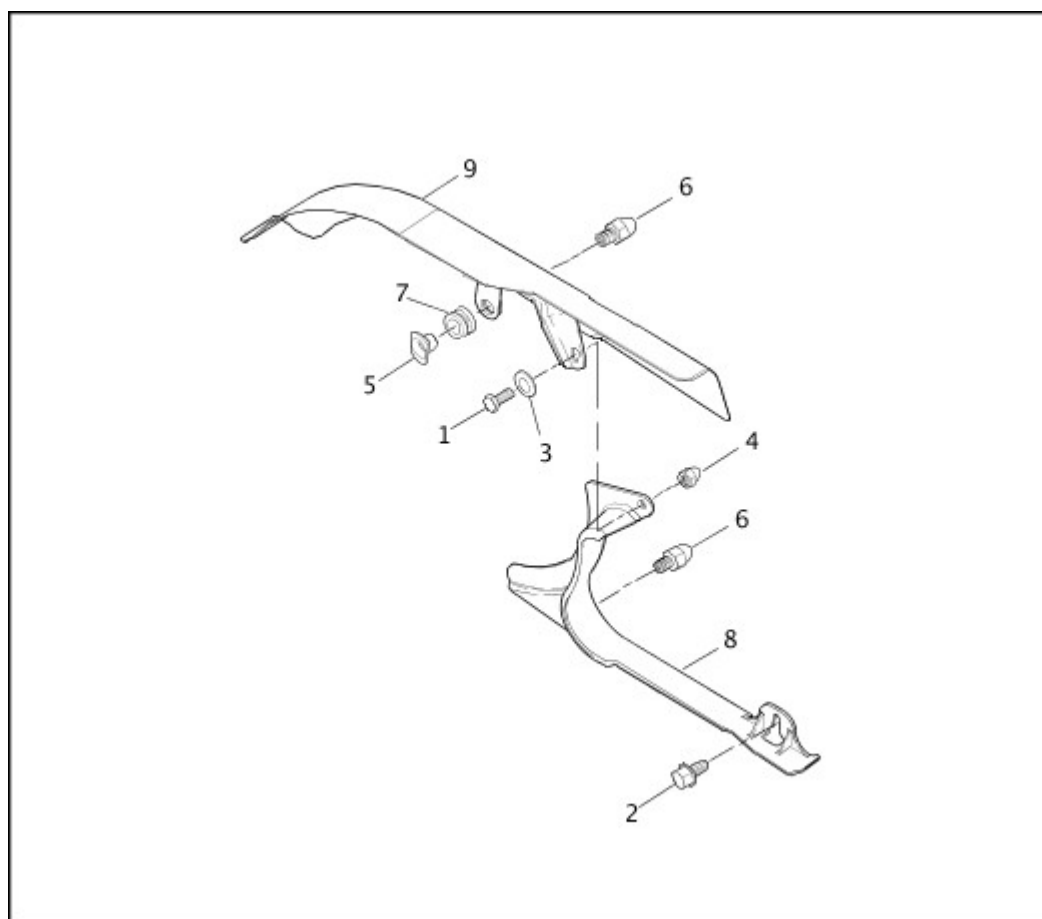
[View interactive image](#)

[View interactive table](#)

INDEX NO.	PART NO.	DESCRIPTION	MODEL(S)
1	2566	SCREW	ALL
2	4132	SCREW (2)	ALL
3	6101	WASHER (2)	ALL
4	10124	CLAMP	ALL
5	11143	RETAINING RING	ALL
6	11179	O-RING	ALL
7	38608-96	BRACKET, hand lever	ALL
8	38630-88	BOOT, clutch cable	ALL
9	38664-00	CABLE, clutch control, w/ 11179, 38630-88 & 45036-88	FXSTD, FXSTDI
	38665-00	CABLE, clutch control, w/ 11179, 38630-88 & 45036-88	FXSTB, FXSTBI
	38666-00	CABLE, clutch control, w/ 11179, 38630-88 & 45036-88	FLSTC, FLSTCI, FLSTF, FLSTFI, FLSTS, FLSTSI, FXST, FXSTI, FXSTS, FXSTSI
10	45015-96	HAND LEVER, clutch	ALL

INDEX NO.	PART NO.	DESCRIPTION	MODEL(S)
11	45021-86	SPRING, anti-rattle	ALL
12	45032-82	PIN, hand lever pivot	ALL
13	45036-88	ANCHOR PIN	ALL
14	45044-96A	CLAMP, lever bracket	ALL
15	45423-92	BUSHING	ALL
16	90770-79	SCREW	ALL

REAR BELT GUARD



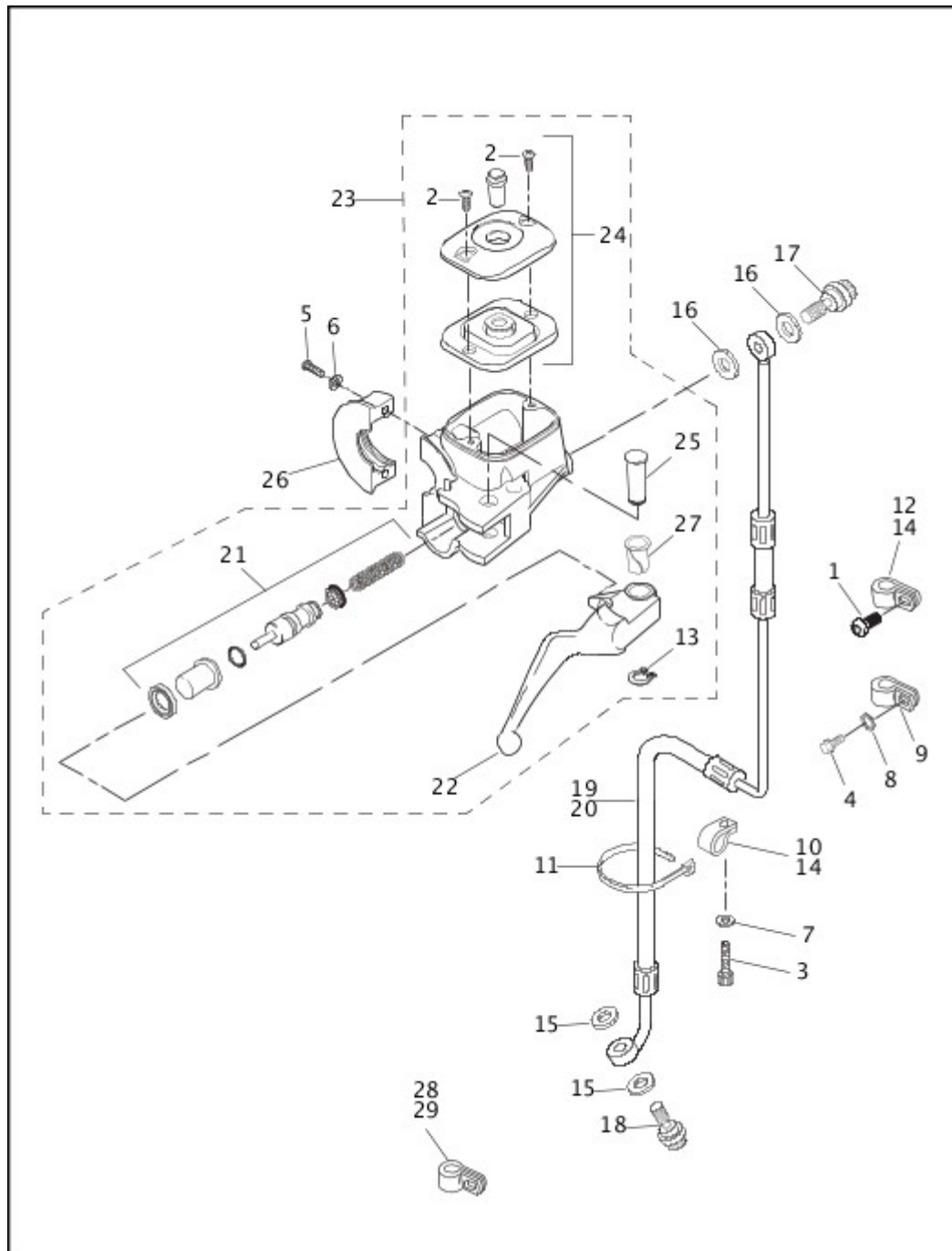
[View interactive image](#)

[View interactive table](#)

INDEX NO.	PART NO.	DESCRIPTION	MODEL(S)
1	3987	BOLT	ALL
2	4383	SCREW	ALL
3	6702	WASHER	ALL
4	7507	ACORN NUT	ALL
5	7669	NUT	ALL
6	7899A	BOLT, acorn (2)	ALL

INDEX NO.	PART NO.	DESCRIPTION	MODEL(S)
7	11413	GROMMET	ALL
8	60362-00	DEBRIS DEFLECTOR	ALL
9	60533-00A	BELT GUARD (chrome)	FLSTC, FLSTCI, FLSTF, FLSTFI, FLSTS, FLSTSI, FXST, FXSTD, FXSTDI, FXSTI, FXSTS, FXSTSI
	60564-00A	BELT GUARD (black wrinkle)	FXSTB, FXSTBI

FRONT BRAKE CONTROL



[View interactive image](#)

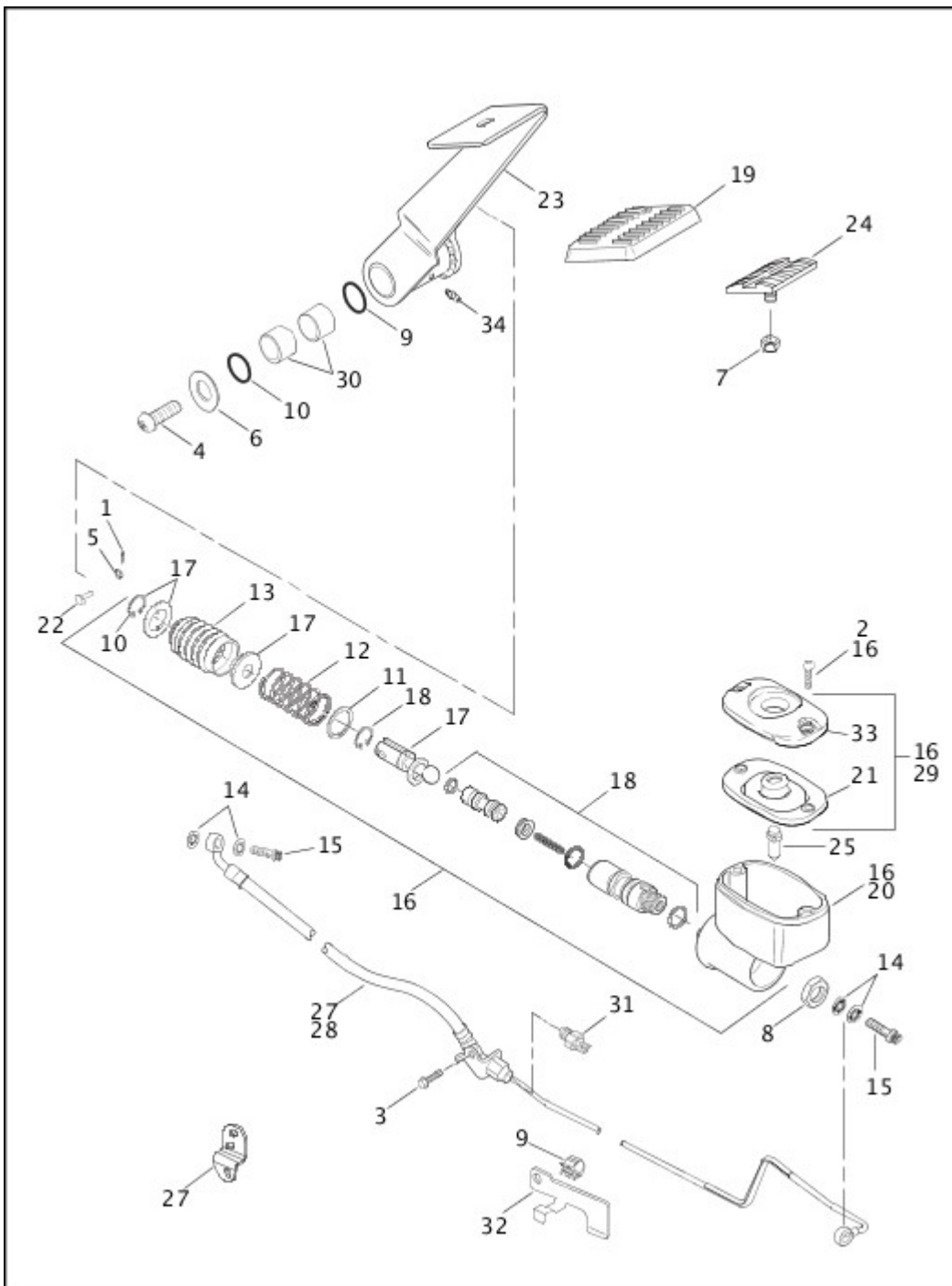
[View interactive table](#)

INDEX NO.	PART NO.	DESCRIPTION	MODEL(S)
-----------	----------	-------------	----------

INDEX NO.	PART NO.	DESCRIPTION	MODEL(S)
1	923	SCREW (2)	FLSTC, FLSTCI, FLSTF, FLSTFI
1	3538	SCREW	FLSTS, FLSTSI, FXSTS, FXSTSI
2	2579A	SCREW (2)	ALL
3	3594	SCREW	FLSTC, FLSTCI, FLSTF, FLSTFI, FXST, FXSTB, FXSTBI, FXSTD, FXSTDI, FXSTI, FXSTS, FXSTSI
4	4091	SCREW	FLSTS, FLSTSI, FXST, FXSTB, FXSTBI, FXSTD, FXSTDI, FXSTI
5	4132	SCREW (2)	ALL
6	6101	WASHER (2)	ALL
7	6703	WASHER	FLSTS, FLSTSI, FXST, FXSTB, FXSTBI, FXSTD, FXSTDI, FXSTI, FXSTS, FXSTSI
8	7220	LOCKWASHER, external tooth	FXST, FXSTB, FXSTBI, FXSTD, FXSTDI, FXSTI
9	10031	CLAMP	FXST, FXSTB, FXSTBI, FXSTD, FXSTDI, FXSTI
10	10053	CLAMP	FLSTC, FLSTCI, FLSTF, FLSTFI, FXST, FXSTB, FXSTBI, FXSTD, FXSTDI, FXSTI
11	10065	CABLE STRAP (3)	FLSTC, FLSTCI, FLSTF, FLSTFI, FLSTS, FLSTSI, FXST, FXSTB, FXSTBI, FXSTD, FXSTDI, FXSTI
12	10076	CLAMP	FLSTS, FLSTSI, FXSTS, FXSTSI
13	11143	RETAINING RING	ALL
14	41713-86	CLAMP (3)	FLSTC, FLSTCI, FLSTF, FLSTFI, FXSTS, FXSTSI
15	41731-01	GASKET (2)	ALL
16	41733-88	GASKET, master cylinder (2)	ALL
17	41739-84A	FITTING, master cylinder	ALL
18	41747-82A	FITTING	ALL
19	42303-00A	BRAKE LINE, front (use 42317-06A)	FLSTF, FLSTFI
	42305-00	BRAKE LINE, front (use 42317-06A)	FLSTC, FLSTCI
	45110-96	BRAKE LINE, front	FXSTS, FXSTSI
	45119-00B	BRAKE LINE, front	FXSTD, FXSTDI
	45199-99B	BRAKE LINE, front	FXST, FXSTI
	45250-98B	BRAKE LINE, front	FXSTB, FXSTBI

INDEX NO.	PART NO.	DESCRIPTION	MODEL(S)
20	42317-06A	BRAKE LINE KIT, w/ 10065, 41731-01, 41733-88 & 68562-84	FLSTC, FLSTCI, FLSTF, FLSTFI
	45119-00B	BRAKE LINE KIT, w/ 10065, 41731-01, 41733-88, 68562-84 & 71795-63A	FXSTD, FXSTDI
	45199-99B	BRAKE LINE KIT, w/ 10065, 41731-01, 41733-88, 68562-84 & 71795-63A	FXST, FXSTI
	45250-98B	BRAKE LINE KIT, w/ 10065, 41731-01, 41733-88, 68562-84 & 71795-63A	FXSTB, FXSTBI
21	45006-96C	REPAIR KIT, master cylinder (9/16 inch bore)	ALL
22	45016-96	HAND LEVER, front brake control, w/ 45423-96	ALL
23	45019-96D	MASTER CYLINDER ASSEMBLY, front, w/ 11143, 45016-96, 45030-03C & 45032-82 (9/16 inch bore)	ALL
24	45030-03C	COVER KIT, reservoir, w/ 2579A (black)	ALL
25	45032-82	PIVOT PIN	ALL
26	45044-96A	CLAMP, handlebar control	ALL
27	45423-96	BUSHING, lever pivot	ALL
28	68562-84	CLAMP (used w/ 45119-00B, 45199-99B & 45250-98B)	FLSTS, FLSTSI, FXST, FXSTB, FXSTBI, FXSTD, FXSTDI, FXSTI
28	68562-84	CLAMP (used w/ 42317-06A) (3)	FLSTC, FLSTCI, FLSTF, FLSTFI
29	71795-63A	CLAMP (used w/ 45119-00B, 45199-99B & 45250-98B)	FXST, FXSTB, FXSTBI, FXSTD, FXSTDI, FXSTI

REAR BRAKE CONTROL



[View interactive image](#)

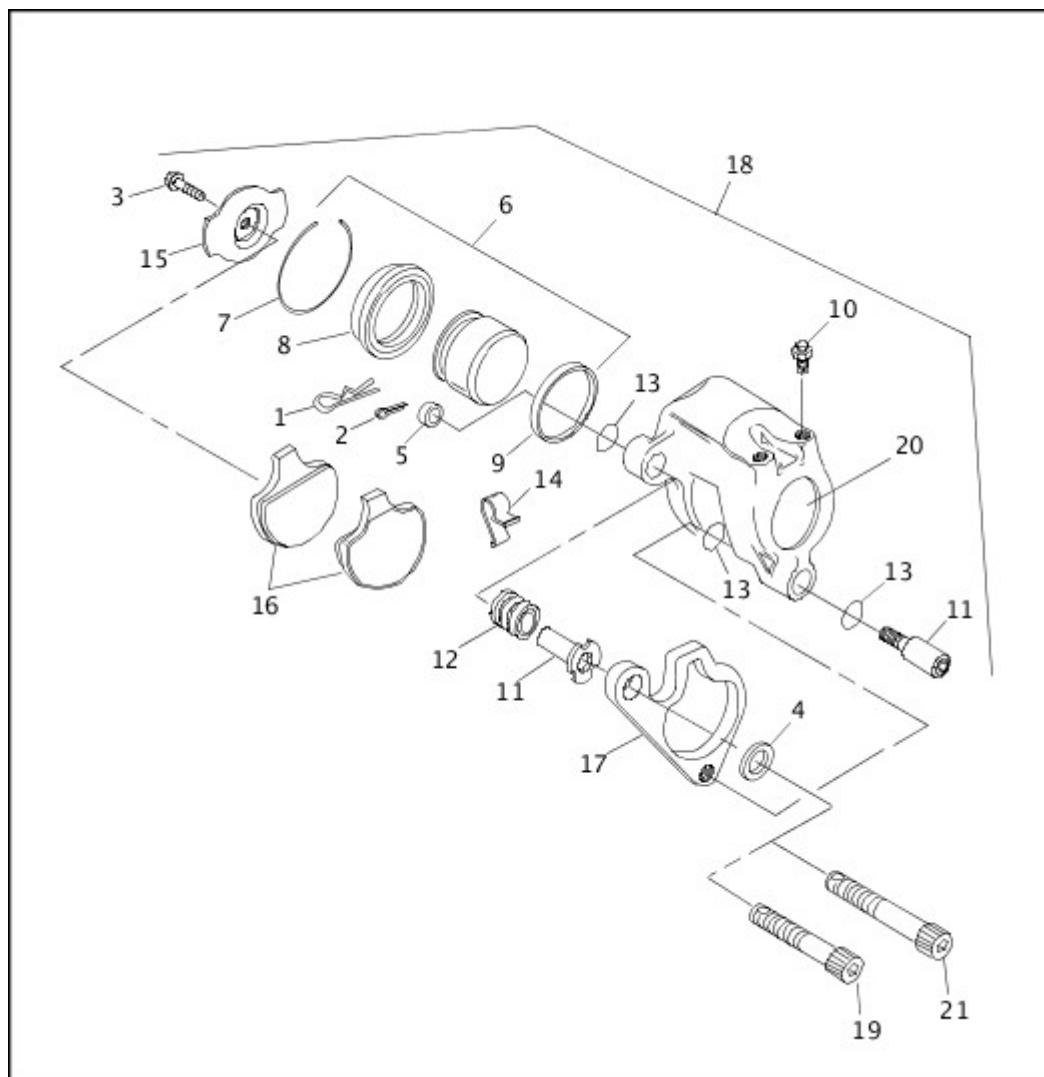
[View interactive table](#)

INDEX NO.	PART NO.	DESCRIPTION	MODEL(S)
1	515	COTTER PIN	ALL
2	2579A	SCREW (2)	ALL
3	3588	SCREW	ALL
4	3655A	SCREW	ALL
5	6099	WASHER	ALL
6	6237	WASHER	ALL
7	7742	LOCKNUT	FXST, FXSTB, FXSTBI, FXSTD, FXSTDI, FXSTI, FXSTS, FXSTSI

INDEX NO.	PART NO.	DESCRIPTION	MODEL(S)
8	7951	JAM NUT	ALL
9	11270	O-RING (2)	ALL
10	11688	RETAINING RING	ALL
11	40918-87	RETAINING RING	ALL
12	40920-87	SPRING, brake return	ALL
13	40922-87A	BOOT, push rod	ALL
14	41731-88A	GASKET (4)	ALL
15	41747-82A	BOLT (2)	ALL
16	41755-99D	MASTER CYLINDER ASSEMBLY, w/ 2, 11, 12, 13, 17, 18, 20 & 29	ALL
17	41957-97A	PUSH ROD KIT, w/ 11688	ALL
18	42382-87C	REBUILD KIT, master cylinder	ALL
19	42416-83	PAD, brake lever (used w/ 42597-00A)	FLSTC, FLSTCI, FLSTF, FLSTFI, FLSTS, FLSTSI
20	42454-99A	RESERVOIR, master cylinder, w/o O-rings	ALL
21	42455-99	GASKET, master cylinder reservoir (use 46458-05)	ALL
	42568-05A	GASKET, master cylinder reservoir (used w/ 46458-05)	ALL
22	42460-80B	CLEVIS PIN	ALL
23	42515-00	LEVER, foot brake, w/ 50972-75 & 57215-75 (use 42515-00A)	FXST, FXSTB, FXSTBI, FXSTD, FXSTDI, FXSTI, FXSTS, FXSTSI
	42515-00A	LEVER, foot brake, w/ 57217-02 (chrome) (replaces 42515-00)	FXST, FXSTB, FXSTBI, FXSTD, FXSTDI, FXSTI, FXSTS, FXSTSI
	42597-00	LEVER, foot brake, w/ 50972-75 & 57215-75 (not shown) (use 42597-00A)	FXST, FXSTB, FXSTBI, FXSTD, FXSTDI, FXSTI, FXSTS, FXSTSI
	42597-00A	LEVER, foot brake, w/ 57217-02 (chrome) (not shown) (replaces 42597-00)	FLSTC, FLSTCI, FLSTF, FLSTFI, FLSTS, FLSTSI
24	42532-82	PAD, brake lever (used w/ 42515-00A)	FXST, FXSTB, FXSTBI, FXSTD, FXSTDI, FXSTI, FXSTS, FXSTSI
25	45042-96	SIGHT GLASS	ALL
26	45108-04	BRACKET, brake line (used w/ 45133-04B)	ALL
27	45133-04B	BRAKE LINE KIT, rear, w/ 3588, 41731-88A & 45108-04	ALL
28	45156-00	BRAKE LINE, rear (use 45133-04B)	ALL

INDEX NO.	PART NO.	DESCRIPTION	MODEL(S)
29	46458-05	COVER KIT, reservoir, w/ 42568-05A	ALL
30	57215-75	BUSHING, brake lever (used w/ 42515-00 & 42597-00) (2)	ALL
	57217-02A	BUSHING, brake lever (used w/ 42515-00A & 42597-00A) (2)	ALL
31	72023-51E	STOP LAMP SWITCH, rear	ALL
32	72463-00A	BRACKET, brake line	ALL
33	45057-99	COVER, reservoir	ALL
34	50972-75	FITTING, lubrication (used w/ 42515-00 & 42597-00) (2)	ALL

FRONT BRAKE CALIPER - SPRINGER MODELS



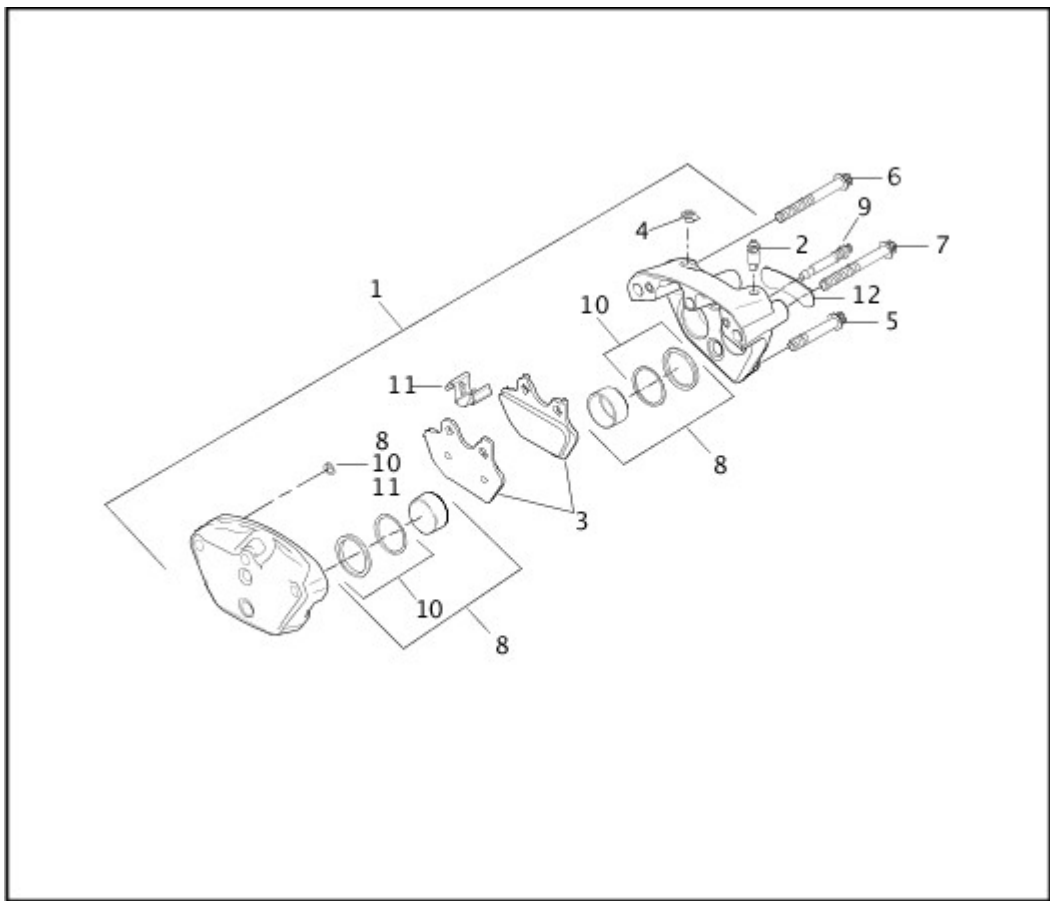
[View interactive image](#)

[View interactive table](#)

INDEX NO.	PART NO.	DESCRIPTION	MODEL(S)
-----------	----------	-------------	----------

INDEX NO.	PART NO.	DESCRIPTION	MODEL(S)
1	509	SPRING PIN	FLSTS, FLSTSI
2	534	COTTER PIN	FXSTS, FXSTSI
3	3562	SCREW	FLSTS, FLSTSI, FXSTS, FXSTSI
4	6019	WASHER	FLSTS, FLSTSI, FXSTS, FXSTSI
5	6758	WASHER	FXSTS, FXSTSI
6	44020-83	PISTON REBUILD KIT, w/ 44021-83, 44022-83 & 44047-83	FLSTS, FLSTSI, FXSTS, FXSTSI
7	44021-83	RETAINING RING, piston	FLSTS, FLSTSI, FXSTS, FXSTSI
8	44022-83	DUST BOOT, piston	FLSTS, FLSTSI, FXSTS, FXSTSI
9	44047-83	SEAL, piston	FLSTS, FLSTSI, FXSTS, FXSTSI
10	44048-83	BLEEDER FITTING	FLSTS, FLSTSI, FXSTS, FXSTSI
11	44053-83B	GUIDE PIN KIT, w/ 44054-83 & 44059-83	FLSTS, FLSTSI, FXSTS, FXSTSI
12	44054-83	PIN BOOT	FLSTS, FLSTSI, FXSTS, FXSTSI
13	44059-83	O-RING (3)	FLSTS, FLSTSI, FXSTS, FXSTSI
14	44061-83	SPRING CLIP	FLSTS, FLSTSI, FXSTS, FXSTSI
15	44062-83	RETAINING PAD	FLSTS, FLSTSI, FXSTS, FXSTSI
16	44063-83C	BRAKE PAD SET, front	FLSTS, FLSTSI, FXSTS, FXSTSI
17	44074-88B	BRACKET, caliper mounting	FXSTS, FXSTSI
	44097-97	BRACKET, caliper mounting	FLSTS, FLSTSI
18	44077-88F	CALIPER ASSEMBLY, front brake, right	FXSTS, FXSTSI
	44079-97C	CALIPER ASSEMBLY, front brake, left	FLSTS, FLSTSI
19	44190-88A	SCREW, flange	FXSTS, FXSTSI
20	44197-77	LABEL	FLSTS, FLSTSI, FXSTS, FXSTSI
21	44215-97A	SCREW, flange	FLSTS, FLSTSI

FRONT BRAKE CALIPER



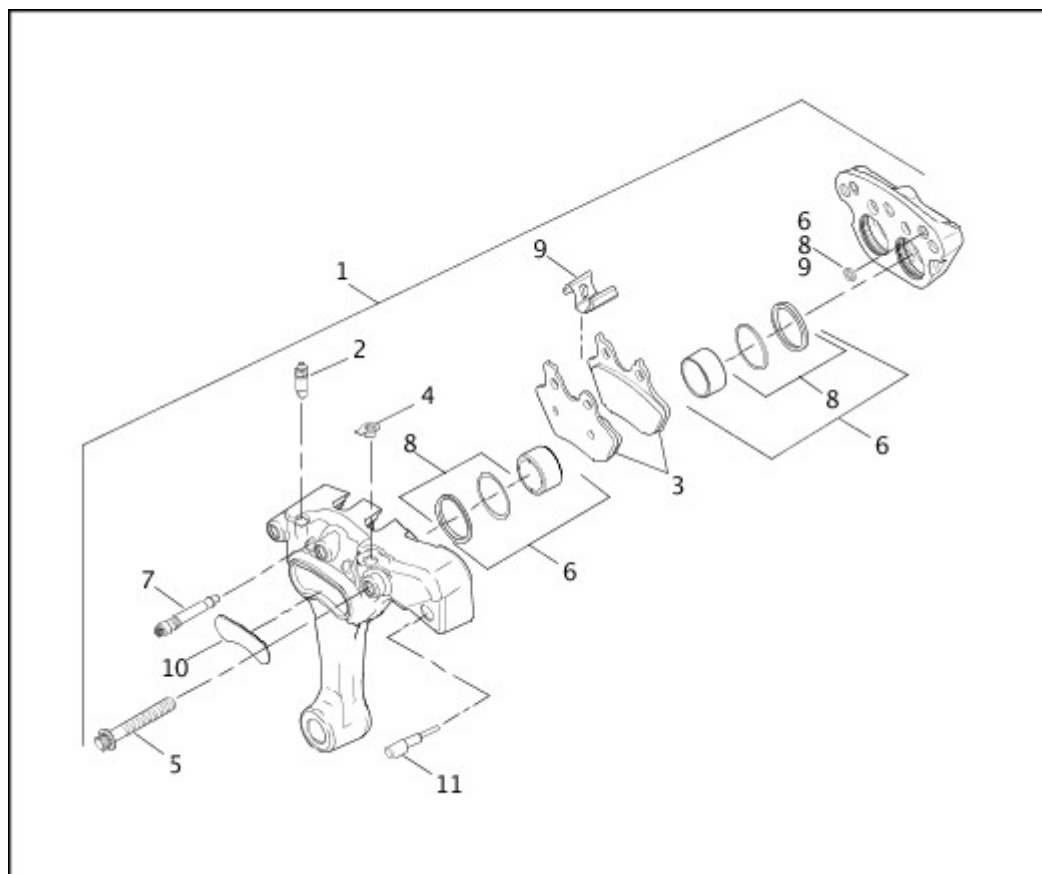
[View interactive image](#)

[View interactive table](#)

INDEX NO.	PART NO.	DESCRIPTION	MODEL(S)
1	44046-00D	CALIPER ASSEMBLY, left	FLSTC, FLSTCI, FLSTF, FLSTFI, FXST, FXSTB, FXSTBI, FXSTD, FXSTDI, FXSTI
2	44048-83	BLEEDER FITTING	FLSTC, FLSTCI, FLSTF, FLSTFI, FXST, FXSTB, FXSTBI, FXSTD, FXSTDI, FXSTI
3	44082-00D	PAD KIT	FLSTC, FLSTCI, FLSTF, FLSTFI, FXST, FXSTB, FXSTBI, FXSTD, FXSTDI, FXSTI
4	44147-87A	CAP, bleeder	FLSTC, FLSTCI, FLSTF, FLSTFI, FXST, FXSTB, FXSTBI, FXSTD, FXSTDI, FXSTI
5	44160-00	BOLT, caliper mounting, lower	FLSTC, FLSTCI, FLSTF, FLSTFI, FXST, FXSTB, FXSTBI, FXSTD, FXSTDI, FXSTI
6	44163-00	BOLT, caliper mounting, upper	FLSTC, FLSTCI, FLSTF, FLSTFI, FXST, FXSTB, FXSTBI, FXSTD, FXSTDI, FXSTI
7	44177-00	BOLT, bridge (2)	FLSTC, FLSTCI, FLSTF, FLSTFI, FXST, FXSTB, FXSTBI, FXSTD, FXSTDI, FXSTI

INDEX NO.	PART NO.	DESCRIPTION	MODEL(S)
8	44313-01	PISTON KIT	FLSTC, FLSTCI, FLSTF, FLSTFI, FXST, FXSTB, FXSTBI, FXSTD, FXSTDI, FXSTI
9	44314-00	PAD PIN KIT	FLSTC, FLSTCI, FLSTF, FLSTFI, FXST, FXSTB, FXSTBI, FXSTD, FXSTDI, FXSTI
10	44315-00	SEAL KIT	FLSTC, FLSTCI, FLSTF, FLSTFI, FXST, FXSTB, FXSTBI, FXSTD, FXSTDI, FXSTI
11	44337-00B	SPRING KIT, anti-rattle	FLSTC, FLSTCI, FLSTF, FLSTFI, FXST, FXSTB, FXSTBI, FXSTD, FXSTDI, FXSTI
12	44338-00	DECAL	FLSTC, FLSTCI, FLSTF, FLSTFI, FXST, FXSTB, FXSTBI, FXSTD, FXSTDI, FXSTI

REAR BRAKE CALIPER



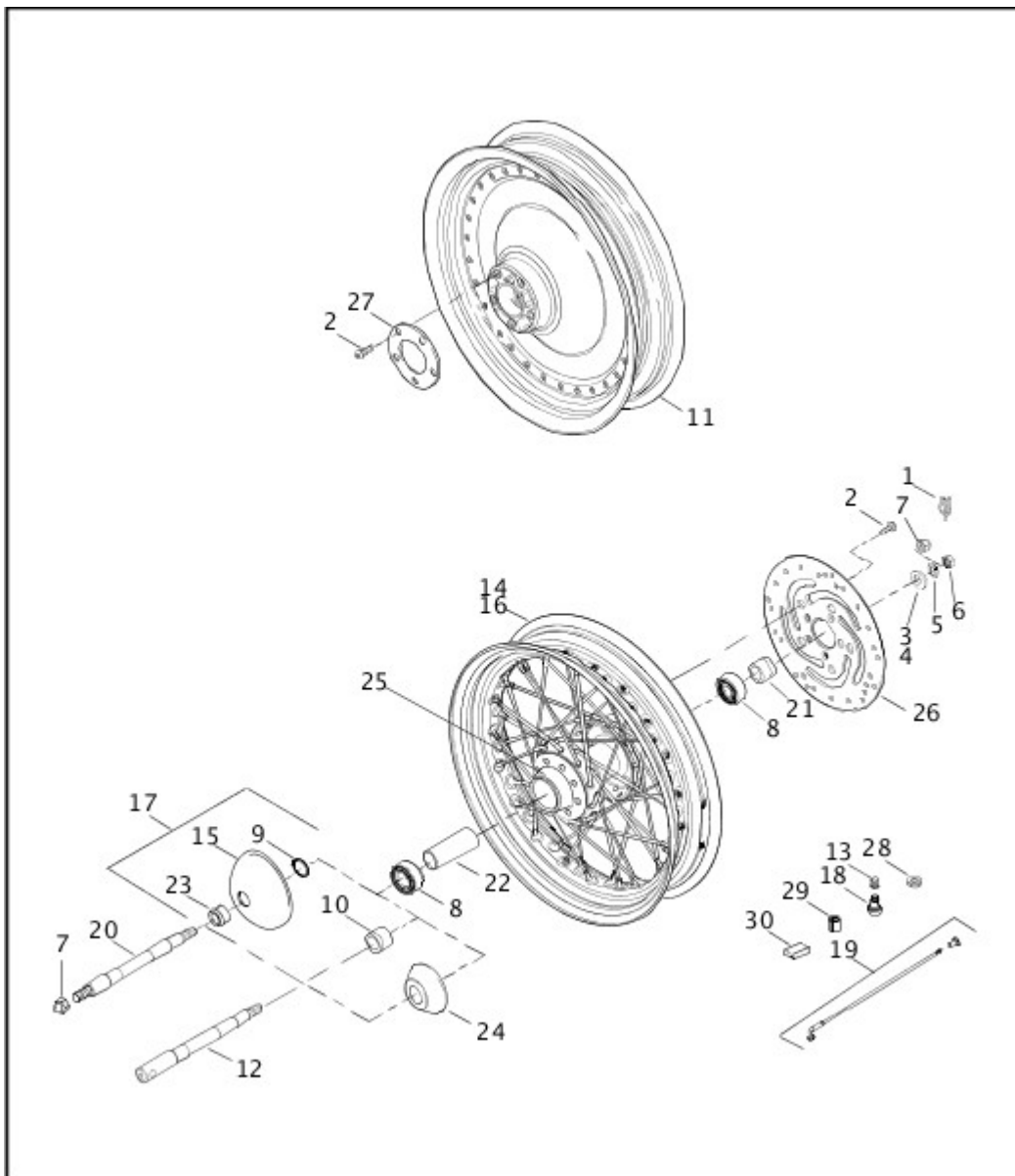
[View interactive image](#)

[View interactive table](#)

INDEX NO.	PART NO.	DESCRIPTION	MODEL(S)
1	44016-00D	CALIPER ASSEMBLY, rear brake	FLSTC, FLSTCI, FLSTF, FLSTFI, FLSTS, FLSTSI, FXST, FXSTB, FXSTBI, FXSTI, FXSTSI

INDEX NO.	PART NO.	DESCRIPTION	MODEL(S)
	44441-00	CALIPER ASSEMBLY, rear brake	FXSTD, FXSTDI
2	44048-83	SCREW, bleeder	ALL
3	44082-00D	PAD KIT	ALL
4	44147-87A	CAP, bleeder screw	ALL
5	44177-00	BOLT, bridge (3)	ALL
6	44313-01	PISTON KIT	ALL
7	44314-00	PAD PIN KIT	ALL
8	44315-00	SEAL KIT	ALL
9	44337-00B	SPRING KIT, anti-rattle	ALL
10	44338-00	DECAL	ALL
11	44351-00	BUMPER	ALL

FRONT WHEEL (1 OF 2)



[View interactive image](#)

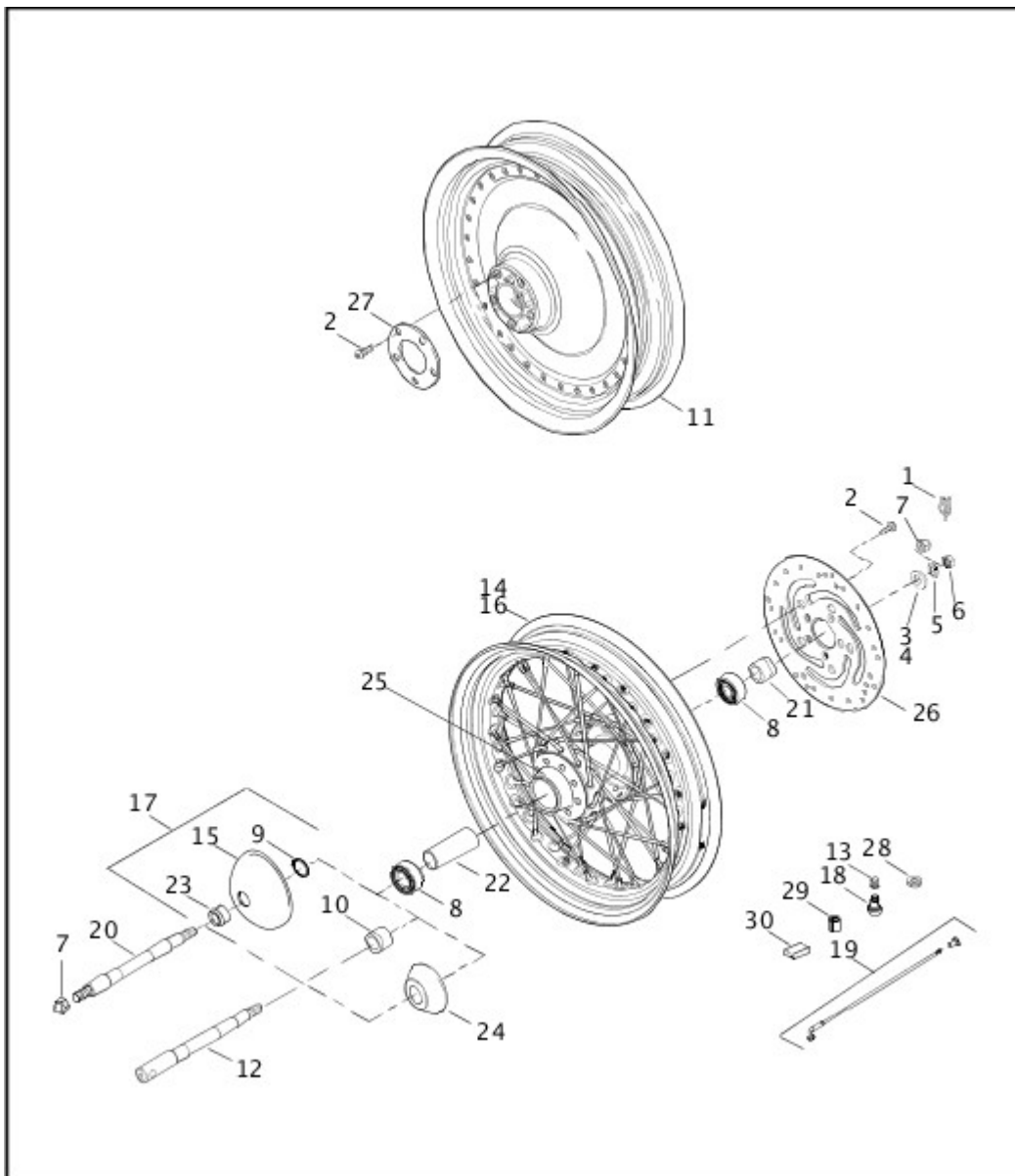
[View interactive table](#)

INDEX NO.	PART NO.	DESCRIPTION	MODEL(S)
1	508	RETAINING PIN	FLSTS, FLSTSI
2	3655A	SCREW (5)	FLSTC, FLSTCI, FLSTFI, FLSTS, FLSTSI, FXST, FXSTB, FXSTBI, FXSTD, FXSTDI, FXSTI, FXSTS, FXSTSI
2	3655A	SCREW (10)	FLSTF
3	6590HW	WASHER	FLSTC, FLSTCI, FLSTF, FLSTFI, FXST, FXSTB, FXSTBI, FXSTD, FXSTDI, FXSTI
4	6639	WASHER	FXSTS, FXSTSI
5	7068	LOCKWASHER	FLSTC, FLSTCI, FLSTF, FLSTFI, FXST, FXSTB, FXSTBI, FXSTD, FXSTDI, FXSTI

INDEX NO.	PART NO.	DESCRIPTION	MODEL(S)
6	7956	NUT	FLSTC, FLSTCI, FLSTF, FLSTFI, FXST, FXSTB, FXSTDI, FXSTI
	7987	NUT	FLSTS, FLSTSI
	7994	LOCKNUT	FXSTS, FXSTSI
7	8001	ACORN NUT (2)	FXSTD, FXSTDI
8	9267	SEALED BALL BEARING (2)	ALL
9	11280	SNAP RING	FLSTC, FLSTCI
10	40910-00A	SPACER, right side of wheel	FXST, FXSTB, FXSTBI, FXSTI
	43617-00A	SPACER, right side of wheel	FLSTF, FLSTFI
	44029-00	SPACER, right side of wheel	FXSTS, FXSTSI
11	41038-00	WHEEL, front, 16 inch, solid cast disc, w/o bearings & sleeve	FLSTF, FLSTFI
12	41109-88A	AXLE, front	FXSTS, FXSTSI
	41116-97	AXLE, front	FLSTS, FLSTSI
	41584-86A	AXLE, front	FLSTC, FLSTCI, FLSTF, FLSTFI
	43346-83B	AXLE, front	FXST, FXSTB, FXSTBI, FXSTI
13	41123-79	VALVE CAP	ALL
14	43005-05A	WHEEL, front, 16 inch, laced, w/ 43085-97, 43241-05 & hub, w/o bearings & sleeve	FLSTC, FLSTCI
	43016-00B	WHEEL, front, 16 inch, laced, w/ 43085-97, 43241-05 & hub, w/o bearings & sleeve	FLSTS, FLSTSI
	43671-05A	WHEEL, front, 21 inch, laced, w/ 43239-05, 43662-80B & hub, w/o bearings & sleeve	FXSTB, FXSTBI, FXSTD, FXSTDI
	43676-05A	WHEEL, front, 21 inch, laced, w/ 43239-05, 43662-80B & hub, w/o bearings & sleeve	FXSTS, FXSTSI
	43700-05A	WHEEL, front, 21 inch, laced, w/ 43239-05, 43662-80B & hub, w/o bearings & sleeve	FXST, FXSTI
15	43067-97	CAP, hub (chrome)	FLSTC, FLSTCI
16	43085-97	RIM, 16 inch (chrome)	FLSTC, FLSTCI, FLSTS, FLSTSI
	43662-80B	RIM, 21 inch (chrome)	FXST, FXSTB, FXSTBI, FXSTD, FXSTDI, FXSTI, FXSTS, FXSTSI
17	43155-00	HUB CAP ASSEMBLY, w/ 11280, 43067-97 & 43614-00	FLSTC, FLSTCI
18	43157-83A	VALVE STEM	FLSTF, FLSTFI

INDEX NO.	PART NO.	DESCRIPTION	MODEL(S)
19	43241-05	SPOKE & NIPPLE SET, 16 inch (set of 40)	FLSTC, FLSTCI, FLSTS, FLSTSI
	43239-05	SPOKE & NIPPLE SET, 21 inch (set of 40)	FXST, FXSTB, FXSTBI, FXSTD, FXSTDI, FXSTI, FXSTS, FXSTSI
20	43354-00	AXLE, front	FXSTD, FXSTDI
21	43360-00	SPACER, left side of wheel	FLSTS, FLSTSI
	43683-00A	SPACER, left side of wheel	FLSTC, FLSTCI, FLSTF, FLSTFI, FXST, FXSTB, FXSTBI, FXSTD, FXSTDI, FXSTI, FXSTS, FXSTSI
22	43608-00	SLEEVE	ALL
23	43614-00	HUB SPACER	FLSTC, FLSTCI
24	43623-00	SPACER, right side of wheel	FXSTD, FXSTDI
	43624-00	SPACER, right side of wheel	FLSTS, FLSTSI
25	43672-00	HUB, w/ 9267 & 43608-00 (use wheel 43005-05A, 43016-00B, 43671-05A, 43676-05A) (chrome plated)	FLSTC, FLSTCI, FLSTS, FLSTSI, FXSTB, FXSTBI, FXSTD, FXSTDI, FXSTS, FXSTSI
	43701-00	HUB, w/ 9267 & 43608-00 (use wheel 43700-05A) (polished)	FXST, FXSTI

FRONT WHEEL (2 OF 2)



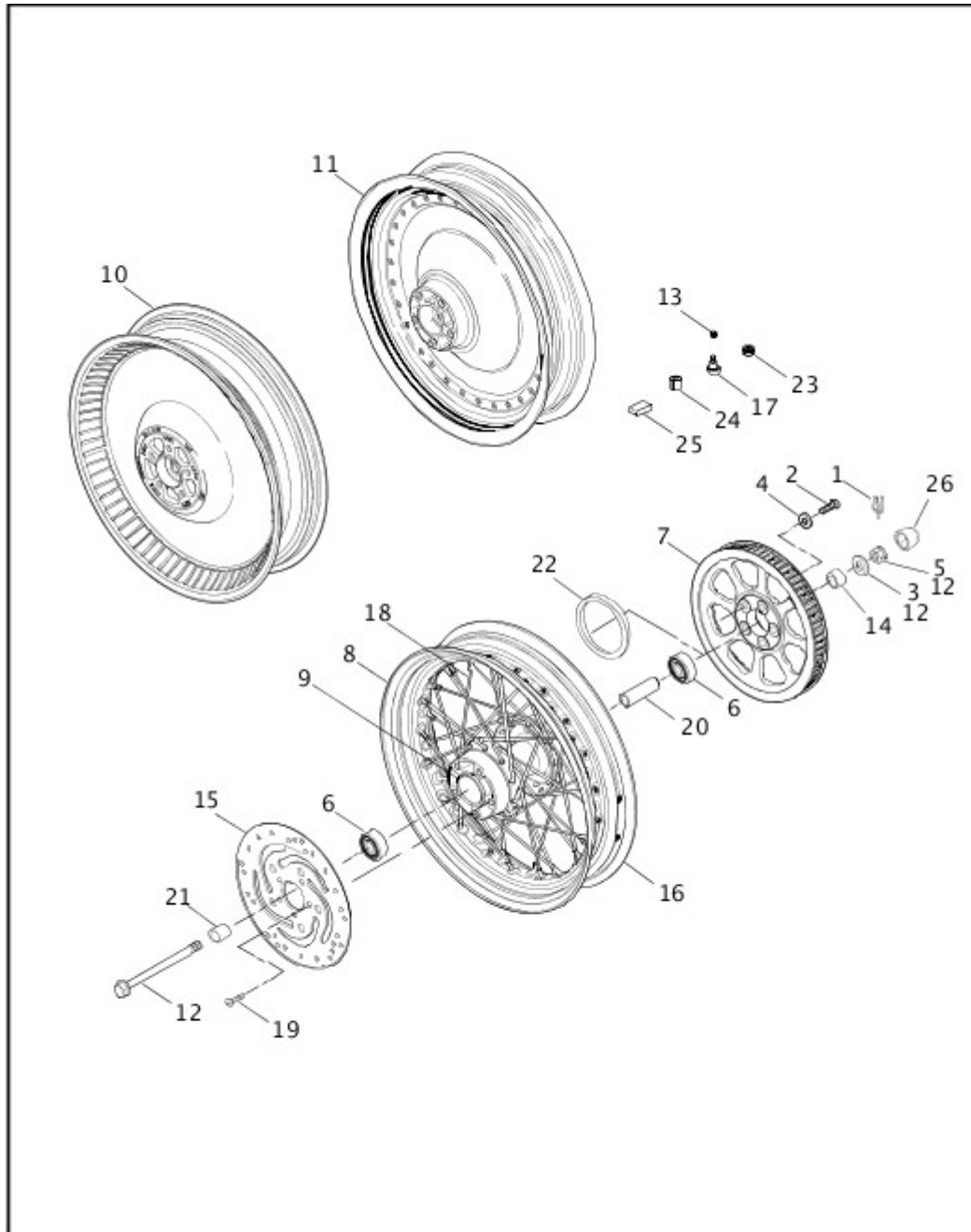
[View interactive image](#)

[View interactive table](#)

INDEX NO.	PART NO.	DESCRIPTION	MODEL(S)
26	44156-00	BRAKE DISC, front	FLSTC, FLSTCI, FLSTF, FLSTFI, FXST, FXSTB, FXSTBI, FXSTD, FXSTDI, FXSTI
	44260-00	BRAKE DISC, front	FLSTS, FLSTSI, FXSTS, FXSTSI
27	44447-00	COVER, disc wheel	FLSTF, FLSTFI
28	54321-85	NUT, valve stem	FLSTC, FLSTCI, FLSTS, FLSTSI, FXST, FXSTB, FXSTBI, FXSTD, FXSTDI, FXSTI, FXSTS, FXSTSI
29	95578-41	WEIGHT, 1/2 oz., 0.275 inch I.D., round	FLSTC, FLSTCI, FLSTS, FLSTSI, FXST, FXSTB, FXSTBI, FXSTD, FXSTDI, FXSTI, FXSTS, FXSTSI
	95581-47	WEIGHT, 3/4 oz., 0.275 inch I.D., round	FLSTC, FLSTCI, FLSTS, FLSTSI, FXST, FXSTB, FXSTBI, FXSTD, FXSTDI, FXSTI, FXSTS, FXSTSI

INDEX NO.	PART NO.	DESCRIPTION	MODEL(S)
	95582-47	WEIGHT, 1 oz., 0.275 inch I.D., round	FLSTC, FLSTCI, FLSTS, FLSTSI, FXST, FXSTB, FXSTBI, FXSTD, FXSTDI, FXSTI, FXSTS, FXSTSI
30	95595-84A	WEIGHT, 5 grams (for cast wheel) (silver)	FLSTF, FLSTFI

REAR WHEEL



[View interactive image](#)

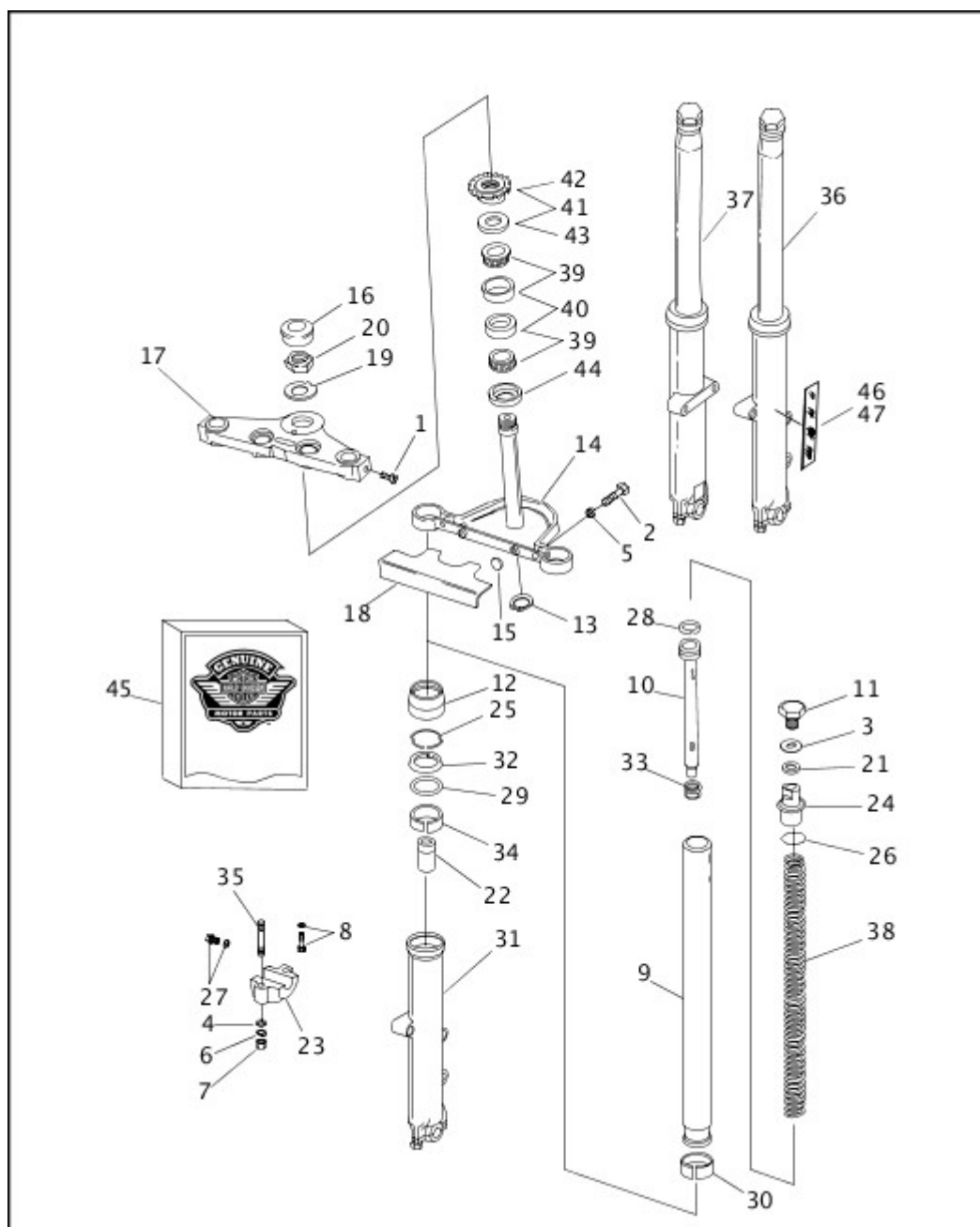
[View interactive table](#)

INDEX NO.	PART NO.	DESCRIPTION	MODEL(S)
1	508	RETAINING PIN	ALL
2	3737A	SCREW (5)	ALL

INDEX NO.	PART NO.	DESCRIPTION	MODEL(S)
3	5756	WASHER	ALL
4	6516HW	WASHER (5)	ALL
5	7987	NUT	ALL
6	9267	SEALED BALL BEARING (2)	ALL
7	40295-00	SPROCKET, rear, 70T (silver)	FLSTF, FLSTFI
	40289-00	SPROCKET, rear, 70T (black)	FLSTC, FLSTCI, FLSTS, FLSTSI, FXST, FXSTB, FXSTBI, FXSTI, FXSTS, FXSTSI
	40303-00	SPROCKET, rear, 70T, w/ 43727-00 (silver)	FXSTD, FXSTDI
8	40975-05A	WHEEL, rear, 16 inch, laced, w/ 43085-97, 43241-05 & hub, w/o bearings & sleeve (chrome)	FLSTC, FLSTCI, FLSTS, FLSTSI, FXST, FXSTI, FXSTS, FXSTSI
9	40976-00	HUB ASSEMBLY, w/ 9267 & 43608-00 (use wheel 40975-05A)	FLSTC, FLSTCI, FLSTS, FLSTSI, FXST, FXSTI, FXSTS, FXSTSI
10	41074-00	WHEEL, rear, 17 inch, disc, w/o bearings & sleeve (silver)	FXSTD, FXSTDI
11	41058-00A	WHEEL ASSEMBLY, rear 16 inch disc, (silver) w/ sleeve & bearings	FLSTF, FLSTFI
	41059-00A	WHEEL ASSEMBLY, rear 16 inch disc, (black) w/ sleeve & bearings	FXSTB, FXSTBI
12	41110-79A	AXLE KIT, w/ 5756, 7987, spring pin & cotter pin	ALL
13	41123-79	VALVE CAP	ALL
14	41595-00B	SPACER, rear axle, left	ALL
15	41797-00	BRAKE DISC, rear	ALL
16	43085-97	RIM, 16 inch (chrome)	FLSTC, FLSTCI, FLSTS, FLSTSI, FXST, FXSTI, FXSTS, FXSTSI
17	43157-83A	VALVE STEM ASSEMBLY	FLSTF, FLSTFI, FXSTB, FXSTBI, FXSTD, FXSTDI
18	43241-05	SPOKE & NIPPLE SET, 16 inch rim (set of 40)	FLSTC, FLSTCI, FLSTS, FLSTSI, FXST, FXSTI, FXSTS, FXSTSI
19	43567-92	SCREW (5)	ALL
20	43608-00	SLEEVE	ALL
21	43654-00A	SPACER, wheel	ALL
22	43727-00	SEAL RING	FXSTD, FXSTDI
23	54321-85	NUT, valve stem	FLSTC, FLSTCI, FLSTS, FLSTSI, FXST, FXSTI, FXSTS, FXSTSI
24	95578-41	WEIGHT, 1/2 oz., 0.275 inch I.D., round	FLSTC, FLSTCI, FLSTS, FLSTSI, FXST, FXSTI, FXSTS, FXSTSI

INDEX NO.	PART NO.	DESCRIPTION	MODEL(S)
	95581-47	WEIGHT, 3/4 oz., 0.275 inch I.D., round	FLSTC, FLSTCI, FLSTS, FLSTSI, FXST, FXSTI, FXSTS, FXSTSI
	95582-47	WEIGHT, 1 oz., 0.275 inch I.D., round	FLSTC, FLSTCI, FLSTS, FLSTSI, FXST, FXSTI, FXSTS, FXSTSI
25	95595-84A	WEIGHT, 5 grams (silver)	FLSTF, FLSTFI, FXSTB, FXSTBI, FXSTD, FXSTDI
INTERNATIONAL MODELS ONLY			
26	40964-00	COVER, axle nut (HDI)	FLSTF, FLSTFI, FXST, FXSTB, FXSTBI, FXSTD, FXSTDI, FXSTI, FXSTS, FXSTSI

FRONT FORK - FXST/I & FXSTB/I

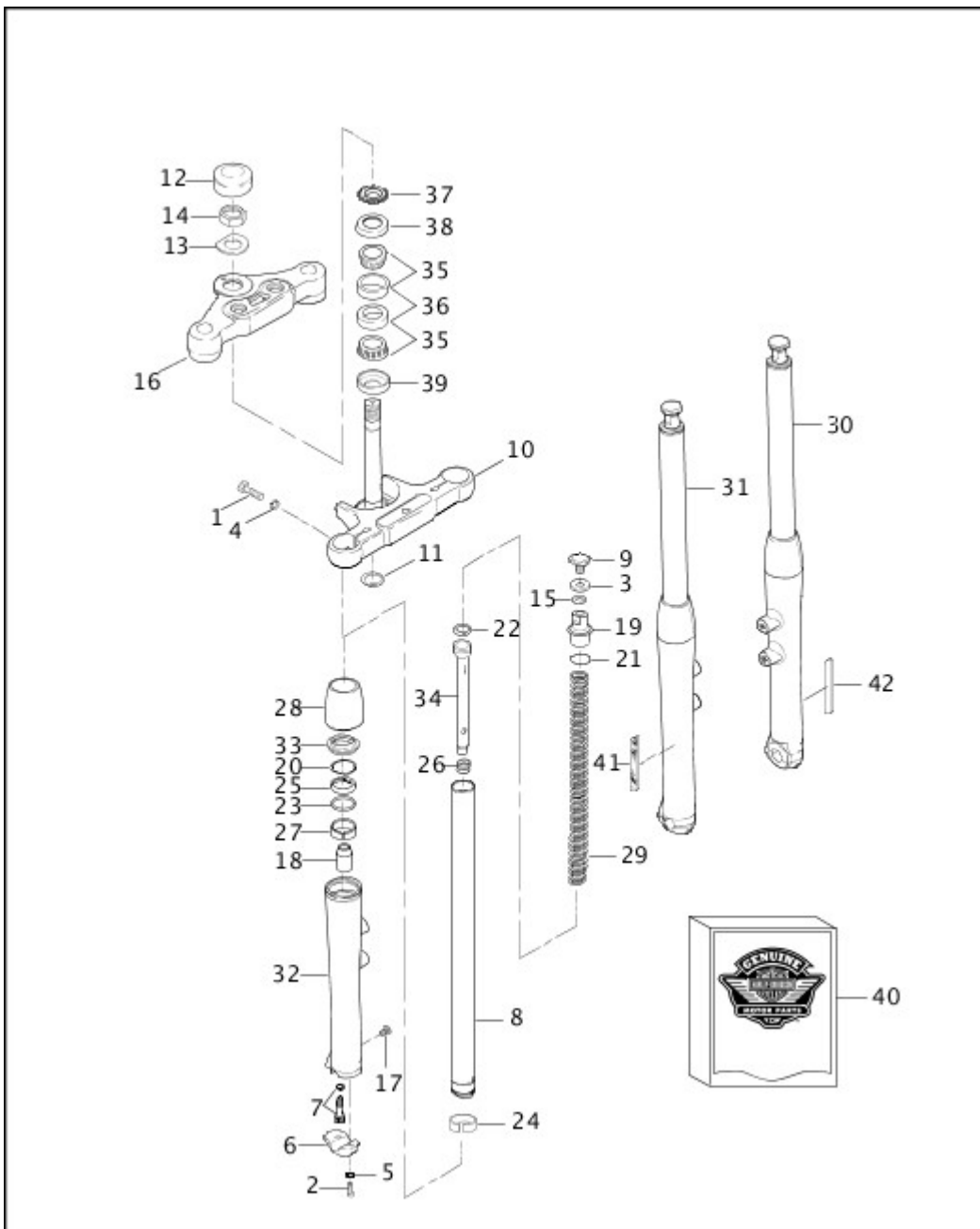


[View interactive image](#)

INDEX NO.	PART NO.	DESCRIPTION	MODEL(S)
1	2823	SCREW (2)	FXST, FXSTB, FXSTBI, FXSTI
2	4729	BOLT (2)	FXST, FXSTB, FXSTBI, FXSTI
3	5710	WASHER (2)	FXST, FXSTB, FXSTBI, FXSTI
4	6702	WASHER, right slider (2)	FXST, FXSTB, FXSTBI, FXSTI
5	7039	LOCKWASHER (2)	FXST, FXSTB, FXSTBI, FXSTI
6	7041	LOCKWASHER, right slider (2)	FXST, FXSTB, FXSTBI, FXSTI
7	7962	NUT, right slider (2)	FXST, FXSTB, FXSTBI, FXSTI
8	45405-75A	SCREW, w/ washer, damper tube (2)	FXST, FXSTB, FXSTBI, FXSTI
9	45417-00	SLIDER TUBE (2)	FXST, FXSTB, FXSTBI, FXSTI
10	45418-00	DAMPER TUBE, complete (2)	FXST, FXSTB, FXSTBI, FXSTI
11	45419-80	CAP, slider tube (2)	FXST, FXSTB, FXSTBI, FXSTI
12	45420-80	DUST COVER (2)	FXST, FXSTB, FXSTBI, FXSTI
13	45611-86	RETAINING RING	FXST, FXSTB, FXSTBI, FXSTI
14	45640-00A	STEM & BRACKET, w/ 45648-85A & 48365-48A	FXST, FXSTB, FXSTBI, FXSTI
15	45648-85A	PAD (felt) (2)	FXST, FXSTB, FXSTBI, FXSTI
16	45670-80A	CAP, fork stem	FXST, FXSTB, FXSTBI, FXSTI
17	45672-80B	BRACKET, upper (chrome)	FXST, FXSTB, FXSTBI, FXSTI
18	45685-93	COVER, fork bracket (chrome)	FXST, FXSTB, FXSTBI, FXSTI
19	45717-63	LOCKWASHER, fork stem nut	FXST, FXSTB, FXSTBI, FXSTI
20	45718-60	NUT, fork stem	FXST, FXSTB, FXSTBI, FXSTI
21	45733-48	OIL SEAL, fork tube plug (2)	FXST, FXSTB, FXSTBI, FXSTI
22	45803-97	LOWER STOP (2)	FXST, FXSTB, FXSTBI, FXSTI
23	45832-77A	AXLE CAP, right slider	FXST, FXSTB, FXSTBI, FXSTI
24	45838-77	PLUG, fork tube (2)	FXST, FXSTB, FXSTBI, FXSTI
25	45842-77A	RETAINING RING, oil seal (2)	FXST, FXSTB, FXSTBI, FXSTI
26	45845-77	O-RING, slider tube plug (2)	FXST, FXSTB, FXSTBI, FXSTI
27	45858-77	DRAIN SCREW, w/ washer (2)	FXST, FXSTB, FXSTBI, FXSTI
28	45859-77A	RING, damper tube (2)	FXST, FXSTB, FXSTBI, FXSTI
29	45865-84	WASHER, slider (2)	FXST, FXSTB, FXSTBI, FXSTI
30	45866-84	BUSHING, slider tube (2)	FXST, FXSTB, FXSTBI, FXSTI
31	45873-00	SLIDER, left	FXST, FXSTB, FXSTBI, FXSTI

INDEX NO.	PART NO.	DESCRIPTION	MODEL(S)
	45874-91	SLIDER, right	FXST, FXSTB, FXSTBI, FXSTI
32	45875-84A	OIL SEAL, slider (2)	FXST, FXSTB, FXSTBI, FXSTI
33	45933-86	SPRING, damper tube (2)	FXST, FXSTB, FXSTBI, FXSTI
34	45940-84	BUSHING, slider (2)	FXST, FXSTB, FXSTBI, FXSTI
35	45998-73	STUD (2)	FXST, FXSTB, FXSTBI, FXSTI
36	46004-00	FORK SLIDER & TUBE ASSEMBLY, left	FXST, FXSTB, FXSTBI, FXSTI
37	46006-00	FORK SLIDER & TUBE ASSEMBLY, right	FXST, FXSTB, FXSTBI, FXSTI
38	46048-00	SPRING (2)	FXST, FXSTB, FXSTBI, FXSTI
39	48300-60	ROLLER BEARING, w/ 48315-60 (2)	FXST, FXSTB, FXSTBI, FXSTI
40	48315-60	BEARING CUP (2)	FXST, FXSTB, FXSTBI, FXSTI
41	48330-48A	BEARING & SHIELD KIT, upper, w/ 48332-48C & 48361-80	FXST, FXSTB, FXSTBI, FXSTI
42	48332-48C	ADJUSTING NUT, upper	FXST, FXSTB, FXSTBI, FXSTI
43	48361-80	DUST SHIELD, bearing, upper	FXST, FXSTB, FXSTBI, FXSTI
44	48365-48A	DUST SHIELD, bearing, lower	FXST, FXSTB, FXSTBI, FXSTI
45	49377-09A	FORK REBUILD KIT, w/ 8, 25, 26, 28, 29, 30, 32 & 34	FXST, FXSTB, FXSTBI, FXSTI
46	59481-00	REFLECTOR, amber, right	FXST, FXSTB, FXSTBI, FXSTI
47	59482-00	REFLECTOR, amber, left	FXST, FXSTB, FXSTBI, FXSTI

FRONT FORK - FXSTD/I



[View interactive image](#)

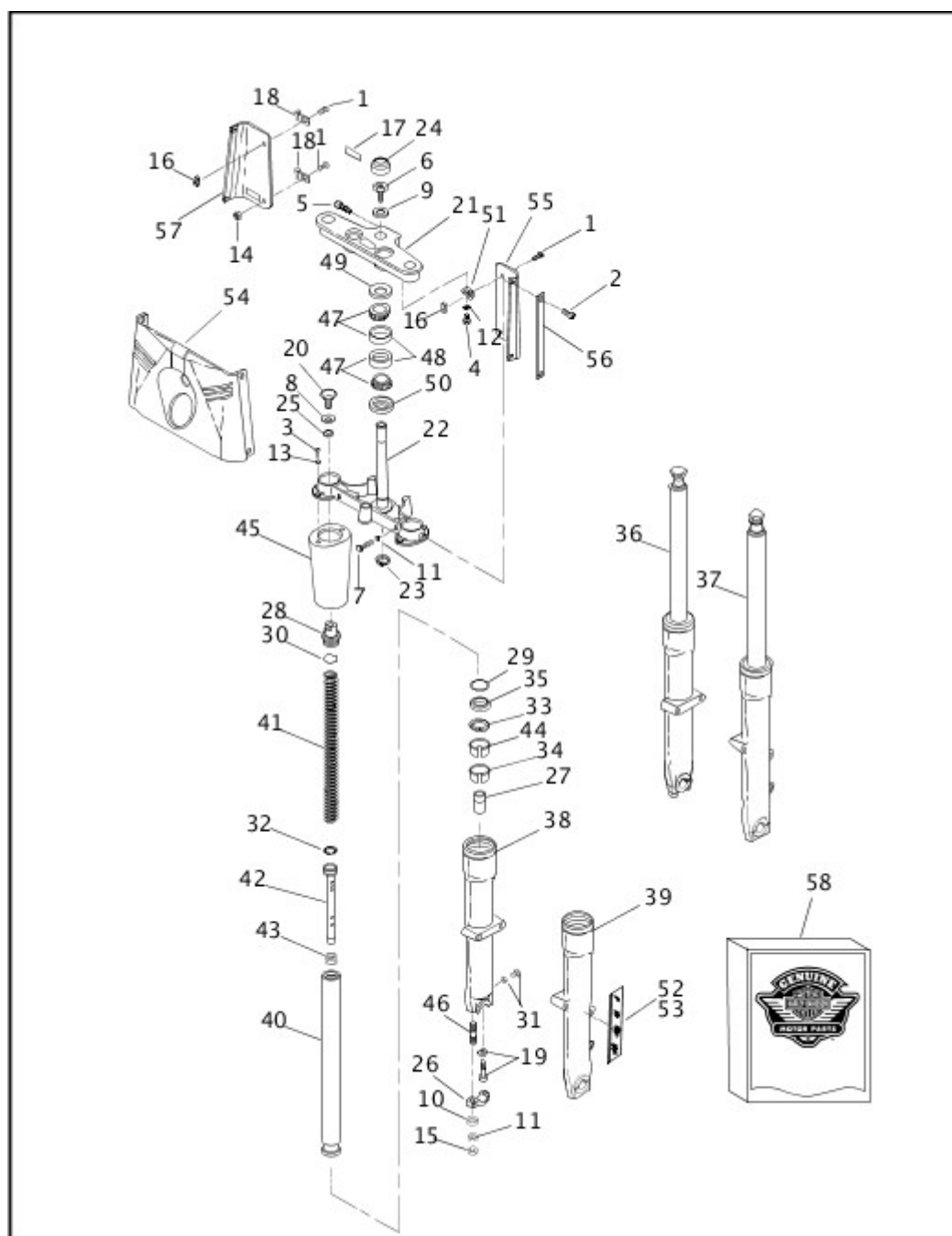
[View interactive table](#)

INDEX NO.	PART NO.	DESCRIPTION	MODEL(S)
1	992	SCREW (2)	FXSTD, FXSTDI
2	4213	SCREW (2)	FXSTD, FXSTDI
3	5710	WASHER (2)	FXSTD, FXSTDI
4	7039	LOCKWASHER (2)	FXSTD, FXSTDI
5	7062	LOCKWASHER (2)	FXSTD, FXSTDI
6	45066-00	AXLE HOLDER, right	FXSTD, FXSTDI
7	45405-75A	SCREW, w/ washer, damper tube (2)	FXSTD, FXSTDI
8	45417-00	SLIDER TUBE (2)	FXSTD, FXSTDI

INDEX NO.	PART NO.	DESCRIPTION	MODEL(S)
9	45419-80	CAP, slider tube (2)	FXSTD, FXSTDI
10	45475-00A	STEM & BRACKET, w/ bearing & shield	FXSTD, FXSTDI
11	45611-86	RETAINING RING	FXSTD, FXSTDI
12	45670-80A	CAP, fork stem	FXSTD, FXSTDI
13	45717-63	LOCKWASHER, fork stem nut	FXSTD, FXSTDI
14	45718-60	NUT, fork stem	FXSTD, FXSTDI
15	45733-48	OIL SEAL, fork tube plug (2)	FXSTD, FXSTDI
16	45769-00	BRACKET, upper	FXSTD, FXSTDI
17	45790-80	SCREW (2)	FXSTD, FXSTDI
18	45803-97	LOWER STOP (2)	FXSTD, FXSTDI
19	45838-77	PLUG, fork tube (2)	FXSTD, FXSTDI
20	45842-77A	RETAINING RING, oil seal (2)	FXSTD, FXSTDI
21	45845-77	O-RING, slider tube plug (2)	FXSTD, FXSTDI
22	45859-77A	RING, damper tube (2)	FXSTD, FXSTDI
23	45865-84	WASHER, slider (2)	FXSTD, FXSTDI
24	45866-84	BUSHING, slider tube (2)	FXSTD, FXSTDI
25	45875-84A	OIL SEAL, slider (2)	FXSTD, FXSTDI
26	45933-86	SPRING, damper tube (2)	FXSTD, FXSTDI
27	45940-84	BUSHING, slider (2)	FXSTD, FXSTDI
28	46000-00	CAP FORK, slider (2)	FXSTD, FXSTDI
29	46048-00	SPRING (2)	FXSTD, FXSTDI
30	46064-00	FORK ASSEMBLY, left	FXSTD, FXSTDI
31	46066-00	FORK ASSEMBLY, right	FXSTD, FXSTDI
32	46067-00	SLIDER, left	FXSTD, FXSTDI
	46068-00	SLIDER, right	FXSTD, FXSTDI
33	46175-00	DUST SHIELD (2)	FXSTD, FXSTDI
34	46176-00	DAMPER TUBE, complete tube (2)	FXSTD, FXSTDI
35	48300-60	ROLLER BEARING, w/ cup (2)	FXSTD, FXSTDI
36	48315-60	BEARING CUP (2)	FXSTD, FXSTDI
37	48324-00	SEAT, upper head cone	FXSTD, FXSTDI
38	48361-80	DUST SHIELD, bearing, upper	FXSTD, FXSTDI

INDEX NO.	PART NO.	DESCRIPTION	MODEL(S)
39	48365-48A	DUST SHIELD, bearing, lower	FXSTD, FXSTDI
40	49377-09A	FORK REBUILD KIT, w/ 7, 20, 21, 22, 23, 24, 25, 27 & 33	FXSTD, FXSTDI
41	59481-00	REFLECTOR, amber, right	FXSTD, FXSTDI
42	59482-00	REFLECTOR, amber, left	FXSTD, FXSTDI

FRONT FORK - FLSTC/I & FLSTF/I (1 OF 2)

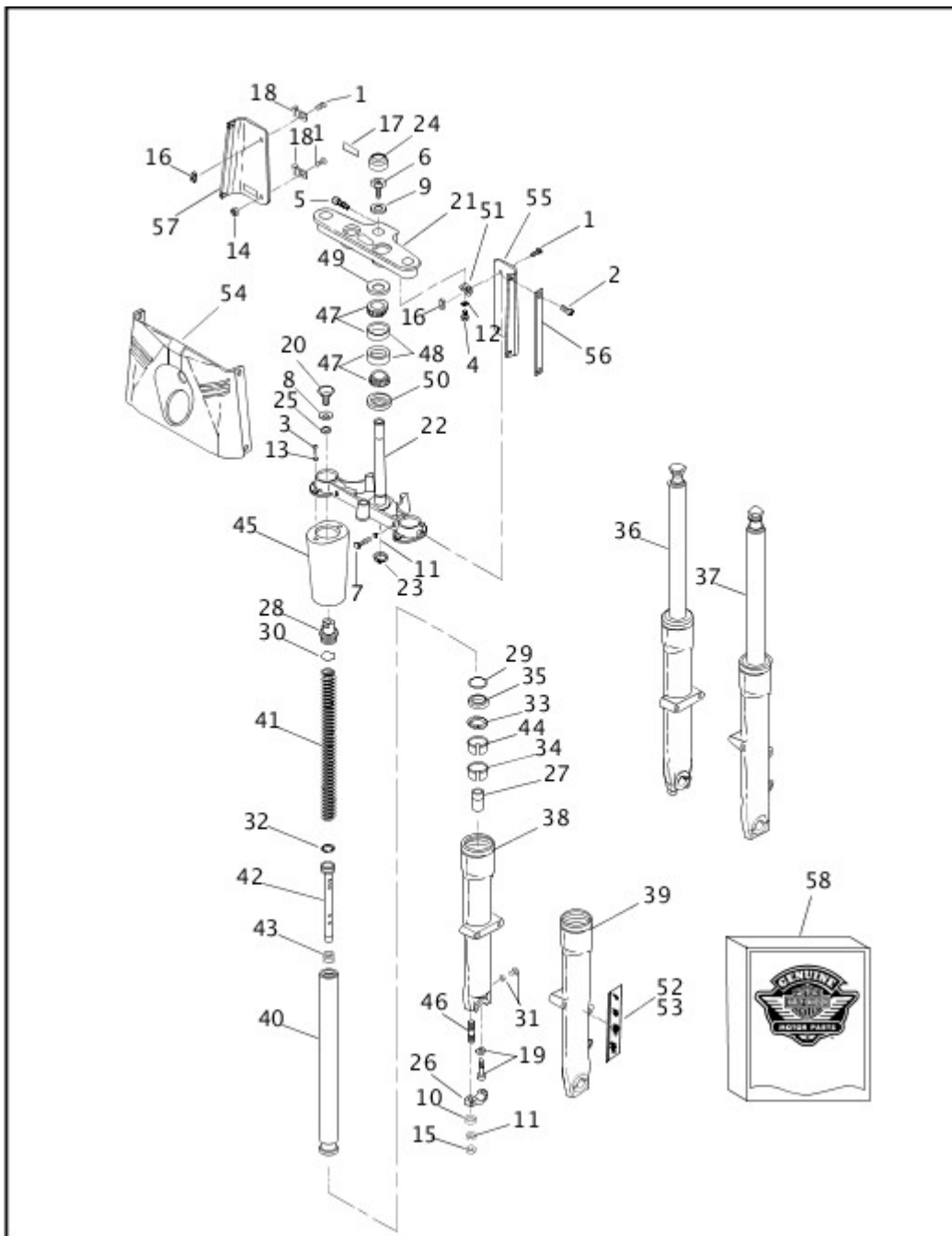


[View interactive image](#)

[View interactive table](#)

INDEX NO.	PART NO.	DESCRIPTION	MODEL(S)
1	941	SCREW (4)	FLSTC, FLSTCI, FLSTF, FLSTFI

INDEX NO.	PART NO.	DESCRIPTION	MODEL(S)
2	3538	SCREW (4)	FLSTF, FLSTFI
3	3892	SCREW (4)	FLSTC, FLSTCI, FLSTF, FLSTFI
4	3953W	BOLT (2)	FLSTC, FLSTCI, FLSTF, FLSTFI
5	4350A	SCREW	FLSTC, FLSTCI, FLSTF, FLSTFI
6	4453	BOLT	FLSTC, FLSTCI, FLSTF, FLSTFI
7	4729	BOLT (2)	FLSTC, FLSTCI, FLSTF, FLSTFI
8	5710	WASHER (2)	FLSTC, FLSTCI, FLSTF, FLSTFI
9	6655	WASHER	FLSTC, FLSTCI, FLSTF, FLSTFI
10	6702	WASHER (2)	FLSTC, FLSTCI, FLSTF, FLSTFI
11	7039	LOCKWASHER (4)	FLSTC, FLSTCI, FLSTF, FLSTFI
12	7041	LOCKWASHER (2)	FLSTC, FLSTCI, FLSTF, FLSTFI
13	7124	LOCKWASHER (4)	FLSTC, FLSTCI, FLSTF, FLSTFI
14	7686	LOCKNUT (2)	FLSTC, FLSTCI, FLSTF, FLSTFI
15	7748W	NUT (2)	FLSTC, FLSTCI, FLSTF, FLSTFI
16	8108	SPEEDNUT (2)	FLSTC, FLSTCI, FLSTF, FLSTFI
17	14150-86	WARNING LABEL	FLSTC, FLSTCI, FLSTF, FLSTFI
18	41713-86	CLAMP (2)	FLSTC, FLSTCI, FLSTF, FLSTFI
19	45405-75A	SCREW, w/ washer (2)	FLSTC, FLSTCI, FLSTF, FLSTFI
20	45419-80	CAP, slider tube (2)	FLSTC, FLSTCI, FLSTF, FLSTFI
21	45456-86B	BRACKET, upper	FLSTC, FLSTCI, FLSTF, FLSTFI
22	45605-00A	STEM & BRACKET ASSEMBLY, w/ 48365-48A	FLSTC, FLSTCI, FLSTF, FLSTFI
23	45611-86	RETAINING RING, fork stem	FLSTC, FLSTCI, FLSTF, FLSTFI
24	45670-80A	CAP, fork stem	FLSTC, FLSTCI, FLSTF, FLSTFI
25	45733-48	OIL SEAL, fork tube plug (2)	FLSTC, FLSTCI, FLSTF, FLSTFI
26	45832-77A	AXLE CAP, right slider	FLSTC, FLSTCI, FLSTF, FLSTFI
27	45834-77	LOWER STOP (2)	FLSTC, FLSTCI, FLSTF, FLSTFI
28	45838-77	PLUG, fork tube (2)	FLSTC, FLSTCI, FLSTF, FLSTFI
29	45842-77A	RETAINING RING, oil seal (2)	FLSTC, FLSTCI, FLSTF, FLSTFI
30	45845-77	O-RING, slider tube plug (2)	FLSTC, FLSTCI, FLSTF, FLSTFI
31	45858-77	DRAIN SCREW, w/ washer, slider (2)	FLSTC, FLSTCI, FLSTF, FLSTFI
32	45859-77A	RING, damper tube (2)	FLSTC, FLSTCI, FLSTF, FLSTFI



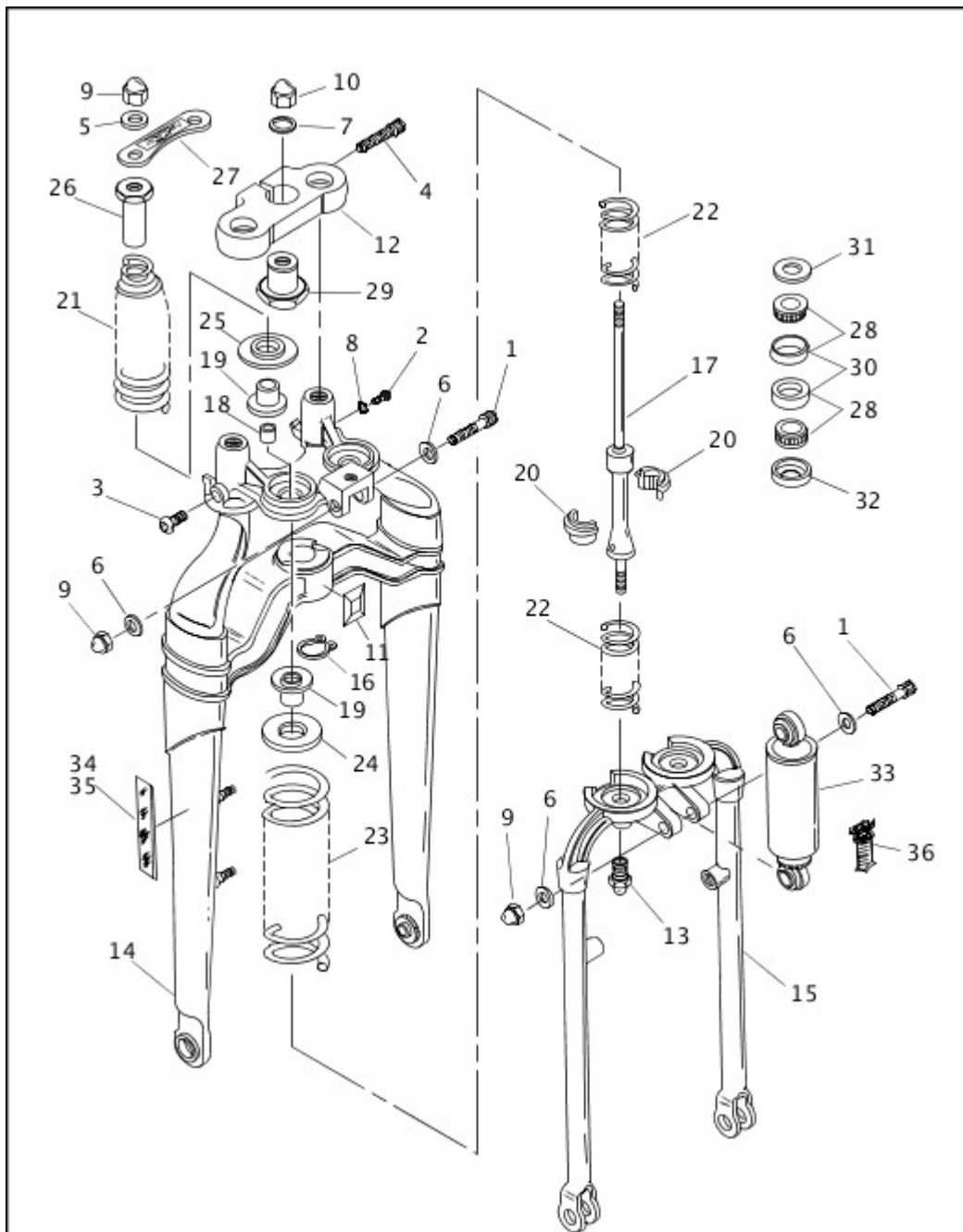
[View interactive image](#)

[View interactive table](#)

INDEX NO.	PART NO.	DESCRIPTION	MODEL(S)
33	45865-84	WASHER, slider (2)	FLSTC, FLSTCI, FLSTF, FLSTFI
34	45866-84	BUSHING, slider tube (2)	FLSTC, FLSTCI, FLSTF, FLSTFI
35	45875-84A	OIL SEAL (2)	FLSTC, FLSTCI, FLSTF, FLSTFI
36	45915-00	FORK SLIDER & TUBE ASSEMBLY, right	FLSTC, FLSTCI, FLSTF, FLSTFI
37	45916-00	FORK SLIDER & TUBE ASSEMBLY, left	FLSTC, FLSTCI, FLSTF, FLSTFI
38	45917-86	SLIDER, right	FLSTC, FLSTCI, FLSTF, FLSTFI

INDEX NO.	PART NO.	DESCRIPTION	MODEL(S)
39	45918-00	SLIDER, left	FLSTC, FLSTCI, FLSTF, FLSTFI
40	45930-00	SLIDER TUBE (2)	FLSTC, FLSTCI, FLSTF, FLSTFI
41	45931-00	SPRING (2)	FLSTC, FLSTCI, FLSTF, FLSTFI
42	45932-00	DAMPER TUBE (2)	FLSTC, FLSTCI, FLSTF, FLSTFI
43	45933-86	SPRING, damper tube (2)	FLSTC, FLSTCI, FLSTF, FLSTFI
44	45940-84	BUSHING, slider (2)	FLSTC, FLSTCI, FLSTF, FLSTFI
45	45964-86	COVER, slider (2)	FLSTC, FLSTCI, FLSTF, FLSTFI
46	45998-73	STUD (2)	FLSTC, FLSTCI, FLSTF, FLSTFI
47	48300-60	ROLLER BEARING, w/ 48315-60 (2)	FLSTC, FLSTCI, FLSTF, FLSTFI
48	48315-60	BEARING CUP (2)	FLSTC, FLSTCI, FLSTF, FLSTFI
49	48361-80	DUST SHIELD, bearing, upper	FLSTC, FLSTCI, FLSTF, FLSTFI
50	48365-48A	DUST SHIELD, bearing, lower	FLSTC, FLSTCI, FLSTF, FLSTFI
51	50991-86	BRACKET, front panel (2)	FLSTC, FLSTCI, FLSTF, FLSTFI
52	59481-00	REFLECTOR, amber, right	FLSTC, FLSTCI, FLSTF, FLSTFI
53	59482-00	REFLECTOR, amber, left	FLSTC, FLSTCI, FLSTF, FLSTFI
54	67808-86	FRONT PANEL (buffed stainless steel)	FLSTC, FLSTCI, FLSTF, FLSTFI
55	67816-86	BACK PANEL, left, rear	FLSTF, FLSTFI
	67821-87	BACK PANEL, left, rear, w/ switch hole	FLSTC, FLSTCI
56	67819-86	TRIM STRIP, front panel (2)	FLSTF, FLSTFI
57	67814-86	BACK PANEL, right, rear	FLSTC, FLSTCI, FLSTF, FLSTFI
58	49377-09A	FORK REBUILD KIT, w/ 19, 29, 30, 32, 33, 34, 35 & 44	FLSTC, FLSTCI, FLSTF, FLSTFI

FRONT FORK - FXSTS/I



[View interactive image](#)

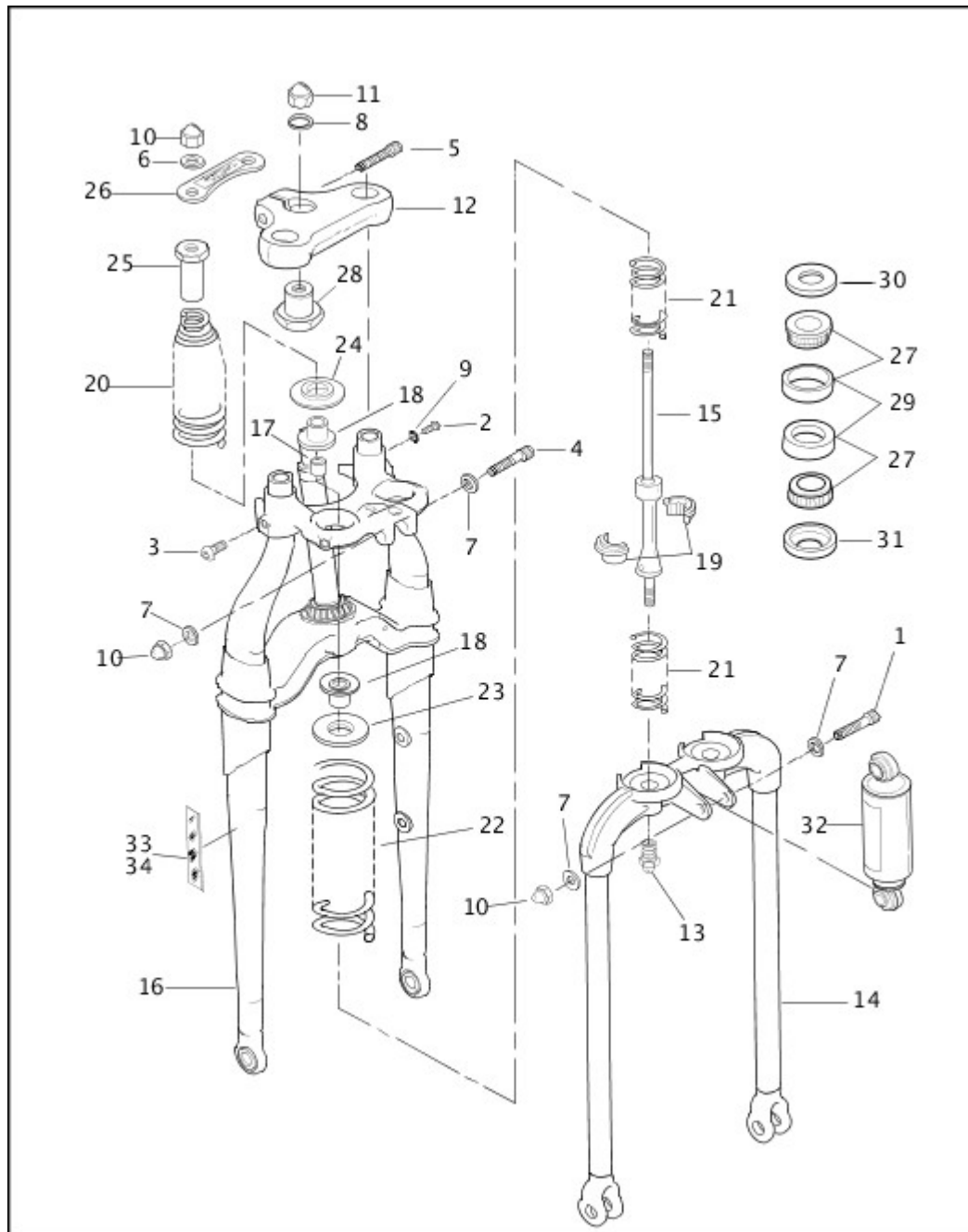
[View interactive table](#)

INDEX NO.	PART NO.	DESCRIPTION	MODEL(S)
1	855B	SCREW, shock absorber mounting (2)	FXSTS, FXSTSI
2	3533	SCREW, spring reaction bracket, right	FXSTS, FXSTSI
3	3538	SCREW, spring reaction bracket, left	FXSTS, FXSTSI
4	4350A	SCREW, upper triple clamp	FXSTS, FXSTSI
5	6353	WASHER, spring rod (2)	FXSTS, FXSTSI
6	6812	WASHER, shock absorber mounting (4)	FXSTS, FXSTSI

INDEX NO.	PART NO.	DESCRIPTION	MODEL(S)
7	6829	WASHER, rubber	FXSTS, FXSTSI
8	7232	LOCKWASHER, spring reaction bracket	FXSTS, FXSTSI
9	7680W	ACORN NUT (4)	FXSTS, FXSTSI
10	7959	ACORN NUT, w/ washer, steering stem	FXSTS, FXSTSI
11	11456	BUMPER	FXSTS, FXSTSI
12	45473-88	UPPER TRIPLE CLAMP	FXSTS, FXSTSI
13	45567-88	ACORN NUT, lower spring rod (2)	FXSTS, FXSTSI
14	45569-00	RIGID FORK ASSEMBLY, w/ 45611-86 & 48365-48A	FXSTS, FXSTSI
15	45607-93	SPRING FORK	FXSTS, FXSTSI
16	45611-86	RETAINING RING, fork stem	FXSTS, FXSTSI
17	45628-92	SPRING ROD ASSEMBLY (2)	FXSTS, FXSTSI
18	45935-88	BUSHING, spring rod (2)	FXSTS, FXSTSI
19	45936-88	TRAVEL BUMPER (4)	FXSTS, FXSTSI
20	45937-88	SPRING SEAT (4)	FXSTS, FXSTSI
21	46053-88	SPRING, rebound, top (2)	FXSTS, FXSTSI
22	46054-88	SPRING, compression, inner (4)	FXSTS, FXSTSI
23	46055-88	SPRING, compression, outer (2)	FXSTS, FXSTSI
24	46056-88	SPRING CUP, compression spring (2)	FXSTS, FXSTSI
25	46057-88	SPRING CUP, rebound spring (2)	FXSTS, FXSTSI
26	46060-88	SPRING RESTRAINT, upper (2)	FXSTS, FXSTSI
27	46062-88	SPRING BRIDGE	FXSTS, FXSTSI
28	48300-60	ROLLER BEARING, w/ 48315-60 (2)	FXSTS, FXSTSI
29	48306-88	BEARING RETAINER, steering head	FXSTS, FXSTSI
30	48315-60	BEARING CUP (2)	FXSTS, FXSTSI
31	48361-80	DUST SHIELD, bearing, upper	FXSTS, FXSTSI
32	48365-48A	DUST SHIELD, bearing, lower	FXSTS, FXSTSI
33	54485-97	FRONT SHOCK ABSORBER	FXSTS, FXSTSI
34	59289-92	REFLECTOR, right (amber)	FXSTS, FXSTSI
35	59290-92	REFLECTOR, left (amber)	FXSTS, FXSTSI

INDEX NO.	PART NO.	DESCRIPTION	MODEL(S)
36	66030-88	DECAL, shock absorber	FXSTS, FXSTSI

FRONT FORK - FLSTS/I



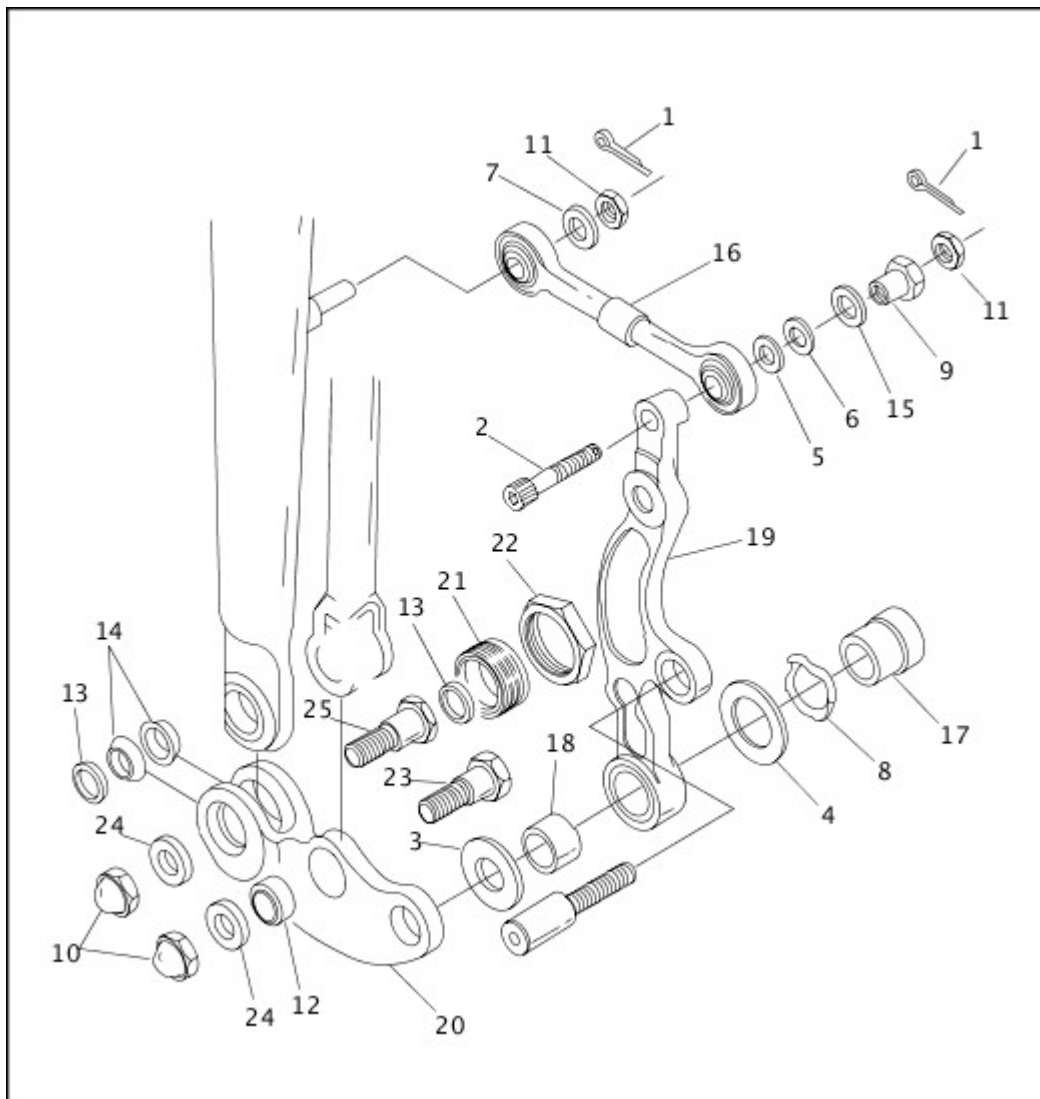
[View interactive image](#)

[View interactive table](#)

INDEX NO.	PART NO.	DESCRIPTION	MODEL(S)
1	855B	SCREW	FLSTS, FLSTSI
2	3533	SCREW	FLSTS, FLSTSI
3	3538	SCREW	FLSTS, FLSTSI
4	4029A	SCREW	FLSTS, FLSTSI

INDEX NO.	PART NO.	DESCRIPTION	MODEL(S)
5	4350A	SCREW, upper triple clamp	FLSTS, FLSTSI
6	6353	WASHER, spring rod (2)	FLSTS, FLSTSI
7	6812	WASHER (4)	FLSTS, FLSTSI
8	6829	WASHER, rubber	FLSTS, FLSTSI
9	7232	LOCKWASHER	FLSTS, FLSTSI
10	7680W	ACORN NUT (4)	FLSTS, FLSTSI
11	7959	ACORN NUT, w/ washer, steering stem	FLSTS, FLSTSI
12	45491-97	UPPER TRIPLE CLAMP	FLSTS, FLSTSI
13	45567-88	ACORN NUT, lower spring rod (2)	FLSTS, FLSTSI
14	45619-97	SPRING FORK	FLSTS, FLSTSI
15	45628-92	SPRING ROD ASSEMBLY (2)	FLSTS, FLSTSI
16	45633-00	RIGID FORK ASSEMBLY, w/ 48365-48A	FLSTS, FLSTSI
17	45935-88	BUSHING, spring rod (2)	FLSTS, FLSTSI
18	45936-88	TRAVEL BUMPER (4)	FLSTS, FLSTSI
19	45937-88	SPRING SEAT (4)	FLSTS, FLSTSI
20	46053-88	SPRING, rebound, top (2)	FLSTS, FLSTSI
21	46054-88	SPRING, compression, inner (4)	FLSTS, FLSTSI
22	46055-88	SPRING, compression, outer (2)	FLSTS, FLSTSI
23	46056-88	SPRING CUP, compression spring (2)	FLSTS, FLSTSI
24	46057-88	SPRING CUP, rebound spring (2)	FLSTS, FLSTSI
25	46060-88	SPRING RESTRAINT, upper (2)	FLSTS, FLSTSI
26	46062-88	SPRING BRIDGE	FLSTS, FLSTSI
27	48300-60	ROLLER BEARING, w/ 48315-60 (2)	FLSTS, FLSTSI
28	48306-88	BEARING RETAINER, steering head	FLSTS, FLSTSI
29	48315-60	BEARING CUP (2)	FLSTS, FLSTSI
30	48361-80	DUST SHIELD, bearing, upper	FLSTS, FLSTSI
31	48365-48A	DUST SHIELD, bearing, lower	FLSTS, FLSTSI
32	54484-97	FRONT SHOCK ABSORBER	FLSTS, FLSTSI
33	59289-92	REFLECTOR, right (amber)	FLSTS, FLSTSI
34	59290-92	REFLECTOR, left (amber)	FLSTS, FLSTSI

FORK ROCKERS & CALIPER MOUNTING - FXSTS/I



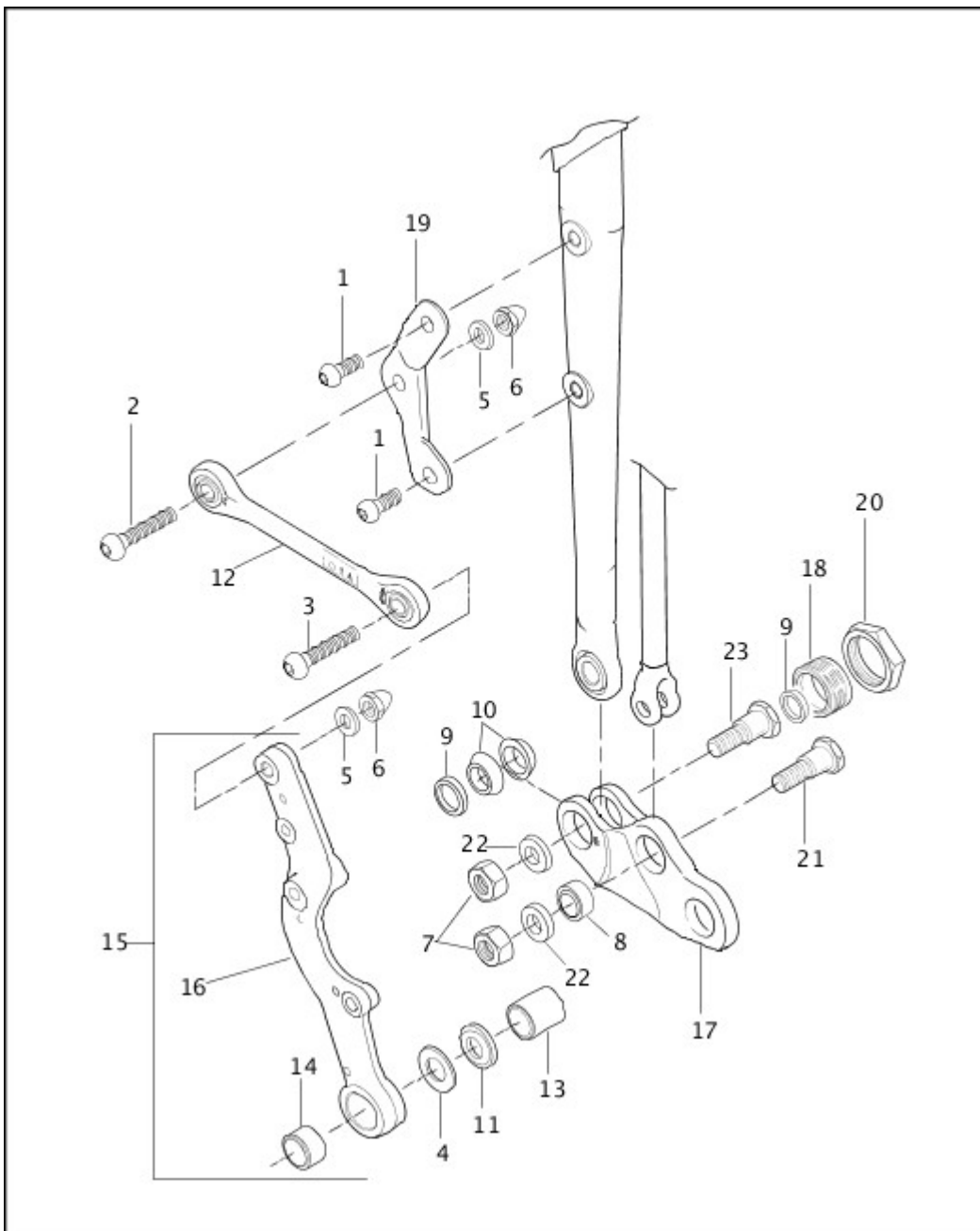
[View interactive image](#)

[View interactive table](#)

INDEX NO.	PART NO.	DESCRIPTION	MODEL(S)
1	534	COTTER PIN, brake reaction link (2)	FXSTS, FXSTSI
2	4747	SCREW, brake link to bracket	FXSTS, FXSTSI
3	6040A	WASHER, front axle, outside right	FXSTS, FXSTSI
4	6042A	WASHER, front axle, inside right	FXSTS, FXSTSI
5	6371	WASHER	FXSTS, FXSTSI
6	6498	WASHER	FXSTS, FXSTSI
7	6812	WASHER, brake reaction link	FXSTS, FXSTSI
8	7012	WAVE WASHER, front axle, right	FXSTS, FXSTSI
9	7588	NUT, shaft	FXSTS, FXSTSI
10	7627	ACORN NUT, rockers to forks (4)	FXSTS, FXSTSI

INDEX NO.	PART NO.	DESCRIPTION	MODEL(S)
11	7667	NUT, brake reaction link (2)	FXSTS, FXSTSI
12	9139	BEARING, spherical, fork to rocker (2)	FXSTS, FXSTSI
13	9140	RACE, spherical bearing, fork to rocker (4)	FXSTS, FXSTSI
14	9141	BALL, spherical bearing, fork to rocker (4)	FXSTS, FXSTSI
15	11244	SPACER (rubber)	FXSTS, FXSTSI
16	41040-88B	BRAKE REACTION LINK	FXSTS, FXSTSI
17	44029-00	SPACER, right	FXSTS, FXSTSI
18	44030-88A	BUSHING, caliper mounting	FXSTS, FXSTSI
19	44044-00	BRACKET, caliper mounting	FXSTS, FXSTSI
20	45649-91	ROCKER, left	FXSTS, FXSTSI
	45651-91	ROCKER, right	FXSTS, FXSTSI
21	45655-88	BEARING RETAINER, rigid fork (2)	FXSTS, FXSTSI
22	45659-88	JAM NUT, bearing retainer (2)	FXSTS, FXSTSI
23	45660-88A	PIVOT STUD, spring fork to rocker (2)	FXSTS, FXSTSI
24	45662-88	WASHER, rocker to fork leg (4)	FXSTS, FXSTSI
25	45663-88A	PIVOT STUD, rigid fork to rocker (2)	FXSTS, FXSTSI

FORK ROCKERS & CALIPER MOUNTING - FLSTS/I



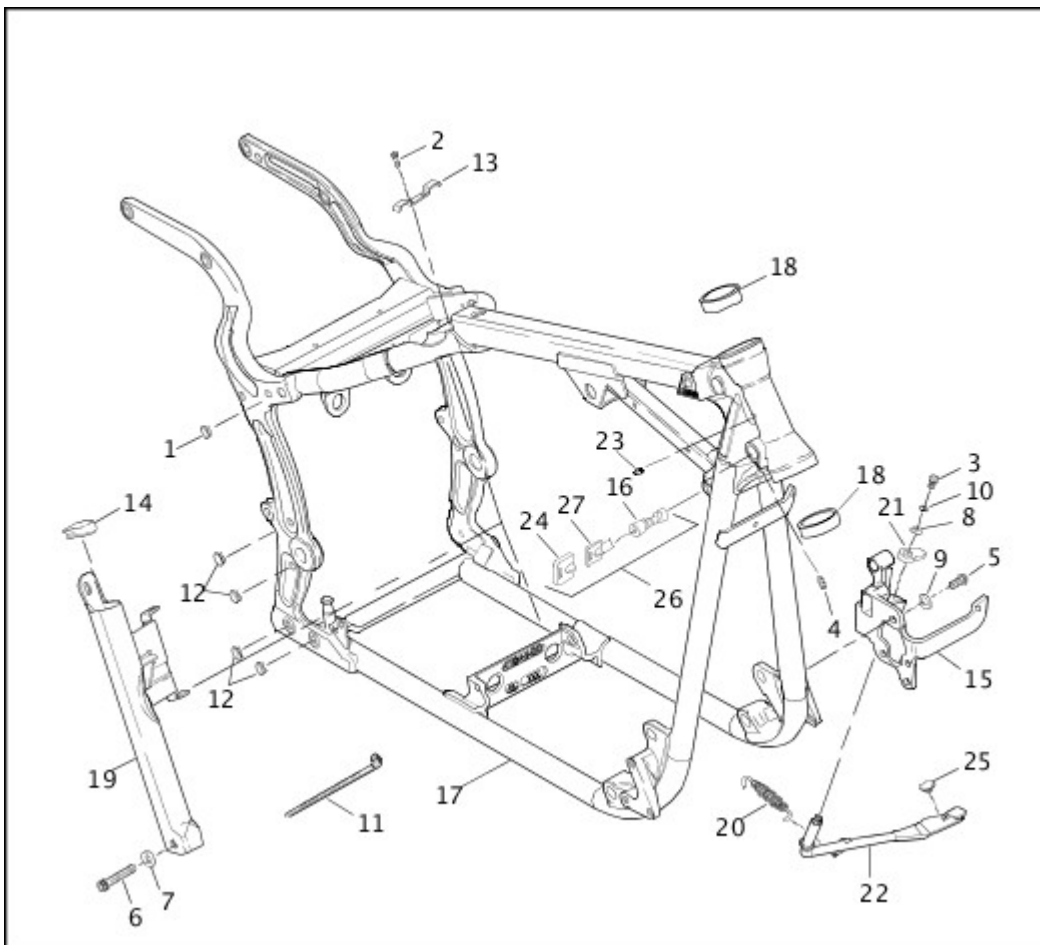
[View interactive image](#)

[View interactive table](#)

INDEX NO.	PART NO.	DESCRIPTION	MODEL(S)
1	4163	SCREW (2)	FLSTS, FLSTSI
2	4164	SCREW	FLSTS, FLSTSI
3	4165	SCREW	FLSTS, FLSTSI
4	6042A	WASHER, front axle	FLSTS, FLSTSI
5	6812	WASHER (2)	FLSTS, FLSTSI
6	7862	ACORN NUT (2)	FLSTS, FLSTSI
7	7880	NUT (4)	FLSTS, FLSTSI
8	9139	BEARING, spherical, fork to rocker (2)	FLSTS, FLSTSI

INDEX NO.	PART NO.	DESCRIPTION	MODEL(S)
9	9140	RACE, spherical bearing, fork to rocker (4)	FLSTS, FLSTSI
10	9141	BALL, spherical bearing, fork to rocker (4)	FLSTS, FLSTSI
11	11260	RUBBER SPACER	FLSTS, FLSTSI
12	41047-97	BRAKE REACTION LINK	FLSTS, FLSTSI
13	44031-97	PIVOT SLEEVE, left	FLSTS, FLSTSI
14	44086-97	BUSHING, caliper mounting	FLSTS, FLSTSI
15	44235-97	BRACKET ASSEMBLY, caliper	FLSTS, FLSTSI
16	44236-97	BRACKET, caliper mounting	FLSTS, FLSTSI
17	45629-97	FORK ROCKER, right	FLSTS, FLSTSI
	45631-97	FORK ROCKER, left	FLSTS, FLSTSI
18	45655-88	BEARING RETAINER, rigid fork (2)	FLSTS, FLSTSI
19	45656-97	FORK LEG BRACKET	FLSTS, FLSTSI
20	45659-88	JAM NUT, bearing retainer (2)	FLSTS, FLSTSI
21	45660-88A	PIVOT STUD, spring fork to rocker (2)	FLSTS, FLSTSI
22	45662-88	WASHER, rocker to fork leg (4)	FLSTS, FLSTSI
23	45663-88A	PIVOT STUD, rigid fork to rocker (2)	FLSTS, FLSTSI

FRAME & JIFFY STAND



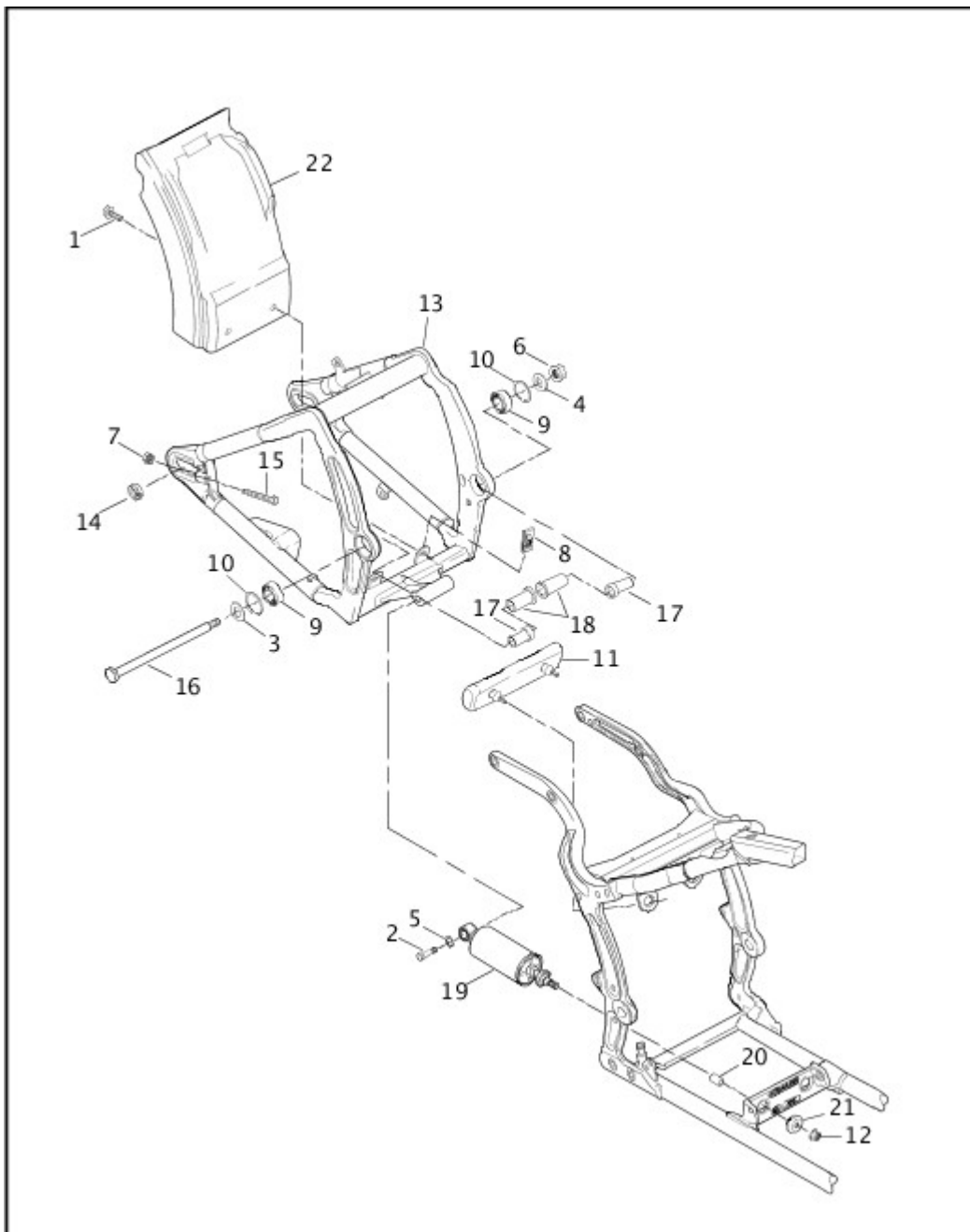
[View interactive image](#)

[View interactive table](#)

INDEX NO.	PART NO.	DESCRIPTION	MODEL(S)
1	728	PLUG, frame (2)	FLSTS, FLSTSI, FXST, FXSTB, FXSTBI, FXSTI, FXSTS, FXSTSI
2	939	SCREW (2)	ALL
3	2882W	SCREW	ALL
4	3233	SCREW	ALL
5	4163	SCREW (3)	ALL
6	4311	SCREW	ALL
7	6400HB	WASHER	ALL
8	6702	WASHER	ALL
9	6812	WASHER (3)	ALL
10	7041	LOCKWASHER (4)	ALL
11	10006	CABLE STRAP (3)	ALL
	10065	CABLE STRAP, keys	ALL
	10081	CABLE STRAP, clutch cable to frame	FXSTD, FXSTDI

INDEX NO.	PART NO.	DESCRIPTION	MODEL(S)
12	10040	PLUG (2)	FLSTS, FLSTSI
12	10040	PLUG (4)	FLSTC, FLSTCI, FLSTF, FLSTFI, FXST, FXSTB, FXSTBI, FXSTD, FXSTDI, FXSTI, FXSTS, FXSTSI
13	10193	WIRE CLAMP	ALL
14	31741-00	PLUG, seat post	ALL
15	33630-00A	BRACKET, jiffy stand, shift lever & footboard, w/ shifter bushings	FLSTC, FLSTCI, FLSTF, FLSTFI, FLSTS, FLSTSI
	33683-00	BRACKET, jiffy stand, shift lever & footrest, w/ shifter bushings	FXST, FXSTB, FXSTBI, FXSTD, FXSTDI, FXSTI, FXSTS, FXSTSI
16	45680-90	FORKLOCK (specify key code)	ALL
17	47008-00C	FRAME	FLSTC, FLSTCI, FLSTF, FLSTFI, FLSTS, FLSTSI, FXST, FXSTB, FXSTBI, FXSTI, FXSTS, FXSTSI
	48887-00B	FRAME	FXSTD, FXSTDI
18	48315-60	BEARING CUP (2)	ALL
19	48868-00	POST, seat	ALL
20	50005-85A	SPRING, jiffy stand leg	ALL
21	50015-74A	LEG STOP	ALL
22	50087-89B	LEG, jiffy stand (chrome)	ALL
23	50972-75	FITTING, lubrication	ALL
24	61081-92	COVER, key head set (2)	ALL
25	62123-66	BUMPER	ALL
26	71450-04	LOCKSET, w/ 10065, 45680-90, 61081-92, 71452-91A & ignition switch	ALL
27	71452-91A	KEY (specify key code) (2)	ALL

REAR FORK & SHOCK ABSORBERS



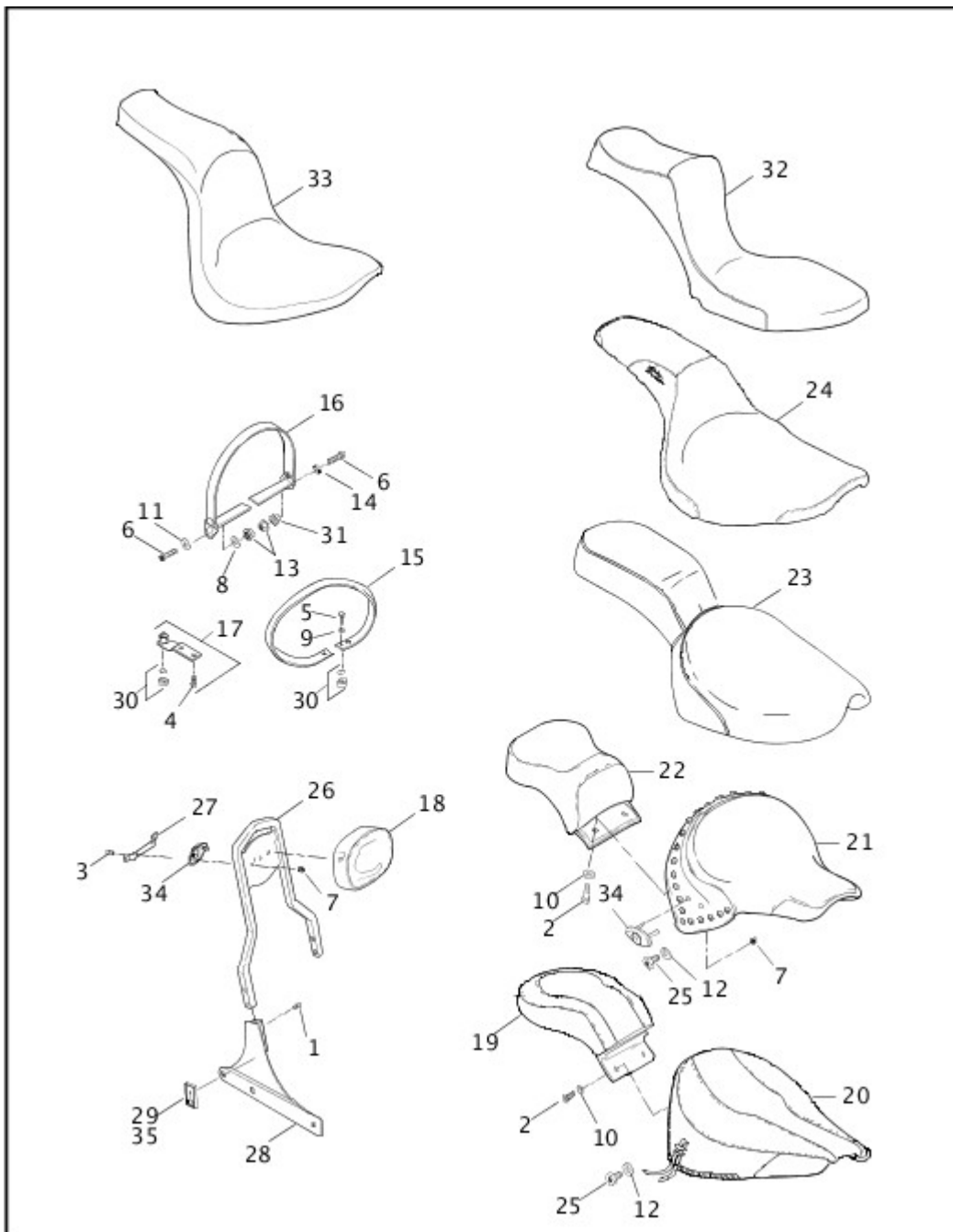
[View interactive image](#)

[View interactive table](#)

INDEX NO.	PART NO.	DESCRIPTION	MODEL(S)
1	3574	SCREW (2)	ALL
2	4074A	BOLT (2)	ALL
3	6534	WASHER, hardened, right side	ALL
4	6535	WASHER, hardened, left side	ALL
5	6724	WASHER (2)	ALL
6	7479	NUT	ALL
7	7783	NUT, rear axle adjuster (2)	ALL
8	8108	SPEEDNUT (2)	ALL
9	9270A	BEARING, rear fork pivot (2)	ALL

INDEX NO.	PART NO.	DESCRIPTION	MODEL(S)
10	11282	RETAINING RING, fork bearing (2)	ALL
11	11514	BUMPER, rear fork	ALL
12	45764-00	LOCKNUT, flange (2)	ALL
13	47573-00A	REAR FORK, w/ 9270 & 11282	ALL
14	47577-00	SPACER, rear axle adjuster (2)	ALL
15	47579-00	ADJUSTING SCREW, rear axle (2)	ALL
16	47610-00	PIVOT SHAFT	ALL
17	48048-00A	BUSHING, rear fork (2)	ALL
18	48049-00A	SPACER, rear fork (2)	ALL
19	54508-00B	SHOCK ABSORBER, complete (2)	ALL
20	56182-00	BUSHING (2)	ALL
21	56183-00	WASHER, w/ grommet (4)	ALL
22	60363-00B	SPLASH GUARD	ALL

SEATS



[View interactive image](#)

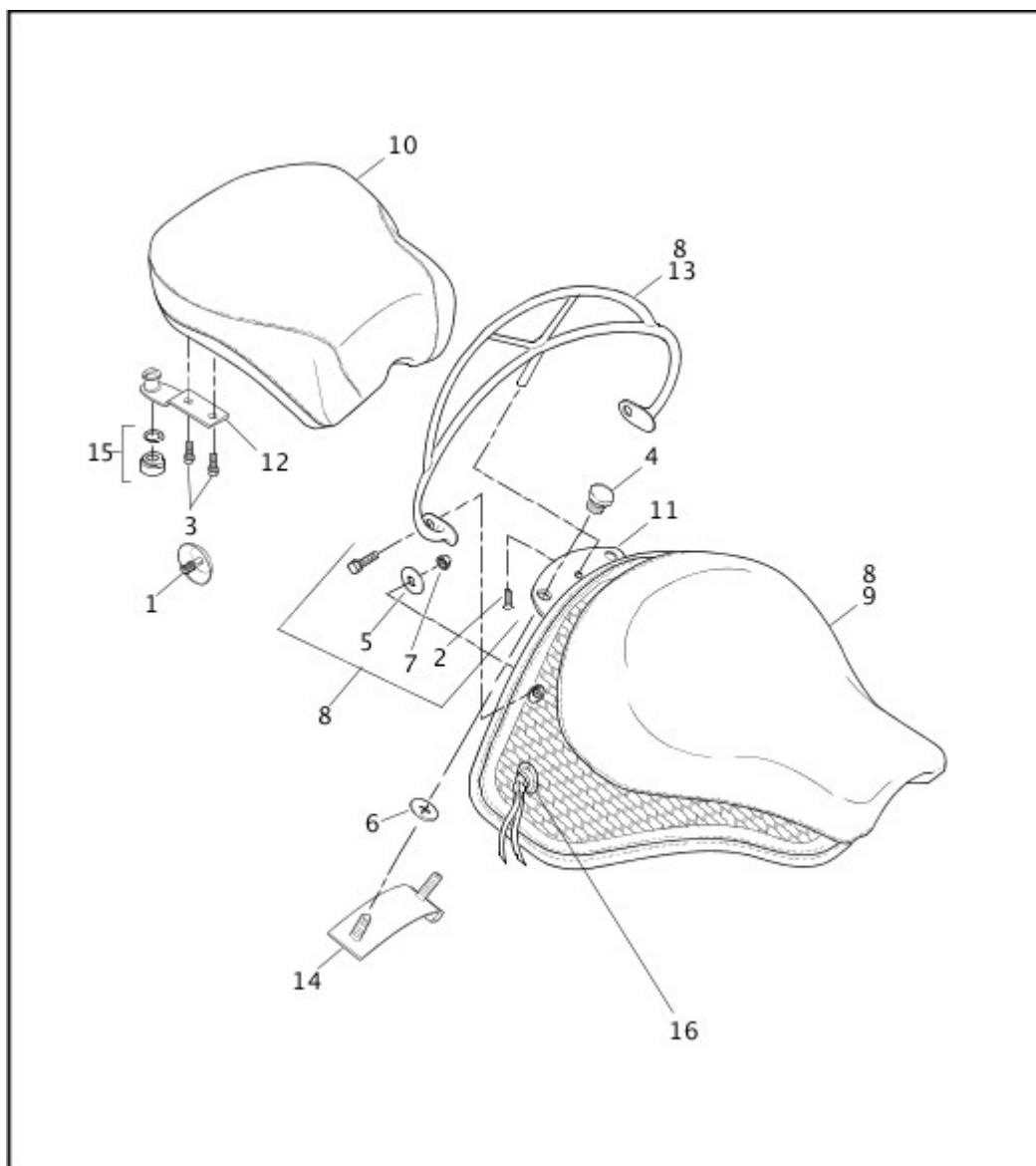
[View interactive table](#)

INDEX NO.	PART NO.	DESCRIPTION	MODEL(S)
1	941	SCREW (4)	FLSTC, FLSTCI
2	2534	SCREW (2)	FLSTC, FLSTCI, FLSTF, FLSTFI
3	2538	SCREW (2)	FLSTC, FLSTCI
4	3574	SCREW (2)	FLSTC, FLSTCI, FLSTF, FLSTFI, FXST, FXSTB, FXSTBI, FXSTD, FXSTDI, FXSTI, FXSTS, FXSTSI
5	3767B	BOLT	FXST, FXSTB, FXSTBI, FXSTD, FXSTDI, FXSTI, FXSTS, FXSTSI
6	4180	SCREW (2)	FLSTC, FLSTCI, FLSTF, FLSTFI
7	5244	RETAINER CLIP (6)	FLSTC, FLSTCI

INDEX NO.	PART NO.	DESCRIPTION	MODEL(S)
8	6019	WASHER	FLSTC, FLSTCI, FLSTF, FLSTFI
9	6036	WASHER	FXST, FXSTB, FXSTBI, FXSTD, FXSTDI, FXSTI, FXSTS, FXSTSI
10	6333	WASHER (2)	FLSTC, FLSTCI, FLSTF, FLSTFI
11	6379W	WASHER (2)	FLSTC, FLSTCI, FLSTF, FLSTFI
12	6409	WASHER (2)	FLSTC, FLSTCI, FLSTF, FLSTFI
13	7601	LOCKNUT (2)	FLSTC, FLSTCI, FLSTF, FLSTFI
14	11294	SPRING RING, seat strap	FLSTC, FLSTCI, FLSTF, FLSTFI
15	51184-00	PASSENGER STRAP	FXSTB, FXSTBI, FXSTS, FXSTSI
	51188-00	PASSENGER STRAP	FXST, FXSTD, FXSTDI, FXSTI
16	51185-00	PASSENGER STRAP	FLSTC, FLSTCI
	51186-00	PASSENGER STRAP	FLSTF, FLSTFI
17	52097-00	SEAT BRACKET KIT, w/ 3574	FXSTD, FXSTDI
	52467-00	SEAT BRACKET KIT, w/ 3574	FLSTC, FLSTCI, FLSTF, FLSTFI, FXST, FXSTB, FXSTBI, FXSTI, FXSTS, FXSTSI
18	52189-00	BACKREST PAD	FLSTC, FLSTCI
19	52210-00	SEAT KIT, passenger (w/ textured panel)	FLSTF, FLSTFI
20	52218-00	SEAT, front (w/ textured panel)	FLSTF, FLSTFI
21	52506-00	SEAT, assembly solo, front	FLSTC, FLSTCI
22	52507-00	SEAT, passenger	FLSTC, FLSTCI
23	52560-00	SEAT	FXSTS, FXSTSI
24	52602-00	SEAT	FXSTB, FXSTBI
25	52720-00A	NUT, seat retention (2)	FLSTC, FLSTCI, FLSTF, FLSTFI
26	52731-00	SISSY BAR UPRIGHT	FLSTC, FLSTCI
27	52771-82	BRACKET, backrest	FLSTC, FLSTCI
28	52787-00	SIDE PLATE, right	FLSTC, FLSTCI
	52788-00	SIDE PLATE, left	FLSTC, FLSTCI
29	59255-91	REFLECTOR (red) (2)	FLSTC, FLSTCI
30	59768-97	SEAT NUT KIT	FLSTC, FLSTCI, FLSTF, FLSTFI
30	59768-97	SEAT NUT KIT (2)	FXST, FXSTB, FXSTBI, FXSTD, FXSTDI, FXSTI, FXSTS, FXSTSI
31	61657-00	BUSHING, seat strap	FLSTC, FLSTCI, FLSTF, FLSTFI
32	91710-00	SEAT	FXST, FXSTI

INDEX NO.	PART NO.	DESCRIPTION	MODEL(S)
33	91806-00A	SEAT ASSEMBLY, w/ 3574 & 52097-00	FXSTD, FXSTDI
34	91850-00	CONCHO KIT (3)	FLSTC, FLSTCI
INTERNATIONAL MODELS ONLY			
35	59256-84A	REFLECTOR (amber) (HDI) (2)	FLSTC, FLSTCI

SEAT - FLSTS/I



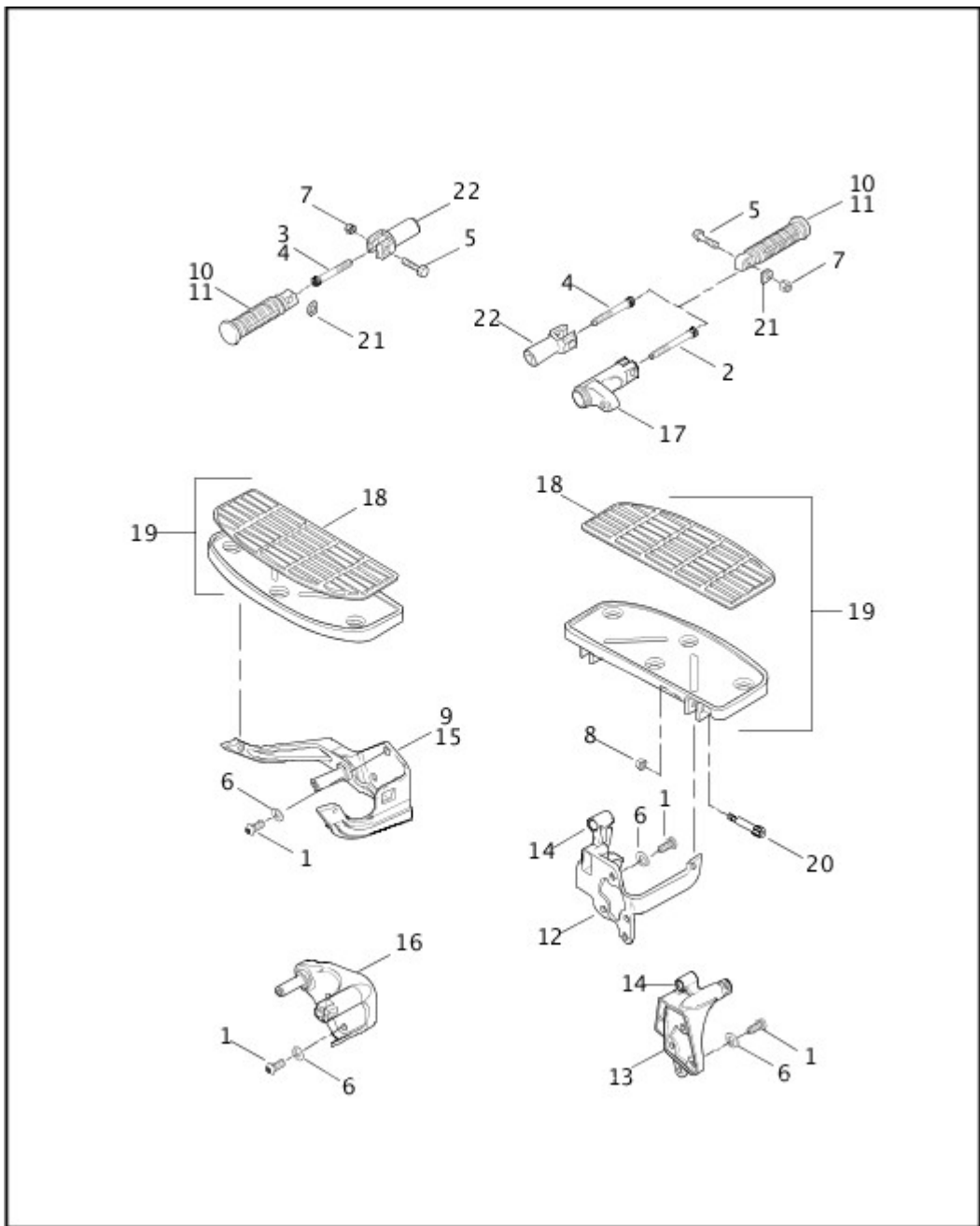
[View interactive image](#)

[View interactive table](#)

INDEX NO.	PART NO.	DESCRIPTION	MODEL(S)
1	762	CAP, plastic (chrome)	FLSTS, FLSTSI
2	2927	SCREW	FLSTS, FLSTSI
3	3574	SCREW (2)	FLSTS, FLSTSI

INDEX NO.	PART NO.	DESCRIPTION	MODEL(S)
4	3633	NUT, seat mounting (2)	FLSTS, FLSTSI
5	6036	WASHER (2)	FLSTS, FLSTSI
6	7434	WASHER (2)	FLSTS, FLSTSI
7	7686	LOCKNUT (2)	FLSTS, FLSTSI
8	51792-01	SEAT ASSEMBLY, w/ 2, 5, 7, 9, 13 & 16	FLSTS, FLSTSI
9	51793-01	SEAT, w/o rail (black trim)	FLSTS, FLSTSI
10	51796-00	PASSENGER SEAT (black trim)	FLSTS, FLSTSI
11	52015-97A	BRACKET KIT, seat mounting	FLSTS, FLSTSI
12	52467-00	BRACKET, passenger seat mounting, rear	FLSTS, FLSTSI
13	52687-97	GRAB RAIL, seat	FLSTS, FLSTSI
14	59174-99	STUD PLATE	FLSTS, FLSTSI
15	59768-97	SEAT NUT KIT	FLSTS, FLSTSI
16	91877-97	CONCHO (2)	FLSTS, FLSTSI

FOOTRESTS & FOOTBOARDS



[View interactive image](#)

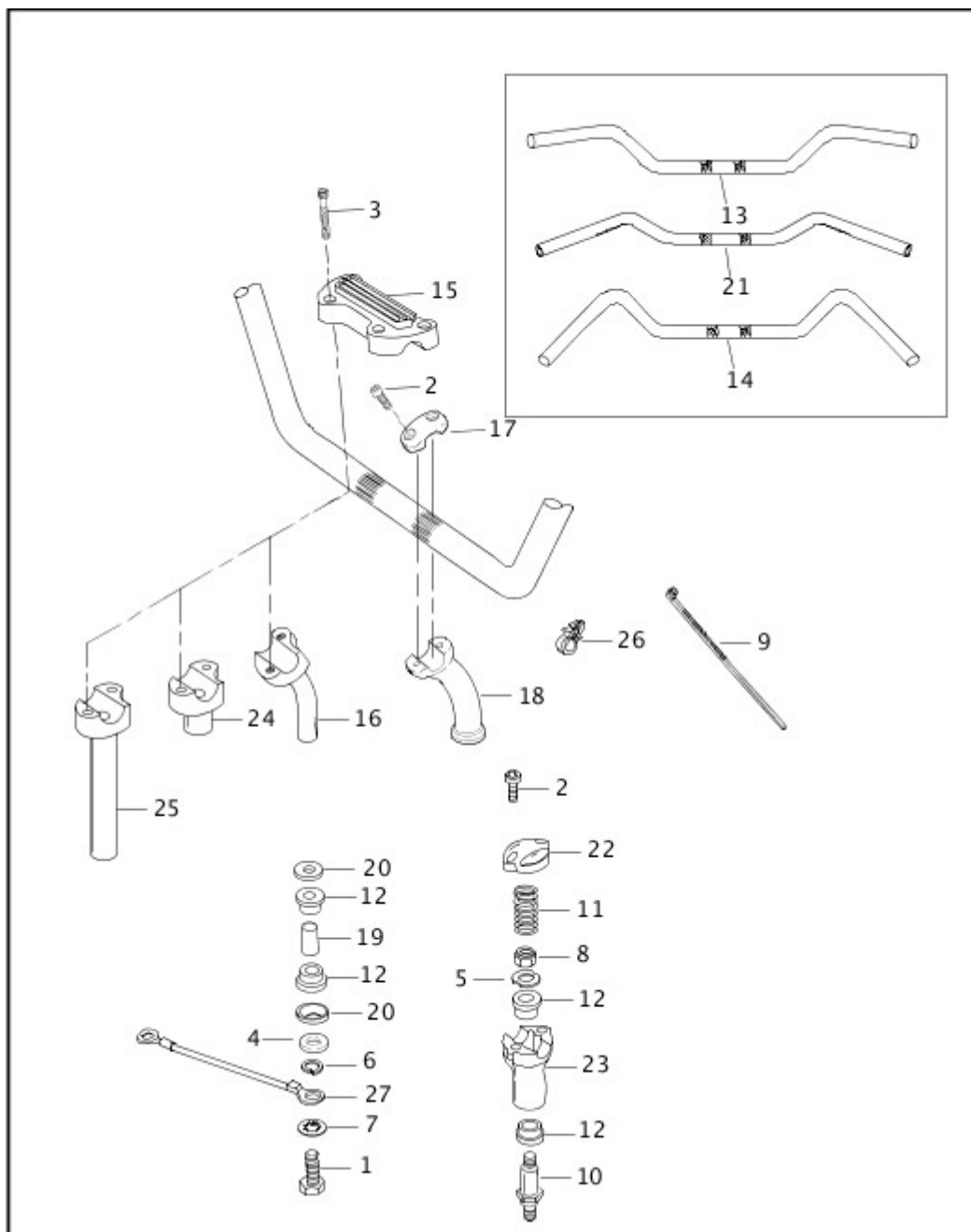
[View interactive table](#)

INDEX NO.	PART NO.	DESCRIPTION	MODEL(S)
1	4163	SCREW (12)	ALL
2	4314	SCREW, left	FLSTS, FLSTSI
3	4315	SCREW, right rear footpeg	FLSTF, FLSTFI, FXSTD, FXSTDI
4	4355B	SCREW	FLSTF, FLSTFI, FLSTS, FLSTSI, FXSTD, FXSTDI
4	4355B	SCREW (2)	FLSTC, FLSTCI, FXST, FXSTB, FXSTBI, FXSTI, FXSTS, FXSTSI
5	4716W	SCREW, left	FLSTS, FLSTSI
	4721	BOLT, right	FLSTS, FLSTSI
5	4721	BOLT (2)	FLSTC, FLSTCI, FLSTF, FLSTFI

INDEX NO.	PART NO.	DESCRIPTION	MODEL(S)
5	4721	BOLT (4)	FXST, FXSTB, FXSTBI, FXSTD, FXSTDI, FXSTI, FXSTS, FXSTSI
6	6812	WASHER (12)	ALL
7	7667	NUT, left	FLSTS, FLSTSI
	7778	LOCKNUT, right	FLSTS, FLSTSI
7	7778	LOCKNUT (2)	FLSTC, FLSTCI, FLSTF, FLSTFI
7	7778	LOCKNUT (4)	FXST, FXSTB, FXSTBI, FXSTD, FXSTDI, FXSTI, FXSTS, FXSTSI
8	7716	LOCKNUT (4)	FLSTC, FLSTCI, FLSTF, FLSTFI, FLSTS, FLSTSI
9	10866	CLIP, retention (used w/ 50600026)	FLSTC, FLSTCI, FLSTF, FLSTFI, FLSTS, FLSTSI
10	33048-72	FOOTREST, w/ 33189-63 (2)	FLSTC, FLSTCI, FLSTF, FLSTFI, FLSTS, FLSTSI
10	33048-72	FOOTREST, w/ 33189-63 (4)	FXST, FXSTB, FXSTBI, FXSTD, FXSTDI, FXSTI, FXSTS, FXSTSI
11	33189-63	COVER, footrest (black) (2)	FLSTC, FLSTCI, FLSTF, FLSTFI, FLSTS, FLSTSI
11	33189-63	COVER, footrest (black) (4)	FXST, FXSTB, FXSTBI, FXSTD, FXSTDI, FXSTI, FXSTS, FXSTSI
12	33630-00A	BRACKET, jiffy stand, shift lever & footboard, w/ shifter bushings	FLSTC, FLSTCI, FLSTF, FLSTFI, FLSTS, FLSTSI
13	33683-00	BRACKET, jiffy stand, shift lever & footrest, w/ shifter bushings	FXST, FXSTB, FXSTBI, FXSTD, FXSTDI, FXSTI, FXSTS, FXSTSI
14	33708-94	BEARING SLEEVE (2)	ALL
15	42431-00	SUPPORT ASSEMBLY, right footboard & brake (use 50600026)	FLSTC, FLSTCI, FLSTF, FLSTFI, FLSTS, FLSTSI
	42431-11	SUPPORT ASSEMBLY, right footboard & brake (used w/ 50600026)	FLSTC, FLSTCI, FLSTF, FLSTFI, FLSTS, FLSTSI
	50600026	SUPPORT BRACKET KIT, right footboard & brake, w/ 10866 & 42431-11 (replaces 42431-00)	FLSTC, FLSTCI, FLSTF, FLSTFI, FLSTS, FLSTSI
16	42507-00B	BRACKET, brake lever & footrest	FXST, FXSTB, FXSTBI, FXSTD, FXSTDI, FXSTI, FXSTS, FXSTSI
17	49166-00	SUPPORT, passenger footrest, left	FLSTS, FLSTSI
18	50614-91A	PAD (2)	FLSTC, FLSTCI, FLSTF, FLSTFI, FLSTS, FLSTSI
19	50621-79A	FOOTBOARD, w/ 50614-91A (2)	FLSTC, FLSTCI, FLSTF, FLSTFI, FLSTS, FLSTSI

INDEX NO.	PART NO.	DESCRIPTION	MODEL(S)
20	50635-82A	BOLT, footboard hinge (4)	FLSTC, FLSTCI, FLSTF, FLSTFI, FLSTS, FLSTSI
21	50912-72	SPRING WASHER (2)	FLSTC, FLSTCI, FLSTF, FLSTFI, FLSTS, FLSTSI
21	50912-72	SPRING WASHER (4)	FXST, FXSTB, FXSTBI, FXSTD, FXSTDI, FXSTI, FXSTS, FXSTSI
22	50942-00	SUPPORT, passenger footrest	FLSTS, FLSTSI
22	50942-00	SUPPORT, passenger footrest (2)	FLSTC, FLSTCI, FLSTF, FLSTFI, FXST, FXSTB, FXSTBI, FXSTD, FXSTDI, FXSTI, FXSTS, FXSTSI

HANDLEBAR

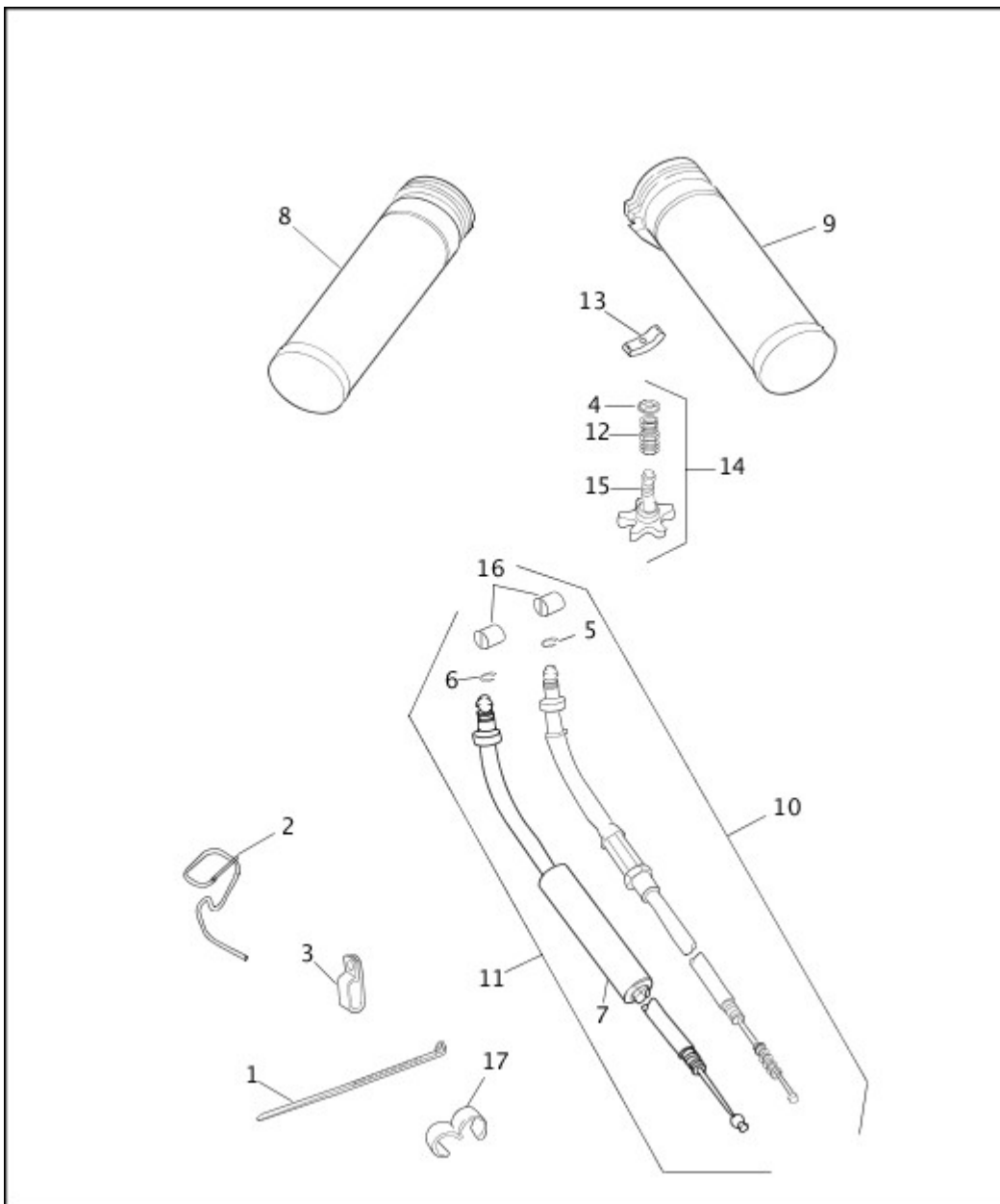


[View interactive image](#)

INDEX NO.	PART NO.	DESCRIPTION	MODEL(S)
1	3471	BOLT (2)	FLSTC, FLSTCI, FLSTF, FLSTFI, FXST, FXSTB, FXSTBI, FXSTD, FXSTDI
2	3494A	BOLT (4)	FLSTS, FLSTSI, FXSTD, FXSTDI, FXSTS, FXSTSI
3	4816A	SCREW (4)	FLSTC, FLSTCI, FLSTF, FLSTFI, FXST, FXSTB, FXSTBI, FXSTI
4	6590HW	WASHER (2)	FXSTD, FXSTDI
5	6753	WASHER (2)	FXSTS, FXSTSI
	6756	WASHER (2)	FLSTS, FLSTSI
6	7068	LOCKWASHER (2)	FLSTC, FLSTCI, FLSTF, FLSTFI, FXST, FXSTB, FXSTBI, FXSTD, FXSTDI, FXSTI
7	7129	LOCKWASHER, right side	FLSTC, FLSTCI, FLSTF, FLSTFI, FXST, FXSTB, FXSTBI, FXSTI
8	7768W	LOCKNUT (2)	FLSTS, FLSTSI, FXSTS, FXSTSI
9	10039	CABLE STRAP (2)	FXSTS, FXSTSI
	10039	CABLE STRAP (2)	FXST, FXSTI
10	45544-88	STUD, rigid fork leg (2)	FXSTS, FXSTSI
	56550-97	STUD, rigid fork leg (2)	FLSTS, FLSTSI
11	46058-97	SPRING, right side	FLSTS, FLSTSI
	46059-90	SPRING	FXSTS, FXSTSI
12	53156-86	BUSHING (rubber) (4)	FLSTC, FLSTCI, FLSTF, FLSTFI, FXST, FXSTB, FXSTBI, FXSTI, FXSTS, FXSTSI
	53157-97	BUSHING (rubber) (4)	FLSTS, FLSTSI
13	55919-01	HANDLEBAR	FLSTF, FLSTFI
	55933-97	HANDLEBAR	FLSTS, FLSTSI
	56224-99A	HANDLEBAR, drag style	FXSTB, FXSTBI
	56569-86	HANDLEBAR	FLSTC, FLSTCI
14	56093-88A	HANDLEBAR	FXSTS, FXSTSI
	56102-99	HANDLEBAR	FXST, FXSTI
15	56119-77A	CLAMP, upper	FXST, FXSTI
	56567-86B	CLAMP, upper (chrome)	FLSTC, FLSTCI, FLSTF, FLSTFI, FXSTB, FXSTBI
16	56122-77	CLAMP, lower, left	FXST, FXSTI
	56124-77	CLAMP, lower, right	FXST, FXSTI

INDEX NO.	PART NO.	DESCRIPTION	MODEL(S)
17	56133-00A	CLAMP, upper (2)	FXSTD, FXSTDI
18	56135-00A	CLAMP, lower (2)	FXSTD, FXSTDI
19	56153-73	SPACER (2)	FLSTC, FLSTCI, FLSTF, FLSTFI, FXST, FXSTB, FXSTBI, FXSTI
20	56159-73	CUP WASHER (4)	FLSTC, FLSTCI, FLSTF, FLSTFI, FXST, FXSTB, FXSTBI, FXSTI
21	56188-00	HANDLEBAR	FXSTD, FXSTDI
22	56538-88	CLAMP (2)	FLSTS, FLSTSI, FXSTS, FXSTSI
23	56540-88	RISER (2)	FXSTS, FXSTSI
	56548-97	RISER (2)	FLSTS, FLSTSI
24	56541-86A	CLAMP, lower, left (chrome)	FLSTC, FLSTCI, FLSTF, FLSTFI
	56542-86A	CLAMP, lower, right (chrome)	FLSTC, FLSTCI, FLSTF, FLSTFI
25	57464-09	HANDLEBAR RISER, right (chrome)	FXSTB, FXSTBI
	557465-09	HANDLEBAR RISER, left (chrome)	FXSTB, FXSTBI
26	56073-83	RETAINER (4)	FXSTB, FXSTBI
	70345-84	RETAINER (4)	FLSTC, FLSTCI, FLSTF, FLSTFI, FLSTS, FLSTSI, FXST, FXSTD, FXSTDI, FXSTI, FXSTS, FXSTSI
27	70197-86	CABLE, ground, w/ 9859	FLSTC, FLSTCI, FLSTF, FLSTFI, FXST, FXSTB, FXSTBI, FXSTI

THROTTLE CONTROL



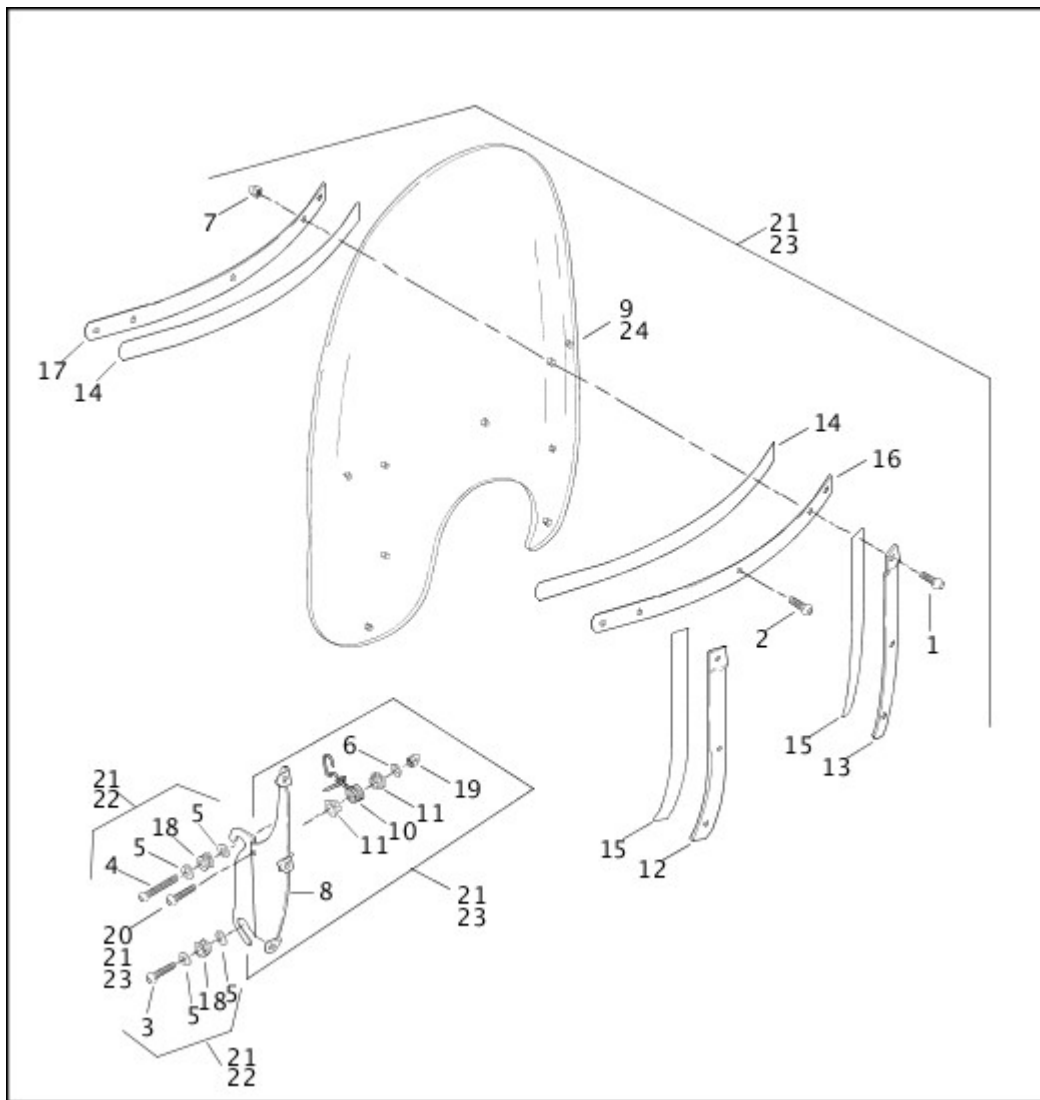
[View interactive image](#)

[View interactive table](#)

INDEX NO.	PART NO.	DESCRIPTION	MODEL(S)
1	10006	CABLE STRAP	ALL
2	10190	WIRE GUIDE, throttle cables	FLSTS, FLSTSI
3	10263A	CLAMP, throttle cables	FXSTS, FXSTSI
4	11155	RETAINING RING	ALL
5	11271	RETAINING RING, idle control	ALL
6	11272	RETAINING RING, throttle control	ALL
7	38653-01	BOOT, throttle cable	ALL
8	56206-96	GRIP, left	ALL
9	56220-94A	GRIP & SLEEVE, throttle, right	ALL

INDEX NO.	PART NO.	DESCRIPTION	MODEL(S)
10	56305-96	IDLE CONTROL ASSEMBLY, w/ 11271 & 56508-76	FXSTS, FXSTSI
	56342-01	IDLE CONTROL ASSEMBLY, w/ 11271 & 56508-76	FLSTC, FLSTCI, FLSTF, FLSTFI, FLSTS, FLSTSI, FXST, FXSTD, FXSTDI, FXSTI
	56433-98	IDLE CONTROL ASSEMBLY, w/ 11271 & 56508-76	FXSTB, FXSTBI
11	56306-96	THROTTLE CONTROL ASSEMBLY, w/ 11272, 38653-01 & 56508-76	FXSTS, FXSTSI
	56343-01	THROTTLE CONTROL ASSEMBLY, w/ 11272, 38653-01 & 56508-76	FLSTC, FLSTCI, FLSTF, FLSTFI, FLSTS, FLSTSI, FXST, FXSTD, FXSTDI, FXSTI
	56432-98	THROTTLE CONTROL ASSEMBLY, w/ 11272, 38653-01 & 56508-76	FXSTB, FXSTBI
12	56394-74	SPRING, adjusting screw	ALL
13	56396-74A	FRICTION SPRING, throttle	ALL
14	56397-74C	ADJUSTING SCREW KIT	ALL
15	56402-83A	ADJUSTING SCREW	ALL
16	56508-76	FERRULE, control wire (2)	ALL
17	70504-81	CLIP, throttle cables	ALL

WINDSHIELD - FLSTC/I



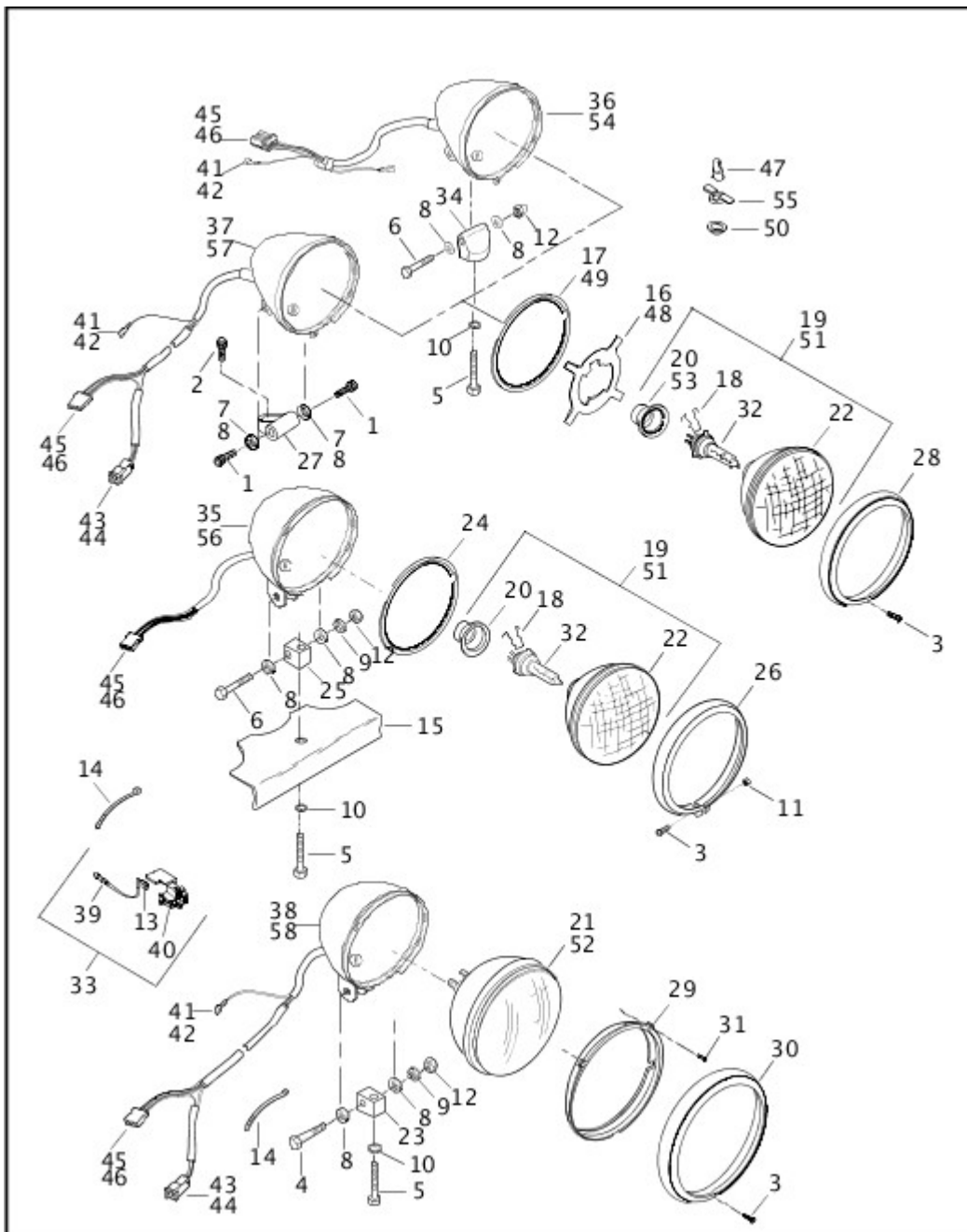
View interactive image

View interactive table

INDEX NO.	PART NO.	DESCRIPTION	MODEL(S)
1	2452	SCREW (2)	FLSTC, FLSTCI
2	2921	SCREW (7)	FLSTC, FLSTCI
3	3589	SCREW (2)	FLSTC, FLSTCI
4	4343	SCREW (2)	FLSTC, FLSTCI
5	6400HB	WASHER (8)	FLSTC, FLSTCI
6	6703	WASHER (2)	FLSTC, FLSTCI
7	7651A	ACORN NUT (9)	FLSTC, FLSTCI
8	57062-00A	BRACKET, windshield, right	FLSTC, FLSTCI
	57063-00A	BRACKET, windshield, left	FLSTC, FLSTCI
9	58241-95	WINDSHIELD, replacement, w/ 58416-77A & 58417-77	FLSTC, FLSTCI
10	58252-95	RETAINER, windshield, left	FLSTC, FLSTCI

INDEX NO.	PART NO.	DESCRIPTION	MODEL(S)
	58253-95	RETAINER, windshield, right	FLSTC, FLSTCI
11	58272-95	BUSHING, nylon (4)	FLSTC, FLSTCI
12	58406-75A	BRACKET, windshield, outer right	FLSTC, FLSTCI
13	58408-75A	BRACKET, windshield, outer left	FLSTC, FLSTCI
14	58416-77A	TAPE, windshield, horizontal (2)	FLSTC, FLSTCI
15	58417-77	TAPE, windshield, vertical (2)	FLSTC, FLSTCI
16	58428-94	HORIZONTAL BRACE, windshield, outer	FLSTC, FLSTCI
17	58431-94	HORIZONTAL BRACE, windshield, inner	FLSTC, FLSTCI
18	67621-94	BUSHING (4)	FLSTC, FLSTCI
19	94004-90T	ACORN NUT (2)	FLSTC, FLSTCI
20	94426-95	SCREW (2)	FLSTC, FLSTCI
21	57400112	WINDSHIELD ASSEMBLY, complete, w/ 1, 2, 6, 7, 8, 10, 11, 12, 13, 14, 15, 16, 17, 19, 20 & 22	FLSTC, FLSTCI
22	91800025	HARDWARE KIT, windshield, w/ 4343, 6400HB & 67621-94 (used w/ 57400112)	FLSTC, FLSTCI
INTERNATIONAL MODELS ONLY			
23	57060-00	WINDSHIELD ASSEMBLY, complete w/ 1, 2, 6, 7, 8, 10, 11, 12, 13, 14, 15, 16, 17, 19 & 20	FLSTC, FLSTCI
24	58213-00	WINDSHIELD, replacement, w/ 58416-77A & 58417-77	FLSTC, FLSTCI

HEADLAMP (1 OF 2)



[View interactive image](#)

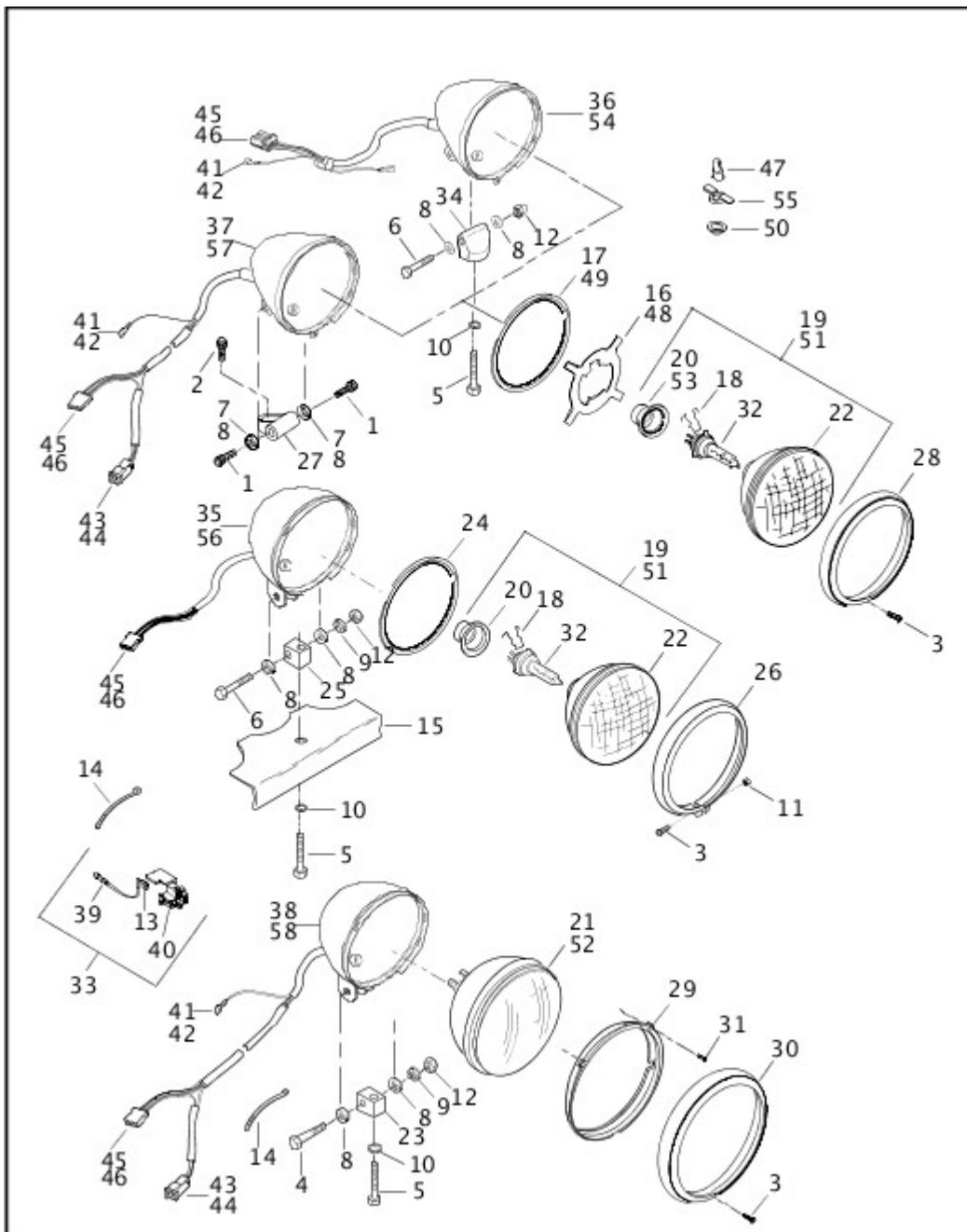
[View interactive table](#)

INDEX NO.	PART NO.	DESCRIPTION	MODEL(S)
1	2917	SCREW (2)	FLSTS, FLSTSI, FXSTS, FXSTSI
2	3214	SCREW	FLSTS, FLSTSI, FXSTS, FXSTSI
3	3514	SCREW	ALL
4	4411	BOLT	FLSTC, FLSTCI, FLSTF, FLSTFI
5	4722	BOLT	FLSTC, FLSTCI, FLSTF, FLSTFI, FXST, FXSTB, FXSTBI, FXSTI
	3775	SCREW	FXSTD, FXSTDI
6	4724	BOLT	FXST, FXSTB, FXSTBI, FXSTI
	3509	BOLT	FXSTD, FXSTDI

INDEX NO.	PART NO.	DESCRIPTION	MODEL(S)
7	6379W	WASHER (2)	FLSTS, FLSTSI, FXSTS, FXSTSI
8	6701	WASHER (2)	FXST, FXSTB, FXSTBI, FXSTI
	6400HB	WASHER (2)	FLSTC, FLSTCI, FLSTF, FLSTFI
	6474	WASHER (2)	FXSTD, FXSTDI
9	7038	LOCKWASHER	FLSTC, FLSTCI, FLSTF, FLSTFI, FXST, FXSTB, FXSTBI, FXSTI
10	7130W	LOCKWASHER	FLSTC, FLSTCI, FLSTF, FLSTFI, FXST, FXSTB, FXSTBI, FXSTD, FXSTDI, FXSTI
11	7606	LOCKNUT	FXST, FXSTB, FXSTBI, FXSTI
12	7800W	NUT	FLSTC, FLSTCI, FLSTF, FLSTFI, FXST, FXSTB, FXSTBI, FXSTI
	7862	ACORN NUT, acorn	FXSTD, FXSTDI
13	9847	WIRE TERMINAL, female spade, R.H.	ALL
	9848	WIRE TERMINAL, female spade, L.H. (2)	ALL
14	10065	CABLE STRAP	ALL
15	45685-93	MOUNTING PLATE	FXST, FXSTB, FXSTBI, FXSTI
16	67601-94A	GASKET, headlamp	FLSTS, FLSTSI, FXSTD, FXSTDI, FXSTS, FXSTSI
17	67603-94A	ADAPTER RING	FLSTS, FLSTSI, FXSTD, FXSTDI, FXSTS, FXSTSI
18	67685-92	CLIP, bulb	FLSTS, FLSTSI, FXST, FXSTB, FXSTBI, FXSTD, FXSTDI, FXSTI, FXSTS, FXSTSI
19	67698-81D	LENS ASSEMBLY, w/ bulb, boot & clip, 5-3/4 inch	FLSTS, FLSTSI, FXST, FXSTB, FXSTBI, FXSTD, FXSTDI, FXSTI, FXSTS, FXSTSI
20	67705-92	BOOT, connector	FLSTS, FLSTSI, FXST, FXSTB, FXSTBI, FXSTD, FXSTDI, FXSTI, FXSTS, FXSTSI
21	67713-86	SEALED BEAM UNIT, 7 inch	FLSTC, FLSTCI, FLSTF, FLSTFI
22	67757-92	LENS, w/ clip	FLSTS, FLSTSI, FXST, FXSTB, FXSTBI, FXSTD, FXSTDI, FXSTI, FXSTS, FXSTSI
23	67768-97	MOUNTING BLOCK	FLSTC, FLSTCI, FLSTF, FLSTFI
24	67769-93	ADAPTER RING	FXST, FXSTB, FXSTBI, FXSTI
25	67772-97	MOUNTING BLOCK	FXST, FXSTB, FXSTBI, FXSTI
26	67790-93A	TRIM RING (chrome)	FXST, FXSTB, FXSTBI, FXSTI
27	67892-93	MOUNTING BLOCK	FLSTS, FLSTSI, FXSTS, FXSTSI

INDEX NO.	PART NO.	DESCRIPTION	MODEL(S)
28	67894-93A	TRIM RING (chrome)	FLSTS, FLSTSI, FXSTBI, FXSTD, FXSTS, FXSTSI
29	68050-93A	RETAINING RING	FLSTC, FLSTCI, FLSTF, FLSTFI
30	68051-93A	TRIM RING (chrome)	FLSTC, FLSTCI, FLSTF, FLSTFI
31	68052-93	SCREW (3)	FLSTC, FLSTCI, FLSTF, FLSTFI
32	68329-03	BULB, halogen, H-4	FLSTS, FLSTSI, FXST, FXSTB, FXSTBI, FXSTD, FXSTDI, FXSTI, FXSTS, FXSTSI
33	68705-93A	CONNECTOR ASSEMBLY, headlamp, w/ wires, terminals & splice connectors	ALL
34	69163-00	MOUNTING BLOCK	FXSTD, FXSTDI
35	69696-05	SHELL ASSEMBLY, headlamp, w/ housing & wiring, 5-3/4 inch	FXST, FXSTB, FXSTBI, FXSTI
36	69715-05A	SHELL ASSEMBLY, headlamp, w/ housing & wiring, 5-3/4 inch	FXSTD, FXSTDI
37	69717-05A	SHELL ASSEMBLY, headlamp, w/ housing & wiring, 5-3/4 inch	FXSTS, FXSTSI
	69769-05A	SHELL ASSEMBLY, headlamp, w/ housing & wiring, 5-3/4 inch	FLSTS, FLSTSI
38	69748-05B	SHELL ASSEMBLY, headlamp, w/ housing & wiring, 7 inch	FLSTC, FLSTCI, FLSTF, FLSTFI

HEADLAMP (2 OF 2)



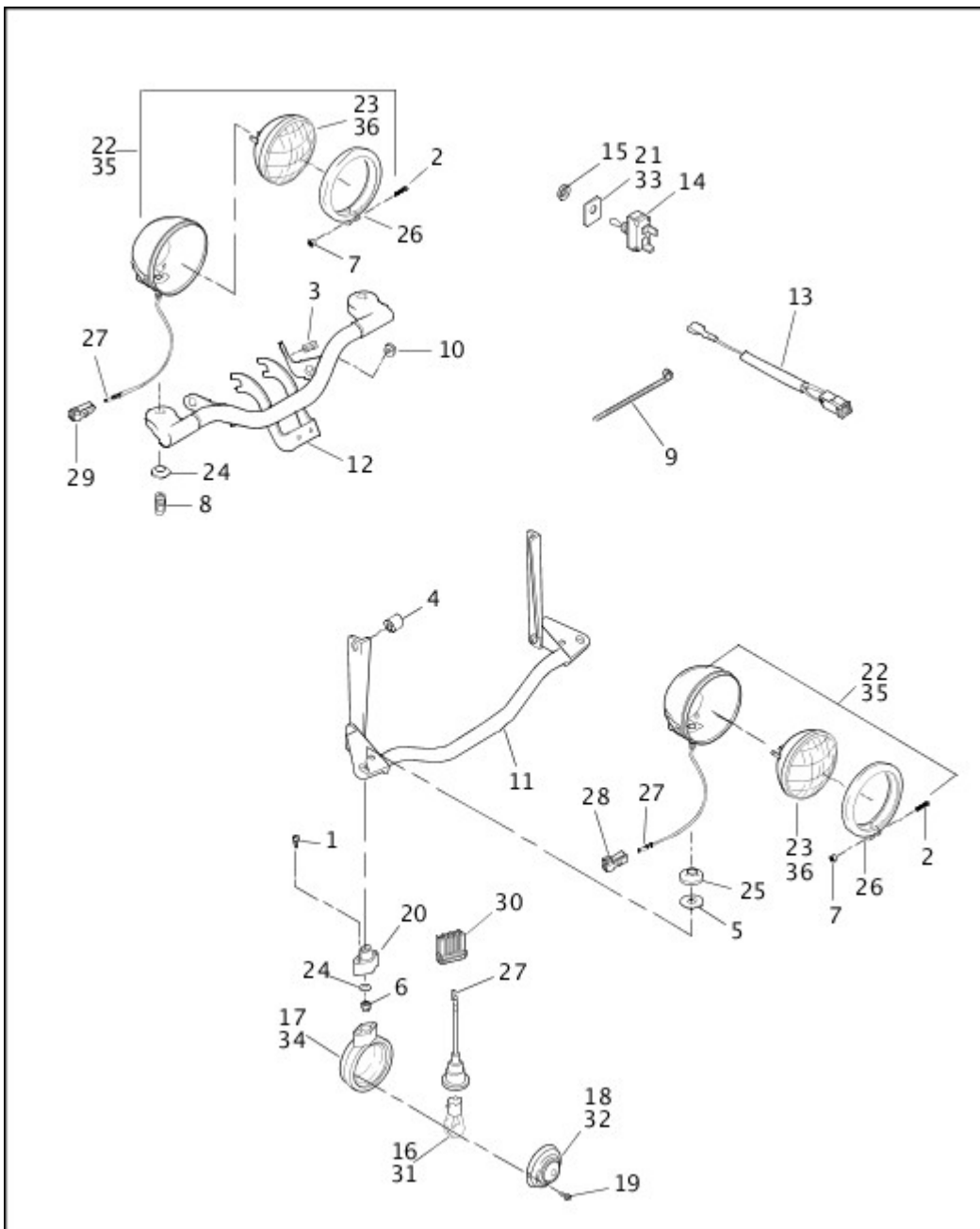
View interactive image

View interactive table

INDEX NO.	PART NO.	DESCRIPTION	MODEL(S)
39	70586-93	CONNECTOR, butt splice, 16-22 gauge (4)	ALL
40	72056-92	INSULATOR, spade terminal (3-way)	ALL
41	72243-94	TERMINAL, 1/4 female	FLSTC, FLSTCI, FLSTF, FLSTFI, FLSTS, FLSTSI, FXSTD, FXSTDI, FXSTS, FXSTSI
42	72249-94	SHRINK TUBE	FLSTC, FLSTCI, FLSTF, FLSTFI, FLSTS, FLSTSI, FXSTD, FXSTDI, FXSTS, FXSTSI
43	73190-96	PIN TERMINAL, 16-20 gauge (2)	FLSTC, FLSTCI, FLSTF, FLSTFI, FLSTS, FLSTSI

INDEX NO.	PART NO.	DESCRIPTION	MODEL(S)
44	73102-96BK	PIN HOUSING, 2-place	FLSTC, FLSTCI, FLSTF, FLSTFI, FLSTS, FLSTSI
45	73154-96BK	SOCKET HOUSING, 4-place	ALL
46	73191-96	CONTACT SOCKET, 16-20 gauge (4)	ALL
INTERNATIONAL MODELS ONLY			
47	53438-92	BULB, position lamp	ALL
48	67602-94	GASKET, headlamp	FLSTS, FLSTSI, FXSTD, FXSTDI, FXSTS, FXSTSI
49	67604-94	ADAPTER RING	FLSTS, FLSTSI, FXSTD, FXSTDI, FXSTS, FXSTSI
50	67691-92	GROMMET, position lamp	ALL
51	67763-92A	LENS ASSEMBLY, w/ bulb & boot, R.H. Dip	FLSTS, FLSTSI, FXST, FXSTB, FXSTBI, FXSTD, FXSTDI, FXSTI, FXSTS, FXSTSI
	67781-92A	LENS ASSEMBLY, w/ bulb & boot, L.H. Dip	FLSTS, FLSTSI, FXST, FXSTB, FXSTBI, FXSTD, FXSTDI, FXSTI, FXSTS, FXSTSI
52	67793-92A	LENS ASSEMBLY, w/ bulb & boot, R.H. Dip	FLSTC, FLSTCI, FLSTF, FLSTFI
	67801-92A	LENS ASSEMBLY, w/ bulb & boot, L.H. Dip	FLSTC, FLSTCI, FLSTF, FLSTFI
53	67798-92	BOOT	FLSTC, FLSTCI, FLSTF, FLSTFI
54	69715-05A	HEADLAMP, complete w/ wiring, 5-3/4 inch (R.H. dip)	FXSTD, FXSTDI
55	68650-92	SOCKET, position lamp	FLSTS, FLSTSI, FXST, FXSTB, FXSTBI, FXSTD, FXSTDI, FXSTI, FXSTS, FXSTSI
	68654-92	SOCKET, position lamp	FLSTC, FLSTCI, FLSTF, FLSTFI
56	69696-05	SHELL ASSEMBLY, headlamp, w/ wiring, 5-3/4 inch (L.H. dip)	FXST, FXSTB, FXSTBI, FXSTI
57	69717-05A	SHELL ASSEMBLY, headlamp, w/ wiring, 5-3/4 inch (L.H. dip)	FLSTS, FLSTSI, FXSTS, FXSTSI
58	69750-05B	SHELL ASSEMBLY, headlamp, w/ wiring, 7 inch (R.H. dip)	FLSTC, FLSTCI, FLSTF, FLSTFI

AUXILIARY/FOG LAMPS - FLSTC/I & FLSTS/I, FRONT TURN SIGNALS - FLSTC/I



[View interactive image](#)

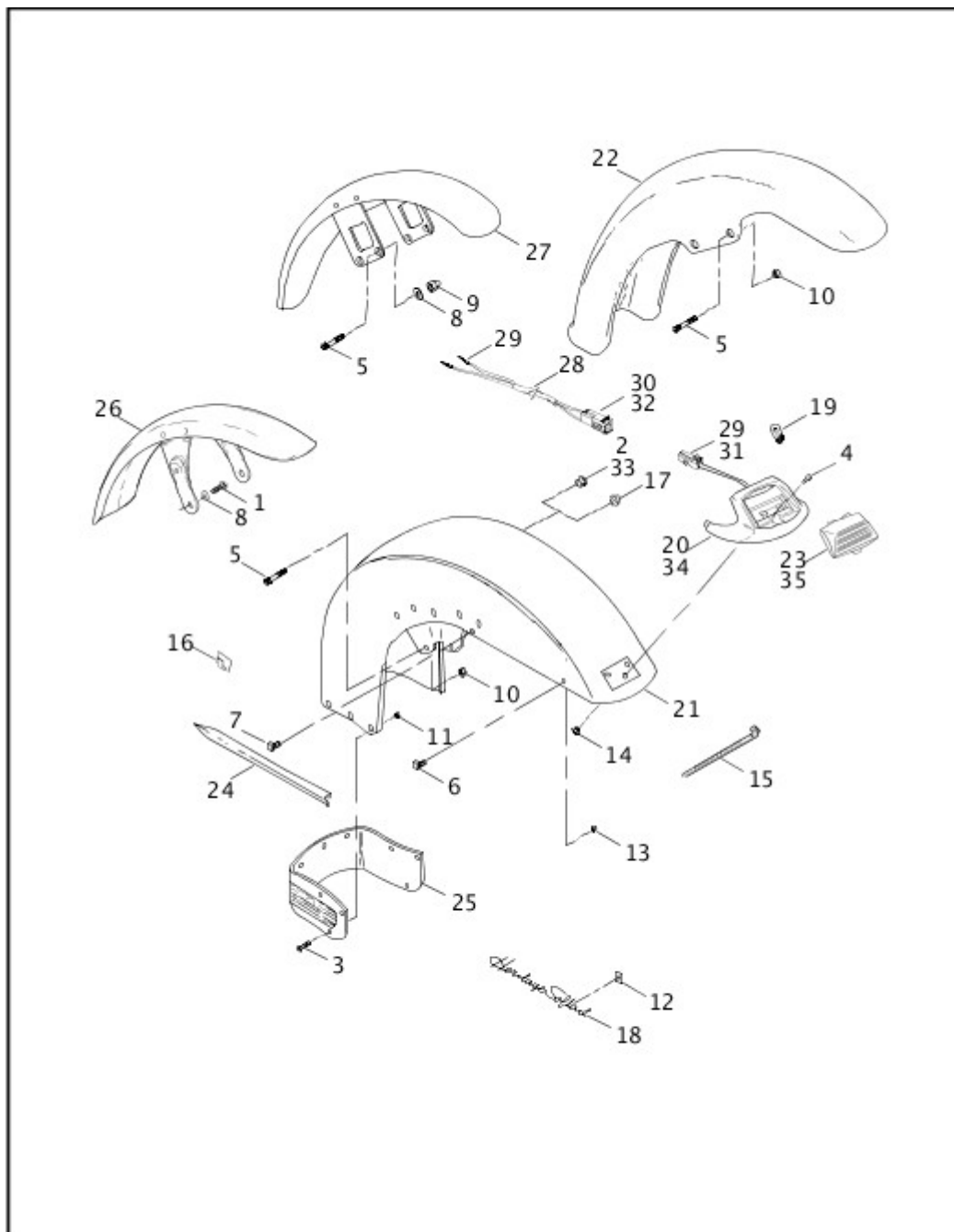
[View interactive table](#)

INDEX NO.	PART NO.	DESCRIPTION	MODEL(S)
1	2647B	SCREW (4)	FLSTC, FLSTCI
2	3514	SCREW (2)	FLSTC, FLSTCI, FLSTS, FLSTSI
3	3538	SCREW (2)	FLSTS, FLSTSI
4	5885	SPACER (2)	FLSTC, FLSTCI
5	6072	WASHER, belleville (2)	FLSTC, FLSTCI
6	7601	LOCKNUT (2)	FLSTC, FLSTCI
7	7606	LOCKNUT (2)	FLSTC, FLSTCI, FLSTS, FLSTSI
8	7892	NUT, auxiliary lamp (2)	FLSTS, FLSTSI
9	10065	CABLE STRAP	FLSTC, FLSTCI, FLSTS, FLSTSI

INDEX NO.	PART NO.	DESCRIPTION	MODEL(S)
10	11410	GROMMET (2)	FLSTS, FLSTSI
11	58082-02A	BRACKET, auxiliary lamps	FLSTC, FLSTCI
12	58089-97	BRACKET, auxiliary lamps	FLSTS, FLSTSI
13	67615-96	WIRING HARNESS, auxiliary lamps	FLSTC, FLSTCI
14	67858-89	TOGGLE SWITCH, auxiliary lamps	FLSTC, FLSTCI, FLSTS, FLSTSI
	67915-00	TOGGLE SWITCH ASSEMBLY, auxiliary lamps, w/ wire harness	FLSTS, FLSTSI
15	67846-70	NUT, toggle switch	FLSTC, FLSTCI, FLSTS, FLSTSI
16	68168-89A	BULB, turn signal (2)	FLSTC, FLSTCI
17	68766-94	TURN SIGNAL, front (2)	FLSTC, FLSTCI
18	68440-86	LENS, turn signal (amber) (2)	FLSTC, FLSTCI
19	68452-86	SCREW (4)	FLSTC, FLSTCI
20	68519-68A	MOUNTING BRACKET (2)	FLSTC, FLSTCI
21	68619-83	LABEL, auxiliary lamp switch	FLSTC, FLSTCI
	68798-97A	LABEL, auxiliary lamp switch	FLSTS, FLSTSI
22	68671-69D	AUXILIARY LAMP ASSEMBLY, w/ 3514 (2)	FLSTC, FLSTCI, FLSTS, FLSTSI
23	68674-69A	SEALED UNIT, auxiliary lamps (2)	FLSTC, FLSTCI, FLSTS, FLSTSI
24	68720-62	CLAMP BLOCK, auxiliary lamps (2)	FLSTC, FLSTCI, FLSTS, FLSTSI
25	68721-62	SWIVEL BLOCK, auxiliary lamps (2)	FLSTC, FLSTCI
26	68725-62A	MOLDING, auxiliary lamps (2)	FLSTC, FLSTCI, FLSTS, FLSTSI
27	73191-96	SOCKET CONTACT, 16-20 gauge (8)	FLSTC, FLSTCI, FLSTS, FLSTSI
28	73152-96BK	SOCKET HOUSING, 2-place	FLSTC, FLSTCI
29	73152-96WE	SOCKET HOUSING, 2-place (white)	FLSTS, FLSTSI
30	73156-96BK	SOCKET HOUSING, 6-place	FLSTC, FLSTCI
INTERNATIONAL MODELS ONLY			
31	68163-84	BULB, turn signal (HDI) (2)	FLSTC, FLSTCI
32	68505-90	LENS, turn signal (amber) (HDI) (2)	FLSTC, FLSTCI
33	68730-98	LABEL, fog lamp switch (HDI)	FLSTS, FLSTSI
34	68767-94	TURN SIGNAL (HDI) (2)	FLSTC, FLSTCI

INDEX NO.	PART NO.	DESCRIPTION	MODEL(S)
35	68846-98C	FOG LAMP ASSEMBLY, w/ 3514 (HDI) (2)	FLSTC, FLSTCI, FLSTS, FLSTSI
36	68847-98A	SEALED UNIT, fog lamps (HDI) (2)	FLSTC, FLSTCI, FLSTS, FLSTSI

FRONT FENDER - FXST/I, FXSTB/I, FXSTD/I, FLSTC/I & FLSTF/I



[View interactive image](#)

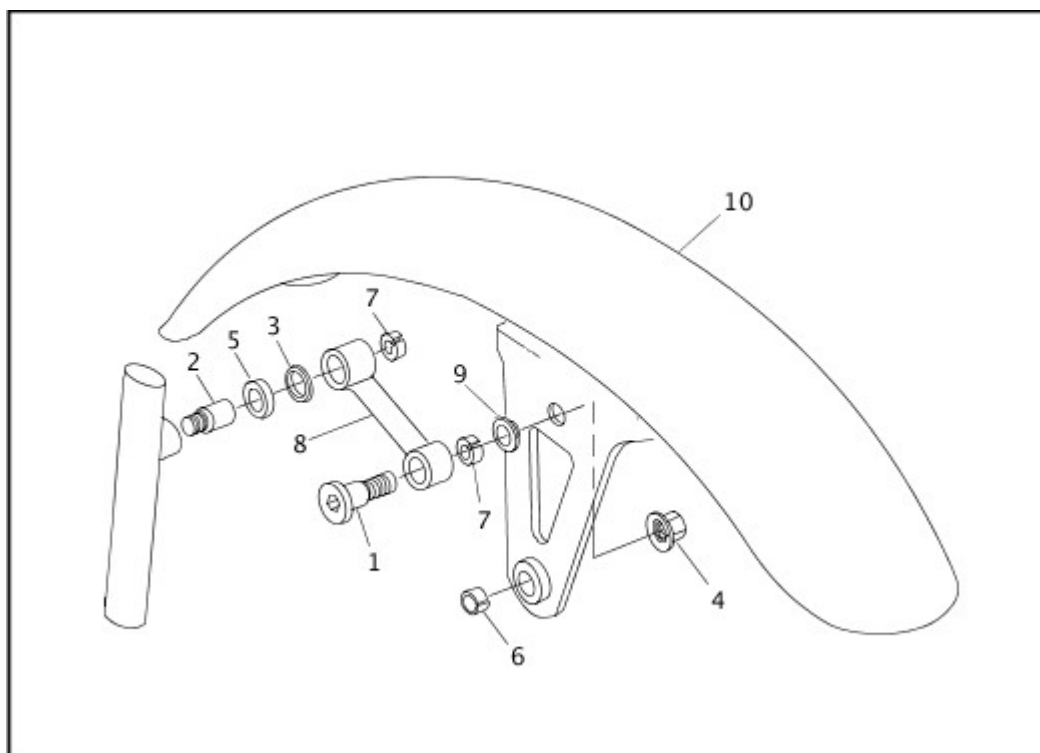
[View interactive table](#)

INDEX NO.	PART NO.	DESCRIPTION	MODEL(S)
NOTE: Refer to Painted Parts Book for painted part numbers.			
1	994	SCREW (4)	FXSTD, FXSTDI
2	755	HOLE PLUG	FLSTC, FLSTCI

INDEX NO.	PART NO.	DESCRIPTION	MODEL(S)
3	2531	SCREW (8)	FLSTC, FLSTCI
4	2604	SCREW (2)	FLSTC, FLSTCI
5	3485A	SCREW (4)	FLSTC, FLSTCI, FLSTF, FLSTFI, FXST, FXSTB, FXSTBI, FXSTDI, FXSTI
6	3560WA	BOLT (2)	FLSTC, FLSTCI
7	3561WC	BOLT (2)	FLSTC, FLSTCI
8	6702	WASHER (4)	FXST, FXSTB, FXSTBI, FXSTD, FXSTDI, FXSTI
9	7507	ACORN NUT (4)	FXST, FXSTB, FXSTBI, FXSTI
10	7531	LOCKNUT (4)	FLSTC, FLSTCI, FLSTF, FLSTFI
11	7600	NUT (8)	FLSTC, FLSTCI
12	7613A	PUSH NUT (6)	FLSTC, FLSTCI
13	7624	LOCKNUT (4)	FLSTC, FLSTCI
14	7629	NUT (2)	FLSTC, FLSTCI
15	10065	CABLE STRAP (2)	FLSTC, FLSTCI
16	10102	CLIP	FLSTC, FLSTCI
17	11437	GROMMET	FLSTC, FLSTCI
18	14142-86A	TRIM, "Heritage Softail" (2)	FLSTC, FLSTCI
19	68193-95	BULB, fender tip lamp	FLSTC, FLSTCI
20	68706-00	LAMP ASSEMBLY, fender tip, includes lens, bulb & connector assembly	FLSTC, FLSTCI
21	59129-86A	FENDER (prime)	FLSTC, FLSTCI
22	59139-00A	FENDER (prime)	FLSTF, FLSTFI
23	59180-80	LENS, fender lamp (amber)	FLSTC, FLSTCI
24	59211-74A	SIDE TRIM (2)	FLSTC, FLSTCI
25	59235-86	TRIM SKIRT, lower	FLSTC, FLSTCI
26	59876-00A	FENDER (prime)	FXSTD, FXSTDI
27	59924-80B	FENDER (prime)	FXST, FXSTB, FXSTBI, FXSTI
28	70196-00	HARNESS ASSEMBLY, front fender tip light	FLSTC, FLSTCI
29	73191-96	SOCKET CONTACT, 16-20 gauge (4)	FLSTC, FLSTCI
30	73102-96BK	PIN HOUSING, 2-place	FLSTC, FLSTCI
31	73152-96BK	SOCKET HOUSING, 2-place	FLSTC, FLSTCI

INDEX NO.	PART NO.	DESCRIPTION	MODEL(S)
32	73190-96	PIN TERMINAL, 16-20 gauge (2)	FLSTC, FLSTCI
INTERNATIONAL MODELS ONLY			
33	755	HOLE PLUG (HDI) (2)	FLSTC, FLSTCI
34	59116-96	FENDER TIP ASSEMBLY (HDI)	FLSTC, FLSTCI
35	59201-96	LENS, fender tip (chrome) (HDI)	FLSTC, FLSTCI

FRONT FENDER - FXSTS/I



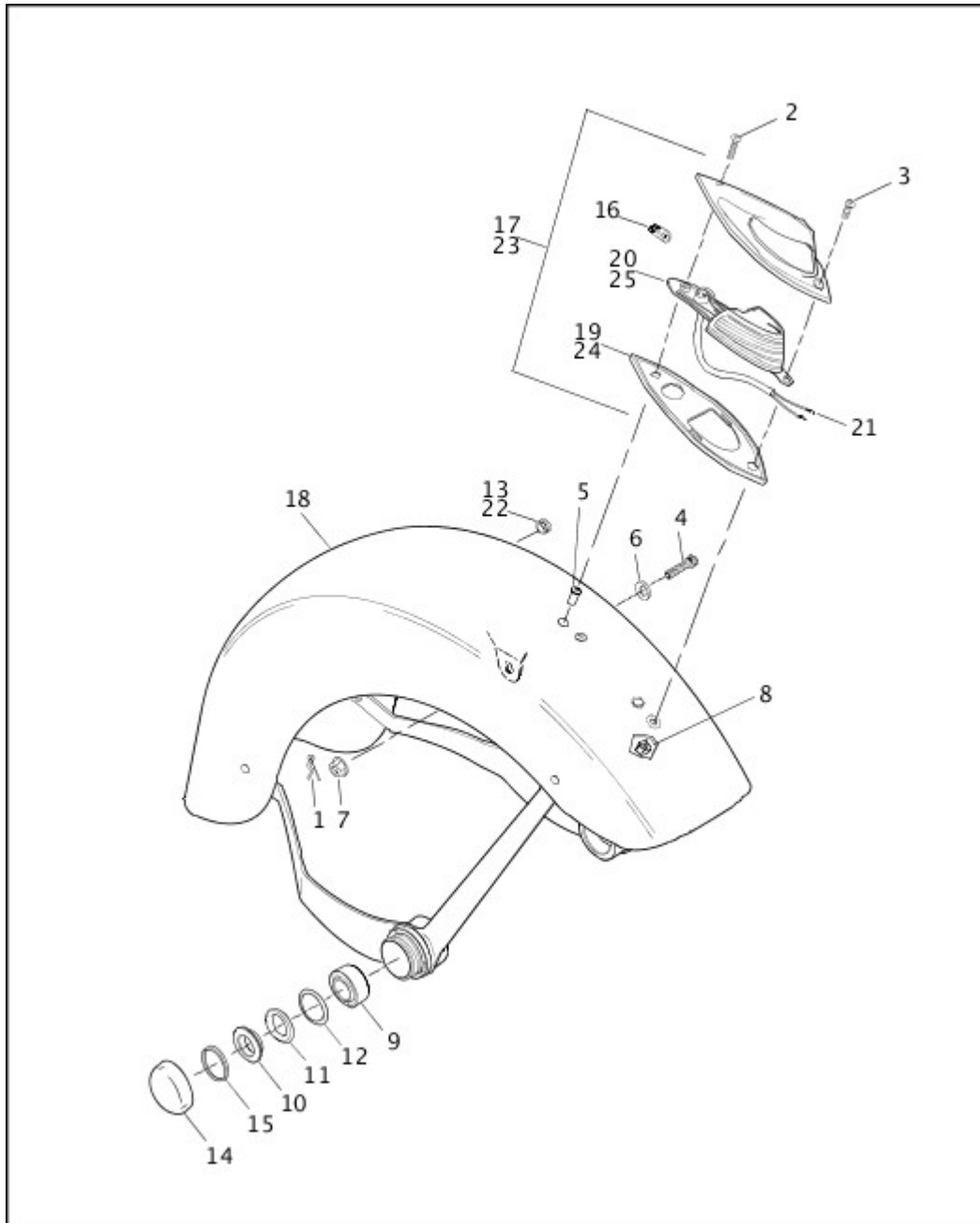
[View interactive image](#)

[View interactive table](#)

INDEX NO.	PART NO.	DESCRIPTION	MODEL(S)
NOTE: Refer to Painted Parts Book for painted part numbers.			
1	2723A	SCREW, shoulder (2)	FXSTS, FXSTSI
2	2738	PIVOT SHAFT (2)	FXSTS, FXSTSI
3	6409	WASHER (2)	FXSTS, FXSTSI
4	7531	LOCKNUT (2)	FXSTS, FXSTSI
5	11244	SPACER (rubber) (2)	FXSTS, FXSTSI
6	33714-90B	BUSHING	FXSTS, FXSTSI
7	33720-93	BEARING (4)	FXSTS, FXSTSI
8	41042-93	PIVOT LINK, w/ 33720-93 (2)	FXSTS, FXSTSI

INDEX NO.	PART NO.	DESCRIPTION	MODEL(S)
9	59043-93	INSERT, fender (2)	FXSTS, FXSTSI
10	59176-96A	FENDER (prime)	FXSTS, FXSTSI

FRONT FENDER - FLSTS/I



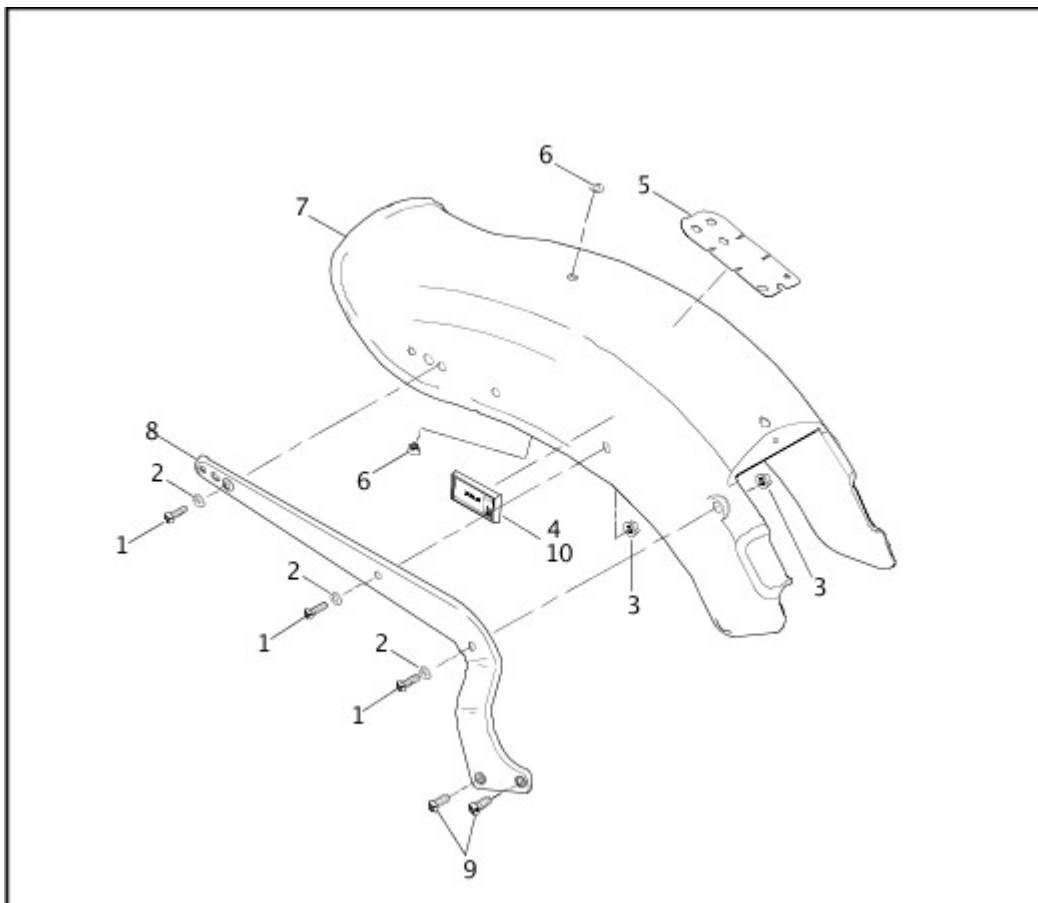
[View interactive image](#)

[View interactive table](#)

INDEX NO.	PART NO.	DESCRIPTION	MODEL(S)
NOTE: Refer to Painted Parts Book for painted part numbers.			
1	509	SPRING PIN	FLSTS, FLSTSI
2	2447	SCREW	FLSTS, FLSTSI
3	2448	SCREW	FLSTS, FLSTSI

INDEX NO.	PART NO.	DESCRIPTION	MODEL(S)
4	3268	SCREW, w/ hole for spring clip	FLSTS, FLSTSI
5	5216	CRIMP NUT	FLSTS, FLSTSI
6	6109	WASHER	FLSTS, FLSTSI
7	7739	LOCKNUT	FLSTS, FLSTSI
8	7838	NUT	FLSTS, FLSTSI
9	9194	SPHERICAL BEARING (2)	FLSTS, FLSTSI
10	9196	SPACER, right	FLSTS, FLSTSI
	9268	SPACER, left, axle nut (not shown)	FLSTS, FLSTSI
11	9207	NYLON INSERT, w/ 11261 (2)	FLSTS, FLSTSI
12	11261	O-RING (2)	FLSTS, FLSTSI
13	11437	GROMMET	FLSTS, FLSTSI
14	43466-97	FENDER HUB CAP (2)	FLSTS, FLSTSI
15	43467-97	SEAL, fender hub cap (2)	FLSTS, FLSTSI
16	52441-95	BULB, front fender	FLSTS, FLSTSI
17	59118-00	LAMP ASSEMBLY, front fender	FLSTS, FLSTSI
18	59164-97A	FENDER (prime)	FLSTS, FLSTSI
19	59355-97	MOUNTING PAD, fender lamp	FLSTS, FLSTSI
20	59357-00	LENS ASSEMBLY, fender lamp	FLSTS, FLSTSI
21	73191-96	CONTACT SOCKET (2)	FLSTS, FLSTSI
INTERNATIONAL MODELS ONLY			
22	755	PLUG	FLSTS, FLSTSI
23	59122-97	DECORATIVE LENS ASSEMBLY (HDI)	FLSTS, FLSTSI
24	59355-97	MOUNTING PAD, fender lamp (HDI)	FLSTS, FLSTSI
25	59358-97	LENS, front fender (chrome) (HDI)	FLSTS, FLSTSI

REAR FENDER & SUPPORTS - FXST/I, FXSTS/I & FXSTB/I



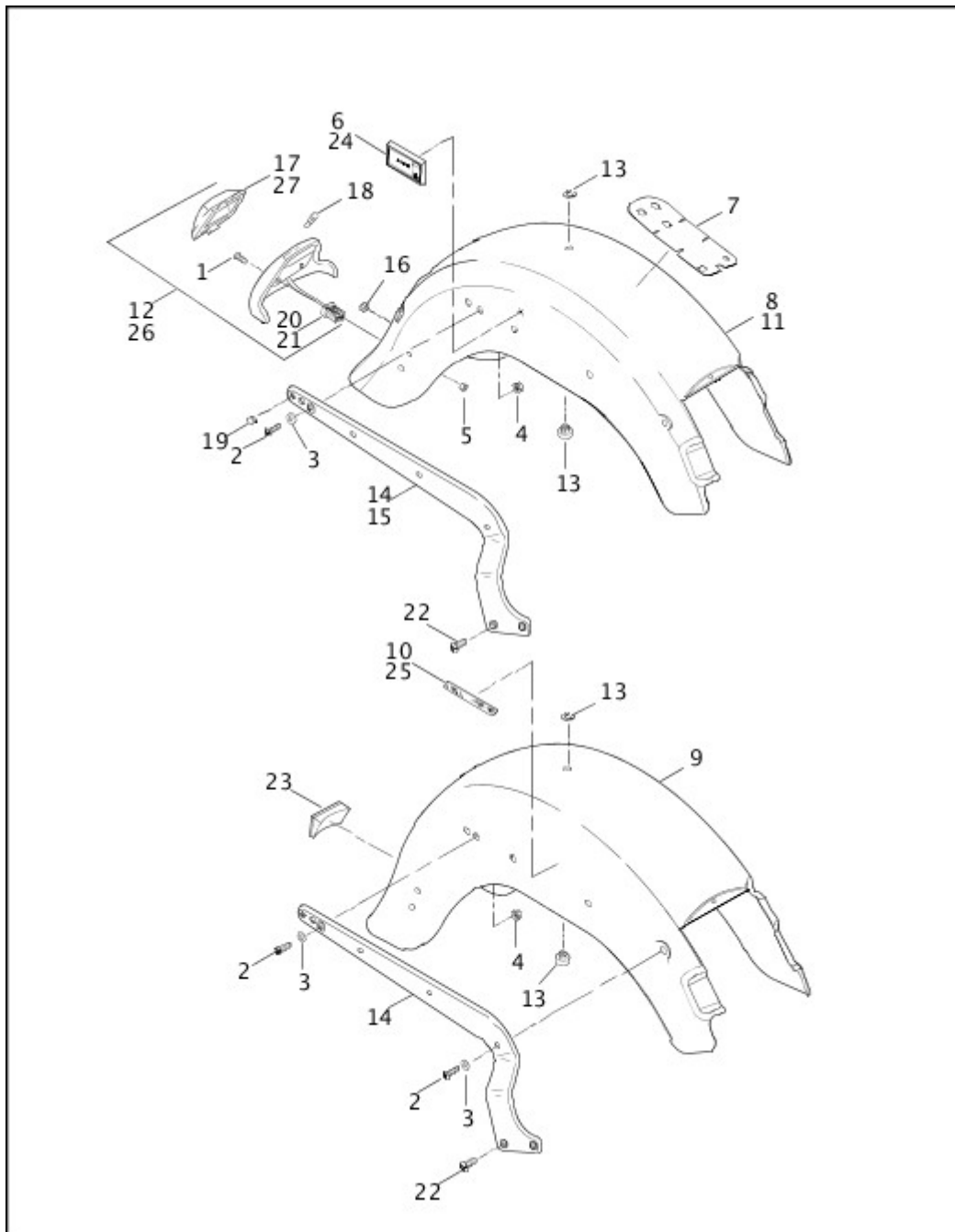
View interactive image

View interactive table

INDEX NO.	PART NO.	DESCRIPTION	MODEL(S)
NOTE: Refer to Painted Parts Book for painted part numbers.			
1	4188	SCREW (6)	FXST, FXSTB, FXSTBI, FXSTI, FXSTS, FXSTSI
2	6379W	WASHER (6)	FXST, FXSTB, FXSTBI, FXSTI, FXSTS, FXSTSI
3	7601	LOCKNUT (8)	FXST, FXSTB, FXSTBI, FXSTI, FXSTS, FXSTSI
4	59255-91	REFLECTOR, rectangular (red) (2)	FXST, FXSTB, FXSTBI, FXSTI, FXSTS, FXSTSI
5	59567-00C	PROTECTIVE TAPE, rear fender	FXST, FXSTB, FXSTBI, FXSTI, FXSTS, FXSTSI
6	59768-97	FENDER SEAT NUT KIT (2)	FXST, FXSTB, FXSTBI, FXSTI, FXSTS, FXSTSI
7	59914-00A	FENDER ASSEMBLY (prime)	FXST, FXSTB, FXSTBI, FXSTI, FXSTS, FXSTSI
8	59964-00	SUPPORT, right (chrome)	FXST, FXSTI, FXSTS, FXSTSI
	59969-00	SUPPORT, left (chrome)	FXST, FXSTI, FXSTS, FXSTSI
	58991-00	SUPPORT, right (black wrinkle)	FXSTB, FXSTBI

INDEX NO.	PART NO.	DESCRIPTION	MODEL(S)
	59066-00	SUPPORT, left (black wrinkle)	FXSTB, FXSTBI
9	94605-98	SCREW (4)	FXST, FXSTB, FXSTBI, FXSTI, FXSTS, FXSTSI
INTERNATIONAL MODELS ONLY			
10	59254-91	REFLECTOR (amber) (2)	FXST, FXSTB, FXSTBI, FXSTI, FXSTS, FXSTSI

REAR FENDER & SUPPORTS - FLSTC/I, FLSTF/I & FLSTS/I



[View interactive image](#)

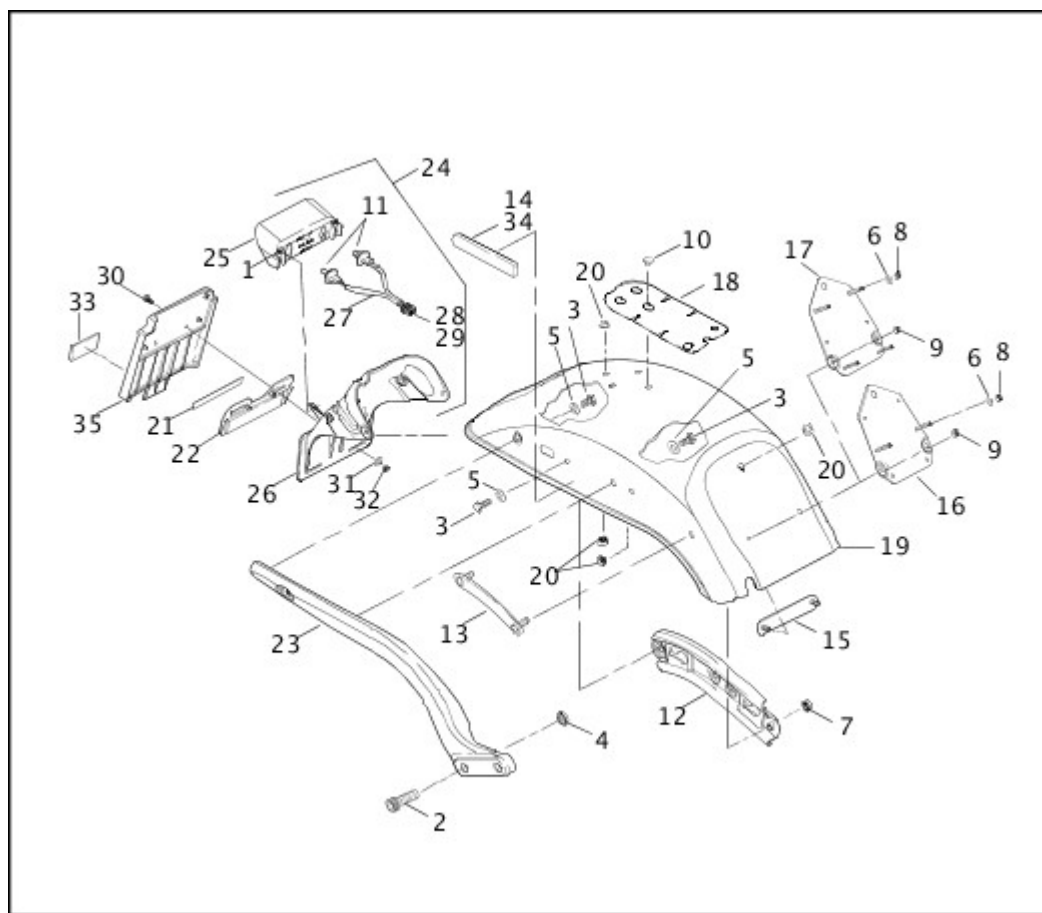
[View interactive table](#)

INDEX NO.	PART NO.	DESCRIPTION	MODEL(S)
-----------	----------	-------------	----------

INDEX NO.	PART NO.	DESCRIPTION	MODEL(S)
NOTE: Refer to Painted Parts Book for painted part numbers.			
1	2604	SCREW (2)	FLSTC, FLSTCI
2	4188	SCREW (2)	FLSTC, FLSTCI
2	4188	SCREW (4)	FLSTF, FLSTFI, FLSTS, FLSTSI
3	6379W	WASHER (2)	FLSTC, FLSTCI
3	6379W	WASHER (4)	FLSTF, FLSTFI, FLSTS, FLSTSI
4	7601	LOCKNUT (4)	FLSTC, FLSTCI, FLSTF, FLSTFI, FLSTS, FLSTSI
5	7629	NUT (2)	FLSTC, FLSTCI
6	59255-91	REFLECTOR, rectangular (red) (2)	FLSTC, FLSTCI, FLSTF, FLSTFI
7	59567-00C	PROTECTIVE TAPE	FLSTC, FLSTCI, FLSTF, FLSTFI, FLSTS, FLSTSI
8	59144-00A	REAR FENDER (primed)	FLSTC, FLSTCI
9	59155-00B	REAR FENDER (primed)	FLSTS, FLSTSI
10	59287-92	REFLECTOR, right (red)	FLSTS, FLSTSI
	59288-92	REFLECTOR, left (red)	FLSTS, FLSTSI
11	59596-00A	REAR FENDER (primed)	FLSTF, FLSTFI
12	59672-99	LAMP ASSEMBLY, rear fender tip	FLSTC, FLSTCI
13	59768-97	FENDER SEAT NUT KIT	FLSTC, FLSTCI, FLSTF, FLSTFI, FLSTS, FLSTSI
14	59955-00	SUPPORT, right (chrome)	FLSTC, FLSTCI, FLSTS, FLSTSI
	59954-00	SUPPORT, left (chrome)	FLSTC, FLSTCI, FLSTS, FLSTSI
15	59964-00	SUPPORT, right (chrome)	FLSTF, FLSTFI
	59969-00	SUPPORT, left (chrome)	FLSTF, FLSTFI
16	67266-94	GROMMET, turn signal (2)	FLSTC, FLSTCI
17	68046-79	LENS, rear fender lamp	FLSTC, FLSTCI
18	68193-95	BULB, rear fender tip lamp	FLSTC, FLSTCI
19	68446-00	PLUG, button (2)	FLSTC, FLSTCI
20	73191-96	SOCKET CONTACT, 16-20 gauge (3)	FLSTC, FLSTCI
21	73153-96BK	SOCKET HOUSING, 3-place	FLSTC, FLSTCI
22	94605-98	SCREW (4)	FLSTC, FLSTCI, FLSTF, FLSTFI, FLSTS, FLSTSI
INTERNATIONAL MODELS ONLY			

INDEX NO.	PART NO.	DESCRIPTION	MODEL(S)
23	59251-90	REFLECTOR ASSEMBLY, rear (red)	FLSTC, FLSTCI, FLSTF, FLSTFI, FLSTS, FLSTSI
24	59254-91	REFLECTOR (amber) (2)	FLSTC, FLSTCI, FLSTF, FLSTFI
25	59289-92	REFLECTOR, right (amber) (HDI)	FLSTS, FLSTSI
	59290-92	REFLECTOR, left (amber) (HDI)	FLSTS, FLSTSI
26	59117-96	FENDER TIP ASSEMBLY (HDI)	FLSTC, FLSTCI
27	68081-96	LENS, rear fender tip, chrome (HDI)	FLSTC, FLSTCI

REAR FENDER, SUPPORTS & LICENSE PLATE BRACKET - FXSTD/I



[View interactive image](#)

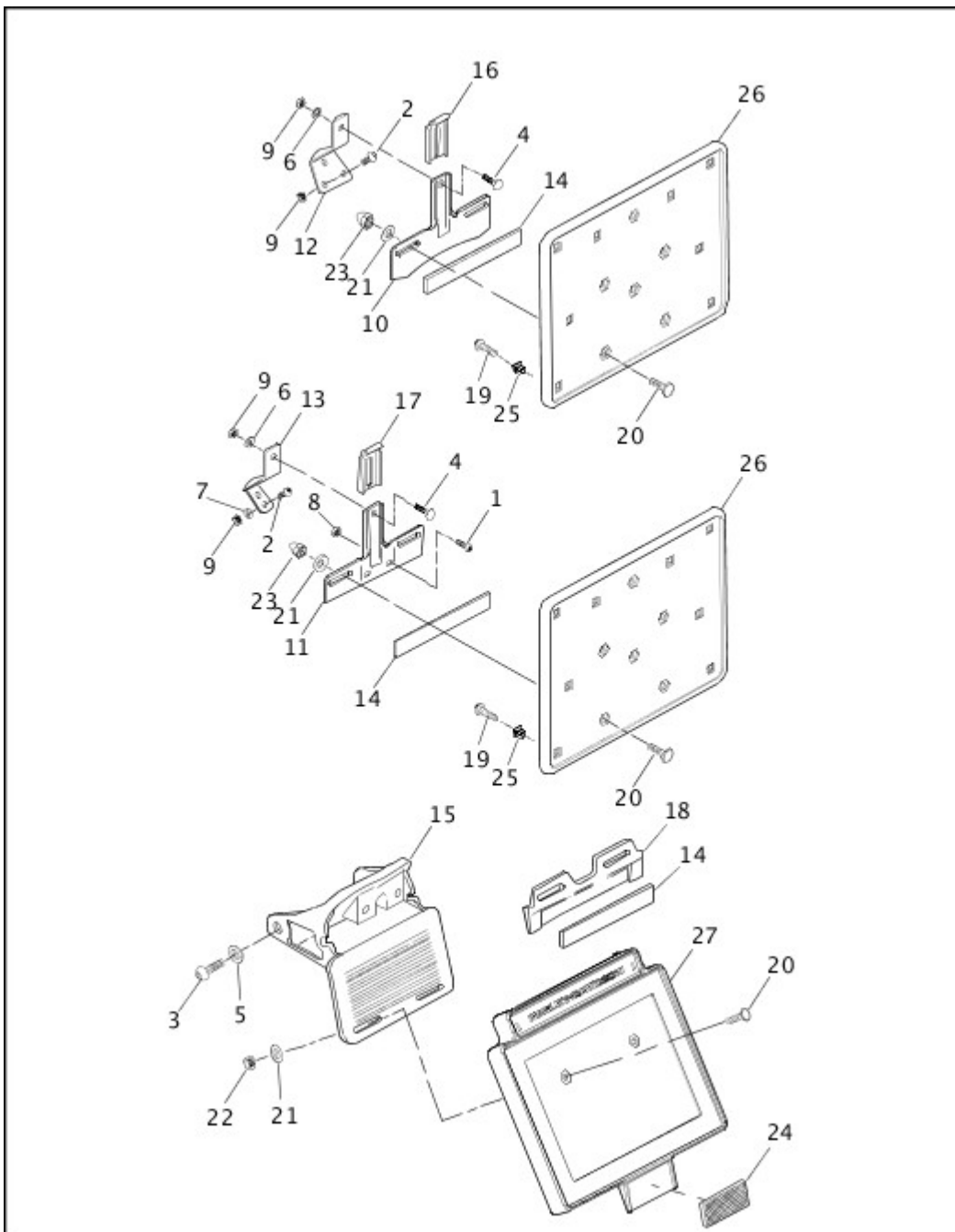
[View interactive table](#)

INDEX NO.	PART NO.	DESCRIPTION	MODEL(S)
NOTE: Refer to Painted Parts Book for painted part numbers.			
1	2646	SCREW (2)	FXSTD, FXSTDI
2	2917	SCREW (4)	FXSTD, FXSTDI
3	3987	BOLT (6)	FXSTD, FXSTDI
4	6296	SPACER (2)	FXSTD, FXSTDI

INDEX NO.	PART NO.	DESCRIPTION	MODEL(S)
5	6702	WASHER (8)	FXSTD, FXSTDI
6	6716	WASHER (2)	FXSTD
6	6716	WASHER (EFI) (4)	FXSTDI
7	7601	LOCKNUT (4)	FXSTD, FXSTDI
8	7629	NUT (2)	FXSTD
8	7629	NUT (EFI) (4)	FXSTDI
9	7792	NUT (2)	FXSTD, FXSTDI
10	10228	PLUG (3)	FXSTD, FXSTDI
11	53436-97	BULB, wedge #W5W	FXSTD, FXSTDI
12	56627-00	FENDER REINFORCEMENT, right	FXSTD, FXSTDI
	56628-00	FENDER REINFORCEMENT, left	FXSTD, FXSTDI
13	59053-00	BRACKET, fender mounting (2)	FXSTD, FXSTDI
14	59287-92	REFLECTOR, R.H. (red)	FXSTD, FXSTDI
	59288-92	REFLECTOR, L.H. (red)	FXSTD, FXSTDI
15	59438-00	BRACKET ASSEMBLY, ECM mounting	FXSTD, FXSTDI
16	59465-00	BRACKET ASSEMBLY, ignition module (carburetor)	FXSTD
17	59543-01	BRACKET ASSEMBLY, electronic control module (EFI)	FXSTDI
18	59567-00C	PROTECTIVE TAPE	FXSTD, FXSTDI
19	59759-00	FENDER, prime	FXSTD, FXSTDI
20	59768-97	FENDER SEAT NUT KIT (2)	FXSTD, FXSTDI
21	59988-72A	REFLECTOR, red	FXSTD, FXSTDI
22	60019-93A	REFLECTOR BRACKET	FXSTD, FXSTDI
23	60028-00	FENDER SUPPORT, right (chrome)	FXSTD, FXSTDI
	60035-00	FENDER SUPPORT, left (chrome)	FXSTD, FXSTDI
24	60120-00A	BRACKET, license plate, w/ illuminator	FXSTD, FXSTDI
25	68889-00	ILLUMINATOR ASSEMBLY, license plate	FXSTD, FXSTDI
26	68890-00A	BRACKET, license plate	FXSTD, FXSTDI
27	68891-00	HARNESS ASSEMBLY, license plate illuminator	FXSTD, FXSTDI

INDEX NO.	PART NO.	DESCRIPTION	MODEL(S)
28	73154-96WE	SOCKET HOUSING, 4-way (2) (white)	FXSTD, FXSTDI
29	73191-96	SOCKET CONTACT, 20-16 gauge (4)	FXSTD, FXSTDI
INTERNATIONAL MODELS ONLY			
30	3689	BOLT (HDI) (2)	FXSTD, FXSTDI
31	6703	WASHER (HDI) (2)	FXSTD, FXSTDI
32	7792	NUT (HDI) (2)	FXSTD, FXSTDI
33	59259-90	REFLECTOR, red (HDI)	FXSTD, FXSTDI
34	59289-92	REFLECTOR, R.H. (amber) (HDI)	FXSTD, FXSTDI
	59290-92	REFLECTOR, L.H. (amber) (HDI)	FXSTD, FXSTDI
35	59994-93A	LICENSE PLATE BRACKET (HDI)	FXSTD, FXSTDI

LICENSE PLATE BRACKETS



[View interactive image](#)

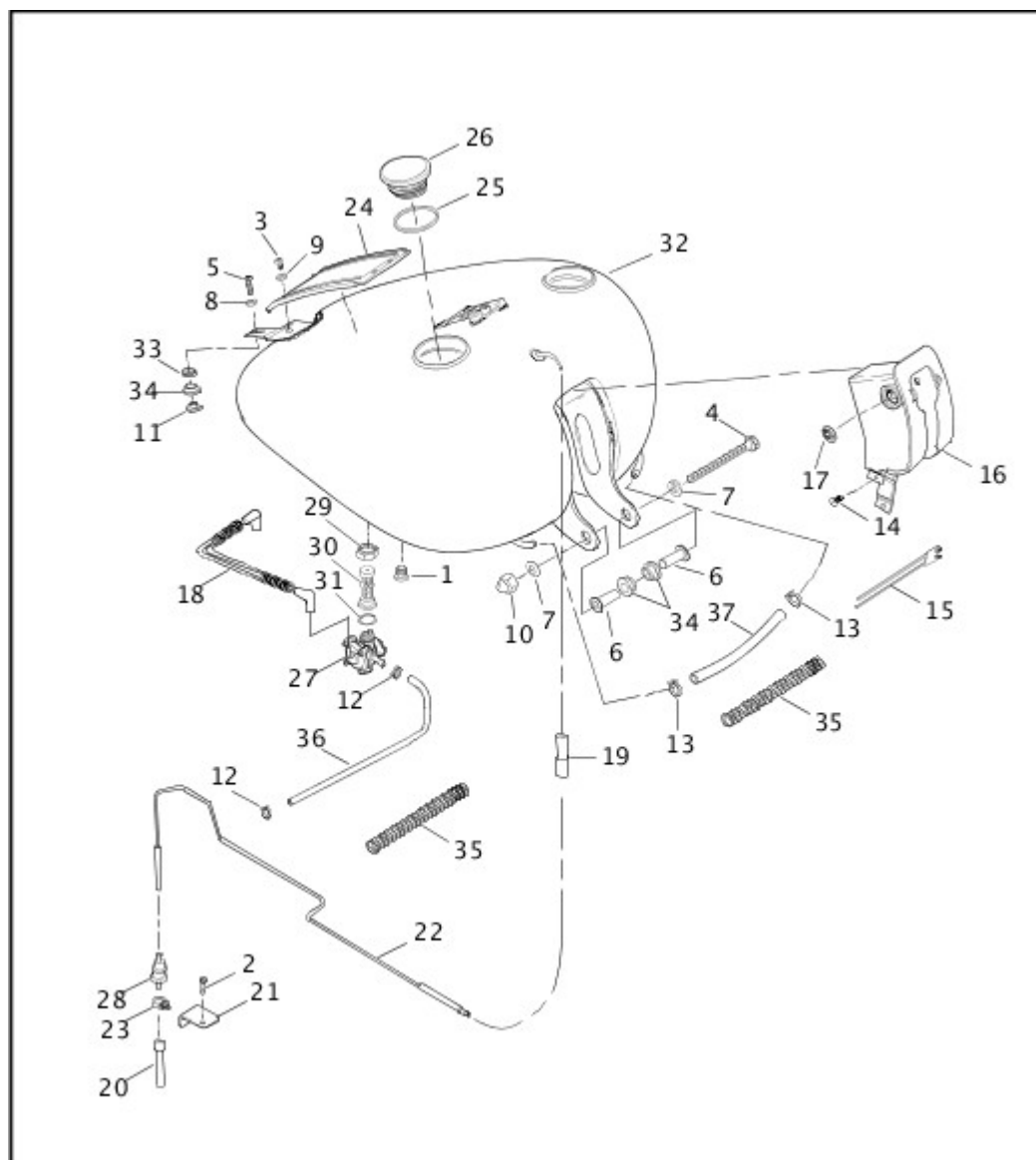
[View interactive table](#)

INDEX NO.	PART NO.	DESCRIPTION	MODEL(S)
1	2604	SCREW (2)	FLSTS, FLSTSI
2	2773	SCREW (2)	FLSTS, FLSTSI
2	2773	SCREW (3)	FLSTC, FLSTCI, FLSTF, FLSTFI
3	3929	SCREW (2)	FXST, FXSTB, FXSTBI, FXSTI, FXSTS, FXSTSI
4	5403B	BOLT	FLSTC, FLSTCI, FLSTF, FLSTFI, FLSTS, FLSTSI
5	6702	WASHER (2)	FXST, FXSTB, FXSTBI, FXSTI, FXSTS, FXSTSI

INDEX NO.	PART NO.	DESCRIPTION	MODEL(S)
6	6703	WASHER	FLSTC, FLSTCI, FLSTF, FLSTFI, FLSTS, FLSTSI
6	6703	WASHER (2)	FXST, FXSTB, FXSTBI, FXSTI, FXSTS, FXSTSI
7	7230	LOCKWASHER (2)	FLSTS, FLSTSI
8	7629	NUT (2)	FLSTS, FLSTSI
9	7792	NUT (3)	FLSTS, FLSTSI
9	7792	NUT (4)	FLSTC, FLSTCI, FLSTF, FLSTFI
9	7792	NUT (5)	FXST, FXSTB, FXSTBI, FXSTI, FXSTS, FXSTSI
10	59984-73	BRACKET, license plate	FLSTC, FLSTCI, FLSTF, FLSTFI
11	60020-97	BRACKET, license plate	FLSTS, FLSTSI
12	59986-75	SUPPORT, license plate	FLSTC, FLSTCI, FLSTF, FLSTFI
13	60021-97	SUPPORT, license plate	FLSTS, FLSTSI
14	59988-72A	REFLECTOR	ALL
15	59993-00A	BRACKET, license plate & tail lamp	FXST, FXSTB, FXSTBI, FXSTI, FXSTS, FXSTSI
16	60001-55	CLAMP	FLSTC, FLSTCI, FLSTF, FLSTFI
17	60003-89	CLAMP	FLSTS, FLSTSI
18	60019-93A	REFLECTOR BRACKET	FXST, FXSTB, FXSTBI, FXSTI, FXSTS, FXSTSI
INTERNATIONAL MODELS ONLY			
19	2731W	SCREW (HDI) (4)	FLSTC, FLSTCI, FLSTF, FLSTFI, FLSTS, FLSTSI
20	3689	BOLT (2)	FXST, FXSTB, FXSTBI, FXSTI, FXSTS, FXSTSI
20	3689	BOLT (3)	FLSTC, FLSTCI, FLSTF, FLSTFI, FLSTS, FLSTSI
21	6703	WASHER (2)	FXST, FXSTB, FXSTBI, FXSTI, FXSTS, FXSTSI
	6253W	WASHER (3)	FLSTC, FLSTCI, FLSTF, FLSTFI, FLSTS, FLSTSI
22	7792	NUT (HDI) (2)	FXST, FXSTB, FXSTBI, FXSTI, FXSTS, FXSTSI
23	31589-80	ACORN NUT (3)	FLSTC, FLSTCI, FLSTF, FLSTFI, FLSTS, FLSTSI
24	59259-90	REFLECTOR, red	FXST, FXSTB, FXSTBI, FXSTI, FXSTS, FXSTSI
25	59292-94	NUT, plastic (HDI) (4)	FLSTC, FLSTCI, FLSTF, FLSTFI, FLSTS, FLSTSI

INDEX NO.	PART NO.	DESCRIPTION	MODEL(S)
26	60026-97	LICENSE PLATE BRACKET, w/ 2731W & 59292-94 (HDI)	FLSTC, FLSTCI, FLSTF, FLSTFI, FLSTS, FLSTSI
27	59994-93A	LICENSE PLATE BRACKET (HDI)	FXST, FXSTB, FXSTBI, FXSTI, FXSTS, FXSTSI

FUEL TANK



[View interactive image](#)

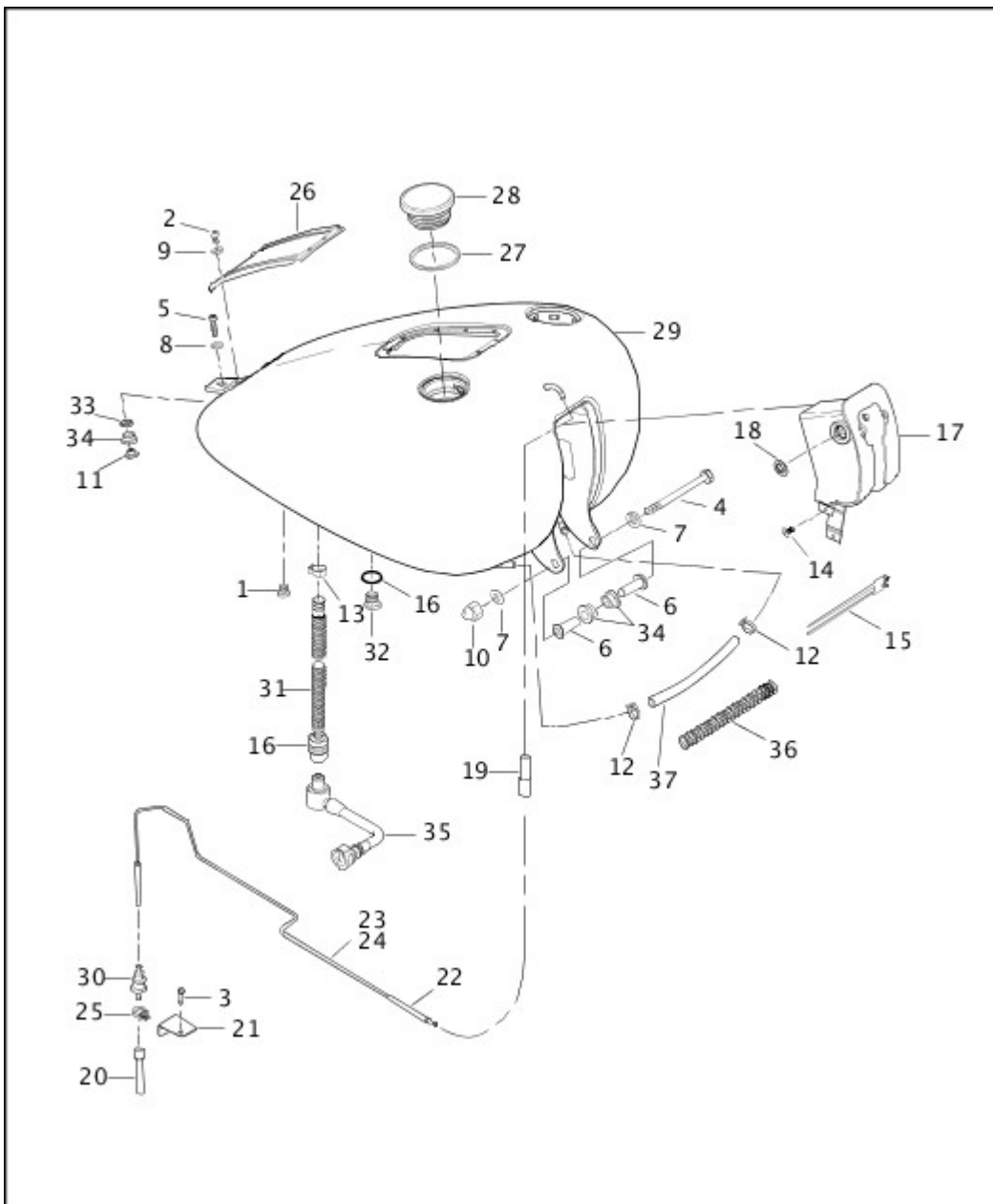
[View interactive table](#)

INDEX NO.	PART NO.	DESCRIPTION	MODEL(S)
NOTE: Refer to Painted Parts Book for painted part numbers.			
1	758	PLUG, drain	FLSTC, FLSTF, FLSTS, FXST, FXSTB, FXSTS
2	3893	SCREW	FLSTC, FLSTF, FLSTS, FXST, FXSTB, FXSTS

INDEX NO.	PART NO.	DESCRIPTION	MODEL(S)
3	3017	SCREW	FLSTC, FLSTF, FLSTS, FXST, FXSTB, FXSTS
4	4197	BOLT	FLSTC, FLSTF, FLSTS, FXST, FXSTB, FXSTS
5	4763	SCREW	FLSTC, FLSTF, FLSTS, FXST, FXSTB, FXSTS
6	5818A	BUSHING, front tank mount (2)	FLSTC, FLSTF, FLSTS, FXST, FXSTB, FXSTS
7	6400HB	WASHER (2)	FLSTC, FLSTF, FLSTS, FXST, FXSTB, FXSTS
8	6702	WASHER	FLSTC, FLSTF, FLSTS, FXST, FXSTB, FXSTS
9	6716	WASHER	FLSTC, FLSTF, FLSTS, FXST, FXSTB, FXSTS
10	7862	ACORN NUT, acorn	FLSTC, FLSTF, FLSTS, FXST, FXSTB, FXSTS
11	7965	TEE NUT	FLSTC, FLSTF, FLSTS, FXST, FXSTB, FXSTS
12	10014	CLAMP, fuel hose (2)	FLSTC, FLSTF, FLSTS, FXST, FXSTB, FXSTS
13	10038A	CLAMP, fuel crossover hose (2)	FLSTC, FLSTF, FLSTS, FXST, FXSTB, FXSTS
14	10226	PUSH-IN FASTENER	FLSTC, FLSTF, FLSTS, FXST, FXSTB, FXSTS
15	10236	TY-WRAP, double	FLSTS, FXSTS
16	11529	RUBBER TRIM, fuel tank	FLSTC, FLSTF, FLSTS, FXST, FXSTB, FXSTS
17	11533	RETAINING RING (2)	FLSTC, FLSTF, FLSTS, FXST, FXSTB, FXSTS
18	26567-99	VACUUM HOSE ASSEMBLY	FLSTC, FLSTF, FLSTS, FXST, FXSTB, FXSTS
19	27016-00	HOSE REDUCER	FLSTC, FLSTF, FLSTS, FXST, FXSTB, FXSTS
20	27072-00	HOSE, valve to atmosphere	FLSTC, FLSTF, FLSTS, FXST, FXSTB, FXSTS
21	27095-00A	BRACKET, vapor valve	FLSTC, FLSTF, FLSTS, FXST, FXSTB, FXSTS
22	28838-00	VENT LINE ASSEMBLY, fuel tank to vapor valve	FLSTC, FLSTF, FLSTS, FXST, FXSTB, FXSTS
23	56076-97	CLIP, vapor valve	FLSTC, FLSTF, FLSTS, FXST, FXSTB, FXSTS
24	60993-00	TRIM PANEL, fuel tank, black leather	FLSTS

INDEX NO.	PART NO.	DESCRIPTION	MODEL(S)
	61155-00	TRIM PANEL, fuel tank, rubber	FLSTC, FXST, FXSTB, FXSTS
	61165-00	TRIM PANEL, fuel tank, laced leather	FLSTF
25	61109-85D	GASKET	FLSTC, FLSTF, FLSTS, FXST, FXSTB, FXSTS
26	61272-92C	CAP, fuel filler, right	FLSTC, FLSTF, FLSTS, FXST, FXSTB, FXSTS
27	61338-94D	FUEL VALVE, vacuum actuated, includes gasket	FLSTC, FLSTF, FLSTS, FXST, FXSTB, FXSTS
28	62150-85	VAPOR VALVE	FLSTC, FLSTF, FLSTS, FXST, FXSTB, FXSTS
29	62161-02	NUT, fuel valve	FLSTC, FLSTF, FLSTS, FXST, FXSTB, FXSTS
30	62166-81A	FILTER, fuel valve	FLSTC, FLSTF, FLSTS, FXST, FXSTB, FXSTS
31	62172-02	GASKET, fuel valve	FLSTC, FLSTF, FLSTS, FXST, FXSTB, FXSTS
32	62180-00D	FUEL TANK, 5-gallon (primed)	FLSTC, FLSTF, FLSTS, FXST, FXSTB, FXSTS
33	62880-00	GROMMET, fuel tank, upper rear	FLSTC, FLSTF, FLSTS, FXST, FXSTB, FXSTS
34	62881-00	GROMMET, fuel tank, lower rear and front (3)	FLSTC, FLSTF, FLSTS, FXST, FXSTB, FXSTS
NOTE: Hose or insulator is sold in bulk length under the following part numbers. Cut to length.			
35	62555-95	INSULATOR, 5/8 inch I.D. (nylon) (8 feet)	FLSTC, FLSTF, FLSTS, FXST, FXSTB, FXSTS
36	63501-68B	HOSE, 1/4 inch I.D. x 5/8 inch O.D. (rubber) (25 feet)	FLSTC, FLSTF, FLSTS, FXST, FXSTB, FXSTS
37	63521-95A	HOSE, 5/16 inch I.D. x 5/8 inch O.D. (rubber) (25 feet)	FLSTC, FLSTF, FLSTS, FXST, FXSTB, FXSTS

FUEL TANK - FUEL INJECTED



View interactive image

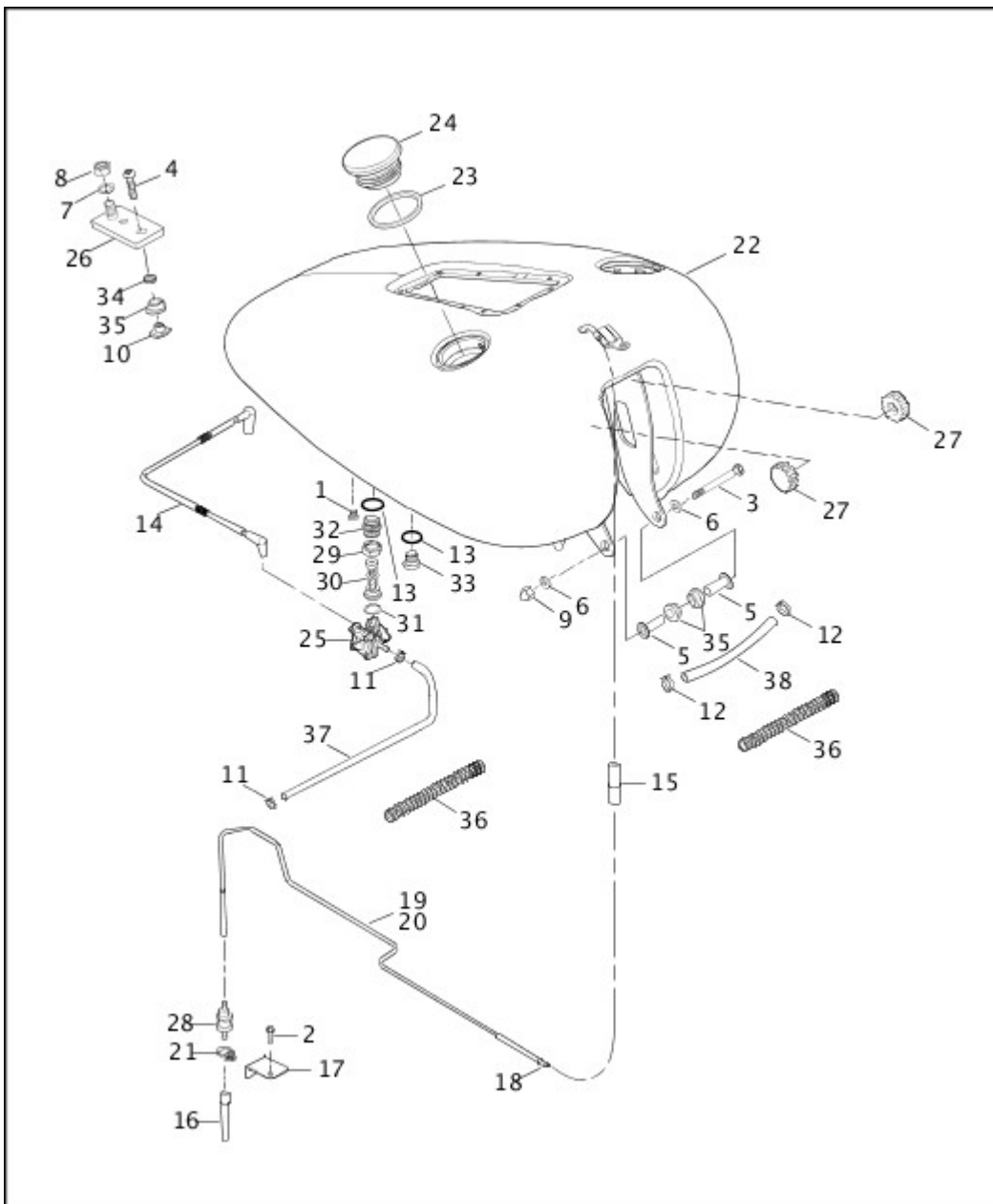
View interactive table

INDEX NO.	PART NO.	DESCRIPTION	MODEL(S)
NOTE: Refer to Painted Parts Book for painted part numbers.			
1	758	PLUG, drain	FLSTCI, FLSTFI, FLSTSI, FXSTBI, FXSTI, FXSTSI
2	3017	SCREW	FLSTCI, FLSTFI, FLSTSI, FXSTBI, FXSTI, FXSTSI
3	3893	SCREW	FLSTCI, FLSTFI, FLSTSI, FXSTBI, FXSTI, FXSTSI
4	4197	BOLT	FLSTCI, FLSTFI, FLSTSI, FXSTBI, FXSTI, FXSTSI
5	4763	SCREW	FLSTCI, FLSTFI, FLSTSI, FXSTBI, FXSTI, FXSTSI
6	5818A	BUSHING, front tank mount (2)	FLSTCI, FLSTFI, FLSTSI, FXSTBI, FXSTI, FXSTSI

INDEX NO.	PART NO.	DESCRIPTION	MODEL(S)
7	6400HB	WASHER (2)	FLSTCI, FLSTFI, FLSTSI, FXSTBI, FXSTI, FXSTSI
8	6702	WASHER	FLSTCI, FLSTFI, FLSTSI, FXSTBI, FXSTI, FXSTSI
9	6716	WASHER	FLSTCI, FLSTFI, FLSTSI, FXSTBI, FXSTI, FXSTSI
10	7862	ACORN NUT, acorn	FLSTCI, FLSTFI, FLSTSI, FXSTBI, FXSTI, FXSTSI
11	7965	TEE NUT	FLSTCI, FLSTFI, FLSTSI, FXSTBI, FXSTI, FXSTSI
12	10038A	CLAMP, fuel crossover hose (2)	FLSTCI, FLSTFI, FLSTSI, FXSTBI, FXSTI, FXSTSI
13	10222	CLAMP	FLSTCI, FLSTFI, FLSTSI, FXSTBI, FXSTI, FXSTSI
14	10226	PUSH-IN FASTENER	FLSTCI, FLSTFI, FLSTSI, FXSTBI, FXSTI, FXSTSI
15	10236	TY-WRAP, double	FLSTCI, FLSTFI, FLSTSI, FXSTBI, FXSTI, FXSTSI
16	11323	O-RING (2)	FLSTCI, FLSTFI, FLSTSI, FXSTBI, FXSTI, FXSTSI
17	11529	RUBBER TRIM, fuel tank	FLSTCI, FLSTFI, FLSTSI, FXSTBI, FXSTI, FXSTSI
18	11533	RETAINING RING (2)	FLSTCI, FLSTFI, FLSTSI, FXSTBI, FXSTI, FXSTSI
19	27016-00	HOSE REDUCER	FLSTCI, FLSTFI, FLSTSI, FXSTBI, FXSTI, FXSTSI
20	27072-00	HOSE, valve to atmosphere	FLSTCI, FLSTFI, FLSTSI, FXSTBI, FXSTI, FXSTSI
21	27095-00A	BRACKET, vapor valve	FLSTCI, FLSTFI, FLSTSI, FXSTBI, FXSTI, FXSTSI
22	27249-96	CONNECTOR, straight	FLSTCI, FLSTFI, FLSTSI, FXSTBI, FXSTI, FXSTSI
23	28828-00	TUBE, tank to valve	FLSTCI, FLSTFI, FLSTSI, FXSTBI, FXSTI, FXSTSI
24	28838-00	VENT LINE ASSEMBLY, fuel tank to vapor valve, w/ 27249-96 & 28828-00	FLSTCI, FLSTFI, FLSTSI, FXSTBI, FXSTI, FXSTSI
25	56076-97	CLIP, vapor valve	FLSTCI, FLSTFI, FLSTSI, FXSTBI, FXSTI, FXSTSI
26	60993-00	TRIM PANEL, fuel tank, black leather	FLSTSI
	61155-00	TRIM PANEL, fuel tank, rubber	FLSTCI, FXSTBI, FXSTI, FXSTSI
	61165-00	TRIM PANEL, fuel tank, laced leather	FLSTFI

INDEX NO.	PART NO.	DESCRIPTION	MODEL(S)
27	61109-85D	GASKET	FLSTCI, FLSTFI, FLSTSI, FXSTBI, FXSTI, FXSTSI
28	61272-92C	CAP, fuel filler, right	FLSTCI, FLSTFI, FLSTSI, FXSTBI, FXSTI, FXSTSI
29	61625-01D	FUEL TANK, 5-gallon (primed)	FLSTCI, FLSTFI, FLSTSI, FXSTBI, FXSTI, FXSTSI
30	62150-85	VAPOR VALVE	FLSTCI, FLSTFI, FLSTSI, FXSTBI, FXSTI, FXSTSI
31	62189-01A	CHECK VALVE, out, w/ O-ring, 11323 & flex tubing	FLSTCI, FLSTFI, FLSTSI, FXSTBI, FXSTI, FXSTSI
32	62843-00	PLUG, fuel tank	FLSTCI, FLSTFI, FLSTSI, FXSTBI, FXSTI, FXSTSI
33	62880-00	GROMMET, fuel tank, upper rear	FLSTCI, FLSTFI, FLSTSI, FXSTBI, FXSTI, FXSTSI
34	62881-00	GROMMET, fuel tank, lower rear and front (3)	FLSTCI, FLSTFI, FLSTSI, FXSTBI, FXSTI, FXSTSI
35	62900-01D	FUEL LINE, from tank to intake	FLSTCI, FLSTFI, FLSTSI, FXSTBI, FXSTI, FXSTSI
NOTE: Hose or insulator is sold in bulk length under the following part numbers. Cut to length.			
36	62555-95	INSULATOR, 5/8 inch I.D. (nylon) (8 feet)	FLSTCI, FLSTFI, FLSTSI, FXSTBI, FXSTI, FXSTSI
37	63521-95A	HOSE, 5/16 inch I.D. x 5/8 inch O.D. (rubber) (25 feet)	FLSTCI, FLSTFI, FLSTSI, FXSTBI, FXSTI, FXSTSI

FUEL TANK - FXSTD



View interactive image

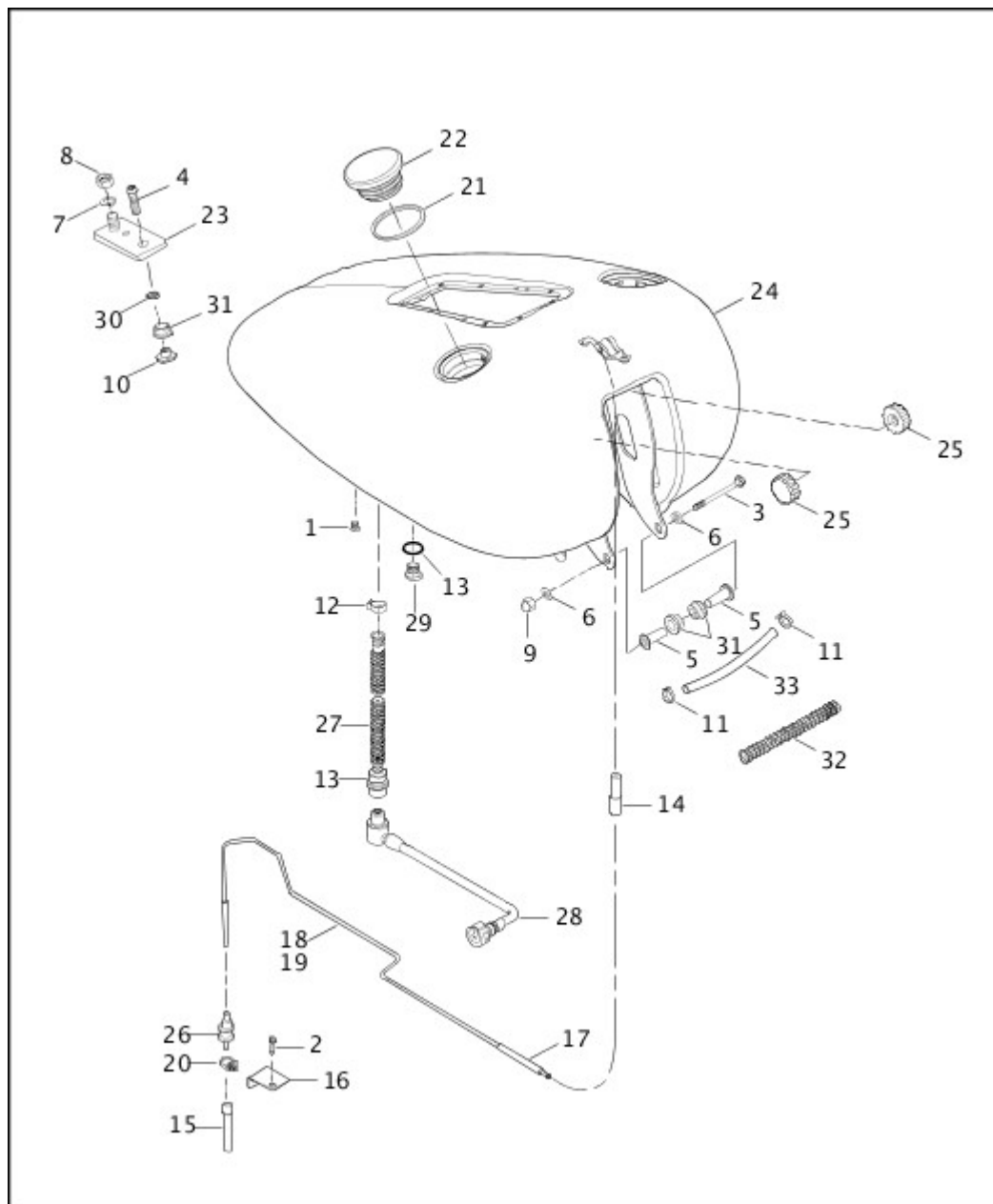
View interactive table

INDEX NO.	PART NO.	DESCRIPTION	MODEL(S)
NOTE: Refer to Painted Parts Book for painted part numbers.			
1	758	PLUG, drain	FXSTD
2	3893	SCREW	FXSTD
3	4197	BOLT	FXSTD
4	4763	SCREW	FXSTD
5	5818A	BUSHING, front tank mount (2)	FXSTD
6	6400HB	WASHER (2)	FXSTD
7	6702	WASHER	FXSTD
8	7748W	NUT	FXSTD

INDEX NO.	PART NO.	DESCRIPTION	MODEL(S)
9	7862	ACORN NUT, acorn	FXSTD
10	7965	TEE NUT	FXSTD
11	10014	CLAMP, fuel hose (2)	FXSTD
12	10038A	CLAMP, fuel crossover hose (2)	FXSTD
13	11323	O-RING (2)	FXSTD
14	26567-99	VACUUM HOSE ASSEMBLY	FXSTD
15	27560-00	HOSE REDUCER	FXSTD
16	27072-00	HOSE, valve to atmosphere	FXSTD
17	27095-00A	BRACKET, vapor valve	FXSTD
18	27249-96	CONNECTOR, straight	FXSTD
19	28828-00	TUBE, tank to valve	FXSTD
20	28838-00	VENT LINE ASSEMBLY, fuel tank to vapor valve, w/ 27249-96 & 28828-00	FXSTD
21	56076-97	CLIP, vapor valve	FXSTD
22	62082-00D	FUEL TANK (primed)	FXSTD
23	61109-85D	GASKET	FXSTD
24	61272-92C	CAP, fuel filler, right	FXSTD
25	61338-94D	FUEL VALVE, vacuum actuated, includes gasket	FXSTD
26	61721-00A	BRACKET ASSEMBLY, rear	FXSTD
27	62146-00	FRONT TANK MOUNT (2)	FXSTD
28	62150-85	VAPOR VALVE	FXSTD
29	62161-02	NUT, fuel valve	FXSTD
30	62166-81A	FILTER, fuel valve	FXSTD
31	62172-02	GASKET, fuel valve	FXSTD
32	62842-00	ADAPTER, fuel valve	FXSTD
33	62843-00	PLUG, fuel valve	FXSTD
34	62880-00	GROMMET, fuel tank, upper rear	FXSTD
35	62881-00	GROMMET, fuel tank, lower rear and front (3)	FXSTD
NOTE: Hose or insulator is sold in bulk length under the following part numbers. Cut to length.			
36	62555-95	INSULATOR, 5/8 inch I.D. (nylon) (8 feet)	FXSTD

INDEX NO.	PART NO.	DESCRIPTION	MODEL(S)
37	63501-68B	HOSE, 1/4 inch I.D. x 5/8 inch O.D. (rubber) (25 feet)	FXSTD
38	63521-95A	HOSE, 5/16 inch I.D. x 5/8 inch O.D. (rubber) (25 feet)	FXSTD

FUEL TANK - FXSTD - FUEL INJECTED



[View interactive image](#)

[View interactive table](#)

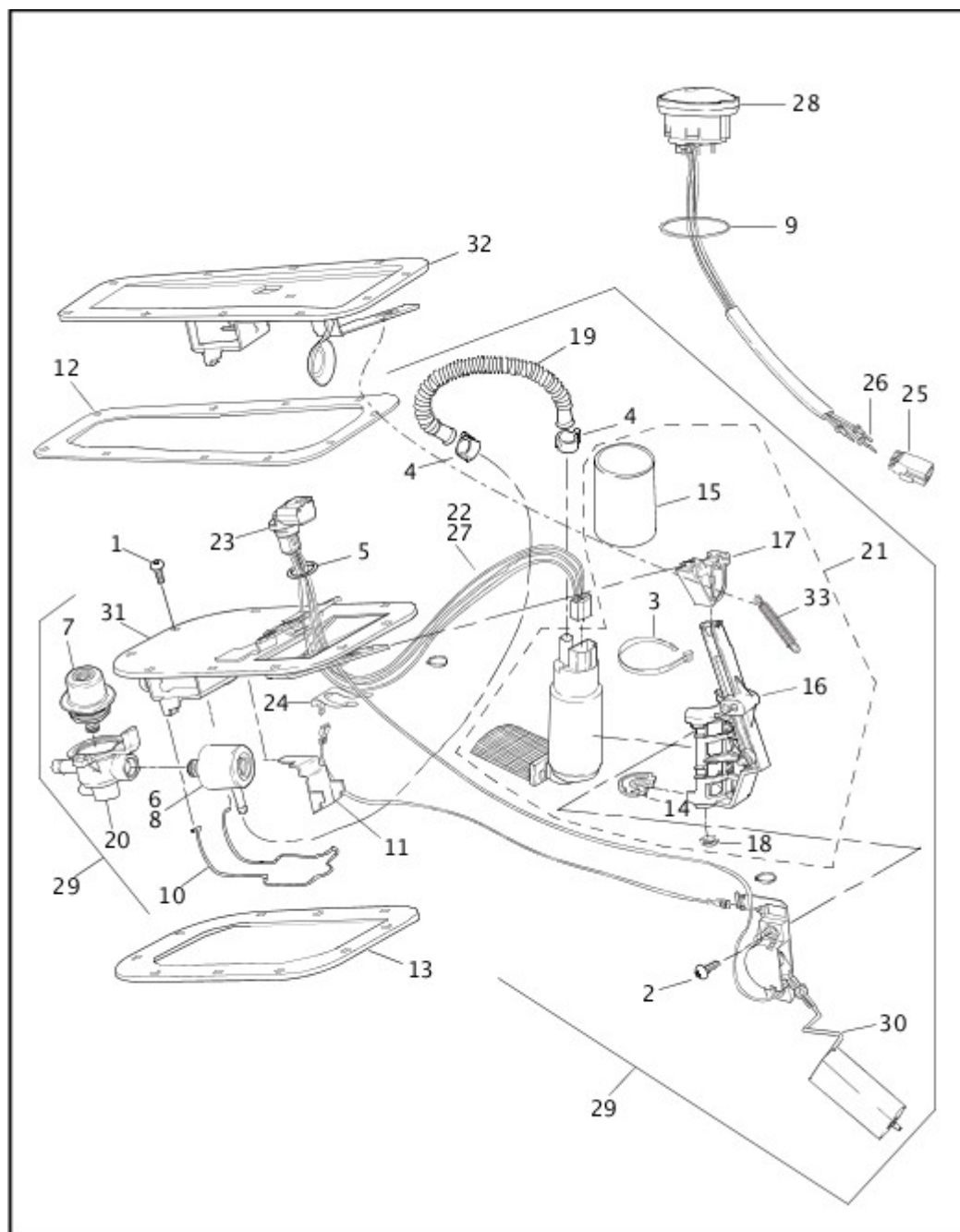
INDEX NO.	PART NO.	DESCRIPTION	MODEL(S)
NOTE: Refer to Painted Parts Book for painted part numbers.			
1	758	PLUG, drain	FXSTDI
2	3893	SCREW	FXSTDI

INDEX NO.	PART NO.	DESCRIPTION	MODEL(S)
3	4197	BOLT	FXSTDI
4	4763	SCREW	FXSTDI
5	5818A	BUSHING, front tank mount (2)	FXSTDI
6	6400HB	WASHER	FXSTDI
7	6701	WASHER (2)	FXSTDI
8	7748W	NUT	FXSTDI
9	7862	ACORN NUT, acorn	FXSTDI
10	7965	TEE NUT	FXSTDI
11	10038A	CLAMP, fuel crossover hose (2)	FXSTDI
12	10222	CLAMP	FXSTDI
13	11323	O-RING (2)	FXSTDI
14	27016-00	HOSE REDUCER	FXSTDI
15	27072-00	HOSE, valve to atmosphere	FXSTDI
16	27095-00A	BRACKET, vapor valve	FXSTDI
17	27249-96	CONNECTOR, straight	FXSTDI
18	28828-00	TUBE, tank to valve	FXSTDI
19	28838-00	VENT LINE ASSEMBLY, fuel tank to vapor valve, w/ 27249-96 & 28828-00	FXSTDI
20	56076-97	CLIP, vapor valve	FXSTDI
21	61109-85D	GASKET	FXSTDI
22	61272-92C	CAP, fuel filler, right	FXSTDI
23	61721-00A	BRACKET ASSEMBLY, rear	FXSTDI
24	62082-00D	FUEL TANK (primed)	FXSTDI
25	62146-00	FRONT TANK MOUNT (2)	FXSTDI
26	62150-85	VAPOR VALVE	FXSTDI
27	62189-01A	CHECK VALVE, out, w/ O-ring and flex tubing	FXSTDI
28	62190-01D	FUEL LINE, from tank to intake	FXSTDI
29	62843-00	PLUG, fuel tank	FXSTDI
30	62880-00	GROMMET, fuel tank, upper rear	FXSTDI
31	62881-00	GROMMET, fuel tank, lower rear and front (3)	FXSTDI

NOTE: Hose or insulator is sold in bulk length under the following part numbers. Cut to length.

INDEX NO.	PART NO.	DESCRIPTION	MODEL(S)
32	62555-95	INSULATOR, 5/8 inch I.D. (nylon) (8 feet)	FXSTDI
33	63521-95A	HOSE, 5/16 inch I.D. x 5/8 inch O.D. (rubber) (25 feet)	FXSTDI

FUEL PUMP - FUEL INJECTED



[View interactive image](#)

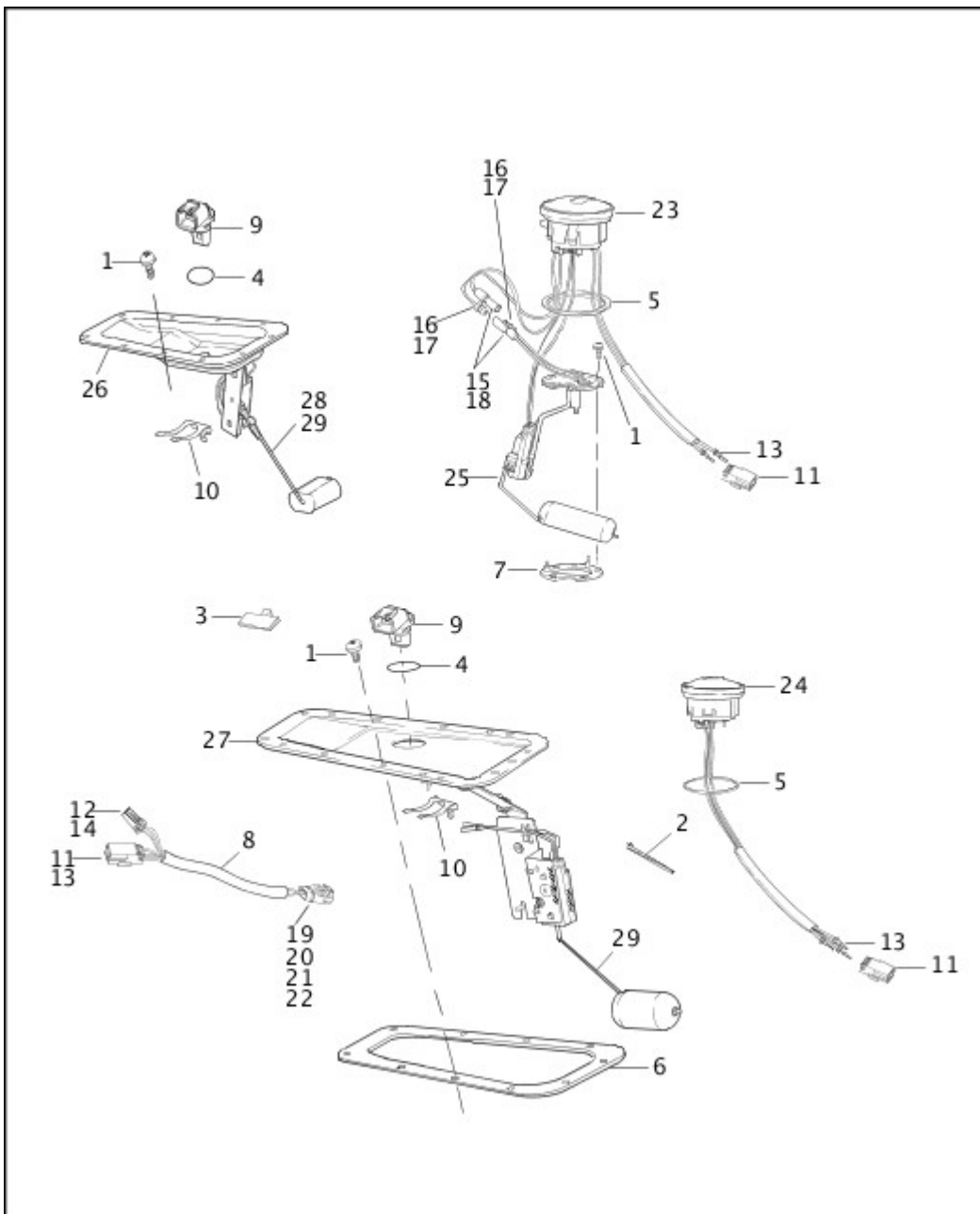
[View interactive table](#)

INDEX NO.	PART NO.	DESCRIPTION	MODEL(S)
1	1311D	SCREW (10)	FLSTCI, FLSTFI, FLSTSI, FXSTBI, FXSTDI, FXSTI, FXSTSI

INDEX NO.	PART NO.	DESCRIPTION	MODEL(S)
2	1314	SCREW	FLSTCI, FLSTFI, FLSTSI, FXSTBI, FXSTDI, FXSTI, FXSTSI
3	10006	CABLE STRAP (2)	FLSTCI, FLSTFI, FLSTSI, FXSTBI, FXSTDI, FXSTI, FXSTSI
4	10222	CLAMP (2)	FLSTCI, FLSTFI, FLSTSI, FXSTBI, FXSTDI, FXSTI, FXSTSI
5	11117A	O-RING	FLSTCI, FLSTFI, FLSTSI, FXSTBI, FXSTDI, FXSTI, FXSTSI
6	11351	O-RING	FLSTCI, FLSTFI, FLSTSI, FXSTBI, FXSTDI, FXSTI, FXSTSI
7	27408-01	REGULATOR	FLSTCI, FLSTFI, FLSTSI, FXSTBI, FXSTDI, FXSTI, FXSTSI
8	61001-01	FUEL FILTER KIT	FLSTCI, FLSTFI, FLSTSI, FXSTBI, FXSTDI, FXSTI, FXSTSI
9	61192-96A	GASKET, fuel gauge	FLSTCI, FLSTFI, FLSTSI, FXSTBI, FXSTDI, FXSTI, FXSTSI
10	61209-01A	BAIL	FLSTCI, FLSTFI, FLSTSI, FXSTBI, FXSTDI, FXSTI, FXSTSI
11	61231-01	BAIL BRACKET	FLSTCI, FLSTFI, FLSTSI, FXSTBI, FXSTDI, FXSTI, FXSTSI
12	61623-00	GASKET, top plate	FXSTDI
13	61659-01	GASKET, top plate	FLSTCI, FLSTFI, FLSTSI, FXSTBI, FXSTI, FXSTSI
14	61960-00	RUBBER CUSHION	FLSTCI, FLSTFI, FLSTSI, FXSTBI, FXSTDI, FXSTI, FXSTSI
15	61961-00	RUBBER SLEEVE	FLSTCI, FLSTFI, FLSTSI, FXSTBI, FXSTDI, FXSTI, FXSTSI
16	62163-01A	HOUSING FUEL PUMP	FLSTCI, FLSTFI, FLSTSI, FXSTBI, FXSTDI, FXSTI, FXSTSI
17	62165-01	ENDCAP, housing fuel pump	FLSTCI, FLSTFI, FLSTSI, FXSTBI, FXSTDI, FXSTI, FXSTSI
18	62188-01	SPACER, rubber	FLSTCI, FLSTFI, FLSTSI, FXSTBI, FXSTDI, FXSTI, FXSTSI
19	62357-00	HOSE, fuel pump to filter	FLSTCI, FLSTFI, FLSTSI, FXSTBI, FXSTDI, FXSTI, FXSTSI
20	62373-01	REGULATOR HOUSING	FLSTCI, FLSTFI, FLSTSI, FXSTBI, FXSTI, FXSTSI
21	62897-01	PUMP ASSEMBLY, fuel, w/ 3, 14, 15, 16, 17 & 18 (use 62897-01B)	FLSTCI, FLSTFI, FLSTSI, FXSTBI, FXSTDI, FXSTI, FXSTSI
	62897-01B	PUMP ASSEMBLY, fuel, w/ 3, 14, 15, 16, 17 & 18 (replaces 62897-01)	FLSTCI, FLSTFI, FLSTSI, FXSTBI, FXSTDI, FXSTI, FXSTSI
22	70325-00	WIRE ASSEMBLY, fuel pump to tank	FLSTCI, FLSTFI, FLSTSI, FXSTBI, FXSTDI, FXSTI, FXSTSI

INDEX NO.	PART NO.	DESCRIPTION	MODEL(S)
23	72439-00B	HEADER ASSEMBLY, 3-way	FLSTCI, FLSTFI, FLSTSI, FXSTBI, FXSTDI, FXSTI, FXSTSI
24	72458-00	CLIP CONNECTOR	FLSTCI, FLSTFI, FLSTSI, FXSTBI, FXSTDI, FXSTI, FXSTSI
25	72904-01BK	PIN HOUSING, 4-way	FLSTCI, FLSTFI, FLSTSI, FXSTBI, FXSTDI, FXSTI, FXSTSI
26	72990-01	PIN TERMINAL (3)	FLSTCI, FLSTFI, FLSTSI, FXSTBI, FXSTDI, FXSTI, FXSTSI
27	74191-98	SOCKET TERMINAL (2)	FLSTCI, FLSTFI, FLSTSI, FXSTBI, FXSTDI, FXSTI, FXSTSI
28	75099-01A	FUEL GAUGE	FLSTCI, FLSTFI, FLSTSI, FXSTBI, FXSTDI, FXSTI, FXSTSI
29	75130-01	MODULE ASSEMBLY, fuel pump, complete, w/ 2, 7, 8, 10, 11, 20, 21, 23, 29 & 33 (use 75130-01D)	FXSTDI
	75130-01D	MODULE ASSEMBLY, fuel pump, complete, w/ 2, 7, 8, 10, 11, 20, 21, 23, 29 & 33 (replaces 75130-01)	FXSTDI
	75132-01	MODULE ASSEMBLY, fuel pump, complete, w/ 2, 7, 8, 10, 11, 20, 21, 29 & 33 (use 75132-01D)	FLSTCI, FLSTFI, FLSTSI, FXSTBI, FXSTI, FXSTSI
	75132-01D	MODULE ASSEMBLY, fuel pump, complete, w/ 2, 7, 8, 10, 11, 20, 21, 29 & 33 (replaces 75132-01)	FLSTCI, FLSTFI, FLSTSI, FXSTBI, FXSTI, FXSTSI
30	75142-01A	FUEL GAUGE SENDING UNIT	FLSTCI, FLSTFI, FLSTSI, FXSTBI, FXSTDI, FXSTI, FXSTSI
31	75141-01	TOP PLATE (use 75132-01D)	FLSTCI, FLSTFI, FLSTSI, FXSTBI, FXSTI, FXSTSI
32	75143-01	TOP PLATE (use 75130-01D)	FXSTDI
33	61583-02	SPRING	FLSTCI, FLSTFI, FLSTSI, FXSTBI, FXSTDI, FXSTI, FXSTSI

SENDING UNITS - CARBURETED MODELS



[View interactive image](#)

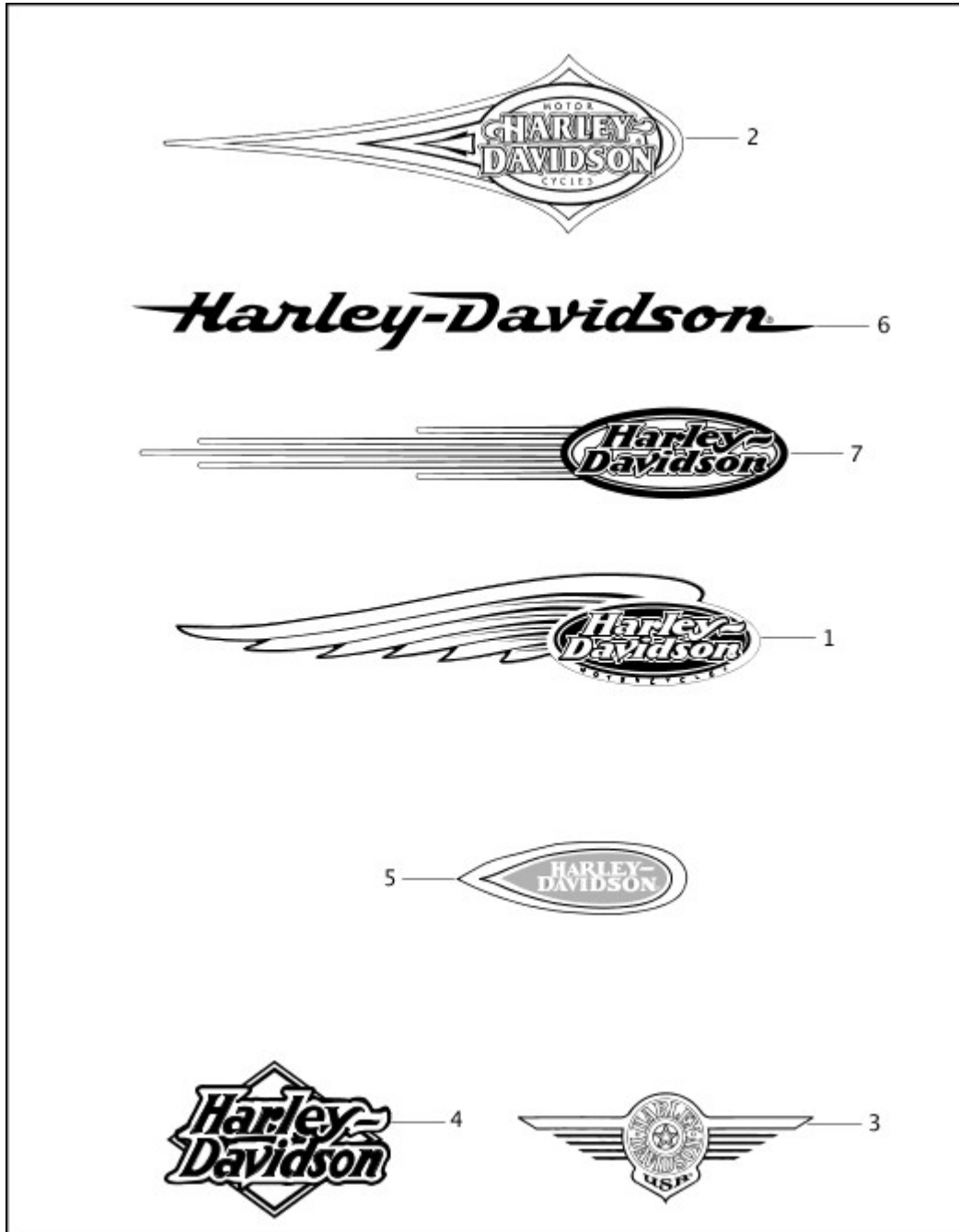
[View interactive table](#)

INDEX NO.	PART NO.	DESCRIPTION	MODEL(S)
1	1311D	SCREW (5)	FLSTC, FLSTF, FLSTS, FXST, FXSTB, FXSTS
1	1311D	SCREW (10)	FXSTD
2	10065	CABLE STRAP (2)	FXSTD
3	10102	CLIP, adhesive back	FLSTC, FLSTF, FLSTS, FXST, FXSTB, FXSTD, FXSTS
	10103	CLIP, adhesive back	FLSTC, FLSTF, FLSTS, FXST, FXSTB, FXSTD, FXSTS
4	11117A	O-RING (used w/ 75129-00A)	FXSTD
4	11380	O-RING (used w/ 75129-00C)	FXSTD

INDEX NO.	PART NO.	DESCRIPTION	MODEL(S)
5	61192-96A	GASKET, cap gauge	FLSTC, FLSTF, FLSTS, FXST, FXSTB, FXSTD, FXSTS
6	61623-00	GASKET, top plate	FXSTD
7	61324-01	GASKET, fuel sending unit	FLSTC, FLSTF, FLSTS, FXST, FXSTB, FXSTS
8	70280-01	HARNESS, fuel gauge to sending unit	FXSTD
9	72439-00B	CONNECTOR ASSEMBLY KIT, 3-way, w/ 72458-00	FXSTD
10	72458-00	CONNECTOR KIT, w/ 11380	FXSTD
11	72904-01BK	PIN HOUSING, 4-way (2)	FLSTC, FLSTF, FLSTS, FXST, FXSTB, FXSTD, FXSTS
12	72914-01BK	SOCKET HOUSING, 4-way	FXSTD
13	72990-01	PIN TERMINAL (7)	FLSTC, FLSTF, FLSTS, FXST, FXSTB, FXSTD, FXSTS
14	72991-01	TERMINAL, socket (3)	FXSTD
15	73165-01	TERMINAL, socket (2)	FLSTC, FLSTF, FLSTS, FXST, FXSTB, FXSTS
16	73166-01	TERMINAL, pin (2)	FLSTC, FLSTF, FLSTS, FXST, FXSTB, FXSTS
17	73167-01	TERMINAL, boot, male (2)	FLSTC, FLSTF, FLSTS, FXST, FXSTB, FXSTS
18	73168-01	TERMINAL, boot, female (2)	FLSTC, FLSTF, FLSTS, FXST, FXSTB, FXSTS
19	74113-98BK	SOCKET HOUSING, 3-way (black)	FXSTD
20	74153-98	SECONDARY LOCK, 3-way socket	FXSTD
21	74191-98	SOCKET TERMINAL (12)	FXSTD
22	74195-98	SEAL PIN (2)	FXSTD
23	75049-01A	FUEL GAUGE	FLSTC, FLSTF, FLSTS, FXST, FXSTB, FXSTS
24	75053-01B	FUEL GAUGE	FXSTD
25	75062-01	SENDING UNIT, w/ 61324-01, 73165-01, 73166-01, 73167-01 & 73168-01	FLSTC, FLSTF, FLSTS, FXST, FXSTB, FXSTS
26	75129-00A	TOP PLATE ASSEMBLY, w/ 10065, 11117A, 72439-00B & 75206-01A (use 75129-00C)	FXSTD
27	75129-00C	TOP PLATE ASSEMBLY, w/ 10065, 11380, 72439-00B & sending unit (replaces 75129-00A)	FXSTD

INDEX NO.	PART NO.	DESCRIPTION	MODEL(S)
28	75142-01A	FUEL GAUGE SENDING UNIT	FXSTD
29	75206-01A	FUEL LEVEL SENDER KIT, w/ 75142-01	FXSTD

FUEL TANK TRIM



[View interactive image](#)

[View interactive table](#)

INDEX NO.	PART NO.	DESCRIPTION	MODEL(S)
1	13615-01	DECAL, left (for real teal & 2-tone birch white tanks)	FXSTS, FXSTSI

Index number 6 fuel tank decal is a silkscreen for the FXSTD which is only sold as part of the painted fuel tank assembly. Index number 7 fuel tank decal is a silkscreen for the FXST which is only sold as part of the painted fuel tank assembly.

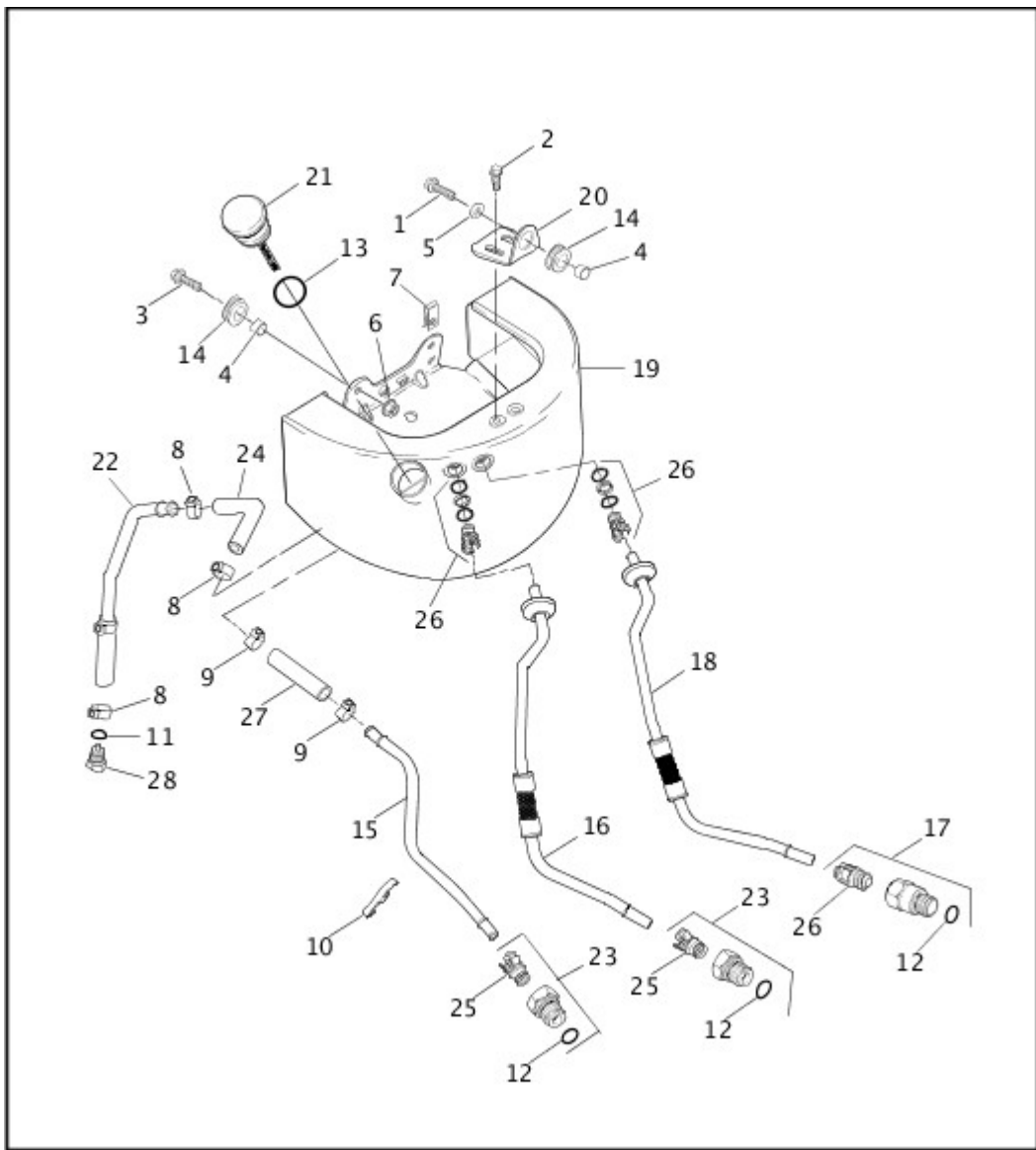
INDEX NO.	PART NO.	DESCRIPTION	MODEL(S)
	13616-01	DECAL, right (for real teal & 2-tone birch white tanks)	FXSTS, FXSTSI
	13774-00	DECAL, left (for concord purple tanks)	FXSTS, FXSTSI
	13775-00	DECAL, right (for concord purple tanks)	FXSTS, FXSTSI
	13914-99	DECAL, left (for vivid black, diamond ice, luxury rich red & 2-tone luxury rich red/sinister blue tanks)	FXSTS, FXSTSI
	13915-99	DECAL, right (for vivid black, diamond ice, luxury rich red & 2-tone luxury rich red/sinister blue tanks)	FXSTS, FXSTSI
	13916-99	DECAL, left (for aztec orange pearl, 2-tone aztec orange pearl/diamond ice & 2-tone vivid black/chrome yellow tanks)	FXSTS, FXSTSI
	13917-99	DECAL, right (for aztec orange pearl, 2-tone aztec orange pearl/diamond ice & 2-tone vivid black/chrome yellow tanks)	FXSTS, FXSTSI
	13918-99	DECAL, left (for sinister blue & 2-tone sinister blue/diamond ice tanks)	FXSTS, FXSTSI
	13919-99	DECAL, right (for sinister blue & 2-tone sinister blue/diamond ice tanks)	FXSTS, FXSTSI
2	13776-00	DECAL, left (for 2-tone suede green/vivid black tanks)	FLSTC, FLSTCI
	13777-00	DECAL, right (for 2-tone suede green/vivid black tanks)	FLSTC, FLSTCI
	13920-99	DECAL, left (for vivid black, luxury rich red, white pearl & 2-tone luxury rich red/vivid black tanks)	FLSTC, FLSTCI
	13921-99	DECAL, right (for vivid black, luxury rich red, white pearl & 2-tone luxury rich red/vivid black tanks)	FLSTC, FLSTCI
	13922-99	DECAL, left (for aztec orange pearl, chrome yellow, bronze pearl, 2-tone aztec orange pearl/diamond ice, 2-tone vivid black/chrome yellow tanks)	FLSTC, FLSTCI

Index number 6 fuel tank decal is a silkscreen for the FXSTD which is only sold as part of the painted fuel tank assembly. Index number 7 fuel tank decal is a silkscreen for the FXST which is only sold as part of the painted fuel tank assembly.

INDEX NO.	PART NO.	DESCRIPTION	MODEL(S)
	13923-99	DECAL, right (for aztec orange pearl, chrome yellow, bronze pearl, 2-tone aztec orange pearl/diamond ice, 2-tone vivid black/chrome yellow tanks)	FLSTC, FLSTCI
	13924-99	DECAL, left (for sinister blue, 2-tone sinister blue/diamond ice tanks)	FLSTC, FLSTCI
	13925-99	DECAL, right (for sinister blue, 2-tone sinister blue/diamond ice tanks)	FLSTC, FLSTCI
3	13778-00	DECAL (for 2-tone suede green/vivid black tanks) (2)	FLSTF, FLSTFI
	13926-99	DECAL (for vivid black, luxury rich red, white pearl & 2-tone luxury rich red/vivid black tanks)	FLSTF, FLSTFI
	13927-99	DECAL (for aztec orange pearl, chrome yellow, bronze pearl, 2-tone aztec orange pearl/diamond ice, 2-tone vivid black/chrome yellow tanks) (2)	FLSTF, FLSTFI
	13928-99	DECAL (for sinister blue, 2-tone sinister blue/diamond ice tanks) (2)	FLSTF, FLSTFI
4	13618-01	DECAL (for jade sunglo tanks) (2)	FXSTB, FXSTBI
	15363-98	DECAL (for vivid black tanks) (2)	FXSTB, FXSTBI
5	62156-00	MEDALLION, left (for luxury rich red tanks)	FLSTS, FLSTSI
	62157-00	MEDALLION, right (for luxury rich red tanks)	FLSTS, FLSTSI
	62183-00	MEDALLION, left (for sinister blue tanks)	FLSTS, FLSTSI
	62184-00	MEDALLION, right (for sinister blue tanks)	FLSTS, FLSTSI
	62196-01	MEDALLION, left (for real teal & 2-tone birch white tanks)	FLSTS, FLSTSI
	62197-01	MEDALLION, right (for real teal & 2-tone birch white tanks)	FLSTS, FLSTSI

Index number 6 fuel tank decal is a silkscreen for the FXSTD which is only sold as part of the painted fuel tank assembly. Index number 7 fuel tank decal is a silkscreen for the FXST which is only sold as part of the painted fuel tank assembly.

OIL TANK & LINES



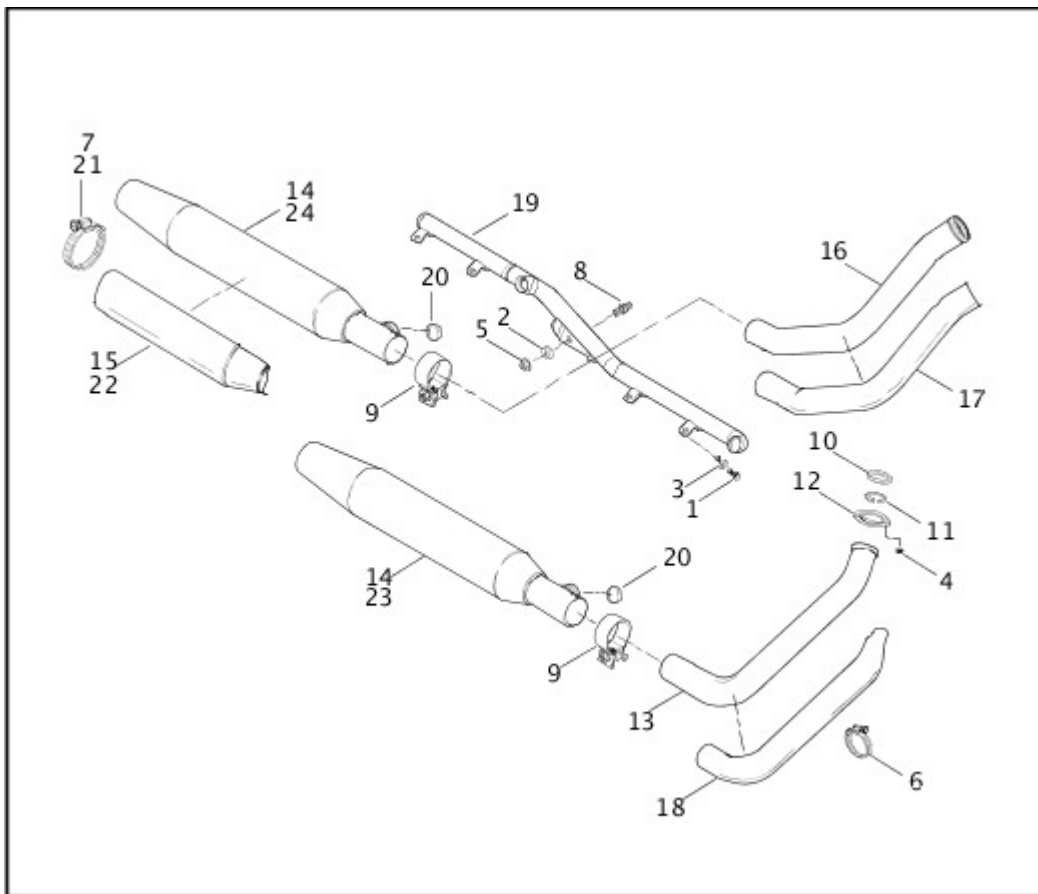
[View interactive image](#)

[View interactive table](#)

INDEX NO.	PART NO.	DESCRIPTION	MODEL(S)
1	4206	SCREW	ALL
2	4216	SCREW (2)	ALL
3	4217	SCREW (2)	ALL
4	5775	WASHER (3)	ALL
5	6702	WASHER	ALL
6	7576	NUT (used w/ 62492-00, 62498-00 & 62840-00A) (2)	ALL
7	8144	LOCKNUT (used w/ 62492-01A, 62498-01A & 62840-01A) (2)	ALL
8	10080	CLAMP, drain hose (3)	ALL
9	10208	CLAMP (2)	ALL
10	10216	CLIP, oil lines	ALL

INDEX NO.	PART NO.	DESCRIPTION	MODEL(S)
11	11105	O-RING	ALL
12	11326	O-RING (3)	ALL
13	11345	O-RING, dipstick	ALL
14	11447	GROMMET (3)	ALL
15	33525-00	OIL LINE, feed	ALL
16	33531-00	OIL LINE, return	ALL
17	45468-00	CONNECTOR ASSEMBLY, vent	ALL
18	45806-00	OIL LINE, vent	ALL
19	62492-00	OIL TANK (gloss black) (use 62492-01A)	FXST, FXSTI
	62492-01A	OIL TANK (gloss black) (also order 8144) (replaces 62492-00)	FXST, FXSTI
	62498-00	OIL TANK (chrome) (use 62498-01A)	FLSTC, FLSTCI, FLSTF, FLSTFI, FLSTFI, FLSTS, FLSTSI, FXSTD, FXSTDI, FXSTS
	62498-01A	OIL TANK (chrome) (also order 8144) (replaces 62498-00)	FLSTC, FLSTCI, FLSTF, FLSTFI, FLSTFI, FLSTS, FLSTSI, FXSTD, FXSTDI, FXSTS
	62840-00A	OIL TANK (black wrinkle)	FXSTB, FXSTBI
20	62769-00A	BRACKET, oil tank top	ALL
21	62845-00A	FILLER CAP, w/ dipstick	ALL
22	63553-00B	HOSE, oil tank drain	ALL
23	63601-00	CONNECTOR ASSEMBLY, oil line (2)	ALL
24	63628-00	ELBOW, oil drain	ALL
25	63632-00	OIL LINE RETAINER ASSEMBLY (2)	ALL
26	63783-00	OIL LINE RETAINER ASSEMBLY (3)	ALL
27	63611-00	HOSE, oil feed	ALL
28	60328-98B	DRAIN PLUG, w/ O-ring	ALL

EXHAUST SYSTEM - FXST/I, FLSTC/I, FXSTS/I & FXSTB/I



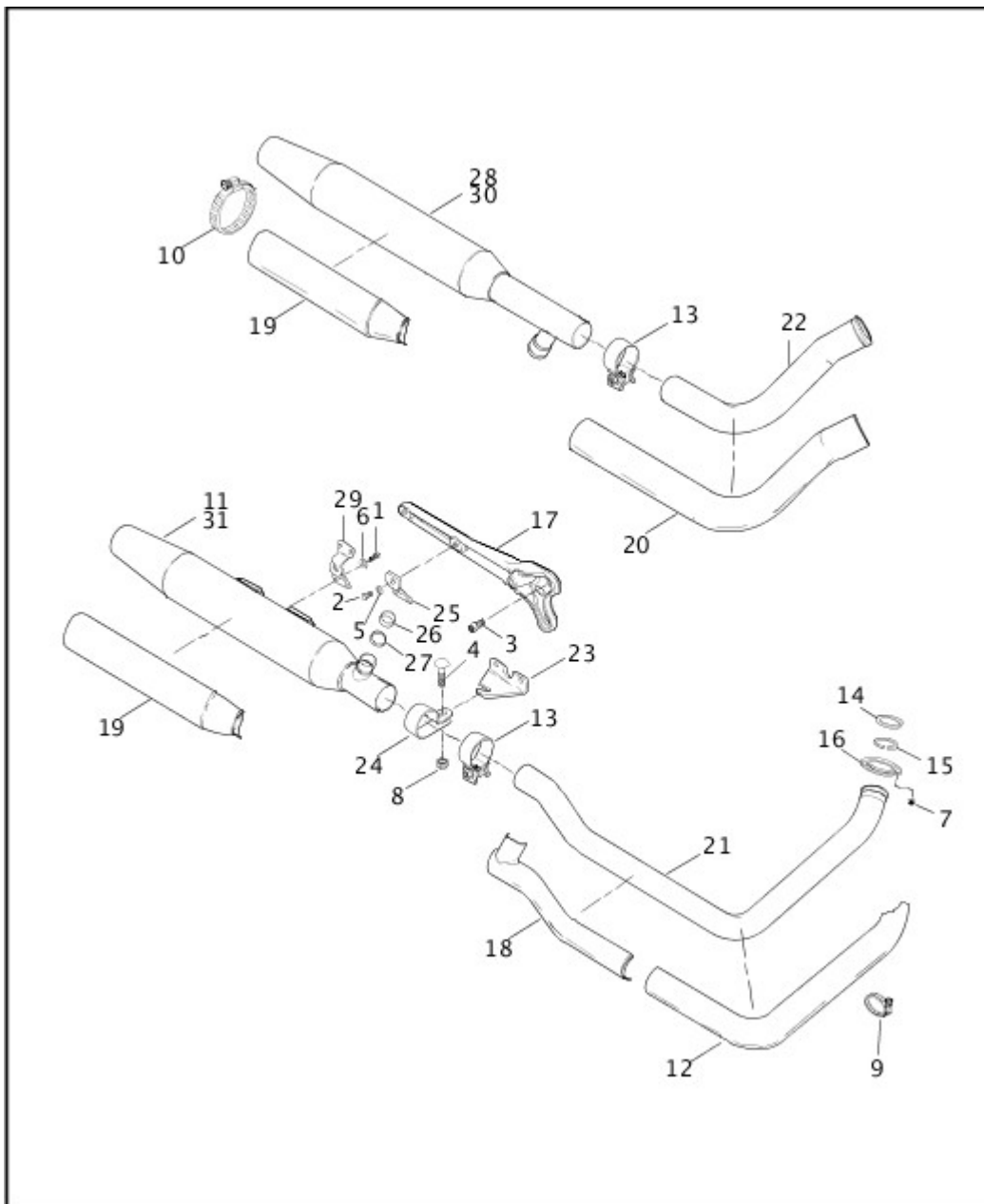
[View interactive image](#)

[View interactive table](#)

INDEX NO.	PART NO.	DESCRIPTION	MODEL(S)
1	3728	SCREW (4)	FLSTC, FLSTCI, FXST, FXSTB, FXSTBI, FXSTI, FXSTS, FXSTSI
2	6701	WASHER (2)	FLSTC, FLSTCI, FXST, FXSTB, FXSTBI, FXSTI, FXSTS, FXSTSI
3	6703	WASHER (4)	FLSTC, FLSTCI, FXST, FXSTB, FXSTBI, FXSTI, FXSTS, FXSTSI
4	7593	NUT (4)	FLSTC, FLSTCI, FXST, FXSTB, FXSTBI, FXSTI, FXSTS, FXSTSI
5	7601	LOCKNUT (2)	FLSTC, FLSTCI, FXST, FXSTB, FXSTBI, FXSTI, FXSTS, FXSTSI
6	9955	CLAMP, shield (4)	FLSTC, FLSTCI, FXST, FXSTB, FXSTBI, FXSTI, FXSTS, FXSTSI
7	10074	CLAMP, muffler shield (California) (4)	FLSTC, FXST, FXSTB, FXSTS
8	11860	SPACER STUD (2)	FLSTC, FLSTCI, FXST, FXSTB, FXSTBI, FXSTI, FXSTS, FXSTSI
9	65296-95A	CLAMP, muffler (2)	FLSTC, FLSTCI, FXST, FXSTB, FXSTBI, FXSTI, FXSTS, FXSTSI
10	65324-83B	GASKET, exhaust port	FLSTC, FLSTCI, FXST, FXSTB, FXSTBI, FXSTI, FXSTS, FXSTSI

INDEX NO.	PART NO.	DESCRIPTION	MODEL(S)
11	65325-83A	RETAINING RING, exhaust gasket (2)	FLSTC, FLSTCI, FXST, FXSTB, FXSTBI, FXSTI, FXSTS, FXSTSI
12	65328-83A	CLAMP, exhaust manifold (2)	FLSTC, FLSTCI, FXST, FXSTB, FXSTBI, FXSTI, FXSTS, FXSTSI
13	65401-00B	EXHAUST PIPE, front	FLSTC, FLSTCI, FXST, FXSTB, FXSTBI, FXSTI, FXSTS, FXSTSI
14	65413-00	MUFFLER (2)	FLSTC, FLSTCI, FXST, FXSTB, FXSTBI, FXSTI, FXSTS, FXSTSI
	65842-00A	MUFFLER, catalytic (California) (2)	FLSTC, FXST, FXSTB, FXSTS
15	65463-00	SHIELD, muffler (California) (2)	FLSTC, FLSTCI, FXST, FXSTB, FXSTS
16	65603-00A	EXHAUST PIPE, rear	FLSTC, FLSTCI, FXST, FXSTB, FXSTBI, FXSTI, FXSTS, FXSTSI
17	65702-00A	SHIELD, rear exhaust	FLSTC, FLSTCI, FXST, FXSTB, FXSTBI, FXSTI, FXSTS, FXSTSI
18	65732-00B	SHIELD, front exhaust	FXST, FXSTB, FXSTBI, FXSTI, FXSTS, FXSTSI
	65750-00B	SHIELD, front exhaust	FLSTC, FLSTCI
19	65912-00A	TUBE ASSEMBLY, interconnect	FLSTC, FLSTCI, FXST, FXSTB, FXSTBI, FXSTI, FXSTS, FXSTSI
20	65927-00	GASKET, exhaust interconnect (2)	FLSTC, FLSTCI, FXST, FXSTB, FXSTBI, FXSTI, FXSTS, FXSTSI
INTERNATIONAL MODELS ONLY			
21	10074	CLAMP, muffler shield (front muffler) (HDI) (2)	FLSTC, FLSTCI, FXST, FXSTB, FXSTBI, FXSTI, FXSTS, FXSTSI
22	65463-00	SHIELD, muffler (on front muffler) (HDI)	FLSTC, FLSTCI, FXST, FXSTB, FXSTBI, FXSTI, FXSTS, FXSTSI
23	65682-00A	MUFFLER, catalytic (HDI)	FLSTC, FLSTCI, FXST, FXSTB, FXSTBI, FXSTI, FXSTS, FXSTSI
24	65885-00	MUFFLER (HDI)	FLSTC, FLSTCI, FXST, FXSTB, FXSTBI, FXSTI, FXSTS, FXSTSI

EXHAUST SYSTEM - FLSTF/I & FXSTD/I



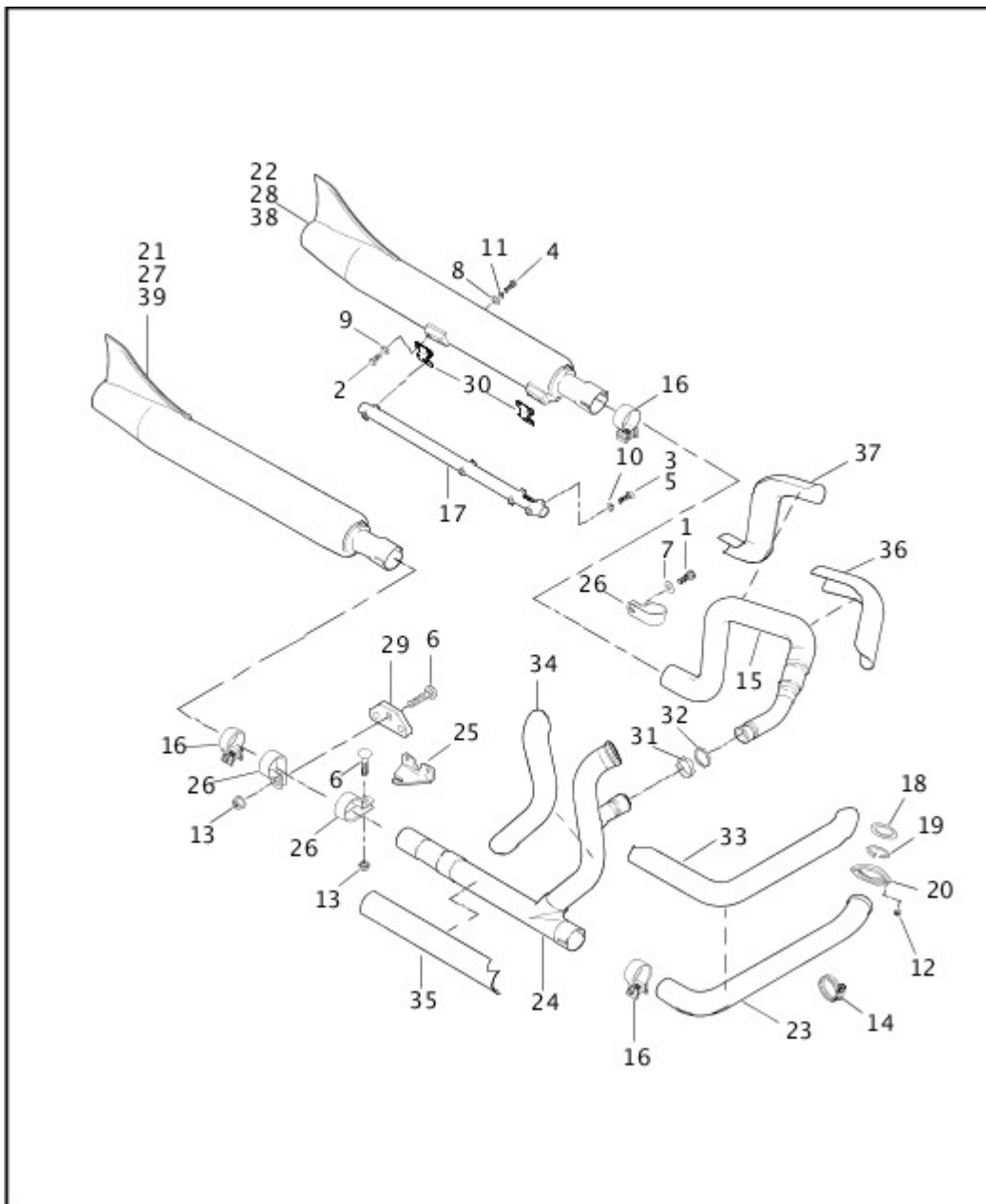
[View interactive image](#)

[View interactive table](#)

INDEX NO.	PART NO.	DESCRIPTION	MODEL(S)
1	3728	SCREW (6)	FLSTF, FLSTFI, FXSTD, FXSTDI
2	3987	BOLT (2)	FLSTF, FLSTFI, FXSTD, FXSTDI
3	4190	SCREW (2)	FLSTF, FLSTFI, FXSTD, FXSTDI
4	5416	BOLT	FLSTF, FLSTFI, FXSTD, FXSTDI
5	6702	WASHER (2)	FLSTF, FLSTFI, FXSTD, FXSTDI
6	6703	WASHER	FLSTFI, FXSTDI
6	6703	WASHER (2)	FLSTF
6	6703	WASHER (6)	FXSTD
7	7593	NUT (4)	FLSTF, FLSTFI, FXSTD, FXSTDI

INDEX NO.	PART NO.	DESCRIPTION	MODEL(S)
8	7601	LOCKNUT	FLSTF, FLSTFI, FXSTD, FXSTDI
9	9955	CLAMP (7)	FLSTF, FLSTFI, FXSTD, FXSTDI
10	10074	CLAMP, muffler shield (4)	FLSTF, FLSTFI, FXSTD, FXSTDI
11	65090-00B	MUFFLER, front, catalytic (California)	FLSTF, FXSTD
	65094-00A	MUFFLER, front	FLSTF, FLSTFI, FXSTD, FXSTDI
12	65148-00A	SHIELD, front exhaust	FLSTF, FLSTFI
	65085-00A	SHIELD, front exhaust (chrome)	FXSTD, FXSTDI
13	65296-95A	CLAMP, muffler (2)	FLSTF, FLSTFI, FXSTD, FXSTDI
14	65324-83B	GASKET, exhaust port	FLSTF, FLSTFI, FXSTD, FXSTDI
15	65325-83A	RETAINING RING, exhaust gasket (2)	FLSTF, FLSTFI, FXSTD, FXSTDI
16	65328-83A	CLAMP, exhaust manifold (2)	FLSTF, FLSTFI, FXSTD, FXSTDI
17	65435-00	MUFFLER SUPPORT	FLSTF, FLSTFI, FXSTD, FXSTDI
18	65445-00	HEAT SHIELD, exhaust pipe	FLSTF, FLSTFI, FXSTD, FXSTDI
19	65463-00	HEAT SHIELD, muffler (2)	FLSTF, FLSTFI, FXSTD, FXSTDI
20	65464-00	HEAT SHIELD, rear exhaust pipe	FLSTF, FLSTFI, FXSTD, FXSTDI
21	65499-00A	EXHAUST PIPE, front	FLSTF, FLSTFI, FXSTD, FXSTDI
22	65503-00A	EXHAUST PIPE, rear	FLSTF, FLSTFI, FXSTD, FXSTDI
23	65652-97A	BRACKET, exhaust	FLSTF, FLSTFI, FXSTD, FXSTDI
24	65654-97	CLAMP, exhaust pipe	FLSTF, FLSTFI, FXSTD, FXSTDI
25	65734-95	BRACKET, muffler	FLSTF, FLSTFI, FXSTD, FXSTDI
26	65826-90A	SEAL, exhaust interconnect	FLSTF, FLSTFI, FXSTD, FXSTDI
27	65827-90	WASHER	FLSTF, FLSTFI, FXSTD, FXSTDI
28	65890-00A	MUFFLER, rear	FLSTF, FLSTFI, FXSTD, FXSTDI
	65900-00A	MUFFLER, rear, catalytic (California)	FLSTF, FXSTD
29	65926-00	MUFFLER BRACKET, rear	FLSTF, FLSTFI, FXSTD, FXSTDI
INTERNATIONAL MODELS ONLY			
30	65894-00	MUFFLER, rear (HDI)	FLSTF, FLSTFI, FXSTD, FXSTDI
31	65939-00A	MUFFLER, front, catalytic (HDI)	FLSTF, FLSTFI, FXSTD, FXSTDI

EXHAUST SYSTEM - FLSTS/I



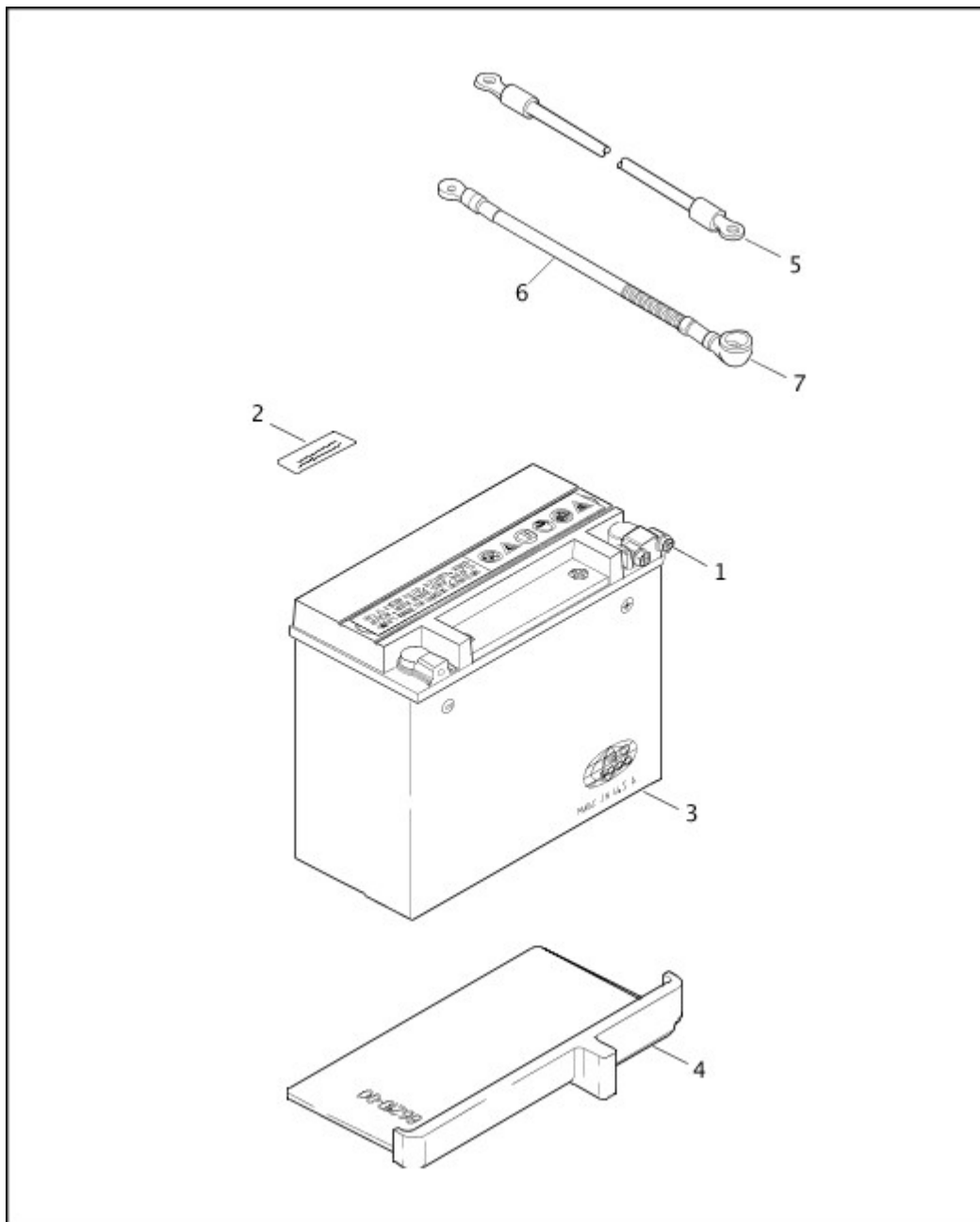
[View interactive image](#)

[View interactive table](#)

INDEX NO.	PART NO.	DESCRIPTION	MODEL(S)
1	861A	SCREW	FLSTS, FLSTSI
2	3728	SCREW (8)	FLSTS, FLSTSI
3	3775	SCREW, left (2)	FLSTS, FLSTSI
4	4017	BOLT (4)	FLSTS, FLSTSI
5	4719W	BOLT, right (2)	FLSTS, FLSTSI
6	5416	BOLT (2)	FLSTS, FLSTSI
7	6701	WASHER	FLSTS, FLSTSI
8	6702	WASHER (4)	FLSTS, FLSTSI
9	6703	WASHER (8)	FLSTS, FLSTSI

INDEX NO.	PART NO.	DESCRIPTION	MODEL(S)
10	7038	LOCKWASHER (4)	FLSTS, FLSTSI
11	7041	LOCKWASHER (4)	FLSTS, FLSTSI
12	7593	NUT (4)	FLSTS, FLSTSI
13	7601	LOCKNUT (2)	FLSTS, FLSTSI
14	9955	CLAMP (11)	FLSTS, FLSTSI
15	65081-00A	EXHAUST PIPE, left	FLSTS, FLSTSI
16	65296-95A	CLAMP, muffler (3)	FLSTS, FLSTSI
17	65311-97	SUPPORT TUBE, muffler (2)	FLSTS, FLSTSI
18	65324-83B	GASKET, exhaust port	FLSTS, FLSTSI
19	65325-83A	RETAINING RING, exhaust gasket (2)	FLSTS, FLSTSI
20	65328-83A	CLAMP, exhaust manifold (2)	FLSTS, FLSTSI
21	65364-00A	MUFFLER, right, catalytic (California)	FLSTS
22	65366-00	MUFFLER, left, catalytic (California)	FLSTS
23	65498-00A	EXHAUST PIPE, front	FLSTS, FLSTSI
24	65513-00A	EXHAUST PIPE, right, rear	FLSTS, FLSTSI
25	65652-97A	BRACKET, exhaust	FLSTS, FLSTSI
26	65654-97	CLAMP, exhaust pipe (3)	FLSTS, FLSTSI
27	65655-00	MUFFLER, right	FLSTS, FLSTSI
28	65679-00	MUFFLER, left	FLSTS, FLSTSI
29	65708-97	BRACKET, exhaust	FLSTS, FLSTSI
30	65734-95	BRACKET, muffler (4)	FLSTS, FLSTSI
31	65781-82	GASKET, interconnect	FLSTS, FLSTSI
32	65782-82	WASHER, interconnect	FLSTS, FLSTSI
33	65907-97A	HEAT SHIELD, front	FLSTS, FLSTSI
34	65908-00A	HEAT SHIELD, rear	FLSTS, FLSTSI
35	65909-00	HEAT SHIELD, right, lower, rear	FLSTS, FLSTSI
36	65910-97	HEAT SHIELD, left, front	FLSTS, FLSTSI
37	65911-97	HEAT SHIELD, left, rear	FLSTS, FLSTSI
INTERNATIONAL MODELS ONLY			
38	65793-00	MUFFLER, left (HDI)	FLSTS, FLSTSI
39	65806-00A	MUFFLER, right, catalytic (HDI)	FLSTS, FLSTSI

BATTERY



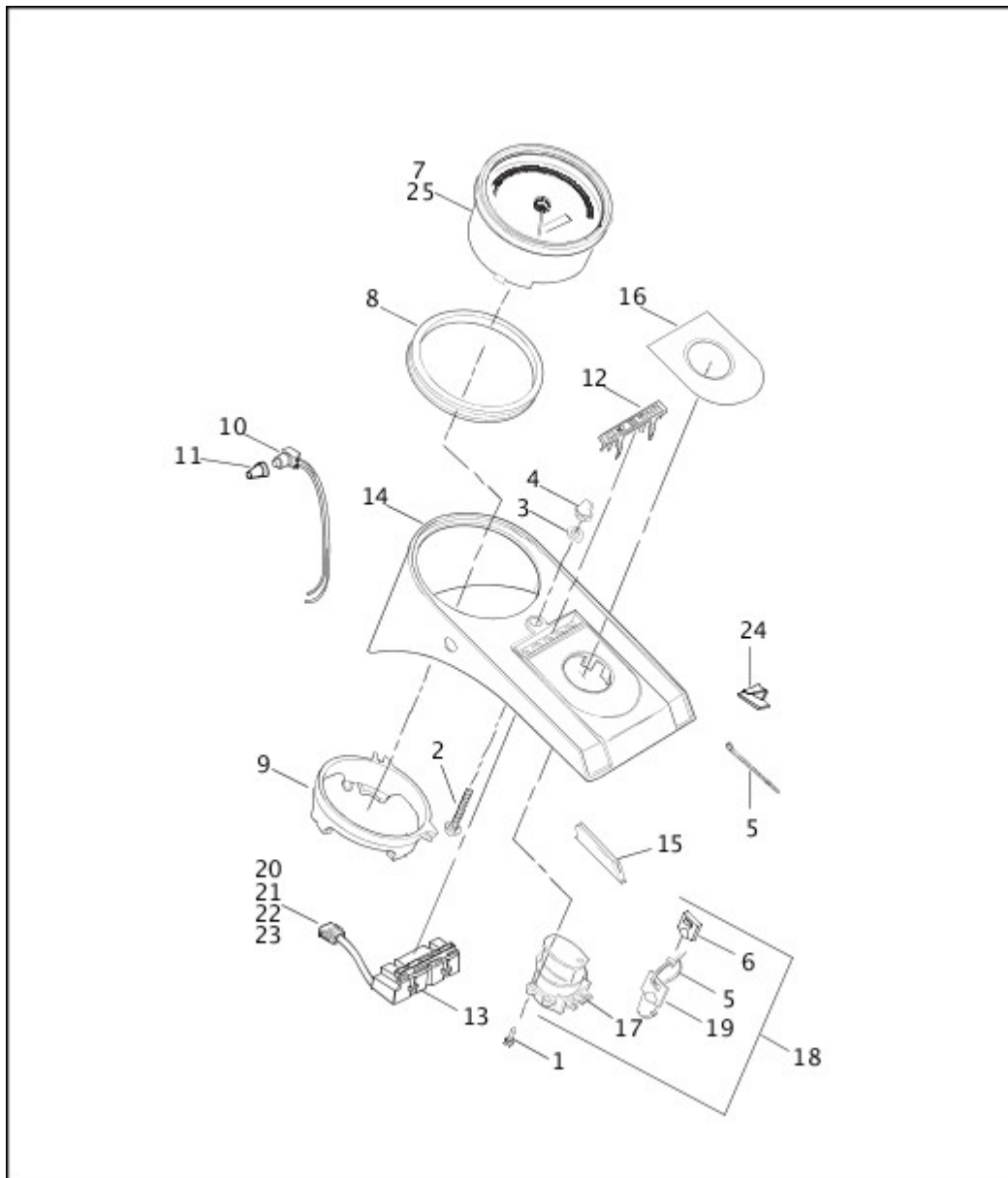
[View interactive image](#)

[View interactive table](#)

INDEX NO.	PART NO.	DESCRIPTION	MODEL(S)
1	4312C	SCREW (2)	ALL
2	15368-01A	WARNING LABEL	ALL
3	65989-97C	BATTERY, sealed, w/ terminal bolts	ALL
4	66210-00	CUSHION, rubber	ALL
5	70060-92B	CABLE ASSEMBLY, battery negative	ALL
6	70078-00B	CABLE ASSEMBLY, battery positive, w/ 70584-94	ALL

INDEX NO.	PART NO.	DESCRIPTION	MODEL(S)
7	70584-94	BOOT	ALL

INSTRUMENTS



[View interactive image](#)

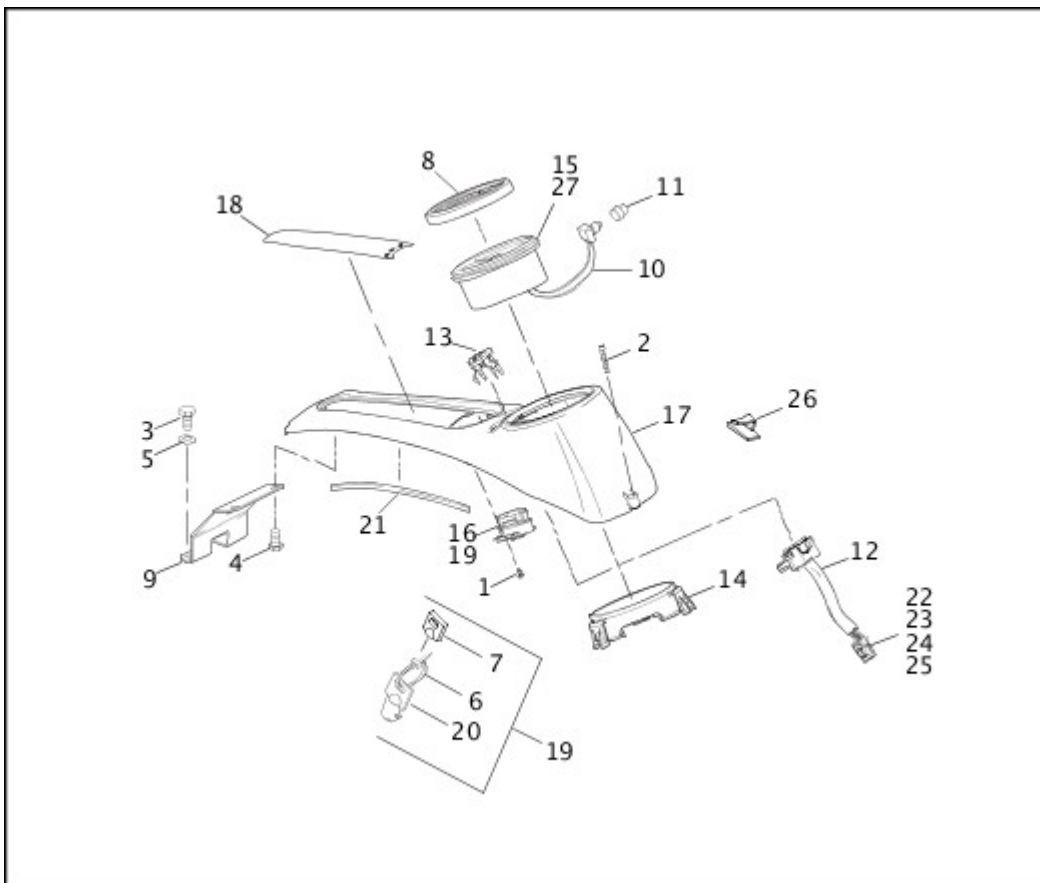
[View interactive table](#)

INDEX NO.	PART NO.	DESCRIPTION	MODEL(S)
1	2501A	SCREW (4)	FLSTC, FLSTCI, FLSTF, FLSTFI, FLSTS, FLSTSI, FXST, FXSTB, FXSTBI, FXSTI, FXSTS, FXSTSI
2	5443	CARRIAGE BOLT	FLSTC, FLSTCI, FLSTF, FLSTFI, FLSTS, FLSTSI, FXST, FXSTB, FXSTBI, FXSTI, FXSTS, FXSTSI
3	6771A	WASHER	FLSTC, FLSTCI, FLSTF, FLSTFI, FLSTS, FLSTSI, FXST, FXSTB, FXSTBI, FXSTI, FXSTS, FXSTSI

INDEX NO.	PART NO.	DESCRIPTION	MODEL(S)
4	7549A	ACORN NUT, acorn	FLSTC, FLSTCI, FLSTF, FLSTFI, FLSTS, FLSTSI, FXST, FXSTB, FXSTBI, FXSTI, FXSTS, FXSTSI
5	10065	CABLE STRAP (2)	FLSTC, FLSTCI, FLSTF, FLSTFI, FLSTS, FLSTSI, FXST, FXSTB, FXSTBI, FXSTI, FXSTS, FXSTSI
6	61081-92	COVER KEY HEAD SET (2)	FLSTC, FLSTCI, FLSTF, FLSTFI, FLSTS, FLSTSI, FXST, FXSTB, FXSTBI, FXSTI, FXSTS, FXSTSI
7	67033-99A	SPEEDOMETER, mph	FLSTC, FLSTCI, FLSTF, FLSTFI, FLSTS, FLSTSI, FXST, FXSTB, FXSTBI, FXSTI, FXSTS, FXSTSI
8	67190-89	SEAL, speedometer	FLSTC, FLSTCI, FLSTF, FLSTFI, FLSTS, FLSTSI, FXST, FXSTB, FXSTBI, FXSTI, FXSTS, FXSTSI
9	67271-99	BACK CLAMP	FLSTC, FLSTCI, FLSTF, FLSTFI, FLSTS, FLSTSI, FXST, FXSTB, FXSTBI, FXSTI, FXSTS, FXSTSI
10	67854-98	SWITCH, odometer reset	FLSTC, FLSTCI, FLSTF, FLSTFI, FLSTS, FLSTSI, FXST, FXSTB, FXSTBI, FXSTI, FXSTS, FXSTSI
11	67880-94	BOOT, reset switch	FLSTC, FLSTCI, FLSTF, FLSTFI, FLSTS, FLSTSI, FXST, FXSTB, FXSTBI, FXSTI, FXSTS, FXSTSI
12	68112-99A	BEZEL, indicator lamps	FLSTC, FLSTCI, FLSTF, FLSTFI, FLSTS, FLSTSI, FXST, FXSTB, FXSTBI, FXSTI, FXSTS, FXSTSI
13	68113-99C	HOUSING ASSEMBLY, indicator lights, w/ 74118-98BK, 74158-98, 74191-98 & 74195-98	FLSTC, FLSTCI, FLSTF, FLSTFI, FLSTS, FLSTSI, FXST, FXSTB, FXSTBI, FXSTI, FXSTS, FXSTSI
14	71248-00A	INSTRUMENT PANEL, black	FXSTB, FXSTBI
	71250-00A	INSTRUMENT PANEL, chrome	FLSTC, FLSTCI, FLSTF, FLSTFI, FLSTS, FLSTSI, FXST, FXSTI, FXSTS, FXSTSI
15	71265-95	TRIM, instrument panel	FLSTC, FLSTCI, FLSTF, FLSTFI, FLSTS, FLSTSI, FXST, FXSTB, FXSTBI, FXSTI, FXSTS, FXSTSI
16	71302-93A	NAMEPLATE, ignition switch	FLSTC, FLSTCI, FLSTF, FLSTFI, FLSTS, FLSTSI, FXST, FXSTB, FXSTBI, FXSTI, FXSTS, FXSTSI
17	71313-96A	IGNITION SWITCH (specify key code)	FLSTC, FLSTCI, FLSTF, FLSTFI, FLSTS, FLSTSI, FXST, FXSTB, FXSTBI, FXSTI, FXSTS, FXSTSI
18	71450-04	LOCKSET, complete, w/ 10065, 61081-92, 71452-91A, fork lock & ignition switch	FLSTC, FLSTCI, FLSTF, FLSTFI, FLSTS, FLSTSI, FXST, FXSTB, FXSTBI, FXSTI, FXSTS, FXSTSI
19	71452-91A	KEY (specify key code)	FLSTC, FLSTCI, FLSTF, FLSTFI, FLSTS, FLSTSI, FXST, FXSTB, FXSTBI, FXSTI, FXSTS, FXSTSI

INDEX NO.	PART NO.	DESCRIPTION	MODEL(S)
20	74158-98	SECONDARY LOCK, 8-way socket	FLSTC, FLSTCI, FLSTF, FLSTFI, FLSTS, FLSTSI, FXST, FXSTB, FXSTBI, FXSTI, FXSTS, FXSTSI
21	74191-98	SOCKET TERMINAL (7)	FLSTC, FLSTCI, FLSTF, FLSTFI, FLSTS, FLSTSI, FXST, FXSTB, FXSTBI, FXSTI, FXSTS, FXSTSI
22	74195-98	SEAL PIN	FLSTC, FLSTCI, FLSTF, FLSTFI, FLSTS, FLSTSI, FXST, FXSTB, FXSTBI, FXSTI, FXSTS, FXSTSI
23	74118-98BK	SOCKET HOUSING, 8-way (black)	FLSTC, FLSTCI, FLSTF, FLSTFI, FLSTS, FLSTSI, FXST, FXSTB, FXSTBI, FXSTI, FXSTS, FXSTSI
24	10102	CLIP, adhesive back (3)	FLSTC, FLSTCI, FLSTF, FLSTFI, FLSTS, FLSTSI, FXST, FXSTB, FXSTBI, FXSTI, FXSTS, FXSTSI
	10103	CLIP, adhesive back (2)	FLSTC, FLSTCI, FLSTF, FLSTFI, FLSTS, FLSTSI, FXST, FXSTB, FXSTBI, FXSTI, FXSTS, FXSTSI
INTERNATIONAL MODELS ONLY			
25	67197-99A	SPEEDOMETER, kph	FLSTC, FLSTCI, FLSTF, FLSTFI, FLSTS, FLSTSI, FXST, FXSTB, FXSTBI, FXSTI, FXSTS, FXSTSI
	67196-99A	SPEEDOMETER, mph/kph	FLSTC, FLSTCI, FLSTF, FLSTFI, FLSTS, FLSTSI, FXST, FXSTB, FXSTBI, FXSTI, FXSTS, FXSTSI

INSTRUMENTS - FXSTD/I



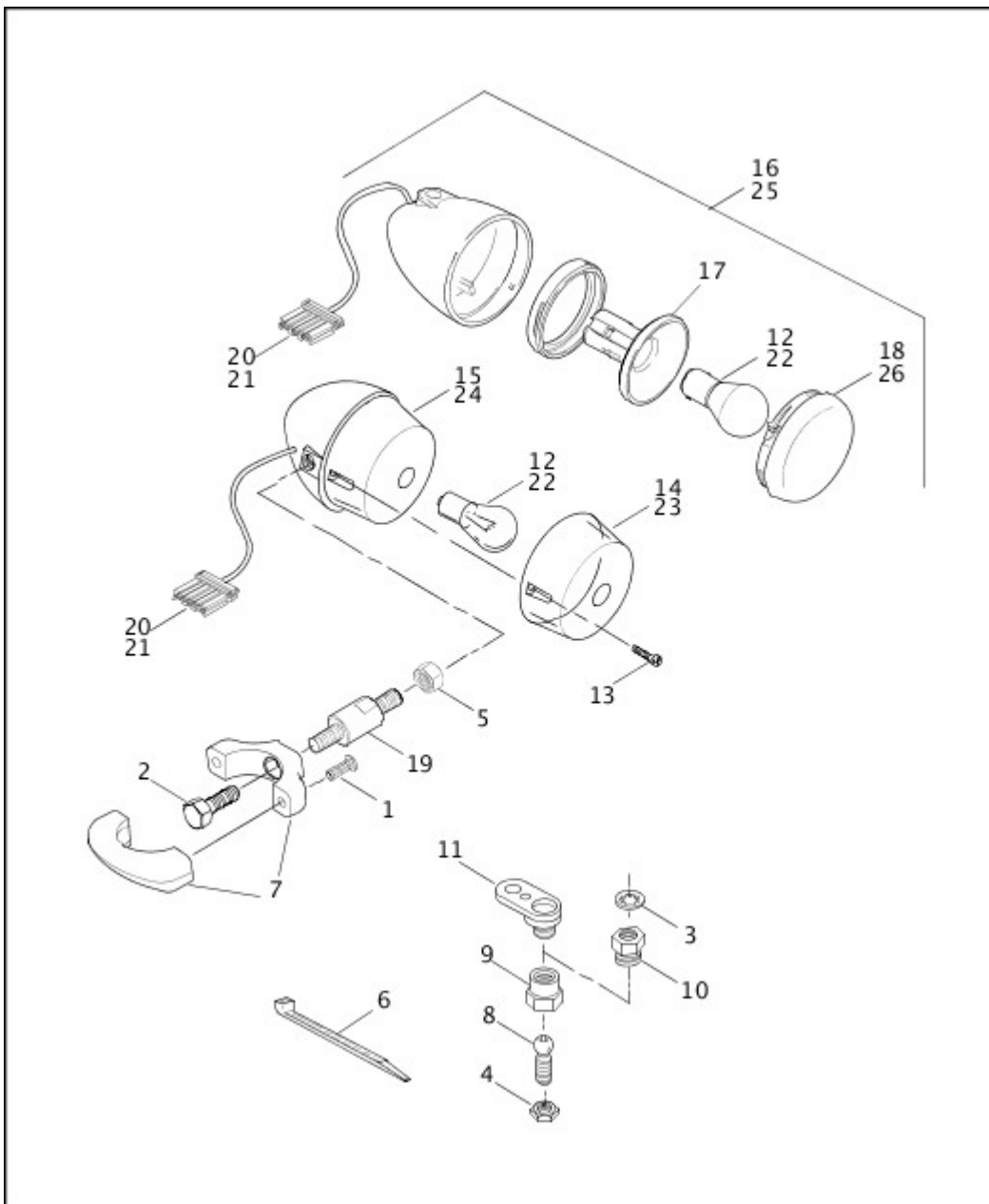
[View interactive image](#)

[View interactive table](#)

INDEX NO.	PART NO.	DESCRIPTION	MODEL(S)
1	2501A	SCREW (4)	FXSTD, FXSTDI
2	3008	SCREW	FXSTD, FXSTDI
3	3658	SCREW (2)	FXSTD, FXSTDI
4	4194	SCREW (2)	FXSTD, FXSTDI
5	6716	WASHER (2)	FXSTD, FXSTDI
6	10065	CABLE STRAP (2)	FXSTD, FXSTDI
7	61081-92	COVER KEY HEAD SET (2)	FXSTD, FXSTDI
8	67223-00A	SEAL, speedometer	FXSTD, FXSTDI
9	67423-00	BRACKET, instrument panel mounting	FXSTD, FXSTDI
10	67854-98	RESET, switch speedometer	FXSTD, FXSTDI
11	67880-94	BOOT, reset switch	FXSTD, FXSTDI
12	68892-00A	HOUSING ASSEMBLY, indicator lights, includes connector	FXSTD, FXSTDI
13	68893-00A	BEZEL, indicator lights	FXSTD, FXSTDI
14	68894-00	BACK CLAMP	FXSTD, FXSTDI

INDEX NO.	PART NO.	DESCRIPTION	MODEL(S)
15	68901-00A	SPEEDOMETER, mph	FXSTD, FXSTDI
16	71313-96A	IGNITION SWITCH (specify key code)	FXSTD, FXSTDI
17	71439-00	INSTRUMENT PANEL	FXSTD, FXSTDI
18	71440-00A	TRIM INSERT, dashboard	FXSTD, FXSTDI
19	71450-04	LOCKSET, complete, w/ 10065, 61081-92, 71452-91A, fork lock & ignition switch	FXSTD, FXSTDI
20	71452-91A	KEY (specify key code)	FXSTD, FXSTDI
21	71464-00	TRIM, instrument panel	FXSTD, FXSTDI
22	74118-98BK	SOCKET HOUSING, 8-way (black)	FXSTD, FXSTDI
23	74158-98	SECONDARY LOCK, 8-way socket	FXSTD, FXSTDI
24	74191-98	SOCKET TERMINAL (12)	FXSTD, FXSTDI
25	74195-98	SEAL PIN (2)	FXSTD, FXSTDI
26	10102	CLIP, adhesive back	FXSTD, FXSTDI
	10103	CLIP, adhesive back	FXSTD, FXSTDI
INTERNATIONAL MODELS ONLY			
27	68902-00A	SPEEDOMETER, kph	FXSTD, FXSTDI
	68903-00A	SPEEDOMETER, mph/kph	FXSTD, FXSTDI

FRONT TURN SIGNALS



[View interactive image](#)

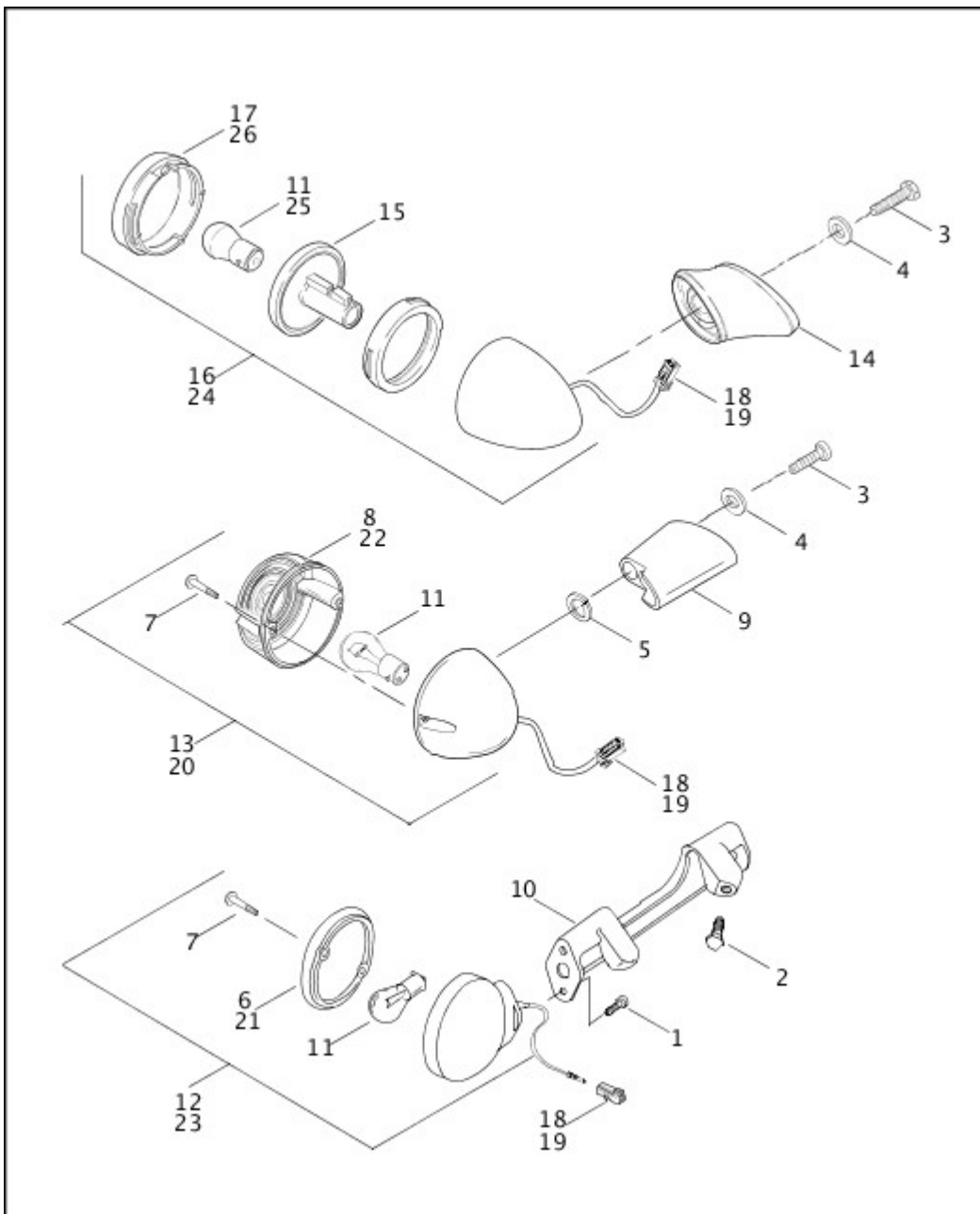
[View interactive table](#)

INDEX NO.	PART NO.	DESCRIPTION	MODEL(S)
1	927A	SCREW (4)	FXSTB, FXSTBI
2	4391	BOLT (2)	FXSTB, FXSTBI
3	7127	LOCKWASHER	FLSTF, FLSTFI, FLSTS, FLSTSI, FXST, FXSTD, FXSTDI, FXSTI, FXSTS, FXSTSI
4	7744	JAM NUT (2)	FLSTF, FLSTFI, FLSTS, FLSTSI, FXST, FXSTD, FXSTDI, FXSTI, FXSTS, FXSTSI
5	7753	NUT (2)	FXSTB, FXSTBI
6	10006	CABLE STRAP (2)	FLSTF, FLSTFI, FLSTS, FLSTSI, FXST, FXSTDI, FXSTI, FXSTS, FXSTSI

INDEX NO.	PART NO.	DESCRIPTION	MODEL(S)
6	10006	CABLE STRAP (4)	FXSTD
	10065	CABLE STRAP	FLSTF, FLSTFI, FLSTS, FLSTSI, FXST, FXSTB, FXSTBI, FXSTD, FXSTDI, FXSTI, FXSTS, FXSTSI
	10181	CABLE STRAP (2)	FXSTB, FXSTBI
7	58060-93	MOUNTING CLAMP, front turn signal (2)	FXSTB, FXSTBI
8	67822-88	BALL STUD (2)	FLSTF, FLSTFI, FLSTS, FLSTSI, FXST, FXSTD, FXSTDI, FXSTI, FXSTS, FXSTSI
9	67827-88A	CLAMP, ball stud (2)	FLSTF, FLSTFI, FLSTS, FLSTSI, FXST, FXSTD, FXSTDI, FXSTI, FXSTS, FXSTSI
10	67828-88A	RETAINER, right	FLSTF, FLSTFI, FLSTS, FLSTSI, FXST, FXSTD, FXSTDI, FXSTI, FXSTS, FXSTSI
11	67829-88	BALL RECEPTACLE, left	FLSTF, FLSTFI, FLSTS, FLSTSI, FXST, FXSTD, FXSTDI, FXSTI, FXSTS, FXSTSI
12	68168-89A	BULB, front turn signals (2)	FLSTF, FLSTFI, FLSTS, FLSTSI, FXST, FXSTB, FXSTBI, FXSTD, FXSTDI, FXSTI, FXSTS, FXSTSI
13	68452-86	SCREW, turn signal lens (4)	FLSTF, FLSTFI, FLSTS, FLSTSI, FXST, FXSTD, FXSTDI, FXSTI, FXSTS, FXSTSI
14	68457-86	LENS, front turn signal (amber) (2)	FLSTF, FLSTFI, FLSTS, FLSTSI, FXST, FXSTD, FXSTDI, FXSTI, FXSTS, FXSTSI
15	68709-94	TURN SIGNAL LAMP, w/ wire, front (does not include electrical connector) (2)	FLSTF, FLSTFI, FLSTS, FLSTSI, FXST, FXSTD, FXSTDI, FXSTI, FXSTS, FXSTSI
16	68972-00	TURN SIGNAL ASSEMBLY, front, w/ 68168-89A, 68904-00 & 68973-00 (2)	FXSTD, FXSTDI
17	68904-00	SOCKET ASSEMBLY (2)	FXSTD, FXSTDI
18	68973-00	LENS (2)	FXSTD, FXSTDI
19	68989-98	STANDOFF, front turn signal (2)	FXSTB, FXSTBI
20	73191-96	SOCKET CONTACT, 16-20 gauge (6)	FLSTF, FLSTFI, FLSTS, FLSTSI, FXST, FXSTB, FXSTBI, FXSTD, FXSTDI, FXSTI, FXSTS, FXSTSI
21	73156-96BK	SOCKET HOUSING, 6-place	FLSTF, FLSTFI, FLSTS, FLSTSI, FXST, FXSTB, FXSTBI, FXSTD, FXSTDI, FXSTI, FXSTS, FXSTSI
INTERNATIONAL MODELS ONLY			

INDEX NO.	PART NO.	DESCRIPTION	MODEL(S)
22	68163-84	BULB (HDI) (2)	FLSTF, FLSTFI, FLSTS, FLSTSI, FXST, FXSTB, FXSTBI, FXSTD, FXSTDI, FXSTI, FXSTS, FXSTSI
23	68566-90	LENS, turn signal (amber) (HDI) (2)	FLSTF, FLSTFI, FLSTS, FLSTSI, FXST, FXSTB, FXSTBI, FXSTI, FXSTS, FXSTSI
24	68710-94	TURN SIGNAL LAMP, w/ wire, front (does not include electrical connector) (HDI) (2)	FLSTF, FLSTFI, FLSTS, FLSTSI, FXST, FXSTB, FXSTBI, FXSTI, FXSTS, FXSTSI
25	68975-00	TURN SIGNAL ASSEMBLY, front, w/68163-84, 68973-00 & socket assembly (HDI) (2)	FXSTD, FXSTDI
26	68973-00	LENS (HDI) (2)	FXSTD, FXSTDI

REAR TURN SIGNALS



[View interactive image](#)

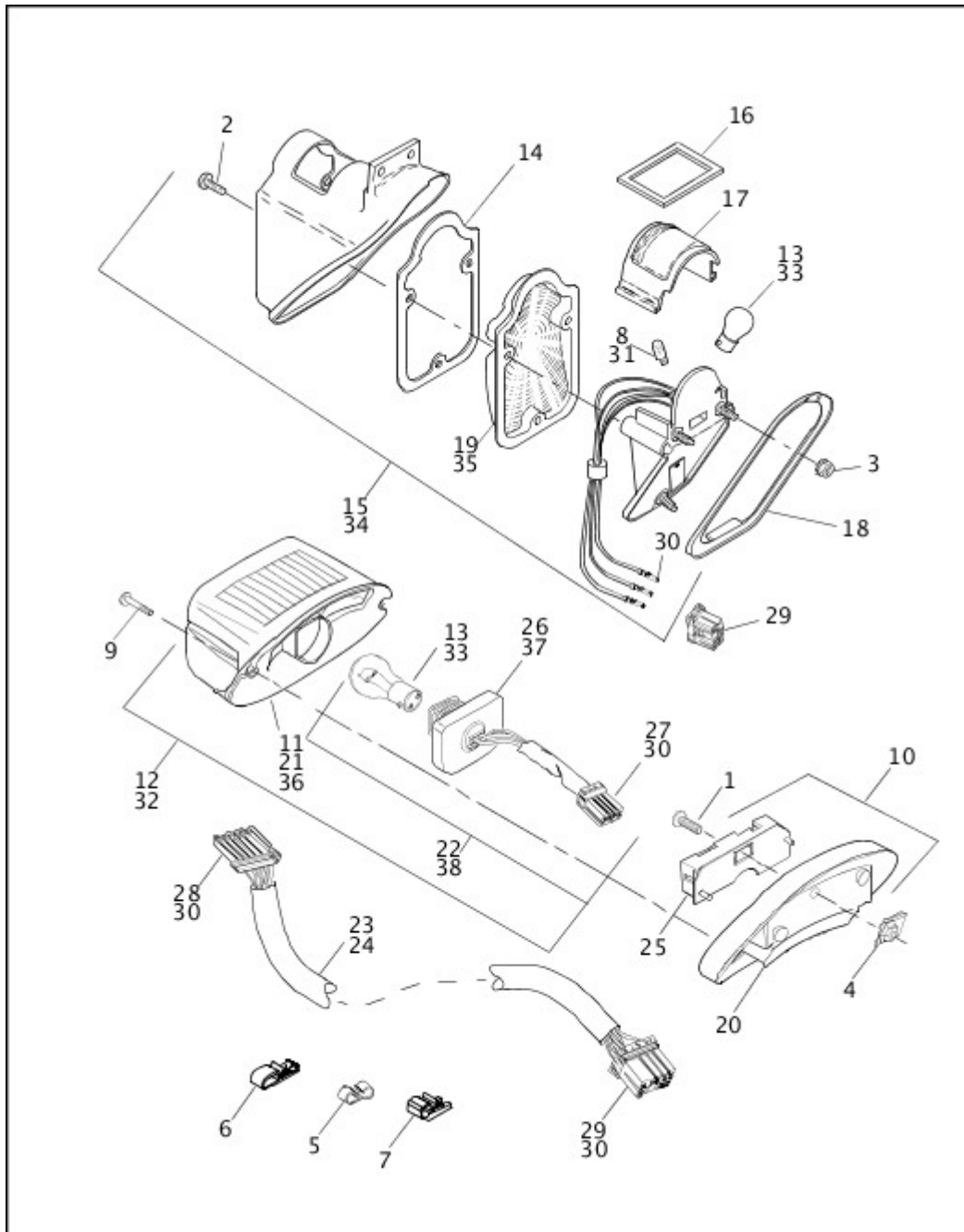
[View interactive table](#)

INDEX NO.	PART NO.	DESCRIPTION	MODEL(S)
1	2692WB	SCREW (4)	FLSTC, FLSTCI
2	3576	SCREW (2)	FLSTC, FLSTCI
3	4196	SCREW (2)	FLSTF, FLSTFI, FLSTS, FLSTSI, FXST, FXSTB, FXSTBI, FXSTI, FXSTS, FXSTSI
	2871W	BOLT (2)	FXSTD, FXSTDI
4	6702	WASHER (2)	FXSTD, FXSTDI
	6771A	WASHER (2)	FLSTF, FLSTFI, FLSTS, FLSTSI, FXST, FXSTB, FXSTBI, FXSTD, FXSTDI, FXSTI, FXSTS, FXSTSI

INDEX NO.	PART NO.	DESCRIPTION	MODEL(S)
5	7127	LOCKWASHER (2)	FLSTF, FLSTFI, FLSTS, FLSTSI, FXST, FXSTB, FXSTBI, FXSTI, FXSTS, FXSTSI
6	68440-86	LENS, rear turn signal (2)	FLSTC, FLSTCI
7	68452-86	SCREW (4)	FLSTC, FLSTCI, FLSTF, FLSTFI, FLSTS, FLSTSI, FXST, FXSTB, FXSTBI, FXSTI, FXSTS, FXSTSI
8	68457-86	LENS, rear turn signal (2)	FLSTF, FLSTFI, FLSTS, FLSTSI, FXST, FXSTB, FXSTBI, FXSTI, FXSTS, FXSTSI
9	68480-93A	SUPPORT, rear lamp mounting (2)	FLSTF, FLSTFI, FLSTS, FLSTSI, FXST, FXSTB, FXSTBI, FXSTI, FXSTS, FXSTSI
10	68510-74C	BRACKET, rear turn signal	FLSTC, FLSTCI
11	68572-64B	BULB, rear turn signal (2)	ALL
12	68713-94A	LAMP, w/ wire, rear (amber) (2)	FLSTC, FLSTCI
13	68760-94	LAMP, w/ wire, rear (amber) (2)	FLSTF, FLSTFI, FLSTS, FLSTSI, FXST, FXSTB, FXSTBI, FXSTI, FXSTS, FXSTSI
14	68821-00	SUPPORT, rear lamp mounting (2)	FXSTD, FXSTDI
15	68905-00	SOCKET ASSEMBLY (2)	FXSTD, FXSTDI
16	68977-00	TURN SIGNAL ASSEMBLY, w/ 68572-64B, 68905-00 & 68973-00 (2)	FXSTD, FXSTDI
17	68973-00	LENS (2)	FXSTD, FXSTDI
18	73152-96BK	SOCKET HOUSING, 2-place (BS/JB-right) (black) (2)	ALL
	73152-96WE	SOCKET HOUSING, 2-place, left (white)	FXSTD, FXSTDI
19	73191-96	CONTACT SOCKET, 16-20 gauge (4)	ALL
INTERNATIONAL MODELS ONLY			
20	68763-94	LAMP, w/ wire, rear (amber) (HDI) (2)	FLSTF, FLSTFI, FLSTS, FLSTSI, FXST, FXSTB, FXSTBI, FXSTI, FXSTS, FXSTSI
21	68506-92	LENS, turn signal (amber) (HDI) (2)	FLSTC, FLSTCI
22	68507-90	LENS, turn signal (amber) (HDI) (2)	FLSTF, FLSTFI, FLSTS, FLSTSI, FXST, FXSTB, FXSTBI, FXSTI, FXSTS, FXSTSI
23	68765-94A	LAMP, w/ wire, rear (amber) (HDI) (2)	FLSTC, FLSTCI

INDEX NO.	PART NO.	DESCRIPTION	MODEL(S)
24	68978-00	TURN SIGNAL ASSEMBLY, w/ 68163-84, 68973-00 & socket assembly (HDI) (2)	FXSTD, FXSTDI
25	68163-84	BULB (HDI) (2)	FXSTD, FXSTDI
26	68973-00	LENS (HDI) (2)	FXSTD, FXSTDI

TAIL LAMP (1 OF 2)



[View interactive image](#)

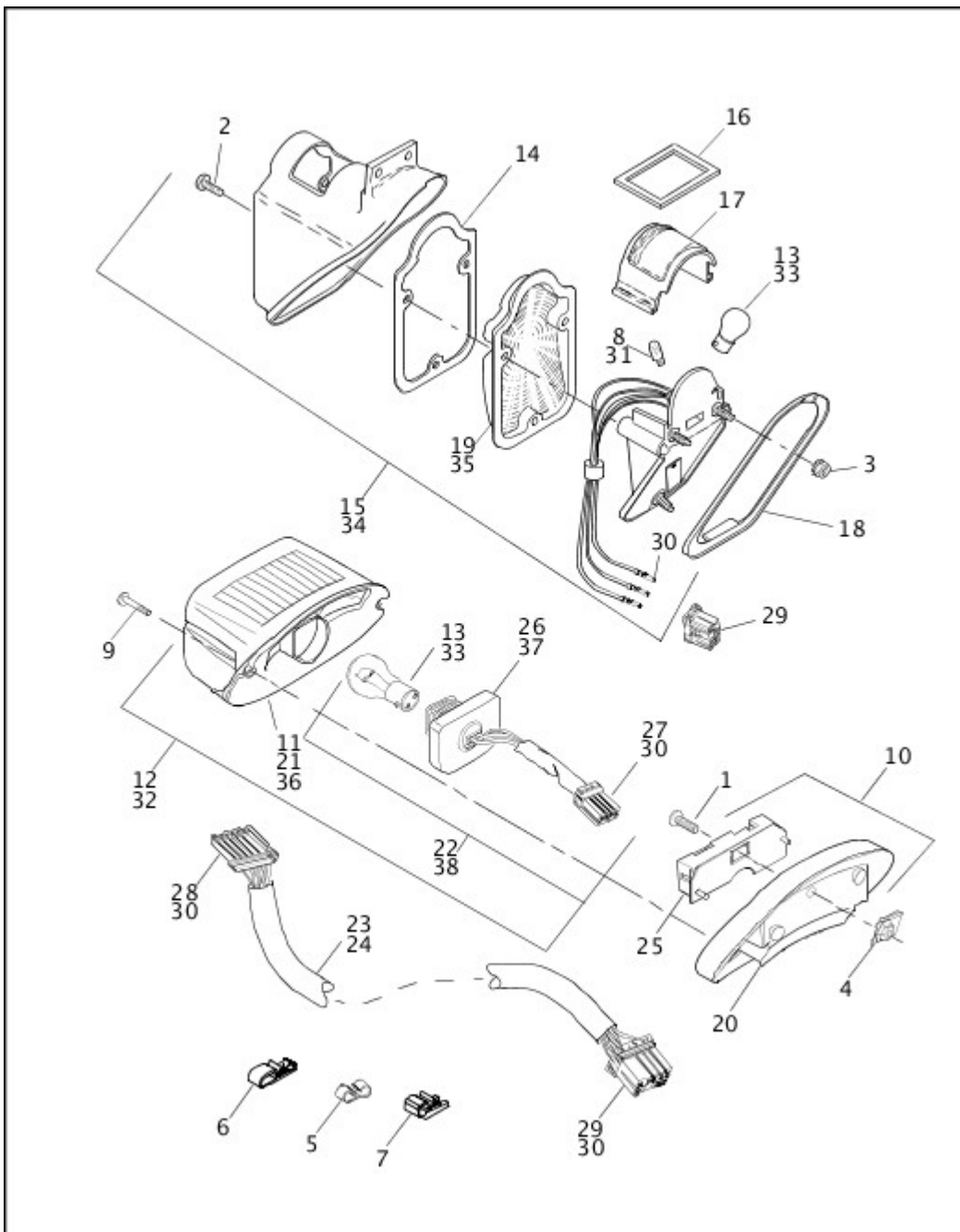
[View interactive table](#)

INDEX NO.	PART NO.	DESCRIPTION	MODEL(S)
-----------	----------	-------------	----------

INDEX NO.	PART NO.	DESCRIPTION	MODEL(S)
1	3022A	SCREW	FLSTC, FLSTCI, FLSTF, FLSTFI, FXST, FXSTB, FXSTBI, FXSTI, FXSTS, FXSTSI
2	4166	SCREW (3)	FLSTS, FLSTSI
3	7792	NUT (3)	FLSTS, FLSTSI
4	7964	J-NUT	FLSTC, FLSTCI, FLSTF, FLSTFI
5	10113	CLIP, double (4)	FLSTS, FLSTSI
6	10183	CLIP, T-stud	FLSTS, FLSTSI
6	10183	CLIP, T-stud (5)	FLSTF, FLSTFI, FXST, FXSTB, FXSTBI, FXSTI, FXSTS, FXSTSI
6	10183	CLIP, T-stud (7)	FLSTC, FLSTCI
7	10184	CLIP, T-stud	FLSTC, FLSTCI
7	10184	CLIP, T-stud (2)	FXST, FXSTB, FXSTBI, FXSTI, FXSTS, FXSTSI
7	10184	CLIP, T-stud (3)	FLSTF, FLSTFI, FLSTS, FLSTSI
8	52441-95	BULB, license lamp	FLSTS, FLSTSI
9	68026-99	SCREW, tail lamp (2)	FLSTC, FLSTCI, FLSTF, FLSTFI, FXST, FXSTB, FXSTBI, FXSTI, FXSTS, FXSTSI
10	68066-99A	TAIL LAMP BASE ASSEMBLY	FLSTC, FLSTCI, FLSTF, FLSTFI
11	68140-99	LENS, tail lamp, w/ 68026-99 (use 68140-04)	FLSTC, FLSTCI, FLSTF, FLSTFI, FXST, FXSTB, FXSTBI, FXSTI, FXSTS, FXSTSI
12	68140-04	LIGHT ASSEMBLY, tail lamp, w/ 68369-03 & 68370-03A (replaces 68140-99)	FLSTC, FLSTCI, FLSTF, FLSTFI, FXST, FXSTB, FXSTBI, FXSTI, FXSTS, FXSTSI
13	68167-04	BULB, tail lamp, wedge mount (used w/ 68370-03A)	FLSTC, FLSTCI, FLSTF, FLSTFI, FXST, FXSTB, FXSTBI, FXSTI, FXSTS, FXSTSI
	68168-89A	BULB, tail lamp (used w/ 68233-97)	FLSTC, FLSTCI, FLSTF, FLSTFI, FLSTS, FLSTSI, FXST, FXSTB, FXSTBI, FXSTI, FXSTS, FXSTSI
14	68226-97	GASKET, lens	FLSTS, FLSTSI
15	68233-97	TAIL LAMP ASSEMBLY	FLSTS, FLSTSI
16	68235-97	GASKET, license plate lens	FLSTS, FLSTSI
17	68236-97	LENS, license plate	FLSTS, FLSTSI
18	68237-97	PAD, mounting	FLSTS, FLSTSI
19	68238-97	LENS	FLSTS, FLSTSI
20	68296-99A	TAIL LIGHT CHROME	FLSTC, FLSTCI, FLSTF, FLSTFI

INDEX NO.	PART NO.	DESCRIPTION	MODEL(S)
21	68369-03	LENS, tail lamp, w/ 68026-99 (used w/ 68140-04)	FLSTC, FLSTCI, FLSTF, FLSTFI, FXST, FXSTB, FXSTBI, FXSTI, FXSTS, FXSTSI
22	68370-03A	SOCKET ASSEMBLY, w/ 68167- 04 (used w/ 68140-04)	FLSTC, FLSTCI, FLSTF, FLSTFI, FXST, FXSTB, FXSTBI, FXSTI, FXSTS, FXSTSI
23	68818-00	HARNESS, rear lamps	FLSTC, FLSTCI, FLSTF, FLSTFI
24	68819-00	HARNESS, rear lamps	FXST, FXSTB, FXSTBI, FXSTI, FXSTS, FXSTSI
25	68830-99A	CIRCUIT BOARD AND COVER	FLSTC, FLSTCI, FLSTF, FLSTFI, FXST, FXSTB, FXSTBI, FXSTI, FXSTS, FXSTSI
26	68832-99	BULB SOCKET ASSEMBLY, includes socket housing & terminal pins (use 68140-04)	FLSTC, FLSTCI, FLSTF, FLSTFI, FXST, FXSTB, FXSTBI, FXSTI, FXSTS, FXSTSI
27	73154-96BK	SOCKET HOUSING, 4-place	FLSTC, FLSTCI, FLSTF, FLSTFI, FXST, FXSTB, FXSTBI, FXSTI, FXSTS, FXSTSI
28	73156-96BK	SOCKET HOUSING, 6-place	FLSTC, FLSTCI, FLSTF, FLSTFI, FXST, FXSTB, FXSTBI, FXSTI, FXSTS, FXSTSI
29	73158-96BK	SOCKET HOUSING, 8-place	FLSTC, FLSTCI, FLSTF, FLSTFI, FXST, FXSTB, FXSTBI, FXSTI, FXSTS, FXSTSI
30	73191-96	CONTACT SOCKET, 16-20 gauge (16)	FLSTC, FLSTCI, FLSTF, FLSTFI, FLSTS, FLSTSI, FXST, FXSTB, FXSTBI, FXSTI, FXSTS, FXSTSI

TAIL LAMP (2 OF 2)



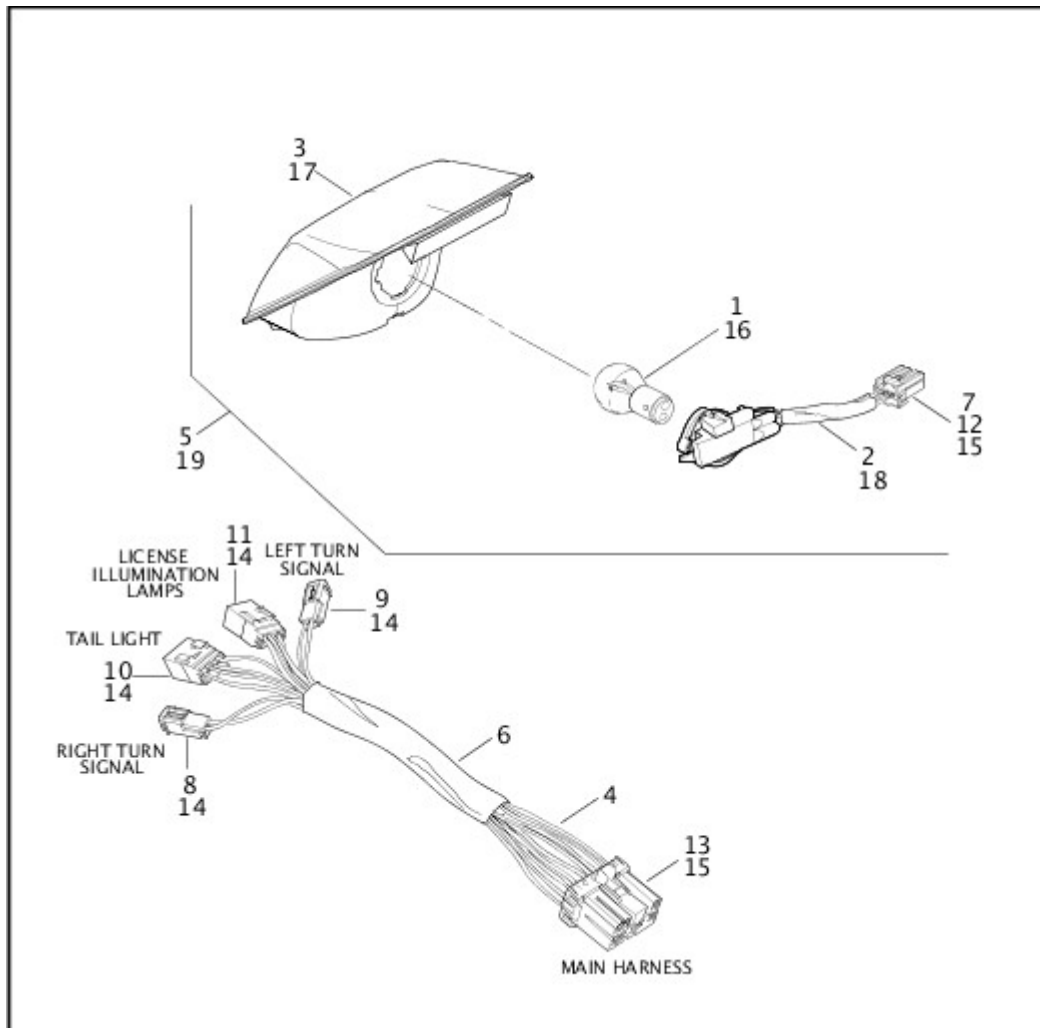
[View interactive image](#)

[View interactive table](#)

INDEX NO.	PART NO.	DESCRIPTION	MODEL(S)
INTERNATIONAL MODELS ONLY			
31	53436-97	BULB, license lamp (HDI)	FLSTS, FLSTSI
32	68141-99A	LIGHT ASSEMBLY, tail lamp, w/ 68026-99 (use 68141-04) (HDI)	FLSTC, FLSTCI, FLSTF, FLSTFI, FXST, FXSTB, FXSTBI, FXSTI, FXSTS, FXSTSI
	68141-04	LIGHT ASSEMBLY, tail lamp, w/ 68372-03 & 69187-03A (replaces 68141-99A) (HDI)	FLSTC, FLSTCI, FLSTF, FLSTFI, FXST, FXSTB, FXSTBI, FXSTI, FXSTS, FXSTSI
	68142-04	LIGHT ASSEMBLY, tail lamp, w/ 68558-03 & 69187-03A (replaces 68833-99) (HDI)	FLSTC, FLSTCI, FLSTF, FLSTFI, FXST, FXSTB, FXSTBI, FXSTI, FXSTS, FXSTSI

INDEX NO.	PART NO.	DESCRIPTION	MODEL(S)
33	68169-90A	BULB, tail lamp (HDI)	FLSTC, FLSTCI, FLSTF, FLSTFI, FLSTS, FLSTSI, FXST, FXSTB, FXSTBI, FXSTI, FXSTS, FXSTSI
34	68234-97	TAIL LAMP ASSEMBLY (HDI)	FLSTS, FLSTSI
35	68239-97	LENS, tail lamp (red) (HDI)	FLSTS, FLSTSI
36	68372-03	LENS, tail lamp, w/ 68026-99 (used w/ 68141-04) (HDI)	FLSTC, FLSTCI, FLSTF, FLSTFI, FXST, FXSTB, FXSTBI, FXSTI, FXSTS, FXSTSI
	68558-03	LENS, tail lamp, w/ 68026-99 (red) (used w/ 68142-04) (HDI)	FLSTC, FLSTCI, FLSTF, FLSTFI, FXST, FXSTB, FXSTBI, FXSTI, FXSTS, FXSTSI
37	68833-99	BULB & SOCKET ASSEMBLY, w/ 73154-96BK & 73191-96 (use 68142-04) (HDI)	FLSTC, FLSTCI, FLSTF, FLSTFI, FXST, FXSTB, FXSTBI, FXSTI, FXSTS, FXSTSI
38	69187-03A	SOCKET ASSEMBLY, w/ 68167-04 (used w/ 68141-04 & 68142-04) (HDI)	FLSTC, FLSTCI, FLSTF, FLSTFI, FXST, FXSTB, FXSTBI, FXSTI, FXSTS, FXSTSI

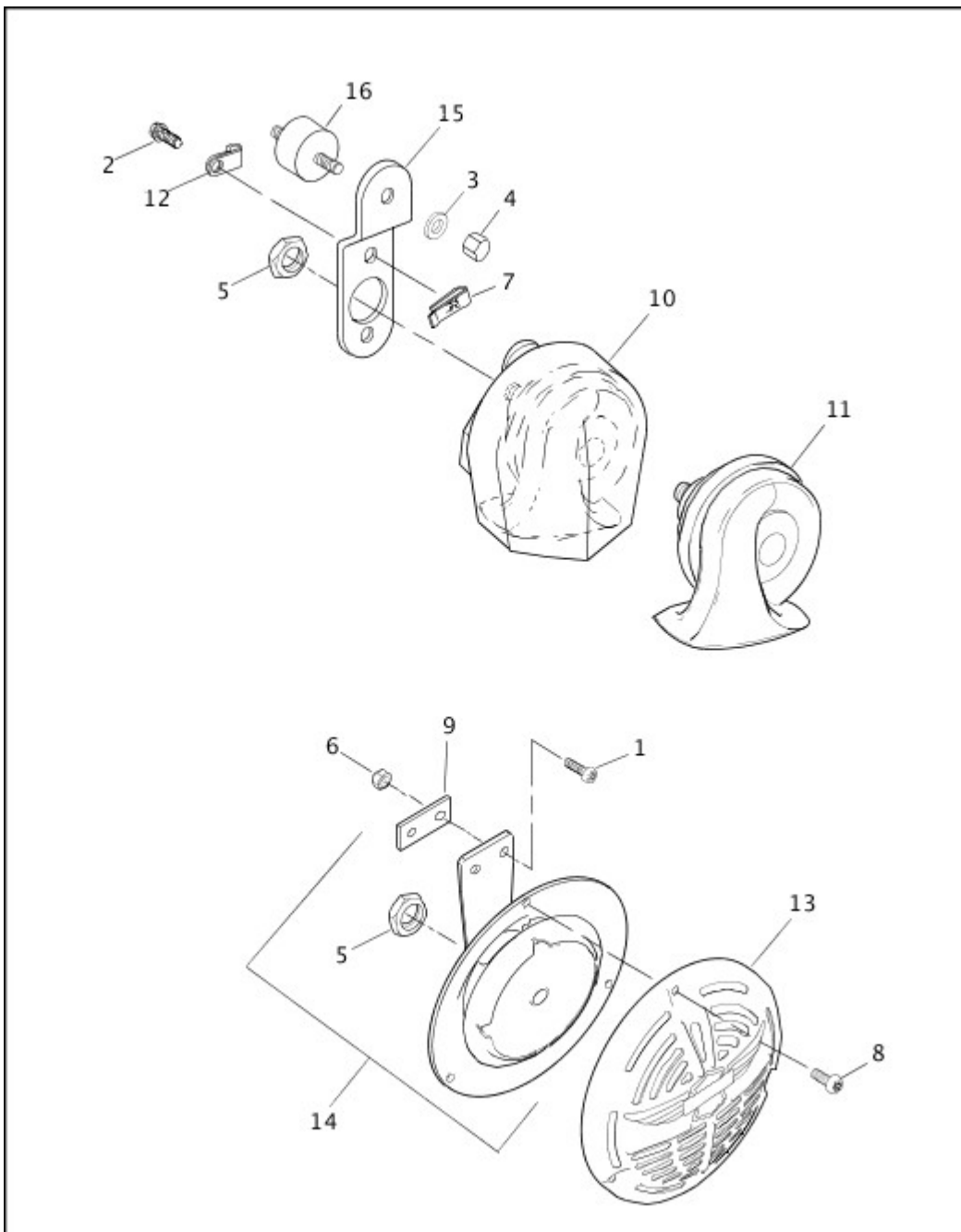
TAIL LAMP - FXSTD/I



[View interactive image](#)

INDEX NO.	PART NO.	DESCRIPTION	MODEL(S)
1	68168-89A	BULB, tail lamp	FXSTD, FXSTDI
2	68353-00	HARNESS, rear lamp, w/ 72412-97, 73154-96BK & 73191-96	FXSTD, FXSTDI
3	68354-00A	TAIL LAMP LENS ASSEMBLY	FXSTD, FXSTDI
4	68817-00	HARNESS, rear lighting	FXSTD, FXSTDI
5	68931-00A	TAIL LAMP ASSEMBLY, w/ 68168-89A, 68353-00 & 68354-00A	FXSTD, FXSTDI
6	72266-94	SHRINK TUBE	FXSTD, FXSTDI
7	72412-97	SEAL, cable, #12-14 AWG (3)	FXSTD, FXSTDI
8	73102-96BK	PIN HOUSING, 2-way (black)	FXSTD, FXSTDI
9	73102-96WE	PIN HOUSING, 2-way (white)	FXSTD, FXSTDI
10	73104-96BK	PIN HOUSING, 4-way (black)	FXSTD, FXSTDI
11	73104-96WE	PIN HOUSING, 4-way (white)	FXSTD, FXSTDI
12	73154-96BK	SOCKET HOUSING, 4-place	FXSTD, FXSTDI
13	73158-96BK	SOCKET HOUSING, 8-place	FXSTD, FXSTDI
14	73190-96	TERMINAL, pin (12)	FXSTD, FXSTDI
15	73191-96	CONTACT SOCKET, 16-20 gauge (11)	FXSTD, FXSTDI
INTERNATIONAL MODELS ONLY			
16	68169-90A	BULB, tail lamp (HDI)	FXSTD, FXSTDI
17	68356-00A	TAIL LAMP LENS ASSEMBLY, w/ clips & gasket (HDI)	FXSTD, FXSTDI
18	68381-00	HARNESS, rear lamp, w/ 72412-97, 73154-96BK & 73191-96 (HDI)	FXSTD, FXSTDI
19	68932-00A	TAIL LAMP ASSEMBLY, w/ 68169-90A, 68356-00A & 68381-00 (HDI)	FXSTD, FXSTDI

HORN



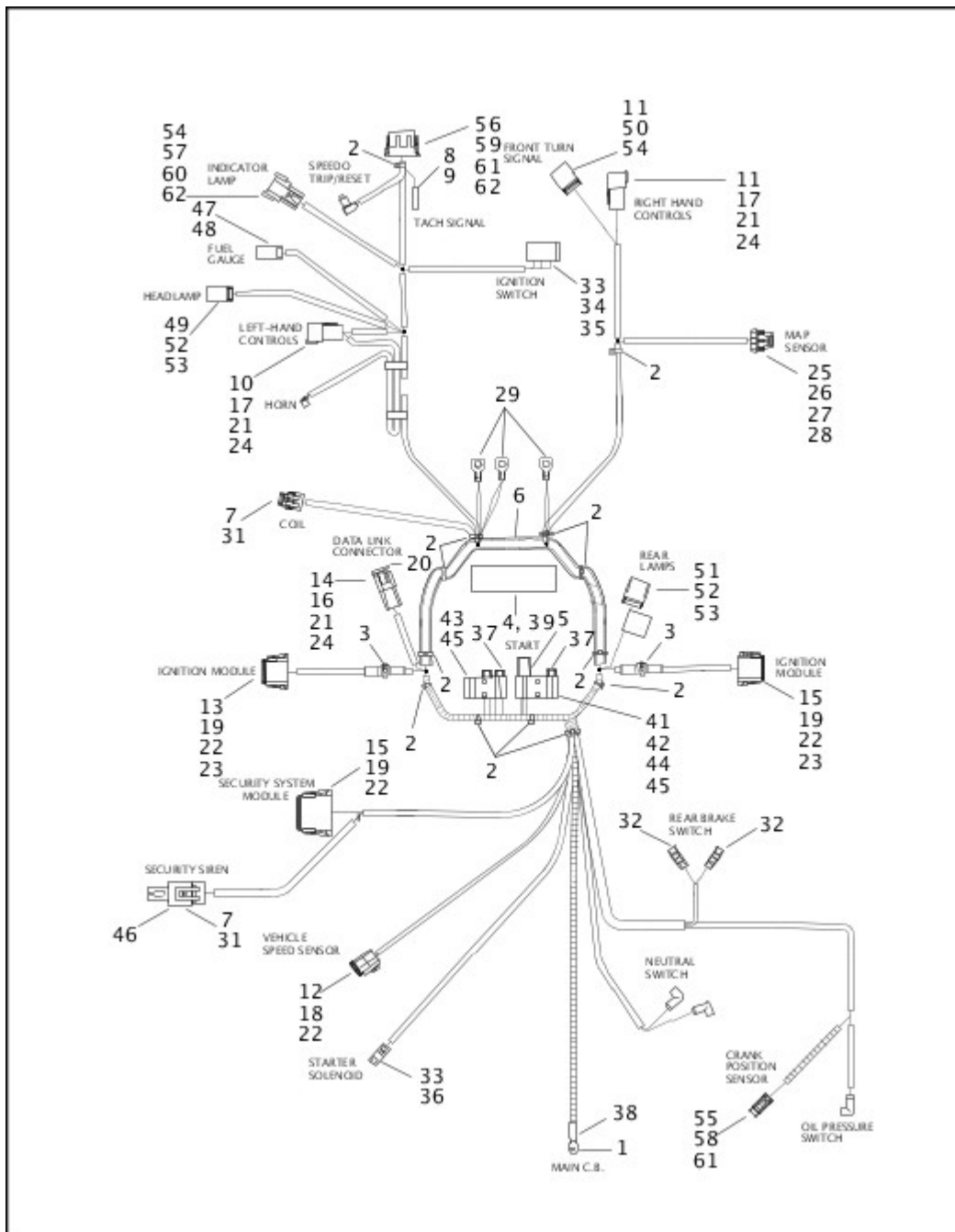
[View interactive image](#)

[View interactive table](#)

INDEX NO.	PART NO.	DESCRIPTION	MODEL(S)
1	2447	SCREW (2)	FLSTS, FLSTSI
2	3563	SCREW (2)	FLSTC, FLSTCI, FLSTF, FLSTFI, FXST, FXSTB, FXSTBI, FXSTD, FXSTDI, FXSTI, FXSTS, FXSTSI
3	6109	WASHER	FLSTC, FLSTCI, FLSTF, FLSTFI, FXST, FXSTB, FXSTBI, FXSTD, FXSTDI, FXSTI, FXSTS, FXSTSI
4	7481	ACORN NUT	FLSTC, FLSTCI, FLSTF, FLSTFI, FXST, FXSTB, FXSTBI, FXSTD, FXSTDI, FXSTI, FXSTS, FXSTSI
5	7495	NUT	ALL

INDEX NO.	PART NO.	DESCRIPTION	MODEL(S)
6	7624	LOCKNUT (2)	FLSTS, FLSTSI
7	8108	SPEEDNUT (2)	FLSTC, FLSTCI, FLSTF, FLSTFI, FXST, FXSTB, FXSTBI, FXSTD, FXSTDI, FXSTI, FXSTS, FXSTSI
8	32617-00Y	SCREW (3)	FLSTS, FLSTSI
9	68385-97	PAD, horn mounting	FLSTS, FLSTSI
10	69012-93A	COVER, horn (chrome)	FLSTC, FLSTCI, FLSTF, FLSTFI, FXST, FXSTD, FXSTDI, FXSTI, FXSTS, FXSTSI
	69039-09	COVER, horn (black wrinkle)	FXSTB, FXSTBI
11	69060-90F	HORN ASSEMBLY	FLSTC, FLSTCI, FLSTF, FLSTFI, FXST, FXSTB, FXSTBI, FXSTD, FXSTDI, FXSTI, FXSTS, FXSTSI
12	69062-91A	CLAMP	FLSTC, FLSTCI, FLSTF, FLSTFI, FXST, FXSTB, FXSTBI, FXSTD, FXSTDI, FXSTI, FXSTS, FXSTSI
13	69069-97	HORN COVER	FLSTS, FLSTSI
14	69070-97B	HORN ASSEMBLY	FLSTS, FLSTSI
15	69120-91	BRACKET, horn	FLSTC, FLSTCI, FLSTF, FLSTFI, FXST, FXSTB, FXSTBI, FXSTD, FXSTDI, FXSTI, FXSTS, FXSTSI
16	69123-92A	MOUNT, horn (rubber)	FLSTC, FLSTCI, FLSTF, FLSTFI, FXST, FXSTB, FXSTBI, FXSTD, FXSTDI, FXSTI, FXSTS, FXSTSI

WIRING HARNESS, MAIN - CARBURETED (1 OF 2)



View interactive image

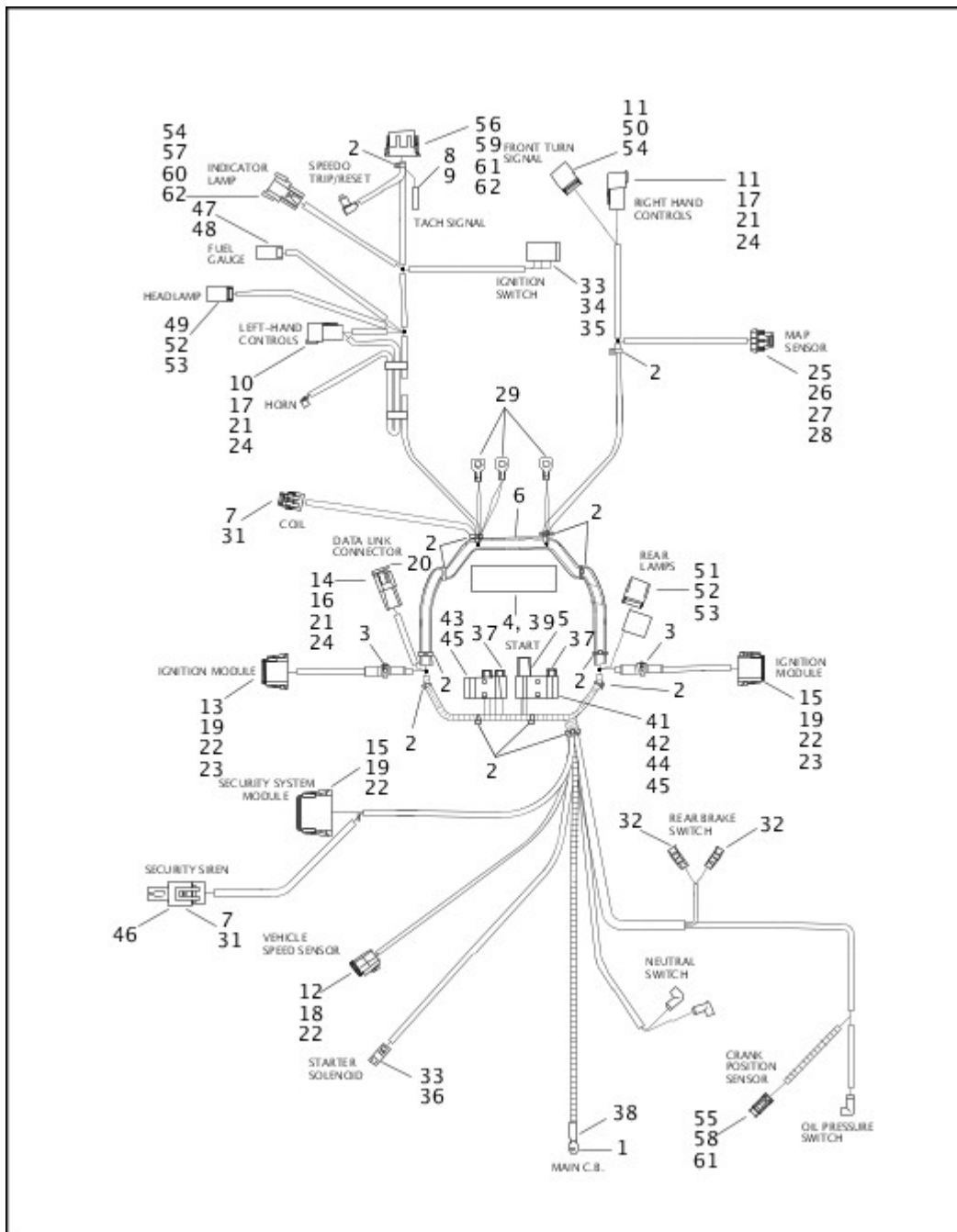
View interactive table

INDEX NO.	PART NO.	DESCRIPTION	MODEL(S)
	70216-01	MAIN WIRING HARNESS	FLSTC, FLSTF, FLSTS, FXST, FXSTB, FXSTD, FXSTS
NOTE: Includes the following parts.			
1	9840	TERMINAL, ring type	FLSTC, FLSTF, FLSTS, FXST, FXSTB, FXSTD, FXSTS
2	10065	CABLE STRAP (17)	FLSTC, FLSTF, FLSTS, FXST, FXSTB, FXSTD, FXSTS
3	10136	ANCHOR (2)	FLSTC, FLSTF, FLSTS, FXST, FXSTB, FXSTD, FXSTS
4	27667-00A	FUSE BLOCK COVER	FLSTC, FLSTF, FLSTS, FXST, FXSTB, FXSTD, FXSTS

INDEX NO.	PART NO.	DESCRIPTION	MODEL(S)
5	31522-00C	RELAY	FLSTC, FLSTF, FLSTS, FXST, FXSTB, FXSTD, FXSTS
6	70974-00B	SHIELD, loom	FLSTC, FLSTF, FLSTS, FXST, FXSTB, FXSTD, FXSTS
7	72033-93	TERMINAL, socket (6)	FLSTC, FLSTF, FLSTS, FXST, FXSTB, FXSTD, FXSTS
8	72039-71A	TERMINAL, pin	FLSTC, FLSTF, FLSTS, FXST, FXSTB, FXSTD, FXSTS
9	72043-71A	PIN HOUSING., 1-way	FLSTC, FLSTF, FLSTS, FXST, FXSTB, FXSTD, FXSTS
10	72106-94BK	RECEPTACLE, 6-way pin (black)	FLSTC, FLSTF, FLSTS, FXST, FXSTB, FXSTD, FXSTS
11	72106-94BK	RECEPTACLE, 6-way pin (replaces gray connector) (black)	FLSTC, FLSTF, FLSTS, FXST, FXSTB, FXSTD, FXSTS
12	72113-94BK	SOCKET HOUSING, 3-way (black)	FLSTC, FLSTF, FLSTS, FXST, FXSTB, FXSTD, FXSTS
13	72119-94BK	SOCKET HOUSING, 12-way (black)	FLSTC, FLSTF, FLSTS, FXST, FXSTB, FXSTD, FXSTS
14	72124-94GY	PIN HOUSING, 4-way (gray)	FLSTC, FLSTF, FLSTS, FXST, FXSTB, FXSTD, FXSTS
15	72139-94GY	SOCKET HOUSING, 12-way (gray) (2)	FLSTC, FLSTF, FLSTS, FXST, FXSTB, FXSTD, FXSTS
16	72144-94	SECONDARY LOCK, 4-way	FLSTC, FLSTF, FLSTS, FXST, FXSTB, FXSTD, FXSTS
17	72146-94	SECONDARY LOCK, 6-way (2)	FLSTC, FLSTF, FLSTS, FXST, FXSTB, FXSTD, FXSTS
18	72153-94	SECONDARY LOCK, 3-way	FLSTC, FLSTF, FLSTS, FXST, FXSTB, FXSTD, FXSTS
19	72159-94	SECONDARY LOCK, 12-way (3)	FLSTC, FLSTF, FLSTS, FXST, FXSTB, FXSTD, FXSTS
20	72164-94A	PLUG, 4-pin connector	FLSTC, FLSTF, FLSTS, FXST, FXSTB, FXSTD, FXSTS
21	72190-94	TERMINAL, pin (15)	FLSTC, FLSTF, FLSTS, FXST, FXSTB, FXSTD, FXSTS
22	72191-94	TERMINAL, socket (30)	FLSTC, FLSTF, FLSTS, FXST, FXSTB, FXSTD, FXSTS
23	72195-94	SEAL PIN (9)	FLSTC, FLSTF, FLSTS, FXST, FXSTB, FXSTD, FXSTS
24	72199-94	ANCHOR T-STUD (3)	FLSTC, FLSTF, FLSTS, FXST, FXSTB, FXSTD, FXSTS
25	72213-94	TERMINAL, socket (3)	FLSTC, FLSTF, FLSTS, FXST, FXSTB, FXSTD, FXSTS
26	72214-94	CABLE SEAL, #14-16 wire (3)	FLSTC, FLSTF, FLSTS, FXST, FXSTB, FXSTD, FXSTS

INDEX NO.	PART NO.	DESCRIPTION	MODEL(S)
27	72230-98	SOCKET HOUSING, 3-way	FLSTC, FLSTF, FLSTS, FXST, FXSTB, FXSTD, FXSTS
28	72231-98	SECONDARY LOCK, 3-way	FLSTC, FLSTF, FLSTS, FXST, FXSTB, FXSTD, FXSTS
29	72242-94	TERMINAL, ring (3)	FLSTC, FLSTF, FLSTS, FXST, FXSTB, FXSTD, FXSTS
30	72266-94	SHRINK TUBE (not illustrated) (2)	FLSTC, FLSTF, FLSTS, FXST, FXSTB, FXSTD, FXSTS
31	72280-95	SOCKET HOUSING (black) (2)	FLSTC, FLSTF, FLSTS, FXST, FXSTB, FXSTD, FXSTS
32	72290-94	TERMINAL, female (2)	FLSTC, FLSTF, FLSTS, FXST, FXSTB, FXSTD, FXSTS
33	72291-94	TERMINAL, female spade, 14-16 gauge (3)	FLSTC, FLSTF, FLSTS, FXST, FXSTB, FXSTD, FXSTS

WIRING HARNESS, MAIN - CARBURETED (2 OF 2)



View interactive image

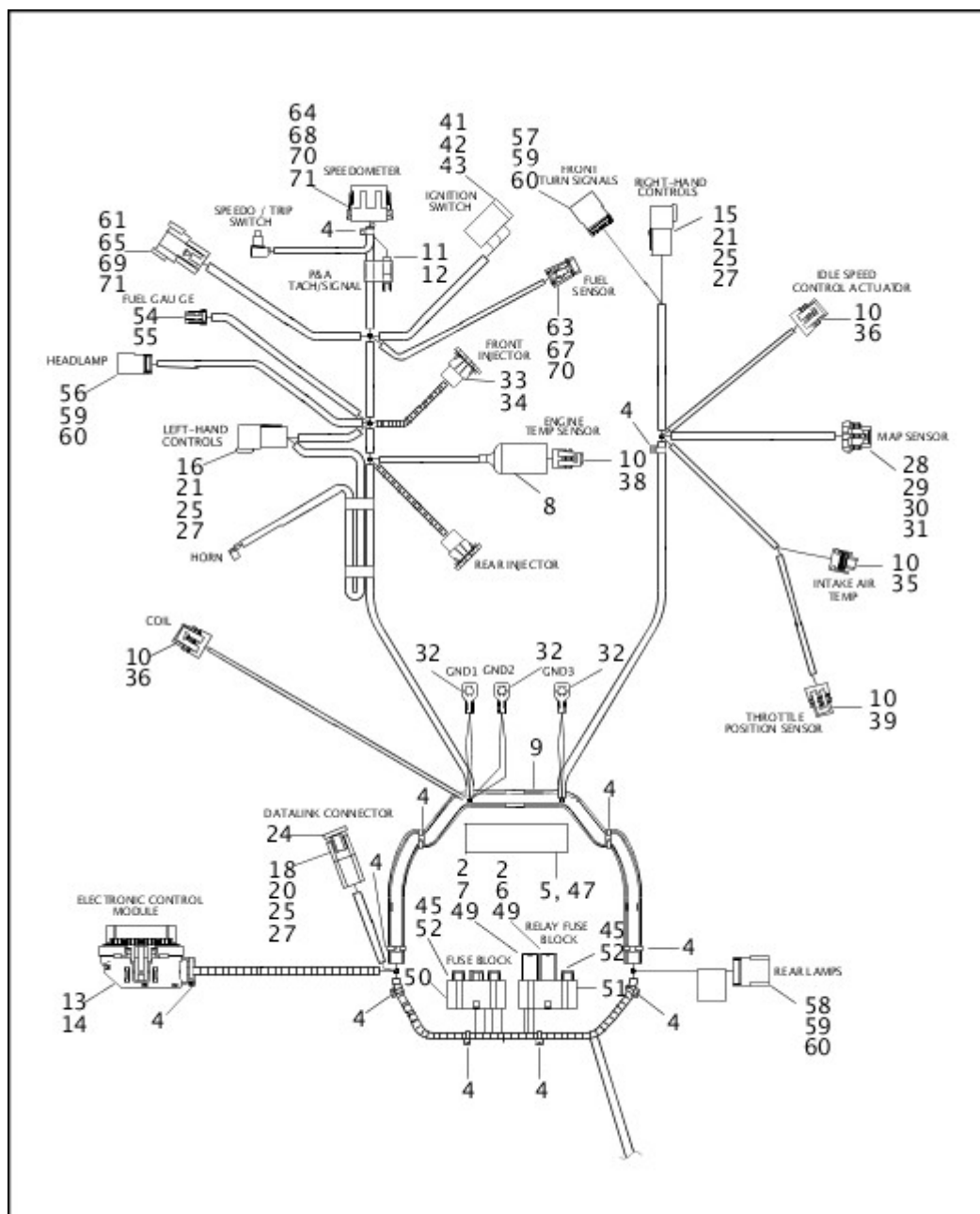
View interactive table

INDEX NO.	PART NO.	DESCRIPTION	MODEL(S)
	70216-01	MAIN WIRING HARNESS (continued)	FLSTC, FLSTF, FLSTS, FXST, FXSTB, FXSTD, FXSTS
NOTE: Includes the following parts.			
34	72292-94	TERMINAL, female, 12 gauge	FLSTC, FLSTF, FLSTS, FXST, FXSTB, FXSTD, FXSTS
35	72293-94	HOUSING, female, 3-way	FLSTC, FLSTF, FLSTS, FXST, FXSTB, FXSTD, FXSTS
36	72295-94	HOUSING, starter connection, female	FLSTC, FLSTF, FLSTS, FXST, FXSTB, FXSTD, FXSTS
37	72330-95	FUSE, 15 amp (7)	FLSTC, FLSTF, FLSTS, FXST, FXSTB, FXSTD, FXSTS

INDEX NO.	PART NO.	DESCRIPTION	MODEL(S)
38	72366-95	HEAT SHRINK TUBE (yellow)	FLSTC, FLSTF, FLSTS, FXST, FXSTB, FXSTD, FXSTS
39	72369-00	BRACKET, fuse block mounting	FLSTC, FLSTF, FLSTS, FXST, FXSTB, FXSTD, FXSTS
40	72411-97	SHRINK TUBE (not illustrated) (15)	FLSTC, FLSTF, FLSTS, FXST, FXSTB, FXSTD, FXSTS
41	72428-00	TERMINAL, female (2)	FLSTC, FLSTF, FLSTS, FXST, FXSTB, FXSTD, FXSTS
42	72429-00	TERMINAL, female #12-16 wire (2)	FLSTC, FLSTF, FLSTS, FXST, FXSTB, FXSTD, FXSTS
43	72430-00	FUSE BLOCK, type 0	FLSTC, FLSTF, FLSTS, FXST, FXSTB, FXSTD, FXSTS
44	72432-00	FUSE BLOCK, type 2	FLSTC, FLSTF, FLSTS, FXST, FXSTB, FXSTD, FXSTS
45	72434-00	TERMINAL (12)	FLSTC, FLSTF, FLSTS, FXST, FXSTB, FXSTD, FXSTS
46	72516-01	DUST CAP	FLSTC, FLSTF, FLSTS, FXST, FXSTB, FXSTD, FXSTS
47	72914-01BK	SOCKET HOUSING, 4-way (black)	FLSTC, FLSTF, FLSTS, FXST, FXSTB, FXSTD, FXSTS
48	72991-01	SOCKET TERMINAL, #14-16 wire (2)	FLSTC, FLSTF, FLSTS, FXST, FXSTB, FXSTD, FXSTS
49	73104-96BK	PIN HOUSING, 4-way (black)	FLSTC, FLSTF, FLSTS, FXST, FXSTB, FXSTD, FXSTS
50	73106-96BK	PIN HOUSING, 6-way (black)	FLSTC, FLSTF, FLSTS, FXST, FXSTB, FXSTD, FXSTS
51	73108-96BK	PIN HOUSING, 8-way (black)	FLSTC, FLSTF, FLSTS, FXST, FXSTB, FXSTD, FXSTS
52	73190-96	TERMINAL, pin 20-16 gauge (18)	FLSTC, FLSTF, FLSTS, FXST, FXSTB, FXSTD, FXSTS
53	73196-96	ANCHOR T-STUD (3)	FLSTC, FLSTF, FLSTS, FXST, FXSTB, FXSTD, FXSTS
54	74108-98BK	PIN HOUSING, 8-way (black)	FLSTC, FLSTF, FLSTS, FXST, FXSTB, FXSTD, FXSTS
55	74112-98BK	HOUSING SOCKET, 2-way (black)	FLSTC, FLSTF, FLSTS, FXST, FXSTB, FXSTD, FXSTS
56	74119-98BK	HOUSING SOCKET, 12-way (black)	FLSTC, FLSTF, FLSTS, FXST, FXSTB, FXSTD, FXSTS
57	74148-98	SECONDARY LOCK, pin, 8-way	FLSTC, FLSTF, FLSTS, FXST, FXSTB, FXSTD, FXSTS
58	74152-98	SECONDARY LOCK, socket, 2-way	FLSTC, FLSTF, FLSTS, FXST, FXSTB, FXSTD, FXSTS
59	74159-98	SECONDARY LOCK, socket, 12-way	FLSTC, FLSTF, FLSTS, FXST, FXSTB, FXSTD, FXSTS

INDEX NO.	PART NO.	DESCRIPTION	MODEL(S)
60	74190-98	TERMINAL, pin (7)	FLSTC, FLSTF, FLSTS, FXST, FXSTB, FXSTD, FXSTS
61	74191-98	TERMINAL, socket (10)	FLSTC, FLSTF, FLSTS, FXST, FXSTB, FXSTD, FXSTS
62	74195-98	SEAL PIN, plug (3)	FLSTC, FLSTF, FLSTS, FXST, FXSTB, FXSTD, FXSTS

WIRING HARNESS, MAIN - FUEL INJECTED (1 OF 2)



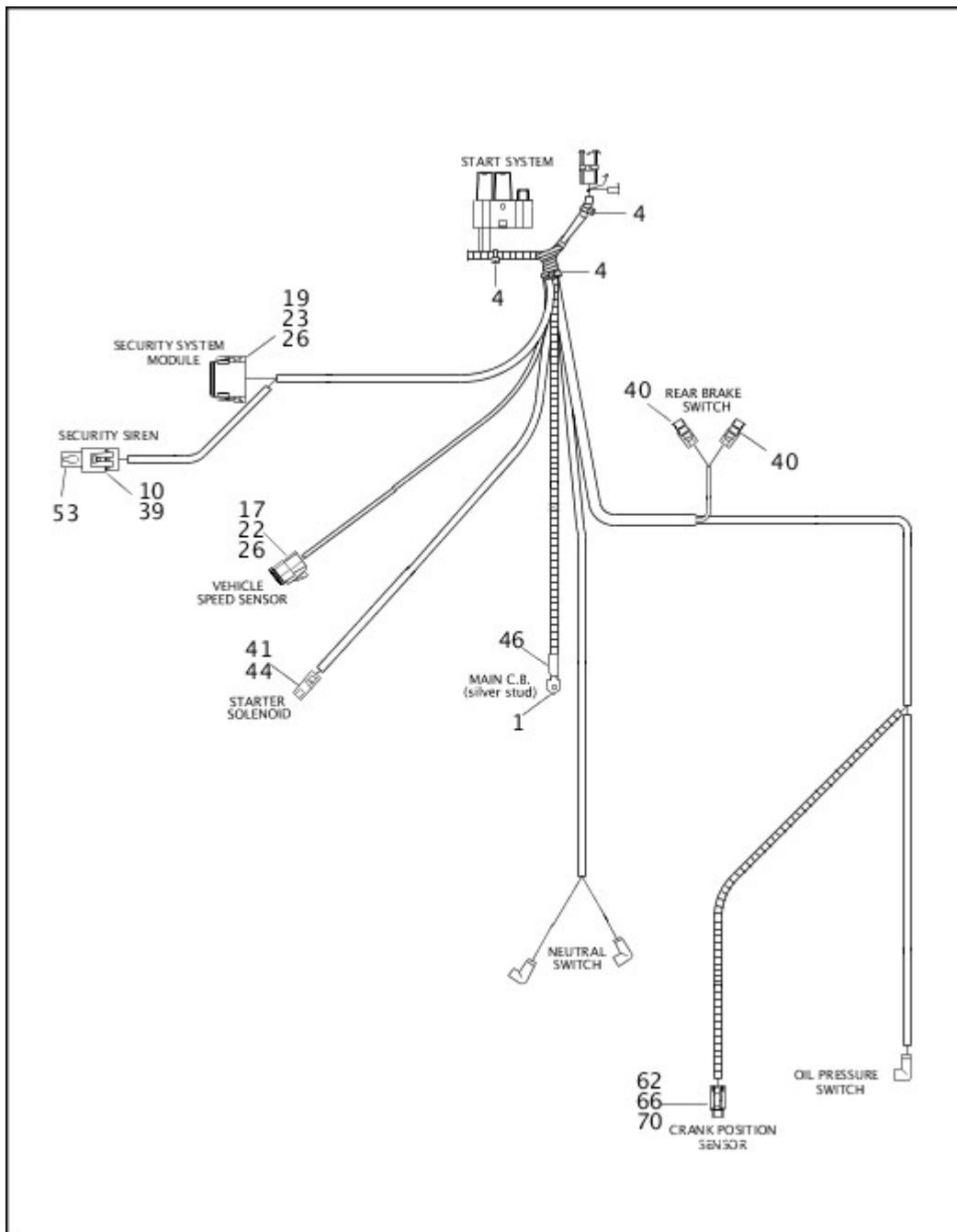
[View interactive image](#)

[View interactive table](#)

INDEX NO.	PART NO.	DESCRIPTION	MODEL(S)
	70431-01	MAIN WIRING HARNESS	FLSTCI, FLSTFI, FLSTSI, FXSTBI, FXSTDI, FXSTI, FXSTSI

INDEX NO.	PART NO.	DESCRIPTION	MODEL(S)
NOTE: Includes the following parts.			
1	9840	TERMINAL, ring type	FLSTCI, FLSTFI, FLSTSI, FXSTBI, FXSTDI, FXSTI, FXSTSI
2	9937	TERMINAL, female, #14-16 wire (4)	FLSTCI, FLSTFI, FLSTSI, FXSTBI, FXSTDI, FXSTI, FXSTSI
3	10006	CABLE STRAP (not illustrated) (4)	FLSTCI, FLSTFI, FLSTSI, FXSTBI, FXSTDI, FXSTI, FXSTSI
4	10065	CABLE STRAP (15)	FLSTCI, FLSTFI, FLSTSI, FXSTBI, FXSTDI, FXSTI, FXSTSI
5	27667-00A	FUSE BLOCK COVER	FLSTCI, FLSTFI, FLSTSI, FXSTBI, FXSTDI, FXSTI, FXSTSI
6	31511-01B	RELAY, black	FLSTCI, FLSTFI, FLSTSI, FXSTBI, FXSTDI, FXSTI, FXSTSI
7	31522-00C	RELAY	FLSTCI, FLSTFI, FLSTSI, FXSTBI, FXSTDI, FXSTI, FXSTSI
8	70598-99	BOOT, engine temperature sensor	FLSTCI, FLSTFI, FLSTSI, FXSTBI, FXSTDI, FXSTI, FXSTSI
9	70974-00B	SHIELD, loom	FLSTCI, FLSTFI, FLSTSI, FXSTBI, FXSTDI, FXSTI, FXSTSI
10	72033-93	TERMINAL, socket (18)	FLSTCI, FLSTFI, FLSTSI, FXSTBI, FXSTDI, FXSTI, FXSTSI
11	72039-71A	TERMINAL, pin	FLSTCI, FLSTFI, FLSTSI, FXSTBI, FXSTDI, FXSTI, FXSTSI
12	72043-71A	PIN HOUSING, 1-way	FLSTCI, FLSTFI, FLSTSI, FXSTBI, FXSTDI, FXSTI, FXSTSI
13	72076-00	SOCKET TERMINAL, #18 wire (27)	FLSTCI, FLSTFI, FLSTSI, FXSTBI, FXSTDI, FXSTI, FXSTSI
14	72077-00	SEAL PIN (9)	FLSTCI, FLSTFI, FLSTSI, FXSTBI, FXSTDI, FXSTI, FXSTSI
15	72106-94BK	RECEPTACLE, 6-way pin (black)	FLSTCI, FLSTFI, FLSTSI, FXSTBI, FXSTDI, FXSTI, FXSTSI
16	72106-94BK	RECEPTACLE, 6-way pin (replaces gray connector) (black)	FLSTCI, FLSTFI, FLSTSI, FXSTBI, FXSTDI, FXSTI, FXSTSI
17	72113-94BK	SOCKET HOUSING, 3-way (black)	FLSTCI, FLSTFI, FLSTSI, FXSTBI, FXSTDI, FXSTI, FXSTSI
18	72124-94GY	PIN HOUSING, 4-way (gray)	FLSTCI, FLSTFI, FLSTSI, FXSTBI, FXSTDI, FXSTI, FXSTSI
19	72139-94GY	SOCKET HOUSING, 12-way (gray)	FLSTCI, FLSTFI, FLSTSI, FXSTBI, FXSTDI, FXSTI, FXSTSI
20	72144-94	SECONDARY LOCK, 4-way	FLSTCI, FLSTFI, FLSTSI, FXSTBI, FXSTDI, FXSTI, FXSTSI
21	72146-94	SECONDARY LOCK, 6-way (2)	FLSTCI, FLSTFI, FLSTSI, FXSTBI, FXSTDI, FXSTI, FXSTSI

INDEX NO.	PART NO.	DESCRIPTION	MODEL(S)
22	72153-94	SECONDARY LOCK, 3-way	FLSTCI, FLSTFI, FLSTSI, FXSTBI, FXSTDI, FXSTI, FXSTSI
23	72159-94	SECONDARY LOCK, 12-way (2)	FLSTCI, FLSTFI, FLSTSI, FXSTBI, FXSTDI, FXSTI, FXSTSI
24	72164-94A	PLUG, 4-way connector	FLSTCI, FLSTFI, FLSTSI, FXSTBI, FXSTDI, FXSTI, FXSTSI
25	72190-94	TERMINAL, pin (16)	FLSTCI, FLSTFI, FLSTSI, FXSTBI, FXSTDI, FXSTI, FXSTSI
26	72191-94	TERMINAL, socket (14)	FLSTCI, FLSTFI, FLSTSI, FXSTBI, FXSTDI, FXSTI, FXSTSI
27	72199-94	ANCHOR T-STUD (3)	FLSTCI, FLSTFI, FLSTSI, FXSTBI, FXSTDI, FXSTI, FXSTSI
28	72213-94	TERMINAL, socket (3)	FLSTCI, FLSTFI, FLSTSI, FXSTBI, FXSTDI, FXSTI, FXSTSI
29	72214-94	CABLE SEAL, #14-16 wire (3)	FLSTCI, FLSTFI, FLSTSI, FXSTBI, FXSTDI, FXSTI, FXSTSI
30	72230-98	SOCKET HOUSING, 3-way	FLSTCI, FLSTFI, FLSTSI, FXSTBI, FXSTDI, FXSTI, FXSTSI
31	72231-98	SECONDARY LOCK, 3-way	FLSTCI, FLSTFI, FLSTSI, FXSTBI, FXSTDI, FXSTI, FXSTSI
32	72242-94	TERMINAL, ring (3)	FLSTCI, FLSTFI, FLSTSI, FXSTBI, FXSTDI, FXSTI, FXSTSI
33	72244-95	SOCKET HOUSING, 2-way (2)	FLSTCI, FLSTFI, FLSTSI, FXSTBI, FXSTDI, FXSTI, FXSTSI
34	72245-95	SOCKET TERMINAL, #16-18 wire (4)	FLSTCI, FLSTFI, FLSTSI, FXSTBI, FXSTDI, FXSTI, FXSTSI
35	72247-95	SOCKET HOUSING, 2-way	FLSTCI, FLSTFI, FLSTSI, FXSTBI, FXSTDI, FXSTI, FXSTSI
36	72263-95	SOCKET HOUSING, 4-way (2)	FLSTCI, FLSTFI, FLSTSI, FXSTBI, FXSTDI, FXSTI, FXSTSI
37	72266-94	HEAT SHRINK (not illustrated) (4)	FLSTCI, FLSTFI, FLSTSI, FXSTBI, FXSTDI, FXSTI, FXSTSI
38	72273-95	SOCKET HOUSING, 2-way	FLSTCI, FLSTFI, FLSTSI, FXSTBI, FXSTDI, FXSTI, FXSTSI
39	72280-95	SOCKET HOUSING (black) (2)	FLSTCI, FLSTFI, FLSTSI, FXSTBI, FXSTDI, FXSTI, FXSTSI
40	72290-94	TERMINAL, female (2)	FLSTCI, FLSTFI, FLSTSI, FXSTBI, FXSTDI, FXSTI, FXSTSI
41	72291-94	TERMINAL, female spade, 14-16 gauge (3)	FLSTCI, FLSTFI, FLSTSI, FXSTBI, FXSTDI, FXSTI, FXSTSI



[View interactive image](#)

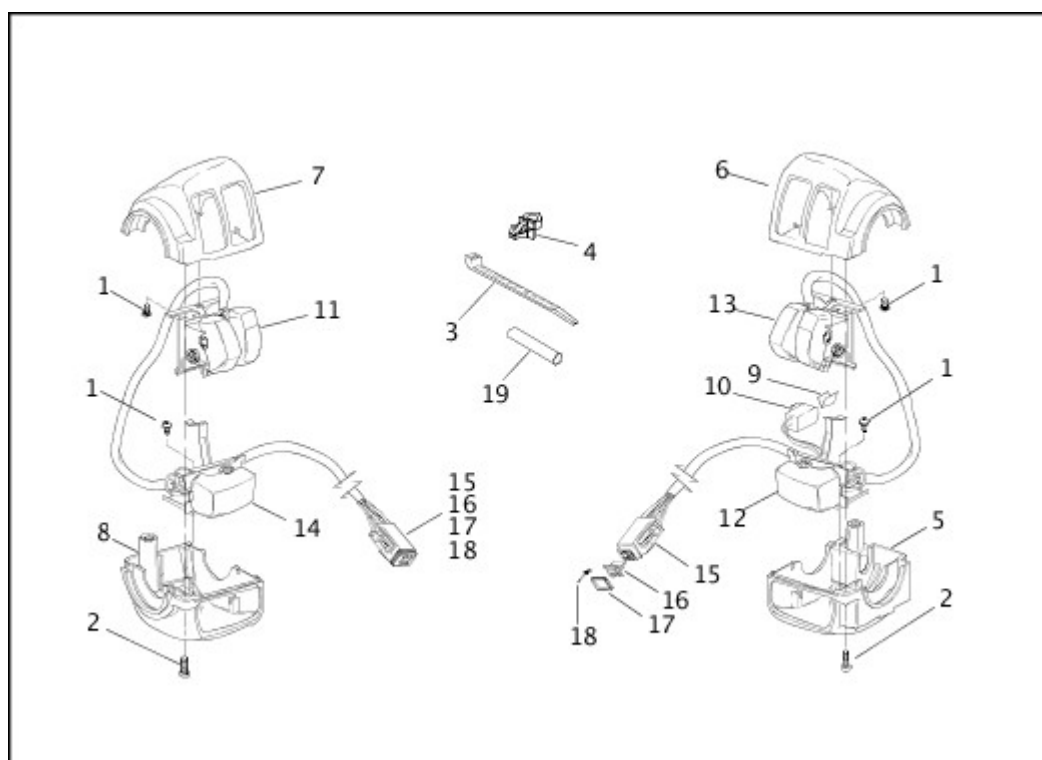
[View interactive table](#)

INDEX NO.	PART NO.	DESCRIPTION	MODEL(S)
	70431-01	MAIN WIRING HARNESS (continued)	FLSTCI, FLSTFI, FLSTSI, FXSTBI, FXSTDI, FXSTI, FXSTSI
NOTE: Includes the following parts.			
42	72292-94	TERMINAL, female, 12 gauge	FLSTCI, FLSTFI, FLSTSI, FXSTBI, FXSTDI, FXSTI, FXSTSI
43	72293-94	HOUSING, female, 3-way	FLSTCI, FLSTFI, FLSTSI, FXSTBI, FXSTDI, FXSTI, FXSTSI
44	72295-94	HOUSING, starter connection, female	FLSTCI, FLSTFI, FLSTSI, FXSTBI, FXSTDI, FXSTI, FXSTSI
45	72330-95	FUSE, 15 amp (8)	FLSTCI, FLSTFI, FLSTSI, FXSTBI, FXSTDI, FXSTI, FXSTSI

INDEX NO.	PART NO.	DESCRIPTION	MODEL(S)
46	72366-95	HEAT SHRINK TUBE (yellow)	FLSTCI, FLSTFI, FLSTSI, FXSTBI, FXSTDI, FXSTI, FXSTSI
47	72369-00	BRACKET, fuse block mounting	FLSTCI, FLSTFI, FLSTSI, FXSTBI, FXSTDI, FXSTI, FXSTSI
48	72411-97	HEAT SHRINK (not illustrated) (18)	FLSTCI, FLSTFI, FLSTSI, FXSTBI, FXSTDI, FXSTI, FXSTSI
49	72428-00	TERMINAL, female (4)	FLSTCI, FLSTFI, FLSTSI, FXSTBI, FXSTDI, FXSTI, FXSTSI
50	72430-00	FUSE BLOCK, type 0	FLSTCI, FLSTFI, FLSTSI, FXSTBI, FXSTDI, FXSTI, FXSTSI
51	72432-00	FUSE BLOCK, type 2	FLSTCI, FLSTFI, FLSTSI, FXSTBI, FXSTDI, FXSTI, FXSTSI
52	72434-00	TERMINAL (16)	FLSTCI, FLSTFI, FLSTSI, FXSTBI, FXSTDI, FXSTI, FXSTSI
53	72516-01	DUST CAP	FLSTCI, FLSTFI, FLSTSI, FXSTBI, FXSTDI, FXSTI, FXSTSI
54	72914-01BK	SOCKET HOUSING, 4-way (black)	FLSTCI, FLSTFI, FLSTSI, FXSTBI, FXSTDI, FXSTI, FXSTSI
55	72991-01	SOCKET TERMINAL, #14-16 wire (3)	FLSTCI, FLSTFI, FLSTSI, FXSTBI, FXSTDI, FXSTI, FXSTSI
56	73104-96BK	PIN HOUSING, 4-way (black)	FLSTCI, FLSTFI, FLSTSI, FXSTBI, FXSTDI, FXSTI, FXSTSI
57	73106-96BK	PIN HOUSING, 6-way (black)	FLSTCI, FLSTFI, FLSTSI, FXSTBI, FXSTDI, FXSTI, FXSTSI
58	73108-96BK	PIN HOUSING, 8-way (black)	FLSTCI, FLSTFI, FLSTSI, FXSTBI, FXSTDI, FXSTI, FXSTSI
59	73190-96	TERMINAL, pin 20-16 gauge (18)	FLSTCI, FLSTFI, FLSTSI, FXSTBI, FXSTDI, FXSTI, FXSTSI
60	73196-96	ANCHOR T-STUD (3)	FLSTCI, FLSTFI, FLSTSI, FXSTBI, FXSTDI, FXSTI, FXSTSI
61	74108-98BK	PIN HOUSING, 8-way (black)	FLSTCI, FLSTFI, FLSTSI, FXSTBI, FXSTDI, FXSTI, FXSTSI
62	74112-98BK	HOUSING SOCKET, 2-way (black)	FLSTCI, FLSTFI, FLSTSI, FXSTBI, FXSTDI, FXSTI, FXSTSI
63	74113-98BK	HOUSING SOCKET, 3-way (black)	FLSTCI, FLSTFI, FLSTSI, FXSTBI, FXSTDI, FXSTI, FXSTSI
64	74119-98BK	HOUSING SOCKET, 12-way (black)	FLSTCI, FLSTFI, FLSTSI, FXSTBI, FXSTDI, FXSTI, FXSTSI
65	74148-98	SECONDARY LOCK, pin, 8-way	FLSTCI, FLSTFI, FLSTSI, FXSTBI, FXSTDI, FXSTI, FXSTSI
66	74152-98	SECONDARY LOCK, socket, 2-way	FLSTCI, FLSTFI, FLSTSI, FXSTBI, FXSTDI, FXSTI, FXSTSI
67	74153-98	SECONDARY LOCK, socket, 3-way	FLSTCI, FLSTFI, FLSTSI, FXSTBI, FXSTDI, FXSTI, FXSTSI

INDEX NO.	PART NO.	DESCRIPTION	MODEL(S)
68	74159-98	SECONDARY LOCK, socket, 12-way	FLSTCI, FLSTFI, FLSTSI, FXSTBI, FXSTDI, FXSTI, FXSTSI
69	74190-98	TERMINAL, pin (7)	FLSTCI, FLSTFI, FLSTSI, FXSTBI, FXSTDI, FXSTI, FXSTSI
70	74191-98	TERMINAL, socket (15)	FLSTCI, FLSTFI, FLSTSI, FXSTBI, FXSTDI, FXSTI, FXSTSI
71	74195-98	SEAL PIN, plug (3)	FLSTCI, FLSTFI, FLSTSI, FXSTBI, FXSTDI, FXSTI, FXSTSI

HANDLEBAR SWITCHES



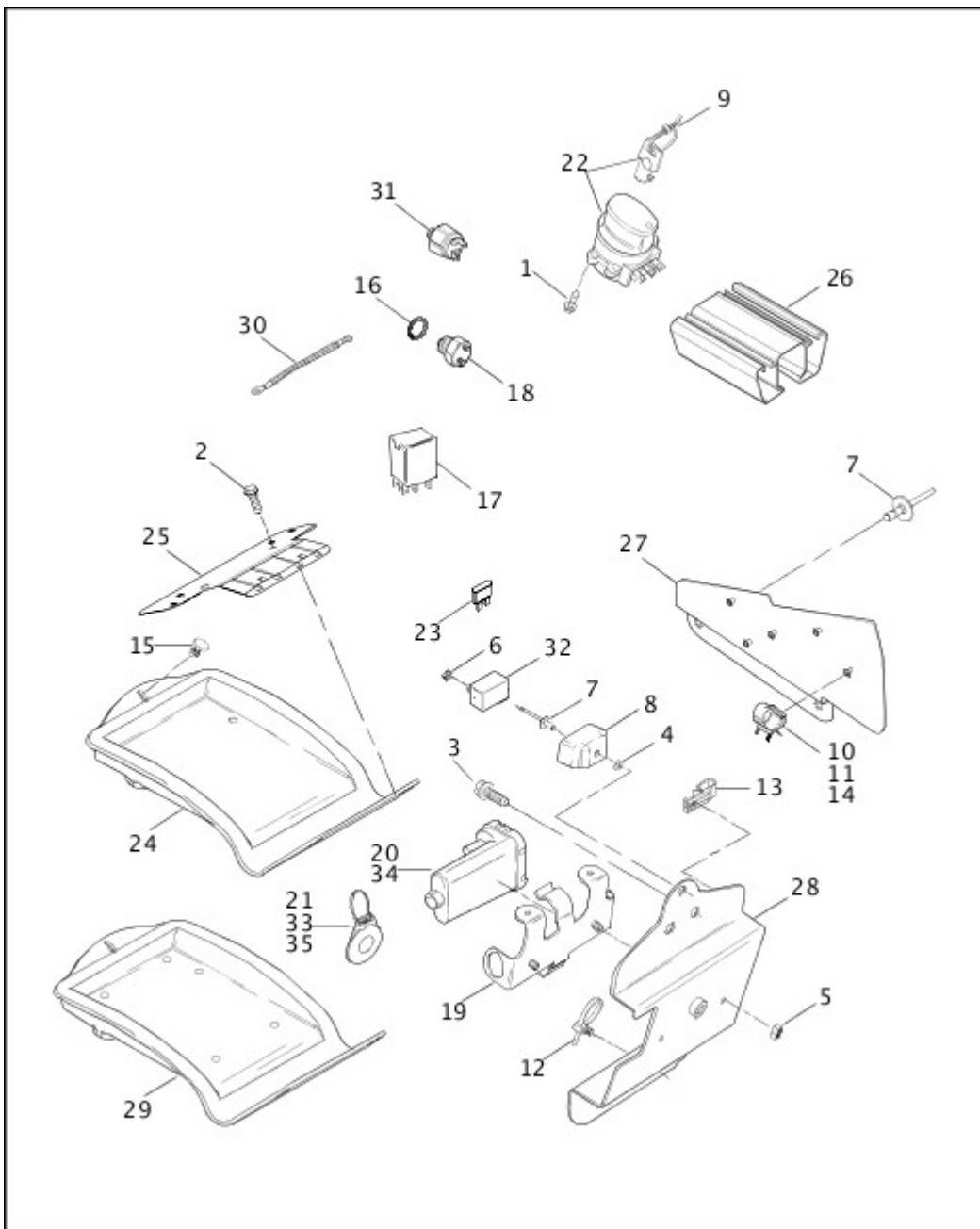
[View interactive image](#)

[View interactive table](#)

INDEX NO.	PART NO.	DESCRIPTION	MODEL(S)
1	2955	SCREW (4)	ALL
2	3658	SCREW (4)	ALL
3	10181	CABLE STRAP (as required)	ALL
4	56073-83	RETAINER, wiring (2)	FLSTC, FLSTCI, FXSTB, FXSTBI
4	70345-84	RETAINER, wiring (4)	FLSTF, FLSTFI, FLSTS, FLSTSI, FXST, FXSTD, FXSTDI, FXSTI, FXSTS, FXSTSI
5	71563-96	HOUSING, lower, right	ALL
6	71564-96	HOUSING, upper, right	ALL

INDEX NO.	PART NO.	DESCRIPTION	MODEL(S)
7	71567-96	HOUSING, upper, left	ALL
8	71568-96A	HOUSING, lower, left	ALL
9	71587-04	CLIP	ALL
10	71621-08	STOP LAMP SWITCH KIT, front, w/ 10181 & 72266-94	ALL
11	71682-06A	SWITCH KIT, dimmer & horn, w/ 10181 & 72266-94	ALL
12	71683-06A	SWITCH KIT, right turn signal, w/ 10181 & 72266-94	ALL
13	71684-06A	SWITCH KIT, engine stop/start, w/ 10181 & 72266-94	ALL
14	71685-06A	SWITCH KIT, left turn signal, w/ 10181 & 72266-94	ALL
15	72116-94BK	PLUG, 6-way socket (2)	ALL
16	72156-94	SOCKET LOCK, secondary, 6- way (2)	ALL
17	72176-94	FRONT SEAL, 6-way plug (2)	ALL
18	72191-94	TERMINAL, socket (as required)	ALL
19	72266-94	HEAT SHRINK TUBE, dual wall, 0.3 x 2 inch (as required)	ALL

SWITCHES & CIRCUIT BREAKERS



[View interactive image](#)

[View interactive table](#)

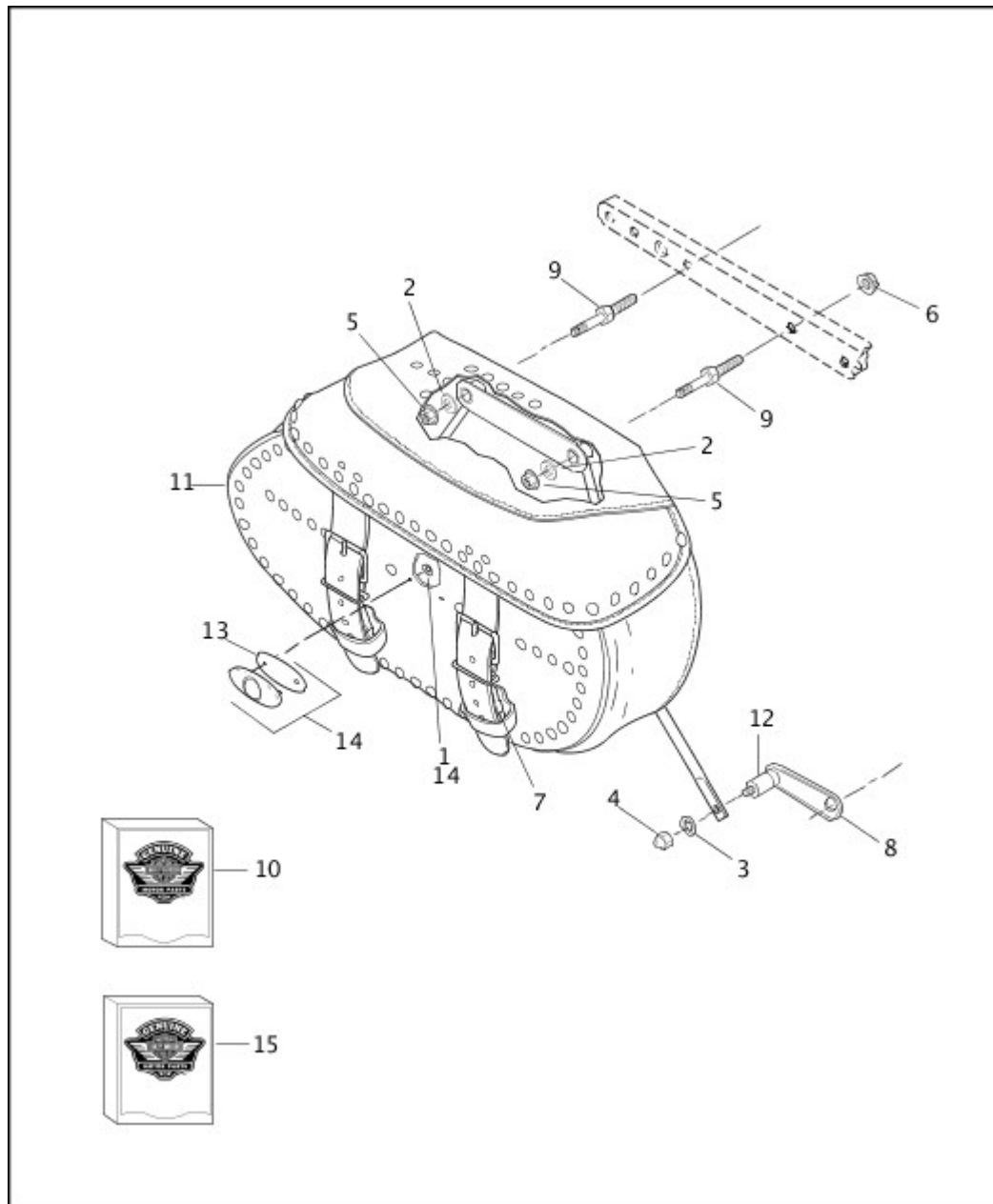
INDEX NO.	PART NO.	DESCRIPTION	MODEL(S)
1	2501A	SCREW (4)	ALL
2	3892	SCREW (2)	ALL
3	4329	SCREW (2)	ALL
4	6047	WASHER	ALL
5	7626W	LOCKNUT (2)	ALL
6	7629	NUT (2)	ALL
7	8483A	RIVET (3)	ALL
8	9989A	CLIP, circuit breaker	ALL
9	10065	CABLE STRAP	ALL

INDEX NO.	PART NO.	DESCRIPTION	MODEL(S)
10	10108	CLIP (5)	ALL
11	10149	CLIP, T-stud (2)	FLSTC, FLSTCI, FLSTS, FLSTSI, FXSTD, FXSTDI
12	10177	CABLE STRAP	ALL
13	10183	CLIP, T-stud	ALL
14	10224	CLIP, T-stud	ALL
15	10225	FASTENER, nylon	FLSTC, FLSTCI, FLSTF, FLSTFI, FLSTS, FLSTSI, FXST, FXSTB, FXSTBI, FXSTI, FXSTS, FXSTSI
16	11290	O-RING, neutral indicator switch	ALL
17	31522-00C	STARTER RELAY	ALL
18	33904-00A	SWITCH, neutral indicator, w/ O-ring	ALL
19	48099-01	BRACKET, module	ALL
20	68921-01D	MODULE, turn signal canceller	ALL
	68923-00D	MODULE, security system	ALL
21	68926-00	REMOTE CONTROL FOB	ALL
22	71313-96A	IGNITION SWITCH (specify key code) w/ 10065	ALL
	71452-91A	KEY (specify key code)	ALL
23	72330-95	FUSE, 15 amp (6)	ALL
24	72368-00	ELECTRICAL BOX	FLSTC, FLSTF, FLSTS, FXST, FXSTB, FXSTS
25	72369-00	BRACKET, fuse block	ALL
26	72374-00	WIRE TROUGH	ALL
27	72380-00	BRACKET, electrical connectors (located behind steering head)	ALL
28	72466-01	BRACKET, electrical, rear (located behind oil tank) w/ 72508-00A	ALL
29	72456-01	ELECTRICAL BOX, EFI	FLSTCI, FLSTFI, FLSTSI, FXSTBI, FXSTI, FXSTSI
30	70045-94A	WIRE ASSEMBLY, circuit breaker to starter	ALL
31	72023-51E	STOP LAMP SWITCH, rear	ALL
32	74599-77B	CIRCUIT BREAKER, 30 amp, battery	ALL
33	66373-06	BATTERY, 3V CR2032	ALL

INTERNATIONAL MODELS ONLY

INDEX NO.	PART NO.	DESCRIPTION	MODEL(S)
34	68921-01D	MODULE, turn signal canceller	ALL
	68925-00D	MODULE, security system & turn signal canceller (HDI)	ALL
35	68927-00	REMOTE CONTROL FOB (HDI)	ALL

SADDLEBAGS - FLSTC/I



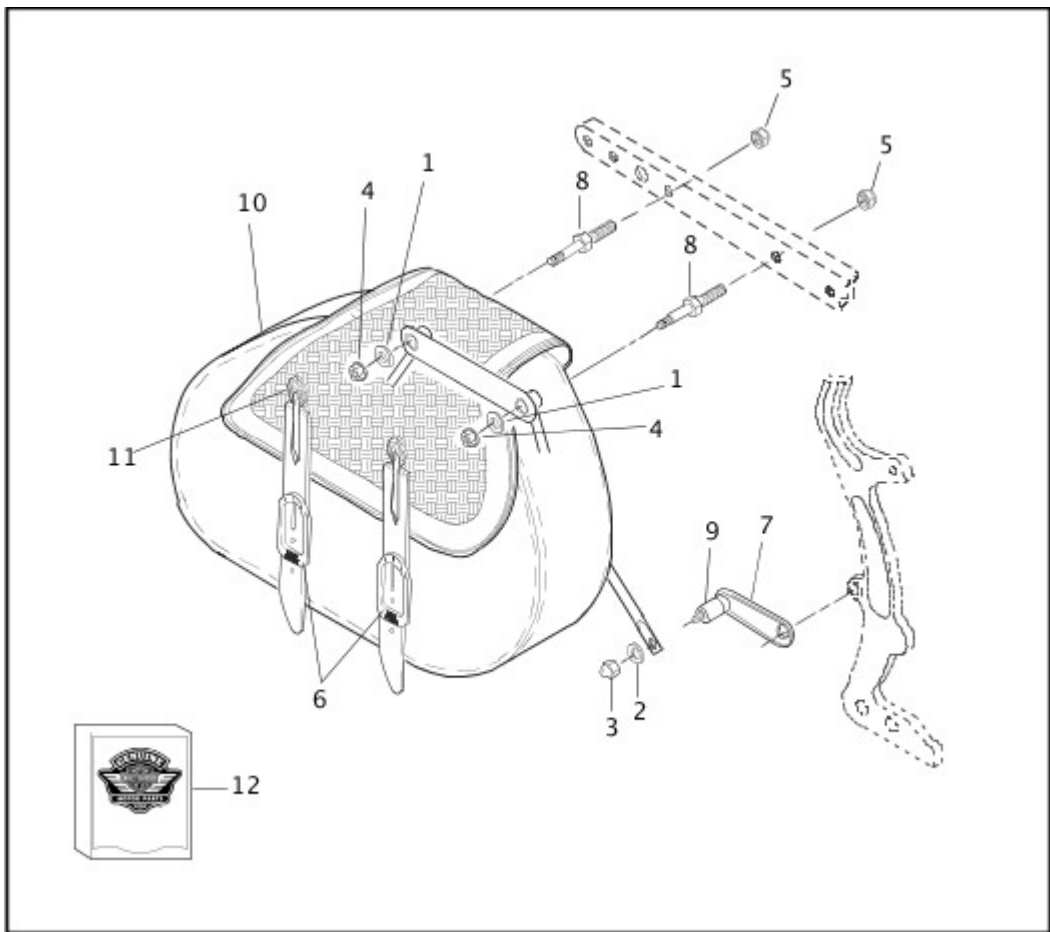
[View interactive image](#)

[View interactive table](#)

INDEX NO.	PART NO.	DESCRIPTION	MODEL(S)
1	5244	FASTENER, self-locking (4)	FLSTC, FLSTCI
2	6229W	WASHER (4)	FLSTC, FLSTCI
3	6702	WASHER (2)	FLSTC, FLSTCI

INDEX NO.	PART NO.	DESCRIPTION	MODEL(S)
4	7507	ACORN NUT (2)	FLSTC, FLSTCI
5	7531	LOCKNUT (4)	FLSTC, FLSTCI
6	7601	LOCKNUT (4)	FLSTC, FLSTCI
7	90247-00	BUCKLE ASSEMBLY (4)	FLSTC, FLSTCI
8	90346-00	SUPPORT, lower, front (2)	FLSTC, FLSTCI
9	90367-03	STUD (4)	FLSTC, FLSTCI
10	90438-10	SADDLEBAG STRAP REPAIR KIT	FLSTC, FLSTCI
11	90476-00	SADDLEBAG, left	FLSTC, FLSTCI
	90477-00	SADDLEBAG, right	FLSTC, FLSTCI
12	90524-01	ISOLATOR (2)	FLSTC, FLSTCI
13	91679-00	BACKPLATE (2)	FLSTC, FLSTCI
14	91850-00	CONCHO KIT, w/ 5244 & 91679-00 (2)	FLSTC, FLSTCI
INTERNATIONAL MODELS ONLY			
15	98837-97	SADDLEBAG REMOVAL KIT, w/ 4 thread protector caps	FLSTC, FLSTCI

SADDLEBAGS - FLSTS/I

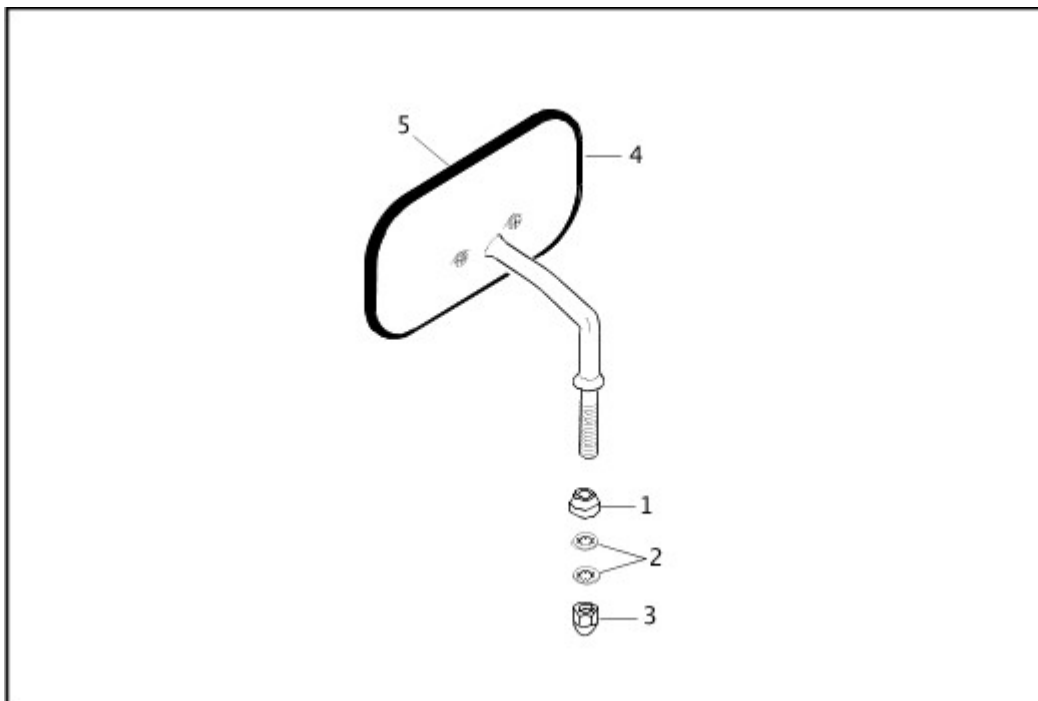


View interactive image

View interactive table

INDEX NO.	PART NO.	DESCRIPTION	MODEL(S)
1	6229W	WASHER (2)	FLSTS, FLSTSI
2	6702	WASHER (2)	FLSTS, FLSTSI
3	7507	ACORN NUT (2)	FLSTS, FLSTSI
4	7531	LOCKNUT (4)	FLSTS, FLSTSI
5	7601	LOCKNUT (4)	FLSTS, FLSTSI
6	90291-03	BUCKLE, saddlebag (4)	FLSTS, FLSTSI
7	90346-00	SUPPORT, lower front (2)	FLSTS, FLSTSI
8	90367-03	STUD (4)	FLSTS, FLSTSI
9	90524-01	ISOLATOR (2)	FLSTS, FLSTSI
10	91299-01	SADDLEBAG, left (black trim)	FLSTS, FLSTSI
	91300-01	SADDLEBAG, right (black trim)	FLSTS, FLSTSI
11	91877-97	CONCHO (4)	FLSTS, FLSTSI
12	98837-97	SADDLEBAG REMOVAL KIT, w/ 4 thread protector caps	FLSTS, FLSTSI

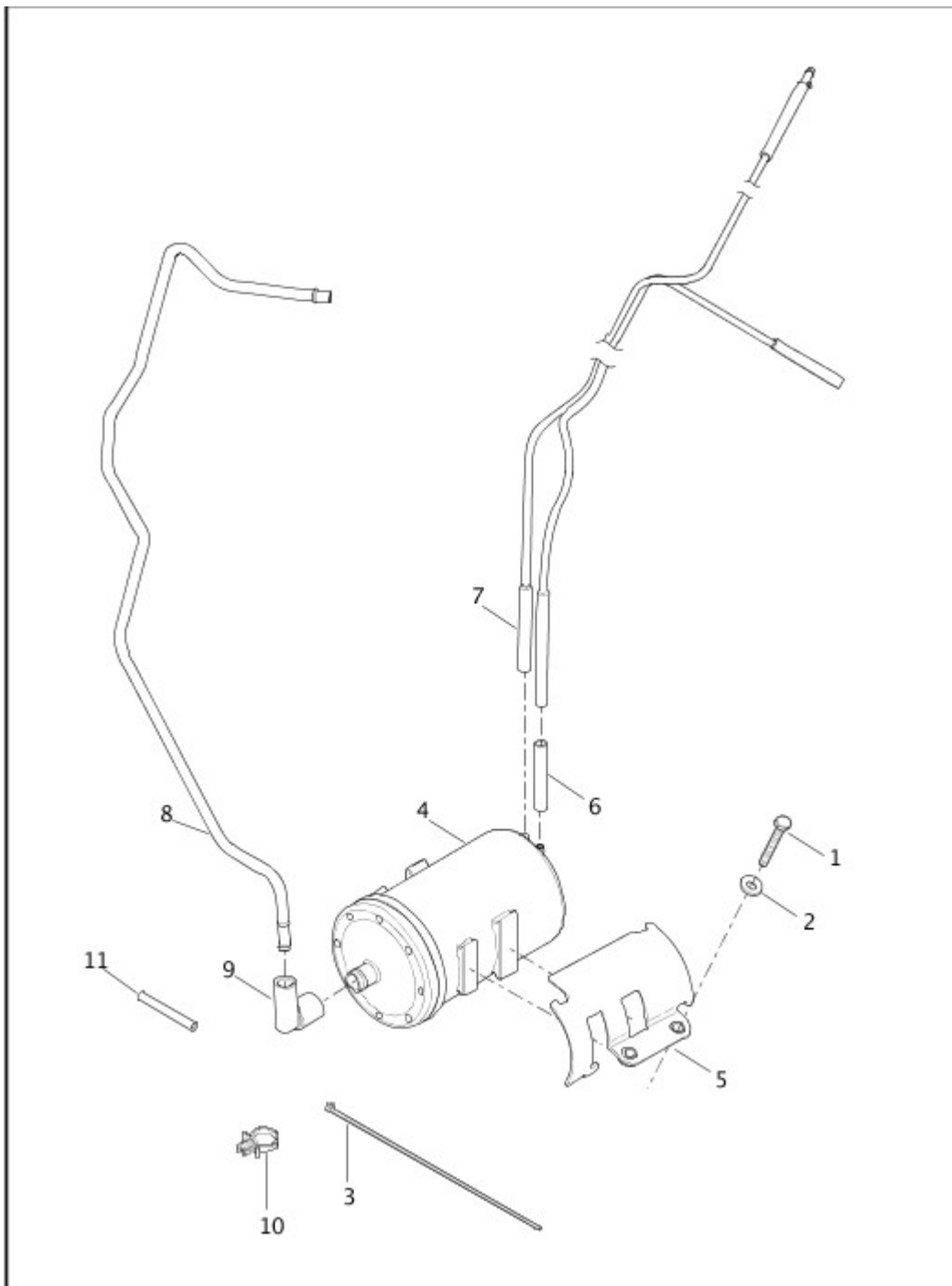
MIRRORS



[View interactive image](#)

[View interactive table](#)

INDEX NO.	PART NO.	DESCRIPTION	MODEL(S)
1	5714	SPACER (2)	ALL
2	7127	LOCKWASHER (4)	ALL
3	7736	ACORN NUT	FLSTF, FLSTFI, FLSTS, FLSTSI, FXST, FXSTD, FXSTDI, FXSTI, FXSTS, FXSTSI
3	7736	ACORN NUT (2)	FLSTC, FLSTCI, FXSTB, FXSTBI
4	91875-88A	MIRROR KIT, short , right , convex	FLSTC, FLSTCI, FLSTF, FLSTFI, FLSTS, FLSTSI, FXST, FXSTD, FXSTDI, FXSTI, FXSTS, FXSTSI
	91892-88A	MIRROR KIT, short, left , convex	FLSTC, FLSTCI, FLSTF, FLSTFI, FLSTS, FLSTSI, FXST, FXSTD, FXSTDI, FXSTI, FXSTS, FXSTSI
	91909-90A	MIRROR KIT, long, right , convex (black)	FXSTB, FXSTBI
	91910-90A	MIRROR KIT, long, left , convex (black)	FXSTB, FXSTBI
INTERNATIONAL MODELS ONLY			
5	91932-01	MIRROR TRIM (HDI)	ALL



[View interactive image](#)

[View interactive table](#)

INDEX NO.	PART NO.	DESCRIPTION	MODEL(S)
NOTE: These parts are required for motorcycles sold in the state of California.			
1	4195	SCREW, canister to transmission housing (2)	ALL
2	6116	WASHER, canister to transmission housing (2)	ALL
3	11321	CABLE STRAP, canister to mounting bracket (2)	ALL
4	27042-84A	CANISTER ASSEMBLY	ALL

INDEX NO.	PART NO.	DESCRIPTION	MODEL(S)
5	27293-00	CANISTER MOUNTING BRACKET	ALL
6	27328-00	HOSE, rollover valve to canister	ALL
7	28839-00	VENT LINE ASSEMBLY, fuel tank to vapor valve & carburetor to canister	ALL
8	28884-00	EVAPORATIVE TUBE ASSEMBLY, large diameter tube from canister to carburetor backplate	FLSTC, FLSTF, FLSTS, FXST, FXSTB, FXSTD, FXSTS
9	29312-95	CONNECTOR, evaporative	ALL
10	56076-97	RETAINER, vent line	ALL
NOTE: Hose or insulator is sold in bulk length under the following part numbers. Cut to length.			
11	26571-89	HOSE, 7/32 inch I.D. x 7/16 inch O.D. (rubber) (10 feet)	ALL
	27138-90	HOSE, 3/16 inch I.D. x 11/32 inch O.D. (rubber) (10 feet)	ALL

Hardware List

[View interactive table](#)

PART NO.	DESCRIPTION
1039	SCREW 5/16-18 X 2-1/2 hex flange head (Grade 8)
1311D	SCREW No. 8-32 X 1/2 Phillips truss head, self-sealing
1314	SCREW K50-2.24 X 17.25MM TORX truss head
1783C	SCREW 5/16-18 X 7/8 Pozidriv flat countersink head (Grade 2)
2447	SCREW 3/16-24 X 3/4 socket button head (Grade 8)
2448	SCREW 3/16-24 X 1/2 socket button head (Grade 8)
2452	SCREW No. 12-24 X 13/16 pan head, with lockpatch
2501A	SCREW No. 8-32 X 3/8 hex head, self-tapping
2531	SCREW No. 4-40 X 5/16 Pozidriv pan head (Grade 2)
2534	SCREW 5/16-24 X 3/4 button head (Grade 8)
2538	SCREW 1/4-20 X 1 Pozidriv pan head (Grade 2)
2566	SCREW No. 8-32 X 7/8 self-tapping
2579A	SCREW No. 8-32 X 5/16 Pozidriv oval head
2604	SCREW No. 10-32 X 1/2 Pozidriv pan head (Grade 2)
2646	SCREW No. 8-32 X 3/4 Pozidriv pan head (Grade 2)
2647B	SCREW No. 10-24 X 3/4 socket head, self-locking
2692WB	SCREW No. 10-24 X 1/2 socket fillister head (Grade 8)

PART NO.	DESCRIPTION
2720	SCREW 10-24 X 1.0 TORX head, with lockpatch
2731W	SCREW No. 10 X 3/8 Phillips truss head, self-tapping
2773	SCREW 1/4-20 X 1/2 Pozidriv pan head (Grade 2)
2823	SCREW 5/16-24 X 3/8 Pozidriv truss head, with lockpatch
2871W	BOLT 5/16-18 X 1-1/4 hex head (Grade 5)
2882W	SCREW 5/16-18 X 5/8 hex head (Grade 5)
2887WA	SCREW 5/16-18 X 1-3/4 hex head (Grade 5)
2921	SCREW No. 12 X 5/8 TORX pan head
29269-83A	SCREW 15/16-18 X 5/8 hex button head, with lockpatch
2927	SCREW 1/4-20 X 1/2 socket flat head
2941	SCREW 1/4-20 X 35/64 socket head, self-tapping (Grade 5)
2955	SCREW No. 6-32 X 1/4 Phillips pan head, with lockwasher
2980	SCREW M6 X 1 X 16mm hex flange head
3008	SCREW No. 10-24 X 1-1/4 TORX head, with adhesive
3017	SCREW No. 10-24 X 0.44 TORX pan head, self-tapping
3022A	SCREW 1/4-20 X 5/8 socket fillister head, with lockpatch
31689-90	BOLT M4 X 0.7 X 12 hex head
3210A	SCREW 5/16-18 X 1-1/4 knurled head
3214	SCREW 3/8-16 X 1-1/4 socket head, thread-cutting
3233	SCREW 1/4-28 X 1/4 socket head
3268	SCREW 5/16-18 X 1-1/4 knurled head
3275	SCREW 5/16-18 X 3/4 socket head (Grade 8)
3403	LOCKNUT M8-1.25 X 12mm flange (zinc)
3471	BOLT 1/2-13 X 2-3/4 hex head (Grade 5)
3485A	SCREW 5/16-18 X 1-3/4 knurled head (Grade 8)
3494A	BOLT 5/16-18 X 7/8 hex head
35078-79	NUT 3/4-16 X .391 X 1
3509	BOLT 3/8-16 X 2-3/4 hex head (Grade 8)
3514	SCREW No. 8-32 X 1 fillister head (Grade 5)
35211-91B	NUT 1-1/2-24 X .350 X 1-7/8 hex head
3533	SCREW 5/16-24 X 3/8 socket button head
3538	SCREW 5/16-24 X 1/2 socket button head
3560WA	BOLT No. 10-24 X 3/8

PART NO.	DESCRIPTION
3561WC	BOLT No. 10-24 X 3/8
3562	SCREW No. 12 X 1/2 hex head, with washer, self-tapping
3563	SCREW 1/4-20 X 3/8 hex flange head (Grade 5)
3574	SCREW 1/4-20 X 3/4 flange
3576	SCREW 5/16-18 X 1/2 hex head, with washer.
3588	SCREW 1/4-20 X 1/2 hex flange head
3589	SCREW 5/16-24 X 1-1/4 socket head (chrome)
3594	SCREW 1/4-20 X 5/8 knurled head (Grade 8)
3601	SCREW 1/4-20 X 1-1/4 knurled head (Grade 8)
3602A	SCREW No. 10-32 X 1/2 self-tapping
3655A	SCREW 5/16-18 X 7/8 TORX pan head, with lockpatch (Grade 8)
3658	SCREW No. 10-24 X 1/2 TORX head (Grade 5)
3689	BOLT 1/4-20 X 5/8 (Grade 2)
3692A	SCREW 5/16-18 X 1.0 hex head, with lockpatch
3693A	SCREW 5/16-18 X 1-3/4 hex head, with lockpatch
3699D	SCREW 3/8-16 X 2.0 hex flange head (Grade 8)
3728	SCREW 1/4-20 X 1/2 hex head
3736A	SCREW 5/16-18 X 1-1/4 hex flange head, with lockpatch
3737A	SCREW 7/16-14 X 2-1/4 hex head, with lockpatch (Grade 5)
3746A	SCREW 1/4-20 X 2-1/4 hex flange head (Grade 8)
3767B	BOLT 1/4-20 X 5/8 hex head (Grade 5)
3775	SCREW 3/8-16 X 2 hex head (Grade 5)
3784	SET SCREW 1/2-20 X 1/2 socket head, with lockpatch
3892	SCREW 1/4 X 5/8 self-tapping
3893	SCREW 1/4-20 X 1/2 hex head, with washer, self-tapping
3929	SCREW 5/16-18 X 1/2 hex head
3953W	BOLT 5/16-24 X 1/2 hex head (Grade 5)
3987	BOLT 5/16-18 X 3/4 hex head (Grade 5)
3993	BOLT 1/4-20 X 1-1/4 hex head (Grade 5)
4017	BOLT 5/16-18 X 1 hex head (Grade 5)
4029A	SCREW 3/8-16 X 2-1/4 socket head (black)
4074A	BOLT 1/2-13 X 2 hex head, shoulder
4091	SCREW No. 10-24 X 1/2 hex head, with washer, self-tapping (zinc)

PART NO.	DESCRIPTION
4132	SCREW 1/4-20 X 1-1/8 TORX button head (Grade 5) (black)
4163	SCREW 3/4-16 X 7/8 TORX button head (Grade 8)
4164	SCREW 3/8-16 X 1-1/4 hex head (Grade 8)
4165	SCREW 3/4-16 X 1-39/64 hex head (Grade 8)
4166	SCREW No. 8-32 X 1/2 socket button head (Grade 8) (chrome)
4168	SCREW 3/8-16 X 1 self-tapping
4175	SCREW 1/2-20 X 5/8 socket button head, with lockpatch
4180	SCREW 3/8-16 X 1-1/2 TORX button head
4188	SCREW 3/8-16 X 1-1/4 TORX button head
4190	SCREW 3/8-16 X 3/4 TORX button head
4194	SCREW No. 10-24 X 5/16 TORX pan head (Grade 5)
4195	SCREW 3/8-18 X 3 socket head
4196	SCREW 5/16-24 X 2-3/4 TORX button head
4197	BOLT 3/8-16 X 3-3/4 hex head (Grade 5)
4206	SCREW 3/16-18 X 1 hex head
4213	SCREW M8 X 1.25 X 30 button head
4216	SCREW 5/16-18 X 7/8 hex flange head (Grade 5)
4217	SCREW 5/16-18 X 1.0 hex flange head (Grade 5)
4311	SCREW 3/8-16 X 1-5/8 socket head
4312C	SCREW M6 X 1.0 X 14mm, SEMS flange head (stainless)
4313	SCREW 3/8-16 X 1-1/4 socket head
4314	SCREW 3/4-16 X 3 TORX head (Grade 8)
4315	SCREW 3/8-16 X 3-1/2 TORX head (Grade 8)
4326A	SCREW 5/16-18 X 2 socket head
4329	SCREW 1/4-20 X 3/4 hex head with washer, self-tapping
4343	SCREW 5/16-24 X 1-3/4 socket button head, with adhesive
4350A	SCREW 3/8-16 X 1-1/2 socket head
4355B	SCREW 3/8-16 X 1-3/4 TORX head (Grade 8)
43567-92	SCREW 3/8-16 X 1 TORX pan head, with lockpatch
4358A	SCREW No. 10-32 X 5.250 hex head (zinc plate)
4383	SCREW 5/16-18 X 5/8 hex head, with washer (Grade 2)
4391	BOLT 5/16-24 X 5/8 hex head (Grade 5)
4400	BOLT 1/4-20 X 1-11/16 hex head with Scotch grip (Grade 8)

PART NO.	DESCRIPTION
4411	BOLT 3/8-24 X 1-3/4 hex head (Grade 5)
4453	BOLT 1/4-20 X 7/8 hex head SPECIAL WITH TAPPED HOLE
45405-75A	SCREW M8 X 1.25 x 27 hex socket head
45717-63	LOCKWASHER 1 X 2 X 0.035 keyed special
45718-60	NUT 1-24 X 1.5 X 0.47
4716W	SCREW 3/8-16 X 1-1/4 hex head (Grade 5)
4717A	SCREW 1/4-20 X 2-1/4 knurled head, with lockpatch
4719W	BOLT 3/8-16 X 2-1/2 hex head (Grade 5)
4721	BOLT 3/8-16 X 1-1/2 hex head (Grade 5)
4722	BOLT 3/8-16 X 2-1/4 hex head (Grade 5)
4724	BOLT 3/8-24 X 1-1/2 hex head (Grade 5)
4726	BOLT 7/16-20 X 1-1/2 hex head (Grade 5)
4729	BOLT 7/16-20 X 1-1/4 hex head (Grade 5)
4740A	SCREW 1/4-20 X 1-1/4 knurled head, with lockpatch (Grade 8)
4741A	SCREW 1/4-20 X 1 socket head, with lockpatch
4747	SCREW 3/8-16 X 2-5/8 knurled head (Grade 8)
4763	SCREW 5/16-18 X 1-1/4 TORX button head (Grade 5)
4814A	SCREW 1/4-20 X 1-1/8 knurled head, with lockpatch
4816A	SCREW 5/16-18 X 1-1/2 socket head
4820A	SCREW 1/4-20 X 2 socket head
5403B	BOLT 1/4-20 X 3/8 carriage
5416	BOLT 3/8-16 X 1/8 carriage (Grade 5)
54321-85	NUT No. 8-32 X 1/2 X 1/8 (brass)
5710	WASHER 63/64 X 1-1/2 X 5/64
5756	WASHER 21/32 X 1-5/16 X 5/8
5775	WASHER 11/32 X 1/2 X 31/64
6003	WASHER 1-3/16 X 1-3/8 X 11/16
6016	WASHER 11/32 X 11/16 X 1/16
6019	WASHER 3/8 X 29/32 X 1/16
6036	WASHER 17/64 X 1 X 1/16
6040A	WASHER 3/4 X 1-1/2 X 1/16
6042A	WASHER 1 X 1-1/5 X 1/16 layered
6047	WASHER 5/8 X 13/64 X 3/64

PART NO.	DESCRIPTION
6057	WASHER 1/2 X 7/8 X 3/16, nylon
6072	WASHER 3/8 X 1 1/4 X 5/64
6099	WASHER 1/4 X 7/16 X 1/16
6101	WASHER 17/64 X 27/64 X 1/16
6109	WASHER 5/16 X 11/16 X 1/8
6116	WASHER 5/16 X 16/16 X 1/8
6229W	WASHER 5/16 X 1-1/16 X 3/64
6237	WASHER 5/16 X 1-1/8 X 5/64
6253W	WASHER 1/4 X 3/4 X 3/64
6333	WASHER 5/16 X 7/8 X 5/64
6353	WASHER 3/8 X 13/16 X 1/16 (chrome)
6371	WASHER 25/64 X 1 X 3/32
6379W	WASHER 3/8 X 5/8 X 3/64
6400HB	WASHER 5/16 X 13/16 X 3/32
6409	WASHER 1/2 X 3/4 X 1/32 plastic
6448HB	WASHER 13/32 X 13/16 X 3/32
6474	WASHER 3/8 X 5/16 X 3/16 hardened
6497HW	WASHER 29/64 X 1-1/8 X 1/16
6498	WASHER 9/16 X 13/16 X 1/32 nylon
6516HW	WASHER 7/16 X 1-1/8 X 1/8
6530	WASHER 1/2 X 1 X 3/16
6532	WASHER 3/8 X 3/4 X 1/8
6534	WASHER 3/8 X 1-3/4 X 3/32 hardened
6535	WASHER 5/16 X 1-1/4 X 3/32 hardened
6590HW	WASHER 1/2 X 1-1/8 X 3/32
6639	WASHER 5/8 X 1-5/16 X 3/32 (chrome)
6655	WASHER 5/8 X 1-1/2 X 7/64
6701	WASHER 3/8 X 13/16 X 1/16
6702	WASHER 5/16 X 11/16 X 1/16
6703	WASHER 1/4 X 5/8 X 1/16
6716	WASHER No. 10 X 1/2 X 3/64
6724	WASHER 21/32 X 1-1/16 X 1/16
6736	WASHER 9/32 X 5/8 X 1/16

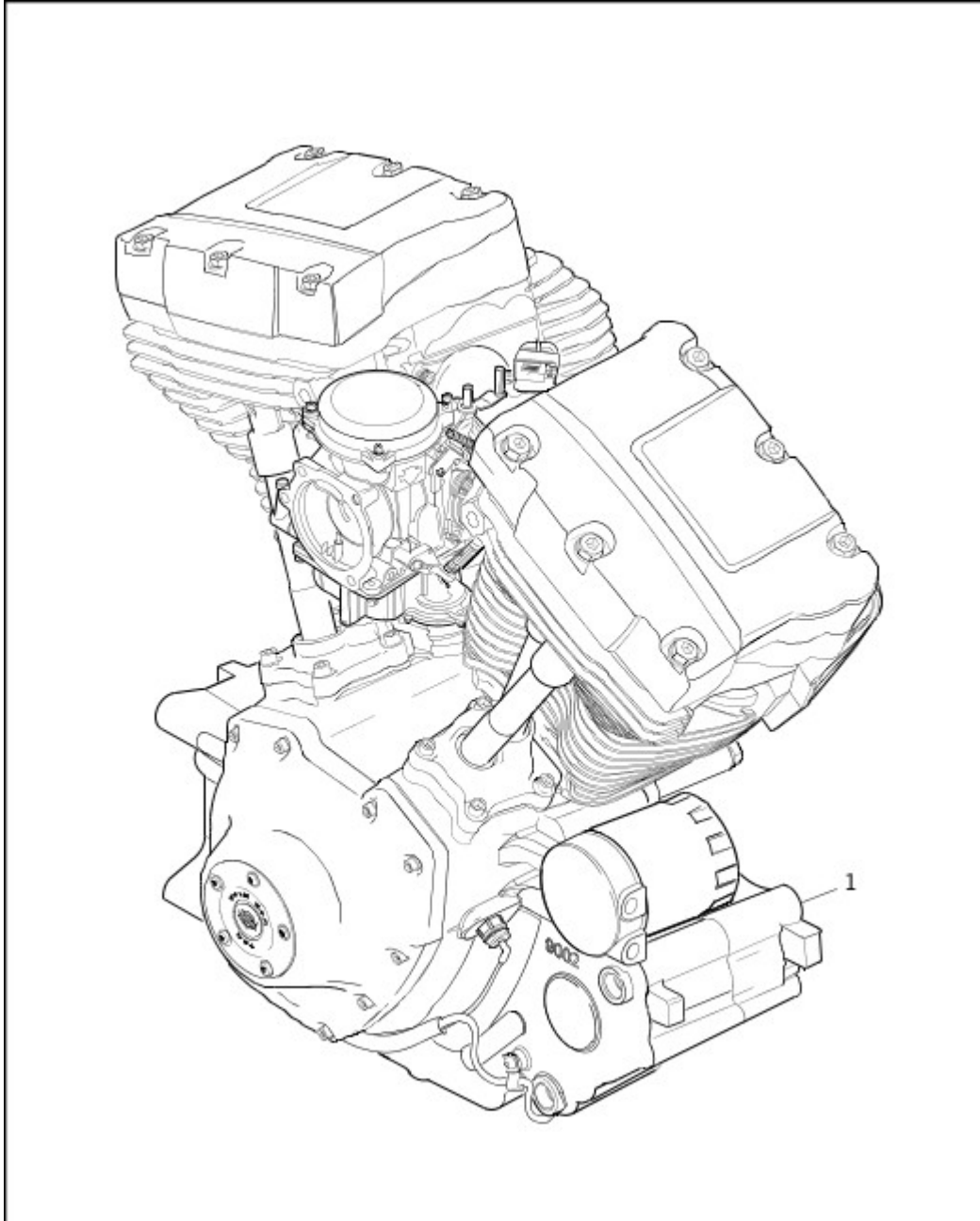
PART NO.	DESCRIPTION
6753	WASHER 1/2 X 1-1/4 X 1/8 notched
6756	WASHER 1/2 X 1-1/16 X 3/32
6758	WASHER 3/8 X 37/64 X 7/64
6762B	WASHER 11/16 X 29/32 X 1/32
6771A	WASHER 5/16 X 1/2 X 1/16
68026-99	SCREW No. 8-32 X 1 Phillips pan head (stainless)
68042-99	SCREW No. 8-32 X 3/8 TORX head
6812	WASHER 13/32 X 11/16 X 1/16
6829	WASHER 31/64 X 1 X 7/64
6852	WASHER 41/64 X 1-1/8 X 5/64
7038	LOCKWASHER 3/8
7039	LOCKWASHER 7/16
7041	LOCKWASHER 5/16
7062	LOCKWASHER M8.4 X 13 X 1.2
7068	LOCKWASHER 1/2
7124	LOCKWASHER 1/4 internal tooth
7127	LOCKWASHER 5/16 internal tooth
7129	LOCKWASHER 1/2 internal tooth
7130W	LOCKWASHER 3/8 internal tooth
7220	LOCKWASHER No. 10 external tooth
7230	LOCKWASHER 1/4 external tooth
7232	LOCKWASHER 5/16 internal tooth
7434	WASHER 1/4 X 1-29/64 X 1/16 nylon
7479	NUT 5/8-11 flange (Grade 6)
7481	ACORN NUT 5/16-18 X 5/8 X 1/2
7495	NUT M6 flange
7507	ACORN NUT 5/16-18 X 11/16 X 1/2 (Grade 2) (chrome)
7531	LOCKNUT 5/16-18 X 9/32 X 1/2 flange
7549A	ACORN NUT 5/16-18 X 9/16 X 1/2
7576	NUT 5/16-18 UNC keps flange
7593	NUT 5/16-24 flange
7600	NUT No. 4-40 keps
7601	LOCKNUT 3/8-16 flange

PART NO.	DESCRIPTION
7606	LOCKNUT No. 8-32 X 1/4 X 1/4 hex (chrome)
7624	LOCKNUT No. 10-24 X 1/4 X 3/8
7626W	LOCKNUT No. 10-32 X 3/16 X 3/8
7627	ACORN NUT 1/2-13 X 3/4 (chrome)
7629	NUT No. 10-32 X 3/8 keps
7651A	ACORN NUT No. 12-24 (Grade 2) (chrome)
7667	NUT 3/8-16 X 9/32 X 9/16 nylon insert
7669	NUT 5/16-18
7680W	ACORN NUT 3/8-16 X 25/32 X 9/16 (Grade 2) (chrome)
7686	LOCKNUT 1/4-20 X 5/16 X 7/16
7716	LOCKNUT 1/4-20 X 7/16 flange
7736	ACORN NUT 5/16-24 X 19/32 X 1/2 (Grade 2) (chrome)
7739	LOCKNUT 5/16-18 X 11/32 X 1/2
7742	LOCKNUT 1/4-20 X 7/32 X 7/16
7744	JAMNUT 5/16-24 X 3/16 X 1/2 (Grade 2)
7748W	NUT 5/16-18 X 1/4 X 1/2 (Grade 2)
7753	NUT 5/16-24 X 1/4 X 1/2 (Grade 2)
7768W	LOCKNUT 1/2-13 X 19/32 X 3/4
7778	LOCKNUT 3/8-16 X 7/16 X 9/16
7783	NUT 3/8-16 X 5/16 X 9/16 (Grade 2)
7792	NUT 1/4-20 X 1/4 (Grade 2)
780	SCREW 1/4-20 X 7/8 SEMS hex head (Grade 8)
7800W	NUT 3/8-24 X 5/16 X 9/16 (Grade 2)
7838	NUT No. 10-24 keps
7848W	JAMNUT 7/16-20 X 1/4 X 11/16 (Grade 2)
7862	ACORN NUT 3/8-16 (chrome)
7879	NUT 1/2-13 X 1/2 X 3/4 flange (Grade 6)
7880	NUT 1/2-13 X 7/16 X 3/4 (Grade 2)
7951	JAMNUT 3/4-16 X 17/64 X 1-7/64 (Grade 2)
7956	NUT 1/2-20 X 1/2 X 3/4
7959	ACORN NUT 1/2-13 X 13/16 X 3/4 (chrome)
7962	NUT 5/16-18 X 1-11/16
7974	JAMNUT 5/8-18 X 3/8 X 1

PART NO.	DESCRIPTION
7987	NUT 5/8-18 X 15/16 slotted (Grade 8)
7994	LOCKNUT 5/8-18 X 15/16
8001	ACORN NUT 1/2-20 X 1.0 X 3/4 (Grade 5) (chrome)
8108	SPEEDNUT 1/4-20
8144	NUT CLIP 5/16-18
855B	SCREW 3/8-16 X 2 knurled head
856A	SCREW 5/16-24 X 1 socket head (Grade 8)
858A	BOLT 5/16-18 X 3 hex head (Grade 5)
861A	SCREW 3/8-16 X 1 knurled head (Grade 8)
895	SCREW 5/16-18 X 3.0 hex flange head (Grade 5)
90770-79	SCREW No. 8-32 X 3/8 Pozidriv head, self-tapping
923	SCREW 1/4-20 X 3/4 socket pan head
925	SCREW 1/4-28 X 5/8 socket button head (Grade 8)
927A	SCREW 1/4-20 X 3/4 button head (Grade 8)
929A	SCREW M4 X 0.7 X 11.8 flange head
939	SCREW 1/4-20 X 1 self-tapping, with washer (Grade 2)
94004-90T	ACORN NUT 1/4-20 X 5/8 X 7/16 (chrome)
941	SCREW 1/4-20 X 5/8 socket button head (Grade 8)
945	SCREW 1/4-20 X 2-1/2 TORX button head (Grade 8)
946	SCREW 1/4-20 X 2-1/4 socket button head, with lockpatch (Grade 8)
956	SCREW 5/16-18 X 3-1/4 button head, with lockpatch (Grade 8)
961	SCREW 1/4-20 X 1/2 TORX pan head, with washer (Grade 8)
992	SCREW 7/16-20 X 1-1/2 TORX button head
994	SCREW 5/16-18 X 7/8 TORX button head (Grade 5)

New Parts List

COMPLETE ENGINE - Twin Cam 88B™

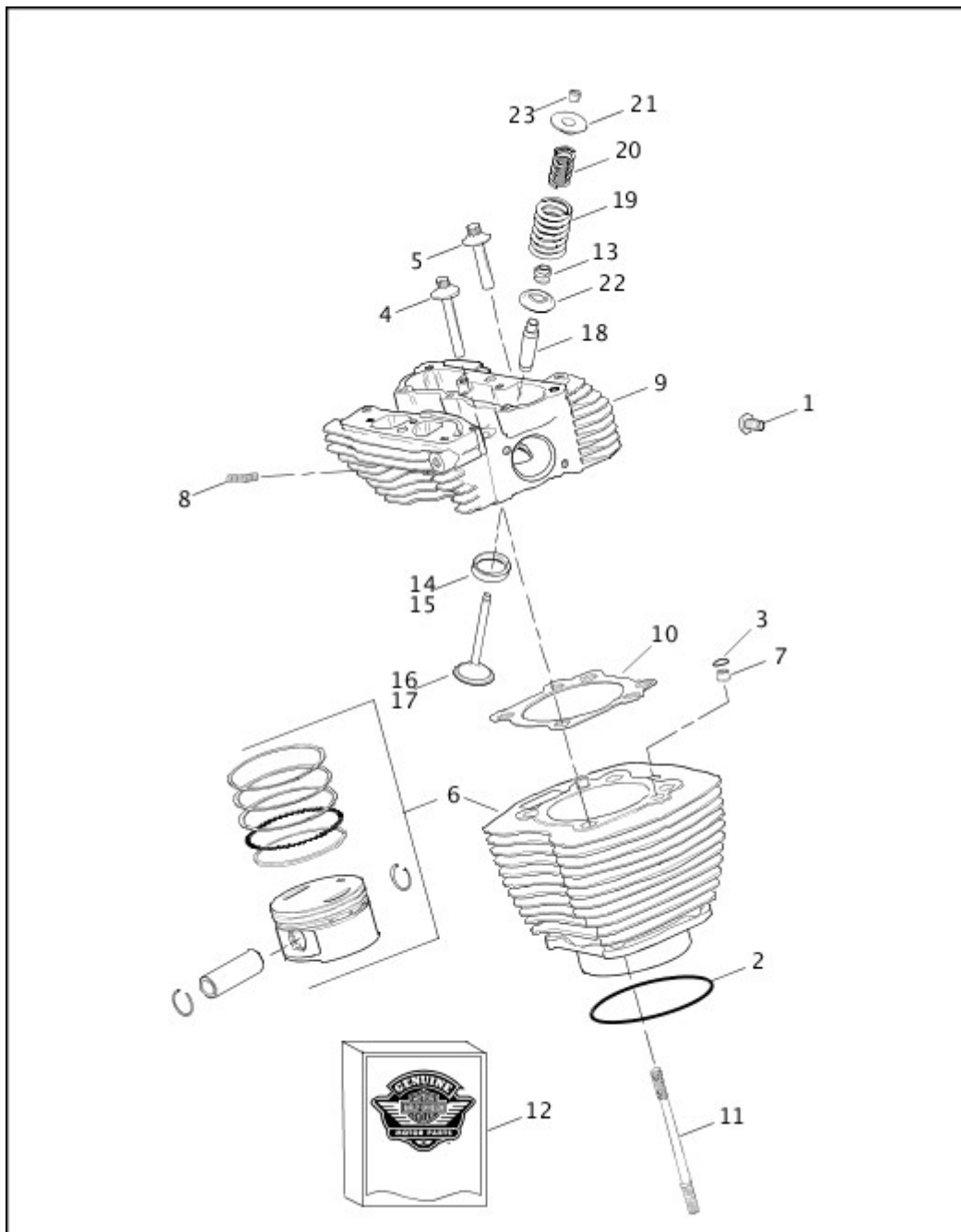


[View interactive table](#)

INDEX NO.	PART NO.	DESCRIPTION	MODEL(S)
1	16118-01	ENGINE ASSEMBLY, complete (polished & silver painted)	FXST
	16119-01	ENGINE ASSEMBLY, complete (polished & silver painted) (California)	FXST
	16121-01	ENGINE ASSEMBLY, complete (chrome & black texture)	FLSTC, FLSTF, FLSTS, FXSTS
	16126-01	ENGINE ASSEMBLY, complete (chrome & black texture) (California)	FLSTC, FLSTF, FLSTS, FXSTS
	16128-01	ENGINE ASSEMBLY, complete (chrome & black texture)	FXSTD
	16129-01	ENGINE ASSEMBLY, complete (chrome & black texture) (California)	FXSTD

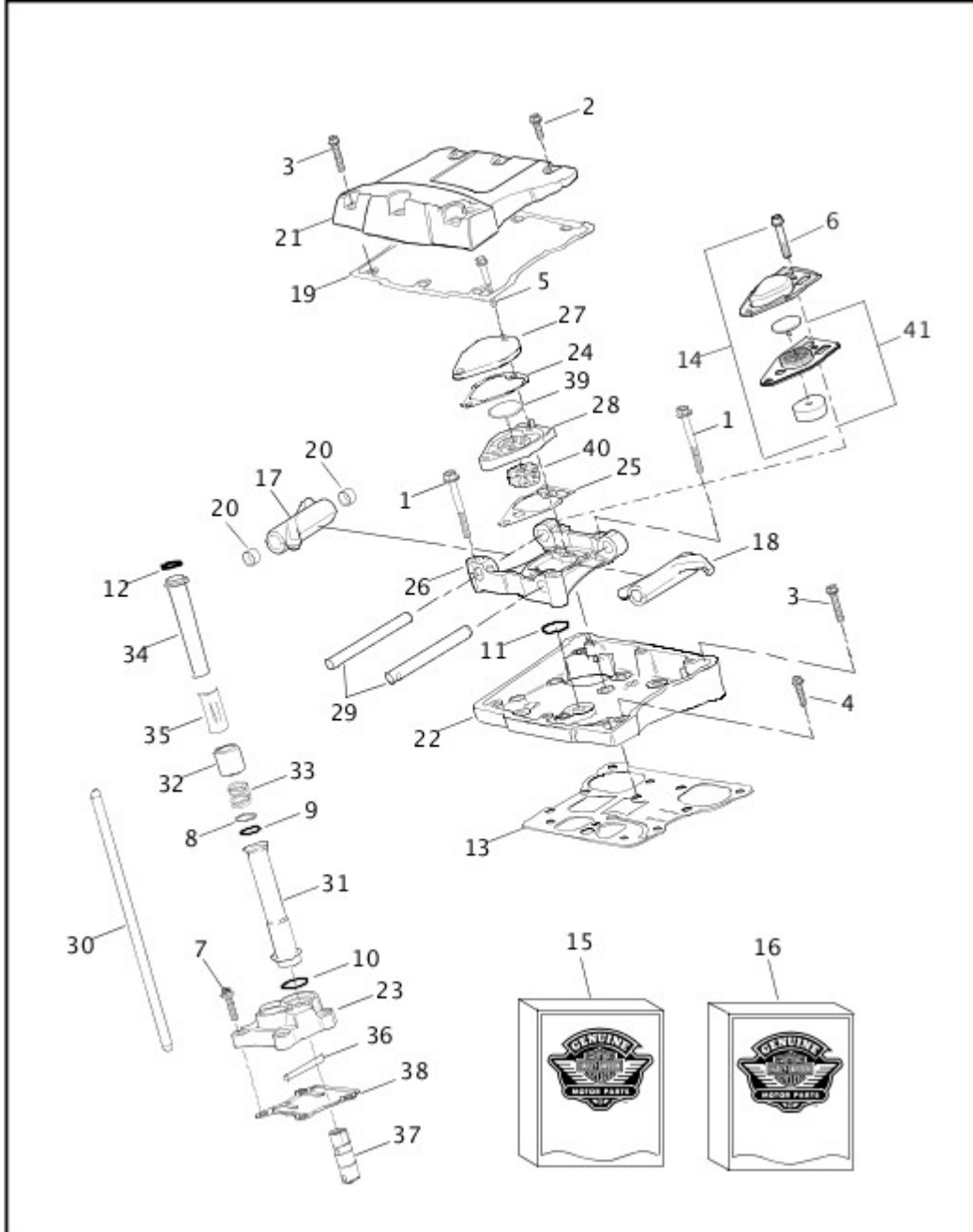
INDEX NO.	PART NO.	DESCRIPTION	MODEL(S)
	16132-01	ENGINE ASSEMBLY, complete (black wrinkle) (California)	FXSTB
	16155-01	ENGINE ASSEMBLY, complete (black wrinkle)	FXSTB
	16113-01	ENGINE ASSEMBLY, complete, w/ EFI (black wrinkle)	FXSTBI
	16114-01	ENGINE ASSEMBLY, complete, w/ EFI (polished & silver painted)	FXSTI
	16142-01	ENGINE ASSEMBLY, complete, w/ EFI (chrome & black texture)	FLSTCI, FLSTFI, FLSTSI, FXSTDI, FXSTSI

CYLINDERS, HEADS & VALVES - Twin Cam 88B™



INDEX NO.	PART NO.	DESCRIPTION	MODEL(S)
5	16480-92A	SCREW, internal thread 1-7/8 inch long (4)	ALL
10	16775-99B	GASKET, cylinder head (2)	ALL
11	16834-99A	STUD, cylinder (8)	ALL
12	17052-99C	GASKET KIT, top end	ALL
	17053-99C	GASKET KIT, engine overhaul	ALL
	18124-83	INSERT, exhaust valve seat, 0.005 O.S. (2)	ALL
	18134-83	INSERT, intake valve seat, 0.005 O.S. (2)	ALL
16	18074-83B	INTAKE VALVE (2)	ALL
17	18082-83A	EXHAUST VALVE (2)	ALL
18	18101-83D	VALVE GUIDE, intake & exhaust (4)	ALL
23	18229-83A	RETAINER, valve collar (8)	ALL

ROCKER ARM ASSEMBLY & PUSH RODS - Twin Cam 88B™

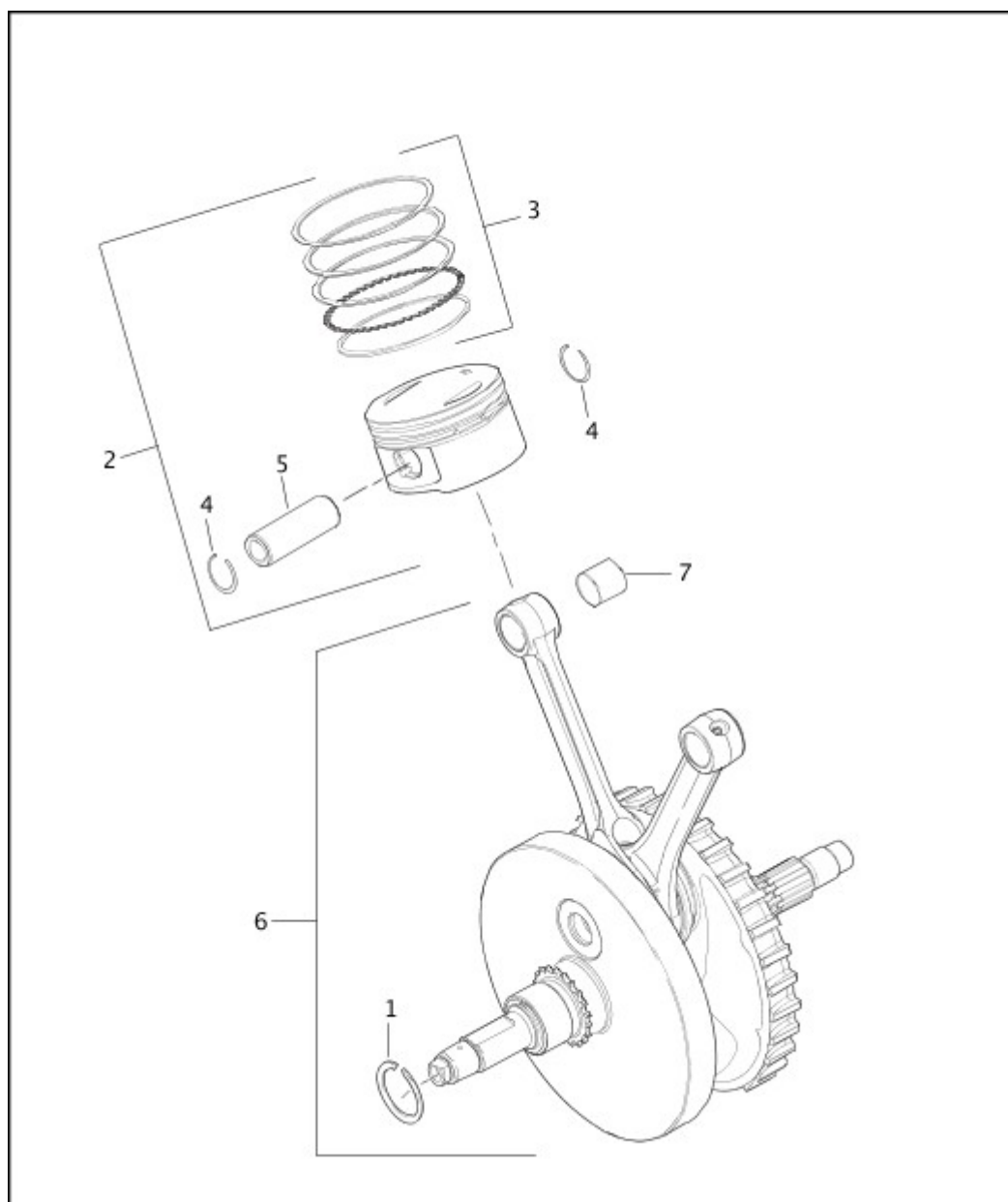


[View interactive table](#)

INDEX NO.	PART NO.	DESCRIPTION	MODEL(S)
5	3746A	SCREW (used w/ 17596-99) (4)	ALL
6	4400	BOLT (used w/ 17025-03A) (4)	ALL
9	11132A	O-RING, push rod cover (4)	ALL
10	11145A	O-RING, push rod cover (4)	ALL
13	16719-99B	GASKET, rocker housing (2)	ALL
14	17025-03A	BREATHER ASSEMBLY KIT, w/ 4400 & 26500002 (replaces 17595-99 & 17596-99) (2)	ALL
15	17045-99D	GASKET KIT, cam service	ALL
16	17162-03	GASKET KIT, breather, w/ 26858- 99 & 63815-99 (replaces 17591- 99 & 17592-99)	ALL

INDEX NO.	PART NO.	DESCRIPTION	MODEL(S)
22	17573-99A	ROCKER HOUSING, chrome (2)	FLSTC, FLSTCI, FLSTF, FLSTFI, FLSTS, FLSTSI, FXSTD, FXSTDI, FXSTS, FXSTSI
	17574-99A	ROCKER HOUSING, polished (2)	FXST, FXSTI
41	26500002	BAFFLE ASSEMBLY, breather, w/ breather valve & filter (used w/ 17025-03A) (2)	ALL

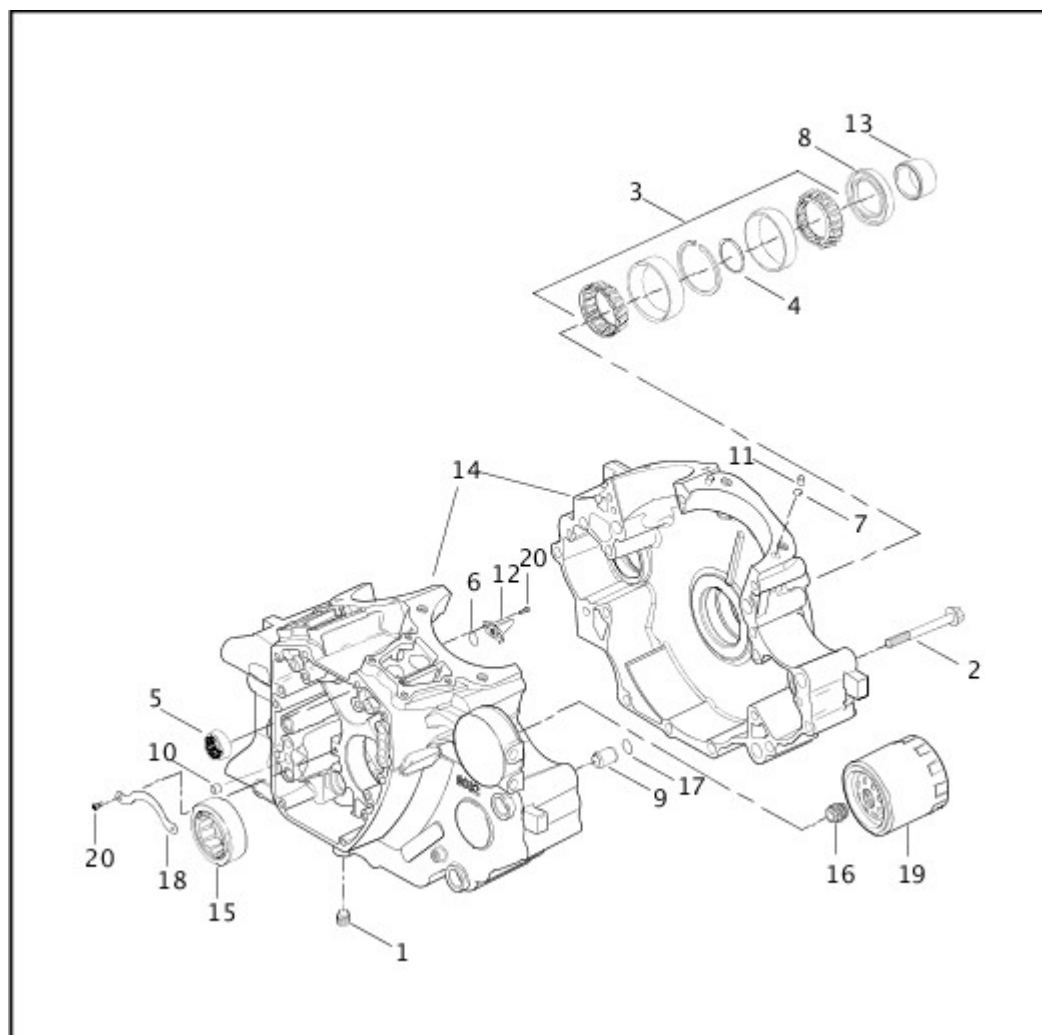
PISTONS & FLYWHEEL ASSEMBLY - Twin Cam 88B™



[View interactive table](#)

INDEX NO.	PART NO.	DESCRIPTION	MODEL(S)
6	23912-00D	FLYWHEEL ASSEMBLY, w/ 11177A, thrust washer, expansion plug, crankpin, connecting rods, bearings & flywheels	ALL

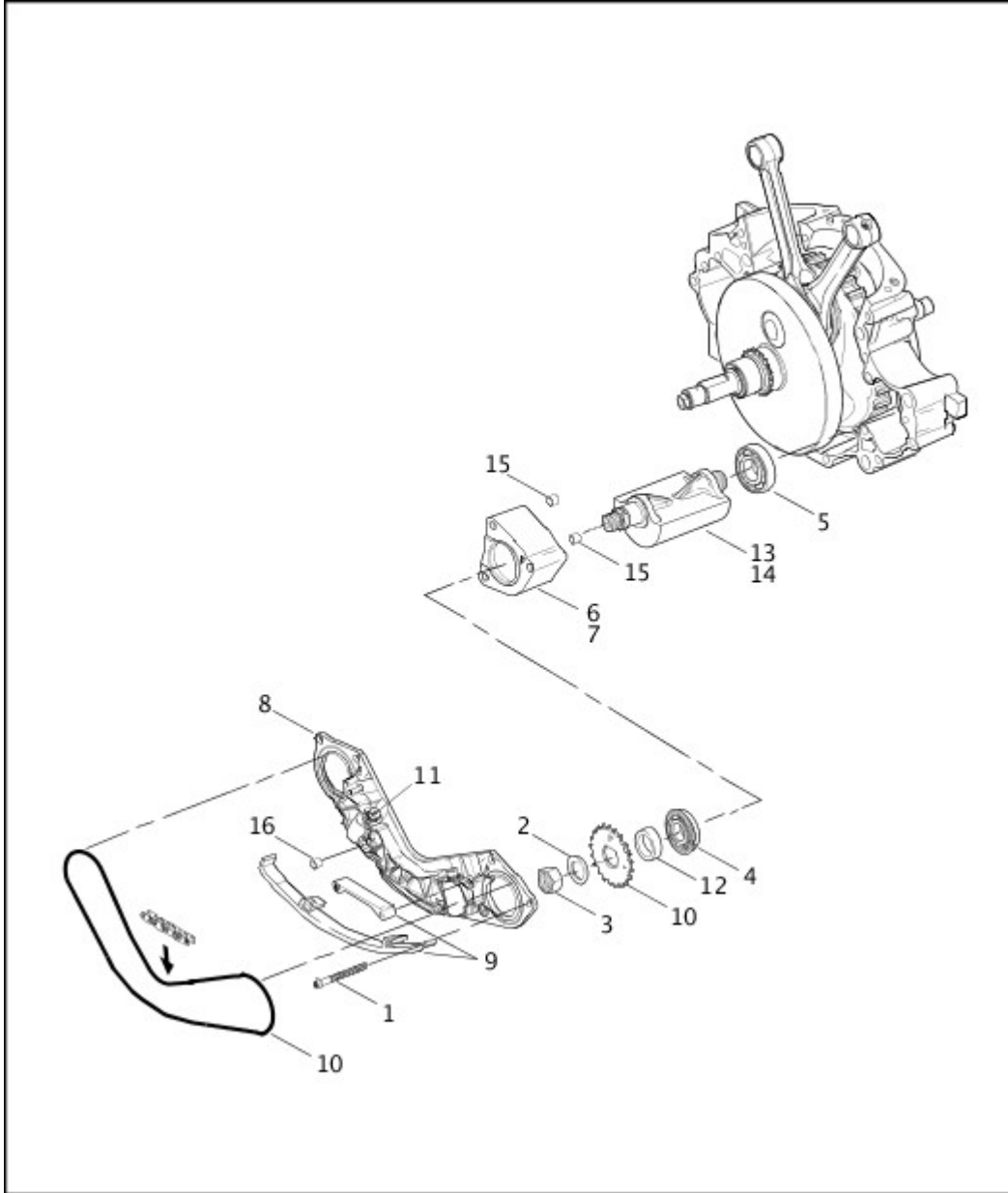
CRANKCASE & ENGINE OIL FILTER - Twin Cam 88B™



[View interactive table](#)

INDEX NO.	PART NO.	DESCRIPTION	MODEL(S)
14	24619-00A	SET OF CRANKCASES, w/ bearings, cooling jets & through bolts (silver)	FXST, FXSTI
	24620-00A	SET OF CRANKCASES, w/ bearings, cooling jets & through bolts (black)	FLSTC, FLSTCI, FLSTF, FLSTFI, FLSTS, FLSTSI, FXSTB, FXSTBI, FXSTD, FXSTDI, FXSTS, FXSTSI
15	24605-07	BEARING, main, right side of crankshaft	ALL
19	63798-99A	OIL FILTER (chrome)	FLSTC, FLSTCI, FLSTF, FLSTFI, FLSTS, FLSTSI, FXST, FXSTD, FXSTDI, FXSTI, FXSTS, FXSTSI
	63731-99A	OIL FILTER (black)	FXSTB, FXSTBI

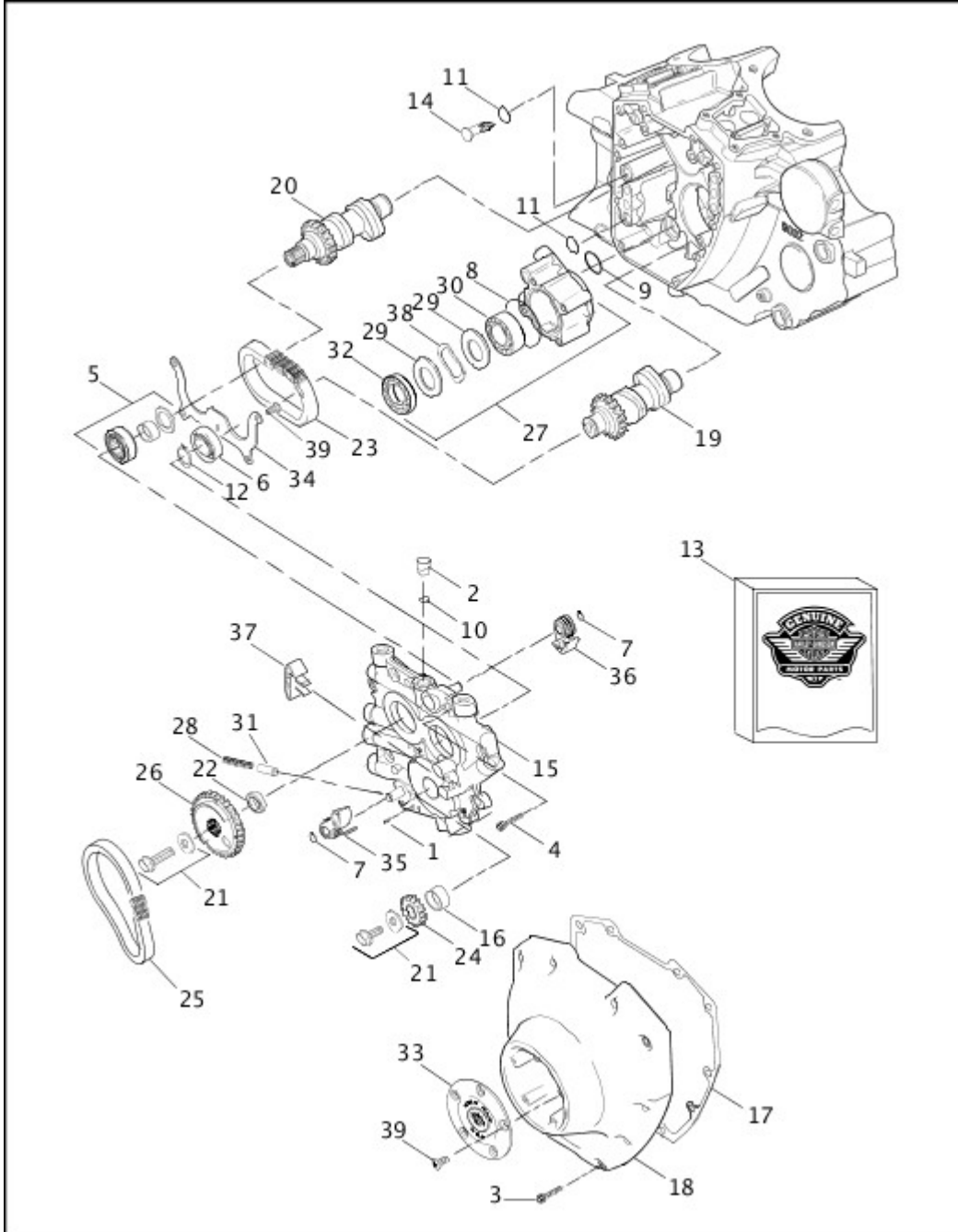
ENGINE BALANCER - Twin Cam 88B™



[View interactive table](#)

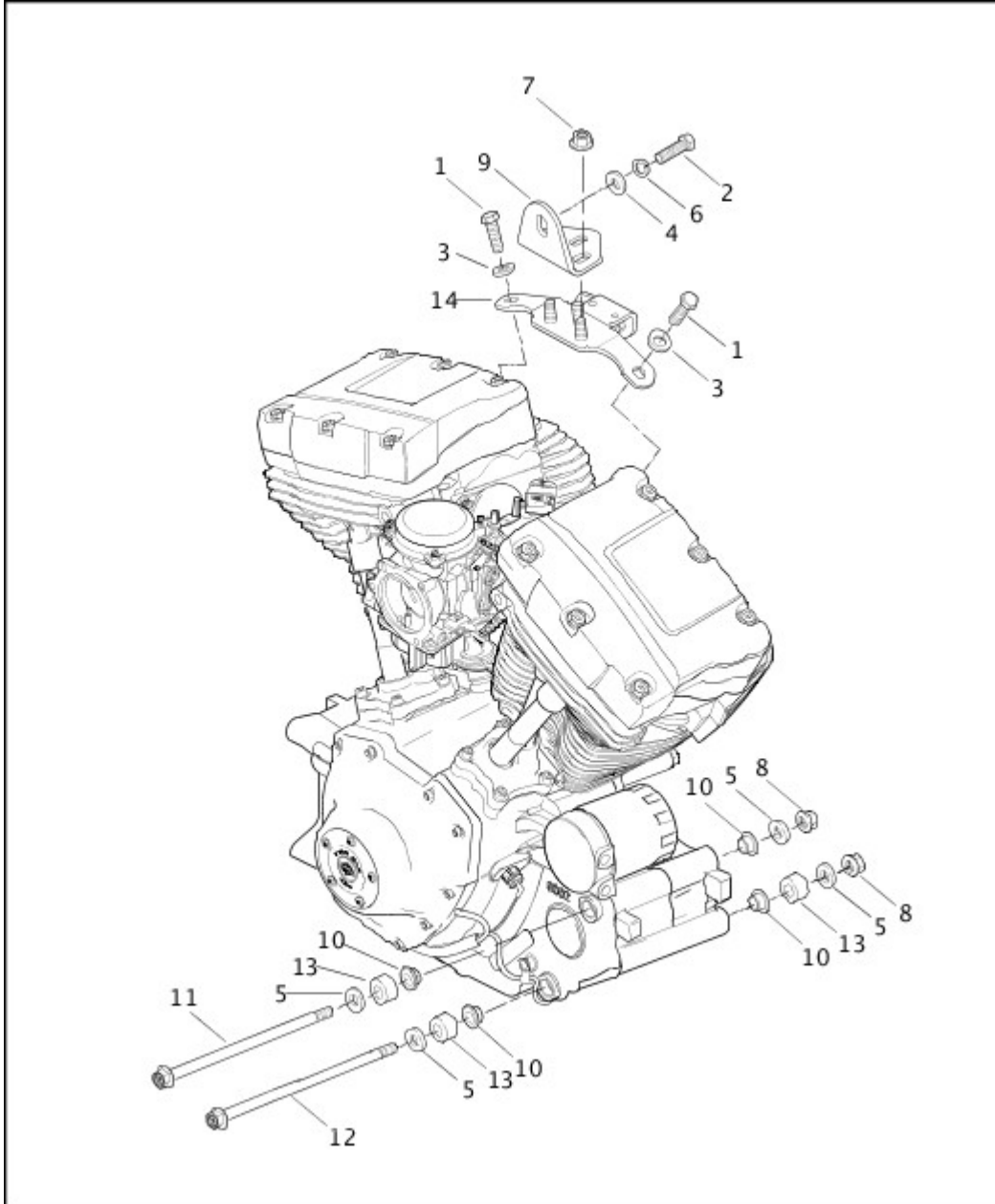
INDEX NO.	PART NO.	DESCRIPTION	MODEL(S)
15	16583-00A	DOWEL (4)	ALL

[CAMSHAFTS & CAM COVER - Twin Cam 88B™](#)



[View interactive table](#)

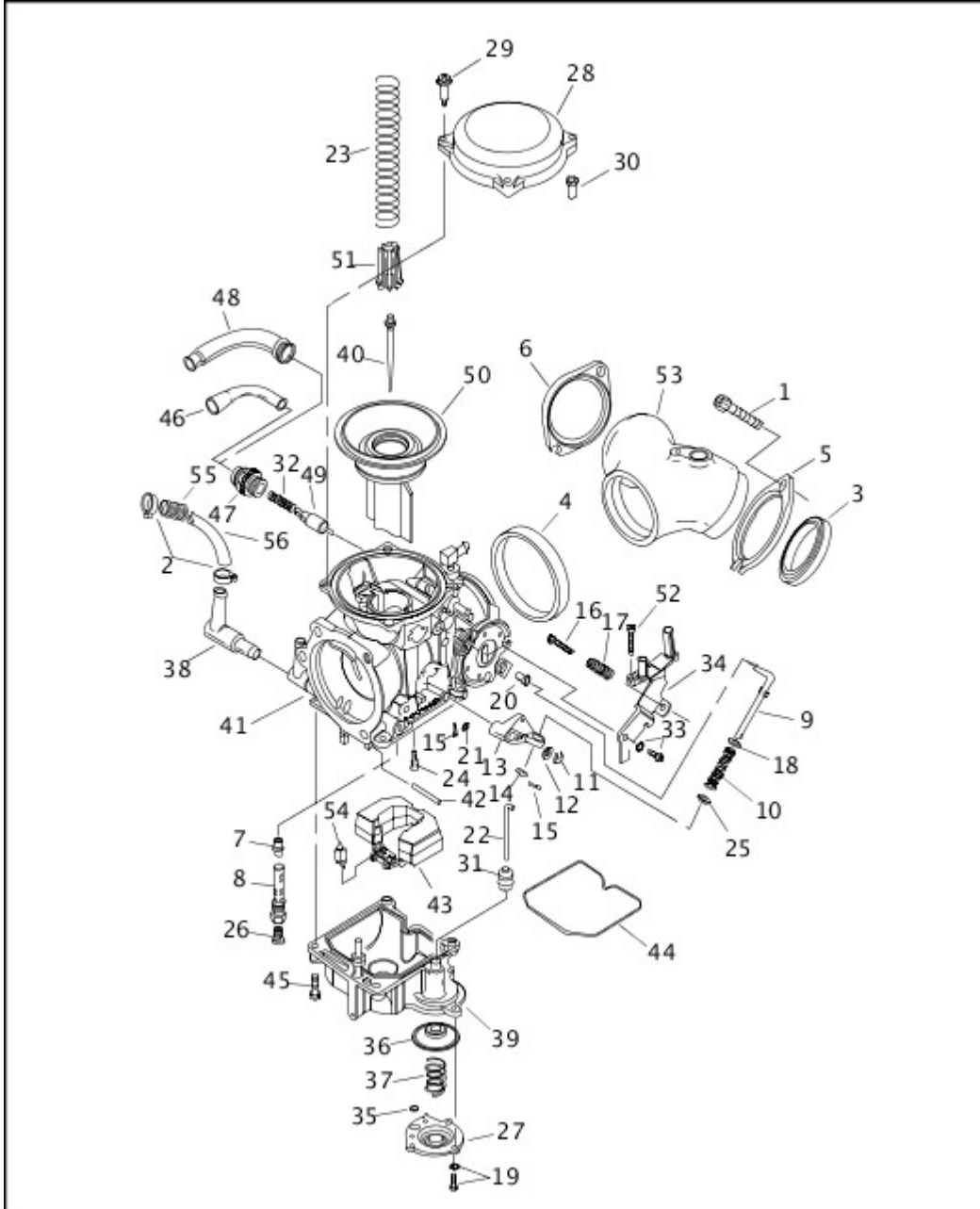
INDEX NO.	PART NO.	DESCRIPTION	MODEL(S)
13	17045-99D	GASKET KIT, cam service	ALL
17	25244-99A	GASKET, cam cover	ALL
18	25369-01B	CAM COVER, chrome	FLSTC, FLSTCI, FLSTF, FLSTFI, FLSTS, FLSTSI, FXSTD, FXSTDI, FXSTS, FXSTSI
	25364-01B	CAM COVER, black texture	FXSTB, FXSTBI
	25367-01B	CAM COVER, silver painted	FXST, FXSTI
27	26035-99B	OIL PUMP ASSEMBLY, w/ body and internal parts	ALL
31	26400-82B	RELIEF VALVE, oil pump	ALL



[View interactive table](#)

INDEX NO.	PART NO.	DESCRIPTION	MODEL(S)
	69046-01	BRACKET, EFI, top engine mount, horn and enricher cable	FLSTCI, FLSTFI, FXSTBI, FXSTDI, FXSTI, FXSTSI
	69047-01	BRACKET, EFI, top engine mount, auxiliary lamp switch and enricher cable	FLSTSI

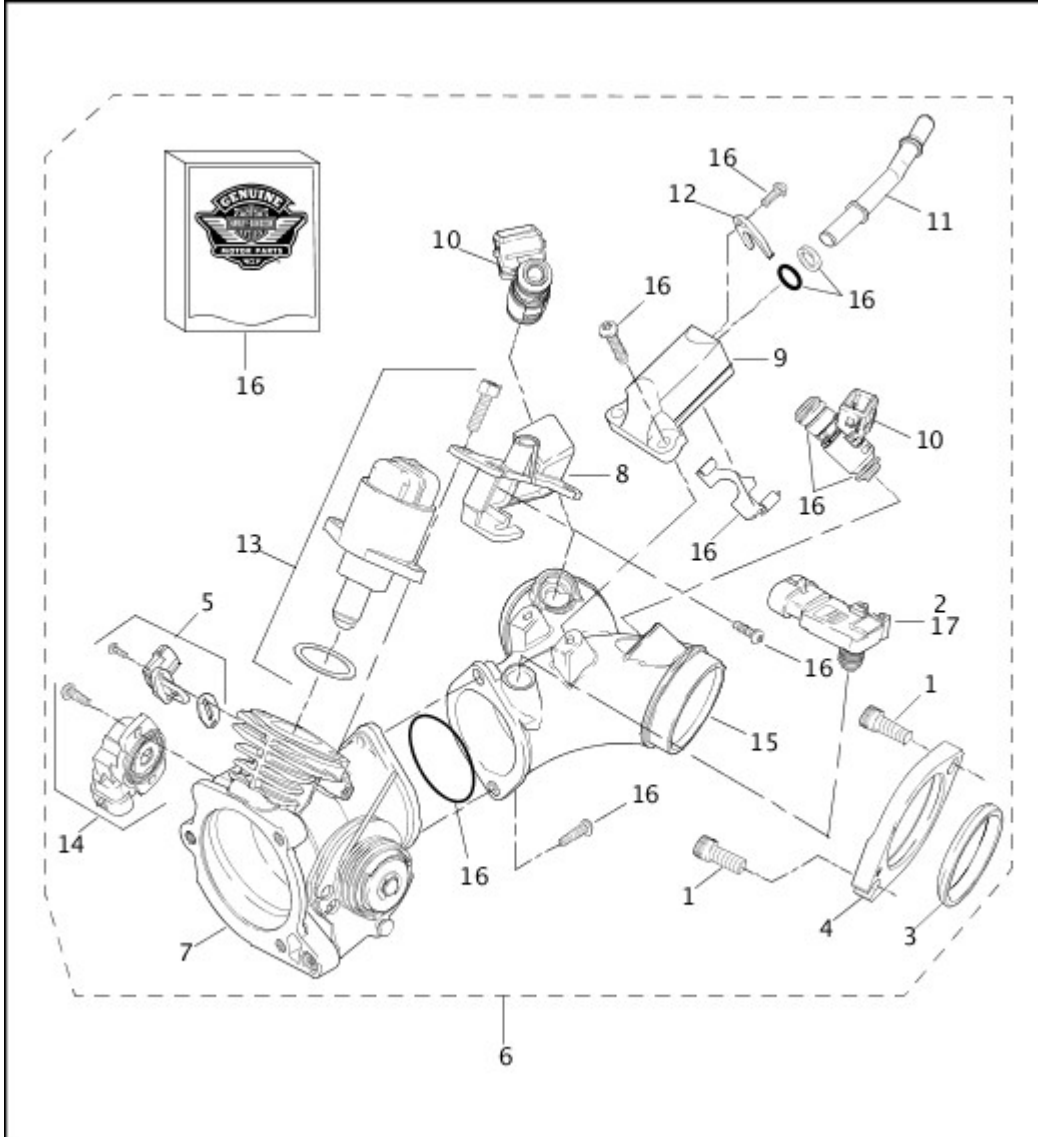
[CARBURETOR \(2 OF 2\)](#)



[View interactive table](#)

INDEX NO.	PART NO.	DESCRIPTION	MODEL(S)
41	27414-99C	CARBURETOR (California)	FLSTC, FLSTF, FLSTS, FXST, FXSTB, FXSTS
	27421-99C	CARBURETOR	FLSTC, FLSTF, FLSTS, FXST, FXSTB, FXSTS
	27428-00B	CARBURETOR (California)	FXSTD
	27429-00B	CARBURETOR	FXSTD
56	63501-68B	HOSE, 1/4 inch I.D. x 5/8 inch O.D. (rubber) (25 feet)	FLSTC, FLSTF, FLSTS, FXST, FXSTB, FXSTD, FXSTS

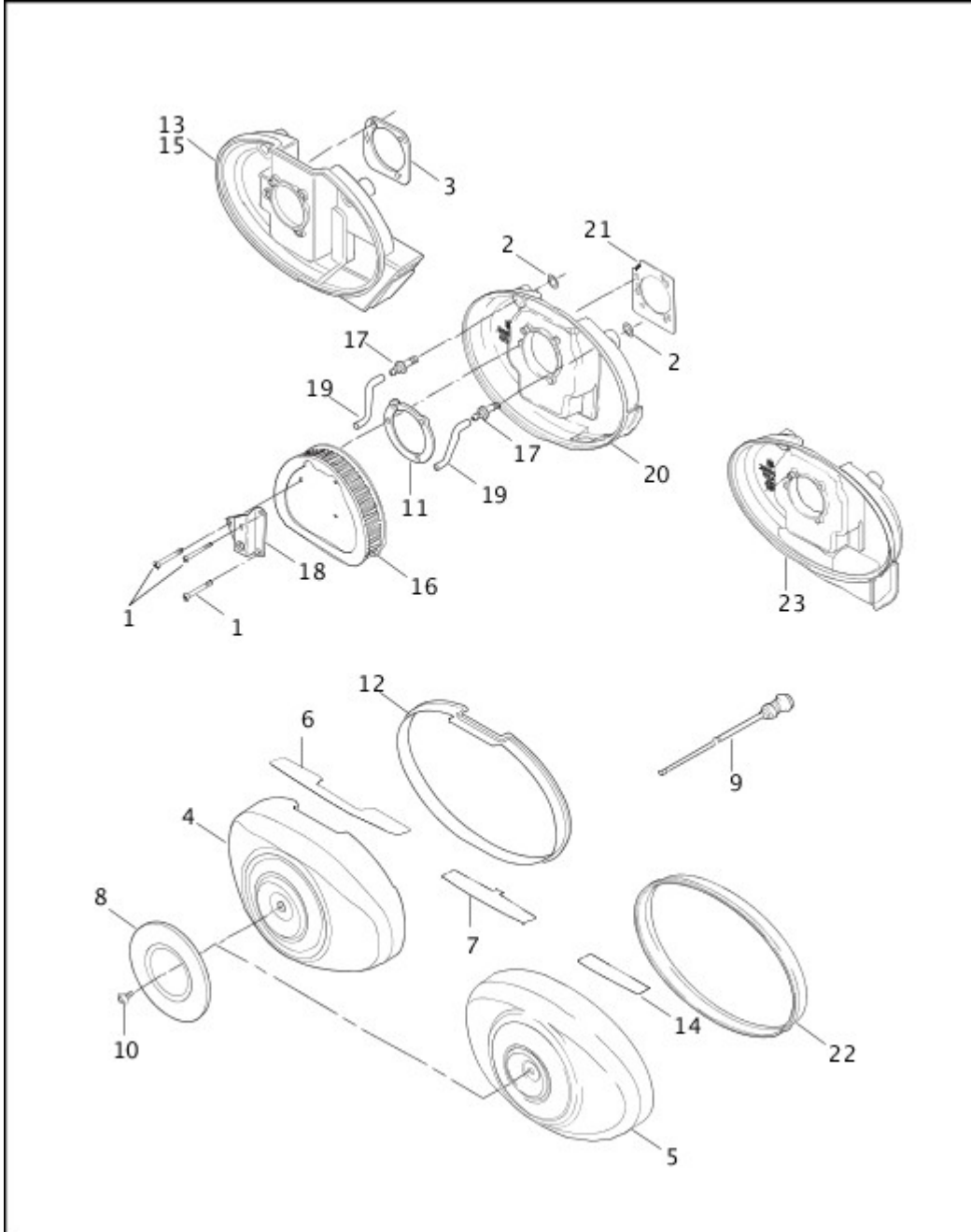
[INDUCTION MODULE - FUEL INJECTED](#)



[View interactive table](#)

INDEX NO.	PART NO.	DESCRIPTION	MODEL(S)
9	27608-01A	FUEL RAIL	FLSTCI, FLSTFI, FLSTSI, FXSTBI, FXSTDI, FXSTI, FXSTSI
10	27609-01B	INJECTOR, fuel (2)	FLSTCI, FLSTFI, FLSTSI, FXSTBI, FXSTDI, FXSTI, FXSTSI
12	27627-01	CLIP, fuel tube retaining	FLSTCI, FLSTFI, FLSTSI, FXSTBI, FXSTDI, FXSTI, FXSTSI
13	27628-01A	IDLE KIT, air control, w/ 2 screws, O-ring & idle control	FLSTCI, FLSTFI, FLSTSI, FXSTBI, FXSTDI, FXSTI, FXSTSI
14	27629-01A	THROTTLE KIT, position sensor, w/ 2 screws & sensor throttle	FLSTCI, FLSTFI, FLSTSI, FXSTBI, FXSTDI, FXSTI, FXSTSI
16	27635-01B	KIT HARDWARE INDUCTION MODULE	FLSTCI, FLSTFI, FLSTSI, FXSTBI, FXSTDI, FXSTI, FXSTSI
17	32416-10	SENSOR, manifold air pressure, w/ 11291	FLSTCI, FLSTFI, FLSTSI, FXSTBI, FXSTDI, FXSTI, FXSTSI

AIR CLEANER & ENRICHENER - CARBURETED MODELS

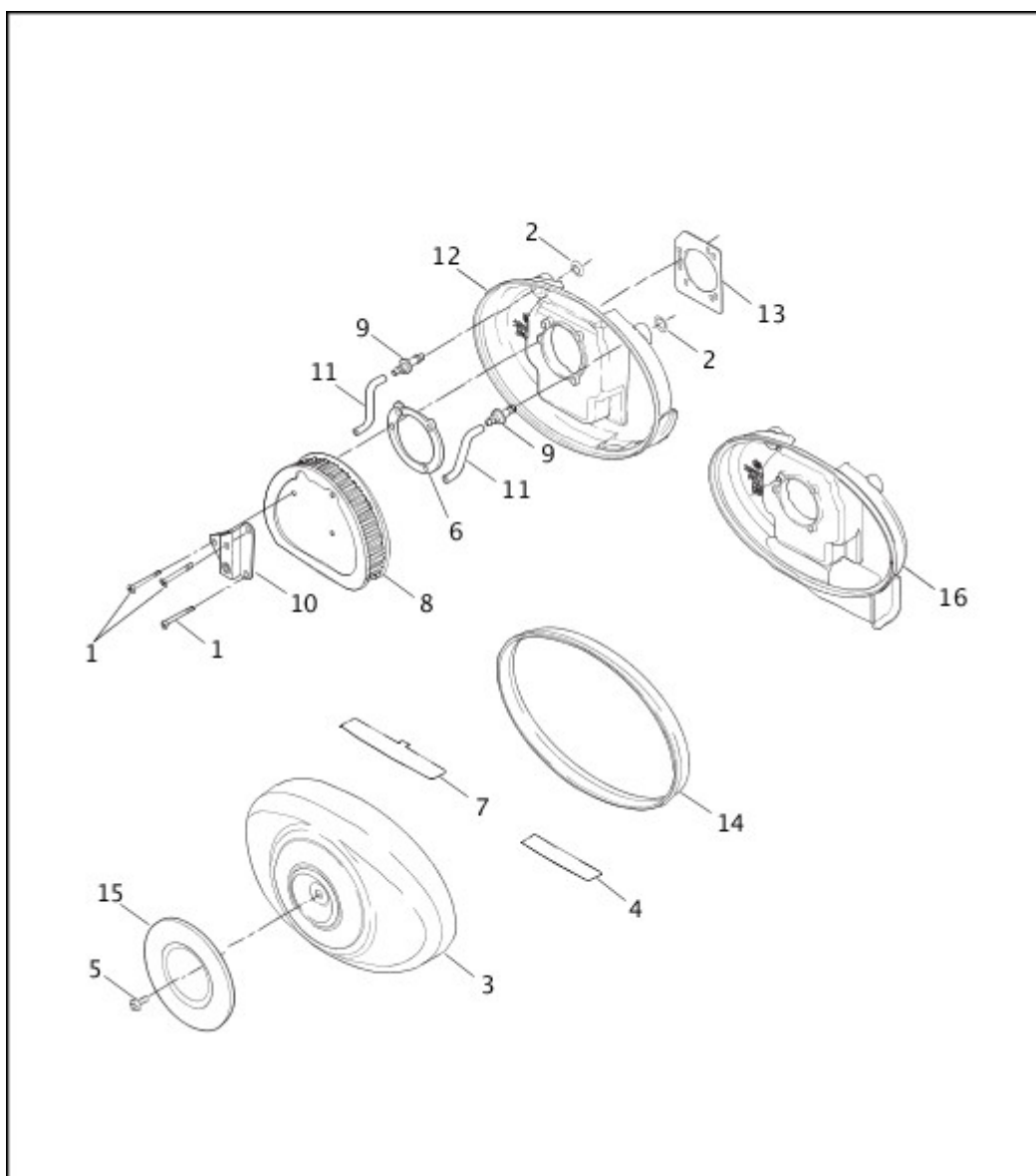


[View interactive table](#)

INDEX NO.	PART NO.	DESCRIPTION	MODEL(S)
4	29075-99	COVER, air cleaner (chrome) (California)	FLSTC, FLSTF, FLSTS, FXST, FXSTD, FXSTS
	29089-99	COVER, air cleaner (black wrinkle) (California)	FXSTB
5	29094-01	COVER, air cleaner (black wrinkle)	FXSTB
	29121-01	COVER, air cleaner (chrome)	FLSTC, FLSTF, FLSTS, FXST, FXSTD, FXSTS
6	29126-90B	SAFETY LABEL (California)	FLSTC, FLSTF, FLSTS, FXST, FXSTD, FXSTS
	29449-98B	SAFETY LABEL (California)	FXSTB
7	29127-95B	SAFETY LABEL	FLSTC, FLSTF, FLSTS, FXST, FXSTD, FXSTS

INDEX NO.	PART NO.	DESCRIPTION	MODEL(S)
9	29229-88D	CABLE, enrichment	FLSTC, FLSTF, FLSTS, FXST, FXSTB, FXSTD, FXSTS
14	29404-01A	SAFETY LABEL	FXSTB
18	29474-99A	BRACKET, air cleaner cover	FLSTC, FLSTF, FLSTS, FXST, FXSTB, FXSTD, FXSTS
20	29581-01B	BACKPLATE ASSEMBLY	FLSTC, FLSTF, FLSTS, FXST, FXSTB, FXSTD, FXSTS
21	29583-01A	GASKET, carburetor to backplate	FLSTC, FLSTF, FLSTS, FXST, FXSTB, FXSTD, FXSTS
23	29582-01B	BACKPLATE (HDI)	FLSTC, FLSTF, FLSTS, FXST, FXSTB, FXSTD, FXSTS

AIR CLEANER - FUEL INJECTED MODELS

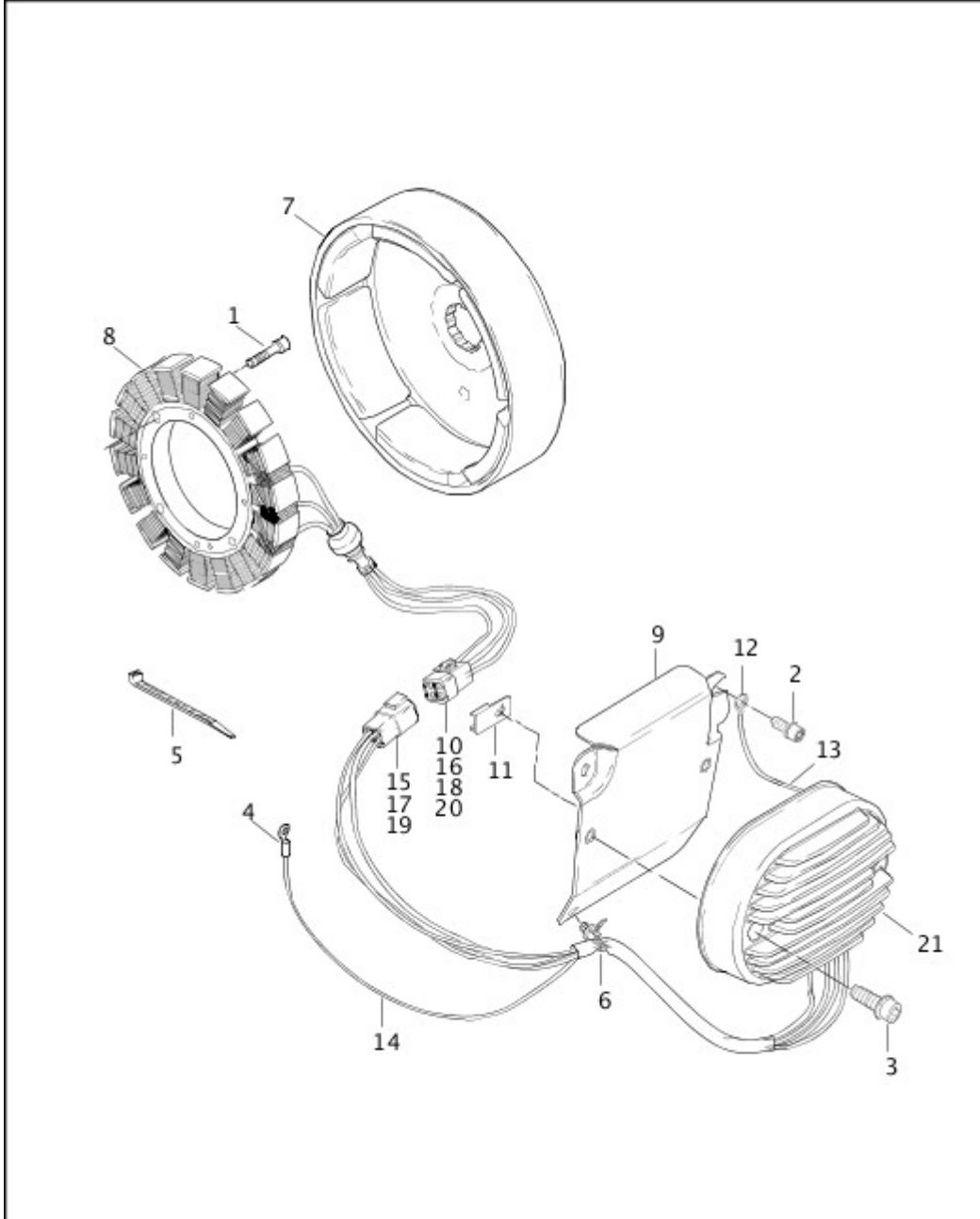


[View interactive table](#)

INDEX NO.	PART NO.	DESCRIPTION	MODEL(S)
-----------	----------	-------------	----------

INDEX NO.	PART NO.	DESCRIPTION	MODEL(S)
3	29094-01	COVER, air cleaner (black wrinkle)	FXSTBI
	29121-01	COVER, air cleaner (chrome)	FLSTCI, FLSTFI, FLSTSI, FXSTDI, FXSTI, FXSTSI
4	29127-95B	SAFETY LABEL	FLSTCI, FLSTFI, FLSTSI, FXSTDI, FXSTI, FXSTSI
7	29404-01A	SAFETY LABEL	FXSTBI
10	29474-99A	BRACKET, air cleaner cover	FLSTCI, FLSTFI, FLSTSI, FXSTBI, FXSTDI, FXSTI, FXSTSI
12	29581-01B	BACKPLATE ASSEMBLY	FLSTCI, FLSTFI, FLSTSI, FXSTBI, FXSTDI, FXSTI, FXSTSI
13	29583-01A	GASKET, backplate	FLSTCI, FLSTFI, FLSTSI, FXSTBI, FXSTDI, FXSTI, FXSTSI
16	29582-01B	BACKPLATE (HDI)	FLSTCI, FLSTFI, FLSTSI, FXSTBI, FXSTDI, FXSTI, FXSTSI

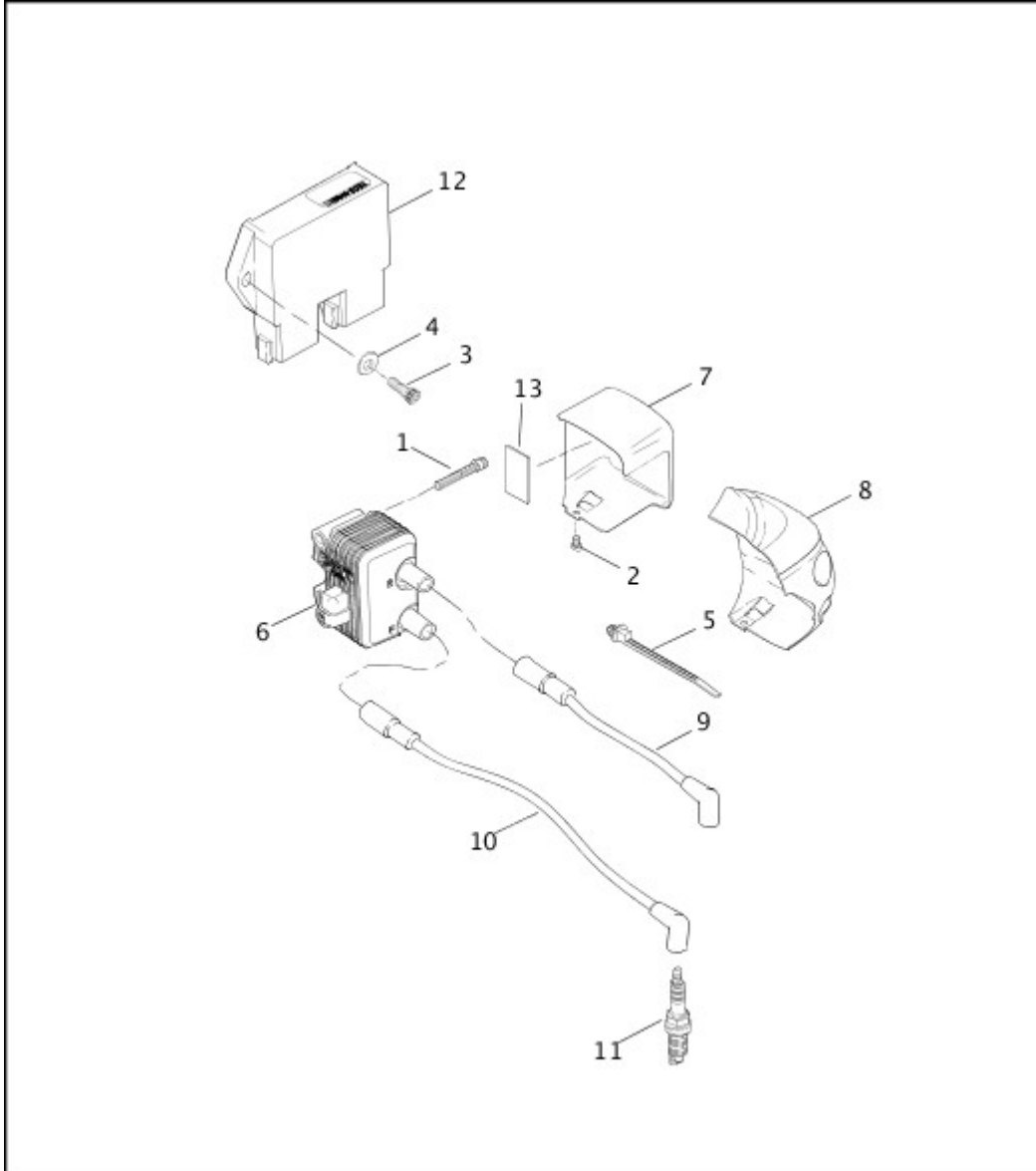
ALTERNATOR & REGULATOR



[View interactive table](#)

INDEX NO.	PART NO.	DESCRIPTION	MODEL(S)
3	4814A	SCREW (2)	ALL
8	30017-01B	STATOR	ALL

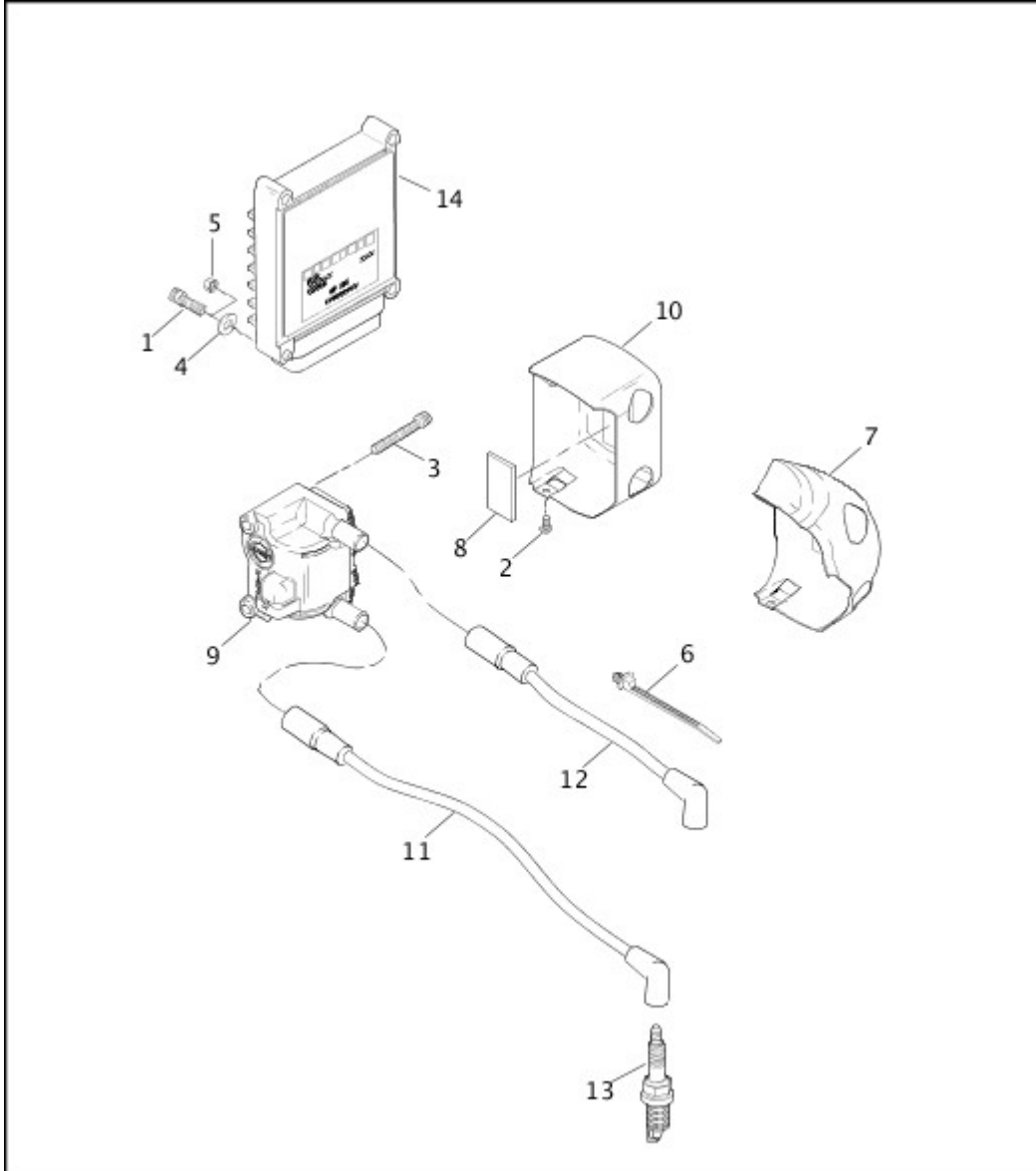
[IGNITION MODULE & COIL - CARBURETED](#)



[View interactive table](#)

INDEX NO.	PART NO.	DESCRIPTION	MODEL(S)
3	4741A	SCREW (2)	FLSTC, FLSTF, FLSTS, FXST, FXSTB, FXSTD, FXSTS
9	31983-00C	SPARK PLUG CABLE, rear cylinder	FLSTC, FLSTF, FLSTS, FXST, FXSTB, FXSTD, FXSTS
10	31981-99C	SPARK PLUG CABLE, front cylinder	FLSTC, FLSTF, FLSTS, FXST, FXSTB, FXSTD, FXSTS
11	32362-04	SPARK PLUG, 6R12 (2)	FLSTC, FLSTF, FLSTS, FXST, FXSTB, FXSTD, FXSTS
12	32568-00C	IGNITION MODULE	FLSTC, FLSTF, FLSTS, FXST, FXSTB, FXSTD, FXSTS

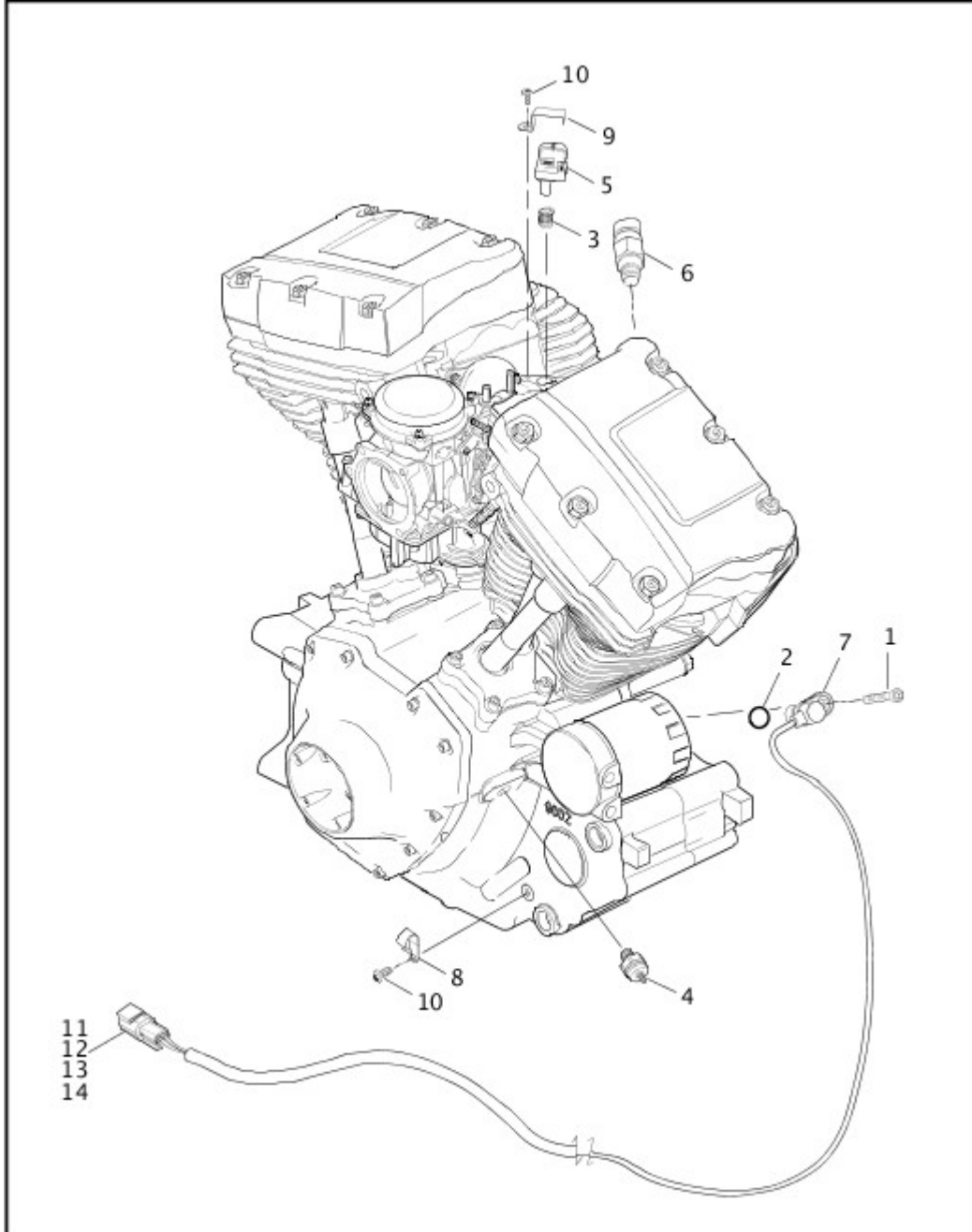
ELECTRONIC CONTROL MODULE & COIL - FUEL INJECTED



[View interactive table](#)

INDEX NO.	PART NO.	DESCRIPTION	MODEL(S)
11	31981-99C	SPARK PLUG CABLE, front cylinder	FLSTCI, FLSTFI, FLSTSI, FXSTBI, FXSTDI, FXSTI, FXSTSI
12	31983-00C	SPARK PLUG CABLE, rear cylinder	FLSTCI, FLSTFI, FLSTSI, FXSTBI, FXSTDI, FXSTI, FXSTSI
13	32362-04	SPARK PLUG, 6R12 (2)	FLSTCI, FLSTFI, FLSTSI, FXSTBI, FXSTDI, FXSTI, FXSTSI
14	32534-11	ELECTRONIC CONTROL MODULE, base level, blank (Note: Requires digital tech programming.)	FLSTCI, FLSTFI, FLSTSI, FXSTBI, FXSTDI, FXSTI, FXSTSI

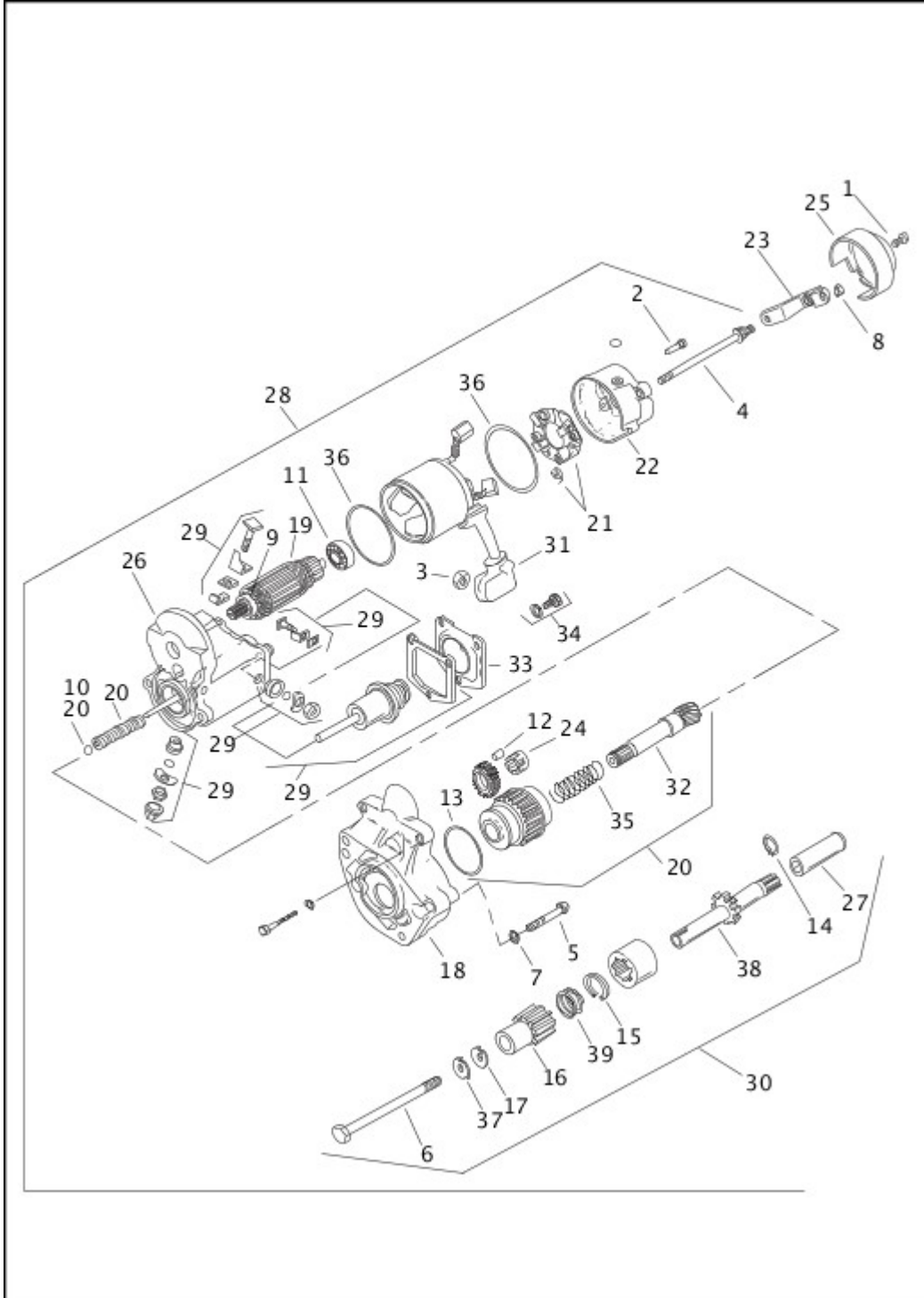
[ENGINE SENSORS & SWITCHES](#)



[View interactive table](#)

INDEX NO.	PART NO.	DESCRIPTION	MODEL(S)
5	32416-10	SENSOR, manifold air pressure, w/ 11291	FLSTC, FLSTF, FLSTS, FXST, FXSTB, FXSTD, FXSTS
	32707-01C	SENSOR, crankshaft position, w/ 11289A, 72199-94 & 74194-98 (replaces 32707-01)	ALL
14	74192-98	TERMINAL PIN, solid gold-plated (used w/ 32707-01) (2)	ALL
	74194-98	TERMINAL PIN, #20-24 AWG (used w/ 32707-01C) (2)	ALL

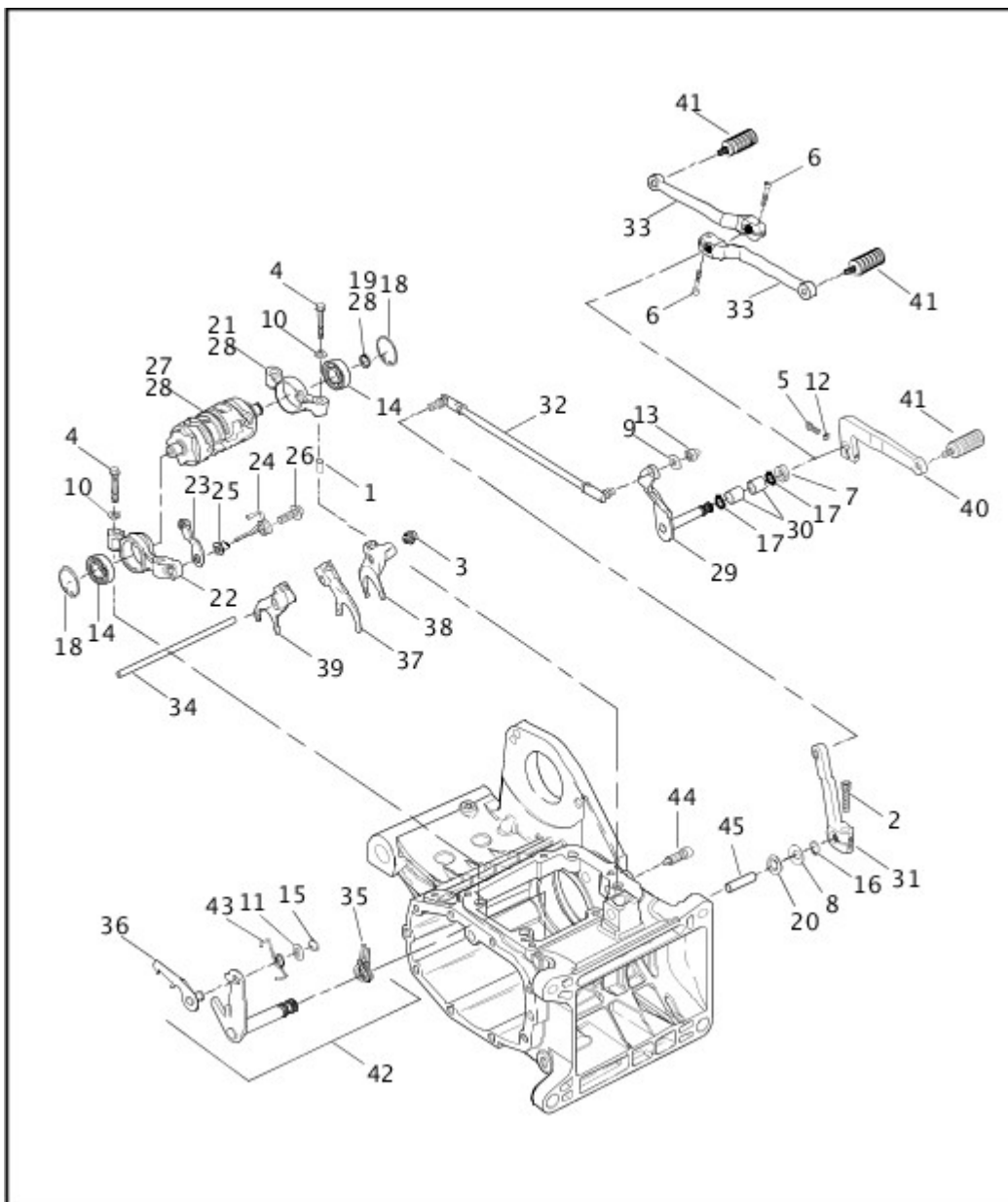
STARTER MOTOR



[View interactive table](#)

INDEX NO.	PART NO.	DESCRIPTION	MODEL(S)
2	929A	SCREW (2)	ALL
13	10957	O-RING (use 31516-94A)	ALL
20	31516-94A	CLUTCH ASSEMBLY, starter, w/ 8879, 10957, 31664-94, 31692-90 & return spring	ALL
28	31553-94B	STARTER, complete (black texture) (replaces 31702-98 BT & JA)	ALL
29	31604-91A	STARTER SOLENOID REPAIR KIT	ALL
30	31612-09	JACKSHAFT KIT, starter	ALL

GEAR SHIFTER

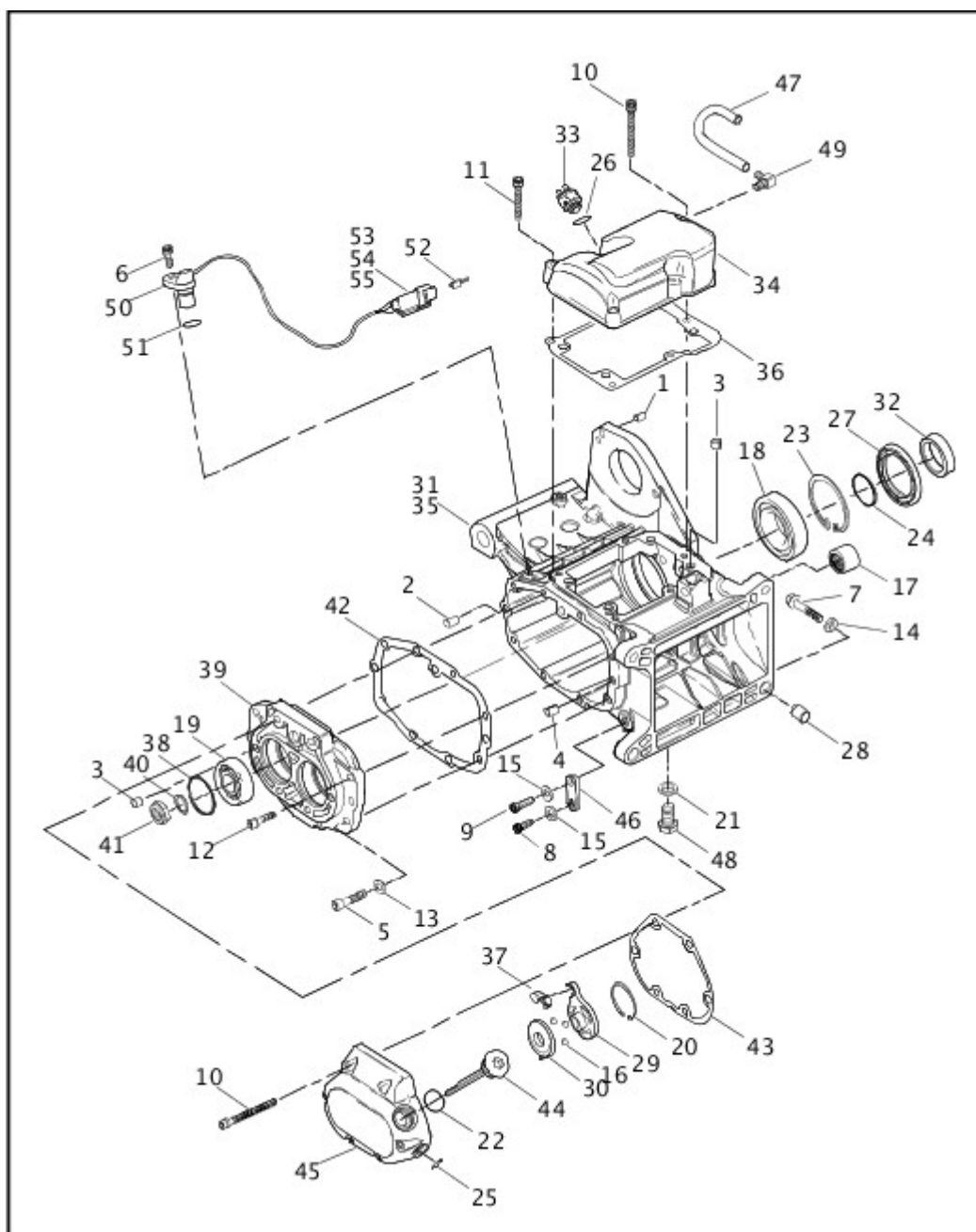


[View interactive table](#)

INDEX NO.	PART NO.	DESCRIPTION	MODEL(S)
21	33301-00A	SUPPORT ASSEMBLY, shifter cam, left, w/ bearing and retaining ring	ALL
25	33375-00A	SLEEVE, detent arm spring	ALL
	33383-02	SHIFTER CAM (used w/ 33386-02)	ALL
28	33386-02	CAM SHIFTER/LEVER KIT, w/ 11342, 33301-00A, 33383-02, 34972-02B & 34978-00	ALL
	33668-90C	SHIFT LEVER (chrome)	FLSTC, FLSTCI, FLSTF, FLSTFI, FLSTS, FLSTSI
32	33719-79B	SHIFTER ROD	ALL
33	33895-82D	SHIFT LEVER (chrome) (2)	FLSTC, FLSTCI, FLSTF, FLSTFI, FLSTS, FLSTSI

INDEX NO.	PART NO.	DESCRIPTION	MODEL(S)
35	34064-00C	SPRING, shift lever centering	ALL
40	34564-90B	SHIFT LEVER (chrome)	FXST, FXSTB, FXSTBI, FXSTD, FXSTDI, FXSTI, FXSTS, FXSTSI
41	34611-65A	PEG, shift lever	FXST, FXSTB, FXSTBI, FXSTD, FXSTDI, FXSTI, FXSTS, FXSTSI
41	34611-65A	PEG, shift lever (2)	FLSTC, FLSTCI, FLSTF, FLSTFI, FLSTS, FLSTSI
42	34972-02B	LEVER ASSEMBLY, shifter pawl	ALL
45	34979-00	SHIFTER SHAFT SLEEVE	ALL

TRANSMISSION HOUSING (1 OF 2)

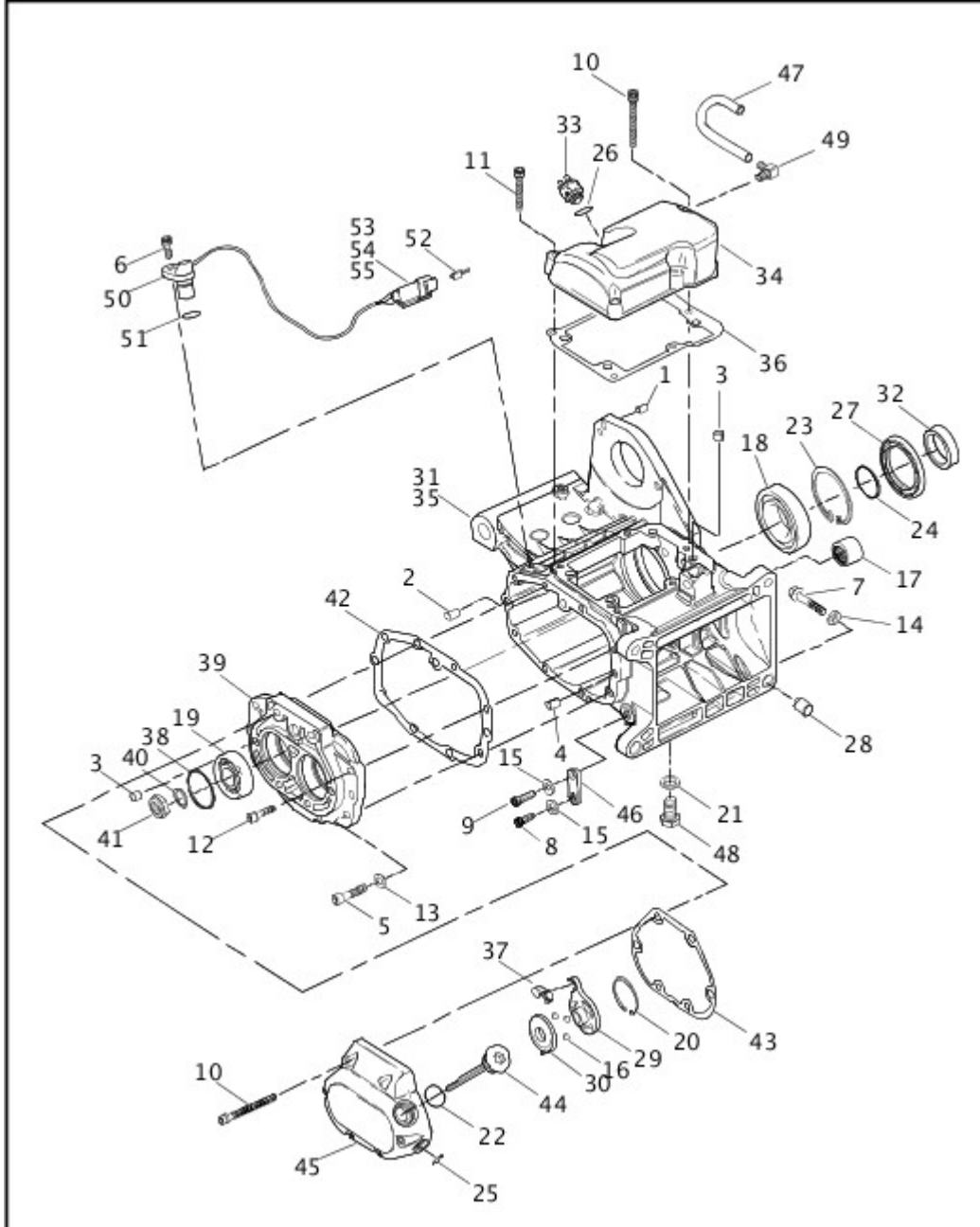


[View interactive table](#)

INDEX NO.	PART NO.	DESCRIPTION	MODEL(S)
-----------	----------	-------------	----------

INDEX NO.	PART NO.	DESCRIPTION	MODEL(S)
7	3699D	SCREW, w/ washer (4)	ALL
22	11132A	O-RING, filler plug	ALL
27	12067B	OIL SEAL, mainshaft, left side	ALL
28	16574-99A	DOWEL (2)	ALL
29	25604-00A	INNER RAMP	ALL
30	25605-00A	OUTER RAMP	ALL
31	33005-01	TRANSMISSION ASSEMBLY (silver painted)	FXST, FXSTI
	33006-01	TRANSMISSION ASSEMBLY (chrome & black)	FLSTC, FLSTCI, FXSTS, FXSTSI
	33007-01	TRANSMISSION ASSEMBLY (chrome & black)	FLSTF, FLSTFI, FLSTS, FLSTSI
	33051-01	TRANSMISSION ASSEMBLY (black wrinkle)	FXSTB, FXSTBI
	33052-01	TRANSMISSION ASSEMBLY (chrome & black)	FXSTD, FXSTDI

[TRANSMISSION HOUSING \(2 OF 2\)](#)

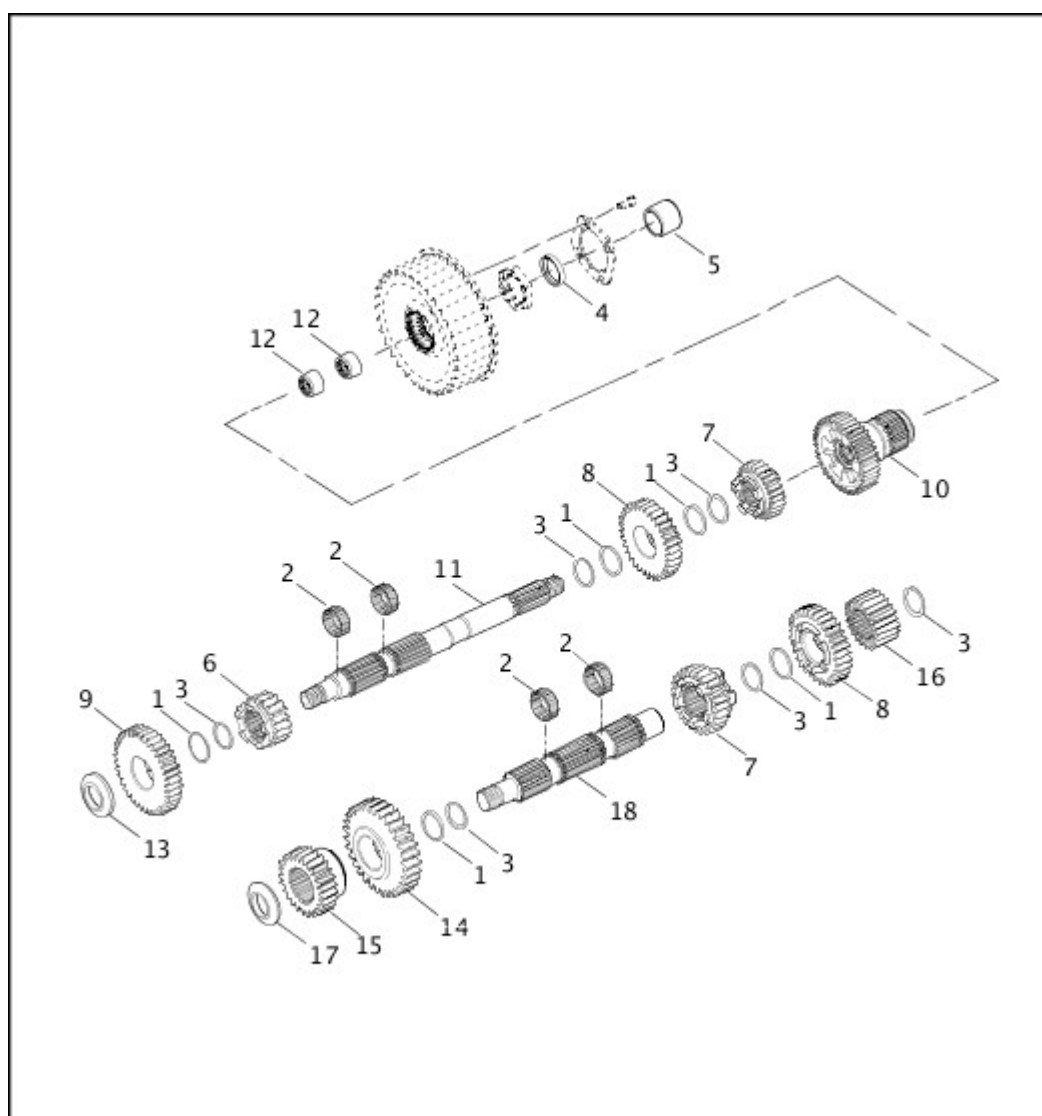


[View interactive table](#)

INDEX NO.	PART NO.	DESCRIPTION	MODEL(S)
35	34732-00A	TRANSMISSION HOUSING ASSEMBLY (black)	FLSTC, FLSTCI, FLSTF, FLSTFI, FLSTS, FLSTSI, FXSTB, FXSTBI, FXSTD, FXSTDI, FXSTS, FXSTSI
	34774-00A	TRANSMISSION HOUSING ASSEMBLY (silver painted)	FXST, FXSTI
36	34904-86D	GASKET, upper cover	ALL
37	34920-86A	COUPLING	ALL
38	35087-99A	RETAINING RING, bearing (2)	ALL
42	35653-98A	GASKET, bearing housing	ALL
43	36801-87C	GASKET, right side cover	ALL
46	48052-00A	BRACKET, transmission mounting, right	ALL

INDEX NO.	PART NO.	DESCRIPTION	MODEL(S)
50	74430-00D	SENSOR, speedometer, w/ 11140, 72143-94, 72163-94BK & 72190-94) (use 74430-00D)	ALL
	74430-00D	SENSOR, speedometer, w/ 11289A, 72143-94, 72163-94BK & 72194-94) (replaces 74430-00)	ALL
	11289A	O-RING (used w/ 74430-00D)	ALL

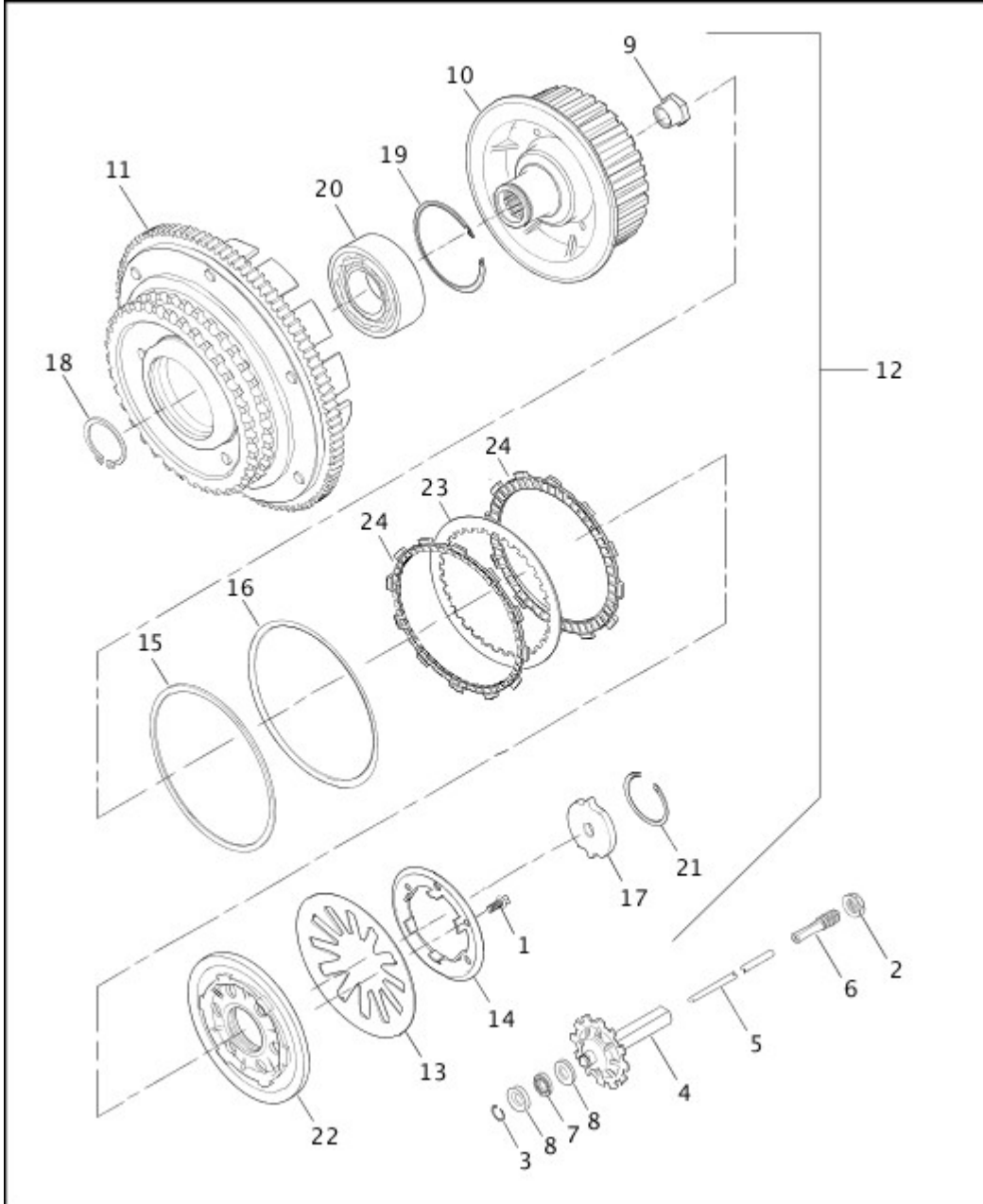
TRANSMISSION GEARS



[View interactive table](#)

INDEX NO.	PART NO.	DESCRIPTION	MODEL(S)
5	34091-85A	BEARING, inner race	ALL
12	35051-89A	NEEDLE BEARING (2)	ALL

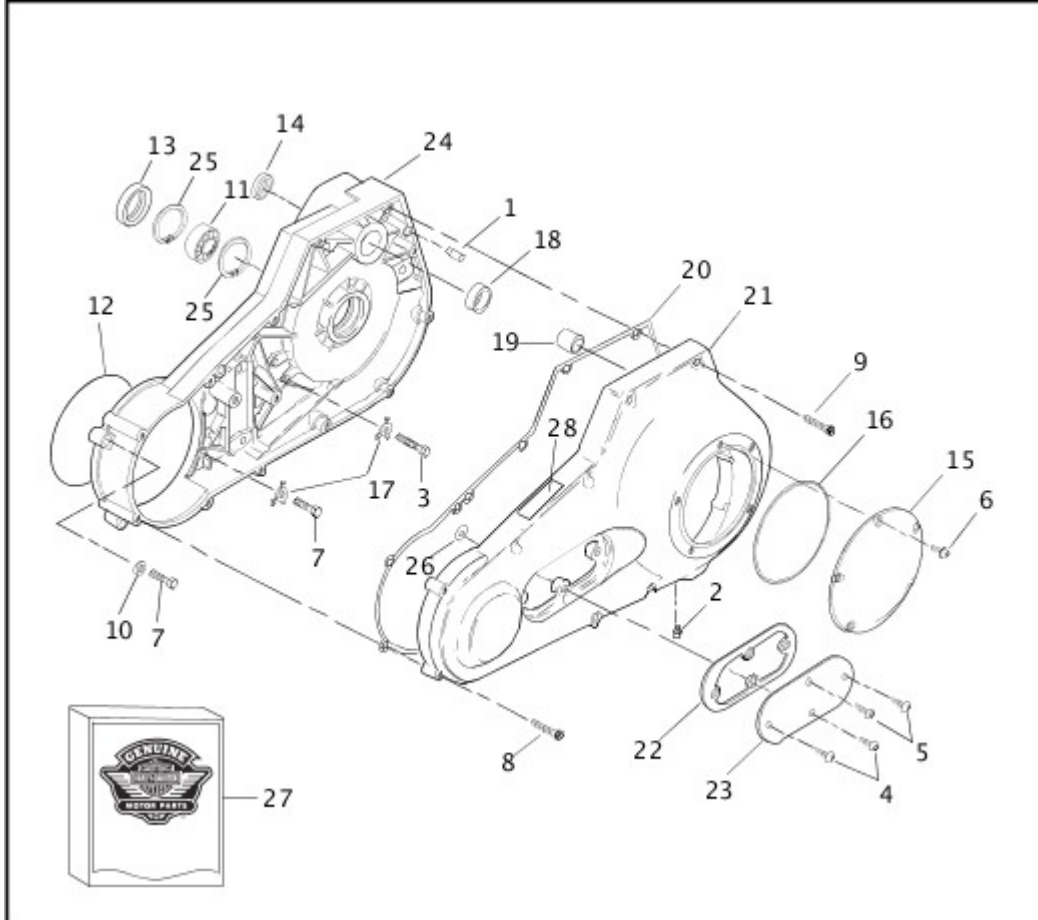
CLUTCH



[View interactive table](#)

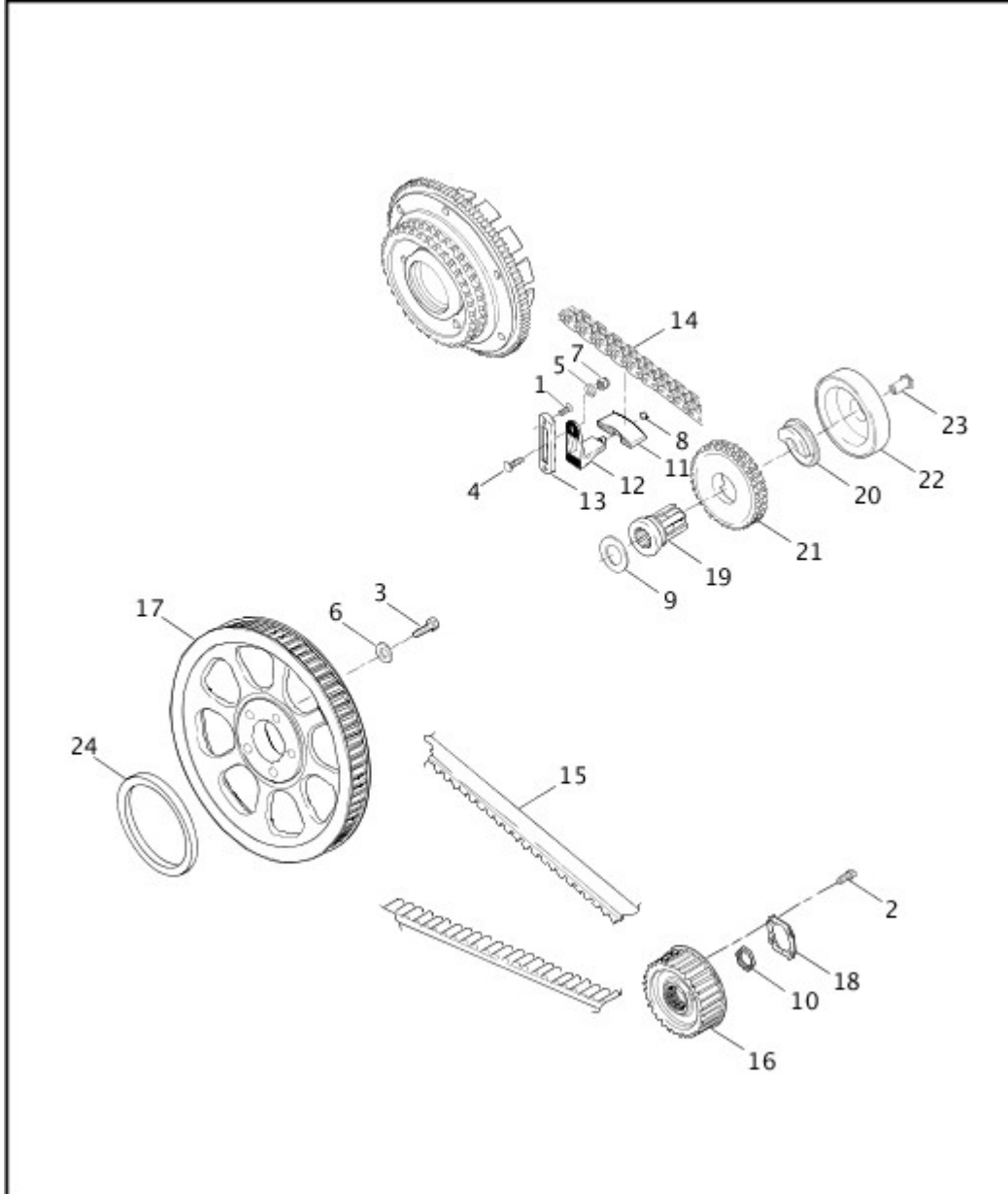
INDEX NO.	PART NO.	DESCRIPTION	MODEL(S)
4	37069-90A	OIL SLINGER ASSEMBLY	ALL
9	37496-90A	NUT, mainshaft	ALL
14	37872-00	SEAT, clutch spring	ALL
22	37912-00	PRESSURE PLATE	ALL

PRIMARY HOUSING



[View interactive table](#)

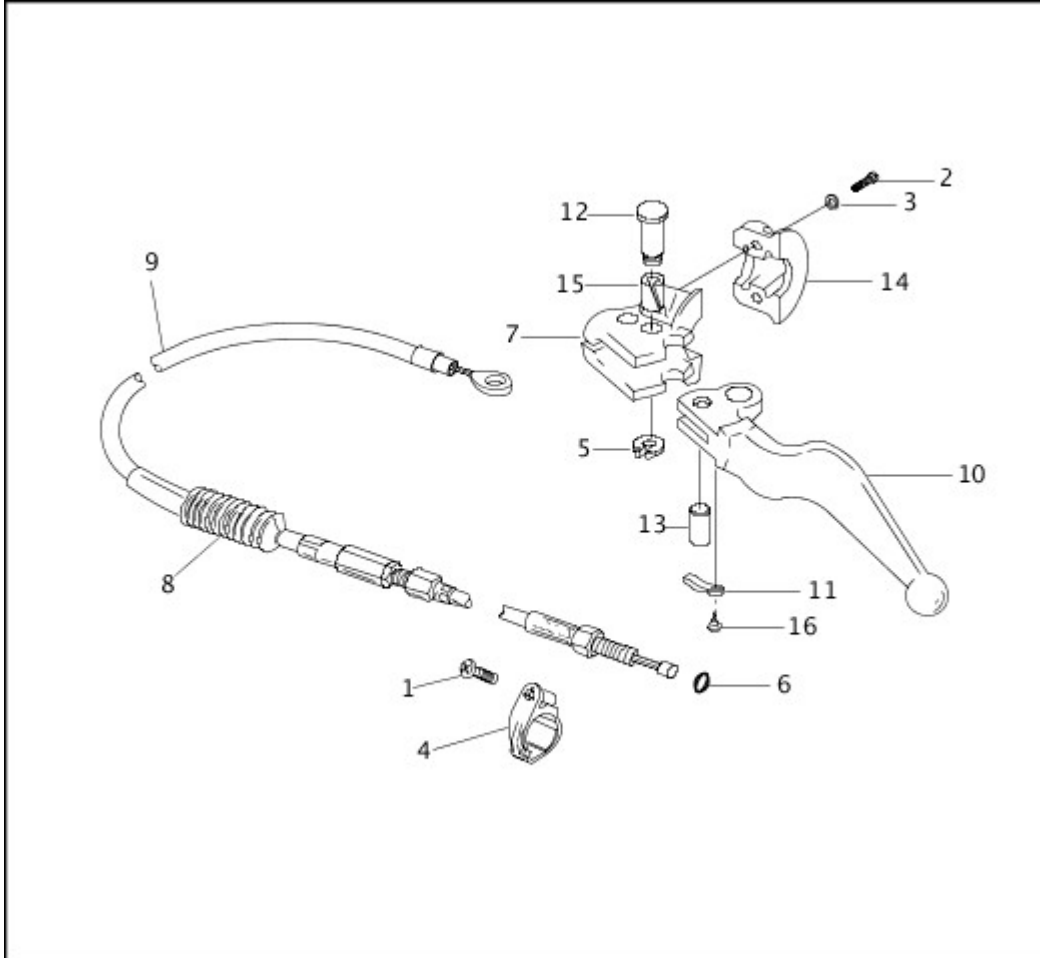
INDEX NO.	PART NO.	DESCRIPTION	MODEL(S)
12	11147B	O-RING, housing cover	ALL
13	12052A	OIL SEAL	ALL
14	12066A	OIL SEAL	ALL
16	25416-99C	SEAL, clutch cover	ALL
20	60539-94B	GASKET, primary cover	ALL
21	60543-99B	COVER ASSEMBLY, primary (chrome)	FLSTC, FLSTCI, FLSTF, FLSTFI, FLSTS, FLSTSI, FXSTD, FXSTDI, FXSTS, FXSTSI
	60715-99B	COVER ASSEMBLY, primary (black wrinkle)	FXSTB, FXSTBI
	60721-99B	COVER ASSEMBLY, primary (silver)	FXST, FXSTI
22	60567-90C	GASKET, inspection cover	ALL
	60714-98	COVER, primary chain inspection (black wrinkle paint) (use 60572-86)	FXSTB, FXSTBI
26	63859-95B	GASKET (2)	ALL
27	25700225	GASKET KIT, inner primary	ALL



[View interactive table](#)

INDEX NO.	PART NO.	DESCRIPTION	MODEL(S)
1	1783C	SCREW (2)	ALL
9	29923-01A	SPACER	ALL
10	35211-91B	NUT, sprocket	ALL
11	39976-01	PAD, chain tensioner	ALL
12	39990-01	CHAIN TENSIONER	ALL
15	40307-00B	REAR BELT, 135 T	ALL
16	40250-94C	SPROCKET, transmission, 32 T	ALL

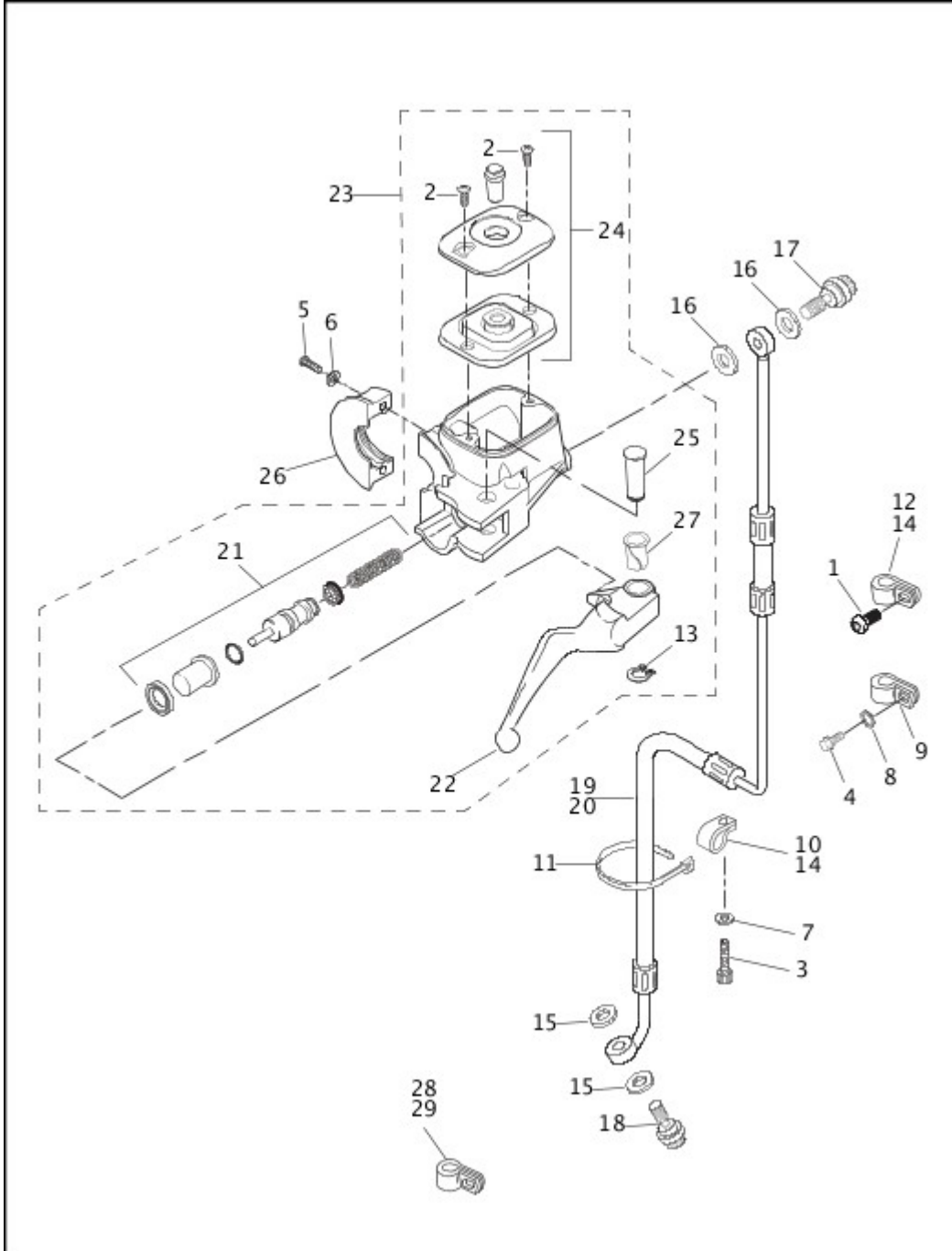
[CLUTCH CONTROL](#)



[View interactive table](#)

INDEX NO.	PART NO.	DESCRIPTION	MODEL(S)
10	45015-96	HAND LEVER, clutch	ALL
14	45044-96A	CLAMP, lever bracket	ALL

[FRONT BRAKE CONTROL](#)

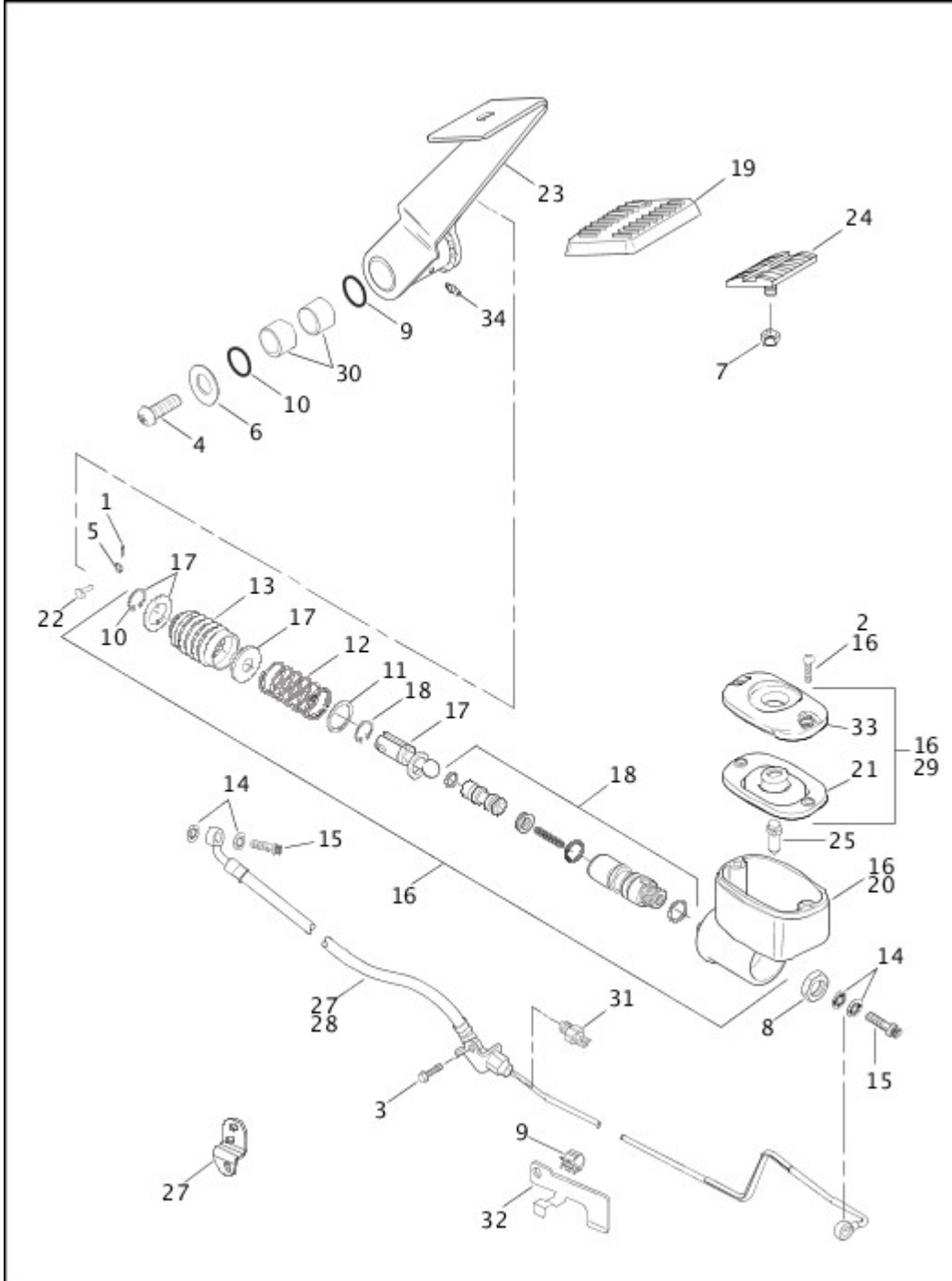


[View interactive table](#)

INDEX NO.	PART NO.	DESCRIPTION	MODEL(S)
	45119-00B	BRAKE LINE, front	FXSTD, FXSTDI
	45199-99B	BRAKE LINE, front	FXST, FXSTI
	45250-98B	BRAKE LINE, front	FXSTB, FXSTBI
20	42317-06A	BRAKE LINE KIT, w/ 10065, 41731-01, 41733-88 & 68562-84	FLSTC, FLSTCI, FLSTF, FLSTFI
	45119-00B	BRAKE LINE KIT, w/ 10065, 41731-01, 41733-88, 68562-84 & 71795-63A	FXSTD, FXSTDI
	45199-99B	BRAKE LINE KIT, w/ 10065, 41731-01, 41733-88, 68562-84 & 71795-63A	FXST, FXSTI

INDEX NO.	PART NO.	DESCRIPTION	MODEL(S)
	45250-98B	BRAKE LINE KIT, w/ 10065, 41731-01, 41733-88, 68562-84 & 71795-63A	FXSTB, FXSTBI
23	45019-96D	MASTER CYLINDER ASSEMBLY, front, w/ 11143, 45016-96, 45030-03C & 45032-82 (9/16 inch bore)	ALL
24	45030-03C	COVER KIT, reservoir, w/ 2579A (black)	ALL
26	45044-96A	CLAMP, handlebar control	ALL
28	68562-84	CLAMP (used w/ 45119-00B, 45199-99B & 45250-98B)	FLSTS, FLSTSI, FXST, FXSTB, FXSTBI, FXSTD, FXSTDI, FXSTI
28	68562-84	CLAMP (used w/ 42317-06A) (3)	FLSTC, FLSTCI, FLSTF, FLSTFI
29	71795-63A	CLAMP (used w/ 45119-00B, 45199-99B & 45250-98B)	FXST, FXSTB, FXSTBI, FXSTD, FXSTDI, FXSTI

REAR BRAKE CONTROL

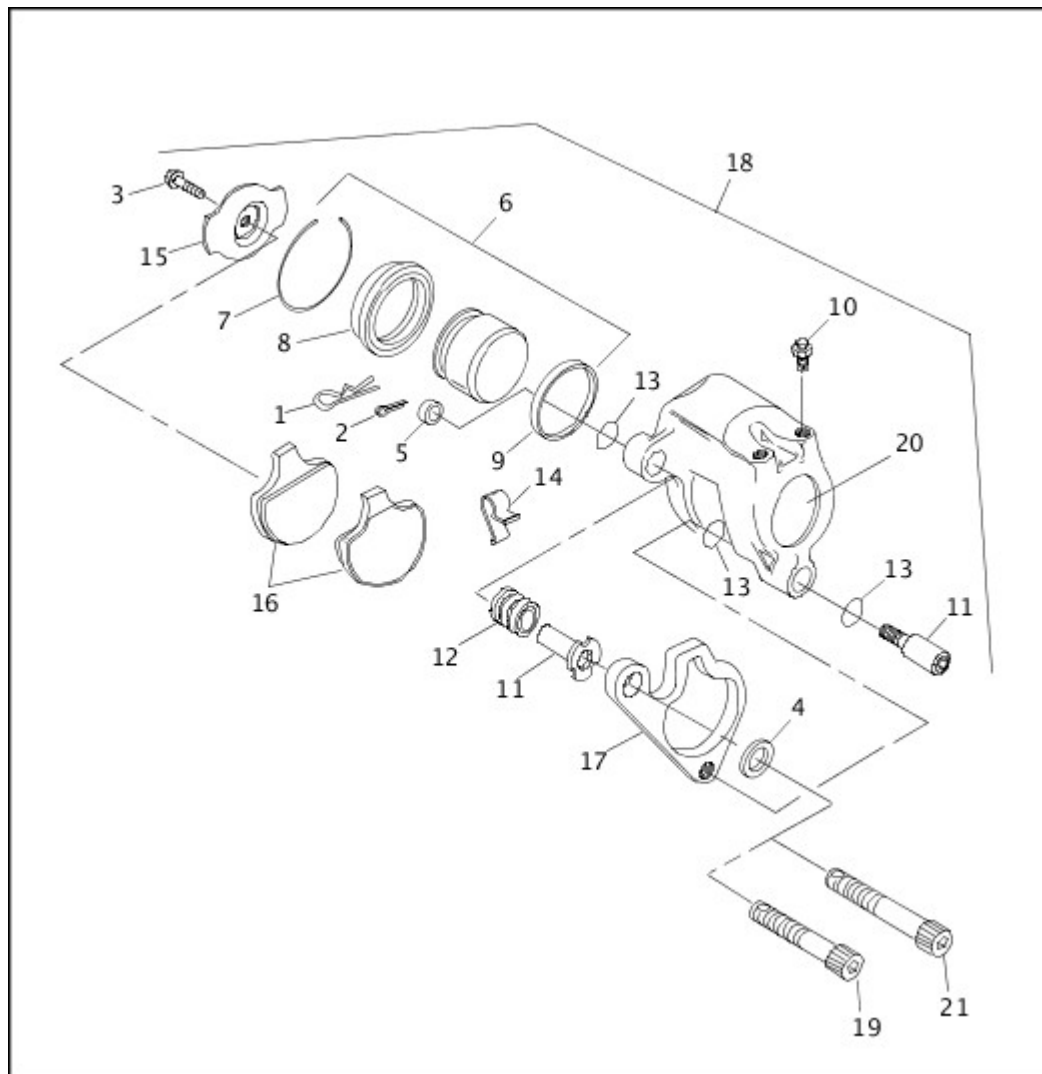


[View interactive table](#)

INDEX NO.	PART NO.	DESCRIPTION	MODEL(S)
10	11688	RETAINING RING	ALL
13	40922-87A	BOOT, push rod	ALL
16	41755-99D	MASTER CYLINDER ASSEMBLY, w/ 2, 11, 12, 13, 17, 18, 20 & 29	ALL
20	42454-99A	RESERVOIR, master cylinder, w/o O-rings	ALL
	42568-05A	GASKET, master cylinder reservoir (used w/ 46458-05)	ALL
26	45108-04	BRACKET, brake line (used w/ 45133-04B)	ALL
27	45133-04B	BRAKE LINE KIT, rear, w/ 3588, 41731-88A & 45108-04	ALL

INDEX NO.	PART NO.	DESCRIPTION	MODEL(S)
29	46458-05	COVER KIT, reservoir, w/ 42568-05A	ALL
31	72023-51E	STOP LAMP SWITCH, rear	ALL
32	72463-00A	BRACKET, brake line	ALL

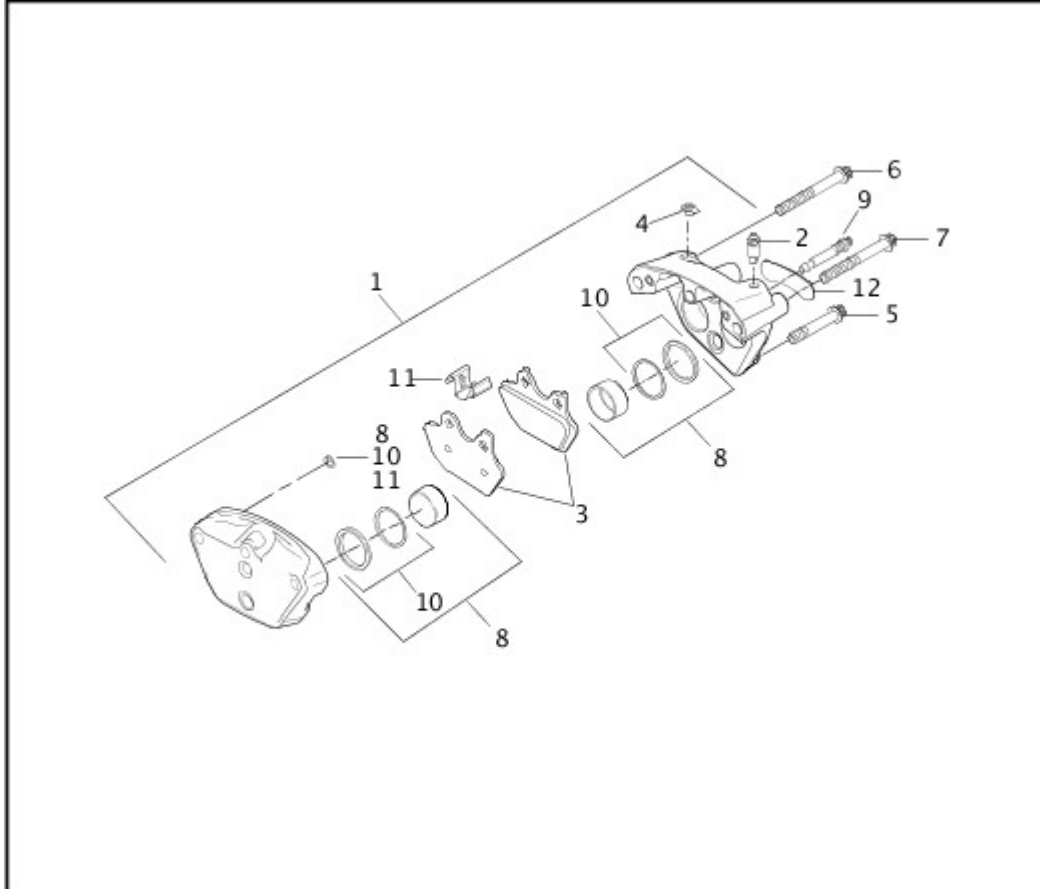
FRONT BRAKE CALIPER - SPRINGER MODELS



[View interactive table](#)

INDEX NO.	PART NO.	DESCRIPTION	MODEL(S)
18	44077-88F	CALIPER ASSEMBLY, front brake, right	FXSTS, FXSTSI
	44079-97C	CALIPER ASSEMBLY, front brake, left	FLSTS, FLSTSI

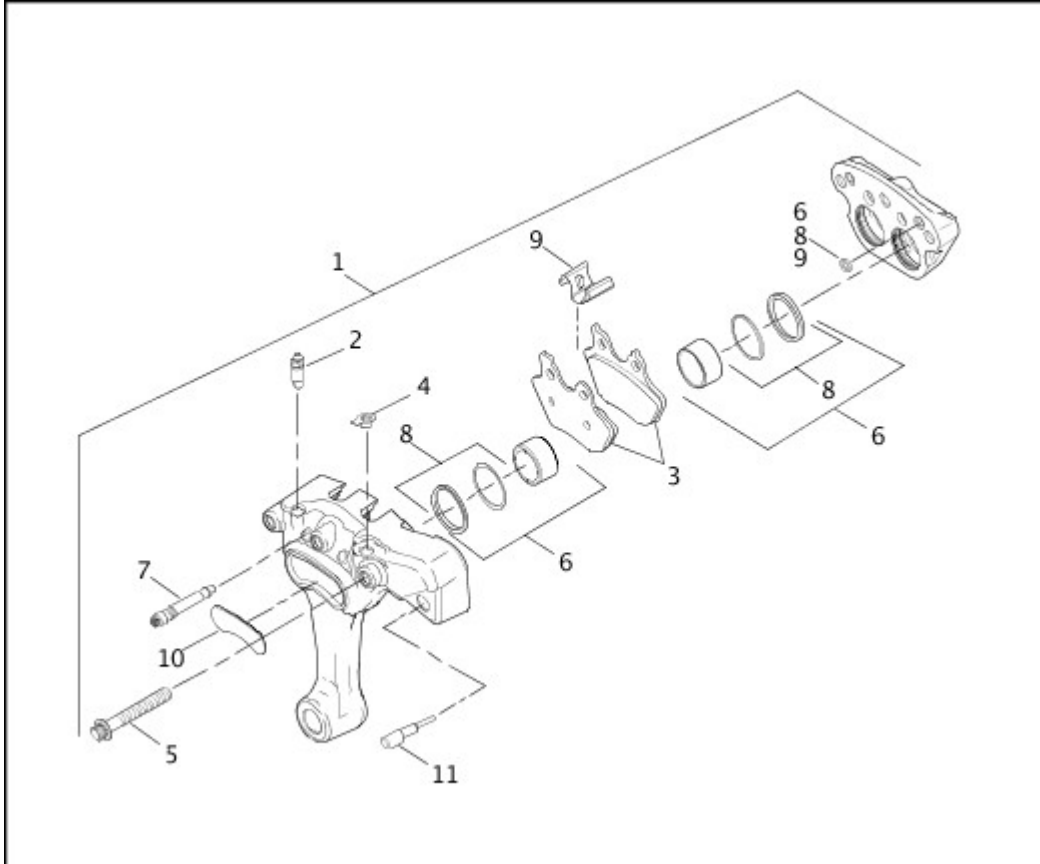
FRONT BRAKE CALIPER



[View interactive table](#)

INDEX NO.	PART NO.	DESCRIPTION	MODEL(S)
1	44046-00D	CALIPER ASSEMBLY, left	FLSTC, FLSTCI, FLSTF, FLSTFI, FXST, FXSTB, FXSTBI, FXSTD, FXSTDI, FXSTI
3	44082-00D	PAD KIT	FLSTC, FLSTCI, FLSTF, FLSTFI, FXST, FXSTB, FXSTBI, FXSTD, FXSTDI, FXSTI
8	44313-01	PISTON KIT	FLSTC, FLSTCI, FLSTF, FLSTFI, FXST, FXSTB, FXSTBI, FXSTD, FXSTDI, FXSTI
11	44337-00B	SPRING KIT, anti-rattle	FLSTC, FLSTCI, FLSTF, FLSTFI, FXST, FXSTB, FXSTBI, FXSTD, FXSTDI, FXSTI

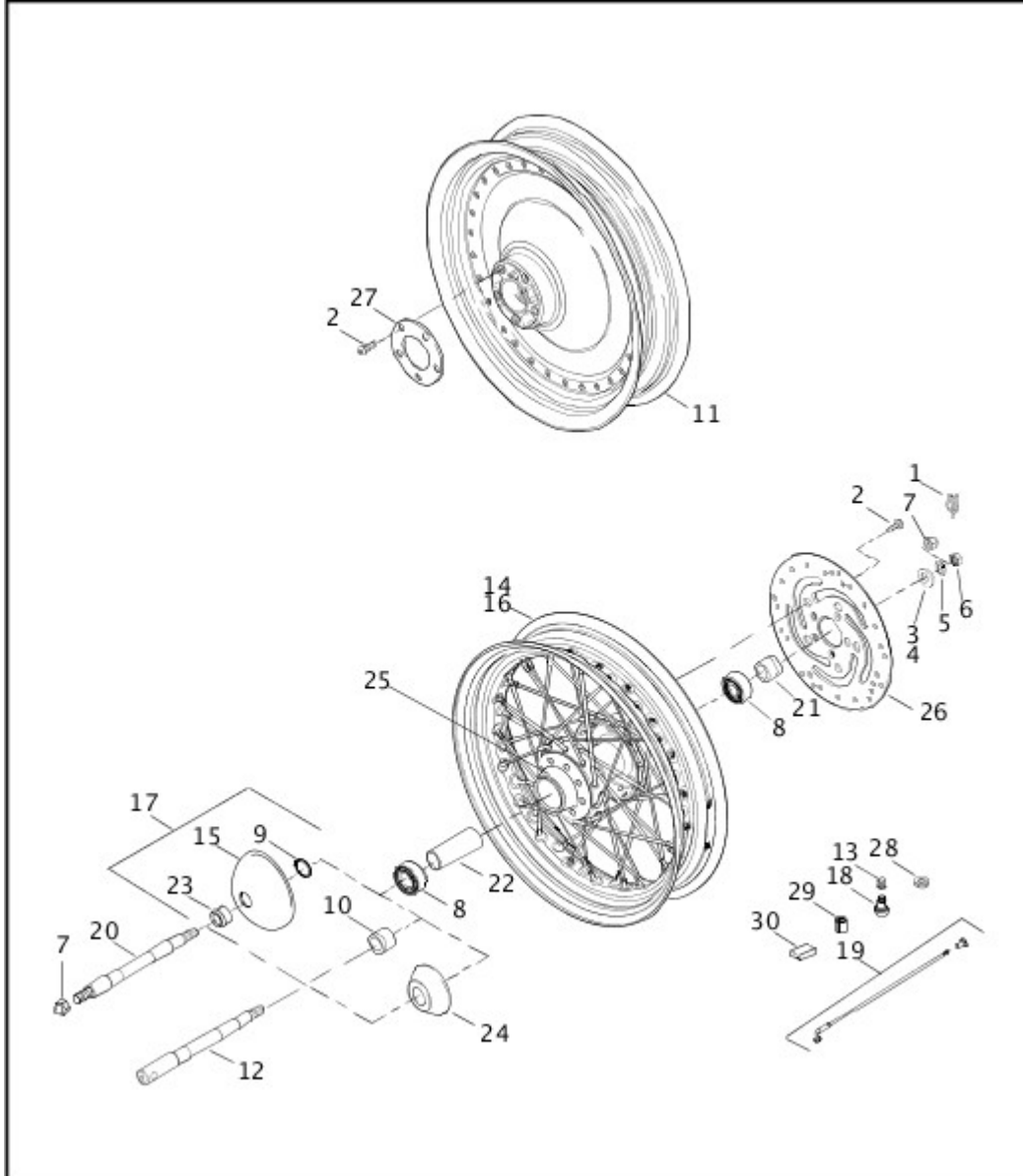
[REAR BRAKE CALIPER](#)



[View interactive table](#)

INDEX NO.	PART NO.	DESCRIPTION	MODEL(S)
1	44016-00D	CALIPER ASSEMBLY, rear brake	FLSTC, FLSTCI, FLSTF, FLSTFI, FLSTS, FLSTSI, FXST, FXSTB, FXSTBI, FXSTI, FXSTS, FXSTSI
3	44082-00D	PAD KIT	ALL
6	44313-01	PISTON KIT	ALL
9	44337-00B	SPRING KIT, anti-rattle	ALL

[FRONT WHEEL \(1 OF 2\)](#)

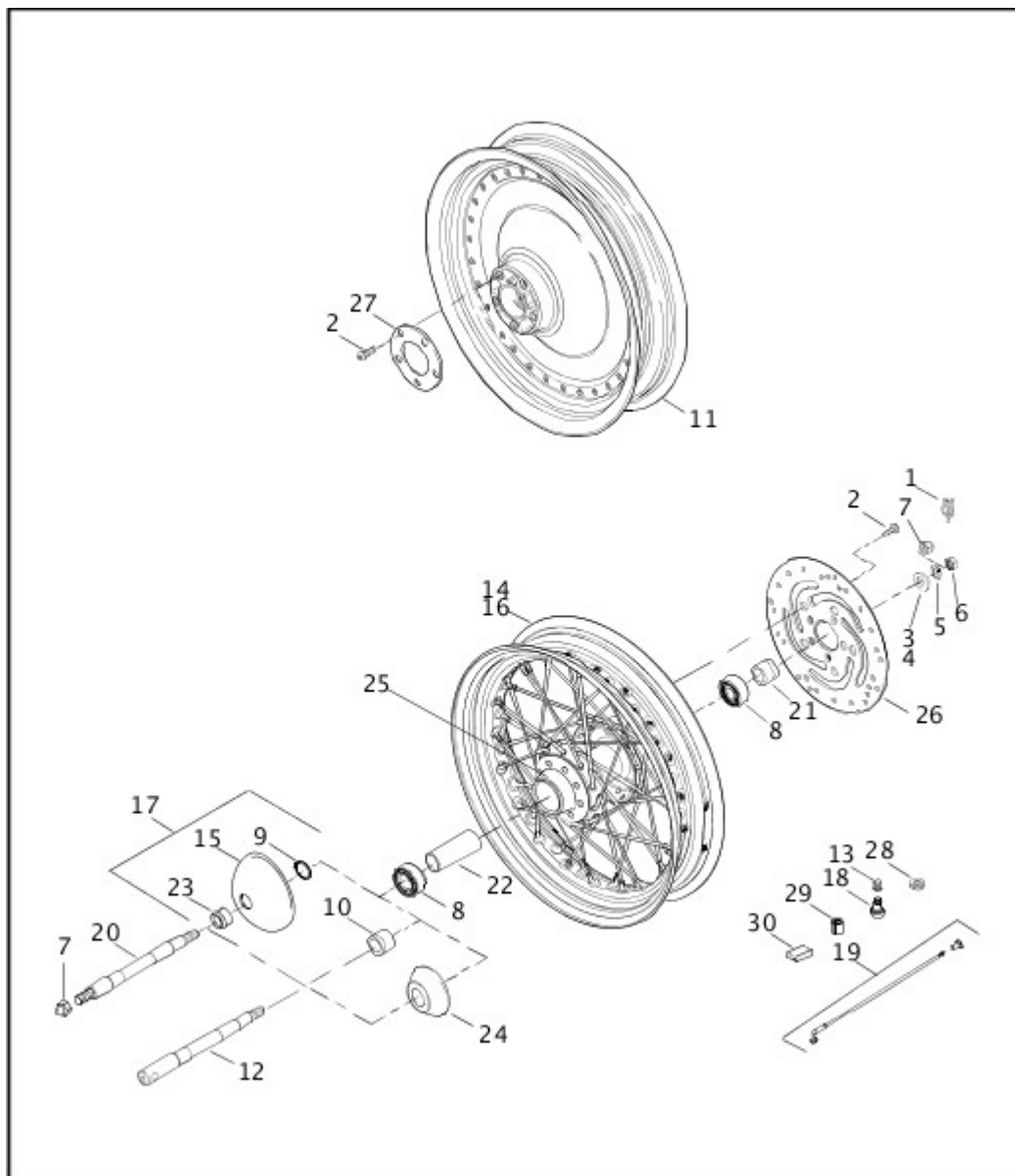


[View interactive table](#)

INDEX NO.	PART NO.	DESCRIPTION	MODEL(S)
11	41038-00	WHEEL, front, 16 inch, solid cast disc, w/o bearings & sleeve	FLSTF, FLSTFI
12	41109-88A	AXLE, front	FXSTS, FXSTSI
14	43005-05A	WHEEL, front, 16 inch, laced, w/ 43085-97, 43241-05 & hub, w/o bearings & sleeve	FLSTC, FLSTCI
	43016-00B	WHEEL, front, 16 inch, laced, w/ 43085-97, 43241-05 & hub, w/o bearings & sleeve	FLSTS, FLSTSI
	43671-05A	WHEEL, front, 21 inch, laced, w/ 43239-05, 43662-80B & hub, w/o bearings & sleeve	FXSTB, FXSTBI, FXSTD, FXSTDI
	43676-05A	WHEEL, front, 21 inch, laced, w/ 43239-05, 43662-80B & hub, w/o bearings & sleeve	FXSTS, FXSTSI
	43700-05A	WHEEL, front, 21 inch, laced, w/ 43239-05, 43662-80B & hub, w/o bearings & sleeve	FXST, FXSTI

INDEX NO.	PART NO.	DESCRIPTION	MODEL(S)
19	43241-05	SPOKE & NIPPLE SET, 16 inch (set of 40)	FLSTC, FLSTCI, FLSTS, FLSTSI
	43239-05	SPOKE & NIPPLE SET, 21 inch (set of 40)	FXST, FXSTB, FXSTBI, FXSTD, FXSTDI, FXSTI, FXSTS, FXSTSI

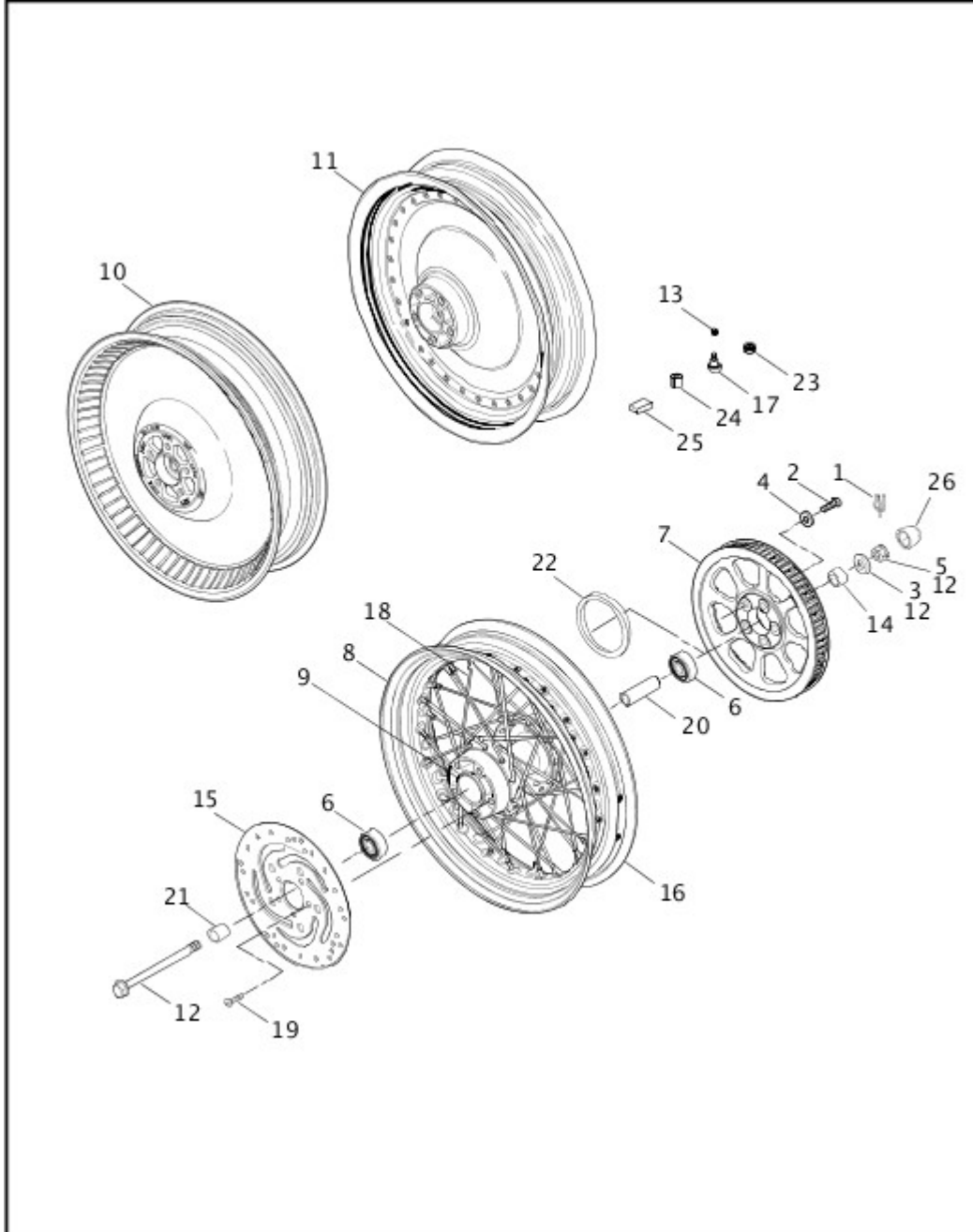
FRONT WHEEL (2 OF 2)



[View interactive table](#)

INDEX NO.	PART NO.	DESCRIPTION	MODEL(S)
30	95595-84A	WEIGHT, 5 grams (for cast wheel) (silver)	FLSTF, FLSTFI

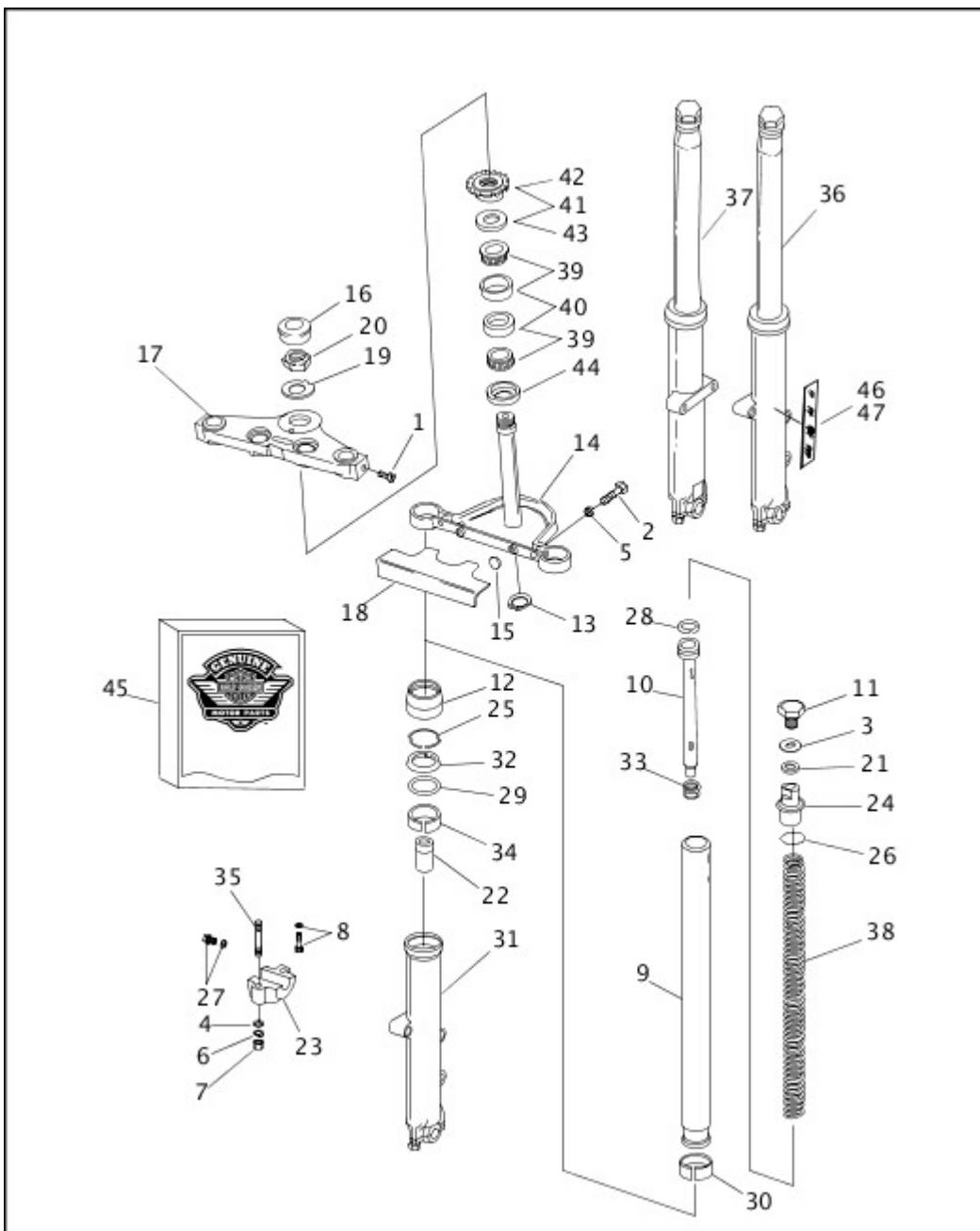
REAR WHEEL



[View interactive table](#)

INDEX NO.	PART NO.	DESCRIPTION	MODEL(S)
8	40975-05A	WHEEL, rear, 16 inch, laced, w/ 43085-97, 43241-05 & hub, w/o bearings & sleeve (chrome)	FLSTC, FLSTCI, FLSTS, FLSTSI, FXST, FXSTI, FXSTS, FXSTSI
10	41074-00	WHEEL, rear, 17 inch, disc, w/o bearings & sleeve (silver)	FXSTD, FXSTDI
11	41058-00A	WHEEL ASSEMBLY, rear 16 inch disc, (silver) w/ sleeve & bearings	FLSTF, FLSTFI
	41059-00A	WHEEL ASSEMBLY, rear 16 inch disc, (black) w/ sleeve & bearings	FXSTB, FXSTBI
14	41595-00B	SPACER, rear axle, left	ALL
18	43241-05	SPOKE & NIPPLE SET, 16 inch rim (set of 40)	FLSTC, FLSTCI, FLSTS, FLSTSI, FXST, FXSTI, FXSTS, FXSTSI
25	95595-84A	WEIGHT, 5 grams (silver)	FLSTF, FLSTFI, FXSTB, FXSTBI, FXSTD, FXSTDI

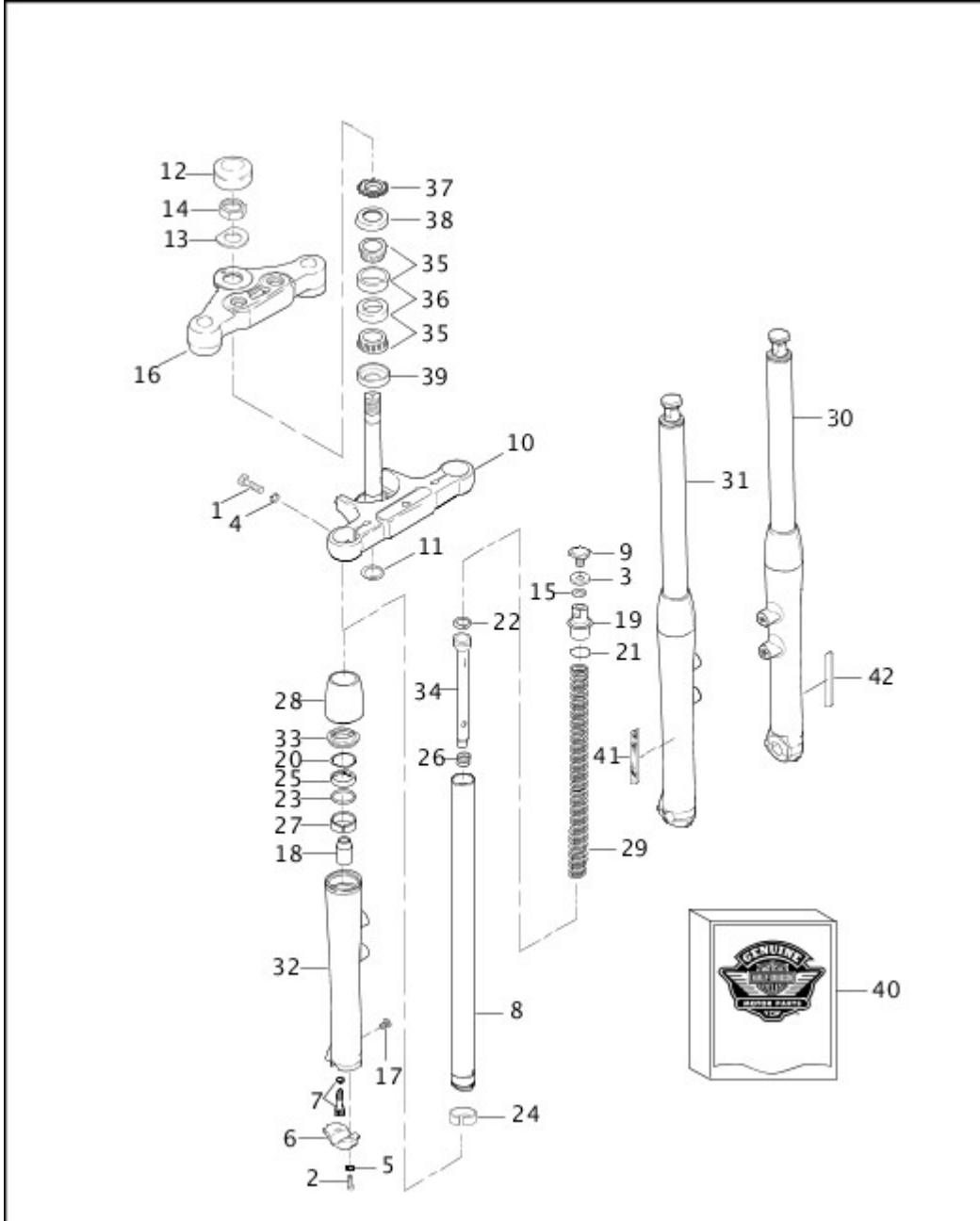
FRONT FORK - FXST/I & FXSTB/I



[View interactive table](#)

INDEX NO.	PART NO.	DESCRIPTION	MODEL(S)
14	45640-00A	STEM & BRACKET, w/ 45648-85A & 48365-48A	FXST, FXSTB, FXSTBI, FXSTI
15	45648-85A	PAD (felt) (2)	FXST, FXSTB, FXSTBI, FXSTI
16	45670-80A	CAP, fork stem	FXST, FXSTB, FXSTBI, FXSTI
17	45672-80B	BRACKET, upper (chrome)	FXST, FXSTB, FXSTBI, FXSTI
42	48332-48C	ADJUSTING NUT, upper	FXST, FXSTB, FXSTBI, FXSTI
45	49377-09A	FORK REBUILD KIT, w/ 8, 25, 26, 28, 29, 30, 32 & 34	FXST, FXSTB, FXSTBI, FXSTI

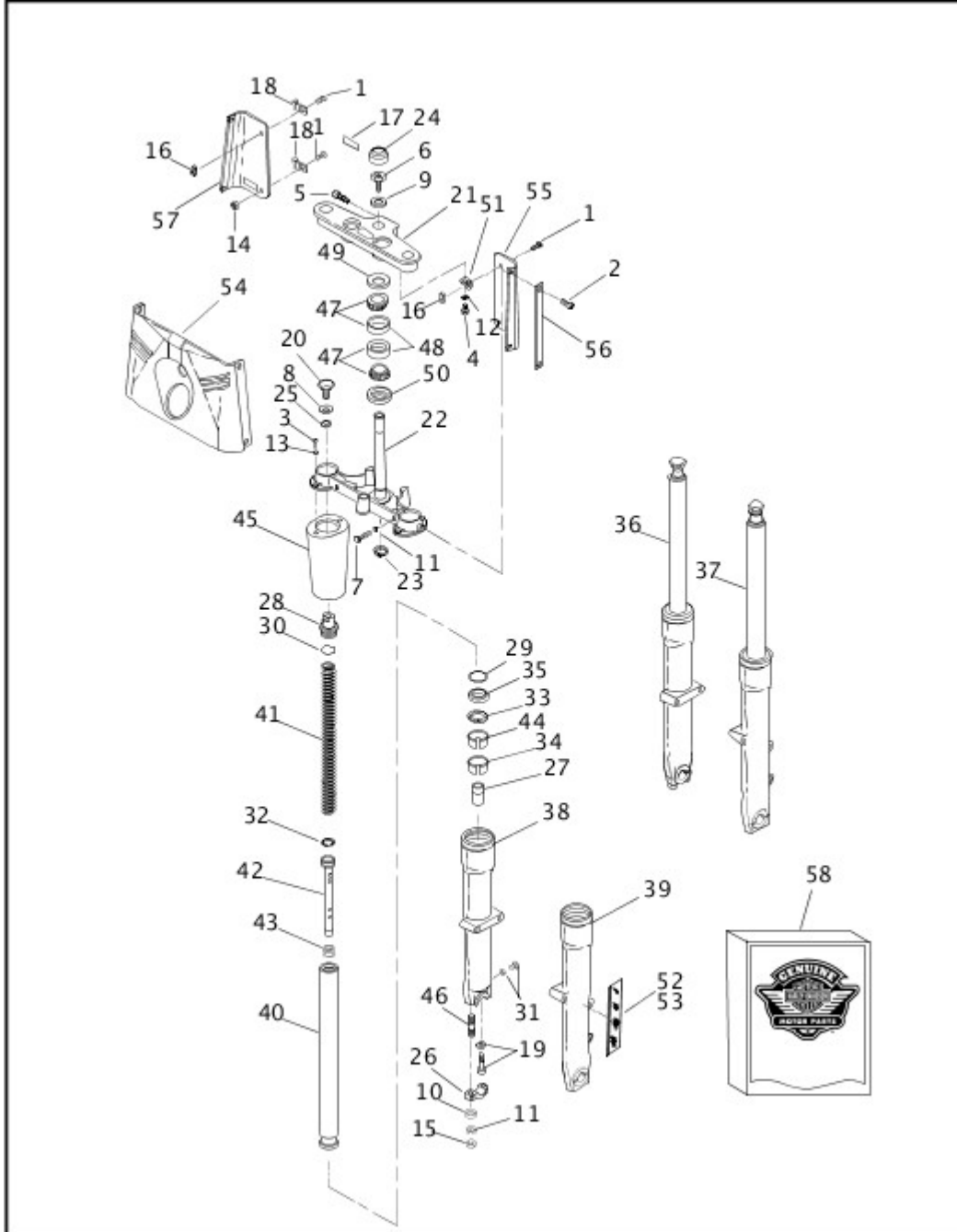
FRONT FORK - FXSTD/I



[View interactive table](#)

INDEX NO.	PART NO.	DESCRIPTION	MODEL(S)
10	45475-00A	STEM & BRACKET, w/ bearing & shield	FXSTD, FXSTDI
12	45670-80A	CAP, fork stem	FXSTD, FXSTDI
40	49377-09A	FORK REBUILD KIT, w/ 7, 20, 21, 22, 23, 24, 25, 27 & 33	FXSTD, FXSTDI

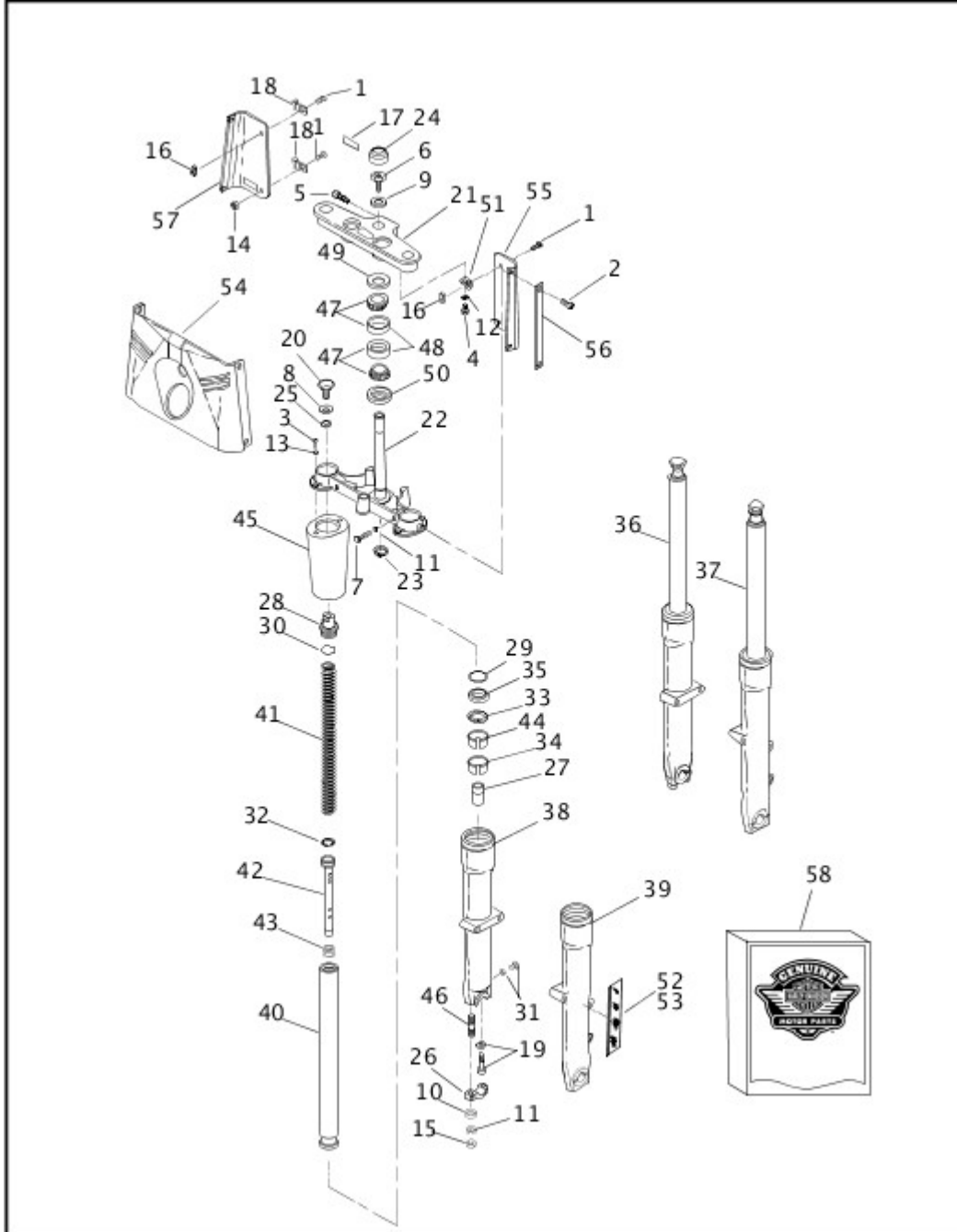
[FRONT FORK - FLSTC/I & FLSTF/I \(1 OF 2\)](#)



[View interactive table](#)

INDEX NO.	PART NO.	DESCRIPTION	MODEL(S)
21	45456-86B	BRACKET, upper	FLSTC, FLSTCI, FLSTF, FLSTFI
22	45605-00A	STEM & BRACKET ASSEMBLY, w/ 48365-48A	FLSTC, FLSTCI, FLSTF, FLSTFI
24	45670-80A	CAP, fork stem	FLSTC, FLSTCI, FLSTF, FLSTFI

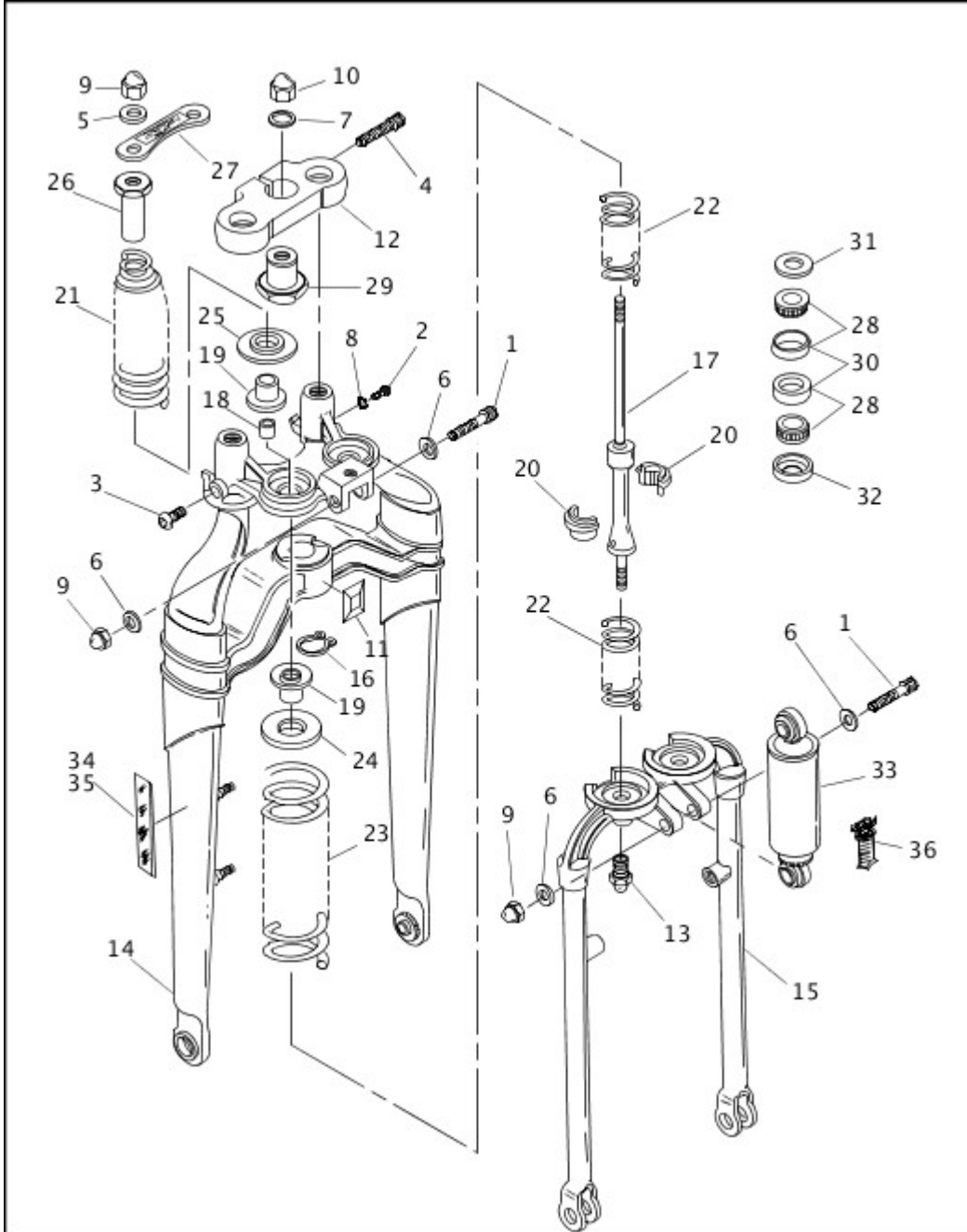
[FRONT FORK - FLSTC/I & FLSTF/I \(2 OF 2\)](#)



[View interactive table](#)

INDEX NO.	PART NO.	DESCRIPTION	MODEL(S)
57	67814-86	BACK PANEL, right, rear	FLSTC, FLSTCI, FLSTF, FLSTFI
58	49377-09A	FORK REBUILD KIT, w/ 19, 29, 30, 32, 33, 34, 35 & 44	FLSTC, FLSTCI, FLSTF, FLSTFI

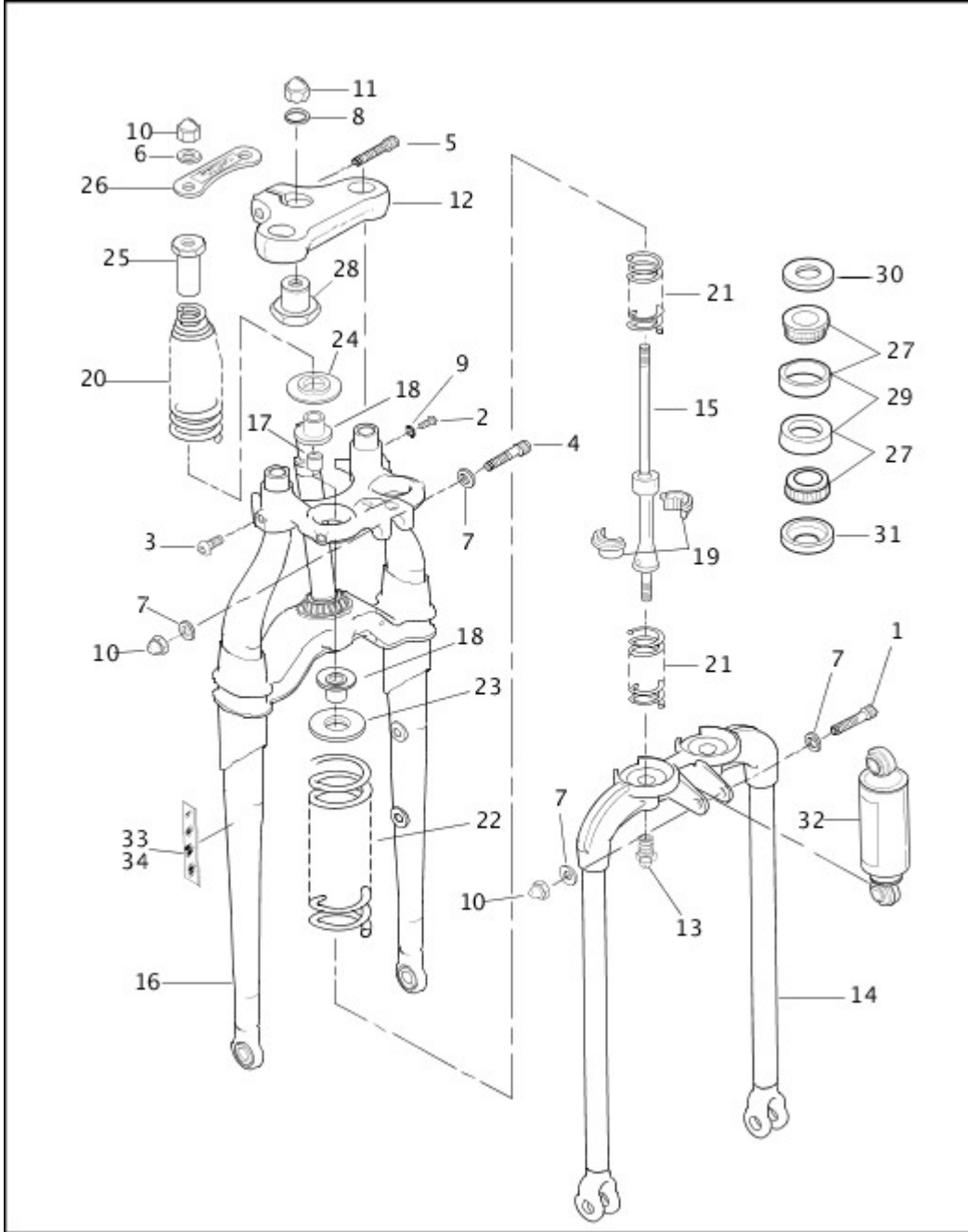
[FRONT FORK - FXSTS/I](#)



[View interactive table](#)

INDEX NO.	PART NO.	DESCRIPTION	MODEL(S)
27	46062-88	SPRING BRIDGE	FXSTS, FXSTSI

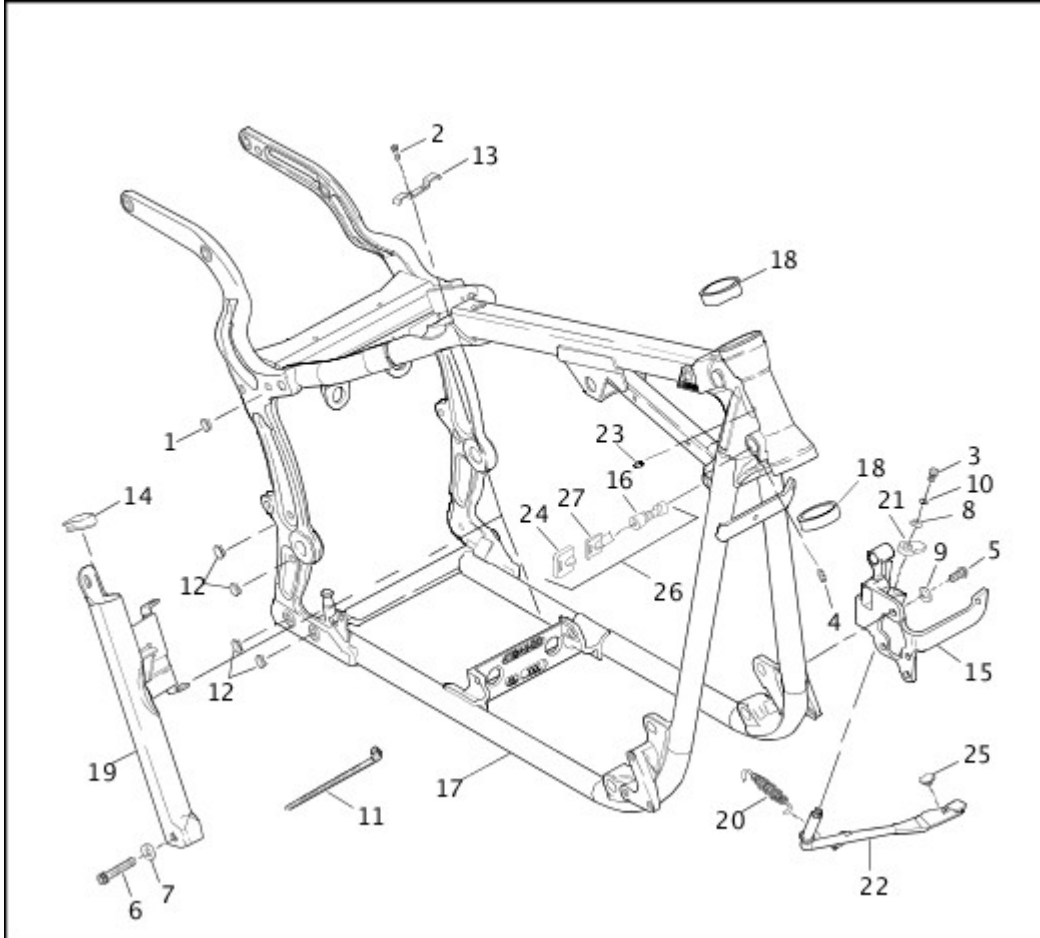
[FRONT FORK - FLSTS/I](#)



[View interactive table](#)

INDEX NO.	PART NO.	DESCRIPTION	MODEL(S)
26	46062-88	SPRING BRIDGE	FLSTS, FLSTSI

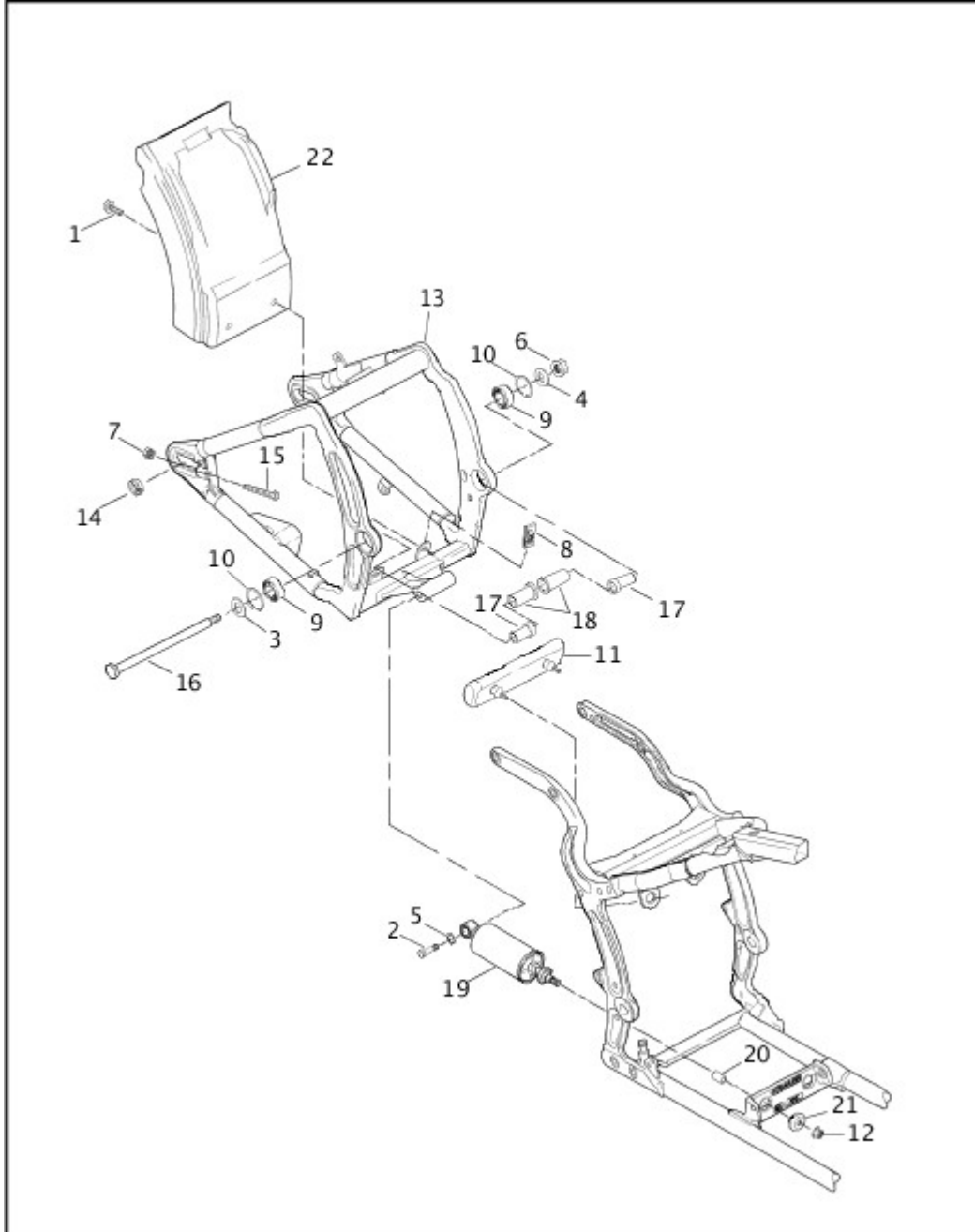
FRAME & JIFFY STAND



[View interactive table](#)

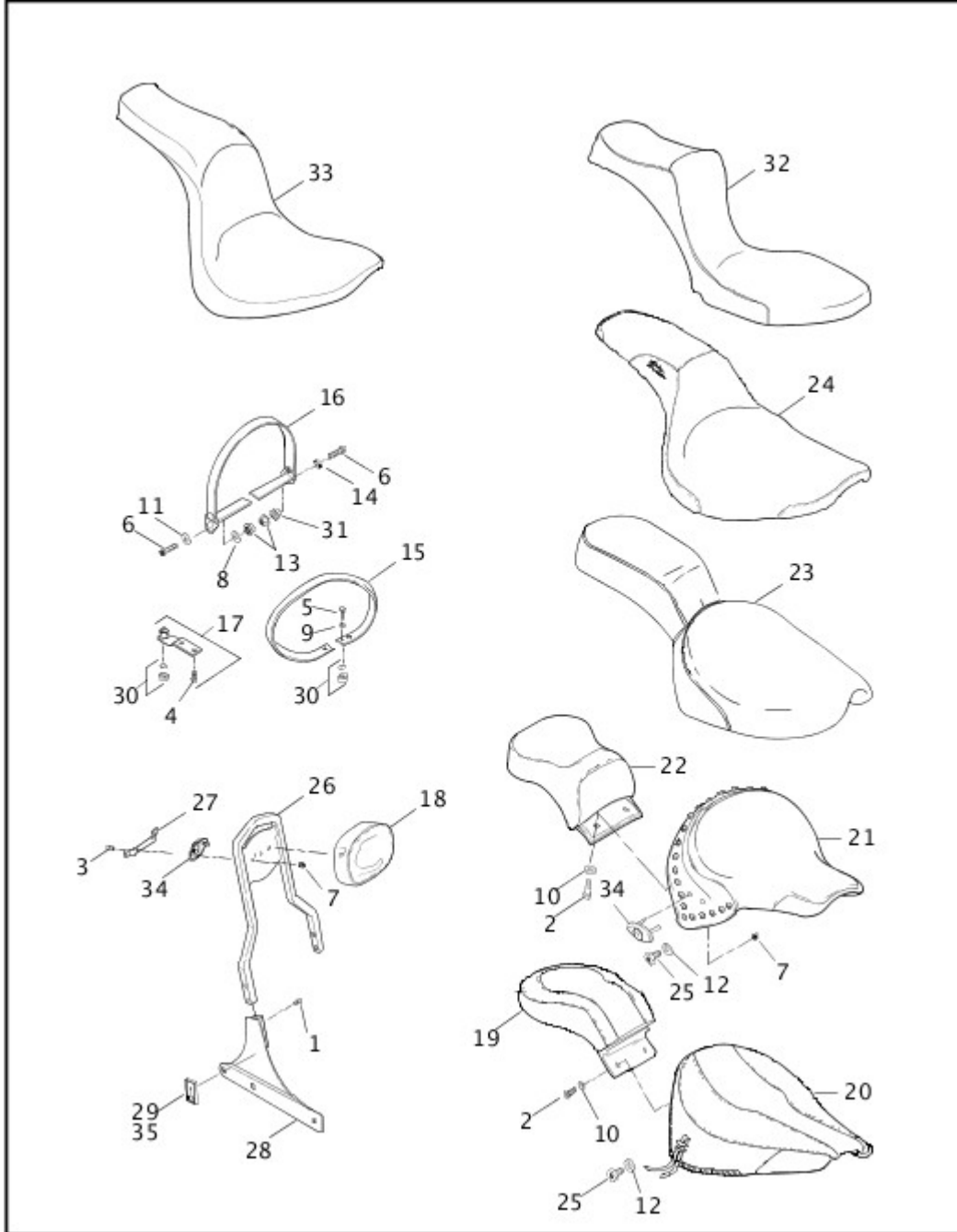
INDEX NO.	PART NO.	DESCRIPTION	MODEL(S)
11	10006	CABLE STRAP (3)	ALL
15	33630-00A	BRACKET, jiffy stand, shift lever & footboard, w/ shifter bushings	FLSTC, FLSTCI, FLSTF, FLSTFI, FLSTS, FLSTSI
17	47008-00C	FRAME	FLSTC, FLSTCI, FLSTF, FLSTFI, FLSTS, FLSTSI, FXST, FXSTB, FXSTBI, FXSTI, FXSTS, FXSTSI
	48887-00B	FRAME	FXSTD, FXSTDI
26	71450-04	LOCKSET, w/ 10065, 45680-90, 61081-92, 71452-91A & ignition switch	ALL

[REAR FORK & SHOCK ABSORBERS](#)



[View interactive table](#)

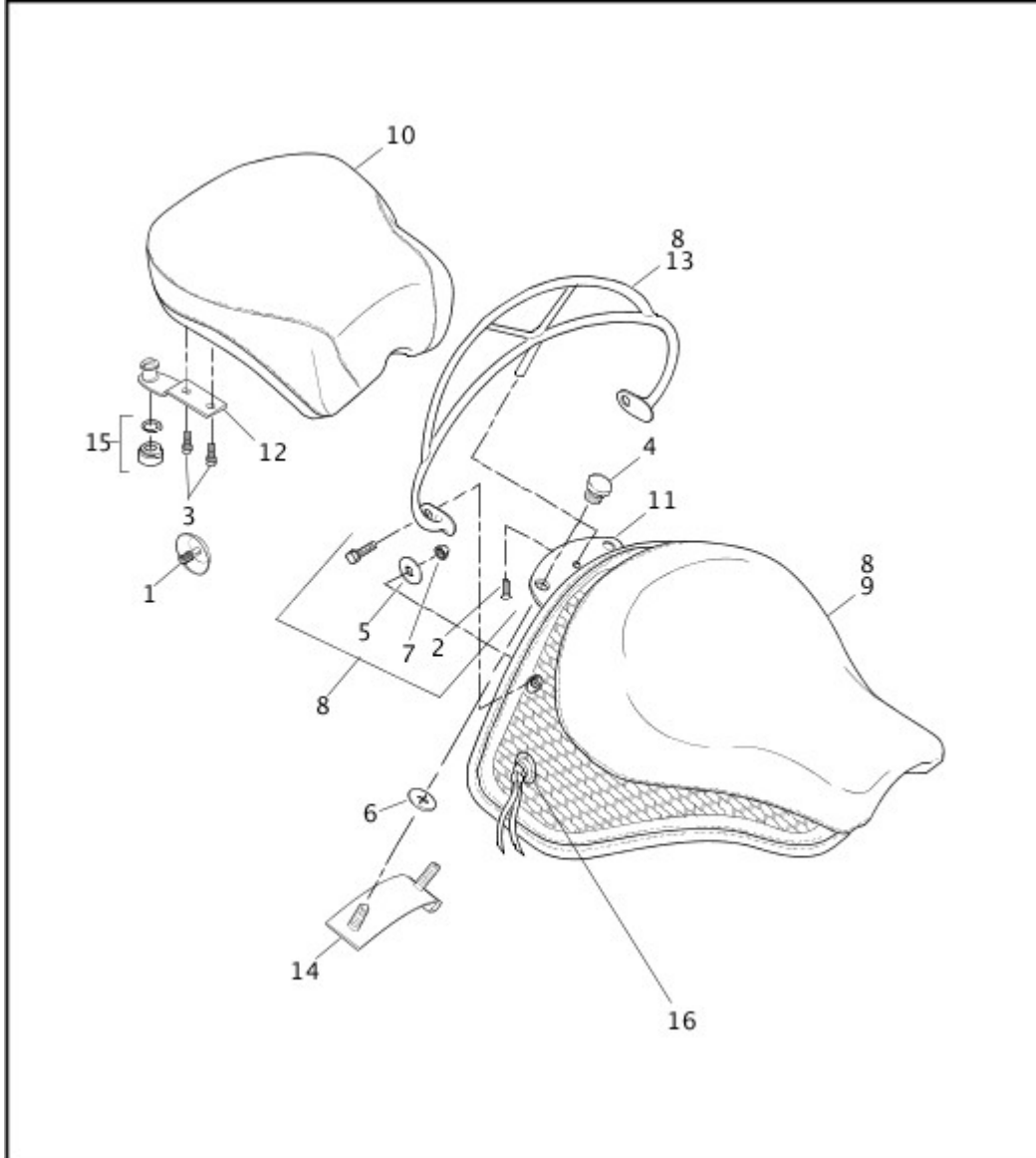
INDEX NO.	PART NO.	DESCRIPTION	MODEL(S)
2	4074A	BOLT (2)	ALL
9	9270A	BEARING, rear fork pivot (2)	ALL
13	47573-00A	REAR FORK, w/ 9270 & 11282	ALL
17	48048-00A	BUSHING, rear fork (2)	ALL
18	48049-00A	SPACER, rear fork (2)	ALL
19	54508-00B	SHOCK ABSORBER, complete (2)	ALL
22	60363-00B	SPLASH GUARD	ALL



[View interactive table](#)

INDEX NO.	PART NO.	DESCRIPTION	MODEL(S)
7	5244	RETAINER CLIP (6)	FLSTC, FLSTCI
33	91806-00A	SEAT ASSEMBLY, w/ 3574 & 52097-00	FXSTD, FXSTDI

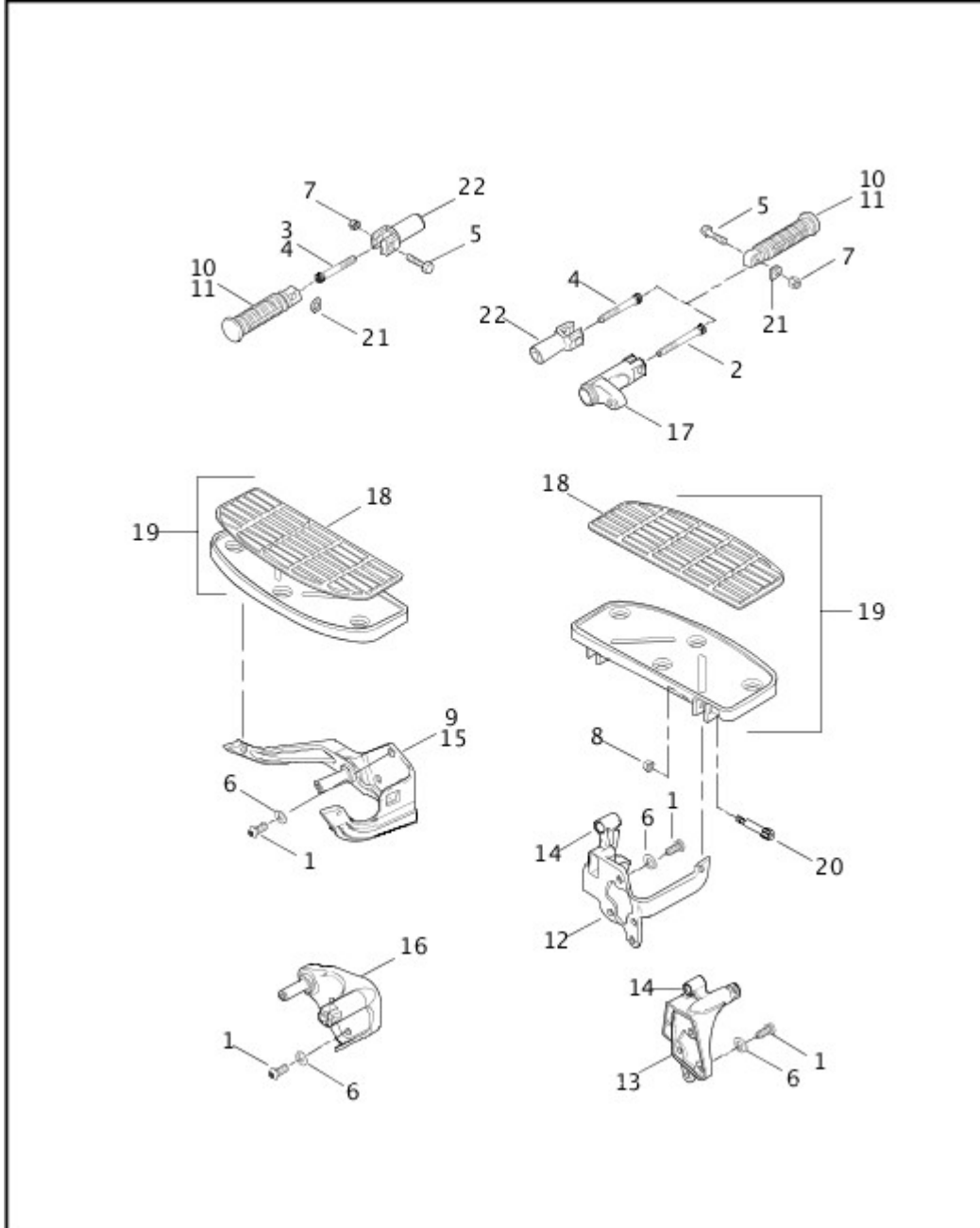
[SEAT - FLSTS/I](#)



[View interactive table](#)

INDEX NO.	PART NO.	DESCRIPTION	MODEL(S)
13	52687-97	GRAB RAIL, seat	FLSTS, FLSTSI

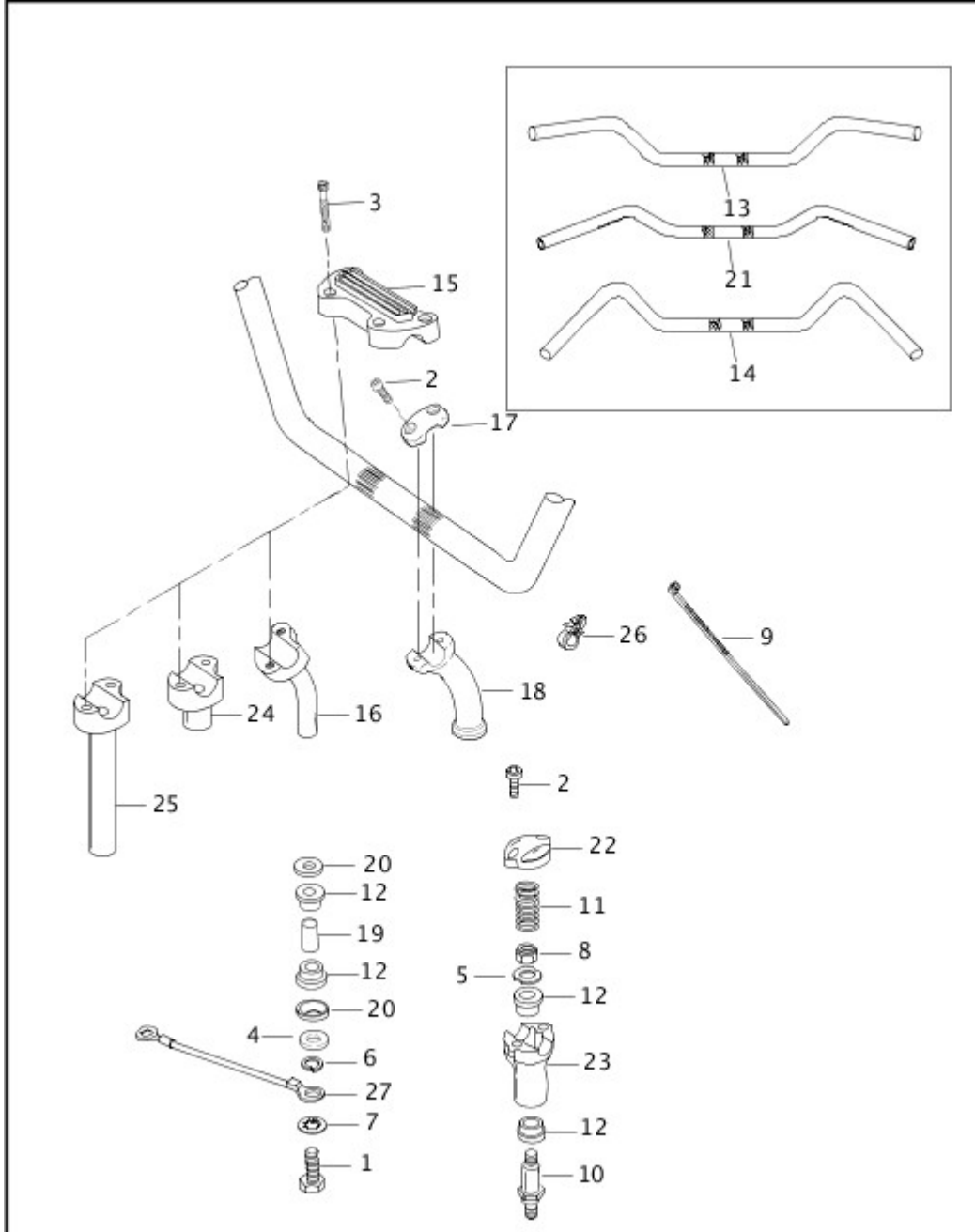
[FOOTRESTS & FOOTBOARDS](#)



[View interactive table](#)

INDEX NO.	PART NO.	DESCRIPTION	MODEL(S)
12	33630-00A	BRACKET, jiffy stand, shift lever & footboard, w/ shifter bushings	FLSTC, FLSTCI, FLSTF, FLSTFI, FLSTS, FLSTSI
	42431-11	SUPPORT ASSEMBLY, right footboard & brake (used w/ 50600026)	FLSTC, FLSTCI, FLSTF, FLSTFI, FLSTS, FLSTSI
	50600026	SUPPORT BRACKET KIT, right footboard & brake, w/ 10866 & 42431-11 (replaces 42431-00)	FLSTC, FLSTCI, FLSTF, FLSTFI, FLSTS, FLSTSI
16	42507-00B	BRACKET, brake lever & footrest	FXST, FXSTB, FXSTBI, FXSTD, FXSTDI, FXSTI, FXSTS, FXSTSI

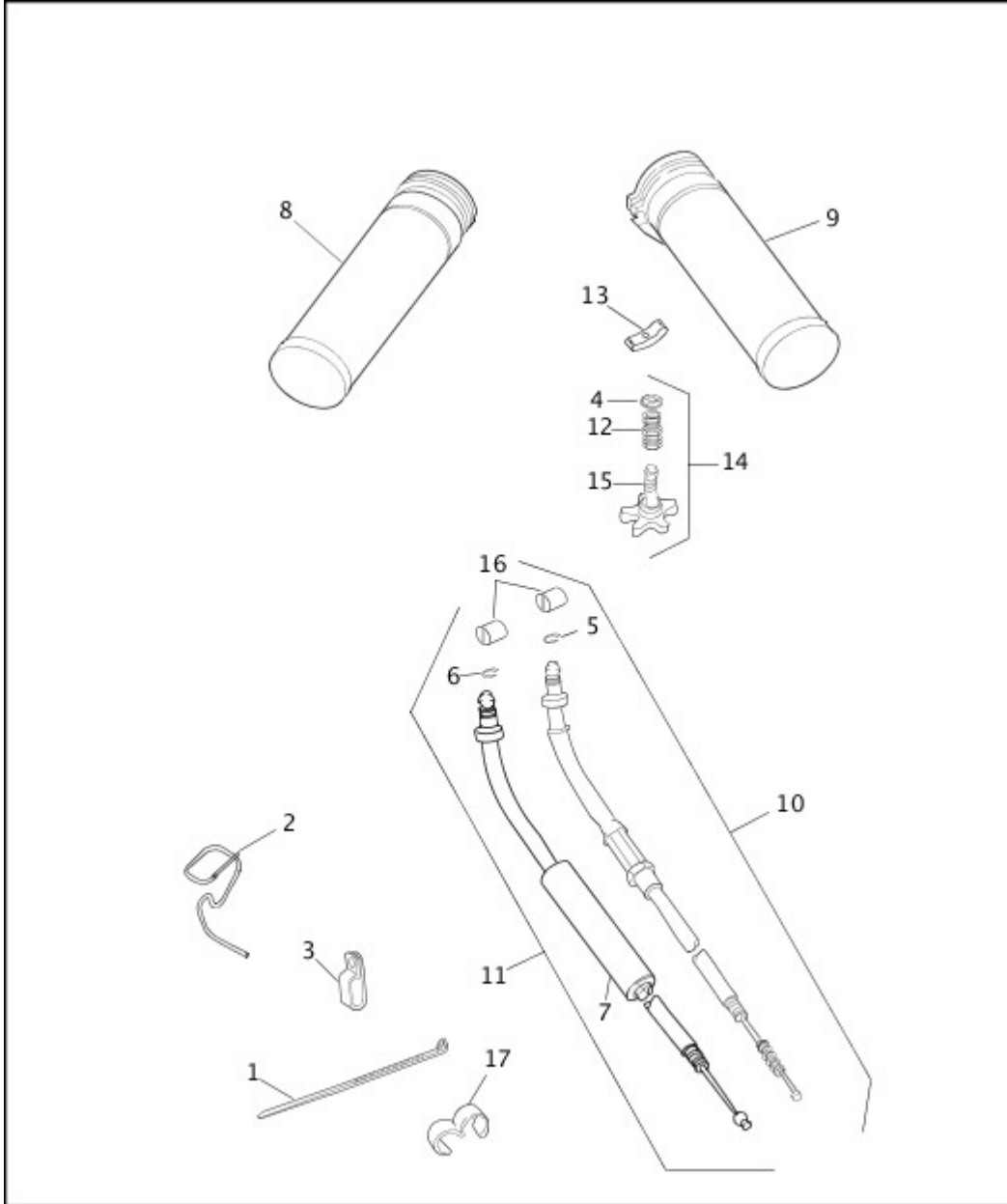
HANDLEBAR



[View interactive table](#)

INDEX NO.	PART NO.	DESCRIPTION	MODEL(S)
	56224-99A	HANDLEBAR, drag style	FXSTB, FXSTBI
18	56135-00A	CLAMP, lower (2)	FXSTD, FXSTDI
	557465-09	HANDLEBAR RISER, left (chrome)	FXSTB, FXSTBI

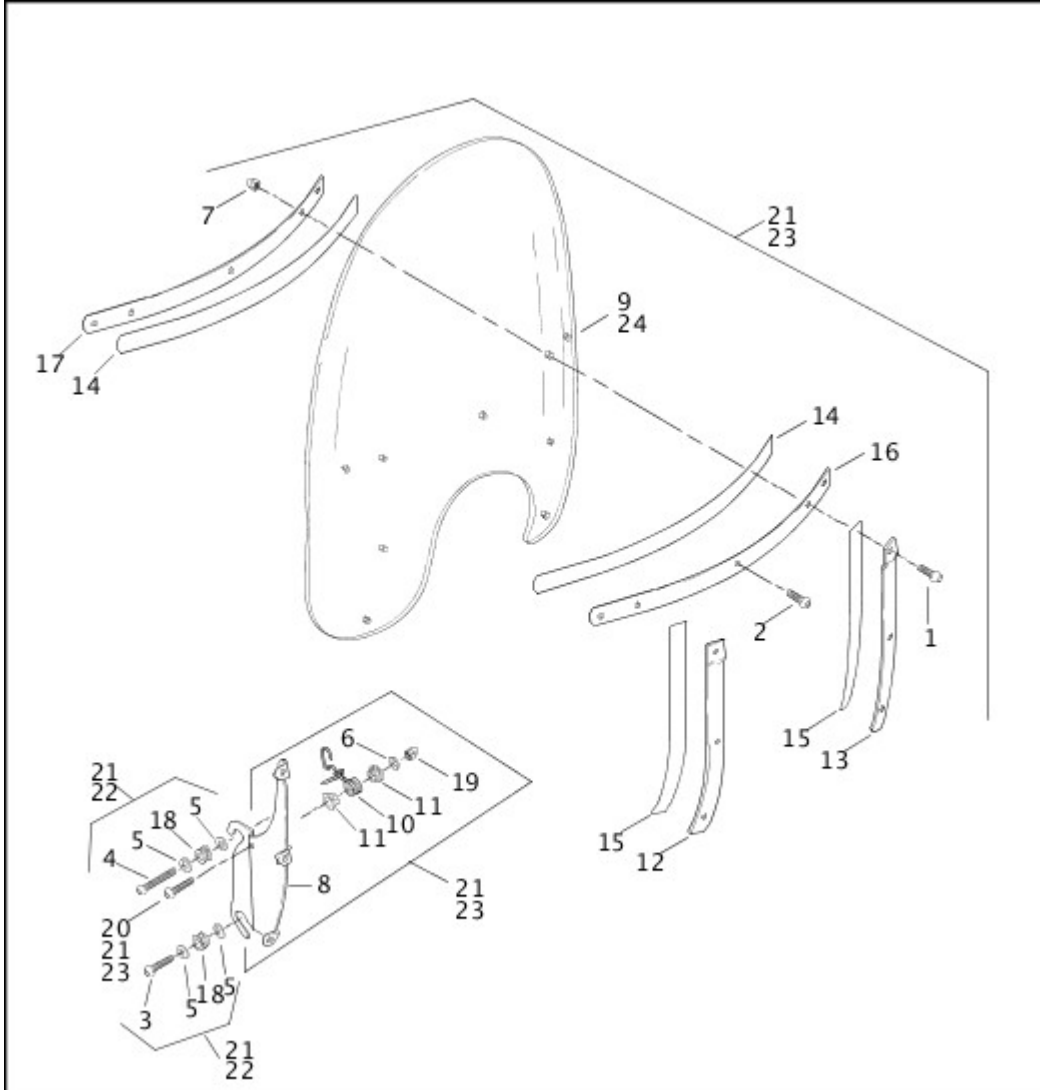
THROTTLE CONTROL



[View interactive table](#)

INDEX NO.	PART NO.	DESCRIPTION	MODEL(S)
3	10263A	CLAMP, throttle cables	FXSTS, FXSTSI

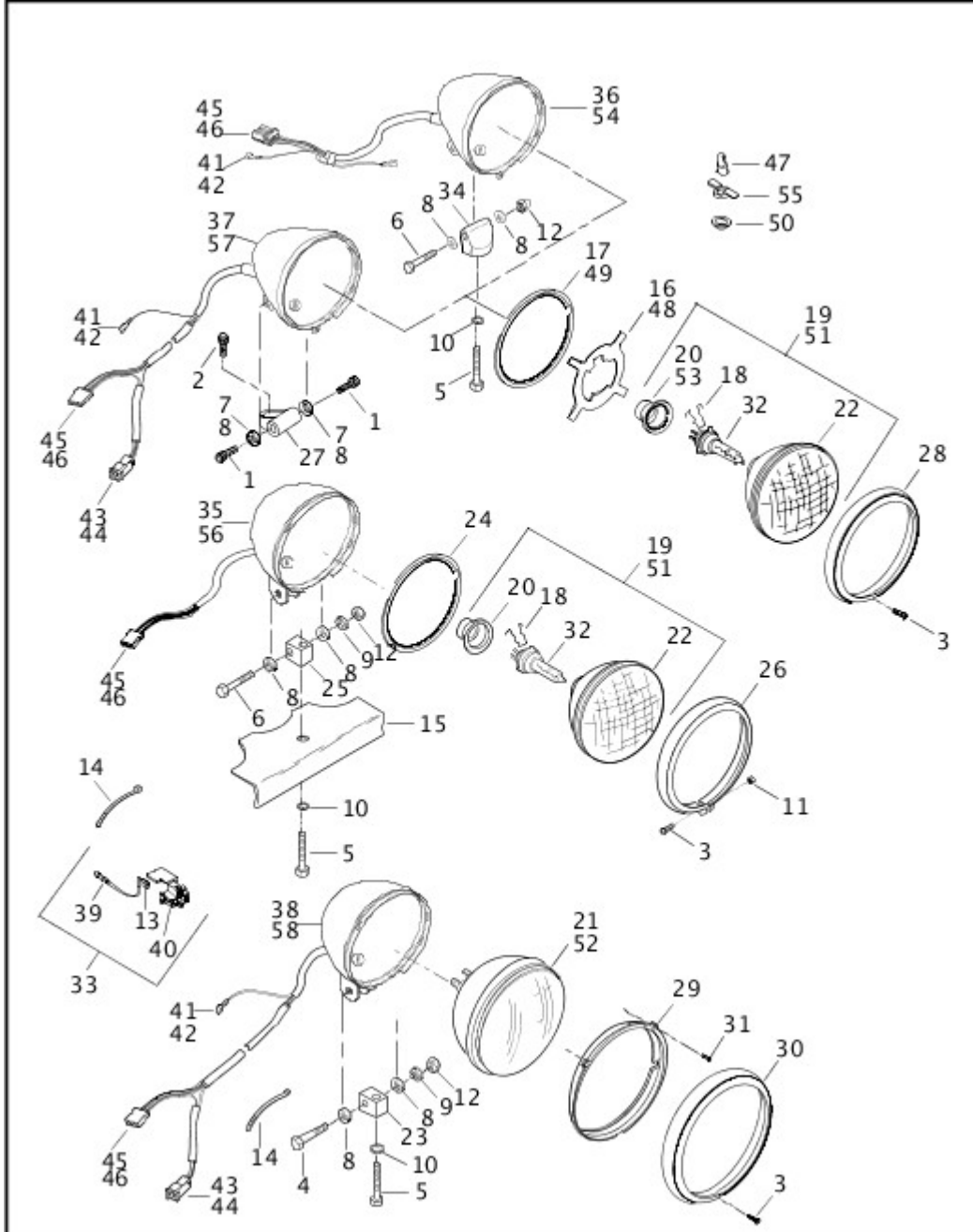
[WINDSHIELD - FLSTC/I](#)



[View interactive table](#)

INDEX NO.	PART NO.	DESCRIPTION	MODEL(S)
7	7651A	ACORN NUT (9)	FLSTC, FLSTCI
8	57062-00A	BRACKET, windshield, right	FLSTC, FLSTCI
	57063-00A	BRACKET, windshield, left	FLSTC, FLSTCI
21	57400112	WINDSHIELD ASSEMBLY, complete, w/ 1, 2, 6, 7, 8, 10, 11, 12, 13, 14, 15, 16, 17, 19, 20 & 22	FLSTC, FLSTCI
22	91800025	HARDWARE KIT, windshield, w/ 4343, 6400HB & 67621-94 (used w/ 57400112)	FLSTC, FLSTCI

[HEADLAMP \(1 OF 2\)](#)

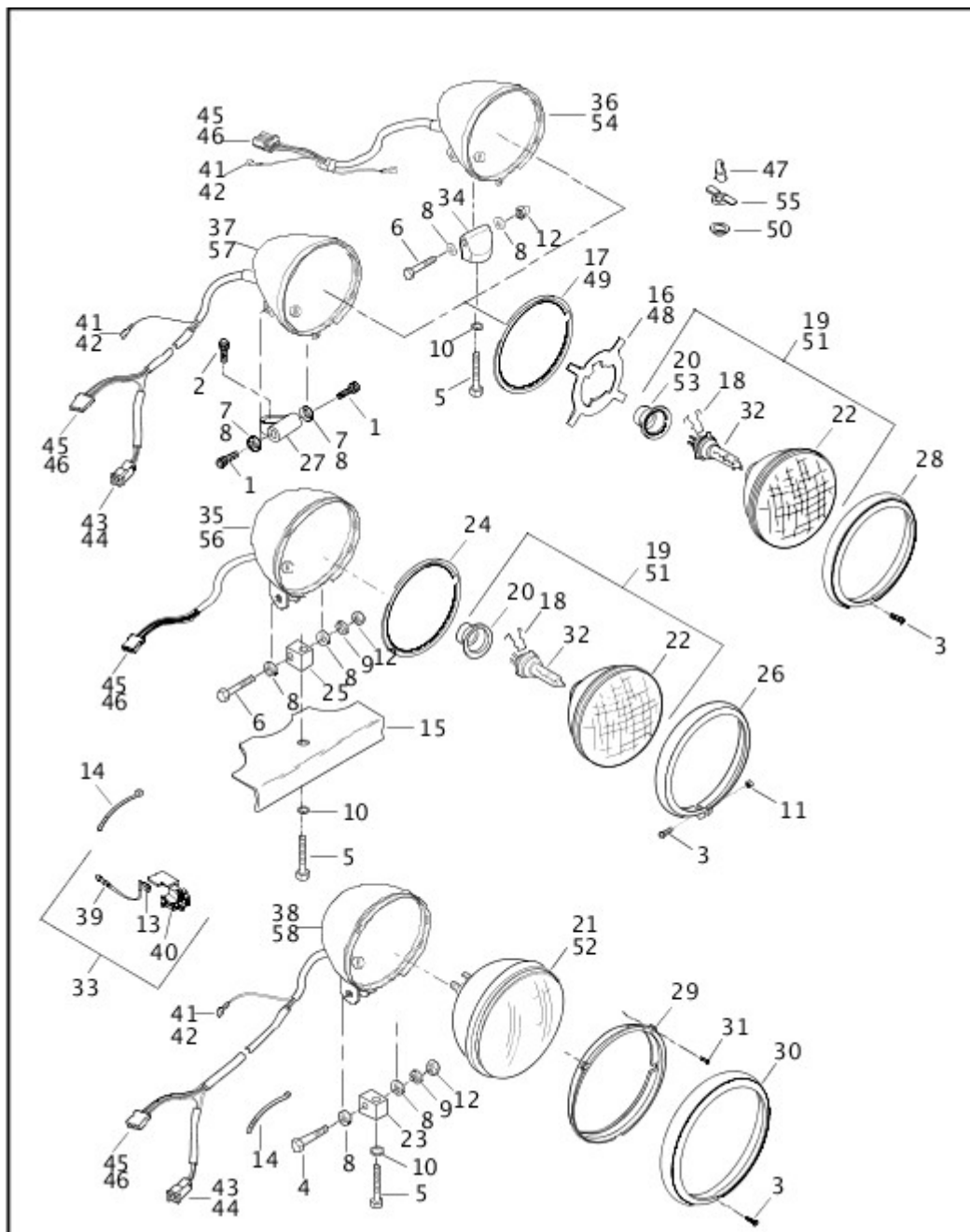


[View interactive table](#)

INDEX NO.	PART NO.	DESCRIPTION	MODEL(S)
16	67601-94A	GASKET, headlamp	FLSTS, FLSTSI, FXSTD, FXSTDI, FXSTS, FXSTSI
17	67603-94A	ADAPTER RING	FLSTS, FLSTSI, FXSTD, FXSTDI, FXSTS, FXSTSI
19	67698-81D	LENS ASSEMBLY, w/ bulb, boot & clip, 5-3/4 inch	FLSTS, FLSTSI, FXST, FXSTB, FXSTBI, FXSTD, FXSTDI, FXSTI, FXSTS, FXSTSI
26	67790-93A	TRIM RING (chrome)	FXST, FXSTB, FXSTBI, FXSTI
28	67894-93A	TRIM RING (chrome)	FLSTS, FLSTSI, FXSTBI, FXSTD, FXSTS, FXSTSI
29	68050-93A	RETAINING RING	FLSTC, FLSTCI, FLSTF, FLSTFI
30	68051-93A	TRIM RING (chrome)	FLSTC, FLSTCI, FLSTF, FLSTFI

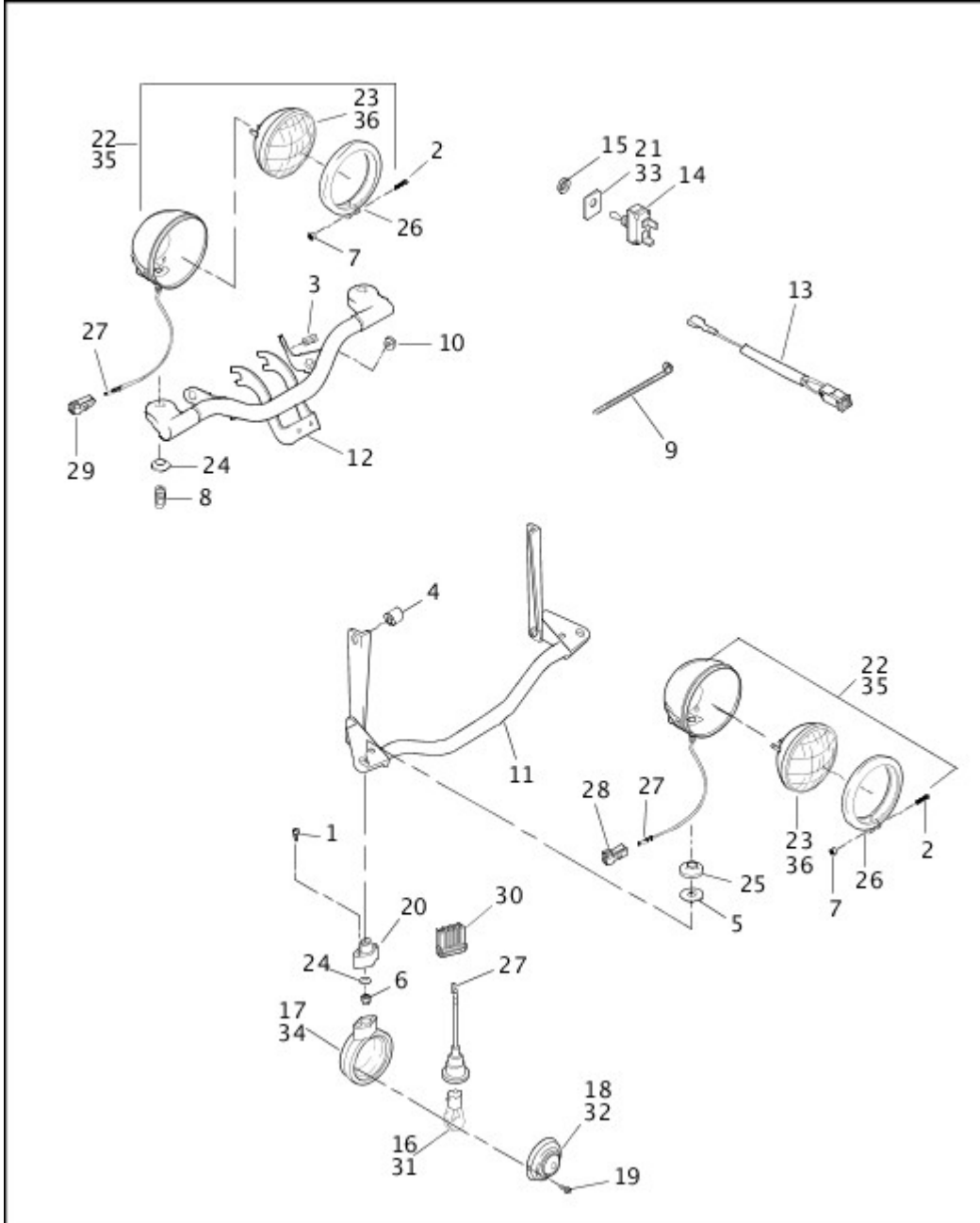
INDEX NO.	PART NO.	DESCRIPTION	MODEL(S)
32	68329-03	BULB, halogen, H-4	FLSTS, FLSTSI, FXST, FXSTB, FXSTBI, FXSTD, FXSTDI, FXSTI, FXSTS, FXSTSI
35	69696-05	SHELL ASSEMBLY, headlamp, w/ housing & wiring, 5-3/4 inch	FXST, FXSTB, FXSTBI, FXSTI
36	69715-05A	SHELL ASSEMBLY, headlamp, w/ housing & wiring, 5-3/4 inch	FXSTD, FXSTDI
37	69717-05A	SHELL ASSEMBLY, headlamp, w/ housing & wiring, 5-3/4 inch	FXSTS, FXSTSI
	69769-05A	SHELL ASSEMBLY, headlamp, w/ housing & wiring, 5-3/4 inch	FLSTS, FLSTSI
38	69748-05B	SHELL ASSEMBLY, headlamp, w/ housing & wiring, 7 inch	FLSTC, FLSTCI, FLSTF, FLSTFI

HEADLAMP (2 OF 2)



INDEX NO.	PART NO.	DESCRIPTION	MODEL(S)
51	67763-92A	LENS ASSEMBLY, w/ bulb & boot, R.H. Dip	FLSTS, FLSTSI, FXST, FXSTB, FXSTBI, FXSTD, FXSTDI, FXSTI, FXSTS, FXSTSI
	67781-92A	LENS ASSEMBLY, w/ bulb & boot, L.H. Dip	FLSTS, FLSTSI, FXST, FXSTB, FXSTBI, FXSTD, FXSTDI, FXSTI, FXSTS, FXSTSI
52	67793-92A	LENS ASSEMBLY, w/ bulb & boot, R.H. Dip	FLSTC, FLSTCI, FLSTF, FLSTFI
	67801-92A	LENS ASSEMBLY, w/ bulb & boot, L.H. Dip	FLSTC, FLSTCI, FLSTF, FLSTFI
54	69715-05A	HEADLAMP, complete w/ wiring, 5-3/4 inch (R.H. dip)	FXSTD, FXSTDI
	68654-92	SOCKET, position lamp	FLSTC, FLSTCI, FLSTF, FLSTFI
56	69696-05	SHELL ASSEMBLY, headlamp, w/ wiring, 5-3/4 inch (L.H. dip)	FXST, FXSTB, FXSTBI, FXSTI
57	69717-05A	SHELL ASSEMBLY, headlamp, w/ wiring, 5-3/4 inch (L.H. dip)	FLSTS, FLSTSI, FXSTS, FXSTSI
58	69750-05B	SHELL ASSEMBLY, headlamp, w/ wiring, 7 inch (R.H. dip)	FLSTC, FLSTCI, FLSTF, FLSTFI

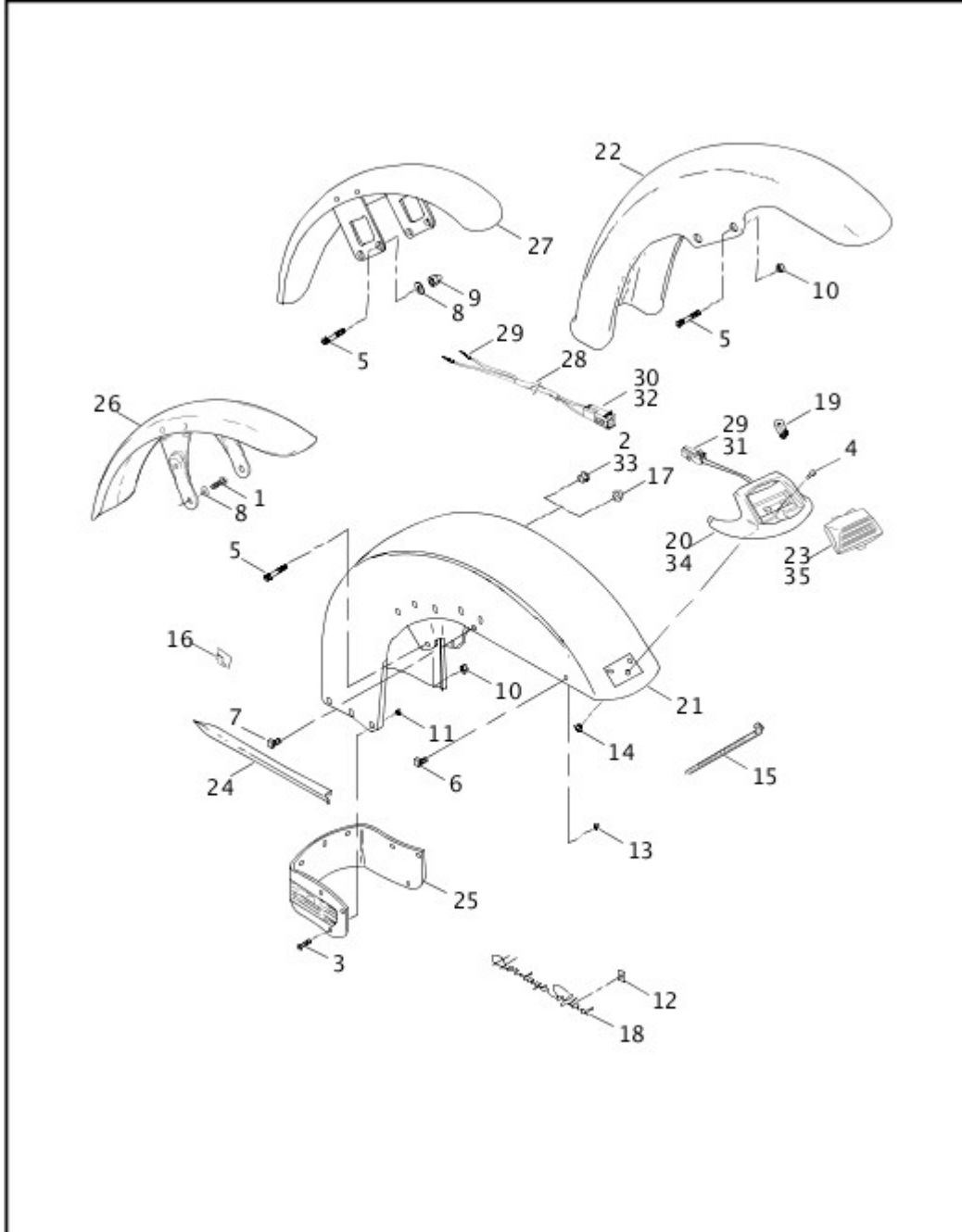
AUXILIARY/FOG LAMPS - FLSTC/I & FLSTS/I, FRONT TURN SIGNALS - FLSTC/I



[View interactive table](#)

INDEX NO.	PART NO.	DESCRIPTION	MODEL(S)
11	58082-02A	BRACKET, auxiliary lamps	FLSTC, FLSTCI
16	68168-89A	BULB, turn signal (2)	FLSTC, FLSTCI
22	68671-69D	AUXILIARY LAMP ASSEMBLY, w/ 3514 (2)	FLSTC, FLSTCI, FLSTS, FLSTSI
33	68730-98	LABEL, fog lamp switch (HDI)	FLSTS, FLSTSI
35	68846-98C	FOG LAMP ASSEMBLY, w/ 3514 (HDI) (2)	FLSTC, FLSTCI, FLSTS, FLSTSI
36	68847-98A	SEALED UNIT, fog lamps (HDI) (2)	FLSTC, FLSTCI, FLSTS, FLSTSI

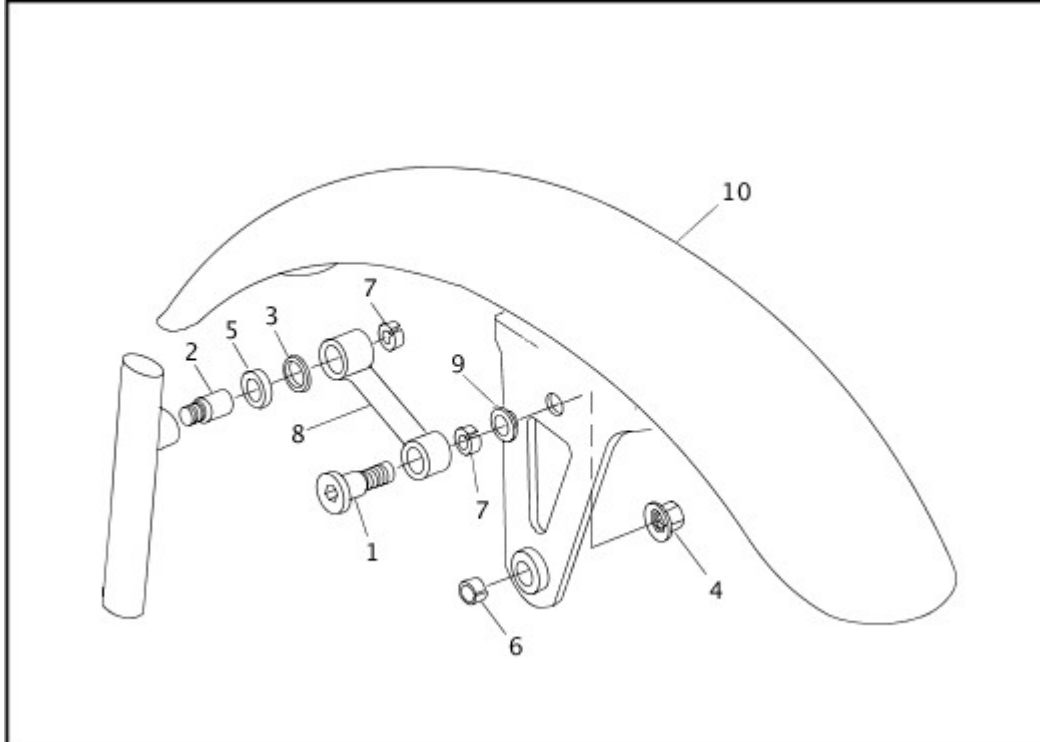
[FRONT FENDER - FXST/I, FXSTB/I, FXSTD/I, FLSTC/I & FLSTF/I](#)



[View interactive table](#)

INDEX NO.	PART NO.	DESCRIPTION	MODEL(S)
18	14142-86A	TRIM, "Heritage Softail" (2)	FLSTC, FLSTCI
22	59139-00A	FENDER (prime)	FLSTF, FLSTFI
24	59211-74A	SIDE TRIM (2)	FLSTC, FLSTCI
26	59876-00A	FENDER (prime)	FXSTD, FXSTDI
27	59924-80B	FENDER (prime)	FXST, FXSTB, FXSTBI, FXSTI

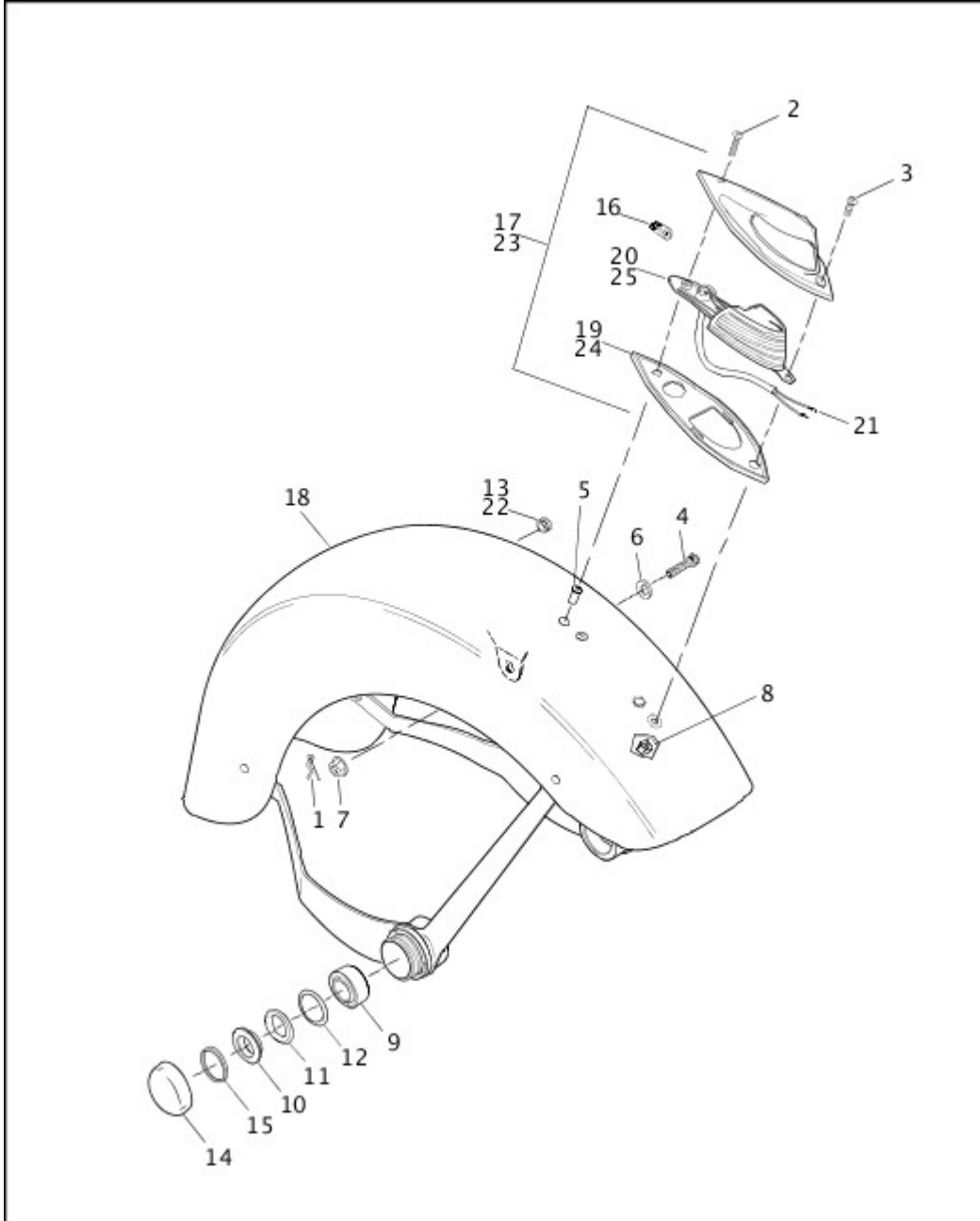
[FRONT FENDER - FXSTS/I](#)



[View interactive table](#)

INDEX NO.	PART NO.	DESCRIPTION	MODEL(S)
1	2723A	SCREW, shoulder (2)	FXSTS, FXSTSI
6	33714-90B	BUSHING	FXSTS, FXSTSI

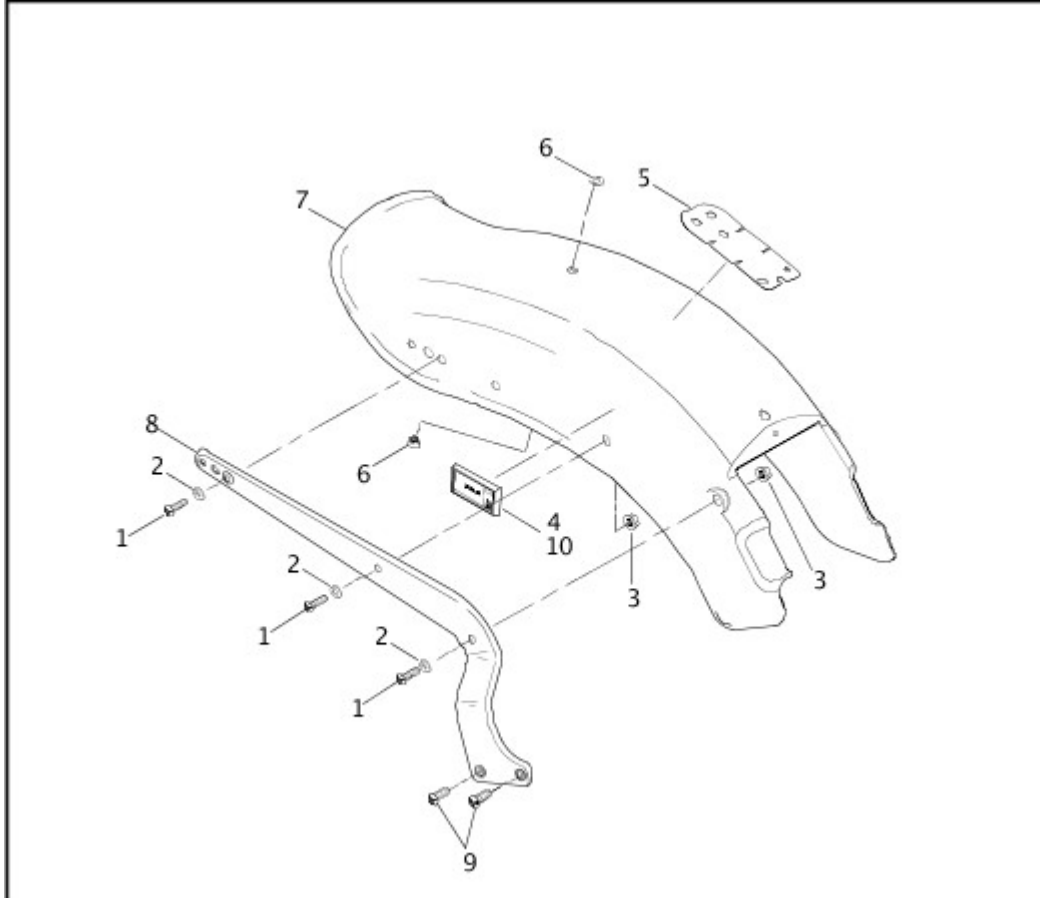
[FRONT FENDER - FLSTS/I](#)



[View interactive table](#)

INDEX NO.	PART NO.	DESCRIPTION	MODEL(S)
18	59164-97A	FENDER (prime)	FLSTS, FLSTSI
24	59355-97	MOUNTING PAD, fender lamp (HDI)	FLSTS, FLSTSI

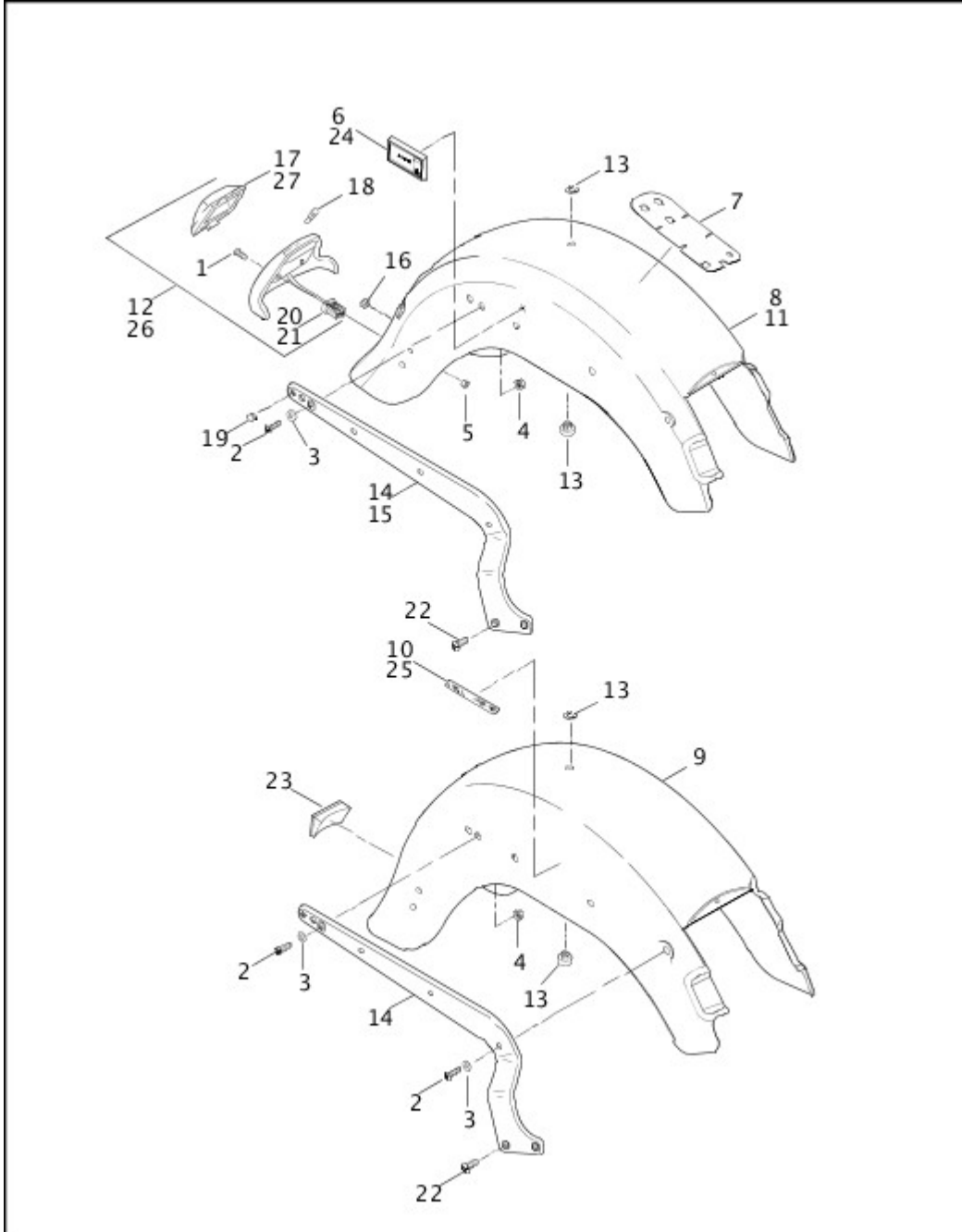
[REAR FENDER & SUPPORTS - FXST/I, FXSTS/I & FXSTB/I](#)



[View interactive table](#)

INDEX NO.	PART NO.	DESCRIPTION	MODEL(S)
5	59567-00C	PROTECTIVE TAPE, rear fender	FXST, FXSTB, FXSTBI, FXSTI, FXSTS, FXSTSI
7	59914-00A	FENDER ASSEMBLY (prime)	FXST, FXSTB, FXSTBI, FXSTI, FXSTS, FXSTSI
9	94605-98	SCREW (4)	FXST, FXSTB, FXSTBI, FXSTI, FXSTS, FXSTSI

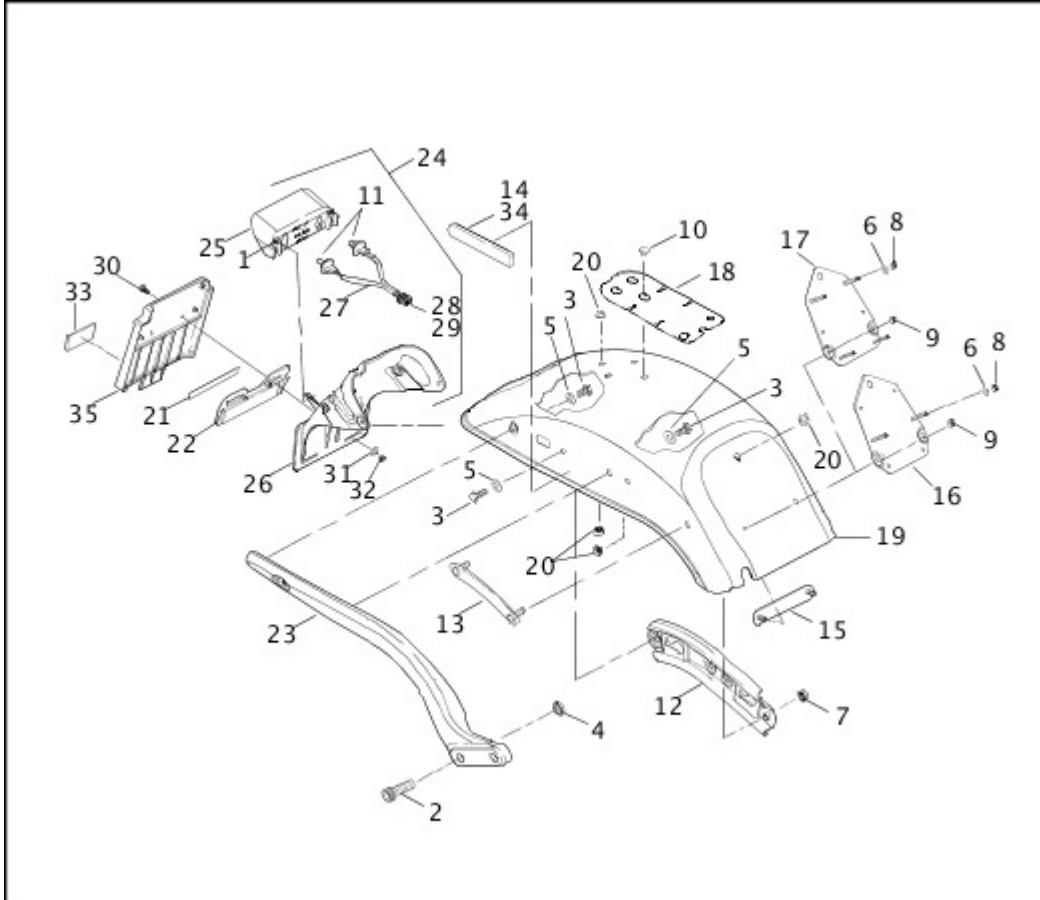
[REAR FENDER & SUPPORTS - FLSTC/I, FLSTF/I & FLSTS/I](#)



[View interactive table](#)

INDEX NO.	PART NO.	DESCRIPTION	MODEL(S)
7	59567-00C	PROTECTIVE TAPE	FLSTC, FLSTCI, FLSTF, FLSTFI, FLSTS, FLSTSI
8	59144-00A	REAR FENDER (primed)	FLSTC, FLSTCI
9	59155-00B	REAR FENDER (primed)	FLSTS, FLSTSI
11	59596-00A	REAR FENDER (primed)	FLSTF, FLSTFI
22	94605-98	SCREW (4)	FLSTC, FLSTCI, FLSTF, FLSTFI, FLSTS, FLSTSI

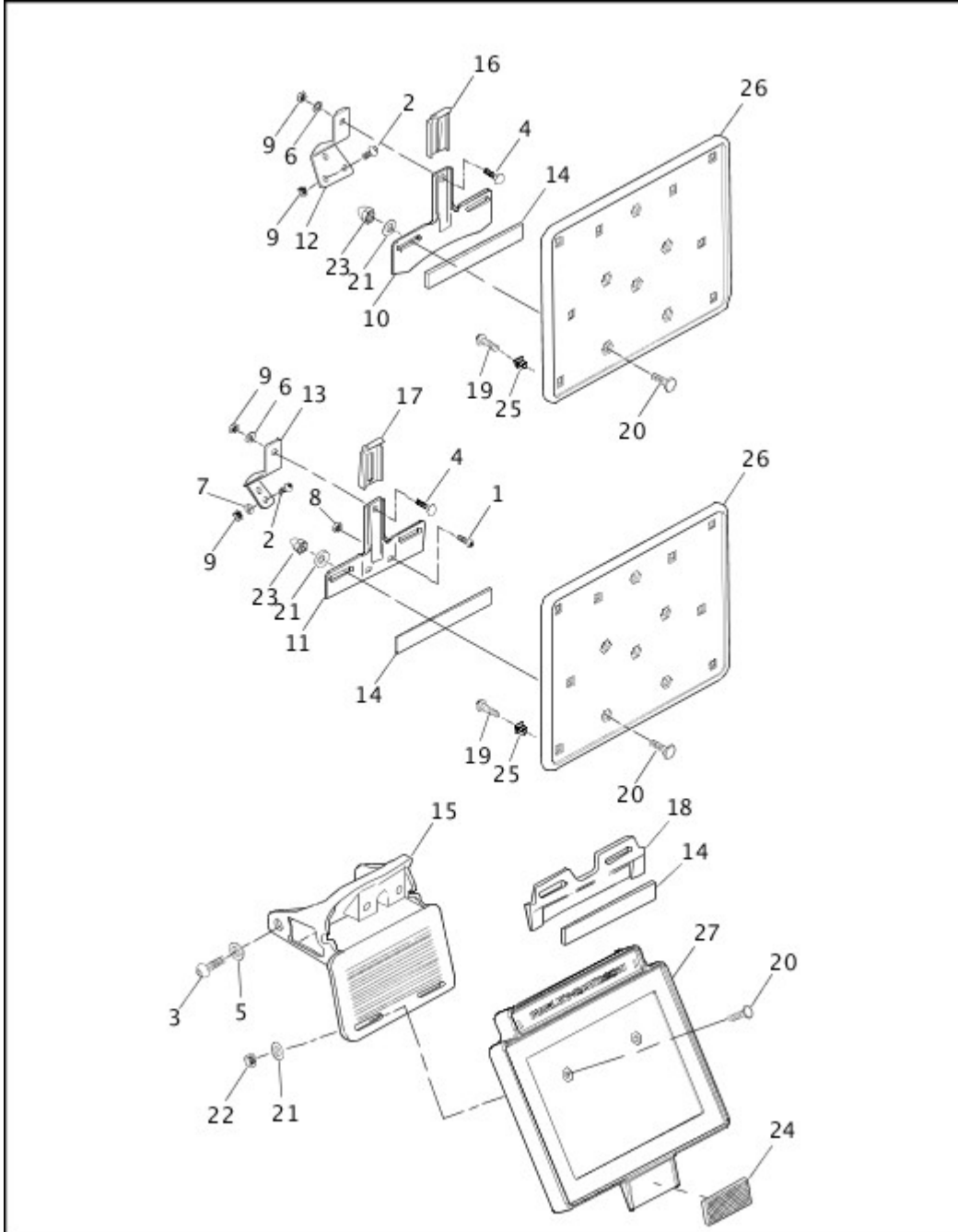
[REAR FENDER, SUPPORTS & LICENSE PLATE BRACKET - FXSTD/I](#)



[View interactive table](#)

INDEX NO.	PART NO.	DESCRIPTION	MODEL(S)
18	59567-00C	PROTECTIVE TAPE	FXSTD, FXSTDI
22	60019-93A	REFLECTOR BRACKET	FXSTD, FXSTDI
24	60120-00A	BRACKET, license plate, w/ illuminator	FXSTD, FXSTDI
26	68890-00A	BRACKET, license plate	FXSTD, FXSTDI

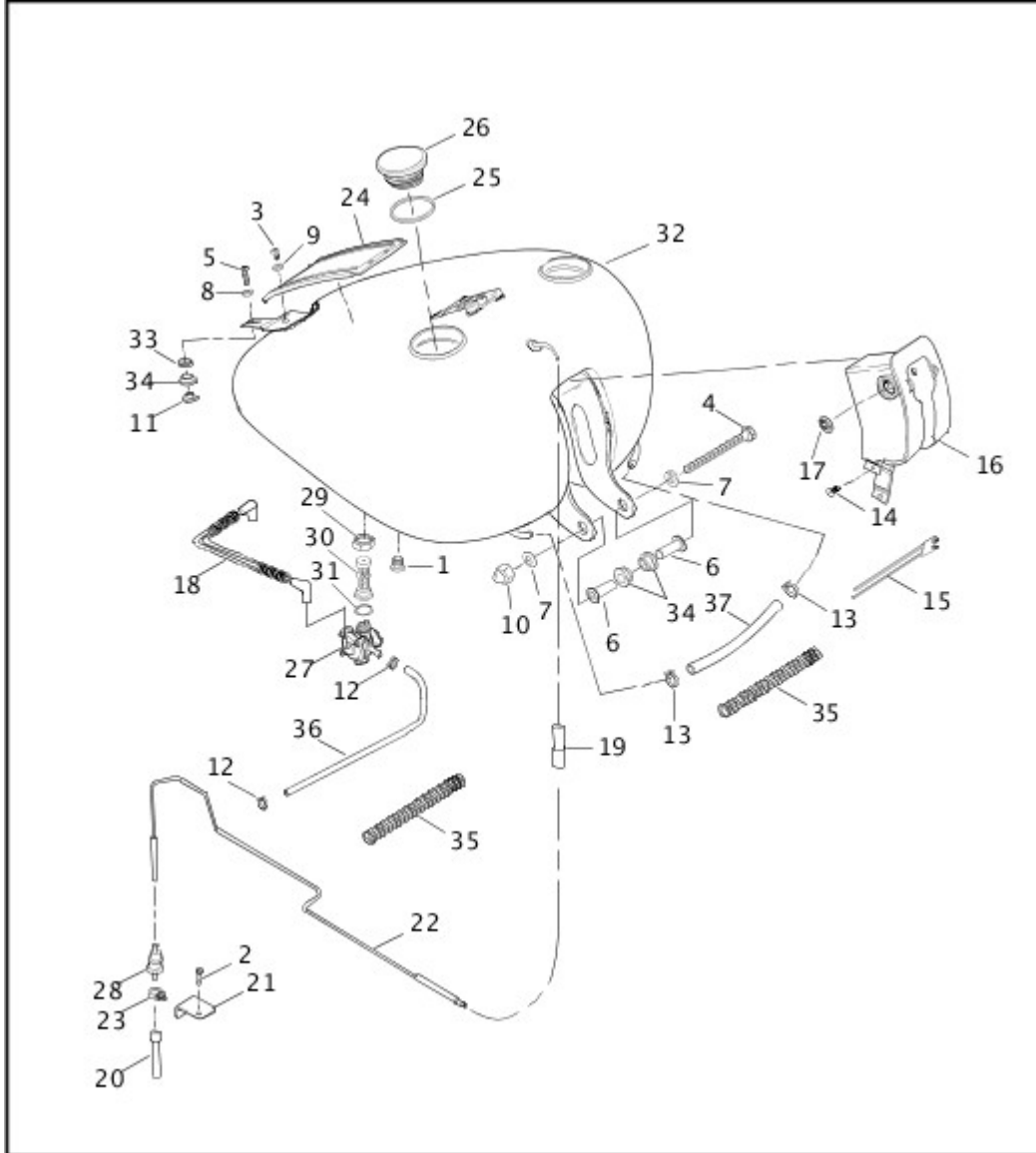
[LICENSE PLATE BRACKETS](#)



[View interactive table](#)

INDEX NO.	PART NO.	DESCRIPTION	MODEL(S)
14	59988-72A	REFLECTOR	ALL
15	59993-00A	BRACKET, license plate & tail lamp	FXST, FXSTB, FXSTBI, FXSTI, FXSTS, FXSTSI
19	2731W	SCREW (HDI) (4)	FLSTC, FLSTCI, FLSTF, FLSTFI, FLSTS, FLSTSI
25	59292-94	NUT, plastic (HDI) (4)	FLSTC, FLSTCI, FLSTF, FLSTFI, FLSTS, FLSTSI

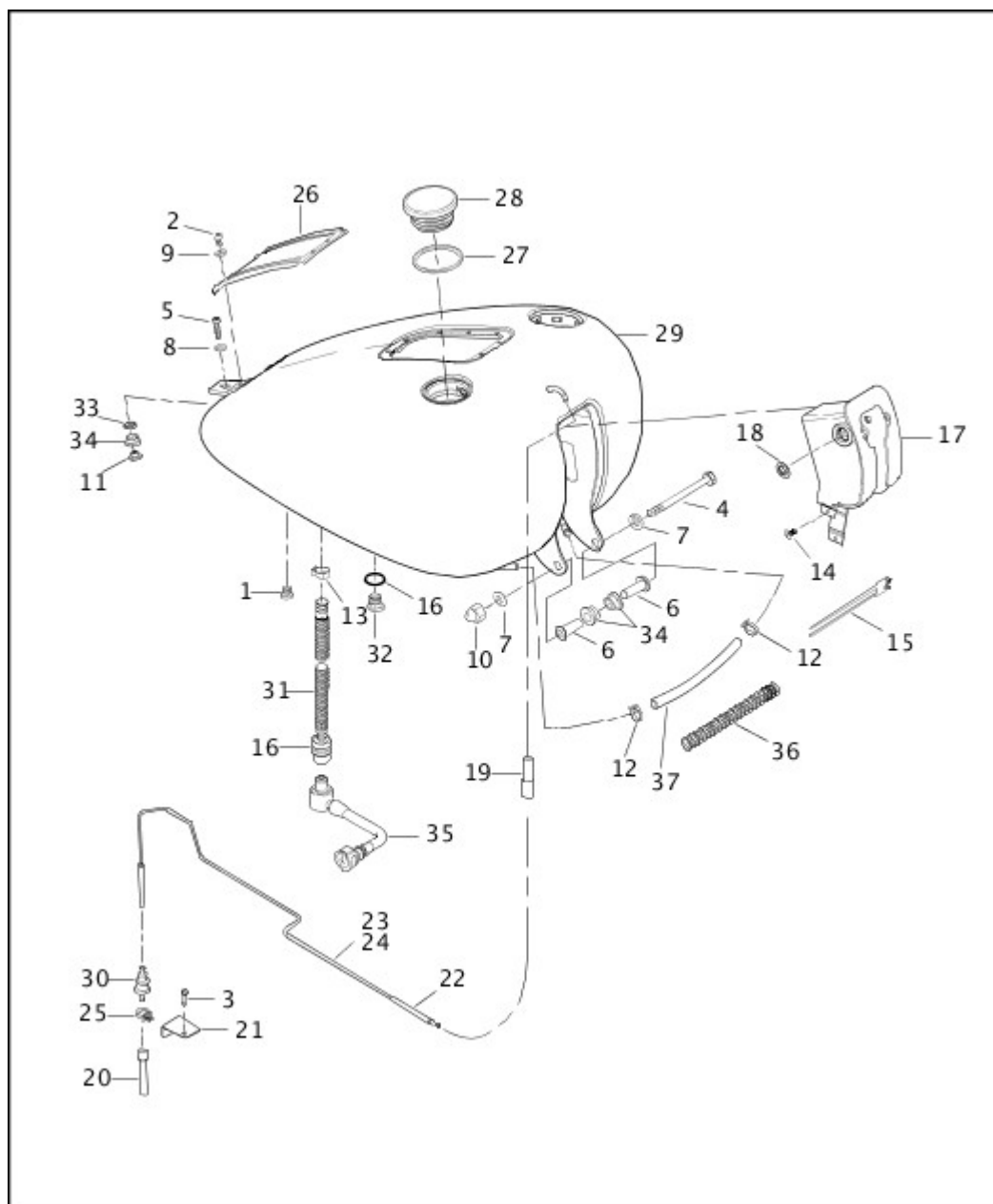
FUEL TANK



[View interactive table](#)

INDEX NO.	PART NO.	DESCRIPTION	MODEL(S)
6	5818A	BUSHING, front tank mount (2)	FLSTC, FLSTF, FLSTS, FXST, FXSTB, FXSTS
26	61272-92C	CAP, fuel filler, right	FLSTC, FLSTF, FLSTS, FXST, FXSTB, FXSTS
27	61338-94D	FUEL VALVE, vacuum actuated, includes gasket	FLSTC, FLSTF, FLSTS, FXST, FXSTB, FXSTS
29	62161-02	NUT, fuel valve	FLSTC, FLSTF, FLSTS, FXST, FXSTB, FXSTS
31	62172-02	GASKET, fuel valve	FLSTC, FLSTF, FLSTS, FXST, FXSTB, FXSTS
32	62180-00D	FUEL TANK, 5-gallon (primed)	FLSTC, FLSTF, FLSTS, FXST, FXSTB, FXSTS
36	63501-68B	HOSE, 1/4 inch I.D. x 5/8 inch O.D. (rubber) (25 feet)	FLSTC, FLSTF, FLSTS, FXST, FXSTB, FXSTS
37	63521-95A	HOSE, 5/16 inch I.D. x 5/8 inch O.D. (rubber) (25 feet)	FLSTC, FLSTF, FLSTS, FXST, FXSTB, FXSTS

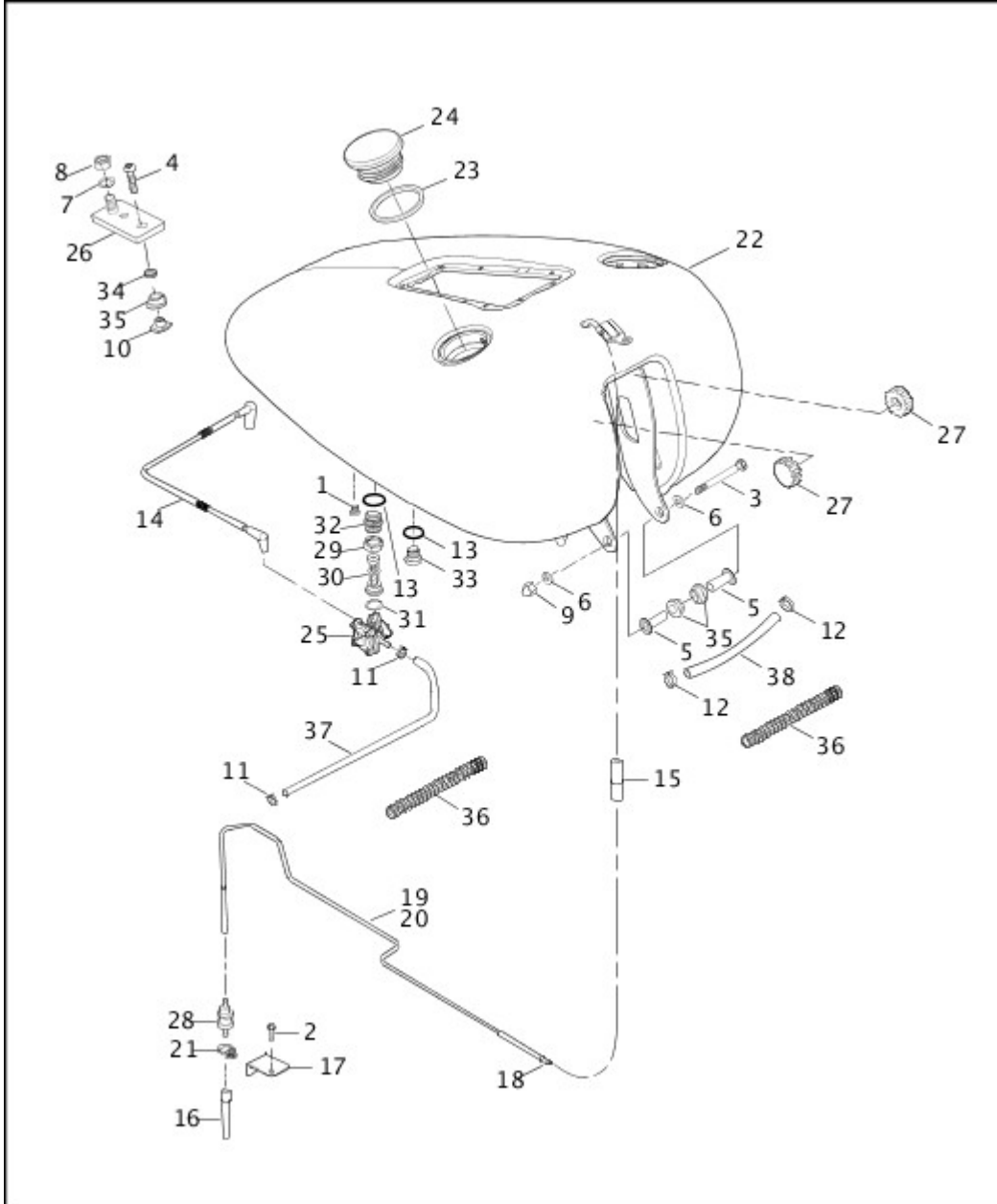
FUEL TANK - FUEL INJECTED



[View interactive table](#)

INDEX NO.	PART NO.	DESCRIPTION	MODEL(S)
6	5818A	BUSHING, front tank mount (2)	FLSTCI, FLSTFI, FLSTSI, FXSTBI, FXSTI, FXSTSI
28	61272-92C	CAP, fuel filler, right	FLSTCI, FLSTFI, FLSTSI, FXSTBI, FXSTI, FXSTSI
29	61625-01D	FUEL TANK, 5-gallon (primed)	FLSTCI, FLSTFI, FLSTSI, FXSTBI, FXSTI, FXSTSI
31	62189-01A	CHECK VALVE, out, w/ O-ring, 11323 & flex tubing	FLSTCI, FLSTFI, FLSTSI, FXSTBI, FXSTI, FXSTSI
35	62900-01D	FUEL LINE, from tank to intake	FLSTCI, FLSTFI, FLSTSI, FXSTBI, FXSTI, FXSTSI
37	63521-95A	HOSE, 5/16 inch I.D. x 5/8 inch O.D. (rubber) (25 feet)	FLSTCI, FLSTFI, FLSTSI, FXSTBI, FXSTI, FXSTSI

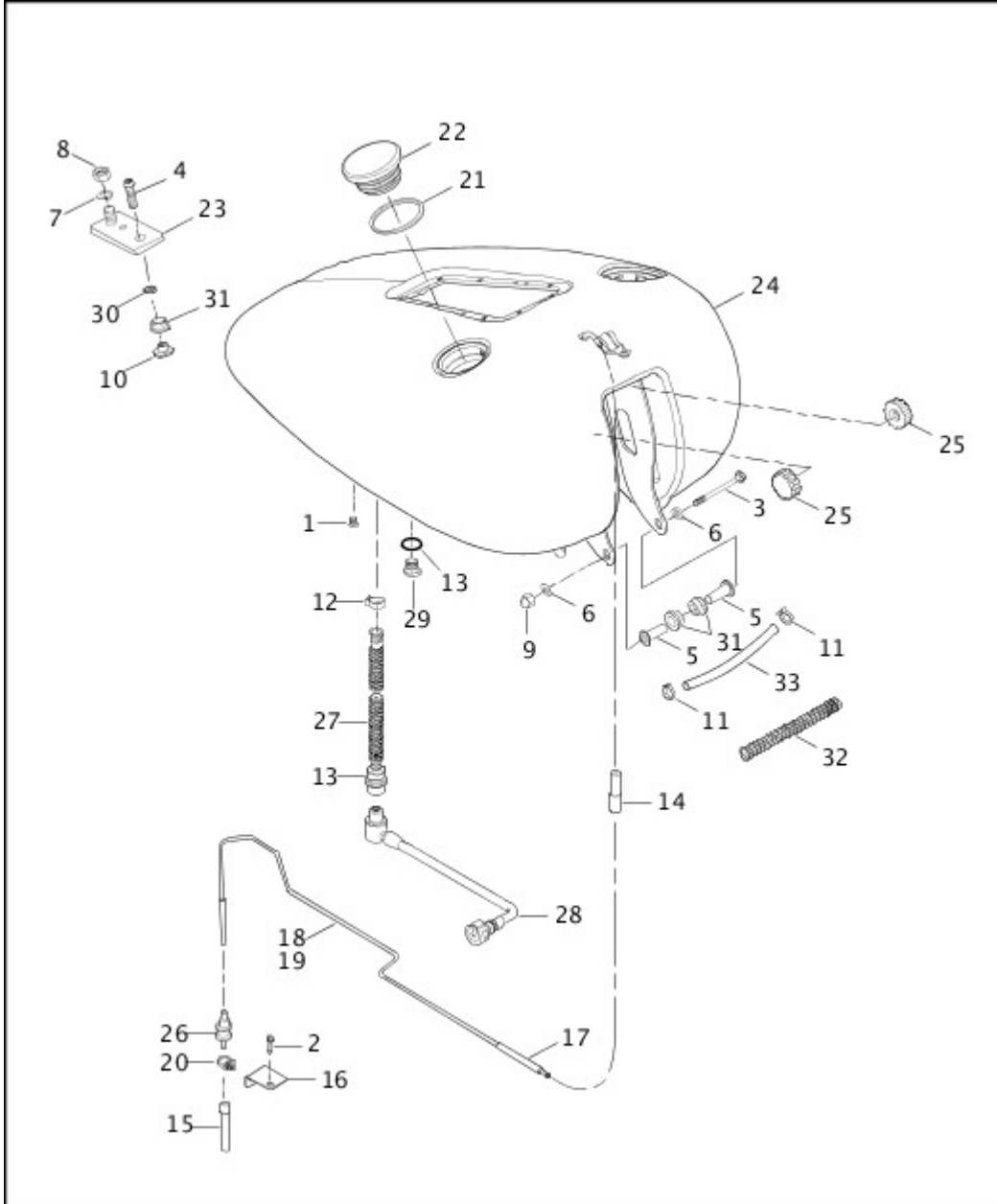
FUEL TANK - FXSTD



[View interactive table](#)

INDEX NO.	PART NO.	DESCRIPTION	MODEL(S)
5	5818A	BUSHING, front tank mount (2)	FXSTD
22	62082-00D	FUEL TANK (primed)	FXSTD
24	61272-92C	CAP, fuel filler, right	FXSTD
25	61338-94D	FUEL VALVE, vacuum actuated, includes gasket	FXSTD
29	62161-02	NUT, fuel valve	FXSTD
31	62172-02	GASKET, fuel valve	FXSTD
37	63501-68B	HOSE, 1/4 inch I.D. x 5/8 inch O.D. (rubber) (25 feet)	FXSTD
38	63521-95A	HOSE, 5/16 inch I.D. x 5/8 inch O.D. (rubber) (25 feet)	FXSTD

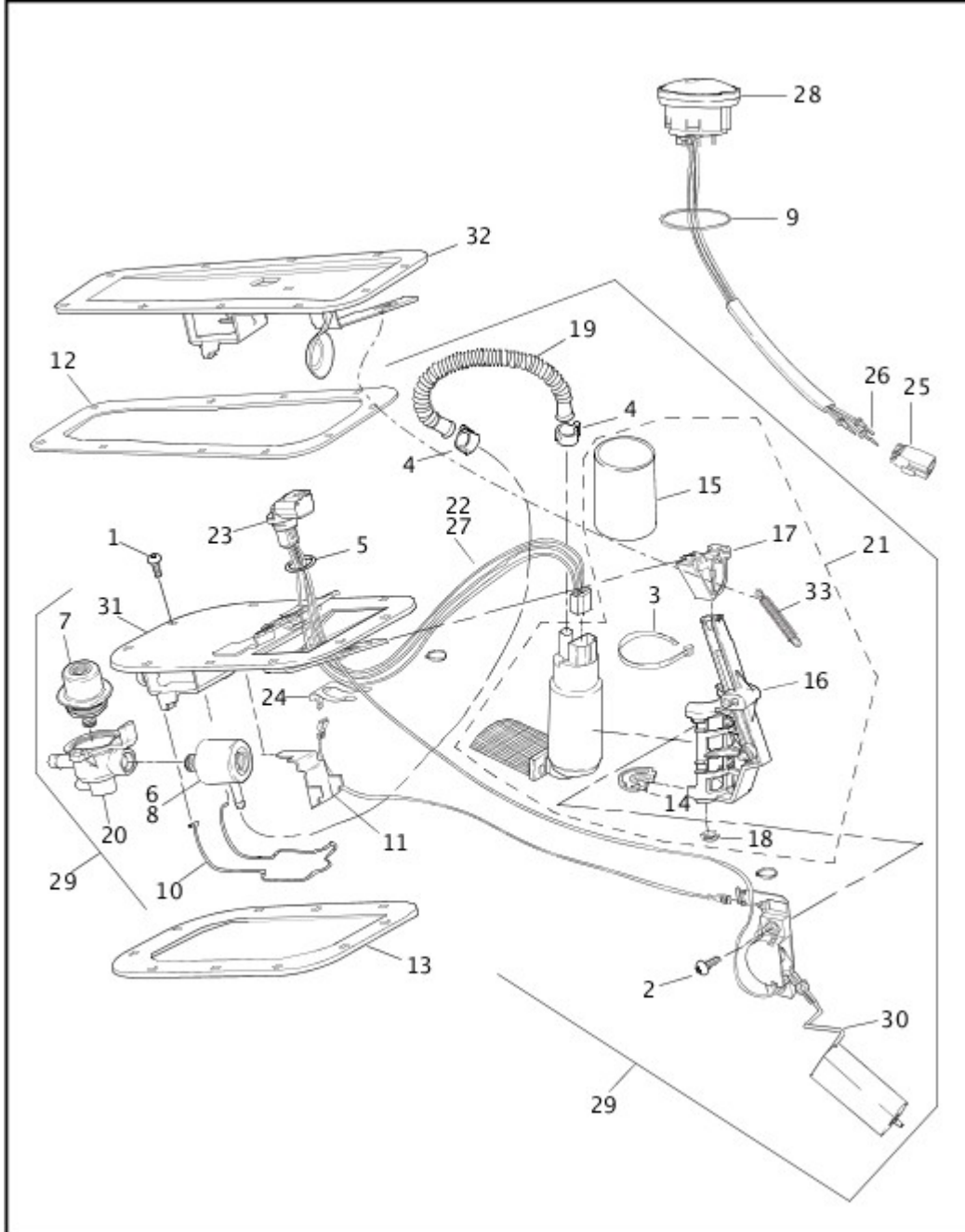
FUEL TANK - FXSTD - FUEL INJECTED



[View interactive table](#)

INDEX NO.	PART NO.	DESCRIPTION	MODEL(S)
5	5818A	BUSHING, front tank mount (2)	FXSTDI
22	61272-92C	CAP, fuel filler, right	FXSTDI
24	62082-00D	FUEL TANK (primed)	FXSTDI
27	62189-01A	CHECK VALVE, out, w/ O-ring and flex tubing	FXSTDI
28	62190-01D	FUEL LINE, from tank to intake	FXSTDI
33	63521-95A	HOSE, 5/16 inch I.D. x 5/8 inch O.D. (rubber) (25 feet)	FXSTDI

[FUEL PUMP - FUEL INJECTED](#)

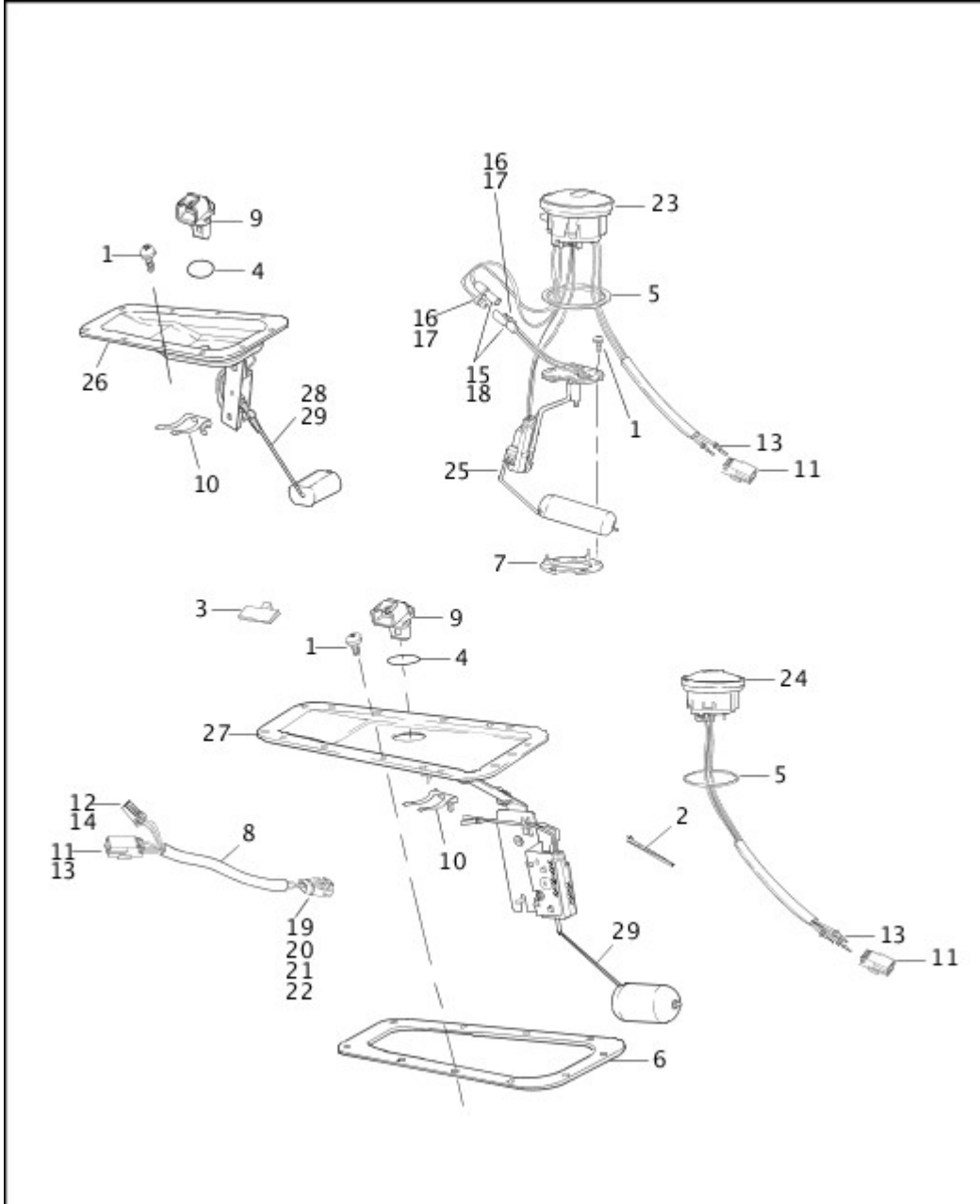


[View interactive table](#)

INDEX NO.	PART NO.	DESCRIPTION	MODEL(S)
1	1311D	SCREW (10)	FLSTCI, FLSTFI, FLSTSI, FXSTBI, FXSTDI, FXSTI, FXSTSI
5	11117A	O-RING	FLSTCI, FLSTFI, FLSTSI, FXSTBI, FXSTDI, FXSTI, FXSTSI
7	27408-01	REGULATOR	FLSTCI, FLSTFI, FLSTSI, FXSTBI, FXSTDI, FXSTI, FXSTSI
8	61001-01	FUEL FILTER KIT	FLSTCI, FLSTFI, FLSTSI, FXSTBI, FXSTDI, FXSTI, FXSTSI
9	61192-96A	GASKET, fuel gauge	FLSTCI, FLSTFI, FLSTSI, FXSTBI, FXSTDI, FXSTI, FXSTSI
10	61209-01A	BAIL	FLSTCI, FLSTFI, FLSTSI, FXSTBI, FXSTDI, FXSTI, FXSTSI
11	61231-01	BAIL BRACKET	FLSTCI, FLSTFI, FLSTSI, FXSTBI, FXSTDI, FXSTI, FXSTSI

INDEX NO.	PART NO.	DESCRIPTION	MODEL(S)
13	61659-01	GASKET, top plate	FLSTCI, FLSTFI, FLSTSI, FXSTBI, FXSTI, FXSTSI
16	62163-01A	HOUSING FUEL PUMP	FLSTCI, FLSTFI, FLSTSI, FXSTBI, FXSTDI, FXSTI, FXSTSI
17	62165-01	ENDCAP, housing fuel pump	FLSTCI, FLSTFI, FLSTSI, FXSTBI, FXSTDI, FXSTI, FXSTSI
18	62188-01	SPACER, rubber	FLSTCI, FLSTFI, FLSTSI, FXSTBI, FXSTDI, FXSTI, FXSTSI
20	62373-01	REGULATOR HOUSING	FLSTCI, FLSTFI, FLSTSI, FXSTBI, FXSTI, FXSTSI
	62897-01B	PUMP ASSEMBLY, fuel, w/ 3, 14, 15, 16, 17 & 18 (replaces 62897-01)	FLSTCI, FLSTFI, FLSTSI, FXSTBI, FXSTDI, FXSTI, FXSTSI
23	72439-00B	HEADER ASSEMBLY, 3-way	FLSTCI, FLSTFI, FLSTSI, FXSTBI, FXSTDI, FXSTI, FXSTSI
24	72458-00	CLIP CONNECTOR	FLSTCI, FLSTFI, FLSTSI, FXSTBI, FXSTDI, FXSTI, FXSTSI
25	72904-01BK	PIN HOUSING, 4-way	FLSTCI, FLSTFI, FLSTSI, FXSTBI, FXSTDI, FXSTI, FXSTSI
26	72990-01	PIN TERMINAL (3)	FLSTCI, FLSTFI, FLSTSI, FXSTBI, FXSTDI, FXSTI, FXSTSI
28	75099-01A	FUEL GAUGE	FLSTCI, FLSTFI, FLSTSI, FXSTBI, FXSTDI, FXSTI, FXSTSI
	75130-01D	MODULE ASSEMBLY, fuel pump, complete, w/ 2, 7, 8, 10, 11, 20, 21, 23, 29 & 33 (replaces 75130-01)	FXSTDI
	75132-01	MODULE ASSEMBLY, fuel pump, complete, w/ 2, 7, 8, 10, 11, 20, 21, 29 & 33 (use 75132-01D)	FLSTCI, FLSTFI, FLSTSI, FXSTBI, FXSTI, FXSTSI
	75132-01D	MODULE ASSEMBLY, fuel pump, complete, w/ 2, 7, 8, 10, 11, 20, 21, 29 & 33 (replaces 75132-01)	FLSTCI, FLSTFI, FLSTSI, FXSTBI, FXSTI, FXSTSI
30	75142-01A	FUEL GAUGE SENDING UNIT	FLSTCI, FLSTFI, FLSTSI, FXSTBI, FXSTDI, FXSTI, FXSTSI
31	75141-01	TOP PLATE (use 75132-01D)	FLSTCI, FLSTFI, FLSTSI, FXSTBI, FXSTI, FXSTSI
32	75143-01	TOP PLATE (use 75130-01D)	FXSTDI
33	61583-02	SPRING	FLSTCI, FLSTFI, FLSTSI, FXSTBI, FXSTDI, FXSTI, FXSTSI

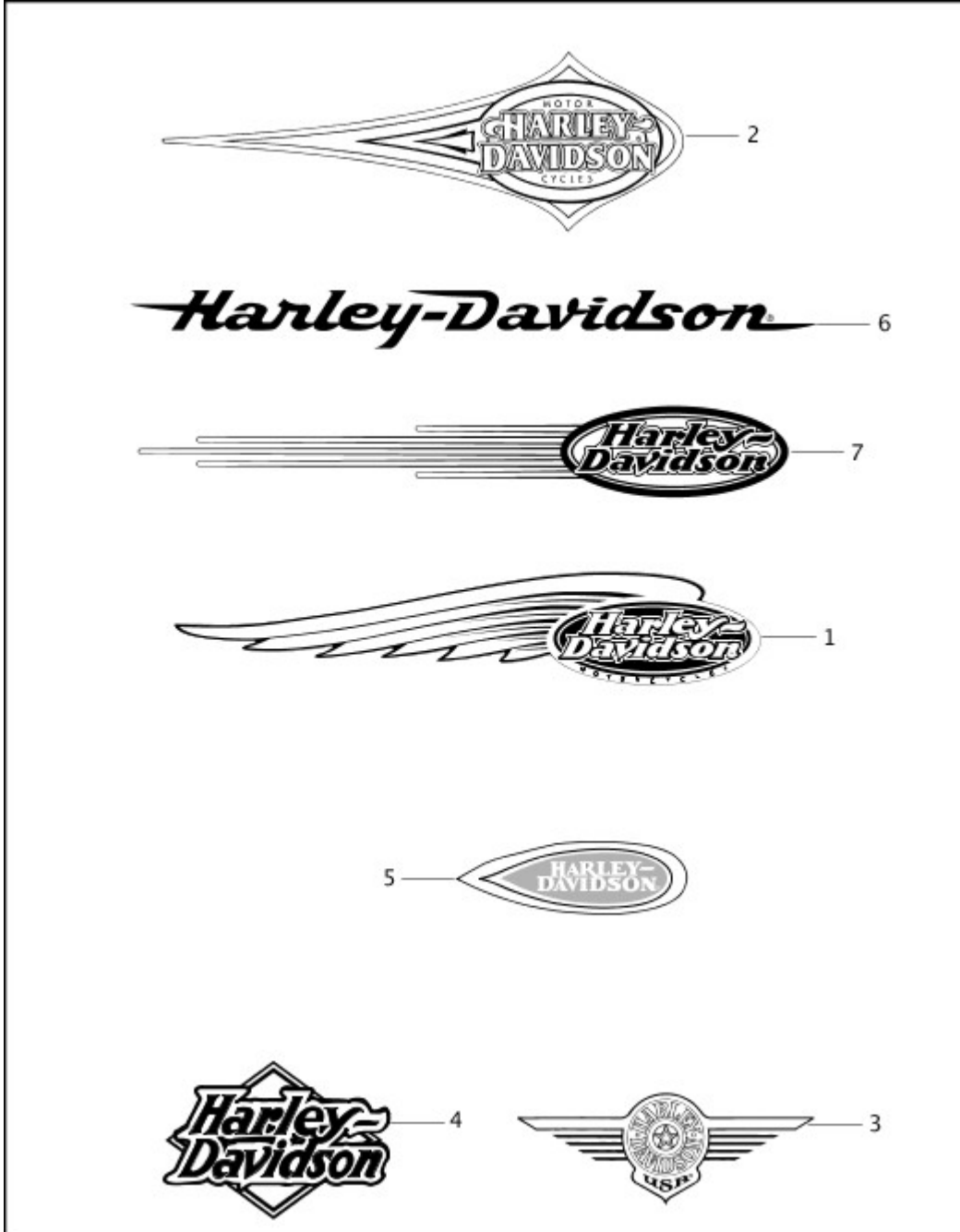
[SENDING UNITS - CARBURETED MODELS](#)



[View interactive table](#)

INDEX NO.	PART NO.	DESCRIPTION	MODEL(S)
5	61192-96A	GASKET, cap gauge	FLSTC, FLSTF, FLSTS, FXST, FXSTB, FXSTD, FXSTS
9	72439-00B	CONNECTOR ASSEMBLY KIT, 3-way, w/ 72458-00	FXSTD
10	72458-00	CONNECTOR KIT, w/ 11380	FXSTD
24	75053-01B	FUEL GAUGE	FXSTD
27	75129-00C	TOP PLATE ASSEMBLY, w/ 10065, 11380, 72439-00B & sending unit (replaces 75129-00A)	FXSTD

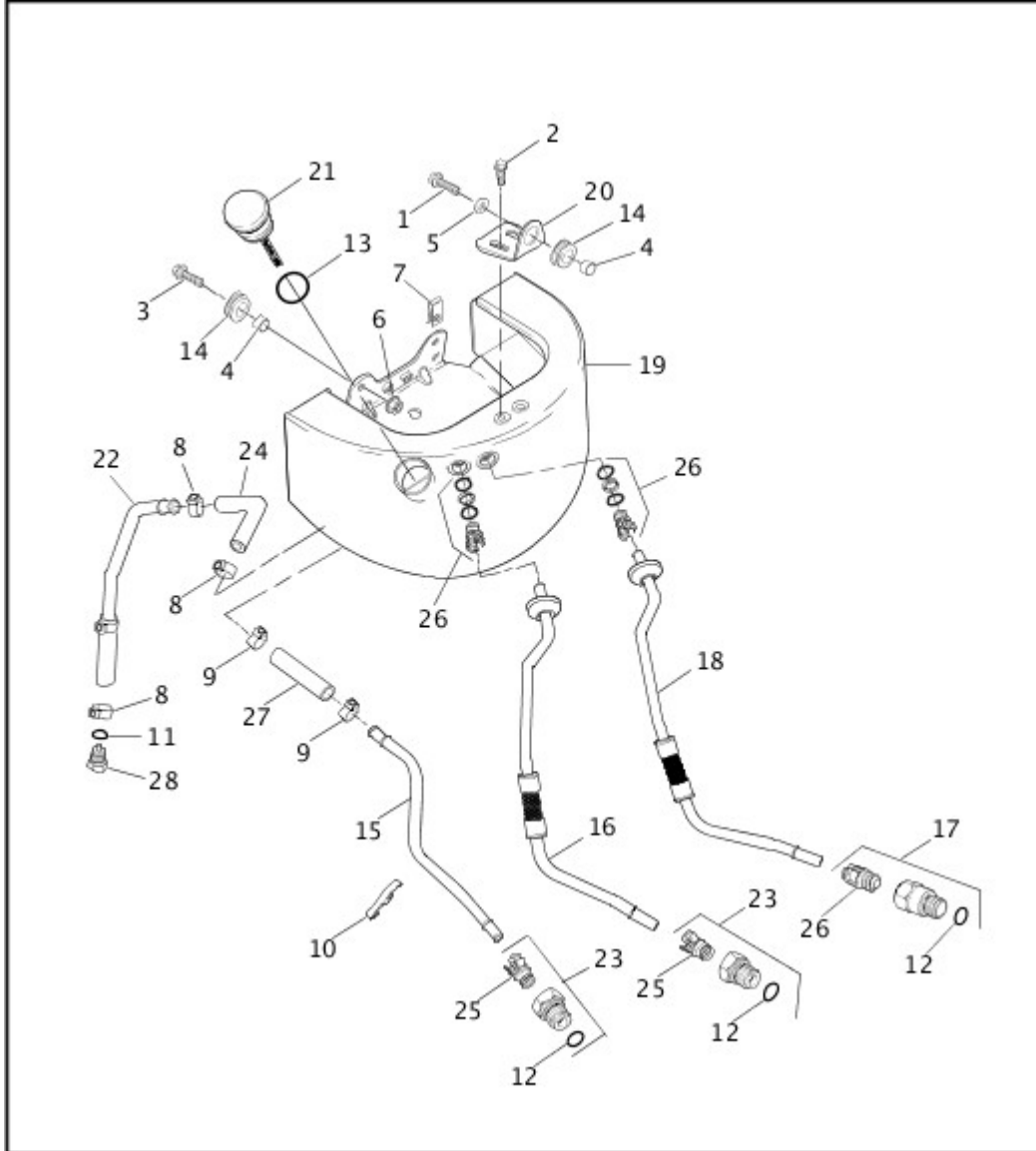
FUEL TANK TRIM



[View interactive table](#)

INDEX NO.	PART NO.	DESCRIPTION	MODEL(S)
1	13615-01	DECAL, left (for real teal & 2-tone birch white tanks)	FXSTS, FXSTSI
	13616-01	DECAL, right (for real teal & 2-tone birch white tanks)	FXSTS, FXSTSI
4	13618-01	DECAL (for jade sunglo tanks) (2)	FXSTB, FXSTBI
	62196-01	MEDALLION, left (for real teal & 2-tone birch white tanks)	FLSTS, FLSTSI
	62197-01	MEDALLION, right (for real teal & 2-tone birch white tanks)	FLSTS, FLSTSI

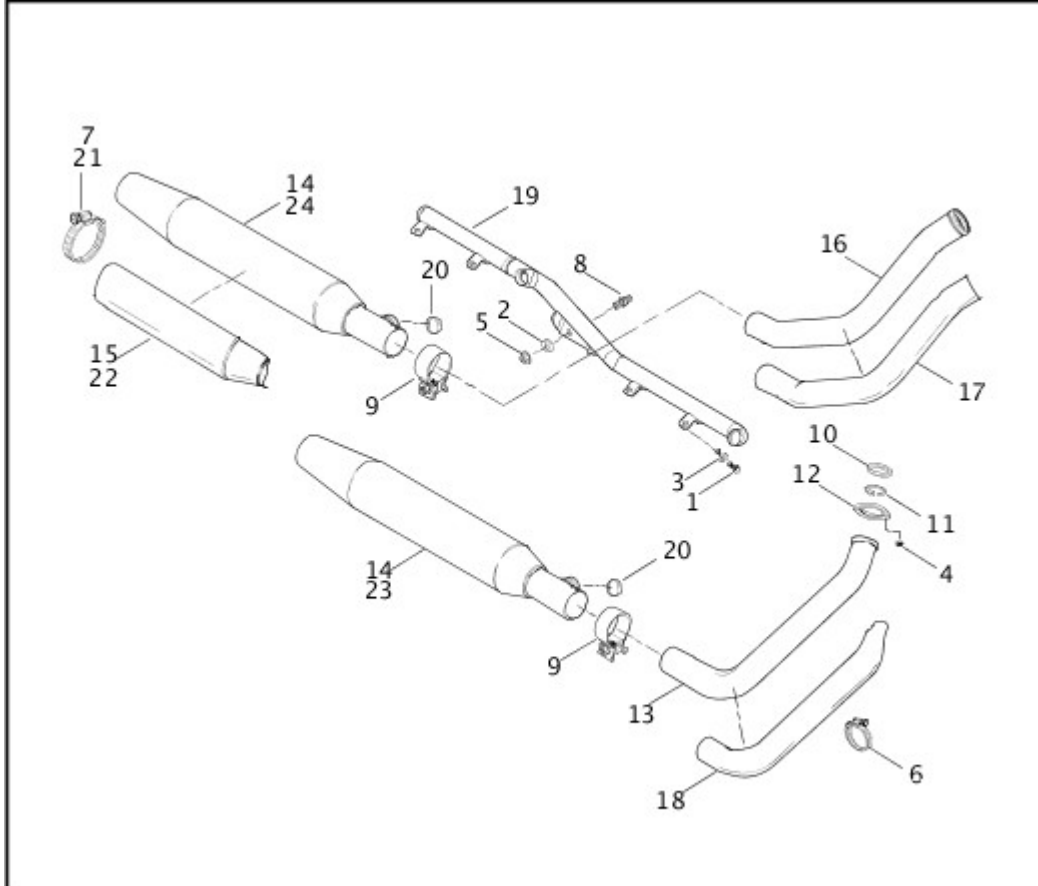
[OIL TANK & LINES](#)



[View interactive table](#)

INDEX NO.	PART NO.	DESCRIPTION	MODEL(S)
7	8144	LOCKNUT (used w/ 62492-01A, 62498-01A & 62840-01A) (2)	ALL
	62492-01A	OIL TANK (gloss black) (also order 8144) (replaces 62492-00)	FXST, FXSTI
	62498-01A	OIL TANK (chrome) (also order 8144) (replaces 62498-00)	FLSTC, FLSTCI, FLSTF, FLSTFI, FLSTFI, FLSTSI, FLSTSI, FXSTD, FXSTDI, FXSTS
20	62769-00A	BRACKET, oil tank top	ALL
21	62845-00A	FILLER CAP, w/ dipstick	ALL
22	63553-00B	HOSE, oil tank drain	ALL
28	60328-98B	DRAIN PLUG, w/ O-ring	ALL

[EXHAUST SYSTEM - FXST/I, FLSTC/I, FXSTS/I & FXSTB/I](#)

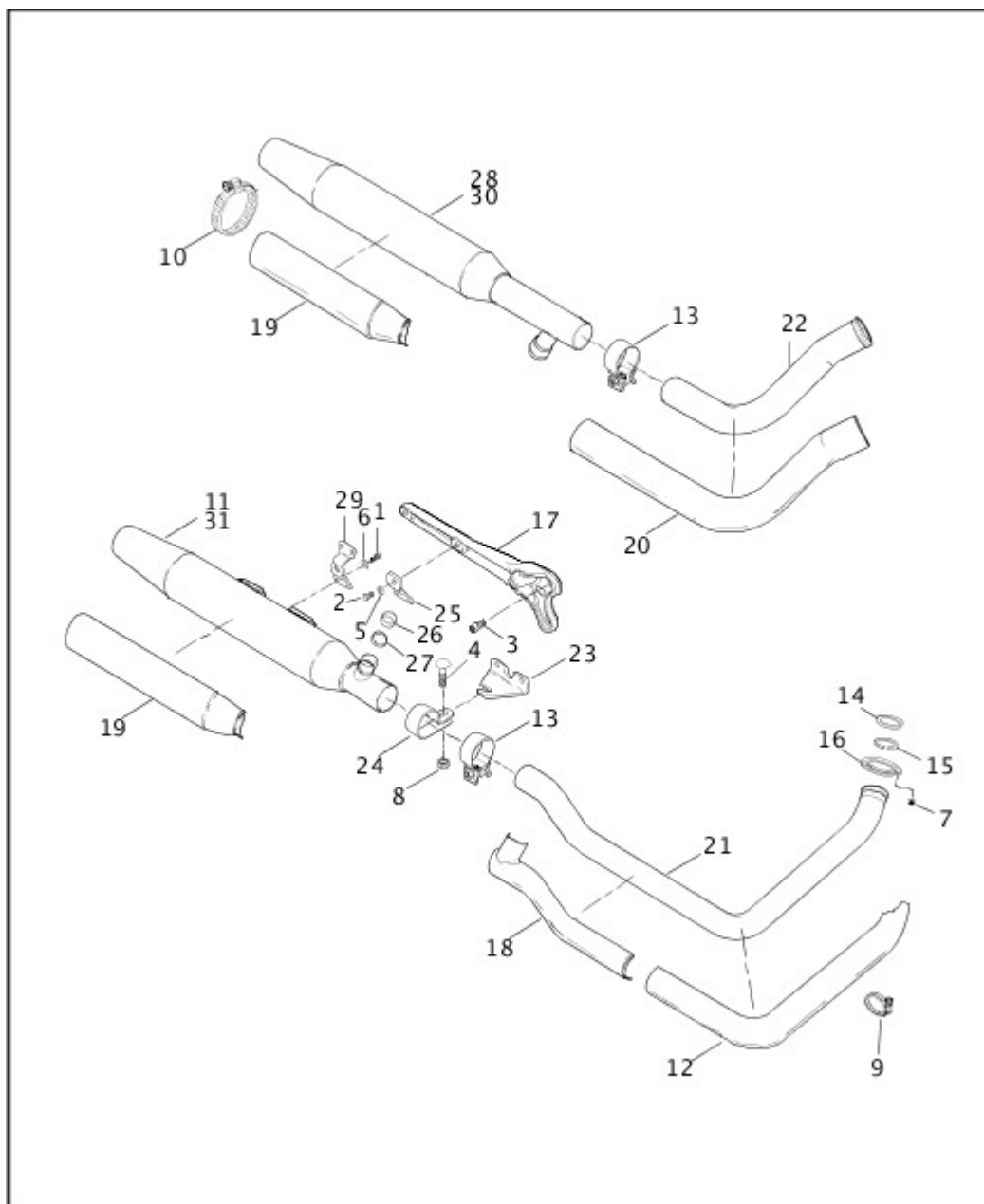


[View interactive table](#)

INDEX NO.	PART NO.	DESCRIPTION	MODEL(S)
8	11860	SPACER STUD (2)	FLSTC, FLSTCI, FXST, FXSTB, FXSTBI, FXSTI, FXSTS, FXSTSI
9	65296-95A	CLAMP, muffler (2)	FLSTC, FLSTCI, FXST, FXSTB, FXSTBI, FXSTI, FXSTS, FXSTSI
10	65324-83B	GASKET, exhaust port	FLSTC, FLSTCI, FXST, FXSTB, FXSTBI, FXSTI, FXSTS, FXSTSI
12	65328-83A	CLAMP, exhaust manifold (2)	FLSTC, FLSTCI, FXST, FXSTB, FXSTBI, FXSTI, FXSTS, FXSTSI
13	65401-00B	EXHAUST PIPE, front	FLSTC, FLSTCI, FXST, FXSTB, FXSTBI, FXSTI, FXSTS, FXSTSI
	65842-00A	MUFFLER, catalytic (California) (2)	FLSTC, FXST, FXSTB, FXSTS
16	65603-00A	EXHAUST PIPE, rear	FLSTC, FLSTCI, FXST, FXSTB, FXSTBI, FXSTI, FXSTS, FXSTSI
17	65702-00A	SHIELD, rear exhaust	FLSTC, FLSTCI, FXST, FXSTB, FXSTBI, FXSTI, FXSTS, FXSTSI
18	65732-00B	SHIELD, front exhaust	FXST, FXSTB, FXSTBI, FXSTI, FXSTS, FXSTSI
	65750-00B	SHIELD, front exhaust	FLSTC, FLSTCI
19	65912-00A	TUBE ASSEMBLY, interconnect	FLSTC, FLSTCI, FXST, FXSTB, FXSTBI, FXSTI, FXSTS, FXSTSI

INDEX NO.	PART NO.	DESCRIPTION	MODEL(S)
23	65682-00A	MUFFLER, catalytic (HDI)	FLSTC, FLSTCI, FXST, FXSTB, FXSTBI, FXSTI, FXSTS, FXSTSI

EXHAUST SYSTEM - FLSTF/I & FXSTD/I

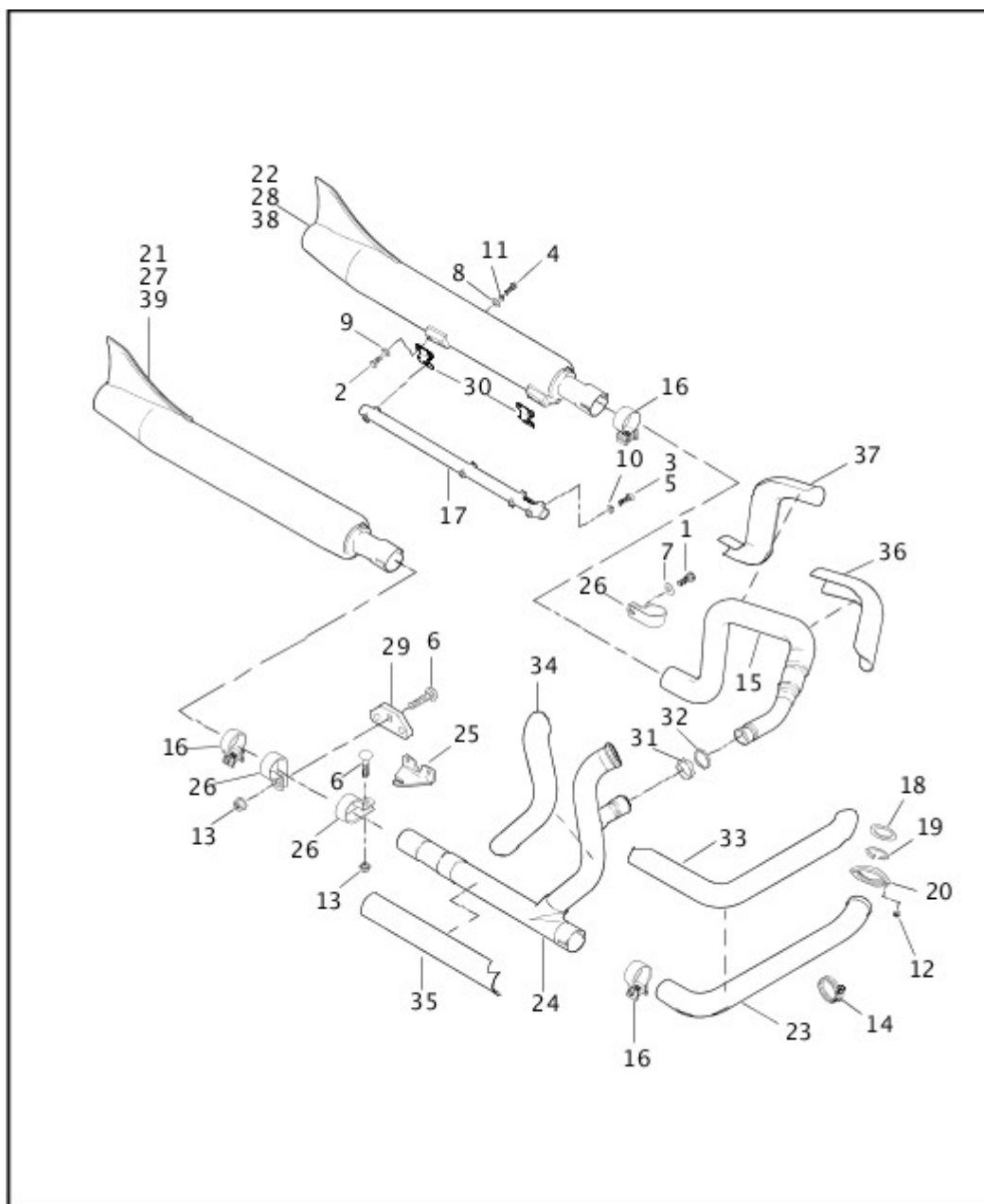


[View interactive table](#)

INDEX NO.	PART NO.	DESCRIPTION	MODEL(S)
11	65090-00B	MUFFLER, front, catalytic (California)	FLSTF, FXSTD
	65094-00A	MUFFLER, front	FLSTF, FLSTFI, FXSTD, FXSTDI
12	65148-00A	SHIELD, front exhaust	FLSTF, FLSTFI
	65085-00A	SHIELD, front exhaust (chrome)	FXSTD, FXSTDI
13	65296-95A	CLAMP, muffler (2)	FLSTF, FLSTFI, FXSTD, FXSTDI
14	65324-83B	GASKET, exhaust port	FLSTF, FLSTFI, FXSTD, FXSTDI

INDEX NO.	PART NO.	DESCRIPTION	MODEL(S)
16	65328-83A	CLAMP, exhaust manifold (2)	FLSTF, FLSTFI, FXSTD, FXSTDI
21	65499-00A	EXHAUST PIPE, front	FLSTF, FLSTFI, FXSTD, FXSTDI
22	65503-00A	EXHAUST PIPE, rear	FLSTF, FLSTFI, FXSTD, FXSTDI
28	65890-00A	MUFFLER, rear	FLSTF, FLSTFI, FXSTD, FXSTDI
	65900-00A	MUFFLER, rear, catalytic (California)	FLSTF, FXSTD
31	65939-00A	MUFFLER, front, catalytic (HDI)	FLSTF, FLSTFI, FXSTD, FXSTDI

EXHAUST SYSTEM - FLSTS/I

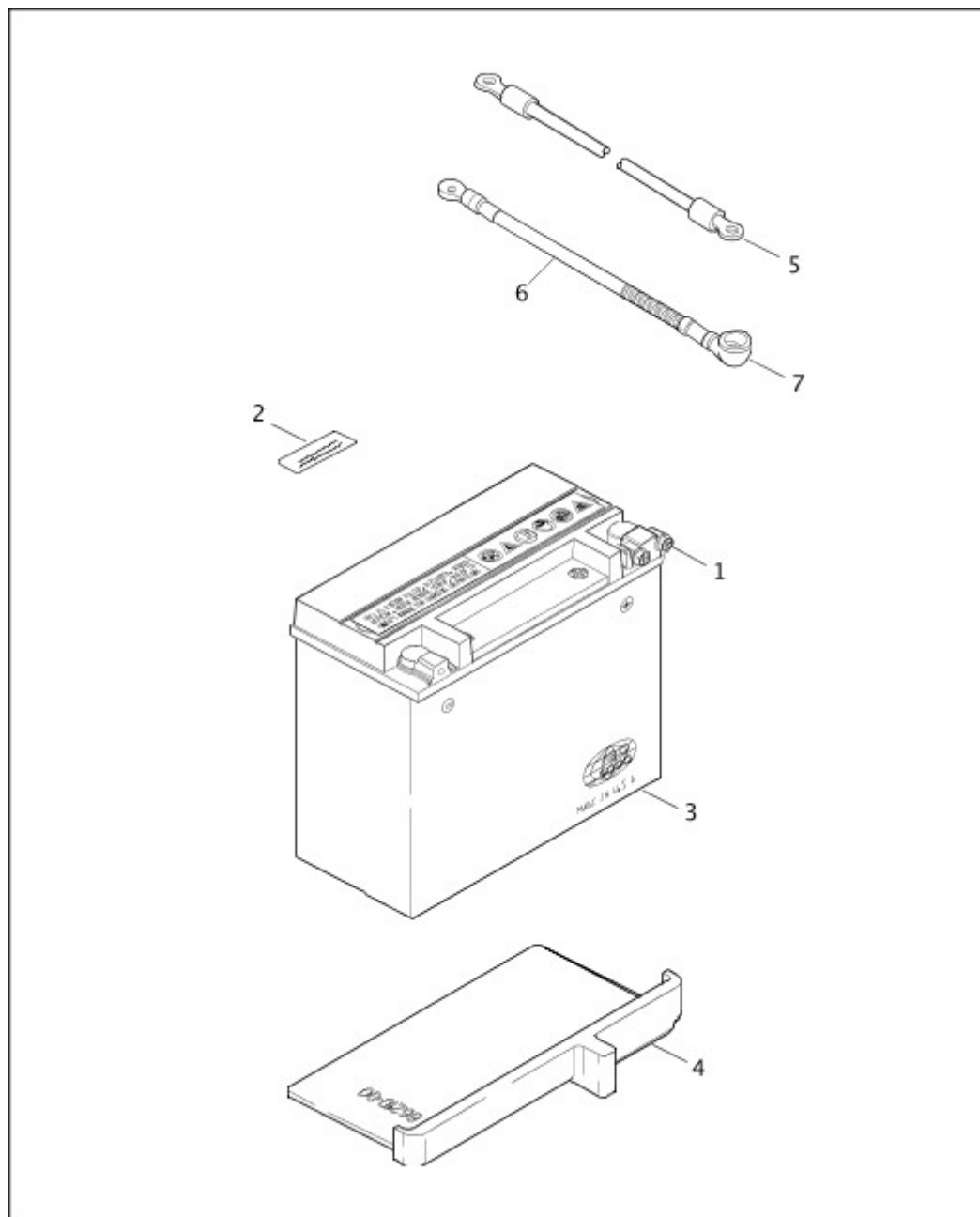


[View interactive table](#)

INDEX NO.	PART NO.	DESCRIPTION	MODEL(S)
15	65081-00A	EXHAUST PIPE, left	FLSTS, FLSTSI
16	65296-95A	CLAMP, muffler (3)	FLSTS, FLSTSI

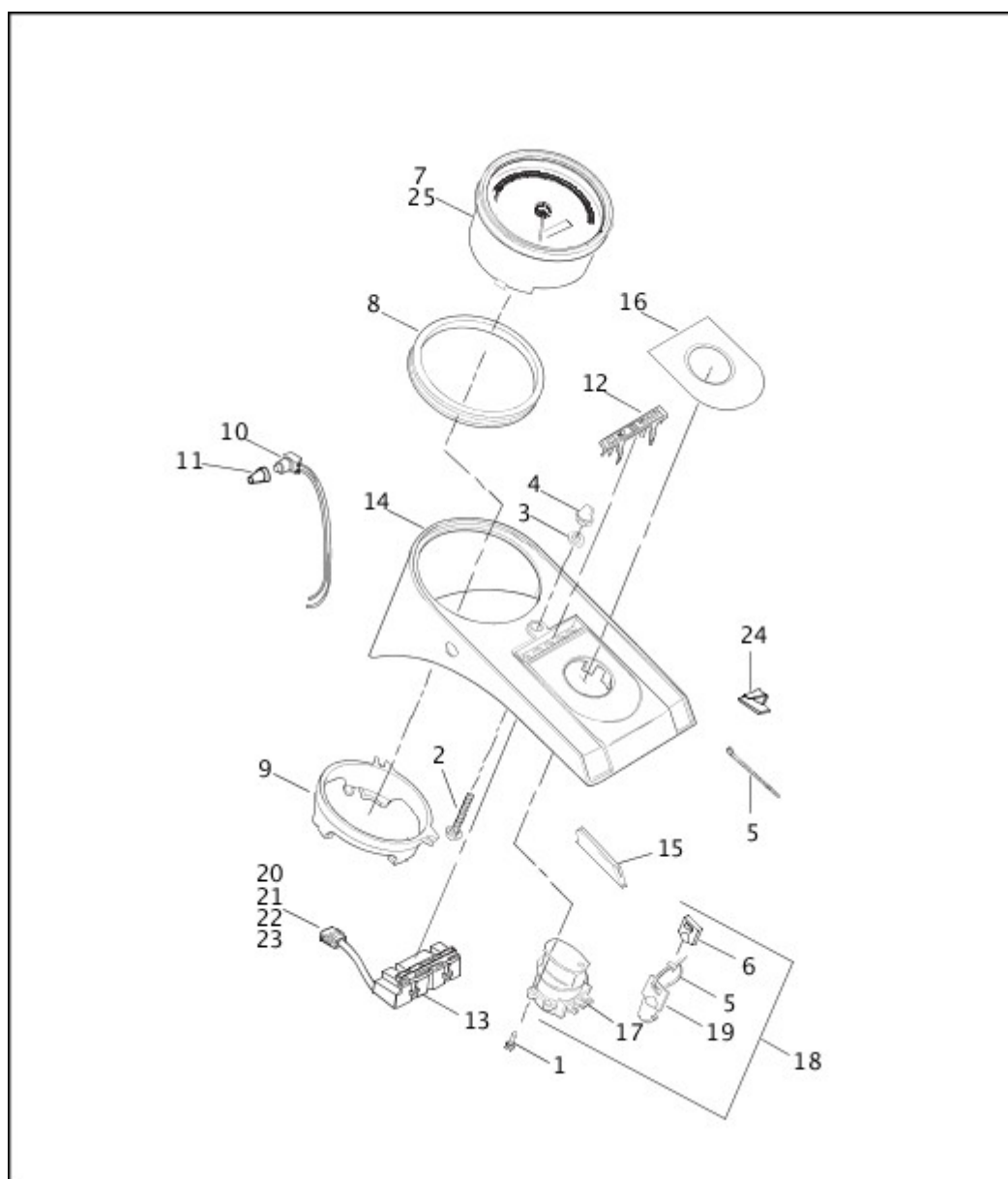
INDEX NO.	PART NO.	DESCRIPTION	MODEL(S)
18	65324-83B	GASKET, exhaust port	FLSTS, FLSTSI
20	65328-83A	CLAMP, exhaust manifold (2)	FLSTS, FLSTSI
21	65364-00A	MUFFLER, right, catalytic (California)	FLSTS
23	65498-00A	EXHAUST PIPE, front	FLSTS, FLSTSI
24	65513-00A	EXHAUST PIPE, right, rear	FLSTS, FLSTSI
33	65907-97A	HEAT SHIELD, front	FLSTS, FLSTSI
34	65908-00A	HEAT SHIELD, rear	FLSTS, FLSTSI
39	65806-00A	MUFFLER, right, catalytic (HDI)	FLSTS, FLSTSI

BATTERY



INDEX NO.	PART NO.	DESCRIPTION	MODEL(S)
1	4312C	SCREW (2)	ALL
2	15368-01A	WARNING LABEL	ALL
3	65989-97C	BATTERY, sealed, w/ terminal bolts	ALL
5	70060-92B	CABLE ASSEMBLY, battery negative	ALL
6	70078-00B	CABLE ASSEMBLY, battery positive, w/ 70584-94	ALL

INSTRUMENTS

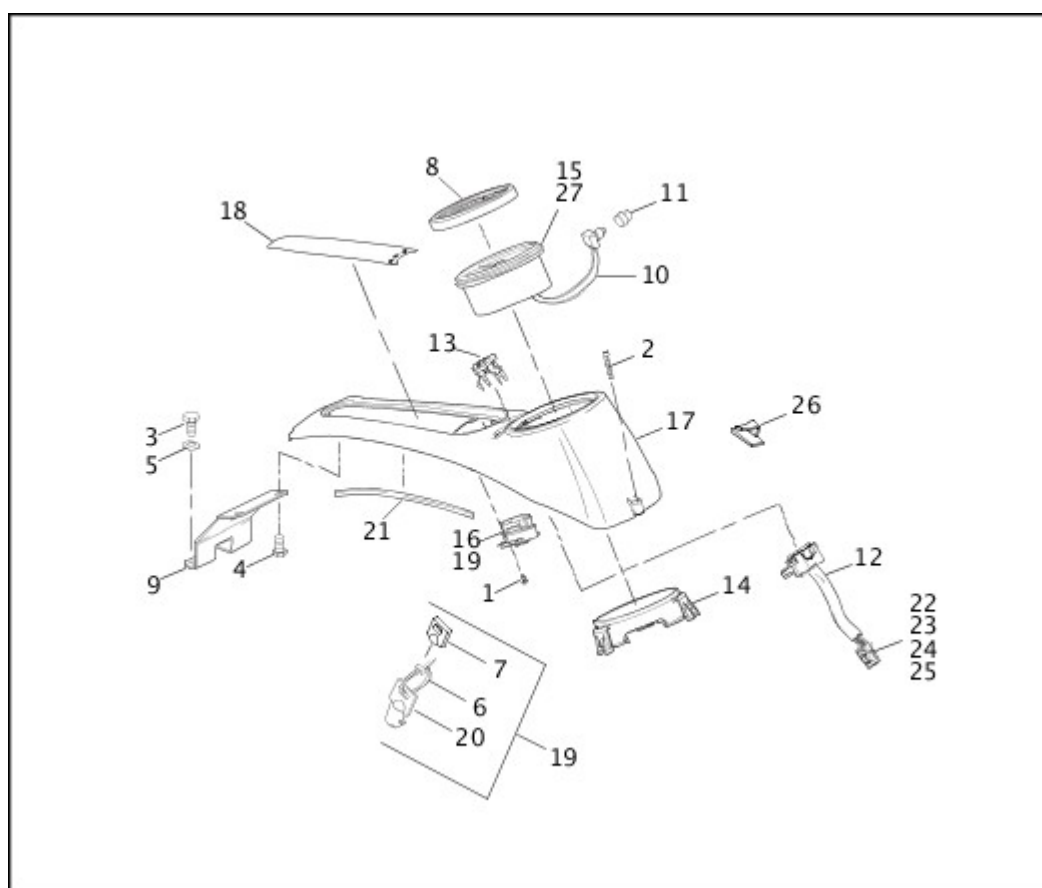


[View interactive table](#)

INDEX NO.	PART NO.	DESCRIPTION	MODEL(S)
12	68112-99A	BEZEL, indicator lamps	FLSTC, FLSTCI, FLSTF, FLSTFI, FLSTS, FLSTSI, FXST, FXSTB, FXSTBI, FXSTI, FXSTS, FXSTSI

INDEX NO.	PART NO.	DESCRIPTION	MODEL(S)
13	68113-99C	HOUSING ASSEMBLY, indicator lights, w/ 74118-98BK, 74158-98, 74191-98 & 74195-98	FLSTC, FLSTCI, FLSTF, FLSTFI, FLSTS, FLSTSI, FXST, FXSTB, FXSTBI, FXSTI, FXSTS, FXSTSI
14	71248-00A	INSTRUMENT PANEL, black	FXSTB, FXSTBI
	71250-00A	INSTRUMENT PANEL, chrome	FLSTC, FLSTCI, FLSTF, FLSTFI, FLSTS, FLSTSI, FXST, FXSTI, FXSTS, FXSTSI
18	71450-04	LOCKSET, complete, w/ 10065, 61081-92, 71452-91A, fork lock & ignition switch	FLSTC, FLSTCI, FLSTF, FLSTFI, FLSTS, FLSTSI, FXST, FXSTB, FXSTBI, FXSTI, FXSTS, FXSTSI

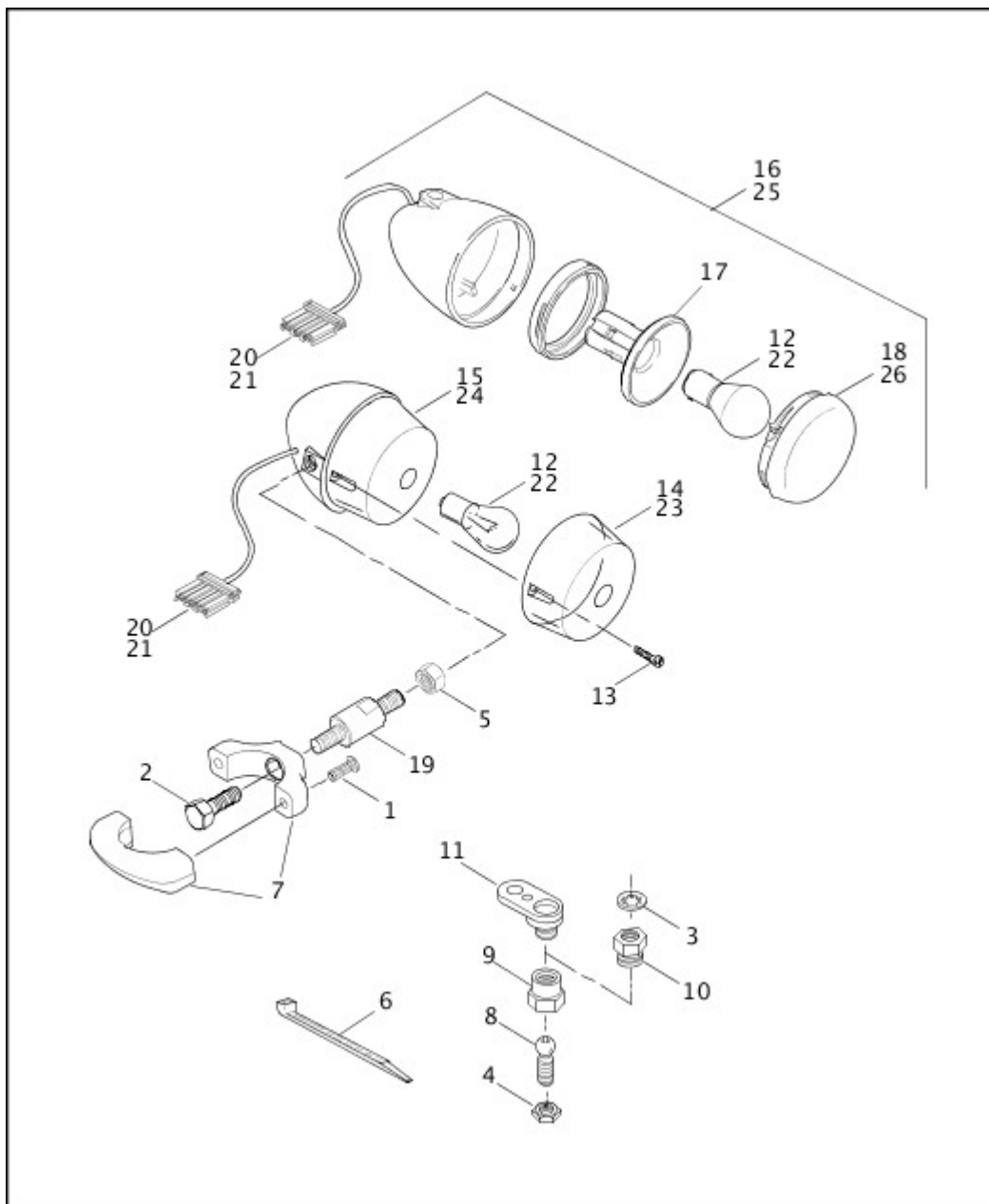
INSTRUMENTS - FXSTD/I



[View interactive table](#)

INDEX NO.	PART NO.	DESCRIPTION	MODEL(S)
8	67223-00A	SEAL, speedometer	FXSTD, FXSTDI
12	68892-00A	HOUSING ASSEMBLY, indicator lights, includes connector	FXSTD, FXSTDI
13	68893-00A	BEZEL, indicator lights	FXSTD, FXSTDI
16	71313-96A	IGNITION SWITCH (specify key code)	FXSTD, FXSTDI
19	71450-04	LOCKSET, complete, w/ 10065, 61081-92, 71452-91A, fork lock & ignition switch	FXSTD, FXSTDI

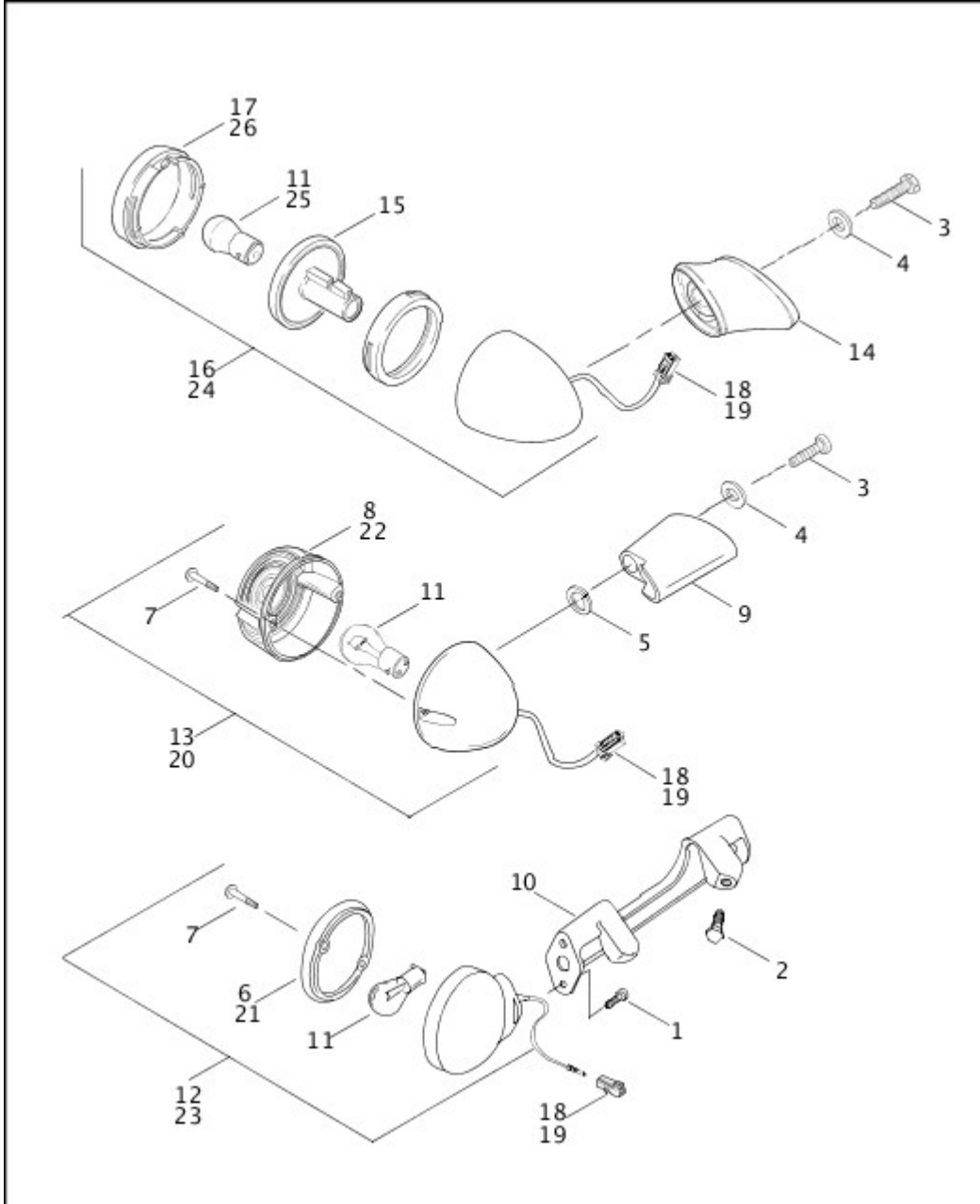
FRONT TURN SIGNALS



[View interactive table](#)

INDEX NO.	PART NO.	DESCRIPTION	MODEL(S)
12	68168-89A	BULB, front turn signals (2)	FLSTF, FLSTFI, FLSTS, FLSTSI, FXST, FXSTB, FXSTBI, FXSTD, FXSTDI, FXSTI, FXSTS, FXSTSI
17	68904-00	SOCKET ASSEMBLY (2)	FXSTD, FXSTDI

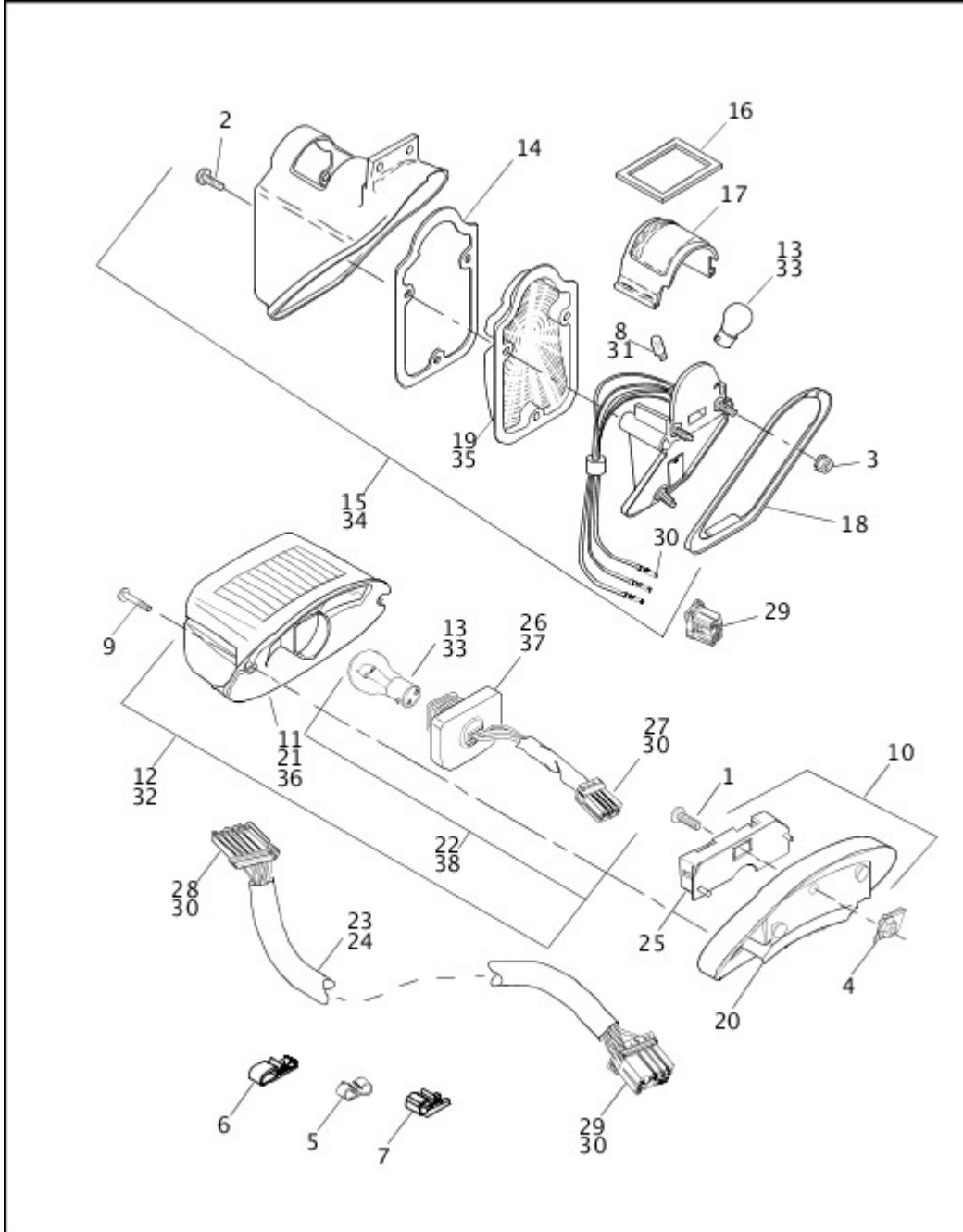
REAR TURN SIGNALS



[View interactive table](#)

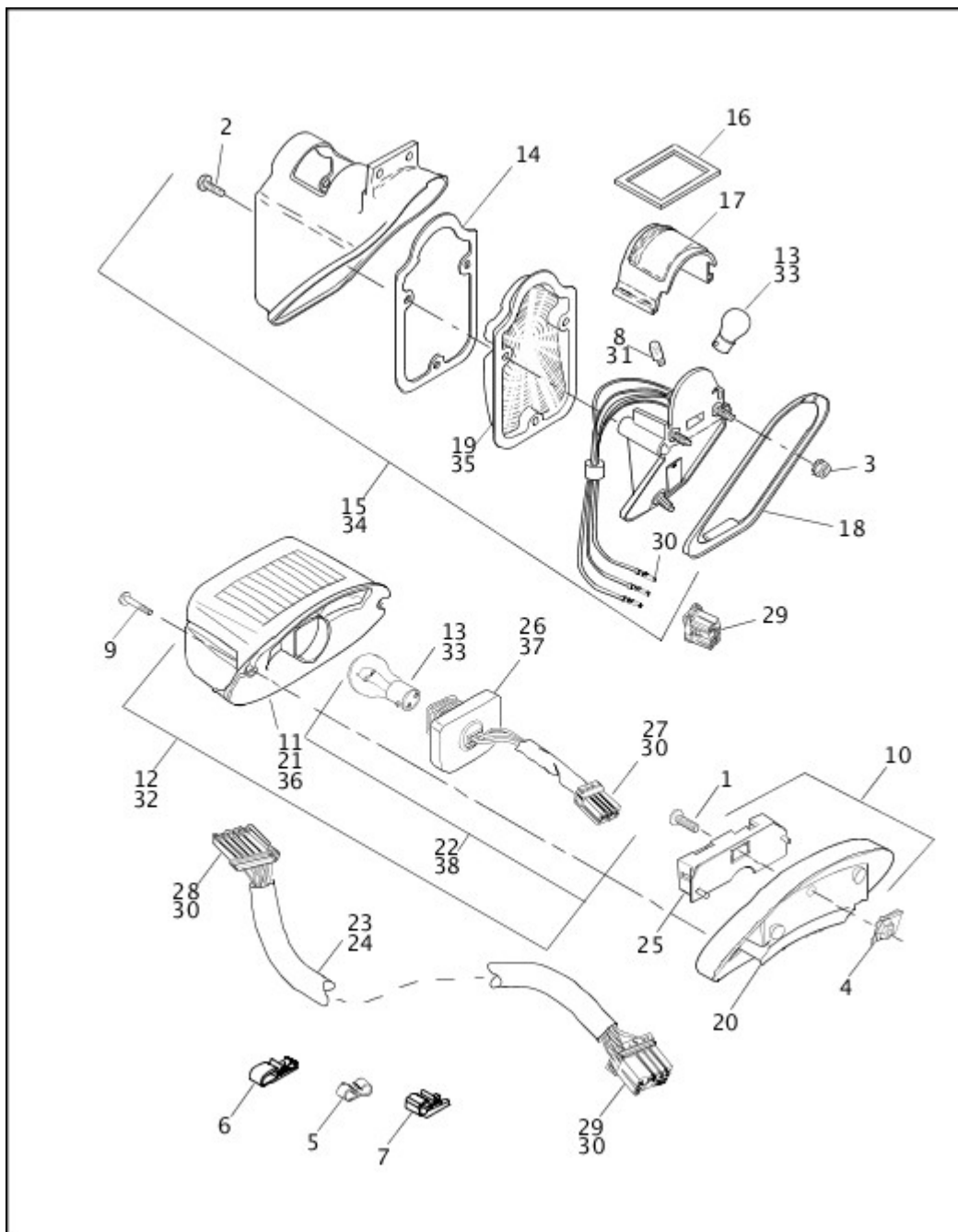
INDEX NO.	PART NO.	DESCRIPTION	MODEL(S)
9	68480-93A	SUPPORT, rear lamp mounting (2)	FLSTF, FLSTFI, FLSTS, FLSTSI, FXST, FXSTB, FXSTBI, FXSTI, FXSTS, FXSTSI
26	68973-00	LENS (HDI) (2)	FXSTD, FXSTDI

[TAIL LAMP \(1 OF 2\)](#)



[View interactive table](#)

INDEX NO.	PART NO.	DESCRIPTION	MODEL(S)
10	68066-99A	TAIL LAMP BASE ASSEMBLY	FLSTC, FLSTCI, FLSTF, FLSTFI
12	68140-04	LIGHT ASSEMBLY, tail lamp, w/ 68369-03 & 68370-03A (replaces 68140-99)	FLSTC, FLSTCI, FLSTF, FLSTFI, FXST, FXSTB, FXSTBI, FXSTI, FXSTS, FXSTSI
13	68167-04	BULB, tail lamp, wedge mount (used w/ 68370-03A)	FLSTC, FLSTCI, FLSTF, FLSTFI, FXST, FXSTB, FXSTBI, FXSTI, FXSTS, FXSTSI
20	68296-99A	TAIL LIGHT CHROME	FLSTC, FLSTCI, FLSTF, FLSTFI
22	68370-03A	SOCKET ASSEMBLY, w/ 68167-04 (used w/ 68140-04)	FLSTC, FLSTCI, FLSTF, FLSTFI, FXST, FXSTB, FXSTBI, FXSTI, FXSTS, FXSTSI
25	68830-99A	CIRCUIT BOARD AND COVER	FLSTC, FLSTCI, FLSTF, FLSTFI, FXST, FXSTB, FXSTBI, FXSTI, FXSTS, FXSTSI

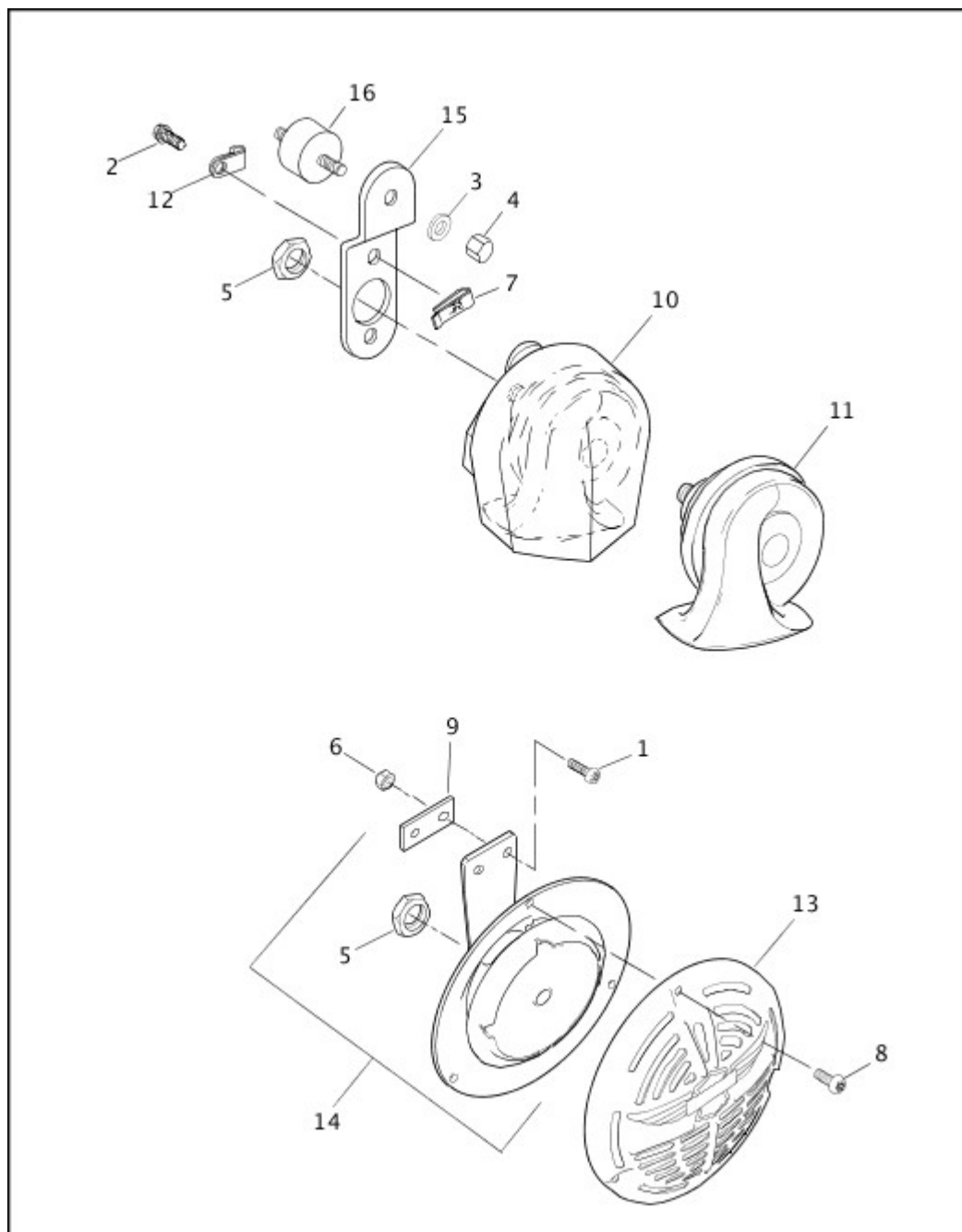


[View interactive table](#)

INDEX NO.	PART NO.	DESCRIPTION	MODEL(S)
	68141-04	LIGHT ASSEMBLY, tail lamp, w/ 68372-03 & 69187-03A (replaces 68141-99A) (HDI)	FLSTC, FLSTCI, FLSTF, FLSTFI, FXST, FXSTB, FXSTBI, FXSTI, FXSTS, FXSTSI
	68142-04	LIGHT ASSEMBLY, tail lamp, w/ 68558-03 & 69187-03A (replaces 68833-99) (HDI)	FLSTC, FLSTCI, FLSTF, FLSTFI, FXST, FXSTB, FXSTBI, FXSTI, FXSTS, FXSTSI
36	68372-03	LENS, tail lamp, w/ 68026-99 (used w/ 68141-04) (HDI)	FLSTC, FLSTCI, FLSTF, FLSTFI, FXST, FXSTB, FXSTBI, FXSTI, FXSTS, FXSTSI
	68558-03	LENS, tail lamp, w/ 68026-99 (red) (used w/ 68142-04) (HDI)	FLSTC, FLSTCI, FLSTF, FLSTFI, FXST, FXSTB, FXSTBI, FXSTI, FXSTS, FXSTSI

INDEX NO.	PART NO.	DESCRIPTION	MODEL(S)
38	69187-03A	SOCKET ASSEMBLY, w/ 68167-04 (used w/ 68141-04 & 68142-04) (HDI)	FLSTC, FLSTCI, FLSTF, FLSTFI, FXST, FXSTB, FXSTBI, FXSTI, FXSTS, FXSTSI

HORN

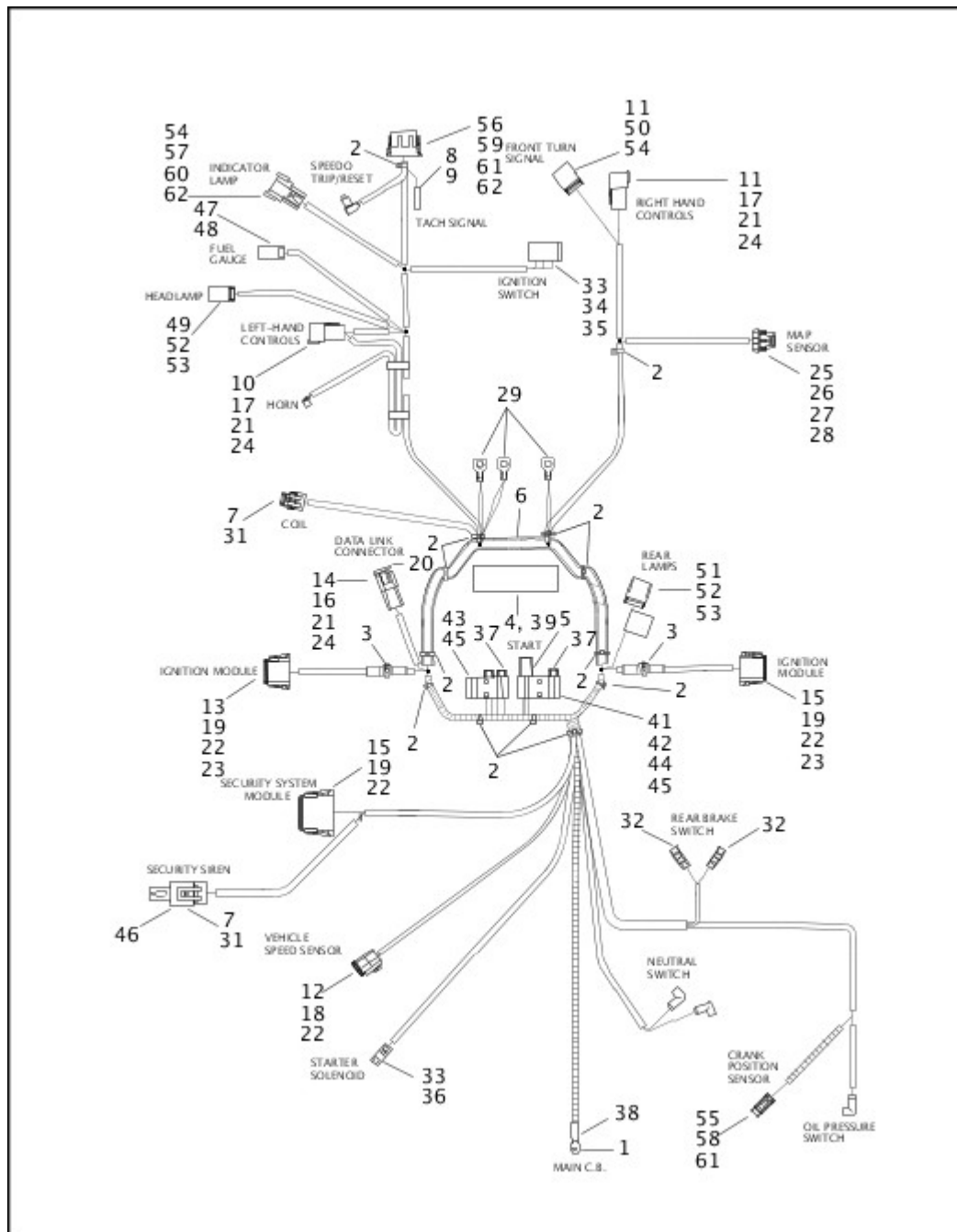


[View interactive table](#)

INDEX NO.	PART NO.	DESCRIPTION	MODEL(S)
8	32617-00Y	SCREW (3)	FLSTS, FLSTSI
	69039-09	COVER, horn (black wrinkle)	FXSTB, FXSTBI
11	69060-90F	HORN ASSEMBLY	FLSTC, FLSTCI, FLSTF, FLSTFI, FXST, FXSTB, FXSTBI, FXSTD, FXSTDI, FXSTI, FXSTS, FXSTSI
14	69070-97B	HORN ASSEMBLY	FLSTS, FLSTSI

INDEX NO.	PART NO.	DESCRIPTION	MODEL(S)
16	69123-92A	MOUNT, horn (rubber)	FLSTC, FLSTCI, FLSTF, FLSTFI, FXST, FXSTB, FXSTBI, FXSTD, FXSTDI, FXSTI, FXSTS, FXSTSI

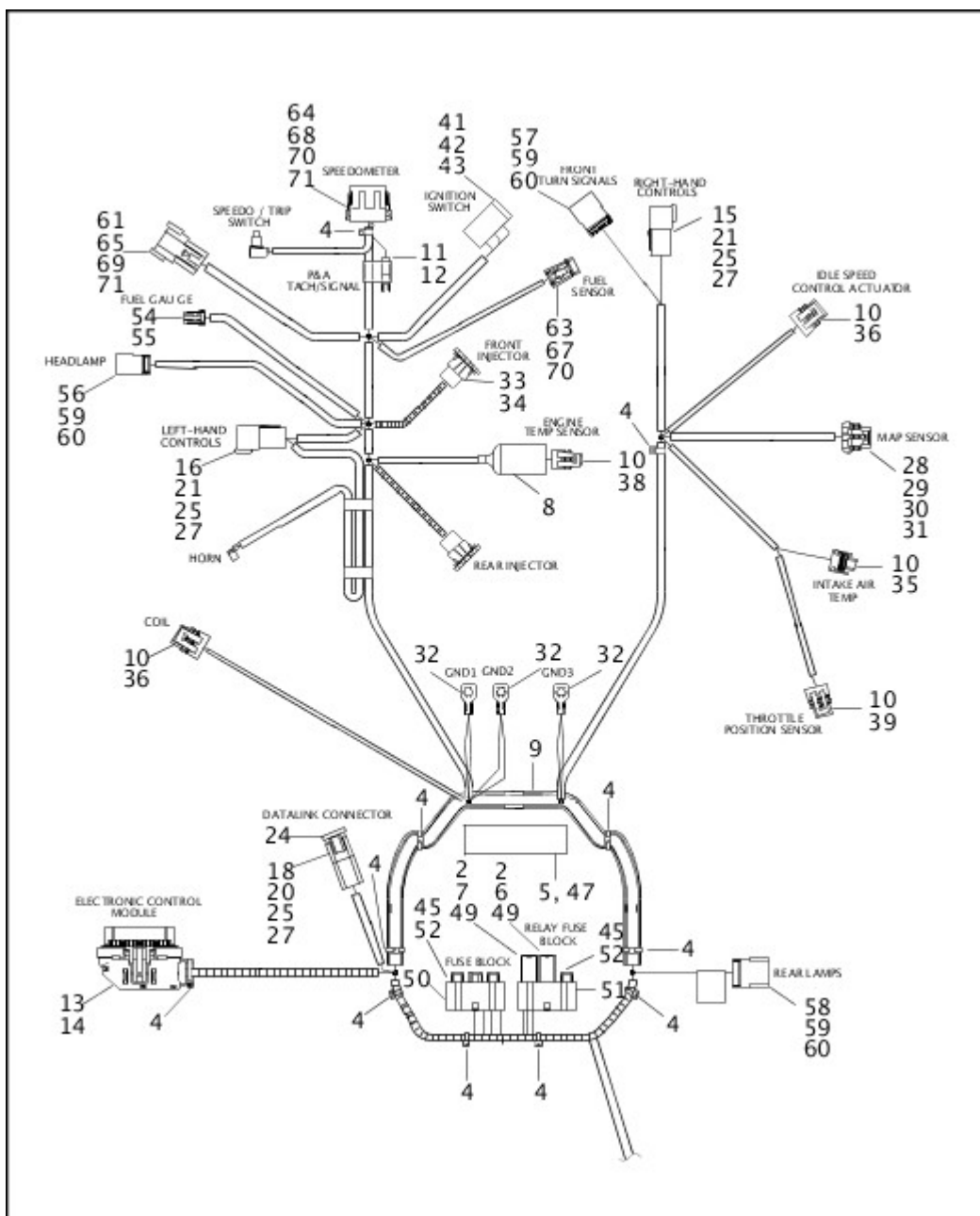
WIRING HARNESS, MAIN - CARBURETED (1 OF 2)



[View interactive table](#)

INDEX NO.	PART NO.	DESCRIPTION	MODEL(S)
5	31522-00C	RELAY	FLSTC, FLSTF, FLSTS, FXST, FXSTB, FXSTD, FXSTS
6	70974-00B	SHIELD, loom	FLSTC, FLSTF, FLSTS, FXST, FXSTB, FXSTD, FXSTS
20	72164-94A	PLUG, 4-pin connector	FLSTC, FLSTF, FLSTS, FXST, FXSTB, FXSTD, FXSTS

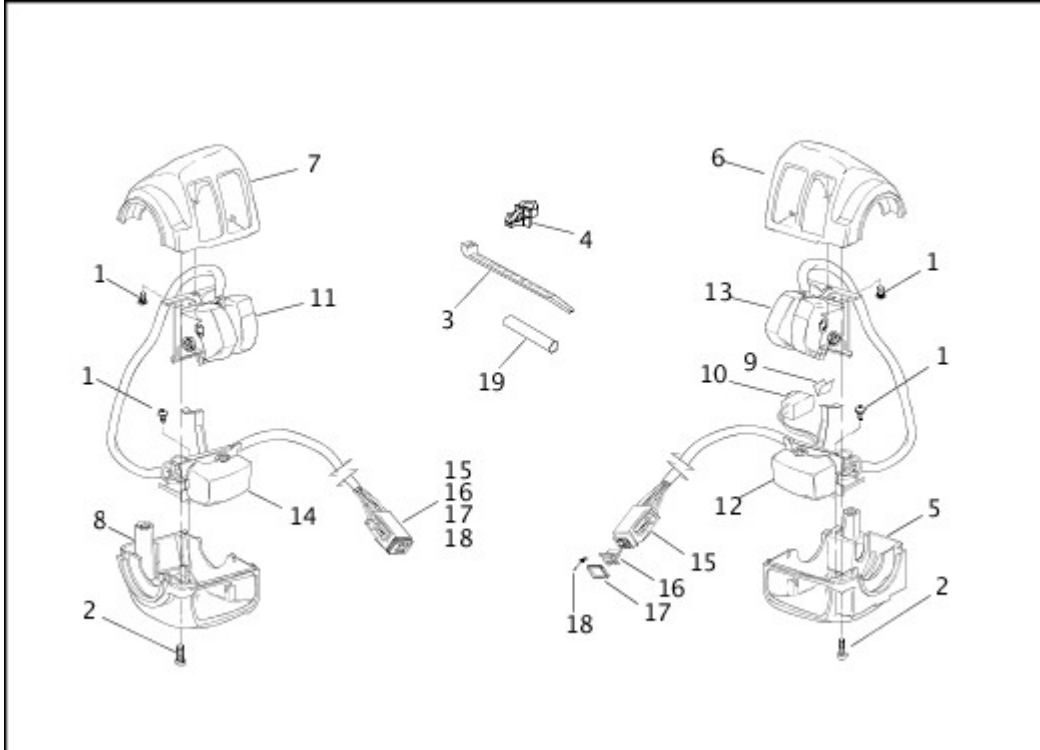
WIRING HARNESS, MAIN - FUEL INJECTED (1 OF 2)



[View interactive table](#)

INDEX NO.	PART NO.	DESCRIPTION	MODEL(S)
6	31511-01B	RELAY, black	FLSTCI, FLSTFI, FLSTSI, FXSTBI, FXSTDI, FXSTI, FXSTSI
7	31522-00C	RELAY	FLSTCI, FLSTFI, FLSTSI, FXSTBI, FXSTDI, FXSTI, FXSTSI
9	70974-00B	SHIELD, loom	FLSTCI, FLSTFI, FLSTSI, FXSTBI, FXSTDI, FXSTI, FXSTSI
24	72164-94A	PLUG, 4-way connector	FLSTCI, FLSTFI, FLSTSI, FXSTBI, FXSTDI, FXSTI, FXSTSI

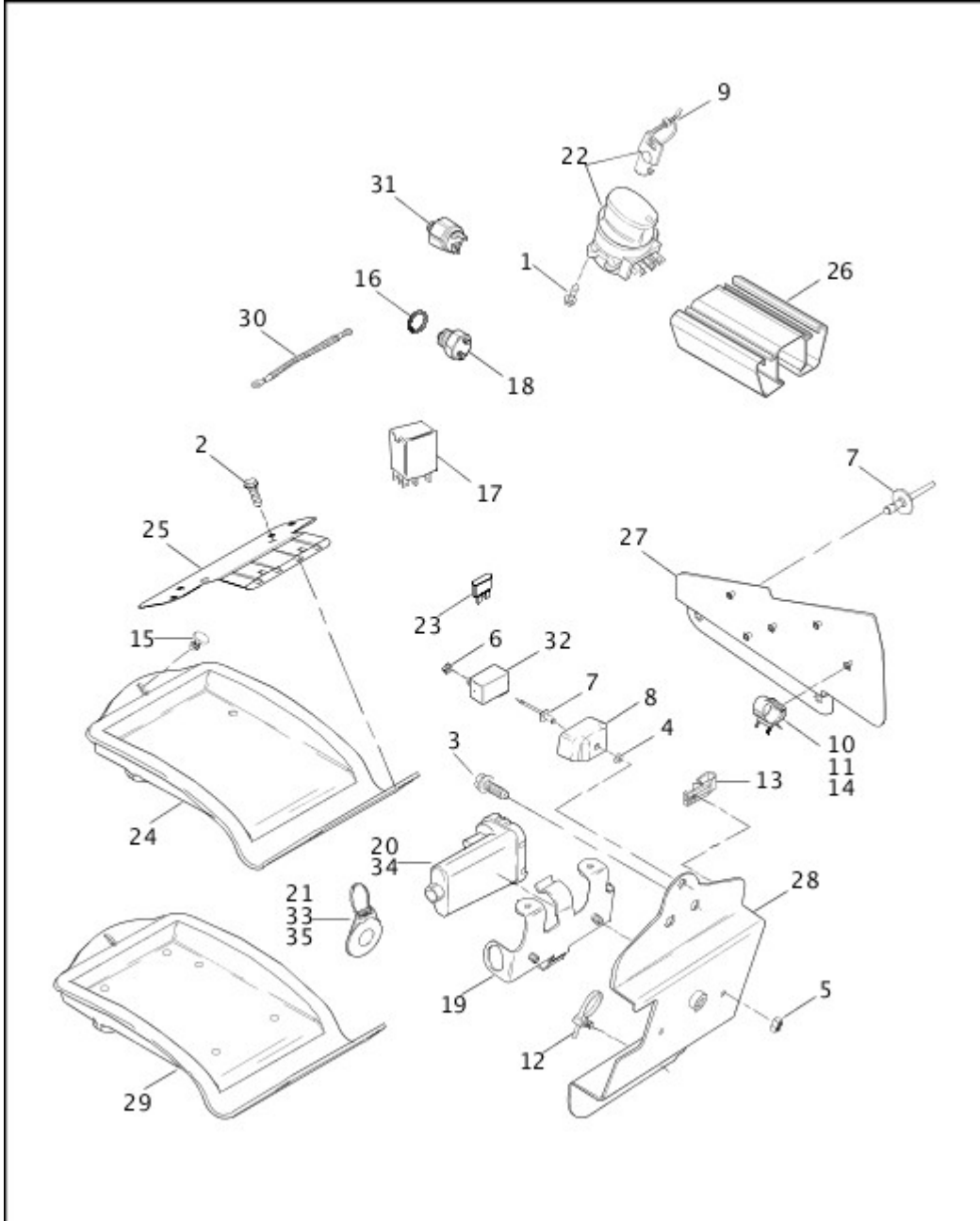
HANDLEBAR SWITCHES



[View interactive table](#)

INDEX NO.	PART NO.	DESCRIPTION	MODEL(S)
8	71568-96A	HOUSING, lower, left	ALL
9	71587-04	CLIP	ALL
10	71621-08	STOP LAMP SWITCH KIT, front, w/ 10181 & 72266-94	ALL
11	71682-06A	SWITCH KIT, dimmer & horn, w/ 10181 & 72266-94	ALL
12	71683-06A	SWITCH KIT, right turn signal, w/ 10181 & 72266-94	ALL
13	71684-06A	SWITCH KIT, engine stop/start, w/ 10181 & 72266-94	ALL
14	71685-06A	SWITCH KIT, left turn signal, w/ 10181 & 72266-94	ALL

SWITCHES & CIRCUIT BREAKERS

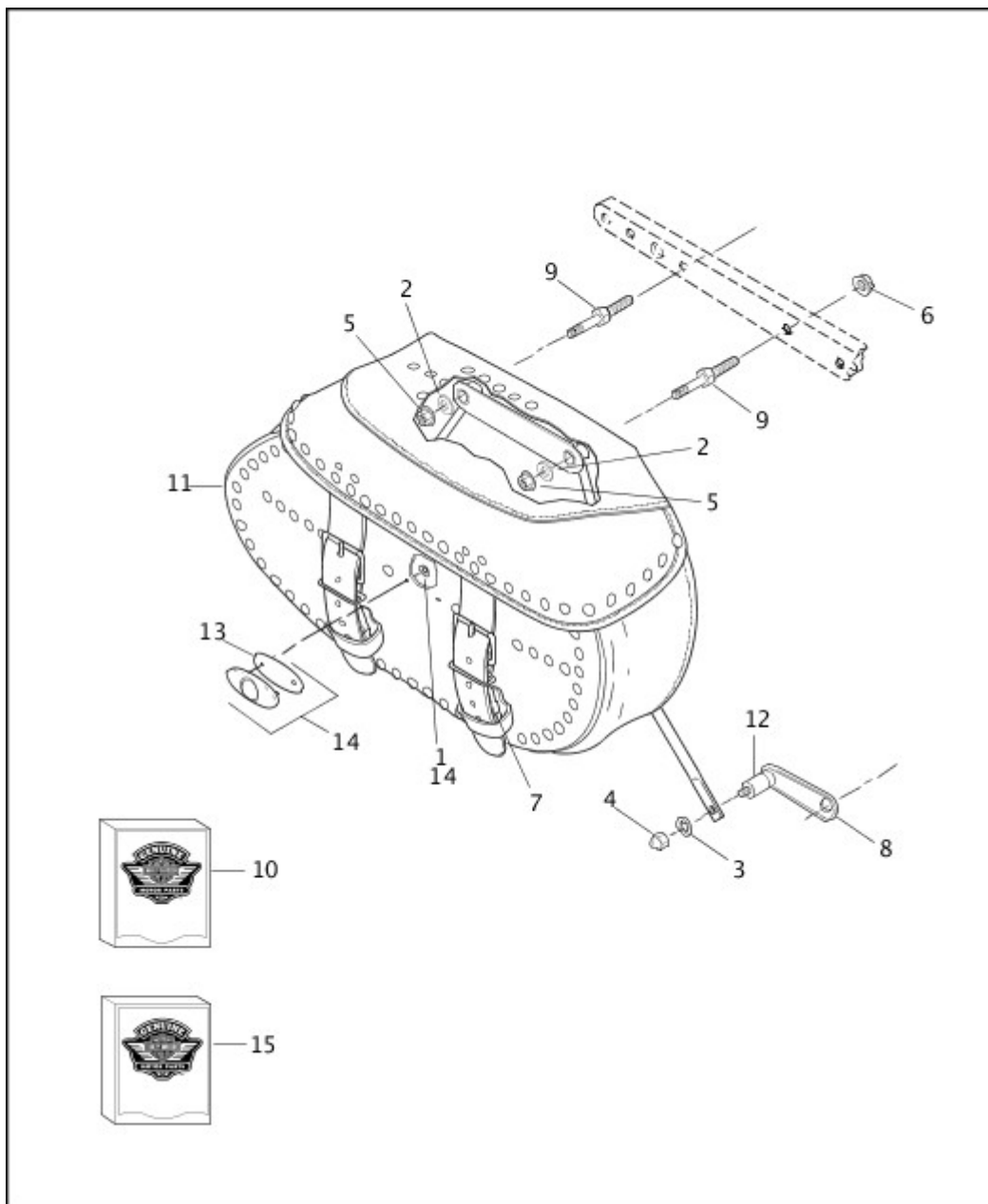


[View interactive table](#)

INDEX NO.	PART NO.	DESCRIPTION	MODEL(S)
17	31522-00C	STARTER RELAY	ALL
18	33904-00A	SWITCH, neutral indicator, w/ O-ring	ALL
19	48099-01	BRACKET, module	ALL
20	68921-01D	MODULE, turn signal canceller	ALL
	68923-00D	MODULE, security system	ALL
22	71313-96A	IGNITION SWITCH (specify key code) w/ 10065	ALL
28	72466-01	BRACKET, electrical, rear (located behind oil tank) w/ 72508-00A	ALL
29	72456-01	ELECTRICAL BOX, EFI	FLSTCI, FLSTFI, FLSTSI, FXSTBI, FXSTI, FXSTSI

INDEX NO.	PART NO.	DESCRIPTION	MODEL(S)
31	72023-51E	STOP LAMP SWITCH, rear	ALL
33	66373-06	BATTERY, 3V CR2032	ALL
34	68921-01D	MODULE, turn signal canceller	ALL
	68925-00D	MODULE, security system & turn signal canceller (HDI)	ALL

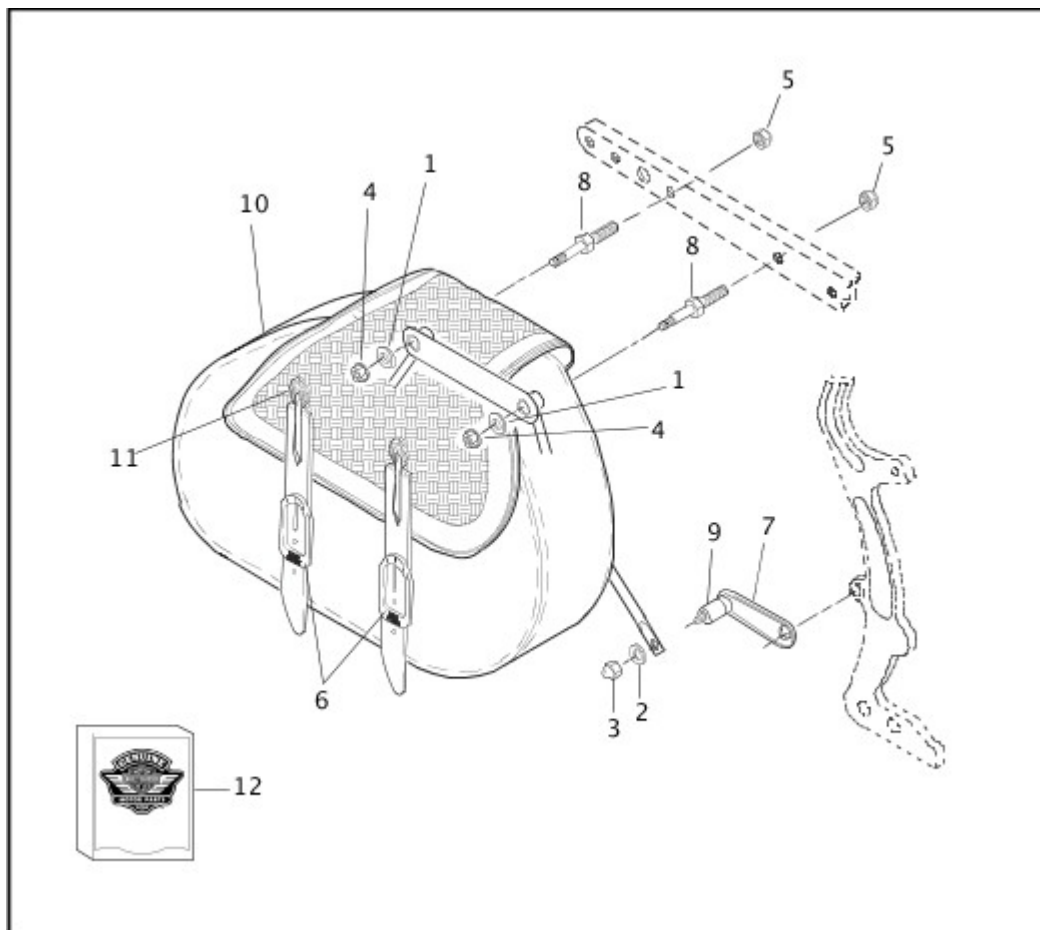
SADDLEBAGS - FLSTC/I



[View interactive table](#)

INDEX NO.	PART NO.	DESCRIPTION	MODEL(S)
1	5244	FASTENER, self-locking (4)	FLSTC, FLSTCI
9	90367-03	STUD (4)	FLSTC, FLSTCI
10	90438-10	SADDLEBAG STRAP REPAIR KIT	FLSTC, FLSTCI
13	91679-00	BACKPLATE (2)	FLSTC, FLSTCI

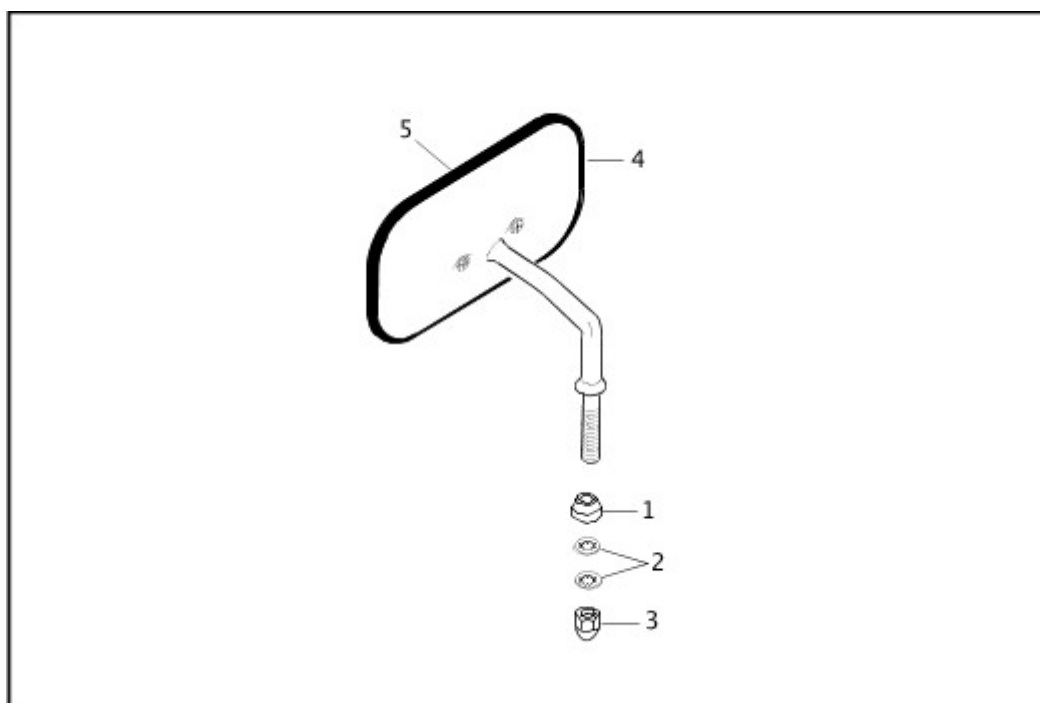
SADDLEBAGS - FLSTS/I



[View interactive table](#)

INDEX NO.	PART NO.	DESCRIPTION	MODEL(S)
6	90291-03	BUCKLE, saddlebag (4)	FLSTS, FLSTSI
8	90367-03	STUD (4)	FLSTS, FLSTSI

MIRRORS



[View interactive table](#)

INDEX NO.	PART NO.	DESCRIPTION	MODEL(S)
4	91875-88A	MIRROR KIT, short , right, convex	FLSTC, FLSTCI, FLSTF, FLSTFI, FLSTS, FLSTSI, FXST, FXSTD, FXSTDI, FXSTI, FXSTS, FXSTSI
	91892-88A	MIRROR KIT, short, left , convex	FLSTC, FLSTCI, FLSTF, FLSTFI, FLSTS, FLSTSI, FXST, FXSTD, FXSTDI, FXSTI, FXSTS, FXSTSI
	91909-90A	MIRROR KIT, long, right , convex (black)	FXSTB, FXSTBI
	91910-90A	MIRROR KIT, long, left , convex (black)	FXSTB, FXSTBI
5	91932-01	MIRROR TRIM (HDI)	ALL

Numerical Index

[View interactive table](#)

10006	ALTERNATOR & REGULATOR FRAME & JIFFY STAND THROTTLE CONTROL FUEL PUMP - FUEL INJECTED FRONT TURN SIGNALS FRONT TURN SIGNALS WIRING HARNESS, MAIN - FUEL INJECTED (1 OF 2)
10014	CARBURETOR (1 OF 2) FUEL TANK FUEL TANK - FXSTD
10031	FRONT BRAKE CONTROL
10038A	FUEL TANK FUEL TANK - FUEL INJECTED FUEL TANK - FXSTD FUEL TANK - FXSTD - FUEL INJECTED
10039	HANDLEBAR HANDLEBAR
10040	FRAME & JIFFY STAND FRAME & JIFFY STAND
10053	FRONT BRAKE CONTROL
10065	FRONT BRAKE CONTROL FRAME & JIFFY STAND HEADLAMP (1 OF 2) AUXILIARY/FOG LAMPS - FLSTC/I & FLSTS/I, FRONT TURN SIGNALS - FLSTC/I FRONT FENDER - FXST/I, FXSTB/I, FXSTD/I, FLSTC/I & FLSTF/I SENDING UNITS - CARBURETED MODELS INSTRUMENTS INSTRUMENTS - FXSTD/I FRONT TURN SIGNALS WIRING HARNESS, MAIN - CARBURETED (1 OF 2) WIRING HARNESS, MAIN - FUEL INJECTED (1 OF 2) SWITCHES & CIRCUIT BREAKERS
10074	EXHAUST SYSTEM - FXST/I, FLSTC/I, FXSTS/I & FXSTB/I EXHAUST SYSTEM - FXST/I, FLSTC/I, FXSTS/I & FXSTB/I EXHAUST SYSTEM - FLSTF/I & FXSTD/I

10076	FRONT BRAKE CONTROL
10080	OIL TANK & LINES
10081	FRAME & JIFFY STAND
10102	FRONT FENDER - FXST/I, FXSTB/I, FXSTD/I, FLSTC/I & FLSTF/I SENDING UNITS - CARBURETED MODELS INSTRUMENTS INSTRUMENTS - FXSTD/I
10103	SENDING UNITS - CARBURETED MODELS INSTRUMENTS INSTRUMENTS - FXSTD/I
10108	SWITCHES & CIRCUIT BREAKERS
10113	TAIL LAMP (1 OF 2)
10124	CLUTCH CONTROL
10136	WIRING HARNESS, MAIN - CARBURETED (1 OF 2)
10149	SWITCHES & CIRCUIT BREAKERS
10177	ALTERNATOR & REGULATOR IGNITION MODULE & COIL - CARBURETED ELECTRONIC CONTROL MODULE & COIL - FUEL INJECTED SWITCHES & CIRCUIT BREAKERS
10181	FRONT TURN SIGNALS HANDLEBAR SWITCHES
10183	TAIL LAMP (1 OF 2) TAIL LAMP (1 OF 2) TAIL LAMP (1 OF 2) SWITCHES & CIRCUIT BREAKERS
10184	TAIL LAMP (1 OF 2) TAIL LAMP (1 OF 2) TAIL LAMP (1 OF 2)
10190	THROTTLE CONTROL
10193	FRAME & JIFFY STAND
10208	OIL TANK & LINES
10216	OIL TANK & LINES
10222	FUEL TANK - FUEL INJECTED FUEL TANK - FXSTD - FUEL INJECTED FUEL PUMP - FUEL INJECTED
10224	SWITCHES & CIRCUIT BREAKERS
10225	SWITCHES & CIRCUIT BREAKERS
10226	FUEL TANK FUEL TANK - FUEL INJECTED
10228	REAR FENDER, SUPPORTS & LICENSE PLATE BRACKET - FXSTD/I
10236	FUEL TANK FUEL TANK - FUEL INJECTED
10263A	THROTTLE CONTROL

1039	ROCKER ARM ASSEMBLY & PUSH RODS - Twin Cam 88B™
10866	FOOTRESTS & FOOTBOARDS
10957	STARTER MOTOR
10998	TRANSMISSION HOUSING (1 OF 2)
11016	GEAR SHIFTER
11031	CAMSHAFTS & CAM COVER - Twin Cam 88B™ BELTS, CHAINS & SPROCKETS
11067	TRANSMISSION GEARS
11096	CLUTCH
11105	TRANSMISSION HOUSING (1 OF 2) OIL TANK & LINES
11117A	FUEL PUMP - FUEL INJECTED SENDING UNITS - CARBURETED MODELS
11132A	ROCKER ARM ASSEMBLY & PUSH RODS - Twin Cam 88B™ TRANSMISSION HOUSING (1 OF 2)
11140	CRANKCASE & ENGINE OIL FILTER - Twin Cam 88B™ TRANSMISSION HOUSING (2 OF 2)
11143	CLUTCH CONTROL FRONT BRAKE CONTROL
11145A	ROCKER ARM ASSEMBLY & PUSH RODS - Twin Cam 88B™
11147B	PRIMARY HOUSING
11150	GEAR SHIFTER
11155	THROTTLE CONTROL
11161	TRANSMISSION HOUSING (1 OF 2)
11165	TRANSMISSION HOUSING (1 OF 2)
11177A	PISTONS & FLYWHEEL ASSEMBLY - Twin Cam 88B™
11179	TRANSMISSION HOUSING (1 OF 2) CLUTCH CONTROL
11182	STARTER MOTOR
11191	GEAR SHIFTER
11244	FORK ROCKERS & CALIPER MOUNTING - FXSTS/I FRONT FENDER - FXSTS/I
11248	STARTER MOTOR
11256	CYLINDERS, HEADS & VALVES - Twin Cam 88B™
11260	FORK ROCKERS & CALIPER MOUNTING - FLSTS/I
11261	FRONT FENDER - FLSTS/I
11270	ROCKER ARM ASSEMBLY & PUSH RODS - Twin Cam 88B™ REAR BRAKE CONTROL

11271	THROTTLE CONTROL
11272	THROTTLE CONTROL
11273	CYLINDERS, HEADS & VALVES - Twin Cam 88B™ CRANKCASE & ENGINE OIL FILTER - Twin Cam 88B™
11280	FRONT WHEEL (1 OF 2)
11282	REAR FORK & SHOCK ABSORBERS
11286	CAMSHAFTS & CAM COVER - Twin Cam 88B™
11289A	ENGINE SENSORS & SWITCHES TRANSMISSION HOUSING (2 OF 2)
11290	TRANSMISSION HOUSING (1 OF 2) SWITCHES & CIRCUIT BREAKERS
11291	INDUCTION MODULE - FUEL INJECTED ENGINE SENSORS & SWITCHES
11292	AIR CLEANER & ENRICHENER - CARBURETED MODELS AIR CLEANER - FUEL INJECTED MODELS
11293	ROCKER ARM ASSEMBLY & PUSH RODS - Twin Cam 88B™ CAMSHAFTS & CAM COVER - Twin Cam 88B™
11294	SEATS
11298	CAMSHAFTS & CAM COVER - Twin Cam 88B™
11301	CAMSHAFTS & CAM COVER - Twin Cam 88B™
11319A	GEAR SHIFTER
11321	CALIFORNIA EVAPORATIVE EMISSIONS COMPONENTS
11323	FUEL TANK - FUEL INJECTED FUEL TANK - FXSTD FUEL TANK - FXSTD - FUEL INJECTED
11326	OIL TANK & LINES
11342	GEAR SHIFTER
11345	OIL TANK & LINES
11351	FUEL PUMP - FUEL INJECTED
11380	SENDING UNITS - CARBURETED MODELS
11410	AUXILIARY/FOG LAMPS - FLSTC/I & FLSTS/I, FRONT TURN SIGNALS - FLSTC/I
11413	REAR BELT GUARD
11437	FRONT FENDER - FXST/I, FXSTB/I, FXSTD/I, FLSTC/I & FLSTF/I FRONT FENDER - FLSTS/I
11447	OIL TANK & LINES
11456	FRONT FORK - FXSTS/I
11494	CAMSHAFTS & CAM COVER - Twin Cam 88B™
11514	REAR FORK & SHOCK ABSORBERS

11529	FUEL TANK FUEL TANK - FUEL INJECTED
11533	FUEL TANK FUEL TANK - FUEL INJECTED
11688	REAR BRAKE CONTROL
11860	EXHAUST SYSTEM - FXST/I, FLSTC/I, FXSTS/I & FXSTB/I
12035B	TRANSMISSION GEARS
12045	GEAR SHIFTER
12052A	PRIMARY HOUSING
12066A	PRIMARY HOUSING
12067B	TRANSMISSION HOUSING (1 OF 2)
12068	CRANKCASE & ENGINE OIL FILTER - Twin Cam 88B™
1311D	FUEL PUMP - FUEL INJECTED SENDING UNITS - CARBURETED MODELS SENDING UNITS - CARBURETED MODELS
1314	FUEL PUMP - FUEL INJECTED
13615-01	FUEL TANK TRIM
13616-01	FUEL TANK TRIM
13618-01	FUEL TANK TRIM
13774-00	FUEL TANK TRIM
13775-00	FUEL TANK TRIM
13776-00	FUEL TANK TRIM
13777-00	FUEL TANK TRIM
13778-00	FUEL TANK TRIM
13914-99	FUEL TANK TRIM
13915-99	FUEL TANK TRIM
13916-99	FUEL TANK TRIM
13917-99	FUEL TANK TRIM
13918-99	FUEL TANK TRIM
13919-99	FUEL TANK TRIM
13920-99	FUEL TANK TRIM
13921-99	FUEL TANK TRIM
13922-99	FUEL TANK TRIM
13923-99	FUEL TANK TRIM
13924-99	FUEL TANK TRIM
13925-99	FUEL TANK TRIM

13926-99	FUEL TANK TRIM
13927-99	FUEL TANK TRIM
13928-99	FUEL TANK TRIM
14142-86A	FRONT FENDER - FXST/I, FXSTB/I, FXSTD/I, FLSTC/I & FLSTF/I
14150-86	FRONT FORK - FLSTC/I & FLSTF/I (1 OF 2)
14270-92	PRIMARY HOUSING
14716-00	ENGINE BALANCER - Twin Cam 88B™
14717-00	ENGINE BALANCER - Twin Cam 88B™
14728-00	ENGINE BALANCER - Twin Cam 88B™
14761-00	ENGINE BALANCER - Twin Cam 88B™
14762-00	ENGINE BALANCER - Twin Cam 88B™
14764-00	ENGINE BALANCER - Twin Cam 88B™
14780-00	ENGINE BALANCER - Twin Cam 88B™
14781-00	ENGINE BALANCER - Twin Cam 88B™
14782-00	ENGINE BALANCER - Twin Cam 88B™
14783-00	ENGINE BALANCER - Twin Cam 88B™
14784-00	ENGINE BALANCER - Twin Cam 88B™
14785-00	ENGINE BALANCER - Twin Cam 88B™
14786-00	ENGINE BALANCER - Twin Cam 88B™
14787-00	ENGINE BALANCER - Twin Cam 88B™
14788-00	ENGINE BALANCER - Twin Cam 88B™
14789-00	ENGINE BALANCER - Twin Cam 88B™
14790-00	ENGINE BALANCER - Twin Cam 88B™
15363-98	FUEL TANK TRIM
15368-01A	BATTERY
16113-01	COMPLETE ENGINE - Twin Cam 88B™
16114-01	COMPLETE ENGINE - Twin Cam 88B™
16118-01	COMPLETE ENGINE - Twin Cam 88B™
16119-01	COMPLETE ENGINE - Twin Cam 88B™
16121-01	COMPLETE ENGINE - Twin Cam 88B™
16126-01	COMPLETE ENGINE - Twin Cam 88B™
16128-01	COMPLETE ENGINE - Twin Cam 88B™
16129-01	COMPLETE ENGINE - Twin Cam 88B™
16132-01	COMPLETE ENGINE - Twin Cam 88B™

16142-01	COMPLETE ENGINE - Twin Cam 88B™
16155-01	COMPLETE ENGINE - Twin Cam 88B™
16247-00	ENGINE MOUNTS
16478-85A	CYLINDERS, HEADS & VALVES - Twin Cam 88B™
16480-92A	CYLINDERS, HEADS & VALVES - Twin Cam 88B™
16525-99	CYLINDERS, HEADS & VALVES - Twin Cam 88B™
16526-99	CYLINDERS, HEADS & VALVES - Twin Cam 88B™
16574-99A	CRANKCASE & ENGINE OIL FILTER - Twin Cam 88B™ TRANSMISSION HOUSING (1 OF 2)
16583-00A	ENGINE BALANCER - Twin Cam 88B™
16589-99A	CRANKCASE & ENGINE OIL FILTER - Twin Cam 88B™
16595-99A	CYLINDERS, HEADS & VALVES - Twin Cam 88B™ CRANKCASE & ENGINE OIL FILTER - Twin Cam 88B™
16715-83	CYLINDERS, HEADS & VALVES - Twin Cam 88B™
16716-99	CYLINDERS, HEADS & VALVES - Twin Cam 88B™
16717-99	CYLINDERS, HEADS & VALVES - Twin Cam 88B™
16719-99B	ROCKER ARM ASSEMBLY & PUSH RODS - Twin Cam 88B™
16722-99	CYLINDERS, HEADS & VALVES - Twin Cam 88B™
16724-99	CYLINDERS, HEADS & VALVES - Twin Cam 88B™
16775-99B	CYLINDERS, HEADS & VALVES - Twin Cam 88B™
16834-99A	CYLINDERS, HEADS & VALVES - Twin Cam 88B™
17025-03A	ROCKER ARM ASSEMBLY & PUSH RODS - Twin Cam 88B™
17045-99D	ROCKER ARM ASSEMBLY & PUSH RODS - Twin Cam 88B™ CAMSHAFTS & CAM COVER - Twin Cam 88B™
17052-99C	CYLINDERS, HEADS & VALVES - Twin Cam 88B™
17053-99C	CYLINDERS, HEADS & VALVES - Twin Cam 88B™
17162-03	ROCKER ARM ASSEMBLY & PUSH RODS - Twin Cam 88B™
17360-83A	ROCKER ARM ASSEMBLY & PUSH RODS - Twin Cam 88B™
17375-83A	ROCKER ARM ASSEMBLY & PUSH RODS - Twin Cam 88B™
17386-99A	ROCKER ARM ASSEMBLY & PUSH RODS - Twin Cam 88B™
17429-91	ROCKER ARM ASSEMBLY & PUSH RODS - Twin Cam 88B™
17572-99	ROCKER ARM ASSEMBLY & PUSH RODS - Twin Cam 88B™
17573-99A	ROCKER ARM ASSEMBLY & PUSH RODS - Twin Cam 88B™
17574-99A	ROCKER ARM ASSEMBLY & PUSH RODS - Twin Cam 88B™
17575-99	ROCKER ARM ASSEMBLY & PUSH RODS - Twin Cam 88B™

17576-99	ROCKER ARM ASSEMBLY & PUSH RODS - Twin Cam 88B™
17577-99	ROCKER ARM ASSEMBLY & PUSH RODS - Twin Cam 88B™
17591-99	ROCKER ARM ASSEMBLY & PUSH RODS - Twin Cam 88B™
17592-99	ROCKER ARM ASSEMBLY & PUSH RODS - Twin Cam 88B™
17594-99	ROCKER ARM ASSEMBLY & PUSH RODS - Twin Cam 88B™
17595-99	ROCKER ARM ASSEMBLY & PUSH RODS - Twin Cam 88B™
17596-99	ROCKER ARM ASSEMBLY & PUSH RODS - Twin Cam 88B™
17611-83	ROCKER ARM ASSEMBLY & PUSH RODS - Twin Cam 88B™
17618-99A	ROCKER ARM ASSEMBLY & PUSH RODS - Twin Cam 88B™
17620-99	ROCKER ARM ASSEMBLY & PUSH RODS - Twin Cam 88B™
1783C	BELTS, CHAINS & SPROCKETS
17922-99	ROCKER ARM ASSEMBLY & PUSH RODS - Twin Cam 88B™
17923-99	ROCKER ARM ASSEMBLY & PUSH RODS - Twin Cam 88B™
17939-99	ROCKER ARM ASSEMBLY & PUSH RODS - Twin Cam 88B™
17945-36B	ROCKER ARM ASSEMBLY & PUSH RODS - Twin Cam 88B™
17947-36	ROCKER ARM ASSEMBLY & PUSH RODS - Twin Cam 88B™
17948-99	ROCKER ARM ASSEMBLY & PUSH RODS - Twin Cam 88B™
17964-99	ROCKER ARM ASSEMBLY & PUSH RODS - Twin Cam 88B™
17966-99	ROCKER ARM ASSEMBLY & PUSH RODS - Twin Cam 88B™
17968-99	ROCKER ARM ASSEMBLY & PUSH RODS - Twin Cam 88B™
18001-83B	CYLINDERS, HEADS & VALVES - Twin Cam 88B™
18011-86	CYLINDERS, HEADS & VALVES - Twin Cam 88B™
18020-83	CYLINDERS, HEADS & VALVES - Twin Cam 88B™
18074-83B	CYLINDERS, HEADS & VALVES - Twin Cam 88B™
18076-83	CYLINDERS, HEADS & VALVES - Twin Cam 88B™
18082-83A	CYLINDERS, HEADS & VALVES - Twin Cam 88B™
18101-83D	CYLINDERS, HEADS & VALVES - Twin Cam 88B™
18124-83	CYLINDERS, HEADS & VALVES - Twin Cam 88B™
18130-83D	CYLINDERS, HEADS & VALVES - Twin Cam 88B™
18131-83D	CYLINDERS, HEADS & VALVES - Twin Cam 88B™
18133-83B	CYLINDERS, HEADS & VALVES - Twin Cam 88B™
18134-83	CYLINDERS, HEADS & VALVES - Twin Cam 88B™
18201-83	CYLINDERS, HEADS & VALVES - Twin Cam 88B™
18202-83	CYLINDERS, HEADS & VALVES - Twin Cam 88B™

18219-83A	CYLINDERS, HEADS & VALVES - Twin Cam 88B™
18222-83A	CYLINDERS, HEADS & VALVES - Twin Cam 88B™
18229-83A	CYLINDERS, HEADS & VALVES - Twin Cam 88B™
18535-99	ROCKER ARM ASSEMBLY & PUSH RODS - Twin Cam 88B™
18538-99C	ROCKER ARM ASSEMBLY & PUSH RODS - Twin Cam 88B™
18635-99B	ROCKER ARM ASSEMBLY & PUSH RODS - Twin Cam 88B™
21930-99	PISTONS & FLYWHEEL ASSEMBLY - Twin Cam 88B™
21931-99	PISTONS & FLYWHEEL ASSEMBLY - Twin Cam 88B™
21933-99	PISTONS & FLYWHEEL ASSEMBLY - Twin Cam 88B™
21936-99	PISTONS & FLYWHEEL ASSEMBLY - Twin Cam 88B™
21937-99	PISTONS & FLYWHEEL ASSEMBLY - Twin Cam 88B™
21938-99	PISTONS & FLYWHEEL ASSEMBLY - Twin Cam 88B™
22097-99	PISTONS & FLYWHEEL ASSEMBLY - Twin Cam 88B™
22132-99	PISTONS & FLYWHEEL ASSEMBLY - Twin Cam 88B™
22307-99	CRANKCASE & ENGINE OIL FILTER - Twin Cam 88B™
23912-00D	PISTONS & FLYWHEEL ASSEMBLY - Twin Cam 88B™
24039-01A	CRANKCASE & ENGINE OIL FILTER - Twin Cam 88B™
24316-99	PISTONS & FLYWHEEL ASSEMBLY - Twin Cam 88B™
2447	FRONT FENDER - FLSTS/ HORN
2448	FRONT FENDER - FLSTS/I
2452	WINDSHIELD - FLSTC/I
24603-00	ENGINE MOUNTS
24605-07	CRANKCASE & ENGINE OIL FILTER - Twin Cam 88B™
24619-00A	CRANKCASE & ENGINE OIL FILTER - Twin Cam 88B™
24620-00A	CRANKCASE & ENGINE OIL FILTER - Twin Cam 88B™
24983-00	CAMSHAFTS & CAM COVER - Twin Cam 88B™
2501A	INSTRUMENTS INSTRUMENTS - FXSTD/I SWITCHES & CIRCUIT BREAKERS
25244-99A	CAMSHAFTS & CAM COVER - Twin Cam 88B™
25267-99B	CAMSHAFTS & CAM COVER - Twin Cam 88B™
2531	FRONT FENDER - FXST/I, FXSTB/I, FXSTD/I, FLSTC/I & FLSTF/I
2534	SEATS
25344-99	CAMSHAFTS & CAM COVER - Twin Cam 88B™

25364-01B	CAMSHAFTS & CAM COVER - Twin Cam 88B™
25367-01B	CAMSHAFTS & CAM COVER - Twin Cam 88B™
25369-01B	CAMSHAFTS & CAM COVER - Twin Cam 88B™
2538	SEATS
25414-99	PRIMARY HOUSING
25416-99C	PRIMARY HOUSING
25533-99A	CAMSHAFTS & CAM COVER - Twin Cam 88B™
25534-99	CAMSHAFTS & CAM COVER - Twin Cam 88B™
25544-00	CAMSHAFTS & CAM COVER - Twin Cam 88B™
25604-00A	TRANSMISSION HOUSING (1 OF 2)
25605-00A	TRANSMISSION HOUSING (1 OF 2)
25607-99	CAMSHAFTS & CAM COVER - Twin Cam 88B™
25609-99	CAMSHAFTS & CAM COVER - Twin Cam 88B™
25610-99	CAMSHAFTS & CAM COVER - Twin Cam 88B™
2566	CLUTCH CONTROL
25700225	PRIMARY HOUSING
25716-99	CAMSHAFTS & CAM COVER - Twin Cam 88B™
25717-00	CAMSHAFTS & CAM COVER - Twin Cam 88B™
25719-00	CAMSHAFTS & CAM COVER - Twin Cam 88B™
25721-00	CAMSHAFTS & CAM COVER - Twin Cam 88B™
25722-00	CAMSHAFTS & CAM COVER - Twin Cam 88B™
25723-00	CAMSHAFTS & CAM COVER - Twin Cam 88B™
2579A	FRONT BRAKE CONTROL REAR BRAKE CONTROL
25938-00	CAMSHAFTS & CAM COVER - Twin Cam 88B™
26035-99B	CAMSHAFTS & CAM COVER - Twin Cam 88B™
2604	FRONT FENDER - FXST/I, FXSTB/I, FXSTD/I, FLSTC/I & FLSTF/I REAR FENDER & SUPPORTS - FLSTC/I, FLSTF/I & FLSTS/I LICENSE PLATE BRACKETS
26210-99	CAMSHAFTS & CAM COVER - Twin Cam 88B™
26248-00	CAMSHAFTS & CAM COVER - Twin Cam 88B™
26255-00	CAMSHAFTS & CAM COVER - Twin Cam 88B™
26352-95A	CRANKCASE & ENGINE OIL FILTER - Twin Cam 88B™
26400-82B	CAMSHAFTS & CAM COVER - Twin Cam 88B™
26432-76A	CRANKCASE & ENGINE OIL FILTER - Twin Cam 88B™
2646	REAR FENDER, SUPPORTS & LICENSE PLATE BRACKET -

	FXSTD/I
26464-99	CAMSHAFTS & CAM COVER - Twin Cam 88B™
2647B	AUXILIARY/FOG LAMPS - FLSTC/I & FLSTS/I, FRONT TURN SIGNALS - FLSTC/I
26500002	ROCKER ARM ASSEMBLY & PUSH RODS - Twin Cam 88B™
26561-99	ENGINE SENSORS & SWITCHES
26567-99	FUEL TANK FUEL TANK - FXSTD
26571-89	CALIFORNIA EVAPORATIVE EMISSIONS COMPONENTS
26858-99	ROCKER ARM ASSEMBLY & PUSH RODS - Twin Cam 88B™
2692WB	REAR TURN SIGNALS
26995-86B	CARBURETOR (1 OF 2) INDUCTION MODULE - FUEL INJECTED
27002-89	CARBURETOR (1 OF 2)
27009-86A	CARBURETOR (1 OF 2) INDUCTION MODULE - FUEL INJECTED
27010-86A	CARBURETOR (1 OF 2) INDUCTION MODULE - FUEL INJECTED
27016-00	FUEL TANK FUEL TANK - FUEL INJECTED FUEL TANK - FXSTD - FUEL INJECTED
27042-84A	CALIFORNIA EVAPORATIVE EMISSIONS COMPONENTS
27072-00	FUEL TANK FUEL TANK - FUEL INJECTED FUEL TANK - FXSTD FUEL TANK - FXSTD - FUEL INJECTED
27095-00A	FUEL TANK FUEL TANK - FUEL INJECTED FUEL TANK - FXSTD FUEL TANK - FXSTD - FUEL INJECTED
27100-88	CARBURETOR (1 OF 2)
27101-88	CARBURETOR (1 OF 2)
27122-89	CARBURETOR (1 OF 2)
27123-89A	CARBURETOR (1 OF 2)
27124-89	CARBURETOR (1 OF 2)
27125-89	CARBURETOR (1 OF 2)
27126-89	CARBURETOR (1 OF 2)
27127-89	CARBURETOR (1 OF 2)
27128-89	CARBURETOR (1 OF 2)
27130-90	CARBURETOR (1 OF 2)
27136-90A	CARBURETOR (1 OF 2)

27137-81	CARBURETOR (1 OF 2)
27138-90	CALIFORNIA EVAPORATIVE EMISSIONS COMPONENTS
27146-89	CARBURETOR (1 OF 2)
27147-89	CARBURETOR (1 OF 2)
27148-89	CARBURETOR (1 OF 2)
27156-89	CARBURETOR (1 OF 2)
27162-89	CARBURETOR (1 OF 2)
27170-89	CARBURETOR (1 OF 2)
2720	ALTERNATOR & REGULATOR
27231-98	CARBURETOR (1 OF 2)
2723A	FRONT FENDER - FXSTS/I
27243-95	CARBURETOR (1 OF 2)
27249-96	FUEL TANK - FUEL INJECTED FUEL TANK - FXSTD FUEL TANK - FXSTD - FUEL INJECTED
27260-00	CARBURETOR (1 OF 2)
27261-96	CARBURETOR (1 OF 2)
27262-96	CARBURETOR (1 OF 2)
27263-96	CARBURETOR (1 OF 2)
27267-00	CARBURETOR (1 OF 2)
27270-95	INDUCTION MODULE - FUEL INJECTED
27293-00	CALIFORNIA EVAPORATIVE EMISSIONS COMPONENTS
27311-76	CARBURETOR (1 OF 2)
27315-88A	CARBURETOR (1 OF 2)
27317-88	CARBURETOR (1 OF 2)
2731W	LICENSE PLATE BRACKETS
27328-00	CALIFORNIA EVAPORATIVE EMISSIONS COMPONENTS
27339-90	CARBURETOR (1 OF 2)
27360-76	CARBURETOR (1 OF 2)
27361-76A	CARBURETOR (2 OF 2)
27362-76	CARBURETOR (2 OF 2)
27371-76A	CARBURETOR (2 OF 2)
2738	FRONT FENDER - FXSTS/I
27405-00	CARBURETOR (2 OF 2)
27406-00	CARBURETOR (2 OF 2)

27408-01	FUEL PUMP - FUEL INJECTED
27414-99C	CARBURETOR (2 OF 2)
27421-99C	CARBURETOR (2 OF 2)
27428-00B	CARBURETOR (2 OF 2)
27429-00B	CARBURETOR (2 OF 2)
27560-00	FUEL TANK - FXSTD
27575-88A	CARBURETOR (2 OF 2)
27576-92	CARBURETOR (2 OF 2)
27577-92	CARBURETOR (2 OF 2)
27579-88A	CARBURETOR (2 OF 2)
27580-88	CARBURETOR (2 OF 2)
27581-88	CARBURETOR (2 OF 2)
27582-88	CARBURETOR (2 OF 2)
27583-88	CARBURETOR (2 OF 2)
27585-88	CARBURETOR (2 OF 2)
27586-88	CARBURETOR (2 OF 2)
27587-88	CARBURETOR (2 OF 2)
27600-01A	INDUCTION MODULE - FUEL INJECTED
27603-01	INDUCTION MODULE - FUEL INJECTED
27604-01A	INDUCTION MODULE - FUEL INJECTED
27608-01A	INDUCTION MODULE - FUEL INJECTED
27609-01B	INDUCTION MODULE - FUEL INJECTED
27612-01	INDUCTION MODULE - FUEL INJECTED
27613-99	CARBURETOR (2 OF 2)
27627-01	INDUCTION MODULE - FUEL INJECTED
27628-01A	INDUCTION MODULE - FUEL INJECTED
27629-01A	INDUCTION MODULE - FUEL INJECTED
27630-01	INDUCTION MODULE - FUEL INJECTED
27635-01B	INDUCTION MODULE - FUEL INJECTED
27667-00A	WIRING HARNESS, MAIN - CARBURETED (1 OF 2) WIRING HARNESS, MAIN - FUEL INJECTED (1 OF 2)
2773	LICENSE PLATE BRACKETS LICENSE PLATE BRACKETS
27886-78A	CARBURETOR (2 OF 2)
2823	FRONT FORK - FXST/I & FXSTB/I

2871W	REAR TURN SIGNALS
28828-00	FUEL TANK - FUEL INJECTED FUEL TANK - FXSTD FUEL TANK - FXSTD - FUEL INJECTED
2882W	FRAME & JIFFY STAND
28838-00	FUEL TANK FUEL TANK - FUEL INJECTED FUEL TANK - FXSTD FUEL TANK - FXSTD - FUEL INJECTED
28839-00	CALIFORNIA EVAPORATIVE EMISSIONS COMPONENTS
2887WA	PRIMARY HOUSING
28884-00	CALIFORNIA EVAPORATIVE EMISSIONS COMPONENTS
29062-95B	AIR CLEANER & ENRICHENER - CARBURETED MODELS
29075-99	AIR CLEANER & ENRICHENER - CARBURETED MODELS
29089-99	AIR CLEANER & ENRICHENER - CARBURETED MODELS
29094-01	AIR CLEANER & ENRICHENER - CARBURETED MODELS AIR CLEANER - FUEL INJECTED MODELS
29121-01	AIR CLEANER & ENRICHENER - CARBURETED MODELS AIR CLEANER - FUEL INJECTED MODELS
29126-90B	AIR CLEANER & ENRICHENER - CARBURETED MODELS
29127-95B	AIR CLEANER & ENRICHENER - CARBURETED MODELS AIR CLEANER - FUEL INJECTED MODELS
29161-00	AIR CLEANER & ENRICHENER - CARBURETED MODELS
29169-00	AIR CLEANER & ENRICHENER - CARBURETED MODELS
2917	HEADLAMP (1 OF 2) REAR FENDER, SUPPORTS & LICENSE PLATE BRACKET - FXSTD/I
29181-00	AIR CLEANER & ENRICHENER - CARBURETED MODELS
2921	WINDSHIELD - FLSTC/I
29229-88D	AIR CLEANER & ENRICHENER - CARBURETED MODELS
29256-00	AIR CLEANER & ENRICHENER - CARBURETED MODELS
29269-83A	AIR CLEANER & ENRICHENER - CARBURETED MODELS AIR CLEANER - FUEL INJECTED MODELS
2927	SEAT - FLSTS/I
29312-95	CALIFORNIA EVAPORATIVE EMISSIONS COMPONENTS
29313-95	AIR CLEANER & ENRICHENER - CARBURETED MODELS AIR CLEANER - FUEL INJECTED MODELS
29338-99	AIR CLEANER & ENRICHENER - CARBURETED MODELS
29342-99	AIR CLEANER & ENRICHENER - CARBURETED MODELS
29366-00	AIR CLEANER & ENRICHENER - CARBURETED MODELS

29404-01A	AIR CLEANER & ENRICHENER - CARBURETED MODELS AIR CLEANER - FUEL INJECTED MODELS
2941	ALTERNATOR & REGULATOR
29449-98B	AIR CLEANER & ENRICHENER - CARBURETED MODELS
29456-99	AIR CLEANER & ENRICHENER - CARBURETED MODELS
29461-99	AIR CLEANER & ENRICHENER - CARBURETED MODELS AIR CLEANER - FUEL INJECTED MODELS
29465-99	AIR CLEANER & ENRICHENER - CARBURETED MODELS AIR CLEANER - FUEL INJECTED MODELS
29474-99A	AIR CLEANER & ENRICHENER - CARBURETED MODELS AIR CLEANER - FUEL INJECTED MODELS
29476-99	AIR CLEANER & ENRICHENER - CARBURETED MODELS AIR CLEANER - FUEL INJECTED MODELS
29482-00	AIR CLEANER & ENRICHENER - CARBURETED MODELS
2955	HANDLEBAR SWITCHES
29581-01B	AIR CLEANER & ENRICHENER - CARBURETED MODELS AIR CLEANER - FUEL INJECTED MODELS
29582-01B	AIR CLEANER & ENRICHENER - CARBURETED MODELS AIR CLEANER - FUEL INJECTED MODELS
29583-01A	AIR CLEANER & ENRICHENER - CARBURETED MODELS AIR CLEANER - FUEL INJECTED MODELS
29584-01	AIR CLEANER & ENRICHENER - CARBURETED MODELS AIR CLEANER - FUEL INJECTED MODELS
29658-01	AIR CLEANER - FUEL INJECTED MODELS
29660-01	AIR CLEANER - FUEL INJECTED MODELS
29662-01	AIR CLEANER - FUEL INJECTED MODELS
29664-01	AIR CLEANER - FUEL INJECTED MODELS
29666-01	AIR CLEANER - FUEL INJECTED MODELS
29668-01	AIR CLEANER - FUEL INJECTED MODELS
2980	CLUTCH
29923-01A	BELTS, CHAINS & SPROCKETS
29981-95	ALTERNATOR & REGULATOR
30017-01B	ALTERNATOR & REGULATOR
3008	INSTRUMENTS - FXSTD/I
3017	FUEL TANK FUEL TANK - FUEL INJECTED
30202-01	ELECTRONIC CONTROL MODULE & COIL - FUEL INJECTED
3022A	TAIL LAMP (1 OF 2)
31342-94	STARTER MOTOR

31430-94	STARTER MOTOR
31510-90	STARTER MOTOR
31511-01B	WIRING HARNESS, MAIN - FUEL INJECTED (1 OF 2)
31515-90	STARTER MOTOR
31516-94A	STARTER MOTOR
31518-90	STARTER MOTOR
31519-90	STARTER MOTOR
31522-00C	WIRING HARNESS, MAIN - CARBURETED (1 OF 2) WIRING HARNESS, MAIN - FUEL INJECTED (1 OF 2) SWITCHES & CIRCUIT BREAKERS
31527-90	STARTER MOTOR
31530-90	STARTER MOTOR
31535-91	STARTER MOTOR
31538-98	STARTER MOTOR
31548-90	STARTER MOTOR
31553-94B	STARTER MOTOR
31589-80	LICENSE PLATE BRACKETS
31604-91A	STARTER MOTOR
31606-00	IGNITION MODULE & COIL - CARBURETED
31612-09	STARTER MOTOR
31655-99	IGNITION MODULE & COIL - CARBURETED
31662-90	STARTER MOTOR
31664-94	STARTER MOTOR
31682-00	IGNITION MODULE & COIL - CARBURETED
31688-90	STARTER MOTOR
31689-90	STARTER MOTOR
31692-90	STARTER MOTOR
31695-90	STARTER MOTOR
31702-98	STARTER MOTOR
31703-98	STARTER MOTOR
31725-00	IGNITION MODULE & COIL - CARBURETED
31741-00	FRAME & JIFFY STAND
31742-00	IGNITION MODULE & COIL - CARBURETED ELECTRONIC CONTROL MODULE & COIL - FUEL INJECTED
31743-01	ELECTRONIC CONTROL MODULE & COIL - FUEL INJECTED

31772-01	ELECTRONIC CONTROL MODULE & COIL - FUEL INJECTED
31773-01	ELECTRONIC CONTROL MODULE & COIL - FUEL INJECTED
31981-99C	IGNITION MODULE & COIL - CARBURETED ELECTRONIC CONTROL MODULE & COIL - FUEL INJECTED
31983-00C	IGNITION MODULE & COIL - CARBURETED ELECTRONIC CONTROL MODULE & COIL - FUEL INJECTED
3210A	TRANSMISSION HOUSING (1 OF 2)
3214	HEADLAMP (1 OF 2)
3233	FRAME & JIFFY STAND
32362-04	IGNITION MODULE & COIL - CARBURETED ELECTRONIC CONTROL MODULE & COIL - FUEL INJECTED
32416-10	INDUCTION MODULE - FUEL INJECTED ENGINE SENSORS & SWITCHES
32446-99	ENGINE SENSORS & SWITCHES
32534-11	ELECTRONIC CONTROL MODULE & COIL - FUEL INJECTED
32543-99	CAMSHAFTS & CAM COVER - Twin Cam 88B™
32568-00C	IGNITION MODULE & COIL - CARBURETED
32617-00Y	HORN
3268	FRONT FENDER - FLSTS/I
32707-01	ENGINE SENSORS & SWITCHES
32707-01C	ENGINE SENSORS & SWITCHES
32727-00	CAMSHAFTS & CAM COVER - Twin Cam 88B™
3275	CARBURETOR (1 OF 2) INDUCTION MODULE - FUEL INJECTED
3290	CAMSHAFTS & CAM COVER - Twin Cam 88B™
33005-01	TRANSMISSION HOUSING (1 OF 2)
33006-01	TRANSMISSION HOUSING (1 OF 2)
33007-01	TRANSMISSION HOUSING (1 OF 2)
33048-72	FOOTRESTS & FOOTBOARDS FOOTRESTS & FOOTBOARDS
33051-01	TRANSMISSION HOUSING (1 OF 2)
33052-01	TRANSMISSION HOUSING (1 OF 2)
33126-94	STARTER MOTOR
33127-94	STARTER MOTOR
33189-63	FOOTRESTS & FOOTBOARDS FOOTRESTS & FOOTBOARDS
33301-00A	GEAR SHIFTER
33304-00	GEAR SHIFTER

33318-85	PRIMARY HOUSING
33344-94	TRANSMISSION HOUSING (1 OF 2)
33364-00A	GEAR SHIFTER
33374-00	GEAR SHIFTER
33375-00A	GEAR SHIFTER
33376-00	GEAR SHIFTER
33383-00A	GEAR SHIFTER
33383-02	GEAR SHIFTER
33386-02	GEAR SHIFTER
33445-94A	PRIMARY HOUSING
33446-94A	PRIMARY HOUSING
33449-94	STARTER MOTOR
33525-00	OIL TANK & LINES
33531-00	OIL TANK & LINES
33630-00A	FRAME & JIFFY STAND FOOTRESTS & FOOTBOARDS
33660-90B	GEAR SHIFTER
33668-90C	GEAR SHIFTER
33683-00	FRAME & JIFFY STAND FOOTRESTS & FOOTBOARDS
337	TRANSMISSION HOUSING (1 OF 2)
33708-94	GEAR SHIFTER FOOTRESTS & FOOTBOARDS
33714-90B	FRONT FENDER - FXSTS/I
33719-79B	GEAR SHIFTER
33720-93	FRONT FENDER - FXSTS/I
33849-97	GEAR SHIFTER
33895-82D	GEAR SHIFTER
33904-00A	TRANSMISSION HOUSING (1 OF 2) SWITCHES & CIRCUIT BREAKERS
3403	STARTER MOTOR
34064-00C	GEAR SHIFTER
34088-87A	GEAR SHIFTER
34091-85A	TRANSMISSION GEARS
34095-00	GEAR SHIFTER
34191-79E	GEAR SHIFTER

34193-79E	GEAR SHIFTER
34195-79E	GEAR SHIFTER
34541-00	TRANSMISSION HOUSING (1 OF 2)
34544-00	TRANSMISSION HOUSING (1 OF 2)
34546-00	TRANSMISSION HOUSING (1 OF 2)
34564-90B	GEAR SHIFTER
34611-65A	GEAR SHIFTER GEAR SHIFTER
3471	HANDLEBAR
34732-00A	TRANSMISSION HOUSING (2 OF 2)
34774-00A	TRANSMISSION HOUSING (2 OF 2)
3485A	FRONT FENDER - FXST/I, FXSTB/I, FXSTD/I, FLSTC/I & FLSTF/I
34904-86D	TRANSMISSION HOUSING (2 OF 2)
34920-86A	TRANSMISSION HOUSING (2 OF 2)
3494A	HANDLEBAR
34972-02B	GEAR SHIFTER
34977-00A	GEAR SHIFTER
34978-00	GEAR SHIFTER
34979-00	GEAR SHIFTER
35025-79B	TRANSMISSION GEARS
35026-94	TRANSMISSION GEARS
35027-94	TRANSMISSION GEARS
35028-94	TRANSMISSION GEARS
35029-94	TRANSMISSION GEARS
35042-91	TRANSMISSION GEARS
35051-89A	TRANSMISSION GEARS
35060-00	CAMSHAFTS & CAM COVER - Twin Cam 88B™
35064-79	TRANSMISSION GEARS
35076-79	TRANSMISSION HOUSING (2 OF 2)
35078-79	TRANSMISSION HOUSING (2 OF 2)
35087-99A	TRANSMISSION HOUSING (2 OF 2)
3509	HEADLAMP (1 OF 2)
35093-00	CRANKCASE & ENGINE OIL FILTER - Twin Cam 88B™
3514	HEADLAMP (1 OF 2)

	AUXILIARY/FOG LAMPS - FLSTC/I & FLSTS/I, FRONT TURN SIGNALS - FLSTC/I
35211-91B	BELTS, CHAINS & SPROCKETS
35251-93C	TRANSMISSION HOUSING (2 OF 2)
35252-93B	TRANSMISSION HOUSING (2 OF 2)
3533	FRONT FORK - FXSTS/I FRONT FORK - FLSTS/I
3538	FRONT BRAKE CONTROL FRONT FORK - FLSTC/I & FLSTF/I (1 OF 2) FRONT FORK - FXSTS/I FRONT FORK - FLSTS/I AUXILIARY/FOG LAMPS - FLSTC/I & FLSTS/I, FRONT TURN SIGNALS - FLSTC/I
3559	STARTER MOTOR
3560WA	FRONT FENDER - FXST/I, FXSTB/I, FXSTD/I, FLSTC/I & FLSTF/I
3561WC	FRONT FENDER - FXST/I, FXSTB/I, FXSTD/I, FLSTC/I & FLSTF/I
3562	FRONT BRAKE CALIPER - SPRINGER MODELS
35622-79C	TRANSMISSION GEARS
35625-94	TRANSMISSION GEARS
35626-94	TRANSMISSION GEARS
35629-79	TRANSMISSION GEARS
3563	HORN
35632-79	TRANSMISSION GEARS
35653-98A	TRANSMISSION HOUSING (2 OF 2)
3574	REAR FORK & SHOCK ABSORBERS SEATS SEAT - FLSTS/I
3576	REAR TURN SIGNALS
3588	REAR BRAKE CONTROL
3589	WINDSHIELD - FLSTC/I
3594	TRANSMISSION HOUSING (1 OF 2) BELTS, CHAINS & SPROCKETS FRONT BRAKE CONTROL
3601	ELECTRONIC CONTROL MODULE & COIL - FUEL INJECTED
3602A	IGNITION MODULE & COIL - CARBURETED ELECTRONIC CONTROL MODULE & COIL - FUEL INJECTED
3633	SEAT - FLSTS/I
3655A	REAR BRAKE CONTROL FRONT WHEEL (1 OF 2) FRONT WHEEL (1 OF 2)
3658	INSTRUMENTS - FXSTD/I HANDLEBAR SWITCHES

36801-87C	TRANSMISSION HOUSING (2 OF 2)
3689	REAR FENDER, SUPPORTS & LICENSE PLATE BRACKET - FXSTD/I LICENSE PLATE BRACKETS LICENSE PLATE BRACKETS
3692A	ROCKER ARM ASSEMBLY & PUSH RODS - Twin Cam 88B™
3693A	ROCKER ARM ASSEMBLY & PUSH RODS - Twin Cam 88B™
3699D	TRANSMISSION HOUSING (1 OF 2)
37069-90A	CLUTCH
37071-87	TRANSMISSION HOUSING (2 OF 2)
37075-87	TRANSMISSION HOUSING (2 OF 2)
37088-90	CLUTCH
37090-98A	CLUTCH
37105-99	TRANSMISSION HOUSING (2 OF 2)
37189-99	TRANSMISSION HOUSING (2 OF 2)
37232-00	TRANSMISSION HOUSING (2 OF 2)
3728	EXHAUST SYSTEM - FXST/I, FLSTC/I, FXSTS/I & FXSTB/I EXHAUST SYSTEM - FLSTF/I & FXSTD/I EXHAUST SYSTEM - FLSTS/I
37312-75	CLUTCH
37313-80	CLUTCH
3736A	ROCKER ARM ASSEMBLY & PUSH RODS - Twin Cam 88B™
3737A	BELTS, CHAINS & SPROCKETS REAR WHEEL
3746A	ROCKER ARM ASSEMBLY & PUSH RODS - Twin Cam 88B™
37496-90A	CLUTCH
375	TRANSMISSION HOUSING (1 OF 2) PRIMARY HOUSING
37550-98	CLUTCH
3767B	SEATS
37707-98A	CLUTCH
3775	HEADLAMP (1 OF 2) EXHAUST SYSTEM - FLSTS/I
37802-98B	CLUTCH
3784	GEAR SHIFTER
37871-98A	CLUTCH
37872-00	CLUTCH
37883-98	CLUTCH

37884-98	CLUTCH
37903-90	CLUTCH
37904-90	CLUTCH
37905-00	CLUTCH
37906-90	CLUTCH
37909-90	CLUTCH
37912-00	CLUTCH
37913-98	CLUTCH
37932-98	CLUTCH
38608-96	CLUTCH CONTROL
38630-88	CLUTCH CONTROL
38653-01	THROTTLE CONTROL
38664-00	CLUTCH CONTROL
38665-00	CLUTCH CONTROL
38666-00	CLUTCH CONTROL
38712-68	ENGINE SENSORS & SWITCHES
38723-99	ENGINE SENSORS & SWITCHES
3892	FRONT FORK - FLSTC/I & FLSTF/I (1 OF 2) SWITCHES & CIRCUIT BREAKERS
3893	FUEL TANK FUEL TANK - FUEL INJECTED FUEL TANK - FXSTD FUEL TANK - FXSTD - FUEL INJECTED
3929	LICENSE PLATE BRACKETS
3953W	FRONT FORK - FLSTC/I & FLSTF/I (1 OF 2)
3987	REAR BELT GUARD REAR FENDER, SUPPORTS & LICENSE PLATE BRACKET - FXSTD/I EXHAUST SYSTEM - FLSTF/I & FXSTD/I
3993	GEAR SHIFTER
39954-99A	CAMSHAFTS & CAM COVER - Twin Cam 88B™
39964-99A	CAMSHAFTS & CAM COVER - Twin Cam 88B™
39965-99	CAMSHAFTS & CAM COVER - Twin Cam 88B™
39976-01	BELTS, CHAINS & SPROCKETS
39990-01	BELTS, CHAINS & SPROCKETS
39998-65A	BELTS, CHAINS & SPROCKETS
40007-36B	BELTS, CHAINS & SPROCKETS

4017	GEAR SHIFTER EXHAUST SYSTEM - FLSTS/I
40250-94C	BELTS, CHAINS & SPROCKETS
40251-92A	BELTS, CHAINS & SPROCKETS
40266-85	BELTS, CHAINS & SPROCKETS
40289-00	BELTS, CHAINS & SPROCKETS REAR WHEEL
40295-00	BELTS, CHAINS & SPROCKETS REAR WHEEL
40299-83A	BELTS, CHAINS & SPROCKETS
4029A	FRONT FORK - FLSTS/I
40303-00	BELTS, CHAINS & SPROCKETS REAR WHEEL
40307-00B	BELTS, CHAINS & SPROCKETS
40308-94	BELTS, CHAINS & SPROCKETS
40323-00	CAMSHAFTS & CAM COVER - Twin Cam 88B™
40384-91	BELTS, CHAINS & SPROCKETS
40392-91	BELTS, CHAINS & SPROCKETS
4074A	REAR FORK & SHOCK ABSORBERS
4091	FRONT BRAKE CONTROL
40910-00A	FRONT WHEEL (1 OF 2)
40918-87	REAR BRAKE CONTROL
40920-87	REAR BRAKE CONTROL
40922-87A	REAR BRAKE CONTROL
40964-00	REAR WHEEL
40975-05A	REAR WHEEL
40976-00	REAR WHEEL
41038-00	FRONT WHEEL (1 OF 2)
41040-88B	FORK ROCKERS & CALIPER MOUNTING - FXSTS/I
41042-93	FRONT FENDER - FXSTS/I
41047-97	FORK ROCKERS & CALIPER MOUNTING - FLSTS/I
41058-00A	REAR WHEEL
41059-00A	REAR WHEEL
41074-00	REAR WHEEL
41109-88A	FRONT WHEEL (1 OF 2)
41110-79A	REAR WHEEL

41116-97	FRONT WHEEL (1 OF 2)
41123-79	FRONT WHEEL (1 OF 2) REAR WHEEL
4132	CLUTCH CONTROL FRONT BRAKE CONTROL
41584-86A	FRONT WHEEL (1 OF 2)
41595-00B	REAR WHEEL
4163	FORK ROCKERS & CALIPER MOUNTING - FLSTS/I FRAME & JIFFY STAND FOOTRESTS & FOOTBOARDS
4164	FORK ROCKERS & CALIPER MOUNTING - FLSTS/I
4165	FORK ROCKERS & CALIPER MOUNTING - FLSTS/I
4166	TAIL LAMP (1 OF 2)
4168	TRANSMISSION HOUSING (1 OF 2)
41713-86	FRONT BRAKE CONTROL FRONT FORK - FLSTC/I & FLSTF/I (1 OF 2)
41731-01	FRONT BRAKE CONTROL
41731-88A	REAR BRAKE CONTROL
41733-88	FRONT BRAKE CONTROL
41739-84A	FRONT BRAKE CONTROL
41747-82A	FRONT BRAKE CONTROL REAR BRAKE CONTROL
4175	CYLINDERS, HEADS & VALVES - Twin Cam 88B™
41755-99D	REAR BRAKE CONTROL
41797-00	REAR WHEEL
4180	SEATS
4188	REAR FENDER & SUPPORTS - FXST/I, FXSTS/I & FXSTB/I REAR FENDER & SUPPORTS - FLSTC/I, FLSTF/I & FLSTS/I REAR FENDER & SUPPORTS - FLSTC/I, FLSTF/I & FLSTS/I
4190	EXHAUST SYSTEM - FLSTF/I & FXSTD/I
4194	INSTRUMENTS - FXSTD/I
4195	CALIFORNIA EVAPORATIVE EMISSIONS COMPONENTS
41957-97A	REAR BRAKE CONTROL
4196	REAR TURN SIGNALS
4197	FUEL TANK FUEL TANK - FUEL INJECTED FUEL TANK - FXSTD FUEL TANK - FXSTD - FUEL INJECTED
4206	OIL TANK & LINES
4213	FRONT FORK - FXSTD/I

4216	OIL TANK & LINES
4217	OIL TANK & LINES
42303-00A	FRONT BRAKE CONTROL
42305-00	FRONT BRAKE CONTROL
42317-06A	FRONT BRAKE CONTROL
42382-87C	REAR BRAKE CONTROL
42416-83	REAR BRAKE CONTROL
42431-00	FOOTRESTS & FOOTBOARDS
42431-11	FOOTRESTS & FOOTBOARDS
42454-99A	REAR BRAKE CONTROL
42455-99	REAR BRAKE CONTROL
42460-80B	REAR BRAKE CONTROL
42507-00B	FOOTRESTS & FOOTBOARDS
42515-00	REAR BRAKE CONTROL
42515-00A	REAR BRAKE CONTROL
42532-82	REAR BRAKE CONTROL
42533-91A	TRANSMISSION HOUSING (2 OF 2)
42568-05A	REAR BRAKE CONTROL
42597-00	REAR BRAKE CONTROL
42597-00A	REAR BRAKE CONTROL
43005-05A	FRONT WHEEL (1 OF 2)
43016-00B	FRONT WHEEL (1 OF 2)
43067-97	FRONT WHEEL (1 OF 2)
43085-97	FRONT WHEEL (1 OF 2) REAR WHEEL
4311	FRAME & JIFFY STAND
4312C	BATTERY
4313	TRANSMISSION HOUSING (1 OF 2)
4314	FOOTRESTS & FOOTBOARDS
4315	FOOTRESTS & FOOTBOARDS
43155-00	FRONT WHEEL (1 OF 2)
43157-83A	FRONT WHEEL (1 OF 2) REAR WHEEL
43239-05	FRONT WHEEL (1 OF 2)
43241-05	FRONT WHEEL (1 OF 2)

	REAR WHEEL
4326A	STARTER MOTOR
4329	SWITCHES & CIRCUIT BREAKERS
43346-83B	FRONT WHEEL (1 OF 2)
43354-00	FRONT WHEEL (1 OF 2)
43360-00	FRONT WHEEL (1 OF 2)
4343	WINDSHIELD - FLSTC/I
43466-97	FRONT FENDER - FLSTS/I
43467-97	FRONT FENDER - FLSTS/I
4350A	FRONT FORK - FLSTC/I & FLSTF/I (1 OF 2) FRONT FORK - FXSTS/I FRONT FORK - FLSTS/I
4355B	FOOTRESTS & FOOTBOARDS FOOTRESTS & FOOTBOARDS
43567-92	REAR WHEEL
4358A	STARTER MOTOR
43608-00	FRONT WHEEL (1 OF 2) REAR WHEEL
43614-00	FRONT WHEEL (1 OF 2)
43617-00A	FRONT WHEEL (1 OF 2)
43623-00	FRONT WHEEL (1 OF 2)
43624-00	FRONT WHEEL (1 OF 2)
43654-00A	REAR WHEEL
43662-80B	FRONT WHEEL (1 OF 2)
43671-05A	FRONT WHEEL (1 OF 2)
43672-00	FRONT WHEEL (1 OF 2)
43676-05A	FRONT WHEEL (1 OF 2)
43683-00A	FRONT WHEEL (1 OF 2)
43700-05A	FRONT WHEEL (1 OF 2)
43701-00	FRONT WHEEL (1 OF 2)
43727-00	BELTS, CHAINS & SPROCKETS REAR WHEEL
4383	REAR BELT GUARD
4391	FRONT TURN SIGNALS
4400	ROCKER ARM ASSEMBLY & PUSH RODS - Twin Cam 88B™
44016-00D	REAR BRAKE CALIPER
44020-83	FRONT BRAKE CALIPER - SPRINGER MODELS

44021-83	FRONT BRAKE CALIPER - SPRINGER MODELS
44022-83	FRONT BRAKE CALIPER - SPRINGER MODELS
44029-00	FRONT WHEEL (1 OF 2) FORK ROCKERS & CALIPER MOUNTING - FXSTS/I
44030-88A	FORK ROCKERS & CALIPER MOUNTING - FXSTS/I
44031-97	FORK ROCKERS & CALIPER MOUNTING - FLSTS/I
44044-00	FORK ROCKERS & CALIPER MOUNTING - FXSTS/I
44046-00D	FRONT BRAKE CALIPER
44047-83	FRONT BRAKE CALIPER - SPRINGER MODELS
44048-83	FRONT BRAKE CALIPER - SPRINGER MODELS FRONT BRAKE CALIPER REAR BRAKE CALIPER
44053-83B	FRONT BRAKE CALIPER - SPRINGER MODELS
44054-83	FRONT BRAKE CALIPER - SPRINGER MODELS
44059-83	FRONT BRAKE CALIPER - SPRINGER MODELS
44061-83	FRONT BRAKE CALIPER - SPRINGER MODELS
44062-83	FRONT BRAKE CALIPER - SPRINGER MODELS
44063-83C	FRONT BRAKE CALIPER - SPRINGER MODELS
44074-88B	FRONT BRAKE CALIPER - SPRINGER MODELS
44077-88F	FRONT BRAKE CALIPER - SPRINGER MODELS
44079-97C	FRONT BRAKE CALIPER - SPRINGER MODELS
44082-00D	FRONT BRAKE CALIPER REAR BRAKE CALIPER
44086-97	FORK ROCKERS & CALIPER MOUNTING - FLSTS/I
44097-97	FRONT BRAKE CALIPER - SPRINGER MODELS
4411	HEADLAMP (1 OF 2)
44147-87A	FRONT BRAKE CALIPER REAR BRAKE CALIPER
44156-00	FRONT WHEEL (2 OF 2)
44160-00	FRONT BRAKE CALIPER
44163-00	FRONT BRAKE CALIPER
44177-00	FRONT BRAKE CALIPER REAR BRAKE CALIPER
44190-88A	FRONT BRAKE CALIPER - SPRINGER MODELS
44197-77	FRONT BRAKE CALIPER - SPRINGER MODELS
44215-97A	FRONT BRAKE CALIPER - SPRINGER MODELS
44235-97	FORK ROCKERS & CALIPER MOUNTING - FLSTS/I

44236-97	FORK ROCKERS & CALIPER MOUNTING - FLSTS/I
44260-00	FRONT WHEEL (2 OF 2)
44313-01	FRONT BRAKE CALIPER REAR BRAKE CALIPER
44314-00	FRONT BRAKE CALIPER REAR BRAKE CALIPER
44315-00	FRONT BRAKE CALIPER REAR BRAKE CALIPER
44337-00B	FRONT BRAKE CALIPER REAR BRAKE CALIPER
44338-00	FRONT BRAKE CALIPER REAR BRAKE CALIPER
44351-00	REAR BRAKE CALIPER
44441-00	REAR BRAKE CALIPER
44447-00	FRONT WHEEL (2 OF 2)
4453	FRONT FORK - FLSTC/I & FLSTF/I (1 OF 2)
45006-96C	FRONT BRAKE CONTROL
45015-96	CLUTCH CONTROL
45016-96	FRONT BRAKE CONTROL
45019-96D	FRONT BRAKE CONTROL
45021-86	CLUTCH CONTROL
45030-03C	FRONT BRAKE CONTROL
45032-82	CLUTCH CONTROL FRONT BRAKE CONTROL
45036-88	CLUTCH CONTROL
45042-96	REAR BRAKE CONTROL
45044-96A	CLUTCH CONTROL FRONT BRAKE CONTROL
45057-99	REAR BRAKE CONTROL
45066-00	FRONT FORK - FXSTD/I
45108-04	REAR BRAKE CONTROL
45110-96	FRONT BRAKE CONTROL
45119-00B	FRONT BRAKE CONTROL FRONT BRAKE CONTROL
45133-04B	REAR BRAKE CONTROL
45156-00	REAR BRAKE CONTROL
45199-99B	FRONT BRAKE CONTROL FRONT BRAKE CONTROL

45250-98B	FRONT BRAKE CONTROL FRONT BRAKE CONTROL
45359-00	ENGINE BALANCER - Twin Cam 88B™
45405-75A	FRONT FORK - FXST/I & FXSTB/I FRONT FORK - FXSTD/I FRONT FORK - FLSTC/I & FLSTF/I (1 OF 2)
45417-00	FRONT FORK - FXST/I & FXSTB/I FRONT FORK - FXSTD/I
45418-00	FRONT FORK - FXST/I & FXSTB/I
45419-80	FRONT FORK - FXST/I & FXSTB/I FRONT FORK - FXSTD/I FRONT FORK - FLSTC/I & FLSTF/I (1 OF 2)
45420-80	FRONT FORK - FXST/I & FXSTB/I
45423-92	CLUTCH CONTROL
45423-96	FRONT BRAKE CONTROL
45456-86B	FRONT FORK - FLSTC/I & FLSTF/I (1 OF 2)
45468-00	OIL TANK & LINES
45473-88	FRONT FORK - FXSTS/I
45475-00A	FRONT FORK - FXSTD/I
45491-97	FRONT FORK - FLSTS/I
45544-88	HANDLEBAR
45567-88	FRONT FORK - FXSTS/I FRONT FORK - FLSTS/I
45569-00	FRONT FORK - FXSTS/I
45605-00A	FRONT FORK - FLSTC/I & FLSTF/I (1 OF 2)
45607-93	FRONT FORK - FXSTS/I
45611-86	FRONT FORK - FXST/I & FXSTB/I FRONT FORK - FXSTD/I FRONT FORK - FLSTC/I & FLSTF/I (1 OF 2) FRONT FORK - FXSTS/I
45619-97	FRONT FORK - FLSTS/I
45628-92	FRONT FORK - FXSTS/I FRONT FORK - FLSTS/I
45629-97	FORK ROCKERS & CALIPER MOUNTING - FLSTS/I
45631-97	FORK ROCKERS & CALIPER MOUNTING - FLSTS/I
45633-00	FRONT FORK - FLSTS/I
45640-00A	FRONT FORK - FXST/I & FXSTB/I
45648-85A	FRONT FORK - FXST/I & FXSTB/I
45649-91	FORK ROCKERS & CALIPER MOUNTING - FXSTS/I
45651-91	FORK ROCKERS & CALIPER MOUNTING - FXSTS/I

45655-88	FORK ROCKERS & CALIPER MOUNTING - FXSTS/I FORK ROCKERS & CALIPER MOUNTING - FLSTS/I
45656-97	FORK ROCKERS & CALIPER MOUNTING - FLSTS/I
45659-88	FORK ROCKERS & CALIPER MOUNTING - FXSTS/I FORK ROCKERS & CALIPER MOUNTING - FLSTS/I
45660-88A	FORK ROCKERS & CALIPER MOUNTING - FXSTS/I FORK ROCKERS & CALIPER MOUNTING - FLSTS/I
45662-88	FORK ROCKERS & CALIPER MOUNTING - FXSTS/I FORK ROCKERS & CALIPER MOUNTING - FLSTS/I
45663-88A	FORK ROCKERS & CALIPER MOUNTING - FXSTS/I FORK ROCKERS & CALIPER MOUNTING - FLSTS/I
45670-80A	FRONT FORK - FXST/I & FXSTB/I FRONT FORK - FXSTD/I FRONT FORK - FLSTC/I & FLSTF/I (1 OF 2)
45672-80B	FRONT FORK - FXST/I & FXSTB/I
45680-90	FRAME & JIFFY STAND
45685-93	FRONT FORK - FXST/I & FXSTB/I HEADLAMP (1 OF 2)
45717-63	FRONT FORK - FXST/I & FXSTB/I FRONT FORK - FXSTD/I
45718-60	FRONT FORK - FXST/I & FXSTB/I FRONT FORK - FXSTD/I
45733-48	FRONT FORK - FXST/I & FXSTB/I FRONT FORK - FXSTD/I FRONT FORK - FLSTC/I & FLSTF/I (1 OF 2)
45764-00	REAR FORK & SHOCK ABSORBERS
45769-00	FRONT FORK - FXSTD/I
45790-80	FRONT FORK - FXSTD/I
45803-97	FRONT FORK - FXST/I & FXSTB/I FRONT FORK - FXSTD/I
45806-00	OIL TANK & LINES
45832-77A	FRONT FORK - FXST/I & FXSTB/I FRONT FORK - FLSTC/I & FLSTF/I (1 OF 2)
45834-77	FRONT FORK - FLSTC/I & FLSTF/I (1 OF 2)
45838-77	FRONT FORK - FXST/I & FXSTB/I FRONT FORK - FXSTD/I FRONT FORK - FLSTC/I & FLSTF/I (1 OF 2)
45842-77A	FRONT FORK - FXST/I & FXSTB/I FRONT FORK - FXSTD/I FRONT FORK - FLSTC/I & FLSTF/I (1 OF 2)
45845-77	FRONT FORK - FXST/I & FXSTB/I FRONT FORK - FXSTD/I FRONT FORK - FLSTC/I & FLSTF/I (1 OF 2)
45858-77	FRONT FORK - FXST/I & FXSTB/I

	FRONT FORK - FLSTC/I & FLSTF/I (1 OF 2)
45859-77A	FRONT FORK - FXST/I & FXSTB/I FRONT FORK - FXSTD/I FRONT FORK - FLSTC/I & FLSTF/I (1 OF 2)
45865-84	FRONT FORK - FXST/I & FXSTB/I FRONT FORK - FXSTD/I FRONT FORK - FLSTC/I & FLSTF/I (2 OF 2)
45866-84	FRONT FORK - FXST/I & FXSTB/I FRONT FORK - FXSTD/I FRONT FORK - FLSTC/I & FLSTF/I (2 OF 2)
45873-00	FRONT FORK - FXST/I & FXSTB/I
45874-91	FRONT FORK - FXST/I & FXSTB/I
45875-84A	FRONT FORK - FXST/I & FXSTB/I FRONT FORK - FXSTD/I FRONT FORK - FLSTC/I & FLSTF/I (2 OF 2)
45915-00	FRONT FORK - FLSTC/I & FLSTF/I (2 OF 2)
45916-00	FRONT FORK - FLSTC/I & FLSTF/I (2 OF 2)
45917-86	FRONT FORK - FLSTC/I & FLSTF/I (2 OF 2)
45918-00	FRONT FORK - FLSTC/I & FLSTF/I (2 OF 2)
45930-00	FRONT FORK - FLSTC/I & FLSTF/I (2 OF 2)
45931-00	FRONT FORK - FLSTC/I & FLSTF/I (2 OF 2)
45932-00	FRONT FORK - FLSTC/I & FLSTF/I (2 OF 2)
45933-86	FRONT FORK - FXST/I & FXSTB/I FRONT FORK - FXSTD/I FRONT FORK - FLSTC/I & FLSTF/I (2 OF 2)
45935-88	FRONT FORK - FXSTS/I FRONT FORK - FLSTS/I
45936-88	FRONT FORK - FXSTS/I FRONT FORK - FLSTS/I
45937-88	FRONT FORK - FXSTS/I FRONT FORK - FLSTS/I
45940-84	FRONT FORK - FXST/I & FXSTB/I FRONT FORK - FXSTD/I FRONT FORK - FLSTC/I & FLSTF/I (2 OF 2)
45964-86	FRONT FORK - FLSTC/I & FLSTF/I (2 OF 2)
45998-73	FRONT FORK - FXST/I & FXSTB/I FRONT FORK - FLSTC/I & FLSTF/I (2 OF 2)
46000-00	FRONT FORK - FXSTD/I
46004-00	FRONT FORK - FXST/I & FXSTB/I
46006-00	FRONT FORK - FXST/I & FXSTB/I
46048-00	FRONT FORK - FXST/I & FXSTB/I FRONT FORK - FXSTD/I
46053-88	FRONT FORK - FXSTS/I

	FRONT FORK - FLSTS/I
46054-88	FRONT FORK - FXSTS/I FRONT FORK - FLSTS/I
46055-88	FRONT FORK - FXSTS/I FRONT FORK - FLSTS/I
46056-88	FRONT FORK - FXSTS/I FRONT FORK - FLSTS/I
46057-88	FRONT FORK - FXSTS/I FRONT FORK - FLSTS/I
46058-97	HANDLEBAR
46059-90	HANDLEBAR
46060-88	FRONT FORK - FXSTS/I FRONT FORK - FLSTS/I
46062-88	FRONT FORK - FXSTS/I FRONT FORK - FLSTS/I
46064-00	FRONT FORK - FXSTD/I
46066-00	FRONT FORK - FXSTD/I
46067-00	FRONT FORK - FXSTD/I
46068-00	FRONT FORK - FXSTD/I
46175-00	FRONT FORK - FXSTD/I
46176-00	FRONT FORK - FXSTD/I
46458-05	REAR BRAKE CONTROL
47008-00C	FRAME & JIFFY STAND
4716W	ENGINE MOUNTS FOOTRESTS & FOOTBOARDS
4717A	IGNITION MODULE & COIL - CARBURETED ELECTRONIC CONTROL MODULE & COIL - FUEL INJECTED TRANSMISSION HOUSING (1 OF 2)
4719W	EXHAUST SYSTEM - FLSTS/I
4721	FOOTRESTS & FOOTBOARDS FOOTRESTS & FOOTBOARDS FOOTRESTS & FOOTBOARDS
4722	HEADLAMP (1 OF 2)
4724	HEADLAMP (1 OF 2)
4726	ENGINE MOUNTS
4729	FRONT FORK - FXST/I & FXSTB/I FRONT FORK - FLSTC/I & FLSTF/I (1 OF 2)
4740A	CAMSHAFTS & CAM COVER - Twin Cam 88B™ TRANSMISSION HOUSING (1 OF 2) PRIMARY HOUSING
4741A	ROCKER ARM ASSEMBLY & PUSH RODS - Twin Cam 88B™ CAMSHAFTS & CAM COVER - Twin Cam 88B™

	IGNITION MODULE & COIL - CARBURETED ENGINE SENSORS & SWITCHES
4747	FORK ROCKERS & CALIPER MOUNTING - FXSTS/I
47573-00A	REAR FORK & SHOCK ABSORBERS
47577-00	REAR FORK & SHOCK ABSORBERS
47579-00	REAR FORK & SHOCK ABSORBERS
47610-00	REAR FORK & SHOCK ABSORBERS
4763	FUEL TANK FUEL TANK - FUEL INJECTED FUEL TANK - FXSTD FUEL TANK - FXSTD - FUEL INJECTED
48048-00A	REAR FORK & SHOCK ABSORBERS
48049-00A	REAR FORK & SHOCK ABSORBERS
48052-00A	TRANSMISSION HOUSING (2 OF 2)
48053-00	TRANSMISSION HOUSING (2 OF 2)
48054-00	ENGINE MOUNTS
48093-00	ENGINE MOUNTS
48094-00	ENGINE MOUNTS
48099-01	SWITCHES & CIRCUIT BREAKERS
48127-01	ALTERNATOR & REGULATOR
4814A	ALTERNATOR & REGULATOR TRANSMISSION HOUSING (1 OF 2)
4816A	HANDLEBAR
4820A	PRIMARY HOUSING
48300-60	FRONT FORK - FXST/I & FXSTB/I FRONT FORK - FXSTD/I FRONT FORK - FLSTC/I & FLSTF/I (2 OF 2) FRONT FORK - FXSTS/I FRONT FORK - FLSTS/I
48306-88	FRONT FORK - FXSTS/I FRONT FORK - FLSTS/I
48315-60	FRONT FORK - FXST/I & FXSTB/I FRONT FORK - FXSTD/I FRONT FORK - FLSTC/I & FLSTF/I (2 OF 2) FRONT FORK - FXSTS/I FRONT FORK - FLSTS/I FRAME & JIFFY STAND
48324-00	FRONT FORK - FXSTD/I
48330-48A	FRONT FORK - FXST/I & FXSTB/I
48332-48C	FRONT FORK - FXST/I & FXSTB/I
48361-80	FRONT FORK - FXST/I & FXSTB/I FRONT FORK - FXSTD/I FRONT FORK - FLSTC/I & FLSTF/I (2 OF 2)

	FRONT FORK - FXSTS/I FRONT FORK - FLSTS/I
48365-48A	FRONT FORK - FXST/I & FXSTB/I FRONT FORK - FXSTD/I FRONT FORK - FLSTC/I & FLSTF/I (2 OF 2) FRONT FORK - FXSTS/I FRONT FORK - FLSTS/I
48868-00	FRAME & JIFFY STAND
48887-00B	FRAME & JIFFY STAND
49166-00	FOOTRESTS & FOOTBOARDS
49377-09A	FRONT FORK - FXST/I & FXSTB/I FRONT FORK - FXSTD/I FRONT FORK - FLSTC/I & FLSTF/I (2 OF 2)
50005-85A	FRAME & JIFFY STAND
50015-74A	FRAME & JIFFY STAND
50087-89B	FRAME & JIFFY STAND
50600026	FOOTRESTS & FOOTBOARDS
50614-91A	FOOTRESTS & FOOTBOARDS
50621-79A	FOOTRESTS & FOOTBOARDS
50635-82A	FOOTRESTS & FOOTBOARDS
508	FRONT WHEEL (1 OF 2) REAR WHEEL
509	FRONT BRAKE CALIPER - SPRINGER MODELS FRONT FENDER - FLSTS/I
50912-72	FOOTRESTS & FOOTBOARDS FOOTRESTS & FOOTBOARDS
50942-00	FOOTRESTS & FOOTBOARDS FOOTRESTS & FOOTBOARDS
50972-75	REAR BRAKE CONTROL FRAME & JIFFY STAND
50991-86	FRONT FORK - FLSTC/I & FLSTF/I (2 OF 2)
51184-00	SEATS
51185-00	SEATS
51186-00	SEATS
51188-00	SEATS
515	REAR BRAKE CONTROL
51792-01	SEAT - FLSTS/I
51793-01	SEAT - FLSTS/I
51796-00	SEAT - FLSTS/I
52015-97A	SEAT - FLSTS/I

52097-00	SEATS
5216	FRONT FENDER - FLSTS/I
52189-00	SEATS
52210-00	SEATS
52218-00	SEATS
5244	SEATS SADDLEBAGS - FLSTC/I
52441-95	FRONT FENDER - FLSTS/I TAIL LAMP (1 OF 2)
52467-00	SEATS SEAT - FLSTS/I
52506-00	SEATS
52507-00	SEATS
52560-00	SEATS
52602-00	SEATS
52687-97	SEAT - FLSTS/I
52720-00A	SEATS
52731-00	SEATS
52771-82	SEATS
52787-00	SEATS
52788-00	SEATS
53156-86	HANDLEBAR
53157-97	HANDLEBAR
534	FRONT BRAKE CALIPER - SPRINGER MODELS FORK ROCKERS & CALIPER MOUNTING - FXSTS/I
53436-97	REAR FENDER, SUPPORTS & LICENSE PLATE BRACKET - FXSTD/I TAIL LAMP (2 OF 2)
53438-92	HEADLAMP (2 OF 2)
5403B	LICENSE PLATE BRACKETS
5416	BELTS, CHAINS & SPROCKETS EXHAUST SYSTEM - FLSTF/I & FXSTD/I EXHAUST SYSTEM - FLSTS/I
54321-85	FRONT WHEEL (2 OF 2) REAR WHEEL
5443	INSTRUMENTS
54484-97	FRONT FORK - FLSTS/I
54485-97	FRONT FORK - FXSTS/I
54508-00B	REAR FORK & SHOCK ABSORBERS

557465-09	HANDLEBAR
55919-01	HANDLEBAR
55933-97	HANDLEBAR
56073-83	HANDLEBAR HANDLEBAR SWITCHES
56076-97	FUEL TANK FUEL TANK - FUEL INJECTED FUEL TANK - FXSTD FUEL TANK - FXSTD - FUEL INJECTED CALIFORNIA EVAPORATIVE EMISSIONS COMPONENTS
56093-88A	HANDLEBAR
56102-99	HANDLEBAR
56119-77A	HANDLEBAR
56122-77	HANDLEBAR
56124-77	HANDLEBAR
56133-00A	HANDLEBAR
56135-00A	HANDLEBAR
56153-73	HANDLEBAR
56159-73	HANDLEBAR
56182-00	REAR FORK & SHOCK ABSORBERS
56183-00	REAR FORK & SHOCK ABSORBERS
56188-00	HANDLEBAR
56206-96	THROTTLE CONTROL
56220-94A	THROTTLE CONTROL
56224-99A	HANDLEBAR
56305-96	THROTTLE CONTROL
56306-96	THROTTLE CONTROL
56342-01	THROTTLE CONTROL
56343-01	THROTTLE CONTROL
56394-74	THROTTLE CONTROL
56396-74A	THROTTLE CONTROL
56397-74C	THROTTLE CONTROL
56402-83A	THROTTLE CONTROL
56432-98	THROTTLE CONTROL
56433-98	THROTTLE CONTROL
56508-76	THROTTLE CONTROL

56538-88	HANDLEBAR
56540-88	HANDLEBAR
56541-86A	HANDLEBAR
56542-86A	HANDLEBAR
56548-97	HANDLEBAR
56550-97	HANDLEBAR
56567-86B	HANDLEBAR
56569-86	HANDLEBAR
56627-00	REAR FENDER, SUPPORTS & LICENSE PLATE BRACKET - FXSTD/I
56628-00	REAR FENDER, SUPPORTS & LICENSE PLATE BRACKET - FXSTD/I
57060-00	WINDSHIELD - FLSTC/I
57062-00A	WINDSHIELD - FLSTC/I
57063-00A	WINDSHIELD - FLSTC/I
5710	FRONT FORK - FXST/I & FXSTB/I FRONT FORK - FXSTD/I FRONT FORK - FLSTC/I & FLSTF/I (1 OF 2)
5714	MIRRORS
57215-75	REAR BRAKE CONTROL
57217-02A	REAR BRAKE CONTROL
57400112	WINDSHIELD - FLSTC/I
57464-09	HANDLEBAR
5756	REAR WHEEL
5775	OIL TANK & LINES
58060-93	FRONT TURN SIGNALS
58082-02A	AUXILIARY/FOG LAMPS - FLSTC/I & FLSTS/I, FRONT TURN SIGNALS - FLSTC/I
58089-97	AUXILIARY/FOG LAMPS - FLSTC/I & FLSTS/I, FRONT TURN SIGNALS - FLSTC/I
5818A	FUEL TANK FUEL TANK - FUEL INJECTED FUEL TANK - FXSTD FUEL TANK - FXSTD - FUEL INJECTED
58213-00	WINDSHIELD - FLSTC/I
58241-95	WINDSHIELD - FLSTC/I
58252-95	WINDSHIELD - FLSTC/I
58253-95	WINDSHIELD - FLSTC/I
58272-95	WINDSHIELD - FLSTC/I

58406-75A	WINDSHIELD - FLSTC/I
58408-75A	WINDSHIELD - FLSTC/I
58416-77A	WINDSHIELD - FLSTC/I
58417-77	WINDSHIELD - FLSTC/I
58428-94	WINDSHIELD - FLSTC/I
58431-94	WINDSHIELD - FLSTC/I
5885	AUXILIARY/FOG LAMPS - FLSTC/I & FLSTS/I, FRONT TURN SIGNALS - FLSTC/I
58991-00	REAR FENDER & SUPPORTS - FXST/I, FXSTS/I & FXSTB/I
59043-93	FRONT FENDER - FXSTS/I
59053-00	REAR FENDER, SUPPORTS & LICENSE PLATE BRACKET - FXSTD/I
59066-00	REAR FENDER & SUPPORTS - FXST/I, FXSTS/I & FXSTB/I
59116-96	FRONT FENDER - FXST/I, FXSTB/I, FXSTD/I, FLSTC/I & FLSTF/I
59117-96	REAR FENDER & SUPPORTS - FLSTC/I, FLSTF/I & FLSTS/I
59118-00	FRONT FENDER - FLSTS/I
59122-97	FRONT FENDER - FLSTS/I
59129-86A	FRONT FENDER - FXST/I, FXSTB/I, FXSTD/I, FLSTC/I & FLSTF/I
59139-00A	FRONT FENDER - FXST/I, FXSTB/I, FXSTD/I, FLSTC/I & FLSTF/I
59144-00A	REAR FENDER & SUPPORTS - FLSTC/I, FLSTF/I & FLSTS/I
59155-00B	REAR FENDER & SUPPORTS - FLSTC/I, FLSTF/I & FLSTS/I
59164-97A	FRONT FENDER - FLSTS/I
59174-99	SEAT - FLSTS/I
59176-96A	FRONT FENDER - FXSTS/I
59180-80	FRONT FENDER - FXST/I, FXSTB/I, FXSTD/I, FLSTC/I & FLSTF/I
59201-96	FRONT FENDER - FXST/I, FXSTB/I, FXSTD/I, FLSTC/I & FLSTF/I
59211-74A	FRONT FENDER - FXST/I, FXSTB/I, FXSTD/I, FLSTC/I & FLSTF/I
59235-86	FRONT FENDER - FXST/I, FXSTB/I, FXSTD/I, FLSTC/I & FLSTF/I
59251-90	REAR FENDER & SUPPORTS - FLSTC/I, FLSTF/I & FLSTS/I
59254-91	REAR FENDER & SUPPORTS - FXST/I, FXSTS/I & FXSTB/I REAR FENDER & SUPPORTS - FLSTC/I, FLSTF/I & FLSTS/I
59255-91	SEATS REAR FENDER & SUPPORTS - FXST/I, FXSTS/I & FXSTB/I REAR FENDER & SUPPORTS - FLSTC/I, FLSTF/I & FLSTS/I
59256-84A	SEATS
59259-90	REAR FENDER, SUPPORTS & LICENSE PLATE BRACKET - FXSTD/I

	LICENSE PLATE BRACKETS
59287-92	REAR FENDER & SUPPORTS - FLSTC/I, FLSTF/I & FLSTS/I REAR FENDER, SUPPORTS & LICENSE PLATE BRACKET - FXSTD/I
59288-92	REAR FENDER & SUPPORTS - FLSTC/I, FLSTF/I & FLSTS/I REAR FENDER, SUPPORTS & LICENSE PLATE BRACKET - FXSTD/I
59289-92	FRONT FORK - FXSTS/I FRONT FORK - FLSTS/I REAR FENDER & SUPPORTS - FLSTC/I, FLSTF/I & FLSTS/I REAR FENDER, SUPPORTS & LICENSE PLATE BRACKET - FXSTD/I
59290-92	FRONT FORK - FXSTS/I FRONT FORK - FLSTS/I REAR FENDER & SUPPORTS - FLSTC/I, FLSTF/I & FLSTS/I REAR FENDER, SUPPORTS & LICENSE PLATE BRACKET - FXSTD/I
59292-94	LICENSE PLATE BRACKETS
59355-97	FRONT FENDER - FLSTS/I FRONT FENDER - FLSTS/I
59357-00	FRONT FENDER - FLSTS/I
59358-97	FRONT FENDER - FLSTS/I
59438-00	REAR FENDER, SUPPORTS & LICENSE PLATE BRACKET - FXSTD/I
59465-00	REAR FENDER, SUPPORTS & LICENSE PLATE BRACKET - FXSTD/I
59481-00	FRONT FORK - FXST/I & FXSTB/I FRONT FORK - FXSTD/I FRONT FORK - FLSTC/I & FLSTF/I (2 OF 2)
59482-00	FRONT FORK - FXST/I & FXSTB/I FRONT FORK - FXSTD/I FRONT FORK - FLSTC/I & FLSTF/I (2 OF 2)
59543-01	REAR FENDER, SUPPORTS & LICENSE PLATE BRACKET - FXSTD/I
59567-00C	REAR FENDER & SUPPORTS - FXST/I, FXSTS/I & FXSTB/I REAR FENDER & SUPPORTS - FLSTC/I, FLSTF/I & FLSTS/I REAR FENDER, SUPPORTS & LICENSE PLATE BRACKET - FXSTD/I
59596-00A	REAR FENDER & SUPPORTS - FLSTC/I, FLSTF/I & FLSTS/I
59672-99	REAR FENDER & SUPPORTS - FLSTC/I, FLSTF/I & FLSTS/I
59759-00	REAR FENDER, SUPPORTS & LICENSE PLATE BRACKET - FXSTD/I
59768-97	SEATS SEATS SEAT - FLSTS/I REAR FENDER & SUPPORTS - FXST/I, FXSTS/I & FXSTB/I REAR FENDER & SUPPORTS - FLSTC/I, FLSTF/I & FLSTS/I REAR FENDER, SUPPORTS & LICENSE PLATE BRACKET - FXSTD/I

59876-00A	FRONT FENDER - FXST/I, FXSTB/I, FXSTD/I, FLSTC/I & FLSTF/I
59914-00A	REAR FENDER & SUPPORTS - FXST/I, FXSTS/I & FXSTB/I
59924-80B	FRONT FENDER - FXST/I, FXSTB/I, FXSTD/I, FLSTC/I & FLSTF/I
59954-00	REAR FENDER & SUPPORTS - FLSTC/I, FLSTF/I & FLSTS/I
59955-00	REAR FENDER & SUPPORTS - FLSTC/I, FLSTF/I & FLSTS/I
59964-00	REAR FENDER & SUPPORTS - FXST/I, FXSTS/I & FXSTB/I REAR FENDER & SUPPORTS - FLSTC/I, FLSTF/I & FLSTS/I
59969-00	REAR FENDER & SUPPORTS - FXST/I, FXSTS/I & FXSTB/I REAR FENDER & SUPPORTS - FLSTC/I, FLSTF/I & FLSTS/I
59984-73	LICENSE PLATE BRACKETS
59986-75	LICENSE PLATE BRACKETS
59988-72A	REAR FENDER, SUPPORTS & LICENSE PLATE BRACKET - FXSTD/I LICENSE PLATE BRACKETS
59993-00A	LICENSE PLATE BRACKETS
59994-93A	REAR FENDER, SUPPORTS & LICENSE PLATE BRACKET - FXSTD/I LICENSE PLATE BRACKETS
60001-55	LICENSE PLATE BRACKETS
60003-89	LICENSE PLATE BRACKETS
60019-93A	REAR FENDER, SUPPORTS & LICENSE PLATE BRACKET - FXSTD/I LICENSE PLATE BRACKETS
60020-97	LICENSE PLATE BRACKETS
60021-97	LICENSE PLATE BRACKETS
60026-97	LICENSE PLATE BRACKETS
60028-00	REAR FENDER, SUPPORTS & LICENSE PLATE BRACKET - FXSTD/I
6003	TRANSMISSION GEARS
60035-00	REAR FENDER, SUPPORTS & LICENSE PLATE BRACKET - FXSTD/I
601	CAMSHAFTS & CAM COVER - Twin Cam 88B™
60120-00A	REAR FENDER, SUPPORTS & LICENSE PLATE BRACKET - FXSTD/I
6016	TRANSMISSION HOUSING (1 OF 2) PRIMARY HOUSING
6019	ENGINE MOUNTS FRONT BRAKE CALIPER - SPRINGER MODELS SEATS
60328-98B	TRANSMISSION HOUSING (2 OF 2) OIL TANK & LINES
6036	SEATS

	SEAT - FLSTS/I
60362-00	REAR BELT GUARD
60363-00B	REAR FORK & SHOCK ABSORBERS
6040A	FORK ROCKERS & CALIPER MOUNTING - FXSTS/I
6042A	FORK ROCKERS & CALIPER MOUNTING - FXSTS/I FORK ROCKERS & CALIPER MOUNTING - FLSTS/I
6047	SWITCHES & CIRCUIT BREAKERS
60533-00A	REAR BELT GUARD
60539-94B	PRIMARY HOUSING
60543-99B	PRIMARY HOUSING
60564-00A	REAR BELT GUARD
60567-90C	PRIMARY HOUSING
6057	GEAR SHIFTER
60572-86	PRIMARY HOUSING
60586-99A	PRIMARY HOUSING
60630-94B	PRIMARY HOUSING
60668-99	PRIMARY HOUSING
60678-85	PRIMARY HOUSING
60713-99	PRIMARY HOUSING
60714-98	PRIMARY HOUSING
60715-99B	PRIMARY HOUSING
6072	AUXILIARY/FOG LAMPS - FLSTC/I & FLSTS/I, FRONT TURN SIGNALS - FLSTC/I
60721-99B	PRIMARY HOUSING
60724-98A	PRIMARY HOUSING
609	GEAR SHIFTER TRANSMISSION HOUSING (1 OF 2)
6099	IGNITION MODULE & COIL - CARBURETED ELECTRONIC CONTROL MODULE & COIL - FUEL INJECTED REAR BRAKE CONTROL
60993-00	FUEL TANK FUEL TANK - FUEL INJECTED
61001-01	FUEL PUMP - FUEL INJECTED
6101	CLUTCH CONTROL FRONT BRAKE CONTROL
61081-92	FRAME & JIFFY STAND INSTRUMENTS INSTRUMENTS - FXSTD/I
6109	FRONT FENDER - FLSTS/I

	HORN
61109-85D	FUEL TANK FUEL TANK - FUEL INJECTED FUEL TANK - FXSTD FUEL TANK - FXSTD - FUEL INJECTED
61155-00	FUEL TANK FUEL TANK - FUEL INJECTED
6116	CALIFORNIA EVAPORATIVE EMISSIONS COMPONENTS
61165-00	FUEL TANK FUEL TANK - FUEL INJECTED
61192-96A	FUEL PUMP - FUEL INJECTED SENDING UNITS - CARBURETED MODELS
61209-01A	FUEL PUMP - FUEL INJECTED
61231-01	FUEL PUMP - FUEL INJECTED
61272-92C	FUEL TANK FUEL TANK - FUEL INJECTED FUEL TANK - FXSTD FUEL TANK - FXSTD - FUEL INJECTED
61324-01	SENDING UNITS - CARBURETED MODELS
61338-94D	FUEL TANK FUEL TANK - FXSTD
61583-02	FUEL PUMP - FUEL INJECTED
61623-00	FUEL PUMP - FUEL INJECTED SENDING UNITS - CARBURETED MODELS
61625-01D	FUEL TANK - FUEL INJECTED
61657-00	SEATS
61659-01	FUEL PUMP - FUEL INJECTED
61721-00A	FUEL TANK - FXSTD FUEL TANK - FXSTD - FUEL INJECTED
61960-00	FUEL PUMP - FUEL INJECTED
61961-00	FUEL PUMP - FUEL INJECTED
62082-00D	FUEL TANK - FXSTD FUEL TANK - FXSTD - FUEL INJECTED
62123-66	FRAME & JIFFY STAND
62146-00	FUEL TANK - FXSTD FUEL TANK - FXSTD - FUEL INJECTED
62150-85	FUEL TANK FUEL TANK - FUEL INJECTED FUEL TANK - FXSTD FUEL TANK - FXSTD - FUEL INJECTED
62156-00	FUEL TANK TRIM
62157-00	FUEL TANK TRIM
62161-02	FUEL TANK

	FUEL TANK - FXSTD
62163-01A	FUEL PUMP - FUEL INJECTED
62165-01	FUEL PUMP - FUEL INJECTED
62166-81A	FUEL TANK FUEL TANK - FXSTD
62172-02	FUEL TANK FUEL TANK - FXSTD
62180-00D	FUEL TANK
62183-00	FUEL TANK TRIM
62184-00	FUEL TANK TRIM
62188-01	FUEL PUMP - FUEL INJECTED
62189-01A	FUEL TANK - FUEL INJECTED FUEL TANK - FXSTD - FUEL INJECTED
62190-01D	FUEL TANK - FXSTD - FUEL INJECTED
62196-01	FUEL TANK TRIM
62197-01	FUEL TANK TRIM
6229W	SADDLEBAGS - FLSTC/I SADDLEBAGS - FLSTS/I
62357-00	FUEL PUMP - FUEL INJECTED
6237	REAR BRAKE CONTROL
62373-01	FUEL PUMP - FUEL INJECTED
62375-57A	TRANSMISSION HOUSING (2 OF 2)
62492-00	OIL TANK & LINES
62492-01A	OIL TANK & LINES
62498-00	OIL TANK & LINES
62498-01A	OIL TANK & LINES
6253W	LICENSE PLATE BRACKETS
62555-95	CARBURETOR (2 OF 2) FUEL TANK FUEL TANK - FUEL INJECTED FUEL TANK - FXSTD FUEL TANK - FXSTD - FUEL INJECTED
62769-00A	OIL TANK & LINES
62840-00A	OIL TANK & LINES
62842-00	FUEL TANK - FXSTD
62843-00	FUEL TANK - FUEL INJECTED FUEL TANK - FXSTD FUEL TANK - FXSTD - FUEL INJECTED
62845-00A	OIL TANK & LINES

62880-00	FUEL TANK FUEL TANK - FUEL INJECTED FUEL TANK - FXSTD FUEL TANK - FXSTD - FUEL INJECTED
62881-00	FUEL TANK FUEL TANK - FUEL INJECTED FUEL TANK - FXSTD FUEL TANK - FXSTD - FUEL INJECTED
62897-01	FUEL PUMP - FUEL INJECTED
62897-01B	FUEL PUMP - FUEL INJECTED
62900-01D	FUEL TANK - FUEL INJECTED
6296	REAR FENDER, SUPPORTS & LICENSE PLATE BRACKET - FXSTD/I
6333	SEATS
634	TRANSMISSION HOUSING (1 OF 2)
63501-68B	CARBURETOR (2 OF 2) FUEL TANK FUEL TANK - FXSTD
63521-95A	FUEL TANK FUEL TANK - FUEL INJECTED FUEL TANK - FXSTD FUEL TANK - FXSTD - FUEL INJECTED
6353	FRONT FORK - FXSTS/I FRONT FORK - FLSTS/I
63553-00B	OIL TANK & LINES
63601-00	OIL TANK & LINES
63611-00	OIL TANK & LINES
63628-00	OIL TANK & LINES
63632-00	OIL TANK & LINES
6371	FORK ROCKERS & CALIPER MOUNTING - FXSTS/I
63731-99A	CRANKCASE & ENGINE OIL FILTER - Twin Cam 88B™
63783-00	OIL TANK & LINES
63798-99A	CRANKCASE & ENGINE OIL FILTER - Twin Cam 88B™
6379W	SEATS HEADLAMP (1 OF 2) REAR FENDER & SUPPORTS - FXST/I, FXSTS/I & FXSTB/I REAR FENDER & SUPPORTS - FLSTC/I, FLSTF/I & FLSTS/I REAR FENDER & SUPPORTS - FLSTC/I, FLSTF/I & FLSTS/I
63815-99	ROCKER ARM ASSEMBLY & PUSH RODS - Twin Cam 88B™
63859-95B	PRIMARY HOUSING
6400HB	BELTS, CHAINS & SPROCKETS FRAME & JIFFY STAND WINDSHIELD - FLSTC/I HEADLAMP (1 OF 2) FUEL TANK

	FUEL TANK - FUEL INJECTED FUEL TANK - FXSTD FUEL TANK - FXSTD - FUEL INJECTED
6409	SEATS FRONT FENDER - FXSTS/I
6448HB	TRANSMISSION HOUSING (1 OF 2)
6474	HEADLAMP (1 OF 2)
6497HW	GEAR SHIFTER
6498	FORK ROCKERS & CALIPER MOUNTING - FXSTS/I
65081-00A	EXHAUST SYSTEM - FLSTS/I
65085-00A	EXHAUST SYSTEM - FLSTF/I & FXSTD/I
65090-00B	EXHAUST SYSTEM - FLSTF/I & FXSTD/I
65094-00A	EXHAUST SYSTEM - FLSTF/I & FXSTD/I
65148-00A	EXHAUST SYSTEM - FLSTF/I & FXSTD/I
6516HW	ENGINE MOUNTS BELTS, CHAINS & SPROCKETS REAR WHEEL
65296-95A	EXHAUST SYSTEM - FXST/I, FLSTC/I, FXSTS/I & FXSTB/I EXHAUST SYSTEM - FLSTF/I & FXSTD/I EXHAUST SYSTEM - FLSTS/I
6530	ENGINE MOUNTS
65311-97	EXHAUST SYSTEM - FLSTS/I
6532	TRANSMISSION HOUSING (1 OF 2)
65324-83B	EXHAUST SYSTEM - FXST/I, FLSTC/I, FXSTS/I & FXSTB/I EXHAUST SYSTEM - FLSTF/I & FXSTD/I EXHAUST SYSTEM - FLSTS/I
65325-83A	EXHAUST SYSTEM - FXST/I, FLSTC/I, FXSTS/I & FXSTB/I EXHAUST SYSTEM - FLSTF/I & FXSTD/I EXHAUST SYSTEM - FLSTS/I
65328-83A	EXHAUST SYSTEM - FXST/I, FLSTC/I, FXSTS/I & FXSTB/I EXHAUST SYSTEM - FLSTF/I & FXSTD/I EXHAUST SYSTEM - FLSTS/I
6534	REAR FORK & SHOCK ABSORBERS
6535	REAR FORK & SHOCK ABSORBERS
65364-00A	EXHAUST SYSTEM - FLSTS/I
65366-00	EXHAUST SYSTEM - FLSTS/I
65401-00B	EXHAUST SYSTEM - FXST/I, FLSTC/I, FXSTS/I & FXSTB/I
65413-00	EXHAUST SYSTEM - FXST/I, FLSTC/I, FXSTS/I & FXSTB/I
65435-00	EXHAUST SYSTEM - FLSTF/I & FXSTD/I
65445-00	EXHAUST SYSTEM - FLSTF/I & FXSTD/I
65463-00	EXHAUST SYSTEM - FXST/I, FLSTC/I, FXSTS/I & FXSTB/I

	EXHAUST SYSTEM - FXST/I, FLSTC/I, FXSTS/I & FXSTB/I EXHAUST SYSTEM - FLSTF/I & FXSTD/I
65464-00	EXHAUST SYSTEM - FLSTF/I & FXSTD/I
65498-00A	EXHAUST SYSTEM - FLSTS/I
65499-00A	EXHAUST SYSTEM - FLSTF/I & FXSTD/I
65503-00A	EXHAUST SYSTEM - FLSTF/I & FXSTD/I
65513-00A	EXHAUST SYSTEM - FLSTS/I
65603-00A	EXHAUST SYSTEM - FXST/I, FLSTC/I, FXSTS/I & FXSTB/I
65652-97A	EXHAUST SYSTEM - FLSTF/I & FXSTD/I EXHAUST SYSTEM - FLSTS/I
65654-97	EXHAUST SYSTEM - FLSTF/I & FXSTD/I EXHAUST SYSTEM - FLSTS/I
65655-00	EXHAUST SYSTEM - FLSTS/I
65679-00	EXHAUST SYSTEM - FLSTS/I
65682-00A	EXHAUST SYSTEM - FXST/I, FLSTC/I, FXSTS/I & FXSTB/I
65702-00A	EXHAUST SYSTEM - FXST/I, FLSTC/I, FXSTS/I & FXSTB/I
65708-97	EXHAUST SYSTEM - FLSTS/I
65732-00B	EXHAUST SYSTEM - FXST/I, FLSTC/I, FXSTS/I & FXSTB/I
65734-95	EXHAUST SYSTEM - FLSTF/I & FXSTD/I EXHAUST SYSTEM - FLSTS/I
65750-00B	EXHAUST SYSTEM - FXST/I, FLSTC/I, FXSTS/I & FXSTB/I
65781-82	EXHAUST SYSTEM - FLSTS/I
65782-82	EXHAUST SYSTEM - FLSTS/I
65793-00	EXHAUST SYSTEM - FLSTS/I
65806-00A	EXHAUST SYSTEM - FLSTS/I
65826-90A	EXHAUST SYSTEM - FLSTF/I & FXSTD/I
65827-90	EXHAUST SYSTEM - FLSTF/I & FXSTD/I
65842-00A	EXHAUST SYSTEM - FXST/I, FLSTC/I, FXSTS/I & FXSTB/I
65885-00	EXHAUST SYSTEM - FXST/I, FLSTC/I, FXSTS/I & FXSTB/I
65890-00A	EXHAUST SYSTEM - FLSTF/I & FXSTD/I
65894-00	EXHAUST SYSTEM - FLSTF/I & FXSTD/I
65900-00A	EXHAUST SYSTEM - FLSTF/I & FXSTD/I
65907-97A	EXHAUST SYSTEM - FLSTS/I
65908-00A	EXHAUST SYSTEM - FLSTS/I
65909-00	EXHAUST SYSTEM - FLSTS/I
6590HW	FRONT WHEEL (1 OF 2) HANDLEBAR

65910-97	EXHAUST SYSTEM - FLSTS/I
65911-97	EXHAUST SYSTEM - FLSTS/I
65912-00A	EXHAUST SYSTEM - FXST/I, FLSTC/I, FXSTS/I & FXSTB/I
65926-00	EXHAUST SYSTEM - FLSTF/I & FXSTD/I
65927-00	EXHAUST SYSTEM - FXST/I, FLSTC/I, FXSTS/I & FXSTB/I
65939-00A	EXHAUST SYSTEM - FLSTF/I & FXSTD/I
65989-97C	BATTERY
66030-88	FRONT FORK - FXSTS/I
66210-00	BATTERY
66373-06	SWITCHES & CIRCUIT BREAKERS
6639	FRONT WHEEL (1 OF 2)
6655	FRONT FORK - FLSTC/I & FLSTF/I (1 OF 2)
6701	HEADLAMP (1 OF 2) FUEL TANK - FXSTD - FUEL INJECTED EXHAUST SYSTEM - FXST/I, FLSTC/I, FXSTS/I & FXSTB/I EXHAUST SYSTEM - FLSTS/I
6702	GEAR SHIFTER REAR BELT GUARD FRONT FORK - FXST/I & FXSTB/I FRONT FORK - FLSTC/I & FLSTF/I (1 OF 2) FRAME & JIFY STAND FRONT FENDER - FXST/I, FXSTB/I, FXSTD/I, FLSTC/I & FLSTF/I REAR FENDER, SUPPORTS & LICENSE PLATE BRACKET - FXSTD/I LICENSE PLATE BRACKETS FUEL TANK FUEL TANK - FUEL INJECTED FUEL TANK - FXSTD OIL TANK & LINES EXHAUST SYSTEM - FLSTF/I & FXSTD/I EXHAUST SYSTEM - FLSTS/I REAR TURN SIGNALS SADDLEBAGS - FLSTC/I SADDLEBAGS - FLSTS/I
6703	FRONT BRAKE CONTROL WINDSHIELD - FLSTC/I REAR FENDER, SUPPORTS & LICENSE PLATE BRACKET - FXSTD/I LICENSE PLATE BRACKETS LICENSE PLATE BRACKETS LICENSE PLATE BRACKETS EXHAUST SYSTEM - FXST/I, FLSTC/I, FXSTS/I & FXSTB/I EXHAUST SYSTEM - FLSTF/I & FXSTD/I EXHAUST SYSTEM - FLSTF/I & FXSTD/I EXHAUST SYSTEM - FLSTF/I & FXSTD/I EXHAUST SYSTEM - FLSTS/I
67033-99A	INSTRUMENTS
6716	ELECTRONIC CONTROL MODULE & COIL - FUEL INJECTED REAR FENDER, SUPPORTS & LICENSE PLATE BRACKET - FXSTD/I REAR FENDER, SUPPORTS & LICENSE PLATE BRACKET - FXSTD/I

	FUEL TANK FUEL TANK - FUEL INJECTED INSTRUMENTS - FXSTD/I
67190-89	INSTRUMENTS
67196-99A	INSTRUMENTS
67197-99A	INSTRUMENTS
67223-00A	INSTRUMENTS - FXSTD/I
6724	REAR FORK & SHOCK ABSORBERS
67266-94	REAR FENDER & SUPPORTS - FLSTC/I, FLSTF/I & FLSTS/I
67271-99	INSTRUMENTS
6736	GEAR SHIFTER
67423-00	INSTRUMENTS - FXSTD/I
6753	HANDLEBAR
6756	HANDLEBAR
6758	FRONT BRAKE CALIPER - SPRINGER MODELS
67601-94A	HEADLAMP (1 OF 2)
67602-94	HEADLAMP (2 OF 2)
67603-94A	HEADLAMP (1 OF 2)
67604-94	HEADLAMP (2 OF 2)
67615-96	AUXILIARY/FOG LAMPS - FLSTC/I & FLSTS/I, FRONT TURN SIGNALS - FLSTC/I
67621-94	WINDSHIELD - FLSTC/I
6762B	ROCKER ARM ASSEMBLY & PUSH RODS - Twin Cam 88B™
67685-92	HEADLAMP (1 OF 2)
67691-92	HEADLAMP (2 OF 2)
67698-81D	HEADLAMP (1 OF 2)
67705-92	HEADLAMP (1 OF 2)
67713-86	HEADLAMP (1 OF 2)
6771A	INSTRUMENTS REAR TURN SIGNALS
67757-92	HEADLAMP (1 OF 2)
67763-92A	HEADLAMP (2 OF 2)
67768-97	HEADLAMP (1 OF 2)
67769-93	HEADLAMP (1 OF 2)
67772-97	HEADLAMP (1 OF 2)
67781-92A	HEADLAMP (2 OF 2)

67790-93A	HEADLAMP (1 OF 2)
67793-92A	HEADLAMP (2 OF 2)
67798-92	HEADLAMP (2 OF 2)
67801-92A	HEADLAMP (2 OF 2)
67808-86	FRONT FORK - FLSTC/I & FLSTF/I (2 OF 2)
67814-86	FRONT FORK - FLSTC/I & FLSTF/I (2 OF 2)
67816-86	FRONT FORK - FLSTC/I & FLSTF/I (2 OF 2)
67819-86	FRONT FORK - FLSTC/I & FLSTF/I (2 OF 2)
67821-87	FRONT FORK - FLSTC/I & FLSTF/I (2 OF 2)
67822-88	FRONT TURN SIGNALS
67827-88A	FRONT TURN SIGNALS
67828-88A	FRONT TURN SIGNALS
67829-88	FRONT TURN SIGNALS
67846-70	AUXILIARY/FOG LAMPS - FLSTC/I & FLSTS/I, FRONT TURN SIGNALS - FLSTC/I
67854-98	INSTRUMENTS INSTRUMENTS - FXSTD/I
67858-89	AUXILIARY/FOG LAMPS - FLSTC/I & FLSTS/I, FRONT TURN SIGNALS - FLSTC/I
67880-94	INSTRUMENTS INSTRUMENTS - FXSTD/I
67892-93	HEADLAMP (1 OF 2)
67894-93A	HEADLAMP (1 OF 2)
67915-00	AUXILIARY/FOG LAMPS - FLSTC/I & FLSTS/I, FRONT TURN SIGNALS - FLSTC/I
68026-99	TAIL LAMP (1 OF 2)
68042-99	CRANKCASE & ENGINE OIL FILTER - Twin Cam 88B™ CAMSHAFTS & CAM COVER - Twin Cam 88B™ ENGINE SENSORS & SWITCHES ENGINE SENSORS & SWITCHES
68046-79	REAR FENDER & SUPPORTS - FLSTC/I, FLSTF/I & FLSTS/I
68050-93A	HEADLAMP (1 OF 2)
68051-93A	HEADLAMP (1 OF 2)
68052-93	HEADLAMP (1 OF 2)
68066-99A	TAIL LAMP (1 OF 2)
68081-96	REAR FENDER & SUPPORTS - FLSTC/I, FLSTF/I & FLSTS/I
68112-99A	INSTRUMENTS
68113-99C	INSTRUMENTS

6812	FRONT FORK - FXSTS/I FRONT FORK - FLSTS/I FORK ROCKERS & CALIPER MOUNTING - FXSTS/I FORK ROCKERS & CALIPER MOUNTING - FLSTS/I FRAME & JIFFY STAND FOOTRESTS & FOOTBOARDS
68140-04	TAIL LAMP (1 OF 2)
68140-99	TAIL LAMP (1 OF 2)
68141-04	TAIL LAMP (2 OF 2)
68141-99A	TAIL LAMP (2 OF 2)
68142-04	TAIL LAMP (2 OF 2)
68163-84	AUXILIARY/FOG LAMPS - FLSTC/I & FLSTS/I, FRONT TURN SIGNALS - FLSTC/I FRONT TURN SIGNALS REAR TURN SIGNALS
68167-04	TAIL LAMP (1 OF 2)
68168-89A	AUXILIARY/FOG LAMPS - FLSTC/I & FLSTS/I, FRONT TURN SIGNALS - FLSTC/I FRONT TURN SIGNALS TAIL LAMP (1 OF 2) TAIL LAMP - FXSTD/I
68169-90A	TAIL LAMP (2 OF 2) TAIL LAMP - FXSTD/I
68193-95	FRONT FENDER - FXST/I, FXSTB/I, FXSTD/I, FLSTC/I & FLSTF/I REAR FENDER & SUPPORTS - FLSTC/I, FLSTF/I & FLSTS/I
68226-97	TAIL LAMP (1 OF 2)
68233-97	TAIL LAMP (1 OF 2)
68234-97	TAIL LAMP (2 OF 2)
68235-97	TAIL LAMP (1 OF 2)
68236-97	TAIL LAMP (1 OF 2)
68237-97	TAIL LAMP (1 OF 2)
68238-97	TAIL LAMP (1 OF 2)
68239-97	TAIL LAMP (2 OF 2)
6829	FRONT FORK - FXSTS/I FRONT FORK - FLSTS/I
68296-99A	TAIL LAMP (1 OF 2)
68329-03	HEADLAMP (1 OF 2)
68353-00	TAIL LAMP - FXSTD/I
68354-00A	TAIL LAMP - FXSTD/I
68356-00A	TAIL LAMP - FXSTD/I
68369-03	TAIL LAMP (1 OF 2)
68370-03A	TAIL LAMP (1 OF 2)

68372-03	TAIL LAMP (2 OF 2)
68381-00	TAIL LAMP - FXSTD/I
68385-97	HORN
68440-86	AUXILIARY/FOG LAMPS - FLSTC/I & FLSTS/I, FRONT TURN SIGNALS - FLSTC/I REAR TURN SIGNALS
68446-00	REAR FENDER & SUPPORTS - FLSTC/I, FLSTF/I & FLSTS/I
68452-86	AUXILIARY/FOG LAMPS - FLSTC/I & FLSTS/I, FRONT TURN SIGNALS - FLSTC/I FRONT TURN SIGNALS REAR TURN SIGNALS
68457-86	FRONT TURN SIGNALS REAR TURN SIGNALS
6846	GEAR SHIFTER
68480-93A	REAR TURN SIGNALS
68505-90	AUXILIARY/FOG LAMPS - FLSTC/I & FLSTS/I, FRONT TURN SIGNALS - FLSTC/I
68506-92	REAR TURN SIGNALS
68507-90	REAR TURN SIGNALS
68510-74C	REAR TURN SIGNALS
68519-68A	AUXILIARY/FOG LAMPS - FLSTC/I & FLSTS/I, FRONT TURN SIGNALS - FLSTC/I
6852	ENGINE BALANCER - Twin Cam 88B™
68558-03	TAIL LAMP (2 OF 2)
68562-84	FRONT BRAKE CONTROL FRONT BRAKE CONTROL
68566-90	FRONT TURN SIGNALS
68572-64B	REAR TURN SIGNALS
68619-83	AUXILIARY/FOG LAMPS - FLSTC/I & FLSTS/I, FRONT TURN SIGNALS - FLSTC/I
68650-92	HEADLAMP (2 OF 2)
68654-92	HEADLAMP (2 OF 2)
68671-69D	AUXILIARY/FOG LAMPS - FLSTC/I & FLSTS/I, FRONT TURN SIGNALS - FLSTC/I
68674-69A	AUXILIARY/FOG LAMPS - FLSTC/I & FLSTS/I, FRONT TURN SIGNALS - FLSTC/I
68705-93A	HEADLAMP (1 OF 2)
68706-00	FRONT FENDER - FXST/I, FXSTB/I, FXSTD/I, FLSTC/I & FLSTF/I
68709-94	FRONT TURN SIGNALS
68710-94	FRONT TURN SIGNALS

68713-94A	REAR TURN SIGNALS
68720-62	AUXILIARY/FOG LAMPS - FLSTC/I & FLSTS/I, FRONT TURN SIGNALS - FLSTC/I
68721-62	AUXILIARY/FOG LAMPS - FLSTC/I & FLSTS/I, FRONT TURN SIGNALS - FLSTC/I
68725-62A	AUXILIARY/FOG LAMPS - FLSTC/I & FLSTS/I, FRONT TURN SIGNALS - FLSTC/I
68730-98	AUXILIARY/FOG LAMPS - FLSTC/I & FLSTS/I, FRONT TURN SIGNALS - FLSTC/I
68760-94	REAR TURN SIGNALS
68763-94	REAR TURN SIGNALS
68765-94A	REAR TURN SIGNALS
68766-94	AUXILIARY/FOG LAMPS - FLSTC/I & FLSTS/I, FRONT TURN SIGNALS - FLSTC/I
68767-94	AUXILIARY/FOG LAMPS - FLSTC/I & FLSTS/I, FRONT TURN SIGNALS - FLSTC/I
68798-97A	AUXILIARY/FOG LAMPS - FLSTC/I & FLSTS/I, FRONT TURN SIGNALS - FLSTC/I
68817-00	TAIL LAMP - FXSTD/I
68818-00	TAIL LAMP (1 OF 2)
68819-00	TAIL LAMP (1 OF 2)
68821-00	REAR TURN SIGNALS
68830-99A	TAIL LAMP (1 OF 2)
68832-99	TAIL LAMP (1 OF 2)
68833-99	TAIL LAMP (2 OF 2)
68846-98C	AUXILIARY/FOG LAMPS - FLSTC/I & FLSTS/I, FRONT TURN SIGNALS - FLSTC/I
68847-98A	AUXILIARY/FOG LAMPS - FLSTC/I & FLSTS/I, FRONT TURN SIGNALS - FLSTC/I
68889-00	REAR FENDER, SUPPORTS & LICENSE PLATE BRACKET - FXSTD/I
68890-00A	REAR FENDER, SUPPORTS & LICENSE PLATE BRACKET - FXSTD/I
68891-00	REAR FENDER, SUPPORTS & LICENSE PLATE BRACKET - FXSTD/I
68892-00A	INSTRUMENTS - FXSTD/I
68893-00A	INSTRUMENTS - FXSTD/I
68894-00	INSTRUMENTS - FXSTD/I
68901-00A	INSTRUMENTS - FXSTD/I
68902-00A	INSTRUMENTS - FXSTD/I

68903-00A	INSTRUMENTS - FXSTD/I
68904-00	FRONT TURN SIGNALS
68905-00	REAR TURN SIGNALS
68921-01D	SWITCHES & CIRCUIT BREAKERS SWITCHES & CIRCUIT BREAKERS
68923-00D	SWITCHES & CIRCUIT BREAKERS
68925-00D	SWITCHES & CIRCUIT BREAKERS
68926-00	SWITCHES & CIRCUIT BREAKERS
68927-00	SWITCHES & CIRCUIT BREAKERS
68931-00A	TAIL LAMP - FXSTD/I
68932-00A	TAIL LAMP - FXSTD/I
68972-00	FRONT TURN SIGNALS
68973-00	FRONT TURN SIGNALS FRONT TURN SIGNALS REAR TURN SIGNALS REAR TURN SIGNALS
68975-00	FRONT TURN SIGNALS
68977-00	REAR TURN SIGNALS
68978-00	REAR TURN SIGNALS
68989-98	FRONT TURN SIGNALS
69012-93A	HORN
69039-09	HORN
69046-01	ENGINE MOUNTS
69047-01	ENGINE MOUNTS
69060-90F	HORN
69062-91A	HORN
69069-97	HORN
69070-97B	HORN
69120-91	HORN
69123-92A	HORN
69136-00	ENGINE MOUNTS
69137-00	ENGINE MOUNTS
69163-00	HEADLAMP (1 OF 2)
69187-03A	TAIL LAMP (2 OF 2)
69696-05	HEADLAMP (1 OF 2) HEADLAMP (2 OF 2)

69715-05A	HEADLAMP (1 OF 2) HEADLAMP (2 OF 2)
69717-05A	HEADLAMP (1 OF 2) HEADLAMP (2 OF 2)
69748-05B	HEADLAMP (1 OF 2)
69750-05B	HEADLAMP (2 OF 2)
69769-05A	HEADLAMP (1 OF 2)
70045-94A	SWITCHES & CIRCUIT BREAKERS
70060-92B	BATTERY
70078-00B	BATTERY
7012	FORK ROCKERS & CALIPER MOUNTING - FXSTS/I
70196-00	FRONT FENDER - FXST/I, FXSTB/I, FXSTD/I, FLSTC/I & FLSTF/I
70197-86	HANDLEBAR
70216-01	WIRING HARNESS, MAIN - CARBURETED (1 OF 2) WIRING HARNESS, MAIN - CARBURETED (2 OF 2)
70280-01	SENDING UNITS - CARBURETED MODELS
70325-00	FUEL PUMP - FUEL INJECTED
70345-84	HANDLEBAR HANDLEBAR SWITCHES
7038	HEADLAMP (1 OF 2) EXHAUST SYSTEM - FLSTS/I
7039	ENGINE MOUNTS FRONT FORK - FXST/I & FXSTB/I FRONT FORK - FXSTD/I FRONT FORK - FLSTC/I & FLSTF/I (1 OF 2)
7041	STARTER MOTOR GEAR SHIFTER FRONT FORK - FXST/I & FXSTB/I FRONT FORK - FLSTC/I & FLSTF/I (1 OF 2) FRAME & JIFFY STAND EXHAUST SYSTEM - FLSTS/I
70431-01	WIRING HARNESS, MAIN - FUEL INJECTED (1 OF 2) WIRING HARNESS, MAIN - FUEL INJECTED (2 OF 2)
70504-81	THROTTLE CONTROL
70584-94	BATTERY
70586-93	HEADLAMP (2 OF 2)
70598-99	WIRING HARNESS, MAIN - FUEL INJECTED (1 OF 2)
7062	FRONT FORK - FXSTD/I
7068	FRONT WHEEL (1 OF 2) HANDLEBAR
70974-00B	WIRING HARNESS, MAIN - CARBURETED (1 OF 2) WIRING HARNESS, MAIN - FUEL INJECTED (1 OF 2)

7124	FRONT FORK - FLSTC/I & FLSTF/I (1 OF 2)
71248-00A	INSTRUMENTS
71250-00A	INSTRUMENTS
71265-95	INSTRUMENTS
7127	FRONT TURN SIGNALS REAR TURN SIGNALS MIRRORS
7129	HANDLEBAR
71302-93A	INSTRUMENTS
7130W	HEADLAMP (1 OF 2)
71313-96A	INSTRUMENTS INSTRUMENTS - FXSTD/I SWITCHES & CIRCUIT BREAKERS
71439-00	INSTRUMENTS - FXSTD/I
71440-00A	INSTRUMENTS - FXSTD/I
71450-04	FRAME & JIFFY STAND INSTRUMENTS INSTRUMENTS - FXSTD/I
71452-91A	FRAME & JIFFY STAND INSTRUMENTS INSTRUMENTS - FXSTD/I SWITCHES & CIRCUIT BREAKERS
71464-00	INSTRUMENTS - FXSTD/I
71563-96	HANDLEBAR SWITCHES
71564-96	HANDLEBAR SWITCHES
71567-96	HANDLEBAR SWITCHES
71568-96A	HANDLEBAR SWITCHES
71587-04	HANDLEBAR SWITCHES
71621-08	HANDLEBAR SWITCHES
71682-06A	HANDLEBAR SWITCHES
71683-06A	HANDLEBAR SWITCHES
71684-06A	HANDLEBAR SWITCHES
71685-06A	HANDLEBAR SWITCHES
71795-63A	FRONT BRAKE CONTROL
72023-51E	REAR BRAKE CONTROL SWITCHES & CIRCUIT BREAKERS
72033-93	WIRING HARNESS, MAIN - CARBURETED (1 OF 2) WIRING HARNESS, MAIN - FUEL INJECTED (1 OF 2)
72039-71A	WIRING HARNESS, MAIN - CARBURETED (1 OF 2) WIRING HARNESS, MAIN - FUEL INJECTED (1 OF 2)

72043-71A	WIRING HARNESS, MAIN - CARBURETED (1 OF 2) WIRING HARNESS, MAIN - FUEL INJECTED (1 OF 2)
72056-92	HEADLAMP (2 OF 2)
72076-00	WIRING HARNESS, MAIN - FUEL INJECTED (1 OF 2)
72077-00	WIRING HARNESS, MAIN - FUEL INJECTED (1 OF 2)
72106-94BK	WIRING HARNESS, MAIN - CARBURETED (1 OF 2) WIRING HARNESS, MAIN - CARBURETED (1 OF 2) WIRING HARNESS, MAIN - FUEL INJECTED (1 OF 2) WIRING HARNESS, MAIN - FUEL INJECTED (1 OF 2)
72113-94BK	WIRING HARNESS, MAIN - CARBURETED (1 OF 2) WIRING HARNESS, MAIN - FUEL INJECTED (1 OF 2)
72116-94BK	HANDLEBAR SWITCHES
72119-94BK	WIRING HARNESS, MAIN - CARBURETED (1 OF 2)
72124-94GY	WIRING HARNESS, MAIN - CARBURETED (1 OF 2) WIRING HARNESS, MAIN - FUEL INJECTED (1 OF 2)
72139-94GY	WIRING HARNESS, MAIN - CARBURETED (1 OF 2) WIRING HARNESS, MAIN - FUEL INJECTED (1 OF 2)
72143-94	TRANSMISSION HOUSING (2 OF 2)
72144-94	WIRING HARNESS, MAIN - CARBURETED (1 OF 2) WIRING HARNESS, MAIN - FUEL INJECTED (1 OF 2)
72146-94	WIRING HARNESS, MAIN - CARBURETED (1 OF 2) WIRING HARNESS, MAIN - FUEL INJECTED (1 OF 2)
72153-94	WIRING HARNESS, MAIN - CARBURETED (1 OF 2) WIRING HARNESS, MAIN - FUEL INJECTED (1 OF 2)
72156-94	HANDLEBAR SWITCHES
72159-94	WIRING HARNESS, MAIN - CARBURETED (1 OF 2) WIRING HARNESS, MAIN - FUEL INJECTED (1 OF 2)
72163-94BK	TRANSMISSION HOUSING (2 OF 2)
72164-94A	WIRING HARNESS, MAIN - CARBURETED (1 OF 2) WIRING HARNESS, MAIN - FUEL INJECTED (1 OF 2)
72176-94	HANDLEBAR SWITCHES
72190-94	TRANSMISSION HOUSING (2 OF 2) WIRING HARNESS, MAIN - CARBURETED (1 OF 2) WIRING HARNESS, MAIN - FUEL INJECTED (1 OF 2)
72191-94	WIRING HARNESS, MAIN - CARBURETED (1 OF 2) WIRING HARNESS, MAIN - FUEL INJECTED (1 OF 2) HANDLEBAR SWITCHES
72194-94	TRANSMISSION HOUSING (2 OF 2)
72195-94	ALTERNATOR & REGULATOR WIRING HARNESS, MAIN - CARBURETED (1 OF 2)
72199-94	ALTERNATOR & REGULATOR ENGINE SENSORS & SWITCHES TRANSMISSION HOUSING (2 OF 2) WIRING HARNESS, MAIN - CARBURETED (1 OF 2) WIRING HARNESS, MAIN - FUEL INJECTED (1 OF 2)

7220	FRONT BRAKE CONTROL
72213-94	WIRING HARNESS, MAIN - CARBURETED (1 OF 2) WIRING HARNESS, MAIN - FUEL INJECTED (1 OF 2)
72214-94	WIRING HARNESS, MAIN - CARBURETED (1 OF 2) WIRING HARNESS, MAIN - FUEL INJECTED (1 OF 2)
72230-98	WIRING HARNESS, MAIN - CARBURETED (1 OF 2) WIRING HARNESS, MAIN - FUEL INJECTED (1 OF 2)
72231-98	WIRING HARNESS, MAIN - CARBURETED (1 OF 2) WIRING HARNESS, MAIN - FUEL INJECTED (1 OF 2)
72242-94	ALTERNATOR & REGULATOR WIRING HARNESS, MAIN - CARBURETED (1 OF 2) WIRING HARNESS, MAIN - FUEL INJECTED (1 OF 2)
72243-94	HEADLAMP (2 OF 2)
72244-95	WIRING HARNESS, MAIN - FUEL INJECTED (1 OF 2)
72245-95	WIRING HARNESS, MAIN - FUEL INJECTED (1 OF 2)
72247-95	WIRING HARNESS, MAIN - FUEL INJECTED (1 OF 2)
72249-94	ALTERNATOR & REGULATOR HEADLAMP (2 OF 2)
72263-95	WIRING HARNESS, MAIN - FUEL INJECTED (1 OF 2)
72266-94	TAIL LAMP - FXSTD/I WIRING HARNESS, MAIN - CARBURETED (1 OF 2) WIRING HARNESS, MAIN - FUEL INJECTED (1 OF 2) HANDLEBAR SWITCHES
72273-95	WIRING HARNESS, MAIN - FUEL INJECTED (1 OF 2)
72280-95	WIRING HARNESS, MAIN - CARBURETED (1 OF 2) WIRING HARNESS, MAIN - FUEL INJECTED (1 OF 2)
72290-94	WIRING HARNESS, MAIN - CARBURETED (1 OF 2) WIRING HARNESS, MAIN - FUEL INJECTED (1 OF 2)
72291-94	WIRING HARNESS, MAIN - CARBURETED (1 OF 2) WIRING HARNESS, MAIN - FUEL INJECTED (1 OF 2)
72292-94	WIRING HARNESS, MAIN - CARBURETED (2 OF 2) WIRING HARNESS, MAIN - FUEL INJECTED (2 OF 2)
72293-94	WIRING HARNESS, MAIN - CARBURETED (2 OF 2) WIRING HARNESS, MAIN - FUEL INJECTED (2 OF 2)
72295-94	WIRING HARNESS, MAIN - CARBURETED (2 OF 2) WIRING HARNESS, MAIN - FUEL INJECTED (2 OF 2)
7230	LICENSE PLATE BRACKETS
7232	FRONT FORK - FXSTS/I FRONT FORK - FLSTS/I
72330-95	WIRING HARNESS, MAIN - CARBURETED (2 OF 2) WIRING HARNESS, MAIN - FUEL INJECTED (2 OF 2) SWITCHES & CIRCUIT BREAKERS
72366-95	ALTERNATOR & REGULATOR WIRING HARNESS, MAIN - CARBURETED (2 OF 2) WIRING HARNESS, MAIN - FUEL INJECTED (2 OF 2)

72368-00	SWITCHES & CIRCUIT BREAKERS
72369-00	WIRING HARNESS, MAIN - CARBURETED (2 OF 2) WIRING HARNESS, MAIN - FUEL INJECTED (2 OF 2) SWITCHES & CIRCUIT BREAKERS
72374-00	SWITCHES & CIRCUIT BREAKERS
72380-00	SWITCHES & CIRCUIT BREAKERS
72411-97	WIRING HARNESS, MAIN - CARBURETED (2 OF 2) WIRING HARNESS, MAIN - FUEL INJECTED (2 OF 2)
72412-97	TAIL LAMP - FXSTD/I
72428-00	WIRING HARNESS, MAIN - CARBURETED (2 OF 2) WIRING HARNESS, MAIN - FUEL INJECTED (2 OF 2)
72429-00	WIRING HARNESS, MAIN - CARBURETED (2 OF 2)
72430-00	WIRING HARNESS, MAIN - CARBURETED (2 OF 2) WIRING HARNESS, MAIN - FUEL INJECTED (2 OF 2)
72432-00	WIRING HARNESS, MAIN - CARBURETED (2 OF 2) WIRING HARNESS, MAIN - FUEL INJECTED (2 OF 2)
72434-00	WIRING HARNESS, MAIN - CARBURETED (2 OF 2) WIRING HARNESS, MAIN - FUEL INJECTED (2 OF 2)
72439-00B	FUEL PUMP - FUEL INJECTED SENDING UNITS - CARBURETED MODELS
72456-01	SWITCHES & CIRCUIT BREAKERS
72458-00	FUEL PUMP - FUEL INJECTED SENDING UNITS - CARBURETED MODELS
72463-00A	REAR BRAKE CONTROL
72466-01	SWITCHES & CIRCUIT BREAKERS
72516-01	WIRING HARNESS, MAIN - CARBURETED (2 OF 2) WIRING HARNESS, MAIN - FUEL INJECTED (2 OF 2)
72604-01BK	ALTERNATOR & REGULATOR
72614-01BK	ALTERNATOR & REGULATOR
72644-01	ALTERNATOR & REGULATOR
72654-01	ALTERNATOR & REGULATOR
72690-01	ALTERNATOR & REGULATOR
72691-01	ALTERNATOR & REGULATOR
728	FRAME & JIFFY STAND
72904-01BK	FUEL PUMP - FUEL INJECTED SENDING UNITS - CARBURETED MODELS
72914-01BK	SENDING UNITS - CARBURETED MODELS WIRING HARNESS, MAIN - CARBURETED (2 OF 2) WIRING HARNESS, MAIN - FUEL INJECTED (2 OF 2)
72990-01	FUEL PUMP - FUEL INJECTED SENDING UNITS - CARBURETED MODELS

72991-01	SENDING UNITS - CARBURETED MODELS WIRING HARNESS, MAIN - CARBURETED (2 OF 2) WIRING HARNESS, MAIN - FUEL INJECTED (2 OF 2)
73102-96BK	HEADLAMP (2 OF 2) FRONT FENDER - FXST/I, FXSTB/I, FXSTD/I, FLSTC/I & FLSTF/I TAIL LAMP - FXSTD/I
73102-96WE	TAIL LAMP - FXSTD/I
73104-96BK	TAIL LAMP - FXSTD/I WIRING HARNESS, MAIN - CARBURETED (2 OF 2) WIRING HARNESS, MAIN - FUEL INJECTED (2 OF 2)
73104-96WE	TAIL LAMP - FXSTD/I
73106-96BK	WIRING HARNESS, MAIN - CARBURETED (2 OF 2) WIRING HARNESS, MAIN - FUEL INJECTED (2 OF 2)
73108-96BK	WIRING HARNESS, MAIN - CARBURETED (2 OF 2) WIRING HARNESS, MAIN - FUEL INJECTED (2 OF 2)
73152-96BK	AUXILIARY/FOG LAMPS - FLSTC/I & FLSTS/I, FRONT TURN SIGNALS - FLSTC/I FRONT FENDER - FXST/I, FXSTB/I, FXSTD/I, FLSTC/I & FLSTF/I REAR TURN SIGNALS
73152-96WE	AUXILIARY/FOG LAMPS - FLSTC/I & FLSTS/I, FRONT TURN SIGNALS - FLSTC/I REAR TURN SIGNALS
73153-96BK	REAR FENDER & SUPPORTS - FLSTC/I, FLSTF/I & FLSTS/I
73154-96BK	HEADLAMP (2 OF 2) TAIL LAMP (1 OF 2) TAIL LAMP - FXSTD/I
73154-96WE	REAR FENDER, SUPPORTS & LICENSE PLATE BRACKET - FXSTD/I
73156-96BK	AUXILIARY/FOG LAMPS - FLSTC/I & FLSTS/I, FRONT TURN SIGNALS - FLSTC/I FRONT TURN SIGNALS TAIL LAMP (1 OF 2)
73158-96BK	TAIL LAMP (1 OF 2) TAIL LAMP - FXSTD/I
73165-01	SENDING UNITS - CARBURETED MODELS
73166-01	SENDING UNITS - CARBURETED MODELS
73167-01	SENDING UNITS - CARBURETED MODELS
73168-01	SENDING UNITS - CARBURETED MODELS
73190-96	HEADLAMP (2 OF 2) FRONT FENDER - FXST/I, FXSTB/I, FXSTD/I, FLSTC/I & FLSTF/I TAIL LAMP - FXSTD/I WIRING HARNESS, MAIN - CARBURETED (2 OF 2) WIRING HARNESS, MAIN - FUEL INJECTED (2 OF 2)
73191-96	HEADLAMP (2 OF 2) AUXILIARY/FOG LAMPS - FLSTC/I & FLSTS/I, FRONT TURN SIGNALS - FLSTC/I FRONT FENDER - FXST/I, FXSTB/I, FXSTD/I, FLSTC/I & FLSTF/I FRONT FENDER - FLSTS/I REAR FENDER & SUPPORTS - FLSTC/I, FLSTF/I & FLSTS/I

	REAR FENDER, SUPPORTS & LICENSE PLATE BRACKET - FXSTD/I FRONT TURN SIGNALS REAR TURN SIGNALS TAIL LAMP (1 OF 2) TAIL LAMP - FXSTD/I
73196-96	WIRING HARNESS, MAIN - CARBURETED (2 OF 2) WIRING HARNESS, MAIN - FUEL INJECTED (2 OF 2)
739A	PRIMARY HOUSING
74102-98BK	ENGINE SENSORS & SWITCHES
74108-98BK	WIRING HARNESS, MAIN - CARBURETED (2 OF 2) WIRING HARNESS, MAIN - FUEL INJECTED (2 OF 2)
74112-98BK	WIRING HARNESS, MAIN - CARBURETED (2 OF 2) WIRING HARNESS, MAIN - FUEL INJECTED (2 OF 2)
74113-98BK	SENDING UNITS - CARBURETED MODELS WIRING HARNESS, MAIN - FUEL INJECTED (2 OF 2)
74118-98BK	INSTRUMENTS INSTRUMENTS - FXSTD/I
74119-98BK	WIRING HARNESS, MAIN - CARBURETED (2 OF 2) WIRING HARNESS, MAIN - FUEL INJECTED (2 OF 2)
74142-98	ENGINE SENSORS & SWITCHES
74148-98	WIRING HARNESS, MAIN - CARBURETED (2 OF 2) WIRING HARNESS, MAIN - FUEL INJECTED (2 OF 2)
74152-98	WIRING HARNESS, MAIN - CARBURETED (2 OF 2) WIRING HARNESS, MAIN - FUEL INJECTED (2 OF 2)
74153-98	SENDING UNITS - CARBURETED MODELS WIRING HARNESS, MAIN - FUEL INJECTED (2 OF 2)
74158-98	INSTRUMENTS INSTRUMENTS - FXSTD/I
74159-98	WIRING HARNESS, MAIN - CARBURETED (2 OF 2) WIRING HARNESS, MAIN - FUEL INJECTED (2 OF 2)
74190-98	WIRING HARNESS, MAIN - CARBURETED (2 OF 2) WIRING HARNESS, MAIN - FUEL INJECTED (2 OF 2)
74191-98	FUEL PUMP - FUEL INJECTED SENDING UNITS - CARBURETED MODELS INSTRUMENTS INSTRUMENTS - FXSTD/I WIRING HARNESS, MAIN - CARBURETED (2 OF 2) WIRING HARNESS, MAIN - FUEL INJECTED (2 OF 2)
74192-98	ENGINE SENSORS & SWITCHES
74194-98	ENGINE SENSORS & SWITCHES
74195-98	SENDING UNITS - CARBURETED MODELS INSTRUMENTS INSTRUMENTS - FXSTD/I WIRING HARNESS, MAIN - CARBURETED (2 OF 2) WIRING HARNESS, MAIN - FUEL INJECTED (2 OF 2)
7434	SEAT - FLSTS/I

74430-00D	TRANSMISSION HOUSING (2 OF 2) TRANSMISSION HOUSING (2 OF 2)
74540-01	ALTERNATOR & REGULATOR
74599-77B	SWITCHES & CIRCUIT BREAKERS
7479	REAR FORK & SHOCK ABSORBERS
7481	HORN
7495	HORN
75049-01A	SENDING UNITS - CARBURETED MODELS
75053-01B	SENDING UNITS - CARBURETED MODELS
75062-01	SENDING UNITS - CARBURETED MODELS
7507	REAR BELT GUARD FRONT FENDER - FXST/I, FXSTB/I, FXSTD/I, FLSTC/I & FLSTF/I SADDLEBAGS - FLSTC/I SADDLEBAGS - FLSTS/I
75099-01A	FUEL PUMP - FUEL INJECTED
75129-00A	SENDING UNITS - CARBURETED MODELS
75129-00C	SENDING UNITS - CARBURETED MODELS
75130-01	FUEL PUMP - FUEL INJECTED
75130-01D	FUEL PUMP - FUEL INJECTED
75132-01	FUEL PUMP - FUEL INJECTED
75132-01D	FUEL PUMP - FUEL INJECTED
75141-01	FUEL PUMP - FUEL INJECTED
75142-01A	FUEL PUMP - FUEL INJECTED SENDING UNITS - CARBURETED MODELS
75143-01	FUEL PUMP - FUEL INJECTED
75206-01A	SENDING UNITS - CARBURETED MODELS
7531	FRONT FENDER - FXST/I, FXSTB/I, FXSTD/I, FLSTC/I & FLSTF/I FRONT FENDER - FXSTS/I SADDLEBAGS - FLSTC/I SADDLEBAGS - FLSTS/I
7549A	INSTRUMENTS
755	FRONT FENDER - FXST/I, FXSTB/I, FXSTD/I, FLSTC/I & FLSTF/I FRONT FENDER - FXST/I, FXSTB/I, FXSTD/I, FLSTC/I & FLSTF/I FRONT FENDER - FLSTS/I
7576	OIL TANK & LINES
758	FUEL TANK FUEL TANK - FUEL INJECTED FUEL TANK - FXSTD FUEL TANK - FXSTD - FUEL INJECTED
7588	FORK ROCKERS & CALIPER MOUNTING - FXSTS/I
7593	EXHAUST SYSTEM - FXST/I, FLSTC/I, FXSTS/I & FXSTB/I

	EXHAUST SYSTEM - FLSTF/I & FXSTD/I EXHAUST SYSTEM - FLSTS/I
7600	FRONT FENDER - FXST/I, FXSTB/I, FXSTD/I, FLSTC/I & FLSTF/I
7601	ENGINE MOUNTS SEATS AUXILIARY/FOG LAMPS - FLSTC/I & FLSTS/I, FRONT TURN SIGNALS - FLSTC/I REAR FENDER & SUPPORTS - FXST/I, FXSTS/I & FXSTB/I REAR FENDER & SUPPORTS - FLSTC/I, FLSTF/I & FLSTS/I REAR FENDER, SUPPORTS & LICENSE PLATE BRACKET - FXSTD/I EXHAUST SYSTEM - FXST/I, FLSTC/I, FXSTS/I & FXSTB/I EXHAUST SYSTEM - FLSTF/I & FXSTD/I EXHAUST SYSTEM - FLSTS/I SADDLEBAGS - FLSTC/I SADDLEBAGS - FLSTS/I
7606	HEADLAMP (1 OF 2) AUXILIARY/FOG LAMPS - FLSTC/I & FLSTS/I, FRONT TURN SIGNALS - FLSTC/I
7613A	FRONT FENDER - FXST/I, FXSTB/I, FXSTD/I, FLSTC/I & FLSTF/I
762	SEAT - FLSTS/I
7624	FRONT FENDER - FXST/I, FXSTB/I, FXSTD/I, FLSTC/I & FLSTF/I HORN
7626W	SWITCHES & CIRCUIT BREAKERS
7627	FORK ROCKERS & CALIPER MOUNTING - FXSTS/I
7629	ELECTRONIC CONTROL MODULE & COIL - FUEL INJECTED FRONT FENDER - FXST/I, FXSTB/I, FXSTD/I, FLSTC/I & FLSTF/I REAR FENDER & SUPPORTS - FLSTC/I, FLSTF/I & FLSTS/I REAR FENDER, SUPPORTS & LICENSE PLATE BRACKET - FXSTD/I REAR FENDER, SUPPORTS & LICENSE PLATE BRACKET - FXSTD/I LICENSE PLATE BRACKETS SWITCHES & CIRCUIT BREAKERS
765	CRANKCASE & ENGINE OIL FILTER - Twin Cam 88B™
7651A	WINDSHIELD - FLSTC/I
7667	FORK ROCKERS & CALIPER MOUNTING - FXSTS/I FOOTRESTS & FOOTBOARDS
7669	REAR BELT GUARD
7680W	FRONT FORK - FXSTS/I FRONT FORK - FLSTS/I
7686	FRONT FORK - FLSTC/I & FLSTF/I (1 OF 2) SEAT - FLSTS/I
7716	FOOTRESTS & FOOTBOARDS
7736	GEAR SHIFTER MIRRORS MIRRORS
7739	FRONT FENDER - FLSTS/I
7742	REAR BRAKE CONTROL

7744	FRONT TURN SIGNALS
7748W	FRONT FORK - FLSTC/I & FLSTF/I (1 OF 2) FUEL TANK - FXSTD FUEL TANK - FXSTD - FUEL INJECTED
7753	FRONT TURN SIGNALS
7768W	HANDLEBAR
7778	BELTS, CHAINS & SPROCKETS FOOTRESTS & FOOTBOARDS FOOTRESTS & FOOTBOARDS FOOTRESTS & FOOTBOARDS
7783	REAR FORK & SHOCK ABSORBERS
7792	REAR FENDER, SUPPORTS & LICENSE PLATE BRACKET - FXSTD/I REAR FENDER, SUPPORTS & LICENSE PLATE BRACKET - FXSTD/I LICENSE PLATE BRACKETS LICENSE PLATE BRACKETS LICENSE PLATE BRACKETS LICENSE PLATE BRACKETS TAIL LAMP (1 OF 2)
780	GEAR SHIFTER
7800W	HEADLAMP (1 OF 2)
7838	STARTER MOTOR FRONT FENDER - FLSTS/I
7848W	CLUTCH
7862	FORK ROCKERS & CALIPER MOUNTING - FLSTS/I HEADLAMP (1 OF 2) FUEL TANK FUEL TANK - FUEL INJECTED FUEL TANK - FXSTD FUEL TANK - FXSTD - FUEL INJECTED
7879	ENGINE MOUNTS
7880	FORK ROCKERS & CALIPER MOUNTING - FLSTS/I
7892	AUXILIARY/FOG LAMPS - FLSTC/I & FLSTS/I, FRONT TURN SIGNALS - FLSTC/I
7899A	REAR BELT GUARD
7951	REAR BRAKE CONTROL
7956	FRONT WHEEL (1 OF 2)
7959	FRONT FORK - FXSTS/I FRONT FORK - FLSTS/I
7962	FRONT FORK - FXST/I & FXSTB/I
7964	TAIL LAMP (1 OF 2)
7965	FUEL TANK FUEL TANK - FUEL INJECTED FUEL TANK - FXSTD FUEL TANK - FXSTD - FUEL INJECTED

7974	ENGINE BALANCER - Twin Cam 88B™
7987	FRONT WHEEL (1 OF 2) REAR WHEEL
7994	FRONT WHEEL (1 OF 2)
8001	FRONT WHEEL (1 OF 2)
8108	FRONT FORK - FLSTC/I & FLSTF/I (1 OF 2) REAR FORK & SHOCK ABSORBERS HORN
8144	OIL TANK & LINES
8483A	SWITCHES & CIRCUIT BREAKERS
855B	FRONT FORK - FXSTS/I FRONT FORK - FLSTS/I
856A	GEAR SHIFTER
858A	PRIMARY HOUSING
861A	EXHAUST SYSTEM - FLSTS/I
8871	STARTER MOTOR
8873	TRANSMISSION HOUSING (1 OF 2)
8876A	TRANSMISSION GEARS
8879	STARTER MOTOR
8883	STARTER MOTOR
895	CRANKCASE & ENGINE OIL FILTER - Twin Cam 88B™
8977	TRANSMISSION HOUSING (1 OF 2)
8983	CAMSHAFTS & CAM COVER - Twin Cam 88B™
8989	ENGINE BALANCER - Twin Cam 88B™
8990A	CAMSHAFTS & CAM COVER - Twin Cam 88B™
8991	ENGINE BALANCER - Twin Cam 88B™
8992A	TRANSMISSION HOUSING (1 OF 2)
8996A	TRANSMISSION HOUSING (1 OF 2)
90247-00	SADDLEBAGS - FLSTC/I
9028	CRANKCASE & ENGINE OIL FILTER - Twin Cam 88B™
90291-03	SADDLEBAGS - FLSTS/I
90346-00	SADDLEBAGS - FLSTC/I SADDLEBAGS - FLSTS/I
90367-03	SADDLEBAGS - FLSTC/I SADDLEBAGS - FLSTS/I
90438-10	SADDLEBAGS - FLSTC/I
90476-00	SADDLEBAGS - FLSTC/I

90477-00	SADDLEBAGS - FLSTC/I
90524-01	SADDLEBAGS - FLSTC/I SADDLEBAGS - FLSTS/I
9077	STARTER MOTOR
90770-79	CLUTCH CONTROL
9110	CRANKCASE & ENGINE OIL FILTER - Twin Cam 88B™
9120	CRANKCASE & ENGINE OIL FILTER - Twin Cam 88B™
9121	CRANKCASE & ENGINE OIL FILTER - Twin Cam 88B™
9122	CRANKCASE & ENGINE OIL FILTER - Twin Cam 88B™
9123	CRANKCASE & ENGINE OIL FILTER - Twin Cam 88B™
9124	CRANKCASE & ENGINE OIL FILTER - Twin Cam 88B™
9125	CRANKCASE & ENGINE OIL FILTER - Twin Cam 88B™
9126	CRANKCASE & ENGINE OIL FILTER - Twin Cam 88B™
9127	CRANKCASE & ENGINE OIL FILTER - Twin Cam 88B™
9128	CRANKCASE & ENGINE OIL FILTER - Twin Cam 88B™
9129	CRANKCASE & ENGINE OIL FILTER - Twin Cam 88B™
91299-01	SADDLEBAGS - FLSTS/I
9130	CRANKCASE & ENGINE OIL FILTER - Twin Cam 88B™
91300-01	SADDLEBAGS - FLSTS/I
9131	CRANKCASE & ENGINE OIL FILTER - Twin Cam 88B™
9132	CRANKCASE & ENGINE OIL FILTER - Twin Cam 88B™
9133	CRANKCASE & ENGINE OIL FILTER - Twin Cam 88B™
9134	CRANKCASE & ENGINE OIL FILTER - Twin Cam 88B™
9135	PRIMARY HOUSING
9139	FORK ROCKERS & CALIPER MOUNTING - FXSTS/I FORK ROCKERS & CALIPER MOUNTING - FLSTS/I
9140	FORK ROCKERS & CALIPER MOUNTING - FXSTS/I FORK ROCKERS & CALIPER MOUNTING - FLSTS/I
9141	FORK ROCKERS & CALIPER MOUNTING - FXSTS/I FORK ROCKERS & CALIPER MOUNTING - FLSTS/I
91679-00	SADDLEBAGS - FLSTC/I
91710-00	SEATS
91800025	WINDSHIELD - FLSTC/I
91806-00A	SEATS
91850-00	SEATS SADDLEBAGS - FLSTC/I
91875-88A	MIRRORS

91877-97	SEAT - FLSTS/I SADDLEBAGS - FLSTS/I
91892-88A	MIRRORS
91909-90A	MIRRORS
91910-90A	MIRRORS
91932-01	MIRRORS
9194	FRONT FENDER - FLSTS/I
9196	FRONT FENDER - FLSTS/I
9198	CRANKCASE & ENGINE OIL FILTER - Twin Cam 88B™
9207	FRONT FENDER - FLSTS/I
923	FRONT BRAKE CONTROL
925	STARTER MOTOR
9267	FRONT WHEEL (1 OF 2) REAR WHEEL
9268	FRONT FENDER - FLSTS/I
9270A	REAR FORK & SHOCK ABSORBERS
927A	FRONT TURN SIGNALS
929A	STARTER MOTOR
939	FRAME & JIFFY STAND
94004-90T	WINDSHIELD - FLSTC/I
941	PRIMARY HOUSING FRONT FORK - FLSTC/I & FLSTF/I (1 OF 2) SEATS
94426-95	WINDSHIELD - FLSTC/I
945	PRIMARY HOUSING
946	AIR CLEANER & ENRICHENER - CARBURETED MODELS AIR CLEANER - FUEL INJECTED MODELS
94605-98	REAR FENDER & SUPPORTS - FXST/I, FXSTS/I & FXSTB/I REAR FENDER & SUPPORTS - FLSTC/I, FLSTF/I & FLSTS/I
95578-41	FRONT WHEEL (2 OF 2) REAR WHEEL
95581-47	FRONT WHEEL (2 OF 2) REAR WHEEL
95582-47	FRONT WHEEL (2 OF 2) REAR WHEEL
95595-84A	FRONT WHEEL (2 OF 2) REAR WHEEL
956	ENGINE BALANCER - Twin Cam 88B™
961	PRIMARY HOUSING

9837	GEAR SHIFTER
9840	WIRING HARNESS, MAIN - CARBURETED (1 OF 2) WIRING HARNESS, MAIN - FUEL INJECTED (1 OF 2)
9843	ALTERNATOR & REGULATOR
9847	HEADLAMP (1 OF 2)
9848	HEADLAMP (1 OF 2)
98837-97	SADDLEBAGS - FLSTC/I SADDLEBAGS - FLSTS/I
992	FRONT FORK - FXSTD/I
9937	WIRING HARNESS, MAIN - FUEL INJECTED (1 OF 2)
994	FRONT FENDER - FXST/I, FXSTB/I, FXSTD/I, FLSTC/I & FLSTF/I
9955	EXHAUST SYSTEM - FXST/I, FLSTC/I, FXSTS/I & FXSTB/I EXHAUST SYSTEM - FLSTF/I & FXSTD/I EXHAUST SYSTEM - FLSTS/I
9989A	SWITCHES & CIRCUIT BREAKERS

Component Types and Introduction Dates

[View interactive table](#)

101A1 - Generic Nuts

7956	Unknown
7736	1949
7739	Unknown
7588	Unknown
8144	Unknown
7951	Unknown
7576	1990
7838	Unknown
7624	Unknown
7629	1990
7627	Unknown
7792	2012
3633	Unknown
7680W	Unknown
5216	Unknown
52720-00A	2000
7778	Unknown
7862	Unknown

7479	2000
7613A	1959
7748W	Unknown
3403	Unknown
94004-90T	1990
7768W	Unknown
35078-79	1979
7987	Unknown
67846-70	1970
7495	1994
7994	1988
762	1997
7879	2000
7880	Unknown
7626W	Unknown
7964	Unknown
7965	Unknown
8001	Unknown
7974	Unknown
7481	Unknown
7753	Unknown
8108	Unknown
40392-91	1991
7744	1943
7593	1991
7742	Unknown
31589-80	1980
7549A	Unknown
7601	1990
45764-00	2000
7959	1997
102A1 - Generic Screws	
2447	Unknown
2917	2000
2448	Unknown

3533	Unknown
4206	Unknown
4188	Unknown
4763	Unknown
34978-00	2000
3017	2000
68052-93	1993
4180	Unknown
3987	Unknown
4217	1999
4175	1998
68026-99	1999
1314	Unknown
4213	Unknown
2452	Unknown
4216	1999
2566	1995
2579A	Unknown
4741A	1994
2692WB	Unknown
3655A	Unknown
3692A	Unknown
44215-97A	1997
5416	Unknown
2646	2000
2955	1996
3953W	2009
3485A	Unknown
3022A	Unknown
994	2000
4311	Unknown
992	Unknown
44177-00	2000
4315	Unknown
43567-92	1992

3514	Unknown
4314	Unknown
2927	Unknown
4313	Unknown
941	Unknown
2941	Unknown
4350A	Unknown
3561WC	Unknown
4747	Unknown
94605-98	1998
2921	Unknown
4091	Unknown
2980	Unknown
3275	2002
1311D	2001
3693A	Unknown
895	Unknown
4326A	1990
2773	Unknown
68452-86	1986
4132	Unknown
4391	2009
2723A	Unknown
4740A	1994
3658	Unknown
45405-75A	1975
3268	1997
956	Unknown
2871W	2017
2731W	Unknown
32617-00Y	2000
939	1991
3560WA	Unknown
3601	Unknown
2647B	Unknown

4729	Unknown
4355B	Unknown
4724	2009
90770-79	1979
4726	2009
2887WA	Unknown
4722	2009
4721	2009
4400	2011
3576	2013
3594	1992
45838-77	1977
925	Unknown
923	Unknown
861A	Unknown
4816A	Unknown
68042-99	1999
3728	2014
3746A	2004
3993	Unknown
1039	Unknown
2604	Unknown
4029A	1990
3699D	2006
33376-00	2000
3929	2009
4719W	2009
4411	2009
2720	2012
3494A	Unknown
45858-77	1977
3588	1990
3589	Unknown
3563	1999
2882W	2009

4017	2009
3562	Unknown
4383	Unknown
929A	Unknown
2501A	Unknown
780	Unknown
29269-83A	1983
2538	Unknown
3509	Unknown
2534	Unknown
2531	Unknown
94426-95	1995
3210A	Unknown
3233	Unknown
3602A	Unknown
4820A	Unknown
50635-82A	1982
3559	Unknown
3775	2009
56402-83A	1983
27317-88	1988
27146-89	1989
4358A	Unknown
47579-00	2000
4717A	Unknown
3767B	2009
927A	Unknown
3574	Unknown
945	Unknown
3214	Unknown
946	Unknown
855B	2014
3784	Unknown
4312C	Unknown
961	Unknown

48093-00	2000
3008	2000
4716W	2009
16478-85A	1985
44190-88A	1988
856A	1990
1783C	Unknown
3737A	Unknown
56397-74C	1974
2823	Unknown
4163	Unknown
4164	Unknown
4165	Unknown
4166	Unknown
4168	2000
5403B	Unknown
4329	Unknown
3736A	2005
4195	Unknown
4194	Unknown
4197	Unknown
4196	Unknown
3893	Unknown
4453	1986
3892	Unknown
4190	Unknown
45790-80	1980
5443	Unknown
858A	Unknown
16480-92A	1992
4343	Unknown
4814A	Unknown
3538	Unknown
3471	2009
103A1 - Generic Washers	

6019	Unknown
6639	2006
6758	1988
6756	1988
45662-88	1988
6016	2013
6474	Unknown
6040A	2000
56159-73	1973
7130W	Unknown
27125-89	1989
6497HW	2010
6771A	Unknown
27148-89	1989
7434	1999
6379W	Unknown
6116	Unknown
6371	Unknown
6333	Unknown
6057	1991
45717-63	1963
6099	2011
27127-89	1989
6109	1980
6101	2011
6047	Unknown
7129	Unknown
31689-90	1990
6846	Unknown
6852	1999
6072	Unknown
6534	2000
6535	2000
6590HW	Unknown
7230	Unknown

7232	1954
6253W	Unknown
6516HW	Unknown
6530	Unknown
6532	2000
6036	Unknown
6812	Unknown
6042A	Unknown
65782-82	1982
7220	Unknown
27137-81	1981
7068	Unknown
6498	Unknown
7038	1998
7039	Unknown
6724	1984
6829	1997
6409	Unknown
6762B	Unknown
6237	2014
56183-00	2000
6736	Unknown
6753	Unknown
6229W	Unknown
6655	1979
7041	1958
6703	1970
6701	Unknown
6702	Unknown
6400HB	Unknown
6448HB	Unknown
6716	Unknown
65827-90	1990
104A1 - Custom Nuts	
54321-85	1985

7606	1983
105A1 - Custom Screws	
7899A	Unknown
27130-90	1990
37090-98A	1998
4074A	2006
27262-96	1996
48054-00	2000
106A1 - Custom Washers	
6003	2010
7124	Unknown
108A1 - Hose Clamps	
56135-00A	2000
10053	2010
10038A	1994
10031	2010
65708-97	1997
10014	Unknown
10208	Unknown
10222	2000
9955	Unknown
10080	Unknown
10074	Unknown
10113	Unknown
45044-96A	1996
108B1 - P Clamps	
508	Unknown
71795-63A	1965
10076	2010
109A1 - Studs	
16715-83	1983
10184	Unknown
45998-73	1973
90367-03	2003
45544-88	1988

10136	Unknown
16834-99A	1999
10224	Unknown
56550-97	1997
110B1 - Plain Bushings	
31430-94	1994
57215-75	1975
34979-00	2000
5818A	Unknown
9194	2012
9198	Unknown
62881-00	2000
48330-48A	1948
8996A	1996
17429-91	1991
33446-94A	1994
33714-90B	2011
9139	1988
8989	1998
56182-00	2000
25344-99	1999
9270A	Unknown
8992A	Unknown
8991	Unknown
53156-86	1986
44030-88A	1988
9837	Unknown
57217-02A	2013
8876A	Unknown
61657-00	2000
33445-94A	1994
67266-94	1994
33708-94	1994
48048-00A	2000
45866-84	1984

9141	1988
8883	Unknown
8879	Unknown
9267	Unknown
110C1 - Radial Shaft Seals	
45359-00	2000
12066A	Unknown
12068	Unknown
12045	Unknown
12035B	Unknown
11291	Unknown
12052A	2003
12067B	2002
110D1 - Rolling Element Bearings	
8977	Unknown
9135	Unknown
8983	Unknown
8990A	Unknown
24605-07	2007
9140	1988
8871	Unknown
9028	2009
33720-93	1993
9207	Unknown
111A1 - Adhesive	
72194-94	1994
73165-01	2001
58417-77	1977
72690-01	2001
73166-01	2001
72990-01	2001
73167-01	2001
72691-01	2001
73168-01	2001
111F1 - Protective Tape	

90524-01	2001
59567-00C	2000
116A1 - Banjo Bolts	
41739-84A	1984
41747-82A	1982
117A1 - Coil Springs	
56396-74A	1974
27162-89	1989
119A1 - O-Rings	
11165	Unknown
72458-00	2000
11270	Unknown
11273	Unknown
11117A	Unknown
11323	2004
11326	Unknown
26432-76A	1976
11105	Unknown
11345	Unknown
10957	2006
11145A	2007
11351	2001
27577-92	1992
11140	1982
11147B	2006
11289A	Unknown
45845-77	1977
11132A	2007
11298	Unknown
11191	1989
11293	1996
11290	1998
11292	Unknown
11380	Unknown
44059-83	1983

11301	Unknown
11286	Unknown
31695-90	1990
11256	1996
11179	1986
120A1 - Pins	
16583-00A	2000
601	Unknown
609	Unknown
634	Unknown
534	Unknown
16574-99A	1999
16589-99A	1999
42460-80B	1980
337	Unknown
509	Unknown
515	Unknown
375	Unknown
16595-99A	1999
121A1 - Grommets	
11447	1984
62880-00	2000
11437	Unknown
11410	Unknown
11413	Unknown
29342-99	1999
121B1 - Press-Fit Plugs	
739A	Unknown
68446-00	2000
765	1997
10228	2000
3290	2013
72164-94A	1994
755	Unknown
121C1 - Threaded Plugs	

728	1998
122A1 - Retaining Rings	
10998	1985
11271	Unknown
11272	Unknown
41713-86	1986
10124	1992
17945-36B	1936
27627-01	2001
11319A	Unknown
11016	Unknown
45021-86	1986
10040	1982
44021-83	1983
11688	Unknown
65325-83A	1983
45611-86	1986
35087-99A	1999
10183	1996
10103	Unknown
5244	Unknown
11031	Unknown
11150	1984
10108	Unknown
10193	Unknown
11342	Unknown
11155	Unknown
11533	2014
38723-99	1999
68562-84	1984
31530-90	1990
9989A	Unknown
11143	Unknown
11494	Unknown
37905-00	2000

11177A	1996
11294	Unknown
11096	2010
11282	Unknown
11280	Unknown
11067	Unknown
11182	Unknown
10226	2000
27124-89	1989
10216	2013
60678-85	1985
10149	Unknown
10263A	2009
11248	Unknown
67604-94	1994
11161	Unknown
123B1 - Spring Washers	
7127	Unknown
7062	Unknown
124A1 - Spacers	
14782-00	2000
14787-00	2000
14781-00	2000
9196	Unknown
11261	Unknown
24603-00	2000
48049-00A	2000
6296	Unknown
24039-01A	2001
33344-94	1994
5775	1984
29923-01A	2001
49166-00	2000
14788-00	2000
5756	Unknown

14786-00	2000
14784-00	2000
11860	Unknown
5885	Unknown
14783-00	2000
35629-79	1979
14785-00	2000
5710	Unknown
48094-00	2000
5714	Unknown
9268	Unknown
14780-00	2000
11244	Unknown
125A1 - Tie Straps	
10065	1985
10236	1999
11321	2000
10039	1981
10177	1996
10181	1996
10006	1960
10081	1984
126A1 - Miscellaneous Hardware	
50972-75	1975
48324-00	2000
31692-90	1990
46057-88	1988
47573-00A	2000
46053-88	1988
27136-90A	1990
11514	1998
59292-94	1994
44337-00B	2000
45567-88	1988
11456	Unknown

46056-88	1988
61583-02	2002
46060-88	1988
41042-93	1993
61960-00	2000
33126-94	1994
11529	Unknown
33318-85	1985
45628-92	1992
45935-88	1988
46059-90	1990
45937-88	1988
46058-97	1997
33375-00A	2001
33449-94	1994
56394-74	1974
33374-00	2000
46062-88	1988
8873	1984
44061-83	1983
126B1 - Rivets Fasteners	
10225	Unknown
8483A	Unknown
127A1 - Miscellaneous, Non-System-Specific Component	
91850-00	2000
91679-00	2000
127B1 - Generic Mounting Bracket	
44097-97	1997
52097-00	2000
52015-97A	1997
33683-00	2000
33630-00A	2000
48053-00	2000
58082-02A	2002
140A1 - Battery Warning Label	

15368-01A	2001
140A2 - General Warning Label	
29449-98B	1998
68798-97A	1997
29126-90B	1990
44197-77	1977
140A3 - Other Special Warning Label	
68730-98	1998
14150-86	1986
140G2 - EPA Label	
29404-01A	2001
29127-95B	1995
141A1 - Medallion	
13924-99	1999
13775-00	2000
62197-01	2001
13618-01	2001
13616-01	2001
13917-99	1999
13914-99	1999
14270-92	1992
13921-99	1999
13919-99	1999
62156-00	2000
13915-99	1999
13927-99	1999
13920-99	1999
13923-99	1999
13926-99	1999
13776-00	2000
13615-01	2001
13916-99	1999
66030-88	1988
15363-98	1998
62196-01	2001

44338-00	2000
13918-99	1999
13925-99	1999
13922-99	1999
71302-93A	1993
13774-00	2000
13778-00	2000
13928-99	1999
62157-00	2000
13777-00	2000
161A1 - Powertrain Assembly	
16114-01	2001
162D1 - Engine Assembly	
16129-01	2001
16155-01	2001
16126-01	2001
16121-01	2001
16119-01	2001
16118-01	2001
16132-01	2001
16128-01	2001
16113-01	2001
16142-01	2001
164A1 - Engine Mount Bracket	
38608-96	1996
16247-00	2000
164B1 - Engine Mount Bracket sub-component	
7962	Unknown
7600	Unknown
7716	1990
69047-01	2001
7783	Unknown
7531	1980
7669	Unknown
69046-01	2001

7667	Unknown
7686	Unknown
7507	Unknown
7892	1998
7848W	Unknown
7800W	Unknown
165A1 - Cylinder Head	
18011-86	1986
16724-99	1999
16716-99	1999
16722-99	1999
16717-99	1999
165B1 - Cylinder Head and Base Gaskets	
16775-99B	1999
173B1 - Rocker Arm Shaft	
17594-99	1999
179A1 - Lifters	
17577-99	1999
18538-99C	2011
179B1 - Push Rod	
17922-99	1999
17923-99	1999
179C1 - Lifter Anti-Rotation Device	
18535-99	1999
180A1 - Valves	
18076-83	1983
18101-83D	1999
18074-83B	2007
18082-83A	1983
181B1 - Valve Seals	
18133-83B	1983
18130-83D	1983
18219-83A	1983
18020-83	1983
18134-83	1983

18131-83D	1983
18124-83	1983
18001-83B	1983
181C1 - Valve Collars	
18229-83A	1984
17947-36	1936
17968-99	1999
219A1 - Piston	
16526-99	1999
21933-99	1999
16525-99	1999
21930-99	1999
21931-99	1999
220A1 - Piston Ring	
21937-99	1999
21938-99	1999
21936-99	1999
221A1 - Piston Pin	
22132-99	1999
22097-99	1999
237B1 - Connecting Rod sub-component	
24316-99	1999
239A1 - PT Lower End Miscellaneous Component	
35093-00	2000
48365-48A	1981
35060-00	2000
241A1 - Flywheel	
23912-00D	2007
244A1 - Crankcase	
24619-00A	2000
24620-00A	2000
244D1 - Crankcase sub-component	
22307-99	1999
245A1 - PT Cases Miscellaneous Component	
24983-00	2000

254A1 - Camdrive Gear	
25533-99A	2001
254B1 - Camshaft	
25544-00	2000
25938-00	2000
25534-99	1999
254C1 - Camshaft Sprocket	
40299-83A	1983
25609-99	1999
25716-99	1999
254D1 - Camshaft Support	
25267-99B	2001
255A1 - Camdrive Chain	
25607-99	1999
25610-99	1999
255B1 - Camdrive Chain Guide	
39965-99	1999
255D1 - Camdrive Chain Tensioner sub-component	
39976-01	2001
14764-00	2000
256A1 - Timer Cover	
32543-99	1999
32727-00	2000
257A1 - Cam Cover	
25364-01B	2001
25367-01B	2001
25369-01B	2001
257B1 - Clutch Cover	
60668-99	1999
60713-99	1999
25414-99	1999
257D1 - Clutch Inspection Cover	
60572-86	1986
257E1 - Cover Gaskets	
35653-98A	1998

65324-83B	2009
11260	2010
41731-01	2001
34904-86D	1986
67602-94	1994
17053-99C	2011
67223-00A	2000
29583-01A	2001
43727-00	2000
61109-85D	1985
16719-99B	1999
17045-99D	2011
61324-01	2001
25416-99C	1999
67601-94A	1994
61623-00	2000
41733-88	1988
25244-99A	1999
61659-01	2001
29313-95	1995
17162-03	2003
63859-95B	1995
29062-95B	1995
45733-48	1948
60567-90C	1990
25700225	2012
18635-99B	1999
60539-94B	1994
36801-87C	1987
41731-88A	1988
17052-99C	2011
61192-96A	1996
17386-99A	1999
257L1 - Primary Cover	
60715-99B	1999

60630-94B	1994
60543-99B	1999
60721-99B	1999
60724-98A	2000
60586-99A	1999
257L2 - Primary Chain Inspection Cover	
60714-98	1998
257M1 - Push Rod Cover	
17948-99	1999
17939-99	1999
257N1 - Rocker-Arm / Valve Cover	
17575-99	1999
17620-99	1999
17574-99A	1999
17618-99A	1999
17375-83A	1983
17611-83	1983
17573-99A	1999
17360-83A	1983
17572-99	1999
257P1 - Tappet Cover	
17576-99	1999
17964-99	1999
17966-99	1999
258A1 - PT Covers Miscellaneous Component	
34541-00	2000
37105-99	1999
62373-01	2001
265A1 - Vent / Breather Line	
17596-99	1999
17025-03A	2011
17595-99	1999
17592-99	1999
26500002	2011
17591-99	1999

270A1 - Carburetor

27361-76A	1976
27339-90	1990
27360-76	1976
27362-76	1976
27429-00B	2000
27260-00	2000
27147-89	1989
27583-88	1988
27156-89	1989
27405-00	2000
27261-96	1996
27095-00A	2000
27243-95	1995
27371-76A	1976
27406-00	2000
27582-88	1988
27587-88	1988
27311-76	1976
27428-00B	2000
27414-99C	1999
27101-88	1988
27421-99C	1999
27585-88	1988
27586-88	1988
27575-88A	1988
27560-00	2000
27100-88	1988
27128-89	1989
27126-89	1989
27267-00	2000
27315-88A	1988
27263-96	1996
27576-92	1992

271C1 - Intercooler Gasket

65781-82	1982
65927-00	2000
272B1 - Throttle Body / Intake Manifold	
27600-01A	2001
27635-01B	2012
27603-01	2001
273A1 - Intake Manifold	
27613-99	1999
27630-01	2001
273C1 - Throttle Body/Intake Manifold sub-component	
27604-01A	2001
273E1 - Idle Air Control Actuator	
27628-01A	2001
273K1 - Throttle Body to Manifold Seal	
26995-86B	1986
273N1 - Throttle Cable Retention Bracket	
56508-76	1976
274B1 - Fuel Rail	
27408-01	2001
27608-01A	2001
274C1 - Fuel Injector	
27609-01B	2001
275A1 - PT Upper End Miscellaneous Component	
37313-80	1980
290A1 - Airbox Baseplate	
29581-01B	2001
29582-01B	2001
29456-99	1999
290C1 - Airbox Baseplate sub-component	
29664-01	2001
29482-00	2000
29366-00	2000
29584-01	2001
29658-01	2001
29169-00	2000

29256-00	2000
29089-99	1999
29181-00	2000
29161-00	2000
29662-01	2001
29666-01	2001
29660-01	2001
290D1 - Airbox Seal	
29338-99	1999
292B1 - Air Duct Bezel	
29668-01	2001
294A1 - Air Filter Element	
63815-99	1999
29461-99	1999
294B1 - Breather Bolt	
29465-99	1999
294C1 - Breather Hose	
29476-99	1999
294F1 - Engine Breather Valve	
26858-99	1999
28828-00	2000
294G1 - Air Cleaner	
27010-86A	1986
27009-86A	1986
295A1 - Intake Miscellaneous Component	
27579-88A	1988
27002-89	1989
27886-78A	1978
29229-88D	1988
27170-89	1989
299C1 - Charging Rotor	
29981-95	1995
299F1 - Stator Assembly	
30017-01B	2006
314E1 - Starter Friction Clutch	

31516-94A	2010
9077	Unknown
314F1 - Starter Motor	
31518-90	1990
31510-90	1990
31702-98	1998
31515-90	1990
31553-94B	1994
31612-09	2009
314G1 - Starter Motor sub-component	
31741-00	2000
31535-91	1991
27581-88	1988
31548-90	1990
31527-90	1990
31664-94	1994
31688-90	1990
31703-98	1998
314H1 - Starter Solenoid	
31604-91A	1991
314L1 - Starter Motor Drive	
33189-63	1963
316A1 - Ignition Coil	
31655-99	1999
32568-00C	2015
31743-01	2001
316B1 - Spark Plug Cable	
31981-99C	1999
31983-00C	2000
316C1 - Spark Plug	
32362-04	2004
327C1 - Pressure Sensor	
32416-10	2010
74430-00D	2000
327D1 - Proximity Sensor	

32707-01C	2007
327E1 - Temperature Sensor	
27270-95	1995
32446-99	1999
327F1 - Throttle Position Sensor	
27629-01A	2001
336A1 - Shift Linkage Rod Assembly	
33895-82D	2010
336C1 - Shift Linkage Rod End	
33719-79B	1979
336D1 - Shift Pedal	
33849-97	1997
336F1 - Toepeg	
34611-65A	1965
339A1 - Shift Lever	
34564-90B	1990
33668-90C	1990
339D1 - Shifter Fork	
34195-79E	1979
34088-87A	1987
34193-79E	1979
34191-79E	1979
339H1 - Shifter Mechanism Components (internal)	
33383-00A	2000
33386-02	2002
34064-00C	2000
33301-00A	2000
33304-00	2000
33383-02	2002
34091-85A	1985
33364-00A	2000
33660-90B	1990
33127-94	1994
339K1 - Shifter Pawl	
34095-00	2000

34972-02B	2002
347A1 - Transmission Assembly	
33005-01	2001
33006-01	2001
33007-01	2001
35076-79	1979
33052-01	2001
37189-99	1999
33051-01	2001
35064-79	1979
37232-00	2000
348A1 - Transmission Output Sprocket Cover	
34774-00A	2000
34732-00A	2000
350A1 - Transmission Output Sprocket	
40250-94C	1994
350E1 - Transmission Gear	
31342-94	1994
350F1 - Transmission Mainshaft	
35029-94	1994
35027-94	1994
35025-79B	1981
35028-94	1994
35042-91	1991
350G1 - Transmission Shim / Spacer	
25721-00	2000
9110	2013
9123	2013
9122	2013
9125	2013
9124	2013
9127	2013
9126	2013
9129	Unknown
25723-00	2000

9128	Unknown
9121	2013
9120	Unknown
9134	2013
9133	2013
9132	2013
9131	Unknown
9130	Unknown
25722-00	2000
25717-00	2000
25719-00	2000
352A1 - Engine Balancer	
14789-00	2000
14790-00	2000
352B1 - Engine Balancer sub-component	
14728-00	2000
14717-00	2000
14762-00	2000
14761-00	2000
14716-00	2000
356A1 - Transmission Countershaft	
35026-94	1994
35626-94	1994
35632-79	1979
35625-94	1994
35622-79C	1979
363A1 - PT Driveline Miscellaneous Component	
34977-00A	2001
42533-91A	1991
35251-93C	1993
35252-93B	1993
35051-89A	1989
35211-91B	1991
40266-85	1985
37069-90A	2010

365A1 - Primary Chain	
40007-36B	1936
365B1 - Primary Chain Tensioner	
39990-01	2001
39998-65A	1970
39954-99A	1999
39964-99A	1999
365C1 - Primary Drive Assembly	
40308-94	1994
40384-91	1991
40251-92A	1992
40323-00	2000
367A1 - Clutch Lever	
45015-96	1996
367H1 - Clutch Lever sub-component	
37312-75	1975
37871-98A	1998
34920-86A	1986
37904-90	1990
37906-90	1990
38630-88	1988
37909-90	1990
37872-00	2000
370A1 - Clutch Assembly	
45036-88	1988
37802-98B	1998
37496-90A	1990
370B1 - Clutch Friction Plate	
37932-98	1998
37913-98	1998
370C1 - Clutch Hub	
37550-98	1998
370E1 - Clutch Metal Plate	
37903-90	1990
37088-90	1990

370F1 - Clutch Pressure Plate	
37912-00	2000
370F3 - Clutch Diaphragm Spring	
37883-98	1998
37884-98	1998
370G1 - Clutch Shell	
37707-98A	1998
372D1 - Clutch Cable	
38666-00	2000
38665-00	2000
38664-00	2000
372K2 - Clutch Ramp	
25604-00A	2000
25605-00A	2000
372N1 - Clutch Vacuum Hose	
26567-99	1999
400A1 - Drive-Belt	
40307-00B	2011
409A1 - Rear Wheel	
41074-00	2000
409C1 - Rear Wheel Hub	
40976-00	2000
410D1 - Electronic Control Module (ECM)	
68921-01D	2001
48099-01	2001
72456-01	2001
32534-11	2011
59543-01	2001
410G1 - Security System Control Module	
68923-00D	2000
68925-00D	2000
413A1 - Brake Caliper	
44046-00D	2000
44074-88B	1995
44077-88F	1988

44160-00	2000
44016-00D	2000
44163-00	2000
44086-97	1997
44441-00	2000
413B1 - Brake Bleeder Screw	
44048-83	1983
413C1 - Brake Caliper sub-component	
44235-97	1997
45420-80	1980
44044-00	2000
44054-83	1983
46175-00	2000
44315-00	2000
44147-87A	1987
44022-83	1983
44236-97	1997
48361-80	1980
413E1 - Brake Pad Pin	
44314-00	2000
44053-83B	1983
413G1 - Brake Caliper Piston Set	
44313-01	2001
415B1 - Brake Rotor	
44156-00	2000
41797-00	2000
44260-00	2000
416A1 - Brakes Miscellaneous Component	
40918-87	1987
42431-11	2011
40920-87	1987
72023-51E	2012
41040-88B	1988
43466-97	1997
417A1 - Brake Master Cylinder Assembly	

45030-03C	2003
41755-99D	1999
417B1 - Brake Master Cylinder	
45019-96D	1996
417C1 - Brake Master Cylinder Piston Set	
42382-87C	2000
44020-83	1983
417D1 - Brake Master Cylinder sub-Component	
10866	2011
45006-96C	1996
42568-05A	2011
42455-99	1999
44047-83	1983
43467-97	1997
40922-87A	1987
45032-82	1982
45423-92	1992
45423-96	1996
42507-00B	2000
41047-97	1997
45057-99	1999
46458-05	2005
44351-00	2000
417F1 - Brake Master Cylinder Reservoir	
42454-99A	1999
417G1 - Front Brake Lever	
45016-96	1996
418B1 - Brake Line	
42303-00A	2000
45156-00	2000
45119-00B	2002
45133-04B	2006
45110-96	1996
45199-99B	2001
42305-00	2000

45250-98B	1998
42317-06A	2006
45108-04	2004
420A1 - Wheel Rim	
43662-80B	1983
43085-97	1997
421A1 - Wheel Spoke with Nipple	
43239-05	2005
43241-05	2005
422B1 - Wheel Sprocket	
40289-00	2000
40303-00	2000
40295-00	2000
423G1 - Valve Stem	
43157-83A	1983
423H1 - Valve Stem Cap	
41123-79	1979
423K1 - Wheel Weights	
95578-41	1941
95595-84A	2010
95581-47	1947
95582-47	1947
424A1 - Wheels, Tires and Final Drive Miscellaneous Component	
44062-83	1983
44079-97C	1997
41058-00A	2000
425A1 - Wheel sub-component	
40975-05A	2009
430B1 - Rear Axle Carrier / Adjuster	
45066-00	2000
430D1 - Front Axle	
41116-97	1997
43354-00	2000
41584-86A	1986
41109-88A	1988

43346-83B	1983
430E1 - Rear Axle	
41110-79A	1979
45832-77A	1977
433A1 - Front Wheel	
41038-00	2000
433B1 - Front Wheel Bearing Spacer	
43614-00	2000
43608-00	2000
43654-00A	2000
43671-05A	2005
43623-00	2000
40910-00A	2000
41595-00B	2000
43360-00	2000
43700-05A	2005
44029-00	2000
43683-00A	2000
43617-00A	2000
47577-00	2000
43005-05A	2005
43624-00	2000
43676-05A	2005
56153-73	1973
43016-00B	2000
433C1 - Front Wheel Hub	
43701-00	2000
43155-00	2000
43067-97	1997
44447-00	2000
454A1 - Front Telescopic Fork	
45916-00	2000
46064-00	2000
46004-00	2000
454B1 - Springer Fork	

45633-00	2000
45917-86	1986
45651-91	1991
45629-97	1997
45649-91	1991
46006-00	2000
45569-00	2000
45607-93	1993
45915-00	2000
46066-00	2000
45631-97	1997
455A1 - Front Telescopic Fork Slider	
45964-86	1986
46067-00	2000
45873-00	2000
45417-00	2000
45874-91	1991
46068-00	2000
45918-00	2000
455B1 - Front Telescopic Fork Spring	
46048-00	2000
46054-88	1988
45931-00	2000
45619-97	1997
46055-88	1988
455C1 - Front Telescopic Fork sub-component	
44031-97	1997
45660-88A	1988
45803-97	1997
49377-09A	2011
45930-00	2000
45865-84	1984
45940-84	1984
45656-97	1997
45419-80	1980

45834-77	1977
2738	Unknown
45933-86	1986
45663-88A	1988
7012	1988
45936-88	1988
456A1 - Fork Protector	
46000-00	2000
45859-77A	1977
456C1 - Fork Lock	
45680-90	1990
457D1 - Steering Stem	
45475-00A	2000
45605-00A	2000
457E1 - Steering Stem Bearing Insert Cup	
48315-60	1960
48300-60	1960
457F1 - Steering Stem Nut	
45718-60	1960
458A1 - Front Suspension and Steering Miscellaneous Component	
45659-88	1988
6353	Unknown
45875-84A	1984
45842-77A	1977
48306-88	1988
48332-48C	1948
45670-80A	1980
45655-88	1988
67819-86	1986
45648-85A	1985
459A1 - Upper Triple Clamp	
45456-86B	1986
45672-80B	1980
45473-88	1988
45769-00	2000

45491-97	1997
459B1 - Lower Triple Clamp	
67814-86	1986
67816-86	1986
67821-87	1987
45685-93	1993
67808-86	1986
45640-00A	2009
50991-86	1986
470A1 - Frame	
31519-90	1990
48887-00B	2000
47008-00C	2000
472D1 - Chassis Structure Miscellaneous Component	
59043-93	1993
472D2 - Chassis Structure Mounting Bracket	
59964-00	2000
69137-00	2000
59066-00	2000
59969-00	2000
59954-00	2000
59955-00	2000
61721-00A	2000
58991-00	2000
60035-00	2000
62769-00A	2000
60028-00	2000
48052-00A	2000
475B1 - Swingarm Pivot Shaft	
47610-00	2000
500A1 - Sidestand Assembly	
50087-89B	1989
500E1 - Sidestand Leg sub-component	
62123-66	1966
50015-74A	1974

50005-85A	1985
505B1 - Footpeg Mount Bracket	
33048-72	1972
50942-00	2000
505D1 - Passenger Footpeg	
50621-79A	1979
505H1 - Footpeg Insert	
50614-91A	1991
506A1 - Brake Pedal	
42597-00A	2000
42416-83	1983
42515-00A	2000
41957-97A	1997
50912-72	1972
42515-00	2000
42532-82	1982
50600026	2011
42597-00	2000
507B1 - Rider Interface Mounting Bracket	
42431-00	2000
520A1 - Rider Seat or Full Seat	
51793-01	2001
51792-01	2001
52560-00	2000
52218-00	2000
52602-00	2000
52506-00	2000
91806-00A	2001
91710-00	2000
52467-00	2000
521A1 - Seat Support Structure	
48868-00	2000
521C1 - Seat Suspension Damper	
45418-00	2000
45932-00	2000

46176-00	2000
523B1 - Back Rest Pad	
52189-00	2000
52731-00	2000
523C1 - Back Rest Support Structure	
52788-00	2000
52787-00	2000
52771-82	1982
524A1 - Passenger Grab Handle	
52687-97	1997
51188-00	2000
51184-00	2000
51186-00	2000
51185-00	2000
524B1 - Passenger Seat	
51796-00	2000
52210-00	2000
52507-00	2000
540B1 - Rear Shock	
54508-00B	2000
54484-97	1997
54485-97	1997
540L2 - Rear Suspension Mounting Bracket	
44082-00D	2000
44063-83C	1983
558A1 - Handlebar	
55933-97	1997
56093-88A	1989
53157-97	1997
55919-01	2001
56102-99	1999
56569-86	1986
56188-00	2000
56224-99A	1999
559D1 - Lower Handlebar Clamp	

56542-86A	1986
56538-88	1988
56133-00A	2001
56548-97	1997
56541-86A	1986
56124-77	1977
56122-77	1977
57464-09	2009
56540-88	1988
559E1 - Upper Handlebar Clamp	
56119-77A	1977
56567-86B	1986
560A1 - Mirror	
91932-01	2001
91875-88A	1989
91892-88A	1989
91909-90A	1991
91910-90A	1991
561A1 - Throttle Cable	
56432-98	1998
56433-98	1998
56343-01	2001
56305-96	1996
56342-01	2001
56306-96	1996
561B1 - Left Hand Grip	
56206-96	1996
561D1 - Throttle Assembly sub-component	
38653-01	2001
561E1 - Throttle Grip	
56220-94A	1994
572E1 - Side Cover	
34544-00	2000
32707-01	2001
573A1 - Bodywork Miscellaneous Component	

58272-95	1995
58252-95	1995
7651A	Unknown
573B1 - Bodywork Mounting Bracket	
59053-00	2000
56628-00	2000
56627-00	2000
574B1 - Windscreen / Windshield	
58428-94	1994
57400112	2012
58431-94	1994
57062-00A	2000
57060-00	2000
58241-95	1995
58253-95	1995
58416-77A	1977
58406-75A	1975
67621-94	1994
57063-00A	2000
58213-00	2000
58408-75A	1975
589A1 - Front Fender	
59129-86A	1986
59164-97A	1997
59924-80B	1980
59876-00A	2010
59176-96A	1996
59139-00A	2000
59438-00	2000
595D1 - Rear Fender	
59914-00A	2000
59759-00	2000
59596-00A	2000
59155-00B	2000
59144-00A	2000

59768-97	1997
59174-99	1999
596A1 - Tire Mud Flap	
60363-00B	2000
596B1 - Fender Tip	
59358-97	1997
68046-79	1979
59116-96	1996
59117-96	1996
603B1 - Belt / Chain Guard	
60533-00A	2000
60564-00A	2004
60362-00	2000
608A1 - Carbon Canister	
27293-00	2000
27042-84A	1995
608B1 - Carbon Canister Hose	
28839-00	2000
27016-00	2000
28884-00	2000
27328-00	2000
609A1 - Fuel Miscellaneous Component	
72439-00B	2000
61231-01	2001
62188-01	2001
62842-00	2000
27612-01	2001
609B1 - Fuel and Intake Mounting Bracket	
62146-00	2000
29474-99A	1999
610A1 - Fuel Tank	
61625-01D	2001
62082-00D	2000
62180-00D	2000
611B1 - Fuel Cap	

61272-92C	1992
611F1 - Fuel Tank Vapor Vent Hose	
27072-00	2000
27138-90	1990
62357-00	2000
62555-95	1995
28838-00	2000
63501-68B	1968
612A1 - Fuel Filter	
61001-01	2001
612B1 - Fuel Level Sensor	
75206-01A	2001
75142-01A	2012
612B2 - Fuel Valve	
61338-94D	1994
62166-81A	1981
62161-02	2002
62172-02	2002
62150-85	1985
612C1 - Fuel Line	
62900-01D	2009
63521-95A	1995
62190-01D	2009
612F1 - Fuel Pump	
62897-01B	2001
75130-01	2001
75132-01D	2001
62165-01	2001
62897-01	2001
62163-01A	2001
75132-01	2001
75130-01D	2001
612K1 - Fuel Pump sub-component	
62843-00	2000
75129-00C	2000

75129-00A	2000
61209-01A	2001
758	Unknown
613B1 - Horn Cover	
69012-93A	1993
69039-09	2009
613D1 - Intake / Fuel Tank Cover Trim	
61961-00	2000
613K1 - Airbox Cover	
29075-99	1999
29094-01	2001
29121-01	2001
614C1 - Trim	
71464-00	2000
71440-00A	2000
91877-97	1997
59211-74A	1974
14142-86A	1986
59235-86	1986
40964-00	2000
71265-95	1995
61155-00	2000
61165-00	2000
624A1 - Oil Pump Assembly	
26035-99B	1999
624B1 - Oil Pump Assembly sub-component	
26248-00	2000
26464-99	1999
26255-00	2000
26210-99	1999
26400-82B	1982
625B1 - Oil Tank	
62498-01A	2007
62840-00A	2000
62492-00	2000

62498-00	2000
62492-01A	2001
627B1 - Oil Drain Plug	
60328-98B	1998
627E1 - Oil Filler Plug / Dipstick	
37071-87	1987
37075-87	1987
62845-00A	2000
627E2 - Sight Glass	
45042-96	1996
627F1 - Oil Filter	
63798-99A	1999
63731-99A	1999
627H1 - Oil Line	
33531-00	2000
63601-00	2000
33525-00	2000
26571-89	1989
63783-00	2000
63628-00	2000
45806-00	2000
63611-00	2000
627K1 - Oil Line Fitting	
26352-95A	1995
45468-00	2000
63632-00	2000
62375-57A	1957
627M1 - Oil Pressure Regulator Valve	
62189-01A	2001
628A1 - PT Lubrication and Cooling Miscellaneous Component	
63553-00B	2010
648K1 - Exhaust Miscellaneous Component	
65912-00A	2000
649A1 - Muffler	
65094-00A	2000

65413-00	2000
65734-95	1995
65682-00A	2002
65090-00B	2000
65366-00	2000
65364-00A	2000
65655-00	2000
649C1 - Muffler Tailpipe / Outlet	
65926-00	2000
654A1 - Exhaust Shield	
65463-00	2000
65702-00A	2000
65909-00	2000
65750-00B	2000
65910-97	1997
65732-00B	2000
65464-00	2000
65085-00A	2007
65908-00A	2000
65445-00	2000
65911-97	1997
65148-00A	2007
65907-97A	2006
655A1 - Muffler Mount	
65435-00	2000
655C1 - Exhaust Mounting Bracket	
65311-97	1997
65652-97A	1997
656A1 - Exhaust Flex-Coupling	
65826-90A	1991
656C1 - Header	
65081-00A	2000
65513-00A	2000
656E1 - Header Pipe	
65503-00A	2000

65603-00A	2000
65498-00A	2000
65499-00A	2000
65401-00B	2000
658A1 - Exhaust Catalyst	
65793-00	2000
65894-00	2000
65806-00A	2002
65679-00	2000
65939-00A	2002
65890-00A	2000
65842-00A	2000
65900-00A	2000
65885-00	2000
659A1 - Exhaust Clamp	
65296-95A	1995
65654-97	2017
659B1 - Exhaust Flange	
65328-83A	2010
660A1 - Battery	
66373-06	2006
65989-97C	1997
660E1 - Ground Strap	
70060-92B	1992
660G1 - Positive Battery Cable	
70078-00B	2000
660H1 - Positive Battery Cable Boot	
31662-90	1990
70584-94	1994
677A1 - Headlight	
69748-05B	2005
68705-93A	1993
67757-92	1992
67713-86	1986
67603-94A	1994

68832-99	1999
58060-93	1993
69750-05B	2005
67894-93A	1993
67763-92A	1993
67769-93	1993
69163-00	2000
68051-93A	1993
67790-93A	1993
67781-92A	1993
67705-92	1992
69715-05A	2005
69696-05	2005
67892-93	1993
69769-05A	2005
68725-62A	1962
67698-81D	2001
68050-93A	1993
67768-97	1997
67685-92	1992
67793-92A	2001
67772-97	1997
67801-92A	1993
69717-05A	2005
677B1 - Headlight sub-component	
67798-92	1992
67880-94	1994
678A1 - Taillight	
68558-03	2003
68066-99A	2004
69187-03A	2003
68236-97	1997
68141-99A	1999
68369-03	2003
68142-04	2004

68830-99A	1999
68237-97	1997
68372-03	2003
68235-97	1997
68457-86	1986
68296-99A	2004
68234-97	1997
68932-00A	2000
68140-04	2004
68370-03A	2003
68140-99	1999
68354-00A	2000
68233-97	1997
68141-04	2004
68440-86	1986
68226-97	1997
68931-00A	2000
678B1 - Taillight Housing	
68356-00A	2000
678C1 - Taillight Lens	
68238-97	1997
68239-97	1997
678D1 - Turnsignal	
67822-88	1988
68975-00	2000
68510-74C	1974
68767-94	1994
68709-94	1994
68978-00	2000
67828-88A	1988
68977-00	2000
68766-94	1994
68765-94A	1994
68671-69D	1969
67827-88A	1988

68713-94A	1994
68972-00	2000
68763-94	1994
59201-96	1996
68480-93A	1993
67829-88	1988
58089-97	1997
68821-00	2000
68989-98	1998
68760-94	1994
68710-94	1994
678E1 - Turnsignal Lens	
59357-00	2000
68973-00	2000
68506-92	1992
68566-90	1990
68507-90	1990
68505-90	1990
679B1 - Reflector	
59254-91	1991
59287-92	1992
60019-93A	1993
59259-90	1990
59482-00	2000
59481-00	2000
59256-84A	1984
59290-92	1992
59289-92	1992
59288-92	1992
59988-72A	1972
59255-91	1991
59251-90	1990
679D1 - License Plate Bracket	
60020-97	1997
60120-00A	2000

60026-97	1997
60001-55	1955
60003-89	1989
59993-00A	2000
59986-75	1975
59994-93A	1993
68890-00A	2000
59984-73	1973
60021-97	1997
680A1 - Decorative Light	
59672-99	1999
68674-69A	1969
68706-00	2000
59122-97	1997
68721-62	1962
59355-97	1997
59180-80	1980
59118-00	2000
68846-98C	1998
68720-62	1962
680B1 - Emergency Light	
67691-92	1992
680C1 - Incandescent Bulb	
68833-99	1999
68847-98A	1998
68193-95	1995
68572-64B	1964
68169-90A	1990
68168-89A	1989
53436-97	1997
68163-84	1984
68381-00	2000
68329-03	2003
68353-00	2000
68167-04	2004

52441-95	1995
53438-92	1992
692C1 - Electrical Miscellaneous Component	
69070-97B	1997
68112-99A	1999
68894-00	2000
72374-00	2000
68892-00A	2000
68113-99C	2012
72176-94	1994
692C2 - Electrical Mounting Bracket	
67271-99	1999
69069-97	1997
69136-00	2000
30202-01	2001
72463-00A	2000
69123-92A	1992
68385-97	1997
31682-00	2000
66210-00	2000
59465-00	2000
31772-01	2001
69120-91	1991
31773-01	2001
68519-68A	1968
31606-00	2000
67423-00	2000
69060-90F	2010
72368-00	2000
48127-01	2001
31742-00	2000
31725-00	2000
69062-91A	1991
692D1 - Fuse	
74599-77B	1977

72330-95	1995
692E1 - Fuse / Relay Block	
72369-00	2000
72432-00	2000
72430-00	2000
692E2 - Fuse / Relay Block Cover	
27667-00A	2000
692F1 - Wire Harness	
68818-00	2000
68819-00	2000
67915-00	2000
68817-00	2000
68891-00	2000
75062-01	2001
70197-86	1986
72466-01	2001
70280-01	2001
67615-96	1996
70196-00	2000
70431-01	2001
70216-01	2001
70325-00	2000
692G1 - Conduit / Sheathing / Sleeving	
72411-97	1997
72366-95	1995
72249-94	1994
72266-94	1994
692G2 - Wire Guide	
72412-97	1997
10190	Unknown
27580-88	1988
692H1 - Connector	
73152-96BK	1996
70586-93	1993
72119-94BK	1994

27249-96	1996
72159-94	1994
72380-00	2000
72116-94BK	1994
72144-94	1994
72293-94	1994
72280-95	1995
74142-98	1998
72124-94GY	1994
9848	Unknown
9847	Unknown
72113-94BK	1994
29312-95	1995
72156-94	1994
72139-94GY	1994
72247-95	1995
68650-92	1992
72273-95	1995
68654-92	1992
72516-01	2001
72199-94	1994
72153-94	1994
692H2 - Terminal	
72245-95	1995
72076-00	2000
72292-94	1994
72213-94	1994
72429-00	2000
72428-00	2000
72290-94	1994
72242-94	1994
74192-98	1998
72291-94	1994
9840	Unknown
9843	Unknown

9937	Unknown
72434-00	2000
72991-01	2001
74190-98	1998
74194-98	1998
692K1 - Connector / Terminal Seal	
68904-00	2000
72604-01BK	2001
72039-71A	1971
73154-96WE	1996
68905-00	2000
72614-01BK	2001
72654-01	2001
72644-01	2001
692L1 - Wire Harness sub-component	
74191-98	1998
74148-98	1998
70345-84	1984
72263-95	1995
72077-00	2000
74152-98	1998
72195-94	1994
74158-98	1998
72231-98	1998
72214-94	1994
70504-81	1981
73190-96	1996
73104-96WE	1996
10102	Unknown
73156-96BK	1996
74108-98BK	1998
74113-98BK	1998
73106-96BK	1996
72904-01BK	2001
70598-99	1999

73152-96WE	1996
72230-98	1998
74153-98	1998
74195-98	1998
74102-98BK	1998
73153-96BK	1996
73158-96BK	1996
72043-71A	1971
72143-94	1994
73102-96WE	1996
72244-95	1995
72033-93	1993
72106-94BK	1994
56076-97	1997
72163-94BK	1994
73191-96	1996
72146-94	1994
74159-98	1998
38712-68	1968
72190-94	1994
56073-83	1983
74119-98BK	1998
73104-96BK	1996
73196-96	1996
73102-96BK	1996
72056-92	1992
72295-94	1994
72191-94	1994
74112-98BK	1998
74118-98BK	1998
70045-94A	1994
73154-96BK	1996
70974-00B	2000
73108-96BK	1996
72914-01BK	2001

709A1 - Dash Panel	
60993-00	2000
709B1 - Instrument Cluster or Speedometer	
67033-99A	2003
67190-89	1989
68903-00A	2000
68901-00A	2001
68893-00A	2000
68889-00	2000
67196-99A	1999
68902-00A	2001
67197-99A	2003
71248-00A	2000
709B2 - Fuel Gauge	
75099-01A	2001
75053-01B	2001
75049-01A	2001
709E1 - Tank Console	
71439-00	2000
71250-00A	2000
714A1 - Ignition Switch	
71313-96A	1996
714B1 - Mechanical Switch	
33904-00A	2000
68619-83	1983
714C1 - Pressure Switch	
26561-99	1999
714D1 - Relay	
31522-00C	2004
31511-01B	2001
715A1 - Hand Control	
71684-06A	2006
67854-98	1998
71587-04	2004
67858-89	1989

71683-06A	2006
71564-96	1996
71563-96	1996
71568-96A	1996
71685-06A	2006
71682-06A	2006
71567-96	1996
71621-08	2008
747A1 - Voltage Regulator	
74540-01	2001
902A1 - Saddlebag	
98837-97	1997
90476-00	2000
91300-01	2001
90477-00	2000
90247-00	2000
91299-01	2001
90346-00	2000
903A1 - Lockset	
71450-04	2004
903B1 - Key or Key-set	
61081-92	1992
903C1 - Key Transponder	
68926-00	2000
68927-00	2000
917B1 - Service Program Kit	
90438-10	2010
918B1 - Hardware Kit	
91800025	2012
936B1 - Cleaner	
41059-00A	2000
989A1 - GM - LP - Miscellaneous	
90291-03	2003

Common Service Parts

AUDIO & INSTRUMENTATION

[View interactive table](#)

PART NO.	DESCRIPTION	PART AND MODEL(S)
67880-94	BOOT	<i>INSTRUMENTS:</i> FXST FLSTC FXSTS FLSTF FLSTS FXSTB FXSTI FLSTCI FLSTFI FLSTSI FXSTSI FXSTBI <i>INSTRUMENTS - FXSTD/I:</i> FXSTD FXSTDI

BEARINGS, SEALS & HARDWARE

[View interactive table](#)

PART NO.	DESCRIPTION	PART AND MODEL(S)
10014	CLAMP	<i>CARBURETOR (1 OF 2):</i> FXST FLSTC FXSTS FLSTF FLSTS FXSTD FXSTB <i>FUEL TANK:</i> FXST FLSTC FXSTS FLSTF FLSTS FXSTB <i>FUEL TANK - FXSTD:</i> FXSTD
10038A	CLAMP	<i>FUEL TANK:</i> FXST FLSTC FXSTS FLSTF FLSTS FXSTB <i>FUEL TANK - FUEL INJECTED:</i> FXSTI FLSTCI FLSTFI FLSTSI FXSTSI FXSTBI <i>FUEL TANK - FXSTD:</i> FXSTD <i>FUEL TANK - FXSTD - FUEL INJECTED:</i> FXSTDI
10080	CLAMP	<i>OIL TANK & LINES: All Models</i>

PART NO.	DESCRIPTION	PART AND MODEL(S)
10102	CLIP	<p><i>FRONT FENDER - FXST/I, FXSTB/I, FXSTD/I, FLSTC/I & FLSTF/I:</i></p> <p>FLSTC FLSTCI</p> <p><i>SENDING UNITS - CARBURETED MODELS:</i></p> <p>FXST FLSTC FXSTS FLSTF FLSTS FXSTD FXSTB</p> <p><i>INSTRUMENTS:</i></p> <p>FXST FLSTC FXSTS FLSTF FLSTS FXSTB FXSTI FLSTCI FLSTFI FLSTSI FXSTSI FXSTBI</p> <p><i>INSTRUMENTS - FXSTD/I:</i></p> <p>FXSTD FXSTDI</p>
10222	CLAMP	<p><i>FUEL TANK - FUEL INJECTED:</i></p> <p>FXSTI FLSTCI FLSTFI FLSTSI FXSTSI FXSTBI</p> <p><i>FUEL TANK - FXSTD - FUEL INJECTED:</i></p> <p>FXSTDI</p> <p><i>FUEL PUMP - FUEL INJECTED:</i></p> <p>FXSTI FLSTCI FLSTFI FLSTSI FXSTSI FXSTBI FXSTDI</p>
11105	O-RING	TRANSMISSION HOUSING (1 OF 2): All Models OIL TANK & LINES: All Models
11132A	O-RING	ROCKER ARM ASSEMBLY & PUSH RODS - Twin Cam 88B™: All Models TRANSMISSION HOUSING (1 OF 2): All Models
11143	RETAINING RING	CLUTCH CONTROL: All Models FRONT BRAKE CONTROL: All Models
11145A	O-RING	ROCKER ARM ASSEMBLY & PUSH RODS - Twin Cam 88B™: All Models
11147B	O-RING	PRIMARY HOUSING: All Models
11150	RETAINING RING	GEAR SHIFTER: All Models
11165	QUAD SEAL	TRANSMISSION HOUSING (1 OF 2): All Models
11270	O-RING	ROCKER ARM ASSEMBLY & PUSH RODS - Twin Cam 88B™: All Models REAR BRAKE CONTROL: All Models

PART NO.	DESCRIPTION	PART AND MODEL(S)
11292	O-RING	<i>AIR CLEANER & ENRICHENER - CARBURETED MODELS:</i> FXST FLSTC FXSTS FLSTF FLSTS FXSTD FXSTB <i>AIR CLEANER - FUEL INJECTED MODELS:</i> FXSTI FLSTCI FLSTFI FLSTSI FXSTSI FXSTBI FXSTDI
11293	O-RING	ROCKER ARM ASSEMBLY & PUSH RODS - Twin Cam 88B™: All Models CAMSHAFTS & CAM COVER - Twin Cam 88B™: All Models
11301	O-RING	CAMSHAFTS & CAM COVER - Twin Cam 88B™: All Models
11447	GROMMET	OIL TANK & LINES: All Models
12035B	OIL SEAL	TRANSMISSION GEARS: All Models
12045	SEAL	GEAR SHIFTER: All Models
12052A	OIL SEAL	PRIMARY HOUSING: All Models
12066A	OIL SEAL	PRIMARY HOUSING: All Models
12067B	OIL SEAL	TRANSMISSION HOUSING (1 OF 2): All Models
1311D	SCREW	<i>FUEL PUMP - FUEL INJECTED:</i> FXSTI FLSTCI FLSTFI FLSTSI FXSTSI FXSTBI FXSTDI <i>SENDING UNITS - CARBURETED MODELS:</i> FXST FLSTC FXSTS FLSTF FLSTS FXSTB <i>SENDING UNITS - CARBURETED MODELS:</i> FXSTD
16715-83	STUD	CYLINDERS, HEADS & VALVES - Twin Cam 88B™: All Models
16719-99B	GASKET	ROCKER ARM ASSEMBLY & PUSH RODS - Twin Cam 88B™: All Models
17045-99D	GASKET KIT	ROCKER ARM ASSEMBLY & PUSH RODS - Twin Cam 88B™: All Models CAMSHAFTS & CAM COVER - Twin Cam 88B™: All Models
17386-99A	GASKET	ROCKER ARM ASSEMBLY & PUSH RODS - Twin Cam 88B™: All Models
18635-99B	GASKET	ROCKER ARM ASSEMBLY & PUSH RODS - Twin Cam 88B™: All Models
25244-99A	GASKET	CAMSHAFTS & CAM COVER - Twin Cam 88B™: All Models

PART NO.	DESCRIPTION	PART AND MODEL(S)
2531	SCREW	<i>FRONT FENDER - FXST/I, FXSTB/I, FXSTD/I, FLSTC/I & FLSTF/I:</i> FLSTC FLSTCI
25416-99C	SEAL	PRIMARY HOUSING: All Models
25700225	GASKET KIT	PRIMARY HOUSING: All Models
26995-86B	SEAL	<i>CARBURETOR (1 OF 2):</i> FXST FLSTC FXSTS FLSTF FLSTS FXSTD FXSTB <i>INDUCTION MODULE - FUEL INJECTED:</i> FXSTI FLSTCI FLSTFI FLSTSI FXSTSI FXSTBI FXSTDI
2720	SCREW	ALTERNATOR & REGULATOR: All Models
31430-94	WASHER	STARTER MOTOR: All Models
3275	SCREW	<i>CARBURETOR (1 OF 2):</i> FXST FLSTC FXSTS FLSTF FLSTS FXSTD FXSTB <i>INDUCTION MODULE - FUEL INJECTED:</i> FXSTI FLSTCI FLSTFI FLSTSI FXSTSI FXSTBI FXSTDI
33126-94	LOCKPLATE	STARTER MOTOR: All Models
33318-85	LOCKING TAB	PRIMARY HOUSING: All Models

PART NO.	DESCRIPTION	PART AND MODEL(S)
3655A	SCREW	REAR BRAKE CONTROL: All Models <i>FRONT WHEEL (1 OF 2):</i> FXST FLSTC FXSTS FLSTS FXSTD FXSTB FXSTI FLSTCI FLSTFI FLSTSI FXSTSI FXSTBI FXSTDI <i>FRONT WHEEL (1 OF 2):</i> FLSTF
3658	SCREW	<i>INSTRUMENTS - FXSTD/I:</i> FXSTD FXSTDI HANDLEBAR SWITCHES: All Models
36801-87C	GASKET	TRANSMISSION HOUSING (2 OF 2): All Models
4132	SCREW	CLUTCH CONTROL: All Models FRONT BRAKE CONTROL: All Models
41731-01	GASKET	FRONT BRAKE CONTROL: All Models
41731-88A	GASKET	REAR BRAKE CONTROL: All Models
41733-88	GASKET	FRONT BRAKE CONTROL: All Models
43567-92	SCREW	REAR WHEEL: All Models
45405-75A	SCREW	<i>FRONT FORK - FXST/I & FXSTB/I:</i> FXST FXSTB FXSTI FXSTBI <i>FRONT FORK - FXSTD/I:</i> FXSTD FXSTDI <i>FRONT FORK - FLSTC/I & FLSTF/I (1 OF 2):</i> FLSTC FLSTF FLSTCI FLSTFI
45733-48	OIL SEAL	<i>FRONT FORK - FXST/I & FXSTB/I:</i> FXST FXSTB FXSTI FXSTBI <i>FRONT FORK - FXSTD/I:</i> FXSTD FXSTDI <i>FRONT FORK - FLSTC/I & FLSTF/I (1 OF 2):</i> FLSTC FLSTF FLSTCI FLSTFI

PART NO.	DESCRIPTION	PART AND MODEL(S)
45845-77	O-RING	<p><i>FRONT FORK - FXST// & FXSTB//:</i></p> <p>FXST FXSTB FXSTI FXSTBI</p> <p><i>FRONT FORK - FXSTD//:</i></p> <p>FXSTD FXSTDI</p> <p><i>FRONT FORK - FLSTC// & FLSTF// (1 OF 2):</i></p> <p>FLSTC FLSTF FLSTCI FLSTFI</p>
45858-77	DRAIN SCREW	<p><i>FRONT FORK - FXST// & FXSTB//:</i></p> <p>FXST FXSTB FXSTI FXSTBI</p> <p><i>FRONT FORK - FLSTC// & FLSTF// (1 OF 2):</i></p> <p>FLSTC FLSTF FLSTCI FLSTFI</p>
4740A	SCREW	<p>CAMSHAFTS & CAM COVER - Twin Cam 88B™: All Models TRANSMISSION HOUSING (1 OF 2): All Models PRIMARY HOUSING: All Models</p>
48300-60	ROLLER BEARING	<p><i>FRONT FORK - FXST// & FXSTB//:</i></p> <p>FXST FXSTB FXSTI FXSTBI</p> <p><i>FRONT FORK - FXSTD//:</i></p> <p>FXSTD FXSTDI</p> <p><i>FRONT FORK - FLSTC// & FLSTF// (2 OF 2):</i></p> <p>FLSTC FLSTF FLSTCI FLSTFI</p> <p><i>FRONT FORK - FXSTS//:</i></p> <p>FXSTS FXSTSI</p> <p><i>FRONT FORK - FLSTS//:</i></p> <p>FLSTS FLSTSI</p>
53156-86	BUSHING	<p><i>HANDLEBAR:</i></p> <p>FXST FLSTC FXSTS FLSTF FXSTB FXSTI FLSTCI FLSTFI FXSTSI FXSTBI</p>

PART NO.	DESCRIPTION	PART AND MODEL(S)
59768-97	SEAT NUT KIT	SEATS: FLSTC FLSTF FLSTCI FLSTFI SEATS: FXST FXSTS FXSTD FXSTB FXSTI FXSTSI FXSTBI FXSTDI SEAT - FLSTS//: FLSTS FLSTSI REAR FENDER & SUPPORTS - FXST//, FXSTS// & FXSTB//: FXST FXSTS FXSTB FXSTI FXSTSI FXSTBI REAR FENDER & SUPPORTS - FLSTC//, FLSTF// & FLSTS//: FLSTC FLSTF FLSTS FLSTCI FLSTFI FLSTSI REAR FENDER, SUPPORTS & LICENSE PLATE BRACKET - FXSTD//: FXSTD FXSTDI
60539-94B	GASKET	PRIMARY HOUSING: All Models
60567-90C	GASKET	PRIMARY HOUSING: All Models
60678-85	RETAINING RING	PRIMARY HOUSING: All Models
6229W	WASHER	SADDLEBAGS - FLSTC//: FLSTC FLSTCI SADDLEBAGS - FLSTS//: FLSTS FLSTSI
63859-95B	GASKET	PRIMARY HOUSING: All Models
6516HW	WASHER	ENGINE MOUNTS: All Models BELTS, CHAINS & SPROCKETS: All Models REAR WHEEL: All Models

PART NO.	DESCRIPTION	PART AND MODEL(S)
65324-83B	GASKET	<p><i>EXHAUST SYSTEM - FXST/I, FLSTC/I, FXSTS/I & FXSTB/I:</i></p> <p>FXST FLSTC FXSTS FXSTB FXSTI FLSTCI FXSTSI FXSTBI</p> <p><i>EXHAUST SYSTEM - FLSTF/I & FXSTD/I:</i></p> <p>FLSTF FXSTD FLSTFI FXSTDI</p> <p><i>EXHAUST SYSTEM - FLSTS/I:</i></p> <p>FLSTS FLSTSI</p>
65325-83A	RETAINING RING	<p><i>EXHAUST SYSTEM - FXST/I, FLSTC/I, FXSTS/I & FXSTB/I:</i></p> <p>FXST FLSTC FXSTS FXSTB FXSTI FLSTCI FXSTSI FXSTBI</p> <p><i>EXHAUST SYSTEM - FLSTF/I & FXSTD/I:</i></p> <p>FLSTF FXSTD FLSTFI FXSTDI</p> <p><i>EXHAUST SYSTEM - FLSTS/I:</i></p> <p>FLSTS FLSTSI</p>
65927-00	GASKET	<p><i>EXHAUST SYSTEM - FXST/I, FLSTC/I, FXSTS/I & FXSTB/I:</i></p> <p>FXST FLSTC FXSTS FXSTB FXSTI FLSTCI FXSTSI FXSTBI</p>

PART NO.	DESCRIPTION	PART AND MODEL(S)
6702	WASHER	<p>GEAR SHIFTER: All Models REAR BELT GUARD: All Models FRONT FORK - FXST/I & FXSTB/I: FXST FXSTB FXSTI FXSTBI FRONT FORK - FLSTC/I & FLSTF/I (1 OF 2): FLSTC FLSTF FLSTCI FLSTFI FRAME & JIFFY STAND: All Models FRONT FENDER - FXST/I, FXSTB/I, FXSTD/I, FLSTC/I & FLSTF/I: FXST FXSTD FXSTB FXSTI FXSTBI FXSTDI REAR FENDER, SUPPORTS & LICENSE PLATE BRACKET - FXSTD/I: FXSTD FXSTDI LICENSE PLATE BRACKETS: FXST FXSTS FXSTB FXSTI FXSTSI FXSTBI FUEL TANK: FXST FLSTC FXSTS FLSTF FLSTS FXSTB FUEL TANK - FUEL INJECTED: FXSTI FLSTCI FLSTFI FLSTSI FXSTSI FXSTBI FUEL TANK - FXSTD: FXSTD OIL TANK & LINES: All Models EXHAUST SYSTEM - FLSTF/I & FXSTD/I: FLSTF FXSTD FLSTFI FXSTDI EXHAUST SYSTEM - FLSTS/I: FLSTS FLSTSI REAR TURN SIGNALS: FXSTD FXSTDI SADDLEBAGS - FLSTC/I: FLSTC FLSTCI SADDLEBAGS - FLSTS/I: FLSTS FLSTSI</p>

PART NO.	DESCRIPTION	PART AND MODEL(S)
7041	LOCKWASHER	STARTER MOTOR: All Models <i>GEAR SHIFTER:</i> FXST FXSTS FXSTD FXSTB FXSTI FXSTSI FXSTBI FXSTDI <i>FRONT FORK - FXST/I & FXSTB/I:</i> FXST FXSTB FXSTI FXSTBI <i>FRONT FORK - FLSTC/I & FLSTF/I (1 OF 2):</i> FLSTC FLSTF FLSTCI FLSTFI FRAME & JIFFY STAND: All Models <i>EXHAUST SYSTEM - FLSTS/I:</i> FLSTS FLSTSI
739A	PLUG	PRIMARY HOUSING: All Models
7593	NUT	<i>EXHAUST SYSTEM - FXST/I, FLSTC/I, FXSTS/I & FXSTB/I:</i> FXST FLSTC FXSTS FXSTB FXSTI FLSTCI FXSTSI FXSTBI <i>EXHAUST SYSTEM - FLSTF/I & FXSTD/I:</i> FLSTF FXSTD FLSTFI FXSTDI <i>EXHAUST SYSTEM - FLSTS/I:</i> FLSTS FLSTSI
7600	NUT	<i>FRONT FENDER - FXST/I, FXSTB/I, FXSTD/I, FLSTC/I & FLSTF/I:</i> FLSTC FLSTCI
7613A	PUSH NUT	<i>FRONT FENDER - FXST/I, FXSTB/I, FXSTD/I, FLSTC/I & FLSTF/I:</i> FLSTC FLSTCI
7716	LOCKNUT	<i>FOOTRESTS & FOOTBOARDS:</i> FLSTC FLSTF FLSTS FLSTCI FLSTFI FLSTSI
856A	SCREW	GEAR SHIFTER: All Models
9267	SEALED BALL BEARING	FRONT WHEEL (1 OF 2): All Models REAR WHEEL: All Models

PART NO.	DESCRIPTION	PART AND MODEL(S)
961	SCREW	PRIMARY HOUSING: All Models
9955	CLAMP	<i>EXHAUST SYSTEM - FXST/I, FLSTC/I, FXSTS/I & FXSTB/I:</i> FXST FLSTC FXSTS FXSTB FXSTI FLSTCI FXSTSI FXSTBI <i>EXHAUST SYSTEM - FLSTF/I & FXSTD/I:</i> FLSTF FXSTD FLSTFI FXSTDI <i>EXHAUST SYSTEM - FLSTS/I:</i> FLSTS FLSTSI

BRAKING & SUSPENSION

[View interactive table](#)

PART NO.	DESCRIPTION	PART AND MODEL(S)
44063-83C	BRAKE PAD SET	<i>FRONT BRAKE CALIPER - SPRINGER MODELS:</i> FXSTS FLSTS FLSTSI FXSTSI
44082-00D	PAD KIT	<i>FRONT BRAKE CALIPER:</i> FXST FLSTC FLSTF FXSTD FXSTB FXSTI FLSTCI FLSTFI FXSTBI FXSTDI REAR BRAKE CALIPER: All Models
45875-84A	OIL SEAL	<i>FRONT FORK - FXST/I & FXSTB/I:</i> FXST FXSTB FXSTI FXSTBI <i>FRONT FORK - FXSTD/I:</i> FXSTD FXSTDI <i>FRONT FORK - FLSTC/I & FLSTF/I (2 OF 2):</i> FLSTC FLSTF FLSTCI FLSTFI

CHASSIS & COMPONENTS

[View interactive table](#)

PART NO.	DESCRIPTION	PART AND MODEL(S)
-----------------	--------------------	--------------------------

PART NO.	DESCRIPTION	PART AND MODEL(S)
50005-85A	SPRING	<i>FRAME & JIFFY STAND: All Models</i>

ELECTRICAL

[View interactive table](#)

PART NO.	DESCRIPTION	PART AND MODEL(S)
70345-84	RETAINER	<p><i>HANDLEBAR:</i></p> <p>FXST FLSTC FXSTS FLSTF FLSTS FXSTD FXSTI FLSTCI FLSTFI FLSTSI FXSTSI FXSTDI</p> <p><i>HANDLEBAR SWITCHES:</i></p> <p>FXST FXSTS FLSTF FLSTS FXSTD FXSTI FLSTFI FLSTSI FXSTSI FXSTDI</p>
71621-08	STOP LAMP SWITCH KIT	<i>HANDLEBAR SWITCHES: All Models</i>
72023-51E	STOP LAMP SWITCH	<i>REAR BRAKE CONTROL: All Models</i> <i>SWITCHES & CIRCUIT BREAKERS: All Models</i>
72330-95	FUSE	<p><i>WIRING HARNESS, MAIN - CARBURETED (2 OF 2):</i></p> <p>FXST FLSTC FXSTS FLSTF FLSTS FXSTD FXSTB</p> <p><i>WIRING HARNESS, MAIN - FUEL INJECTED (2 OF 2):</i></p> <p>FXSTI FLSTCI FLSTFI FLSTSI FXSTSI FXSTBI FXSTDI</p> <p><i>SWITCHES & CIRCUIT BREAKERS: All Models</i></p>

ENGINE, TRANSMISSION & PRIMARY

[View interactive table](#)

PART NO.	DESCRIPTION	PART AND MODEL(S)
17025-03A	BREATHER ASSEMBLY KIT	<i>ROCKER ARM ASSEMBLY & PUSH RODS - Twin Cam 88B™: All Models</i>

PART NO.	DESCRIPTION	PART AND MODEL(S)
18538-99C	HYDRAULIC LIFTER	ROCKER ARM ASSEMBLY & PUSH RODS - Twin Cam 88B™: All Models
37909-90	RETAINING RING	CLUTCH: All Models
37913-98	CLUTCH PLATE	CLUTCH: All Models

FOOT CONTROLS

[View interactive table](#)

PART NO.	DESCRIPTION	PART AND MODEL(S)
33895-82D	SHIFT LEVER	<i>GEAR SHIFTER:</i> FLSTC FLSTF FLSTS FLSTCI FLSTFI FLSTSI
34611-65A	PEG	<i>GEAR SHIFTER:</i> FXST FXSTS FXSTD FXSTB FXSTI FXSTSI FXSTBI FXSTDI <i>GEAR SHIFTER:</i> FLSTC FLSTF FLSTS FLSTCI FLSTFI FLSTSI

INTAKE, EXHAUST & FUEL MGMT

[View interactive table](#)

PART NO.	DESCRIPTION	PART AND MODEL(S)
27002-89	SEAL RING	<i>CARBURETOR (1 OF 2):</i> FXST FLSTC FXSTS FLSTF FLSTS FXSTD FXSTB
27361-76A	DIAPHRAGM	<i>CARBURETOR (2 OF 2):</i> FXST FLSTC FXSTS FLSTF FLSTS FXSTD FXSTB

PART NO.	DESCRIPTION	PART AND MODEL(S)
29229-88D	CABLE	<p><i>AIR CLEANER & ENRICHENER - CARBURETED MODELS:</i></p> <p>FXST FLSTC FXSTS FLSTF FLSTS FXSTD FXSTB</p>
29476-99	BREATHER TUBE	<p><i>AIR CLEANER & ENRICHENER - CARBURETED MODELS:</i></p> <p>FXST FLSTC FXSTS FLSTF FLSTS FXSTD FXSTB</p> <p><i>AIR CLEANER - FUEL INJECTED MODELS:</i></p> <p>FXSTI FLSTCI FLSTFI FLSTSI FXSTSI FXSTBI FXSTDI</p>
61001-01	FUEL FILTER KIT	<p><i>FUEL PUMP - FUEL INJECTED:</i></p> <p>FXSTI FLSTCI FLSTFI FLSTSI FXSTSI FXSTBI FXSTDI</p>
65296-95A	CLAMP	<p><i>EXHAUST SYSTEM - FXST/I, FLSTC/I, FXSTS/I & FXSTB/I:</i></p> <p>FXST FLSTC FXSTS FXSTB FXSTI FLSTCI FXSTSI FXSTBI</p> <p><i>EXHAUST SYSTEM - FLSTF/I & FXSTD/I:</i></p> <p>FLSTF FXSTD FLSTFI FXSTDI</p> <p><i>EXHAUST SYSTEM - FLSTS/I:</i></p> <p>FLSTS FLSTSI</p>

LIGHTING

[View interactive table](#)

PART NO.	DESCRIPTION	PART AND MODEL(S)
-----------------	--------------------	--------------------------

PART NO.	DESCRIPTION	PART AND MODEL(S)
68168-89A	BULB	<p><i>AUXILIARY/FOG LAMPS - FLSTC/I & FLSTS/I, FRONT TURN SIGNALS - FLSTC/I:</i></p> <p>FLSTC FLSTCI</p> <p><i>FRONT TURN SIGNALS:</i></p> <p>FXST FXSTS FLSTF FLSTS FXSTD FXSTB FXSTI FLSTFI FLSTSI FXSTSI FXSTBI FXSTDI</p> <p><i>TAIL LAMP (1 OF 2):</i></p> <p>FXST FLSTC FXSTS FLSTF FLSTS FXSTB FXSTI FLSTCI FLSTFI FLSTSI FXSTSI FXSTBI</p> <p><i>TAIL LAMP - FXSTD/I:</i></p> <p>FXSTD FXSTDI</p>
68193-95	BULB	<p><i>FRONT FENDER - FXST/I, FXSTB/I, FXSTD/I, FLSTC/I & FLSTF/I:</i></p> <p>FLSTC FLSTCI</p> <p><i>REAR FENDER & SUPPORTS - FLSTC/I, FLSTF/I & FLSTS/I:</i></p> <p>FLSTC FLSTCI</p>
68329-03	BULB	<p><i>HEADLAMP (1 OF 2):</i></p> <p>FXST FXSTS FLSTS FXSTD FXSTB FXSTI FLSTSI FXSTSI FXSTBI FXSTDI</p>
68572-64B	BULB	REAR TURN SIGNALS: All Models
68973-00	LENS	<p><i>FRONT TURN SIGNALS:</i></p> <p>FXSTD FXSTDI</p> <p><i>FRONT TURN SIGNALS:</i></p> <p>FXSTD FXSTDI</p> <p><i>REAR TURN SIGNALS:</i></p> <p>FXSTD FXSTDI</p> <p><i>REAR TURN SIGNALS:</i></p> <p>FXSTD FXSTDI</p>

MAINTENANCE & TOOLS

[View interactive table](#)

PART NO.	DESCRIPTION	PART AND MODEL(S)
32362-04	SPARK PLUG	<i>IGNITION MODULE & COIL - CARBURETED:</i> FXST FLSTC FXSTS FLSTF FLSTS FXSTD FXSTB <i>ELECTRONIC CONTROL MODULE & COIL - FUEL INJECTED:</i> FXSTI FLSTCI FLSTFI FLSTSI FXSTSI FXSTBI FXSTDI
63731-99A	OIL FILTER	<i>CRANKCASE & ENGINE OIL FILTER - Twin Cam 88B™:</i> FXSTB FXSTBI
63798-99A	OIL FILTER	<i>CRANKCASE & ENGINE OIL FILTER - Twin Cam 88B™:</i> FXST FLSTC FXSTS FLSTF FLSTS FXSTD FXSTI FLSTCI FLSTFI FLSTSI FXSTSI FXSTDI
65989-97C	BATTERY	BATTERY: All Models
66373-06	BATTERY	SWITCHES & CIRCUIT BREAKERS: All Models
95582-47	WEIGHT	<i>FRONT WHEEL (2 OF 2):</i> FXST FLSTC FXSTS FLSTS FXSTD FXSTB FXSTI FLSTCI FLSTSI FXSTSI FXSTBI FXSTDI <i>REAR WHEEL:</i> FXST FLSTC FXSTS FLSTS FXSTI FLSTCI FLSTSI FXSTSI

PART NO.	DESCRIPTION	PART AND MODEL(S)
95595-84A	WEIGHT	<p><i>FRONT WHEEL (2 OF 2):</i></p> <p>FLSTF FLSTFI</p> <p><i>REAR WHEEL:</i></p> <p>FLSTF FXSTD FXSTB FLSTFI FXSTBI FXSTDI</p>

TIRES

[View interactive table](#)

PART NO.	DESCRIPTION	PART AND MODEL(S)
43157-83A	VALVE STEM	<p><i>FRONT WHEEL (1 OF 2):</i></p> <p>FLSTF FLSTFI</p> <p><i>REAR WHEEL:</i></p> <p>FLSTF FXSTD FXSTB FLSTFI FXSTBI FXSTDI</p>

WINDSHIELDS & AIR DEFLECTORS

[View interactive table](#)

PART NO.	DESCRIPTION	PART AND MODEL(S)
67621-94	BUSHING	<p><i>WINDSHIELD - FLSTC/I:</i></p> <p>FLSTC FLSTCI</p>