



# SOFTAIL® MODELS

1995-1996 HARLEY-DAVIDSON® PARTS CATALOG

99455-96A

# 1995-1996 Softail Models Parts Catalog

Alphabetical List

Parts

Hardware List

New Parts List

Numerical Index

Component Types and Introduction Dates

Common Service Parts

## READER'S COMMENTS

The Harley-Davidson Service Communications Department maintains a continuous effort to improve the quality and usefulness of its publications. To do this effectively, we need user feedback - your critical evaluation of this manual.

Please comment on the completeness, accuracy, organization, usability, and readability of this manual.

Please list the page, item, and part number(s) of any errors you find in this manual.

Please tell us how we can improve this manual.

Table 1.

Name		Document
Occupation		Dealership
Street		Department
City	State	Zip

- Return this form to:

Harley-Davidson Motor Company

Department 625 Service Communications

P.O. Box 653



quantity needed for complete assembly. If there is no number in parentheses, only one is used. Prices of parts in this catalog are published separately.

When ordering parts, the following instructions should be followed carefully.

- Make sure to specify the correct part number for each item. The part numbers appear under the "PART NO." column in the parts lists.
- Orders may be placed via your computer for all parts. Review your system documentation on placing orders electronically. All non-warranty replacement crankcase orders require return of the complete left crankcase half with vehicle identification number (VIN). All non-warranty replacement frame orders require return of the steering neck with vehicle identification number (VIN). Non-compliance will result in a fine. See non-warranty frame and crankcase policy or contact Dealer Services.
- The sale or use of these parts or accessories does not grant the purchaser a license or other right under any Harley-Davidson patent.
- For all 2008 and later painted parts, refer to the Service Section of h-dnet.com which features a listing of painted part numbers, except CVO (Custom Vehicle Operations) models which are located in their own respective catalogs.
- All parts that were added for the new model year will have the entire line shaded on the parts list page. This can be used to identify any new parts that are unique to a specific model, and help distinguish new and previous model year parts.
- Parts marked "**RESTRICTED SALE PART**" are limited edition items and can only be ordered as direct replacements.
- Orientation symbols are used when the illustration is not in the standard "Right-Front" orientation. The symbol is a motorcycle with an arrow in the front indicating the direction of view. The symbol is at the bottom left or right side of the illustration page.
- To request a missing or loose part, simply submit a Return Material Authorization (RMA) claim on h-dnet.com with code "T-part not included with vehicle" for all vehicle missing parts claims. Then place an order for the missing item on your next Parts and Accessories order. Upon filing the RMA claim, your dealership will be credited for the dealer net cost of the part. The Vehicle Identification Number must be included on the RMA claim in order for you to receive credit. This process is to be used for vehicles manufactured at all plants.

To the best knowledge of Harley-Davidson Motor Company, the material contained herein is accurate as of the date this publication was approved for printing. Harley-Davidson Motor Company reserves the right to change specifications, equipment or designs at any time without notice and without incurring obligation.

©2018 H-D.

## GENERAL INFORMATION

### LOOSE PARTS

The Loose Parts section is located at the back of this parts catalog. This section lists the parts which are shipped unfastened with the vehicles covered in this catalog.

### HARDWARE LIST

The Hardware List is located at the back of this parts catalog. This section contains the information for each piece of hardware found in each parts list.

### NEW PARTS LIST

The New Parts List is located at the back of this parts catalog. This list serves as a summary of new parts.

### NUMERICAL INDEX

The Numerical Index is located at the back of this parts catalog. This index includes all part numbers used in this catalog and the page numbers of where they can be found.

## COMPONENT TYPES AND INTRODUCTION DATES

The Component Types and Introduction Dates section is located at the back of this parts catalog. This section contains a list of component part numbers and year of introduction.

## COMMON SERVICE PARTS

The Common Service Parts section is located at the back of this parts catalog. This section contains the most commonly ordered parts for service on vehicles covered in this catalog. These parts are ordered through the normal ordering process.

## SIP (SERVICE INFORMATION PORTAL)

For the latest updates to these manuals, see the Service Information Portal.

## VEHICLE IDENTIFICATION NUMBER

See Figure 1. A unique 17-digit serial, or vehicle identification number (VIN), is assigned to each motorcycle. For a description of each digit in the vehicle identification number (VIN), refer to Table 1.

For all models except V-Rod the full 17-digit serial, or vehicle identification number (VIN), is stamped on the right side of the frame backbone at the rear of the steering head. The vehicle identification number (VIN) is also printed on a label on the right front downtube. An abbreviated vehicle identification number (VIN) is stamped on the left side crankcase between the front and rear cylinders.

For V-Rod models only the full 17-digit serial, or vehicle identification number (VIN), is stamped on the right side of the steering head. The vehicle identification number (VIN) is also printed on a label on the left frame tube above the front engine cylinder. An abbreviated vehicle identification number (VIN) is stamped on the left side crankcase below the rear cylinder head.

Always give the full 17-digit vehicle identification number (VIN) when ordering parts or making any inquiry about your motorcycle.

## 1995 & 1996 SOFTAIL MODELS

### VIN Model Codes

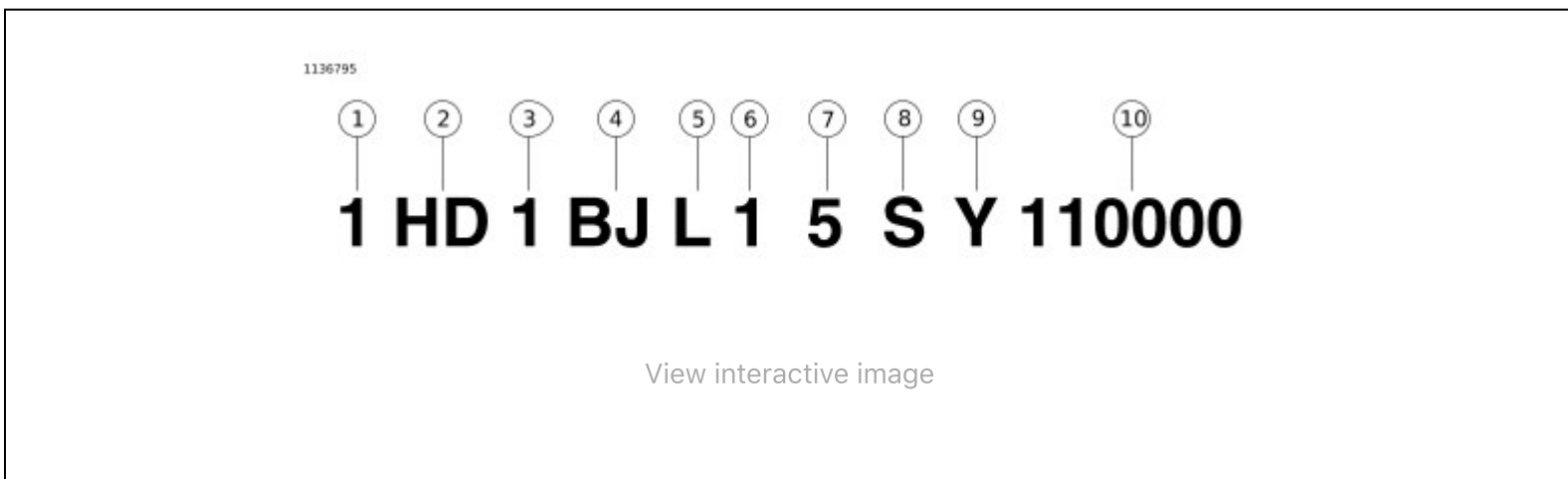


Figure 1. Typical Harley-Davidson VIN

Table 2. Harley-Davidson VIN Breakdown

POSITION	DESCRIPTION	POSSIBLE VALUES
1	Market designation	1=Domestic 5=International
2	Manufacturer	HD=Harley-Davidson
3	Motorcycle type	1=Heavyweight motorcycle (901 cc and larger)
4	Model	See model table
5	Engine type	L=Carbureted

POSITION	DESCRIPTION	POSSIBLE VALUES
6	Introduction date	1=Regular 2=Mid-year 3=California 4=Special Edition
7	V.I.N. check digit	Can be 0-9 or X
8	Model year	S=1995 T=1996
9	Assembly plant	Y=York, PA
10	Sequential number	varies

Table 3. VIN Model Codes

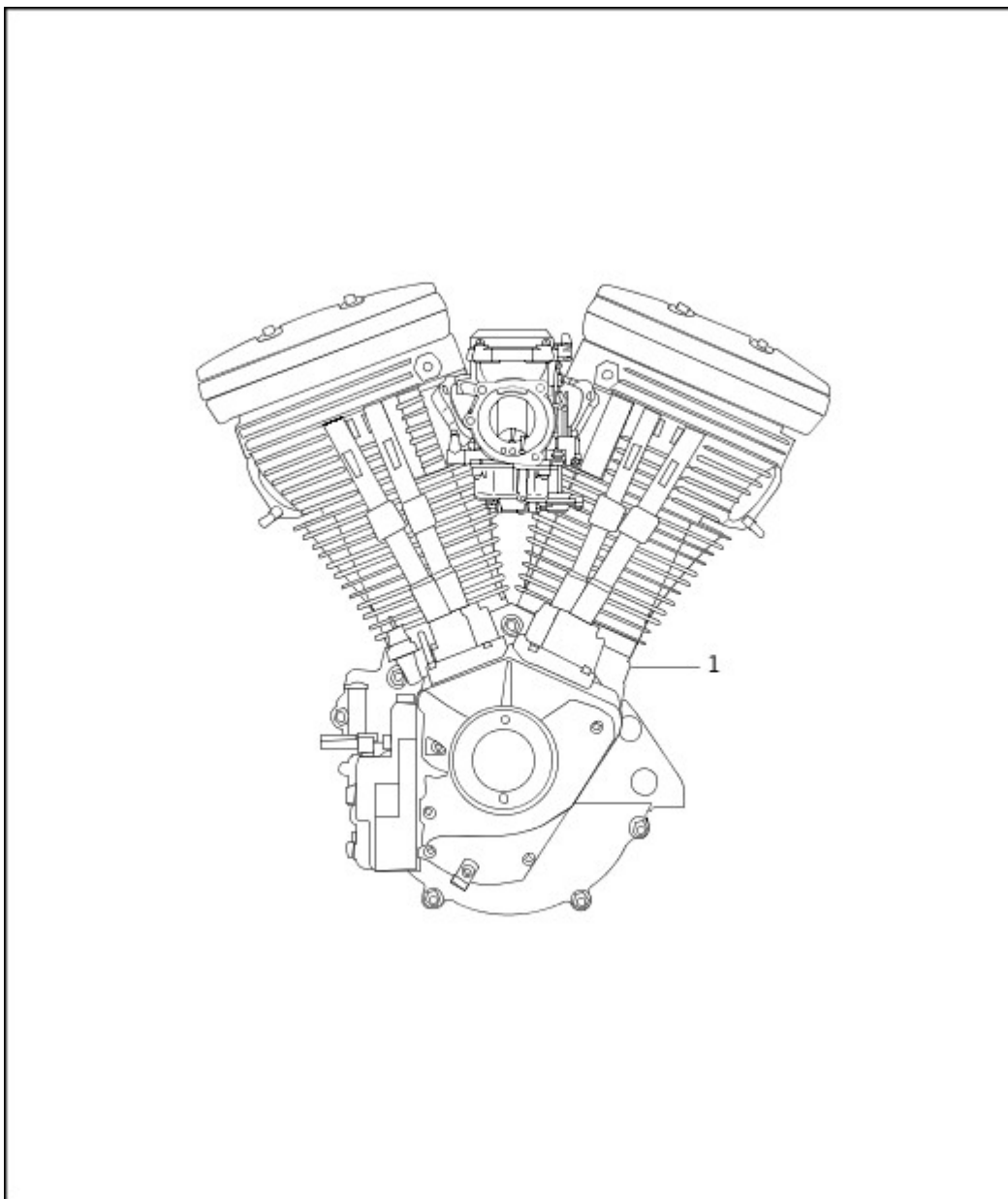
CODE	MODEL	CODE	MODEL	CODE	MODEL
BK	FXSTC	BJ	FLSTC	BL	FXSTS
BM	FLSTF	BN	FLSTN	BP	FXSTSB

## NOTES

AIR CLEANER & ENRICHENER (1 OF 2)  
 AIR CLEANER & ENRICHENER (2 OF 2)  
 ALTERNATOR & REGULATOR  
 AUXILIARY/FOG LAMPS & FRONT TURN SIGNALS - FLSTC  
 BATTERY  
 BATTERY CABLES  
 BELTS, CHAINS & SPROCKETS  
 CALIFORNIA EVAPORATIVE EMISSIONS KIT  
 CAM POSITION SENSOR & VACUUM SWITCH  
 CARBURETOR (1 OF 2)  
 CARBURETOR (2 OF 2)  
 CLUTCH  
 CLUTCH CONTROL  
 CRANKCASE - 1995 (1 OF 2)  
 CRANKCASE - 1995 (2 OF 2)  
 CRANKCASE - 1996 (1 OF 2)  
 CRANKCASE - 1996 (2 OF 2)  
 CRANKCASE - GEAR SIDE  
 CYLINDERS, VALVES & HEADS - V2™ EVOLUTION  
 DECALS, FUEL TANK  
 ENGINE  
 EXHAUST SYSTEM (1 OF 2)  
 EXHAUST SYSTEM (2 OF 2)  
 FOOTBOARDS  
 FOOTRESTS  
 FORK ROCKERS & CALIPER MOUNTING - FXSTS/B  
 FRAME, REAR FORK & JIFFY STAND (1 OF 2)  
 FRAME, REAR FORK & JIFFY STAND (2 OF 2)  
 FRONT BRAKE CALIPER  
 FRONT BRAKE CONTROL - 1995  
 FRONT BRAKE CONTROL - 1996

FRONT FENDER  
FRONT FENDER - FXSTS/B  
FRONT FORK - FLSTC/F/N (1 OF 2)  
FRONT FORK - FLSTC/F/N (2 OF 2)  
FRONT FORK - FXSTC  
FRONT FORK - FXSTS/B  
FRONT TURN SIGNALS  
FRONT WHEEL (1 OF 2)  
FRONT WHEEL (2 OF 2)  
FUEL TANK (1 OF 2)  
FUEL TANK (2 OF 2)  
FUEL TANK TRIM - 1995  
FUEL TANK TRIM - 1996  
GEAR SHIFTER (1 OF 2)  
GEAR SHIFTER (2 OF 2)  
HANDLEBAR  
HANDLEBAR SWITCHES - 1995  
HANDLEBAR SWITCHES - 1996  
HEADLAMP (1 OF 2)  
HEADLAMP (2 OF 2)  
HORN  
IGNITION MODULE & COIL  
INSTRUMENTS - 1995 (1 OF 2)  
INSTRUMENTS - 1995 (2 OF 2)  
INSTRUMENTS - 1996 (1 OF 2)  
INSTRUMENTS - 1996 (2 OF 2)  
LICENSE PLATE BRACKETS  
MIRRORS  
MISCELLANEOUS ELECTRICAL  
OIL FILTERS & MOUNTS  
OIL PUMP  
OIL TANK  
PISTONS, CONNECTING RODS & FLYWHEELS  
PRIMARY HOUSING  
REAR BELT GUARD  
REAR BRAKE CALIPER  
REAR BRAKE CONTROL - FLST (1 OF 2)  
REAR BRAKE CONTROL - FLST (2 OF 2)  
REAR BRAKE CONTROL - FXST (1 OF 2)  
REAR BRAKE CONTROL - FXST (2 OF 2)  
REAR FENDER  
REAR FENDER SUPPORTS  
REAR WHEEL  
RELAY, STARTER  
ROCKER ARMS, COVERS & PUSHRODS - V2™ EVOLUTION  
SADDLEBAGS - FLSTC & FLSTN  
SEATS & SISSY BAR  
SHOCK ABSORBERS - AIR & HYDRAULIC  
STARTER MOTOR  
SWITCHES & CIRCUIT BREAKERS - 1995  
SWITCHES & CIRCUIT BREAKERS - 1996  
TAIL LAMP & REAR TURN SIGNALS (1 OF 2)  
TAIL LAMP & REAR TURN SIGNALS (2 OF 2)  
THROTTLE CONTROL - 1995  
THROTTLE CONTROL - 1996  
TRANSMISSION GEARS  
TRANSMISSION HOUSING (1 OF 2)  
TRANSMISSION HOUSING (2 OF 2)

## ENGINE



[View interactive image](#)

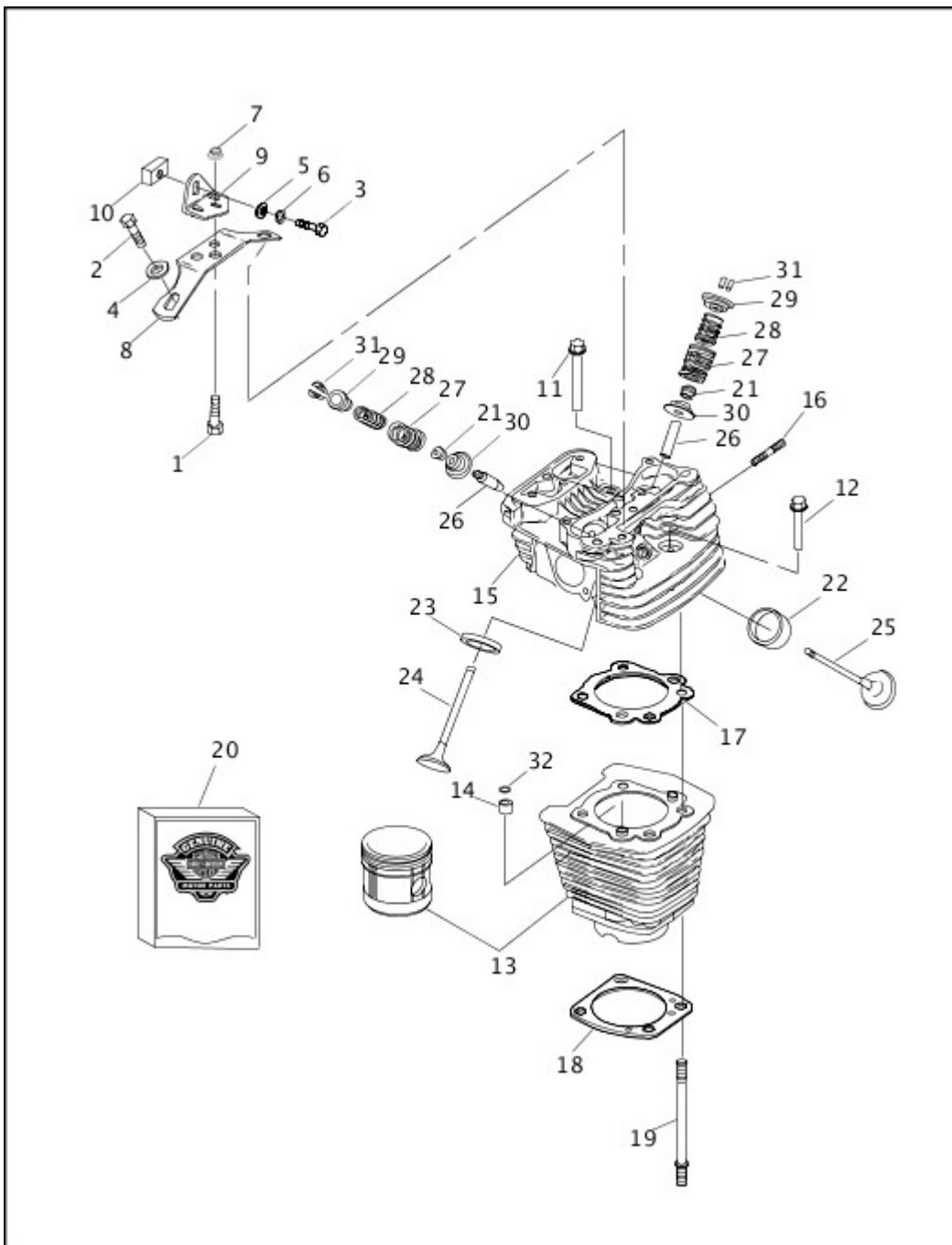
[View interactive table](#)

INDEX NO.	PART NO.	DESCRIPTION	MODEL(S)
1	16121-95	ENGINE ASSEMBLY, complete (chrome & black)	FLSTC 1995, FLSTF 1995, FLSTN 1995, FXSTC 1995, FXSTS 1995, FXSTSB 1995
	16121-96	ENGINE ASSEMBLY, complete (chrome & black)	FLSTC 1996, FLSTF 1996, FLSTN 1996, FXSTC 1996, FXSTS 1996, FXSTSB 1996
	16126-95	ENGINE ASSEMBLY, complete (chrome & black) (California)	FLSTC 1995, FLSTF 1995, FLSTN 1995, FXSTC 1995, FXSTS 1995, FXSTSB 1995



INDEX NO.	PART NO.	DESCRIPTION	MODEL(S)
	16126-96	ENGINE ASSEMBLY, complete (chrome & black) (California)	FLSTC 1996, FLSTF 1996, FLSTN 1996, FXSTC 1996, FXSTS 1996, FXSTSB 1996
<b>INTERNATIONAL MODELS ONLY</b>			
	16122-95	ENGINE ASSEMBLY, complete (chrome & black) (HDI)	FLSTC 1995, FLSTF 1995, FLSTN 1995, FXSTC 1995, FXSTS 1995, FXSTSB 1995
	16122-96	ENGINE ASSEMBLY, complete (chrome & black) (HDI)	FLSTC 1996, FLSTF 1996, FLSTN 1996, FXSTC 1996, FXSTS 1996, FXSTSB 1996
	16183-95	ENGINE ASSEMBLY, complete (chrome & black) (Swiss)	FLSTC 1995, FLSTF 1995, FLSTN 1995, FXSTC 1995, FXSTS 1995, FXSTSB 1995

## CYLINDERS, VALVES & HEADS - V2™ EVOLUTION



[View interactive image](#)

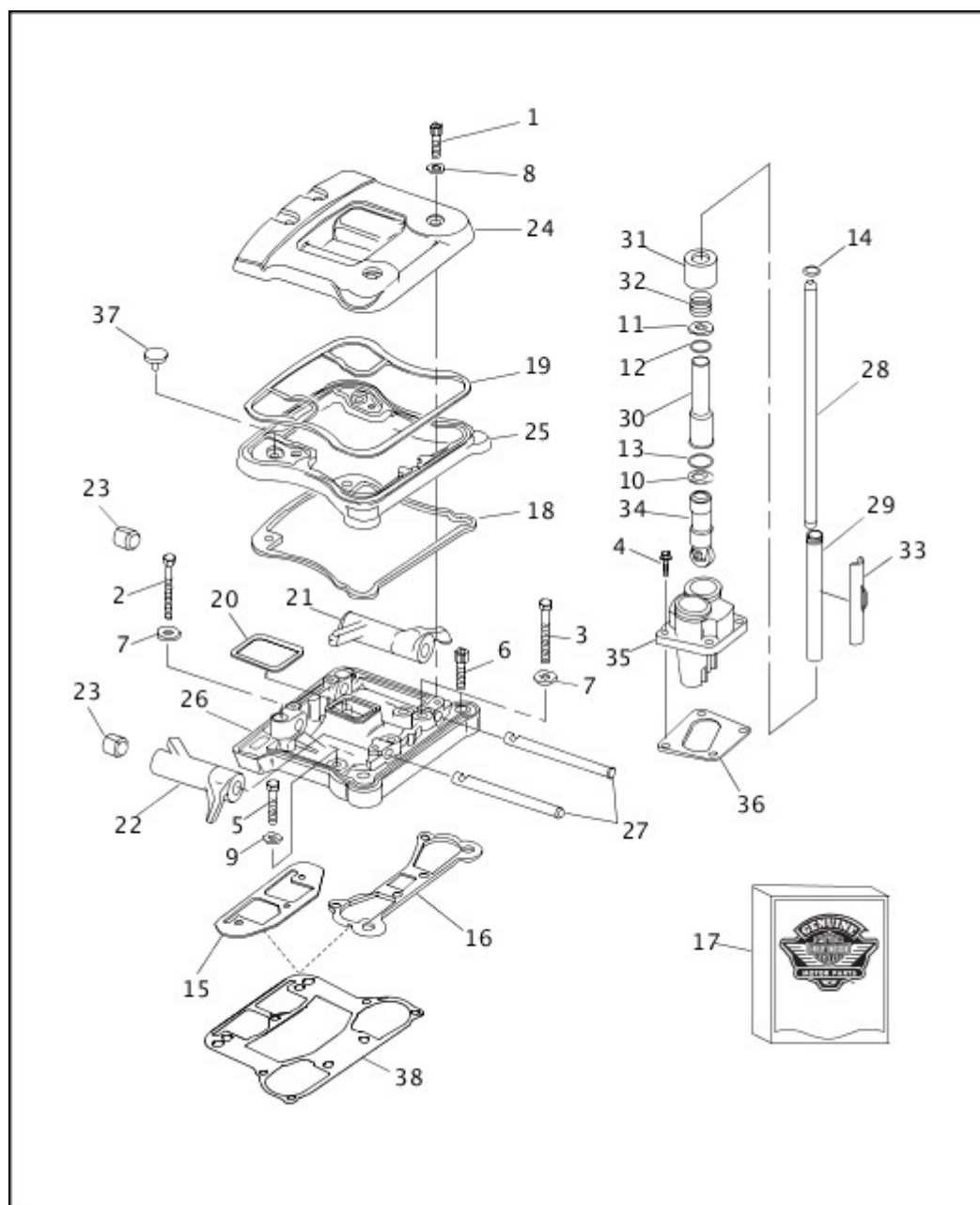
[View interactive table](#)

INDEX NO.	PART NO.	DESCRIPTION	MODEL(S)
1	2879W	BOLT (3)	ALL
2	4716W	SCREW (2)	ALL
3	4726	BOLT	ALL
4	6019	WASHER (2)	ALL
5	6516HW	WASHER	ALL
6	7039	LOCKWASHER	ALL
7	7601	LOCKNUT, flange (3)	ALL
8	16242-90	BRACKET, engine mounting	ALL

INDEX NO.	PART NO.	DESCRIPTION	MODEL(S)
9	16247-91	BRACKET, engine mounting	ALL
10	16284-84	MOUNTING BLOCK	ALL
11	16478-85A	SCREW, internal thread (4)	ALL
12	16480-92A	SCREW, internal thread (4)	ALL
13	16512-86A	CYLINDER, w/ piston (black) (2)	ALL
14	16573-83A	INSERT, cylinder stud (4)	ALL
15	16692-95	HEAD, front cylinder, w/ guides & seats (black)	ALL
	16696-92A	HEAD, rear cylinder, w/ guides & seats (black)	ALL
16	16715-83	STUD, exhaust port (4)	ALL
17	16770-84F	GASKET, cylinder head (2)	ALL
18	16774-86D	GASKET, cylinder base (2)	ALL
19	16837-85C	STUD, cylinder base (8)	ALL
20	17040-92A	GASKET KIT, top end	ALL
	17041-92A	GASKET KIT, engine overhaul	ALL
21	18001-83B	SEAL, valve (4)	ALL
22	18011-86	INSERT, exhaust valve seat (2)	ALL
	18124-83	INSERT, exhaust valve seat, 0.005 O.S. (2)	ALL
23	18020-83	INSERT, intake valve seat (2)	ALL
	18134-83	INSERT, intake valve seat, 0.005 O.S. (2)	ALL
24	18074-83B	INTAKE VALVE (2)	ALL
	18076-83	INTAKE VALVE, 0.03 short (2)	ALL
25	18082-83A	EXHAUST VALVE (2)	ALL
	18087-83	EXHAUST VALVE, 0.030 short (2)	ALL
26	18101-83D	VALVE GUIDE, intake & exhaust (4)	ALL
	18130-83D	VALVE GUIDE, intake & exhaust, 0.001 O.S. (4)	ALL
	18131-83D	VALVE GUIDE, intake & exhaust, 0.003 O.S. (4)	ALL
	18133-83B	VALVE GUIDE, intake & exhaust, 0.002 O.S. (4)	ALL
27	18201-83	VALVE SPRING, outer (4)	ALL
28	18202-83	VALVE SPRING, inner (4)	ALL

INDEX NO.	PART NO.	DESCRIPTION	MODEL(S)
29	18219-83A	COLLAR, valve spring, upper (4)	ALL
30	18222-83A	COLLAR, valve spring, lower (4)	ALL
31	18229-83A	RETAINER, valve collar (8)	ALL
32	26432-76A	O-RING, cylinder stud insert (4)	ALL

## ROCKER ARMS, COVERS & PUSHRODS - V2™ EVOLUTION



[View interactive image](#)

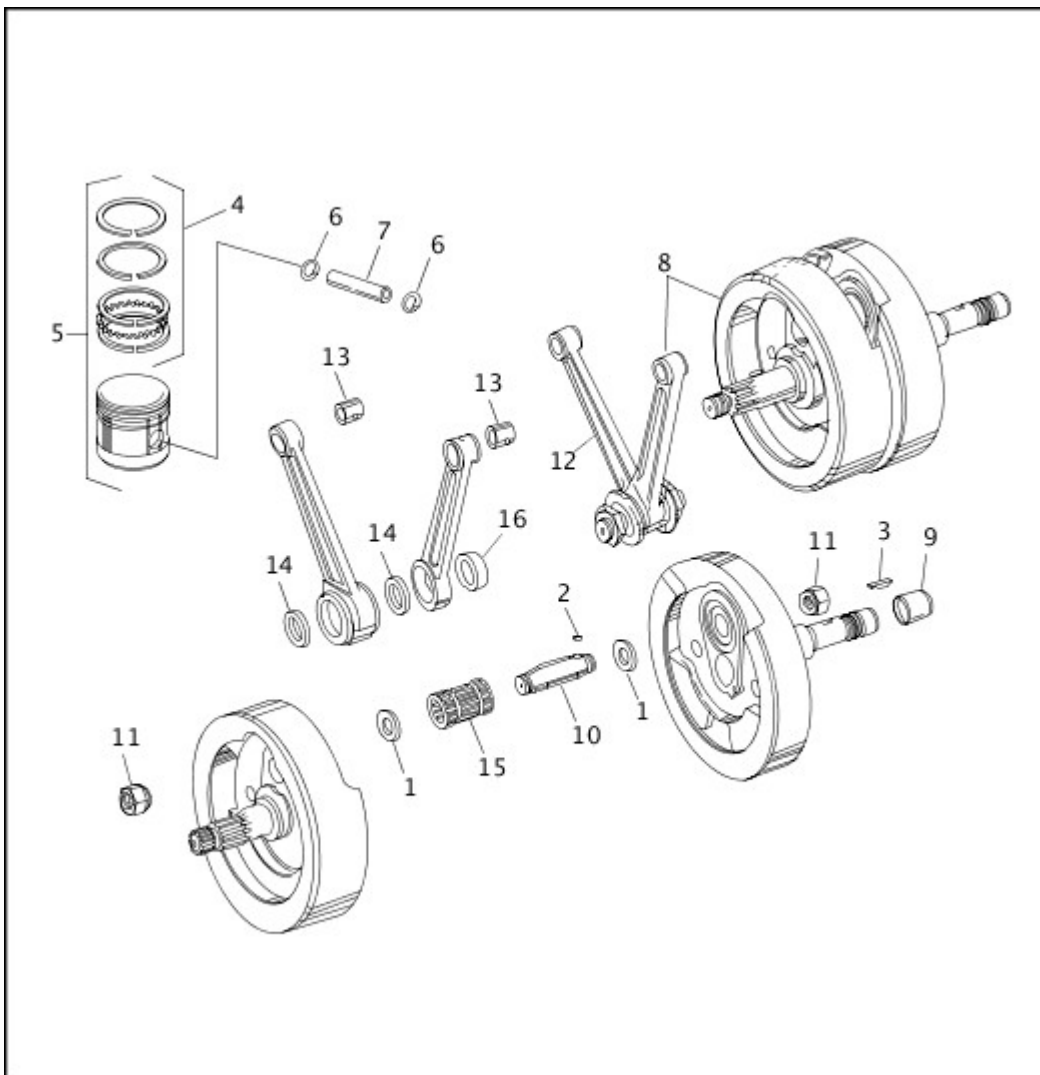
[View interactive table](#)

INDEX NO.	PART NO.	DESCRIPTION	MODEL(S)
1	882	SCREW (8)	ALL
2	3500A	BOLT (4)	ALL

INDEX NO.	PART NO.	DESCRIPTION	MODEL(S)
3	3501A	BOLT (4)	ALL
4	3770	SCREW (8)	ALL
5	3849	SCREW (6)	ALL
6	4718A	SCREW (4)	ALL
7	6016	WASHER (8)	ALL
8	63858-49	GASKET (8)	ALL
9	6736	WASHER (6)	ALL
10	6737	WASHER (4)	ALL
11	6762B	WASHER (4)	ALL
12	11132A	O-RING, pushrod cover (4)	ALL
13	11145A	O-RING, pushrod cover (4)	ALL
14	11157	O-RING (4)	ALL
15	16778-84A	GASKET, cylinder head, right (use 16800-84A) (2)	ALL
16	16779-84B	GASKET, cylinder head, left (use 16800-84A) (2)	ALL
17	17042-92A	GASKET KIT, rocker boxes w/ 8, 18, 19, 20, 37 & 38	ALL
18	17355-92A	GASKET, rocker cover, lower (2)	ALL
19	17356-92A	GASKET, rocker cover, upper (2)	ALL
20	17358-84B	GASKET, rocker cover, inner (2)	ALL
21	17360-83A	ROCKER ARM, front intake, rear exhaust, w/ 17429-91 (2)	ALL
22	17375-83A	ROCKER ARM, rear intake, front exhaust, w/ 17429-91 (2)	ALL
23	17429-91	BEARING, rocker arm (8)	ALL
24	17528-92	ROCKER COVER, outer (chrome) (2)	ALL
25	17529-92	SPACER, rocker covers (chrome) (2)	ALL
26	17530-92	ROCKER COVER, inner (chrome) (2)	ALL
27	17611-83	SHAFT, rocker arm (4)	ALL
28	17921-83A	PUSHROD, rear exhaust, 11.210 inches long	ALL
	17924-83A	PUSHROD, rear intake, 11.045 inches long	ALL

INDEX NO.	PART NO.	DESCRIPTION	MODEL(S)
	17927-83A	PUSHROD, front exhaust, 11.325 inches long	ALL
	17930-83A	PUSHROD, front intake, 11.090 inches long	ALL
29	17935-79B	COVER, pushrod, upper (4)	ALL
30	17938-83	COVER, pushrod, lower (4)	ALL
31	17945-36B	CAP, cover spring (4)	ALL
32	17947-36	SPRING, pushrod cover (4)	ALL
33	17950-66	RETAINER, spring cap (4)	ALL
34	18523-86B	TAPPET, w/ roller (4)	ALL
35	18622-85B	TAPPET GUIDE, rear (black)	ALL
	18623-85B	TAPPET GUIDE, front (black)	ALL
36	18633-48D	GASKET, tappet guide, rear	ALL
	18634-48C	GASKET, tappet guide, front	ALL
37	26856-89A	VALVE, umbrella	ALL
38	16800-84A	GASKET, rocker cover/cylinder head, valve & pushrod sides (replaces 16778-84A & 16779-84B) (2)	ALL

## PISTONS, CONNECTING RODS & FLYWHEELS



[View interactive image](#)

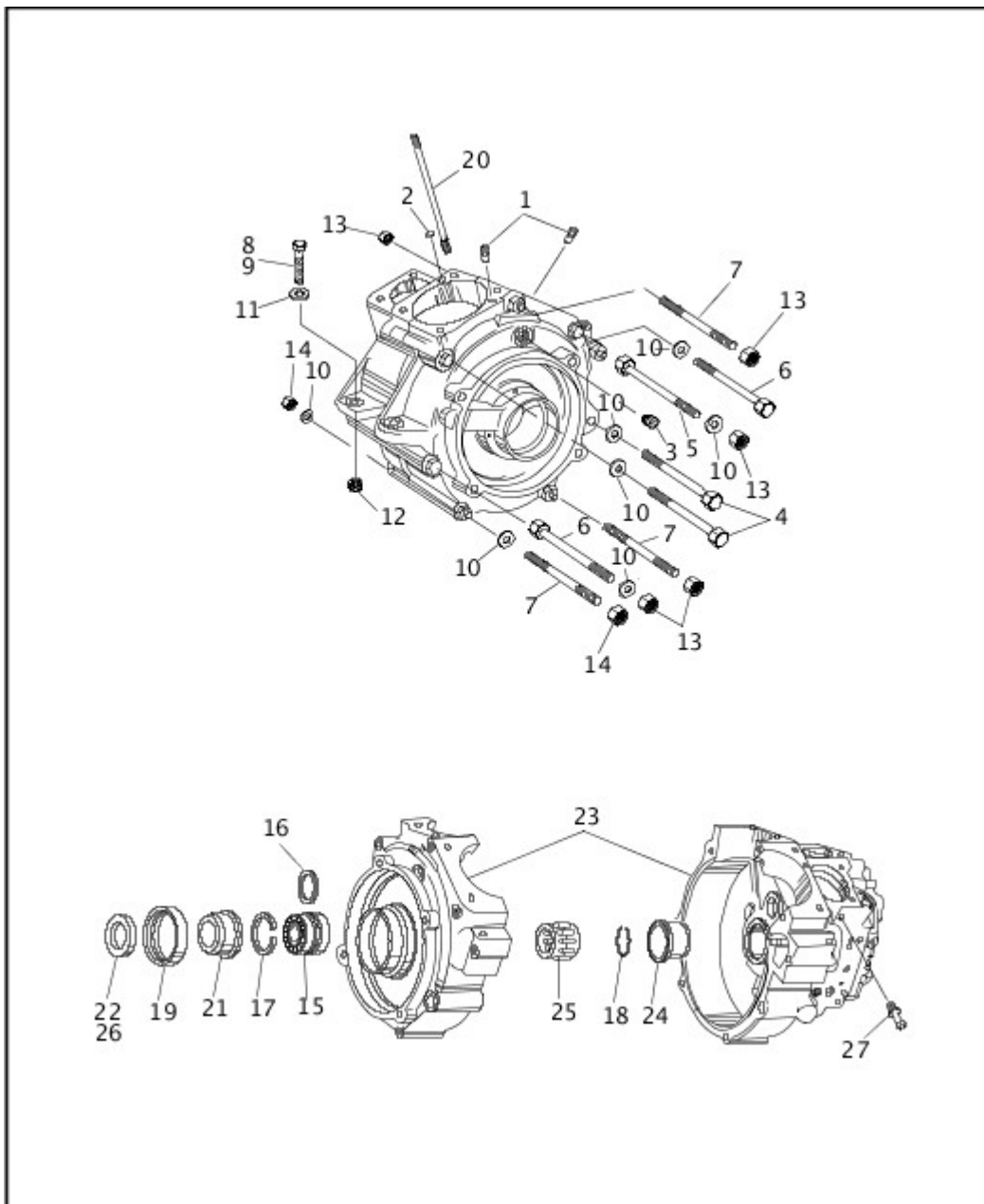
[View interactive table](#)

INDEX NO.	PART NO.	DESCRIPTION	MODEL(S)
1	6506	WASHER, bronze (2)	ALL
2	11218	KEY, crank pin & gearshaft	ALL
3	11219	T-KEY	ALL
4	21920-83	PISTON RING SET, std. (2)	ALL
	21921-83	PISTON RING SET, 0.005 inch O.S. (2)	ALL
	21922-83	PISTON RING SET, 0.010 inch O.S. (2)	ALL
	21923-83	PISTON RING SET, 0.020 inch O.S. (2)	ALL
	21924-83	PISTON RING SET, 0.030 inch O.S. (2)	ALL
5	21940-83	PISTON & RINGS ASSEMBLY, std. (2)	ALL

INDEX NO.	PART NO.	DESCRIPTION	MODEL(S)
	21941-83	PISTON & RINGS ASSEMBLY, 0.005 inch O.S. (2)	ALL
	21942-83	PISTON & RINGS ASSEMBLY, 0.010 inch O.S. (2)	ALL
	21943-83	PISTON & RINGS ASSEMBLY, 0.020 inch O.S. (2)	ALL
	21944-83	PISTON & RINGS ASSEMBLY, 0.030 inch O.S. (2)	ALL
6	22589-83B	LOCK RING, piston pin (4)	ALL
7	22764-83	PISTON PIN (2)	ALL
8	23906-93B	SET OF FLYWHEELS & SHAFT W/ RODS	ALL
9	23928-87	INNER RING	ALL
10	23961-80A	CRANK PIN, std.	ALL
	23974-87	CRANK PIN, 0.001 inch O.S.	ALL
	23975-87	CRANK PIN, 0.002 inch O.S.	ALL
11	23981-98	NUT, crank pin (2)	ALL
12	24281-83	SET OF RODS, w/ bearings & crank pin	ALL
13	24334-36	BUSHING, piston pin, 0.002 inch O.S. (2)	ALL
	24335-36	BUSHING, piston pin, 0.010 inch O.S. (2)	ALL
14	24345-36A	BUSHING, rear connecting rod, lower (2)	ALL
15	24346-87A	BEARING SET	ALL
16	24356-36A	BUSHING, front connecting rod, lower	ALL

## CRANKCASE - 1995 (1 OF 2)





[View interactive image](#)

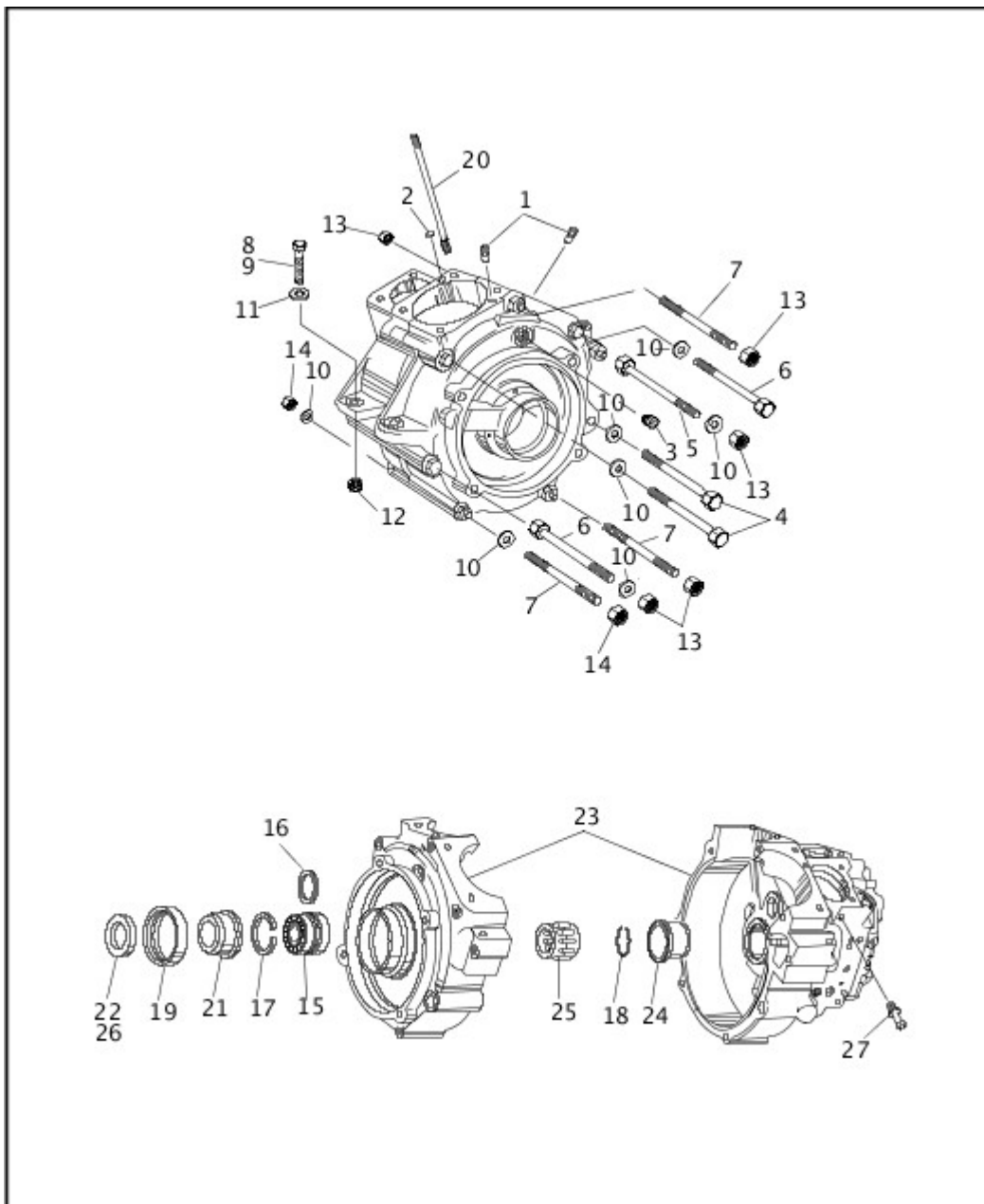
[View interactive table](#)

INDEX NO.	PART NO.	DESCRIPTION	MODEL(S)
1	358	DOWEL PIN (2)	FLSTC 1995, FLSTF 1995, FLSTN 1995, FXSTC 1995, FXSTS 1995, FXSTSB 1995
2	653	EXPANSION PLUG	FLSTC 1995, FLSTF 1995, FLSTN 1995, FXSTC 1995, FXSTS 1995, FXSTSB 1995
3	720	PLUG, timing hole	FLSTC 1995, FLSTF 1995, FLSTN 1995, FXSTC 1995, FXSTS 1995, FXSTSB 1995
4	3427	BOLT (2)	FLSTC 1995, FLSTF 1995, FLSTN 1995, FXSTC 1995, FXSTS 1995, FXSTSB 1995

INDEX NO.	PART NO.	DESCRIPTION	MODEL(S)
5	3430	BOLT	FLSTC 1995, FLSTF 1995, FLSTN 1995, FXSTC 1995, FXSTS 1995, FXSTSB 1995
6	3504A	BOLT (2)	FLSTC 1995, FLSTF 1995, FLSTN 1995, FXSTC 1995, FXSTS 1995, FXSTSB 1995
7	3506	STUD (3)	FLSTC 1995, FLSTF 1995, FLSTN 1995, FXSTC 1995, FXSTS 1995, FXSTSB 1995
8	3554	BOLT (2)	FLSTC 1995, FLSTF 1995, FLSTN 1995, FXSTC 1995, FXSTS 1995, FXSTSB 1995
9	4416	BOLT (2)	FLSTC 1995, FLSTF 1995, FLSTN 1995, FXSTC 1995, FXSTS 1995, FXSTSB 1995
10	6016	WASHER (7)	FLSTC 1995, FLSTF 1995, FLSTN 1995, FXSTC 1995, FXSTS 1995, FXSTSB 1995
11	6019	WASHER (4)	FLSTC 1995, FLSTF 1995, FLSTN 1995, FXSTC 1995, FXSTS 1995, FXSTSB 1995
12	7506	NUT (4)	FLSTC 1995, FLSTF 1995, FLSTN 1995, FXSTC 1995, FXSTS 1995, FXSTSB 1995
13	7593	NUT, flange (7)	FLSTC 1995, FLSTF 1995, FLSTN 1995, FXSTC 1995, FXSTS 1995, FXSTSB 1995
14	7883	NUT (2)	FLSTC 1995, FLSTF 1995, FLSTN 1995, FXSTC 1995, FXSTS 1995, FXSTSB 1995
15	9028	BEARING ASSEMBLY, sprocket shaft	FLSTC 1995, FLSTF 1995, FLSTN 1995, FXSTC 1995, FXSTS 1995, FXSTSB 1995
16	9110	SHIM, bearing assembly, 0.0905-.0895	FLSTC 1995, FLSTF 1995, FLSTN 1995, FXSTC 1995, FXSTS 1995, FXSTSB 1995
	9120	SHIM, bearing assembly, 0.0925-.0915	FLSTC 1995, FLSTF 1995, FLSTN 1995, FXSTC 1995, FXSTS 1995, FXSTSB 1995
	9121	SHIM, bearing assembly, 0.0945-.0935	FLSTC 1995, FLSTF 1995, FLSTN 1995, FXSTC 1995, FXSTS 1995, FXSTSB 1995
	9122	SHIM, bearing assembly, 0.0965-.0955	FLSTC 1995, FLSTF 1995, FLSTN 1995, FXSTC 1995, FXSTS 1995, FXSTSB 1995
	9123	SHIM, bearing assembly, 0.0985-.0975	FLSTC 1995, FLSTF 1995, FLSTN 1995, FXSTC 1995, FXSTS 1995, FXSTSB 1995

INDEX NO.	PART NO.	DESCRIPTION	MODEL(S)
	9124	SHIM, bearing assembly, 0.1005-.0995	FLSTC 1995, FLSTF 1995, FLSTN 1995, FXSTC 1995, FXSTS 1995, FXSTSB 1995
	9125	SHIM, bearing assembly, 0.1025-.1015	FLSTC 1995, FLSTF 1995, FLSTN 1995, FXSTC 1995, FXSTS 1995, FXSTSB 1995
	9126	SHIM, bearing assembly, 0.1045-.1035	FLSTC 1995, FLSTF 1995, FLSTN 1995, FXSTC 1995, FXSTS 1995, FXSTSB 1995
	9127	SHIM, bearing assembly, 0.1065-.1055	FLSTC 1995, FLSTF 1995, FLSTN 1995, FXSTC 1995, FXSTS 1995, FXSTSB 1995
	9128	SHIM, bearing assembly, 0.1085-.1075	FLSTC 1995, FLSTF 1995, FLSTN 1995, FXSTC 1995, FXSTS 1995, FXSTSB 1995
	9129	SHIM, bearing assembly, 0.1105-.1095	FLSTC 1995, FLSTF 1995, FLSTN 1995, FXSTC 1995, FXSTS 1995, FXSTSB 1995
	9130	SHIM, bearing assembly, 0.1125-.1115	FLSTC 1995, FLSTF 1995, FLSTN 1995, FXSTC 1995, FXSTS 1995, FXSTSB 1995

**CRANKCASE - 1995 (2 OF 2)**



[View interactive image](#)

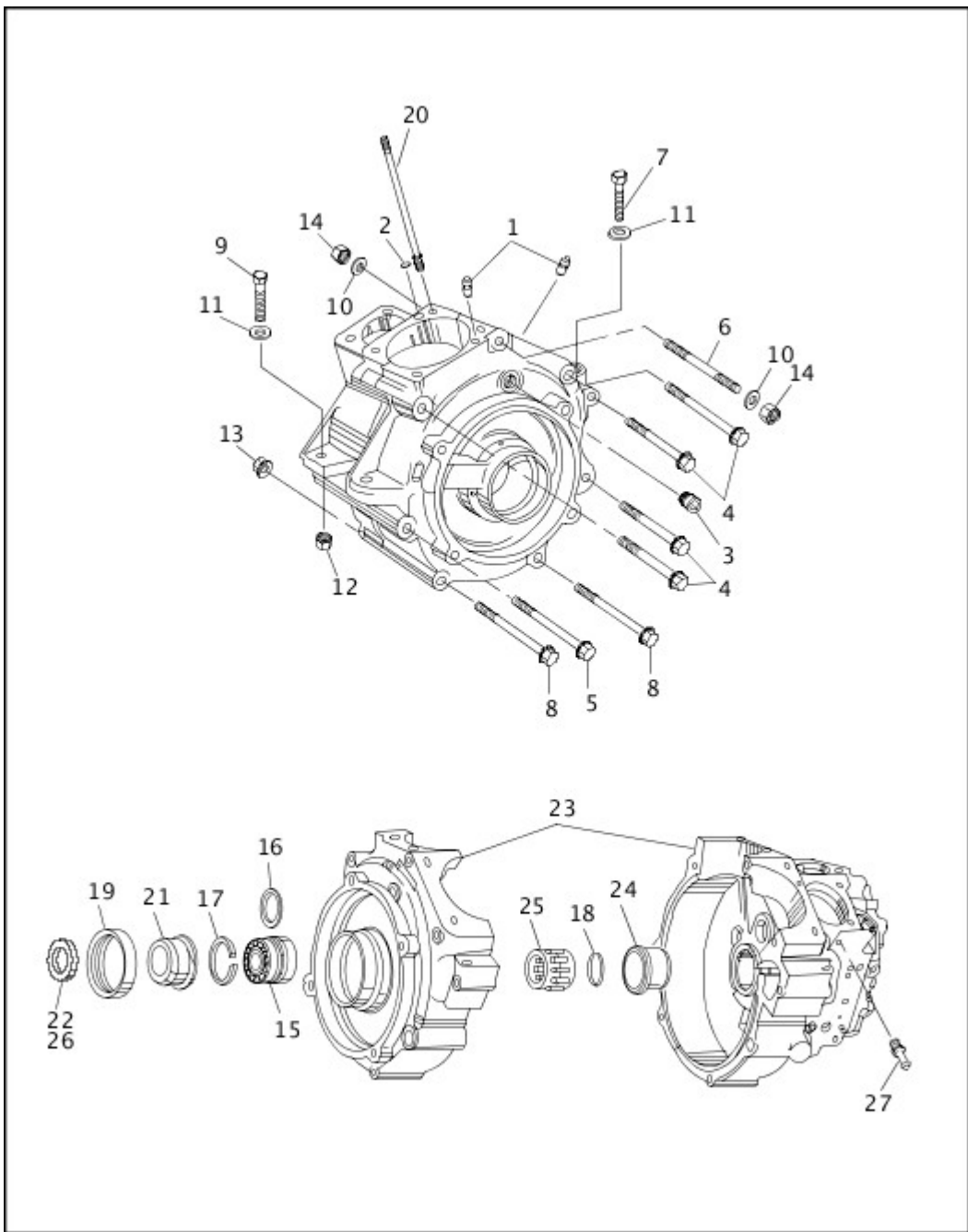
[View interactive table](#)

INDEX NO.	PART NO.	DESCRIPTION	MODEL(S)
	9131	SHIM, bearing assembly, 0.1145-.1135	FLSTC 1995, FLSTF 1995, FLSTN 1995, FXSTC 1995, FXSTS 1995, FXSTSB 1995
	9132	SHIM, bearing assembly, 0.1165-.1155	FLSTC 1995, FLSTF 1995, FLSTN 1995, FXSTC 1995, FXSTS 1995, FXSTSB 1995
	9133	SHIM, bearing assembly, 0.1185-.1175	FLSTC 1995, FLSTF 1995, FLSTN 1995, FXSTC 1995, FXSTS 1995, FXSTSB 1995
	9134	SHIM, bearing assembly, 0.1205-.1195	FLSTC 1995, FLSTF 1995, FLSTN 1995, FXSTC 1995, FXSTS 1995, FXSTSB 1995

INDEX NO.	PART NO.	DESCRIPTION	MODEL(S)
17	11160A	RETAINING RING, bearing, left	FLSTC 1995, FLSTF 1995, FLSTN 1995, FXSTC 1995, FXSTS 1995, FXSTSB 1995
18	11177A	RETAINING RING, bearing, right	FLSTC 1995, FLSTF 1995, FLSTN 1995, FXSTC 1995, FXSTS 1995, FXSTSB 1995
19	12026B	OIL SEAL	FLSTC 1995, FLSTF 1995, FLSTN 1995, FXSTC 1995, FXSTS 1995, FXSTSB 1995
20	16837-85C	STUD, cylinder base (8)	FLSTC 1995, FLSTF 1995, FLSTN 1995, FXSTC 1995, FXSTS 1995, FXSTSB 1995
21	24002-70	SPACER, sprocket shaft	FLSTC 1995, FLSTF 1995, FLSTN 1995, FXSTC 1995, FXSTS 1995, FXSTSB 1995
22	24032-70	SPACER, sprocket shaft, 0.060 inch thick	FLSTC 1995, FLSTF 1995, FLSTN 1995, FXSTC 1995, FXSTS 1995, FXSTSB 1995
	24033-70	SPACER, sprocket shaft, 0.090 inch thick	FLSTC 1995, FLSTF 1995, FLSTN 1995, FXSTC 1995, FXSTS 1995, FXSTSB 1995
	24034-70	SPACER, sprocket shaft, 0.120 inch thick	FLSTC 1995, FLSTF 1995, FLSTN 1995, FXSTC 1995, FXSTS 1995, FXSTSB 1995
	24035-70	SPACER, sprocket shaft, 0.150 inch thick	FLSTC 1995, FLSTF 1995, FLSTN 1995, FXSTC 1995, FXSTS 1995, FXSTSB 1995
	24036-70	SPACER, sprocket shaft, 0.180 inch thick	FLSTC 1995, FLSTF 1995, FLSTN 1995, FXSTC 1995, FXSTS 1995, FXSTSB 1995
	24037-70	SPACER, sprocket shaft, 0.210 inch thick	FLSTC 1995, FLSTF 1995, FLSTN 1995, FXSTC 1995, FXSTS 1995, FXSTSB 1995
23	24571-93	SET OF CRANKCASES (black)	FLSTC 1995, FLSTF 1995, FLSTN 1995, FXSTC 1995, FXSTS 1995, FXSTSB 1995
24	24599-58B	BUSHING, right crankcase, standard	FLSTC 1995, FLSTF 1995, FLSTN 1995, FXSTC 1995, FXSTS 1995, FXSTSB 1995
	24600-58B	BUSHING, right crankcase, 0.002 inch O.S.O.D.	FLSTC 1995, FLSTF 1995, FLSTN 1995, FXSTC 1995, FXSTS 1995, FXSTSB 1995
	24601-58B	BUSHING, right crankcase, 0.005 inch O.S.O.D.	FLSTC 1995, FLSTF 1995, FLSTN 1995, FXSTC 1995, FXSTS 1995, FXSTSB 1995
25	24626-87A	BEARING SET, gear side (white/gray)	FLSTC 1995, FLSTF 1995, FLSTN 1995, FXSTC 1995, FXSTS 1995, FXSTSB 1995

INDEX NO.	PART NO.	DESCRIPTION	MODEL(S)
	24628-87A	BEARING SET, gear side (green)	FLSTC 1995, FLSTF 1995, FLSTN 1995, FXSTC 1995, FXSTS 1995, FXSTSB 1995
	24641-87A	BEARING SET, gear side (red)	FLSTC 1995, FLSTF 1995, FLSTN 1995, FXSTC 1995, FXSTS 1995, FXSTSB 1995
	24643-87A	BEARING SET, gear side (blue)	FLSTC 1995, FLSTF 1995, FLSTN 1995, FXSTC 1995, FXSTS 1995, FXSTSB 1995
26	35850-84	SPACER, sprocket shaft, 0.010 inch thick	FLSTC 1995, FLSTF 1995, FLSTN 1995, FXSTC 1995, FXSTS 1995, FXSTSB 1995
	35851-84	SPACER, sprocket shaft, 0.020 inch thick	FLSTC 1995, FLSTF 1995, FLSTN 1995, FXSTC 1995, FXSTS 1995, FXSTSB 1995
	35852-84	SPACER, sprocket shaft, 0.030 inch thick (use 35850-84 & 35851-84)	FLSTC 1995, FLSTF 1995, FLSTN 1995, FXSTC 1995, FXSTS 1995, FXSTSB 1995
27	63533-41A	FITTING, oil hose	FLSTC 1995, FLSTF 1995, FLSTN 1995, FXSTC 1995, FXSTS 1995, FXSTSB 1995

## CRANKCASE - 1996 (1 OF 2)



[View interactive image](#)

[View interactive table](#)

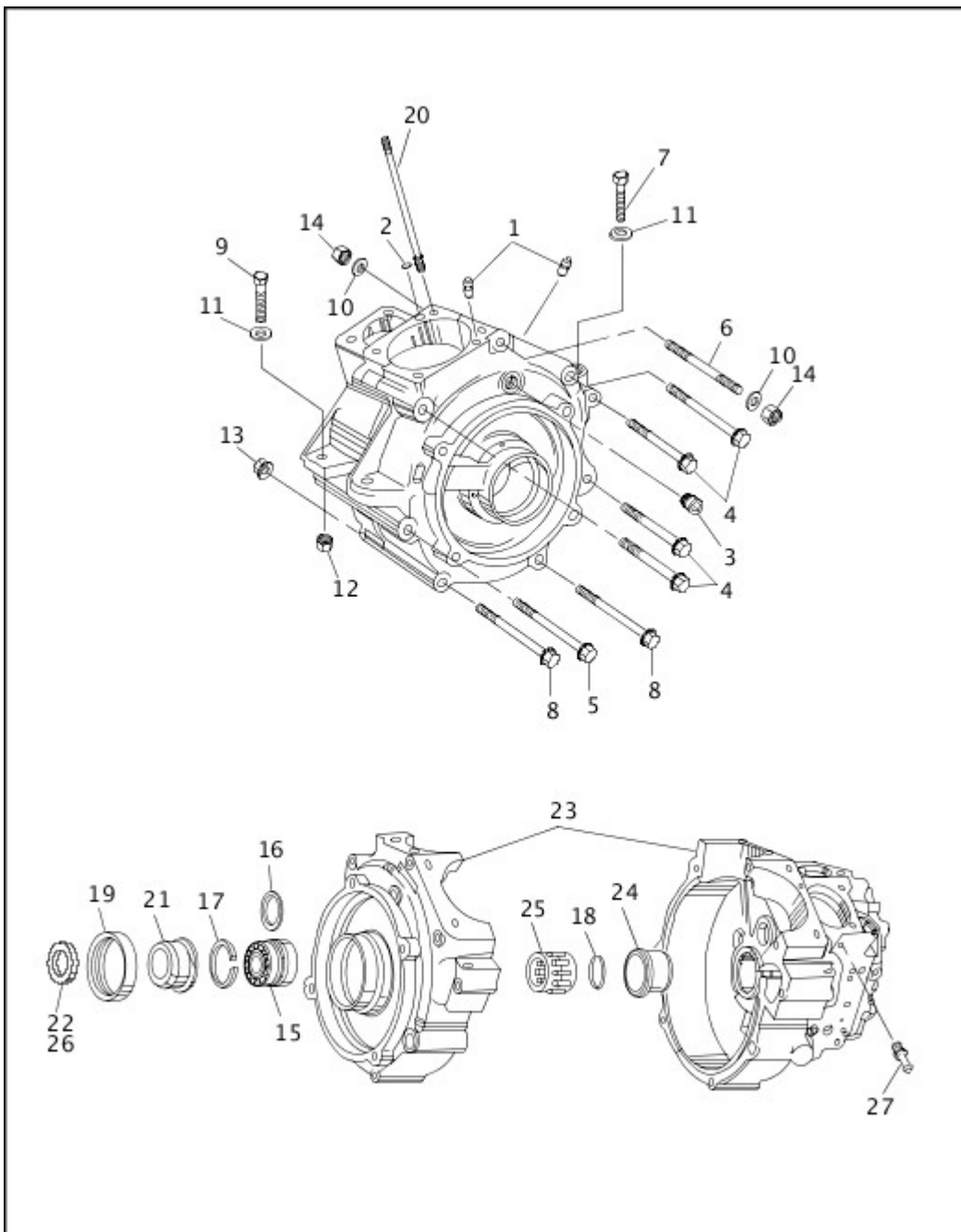
INDEX NO.	PART NO.	DESCRIPTION	MODEL(S)
1	358	DOWEL PIN (2)	FLSTC 1996, FLSTF 1996, FLSTN 1996, FXSTC 1996, FXSTS 1996, FXSTSB 1996
2	653	EXPANSION PLUG	FLSTC 1996, FLSTF 1996, FLSTN 1996, FXSTC 1996, FXSTS 1996, FXSTSB 1996
3	720	PLUG, timing hole	FLSTC 1996, FLSTF 1996, FLSTN 1996, FXSTC 1996, FXSTS 1996, FXSTSB 1996
4	3398	SCREW (4)	FLSTC 1996, FLSTF 1996, FLSTN 1996, FXSTC 1996, FXSTS 1996, FXSTSB 1996

INDEX NO.	PART NO.	DESCRIPTION	MODEL(S)
5	3504A	BOLT	FLSTC 1996, FLSTF 1996, FLSTN 1996, FXSTC 1996, FXSTS 1996, FXSTSB 1996
6	3506	STUD	FLSTC 1996, FLSTF 1996, FLSTN 1996, FXSTC 1996, FXSTS 1996, FXSTSB 1996
7	3512	BOLT (2)	FLSTC 1996, FLSTF 1996, FLSTN 1996, FXSTC 1996, FXSTS 1996, FXSTSB 1996
8	3613	SCREW (2)	FLSTC 1996, FLSTF 1996, FLSTN 1996, FXSTC 1996, FXSTS 1996, FXSTSB 1996
9	4416	BOLT (2)	FLSTC 1996, FLSTF 1996, FLSTN 1996, FXSTC 1996, FXSTS 1996, FXSTSB 1996
10	6016	WASHER (2)	FLSTC 1996, FLSTF 1996, FLSTN 1996, FXSTC 1996, FXSTS 1996, FXSTSB 1996
11	6019	WASHER (4)	FLSTC 1996, FLSTF 1996, FLSTN 1996, FXSTC 1996, FXSTS 1996, FXSTSB 1996
12	7506	NUT (4)	FLSTC 1996, FLSTF 1996, FLSTN 1996, FXSTC 1996, FXSTS 1996, FXSTSB 1996
13	7593	NUT, flange (3)	FLSTC 1996, FLSTF 1996, FLSTN 1996, FXSTC 1996, FXSTS 1996, FXSTSB 1996
14	7883	NUT (2)	FLSTC 1996, FLSTF 1996, FLSTN 1996, FXSTC 1996, FXSTS 1996, FXSTSB 1996
15	9028	BEARING ASSEMBLY, sprocket shaft	FLSTC 1996, FLSTF 1996, FLSTN 1996, FXSTC 1996, FXSTS 1996, FXSTSB 1996
16	9110	SHIM, bearing assembly, 0.0905-.0895	FLSTC 1996, FLSTF 1996, FLSTN 1996, FXSTC 1996, FXSTS 1996, FXSTSB 1996
	9120	SHIM, bearing assembly, 0.0925-.0915	FLSTC 1996, FLSTF 1996, FLSTN 1996, FXSTC 1996, FXSTS 1996, FXSTSB 1996
	9121	SHIM, bearing assembly, 0.0945-.0935	FLSTC 1996, FLSTF 1996, FLSTN 1996, FXSTC 1996, FXSTS 1996, FXSTSB 1996
	9122	SHIM, bearing assembly, 0.0965-.0955	FLSTC 1996, FLSTF 1996, FLSTN 1996, FXSTC 1996, FXSTS 1996, FXSTSB 1996
	9123	SHIM, bearing assembly, 0.0985-.0975	FLSTC 1996, FLSTF 1996, FLSTN 1996, FXSTC 1996, FXSTS 1996, FXSTSB 1996



INDEX NO.	PART NO.	DESCRIPTION	MODEL(S)
	9124	SHIM, bearing assembly, 0.1005-.0995	FLSTC 1996, FLSTF 1996, FLSTN 1996, FXSTC 1996, FXSTS 1996, FXSTSB 1996
	9125	SHIM, bearing assembly, 0.1025-.1015	FLSTC 1996, FLSTF 1996, FLSTN 1996, FXSTC 1996, FXSTS 1996, FXSTSB 1996
	9126	SHIM, bearing assembly, 0.1045-.1035	FLSTC 1996, FLSTF 1996, FLSTN 1996, FXSTC 1996, FXSTS 1996, FXSTSB 1996
	9127	SHIM, bearing assembly, 0.1065-.1055	FLSTC 1996, FLSTF 1996, FLSTN 1996, FXSTC 1996, FXSTS 1996, FXSTSB 1996
	9128	SHIM, bearing assembly, 0.1085-.1075	FLSTC 1996, FLSTF 1996, FLSTN 1996, FXSTC 1996, FXSTS 1996, FXSTSB 1996
	9129	SHIM, bearing assembly, 0.1105-.1095	FLSTC 1996, FLSTF 1996, FLSTN 1996, FXSTC 1996, FXSTS 1996, FXSTSB 1996
	9130	SHIM, bearing assembly, 0.1125-.1115	FLSTC 1996, FLSTF 1996, FLSTN 1996, FXSTC 1996, FXSTS 1996, FXSTSB 1996

**CRANKCASE - 1996 (2 OF 2)**



[View interactive image](#)

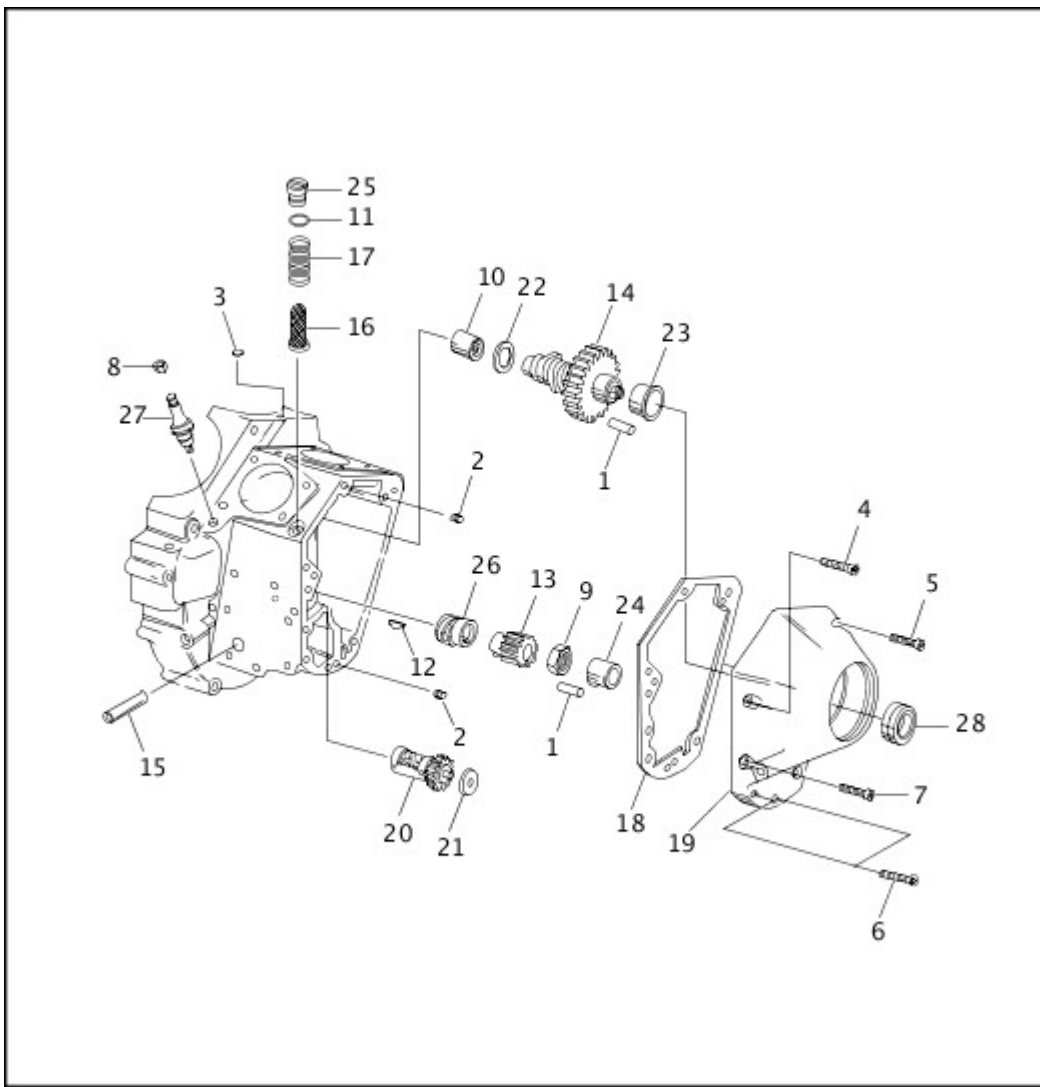
[View interactive table](#)

INDEX NO.	PART NO.	DESCRIPTION	MODEL(S)
	9131	SHIM, bearing assembly, 0.1145-.1135	FLSTC 1996, FLSTF 1996, FLSTN 1996, FXSTC 1996, FXSTS 1996, FXSTSB 1996
	9132	SHIM, bearing assembly, 0.1165-.1155	FLSTC 1996, FLSTF 1996, FLSTN 1996, FXSTC 1996, FXSTS 1996, FXSTSB 1996
	9133	SHIM, bearing assembly, 0.1185-.1175	FLSTC 1996, FLSTF 1996, FLSTN 1996, FXSTC 1996, FXSTS 1996, FXSTSB 1996
	9134	SHIM, bearing assembly, 0.1205-.1195	FLSTC 1996, FLSTF 1996, FLSTN 1996, FXSTC 1996, FXSTS 1996, FXSTSB 1996

INDEX NO.	PART NO.	DESCRIPTION	MODEL(S)
17	11160A	RETAINING RING, bearing, left	FLSTC 1996, FLSTF 1996, FLSTN 1996, FXSTC 1996, FXSTS 1996, FXSTSB 1996
18	11177A	RETAINING RING, bearing, right	FLSTC 1996, FLSTF 1996, FLSTN 1996, FXSTC 1996, FXSTS 1996, FXSTSB 1996
19	12026B	OIL SEAL	FLSTC 1996, FLSTF 1996, FLSTN 1996, FXSTC 1996, FXSTS 1996, FXSTSB 1996
20	16837-85C	STUD, cylinder base (8)	FLSTC 1996, FLSTF 1996, FLSTN 1996, FXSTC 1996, FXSTS 1996, FXSTSB 1996
21	24002-70	SPACER, sprocket shaft	FLSTC 1996, FLSTF 1996, FLSTN 1996, FXSTC 1996, FXSTS 1996, FXSTSB 1996
22	24032-70	SPACER, sprocket shaft, 0.060 inch thick	FLSTC 1996, FLSTF 1996, FLSTN 1996, FXSTC 1996, FXSTS 1996, FXSTSB 1996
	24033-70	SPACER, sprocket shaft, 0.090 inch thick	FLSTC 1996, FLSTF 1996, FLSTN 1996, FXSTC 1996, FXSTS 1996, FXSTSB 1996
	24034-70	SPACER, sprocket shaft, 0.120 inch thick	FLSTC 1996, FLSTF 1996, FLSTN 1996, FXSTC 1996, FXSTS 1996, FXSTSB 1996
	24035-70	SPACER, sprocket shaft, 0.150 inch thick	FLSTC 1996, FLSTF 1996, FLSTN 1996, FXSTC 1996, FXSTS 1996, FXSTSB 1996
	24036-70	SPACER, sprocket shaft, 0.180 inch thick	FLSTC 1996, FLSTF 1996, FLSTN 1996, FXSTC 1996, FXSTS 1996, FXSTSB 1996
	24037-70	SPACER, sprocket shaft, 0.210 inch thick	FLSTC 1996, FLSTF 1996, FLSTN 1996, FXSTC 1996, FXSTS 1996, FXSTSB 1996
23	24571-93	SET OF CRANKCASES (black)	FLSTC 1996, FLSTF 1996, FLSTN 1996, FXSTC 1996, FXSTS 1996, FXSTSB 1996
24	24599-93	BUSHING, right crankcase - standard	FLSTC 1996, FLSTF 1996, FLSTN 1996, FXSTC 1996, FXSTS 1996, FXSTSB 1996
	24600-58B	BUSHING, right crankcase, 0.002 inch O.S.O.D.	FLSTC 1996, FLSTF 1996, FLSTN 1996, FXSTC 1996, FXSTS 1996, FXSTSB 1996
	24601-58B	BUSHING, right crankcase, 0.005 inch O.S.O.D.	FLSTC 1996, FLSTF 1996, FLSTN 1996, FXSTC 1996, FXSTS 1996, FXSTSB 1996
25	24626-87A	BEARING SET, gear side (white/gray)	FLSTC 1996, FLSTF 1996, FLSTN 1996, FXSTC 1996, FXSTS 1996, FXSTSB 1996

INDEX NO.	PART NO.	DESCRIPTION	MODEL(S)
	24628-87A	BEARING SET, gear side (green)	FLSTC 1996, FLSTF 1996, FLSTN 1996, FXSTC 1996, FXSTS 1996, FXSTSB 1996
	24641-87A	BEARING SET, gear side(red)	FLSTC 1996, FLSTF 1996, FLSTN 1996, FXSTC 1996, FXSTS 1996, FXSTSB 1996
	24643-87A	BEARING SET, gear side(blue)	FLSTC 1996, FLSTF 1996, FLSTN 1996, FXSTC 1996, FXSTS 1996, FXSTSB 1996
26	35850-84	SPACER, sprocket shaft, 0.010 inch thick	FLSTC 1996, FLSTF 1996, FLSTN 1996, FXSTC 1996, FXSTS 1996, FXSTSB 1996
	35851-84	SPACER, sprocket shaft, 0.020 inch thick	FLSTC 1996, FLSTF 1996, FLSTN 1996, FXSTC 1996, FXSTS 1996, FXSTSB 1996
	35852-84	SPACER, sprocket shaft, 0.030 inch thick (use 35850-84 & 35851-84)	FLSTC 1996, FLSTF 1996, FLSTN 1996, FXSTC 1996, FXSTS 1996, FXSTSB 1996
27	63533-41A	FITTING, oil hose	FLSTC 1996, FLSTF 1996, FLSTN 1996, FXSTC 1996, FXSTS 1996, FXSTSB 1996

## CRANKCASE - GEAR SIDE



[View interactive image](#)

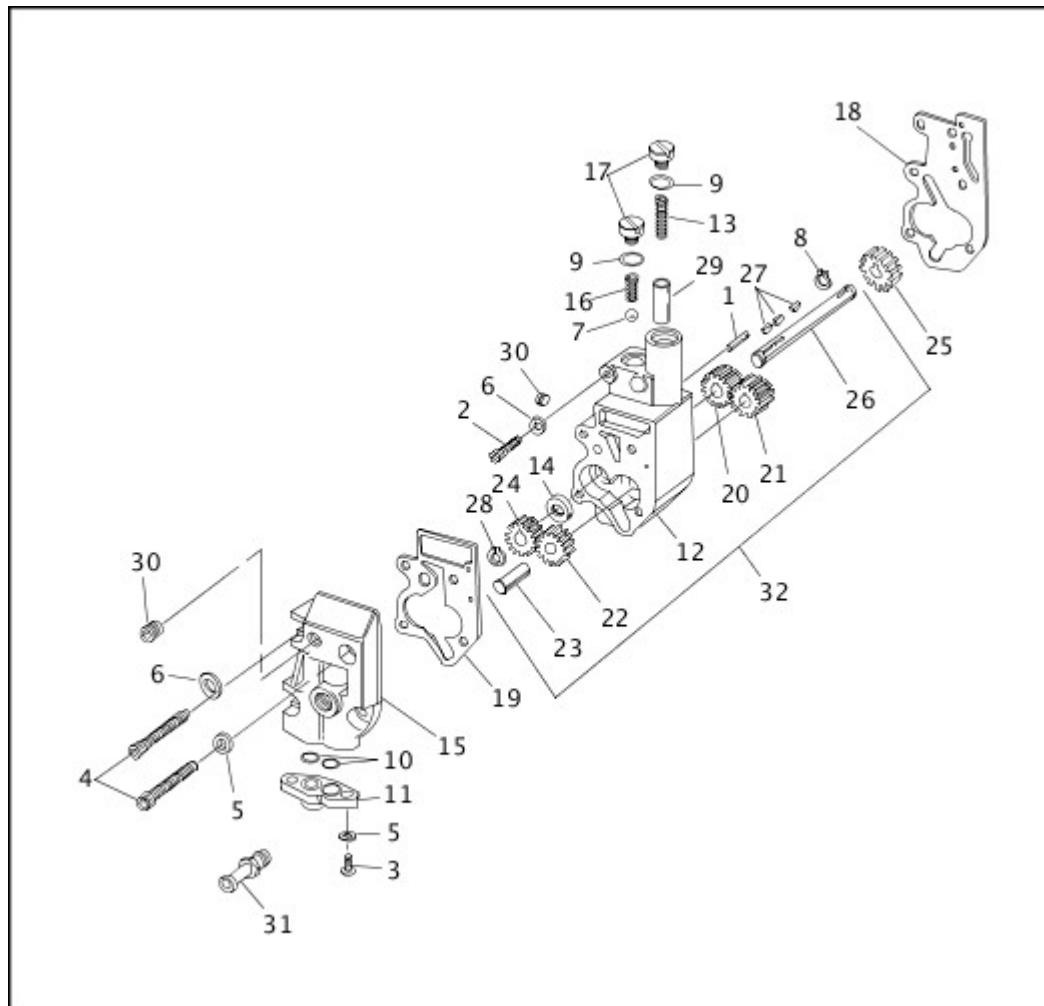
[View interactive table](#)

INDEX NO.	PART NO.	DESCRIPTION	MODEL(S)
1	275	DOWEL PIN (as required) (2)	ALL
2	358	DOWEL PIN (2)	ALL
3	653	PLUG, crankcase	ALL
4	3480A	SCREW	ALL
5	4813A	SCREW	ALL
6	4718A	SCREW (2)	ALL
7	4740A	SCREW	ALL
8	7629	NUT	ALL
9	7916A	JAMNUT, gear shaft	ALL
10	9058A	NEEDLE BEARING, crankcase cam cover	ALL
11	11105	O-RING	ALL
12	11219	T-KEY	ALL

INDEX NO.	PART NO.	DESCRIPTION	MODEL(S)
13	24040-93	PINION GEAR, 1.4850-53 p.d. (orange)	ALL
	24041-93	PINION GEAR, 1.4846-49 p.d. (white)	ALL
	24042-93	PINION GEAR, 1.4842-45 p.d. (yellow)	ALL
	24043-93	PINION GEAR, 1.4838-41 p.d. (red)	ALL
	24044-93	PINION GEAR, 1.4834-37 p.d. (blue)	ALL
	24045-93	PINION GEAR, 1.4830-33 p.d. (green)	ALL
	24046-93	PINION GEAR, 1.4826-29 p.d. (black)	ALL
14	24586-93	SET OF CAM & PINION GEARS, matched	ALL
15	24641-36	BUSHING, oil pump shaft	ALL
16	24981-70	OIL SCREEN, crankcase	ALL
17	24982-70	SPRING, oil screen	ALL
18	25225-93B	GASKET, gear cover	ALL
19	25256-93A	GEAR COVER, chrome	ALL
20	25310-82A	BREATHER VALVE GEAR	ALL
21	25320-82	THRUST WASHER, breather valve, 0.130 inch thick	ALL
	25321-82	THRUST WASHER, breather valve, 0.135 inch thick	ALL
	25322-82	THRUST WASHER, breather valve, 0.140 inch thick	ALL
	25323-82	THRUST WASHER, breather valve, 0.145 inch thick	ALL
	25325-82	THRUST WASHER, breather valve, 0.150 inch thick	ALL
	25326-82	THRUST WASHER, breather valve, 0.155 inch thick	ALL
	25327-82	THRUST WASHER, breather valve, 0.160 inch thick	ALL
	25328-82	THRUST WASHER, breather valve, 0.165 inch thick	ALL
22	25550-57A	THRUST WASHER, cam gear	ALL
23	25581-70	BUSHING, gear cover	ALL

INDEX NO.	PART NO.	DESCRIPTION	MODEL(S)
24	25582-93	BUSHING, gear cover pinion shaft	ALL
25	26263-80	PLUG, oil screen	ALL
26	26354-93	DRIVE GEAR, oil pump	ALL
27	26561-84	OIL PRESSURE SWITCH	ALL
28	83162-51	OIL SEAL, bearing	ALL

## OIL PUMP



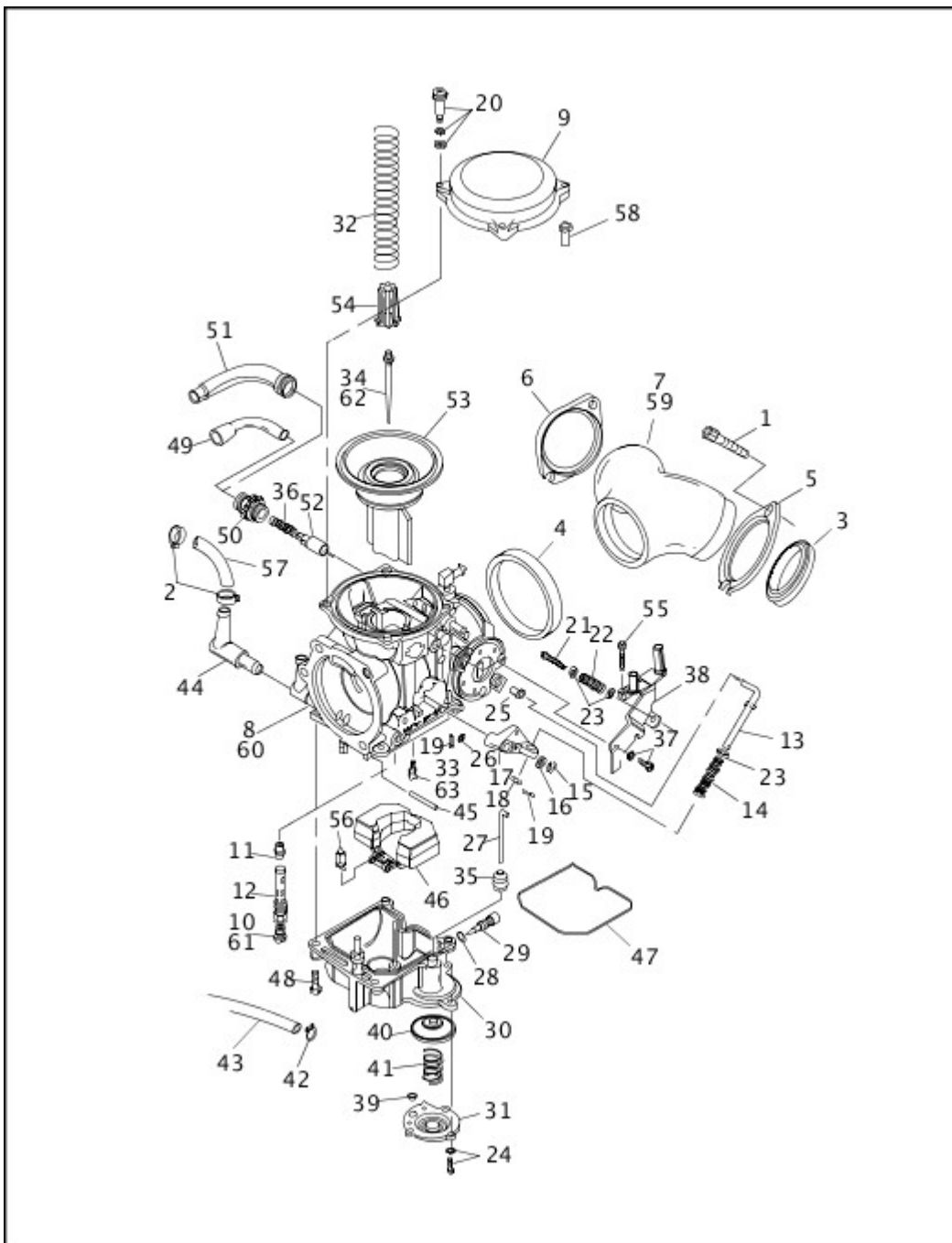
[View interactive image](#)

[View interactive table](#)

INDEX NO.	PART NO.	DESCRIPTION	MODEL(S)
1	239	PIN, valve stop	ALL
2	891	SCREW (2)	ALL
3	942	SCREW (2)	ALL
4	4742A	SCREW (4)	ALL
5	6099	WASHER (2)	ALL

INDEX NO.	PART NO.	DESCRIPTION	MODEL(S)
6	6239	WASHER (4)	ALL
7	8873	BALL, check valve, 3/8 inch diameter	ALL
8	11002	RETAINING RING, oil pump	ALL
9	11105	O-RING, check valve cover screw (2)	ALL
10	11241	O-RING (2)	ALL
11	26030-92A	END CAP, black	ALL
12	26226-92	BODY, oil pump (black)	ALL
13	26207-83	SPRING, relief valve	ALL
14	26227-58	OIL SEAL	ALL
15	26267-92	COVER, oil pump (black)	ALL
16	26262-80	SPRING, check valve	ALL
17	26263-80	COVER SCREW, check & relief valves (2)	ALL
18	26273-92A	GASKET, body (paper)	ALL
19	26276-92A	GASKET, cover (paper)	ALL
20	26315-68A	DRIVE GEAR	ALL
21	26317-68A	IDLER GEAR	ALL
22	26326-62A	DRIVE IDLER GEAR	ALL
23	26327-68	SHAFT, idler gear	ALL
24	26328-74	DRIVE GEAR	ALL
25	26345-73	DRIVE GEAR, 24T	ALL
26	26346-70	DRIVE SHAFT	ALL
27	26348-15	KEY, drive shaft (3)	ALL
28	26348-36	RETAINING RING, drive shaft	ALL
29	26400-82B	VALVE, oil pump	ALL
30	45830-48	PLUG (2)	ALL
31	63533-41A	FITTING, straight	ALL
32	26050-92	OIL PUMP ASSEMBLY, w/ 1, 7, 9, 13, 14, 16, 17, 20-23 & 26-30 (black texture)	ALL





[View interactive image](#)

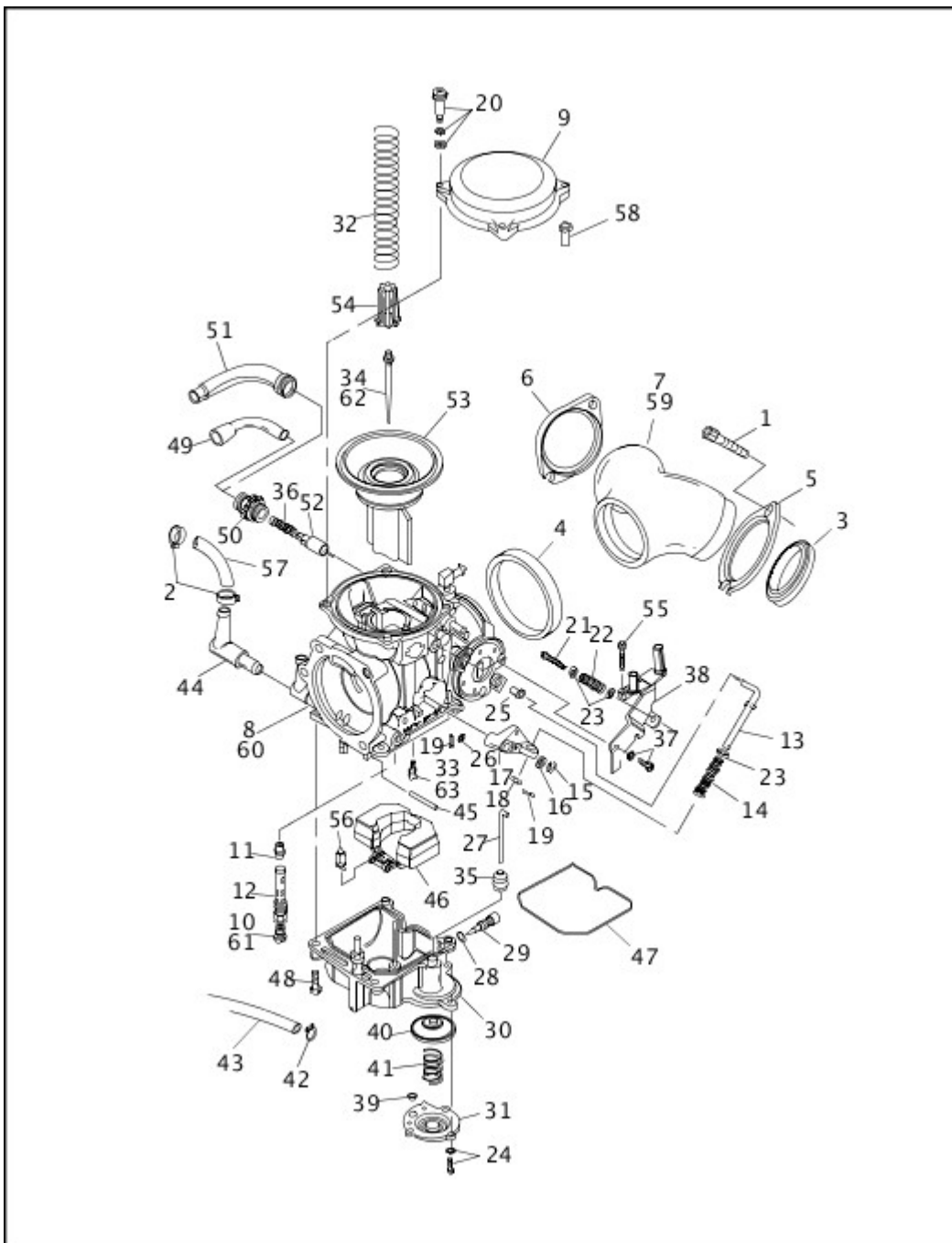
[View interactive table](#)

INDEX NO.	PART NO.	DESCRIPTION	MODEL(S)
1	3275	SCREW (4)	ALL
2	10014	CLAMP (2)	ALL
3	26995-86B	SEAL, intake manifold (2)	ALL
4	27002-89	SEAL RING	ALL
5	27009-86A	FLANGE, mounting, front	ALL
6	27010-86A	FLANGE, mounting, rear	ALL
7	27019-89A	MANIFOLD	ALL

INDEX NO.	PART NO.	DESCRIPTION	MODEL(S)
8	27035-95	CARBURETOR (California)	FLSTC 1995, FLSTF 1995, FLSTN 1995, FXSTC 1995, FXSTS 1995, FXSTSB 1995
	27206-93B	CARBURETOR	FLSTC 1995, FLSTF 1995, FLSTN 1995, FXSTC 1995, FXSTS 1995, FXSTSB 1995
	27492-96B	CARBURETOR	FLSTC 1996, FLSTF 1996, FLSTN 1996, FXSTC 1996, FXSTS 1996, FXSTSB 1996
	27504-96	CARBURETOR (California)	FLSTC 1996, FLSTF 1996, FLSTN 1996, FXSTC 1996, FXSTS 1996, FXSTSB 1996
9	27040-88	TOP, carburetor	ALL
	27261-96	TOP, carburetor	ALL
10	27090-89	MAIN JET, 1.75 mm (California)	FLSTC 1996, FLSTF 1996, FLSTN 1996, FXSTC 1996, FXSTS 1996, FXSTSB 1996
	27115-88	MAIN JET, 1.70 mm	FLSTC 1996, FLSTF 1996, FLSTN 1996, FXSTC 1996, FXSTS 1996, FXSTSB 1996
	27116-88	MAIN JET, 1.65 mm	FLSTC 1995, FLSTF 1995, FLSTN 1995, FXSTC 1995, FXSTS 1995, FXSTSB 1995
11	27100-88	NEEDLE JET	ALL
12	27101-88	NEEDLE JET HOLDER	ALL
13	27122-89	ROD	ALL
14	27123-89A	SPRING	ALL
15	27124-89	E-CLIP	ALL
16	27125-89	WASHER	ALL
17	27126-89	LEVER	ALL
18	27127-89	WASHER	ALL
19	27128-89	PIN (2)	ALL
20	27129-88	SCREW, top (3)	FLSTC 1995, FLSTF 1995, FLSTN 1995, FXSTC 1995, FXSTS 1995, FXSTSB 1995
	27262-96	SCREW, top (3)	FLSTC 1996, FLSTF 1996, FLSTN 1996, FXSTC 1996, FXSTS 1996, FXSTSB 1996
21	27130-90	IDLE SCREW	ALL
22	27136-90A	SPRING	ALL
23	27137-81	WASHER (3)	ALL
24	27146-89	SCREW, w/ washer (3)	ALL

INDEX NO.	PART NO.	DESCRIPTION	MODEL(S)
25	27147-89	COLLAR	ALL
26	27148-89	WASHER	ALL
27	27156-89	ROD	ALL
28	27157-89	O-RING	ALL
29	27158-89	DRAIN SCREW	ALL
30	27159-92	FLOAT CHAMBER ASSEMBLY	ALL
31	27160-89	PUMP HOUSING	ALL
32	27162-89	SPRING	ALL
33	27171-89	SLOW JET	ALL

**CARBURETOR (2 OF 2)**



[View interactive image](#)

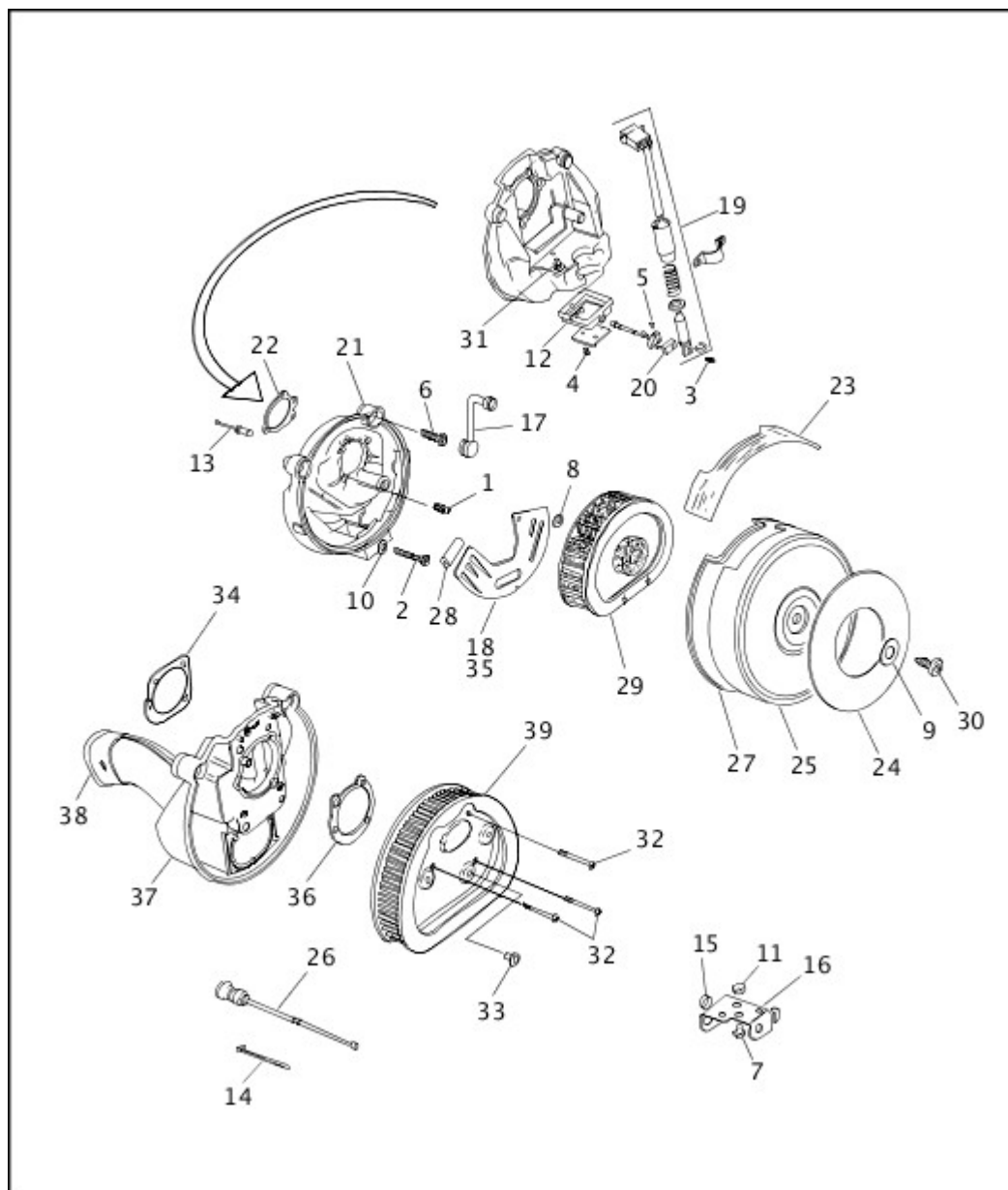
[View interactive table](#)

INDEX NO.	PART NO.	DESCRIPTION	MODEL(S)
34	27186-92	JET NEEDLE	FLSTC 1995, FLSTF 1995, FLSTN 1995, FXSTC 1995, FXSTS 1995, FXSTSB 1995
	27253-96	JET NEEDLE	FLSTC 1996, FLSTF 1996, FLSTN 1996, FXSTC 1996, FXSTS 1996, FXSTSB 1996
	27254-96	JET NEEDLE (California)	FLSTC 1996, FLSTF 1996, FLSTN 1996, FXSTC 1996, FXSTS 1996, FXSTSB 1996
	27279-93	JET NEEDLE (California)	FLSTC 1995, FLSTF 1995, FLSTN 1995, FXSTC 1995, FXSTS 1995, FXSTSB 1995

INDEX NO.	PART NO.	DESCRIPTION	MODEL(S)
35	27311-76	BOOT, accelerator pump	ALL
36	27315-88A	SPRING	ALL
37	27317-88	SCREW	ALL
38	27339-90	BRACKET, throttle cables	ALL
39	27360-76	O-RING	ALL
40	27361-76A	DIAPHRAGM, accelerator pump	ALL
41	27362-76	SPRING, diaphragm	ALL
42	27368-76	CLIP, overflow hose	ALL
43	27369-76	HOSE, overflow, w/ clip	ALL
44	27371-76A	FITTING	ALL
45	27575-88A	PIN	ALL
46	27576-92	FLOAT	ALL
47	27577-92	O-RING, float chamber	ALL
48	27579-88A	SCREW (4)	ALL
49	27580-88	CABLE GUIDE	ALL
50	27581-88	STARTER CAP	ALL
51	27582-88	CABLE SEALING CAP	ALL
52	27583-88	STARTER VALVE	ALL
53	27585-88	VACUUM PISTON	ALL
54	27586-88	SPRING SEAT	ALL
55	27587-88	SCREW	ALL
56	27886-78A	VALVE, w/ clip	ALL
57	62356-95	FUEL HOSE, preformed	ALL
58	27263-96	COLLAR	ALL
<b>INTERNATIONAL MODELS ONLY</b>			
59	26994-90	MANIFOLD (HDI)	FLSTC 1995, FLSTF 1995, FLSTN 1995, FXSTC 1995, FXSTS 1995, FXSTSB 1995
60	27038-92A	CARBURETOR (Swiss)	FLSTC 1995, FLSTF 1995, FLSTN 1995, FXSTC 1995, FXSTS 1995, FXSTSB 1995
	27088-95	CARBURETOR (HDI)	ALL
61	27114-88	MAIN JET, 1.80 mm (HDI)	ALL
62	27239-95	JET NEEDLE (HDI)	ALL

INDEX NO.	PART NO.	DESCRIPTION	MODEL(S)
63	27281-92	SLOW JET (Swiss)	FLSTC 1995, FLSTF 1995, FLSTN 1995, FXSTC 1995, FXSTS 1995, FXSTSB 1995

## AIR CLEANER & ENRICHENER (1 OF 2)



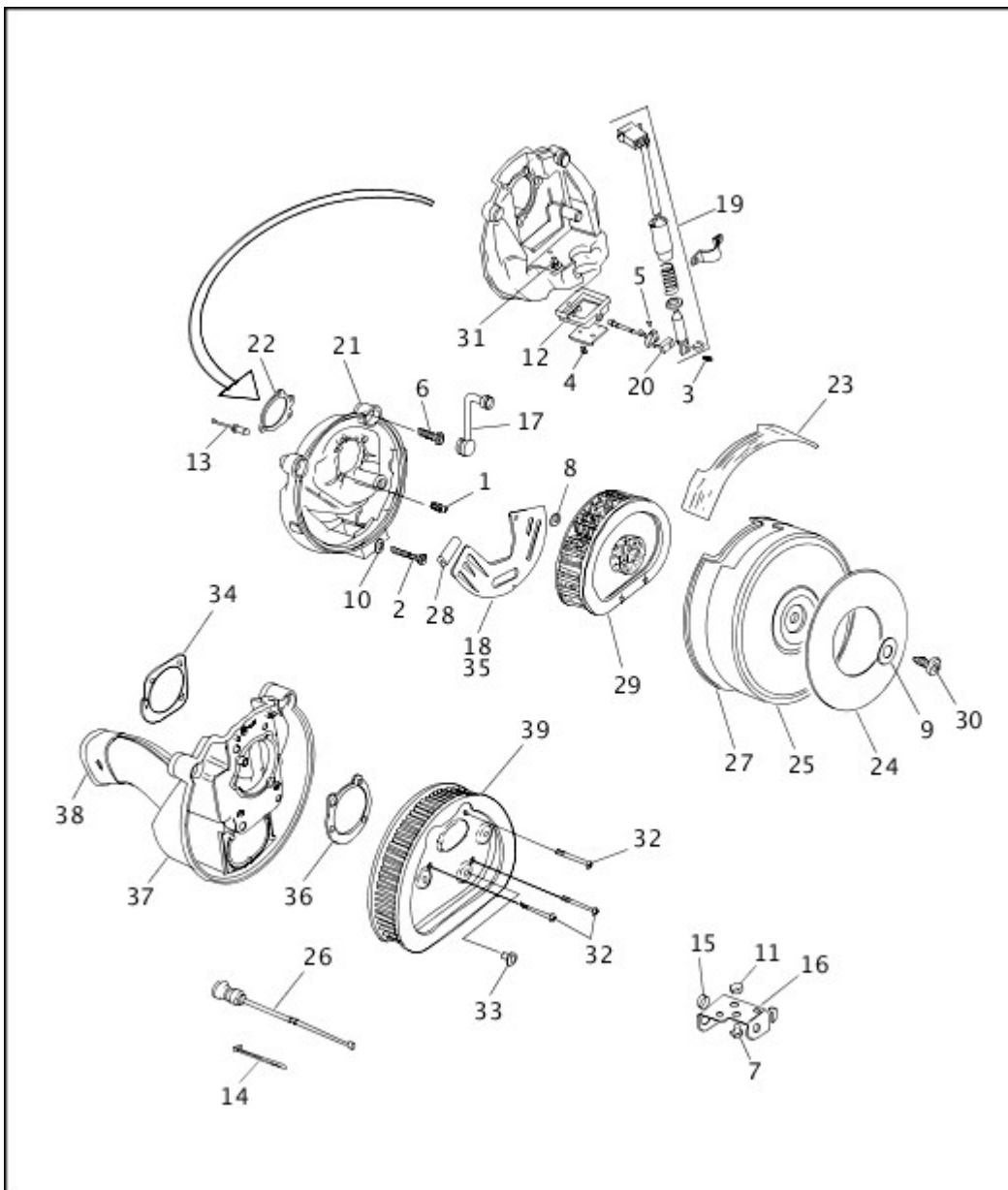
[View interactive image](#)

[View interactive table](#)

INDEX NO.	PART NO.	DESCRIPTION	MODEL(S)
1	864A	SCREW (3)	ALL
2	1795A	SCREW (California) (2)	ALL
3	2711	SCREW (California)	ALL
4	2737	SCREW (California) (2)	ALL
5	3221	SCREW (California)	ALL

INDEX NO.	PART NO.	DESCRIPTION	MODEL(S)
6	3577	SCREW, breather (2)	ALL
7	4713W	BOLT (2)	ALL
8	6048W	WASHER	ALL
9	6109	WASHER	ALL
10	6253W	WASHER (California) (2)	ALL
11	7601	LOCKNUT, flange (2)	ALL
12	8535	RIVET (California) (2)	ALL
13	8625	POP RIVET	ALL
14	10006	CABLE STRAP	ALL
15	11460	GROMMET	ALL
16	69126-92	BRACKET, enrichment cable	ALL
17	24922-93	BREATHER CONNECTOR (2)	ALL
18	28823-89	BAFFLE PLATE ASSEMBLY (California)	ALL
	29068-89	BAFFLE PLATE	FLSTC 1995, FLSTF 1995, FLSTN 1995, FXSTC 1995, FXSTS 1995, FXSTSB 1995
19	28827-96A	SOLENOID (California)	FLSTC 1996, FLSTF 1996, FLSTN 1996, FXSTC 1996, FXSTS 1996, FXSTSB 1996
	28841-89	SOLENOID (California)	FLSTC 1995, FLSTF 1995, FLSTN 1995, FXSTC 1995, FXSTS 1995, FXSTSB 1995
20	28842-89	LINK (California)	ALL
21	29017-92	BACKPLATE ASSEMBLY, w/ solenoid (California)	FLSTC 1995, FLSTF 1995, FLSTN 1995, FXSTC 1995, FXSTS 1995, FXSTSB 1995
	29087-96	BACKPLATE ASSEMBLY, w/ solenoid (California)	FLSTC 1996, FLSTF 1996, FLSTN 1996, FXSTC 1996, FXSTS 1996, FXSTSB 1996
	29134-92	BACKPLATE ASSEMBLY	ALL
22	29059-88A	GASKET	ALL
23	29126-90B	SAFETY LABEL	ALL

## AIR CLEANER & ENRICHENER (2 OF 2)



View interactive image

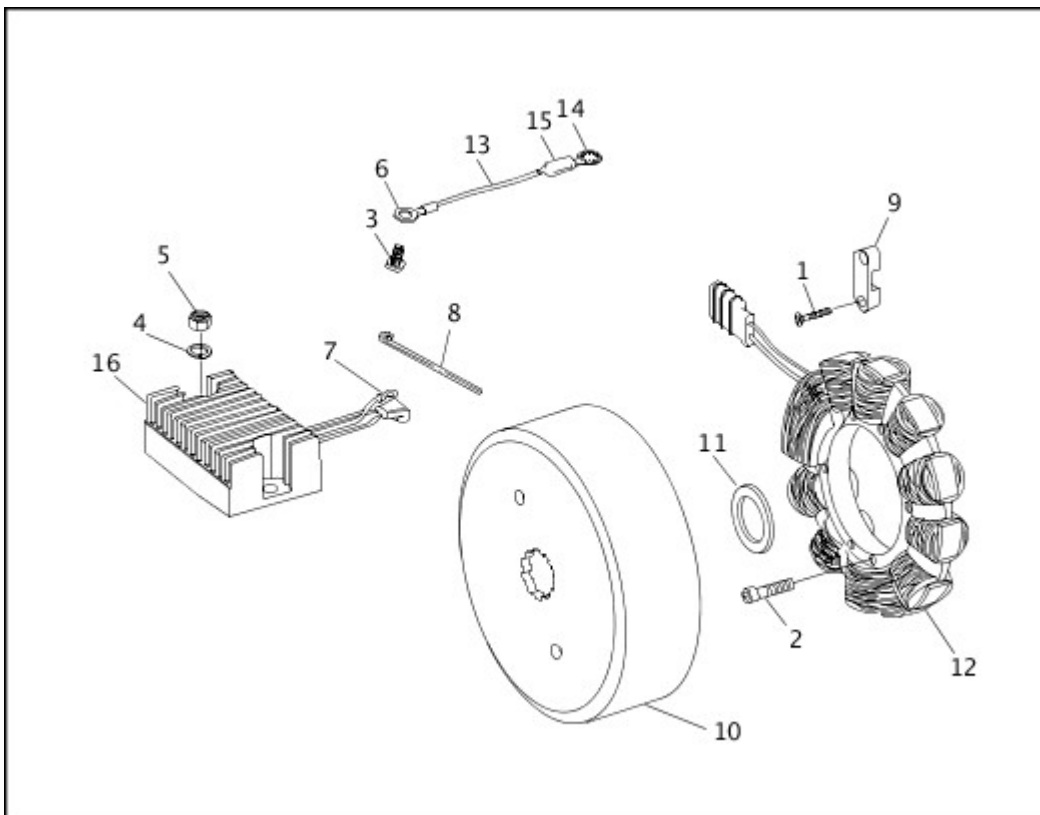
View interactive table

INDEX NO.	PART NO.	DESCRIPTION	MODEL(S)
24	29161-86	TRIM, "HERITAGE SOFTAIL"	FLSTC 1995, FLSTC 1996, FLSTN 1995, FLSTN 1996
	29162-95	TRIM, "BAD BOY"	FXSTSB 1995, FXSTSB 1996
	29169-84	TRIM, "SOFTAIL"	FXSTC 1995, FXSTC 1996
	29181-88	TRIM, "SPRINGER SOFTAIL"	FXSTS 1995, FXSTS 1996
	29256-90	TRIM, "FAT BOY"	FLSTF 1995, FLSTF 1996
25	29165-89	COVER, air cleaner	ALL
26	29229-88D	CABLE, enrichment	ALL
27	29252-89	MOLDING	ALL



INDEX NO.	PART NO.	DESCRIPTION	MODEL(S)
28	29258-91	MOLDING	FLSTC 1995, FLSTF 1995, FLSTN 1995, FXSTC 1995, FXSTS 1995, FXSTSB 1995
29	29259-91A	FILTER ELEMENT	FLSTC 1995, FLSTF 1995, FLSTN 1995, FXSTC 1995, FXSTS 1995, FXSTSB 1995
	29330-96	FILTER ELEMENT	FLSTC 1996, FLSTF 1996, FLSTN 1996, FXSTC 1996, FXSTS 1996, FXSTSB 1996
30	29283-93	SCREW	ALL
31	61095-92	FITTING (California)	ALL
<b>INTERNATIONAL MODELS ONLY</b>			
32	946	SCREW (HDI) (3)	ALL
33	24925-95	PLUG (HDI) (2)	ALL
34	29062-95B	GASKET (HDI)	ALL
35	29070-89B	BAFFLE PLATE (HDI)	ALL
36	29313-95	GASKET (HDI)	ALL
37	29319-95A	BACKPLATE, w/ 29323-95 (HDI)	ALL
38	29323-95	INLET, snorkle (HDI)	ALL
39	29325-95A	FILTER ELEMENT, w/ 33, 36 & (3) nylon seat washers (HDI)	ALL

## ALTERNATOR & REGULATOR



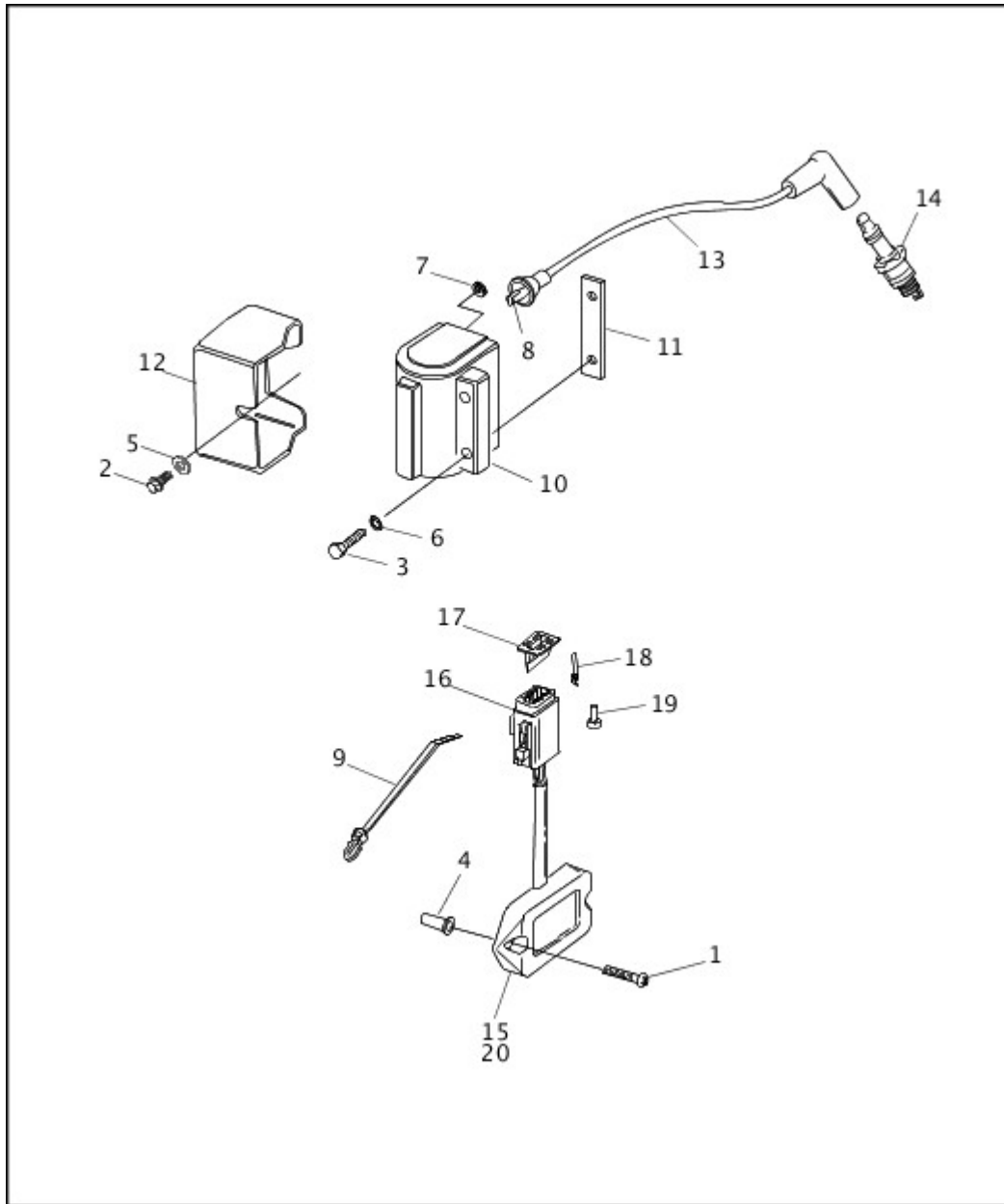
[View interactive image](#)

[View interactive table](#)

INDEX NO.	PART NO.	DESCRIPTION	MODEL(S)
1	2273A	SCREW (2)	ALL
2	2720	SCREW (4)	ALL
3	4134	SCREW	ALL
4	7124	LOCKWASHER	ALL
5	7688	NUT (2)	ALL
6	9840	TERMINAL, #10 ring, 12-14 gauge	ALL
7	9866	WIRE TERMINAL, ring type	ALL
8	10006	CABLE STRAP	ALL
9	29954-71A	RETAINER, alternator plug	ALL
10	29957-81B	ROTOR ASSEMBLY	ALL
11	29961-85	SPACER	ALL
12	29970-88D	STATOR	ALL
13	70041-95	CABLE, regulator ground	ALL
14	72242-94	TERMINAL, 1/4 inch ring, internal star, 10-12 gauge	ALL
15	72249-94	HEAT SHRINK TUBING, dual wall, .3 x 1"	ALL

INDEX NO.	PART NO.	DESCRIPTION	MODEL(S)
16	74519-88A	REGULATOR	ALL

## IGNITION MODULE & COIL



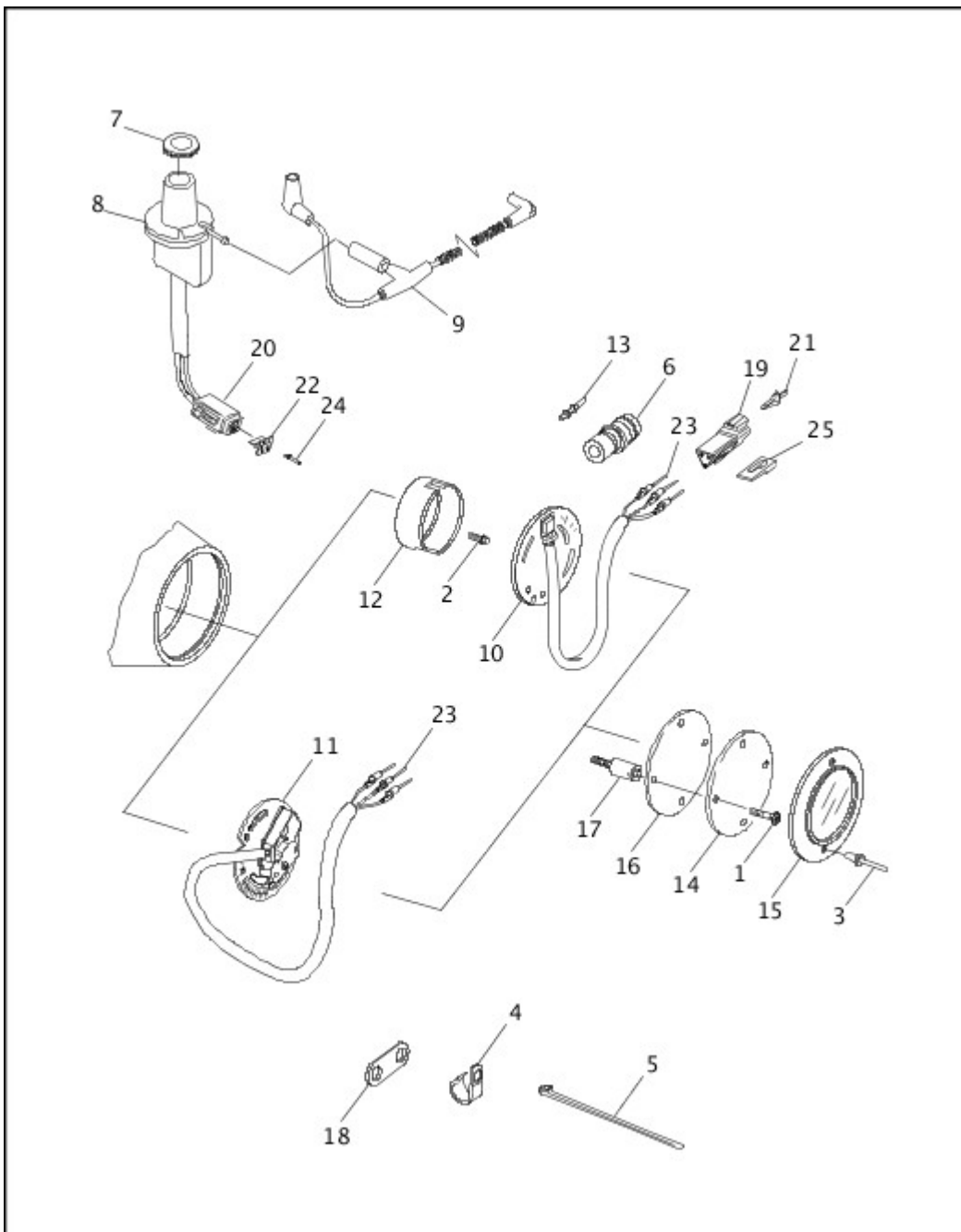
[View interactive image](#)

[View interactive table](#)

INDEX NO.	PART NO.	DESCRIPTION	MODEL(S)
1	933	SCREW (2)	FLSTC 1995, FLSTF 1995, FLSTN 1995, FXSTC 1995, FXSTS 1995, FXSTSB 1995
	949	SCREW (2)	FLSTC 1996, FLSTF 1996, FLSTN 1996, FXSTC 1996, FXSTS 1996, FXSTSB 1996
2	3602A	SCREW (2)	ALL
3	3993	BOLT (2)	ALL

INDEX NO.	PART NO.	DESCRIPTION	MODEL(S)
4	5207	WELL NUT (2)	ALL
5	6716	WASHER (2)	ALL
6	7036	WASHER (2)	ALL
7	7629	NUT (2)	ALL
8	9908	TERMINAL, spark plug cable (2)	ALL
9	10177	CABLE STRAP, w/ plug-in retainer	FLSTC 1996, FLSTF 1996, FLSTN 1996, FXSTC 1996, FXSTS 1996, FXSTSB 1996
10	31614-83A	IGNITION COIL	ALL
11	31727-85	NUT PLATE	ALL
12	31800-78A	IGNITION COIL COVER KIT (chrome)	ALL
13	31983-71C	SPARK PLUG CABLE, rear cylinder	ALL
	31985-91A	SPARK PLUG CABLE, front cylinder	ALL
14	32311-83	SPARK PLUG, No. 5R6A (2)	ALL
15	32405-91B	IGNITION MODULE	FLSTC 1995, FLSTF 1995, FLSTN 1995, FXSTC 1995, FXSTS 1995, FXSTSB 1995
	32449-95C	IGNITION MODULE, w/ connector assembly	FLSTC 1996, FLSTF 1996, FLSTN 1996, FXSTC 1996, FXSTS 1996, FXSTSB 1996
16	72118-94BK	PLUG, 8-way socket	FLSTC 1996, FLSTF 1996, FLSTN 1996, FXSTC 1996, FXSTS 1996, FXSTSB 1996
17	72158-94	SOCKET LOCK, 8-way	FLSTC 1996, FLSTF 1996, FLSTN 1996, FXSTC 1996, FXSTS 1996, FXSTSB 1996
18	72191-94	TERMINAL, socket (7)	FLSTC 1996, FLSTF 1996, FLSTN 1996, FXSTC 1996, FXSTS 1996, FXSTSB 1996
19	72195-94	SEAL PIN	FLSTC 1996, FLSTF 1996, FLSTN 1996, FXSTC 1996, FXSTS 1996, FXSTSB 1996
<b>INTERNATIONAL MODELS ONLY</b>			
20	32464-95	IGNITION MODULE (HDI)	FLSTC 1995, FLSTF 1995, FLSTN 1995, FXSTC 1995, FXSTS 1995, FXSTSB 1995
	32484-96	IGNITION MODULE (Swiss)	FLSTC 1996, FLSTF 1996, FLSTN 1996, FXSTC 1996, FXSTS 1996, FXSTSB 1996

## CAM POSITION SENSOR & VACUUM SWITCH



[View interactive image](#)

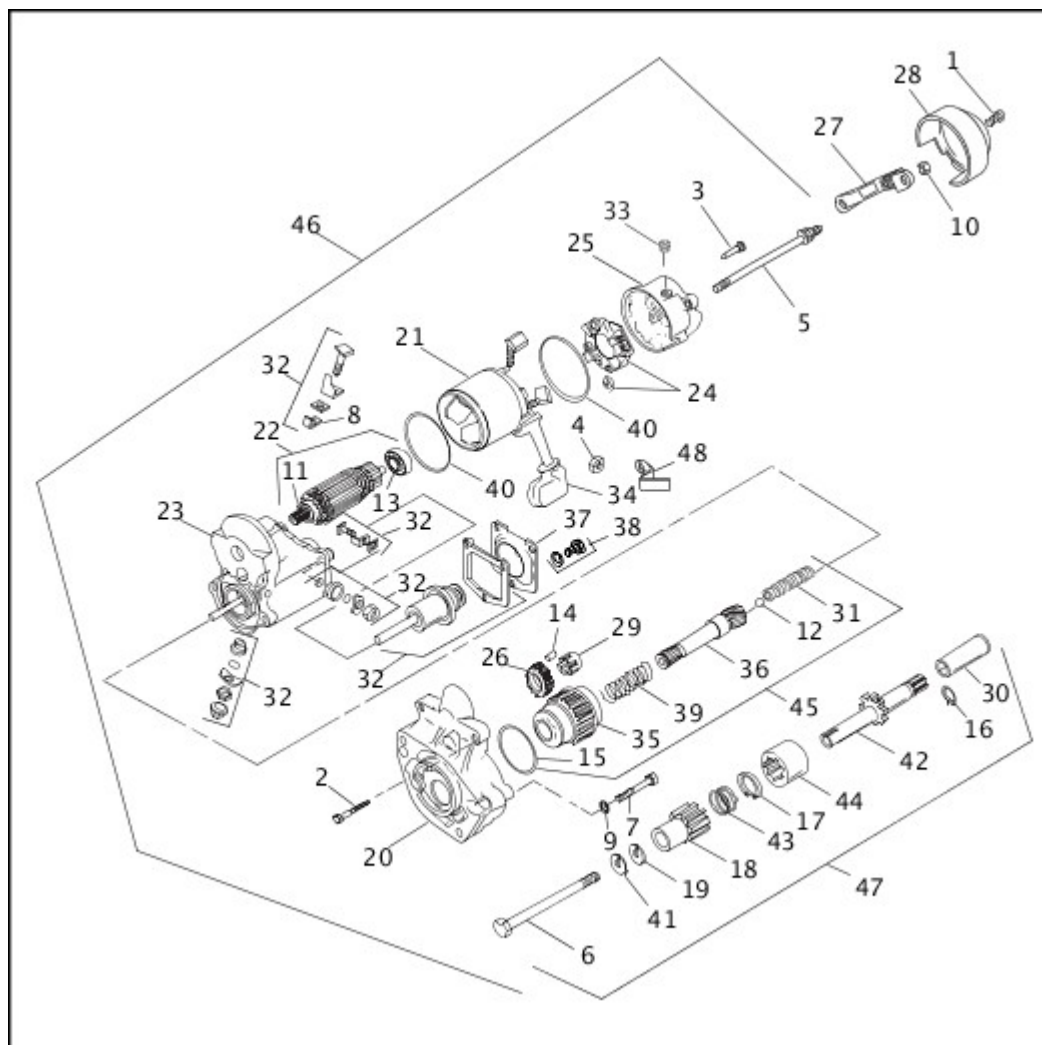
[View interactive table](#)

INDEX NO.	PART NO.	DESCRIPTION	MODEL(S)
1	1601	SCREW (2)	ALL
2	2611C	BOLT	ALL
3	8699	RIVET, timer cover (2)	ALL
4	10003	CLAMP	ALL
5	10065	CABLE STRAP	ALL
	10073	CABLE STRAP	ALL
6	74521-77A	PLUG, three-way, sensor	FLSTC 1995, FLSTF 1995, FLSTN 1995, FXSTC 1995, FXSTS 1995, FXSTSB 1995

INDEX NO.	PART NO.	DESCRIPTION	MODEL(S)
7	11192	RETAINING RING	ALL
8	26566-91	VACUUM SWITCH	FLSTC 1995, FLSTF 1995, FLSTN 1995, FXSTC 1995, FXSTS 1995, FXSTSB 1995
	26566-96	VACUUM SWITCH, w/ connector assembly	FLSTC 1996, FLSTF 1996, FLSTN 1996, FXSTC 1996, FXSTS 1996, FXSTSB 1996
9	26563-95	VACUUM HOSE ASSEMBLY	ALL
10	32400-80B	SENSOR ASSEMBLY, cam position, w/o receptacle	FLSTC 1995, FLSTF 1995, FLSTN 1995, FXSTC 1995, FXSTS 1995, FXSTSB 1995
11	32448-95B	SENSOR ASSEMBLY, cam position/vehicle attitude	FLSTC 1996, FLSTF 1996, FLSTN 1996, FXSTC 1996, FXSTS 1996, FXSTSB 1996
12	32402-83	ROTOR	ALL
13	74536-77A	PIN, single socket	FLSTC 1995, FLSTF 1995, FLSTN 1995, FXSTC 1995, FXSTS 1995, FXSTSB 1995
	74539-77A	PIN, single socket (2)	FLSTC 1995, FLSTF 1995, FLSTN 1995, FXSTC 1995, FXSTS 1995, FXSTSB 1995
14	32504-80A	TIMER COVER, inner	ALL
15	32524-83	TIMER COVER	ALL
16	32591-80	GASKET, timer cover	ALL
17	32606-82	SCREW, sensor plate (2)	ALL
18	38711-93	RETAINER, sensor wire	ALL
19	72103-94BK	RECEPTACLE, 3-way	FLSTC 1996, FLSTF 1996, FLSTN 1996, FXSTC 1996, FXSTS 1996, FXSTSB 1996
20	72112-94BK	PLUG, 2-way socket	FLSTC 1996, FLSTF 1996, FLSTN 1996, FXSTC 1996, FXSTS 1996, FXSTSB 1996
21	72143-94	SECONDARY LOCK, 3-way receptacle	FLSTC 1996, FLSTF 1996, FLSTN 1996, FXSTC 1996, FXSTS 1996, FXSTSB 1996
22	72152-94	SECONDARY LOCK, 2-way socket	FLSTC 1996, FLSTF 1996, FLSTN 1996, FXSTC 1996, FXSTS 1996, FXSTSB 1996
23	72190-94	TERMINAL, pin (3)	FLSTC 1996, FLSTF 1996, FLSTN 1996, FXSTC 1996, FXSTS 1996, FXSTSB 1996
24	72191-94	TERMINAL, socket (2)	FLSTC 1996, FLSTF 1996, FLSTN 1996, FXSTC 1996, FXSTS 1996, FXSTSB 1996

INDEX NO.	PART NO.	DESCRIPTION	MODEL(S)
25	72199-94	ATTACHMENT CLIP	FLSTC 1996, FLSTF 1996, FLSTN 1996, FXSTC 1996, FXSTS 1996, FXSTSB 1996

## STARTER MOTOR



[View interactive image](#)

[View interactive table](#)

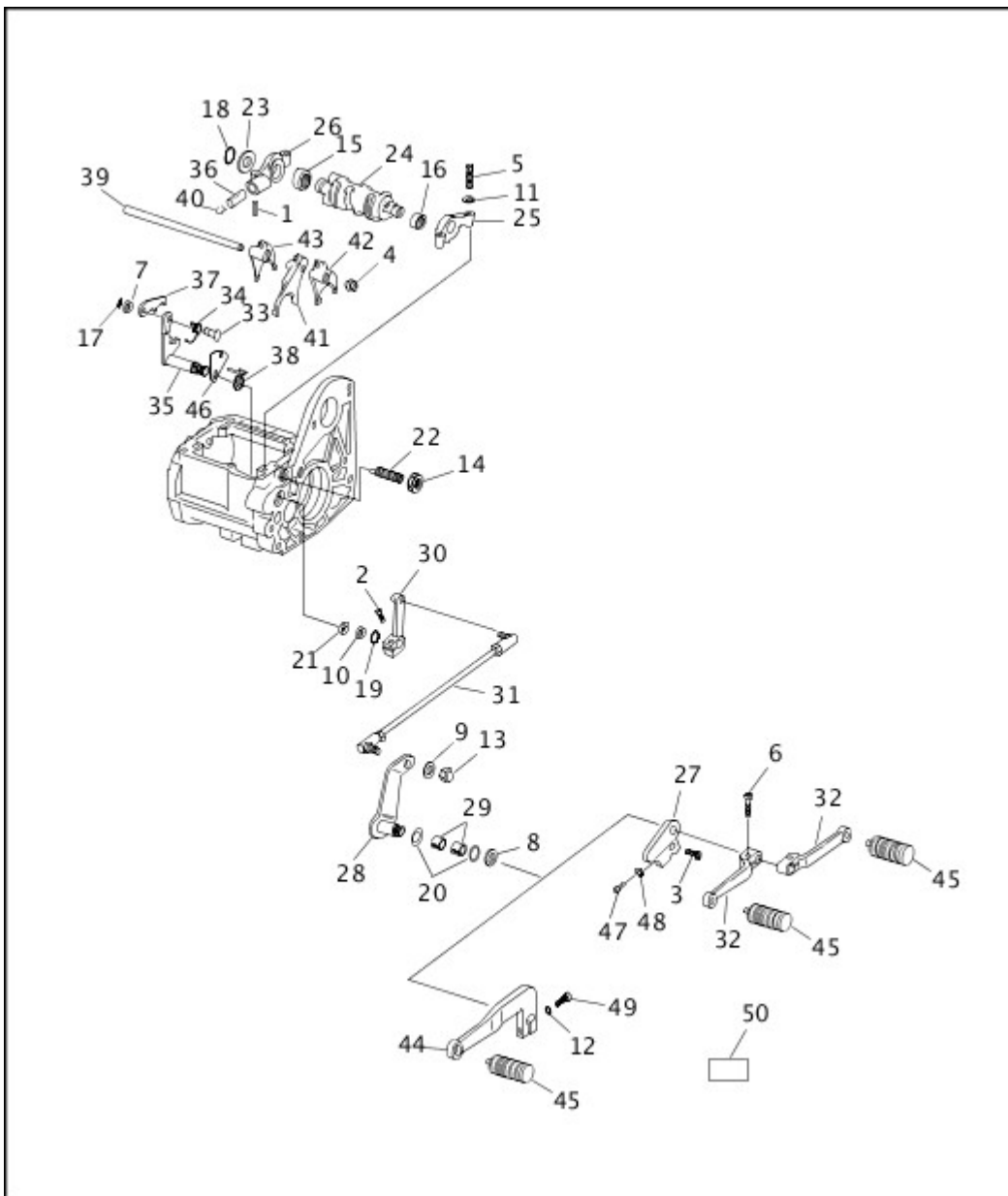
INDEX NO.	PART NO.	DESCRIPTION	MODEL(S)
1	925	SCREW, cover	ALL
2	928	BOLT, starter (use 31553-94B) (2)	ALL
3	929A	SCREW (2)	ALL
4	3403	LOCKNUT, flange	ALL
5	3559	BOLT, starter (2)	ALL
6	4358A	SCREW	ALL
7	4326A	SCREW (2)	ALL
8	6217	WASHER (use 31604-91A) (2)	ALL

INDEX NO.	PART NO.	DESCRIPTION	MODEL(S)
9	7041	LOCKWASHER (2)	ALL
10	7838	NUT (2)	ALL
11	8871	BALL BEARING	ALL
12	8879	BALL	ALL
13	8883	BALL BEARING	ALL
14	9077	CLUTCH ROLLER (5)	ALL
15	10957	O-RING (use 31516-94A)	ALL
16	11182	RETAINING RING	ALL
17	11248	RETAINING RING	ALL
18	31342-94	PINION GEAR	ALL
19	31430-94	WASHER, thrust	ALL
20	31510-90	HOUSING, starter	ALL
21	31514-90	YOKE ASSEMBLY, starter	ALL
22	31515-90	ARMATURE ASSEMBLY, w/ 8871 & 8883	ALL
23	31538-98	SWITCH KIT, magnetic	ALL
24	31518-90	BRUSH HOLDER ASSEMBLY, w/ spring	ALL
25	31519-90	FRAME, starter end	ALL
26	31525-90	IDLER GEAR (use 31553-94B)	ALL
27	31527-90	BRACKET, cover	ALL
28	31535-91	COVER (chrome)	ALL
29	31530-90	RETAINER, idler gear	ALL
30	31548-90	COUPLING	ALL
31	31600-90	SPRING, return (use 31516-94A)	ALL
32	31604-91A	STARTER SOLENOID REPAIR KIT	ALL
33	31660-90	DRAIN VENT	ALL
34	31662-90	BOOT, insulating	ALL
35	31663-90	CLUTCH, starter (use 31516-94A)	ALL
36	31664-94	SHAFT, output (use 31516-94A)	ALL
37	31688-90	COVER, solenoid	ALL
38	31689-90	BOLT, w/ washer (3)	ALL
39	31692-90	SPRING	ALL



INDEX NO.	PART NO.	DESCRIPTION	MODEL(S)
40	31695-90	O-RING (2)	ALL
41	33126-94	LOCKPLATE	ALL
42	33127-94	SHAFT, extension	ALL
43	33449-94	SPRING, pinion gear	ALL
44	60647-94	COUPLING (use 31612-09)	ALL
45	31516-94A	CLUTCH ASSEMBLY, starter w/ 8879, 10957, 31663-90, 31664- 94 & 31692-90	ALL
46	31553-94B	STARTER, complete (black texture)	ALL
47	31612-09	JACKSHAFT KIT, starter, w/ 6, 16, 17, 18, 19, 30, 41, 42, 43 & 44	ALL
48	31693-90	CLIP, cable	ALL

## GEAR SHIFTER (1 OF 2)

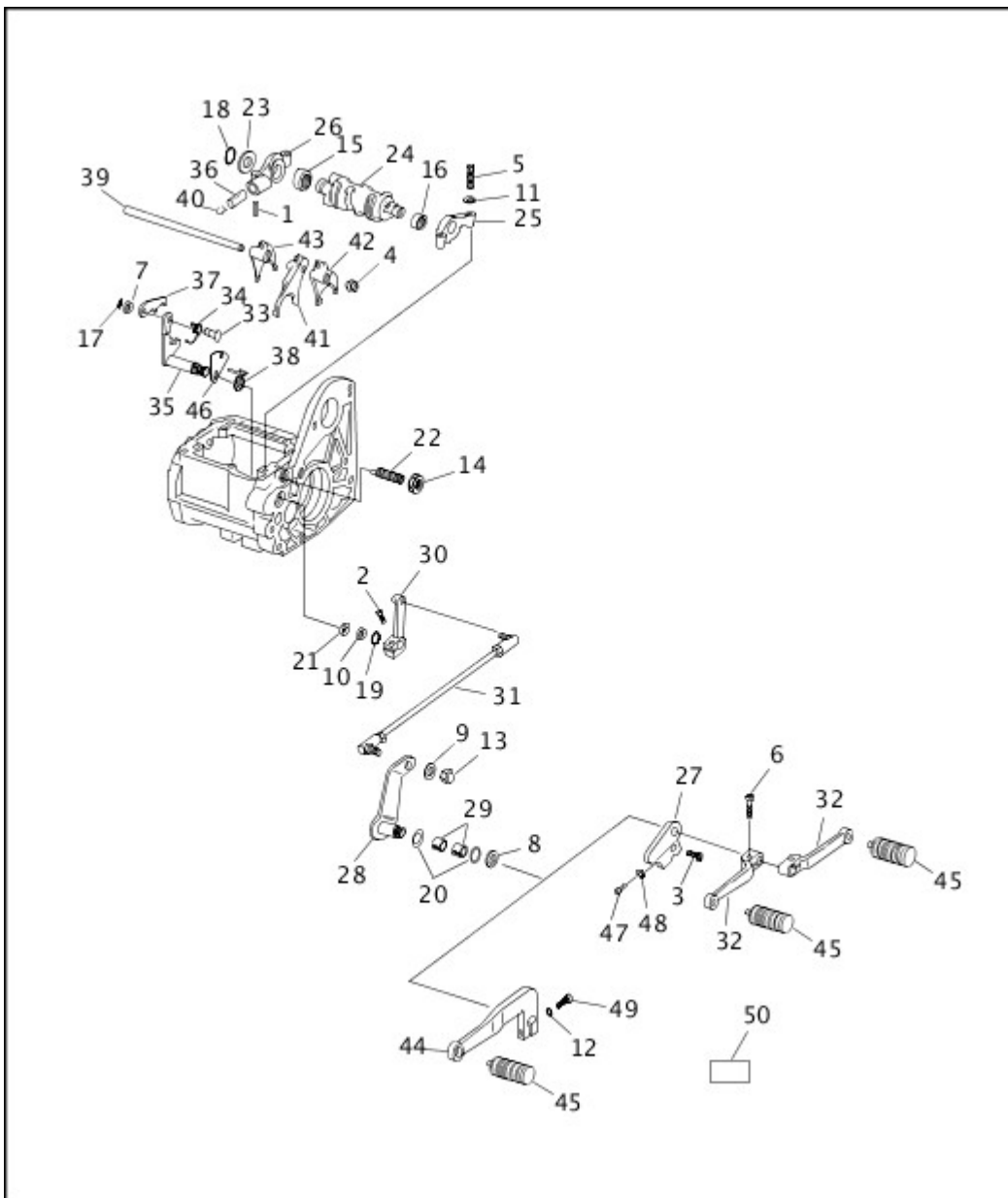


[View interactive image](#)

[View interactive table](#)

INDEX NO.	PART NO.	DESCRIPTION	MODEL(S)
1	601	ROLL PIN	ALL
2	856A	SCREW	ALL
3	3691	SCREW	FLSTC 1995, FLSTC 1996, FLSTF 1995, FLSTF 1996, FLSTN 1995, FLSTN 1996
4	3784	SET SCREW, shifter fork shaft, left	ALL
5	3993	BOLT (4)	ALL
6	4741A	SCREW (2)	FLSTC 1995, FLSTC 1996, FLSTF 1995, FLSTF 1996
7	6016	WASHER (as required)	ALL
8	6057	WASHER, nylon	ALL

INDEX NO.	PART NO.	DESCRIPTION	MODEL(S)
9	6302	WASHER	ALL
10	6497HW	WASHER	ALL
11	6736	WASHER (4)	ALL
12	7041	LOCKWASHER	FXSTC 1995, FXSTC 1996, FXSTS 1995, FXSTS 1996, FXSTSB 1995, FXSTSB 1996
13	7507	ACORN NUT	ALL
14	7515	JAMNUT	ALL
15	9114	NEEDLE BEARING	ALL
16	9115	NEEDLE BEARING	ALL
17	11016	RETAINING RING	ALL
18	11083	RETAINING RING	ALL
19	11150	RETAINING RING	ALL
20	11191	O-RING (2)	ALL
21	12045	SEAL	ALL
22	33119-79B	ADJUSTING SCREW, shifter arm	ALL
23	33205-80	THRUST WASHER, 0.017 thick (as required)	ALL
	33206-80	THRUST WASHER, 0.020 thick (as required)	ALL
	33207-80	THRUST WASHER, 0.022 thick (as required)	ALL
	33208-80	THRUST WASHER, 0.025 thick (as required)	ALL
	33209-80	THRUST WASHER, 0.028 thick (as required)	ALL
	33210-80	THRUST WASHER, 0.031 thick (as required)	ALL
	33211-80	THRUST WASHER, 0.035 thick (as required)	ALL
	33212-80	THRUST WASHER, 0.039 thick (as required)	ALL
24	33320-79D	SHIFTER CAM	ALL
25	33326-79A	SUPPORT, shifter cam, left	ALL
26	33332-79	SUPPORT, shifter cam, right	ALL



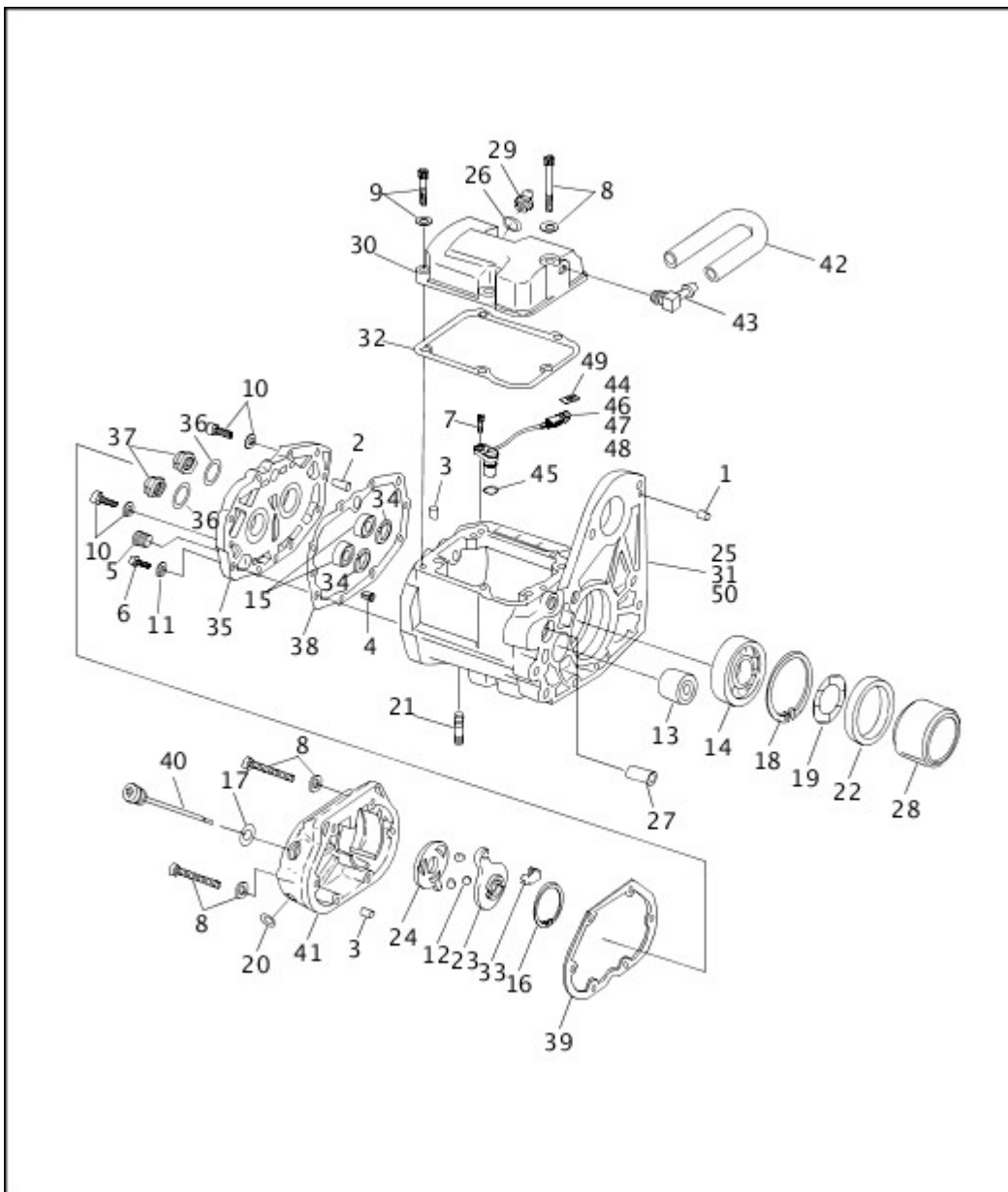
[View interactive image](#)

[View interactive table](#)

INDEX NO.	PART NO.	DESCRIPTION	MODEL(S)
27	33642-89	COVER ASSEMBLY, shifter (chrome)	FLSTC 1995, FLSTC 1996, FLSTF 1995, FLSTF 1996, FLSTN 1995, FLSTN 1996
28	33660-90B	SHIFT LEVER, chrome	FXSTC 1995, FXSTC 1996, FXSTS 1995, FXSTS 1996, FXSTSB 1995, FXSTSB 1996
	33668-90C	SHIFT LEVER, chrome	FLSTC 1995, FLSTC 1996, FLSTF 1995, FLSTF 1996, FLSTN 1995, FLSTN 1996
29	33708-94	BEARING SLEEVE (2)	ALL
30	33715-85A	LEVER, shifter rod	ALL
31	33719-79B	SHIFTER ROD	ALL

INDEX NO.	PART NO.	DESCRIPTION	MODEL(S)
32	33895-82D	SHIFTER LEVER, chrome (2)	FLSTC 1995, FLSTC 1996, FLSTF 1995, FLSTF 1996, FLSTN 1995, FLSTN 1996
33	34082-79	PIN, shifter shaft lever (use 34084-86A)	ALL
34	34083-79	SPRING, shifter shaft lever	ALL
35	34084-86A	LEVER, shifter shaft, w/ 33 & 34	ALL
36	34085-79A	CAM FOLLOWER	ALL
37	34086-79	PAWL, shifter cam	ALL
38	34087-79A	SPRING, shifter shaft	ALL
39	34088-87A	SHAFT, shifter fork	ALL
40	34089-79	SPRING	ALL
41	34191-79E	SHIFTER FORK	ALL
42	34193-79E	SHIFTER FORK	ALL
43	34195-79E	SHIFTER FORK	ALL
44	34564-90B	SHIFT LEVER (chrome)	FXSTC 1995, FXSTC 1996, FXSTS 1995, FXSTS 1996, FXSTSB 1995, FXSTSB 1996
45	34611-65A	PEG, shift lever	FXSTC 1995, FXSTC 1996, FXSTS 1995, FXSTS 1996, FXSTSB 1995, FXSTSB 1996
45	34611-65A	PEG, shift lever (2)	FLSTC 1995, FLSTC 1996, FLSTF 1995, FLSTF 1996, FLSTN 1995, FLSTN 1996
46	35068-79	PLATE	ALL
47	2902	SCREW	ALL
48	7230	LOCKWASHER	FLSTC 1995, FLSTC 1996, FLSTF 1995, FLSTF 1996, FLSTN 1995, FLSTN 1996
49	4017	BOLT	FXSTC 1995, FXSTC 1996, FXSTS 1995, FXSTS 1996, FXSTSB 1995, FXSTSB 1996
<b>INTERNATIONAL MODELS ONLY</b>			
50	14270-92	DECAL, shift pattern (Japan)	ALL

## TRANSMISSION HOUSING (1 OF 2)



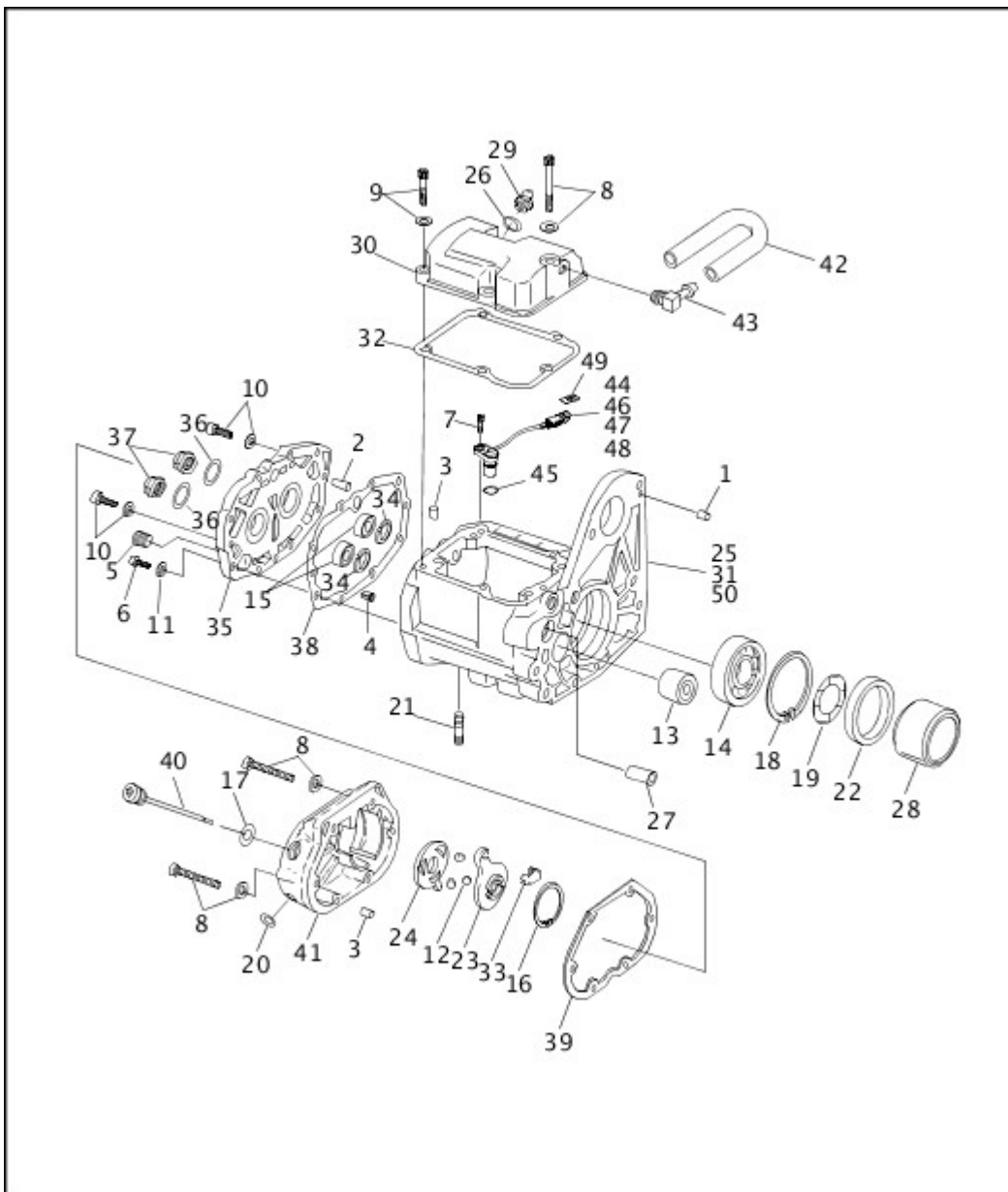
[View interactive image](#)

[View interactive table](#)

INDEX NO.	PART NO.	DESCRIPTION	MODEL(S)
1	337	DOWEL PIN	ALL
2	375	DOWEL PIN	ALL
3	609	PIN (6)	ALL
4	634	PIN	ALL
5	739A	PLUG, magnetic	ALL
6	3210A	SCREW (4)	ALL
7	3594	SCREW	FLSTC 1996, FLSTF 1996, FLSTN 1996, FXSTC 1996, FXSTS 1996, FXSTSB 1996
8	4717A	SCREW (5)	ALL
9	4741A	SCREW (4)	ALL

INDEX NO.	PART NO.	DESCRIPTION	MODEL(S)
10	4814A	SCREW (2)	ALL
11	6016	WASHER (6)	ALL
12	8873	BALL (3)	ALL
13	8977	NEEDLE BEARING	ALL
14	8996A	BALL BEARING, mainshaft, left side	ALL
15	8998	BALL BEARING (2)	ALL
16	10998	RETAINING RING	ALL
17	11132A	O-RING, filler plug	ALL
18	11161	RETAINING RING, ball bearing	ALL
19	11165	QUAD SEAL, ball bearing	ALL
20	11179	O-RING, clutch cable	ALL
21	11733A	STUD (5)	FLSTC 1995, FLSTF 1995, FLSTN 1995, FXSTC 1995, FXSTS 1995, FXSTSB 1995
21	11733A	STUD	FLSTC 1996, FLSTF 1996, FLSTN 1996, FXSTC 1996, FXSTS 1996, FXSTSB 1996
22	12067B	OIL SEAL, mainshaft, left side	ALL
23	25452-87A	INNER RAMP	ALL
24	25453-87A	OUTER RAMP	ALL
25	33006-95	TRANSMISSION (chrome & black)	FLSTC 1995, FLSTF 1995, FLSTN 1995, FXSTC 1995, FXSTS 1995
	33006-96	TRANSMISSION (chrome & black)	FLSTC 1996, FLSTF 1996, FLSTN 1996, FXSTC 1996, FXSTS 1996
	33051-95	TRANSMISSION (chrome & black)	FXSTSB 1995
	33051-96	TRANSMISSION (chrome & black)	FXSTSB 1996
26	33043-80	WASHER, neutral indicator switch	ALL
27	33114-79	SPACER	ALL
28	33344-94	SPACER, sprocket	ALL

## TRANSMISSION HOUSING (2 OF 2)



[View interactive image](#)

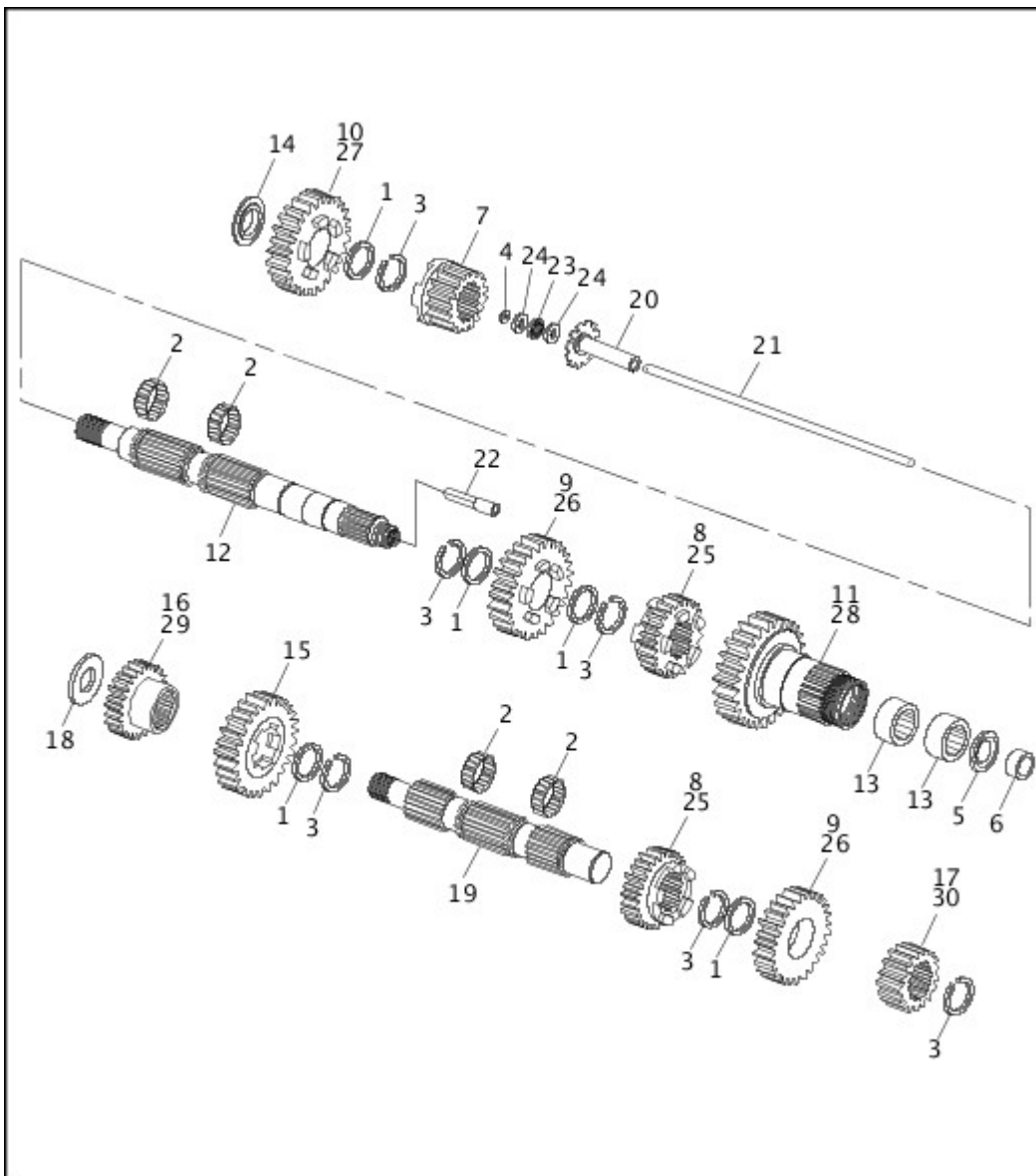
[View interactive table](#)

INDEX NO.	PART NO.	DESCRIPTION	MODEL(S)
29	33900-59C	SWITCH, neutral indicator	ALL
30	34468-86A	COVER, upper (chrome)	ALL
31	34732-96	HOUSING (black)	ALL
32	34904-86D	GASKET, upper cover	ALL
33	34920-86A	COUPLING	ALL
34	35021-89	RETAINING RING, bearing (2)	ALL
35	35258-87D	BEARING HOUSING ASSEMBLY, w/ 3, 15 & 34 (black)	ALL
36	35076-79	SPACER (2)	ALL
37	35078-79	NUT, mainshaft & countershaft	ALL



INDEX NO.	PART NO.	DESCRIPTION	MODEL(S)
38	35652-79B	GASKET, bearing housing	ALL
39	36801-87C	GASKET, right side cover	ALL
40	37075-87	FILLER PLUG (chrome)	ALL
41	37105-87A	CLUTCH RELEASE COVER (chrome)	ALL
42	42533-91A	VENT HOSE	ALL
43	62375-57A	FITTING, upper cover	ALL
44	74437-96B	SENSOR, speedometer, w/ 45-49	FLSTC 1996, FLSTF 1996, FLSTN 1996, FXSTC 1996, FXSTS 1996, FXSTSB 1996
45	11140	O-RING	FLSTC 1996, FLSTF 1996, FLSTN 1996, FXSTC 1996, FXSTS 1996, FXSTSB 1996
46	72143-94	SECONDARY LOCK, three-way receptacle	FLSTC 1996, FLSTF 1996, FLSTN 1996, FXSTC 1996, FXSTS 1996, FXSTSB 1996
47	72163-94BK	RECEPTACLE, 3-way pin	FLSTC 1996, FLSTF 1996, FLSTN 1996, FXSTC 1996, FXSTS 1996, FXSTSB 1996
48	72190-94	TERMINAL, pin (3)	FLSTC 1996, FLSTF 1996, FLSTN 1996, FXSTC 1996, FXSTS 1996, FXSTSB 1996
49	72199-94	ATTACHMENT CLIP	FLSTC 1996, FLSTF 1996, FLSTN 1996, FXSTC 1996, FXSTS 1996, FXSTSB 1996
<b>INTERNATIONAL MODELS ONLY</b>			
50	33040-95	TRANSMISSION (chrome & black) (HDI except Japan)	FLSTC 1995, FLSTF 1995, FLSTN 1995, FXSTC 1995, FXSTS 1995
	33063-95	TRANSMISSION (chrome & black) (HDI except Japan)	FXSTSB 1995

## TRANSMISSION GEARS



[View interactive image](#)

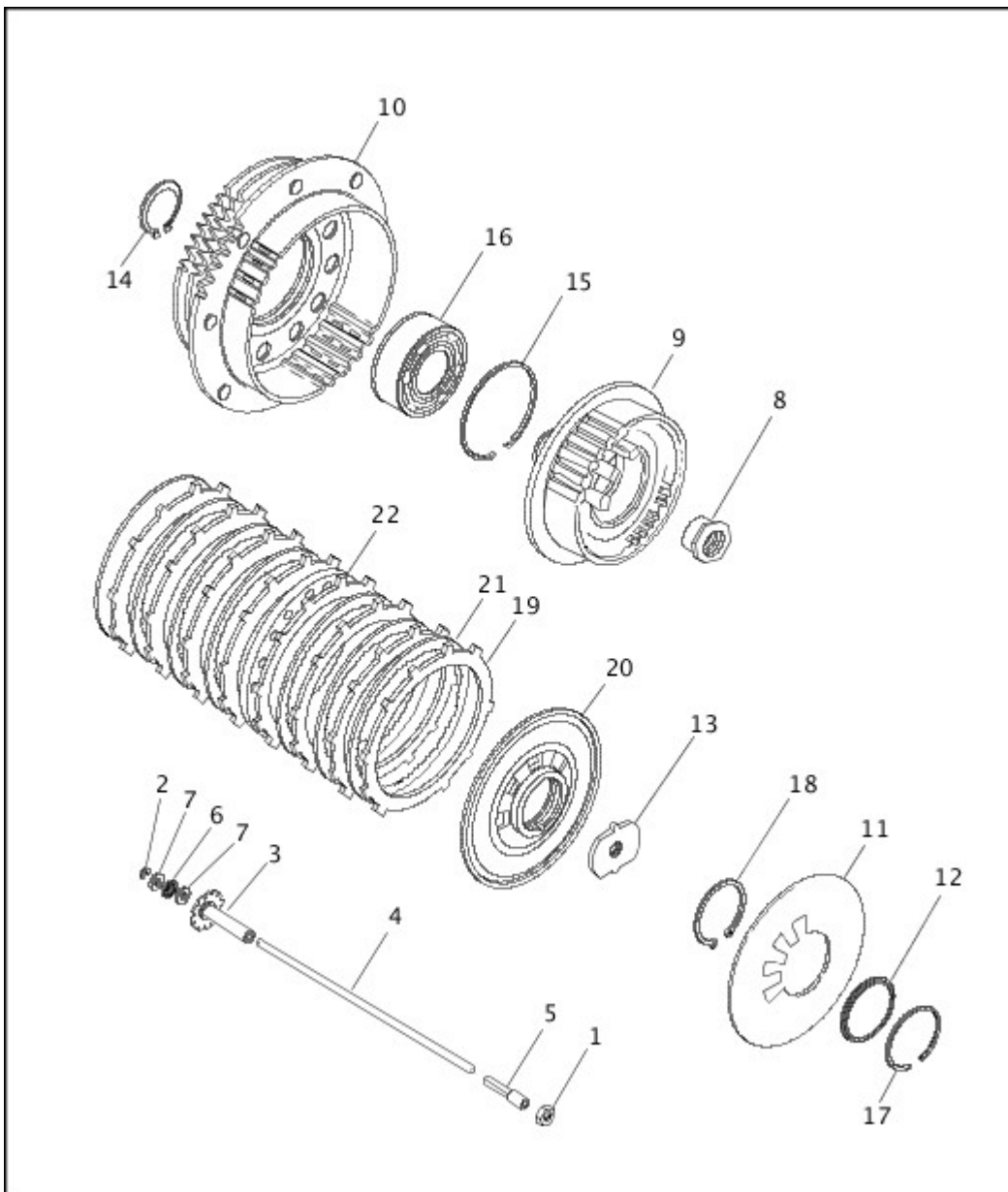
[View interactive table](#)

INDEX NO.	PART NO.	DESCRIPTION	MODEL(S)
1	6003	WASHER (5)	ALL
2	8876A	BEARING (4)	ALL
3	11067	RETAINING RING (6)	ALL
4	11096	RETAINING RING	ALL
5	12035B	OIL SEAL, mainshaft fifth gear	ALL
6	34091-85A	BEARING, inner race	ALL
7	35025-79B	FIRST GEAR, mainshaft	ALL
8	35026-79C	GEAR, mainshaft 2nd & countershaft 3rd (use 35026-94 & 35027-94) (2)	FLSTC 1995, FLSTF 1995, FLSTN 1995, FXSTC 1995, FXSTS 1995, FXSTSB 1995
	35026-94	GEAR, mainshaft 2nd & countershaft 3rd (2)	FLSTC 1996, FLSTF 1996, FLSTN 1996, FXSTC 1996, FXSTS 1996, FXSTSB 1996

INDEX NO.	PART NO.	DESCRIPTION	MODEL(S)
9	35027-79B	GEAR, mainshaft 3rd & countershaft 2nd (use 35026-94 & 35027-94) (2)	FLSTC 1995, FLSTF 1995, FLSTN 1995, FXSTC 1995, FXSTS 1995, FXSTSB 1995
	35027-94	GEAR, mainshaft 3rd & countershaft 2nd (2)	FLSTC 1996, FLSTF 1996, FLSTN 1996, FXSTC 1996, FXSTS 1996, FXSTSB 1996
10	35028-79B	FOURTH GEAR, mainshaft	FLSTC 1995, FLSTF 1995, FLSTN 1995, FXSTC 1995, FXSTS 1995, FXSTSB 1995
	35028-94	FOURTH GEAR, mainshaft	FLSTC 1996, FLSTF 1996, FLSTN 1996, FXSTC 1996, FXSTS 1996, FXSTSB 1996
11	35029-91A	FIFTH GEAR, mainshaft (use 35026-94 & 35029-94)	FLSTC 1995, FLSTF 1995, FLSTN 1995, FXSTC 1995, FXSTS 1995, FXSTSB 1995
	35029-94	FIFTH GEAR, mainshaft	FLSTC 1996, FLSTF 1996, FLSTN 1996, FXSTC 1996, FXSTS 1996, FXSTSB 1996
12	35042-91	MAINSHAFT	ALL
13	35051-89A	NEEDLE BEARING (2)	ALL
14	35064-79	SPACER, mainshaft	ALL
15	35622-79C	FIRST GEAR, countershaft	ALL
16	35625-79B	FOURTH GEAR, countershaft	FLSTC 1995, FLSTF 1995, FLSTN 1995, FXSTC 1995, FXSTS 1995, FXSTSB 1995
	35625-94	FOURTH GEAR, countershaft	FLSTC 1996, FLSTF 1996, FLSTN 1996, FXSTC 1996, FXSTS 1996, FXSTSB 1996
17	35626-79B	FIFTH GEAR, countershaft	FLSTC 1995, FLSTF 1995, FLSTN 1995, FXSTC 1995, FXSTS 1995, FXSTSB 1995
	35626-94	FIFTH GEAR, countershaft	FLSTC 1996, FLSTF 1996, FLSTN 1996, FXSTC 1996, FXSTS 1996, FXSTSB 1996
18	35629-79	SPACER	ALL
19	35632-79	COUNTERSHAFT	ALL
20	37069-90A	OIL SLINGER ASSEMBLY	ALL
21	37088-90	PUSHROD, clutch release (through mainshaft)	ALL
22	37090-84A	END, clutch pushrod, left side	ALL
23	37312-75	BEARING	ALL
24	37313-80	THRUST WASHER (2)	ALL
<b>INTERNATIONAL MODELS ONLY</b>			

INDEX NO.	PART NO.	DESCRIPTION	MODEL(S)
25	35026-94	GEAR, mainshaft 2nd & countershaft 3rd (HDI except Japan) (2)	ALL
26	35027-94	GEAR, mainshaft 3rd & countershaft 2nd (HDI except Japan) (2)	ALL
27	35028-94	FOURTH GEAR, mainshaft (HDI except Japan)	ALL
28	35029-94	FIFTH GEAR, mainshaft (HDI except Japan)	ALL
29	35625-94	FOURTH GEAR, countershaft (HDI except Japan)	ALL
30	35626-94	FIFTH GEAR, countershaft (HDI except Japan)	ALL

## CLUTCH



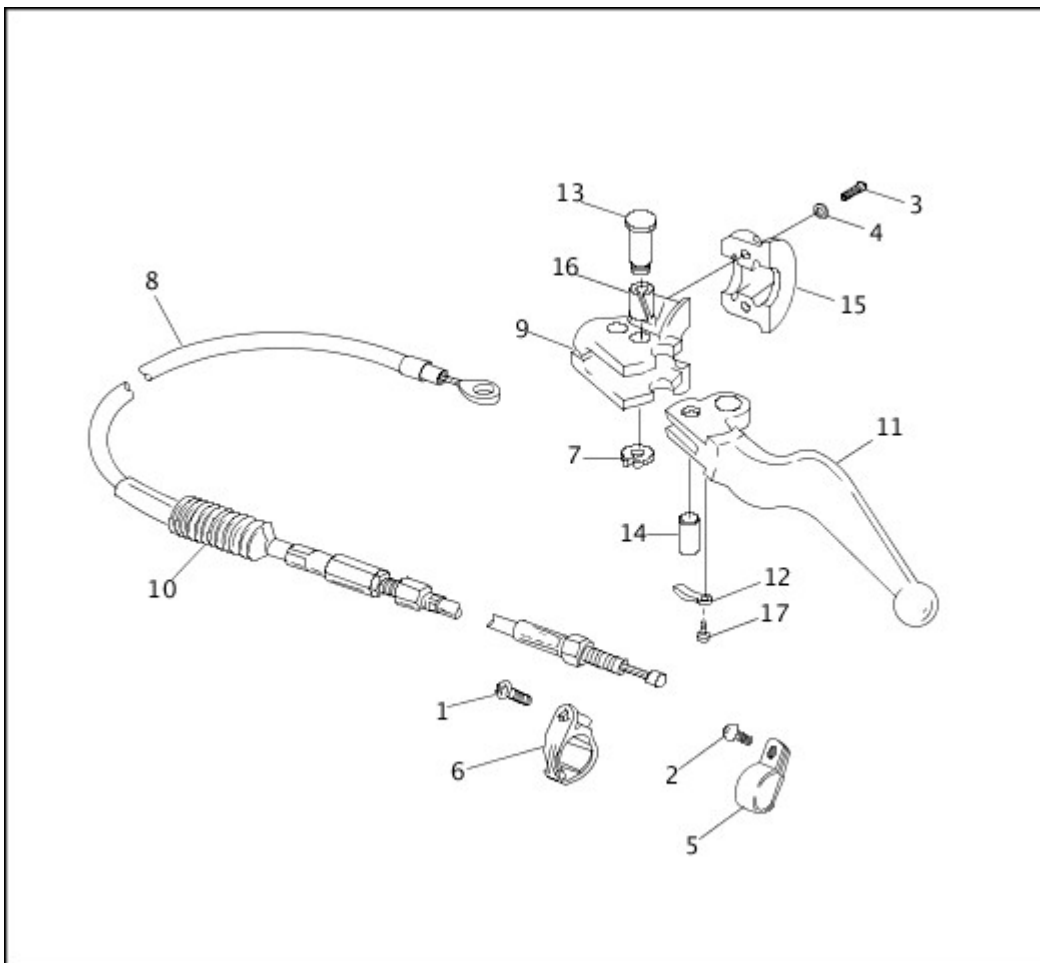
[View interactive image](#)

[View interactive table](#)

INDEX NO.	PART NO.	DESCRIPTION	MODEL(S)
1	7848W	JAMNUT	ALL
2	11096	RETAINING RING	ALL
3	37069-90A	PUSHROD END	ALL
4	37088-90	PUSHROD, clutch release	ALL
5	37090-84A	END, pushrod, left	ALL
6	37312-75	BEARING, pushrod	ALL
7	37313-80	THRUST WASHER (2)	ALL
8	37496-90A	NUT, mainshaft	ALL
9	37550-90A	CLUTCH HUB	ALL

INDEX NO.	PART NO.	DESCRIPTION	MODEL(S)
10	37707-94	SHELL & SPROCKET, w/ RING GEAR	ALL
11	37871-90	SPRING, diaphragm	ALL
12	37872-90	SEAT, clutch spring	ALL
13	37903-90	RELEASE PLATE	ALL
14	37904-90	RETAINING RING, external	ALL
15	37905-90	RETAINING RING, internal	ALL
16	37906-90	BEARING, ball, double row	ALL
17	37908-90	RETAINING RING, internal	ALL
18	37909-90	RETAINING RING, internal	ALL
19	37911-90	FRICTION PLATE (paper) (Set of 8)	ALL
20	37912-91	PRESSURE PLATE	ALL
21	37913-90	STEEL PLATE (smooth) (6)	ALL
22	37977-90	SPRING PLATE (smooth)	ALL

## CLUTCH CONTROL



[View interactive image](#)

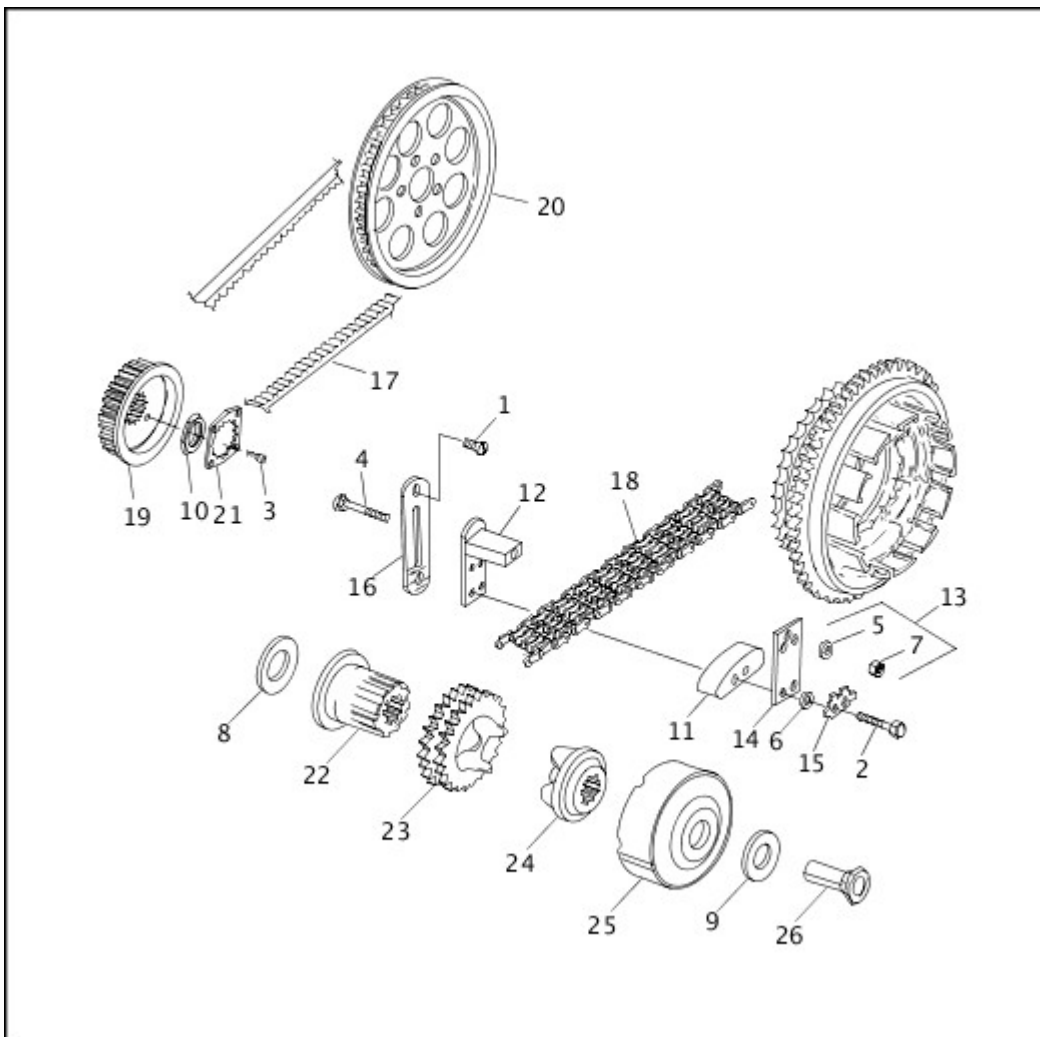
[View interactive table](#)

INDEX NO.	PART NO.	DESCRIPTION	MODEL(S)
1	2566	SCREW	ALL
2	3538	SCREW	FXSTSB 1995, FXSTSB 1996
3	4015	SCREW (2)	FLSTC 1995, FLSTF 1995, FLSTN 1995, FXSTC 1995, FXSTS 1995, FXSTSB 1995
	4132	SCREW (2)	FLSTC 1996, FLSTF 1996, FLSTN 1996, FXSTC 1996, FXSTS 1996, FXSTSB 1996
4	6099	WASHER (2)	FLSTC 1995, FLSTF 1995, FLSTN 1995, FXSTC 1995, FXSTS 1995, FXSTSB 1995
	6101	WASHER (2)	FLSTC 1996, FLSTF 1996, FLSTN 1996, FXSTC 1996, FXSTS 1996, FXSTSB 1996
5	10076	CLAMP, clutch cable	FXSTSB 1995, FXSTSB 1996
6	10124	CLAMP	ALL
7	11143	RETAINING RING	ALL

INDEX NO.	PART NO.	DESCRIPTION	MODEL(S)
8	38607-87A	CABLE, clutch control	FLSTC 1995, FLSTC 1996, FLSTF 1995, FLSTF 1996, FLSTN 1995, FLSTN 1996, FXSTC 1995, FXSTC 1996, FXSTS 1995, FXSTS 1996
	38617-95	CABLE, clutch control	FXSTSB 1995, FXSTSB 1996
9	38608-82B	BRACKET, hand lever	FLSTC 1995, FLSTF 1995, FLSTN 1995, FXSTC 1995, FXSTS 1995, FXSTSB 1995
	38608-96	BRACKET, hand lever	FLSTC 1996, FLSTF 1996, FLSTN 1996, FXSTC 1996, FXSTS 1996, FXSTSB 1996
10	38630-88	BOOT, clutch cable	ALL
11	45015-96	HAND LEVER	ALL
12	45021-86	SPRING, anti-rattle	ALL
13	45032-82	PIN, hand lever pivot	ALL
14	45036-88	ANCHOR PIN	ALL
15	45044-82	CLAMP, lever bracket	FLSTC 1995, FLSTF 1995, FLSTN 1995, FXSTC 1995, FXSTS 1995, FXSTSB 1995
	45044-96A	CLAMP, lever bracket	FLSTC 1996, FLSTF 1996, FLSTN 1996, FXSTC 1996, FXSTS 1996, FXSTSB 1996
16	45423-92	BUSHING	ALL
17	90770-79	SCREW	ALL

## **BELTS, CHAINS & SPROCKETS**





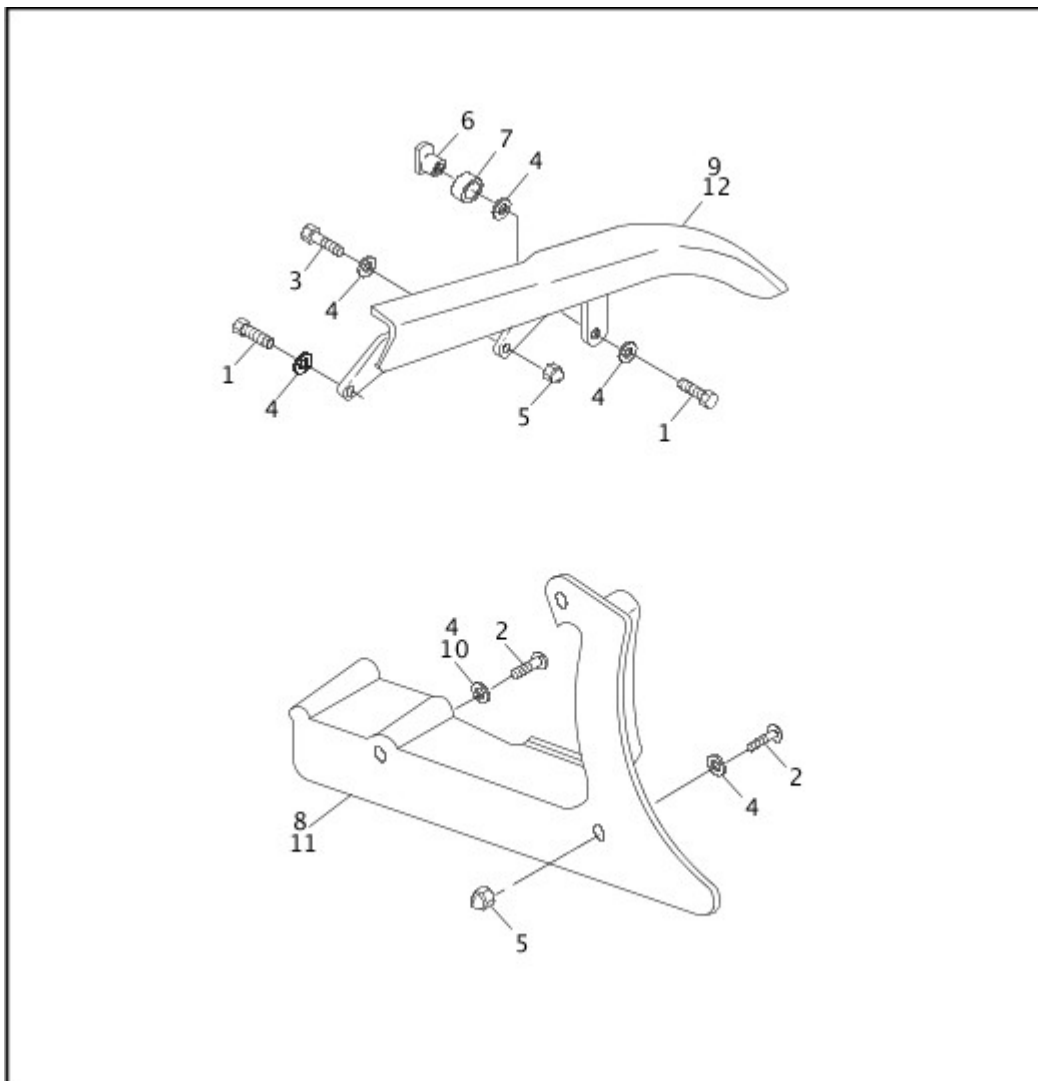
View interactive image

View interactive table

INDEX NO.	PART NO.	DESCRIPTION	MODEL(S)
1	1783C	SCREW (2)	ALL
2	2614	BOLT (2)	ALL
3	3594	SCREW (2)	ALL
4	5444	BOLT	ALL
5	6400HB	WASHER	ALL
6	6703	WASHER (2)	ALL
7	7778	LOCKNUT	ALL
8	24032-70	SPACER, sprocket shaft, 0.06 thick (as required)	ALL
	24033-70	SPACER, sprocket shaft, 0.09 thick (as required)	ALL
	24034-70	SPACER, sprocket shaft, 0.12 thick (as required)	ALL
	24035-70	SPACER, sprocket shaft, 0.15 thick (as required)	ALL

INDEX NO.	PART NO.	DESCRIPTION	MODEL(S)
	24036-70	SPACER, sprocket shaft, 0.18 thick (as required)	ALL
	24037-70	SPACER, sprocket shaft, 0.21 thick (as required)	ALL
	35850-84	SPACER, sprocket shaft, 0.01 thick (as required)	ALL
	35851-84	SPACER, sprocket shaft, 0.02 thick (as required)	ALL
	35852-84	SPACER, sprocket shaft, 0.03 thick (as required)	ALL
	35854-96	SPACER, sprocket shaft, 0.070 thick (as required)	FLSTC 1996, FLSTF 1996, FLSTN 1996, FXSTC 1996, FXSTS 1996, FXSTSB 1996
9	29960-91A	SPACER	ALL
10	35211-91B	NUT, sprocket	ALL
11	39976-65B	PAD, chain tensioner	ALL
12	39990-65	CHAIN TENSIONER	ALL
13	39992-65C	CHAIN TENSIONER MOUNTING KIT, w/ 4, 5 & 7	ALL
14	39993-65	PLATE, chain tensioner	ALL
15	39996-65	LOCKWASHER, chain tensioner plate	ALL
16	39998-65A	ANCHOR PLATE, chain tensioner	ALL
17	40017-94	REAR BELT, 130 T	ALL
18	40007-36B	PRIMARY CHAIN	ALL
19	40250-94C	SPROCKET, transmission, 32T	ALL
20	40311-94	SPROCKET, rear, 65T (silver)	FLSTF 1995, FLSTF 1996, FXSTC 1995, FXSTC 1996, FXSTSB 1995, FXSTSB 1996
	40312-94	SPROCKET, rear, 65T (black)	FLSTC 1995, FLSTC 1996, FLSTN 1995, FLSTN 1996, FXSTS 1995, FXSTS 1996
21	40251-92A	LOCKPLATE	ALL
22	40266-85	SHAFT EXTENSION	ALL
23	40308-94	COMPENSATING SPROCKET, 25T	ALL
24	40299-83A	SLIDING CAM	ALL
25	40384-91	COVER ASSEMBLY, w/ springs	ALL
26	40392-91	NUT	ALL

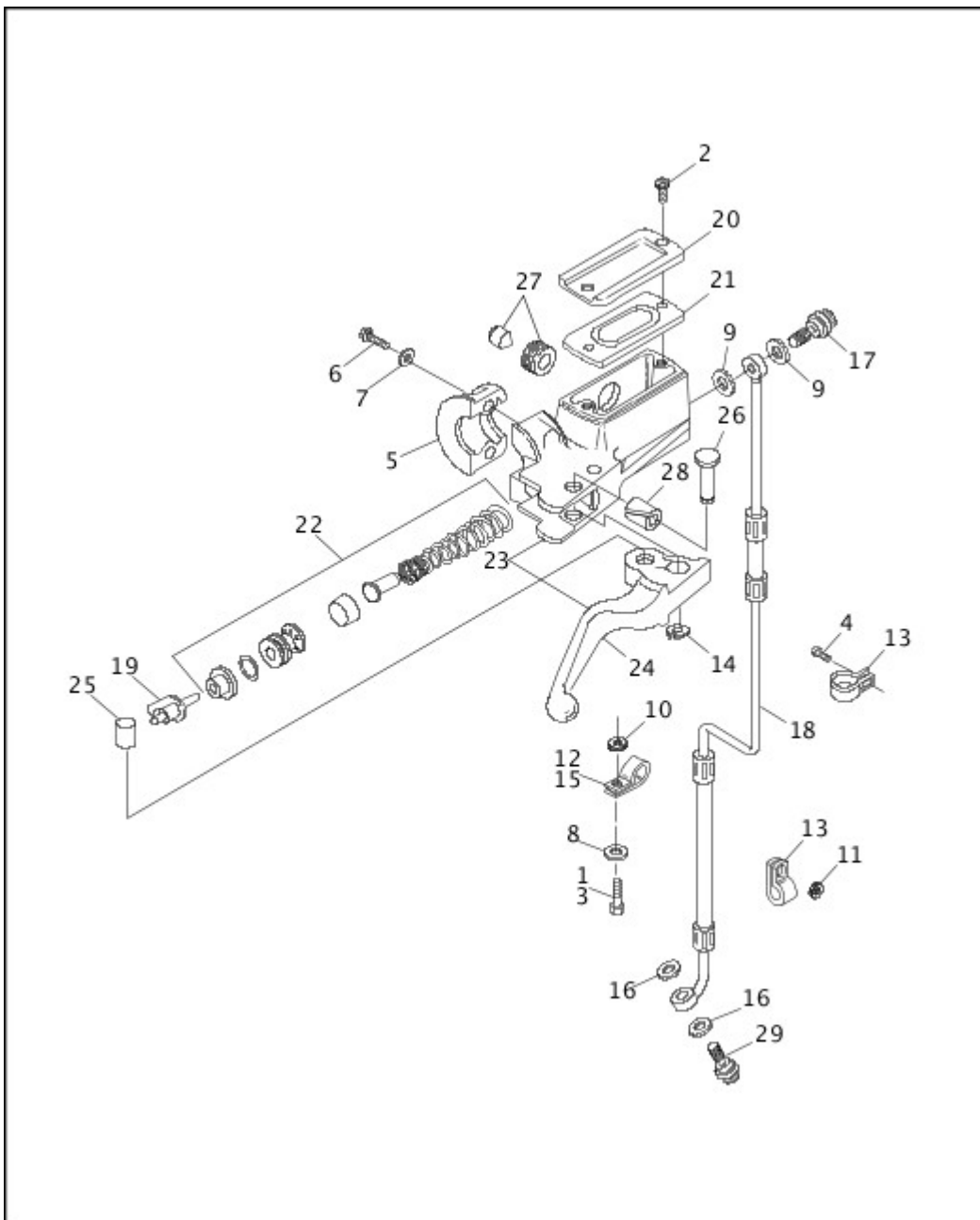
# REAR BELT GUARD



[View interactive image](#)

[View interactive table](#)

INDEX NO.	PART NO.	DESCRIPTION	MODEL(S)
1	2882W	SCREW (2)	ALL
2	3540	SCREW (2)	ALL
3	3987	BOLT	ALL
4	6702	WASHER (6)	ALL
5	7507	ACORN NUT (2)	ALL
6	7669	NUT (2)	ALL
7	11411	GROMMET	ALL
8	60415-89C	DEBRIS DEFLECTOR	ALL
9	60537-89	BELT GUARD (chrome) w/ 1, 4, 6 & 7	ALL



[View interactive image](#)

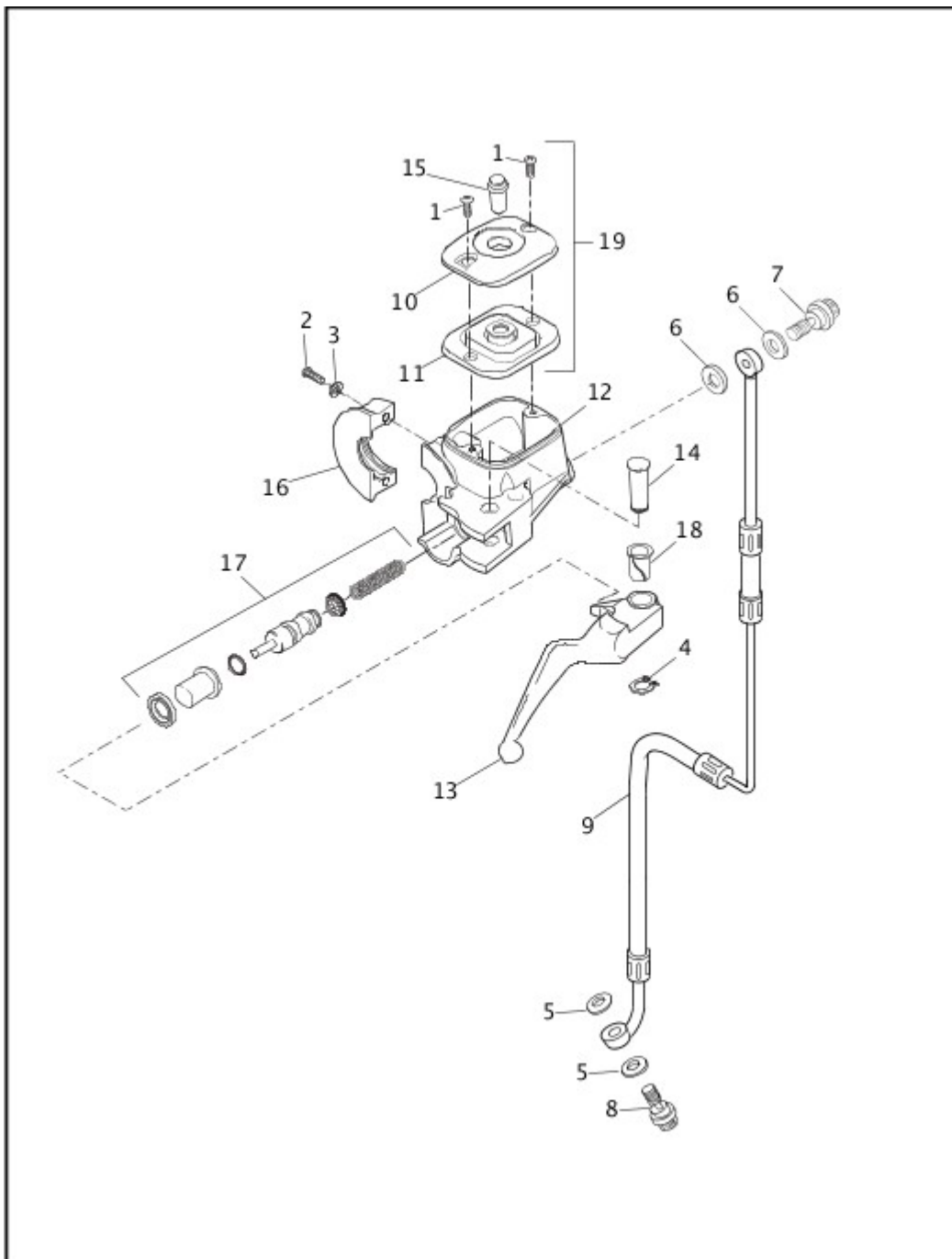
[View interactive table](#)

INDEX NO.	PART NO.	DESCRIPTION	MODEL(S)
1	923	SCREW	FLSTC 1995, FLSTF 1995, FLSTN 1995
2	2579A	SCREW (2)	FLSTC 1995, FLSTF 1995, FLSTN 1995, FXSTC 1995, FXSTS 1995, FXSTSB 1995
3	3594	SCREW	FLSTC 1995, FLSTF 1995, FXSTS 1995
	4240	SCREW	FXSTC 1995
4	3538	SCREW	FXSTS 1995
5	45044-82	CLAMP, master cylinder	FLSTC 1995, FLSTF 1995, FLSTN 1995, FXSTC 1995, FXSTS 1995, FXSTSB 1995

INDEX NO.	PART NO.	DESCRIPTION	MODEL(S)
6	4015	SCREW (2)	FLSTC 1995, FLSTF 1995, FLSTN 1995, FXSTC 1995, FXSTS 1995, FXSTSB 1995
7	6099	WASHER (2)	FLSTC 1995, FLSTF 1995, FLSTN 1995, FXSTC 1995, FXSTS 1995, FXSTSB 1995
8	6703	WASHER	FLSTC 1995, FLSTF 1995, FLSTN 1995, FXSTC 1995, FXSTS 1995, FXSTSB 1995
9	41733-88	GASKET, master cylinder, single disc (2)	FLSTC 1995, FLSTF 1995, FLSTN 1995, FXSTC 1995, FXSTS 1995, FXSTSB 1995
10	7686	LOCKNUT	FLSTC 1995, FLSTF 1995, FLSTN 1995
11	7531	LOCKNUT	FXSTS 1995
12	10031	CLAMP, brake line	FXSTC 1995
13	10076	CLAMP (2)	FXSTS 1995
14	11143	RETAINING RING	FLSTC 1995, FLSTF 1995, FLSTN 1995, FXSTC 1995, FXSTS 1995, FXSTSB 1995
15	41713-86	CLAMP, brake line	FXSTS 1995
	41713-86	CLAMP, brake line (3)	FLSTC 1995
16	41731-88A	GASKET (2)	FLSTC 1995, FLSTF 1995, FLSTN 1995, FXSTC 1995, FXSTS 1995, FXSTSB 1995
17	41739-84A	FITTING, master cylinder, single disc	FLSTC 1995, FLSTF 1995, FLSTN 1995, FXSTC 1995, FXSTS 1995, FXSTSB 1995
18	42303-89B	BRAKE LINE	FLSTF 1995, FLSTN 1995
	42305-86B	BRAKE LINE	FLSTC 1995
	45110-88C	BRAKE LINE	FXSTS 1995
	45112-84B	BRAKE LINE	FXSTC 1995
	45115-95B	BRAKE LINE	FXSTSB 1995
19	45051-82	PUSHROD, stoplamp switch	FLSTC 1995, FLSTF 1995, FLSTN 1995, FXSTC 1995, FXSTS 1995, FXSTSB 1995
20	45004-85	COVER, master cylinder	FLSTC 1995, FLSTF 1995, FLSTN 1995, FXSTC 1995, FXSTS 1995, FXSTSB 1995
21	45005-85	GASKET, master cylinder cover	FLSTC 1995, FLSTF 1995, FLSTN 1995, FXSTC 1995, FXSTS 1995, FXSTSB 1995

INDEX NO.	PART NO.	DESCRIPTION	MODEL(S)
22	45072-87	REPAIR KIT, master cylinder	FLSTC 1995, FLSTF 1995, FLSTN 1995, FXSTC 1995, FXSTS 1995, FXSTSB 1995
23	45019-93	MASTER CYLINDER, w/ hand lever	FLSTC 1995, FLSTF 1995, FLSTN 1995, FXSTC 1995, FXSTS 1995, FXSTSB 1995
24	45016-93	HAND LEVER	FLSTC 1995, FLSTF 1995, FLSTN 1995, FXSTC 1995, FXSTS 1995, FXSTSB 1995
25	45031-82A	PIN, stoplamp switch & pushrod	FLSTC 1995, FLSTF 1995, FLSTN 1995, FXSTC 1995, FXSTS 1995, FXSTSB 1995
26	45032-82	PIN, hand lever pivot	FLSTC 1995, FLSTF 1995, FLSTN 1995, FXSTC 1995, FXSTS 1995, FXSTSB 1995
27	45042-82	SIGHT GLASS REPAIR KIT	FLSTC 1995, FLSTF 1995, FLSTN 1995, FXSTC 1995, FXSTS 1995, FXSTSB 1995
28	45423-92	BUSHING	FLSTC 1995, FLSTF 1995, FLSTN 1995, FXSTC 1995, FXSTS 1995
29	41747-82A	FITTING	FLSTC 1995, FLSTF 1995, FLSTN 1995, FXSTC 1995, FXSTS 1995, FXSTSB 1995

## FRONT BRAKE CONTROL - 1996



[View interactive image](#)

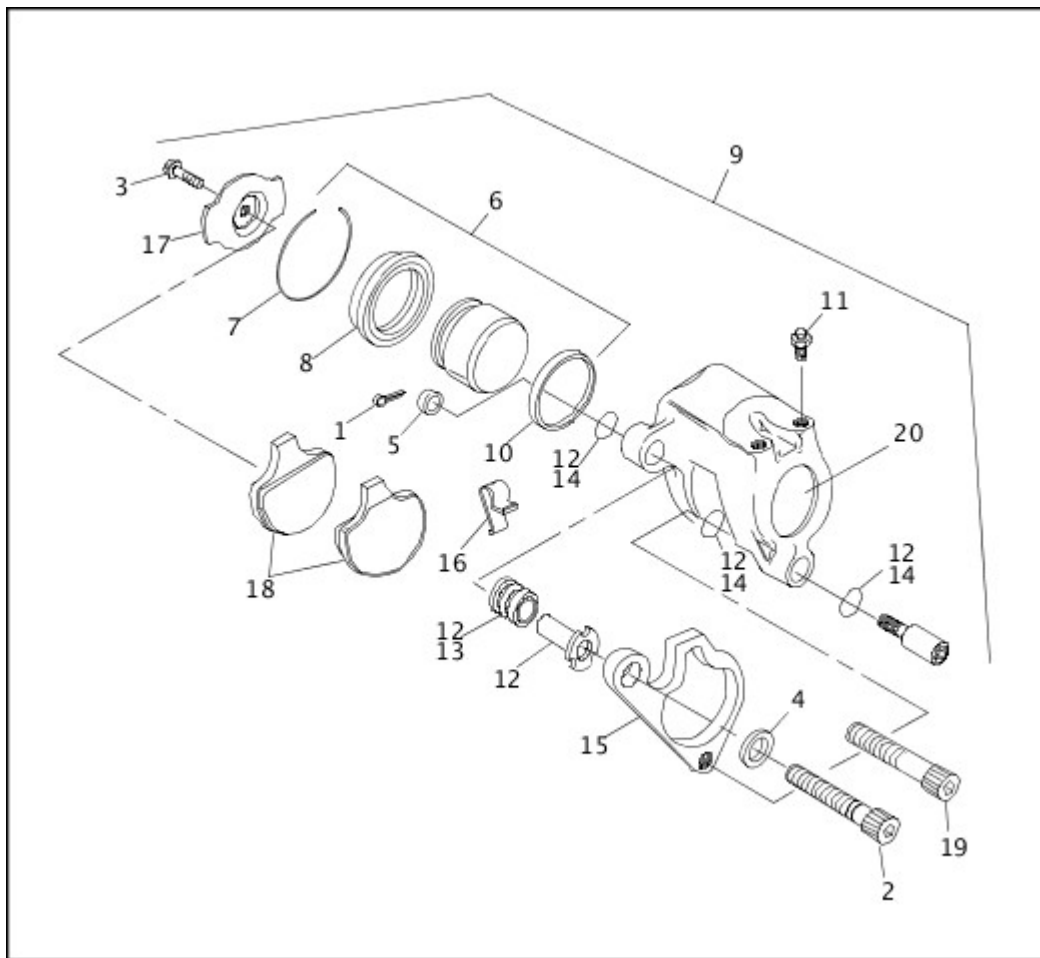
[View interactive table](#)

INDEX NO.	PART NO.	DESCRIPTION	MODEL(S)
1	2579A	SCREW (2)	FLSTC 1996, FLSTF 1996, FLSTN 1996, FXSTC 1996, FXSTS 1996, FXSTSB 1996
2	4132	SCREW (2)	FLSTC 1996, FLSTF 1996, FLSTN 1996, FXSTC 1996, FXSTS 1996, FXSTSB 1996
3	6101	WASHER (2)	FLSTC 1996, FLSTF 1996, FLSTN 1996, FXSTC 1996, FXSTS 1996, FXSTSB 1996
4	11143	RETAINING RING	FLSTC 1996, FLSTF 1996, FLSTN 1996, FXSTC 1996, FXSTS 1996, FXSTSB 1996

INDEX NO.	PART NO.	DESCRIPTION	MODEL(S)
5	41731-88A	GASKET (2)	FLSTC 1996, FLSTF 1996, FLSTN 1996, FXSTC 1996, FXSTS 1996, FXSTSB 1996
6	41733-88	GASKET, master cylinder, single disc (2)	FLSTC 1996, FLSTF 1996, FLSTN 1996, FXSTC 1996, FXSTS 1996, FXSTSB 1996
7	41739-84A	FITTING, master cylinder, single disc	FLSTC 1996, FLSTF 1996, FLSTN 1996, FXSTC 1996, FXSTS 1996, FXSTSB 1996
8	41747-82A	FITTING	FLSTC 1996, FLSTF 1996, FLSTN 1996, FXSTC 1996, FXSTS 1996, FXSTSB 1996
9	42303-96	BRAKE LINE	FLSTF 1996, FLSTN 1996
	42305-96	BRAKE LINE	FLSTC 1996
	45110-96	BRAKE LINE	FXSTS 1996
	45112-96A	BRAKE LINE	FXSTC 1996
	45115-95B	BRAKE LINE	FXSTSB 1996
10	45004-96A	COVER, reservoir	FLSTC 1996, FLSTF 1996, FLSTN 1996, FXSTC 1996, FXSTS 1996, FXSTSB 1996
11	45005-96	GASKET, reservoir cover	FLSTC 1996, FLSTF 1996, FLSTN 1996, FXSTC 1996, FXSTS 1996, FXSTSB 1996
12	45019-96D	MASTER CYLINDER, w/ hand lever (9/16 inch bore)	FLSTC 1996, FLSTF 1996, FLSTN 1996, FXSTC 1996, FXSTS 1996, FXSTSB 1996
13	45016-96	HAND LEVER	FLSTC 1996, FLSTF 1996, FLSTN 1996, FXSTC 1996, FXSTS 1996, FXSTSB 1996
14	45032-82	PIVOT PIN	FLSTC 1996, FLSTF 1996, FLSTN 1996, FXSTC 1996, FXSTS 1996, FXSTSB 1996
15	45042-96	SIGHT GLASS	FLSTC 1996, FLSTF 1996, FLSTN 1996, FXSTC 1996, FXSTS 1996, FXSTSB 1996
16	45044-96A	CLAMP, handlebar control	FLSTC 1996, FLSTF 1996, FLSTN 1996, FXSTC 1996, FXSTS 1996, FXSTSB 1996
17	45006-96C	REPAIR KIT	FLSTC 1996, FLSTF 1996, FLSTN 1996, FXSTC 1996, FXSTS 1996, FXSTSB 1996
18	45423-96	BUSHING, lever pivot	FLSTC 1996, FLSTF 1996, FLSTN 1996, FXSTC 1996, FXSTS 1996, FXSTSB 1996
19	45030-03C	COVER KIT, reservoir, w/ 2579A	FLSTC 1996, FLSTF 1996, FLSTN 1996, FXSTC 1996, FXSTS 1996, FXSTSB 1996



# FRONT BRAKE CALIPER



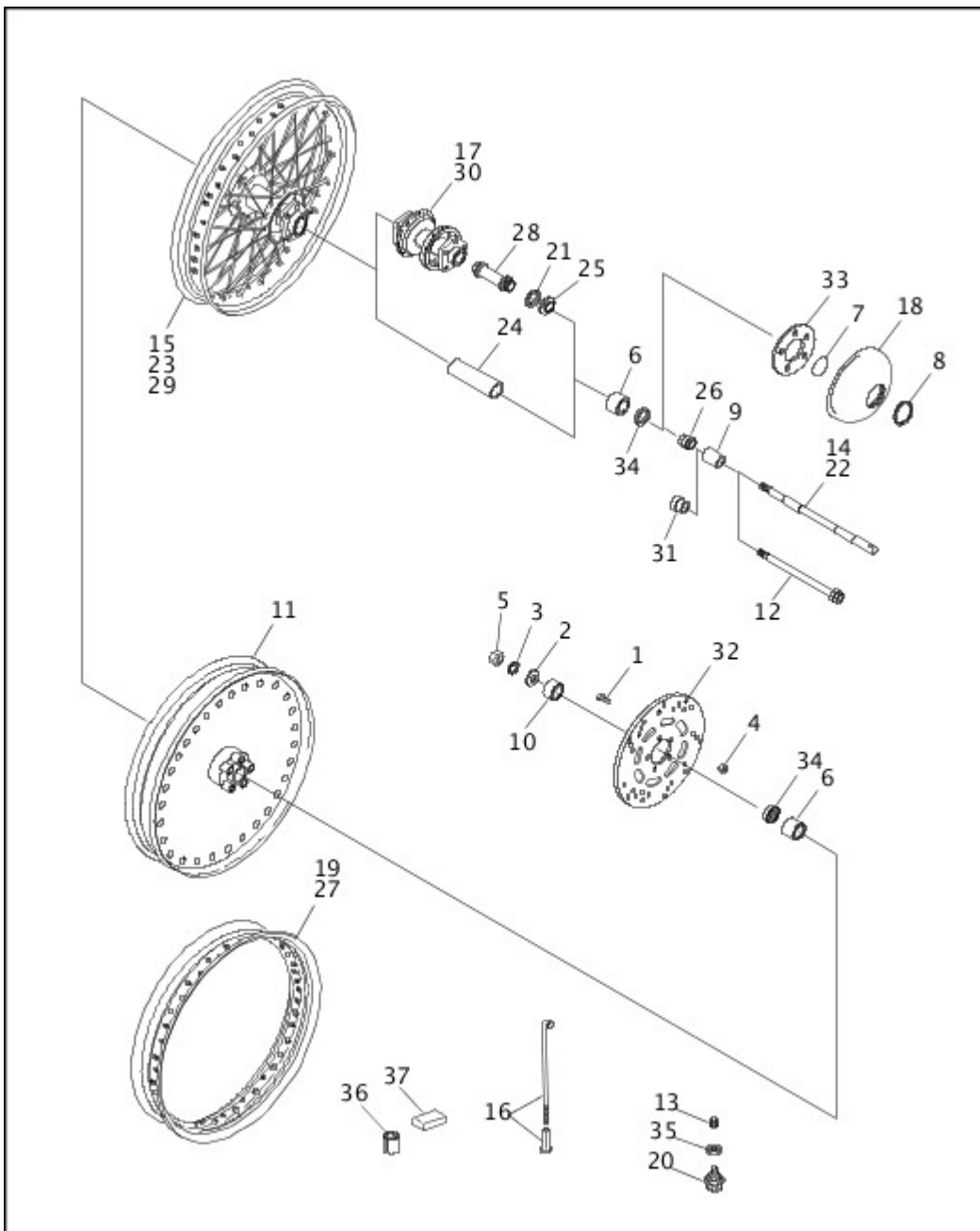
[View interactive image](#)

[View interactive table](#)

INDEX NO.	PART NO.	DESCRIPTION	MODEL(S)
1	534	COTTER PIN	FXSTS 1995, FXSTS 1996, FXSTSB 1995, FXSTSB 1996
2	855B	SCREW	FLSTC 1995, FLSTC 1996, FLSTF 1995, FLSTF 1996, FLSTN 1995, FLSTN 1996, FXSTC 1995, FXSTC 1996
3	3562	SCREW	ALL
4	6019	WASHER	ALL
5	6758	WASHER	FXSTS 1995, FXSTS 1996, FXSTSB 1995, FXSTSB 1996
6	44020-83A	PISTON REBUILD KIT, w/ 7, 8 & 10	ALL
7	44021-83	RETAINING RING, piston	ALL
8	44022-83	DUST BOOT, piston	ALL
9	44046-84C	CALIPER ASSEMBLY, left	FLSTC 1995, FLSTC 1996, FLSTF 1995, FLSTF 1996, FLSTN 1995, FLSTN 1996, FXSTC 1995, FXSTC 1996

INDEX NO.	PART NO.	DESCRIPTION	MODEL(S)
	44077-88F	CALIPER ASSEMBLY, right	FXSTS 1995, FXSTS 1996
	44081-95	CALIPER ASSEMBLY, right	FXSTSB 1995, FXSTSB 1996
10	44047-83	SEAL, piston	ALL
11	44048-83	BLEEDER FITTING	ALL
12	44053-83B	GUIDE PIN KIT, w/ 13, 14 & mounting pins	FXSTS 1995, FXSTS 1996, FXSTSB 1995, FXSTSB 1996
	44053-92A	GUIDE PIN KIT, w/ 13, 14 & mounting pins	FLSTC 1995, FLSTC 1996, FLSTF 1995, FLSTF 1996, FLSTN 1995, FLSTN 1996, FXSTC 1995, FXSTC 1996
	44053-92A	GUIDE PIN KIT, w/ 13, 14 & mounting pins	FLSTF 1995, FLSTF 1996, FLSTN 1995, FLSTN 1996
13	44054-83	PIN BOOT	ALL
14	44059-83	O-RING (3)	ALL
15	44072-92A	BRACKET, caliper mounting (left)	FLSTC 1995, FLSTC 1996, FLSTF 1995, FLSTF 1996, FLSTN 1995, FLSTN 1996, FXSTC 1995, FXSTC 1996
	44074-88B	BRACKET, caliper mounting	FXSTS 1995, FXSTS 1996, FXSTSB 1995, FXSTSB 1996
16	44061-83	SPRING CLIP	ALL
17	44062-83	RETAINING PAD	ALL
18	44063-83C	PAD SET, w/ 3	ALL
19	44190-88A	SCREW, flange	FXSTS 1995, FXSTS 1996, FXSTSB 1995, FXSTSB 1996
20	44197-77	LABEL	ALL

## FRONT WHEEL (1 OF 2)



[View interactive image](#)

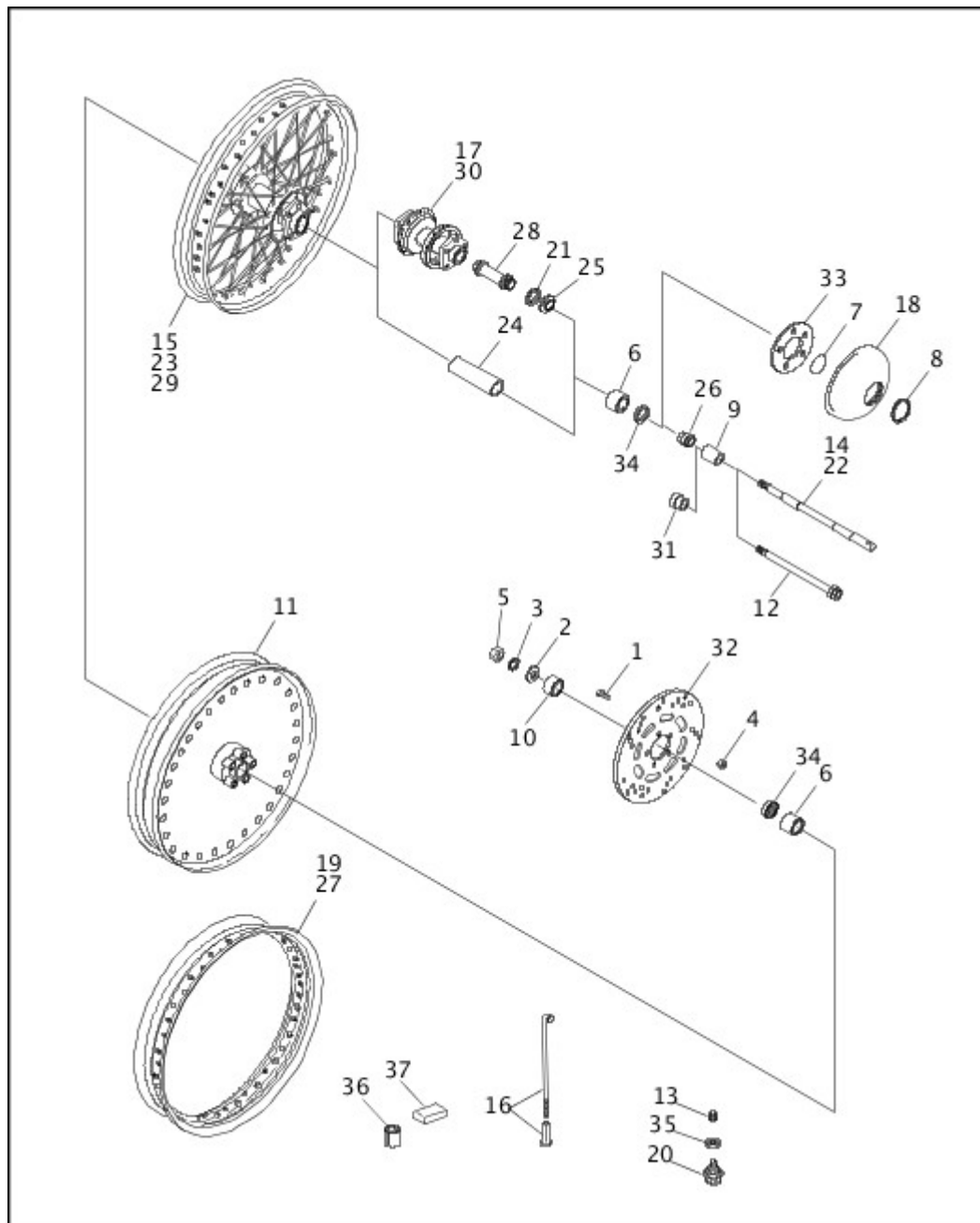
[View interactive table](#)

INDEX NO.	PART NO.	DESCRIPTION	MODEL(S)
1	3655A	SCREW (5)	FLSTC 1995, FLSTC 1996, FLSTN 1995, FLSTN 1996, FXSTC 1995, FXSTC 1996, FXSTS 1995, FXSTS 1996, FXSTSB 1995, FXSTSB 1996
1	3655A	SCREW (10)	FLSTF 1995, FLSTF 1996
2	6590HW	WASHER	FLSTC 1995, FLSTC 1996, FLSTF 1995, FLSTF 1996, FLSTN 1995, FLSTN 1996, FXSTC 1995, FXSTC 1996
	6639	WASHER, left	FXSTS 1995, FXSTS 1996

INDEX NO.	PART NO.	DESCRIPTION	MODEL(S)
3	7068	LOCKWASHER	FLSTC 1995, FLSTC 1996, FLSTF 1995, FLSTF 1996, FLSTN 1995, FLSTN 1996, FXSTC 1995, FXSTC 1996
4	7739	LOCKNUT (5)	ALL
5	7845	NUT	FLSTC 1995, FLSTC 1996, FLSTF 1995, FLSTF 1996, FLSTN 1995, FLSTN 1996, FXSTC 1995, FXSTC 1996
	7994	LOCKNUT	FXSTS 1995, FXSTS 1996, FXSTSB 1995, FXSTSB 1996
6	9052	ROLLER BEARING (2)	ALL
7	11173	O-RING	FLSTC 1995, FLSTC 1996, FLSTN 1995, FLSTN 1996
8	11175	SNAP RING	FLSTC 1995, FLSTC 1996, FLSTN 1995, FLSTN 1996
9	40910-84B	SPACER, right bearing	FXSTC 1995, FXSTC 1996
	43657-89	SPACER, right bearing	FLSTF 1995, FLSTF 1996
10	40910-84B	SPACER, left	FXSTS 1996, FXSTSB 1996
	43674-95	SPACER, left	FLSTC 1996, FLSTF 1996, FLSTN 1996, FXSTC 1996
11	41038-92A	DISC WHEEL ASSEMBLY, 16"	FLSTF 1995, FLSTF 1996
12	41109-88A	AXLE	FXSTS 1995, FXSTS 1996, FXSTSB 1995, FXSTSB 1996
13	41123-79	VALVE CAP	ALL
14	41584-86A	AXLE	FLSTC 1995, FLSTC 1996, FLSTF 1995, FLSTF 1996, FLSTN 1995, FLSTN 1996
15	43005-86C	WHEEL ASSEMBLY, 16 inch laced	FLSTC 1995, FLSTC 1996, FLSTN 1995, FLSTN 1996
16	43241-05	SPOKE & NIPPLE SET, 16" (40)	FLSTC 1995, FLSTC 1996, FLSTN 1995, FLSTN 1996
	43239-05	SPOKE & NIPPLE SET, 21 inch (40)	FXSTC 1995, FXSTC 1996, FXSTS 1995, FXSTS 1996
17	43053-86	HUB, w/ bearings, seals and spacers (use 43005-86C)	FLSTC 1995, FLSTC 1996, FLSTN 1995, FLSTN 1996
18	43067-86	CAP, hub (chrome)	FLSTC 1995, FLSTC 1996, FLSTN 1995, FLSTN 1996
19	43085-81	RIM, 16 inch (chrome)	FLSTC 1995, FLSTC 1996, FLSTN 1995, FLSTN 1996
20	43157-83A	VALVE STEM	FLSTF 1995, FLSTF 1996
21	43290-82	SPACER, 0.032 thick	ALL

INDEX NO.	PART NO.	DESCRIPTION	MODEL(S)
	43291-82	SPACER, 0.016 thick	ALL
	43292-82	SPACER, 0.008 thick	ALL
	43293-82	SPACER, 0.004 thick	ALL
	43294-82	SPACER, 0.002 thick	ALL
22	43346-83B	AXLE	FXSTC 1995, FXSTC 1996
23	43676-88C	WHEEL ASSEMBLY, 21 inch laced	FXSTS 1995, FXSTS 1996, FXSTSB 1995, FXSTSB 1996

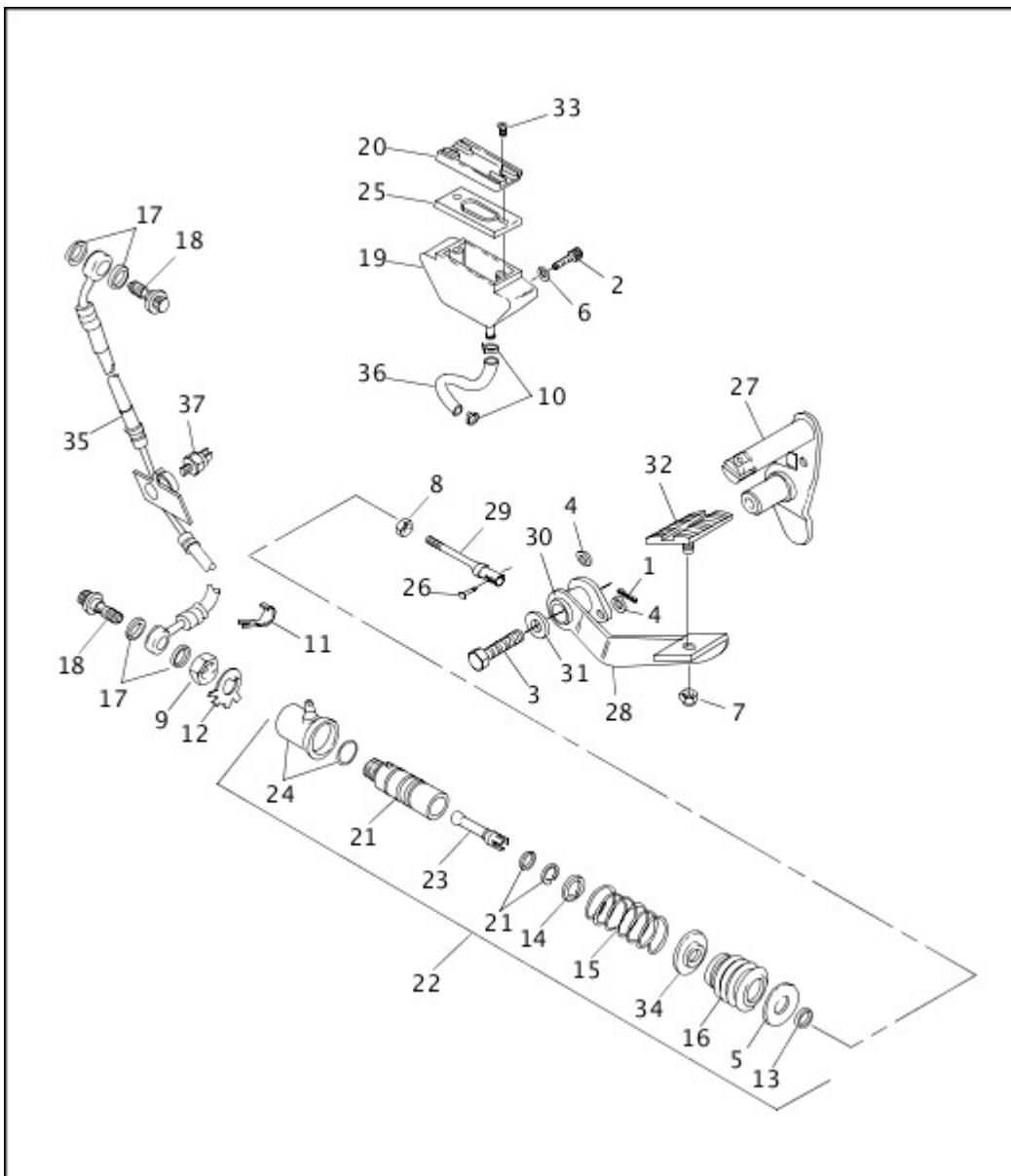
## FRONT WHEEL (2 OF 2)



[View interactive image](#)

INDEX NO.	PART NO.	DESCRIPTION	MODEL(S)
24	43612-92	SLEEVE	FLSTF 1995, FLSTF 1996
25	43650-82	SPACER WASHER	ALL
26	43654-86A	SPACER	FLSTC 1995, FLSTC 1996, FLSTF 1995, FLSTF 1996, FLSTN 1995, FLSTN 1996, FXSTC 1995, FXSTC 1996
27	43662-80B	RIM, 21 inch (chrome)	FLSTC 1995, FLSTC 1996, FLSTN 1995, FLSTN 1996, FXSTC 1995, FXSTC 1996, FXSTS 1995, FXSTS 1996, FXSTSB 1995, FXSTSB 1996
28	43668-82	SLEEVE (laced)	FLSTC 1995, FLSTC 1996, FLSTN 1995, FLSTN 1996, FXSTC 1995, FXSTC 1996, FXSTS 1995, FXSTS 1996, FXSTSB 1995, FXSTSB 1996
29	43671-84C	WHEEL ASSEMBLY, 21 inch laced	FXSTC 1995, FXSTC 1996
30	43672-84A	HUB, w/ bearings & seals (use 43671-84C)	FXSTC 1995, FXSTC 1996
	43677-88A	HUB, w/ bearings & seals	FXSTS 1995, FXSTS 1996, FXSTSB 1995, FXSTSB 1996
31	44029-88	SPACER, hub, right	FXSTS 1995, FXSTS 1996, FXSTSB 1995, FXSTSB 1996
32	44136-92	BRAKE DISC	ALL
	44101-95A	BRAKE DISC, floating	FXSTSB 1995, FXSTSB 1996
33	44447-92	COVER, disc wheel	FLSTF 1995, FLSTF 1996
34	47519-83A	OIL SEAL (2)	ALL
35	54321-85	NUT, valve stem	FLSTC 1995, FLSTC 1996, FLSTN 1995, FLSTN 1996, FXSTC 1995, FXSTC 1996, FXSTS 1995, FXSTS 1996, FXSTSB 1995, FXSTSB 1996
36	95578-41	WEIGHT, 1/2 oz., 0.275 inch I.D., round	FLSTN 1995, FLSTN 1996, FXSTC 1995, FXSTC 1996, FXSTS 1995, FXSTS 1996, FXSTSB 1995, FXSTSB 1996
	95581-47	WEIGHT, 3/4 oz., 0.275 inch I.D., round	FLSTN 1995, FLSTN 1996, FXSTC 1995, FXSTC 1996, FXSTS 1995, FXSTS 1996, FXSTSB 1995, FXSTSB 1996
	95582-47	WEIGHT, 1 oz., 0.275 inch I.D., round	FLSTN 1995, FLSTN 1996, FXSTC 1995, FXSTC 1996, FXSTS 1995, FXSTS 1996, FXSTSB 1995, FXSTSB 1996
37	95595-84A	WEIGHT, 5 grams for cast wheel (silver)	FLSTF 1995, FLSTF 1996

# REAR BRAKE CONTROL - FXST (1 OF 2)



[View interactive image](#)

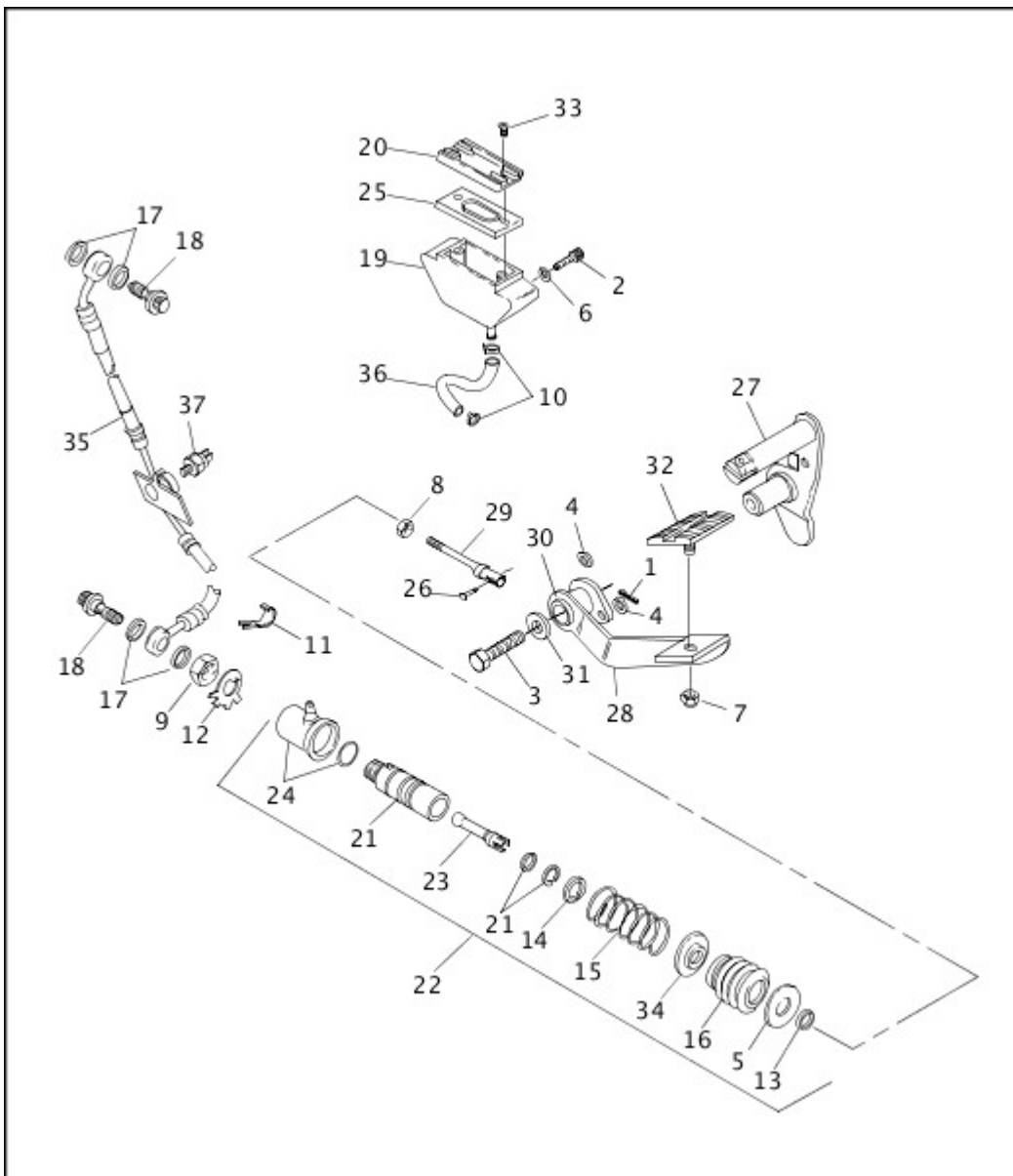
[View interactive table](#)

INDEX NO.	PART NO.	DESCRIPTION	MODEL(S)
1	515	COTTER PIN	FXSTC 1995, FXSTC 1996, FXSTS 1995, FXSTS 1996, FXSTSB 1995, FXSTSB 1996
2	3473	BOLT (2)	FXSTC 1995, FXSTC 1996, FXSTS 1995, FXSTS 1996, FXSTSB 1995, FXSTSB 1996
3	3509	BOLT	FXSTC 1995, FXSTC 1996, FXSTS 1995, FXSTS 1996, FXSTSB 1995, FXSTSB 1996
4	6099	WASHER (2)	FXSTC 1995, FXSTC 1996, FXSTS 1995, FXSTS 1996, FXSTSB 1995, FXSTSB 1996

INDEX NO.	PART NO.	DESCRIPTION	MODEL(S)
5	6366	WASHER	FXSTC 1995, FXSTC 1996, FXSTS 1995, FXSTS 1996, FXSTSB 1995, FXSTSB 1996
6	6716	WASHER (2)	FXSTC 1995, FXSTC 1996, FXSTS 1995, FXSTS 1996, FXSTSB 1995, FXSTSB 1996
7	7742	LOCKNUT	FXSTC 1995, FXSTC 1996, FXSTS 1995, FXSTS 1996, FXSTSB 1995, FXSTSB 1996
8	7744	JAMNUT	FXSTC 1995, FXSTC 1996, FXSTS 1995, FXSTS 1996, FXSTSB 1995, FXSTSB 1996
9	7855W	JAMNUT	FXSTC 1995, FXSTC 1996, FXSTS 1995, FXSTS 1996, FXSTSB 1995, FXSTSB 1996
10	10038A	CLAMP, reservoir hose (2)	FXSTC 1995, FXSTC 1996, FXSTS 1995, FXSTS 1996, FXSTSB 1995, FXSTSB 1996
11	10122	CLIP	FXSTC 1995, FXSTC 1996, FXSTS 1995, FXSTS 1996, FXSTSB 1995, FXSTSB 1996
12	37503-41	LOCKWASHER	FXSTC 1995, FXSTC 1996, FXSTS 1995, FXSTS 1996, FXSTSB 1995, FXSTSB 1996
13	40903-87	RETAINING RING	FXSTC 1995, FXSTC 1996, FXSTS 1995, FXSTS 1996, FXSTSB 1995, FXSTSB 1996
14	40918-87	RETAINING RING	FXSTC 1995, FXSTC 1996, FXSTS 1995, FXSTS 1996, FXSTSB 1995, FXSTSB 1996
15	40920-87	SPRING, brake return	FXSTC 1995, FXSTC 1996, FXSTS 1995, FXSTS 1996, FXSTSB 1995, FXSTSB 1996
16	40922-87A	BOOT, pushrod	FXSTC 1995, FXSTC 1996, FXSTS 1995, FXSTS 1996, FXSTSB 1995, FXSTSB 1996
17	41731-88A	GASKET (4)	FXSTC 1995, FXSTC 1996, FXSTS 1995, FXSTS 1996, FXSTSB 1995, FXSTSB 1996
18	41747-82A	BOLT (2)	FXSTC 1995, FXSTC 1996, FXSTS 1995, FXSTS 1996, FXSTSB 1995, FXSTSB 1996
19	41804-84A	RESERVOIR, master cylinder	FXSTC 1995, FXSTC 1996, FXSTS 1995, FXSTS 1996, FXSTSB 1995, FXSTSB 1996
20	45057-82	COVER, reservoir	FXSTC 1995, FXSTC 1996, FXSTS 1995, FXSTS 1996, FXSTSB 1995, FXSTSB 1996



# REAR BRAKE CONTROL - FXST (2 OF 2)



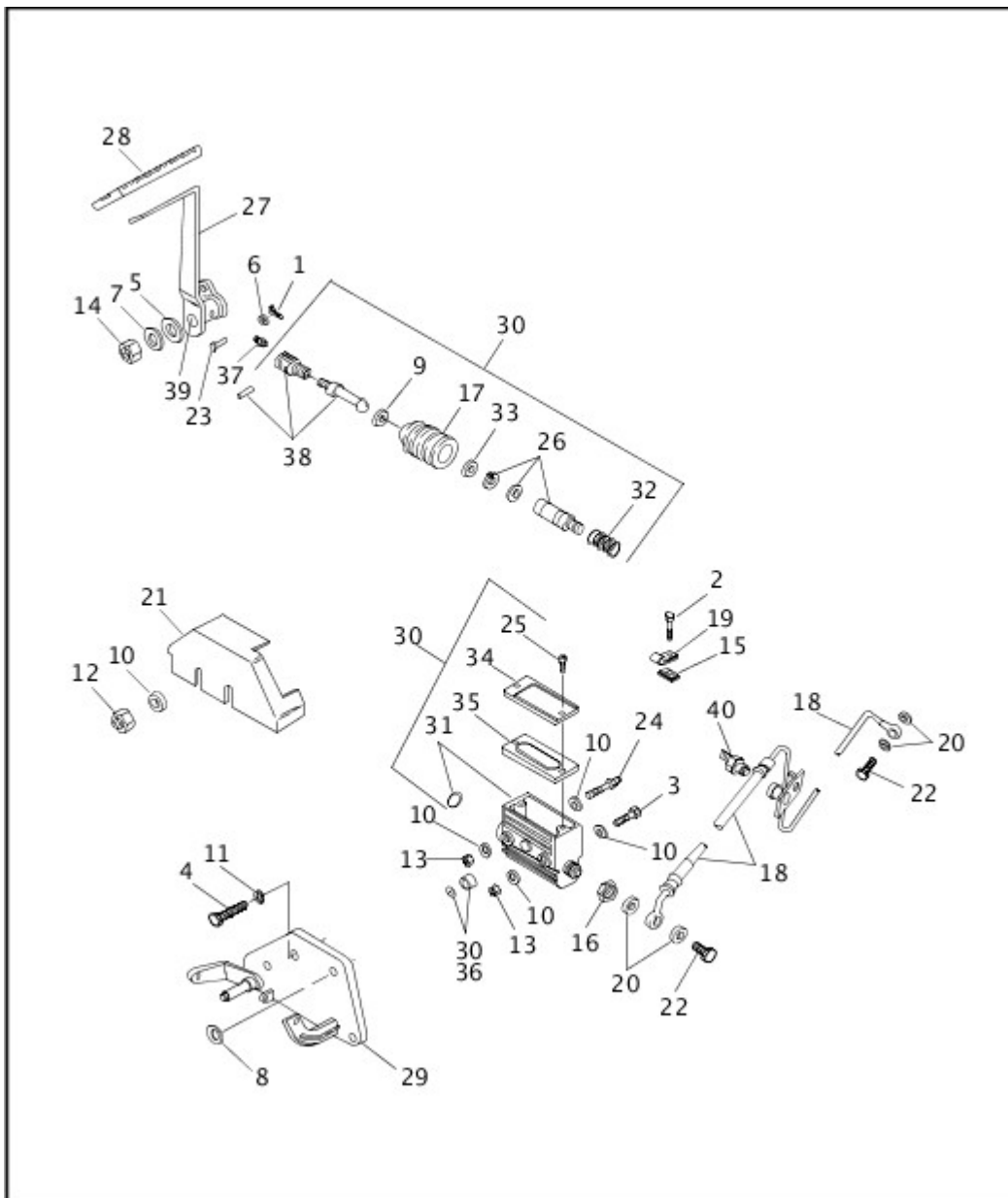
[View interactive image](#)

[View interactive table](#)

INDEX NO.	PART NO.	DESCRIPTION	MODEL(S)
21	42382-87C	REPAIR KIT, master cylinder	FXSTC 1995, FXSTC 1996, FXSTS 1995, FXSTS 1996, FXSTSB 1995, FXSTSB 1996
22	42446-87B	MASTER CYLINDER ASSEMBLY	FXSTC 1995, FXSTC 1996, FXSTS 1995, FXSTS 1996, FXSTSB 1995, FXSTSB 1996
23	42448-87	PUSHROD, master cylinder	FXSTC 1995, FXSTC 1996, FXSTS 1995, FXSTS 1996, FXSTSB 1995, FXSTSB 1996
24	42452-87	REPAIR KIT, master cylinder body	FXSTC 1995, FXSTC 1996, FXSTS 1995, FXSTS 1996, FXSTSB 1995, FXSTSB 1996

INDEX NO.	PART NO.	DESCRIPTION	MODEL(S)
25	42455-80	GASKET, reservoir	FXSTC 1995, FXSTC 1996, FXSTS 1995, FXSTS 1996, FXSTSB 1995, FXSTSB 1996
26	42460-80B	PIN, rear brake rod clevis	FXSTC 1995, FXSTC 1996, FXSTS 1995, FXSTS 1996, FXSTSB 1995, FXSTSB 1996
27	42507-89A	BRACKET, brake lever & footrest	FXSTC 1995, FXSTC 1996, FXSTS 1995, FXSTS 1996, FXSTSB 1995, FXSTSB 1996
28	42515-82	LEVER, foot brake (chrome)	FXSTC 1995, FXSTC 1996, FXSTS 1995, FXSTS 1996, FXSTSB 1995, FXSTSB 1996
29	42522-87A	CLEVIS, brake rod	FXSTC 1995, FXSTC 1996, FXSTS 1995, FXSTS 1996, FXSTSB 1995, FXSTSB 1996
30	42524-82A	BUSHING (2)	FXSTC 1995, FXSTC 1996, FXSTS 1995, FXSTS 1996, FXSTSB 1995, FXSTSB 1996
31	42531-87	WASHER	FXSTC 1995, FXSTC 1996, FXSTS 1995, FXSTS 1996, FXSTSB 1995, FXSTSB 1996
32	42532-82	PAD, brake lever	FXSTC 1995, FXSTC 1996, FXSTS 1995, FXSTS 1996, FXSTSB 1995, FXSTSB 1996
33	42534-90	SCREW (2)	FXSTC 1995, FXSTC 1996, FXSTS 1995, FXSTS 1996, FXSTSB 1995, FXSTSB 1996
34	44126-87	RETAINER, return spring	FXSTC 1995, FXSTC 1996, FXSTS 1995, FXSTS 1996, FXSTSB 1995, FXSTSB 1996
35	45156-89E	REAR BRAKE HOSE	FXSTC 1995, FXSTC 1996, FXSTS 1995, FXSTS 1996, FXSTSB 1995, FXSTSB 1996
36	63546-87	HOSE, reservoir	FXSTC 1995, FXSTC 1996, FXSTS 1995, FXSTS 1996, FXSTSB 1995, FXSTSB 1996
37	72023-51E	SWITCH, stoplamp, rear	FXSTC 1995, FXSTC 1996, FXSTS 1995, FXSTS 1996, FXSTSB 1995, FXSTSB 1996

## REAR BRAKE CONTROL - FLST (1 OF 2)



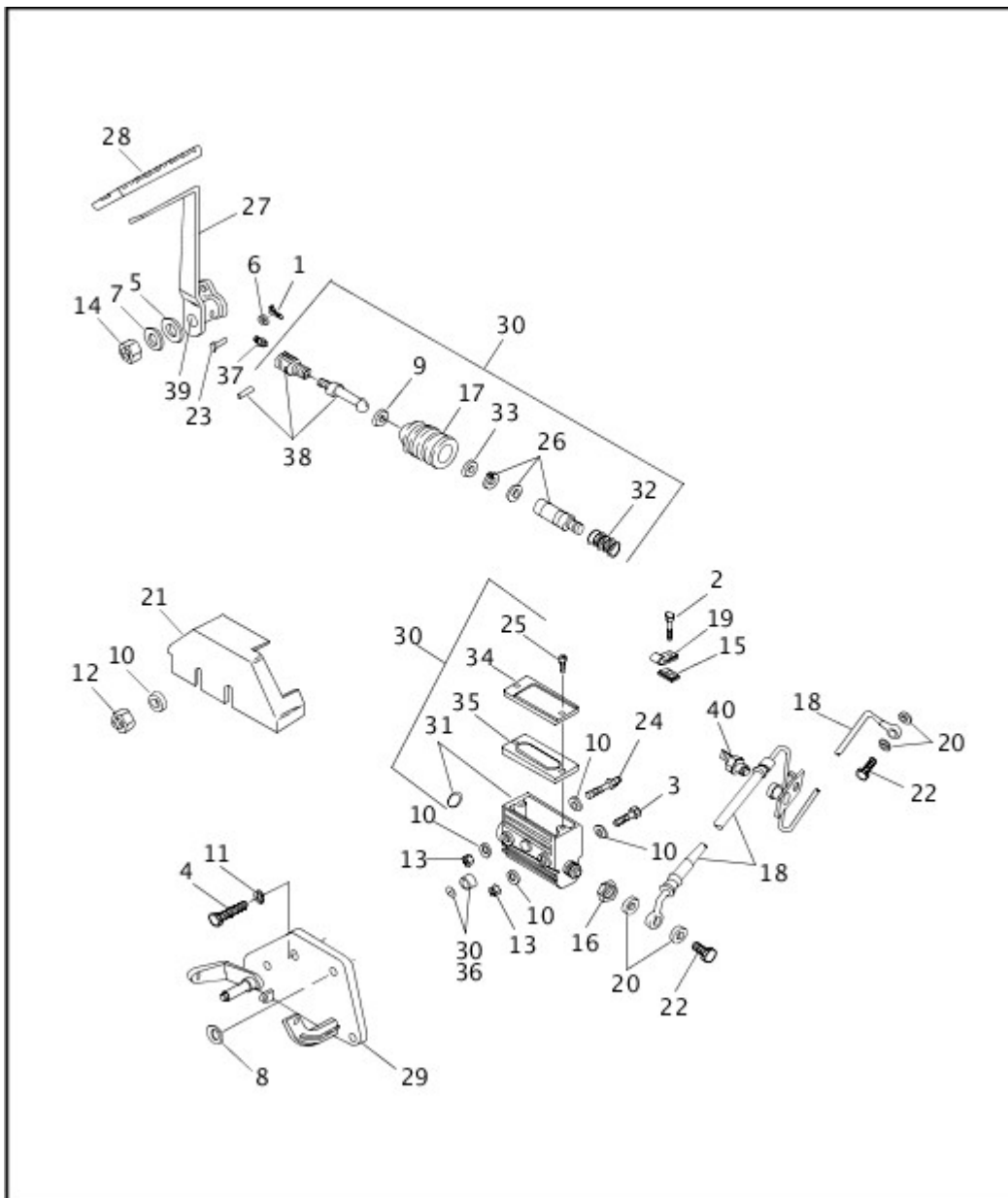
[View interactive image](#)

[View interactive table](#)

INDEX NO.	PART NO.	DESCRIPTION	MODEL(S)
1	515	COTTER PIN	FLSTC 1995, FLSTC 1996, FLSTF 1995, FLSTF 1996, FLSTN 1995, FLSTN 1996
2	3787	BOLT	FLSTC 1995, FLSTC 1996, FLSTF 1995, FLSTF 1996, FLSTN 1995, FLSTN 1996
3	4068A	BOLT	FLSTC 1995, FLSTC 1996, FLSTF 1995, FLSTF 1996, FLSTN 1995, FLSTN 1996
4	4713W	BOLT	FLSTC 1995, FLSTC 1996, FLSTF 1995, FLSTF 1996, FLSTN 1995, FLSTN 1996
5	5797A	SPACER	FLSTC 1995, FLSTC 1996, FLSTF 1995, FLSTF 1996, FLSTN 1995, FLSTN 1996

INDEX NO.	PART NO.	DESCRIPTION	MODEL(S)
6	6220W	WASHER	FLSTC 1995, FLSTC 1996, FLSTF 1995, FLSTF 1996, FLSTN 1995, FLSTN 1996
7	6334	WASHER	FLSTC 1995, FLSTC 1996, FLSTF 1995, FLSTF 1996, FLSTN 1995, FLSTN 1996
8	6352	WASHER	FLSTC 1995, FLSTC 1996, FLSTF 1995, FLSTF 1996, FLSTN 1995, FLSTN 1996
9	6366	WASHER	FLSTC 1995, FLSTC 1996, FLSTF 1995, FLSTF 1996, FLSTN 1995, FLSTN 1996
10	6702	WASHER (5)	FLSTC 1995, FLSTC 1996, FLSTF 1995, FLSTF 1996, FLSTN 1995, FLSTN 1996
11	7038	LOCKWASHER	FLSTC 1995, FLSTC 1996, FLSTF 1995, FLSTF 1996, FLSTN 1995, FLSTN 1996
12	7740	LOCKNUT (2)	FLSTC 1995, FLSTC 1996, FLSTF 1995, FLSTF 1996, FLSTN 1995, FLSTN 1996
13	7748W	NUT (2)	FLSTC 1995, FLSTC 1996, FLSTF 1995, FLSTF 1996, FLSTN 1995, FLSTN 1996
14	7825	LOCKNUT	FLSTC 1995, FLSTC 1996, FLSTF 1995, FLSTF 1996, FLSTN 1995, FLSTN 1996
15	8108	SPEEDNUT	FLSTC 1995, FLSTC 1996, FLSTF 1995, FLSTF 1996, FLSTN 1995, FLSTN 1996
16	35078-79	NUT	FLSTC 1995, FLSTC 1996, FLSTF 1995, FLSTF 1996, FLSTN 1995, FLSTN 1996
17	40922-87A	BOOT, pushrod	FLSTC 1995, FLSTC 1996, FLSTF 1995, FLSTF 1996, FLSTN 1995, FLSTN 1996
18	40957-87C	BRAKE LINE	FLSTC 1995, FLSTC 1996, FLSTF 1995, FLSTF 1996, FLSTN 1995, FLSTN 1996
19	41713-86	CLAMP, rear brake line	FLSTC 1995, FLSTC 1996, FLSTF 1995, FLSTF 1996, FLSTN 1995, FLSTN 1996
20	41731-88A	GASKET (4)	FLSTC 1995, FLSTC 1996, FLSTF 1995, FLSTF 1996, FLSTN 1995, FLSTN 1996

**REAR BRAKE CONTROL - FLST (2 OF 2)**



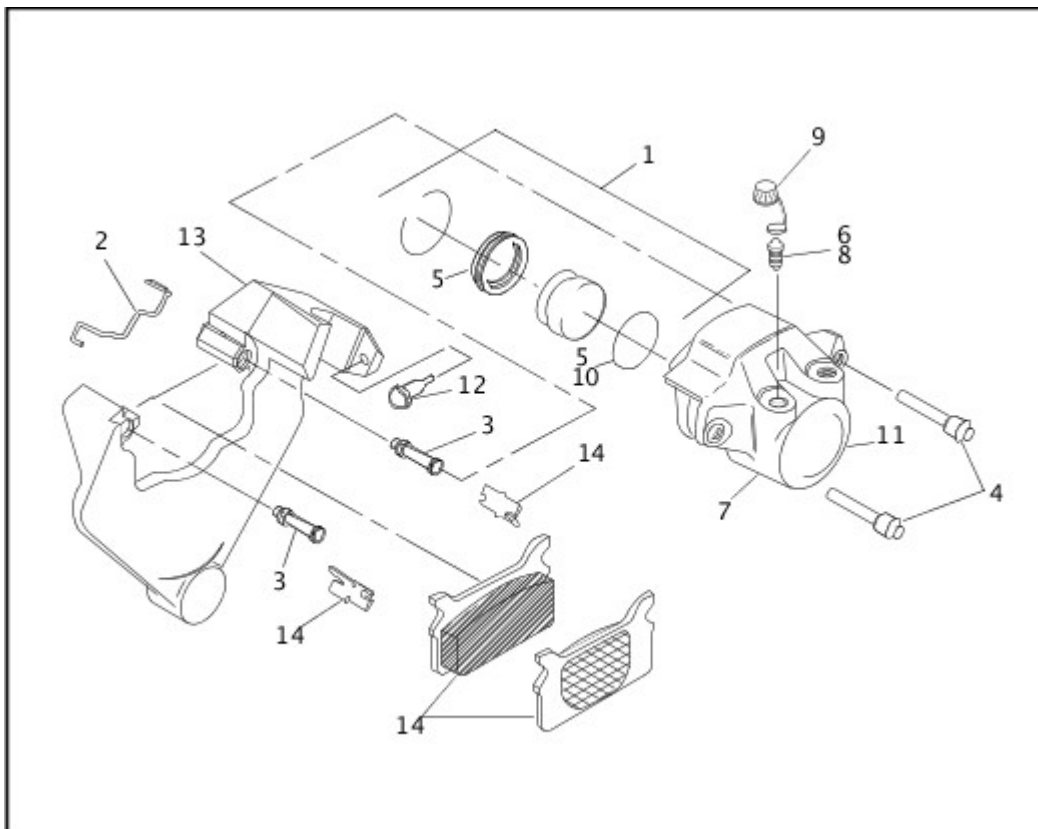
[View interactive image](#)

[View interactive table](#)

INDEX NO.	PART NO.	DESCRIPTION	MODEL(S)
21	41745-79	COVER, master cylinder (chrome)	FLSTC 1995, FLSTC 1996, FLSTF 1995, FLSTF 1996, FLSTN 1995, FLSTN 1996
22	41747-82A	BOLT (2)	FLSTC 1995, FLSTC 1996, FLSTF 1995, FLSTF 1996, FLSTN 1995, FLSTN 1996
23	42269-30	PIN, rear brake rod clevis	FLSTC 1995, FLSTC 1996, FLSTF 1995, FLSTF 1996, FLSTN 1995, FLSTN 1996
24	42301-87A	STUD, master cylinder	FLSTC 1995, FLSTC 1996, FLSTF 1995, FLSTF 1996, FLSTN 1995, FLSTN 1996
25	42375-87	SCREW, master cylinder cover (2)	FLSTC 1995, FLSTC 1996, FLSTF 1995, FLSTF 1996, FLSTN 1995, FLSTN 1996

INDEX NO.	PART NO.	DESCRIPTION	MODEL(S)
26	42382-87C	REPAIR KIT, master cylinder	FLSTC 1995, FLSTC 1996, FLSTF 1995, FLSTF 1996, FLSTN 1995, FLSTN 1996
27	42407-87C	LEVER, foot brake (chrome)	FLSTC 1995, FLSTC 1996, FLSTF 1995, FLSTF 1996, FLSTN 1995, FLSTN 1996
28	42416-83	PAD, brake lever	FLSTC 1995, FLSTC 1996, FLSTF 1995, FLSTF 1996, FLSTN 1995, FLSTN 1996
29	42431-87A	SUPPORT, foot brake lever	FLSTC 1995, FLSTC 1996, FLSTF 1995, FLSTF 1996, FLSTN 1995, FLSTN 1996
30	42468-87E	MASTER CYLINDER ASSEMBLY	FLSTC 1995, FLSTC 1996, FLSTF 1995, FLSTF 1996, FLSTN 1995, FLSTN 1996
31	42473-87	REPAIR KIT, master cylinder body	FLSTC 1995, FLSTC 1996, FLSTF 1995, FLSTF 1996, FLSTN 1995, FLSTN 1996
32	42479-90	SPRING	FLSTC 1995, FLSTC 1996, FLSTF 1995, FLSTF 1996, FLSTN 1995, FLSTN 1996
33	44126-87	RETAINER, spring	FLSTC 1995, FLSTC 1996, FLSTF 1995, FLSTF 1996, FLSTN 1995, FLSTN 1996
34	45004-85	COVER, master cylinder (black)	FLSTC 1995, FLSTC 1996, FLSTF 1995, FLSTF 1996, FLSTN 1995, FLSTN 1996
35	45005-85	GASKET, cover	FLSTC 1995, FLSTC 1996, FLSTF 1995, FLSTF 1996, FLSTN 1995, FLSTN 1996
36	45042-82	REPAIR KIT, sight glass	FLSTC 1995, FLSTC 1996, FLSTF 1995, FLSTF 1996, FLSTN 1995, FLSTN 1996
37	50972-75	FITTING, lubrication	FLSTC 1995, FLSTC 1996, FLSTF 1995, FLSTF 1996, FLSTN 1995, FLSTN 1996
38	50992-87A	ROD END, master cylinder	FLSTC 1995, FLSTC 1996, FLSTF 1995, FLSTF 1996, FLSTN 1995, FLSTN 1996
39	57215-75	BUSHING, foot brake lever (2)	FLSTC 1995, FLSTC 1996, FLSTF 1995, FLSTF 1996, FLSTN 1995, FLSTN 1996
40	72023-51E	SWITCH, stoplamp, rear	FLSTC 1995, FLSTC 1996, FLSTF 1995, FLSTF 1996, FLSTN 1995, FLSTN 1996

## REAR BRAKE CALIPER



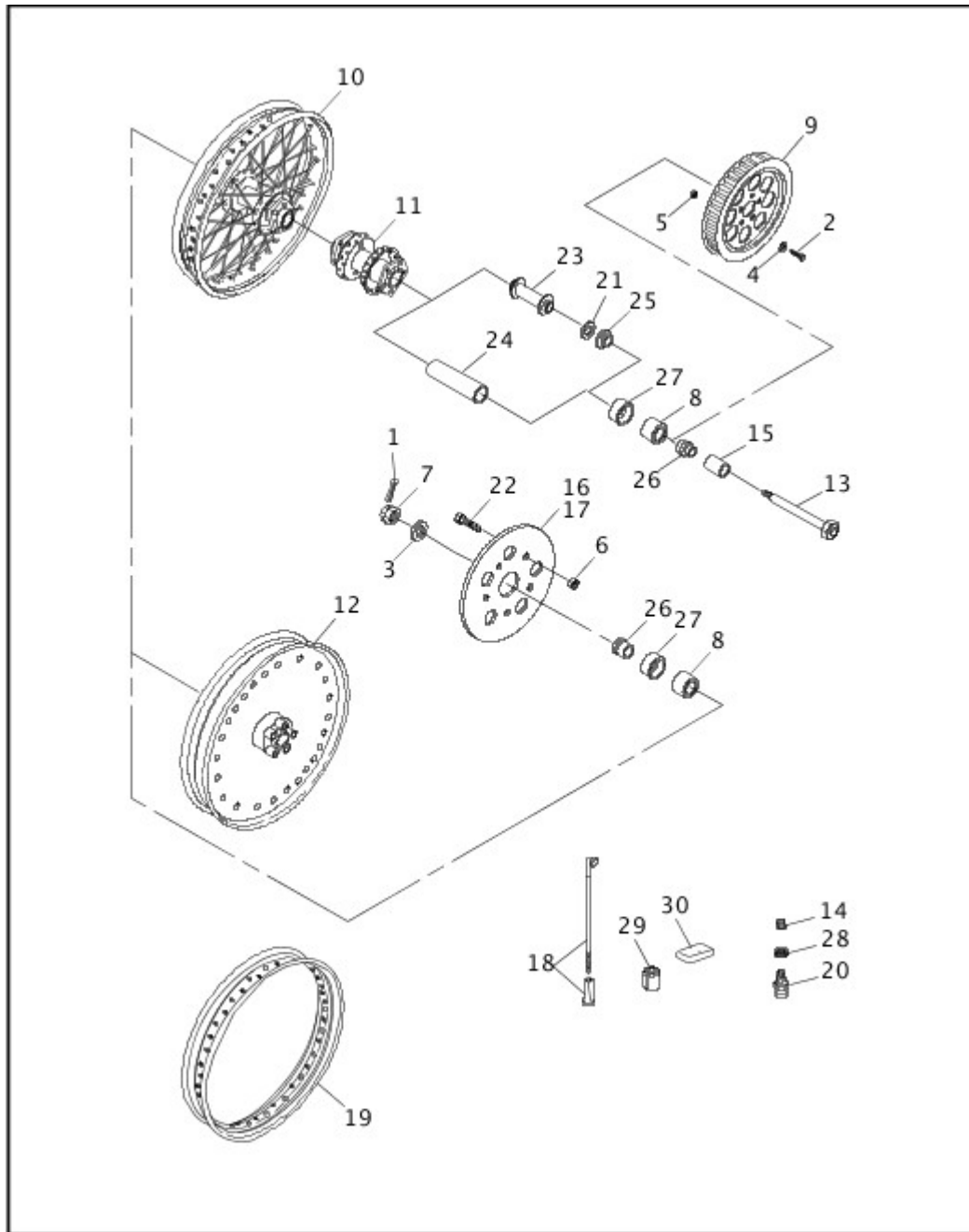
[View interactive image](#)

[View interactive table](#)

INDEX NO.	PART NO.	DESCRIPTION	MODEL(S)
1	43946-86A	PISTON KIT, w/ 10	ALL
2	43960-86	RETAINER	ALL
3	44035-86A	BUSHING (2)	ALL
4	44039-86	MOUNTING KIT, w/ guide pins & bushings	ALL
5	44045-87A	SEAL & BOOT KIT	ALL
6	44048-83	BLEEDER FITTING	ALL
7	44050-87	CALIPER ASSEMBLY, w/o bracket	FLSTC 1995, FLSTC 1996, FLSTF 1995, FLSTF 1996, FLSTN 1995, FLSTN 1996, FXSTC 1995, FXSTC 1996, FXSTS 1995, FXSTS 1996
	44142-95	CALIPER ASSEMBLY, w/o bracket	FXSTSB 1995, FXSTSB 1996
8	44146-77	BLEEDER FITTING	ALL
9	44147-87A	CAP, bleeder screw	ALL
10	44152-77	SEAL, piston	ALL
11	44198-87	LABEL	ALL
12	44199-79	BUMPER	ALL

INDEX NO.	PART NO.	DESCRIPTION	MODEL(S)
13	44207-87	BRACKET, mounting w/ 3, 12 & shims	ALL
14	44209-87C	PAD SET, w/ inserts	ALL

## REAR WHEEL



[View interactive image](#)

[View interactive table](#)

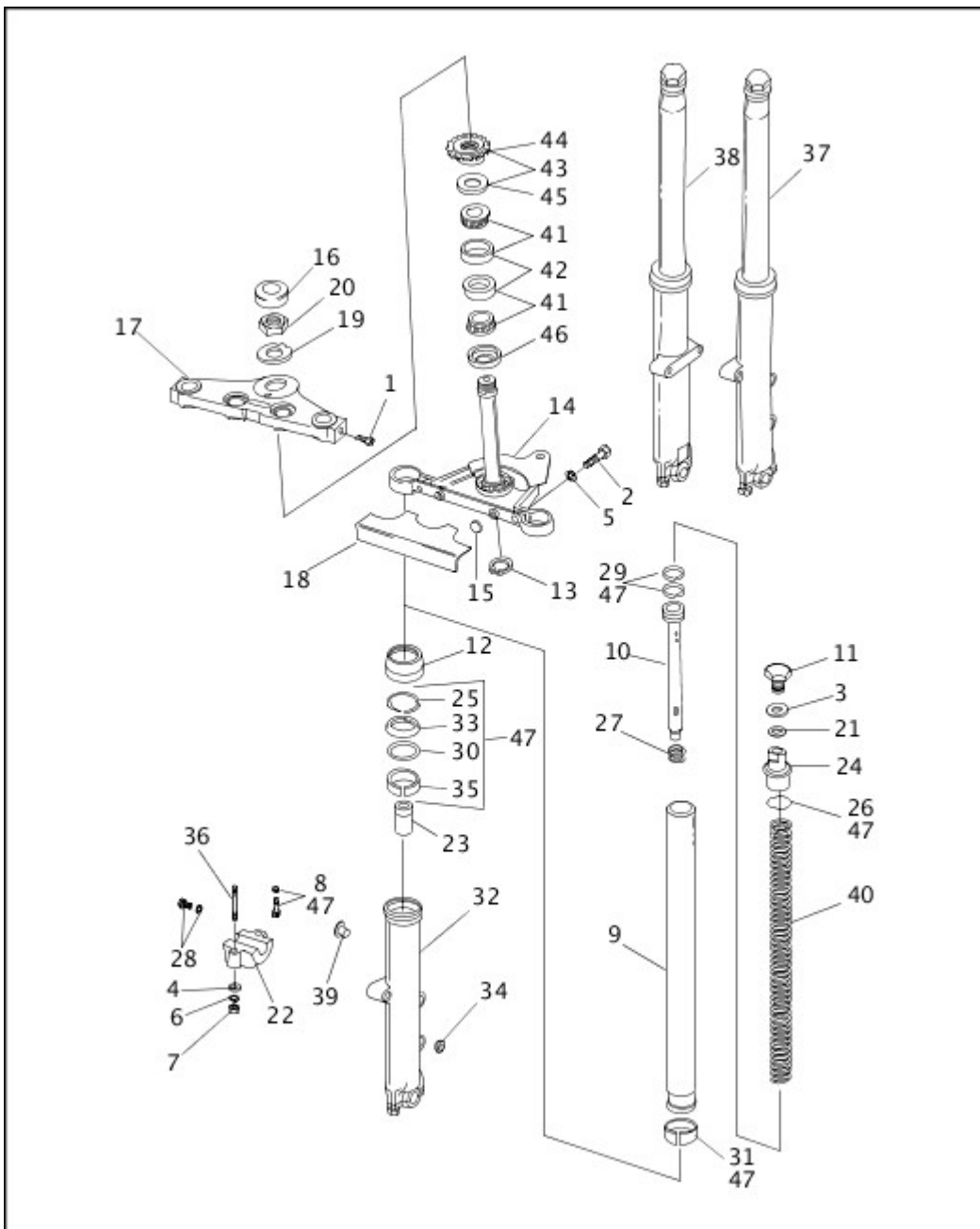
INDEX NO.	PART NO.	DESCRIPTION	MODEL(S)
1	510	SPRING CLIP	ALL
2	3730A	BOLT (cast wheels) (5)	ALL
	3769	BOLT (laced wheels) (5)	ALL



INDEX NO.	PART NO.	DESCRIPTION	MODEL(S)
3	5756	WASHER	ALL
4	6516HW	WASHER (5)	ALL
5	7827W	LOCKNUT (5)	FLSTC 1995, FLSTC 1996, FLSTF 1995, FLSTF 1996, FLSTN 1995, FLSTN 1996, FXSTC 1995, FXSTC 1996, FXSTS 1995, FXSTS 1996
6	7778	LOCKNUT (5)	FLSTC 1995, FLSTC 1996, FLSTN 1995, FLSTN 1996, FXSTS 1995, FXSTS 1996
7	7987	NUT	ALL
8	9052	ROLLER BEARING (2)	ALL
9	40311-94	SPROCKET, 65T (silver)	FLSTF 1995, FLSTF 1996, FXSTC 1995, FXSTC 1996, FXSTSB 1995, FXSTSB 1996
	40312-94	SPROCKET, 65T (black)	FLSTC 1995, FLSTC 1996, FLSTN 1995, FLSTN 1996, FXSTS 1995, FXSTS 1996
10	40975-86	WHEEL ASSEMBLY, 16 inch, laced (chrome)	FLSTC 1995, FLSTC 1996, FLSTN 1995, FLSTN 1996, FXSTS 1995, FXSTS 1996
11	40976-86A	HUB ASSEMBLY, w/ spacer	FLSTC 1995, FLSTC 1996, FLSTN 1995, FLSTN 1996, FXSTS 1995, FXSTS 1996
12	41058-87B	WHEEL ASSEMBLY, 16 inch disc	FLSTF 1995, FLSTF 1996, FXSTC 1995, FXSTC 1996
	41013-95	WHEEL ASSEMBLY, 16 inch disc	FXSTSB 1995, FXSTSB 1996
13	41110-79A	AXLE ASSEMBLY	ALL
14	41123-79	VALVE CAP	ALL
15	41595-86	SPACER, rear axle, left	ALL
16	41789-92	DISC, brake w/ 22	FLSTC 1995, FLSTC 1996, FLSTF 1995, FLSTF 1996, FLSTN 1995, FLSTN 1996, FXSTC 1995, FXSTC 1996, FXSTS 1995, FXSTS 1996
17	44108-95A	DISC, brake, floating	FXSTSB 1995, FXSTSB 1996
18	43241-05	SPOKE & NIPPLE SET (40)	FLSTC 1995, FLSTC 1996, FLSTN 1995, FLSTN 1996, FXSTS 1995, FXSTS 1996
19	43085-81	RIM, 16 inch (chrome)	FLSTC 1995, FLSTC 1996, FLSTN 1995, FLSTN 1996, FXSTS 1995, FXSTS 1996
20	43157-83A	VALVE STEM ASSEMBLY	FLSTF 1995, FLSTF 1996, FXSTC 1995, FXSTC 1996, FXSTS 1995, FXSTS 1996, FXSTSB 1995, FXSTSB 1996

INDEX NO.	PART NO.	DESCRIPTION	MODEL(S)
21	43290-82	SPACER, 0.032 inch thick	ALL
	43291-82	SPACER, 0.016 inch thick	ALL
	43292-82	SPACER, 0.008 inch thick	ALL
	43293-82	SPACER, 0.004 inch thick	ALL
	43294-82	SPACER, 0.002 inch thick	ALL
22	43567-92	SCREW (5)	ALL
23	43608-82	SPACER (cast)	FLSTF 1995, FLSTF 1996, FXSTC 1995, FXSTC 1996, FXSTSB 1995, FXSTSB 1996
24	43668-82	SPACER (laced)	FLSTC 1995, FLSTC 1996, FLSTN 1995, FLSTN 1996, FXSTS 1995, FXSTS 1996
25	43650-82	SPACER WASHER	ALL
26	43654-86A	SPACER (2)	ALL
27	47519-83A	OIL SEAL (2)	ALL
28	54321-85	NUT, valve stem	FLSTC 1995, FLSTC 1996, FLSTN 1995, FLSTN 1996, FXSTS 1995, FXSTS 1996
29	95578-41	WEIGHT, 1/2 oz., 0.275 inch I.D., round	FLSTC 1995, FLSTC 1996, FLSTN 1995, FLSTN 1996, FXSTS 1995, FXSTS 1996
	95581-47	WEIGHT, 3/4 oz., 0.275 inch I.D., round	FLSTC 1995, FLSTC 1996, FLSTN 1995, FLSTN 1996, FXSTS 1995, FXSTS 1996
	95582-47	WEIGHT, 1 oz., 0.275 inch I.D., round	FLSTC 1995, FLSTC 1996, FLSTN 1995, FLSTN 1996, FXSTS 1995, FXSTS 1996
30	95595-84A	WEIGHT, 5 grams (silver)	FLSTF 1995, FLSTF 1996, FXSTC 1995, FXSTC 1996

## FRONT FORK - FXSTC



[View interactive image](#)

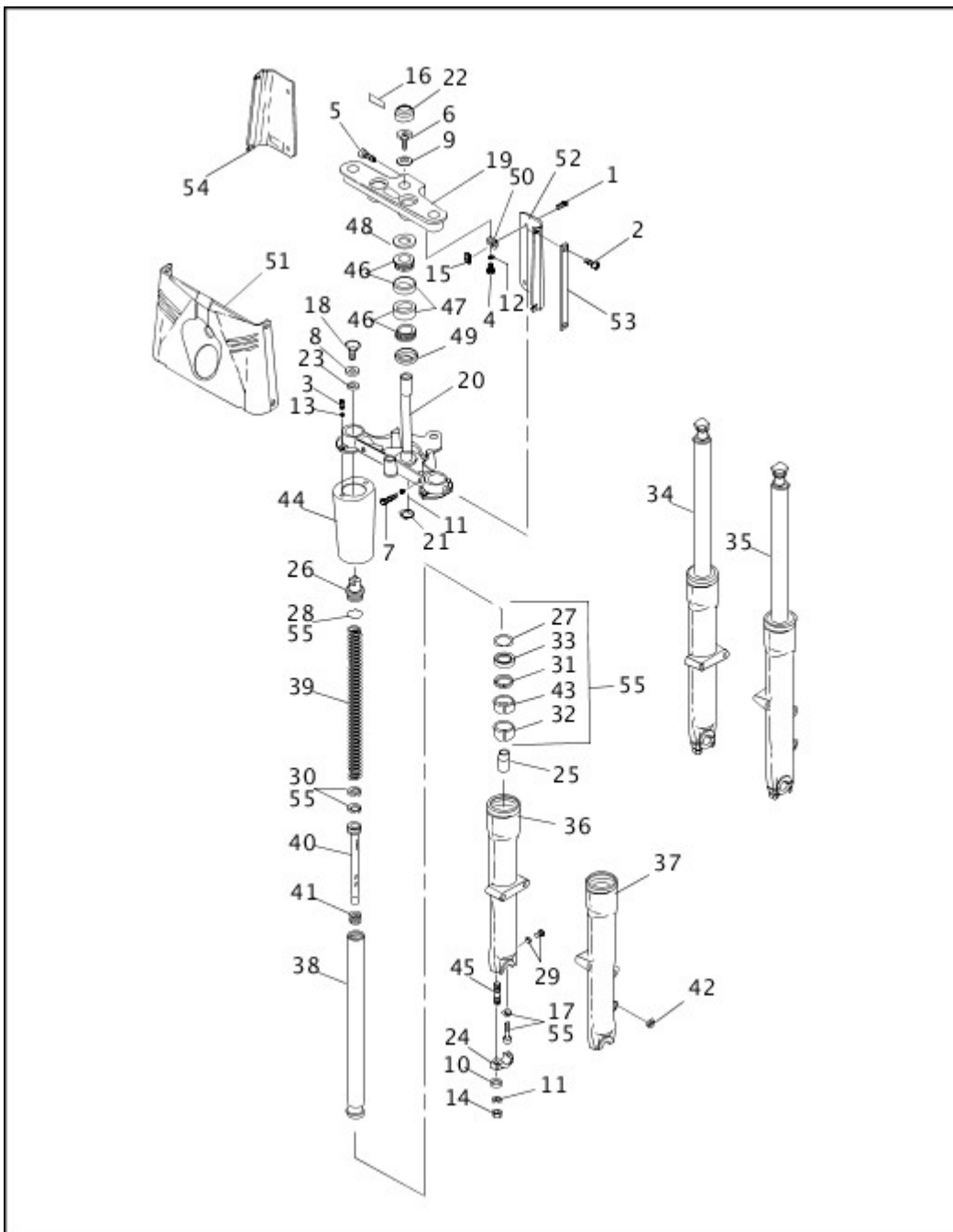
[View interactive table](#)

INDEX NO.	PART NO.	DESCRIPTION	MODEL(S)
1	2823	SCREW (2)	FXSTC 1995, FXSTC 1996
2	4729	BOLT (2)	FXSTC 1995, FXSTC 1996
3	5710	WASHER (2)	FXSTC 1995, FXSTC 1996
4	6702	WASHER, right slider (2)	FXSTC 1995, FXSTC 1996
5	7039	LOCKWASHER (2)	FXSTC 1995, FXSTC 1996
6	7041	LOCKWASHER, right slider (2)	FXSTC 1995, FXSTC 1996
7	7748W	NUT, right slider (2)	FXSTC 1995, FXSTC 1996
8	45405-75A	SCREW, w/ washer, damper tube (2)	FXSTC 1995, FXSTC 1996

INDEX NO.	PART NO.	DESCRIPTION	MODEL(S)
9	45417-84	SLIDER TUBE (2)	FXSTC 1995, FXSTC 1996
10	45418-84	DAMPER TUBE, complete (2)	FXSTC 1995, FXSTC 1996
11	45419-80	CAP, slider tube (2)	FXSTC 1995, FXSTC 1996
12	45420-80	DUST COVER (2)	FXSTC 1995, FXSTC 1996
13	45611-86	RETAINING RING	FXSTC 1995, FXSTC 1996
14	45640-88B	STEM & BRACKET, w/ bearing & shield	FXSTC 1995, FXSTC 1996
15	45648-85A	PAD, felt (2)	FXSTC 1995, FXSTC 1996
16	45670-80A	CAP, fork stem	FXSTC 1995, FXSTC 1996
17	45672-80B	BRACKET, upper (chrome)	FXSTC 1995, FXSTC 1996
18	67773-80A	MOUNTING PLATE, headlamp (chrome)	FXSTC 1995, FXSTC 1996
19	45717-63	LOCKWASHER, fork stem nut	FXSTC 1995, FXSTC 1996
20	45718-60	NUT, fork stem	FXSTC 1995, FXSTC 1996
21	45733-48	OIL SEAL, fork tube plug (2)	FXSTC 1995, FXSTC 1996
22	45832-77A	AXLE CAP, right slider	FXSTC 1995, FXSTC 1996
23	45834-77	LOWER STOP (2)	FXSTC 1995, FXSTC 1996
24	45838-77	PLUG, fork tube (2)	FXSTC 1995, FXSTC 1996
25	45842-77A	RETAINING RING, oil seal (2)	FXSTC 1995, FXSTC 1996
26	45845-77	O-RING, slider tube plug (2)	FXSTC 1995, FXSTC 1996
27	45855-77	SPRING, damper tube (2)	FXSTC 1995, FXSTC 1996
28	45858-77	DRAIN SCREW, w/ washer, slider (2)	FXSTC 1995, FXSTC 1996
29	45859-77A	RING, damper tube (4)	FXSTC 1995, FXSTC 1996
30	45865-84	WASHER, slider (2)	FXSTC 1995, FXSTC 1996
31	45866-84	BUSHING, slider tube (2)	FXSTC 1995, FXSTC 1996
32	45873-91A	SLIDER, left	FXSTC 1995, FXSTC 1996
	45874-91	SLIDER, right	FXSTC 1995, FXSTC 1996
33	45875-84A	OIL SEAL, slider (2)	FXSTC 1995, FXSTC 1996
34	45934-86	BUSHING, brake caliper	FXSTC 1995, FXSTC 1996
35	45940-84	BUSHING, slider	FXSTC 1995, FXSTC 1996
36	45998-73	STUD (2)	FXSTC 1995, FXSTC 1996
37	46004-91A	FORK SLIDER & TUBE ASSEMBLY, left	FXSTC 1995, FXSTC 1996

INDEX NO.	PART NO.	DESCRIPTION	MODEL(S)
38	46006-91A	FORK SLIDER & TUBE ASSEMBLY, right	FXSTC 1995, FXSTC 1996
39	46020-84	BUSHING, upper, left slider, brake caliper	FXSTC 1995, FXSTC 1996
40	46048-84	SPRING (2)	FXSTC 1995, FXSTC 1996
41	48300-60	ROLLER BEARING, w/ cup (2)	FXSTC 1995, FXSTC 1996
42	48315-60	BEARING CUP (2)	FXSTC 1995, FXSTC 1996
43	48330-48A	ADJUSTING NUT, upper, w/ shield	FXSTC 1995, FXSTC 1996
44	48332-48C	ADJUSTING NUT, upper	FXSTC 1995, FXSTC 1996
45	48361-80	DUST SHIELD, bearing, upper	FXSTC 1995, FXSTC 1996
46	48365-48A	DUST SHIELD, bearing, lower	FXSTC 1995, FXSTC 1996
47	49377-09A	FORK REBUILD KIT, w/ 8, 25, 26, 29, 30, 31, 33 & 35	FXSTC 1995, FXSTC 1996
<b>INTERNATIONAL MODELS ONLY</b>			
48	48140-84A	STEERING HEAD LOCK ASSEMBLY (HDI) (not illustrated)	FXSTC 1995, FXSTC 1996

## FRONT FORK - FLSTC/F/N (1 OF 2)



[View interactive image](#)

[View interactive table](#)

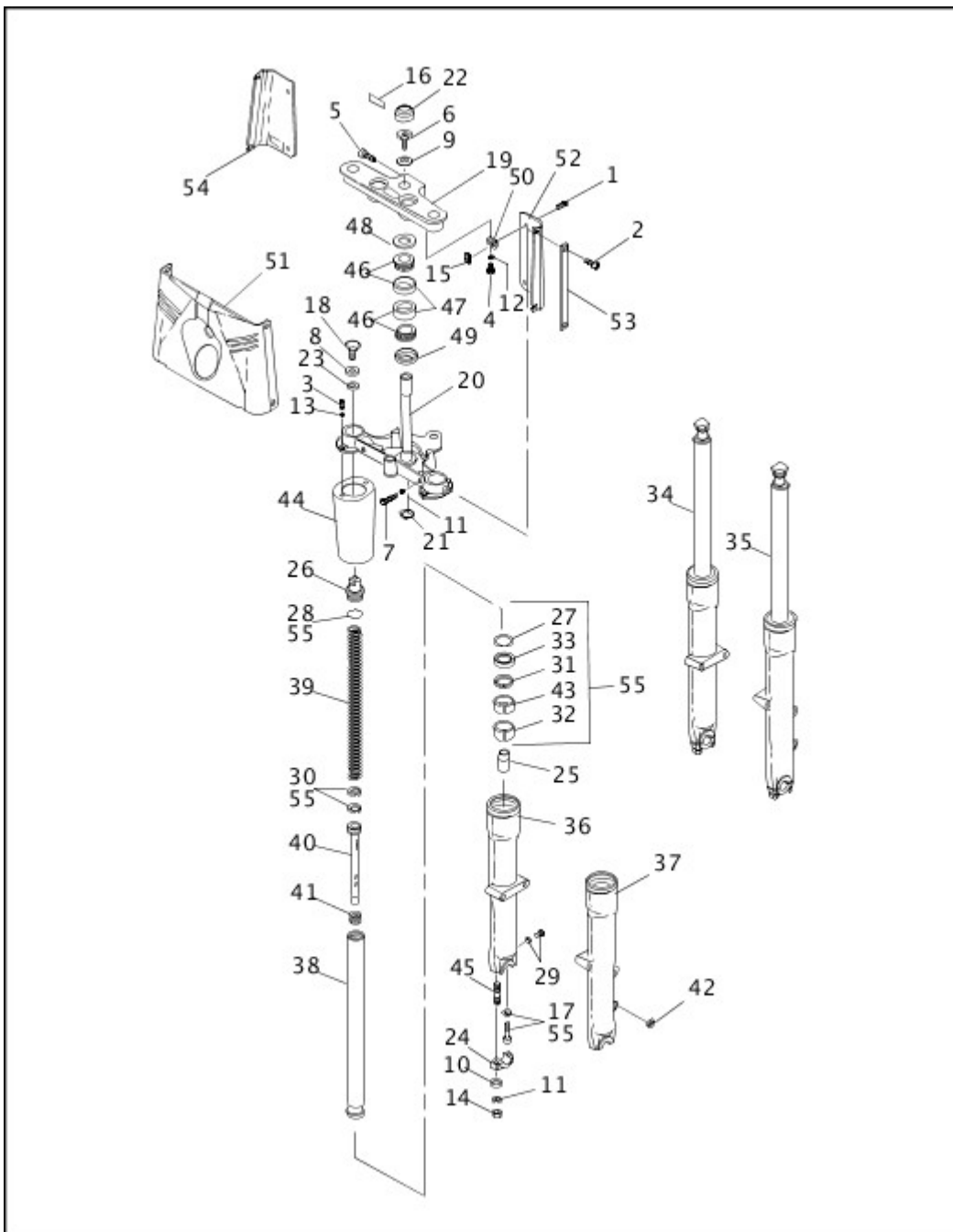
INDEX NO.	PART NO.	DESCRIPTION	MODEL(S)
1	923	SCREW (4)	FLSTC 1995, FLSTC 1996, FLSTF 1995, FLSTF 1996, FLSTN 1995, FLSTN 1996
2	3538	SCREW (4)	FLSTF 1995, FLSTF 1996, FLSTN 1995, FLSTN 1996
3	3739	SCREW (4)	FLSTC 1995, FLSTC 1996, FLSTF 1995, FLSTF 1996, FLSTN 1995, FLSTN 1996
4	3953W	BOLT (2)	FLSTC 1995, FLSTC 1996, FLSTF 1995, FLSTF 1996, FLSTN 1995, FLSTN 1996

INDEX NO.	PART NO.	DESCRIPTION	MODEL(S)
5	4352	SCREW	FLSTC 1995, FLSTC 1996, FLSTF 1995, FLSTF 1996, FLSTN 1995, FLSTN 1996
6	4453	BOLT	FLSTC 1995, FLSTC 1996, FLSTF 1995, FLSTF 1996, FLSTN 1995, FLSTN 1996
7	4729	BOLT (2)	FLSTC 1995, FLSTC 1996, FLSTF 1995, FLSTF 1996, FLSTN 1995, FLSTN 1996
8	5710	WASHER (2)	FLSTC 1995, FLSTC 1996, FLSTF 1995, FLSTF 1996, FLSTN 1995, FLSTN 1996
9	6655	WASHER	FLSTC 1995, FLSTC 1996, FLSTF 1995, FLSTF 1996, FLSTN 1995, FLSTN 1996
10	6702	WASHER (2)	FLSTC 1995, FLSTC 1996, FLSTF 1995, FLSTF 1996, FLSTN 1995, FLSTN 1996
11	7039	LOCKWASHER (4)	FLSTC 1995, FLSTC 1996, FLSTF 1995, FLSTF 1996, FLSTN 1995, FLSTN 1996
12	7041	LOCKWASHER (2)	FLSTC 1995, FLSTC 1996, FLSTF 1995, FLSTF 1996, FLSTN 1995, FLSTN 1996
13	7124	LOCKWASHER (4)	FLSTC 1995, FLSTC 1996, FLSTF 1995, FLSTF 1996, FLSTN 1995, FLSTN 1996
14	7748W	NUT (2)	FLSTC 1995, FLSTC 1996, FLSTF 1995, FLSTF 1996, FLSTN 1995, FLSTN 1996
15	8108	SPEEDNUT	FLSTC 1995, FLSTC 1996, FLSTF 1995, FLSTF 1996, FLSTN 1995, FLSTN 1996
16	14150-86	WARNING LABEL	FLSTC 1995, FLSTC 1996, FLSTF 1995, FLSTF 1996, FLSTN 1995, FLSTN 1996
17	45405-75A	SCREW, w/ washer (2)	FLSTC 1995, FLSTC 1996, FLSTF 1995, FLSTF 1996, FLSTN 1995, FLSTN 1996
18	45419-80	CAP, slider tube (2)	FLSTC 1995, FLSTC 1996, FLSTF 1995, FLSTF 1996, FLSTN 1995, FLSTN 1996
19	45456-86B	BRACKET, upper	FLSTC 1995, FLSTC 1996, FLSTF 1995, FLSTF 1996, FLSTN 1995, FLSTN 1996
20	45605-88	STEM & BRACKET	FLSTC 1995, FLSTC 1996, FLSTF 1995, FLSTF 1996, FLSTN 1995, FLSTN 1996

INDEX NO.	PART NO.	DESCRIPTION	MODEL(S)
21	45611-86	RETAINING RING, fork stem	FLSTC 1995, FLSTC 1996, FLSTF 1995, FLSTF 1996, FLSTN 1995, FLSTN 1996
22	45670-80A	CAP, fork stem	FLSTC 1995, FLSTC 1996, FLSTF 1995, FLSTF 1996, FLSTN 1995, FLSTN 1996
23	45733-48	OIL SEAL, fork tube plug (2)	FLSTC 1995, FLSTC 1996, FLSTF 1995, FLSTF 1996, FLSTN 1995, FLSTN 1996
24	45832-77A	AXLE CAP, right slider	FLSTC 1995, FLSTC 1996, FLSTF 1995, FLSTF 1996, FLSTN 1995, FLSTN 1996
25	45834-77	LOWER STOP (2)	FLSTC 1995, FLSTC 1996, FLSTF 1995, FLSTF 1996, FLSTN 1995, FLSTN 1996
26	45838-77	PLUG, fork tube (2)	FLSTC 1995, FLSTC 1996, FLSTF 1995, FLSTF 1996, FLSTN 1995, FLSTN 1996
27	45842-77A	RETAINING RING, oil seal (2)	FLSTC 1995, FLSTC 1996, FLSTF 1995, FLSTF 1996, FLSTN 1995, FLSTN 1996
28	45845-77	O-RING, slider tube plug (2)	FLSTC 1995, FLSTC 1996, FLSTF 1995, FLSTF 1996, FLSTN 1995, FLSTN 1996
29	45858-77	DRAIN SCREW, w/ washer, slider (2)	FLSTC 1995, FLSTC 1996, FLSTF 1995, FLSTF 1996, FLSTN 1995, FLSTN 1996

**FRONT FORK - FLSTC/F/N (2 OF 2)**





[View interactive image](#)

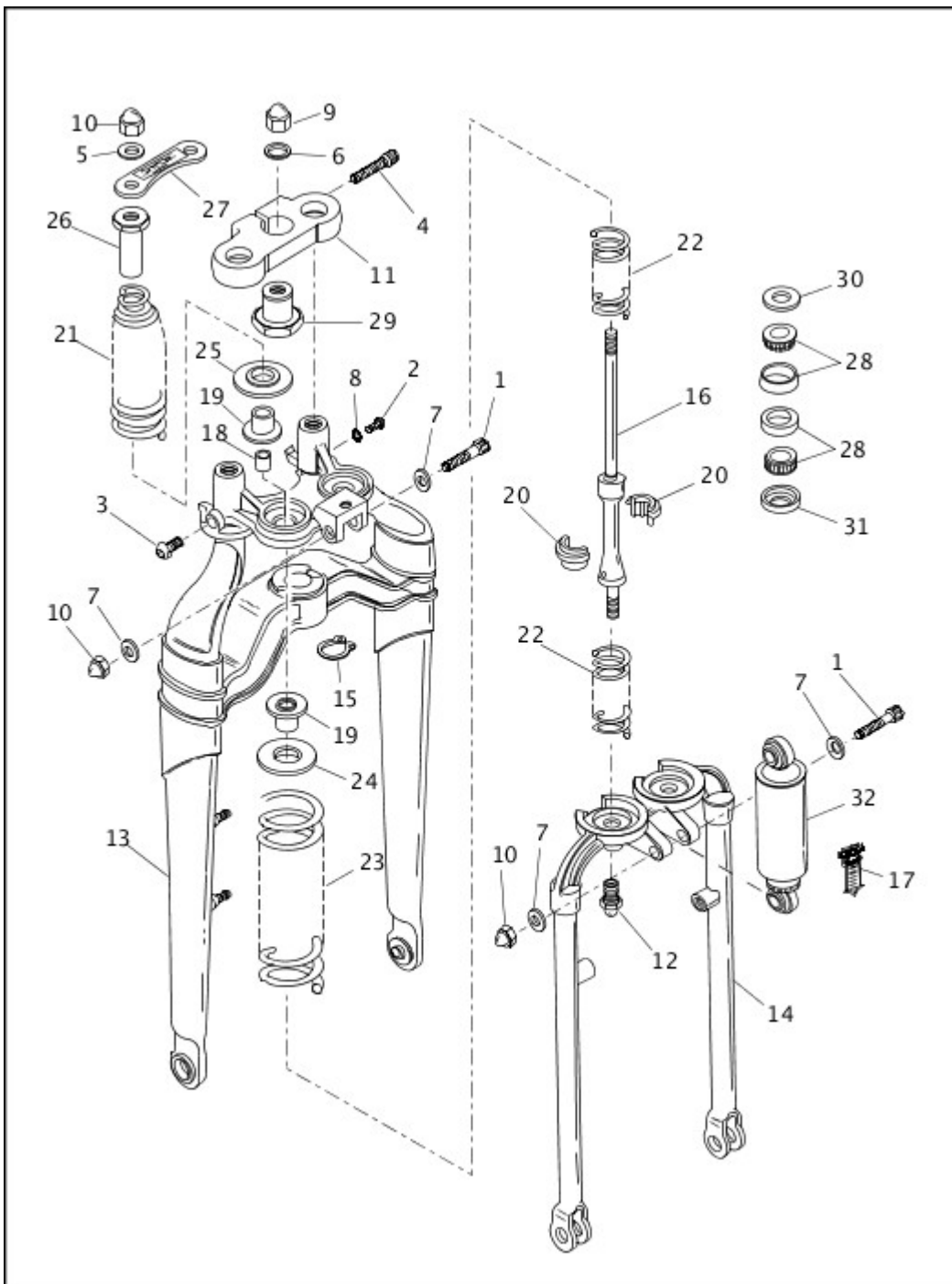
[View interactive table](#)

INDEX NO.	PART NO.	DESCRIPTION	MODEL(S)
30	45859-77A	RING, damper tube (4)	FLSTC 1995, FLSTC 1996, FLSTF 1995, FLSTF 1996, FLSTN 1995, FLSTN 1996
31	45865-84	WASHER, slider (2)	FLSTC 1995, FLSTC 1996, FLSTF 1995, FLSTF 1996, FLSTN 1995, FLSTN 1996
32	45866-84	BUSHING, slider tube (2)	FLSTC 1995, FLSTC 1996, FLSTF 1995, FLSTF 1996, FLSTN 1995, FLSTN 1996
33	45875-84A	OIL SEAL (2)	FLSTC 1995, FLSTC 1996, FLSTF 1995, FLSTF 1996, FLSTN 1995, FLSTN 1996

INDEX NO.	PART NO.	DESCRIPTION	MODEL(S)
34	45915-86	FORK SLIDER & TUBE ASSEMBLY, right	FLSTC 1995, FLSTC 1996, FLSTF 1995, FLSTF 1996, FLSTN 1995, FLSTN 1996
35	45916-86	FORK SLIDER & TUBE ASSEMBLY, left	FLSTC 1995, FLSTC 1996, FLSTF 1995, FLSTF 1996, FLSTN 1995, FLSTN 1996
36	45917-86	SLIDER, right	FLSTC 1995, FLSTC 1996, FLSTF 1995, FLSTF 1996, FLSTN 1995, FLSTN 1996
37	45918-86	SLIDER, left	FLSTC 1995, FLSTC 1996, FLSTF 1995, FLSTF 1996, FLSTN 1995, FLSTN 1996
38	45930-86	SLIDER TUBE (2)	FLSTC 1995, FLSTC 1996, FLSTF 1995, FLSTF 1996, FLSTN 1995, FLSTN 1996
39	45931-86	SPRING (2)	FLSTC 1995, FLSTC 1996, FLSTF 1995, FLSTF 1996, FLSTN 1995, FLSTN 1996
40	45932-86	DAMPER TUBE (2)	FLSTC 1995, FLSTC 1996, FLSTF 1995, FLSTF 1996, FLSTN 1995, FLSTN 1996
41	45933-86	SPRING, damper tube (2)	FLSTC 1995, FLSTC 1996, FLSTF 1995, FLSTF 1996, FLSTN 1995, FLSTN 1996
42	45934-86	BUSHING, brake caliper	FLSTC 1995, FLSTC 1996, FLSTF 1995, FLSTF 1996, FLSTN 1995, FLSTN 1996
43	45940-84	BUSHING, slider (2)	FLSTC 1995, FLSTC 1996, FLSTF 1995, FLSTF 1996, FLSTN 1995, FLSTN 1996
44	45964-86	COVER, slider (2)	FLSTC 1995, FLSTC 1996, FLSTF 1995, FLSTF 1996, FLSTN 1995, FLSTN 1996
45	45998-73	STUD (2)	FLSTC 1995, FLSTC 1996, FLSTF 1995, FLSTF 1996, FLSTN 1995, FLSTN 1996
46	48300-60	ROLLER BEARING, w/ cup (2)	FLSTC 1995, FLSTC 1996, FLSTF 1995, FLSTF 1996, FLSTN 1995, FLSTN 1996
47	48315-60	BEARING CUP (2)	FLSTC 1995, FLSTC 1996, FLSTF 1995, FLSTF 1996, FLSTN 1995, FLSTN 1996
48	48361-80	DUST SHIELD, bearing, upper	FLSTC 1995, FLSTC 1996, FLSTF 1995, FLSTF 1996, FLSTN 1995, FLSTN 1996
49	48365-48A	DUST SHIELD, bearing, lower	FLSTC 1995, FLSTC 1996, FLSTF 1995, FLSTF 1996, FLSTN 1995, FLSTN 1996

INDEX NO.	PART NO.	DESCRIPTION	MODEL(S)
50	50991-86	BRACKET, front panel (2)	FLSTC 1995, FLSTC 1996, FLSTF 1995, FLSTF 1996, FLSTN 1995, FLSTN 1996
51	67808-86	FRONT PANEL (buffed stainless steel)	FLSTC 1995, FLSTC 1996, FLSTF 1995, FLSTF 1996, FLSTN 1995, FLSTN 1996
52	67816-86	BACK PANEL, left, rear	FLSTF 1995, FLSTF 1996, FLSTN 1995, FLSTN 1996
	67821-87	BACK PANEL, left, rear w/ switch hole	FLSTC 1995, FLSTC 1996
53	67819-86	TRIM STRIP, front panel (2)	FLSTF 1995, FLSTF 1996, FLSTN 1995, FLSTN 1996
54	67814-86	BACK PANEL, right, rear	FLSTC 1995, FLSTC 1996, FLSTF 1995, FLSTF 1996, FLSTN 1995, FLSTN 1996
55	49377-09A	FORK REBUILD KIT, w/ 17, 27, 28, 30, 31, 32, 33 & 43	FLSTC 1995, FLSTC 1996, FLSTF 1995, FLSTF 1996, FLSTN 1995, FLSTN 1996
<b>INTERNATIONAL MODELS ONLY</b>			
56	48140-84A	STEERING HEAD LOCK ASSEMBLY (HDI) (not illustrated)	FLSTC 1995, FLSTC 1996, FLSTF 1995, FLSTF 1996, FLSTN 1995, FLSTN 1996

## FRONT FORK - FXSTS/B



[View interactive image](#)

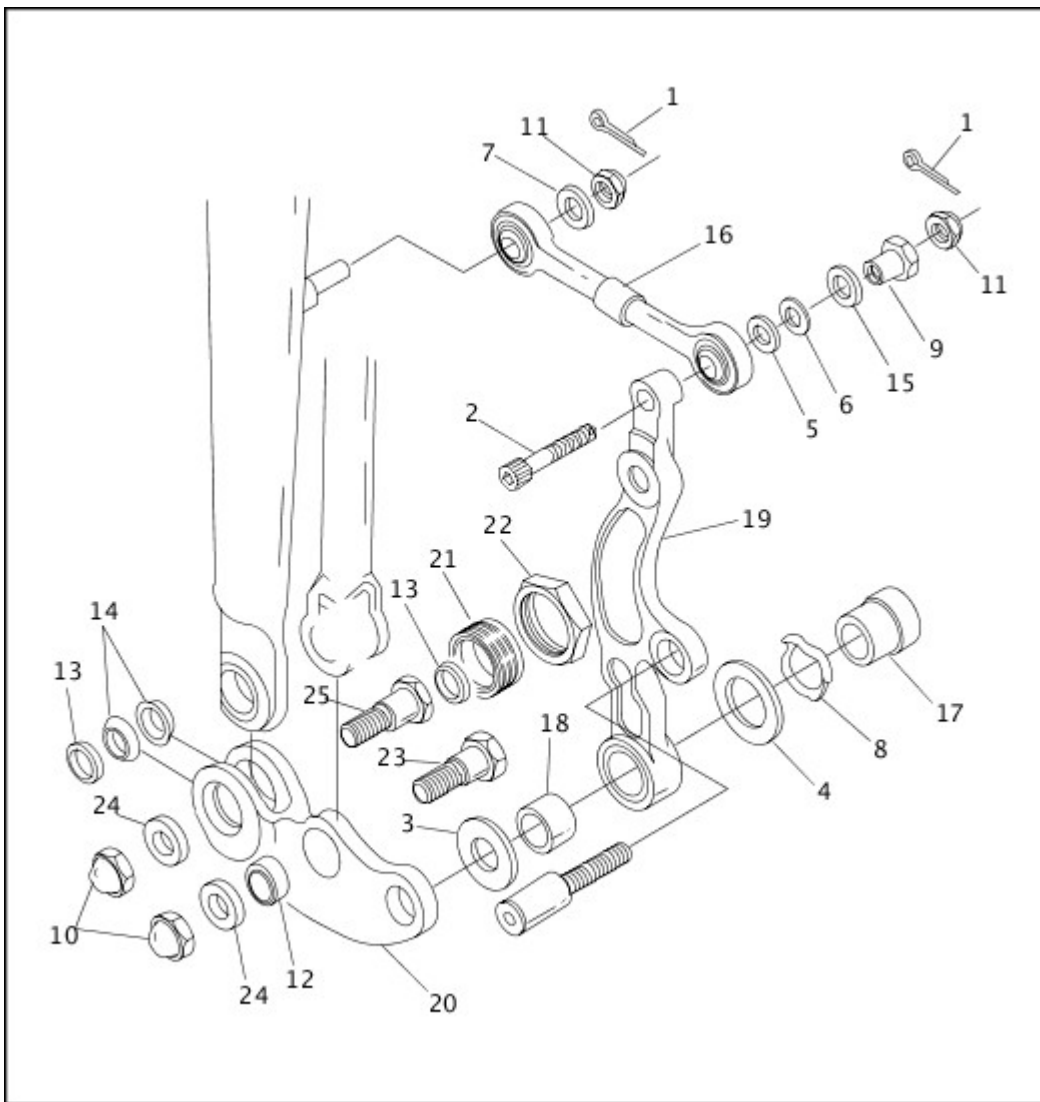
[View interactive table](#)

INDEX NO.	PART NO.	DESCRIPTION	MODEL(S)
1	855B	SCREW, shock absorber mounting (2)	FXSTS 1995, FXSTS 1996, FXSTSB 1995, FXSTSB 1996
2	3533	SCREW, spring reaction bracket, right	FXSTS 1995, FXSTS 1996
3	3538	SCREW, spring reaction bracket, left	FXSTS 1995, FXSTS 1996, FXSTSB 1995, FXSTSB 1996
4	4350A	SCREW, upper triple clamp	FXSTS 1995, FXSTS 1996, FXSTSB 1995, FXSTSB 1996
5	6353	WASHER, spring rod (2)	FXSTS 1995, FXSTS 1996, FXSTSB 1995, FXSTSB 1996

INDEX NO.	PART NO.	DESCRIPTION	MODEL(S)
6	6756	WASHER, steering stem	FXSTS 1995, FXSTS 1996, FXSTSB 1995, FXSTSB 1996
7	6812	WASHER, shock absorber mounting (4)	FXSTS 1995, FXSTS 1996, FXSTSB 1995, FXSTSB 1996
8	7232	LOCKWASHER, spring reaction bracket	FXSTS 1995, FXSTS 1996, FXSTSB 1995, FXSTSB 1996
9	7627	ACORN NUT, steering stem	FXSTS 1995, FXSTS 1996, FXSTSB 1995, FXSTSB 1996
10	7680W	ACORN NUT (4)	FXSTS 1995, FXSTS 1996, FXSTSB 1995, FXSTSB 1996
11	45473-88	UPPER TRIPLE CLAMP	FXSTS 1995, FXSTS 1996
	45485-95	UPPER TRIPLE CLAMP (black)	FXSTSB 1995, FXSTSB 1996
12	45567-88	ACORN NUT, lower spring rod (2)	FXSTS 1995, FXSTS 1996, FXSTSB 1995, FXSTSB 1996
13	45569-88B	RIGID FORK ASSEMBLY, w/ stem	FXSTS 1995, FXSTS 1996
	45600-95A	RIGID FORK ASSEMBLY, w/ stem (black)	FXSTSB 1995, FXSTSB 1996
14	45607-93	SPRING FORK	FXSTS 1995, FXSTS 1996
	45612-95	SPRING FORK (black)	FXSTSB 1995, FXSTSB 1996
15	45611-86	RETAINING RING, fork stem	FXSTS 1995, FXSTS 1996, FXSTSB 1995, FXSTSB 1996
16	45628-92	SPRING ROD ASSEMBLY (2)	FXSTS 1995, FXSTS 1996, FXSTSB 1995, FXSTSB 1996
17	66030-88	DECAL, shock absorber	FXSTS 1995, FXSTS 1996, FXSTSB 1995, FXSTSB 1996
18	45935-88	BUSHING, spring rod (2)	FXSTS 1995, FXSTS 1996, FXSTSB 1995, FXSTSB 1996
19	45936-88	TRAVEL BUMPER (4)	FXSTS 1995, FXSTS 1996, FXSTSB 1995, FXSTSB 1996
20	45937-88	SPRING SEAT (4)	FXSTS 1995, FXSTS 1996, FXSTSB 1995, FXSTSB 1996
21	46053-88	SPRING, rebound, top (2)	FXSTS 1995, FXSTS 1996, FXSTSB 1995, FXSTSB 1996
22	46054-88	SPRING, compression, inner (4)	FXSTS 1995, FXSTS 1996, FXSTSB 1995, FXSTSB 1996
23	46055-88	SPRING, compression, outer (2)	FXSTS 1995, FXSTS 1996, FXSTSB 1995, FXSTSB 1996
24	46056-88	SPRING CUP, compression spring (2)	FXSTS 1995, FXSTS 1996, FXSTSB 1995, FXSTSB 1996
25	46057-88	SPRING CUP, rebound spring (2)	FXSTS 1995, FXSTS 1996, FXSTSB 1995, FXSTSB 1996

INDEX NO.	PART NO.	DESCRIPTION	MODEL(S)
26	46060-88	SPRING RESTRAINT, upper (2)	FXSTS 1995, FXSTS 1996, FXSTSB 1995, FXSTSB 1996
27	46062-88	SPRING BRIDGE	FXSTS 1995, FXSTS 1996, FXSTSB 1995, FXSTSB 1996
28	48300-60	ROLLER BEARING, w/ cup	FXSTS 1995, FXSTS 1996, FXSTSB 1995, FXSTSB 1996
29	48306-88	BEARING RETAINER, steering head	FXSTS 1995, FXSTS 1996, FXSTSB 1995, FXSTSB 1996
30	48361-80	DUST SHIELD, bearing, upper	FXSTS 1995, FXSTS 1996, FXSTSB 1995, FXSTSB 1996
31	48365-48A	DUST SHIELD, bearing, lower	FXSTS 1995, FXSTS 1996, FXSTSB 1995, FXSTSB 1996
32	54485-97	FRONT SHOCK ABSORBER	FXSTS 1995, FXSTS 1996, FXSTSB 1995, FXSTSB 1996
<b>INTERNATIONAL MODELS ONLY</b>			
33	48140-84A	STEERING HEAD LOCK ASSEMBLY (HDI) (not illustrated)	FXSTS 1995, FXSTS 1996, FXSTSB 1995, FXSTSB 1996

## **FORK ROCKERS & CALIPER MOUNTING - FXSTS/B**



View interactive image

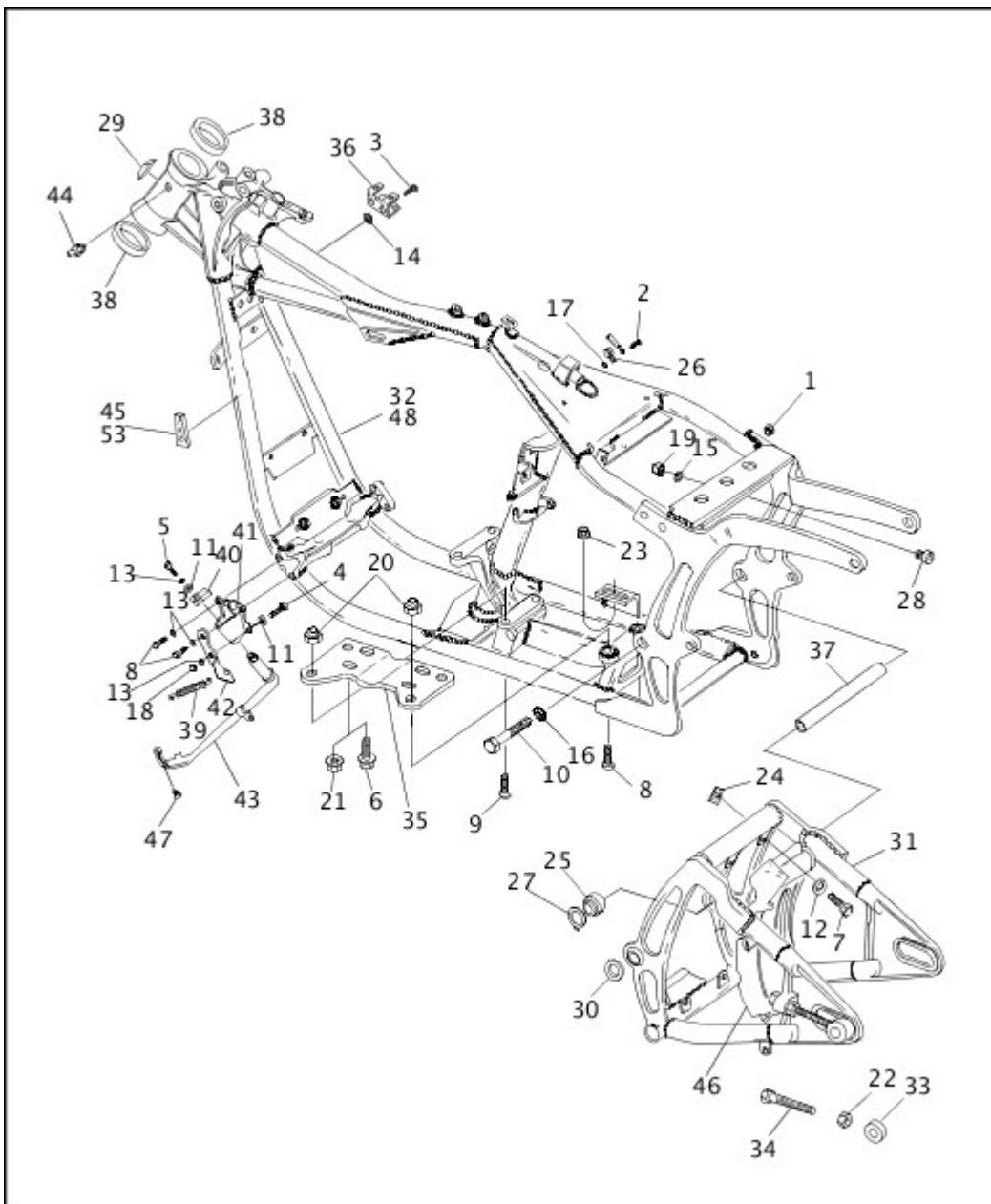
View interactive table

INDEX NO.	PART NO.	DESCRIPTION	MODEL(S)
1	534	COTTER PIN, brake reaction link (2)	FXSTS 1995, FXSTS 1996, FXSTSB 1995, FXSTSB 1996
2	4747	SCREW, brake link to bracket	FXSTS 1995, FXSTS 1996, FXSTSB 1995, FXSTSB 1996
3	6040A	WASHER, front axle, outside right	FXSTS 1995, FXSTS 1996, FXSTSB 1995, FXSTSB 1996
4	6042A	WASHER, front axle, inside right	FXSTS 1995, FXSTS 1996, FXSTSB 1995, FXSTSB 1996
5	6371	WASHER	FXSTS 1995, FXSTS 1996, FXSTSB 1995, FXSTSB 1996
6	6498	WASHER	FXSTS 1995, FXSTS 1996, FXSTSB 1995, FXSTSB 1996
7	6812	WASHER, brake reaction link	FXSTS 1995, FXSTS 1996, FXSTSB 1995, FXSTSB 1996
8	7012	WAVE WASHER, front axle, right	FXSTS 1995, FXSTS 1996, FXSTSB 1995, FXSTSB 1996

INDEX NO.	PART NO.	DESCRIPTION	MODEL(S)
9	7588	NUT, shaft	FXSTS 1995, FXSTS 1996, FXSTSB 1995, FXSTSB 1996
10	7627	ACORN NUT, rockers to forks (4)	FXSTS 1995, FXSTS 1996, FXSTSB 1995, FXSTSB 1996
11	7667	NUT, brake reaction link (2)	FXSTS 1995, FXSTS 1996, FXSTSB 1995, FXSTSB 1996
12	9139	BEARING, spherical, fork to rocker (2)	FXSTS 1995, FXSTS 1996, FXSTSB 1995, FXSTSB 1996
13	9140	RACE, spherical bearing, fork to rocker (4)	FXSTS 1995, FXSTS 1996, FXSTSB 1995, FXSTSB 1996
14	9141	BALL, spherical bearing, fork to rocker (4)	FXSTS 1995, FXSTS 1996, FXSTSB 1995, FXSTSB 1996
15	11244	SPACER (rubber)	FXSTS 1995, FXSTS 1996, FXSTSB 1995, FXSTSB 1996
16	41040-88B	BRAKE REACTION LINK	FXSTS 1995, FXSTS 1996, FXSTSB 1995, FXSTSB 1996
17	44029-88	SPACER, right	FXSTS 1995, FXSTS 1996, FXSTSB 1995, FXSTSB 1996
18	44030-88A	BUSHING, caliper mounting	FXSTS 1995, FXSTS 1996, FXSTSB 1995, FXSTSB 1996
19	44044-88B	BRACKET, caliper mounting	FXSTS 1995, FXSTS 1996, FXSTSB 1995, FXSTSB 1996
20	45646-95	ROCKER, right (black)	FXSTSB 1995, FXSTSB 1996
	45647-95	ROCKER, left (black)	FXSTSB 1995, FXSTSB 1996
	45649-91	ROCKER, left	FXSTS 1995, FXSTS 1996
	45651-91	ROCKER, right	FXSTS 1995, FXSTS 1996
21	45655-88	BEARING RETAINER, rigid fork (2)	FXSTS 1995, FXSTS 1996, FXSTSB 1995, FXSTSB 1996
22	45659-88	JAMNUT, bearing retainer (2)	FXSTS 1995, FXSTS 1996, FXSTSB 1995, FXSTSB 1996
23	45660-88A	PIVOT STUD, spring fork to rocker (2)	FXSTS 1995, FXSTS 1996, FXSTSB 1995, FXSTSB 1996
24	45662-88	WASHER, rocker to fork leg (4)	FXSTS 1995, FXSTS 1996, FXSTSB 1995, FXSTSB 1996
25	45663-88A	PIVOT STUD, rigid fork to rocker (2)	FXSTS 1995, FXSTS 1996, FXSTSB 1995, FXSTSB 1996

**FRAME, REAR FORK & JIFFY STAND (1 OF 2)**





[View interactive image](#)

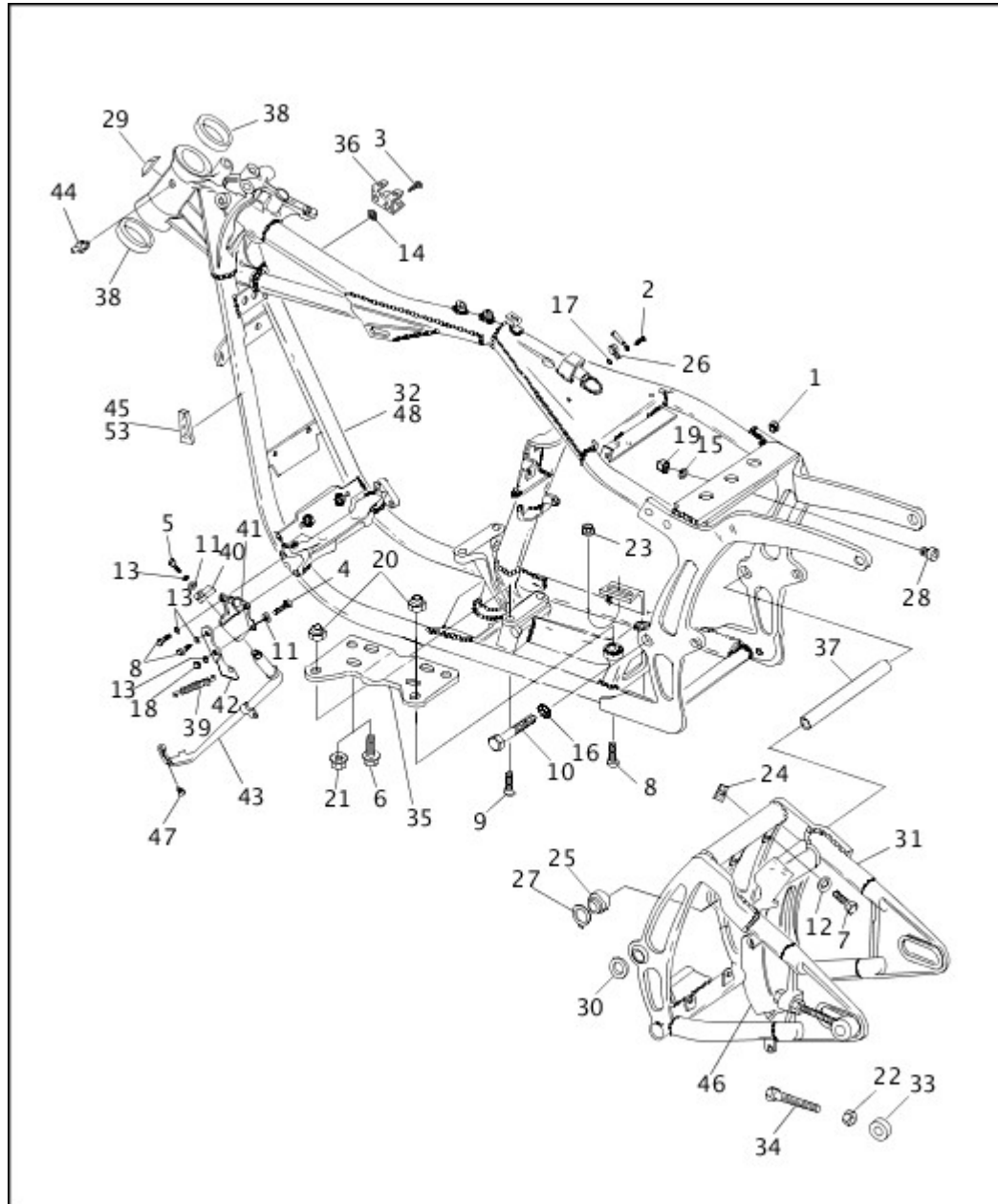
[View interactive table](#)

INDEX NO.	PART NO.	DESCRIPTION	MODEL(S)
1	728	PLUG, frame side (2)	FXSTC 1995, FXSTC 1996, FXSTS 1995, FXSTS 1996, FXSTSB 1995, FXSTSB 1996
2	939	SCREW	ALL
3	1046	SCREW	FLSTC 1995, FLSTF 1995, FLSTN 1995, FXSTC 1995, FXSTS 1995, FXSTSB 1995
4	2871W	BOLT (2)	FLSTC 1995, FLSTC 1996, FLSTF 1995, FLSTF 1996, FLSTN 1995, FLSTN 1996
	3987	BOLT (2)	FXSTC 1995, FXSTC 1996, FXSTS 1995, FXSTS 1996, FXSTSB 1995, FXSTSB 1996
5	2882W	SCREW	ALL

INDEX NO.	PART NO.	DESCRIPTION	MODEL(S)
6	3657	BOLT (4)	FLSTC 1996, FLSTF 1996, FLSTN 1996, FXSTC 1996, FXSTS 1996, FXSTSB 1996
7	3787	BOLT (4)	FLSTC 1995, FLSTC 1996, FLSTF 1995, FLSTF 1996, FLSTN 1995, FLSTN 1996
8	3991	BOLT (2)	ALL
9	4044	SCREW (4)	ALL
10	4961	BOLT (2)	ALL
11	6702	WASHER (2)	ALL
12	6703	WASHER (4)	FXSTC 1995, FXSTC 1996, FXSTS 1995, FXSTS 1996, FXSTSB 1995, FXSTSB 1996
13	7041	LOCKWASHER (4)	ALL
14	7115	LOCKWASHER	FLSTC 1995, FLSTF 1995, FLSTN 1995, FXSTC 1995, FXSTS 1995, FXSTSB 1995
15	7124	LOCKWASHER	ALL
16	7142	LOCKWASHER (2)	ALL
17	7230	LOCKWASHER	ALL
18	7507	ACORN NUT (3)	FXSTC 1995, FXSTC 1996, FXSTS 1995, FXSTS 1996, FXSTSB 1995, FXSTSB 1996
	7748W	NUT (3)	FLSTC 1995, FLSTC 1996, FLSTF 1995, FLSTF 1996, FLSTN 1995, FLSTN 1996
19	7742	LOCKNUT (2)	FLSTC 1995, FLSTC 1996, FLSTF 1995, FLSTF 1996, FLSTN 1995, FLSTN 1996
20	7778	LOCKNUT (4)	ALL
21	7780	LOCKNUT (5)	FLSTC 1995, FLSTF 1995, FLSTN 1995, FXSTC 1995, FXSTS 1995, FXSTSB 1995
22	7783	NUT, rear axle adjustment (2)	ALL
23	7942	FLANGE LOCKNUT	FLSTC 1996, FLSTF 1996, FLSTN 1996, FXSTC 1996, FXSTS 1996, FXSTSB 1996
24	8108	SPEEDNUT (4)	ALL
25	9076	BEARING, rear fork pivot (2)	ALL
26	10059A	CLAMP	ALL
27	11158	RETAINING RING, fork bearing (2)	ALL

INDEX NO.	PART NO.	DESCRIPTION	MODEL(S)
28	11451	CUSHION (2)	ALL
29	11456	BUMPER	FXSTS 1995, FXSTS 1996
30	43283-86	SPACER, rear fork pivot (2)	ALL

## FRAME, REAR FORK & JIFFY STAND (2 OF 2)



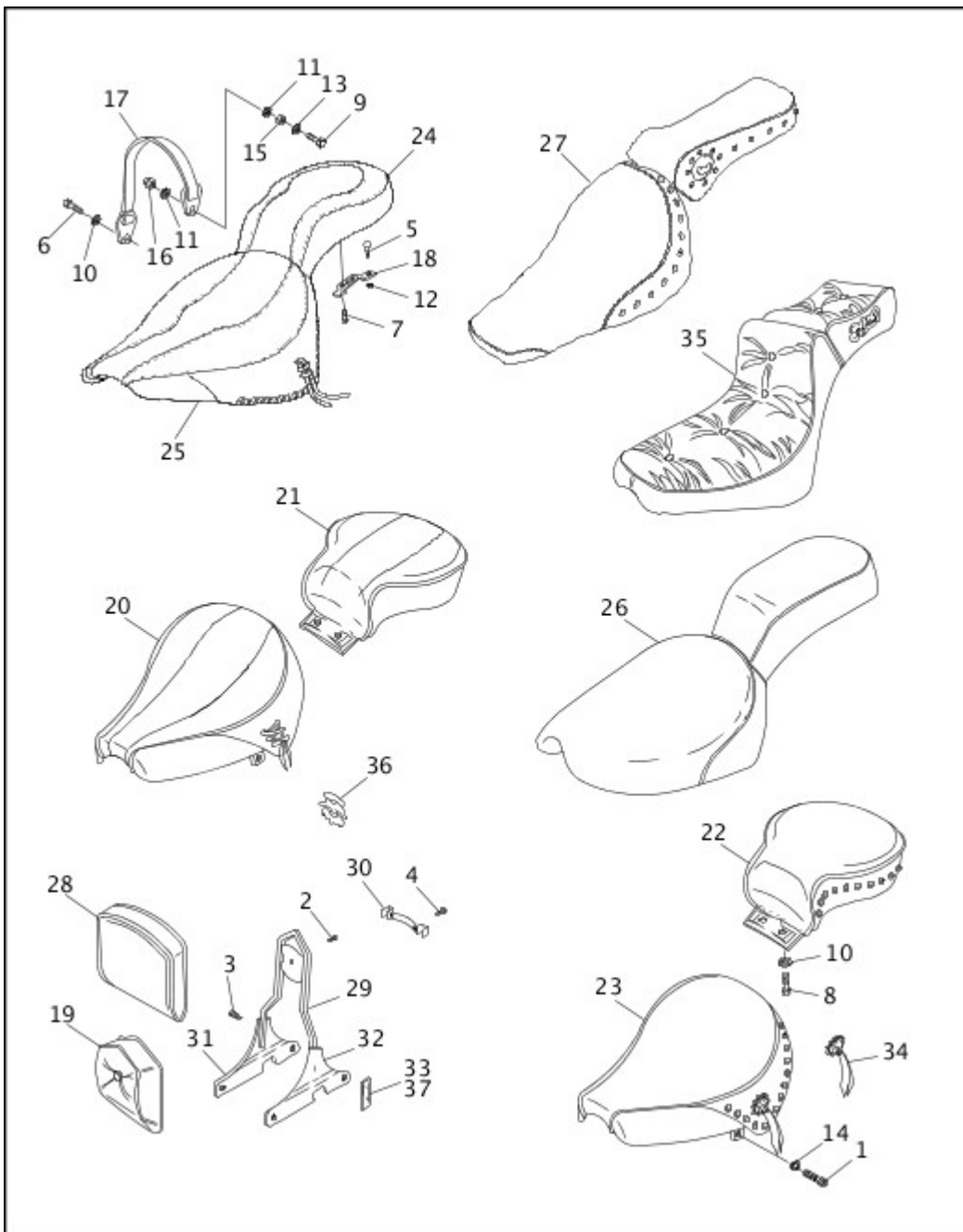
[View interactive image](#)

[View interactive table](#)

INDEX NO.	PART NO.	DESCRIPTION	MODEL(S)
31	47573-89B	REAR FORK, w/ 25 & 27	ALL
32	47008-92B	FRAME	ALL
33	47577-94	SPACER, rear axle adjustment (2)	ALL

INDEX NO.	PART NO.	DESCRIPTION	MODEL(S)
34	47579-93	ADJUSTING SCREW, rear axle (2)	ALL
35	47698-86B	TRANSMISSION MOUNTING PLATE	ALL
36	47712-91	TAB, electrical	FLSTC 1995, FLSTF 1995, FLSTN 1995, FXSTC 1995, FXSTS 1995, FXSTSB 1995
37	48031-89A	SWING AXIS TUBE	ALL
38	48315-60	BEARING CUP (2)	ALL
39	50005-85A	SPRING, jiffy stand leg	ALL
40	50015-74A	LEG STOP	ALL
41	50018-85	LEG BRACKET (chrome)	ALL
42	50028-91	BRACKET, spring (chrome)	ALL
43	50087-89B	LEG, jiffy stand (chrome)	ALL
44	50972-75	FITTING, lubrication	ALL
45	59258-91	REFLECTOR (amber) (2)	ALL
46	60363-86C	REAR FENDER EXTENSION	ALL
47	62123-66A	BUMPER	ALL
<b>INTERNATIONAL MODELS ONLY</b>			
48	48130-92B	FRAME (HDI)	ALL
49	48140-84A	STEERING HEAD LOCK (HDI) (not illustrated)	ALL
50	50025-84	SPRING, jiffy stand (HDI) (not illustrated)	ALL
51	50027-84	SPRING, jiffy stand (HDI) (not illustrated)	ALL
52	50034-84	SPRING, jiffy stand (HDI) (not illustrated)	ALL
53	59265-90	REFLECTOR (amber) (HDI) (2)	FLSTF 1995, FLSTF 1996, FXSTS 1995, FXSTS 1996

## SEATS & SISSY BAR



[View interactive image](#)

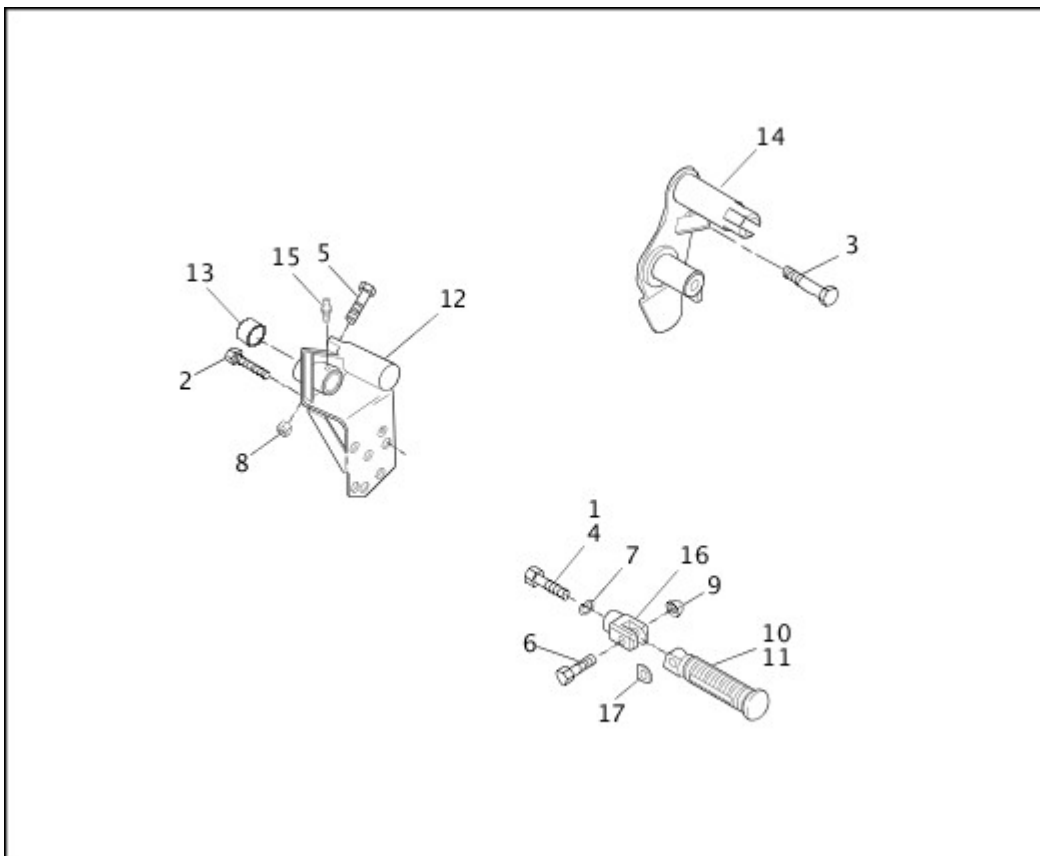
[View interactive table](#)

INDEX NO.	PART NO.	DESCRIPTION	MODEL(S)
1	868A	SCREW (2)	FLSTC 1995, FLSTC 1996, FLSTF 1995, FLSTF 1996, FLSTN 1995, FLSTN 1996
2	1357W	SCREW	FLSTC 1995, FLSTC 1996, FXSTC 1995, FXSTC 1996
3	3793A	SCREW (4)	FLSTC 1995, FLSTC 1996, FXSTC 1995, FXSTC 1996
4	2538	SCREW (2)	FLSTC 1995, FLSTC 1996
	2607	SCREW (2)	FXSTC 1995, FXSTC 1996
5	2739	SCREW	ALL

INDEX NO.	PART NO.	DESCRIPTION	MODEL(S)
	2952A	SCREW	FLSTC 1996, FLSTF 1996, FLSTN 1996, FXSTC 1996, FXSTS 1996, FXSTSB 1996
6	2879W	BOLT (2)	FLSTC 1995, FLSTC 1996, FXSTC 1995, FXSTC 1996
7	3574	SCREW (2)	ALL
8	3974HW	BOLT (2)	FLSTC 1995, FLSTC 1996, FLSTF 1995, FLSTN 1995
	2534	SCREW (2)	FLSTF 1996, FLSTN 1996
9	4721	BOLT (2)	FLSTC 1995, FLSTC 1996, FLSTF 1995, FLSTF 1996
10	6333	WASHER (2)	FLSTC 1995, FLSTC 1996, FLSTF 1995, FLSTF 1996, FLSTN 1995, FLSTN 1996
11	6379W	WASHER (4)	FLSTC 1995, FLSTC 1996, FLSTF 1995, FLSTF 1996
12	6410	WASHER (nylon)	ALL
13	6701	WASHER (2)	FLSTC 1995, FLSTC 1996, FLSTF 1995, FLSTF 1996
14	7068	LOCKWASHER (2)	FLSTC 1995, FLSTC 1996, FLSTF 1995, FLSTF 1996, FLSTN 1995, FLSTN 1996
15	7643W	JAMNUT (2)	FLSTC 1995, FLSTC 1996, FLSTF 1995, FLSTF 1996, FXSTC 1995, FXSTC 1996, FXSTS 1995, FXSTS 1996, FXSTSB 1995, FXSTSB 1996
16	7680W	ACORN NUT (2)	FLSTC 1995, FLSTC 1996, FLSTF 1995, FLSTF 1996
17	51184-88A	PASSENGER STRAP (black)	FLSTN 1995, FXSTS 1995, FXSTS 1996
	51185-90	PASSENGER STRAP (black)	FLSTC 1995, FLSTC 1996
	51183-95A	PASSENGER STRAP	FXSTSB 1995, FXSTSB 1996
	51186-89B	PASSENGER STRAP (black)	FLSTF 1995, FLSTF 1996
	51175-95	PASSENGER STRAP KIT (black)	FXSTC 1995, FXSTC 1996
	51194-96	PASSENGER STRAP (black)	FLSTN 1995, FLSTN 1996
18	51652-83B	BRACKET, seat	ALL
19	52191-86	BACKREST	FXSTC 1995, FXSTC 1996
20	52283-95A	SEAT, front	FLSTN 1995, FLSTN 1996
21	52285-95B	SEAT, rear	FLSTN 1995, FLSTN 1996
22	52912-00	SEAT KIT, passenger (black)	FLSTC 1995, FLSTC 1996

INDEX NO.	PART NO.	DESCRIPTION	MODEL(S)
23	52236-86E	SEAT KIT, solo (black)	FLSTC 1995, FLSTC 1996
24	52209-90C	SEAT KIT, passenger (w/ textured panel)	FLSTF 1995, FLSTF 1996
25	52217-90C	SEAT, front (w/ textured panel)	FLSTF 1995, FLSTF 1996
26	52503-88E	SEAT	FXSTS 1995, FXSTS 1996
27	52510-95A	SEAT	FXSTSB 1995, FXSTSB 1996
28	52541-87A	BACKREST KIT, w/ concho (black)	FLSTC 1995, FLSTC 1996
29	52735-85	UPRIGHT, sissy bar	FLSTC 1995, FLSTC 1996, FXSTC 1995, FXSTC 1996
30	52771-82	BRACKET, backrest	FLSTC 1995, FLSTC 1996, FXSTC 1995, FXSTC 1996
31	52787-92	SIDE PLATE, right	FLSTC 1995, FLSTC 1996, FXSTC 1995, FXSTC 1996
32	52788-92	SIDE PLATE, left	FLSTC 1995, FLSTC 1996, FXSTC 1995, FXSTC 1996
33	59255-91	REFLECTOR (red) (2)	FLSTC 1995, FLSTC 1996
34	91850-87A	CONCHO	FLSTC 1995, FLSTC 1996
35	91768-96	SEAT (black)	FXSTC 1995, FXSTC 1996
36	99000-77	MEDALLION	FXSTC 1995, FXSTC 1996
<b>INTERNATIONAL MODELS ONLY</b>			
37	59254-91	REFLECTOR (amber) (HDI) (2)	FLSTC 1995, FLSTC 1996, FXSTC 1995, FXSTC 1996, FXSTS 1995, FXSTS 1996

## FOOTRESTS



[View interactive image](#)

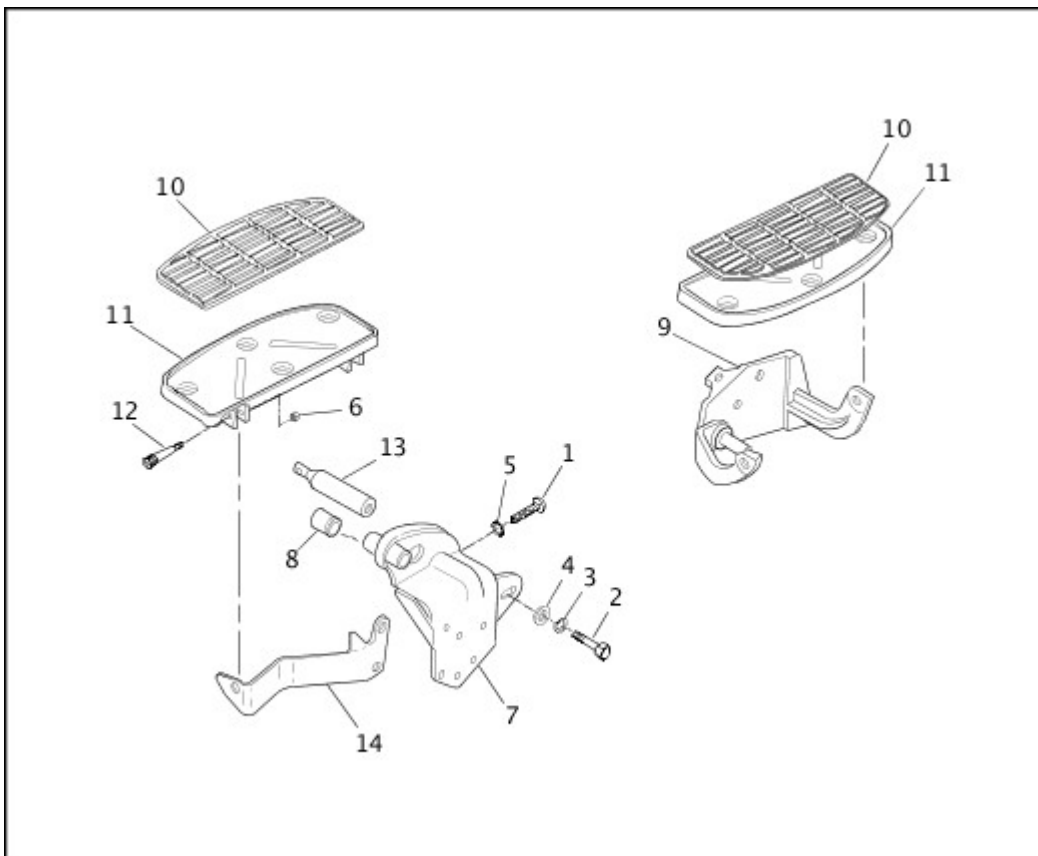
[View interactive table](#)

INDEX NO.	PART NO.	DESCRIPTION	MODEL(S)
1	872A	SCREW, right	FLSTF 1995, FLSTF 1996, FLSTN 1995, FLSTN 1996
2	3440	BOLT	ALL
3	4163	SCREW	FXSTC 1995, FXSTC 1996, FXSTS 1995, FXSTS 1996, FXSTSB 1995, FXSTSB 1996
4	3516A	SCREW (2)	FLSTF 1995, FLSTF 1996, FLSTN 1995, FLSTN 1996, FXSTC 1995, FXSTC 1996, FXSTS 1995, FXSTS 1996, FXSTSB 1995, FXSTSB 1996
	3549A	SCREW (2)	FLSTC 1995, FLSTC 1996
5	4716W	SCREW	FXSTC 1995, FXSTC 1996, FXSTS 1995, FXSTS 1996, FXSTSB 1995, FXSTSB 1996
6	4721	BOLT (as required)	ALL
7	7068	LOCKWASHER (as required)	ALL
8	7667	NUT	FXSTC 1995, FXSTC 1996, FXSTS 1995, FXSTS 1996, FXSTSB 1995, FXSTSB 1996
9	7778	LOCKNUT (2)	ALL



INDEX NO.	PART NO.	DESCRIPTION	MODEL(S)
10	33048-72	FOOTREST, w/ cover (2)	FLSTC 1995, FLSTC 1996, FLSTF 1995, FLSTF 1996, FLSTN 1995, FLSTN 1996
10	33048-72	FOOTREST, w/ cover (4)	FXSTC 1995, FXSTC 1996, FXSTS 1995, FXSTS 1996, FXSTSB 1995, FXSTSB 1996
11	33189-63	COVER (black) (2)	FLSTC 1995, FLSTC 1996, FLSTF 1995, FLSTF 1996, FLSTN 1995, FLSTN 1996
11	33189-63	COVER (black) (4)	FXSTC 1995, FXSTC 1996, FXSTS 1995, FXSTS 1996, FXSTSB 1995, FXSTSB 1996
12	33683-90A	BRACKET, shifter & footrest	FXSTC 1995, FXSTC 1996, FXSTS 1995, FXSTS 1996, FXSTSB 1995, FXSTSB 1996
13	33708-94	BEARING SLEEVE (2)	FXSTC 1995, FXSTC 1996, FXSTS 1995, FXSTS 1996, FXSTSB 1995, FXSTSB 1996
14	42507-89A	BRACKET, brake lever & footrest (2)	FXSTC 1995, FXSTC 1996, FXSTS 1995, FXSTS 1996, FXSTSB 1995, FXSTSB 1996
15	50972-75	FITTING, lubrication	FXSTC 1995, FXSTC 1996, FXSTS 1995, FXSTS 1996, FXSTSB 1995, FXSTSB 1996
16	50900-72	SUPPORT, passenger footrest	ALL
17	50912-72	SPRING WASHER (as required)	ALL

## FOOTBOARDS



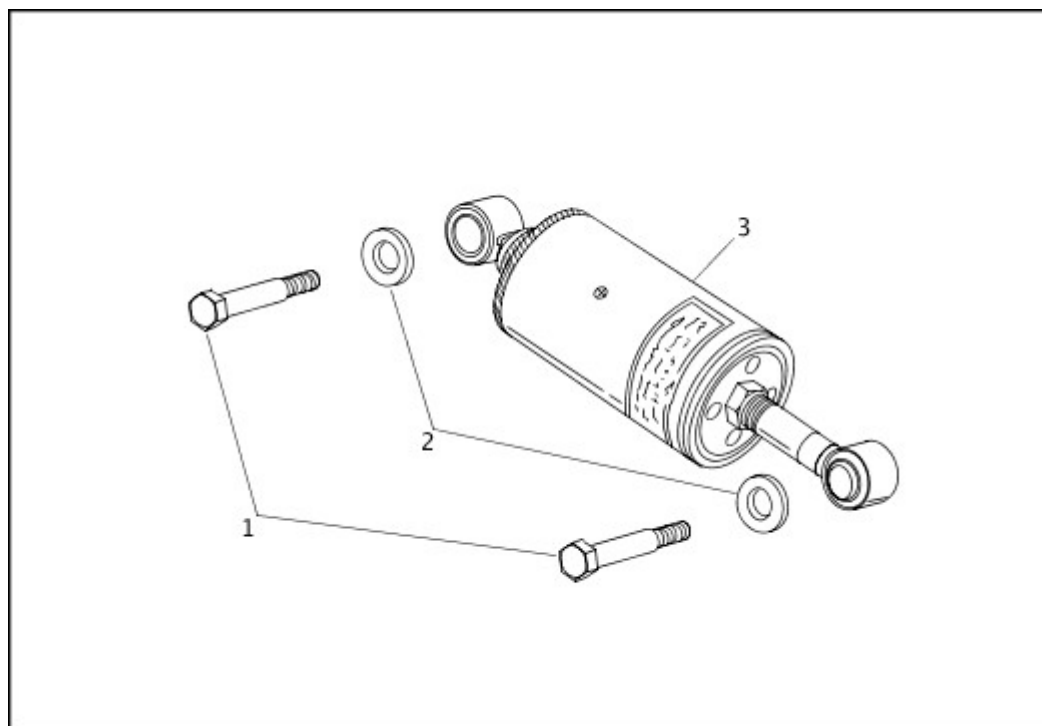
[View interactive image](#)

[View interactive table](#)

INDEX NO.	PART NO.	DESCRIPTION	MODEL(S)
1	2773	SCREW	FLSTC 1995, FLSTC 1996, FLSTF 1995, FLSTF 1996, FLSTN 1995, FLSTN 1996
2	4721	BOLT	FLSTC 1995, FLSTC 1996, FLSTF 1995, FLSTF 1996, FLSTN 1995, FLSTN 1996
3	6400HB	WASHER	FLSTC 1995, FLSTC 1996, FLSTF 1995, FLSTF 1996, FLSTN 1995, FLSTN 1996
4	7038	LOCKWASHER	FLSTC 1995, FLSTC 1996, FLSTF 1995, FLSTF 1996, FLSTN 1995, FLSTN 1996
5	7230	LOCKWASHER	FLSTC 1995, FLSTC 1996, FLSTF 1995, FLSTF 1996, FLSTN 1995, FLSTN 1996
6	7716	LOCKNUT (4)	FLSTC 1995, FLSTC 1996, FLSTF 1995, FLSTF 1996, FLSTN 1995, FLSTN 1996
7	33630-90A	BRACKET KIT, left	FLSTC 1995, FLSTC 1996, FLSTF 1995, FLSTF 1996, FLSTN 1995, FLSTN 1996
8	33708-94	BEARING SLEEVE (2)	FLSTC 1995, FLSTC 1996, FLSTF 1995, FLSTF 1996, FLSTN 1995, FLSTN 1996

INDEX NO.	PART NO.	DESCRIPTION	MODEL(S)
9	42431-87A	BRACKET	FLSTC 1995, FLSTC 1996, FLSTF 1995, FLSTF 1996, FLSTN 1995, FLSTN 1996
10	50614-91A	PAD (2)	FLSTC 1995, FLSTC 1996, FLSTF 1995, FLSTF 1996, FLSTN 1995, FLSTN 1996
11	50621-79A	FOOTBOARD, w/ 10 (2)	FLSTC 1995, FLSTC 1996, FLSTF 1995, FLSTF 1996, FLSTN 1995, FLSTN 1996
12	50635-82A	BOLT, footboard hinge (4)	FLSTC 1995, FLSTC 1996, FLSTF 1995, FLSTF 1996, FLSTN 1995, FLSTN 1996
13	50989-86	STUD, left front (chrome)	FLSTC 1995, FLSTC 1996, FLSTF 1995, FLSTF 1996, FLSTN 1995, FLSTN 1996
14	50990-86B	SUPPORT BRACKET, left rear	FLSTC 1995, FLSTC 1996, FLSTF 1995, FLSTF 1996, FLSTN 1995, FLSTN 1996

## SHOCK ABSORBERS - AIR & HYDRAULIC



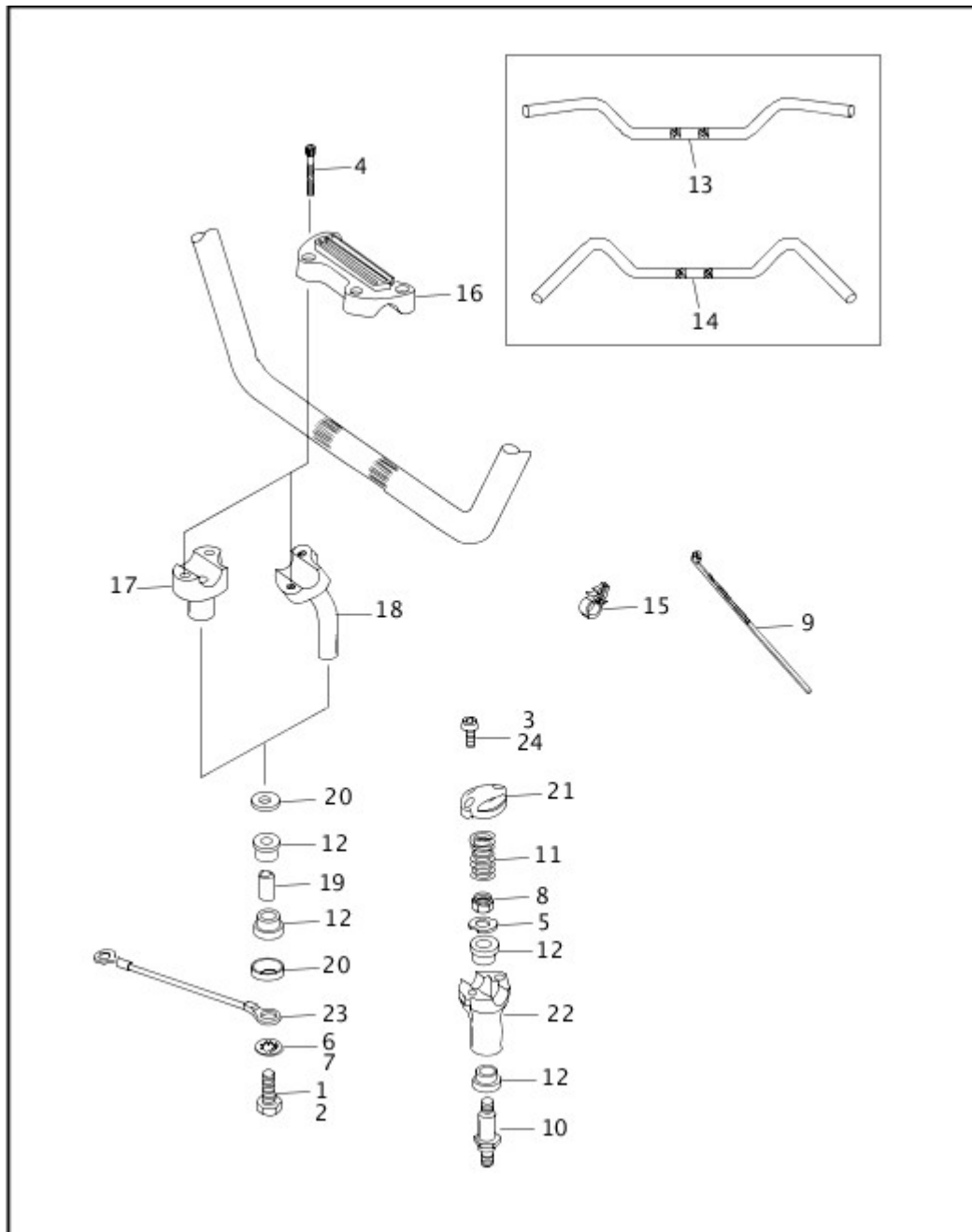
[View interactive image](#)

[View interactive table](#)

INDEX NO.	PART NO.	DESCRIPTION	MODEL(S)
1	4074A	BOLT (4)	ALL
2	6724	WASHER (4)	ALL

INDEX NO.	PART NO.	DESCRIPTION	MODEL(S)
3	54508-89A	SHOCK ABSORBER, complete (2)	ALL

## HANDLEBAR



[View interactive image](#)

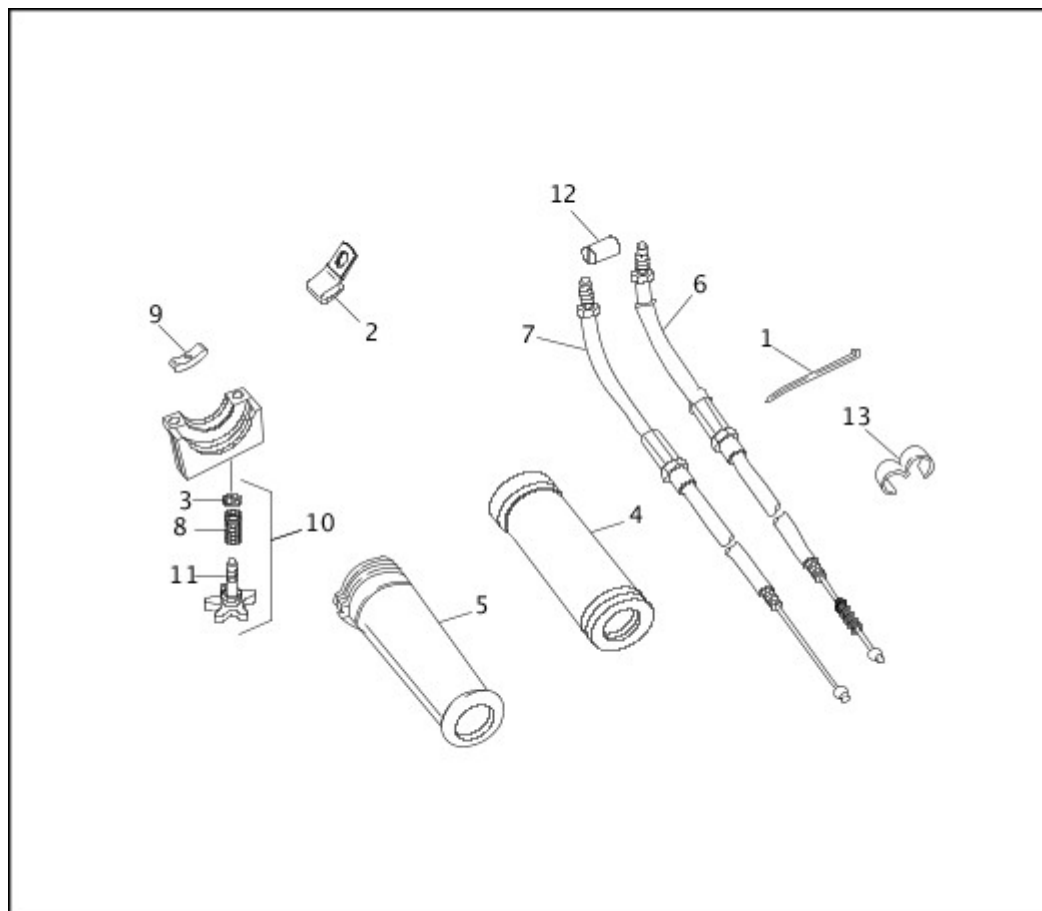
[View interactive table](#)

INDEX NO.	PART NO.	DESCRIPTION	MODEL(S)
1	3450	BOLT (2)	FXSTC 1995, FXSTC 1996
2	3471	BOLT (2)	FLSTC 1995, FLSTC 1996, FLSTF 1995, FLSTF 1996, FLSTN 1995, FLSTN 1996
3	3494A	BOLT (4)	FXSTS 1995, FXSTS 1996, FXSTSB 1995, FXSTSB 1996

INDEX NO.	PART NO.	DESCRIPTION	MODEL(S)
4	4816A	SCREW (4)	FLSTC 1995, FLSTC 1996, FLSTF 1995, FLSTF 1996, FLSTN 1995, FLSTN 1996, FXSTC 1995, FXSTC 1996
5	6753	WASHER	ALL
6	7068	LOCKWASHER (2)	FLSTC 1995, FLSTC 1996, FLSTF 1995, FLSTF 1996, FLSTN 1995, FLSTN 1996, FXSTC 1995, FXSTC 1996
7	7129	LOCKWASHER, right	FLSTC 1995, FLSTC 1996, FLSTF 1995, FLSTF 1996, FLSTN 1995, FLSTN 1996
8	7768W	LOCKNUT (2)	FXSTC 1995, FXSTC 1996, FXSTS 1995, FXSTS 1996, FXSTSB 1995, FXSTSB 1996
9	10065	CABLE STRAP (2)	FXSTS 1995, FXSTS 1996, FXSTSB 1995, FXSTSB 1996
10	45544-88	STUD, rigid fork leg (2)	FXSTS 1995, FXSTS 1996, FXSTSB 1995, FXSTSB 1996
11	46059-90	SPRING	FXSTS 1995, FXSTS 1996, FXSTSB 1995, FXSTSB 1996
12	53156-86	BUSHING (rubber) (4)	ALL
13	55919-82	HANDLEBAR	FLSTF 1995, FLSTF 1996, FLSTN 1995, FLSTN 1996
	56569-86	HANDLEBAR	FLSTC 1995, FLSTC 1996
14	56081-82A	HANDLEBAR	FXSTC 1995, FXSTC 1996
	56093-88A	HANDLEBAR	FXSTS 1995, FXSTS 1996
	56094-95	HANDLEBAR	FXSTSB 1995, FXSTSB 1996
15	56073-83	RETAINER (4)	ALL
16	56119-77A	CLAMP, upper	FXSTC 1995, FXSTC 1996
	56567-86B	CLAMP, upper (chrome)	FLSTC 1995, FLSTC 1996, FLSTF 1995, FLSTF 1996, FLSTN 1995, FLSTN 1996
17	56541-86A	CLAMP, lower, left (chrome)	FLSTC 1995, FLSTC 1996, FLSTF 1995, FLSTF 1996, FLSTN 1995, FLSTN 1996
	56542-86A	CLAMP, lower, right (chrome)	FLSTC 1995, FLSTC 1996, FLSTF 1995, FLSTF 1996, FLSTN 1995, FLSTN 1996
18	56122-77	CLAMP, lower, left	FXSTC 1995, FXSTC 1996
	56124-77	CLAMP, lower, right	FXSTC 1995, FXSTC 1996

INDEX NO.	PART NO.	DESCRIPTION	MODEL(S)
19	56153-73	SPACER (2)	FLSTC 1995, FLSTC 1996, FLSTF 1995, FLSTF 1996, FLSTN 1995, FLSTN 1996, FXSTC 1995, FXSTC 1996
20	56159-73	CUP WASHER (4)	ALL
21	56538-88	CLAMP (2)	FXSTS 1995, FXSTS 1996
	56547-95	CLAMP (2)	FXSTSB 1995, FXSTSB 1996
22	56540-88	RISER (2)	FXSTS 1995, FXSTS 1996
	56546-95	RISER (2)	FXSTSB 1995, FXSTSB 1996
23	70191-73A	CABLE, ground	FXSTC 1995
	70197-86	CABLE, ground	FLSTC 1995, FLSTC 1996, FLSTF 1995, FLSTF 1996, FLSTN 1995, FLSTN 1996
<b>INTERNATIONAL MODELS ONLY</b>			
24	94331-91T	SCREW (4)	FXSTS 1995, FXSTS 1996

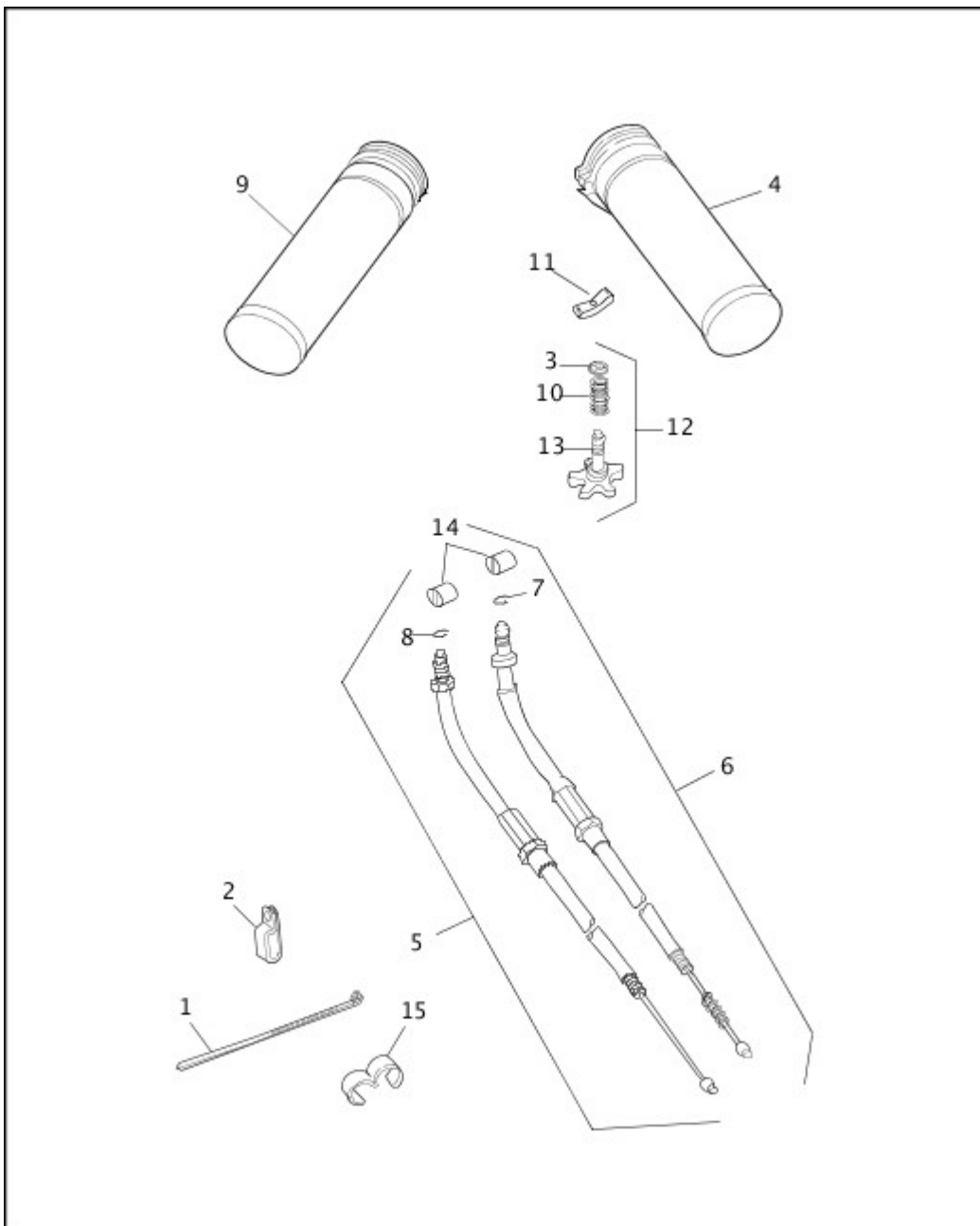
## THROTTLE CONTROL - 1995



[View interactive image](#)

INDEX NO.	PART NO.	DESCRIPTION	MODEL(S)
1	10006	CABLE STRAP	FLSTC 1995, FLSTF 1995, FLSTN 1995, FXSTC 1995, FXSTS 1995, FXSTSB 1995
2	10263A	CLAMP, throttle cables	FXSTS 1995, FXSTSB 1995
3	11155	RETAINING RING	FXSTS 1995, FXSTSB 1995
4	55915-94A	GRIP, left	FLSTC 1995, FLSTF 1995, FLSTN 1995, FXSTC 1995, FXSTS 1995, FXSTSB 1995
	56206-94A	GRIP, left	FLSTC 1995, FLSTF 1995, FLSTN 1995, FXSTC 1995, FXSTS 1995, FXSTSB 1995
5	56220-94A	GRIP & SLEEVE, throttle, right	FLSTC 1995, FLSTF 1995, FLSTN 1995, FXSTC 1995, FXSTS 1995, FXSTSB 1995
6	56305-90	IDLE CONTROL	FXSTS 1995
7	56306-90	THROTTLE CONTROL	FXSTS 1995
	56343-90	THROTTLE CONTROL	FLSTC 1995, FLSTF 1995, FLSTN 1995, FXSTC 1995, FXSTSB 1995
8	56394-74	SPRING, adjusting screw	FLSTC 1995, FLSTF 1995, FLSTN 1995, FXSTC 1995, FXSTS 1995, FXSTSB 1995
9	56396-74A	FRICITION SPRING, throttle	FLSTC 1995, FLSTF 1995, FLSTN 1995, FXSTC 1995, FXSTS 1995, FXSTSB 1995
10	56397-74C	ADJUSTING SCREW KIT, w/ 3, 8 & 11	FLSTC 1995, FLSTF 1995, FLSTN 1995, FXSTC 1995, FXSTS 1995, FXSTSB 1995
11	56402-83A	ADJUSTING SCREW	FLSTC 1995, FLSTF 1995, FLSTN 1995, FXSTC 1995, FXSTS 1995, FXSTSB 1995
12	56508-76	FERRULE, control wire (2)	FLSTC 1995, FLSTF 1995, FLSTN 1995, FXSTC 1995, FXSTS 1995, FXSTSB 1995
13	70504-81	CLIP, throttle cables	FLSTC 1995, FLSTF 1995, FLSTN 1995, FXSTC 1995, FXSTS 1995, FXSTSB 1995

## THROTTLE CONTROL - 1996



[View interactive image](#)

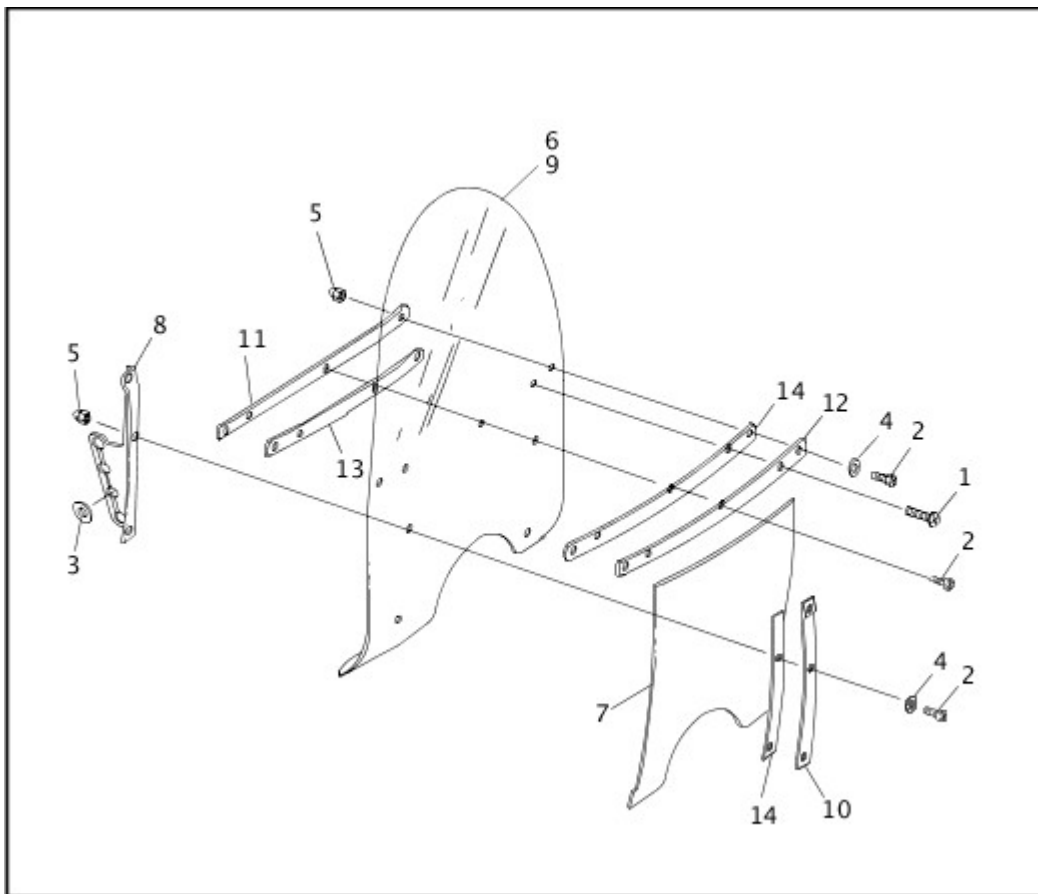
[View interactive table](#)

INDEX NO.	PART NO.	DESCRIPTION	MODEL(S)
1	10006	CABLE STRAP	FLSTC 1996, FLSTF 1996, FLSTN 1996, FXSTC 1996, FXSTS 1996, FXSTSB 1996
2	10263A	CLAMP, throttle cables	FXSTS 1996, FXSTSB 1996
3	11155	RETAINING RING	FLSTC 1996, FLSTF 1996, FLSTN 1996, FXSTC 1996, FXSTS 1996, FXSTSB 1996
4	56220-94A	GRIP & SLEEVE, throttle, right	FLSTC 1996, FLSTF 1996, FLSTN 1996, FXSTC 1996, FXSTS 1996, FXSTSB 1996
5	56306-96	THROTTLE CONTROL ASSEMBLY	FXSTS 1996



INDEX NO.	PART NO.	DESCRIPTION	MODEL(S)
	56343-96	THROTTLE CONTROL ASSEMBLY	FLSTC 1996, FLSTF 1996, FLSTN 1996, FXSTC 1996, FXSTSB 1996
6	56305-96	IDLE CONTROL ASSEMBLY	FXSTS 1996
	56342-96	IDLE CONTROL ASSEMBLY	FLSTC 1996, FLSTF 1996, FLSTN 1996, FXSTC 1996, FXSTSB 1996
7	11271	RETAINING RING, idle control	FLSTC 1996, FLSTF 1996, FLSTN 1996, FXSTC 1996, FXSTS 1996, FXSTSB 1996
8	11272	RETAINING RING, throttle control	FLSTC 1996, FLSTF 1996, FLSTN 1996, FXSTC 1996, FXSTS 1996, FXSTSB 1996
9	56206-96	GRIP, left	FLSTC 1996, FLSTF 1996, FLSTN 1996, FXSTC 1996, FXSTS 1996, FXSTSB 1996
10	56394-74	SPRING, adjusting screw	FLSTC 1996, FLSTF 1996, FLSTN 1996, FXSTC 1996, FXSTS 1996, FXSTSB 1996
11	56396-74A	FRICTION SPRING, throttle	FLSTC 1996, FLSTF 1996, FLSTN 1996, FXSTC 1996, FXSTS 1996, FXSTSB 1996
12	56397-74C	ADJUSTING SCREW KIT	FLSTC 1996, FLSTF 1996, FLSTN 1996, FXSTC 1996, FXSTS 1996, FXSTSB 1996
13	56402-83A	ADJUSTING SCREW	FLSTC 1996, FLSTF 1996, FLSTN 1996, FXSTC 1996, FXSTS 1996, FXSTSB 1996
14	56508-76	FERRULE, control wire (2)	FLSTC 1996, FLSTF 1996, FLSTN 1996, FXSTC 1996, FXSTS 1996, FXSTSB 1996
15	70504-81	CLIP, throttle cables	FLSTC 1996, FLSTF 1996, FLSTN 1996, FXSTC 1996, FXSTS 1996, FXSTSB 1996

**WINDSHIELD - FLSTC**



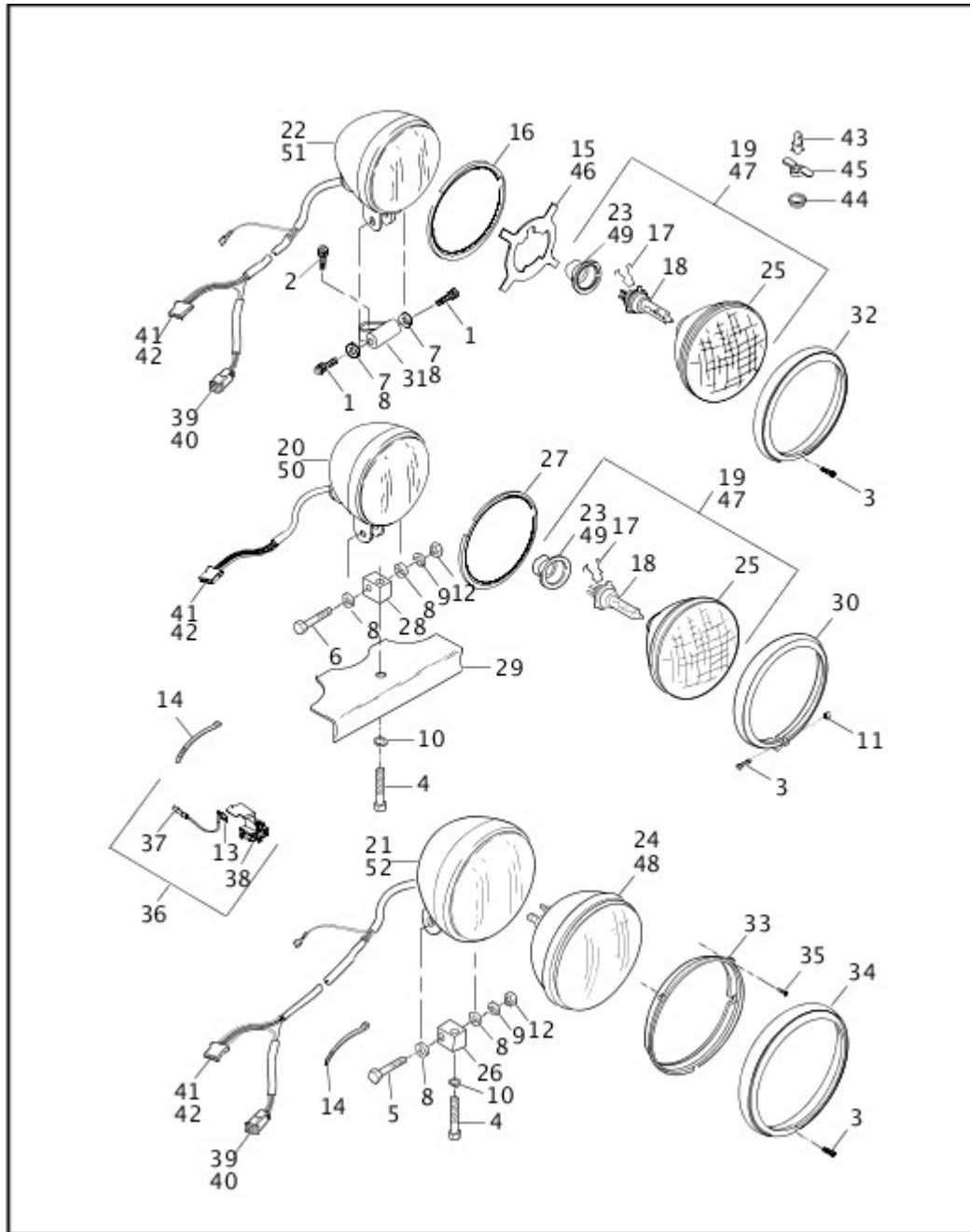
[View interactive image](#)

[View interactive table](#)

INDEX NO.	PART NO.	DESCRIPTION	MODEL(S)
1	2444	SCREW (2)	FLSTC 1995, FLSTC 1996
2	2921	SCREW (7)	FLSTC 1995, FLSTC 1996
3	6645	WASHER (4)	FLSTC 1995, FLSTC 1996
4	7073	LOCKWASHER (9)	FLSTC 1995, FLSTC 1996
5	7651A	ACORN NUT (7)	FLSTC 1995, FLSTC 1996
6	58018-86A	WINDSHIELD ASSEMBLY, complete	FLSTC 1995, FLSTC 1996
7	58075-86	WINDOW, adjustable	FLSTC 1995, FLSTC 1996
8	58078-49	ADJUSTING BRACKET, right	FLSTC 1995, FLSTC 1996
	58079-49	ADJUSTING BRACKET, left	FLSTC 1995, FLSTC 1996
9	58183-78	WINDOW REPLACEMENT KIT	FLSTC 1995, FLSTC 1996
10	58406-75A	BRACE, right	FLSTC 1995, FLSTC 1996
	58408-75A	BRACE, left	FLSTC 1995, FLSTC 1996
11	58411-76A	BRACE, outer	FLSTC 1995, FLSTC 1996
12	58412-76A	BRACE, inner	FLSTC 1995, FLSTC 1996
13	58416-77A	TAPE (2)	FLSTC 1995, FLSTC 1996

INDEX NO.	PART NO.	DESCRIPTION	MODEL(S)
14	58417-77	TAPE (2)	FLSTC 1995, FLSTC 1996

## HEADLAMP (1 OF 2)



[View interactive image](#)

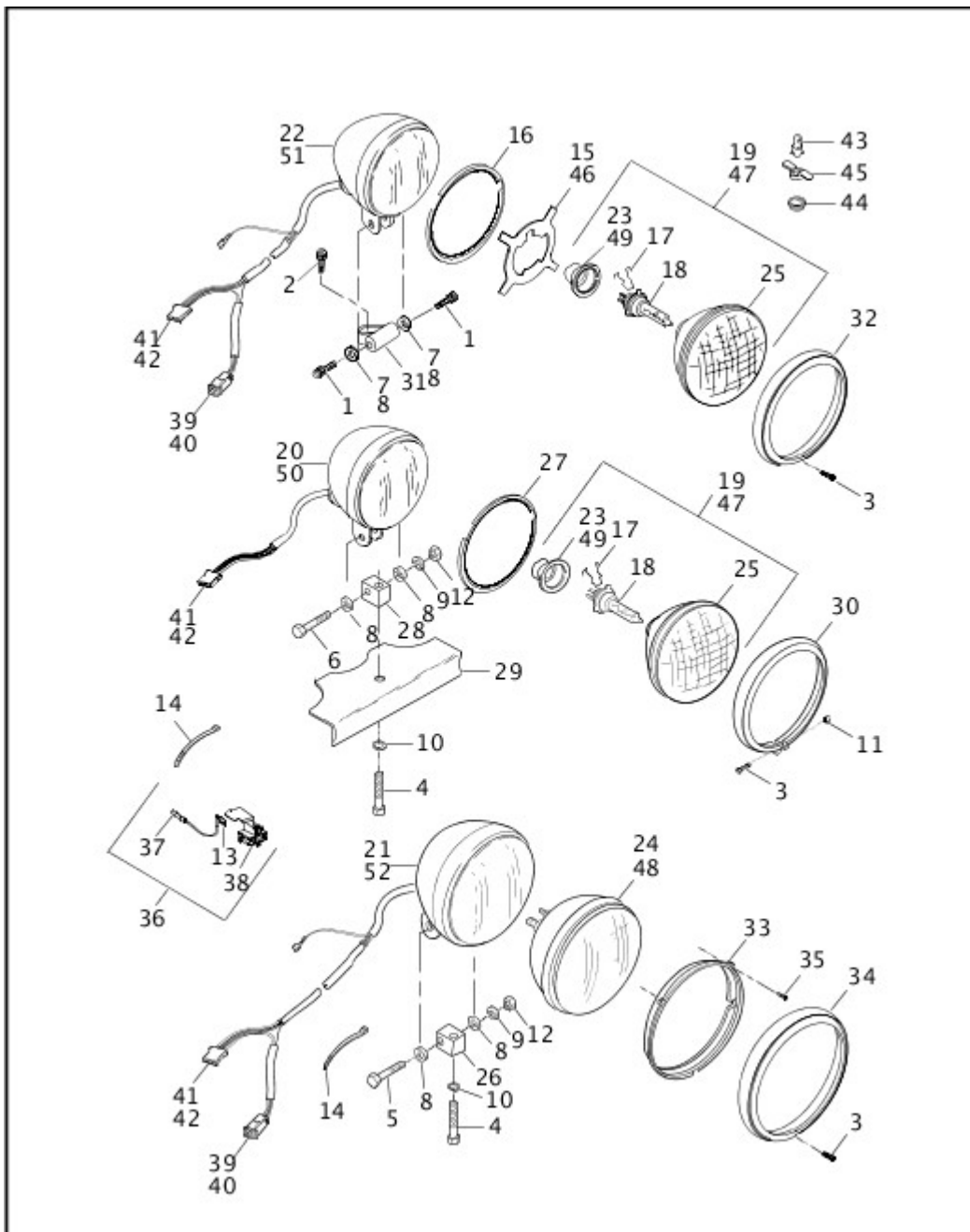
[View interactive table](#)

INDEX NO.	PART NO.	DESCRIPTION	MODEL(S)
1	2917	SCREW (2)	FXSTS 1995, FXSTS 1996, FXSTSB 1995, FXSTSB 1996
2	861A	SCREW (early model year)	FXSTS 1995, FXSTS 1996, FXSTSB 1995, FXSTSB 1996
	3214	SCREW (late model year)	FXSTS 1995, FXSTS 1996, FXSTSB 1995, FXSTSB 1996

INDEX NO.	PART NO.	DESCRIPTION	MODEL(S)
3	3514	SCREW	ALL
4	3945	BOLT	FLSTC 1995, FLSTC 1996, FLSTF 1995, FLSTF 1996, FLSTN 1995, FLSTN 1996, FXSTC 1995, FXSTC 1996
5	4411	BOLT	FLSTC 1995, FLSTC 1996, FLSTF 1995, FLSTF 1996, FLSTN 1995, FLSTN 1996
6	4724	BOLT	FXSTC 1995, FXSTC 1996
7	6379W	WASHER (2)	FXSTS 1995, FXSTS 1996, FXSTSB 1995, FXSTSB 1996
8	6701	WASHER (2)	FLSTC 1995, FLSTC 1996, FLSTF 1995, FLSTF 1996, FLSTN 1995, FLSTN 1996, FXSTC 1995, FXSTC 1996
9	7038	LOCKWASHER	FLSTC 1995, FLSTC 1996, FLSTF 1995, FLSTF 1996, FLSTN 1995, FLSTN 1996
10	7130W	LOCKWASHER	FXSTC 1995, FXSTC 1996
11	7606	LOCKNUT	FXSTC 1995, FXSTC 1996
12	7800W	NUT	FLSTC 1995, FLSTC 1996, FLSTF 1995, FLSTF 1996, FLSTN 1995, FLSTN 1996, FXSTC 1995, FXSTC 1996
13	9847	WIRE TERMINAL, female spade, R.H.	ALL
	9848	WIRE TERMINAL, female spade, L.H. (2)	ALL
14	10065	CABLE STRAP	ALL
15	67601-94A	GASKET, headlamp	FXSTS 1996, FXSTSB 1996
16	67603-94A	ADAPTING RING	FXSTS 1996, FXSTSB 1996
17	67685-92	CLIP, bulb	FXSTC 1995, FXSTC 1996, FXSTS 1995, FXSTS 1996, FXSTSB 1995, FXSTSB 1996
18	68329-03	BULB, halogen H-4	FXSTC 1995, FXSTC 1996, FXSTS 1995, FXSTS 1996, FXSTSB 1995, FXSTSB 1996
19	67698-81D	HEADLAMP ASSEMBLY, w/ bulb, boot & clip, 5-3/4"	FXSTC 1995, FXSTC 1996, FXSTS 1995, FXSTS 1996, FXSTSB 1995, FXSTSB 1996
20	67777-80A	HEADLAMP ASSEMBLY, w/ housing & wiring, 5-3/4"	FXSTC 1995
	67770-96	HEADLAMP ASSEMBLY, w/ housing & wiring, 5-3/4"	FXSTC 1996

INDEX NO.	PART NO.	DESCRIPTION	MODEL(S)
21	67789-91B	HEADLAMP ASSEMBLY, w/ housing & wiring, 7"	FLSTC 1995, FLSTF 1995, FLSTN 1995
	67824-96A	HEADLAMP ASSEMBLY, w/ housing & wiring, 7"	FLSTF 1996
	67903-96A	HEADLAMP ASSEMBLY, w/ housing & wiring, 7"	FLSTC 1996, FLSTN 1996
22	67841-93	HEADLAMP ASSEMBLY, w/ housing & wiring, 5-3/4"	FXSTS 1995, FXSTSB 1995
	67841-96A	HEADLAMP ASSEMBLY, w/ housing & wiring, 5-3/4"	FXSTS 1996, FXSTSB 1996
23	67705-92	BOOT, connector	FXSTC 1995, FXSTC 1996, FXSTS 1995, FXSTS 1996, FXSTSB 1995, FXSTSB 1996
24	67713-86	SEALED BEAM UNIT, 7"	FLSTC 1995, FLSTC 1996, FLSTF 1995, FLSTF 1996, FLSTN 1995, FLSTN 1996
25	67757-92	LENS, w/ 67685-92	FXSTC 1995, FXSTC 1996, FXSTS 1995, FXSTS 1996, FXSTSB 1995, FXSTSB 1996
26	67768-86	MOUNTING BLOCK	FLSTC 1995, FLSTC 1996, FLSTF 1995, FLSTF 1996, FLSTN 1995, FLSTN 1996
27	67769-93	ADAPTER RING	FXSTC 1995, FXSTC 1996
28	67772-80	MOUNTING BLOCK	FXSTC 1995, FXSTC 1996
29	67773-80A	MOUNTING PLATE	FXSTC 1995, FXSTC 1996
30	67790-93A	TRIM RING (chrome)	FXSTC 1995, FXSTC 1996
31	67892-93	MOUNTING BLOCK	FXSTS 1995, FXSTS 1996, FXSTSB 1995, FXSTSB 1996
32	67894-93A	TRIM RING (chrome)	FXSTS 1995, FXSTS 1996, FXSTSB 1995, FXSTSB 1996

## HEADLAMP (2 OF 2)



View interactive image

View interactive table

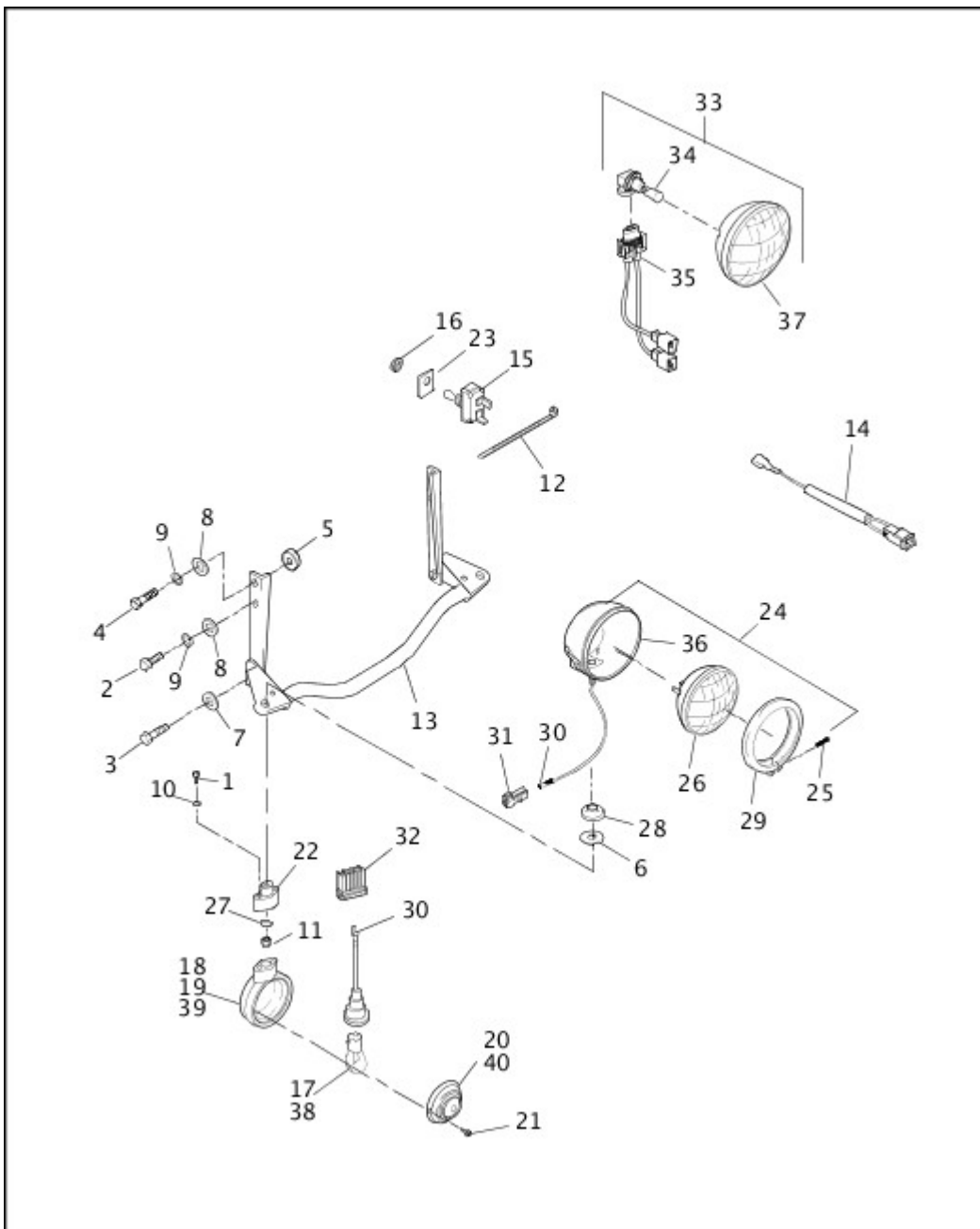
INDEX NO.	PART NO.	DESCRIPTION	MODEL(S)
33	68050-93A	RETAINING RING	FLSTC 1995, FLSTC 1996, FLSTF 1995, FLSTF 1996, FLSTN 1995, FLSTN 1996
34	68051-93A	TRIM RING (chrome)	FLSTC 1995, FLSTC 1996, FLSTF 1995, FLSTF 1996, FLSTN 1995, FLSTN 1996
35	68052-93	SCREW (3)	FLSTC 1995, FLSTC 1996, FLSTF 1995, FLSTF 1996, FLSTN 1995, FLSTN 1996
36	68705-93A	CONNECTOR ASSEMBLY, headlamp, w/wires, terminals & splice connectors	ALL

INDEX NO.	PART NO.	DESCRIPTION	MODEL(S)
37	70586-93	CONNECTOR, butt splice, 16-22 gauge (4)	ALL
38	72056-92	INSULATOR, spade terminal (3-way)	ALL
39	73190-96	TERMINAL, 16-20 gauge pin (2)	FLSTC 1996, FLSTN 1996
40	73102-96BK	HOUSING, 2-way pin	FLSTC 1996, FLSTN 1996
41	73154-96BK	HOUSING, 4-way socket	FLSTC 1996, FLSTF 1996, FLSTN 1996, FXSTC 1996, FXSTS 1996, FXSTSB 1996
42	73191-96	CONTACT SOCKET, 16-20 gauge (3)	FLSTC 1996, FLSTF 1996, FLSTN 1996, FXSTC 1996, FXSTS 1996, FXSTSB 1996
<b>INTERNATIONAL MODELS ONLY</b>			
43	53438-92	BULB, position lamp	ALL
44	67691-92	GROMMET, position lamp	ALL
45	68650-92	SOCKET, position lamp	FXSTC 1995, FXSTC 1996, FXSTS 1995, FXSTS 1996, FXSTSB 1995, FXSTSB 1996
	68654-92	SOCKET, position lamp	FLSTC 1995, FLSTF 1995, FLSTN 1995
46	67602-94	GASKET, headlamp	FXSTS 1995, FXSTS 1996, FXSTSB 1995, FXSTSB 1996
47	67763-92A	LENS ASSEMBLY, w/ bulb & boot, R.H. Dip	FXSTC 1995, FXSTC 1996, FXSTS 1995, FXSTS 1996, FXSTSB 1995, FXSTSB 1996
	67781-92A	LENS ASSEMBLY, w/ bulb & boot, L.H. Dip	FXSTC 1995, FXSTC 1996, FXSTS 1995, FXSTS 1996, FXSTSB 1995, FXSTSB 1996
48	67793-92A	LENS ASSEMBLY, w/ bulb & boot, R.H. Dip	FLSTC 1995, FLSTC 1996, FLSTF 1995, FLSTF 1996, FLSTN 1995, FLSTN 1996
	67801-92A	LENS ASSEMBLY, w/ bulb & boot, L.H. Dip	FLSTC 1995, FLSTC 1996, FLSTF 1995, FLSTF 1996, FLSTN 1995, FLSTN 1996
49	67798-92	BOOT	FLSTC 1995, FLSTC 1996, FLSTF 1995, FLSTF 1996, FLSTN 1995, FLSTN 1996
50	67872-89B	HEADLAMP, complete, w/ wiring, 5-3/4 inch (Less bulb)	FXSTC 1995
	67656-96	HEADLAMP, complete, w/ wiring, 5-3/4 inch (L.H. dip)	FXSTC 1996
	67653-96	HEADLAMP, complete, w /wiring, 5-3/4 inch (R.H. dip)	FXSTC 1996
51	67849-93	HEADLAMP, complete, w/ wiring, 5-3/4 inch (Less bulb)	FXSTS 1995, FXSTSB 1995

INDEX NO.	PART NO.	DESCRIPTION	MODEL(S)
	67655-96A	HEADLAMP, complete, w/ wiring, 5-3/4 inch (L.H. dip)	FXSTS 1996, FXSTSB 1996
	67652-96A	HEADLAMP, complete, w /wiring, 5-3/4 inch (R.H. dip)	FXSTS 1996, FXSTSB 1996
52	67823-92A	HEADLAMP, complete, w/ wiring, 7 inch (Less bulb)	FLSTC 1995, FLSTF 1995, FLSTN 1995
	67904-96	HEADLAMP, complete, w /wiring, 7 inch (R.H. dip)	FLSTC 1996, FLSTN 1996
	67905-96	HEADLAMP, complete, w/ wiring, 7 inch (L.H. dip)	FLSTC 1996, FLSTN 1996
	67920-96	HEADLAMP, complete, w /wiring, 7 inch (Australia) (L.H. dip)	FLSTC 1996, FLSTN 1996
	67654-96	HEADLAMP, complete, w /wiring, 7 inch (R.H. dip)	FLSTF 1996
	67659-96	HEADLAMP, complete, w/ wiring, 7 inch (L.H. dip)	FLSTF 1996

#### AUXILIARY/FOG LAMPS & FRONT TURN SIGNALS - FLSTC





[View interactive image](#)

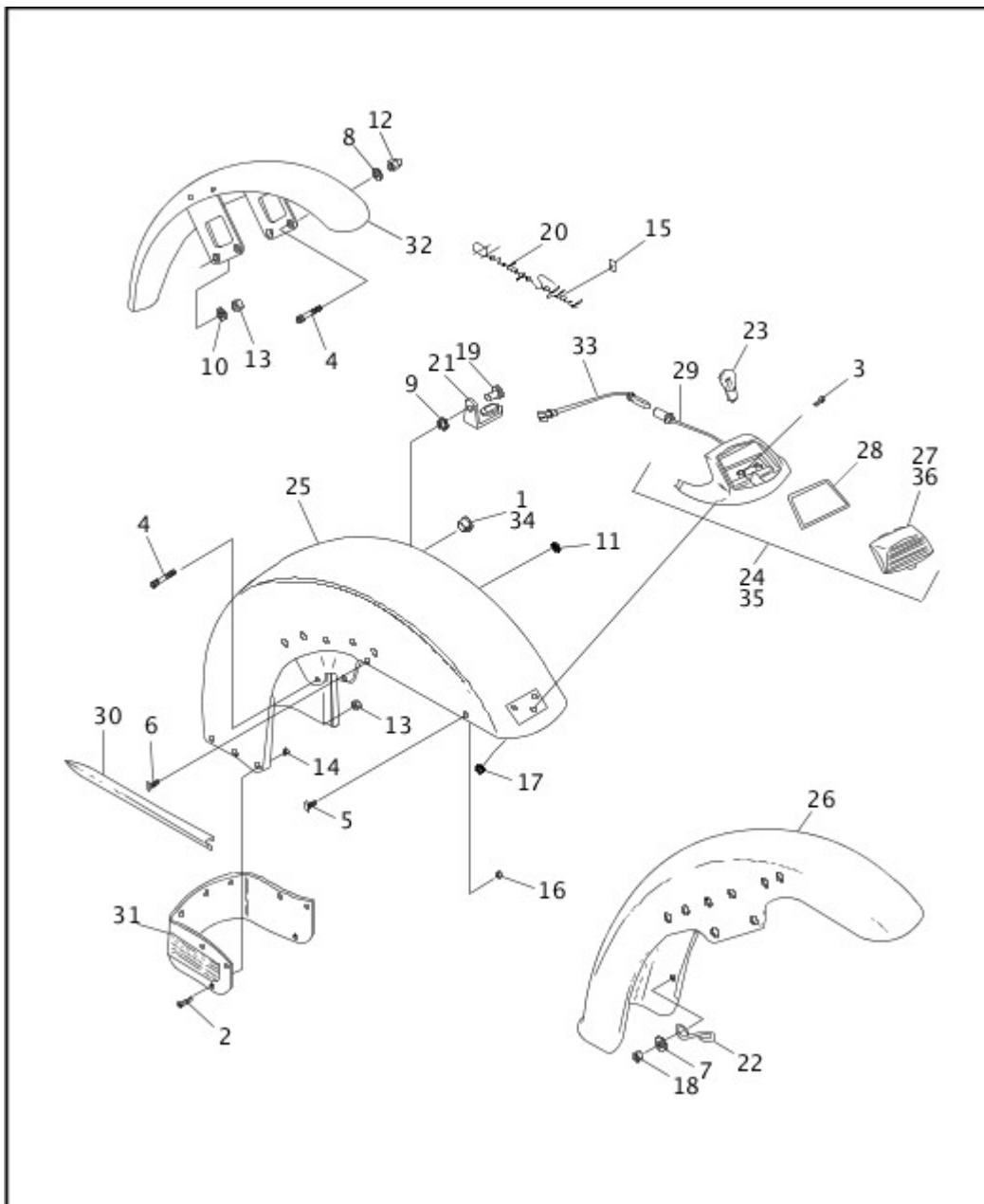
[View interactive table](#)

INDEX NO.	PART NO.	DESCRIPTION	MODEL(S)
1	2647B	SCREW (4)	FLSTC 1995, FLSTC 1996
2	3960W	BOLT (2)	FLSTC 1995, FLSTC 1996
3	4014W	BOLT (2)	FLSTC 1995, FLSTC 1996
4	4036	BOLT (2)	FLSTC 1995, FLSTC 1996
5	5885	SPACER (2)	FLSTC 1995, FLSTC 1996
6	6072	WASHER, belleville (2)	FLSTC 1995, FLSTC 1996
7	6109	WASHER (2)	FLSTC 1995, FLSTC 1996
8	6645	WASHER (4)	FLSTC 1995, FLSTC 1996
9	7041	LOCKWASHER (4)	FLSTC 1995, FLSTC 1996

INDEX NO.	PART NO.	DESCRIPTION	MODEL(S)
10	7069	LOCKWASHER (4)	FLSTC 1995, FLSTC 1996
11	7778	LOCKNUT (2)	FLSTC 1995, FLSTC 1996
12	10006	CABLE STRAP	FLSTC 1995, FLSTC 1996
13	57852-02A	BRACKET, auxiliary lamps	FLSTC 1995, FLSTC 1996
14	67615-89A	WIRING HARNESS, auxiliary lamps	FLSTC 1995
15	67858-89	TOGGLE SWITCH, auxiliary lamps	FLSTC 1995, FLSTC 1996
16	67846-70	NUT, toggle switch	FLSTC 1995, FLSTC 1996
17	68168-89A	BULB, turn signal (2)	FLSTC 1995, FLSTC 1996
18	68766-94	TURN SIGNAL (2)	FLSTC 1996
19	68661-87	TURN SIGNAL, left	FLSTC 1995
	68668-87	TURN SIGNAL, right	FLSTC 1995
20	68440-86	LENS, turn signal (amber) (2)	FLSTC 1995, FLSTC 1996
21	68452-86	SCREW (4)	FLSTC 1995, FLSTC 1996
22	68519-68A	MOUNTING BRACKET (2)	FLSTC 1995, FLSTC 1996
23	68619-83	LABEL, auxiliary lamp switch	FLSTC 1995, FLSTC 1996
24	68671-69D	AUXILIARY LAMP ASSEMBLY, w/ 68683-02 & 68725-62A (2)	FLSTC 1995, FLSTC 1996
25	68672-38	SCREW, auxiliary lamp molding (2)	FLSTC 1995, FLSTC 1996
26	68674-69A	SEALED UNIT, auxiliary lamps (use 68348-05) (2)	FLSTC 1995, FLSTC 1996
27	68720-62	CLAMP BLOCK, auxiliary lamps	FLSTC 1995, FLSTC 1996
28	68721-62	SWIVEL BLOCK, auxiliary lamps (2)	FLSTC 1995, FLSTC 1996
29	68725-62A	MOLDING, auxiliary lamps (2)	FLSTC 1995, FLSTC 1996
30	73191-96	SOCKET CONTACT, 16-20 gauge (8)	FLSTC 1996
31	73152-96BK	HOUSING, 2-way socket	FLSTC 1995, FLSTC 1996
32	73156-96BK	HOUSING, 6-way socket	FLSTC 1995, FLSTC 1996
33	68348-05	AUXILIARY LAMP KIT, w/ 68355-05 & 68414-05 (replaces 68674-69A) (2)	FLSTC 1995, FLSTC 1996
34	68000056	BULB, turn signal (used w/ 68414-05)	FLSTC 1995, FLSTC 1996
35	68355-05	WIRE HARNESS (2)	FLSTC 1995, FLSTC 1996
36	68683-02	HOUSING, lamp (chrome)	FLSTC 1995, FLSTC 1996

INDEX NO.	PART NO.	DESCRIPTION	MODEL(S)
37	68414-05	AUXILIARY LAMP, w/ 68000056 (used w/ 68348-05) (2)	FLSTC 1995, FLSTC 1996
<b>INTERNATIONAL MODELS ONLY</b>			
38	68163-84	BULB, turn signal (HDI) (2)	FLSTC 1995, FLSTC 1996
39	68401-90	TURN SIGNAL (HDI) (2)	FLSTC 1995
	68767-94	TURN SIGNAL (HDI) (2)	FLSTC 1996
40	68505-90	LENS, turn signal (amber) (HDI) (2)	FLSTC 1995, FLSTC 1996
41	68777-96	FOG LAMP, non-functional (HDI) (not illustrated) (2)	FLSTC 1995, FLSTC 1996

## FRONT FENDER



[View interactive image](#)

[View interactive table](#)

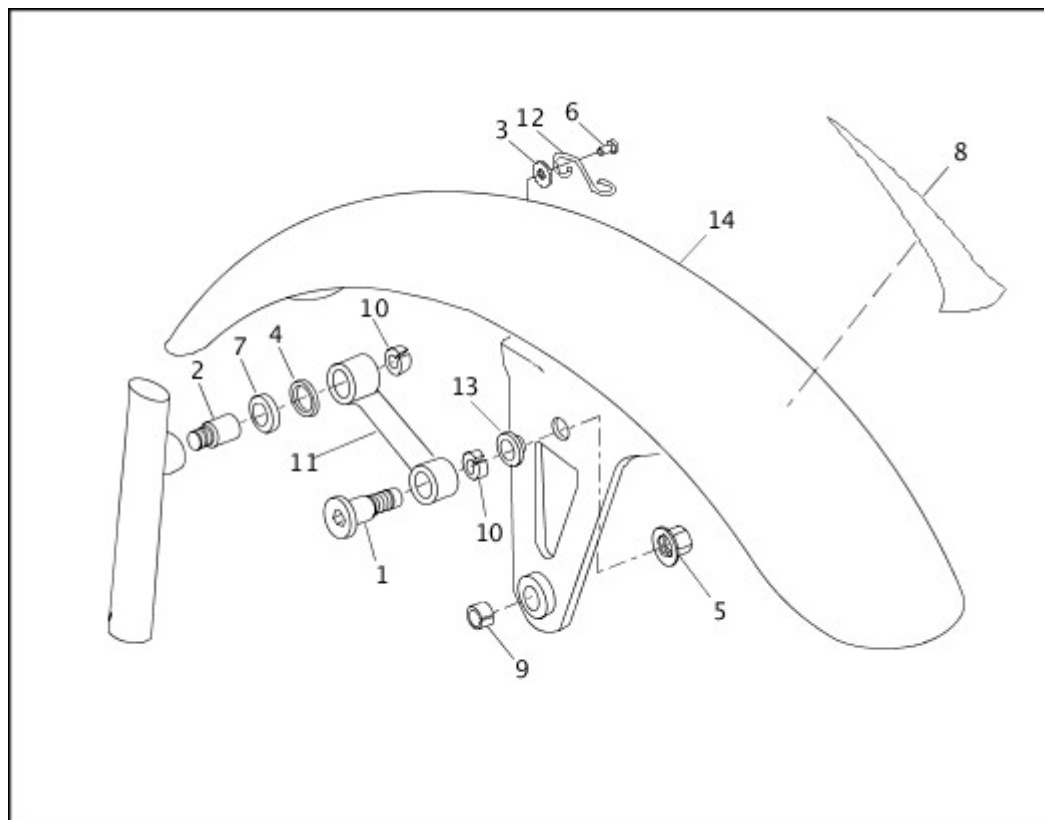
INDEX NO.	PART NO.	DESCRIPTION	MODEL(S)
<b>NOTE: Refer to Painted Parts Book for painted part numbers.</b>			
1	755	HOLE PLUG	FLSTC 1996, FLSTN 1996
2	2531	SCREW (8)	FLSTC 1995, FLSTC 1996, FLSTN 1995, FLSTN 1996
3	2604	SCREW (2)	FLSTC 1995, FLSTC 1996, FLSTN 1995, FLSTN 1996
4	3485A	SCREW (4)	FLSTC 1995, FLSTC 1996, FLSTF 1995, FLSTF 1996, FLSTN 1995, FLSTN 1996, FXSTC 1995, FXSTC 1996
5	3560WA	BOLT (2)	FLSTC 1995, FLSTC 1996, FLSTN 1995, FLSTN 1996

INDEX NO.	PART NO.	DESCRIPTION	MODEL(S)
6	3561WC	BOLT (2)	FLSTC 1995, FLSTC 1996, FLSTN 1995, FLSTN 1996
7	6220W	WASHER	FLSTF 1995
8	6702	WASHER (4)	FXSTC 1995, FXSTC 1996
9	7036	WASHER	FLSTC 1995, FLSTN 1995
10	7041	LOCKWASHER (4)	FXSTC 1995, FXSTC 1996
11	7127	LOCKWASHER (4)	FLSTN 1995, FLSTN 1996
12	7507	ACORN NUT (4)	FXSTC 1995, FXSTC 1996
13	7531	LOCKNUT (4)	FLSTC 1995, FLSTC 1996, FLSTF 1995, FLSTF 1996, FLSTN 1995, FLSTN 1996
14	7600	NUT (8)	FLSTC 1995, FLSTC 1996, FLSTN 1995, FLSTN 1996
15	7613A	PUSH NUT (6)	FLSTC 1995, FLSTC 1996, FLSTN 1995, FLSTN 1996
16	7624	LOCKNUT (4)	FLSTC 1995, FLSTC 1996, FLSTN 1995, FLSTN 1996
17	7629	NUT (2)	FLSTC 1995, FLSTC 1996, FLSTN 1995, FLSTN 1996
18	7689W	JAMNUT	FLSTF 1995
19	8505	RIVET	FLSTC 1995, FLSTN 1995
20	14142-86A	TRIM, "Heritage Softail" (2)	FLSTC 1995, FLSTC 1996, FLSTN 1995, FLSTN 1996
21	38622-87	GUIDE, speedometer cable	FLSTC 1995, FLSTN 1995
22	45085-88A	CABLE GUIDE	FLSTF 1995
23	68193-95	BULB, fender tip lamp (late model year)	FLSTC 1995, FLSTN 1995
23	68193-95	BULB, fender tip lamp	FLSTC 1996, FLSTN 1996
	53439-79	BULB, fender tip lamp (early model year)	FLSTC 1995, FLSTN 1995
24	59082-79	LAMP ASSEMBLY	FLSTC 1995, FLSTN 1995
	59082-96	LAMP ASSEMBLY	FLSTC 1996, FLSTN 1996
25	59129-86A	FENDER (prime)	FLSTC 1995, FLSTC 1996, FLSTN 1995, FLSTN 1996
26	59139-89	FENDER (prime)	FLSTF 1995, FLSTF 1996
27	59180-80	LENS, fender lamp (amber)	FLSTC 1995, FLSTC 1996, FLSTN 1995, FLSTN 1996
28	59181-80	GASKET, fender lamp lens	FLSTC 1995, FLSTC 1996, FLSTN 1995, FLSTN 1996

INDEX NO.	PART NO.	DESCRIPTION	MODEL(S)
29	59197-87	WIRE ASSEMBLY, fender lamp	FLSTC 1995, FLSTN 1995
30	59211-74A	SIDE TRIM (2)	FLSTC 1995, FLSTC 1996, FLSTN 1995, FLSTN 1996
31	59235-86	TRIM SKIRT, lower (black)	FLSTC 1995, FLSTC 1996, FLSTN 1995, FLSTN 1996
32	59924-80B	FENDER (prime)	FXSTC 1995, FXSTC 1996
33	70196-86	WIRE ASSEMBLY, fender lamp	FLSTC 1995, FLSTN 1995

INTERNATIONAL MODELS ONLY			
34	755	HOLE PLUG (HDI)	FLSTC 1996, FLSTN 1996
35	59116-96	FENDER TIP ASSEMBLY (HDI)	FLSTC 1996, FLSTN 1996
	68594-84	LAMP ASSEMBLY (HDI)	FLSTC 1995
36	59182-84	LENS, fender lamp (white) (HDI)	FLSTC 1995, FLSTN 1995
	59201-96	LENS, fender tip (chrome) (HDI)	FLSTC 1996, FLSTN 1996

## FRONT FENDER - FXSTS/B



[View interactive image](#)

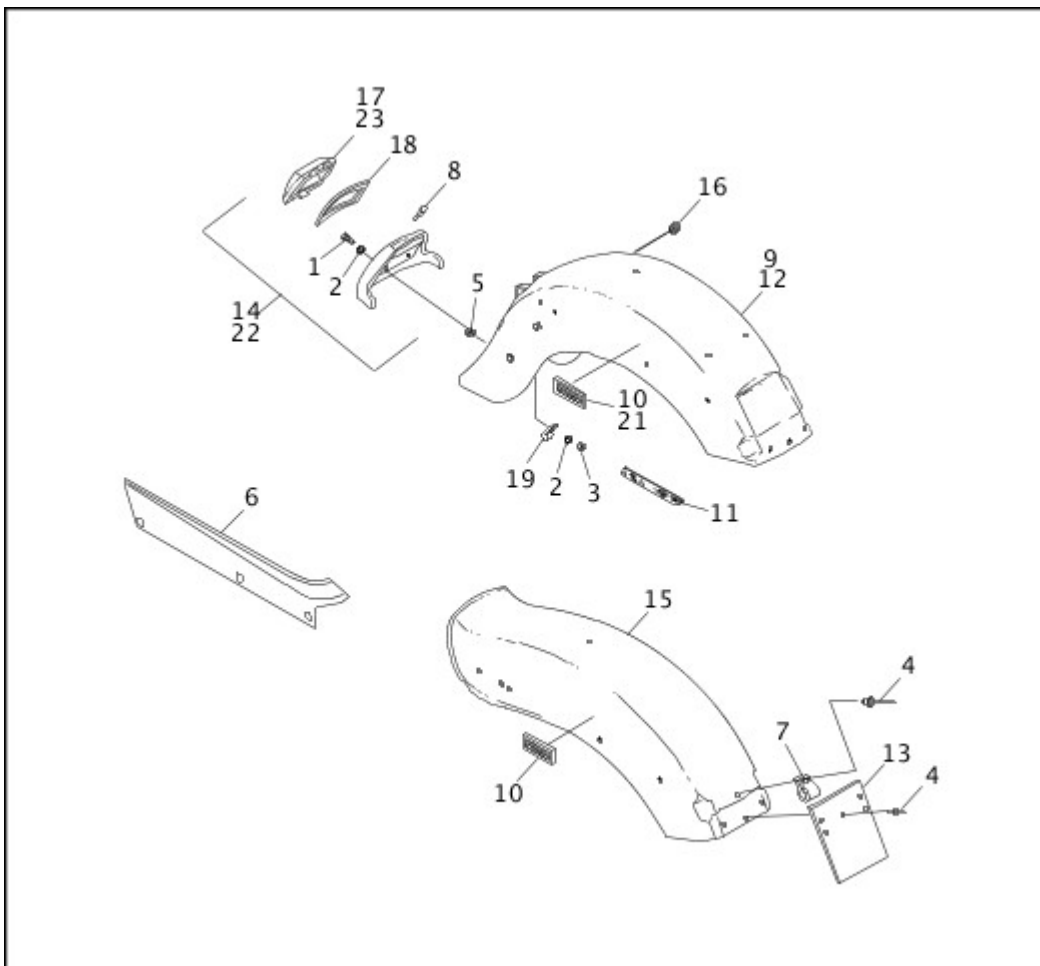
[View interactive table](#)

INDEX NO.	PART NO.	DESCRIPTION	MODEL(S)
-----------	----------	-------------	----------

**NOTE: Refer to Painted Parts Book for painted part numbers.**

INDEX NO.	PART NO.	DESCRIPTION	MODEL(S)
1	2723A	SCREW, shoulder (2)	FXSTS 1995, FXSTS 1996, FXSTSB 1995, FXSTSB 1996
2	2738	PIVOT SHAFT (2)	FXSTS 1995, FXSTS 1996, FXSTSB 1995, FXSTSB 1996
3	6099	WASHER	FXSTS 1995
	6220W	WASHER	FXSTSB 1995
4	6409	WASHER (2)	FXSTS 1995, FXSTS 1996, FXSTSB 1995, FXSTSB 1996
5	7531	LOCKNUT (2)	FXSTS 1995, FXSTS 1996, FXSTSB 1995, FXSTSB 1996
6	8505	RIVET	FXSTS 1995, FXSTSB 1995
7	11244	SPACER (rubber) (2)	FXSTS 1995, FXSTS 1996, FXSTSB 1995, FXSTSB 1996
8	14406-95	DECAL (blue)	FXSTSB 1995
	14426-95	DECAL (red)	FXSTSB 1995
	14591-96	DECAL (purple)	FXSTSB 1996
	14592-96	DECAL (turquoise)	FXSTSB 1996
	14593-96	DECAL (yellow)	FXSTSB 1996
9	33714-90B	BEARING	FXSTS 1995, FXSTS 1996, FXSTSB 1995, FXSTSB 1996
10	33720-93	BEARING (4)	FXSTS 1995, FXSTS 1996, FXSTSB 1995, FXSTSB 1996
11	41042-93	PIVOT LINK, w/ 33720-93 (2)	FXSTS 1995, FXSTS 1996, FXSTSB 1995, FXSTSB 1996
12	45085-88A	CABLE GUIDE	FXSTS 1995, FXSTSB 1995
13	59043-93	INSERT, fender (2)	FXSTS 1995, FXSTS 1996, FXSTSB 1995, FXSTSB 1996
14	59176-93	FENDER (prime)	FXSTS 1995, FXSTS 1996, FXSTSB 1995, FXSTSB 1996

## REAR FENDER



View interactive image

View interactive table

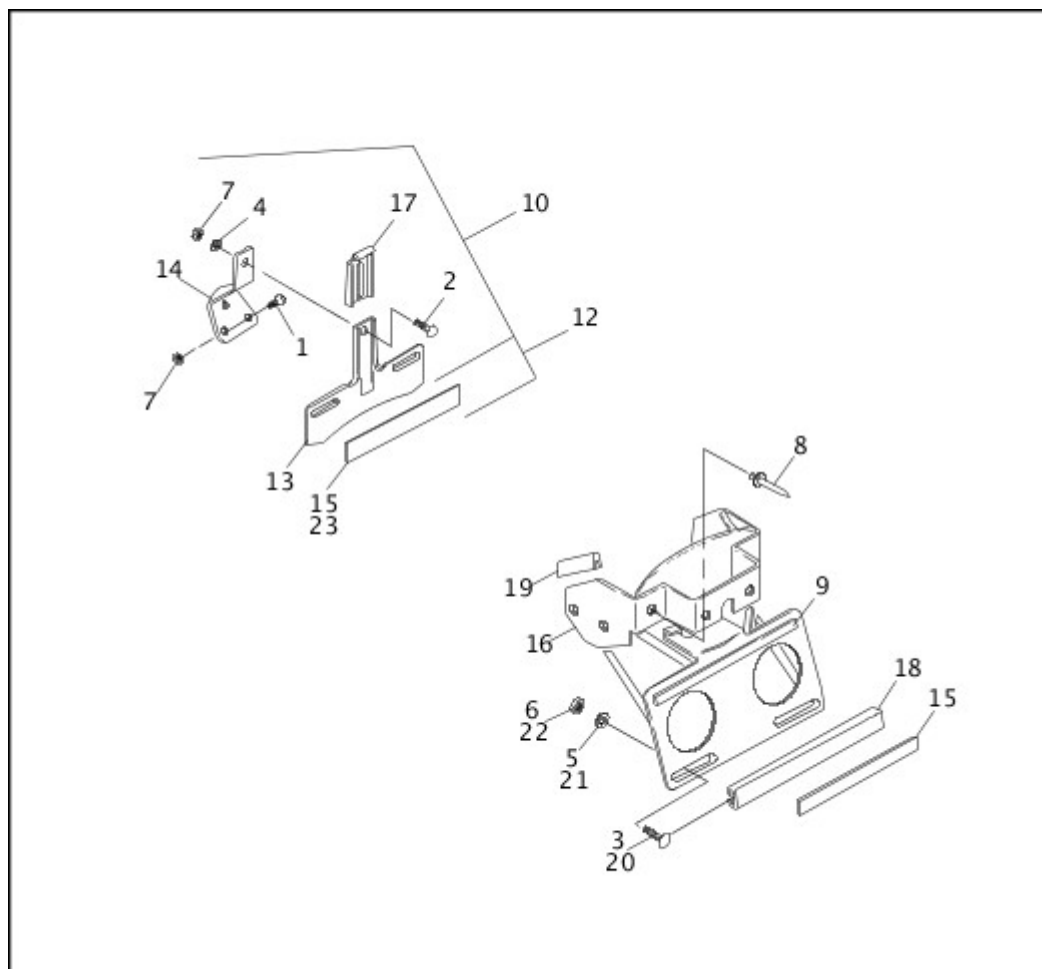
INDEX NO.	PART NO.	DESCRIPTION	MODEL(S)
<b>NOTE: Refer to Painted Parts Book for painted part numbers.</b>			
1	2604	SCREW (2)	FLSTC 1995, FLSTC 1996
2	7118	LOCKWASHER (2)	FLSTC 1995, FLSTC 1996
3	7629	NUT (2)	FLSTC 1995, FLSTC 1996, FLSTN 1995, FLSTN 1996
4	8483A	POP RIVET (2)	FLSTC 1995, FLSTF 1995, FLSTN 1995, FXSTC 1995, FXSTS 1995
5	11437	GROMMET	FLSTC 1995, FLSTC 1996, FLSTN 1995, FLSTN 1996
6	14407-95	DECAL, right (blue)	FXSTSB 1995
	14415-95	DECAL, left (blue)	FXSTSB 1995
	14427-95	DECAL, right (red)	FXSTSB 1995
	14428-95	DECAL, left (red)	FXSTSB 1995
	14540-96	DECAL, left (purple)	FXSTSB 1996
	14541-96	DECAL, right (purple)	FXSTSB 1996



INDEX NO.	PART NO.	DESCRIPTION	MODEL(S)
	14542-96	DECAL, left (turquoise)	FXSTSB 1996
	14543-96	DECAL, right (turquoise)	FXSTSB 1996
	14544-96	DECAL, left (yellow)	FXSTSB 1996
	14545-96	DECAL, right (yellow)	FXSTSB 1996
7	38712-68	CLAMP	FLSTF 1995, FXSTC 1995, FXSTS 1995
8	53439-79	BULB, fender tip lamp	FLSTC 1995, FLSTC 1996, FLSTN 1995, FLSTN 1996
9	59144-87A	FENDER (prime)	FLSTC 1995, FLSTN 1995
	59144-96	FENDER (prime)	FLSTC 1996, FLSTN 1996
10	59255-91	REFLECTOR, rectangular (red) (2)	FLSTC 1995, FLSTC 1996, FLSTF 1995, FLSTF 1996, FXSTC 1995, FXSTC 1996, FXSTS 1995, FXSTS 1996
11	59287-92	REFLECTOR, right (red)	FLSTN 1995, FLSTN 1996, FXSTSB 1995, FXSTSB 1996
	59288-92	REFLECTOR, left (red)	FLSTN 1995, FLSTN 1996, FXSTSB 1995, FXSTSB 1996
12	59596-89	FENDER (prime)	FLSTF 1995
	59596-96	FENDER (prime)	FLSTF 1996
13	59648-84A	DEBRIS DEFLECTOR, upper	FLSTC 1995, FLSTF 1995, FLSTN 1995, FXSTC 1995, FXSTS 1995, FXSTSB 1995
14	59658-79A	LAMP ASSEMBLY, fender tip	FLSTC 1995, FLSTN 1995
	59659-96	LAMP ASSEMBLY, fender tip	FLSTC 1996, FLSTN 1996
15	59914-86A	FENDER (prime)	FXSTC 1995, FXSTS 1995, FXSTSB 1995
	59914-96	FENDER (prime)	FXSTC 1996, FXSTS 1996, FXSTSB 1996
16	67055-92	GROMMET, turn signal	FLSTC 1995, FLSTC 1996, FLSTN 1995, FLSTN 1996
17	68046-79	LENS, rear fender lamp	FLSTC 1995, FLSTC 1996, FLSTN 1995, FLSTN 1996
18	68047-79	GASKET, rear fender lamp	FLSTC 1995, FLSTC 1996, FLSTN 1995, FLSTN 1996
19	71795-63A	CLAMP	FLSTC 1995, FLSTC 1996, FLSTN 1995, FLSTN 1996
<b>INTERNATIONAL MODELS ONLY</b>			
20	59251-90	REFLECTOR ASSEMBLY, rear (red), w/ 59259-90 (not illustrated)	FLSTC 1995, FLSTC 1996, FLSTF 1995, FLSTF 1996, FLSTN 1995, FLSTN 1996

INDEX NO.	PART NO.	DESCRIPTION	MODEL(S)
21	59254-91	REFLECTOR (amber) (2)	FLSTF 1995, FLSTF 1996, FXSTS 1995, FXSTS 1996
	59259-90	REFLECTOR, red	FLSTC 1995, FLSTC 1996, FLSTF 1995, FLSTF 1996, FLSTN 1995, FLSTN 1996
	59289-92	REFLECTOR, right, (amber)	FLSTN 1995, FLSTN 1996, FXSTSB 1995, FXSTSB 1996
	59290-92	REFLECTOR, left, (amber)	FLSTN 1995, FLSTN 1996, FXSTSB 1995, FXSTSB 1996
22	59117-96	FENDER TIP ASSEMBLY (HDI)	FLSTC 1996, FLSTN 1996
23	68081-96	LENS, rear fender tip (chrome) (HDI)	FLSTC 1996, FLSTN 1996

## LICENSE PLATE BRACKETS



[View interactive image](#)

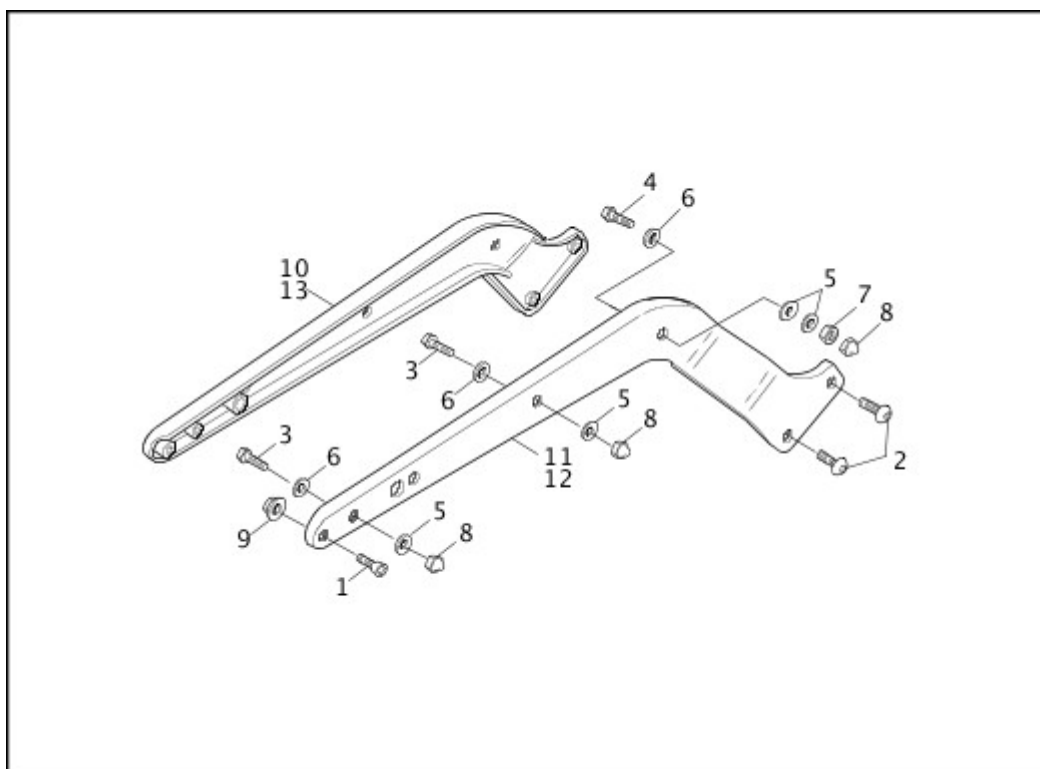
[View interactive table](#)

INDEX NO.	PART NO.	DESCRIPTION	MODEL(S)
1	2773	SCREW (3)	FLSTC 1995, FLSTC 1996, FLSTF 1995, FLSTF 1996, FLSTN 1995, FLSTN 1996

INDEX NO.	PART NO.	DESCRIPTION	MODEL(S)
2	5403B	BOLT	FLSTC 1995, FLSTC 1996, FLSTF 1995, FLSTF 1996, FLSTN 1995, FLSTN 1996
3	5465	BOLT (2)	FXSTC 1995, FXSTC 1996, FXSTS 1995, FXSTS 1996, FXSTSB 1995, FXSTSB 1996
4	6703	WASHER	FLSTC 1995, FLSTC 1996, FLSTF 1995, FLSTF 1996, FLSTN 1995, FLSTN 1996
5	6716	WASHER (2)	FXSTC 1995, FXSTC 1996, FXSTS 1995, FXSTS 1996, FXSTSB 1995, FXSTSB 1996
6	7624	LOCKNUT (2)	FXSTC 1995, FXSTC 1996, FXSTS 1995, FXSTS 1996, FXSTSB 1995, FXSTSB 1996
7	7792	NUT (4)	FLSTC 1995, FLSTC 1996, FLSTF 1995, FLSTF 1996, FLSTN 1995, FLSTN 1996
8	8483A	POP RIVET (2)	FXSTC 1995, FXSTC 1996, FXSTS 1995, FXSTS 1996, FXSTSB 1995, FXSTSB 1996
9	52092-77	FOAM TAPE	FXSTC 1995, FXSTC 1996, FXSTS 1995, FXSTS 1996, FXSTSB 1995, FXSTSB 1996
10	59626-84	LICENSE PLATE BRACKET ASSEMBLY	FLSTC 1995, FLSTC 1996, FLSTF 1995, FLSTF 1996, FLSTN 1995, FLSTN 1996
11	59971-80	SPLASH SHIELD (rubber) (not illustrated)	FXSTC 1995, FXSTC 1996, FXSTS 1995, FXSTS 1996, FXSTSB 1995, FXSTSB 1996
12	59983-75	LICENSE PLATE BRACKET ASSEMBLY, w/ 14 & 20	FLSTC 1995, FLSTC 1996, FLSTF 1995, FLSTF 1996, FLSTN 1995, FLSTN 1996
13	59984-73	BRACKET	FLSTC 1995, FLSTC 1996, FLSTF 1995, FLSTF 1996, FLSTN 1995, FLSTN 1996
14	59986-75	SUPPORT	FLSTC 1995, FLSTC 1996, FLSTF 1995, FLSTF 1996, FLSTN 1995, FLSTN 1996
15	59988-72A	REFLECTOR	ALL
16	59993-80B	LICENSE PLATE BRACKET ASSEMBLY	FXSTC 1995, FXSTC 1996, FXSTS 1995, FXSTS 1996, FXSTSB 1995, FXSTSB 1996
17	60001-55	CLAMP	FLSTC 1995, FLSTC 1996, FLSTF 1995, FLSTF 1996, FLSTN 1995, FLSTN 1996
18	60005-77	CLAMP	FXSTC 1995, FXSTC 1996, FXSTS 1995, FXSTS 1996, FXSTSB 1995, FXSTSB 1996

INDEX NO.	PART NO.	DESCRIPTION	MODEL(S)
19	61648-85	MOULDING (2)	FXSTC 1995, FXSTC 1996, FXSTS 1995, FXSTS 1996, FXSTSB 1995, FXSTSB 1996
<b>INTERNATIONAL MODELS ONLY</b>			
20	3767B	BOLT (HDI) (2)	FXSTC 1995, FXSTC 1996, FXSTS 1995, FXSTS 1996, FXSTSB 1995, FXSTSB 1996
21	6703	WASHER (HDI) (2)	FXSTC 1995, FXSTC 1996, FXSTS 1995, FXSTS 1996, FXSTSB 1995, FXSTSB 1996
	7036	WASHER (HDI) (2)	FXSTC 1995, FXSTC 1996, FXSTS 1995, FXSTS 1996, FXSTSB 1995, FXSTSB 1996
22	7688	NUT (HDI) (2)	FXSTC 1995, FXSTC 1996, FXSTS 1995, FXSTS 1996, FXSTSB 1995, FXSTSB 1996
23	59262-90B	REFLECTOR, rear (red) (HDI)	FXSTC 1995, FXSTC 1996, FXSTS 1995, FXSTS 1996, FXSTSB 1995, FXSTSB 1996

## REAR FENDER SUPPORTS



[View interactive image](#)

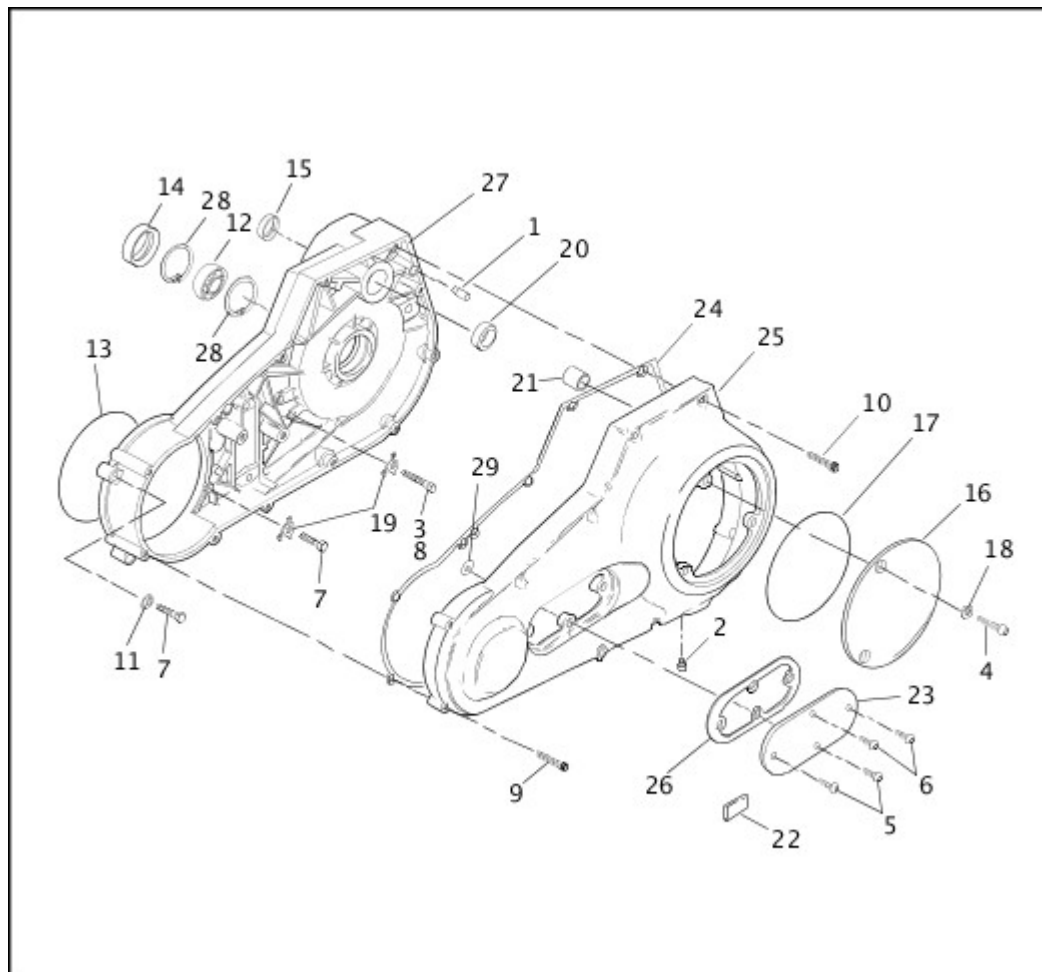
[View interactive table](#)

INDEX NO.	PART NO.	DESCRIPTION	MODEL(S)
1	2005	SCREW (2)	ALL

INDEX NO.	PART NO.	DESCRIPTION	MODEL(S)
2	94605-98	SCREW (4)	ALL
3	4716W	SCREW (4)	FLSTF 1995, FLSTF 1996, FLSTN 1995, FLSTN 1996, FXSTC 1995, FXSTC 1996, FXSTS 1995, FXSTS 1996, FXSTSB 1995, FXSTSB 1996
4	4721	BOLT (2)	ALL
5	6379W	WASHER (6)	FLSTF 1995, FLSTF 1996, FXSTC 1995, FXSTC 1996, FXSTS 1995, FXSTS 1996, FXSTSB 1995, FXSTSB 1996
5	6379W	WASHER (4)	FLSTC 1995, FLSTC 1996
5	6379W	WASHER (2)	FLSTN 1995, FLSTN 1996
6	6701	WASHER	FLSTF 1995, FLSTF 1996
6	6701	WASHER (2)	FLSTC 1995, FLSTC 1996, FLSTN 1995, FLSTN 1996
6	6701	WASHER (4)	FXSTC 1995, FXSTC 1996, FXSTS 1995, FXSTS 1996, FXSTSB 1995, FXSTSB 1996
7	7643W	JAMNUT (2)	FLSTC 1995, FLSTC 1996, FLSTF 1995, FLSTF 1996
8	7680W	ACORN NUT (2)	FLSTC 1995, FLSTC 1996, FLSTN 1995, FLSTN 1996
8	7680W	ACORN NUT (4)	FLSTF 1995, FLSTF 1996
8	7680W	ACORN NUT (6)	FXSTC 1995, FXSTC 1996, FXSTS 1995, FXSTS 1996, FXSTSB 1995, FXSTSB 1996
9	7775	LOCKNUT (2)	FLSTC 1995, FLSTC 1996, FLSTF 1995, FLSTF 1996, FLSTN 1995, FLSTN 1996
10	59880-95	SUPPORT, right	FXSTSB 1995, FXSTSB 1996
	59955-86A	SUPPORT, right (chrome)	FXSTC 1995, FXSTC 1996, FXSTS 1995, FXSTS 1996
	59964-86A	SUPPORT, right (chrome)	FLSTC 1995, FLSTC 1996, FLSTF 1995, FLSTF 1996, FLSTN 1995, FLSTN 1996
11	59881-95	SUPPORT, left	FXSTSB 1995, FXSTSB 1996
	59954-86A	SUPPORT, left (chrome)	FXSTC 1995, FXSTC 1996, FXSTS 1995, FXSTS 1996
	59969-86A	SUPPORT, left (chrome)	FLSTC 1995, FLSTC 1996, FLSTF 1995, FLSTF 1996, FLSTN 1995, FLSTN 1996
<b>INTERNATIONAL MODELS ONLY</b>			
12	59882-95	SUPPORT, right (HDI)	FXSTSB 1995, FXSTSB 1996

INDEX NO.	PART NO.	DESCRIPTION	MODEL(S)
	59964-86A	SUPPORT, right (chrome) (HDI)	FXSTC 1995, FXSTC 1996, FXSTS 1995, FXSTS 1996
13	59883-95	SUPPORT, left (HDI)	FXSTSB 1995, FXSTSB 1996
	59969-86A	SUPPORT, left (chrome) (HDI)	FXSTC 1995, FXSTC 1996, FXSTS 1995, FXSTS 1996

## PRIMARY HOUSING



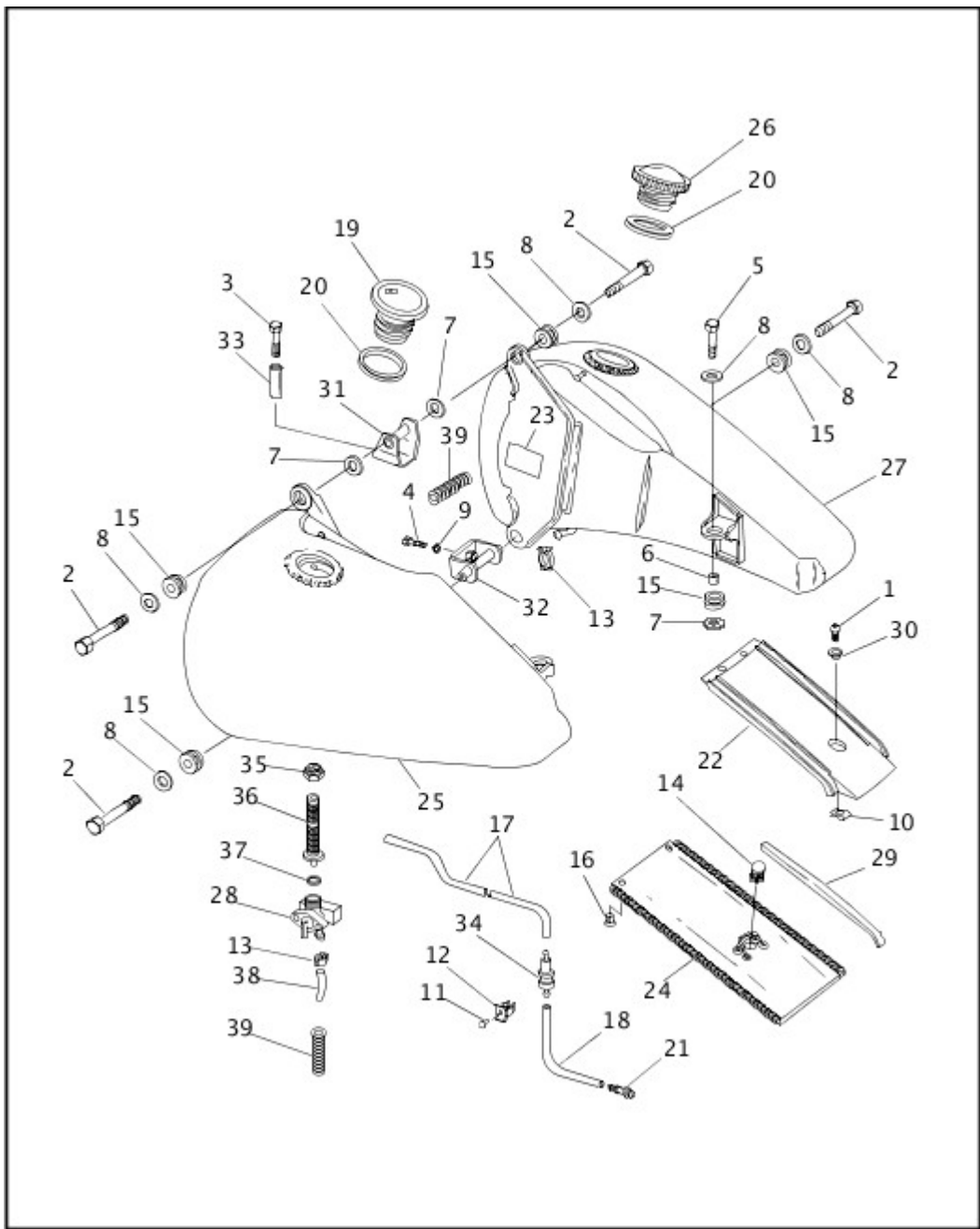
[View interactive image](#)

[View interactive table](#)

INDEX NO.	PART NO.	DESCRIPTION	MODEL(S)
1	375	PIN	ALL
2	739A	PLUG, magnetic	ALL
3	858A	BOLT (4)	ALL
4	940	SCREW (3)	ALL
5	941	SCREW (2)	ALL
6	945	SCREW (2)	ALL

INDEX NO.	PART NO.	DESCRIPTION	MODEL(S)
7	2818	BOLT (4)	FLSTC 1995, FLSTF 1995, FLSTN 1995, FXSTC 1995, FXSTS 1995, FXSTSB 1995
	2932A	SCREW (4)	FLSTC 1996, FLSTF 1996, FLSTN 1996, FXSTC 1996, FXSTS 1996, FXSTSB 1996
8	4068A	BOLT (4)	ALL
9	4740A	SCREW, w/ washer (7)	ALL
10	4820A	SCREW, w/ washer (5)	ALL
11	6016	WASHER (2)	ALL
12	9135	BEARING	ALL
13	11147B	O-RING, housing cover	ALL
14	12052A	OIL SEAL	ALL
15	12066A	OIL SEAL	ALL
16	60668-84B	COVER, clutch (chrome)	ALL
17	25416-70A	O-RING, clutch cover	ALL
18	31433-84A	WASHER (nylon) (3)	ALL
19	33318-85	LOCKING TAB (6)	ALL
20	33445-94A	BUSHING	ALL
21	33446-94A	BUSHING	ALL
22	50100-70	BUMPER, jiffy stand	ALL
23	60572-86	COVER, inspection (chrome)	ALL
24	60539-94B	GASKET, primary cover	ALL
25	60543-95	COVER ASSEMBLY, primary (chrome)	ALL
26	60567-90C	GASKET, inspection cover	ALL
27	60630-94B	PRIMARY HOUSING ASSEMBLY (black)	ALL
28	60678-85	RETAINING RING (2)	ALL
29	63859-95B	GASKET (2)	ALL

**FUEL TANK (1 OF 2)**



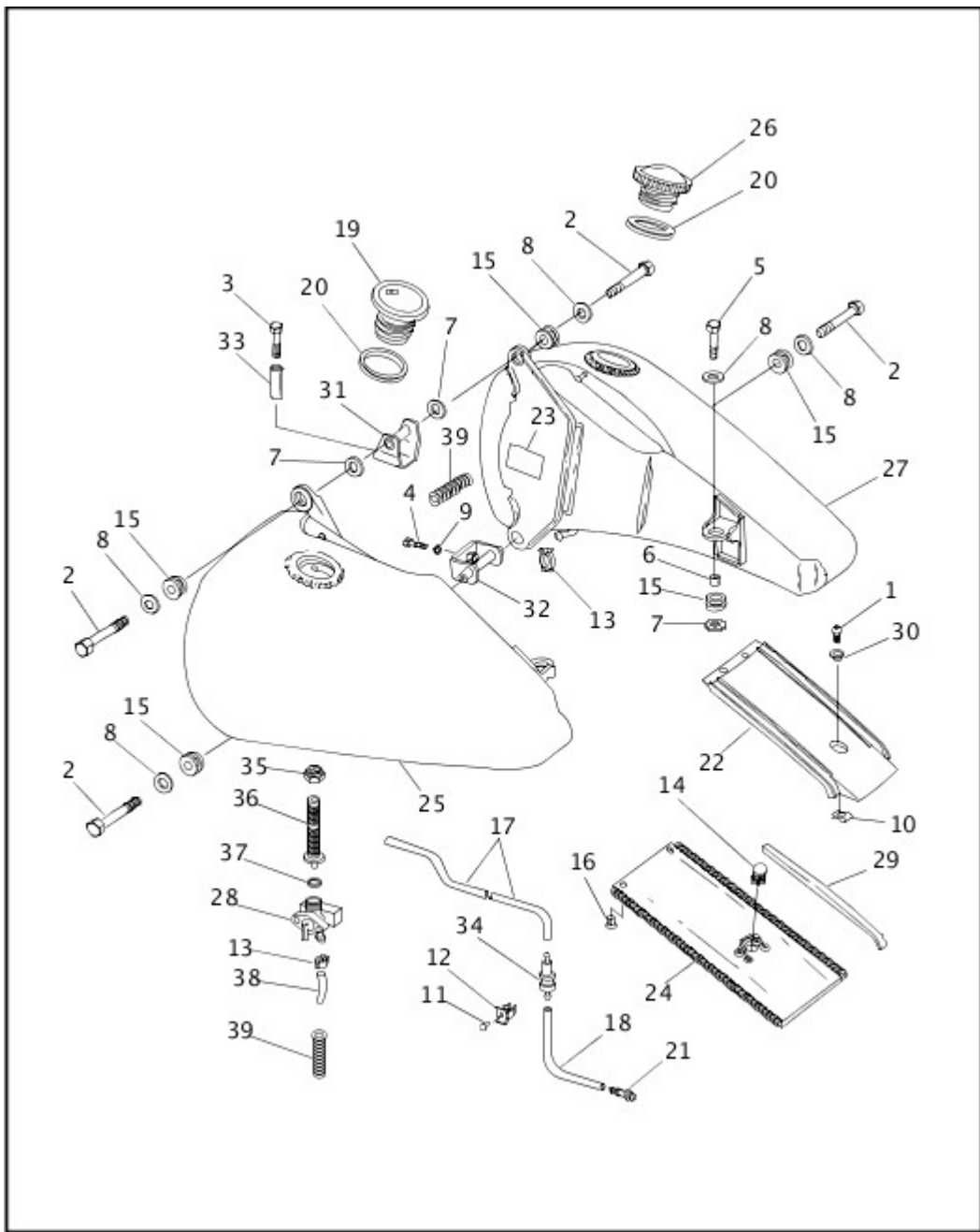
[View interactive image](#)

[View interactive table](#)

INDEX NO.	PART NO.	DESCRIPTION	MODEL(S)
<b>NOTE: Refer to Painted Parts Book for painted part numbers.</b>			
1	924	SCREW	FLSTC 1995, FLSTC 1996, FXSTC 1995, FXSTC 1996, FXSTS 1995, FXSTS 1996, FXSTSB 1995, FXSTSB 1996
2	3445	BOLT (4)	ALL
3	3419	BOLT	FLSTC 1995, FLSTF 1995, FLSTN 1995, FXSTC 1995, FXSTS 1995, FXSTSB 1995
	94331-91T	SCREW	FLSTC 1996, FLSTF 1996, FLSTN 1996, FXSTC 1996, FXSTS 1996, FXSTSB 1996



INDEX NO.	PART NO.	DESCRIPTION	MODEL(S)
4	3987	BOLT (2)	ALL
5	4014W	BOLT (2)	ALL
6	5775	WASHER (2)	ALL
7	6365	WASHER (4)	ALL
8	6645	WASHER (6)	ALL
9	7041	LOCKWASHER (2)	ALL
10	8108	SPEEDNUT	FLSTC 1995, FLSTC 1996, FXSTC 1995, FXSTC 1996, FXSTS 1995, FXSTS 1996, FXSTSB 1995, FXSTSB 1996
11	8476	RIVET	ALL
12	9890	CLIP, vapor valve	ALL
13	10014	CLAMP, fuel hose (3)	ALL
14	10040	CLIP	FLSTF 1995, FLSTF 1996
15	11447	GROMMET, fuel tank mounting (6)	ALL
16	11717	FASTENING GROMMET (2)	FLSTF 1995, FLSTF 1996, FLSTN 1995, FLSTN 1996
17	27093-92A	HOSE, tank to vapor valve	ALL
18	27102-92	HOSE, valve to air	ALL
19	61103-83B	CAP, fuel filler, left	ALL
20	61109-85D	GASKET (2)	ALL
21	61131-92	CONNECTION, ventline	ALL
22	61155-84B	TRIM, fuel tank, w/ 29	FLSTC 1995, FLSTC 1996, FXSTC 1995, FXSTC 1996, FXSTS 1995, FXSTS 1996, FXSTSB 1995, FXSTSB 1996
23	61157-87	PAD, protective (2)	FLSTC 1995, FLSTF 1995, FLSTN 1995, FXSTC 1995, FXSTS 1995, FXSTSB 1995
24	61165-89B	TRIM PANEL, w/ 14	FLSTF 1995, FLSTF 1996, FLSTN 1995, FLSTN 1996
25	61228-97	FUEL TANK, left, 5 gal. (prime)	FLSTN 1995, FLSTN 1996, FXSTC 1995, FXSTC 1996
	61426-97	FUEL TANK, left, 3.5 gal. (prime)	FLSTC 1995, FLSTC 1996, FLSTF 1995, FLSTF 1996, FXSTS 1995, FXSTS 1996, FXSTSB 1995, FXSTSB 1996



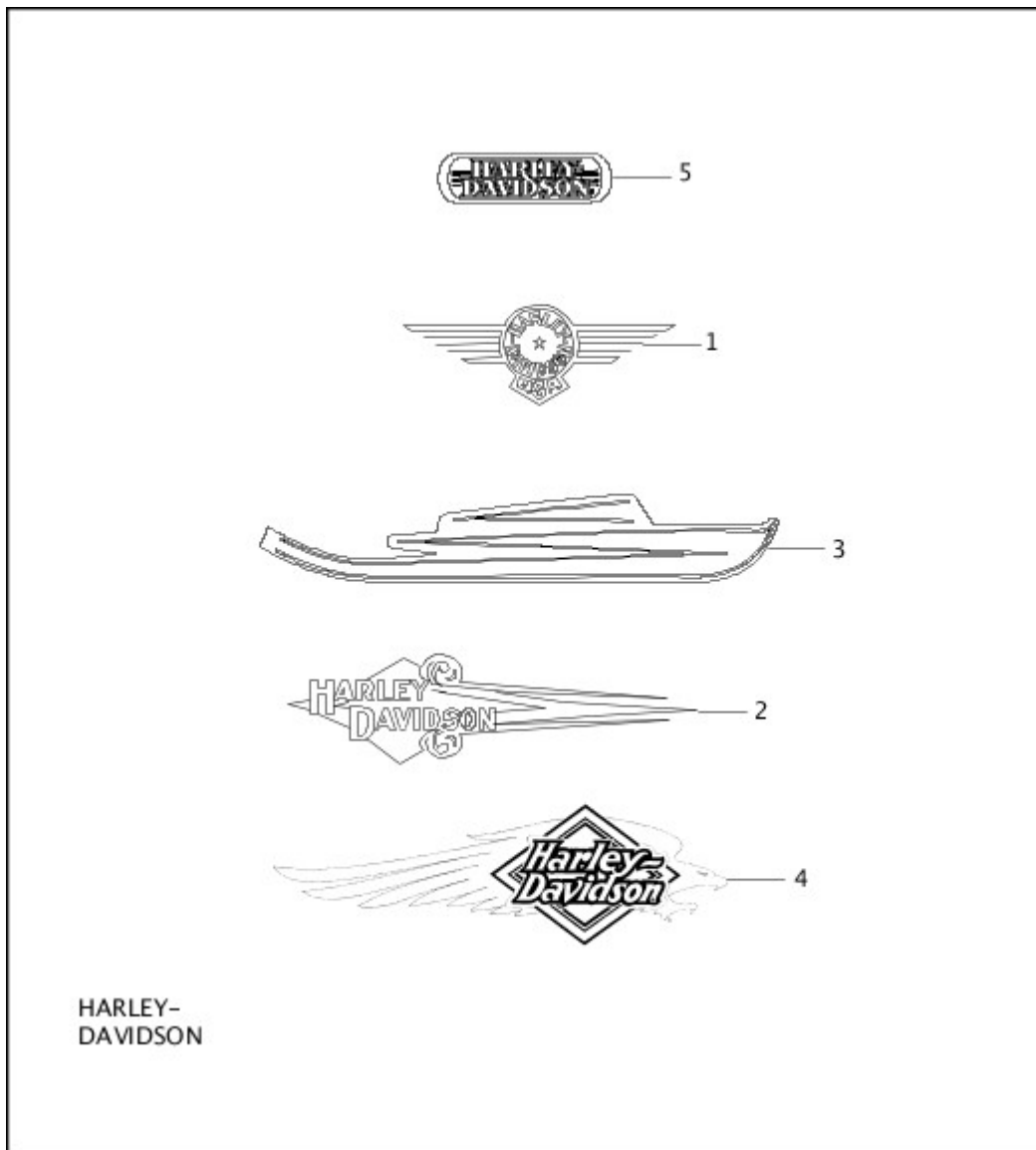
View interactive image

View interactive table

INDEX NO.	PART NO.	DESCRIPTION	MODEL(S)
<b>NOTE: Refer to Painted Parts Book for painted part numbers.</b>			
26	61272-92C	CAP, fuel filler, right	ALL
27	61290-97	FUEL TANK, right, 3.5 gal. (prime)	FLSTC 1995, FLSTC 1996, FLSTF 1995, FLSTF 1996, FXSTS 1995, FXSTS 1996, FXSTSB 1995, FXSTSB 1996
	61291-97	FUEL TANK, right, 5 gal. (prime)	FLSTN 1995, FLSTN 1996, FXSTC 1995, FXSTC 1996
28	61338-94D	FUEL VALVE BODY, only	ALL
29	61640-84	FOAM STRIP (2)	ALL

INDEX NO.	PART NO.	DESCRIPTION	MODEL(S)
30	61641-84	SPACER, trim	FLSTC 1995, FLSTC 1996, FXSTC 1995, FXSTC 1996, FXSTS 1995, FXSTS 1996, FXSTSB 1995, FXSTSB 1996
31	61660-85	BRACKET, fuel tank mounting, upper	ALL
32	61667-90A	BRACKET, fuel tank mounting, lower	ALL
33	62043-81A	SPACER	ALL
34	62150-85	VAPOR VALVE	ALL
35	62161-02	NUT, fuel valve	ALL
36	62166-81A	FILTER, fuel valve	ALL
37	62172-02	GASKET, fuel valve	ALL
38	62356-95	FUEL HOSE, preformed	ALL
39	62555-95	INSULATOR, 1/2 inch I.D. (nylon) (8 ft. lg.)	ALL
40	61450-95	FUEL FILLER RESTRICTOR KIT (not illustrated) (Required w/ catalytic mufflers)	ALL
<b>INTERNATIONAL MODELS ONLY</b>			
41	14456-95	DECAL, unleaded fuel (not illustrated) (Calif., U.K. & Swiss)	ALL
	14479-95	DECAL, unleaded fuel (not illustrated) (Australia)	ALL

## FUEL TANK TRIM - 1995



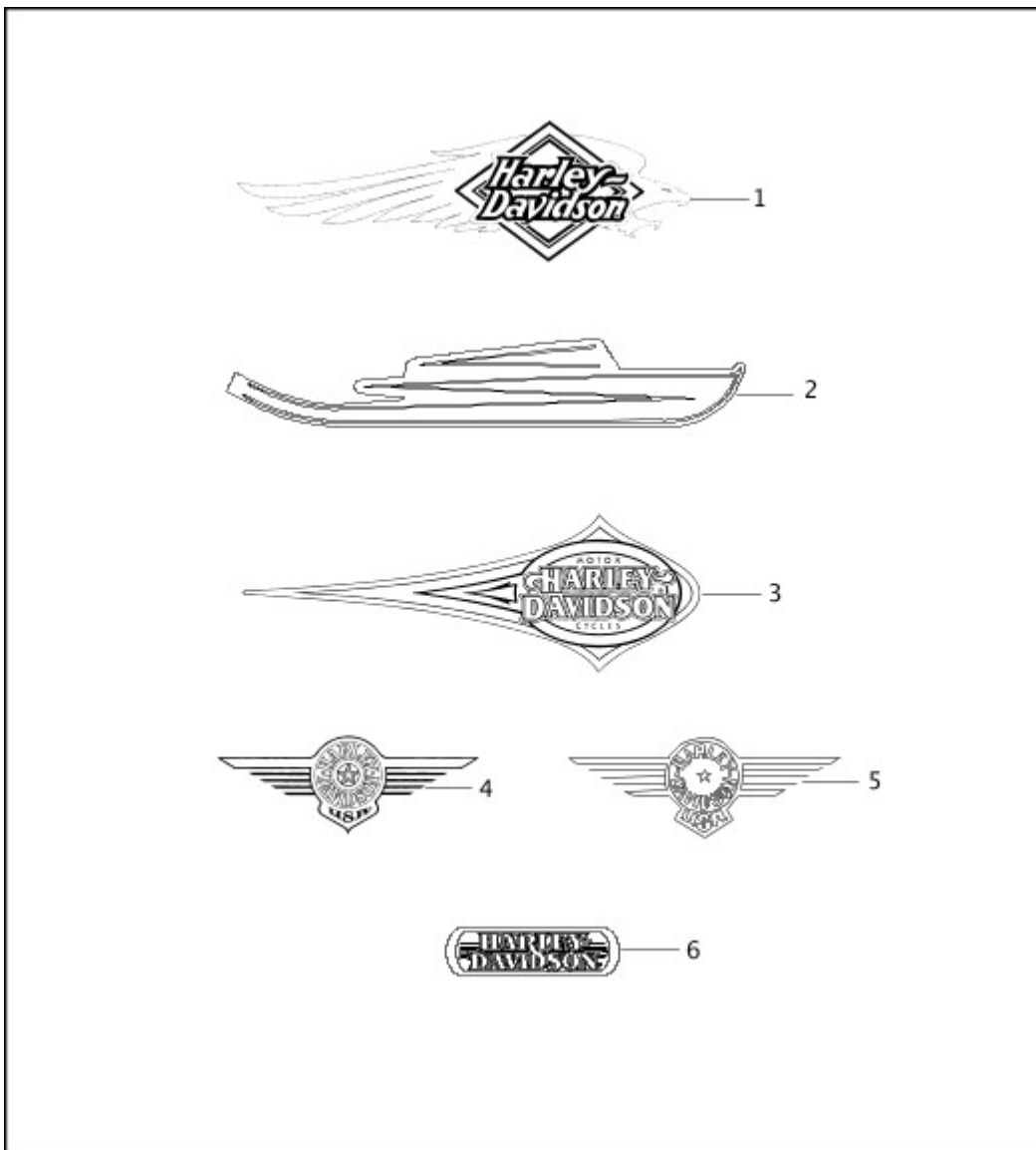
[View interactive image](#)

[View interactive table](#)

INDEX NO.	PART NO.	DESCRIPTION	MODEL(S)
1	14228-91	DECAL (silver, gray & orange) (2)	FLSTF 1995
	14287-94	DECAL (blue, aqua & silver) (2)	FLSTF 1995
	14390-93	DECAL (red, meteor, gold, silver & orange) (2)	FLSTF 1995
	61366-95	EMBLEM, right (black/red)	FLSTN 1995
	61367-95	EMBLEM, left (black/red)	FLSTN 1995
2	14335-90	DECAL, left (gold, red & orange)	FLSTC 1995
	14339-90	DECAL, right (gold, red & orange)	FLSTC 1995
	14386-93	DECAL, left (sky blue, dark aqua blue & red)	FLSTC 1995
	14387-93	DECAL, right (sky blue, dark aqua blue & red)	FLSTC 1995
3	14404-95	DECAL, right (blue)	FXSTSB 1995

INDEX NO.	PART NO.	DESCRIPTION	MODEL(S)
	14405-95	DECAL, left (blue)	FXSTSB 1995
	14423-95	DECAL, right (red)	FXSTSB 1995
	14424-95	DECAL, left (red)	FXSTSB 1995
4	14469-95	DECAL, left (black/pale gold)	FXSTC 1995, FXSTS 1995
	14470-95	DECAL, right (black/pale gold)	FXSTC 1995, FXSTS 1995
	14471-95	DECAL, left (bright victory red/pale gold)	FXSTC 1995, FXSTS 1995
	14472-95	DECAL, right (bright victory red/pale gold)	FXSTC 1995, FXSTS 1995
	14473-95	DECAL, left (silver metallic/meteor)	FXSTC 1995, FXSTS 1995
	14474-95	DECAL, right (silver metallic/meteor)	FXSTC 1995, FXSTS 1995
	14475-95	DECAL, left (aqua pearl/meteor)	FXSTC 1995, FXSTS 1995
	14476-95	DECAL, right (aqua pearl/meteor)	FXSTC 1995, FXSTS 1995
5	61364-95	EMBLEM, right (black/blue)	FXSTSB 1995
	61365-95	EMBLEM, left (black/blue)	FXSTSB 1995
	61370-95	EMBLEM, right (black/red)	FXSTSB 1995
	61371-95	EMBLEM, left (black/red)	FXSTSB 1995

## FUEL TANK TRIM - 1996



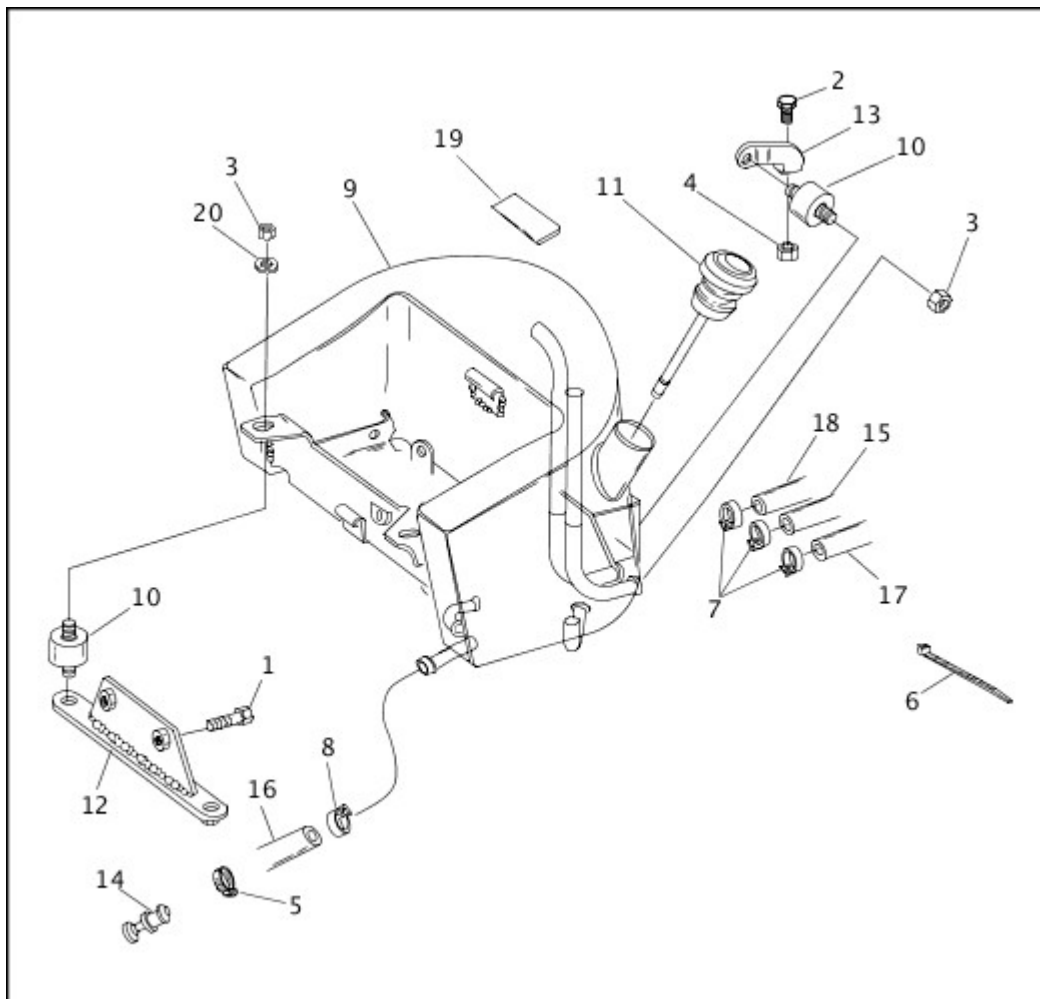
[View interactive image](#)

[View interactive table](#)

INDEX NO.	PART NO.	DESCRIPTION	MODEL(S)
1	14469-95	DECAL, left (black/pale gold)	FXSTC 1996, FXSTS 1996
	14470-95	DECAL, right (black/pale gold)	FXSTC 1996, FXSTS 1996
	14526-96	DECAL, left (red pearl/pale gold)	FXSTC 1996, FXSTS 1996
	14527-96	DECAL, right (red pearl/pale gold)	FXSTC 1996, FXSTS 1996
	14528-96	DECAL, left (violet pearl/pale gold)	FXSTC 1996, FXSTS 1996
	14529-96	DECAL, right (violet pearl/pale gold)	FXSTC 1996, FXSTS 1996
	14530-96	DECAL, left (blue pearl/pale gold)	FXSTC 1996, FXSTS 1996
	14531-96	DECAL, right (blue pearl/pale gold)	FXSTC 1996, FXSTS 1996
	14532-96	DECAL, left (platinum silver/pale gold)	FXSTC 1996, FXSTS 1996

INDEX NO.	PART NO.	DESCRIPTION	MODEL(S)
	14533-96	DECAL, right (platinum silver/pale gold)	FXSTC 1996, FXSTS 1996
2	14534-96	DECAL, left (purple)	FXSTSB 1996
	14535-96	DECAL, right (purple)	FXSTSB 1996
	14536-96	DECAL, left (turquoise)	FXSTSB 1996
	14537-96	DECAL, right (turquoise)	FXSTSB 1996
	14538-96	DECAL, left (yellow)	FXSTSB 1996
	14539-96	DECAL, right (yellow)	FXSTSB 1996
3	14546-96	DECAL, left (pale gold/red/burgundy)	FLSTC 1996
	14547-96	DECAL, right (pale gold/red/burgundy)	FLSTC 1996
	14548-96	DECAL, left (pale gold/sky blue/dark blue)	FLSTC 1996
	14549-96	DECAL, right (pale gold/sky blue/dark blue)	FLSTC 1996
4	14550-96	DECAL (pale gold/red/burgundy) (2)	FLSTF 1996
	14551-96	DECAL (pale gold/sky blue/dark blue) (2)	FLSTF 1996
5	61366-96	EMBLEM, right (black/green)	FLSTN 1996
	61367-96	EMBLEM, left (black/green)	FLSTN 1996
6	61364-95	EMBLEM, right (blue)	FXSTSB 1995
	61365-95	EMBLEM, left (blue)	FXSTSB 1995
	61370-95	EMBLEM, right (black/red)	FXSTSB 1996
	61371-95	EMBLEM, left (black/red)	FXSTSB 1996
	62055-96	EMBLEM, right (black/turquoise)	FXSTSB 1996
	62056-96	EMBLEM, left (black/turquoise)	FXSTSB 1996

## OIL TANK



[View interactive image](#)

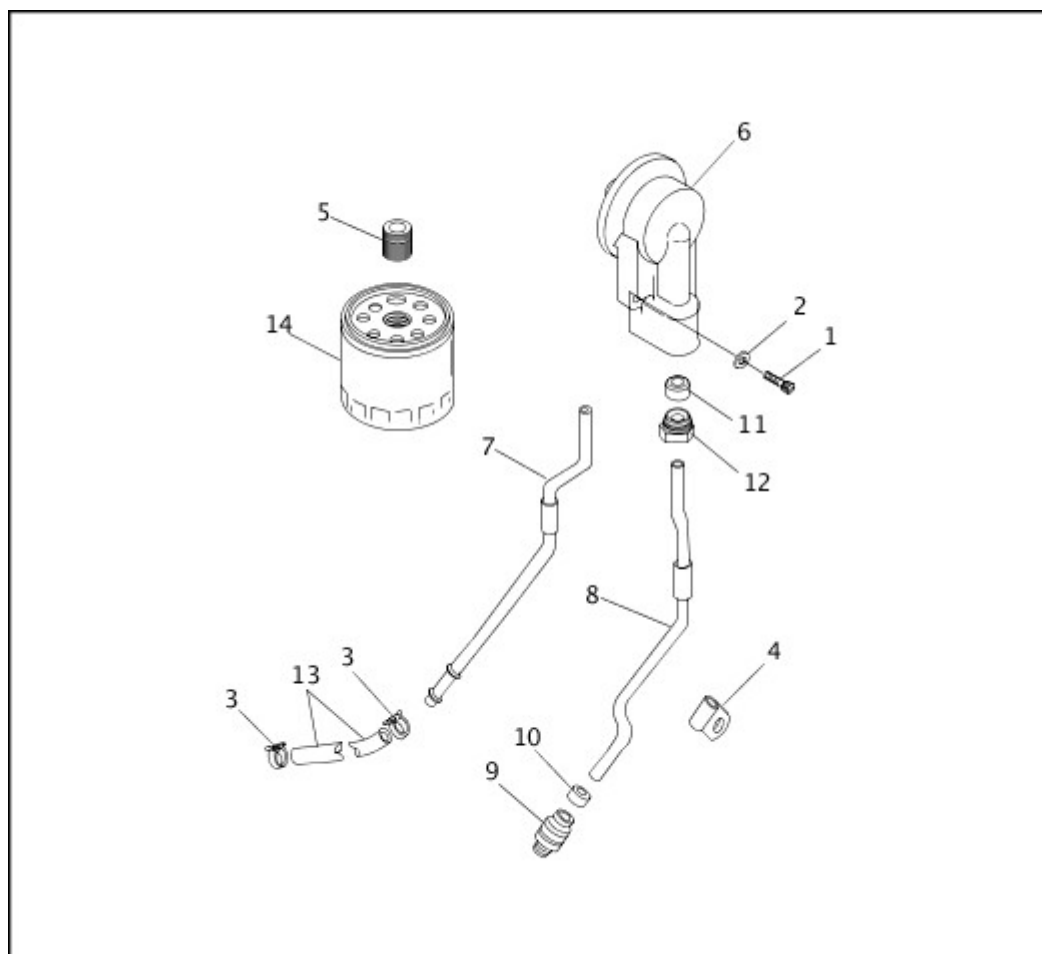
[View interactive table](#)

INDEX NO.	PART NO.	DESCRIPTION	MODEL(S)
1	3546	BOLT (2)	ALL
2	3987	BOLT	ALL
3	7686	LOCKNUT (5)	ALL
4	7531	LOCKNUT	ALL
5	9969	CLAMP, drain hose	ALL
6	10006	CABLE STRAP, oil hoses (as required)	ALL
7	10080	CLAMP (6)	ALL
8	10086	CLAMP, drain hose	ALL
9	62491-95	OIL TANK (black)	FXSTSB 1995, FXSTSB 1996
	62498-91	OIL TANK (chrome)	FLSTC 1995, FLSTC 1996, FLSTF 1995, FLSTF 1996, FLSTN 1995, FLSTN 1996, FXSTC 1995, FXSTC 1996, FXSTS 1995, FXSTS 1996
10	62563-65	RUBBER MOUNT (4)	ALL



INDEX NO.	PART NO.	DESCRIPTION	MODEL(S)
11	62634-84A	FILLER CAP, w/ dipstick	ALL
12	62704-84A	BRACKET, rear	ALL
13	62707-84	BRACKET, front, tank to frame	ALL
14	62725-90	PLUG, oil drain	ALL
15	63515-92	HOSE, to pump	ALL
16	63533-91	HOSE, tank drain	ALL
17	63556-87	HOSE, filter to tank	ALL
18	63572-86	HOSE, tank vent	ALL
19	15368-01A	WARNING LABEL	ALL
20	6703	WASHER (late model year) (4)	FXSTSB 1996

## OIL FILTERS & MOUNTS



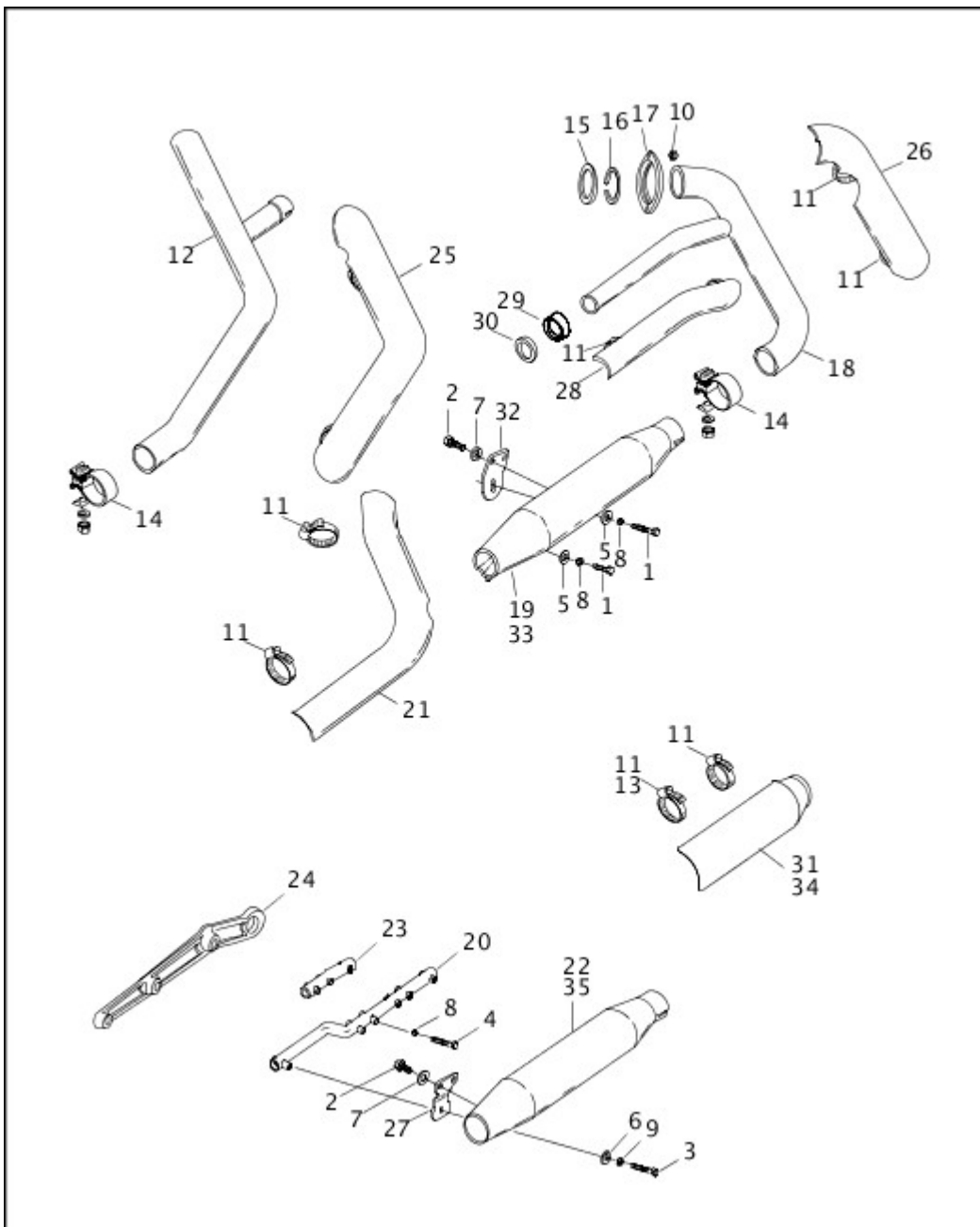
[View interactive image](#)

[View interactive table](#)

INDEX NO.	PART NO.	DESCRIPTION	MODEL(S)
1	3210A	SCREW, socket head (2)	ALL

INDEX NO.	PART NO.	DESCRIPTION	MODEL(S)
2	6771A	WASHER (2)	ALL
3	10080	CLAMP (4)	ALL
4	10112	CLAMP	ALL
5	26352-95A	ADAPTOR, oil filter	ALL
6	26378-92A	OIL FILTER MOUNT (black)	ALL
7	33519-92A	TUBE, return	ALL
8	33520-92	TUBE, feed	ALL
9	63523-92A	FITTING, straight, w/ 10	ALL
10	63525-92	SEAL	ALL
11	63528-92	SEAL & FERRULE (2)	ALL
12	63530-92	FITTING, male nut (2)	ALL
13	63556-92	HOSE, filter line to tank	ALL
14	63796-77A	OIL FILTER (chrome)	ALL

## EXHAUST SYSTEM (1 OF 2)



[View interactive image](#)

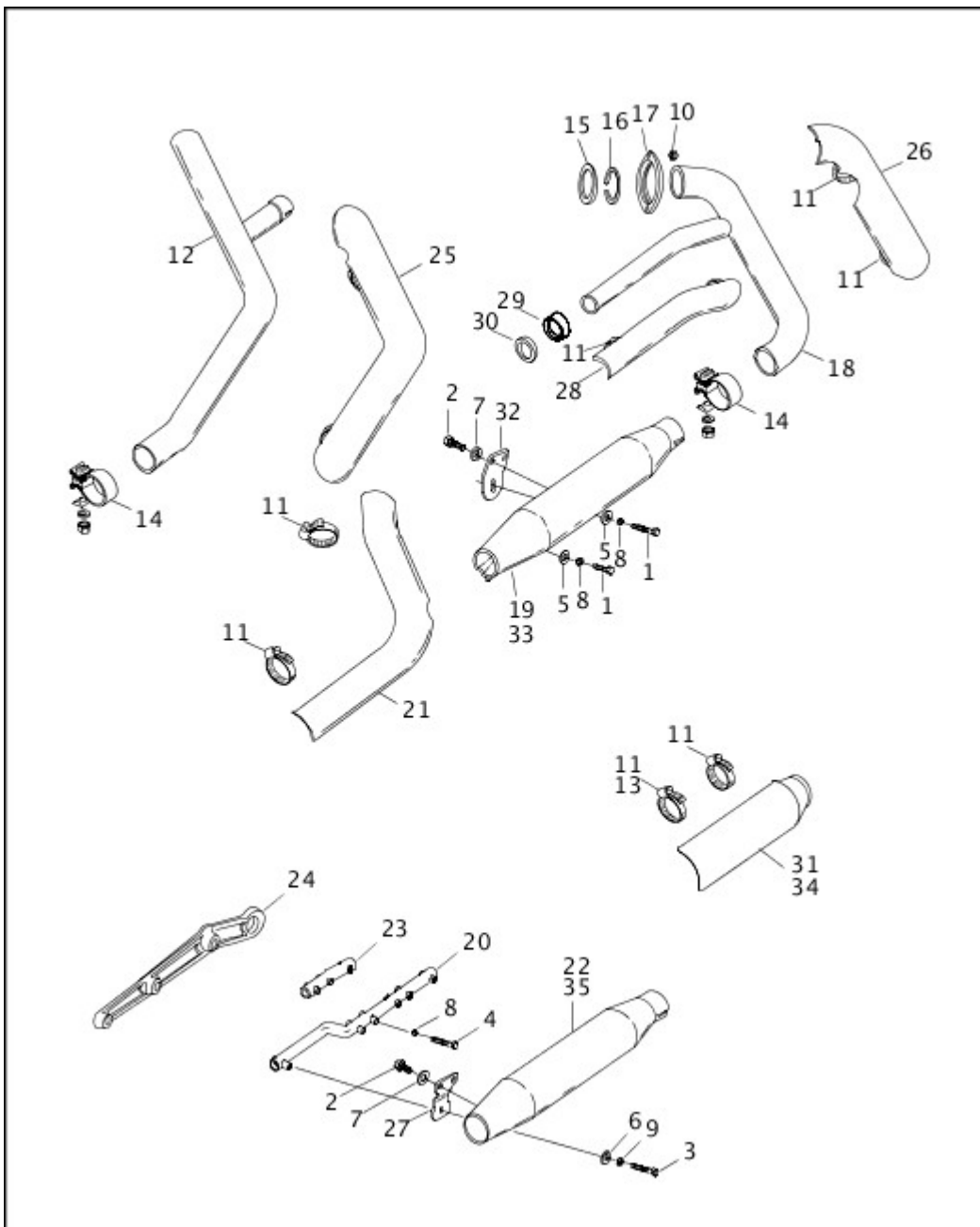
[View interactive table](#)

INDEX NO.	PART NO.	DESCRIPTION	MODEL(S)
1	2879W	BOLT	FLSTF 1995, FLSTF 1996, FLSTN 1995, FLSTN 1996
1	2879W	BOLT (2)	FLSTC 1995, FLSTC 1996, FXSTC 1995, FXSTC 1996, FXSTS 1995, FXSTS 1996, FXSTSB 1995, FXSTSB 1996
2	3728	SCREW (6)	FLSTC 1995, FLSTC 1996, FXSTC 1995, FXSTC 1996, FXSTS 1995, FXSTS 1996, FXSTSB 1995, FXSTSB 1996
2	3728	SCREW (4)	FLSTF 1995, FLSTF 1996, FLSTN 1995, FLSTN 1996
3	4017	BOLT	ALL

INDEX NO.	PART NO.	DESCRIPTION	MODEL(S)
4	4722	BOLT (2)	ALL
5	6701	WASHER	FLSTF 1995, FLSTF 1996, FLSTN 1995, FLSTN 1996
5	6701	WASHER (2)	FLSTC 1995, FLSTC 1996, FXSTC 1995, FXSTC 1996, FXSTS 1995, FXSTS 1996, FXSTSB 1995, FXSTSB 1996
6	6702	WASHER	ALL
7	6703	WASHER (6)	FLSTC 1995, FLSTC 1996, FXSTC 1995, FXSTC 1996, FXSTS 1995, FXSTS 1996, FXSTSB 1995, FXSTSB 1996
7	6703	WASHER (4)	FLSTF 1995, FLSTF 1996, FLSTN 1995, FLSTN 1996
8	7038	LOCKWASHER (4)	FLSTC 1995, FLSTC 1996, FXSTC 1995, FXSTC 1996, FXSTS 1995, FXSTS 1996, FXSTSB 1995, FXSTSB 1996
8	7038	LOCKWASHER (3)	FLSTF 1995, FLSTF 1996, FLSTN 1995, FLSTN 1996
9	7041	LOCKWASHER	ALL
10	7593	NUT (4)	ALL
11	9955	CLAMP	FXSTSB 1995, FXSTSB 1996
11	9955	CLAMP (5)	FLSTC 1995, FLSTC 1996, FLSTF 1995, FLSTF 1996, FLSTN 1995, FLSTN 1996
11	9955	CLAMP (6)	FXSTC 1995, FXSTC 1996, FXSTS 1995, FXSTS 1996
12	65603-95	EXHAUST PIPE, rear	FLSTC 1995, FLSTC 1996, FXSTC 1995, FXSTC 1996, FXSTS 1995, FXSTS 1996, FXSTSB 1995, FXSTSB 1996
	65503-95	EXHAUST PIPE, rear	FLSTF 1995, FLSTF 1996, FLSTN 1995, FLSTN 1996
13	10074	CLAMP, shield (front)	FLSTC 1995, FLSTC 1996
13	10074	CLAMP, shield (2)	FLSTF 1995, FLSTF 1996, FLSTN 1995, FLSTN 1996
14	65296-95A	CLAMP, muffler (2)	ALL
15	65324-83B	GASKET, exhaust port (2)	ALL
16	65325-83A	RETAINING RING, exhaust gasket (2)	ALL
17	65328-83A	CLAMP, exhaust manifold (2)	ALL

INDEX NO.	PART NO.	DESCRIPTION	MODEL(S)
18	65401-95	EXHAUST PIPE, front	FLSTC 1995, FLSTC 1996, FXSTC 1995, FXSTC 1996, FXSTS 1995, FXSTS 1996
	65499-95	EXHAUST PIPE, front	FLSTF 1995, FLSTF 1996, FLSTN 1995, FLSTN 1996
19	65413-95	MUFFLER, front	FXSTC 1995, FXSTC 1996, FXSTSB 1995, FXSTSB 1996
	65822-95	MUFFLER, front (Calif.)	FXSTS 1995, FXSTS 1996
	65840-95	MUFFLER, front, fishtail (Calif.)	FLSTC 1995, FLSTC 1996
	65842-95	MUFFLER, front (Calif.)	FXSTC 1995, FXSTC 1996, FXSTSB 1995, FXSTSB 1996
	65853-95	MUFFLER, front	FXSTS 1995, FXSTS 1996
	65855-95	MUFFLER, front, fishtail (use 65853-95)	FLSTC 1995, FLSTC 1996
20	65459-95	SUPPORT TUBE	FLSTC 1995, FLSTC 1996, FXSTC 1995, FXSTC 1996, FXSTS 1995, FXSTS 1996, FXSTSB 1995, FXSTSB 1996
21	65464-95	SHIELD, rear exhaust & muffler	FLSTF 1995, FLSTF 1996, FLSTN 1995, FLSTN 1996

**EXHAUST SYSTEM (2 OF 2)**



[View interactive image](#)

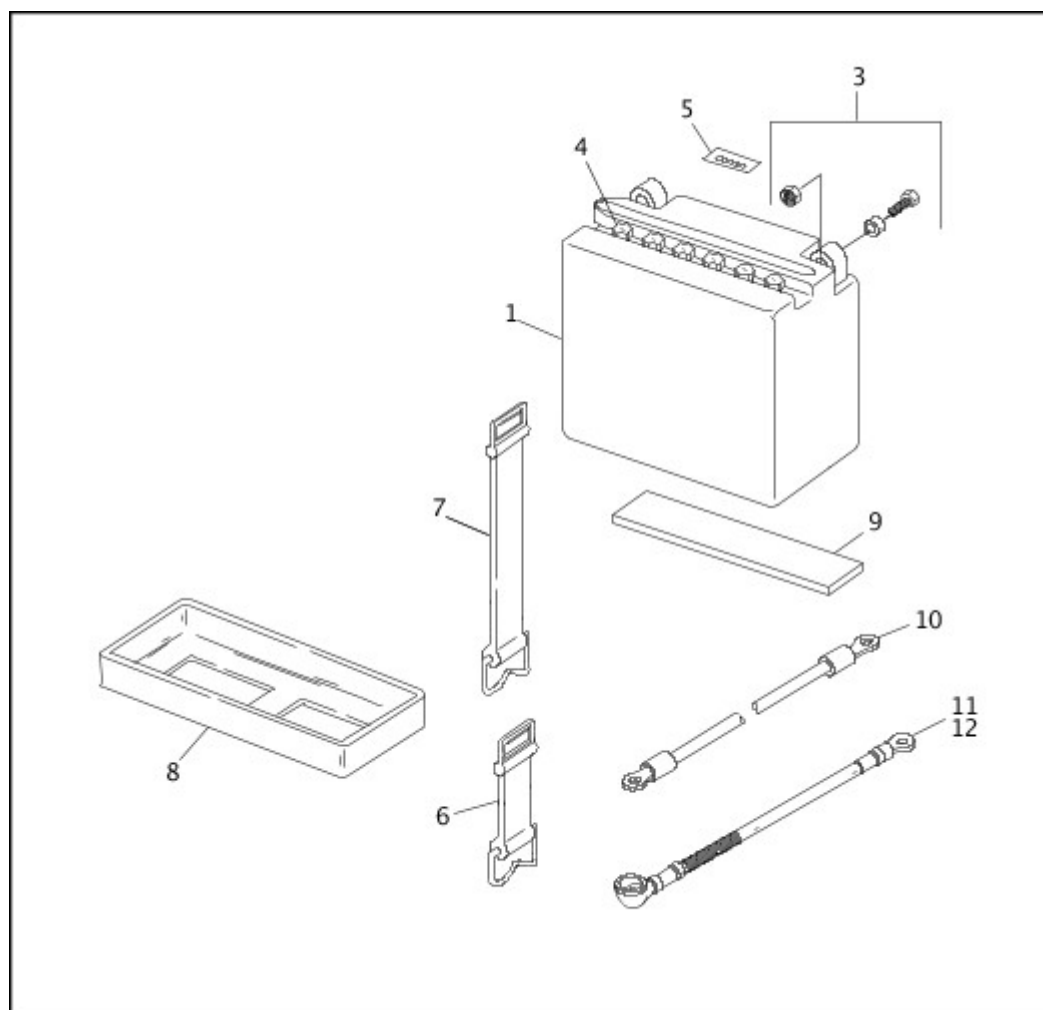
[View interactive table](#)

INDEX NO.	PART NO.	DESCRIPTION	MODEL(S)
22	65894-95	MUFFLER, rear	FXSTC 1995, FXSTC 1996, FXSTSB 1995, FXSTSB 1996
22	65894-95	MUFFLER, rear (2)	FLSTF 1995, FLSTF 1996
22	65896-95	MUFFLER, rear	FXSTS 1995, FXSTS 1996
22	65898-95	MUFFLER, rear, fishtail (use 65896-95)	FLSTC 1995, FLSTC 1996
22	65898-95	MUFFLER, rear, fishtail (use 65896-95) (2)	FLSTN 1995, FLSTN 1996
22	65900-95	MUFFLER, rear	FXSTS 1995, FXSTS 1996
22	65902-95	MUFFLER, rear, fishtail (Calif.)	FLSTC 1995, FLSTC 1996

INDEX NO.	PART NO.	DESCRIPTION	MODEL(S)
22	65902-95	MUFFLER, rear, fishtail (Calif.) (2)	FLSTN 1995, FLSTN 1996
22	65904-95	MUFFLER, rear (Calif.)	FXSTC 1995, FXSTC 1996, FXSTSB 1995, FXSTSB 1996
22	65904-95	MUFFLER, rear (Calif.) (2)	FLSTF 1995, FLSTF 1996
23	65515-95	SUPPORT TUBE, front	FLSTF 1995, FLSTF 1996, FLSTN 1995, FLSTN 1996
24	65522-91	MUFFLER SUPPORT, rear	FLSTF 1995, FLSTF 1996, FLSTN 1995, FLSTN 1996
25	65702-95	SHIELD, rear exhaust	FLSTC 1995, FLSTC 1996, FXSTC 1995, FXSTC 1996, FXSTS 1995, FXSTS 1996, FXSTSB 1995, FXSTSB 1996
26	65750-95	SHIELD, front exhaust	FLSTC 1995, FLSTC 1996
	65732-95	SHIELD, front exhaust	FXSTC 1995, FXSTC 1996, FXSTS 1995, FXSTS 1996, FXSTSB 1995, FXSTSB 1996
	65761-95	SHIELD, front exhaust	FLSTC 1995, FLSTC 1996, FLSTF 1995, FLSTF 1996, FLSTN 1995, FLSTN 1996
27	65734-95	BRACKET, rear muffler	ALL
28	65777-95	SHIELD, interconnect	ALL
29	65781-82	GASKET, interconnect	ALL
30	65782-82	WASHER, interconnect	ALL
31	65813-95	HEAT SHIELD, muffler	FLSTC 1995, FLSTC 1996, FLSTF 1995, FLSTF 1996, FLSTN 1995, FLSTN 1996, FXSTSB 1995, FXSTSB 1996
31	65813-95	HEAT SHIELD, muffler (2)	FXSTC 1995, FXSTC 1996, FXSTS 1995, FXSTS 1996
32	65887-95	BRACKET, front muffler	FLSTF 1995, FLSTF 1996, FLSTN 1995, FLSTN 1996
32	65887-95	BRACKET, front muffler (2)	FLSTC 1995, FLSTC 1996, FXSTC 1995, FXSTC 1996, FXSTS 1995, FXSTS 1996, FXSTSB 1995, FXSTSB 1996
<b>INTERNATIONAL MODELS ONLY</b>			
33	65682-95A	MUFFLER, front, catalytic (Swiss only)	FLSTC 1995, FLSTC 1996, FXSTC 1995, FXSTC 1996, FXSTS 1995, FXSTS 1996, FXSTSB 1995, FXSTSB 1996
	65885-95	MUFFLER, front (HDI only)	FLSTC 1995, FLSTC 1996, FXSTC 1995, FXSTC 1996, FXSTS 1995, FXSTS 1996, FXSTSB 1995, FXSTSB 1996

INDEX NO.	PART NO.	DESCRIPTION	MODEL(S)
34	65864-95	HEAT SHIELD, muffler (2)	FLSTC 1995, FLSTC 1996, FLSTF 1995, FLSTF 1996, FLSTN 1995, FLSTN 1996
35	65890-95	MUFFLER, rear (HDI only)	FLSTC 1995, FLSTC 1996, FXSTC 1995, FXSTC 1996, FXSTS 1995, FXSTS 1996, FXSTSB 1995, FXSTSB 1996
35	65890-95	MUFFLER, rear (HDI only) (2)	FLSTF 1995, FLSTF 1996, FLSTN 1995, FLSTN 1996
35	65892-95A	MUFFLER, rear, catalytic (Swiss only)	FLSTC 1995, FLSTC 1996, FXSTC 1995, FXSTC 1996, FXSTS 1995, FXSTS 1996, FXSTSB 1995, FXSTSB 1996
35	65892-95A	MUFFLER, rear, catalytic (Swiss only) (2)	FLSTF 1995, FLSTF 1996, FLSTN 1995, FLSTN 1996

## BATTERY



[View interactive image](#)

[View interactive table](#)

INDEX NO.	PART NO.	DESCRIPTION	MODEL(S)
-----------	----------	-------------	----------



INDEX NO.	PART NO.	DESCRIPTION	MODEL(S)
1	65989-90B	BATTERY, w/ vent tube	ALL
2	65995-88A	VENT TUBE (not illustrated)	ALL
3	66000-80	BATTERY TERMINAL KIT	ALL
4	66032-91	BATTERY CAP (yellow) (6)	ALL
5	15368-01A	WARNING LABEL	ALL
6	66109-93	BATTERY STRAP, front	ALL
7	66111-93	BATTERY STRAP, rear	ALL
8	66210-85B	CUSHION (early model year)	FLSTC 1995, FLSTC 1996, FLSTF 1995, FLSTF 1996, FLSTN 1995, FLSTN 1996, FXSTC 1995, FXSTC 1996, FXSTS 1995, FXSTS 1996, FXSTSB 1995, FXSTSB 1996
9	66308-80	CUSHION (early model year)	FLSTC 1995, FLSTC 1996, FLSTF 1995, FLSTF 1996, FLSTN 1995, FLSTN 1996, FXSTC 1995, FXSTC 1996, FXSTS 1995, FXSTS 1996, FXSTSB 1995, FXSTSB 1996
10	70060-92B	CABLE ASSEMBLY, battery negative	ALL
11	70078-91A	CABLE ASSEMBLY, battery positive	FLSTC 1995, FLSTF 1995, FLSTN 1995, FXSTC 1995, FXSTS 1995, FXSTSB 1995
12	70078-96	CABLE ASSEMBLY, battery positive	FLSTC 1996, FLSTF 1996, FLSTN 1996, FXSTC 1996, FXSTS 1996, FXSTSB 1996

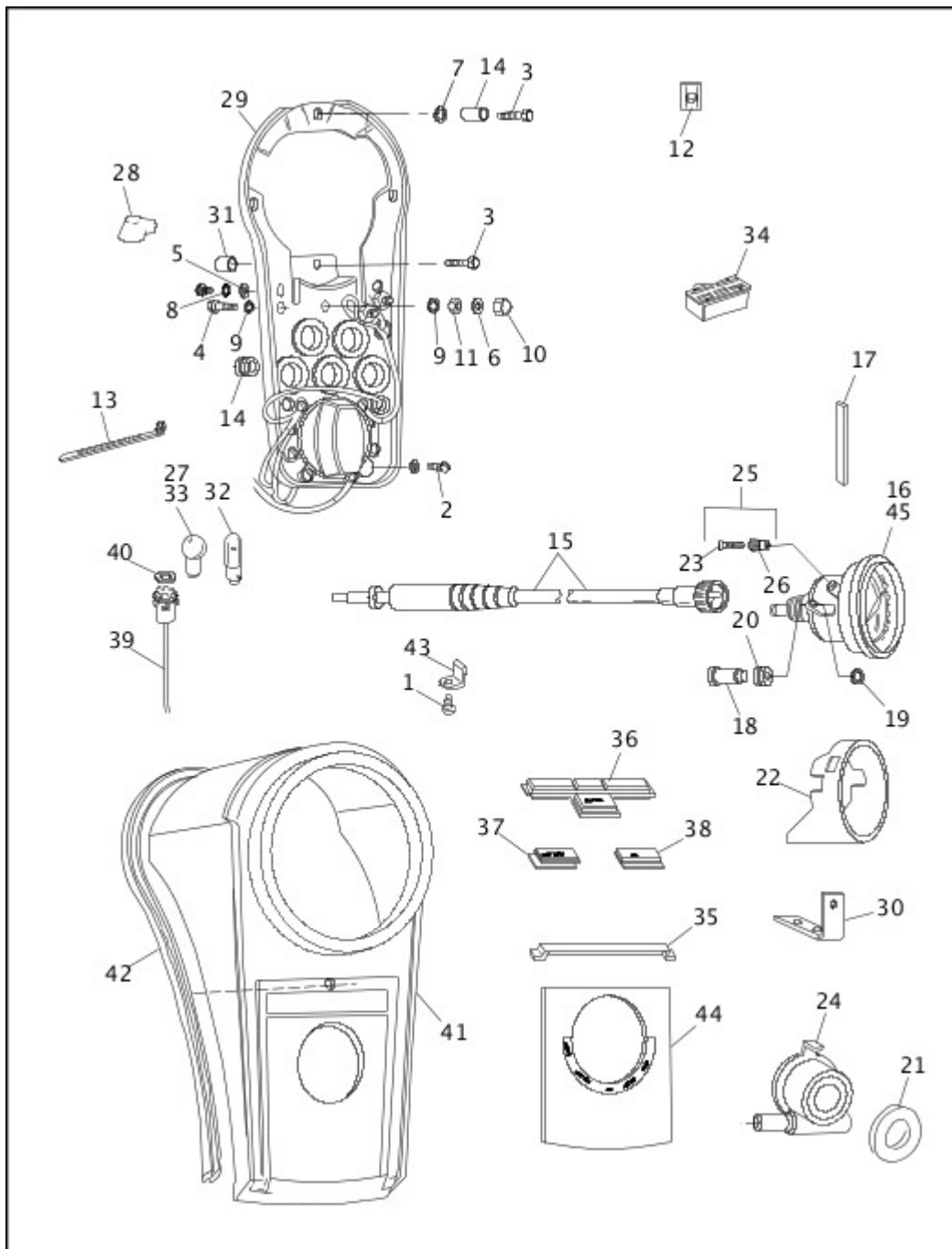
**INSTRUMENTS - 1995 (1 OF 2)**



INDEX NO.	PART NO.	DESCRIPTION	MODEL(S)
5	6198	WASHER (4)	FLSTC 1995, FLSTF 1995, FLSTN 1995, FXSTC 1995, FXSTS 1995, FXSTSB 1995
6	6798	WASHER	FXSTSB 1995
7	7041	LOCKWASHER	FLSTC 1995, FLSTF 1995, FLSTN 1995, FXSTC 1995, FXSTS 1995, FXSTSB 1995
8	7229W	LOCKWASHER (3)	FLSTC 1995, FLSTF 1995, FLSTN 1995, FXSTC 1995, FXSTS 1995, FXSTSB 1995
9	7232	LOCKWASHER	FLSTC 1995, FLSTF 1995, FLSTN 1995, FXSTC 1995, FXSTS 1995, FXSTSB 1995
10	7549A	ACORN NUT	FLSTC 1995, FLSTF 1995, FLSTN 1995, FXSTC 1995, FXSTS 1995, FXSTSB 1995
11	7763W	JAMNUT	FLSTC 1995, FLSTF 1995, FLSTN 1995, FXSTC 1995, FXSTS 1995, FXSTSB 1995
12	8155	SPEED NUT (2)	FLSTC 1995, FLSTF 1995, FLSTN 1995, FXSTC 1995, FXSTS 1995, FXSTSB 1995
13	10065	CABLE STRAP (6)	FLSTC 1995, FLSTF 1995, FLSTN 1995, FXSTC 1995, FXSTS 1995, FXSTSB 1995
14	62043-81A	SPACER, panel mounting	FLSTC 1995, FLSTF 1995, FLSTN 1995, FXSTC 1995, FXSTS 1995, FXSTSB 1995
15	67024-84A	CABLE ASSEMBLY, speedometer	FXSTC 1995, FXSTS 1995, FXSTSB 1995
	67079-86A	CABLE ASSEMBLY, speedometer	FLSTC 1995, FLSTF 1995, FLSTN 1995
16	67011-91	SPEEDOMETER, mph	FLSTC 1995, FLSTF 1995, FLSTN 1995, FXSTC 1995, FXSTS 1995, FXSTSB 1995
17	67067-76	ISOLATOR STRIP (black)	FLSTC 1995, FLSTF 1995, FLSTN 1995, FXSTC 1995, FXSTS 1995, FXSTSB 1995
18	67068-76	PIN, speedometer mounting (2)	FLSTC 1995, FLSTF 1995, FLSTN 1995, FXSTC 1995, FXSTS 1995, FXSTSB 1995
19	67069-76	RETAINING RING, speedometer mounting (2)	FLSTC 1995, FLSTF 1995, FLSTN 1995, FXSTC 1995, FXSTS 1995, FXSTSB 1995
20	67070-76	GROMMET, speedometer mounting (2)	FLSTC 1995, FLSTF 1995, FLSTN 1995, FXSTC 1995, FXSTS 1995, FXSTSB 1995
21	67098-87	SEAL, drive unit	FXSTS 1995

INDEX NO.	PART NO.	DESCRIPTION	MODEL(S)
	67118-87	SEAL, drive unit	FLSTC 1995, FLSTF 1995, FLSTN 1995, FXSTC 1995
22	67115-91	SUPPORT, speedometer	FLSTC 1995, FLSTF 1995, FLSTN 1995, FXSTC 1995, FXSTS 1995, FXSTSB 1995
23	67117-85	SCREW	FLSTC 1995, FLSTF 1995, FLSTN 1995, FXSTC 1995, FXSTS 1995, FXSTSB 1995
24	67120-84B	DRIVE UNIT, speedometer	FXSTC 1995
	67125-86A	DRIVE UNIT, speedometer	FLSTC 1995, FLSTF 1995, FLSTN 1995
	67166-88	DRIVE UNIT, speedometer	FXSTS 1995, FXSTSB 1995
25	67212-93	RESET KNOB KIT, w/ 23 & 26	FLSTC 1995, FLSTF 1995, FLSTN 1995, FXSTC 1995, FXSTS 1995, FXSTSB 1995

**INSTRUMENTS - 1995 (2 OF 2)**



[View interactive image](#)

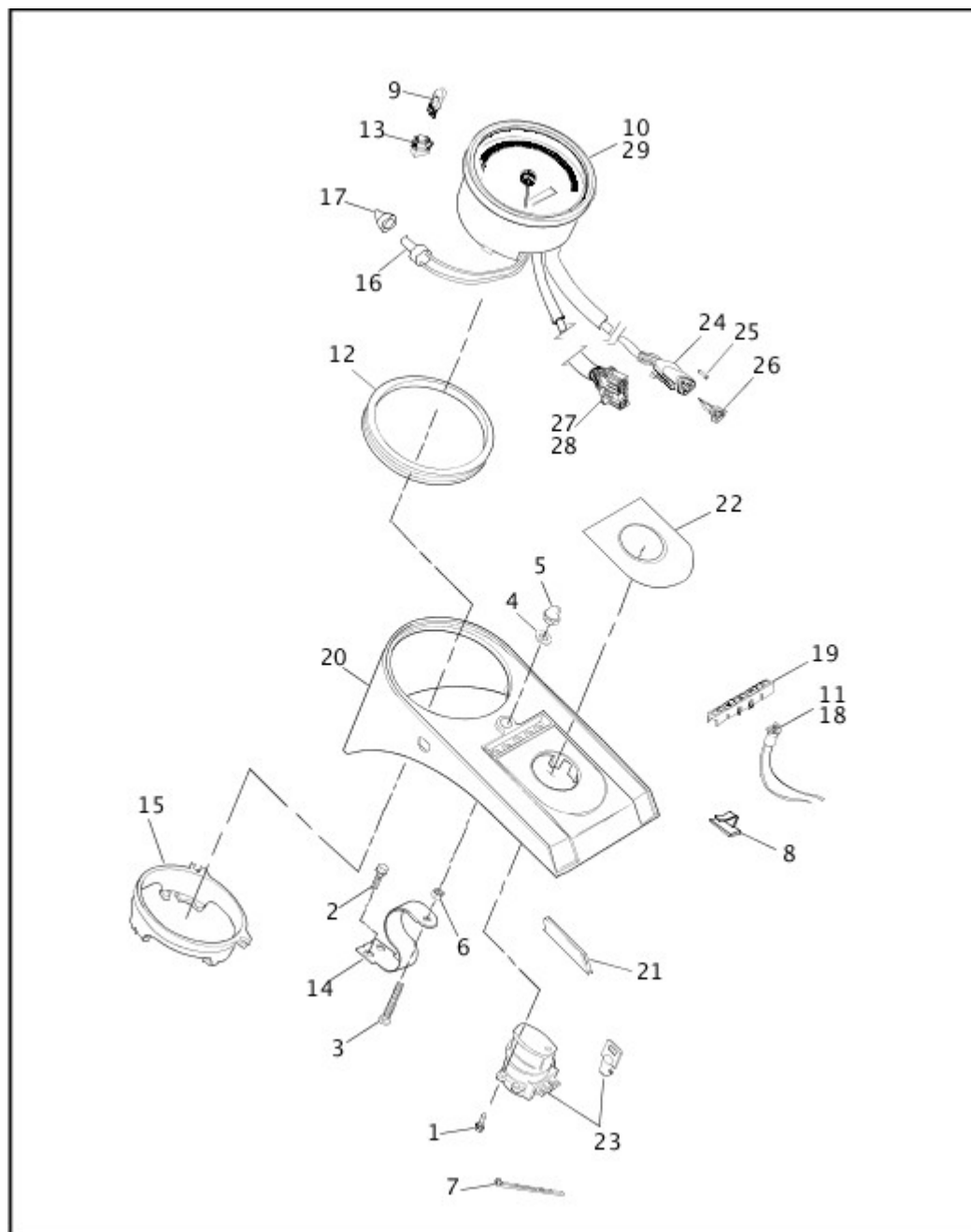
[View interactive table](#)

INDEX NO.	PART NO.	DESCRIPTION	MODEL(S)
26	67215-89	KNOB, odometer reset	FLSTC 1995, FLSTF 1995, FLSTN 1995, FXSTC 1995, FXSTS 1995, FXSTSB 1995
27	68462-64	BULB, indicator lamps (4)	FLSTC 1995, FLSTF 1995, FLSTN 1995, FXSTC 1995, FXSTS 1995, FXSTSB 1995
28	70579-65	INSULATING BOOT	FLSTC 1995, FLSTF 1995, FLSTN 1995, FXSTC 1995, FXSTS 1995, FXSTSB 1995
29	70936-91B	INSTRUMENT PANEL BASE	FLSTC 1995, FLSTF 1995, FLSTN 1995, FXSTC 1995, FXSTS 1995, FXSTSB 1995

INDEX NO.	PART NO.	DESCRIPTION	MODEL(S)
30	70936-91B	BRACKET, circuit breakers (plastic)	FLSTC 1995, FLSTF 1995, FLSTN 1995, FXSTC 1995, FXSTS 1995, FXSTSB 1995
31	70941-84A	SPACER, instrument panel mounting (2)	FLSTC 1995, FLSTF 1995, FLSTN 1995, FXSTC 1995, FXSTS 1995, FXSTSB 1995
32	71090-64	BULB, speedometer (2)	FLSTC 1995, FLSTF 1995, FLSTN 1995, FXSTC 1995, FXSTS 1995, FXSTSB 1995
33	71092-68A	BULB, high beam indicator	FLSTC 1995, FLSTF 1995, FLSTN 1995, FXSTC 1995, FXSTS 1995, FXSTSB 1995
34	71134-68	SUPPORT, indicator lamp lens	FLSTC 1995, FLSTF 1995, FLSTN 1995, FXSTC 1995, FXSTS 1995, FXSTSB 1995
35	71141-68	RETAINER, indicator lamp lens	FLSTC 1995, FLSTF 1995, FLSTN 1995, FXSTC 1995, FXSTS 1995, FXSTSB 1995
36	71150-92	LENS, neutral (green)	FLSTC 1995, FLSTF 1995, FLSTN 1995, FXSTC 1995, FXSTS 1995, FXSTSB 1995
37	71151-92	LENS, high beam (blue)	FLSTC 1995, FLSTF 1995, FLSTN 1995, FXSTC 1995, FXSTS 1995, FXSTSB 1995
38	71152-92	LENS, oil pressure (red)	FLSTC 1995, FLSTF 1995, FLSTN 1995, FXSTC 1995, FXSTS 1995, FXSTSB 1995
39	71158-86B	SOCKET KIT, speedometer lamp	FLSTC 1995, FLSTF 1995, FLSTN 1995, FXSTC 1995, FXSTS 1995, FXSTSB 1995
40	71182-47A	WASHER, signal lamp socket (4)	FLSTC 1995, FLSTF 1995, FLSTN 1995, FXSTC 1995, FXSTS 1995, FXSTSB 1995
41	71241-91	COVER, instrument panel (chrome)	FLSTC 1995, FLSTF 1995, FLSTN 1995, FXSTC 1995, FXSTS 1995
	71248-95	COVER, instrument panel (black)	FXSTSB 1995
42	71295-68	GASKET, instrument panel cover (2)	FLSTC 1995, FLSTF 1995, FLSTN 1995, FXSTC 1995, FXSTS 1995, FXSTSB 1995
43	71297-68	CLIP, lens support (2)	FLSTC 1995, FLSTF 1995, FLSTN 1995, FXSTC 1995, FXSTS 1995, FXSTSB 1995
44	71300-94	PLATE, ignition switch	FLSTC 1995, FLSTF 1995, FLSTN 1995, FXSTC 1995, FXSTS 1995, FXSTSB 1995
<b>INTERNATIONAL MODELS ONLY</b>			

INDEX NO.	PART NO.	DESCRIPTION	MODEL(S)
45	67030-91A	SPEEDOMETER, kph (HDI)	FLSTC 1995, FLSTF 1995, FLSTN 1995, FXSTC 1995, FXSTS 1995, FXSTSB 1995

## INSTRUMENTS - 1996 (1 OF 2)



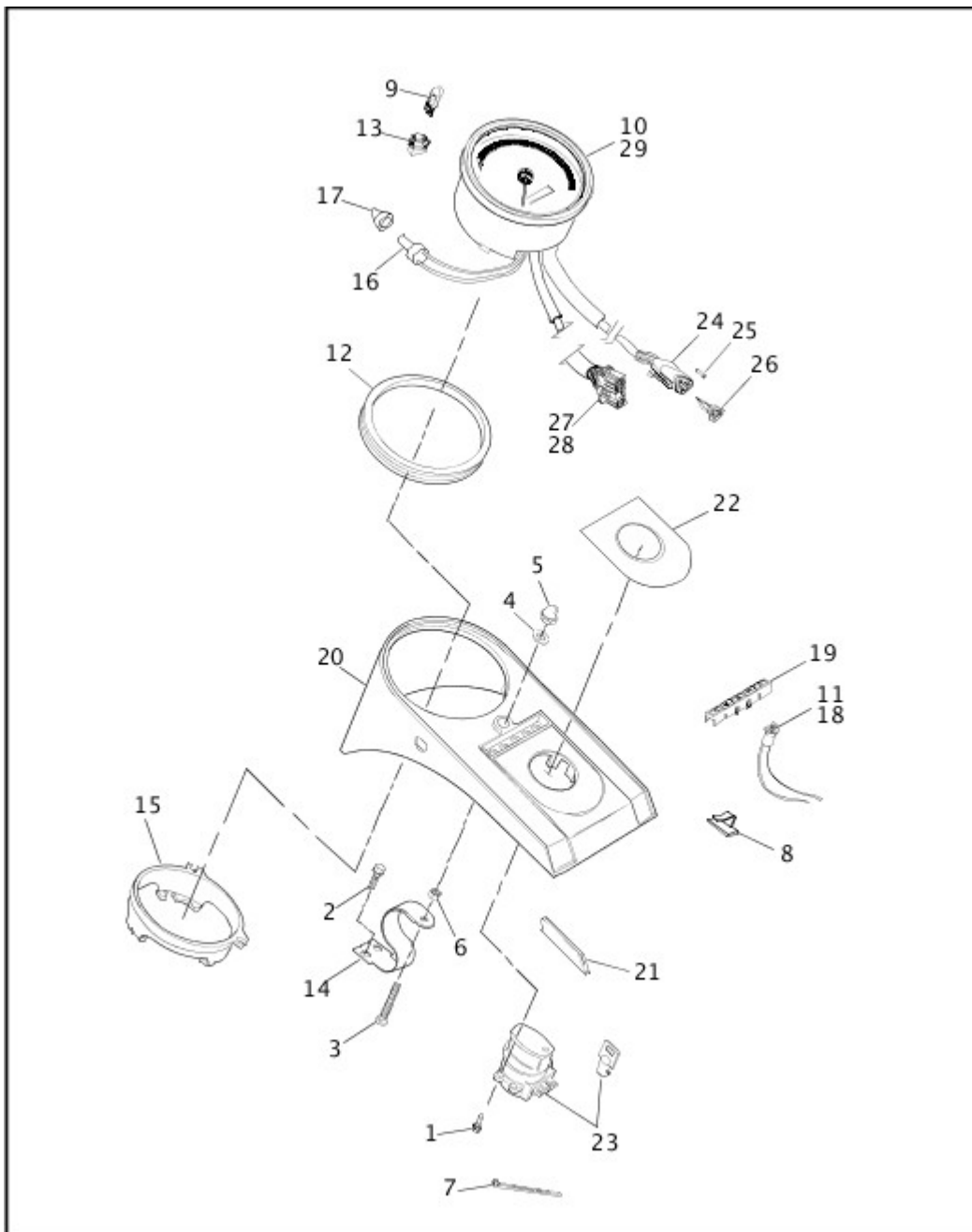
[View interactive image](#)

[View interactive table](#)

INDEX NO.	PART NO.	DESCRIPTION	MODEL(S)
1	2501A	SCREW (4)	FLSTC 1996, FLSTF 1996, FLSTN 1996, FXSTC 1996, FXSTS 1996, FXSTSB 1996
2	3546	BOLT (2)	FLSTC 1996, FLSTF 1996, FLSTN 1996, FXSTC 1996, FXSTS 1996, FXSTSB 1996

INDEX NO.	PART NO.	DESCRIPTION	MODEL(S)
3	4761	SCREW	FLSTC 1996, FLSTF 1996, FLSTN 1996, FXSTC 1996, FXSTS 1996, FXSTSB 1996
4	6121	WASHER	FLSTC 1996, FLSTF 1996, FLSTN 1996, FXSTC 1996, FXSTS 1996, FXSTSB 1996
5	7497	LOCKNUT, acorn	FLSTC 1996, FLSTF 1996, FLSTN 1996, FXSTC 1996, FXSTS 1996, FXSTSB 1996
6	7688	NUT	FLSTC 1996, FLSTF 1996, FLSTN 1996, FXSTC 1996, FXSTS 1996, FXSTSB 1996
7	10065	CABLE STRAP (2)	FLSTC 1996, FLSTF 1996, FLSTN 1996, FXSTC 1996, FXSTS 1996, FXSTSB 1996
8	10102	CLIP, adhesive back	FLSTC 1996, FLSTF 1996, FLSTN 1996, FXSTC 1996, FXSTS 1996, FXSTSB 1996
	10103	CLIP, adhesive back	FLSTC 1996, FLSTF 1996, FLSTN 1996, FXSTC 1996, FXSTS 1996, FXSTSB 1996
9	53439-79	BULB, backlight	FLSTC 1996, FLSTF 1996, FLSTN 1996, FXSTC 1996, FXSTS 1996, FXSTSB 1996
	67136-85	BULB, backlight	FLSTC 1996, FLSTF 1996, FLSTN 1996, FXSTC 1996, FXSTS 1996, FXSTSB 1996
10	67027-96C	SPEEDOMETER, mph	FLSTC 1996, FLSTF 1996, FLSTN 1996, FXSTC 1996, FXSTS 1996, FXSTSB 1996
11	67184-94	SOCKET (5)	FLSTC 1996, FLSTF 1996, FLSTN 1996, FXSTC 1996, FXSTS 1996, FXSTSB 1996
12	67190-89	SEAL, speedometer	FLSTC 1996, FLSTF 1996, FLSTN 1996, FXSTC 1996, FXSTS 1996, FXSTSB 1996
13	67191-94	SOCKET, instrument bulbs (2)	FLSTC 1996, FLSTF 1996, FLSTN 1996, FXSTC 1996, FXSTS 1996, FXSTSB 1996
14	67260-96	BRACKET, instrument panel mtg.	FLSTC 1996, FLSTF 1996, FLSTN 1996, FXSTC 1996, FXSTS 1996, FXSTSB 1996
15	67271-94A	BACK CLAMP	FLSTC 1996, FLSTF 1996, FLSTN 1996, FXSTC 1996, FXSTS 1996, FXSTSB 1996





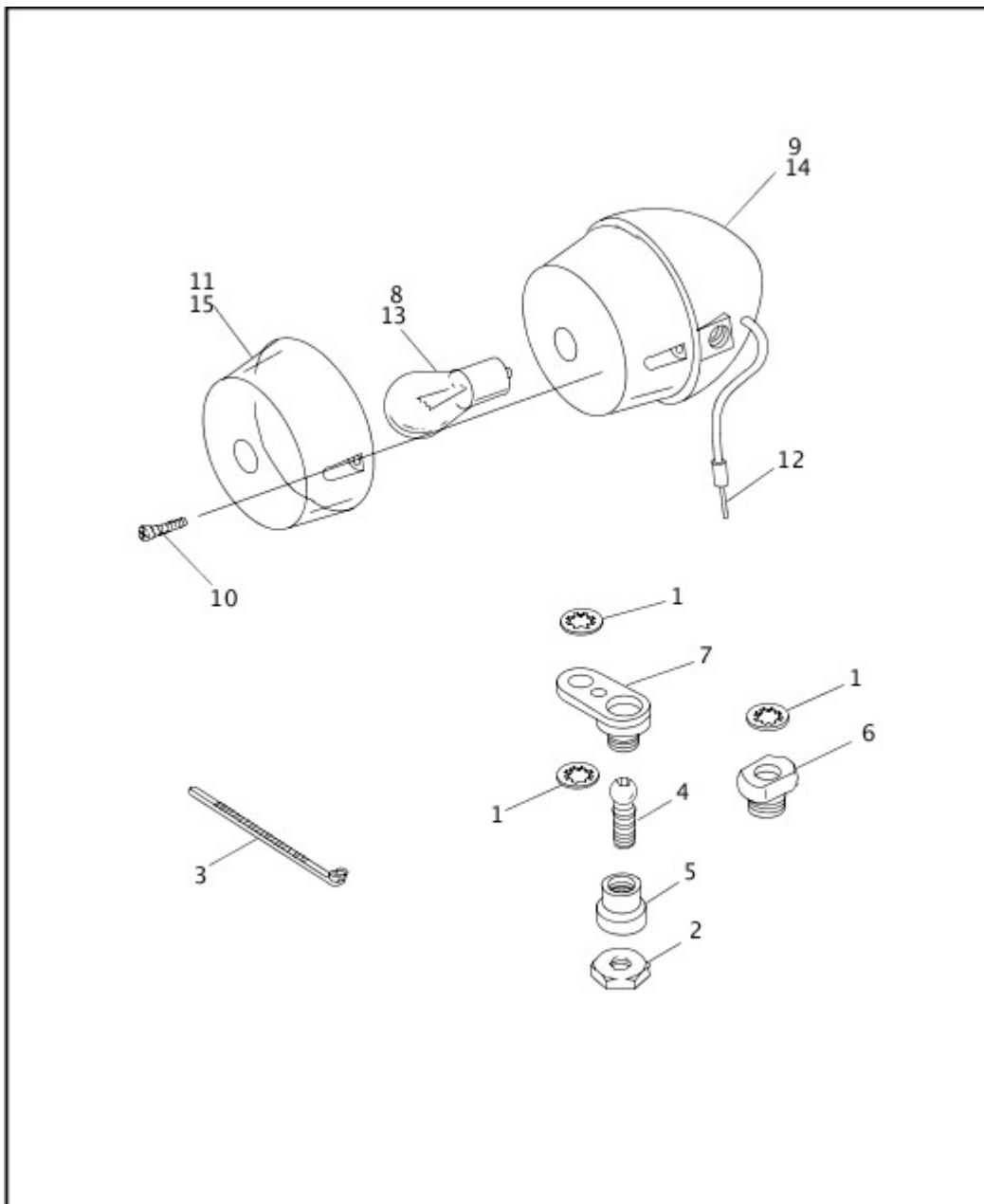
[View interactive image](#)

[View interactive table](#)

INDEX NO.	PART NO.	DESCRIPTION	MODEL(S)
16	67854-98	SWITCH, reset	FLSTC 1996, FLSTF 1996, FLSTN 1996, FXSTC 1996, FXSTS 1996, FXSTSB 1996
17	67880-94	BOOT, reset switch	FLSTC 1996, FLSTF 1996, FLSTN 1996, FXSTC 1996, FXSTS 1996, FXSTSB 1996
18	68024-94	BULB, indicator lamps (5)	FLSTC 1996, FLSTF 1996, FLSTN 1996, FXSTC 1996, FXSTS 1996, FXSTSB 1996
19	71146-94	LENS, indicator lamps	FLSTC 1996, FLSTF 1996, FLSTN 1996, FXSTC 1996, FXSTS 1996, FXSTSB 1996

INDEX NO.	PART NO.	DESCRIPTION	MODEL(S)
20	71254-96	INSTRUMENT PANEL, w/ 10102 & 10103 clips	FLSTC 1996, FLSTF 1996, FLSTN 1996, FXSTC 1996, FXSTS 1996
	71255-96	INSTRUMENT PANEL, w/ 10102 & 10103 clips	FXSTSB 1996
21	71265-95	TRIM, instrument panel	FLSTC 1996, FLSTF 1996, FLSTN 1996, FXSTC 1996, FXSTS 1996, FXSTSB 1996
22	71302-93A	NAMEPLATE, ignition switch	FLSTC 1996, FLSTF 1996, FLSTN 1996, FXSTC 1996, FXSTS 1996, FXSTSB 1996
23	71313-96A	IGNITION SWITCH, w/ keys	FLSTC 1996, FLSTF 1996, FLSTN 1996, FXSTC 1996, FXSTS 1996, FXSTSB 1996
	71452-91A	KEY (specify key code)	FLSTC 1996, FLSTF 1996, FLSTN 1996, FXSTC 1996, FXSTS 1996, FXSTSB 1996
24	72113-94BK	PLUG, 3-way socket	FLSTC 1996, FLSTF 1996, FLSTN 1996, FXSTC 1996, FXSTS 1996, FXSTSB 1996
25	72191-94	TERMINAL, socket (3)	FLSTC 1996, FLSTF 1996, FLSTN 1996, FXSTC 1996, FXSTS 1996, FXSTSB 1996
26	72153-94	SOCKET LOCK, secondary, 3-way	FLSTC 1996, FLSTF 1996, FLSTN 1996, FXSTC 1996, FXSTS 1996, FXSTSB 1996
27	73162-96BK	CONNECTOR, 12-place	FLSTC 1996, FLSTF 1996, FLSTN 1996, FXSTC 1996, FXSTS 1996, FXSTSB 1996
28	73191-96	SOCKET CONTACT, 16-20 gauge (12)	FLSTC 1996, FLSTF 1996, FLSTN 1996, FXSTC 1996, FXSTS 1996, FXSTSB 1996
<b>INTERNATIONAL MODELS ONLY</b>			
29	67030-96C	SPEEDOMETER, kph	FLSTC 1996, FLSTF 1996, FLSTN 1996, FXSTC 1996, FXSTS 1996, FXSTSB 1996
	67282-96C	SPEEDOMETER, mph/kph	FLSTC 1996, FLSTF 1996, FLSTN 1996, FXSTC 1996, FXSTS 1996, FXSTSB 1996

## FRONT TURN SIGNALS



[View interactive image](#)

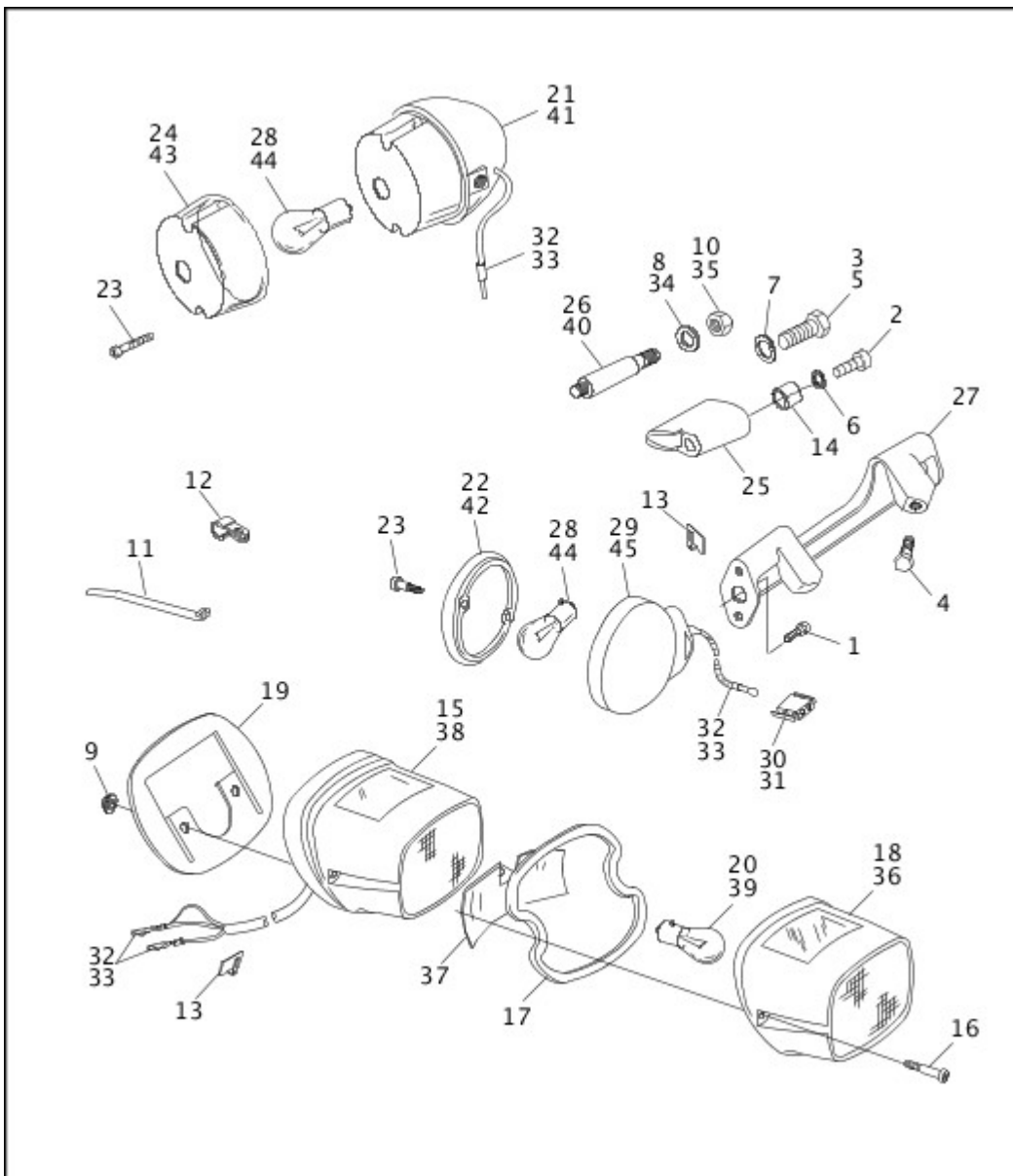
[View interactive table](#)

INDEX NO.	PART NO.	DESCRIPTION	MODEL(S)
1	7127	LOCKWASHER (3)	FLSTF 1995, FLSTF 1996, FLSTN 1995, FLSTN 1996, FXSTC 1995, FXSTC 1996, FXSTS 1995, FXSTS 1996, FXSTSB 1995, FXSTSB 1996
2	7744	JAMNUT (2)	FLSTF 1995, FLSTF 1996, FLSTN 1995, FLSTN 1996, FXSTC 1995, FXSTC 1996, FXSTS 1995, FXSTS 1996, FXSTSB 1995, FXSTSB 1996
3	10006	CABLE STRAP (2)	FLSTF 1995, FLSTF 1996, FLSTN 1995, FLSTN 1996, FXSTC 1995, FXSTC 1996, FXSTS 1995, FXSTS 1996, FXSTSB 1995, FXSTSB 1996

INDEX NO.	PART NO.	DESCRIPTION	MODEL(S)
	10065	CABLE STRAP	FLSTF 1995, FLSTF 1996, FLSTN 1995, FLSTN 1996, FXSTC 1995, FXSTC 1996, FXSTS 1995, FXSTS 1996, FXSTSB 1995, FXSTSB 1996
4	67822-88	BALL STUD (2)	FLSTF 1995, FLSTF 1996, FLSTN 1995, FLSTN 1996, FXSTC 1995, FXSTC 1996, FXSTS 1995, FXSTS 1996, FXSTSB 1995, FXSTSB 1996
5	67827-88A	CLAMP, ball stud (2)	FLSTF 1995, FLSTF 1996, FLSTN 1995, FLSTN 1996, FXSTC 1995, FXSTC 1996, FXSTS 1995, FXSTS 1996, FXSTSB 1995, FXSTSB 1996
6	67828-88A	RETAINER, right	FLSTF 1995, FLSTF 1996, FLSTN 1995, FLSTN 1996, FXSTC 1995, FXSTC 1996, FXSTS 1995, FXSTS 1996, FXSTSB 1995, FXSTSB 1996
7	67829-88	BALL RECEPTACLE, left	FLSTF 1995, FLSTF 1996, FLSTN 1995, FLSTN 1996, FXSTC 1995, FXSTC 1996, FXSTS 1995, FXSTS 1996, FXSTSB 1995, FXSTSB 1996
8	68168-89A	BULB, front turn signals (2)	FLSTF 1995, FLSTF 1996, FLSTN 1995, FLSTN 1996, FXSTC 1995, FXSTC 1996, FXSTS 1995, FXSTS 1996, FXSTSB 1995, FXSTSB 1996
9	68406-86C	LAMP, w/ wire, front (2)	FLSTF 1995, FLSTN 1995, FXSTC 1995, FXSTS 1995, FXSTSB 1995
	68709-94	LAMP, w/ wire, front (2)	FLSTF 1996, FLSTN 1996, FXSTC 1996, FXSTS 1996, FXSTSB 1996
10	68452-86	SCREW, turn signal lens (4)	FLSTF 1995, FLSTF 1996, FLSTN 1995, FLSTN 1996, FXSTC 1995, FXSTC 1996, FXSTS 1995, FXSTS 1996, FXSTSB 1995, FXSTSB 1996
11	68457-86	LENS, turn signal (amber) (2)	FLSTF 1995, FLSTF 1996, FLSTN 1995, FLSTN 1996, FXSTC 1995, FXSTC 1996, FXSTS 1995, FXSTS 1996, FXSTSB 1995, FXSTSB 1996
12	72039-71A	PIN, single socket (2)	FLSTF 1995, FLSTF 1996, FLSTN 1995, FLSTN 1996, FXSTC 1995, FXSTC 1996, FXSTS 1995, FXSTS 1996, FXSTSB 1995, FXSTSB 1996
	73191-96	SOCKET CONTACT, 16-20 gauge (2)	FLSTF 1996, FLSTN 1996, FXSTC 1996, FXSTS 1996, FXSTSB 1996

INDEX NO.	PART NO.	DESCRIPTION	MODEL(S)
<b>INTERNATIONAL MODELS ONLY</b>			
13	68163-84	BULB (HDI) (2)	FLSTF 1995, FLSTF 1996, FLSTN 1995, FLSTN 1996, FXSTC 1995, FXSTC 1996, FXSTS 1995, FXSTS 1996, FXSTSB 1995, FXSTSB 1996
14	68408-86D	LAMP, w/ wire, front (HDI) (2)	FLSTF 1995, FLSTN 1995, FXSTC 1995, FXSTS 1995, FXSTSB 1995
	68710-94	LAMP, w/ wire, front (HDI) (2)	FLSTF 1996, FLSTN 1996, FXSTC 1996, FXSTS 1996, FXSTSB 1996
15	68566-90	LENS, turn signal (amber) (HDI) (2)	FLSTF 1995, FLSTF 1996, FLSTN 1995, FLSTN 1996, FXSTC 1995, FXSTC 1996, FXSTS 1995, FXSTS 1996, FXSTSB 1995, FXSTSB 1996

**TAIL LAMP & REAR TURN SIGNALS (1 OF 2)**



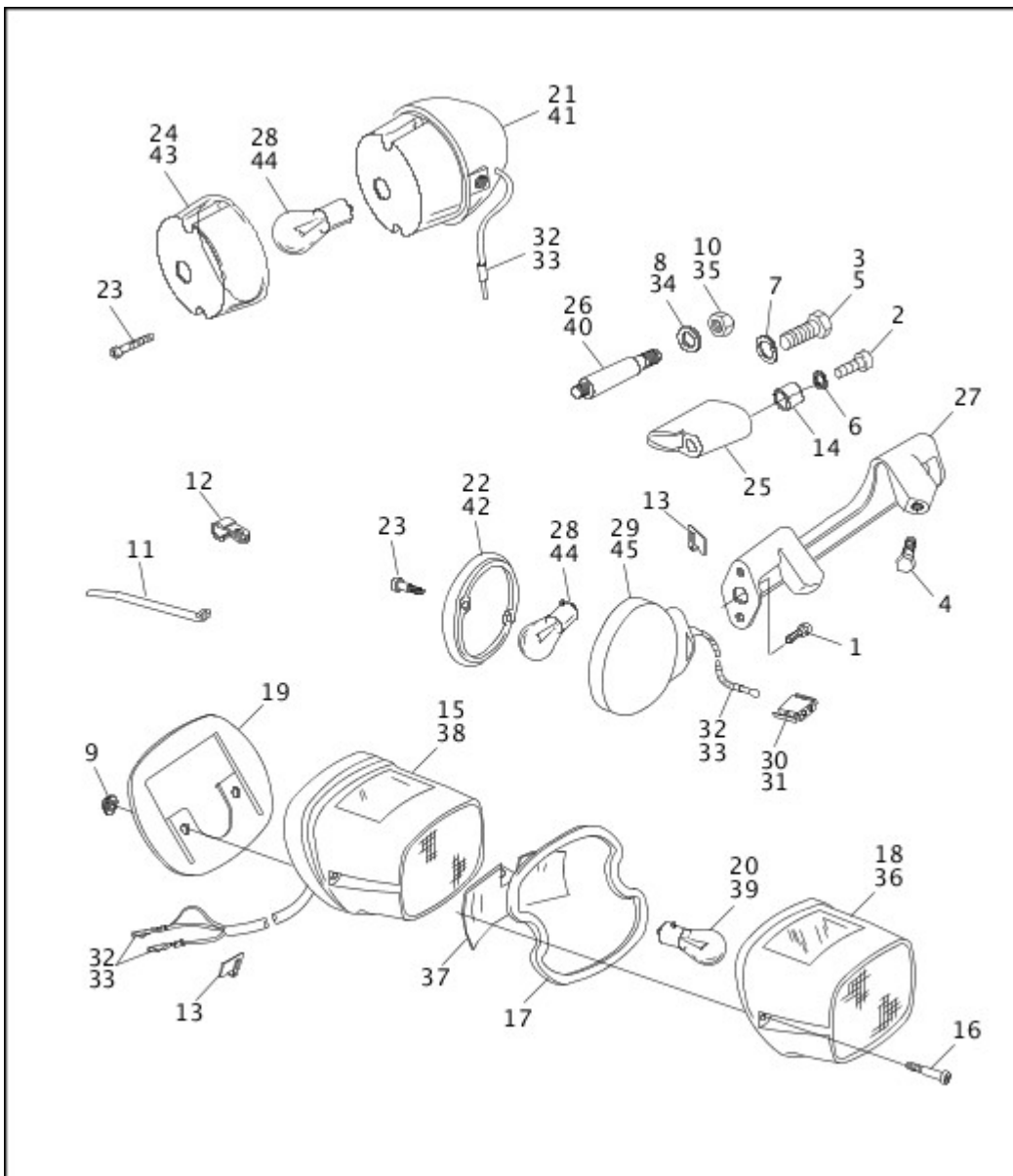
[View interactive image](#)

[View interactive table](#)

INDEX NO.	PART NO.	DESCRIPTION	MODEL(S)
1	2692WB	SCREW (4)	FLSTC 1995, FLSTC 1996, FLSTN 1995, FLSTN 1996
2	2698A	SCREW (2)	FXSTC 1995, FXSTS 1995, FXSTSB 1995
	2696	SCREW (2)	FXSTC 1996, FXSTS 1996, FXSTSB 1996
3	2904A	SCREW (2)	ALL
4	3576	SCREW (2)	FLSTC 1995, FLSTC 1996, FLSTN 1995, FLSTN 1996
5	3893	SCREW, turn signal ground	ALL
6	7042	LOCKWASHER (2)	FXSTC 1995, FXSTC 1996, FXSTS 1995, FXSTS 1996, FXSTSB 1995, FXSTSB 1996

INDEX NO.	PART NO.	DESCRIPTION	MODEL(S)
7	7045	LOCKWASHER (2)	ALL
8	7101	LOCKWASHER (2)	FLSTF 1995, FLSTF 1996
9	7501	SPEED NUT (2)	ALL
10	7800W	NUT (2)	FLSTF 1995, FLSTF 1996
11	10065	CABLE STRAP	ALL
12	10059A	CLIP	FLSTC 1995, FLSTC 1996, FLSTN 1995, FLSTN 1996
13	10120	CLIP (2)	FLSTC 1995, FLSTC 1996, FLSTN 1995, FLSTN 1996
14	59959-86	SPACER	FXSTC 1995, FXSTC 1996, FXSTS 1995, FXSTS 1996, FXSTSB 1995, FXSTSB 1996
15	68048-93B	TAIL LAMP ASSEMBLY	ALL
16	68026-73	SCREW, tail lamp (2)	ALL
17	68027-90	GASKET, tail lamp lens	ALL
18	68033-90	LENS, tail lamp (red)	ALL
19	68123-73	GASKET, tail lamp housing	FLSTC 1995, FLSTC 1996, FLSTF 1995, FLSTF 1996, FLSTN 1995, FLSTN 1996
20	68168-89A	BULB, tail lamp	ALL
21	68760-94	LAMP, w/ wire, rear (amber) (2)	FXSTC 1995, FXSTC 1996, FXSTS 1995, FXSTS 1996, FXSTSB 1995, FXSTSB 1996
	68802-95	LAMP, w/ wire, rear (amber) (2)	FLSTF 1995, FLSTF 1996
22	68440-86	LENS, turn signal (2)	FLSTC 1995, FLSTC 1996, FLSTN 1995, FLSTN 1996
23	68452-86	SCREW (4)	ALL
24	68457-86	LENS, turn signal	FLSTF 1995, FLSTF 1996, FXSTC 1995, FXSTC 1996, FXSTS 1995, FXSTS 1996
25	68480-73	SUPPORT, rear lamp mounting (2)	FXSTC 1995, FXSTC 1996, FXSTS 1995, FXSTS 1996, FXSTSB 1995, FXSTSB 1996

## TAIL LAMP & REAR TURN SIGNALS (2 OF 2)



[View interactive image](#)

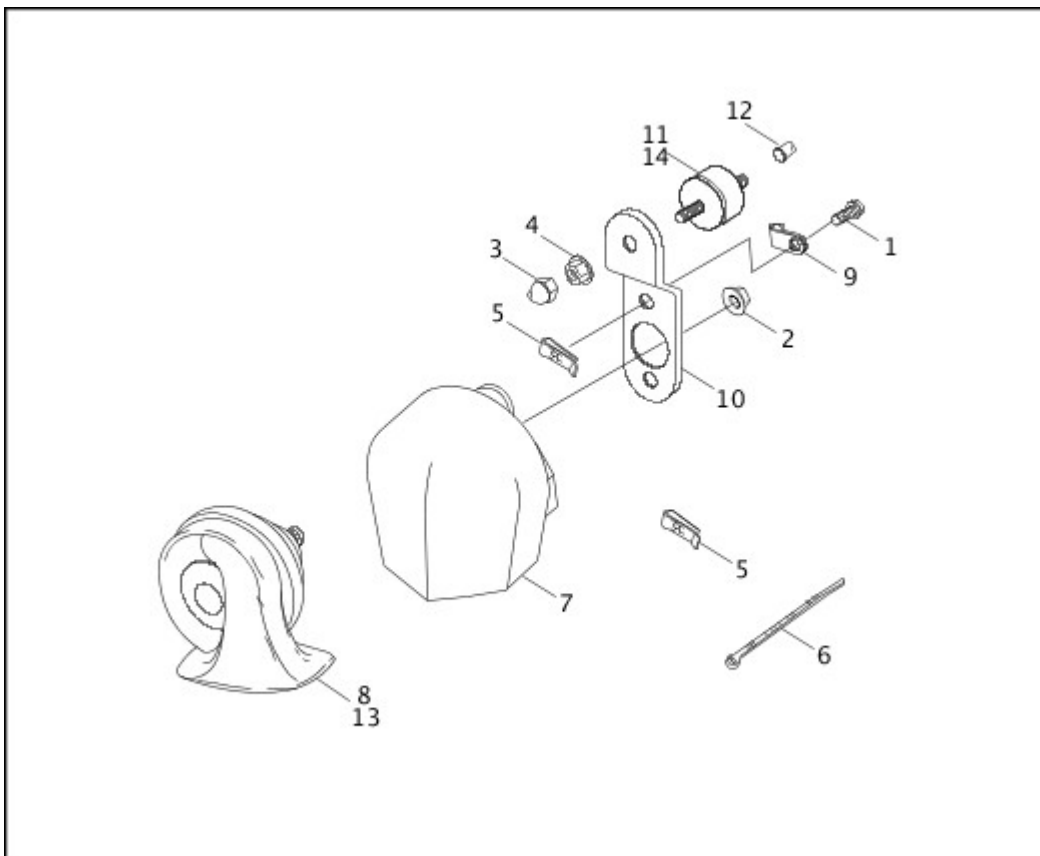
[View interactive table](#)

INDEX NO.	PART NO.	DESCRIPTION	MODEL(S)
26	68493-90	SUPPORT, rear lamp mounting	FLSTF 1995, FLSTF 1996
27	68510-74C	BRACKET, rear turn signal	FLSTC 1995, FLSTC 1996, FLSTN 1995, FLSTN 1996
28	68572-64B	BULB, rear turn signal (2)	ALL
29	68713-94A	LAMP, w/ wire, rear (amber) (2)	FLSTC 1995, FLSTC 1996, FLSTN 1995, FLSTN 1996
30	72034-71	CONNECTOR, two pin (2)	FLSTC 1995, FLSTN 1995
31	73152-96BK	SOCKET HOUSING, 2-place (2)	FLSTC 1996, FLSTN 1996
	73158-96BK	SOCKET HOUSING, 8-place (2)	ALL
32	72039-71A	PIN, single socket (2)	FLSTC 1995, FLSTF 1995, FLSTN 1995, FXSTC 1995, FXSTS 1995, FXSTSB 1995



INDEX NO.	PART NO.	DESCRIPTION	MODEL(S)
33	73191-96	CONTACT SOCKET, 16-20 gauge (12)	FLSTC 1996, FLSTF 1996, FLSTN 1996, FXSTC 1996, FXSTS 1996, FXSTSB 1996
33	73191-96	CONTACT SOCKET, 16-20 gauge (8)	FLSTC 1996, FLSTF 1996, FLSTN 1996, FXSTC 1996, FXSTS 1996, FXSTSB 1996
<b>INTERNATIONAL MODELS ONLY</b>			
34	7101	LOCKWASHER (HDI) (2)	FLSTF 1995, FLSTF 1996, FXSTC 1995, FXSTC 1996, FXSTS 1995, FXSTS 1996, FXSTSB 1995, FXSTSB 1996
35	7800W	NUT (HDI) (2)	FLSTF 1995, FLSTF 1996, FXSTC 1995, FXSTC 1996, FXSTS 1995, FXSTS 1996, FXSTSB 1995, FXSTSB 1996
36	68032-90	LENS, tail lamp (red) (HDI)	ALL
37	68036-91	REFLECTOR, tail lamp (HDI)	ALL
38	68049-93B	TAIL LAMP ASSEMBLY (HDI)	ALL
39	68169-90A	BULB, tail lamp (HDI)	ALL
40	68493-90	SUPPORT, turn signal (HDI) (2)	FXSTC 1995, FXSTC 1996, FXSTS 1995, FXSTS 1996, FXSTSB 1995, FXSTSB 1996
41	68802-95	LAMP, w/ wire, rear (amber) (HDI) (2)	FLSTF 1995, FLSTF 1996, FXSTC 1995, FXSTC 1996, FXSTS 1995, FXSTS 1996, FXSTSB 1995, FXSTSB 1996
42	68506-92	LENS, turn signal (amber) (HDI) (2)	FLSTC 1995, FLSTC 1996, FLSTN 1995, FLSTN 1996
43	68507-90	LENS, turn signal (amber) (HDI) (2)	FLSTF 1995, FLSTF 1996, FXSTC 1995, FXSTC 1996, FXSTS 1995, FXSTS 1996
44	68163-84	BULB, rear turn signal (HDI)	ALL
45	68765-94A	LAMP, w/ wire, rear (amber) (HDI) (2)	FLSTC 1995, FLSTC 1996, FLSTN 1995, FLSTN 1996
46	59710-84	COVER, rear turn signal hole (HDI) (not illustrated) (2)	FXSTC 1995, FXSTC 1996, FXSTS 1995, FXSTS 1996

## HORN

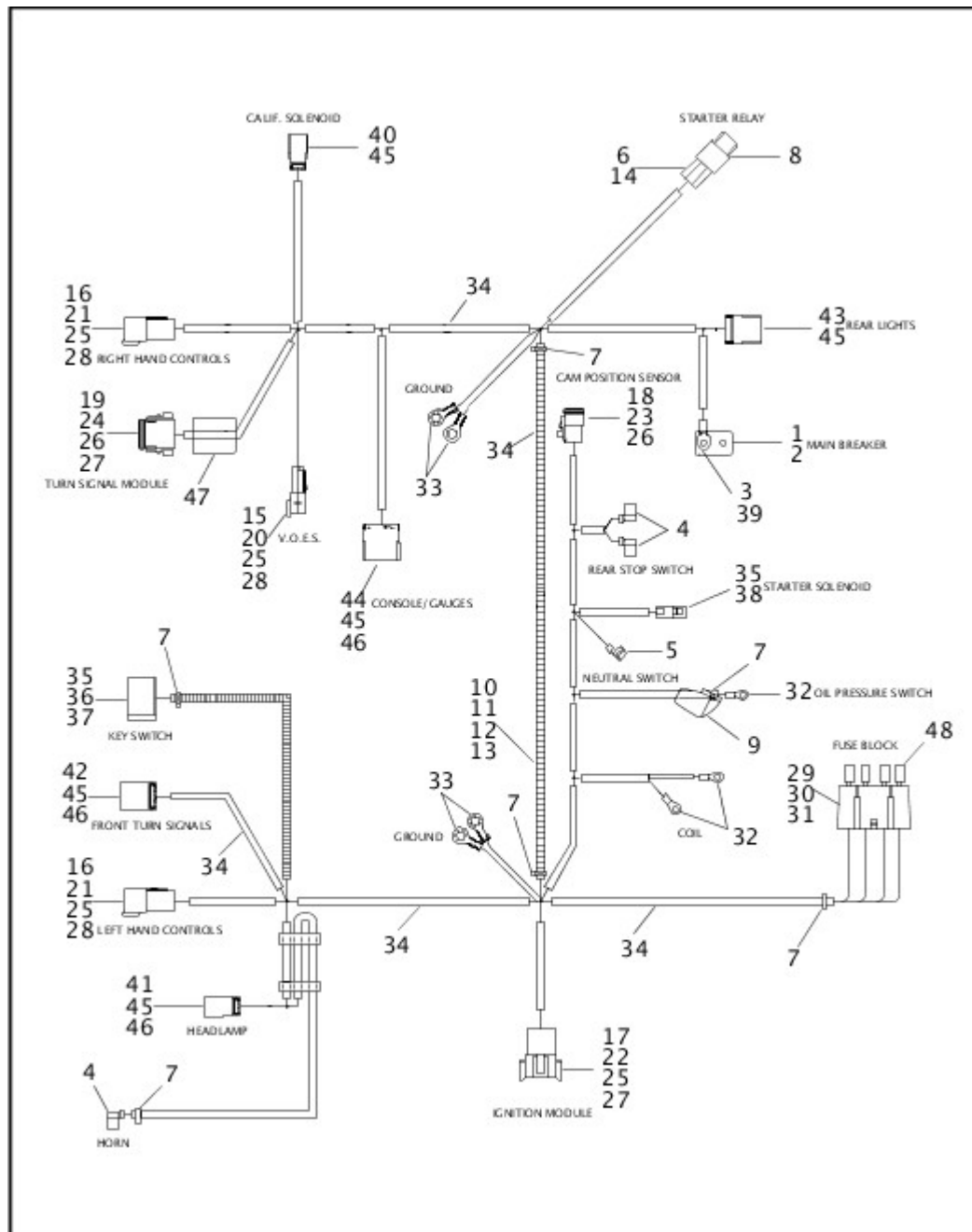


[View interactive image](#)

[View interactive table](#)

INDEX NO.	PART NO.	DESCRIPTION	MODEL(S)
1	3588	SCREW (2)	ALL
2	7495	NUT	ALL
3	7507	ACORN NUT	ALL
4	7576	NUT, flange	ALL
5	8108	SPEEDNUT, push (2)	ALL
6	10006	CABLE STRAP	ALL
7	69012-93A	COVER, horn (chrome)	ALL
8	69060-90G	HORN ASSEMBLY, w/ 7495	ALL
9	69062-91A	CLAMP	ALL
10	69120-91	BRACKET, horn	ALL
11	69125-65	MOUNT, horn (rubber)	ALL
12	89579-91	CAP, protective	ALL
<b>INTERNATIONAL MODELS ONLY</b>			
13	69060-90G	HORN ASSEMBLY	ALL
14	69122-95	MOUNT, horn (rubber)	ALL

# WIRING HARNESS, MAIN (1 OF 2)



View interactive image

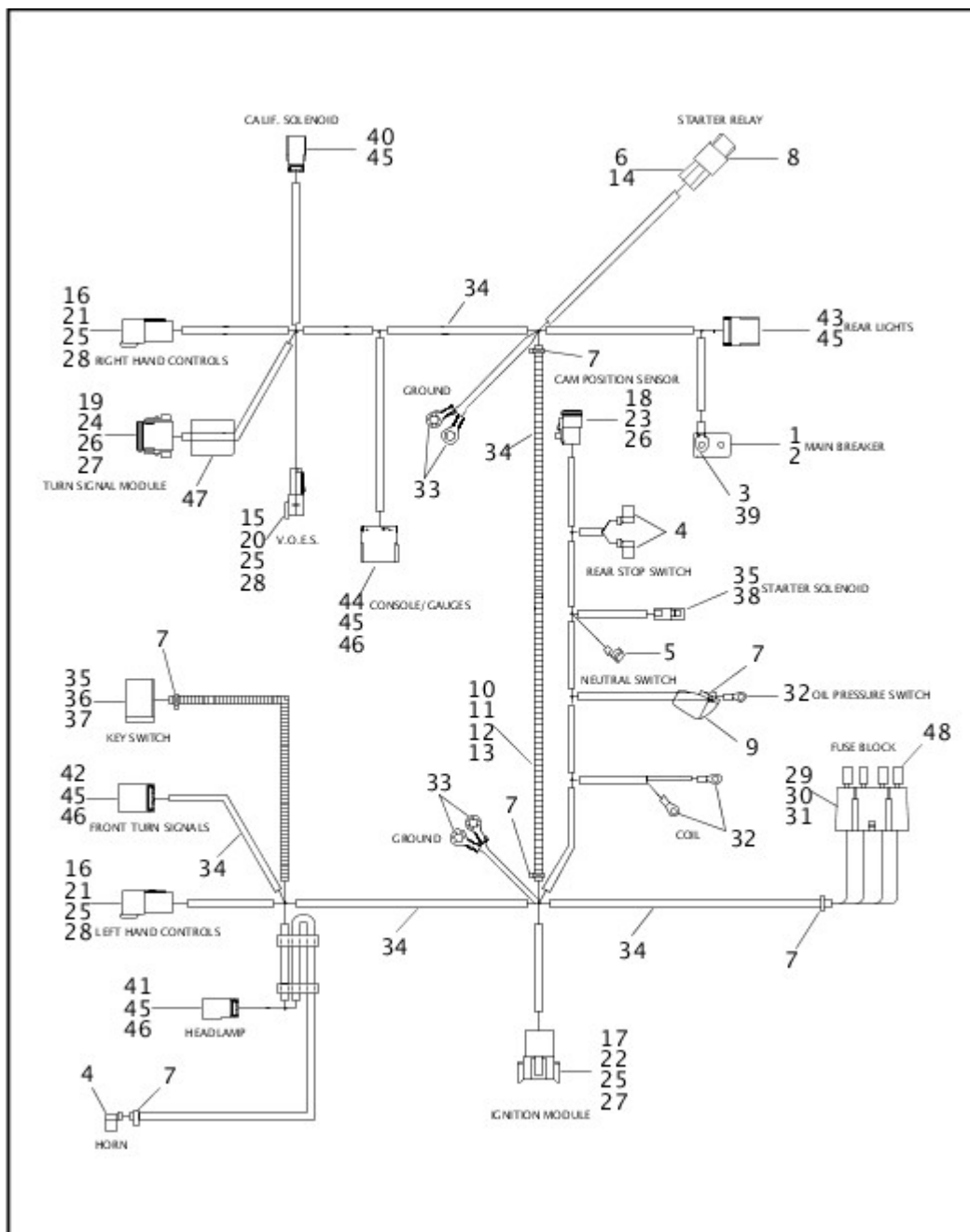
View interactive table

INDEX NO.	PART NO.	DESCRIPTION	MODEL(S)
	70216-93B	MAIN WIRING HARNESS (not illustrated)	FLSTC 1995, FLSTF 1995, FLSTN 1995, FXSTC 1995, FXSTS 1995, FXSTSB 1995
	70216-96	MAIN WIRING HARNESS	FLSTC 1996, FLSTF 1996, FLSTN 1996, FXSTC 1996, FXSTS 1996, FXSTSB 1996
<b>NOTE: Includes the following parts.</b>			
1	74599-77B	CIRCUIT BREAKER, 30 amp.	FLSTC 1996, FLSTF 1996, FLSTN 1996, FXSTC 1996, FXSTS 1996, FXSTSB 1996

INDEX NO.	PART NO.	DESCRIPTION	MODEL(S)
2	7629	NUT, w/ washer (2)	FLSTC 1996, FLSTF 1996, FLSTN 1996, FXSTC 1996, FXSTS 1996, FXSTSB 1996
3	9840	TERMINAL, ring type	FLSTC 1996, FLSTF 1996, FLSTN 1996, FXSTC 1996, FXSTS 1996, FXSTSB 1996
4	9898	TERMINAL, female flag, 14-16 wire (3)	FLSTC 1996, FLSTF 1996, FLSTN 1996, FXSTC 1996, FXSTS 1996, FXSTSB 1996
5	9905	TERMINAL, cap type, 1/4 inch dia.	FLSTC 1996, FLSTF 1996, FLSTN 1996, FXSTC 1996, FXSTS 1996, FXSTSB 1996
6	9937	TERMINAL, 1/4" female spade, 14-16 gauge (4)	FLSTC 1996, FLSTF 1996, FLSTN 1996, FXSTC 1996, FXSTS 1996, FXSTSB 1996
7	10065	CABLE STRAP (6)	FLSTC 1996, FLSTF 1996, FLSTN 1996, FXSTC 1996, FXSTS 1996, FXSTSB 1996
8	31504-91B	RELAY, w/ diode (starter)	FLSTC 1996, FLSTF 1996, FLSTN 1996, FXSTC 1996, FXSTS 1996, FXSTSB 1996
9	70579-65	BOOT, rubber	FLSTC 1996, FLSTF 1996, FLSTN 1996, FXSTC 1996, FXSTS 1996, FXSTSB 1996
10	72038-71A	SOCKET, single pin	ALL
11	72039-71A	PIN, single socket	ALL
12	72043-71A	CONNECTOR, single pin	ALL
13	72044-71A	CONNECTOR, single socket	ALL
14	72046-79	SOCKET HOUSING	FLSTC 1996, FLSTF 1996, FLSTN 1996, FXSTC 1996, FXSTS 1996, FXSTSB 1996
15	72102-94BK	RECEPTACLE, 2-way pin	FLSTC 1996, FLSTF 1996, FLSTN 1996, FXSTC 1996, FXSTS 1996, FXSTSB 1996
16	72106-94BK	RECEPTACLE, 6-way pin (2)	FLSTC 1996, FLSTF 1996, FLSTN 1996, FXSTC 1996, FXSTS 1996, FXSTSB 1996
17	72108-94BK	RECEPTACLE, 8-way pin	FLSTC 1996, FLSTF 1996, FLSTN 1996, FXSTC 1996, FXSTS 1996, FXSTSB 1996
18	72113-94BK	PLUG, 3-way socket	FLSTC 1996, FLSTF 1996, FLSTN 1996, FXSTC 1996, FXSTS 1996, FXSTSB 1996
19	72138-94GY	PLUG, 8-way socket	FLSTC 1996, FLSTF 1996, FLSTN 1996, FXSTC 1996, FXSTS 1996, FXSTSB 1996

INDEX NO.	PART NO.	DESCRIPTION	MODEL(S)
20	72142-94	PIN LOCK, secondary, 2-way	FLSTC 1996, FLSTF 1996, FLSTN 1996, FXSTC 1996, FXSTS 1996, FXSTSB 1996
21	72146-94	PIN LOCK, secondary, 6-way (2)	FLSTC 1996, FLSTF 1996, FLSTN 1996, FXSTC 1996, FXSTS 1996, FXSTSB 1996
22	72148-94	PIN LOCK, secondary, 8-way	FLSTC 1996, FLSTF 1996, FLSTN 1996, FXSTC 1996, FXSTS 1996, FXSTSB 1996
23	72153-94	SOCKET LOCK, secondary, 3-way	FLSTC 1996, FLSTF 1996, FLSTN 1996, FXSTC 1996, FXSTS 1996, FXSTSB 1996
24	72158-94	SOCKET LOCK, 8-way	FLSTC 1996, FLSTF 1996, FLSTN 1996, FXSTC 1996, FXSTS 1996, FXSTSB 1996
25	72190-94	TERMINAL, pin (21)	FLSTC 1996, FLSTF 1996, FLSTN 1996, FXSTC 1996, FXSTS 1996, FXSTSB 1996

**WIRING HARNESS, MAIN (2 OF 2)**



View interactive image

View interactive table

INDEX NO.	PART NO.	DESCRIPTION	MODEL(S)
	70216-93B	MAIN WIRING HARNESS (not illustrated)	FLSTC 1995, FLSTF 1995, FLSTN 1995, FXSTC 1995, FXSTS 1995, FXSTSB 1995
	70216-96	MAIN WIRING HARNESS	FLSTC 1996, FLSTF 1996, FLSTN 1996, FXSTC 1996, FXSTS 1996, FXSTSB 1996

**NOTE:** Includes the following parts.

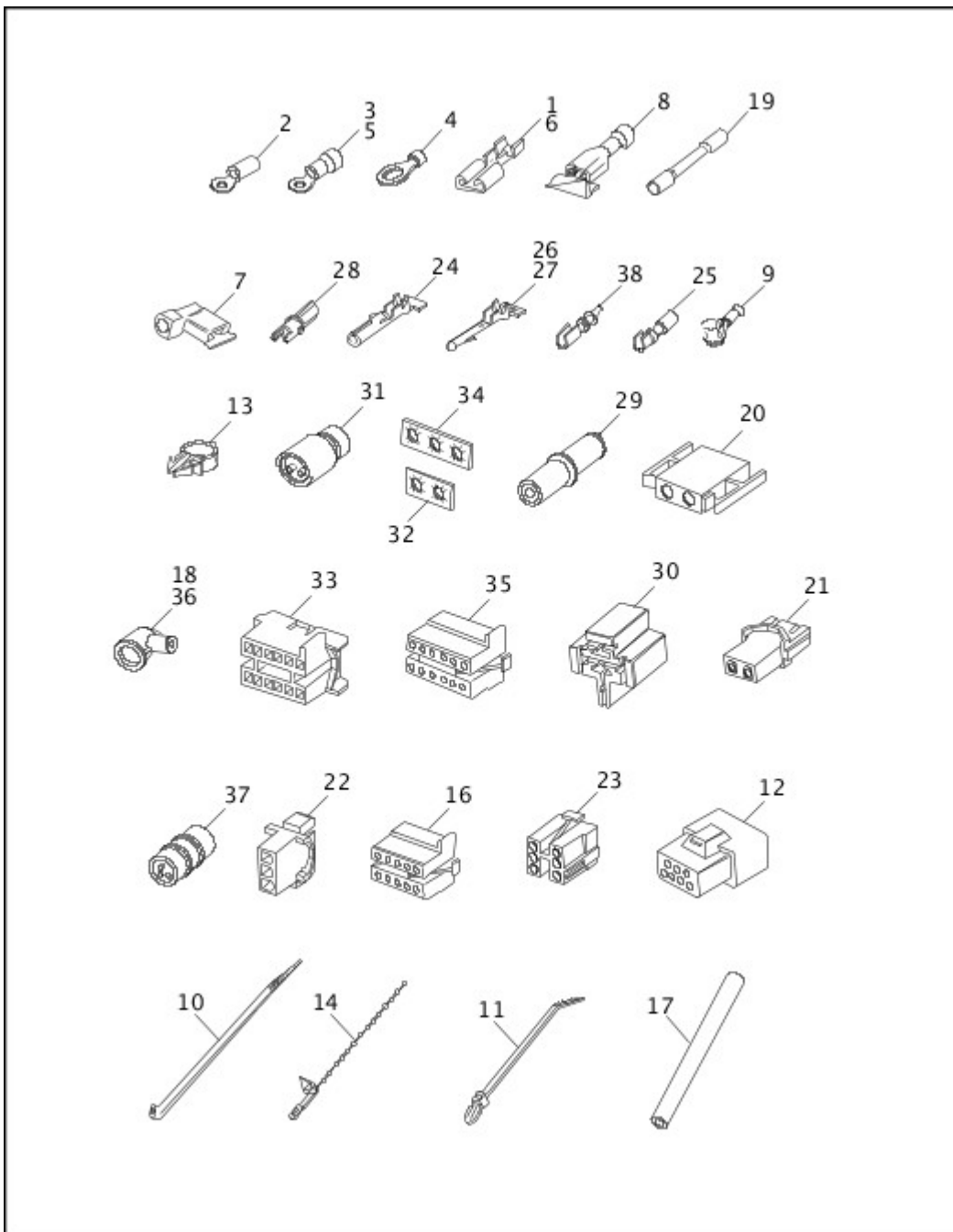
26	72191-94	TERMINAL, socket (10)	FLSTC 1996, FLSTF 1996, FLSTN 1996, FXSTC 1996, FXSTS 1996, FXSTSB 1996
27	72195-94	SEAL PIN (2)	FLSTC 1996, FLSTF 1996, FLSTN 1996, FXSTC 1996, FXSTS 1996, FXSTSB 1996

INDEX NO.	PART NO.	DESCRIPTION	MODEL(S)
28	72199-94	ATTACHMENT CLIP (3)	FLSTC 1996, FLSTF 1996, FLSTN 1996, FXSTC 1996, FXSTS 1996, FXSTSB 1996
29	72216-94	FUSEBLOCK	FLSTC 1996, FLSTF 1996, FLSTN 1996, FXSTC 1996, FXSTS 1996, FXSTSB 1996
30	72217-94	TERMINAL, auto fuse, 18-20 gauge (4)	FLSTC 1996, FLSTF 1996, FLSTN 1996, FXSTC 1996, FXSTS 1996, FXSTSB 1996
31	72218-94	TERMINAL, auto fuse, 14-16 gauge (4)	FLSTC 1996, FLSTF 1996, FLSTN 1996, FXSTC 1996, FXSTS 1996, FXSTSB 1996
32	72241-94A	TERMINAL, #10 ring 18-20 gauge (3)	FLSTC 1996, FLSTF 1996, FLSTN 1996, FXSTC 1996, FXSTS 1996, FXSTSB 1996
33	72255-94	TERMINAL, ring 1/4" (4)	FLSTC 1996, FLSTF 1996, FLSTN 1996, FXSTC 1996, FXSTS 1996, FXSTSB 1996
34	72266-94	HEAT SHRINK TUBE, dual wall, .3 x 2" (11)	FLSTC 1996, FLSTF 1996, FLSTN 1996, FXSTC 1996, FXSTS 1996, FXSTSB 1996
35	72291-94	TERMINAL, female spade, 14-16 gauge (3)	FLSTC 1996, FLSTF 1996, FLSTN 1996, FXSTC 1996, FXSTS 1996, FXSTSB 1996
36	72292-94	TERMINAL, female, 12 gauge	FLSTC 1996, FLSTF 1996, FLSTN 1996, FXSTC 1996, FXSTS 1996, FXSTSB 1996
37	72293-94	CONNECTOR, female, 3-way	FLSTC 1996, FLSTF 1996, FLSTN 1996, FXSTC 1996, FXSTS 1996, FXSTSB 1996
38	72295-94	HOUSING, starter connection	FLSTC 1996, FLSTF 1996, FLSTN 1996, FXSTC 1996, FXSTS 1996, FXSTSB 1996
39	72366-95	HEAT SHRINK TUBE (yellow)	FLSTC 1996, FLSTF 1996, FLSTN 1996, FXSTC 1996, FXSTS 1996, FXSTSB 1996
40	73103-96BK	HOUSING, 3-way pin	FLSTC 1996, FLSTF 1996, FLSTN 1996, FXSTC 1996, FXSTS 1996, FXSTSB 1996
41	73104-96BK	HOUSING, 4-way pin	FLSTC 1996, FLSTF 1996, FLSTN 1996, FXSTC 1996, FXSTS 1996, FXSTSB 1996
42	73106-96BK	HOUSING, 6-way pin	FLSTC 1996, FLSTF 1996, FLSTN 1996, FXSTC 1996, FXSTS 1996, FXSTSB 1996
43	73108-96BK	HOUSING, 8-way pin	FLSTC 1996, FLSTF 1996, FLSTN 1996, FXSTC 1996, FXSTS 1996, FXSTSB 1996

INDEX NO.	PART NO.	DESCRIPTION	MODEL(S)
44	73112-96BK	HOUSING, 12-way pin	FLSTC 1996, FLSTF 1996, FLSTN 1996, FXSTC 1996, FXSTS 1996, FXSTSB 1996
45	73190-96	TERMINAL, pin 20-16 gauge (31)	FLSTC 1996, FLSTF 1996, FLSTN 1996, FXSTC 1996, FXSTS 1996, FXSTSB 1996
46	73199-96	ANCHOR, connector (3)	FLSTC 1996, FLSTF 1996, FLSTN 1996, FXSTC 1996, FXSTS 1996, FXSTSB 1996
47	74412-91	BOOT, turn signal module harness	FLSTC 1996, FLSTF 1996, FLSTN 1996, FXSTC 1996, FXSTS 1996, FXSTSB 1996
48	74587-94	CIRCUIT BREAKER, 15 amp. (4)	FLSTC 1996, FLSTF 1996, FLSTN 1996, FXSTC 1996, FXSTS 1996, FXSTSB 1996

## MISCELLANEOUS ELECTRICAL





[View interactive image](#)

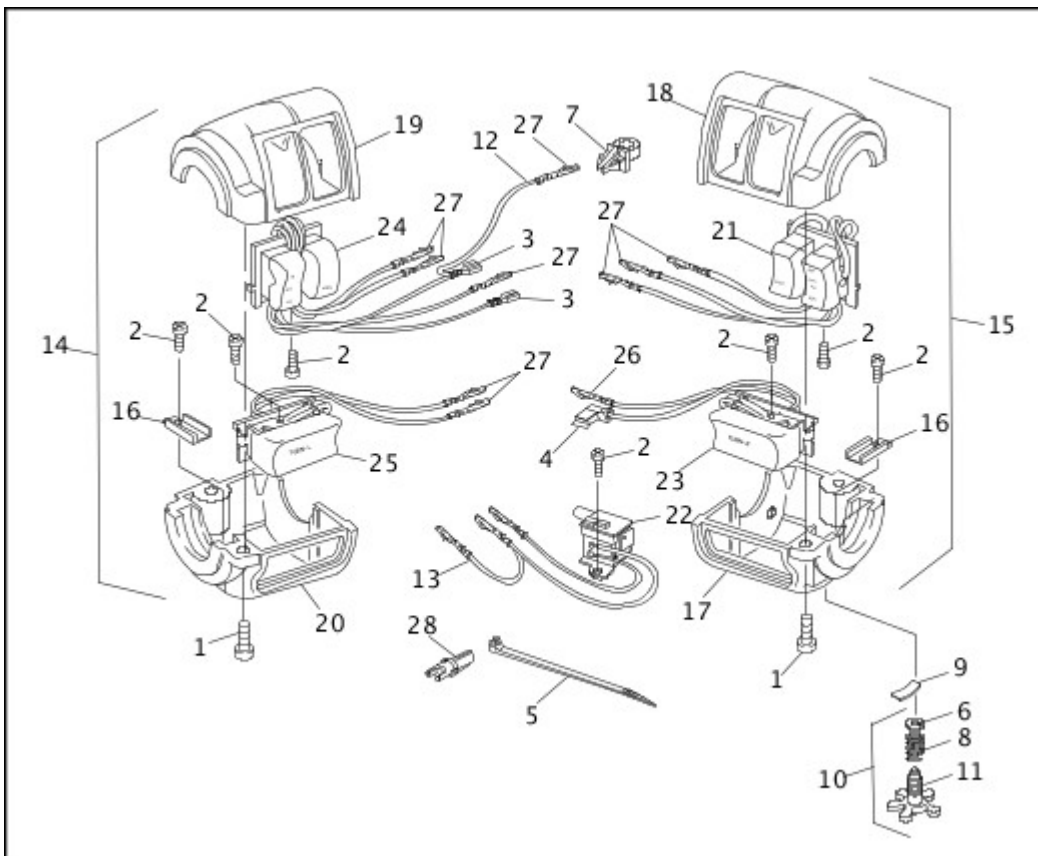
[View interactive table](#)

INDEX NO.	PART NO.	DESCRIPTION	MODEL(S)
1	9852	TERMINAL, 45 degree spade	ALL
2	9856	TERMINAL, ring type, #6 hole	ALL
	9857	TERMINAL, ring type, #10 hole	ALL
	9860	TERMINAL, ring type, 3/8 inch dia. hole	ALL
3	9862	TERMINAL, ring type, #10 hole	ALL
	9863	TERMINAL, ring type, 1/4 inch dia. hole	ALL
	9864	TERMINAL, ring type, 5/16 inch dia. hole	ALL

INDEX NO.	PART NO.	DESCRIPTION	MODEL(S)
4	9866	TERMINAL, ring type, #10 hole	ALL
5	9871	TERMINAL, ring type, #6 hole	ALL
6	9875	TERMINAL, female spade, 5/16 inch slot	ALL
7	9898	TERMINAL, female flag, 14-16 wire	ALL
8	9900	TERMINAL, connector	ALL
9	9905	TERMINAL, cap type, 1/4 inch dia.	ALL
10	10006	CABLE STRAP (black)	ALL
	10039	CABLE STRAP	ALL
	10065	CABLE STRAP	ALL
11	10073	CABLE STRAP	ALL
12	31998-91A	INSULATOR, receptacle housing (module connector)	ALL
13	56073-83	RETAINER	ALL
14	70005-70	CABLE STRAP	ALL
15	70043-81	LABEL, battery, positive (not illustrated)	ALL
16	70293-87A	CONNECTOR, ten socket (2)	ALL
17	70551-69	CONDUIT, 1/8 inch I.D., htm. (black)	ALL
	70552-69	CONDUIT, 3/8 inch I.D. (black)	ALL
	70553-69	CONDUIT, 7/16 inch I.D. (black)	ALL
	70554-69	CONDUIT, 1/4 inch I.D. (black)	ALL
	70555-69	CONDUIT, 1/4 inch I.D., htm. (black)	ALL
	70556-71	CONDUIT, 5/16 inch I.D. (black)	ALL
	70558-71	CONDUIT, 1/2 inch I.D. (black)	ALL
	70559-71	CONDUIT, 1/8 inch I.D. (black)	ALL
18	70578-89	BOOT, insulating	ALL
	70579-65	BOOT, insulating	ALL
19	70585-93	CONNECTOR, splice, 18-22 gauge (red)	ALL
	70586-93	CONNECTOR, splice, 14-16 gauge (blue)	ALL
	70587-93	CONNECTOR, splice, 10-12 gauge (yellow)	ALL

INDEX NO.	PART NO.	DESCRIPTION	MODEL(S)
20	72034-71	CONNECTOR, two pin	FLSTC 1995, FLSTC 1996
21	72035-71	CONNECTOR, two socket	FLSTC 1995, FLSTC 1996
22	72036-71	CONNECTOR, three pin	ALL
23	72037-71	CONNECTOR, six socket	ALL
24	72038-71A	SOCKET, single pin	ALL
25	74539-77A	PIN, single socket	ALL
26	72039-71A	PIN, single socket	ALL
27	72040-71	CONNECTOR, three socket	ALL
28	72043-71A	CONNECTOR, single pin	ALL
29	72044-71A	CONNECTOR, single socket	ALL
30	72046-79	CONNECTOR, spade terminals	ALL
31	72051-77A	CONNECTOR, three socket	ALL
32	72275-74	CONNECTOR TAB, two terminal	ALL
33	72276-74	CONNECTOR, twelve pin	FLSTC 1995, FLSTC 1996, FLSTN 1995, FLSTN 1996
34	72277-74	CONNECTOR TAB, three terminal	FLSTC 1995, FLSTC 1996, FLSTN 1995, FLSTN 1996
35	72278-74A	CONNECTOR, twelve socket	ALL
36	74412-91	BOOT, module harness	ALL
37	74521-77A	CONNECTOR, pin & socket	ALL
38	74536-77A	SOCKET, single pin	ALL

## HANDLEBAR SWITCHES - 1995



[View interactive image](#)

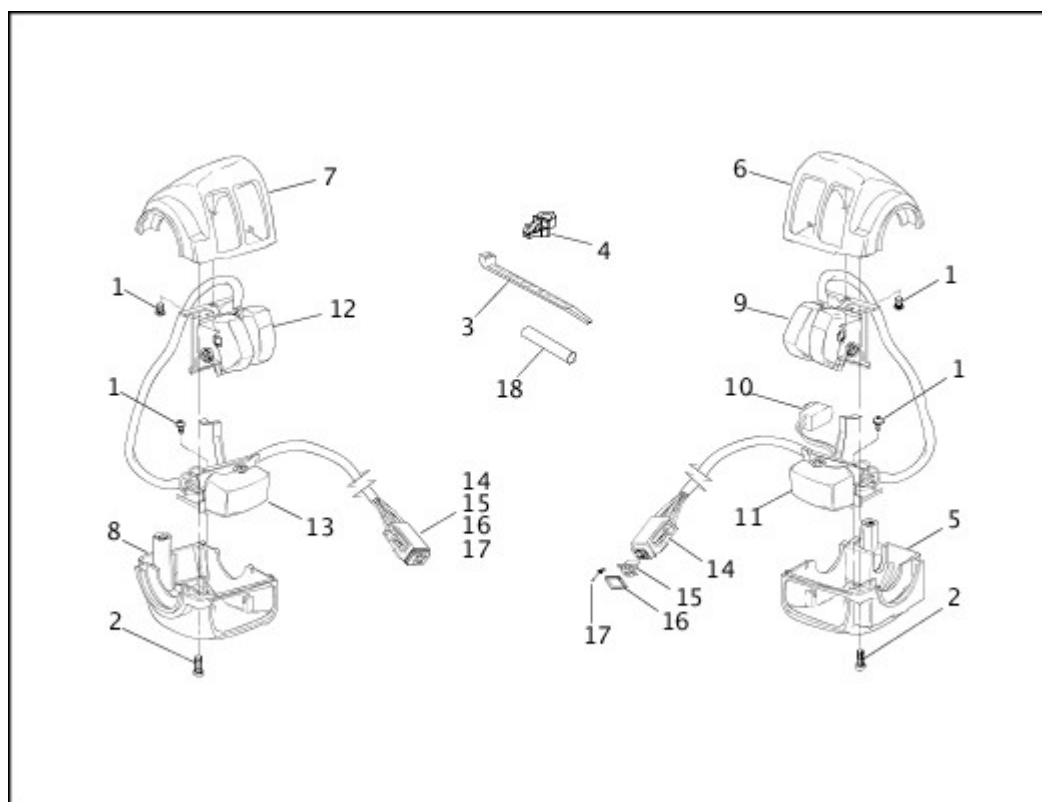
[View interactive table](#)

INDEX NO.	PART NO.	DESCRIPTION	MODEL(S)
1	2508	SCREW (4)	FLSTC 1995, FLSTF 1995, FLSTN 1995, FXSTC 1995, FXSTS 1995, FXSTSB 1995
2	2907	SCREW (4 - radio equipped) (7)	FLSTC 1995, FLSTF 1995, FLSTN 1995, FXSTC 1995, FXSTS 1995, FXSTSB 1995
3	9875	TERMINAL, female spade (2)	FLSTC 1995, FLSTF 1995, FLSTN 1995, FXSTC 1995, FXSTS 1995, FXSTSB 1995
4	9898	TERMINAL, female flag, #14-16 wire	FLSTC 1995, FLSTF 1995, FLSTN 1995, FXSTC 1995, FXSTS 1995, FXSTSB 1995
5	10065	CABLE STRAP (2)	FLSTC 1995, FLSTF 1995, FLSTN 1995, FXSTC 1995
6	11155	RETAINING RING	FLSTC 1995, FLSTF 1995, FLSTN 1995, FXSTC 1995, FXSTS 1995, FXSTSB 1995
7	56073-83	RETAINER, wiring harness (4)	FLSTC 1995, FLSTF 1995, FLSTN 1995, FXSTC 1995, FXSTS 1995, FXSTSB 1995
8	56394-74	SPRING, adjusting screw	FLSTC 1995, FLSTF 1995, FLSTN 1995, FXSTC 1995, FXSTS 1995, FXSTSB 1995

INDEX NO.	PART NO.	DESCRIPTION	MODEL(S)
9	56396-74A	SPRING, throttle grip	FLSTC 1995, FLSTF 1995, FLSTN 1995, FXSTC 1995, FXSTS 1995, FXSTSB 1995
10	56397-74C	ADJUSTING SCREW KIT, w/ 6, 8 & 11	FLSTC 1995, FLSTF 1995, FLSTN 1995, FXSTC 1995, FXSTS 1995, FXSTSB 1995
11	56402-83A	SCREW, throttle adjusting	FLSTC 1995, FLSTF 1995, FLSTN 1995, FXSTC 1995, FXSTS 1995, FXSTSB 1995
12	70047-82	WIRE ASSEMBLY, 5 inch long (white)	FLSTC 1995, FLSTF 1995, FLSTN 1995, FXSTC 1995, FXSTS 1995, FXSTSB 1995
13	70082-82	WIRE ASSEMBLY, 3 inch long (orange)	FLSTC 1995, FLSTF 1995, FLSTN 1995, FXSTC 1995, FXSTS 1995, FXSTSB 1995
14	70218-87A	SWITCH ASSEMBLY KIT, complete, left	FLSTC 1995, FLSTF 1995, FLSTN 1995, FXSTC 1995, FXSTS 1995, FXSTSB 1995
15	70219-87	SWITCH ASSEMBLY KIT, complete, right	FLSTC 1995, FLSTF 1995, FLSTN 1995, FXSTC 1995, FXSTS 1995, FXSTSB 1995
16	71557-93	PLATE, switch (2)	FLSTC 1995, FLSTF 1995, FLSTN 1995, FXSTC 1995, FXSTS 1995, FXSTSB 1995
17	71563-82A	HOUSING, lower, right	FLSTC 1995, FLSTF 1995, FLSTN 1995, FXSTC 1995, FXSTS 1995, FXSTSB 1995
18	71564-82A	HOUSING, upper, right	FLSTC 1995, FLSTF 1995, FLSTN 1995, FXSTC 1995, FXSTS 1995, FXSTSB 1995
19	71567-82	HOUSING, upper, left	FLSTC 1995, FLSTF 1995, FLSTN 1995, FXSTC 1995, FXSTS 1995, FXSTSB 1995
20	71568-82A	HOUSING, lower, left	FLSTC 1995, FLSTF 1995, FLSTN 1995, FXSTC 1995, FXSTS 1995, FXSTSB 1995
21	71589-92	SWITCH ASSEMBLY, engine stop/start	FLSTC 1995, FLSTF 1995, FLSTN 1995, FXSTC 1995, FXSTS 1995, FXSTSB 1995
22	71590-92A	STOPLAMP SWITCH	FLSTC 1995, FLSTF 1995, FLSTN 1995, FXSTC 1995, FXSTS 1995, FXSTSB 1995
23	71591-92	SWITCH ASSEMBLY, right turn signal	FLSTC 1995, FLSTF 1995, FLSTN 1995, FXSTC 1995, FXSTS 1995, FXSTSB 1995
24	71597-92	SWITCH ASSEMBLY, dimmer & horn	FLSTC 1995, FLSTF 1995, FLSTN 1995, FXSTC 1995, FXSTS 1995, FXSTSB 1995

INDEX NO.	PART NO.	DESCRIPTION	MODEL(S)
25	71598-92	SWITCH ASSEMBLY, left turn signal	FLSTC 1995, FLSTF 1995, FLSTN 1995, FXSTC 1995, FXSTS 1995, FXSTSB 1995
26	72038-71A	SOCKET, single pin	FLSTC 1995, FLSTF 1995, FLSTN 1995, FXSTC 1995, FXSTS 1995, FXSTSB 1995
27	72039-71A	PIN, single socket (14)	FLSTC 1995, FLSTF 1995, FLSTN 1995, FXSTC 1995, FXSTS 1995, FXSTSB 1995
28	72043-71A	CONNECTOR, single pin	FLSTC 1995, FLSTF 1995, FLSTN 1995, FXSTC 1995, FXSTS 1995, FXSTSB 1995

## HANDLEBAR SWITCHES - 1996



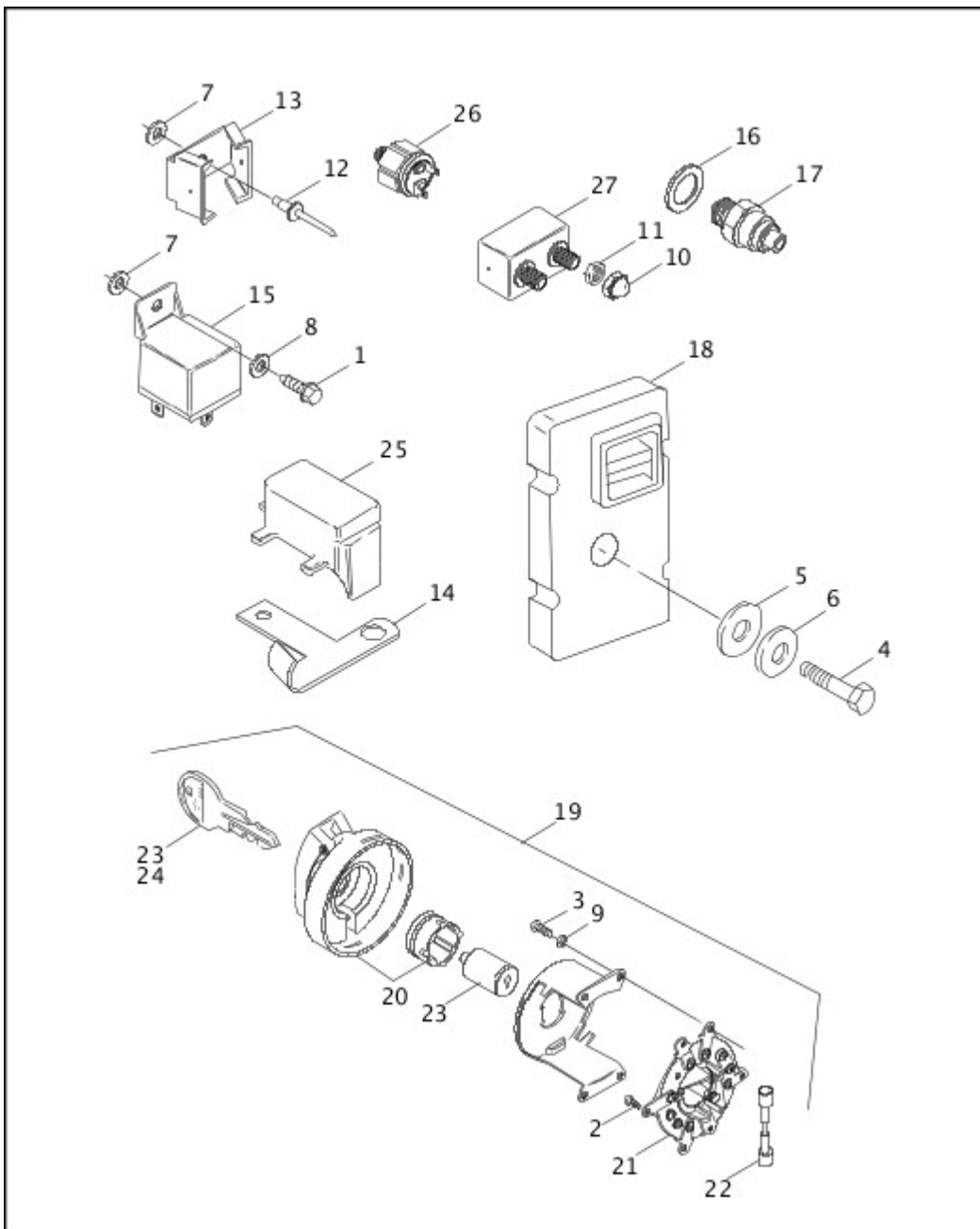
[View interactive image](#)

[View interactive table](#)

INDEX NO.	PART NO.	DESCRIPTION	MODEL(S)
1	2955	SCREW (4)	FLSTC 1996, FLSTF 1996, FLSTN 1996, FXSTC 1996, FXSTS 1996, FXSTSB 1996
2	3658	SCREW (4)	FLSTC 1996, FLSTF 1996, FLSTN 1996, FXSTC 1996, FXSTS 1996, FXSTSB 1996
3	10181	CABLE STRAP (as required)	FLSTC 1996, FLSTF 1996, FLSTN 1996, FXSTC 1996, FXSTS 1996, FXSTSB 1996

INDEX NO.	PART NO.	DESCRIPTION	MODEL(S)
4	70345-84	RETAINER, wiring (4)	FLSTC 1996, FLSTF 1996, FLSTN 1996, FXSTC 1996, FXSTS 1996, FXSTSB 1996
5	71563-96	HOUSING, lower, right	FLSTC 1996, FLSTF 1996, FLSTN 1996, FXSTC 1996, FXSTS 1996, FXSTSB 1996
6	71564-96	HOUSING, upper, right	FLSTC 1996, FLSTF 1996, FLSTN 1996, FXSTC 1996, FXSTS 1996, FXSTSB 1996
7	71567-96	HOUSING, upper, left	FLSTC 1996, FLSTF 1996, FLSTN 1996, FXSTC 1996, FXSTS 1996, FXSTSB 1996
8	71568-96A	HOUSING, lower, left	FLSTC 1996, FLSTF 1996, FLSTN 1996, FXSTC 1996, FXSTS 1996, FXSTSB 1996
9	71684-06A	SWITCH KIT, engine stop/start, w/ 3 & 18	FLSTC 1996, FLSTF 1996, FLSTN 1996, FXSTC 1996, FXSTS 1996, FXSTSB 1996
10	71621-08	SWITCH KIT, stoplamp, w/ 3 & 18	FLSTC 1996, FLSTF 1996, FLSTN 1996, FXSTC 1996, FXSTS 1996, FXSTSB 1996
11	71591-96A	SWITCH KIT, right turn signal, w/ 3 & 18	FLSTC 1996, FLSTF 1996, FLSTN 1996, FXSTC 1996, FXSTS 1996, FXSTSB 1996
12	71682-06A	SWITCH KIT, dimmer & horn, w/ 3 & 18	FLSTC 1996, FLSTF 1996, FLSTN 1996, FXSTC 1996, FXSTS 1996, FXSTSB 1996
13	71598-96A	SWITCH KIT, left turn signal, w/ 3 & 18	FLSTC 1996, FLSTF 1996, FLSTN 1996, FXSTC 1996, FXSTS 1996, FXSTSB 1996
14	72116-94BK	PLUG, 6-way socket (2)	FLSTC 1996, FLSTF 1996, FLSTN 1996, FXSTC 1996, FXSTS 1996, FXSTSB 1996
15	72156-94	SOCKET LOCK, secondary, 6-way (2)	FLSTC 1996, FLSTF 1996, FLSTN 1996, FXSTC 1996, FXSTS 1996, FXSTSB 1996
16	72176-94	FRONT SEAL, 6-way plug (2)	FLSTC 1996, FLSTF 1996, FLSTN 1996, FXSTC 1996, FXSTS 1996, FXSTSB 1996
17	72191-94	TERMINAL, socket (as required)	FLSTC 1996, FLSTF 1996, FLSTN 1996, FXSTC 1996, FXSTS 1996, FXSTSB 1996
18	72266-94	HEAT SHRINK TUBE, dual wall, .3 x 2" (as required)	FLSTC 1996, FLSTF 1996, FLSTN 1996, FXSTC 1996, FXSTS 1996, FXSTSB 1996

## SWITCHES & CIRCUIT BREAKERS - 1995



[View interactive image](#)

[View interactive table](#)

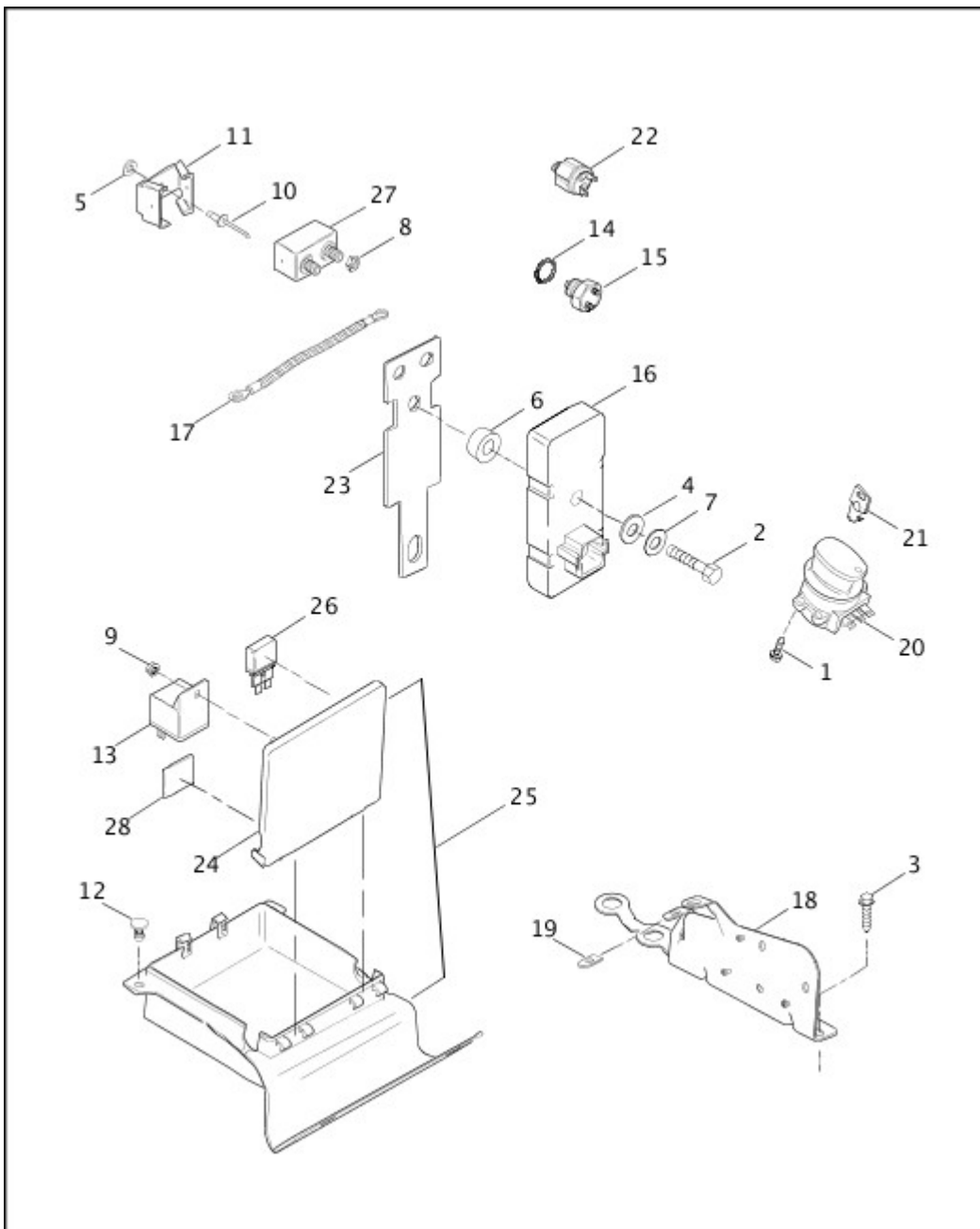
INDEX NO.	PART NO.	DESCRIPTION	MODEL(S)
1	2567	SCREW, w/ washer	FLSTC 1995, FLSTF 1995, FLSTN 1995, FXSTC 1995, FXSTS 1995, FXSTSB 1995
2	2574WA	SCREW (6)	FLSTC 1995, FLSTF 1995, FLSTN 1995, FXSTC 1995, FXSTS 1995, FXSTSB 1995
3	2594A	SCREW (4)	FLSTC 1995, FLSTF 1995, FLSTN 1995, FXSTC 1995, FXSTS 1995, FXSTSB 1995
4	3993	BOLT	FLSTC 1995, FLSTF 1995, FLSTN 1995, FXSTC 1995, FXSTS 1995, FXSTSB 1995



INDEX NO.	PART NO.	DESCRIPTION	MODEL(S)
5	6035A	WASHER (rubber)	FLSTC 1995, FLSTF 1995, FLSTN 1995, FXSTC 1995, FXSTS 1995, FXSTSB 1995
6	6036	WASHER	FLSTC 1995, FLSTF 1995, FLSTN 1995, FXSTC 1995, FXSTS 1995, FXSTSB 1995
7	6047	WASHER (2)	FLSTC 1995, FLSTF 1995, FLSTN 1995, FXSTC 1995, FXSTS 1995, FXSTSB 1995
8	6716	WASHER	FLSTC 1995, FLSTF 1995, FLSTN 1995, FXSTC 1995, FXSTS 1995, FXSTSB 1995
9	7015	LOCKWASHER (4)	FLSTC 1995, FLSTF 1995, FLSTN 1995, FXSTC 1995, FXSTS 1995, FXSTSB 1995
10	7602	ACORN NUT (4)	FLSTC 1995, FLSTF 1995, FLSTN 1995, FXSTC 1995, FXSTS 1995, FXSTSB 1995
11	7629	NUT (8)	FLSTC 1995, FLSTF 1995, FLSTN 1995, FXSTC 1995, FXSTS 1995, FXSTSB 1995
12	8483A	RIVET, circuit breakers (3)	FLSTC 1995, FLSTF 1995, FLSTN 1995, FXSTC 1995, FXSTS 1995, FXSTSB 1995
13	9952	CLIP, circuit breaker (4)	FLSTC 1995, FLSTF 1995, FLSTN 1995, FXSTC 1995, FXSTS 1995, FXSTSB 1995
14	10134	CLIP	FLSTC 1995, FLSTF 1995, FLSTN 1995, FXSTC 1995, FXSTS 1995, FXSTSB 1995
15	31504-91B	STARTER RELAY, w/ diode	FLSTC 1995, FLSTF 1995, FLSTN 1995, FXSTC 1995, FXSTS 1995, FXSTSB 1995
16	33043-80	WASHER, neutral indicator switch	FLSTC 1995, FLSTF 1995, FLSTN 1995, FXSTC 1995, FXSTS 1995, FXSTSB 1995
17	33900-59C	SWITCH, neutral indicator	FLSTC 1995, FLSTF 1995, FLSTN 1995, FXSTC 1995, FXSTS 1995, FXSTSB 1995
18	68537-89G	TURN SIGNAL CANCELLER	FLSTC 1995, FLSTF 1995, FLSTN 1995, FXSTC 1995, FXSTS 1995, FXSTSB 1995
19	71501-94	IGNITION SWITCH	FLSTC 1995, FLSTF 1995, FLSTN 1995, FXSTC 1995, FXSTS 1995, FXSTSB 1995
20	71506-94	SWITCH COVER	FLSTC 1995, FLSTF 1995, FLSTN 1995, FXSTC 1995, FXSTS 1995, FXSTSB 1995

INDEX NO.	PART NO.	DESCRIPTION	MODEL(S)
21	71541-84	PLATE, switch mounting	FLSTC 1995, FLSTF 1995, FLSTN 1995, FXSTC 1995, FXSTS 1995, FXSTSB 1995
22	71560-84	CONTACT ROLLER	FLSTC 1995, FLSTF 1995, FLSTN 1995, FXSTC 1995, FXSTS 1995, FXSTSB 1995
23	71580-84	SWITCH LOCK & KEY	FLSTC 1995, FLSTF 1995, FLSTN 1995, FXSTC 1995, FXSTS 1995, FXSTSB 1995
24	71583-85	KEY SET, ignition switch (specify key code)	FLSTC 1995, FLSTF 1995, FLSTN 1995, FXSTC 1995, FXSTS 1995, FXSTSB 1995
25	71600-93	SPLASH COVER	FLSTC 1995, FLSTF 1995, FLSTN 1995, FXSTC 1995, FXSTS 1995, FXSTSB 1995
26	72023-51E	STOPLAMP SWITCH, rear	FLSTC 1995, FLSTF 1995, FLSTN 1995, FXSTC 1995, FXSTS 1995, FXSTSB 1995
27	74589-73	CIRCUIT BREAKER, 15 amp (3)	FLSTC 1995, FLSTF 1995, FLSTN 1995, FXSTC 1995, FXSTS 1995, FXSTSB 1995
	74599-77B	CIRCUIT BREAKER, 30 amp, battery	FLSTC 1995, FLSTF 1995, FLSTN 1995, FXSTC 1995, FXSTS 1995, FXSTSB 1995

## SWITCHES & CIRCUIT BREAKERS - 1996



[View interactive image](#)

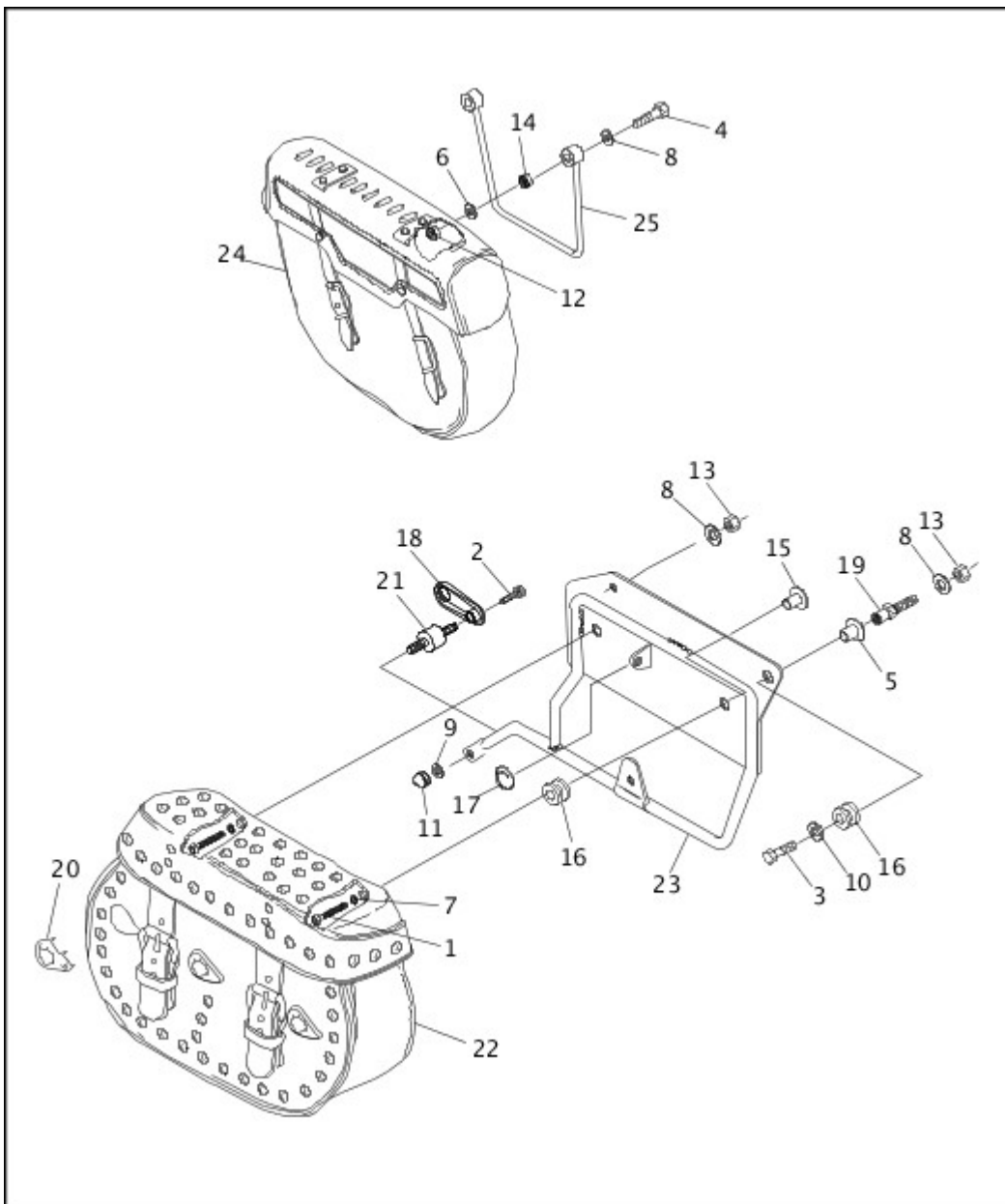
[View interactive table](#)

INDEX NO.	PART NO.	DESCRIPTION	MODEL(S)
1	2501A	SCREW (4)	FLSTC 1996, FLSTF 1996, FLSTN 1996, FXSTC 1996, FXSTS 1996, FXSTSB 1996
2	2872W	BOLT	FLSTC 1996, FLSTF 1996, FLSTN 1996, FXSTC 1996, FXSTS 1996, FXSTSB 1996
3	4091	SCREW, self-tapping	FLSTC 1996, FLSTF 1996, FLSTN 1996, FXSTC 1996, FXSTS 1996, FXSTSB 1996
4	6035A	WASHER, rubber	FLSTC 1996, FLSTF 1996, FLSTN 1996, FXSTC 1996, FXSTS 1996, FXSTSB 1996

INDEX NO.	PART NO.	DESCRIPTION	MODEL(S)
5	6047	WASHER (2)	FLSTC 1996, FLSTF 1996, FLSTN 1996, FXSTC 1996, FXSTS 1996, FXSTSB 1996
6	6084	SPACER, nylon	FLSTC 1996, FLSTF 1996, FLSTN 1996, FXSTC 1996, FXSTS 1996, FXSTSB 1996
7	6645	WASHER	FLSTC 1996, FLSTF 1996, FLSTN 1996, FXSTC 1996, FXSTS 1996, FXSTSB 1996
8	7629	NUT (2)	FLSTC 1996, FLSTF 1996, FLSTN 1996, FXSTC 1996, FXSTS 1996, FXSTSB 1996
9	7945	NUT, self-threading	FLSTC 1996, FLSTF 1996, FLSTN 1996, FXSTC 1996, FXSTS 1996, FXSTSB 1996
10	8483A	RIVET, circuit breakers	FLSTC 1996, FLSTF 1996, FLSTN 1996, FXSTC 1996, FXSTS 1996, FXSTSB 1996
11	9952	CLIP, circuit breaker	FLSTC 1996, FLSTF 1996, FLSTN 1996, FXSTC 1996, FXSTS 1996, FXSTSB 1996
12	10151	FASTENER, nylon (2)	FLSTC 1996, FLSTF 1996, FLSTN 1996, FXSTC 1996, FXSTS 1996, FXSTSB 1996
13	31504-91B	STARTER RELAY, w/ diode	FLSTC 1996, FLSTF 1996, FLSTN 1996, FXSTC 1996, FXSTS 1996, FXSTSB 1996
14	33043-80	WASHER, neutral indicator switch	FLSTC 1996, FLSTF 1996, FLSTN 1996, FXSTC 1996, FXSTS 1996, FXSTSB 1996
15	33900-59C	SWITCH, neutral indicator	FLSTC 1996, FLSTF 1996, FLSTN 1996, FXSTC 1996, FXSTS 1996, FXSTSB 1996
16	68540-96	MODULE, turn signal canceller	FLSTC 1996, FLSTF 1996, FLSTN 1996, FXSTC 1996, FXSTS 1996, FXSTSB 1996
17	70044-96	WIRE ASSEMBLY, circuit breaker to starter	FLSTC 1996, FLSTF 1996, FLSTN 1996, FXSTC 1996, FXSTS 1996, FXSTSB 1996
18	70932-96A	BRACKET, electrical connector mounting	FLSTC 1996, FLSTF 1996, FLSTN 1996, FXSTC 1996, FXSTS 1996, FXSTSB 1996
19	70940-96	BOOT, rubber, anti-rotational	FLSTC 1996, FLSTF 1996, FLSTN 1996, FXSTC 1996, FXSTS 1996, FXSTSB 1996
20	71313-96A	IGNITION SWITCH, w/ keys	FLSTC 1996, FLSTF 1996, FLSTN 1996, FXSTC 1996, FXSTS 1996, FXSTSB 1996

INDEX NO.	PART NO.	DESCRIPTION	MODEL(S)
21	71452-91A	KEY (specify key code)	FLSTC 1996, FLSTF 1996, FLSTN 1996, FXSTC 1996, FXSTS 1996, FXSTSB 1996
22	72023-51E	STOPLAMP SWITCH, rear	FLSTC 1996, FLSTF 1996, FLSTN 1996, FXSTC 1996, FXSTS 1996, FXSTSB 1996
23	72328-96	BRACKET, turn signal module	FLSTC 1996, FLSTF 1996, FLSTN 1996, FXSTC 1996, FXSTS 1996, FXSTSB 1996
24	72367-96	LID ASSEMBLY, electrical box, w/ 10170	FLSTC 1996, FLSTF 1996, FLSTN 1996, FXSTC 1996, FXSTS 1996, FXSTSB 1996
25	72147-96	BOTTOM, electrical box	FLSTC 1996, FLSTF 1996, FLSTN 1996, FXSTC 1996, FXSTS 1996, FXSTSB 1996
26	74587-94	CIRCUIT BREAKER, 15 amp (4)	FLSTC 1996, FLSTF 1996, FLSTN 1996, FXSTC 1996, FXSTS 1996, FXSTSB 1996
27	74599-77B	CIRCUIT BREAKER, 30 amp, battery	FLSTC 1996, FLSTF 1996, FLSTN 1996, FXSTC 1996, FXSTS 1996, FXSTSB 1996
28	10170	CLIP, adhesive backed	FLSTC 1996, FLSTF 1996, FLSTN 1996, FXSTC 1996, FXSTS 1996, FXSTSB 1996

## SADDLEBAGS - FLSTC & FLSTN



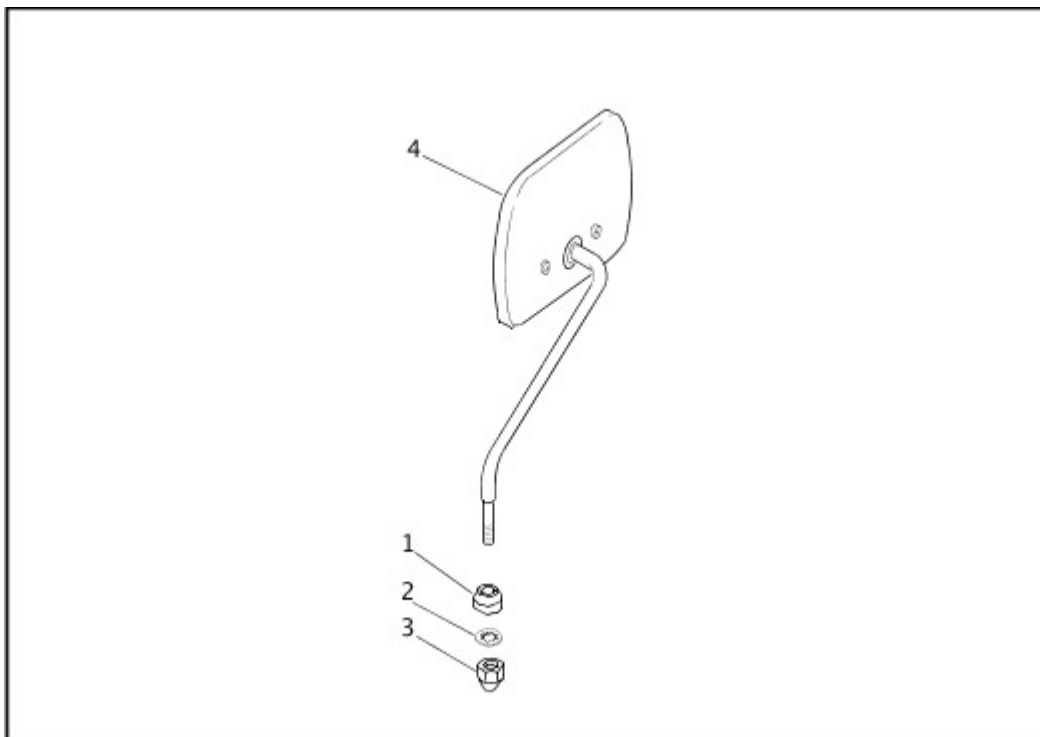
[View interactive image](#)

[View interactive table](#)

INDEX NO.	PART NO.	DESCRIPTION	MODEL(S)
1	2602A	SCREW (6)	FLSTC 1995, FLSTC 1996
2	3549A	SCREW (2)	FLSTC 1995, FLSTC 1996
3	4017	BOLT (4)	FLSTC 1995, FLSTC 1996
4	4719W	BOLT (4)	FLSTN 1995, FLSTN 1996
5	5787	T-SPACER (4)	FLSTC 1995, FLSTC 1996
6	6019	WASHER (4)	FLSTN 1995, FLSTN 1996
7	6235	WASHER (6)	FLSTC 1995, FLSTC 1996
8	6701	WASHER (4)	FLSTC 1995, FLSTC 1996, FLSTN 1995, FLSTN 1996
9	6702	WASHER (2)	FLSTC 1995, FLSTC 1996

INDEX NO.	PART NO.	DESCRIPTION	MODEL(S)
10	6788	WASHER (4)	FLSTC 1995, FLSTC 1996
11	7507	ACORN NUT (2)	FLSTC 1995, FLSTC 1996
12	7601	LOCKNUT (4)	FLSTN 1995, FLSTN 1996
13	7778	LOCKNUT (4)	FLSTC 1995, FLSTC 1996
14	7783	NUT (4)	FLSTN 1995, FLSTN 1996
15	7868	T-SPACER (6)	FLSTC 1995, FLSTC 1996
16	11473	GROMMET (10)	FLSTC 1995, FLSTC 1996
17	51923-86	COTTER CIRCLE (2)	FLSTC 1995, FLSTC 1996
18	90346-94	SUPPORT, lower, front (2)	FLSTC 1995, FLSTC 1996
19	90361-94A	SUPPORT, upper (4)	FLSTC 1995, FLSTC 1996
20	90470-90	ORNAMENT, teardrop, right (3)	FLSTC 1995, FLSTC 1996
	90471-90	ORNAMENT, teardrop, left (3)	FLSTC 1995, FLSTC 1996
21	90473-94	ISOLATOR (2)	FLSTC 1995, FLSTC 1996
22	90476-93	SADDLEBAG, left	FLSTC 1995, FLSTC 1996
	90477-93	SADDLEBAG, right	FLSTC 1995, FLSTC 1996
23	90785-94	SUPPORT, right	FLSTC 1995, FLSTC 1996
	90787-94	SUPPORT, left	FLSTC 1995, FLSTC 1996
24	90804-95	SADDLEBAG, right	FLSTN 1995, FLSTN 1996
	90806-95	SADDLEBAG, left	FLSTN 1995, FLSTN 1996
	90804-96A	SADDLEBAG, right	FLSTN 1996
	90806-96A	SADDLEBAG, left	FLSTN 1996
25	91791-87	SADDLEBAG SUPPORT, right	FLSTN 1995, FLSTN 1996
	91792-87	SADDLEBAG SUPPORT, left	FLSTN 1995, FLSTN 1996

## MIRRORS



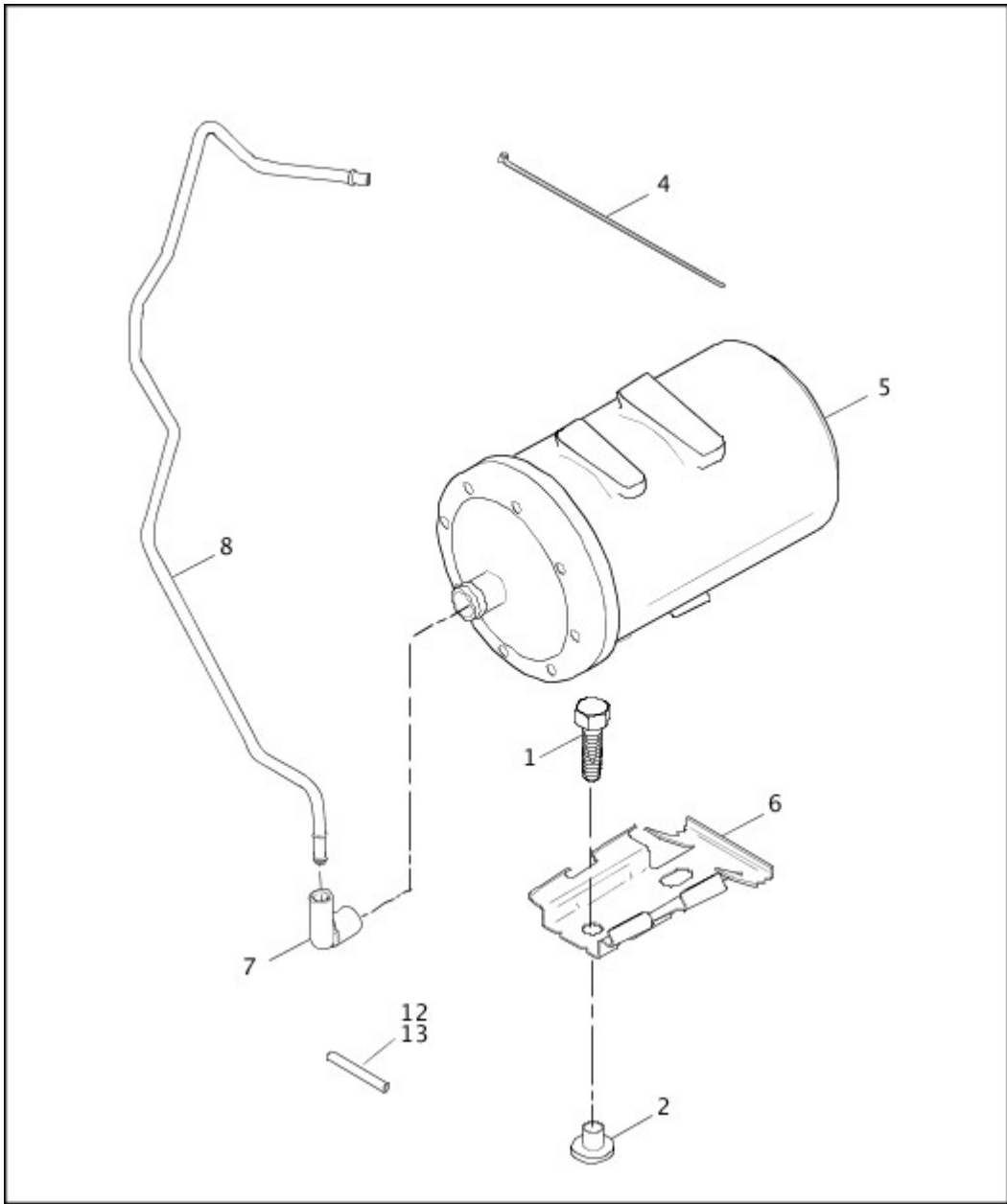
[View interactive image](#)

[View interactive table](#)

INDEX NO.	PART NO.	DESCRIPTION	MODEL(S)
1	5774	SPACER (2)	ALL
2	7127	LOCKWASHER (2)	ALL
3	7736	ACORN NUT (2)	ALL
4	91875-88A	MIRROR KIT, short, right, convex	ALL
	91892-88A	MIRROR KIT, short, left, convex	ALL

## CALIFORNIA EVAPORATIVE EMISSIONS KIT





[View interactive image](#)

[View interactive table](#)

INDEX NO.	PART NO.	DESCRIPTION	MODEL(S)
1	3574	SCREW (2)	ALL
2	8099	WELL NUT (2)	ALL
3	9988	CLAMP (not illustrated)	ALL
4	10039	CABLE STRAP	ALL
5	27042-84A	CANISTER ASSEMBLY	ALL
6	27047-84B	CANISTER BRACKET	ALL
7	27292-95	ELBOW, canister	ALL
8	28884-95	EVAP. TUBE ASSEMBLY	ALL
9	29312-95	CONNECTOR, evap. (not illustrated)	ALL

INDEX NO.	PART NO.	DESCRIPTION	MODEL(S)
10	67239-83	CLIP, cable guide (not illustrated)	ALL
11	70933-90	PROTECTIVE TAPE (not illustrated)	ALL
<b>NOTE: Hose or insulator is sold in bulk length under the following part numbers. Cut to length.</b>			
12	26571-89	HOSE, 7/32 inch I.D. x 7/16 inch O.D. (rubber) (10' long)	ALL
13	27138-90	HOSE, 3/16 inch I.D. x 11/32 inch O.D. (rubber) (10' long)	ALL

## Hardware List

[View interactive table](#)

PART NO.	DESCRIPTION
1046	SCREW No. 8 X 5/16 fillister head, self-tapping
1357W	SCREW 1/4-20 X 1 Phillips oval countersink head (stainless)
1601	SCREW No. 8-32 X 1/2 Pozidriv flat countersink head (Grade 2)
1783C	SCREW 5/16-18 X 7/8 Pozidriv flat countersink head (Grade 2)
1795A	SCREW 1/4-20 X 3 socket head (Grade 8)
2005	SCREW 3/8-24 X 15/16 Pozidriv oval countersink head (Grade 2) (chrome)
2273A	SCREW No. 4-24 X 1/2 self-tapping, with sealant
2444	SCREW No. 12-24 X 7/8 TORX head, with lockpatch
2501A	SCREW No. 8-32 X 3/8 hex head, self-tapping
2508	SCREW No. 10-32 X 1/2 socket head
2531	SCREW No. 4-40 X 5/16 Pozidriv pan head (Grade 2)
2534	SCREW 5/16-24 X 3/4 button head (Grade 8)
2538	SCREW 1/4-20 X 1 Pozidriv pan head (Grade 2)
2566	SCREW No. 8-32 X 7/8 self-tapping
2567	SCREW No. 8-32 X 3/8 SEMS hex head, self-tapping
2574WA	SCREW No. 6-32 X 1/4 oval head, with lockwasher
2579A	SCREW No. 8-32 X 5/16 Pozidriv oval head
2594A	SCREW No. 8-32 X 1/4 Pozidriv pan head, with lockwasher (Grade 2)
2602A	SCREW 1/4-20 X 1-1/4 pan head (Grade 2)
2604	SCREW No. 10-32 X 1/2 Pozidriv pan head (Grade 2)
2607	SCREW 1/4-20 X 3/4 Pozidriv pan head (Grade 2)
2611C	BOLT No. 10-32 X 3/4 hex head, with washer (Grade 5)
2614	BOLT 1/4-28 X 2 hex head (Grade 5)

PART NO.	DESCRIPTION
2647B	SCREW No. 10-24 X 3/4 socket head, self-locking
2692WB	SCREW No. 10-24 X 1/2 socket fillister head (Grade 8)
2696	SCREW 5/16-24 X 3/4 socket head (Grade 8)
2698A	SCREW 5/16-18 X 9/16 socket fillister head
2711	SCREW No. 4-40 X 3/8 pan head, self-tapping
2720	SCREW 10-24 X 1.0 TORX head, with lockpatch
2737	SCREW No. 4-40 X 1/4 Pozidriv pan head (Grade 2)
2739	SCREW 1/4-28 X 1/2 Phillips truss head, with lockwasher (chrome)
2773	SCREW 1/4-20 X 1/2 Pozidriv pan head (Grade 2)
2818	BOLT 5/16-18 X 1-1/2 hex head (Grade 5)
2823	SCREW 5/16-24 X 3/8 Pozidriv truss head, with lockpatch
2871W	BOLT 5/16-18 X 1-1/4 hex head (Grade 5)
2872W	BOLT 1/4-20 X 1-1/2 hex head (Grade 5)
2879W	BOLT 3/8-16 X 1 hex head (Grade 5)
2882W	SCREW 5/16-18 X 5/8 hex head (Grade 5)
2902	SCREW 1/4-20 X 1/2 fillister head
2904A	SCREW 3/8-24 X 3/4 socket head
2907	SCREW M3 X .05 X 8mm cross recess pan head, self-tapping
2921	SCREW No. 12 X 5/8 TORX pan head
2932A	SCREW 5/16-18 X 1-1/2 hex cap with scotch grip
2952A	SCREW 1/4-20 X 1/2 SEMS truss head
2955	SCREW No. 6-32 X 1/4 Phillips pan head, with lockwasher
31689-90	BOLT M4 X 0.7 X 12 hex head
3210A	SCREW 5/16-18 X 1-1/4 knurled head
3214	SCREW 3/8-16 X 1-1/4 socket head, thread-cutting
3221	SCREW No. 4-16 X 3/16 (Grade 8)
3275	SCREW 5/16-18 X 3/4 socket head (Grade 8)
3398	SCREW 5/16-18 X 3-3/8 hex flange head
3403	LOCKNUT M8-1.25 X 12mm flange (zinc)
3419	BOLT 5/16-18 X 2-1/4 hex head (Grade 5)
3427	BOLT 5/16-18 X 3-1/2 hex head (Grade 5)
3430	BOLT 5/16-24 X 5 hex head (Grade 5)
3440	BOLT 3/8-16 X 1/2 hex head (Grade 5)

PART NO.	DESCRIPTION
3445	BOLT 5/16-18 X 9/16 hex head, with lockpatch (Grade 5)
3450	BOLT 1/2-13 X 2-1/2 hex head (Grade 5)
3471	BOLT 1/2-13 X 2-3/4 hex head (Grade 5)
3473	BOLT No. 10-32 X 1/2 hex head (Grade 2)
3480A	SCREW 1/4-20 X 1-3/4 knurled head (Grade 8)
3485A	SCREW 5/16-18 X 1-3/4 knurled head (Grade 8)
3494A	BOLT 5/16-18 X 7/8 hex head
3500A	BOLT 5/16-18 X 2-3/4 hex head (Grade 8)
3501A	BOLT 5/16-18 X 2-1/2 hex head (Grade 8)
3504A	BOLT 5/16-24 X 5-3/8 hex flange head (Grade 5)
3506	STUD 5/16-24 X 5-3/4 hex head (Grade 5)
35078-79	NUT 3/4-16 X .391 X 1
3509	BOLT 3/8-16 X 2-3/4 hex head (Grade 8)
3512	BOLT 3/8-24 X 3-1/4 hex head (chrome)
3514	SCREW No. 8-32 X 1 fillister head (Grade 5)
3516A	SCREW 1/2-20 X 1-1/4 knurled head (Grade 8)
35211-91B	NUT 1-1/2-24 X .350 X 1-7/8 hex head
3533	SCREW 5/16-24 X 3/8 socket button head
3538	SCREW 5/16-24 X 1/2 socket button head
3540	SCREW 5/16-18 X 5/8 socket button head
3546	BOLT 5/16-18 X 5/8 hex flange head, with lockpatch
3549A	SCREW 1/2-20 X 1-1/2 knurled head
3554	BOLT 3/8-16 X 1-3/4 hex head
3560WA	BOLT No. 10-24 X 3/8
3561WC	BOLT No. 10-24 X 3/8
3562	SCREW No. 12 X 1/2 hex head, with washer, self-tapping
3574	SCREW 1/4-20 X 3/4 flange
3576	SCREW 5/16-18 X 1/2 hex head, with washer.
3588	SCREW 1/4-20 X 1/2 hex flange head
3594	SCREW 1/4-20 X 5/8 knurled head (Grade 8)
3602A	SCREW No. 10-32 X 1/2 self-tapping
3613	SCREW 5/16-24 X 5-1/2 flange head
3655A	SCREW 5/16-18 X 7/8 TORX pan head, with lockpatch (Grade 8)

PART NO.	DESCRIPTION
3658	SCREW No. 10-24 X 1/2 TORX head (Grade 5)
3691	SCREW No. 8-32 X 5/8 socket button head
3728	SCREW 1/4-20 X 1/2 hex head
3730A	BOLT 7/16-14 X 1-3/4 hex head (Grade 8)
3739	SCREW 1/4 X 5/8 hex head, with lockpatch, self-tapping
3767B	BOLT 1/4-20 X 5/8 hex head (Grade 5)
3769	BOLT 7/16-14 X 1-1/2 hex head (Grade 5)
3770	SCREW 1/4-20 X 7/8 12 pt. head (Grade 5)
3784	SET SCREW 1/2-20 X 1/2 socket head, with lockpatch
3787	BOLT 1/4-20 X 3/4 hex head (Grade 5)
3793A	SCREW 1/4-20 X 5/8 TORX head (Grade 8)
3849	SCREW 1/4-20 X 1-1/4 SEMS hex head (Grade 8)
3893	SCREW 1/4-20 X 1/2 hex head, with washer, self-tapping
3945	BOLT 3/8-24 X 2-1/4 hex head (Grade 5)
3953W	BOLT 5/16-24 X 1/2 hex head (Grade 5)
3960W	BOLT 5/16-24 X 1 hex head (Grade 5)
3974HW	BOLT 5/16-24 X 3/4 hex head (Grade 5)
3987	BOLT 5/16-18 X 3/4 hex head (Grade 5)
3991	BOLT 5/16-18 X 7/8 hex head (Grade 5)
3993	BOLT 1/4-20 X 1-1/4 hex head (Grade 5)
4014W	BOLT 5/16-24 X 1-1/4 hex head (Grade 5)
4015	SCREW 1/4-20 X 7/8 socket button head (Grade 8)
4017	BOLT 5/16-18 X 1 hex head (Grade 5)
4036	BOLT 5/16-24 X 1-1/2 hex head (Grade 5)
4044	SCREW 3/8-16 X 1-1/4 socket button head
4068A	BOLT 5/16-18 X 2-1/2 hex head (Grade 5)
4074A	BOLT 1/2-13 X 2 hex head, shoulder
4091	SCREW No. 10-24 X 1/2 hex head, with washer, self-tapping (zinc)
4132	SCREW 1/4-20 X 1-1/8 TORX button head (Grade 5) (black)
4134	SCREW No. 10-24 X 3/8 TORX pan head
4163	SCREW 3/4-16 X 7/8 TORX button head (Grade 8)
4240	SCREW No. 10-24 X 3/16 hex head, with washer
4326A	SCREW 5/16-18 X 2 socket head

PART NO.	DESCRIPTION
4350A	SCREW 3/8-16 X 1-1/2 socket head
4352	SCREW 3/8-16 X 1-1/2 TORX, self-tapping (Grade 8)
43567-92	SCREW 3/8-16 X 1 TORX pan head, with lockpatch
4358A	SCREW No. 10-32 X 5.250 hex head (zinc plate)
4411	BOLT 3/8-24 X 1-3/4 hex head (Grade 5)
4416	BOLT 3/8-24 X 1 hex head (Grade 5)
4453	BOLT 1/4-20 X 7/8 hex head SPECIAL WITH TAPPED HOLE
45405-75A	SCREW M8 X 1.25 x 27 hex socket head
45717-63	LOCKWASHER 1 X 2 X 0.035 keyed special
45718-60	NUT 1-24 X 1.5 X 0.47
4713W	BOLT 3/8-16 X 3/4 hex head (Grade 5)
4716W	SCREW 3/8-16 X 1-1/4 hex head (Grade 5)
4717A	SCREW 1/4-20 X 2-1/4 knurled head, with lockpatch
4718A	SCREW 1/4-20 X 1-1/2 knurled head, with lockpatch
4719W	BOLT 3/8-16 X 2-1/2 hex head (Grade 5)
4721	BOLT 3/8-16 X 1-1/2 hex head (Grade 5)
4722	BOLT 3/8-16 X 2-1/4 hex head (Grade 5)
4724	BOLT 3/8-24 X 1-1/2 hex head (Grade 5)
4726	BOLT 7/16-20 X 1-1/2 hex head (Grade 5)
4729	BOLT 7/16-20 X 1-1/4 hex head (Grade 5)
4739A	BOLT 5/16-18 X 1-3/4 hex head
4740A	SCREW 1/4-20 X 1-1/4 knurled head, with lockpatch (Grade 8)
4741A	SCREW 1/4-20 X 1 socket head, with lockpatch
4742A	SCREW 1/4-20 X 2-1/4 knurled head, with lockpatch
4747	SCREW 3/8-16 X 2-5/8 knurled head (Grade 8)
4761	SCREW 1/4-20 X 2 socket button head
4813A	SCREW 1/4-20 X 1-3/8 knurled head, with lockpatch
4814A	SCREW 1/4-20 X 1-1/8 knurled head, with lockpatch
4816A	SCREW 5/16-18 X 1-1/2 socket head
4820A	SCREW 1/4-20 X 2 socket head
4961	BOLT 3/4-16 X 1-5/8 hex head (Grade 5)
5403B	BOLT 1/4-20 X 3/8 carriage
54321-85	NUT No. 8-32 X 1/2 X 1/8 (brass)

PART NO.	DESCRIPTION
5444	BOLT 3/8-16 X 1 carriage (Grade 5)
5465	BOLT No. 10-24 X 1/2 carriage
5710	WASHER 63/64 X 1-1/2 X 5/64
5756	WASHER 21/32 X 1-5/16 X 5/8
5775	WASHER 11/32 X 1/2 X 31/64
6003	WASHER 1-3/16 X 1-3/8 X 11/16
6016	WASHER 11/32 X 11/16 X 1/16
6019	WASHER 3/8 X 29/32 X 1/16
6035A	WASHER 1/4 X 1-1/4 X 1/8 neoprene
6036	WASHER 17/64 X 1 X 1/16
6040A	WASHER 3/4 X 1-1/2 X 1/16
6042A	WASHER 1 X 1-1/5 X 1/16 layered
6047	WASHER 5/8 X 13/64 X 3/64
6048W	WASHER 1/8 X 1/4 X 1/32
6057	WASHER 1/2 X 7/8 X 3/16, nylon
6072	WASHER 3/8 X 1 1/4 X 5/64
6099	WASHER 1/4 X 7/16 X 1/16
6101	WASHER 17/64 X 27/64 X 1/16
6109	WASHER 5/16 X 11/16 X 1/8
6198	WASHER No. 8 X 1/4 X .06
6220W	WASHER 1/4 X 7/16 X 1/32
6235	WASHER 1/4 X 23/32 X 1/16
6239	WASHER 1/4 X 1/2 X 3/32
6253W	WASHER 1/4 X 3/4 X 3/64
6302	WASHER 5/16 X 11/16 X 19/32
6333	WASHER 5/16 X 7/8 X 5/64
6334	WASHER 7/16 X 29/32 X 1/16
6352	WASHER 5/16 X 7/8 X 3/32 (chrome)
6353	WASHER 3/8 X 13/16 X 1/16 (chrome)
6365	WASHER 17/32 X 1-1/8 X 5/64
6366	WASHER 1/2 X 1-1/4 X 3/32
6371	WASHER 25/64 X 1 X 3/32
6379W	WASHER 3/8 X 5/8 X 3/64

PART NO.	DESCRIPTION
6400HB	WASHER 5/16 X 13/16 X 3/32
6409	WASHER 1/2 X 3/4 X 1/32 plastic
6410	WASHER 1/4 X 9/16 X 1/16 nylon
6497HW	WASHER 29/64 X 1-1/8 X 1/16
6498	WASHER 9/16 X 13/16 X 1/32 nylon
6506	WASHER 1-13/32 X 2-3/32 X 1/16 (bronze)
6516HW	WASHER 7/16 X 1-1/8 X 1/8
6590HW	WASHER 1/2 X 1-1/8 X 3/32
6639	WASHER 5/8 X 1-5/16 X 3/32 (chrome)
6645	WASHER 11/32 X 1-1/32 X 1/8
6655	WASHER 5/8 X 1-1/2 X 7/64
6701	WASHER 3/8 X 13/16 X 1/16
6702	WASHER 5/16 X 11/16 X 1/16
6703	WASHER 1/4 X 5/8 X 1/16
6716	WASHER No. 10 X 1/2 X 3/64
6724	WASHER 21/32 X 1-1/16 X 1/16
6736	WASHER 9/32 X 5/8 X 1/16
6737	WASHER 57/64 X 1-3/64 X 1/32
6753	WASHER 1/2 X 1-1/4 X 1/8 notched
6756	WASHER 1/2 X 1-1/16 X 3/32
6758	WASHER 3/8 X 37/64 X 7/64
6762B	WASHER 11/16 X 29/32 X 1/32
6771A	WASHER 5/16 X 1/2 X 1/16
6788	WASHER 21/6 X 1/2 X 1/16
6798	WASHER 5/16 X 1/2 X 1/32
6812	WASHER 13/32 X 11/16 X 1/16
7015	LOCKWASHER No. 8
7036	WASHER 1/4 X 31/64 X 1/16
7038	LOCKWASHER 3/8
7039	LOCKWASHER 7/16
7041	LOCKWASHER 5/16
7042	LOCKWASHER 5/16 high collar
7045	LOCKWASHER 3/8 high collar



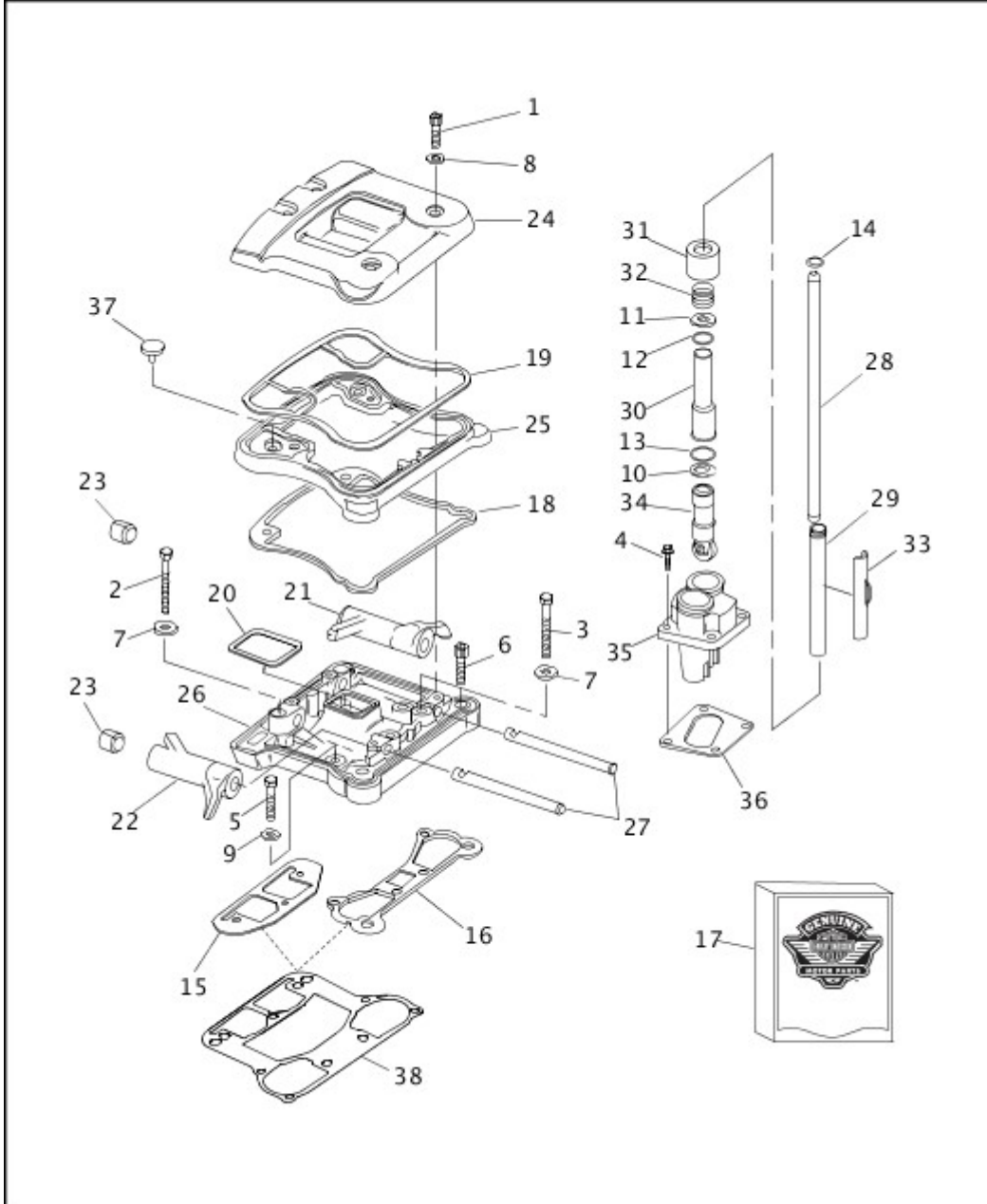
PART NO.	DESCRIPTION
7068	LOCKWASHER 1/2
7069	LOCKWASHER No. 10
7073	LOCKWASHER 1/4 external tooth
7101	LOCKWASHER 3/8 internal/external tooth
7115	LOCKWASHER No. 8 internal tooth
7118	LOCKWASHER 3/16 internal tooth
7124	LOCKWASHER 1/4 internal tooth
7127	LOCKWASHER 5/16 internal tooth
7129	LOCKWASHER 1/2 internal tooth
7130W	LOCKWASHER 3/8 internal tooth
7142	LOCKWASHER 3/4 internal tooth
7229W	LOCKWASHER 1/4 internal/external tooth
7230	LOCKWASHER 1/4 external tooth
7232	LOCKWASHER 5/16 internal tooth
7495	NUT M6 flange
7506	NUT No. 4-48 X 3/32 X 1/4 (Grade 2)
7507	ACORN NUT 5/16-18 X 11/16 X 1/2 (Grade 2) (chrome)
7515	JAMNUT 7/16 X 1/4 X 11/16 (Grade 2)
7531	LOCKNUT 5/16-18 X 9/32 X 1/2 flange
7549A	ACORN NUT 5/16-18 X 9/16 X 1/2
7576	NUT 5/16-18 UNC keps flange
7593	NUT 5/16-24 flange
7600	NUT No. 4-40 keps
7601	LOCKNUT 3/8-16 flange
7602	ACORN NUT No. 10-32 nylon
7606	LOCKNUT No. 8-32 X 1/4 X 1/4 hex (chrome)
7624	LOCKNUT No. 10-24 X 1/4 X 3/8
7627	ACORN NUT 1/2-13 X 3/4 (chrome)
7629	NUT No. 10-32 X 3/8 keps
7643W	JAMNUT 3/8-16 X 7-32 X 9/16
7651A	ACORN NUT No. 12-24 (Grade 2) (chrome)
7667	NUT 3/8-16 X 9/32 X 9/16 nylon insert
7669	NUT 5/16-18

PART NO.	DESCRIPTION
7680W	ACORN NUT 3/8-16 X 25/32 X 9/16 (Grade 2) (chrome)
7686	LOCKNUT 1/4-20 X 5/16 X 7/16
7688	NUT 1/4-20 X 7/32 X 7/16 (Grade 2)
7689W	JAMNUT 1/4-20 X 5/32 X 7/16 (Grade 2)
7716	LOCKNUT 1/4-20 X 7/16 flange
7736	ACORN NUT 5/16-24 X 19/32 X 1/2 (Grade 2) (chrome)
7739	LOCKNUT 5/16-18 X 11/32 X 1/2
7740	LOCKNUT 5/16-18 X 1/4 X 1/2
7742	LOCKNUT 1/4-20 X 7/32 X 7/16
7744	JAMNUT 5/16-24 X 3/16 X 1/2 (Grade 2)
7748W	NUT 5/16-18 X 1/4 X 1/2 (Grade 2)
7763W	JAMNUT 5/16-18 X 3/16 X 1/2
7768W	LOCKNUT 1/2-13 X 19/32 X 3/4
7775	LOCKNUT 3/8-24 X 7/16 X 9/16
7778	LOCKNUT 3/8-16 X 7/16 X 9/16
7780	LOCKNUT 3/8-24 X 13/32 X 11/16 flange
7783	NUT 3/8-16 X 5/16 X 9/16 (Grade 2)
7792	NUT 1/4-20 X 1/4 (Grade 2)
7800W	NUT 3/8-24 X 5/16 X 9/16 (Grade 2)
7825	LOCKNUT 7/16-20 X 7/16 X 5/8
7827W	LOCKNUT 7/16-14
7838	NUT No. 10-24 keps
7845	NUT 1/2-20 X 7/16 X 3/4 (Grade 2)
7848W	JAMNUT 7/16-20 X 1/4 X 11/16 (Grade 2)
7855W	JAMNUT 3/4-16 X 7/16 X 1-1/8 (Grade 2)
7883	NUT 5/16-24 X 1-1/16
7916A	JAMNUT 5/8-18
7987	NUT 5/8-18 X 15/16 slotted (Grade 8)
7994	LOCKNUT 5/8-18 X 15/16
8108	SPEEDNUT 1/4-20
855B	SCREW 3/8-16 X 2 knurled head
856A	SCREW 5/16-24 X 1 socket head (Grade 8)
858A	BOLT 5/16-18 X 3 hex head (Grade 5)

PART NO.	DESCRIPTION
861A	SCREW 3/8-16 X 1 knurled head (Grade 8)
864A	SCREW 1/4-20 X 3/4 hex socket button head
868A	SCREW 1/2-13 X 3/4 hex socket button head
872A	SCREW 1/2-20 X 3-1/4 knurled head
882	SCREW 1/4-20 X 7/8 knurled head, with washer (Grade 8)
891	SCREW 1/4-20 X 1-3/4 socket head (Grade 8)
90770-79	SCREW No. 8-32 X 3/8 Pozidriv head, self-tapping
923	SCREW 1/4-20 X 3/4 socket pan head
924	SCREW 1/4-20 X 33/64 socket pan head
925	SCREW 1/4-28 X 5/8 socket button head (Grade 8)
928	BOLT M5 X 0.8 X 35.2 hex head
929A	SCREW M4 X 0.7 X 11.8 flange head
933	SCREW No. 10-32 X 15/16 Pozidriv truss head (Grade 2)
939	SCREW 1/4-20 X 1 self-tapping, with washer (Grade 2)
940	SCREW 1/4-20 X 3/4 TORX button head
941	SCREW 1/4-20 X 5/8 socket button head (Grade 8)
942	SCREW 1/4-20 X 3/4 TORX button head, with lockpatch (Grade 8)
94331-91T	SCREW 5/16-18 X 5/8 hex socket head
945	SCREW 1/4-20 X 2-1/2 TORX button head (Grade 8)
946	SCREW 1/4-20 X 2-1/4 socket button head, with lockpatch (Grade 8)
94605-98	SCREW 3/8-16 X 1 socket button head (Grade 8)

New Parts List

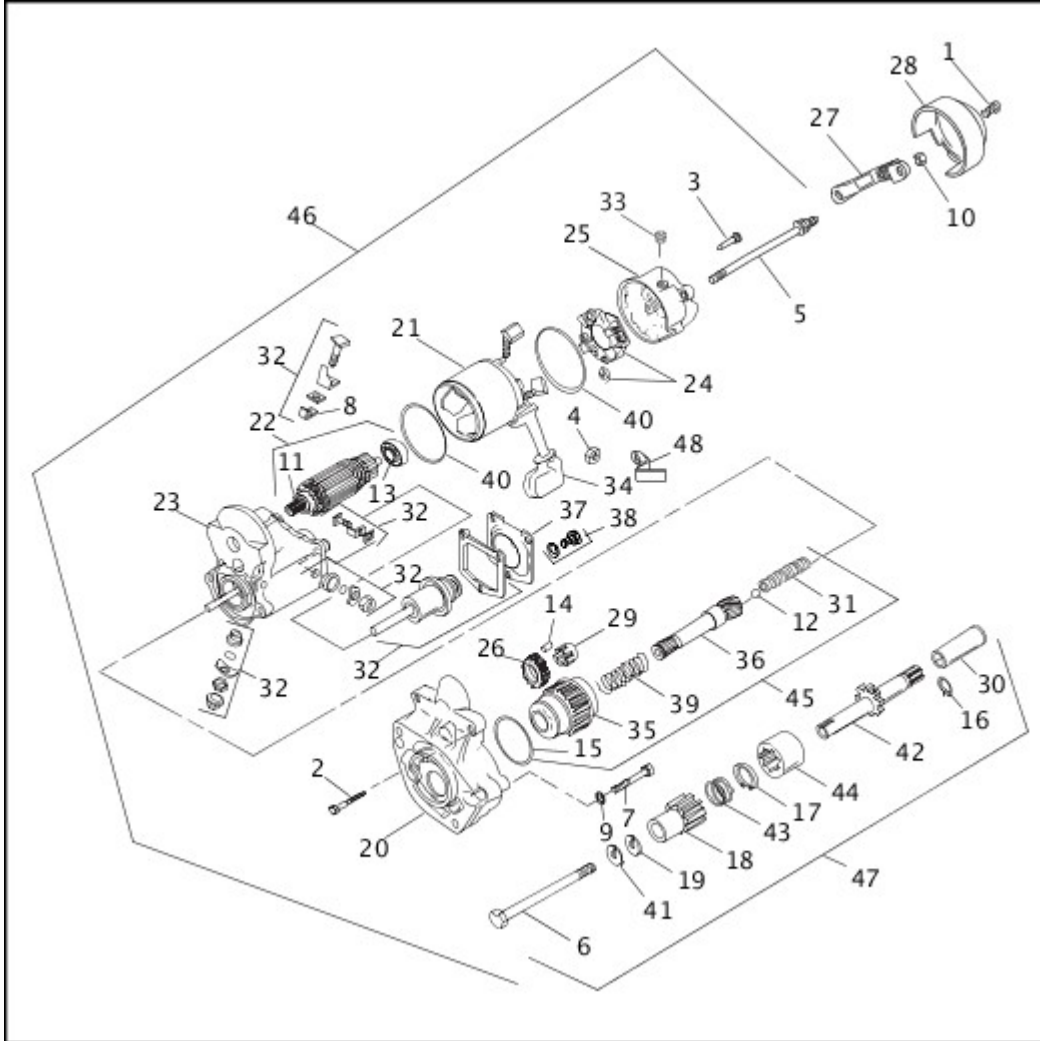
## **ROCKER ARMS, COVERS & PUSHRODS - V2™ EVOLUTION**



[View interactive table](#)

INDEX NO.	PART NO.	DESCRIPTION	MODEL(S)
38	16800-84A	GASKET, rocker cover/cylinder head, valve & pushrod sides (replaces 16778-84A & 16779-84B) (2)	ALL

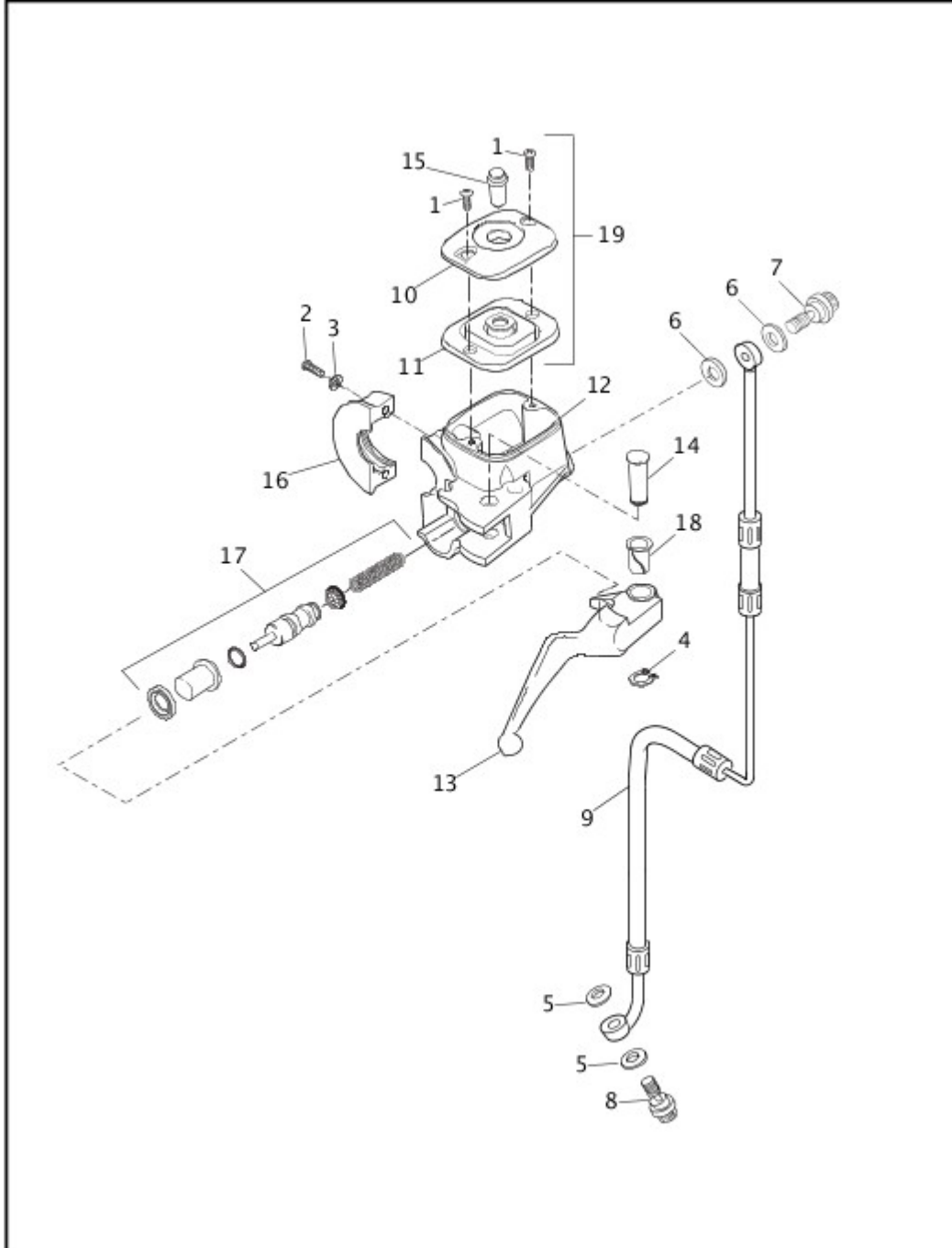
## [STARTER MOTOR](#)



[View interactive table](#)

INDEX NO.	PART NO.	DESCRIPTION	MODEL(S)
15	10957	O-RING (use 31516-94A)	ALL
21	31514-90	YOKE ASSEMBLY, starter	ALL
32	31604-91A	STARTER SOLENOID REPAIR KIT	ALL
45	31516-94A	CLUTCH ASSEMBLY, starter w/ 8879, 10957, 31663-90, 31664-94 & 31692-90	ALL
46	31553-94B	STARTER, complete (black texture)	ALL
47	31612-09	JACKSHAFT KIT, starter, w/ 6, 16, 17, 18, 19, 30, 41, 42, 43 & 44	ALL
48	31693-90	CLIP, cable	ALL

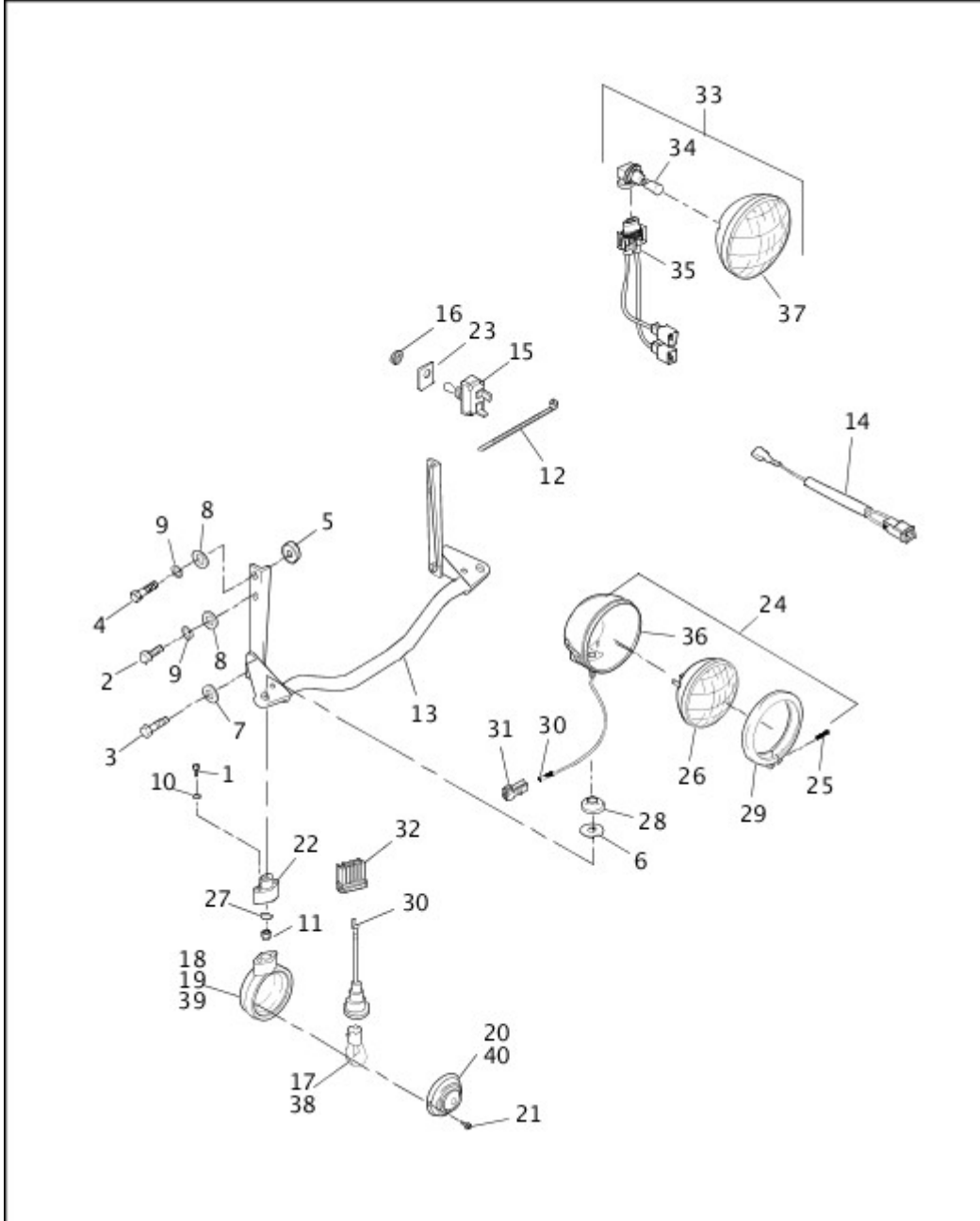
## [FRONT BRAKE CONTROL - 1996](#)



[View interactive table](#)

INDEX NO.	PART NO.	DESCRIPTION	MODEL(S)
19	45030-03C	COVER KIT, reservoir, w/ 2579A	FLSTC 1996, FLSTF 1996, FLSTN 1996, FXSTC 1996, FXSTS 1996, FXSTSB 1996

## [AUXILIARY/FOG LAMPS & FRONT TURN SIGNALS - FLSTC](#)



[View interactive table](#)

INDEX NO.	PART NO.	DESCRIPTION	MODEL(S)
33	68348-05	AUXILIARY LAMP KIT, w/ 68355-05 & 68414-05 (replaces 68674-69A) (2)	FLSTC 1995, FLSTC 1996
34	68000056	BULB, turn signal (used w/ 68414-05)	FLSTC 1995, FLSTC 1996
35	68355-05	WIRE HARNESS (2)	FLSTC 1995, FLSTC 1996
36	68683-02	HOUSING, lamp (chrome)	FLSTC 1995, FLSTC 1996
37	68414-05	AUXILIARY LAMP, w/ 68000056 (used w/ 68348-05) (2)	FLSTC 1995, FLSTC 1996

### Numerical Index

[View interactive table](#)

10003	<b>CAM POSITION SENSOR &amp; VACUUM SWITCH</b>
10006	<b>AIR CLEANER &amp; ENRICHENER (1 OF 2)</b>

	<b>ALTERNATOR &amp; REGULATOR</b> <b>THROTTLE CONTROL - 1995</b> <b>THROTTLE CONTROL - 1996</b> <b>AUXILIARY/FOG LAMPS &amp; FRONT TURN SIGNALS - FLSTC</b> <b>OIL TANK</b> <b>FRONT TURN SIGNALS</b> <b>HORN</b> <b>MISCELLANEOUS ELECTRICAL</b>
10014	<b>CARBURETOR (1 OF 2)</b> <b>FUEL TANK (1 OF 2)</b>
10031	<b>FRONT BRAKE CONTROL - 1995</b>
10038A	<b>REAR BRAKE CONTROL - FXST (1 OF 2)</b>
10039	<b>MISCELLANEOUS ELECTRICAL</b> <b>CALIFORNIA EVAPORATIVE EMISSIONS KIT</b>
10040	<b>FUEL TANK (1 OF 2)</b>
10059A	<b>FRAME, REAR FORK &amp; JIFFY STAND (1 OF 2)</b> <b>TAIL LAMP &amp; REAR TURN SIGNALS (1 OF 2)</b>
10065	<b>CAM POSITION SENSOR &amp; VACUUM SWITCH</b> <b>HANDLEBAR</b> <b>HEADLAMP (1 OF 2)</b> <b>INSTRUMENTS - 1995 (1 OF 2)</b> <b>INSTRUMENTS - 1996 (1 OF 2)</b> <b>FRONT TURN SIGNALS</b> <b>TAIL LAMP &amp; REAR TURN SIGNALS (1 OF 2)</b> <b>WIRING HARNESS, MAIN (1 OF 2)</b> <b>MISCELLANEOUS ELECTRICAL</b> <b>HANDLEBAR SWITCHES - 1995</b>
10073	<b>CAM POSITION SENSOR &amp; VACUUM SWITCH</b> <b>MISCELLANEOUS ELECTRICAL</b>
10074	<b>EXHAUST SYSTEM (1 OF 2)</b> <b>EXHAUST SYSTEM (1 OF 2)</b>
10076	<b>CLUTCH CONTROL</b> <b>FRONT BRAKE CONTROL - 1995</b>
10080	<b>OIL TANK</b> <b>OIL FILTERS &amp; MOUNTS</b>
10086	<b>OIL TANK</b>
10102	<b>INSTRUMENTS - 1996 (1 OF 2)</b>
10103	<b>INSTRUMENTS - 1996 (1 OF 2)</b>
10112	<b>OIL FILTERS &amp; MOUNTS</b>
10120	<b>TAIL LAMP &amp; REAR TURN SIGNALS (1 OF 2)</b>
10122	<b>REAR BRAKE CONTROL - FXST (1 OF 2)</b>
10124	<b>CLUTCH CONTROL</b>
10134	<b>SWITCHES &amp; CIRCUIT BREAKERS - 1995</b>
10151	<b>SWITCHES &amp; CIRCUIT BREAKERS - 1996</b>
10170	<b>SWITCHES &amp; CIRCUIT BREAKERS - 1996</b>
10177	<b>IGNITION MODULE &amp; COIL</b>



10181	HANDLEBAR SWITCHES - 1996
10263A	THROTTLE CONTROL - 1995 THROTTLE CONTROL - 1996
1046	FRAME, REAR FORK & JIFFY STAND (1 OF 2)
10957	STARTER MOTOR
10998	TRANSMISSION HOUSING (1 OF 2)
11002	OIL PUMP
11016	GEAR SHIFTER (1 OF 2)
11067	TRANSMISSION GEARS
11083	GEAR SHIFTER (1 OF 2)
11096	TRANSMISSION GEARS CLUTCH
11105	CRANKCASE - GEAR SIDE OIL PUMP
11132A	ROCKER ARMS, COVERS & PUSHRODS - V2™ EVOLUTION TRANSMISSION HOUSING (1 OF 2)
11140	TRANSMISSION HOUSING (2 OF 2)
11143	CLUTCH CONTROL FRONT BRAKE CONTROL - 1995 FRONT BRAKE CONTROL - 1996
11145A	ROCKER ARMS, COVERS & PUSHRODS - V2™ EVOLUTION
11147B	PRIMARY HOUSING
11150	GEAR SHIFTER (1 OF 2)
11155	THROTTLE CONTROL - 1995 THROTTLE CONTROL - 1996 HANDLEBAR SWITCHES - 1995
11157	ROCKER ARMS, COVERS & PUSHRODS - V2™ EVOLUTION
11158	FRAME, REAR FORK & JIFFY STAND (1 OF 2)
11160A	CRANKCASE - 1995 (2 OF 2) CRANKCASE - 1996 (2 OF 2)
11161	TRANSMISSION HOUSING (1 OF 2)
11165	TRANSMISSION HOUSING (1 OF 2)
11173	FRONT WHEEL (1 OF 2)
11175	FRONT WHEEL (1 OF 2)
11177A	CRANKCASE - 1995 (2 OF 2) CRANKCASE - 1996 (2 OF 2)
11179	TRANSMISSION HOUSING (1 OF 2)
11182	STARTER MOTOR
11191	GEAR SHIFTER (1 OF 2)

11192	CAM POSITION SENSOR & VACUUM SWITCH
11218	PISTONS, CONNECTING RODS & FLYWHEELS
11219	PISTONS, CONNECTING RODS & FLYWHEELS CRANKCASE - GEAR SIDE
11241	OIL PUMP
11244	FORK ROCKERS & CALIPER MOUNTING - FXSTS/B FRONT FENDER - FXSTS/B
11248	STARTER MOTOR
11271	THROTTLE CONTROL - 1996
11272	THROTTLE CONTROL - 1996
11411	REAR BELT GUARD
11437	REAR FENDER
11447	FUEL TANK (1 OF 2)
11451	FRAME, REAR FORK & JIFFY STAND (1 OF 2)
11456	FRAME, REAR FORK & JIFFY STAND (1 OF 2)
11460	AIR CLEANER & ENRICHENER (1 OF 2)
11473	SADDLEBAGS - FLSTC & FLSTN
11717	FUEL TANK (1 OF 2)
11733A	TRANSMISSION HOUSING (1 OF 2) TRANSMISSION HOUSING (1 OF 2)
12026B	CRANKCASE - 1995 (2 OF 2) CRANKCASE - 1996 (2 OF 2)
12035B	TRANSMISSION GEARS
12045	GEAR SHIFTER (1 OF 2)
12052A	PRIMARY HOUSING
12066A	PRIMARY HOUSING
12067B	TRANSMISSION HOUSING (1 OF 2)
1357W	SEATS & SISSY BAR
14142-86A	FRONT FENDER
14150-86	FRONT FORK - FLSTC/F/N (1 OF 2)
14228-91	FUEL TANK TRIM - 1995
14270-92	GEAR SHIFTER (2 OF 2)
14287-94	FUEL TANK TRIM - 1995
14335-90	FUEL TANK TRIM - 1995
14339-90	FUEL TANK TRIM - 1995
14386-93	FUEL TANK TRIM - 1995

14387-93	FUEL TANK TRIM - 1995
14390-93	FUEL TANK TRIM - 1995
14404-95	FUEL TANK TRIM - 1995
14405-95	FUEL TANK TRIM - 1995
14406-95	FRONT FENDER - FXSTS/B
14407-95	REAR FENDER
14415-95	REAR FENDER
14423-95	FUEL TANK TRIM - 1995
14424-95	FUEL TANK TRIM - 1995
14426-95	FRONT FENDER - FXSTS/B
14427-95	REAR FENDER
14428-95	REAR FENDER
14456-95	FUEL TANK (2 OF 2)
14469-95	FUEL TANK TRIM - 1995 FUEL TANK TRIM - 1996
14470-95	FUEL TANK TRIM - 1995 FUEL TANK TRIM - 1996
14471-95	FUEL TANK TRIM - 1995
14472-95	FUEL TANK TRIM - 1995
14473-95	FUEL TANK TRIM - 1995
14474-95	FUEL TANK TRIM - 1995
14475-95	FUEL TANK TRIM - 1995
14476-95	FUEL TANK TRIM - 1995
14479-95	FUEL TANK (2 OF 2)
14526-96	FUEL TANK TRIM - 1996
14527-96	FUEL TANK TRIM - 1996
14528-96	FUEL TANK TRIM - 1996
14529-96	FUEL TANK TRIM - 1996
14530-96	FUEL TANK TRIM - 1996
14531-96	FUEL TANK TRIM - 1996
14532-96	FUEL TANK TRIM - 1996
14533-96	FUEL TANK TRIM - 1996
14534-96	FUEL TANK TRIM - 1996
14535-96	FUEL TANK TRIM - 1996
14536-96	FUEL TANK TRIM - 1996

14537-96	FUEL TANK TRIM - 1996
14538-96	FUEL TANK TRIM - 1996
14539-96	FUEL TANK TRIM - 1996
14540-96	REAR FENDER
14541-96	REAR FENDER
14542-96	REAR FENDER
14543-96	REAR FENDER
14544-96	REAR FENDER
14545-96	REAR FENDER
14546-96	FUEL TANK TRIM - 1996
14547-96	FUEL TANK TRIM - 1996
14548-96	FUEL TANK TRIM - 1996
14549-96	FUEL TANK TRIM - 1996
14550-96	FUEL TANK TRIM - 1996
14551-96	FUEL TANK TRIM - 1996
14591-96	FRONT FENDER - FXSTS/B
14592-96	FRONT FENDER - FXSTS/B
14593-96	FRONT FENDER - FXSTS/B
15368-01A	OIL TANK BATTERY
1601	CAM POSITION SENSOR & VACUUM SWITCH
16121-95	ENGINE
16121-96	ENGINE
16122-95	ENGINE
16122-96	ENGINE
16126-95	ENGINE
16126-96	ENGINE
16183-95	ENGINE
16242-90	CYLINDERS, VALVES & HEADS - V2™ EVOLUTION
16247-91	CYLINDERS, VALVES & HEADS - V2™ EVOLUTION
16284-84	CYLINDERS, VALVES & HEADS - V2™ EVOLUTION
16478-85A	CYLINDERS, VALVES & HEADS - V2™ EVOLUTION
16480-92A	CYLINDERS, VALVES & HEADS - V2™ EVOLUTION
16512-86A	CYLINDERS, VALVES & HEADS - V2™ EVOLUTION

16573-83A	CYLINDERS, VALVES & HEADS - V2™ EVOLUTION
16692-95	CYLINDERS, VALVES & HEADS - V2™ EVOLUTION
16696-92A	CYLINDERS, VALVES & HEADS - V2™ EVOLUTION
16715-83	CYLINDERS, VALVES & HEADS - V2™ EVOLUTION
16770-84F	CYLINDERS, VALVES & HEADS - V2™ EVOLUTION
16774-86D	CYLINDERS, VALVES & HEADS - V2™ EVOLUTION
16778-84A	ROCKER ARMS, COVERS & PUSHRODS - V2™ EVOLUTION
16779-84B	ROCKER ARMS, COVERS & PUSHRODS - V2™ EVOLUTION
16800-84A	ROCKER ARMS, COVERS & PUSHRODS - V2™ EVOLUTION
16837-85C	CYLINDERS, VALVES & HEADS - V2™ EVOLUTION CRANKCASE - 1995 (2 OF 2) CRANKCASE - 1996 (2 OF 2)
17040-92A	CYLINDERS, VALVES & HEADS - V2™ EVOLUTION
17041-92A	CYLINDERS, VALVES & HEADS - V2™ EVOLUTION
17042-92A	ROCKER ARMS, COVERS & PUSHRODS - V2™ EVOLUTION
17355-92A	ROCKER ARMS, COVERS & PUSHRODS - V2™ EVOLUTION
17356-92A	ROCKER ARMS, COVERS & PUSHRODS - V2™ EVOLUTION
17358-84B	ROCKER ARMS, COVERS & PUSHRODS - V2™ EVOLUTION
17360-83A	ROCKER ARMS, COVERS & PUSHRODS - V2™ EVOLUTION
17375-83A	ROCKER ARMS, COVERS & PUSHRODS - V2™ EVOLUTION
17429-91	ROCKER ARMS, COVERS & PUSHRODS - V2™ EVOLUTION
17528-92	ROCKER ARMS, COVERS & PUSHRODS - V2™ EVOLUTION
17529-92	ROCKER ARMS, COVERS & PUSHRODS - V2™ EVOLUTION
17530-92	ROCKER ARMS, COVERS & PUSHRODS - V2™ EVOLUTION
17611-83	ROCKER ARMS, COVERS & PUSHRODS - V2™ EVOLUTION
1783C	BELTS, CHAINS & SPROCKETS
17921-83A	ROCKER ARMS, COVERS & PUSHRODS - V2™ EVOLUTION
17924-83A	ROCKER ARMS, COVERS & PUSHRODS - V2™ EVOLUTION
17927-83A	ROCKER ARMS, COVERS & PUSHRODS - V2™ EVOLUTION
17930-83A	ROCKER ARMS, COVERS & PUSHRODS - V2™ EVOLUTION
17935-79B	ROCKER ARMS, COVERS & PUSHRODS - V2™ EVOLUTION
17938-83	ROCKER ARMS, COVERS & PUSHRODS - V2™ EVOLUTION
17945-36B	ROCKER ARMS, COVERS & PUSHRODS - V2™ EVOLUTION
17947-36	ROCKER ARMS, COVERS & PUSHRODS - V2™ EVOLUTION
17950-66	ROCKER ARMS, COVERS & PUSHRODS - V2™ EVOLUTION

1795A	AIR CLEANER & ENRICHENER (1 OF 2)
18001-83B	CYLINDERS, VALVES & HEADS - V2™ EVOLUTION
18011-86	CYLINDERS, VALVES & HEADS - V2™ EVOLUTION
18020-83	CYLINDERS, VALVES & HEADS - V2™ EVOLUTION
18074-83B	CYLINDERS, VALVES & HEADS - V2™ EVOLUTION
18076-83	CYLINDERS, VALVES & HEADS - V2™ EVOLUTION
18082-83A	CYLINDERS, VALVES & HEADS - V2™ EVOLUTION
18087-83	CYLINDERS, VALVES & HEADS - V2™ EVOLUTION
18101-83D	CYLINDERS, VALVES & HEADS - V2™ EVOLUTION
18124-83	CYLINDERS, VALVES & HEADS - V2™ EVOLUTION
18130-83D	CYLINDERS, VALVES & HEADS - V2™ EVOLUTION
18131-83D	CYLINDERS, VALVES & HEADS - V2™ EVOLUTION
18133-83B	CYLINDERS, VALVES & HEADS - V2™ EVOLUTION
18134-83	CYLINDERS, VALVES & HEADS - V2™ EVOLUTION
18201-83	CYLINDERS, VALVES & HEADS - V2™ EVOLUTION
18202-83	CYLINDERS, VALVES & HEADS - V2™ EVOLUTION
18219-83A	CYLINDERS, VALVES & HEADS - V2™ EVOLUTION
18222-83A	CYLINDERS, VALVES & HEADS - V2™ EVOLUTION
18229-83A	CYLINDERS, VALVES & HEADS - V2™ EVOLUTION
18523-86B	ROCKER ARMS, COVERS & PUSHRODS - V2™ EVOLUTION
18622-85B	ROCKER ARMS, COVERS & PUSHRODS - V2™ EVOLUTION
18623-85B	ROCKER ARMS, COVERS & PUSHRODS - V2™ EVOLUTION
18633-48D	ROCKER ARMS, COVERS & PUSHRODS - V2™ EVOLUTION
18634-48C	ROCKER ARMS, COVERS & PUSHRODS - V2™ EVOLUTION
2005	REAR FENDER SUPPORTS
21920-83	PISTONS, CONNECTING RODS & FLYWHEELS
21921-83	PISTONS, CONNECTING RODS & FLYWHEELS
21922-83	PISTONS, CONNECTING RODS & FLYWHEELS
21923-83	PISTONS, CONNECTING RODS & FLYWHEELS
21924-83	PISTONS, CONNECTING RODS & FLYWHEELS
21940-83	PISTONS, CONNECTING RODS & FLYWHEELS
21941-83	PISTONS, CONNECTING RODS & FLYWHEELS
21942-83	PISTONS, CONNECTING RODS & FLYWHEELS
21943-83	PISTONS, CONNECTING RODS & FLYWHEELS

21944-83	PISTONS, CONNECTING RODS & FLYWHEELS
22589-83B	PISTONS, CONNECTING RODS & FLYWHEELS
2273A	ALTERNATOR & REGULATOR
22764-83	PISTONS, CONNECTING RODS & FLYWHEELS
239	OIL PUMP
23906-93B	PISTONS, CONNECTING RODS & FLYWHEELS
23928-87	PISTONS, CONNECTING RODS & FLYWHEELS
23961-80A	PISTONS, CONNECTING RODS & FLYWHEELS
23974-87	PISTONS, CONNECTING RODS & FLYWHEELS
23975-87	PISTONS, CONNECTING RODS & FLYWHEELS
23981-98	PISTONS, CONNECTING RODS & FLYWHEELS
24002-70	CRANKCASE - 1995 (2 OF 2) CRANKCASE - 1996 (2 OF 2)
24032-70	CRANKCASE - 1995 (2 OF 2) CRANKCASE - 1996 (2 OF 2) BELTS, CHAINS & SPROCKETS
24033-70	CRANKCASE - 1995 (2 OF 2) CRANKCASE - 1996 (2 OF 2) BELTS, CHAINS & SPROCKETS
24034-70	CRANKCASE - 1995 (2 OF 2) CRANKCASE - 1996 (2 OF 2) BELTS, CHAINS & SPROCKETS
24035-70	CRANKCASE - 1995 (2 OF 2) CRANKCASE - 1996 (2 OF 2) BELTS, CHAINS & SPROCKETS
24036-70	CRANKCASE - 1995 (2 OF 2) CRANKCASE - 1996 (2 OF 2) BELTS, CHAINS & SPROCKETS
24037-70	CRANKCASE - 1995 (2 OF 2) CRANKCASE - 1996 (2 OF 2) BELTS, CHAINS & SPROCKETS
24040-93	CRANKCASE - GEAR SIDE
24041-93	CRANKCASE - GEAR SIDE
24042-93	CRANKCASE - GEAR SIDE
24043-93	CRANKCASE - GEAR SIDE
24044-93	CRANKCASE - GEAR SIDE
24045-93	CRANKCASE - GEAR SIDE
24046-93	CRANKCASE - GEAR SIDE
24281-83	PISTONS, CONNECTING RODS & FLYWHEELS
24334-36	PISTONS, CONNECTING RODS & FLYWHEELS
24335-36	PISTONS, CONNECTING RODS & FLYWHEELS

24345-36A	<b>PISTONS, CONNECTING RODS &amp; FLYWHEELS</b>
24346-87A	<b>PISTONS, CONNECTING RODS &amp; FLYWHEELS</b>
24356-36A	<b>PISTONS, CONNECTING RODS &amp; FLYWHEELS</b>
2444	<b>WINDSHIELD - FLSTC</b>
24571-93	<b>CRANKCASE - 1995 (2 OF 2)</b> <b>CRANKCASE - 1996 (2 OF 2)</b>
24586-93	<b>CRANKCASE - GEAR SIDE</b>
24599-58B	<b>CRANKCASE - 1995 (2 OF 2)</b>
24599-93	<b>CRANKCASE - 1996 (2 OF 2)</b>
24600-58B	<b>CRANKCASE - 1995 (2 OF 2)</b> <b>CRANKCASE - 1996 (2 OF 2)</b>
24601-58B	<b>CRANKCASE - 1995 (2 OF 2)</b> <b>CRANKCASE - 1996 (2 OF 2)</b>
24626-87A	<b>CRANKCASE - 1995 (2 OF 2)</b> <b>CRANKCASE - 1996 (2 OF 2)</b>
24628-87A	<b>CRANKCASE - 1995 (2 OF 2)</b> <b>CRANKCASE - 1996 (2 OF 2)</b>
24641-36	<b>CRANKCASE - GEAR SIDE</b>
24641-87A	<b>CRANKCASE - 1995 (2 OF 2)</b> <b>CRANKCASE - 1996 (2 OF 2)</b>
24643-87A	<b>CRANKCASE - 1995 (2 OF 2)</b> <b>CRANKCASE - 1996 (2 OF 2)</b>
24922-93	<b>AIR CLEANER &amp; ENRICHENER (1 OF 2)</b>
24925-95	<b>AIR CLEANER &amp; ENRICHENER (2 OF 2)</b>
24981-70	<b>CRANKCASE - GEAR SIDE</b>
24982-70	<b>CRANKCASE - GEAR SIDE</b>
2501A	<b>INSTRUMENTS - 1996 (1 OF 2)</b> <b>SWITCHES &amp; CIRCUIT BREAKERS - 1996</b>
2508	<b>HANDLEBAR SWITCHES - 1995</b>
25225-93B	<b>CRANKCASE - GEAR SIDE</b>
25256-93A	<b>CRANKCASE - GEAR SIDE</b>
2531	<b>FRONT FENDER</b>
25310-82A	<b>CRANKCASE - GEAR SIDE</b>
25320-82	<b>CRANKCASE - GEAR SIDE</b>
25321-82	<b>CRANKCASE - GEAR SIDE</b>
25322-82	<b>CRANKCASE - GEAR SIDE</b>
25323-82	<b>CRANKCASE - GEAR SIDE</b>
25325-82	<b>CRANKCASE - GEAR SIDE</b>



25326-82	CRANKCASE - GEAR SIDE
25327-82	CRANKCASE - GEAR SIDE
25328-82	CRANKCASE - GEAR SIDE
2534	SEATS & SISSY BAR
2538	SEATS & SISSY BAR
25416-70A	PRIMARY HOUSING
25452-87A	TRANSMISSION HOUSING (1 OF 2)
25453-87A	TRANSMISSION HOUSING (1 OF 2)
25550-57A	CRANKCASE - GEAR SIDE
25581-70	CRANKCASE - GEAR SIDE
25582-93	CRANKCASE - GEAR SIDE
2566	CLUTCH CONTROL
2567	INSTRUMENTS - 1995 (1 OF 2) SWITCHES & CIRCUIT BREAKERS - 1995
2574WA	INSTRUMENTS - 1995 (1 OF 2) SWITCHES & CIRCUIT BREAKERS - 1995
2579A	FRONT BRAKE CONTROL - 1995 FRONT BRAKE CONTROL - 1996
2594A	SWITCHES & CIRCUIT BREAKERS - 1995
2602A	SADDLEBAGS - FLSTC & FLSTN
26030-92A	OIL PUMP
2604	FRONT FENDER REAR FENDER
26050-92	OIL PUMP
2607	SEATS & SISSY BAR
2611C	CAM POSITION SENSOR & VACUUM SWITCH
2614	BELTS, CHAINS & SPROCKETS
26207-83	OIL PUMP
26226-92	OIL PUMP
26227-58	OIL PUMP
26262-80	OIL PUMP
26263-80	CRANKCASE - GEAR SIDE OIL PUMP
26267-92	OIL PUMP
26273-92A	OIL PUMP
26276-92A	OIL PUMP

26315-68A	OIL PUMP
26317-68A	OIL PUMP
26326-62A	OIL PUMP
26327-68	OIL PUMP
26328-74	OIL PUMP
26345-73	OIL PUMP
26346-70	OIL PUMP
26348-15	OIL PUMP
26348-36	OIL PUMP
26352-95A	OIL FILTERS & MOUNTS
26354-93	CRANKCASE - GEAR SIDE
26378-92A	OIL FILTERS & MOUNTS
26400-82B	OIL PUMP
26432-76A	CYLINDERS, VALVES & HEADS - V2™ EVOLUTION
2647B	AUXILIARY/FOG LAMPS & FRONT TURN SIGNALS - FLSTC
26561-84	CRANKCASE - GEAR SIDE
26563-95	CAM POSITION SENSOR & VACUUM SWITCH
26566-91	CAM POSITION SENSOR & VACUUM SWITCH
26566-96	CAM POSITION SENSOR & VACUUM SWITCH
26571-89	CALIFORNIA EVAPORATIVE EMISSIONS KIT
26856-89A	ROCKER ARMS, COVERS & PUSHRODS - V2™ EVOLUTION
2692WB	TAIL LAMP & REAR TURN SIGNALS (1 OF 2)
2696	TAIL LAMP & REAR TURN SIGNALS (1 OF 2)
2698A	TAIL LAMP & REAR TURN SIGNALS (1 OF 2)
26994-90	CARBURETOR (2 OF 2)
26995-86B	CARBURETOR (1 OF 2)
27002-89	CARBURETOR (1 OF 2)
27009-86A	CARBURETOR (1 OF 2)
27010-86A	CARBURETOR (1 OF 2)
27019-89A	CARBURETOR (1 OF 2)
27035-95	CARBURETOR (1 OF 2)
27038-92A	CARBURETOR (2 OF 2)
27040-88	CARBURETOR (1 OF 2)
27042-84A	CALIFORNIA EVAPORATIVE EMISSIONS KIT

27047-84B	CALIFORNIA EVAPORATIVE EMISSIONS KIT
27088-95	CARBURETOR (2 OF 2)
27090-89	CARBURETOR (1 OF 2)
27093-92A	FUEL TANK (1 OF 2)
27100-88	CARBURETOR (1 OF 2)
27101-88	CARBURETOR (1 OF 2)
27102-92	FUEL TANK (1 OF 2)
2711	AIR CLEANER & ENRICHENER (1 OF 2)
27114-88	CARBURETOR (2 OF 2)
27115-88	CARBURETOR (1 OF 2)
27116-88	CARBURETOR (1 OF 2)
27122-89	CARBURETOR (1 OF 2)
27123-89A	CARBURETOR (1 OF 2)
27124-89	CARBURETOR (1 OF 2)
27125-89	CARBURETOR (1 OF 2)
27126-89	CARBURETOR (1 OF 2)
27127-89	CARBURETOR (1 OF 2)
27128-89	CARBURETOR (1 OF 2)
27129-88	CARBURETOR (1 OF 2)
27130-90	CARBURETOR (1 OF 2)
27136-90A	CARBURETOR (1 OF 2)
27137-81	CARBURETOR (1 OF 2)
27138-90	CALIFORNIA EVAPORATIVE EMISSIONS KIT
27146-89	CARBURETOR (1 OF 2)
27147-89	CARBURETOR (1 OF 2)
27148-89	CARBURETOR (1 OF 2)
27156-89	CARBURETOR (1 OF 2)
27157-89	CARBURETOR (1 OF 2)
27158-89	CARBURETOR (1 OF 2)
27159-92	CARBURETOR (1 OF 2)
27160-89	CARBURETOR (1 OF 2)
27162-89	CARBURETOR (1 OF 2)
27171-89	CARBURETOR (1 OF 2)
27186-92	CARBURETOR (2 OF 2)

2720	ALTERNATOR & REGULATOR
27206-93B	CARBURETOR (1 OF 2)
27239-95	CARBURETOR (2 OF 2)
2723A	FRONT FENDER - FXSTS/B
27253-96	CARBURETOR (2 OF 2)
27254-96	CARBURETOR (2 OF 2)
27261-96	CARBURETOR (1 OF 2)
27262-96	CARBURETOR (1 OF 2)
27263-96	CARBURETOR (2 OF 2)
27279-93	CARBURETOR (2 OF 2)
27281-92	CARBURETOR (2 OF 2)
27292-95	CALIFORNIA EVAPORATIVE EMISSIONS KIT
27311-76	CARBURETOR (2 OF 2)
27315-88A	CARBURETOR (2 OF 2)
27317-88	CARBURETOR (2 OF 2)
27339-90	CARBURETOR (2 OF 2)
27360-76	CARBURETOR (2 OF 2)
27361-76A	CARBURETOR (2 OF 2)
27362-76	CARBURETOR (2 OF 2)
27368-76	CARBURETOR (2 OF 2)
27369-76	CARBURETOR (2 OF 2)
2737	AIR CLEANER & ENRICHENER (1 OF 2)
27371-76A	CARBURETOR (2 OF 2)
2738	FRONT FENDER - FXSTS/B
2739	SEATS & SISSY BAR
27492-96B	CARBURETOR (1 OF 2)
275	CRANKCASE - GEAR SIDE
27504-96	CARBURETOR (1 OF 2)
27575-88A	CARBURETOR (2 OF 2)
27576-92	CARBURETOR (2 OF 2)
27577-92	CARBURETOR (2 OF 2)
27579-88A	CARBURETOR (2 OF 2)
27580-88	CARBURETOR (2 OF 2)
27581-88	CARBURETOR (2 OF 2)

27582-88	CARBURETOR (2 OF 2)
27583-88	CARBURETOR (2 OF 2)
27585-88	CARBURETOR (2 OF 2)
27586-88	CARBURETOR (2 OF 2)
27587-88	CARBURETOR (2 OF 2)
2773	FOOTBOARDS LICENSE PLATE BRACKETS
27886-78A	CARBURETOR (2 OF 2)
2818	PRIMARY HOUSING
2823	FRONT FORK - FXSTC
2871W	FRAME, REAR FORK & JIFFY STAND (1 OF 2)
2872W	SWITCHES & CIRCUIT BREAKERS - 1996
2879W	CYLINDERS, VALVES & HEADS - V2™ EVOLUTION SEATS & SISSY BAR EXHAUST SYSTEM (1 OF 2) EXHAUST SYSTEM (1 OF 2)
28823-89	AIR CLEANER & ENRICHENER (1 OF 2)
28827-96A	AIR CLEANER & ENRICHENER (1 OF 2)
2882W	REAR BELT GUARD FRAME, REAR FORK & JIFFY STAND (1 OF 2)
28841-89	AIR CLEANER & ENRICHENER (1 OF 2)
28842-89	AIR CLEANER & ENRICHENER (1 OF 2)
28884-95	CALIFORNIA EVAPORATIVE EMISSIONS KIT
29017-92	AIR CLEANER & ENRICHENER (1 OF 2)
2902	GEAR SHIFTER (2 OF 2)
2904A	TAIL LAMP & REAR TURN SIGNALS (1 OF 2)
29059-88A	AIR CLEANER & ENRICHENER (1 OF 2)
29062-95B	AIR CLEANER & ENRICHENER (2 OF 2)
29068-89	AIR CLEANER & ENRICHENER (1 OF 2)
2907	HANDLEBAR SWITCHES - 1995
29070-89B	AIR CLEANER & ENRICHENER (2 OF 2)
29087-96	AIR CLEANER & ENRICHENER (1 OF 2)
29126-90B	AIR CLEANER & ENRICHENER (1 OF 2)
29134-92	AIR CLEANER & ENRICHENER (1 OF 2)
29161-86	AIR CLEANER & ENRICHENER (2 OF 2)
29162-95	AIR CLEANER & ENRICHENER (2 OF 2)

29165-89	AIR CLEANER & ENRICHENER (2 OF 2)
29169-84	AIR CLEANER & ENRICHENER (2 OF 2)
2917	HEADLAMP (1 OF 2)
29181-88	AIR CLEANER & ENRICHENER (2 OF 2)
2921	WINDSHIELD - FLSTC
29229-88D	AIR CLEANER & ENRICHENER (2 OF 2)
29252-89	AIR CLEANER & ENRICHENER (2 OF 2)
29256-90	AIR CLEANER & ENRICHENER (2 OF 2)
29258-91	AIR CLEANER & ENRICHENER (2 OF 2)
29259-91A	AIR CLEANER & ENRICHENER (2 OF 2)
29283-93	AIR CLEANER & ENRICHENER (2 OF 2)
29312-95	CALIFORNIA EVAPORATIVE EMISSIONS KIT
29313-95	AIR CLEANER & ENRICHENER (2 OF 2)
29319-95A	AIR CLEANER & ENRICHENER (2 OF 2)
29323-95	AIR CLEANER & ENRICHENER (2 OF 2)
29325-95A	AIR CLEANER & ENRICHENER (2 OF 2)
2932A	PRIMARY HOUSING
29330-96	AIR CLEANER & ENRICHENER (2 OF 2)
2952A	SEATS & SISSY BAR
2955	HANDLEBAR SWITCHES - 1996
29954-71A	ALTERNATOR & REGULATOR
29957-81B	ALTERNATOR & REGULATOR
29960-91A	BELTS, CHAINS & SPROCKETS
29961-85	ALTERNATOR & REGULATOR
29970-88D	ALTERNATOR & REGULATOR
31342-94	STARTER MOTOR
31430-94	STARTER MOTOR
31433-84A	PRIMARY HOUSING
31504-91B	WIRING HARNESS, MAIN (1 OF 2) SWITCHES & CIRCUIT BREAKERS - 1995 SWITCHES & CIRCUIT BREAKERS - 1996
31510-90	STARTER MOTOR
31514-90	STARTER MOTOR
31515-90	STARTER MOTOR
31516-94A	STARTER MOTOR

31518-90	STARTER MOTOR
31519-90	STARTER MOTOR
31525-90	STARTER MOTOR
31527-90	STARTER MOTOR
31530-90	STARTER MOTOR
31535-91	STARTER MOTOR
31538-98	STARTER MOTOR
31548-90	STARTER MOTOR
31553-94B	STARTER MOTOR
31600-90	STARTER MOTOR
31604-91A	STARTER MOTOR
31612-09	STARTER MOTOR
31614-83A	IGNITION MODULE & COIL
31660-90	STARTER MOTOR
31662-90	STARTER MOTOR
31663-90	STARTER MOTOR
31664-94	STARTER MOTOR
31688-90	STARTER MOTOR
31689-90	STARTER MOTOR
31692-90	STARTER MOTOR
31693-90	STARTER MOTOR
31695-90	STARTER MOTOR
31727-85	IGNITION MODULE & COIL
31800-78A	IGNITION MODULE & COIL
31983-71C	IGNITION MODULE & COIL
31985-91A	IGNITION MODULE & COIL
31998-91A	MISCELLANEOUS ELECTRICAL
3210A	TRANSMISSION HOUSING (1 OF 2) OIL FILTERS & MOUNTS
3214	HEADLAMP (1 OF 2)
3221	AIR CLEANER & ENRICHENER (1 OF 2)
32311-83	IGNITION MODULE & COIL
32400-80B	CAM POSITION SENSOR & VACUUM SWITCH
32402-83	CAM POSITION SENSOR & VACUUM SWITCH

32405-91B	IGNITION MODULE & COIL
32448-95B	CAM POSITION SENSOR & VACUUM SWITCH
32449-95C	IGNITION MODULE & COIL
32464-95	IGNITION MODULE & COIL
32484-96	IGNITION MODULE & COIL
32504-80A	CAM POSITION SENSOR & VACUUM SWITCH
32524-83	CAM POSITION SENSOR & VACUUM SWITCH
32591-80	CAM POSITION SENSOR & VACUUM SWITCH
32606-82	CAM POSITION SENSOR & VACUUM SWITCH
3275	CARBURETOR (1 OF 2)
33006-95	TRANSMISSION HOUSING (1 OF 2)
33006-96	TRANSMISSION HOUSING (1 OF 2)
33040-95	TRANSMISSION HOUSING (2 OF 2)
33043-80	TRANSMISSION HOUSING (1 OF 2) SWITCHES & CIRCUIT BREAKERS - 1995 SWITCHES & CIRCUIT BREAKERS - 1996
33048-72	FOOTRESTS FOOTRESTS
33051-95	TRANSMISSION HOUSING (1 OF 2)
33051-96	TRANSMISSION HOUSING (1 OF 2)
33063-95	TRANSMISSION HOUSING (2 OF 2)
33114-79	TRANSMISSION HOUSING (1 OF 2)
33119-79B	GEAR SHIFTER (1 OF 2)
33126-94	STARTER MOTOR
33127-94	STARTER MOTOR
33189-63	FOOTRESTS FOOTRESTS
33205-80	GEAR SHIFTER (1 OF 2)
33206-80	GEAR SHIFTER (1 OF 2)
33207-80	GEAR SHIFTER (1 OF 2)
33208-80	GEAR SHIFTER (1 OF 2)
33209-80	GEAR SHIFTER (1 OF 2)
33210-80	GEAR SHIFTER (1 OF 2)
33211-80	GEAR SHIFTER (1 OF 2)
33212-80	GEAR SHIFTER (1 OF 2)
33318-85	PRIMARY HOUSING



33320-79D	GEAR SHIFTER (1 OF 2)
33326-79A	GEAR SHIFTER (1 OF 2)
33332-79	GEAR SHIFTER (1 OF 2)
33344-94	TRANSMISSION HOUSING (1 OF 2)
33445-94A	PRIMARY HOUSING
33446-94A	PRIMARY HOUSING
33449-94	STARTER MOTOR
33519-92A	OIL FILTERS & MOUNTS
33520-92	OIL FILTERS & MOUNTS
33630-90A	FOOTBOARDS
33642-89	GEAR SHIFTER (2 OF 2)
33660-90B	GEAR SHIFTER (2 OF 2)
33668-90C	GEAR SHIFTER (2 OF 2)
33683-90A	FOOTRESTS
337	TRANSMISSION HOUSING (1 OF 2)
33708-94	GEAR SHIFTER (2 OF 2) FOOTRESTS FOOTBOARDS
33714-90B	FRONT FENDER - FXSTS/B
33715-85A	GEAR SHIFTER (2 OF 2)
33719-79B	GEAR SHIFTER (2 OF 2)
33720-93	FRONT FENDER - FXSTS/B
33895-82D	GEAR SHIFTER (2 OF 2)
33900-59C	TRANSMISSION HOUSING (2 OF 2) SWITCHES & CIRCUIT BREAKERS - 1995 SWITCHES & CIRCUIT BREAKERS - 1996
3398	CRANKCASE - 1996 (1 OF 2)
3403	STARTER MOTOR
34082-79	GEAR SHIFTER (2 OF 2)
34083-79	GEAR SHIFTER (2 OF 2)
34084-86A	GEAR SHIFTER (2 OF 2)
34085-79A	GEAR SHIFTER (2 OF 2)
34086-79	GEAR SHIFTER (2 OF 2)
34087-79A	GEAR SHIFTER (2 OF 2)
34088-87A	GEAR SHIFTER (2 OF 2)
34089-79	GEAR SHIFTER (2 OF 2)

34091-85A	TRANSMISSION GEARS
3419	FUEL TANK (1 OF 2) INSTRUMENTS - 1995 (1 OF 2)
34191-79E	GEAR SHIFTER (2 OF 2)
34193-79E	GEAR SHIFTER (2 OF 2)
34195-79E	GEAR SHIFTER (2 OF 2)
3427	CRANKCASE - 1995 (1 OF 2)
3430	CRANKCASE - 1995 (1 OF 2)
3440	FOOTRESTS
3445	FUEL TANK (1 OF 2)
34468-86A	TRANSMISSION HOUSING (2 OF 2)
3450	HANDLEBAR
34564-90B	GEAR SHIFTER (2 OF 2)
34611-65A	GEAR SHIFTER (2 OF 2) GEAR SHIFTER (2 OF 2)
3471	HANDLEBAR
3473	REAR BRAKE CONTROL - FXST (1 OF 2)
34732-96	TRANSMISSION HOUSING (2 OF 2)
3480A	CRANKCASE - GEAR SIDE
3485A	FRONT FENDER
34904-86D	TRANSMISSION HOUSING (2 OF 2)
34920-86A	TRANSMISSION HOUSING (2 OF 2)
3494A	HANDLEBAR
3500A	ROCKER ARMS, COVERS & PUSHRODS - V2™ EVOLUTION
3501A	ROCKER ARMS, COVERS & PUSHRODS - V2™ EVOLUTION
35021-89	TRANSMISSION HOUSING (2 OF 2)
35025-79B	TRANSMISSION GEARS
35026-79C	TRANSMISSION GEARS
35026-94	TRANSMISSION GEARS TRANSMISSION GEARS
35027-79B	TRANSMISSION GEARS
35027-94	TRANSMISSION GEARS TRANSMISSION GEARS
35028-79B	TRANSMISSION GEARS
35028-94	TRANSMISSION GEARS TRANSMISSION GEARS
35029-91A	TRANSMISSION GEARS

35029-94	TRANSMISSION GEARS TRANSMISSION GEARS
35042-91	TRANSMISSION GEARS
3504A	CRANKCASE - 1995 (1 OF 2) CRANKCASE - 1996 (1 OF 2)
35051-89A	TRANSMISSION GEARS
3506	CRANKCASE - 1995 (1 OF 2) CRANKCASE - 1996 (1 OF 2)
35064-79	TRANSMISSION GEARS
35068-79	GEAR SHIFTER (2 OF 2)
35076-79	TRANSMISSION HOUSING (2 OF 2)
35078-79	TRANSMISSION HOUSING (2 OF 2) REAR BRAKE CONTROL - FLST (1 OF 2)
3509	REAR BRAKE CONTROL - FXST (1 OF 2)
3512	CRANKCASE - 1996 (1 OF 2)
3514	HEADLAMP (1 OF 2)
3516A	FOOTRESTS
35211-91B	BELTS, CHAINS & SPROCKETS
35258-87D	TRANSMISSION HOUSING (2 OF 2)
3533	FRONT FORK - FXSTS/B
3538	CLUTCH CONTROL FRONT BRAKE CONTROL - 1995 FRONT FORK - FLSTC/F/N (1 OF 2) FRONT FORK - FXSTS/B
3540	REAR BELT GUARD
3546	OIL TANK INSTRUMENTS - 1996 (1 OF 2)
3549A	FOOTRESTS SADDLEBAGS - FLSTC & FLSTN
3554	CRANKCASE - 1995 (1 OF 2)
3559	STARTER MOTOR
3560WA	FRONT FENDER
3561WC	FRONT FENDER
3562	FRONT BRAKE CALIPER
35622-79C	TRANSMISSION GEARS
35625-79B	TRANSMISSION GEARS
35625-94	TRANSMISSION GEARS TRANSMISSION GEARS
35626-79B	TRANSMISSION GEARS

35626-94	TRANSMISSION GEARS TRANSMISSION GEARS
35629-79	TRANSMISSION GEARS
35632-79	TRANSMISSION GEARS
35652-79B	TRANSMISSION HOUSING (2 OF 2)
3574	SEATS & SISSY BAR CALIFORNIA EVAPORATIVE EMISSIONS KIT
3576	TAIL LAMP & REAR TURN SIGNALS (1 OF 2)
3577	AIR CLEANER & ENRICHENER (1 OF 2)
358	CRANKCASE - 1995 (1 OF 2) CRANKCASE - 1996 (1 OF 2) CRANKCASE - GEAR SIDE
35850-84	CRANKCASE - 1995 (2 OF 2) CRANKCASE - 1996 (2 OF 2) BELTS, CHAINS & SPROCKETS
35851-84	CRANKCASE - 1995 (2 OF 2) CRANKCASE - 1996 (2 OF 2) BELTS, CHAINS & SPROCKETS
35852-84	CRANKCASE - 1995 (2 OF 2) CRANKCASE - 1996 (2 OF 2) BELTS, CHAINS & SPROCKETS
35854-96	BELTS, CHAINS & SPROCKETS
3588	HORN
3594	TRANSMISSION HOUSING (1 OF 2) BELTS, CHAINS & SPROCKETS FRONT BRAKE CONTROL - 1995
3602A	IGNITION MODULE & COIL
3613	CRANKCASE - 1996 (1 OF 2)
3655A	FRONT WHEEL (1 OF 2) FRONT WHEEL (1 OF 2)
3657	FRAME, REAR FORK & JIFFY STAND (1 OF 2)
3658	HANDLEBAR SWITCHES - 1996
36801-87C	TRANSMISSION HOUSING (2 OF 2)
3691	GEAR SHIFTER (1 OF 2)
37069-90A	TRANSMISSION GEARS CLUTCH
37075-87	TRANSMISSION HOUSING (2 OF 2)
37088-90	TRANSMISSION GEARS CLUTCH
37090-84A	TRANSMISSION GEARS CLUTCH
37105-87A	TRANSMISSION HOUSING (2 OF 2)

3728	EXHAUST SYSTEM (1 OF 2) EXHAUST SYSTEM (1 OF 2)
3730A	REAR WHEEL
37312-75	TRANSMISSION GEARS CLUTCH
37313-80	TRANSMISSION GEARS CLUTCH
3739	FRONT FORK - FLSTC/F/N (1 OF 2)
37496-90A	CLUTCH
375	TRANSMISSION HOUSING (1 OF 2) PRIMARY HOUSING
37503-41	REAR BRAKE CONTROL - FXST (1 OF 2)
37550-90A	CLUTCH
3767B	LICENSE PLATE BRACKETS
3769	REAR WHEEL
3770	ROCKER ARMS, COVERS & PUSHRODS - V2™ EVOLUTION
37707-94	CLUTCH
3784	GEAR SHIFTER (1 OF 2)
3787	REAR BRAKE CONTROL - FLST (1 OF 2) FRAME, REAR FORK & JIFFY STAND (1 OF 2)
37871-90	CLUTCH
37872-90	CLUTCH
37903-90	CLUTCH
37904-90	CLUTCH
37905-90	CLUTCH
37906-90	CLUTCH
37908-90	CLUTCH
37909-90	CLUTCH
37911-90	CLUTCH
37912-91	CLUTCH
37913-90	CLUTCH
3793A	SEATS & SISSY BAR
37977-90	CLUTCH
3849	ROCKER ARMS, COVERS & PUSHRODS - V2™ EVOLUTION
38607-87A	CLUTCH CONTROL
38608-82B	CLUTCH CONTROL

38608-96	CLUTCH CONTROL
38617-95	CLUTCH CONTROL
38622-87	FRONT FENDER
38630-88	CLUTCH CONTROL
38711-93	CAM POSITION SENSOR & VACUUM SWITCH
38712-68	REAR FENDER
3893	TAIL LAMP & REAR TURN SIGNALS (1 OF 2)
3945	HEADLAMP (1 OF 2)
3953W	FRONT FORK - FLSTC/F/N (1 OF 2)
3960W	AUXILIARY/FOG LAMPS & FRONT TURN SIGNALS - FLSTC
3974HW	SEATS & SISSY BAR
3987	REAR BELT GUARD FRAME, REAR FORK & JIFFY STAND (1 OF 2) FUEL TANK (1 OF 2) OIL TANK
3991	FRAME, REAR FORK & JIFFY STAND (1 OF 2)
3993	IGNITION MODULE & COIL GEAR SHIFTER (1 OF 2) SWITCHES & CIRCUIT BREAKERS - 1995
39976-65B	BELTS, CHAINS & SPROCKETS
39990-65	BELTS, CHAINS & SPROCKETS
39992-65C	BELTS, CHAINS & SPROCKETS
39993-65	BELTS, CHAINS & SPROCKETS
39996-65	BELTS, CHAINS & SPROCKETS
39998-65A	BELTS, CHAINS & SPROCKETS
40007-36B	BELTS, CHAINS & SPROCKETS
40017-94	BELTS, CHAINS & SPROCKETS
4014W	AUXILIARY/FOG LAMPS & FRONT TURN SIGNALS - FLSTC FUEL TANK (1 OF 2)
4015	CLUTCH CONTROL FRONT BRAKE CONTROL - 1995
4017	GEAR SHIFTER (2 OF 2) EXHAUST SYSTEM (1 OF 2) SADDLEBAGS - FLSTC & FLSTN
40250-94C	BELTS, CHAINS & SPROCKETS
40251-92A	BELTS, CHAINS & SPROCKETS
40266-85	BELTS, CHAINS & SPROCKETS
40299-83A	BELTS, CHAINS & SPROCKETS
40308-94	BELTS, CHAINS & SPROCKETS

40311-94	<b>BELTS, CHAINS &amp; SPROCKETS REAR WHEEL</b>
40312-94	<b>BELTS, CHAINS &amp; SPROCKETS REAR WHEEL</b>
4036	<b>AUXILIARY/FOG LAMPS &amp; FRONT TURN SIGNALS - FLSTC</b>
40384-91	<b>BELTS, CHAINS &amp; SPROCKETS</b>
40392-91	<b>BELTS, CHAINS &amp; SPROCKETS</b>
4044	<b>FRAME, REAR FORK &amp; JIFFY STAND (1 OF 2)</b>
4068A	<b>REAR BRAKE CONTROL - FLST (1 OF 2) PRIMARY HOUSING</b>
4074A	<b>SHOCK ABSORBERS - AIR &amp; HYDRAULIC</b>
40903-87	<b>REAR BRAKE CONTROL - FXST (1 OF 2)</b>
4091	<b>SWITCHES &amp; CIRCUIT BREAKERS - 1996</b>
40910-84B	<b>FRONT WHEEL (1 OF 2) FRONT WHEEL (1 OF 2)</b>
40918-87	<b>REAR BRAKE CONTROL - FXST (1 OF 2)</b>
40920-87	<b>REAR BRAKE CONTROL - FXST (1 OF 2)</b>
40922-87A	<b>REAR BRAKE CONTROL - FXST (1 OF 2) REAR BRAKE CONTROL - FLST (1 OF 2)</b>
40957-87C	<b>REAR BRAKE CONTROL - FLST (1 OF 2)</b>
40975-86	<b>REAR WHEEL</b>
40976-86A	<b>REAR WHEEL</b>
41013-95	<b>REAR WHEEL</b>
41038-92A	<b>FRONT WHEEL (1 OF 2)</b>
41040-88B	<b>FORK ROCKERS &amp; CALIPER MOUNTING - FXSTS/B</b>
41042-93	<b>FRONT FENDER - FXSTS/B</b>
41058-87B	<b>REAR WHEEL</b>
41109-88A	<b>FRONT WHEEL (1 OF 2)</b>
41110-79A	<b>REAR WHEEL</b>
41123-79	<b>FRONT WHEEL (1 OF 2) REAR WHEEL</b>
4132	<b>CLUTCH CONTROL FRONT BRAKE CONTROL - 1996</b>
4134	<b>ALTERNATOR &amp; REGULATOR</b>
41584-86A	<b>FRONT WHEEL (1 OF 2)</b>
41595-86	<b>REAR WHEEL</b>
4163	<b>FOOTRESTS</b>

41713-86	FRONT BRAKE CONTROL - 1995 FRONT BRAKE CONTROL - 1995 REAR BRAKE CONTROL - FLST (1 OF 2)
41731-88A	FRONT BRAKE CONTROL - 1995 FRONT BRAKE CONTROL - 1996 REAR BRAKE CONTROL - FXST (1 OF 2) REAR BRAKE CONTROL - FLST (1 OF 2)
41733-88	FRONT BRAKE CONTROL - 1995 FRONT BRAKE CONTROL - 1996
41739-84A	FRONT BRAKE CONTROL - 1995 FRONT BRAKE CONTROL - 1996
41745-79	REAR BRAKE CONTROL - FLST (2 OF 2)
41747-82A	FRONT BRAKE CONTROL - 1995 FRONT BRAKE CONTROL - 1996 REAR BRAKE CONTROL - FXST (1 OF 2) REAR BRAKE CONTROL - FLST (2 OF 2)
41789-92	REAR WHEEL
41804-84A	REAR BRAKE CONTROL - FXST (1 OF 2)
42269-30	REAR BRAKE CONTROL - FLST (2 OF 2)
42301-87A	REAR BRAKE CONTROL - FLST (2 OF 2)
42303-89B	FRONT BRAKE CONTROL - 1995
42303-96	FRONT BRAKE CONTROL - 1996
42305-86B	FRONT BRAKE CONTROL - 1995
42305-96	FRONT BRAKE CONTROL - 1996
42375-87	REAR BRAKE CONTROL - FLST (2 OF 2)
42382-87C	REAR BRAKE CONTROL - FXST (2 OF 2) REAR BRAKE CONTROL - FLST (2 OF 2)
4240	FRONT BRAKE CONTROL - 1995
42407-87C	REAR BRAKE CONTROL - FLST (2 OF 2)
42416-83	REAR BRAKE CONTROL - FLST (2 OF 2)
42431-87A	REAR BRAKE CONTROL - FLST (2 OF 2) FOOTBOARDS
42446-87B	REAR BRAKE CONTROL - FXST (2 OF 2)
42448-87	REAR BRAKE CONTROL - FXST (2 OF 2)
42452-87	REAR BRAKE CONTROL - FXST (2 OF 2)
42455-80	REAR BRAKE CONTROL - FXST (2 OF 2)
42460-80B	REAR BRAKE CONTROL - FXST (2 OF 2)
42468-87E	REAR BRAKE CONTROL - FLST (2 OF 2)
42473-87	REAR BRAKE CONTROL - FLST (2 OF 2)
42479-90	REAR BRAKE CONTROL - FLST (2 OF 2)



42507-89A	REAR BRAKE CONTROL - FXST (2 OF 2) FOOTRESTS
42515-82	REAR BRAKE CONTROL - FXST (2 OF 2)
42522-87A	REAR BRAKE CONTROL - FXST (2 OF 2)
42524-82A	REAR BRAKE CONTROL - FXST (2 OF 2)
42531-87	REAR BRAKE CONTROL - FXST (2 OF 2)
42532-82	REAR BRAKE CONTROL - FXST (2 OF 2)
42533-91A	TRANSMISSION HOUSING (2 OF 2)
42534-90	REAR BRAKE CONTROL - FXST (2 OF 2)
43005-86C	FRONT WHEEL (1 OF 2)
43053-86	FRONT WHEEL (1 OF 2)
43067-86	FRONT WHEEL (1 OF 2)
43085-81	FRONT WHEEL (1 OF 2) REAR WHEEL
43157-83A	FRONT WHEEL (1 OF 2) REAR WHEEL
43239-05	FRONT WHEEL (1 OF 2)
43241-05	FRONT WHEEL (1 OF 2) REAR WHEEL
4326A	STARTER MOTOR
43283-86	FRAME, REAR FORK & JIFFY STAND (1 OF 2)
43290-82	FRONT WHEEL (1 OF 2) REAR WHEEL
43291-82	FRONT WHEEL (1 OF 2) REAR WHEEL
43292-82	FRONT WHEEL (1 OF 2) REAR WHEEL
43293-82	FRONT WHEEL (1 OF 2) REAR WHEEL
43294-82	FRONT WHEEL (1 OF 2) REAR WHEEL
43346-83B	FRONT WHEEL (1 OF 2)
4350A	FRONT FORK - FXSTS/B
4352	FRONT FORK - FLSTC/F/N (1 OF 2)
43567-92	REAR WHEEL
4358A	STARTER MOTOR
43608-82	REAR WHEEL
43612-92	FRONT WHEEL (2 OF 2)
43650-82	FRONT WHEEL (2 OF 2)

	<b>REAR WHEEL</b>
43654-86A	<b>FRONT WHEEL (2 OF 2) REAR WHEEL</b>
43657-89	<b>FRONT WHEEL (1 OF 2)</b>
43662-80B	<b>FRONT WHEEL (2 OF 2)</b>
43668-82	<b>FRONT WHEEL (2 OF 2) REAR WHEEL</b>
43671-84C	<b>FRONT WHEEL (2 OF 2)</b>
43672-84A	<b>FRONT WHEEL (2 OF 2)</b>
43674-95	<b>FRONT WHEEL (1 OF 2)</b>
43676-88C	<b>FRONT WHEEL (1 OF 2)</b>
43677-88A	<b>FRONT WHEEL (2 OF 2)</b>
43946-86A	<b>REAR BRAKE CALIPER</b>
43960-86	<b>REAR BRAKE CALIPER</b>
44020-83A	<b>FRONT BRAKE CALIPER</b>
44021-83	<b>FRONT BRAKE CALIPER</b>
44022-83	<b>FRONT BRAKE CALIPER</b>
44029-88	<b>FRONT WHEEL (2 OF 2) FORK ROCKERS &amp; CALIPER MOUNTING - FXSTS/B</b>
44030-88A	<b>FORK ROCKERS &amp; CALIPER MOUNTING - FXSTS/B</b>
44035-86A	<b>REAR BRAKE CALIPER</b>
44039-86	<b>REAR BRAKE CALIPER</b>
44044-88B	<b>FORK ROCKERS &amp; CALIPER MOUNTING - FXSTS/B</b>
44045-87A	<b>REAR BRAKE CALIPER</b>
44046-84C	<b>FRONT BRAKE CALIPER</b>
44047-83	<b>FRONT BRAKE CALIPER</b>
44048-83	<b>FRONT BRAKE CALIPER REAR BRAKE CALIPER</b>
44050-87	<b>REAR BRAKE CALIPER</b>
44053-83B	<b>FRONT BRAKE CALIPER</b>
44053-92A	<b>FRONT BRAKE CALIPER FRONT BRAKE CALIPER</b>
44054-83	<b>FRONT BRAKE CALIPER</b>
44059-83	<b>FRONT BRAKE CALIPER</b>
44061-83	<b>FRONT BRAKE CALIPER</b>
44062-83	<b>FRONT BRAKE CALIPER</b>
44063-83C	<b>FRONT BRAKE CALIPER</b>

44072-92A	FRONT BRAKE CALIPER
44074-88B	FRONT BRAKE CALIPER
44077-88F	FRONT BRAKE CALIPER
44081-95	FRONT BRAKE CALIPER
44101-95A	FRONT WHEEL (2 OF 2)
44108-95A	REAR WHEEL
4411	HEADLAMP (1 OF 2)
44126-87	REAR BRAKE CONTROL - FXST (2 OF 2) REAR BRAKE CONTROL - FLST (2 OF 2)
44136-92	FRONT WHEEL (2 OF 2)
44142-95	REAR BRAKE CALIPER
44146-77	REAR BRAKE CALIPER
44147-87A	REAR BRAKE CALIPER
44152-77	REAR BRAKE CALIPER
4416	CRANKCASE - 1995 (1 OF 2) CRANKCASE - 1996 (1 OF 2)
44190-88A	FRONT BRAKE CALIPER
44197-77	FRONT BRAKE CALIPER
44198-87	REAR BRAKE CALIPER
44199-79	REAR BRAKE CALIPER
44207-87	REAR BRAKE CALIPER
44209-87C	REAR BRAKE CALIPER
44447-92	FRONT WHEEL (2 OF 2)
4453	FRONT FORK - FLSTC/F/N (1 OF 2)
45004-85	FRONT BRAKE CONTROL - 1995 REAR BRAKE CONTROL - FLST (2 OF 2)
45004-96A	FRONT BRAKE CONTROL - 1996
45005-85	FRONT BRAKE CONTROL - 1995 REAR BRAKE CONTROL - FLST (2 OF 2)
45005-96	FRONT BRAKE CONTROL - 1996
45006-96C	FRONT BRAKE CONTROL - 1996
45015-96	CLUTCH CONTROL
45016-93	FRONT BRAKE CONTROL - 1995
45016-96	FRONT BRAKE CONTROL - 1996
45019-93	FRONT BRAKE CONTROL - 1995
45019-96D	FRONT BRAKE CONTROL - 1996

45021-86	CLUTCH CONTROL
45030-03C	FRONT BRAKE CONTROL - 1996
45031-82A	FRONT BRAKE CONTROL - 1995
45032-82	CLUTCH CONTROL FRONT BRAKE CONTROL - 1995 FRONT BRAKE CONTROL - 1996
45036-88	CLUTCH CONTROL
45042-82	FRONT BRAKE CONTROL - 1995 REAR BRAKE CONTROL - FLST (2 OF 2)
45042-96	FRONT BRAKE CONTROL - 1996
45044-82	CLUTCH CONTROL FRONT BRAKE CONTROL - 1995
45044-96A	CLUTCH CONTROL FRONT BRAKE CONTROL - 1996
45051-82	FRONT BRAKE CONTROL - 1995
45057-82	REAR BRAKE CONTROL - FXST (1 OF 2)
45072-87	FRONT BRAKE CONTROL - 1995
45085-88A	FRONT FENDER FRONT FENDER - FXSTS/B
45110-88C	FRONT BRAKE CONTROL - 1995
45110-96	FRONT BRAKE CONTROL - 1996
45112-84B	FRONT BRAKE CONTROL - 1995
45112-96A	FRONT BRAKE CONTROL - 1996
45115-95B	FRONT BRAKE CONTROL - 1995 FRONT BRAKE CONTROL - 1996
45156-89E	REAR BRAKE CONTROL - FXST (2 OF 2)
45405-75A	FRONT FORK - FXSTC FRONT FORK - FLSTC/F/N (1 OF 2)
45417-84	FRONT FORK - FXSTC
45418-84	FRONT FORK - FXSTC
45419-80	FRONT FORK - FXSTC FRONT FORK - FLSTC/F/N (1 OF 2)
45420-80	FRONT FORK - FXSTC
45423-92	CLUTCH CONTROL FRONT BRAKE CONTROL - 1995
45423-96	FRONT BRAKE CONTROL - 1996
45456-86B	FRONT FORK - FLSTC/F/N (1 OF 2)
45473-88	FRONT FORK - FXSTS/B
45485-95	FRONT FORK - FXSTS/B

45544-88	HANDLEBAR
45567-88	FRONT FORK - FXSTS/B
45569-88B	FRONT FORK - FXSTS/B
45600-95A	FRONT FORK - FXSTS/B
45605-88	FRONT FORK - FLSTC/F/N (1 OF 2)
45607-93	FRONT FORK - FXSTS/B
45611-86	FRONT FORK - FXSTC FRONT FORK - FLSTC/F/N (1 OF 2) FRONT FORK - FXSTS/B
45612-95	FRONT FORK - FXSTS/B
45628-92	FRONT FORK - FXSTS/B
45640-88B	FRONT FORK - FXSTC
45646-95	FORK ROCKERS & CALIPER MOUNTING - FXSTS/B
45647-95	FORK ROCKERS & CALIPER MOUNTING - FXSTS/B
45648-85A	FRONT FORK - FXSTC
45649-91	FORK ROCKERS & CALIPER MOUNTING - FXSTS/B
45651-91	FORK ROCKERS & CALIPER MOUNTING - FXSTS/B
45655-88	FORK ROCKERS & CALIPER MOUNTING - FXSTS/B
45659-88	FORK ROCKERS & CALIPER MOUNTING - FXSTS/B
45660-88A	FORK ROCKERS & CALIPER MOUNTING - FXSTS/B
45662-88	FORK ROCKERS & CALIPER MOUNTING - FXSTS/B
45663-88A	FORK ROCKERS & CALIPER MOUNTING - FXSTS/B
45670-80A	FRONT FORK - FXSTC FRONT FORK - FLSTC/F/N (1 OF 2)
45672-80B	FRONT FORK - FXSTC
45717-63	FRONT FORK - FXSTC
45718-60	FRONT FORK - FXSTC
45733-48	FRONT FORK - FXSTC FRONT FORK - FLSTC/F/N (1 OF 2)
45830-48	OIL PUMP
45832-77A	FRONT FORK - FXSTC FRONT FORK - FLSTC/F/N (1 OF 2)
45834-77	FRONT FORK - FXSTC FRONT FORK - FLSTC/F/N (1 OF 2)
45838-77	FRONT FORK - FXSTC FRONT FORK - FLSTC/F/N (1 OF 2)
45842-77A	FRONT FORK - FXSTC FRONT FORK - FLSTC/F/N (1 OF 2)

45845-77	FRONT FORK - FXSTC FRONT FORK - FLSTC/F/N (1 OF 2)
45855-77	FRONT FORK - FXSTC
45858-77	FRONT FORK - FXSTC FRONT FORK - FLSTC/F/N (1 OF 2)
45859-77A	FRONT FORK - FXSTC FRONT FORK - FLSTC/F/N (2 OF 2)
45865-84	FRONT FORK - FXSTC FRONT FORK - FLSTC/F/N (2 OF 2)
45866-84	FRONT FORK - FXSTC FRONT FORK - FLSTC/F/N (2 OF 2)
45873-91A	FRONT FORK - FXSTC
45874-91	FRONT FORK - FXSTC
45875-84A	FRONT FORK - FXSTC FRONT FORK - FLSTC/F/N (2 OF 2)
45915-86	FRONT FORK - FLSTC/F/N (2 OF 2)
45916-86	FRONT FORK - FLSTC/F/N (2 OF 2)
45917-86	FRONT FORK - FLSTC/F/N (2 OF 2)
45918-86	FRONT FORK - FLSTC/F/N (2 OF 2)
45930-86	FRONT FORK - FLSTC/F/N (2 OF 2)
45931-86	FRONT FORK - FLSTC/F/N (2 OF 2)
45932-86	FRONT FORK - FLSTC/F/N (2 OF 2)
45933-86	FRONT FORK - FLSTC/F/N (2 OF 2)
45934-86	FRONT FORK - FXSTC FRONT FORK - FLSTC/F/N (2 OF 2)
45935-88	FRONT FORK - FXSTS/B
45936-88	FRONT FORK - FXSTS/B
45937-88	FRONT FORK - FXSTS/B
45940-84	FRONT FORK - FXSTC FRONT FORK - FLSTC/F/N (2 OF 2)
45964-86	FRONT FORK - FLSTC/F/N (2 OF 2)
45998-73	FRONT FORK - FXSTC FRONT FORK - FLSTC/F/N (2 OF 2)
46004-91A	FRONT FORK - FXSTC
46006-91A	FRONT FORK - FXSTC
46020-84	FRONT FORK - FXSTC
46048-84	FRONT FORK - FXSTC
46053-88	FRONT FORK - FXSTS/B

46054-88	FRONT FORK - FXSTS/B
46055-88	FRONT FORK - FXSTS/B
46056-88	FRONT FORK - FXSTS/B
46057-88	FRONT FORK - FXSTS/B
46059-90	HANDLEBAR
46060-88	FRONT FORK - FXSTS/B
46062-88	FRONT FORK - FXSTS/B
47008-92B	FRAME, REAR FORK & JIFFY STAND (2 OF 2)
4713W	AIR CLEANER & ENRICHENER (1 OF 2) REAR BRAKE CONTROL - FLST (1 OF 2)
4716W	CYLINDERS, VALVES & HEADS - V2™ EVOLUTION FOOTRESTS REAR FENDER SUPPORTS
4717A	TRANSMISSION HOUSING (1 OF 2)
4718A	ROCKER ARMS, COVERS & PUSHRODS - V2™ EVOLUTION CRANKCASE - GEAR SIDE
4719W	SADDLEBAGS - FLSTC & FLSTN
4721	SEATS & SISSY BAR FOOTRESTS FOOTBOARDS REAR FENDER SUPPORTS
4722	EXHAUST SYSTEM (1 OF 2)
4724	HEADLAMP (1 OF 2)
4726	CYLINDERS, VALVES & HEADS - V2™ EVOLUTION
4729	FRONT FORK - FXSTC FRONT FORK - FLSTC/F/N (1 OF 2)
4739A	INSTRUMENTS - 1995 (1 OF 2)
4740A	CRANKCASE - GEAR SIDE PRIMARY HOUSING
4741A	GEAR SHIFTER (1 OF 2) TRANSMISSION HOUSING (1 OF 2)
4742A	OIL PUMP
4747	FORK ROCKERS & CALIPER MOUNTING - FXSTS/B
47519-83A	FRONT WHEEL (2 OF 2) REAR WHEEL
47573-89B	FRAME, REAR FORK & JIFFY STAND (2 OF 2)
47577-94	FRAME, REAR FORK & JIFFY STAND (2 OF 2)
47579-93	FRAME, REAR FORK & JIFFY STAND (2 OF 2)
4761	INSTRUMENTS - 1996 (1 OF 2)
47698-86B	FRAME, REAR FORK & JIFFY STAND (2 OF 2)

47712-91	FRAME, REAR FORK & JIFFY STAND (2 OF 2)
48031-89A	FRAME, REAR FORK & JIFFY STAND (2 OF 2)
48130-92B	FRAME, REAR FORK & JIFFY STAND (2 OF 2)
4813A	CRANKCASE - GEAR SIDE
48140-84A	FRONT FORK - FXSTC FRONT FORK - FLSTC/F/N (2 OF 2) FRONT FORK - FXSTS/B FRAME, REAR FORK & JIFFY STAND (2 OF 2)
4814A	TRANSMISSION HOUSING (1 OF 2)
4816A	HANDLEBAR
4820A	PRIMARY HOUSING
48300-60	FRONT FORK - FXSTC FRONT FORK - FLSTC/F/N (2 OF 2) FRONT FORK - FXSTS/B
48306-88	FRONT FORK - FXSTS/B
48315-60	FRONT FORK - FXSTC FRONT FORK - FLSTC/F/N (2 OF 2) FRAME, REAR FORK & JIFFY STAND (2 OF 2)
48330-48A	FRONT FORK - FXSTC
48332-48C	FRONT FORK - FXSTC
48361-80	FRONT FORK - FXSTC FRONT FORK - FLSTC/F/N (2 OF 2) FRONT FORK - FXSTS/B
48365-48A	FRONT FORK - FXSTC FRONT FORK - FLSTC/F/N (2 OF 2) FRONT FORK - FXSTS/B
49377-09A	FRONT FORK - FXSTC FRONT FORK - FLSTC/F/N (2 OF 2)
4961	FRAME, REAR FORK & JIFFY STAND (1 OF 2)
50005-85A	FRAME, REAR FORK & JIFFY STAND (2 OF 2)
50015-74A	FRAME, REAR FORK & JIFFY STAND (2 OF 2)
50018-85	FRAME, REAR FORK & JIFFY STAND (2 OF 2)
50025-84	FRAME, REAR FORK & JIFFY STAND (2 OF 2)
50027-84	FRAME, REAR FORK & JIFFY STAND (2 OF 2)
50028-91	FRAME, REAR FORK & JIFFY STAND (2 OF 2)
50034-84	FRAME, REAR FORK & JIFFY STAND (2 OF 2)
50087-89B	FRAME, REAR FORK & JIFFY STAND (2 OF 2)
50100-70	PRIMARY HOUSING
50614-91A	FOOTBOARDS
50621-79A	FOOTBOARDS



50635-82A	FOOTBOARDS
50900-72	FOOTRESTS
50912-72	FOOTRESTS
50972-75	REAR BRAKE CONTROL - FLST (2 OF 2) FRAME, REAR FORK & JIFFY STAND (2 OF 2) FOOTRESTS
50989-86	FOOTBOARDS
50990-86B	FOOTBOARDS
50991-86	FRONT FORK - FLSTC/F/N (2 OF 2)
50992-87A	REAR BRAKE CONTROL - FLST (2 OF 2)
510	REAR WHEEL
51175-95	SEATS & SISSY BAR
51183-95A	SEATS & SISSY BAR
51184-88A	SEATS & SISSY BAR
51185-90	SEATS & SISSY BAR
51186-89B	SEATS & SISSY BAR
51194-96	SEATS & SISSY BAR
515	REAR BRAKE CONTROL - FXST (1 OF 2) REAR BRAKE CONTROL - FLST (1 OF 2)
51652-83B	SEATS & SISSY BAR
51923-86	SADDLEBAGS - FLSTC & FLSTN
5207	IGNITION MODULE & COIL
52092-77	LICENSE PLATE BRACKETS
52191-86	SEATS & SISSY BAR
52209-90C	SEATS & SISSY BAR
52217-90C	SEATS & SISSY BAR
52236-86E	SEATS & SISSY BAR
52283-95A	SEATS & SISSY BAR
52285-95B	SEATS & SISSY BAR
52503-88E	SEATS & SISSY BAR
52510-95A	SEATS & SISSY BAR
52541-87A	SEATS & SISSY BAR
52735-85	SEATS & SISSY BAR
52771-82	SEATS & SISSY BAR
52787-92	SEATS & SISSY BAR

52788-92	SEATS & SISSY BAR
52912-00	SEATS & SISSY BAR
53156-86	HANDLEBAR
534	FRONT BRAKE CALIPER FORK ROCKERS & CALIPER MOUNTING - FXSTS/B
53438-92	HEADLAMP (2 OF 2)
53439-79	FRONT FENDER REAR FENDER INSTRUMENTS - 1996 (1 OF 2)
5403B	LICENSE PLATE BRACKETS
54321-85	FRONT WHEEL (2 OF 2) REAR WHEEL
5444	BELTS, CHAINS & SPROCKETS
54485-97	FRONT FORK - FXSTS/B
54508-89A	SHOCK ABSORBERS - AIR & HYDRAULIC
5465	LICENSE PLATE BRACKETS
55915-94A	THROTTLE CONTROL - 1995
55919-82	HANDLEBAR
56073-83	HANDLEBAR MISCELLANEOUS ELECTRICAL HANDLEBAR SWITCHES - 1995
56081-82A	HANDLEBAR
56093-88A	HANDLEBAR
56094-95	HANDLEBAR
56119-77A	HANDLEBAR
56122-77	HANDLEBAR
56124-77	HANDLEBAR
56153-73	HANDLEBAR
56159-73	HANDLEBAR
56206-94A	THROTTLE CONTROL - 1995
56206-96	THROTTLE CONTROL - 1996
56220-94A	THROTTLE CONTROL - 1995 THROTTLE CONTROL - 1996
56305-90	THROTTLE CONTROL - 1995
56305-96	THROTTLE CONTROL - 1996
56306-90	THROTTLE CONTROL - 1995
56306-96	THROTTLE CONTROL - 1996
56342-96	THROTTLE CONTROL - 1996

56343-90	THROTTLE CONTROL - 1995
56343-96	THROTTLE CONTROL - 1996
56394-74	THROTTLE CONTROL - 1995 THROTTLE CONTROL - 1996 HANDLEBAR SWITCHES - 1995
56396-74A	THROTTLE CONTROL - 1995 THROTTLE CONTROL - 1996 HANDLEBAR SWITCHES - 1995
56397-74C	THROTTLE CONTROL - 1995 THROTTLE CONTROL - 1996 HANDLEBAR SWITCHES - 1995
56402-83A	THROTTLE CONTROL - 1995 THROTTLE CONTROL - 1996 HANDLEBAR SWITCHES - 1995
56508-76	THROTTLE CONTROL - 1995 THROTTLE CONTROL - 1996
56538-88	HANDLEBAR
56540-88	HANDLEBAR
56541-86A	HANDLEBAR
56542-86A	HANDLEBAR
56546-95	HANDLEBAR
56547-95	HANDLEBAR
56567-86B	HANDLEBAR
56569-86	HANDLEBAR
5710	FRONT FORK - FXSTC FRONT FORK - FLSTC/F/N (1 OF 2)
57215-75	REAR BRAKE CONTROL - FLST (2 OF 2)
5756	REAR WHEEL
5774	MIRRORS
5775	FUEL TANK (1 OF 2)
57852-02A	AUXILIARY/FOG LAMPS & FRONT TURN SIGNALS - FLSTC
5787	SADDLEBAGS - FLSTC & FLSTN
5797A	REAR BRAKE CONTROL - FLST (1 OF 2)
58018-86A	WINDSHIELD - FLSTC
58075-86	WINDSHIELD - FLSTC
58078-49	WINDSHIELD - FLSTC
58079-49	WINDSHIELD - FLSTC
58183-78	WINDSHIELD - FLSTC
58406-75A	WINDSHIELD - FLSTC

58408-75A	WINDSHIELD - FLSTC
58411-76A	WINDSHIELD - FLSTC
58412-76A	WINDSHIELD - FLSTC
58416-77A	WINDSHIELD - FLSTC
58417-77	WINDSHIELD - FLSTC
5885	AUXILIARY/FOG LAMPS & FRONT TURN SIGNALS - FLSTC
59043-93	FRONT FENDER - FXSTS/B
59082-79	FRONT FENDER
59082-96	FRONT FENDER
59116-96	FRONT FENDER
59117-96	REAR FENDER
59129-86A	FRONT FENDER
59139-89	FRONT FENDER
59144-87A	REAR FENDER
59144-96	REAR FENDER
59176-93	FRONT FENDER - FXSTS/B
59180-80	FRONT FENDER
59181-80	FRONT FENDER
59182-84	FRONT FENDER
59197-87	FRONT FENDER
59201-96	FRONT FENDER
59211-74A	FRONT FENDER
59235-86	FRONT FENDER
59251-90	REAR FENDER
59254-91	SEATS & SISSY BAR REAR FENDER
59255-91	SEATS & SISSY BAR REAR FENDER
59258-91	FRAME, REAR FORK & JIFFY STAND (2 OF 2)
59259-90	REAR FENDER
59262-90B	LICENSE PLATE BRACKETS
59265-90	FRAME, REAR FORK & JIFFY STAND (2 OF 2)
59287-92	REAR FENDER
59288-92	REAR FENDER
59289-92	REAR FENDER

59290-92	REAR FENDER
59596-89	REAR FENDER
59596-96	REAR FENDER
59626-84	LICENSE PLATE BRACKETS
59648-84A	REAR FENDER
59658-79A	REAR FENDER
59659-96	REAR FENDER
59710-84	TAIL LAMP & REAR TURN SIGNALS (2 OF 2)
59880-95	REAR FENDER SUPPORTS
59881-95	REAR FENDER SUPPORTS
59882-95	REAR FENDER SUPPORTS
59883-95	REAR FENDER SUPPORTS
59914-86A	REAR FENDER
59914-96	REAR FENDER
59924-80B	FRONT FENDER
59954-86A	REAR FENDER SUPPORTS
59955-86A	REAR FENDER SUPPORTS
59959-86	TAIL LAMP & REAR TURN SIGNALS (1 OF 2)
59964-86A	REAR FENDER SUPPORTS REAR FENDER SUPPORTS
59969-86A	REAR FENDER SUPPORTS REAR FENDER SUPPORTS
59971-80	LICENSE PLATE BRACKETS
59983-75	LICENSE PLATE BRACKETS
59984-73	LICENSE PLATE BRACKETS
59986-75	LICENSE PLATE BRACKETS
59988-72A	LICENSE PLATE BRACKETS
59993-80B	LICENSE PLATE BRACKETS
60001-55	LICENSE PLATE BRACKETS
60005-77	LICENSE PLATE BRACKETS
6003	TRANSMISSION GEARS
601	GEAR SHIFTER (1 OF 2)
6016	ROCKER ARMS, COVERS & PUSHRODS - V2™ EVOLUTION CRANKCASE - 1995 (1 OF 2) CRANKCASE - 1996 (1 OF 2) GEAR SHIFTER (1 OF 2) TRANSMISSION HOUSING (1 OF 2)

	<b>PRIMARY HOUSING</b>
6019	<b>CYLINDERS, VALVES &amp; HEADS - V2™ EVOLUTION CRANKCASE - 1995 (1 OF 2) CRANKCASE - 1996 (1 OF 2) FRONT BRAKE CALIPER SADDLEBAGS - FLSTC &amp; FLSTN</b>
6035A	<b>SWITCHES &amp; CIRCUIT BREAKERS - 1995 SWITCHES &amp; CIRCUIT BREAKERS - 1996</b>
6036	<b>SWITCHES &amp; CIRCUIT BREAKERS - 1995</b>
60363-86C	<b>FRAME, REAR FORK &amp; JIFFY STAND (2 OF 2)</b>
6040A	<b>FORK ROCKERS &amp; CALIPER MOUNTING - FXSTS/B</b>
60415-89C	<b>REAR BELT GUARD</b>
6042A	<b>FORK ROCKERS &amp; CALIPER MOUNTING - FXSTS/B</b>
6047	<b>SWITCHES &amp; CIRCUIT BREAKERS - 1995 SWITCHES &amp; CIRCUIT BREAKERS - 1996</b>
6048W	<b>AIR CLEANER &amp; ENRICHENER (1 OF 2)</b>
60537-89	<b>REAR BELT GUARD</b>
60539-94B	<b>PRIMARY HOUSING</b>
60543-95	<b>PRIMARY HOUSING</b>
60567-90C	<b>PRIMARY HOUSING</b>
6057	<b>GEAR SHIFTER (1 OF 2)</b>
60572-86	<b>PRIMARY HOUSING</b>
60630-94B	<b>PRIMARY HOUSING</b>
60647-94	<b>STARTER MOTOR</b>
60668-84B	<b>PRIMARY HOUSING</b>
60678-85	<b>PRIMARY HOUSING</b>
6072	<b>AUXILIARY/FOG LAMPS &amp; FRONT TURN SIGNALS - FLSTC</b>
6084	<b>SWITCHES &amp; CIRCUIT BREAKERS - 1996</b>
609	<b>TRANSMISSION HOUSING (1 OF 2)</b>
6099	<b>OIL PUMP CLUTCH CONTROL FRONT BRAKE CONTROL - 1995 REAR BRAKE CONTROL - FXST (1 OF 2) FRONT FENDER - FXSTS/B</b>
6101	<b>CLUTCH CONTROL FRONT BRAKE CONTROL - 1996</b>
6109	<b>AIR CLEANER &amp; ENRICHENER (1 OF 2) AUXILIARY/FOG LAMPS &amp; FRONT TURN SIGNALS - FLSTC</b>
61095-92	<b>AIR CLEANER &amp; ENRICHENER (2 OF 2)</b>
61103-83B	<b>FUEL TANK (1 OF 2)</b>

61109-85D	FUEL TANK (1 OF 2)
61131-92	FUEL TANK (1 OF 2)
61155-84B	FUEL TANK (1 OF 2)
61157-87	FUEL TANK (1 OF 2)
61165-89B	FUEL TANK (1 OF 2)
6121	INSTRUMENTS - 1996 (1 OF 2)
61228-97	FUEL TANK (1 OF 2)
61272-92C	FUEL TANK (2 OF 2)
61290-97	FUEL TANK (2 OF 2)
61291-97	FUEL TANK (2 OF 2)
61338-94D	FUEL TANK (2 OF 2)
61364-95	FUEL TANK TRIM - 1995 FUEL TANK TRIM - 1996
61365-95	FUEL TANK TRIM - 1995 FUEL TANK TRIM - 1996
61366-95	FUEL TANK TRIM - 1995
61366-96	FUEL TANK TRIM - 1996
61367-95	FUEL TANK TRIM - 1995
61367-96	FUEL TANK TRIM - 1996
61370-95	FUEL TANK TRIM - 1995 FUEL TANK TRIM - 1996
61371-95	FUEL TANK TRIM - 1995 FUEL TANK TRIM - 1996
61426-97	FUEL TANK (1 OF 2)
61450-95	FUEL TANK (2 OF 2)
61640-84	FUEL TANK (2 OF 2)
61641-84	FUEL TANK (2 OF 2)
61648-85	LICENSE PLATE BRACKETS
61660-85	FUEL TANK (2 OF 2)
61667-90A	FUEL TANK (2 OF 2)
6198	INSTRUMENTS - 1995 (1 OF 2)
62043-81A	FUEL TANK (2 OF 2) INSTRUMENTS - 1995 (1 OF 2)
62055-96	FUEL TANK TRIM - 1996
62056-96	FUEL TANK TRIM - 1996
62123-66A	FRAME, REAR FORK & JIFFY STAND (2 OF 2)
62150-85	FUEL TANK (2 OF 2)

62161-02	FUEL TANK (2 OF 2)
62166-81A	FUEL TANK (2 OF 2)
6217	STARTER MOTOR
62172-02	FUEL TANK (2 OF 2)
6220W	REAR BRAKE CONTROL - FLST (1 OF 2) FRONT FENDER FRONT FENDER - FXSTS/B
6235	SADDLEBAGS - FLSTC & FLSTN
62356-95	CARBURETOR (2 OF 2) FUEL TANK (2 OF 2)
62375-57A	TRANSMISSION HOUSING (2 OF 2)
6239	OIL PUMP
62491-95	OIL TANK
62498-91	OIL TANK
6253W	AIR CLEANER & ENRICHENER (1 OF 2)
62555-95	FUEL TANK (2 OF 2)
62563-65	OIL TANK
62634-84A	OIL TANK
62704-84A	OIL TANK
62707-84	OIL TANK
62725-90	OIL TANK
6302	GEAR SHIFTER (1 OF 2)
6333	SEATS & SISSY BAR
6334	REAR BRAKE CONTROL - FLST (1 OF 2)
634	TRANSMISSION HOUSING (1 OF 2)
63515-92	OIL TANK
6352	REAR BRAKE CONTROL - FLST (1 OF 2)
63523-92A	OIL FILTERS & MOUNTS
63525-92	OIL FILTERS & MOUNTS
63528-92	OIL FILTERS & MOUNTS
6353	FRONT FORK - FXSTS/B
63530-92	OIL FILTERS & MOUNTS
63533-41A	CRANKCASE - 1995 (2 OF 2) CRANKCASE - 1996 (2 OF 2) OIL PUMP
63533-91	OIL TANK



63546-87	REAR BRAKE CONTROL - FXST (2 OF 2)
63556-87	OIL TANK
63556-92	OIL FILTERS & MOUNTS
63572-86	OIL TANK
6365	FUEL TANK (1 OF 2)
6366	REAR BRAKE CONTROL - FXST (1 OF 2) REAR BRAKE CONTROL - FLST (1 OF 2)
6371	FORK ROCKERS & CALIPER MOUNTING - FXSTS/B
63796-77A	OIL FILTERS & MOUNTS
6379W	SEATS & SISSY BAR HEADLAMP (1 OF 2) REAR FENDER SUPPORTS REAR FENDER SUPPORTS REAR FENDER SUPPORTS
63858-49	ROCKER ARMS, COVERS & PUSHRODS - V2™ EVOLUTION
63859-95B	PRIMARY HOUSING
6400HB	BELTS, CHAINS & SPROCKETS FOOTBOARDS
6409	FRONT FENDER - FXSTS/B
6410	SEATS & SISSY BAR
6497HW	GEAR SHIFTER (1 OF 2)
6498	FORK ROCKERS & CALIPER MOUNTING - FXSTS/B
6506	PISTONS, CONNECTING RODS & FLYWHEELS
6516HW	CYLINDERS, VALVES & HEADS - V2™ EVOLUTION REAR WHEEL
65296-95A	EXHAUST SYSTEM (1 OF 2)
653	CRANKCASE - 1995 (1 OF 2) CRANKCASE - 1996 (1 OF 2) CRANKCASE - GEAR SIDE
65324-83B	EXHAUST SYSTEM (1 OF 2)
65325-83A	EXHAUST SYSTEM (1 OF 2)
65328-83A	EXHAUST SYSTEM (1 OF 2)
65401-95	EXHAUST SYSTEM (1 OF 2)
65413-95	EXHAUST SYSTEM (1 OF 2)
65459-95	EXHAUST SYSTEM (1 OF 2)
65464-95	EXHAUST SYSTEM (1 OF 2)
65499-95	EXHAUST SYSTEM (1 OF 2)
65503-95	EXHAUST SYSTEM (1 OF 2)
65515-95	EXHAUST SYSTEM (2 OF 2)

65522-91	EXHAUST SYSTEM (2 OF 2)
65603-95	EXHAUST SYSTEM (1 OF 2)
65682-95A	EXHAUST SYSTEM (2 OF 2)
65702-95	EXHAUST SYSTEM (2 OF 2)
65732-95	EXHAUST SYSTEM (2 OF 2)
65734-95	EXHAUST SYSTEM (2 OF 2)
65750-95	EXHAUST SYSTEM (2 OF 2)
65761-95	EXHAUST SYSTEM (2 OF 2)
65777-95	EXHAUST SYSTEM (2 OF 2)
65781-82	EXHAUST SYSTEM (2 OF 2)
65782-82	EXHAUST SYSTEM (2 OF 2)
65813-95	EXHAUST SYSTEM (2 OF 2) EXHAUST SYSTEM (2 OF 2)
65822-95	EXHAUST SYSTEM (1 OF 2)
65840-95	EXHAUST SYSTEM (1 OF 2)
65842-95	EXHAUST SYSTEM (1 OF 2)
65853-95	EXHAUST SYSTEM (1 OF 2)
65855-95	EXHAUST SYSTEM (1 OF 2)
65864-95	EXHAUST SYSTEM (2 OF 2)
65885-95	EXHAUST SYSTEM (2 OF 2)
65887-95	EXHAUST SYSTEM (2 OF 2) EXHAUST SYSTEM (2 OF 2)
65890-95	EXHAUST SYSTEM (2 OF 2) EXHAUST SYSTEM (2 OF 2)
65892-95A	EXHAUST SYSTEM (2 OF 2) EXHAUST SYSTEM (2 OF 2)
65894-95	EXHAUST SYSTEM (2 OF 2) EXHAUST SYSTEM (2 OF 2)
65896-95	EXHAUST SYSTEM (2 OF 2)
65898-95	EXHAUST SYSTEM (2 OF 2) EXHAUST SYSTEM (2 OF 2)
65900-95	EXHAUST SYSTEM (2 OF 2)
65902-95	EXHAUST SYSTEM (2 OF 2) EXHAUST SYSTEM (2 OF 2)
65904-95	EXHAUST SYSTEM (2 OF 2) EXHAUST SYSTEM (2 OF 2)
6590HW	FRONT WHEEL (1 OF 2)
65989-90B	BATTERY

65995-88A	BATTERY
66000-80	BATTERY
66030-88	FRONT FORK - FXSTS/B
66032-91	BATTERY
66109-93	BATTERY
66111-93	BATTERY
66210-85B	BATTERY
66308-80	BATTERY
6639	FRONT WHEEL (1 OF 2)
6645	WINDSHIELD - FLSTC AUXILIARY/FOG LAMPS & FRONT TURN SIGNALS - FLSTC FUEL TANK (1 OF 2) SWITCHES & CIRCUIT BREAKERS - 1996
6655	FRONT FORK - FLSTC/F/N (1 OF 2)
6701	SEATS & SISSY BAR HEADLAMP (1 OF 2) REAR FENDER SUPPORTS REAR FENDER SUPPORTS REAR FENDER SUPPORTS EXHAUST SYSTEM (1 OF 2) EXHAUST SYSTEM (1 OF 2) SADDLEBAGS - FLSTC & FLSTN
67011-91	INSTRUMENTS - 1995 (1 OF 2)
6702	REAR BELT GUARD REAR BRAKE CONTROL - FLST (1 OF 2) FRONT FORK - FXSTC FRONT FORK - FLSTC/F/N (1 OF 2) FRAME, REAR FORK & JIFFY STAND (1 OF 2) FRONT FENDER EXHAUST SYSTEM (1 OF 2) SADDLEBAGS - FLSTC & FLSTN
67024-84A	INSTRUMENTS - 1995 (1 OF 2)
67027-96C	INSTRUMENTS - 1996 (1 OF 2)
6703	BELTS, CHAINS & SPROCKETS FRONT BRAKE CONTROL - 1995 FRAME, REAR FORK & JIFFY STAND (1 OF 2) LICENSE PLATE BRACKETS LICENSE PLATE BRACKETS OIL TANK EXHAUST SYSTEM (1 OF 2) EXHAUST SYSTEM (1 OF 2)
67030-91A	INSTRUMENTS - 1995 (2 OF 2)
67030-96C	INSTRUMENTS - 1996 (2 OF 2)
67055-92	REAR FENDER
67067-76	INSTRUMENTS - 1995 (1 OF 2)
67068-76	INSTRUMENTS - 1995 (1 OF 2)

67069-76	<b>INSTRUMENTS - 1995 (1 OF 2)</b>
67070-76	<b>INSTRUMENTS - 1995 (1 OF 2)</b>
67079-86A	<b>INSTRUMENTS - 1995 (1 OF 2)</b>
67098-87	<b>INSTRUMENTS - 1995 (1 OF 2)</b>
67115-91	<b>INSTRUMENTS - 1995 (1 OF 2)</b>
67117-85	<b>INSTRUMENTS - 1995 (1 OF 2)</b>
67118-87	<b>INSTRUMENTS - 1995 (1 OF 2)</b>
67120-84B	<b>INSTRUMENTS - 1995 (1 OF 2)</b>
67125-86A	<b>INSTRUMENTS - 1995 (1 OF 2)</b>
67136-85	<b>INSTRUMENTS - 1996 (1 OF 2)</b>
6716	<b>IGNITION MODULE &amp; COIL REAR BRAKE CONTROL - FXST (1 OF 2) LICENSE PLATE BRACKETS SWITCHES &amp; CIRCUIT BREAKERS - 1995</b>
67166-88	<b>INSTRUMENTS - 1995 (1 OF 2)</b>
67184-94	<b>INSTRUMENTS - 1996 (1 OF 2)</b>
67190-89	<b>INSTRUMENTS - 1996 (1 OF 2)</b>
67191-94	<b>INSTRUMENTS - 1996 (1 OF 2)</b>
67212-93	<b>INSTRUMENTS - 1995 (1 OF 2)</b>
67215-89	<b>INSTRUMENTS - 1995 (2 OF 2)</b>
67239-83	<b>CALIFORNIA EVAPORATIVE EMISSIONS KIT</b>
6724	<b>SHOCK ABSORBERS - AIR &amp; HYDRAULIC</b>
67260-96	<b>INSTRUMENTS - 1996 (1 OF 2)</b>
67271-94A	<b>INSTRUMENTS - 1996 (1 OF 2)</b>
67282-96C	<b>INSTRUMENTS - 1996 (2 OF 2)</b>
6736	<b>ROCKER ARMS, COVERS &amp; PUSHRODS - V2™ EVOLUTION GEAR SHIFTER (1 OF 2)</b>
6737	<b>ROCKER ARMS, COVERS &amp; PUSHRODS - V2™ EVOLUTION</b>
6753	<b>HANDLEBAR</b>
6756	<b>FRONT FORK - FXSTS/B</b>
6758	<b>FRONT BRAKE CALIPER</b>
67601-94A	<b>HEADLAMP (1 OF 2)</b>
67602-94	<b>HEADLAMP (2 OF 2)</b>
67603-94A	<b>HEADLAMP (1 OF 2)</b>
67615-89A	<b>AUXILIARY/FOG LAMPS &amp; FRONT TURN SIGNALS - FLSTC</b>
6762B	<b>ROCKER ARMS, COVERS &amp; PUSHRODS - V2™ EVOLUTION</b>

67652-96A	HEADLAMP (2 OF 2)
67653-96	HEADLAMP (2 OF 2)
67654-96	HEADLAMP (2 OF 2)
67655-96A	HEADLAMP (2 OF 2)
67656-96	HEADLAMP (2 OF 2)
67659-96	HEADLAMP (2 OF 2)
67685-92	HEADLAMP (1 OF 2)
67691-92	HEADLAMP (2 OF 2)
67698-81D	HEADLAMP (1 OF 2)
67705-92	HEADLAMP (1 OF 2)
67713-86	HEADLAMP (1 OF 2)
6771A	OIL FILTERS & MOUNTS
67757-92	HEADLAMP (1 OF 2)
67763-92A	HEADLAMP (2 OF 2)
67768-86	HEADLAMP (1 OF 2)
67769-93	HEADLAMP (1 OF 2)
67770-96	HEADLAMP (1 OF 2)
67772-80	HEADLAMP (1 OF 2)
67773-80A	FRONT FORK - FXSTC HEADLAMP (1 OF 2)
67777-80A	HEADLAMP (1 OF 2)
67781-92A	HEADLAMP (2 OF 2)
67789-91B	HEADLAMP (1 OF 2)
67790-93A	HEADLAMP (1 OF 2)
67793-92A	HEADLAMP (2 OF 2)
67798-92	HEADLAMP (2 OF 2)
67801-92A	HEADLAMP (2 OF 2)
67808-86	FRONT FORK - FLSTC/F/N (2 OF 2)
67814-86	FRONT FORK - FLSTC/F/N (2 OF 2)
67816-86	FRONT FORK - FLSTC/F/N (2 OF 2)
67819-86	FRONT FORK - FLSTC/F/N (2 OF 2)
67821-87	FRONT FORK - FLSTC/F/N (2 OF 2)
67822-88	FRONT TURN SIGNALS
67823-92A	HEADLAMP (2 OF 2)

67824-96A	HEADLAMP (1 OF 2)
67827-88A	FRONT TURN SIGNALS
67828-88A	FRONT TURN SIGNALS
67829-88	FRONT TURN SIGNALS
67841-93	HEADLAMP (1 OF 2)
67841-96A	HEADLAMP (1 OF 2)
67846-70	AUXILIARY/FOG LAMPS & FRONT TURN SIGNALS - FLSTC
67849-93	HEADLAMP (2 OF 2)
67854-98	INSTRUMENTS - 1996 (2 OF 2)
67858-89	AUXILIARY/FOG LAMPS & FRONT TURN SIGNALS - FLSTC
67872-89B	HEADLAMP (2 OF 2)
6788	SADDLEBAGS - FLSTC & FLSTN
67880-94	INSTRUMENTS - 1996 (2 OF 2)
67892-93	HEADLAMP (1 OF 2)
67894-93A	HEADLAMP (1 OF 2)
67903-96A	HEADLAMP (1 OF 2)
67904-96	HEADLAMP (2 OF 2)
67905-96	HEADLAMP (2 OF 2)
67920-96	HEADLAMP (2 OF 2)
6798	INSTRUMENTS - 1995 (1 OF 2)
68000056	AUXILIARY/FOG LAMPS & FRONT TURN SIGNALS - FLSTC
68024-94	INSTRUMENTS - 1996 (2 OF 2)
68026-73	TAIL LAMP & REAR TURN SIGNALS (1 OF 2)
68027-90	TAIL LAMP & REAR TURN SIGNALS (1 OF 2)
68032-90	TAIL LAMP & REAR TURN SIGNALS (2 OF 2)
68033-90	TAIL LAMP & REAR TURN SIGNALS (1 OF 2)
68036-91	TAIL LAMP & REAR TURN SIGNALS (2 OF 2)
68046-79	REAR FENDER
68047-79	REAR FENDER
68048-93B	TAIL LAMP & REAR TURN SIGNALS (1 OF 2)
68049-93B	TAIL LAMP & REAR TURN SIGNALS (2 OF 2)
68050-93A	HEADLAMP (2 OF 2)
68051-93A	HEADLAMP (2 OF 2)
68052-93	HEADLAMP (2 OF 2)

68081-96	REAR FENDER
6812	FRONT FORK - FXSTS/B FORK ROCKERS & CALIPER MOUNTING - FXSTS/B
68123-73	TAIL LAMP & REAR TURN SIGNALS (1 OF 2)
68163-84	AUXILIARY/FOG LAMPS & FRONT TURN SIGNALS - FLSTC FRONT TURN SIGNALS TAIL LAMP & REAR TURN SIGNALS (2 OF 2)
68168-89A	AUXILIARY/FOG LAMPS & FRONT TURN SIGNALS - FLSTC FRONT TURN SIGNALS TAIL LAMP & REAR TURN SIGNALS (1 OF 2)
68169-90A	TAIL LAMP & REAR TURN SIGNALS (2 OF 2)
68193-95	FRONT FENDER FRONT FENDER
68329-03	HEADLAMP (1 OF 2)
68348-05	AUXILIARY/FOG LAMPS & FRONT TURN SIGNALS - FLSTC
68355-05	AUXILIARY/FOG LAMPS & FRONT TURN SIGNALS - FLSTC
68401-90	AUXILIARY/FOG LAMPS & FRONT TURN SIGNALS - FLSTC
68406-86C	FRONT TURN SIGNALS
68408-86D	FRONT TURN SIGNALS
68414-05	AUXILIARY/FOG LAMPS & FRONT TURN SIGNALS - FLSTC
68440-86	AUXILIARY/FOG LAMPS & FRONT TURN SIGNALS - FLSTC TAIL LAMP & REAR TURN SIGNALS (1 OF 2)
68452-86	AUXILIARY/FOG LAMPS & FRONT TURN SIGNALS - FLSTC FRONT TURN SIGNALS TAIL LAMP & REAR TURN SIGNALS (1 OF 2)
68457-86	FRONT TURN SIGNALS TAIL LAMP & REAR TURN SIGNALS (1 OF 2)
68462-64	INSTRUMENTS - 1995 (2 OF 2)
68480-73	TAIL LAMP & REAR TURN SIGNALS (1 OF 2)
68493-90	TAIL LAMP & REAR TURN SIGNALS (2 OF 2) TAIL LAMP & REAR TURN SIGNALS (2 OF 2)
68505-90	AUXILIARY/FOG LAMPS & FRONT TURN SIGNALS - FLSTC
68506-92	TAIL LAMP & REAR TURN SIGNALS (2 OF 2)
68507-90	TAIL LAMP & REAR TURN SIGNALS (2 OF 2)
68510-74C	TAIL LAMP & REAR TURN SIGNALS (2 OF 2)
68519-68A	AUXILIARY/FOG LAMPS & FRONT TURN SIGNALS - FLSTC
68537-89G	SWITCHES & CIRCUIT BREAKERS - 1995
68540-96	SWITCHES & CIRCUIT BREAKERS - 1996
68566-90	FRONT TURN SIGNALS
68572-64B	TAIL LAMP & REAR TURN SIGNALS (2 OF 2)

68594-84	FRONT FENDER
68619-83	AUXILIARY/FOG LAMPS & FRONT TURN SIGNALS - FLSTC
68650-92	HEADLAMP (2 OF 2)
68654-92	HEADLAMP (2 OF 2)
68661-87	AUXILIARY/FOG LAMPS & FRONT TURN SIGNALS - FLSTC
68668-87	AUXILIARY/FOG LAMPS & FRONT TURN SIGNALS - FLSTC
68671-69D	AUXILIARY/FOG LAMPS & FRONT TURN SIGNALS - FLSTC
68672-38	AUXILIARY/FOG LAMPS & FRONT TURN SIGNALS - FLSTC
68674-69A	AUXILIARY/FOG LAMPS & FRONT TURN SIGNALS - FLSTC
68683-02	AUXILIARY/FOG LAMPS & FRONT TURN SIGNALS - FLSTC
68705-93A	HEADLAMP (2 OF 2)
68709-94	FRONT TURN SIGNALS
68710-94	FRONT TURN SIGNALS
68713-94A	TAIL LAMP & REAR TURN SIGNALS (2 OF 2)
68720-62	AUXILIARY/FOG LAMPS & FRONT TURN SIGNALS - FLSTC
68721-62	AUXILIARY/FOG LAMPS & FRONT TURN SIGNALS - FLSTC
68725-62A	AUXILIARY/FOG LAMPS & FRONT TURN SIGNALS - FLSTC
68760-94	TAIL LAMP & REAR TURN SIGNALS (1 OF 2)
68765-94A	TAIL LAMP & REAR TURN SIGNALS (2 OF 2)
68766-94	AUXILIARY/FOG LAMPS & FRONT TURN SIGNALS - FLSTC
68767-94	AUXILIARY/FOG LAMPS & FRONT TURN SIGNALS - FLSTC
68777-96	AUXILIARY/FOG LAMPS & FRONT TURN SIGNALS - FLSTC
68802-95	TAIL LAMP & REAR TURN SIGNALS (1 OF 2) TAIL LAMP & REAR TURN SIGNALS (2 OF 2)
69012-93A	HORN
69060-90G	HORN HORN
69062-91A	HORN
69120-91	HORN
69122-95	HORN
69125-65	HORN
69126-92	AIR CLEANER & ENRICHENER (1 OF 2)
70005-70	MISCELLANEOUS ELECTRICAL
70041-95	ALTERNATOR & REGULATOR
70043-81	MISCELLANEOUS ELECTRICAL



70044-96	<b>SWITCHES &amp; CIRCUIT BREAKERS - 1996</b>
70047-82	<b>HANDLEBAR SWITCHES - 1995</b>
70060-92B	<b>BATTERY</b>
70078-91A	<b>BATTERY</b>
70078-96	<b>BATTERY</b>
70082-82	<b>HANDLEBAR SWITCHES - 1995</b>
7012	<b>FORK ROCKERS &amp; CALIPER MOUNTING - FXSTS/B</b>
7015	<b>SWITCHES &amp; CIRCUIT BREAKERS - 1995</b>
70191-73A	<b>HANDLEBAR</b>
70196-86	<b>FRONT FENDER</b>
70197-86	<b>HANDLEBAR</b>
70216-93B	<b>WIRING HARNESS, MAIN (1 OF 2)</b> <b>WIRING HARNESS, MAIN (2 OF 2)</b>
70216-96	<b>WIRING HARNESS, MAIN (1 OF 2)</b> <b>WIRING HARNESS, MAIN (2 OF 2)</b>
70218-87A	<b>HANDLEBAR SWITCHES - 1995</b>
70219-87	<b>HANDLEBAR SWITCHES - 1995</b>
70293-87A	<b>MISCELLANEOUS ELECTRICAL</b>
70345-84	<b>HANDLEBAR SWITCHES - 1996</b>
7036	<b>IGNITION MODULE &amp; COIL</b> <b>FRONT FENDER</b> <b>LICENSE PLATE BRACKETS</b>
7038	<b>REAR BRAKE CONTROL - FLST (1 OF 2)</b> <b>FOOTBOARDS</b> <b>HEADLAMP (1 OF 2)</b> <b>EXHAUST SYSTEM (1 OF 2)</b> <b>EXHAUST SYSTEM (1 OF 2)</b>
7039	<b>CYLINDERS, VALVES &amp; HEADS - V2™ EVOLUTION</b> <b>FRONT FORK - FXSTC</b> <b>FRONT FORK - FLSTC/F/N (1 OF 2)</b>
7041	<b>STARTER MOTOR</b> <b>GEAR SHIFTER (1 OF 2)</b> <b>FRONT FORK - FXSTC</b> <b>FRONT FORK - FLSTC/F/N (1 OF 2)</b> <b>FRAME, REAR FORK &amp; JIFFY STAND (1 OF 2)</b> <b>AUXILIARY/FOG LAMPS &amp; FRONT TURN SIGNALS - FLSTC</b> <b>FRONT FENDER</b> <b>FUEL TANK (1 OF 2)</b> <b>EXHAUST SYSTEM (1 OF 2)</b> <b>INSTRUMENTS - 1995 (1 OF 2)</b>
7042	<b>TAIL LAMP &amp; REAR TURN SIGNALS (1 OF 2)</b>
7045	<b>TAIL LAMP &amp; REAR TURN SIGNALS (1 OF 2)</b>
70504-81	<b>THROTTLE CONTROL - 1995</b> <b>THROTTLE CONTROL - 1996</b>

70551-69	MISCELLANEOUS ELECTRICAL
70552-69	MISCELLANEOUS ELECTRICAL
70553-69	MISCELLANEOUS ELECTRICAL
70554-69	MISCELLANEOUS ELECTRICAL
70555-69	MISCELLANEOUS ELECTRICAL
70556-71	MISCELLANEOUS ELECTRICAL
70558-71	MISCELLANEOUS ELECTRICAL
70559-71	MISCELLANEOUS ELECTRICAL
70578-89	MISCELLANEOUS ELECTRICAL
70579-65	INSTRUMENTS - 1995 (2 OF 2) WIRING HARNESS, MAIN (1 OF 2) MISCELLANEOUS ELECTRICAL
70585-93	MISCELLANEOUS ELECTRICAL
70586-93	HEADLAMP (2 OF 2) MISCELLANEOUS ELECTRICAL
70587-93	MISCELLANEOUS ELECTRICAL
7068	FRONT WHEEL (1 OF 2) SEATS & SISSY BAR FOOTRESTS HANDLEBAR
7069	AUXILIARY/FOG LAMPS & FRONT TURN SIGNALS - FLSTC
7073	WINDSHIELD - FLSTC
70932-96A	SWITCHES & CIRCUIT BREAKERS - 1996
70933-90	CALIFORNIA EVAPORATIVE EMISSIONS KIT
70936-91B	INSTRUMENTS - 1995 (2 OF 2) INSTRUMENTS - 1995 (2 OF 2)
70940-96	SWITCHES & CIRCUIT BREAKERS - 1996
70941-84A	INSTRUMENTS - 1995 (2 OF 2)
7101	TAIL LAMP & REAR TURN SIGNALS (1 OF 2) TAIL LAMP & REAR TURN SIGNALS (2 OF 2)
71090-64	INSTRUMENTS - 1995 (2 OF 2)
71092-68A	INSTRUMENTS - 1995 (2 OF 2)
71134-68	INSTRUMENTS - 1995 (2 OF 2)
71141-68	INSTRUMENTS - 1995 (2 OF 2)
71146-94	INSTRUMENTS - 1996 (2 OF 2)
7115	FRAME, REAR FORK & JIFFY STAND (1 OF 2)
71150-92	INSTRUMENTS - 1995 (2 OF 2)
71151-92	INSTRUMENTS - 1995 (2 OF 2)

71152-92	<b>INSTRUMENTS - 1995 (2 OF 2)</b>
71158-86B	<b>INSTRUMENTS - 1995 (2 OF 2)</b>
7118	<b>REAR FENDER</b>
71182-47A	<b>INSTRUMENTS - 1995 (2 OF 2)</b>
7124	<b>ALTERNATOR &amp; REGULATOR FRONT FORK - FLSTC/F/N (1 OF 2) FRAME, REAR FORK &amp; JIFFY STAND (1 OF 2)</b>
71241-91	<b>INSTRUMENTS - 1995 (2 OF 2)</b>
71248-95	<b>INSTRUMENTS - 1995 (2 OF 2)</b>
71254-96	<b>INSTRUMENTS - 1996 (2 OF 2)</b>
71255-96	<b>INSTRUMENTS - 1996 (2 OF 2)</b>
71265-95	<b>INSTRUMENTS - 1996 (2 OF 2)</b>
7127	<b>FRONT FENDER FRONT TURN SIGNALS MIRRORS</b>
7129	<b>HANDLEBAR</b>
71295-68	<b>INSTRUMENTS - 1995 (2 OF 2)</b>
71297-68	<b>INSTRUMENTS - 1995 (2 OF 2)</b>
71300-94	<b>INSTRUMENTS - 1995 (2 OF 2)</b>
71302-93A	<b>INSTRUMENTS - 1996 (2 OF 2)</b>
7130W	<b>HEADLAMP (1 OF 2)</b>
71313-96A	<b>INSTRUMENTS - 1996 (2 OF 2) SWITCHES &amp; CIRCUIT BREAKERS - 1996</b>
7142	<b>FRAME, REAR FORK &amp; JIFFY STAND (1 OF 2)</b>
71452-91A	<b>INSTRUMENTS - 1996 (2 OF 2) SWITCHES &amp; CIRCUIT BREAKERS - 1996</b>
71501-94	<b>SWITCHES &amp; CIRCUIT BREAKERS - 1995</b>
71506-94	<b>SWITCHES &amp; CIRCUIT BREAKERS - 1995</b>
71541-84	<b>SWITCHES &amp; CIRCUIT BREAKERS - 1995</b>
71557-93	<b>HANDLEBAR SWITCHES - 1995</b>
71560-84	<b>SWITCHES &amp; CIRCUIT BREAKERS - 1995</b>
71563-82A	<b>HANDLEBAR SWITCHES - 1995</b>
71563-96	<b>HANDLEBAR SWITCHES - 1996</b>
71564-82A	<b>HANDLEBAR SWITCHES - 1995</b>
71564-96	<b>HANDLEBAR SWITCHES - 1996</b>
71567-82	<b>HANDLEBAR SWITCHES - 1995</b>
71567-96	<b>HANDLEBAR SWITCHES - 1996</b>

71568-82A	HANDLEBAR SWITCHES - 1995
71568-96A	HANDLEBAR SWITCHES - 1996
71580-84	SWITCHES & CIRCUIT BREAKERS - 1995
71583-85	SWITCHES & CIRCUIT BREAKERS - 1995
71589-92	HANDLEBAR SWITCHES - 1995
71590-92A	HANDLEBAR SWITCHES - 1995
71591-92	HANDLEBAR SWITCHES - 1995
71591-96A	HANDLEBAR SWITCHES - 1996
71597-92	HANDLEBAR SWITCHES - 1995
71598-92	HANDLEBAR SWITCHES - 1995
71598-96A	HANDLEBAR SWITCHES - 1996
71600-93	SWITCHES & CIRCUIT BREAKERS - 1995
71621-08	HANDLEBAR SWITCHES - 1996
71682-06A	HANDLEBAR SWITCHES - 1996
71684-06A	HANDLEBAR SWITCHES - 1996
71795-63A	REAR FENDER
720	CRANKCASE - 1995 (1 OF 2) CRANKCASE - 1996 (1 OF 2)
72023-51E	REAR BRAKE CONTROL - FXST (2 OF 2) REAR BRAKE CONTROL - FLST (2 OF 2) SWITCHES & CIRCUIT BREAKERS - 1995 SWITCHES & CIRCUIT BREAKERS - 1996
72034-71	TAIL LAMP & REAR TURN SIGNALS (2 OF 2) MISCELLANEOUS ELECTRICAL
72035-71	MISCELLANEOUS ELECTRICAL
72036-71	MISCELLANEOUS ELECTRICAL
72037-71	MISCELLANEOUS ELECTRICAL
72038-71A	WIRING HARNESS, MAIN (1 OF 2) MISCELLANEOUS ELECTRICAL HANDLEBAR SWITCHES - 1995
72039-71A	FRONT TURN SIGNALS TAIL LAMP & REAR TURN SIGNALS (2 OF 2) WIRING HARNESS, MAIN (1 OF 2) MISCELLANEOUS ELECTRICAL HANDLEBAR SWITCHES - 1995
72040-71	MISCELLANEOUS ELECTRICAL
72043-71A	WIRING HARNESS, MAIN (1 OF 2) MISCELLANEOUS ELECTRICAL HANDLEBAR SWITCHES - 1995
72044-71A	WIRING HARNESS, MAIN (1 OF 2) MISCELLANEOUS ELECTRICAL

72046-79	WIRING HARNESS, MAIN (1 OF 2) MISCELLANEOUS ELECTRICAL
72051-77A	MISCELLANEOUS ELECTRICAL
72056-92	HEADLAMP (2 OF 2)
72102-94BK	WIRING HARNESS, MAIN (1 OF 2)
72103-94BK	CAM POSITION SENSOR & VACUUM SWITCH
72106-94BK	WIRING HARNESS, MAIN (1 OF 2)
72108-94BK	WIRING HARNESS, MAIN (1 OF 2)
72112-94BK	CAM POSITION SENSOR & VACUUM SWITCH
72113-94BK	INSTRUMENTS - 1996 (2 OF 2) WIRING HARNESS, MAIN (1 OF 2)
72116-94BK	HANDLEBAR SWITCHES - 1996
72118-94BK	IGNITION MODULE & COIL
72138-94GY	WIRING HARNESS, MAIN (1 OF 2)
72142-94	WIRING HARNESS, MAIN (1 OF 2)
72143-94	CAM POSITION SENSOR & VACUUM SWITCH TRANSMISSION HOUSING (2 OF 2)
72146-94	WIRING HARNESS, MAIN (1 OF 2)
72147-96	SWITCHES & CIRCUIT BREAKERS - 1996
72148-94	WIRING HARNESS, MAIN (1 OF 2)
72152-94	CAM POSITION SENSOR & VACUUM SWITCH
72153-94	INSTRUMENTS - 1996 (2 OF 2) WIRING HARNESS, MAIN (1 OF 2)
72156-94	HANDLEBAR SWITCHES - 1996
72158-94	IGNITION MODULE & COIL WIRING HARNESS, MAIN (1 OF 2)
72163-94BK	TRANSMISSION HOUSING (2 OF 2)
72176-94	HANDLEBAR SWITCHES - 1996
72190-94	CAM POSITION SENSOR & VACUUM SWITCH TRANSMISSION HOUSING (2 OF 2) WIRING HARNESS, MAIN (1 OF 2)
72191-94	IGNITION MODULE & COIL CAM POSITION SENSOR & VACUUM SWITCH INSTRUMENTS - 1996 (2 OF 2) WIRING HARNESS, MAIN (2 OF 2) HANDLEBAR SWITCHES - 1996
72195-94	IGNITION MODULE & COIL WIRING HARNESS, MAIN (2 OF 2)
72199-94	CAM POSITION SENSOR & VACUUM SWITCH TRANSMISSION HOUSING (2 OF 2) WIRING HARNESS, MAIN (2 OF 2)

72216-94	WIRING HARNESS, MAIN (2 OF 2)
72217-94	WIRING HARNESS, MAIN (2 OF 2)
72218-94	WIRING HARNESS, MAIN (2 OF 2)
72241-94A	WIRING HARNESS, MAIN (2 OF 2)
72242-94	ALTERNATOR & REGULATOR
72249-94	ALTERNATOR & REGULATOR
72255-94	WIRING HARNESS, MAIN (2 OF 2)
72266-94	WIRING HARNESS, MAIN (2 OF 2) HANDLEBAR SWITCHES - 1996
72275-74	MISCELLANEOUS ELECTRICAL
72276-74	MISCELLANEOUS ELECTRICAL
72277-74	MISCELLANEOUS ELECTRICAL
72278-74A	MISCELLANEOUS ELECTRICAL
72291-94	WIRING HARNESS, MAIN (2 OF 2)
72292-94	WIRING HARNESS, MAIN (2 OF 2)
72293-94	WIRING HARNESS, MAIN (2 OF 2)
72295-94	WIRING HARNESS, MAIN (2 OF 2)
7229W	INSTRUMENTS - 1995 (1 OF 2)
7230	GEAR SHIFTER (2 OF 2) FRAME, REAR FORK & JIFFY STAND (1 OF 2) FOOTBOARDS
7232	FRONT FORK - FXSTS/B INSTRUMENTS - 1995 (1 OF 2)
72328-96	SWITCHES & CIRCUIT BREAKERS - 1996
72366-95	WIRING HARNESS, MAIN (2 OF 2)
72367-96	SWITCHES & CIRCUIT BREAKERS - 1996
728	FRAME, REAR FORK & JIFFY STAND (1 OF 2)
73102-96BK	HEADLAMP (2 OF 2)
73103-96BK	WIRING HARNESS, MAIN (2 OF 2)
73104-96BK	WIRING HARNESS, MAIN (2 OF 2)
73106-96BK	WIRING HARNESS, MAIN (2 OF 2)
73108-96BK	WIRING HARNESS, MAIN (2 OF 2)
73112-96BK	WIRING HARNESS, MAIN (2 OF 2)
73152-96BK	AUXILIARY/FOG LAMPS & FRONT TURN SIGNALS - FLSTC TAIL LAMP & REAR TURN SIGNALS (2 OF 2)
73154-96BK	HEADLAMP (2 OF 2)
73156-96BK	AUXILIARY/FOG LAMPS & FRONT TURN SIGNALS - FLSTC

73158-96BK	TAIL LAMP & REAR TURN SIGNALS (2 OF 2)
73162-96BK	INSTRUMENTS - 1996 (2 OF 2)
73190-96	HEADLAMP (2 OF 2) WIRING HARNESS, MAIN (2 OF 2)
73191-96	HEADLAMP (2 OF 2) AUXILIARY/FOG LAMPS & FRONT TURN SIGNALS - FLSTC INSTRUMENTS - 1996 (2 OF 2) FRONT TURN SIGNALS TAIL LAMP & REAR TURN SIGNALS (2 OF 2) TAIL LAMP & REAR TURN SIGNALS (2 OF 2)
73199-96	WIRING HARNESS, MAIN (2 OF 2)
739A	TRANSMISSION HOUSING (1 OF 2) PRIMARY HOUSING
74412-91	WIRING HARNESS, MAIN (2 OF 2) MISCELLANEOUS ELECTRICAL
74437-96B	TRANSMISSION HOUSING (2 OF 2)
74519-88A	ALTERNATOR & REGULATOR
74521-77A	CAM POSITION SENSOR & VACUUM SWITCH MISCELLANEOUS ELECTRICAL
74536-77A	CAM POSITION SENSOR & VACUUM SWITCH MISCELLANEOUS ELECTRICAL
74539-77A	CAM POSITION SENSOR & VACUUM SWITCH MISCELLANEOUS ELECTRICAL
74587-94	WIRING HARNESS, MAIN (2 OF 2) SWITCHES & CIRCUIT BREAKERS - 1996
74589-73	SWITCHES & CIRCUIT BREAKERS - 1995
74599-77B	WIRING HARNESS, MAIN (1 OF 2) SWITCHES & CIRCUIT BREAKERS - 1995 SWITCHES & CIRCUIT BREAKERS - 1996
7495	HORN
7497	INSTRUMENTS - 1996 (1 OF 2)
7501	TAIL LAMP & REAR TURN SIGNALS (1 OF 2)
7506	CRANKCASE - 1995 (1 OF 2) CRANKCASE - 1996 (1 OF 2)
7507	GEAR SHIFTER (1 OF 2) REAR BELT GUARD FRAME, REAR FORK & JIFFY STAND (1 OF 2) FRONT FENDER HORN SADDLEBAGS - FLSTC & FLSTN
7515	GEAR SHIFTER (1 OF 2)
7531	FRONT BRAKE CONTROL - 1995 FRONT FENDER FRONT FENDER - FXSTS/B OIL TANK

7549A	INSTRUMENTS - 1995 (1 OF 2)
755	FRONT FENDER FRONT FENDER
7576	HORN
7588	FORK ROCKERS & CALIPER MOUNTING - FXSTS/B
7593	CRANKCASE - 1995 (1 OF 2) CRANKCASE - 1996 (1 OF 2) EXHAUST SYSTEM (1 OF 2)
7600	FRONT FENDER
7601	CYLINDERS, VALVES & HEADS - V2™ EVOLUTION AIR CLEANER & ENRICHENER (1 OF 2) SADDLEBAGS - FLSTC & FLSTN
7602	SWITCHES & CIRCUIT BREAKERS - 1995
7606	HEADLAMP (1 OF 2)
7613A	FRONT FENDER
7624	FRONT FENDER LICENSE PLATE BRACKETS
7627	FRONT FORK - FXSTS/B FORK ROCKERS & CALIPER MOUNTING - FXSTS/B
7629	CRANKCASE - GEAR SIDE IGNITION MODULE & COIL FRONT FENDER REAR FENDER WIRING HARNESS, MAIN (1 OF 2) SWITCHES & CIRCUIT BREAKERS - 1995 SWITCHES & CIRCUIT BREAKERS - 1996
7643W	SEATS & SISSY BAR REAR FENDER SUPPORTS
7651A	WINDSHIELD - FLSTC
7667	FORK ROCKERS & CALIPER MOUNTING - FXSTS/B FOOTRESTS
7669	REAR BELT GUARD
7680W	FRONT FORK - FXSTS/B SEATS & SISSY BAR REAR FENDER SUPPORTS REAR FENDER SUPPORTS REAR FENDER SUPPORTS
7686	FRONT BRAKE CONTROL - 1995 OIL TANK
7688	ALTERNATOR & REGULATOR LICENSE PLATE BRACKETS INSTRUMENTS - 1996 (1 OF 2)
7689W	FRONT FENDER
7716	FOOTBOARDS
7736	MIRRORS



7739	FRONT WHEEL (1 OF 2)
7740	REAR BRAKE CONTROL - FLST (1 OF 2)
7742	REAR BRAKE CONTROL - FXST (1 OF 2) FRAME, REAR FORK & JIFFY STAND (1 OF 2)
7744	REAR BRAKE CONTROL - FXST (1 OF 2) FRONT TURN SIGNALS
7748W	REAR BRAKE CONTROL - FLST (1 OF 2) FRONT FORK - FXSTC FRONT FORK - FLSTC/F/N (1 OF 2) FRAME, REAR FORK & JIFFY STAND (1 OF 2)
7763W	INSTRUMENTS - 1995 (1 OF 2)
7768W	HANDLEBAR
7775	REAR FENDER SUPPORTS
7778	BELTS, CHAINS & SPROCKETS REAR WHEEL FRAME, REAR FORK & JIFFY STAND (1 OF 2) FOOTRESTS AUXILIARY/FOG LAMPS & FRONT TURN SIGNALS - FLSTC SADDLEBAGS - FLSTC & FLSTN
7780	FRAME, REAR FORK & JIFFY STAND (1 OF 2)
7783	FRAME, REAR FORK & JIFFY STAND (1 OF 2) SADDLEBAGS - FLSTC & FLSTN
7792	LICENSE PLATE BRACKETS
7800W	HEADLAMP (1 OF 2) TAIL LAMP & REAR TURN SIGNALS (1 OF 2) TAIL LAMP & REAR TURN SIGNALS (2 OF 2)
7825	REAR BRAKE CONTROL - FLST (1 OF 2)
7827W	REAR WHEEL
7838	STARTER MOTOR
7845	FRONT WHEEL (1 OF 2)
7848W	CLUTCH
7855W	REAR BRAKE CONTROL - FXST (1 OF 2)
7868	SADDLEBAGS - FLSTC & FLSTN
7883	CRANKCASE - 1995 (1 OF 2) CRANKCASE - 1996 (1 OF 2)
7916A	CRANKCASE - GEAR SIDE
7942	FRAME, REAR FORK & JIFFY STAND (1 OF 2)
7945	SWITCHES & CIRCUIT BREAKERS - 1996
7987	REAR WHEEL
7994	FRONT WHEEL (1 OF 2)
8099	CALIFORNIA EVAPORATIVE EMISSIONS KIT

8108	REAR BRAKE CONTROL - FLST (1 OF 2) FRONT FORK - FLSTC/F/N (1 OF 2) FRAME, REAR FORK & JIFFY STAND (1 OF 2) FUEL TANK (1 OF 2) HORN
8155	INSTRUMENTS - 1995 (1 OF 2)
83162-51	CRANKCASE - GEAR SIDE
8476	FUEL TANK (1 OF 2)
8483A	REAR FENDER LICENSE PLATE BRACKETS SWITCHES & CIRCUIT BREAKERS - 1995 SWITCHES & CIRCUIT BREAKERS - 1996
8505	FRONT FENDER FRONT FENDER - FXSTS/B
8535	AIR CLEANER & ENRICHENER (1 OF 2)
855B	FRONT BRAKE CALIPER FRONT FORK - FXSTS/B
856A	GEAR SHIFTER (1 OF 2)
858A	PRIMARY HOUSING
861A	HEADLAMP (1 OF 2)
8625	AIR CLEANER & ENRICHENER (1 OF 2)
864A	AIR CLEANER & ENRICHENER (1 OF 2)
868A	SEATS & SISSY BAR
8699	CAM POSITION SENSOR & VACUUM SWITCH
872A	FOOTRESTS
882	ROCKER ARMS, COVERS & PUSHRODS - V2™ EVOLUTION
8871	STARTER MOTOR
8873	OIL PUMP TRANSMISSION HOUSING (1 OF 2)
8876A	TRANSMISSION GEARS
8879	STARTER MOTOR
8883	STARTER MOTOR
891	OIL PUMP
89579-91	HORN
8977	TRANSMISSION HOUSING (1 OF 2)
8996A	TRANSMISSION HOUSING (1 OF 2)
8998	TRANSMISSION HOUSING (1 OF 2)
9028	CRANKCASE - 1995 (1 OF 2) CRANKCASE - 1996 (1 OF 2)
90346-94	SADDLEBAGS - FLSTC & FLSTN

90361-94A	SADDLEBAGS - FLSTC & FLSTN
90470-90	SADDLEBAGS - FLSTC & FLSTN
90471-90	SADDLEBAGS - FLSTC & FLSTN
90473-94	SADDLEBAGS - FLSTC & FLSTN
90476-93	SADDLEBAGS - FLSTC & FLSTN
90477-93	SADDLEBAGS - FLSTC & FLSTN
9052	FRONT WHEEL (1 OF 2) REAR WHEEL
9058A	CRANKCASE - GEAR SIDE
9076	FRAME, REAR FORK & JIFFY STAND (1 OF 2)
9077	STARTER MOTOR
90770-79	CLUTCH CONTROL
90785-94	SADDLEBAGS - FLSTC & FLSTN
90787-94	SADDLEBAGS - FLSTC & FLSTN
90804-95	SADDLEBAGS - FLSTC & FLSTN
90804-96A	SADDLEBAGS - FLSTC & FLSTN
90806-95	SADDLEBAGS - FLSTC & FLSTN
90806-96A	SADDLEBAGS - FLSTC & FLSTN
9110	CRANKCASE - 1995 (1 OF 2) CRANKCASE - 1996 (1 OF 2)
9114	GEAR SHIFTER (1 OF 2)
9115	GEAR SHIFTER (1 OF 2)
9120	CRANKCASE - 1995 (1 OF 2) CRANKCASE - 1996 (1 OF 2)
9121	CRANKCASE - 1995 (1 OF 2) CRANKCASE - 1996 (1 OF 2)
9122	CRANKCASE - 1995 (1 OF 2) CRANKCASE - 1996 (1 OF 2)
9123	CRANKCASE - 1995 (1 OF 2) CRANKCASE - 1996 (1 OF 2)
9124	CRANKCASE - 1995 (1 OF 2) CRANKCASE - 1996 (1 OF 2)
9125	CRANKCASE - 1995 (1 OF 2) CRANKCASE - 1996 (1 OF 2)
9126	CRANKCASE - 1995 (1 OF 2) CRANKCASE - 1996 (1 OF 2)
9127	CRANKCASE - 1995 (1 OF 2) CRANKCASE - 1996 (1 OF 2)
9128	CRANKCASE - 1995 (1 OF 2)

	<b>CRANKCASE - 1996 (1 OF 2)</b>
9129	<b>CRANKCASE - 1995 (1 OF 2)</b> <b>CRANKCASE - 1996 (1 OF 2)</b>
9130	<b>CRANKCASE - 1995 (1 OF 2)</b> <b>CRANKCASE - 1996 (1 OF 2)</b>
9131	<b>CRANKCASE - 1995 (2 OF 2)</b> <b>CRANKCASE - 1996 (2 OF 2)</b>
9132	<b>CRANKCASE - 1995 (2 OF 2)</b> <b>CRANKCASE - 1996 (2 OF 2)</b>
9133	<b>CRANKCASE - 1995 (2 OF 2)</b> <b>CRANKCASE - 1996 (2 OF 2)</b>
9134	<b>CRANKCASE - 1995 (2 OF 2)</b> <b>CRANKCASE - 1996 (2 OF 2)</b>
9135	<b>PRIMARY HOUSING</b>
9139	<b>FORK ROCKERS &amp; CALIPER MOUNTING - FXSTS/B</b>
9140	<b>FORK ROCKERS &amp; CALIPER MOUNTING - FXSTS/B</b>
9141	<b>FORK ROCKERS &amp; CALIPER MOUNTING - FXSTS/B</b>
91768-96	<b>SEATS &amp; SISSY BAR</b>
91791-87	<b>SADDLEBAGS - FLSTC &amp; FLSTN</b>
91792-87	<b>SADDLEBAGS - FLSTC &amp; FLSTN</b>
91850-87A	<b>SEATS &amp; SISSY BAR</b>
91875-88A	<b>MIRRORS</b>
91892-88A	<b>MIRRORS</b>
923	<b>FRONT BRAKE CONTROL - 1995</b> <b>FRONT FORK - FLSTC/F/N (1 OF 2)</b>
924	<b>FUEL TANK (1 OF 2)</b>
925	<b>STARTER MOTOR</b>
928	<b>STARTER MOTOR</b>
929A	<b>STARTER MOTOR</b>
933	<b>IGNITION MODULE &amp; COIL</b>
939	<b>FRAME, REAR FORK &amp; JIFFY STAND (1 OF 2)</b>
940	<b>PRIMARY HOUSING</b>
941	<b>PRIMARY HOUSING</b>
942	<b>OIL PUMP</b>
94331-91T	<b>HANDLEBAR</b> <b>FUEL TANK (1 OF 2)</b>
945	<b>PRIMARY HOUSING</b>
946	<b>AIR CLEANER &amp; ENRICHENER (2 OF 2)</b>

94605-98	REAR FENDER SUPPORTS
949	IGNITION MODULE & COIL
95578-41	FRONT WHEEL (2 OF 2) REAR WHEEL
95581-47	FRONT WHEEL (2 OF 2) REAR WHEEL
95582-47	FRONT WHEEL (2 OF 2) REAR WHEEL
95595-84A	FRONT WHEEL (2 OF 2) REAR WHEEL
9840	ALTERNATOR & REGULATOR WIRING HARNESS, MAIN (1 OF 2)
9847	HEADLAMP (1 OF 2)
9848	HEADLAMP (1 OF 2)
9852	MISCELLANEOUS ELECTRICAL
9856	MISCELLANEOUS ELECTRICAL
9857	MISCELLANEOUS ELECTRICAL
9860	MISCELLANEOUS ELECTRICAL
9862	MISCELLANEOUS ELECTRICAL
9863	MISCELLANEOUS ELECTRICAL
9864	MISCELLANEOUS ELECTRICAL
9866	ALTERNATOR & REGULATOR MISCELLANEOUS ELECTRICAL
9871	MISCELLANEOUS ELECTRICAL
9875	MISCELLANEOUS ELECTRICAL HANDLEBAR SWITCHES - 1995
9890	FUEL TANK (1 OF 2)
9898	WIRING HARNESS, MAIN (1 OF 2) MISCELLANEOUS ELECTRICAL HANDLEBAR SWITCHES - 1995
9900	MISCELLANEOUS ELECTRICAL
99000-77	SEATS & SISSY BAR
9905	WIRING HARNESS, MAIN (1 OF 2) MISCELLANEOUS ELECTRICAL
9908	IGNITION MODULE & COIL
9937	WIRING HARNESS, MAIN (1 OF 2)
9952	SWITCHES & CIRCUIT BREAKERS - 1995 SWITCHES & CIRCUIT BREAKERS - 1996
9955	EXHAUST SYSTEM (1 OF 2) EXHAUST SYSTEM (1 OF 2) EXHAUST SYSTEM (1 OF 2)

9969	OIL TANK
9988	CALIFORNIA EVAPORATIVE EMISSIONS KIT

## Component Types and Introduction Dates

[View interactive table](#)

101A1 - Generic Nuts

7736	1949
7739	Unknown
7588	Unknown
7845	Unknown
7942	1996
7643W	Unknown
7576	1990
7838	Unknown
7624	Unknown
7629	1990
7627	Unknown
7792	2012
7515	Unknown
7680W	Unknown
7689W	Unknown
7780	1973
7778	Unknown
7763W	Unknown
7775	Unknown
7916A	Unknown
7613A	1959
7501	2010
7827W	1976
7748W	Unknown
7825	Unknown
3403	Unknown
37503-41	1941
7506	Unknown
7768W	Unknown

11192	2000
35078-79	1979
7987	Unknown
67846-70	1970
7495	1994
7994	1988
7883	Unknown
8099	Unknown
8108	Unknown
40392-91	1991
7744	1943
7740	Unknown
7593	1991
7742	Unknown
7549A	Unknown
7601	1990
7602	Unknown
102A1 - Generic Screws	
2917	2000
3533	Unknown
3730A	Unknown
1795A	Unknown
3991	2009
3549A	Unknown
68052-93	1993
2872W	2009
4961	Unknown
882	2000
2902	Unknown
3987	Unknown
33119-79B	1979
42375-87	1987
3546	2013
2907	Unknown
2005	1980

3849	Unknown
2566	1995
2567	Unknown
2579A	Unknown
4761	Unknown
2602A	Unknown
2574WA	Unknown
4741A	1994
68672-38	1938
2692WB	Unknown
3655A	Unknown
4718A	1994
2955	1996
3953W	2009
3485A	Unknown
3512	Unknown
3793A	Unknown
4742A	Unknown
43567-92	1992
4014W	2009
2932A	Unknown
3514	Unknown
2698A	Unknown
47579-93	1993
941	Unknown
4350A	Unknown
942	1992
940	Unknown
3561WC	Unknown
4747	Unknown
94605-98	1998
2921	Unknown
4044	Unknown
4091	Unknown
891	2013



3275	2002
3613	2009
4326A	1990
864A	Unknown
2773	Unknown
4134	1994
68452-86	1986
4132	Unknown
2723A	Unknown
4740A	1994
3658	Unknown
45405-75A	1975
3657	1995
4240	Unknown
1046	Unknown
933	Unknown
2871W	2017
37090-84A	1984
2508	Unknown
3504A	2006
2952A	2003
67117-85	1985
939	1991
3560WA	Unknown
2647B	Unknown
4729	Unknown
4724	2009
2818	2009
90770-79	1979
4726	2009
4722	2009
4721	2009
3577	1996
2711	Unknown
3576	2013

3594	1992
45838-77	1977
27129-88	1988
42534-90	1990
928	Unknown
925	Unknown
923	Unknown
924	Unknown
861A	Unknown
4816A	Unknown
3728	2014
3993	Unknown
2607	Unknown
2604	Unknown
4416	1985
2594A	1996
4719W	2009
2904A	Unknown
4411	2009
2720	2012
2273A	Unknown
3419	2009
3494A	Unknown
868A	Unknown
45858-77	1977
3588	1990
2882W	2009
4017	2009
3562	Unknown
929A	Unknown
2614	2000
29283-93	1993
2501A	Unknown
4015	Unknown
3430	1979

2538	Unknown
3509	Unknown
2737	1986
4713W	2009
2534	Unknown
2739	Unknown
2531	Unknown
3960W	2009
3210A	Unknown
3516A	Unknown
3602A	Unknown
4820A	Unknown
50635-82A	1982
2611C	Unknown
3554	Unknown
3398	1995
3559	Unknown
4352	Unknown
3427	2009
56402-83A	1983
27317-88	1988
27146-89	1989
4358A	Unknown
3480A	Unknown
3945	2003
872A	Unknown
1601	1999
3739	Unknown
4717A	Unknown
3767B	2009
3574	Unknown
3440	2009
945	Unknown
3214	Unknown
946	Unknown

855B	2014
949	1991
3784	Unknown
1357W	Unknown
3787	Unknown
3501A	Unknown
4716W	2009
3450	2018
16478-85A	1985
44190-88A	1988
856A	1990
1783C	Unknown
44146-77	1977
2879W	2009
3445	Unknown
56397-74C	1974
2823	Unknown
3500A	Unknown
3691	Unknown
3770	Unknown
4813A	1990
3974HW	2009
4163	Unknown
94331-91T	1991
5403B	Unknown
3769	1978
4068A	Unknown
3893	Unknown
4453	1986
3540	Unknown
5444	Unknown
3473	Unknown
858A	Unknown
16480-92A	1992
2444	Unknown

4814A	Unknown
3538	Unknown
3471	2009
103A1 - Generic Washers	
25323-82	1982
6019	Unknown
6639	2006
6758	1988
61641-84	1984
6756	1988
6302	Unknown
7229W	Unknown
33212-80	1980
45662-88	1988
6016	2013
6040A	2000
56159-73	1973
7130W	Unknown
27125-89	1989
6497HW	2010
6771A	Unknown
43650-82	1982
25550-57A	1957
6035A	Unknown
27148-89	1989
6220W	Unknown
6352	Unknown
25325-82	1982
6366	1987
6365	2014
6379W	Unknown
7118	Unknown
6371	Unknown
6788	Unknown
6333	Unknown

6057	1991
6334	Unknown
45717-63	1963
6099	2011
6798	2012
27127-89	1989
25320-82	1982
6109	1980
6101	2011
6047	Unknown
7129	Unknown
31689-90	1990
6072	Unknown
6048W	1975
6590HW	Unknown
7230	Unknown
7232	1954
6253W	Unknown
6516HW	Unknown
6036	Unknown
6812	Unknown
6042A	Unknown
25327-82	1982
65782-82	1982
25326-82	1982
27137-81	1981
7068	Unknown
6498	Unknown
7038	1998
7039	Unknown
6724	1984
6410	Unknown
25322-82	1982
25321-82	1982
6409	Unknown

7073	Unknown
6198	Unknown
25328-82	1982
6762B	Unknown
6736	Unknown
6753	Unknown
6737	Unknown
7042	Unknown
6655	1979
7041	1958
7015	Unknown
6703	1970
6701	Unknown
6702	Unknown
6235	Unknown
42531-87	1987
6645	Unknown
33043-80	1980
7045	Unknown
6400HB	Unknown
71182-47A	1947
6716	Unknown
104A1 - Custom Nuts	
7945	1991
7868	1993
23981-98	1998
7497	1991
8155	2002
54321-85	1985
7606	1983
105A1 - Custom Screws	
27158-89	1989
27130-90	1990
5465	2003
4074A	2006

27262-96	1996
106A1 - Custom Washers	
6003	2010
7124	Unknown
6506	Unknown
108A1 - Hose Clamps	
10038A	1994
10031	2010
60005-77	1977
10014	Unknown
10059A	2010
9955	Unknown
10086	Unknown
10080	Unknown
10074	Unknown
45044-96A	1996
108B1 - P Clamps	
10122	Unknown
10003	2010
510	Unknown
71795-63A	1965
10076	2010
10112	1999
109A1 - Studs	
42301-87A	1997
16715-83	1983
45998-73	1973
16837-85C	1985
11733A	Unknown
3506	Unknown
45544-88	1988
110A1 - Bearing Dust Seals	
24628-87A	1987
24626-87A	1987
110B1 - Plain Bushings	



9058A	2014
31430-94	1994
33211-80	1980
57215-75	1975
42524-82A	1982
48330-48A	1948
8996A	1996
17429-91	1991
90361-94A	1996
33446-94A	1994
33714-90B	2011
33207-80	1980
9139	1988
53156-86	1986
8998	1996
46020-84	1984
44030-88A	1988
24600-58B	1958
25582-93	1993
33205-80	1980
24601-58B	1958
8876A	Unknown
33445-94A	1994
33708-94	1994
45934-86	1986
33209-80	1980
45866-84	1984
9076	1984
9141	1988
33208-80	1980
8883	Unknown
33206-80	1980
67055-92	1992
8879	Unknown
44035-86A	1986

25581-70	1970
33210-80	1980
24641-36	1936
110C1 - Radial Shaft Seals	
83162-51	1951
26227-58	1958
12066A	Unknown
67098-87	1987
12045	Unknown
12035B	Unknown
12026B	Unknown
12052A	2003
12067B	2002
110D1 - Rolling Element Bearings	
9115	Unknown
9114	Unknown
24643-87A	1987
8977	Unknown
9135	Unknown
24346-87A	1987
24641-87A	1987
9140	1988
8871	Unknown
9052	Unknown
9028	2009
33720-93	1993
111A1 - Adhesive	
9871	Unknown
58417-77	1977
74521-77A	1977
9852	Unknown
9862	Unknown
111B1 - Tape	
61157-87	1987
111C1 - Insulating Tape	

61640-84	1984
116A1 - Banjo Bolts	
41739-84A	1984
41747-82A	1982
117A1 - Coil Springs	
56396-74A	1974
27162-89	1989
119A1 - O-Rings	
11165	Unknown
11241	Unknown
26432-76A	1976
11105	Unknown
10957	2006
11145A	2007
11157	1983
27577-92	1992
11140	1982
11147B	2006
45845-77	1977
11132A	2007
11191	1989
44059-83	1983
31695-90	1990
11173	1999
11179	1986
27157-89	1989
120A1 - Pins	
601	Unknown
609	Unknown
51923-86	1986
239	2009
634	Unknown
16573-83A	1983
534	Unknown
42460-80B	1980

337	Unknown
515	Unknown
42269-30	1930
375	Unknown
358	Unknown
275	1992
121A1 - Grommets	
11717	2004
11447	1984
67067-76	1976
11437	Unknown
11460	1992
121B1 - Press-Fit Plugs	
26263-80	1980
739A	Unknown
653	Unknown
755	Unknown
121C1 - Threaded Plugs	
24925-95	1995
728	1998
720	2013
122A1 - Retaining Rings	
10998	1985
10151	1997
11271	Unknown
11272	Unknown
10120	1992
41713-86	1986
10124	1992
17945-36B	1936
11016	Unknown
10170	2003
26348-36	1936
45021-86	1986
10040	1982

44021-83	1983
11002	Unknown
9890	Unknown
65325-83A	1983
45611-86	1986
10103	Unknown
27368-76	1976
11150	1984
11155	Unknown
11158	Unknown
9988	1992
31530-90	1990
11143	Unknown
11177A	1996
11096	2010
11067	Unknown
11182	Unknown
11160A	1990
11083	Unknown
27124-89	1989
60678-85	1985
11175	1989
35021-89	1989
10263A	2009
67069-76	1976
11248	Unknown
11161	Unknown
9952	1973
123A1 - Sealing Washers	
26262-80	1980
123B1 - Spring Washers	
7101	1989
7115	Unknown
7127	Unknown
7142	1999

7069	Unknown
124A1 - Spacers	
43290-82	1982
43283-86	1986
44029-88	1988
35852-84	1984
29961-85	1985
24002-70	1970
24033-70	1970
47577-94	1994
33344-94	1994
43294-82	1982
5775	1984
6084	1992
5756	Unknown
33114-79	1979
35850-84	1984
5885	Unknown
43293-82	1982
35851-84	1984
5774	Unknown
62043-81A	1981
24037-70	1970
5797A	Unknown
35629-79	1979
35854-96	1996
5710	Unknown
11244	Unknown
125A1 - Tie Straps	
10065	1985
70191-73A	1975
10039	1981
10177	1996
10181	1996
10006	1960

10073	1985
126A1 - Miscellaneous Hardware	
42479-90	1990
50972-75	1975
31692-90	1990
42473-87	1987
46057-88	1988
47698-86B	1986
44126-87	1987
46053-88	1988
27136-90A	1990
45567-88	1988
50027-84	1984
11456	Unknown
46056-88	1988
46060-88	1988
61095-92	1992
41042-93	1993
33126-94	1994
59710-84	1984
11219	Unknown
11218	Unknown
63530-92	1992
33318-85	1985
45628-92	1992
45935-88	1988
46059-90	1990
27040-88	1988
45937-88	1988
50025-84	1984
33449-94	1994
44045-87A	2013
56394-74	1974
46062-88	1988
8873	1984

38711-93	1993
44061-83	1983
126B1 - Rivets Fasteners	
8476	1991
8625	Unknown
8535	Unknown
8699	1980
8483A	Unknown
8505	Unknown
127B1 - Generic Mounting Bracket	
57852-02A	2002
33519-92A	1992
51652-83B	1983
38608-82B	1982
59959-86	1986
140A1 - Battery Warning Label	
70043-81	1981
15368-01A	2001
140A2 - General Warning Label	
29126-90B	1990
44197-77	1977
140A3 - Other Special Warning Label	
14150-86	1986
140A5 - Unleaded Fuel Only Label	
14479-95	1995
141A1 - Medallion	
14470-95	1995
14546-96	1996
14541-96	1996
14551-96	1996
14472-95	1995
14540-96	1996
14536-96	1996
14549-96	1996
14530-96	1996



14473-95	1995
14387-93	1993
14475-95	1995
14538-96	1996
90470-90	1990
14526-96	1996
14476-95	1995
14528-96	1996
14270-92	1992
71300-94	1994
14544-96	1996
14529-96	1996
14535-96	1996
14547-96	1996
14593-96	1996
14407-95	1995
14474-95	1995
14469-95	1995
14471-95	1995
14404-95	1995
61367-96	1996
14534-96	1996
61367-95	1995
14424-95	1995
14406-95	1995
66030-88	1988
14228-91	1991
14339-90	1990
14533-96	1996
14287-94	1994
14532-96	1996
14548-96	1996
14545-96	1996
14550-96	1996
14423-95	1995

14537-96	1996
14415-95	1995
14386-93	1993
14335-90	1990
71302-93A	1993
14390-93	1993
14539-96	1996
14456-95	1995
61366-95	1995
61366-96	1996
14405-95	1995
162D1 - Engine Assembly	
16121-95	1995
16121-96	1996
16122-95	1995
16122-96	1996
16126-95	1995
16126-96	1996
16183-95	1995
163B1 - Engine Isolator Mount	
90473-94	1994
164A1 - Engine Mount Bracket	
38608-96	1996
16247-91	1991
164B1 - Engine Mount Bracket sub-component	
7600	Unknown
7716	1990
7783	Unknown
7531	1980
16242-90	1990
7669	Unknown
7667	Unknown
7688	2000
7686	Unknown
5207	1980

7507	Unknown
7848W	Unknown
7855W	Unknown
7800W	Unknown
16284-84	1984
165A1 - Cylinder Head	
16692-95	1995
18011-86	1986
16696-92A	1992
165B1 - Cylinder Head and Base Gaskets	
16774-86D	1986
16770-84F	1984
16778-84A	1984
16779-84B	1984
179A1 - Lifters	
18523-86B	1986
179B1 - Push Rod	
17921-83A	1983
17930-83A	1983
17924-83A	1983
17927-83A	1983
180A1 - Valves	
18076-83	1983
18101-83D	1999
18074-83B	2007
18082-83A	1983
18087-83	1983
181B1 - Valve Seals	
18133-83B	1983
18130-83D	1983
18219-83A	1983
18020-83	1983
18134-83	1983
18131-83D	1983
18124-83	1983

18001-83B	1983
181C1 - Valve Collars	
18229-83A	1984
17947-36	1936
17950-66	1966
184A1 - PT Camdrive and Valvetrain Miscellaneous Component	
17355-92A	2010
17356-92A	2010
17358-84B	2010
219A1 - Piston	
16512-86A	1986
21942-83	1983
21944-83	1983
21940-83	1983
21941-83	1983
21943-83	1983
220A1 - Piston Ring	
21921-83	1983
21923-83	1983
21924-83	1983
21920-83	1983
21922-83	1983
221A1 - Piston Pin	
22589-83B	1983
22764-83	1983
237A1 - Connecting Rod	
24281-83	1983
237B1 - Connecting Rod sub-component	
24356-36A	1936
24335-36	1936
24334-36	1936
239A1 - PT Lower End Miscellaneous Component	
23928-87	1987
24345-36A	1936
48365-48A	1981

241A1 - Flywheel	
23906-93B	1999
23961-80A	1981
244A1 - Crankcase	
24571-93	1993
244D1 - Crankcase sub-component	
24032-70	1970
24034-70	1970
24035-70	1970
24046-93	1993
24043-93	1993
24044-93	1993
24045-93	1993
24042-93	1993
24040-93	1993
24041-93	1993
24599-93	1993
244E1 - Transmission Access Door	
23974-87	1987
23975-87	1987
245A1 - PT Cases Miscellaneous Component	
24036-70	1970
254B1 - Camshaft	
24586-93	1993
254C1 - Camshaft Sprocket	
40299-83A	1983
254D1 - Camshaft Support	
34085-79A	1979
255C1 - Camdrive Chain Tensioner	
39990-65	1965
39976-65B	1965
255D1 - Camdrive Chain Tensioner sub-component	
39993-65	1965
256A1 - Timer Cover	
32524-83	1983

257A1 - Cam Cover	
25256-93A	1993
257B1 - Clutch Cover	
60668-84B	1984
257D1 - Clutch Inspection Cover	
60572-86	1986
257E1 - Cover Gaskets	
29252-89	1989
65324-83B	2009
31433-84A	1984
34904-86D	1986
67602-94	1994
71295-68	1968
16800-84A	1984
61109-85D	1985
67601-94A	1994
17041-92A	1992
42455-80	1980
41733-88	1988
29313-95	1995
35652-79B	1979
63859-95B	1995
45005-96	1996
29062-95B	1995
45005-85	1985
45733-48	1948
60567-90C	1990
18633-48D	1948
25416-70A	1970
60539-94B	1994
36801-87C	1987
63858-49	1949
41731-88A	1988
25225-93B	1993
17042-92A	1992

32591-80	1980
47519-83A	1983
18634-48C	1948
17040-92A	1992
257G1 - Ignition Cover	
71506-94	1994
257L1 - Primary Cover	
60630-94B	1994
60543-95	1995
257M1 - Push Rod Cover	
17935-79B	1979
17938-83	1983
257N1 - Rocker-Arm / Valve Cover	
17529-92	1992
17375-83A	1983
17611-83	1983
17360-83A	1983
17530-92	1992
17528-92	1992
257P1 - Tappet Cover	
18622-85B	1985
18623-85B	1985
258A1 - PT Covers Miscellaneous Component	
34468-86A	1986
265A1 - Vent / Breather Line	
27093-92A	1996
270A1 - Carburetor	
27361-76A	1976
27239-95	1995
27339-90	1990
27360-76	1976
27362-76	1976
27147-89	1989
27159-92	1992
27583-88	1988

27171-89	1989
27156-89	1989
27035-95	1995
27186-92	1992
27261-96	1996
27253-96	1996
27369-76	1976
27088-95	1995
29059-88A	1988
27115-88	1988
27371-76A	1976
27582-88	1988
27587-88	1988
27206-93B	1993
27311-76	1976
27101-88	1988
27038-92A	1992
27504-96	1996
27585-88	1988
27586-88	1988
27116-88	1988
27281-92	1992
27575-88A	1988
27492-96B	1996
27100-88	1988
27128-89	1989
27126-89	1989
27114-88	1988
27090-89	1989
27315-88A	1988
27263-96	1996
27576-92	1992
271C1 - Intercooler Gasket	
65781-82	1982
271D1 - Intercooler Hose	



63546-87	1987
63515-92	1992
272B1 - Throttle Body / Intake Manifold	
26994-90	1990
273A1 - Intake Manifold	
27019-89A	1989
273C1 - Throttle Body/Intake Manifold sub-component	
27102-92	1992
273K1 - Throttle Body to Manifold Seal	
26995-86B	1986
273N1 - Throttle Cable Retention Bracket	
56508-76	1976
275A1 - PT Upper End Miscellaneous Component	
37313-80	1980
290A1 - Airbox Baseplate	
29134-92	1992
29017-92	1992
29087-96	1996
29319-95A	1995
290C1 - Airbox Baseplate sub-component	
29256-90	1990
29068-89	1989
29162-95	1995
29169-84	1984
28823-89	1989
29161-86	1986
292B1 - Air Duct Bezel	
29181-88	1988
294A1 - Air Filter Element	
29330-96	1996
29259-91A	1991
29325-95A	1996
294B1 - Breather Bolt	
25310-82A	1982
294C1 - Breather Hose	

63572-86	1986
294G1 - Air Cleaner	
27010-86A	1986
27009-86A	1986
295A1 - Intake Miscellaneous Component	
29323-95	1995
27579-88A	1988
27002-89	1989
27886-78A	1978
29258-91	1991
28842-89	1989
29229-88D	1988
29070-89B	1989
299C1 - Charging Rotor	
29957-81B	1981
32402-83	1983
299F1 - Stator Assembly	
29970-88D	2007
314E1 - Starter Friction Clutch	
31516-94A	2010
9077	Unknown
314F1 - Starter Motor	
31514-90	1990
31518-90	1990
31510-90	1990
31515-90	1990
31553-94B	1994
31612-09	2009
314G1 - Starter Motor sub-component	
31660-90	1990
31535-91	1991
31727-85	1985
27581-88	1988
31548-90	1990
31527-90	1990

31664-94	1994
31600-90	1990
31688-90	1990
314H1 - Starter Solenoid	
28841-89	1989
31604-91A	1991
28827-96A	1996
314L1 - Starter Motor Drive	
33189-63	1963
316A1 - Ignition Coil	
31800-78A	1978
31614-83A	1983
316B1 - Spark Plug Cable	
31985-91A	1991
31983-71C	1971
327C1 - Pressure Sensor	
74437-96B	1996
327D1 - Proximity Sensor	
32448-95B	2010
336A1 - Shift Linkage Rod Assembly	
33630-90A	1990
33895-82D	2010
336C1 - Shift Linkage Rod End	
33719-79B	1979
336F1 - Toepeg	
34611-65A	1965
339A1 - Shift Lever	
33715-85A	1985
34564-90B	1990
33668-90C	1990
339B1 - Gearshift Shaft	
33642-89	1989
339D1 - Shifter Fork	
34195-79E	1979
34088-87A	1987

34193-79E	1979
34191-79E	1979
339E1 - Shifter Fork Shaft	
34084-86A	1986
339F1 - Shifter Index Lever	
34086-79	1979
339H1 - Shifter Mechanism Components (internal)	
34083-79	1979
34082-79	1979
34091-85A	1985
33332-79	1979
33326-79A	1980
33683-90A	1992
33320-79D	1982
33660-90B	1990
34087-79A	1979
33127-94	1994
34089-79	1979
347A1 - Transmission Assembly	
33006-96	1996
33006-95	1995
34732-96	1996
33063-95	1995
35076-79	1979
33051-96	1996
33051-95	1995
33040-95	1995
37105-87A	1987
35064-79	1979
350A1 - Transmission Output Sprocket	
40250-94C	1994
350E1 - Transmission Gear	
31525-90	1990
31342-94	1994
35028-79B	1979

350F1 - Transmission Mainshaft

35027-79B	1979
35029-94	1994
35027-94	1994
35026-79C	1979
35025-79B	1981
35028-94	1994
35042-91	1991
35029-91A	1991

350G1 - Transmission Shim / Spacer

9110	2013
9123	2013
9122	2013
9125	2013
9124	2013
9127	2013
9126	2013
9129	Unknown
9128	Unknown
9121	2013
9120	Unknown
9134	2013
9133	2013
9132	2013
9131	Unknown
9130	Unknown

29960-91A	1991
-----------	------

356A1 - Transmission Countershaft

35026-94	1994
35626-94	1994
35626-79B	1979
35632-79	1979
35625-94	1994
35622-79C	1979
35625-79B	1981

## 363A1 - PT Driveline Miscellaneous Component

24599-58B	1958
42533-91A	1991
35258-87D	1992
35051-89A	1989
35068-79	1979
35211-91B	1991
40266-85	1985
37069-90A	2010
365A1 - Primary Chain	
40007-36B	1936
365B1 - Primary Chain Tensioner	
39998-65A	1970
39996-65	1965
39992-65C	1990
365C1 - Primary Drive Assembly	
40308-94	1994
40384-91	1991
40251-92A	1992
367A1 - Clutch Lever	
45015-96	1996
367H1 - Clutch Lever sub-component	
37312-75	1975
34920-86A	1986
37904-90	1990
37906-90	1990
37871-90	1990
38630-88	1988
37872-90	1990
37905-90	1990
37909-90	1990
37977-90	1990
37908-90	1990
370A1 - Clutch Assembly	
45036-88	1988

37496-90A	1990
370B1 - Clutch Friction Plate	
37911-90	1990
370C1 - Clutch Hub	
37550-90A	1990
370E1 - Clutch Metal Plate	
37903-90	1990
37088-90	1990
370F1 - Clutch Pressure Plate	
37912-91	1991
37913-90	1990
370G1 - Clutch Shell	
37707-94	1994
372D1 - Clutch Cable	
38617-95	1995
38607-87A	1988
372K2 - Clutch Ramp	
25452-87A	1987
25453-87A	1987
400A1 - Drive-Belt	
40017-94	1994
409A1 - Rear Wheel	
41058-87B	1987
40975-86	1986
410D1 - Electronic Control Module (ECM)	
32400-80B	2010
32504-80A	1982
32405-91B	1991
32484-96	1996
32464-95	1995
32449-95C	2009
32606-82	1982
410E1 - Lighting / Siren Control Module	
68537-89G	1989
413A1 - Brake Caliper	

44074-88B	1995
44077-88F	1988
44142-95	1995
44053-92A	1995
44081-95	1995
44046-84C	1984
44050-87	1987
413B1 - Brake Bleeder Screw	
44048-83	1983
413C1 - Brake Caliper sub-component	
45420-80	1980
44044-88B	1998
44054-83	1983
44147-87A	1987
44022-83	1983
48361-80	1980
413D1 - Brake Pad	
43960-86	1986
413E1 - Brake Pad Pin	
44053-83B	1983
413G1 - Brake Caliper Piston Set	
44020-83A	2013
43946-86A	2013
415B1 - Brake Rotor	
44136-92	1992
41789-92	1992
416A1 - Brakes Miscellaneous Component	
40918-87	1987
45031-82A	1982
40903-87	1987
44108-95A	2011
40920-87	1987
72023-51E	2012
41040-88B	1988
44101-95A	2011



416B1 - Brake Mounting Bracket

44072-92A	1995
44207-87	1987
417A1 - Brake Master Cylinder Assembly	
45030-03C	2003
42446-87B	1987
45057-82	1982
417B1 - Brake Master Cylinder	
45019-93	1993
42468-87E	1987
45044-82	1982
45019-96D	1996
417C1 - Brake Master Cylinder Piston Set	
42382-87C	2000
44152-77	1977
45072-87	1987
417D1 - Brake Master Cylinder sub-Component	
45004-96A	1996
45006-96C	1996
44199-79	1979
41745-79	1979
50992-87A	1987
44047-83	1983
45004-85	1985
42448-87	1987
40922-87A	1987
45032-82	1982
45423-92	1992
45423-96	1996
45042-82	1982
44198-87	1987
44039-86	1986
417F1 - Brake Master Cylinder Reservoir	
42452-87	1987
41804-84A	1984

## 417G1 - Front Brake Lever

45016-96	1996
45016-93	1993
42515-82	1982
418B1 - Brake Line	
45110-88C	1988
45112-84B	1987
45156-89E	2008
42303-89B	1991
45110-96	1996
45112-96A	1997
42303-96	1996
42305-86B	1990
42305-96	1996
45115-95B	1998
40957-87C	1990
420A1 - Wheel Rim	
43662-80B	1983
43085-81	1981
421A1 - Wheel Spoke with Nipple	
43239-05	2005
43241-05	2005
422B1 - Wheel Sprocket	
40311-94	1994
40312-94	1994
423G1 - Valve Stem	
43157-83A	1983
423H1 - Valve Stem Cap	
41123-79	1979
423K1 - Wheel Weights	
95578-41	1941
95595-84A	2010
95581-47	1947
95582-47	1947
424A1 - Wheels, Tires and Final Drive Miscellaneous Component	

44062-83	1983
425A1 - Wheel sub-component	
43668-82	1982
430D1 - Front Axle	
41584-86A	1986
41109-88A	1988
43346-83B	1983
430E1 - Rear Axle	
41110-79A	1979
45832-77A	1977
433A1 - Front Wheel	
40976-86A	1986
41038-92A	1992
43005-86C	1986
433B1 - Front Wheel Bearing Spacer	
43674-95	1995
40910-84B	1987
43676-88C	1988
43657-89	1989
43608-82	1982
43671-84C	1984
43291-82	1982
43654-86A	1986
41595-86	1986
43292-82	1982
56153-73	1973
43612-92	1992
433C1 - Front Wheel Hub	
43677-88A	1988
43067-86	1986
44447-92	1992
43672-84A	1985
43053-86	1986
454A1 - Front Telescopic Fork	
46006-91A	1992

46004-91A	1992
454B1 - Springer Fork	
45917-86	1986
45569-88B	1999
45612-95	1995
45651-91	1991
45649-91	1991
45600-95A	1995
45646-95	1995
45647-95	1995
45607-93	1993
455A1 - Front Telescopic Fork Slider	
45964-86	1986
45918-86	1986
45915-86	1986
45874-91	1991
45417-84	1984
45916-86	1986
45873-91A	1991
45930-86	1986
455B1 - Front Telescopic Fork Spring	
46054-88	1988
45855-77	1977
46055-88	1988
45931-86	1986
46048-84	1984
455C1 - Front Telescopic Fork sub-component	
45660-88A	1988
45418-84	1984
49377-09A	2011
45865-84	1984
45940-84	1984
45419-80	1980
45834-77	1977
2738	Unknown

45933-86	1986
45663-88A	1988
7012	1988
45936-88	1988
456A1 - Fork Protector	
45859-77A	1977
457D1 - Steering Stem	
45605-88	1988
457E1 - Steering Stem Bearing Insert Cup	
48140-84A	1993
48315-60	1960
48300-60	1960
457F1 - Steering Stem Nut	
45718-60	1960
458A1 - Front Suspension and Steering Miscellaneous Component	
45659-88	1988
6353	Unknown
45875-84A	1984
45842-77A	1977
48306-88	1988
48332-48C	1948
45670-80A	1980
45655-88	1988
67819-86	1986
45648-85A	1985
458B1 - Front Suspension and Steering Mounting Bracket	
45640-88B	1988
459A1 - Upper Triple Clamp	
45456-86B	1986
45672-80B	1980
45473-88	1988
45485-95	1995
459B1 - Lower Triple Clamp	
67814-86	1986
67816-86	1986

67821-87	1987
67808-86	1986
50991-86	1986
470A1 - Frame	
31519-90	1990
47008-92B	1992
48130-92B	1992
472A1 - Frame sub-component	
6121	1996
7036	Unknown
472D1 - Chassis Structure Miscellaneous Component	
59043-93	1993
472D2 - Chassis Structure Mounting Bracket	
59969-86A	1987
59954-86A	1993
62563-65	1965
59880-95	1995
61667-90A	1991
59955-86A	1993
69122-95	1995
59964-86A	1987
474C1 - Swingarm	
47573-89B	1996
474E1 - Swingarm Assembly sub-component	
48031-89A	1990
500A1 - Sidestand Assembly	
50087-89B	1989
500B1 - Sidestand Bracket	
50018-85	1985
500E1 - Sidestand Leg sub-component	
50034-84	1984
62123-66A	2013
50015-74A	1974
50100-70	1970
50028-91	1991

50005-85A	1985
505B1 - Footpeg Mount Bracket	
42431-87A	1994
50990-86B	1986
33048-72	1972
50989-86	1986
505D1 - Passenger Footpeg	
50621-79A	1979
505G1 - Rider or Common Footpeg	
50900-72	1972
505H1 - Footpeg Insert	
50614-91A	1991
506A1 - Brake Pedal	
42522-87A	1988
45051-82	1982
42416-83	1983
42407-87C	1987
50912-72	1972
42532-82	1982
42507-89A	1989
520A1 - Rider Seat or Full Seat	
52217-90C	1993
51175-95	1995
52236-86E	1999
52283-95A	1995
52510-95A	1995
91768-96	1996
52503-88E	1988
521C1 - Seat Suspension Damper	
45932-86	1986
523B1 - Back Rest Pad	
52191-86	1986
52541-87A	1987
523C1 - Back Rest Support Structure	
52787-92	1992

52788-92	1992
52771-82	1982
52735-85	1985
524A1 - Passenger Grab Handle	
51186-89B	1989
51194-96	1996
51184-88A	1989
51183-95A	1995
524B1 - Passenger Seat	
52285-95B	1995
52912-00	2000
52209-90C	1993
540B1 - Rear Shock	
54508-89A	1989
54485-97	1997
540L2 - Rear Suspension Mounting Bracket	
44063-83C	1983
44209-87C	1987
558A1 - Handlebar	
56093-88A	1989
56569-86	1986
55919-82	1982
56081-82A	1983
56094-95	1995
559D1 - Lower Handlebar Clamp	
56546-95	1995
56542-86A	1986
56538-88	1988
56547-95	1995
56541-86A	1986
56124-77	1977
56122-77	1977
56540-88	1988
559E1 - Upper Handlebar Clamp	
56119-77A	1977



56567-86B	1986
560A1 - Mirror	
91875-88A	1989
91892-88A	1989
561A1 - Throttle Cable	
56343-90	1990
56343-96	1996
56342-96	1996
56305-96	1996
56305-90	1990
56306-96	1996
56306-90	1990
561B1 - Left Hand Grip	
56206-94A	1994
55915-94A	1995
56206-96	1996
561E1 - Throttle Grip	
56220-94A	1994
571B1 - Fairing Lower sub-component	
59971-80	1980
572E1 - Side Cover	
91850-87A	1987
573A1 - Bodywork Miscellaneous Component	
4036	2009
7651A	Unknown
573B1 - Bodywork Mounting Bracket	
59883-95	1995
59993-80B	1980
59882-95	1995
574B1 - Windscreen / Windshield	
58078-49	1949
58411-76A	1976
58183-78	1978
58079-49	1949
58075-86	1986

58416-77A	1977
58406-75A	1975
58018-86A	1988
58412-76A	1976
58408-75A	1975
589A1 - Front Fender	
59129-86A	1986
59924-80B	1980
59139-89	1989
59176-93	1993
595D1 - Rear Fender	
59914-96	1996
59914-86A	1992
59144-87A	1991
59596-96	1996
59596-89	1989
59144-96	1996
595E1 - Rear Fender Support	
59881-95	1995
596A1 - Tire Mud Flap	
59648-84A	1984
60363-86C	1986
596B1 - Fender Tip	
68046-79	1979
59116-96	1996
59117-96	1996
603B1 - Belt / Chain Guard	
60537-89	1989
60415-89C	1996
608A1 - Carbon Canister	
27042-84A	1995
608B1 - Carbon Canister Hose	
28884-95	1995
608C1 - Carbon Canister Hose Fitting	
27292-95	1995

## 609A1 - Fuel Miscellaneous Component

11473	Unknown
4739A	Unknown
61660-85	1985
5787	Unknown
89579-91	1991
27047-84B	1984
610A1 - Fuel Tank	
61228-97	1997
61426-97	1997
61450-95	1995
61290-97	1997
61291-97	1997
611B1 - Fuel Cap	
66032-91	1991
61103-83B	1983
61272-92C	1992
611F1 - Fuel Tank Vapor Vent Hose	
27138-90	1990
62555-95	1995
612B2 - Fuel Valve	
61338-94D	1994
62166-81A	1981
62161-02	2002
62172-02	2002
62150-85	1985
612C1 - Fuel Line	
62356-95	1995
613A1 - Trim Panel	
61155-84B	1984
61648-85	1985
613B1 - Horn Cover	
69012-93A	1993
613K1 - Airbox Cover	
29165-89	1989

614C1 - Trim	
59211-74A	1974
99000-77	1977
14142-86A	1986
59235-86	1986
71265-95	1995
61165-89B	1989
624A1 - Oil Pump Assembly	
26050-92	1992
624B1 - Oil Pump Assembly sub-component	
26378-92A	1992
26207-83	1983
26561-84	1984
26276-92A	1992
26348-15	1915
26327-68	1968
45830-48	1948
6239	Unknown
26400-82B	1982
26273-92A	1992
26267-92	1992
26226-92	1992
624C1 - Oil Pump Driven Gear	
26326-62A	1962
26317-68A	1968
26315-68A	1968
624D1 - Oil Pump Drive Gear	
26345-73	1973
26346-70	1970
26328-74	1974
26354-93	1993
624G1 - Oil Screen	
24981-70	1970
625B1 - Oil Tank	
62491-95	1995

62498-91	1991
627B1 - Oil Drain Plug	
62725-90	1990
627E1 - Oil Filler Plug / Dipstick	
62634-84A	1984
37075-87	1987
627E2 - Sight Glass	
45042-96	1996
627F1 - Oil Filter	
63796-77A	1977
63556-87	1987
627H1 - Oil Line	
33520-92	1992
63556-92	1992
26571-89	1989
9969	Unknown
627K1 - Oil Line Fitting	
26352-95A	1995
63523-92A	1992
62375-57A	1957
63533-41A	1941
627M1 - Oil Pressure Regulator Valve	
26856-89A	1989
628A1 - PT Lubrication and Cooling Miscellaneous Component	
61131-92	1992
63528-92	1992
62707-84	1984
63525-92	1992
62704-84A	1992
649A1 - Muffler	
65734-95	1995
65413-95	1995
653A1 - Muffler sub-component	
65515-95	1995
65459-95	1995

654A1 - Exhaust Shield

65777-95	1995
65864-95	1995
65702-95	1995
65761-95	1995
65750-95	1995
65732-95	1995
65813-95	1995
65464-95	1995

655A1 - Muffler Mount

65522-91	1991
----------	------

655C1 - Exhaust Mounting Bracket

65887-95	1995
----------	------

656C1 - Header

65603-95	1995
----------	------

65499-95	1995
----------	------

65401-95	1995
----------	------

65503-95	1995
----------	------

658A1 - Exhaust Catalyst

65822-95	1995
----------	------

65896-95	1995
----------	------

65902-95	1995
----------	------

65855-95	1995
----------	------

65900-95	1995
----------	------

65885-95	1995
----------	------

65898-95	1995
----------	------

65890-95	1995
----------	------

65904-95	1995
----------	------

65842-95	1995
----------	------

65853-95	1995
----------	------

65840-95	1995
----------	------

65892-95A	1995
-----------	------

65894-95	1995
----------	------

659A1 - Exhaust Clamp

65296-95A	1995
-----------	------

659B1 - Exhaust Flange

65328-83A	2010
660A1 - Battery	
65989-90B	1990
660B1 - Battery Pad	
70933-90	1990
660C1 - Battery Pan	
66210-85B	1985
660D1 - Battery Strap	
66111-93	1993
660E1 - Ground Strap	
70060-92B	1992
70041-95	1995
660G1 - Positive Battery Cable	
70078-96	1996
70078-91A	1991
660H1 - Positive Battery Cable Boot	
31662-90	1990
660K1 - Battery Vent Hose	
65995-88A	1988
670A1 - Tachometer	
67070-76	1976
677A1 - Headlight	
67904-96	1996
67905-96	1996
68705-93A	1993
67757-92	1992
67713-86	1986
67603-94A	1994
67654-96	1996
67655-96A	1996
67920-96	1996
67903-96A	1996
67894-93A	1993
67823-92A	1992

67763-92A	1993
67769-93	1993
68051-93A	1993
67790-93A	1993
67824-96A	1996
67781-92A	1993
67705-92	1992
67656-96	1996
67892-93	1993
67841-96A	1996
67789-91B	1991
67659-96	1996
67849-93	1993
67841-93	1993
68725-62A	1962
67872-89B	1989
67698-81D	2001
67770-96	1996
67653-96	1996
68050-93A	1993
67685-92	1992
67793-92A	2001
67801-92A	1993
67773-80A	1985
67772-80	1980
67768-86	1986
67652-96A	1996
677B1 - Headlight sub-component	
67798-92	1992
67880-94	1994
678A1 - Taillight	
68049-93B	1993
68033-90	1990
68123-73	1973
68048-93B	1995



68026-73	1973
68777-96	1996
68032-90	1990
68457-86	1986
68027-90	1990
68440-86	1986
68036-91	1991
678D1 - Turnsignal	
68668-87	1987
67822-88	1988
68401-90	1990
2696	Unknown
68510-74C	1974
68767-94	1994
68709-94	1994
68408-86D	1986
67828-88A	1988
68480-73	1973
68766-94	1994
68765-94A	1994
68671-69D	1969
67827-88A	1988
68713-94A	1994
68493-90	1990
59201-96	1996
67829-88	1988
68406-86C	1986
68540-96	1996
68661-87	1987
68760-94	1994
68802-95	1995
71591-92	1992
68710-94	1994
678E1 - Turnsignal Lens	
68506-92	1992

68566-90	1990
68507-90	1990
68505-90	1990
679B1 - Reflector	
59254-91	1991
59258-91	1991
59265-90	1990
59287-92	1992
59259-90	1990
59290-92	1992
59262-90B	1990
59289-92	1992
59288-92	1992
59988-72A	1972
59255-91	1991
59251-90	1990
679C1 - Reflector Mount Bracket / Holder	
71141-68	1968
679D1 - License Plate Bracket	
59983-75	1975
59626-84	1984
60001-55	1955
59986-75	1975
59984-73	1973
680A1 - Decorative Light	
68674-69A	1969
59181-80	1980
59082-79	1979
59082-96	1996
59659-96	1996
59182-84	1984
59658-79A	1979
68683-02	2002
68721-62	1962
68047-79	1979

59180-80	1980
68594-84	1984
68355-05	2005
68414-05	2005
68720-62	1962
680B1 - Emergency Light	
67691-92	1992
680C1 - Incandescent Bulb	
67136-85	1985
68193-95	1995
68572-64B	1964
68169-90A	1990
68168-89A	1989
71092-68A	1968
68462-64	1964
68000056	2012
68024-94	1994
68163-84	1984
53439-79	1979
68329-03	2003
71090-64	1964
53438-92	1992
690C1 - Horn	
69060-90G	2014
692C1 - Electrical Miscellaneous Component	
71150-92	1992
71146-94	1994
11411	2013
72051-77A	1977
71152-92	1992
71151-92	1992
72176-94	1994
33900-59C	1959
71297-68	1968
68348-05	2005

71248-95	1995
70579-65	1965
692C2 - Electrical Mounting Bracket	
72367-96	1996
71134-68	1968
11451	2013
72328-96	1996
69120-91	1991
70932-96A	1996
68519-68A	1968
69125-65	1965
70936-91B	1991
38622-87	1987
72147-96	1996
31998-91A	1992
69062-91A	1991
69126-92	1992
67115-91	1991
66109-93	1993
66308-80	1980
692D1 - Fuse	
74589-73	1973
74587-94	1994
74599-77B	1977
692E1 - Fuse / Relay Block	
72216-94	1994
692F1 - Wire Harness	
70216-96	1996
26563-95	1995
70216-93B	1993
74412-91	1991
70044-96	1996
70197-86	1986
72152-94	1994
59197-87	1987

67777-80A	1981
67615-89A	1989
692G1 - Conduit / Sheathing / Sleeving	
70558-71	1971
72366-95	1995
70556-71	1971
70555-69	1969
72249-94	1994
72266-94	1994
70554-69	1969
70552-69	1969
70551-69	1969
70553-69	1969
692G2 - Wire Guide	
27580-88	1988
67239-83	1983
692H1 - Connector	
73152-96BK	1996
70586-93	1993
72116-94BK	1994
72293-94	1994
72138-94GY	1994
73199-96	1996
72108-94BK	1994
74536-77A	1977
24922-93	1993
72118-94BK	1994
9848	Unknown
9847	Unknown
72277-74	1974
72040-71	1971
72113-94BK	1994
67184-94	1994
70293-87A	1989
72102-94BK	1994

29954-71A	1971
72276-74	1974
29312-95	1995
72156-94	1994
68650-92	1992
70587-93	1993
68654-92	1992
72036-71	1971
72148-94	1994
72035-71	1971
72199-94	1994
72275-74	1974
72153-94	1994
692H2 - Terminal	
72255-94	1994
9875	1985
72292-94	1994
9908	1993
9898	Unknown
9905	Unknown
72218-94	1994
72242-94	1994
66000-80	1980
72291-94	1994
9840	Unknown
9937	Unknown
9860	Unknown
9864	1986
9863	Unknown
9856	Unknown
9857	Unknown
72241-94A	1994
72217-94	1994
9866	Unknown
692K1 - Connector / Terminal Seal	

72142-94	1994
72112-94BK	1994
72039-71A	1971
72278-74A	1974
67191-94	1994
692L1 - Wire Harness sub-component	
73162-96BK	1996
72037-71	1971
70345-84	1984
72195-94	1994
74539-77A	1979
70585-93	1993
70504-81	1981
73190-96	1996
10102	Unknown
73103-96BK	1996
73156-96BK	1996
9900	Unknown
73106-96BK	1996
72044-71A	1971
70196-86	1986
73112-96BK	1996
73158-96BK	1996
72038-71A	1971
72043-71A	1971
72143-94	1994
72106-94BK	1994
72034-71	1971
72103-94BK	1994
72163-94BK	1994
73191-96	1996
72146-94	1994
38712-68	1968
72190-94	1994
56073-83	1983

73104-96BK	1996
73102-96BK	1996
72056-92	1992
72295-94	1994
70578-89	1989
72191-94	1994
72046-79	1979
72158-94	1994
73154-96BK	1996
73108-96BK	1996
692M1 - Electrical Component / Wire Cover	
47712-91	1991
709B1 - Instrument Cluster or Speedometer	
67282-96C	2000
67190-89	1989
67079-86A	1986
67125-86A	1986
67212-93	1993
67011-91	1991
70941-84A	1984
71254-96	1996
67030-96C	2001
71158-86B	1986
67027-96C	2001
71241-91	1991
71255-96	1996
45085-88A	1989
67271-94A	1995
67068-76	1976
67260-96	1996
67024-84A	1985
67118-87	1987
67166-88	1988
70005-70	1970
67030-91A	1991



67120-84B	1986
714A1 - Ignition Switch	
71313-96A	1996
71501-94	1994
71580-84	1984
714B1 - Mechanical Switch	
26566-96	1996
26566-91	1991
68619-83	1983
714D1 - Relay	
31504-91B	2000
71600-93	1993
715A1 - Hand Control	
71684-06A	2006
71590-92A	1992
71598-92	1992
67854-98	1998
70218-87A	1987
71541-84	1984
71597-92	1992
71568-82A	1982
71557-93	1993
67215-89	1989
71564-82A	1982
70219-87	1987
71560-84	1984
71563-82A	1982
67858-89	1989
71564-96	1996
70940-96	1996
71563-96	1996
71568-96A	1996
71598-96A	2010
71682-06A	2006
71591-96A	2010

71567-96	1996
71621-08	2008
71567-82	1982
71589-92	1992
747A1 - Voltage Regulator	
74519-88A	1988
902A1 - Saddlebag	
90806-95	1995
90804-96A	1996
90476-93	1993
90804-95	1995
91792-87	1987
90806-96A	1996
90477-93	1993
902E1 - Saddlebag Bottom	
90346-94	1994
91791-87	1987
90785-94	1994
90787-94	1994
936B1 - Cleaner	
41013-95	1995
960ZA - UNASSIGNED	
65682-95A	1995

Common Service Parts

## AUDIO & INSTRUMENTATION

[View interactive table](#)

PART NO.	DESCRIPTION	PART AND MODEL(S)
67880-94	BOOT	<i>INSTRUMENTS - 1996 (2 OF 2):</i> <b>FLSTC</b> <b>FXSTC</b> <b>FXSTS</b> <b>FLSTF</b> <b>FLSTN</b> <b>FXSTSB</b>

## BEARINGS, SEALS & HARDWARE

[View interactive table](#)

PART NO.	DESCRIPTION	PART AND MODEL(S)
----------	-------------	-------------------

<b>PART NO.</b>	<b>DESCRIPTION</b>	<b>PART AND MODEL(S)</b>
10014	CLAMP	<b>CARBURETOR (1 OF 2): All Models</b> <b>FUEL TANK (1 OF 2): All Models</b>
10038A	CLAMP	<b>REAR BRAKE CONTROL - FXST (1 OF 2):</b> <b>FXSTC</b> <b>FXSTS</b> <b>FXSTSB</b> <b>FXSTC</b> <b>FXSTS</b> <b>FXSTSB</b>
10080	CLAMP	<b>OIL TANK: All Models</b> <b>OIL FILTERS &amp; MOUNTS: All Models</b>
10102	CLIP	<b>INSTRUMENTS - 1996 (1 OF 2):</b> <b>FLSTC</b> <b>FXSTC</b> <b>FXSTS</b> <b>FLSTF</b> <b>FLSTN</b> <b>FXSTSB</b>
11105	O-RING	<b>CRANKCASE - GEAR SIDE: All Models</b> <b>OIL PUMP: All Models</b>
11132A	O-RING	<b>ROCKER ARMS, COVERS &amp; PUSHRODS - V2™ EVOLUTION: All Models</b> <b>TRANSMISSION HOUSING (1 OF 2): All Models</b>
11143	RETAINING RING	<b>CLUTCH CONTROL: All Models</b> <b>FRONT BRAKE CONTROL - 1995:</b> <b>FLSTC</b> <b>FXSTC</b> <b>FXSTS</b> <b>FLSTF</b> <b>FLSTN</b> <b>FXSTSB</b> <b>FRONT BRAKE CONTROL - 1996:</b> <b>FLSTC</b> <b>FXSTC</b> <b>FXSTS</b> <b>FLSTF</b> <b>FLSTN</b> <b>FXSTSB</b>
11145A	O-RING	<b>ROCKER ARMS, COVERS &amp; PUSHRODS - V2™ EVOLUTION: All Models</b>
11147B	O-RING	<b>PRIMARY HOUSING: All Models</b>
11150	RETAINING RING	<b>GEAR SHIFTER (1 OF 2): All Models</b>
11157	O-RING	<b>ROCKER ARMS, COVERS &amp; PUSHRODS - V2™ EVOLUTION: All Models</b>
11165	QUAD SEAL	<b>TRANSMISSION HOUSING (1 OF 2): All Models</b>
11447	GROMMET	<b>FUEL TANK (1 OF 2): All Models</b>
12035B	OIL SEAL	<b>TRANSMISSION GEARS: All Models</b>
12045	SEAL	<b>GEAR SHIFTER (1 OF 2): All Models</b>
12052A	OIL SEAL	<b>PRIMARY HOUSING: All Models</b>
12066A	OIL SEAL	<b>PRIMARY HOUSING: All Models</b>
12067B	OIL SEAL	<b>TRANSMISSION HOUSING (1 OF 2): All Models</b>

<b>PART NO.</b>	<b>DESCRIPTION</b>	<b>PART AND MODEL(S)</b>
16715-83	STUD	<b>CYLINDERS, VALVES &amp; HEADS - V2™ EVOLUTION: All Models</b>
16800-84A	GASKET	<b>ROCKER ARMS, COVERS &amp; PUSHRODS - V2™ EVOLUTION: All Models</b>
17358-84B	GASKET	<b>ROCKER ARMS, COVERS &amp; PUSHRODS - V2™ EVOLUTION: All Models</b>
2531	SCREW	<b>FRONT FENDER: FLSTC FLSTN FLSTC FLSTN</b>
25416-70A	O-RING	<b>PRIMARY HOUSING: All Models</b>
26995-86B	SEAL	<b>CARBURETOR (1 OF 2): All Models</b>
2720	SCREW	<b>ALTERNATOR &amp; REGULATOR: All Models</b>
2952A	SCREW	<b>SEATS &amp; SISSY BAR: FLSTC FXSTC FXSTS FLSTF FLSTN FXSTSB</b>
31430-94	WASHER	<b>STARTER MOTOR: All Models</b>
31433-84A	WASHER	<b>PRIMARY HOUSING: All Models</b>
3275	SCREW	<b>CARBURETOR (1 OF 2): All Models</b>
33126-94	LOCKPLATE	<b>STARTER MOTOR: All Models</b>
33318-85	LOCKING TAB	<b>PRIMARY HOUSING: All Models</b>
3655A	SCREW	<b>FRONT WHEEL (1 OF 2): FLSTC FXSTC FXSTS FLSTN FXSTSB FLSTC FXSTC FXSTS FLSTN FXSTSB FRONT WHEEL (1 OF 2): FLSTF FLSTF</b>
3658	SCREW	<b>HANDLEBAR SWITCHES - 1996: FLSTC FXSTC FXSTS FLSTF FLSTN FXSTSB</b>
36801-87C	GASKET	<b>TRANSMISSION HOUSING (2 OF 2): All Models</b>

<b>PART NO.</b>	<b>DESCRIPTION</b>	<b>PART AND MODEL(S)</b>
4132	SCREW	<b>CLUTCH CONTROL:</b> <b>FLSTC</b> <b>FXSTC</b> <b>FXSTS</b> <b>FLSTF</b> <b>FLSTN</b> <b>FXSTSB</b> <b>FRONT BRAKE CONTROL - 1996:</b> <b>FLSTC</b> <b>FXSTC</b> <b>FXSTS</b> <b>FLSTF</b> <b>FLSTN</b> <b>FXSTSB</b>
41731-88A	GASKET	<b>FRONT BRAKE CONTROL - 1995:</b> <b>FLSTC</b> <b>FXSTC</b> <b>FXSTS</b> <b>FLSTF</b> <b>FLSTN</b> <b>FXSTSB</b> <b>FRONT BRAKE CONTROL - 1996:</b> <b>FLSTC</b> <b>FXSTC</b> <b>FXSTS</b> <b>FLSTF</b> <b>FLSTN</b> <b>FXSTSB</b> <b>REAR BRAKE CONTROL - FXST (1 OF 2):</b> <b>FXSTC</b> <b>FXSTS</b> <b>FXSTSB</b> <b>FXSTC</b> <b>FXSTS</b> <b>FXSTSB</b> <b>REAR BRAKE CONTROL - FLST (1 OF 2):</b> <b>FLSTC</b> <b>FLSTF</b> <b>FLSTN</b> <b>FLSTC</b> <b>FLSTF</b> <b>FLSTN</b>
41733-88	GASKET	<b>FRONT BRAKE CONTROL - 1995:</b> <b>FLSTC</b> <b>FXSTC</b> <b>FXSTS</b> <b>FLSTF</b> <b>FLSTN</b> <b>FXSTSB</b> <b>FRONT BRAKE CONTROL - 1996:</b> <b>FLSTC</b> <b>FXSTC</b> <b>FXSTS</b> <b>FLSTF</b> <b>FLSTN</b> <b>FXSTSB</b>
43567-92	SCREW	<b>REAR WHEEL: All Models</b>

<b>PART NO.</b>	<b>DESCRIPTION</b>	<b>PART AND MODEL(S)</b>
45405-75A	SCREW	<p><i>FRONT FORK - FXSTC:</i>  <b>FXSTC</b>  <b>FXSTC</b></p> <p><i>FRONT FORK - FLSTC/F/N (1 OF 2):</i>  <b>FLSTC</b>  <b>FLSTF</b>  <b>FLSTN</b>  <b>FLSTC</b>  <b>FLSTF</b>  <b>FLSTN</b></p>
45733-48	OIL SEAL	<p><i>FRONT FORK - FXSTC:</i>  <b>FXSTC</b>  <b>FXSTC</b></p> <p><i>FRONT FORK - FLSTC/F/N (1 OF 2):</i>  <b>FLSTC</b>  <b>FLSTF</b>  <b>FLSTN</b>  <b>FLSTC</b>  <b>FLSTF</b>  <b>FLSTN</b></p>
45845-77	O-RING	<p><i>FRONT FORK - FXSTC:</i>  <b>FXSTC</b>  <b>FXSTC</b></p> <p><i>FRONT FORK - FLSTC/F/N (1 OF 2):</i>  <b>FLSTC</b>  <b>FLSTF</b>  <b>FLSTN</b>  <b>FLSTC</b>  <b>FLSTF</b>  <b>FLSTN</b></p>
45858-77	DRAIN SCREW	<p><i>FRONT FORK - FXSTC:</i>  <b>FXSTC</b>  <b>FXSTC</b></p> <p><i>FRONT FORK - FLSTC/F/N (1 OF 2):</i>  <b>FLSTC</b>  <b>FLSTF</b>  <b>FLSTN</b>  <b>FLSTC</b>  <b>FLSTF</b>  <b>FLSTN</b></p>
4740A	SCREW	<p><b>CRANKCASE - GEAR SIDE: All Models</b>  <b>PRIMARY HOUSING: All Models</b></p>
47519-83A	OIL SEAL	<p><b>FRONT WHEEL (2 OF 2): All Models</b>  <b>REAR WHEEL: All Models</b></p>
48300-60	ROLLER BEARING	<p><i>FRONT FORK - FXSTC:</i>  <b>FXSTC</b>  <b>FXSTC</b></p> <p><i>FRONT FORK - FLSTC/F/N (2 OF 2):</i>  <b>FLSTC</b>  <b>FLSTF</b>  <b>FLSTN</b>  <b>FLSTC</b>  <b>FLSTF</b>  <b>FLSTN</b></p> <p><i>FRONT FORK - FXSTS/B:</i>  <b>FXSTS</b>  <b>FXSTSB</b>  <b>FXSTS</b>  <b>FXSTSB</b></p>

<b>PART NO.</b>	<b>DESCRIPTION</b>	<b>PART AND MODEL(S)</b>
5207	WELL NUT	<b>IGNITION MODULE &amp; COIL: All Models</b>
53156-86	BUSHING	<b>HANDLEBAR: All Models</b>
60539-94B	GASKET	<b>PRIMARY HOUSING: All Models</b>
60567-90C	GASKET	<b>PRIMARY HOUSING: All Models</b>
60678-85	RETAINING RING	<b>PRIMARY HOUSING: All Models</b>
63858-49	GASKET	<b>ROCKER ARMS, COVERS &amp; PUSHRODS - V2™ EVOLUTION: All Models</b>
63859-95B	GASKET	<b>PRIMARY HOUSING: All Models</b>
6516HW	WASHER	<b>CYLINDERS, VALVES &amp; HEADS - V2™ EVOLUTION: All Models</b> <b>REAR WHEEL: All Models</b>
65324-83B	GASKET	<b>EXHAUST SYSTEM (1 OF 2): All Models</b>
65325-83A	RETAINING RING	<b>EXHAUST SYSTEM (1 OF 2): All Models</b>
6702	WASHER	<b>REAR BELT GUARD: All Models</b> <b>REAR BRAKE CONTROL - FLST (1 OF 2):</b> <b>FLSTC</b> <b>FLSTF</b> <b>FLSTN</b> <b>FLSTC</b> <b>FLSTF</b> <b>FLSTN</b> <b>FRONT FORK - FXSTC:</b> <b>FXSTC</b> <b>FXSTC</b> <b>FRONT FORK - FLSTC/F/N (1 OF 2):</b> <b>FLSTC</b> <b>FLSTF</b> <b>FLSTN</b> <b>FLSTC</b> <b>FLSTF</b> <b>FLSTN</b> <b>FRAME, REAR FORK &amp; JIFFY STAND (1 OF 2): All Models</b> <b>FRONT FENDER:</b> <b>FXSTC</b> <b>FXSTC</b> <b>EXHAUST SYSTEM (1 OF 2): All Models</b> <b>SADDLEBAGS - FLSTC &amp; FLSTN:</b> <b>FLSTC</b> <b>FLSTC</b>

<b>PART NO.</b>	<b>DESCRIPTION</b>	<b>PART AND MODEL(S)</b>
7041	LOCKWASHER	<b>STARTER MOTOR: All Models</b> <i>GEAR SHIFTER (1 OF 2):</i> <b>FXSTC</b> <b>FXSTS</b> <b>FXSTSB</b> <b>FXSTC</b> <b>FXSTS</b> <b>FXSTSB</b> <i>FRONT FORK - FXSTC:</i> <b>FXSTC</b> <b>FXSTC</b> <i>FRONT FORK - FLSTC/F/N (1 OF 2):</i> <b>FLSTC</b> <b>FLSTF</b> <b>FLSTN</b> <b>FLSTC</b> <b>FLSTF</b> <b>FLSTN</b> <b>FRAME, REAR FORK &amp; JIFFY STAND (1 OF 2): All Models</b> <i>AUXILIARY/FOG LAMPS &amp; FRONT TURN SIGNALS - FLSTC:</i> <b>FLSTC</b> <b>FLSTC</b> <i>FRONT FENDER:</i> <b>FXSTC</b> <b>FXSTC</b> <b>FUEL TANK (1 OF 2): All Models</b> <b>EXHAUST SYSTEM (1 OF 2): All Models</b> <i>INSTRUMENTS - 1995 (1 OF 2):</i> <b>FLSTC</b> <b>FXSTC</b> <b>FXSTS</b> <b>FLSTF</b> <b>FLSTN</b> <b>FXSTSB</b>
739A	PLUG	<b>TRANSMISSION HOUSING (1 OF 2): All Models</b> <b>PRIMARY HOUSING: All Models</b>
7593	NUT	<i>CRANKCASE - 1995 (1 OF 2):</i> <b>FLSTC</b> <b>FXSTC</b> <b>FXSTS</b> <b>FLSTF</b> <b>FLSTN</b> <b>FXSTSB</b> <i>CRANKCASE - 1996 (1 OF 2):</i> <b>FLSTC</b> <b>FXSTC</b> <b>FXSTS</b> <b>FLSTF</b> <b>FLSTN</b> <b>FXSTSB</b> <b>EXHAUST SYSTEM (1 OF 2): All Models</b>
7600	NUT	<i>FRONT FENDER:</i> <b>FLSTC</b> <b>FLSTN</b> <b>FLSTC</b> <b>FLSTN</b>
7613A	PUSH NUT	<i>FRONT FENDER:</i> <b>FLSTC</b> <b>FLSTN</b> <b>FLSTC</b> <b>FLSTN</b>



<b>PART NO.</b>	<b>DESCRIPTION</b>	<b>PART AND MODEL(S)</b>
7716	LOCKNUT	<i>FOOTBOARDS:</i> FLSTC FLSTF FLSTN FLSTC FLSTF FLSTN
856A	SCREW	<i>GEAR SHIFTER (1 OF 2): All Models</i>
9052	ROLLER BEARING	<i>FRONT WHEEL (1 OF 2): All Models</i> <i>REAR WHEEL: All Models</i>
933	SCREW	<i>IGNITION MODULE &amp; COIL:</i> FLSTC FXSTC FXSTS FLSTF FLSTN FXSTSB
9955	CLAMP	<i>EXHAUST SYSTEM (1 OF 2):</i> FXSTSB FXSTSB <i>EXHAUST SYSTEM (1 OF 2):</i> FLSTC FLSTF FLSTN FLSTC FLSTF FLSTN <i>EXHAUST SYSTEM (1 OF 2):</i> FXSTC FXSTS FXSTC FXSTS

## BRAKING & SUSPENSION

[View interactive table](#)

<b>PART NO.</b>	<b>DESCRIPTION</b>	<b>PART AND MODEL(S)</b>
44063-83C	PAD SET	<i>FRONT BRAKE CALIPER: All Models</i>
45875-84A	OIL SEAL	<i>FRONT FORK - FXSTC:</i> FXSTC FXSTC <i>FRONT FORK - FLSTC/F/N (2 OF 2):</i> FLSTC FLSTF FLSTN FLSTC FLSTF FLSTN

## CHASSIS & COMPONENTS

[View interactive table](#)

<b>PART NO.</b>	<b>DESCRIPTION</b>	<b>PART AND MODEL(S)</b>
50005-85A	SPRING	<i>FRAME, REAR FORK &amp; JIFFY STAND (2 OF 2): All Models</i>

# ELECTRICAL

[View interactive table](#)

<b>PART NO.</b>	<b>DESCRIPTION</b>	<b>PART AND MODEL(S)</b>
70345-84	RETAINER	<i>HANDLEBAR SWITCHES - 1996:</i> <b>FLSTC</b> <b>FXSTC</b> <b>FXSTS</b> <b>FLSTF</b> <b>FLSTN</b> <b>FXSTSB</b>
71621-08	SWITCH KIT	<i>HANDLEBAR SWITCHES - 1996:</i> <b>FLSTC</b> <b>FXSTC</b> <b>FXSTS</b> <b>FLSTF</b> <b>FLSTN</b> <b>FXSTSB</b>
72023-51E	SWITCH	<i>REAR BRAKE CONTROL - FXST (2 OF 2):</i> <b>FXSTC</b> <b>FXSTS</b> <b>FXSTSB</b> <i>FXSTC</i> <i>FXSTS</i> <i>FXSTSB</i> <i>REAR BRAKE CONTROL - FLST (2 OF 2):</i> <b>FLSTC</b> <b>FLSTF</b> <b>FLSTN</b> <b>FLSTC</b> <b>FLSTF</b> <b>FLSTN</b> <i>SWITCHES &amp; CIRCUIT BREAKERS - 1995:</i> <b>FLSTC</b> <b>FXSTC</b> <b>FXSTS</b> <b>FLSTF</b> <b>FLSTN</b> <b>FXSTSB</b> <i>SWITCHES &amp; CIRCUIT BREAKERS - 1996:</i> <b>FLSTC</b> <b>FXSTC</b> <b>FXSTS</b> <b>FLSTF</b> <b>FLSTN</b> <b>FXSTSB</b>

# ENGINE, TRANSMISSION & PRIMARY

[View interactive table](#)

<b>PART NO.</b>	<b>DESCRIPTION</b>	<b>PART AND MODEL(S)</b>
37909-90	RETAINING RING	<b>CLUTCH: All Models</b>
37911-90	FRICTION PLATE	<b>CLUTCH: All Models</b>

# FOOT CONTROLS

[View interactive table](#)

<b>PART NO.</b>	<b>DESCRIPTION</b>	<b>PART AND MODEL(S)</b>
-----------------	--------------------	--------------------------

<b>PART NO.</b>	<b>DESCRIPTION</b>	<b>PART AND MODEL(S)</b>
33895-82D	SHIFTER LEVER	<i>GEAR SHIFTER (2 OF 2):</i> <b>FLSTC</b> <b>FLSTF</b> <b>FLSTN</b> <b>FLSTC</b> <b>FLSTF</b> <b>FLSTN</b>
34611-65A	PEG	<i>GEAR SHIFTER (2 OF 2):</i> <b>FXSTC</b> <b>FXSTS</b> <b>FXSTSB</b> <b>FXSTC</b> <b>FXSTS</b> <b>FXSTSB</b> <i>GEAR SHIFTER (2 OF 2):</i> <b>FLSTC</b> <b>FLSTF</b> <b>FLSTN</b> <b>FLSTC</b> <b>FLSTF</b> <b>FLSTN</b>

## INTAKE, EXHAUST & FUEL MGMT

[View interactive table](#)

<b>PART NO.</b>	<b>DESCRIPTION</b>	<b>PART AND MODEL(S)</b>
27002-89	SEAL RING	<i>CARBURETOR (1 OF 2): All Models</i>
27361-76A	DIAPHRAGM	<i>CARBURETOR (2 OF 2): All Models</i>
29229-88D	CABLE	<i>AIR CLEANER &amp; ENRICHENER (2 OF 2): All Models</i>
65296-95A	CLAMP	<i>EXHAUST SYSTEM (1 OF 2): All Models</i>

## LIGHTING

[View interactive table](#)

<b>PART NO.</b>	<b>DESCRIPTION</b>	<b>PART AND MODEL(S)</b>
68000056	BULB	<i>AUXILIARY/FOG LAMPS &amp; FRONT TURN SIGNALS - FLSTC:</i> <b>FLSTC</b> <b>FLSTC</b>
68168-89A	BULB	<i>AUXILIARY/FOG LAMPS &amp; FRONT TURN SIGNALS - FLSTC:</i> <b>FLSTC</b> <b>FLSTC</b> <i>FRONT TURN SIGNALS:</i> <b>FXSTC</b> <b>FXSTS</b> <b>FLSTF</b> <b>FLSTN</b> <b>FXSTSB</b> <b>FXSTC</b> <b>FXSTS</b> <b>FLSTF</b> <b>FLSTN</b> <b>FXSTSB</b> <i>TAIL LAMP &amp; REAR TURN SIGNALS (1 OF 2): All Models</i>

<b>PART NO.</b>	<b>DESCRIPTION</b>	<b>PART AND MODEL(S)</b>
68193-95	BULB	<i>FRONT FENDER:</i> <b>FLSTC</b> <b>FLSTN</b> <i>FRONT FENDER:</i> <b>FLSTC</b> <b>FLSTN</b>
68329-03	BULB	<i>HEADLAMP (1 OF 2):</i> <b>FXSTC</b> <b>FXSTS</b> <b>FXSTSB</b> <b>FXSTC</b> <b>FXSTS</b> <b>FXSTSB</b>
68572-64B	BULB	<b><i>TAIL LAMP &amp; REAR TURN SIGNALS (2 OF 2): All Models</i></b>

## MAINTENANCE & TOOLS

[View interactive table](#)

<b>PART NO.</b>	<b>DESCRIPTION</b>	<b>PART AND MODEL(S)</b>
63796-77A	OIL FILTER	<b><i>OIL FILTERS &amp; MOUNTS: All Models</i></b>
95582-47	WEIGHT	<i>FRONT WHEEL (2 OF 2):</i> <b>FXSTC</b> <b>FXSTS</b> <b>FLSTN</b> <b>FXSTSB</b> <b>FXSTC</b> <b>FXSTS</b> <b>FLSTN</b> <b>FXSTSB</b> <i>REAR WHEEL:</i> <b>FLSTC</b> <b>FXSTS</b> <b>FLSTN</b> <b>FLSTC</b> <b>FXSTS</b> <b>FLSTN</b>
95595-84A	WEIGHT	<i>FRONT WHEEL (2 OF 2):</i> <b>FLSTF</b> <b>FLSTF</b> <i>REAR WHEEL:</i> <b>FXSTC</b> <b>FLSTF</b> <b>FXSTC</b> <b>FLSTF</b>

## TIRES

[View interactive table](#)

<b>PART NO.</b>	<b>DESCRIPTION</b>	<b>PART AND MODEL(S)</b>
-----------------	--------------------	--------------------------

<b>PART NO.</b>	<b>DESCRIPTION</b>	<b>PART AND MODEL(S)</b>
43157-83A	VALVE STEM	<i>FRONT WHEEL (1 OF 2):</i> <b>FLSTF</b> <b>FLSTF</b> <i>REAR WHEEL:</i> <b>FXSTC</b> <b>FXSTS</b> <b>FLSTF</b> <b>FXSTSB</b> <b>FXSTC</b> <b>FXSTS</b> <b>FLSTF</b> <b>FXSTSB</b>