

1995 / 96

— 1340 —



Parts Catalog

GENERAL INFORMATION

This Parts Catalog has been prepared for your convenience when ordering parts for the 1995 and 1996 1340cc models. This format allows you to compare the parts usage on all FLT, Softail and Dyna model motorcycles. Refer to the Glossary at the end of the book for unfamiliar abbreviations. A complete Hardware Listing is also featured. Index numbers shown in the illustrations correspond to index numbers in parts lists. Consult the illustrations when ordering parts so you are sure to get the part required. The number in parenthesis following description of parts is the quantity needed for complete assembly. If there is no number in parenthesis, only one is used. Prices of parts in this catalog are published separately.

The following instructions should be followed carefully when ordering parts.

- The model usage column has a two character code, corresponding to the V.I.N. Model Designation. If the part fits all models "All" will be in the appropriate model usage column. The models classified as FLT, Softail or Dyna and the two character codes are listed at the bottom of each right hand page.

- Specify the correct part number for each item. Check the "Used On" column of the parts list which shows the model on which the part fits. Whenever in doubt, refer to the Vehicle Identification Number (V.I.N.). A 17 digit V.I.N. is stamped on the front of the frame and frame right downtube label. An abbreviated V.I.N. is stamped on the left engine crankcase.

Always give one of these numbers when ordering parts or making any inquiry about your motorcycle.

	FLT MODELS	SOFTAIL MODELS	DYNA MODELS
	FLHT DD FLHTC-I FF	FLSTC BJ FLSTF BM	FXDL GD
	FLHTC DJ FLHTCU-I FC	FXSTC BK FLSTN BN	FXDWG GE
	FLTC-U DM FLTCU-I FE	FXSTS BL FXSTSB BP	FXDS-CON GG
	FLHTC-U DP FLHR-I FB		FXD GH
	FLHR FD		

1 - Regular Introduction Date
 2 - Mid-year Introduction
 3 - California Only
 4 - Special Edition

S - 1995
 T - 1996

* Varies - can be 0 through 9 or X

Sample V.I.N. as it appears on the steering head - 1 HD 1DPL1 1SY110000
 Sample abbreviated V.I.N. as it appears on the engine - DPLS 110000

- An asterisk (*) in the "Used On" column indicates part is used through the current model year.

- Orders may be placed via your computer, fax or phone for all parts except engines, crankcases and frames. Order form, Part No. 99514-76, must be used for engines, crankcases and frames. All non-warranty replacement crankcase orders must have the corresponding complete left crankcase half included with the order. All non-warranty replacement frame orders must have the corresponding steering neck with V.I.N. included with the order.

PATENT NOTICE

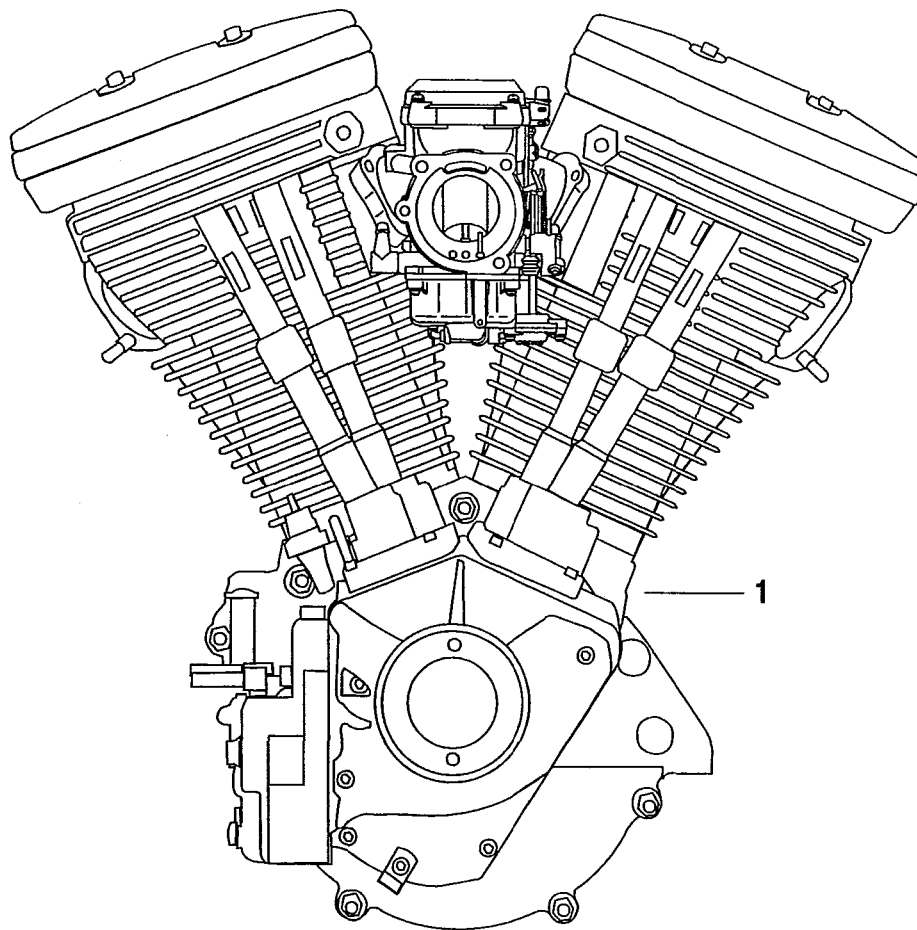
Harley-Davidson products are manufactured under one or more of the following patents: U.S. Patents - 2986162, 2987934, 2998809, 3116089, 3144631, 3144860, 3226994, 3229792, 3434887, 3559773, 3673359, 3709317, Des. 225,626.

To the best knowledge of Harley-Davidson Motor Company, the material contained herein is accurate as of the date this publication was approved for printing. Harley-Davidson Motor Company reserves the right to change specifications, equipment, or designs at any time without notice and without incurring obligation.

ALPHABETICAL INDEX

DESCRIPTION	PAGE	DESCRIPTION	PAGE
Air Cleaner.....	35-39	Jiffy stand.....	123,127,129
Air Control, front fork.....	119	License plate bracket.....	131,201
Air temperature sensor and gauge.....	253	Luggage carrier - FLT.....	131
Alternator.....	41,43	Mirrors.....	341
Battery.....	245	Module, electronic control - fuel injected models.....	331
Battery cables.....	245	Module, ignition.....	45
Battery tray.....	247	Module, induction - fuel injected models.....	33
Belt, rear.....	71	Module, low fuel.....	253
Belt guard.....	73	Module, turn signal canceller.....	319,323,325,327,329
Brake caliper, front.....	79	Nacelle - FLHR.....	179
Brake caliper, rear.....	91,93	Numerical index.....	378
Brake control, front.....	75,77	Oil filters & mounts.....	235
Brake control, rear.....	85-91	Oil pump.....	27
Brake disc.....	83,97	Oil tank - Softail.....	233
C. B. system.....	313	Oil tank - FLT & Dyna.....	59,61
Cam gears.....	23	Passing lamps.....	187,189
Cam position sensor.....	47	Pistons & piston rings.....	13
Carburetor.....	29,31	Primary housing.....	205
Chain, primary.....	71	Push rods.....	11
Circuit breakers.....	319-329	Radio.....	309,311
Clutch.....	67	Radio control, passenger.....	145,147
Clutch control.....	69	Regulator.....	41,43
Coil, ignition.....	45	Relay, starter.....	319-331
Connecting rods.....	13	Rocker arms.....	9
Covers, rocker arm.....	9	Rotor, ignition.....	47
Crankcase.....	15-21	Saddlebags.....	333-337
Crankshaft position sensor.....	33	Saddlebag guards.....	339
Cruise control.....	159	Seats.....	131-135
Cylinders, engine.....	5-7	Sensor, barometric pressure.....	331
Decals, fuel tank.....	225-231	Sensor, cam position.....	47
Electrical connectors.....	305,307	Sensor, crankshaft position.....	33
Engine.....	3	Sensor, engine temperature.....	33
Engine guard.....	123	Shock absorbers.....	149
Enrichener cable.....	37	Sidecar.....	343-367
Evaporative emissions kit.....	369	Sissy bar.....	133,135
Exhaust systems.....	237-243	Sound system.....	309,311,367
Fairing.....	161-171	Spark plugs.....	45
Fairing lowers.....	177	Speakers.....	145, 311,367
Fenders.....	191-199,357	Speaker housing, rear.....	145
Fender supports, rear - Dyna & Softail.....	203	Speedometer.....	249-269
Flywheels.....	13	Sprockets.....	71,97,99
Footboards.....	139	Stabilizer link, engine.....	5,15,17
Footrests.....	137	Starter motor.....	49
Fork, front.....	101-117	Switches, ignition.....	255,265,267,319-329
Fork rockers.....	117	Switches, handlebar.....	315,317
Frame & rear fork.....	121-129	Tachometer.....	249,251,253,257,257
Fuel gauge.....	249,253,255,261,269,271	Tail lamp.....	275,277,359
Fuel tanks.....	209-223	Tail lamp - Tour-Pak.....	145
Fuel tank console, FLT.....	215	Tappets.....	11
Fuel tank trim.....	225-231	Throttle control.....	155,157,159
Fuses.....	319-329	Tools.....	333
Fuse box - C. B.	321	Tour-Pak.....	141-145
Gear shifter.....	51-53	Transmission.....	55-65
Gasket kits.....	5,9	Transmission housing.....	57-61
Gauges - 1996 FLT models.....	253	Turn signals.....	163,187,273,275,277,359
Glossary.....	370	Turn signal canceller.....	319,323,325,327,329
Handlebar.....	151-153	Vacuum switch.....	47
Handlebar grips.....	155-157	Valves.....	7
Hardware listing.....	371	Wheels.....	81,83,97,363
Head, cylinder.....	5	Windshields.....	161, 165,167,173,175,343,365
Headlamps.....	163,165,167,179,181,183,185	Wiring harness, EFI front.....	33
Horn.....	279	Wiring harness, EFI rear.....	331
Ignition coil.....	45	Wiring harness, fairing - FLTCU & FLTCU.....	283
Ignition module.....	45	Wiring harness, ignition module.....	281
Induction module, fuel injected models.....	33	Wiring harness, interconnect - FLHT models.....	285-291
Intercom system.....	313	Wiring harness, interconnect - FLTCU & FLTCU-I.....	293-295
Indicator lamps.....	249-271	Wiring harness, main - FLT models.....	295-297
Inner fairing - FLHT models.....	169,171	Wiring harness, main - FLHR.....	299
Instruments - FLT.....	169,171,249,251,253,255	Wiring harness, main - Dyna.....	303
Instruments - Dyna.....	257,259,261,267,269,271	Wiring harness, main - Softail.....	301
Instruments - Softail.....	263,265		

ENGINE ASSEMBLY - COMPLETE



INDEX NO.	PART NO.	DESCRIPTION	FLT MODELS	SOFTAIL MODELS	DYNA MODELS
1	16116-95	ENGINE ASM., complete	95-DD	--	--
	16116-96	ENGINE ASM., complete	96*-DD	--	--
	16117-95	ENGINE ASM., complete (Cal. only)	95-DD	--	--
	16117-96	ENGINE ASM., complete (Cal. only)	96*-DD	--	--
	16121-95	ENGINE ASM., complete (C & B)	--	95-ALL	--
	16121-96	ENGINE ASM., complete (C & B)	--	96*-ALL	--
	16125-95	ENGINE ASM., complete (C & B)	95-DJ/M/P	--	--
	16125-96	ENGINE ASM., complete (C & B)	96*-DJ/P	--	--
	16126-95	ENGINE ASM., complete (C & B)(Cal. only)	--	95-ALL	--
	16126-96	ENGINE ASM., complete (C & B)(Cal. only)	--	96*-ALL	--
	16127-95	ENGINE ASM., complete (C & B)(Cal. only)	95-DJ/P	--	--
	16127-96	ENGINE ASM., complete (C & B)(Cal. only)	96*-DJ/P	--	--
	16134-95	ENGINE ASM., complete (C & B)	95-FD	--	--
	16134-96	ENGINE ASM., complete (C & B)	96*-FD	--	--
	16146-95	ENGINE ASM., complete (C & B)(Cal. only)	95-FD	--	--
	16146-96	ENGINE ASM., complete (C & B)(Cal. only)	96*-FD	--	--
	16165-95	ENGINE ASM., complete (C & B)	--	--	95-GD/E/G
	16165-96	ENGINE ASM., complete (C & B)	--	--	96*-GD/E/G
	16166-95	ENGINE ASM., complete (C & B)(Cal. only)	--	--	95-GD/E/G
	16166-96	ENGINE ASM., complete (C & B)(Cal. only)	--	--	96*-GD/E/G
16174-95	ENGINE ASM., complete	--	--	95-GH	
16174-96	ENGINE ASM., complete	--	--	96*-GH	
16175-95	ENGINE ASM., complete (Cal. only)	--	--	95-GH	
16175-96	ENGINE ASM., complete (Cal. only)	--	--	96*-GH	
16180-95	ENGINE ASM., complete (C & B)	95-FC	--	--	
16180-96	ENGINE ASM., complete (C & B)	96*-FC/E/F	--	--	
16186-96	ENGINE ASM., complete (C & B)	96*-FB	--	--	

H-D INTERNATIONAL ONLY

16122-95	ENGINE ASM., complete (C & B)(HDI only)	--	95-ALL	--
16122-96	ENGINE ASM., complete (C & B)(HDI only)	--	96*-ALL	--
16136-95	ENGINE ASM., complete (C & B)(HDI only)	95-DJ/P	--	--
16136-96	ENGINE ASM., complete (C & B)(HDI only)	96*-DJ/P	--	--
16137-95	ENGINE ASM., complete (C & B)(HDI only)	95-FD	--	--
16137-96	ENGINE ASM., complete (C & B)(HDI only)	96*-FD	--	--
16167-95	ENGINE ASM., complete (C & B)(HDI only)	--	--	95-GD/E/G
16167-96	ENGINE ASM., complete (C & B)(HDI only)	--	--	96*-GD/E/G
16178-95	ENGINE ASM., complete (HDI only)	--	--	95-GH
16178-96	ENGINE ASM., complete (HDI only)	--	--	96*-GH
16181-95	ENGINE ASM., complete (C & B)(Swiss)	--	--	95-GD/E/G
16182-95	ENGINE ASM., complete (Swiss)	--	--	95-GH
16183-95	ENGINE ASM., complete (C & B)(Swiss)	--	95-ALL	--
16184-95	ENGINE ASM., complete (C & B)(Swiss)	95-DJ/P	--	--
16185-95	ENGINE ASM., complete (C & B)(Swiss)	95-FD	--	--
16187-96	ENGINE ASM., complete (HDI only)	96*-DD	--	--
16193-96	ENGINE ASM., complete (HDI only)	96*-FC/F	--	--
16194-96	ENGINE ASM., complete (HDI only)	96*-FB	--	--

FLT MODELS				SOFTAIL MODELS				DYNA MODELS	
FLHT	DD	FLHR-I	FB	FLSTC	BJ	FLSTF	BM	FXDL	GD
FLHTC	DJ	FLHTCU-I	FC	FXSTC	BK	FLSTN	BN	FXDWG	GE
FLTC-U	DM	FLTCU-I	FE	FXSTS	BL	FXSTSB	BP	FXDS-CON	GG
FLHTC-U	DP	FLHTC-I	FF					FXD	GH
FLHR	FD								

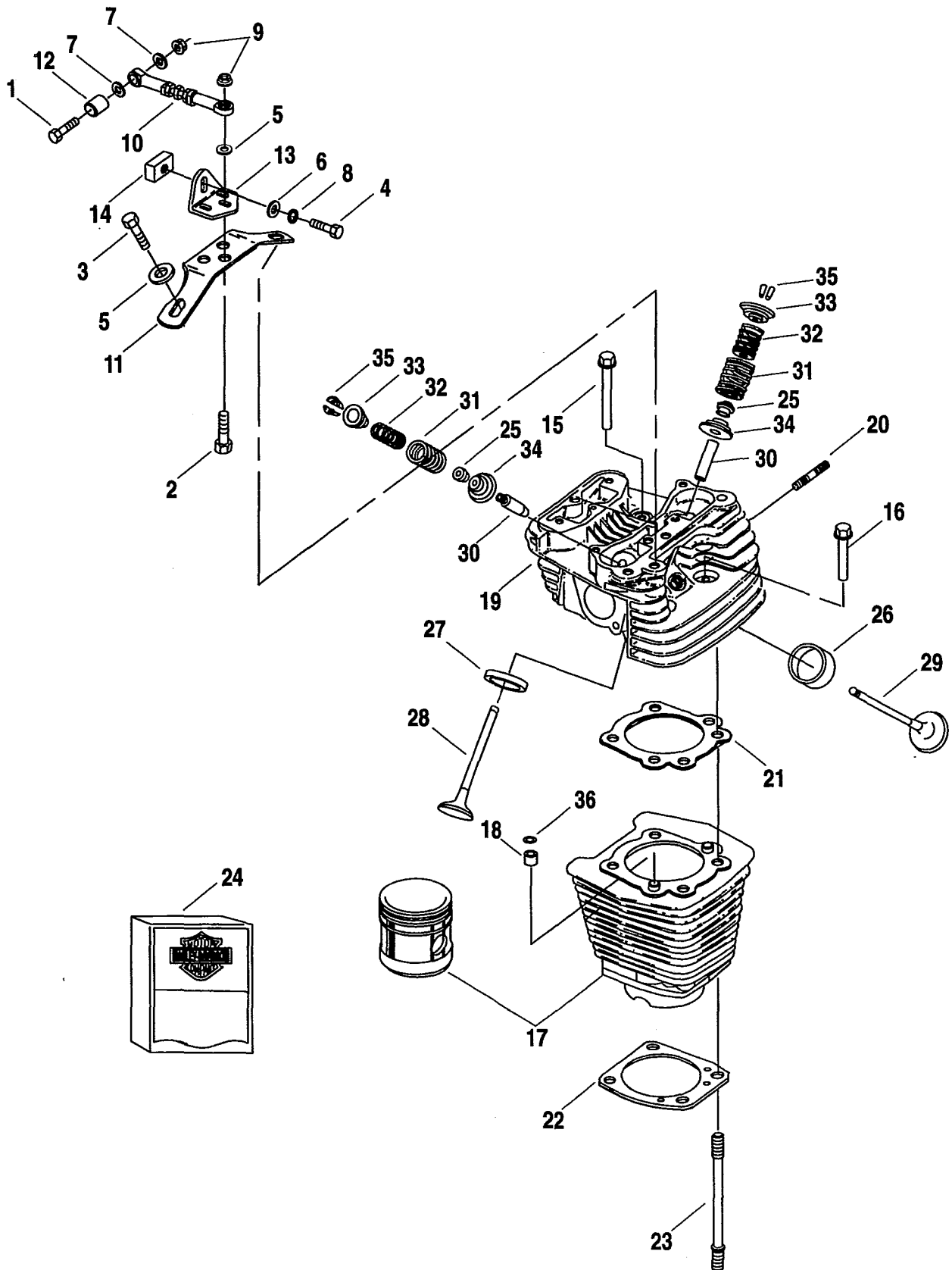
CYLINDERS, VALVES & HEADS - V²™ EVOLUTION

FC2-1

INDEX NO.	PART NO.	DESCRIPTION	FLT MODELS	SOFTAIL MODELS	DYNA MODELS
1	855B	BOLT	--	--	95*-ALL
	4350A	BOLT	95*-ALL	--	--
2	2879W	BOLT (3)	--	95*-ALL	--
	4721	BOLT	95*-ALL	--	--
3	4716W	BOLT (2)	95*-ALL	95*-ALL	95*-ALL
4	4726	BOLT	--	95*-ALL	--
5	6019	WASHER (3, 2 - 1996; 2 - Softail)	95*-ALL	95*-ALL	95*-ALL
6	6516HW	WASHER	--	95*-ALL	--
7	6701	WASHER (2)	--	--	95*-ALL
8	7039	LOCKWASHER	--	95*-ALL	--
9	7601	NUT, flange (3 - Softail; 2 - FLT)	95*-ALL	95*-ALL	95*-ALL
10	16219-79B	STABILIZER LINK, top	95*-ALL	--	--
	16258-95A	STABILIZER LINK, top	--	--	95*-ALL
11	16242-90	BRACKET, engine mounting	95*-ALL	95*-ALL	95*-ALL
	16256-95	BRACKET, engine mounting	95-FC 96*-FB/C/E/F	--	--
12	16241-90	SPACER	--	--	95*-ALL
13	16247-91	BRACKET, engine mounting	--	95*-ALL	--
14	16284-84	MOUNTING BLOCK	--	95*-ALL	--
15	16478-85A	SCREW, internal thread (4)	95*-ALL	95*-ALL	95*-ALL
16	16480-92	SCREW, internal thread (4)	95*-ALL	95*-ALL	95*-ALL
17	16510-83A	CYLINDER w/ PISTON (2)	95*-DD	--	95*-GH
	16512-86A	CYLINDER w/ PISTON (black)(2)	95*-DJ/M/P;FD	95*-ALL	95*-GD/E/G
18	16573-83	INSERT, cylinder stud (4)	95*-ALL	95*-ALL	95*-ALL
19	16690-92A	HEAD, rear cylinder w/guides & seats	95*-DD	--	95*-GH
	16691-92	HEAD, front cylinder w/guides & seats	95*-DD	--	95*-GH
	16692-92	HEAD, front cylinder w/guides & seats (black)	95*-DJ/M/P;FD	95*-ALL	95*-GD/E/G
	16692-95	HEAD, front cylinder w/guides & seats (black)	95-FC 96*-FB/C/E/F	--	--
	16696-92A	HEAD, rear cylinder w/guides & seats (black)	95*-DJ/M/P;FD/C	95*-ALL	95*-GD/E/G
20	16715-83	STUD, exhaust port (4)	95*-ALL	95*-ALL	95*-ALL
21	16770-84B	GASKET, cylinder head (2)	95*-ALL	95*-ALL	95*-ALL
22	16774-86D	GASKET, cylinder base (2)	95*-ALL	95*-ALL	95*-ALL
23	16837-85C	STUD, cylinder base (8)	95*-ALL	95*-ALL	95*-ALL
24	17040-92A	GASKET KIT, top overhaul	95*-ALL	95*-ALL	95*-ALL
	17041-92A	GASKET KIT, engine overhaul	95*-ALL	95*-ALL	95*-ALL
25	18001-83B	SEAL, valve (4)	95*-ALL	95*-ALL	95*-ALL
26	18011-86	INSERT, exhaust valve seat (2)	95*-ALL	95*-ALL	95*-ALL
	18124-83	INSERT, exhaust valve seat - 0.005 O.S. (2)	95*-ALL	95*-ALL	95*-ALL
27	18020-83	INSERT, intake valve seat (2)	95*-ALL	95*-ALL	95*-ALL
	18134-83	INSERT, intake valve seat - 0.005 O.S. (2)	95*-ALL	95*-ALL	95*-ALL

FLT MODELS				SOFTAIL MODELS				DYNA MODELS	
FLHT	DD	FLHR-I	FB	FLSTC	BJ	FLSTF	BM	FXDL	GD
FLHTC	DJ	FLHTCU-I	FC	FXSTC	BK	FLSTN	BN	FXDWG	GE
FLTC-U	DM	FLTCU-I	FE	FXSTS	BL	FXSTSB	BP	FXDS-CON	GG
FLHTC-U	DP	FLHTC-I	FF					FXD	GH
FLHR	FD								

CYLINDERS, HEADS & VALVES V²™ - REAR SHOWN



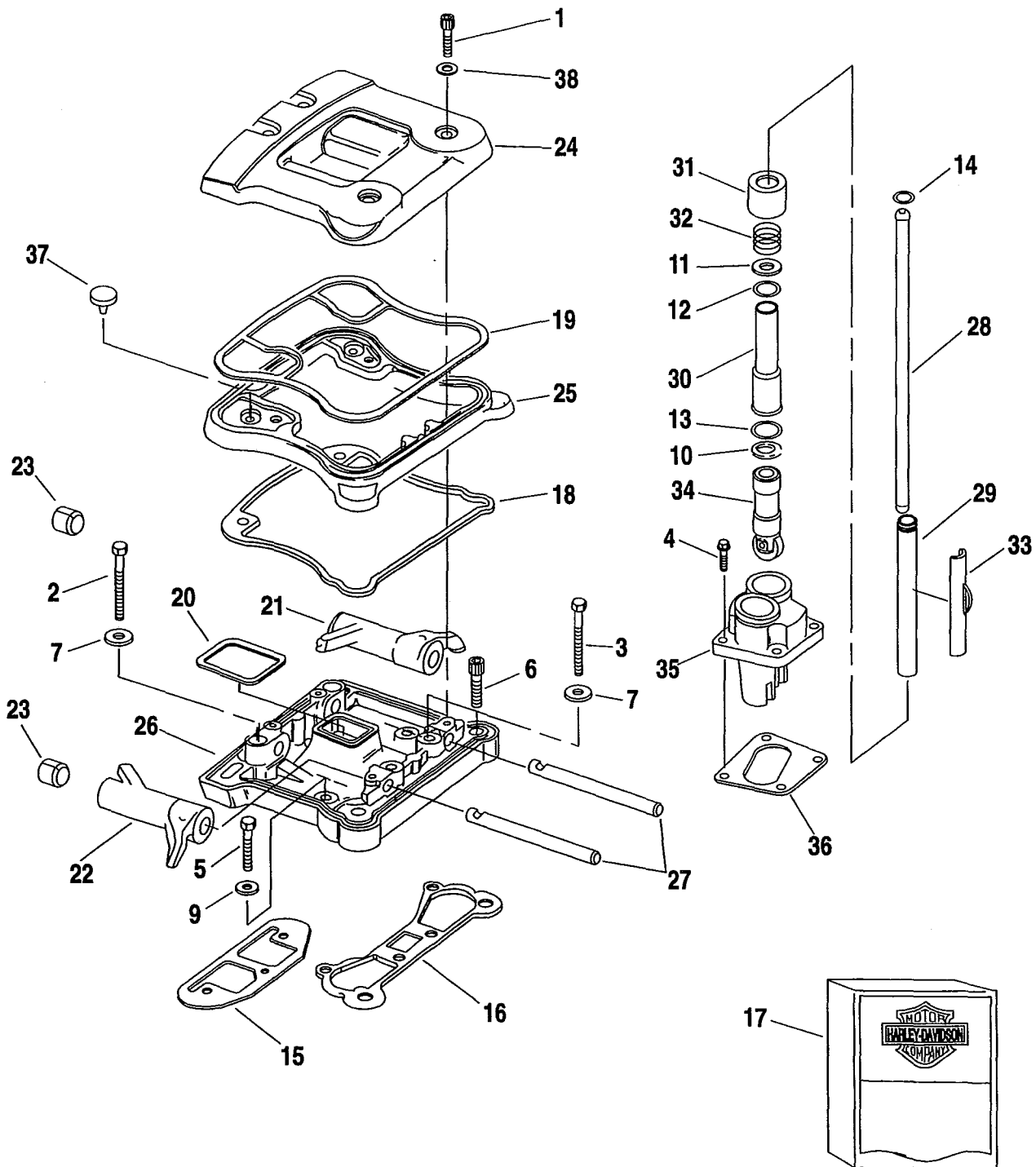
CYLINDERS, VALVES & HEADS-V²™ EVOLUTION (CONT'D)

FC2-2

INDEX NO.	PART NO.	DESCRIPTION	FLT MODELS	SOFTAIL MODELS	DYNA MODELS
28	18074-83A	INTAKE VALVE (2)	95*-ALL	95*-ALL	95*-ALL
	18076-83	INTAKE VALVE, 0.03 short(2)	95*-ALL	95*-ALL	95*-ALL
29	18082-83	EXHAUST VALVE (2)	95*-ALL	95*-ALL	95*-ALL
	18087-83	EXHAUST VALVE, 0.030 short (2)	95*-ALL	95*-ALL	95*-ALL
30	18112-92	VALVE GUIDE, int. & exh. (4)	95*-ALL	95*-ALL	95*-ALL
	18130-83C	VALVE GUIDE, int. & exh. - 0.001 O.S. (4)	95*-ALL	95*-ALL	95*-ALL
	18131-83C	VALVE GUIDE, int. & exh. - 0.003 O.S. (4)	95*-ALL	95*-ALL	95*-ALL
	18133-83A	VALVE GUIDE, int. & exh. - 0.002 O.S. (4)	95*-ALL	95*-ALL	95*-ALL
31	18201-83	VALVE SPRING, outer (4)	95*-ALL	95*-ALL	95*-ALL
32	18202-83	VALVE SPRING, inner (4)	95*-ALL	95*-ALL	95*-ALL
33	18219-83	COLLAR, valve spring - upper (4)	95*-ALL	95*-ALL	95*-ALL
34	18222-83	COLLAR, valve spring - lower (4)	95*-ALL	95*-ALL	95*-ALL
35	18229-83	RETAINER, valve collar (8)	95*-ALL	95*-ALL	95*-ALL
36	26432-76A	O-RING, cylinder stud insert (4)	95*-ALL	95*-ALL	95*-ALL

FLT MODELS				SOFTAIL MODELS				DYNA MODELS	
FLHT	DD	FLHR-I	FB	FLSTC	BJ	FLSTF	BM	FXDL	GD
FLHTC	DJ	FLHTCU-I	FC	FXSTC	BK	FLSTN	BN	FXDWG	GE
FLTC-U	DM	FLTCU-I	FE	FXSTS	BL	FXSTSB	BP	FXDS-CON	GG
FLHTC-U	DP	FLHTC-I	FF					FXD	GH
FLHR	FD								

ROCKER ARMS, COVERS & PUSH RODS - V²™



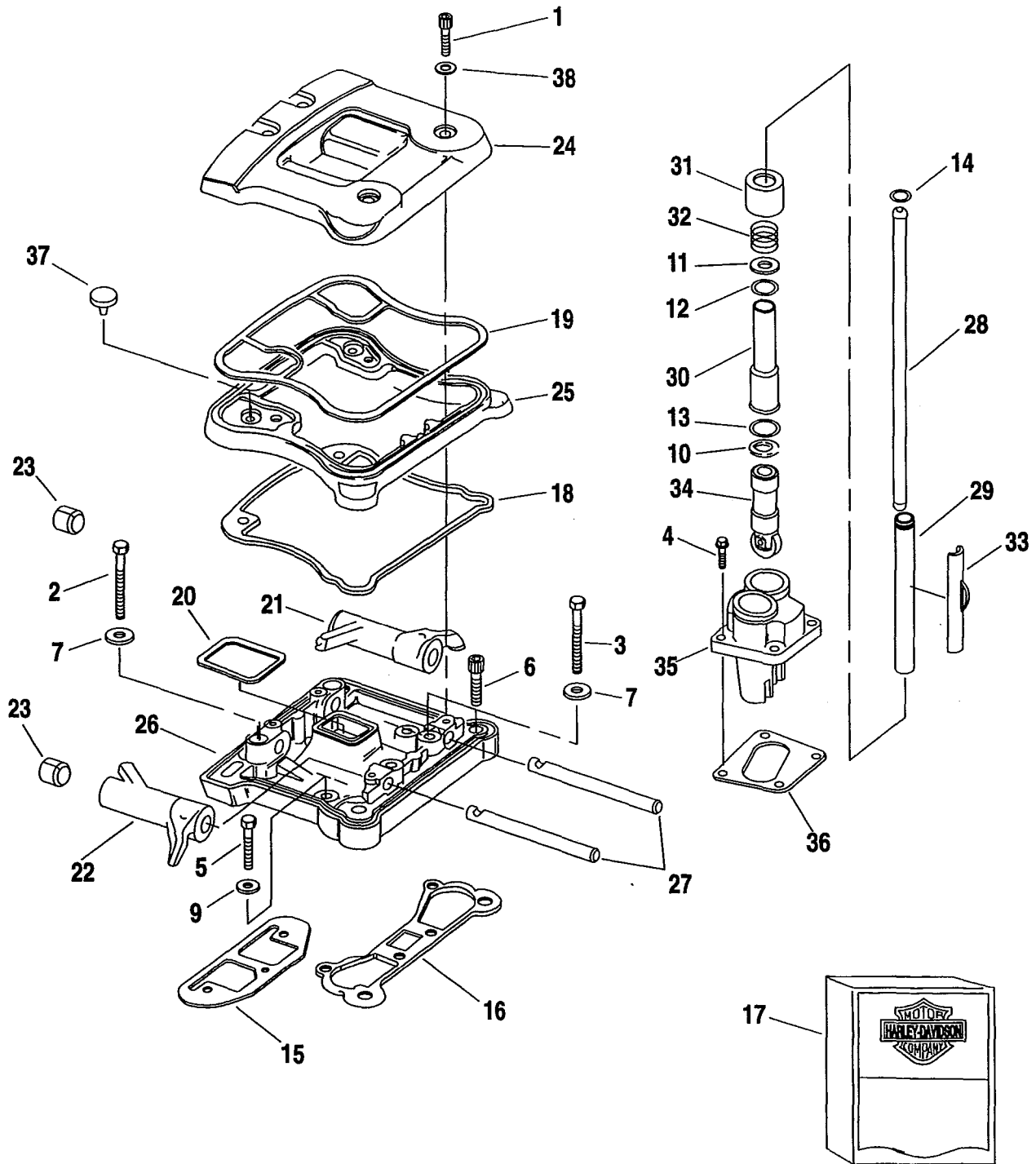
ROCKER ARMS, COVERS & PUSH RODS-V²™ EVOLUTION

FC3-1

INDEX NO.	PART NO.	DESCRIPTION	FLT MODELS	SOFTAIL MODELS	DYNA MODELS
1	882	SCREW (8)	95*-ALL	95*-ALL	95*-ALL
2	3500	BOLT (4)	95*-ALL	95*-ALL	95*-ALL
3	3501	BOLT (4)	95*-ALL	95*-ALL	95*-ALL
4	3770	SCREW (8)	95*-ALL	95*-ALL	95*-ALL
5	3997	BOLT (6)	95*-ALL	95*-ALL	95*-ALL
6	4718A	SCREW (4)	95*-ALL	95*-ALL	95*-ALL
7	6016	WASHER (8)	95*-ALL	95*-ALL	95*-ALL
9	6736	WASHER (6)	95*-ALL	95*-ALL	95*-ALL
10	6737	WASHER (4)	95*-ALL	95*-ALL	95*-ALL
11	6762B	WASHER (4)	95*-ALL	95*-ALL	95*-ALL
12	11132	O-RING, push rod cover (4)	95*-ALL	95*-ALL	95*-ALL
13	11145	O-RING, push rod cover (4)	95*-ALL	95*-ALL	95*-ALL
14	11157	O-RING (4)	95*-ALL	95*-ALL	95*-ALL
15	16778-84A	GASKET, cylinder head - right (2)	95*-ALL	95*-ALL	95*-ALL
16	16779-84B	GASKET, cylinder head - left (2)	95*-ALL	95*-ALL	95*-ALL
17	17042-92A	GASKET KIT, rocker boxes with #15, 16, 18, 19, 20, 37 & 38	95*-ALL	95*-ALL	95*-ALL
18	17355-92	GASKET, rocker cover - lower (2)	95*-ALL	95*-ALL	95*-ALL
19	17356-92	GASKET, rocker cover - upper (2)	95*-ALL	95*-ALL	95*-ALL
20	17358-84A	GASKET, rocker cover - inner (2)	95*-ALL	95*-ALL	95*-ALL
21	17360-83	ROCKER ARM, front intake, rear exhaust (2)	95*-ALL	95*-ALL	95*-ALL
22	17375-83	ROCKER ARM, rear intake, front exhaust (2)	95*-ALL	95*-ALL	95*-ALL
23	17428-57	BUSHING, rocker arm (8)	95*-ALL	95*-ALL	95*-ALL
24	17503-92A	ROCKER COVER, outer (2)	95*-DD	--	95*-GH
	17528-92	ROCKER COVER, outer (chrome)(2)	95-DJ/M/P;FD 96*-DJ/P; FB/C/D/E/F	95*-ALL	95*-GD/E/G
25	17510-92A	SPACER, rocker covers (2)	95*-DD	--	95*-GH
	17529-92	SPACER, rocker covers (chrome)(2)	95-DJ/M/P;FD 96*-DJ/P; FB/C/D/E/F	95*-ALL	95*-GD/E/G
26	17521-92A	ROCKER COVER, inner (2)	95*-DD	--	95*-GH
	17530-92	ROCKER COVER, inner (chrome)(2)	95-DJ/M/P;FD 96*-DJ/P; FB/C/D/E/F	95*-ALL	95*-GD/E/G

FLT MODELS				SOFTAIL MODELS				DYNA MODELS	
FLHT	DD	FLHR-I	FB	FLSTC	BJ	FLSTF	BM	FXDL	GD
FLHTC	DJ	FLHTCU-I	FC	FXSTC	BK	FLSTN	BN	FXDWG	GE
FLTC-U	DM	FLTCU-I	FE	FXSTS	BL	FXSTSB	BP	FXDS-CON	GG
FLHTC-U	DP	FLHTC-I	FF					FXD	GH
FLHR	FD								

ROCKER ARMS, COVERS & PUSH RODS - V²™



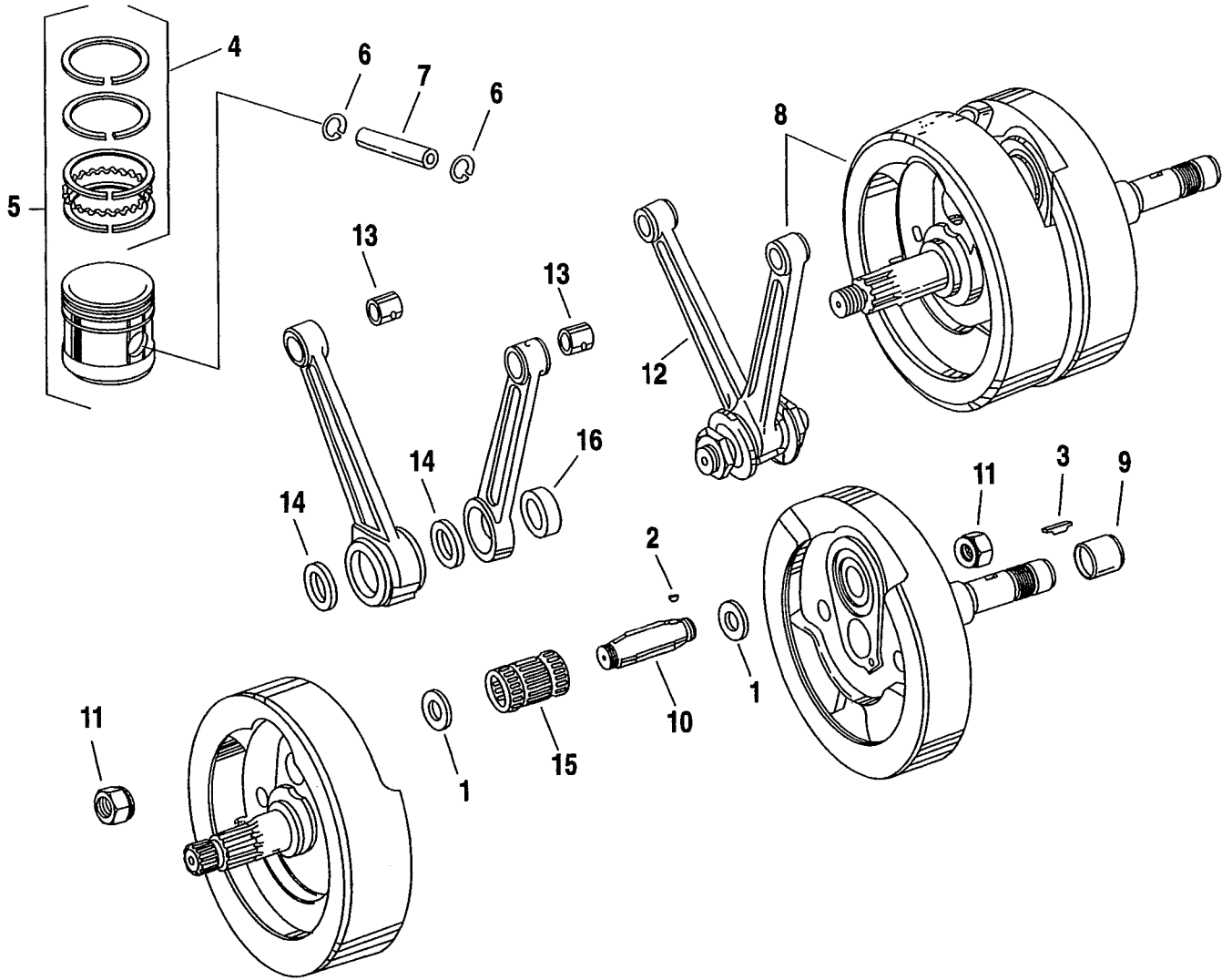
ROCKER ARMS, COVERS & PUSH RODS - V²™ EVOLUTION (CONT'D)

FC3-2

INDEX NO.	PART NO.	DESCRIPTION	FLT MODELS	SOFTAIL MODELS	DYNA MODELS
27	17611-83	SHAFT, rocker arm (4)	95*-ALL	95*-ALL	95*-ALL
28	17921-83	PUSH ROD, rear exhaust - 11.210" long	95*-ALL	95*-ALL	95*-ALL
	17924-83	PUSH ROD, rear intake - 11.045" long	95*-ALL	95*-ALL	95*-ALL
	17927-83	PUSH ROD, front exhaust - 11.325" long	95*-ALL	95*-ALL	95*-ALL
	17930-83	PUSH ROD, front intake - 11.090" long	95*-ALL	95*-ALL	95*-ALL
	17935-79B	COVER, push rod - upper (4)	95*-ALL	95*-ALL	95*-ALL
30	17938-83	COVER, push rod - lower (4)	95*-ALL	95*-ALL	95*-ALL
31	17945-36B	CAP, cover spring (4)	95*-ALL	95*-ALL	95*-ALL
32	17947-36	SPRING, push rod cover (4)	95*-ALL	95*-ALL	95*-ALL
33	17950-66	RETAINER, spring cap (4)	95*-ALL	95*-ALL	95*-ALL
34	18523-86	TAPPET, with roller (4)	95*-ALL	95*-ALL	95*-ALL
35	18540-83B	TAPPET GUIDE, rear	95*-DD	--	95*-GH
	18622-85B	TAPPET GUIDE, rear (black)	95-DJ/M/P;FD 96*-DJ/P; FB/C/D/E/F	95*-ALL	95*-GD/E/G
	19542-83B	TAPPET GUIDE, front	95*-DD	--	95*-GH
	18623-85B	TAPPET GUIDE, front (black)	95-DJ/M/P;FD 96*-DJ/P; FB/C/D/E/F	95*-ALL	95*-GD/E/G
36	18633-48D	GASKET, tappet guide - rear	95*-ALL	95*-ALL	95*-ALL
	18634-48C	GASKET, tappet guide - front	95*-ALL	95*-ALL	95*-ALL
37	26856-89	VALVE, umbrella	95*-ALL	95*-ALL	95*-ALL
38	63858-49	GASKET (8)	95*-ALL	95*-ALL	95*-ALL

FLT MODELS				SOFTAIL MODELS				DYNA MODELS	
FLHT	DD	FLHR-I	FB	FLSTC	BJ	FLSTF	BM	FXDL	GD
FLHTC	DJ	FLHTCU-I	FC	FXSTC	BK	FLSTN	BN	FXDWG	GE
FLTC-U	DM	FLTCU-I	FE	FXSTS	BL	FXSTSB	BP	FXDS-CON	GG
FLHTC-U	DP	FLHTC-I	FF					FXD	GH
FLHR	FD								

PISTONS, CONNECTING RODS & FLYWHEELS

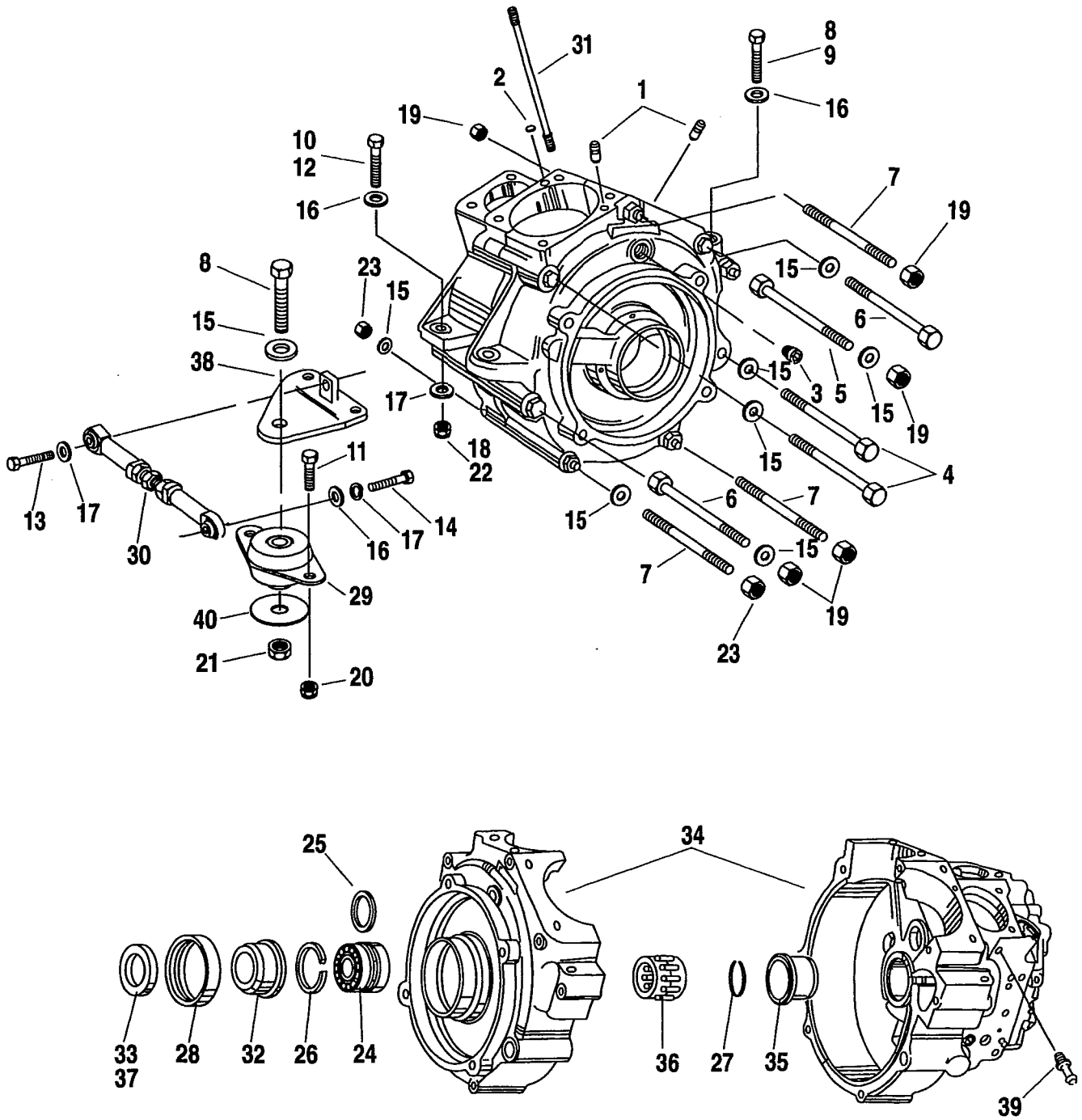


PISTONS, CONNECTING RODS & FLYWHEELS

INDEX NO.	PART NO.	DESCRIPTION	FLT MODELS	SOFTAIL MODELS	DYNA MODELS
1	6506	WASHER (bronze)(2)	95*-ALL	95*-ALL	95*-ALL
2	11218	KEY, crank pin & gearshaft	95*-ALL	95*-ALL	95*-ALL
3	11219	T-KEY	95*-ALL	95*-ALL	95*-ALL
4	21920-83	PISTON RING SET- std. (2)	95*-ALL	95*-ALL	95*-ALL
	21921-83	PISTON RING SET - 0.005" O.S.(2)	95*-ALL	95*-ALL	95*-ALL
	21922-83	PISTON RING SET - 0.010" O.S. (2)	95*-ALL	95*-ALL	95*-ALL
	21923-83	PISTON RING SET - 0.020" O.S. (2)	95*-ALL	95*-ALL	95*-ALL
	21924-83	PISTON RING SET - 0.030" O.S. (2)	95*-ALL	95*-ALL	95*-ALL
5	21940-83	PISTON RINGS ASM. - std. (2)	95*-ALL	95*-ALL	95*-ALL
	21941-83	PISTON AND RINGS ASM. - 0.005" O.S. (2)	95*-ALL	95*-ALL	95*-ALL
	21942-83	PISTON AND RINGS ASM. - 0.010" O.S. (2)	95*-ALL	95*-ALL	95*-ALL
	21943-83	PISTON AND RINGS ASM. - 0.020" O.S. (2)	95*-ALL	95*-ALL	95*-ALL
	21944-83	PISTON AND RINGS ASM. - 0.030" O.S. (2)	95*-ALL	95*-ALL	95*-ALL
6	22589-83A	LOCK RING, piston pin (4)	95*-ALL	95*-ALL	95*-ALL
7	22764-83	PISTON PIN (2)	95*-ALL	95*-ALL	95*-ALL
8	23906-93B	SET OF FLYWHEELS & SHAFT w/RODS	95*-DD/J/M/P;FD	95*-ALL	95*-ALL
	23941-95	SET OF FLYWHEELS & SHAFT w/RODS	95-FC 96*-FB/C/E/F	--	--
9	23928-87	INNER RING	95*-ALL	95*-ALL	95*-ALL
10	23961-80A	CRANK PIN - std.	95*-ALL	95*-ALL	95*-ALL
	23974-87	CRANK PIN - 0.001" O.S.	95*-ALL	95*-ALL	95*-ALL
	23975-87	CRANK PIN - 0.002" O.S.	95*-ALL	95*-ALL	95*-ALL
11	23969-83	NUT, crank pin (2)	95*-ALL	95*-ALL	95*-ALL
12	24281-83	SET OF RODS w/BRGS. & CRANKPIN	95*-ALL	95*-ALL	95*-ALL
13	24334-36	BUSHING, piston pin - 0.002" O.S. (2)	95*-ALL	95*-ALL	95*-ALL
	24335-36	BUSHING, piston pin - 0.010" O.S. (2)	95*-ALL	95*-ALL	95*-ALL
14	24345-36A	BUSHING, rear conn. rod - lower (2)	95*-ALL	95*-ALL	95*-ALL
15	24346-87A	BEARING SET	95*-ALL	95*-ALL	95*-ALL
16	24356-36A	BUSHING, front conn. rod - lower	95*-ALL	95*-ALL	95*-ALL

FLT MODELS				SOFTAIL MODELS				DYNA MODELS	
FLHT	DD	FLHR-I	FB	FLSTC	BJ	FLSTF	BM	FXDL	GD
FLHTC	DJ	FLHTCU-I	FC	FXSTC	BK	FLSTN	BN	FXDWG	GE
FLTC-U	DM	FLTCU-I	FE	FXSTS	BL	FXSTSB	BP	FXDS-CON	GG
FLHTC-U	DP	FLHTC-I	FF					FXD	GH
FLHR	FD								

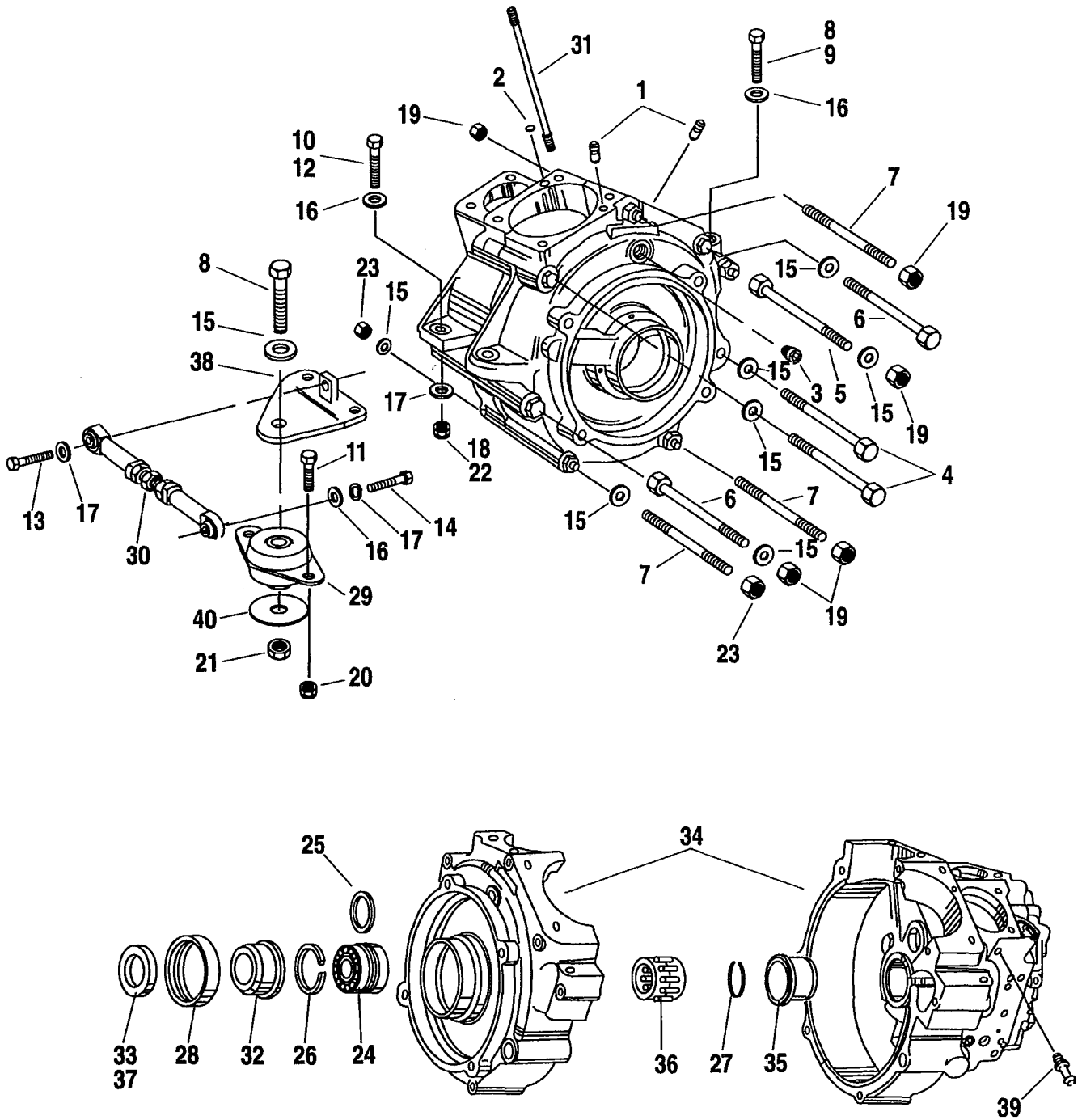
CRANKCASE - 1995



INDEX NO.	PART NO.	DESCRIPTION	FLT MODELS	SOFTAIL MODELS	DYNA MODELS
1	358	DOWEL PIN (2)	95-ALL	95-ALL	95-ALL
2	653	EXPANSION PLUG	95-ALL	95-ALL	95-ALL
3	720	PLUG, timing hole	95-ALL	95-ALL	95-ALL
4	3427	BOLT (2)	95-ALL	95-ALL	95-ALL
5	3430	BOLT	95-ALL	95-ALL	95-ALL
6	3504A	BOLT (2)	95-ALL	95-ALL	95-ALL
7	3506	STUD (3)	95-ALL	95-ALL	95-ALL
8	3512	BOLT	95-ALL	--	--
9	3528	BOLT (2)	95-ALL	--	95-ALL
10	3554	BOLT (2)	95-ALL	95-ALL	95-ALL
11	4319	BOLT (2)	95-ALL	--	--
12	4416	BOLT (2)	--	95-ALL	--
13	4716W	BOLT	95-ALL	--	--
14	4721	BOLT	95-ALL	--	--
15	6016	WASHER (7)	95-ALL	95-ALL	95-ALL
16	6019	WASHER (4; 5 FLT)	95-ALL	95-ALL	95-ALL
17	7038	LOCKWASHER (4)	95-ALL	--	--
18	7506	LOCKNUT (4)	--	95-ALL	--
19	7593	NUT, flange (7)	95-ALL	95-ALL	95-ALL
20	7780	LOCKNUT (2)	95-ALL	--	--
21	7782	NUT	95-ALL	--	--
22	7783	NUT (2)	95-ALL	--	--
23	7883	NUT (2)	95-ALL	95-ALL	95-ALL
24	9028	BEARING ASM., sprocket shaft	95-ALL	95-ALL	95-ALL
25	9110	SHIM, brg. asm. 0.0905 - .0895"	95-ALL	95-ALL	95-ALL
	9120	SHIM, brg. asm. 0.0925 - .0915"	95-ALL	95-ALL	95-ALL
	9121	SHIM, brg. asm. 0.0945 - .0935"	95-ALL	95-ALL	95-ALL
	9122	SHIM, brg. asm. 0.0965 - .0955"	95-ALL	95-ALL	95-ALL
	9123	SHIM, brg. asm. 0.0985 - .0975"	95-ALL	95-ALL	95-ALL
	9124	SHIM, brg. asm. 0.1005 - .0995"	95-ALL	95-ALL	95-ALL
	9125	SHIM, brg. asm. 0.1025 - .1015"	95-ALL	95-ALL	95-ALL
	9126	SHIM, brg. asm. 0.1045 - .1035"	95-ALL	95-ALL	95-ALL
	9127	SHIM, brg. asm. 0.1065 - .1055"	95-ALL	95-ALL	95-ALL
	9128	SHIM, brg. asm. 0.1085 - .1075"	95-ALL	95-ALL	95-ALL
	9129	SHIM, brg. asm. 0.1105 - .1095"	95-ALL	95-ALL	95-ALL
	9130	SHIM, brg. asm. 0.1125 - .1115"	95-ALL	95-ALL	95-ALL
	9131	SHIM, brg. asm. 0.1145 - .1135"	95-ALL	95-ALL	95-ALL
	9132	SHIM, brg. asm. 0.1165 - .1155"	95-ALL	95-ALL	95-ALL
	9133	SHIM, brg. asm. 0.1185 - .1175"	95-ALL	95-ALL	95-ALL
	9134	SHIM, brg. asm. 0.1205 - .1195"	95-ALL	95-ALL	95-ALL
26	11160A	RETAINING RING, brg. - left	95-ALL	95-ALL	95-ALL
27	11177A	RETAINING RING, brg. - right	95-ALL	95-ALL	95-ALL
28	12026B	OIL SEAL	95-ALL	95-ALL	95-ALL
29	16207-79B	ENGINE MOUNT, front	95-ALL	--	--
30	16219-79B	STABILIZER LINK, lower	95-ALL	--	--
31	16837-85C	STUD, cylinder base (8)	95-ALL	95-ALL	95-ALL
32	24002-70	SPACER, sprocket shaft	95-DD/J/M/P;FD	95-ALL	95-ALL
	24008-95	SPACER, sprocket shaft	95-FC	--	--

FLT MODELS				SOFTAIL MODELS				DYNA MODELS	
FLHT	DD	FLHR-I	FB	FLSTC	BJ	FLSTF	BM	FXDL	GD
FLHTC	DJ	FLHTCU-I	FC	FXSTC	BK	FLSTN	BN	FXDWG	GE
FLTC-U	DM	FLTCU-I	FE	FXSTS	BL	FXSTSB	BP	FXDS-CON	GG
FLHTC-U	DP	FLHTC-I	FF					FXD	GH
FLHR	FD								

CRANKCASE - 1995



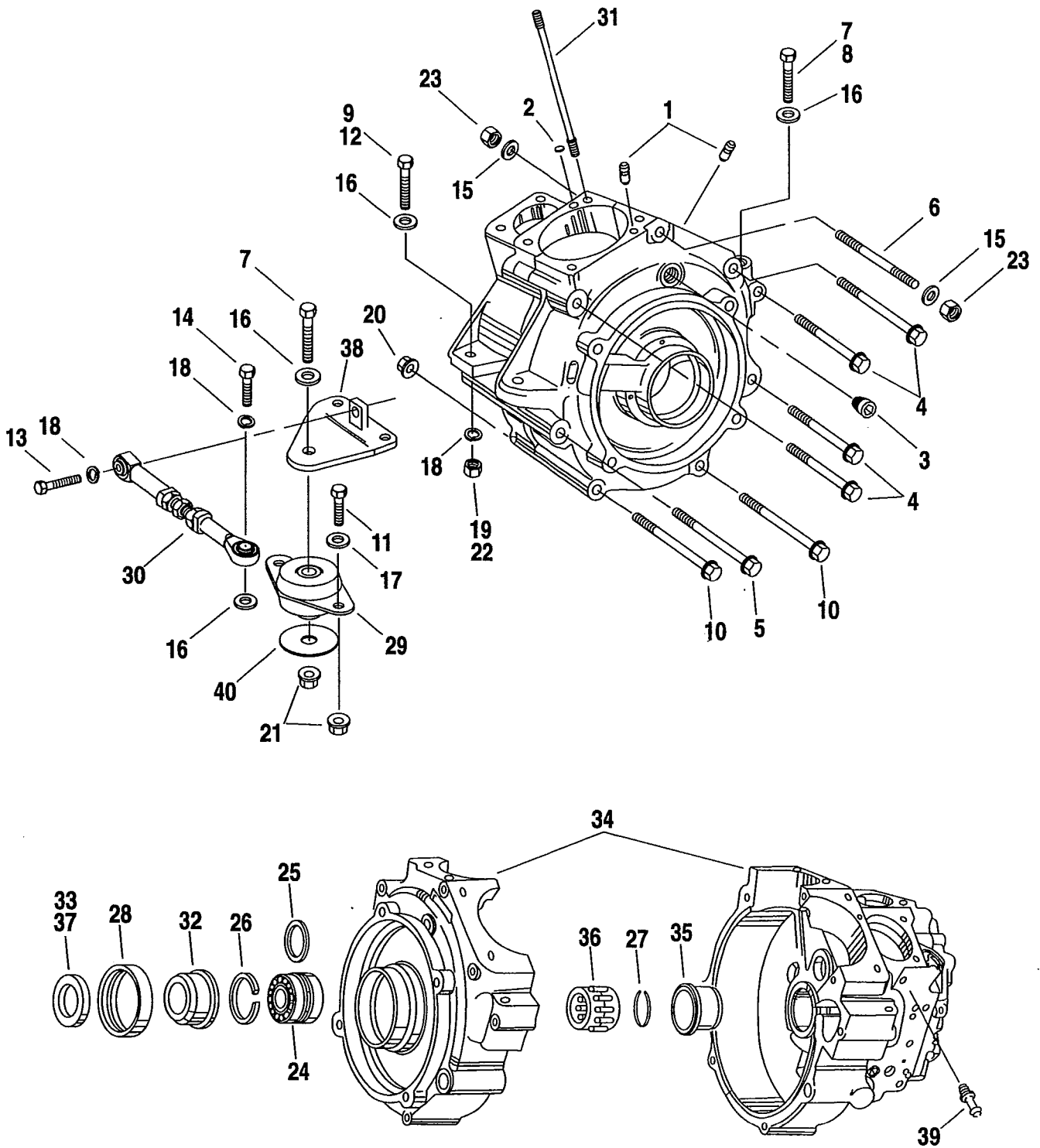
CRANKCASE - 1995 (CONT'D)

FC5-2

INDEX NO.	PART NO.	DESCRIPTION	FLT MODELS	SOFTAIL MODELS	DYNA MODELS
33	24032-70	SPACER, sprocket shaft - 0.060" thk.	95-ALL	95-ALL	95-ALL
	24033-70	SPACER, sprocket shaft - 0.090" thk.	95-ALL	95-ALL	95-ALL
	24034-70	SPACER, sprocket shaft - 0.120" thk.	95-ALL	95-ALL	95-ALL
	24035-70	SPACER, sprocket shaft - 0.150" thk.	95-ALL	95-ALL	95-ALL
	24036-70	SPACER, sprocket shaft - 0.180" thk.	95-ALL	95-ALL	95-ALL
	24037-70	SPACER, sprocket shaft - 0.210" thk.	95-ALL	95-ALL	95-ALL
34	24569-95	SET OF CRANKCASES (black)	95-FC	--	--
	24571-93	SET OF CRANKCASES (black)	95-DJ/M/P;FD	95-ALL	95-GD/E/G
	24572-93	SET OF CRANKCASES	95-DD	--	95-GH
35	24599-58B	BUSHING, right crankcase -std.	95-ALL	95-ALL	95-ALL
	24600-58B	BUSHING, right crankcase - 0.002" O.S.O.D.	95-ALL	95-ALL	95-ALL
	24601-58B	BUSHING, right crankcase - 0.005" O.S.O.D.	95-ALL	95-ALL	95-ALL
36	24626-87	BEARING SET, gear side (white/grey)	95-ALL	95-ALL	95-ALL
	24628-87	BEARING SET, gear side (green)	95-ALL	95-ALL	95-ALL
	24641-87	BEARING SET, gear side(red)	95-ALL	95-ALL	95-ALL
	24643-87	BEARING SET, gear side(blue)	95-ALL	95-ALL	95-ALL
37	35850-84	SPACER, sprocket shaft - 0.010" thk.	95-ALL	95-ALL	95-ALL
	35851-84	SPACER, sprocket shaft - 0.020" thk.	95-ALL	95-ALL	95-ALL
	35852-84	SPACER, sprocket shaft - 0.030" thk.	95-ALL	95-ALL	95-ALL
38	47159-79A	BRACKET, front engine mount	95-ALL	--	--
39	63533-41	FITTING, oil hose	95-ALL	95-ALL	95-ALL
40	96210-80	WASHER	95-ALL	--	--

FLT MODELS				SOFTAIL MODELS				DYNA MODELS	
FLHT	DD	FLHR-I	FB	FLSTC	BJ	FLSTF	BM	FXDL	GD
FLHTC	DJ	FLHTCU-I	FC	FXSTC	BK	FLSTN	BN	FXDWG	GE
FLTC-U	DM	FLTCU-I	FE	FXSTS	BL	FXSTSB	BP	FXDS-CON	GG
FLHTC-U	DP	FLHTC-I	FF					FXD	GH
FLHR	FD								

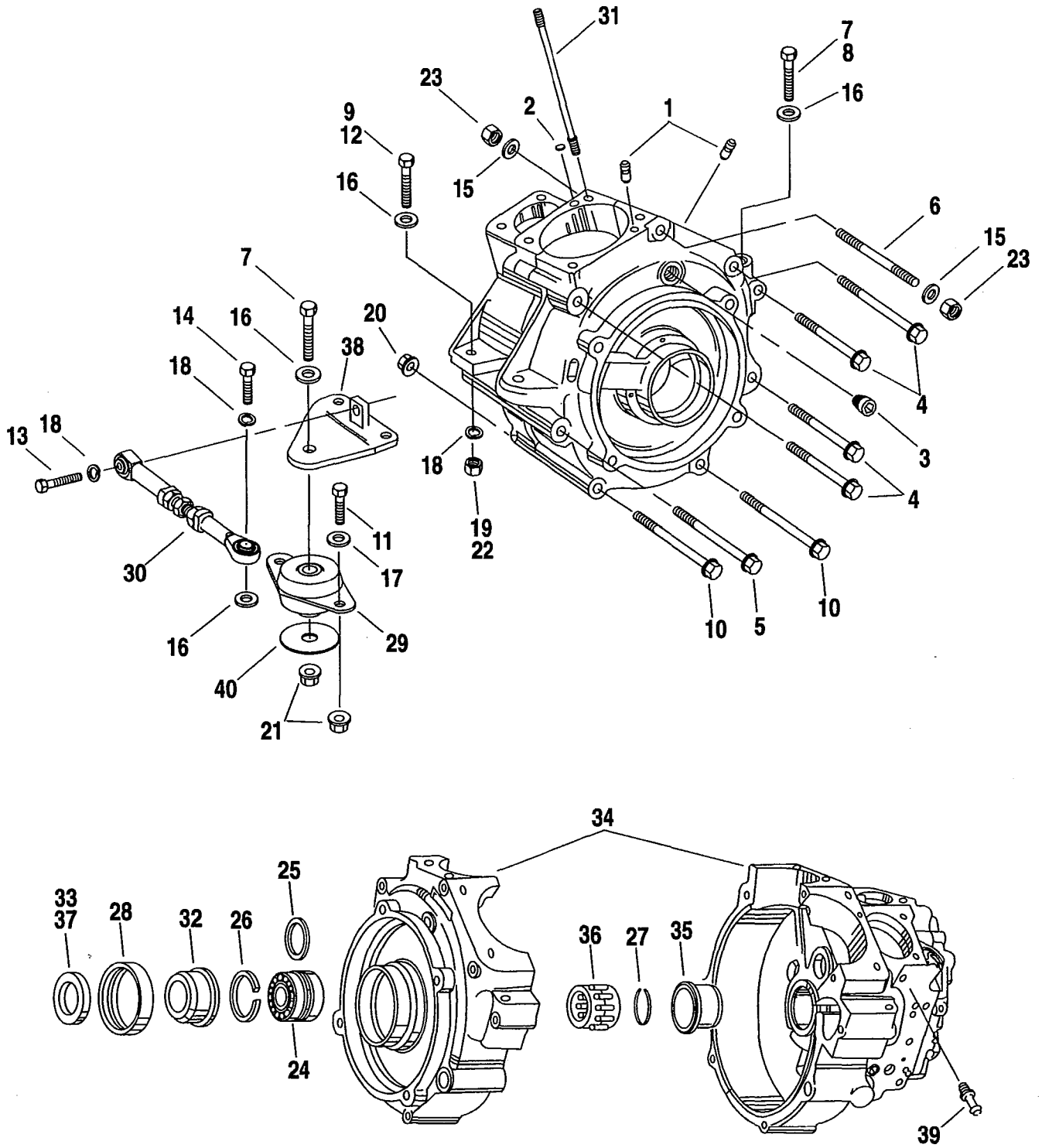
CRANKCASE - 1996



INDEX NO.	PART NO.	DESCRIPTION	FLT MODELS	SOFTAIL MODELS	DYNA MODELS
1	358	DOWEL PIN (2)	96*-ALL	96*-ALL	96*-ALL
2	653	EXPANSION PLUG	96*-ALL	96*-ALL	96*-ALL
3	720	PLUG, timing hole	96*-ALL	96*-ALL	96*-ALL
4	3398	BOLT (4)	96*-ALL	96*-ALL	96*-ALL
5	3504A	BOLT	96*-ALL	96*-ALL	96*-ALL
6	3506	STUD	96*-ALL	96*-ALL	96*-ALL
7	3512	BOLT (2-Softail)	96*-ALL	96*-ALL	--
8	3528	BOLT (2)	96*-ALL	--	96*-ALL
9	3554	BOLT (2)	96*-ALL	--	96*-ALL
10	3613	BOLT (2)	96*-ALL	96*-ALL	96*-ALL
11	4319	BOLT (2)	96*-ALL	--	--
12	4416	BOLT (2)	--	96*-ALL	--
13	4716W	BOLT	96*-ALL	--	--
14	4721	BOLT	96*-ALL	--	--
15	6016	WASHER (2)	96*-ALL	96*-ALL	96*-ALL
16	6019	WASHER (4; 6 FLT)	96*-ALL	96*-ALL	96*-ALL
17	6400HB	WASHER (2)	96*-ALL	--	--
18	7038	LOCKWASHER (4)	96*-ALL	--	--
19	7506	LOCKNUT (4)	--	96*-ALL	--
20	7593	NUT, flange (3)	96*-ALL	96*-ALL	96*-ALL
21	7780	LOCKNUT (3)	96*-ALL	--	--
22	7783	NUT (2)	96*-ALL	--	--
23	7883	NUT (2)	96*-ALL	96*-ALL	96*-ALL
24	9028	BEARING ASM., sprocket shaft	96*-ALL	96*-ALL	96*-ALL
25	9110	SHIM, brg. asm. 0.0905 - .0895"	96*-ALL	96*-ALL	96*-ALL
	9120	SHIM, brg. asm. 0.0925 - .0915"	96*-ALL	96*-ALL	96*-ALL
	9121	SHIM, brg. asm. 0.0945 - .0935"	96*-ALL	96*-ALL	96*-ALL
	9122	SHIM, brg. asm. 0.0965 - .0955"	96*-ALL	96*-ALL	96*-ALL
	9123	SHIM, brg. asm. 0.0985 - .0975"	96*-ALL	96*-ALL	96*-ALL
	9124	SHIM, brg. asm. 0.1005 - .0995"	96*-ALL	96*-ALL	96*-ALL
	9125	SHIM, brg. asm. 0.1025 - .1015"	96*-ALL	96*-ALL	96*-ALL
	9126	SHIM, brg. asm. 0.1045 - .1035"	96*-ALL	96*-ALL	96*-ALL
	9127	SHIM, brg. asm. 0.1065 - .1055"	96*-ALL	96*-ALL	96*-ALL
	9128	SHIM, brg. asm. 0.1085 - .1075"	96*-ALL	96*-ALL	96*-ALL
	9129	SHIM, brg. asm. 0.1105 - .1095"	96*-ALL	96*-ALL	96*-ALL
	9130	SHIM, brg. asm. 0.1125 - .1115"	96*-ALL	96*-ALL	96*-ALL
	9131	SHIM, brg. asm. 0.1145 - .1135"	96*-ALL	96*-ALL	96*-ALL
	9132	SHIM, brg. asm. 0.1165 - .1155"	96*-ALL	96*-ALL	96*-ALL
	9133	SHIM, brg. asm. 0.1185 - .1175"	96*-ALL	96*-ALL	96*-ALL
	9134	SHIM, brg. asm. 0.1205 - .1195"	96*-ALL	96*-ALL	96*-ALL
26	11160A	RETAINING RING, brg. - left	96*-ALL	96*-ALL	96*-ALL
27	11177A	RETAINING RING, brg. - right	96*-ALL	96*-ALL	96*-ALL
28	12026B	OIL SEAL	96*-ALL	96*-ALL	96*-ALL
29	16207-79B	ENGINE MOUNT, front	96*-ALL	--	--
30	16219-79B	STABILIZER LINK, lower	96*-ALL	--	--
31	16837-85C	STUD, cylinder base (8)	96*-ALL	96*-ALL	96*-ALL
32	24002-70	SPACER, sprocket shaft	96*-DD/J/P;FD	96*-ALL	96*-ALL
	24008-95	SPACER, sprocket shaft	95*-FC 96*-FB/C/E/F	--	--

FLT MODELS				SOFTAIL MODELS				DYNA MODELS	
FLHT	DD	FLHR-I	FB	FLSTC	BJ	FLSTF	BM	FXDL	GD
FLHTC	DJ	FLHTCU-I	FC	FXSTC	BK	FLSTN	BN	FXDWG	GE
FLTC-U	DM	FLTCU-I	FE	FXSTS	BL	FXSTSB	BP	FXDS-CON	GG
FLHTC-U	DP	FLHTC-I	FF					FXD	GH
FLHR	FD								

CRANKCASE - 1996



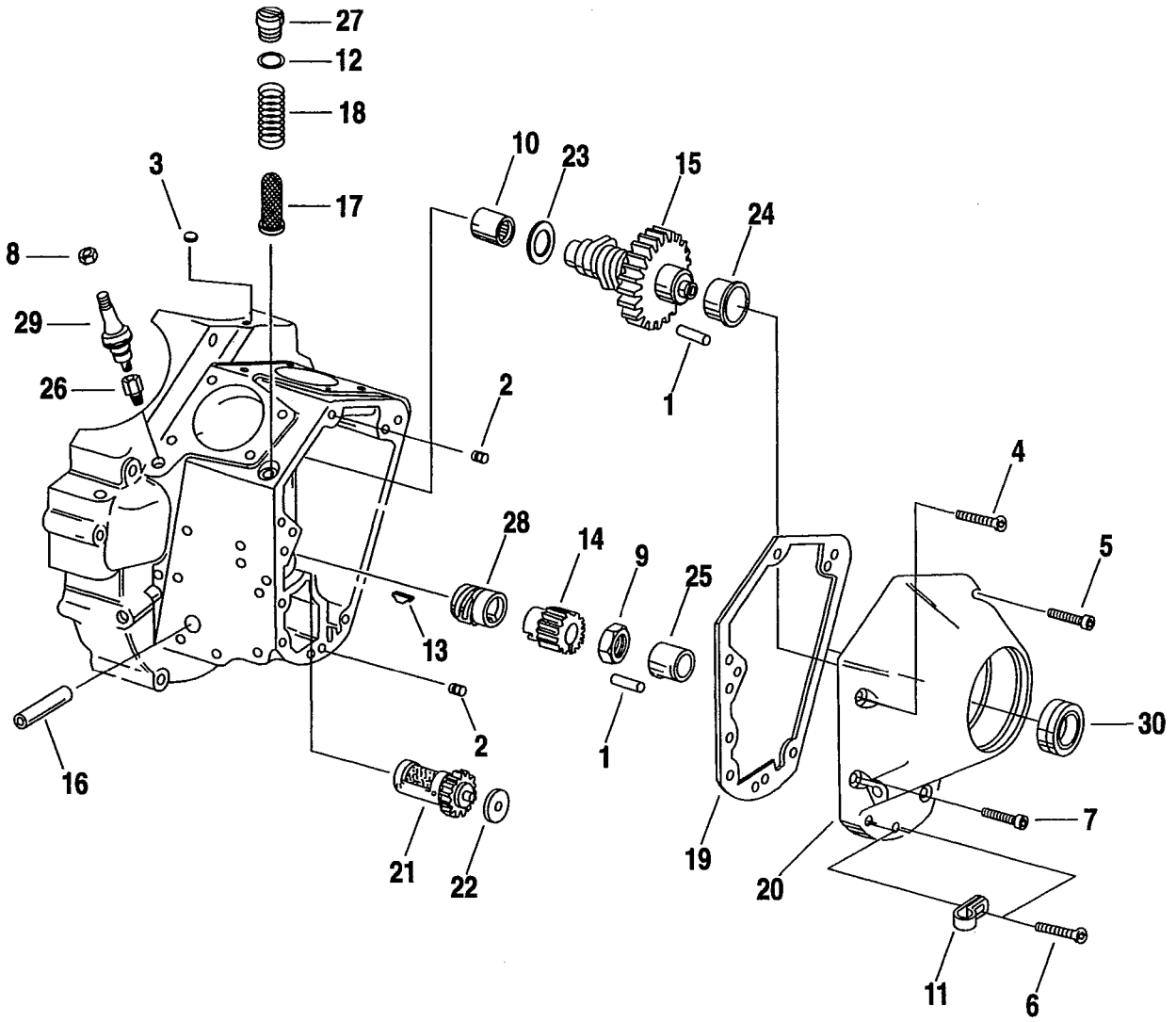
CRANKCASE - 1996 (CONT'D)

FC5A-2

INDEX NO.	PART NO.	DESCRIPTION	FLT MODELS	SOFTAIL MODELS	DYNA MODELS
33	24032-70	SPACER, sprocket shaft - 0.060" thk.	96*-ALL	96*-ALL	96*-ALL
	24033-70	SPACER, sprocket shaft - 0.090" thk.	96*-ALL	96*-ALL	96*-ALL
	24034-70	SPACER, sprocket shaft - 0.120" thk.	96*-ALL	96*-ALL	96*-ALL
	24035-70	SPACER, sprocket shaft - 0.150" thk.	96*-ALL	96*-ALL	96*-ALL
	24036-70	SPACER, sprocket shaft - 0.180" thk.	96*-ALL	96*-ALL	96*-ALL
	24037-70	SPACER, sprocket shaft - 0.210" thk.	96*-ALL	96*-ALL	96*-ALL
34	24569-95	SET OF CRANKCASES (black)	96*-FB/C/E/F	--	--
	24571-93	SET OF CRANKCASES (black)	96*-DJ/P;FD	95*-ALL	96*-GD/E/G
	24572-93	SET OF CRANKCASES	96*-DD	--	96*-GH
35	24599-58B	BUSHING, right crankcase -std.	96*-ALL	96*-ALL	96*-ALL
	24600-58B	BUSHING, right crankcase - 0.002" O.S.O.D.	96*-ALL	96*-ALL	96*-ALL
	24601-58B	BUSHING, right crankcase - 0.005" O.S.O.D.	96*-ALL	96*-ALL	96*-ALL
36	24626-87	BEARING SET, gear side (white/grey)	96*-ALL	96*-ALL	96*-ALL
	24628-87	BEARING SET, gear side (green)	96*-ALL	96*-ALL	96*-ALL
	24641-87	BEARING SET, gear side(red)	96*-ALL	96*-ALL	96*-ALL
	24643-87	BEARING SET, gear side(blue)	96*-ALL	96*-ALL	96*-ALL
37	35850-84	SPACER, sprocket shaft - 0.010" thk.	96*-ALL	96*-ALL	96*-ALL
	35851-84	SPACER, sprocket shaft - 0.020" thk.	96*-ALL	96*-ALL	96*-ALL
	35852-84	SPACER, sprocket shaft - 0.030" thk.	96*-ALL	96*-ALL	96*-ALL
38	47159-79A	BRACKET, front engine mount	96*-ALL	--	--
39	63533-41	FITTING, oil hose	96*-ALL	96*-ALL	96*-ALL
40	96210-80	WASHER	96*-ALL	--	--

FLT MODELS				SOFTAIL MODELS				DYNA MODELS	
FLHT	DD	FLHR-I	FB	FLSTC	BJ	FLSTF	BM	FXDL	GD
FLHTC	DJ	FLHTCU-I	FC	FXSTC	BK	FLSTN	BN	FXDWG	GE
FLTC-U	DM	FLTCU-I	FE	FXSTS	BL	FXSTSB	BP	FXDS-CON	GG
FLHTC-U	DP	FLHTC-I	FF					FXD	GH
FLHR	FD								

CRANKCASE - GEAR SIDE



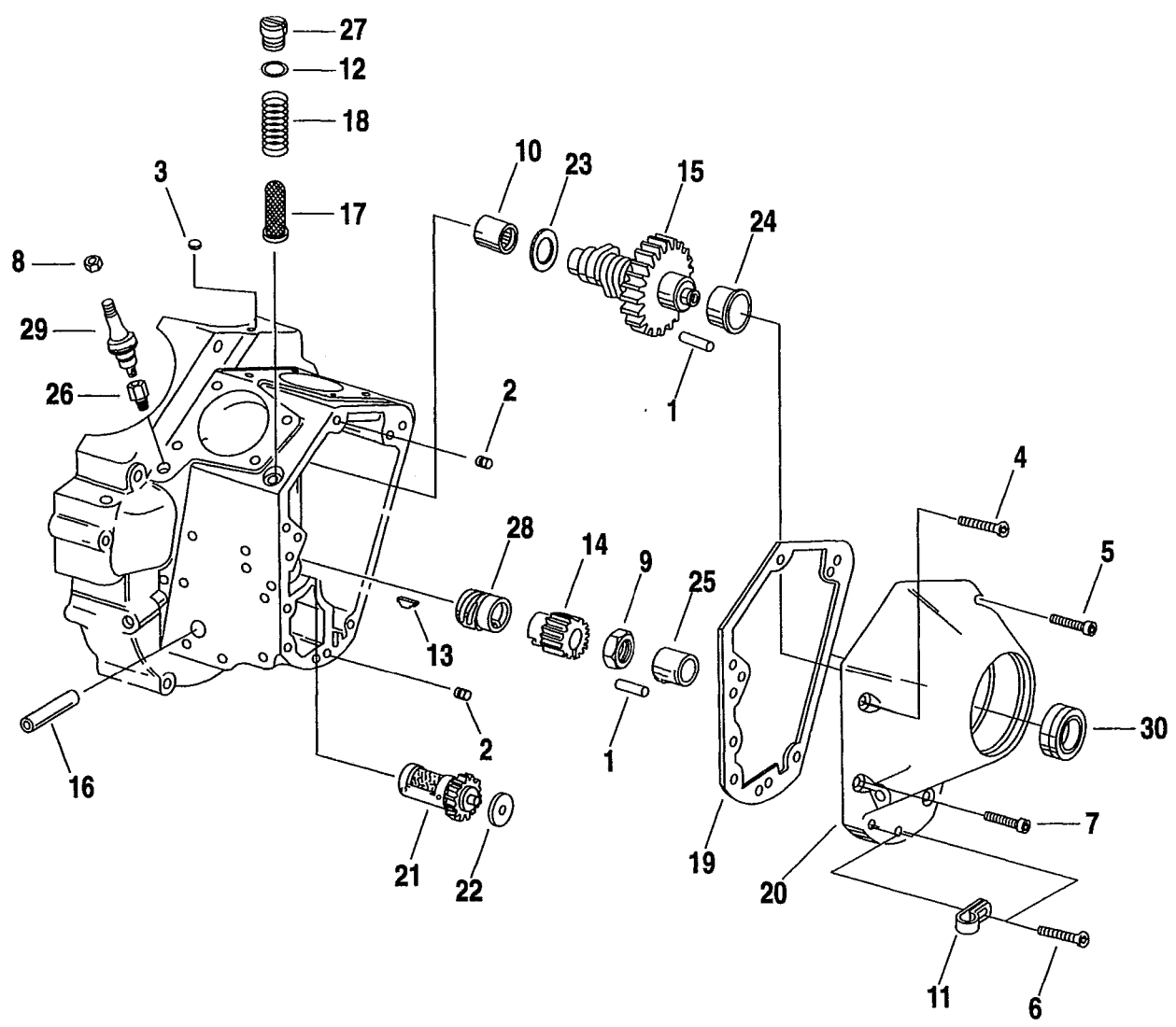
CRANKCASE - GEAR SIDE

FC6-1

INDEX NO.	PART NO.	DESCRIPTION	FLT MODELS	SOFTAIL MODELS	DYNA MODELS
1	275	DOWEL PIN (2 - as required)	95*-ALL	95*-ALL	95*-ALL
2	358	DOWEL PIN (2)	95*-ALL	95*-ALL	95*-ALL
3	653	PLUG, crankcase	95*-ALL	95*-ALL	95*-ALL
4	3480A	SCREW	95*-ALL	95*-ALL	95*-ALL
5	4813A	SCREW	95*-ALL	95*-ALL	95*-ALL
6	4718A	SCREW (2 - DYNA)	95*-ALL	95*-ALL	95*-ALL
7	4740A	SCREW (3 - FLT & Softail)	95*-ALL	95*-ALL	95*-ALL
8	7629	NUT	--	95*-ALL	95*-ALL
9	7916A	NUT, gear shaft	95*-ALL	95*-ALL	95*-ALL
10	9058	NEEDLE BEARING, crankcase camcover	95*-ALL	95*-ALL	95*-ALL
11	10046	CLAMP, ignition wire	--	--	95*-ALL
12	11105	O-RING	95*-ALL	93*-ALL	95*-ALL
13	11219	T-KEY	95*-ALL	95*-ALL	95*-ALL
14	24040-93	PINION GEAR, 1.4850-53 p.d. (orange)	95*-ALL	95*-ALL	95*-ALL
	24041-93	PINION GEAR, 1.4846-49 p.d. (white)	95*-ALL	95*-ALL	95*-ALL
	24042-93	PINION GEAR, 1.4842-45 p.d. (yellow)	95*-ALL	95*-ALL	95*-ALL
	24043-93	PINION GEAR, 1.4838-41 p.d. (red)	95*-ALL	95*-ALL	95*-ALL
	24044-93	PINION GEAR, 1.4834-37 p.d. (blue)	95*-ALL	95*-ALL	95*-ALL
	24045-93	PINION GEAR, 1.4830-33 p.d. (green)	95*-ALL	95*-ALL	95*-ALL
	24046-93	PINION GEAR, 1.4826-29 p.d. (black)	95*-ALL	95*-ALL	95*-ALL
15	24586-93	SET OF CAM & PINION GEARS (matched)	95-DD/J/M/P;FD 96*-DD/J/P;FD	95*-ALL	95*-ALL
	24587-95	SET OF CAM & PINION GEARS (matched)	95*-FC;96*-FB/E/F	--	--
16	24641-36	BUSHING, oil pump shaft	95*-ALL	95*-ALL	95*-ALL
17	24981-70	OIL SCREEN, crankcase	95*-ALL	95*-ALL	95*-ALL
18	24982-70	SPRING, oil screen	95*-ALL	95*-ALL	95*-ALL
19	25225-93B	GASKET, gear cover	95*-ALL	95*-ALL	95*-ALL
20	25254-93B	GEAR COVER	95*-DD	--	95*-GH
	25256-93A	GEAR COVER, (chrome)	95-DJ/M/P;FD 96*-DJ/P; FB/C/D/E/F	95*-ALL	95*-GD/E/G

FLT MODELS				SOFTAIL MODELS				DYNA MODELS	
FLHT	DD	FLHR-I	FB	FLSTC	BJ	FLSTF	BM	FXDL	GD
FLHTC	DJ	FLHTCU-I	FC	FXSTC	BK	FLSTN	BN	FXDWG	GE
FLTC-U	DM	FLTCU-I	FE	FXSTS	BL	FXSTSB	BP	FXDS-CON	GG
FLHTC-U	DP	FLHTC-I	FF					FXD	GH
FLHR	FD								

CRANKCASE - GEAR SIDE



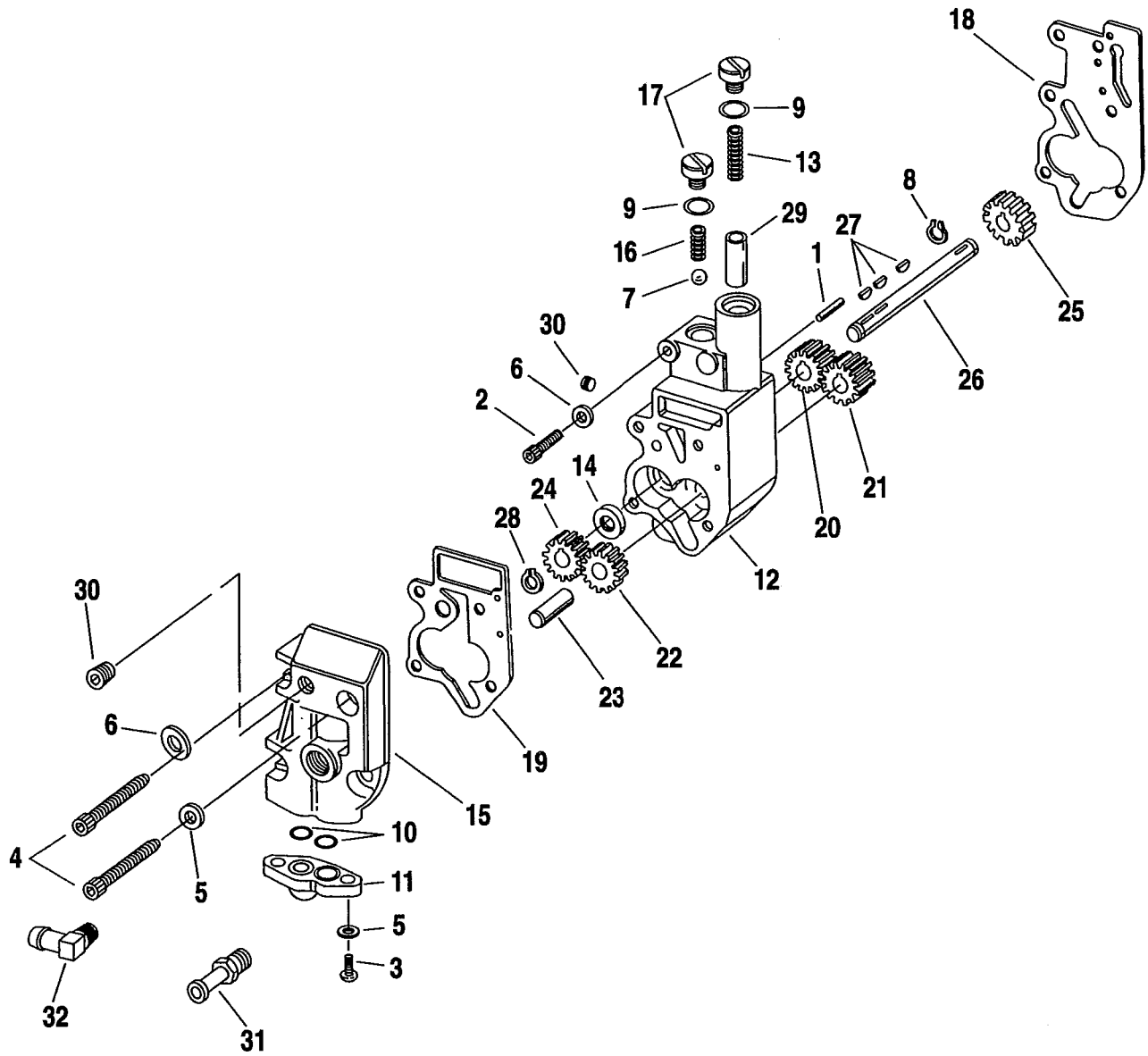
CRANKCASE - GEAR SIDE (CONT'D)

FC6-2

INDEX NO.	PART NO.	DESCRIPTION	FLT MODELS	SOFTAIL MODELS	DYNA MODELS
21	25310-82A	BREATHER VALVE GEAR	95*-ALL	95*-ALL	95*-ALL
22	25320-82	THRUST WASHER, brthr valve - 0.130" thk.	95*-ALL	95*-ALL	95*-ALL
	25321-82	THRUST WASHER, brthr valve - 0.135" thk.	95*-ALL	95*-ALL	95*-ALL
	25322-82	THRUST WASHER, brthr valve - 0.140" thk.	95*-ALL	95*-ALL	95*-ALL
	25323-82	THRUST WASHER, brthr valve - 0.145" thk.	95*-ALL	95*-ALL	95*-ALL
	25325-82	THRUST WASHER, brthr valve - 0.150" thk.	95*-ALL	95*-ALL	95*-ALL
	25326-82	THRUST WASHER, brthr valve - 0.155" thk.	95*-ALL	95*-ALL	95*-ALL
	25327-82	THRUST WASHER, brthr valve - 0.160" thk.	95*-ALL	95*-ALL	95*-ALL
	25328-82	THRUST WASHER, brthr valve - 0.165" thk.	95*-ALL	95*-ALL	95*-ALL
23	25550-57A	THRUST WASHER, cam gear	95*-ALL	95*-ALL	95*-ALL
24	25581-70	BUSHING, gear cover	95*-ALL	95*-ALL	95*-ALL
25	25582-93	BUSHING, gear cover pinion shaft	95*-ALL	95*-ALL	95*-ALL
26	26052-92A	FITTING, oil pressure	95-DD/J/M/P	--	--
			96*-DD/J/P; FC/E/F		
27	26263-80	PLUG, oil screen	95*-ALL	95*-ALL	95*-ALL
28	26354-93	DRIVE GEAR, oil pump	95*-ALL	95*-ALL	95*-ALL
29	26561-84	OIL PRESSURE SWITCH	95*-FD/B	95*-ALL	95*-ALL
	74406-87	OIL PRESSURE SWITCH	95-DD/J/M/P 96*-DD/J/P; FC/E/F	--	--
30	83162-51	OIL SEAL, bearing	95*-ALL	95*-ALL	95*-ALL
H-D INTERNATIONAL ONLY					
15	24586-93	SET OF CAM & PINION GEARS (matched)	96*-FB/C/F	--	--

FLT MODELS				SOFTAIL MODELS				DYNA MODELS	
FLHT	DD	FLHR-I	FB	FLSTC	BJ	FLSTF	BM	FXDL	GD
FLHTC	DJ	FLHTCU-I	FC	FXSTC	BK	FLSTN	BN	FXDWG	GE
FLTC-U	DM	FLTCU-I	FE	FXSTS	BL	FXSTSB	BP	FXDS-CON	GG
FLHTC-U	DP	FLHTC-I	FF					FXD	GH
FLHR	FD								

OIL PUMP



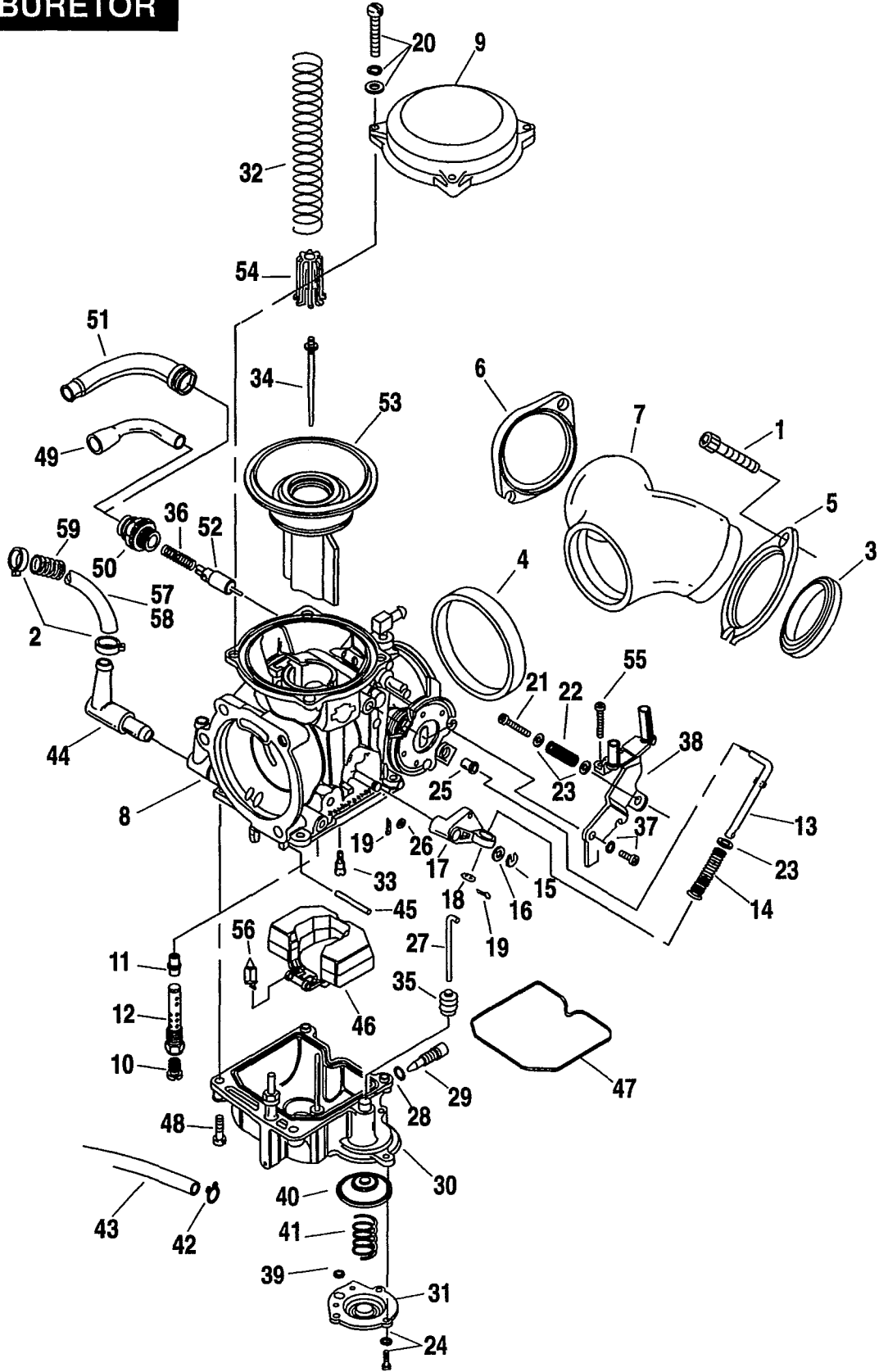
OIL PUMP

FC7

INDEX NO.	PART NO.	DESCRIPTION	FLT MODELS	SOFTAIL MODELS	DYNA MODELS
1	239	PIN, valve stop	95*-ALL	95*-ALL	95*-ALL
2	891	SCREW (2)	95*-ALL	95*-ALL	95*-ALL
3	942	SCREW (2)	95*-ALL	95*-ALL	95*-ALL
4	4742A	SCREW (4)	95*-ALL	95*-ALL	95*-ALL
5	6099	WASHER (2)	95*-ALL	95*-ALL	95*-ALL
6	6239	WASHER (4)	95*-ALL	95*-ALL	95*-ALL
7	8873	BALL, check valve - 3/8" dia.	95*-ALL	95*-ALL	95*-ALL
8	11002	RETAINING RING, oil pump	95*-ALL	95*-ALL	95*-ALL
9	11105	O-RING, check valve cover screw (2)	95*-ALL	95*-ALL	95*-ALL
10	11241	O-RING (2)	95*-ALL	95*-ALL	95*-ALL
11	26030-92	END CAP (black)	95*-ALL	95*-ALL	95*-ALL
	26050-92	OIL PUMP (black)	95-DJ/M/P;FC/D 96*-DJ/P; FB/C/D/E/F	95*-ALL	95*-GD/E/G
12	26053-92	OIL PUMP	95*-DD	--	95*-GH
	26225-92	BODY, oil pump	95*-DD	--	95*-GH
	26226-92	BODY, oil pump (black)	95-DJ/M/P;FC/D 96*-DJ/P; FB/C/D/E/F	95*-ALL	95*-GD/E/G
13	26207-83	SPRING, relief valve	95*-ALL	95*-ALL	95*-ALL
14	26227-58	OIL SEAL	95*-ALL	95*-ALL	95*-ALL
15	26267-92	COVER, oil pump (black)	95-DJ/M/P;FD 96*-DJ/P; FB/C/D/E/F	95*-ALL	95*-GD/E/G
	26270-92	COVER, oil pump	95*-DD	--	95*-GH
16	26262-80	SPRING, check valve	95*-ALL	95*-ALL	95*-ALL
17	26263-80	COVER SCREW, check & relief valves (2)	95*-ALL	95*-ALL	95*-ALL
18	26273-92	GASKET, body (paper)	95*-ALL	95*-ALL	95*-ALL
19	26276-92	GASKET, cover (paper)	95*-ALL	95*-ALL	95*-ALL
20	26315-68A	DRIVE GEAR	95*-ALL	95*-ALL	95*-ALL
21	26317-68A	IDLER GEAR	95*-ALL	95*-ALL	95*-ALL
22	26326-62A	DRIVE IDLER GEAR	95*-ALL	95*-ALL	95*-ALL
23	26327-68	SHAFT, idler gear	95*-ALL	95*-ALL	95*-ALL
24	26328-74	DRIVE GEAR	95*-ALL	95*-ALL	95*-ALL
25	26345-73	DRIVE GEAR, 24 T	95*-ALL	95*-ALL	95*-ALL
26	26346-70	DRIVE SHAFT	95*-ALL	95*-ALL	95*-ALL
27	26348-15	KEY, drive shaft (3)	95*-ALL	95*-ALL	95*-ALL
28	26348-36	RETAINING RING, drive shaft	95*-ALL	95*-ALL	95*-ALL
29	26400-82	VALVE, oil pump	95*-ALL	95*-ALL	95*-ALL
30	45830-48	PLUG (2)	95*-ALL	95*-ALL	95*-ALL
31	63533-41	FITTING, straight	--	95*-ALL	--
32	63554-90	FITTING, 90 degree elbow	95*-ALL	--	95*-ALL

FLT MODELS				SOFTAIL MODELS				DYNA MODELS	
FLHT	DD	FLHR-I	FB	FLSTC	BJ	FLSTF	BM	FXDL	GD
FLHTC	DJ	FLHTCU-I	FC	FXSTC	BK	FLSTN	BN	FXDWG	GE
FLTC-U	DM	FLTCU-I	FE	FXSTS	BL	FXSTSB	BP	FXDS-CON	GG
FLHTC-U	DP	FLHTC-I	FF					FXD	GH
FLHR	FD								

CARBURETOR



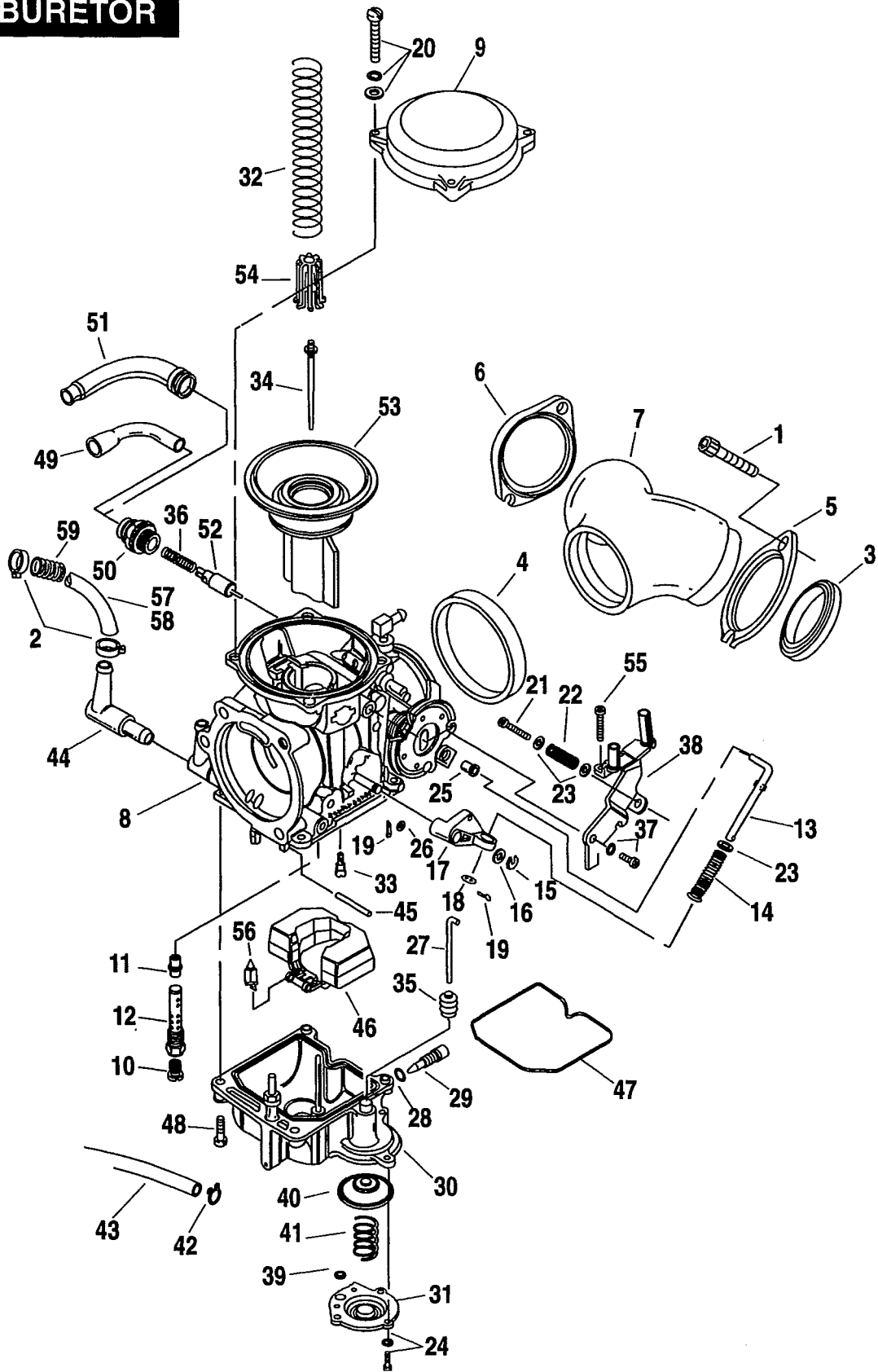
CARBURETOR

FC8-1

INDEX NO.	PART NO.	DESCRIPTION	FLT MODELS	SOFTAIL MODELS	DYNA MODELS
1	3275	SCREW (4)	95*-DD/J/M/P;FD	95*-ALL	95*-ALL
2	10014	CLAMP (2)	95*-DD/J/M/P;FD	95*-ALL	95*-ALL
3	26995-86A	SEAL, intake manifold (2)	95*-DD/J/M/P;FD	95*-ALL	95*-ALL
4	27002-89	SEAL RING	95*-DD/J/M/P;FD	95*-ALL	95*-ALL
5	27009-86A	FLANGE, mounting -front	95*-DD/J/M/P;FD	95*-ALL	95*-ALL
6	27010-86A	FLANGE, mounting - rear	95*-DD/J/M/P;FD	95*-ALL	95*-ALL
7	27019-89	MANIFOLD	95*-DD/J/M/P;FD	95*-ALL	95*-ALL
8	27026-95	CARBURETOR (Cal. only)	95-DD/J/M/P;FD	--	--
	27035-95	CARBURETOR (Cal. only)	--	95-ALL	95-ALL
	27206-93A	CARBURETOR	--	95-ALL	95-ALL
	27207-93A	CARBURETOR	95-DD/J/M/P;FD	--	--
	27492-96	CARBURETOR	--	96*-ALL	96*-ALL
	27493-96	CARBURETOR	96*-DD/J/P;FD	--	--
	27504-96	CARBURETOR (Cal. only)	--	96*-ALL	96*-ALL
	27505-96	CARBURETOR (Cal. only)	96*-DD/J/P;FD	--	--
9	27040-88	TOP, carburetor	95*-DD/J/M/P;FD	95*-ALL	95*-ALL
10	27090-89	MAIN JET, 1.75 mm (Cal. only - Softail & Dyna)	95*-DD/J/M/P;FD	96*-ALL	96*-ALL
	27114-88	MAIN JET, 1.80 mm (Cal. only)	96*-DD/J/P;FD	--	--
	27115-88	MAIN JET, 1.70 mm	--	96*-ALL	96*-ALL
	27116-88	MAIN JET, 1.65 mm	--	95-ALL	95-ALL
11	27100-88	NEEDLE JET	95*-DD/J/M/P;FD	95*-ALL	95*-ALL
12	27101-88	NEEDLE JET HOLDER	95*-DD/J/M/P;FD	95*-ALL	95*-ALL
13	27122-89	ROD	95*-DD/J/M/P;FD	95*-ALL	95*-ALL
14	27123-89	SPRING	95*-DD/J/M/P;FD	95*-ALL	95*-ALL
15	27124-89	E-CLIP	95*-DD/J/M/P;FD	95*-ALL	95*-ALL
16	27125-89	WASHER	95*-DD/J/M/P;FD	95*-ALL	95*-ALL
17	27126-89	LEVER	95*-DD/J/M/P;FD	95*-ALL	95*-ALL
18	27127-89	WASHER	95*-DD/J/M/P;FD	95*-ALL	95*-ALL
19	27128-89	PIN (2)	95*-DD/J/M/P;FD	95*-ALL	95*-ALL
20	27129-88	SCREW, top (3)	95*-DD/J/M/P;FD	95*-ALL	95*-ALL
21	27130-90	IDLE SCREW	95*-DD/J/M/P;FD	95*-ALL	95*-ALL
22	27136-90	SPRING	95*-DD/J/M/P;FD	95*-ALL	95*-ALL
23	27137-81	WASHER (3)	95*-DD/J/M/P;FD	95*-ALL	95*-ALL
24	27146-89	SCREW w/ WASHER (3)	95*-DD/J/M/P;FD	95*-ALL	95*-ALL
25	27147-89	COLLAR	95*-DD/J/M/P;FD	95*-ALL	95*-ALL
26	27148-89	WASHER	95*-DD/J/M/P;FD	95*-ALL	95*-ALL
27	27156-89	ROD	95*-DD/J/M/P;FD	95*-ALL	95*-ALL
28	27157-89	O-RING	95*-DD/J/M/P;FD	95*-ALL	95*-ALL
29	27158-89	DRAIN SCREW	95*-DD/J/M/P;FD	95*-ALL	95*-ALL
30	27159-92	FLOAT CHAMBER ASM.	95*-DD/J/M/P;FD	95*-ALL	95*-ALL
31	27160-89	PUMP HOUSING	95*-DD/J/M/P;FD	95*-ALL	95*-ALL
32	27162-89	SPRING	95*-DD/J/M/P;FD	95*-ALL	95*-ALL
33	27171-89	SLOW JET	95*-DD/J/M/P;FD	95*-ALL	95*-ALL
34	27184-92	JET NEEDLE	95-DD/J/M/P;FD	--	--
	27186-92	JET NEEDLE	--	95-ALL	95-ALL
	27253-96	JET NEEDLE	--	96*-ALL	96*-ALL
	27254-96	JET NEEDLE (Cal. only)	--	96*-ALL	96*-ALL
	27255-96	JET NEEDLE	96*-DD/J/P;FD	--	--
	27279-93	JET NEEDLE (Cal. only)	--	95-ALL	95-ALL

FLT MODELS				SOFTAIL MODELS				DYNA MODELS	
FLHT	DD	FLHR-I	FB	FLSTC	BJ	FLSTF	BM	FXDL	GD
FLHTC	DJ	FLHTCU-I	FC	FXSTC	BK	FLSTN	BN	FXDWG	GE
FLTC-U	DM	FLTCU-I	FE	FXSTS	BL	FXSTSB	BP	FXDS-CON	GG
FLHTC-U	DP	FLHTC-I	FF					FXD	GH
FLHR	FD								

CARBURETOR



CARBURETOR (CONT'D)

FC8-2

INDEX NO.	PART NO.	DESCRIPTION	FLT MODELS	SOFTAIL MODELS	DYNA MODELS
35	27311-76	CAP, accelerator pump	95*-DD/J/M/P;FD	95*-ALL	95*-ALL
36	27315-88A	SPRING	95*-DD/J/M/P;FD	95*-ALL	95*-ALL
37	27317-88	SCREW	95*-DD/J/M/P;FD	95*-ALL	95*-ALL
38	27339-90	BRACKET, throttle cables	--	95*-ALL	95*-ALL
	27340-90	BRACKET, throttle cables	95*-DD/J/M/P;FD	--	--
39	27360-76	O-RING	95*-DD/J/M/P;FD	95*-ALL	95*-ALL
40	27361-76	DIAPHRAM, accelerator pump	95*-DD/J/M/P;FD	95*-ALL	95*-ALL
41	27362-76	SPRING, diaphragm	95*-DD/J/M/P;FD	95*-ALL	95*-ALL
42	27368-76	CLIP, overflow hose	95*-DD/J/M/P;FD	95*-ALL	95*-ALL
43	27369-76	HOSE, overflow with clip	95*-DD/J/M/P;FD	95*-ALL	95*-ALL
44	27371-76	FITTING	95*-DD/J/M/P;FD	95*-ALL	95*-ALL
45	27575-88	PIN	95*-DD/J/M/P;FD	95*-ALL	95*-ALL
46	27576-92	FLOAT	95*-DD/J/M/P;FD	95*-ALL	95*-ALL
47	27577-92	O-RING, float chamber	95*-DD/J/M/P;FD	95*-ALL	95*-ALL
48	27579-88A	SCREW (4)	95*-DD/J/M/P;FD	95*-ALL	95*-ALL
49	27580-88	CABLE GUIDE	95*-DD/J/M/P;FD	95*-ALL	95*-ALL
50	27581-88	STARTER CAP	95*-DD/J/M/P;FD	95*-ALL	95*-ALL
51	27582-88	CABLE SEALING CAP	95*-DD/J/M/P;FD	95*-ALL	95*-ALL
52	27583-88	STARTER VALVE	95*-DD/J/M/P;FD	95*-ALL	95*-ALL
53	27585-88	VACUUM PISTON	95*-DD/J/M/P;FD	95*-ALL	95*-ALL
54	27586-88	SPRING SEAT	95*-DD/J/M/P;FD	95*-ALL	95*-ALL
55	27587-88	SCREW	95*-DD/J/M/P;FD	95*-ALL	95*-ALL
56	27886-78A	VALVE, with clip	95*-DD/J/M/P;FD	95*-ALL	95*-ALL
57	62356-95	FUEL HOSE, preformed	95*-DD/J/M/P;FD	--	--

NOTE: Hose and insulator is sold only in bulk length under the following part numbers. Cut to length.

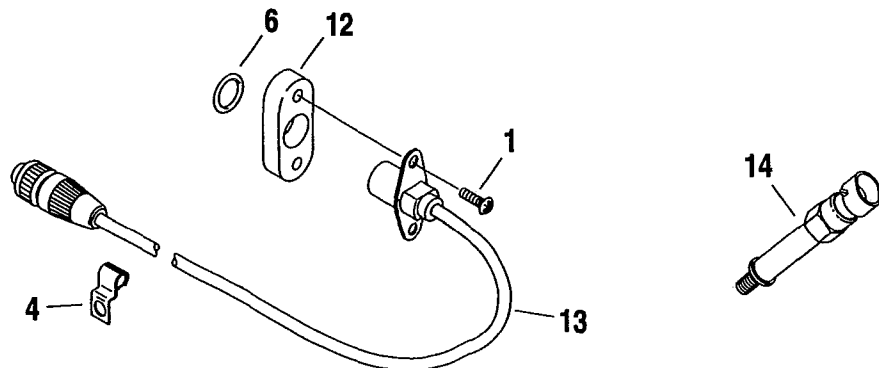
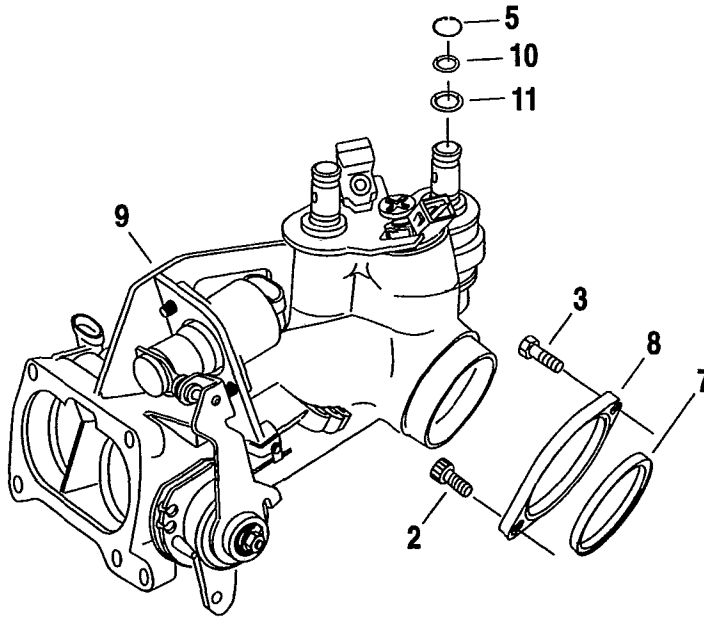
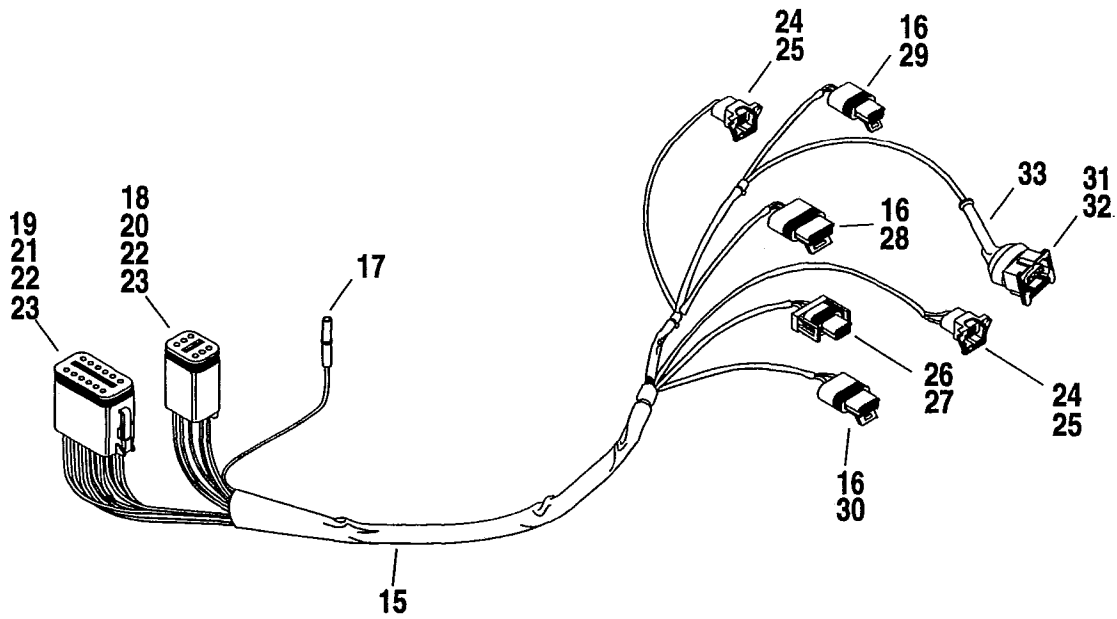
58	63501-68A	HOSE, 1/4 I.D. (25 ft. lg.)(black)	--	95*-ALL	95*-ALL
59	63505-84	INSULATOR, 1/2 I.D. (nylon) (8 ft. lg.)	--	95*-ALL	95*-ALL

H-D INTERNATIONAL ONLY

7	26994-90	MANIFOLD (HDI only)	--	95-ALL	95-ALL
8	27038-92A	CARBURETOR (Swiss)	--	95-ALL	95-ALL
	27039-92A	CARBURETOR (Swiss)	95-DJ/P;FD	--	--
	27083-95	CARBURETOR (HDI only)	95*-DJ/P;FD 96*-DD	--	--
	27088-95	CARBURETOR (HDI only)	--	95*-ALL	95*-ALL
10	27114-88	MAIN JET, 1.80 mm (HDI only)	95*-DJ/P;FD	95*-ALL	95*-ALL
34	27239-95	JET NEEDLE (HDI only)	--	95*-ALL	95*-ALL
	27240-95	JET NEEDLE (HDI only)	95*-DJ/P;FD	--	--
33	27281-92	SLOW JET (HDI only)	95-DJ/P;FD	--	--
	27281-92	SLOW JET (Swiss)	95-DJ/P;FD	95-ALL	95-ALL

FLT MODELS				SOFTAIL MODELS				DYNA MODELS	
FLHT	DD	FLHR-I	FB	FLSTC	BJ	FLSTF	BM	FXDL	GD
FLHTC	DJ	FLHTCU-I	FC	FXSTC	BK	FLSTN	BN	FXDWG	GE
FLTC-U	DM	FLTCU-I	FE	FXSTS	BL	FXSTSB	BP	FXDS-CON	GG
FLHTC-U	DP	FLHTC-I	FF					FXD	GH
FLHR	FD								

INDUCTION MODULE - FUEL INJECTED MODELS



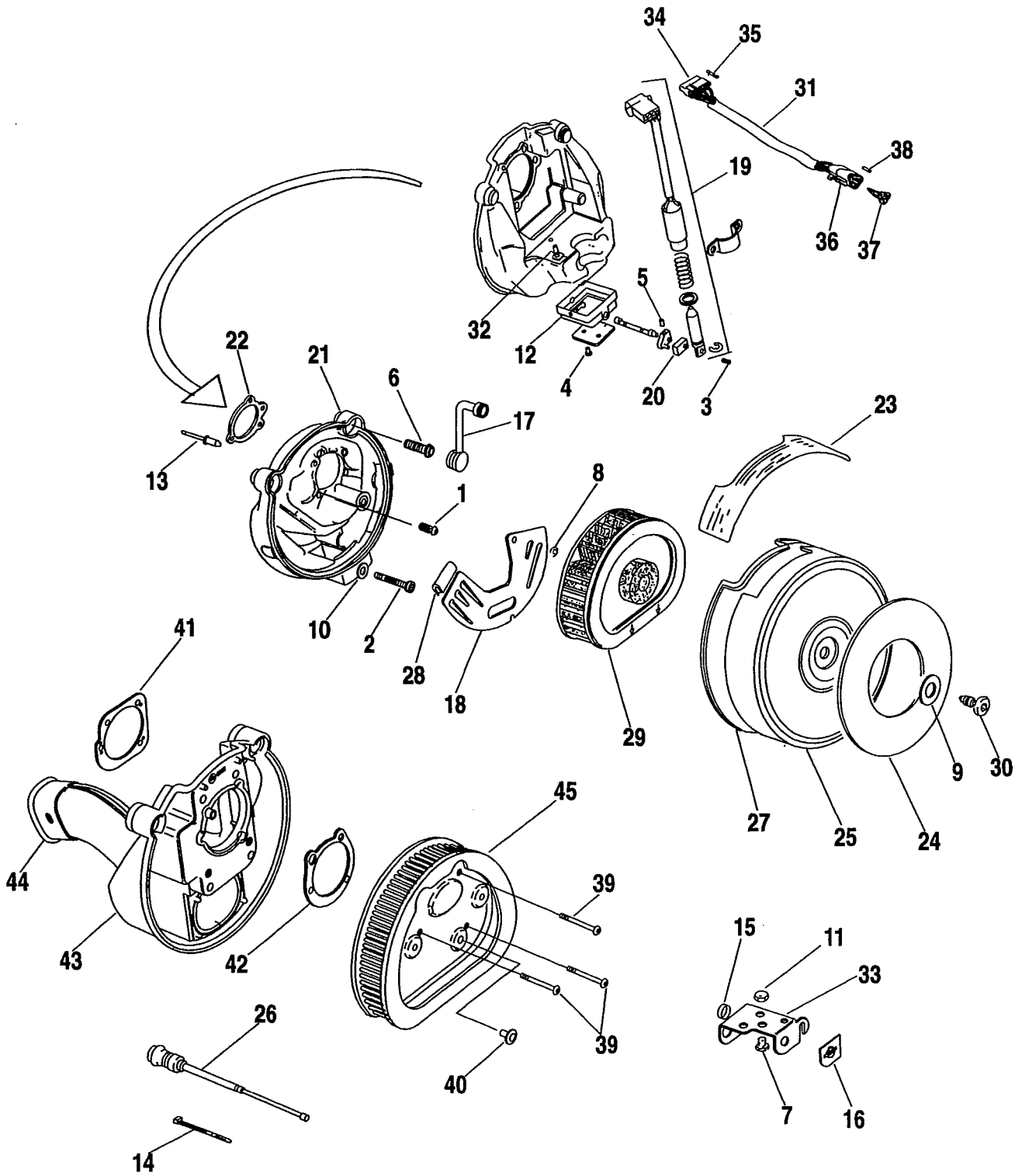
INDUCTION MODULE - FUEL INJECTED MODELS

FC8A

INDEX NO.	PART NO.	DESCRIPTION	FLT MODELS	SOFTAIL MODELS	DYNA MODELS
1	1241	SCREW (2)	95*-FC;96*-FB/E/F	--	--
2	3201WA	SCREW (2)	95*-FC;96*-FB/E/F	--	--
3	3987	SCREW (2)	95*-FC;96*-FB/E/F	--	--
4	10150	CLAMP (3, 4-1996)	95*-FC;96*-FB/E/F	--	--
5	11150	RETAINING RING (2)	95*-FC;96*-FB/E/F	--	--
6	11170	O-RING	95*-FC;96*-FB/E/F	--	--
7	26995-86A	SEAL, intake manifold (2)	95*-FC;96*-FB/E/F	--	--
8	27009-86A	FLANGE, mounting - front	95*-FC;96*-FB/E/F	--	--
	27010-86A	FLANGE, mounting - rear	95*-FC;96*-FB/E/F	--	--
9	27202-95	INDUCTION MODULE ASM., with 27237-95 & 27244-95	95*-FC;96*-FB/E/F	--	--
10	27237-95	O-RING, fuel fitting - upper (2)	95*-FC;96*-FB/E/F	--	--
11	27244-95	O-RING, fuel fitting - center (2)	95*-FC;96*-FB/E/F	--	--
12	29991-95	SPACER, crankshaft position sensor	95*-FC;96*-FB/E/F	--	--
13	32447-95	SENSOR, crankshaft position	95*-FC;96*-FB/E/F	--	--
14	32446-95	SENSOR, engine temperature	95*-FC;96*-FB/E/F	--	--
15	70238-95	WIRING HARNESS, EFI front	95*-FC;96*-FB/E/F	--	--
		includes the following:		--	--
16	72033-93	TERMINAL, socket, 16-20 ga. (9)		--	--
17	72044-71A	CONNECTOR, single socket	95*-FC;96*-FB/E/F	--	--
18	72116-94BK	PLUG, 6-way socket	95*-FC;96*-FB/E/F	--	--
19	72119-94BK	PLUG, 12-way socket	95*-FC;96*-FB/E/F	--	--
20	72156-94	SOCKET LOCK, 6-way	95*-FC;96*-FB/E/F	--	--
21	72159-94	SOCKET LOCK, secondary, 12-way	95*-FC;96*-FB/E/F	--	--
22	72191-94	TERMINAL, socket (14)	95*-FC;96*-FB/E/F	--	--
23	72195-94	SEAL PIN (4)	95*-FC;96*-FB/E/F	--	--
24	72244-95	CONNECTOR, 2-way socket (injector) (2)	95*-FC;96*-FB/E/F	--	--
25	72245-95	TERMINAL, female, 16-20 ga. (injector) (4)	95*-FC;96*-FB/E/F	--	--
26	72247-95	CONNECTOR, 2-way socket (intake air temp.)	95*-FC;96*-FB/E/F	--	--
27	72251-95	TERMINAL, female, 16-18 ga.(intake air temp.)(2)	95*-FC;96*-FB/E/F	--	--
28	72263-95	CONNECTOR, 4-way socket (idle speed control actuator)	95*-FC;96*-FB/E/F	--	--
29	72273-95	CONNECTOR, 2-way socket (engine temp. sensor)	95*-FC;96*-FB/E/F	--	--
30	72280-95	CONNECTOR, 3-way socket (throttle position sensor)	95*-FC;96*-FB/E/F	--	--
31	72287-95	CONNECTOR, 3-way socket (ignition coil)	95*-FC;96*-FB/E/F	--	--
32	72326-95	TERMINAL, female (3)	95*-FC;96*-FB/E/F	--	--
33	74424-95	BOOT, connector - 90 °	95*-FC;96*-FB/E/F	--	--

FLT MODELS				SOFTAIL MODELS				DYNA MODELS	
FLHT	DD	FLHR-I	FB	FLSTC	BJ	FLSTF	BM	FXDL	GD
FLHTC	DJ	FLHTCU-I	FC	FXSTC	BK	FLSTN	BN	FXDWG	GE
FLTC-U	DM	FLTCU-I	FE	FXSTS	BL	FXSTSB	BP	FXDS-CON	GG
FLHTC-U	DP	FLHTC-I	FF					FXD	GH
FLHR	FD								

AIR CLEANER & ENRICHENER - CARBURETED MODELS



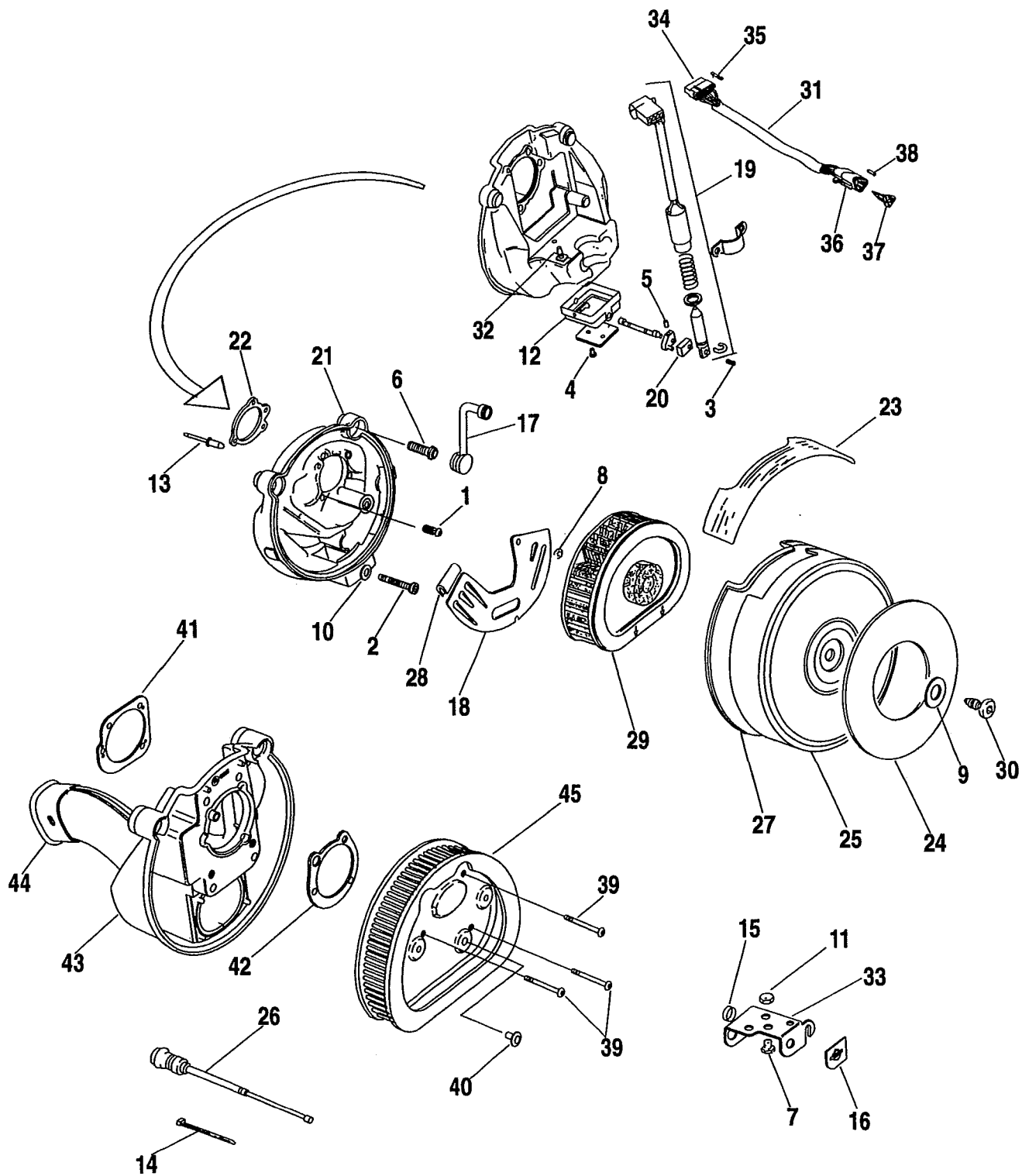
AIR CLEANER AND ENRICHENER - CARBURETED MODELS

FC9-1

INDEX NO.	PART NO.	DESCRIPTION	FLT MODELS	SOFTAIL MODELS	DYNA MODELS
1	864	SCREW (3)	95*-DD/J/M/P;FD	95*-ALL	95*-ALL
2	1795A	SCREW (Cal. only)(2)	95*-DD/J/P;FD	95*-ALL	95*-ALL
3	2711	SCREW (Cal. only)	95*-DD/J/P;FD	95*-ALL	95*-ALL
4	2737	SCREW (Cal. only)(2)	95*-DD/J/P;FD	95*-ALL	95*-ALL
5	3221	SET SCREW (Cal. only)	95*-DD/J/P;FD	95*-ALL	95*-ALL
6	3577	SCREW, breather (2)	95*-DD/J/M/P;FD	95*-ALL	95*-ALL
7	4713W	BOLT (2)	95*-DD/J/M/P;FD	95*-ALL	95*-ALL
8	6048W	WASHER	95*-DD/J/M/P;FD	95*-ALL	95*-ALL
9	6109	WASHER	95*-DD/J/M/P;FD	95*-ALL	95*-ALL
10	6253W	WASHER (Cal. only)(2)	95*-DD/J/P;FD	95*-ALL	95*-ALL
11	7601	NUT, flange (2)	95*-DD/J/M/P;FD	95*-ALL	95*-ALL
12	8535	RIVET (Cal. only)(2)	95*-DD/J/P;FD	95*-ALL	95*-ALL
13	8625	POP RIVET	95-DD/J/M/P;FD	95-ALL	95-ALL
14	10006	CABLE STRAP	95*-DD/J/M/P;FD	95*-ALL	--
	10065	CABLE STRAP	95*-DD/J/M/P;FD	--	--
15	11460	GROMMET	95*-DD/J/M/P;FD	95*-ALL	95*-ALL
16	14340-90	DECAL	--	--	95-ALL
17	24922-93	BREATHER CONNECTOR (2)	95*-DD/J/M/P;FD	95*-ALL	95*-ALL
18	28823-89	BAFFLE PLATE ASSEMBLY (Cal. only)	95*-DD/J/P;FD	95*-ALL	95*-ALL
	29068-89	BAFFLE PLATE	95-DD/J/M/P;FD	95-ALL	95-ALL
19	28827-96	SOLENOID (Cal. only)	--	96*-ALL	96*-ALL
	28841-89	SOLENOID (Cal. only)	95*-DD/J/P;FD	95-ALL	95-ALL
20	28842-89	LINK (Cal. only)	95*-DD/J/P;FD	95*-ALL	95*-ALL
21	29017-92	BACKPLATE ASSEMBLY w/solenoid (Cal. only)	95*-DD/J/P;FD	95-ALL	95-ALL
	29087-96	BACKPLATE ASSEMBLY w/solenoid (Cal. only)	--	96*-ALL	96*-ALL
	29134-92	BACKPLATE ASSEMBLY	95*-DD/J/M/P;FD	95*-ALL	95*-ALL
22	29059-88A	GASKET	95*-DD/J/M/P;FD	95*-ALL	95*-ALL
23	29126-90	SAFETY LABEL	95*-DD/J/M/P;FD	95*-ALL	95*-ALL
24	29142-91	TRIM, - "DYNA LOW RIDER"	--	--	95*-GD
	29150-93	TRIM, - "DYNA WIDE GLIDE"	--	--	95*-GE
	29161-86	TRIM, - "HERITAGE SOFTAIL"	--	95*-BJ/N	--
	29162-95	TRIM, - "BAD BOY"	--	95*-BP	--
	29169-84	TRIM, - "SOFTAIL"	--	95*-BK	--
	29181-88	TRIM, - "SPRINGER SOFTAIL"	--	95*-BL	--
	29192-95	TRIM, - "SUPER GLIDE"	--	--	95*-GH
	29256-90	TRIM, - "FAT BOY"	--	95*-BM	--
	29278-86	TRIM, - "TOUR GLIDE"	95-DM	--	--
	29279-86	TRIM, - "ELECTRA GLIDE"	95*-DD/J/P	--	--
	29292-94	TRIM, - "ROAD KING"	95*-FD	--	--
	29307-94	TRIM, - "DYNA GLIDE CONVERTIBLE"	--	--	95*-GG

FLT MODELS				SOFTAIL MODELS				DYNA MODELS	
FLHT	DD	FLHR-I	FB	FLSTC	BJ	FLSTF	BM	FXDL	GD
FLHTC	DJ	FLHTCU-I	FC	FXSTC	BK	FLSTN	BN	FXDWG	GE
FLTC-U	DM	FLTCU-I	FE	FXSTS	BL	FXSTSB	BP	FXDS-CON	GG
FLHTC-U	DP	FLHTC-I	FF					FXD	GH
FLHR	FD								

AIR CLEANER & ENRICHENER - CARBURETED MODELS



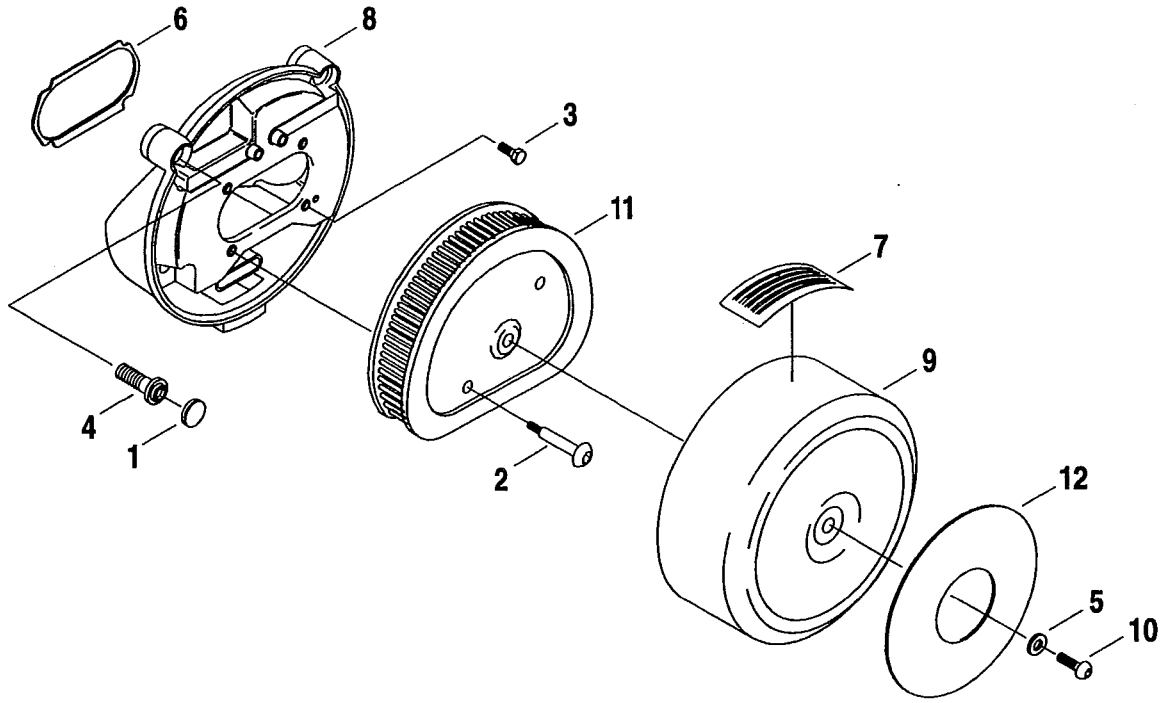
AIR CLEANER AND ENRICHENER - CARBURETED MODELS (CONT'D)

FC9-2

INDEX NO.	PART NO.	DESCRIPTION	FLT MODELS	SOFTAIL MODELS	DYNA MODELS
25	29165-89	COVER, air cleaner	95*-DD/J/M/P;FD	95*-ALL	95*-ALL
26	29229-88A	CABLE, enrichment	95*-DD/J/M/P;FD	95*-ALL	95*-ALL
27	29252-89	MOLDING	95*-DD/J/M/P;FD	95*-ALL	95*-ALL
28	29258-91	MOLDING	95-DD/J/M/P;FD	95-ALL	95-ALL
29	29259-91A	FILTER ELEMENT	95-DD/J/M/P;FD	95-ALL	95-ALL
	29330-96	FILTER ELEMENT	96*-DD/J/P;FD	96*-ALL	96*-ALL
30	29283-93	SCREW	95*-DD/J/M/P;FD	95*-ALL	95*-ALL
31	32441-94	WIRING HARNESS, solenoid w/ #35 - #39 (Cal. only)	95*-DD/J/P;FD	--	--
	32442-93	WIRING HARNESS, solenoid (Cal. only)	--	95-ALL	--
32	61095-92	FITTING (Cal. only)	95*-DD/J/P;FD	95*-ALL	95*-ALL
33	69126-92	BRACKET, enrichment cable	95*-DD/J/M/P;FD	95*-ALL	95*-ALL
34	70292-89	CONNECTOR, four pin	95*-DD/J/P;FD	--	--
35	72038-71A	SOCKET, single pin (4)	95*-DD/J/P;FD	--	--
36	72113-94BK	PLUG, 3-way socket	95*-DD/J/P;FD	--	--
37	72153-94	SOCKET LOCK, secondary, 3-way	95*-DD/J/P;FD	--	--
38	72191-94	TERMINAL, socket (3)	95*-DD/J/P;FD	--	--
H-D INTERNATIONAL ONLY					
39	946	SCREW (3) (HDI only)	95*-DD/J/P;FD	95*-ALL	95*-ALL
40	24925-95	PLUG (2) (HDI only)	95*-DD/J/P;FD	95*-ALL	95*-ALL
41	29062-95	GASKET (HDI only)	95*-DD/J/P;FD	95*-ALL	95*-ALL
18	29070-89B	BAFFLE PLATE (HDI only)	95-DD/J/P;FD	95*-ALL	95*-ALL
42	29313-95	GASKET (HDI only)	95*-DD/J/P;FD	95*-ALL	95*-ALL
43	29319-95	BACKPLATE with 29323-95 (HDI only)	95*-DD/J/P;FD	95*-ALL	95*-ALL
44	29323-95	INLET, snorkle (HDI only)	95*-DD/J/P;FD	95*-ALL	95*-ALL
45	29325-95	FILTER ELEMENT (HDI only)	95*-DD/J/P;FD	95*-ALL	95*-ALL

FLT MODELS				SOFTAIL MODELS				DYNA MODELS	
FLHT	DD	FLHR-I	FB	FLSTC	BJ	FLSTF	BM	FXDL	GD
FLHTC	DJ	FLHTCU-I	FC	FXSTC	BK	FLSTN	BN	FXDWG	GE
FLTC-U	DM	FLTCU-I	FE	FXSTS	BL	FXSTSB	BP	FXDS-CON	GG
FLHTC-U	DP	FLHTC-I	FF					FXD	GH
FLHR	FD								

AIR CLEANER - FUEL INJECTED MODELS



AIR CLEANER - FUEL INJECTED MODELS

FC9A

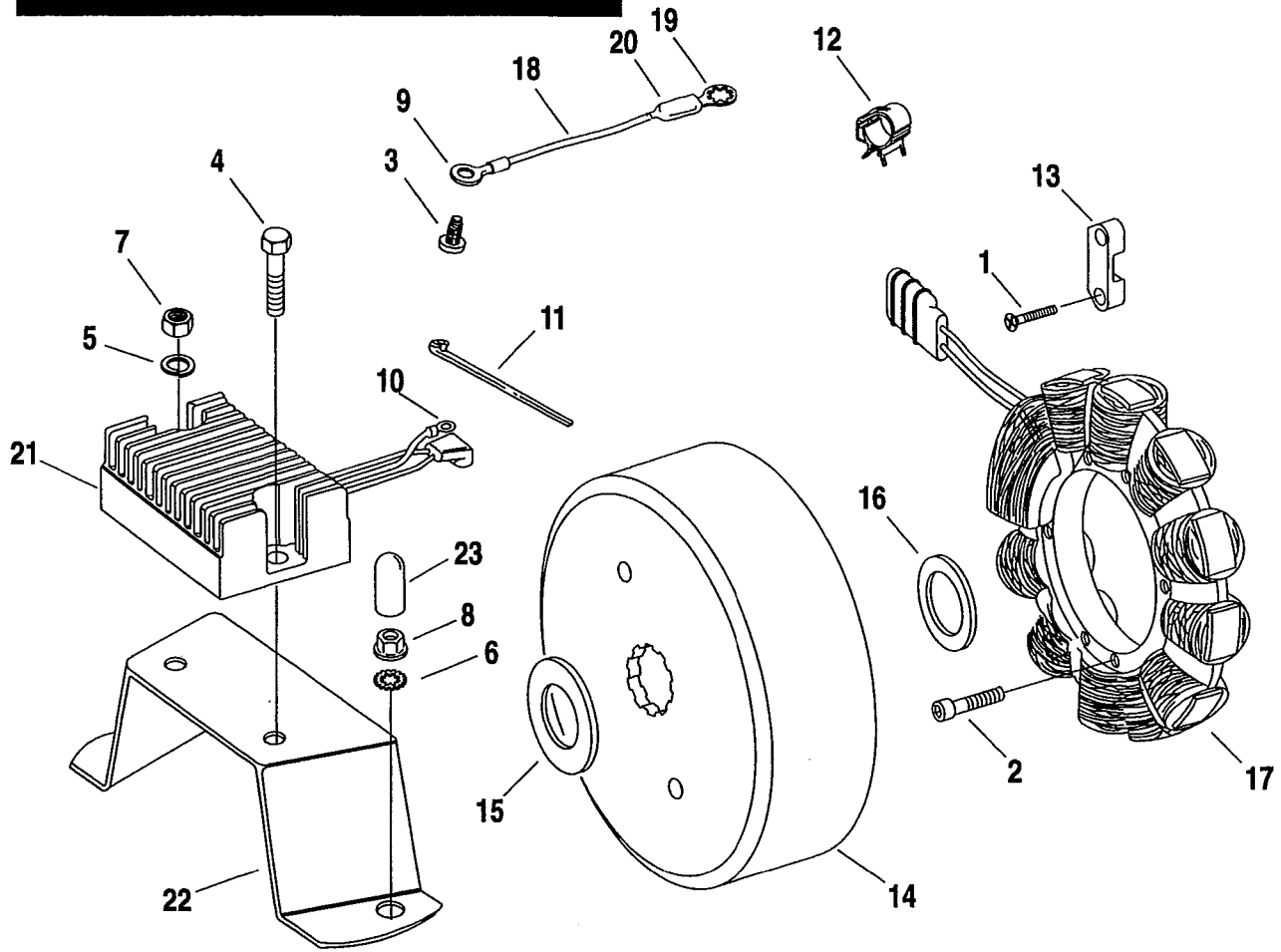
INDEX NO.	PART NO.	DESCRIPTION	FLT MODELS	SOFTAIL MODELS	DYNA MODELS
1	738	PLUG (2)	95*-FC;96*-FB/E/F	--	--
2	893	SCREW, shoulder (2)	95*-FC;96*-FB/E/F	--	--
3	2882W	SCREW (2)	95*-FC;96*-FB/E/F	--	--
4	3577	SCREW, breather (2)	95*-FC;96*-FB/E/F	--	--
5	6109	WASHER	95*-FC;96*-FB/E/F	--	--
6	29095-95	GASKET, backplate	95*-FC;96*-FB/E/F	--	--
7	29127-95	LABEL, safety	95*-FC;96*-FB/E/F	--	--
8	29144-95	BACKPLATE ASSEMBLY	95*-FC;96*-FB/E/F	--	--
9	29165-83A	COVER, air cleaner	95*-FC;96*-FB/E/F	--	--
10	29283-93	SCREW	95*-FC;96*-FB/E/F	--	--
11	29291-95	FILTER ELEMENT	95*-FC;96*-FB/E/F	--	--
12	29326-95	TRIM, SEQ. PORT INJECTION (gold)	95-FC	--	--
	29332-96	TRIM, SEQ. PORT INJECTION - Tour Glide	96*-FE	--	--
	29333-96	TRIM, SEQ. PORT INJECTION - Electra Glide	96*-FC/F	--	--
	29334-96	TRIM, SEQ. PORT INJECTION - Road King	96*-FB	--	--

H-D INTERNATIONAL ONLY

8	29246-96	BACKPLATE ASM. (HDI only)(not illustrated)	96*-FB/C/F	--	--
	29352-96	SEAL RING, cover (HDI only)(not illustrated)	96*-FB/C/F	--	--

FLT MODELS				SOFTAIL MODELS				DYNA MODELS	
FLHT	DD	FLHR-I	FB	FLSTC	BJ	FLSTF	BM	FXDL	GD
FLHTC	DJ	FLHTCU-I	FC	FXSTC	BK	FLSTN	BN	FXDWG	GE
FLTC-U	DM	FLTCU-I	FE	FXSTS	BL	FXSTSB	BP	FXDS-CON	GG
FLHTC-U	DP	FLHTC-I	FF					FXD	GH
FLHR	FD								

ALTERNATOR & REGULATOR



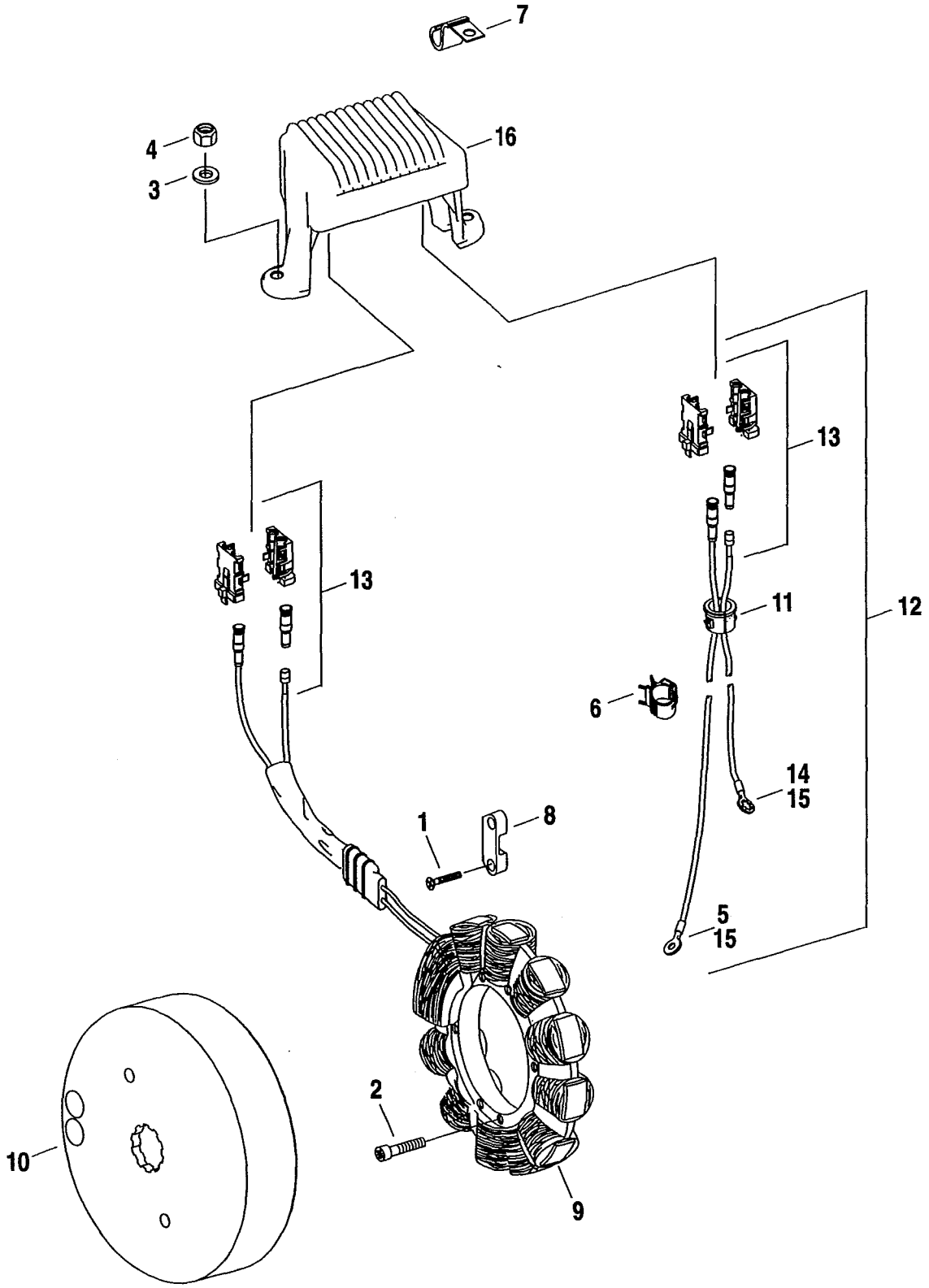
ALTERNATOR & REGULATOR

FC10

INDEX NO.	PART NO.	DESCRIPTION	FLT MODELS	SOFTAIL MODELS	DYNA MODELS
1	2273	SCREW (2)	95*-DD/J/M/P;FD	95*-ALL	95*-ALL
2	2720	SCREW (4)	95*-DD/J/M/P;FD	95*-ALL	95*-ALL
3	4134	SCREW	95*-DD/J/M/P;FD	95*-ALL	95*-ALL
4	4329	SCREW (2)	95*-DD/J/M/P;FD	--	95*-ALL
5	7124	LOCKWASHER	--	95*-ALL	--
6	7229W	LOCKWASHER (2)	95*-DD/J/M/P;FD	--	--
7	7688	LOCKNUT (2)	--	95*-ALL	--
8	7716	LOCKNUT (2)	96*-DD/J/P;FD	--	--
	7860	LOCKNUT (2)	95-DD/J/M/P;FD	--	--
9	9840	TERMINAL, #10 ring - 12 -14 ga.	95*-DD/J/M/P;FD	95*-ALL	95*-ALL
10	9866	WIRE TERMINAL, ring type	95*-DD/J/M/P;FD	95*-ALL	95*-ALL
11	10006	CABLE STRAP	95*-DD/J/M/P;FD	95*-ALL	--
12	10108	CLIP (3-1996)	95*-DD/J/M/P;FD	--	--
	10149	CLIP (2)	95-DD/J/M/P;FD	--	--
13	29954-71A	RETAINER, alternator plug	95*-DD/J/M/P;FD	95*-ALL	95*-ALL
14	29957-81B	ROTOR ASSEMBLY	95*-DD/J/M/P;FD	95*-ALL	95*-ALL
15	29960-91	SPACER	95*-DD/J/M/P;FD	--	--
16	29961-85	SPACER	95*-DD/J/M/P;FD	95*-ALL	95*-ALL
17	29970-88C	STATOR	95*-DD/J/M/P;FD	95*-ALL	95*-ALL
18	70041-95	CABLE, regulator ground	95*-DD/J/M/P;FD	95*-ALL	95*-ALL
19	72242-94	TERMINAL, 1/4" ring - int. star 10-12 ga.	95*-DD/J/M/P;FD	95*-ALL	95*-ALL
20	72249-94	HEAT SHRINK TUBING, dual wall - .7 x 2"	95*-DD/J/M/P;FD	95*-ALL	95*-ALL
21	74519-88A	REGULATOR	95*-DD/J/M/P;FD	95*-ALL	95*-ALL
22	74529-79A	BRACKET, regulator mounting	95*-DD/J/M/P;FD	--	--
23	89577-95	CAP (2)	95*-DD/J/M/P;FD	--	--

FLT MODELS				SOFTAIL MODELS				DYNA MODELS	
FLHT	DD	FLHR-I	FB	FLSTC	BJ	FLSTF	BM	FXDL	GD
FLHTC	DJ	FLHTCU-I	FC	FXSTC	BK	FLSTN	BN	FXDWG	GE
FLTC-U	DM	FLTCU-I	FE	FXSTS	BL	FXSTSB	BP	FXDS-CON	GG
FLHTC-U	DP	FLHTC-I	FF					FXD	GH
FLHR	FD								

ALTERNATOR AND REGULATOR - HIGH OUTPUT



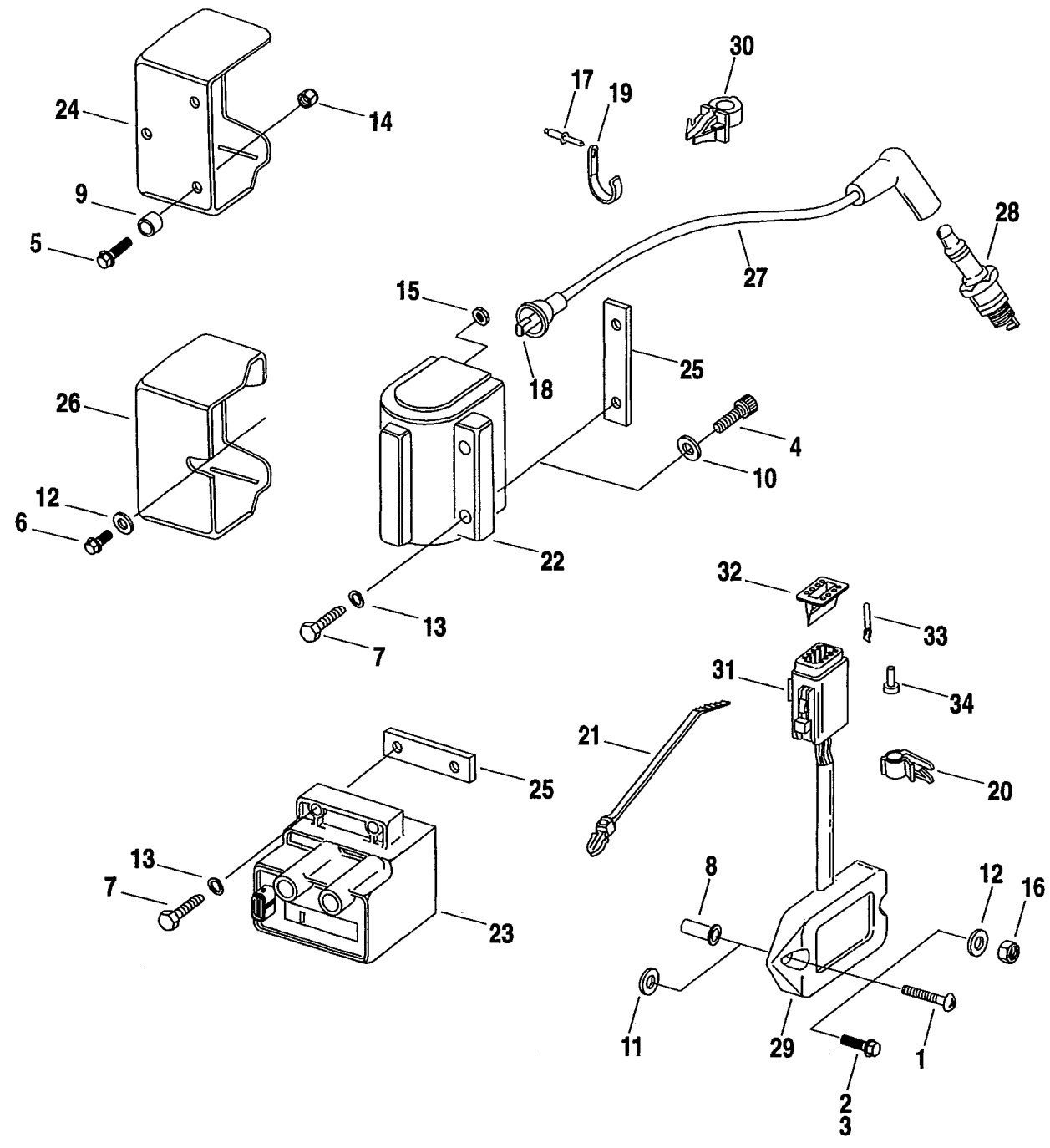
ALTERNATOR & REGULATOR - HIGH OUTPUT

FC10A

INDEX NO.	PART NO.	DESCRIPTION	FLT MODELS	SOFTAIL MODELS	DYNA MODELS
1	2273	SCREW (2)	95*-FC;96*-FB/E/F --		--
2	2918	SCREW (4)	95*-FC;96*-FB/E/F --		--
3	6816	WASHER (2)	95*-FC;96*-FB/E/F --		--
4	7887	LOCKNUT (2)	95*-FC;96*-FB/E/F --		--
5	9843	TERMINAL, ring type - #10 (10-12 ga.)	95*-FC;96*-FB/E/F --		--
6	10108	CLIP, T-stud (3)	95*-FC;96*-FB/E/F --		--
7	10148	CLAMP, J-type	95*-FC;96*-FB/E/F --		--
8	29954-71A	RETAINER, alternator plug	95*-FC;96*-FB/E/F --		--
9	29969-95	STATOR ASM. with connector	95*-FC;96*-FB/E/F --		--
10	29981-95	ROTOR	95*-FC;96*-FB/E/F --		--
11	67287-95	BUSHING, snap	95*-FC;96*-FB/E/F --		--
12	67811-95	WIRING HARNESS, regulator	95*-FC;96*-FB/E/F --		--
13	72068-95	CONNECTOR ASM. (2)	95*-FC;96*-FB/E/F --		--
14	72242-94	TERMINAL, 1/4" ring w/int. star, 10-12 ga.	95*-FC;96*-FB/E/F --		--
15	72249-94	HEAT SHRINK TUBING, .3 x 1"	95*-FC;96*-FB/E/F --		--
16	74505-95	REGULATOR, high output	95*-FC;96*-FB/E/F --		--

FLT MODELS				SOFTAIL MODELS				DYNA MODELS	
FLHT	DD	FLHR-I	FB	FLSTC	BJ	FLSTF	BM	FXDL	GD
FLHTC	DJ	FLHTCU-I	FC	FXSTC	BK	FLSTN	BN	FXDWG	GE
FLTC-U	DM	FLTCU-I	FE	FXSTS	BL	FXSTSB	BP	FXDS-CON	GG
FLHTC-U	DP	FLHTC-I	FF					FXD	GH
FLHR	FD								

IGNITION MODULE & COIL



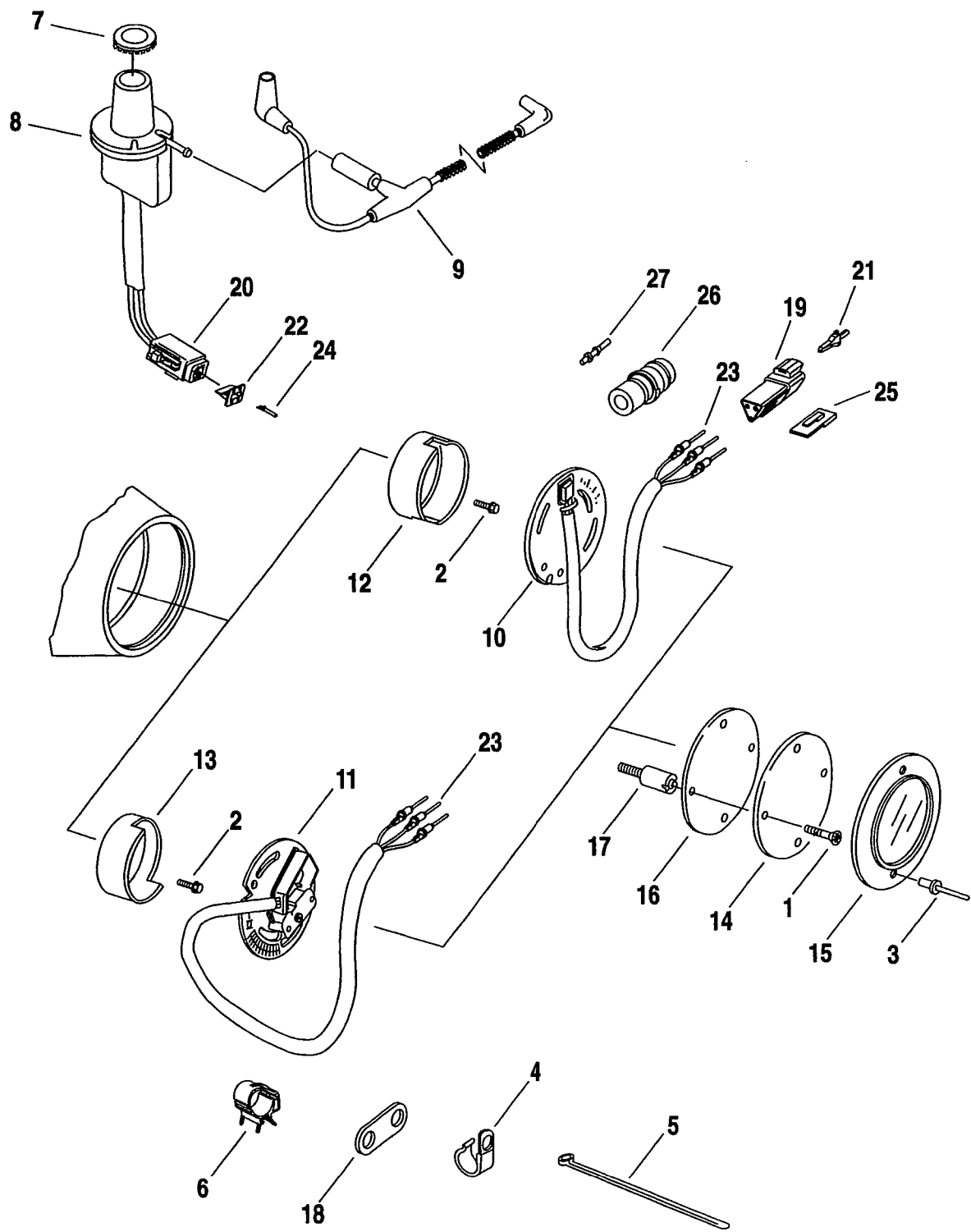
IGNITION MODULE & COIL

FC11

INDEX NO.	PART NO.	DESCRIPTION	FLT MODELS	SOFTAIL MODELS	DYNA MODELS
1	933	SCREW (2)	--	95-ALL	--
	949	SCREW (2)	--	96*-ALL	--
2	2339	SCREW (2)	--	--	96*-ALL
3	2523	SCREW (2)	95*-DD/J/M/P;FD	--	--
4	3264	SCREW (2)	--	--	95*-ALL
5	3473	SCREW (3)	--	--	95*-ALL
6	3602	SCREW (2)	--	95*-ALL	--
7	3993	BOLT (2)	95*-ALL	95*-ALL	--
8	5207	WELL NUT (2)	--	95*-ALL	--
9	6058	SPACER (3)	--	--	95*-ALL
10	6703	WASHER (2)	--	--	95*-ALL
11	6116	WASHER (2)	--	--	96*-ALL
12	6716	WASHER (2)	95*-DD/J/M/P;FD	95*-ALL	95-ALL
13	7036	LOCKWASHER (2)	95*-ALL	95*-ALL	--
14	7626W	NUT (3)	--	--	95*-ALL
15	7629	NUT (2)	95*-DD/J/M/P;FD	95*-ALL	95*-ALL
16	7634	NUT (brass) (2)	--	--	95-ALL
17	8483	RIVET, blind	95*-ALL	--	--
18	9908	TERMINAL, spark plug cable (2)	--	95*-ALL	--
19	10092	CLAMP	95-ALL;96*-FE	--	--
20	10110	CLIP, sensor wires	--	--	95*-ALL
21	10177	CABLE STRAP, with plug-in retainer	--	96*-ALL	--
22	31614-83A	IGNITION COIL	95*-DD/J/M/P;FD	95*-ALL	95*-ALL
23	31639-95	IGNITION COIL, dual	95*-FC;96*-FB/E/F	--	--
24	31640-91	COVER, coil (chrome)	--	--	95*-ALL
25	31727-85	NUT PLATE	95*-ALL	95*-ALL	--
26	31800-78A	IGNITION COIL COVER KIT (chrome)	--	95*-ALL	--
27	31981-65B	SPARK PLUG CABLE, front cylinder	--	--	95*-ALL
	31983-71B	SPARK PLUG CABLE, rear cylinder	--	95*-ALL	95*-ALL
	31985-91	SPARK PLUG CABLE, front cylinder	--	95*-ALL	--
	31992-91	SPARK PLUG CABLE, rear cylinder	95-DD/J/M/P;FC/D	--	--
		SPARK PLUG CABLE, front & rear cylinder (2)	96*-DD/J/P; FC/D/E/F	--	--
	31986-86	SPARK PLUG CABLE, front cylinder	95-FC, 96*-FB	--	--
	31994-91	SPARK PLUG CABLE, front cylinder	95-DD/J/M/P;FD	--	--
28	32311-83	SPARK PLUG, No. 5R6A (2)	95*-ALL	95*-ALL	95*-ALL
29	32405-91A	IGNITION MODULE	--	95-ALL	95-ALL
	32426-94	IGNITION MODULE with connector asm.	95-DD/J/M/P;FD	--	--
	32449-95A	IGNITION MODULE with connector asm.	96*-DD/J/P;FD	96*-ALL	96*-ALL
30	70345-84	RETAINER, wire (2)	95*-ALL	--	--
31	72118-94BK	PLUG, eight-way socket	95*-DD/J/M/P;FD	--	--
32	72158-94	SOCKET LOCK, eight-way	95*-DD/J/M/P;FD	--	--
33	72191-94	TERMINAL, socket (7)	95*-DD/J/M/P;FD	--	--
34	72195-94	SEAL PIN	95*-DD/J/M/P;FD	--	--
H-D INTERNATIONAL ONLY					
29	32449-95A	IGNITION MODULE (HDI only)	95*-DJ/P	--	--
	32464-95	IGNITION MODULE (HDI only)	--	95-ALL	95-ALL
	32484-96	IGNITION MODULE (Swiss only)	--	96*-ALL	--

FLT MODELS				SOFTAIL MODELS				DYNA MODELS	
FLHT	DD	FLHR-I	FB	FLSTC	BJ	FLSTF	BM	FXDL	GD
FLHTC	DJ	FLHTCU-I	FC	FXSTC	BK	FLSTN	BN	FXDWG	GE
FLTC-U	DM	FLTCU-I	FE	FXSTS	BL	FXSTSB	BP	FXDS-CON	GG
FLHTC-U	DP	FLHTC-I	FF					FXD	GH
FLHR	FD								

CAM POSITION SENSOR & VACUUM SWITCH



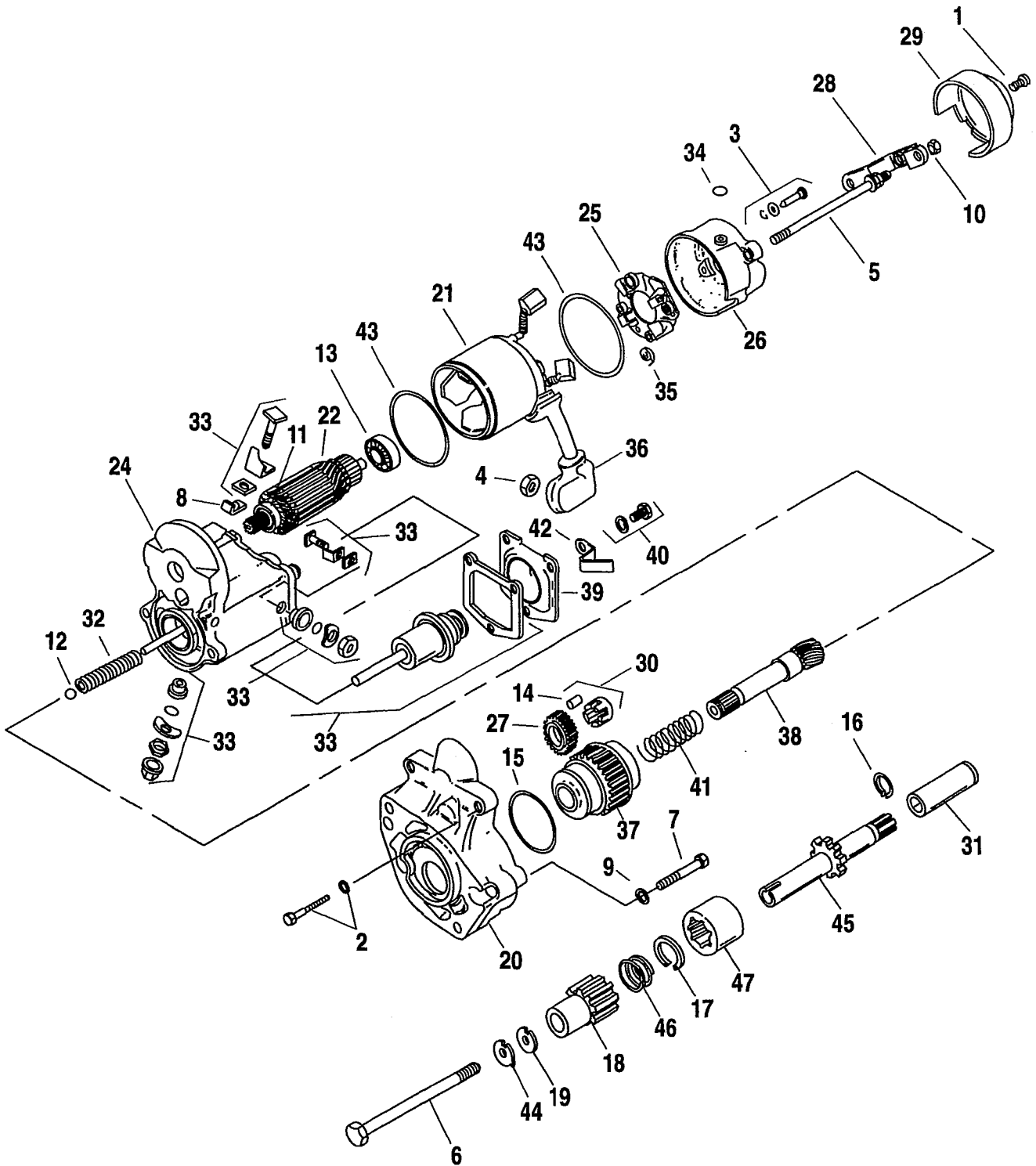
CAM POSITION SENSOR & VACUUM SWITCH

FC12

INDEX NO.	PART NO.	DESCRIPTION	FLT MODELS	SOFTAIL MODELS	DYNA MODELS
1	1601	SCREW (2)	95*-ALL	95*-ALL	95*-ALL
2	2611B	SCREW	95*-ALL	95*-ALL	95*-ALL
3	8699	RIVET, timer cover (2)	95*-ALL	95*-ALL	95*-ALL
4	9951	CLIP, sensor wire	--	--	95*-ALL
	10003	CLAMP	--	95*-ALL	--
5	10065	CABLE STRAP	--	95*-ALL	--
	10073	CABLE STRAP	--	95*-ALL	--
6	10149	CLIP, T-stud (2)	95*-ALL	--	--
7	11192	RETAINING RING	95*-DD/J/M/P;FD	95*-ALL	95*-ALL
8	26555-94	VACUUM SWITCH with connector asm.	95*-DD/J/M/P;FD	--	--
	26566-91	VACUUM SWITCH	--	95-ALL	95-ALL
	26566-96	VACUUM SWITCH with connector asm.	--	96*-ALL	--
	26569-96	VACUUM SWITCH with connector asm.	--	--	96*-ALL
9	26563-95	VACUUM HOSE ASM.	95*-DD/J/M/P;FD	95*-ALL	--
	26567-95	VACUUM HOSE ASM.	--	--	95*-ALL
10	32400-80A	SENSOR ASM., cam position - w/o receptacle	--	95-ALL	--
	32400-94	SENSOR ASM., cam position	95-DJ/M/P;FD	--	--
	32404-90	SENSOR ASM., cam position - w/o receptacle	--	--	95-ALL
11	32404-96	SENSOR ASM., cam position/vehicle attitude	--	--	96*-ALL
	32448-95A	SENSOR ASM., cam position/vehicle attitude	95-DD;FC 96*-ALL	96*-ALL	--
12	32402-83	ROTOR	95*-DD/J/M/P;FD	95*-ALL	95*-ALL
13	32456-95	ROTOR	95*-FC;96*-FB/E/F	--	--
14	32504-80	TIMER COVER, inner	95*-ALL	95*-ALL	95*-ALL
15	32524-83	TIMER COVER	95-DD/J/M/P;FD 96*ALL	95*-ALL	95*-ALL
	32541-95	TIMER COVER (gold)	95-FC	--	--
16	32591-80	GASKET, timer cover	95*-ALL	95*-ALL	95*-ALL
17	32606-82	SCREW, sensor plate (2)	95*-ALL	95*-ALL	95*-ALL
18	38711-93	RETAINER, sensor wire	--	95*-ALL	--
19	72103-94BK	RECEPTACLE - three-way	95*-ALL	96*-ALL	96*-ALL
20	72112-94BK	PLUG, two-way socket	95*-DD/J/M/P;FD	96*-ALL	96*-ALL
21	72143-94	SECONDARY LOCK, three-way receptacle	95*-ALL	96*-ALL	96*-ALL
22	72152-94	SOCKET LOCK, secondary, two-way	95*-DD/J/M/P;FD	96*-ALL	96*-ALL
23	72190-94	TERMINAL, pin (3)	95*-ALL	96*-ALL	96*-ALL
24	72191-94	TERMINAL, socket (2)	95*-DD/J/M/P;FD	96*-ALL	96*-ALL
25	72199-94	ATTACHMENT CLIP	95*-ALL	96*-ALL	96*-ALL
26	74521-77A	PLUG, three-way - sensor	--	95-ALL	95-ALL
27	74536-77A	PIN, single socket	--	95-ALL	95-ALL
	74539-77A	SOCKET, single pin (2)	--	95-ALL	95-ALL

FLT MODELS				SOFTAIL MODELS				DYNA MODELS	
FLHT	DD	FLHR-I	FB	FLSTC	BJ	FLSTF	BM	FXDL	GD
FLHTC	DJ	FLHTCU-I	FC	FXSTC	BK	FLSTN	BN	FXDWG	GE
FLTC-U	DM	FLTCU-I	FE	FXSTS	BL	FXSTSB	BP	FXDS-CON	GG
FLHTC-U	DP	FLHTC-I	FF					FXD	GH
FLHR	FD								

STARTER MOTOR



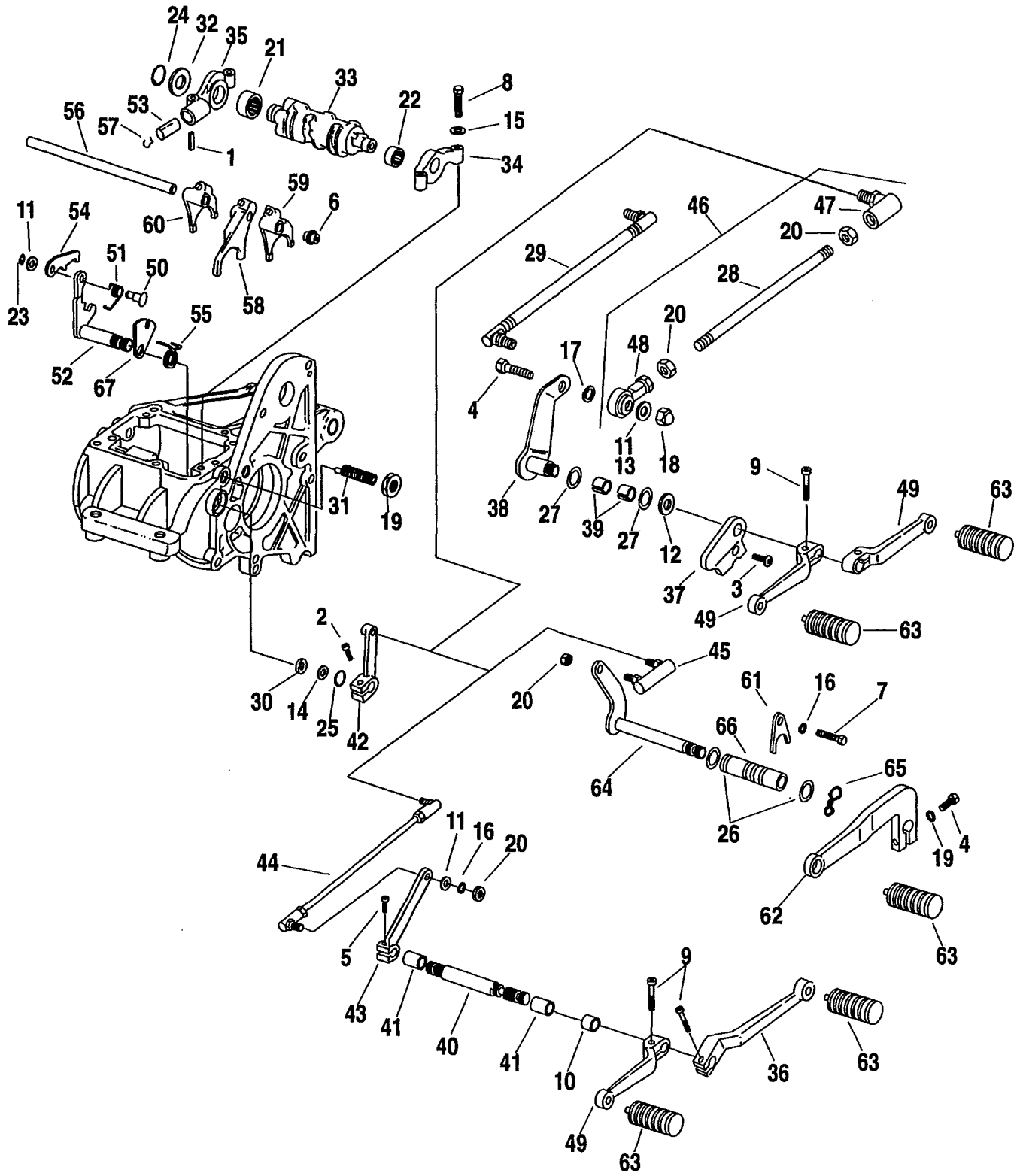
STARTER MOTOR

FC13

INDEX NO.	PART NO.	DESCRIPTION	FLT MODELS	SOFTAIL MODELS	DYNA MODELS
1	925	SCREW, cover	95*-ALL	95*-ALL	95*-ALL
2	928	BOLT, starter (2)	95*-ALL	95*-ALL	95*-ALL
3	929	SCREW w/ O-Ring (2)	95*-ALL	95*-ALL	95*-ALL
4	3403	NUT, flange	95*-ALL	95*-ALL	95*-ALL
5	3559	BOLT, starter (2)	95*-ALL	95*-ALL	95*-ALL
6	4358	SCREW	95*-ALL	95*-ALL	95*-ALL
7	4326A	SCREW (2)	95*-ALL	95*-ALL	95*-ALL
8	6217	WASHER	95*-ALL	95*-ALL	95*-ALL
9	7041	LOCKWASHER (2)	95*-ALL	95*-ALL	95*-ALL
10	7838	NUT, with washer (2)	95*-ALL	95*-ALL	95*-ALL
11	8871	BALL BEARING	95*-ALL	95*-ALL	95*-ALL
12	8879	BALL	95*-ALL	95*-ALL	95*-ALL
13	8883	BALL BEARING	95*-ALL	95*-ALL	95*-ALL
14	9077	CLUTCH ROLLER (5)	95*-ALL	95*-ALL	95*-ALL
15	11116	O-RING	95*-ALL	95*-ALL	95*-ALL
16	11182	RETAINING RING	95*-ALL	95*-ALL	95*-ALL
17	11248	RETAINING RING	95*-ALL	95*-ALL	95*-ALL
18	31342-94	PINION GEAR	95*-ALL	95*-ALL	95*-ALL
19	31430-94	WASHER, thrust	95*-ALL	95*-ALL	95*-ALL
20	31510-90	HOUSING, starter	95*-ALL	95*-ALL	95*-ALL
21	31514-90	YOKE ASSEMBLY, starter	95*-ALL	95*-ALL	95*-ALL
22	31515-90	ARMATURE ASSEMBLY	95*-ALL	95*-ALL	95*-ALL
	31516-94	CLUTCH ASSEMBLY, starter w/ #37, 38, & 41	95*-ALL	95*-ALL	95*-ALL
24	31517-90	SWITCH ASSEMBLY, magnetic w/ housing, #8, 33, 39, & 42	95*-ALL	95*-ALL	95*-ALL
25	31518-90	BRUSH HOLDER ASSEMBLY	95*-ALL	95*-ALL	95*-ALL
26	31519-90	FRAME, starter end	95*-ALL	95*-ALL	95*-ALL
27	31525-90	IDLER GEAR	95*-ALL	95*-ALL	95*-ALL
28	31527-90	BRACKET, cover	95*-ALL	95*-ALL	95*-ALL
29	31535-91	COVER (chrome)	95*-ALL	95*-ALL	95*-ALL
30	31530-90	RETAINER, idler gear	95*-ALL	95*-ALL	95*-ALL
31	31548-90	COUPLING	95*-ALL	95*-ALL	95*-ALL
	31553-94	STARTER, complete	95*-ALL	95*-ALL	95*-ALL
32	31600-90	SPRING, return	95*-ALL	95*-ALL	95*-ALL
33	31604-91	STARTER REPAIR KIT	95*-ALL	95*-ALL	95*-ALL
34	31660-90	DRAIN VENT	95*-ALL	95*-ALL	95*-ALL
35	31661-90	SPRING, brush (4)	95*-ALL	95*-ALL	95*-ALL
36	31662-90A	BOOT, insulating	95*-ALL	95*-ALL	95*-ALL
37	31663-90	CLUTCH, starter	95*-ALL	95*-ALL	95*-ALL
38	31664-94	SHAFT, output	95*-ALL	95*-ALL	95*-ALL
39	31688-90	COVER, solenoid	95*-ALL	95*-ALL	95*-ALL
40	31689-90	BOLT w/ washer (3)	95*-ALL	95*-ALL	95*-ALL
41	31692-90	SPRING	95*-ALL	95*-ALL	95*-ALL
42	31693-90	CLIP, cable	95*-ALL	95*-ALL	95*-ALL
43	31695-90	O-RING (2)	95*-ALL	95*-ALL	95*-ALL
44	33126-94	LOCKPLATE	95*-ALL	95*-ALL	95*-ALL
45	33127-94	SHAFT, extension	95*-ALL	95*-ALL	95*-ALL
46	33449-94	SPRING, pinion gear	95*-ALL	95*-ALL	95*-ALL
47	60647-94	COUPLING	95*-ALL	95*-ALL	95*-ALL

FLT MODELS				SOFTAIL MODELS				DYNA MODELS	
FLHT	DD	FLHR-I	FB	FLSTC	BJ	FLSTF	BM	FXDL	GD
FLHTC	DJ	FLHTCU-I	FC	FXSTC	BK	FLSTN	BN	FXDWG	GE
FLTC-U	DM	FLTCU-I	FE	FXSTS	BL	FXSTSB	BP	FXDS-CON	GG
FLHTC-U	DP	FLHTC-I	FF					FXD	GH
FLHR	FD								

GEAR SHIFTER



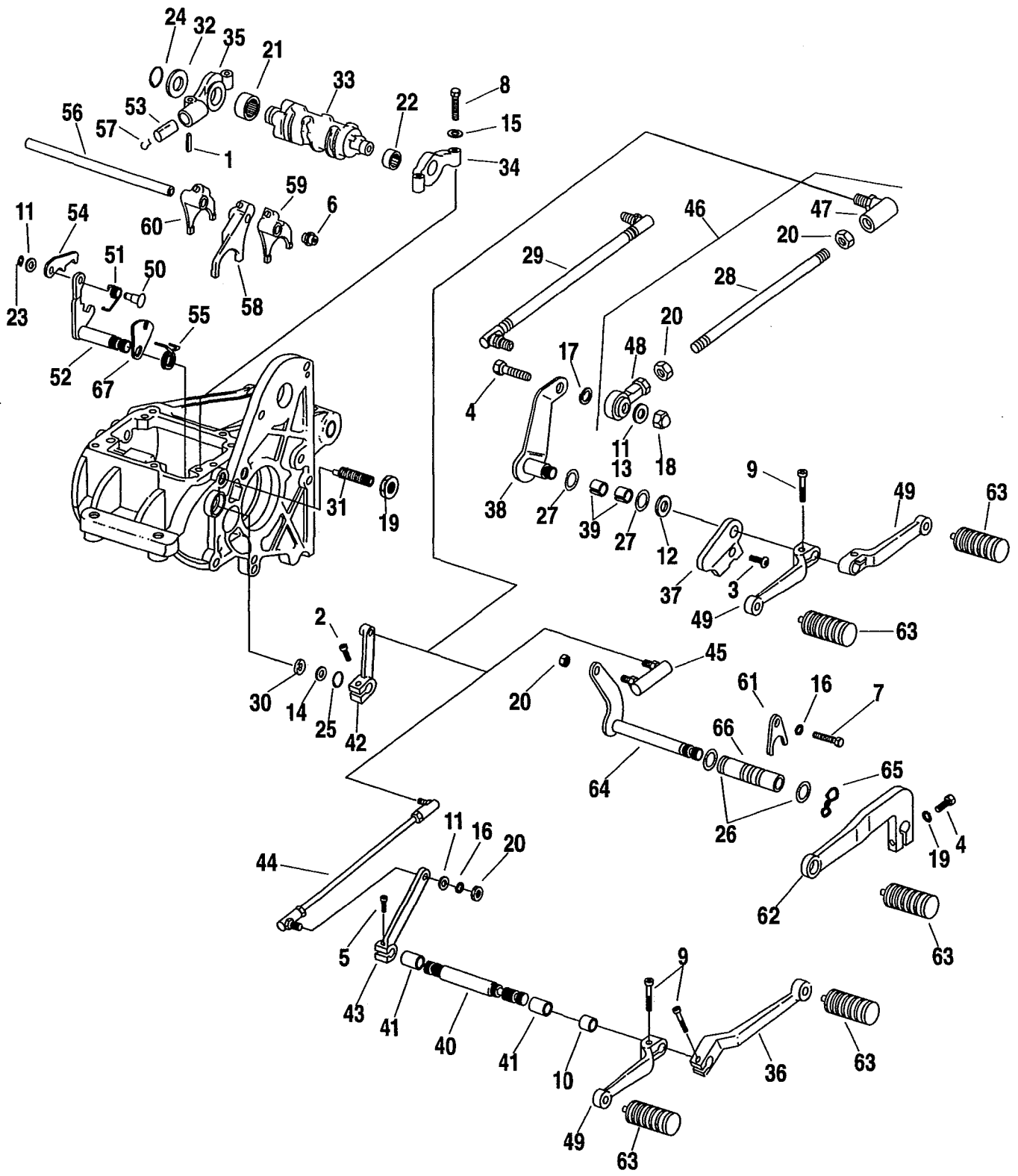
GEAR SHIFTER

FC14-1

INDEX NO.	PART NO.	DESCRIPTION	FLT MODELS	SOFTAIL MODELS	DYNA MODELS
1	601	ROLL PIN	95*-ALL	95*-ALL	95*-ALL
2	856A	SCREW	95*-ALL	95*-ALL	95*-ALL
3	1719W	SCREW	--	95*-BJ/M/N	--
4	4017	BOLT (2-GD/G/H)	--	--	95*-ALL
5	3444A	SCREW	95*-ALL	--	--
6	3784	SET SCREW, shf. fork shaft - left	95*-ALL	95*-ALL	95*-ALL
7	3987	SCREW	--	--	95*-GD/G/H
8	3993	BOLT (4)	95*-ALL	95*-ALL	95*-ALL
9	4069A	SCREW (2)	95*-ALL	95*-BJ/M	--
10	5702	SPACER	95*-ALL	--	--
11	6016	WASHER (as required)	95*-ALL	95*-ALL	95*-GD/G/H
12	6057	WASHER	--	95*-ALL	--
13	6316HW	WASHER	--	95*-ALL	95*-GE
14	6497HW	WASHER	95*-ALL	95*-ALL	95*-ALL
15	6736	WASHER (4)	95*-ALL	95*-ALL	95*-ALL
16	7041	LOCKWASHER	95*-ALL	95*-BK/L/P	95*-GD/G/H
17	7230	LOCKWASHER	--	95*-BJ/M/N	--
18	7507	ACORN NUT	--	95*-ALL	95*-GD/G/H
	7736	ACORN NUT	--	--	95*-GE
19	7515	JAM NUT	95*-ALL	95*-ALL	95*-ALL
20	7744	NUT	95*-ALL	--	95*-GD/G/H
21	9114	NEEDLE BEARING	95*-ALL	95*-ALL	95*-ALL
22	9115	NEEDLE BEARING	95*-ALL	95*-ALL	95*-ALL
23	11016	RETAINING RING	95*-ALL	95*-ALL	95*-ALL
24	11083	RETAINING RING	95*-ALL	95*-ALL	95*-ALL
25	11150	RETAINING RING	95*-ALL	95*-ALL	95*-ALL
26	11117	O-RING, sleeve (2)	--	--	95*-GD/G/H
27	11191	O-RING (2)	--	95*-ALL	--
28	11729	STUD	--	95*-ALL	--
29	11739A	SHIFTER ROD	--	--	95*-GE
30	12045	SEAL	95*-ALL	95*-ALL	95*-ALL
31	33119-79B	ADJUSTING SCREW, shifter arm	95*-ALL	95*-ALL	95*-ALL
32	33205-80	THRUST WASHER, 0.017 thk. (as req'd)	95*-ALL	95*-ALL	95*-ALL
	33206-80	THRUST WASHER, 0.020 thk. (as req'd)	95*-ALL	95*-ALL	95*-ALL
	33207-80	THRUST WASHER, 0.022 thk. (as req'd)	95*-ALL	95*-ALL	95*-ALL
	33208-80	THRUST WASHER, 0.025 thk. (as req'd)	95*-ALL	95*-ALL	95*-ALL
	33209-80	THRUST WASHER, 0.028 thk. (as req'd)	95*-ALL	95*-ALL	95*-ALL
	33210-80	THRUST WASHER, 0.031 thk. (as req'd)	95*-ALL	95*-ALL	95*-ALL
	33211-80	THRUST WASHER, 0.035 thk. (as req'd)	95*-ALL	95*-ALL	95*-ALL
	33212-80	THRUST WASHER, 0.039 thk. (as req'd)	95*-ALL	95*-ALL	95*-ALL
33	33320-79D	SHIFTER CAM	95*-ALL	95*-ALL	95*-ALL
34	33326-79A	SUPPORT, shifter cam - left	95*-ALL	95*-ALL	95*-ALL
35	33332-79	SUPPORT, shifter cam - right	95*-ALL	95*-ALL	95*-ALL

FLT MODELS				SOFTAIL MODELS				DYNA MODELS	
FLHT	DD	FLHR-I	FB	FLSTC	BJ	FLSTF	BM	FXDL	GD
FLHTC	DJ	FLHTCU-I	FC	FXSTC	BK	FLSTN	BN	FXDWG	GE
FLTC-U	DM	FLTCU-I	FE	FXSTS	BL	FXSTSB	BP	FXDS-CON	GG
FLHTC-U	DP	FLHTC-I	FF					FXD	GH
FLHR	FD								

GEAR SHIFTER



GEAR SHIFTER (CONT'D)

FC14-2

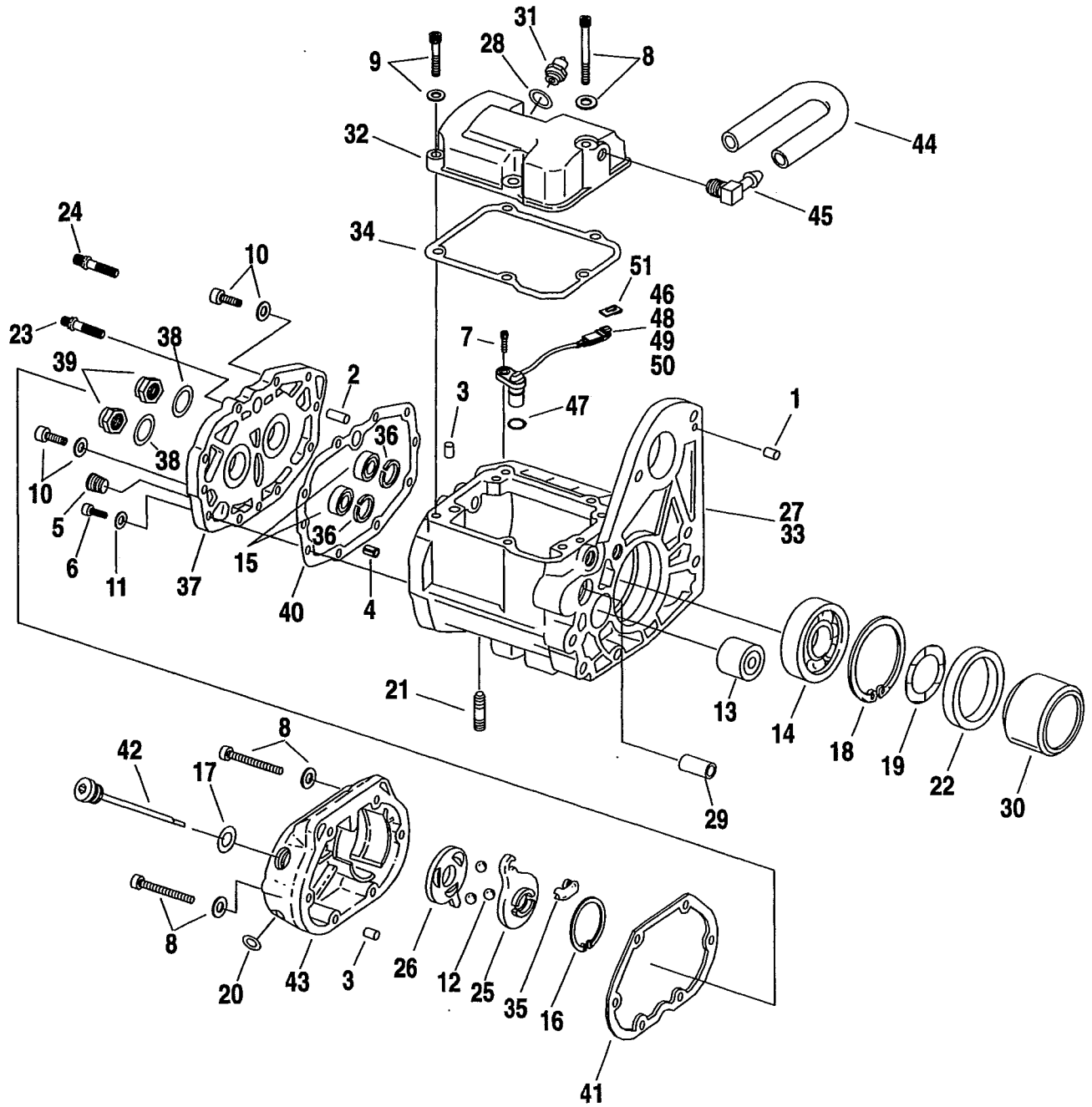
INDEX NO.	PART NO.	DESCRIPTION	FLT MODELS	SOFTAIL MODELS	DYNA MODELS
36	33640-83	SHIFT LEVER, heel	95*-ALL	--	--
37	33642-89	COVER ASSEMBLY, shifter (chrome)	--	95*-BJ/M/N	--
38	33660-90B	SHIFT LEVER (chrome)	--	95*-BK/L/P	95*-GE
	33668-90B	SHIFT LEVER (chrome)	--	95*-BJ/M/N	--
39	33708-94	BEARING SLEEVE (2)	--	95*-ALL	95*-ALL
40	33709-82	SHAFT	95*-ALL	--	--
41	33713-85	BUSHING, shifter bracket (2)	95*-ALL	--	--
42	33715-85	LEVER, shifter rod	95*-ALL	95*-ALL	95*-ALL
43	33718-82	LEVER	95*-ALL	--	--
44	33719-79A	SHIFTER ROD	95*-ALL	--	--
45	33728-82A	BALL JOINT	--	--	95*-GE
46	33728-90A	SHIFTER ROD	--	--	95*-GD/G/H
47	33729-82	BALL JOINT	--	95*-ALL	--
48	33871-85A	END, shifter rod	--	95*-ALL	95*-GD/G/H
49	33895-82	SHIFTER LEVER, (chrome) (2-BJ/M/N)	95*-ALL	95*-BJ/M/N	--
50	34082-79	PIN, shifter shaft lever	95*-ALL	95*-ALL	95*-ALL
51	34083-79	SPRING, shifter shaft lever	95*-ALL	95*-ALL	95*-ALL
52	34084-86	LEVER, shifter shaft w/#54 & 55	95*-ALL	95*-ALL	95*-ALL
53	34085-79A	CAM FOLLOWER	95*-ALL	95*-ALL	95*-ALL
54	34086-79	PAWL, shifter cam	95*-ALL	95*-ALL	95*-ALL
55	34087-79A	SPRING, shifter shaft	95*-ALL	95*-ALL	95*-ALL
56	34088-87	SHAFT, shifter fork	95*-ALL	95*-ALL	95*-ALL
57	34089-79	SPRING	95*-ALL	95*-ALL	95*-ALL
58	34191-79D	SHIFTER FORK	95*-ALL	95*-ALL	95*-ALL
59	34193-79D	SHIFTER FORK	95*-ALL	95*-ALL	95*-ALL
60	34195-79D	SHIFTER FORK	95*-ALL	95*-ALL	95*-ALL
61	34561-84	SLEEVE LOCATOR PLATE	--	--	95*-GD/G/H
62	34564-90A	SHIFT LEVER (chrome)	--	95*-BK/L/P	95*-ALL
63	34611-65	PEG, shift lever (2-FLT, BJ/M/N)	95*-ALL	95*-ALL	95*-ALL
64	34621-90	SHIFT LEVER	--	--	95*-GD/G/H
65	34625-90	WAVE WASHER	--	--	95*-GE
66	34632-84A	SLEEVE, shift lever	--	--	95*-GD/G/H
67	35068-79	PLATE	95*-ALL	95*-ALL	95*-ALL

H-D INTERNATIONAL ONLY

14270-92	DECAL, shift pattern (Japan only)	95*-ALL	95*-ALL	95*-ALL
----------	-----------------------------------	---------	---------	---------

FLT MODELS				SOFTAIL MODELS				DYNA MODELS	
FLHT	DD	FLHR-I	FB	FLSTC	BJ	FLSTF	BM	FXDL	GD
FLHTC	DJ	FLHTCU-I	FC	FXSTC	BK	FLSTN	BN	FXDWG	GE
FLTC-U	DM	FLTCU-I	FE	FXSTS	BL	FXSTSB	BP	FXDS-CON	GG
FLHTC-U	DP	FLHTC-I	FF					FXD	GH
FLHR	FD								

TRANSMISSION HOUSING



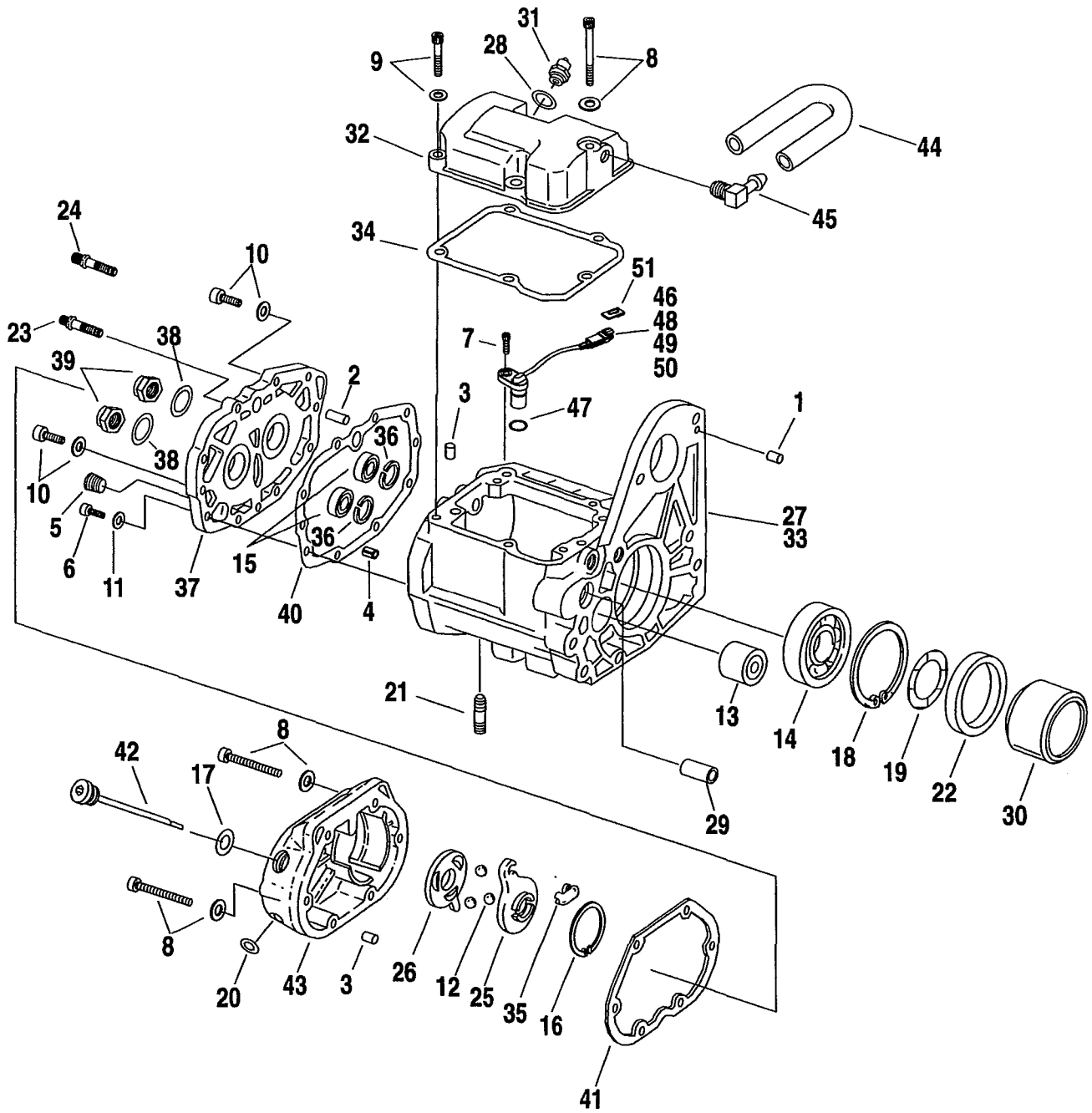
TRANSMISSION HOUSING

FC15-1

INDEX NO.	PART NO.	DESCRIPTION	FLT MODELS	SOFTAIL MODELS	DYNA MODELS
1	337	DOWEL PIN	--	95*-ALL	--
2	375	DOWEL PIN	--	95*-ALL	--
3	609	PIN (6; 2 - FLT)	95*-ALL	95*-ALL	95*-ALL
4	634	PIN	95*-ALL	95*-ALL	95*-ALL
5	739A	PLUG, magnetic	--	95*-ALL	--
6	3210A	SCREW (4;3-Dyna)	95*-ALL	95*-ALL	95*-ALL
7	3594	SCREW	--	96*-ALL	--
8	4717A	SCREW (7; 5-Softail)	95*-ALL	95*-ALL	--
9	4741A	SCREW (4)	95*-ALL	95*-ALL	--
10	4814A	SCREW (2- FLT & Softail)	95*-ALL	95*-ALL	95*-ALL
11	6016	WASHER (7; 6 - Softail)	95*-ALL	95*-ALL	95*-ALL
12	8873	BALL (3)	95*-ALL	95*-ALL	95*-ALL
13	8977	NEEDLE BEARING	--	95*-ALL	--
14	8996	BALL BEARING, mainshaft - left side	--	95*-ALL	--
15	8998	BALL BEARING (2)	95*-ALL	95*-ALL	95*-ALL
16	10998	RETAINING RING	95*-ALL	95*-ALL	95*-ALL
17	11132	O-RING, filler plug	95*-ALL	95*-ALL	95*-ALL
18	11161	RETAINING RING, ball bearing	--	95*-ALL	--
19	11165	QUAD SEAL, ball bearing	95*-ALL	95*-ALL	95*-ALL
20	11179	O-RING, clutch cable	95*-ALL	95*-ALL	95*-ALL
21	11733	STUD (5, 1-1996)	--	95*-ALL	--
22	12067A	OIL SEAL, mainshaft - left side	--	95*-ALL	--
23	16708-95	STUD	--	--	95*-ALL
24	16709-95	STUD	--	--	95*-ALL
25	25452-87A	INNER RAMP	95*-ALL	95*-ALL	95*-ALL
26	25453-87A	OUTER RAMP	95*-ALL	95*-ALL	95*-ALL
27	33006-95	TRANSMISSION (chrome & black)	--	95-BJ/K/L/M/N	--
	33006-96	TRANSMISSION (chrome & black)	--	96*-BJ/K/L/M/N	--
	33013-95	TRANSMISSION (chrome & black)	95-DJ/M/P	--	--
	33013-96	TRANSMISSION (chrome & black)	96*-DJ/P;FC/E/F	--	--
	33020-95	TRANSMISSION	95-DD	--	--
	33020-96	TRANSMISSION	96*-DD	--	--
	33035-95	TRANSMISSION (chrome & black)	95-FD	--	--
	33035-96	TRANSMISSION (chrome & black)	96*-FB/D	--	--
	33038-95	TRANSMISSION (chrome & black)	--	--	95-GD/E/G
	33038-96	TRANSMISSION (chrome & black)	--	--	96*-GD/E/G
	33051-95	TRANSMISSION (chrome & black)	--	95-BP	--
	33051-96	TRANSMISSION (chrome & black)	--	96*-BP	--
	33062-95	TRANSMISSION	--	--	95-GH
	33062-96	TRANSMISSION	--	--	96*-GH
28	33043-80	WASHER, neutral indicator switch	95*-ALL	95*-ALL	95*-ALL
29	33114-79	SPACER	--	95*-ALL	--
30	33344-94	SPACER, sprocket	95*-ALL	95*-ALL	95*-ALL
31	33900-59C	SWITCH, neutral indicator	95*-ALL	95*-ALL	95*-ALL
32	34464-86A	COVER, upper (polished)	95*-DD	--	--
	34468-86A	COVER, upper (chrome)	95-DJ/M/P;FD 96*-DJ/P; FB/C/D/E/F	95*-ALL	--

FLT MODELS				SOFTAIL MODELS				DYNA MODELS	
FLHT	DD	FLHR-J	FB	FLSTC	BJ	FLSTF	BM	FXDL	GD
FLHTC	DJ	FLHTCU-I	FC	FXSTC	BK	FLSTN	BN	FXDWG	GE
FLTC-U	DM	FLTCU-I	FE	FXSTS	BL	FXSTSB	BP	FXDS-CON	GG
FLHTC-U	DP	FLHTC-I	FF					FXD	GH
FLHR	FD								

TRANSMISSION HOUSING



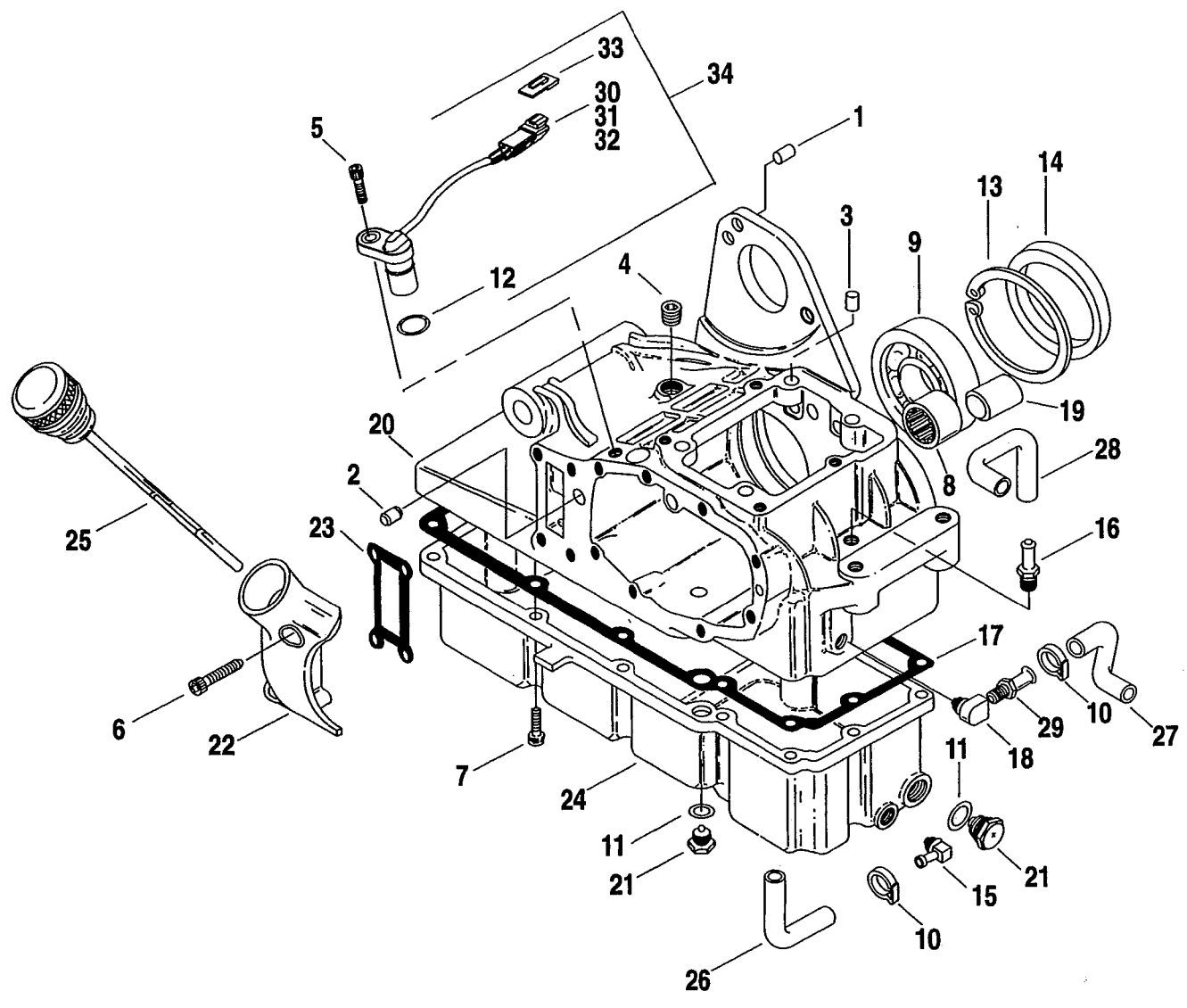
TRANSMISSION HOUSING (CONT'D)

FC15-2

INDEX NO.	PART NO.	DESCRIPTION	FLT MODELS	SOFTAIL MODELS	DYNA MODELS
33	34732-89A	HOUSING (black)	--	95-ALL	--
	34732-96	HOUSING (black)	--	96*-ALL	--
34	34904-86A	GASKET, upper cover	95*-ALL	95*-ALL	--
35	34920-86	COUPLING	95*-ALL	95*-ALL	95*-ALL
36	35021-89	RETAINING RING, bearing (2)	95*-ALL	95*-ALL	95*-ALL
37	35250-90B	BEARING HOUSING ASM. w/ #3,15 & 36 (polished)	--	--	95*-GH
	35251-93	BEARING HOUSING (polished)	95*-DD	--	--
	35252-93A	BEARING HOUSING ASM. w/ #3,15 & 36 (black)	95-DJ/M/P;FD 96*-DJ/P; FB/C/D/E/F	--	--
	35258-87C	BEARING HOUSING ASM. w/ #3,15 & 36 (black)	--	95*-ALL	--
	35260-90B	BEARING HOUSING w/ # 3,15 & 36 (black)	--	--	95*-GD/E/G
38	35076-79	SPACER (2)	95*-ALL	95*-ALL	95*-ALL
39	35078-79	NUT, mainshaft & countershaft	95*-ALL	95*-ALL	95*-ALL
40	35652-79B	GASKET, bearing housing	95*-ALL	95*-ALL	95*-ALL
41	36801-87B	GASKET, right side cover	95*-ALL	95*-ALL	95*-ALL
42	37071-87	FILLER PLUG, (polished)	95*-DD	--	95*-GH
	37075-87	FILLER PLUG (chrome)	95-DJ/M/P;FD 96*-DJ/P; FB/C/D/E/F	95*-ALL	95*-GD/E/G
43	37081-87B	CLUTCH RELEASE COVER (polished)	95*-DD	--	95*-GH
	37105-87A	CLUTCH RELEASE COVER (chrome)	95-DJ/M/P;FD 96*-DJ/P; FB/C/D/E/F	95*-ALL	95*-GD/E/G
44	42533-91A	VENT HOSE	95*-ALL	95*-ALL	95*-ALL
45	62375-57	FITTING, upper cover	95*-ALL	95*-ALL	--
46	74437-96	SENSOR, speedometer includes the following:	--	96*-ALL	--
47	11140	O-RING		96*-ALL	--
48	72143-94	SECONDARY LOCK, three-way receptacle	--	96*-ALL	--
49	72163-94BK	RECEPTACLE, 3-way pin	--	96*-ALL	--
50	72190-94	TERMINAL, pin (3)	--	96*-ALL	--
51	72199-94	ATTACHMENT CLIP	--	96*-ALL	--
H-D INTERNATIONAL ONLY					
27	33040-95	TRANSMISSION (C & B) (HDI except Japan)	--	95-BJ/K/L/M/N	--
	33042-95	TRANSMISSION (C & B) (HDI except Japan)	--	--	95-GD/E/G
	33063-95	TRANSMISSION (C & B) (HDI except Japan)	--	95-BP	--
	33064-95	TRANSMISSION (HDI except Japan)	--	--	95-GH

FLT MODELS				SOFTAIL MODELS				DYNA MODELS	
FLHT	DD	FLHR-I	FB	FLSTC	BJ	FLSTF	BM	FXDL	GD
FLHTC	DJ	FLHTCU-I	FC	FXSTC	BK	FLSTN	BN	FXDWG	GE
FLTC-U	DM	FLTCU-I	FE	FXSTS	BL	FXSTSB	BP	FXDS-CON	GG
FLHTC-U	DP	FLHTC-I	FF					FXD	GH
FLHR	FD								

TRANSMISSION HOUSING & OIL TANK - FLT



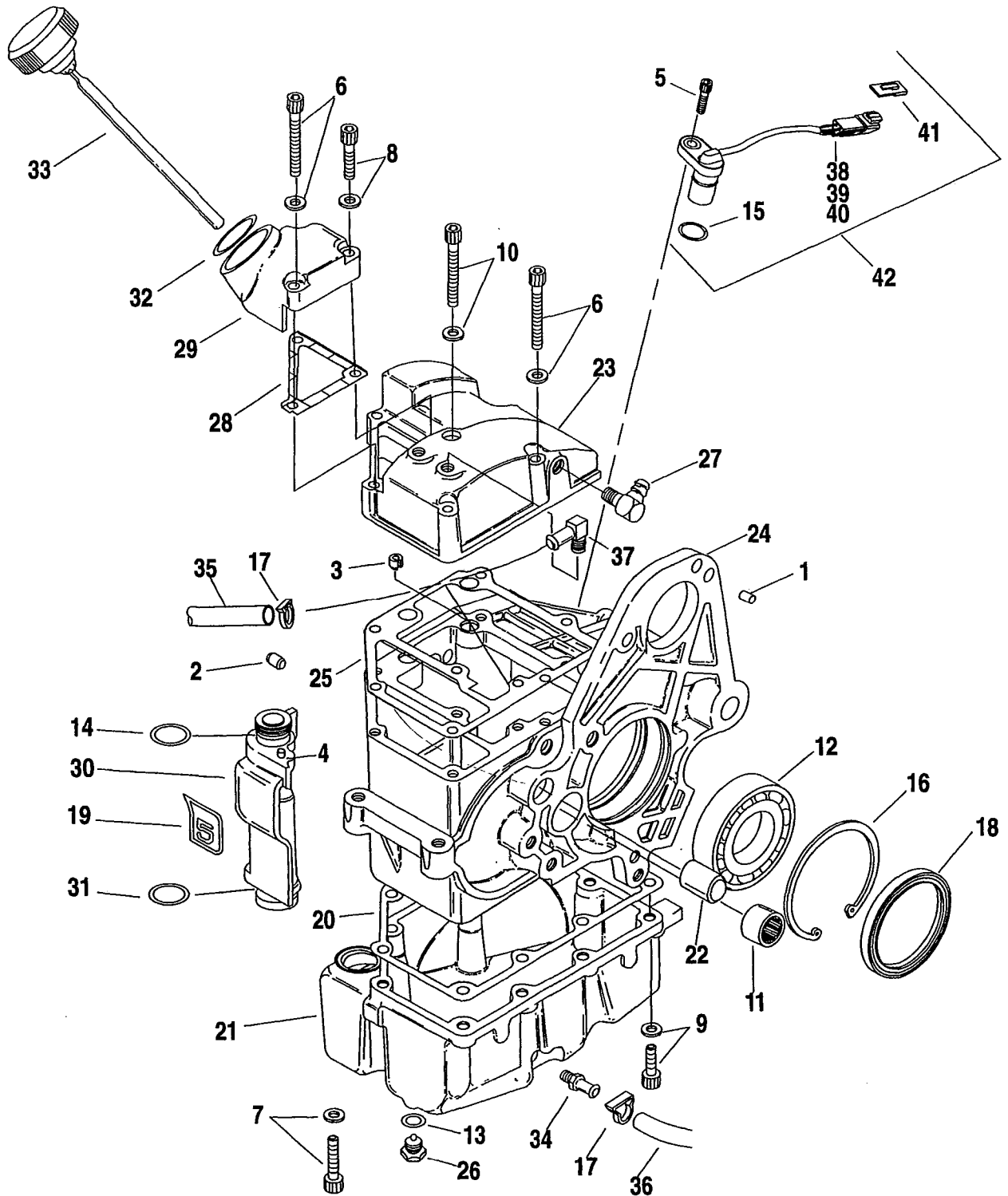
TRANSMISSION HOUSING & OIL TANK - FLT

FC15A

INDEX NO.	PART NO.	DESCRIPTION	FLT MODELS	SOFTAIL MODELS	DYNA MODELS
1	337	DOWEL PIN	95*-ALL	--	--
2	375	DOWEL PIN	95*-ALL	--	--
3	609	PIN, pillow block (4)	95*-ALL	--	--
4	721	PLUG	95*-ALL	--	--
5	3594	SCREW	95*-FD;96*-FB	--	--
6	4718A	SCREW (4)	95*-ALL	--	--
7	4741A	SCREW (12)	95*-ALL	--	--
8	8977	BEARING	95*-ALL	--	--
9	8996	BEARING	95*-ALL	--	--
10	9946	CLAMP, hose (2)	95*-ALL	--	--
11	11105	O-RING (2)	95*-ALL	--	--
12	11140	O-RING	95*-FD;96*-FB	--	--
13	11161	RETAINING RING	95*-ALL	--	--
14	12067A	OIL SEAL	95*-ALL	--	--
15	16304-87	FITTING, 90 degree	95*-ALL	--	--
16	25259-93	FITTING, straight	95*-ALL	--	--
17	26077-93	GASKET, oil pan	95*-ALL	--	--
18	26338-68	FITTING, 90 degree	95*-ALL	--	--
	33013-95	TRANSMISSION (Chrome & black)	95-DJ/M/P;FC	--	--
	33013-96	TRANSMISSION (Chrome & black)	96*-DJ/P;FC/E/F	--	--
	33020-95	TRANSMISSION	95-DD	--	--
	33020-96	TRANSMISSION	96*-DD	--	--
	33035-95	TRANSMISSION (Chrome & black)	95-FD	--	--
	33035-96	TRANSMISSION (Chrome & black)	95*-FD;96*-FB	--	--
19	33114-79	SPACER	95*-ALL	--	--
20	34736-93	HOUSING (black)	95-DJ/M/P 96*-DJ/P; FC/E/F	--	--
	34739-93	HOUSING	95*-DD	--	--
	34740-94	HOUSING (black)	95*-FD;96*-FB	--	--
21	60348-65B	PLUG, magnetic (2)	95*-ALL	--	--
22	62419-93	OIL FILLER SPOUT	95*-DD	--	--
	62429-93	OIL FILLER SPOUT (black)	95-DJ/M/P;FC/D 96*-DJ/P; FB/C/D/E/F	--	--
23	62432-93	GASKET, oil spout	95*-ALL	--	--
24	62489-93	OIL PAN (black)	95-DJ/M/P;FC/D 96*-DJ/P; FB/C/D/E/F	--	--
	62490-93	OIL PAN	95*-DD	--	--
25	62607-93	FILLER CAP, engine oil	95*-DD	--	--
	62640-93	FILLER CAP, engine oil (black)	95-DJ/M/P;FC/D 96*-DJ/P; FB/C/D/E/F	--	--
26	62683-93	HOSE, oil pan to oil pump	95*-ALL	--	--
27	62684-93	HOSE, trans. case to filter	95*-ALL	--	--
28	63511-93	HOSE, trans. case to crankcase	95*-ALL	--	--
29	63533-41	FITTING, straight	95*-ALL	--	--
30	72143-94	SECONDARY LOCK, three-way receptacle	95*-FD;96*-FB	--	--
31	72163-94BK	RECEPTACLE, 3-way pin	95*-FD;96*-FB	--	--
32	72190-94	TERMINAL, pin (3)	95*-FD;96*-FB	--	--
33	72199-94	ATTACHMENT CLIP	95*-FD;96*-FB	--	--
34	74420-94	SPEED SENSOR	95*-FD;96*-FB	--	--

FLT MODELS				SOFTAIL MODELS				DYNA MODELS	
FLHT	DD	FLHR-I	FB	FLSTC	BJ	FLSTF	BM	FXDL	GD
FLHTC	DJ	FLHTCU-I	FC	FXSTC	BK	FLSTN	BN	FXDWG	GE
FLTC-U	DM	FLTCU-I	FE	FXSTS	BL	FXSTSB	BP	FXDS-CON	GG
FLHTC-U	DP	FLHTC-I	FF					FXD	GH
FLHR	FD								

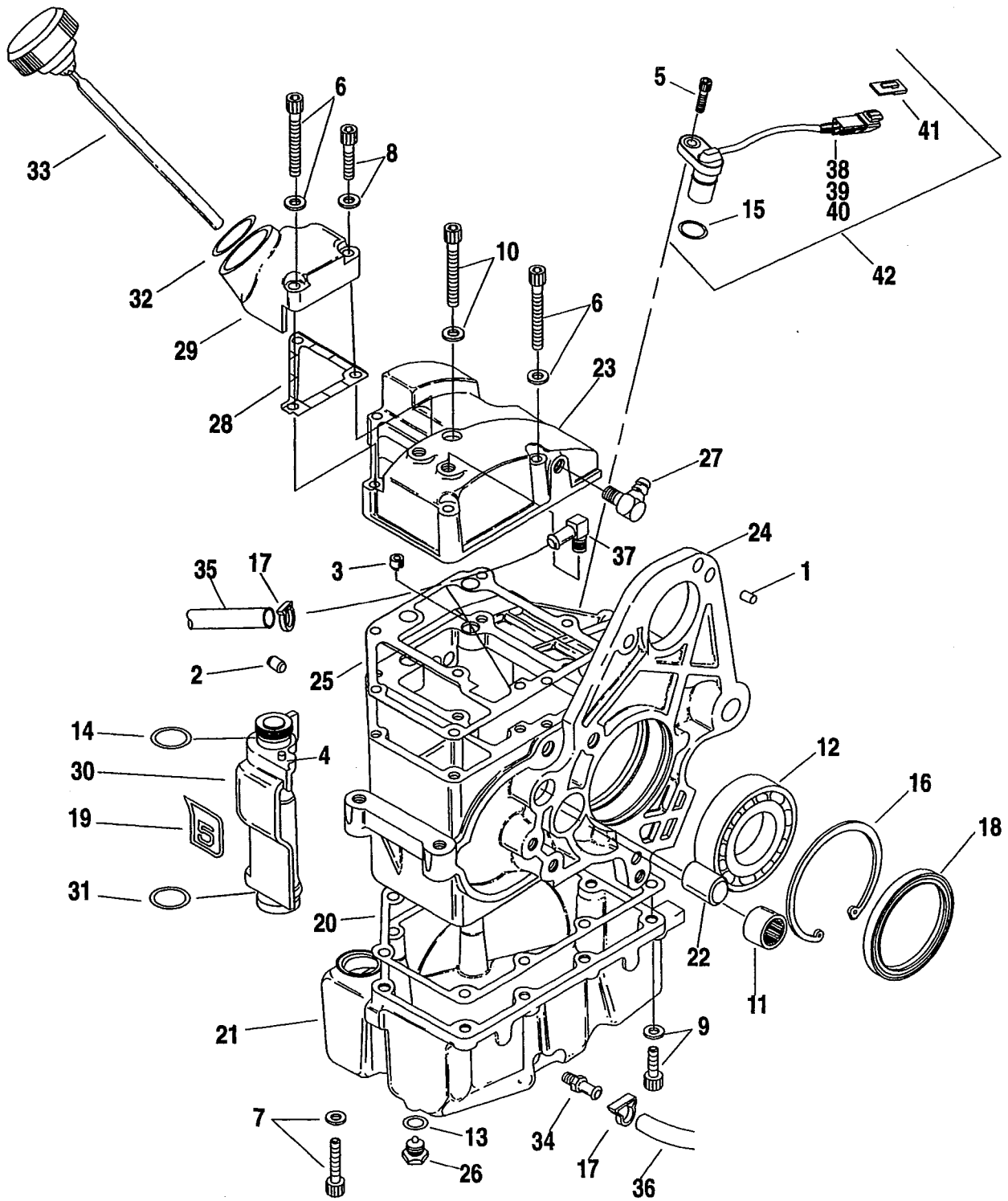
TRANSMISSION HOUSING & OIL TANK - DYNA



INDEX NO.	PART NO.	DESCRIPTION	FLT MODELS	SOFTAIL MODELS	DYNA MODELS
1	337	DOWEL PIN	--	--	95*-ALL
2	375	DOWEL PIN	--	--	95*-ALL
3	609	PIN, pillow block (2)	--	--	95*-ALL
4	631	ROLL PIN	--	--	95*-ALL
5	3594	SCREW	--	--	95*-ALL
6	4717A	SCREW (4)	--	--	95*-ALL
7	4718A	SCREW (2)	--	--	95*-ALL
8	4740A	SCREW	--	--	95*-ALL
9	4741A	SCREW (11)	--	--	95*-ALL
10	4822A	SCREW	--	--	95*-ALL
11	8977	BEARING	--	--	95*-ALL
12	8996	BEARING	--	--	95*-ALL
13	11105	O-RING (2)	--	--	95*-ALL
14	11132	O-RING	--	--	95*-ALL
15	11140	O-RING	--	--	95*-ALL
16	11161	RETAINING RING	--	--	95*-ALL
17	10080	CLAMP, hose (5)	--	--	95*-ALL
18	12067A	OIL SEAL	--	--	95*-ALL
19	14263-91	DECAL, dipstick cover (black)	--	--	95*-GD/E/G
	14268-92	DECAL, dipstick cover	--	--	95*-GH
20	26072-90A	GASKET, oil pan	--	--	95*-ALL
21	26074-90	OIL PAN (black)	--	--	95*-ALL
	33038-95	TRANSMISSION (chrome & black)	--	--	95-GD/E/G
	33038-96	TRANSMISSION (chrome & black)	--	--	96*-GD/E/G
	33062-95	TRANSMISSION	--	--	95-GH
	33062-96	TRANSMISSION	--	--	96*-GH
22	33114-79	SPACER	--	--	95*-ALL
23	34469-90	COVER, upper (chrome)	--	--	95*-GD/E/G
	34478-95	COVER, upper	--	--	95*-GH
24	34746-95	HOUSING	--	--	95*-GH
	34747-95	HOUSING (black)	--	--	95*-GD/E/G

FLT MODELS				SOFTAIL MODELS				DYNA MODELS	
FLHT	DD	FLHR-I	FB	FLSTC	BJ	FLSTF	BM	FXDL	GD
FLHTC	DJ	FLHTCU-I	FC	FXSTC	BK	FLSTN	BN	FXDWG	GE
FLTC-U	DM	FLTCU-I	FE	FXSTS	BL	FXSTSB	BP	FXDS-CON	GG
FLHTC-U	DP	FLHTC-I	FF					FXD	GH
FLHR	FD								

TRANSMISSION HOUSING & OIL TANK - DYNA



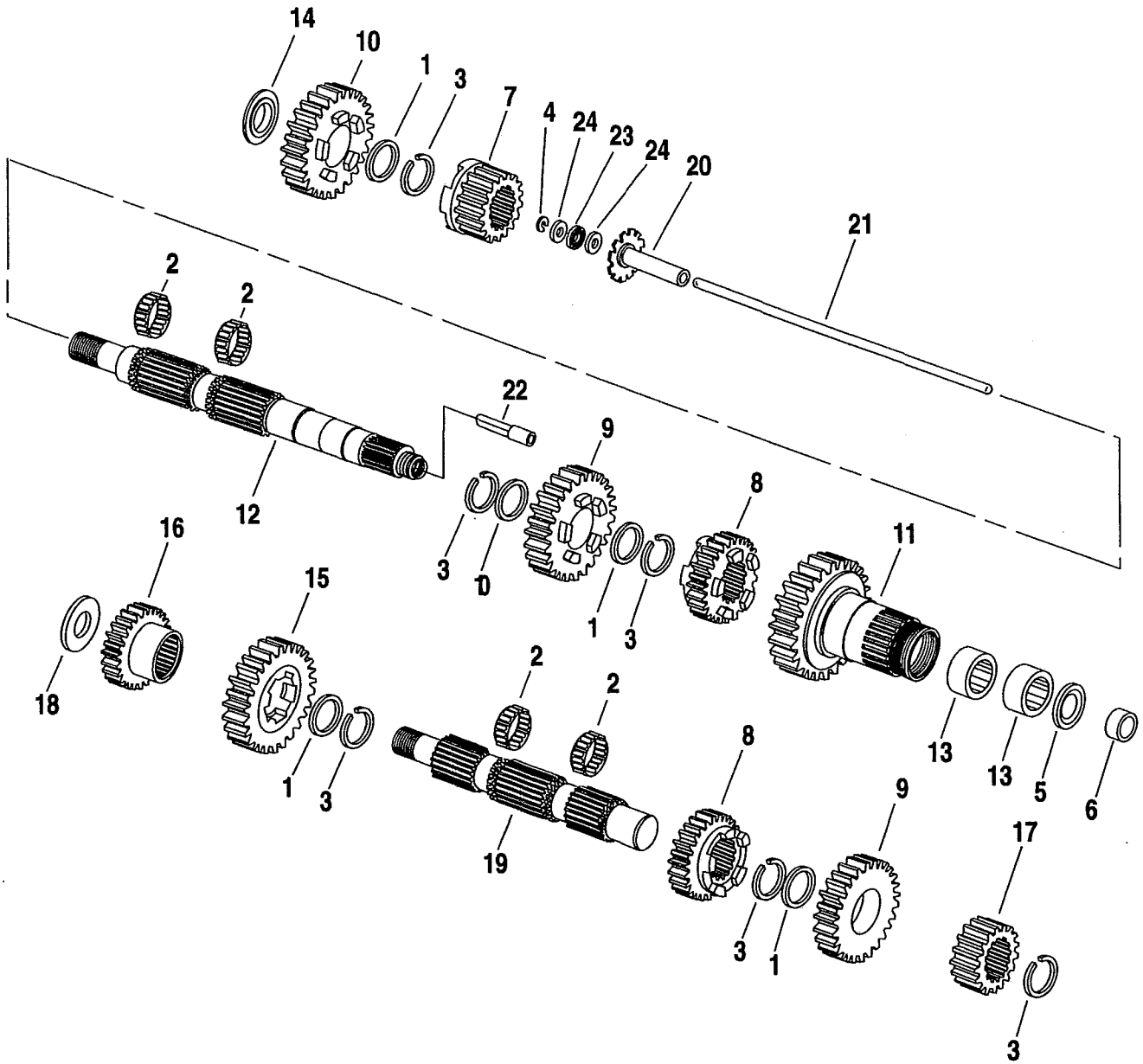
INDEX NO.	PART NO.	DESCRIPTION	FLT MODELS	SOFTAIL MODELS	DYNA MODELS
25	34917-90A	GASKET, transmission cover	--	--	95*-ALL
26	60348-65B	MAGNETIC PLUG (2)	--	--	95*-ALL
27	62375-57	FITTING, elbow	--	--	95*-ALL
28	62423-90A	GASKET, oil spout	--	--	95*-ALL
29	62421-90	SPOUT, oil fill (chrome)	--	--	95*-GD/E/G
	62433-95	SPOUT, oil fill	--	--	95*-GH
30	62647-90	DIPSTICK COVER (black)	--	--	95*-GH
	62649-90	DIPSTICK COVER	--	--	95*-GD/E/G
31	62672-90	O-RING	--	--	95*-ALL
32	62673-90	O-RING	--	--	95*-ALL
33	62681-92	FILLER CAP, engine oil	--	--	95*-GD/E/G
	62685-95	FILLER CAP, engine oil	--	--	95*-GH
34	63533-41	FITTING, oil hose	--	--	95*-ALL
35	63534-90	HOSE, crankcase to tank vent	--	--	95*-ALL
36	63535-90	HOSE, oil pan to pump (feed)	--	--	95*-ALL
37	63554-90	FITTING, elbow (2)	--	--	95*-ALL
38	72143-94	SECONDARY LOCK, three-way receptacle	--	--	95*-ALL
39	72163-94BK	RECEPTACLE, 3-way pin	--	--	95*-ALL
40	72190-94	TERMINAL, pin (3)	--	--	95*-ALL
41	72199-94	ATTACHMENT CLIP	--	--	95*-ALL
42	74420-94	SPEED SENSOR	--	--	95*-ALL

H-D INTERNATIONAL ONLY

33042-95	TRANSMISSION (chrome & black)(HDI except Japan)	--	--	95-GD/E/G
33064-95	TRANSMISSION (HDI except Japan)	--	--	95-GH

FLT MODELS				SOFTAIL MODELS				DYNA MODELS	
FLHT	DD	FLHR-I	FB	FLSTC	BJ	FLSTF	BM	FXDL	GD
FLHTC	DJ	FLHTCU-I	FC	FXSTC	BK	FLSTN	BN	FXDWG	GE
FLTC-U	DM	FLTCU-I	FE	FXSTS	BL	FXSTSB	BP	FXDS-CON	GG
FLHTC-U	DP	FLHTC-I	FF					FXD	GH
FLHR	FD								

TRANSMISSION GEARS



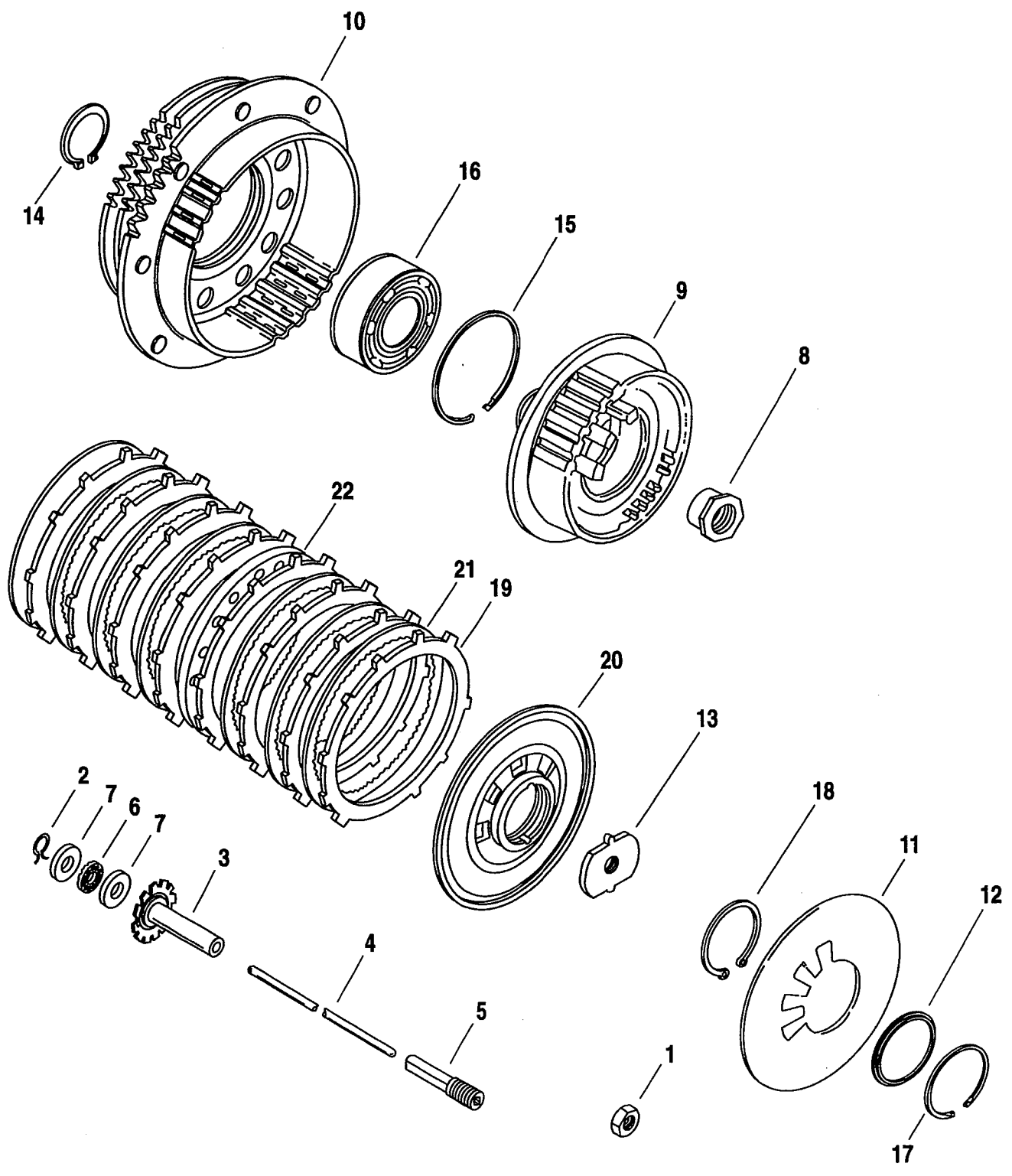
INDEX NO.	PART NO.	DESCRIPTION	FLT MODELS	SOFTAIL MODELS	DYNA MODELS
1	6003	THRUST WASHER (5)	95*-ALL	95*-ALL	95*-ALL
2	8876A	BEARING (4)	95*-ALL	95*-ALL	95*-ALL
3	11067	RETAINING RING (6)	95*-ALL	95*-ALL	95*-ALL
4	11096	RETAINING RING	95*-ALL	95*-ALL	95*-ALL
5	12035A	OIL SEAL, mainshaft fifth gear	95*-ALL	95*-ALL	95*-ALL
6	34091-85	BEARING, inner race	95*-ALL	95*-ALL	95*-ALL
7	35025-79B	FIRST GEAR, mainshaft	95*-ALL	95*-ALL	95*-ALL
8	35026-79C	GEAR, mainshaft 2nd & countershaft 3rd (2)	--	95-ALL	95-ALL
	35026-94	GEAR, mainshaft 2nd & countershaft 3rd (2)	95*-ALL	96*-ALL	96*-ALL
9	35027-79B	GEAR, mainshaft 3rd & countershaft 2nd (2)	--	95-ALL	95-ALL
	35027-94	GEAR, mainshaft 3rd & countershaft 2nd (2)	95*-ALL	96*-ALL	96*-ALL
10	35028-79B	FOURTH GEAR, mainshaft	--	95-ALL	95-ALL
	35028-94	FOURTH GEAR, mainshaft	95*-ALL	96*-ALL	96*-ALL
11	35029-91A	FIFTH GEAR, mainshaft	-	95-ALL	95-ALL
	35029-94	FIFTH GEAR, mainshaft	95*-ALL	96*-ALL	96*-ALL
12	35042-91	MAINSHAFT	95*-ALL	95*-ALL	95*-ALL
13	35051-89	NEEDLE BEARING (2)	95*-ALL	95*-ALL	95*-ALL
14	35064-79	SPACER, mainshaft	95*-ALL	95*-ALL	95*-ALL
15	35622-79C	FIRST GEAR, countershaft	95*-ALL	95*-ALL	95*-ALL
16	35625-79B	FOURTH GEAR, countershaft	--	95-ALL	95-ALL
	35625-94	FOURTH GEAR, countershaft	95*-ALL	96*-ALL	96*-ALL
17	35626-79B	FIFTH GEAR, countershaft	--	95-ALL	95-ALL
	35626-94	FIFTH GEAR, countershaft	95*-ALL	96*-ALL	96*-ALL
18	35629-79	SPACER	95*-ALL	95*-ALL	95*-ALL
19	35632-79	COUNTERSHAFT	95*-ALL	95*-ALL	95*-ALL
20	37069-90	PUSH ROD END	95*-ALL	95*-ALL	95*-ALL
21	37088-90	PUSH ROD, clutch release (through mainshaft)	95*-ALL	95*-ALL	95*-ALL
22	37090-84A	END, clutch push rod - left side	95*-ALL	95*-ALL	95*-ALL
23	37312-75	BEARING	95*-ALL	95*-ALL	95*-ALL
24	37313-80	THRUST WASHER (2)	95*-ALL	95*-ALL	95*-ALL

H-D INTERNATIONAL ONLY

8	35026-94	GEAR, mainshaft 2nd & countershaft 3rd (2) (HDI except Japan)	--	95*-ALL	95*-ALL
9	35027-94	GEAR, mainshaft 3rd & countershaft 2nd (2) (HDI except Japan)	--	95*-ALL	95*-ALL
10	35028-94	FOURTH GEAR, mainshaft (HDI except Japan)	--	95*-ALL	95*-ALL
11	35029-94	FIFTH GEAR, mainshaft (HDI except Japan)	--	95*-ALL	95*-ALL
16	35625-94	FOURTH GEAR, countershaft (HDI except Japan)	--	95*-ALL	95*-ALL
17	35626-94	FIFTH GEAR, countershaft (HDI except Japan)	--	95*-ALL	95*-ALL

FLT MODELS				SOFTAIL MODELS				DYNA MODELS	
FLHT	DD	FLHR-I	FB	FLSTC	BJ	FLSTF	BM	FXDL	GD
FLHTC	DJ	FLHTCU-I	FC	FXSTC	BK	FLSTN	BN	FXDWG	GE
FLTC-U	DM	FLTCU-I	FE	FXSTS	BL	FXSTSB	BP	FXDS-CON	GG
FLHTC-U	DP	FLHTC-I	FF					FXD	GH
FLHR	FD								

CLUTCH

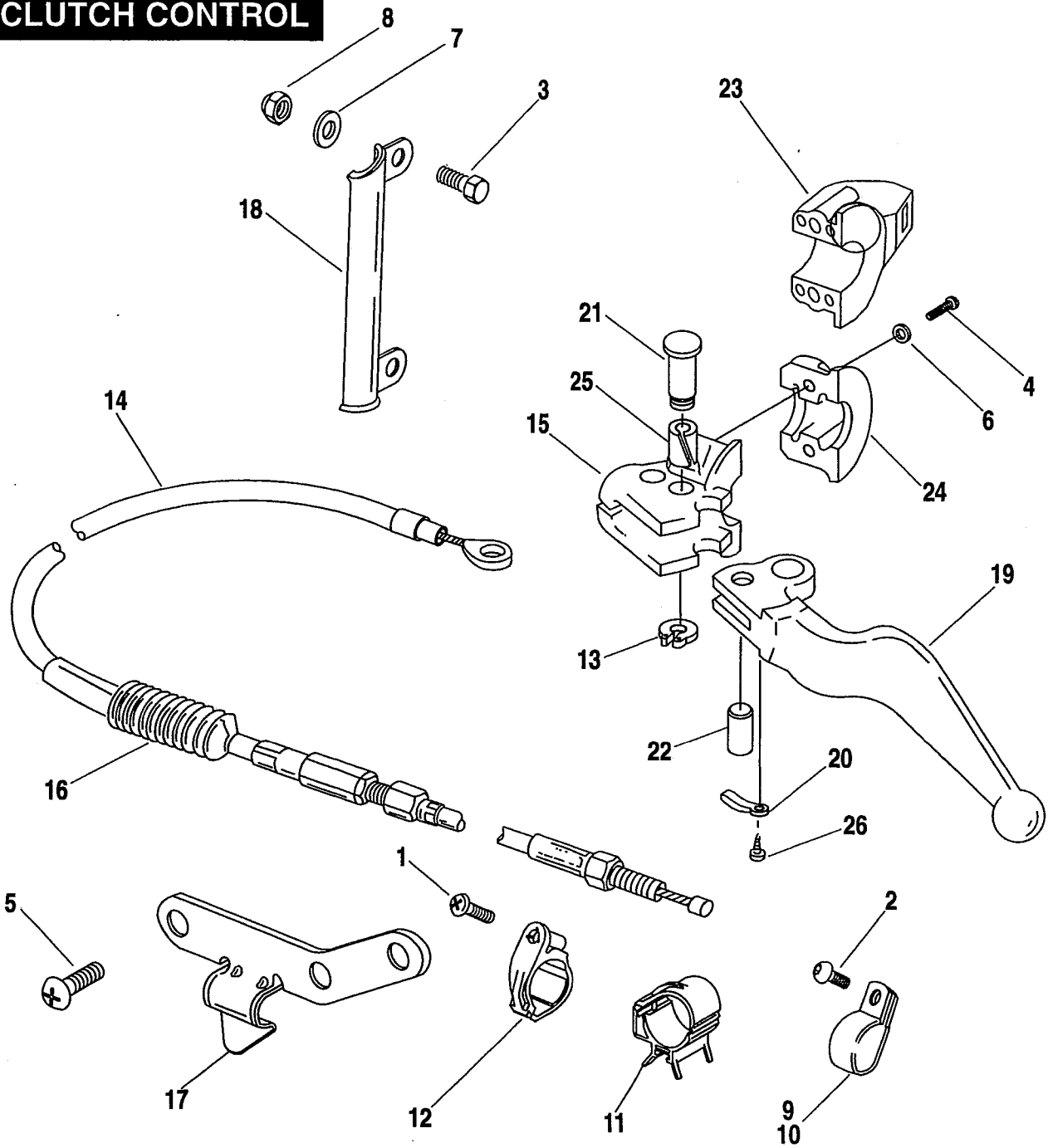


CLUTCH

INDEX NO.	PART NO.	DESCRIPTION	FLT MODELS	SOFTAIL MODELS	DYNA MODELS
1	7848W	LOCKNUT	95*-ALL	95*-ALL	95*-ALL
2	11096	RETAINING RING	95*-ALL	95*-ALL	95*-ALL
3	37069-90	PUSH ROD END	95*-ALL	95*-ALL	95*-ALL
4	37088-90	PUSH ROD, clutch release	95*-ALL	95*-ALL	95*-ALL
5	37090-84A	END, push rod - left	95*-ALL	95*-ALL	95*-ALL
6	37312-75	BEARING, push rod	95*-ALL	95*-ALL	95*-ALL
7	37313-80	THRUST WASHER (2)	95*-ALL	95*-ALL	95*-ALL
8	37496-90	NUT, mainshaft	95*-ALL	95*-ALL	95*-ALL
9	37550-90A	CLUTCH HUB	95*-ALL	95*-ALL	95*-ALL
10	37707-94	SHELL & SPROCKET w/ RING GEAR	95*-ALL	95*-ALL	95*-ALL
11	37871-90	SPRING, diaphragm	95*-ALL	95*-ALL	95*-ALL
12	37872-90	SEAT, clutch spring	95*-ALL	95*-ALL	95*-ALL
13	37903-90	RELEASE PLATE	95*-ALL	95*-ALL	95*-ALL
14	37904-90	RETAINING RING, external	95*-ALL	95*-ALL	95*-ALL
15	37905-90	RETAINING RING, internal	95*-ALL	95*-ALL	95*-ALL
16	37906-90	BEARING, ball - double row	95*-ALL	95*-ALL	95*-ALL
17	37908-90	RETAINING RING, internal	95*-ALL	95*-ALL	95*-ALL
18	37909-90	RETAINING RING, internal	95*-ALL	95*-ALL	95*-ALL
19	37911-90	FRICTION PLATE (paper) (Set of 8)	95*-ALL	95*-ALL	95*-ALL
20	37912-91	PRESSURE PLATE	95*-ALL	95*-ALL	95*-ALL
21	37913-90	STEEL PLATE (smooth) (6)	95*-ALL	95*-ALL	95*-ALL
	37971-90	CLUTCH PLATE KIT w/#19, 21 & 22	95*-ALL	95*-ALL	95*-ALL
22	37977-90	SPRING PLATE (smooth)	95*-ALL	95*-ALL	95*-ALL

FLT MODELS				SOFTAIL MODELS				DYNA MODELS	
FLHT	DD	FLHR-I	FB	FLSTC	BJ	FLSTF	BM	FXDL	GD
FLHTC	DJ	FLHTCU-I	FC	FXSTC	BK	FLSTN	BN	FXDWG	GE
FLTC-U	DM	FLTCU-I	FE	FXSTS	BL	FXSTSB	BP	FXDS-CON	GG
FLHTC-U	DP	FLHTC-I	FF					FXD	GH
FLHR	FD								

CLUTCH CONTROL



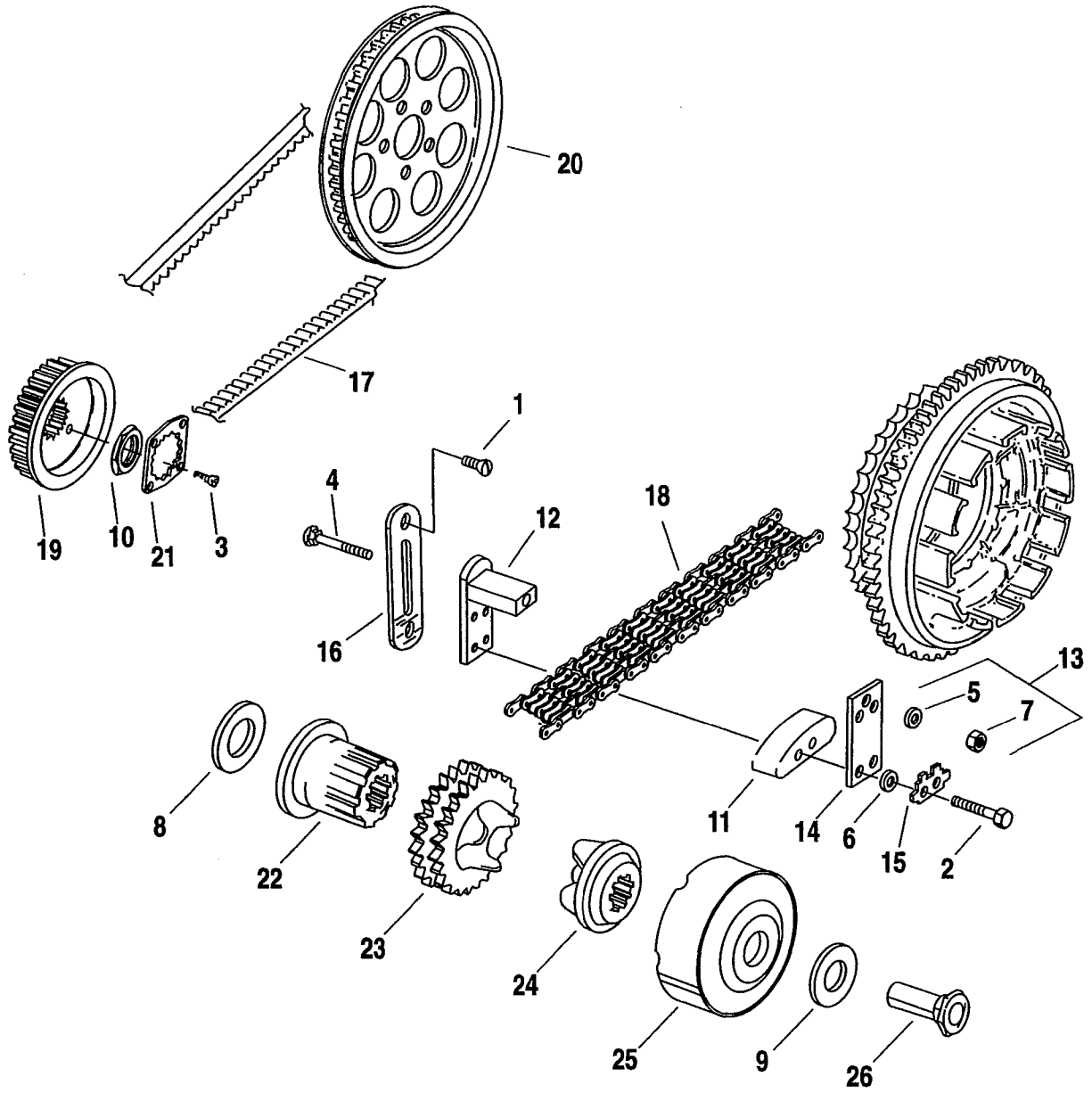
CLUTCH CONTROL

FC18

INDEX NO.	PART NO.	DESCRIPTION	FLT MODELS	SOFTAIL MODELS	DYNA MODELS
1	2562	SCREW	--	95*-ALL	--
2	3538	SCREW	--	95*-BP	--
3	3767B	SCREW (2)	95*-DM	--	--
4	4015	SCREW (2)	95-DD/J;FD	95-ALL	95-ALL
	4033	SCREW (2)	95-DM/P;FC	--	--
	4132	SCREW (2)	96*-ALL	96*-ALL	96*-ALL
5	4740A	SCREW (2)	95*-ALL	--	--
6	6099	WASHER (2)	95-ALL	95-ALL	95-ALL
	6101	WASHER (2)	96*-ALL	96*-ALL	96*-ALL
7	6703	WASHER (2)	95*-DM	--	--
8	7686	LOCKNUT (2)	95*-DM	--	--
9	9990W	CLAMP	95*-FD	--	--
10	10076	CLAMP, clutch cable	--	95*-BP	--
11	10108	CLIP (3)	--	--	95*-ALL
12	10124	CLAMP	--	95*-ALL	--
13	11143	RETAINING RING	95*-ALL	95*-ALL	95*-ALL
14	38601-89	CABLE, clutch control	95*-ALL	--	--
	38602-92	CABLE, clutch control	--	--	95*-ALL
	38607-87A	CABLE, clutch control	--	95*-BJ/K/L/M/N	--
	38617-95	CABLE, clutch control	--	95*-BP	--
15	38608-82B	BRACKET, hand lever	95-ALL	95-ALL	95-ALL
	38608-96	BRACKET, hand lever	96*-ALL	96*-ALL	96*-ALL
16	38630-88	BOOT, clutch cable	95*-ALL	95*-ALL	95*-ALL
17	38713-93A	CLAMP, clutch cable	95*-ALL	--	--
18	38715-85A	CLIP	95*-DM	--	--
19	45017-93	HAND LEVER	95*-ALL	95*-ALL	95*-ALL
20	45021-86	SPRING, anti-rattle	95*-ALL	95*-ALL	95*-ALL
21	45032-82	PIN, hand lever pivot	95*-ALL	95*-ALL	95*-ALL
22	45036-88	ANCHOR PIN	95*-ALL	95*-ALL	95*-ALL
23	45043-89	CLAMP w/switch housing	95-DM/P;FC	--	--
24	45044-82	CLAMP, lever bracket	95-DD/J,FD	95-ALL	95-ALL
	45044-96	CLAMP, lever bracket	96*-ALL	96*-ALL	96*-ALL
25	45423-92	BUSHING	95*-ALL	95*-ALL	95*-ALL
26	90770-79	SCREW	95*-ALL	95*-ALL	95*-ALL

FLT MODELS				SOFTAIL MODELS				DYNA MODELS	
FLHT	DD	FLHR-I	FB	FLSTC	BJ	FLSTF	BM	FXDL	GD
FLHTC	DJ	FLHTCU-I	FC	FXSTC	BK	FLSTN	BN	FXDWG	GE
FLTC-U	DM	FLTCU-I	FE	FXSTS	BL	FXSTSB	BP	FXDS-CON	GG
FLHTC-U	DP	FLHTC-I	FF					FXD	GH
FLHR	FD								

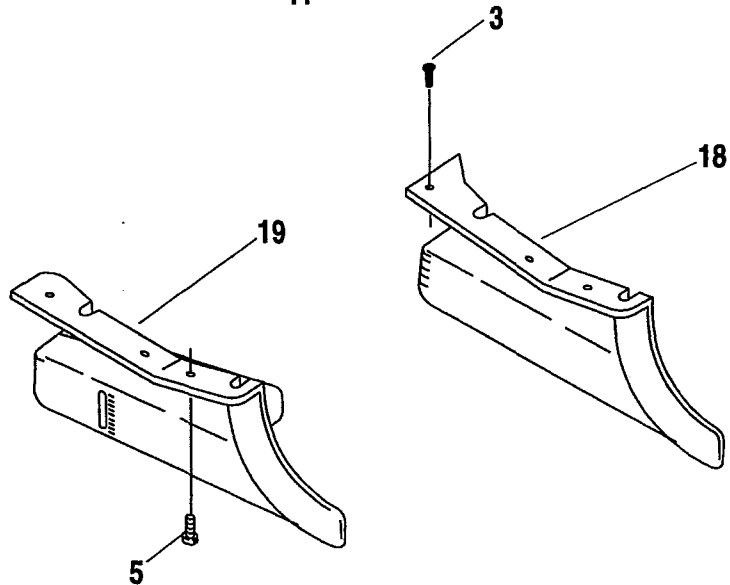
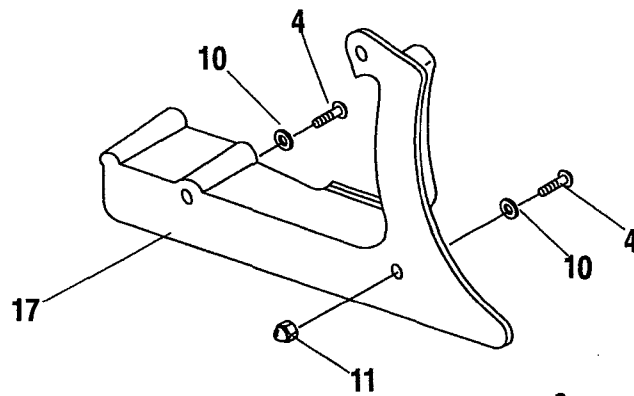
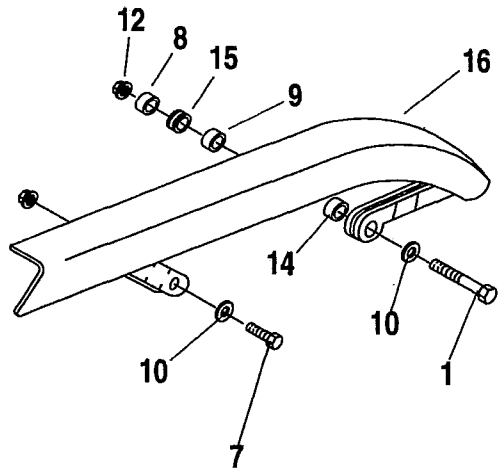
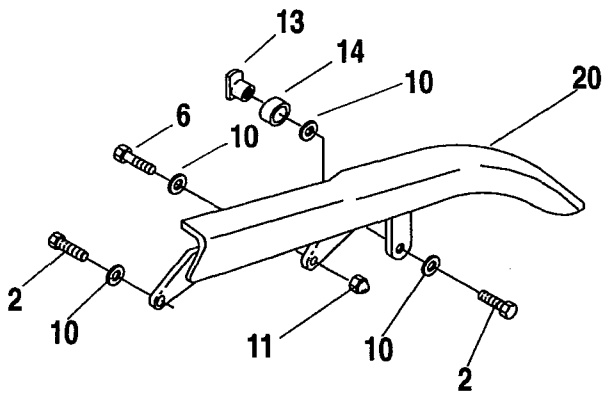
BELTS, CHAINS & SPROCKETS



INDEX NO.	PART NO.	DESCRIPTION	FLT MODELS	SOFTAIL MODELS	DYNA MODELS
1	1783	SCREW (2)	95*-ALL	95*-ALL	95*-ALL
2	2614	BOLT (2)	95*-ALL	95*-ALL	95*-ALL
3	3594	SCREW (2)	95*-ALL	95*-ALL	95*-ALL
4	5444	BOLT	95*-ALL	95*-ALL	95*-ALL
5	6400HB	WASHER	95*-ALL	95*-ALL	95*-ALL
6	6703	WASHER (2)	95*-ALL	95*-ALL	95*-ALL
7	7778	NUT	95*-ALL	95*-ALL	95*-ALL
8	24032-70	SPACER, sprkt. sft. - 0.06 thk. (as req'd)	95*-ALL	95*-ALL	95*-ALL
	24033-70	SPACER, sprkt. sft. - 0.09 thk. (as req'd)	95*-ALL	95*-ALL	95*-ALL
	24034-70	SPACER, sprkt. sft. - 0.12 thk. (as req'd)	95*-ALL	95*-ALL	95*-ALL
	24035-70	SPACER, sprkt. sft. - 0.15 thk. (as req'd)	95*-ALL	95*-ALL	95*-ALL
	24036-70	SPACER, sprkt. sft. - 0.18 thk. (as req'd)	95*-ALL	95*-ALL	95*-ALL
	24037-70	SPACER, sprkt. sft. - 0.21 thk. (as req'd)	95*-ALL	95*-ALL	95*-ALL
	35850-84	SPACER, sprkt. sft. - 0.01 thk. (as req'd)	95*-ALL	95*-ALL	95*-ALL
	35851-84	SPACER, sprkt. sft. - 0.02 thk. (as req'd)	95*-ALL	95*-ALL	95*-ALL
	35852-84	SPACER, sprkt. sft. - 0.03 thk. (as req'd)	95*-ALL	95*-ALL	95*-ALL
	35853-96	SPACER, sprkt. sft. - 0.055 thk. (as req'd)	96*-ALL	--	96*-ALL
	35854-96	SPACER, sprkt. sft. - 0.070 thk. (as req'd)	--	96*-ALL	--
9	29960-91	SPACER	--	95*-ALL	95*-ALL
10	35211-91A	NUT, sprocket	95*-ALL	95*-ALL	95*-ALL
11	39976-65B	PAD, chain tensioner	95*-ALL	95*-ALL	95*-ALL
12	39990-65	CHAIN TENSIONER	95*-ALL	95*-ALL	95*-ALL
13	39992-65C	CHAIN TENSIONER MTG. KIT, w/#4, 5 & 7	95*-ALL	95*-ALL	95*-ALL
14	39993-65	PLATE, chain tensioner	95*-ALL	95*-ALL	95*-ALL
15	39996-65	LOCKWASHER, chain tensioner plate	95*-ALL	95*-ALL	95*-ALL
16	39998-65	ANCHOR PLATE, chain tensioner	95*-ALL	95*-ALL	95*-ALL
17	40001-85	REAR BELT - 136 T	95*-ALL	--	--
	40015-90	REAR BELT - 133 T	--	--	95*-ALL
	40017-94	REAR BELT - 130 T	--	95*-ALL	--
18	40007-36A	PRIMARY CHAIN	--	95*-ALL	95*-ALL
	40037-79	PRIMARY CHAIN	95*-ALL	--	--
19	40250-94	SPROCKET, transmission, 32 T	95*-ALL	95*-ALL	95*-ALL
20	40217-79A	SPROCKET, rear, 70 T - (black)	95*-ALL	--	95*-GD/E/G
	40221-85A	SPROCKET, rear, 70 T - (silver)	--	--	95*-GH
	40311-94	SPROCKET, rear, 65 T - (silver)	--	95*-BK/M/P	--
	40312-94	SPROCKET, rear, 65 T - (black)	--	95*-BJ/L/N	--
21	40251-92	LOCKPLATE	95*-ALL	95*-ALL	95*-ALL
22	40266-85	SHAFT EXTENSION	95*-ALL	95*-ALL	95*-ALL
23	40308-94	COMPENSATING SPROCKET, 25 T	95*-ALL	95*-ALL	95*-ALL
24	40299-83A	SLIDING CAM	95*-ALL	95*-ALL	95*-ALL
25	40384-91	COVER ASSEMBLY, w/springs	95*-ALL	95*-ALL	95*-ALL
26	40392-91	NUT	95*-ALL	95*-ALL	95*-ALL
H-D INTERNATIONAL ONLY					
17	40015-90	REAR BELT - 133 T (Swiss)	95-ALL	--	--
	40017-94	REAR BELT - 130 T (Swiss)	--	--	95-ALL
20	40311-94	SPROCKET, rear, 65 T - (silver) (Swiss)	--	--	95-GD/E/G
	40312-94	SPROCKET, rear, 65 T - (black) (Swiss)	95-ALL	--	95-GH

FLT MODELS				SOFTAIL MODELS				DYNA MODELS	
FLHT	DD	FLHR-I	FB	FLSTC	BJ	FLSTF	BM	FXDL	GD
FLHTC	DJ	FLHTCU-I	FC	FXSTC	BK	FLSTN	BN	FXDWG	GE
FLTC-U	DM	FLTCU-I	FE	FXSTS	BL	FXSTSB	BP	FXDS-CON	GG
FLHTC-U	DP	FLHTC-I	FF					FXD	GH
FLHR	FD								

REAR BELT GUARD



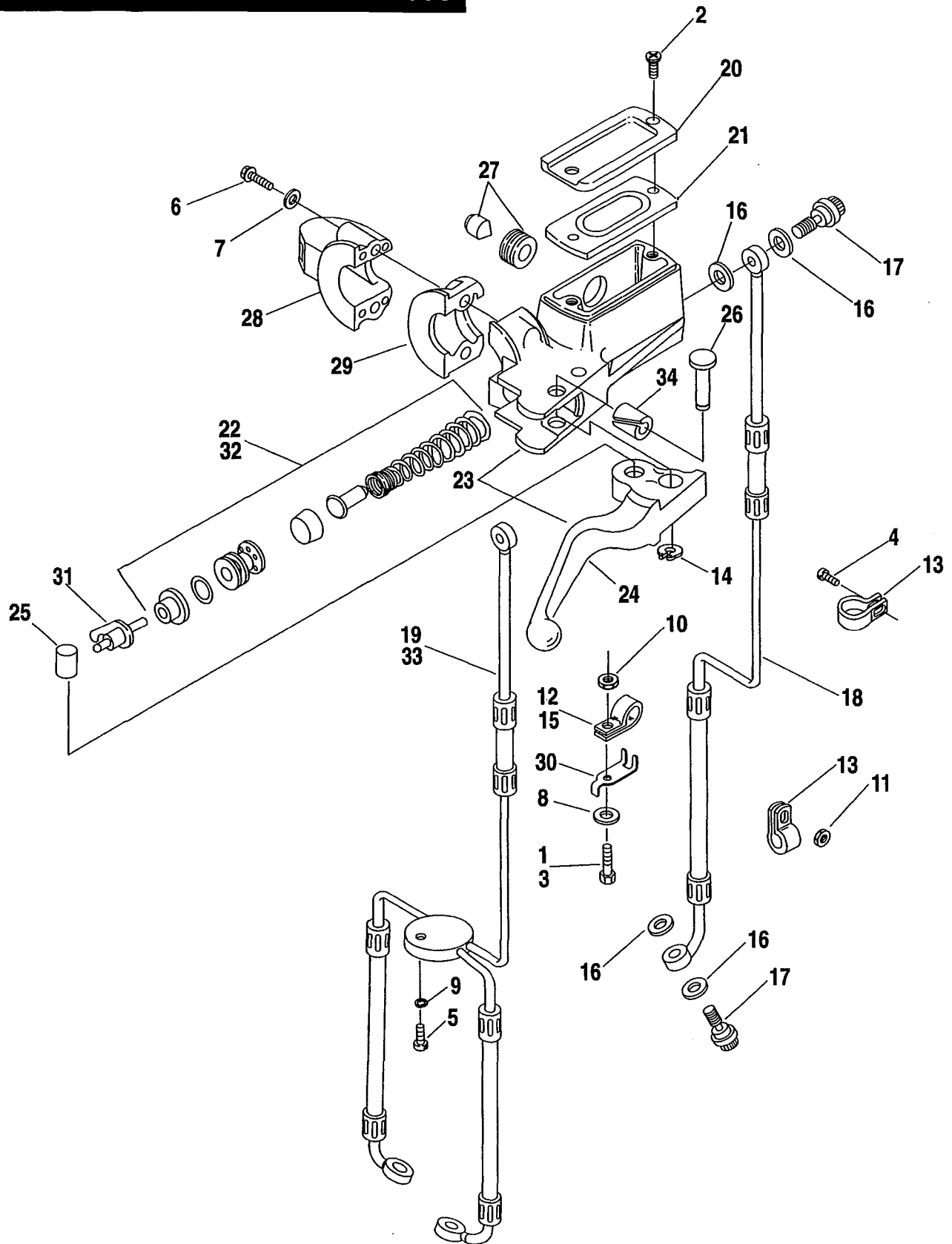
REAR BELT GUARD

FC20

INDEX NO.	PART NO.	DESCRIPTION	FLT MODELS	SOFTAIL MODELS	DYNA MODELS
1	2871W	BOLT	--	--	95*-ALL
2	2882W	BOLT (2)	--	95*-ALL	--
3	3739	SCREW (3)	95*-ALL	--	--
4	3540	SCREW (2)	--	95*-ALL	--
5	3579	SCREW (3)	--	--	95*-ALL
6	3987	BOLT	--	95*-ALL	--
7	3991	BOLT	--	--	95*-ALL
8	5883	SPACER	--	--	95*-ALL
9	5926B	SPACER	--	--	95*-ALL
10	6702	WASHER (6 - Softail; 2 - DYNA)	--	95*-ALL	95*-ALL
11	7507	ACORN NUT (2)	--	95*-ALL	--
12	7531	LOCKNUT (2)	--	--	95*-ALL
13	7669	TEE NUT (2)	--	95*-ALL	--
14	11411	GROMMET	--	95*-ALL	95*-ALL
15	11458	GROMMET	--	--	95*-ALL
16	60293-90	BELT GUARD (chrome)	--	--	95*-GD/E/G
	60297-90	BELT GUARD	--	--	95*-GH
17	60415-89B	DEBRIS DEFLECTOR	--	95*-ALL	--
18	60397-85B	DEBRIS DEFLECTOR	95*-ALL	--	--
19	60399-90A	DEBRIS DEFLECTOR	--	--	95*-ALL
20	60537-89	BELT GUARD (chrome) w/ #2, 10, 13 & 14	--	95*-ALL	--
H-D INTERNATIONAL ONLY					
	6109	WASHER (HDI only)	95*-ALL	--	--
10	6703	WASHER (HDI only)	--	95*-ALL	--
16	60294-90	BELT GUARD (HDI only)	--	--	95-GH
	60427-90	BELT GUARD (chrome) (Swiss)	--	--	95-GD/E/G
19	60403-90A	DEBRIS DEFLECTOR (Swiss)	--	--	95-ALL

FLT MODELS				SOFTAIL MODELS				DYNA MODELS	
FLHT	DD	FLHR-I	FB	FLSTC	BJ	FLSTF	BM	FXDL	GD
FLHTC	DJ	FLHTCU-I	FC	FXSTC	BK	FLSTN	BN	FXDWG	GE
FLTC-U	DM	FLTCU-I	FE	FXSTS	BL	FXSTSB	BP	FXDS-CON	GG
FLHTC-U	DP	FLHTC-I	FF					FXD	GH
FLHR	FD								

FRONT BRAKE CONTROL - 1995



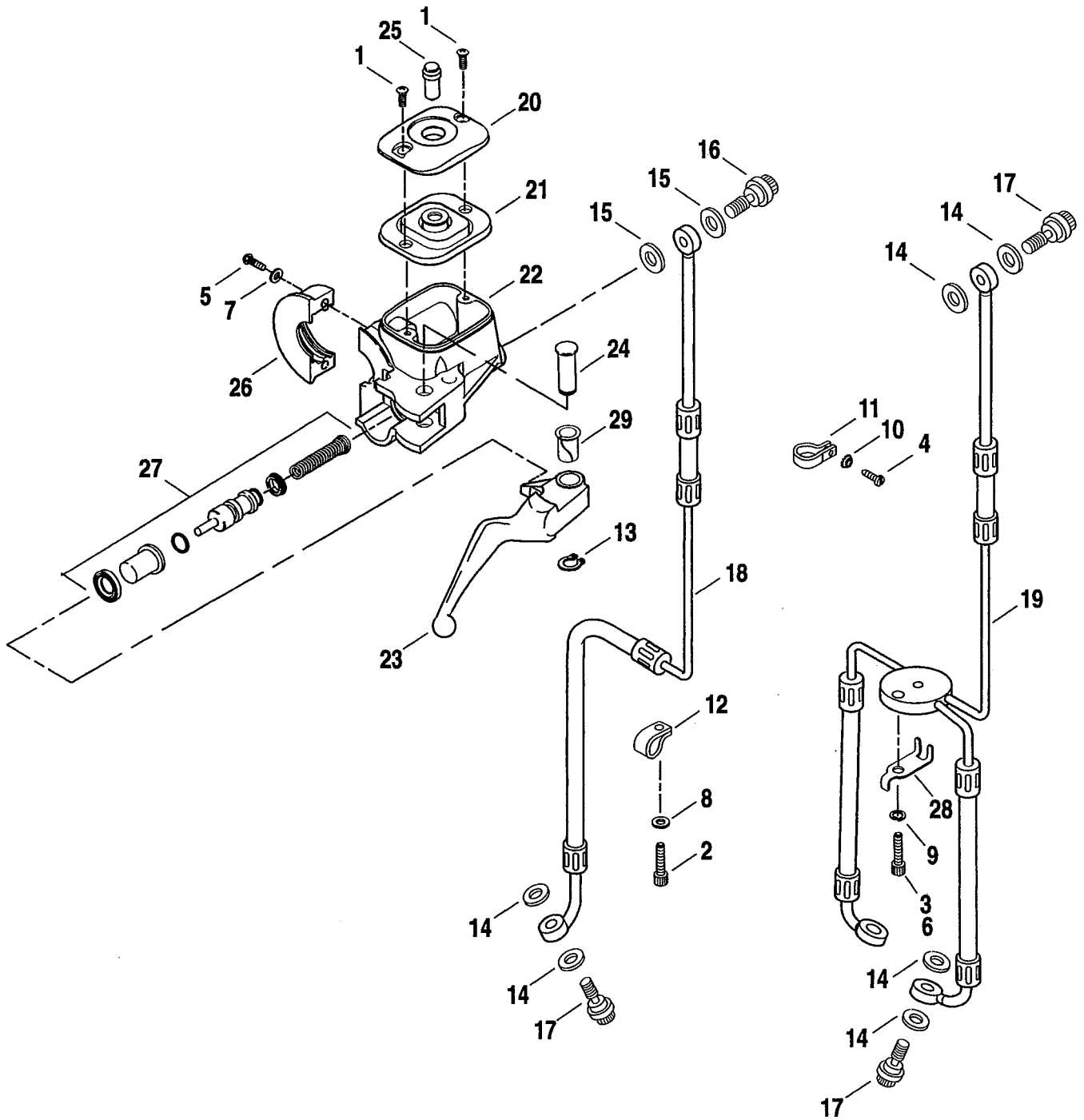
FRONT BRAKE CONTROL - 1995

FC21

INDEX NO.	PART NO.	DESCRIPTION	FLT MODELS	SOFTAIL MODELS	DYNA MODELS
1	923	SCREW	--	95-BJ/M/N	--
2	2579A	SCREW (2)	95-ALL	95-ALL	95-ALL
3	3444A	SCREW	--	95-BJ/L/M	95-GE/H
	4104	SCREW	--	95-BK	95-GG/D
4	3538	SCREW	--	95-BL	--
5	3991	SCREW	95-ALL	--	--
	4741A	SCREW	--	--	95-GD
6	4015	SCREW (2)	95-DD/J,FD	95-ALL	95-ALL
	4033	SCREW (2)	95-DM/P;FC	--	--
7	6099	WASHER (2)	95-ALL	95-ALL	95-ALL
8	6703	WASHER	--	95-ALL	95-GE
9	7041	LOCKWASHER	95-ALL	--	--
	7220	LOCKWASHER	--	95-ALL	95-ALL
10	7686	LOCKNUT	--	95-BJ/M/N	--
11	7531	LOCKNUT	--	95-BL	--
12	10031	CLAMP, brake line	--	95-BK	95-ALL
	10053	CLAMP, brake line	--	--	95-GH
13	10076	CLAMP (2)	--	95-BL	--
14	11143	RETAINING RING	95-ALL	95-ALL	95-ALL
15	41713-86	CLAMP, brake line (3 - BJ)	--	95-BJ/L	95-GE
16	41731-88A	GASKET, (2; 6 - dual calipers)	95-ALL	95-ALL	95-ALL
	41733-88	GASKET, master cylinder - single disc (2)	--	95-ALL	95-GE/H
17	41739-84A	FITTING, master cylinder - single disc	--	95-ALL	95-GE/H
	41747-82A	FITTING, (3 - dual calipers)	95-ALL	95-ALL	95-ALL
18	42303-89B	BRAKE LINE	--	95-BM/N	--
	42305-86B	BRAKE LINE	--	95-BJ	--
	45110-88C	BRAKE LINE	--	95-BL	--
	45112-84B	BRAKE LINE	--	95-BK	95-GE
	45115-95	BRAKE LINE	--	95-BP	--
	45121-88B	BRAKE LINE	--	--	95-GH
19	43349-84B	BRAKE LINE	95-DD/J/M/P;FC	--	--
	43350-94A	BRAKE LINE	95-FD	--	--
20	45004-85	COVER, master cylinder	95-ALL	95-ALL	95-ALL
21	45005-85	GASKET, master cylinder cover	95-ALL	95-ALL	95-ALL
22	45006-87A	REPAIR KIT, master cylinder	95-ALL	--	95-GD/G
23	45013-93	MASTER CYLINDER, w/ hand lever	95-ALL	--	95-GD/G
	45019-93	MASTER CYLINDER, w/ hand lever	--	95-ALL	95-GE/H
24	45016-93	HAND LEVER	95-ALL	95-ALL	95-ALL
25	45031-82A	PIN, stoplamp switch & pushrod	95-ALL	95-ALL	95-ALL
26	45032-82	PIN, hand lever pivot	95-ALL	95-ALL	95-ALL
27	45042-82	SIGHT GLASS REPAIR KIT	95-ALL	95-ALL	95-ALL
28	45043-89	CLAMP, w/ switch housing	95-DM/P;FC	--	--
29	45044-82	CLAMP, master cylinder	95-DD/J,FD	95-ALL	95-ALL
30	45074-95	GUIDE	--	--	95-GD
31	45051-82	PUSHROD, stoplamp switch	95-ALL	95-ALL	95-ALL
32	45072-87	REPAIR KIT, master cylinder	--	95-ALL	95-GE/H
33	45111-89A	BRAKE LINE	--	--	95-GD/G
34	45423-92	BUSHING	95-ALL	95-ALL	95-ALL

FLT MODELS				SOFTAIL MODELS				DYNA MODELS	
FLHT	DD	FLHR-I	FB	FLSTC	BJ	FLSTF	BM	FXDL	GD
FLHTC	DJ	FLHTCU-I	FC	FXSTC	BK	FLSTN	BN	FXDWG	GG
FLTC-U	DM	FLTCU-I	FE	FXSTS	BL	FXSTSB	BP	FXDS-CON	GE
FLHTC-U	DP	FLHTC-I	FF					FXD	GH
FLHR	FD								

FRONT BRAKE CONTROL - 1996



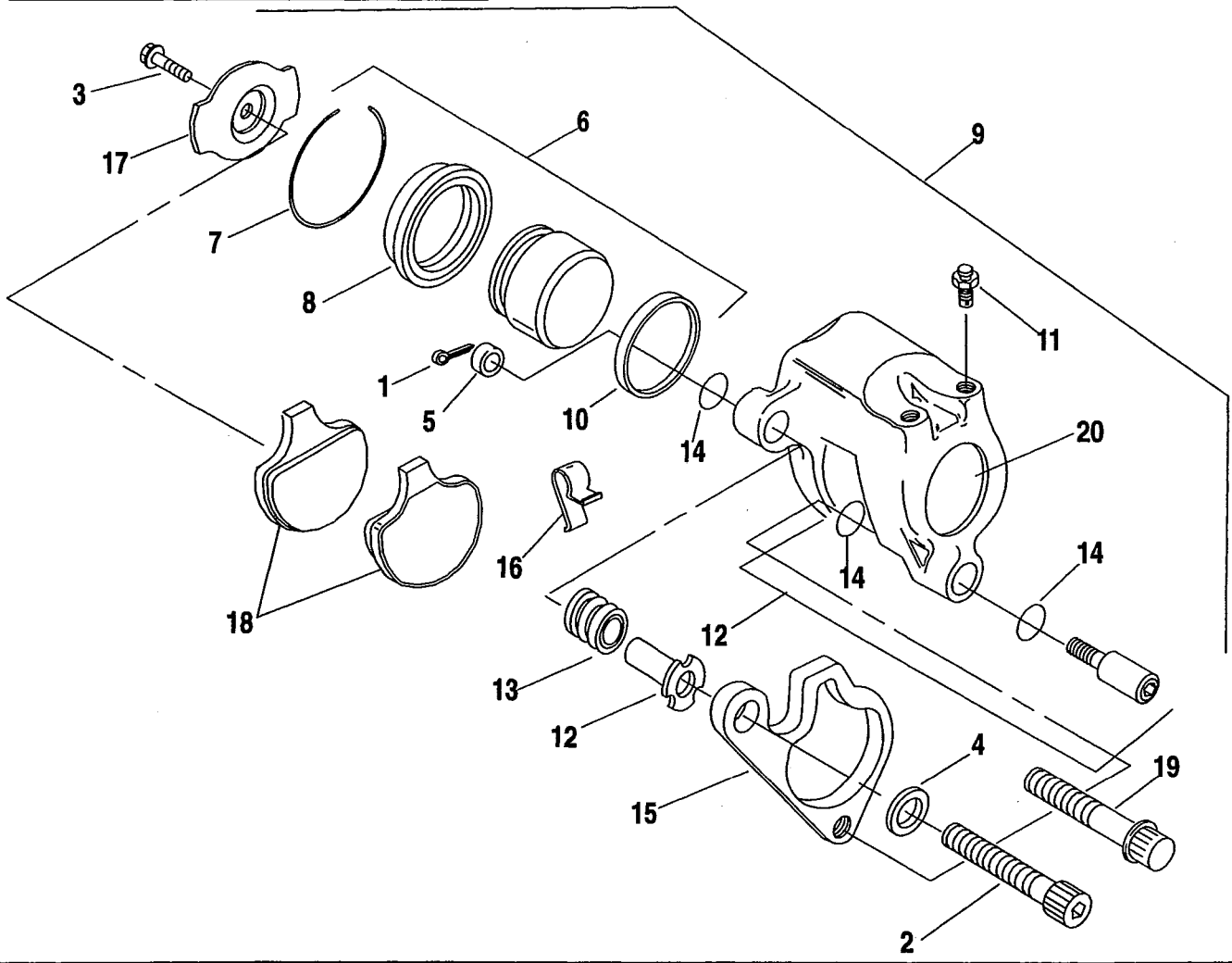
FRONT BRAKE CONTROL - 1996

FC21A

INDEX NO.	PART NO.	DESCRIPTION	FLT MODELS	SOFTAIL MODELS	DYNA MODELS
1	2579A	SCREW (2)	96*-ALL	96*-ALL	96*-ALL
2	3444A	SCREW	--	--	96*-GE/H
3	3991	SCREW	96*-ALL	--	--
4	4091	SCREW	--	--	96*-GE
	4104	SCREW	--	--	96*-GD/G/H
5	4132	SCREW (2)	96*-ALL	96*-ALL	96*-ALL
6	4741A	SCREW	--	--	96*-GD/G
7	6101	WASHER (2)	96*-ALL	96*-ALL	96*-ALL
8	6703	WASHER	--	--	96*-GE/H
9	7041	LOCKWASHER	96*-ALL	--	--
10	7220	LOCKWASHER, external tooth	--	--	96*-ALL
11	10031	CLAMP, brake line	--	--	96*-ALL
12	10053	CLAMP, brake line	--	--	96*-GE/H
13	11143	RETAINING RING	96*-ALL	96*-ALL	96*-ALL
14	41731-88A	GASKET, (2; 6 - dual calipers)	96*-ALL	96*-ALL	96*-ALL
15	41733-88	GASKET, master cylinder - single disc (2)	--	96*-ALL	96*-GE/H
16	41739-84A	FITTING, master cylinder, - single disc	--	96*-ALL	96*-GE/H
17	41747-82A	FITTING, (3 - dual calipers)	96*-ALL	96*-ALL	96*-ALL
18	42303-96	BRAKE LINE	--	96*-BM/N	--
	42305-96	BRAKE LINE	--	96*-BJ	--
	45110-96	BRAKE LINE	--	96*-BL	--
	45112-96	BRAKE LINE	--	96*-BK	96*-GE
	45115-95	BRAKE LINE	--	96*-BP	--
	45121-96	BRAKE LINE	--	--	96*-GH
19	43349-96	BRAKE LINE, dual caliper	96*-DD/J/P;FC/E/F	--	--
	43350-96	BRAKE LINE, dual caliper	96*-FB/D	--	--
	45111-96	BRAKE LINE, dual caliper	--	--	96*-GD/G
20	45004-96	COVER, reservoir	96*-ALL	96*-ALL	96*-ALL
21	45005-96	GASKET, reservoir cover	96*-ALL	96*-ALL	96*-ALL
22	45013-96	MASTER CYLINDER, w/hand lever (11/16" bore)	96*-ALL	--	96*-GD/G
	45019-96	MASTER CYLINDER, w/hand lever (9/16" bore)	--	96*-ALL	96*-GE/H
23	45016-96	HAND LEVER	96*-ALL	96*-ALL	96*-ALL
24	45032-82	PIVOT PIN	96*-ALL	96*-ALL	96*-ALL
25	45042-96	SIGHT GLASS	96*-ALL	96*-ALL	96*-ALL
26	45044-96	CLAMP, handlebar control	96*-ALL	96*-ALL	96*-ALL
27	45072-96	REPAIR KIT, master cylinder (11/16" bore)	96*-ALL	--	96*-GD/G
	45006-96	REPAIR KIT, master cylinder (9/16" bore)	--	96*-ALL	96*-GE/H
28	45074-95	GUIDE, brake line	--	--	96*-GD
29	45423-96	BUSHING, lever pivot	96*-ALL	96*-ALL	96*-ALL

FLT MODELS				SOFTAIL MODELS				DYNA MODELS	
FLHT	DD	FLHR-I	FB	FLSTC	BJ	FLSTF	BM	FXDL	GD
FLTC	DJ	FLTCU-I	FC	FXSTC	BK	FLSTN	BN	FXDWG	GE
FLTC-U	DM	FLTCU-I	FE	FXSTS	BL	FXSTSB	BP	FXDS-CON	GG
FLHTC-U	DP	FLHTC-I	FF					FXD	GH
FLHR	FD								

FRONT BRAKE CALIPER



FRONT BRAKE CALIPER

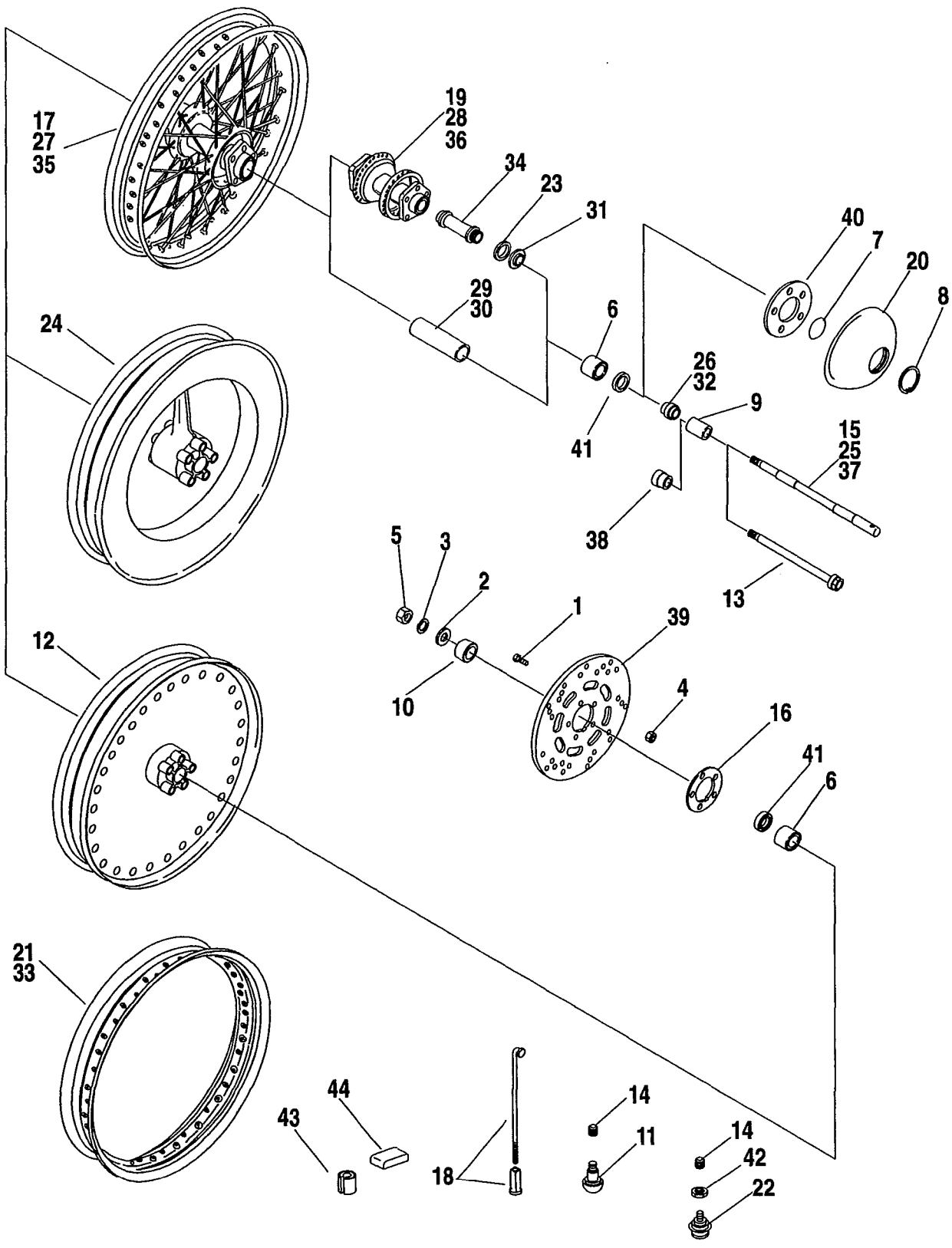
FC22

INDEX NO.	PART NO.	DESCRIPTION	FLT MODELS	SOFTAIL MODELS	DYNA MODELS
1	534	COTTER PIN	--	95*-BL	--
2	855B	SCREW (2 - dual calipers)	95*-ALL	95*-ALL	95*-ALL
3	3562	SCREW (2 - dual calipers)	95*-ALL	95*-ALL	95*-ALL
4	6019	WASHER (2 - dual calipers)	95*-ALL	95*-ALL	95*-ALL
5	6758	WASHER	--	95*-BL	--
6	44020-83	PISTON REBUILD KIT, w/ #7, 8 & 10 (2 - dual calipers)	95*-ALL	95*-ALL	95*-ALL
7	44021-83	RETAINING RING, piston (2 - dual calipers)	95*-ALL	95*-ALL	95*-ALL
8	44022-83	DUST BOOT, piston (2 - dual calipers)	95*-ALL	95*-ALL	95*-ALL
9	44023-83C	CALIPER ASSEMBLY, right	95*-ALL	--	95*-GD/G
	44046-84C	CALIPER ASSEMBLY, left	95*-ALL	95*-BJ/K/M/N	95*-ALL
	44077-88D	CALIPER ASSEMBLY, right	--	95*-BL	--
	44081-95	CALIPER ASSEMBLY, right	--	95*-BP	--
10	44047-83	SEAL, piston (2 - dual calipers)	95*-ALL	95*-ALL	95*-ALL
11	44048-83	BLEEDER FITTING (2 - dual calipers)	95*-ALL	95*-ALL	95*-ALL
12	44053-83B	GUIDE PIN KIT w/ #13, 14 & mtg. pins	--	95*-BL/P	--
	44053-92A	GUIDE PIN KIT w/ #13, 14 & mtg. pins (2 - dual calipers)	95*-ALL	95*-BJ/K/M/N	95*-ALL M/N
13	44054-83	PIN BOOT (2 - dual calipers)	95*-ALL	95*-ALL	95*-ALL
14	44059-83	O-RING (3; 6 - dual calipers)	95*-ALL	95*-ALL	95*-ALL
15	44072-92A	BRACKET, caliper mounting (left)	95*-ALL	95*-BJ/K/M/N	95*-ALL
	44073-92A	BRACKET, caliper mounting, (right)	95*-ALL	--	95*-GD/G
	44074-88B	BRACKET, caliper mounting	--	95*-BL/P	--
16	44061-83	SPRING CLIP (2 - dual calipers)	95*-ALL	95*-ALL	95*-ALL
17	44062-83	RETAINING PAD (2 - dual calipers)	95*-ALL	95*-ALL	95*-ALL
18	44063-83C	PAD SET, w/ #3 (2 - dual calipers)	95*-ALL	95*-ALL	95*-ALL
19	44190-88	SCREW, flange	--	95*-BL/P	--
20	44197-77	LABEL (2 - dual calipers)	95*-ALL	95*-ALL	95*-ALL

NOTE: FOR FXSTS/B CALIPER MOUNTING SEE PAGES 116 & 117.

FLT MODELS				SOFTAIL MODELS				DYNA MODELS	
FLHT	DD	FLHR-I	FB	FLSTC	BJ	FLSTF	BM	FXDL	GD
FLHC	DJ	FLTCU-I	FC	FXSTC	BK	FLSTN	BN	FXDWG	GE
FLTC-U	DM	FLTCU-I	FE	FXSTS	BL	FXSTSB	BP	FXDS-CON	GG
FLHC-U	DP	FLHC-I	FF					FXD	GH
FLHR	FD								

FRONT WHEEL



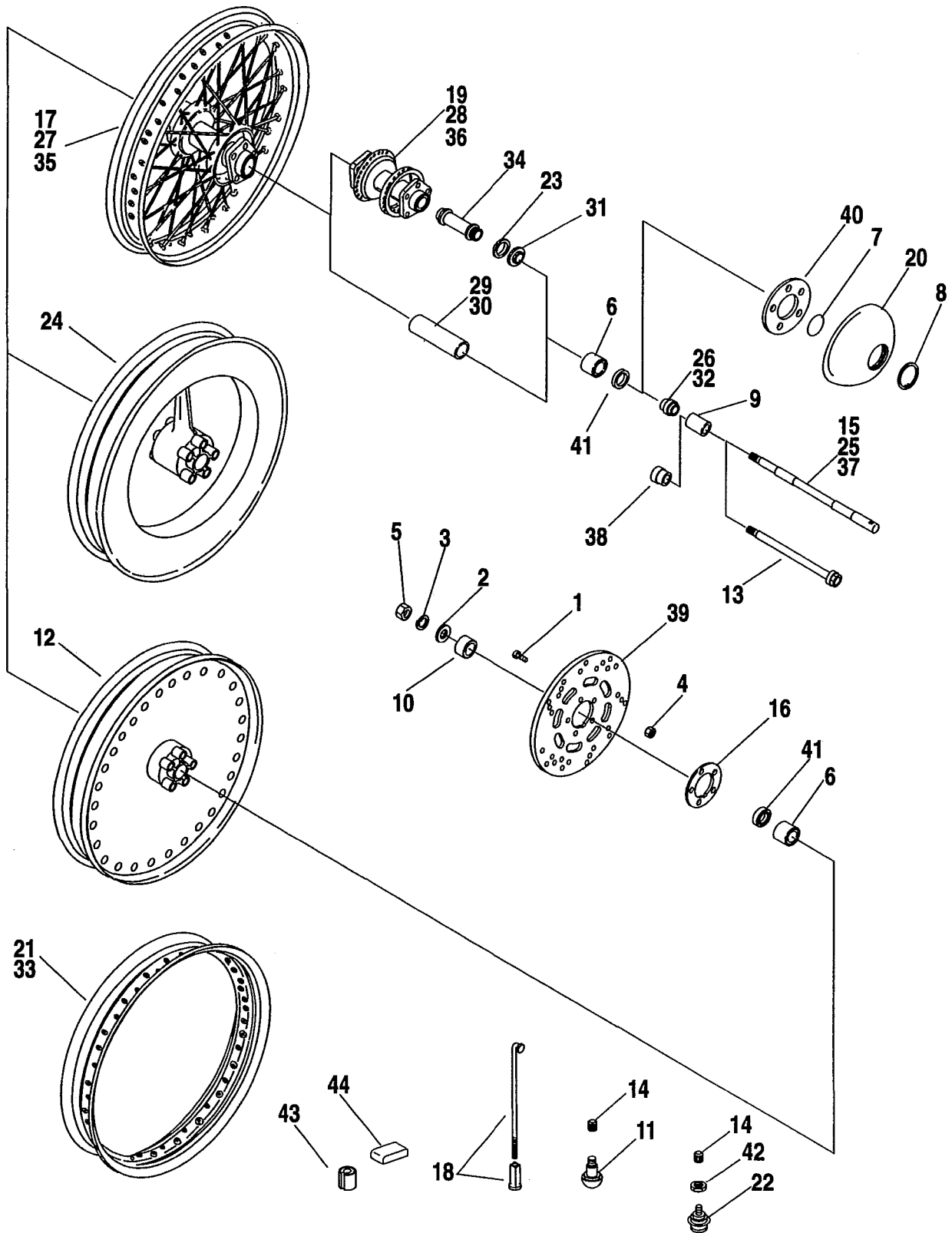
FRONT WHEEL

FC23-1

INDEX NO.	PART NO.	DESCRIPTION	FLT MODELS	SOFTAIL MODELS	DYNA MODELS
1	3655	SCREW (5; 10 - FLT, BM; GD)	95*-ALL	95*-ALL	95*-ALL
2	6590HW	WASHER	--	95*-BJ/K/M/N	95*-ALL
	6639	WASHER, left	--	95*-BL	--
3	7068	LOCKWASHER	95*-ALL	95*-BJ/K/M/N	95*-ALL
4	7739	LOCKNUT (10; 5 - SOFTAIL)	95*-ALL	95*-ALL	--
5	7845	NUT	95*-ALL	95*-BJ/K/M/N	95*-ALL
	7994	LOCKNUT	--	95*-BL	--
6	9052	ROLLER BEARING (2)	95*-ALL	95*-ALL	95*-ALL
7	11173	O-RING	--	95*-BJ/N	--
8	11175	SNAP RING	--	95*-BJ/N	--
9	40910-84B	SPACER, right bearing	95*-ALL	95*-BK	95*-GE
	43657-89	SPACER, right bearing	--	95*-BM	--
10	40910-84B	SPACER, left	--	96*-BL/P	--
	40915-94	SPACER, left	95*-FB/D	--	--
	43617-95	SPACER, left	--	--	95*-GD/G/H
	43674-95	SPACER, left	--	96*-BJ/K/M/N	95*-GE
11	40999-87	VALVE STEM	95*-ALL	--	--
12	41043-89A	DISC WHEEL ASSEMBLY, 16"	--	95*-BM	--
13	41109-88	AXLE	--	95*-BL/P	--
14	41123-79	VALVE CAP	95*-ALL	95*-ALL	95*-ALL
15	41584-86	AXLE	--	95*-BJ/M/N	--
16	43359-84	HUB PLATE	--	--	95*-GH
17	43005-86	WHEEL ASSEMBLY, 16" laced	--	95*-BJ/N	--
18	43024-73B	SPOKE & NIPPLE SET, 19" rim - short (20)	--	--	96*-GD/G/H
	43025-73B	SPOKE & NIPPLE SET, 19" rim - long (20)	--	--	96*-GD/G/H
	43032-40B	SPOKE & NIPPLE SET, 16" (40)	95*-ALL	95*-BJ/N	--
	43057-80A	SPOKE & NIPPLE SET, 21" (40)	--	95*-BK/L	95*-GE
19	43053-86	HUB, w/ bearings, seals & spacers	--	95*-BJ/N	--
20	43067-86	CAP, hub (chrome)	--	95*-BJ/N	--
21	43085-81	RIM, 16" (chrome)	95*-ALL	95*-BJ/N	--
22	43150-83	VALVE STEM	--	--	95*-GD/G/H
	43157-83A	VALVE STEM	95*-ALL	95*-BM	--
23	43290-82	SPACER, 0.032 thk.	95*-ALL	95*-ALL	95*-ALL
	43291-82	SPACER, 0.016 thk.	95*-ALL	95*-ALL	95*-ALL
	43292-82	SPACER, 0.008 thk.	95*-ALL	95*-ALL	95*-ALL
	43293-82	SPACER, 0.004 thk.	95*-ALL	95*-ALL	95*-ALL
	43294-82	SPACER, 0.002 thk.	95*-ALL	95*-ALL	95*-ALL
24	43338-83	WHEEL ASSEMBLY, 19" - 9 spoke (silver)	--	--	95-GH
	43345-87	WHEEL ASSEMBLY, 16" - 10 spoke (black)	95*-ALL	--	--
	43464-88	WHEEL ASSEMBLY, 16" - 10 spoke (gold)	95-FC	--	--
	43626-84	WHEEL ASSEMBLY, 19" - 9 spoke (black)	--	--	95-GD/G
	43626-96	WHEEL ASSEMBLY, 19" - 13 spoke (black)	--	--	96*-GD/G
	43338-96	WHEEL ASSEMBLY, 19" - 13 spoke (silver)	--	--	96*-GH

FLT MODELS				SOFTAIL MODELS				DYNA MODELS	
FLHT	DD	FLHR-I	FB	FLSTC	BJ	FLSTF	BM	FXDL	GD
FLHTC	DJ	FLHTCU-I	FC	FXSTC	BK	FLSTN	BN	FXDWG	GE
FLTC-U	DM	FLTCU-I	FE	FXSTS	BL	FXSTSB	BP	FXDS-CON	GG
FLHTC-U	DP	FLHTC-I	FF					FXD	GH
FLHR	FD								

FRONT WHEEL



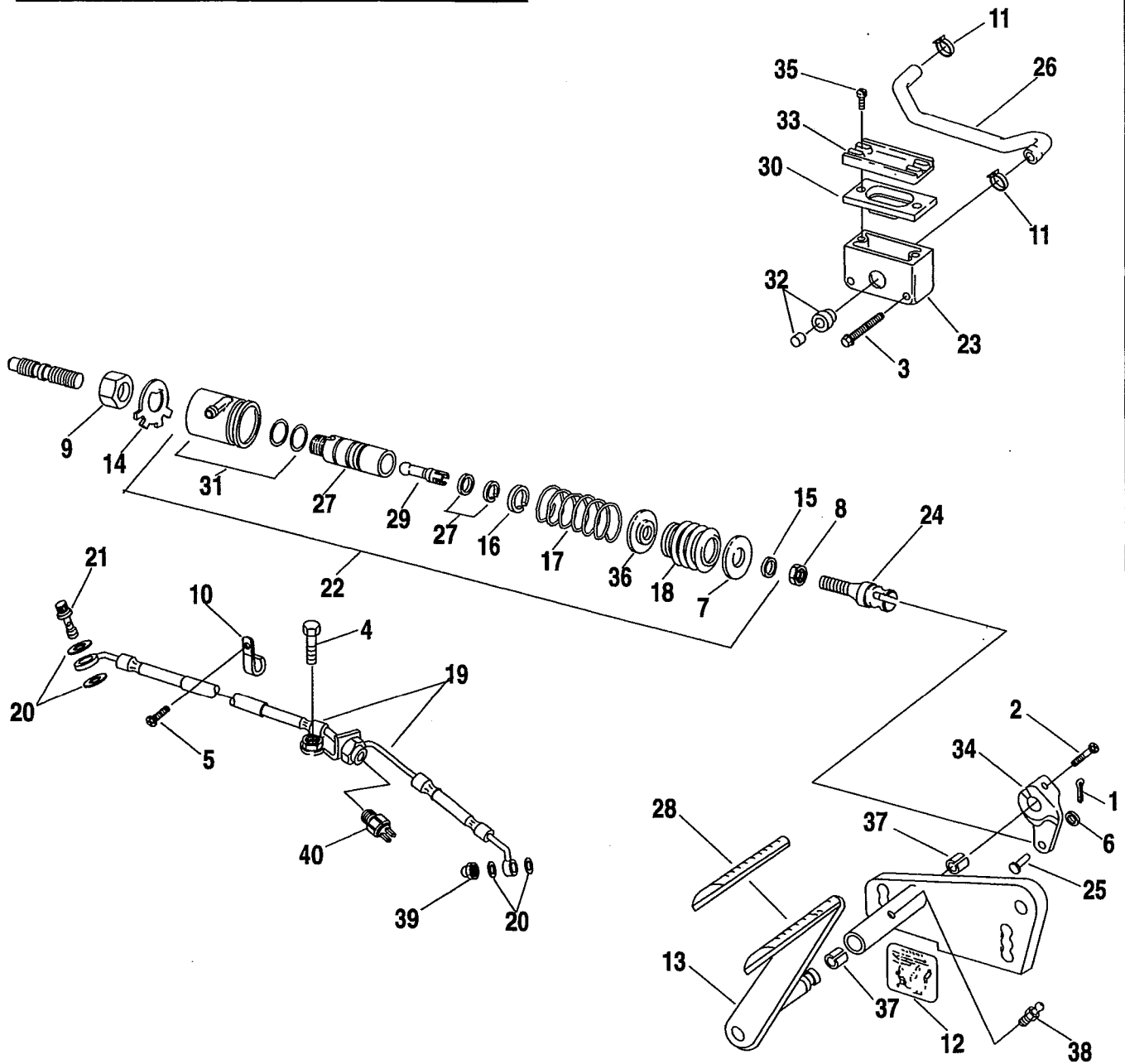
FRONT WHEEL (CONT'D)

FC23-2

INDEX NO.	PART NO.	DESCRIPTION	FLT MODELS	SOFTAIL MODELS	DYNA MODELS
25	43346-83	AXLE	95*-ALL	95*-BK	95*-GE
26	43358-83A	SPACER, bearing	--	--	95*-GD/G/H
27	43403-87	WHEEL ASSEMBLY, 16" laced	95*-ALL	--	--
	43312-84	WHEEL ASSEMBLY, 19" laced	--	--	96*-GH
	43591-96	WHEEL ASSEMBLY, 19" laced	--	--	96*-GD/G
	43676-88	WHEEL ASSEMBLY, 21" laced	--	95*-BL/P	--
28	43404-87	HUB ASSEMBLY, with #29	95*-ALL	--	--
29	43608-82	SPACER, sleeve (cast wheel only)	95*-ALL	--	--
30	43612-92	SLEEVE	--	95*-BM	--
	43613-92	SLEEVE	--	--	95*-GD/G/H
31	43650-82	SPACER WASHER	95*-ALL	95*-ALL	95*-ALL
32	43654-86A	SPACER	95*-ALL	95*-BJ/K/L/N/P	--
33	43662-80B	RIM, 21" (chrome)	--	95*-BJ/K/L/N/P	95*-GE
	43001-79	RIM, 19" (chrome)	--	--	96*-GD/G/H
34	43668-82	SLEEVE (laced only)	95*-ALL	95*-BJ/K/L/N/P	95*-GE
35	43671-84	WHEEL ASSEMBLY, 21" laced	--	95*-BK	95*-GE
36	43672-84	HUB, w/ bearings & seals	--	95*-BK	95*-GE
	43619-84	HUB, w/ bearings & seals	--	--	96*-GH
	43629-94	HUB, w/ bearings & seals	--	--	96*-GD/G
	43677-88	HUB, w/ bearings & seals	--	95*-BL/P	--
37	43895-87	AXLE	--	--	95*-GD/G/H
38	44029-88	SPACER, hub - right	--	95*-BL/P	--
39	44136-92	BRAKE DISC (2 - dual calipers)	95*-ALL	95*-ALL	95*-ALL
	44138-95	BRAKE DISC, floating	--	95*-BP	--
40	44447-92	COVER, disc wheel	--	95*-BM	--
41	47519-83A	OIL SEAL (2)	95*-ALL	95*-ALL	95*-ALL
42	54321-85	NUT, valve stem	95*-ALL	95*-BJ/K/L/N/P	95*-GE
43	95578-41	WEIGHT, 1/2 oz. - 0.275" I.D. - round	95*-ALL	95*-BK/L/N/P	95*-ALL
	95581-47	WEIGHT, 3/4 oz. - 0.275" I.D. - round	95*-ALL	95*-BK/L/N/P	95*-ALL
	95582-47	WEIGHT, 1 oz. - 0.275" I.D. - round	95*-ALL	95*-BK/L/N/P	95*-ALL
44	95585-88	WEIGHT, 1/4 oz. for cast wheel (gold)	95-FC	--	--
	95594-84	WEIGHT, 1/4 oz. for cast wheel (black)	95*-ALL	--	95*-GD/G
	95595-84	WEIGHT, 1/4 oz. for cast wheel (silver)	--	95*-BM	95*-GH

FLT MODELS				SOFTAIL MODELS				DYNA MODELS		
FLHT	DD	FLHR-I	FB	FLSTC	BJ	FLSTF	BM	FXDL	GD	
FLHTC	DJ	FLHTCU-I	FC	FXSTC	BK	FLSTN	BN	FXDWG	GE	
FLTC-U	DM	FLTCU-I	FE	FXSTS	BL	FXSTSB	BP	FXDS-CON	GG	
FLHTC-U	DP	FLHTC-I	FF					FXD	GH	
FLHR	FD									

REAR BRAKE CONTROL - FLT



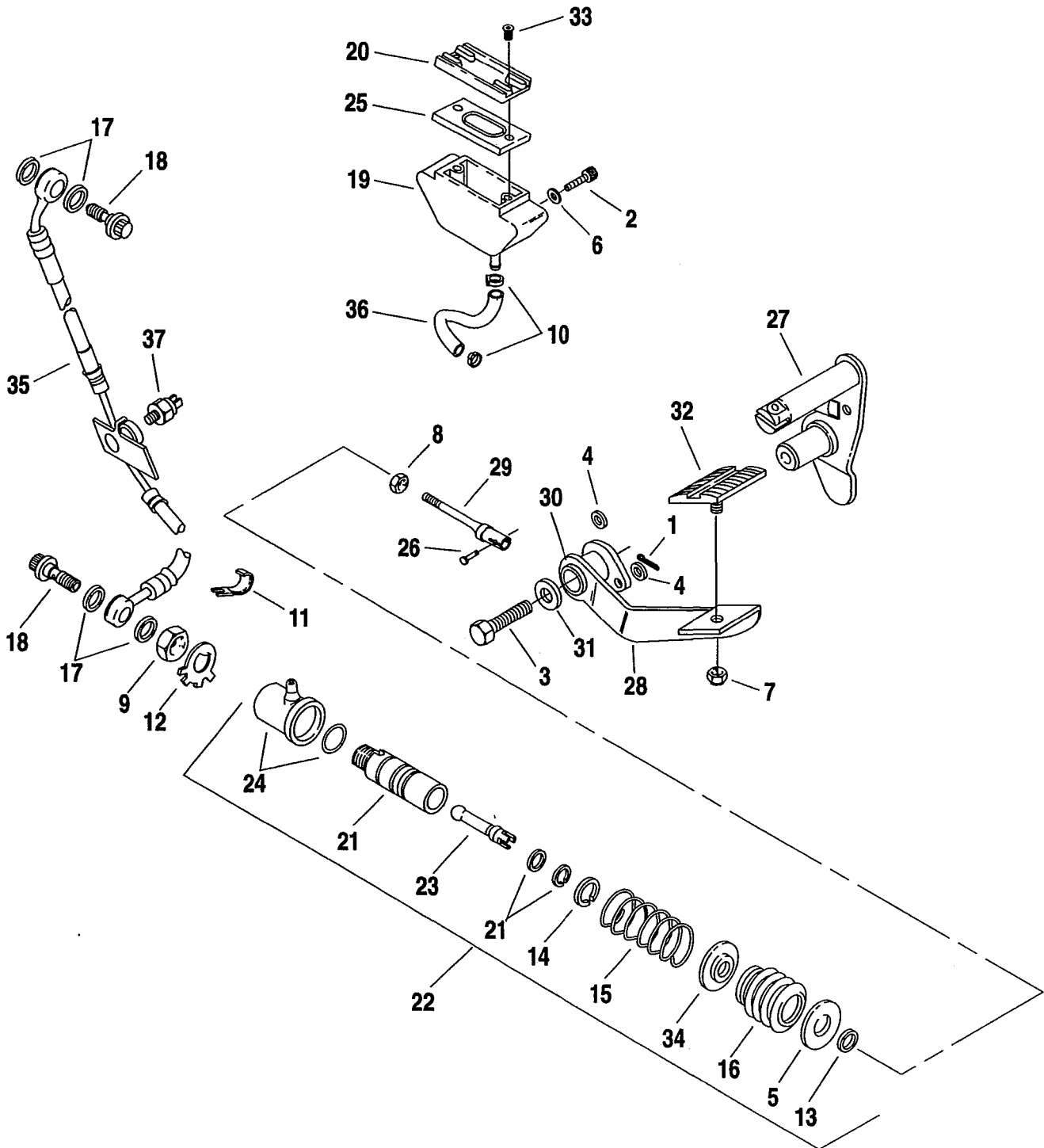
REAR BRAKE CONTROL - FLT MODELS

FC24

INDEX NO.	PART NO.	DESCRIPTION	FLT MODELS	SOFTAIL MODELS	DYNA MODELS
1	515	COTTER PIN	95*-ALL	--	--
2	2708A	BOLT	95*-ALL	--	--
3	2928	SCREW (2)	95*-ALL	--	--
4	3588	SCREW	95*-ALL	--	--
5	4091	SCREW	95*-ALL	--	--
6	6220W	WASHER	95*-ALL	--	--
7	6366	WASHER	95*-ALL	--	--
8	7744	NUT	95*-ALL	--	--
9	7855W	NUT, master cylinder	95*-ALL	--	--
10	10031	CLAMP	95*-ALL	--	--
11	10038A	CLAMP, brake hose (2)	95*-ALL	--	--
12	14027-92A	LABEL, brake adjustment	95*-ALL	--	--
13	33882-83B	FOOT BRAKE LEVER	95*-ALL	--	--
14	37503-41	LOCKWASHER	95*-ALL	--	--
15	40903-87	RETAINING RING	95*-ALL	--	--
16	40918-87	RETAINING RING	95*-ALL	--	--
17	40920-87	SPRING, brake rod return	95*-ALL	--	--
18	40922-87	BOOT, master cylinder	95*-ALL	--	--
19	40971-93B	BRAKE HOSE, rear	95*-ALL	--	--
20	41731-88A	GASKET (4)	95*-ALL	--	--
21	41747-82A	BOLT	95*-ALL	--	--
22	41755-95	MASTER CYLINDER	95*-ALL	--	--
23	41807-95	RESERVOIR, master cylinder	95*-ALL	--	--
24	41957-92	PUSH ROD	95*-ALL	--	--
25	42460-80B	CLEVIS PIN	95*-ALL	--	--
26	42370-95	HOSE, res. to master cyl.	95*-ALL	--	--
27	42382-87A	REBUILD KIT, master cylinder	95*-ALL	--	--
28	42416-83	PAD, brake pedal	95*-ALL	--	--
29	42448-87	PUSH ROD	95*-ALL	--	--
30	42455-80	GASKET, master cylinder reservoir	95*-ALL	--	--
31	42457-95	RESERVOIR ADAPTOR	95*-ALL	--	--
32	45042-82	SIGHT GLASS REPAIR KIT	95*-ALL	--	--
33	45057-82	COVER, reservoir	95*-ALL	--	--
34	42510-92	CLEVIS ASSEMBLY	95*-ALL	--	--
35	42534-90	SCREW (2)	95*-ALL	--	--
36	44126-87	RETAINER, brake return spring	95*-ALL	--	--
37	47247-83	BUSHING, hub foot brake (2)	95*-ALL	--	--
38	50972-75	FITTING, lubrication	95*-ALL	--	--
39	54307-92	ACORN NUT, brake	95*-ALL	--	--
40	72023-51B	SWITCH, stoplamp	95*-ALL	--	--

FLT MODELS				SOFTAIL MODELS				DYNA MODELS	
FLHT	DD	FLHR-I	FB	FLSTC	BJ	FLSTF	BM	FXDL	GD
FLHTC	DJ	FLHTCU-I	FC	FXSTC	BK	FLSTN	BN	FXDWG	GE
FLTC-U	DM	FLTCU-I	FE	FXSTS	BL	FXSTSB	BP	FXDS-CON	GG
FLHTC-U	DP	FLHTC-I	FF					FXD	GH
FLHR	FD								

REAR BRAKE CONTROL - FXST



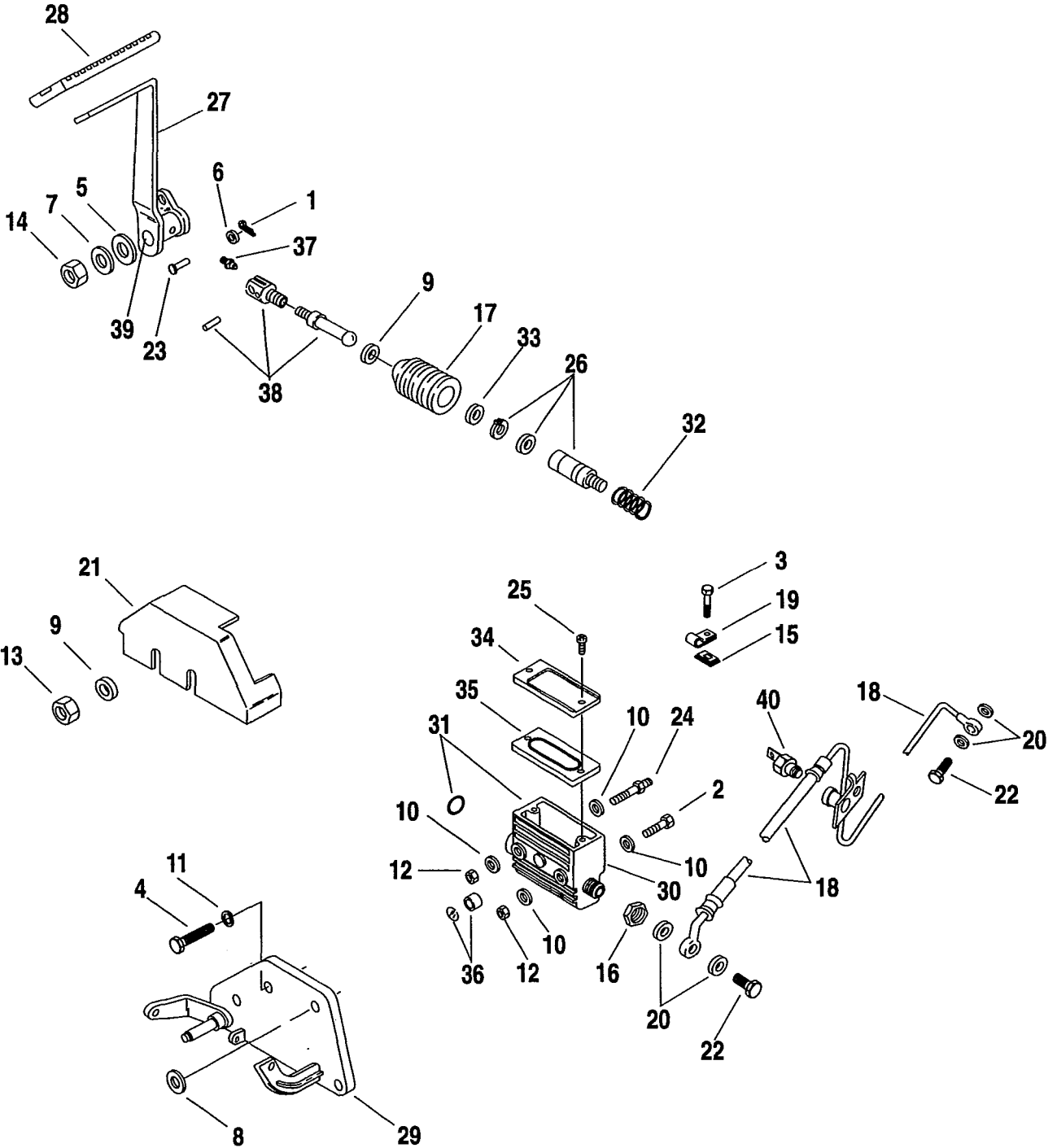
REAR BRAKE CONTROL - FXST MODELS

FC24A

INDEX NO.	PART NO.	DESCRIPTION	FLT MODELS	SOFTAIL MODELS	DYNA MODELS
1	515	COTTER PIN	--	95*-BK/L/P	--
2	3473	BOLT (2)	--	95*-BK/L/P	--
3	3509	SCREW	--	95*-BK/L/P	--
4	6099	WASHER (2)	--	95*-BK/L/P	--
5	6366	WASHER	--	95*-BK/L/P	--
6	6716	WASHER (2)	--	95*-BK/L/P	--
7	7742	LOCKNUT	--	95*-BK/L/P	--
8	7744	JAM NUT	--	95*-BK/L/P	--
9	7855W	NUT	--	95*-BK/L/P	--
10	10038A	CLAMP, reservoir hose (2)	--	95*-BK/L/P	--
11	10122	CLIP	--	95*-BK/L/P	--
12	37503-41	LOCKWASHER	--	95*-BK/L/P	--
13	40903-87	RETAINING RING	--	95*-BK/L/P	--
14	40918-87	RETAINING RING	--	95*-BK/L/P	--
15	40920-87	SPRING, brake return	--	95*-BK/L/P	--
16	40922-87	BOOT, push rod	--	95*-BK/L/P	--
17	41731-88A	GASKET (4)	--	95*-BK/L/P	--
18	41747-82A	BOLT (2)	--	95*-BK/L/P	--
19	41804-84A	RESERVOIR, master cylinder	--	95*-BK/L/P	--
20	45057-82	COVER, reservoir	--	95*-BK/L/P	--
21	42382-87A	REPAIR KIT, master cylinder	--	95*-BK/L/P	--
22	42446-87A	MASTER CYLINDER ASSEMBLY	--	95*-BK/L/P	--
23	42448-87	PUSH ROD, master cylinder	--	95*-BK/L/P	--
24	42452-87	REPAIR KIT, master cylinder body	--	95*-BK/L/P	--
25	42455-80	GASKET, reservoir	--	95*-BK/L/P	--
26	42460-80B	PIN, rear brake rod clevis	--	95*-BK/L/P	--
27	42507-89A	BRACKET, brake lever & footrest	--	95*-BK/L/P	--
28	42515-82	LEVER, foot brake (chrome)	--	95*-BK/L/P	--
29	42522-87A	CLEVIS, brake rod	--	95*-BK/L/P	--
30	42524-82	BUSHING (2)	--	95*-BK/L/P	--
31	42531-87	WASHER	--	95*-BK/L/P	--
32	42532-82	PAD, brake lever	--	95*-BK/L/P	--
33	42534-90	SCREW (2)	--	95*-BK/L/P	--
34	44126-87	RETAINER, return spring	--	95*-BK/L/P	--
35	45156-89D	REAR BRAKE HOSE	--	95*-BK/L/P	--
36	63546-87	HOSE, reservoir	--	95*-BK/L/P	--
37	72023-51B	STOPLAMP SWITCH, rear	--	95*-BK/L/P	--

FLT MODELS				SOFTAIL MODELS				DYNA MODELS	
FLHT	DD	FLHR-I	FB	FLSTC	BJ	FLSTF	BM	FXDL	GD
FLHTC	DJ	FLHTCU-I	FC	FXSTC	BK	FLSTN	BN	FXDWG	GE
FLTC-U	DM	FLTCU-I	FE	FXSTS	BL	FXSTSB	BP	FXDS-CON	GG
FLHTC-U	DP	FLHTC-I	FF					FXD	GH
FLHR	FD								

REAR BRAKE CONTROL - FLST



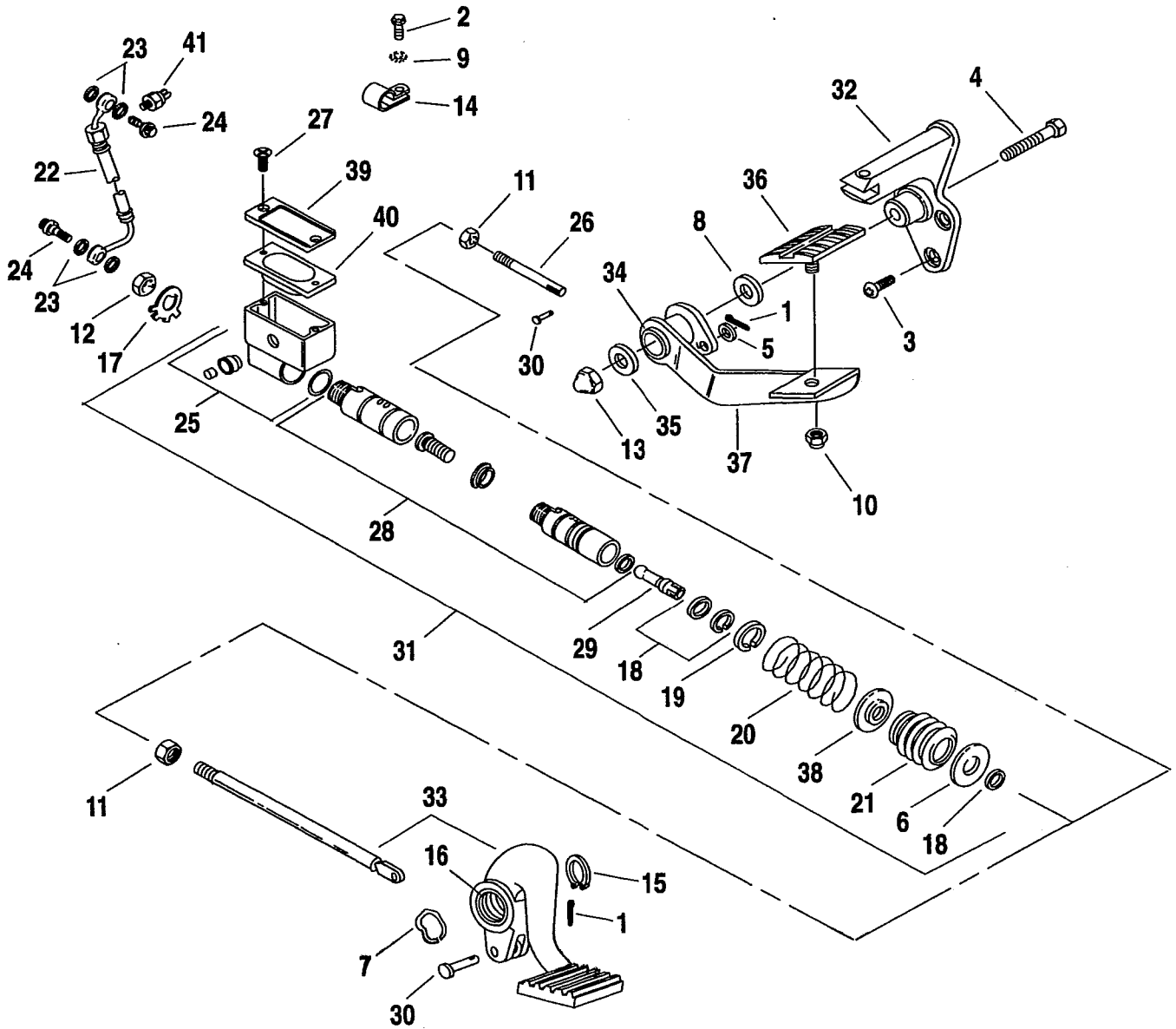
REAR BRAKE CONTROL - FLST MODELS

FC24B

INDEX NO.	PART NO.	DESCRIPTION	FLT MODELS	SOFTAIL MODELS	DYNA MODELS
1	515	COTTER PIN	--	95*-BJ/M/N	--
2	3787	BOLT	--	95*-BJ/M/N	--
3	4068	BOLT	--	95*-BJ/M/N	--
4	4713W	BOLT	--	95*-BJ/M/N	--
5	5797A	SPACER	--	95*-BJ/M/N	--
6	6220W	WASHER	--	95*-BJ/M/N	--
7	6334	WASHER	--	95*-BJ/M/N	--
8	6352	WASHER	--	95*-BJ/M/N	--
9	6366	WASHER	--	95*-BJ/M/N	--
10	6702	WASHER (4)	--	95*-BJ/M/N	--
11	7038	LOCKWASHER	--	95*-BJ/M/N	--
12	7740	NUT (2)	--	95*-BJ/M/N	--
13	7748W	NUT (2)	--	95*-BJ/M/N	--
14	7825	LOCKNUT	--	95*-BJ/M/N	--
15	8108	CLIP NUT	--	95*-BJ/M/N	--
16	35078-79	LOCKNUT	--	95*-BJ/M/N	--
17	40922-87	BOOT, push rod	--	95*-BJ/M/N	--
18	40957-87B	BRAKE LINE	--	95*-BJ/M/N	--
19	41713-86	CLAMP, rear brake line	--	95*-BJ/M/N	--
20	41731-88A	GASKET (4)	--	95*-BJ/M/N	--
21	41745-79	COVER, master cylinder (chrome)	--	95*-BJ/M/N	--
22	41747-82A	BOLT (2)	--	95*-BJ/M/N	--
23	42269-30	PIN, rear brake rod clevis	--	95*-BJ/M/N	--
24	42301-87	STUD, master cylinder	--	95*-BJ/M/N	--
25	42375-87	SCREW, master cylinder cover (2)	--	95*-BJ/M/N	--
26	42382-87A	REPAIR KIT, master cylinder	--	95*-BJ/M/N	--
27	42407-87B	LEVER, foot brake (chrome)	--	95*-BJ/M/N	--
28	42416-83	PAD, brake lever	--	95*-BJ/M/N	--
29	42431-87A	SUPPORT, foot brake lever	--	95*-BJ/M/N	--
30	42468-87D	MASTER CYLINDER ASSEMBLY	--	95*-BJ/M/N	--
31	42473-87	REPAIR KIT, master cylinder body	--	95*-BJ/M/N	--
32	42479-90	SPRING	--	95*-BJ/M/N	--
33	44126-87	RETAINER, spring	--	95*-BJ/M/N	--
34	45004-85	COVER, master cylinder (black)	--	95*-BJ/M/N	--
35	45005-85	GASKET, cover	--	95*-BJ/M/N	--
36	45042-82	REPAIR KIT, sight glass	--	95*-BJ/M/N	--
37	50972-75	FITTING, lubrication	--	95*-BJ/M/N	--
38	50992-87A	ROD END, master cylinder	--	95*-BJ/M/N	--
39	57215-75	BUSHING, foot brake lever (2)	--	95*-BJ/M/N	--
40	72023-51B	STOPLAMP SWITCH, rear	--	95*-BJ/M/N	--

FLT MODELS				SOFTAIL MODELS				DYNA MODELS	
FLHT	DD	FLHR-I	FB	FLSTC	BJ	FLSTF	BM	FXDL	GD
FLHTC	DJ	FLHTCU-I	FC	FXSTC	BK	FLSTN	BN	FXDWG	GE
FLTC-U	DM	FLTCU-I	FE	FXSTS	BL	FXSTSB	BP	FXDS-CON	GG
FLHTC-U	DP	FLHTC-I	FF					FXD	GH
FLHR	FD								

REAR BRAKE CONTROL - DYNA



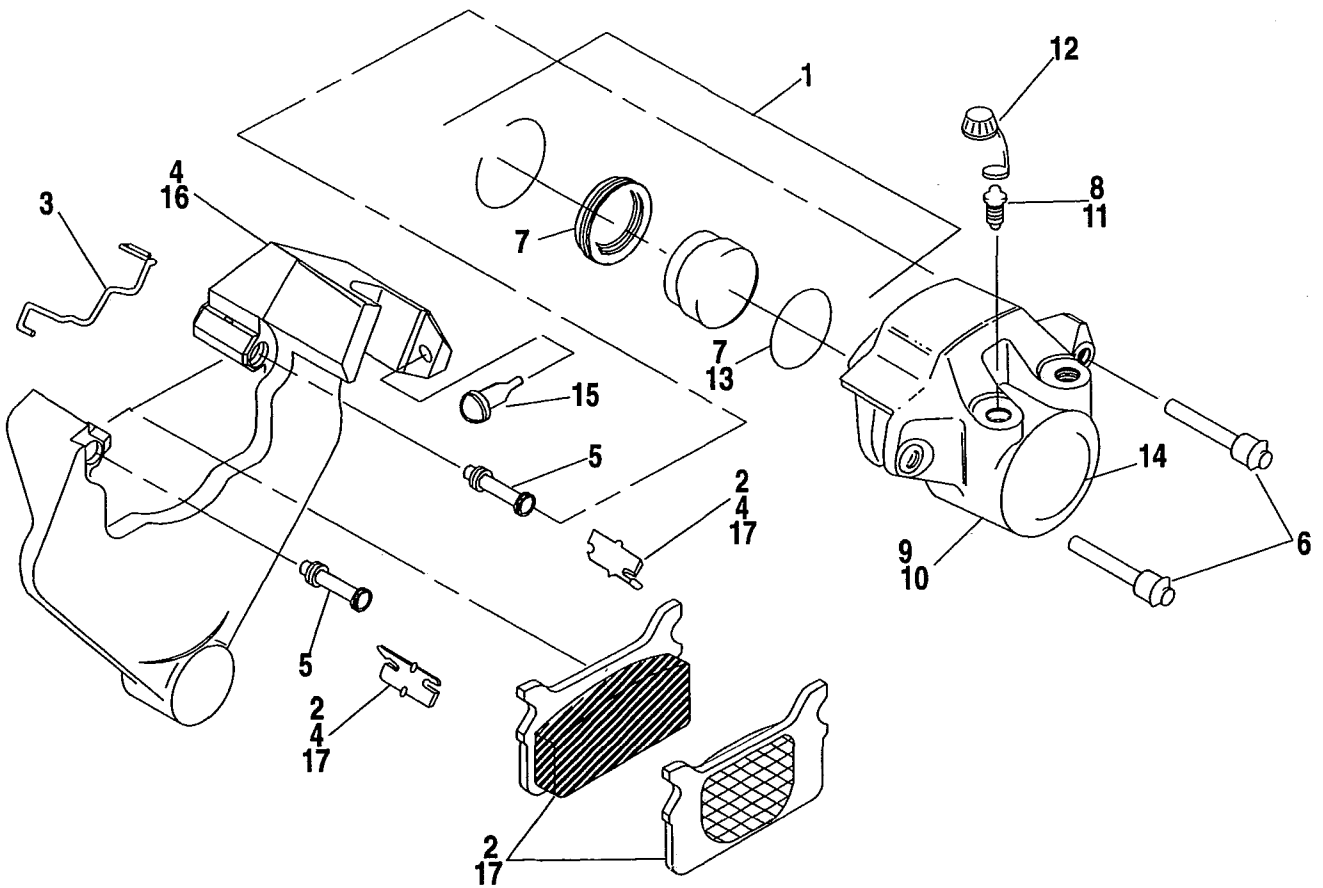
REAR BRAKE CONTROL - DYNA

FC24C

INDEX NO.	PART NO.	DESCRIPTION	FLT MODELS	SOFTAIL MODELS	DYNA MODELS
1	515	COTTER PIN	--	--	95*-ALL
2	3537	SCREW	--	--	95*-ALL
3	4059	SCREW(2)	--	--	95*-GE
4	4713W	BOLT	--	--	95*-GE
5	6099	WASHER	--	--	95*-GE
6	6366	WASHER	--	--	95*-ALL
7	7003	WASHER, spring	--	--	95*-GD/G/H
8	7009	WASHER, spring	--	--	95*-GE
9	7229W	LOCKWASHER	--	--	95*-ALL
10	7742	LOCKNUT	--	--	95*-GE
11	7744	NUT	--	--	95*-ALL
12	7855W	NUT	--	--	95*-ALL
13	7862	ACORN NUT, locking	--	--	95*-GE
14	10053	CLAMP	--	--	95*-ALL
15	11005	RETAINING RING	--	--	95*-GD/G/H
16	33708-94	BEARING (2)	--	--	95*-GD/G/H
17	37503-41	LOCKWASHER	--	--	95*-ALL
18	40903-87	RETAINING RING	--	--	95*-ALL
19	40918-87	RETAINING RING	--	--	95*-ALL
20	40920-87	SPRING	--	--	95*-ALL
21	40922-87	BOOT	--	--	95*-ALL
22	40956-90A	BRAKE LINE	--	--	95*-ALL
23	41731-88A	GASKET (4)	--	--	95*-ALL
24	41747-82A	BOLT (2)	--	--	95*-ALL
25	41803-90	RESERVOIR ASM.	--	--	95*-ALL
26	41955-93	PUSH ROD	--	--	95*-GE
27	42375-87	SCREW (2)	--	--	95*-ALL
28	42382-87A	RÉPAIR KIT, master cylinder	--	--	95*-ALL
29	42448-87	PUSH ROD	--	--	95*-ALL
30	42460-80B	CLEVIS PIN	--	--	95*-ALL
31	42474-90A	MASTER CYLINDER	--	--	95*-ALL
32	42481-92	BRACKET, brake lever & footrest	--	--	95*-GE
33	42502-90A	BRAKE PEDAL ASM.	--	--	95*-GD/G/H
34	42524-82	BUSHING, brake lever (2)	--	--	95*-GE
35	42531-87	WASHER	--	--	95*-GE
36	42532-82	PAD, brake pedal	--	--	95*-GE
37	42542-93	BRAKE PEDAL ASM.	--	--	95*-GE
38	44126-87	SPRING RETAINER	--	--	95*-ALL
39	45004-85	COVER, master cylinder	--	--	95*-ALL
40	45005-85	GASKET, cover	--	--	95*-ALL
41	72023-51B	STOPLAMP SWITCH	--	--	95*-ALL

FLT MODELS				SOFTAIL MODELS				DYNA MODELS	
FLHT	DD	FLHR-I	FB	FLSTC	BJ	FLSTF	BM	FXDL	GD
FLHTC	DJ	FLHTCU-I	FC	FXSTC	BK	FLSTN	BN	FXDWG	GE
FLTC-U	DM	FLTCU-I	FE	FXSTS	BL	FXSTSB	BP	FXDS-CON	GG
FLHTC-U	DP	FLHTC-I	FF					FXD	GH
FLHR	FD								

REAR BRAKE CALIPER - FLT & SOFTAIL



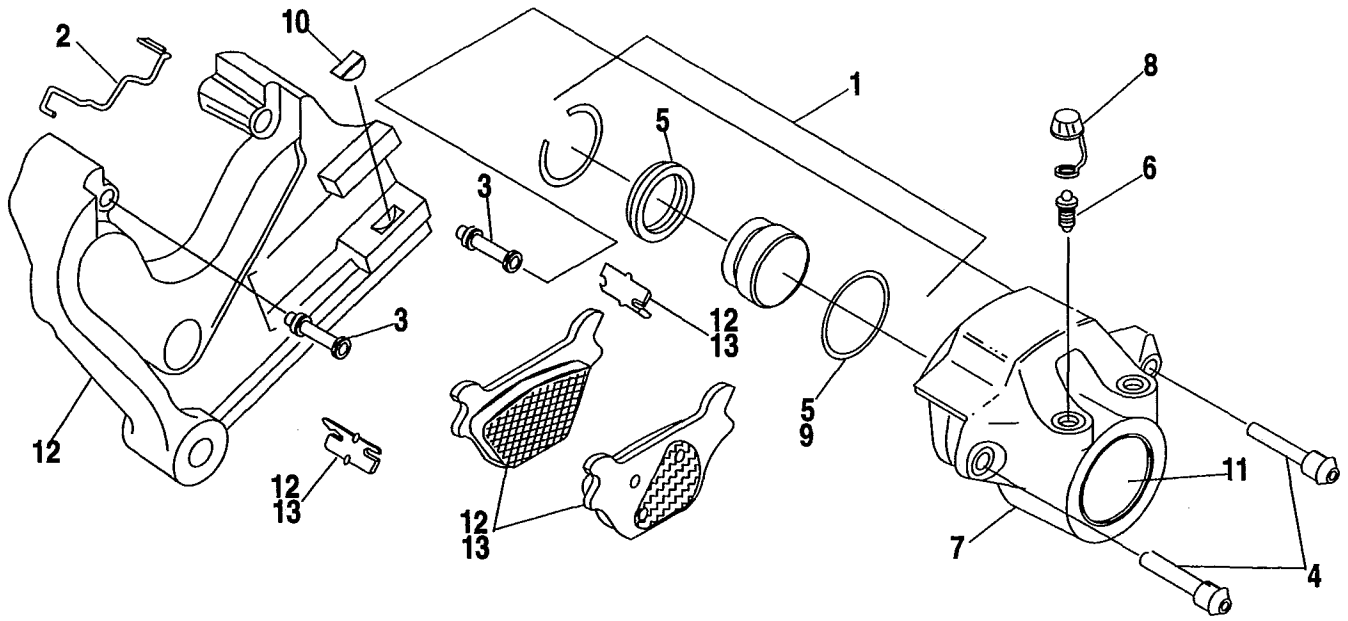
REAR BRAKE CALIPER - FLT & SOFTAIL

FC25

INDEX NO.	PART NO.	DESCRIPTION	FLT MODELS	SOFTAIL MODELS	DYNA MODELS
1	43946-86	PISTON KIT, w/# 13	95*-ALL	95*-ALL	--
2	43957-86E	PAD SET w/ inserts	95*-ALL	--	--
3	43960-86	RETAINER	95*-ALL	95*-ALL	--
4	44034-86	BRACKET, w/ # 5, 15, & inserts	95*-ALL	--	--
5	44035-86A	BUSHING (2)	95*-ALL	95*-ALL	--
6	44039-86	MOUNTING KIT, w/ guide pins & bushings	95*-ALL	95*-ALL	--
7	44045-87	SEAL & BOOT KIT	95*-ALL	95*-ALL	--
8	44048-83	BLEEDER FITTING	95*-ALL	95*-ALL	--
9	44050-87	CALIPER ASSEMBLY, without bracket	--	95*-BJ/K/L/M/N	--
	44142-95	CALIPER ASSEMBLY, without bracket	--	95*-BP	--
10	44076-86A	CALIPER ASSEMBLY, without bracket	95*-ALL	--	--
11	44146-77	BLEEDER FITTING	--	95*-ALL	--
12	44147-87	CAP, bleeder screw	95*-ALL	95*-ALL	--
13	44152-77	SEAL, piston	95*-ALL	95*-ALL	--
14	44198-87	LABEL	--	95*-ALL	--
15	44199-79	BUMPER	95*-ALL	95*-ALL	--
16	44207-87	BRACKET, mounting w/ # 5, 15 & shims	--	95*-ALL	--
17	44209-87C	PAD SET w/ inserts	--	95*-ALL	--

FLT MODELS				SOFTAIL MODELS				DYNA MODELS	
FLHT	DD	FLHR-I	FB	FLSTC	BJ	FLSTF	BM	FXDL	GD
FLHTC	DJ	FLHTCU-I	FC	FXSTC	BK	FLSTN	BN	FXDWG	GE
FLTC-U	DM	FLTCU-I	FE	FXSTS	BL	FXSTSB	BP	FXDS-CON	GG
FLHTC-U	DP	FLHTC-I	FF					FXD	GH
FLHR	FD								

REAR BRAKE CALIPER - DYNA



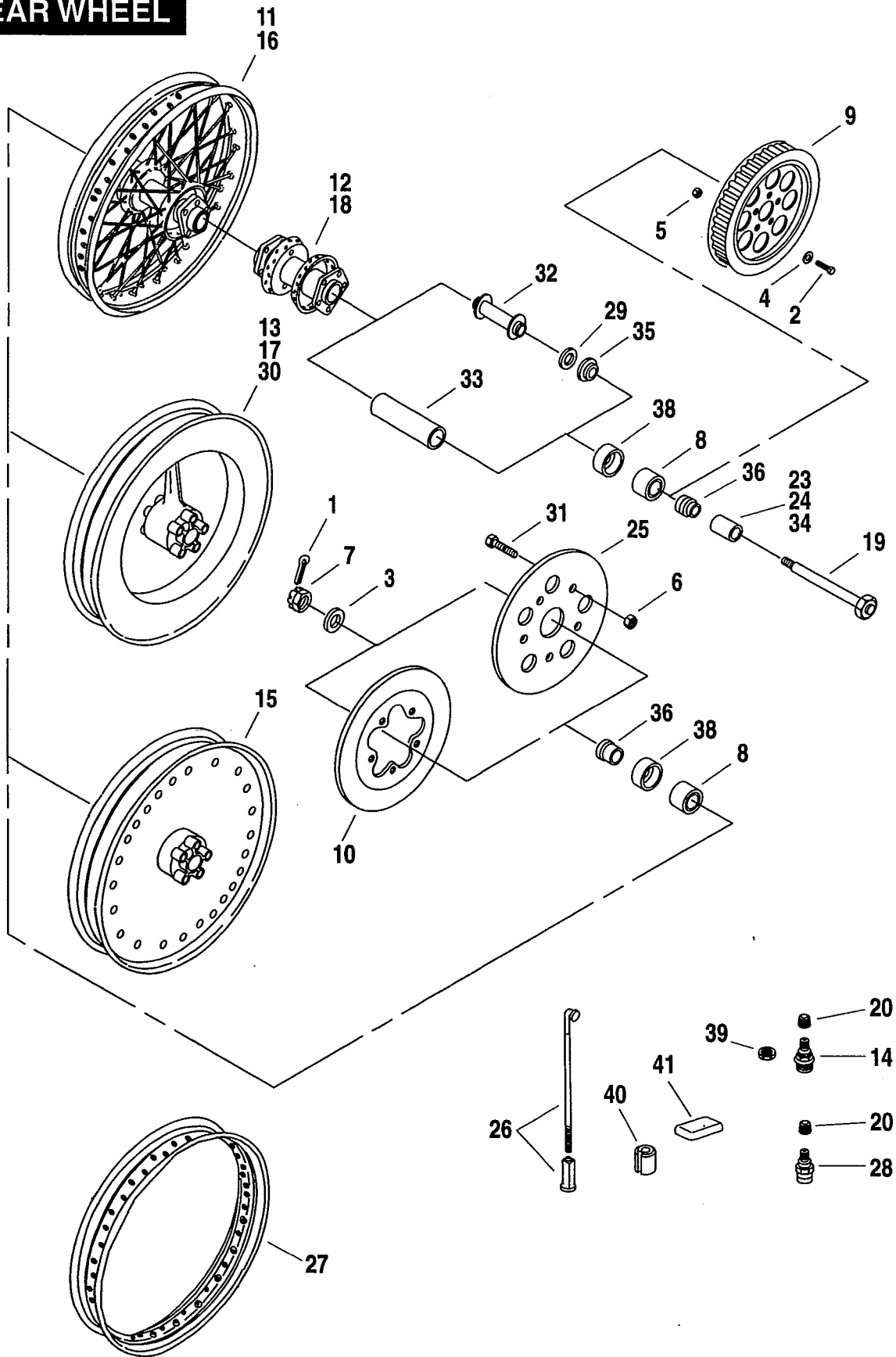
REAR BRAKE CALIPER - DYNA

FC25A

INDEX NO.	PART NO.	DESCRIPTION	FLT MODELS	SOFTAIL MODELS	DYNA MODELS
1	43946-86	PISTON KIT w/ #9	--	--	95*-ALL
2	43960-86	RETAINER	--	--	95*-ALL
3	44035-86A	BUSHING (2)	--	--	95*-ALL
4	44039-86	MOUNTING KIT w/ #12	--	--	95*-ALL
5	44045-87	SEAL & BOOT KIT	--	--	95*-ALL
6	44048-83	SCREW, bleeder	--	--	95*-ALL
7	44050-87	CALIPER ASSEMBLY, without bracket	--	--	95*-ALL
8	44147-87	CAP, bleeder screw	--	--	95*-ALL
9	44152-77	BOOT	--	--	95*-ALL
10	44196-90	BUMPER	--	--	95*-ALL
11	44198-87	CALIPER INSERT	--	--	95*-ALL
12	44204-90	BRACKET, mounting w/ #3,10 & insert	--	--	95*-ALL
13	44209-87C	PAD SET w/ inserts	--	--	95*-ALL

FLT MODELS				SOFTAIL MODELS				DYNA MODELS	
FLHT	DD	FLHR-I	FB	FLSTC	BJ	FLSTF	BM	FXDL	GD
FLHTC	DJ	FLHTCU-I	FC	FXSTC	BK	FLSTN	BN	FXDWG	GE
FLTC-U	DM	FLTCU-I	FE	FXSTS	BL	FXSTSB	BP	FXDS-CON	GG
FLHTC-U	DP	FLHTC-I	FF					FXD	GH
FLHR	FD								

REAR WHEEL



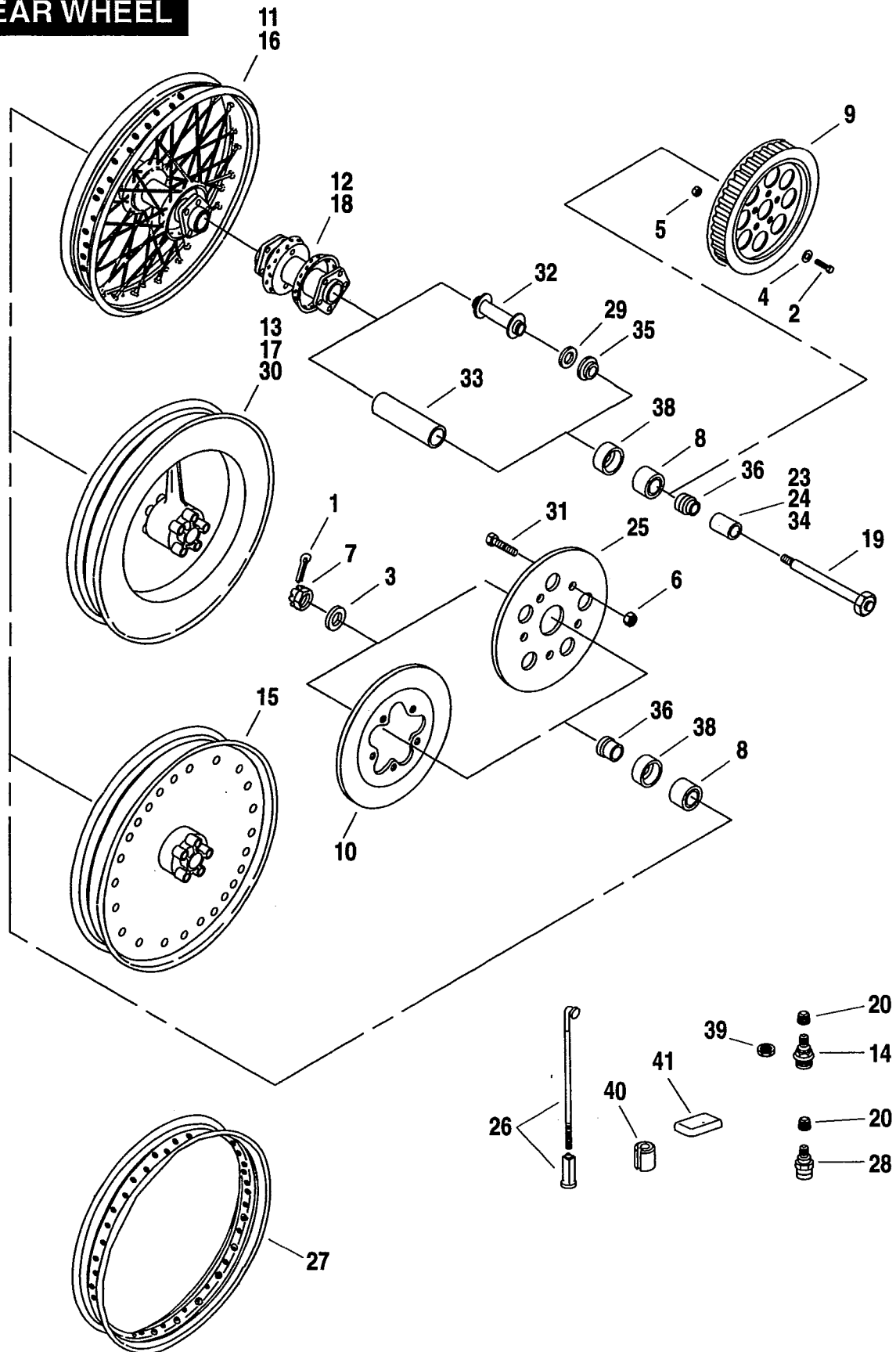
REAR WHEEL

FC26-1

INDEX NO.	PART NO.	DESCRIPTION	FLT MODELS	SOFTAIL MODELS	DYNA MODELS
1	510	SPRING CLIP	95*-ALL	95*-ALL	95*-ALL
2	3730A	BOLT (5) (cast wheels only)	95*-ALL	95*-ALL	95*-GD/G/H
	3769	BOLT (5) (laced wheels only)	95*-ALL	95*-ALL	95*-GE; 96*-ALL
3	5756	SPACER	95*-ALL	95*-ALL	95*-ALL
4	6516HW	WASHER (5)	95*-ALL	95*-ALL	95*-ALL
5	7827W	NUT (5)	95*-ALL	95*-BJ/K/L/M/N	95*-GE; 96*-ALL
6	7778	LOCKNUT (5)	--	95*-BJ/L/N	96*-ALL
7	7987	CASTLE NUT	95*-ALL	95*-ALL	95*-ALL
8	9052	ROLLER BEARING (2)	95*-ALL	95*-ALL	95*-ALL
9	40217-79A	SPROCKET, 70T (black)	95*-ALL	--	95*-GD/E/G
	40221-85A	SPROCKET, 70T (silver)	--	--	95*-GH
	40311-94	SPROCKET, 65T (silver)	--	95*-BK/M/P	--
	40312-94	SPROCKET, 65T (black)	--	95*-BJ/L/N	--
10	40939-86A	BRAKE DISC	95*-ALL	--	--
11	40975-86	WHEEL ASSEMBLY, 16" - laced (chrome)	--	95*-BJ/L/N	95*-GE; 96*-ALL
12	40976-86	HUB ASSEMBLY, w/ spacer	--	95*-BJ/L/N	95*-GE; 96*-ALL
13	40983-86	WHEEL ASSEMBLY, 16" cast - 9 spoke (silver)	--	--	95*-GH
	40983-96	WHEEL ASSEMBLY, 16" cast - 13 spoke (silver)	--	--	96*-GH
14	40999-87	VALVE STEM	95*-ALL	--	--
15	41008-87A	WHEEL ASSEMBLY, 16" disc	--	95*-BK/M	--
	41017-95	WHEEL ASSEMBLY, 16" disc	--	95*-BP	--
16	41010-86	WHEEL ASSEMBLY, 16" - laced	95*-ALL	--	--
17	41015-86	WHEEL ASSEMBLY, 16" cast - 9 spoke (black)	--	--	95*-GD/G
	41015-96	WHEEL ASSEMBLY, 16" cast - 13 spoke (black)	--	--	96*-GD/G
18	41020-86	HUB ASSEMBLY, laced wheel, w/ spacer	95*-ALL	--	--
19	41110-79A	AXLE ASSEMBLY	95*-ALL	95*-ALL	--
	41114-90	AXLE	--	--	95*-ALL
20	41123-79	VALVE CAP	95*-ALL	95*-ALL	95*-ALL
23	41591-90	SPACER, rear axle - left	--	--	95*-ALL
24	41595-86	SPACER, rear axle - left	--	95*-ALL	--
25	41789-92	DISC, brake w/# 31	--	95*-BJ/K/L/M/N	95*-ALL
	41790-95	DISC, brake - floating	--	95*-BP	--
26	43032-40B	SPOKE & NIPPLE SET, 16" rim (40)	95*-ALL	95*-BJ/L/N	95*-GE; 96*-ALL
27	43085-81	RIM, 16" (chrome)	95*-ALL	95*-BJ/L/N	95*-GE
28	43157-83A	VALVE STEM ASSEMBLY	--	95*-BK/L/M/P	95*-GD/G/H
29	43290-82	SPACER, 0.032" thk.	95*-ALL	95*-ALL	95*-ALL
	43291-82	SPACER, 0.016" thk.	95*-ALL	95*-ALL	95*-ALL
	43292-82	SPACER, 0.008" thk.	95*-ALL	95*-ALL	95*-ALL
	43293-82	SPACER, 0.004" thk.	95*-ALL	95*-ALL	95*-ALL
	43294-82	SPACER, 0.002" thk.	95*-ALL	95*-ALL	95*-ALL
30	43299-87	WHEEL ASSEMBLY, 16" - 10 spoke (black)	95-DD/J/M/P;FD 96*-DD/J/P; FB/C/D/E/F	--	--
	43465-88	WHEEL ASSEMBLY, 16" - 10 spoke (gold)	95-FC	--	--

FLT MODELS				SOFTAIL MODELS				DYNA MODELS	
FLHT	DD	FLHR-I	FB	FLSTC	BJ	FLSTF	BM	FXDL	GD
FLTC	DJ	FLTCU-I	FC	FXSTC	BK	FLSTN	BN	FXDWG	GE
FLTC-U	DM	FLTCU-I	FE	FXSTS	BL	FXSTSB	BP	FXDS-CON	GG
FLTC-U	DP	FLTC-I	FF					FXD	GH
FLHR	FD								

REAR WHEEL



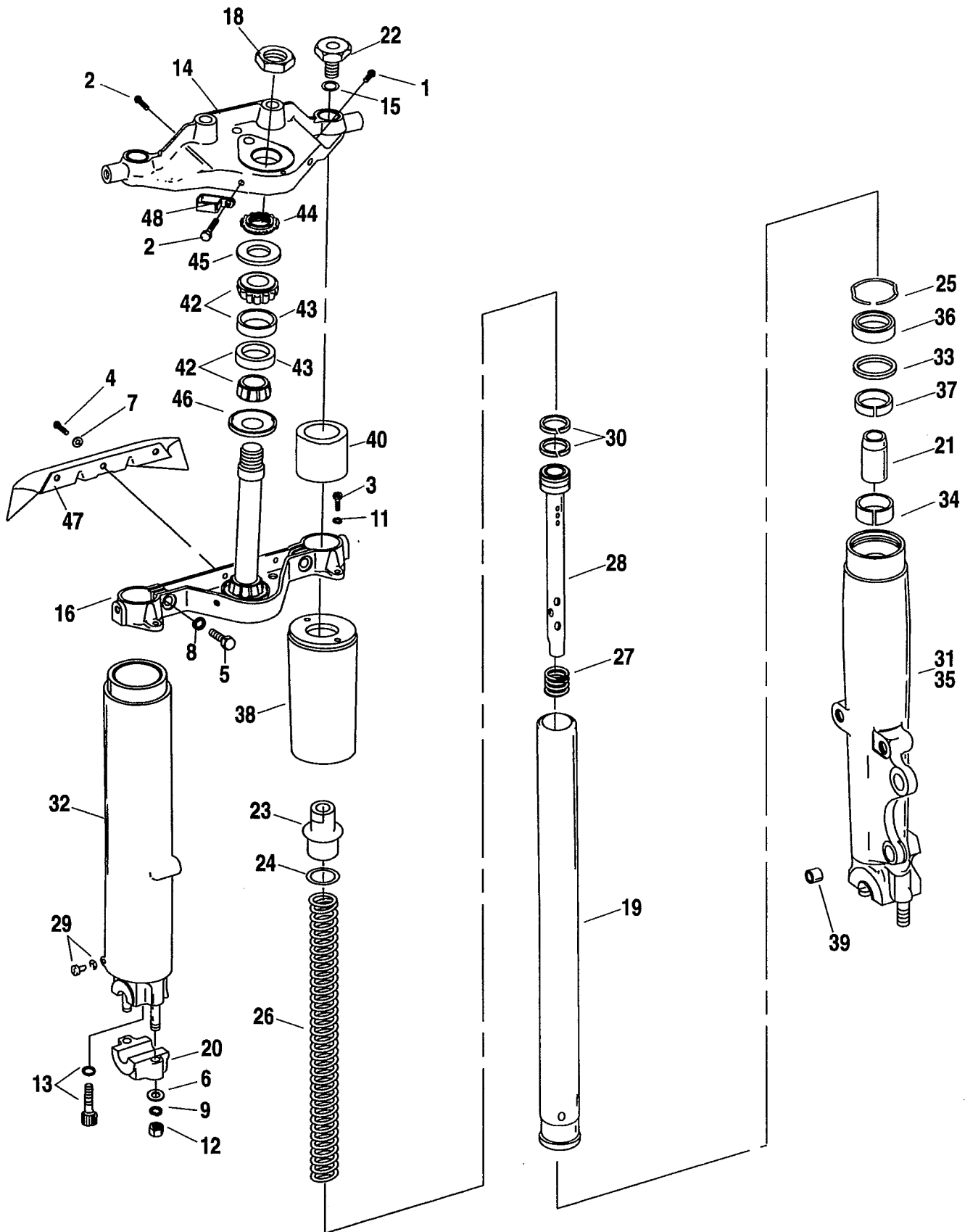
REAR WHEEL (CONT'D)

FC26-2

INDEX NO.	PART NO.	DESCRIPTION	FLT MODELS	SOFTAIL MODELS	DYNA MODELS
31	43567-92	SCREW (5)	95*-ALL	95*-ALL	95*-ALL
32	43608-82	SPACER, (cast only)	95*-ALL	95*-BK/M/P	95*-GD/G/H
33	43668-82	SPACER (laced only)	95*-ALL	95*-BJ/L/N	95*-GE; 96*-ALL
34	40910-84B	SPACER, left	95*-ALL	--	--
35	43650-82	SPACER WASHER	95*-ALL	95*-ALL	95*-ALL
36	43654-86A	SPACER (2)	95*-ALL	95*-ALL	95*-ALL
38	47519-83A	OIL SEAL (2)	95*-ALL	95*-ALL	95*-ALL
39	54321-85	NUT, valve stem	95*-ALL	95*-BJ/L/N	95*-GE; 96*-ALL
40	95578-41	WEIGHT, 1/2 oz. - 0.275" I.D. - round	95*-ALL	95*-BJ/L/N	95*-GE; 96*-ALL
	95581-47	WEIGHT, 3/4 oz. - 0.275" I.D. - round	95*-ALL	95*-BJ/L/N	95*-GE; 96*-ALL
	95582-47	WEIGHT, 1 oz. - 0.275" I.D. - round	95*-ALL	95*-BJ/L/N	95*-GE; 96*-ALL
41	95585-88	WEIGHT, 1/4 oz. (gold)	95-FC	--	--
	95594-84	WEIGHT, 1/4 oz. (black)	95-DD/J/M/P;FD 96*-DD/J/P; FB/C/D/E/F	--	95*-GD/G
	95595-84	WEIGHT, 1/4 oz. (silver)	--	95*-BK/M	95*-GH
H-D INTERNATIONAL ONLY					
9	40311-94	SPROCKET, 65T (silver)(Swiss)	--	--	95-GD/E/G
	40312-94	SPROCKET, 65T (black)(Swiss)	95-ALL	--	95-GH

FLT MODELS				SOFTAIL MODELS				DYNA MODELS	
FLHT	DD	FLHR-I	FB	FLSTC	BJ	FLSTF	BM	FXDL	GD
FLHTC	DJ	FLHTCU-I	FC	FXSTC	BK	FLSTN	BN	FXDWG	GE
FLTC-U	DM	FLTCU-I	FE	FXSTS	BL	FXSTSB	BP	FXDS-CON	GG
FLHTC-U	DP	FLHTC-I	FF					FXD	GH
FLHR	FD								

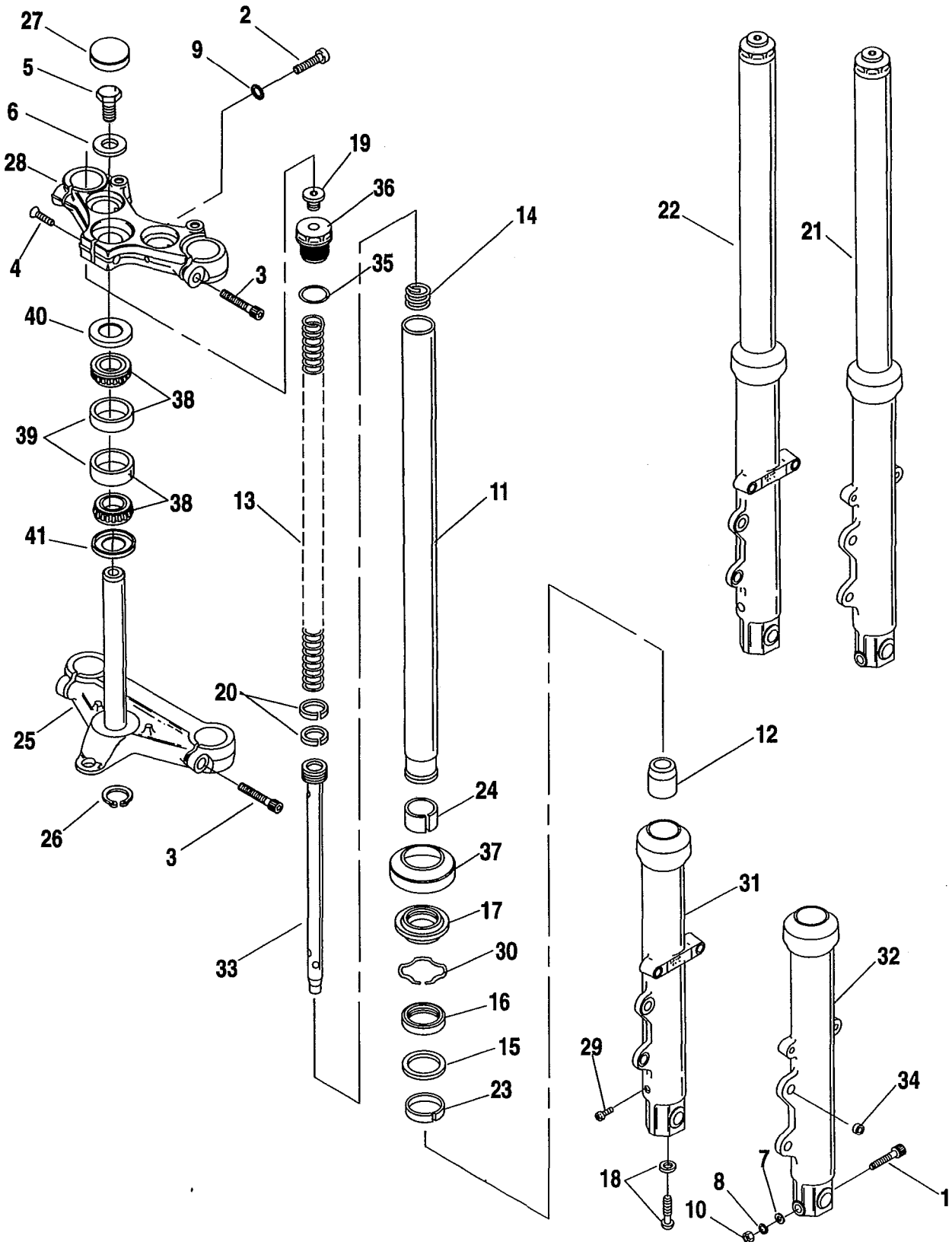
FRONT FORK - FLT



INDEX NO.	PART NO.	DESCRIPTION	FLT MODELS	SOFTAIL MODELS	DYNA MODELS
1	4091	SCREW, handlebar ground	95*-ALL	--	--
2	4124	SCREW (2)	95*-ALL	--	--
3	3739	BOLT (4)	95*-ALL	--	--
4	3892	SCREW (2)	95*-ALL	--	--
5	4752	SCREW (2)	95*-ALL	--	--
6	6702	WASHER (2)	95*-ALL	--	--
7	6703	WASHER (2)	95*-ALL	--	--
8	7039	LOCKWASHER (2)	95*-ALL	--	--
9	7041	LOCKWASHER (2)	95*-ALL	--	--
11	7124	LOCKWASHER (4)	95*-ALL	--	--
12	7748W	NUT (2)	95*-ALL	--	--
13	45405-75A	SCREW w/ washer, damper tube (2)	95*-ALL	--	--
14	45435-95	BRACKET	95*-ALL	--	--
15	45443-86	O-RING (2)	95*-ALL	--	--
16	45446-87A	FORK STEM & BRACKET ASM.	95*-ALL	--	--
18	45718-60	NUT, fork stem	95*-ALL	--	--
19	45827-84	SLIDER TUBE (2)	95*-ALL	--	--
20	45832-77A	AXLE CAP, right slider	95*-ALL	--	--
21	45834-77	LOWER STOP (2)	95*-ALL	--	--
22	45839-84	CAP, upper bracket (2)	95*-ALL	--	--
23	45841-84	PLUG, fork tube (2)	95*-ALL	--	--
24	45845-77	O-RING, slider tube plug (2)	95*-ALL	--	--
25	45847-84	RETAINING RING, oil seal (2)	95*-ALL	--	--
26	45853-83	SPRING (2)	95*-ALL	--	--
27	45855-77	SPRING, slider tube (2)	95*-ALL	--	--
28	45857-83	DAMPER TUBE (2)	95*-ALL	--	--
29	45858-77	DRAIN SCREW, damper tube (2)	95*-ALL	--	--
30	45859-77	RING, damper tube (4)	95*-ALL	--	--
31	45860-84	SLIDER ASSEMBLY, left	95*-ALL	--	--
32	45863-84	FORK SLIDER, right (polished)	95*-ALL	--	--
	45864-84	FORK SLIDER, left (polished)	95*-ALL	--	--
33	45865-84	SPACER, slider (2)	95*-ALL	--	--
34	45866-84	BUSHING, slider (2)	95*-ALL	--	--
35	45870-84	SLIDER ASSEMBLY, right	95*-ALL	--	--
36	45875-84	OIL SEAL (2)	95*-ALL	--	--
37	45940-84	BUSHING, slider (2)	95*-ALL	--	--
38	45964-86	COVER, slider (stainless steel) (2)	95*-ALL	--	--
39	46020-84	BUSHING, brake caliper (2)	95*-ALL	--	--
40	47530-79B	FORK STOP (rubber) (2)	95*-ALL	--	--
42	48300-60	ROLLER BEARING, w/ cup	95*-ALL	--	--
43	48315-60	CUP, bearing	95*-ALL	--	--
44	48333-80	BEARING ADJUSTER	95*-ALL	--	--
45	48361-80	DUST SHIELD, bearing - upper	95*-ALL	--	--
46	48365-48A	DUST SHIELD, bearing - lower	95*-ALL	--	--
47	58520-79A	BAFFLE	95*-ALL	--	--
48	68750-93	CLAMP	95*-ALL	--	--

FLT MODELS				SOFTAIL MODELS				DYNA MODELS	
FLHT	DD	FLHR-I	FB	FLSTC	BJ	FLSTF	BM	FXDL	GD
FLHTC	DJ	FLHTCU-I	FC	FXSTC	BK	FLSTN	BN	FXDWG	GE
FLTC-U	DM	FLTCU-I	FE	FXSTS	BL	FXSTSB	BP	FXDS-CON	GG
FLHTC-U	DP	FLHTC-I	FF					FXD	GH
FLHR	FD								

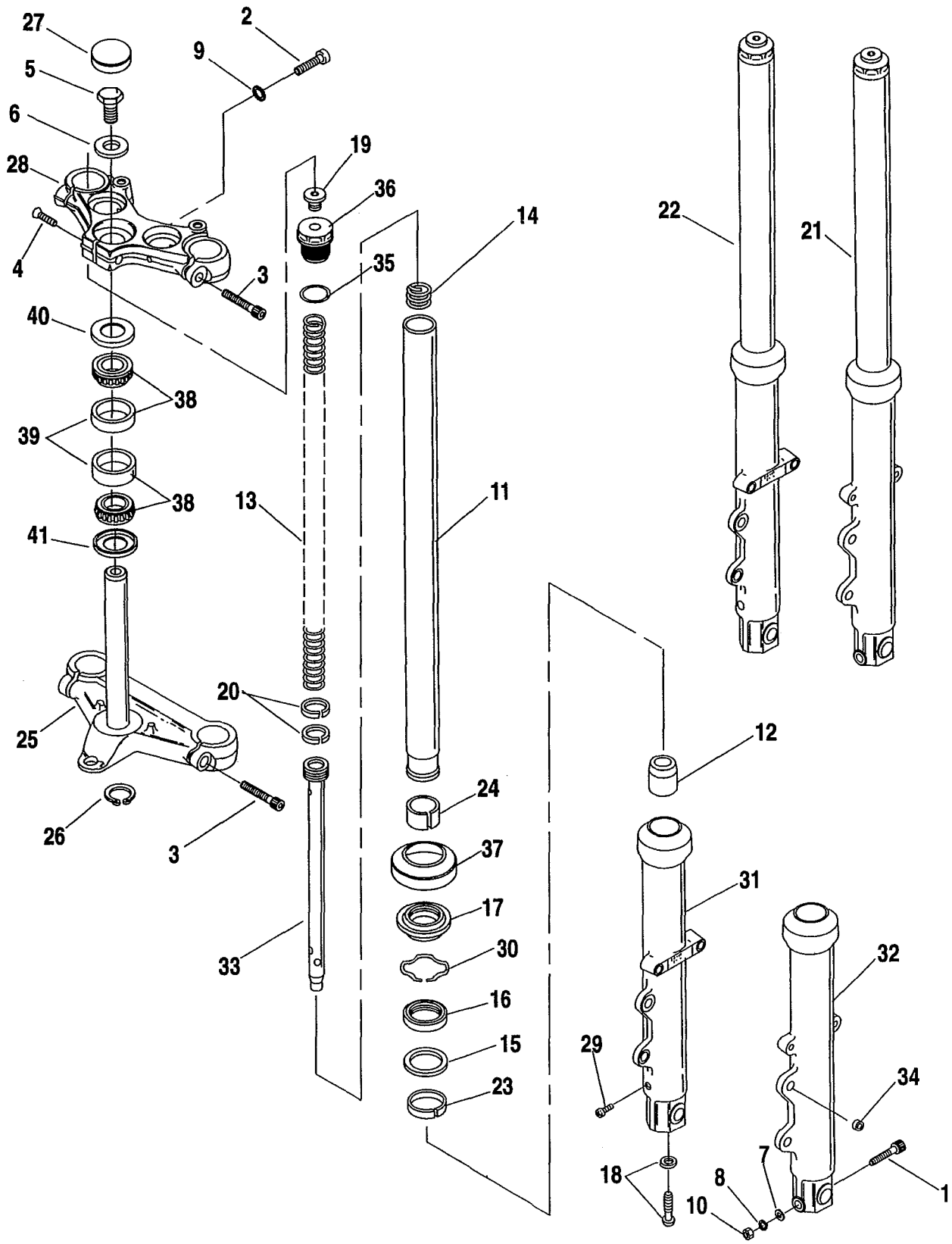
FRONT FORK - FXD, FXDL & FXDS-CON



INDEX NO.	PART NO.	DESCRIPTION	FLT MODELS	SOFTAIL MODELS	DYNA MODELS
1	4029A	SCREW	--	--	95*-GD/G/H
2	4104	SCREW (2)	--	--	95*-GD/G
3	4351	SCREW (4-GD/H;2-GG)	--	--	95*-GD/G/H
	4047	SCREW (2)	--	--	95*-GG
4	4352	BOLT	--	--	95*-GD/G/H
5	4453	SCREW	--	--	95*-GD/G
	4460	SCREW	--	--	95*-GH
6	6655	WASHER	--	--	95*-GD/G/H
7	6701	WASHER	--	--	95*-GD/G/H
8	7038	LOCKWASHER	--	--	95*-GD/G/H
9	7220	LOCKWASHER	--	--	95*-GD/G/H
10	7783	NUT	--	--	95*-GD/G/H
11	45360-90	SLIDER TUBE (2)	--	--	95*-GD
	45365-94	SLIDER TUBE (2)	--	--	95*-GG
	45395-92	SLIDER TUBE (2)	--	--	95*-GH
12	45361-90	LOWER STOP (2)	--	--	95*-GD/G/H
13	45362-90	SPRING (2)	--	--	95*-GD
	45363-94	SPRING (2)	--	--	95*-GG
	45941-95	SPRING (2)	--	--	95*-GH
14	45374-87	SPRING, slider (2)	--	--	95*-GD/G/H
15	45377-87	SPACER, oil seal (2)	--	--	95*-GD/G/H
16	45378-87	OIL SEAL (2)	--	--	95*-GD/G/H
17	45401-87	SEAL, dust (2)	--	--	95*-GD/G/H
18	45405-75A	SCREW w/ washer (2)	--	--	95*-GG/H
19	45546-90	SCREW w/ washer (2)	--	--	95*-GD
20	45460-90	RING, damper tube (2)	--	--	95*-GD/G/H
21	45947-95	FORK SLIDER & TUBE ASSEMBLY, right	--	--	95*-GH
	45949-92	FORK SLIDER & TUBE ASSEMBLY, right	--	--	95*-GD
	45976-94	FORK SLIDER & TUBE ASSEMBLY, right	--	--	95*-GG

FLT MODELS				SOFTAIL MODELS				DYNA MODELS	
FLHT	DD	FLHR-I	FB	FLSTC	BJ	FLSTF	BM	FXDL	GD
FLHTC	DJ	FLHTCU-I	FC	FXSTC	BK	FLSTN	BN	FXDWG	GE
FLTC-U	DM	FLTCU-I	FE	FXSTS	BL	FXSTSB	BP	FXDS-CON	GG
FLHTC-U	DP	FLHTC-I	FF					FXD	GH
FLHR	FD								

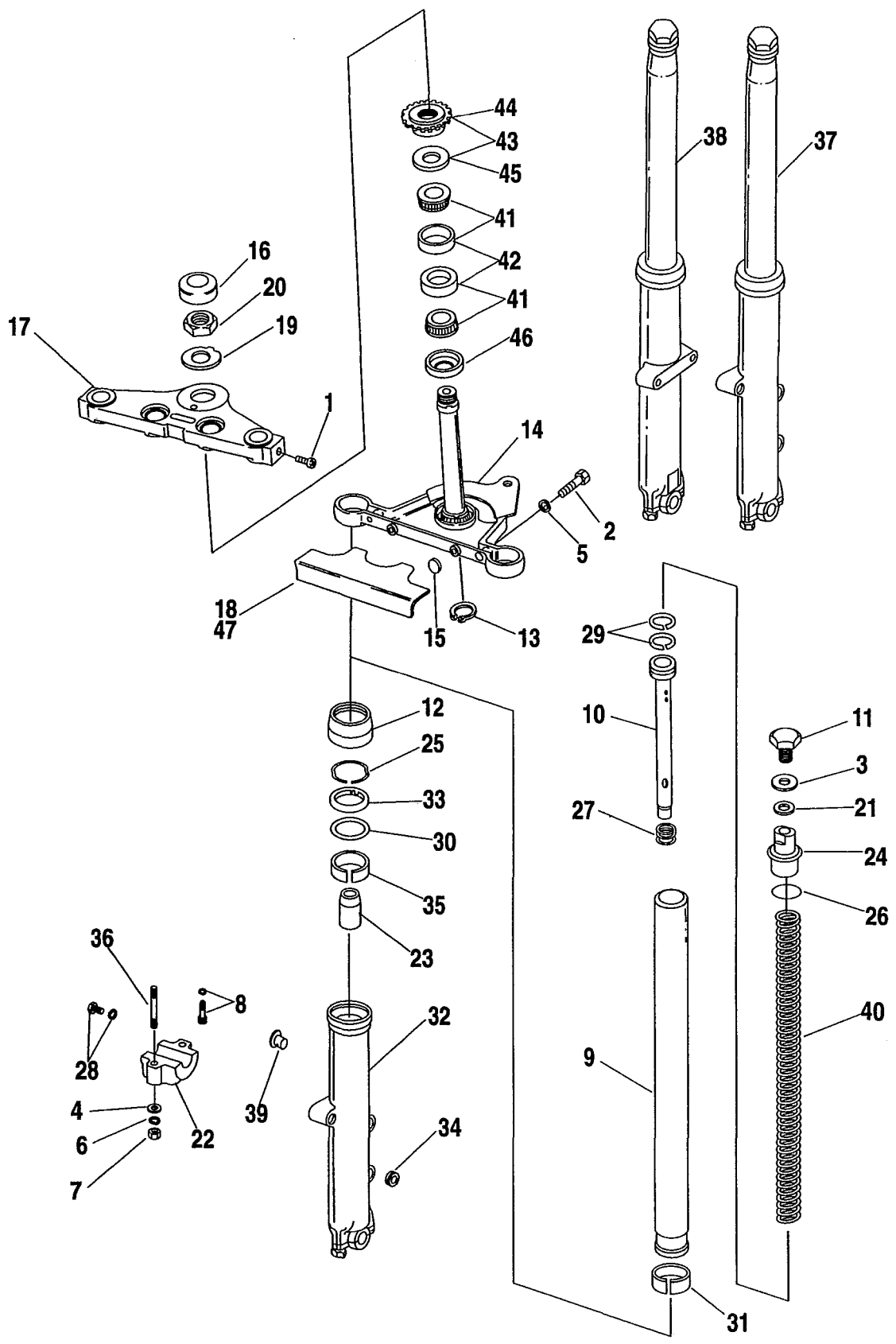
FRONT FORK - FXD, FXDL & FXDS-CON



INDEX NO.	PART NO.	DESCRIPTION	FLT MODELS	SOFTAIL MODELS	DYNA MODELS
22	45948-95	FORK SLIDER & TUBE ASSEMBLY, left	--	--	95*-GH
	45952-90	FORK SLIDER & TUBE ASSEMBLY, left	--	--	95*-GD
	45977-94	FORK SLIDER & TUBE ASSEMBLY, left	--	--	95*-GG
23	45461-87	BUSHING, upper (2)	--	--	95*-GD/G/H
24	45465-87	BUSHING, slider tube (2)	--	--	95*-GD/G/H
25	45598-90A	BRACKET, lower w/ stem	--	--	95*-GD/G/H
26	45611-86	RETAINING RING	--	--	95*-GD/G/H
27	45668-90	CAP, fork stem	--	--	95*-GD/G
28	45739-87	BRACKET, upper	--	--	95*-GD/G/H
29	45790-80	DRAIN SCREW, w/ washer (2)	--	--	95*-GD/G/H
30	45905-87	RETAINING RING, oil seal	--	--	95*-GD/G/H
31	45921-87	SLIDER ASSEMBLY, left	--	--	95*-GD/G/H
32	45922-87	SLIDER ASSEMBLY, right	--	--	95*-GD/G
	45923-87	SLIDER ASSEMBLY, right	--	--	95*-GH
33	45925-94	DAMPER TUBE (2)	--	--	95*-GH
	45926-90	DAMPER TUBE (2)	--	--	95*-GD
	45364-94	DAMPER TUBE (2)	--	--	95*-GG
34	45934-86	BUSHING (2-GD/G)	--	--	95*-GD/G/H
35	45984-87	O-RING (2)	--	--	95*-GD/G/H
36	45990-88	CAP, slider tube (2)	--	--	95*-GD
	45996-87	CAP, slider tube (2)	--	--	95*-GG/H
37	46002-87	COVER, slider (2)	--	--	95*-GD/G/H
38	48300-60	ROLLER BEARING, w/ cup (2)	--	--	95*-GD/G/H
39	48315-60	BEARING CUP (2)	--	--	95*-GD/G/H
40	48361-80	DUST SHIELD, upper	--	--	95*-GD/G/H
41	48365-48A	DUST SHIELD, lower	--	--	95*-GD/G/H

FLT MODELS				SOFTAIL MODELS				DYNA MODELS	
FLHT	DD	FLHR-I	FB	FLSTC	BJ	FLSTF	BM	FXDL	GD
FLHTC	DJ	FLHTCU-I	FC	FXSTC	BK	FLSTN	BN	FXDWG	GE
FLTC-U	DM	FLTCU-I	FE	FXSTS	BL	FXSTSB	BP	FXDS-CON	GG
FLHTC-U	DP	FLHTC-I	FF					FXD	GH
FLHR	FD								

FRONT FORK - FXSTC & FXDWG



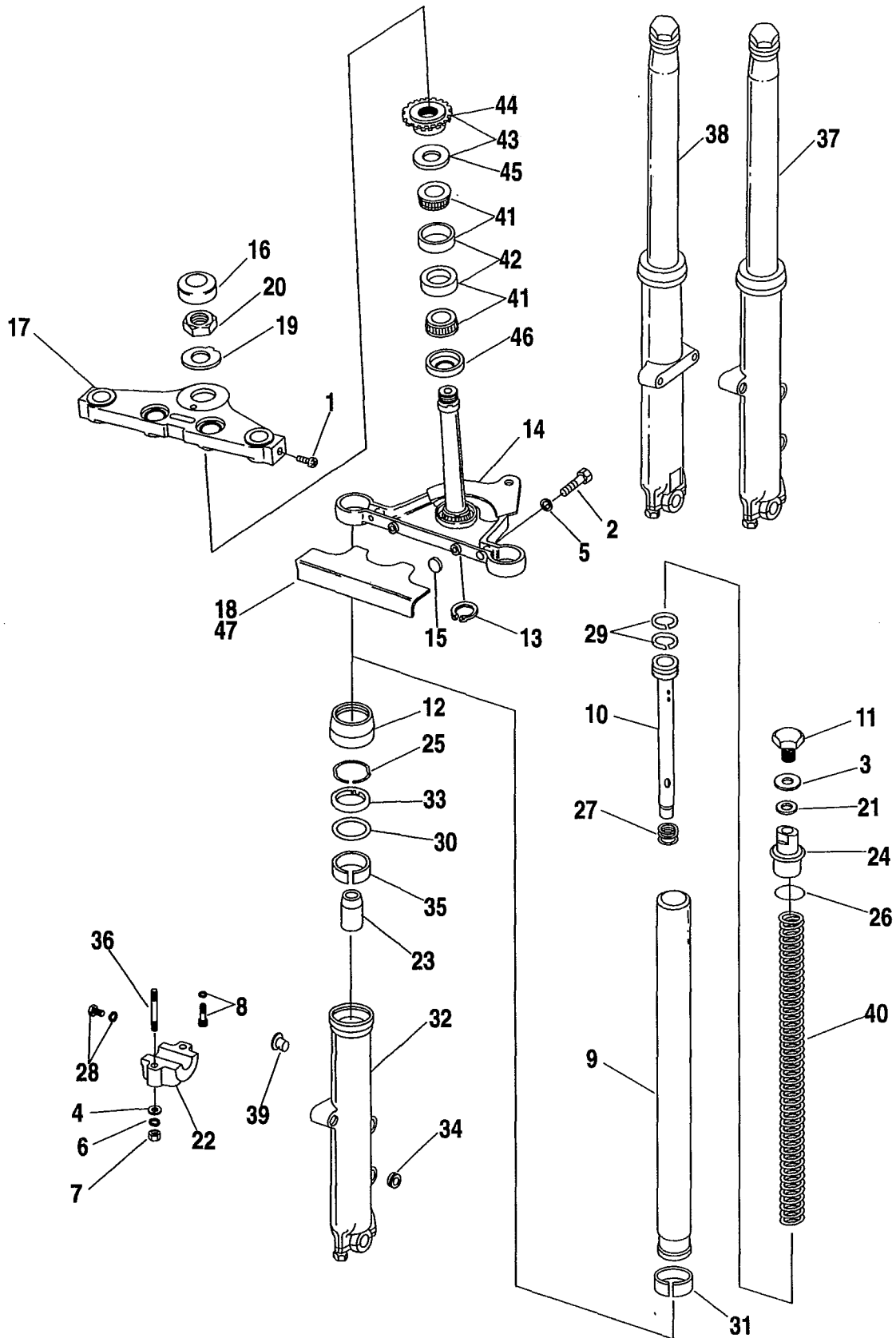
FRONT FORK - FXSTC & FXDWG

FC27B-1

INDEX NO.	PART NO.	DESCRIPTION	FLT MODELS	SOFTAIL MODELS	DYNA MODELS
1	2823	SCREW (2)	--	95*-BK	95*-GE
2	4729	BOLT (2)	--	95*-BK	95*-GE
3	5710	SPACER (2)	--	95*-BK	95*-GE
4	6702	WASHER, right slider (2)	--	95*-BK	95*-GE
5	7039	LOCKWASHER (2)	--	95*-BK	95*-GE
6	7041	LOCKWASHER, right slider (2)	--	95*-BK	95*-GE
7	7748W	NUT, right slider (2)	--	95*-BK	95*-GE
8	45405-75A	SCREW w/ washer, damper tube (2)	--	95*-BK	95*-GE
9	45417-84	SLIDER TUBE (2)	--	95*-BK	95*-GE
10	45418-84	DAMPER TUBE, complete (2)	--	95*-BK	95*-GE
11	45419-80	CAP, slider tube (2)	--	95*-BK	95*-GE
12	45420-80	DUST COVER (2)	--	95*-BK	95*-GE
13	45611-86	RETAINING RING	--	95*-BK	95*-GE
14	45640-88B	STEM & BRACKET, w/ bearing & shield	--	95*-BK	--
	45679-92	STEM & BRACKET, w/ bearing & shield	--	--	95*-GE
15	45648-85	PAD (felt) (2)	--	95*-BK	95*-GE
16	45670-80	CAP, fork stem	--	95*-BK	95*-GE
17	45672-80A	BRACKET, upper (chrome)	--	95*-BK	95*-GE
18	45685-93	MOUNTING PLATE, headlamp (chrome)	--	--	95*-GE
19	45717-63	LOCKWASHER, fork stem nut	--	95*-BK	95*-GE
20	45718-60	NUT, fork stem	--	95*-BK	95*-GE
21	45733-48	OIL SEAL, fork tube plug (2)	--	95*-BK	95*-GE
22	45832-77A	AXLE CAP, right slider	--	95*-BK	95*-GE
23	45834-77	LOWER STOP (2)	--	95*-BK	95*-GE
24	45838-77	PLUG, fork tube (2)	--	95*-BK	95*-GE
25	45842-77	RETAINING RING, oil seal (2)	--	95*-BK	95*-GE
26	45845-77	O-RING, slider tube plug (2)	--	95*-BK	95*-GE

FLT MODELS				SOFTAIL MODELS				DYNA MODELS	
FLHT	DD	FLHR-I	FB	FLSTC	BJ	FLSTF	BM	FXDL	GD
FLHTC	DJ	FLHTCU-I	FC	FXSTC	BK	FLSTN	BN	FXDWG	GE
FLTC-U	DM	FLTCU-I	FE	FXSTS	BL	FXSTSB	BP	FXDS-CON	GG
FLHTC-U	DP	FLHTC-I	FF					FXD	GH
FLHR	FD								

FRONT FORK - FXSTC & FXDWG



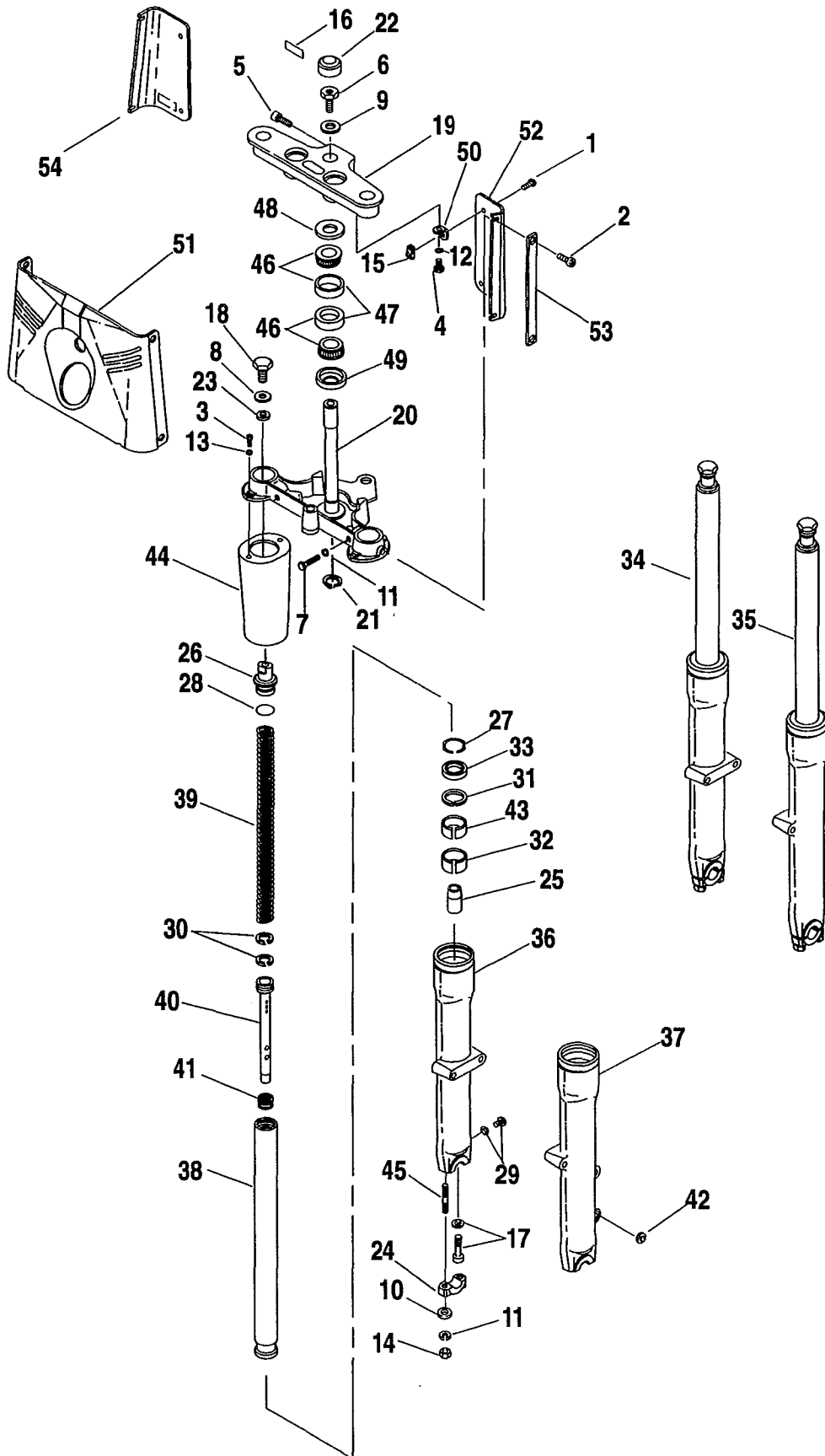
FRONT FORK - FXSTC & FXDWG (CONT'D)

FC27B-2

INDEX NO.	PART NO.	DESCRIPTION	FLT MODELS	SOFTAIL MODELS	DYNA MODELS
27	45855-77	SPRING, damper tube (2)	--	95*-BK	95*-GE
28	45858-77	DRAIN SCREW w/ washer, slider (2)	--	95*-BK	95*-GE
29	45859-77	RING, damper tube (4)	--	95*-BK	95*-GE
30	45865-84	WASHER, slider (2)	--	95*-BK	95*-GE
31	45866-84	BUSHING, slider tube (2)	--	95*-BK	95*-GE
32	45873-91	SLIDER, left	--	95*-BK	95*-GE
	45874-91	SLIDER, right	--	95*-BK	95*-GE
33	45875-84	OIL SEAL, slider (2)	--	95*-BK	95*-GE
34	45934-86	BUSHING, brake caliper	--	95*-BK	95*-GE
35	45940-84	BUSHING, slider	--	95*-BK	95*-GE
36	45998-73	STUD (2)	--	95*-BK	95*-GE
37	46004-91	FORK SLIDER & TUBE ASSEMBLY, left	--	95*-BK	95*-GE
38	46006-91	FORK SLIDER & TUBE ASSEMBLY, right	--	95*-BK	95*-GE
39	46020-84	BUSHING, upper - left slider - brake caliper	--	95*-BK	95*-GE
40	46048-84	SPRING (2)	--	95*-BK	95*-GE
41	48300-60	ROLLER BEARING w/ cup (2)	--	95*-BK	--
42	48315-60	BEARING CUP (2)	--	95*-BK	--
43	48330-48A	ADJUSTING NUT, upper - w/ shield	--	95*-BK	--
44	48332-48B	ADJUSTING NUT, upper	--	95*-BK	95*-GE
45	48361-80	DUST SHIELD, bearing - upper	--	95*-BK	--
46	48365-48A	DUST SHIELD, bearing - lower	--	95*-BK	--
47	67773-80A	MOUNTING PLATE, headlamp (chrome)	--	95*-BK	--
		H-D INTERNATIONAL ONLY			
	48140-84A	STEERING HEAD LOCK ASM. (HDI only)	--	95*-BK	--

FLT MODELS				SOFTAIL MODELS				DYNA MODELS	
FLHT	DD	FLHR-I	FB	FLSTC	BJ	FLSTF	BM	FXDL	GD
FLHTC	DJ	FLHTCU-I	FC	FXSTC	BK	FLSTN	BN	FXDWG	GE
FLTC-U	DM	FLTCU-I	FE	FXSTS	BL	FXSTSB	BP	FXDS-CON	GG
FLHTC-U	DP	FLHTC-I	FF					FXD	GH
FLHR	FD								

FRONT FORK - FLSTC/F/N



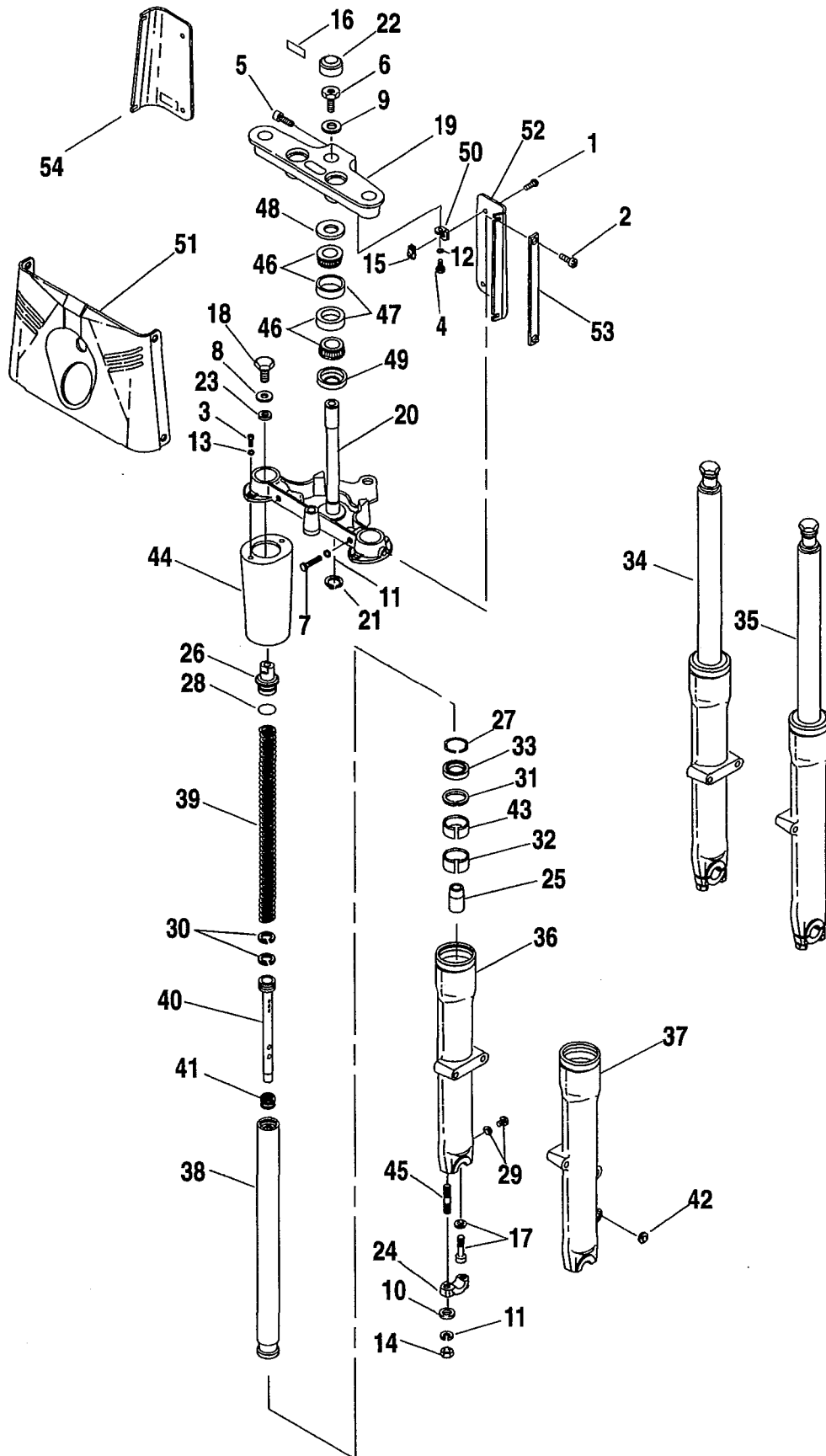
FRONT FORK - FLSTC/F/N

FC27C-1

INDEX NO.	PART NO.	DESCRIPTION	FLT MODELS	SOFTAIL MODELS	DYNA MODELS
1	923	SCREW (4)	--	95*-BJ/M/N	--
2	3538	SCREW (4)	--	95*-BM/N	--
3	3739	SCREW (4)	--	95*-BJ/M/N	--
4	3953W	BOLT (2)	--	95*-BJ/M/N	--
5	4352	SCREW	--	95*-BJ/M/N	--
6	4453	BOLT	--	95*-BJ/M/N	--
7	4729	BOLT (2)	--	95*-BJ/M/N	--
8	5710	SPACER (2)	--	95*-BJ/M/N	--
9	6655	WASHER	--	95*-BJ/M/N	--
10	6702	WASHER (2)	--	95*-BJ/M/N	--
11	7039	LOCKWASHER (4)	--	95*-BJ/M/N	--
12	7041	LOCKWASHER (2)	--	95*-BJ/M/N	--
13	7124	LOCKWASHER (4)	--	95*-BJ/M/N	--
14	7748W	NUT (2)	--	95*-BJ/M/N	--
15	8108	CLIP NUT	--	95*-BJ/M/N	--
16	14150-86	WARNING LABEL	--	95*-BJ/M/N	--
17	45405-75A	SCREW w/ washer (2)	--	95*-BJ/M/N	--
18	45419-80	CAP, slider tube (2)	--	95*-BJ/M/N	--
19	45456-86A	BRACKET, upper	--	95*-BJ/M/N	--
20	45605-88	STEM & BRACKET	--	95*-BJ/M/N	--
21	45611-86	RETAINING RING, fork stem	--	95*-BJ/M/N	--
22	45670-80	CAP, fork stem	--	95*-BJ/M/N	--
23	45733-48	OIL SEAL, fork tube plug (2)	--	95*-BJ/M/N	--
24	45832-77A	AXLE CAP, right slider	--	95*-BJ/M/N	--
25	45834-77	LOWER STOP (2)	--	95*-BJ/M/N	--
26	45838-77	PLUG, fork tube (2)	--	95*-BJ/M/N	--
27	45842-77	RETAINING RING, oil seal (2)	--	95*-BJ/M/N	--
28	45845-77	O-RING, slider tube plug (2)	--	95*-BJ/M/N	--
29	45858-77	DRAIN SCREW w/ washer, slider (2)	--	95*-BJ/M/N	--
30	45859-77	RING, damper tube (4)	--	95*-BJ/M/N	--

FLT MODELS				SOFTAIL MODELS				DYNA MODELS	
FLHT	DD	FLHR-I	FB	FLSTC	BJ	FLSTF	BM	FXDL	GD
FLHTC	DJ	FLHTCU-I	FC	FXSTC	BK	FLSTN	BN	FXDWG	GE
FLTC-U	DM	FLTCU-I	FE	FXSTS	BL	FXSTSB	BP	FXDS-CON	GG
FLHTC-U	DP	FLHTC-I	FF					FXD	GH
FLHR	FD								

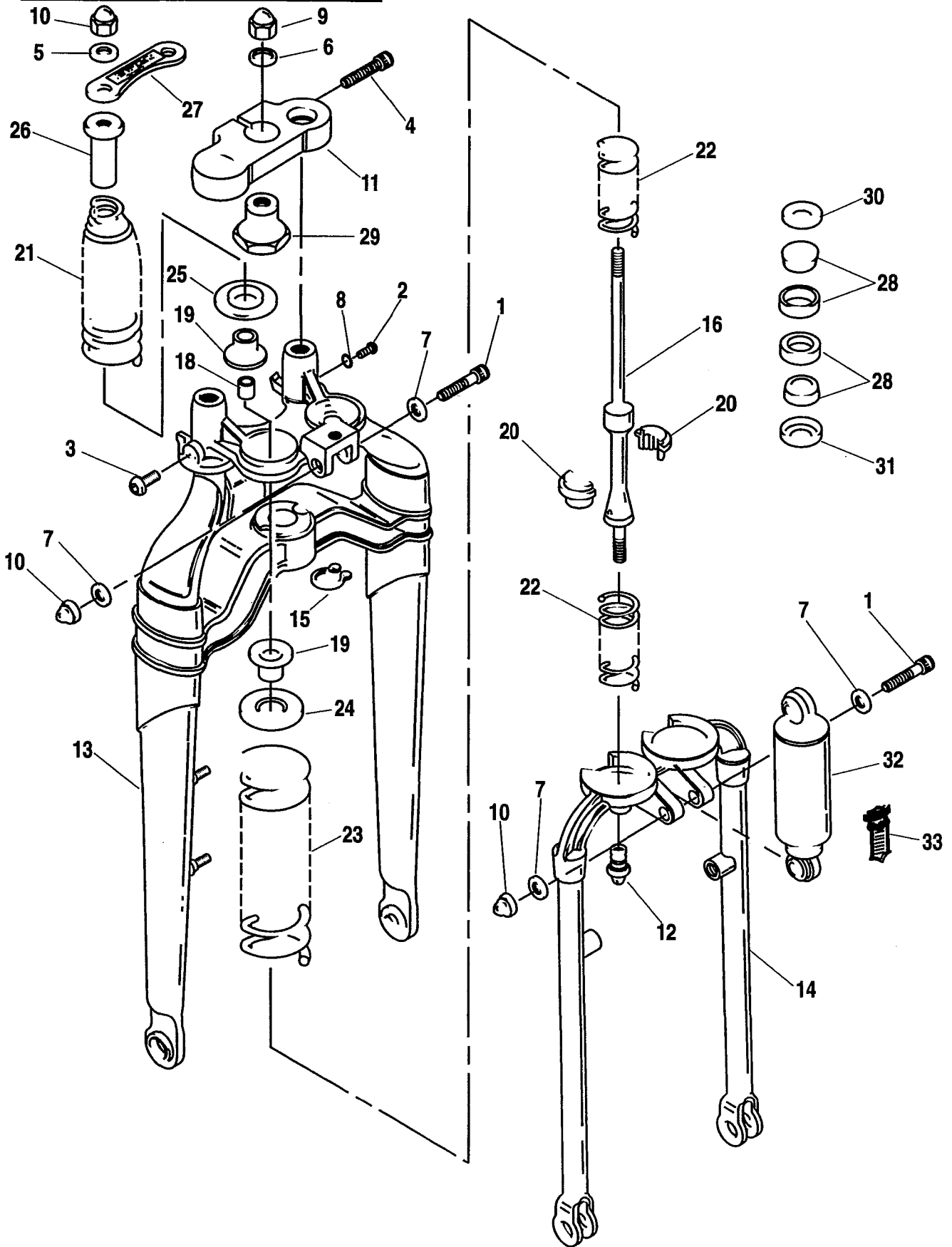
FRONT FORK - FLSTC/F/N



INDEX NO.	PART NO.	DESCRIPTION	FLT MODELS	SOFTAIL MODELS	DYNA MODELS
31	45865-84	WASHER, slider (2)	--	95*-BJ/M/N	--
32	45866-84	BUSHING, slider tube (2)	--	95*-BJ/M/N	--
33	45875-84	OIL SEAL (2)	--	95*-BJ/M/N	--
34	45915-86	FORK SLIDER & TUBE ASSEMBLY, right	--	95*-BJ/M/N	--
35	45916-86	FORK SLIDER & TUBE ASSEMBLY, left	--	95*-BJ/M/N	--
36	45917-86	SLIDER, right	--	95*-BJ/M/N	--
37	45918-86	SLIDER, left	--	95*-BJ/M/N	--
38	45930-86	SLIDER TUBE (2)	--	95*-BJ/M/N	--
39	45931-86	SPRING (2)	--	95*-BJ/M/N	--
40	45932-86	DAMPER TUBE (2)	--	95*-BJ/M/N	--
41	45933-86	SPRING, damper tube (2)	--	95*-BJ/M/N	--
42	45934-86	BUSHING, brake caliper	--	95*-BJ/M/N	--
43	45940-84	BUSHING, slider (2)	--	95*-BJ/M/N	--
44	45964-86	COVER, slider (2)	--	95*-BJ/M/N	--
45	45998-73	STUD (2)	--	95*-BJ/M/N	--
46	48300-60	ROLLER BEARING, w/ cup (2)	--	95*-BJ/M/N	--
47	48315-60	BEARING CUP (2)	--	95*-BJ/M/N	--
48	48361-80	DUST SHIELD, bearing - upper	--	95*-BJ/M/N	--
49	48365-48A	DUST SHIELD, bearing - lower	--	95*-BJ/M/N	--
50	50991-86	BRACKET, front panel (2)	--	95*-BJ/M/N	--
51	67808-86	FRONT PANEL, (buffed stainless steel)	--	95*-BJ/M/N	--
52	67816-86	BACK PANEL, left - rear	--	95*-BJ	--
	67821-87	BACK PANEL, left - rear w/ switch hole	--	95*-BM/N	--
53	67819-86	TRIM STRIP, front panel (2)	--	95*-BM/N	--
54	67820-86	BACK PANEL, right - rear	--	95*-BJ/M/N	--
		H-D INTERNATIONAL ONLY			
	48140-84A	STEERING HEAD LOCK ASM. (HDI only)	--	95*-BJ/M/N	--

FLT MODELS				SOFTAIL MODELS				DYNA MODELS	
FLHT	DD	FLHR-I	FB	FLSTC	BJ	FLSTF	BM	FXDL	GD
FLTC	DJ	FLTCU-I	FC	FXSTC	BK	FLSTN	BN	FXDWG	GE
FLTC-U	DM	FLTCU-I	FE	FXSTS	BL	FXSTSB	BP	FXDS-CON	GG
FLHTC-U	DP	FLHTC-I	FF					FXD	GH
FLHR	FD								

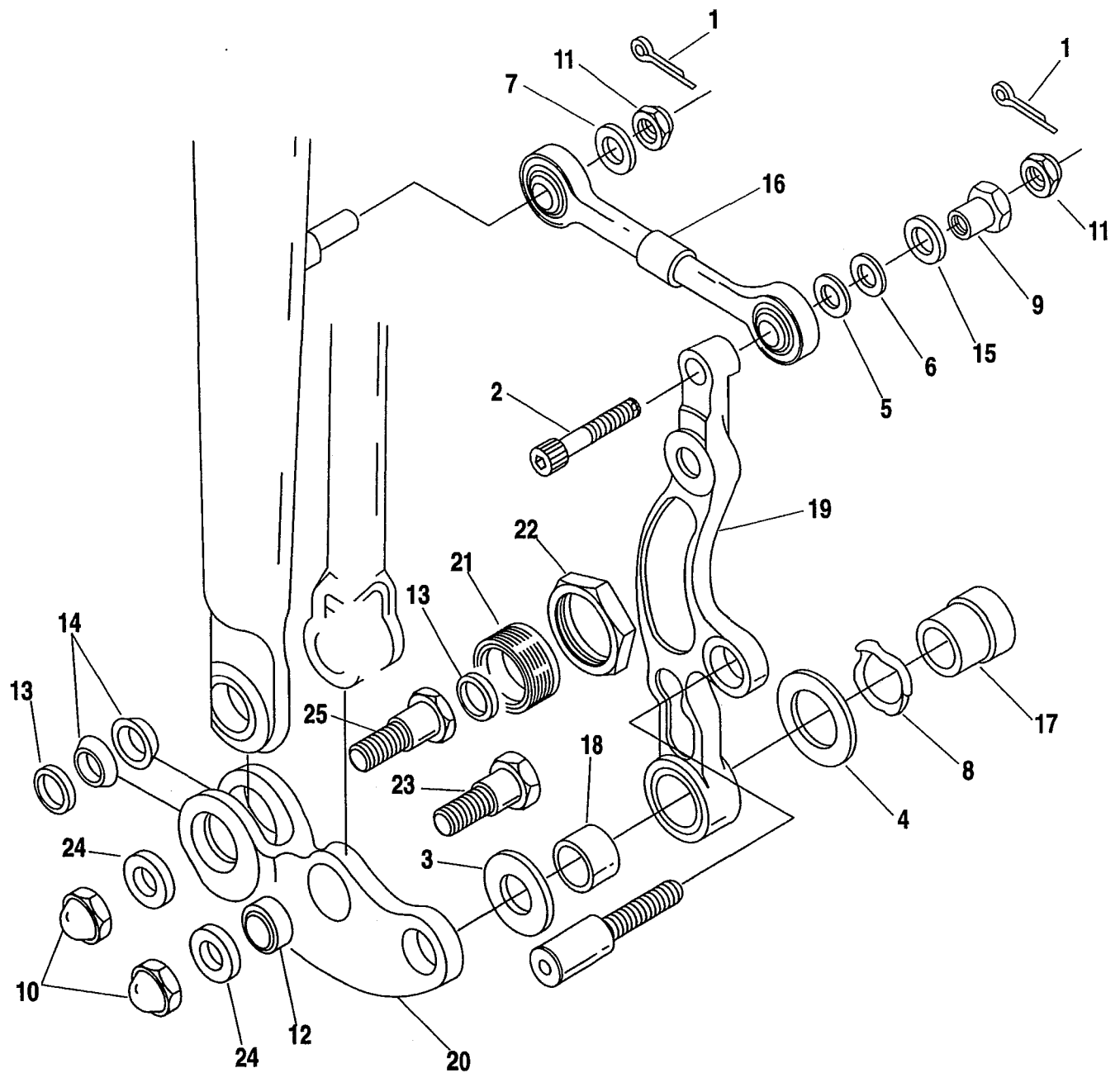
FRONT FORK - FXSTS/B



INDEX NO.	PART NO.	DESCRIPTION	FLT MODELS	SOFTAIL MODELS	DYNA MODELS
1	855B	SCREW, shock absorber mounting (2)	--	95*-BL/P	--
2	3533	SCREW, spring reaction bracket - right	--	95*-BL	--
3	3538	SCREW, spring reaction bracket - left	--	95*-BL/P	--
4	4350A	SCREW, upper triple clamp	--	95*-BL/P	--
5	6353	WASHER, spring rod (2)	--	95*-BL/P	--
6	6756	WASHER, steering stem	--	95*-BL/P	--
7	6812	WASHER, shock absorber mounting (4)	--	95*-BL/P	--
8	7232	LOCKWASHER, spring reaction bracket	--	95*-BL/P	--
9	7627	ACORN NUT, steering stem	--	95*-BL/P	--
10	7680W	ACORN NUT (4)	--	95*-BL/P	--
11	45473-88	UPPER TRIPLE CLAMP	--	95*-BL	--
	45485-95	UPPER TRIPLE CLAMP (black)	--	95*-BP	--
12	45567-88	ACORN NUT, lower spring rod (2)	--	95*-BL/P	--
13	45569-88B	RIGID FORK ASSEMBLY w/ stem	--	95*-BL	--
	45600-95	RIGID FORK ASSEMBLY w/ stem (black)	--	95*-BP	--
14	45607-93	SPRING FORK	--	95*-BL	--
	45612-95	SPRING FORK (black)	--	95*-BP	--
15	45611-86	RETAINING RING, fork stem	--	95*-BL/P	--
16	45628-92	SPRING ROD ASM. (2)	--	95*-BL/P	--
18	45935-88	BUSHING, spring rod (2)	--	95*-BL/P	--
19	45936-88	TRAVEL BUMPER (4)	--	95*-BL/P	--
20	45937-88	SPRING SEAT (4)	--	95*-BL/P	--
21	46053-88	SPRING, rebound - top (2)	--	95*-BL/P	--
22	46054-88	SPRING, compression - inner (4)	--	95*-BL/P	--
23	46055-88	SPRING, compression - outer (2)	--	95*-BL/P	--
24	46056-88	SPRING CUP, compression spring (2)	--	95*-BL/P	--
25	46057-88	SPRING CUP, rebound spring (2)	--	95*-BL/P	--
26	46060-88	SPRING RESTRAINT, upper (2)	--	95*-BL/P	--
27	46065-88	SPRING BRIDGE	--	95*-BL/P	--
28	48300-60	ROLLER BEARING w/ cup	--	95*-BL/P	--
29	48306-88	BEARING RETAINER, steering head	--	95*-BL/P	--
30	48361-80	DUST SHIELD, bearing - upper	--	95*-BL/P	--
31	48365-48A	DUST SHIELD, bearing - lower	--	95*-BL/P	--
32	54483-88A	FRONT SHOCK ABSORBER	--	95*-BL/P	--
33	66030-88	DECAL, shock absorber	--	95*-BL/P	--
		H-D INTERNATIONAL ONLY			
	48140-84A	STEERING HEAD LOCK ASM. (HDI only)	--	95*-BL/P	--

FLT MODELS				SOFTAIL MODELS				DYNA MODELS	
FLHT	DD	FLHR-I	FB	FLSTC	BJ	FLSTF	BM	FXDL	GD
FLHTC	DJ	FLHTCU-I	FC	FXSTC	BK	FLSTN	BN	FXDWG	GE
FLTC-U	DM	FLTCU-I	FE	FXSTS	BL	FXSTSB	BP	FXDS-CON	GG
FLHTC-U	DP	FLHTC-I	FF					FXD	GH
FLHR	FD								

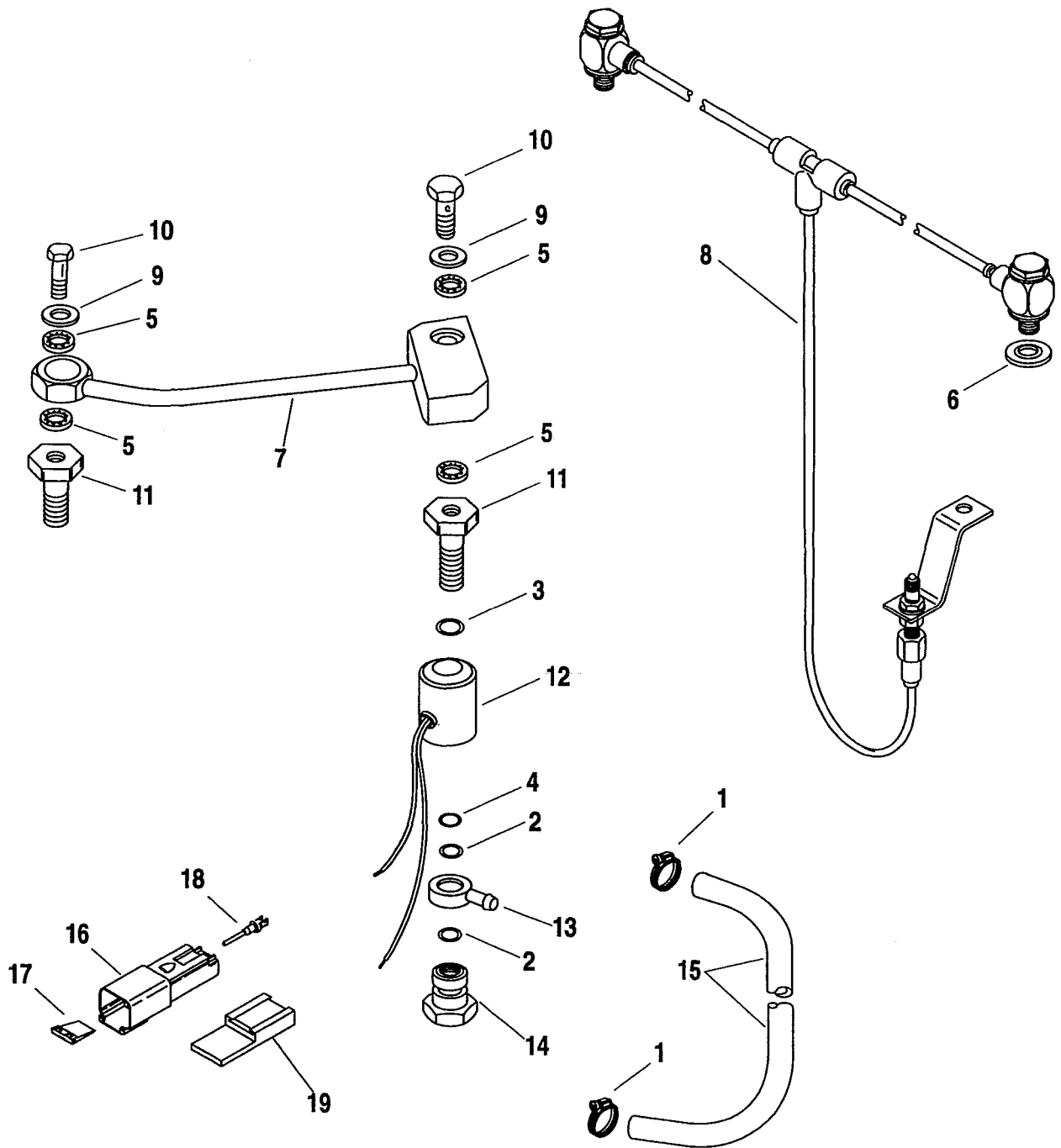
FORK ROCKERS & CALIPER MOUNTING - FXSTS/B



INDEX NO.	PART NO.	DESCRIPTION	FLT MODELS	SOFTAIL MODELS	DYNA MODELS
1	534	COTTER PIN, brake reaction link (2)	--	95*-BL/P	--
2	4747	SCREW, brake link to bracket	--	95*-BL/P	--
3	6040	WASHER, front axle - outside right	--	95*-BL/P	--
4	6042	WASHER, front axle - inside right	--	95*-BL/P	--
5	6371	WASHER	--	95*-BL/P	--
6	6498	WASHER	--	95*-BL/P	--
7	6812	WASHER, brake reaction link	--	95*-BL/P	--
8	7012	WAVE WASHER, front axle - right	--	95*-BL/P	--
9	7588	NUT, shaft	--	95*-BL/P	--
10	7627	ACORN NUT, rockers to forks (4)	--	95*-BL/P	--
11	7667	LOCKNUT, brake reaction link (2)	--	95*-BL/P	--
12	9139	BEARING, spherical - fork to rocker (2)	--	95*-BL/P	--
13	9140	RACE, spherical bearing - fork to rocker (4)	--	95*-BL/P	--
14	9141	BALL, spherical bearing - fork to rocker (4)	--	95*-BL/P	--
15	11244	SPACER (rubber)	--	95*-BL/P	--
16	41040-88B	BRAKE REACTION LINK	--	95*-BL/P	--
17	44029-88	SPACER, right	--	95*-BL/P	--
18	44030-88	BUSHING, caliper mounting	--	95*-BL/P	--
19	44044-88A	BRACKET, callper mounting	--	95*-BL/P	--
20	45646-95	ROCKER, right (black)	--	95*-BP	--
	45647-97	ROCKER, left (black)	--	95*-BP	--
	45649-91	ROCKER, left	--	95*-BL	--
	45651-91	ROCKER, right	--	95*-BL	--
21	45655-88	BEARING RETAINER, rigid fork (2)	--	95*-BL/P	--
22	45659-88	JAM NUT, bearing retainer (2)	--	95*-BL/P	--
23	45660-88A	PIVOT STUD, spring fork to rocker (2)	--	95*-BL/P	--
24	45662-88	WASHER, rocker to fork leg (4)	--	95*-BL/P	--
25	45663-88A	PIVOT STUD, rigid fork to rocker (2)	--	95*-BL/P	--

FLT MODELS				SOFTAIL MODELS				DYNA MODELS	
FLHT	DD	FLHR-I	FB	FLSTC	BJ	FLSTF	BM	FXDL	GD
FLHTC	DJ	FLHTCU-I	FC	FXSTC	BK	FLSTN	BN	FXDWG	GE
FLTC-U	DM	FLTCU-I	FE	FXSTS	BL	FXSTSB	BP	FXDS-CON	GG
FLHTC-U	DP	FLHTC-I	FF					FXD	GH
FLHR	FD								

FRONT FORK AIR CONTROL - FLT



FRONT FORK AIR CONTROL- FLT MODELS

FC28

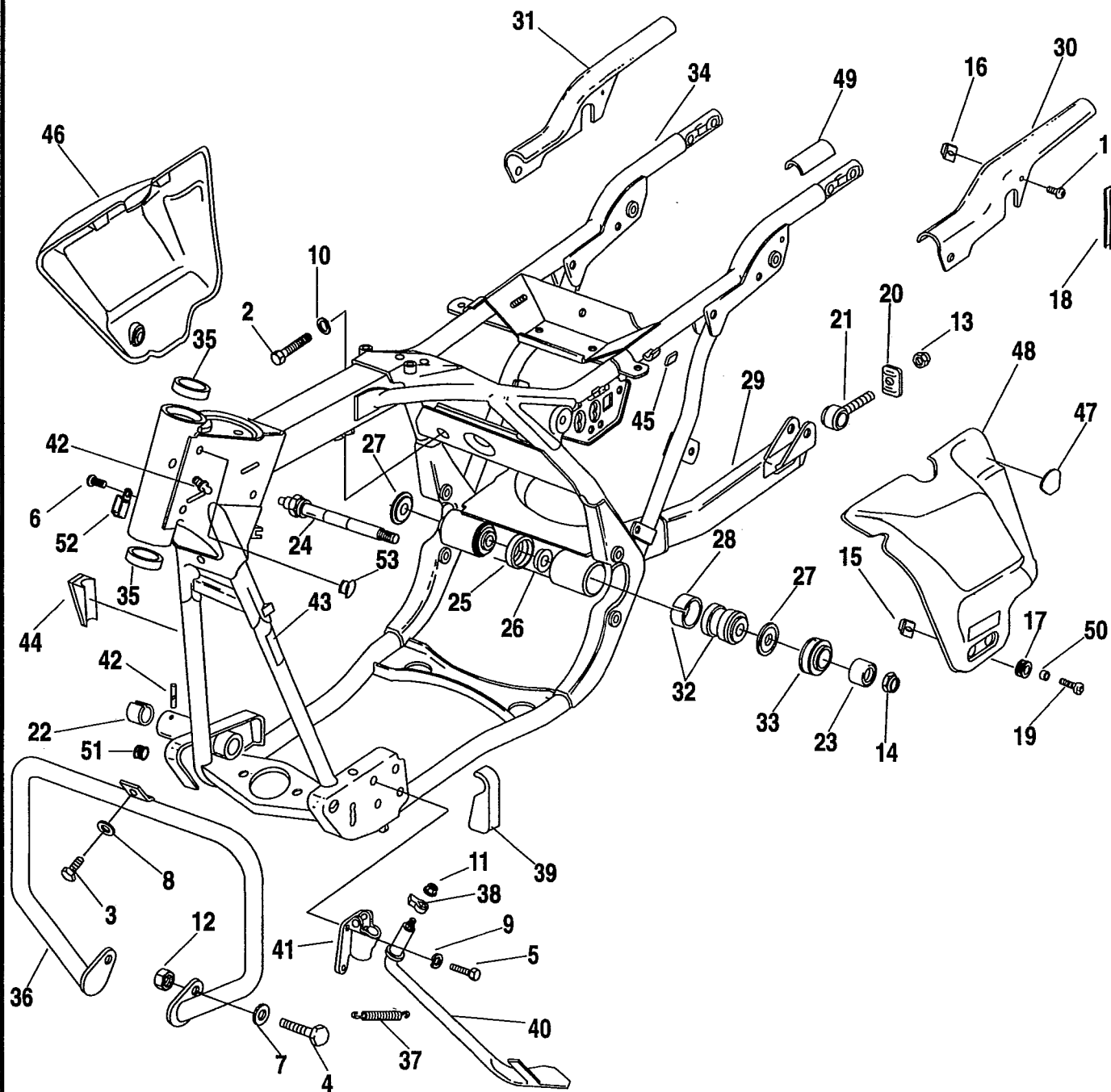
INDEX NO.	PART NO.	DESCRIPTION	FLT MODELS	SOFTAIL MODELS	DYNA MODELS
1	9946	CLAMP (2)	95-DD/J/M/P;FC 96*-DD/J/P;FC/E/F	--	--
2	11132	O-RING (2)	95-DD/J/M/P;FC 96*-DD/J/P;FC/E/F	--	--
3	11170	O-RING	95-DD/J/M/P;FC 96*-DD/J/P;FC/E/F	--	--
4	11171	O-RING	95-DD/J/M/P;FC 96*-DD/J/P;FC/E/F	--	--
5	41733-88	GASKET (4)	95-DD/J/M/P;FC 96*-DD/J/P;FC/E/F	--	--
6	41792-94	GASKET (4)	95*-FB/D	--	--
7	42466-93	MANIFOLD	95-DD/J/M/P;FC 96*-DD/J/P;FC/E/F	--	--
8	42475-94	MANIFOLD ASM.	95*-FB/D	--	--
9	45583-83	GASKET (2)	95-DD/J/M/P;FC 96*-DD/J/P;FC/E/F	--	--
10	45585-83	BOLT, drilled (2)	95-DD/J/M/P;FC 96*-DD/J/P;FC/E/F	--	--
11	45839-84	CAP, upper bracket (2)	95-DD/J/M/P;FC 96*-DD/J/P;FC/E/F	--	--
12	46452-85	VALVE OPERATOR ASSEMBLY	95-DD/J/M/P;FC 96*-DD/J/P;FC/E/F	--	--
13	46459-86	FITTING, banjo	95-DD/J/M/P;FC 96*-DD/J/P;FC/E/F	--	--
14	46461-86	BOLT, fitting	95-DD/J/M/P;FC 96*-DD/J/P;FC/E/F	--	--
15	49059-88B	HOSE	95-DD/J/M/P;FC 96*-DD/J/P;FC/E/F	--	--
16	72102-94BK	RECEPTACLE, two-way pin	95-DD/J/M/P;FC 96*-DD/J/P;FC/E/F	--	--
17	72142-94	PIN LOCK, secondary, two-way	95-DD/J/M/P;FC 96*-DD/J/P;FC/E/F	--	--
18	72190-94	TERMINAL, pin (2)	95-DD/J/M/P;FC 96*-DD/J/P;FC/E/F	--	--
19	72199-94	ATTACHMENT CLIP	95-DD/J/M/P;FC 96*-DD/J/P;FC/E/F	--	--

FLT MODELS				SOFTAIL MODELS				DYNA MODELS	
FLHT	DD	FLHR-I	FB	FLSTC	BJ	FLSTF	BM	FXDL	GD
FLHTC	DJ	FLHTCU-I	FC	FXSTC	BK	FLSTN	BN	FXDWG	GE
FLTC-U	DM	FLTCU-I	FE	FXSTS	BL	FXSTSB	BP	FXDS-CON	GG
FLHTC-U	DP	FLHTC-I	FF					FXD	GH
FLHR	FD								

INDEX NO.	PART NO.	DESCRIPTION	FLT MODELS	SOFTAIL MODELS	DYNA MODELS
NOTE: REFER TO PAINTED PARTS BOOK FOR PAINTED PART NUMBERS.					
1	932	SCREW (4)	95*-ALL	--	--
2	2551W	SCREW	95*-ALL	--	--
3	2708A	SCREW	95*-ALL	--	--
4	2879W	BOLT (2)	95*-ALL	--	--
5	3987	BOLT (2)	95*-ALL	--	--
6	4124	SCREW	95*-ALL	--	--
7	6701	WASHER (2)	95*-ALL	--	--
8	6702	WASHER	95*-ALL	--	--
9	7041	LOCKWASHER (2)	95*-ALL	--	--
10	7229W	LOCKWASHER	95*-ALL	--	--
11	7596	NUT	95*-ALL	--	--
12	7601	LOCKNUT (2)	95*-ALL	--	--
13	7772	LOCKNUT (2)	95*-ALL	--	--
14	7824	LOCKNUT	95*-ALL	--	--
15	8102	CLIP NUT (2)	95*-ALL	--	--
16	8108	CLIP NUT (4)	95*-ALL	--	--
17	11412	GROMMET, side cover (2)	95*-ALL	--	--
18	29274-93	MOLDING (2)	95*-ALL	--	--
19	29283-93	SCREW (2)	95*-ALL	--	--
20	41112-79	END COVER, rear fork (2)	95*-ALL	--	--
21	41573-84	ADJUSTER, rear axle (2)	95*-ALL	--	--
22	47247-83	BUSHING, foot brake hub (2)	95*-ALL	--	--
23	47491-89	CUP WASHER	95*-ALL	--	--
24	47492-89A	PIVOT SHAFT KIT w/ #14 & 23	95*-ALL	--	--
25	47510-80	RETAINING RING (plastic) (2)	95*-ALL	--	--
26	47511-80	SPACER (2)	95*-ALL	--	--
27	47513-80	SPACER (nylon) (2)	95*-ALL	--	--
28	47538-79	TOLERANCE RING, bushing (2)	95*-ALL	--	--
29	47544-85A	REAR FORK	95*-ALL	--	--
30	47551-79B	COVER, left w/ #1 & 16	95*-ALL	--	--
31	47552-79B	COVER, right w/ #1 & 16	95*-ALL	--	--

FLT MODELS				SOFTAIL MODELS				DYNA MODELS	
FLHT	DD	FLHR-I	FB	FLSTC	BJ	FLSTF	BM	FXDL	GD
FLHTC	DJ	FLHTCU-I	FC	FXSTC	BK	FLSTN	BN	FXDWG	GE
FLTC-U	DM	FLTCU-I	FE	FXSTS	BL	FXSTSB	BP	FXDS-CON	GG
FLHTC-U	DP	FLHTC-I	FF					FXD	GH
FLHR	FD								

FRAME, REAR FORK & JIFFY STAND - FLT



FRAME, REAR FORK & JIFFY STAND - FLT MODELS (CONT'D)

FC29-2

INDEX NO.	PART NO.	DESCRIPTION	FLT MODELS	SOFTAIL MODELS	DYNA MODELS
32	47556-81	BUSHING ASSEMBLY, w/ #28 (2)	95*-ALL	--	--
33	47564-86	RUBBER MOUNT (2)	95*-ALL	--	--
34	47900-93B	FRAME	95*-ALL	--	--
35	48315-60	BEARING CUP (2)	95*-ALL	--	--
36	49184-88A	ENGINE GUARD KIT w/ #3	95*-ALL	--	--
37	50005-85A	SPRING, jiffy stand	95*-ALL	--	--
38	50015-74A	LEG STOP	95*-ALL	--	--
39	50059-85	BUMPER, jiffy stand	95*-ALL	--	--
40	50075-91	LEG, jiffy stand	95*-ALL	--	--
41	50078-81	BRACKET, jiffy stand leg	95*-ALL	--	--
42	50972-75	FITTING, lubrication (2)	95*-ALL	--	--
43	53487-87	PAD, protection	95*-ALL	--	--
44	59258-91	REFLECTOR (amber)(2)	95*-DD:FB/D	--	--
45	66029-80	RUBBER MOUNT, side cover (4)	95*-ALL	--	--
46	66046-93	SIDE COVER, right (prime)	95*-ALL	--	--
47	66055-93	WEAR PAD (2)	95*-ALL	--	--
48	66248-93	SIDE COVER, left (prime)	95*-ALL	--	--
49	66600-84	PAD (2)	95*-ALL	--	--
50	67009-72	SPACER (2)	95*-ALL	--	--
51	67287-95	BUSHING, snap	95*-ALL	--	--
52	68750-93	CLAMP	95*-ALL	--	--
53	90469-94	PLUG (3, 4-1996)	95*-DD/J/P;FC/F	--	--
H-D INTERNATIONAL ONLY					
	856A	SCREW (HDI only)	95*-ALL	--	--
	3488A	SCREW (HDI only)	95*-ALL	--	--
	7748W	NUT (HDI only)	95*-ALL	--	--
34	47904-93B	FRAME (HDI only)	95*-ALL	--	--
	50050-93	BRACKET, jiffy stand spring (HDI only)	95*-ALL	--	--
	50051-84A	JIFFY STAND SPRING KIT (HDI only)	95*-ALL	--	--

FLT MODELS				SOFTAIL MODELS				DYNA MODELS	
FLHT	DD	FLHR-I	FB	FLSTC	BJ	FLSTF	BM	FXDL	GD
FLHTC	DJ	FLHTCU-I	FC	FXSTC	BK	FLSTN	BN	FXDWG	GE
FLTC-U	DM	FLTCU-I	FE	FXSTS	BL	FXSTSB	BP	FXDS-CON	GG
FLHTC-U	DP	FLHTC-I	FF					FXD	GH
FLHR	FD								

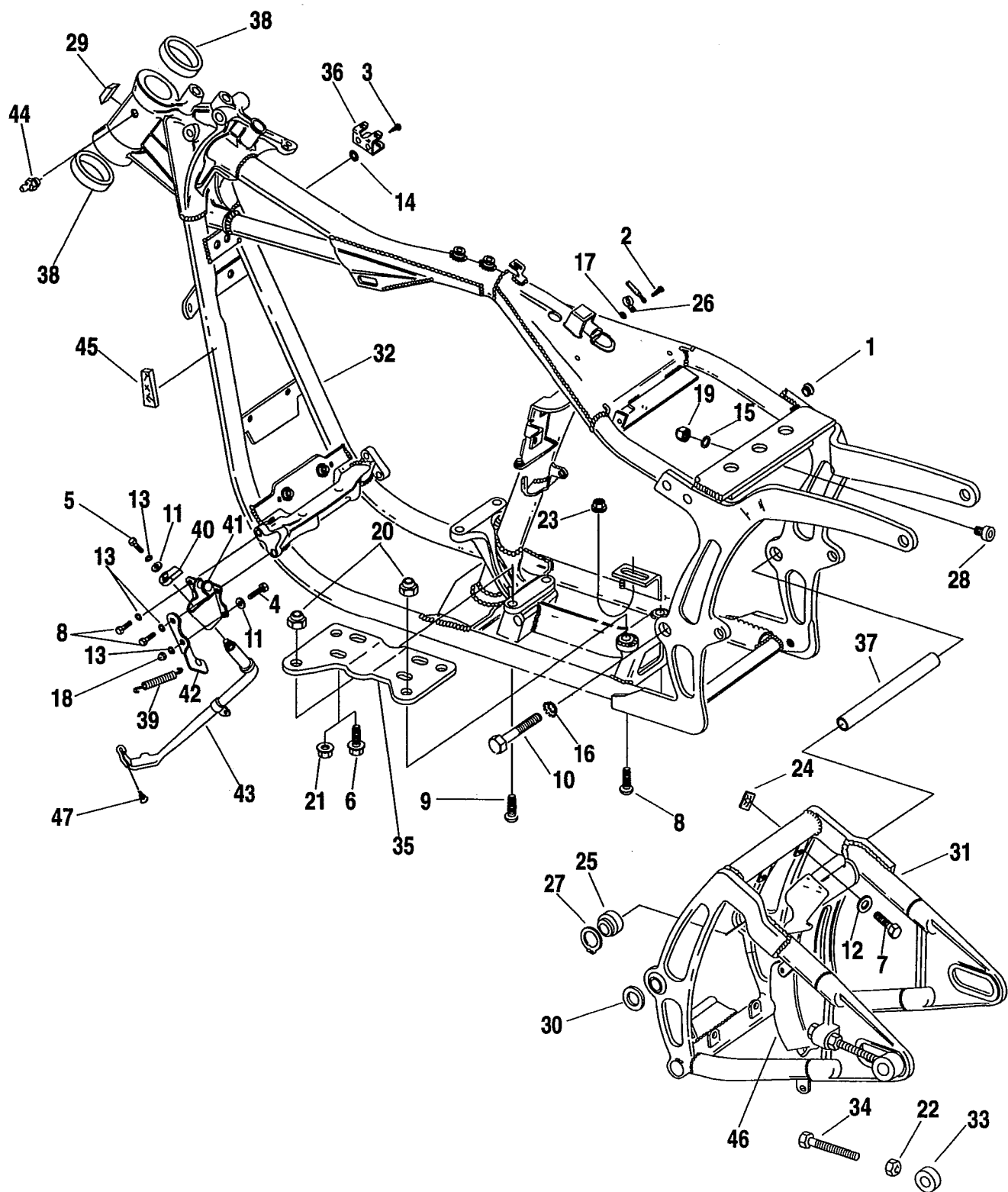
FRAME, REAR FORK & JIFFY STAND - SOFTAIL MODELS

FC29A-1

INDEX NO.	PART NO.	DESCRIPTION	FLT MODELS	SOFTAIL MODELS	DYNA MODELS
1	728	PLUG, frame side (2)	--	95*-BK/L/P	--
2	939	SCREW	--	95*-ALL	--
3	1046	SCREW	--	95*-ALL	--
4	2871W	BOLT (2)	--	95*-BJ/M/N	--
	3987	BOLT (2)	--	95*-BK/L/P	--
5	2882W	BOLT	--	95*-ALL	--
6	3657	BOLT (4)	--	96*-BJ/M/N	--
7	3787	BOLT (4)	--	95*-BJ/M/N	--
8	3991	BOLT (2)	--	95*-ALL	--
	3996	BOLT (2)	--	93*-ALL	--
9	4044	SCREW (4)	--	95*-ALL	--
10	4961	BOLT (2)	--	95*-ALL	--
11	6702	WASHER (2)	--	95*-ALL	--
12	6703	WASHER (4)	--	95*-BK/L/P	--
13	7041	LOCKWASHER (4)	--	95*-ALL	--
14	7115	LOCKWASHER	--	95*-ALL	--
15	7124	LOCKWASHER	--	95*-ALL	--
16	7142	LOCKWASHER (2)	--	95*-ALL	--
17	7230	LOCKWASHER	--	95*-ALL	--
18	7507	ACORN NUT (3)	--	95*-BK/L/P	--
	7748W	NUT (3)	--	95*-BJ/M/N	--
19	7742	LOCKNUT (2)	--	95*-BJ/M/N	--
20	7778	LOCKNUT (4)	--	95*-ALL	--
21	7780	FLANGE NUT (5)	--	95*-ALL	--
22	7783	NUT, rear axle adj. (2)	--	95*-ALL	--
23	7942	FLANGE LOCKNUT	--	96*-ALL	--
24	8108	SPEED NUT (4)	--	95*-ALL	--
25	9076	BEARING, rear fork pivot (2)	--	95*-ALL	--
26	10059A	CLAMP	--	95*-ALL	--
27	11158	RETAINING RING, fork bearing (2)	--	95*-ALL	--
28	11451	CUSHION (2)	--	95*-ALL	--
29	11456	BUMPER	--	95*-BL	--

FLT MODELS				SOFTAIL MODELS				DYNA MODELS	
FLHT	DD	FLHR-I	FB	FLSTC	BJ	FLSTF	BM	FXDL	GD
FLHTC	DJ	FLHTCU-I	FC	FXSTC	BK	FLSTN	BN	FXDWG	GE
FLTC-U	DM	FLTCU-I	FE	FXSTS	BL	FXSTSB	BP	FXDS-CON	GG
FLHTC-U	DP	FLHTC-I	FF					FXD	GH
FLHR	FD								

FRAME, REAR FORK & JIFFY STAND - SOFTTAIL MODELS



FRAME, REAR FORK & JIFFY STAND - SOFTAIL MODELS (CONT'D)

FC29A-2

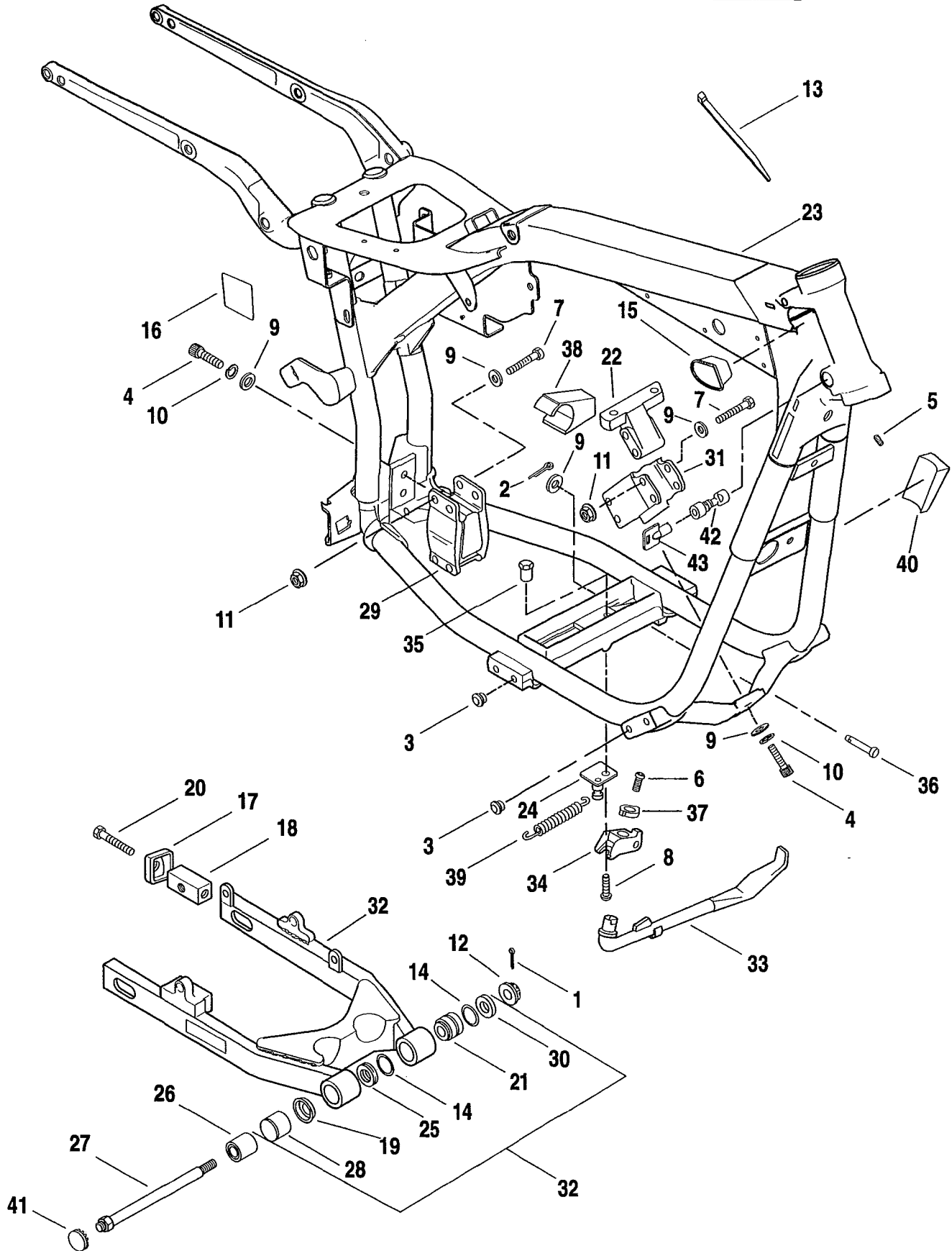
INDEX NO.	PART NO.	DESCRIPTION	FLT MODELS	SOFTAIL MODELS	DYNA MODELS
30	43283-86	SPACER, rear fork pivot (2)	--	95*-ALL	--
31	47573-89B	REAR FORK, w/ #25 & 27	--	95*-ALL	--
32	47008-92B	FRAME	--	95*-ALL	--
33	47577-94	SPACER, rear axle adj. (2)	--	95*-ALL	--
34	47579-93	ADJUSTING SCREW, rear axle (2)	--	95*-ALL	--
35	47698-86B	TRANSMISSION MOUNTING PLATE	--	95*-ALL	--
36	47712-91	TAB, electrical	--	95*-ALL	--
37	48031-89A	SWING AXIS TUBE	--	95*-ALL	--
38	48315-60	BEARING CUP (2)	--	95*-ALL	--
39	50005-85A	SPRING, jiffy stand leg	--	95*-ALL	--
40	50015-74A	LEG STOP	--	95*-ALL	--
41	50018-85	LEG BRACKET, (chrome)	--	95*-ALL	--
42	50028-91	BRACKET, spring (chrome)	--	95*-ALL	--
43	50087-89A	LEG, jiffy stand (chrome)	--	95*-ALL	--
44	50972-75	FITTING, lubrication	--	95*-ALL	--
45	59258-91	REFLECTOR (amber) (2)	--	95*-ALL	--
46	60363-86C	REAR FENDER EXTENSION	--	95*-ALL	--
47	62123-66	BUMPER	--	95*-ALL	--

H-D INTERNATIONAL ONLY

32	48130-92B	FRAME, (HDI only)	--	95*-ALL	--
	48140-84A	STEERING HEAD LOCK (HDI only) (not illust)	--	95*-ALL	--
	50025-84	SPRING, jiffy stand (HDI only) (not illust)	--	95*-ALL	--
	50027-84	SPRING, jiffy stand (HDI only) (not illust)	--	95*-ALL	--
	50034-84	SPRING, jiffy stand (HDI only) (not illust)	--	95*-ALL	--
45	59265-90	REFLECTOR (amber) (2) (HDI only)	--	95*-BL/M	--

FLT MODELS				SOFTAIL MODELS			DYNA MODELS		
FLHT	DD	FLHR-I	FB	FLSTC	BJ	FLSTF	BM	FXDL	GD
FLHTC	DJ	FLHTCU-I	FC	FXSTC	BK	FLSTN	BN	FXDWG	GE
FLTC-U	DM	FLTCU-I	FE	FXSTS	BL	FXSTSB	BP	FXDS-CON	GG
FLHTC-U	DP	FLHTC-I	FF					FXD	GH
FLHR	FD								

FRAME, REAR FORK & JIFFY STAND - DYNA MODELS



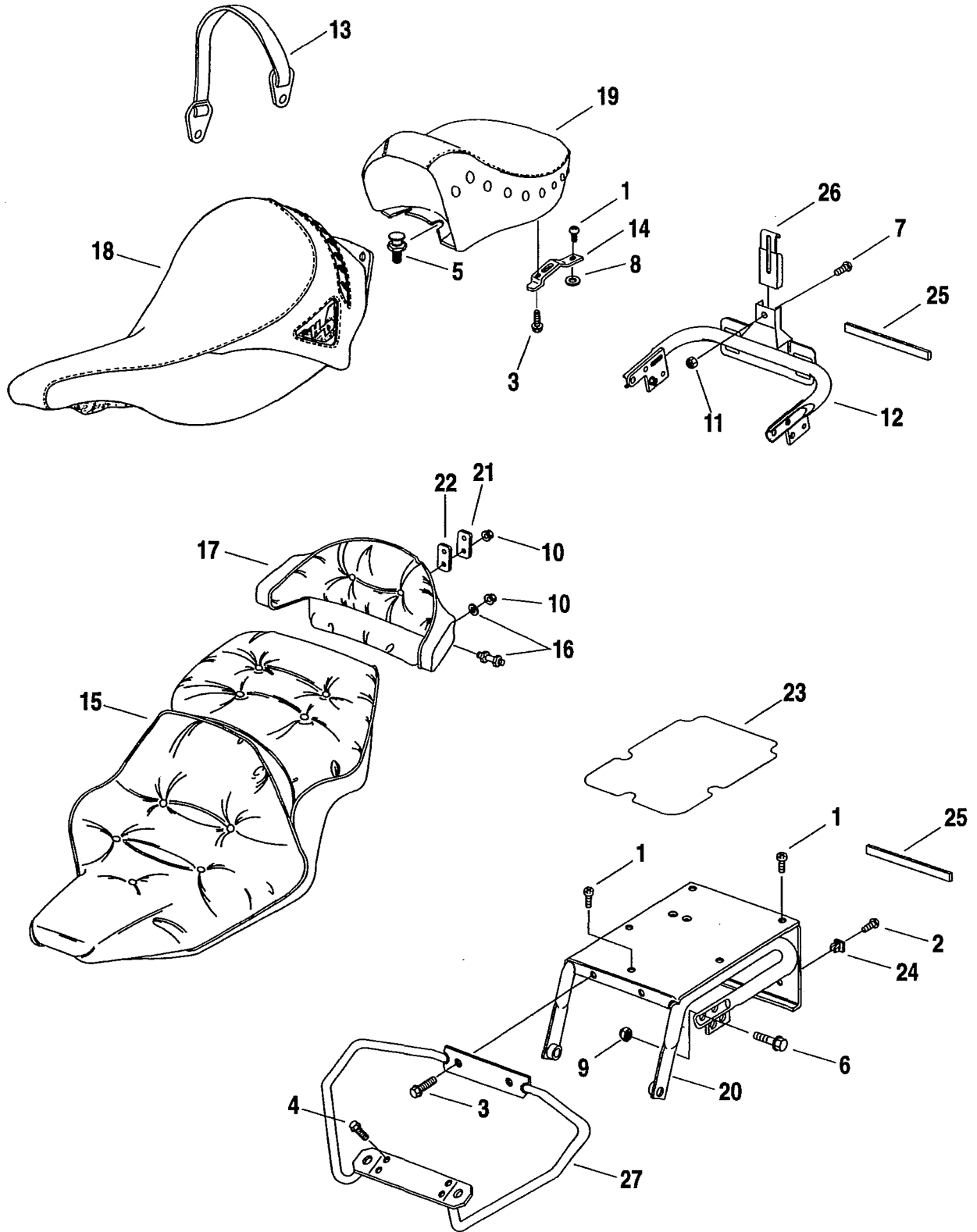
FRAME, REAR FORK & JIFFY STAND - DYNA MODELS

FC29B

INDEX NO.	PART NO.	DESCRIPTION	FLT MODELS	SOFTAIL MODELS	DYNA MODELS
1	534	COTTER PIN	--	--	95*-ALL
2	554	COTTER PIN	--	--	95*-ALL
3	740	PLUG (4)	--	--	95*-GD/H
4	3214	SCREW (4)	--	--	95*-ALL
5	3233	SET SCREW (2)	--	--	95*-ALL
6	3487	SCREW	--	--	95*-ALL
7	3509	SCREW (4)	--	--	95*-ALL
8	3655	SCREW	--	--	95*-ALL
9	6701	WASHER (9)	--	--	95*-ALL
10	7038	LOCKWASHER (4)	--	--	95*-ALL
11	7601	LOCKNUT (4)	--	--	95*-ALL
12	7832	NUT, flanged - castle	--	--	95*-ALL
13	10039	CABLE STRAP	--	--	95*-ALL
14	11139	O-RING (2)	--	--	95*-ALL
15	11457	PLUG, steering head	--	--	95*-ALL
16	14273-93	DECAL, hole cover	--	--	95-GE
	14273-96	DECAL, hole cover	--	--	96*-GE
17	41113-90	PLATE (2)	--	--	95*-ALL
18	41571-92	BLOCK (2)	--	--	95*-ALL
19	41585-90	DUST SHIELD	--	--	95*-ALL
20	45991-92	SCREW (2)	--	--	95*-ALL
21	47082-81	BEARING	--	--	99*-ALL
22	47226-90A	BRACKET KIT, front engine mount	--	--	95*-ALL
23	47427-92D	FRAME, 32° rake	--	--	95-GD/E
	47427-96	FRAME, 32° rake	--	--	96*-GD/E
	47456-94A	FRAME, 28° rake	--	--	95-GG/H
	47456-96	FRAME, 28° rake	--	--	96*-GG/H
24	47303-91	ANCHOR	--	--	95*-ALL
25	47496-90	SPACER, left	--	--	95*-ALL
26	47499-90	SPACER, right	--	--	95*-ALL
27	47515-90A	PIVOT BOLT	--	--	95*-ALL
28	47541-90	BUSHING	--	--	95*-ALL
29	47564-90B	ISOLATOR, rear	--	--	95*-ALL
30	47565-90	WASHER	--	--	95*-ALL
31	47583-90B	ISOLATOR, front	--	--	95*-ALL
32	47820-90A	REAR FORK w/bearings	--	--	95*-ALL
33	49704-90A	LEG, jiffy stand	--	--	95*-GD/E/H
	49710-94	LEG, jiffy stand	--	--	95*-GG
34	49720-90	PIVOT BLOCK	--	--	95*-ALL
35	49723-90	THREADED SPACER	--	--	95*-ALL
36	50003-89A	PIN	--	--	95*-ALL
37	50053-90	CATCH	--	--	95*-ALL
38	50054-90	BUMPER	--	--	95*-GD/E/H
	62123-66	BUMPER	--	--	95*-GG
39	50057-91	SPRING	--	--	95*-ALL
40	59272-90	REFLECTOR (amber) (2)	--	--	95*-ALL
41	67859-90	PLUG (chrome)	--	--	95*-ALL
42	71419-93	LOCKSET, fork & ignition w/key (not illustrated)	--	--	95*-GE
	71421-95	LOCKSET, fork & ignition w/key (not illustrated)	--	--	95*-GD/G/H
43	71452-91A	KEY (specify key code)	--	--	95*-ALL

FLT MODELS				SOFTAIL MODELS				DYNA MODELS	
FLHT	DD	FLHR-I	FB	FLSTC	BJ	FLSTF	BM	FXDL	GD
FLHTC	DJ	FLHTCU-I	FC	FXSTC	BK	FLSTN	BN	FXDWG	GE
FLTC-U	DM	FLTCU-I	FE	FXSTS	BL	FXSTSB	BP	FXDS-CON	GG
FLHTC-U	DP	FLHTC-I	FF					FXD	GH
FLHR	FD								

SEATS & LUGGAGE RACK - FLT MODELS



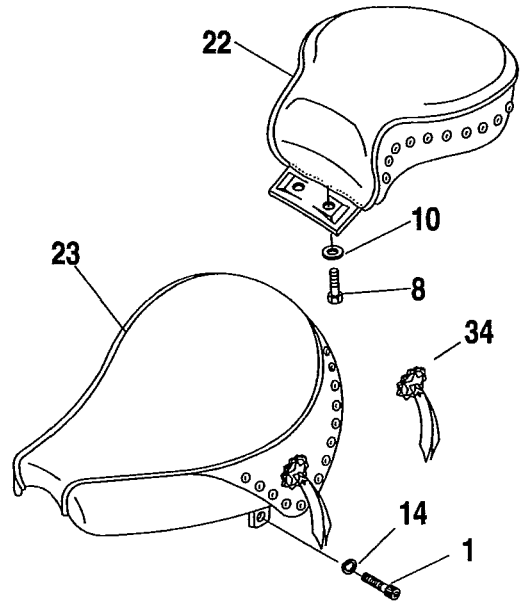
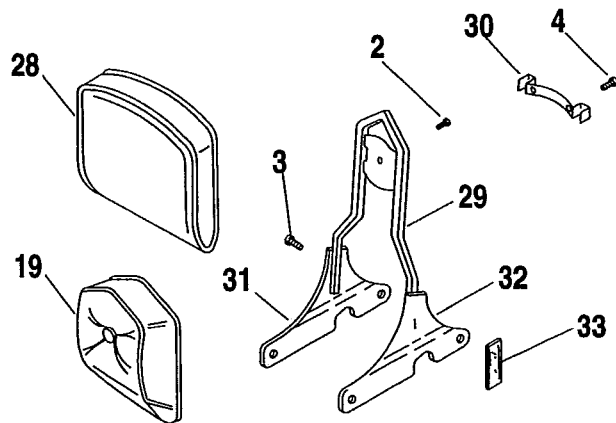
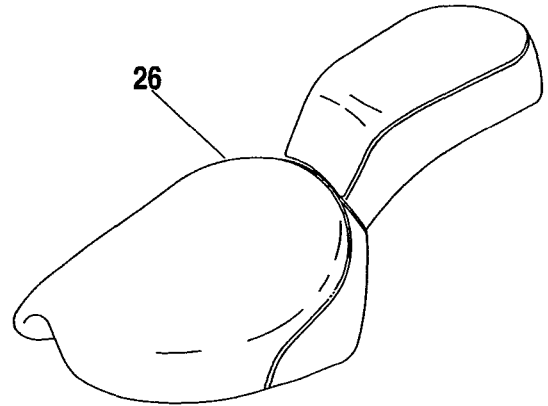
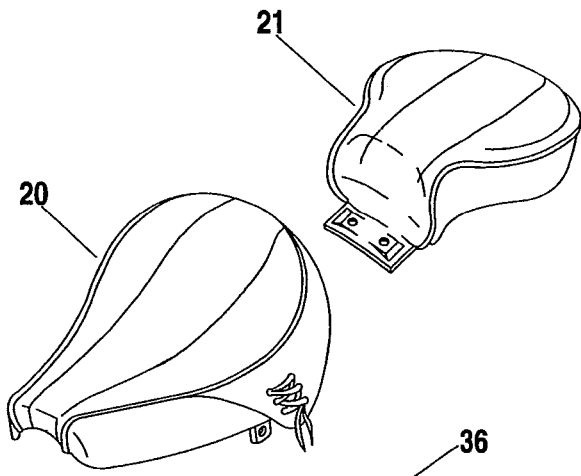
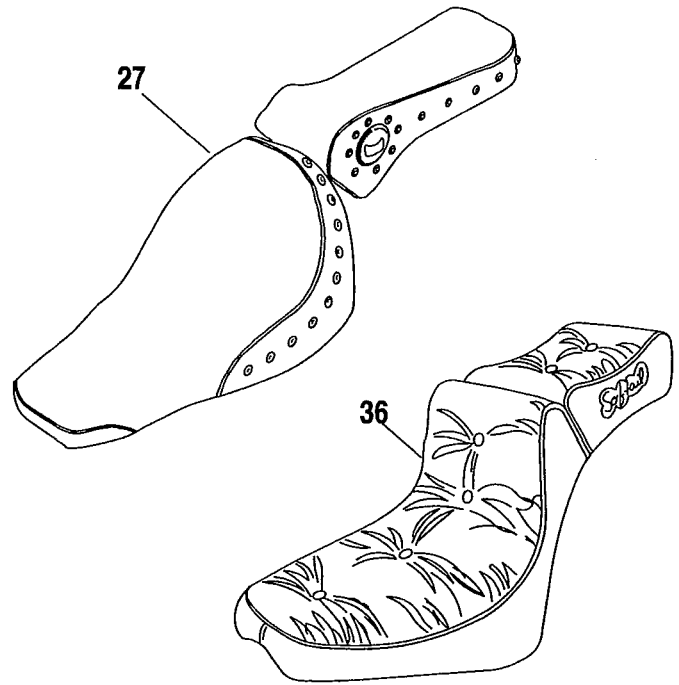
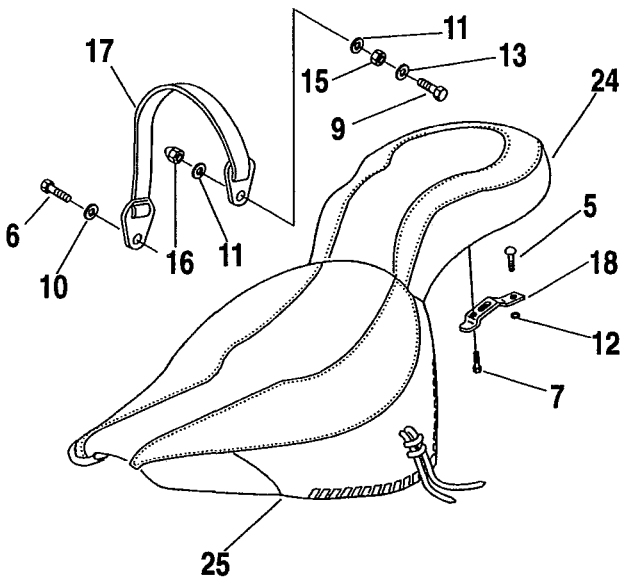
SEATS & LUGGAGE RACK - FLT MODELS

FC30

INDEX NO.	PART NO.	DESCRIPTION	FLT MODELS	SOFTAIL MODELS	DYNA MODELS
1	2337W	SCREW	95*-ALL	--	--
2	2731W	SCREW, self-tapping (2)	95*-DM/P;FC/E		
3	3574	SCREW (2 - FB/D)	95*-ALL	--	--
4	3661	SCREW, flange (2)	95*-DD/J/M/P; FC/E/F	--	--
5	3662	STUD, seat mtg. (2)	95*-FD;96*-FB/D	--	--
6	4327	SCREW (4)	95*-ALL	--	--
7	5403B	BOLT	95*-FD;96*-FB/D	--	--
8	6410	WASHER (nylon)	95*-FD;96*-FB/D	--	--
9	7594	LOCKNUT (4)	95*-ALL	--	--
10	7716	NUT, flange (6)	95*-DJ/M/P;FC/E/F	--	--
11	7792	NUT, with washer	95*-FD;96*-FB/D	--	--
12	47440-92	REAR FRAME ASM.	95*-FD;96*-FB/D	--	--
13	51196-94	PASSENGER STRAP	95*-FD;96*-FB/D	--	--
14	51652-83A	BRACKET, passenger seat	95*-FD;96*-FB/D	--	--
15	52151-91A	SEAT (black)	95-DM;96*-FE	--	--
	52164-91A	SEAT (black)	95*-DD/J/P;FC/F	--	--
16	52192-86A	SET OF ISOLATORS	95*-DJ/M/P;FC/E/F	--	--
17	52201-86B	BACKREST KIT (black)	95*-DJ/M/P;FC/E/F	--	--
18	52280-94	SEAT, rider	95*-FD;96*-FB/D	--	--
19	52281-94A	SEAT, passenger	95*-FD;96*-FB/D	--	--
20	53411-92A	LUGGAGE RACK	95*-DD/J/M/P; FC/E/F	--	--
21	53515-86	BACKING PLATE	95*-DJ/M/P; FC/E/F	--	--
22	53517-86	CUSHION PLATE	95*-DJ/M/P; FC/E/F	--	--
23	53521-91	COVER, luggage rack	95*-DD	--	--
24	59292-94	NUT, license plate (plastic)(2)	95*-DM/P;FC/E	--	--
25	59988-72	REFLECTOR (red)	95*-ALL	--	--
26	60001-55	CLAMP, license plate	95*-FD;96*-FB/D	--	--
27	91583-91A	HANDRAIL, passenger	95*-DD/J/M/P; FC/E/F	--	--

FLT MODELS			SOFTAIL MODELS				DYNA MODELS		
FLHT	DD	FLHR-I	FB	FLSTC	BJ	FLSTF	BM	FXDL	GD
FLHTC	DJ	FLHTCU-I	FC	FXSTC	BK	FLSTN	BN	FXDWG	GE
FLTC-U	DM	FLTCU-I	FE	FXSTS	BL	FXSTSB	BP	FXDS-CON	GG
FLHTC-U	DP	FLHTC-I	FF					FXD	GH
FLHR	FD								

SEATS & SISSY BAR - SOFTTAIL



SEATS & SISSY BAR - SOFTAIL MODELS

FC30A

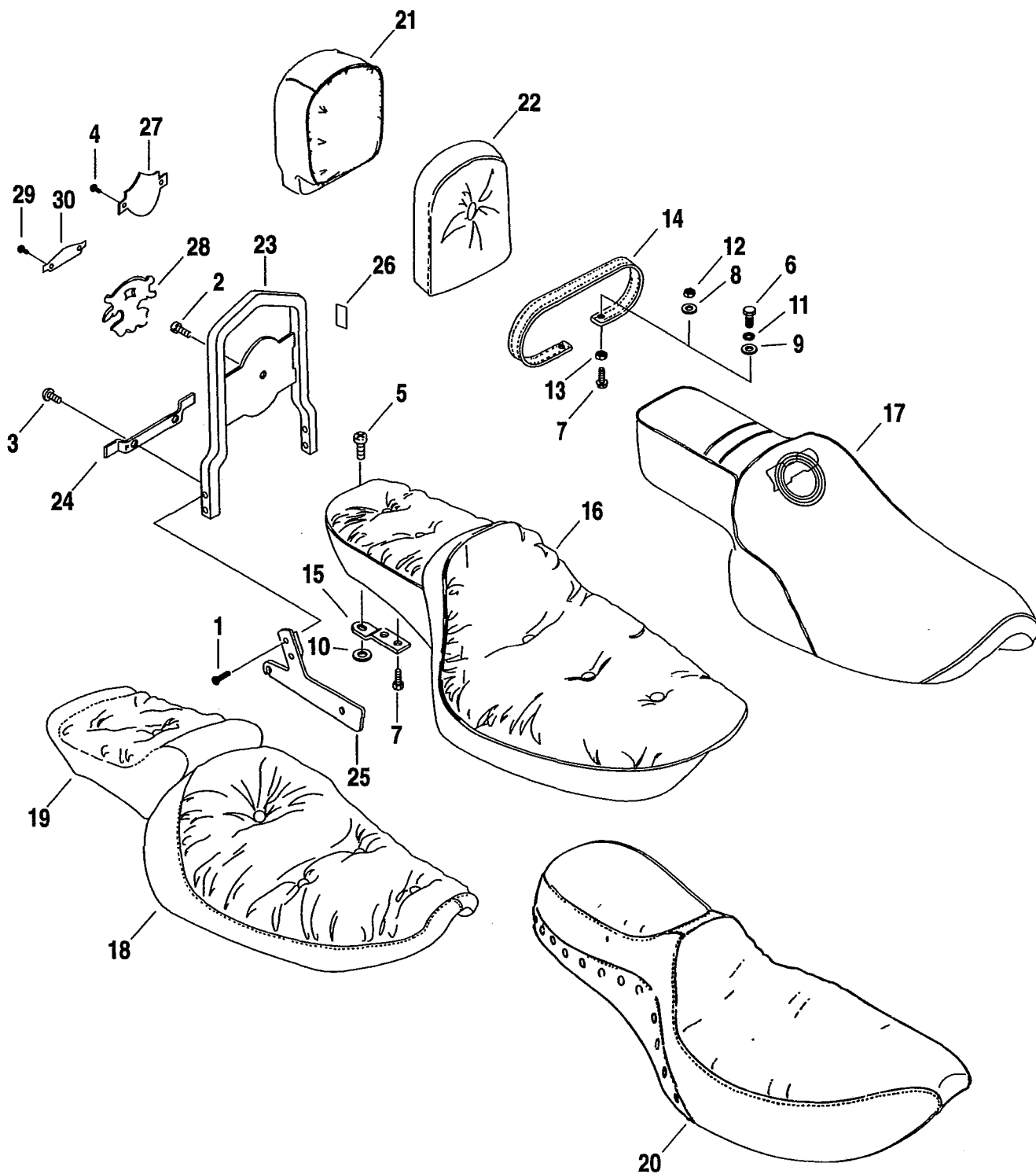
INDEX NO.	PART NO.	DESCRIPTION	FLT MODELS	SOFTAIL MODELS	DYNA MODELS
1	868	SCREW (2)	--	95*-BJ/M/N	--
2	1357W	SCREW	--	95*-BJ/K	--
3	3793A	SCREW (4)	--	95*-BJ/K	--
4	2538	SCREW (2)	--	95*-BJ	--
	2607	SCREW (2)	--	95*-BK	--
5	2739	SCREW	--	95-ALL	--
	2952	SCREW	--	96*-ALL	--
6	2879W	BOLT (2)	--	95*-BJ/K	--
7	3574	BOLT (2)	--	95*-ALL	--
8	3974HW	BOLT (2)	--	95-BJ/M/N	--
				96*-BJ	
	2534	BOLT (2)	--	96*-BM/N	--
9	4721	BOLT (2)	--	95*-BJ/M	--
10	6333	WASHER (2)	--	95*-BJ/M/N	--
11	6379W	WASHER (4)	--	95*-BJ/M	--
12	6410	WASHER (nylon)	--	95*-ALL	--
13	6701	WASHER (2)	--	95*-BJ/M	--
14	7068	LOCKWASHER (2)	--	95*-BJ/M/N	--
15	7643W	JAM NUT (2)	--	95*-BJ/K/L/M/P	--
16	7680W	ACORN NUT (2)	--	95*-BJ/M	--
17	51184-88A	PASSENGER STRAP (black)	--	95-BL/N	--
				96*-BL	
	51185-90	PASSENGER STRAP (black)	--	95*-BJ	--
	51183-95A	PASSENGER STRAP	--	95*-BP	--
	51186-89B	PASSENGER STRAP (black)	--	95*-BM	--
	51175-95	PASSENGER STRAP KIT (black)	--	95*-BK	--
	51194-96	PASSENGER STRAP (black)	--	96*-BN	--
18	51652-83A	BRACKET, seat	--	95*-ALL	--
19	52191-86	BACKREST	--	95*-BK	--
20	52283-95A	SEAT, front	--	95*-BN	--
21	52285-95A	SEAT, rear	--	95*-BN	--
22	52208-86A	SEAT KIT, passenger (black)	--	95-BJ	--
	52208-96	SEAT KIT, passenger (black)	--	96*-BJ	--
23	52236-86D	SEAT KIT, solo (black)	--	95*-BJ	--
24	52209-90B	SEAT KIT, passenger (w/ textured panel)	--	95*-BM	--
25	52217-90C	SEAT, front (w/ textured panel)	--	95*-BM	--
26	52503-88E	SEAT	--	95*-BL	--
27	52510-95A	SEAT	--	95*-BP	--
28	52541-87	BACKREST KIT w/ concho (black)	--	95*-BJ	--
29	52735-85	UPRIGHT, sissy bar	--	95*-BJ/K	--
30	52771-82	BRACKET, backrest	--	95*-BJ/K	--
31	52787-92	SIDE PLATE, right	--	95*-BJ/K	--
32	52788-92	SIDE PLATE, left	--	95*-BJ/K	--
33	59255-91	REFLECTOR (red) (2)	--	95*-BJ	--
34	91850-87A	CONCHO	--	95*-BJ	--
35	91768-85C	SEAT (black)	--	95*-BK	--
36	99000-77	MEDALLION	--	95*-BK	--

H-D INTERNATIONAL ONLY

33	59254-91	REFLECTOR (amber) (2) (HDI only)	--	95*-BJ/K/L	--
----	----------	----------------------------------	----	------------	----

FLT MODELS				SOFTAIL MODELS				DYNA MODELS	
FLHT	DD	FLHR-I	FB	FLSTC	BJ	FLSTF	BM	FXDL	GD
FLHTC	DJ	FLHTCU-I	FC	FXSTC	BK	FLSTN	BN	FXDWG	GE
FLTC-U	DM	FLTCU-I	FE	FXSTS	BL	FXSTSB	BP	FXDS-CON	GG
FLHTC-U	DP	FLHTC-I	FF					FXD	GH
FLHR	FD								

SEATS & SISSY BAR - DYNA



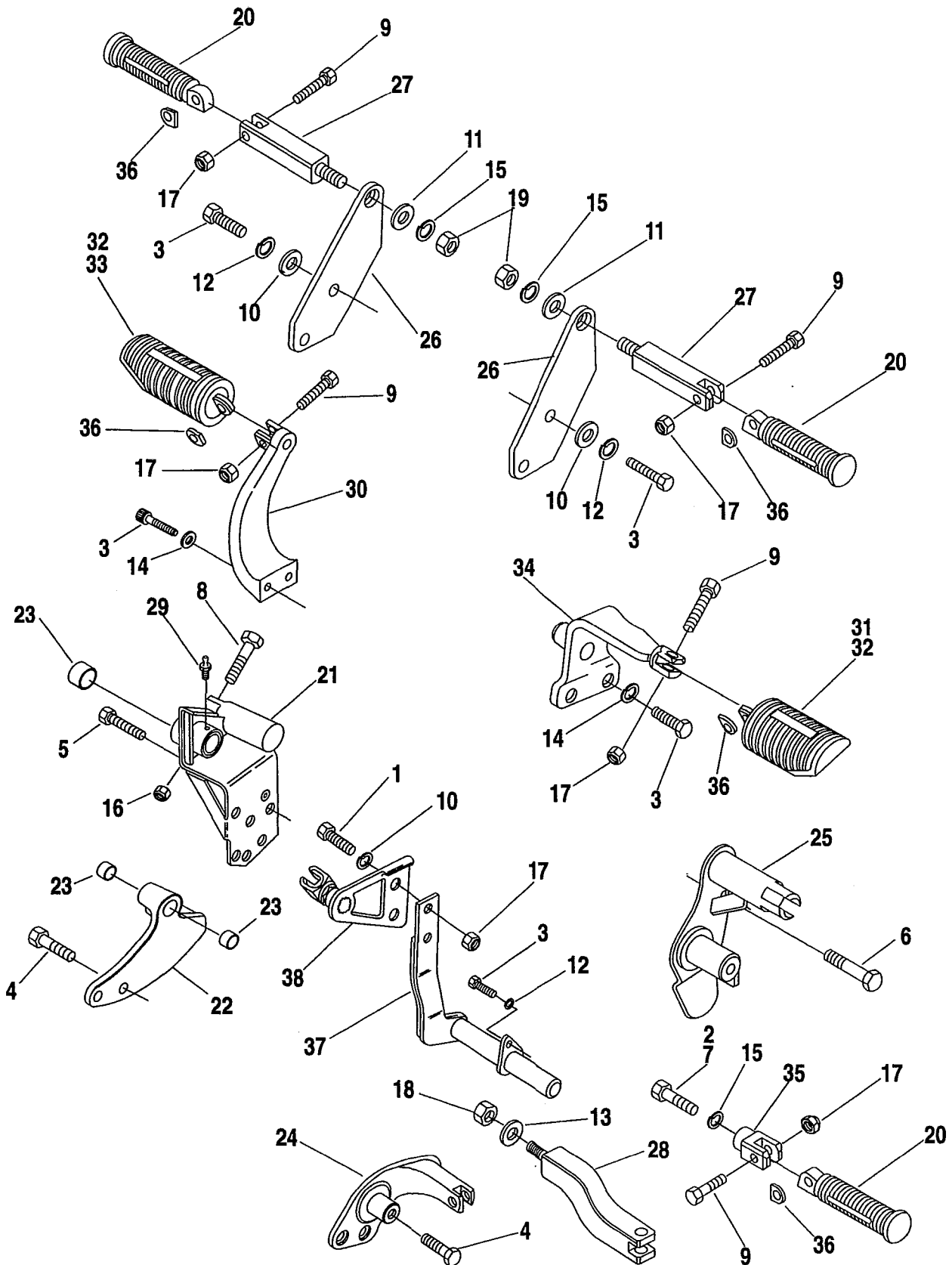
SEATS & Sissy BAR - DYNA MODELS

FC30B

INDEX NO.	PART NO.	DESCRIPTION	FLT MODELS	SOFTAIL MODELS	DYNA MODELS
1	919	SCREW (4)	--	--	95*-GE/G
2	1602	SCREW	--	--	95*-GG
3	2607	SCREW (2)	--	--	95*-GE/G
4	2711	SCREW (2)	--	--	95*-GG
5	2739	SCREW	--	--	95-ALL
	2952	SCREW, with washer	--	--	96*-ALL
6	2818	SCREW	--	--	95-ALL
7	3574	SCREW (2, 3-1996)	--	--	95*-ALL
8	6036	WASHER	--	--	96*-ALL
9	6237	WASHER	--	--	95-ALL
10	6410	WASHER	--	--	95*-ALL
11	6702	WASHER	--	--	95-ALL
12	7792	NUT, with washer	--	--	96*-ALL
13	7891	NUT, plastic	--	--	96*-ALL
14	51188-84	PASSENGER STRAP	--	--	95-ALL
	51176-96	PASSENGER STRAP	--	--	96*-ALL
15	51652-83	BRACKET, seat	--	--	95*-ALL
16	52166-93	SEAT	--	--	95-GE
	52166-96	SEAT	--	--	96*-GE
17	52171-95	SEAT	--	--	95-GH
	52171-96	SEAT	--	--	96*-GH
18	52174-93	SEAT, front	--	--	95-GD
	52174-96	SEAT, front	--	--	96*-GD
19	52175-93	SEAT, rear	--	--	95-GD
	52175-96	SEAT, rear	--	--	96*-GD
20	52183-94	SEAT	--	--	95-GG
	52183-96	SEAT	--	--	96*-GG
21	52543-94	BACKREST	--	--	95*-GG
22	52545-84	BACKREST PAD KIT w/ #2	--	--	95*-GE
23	52655-84	SISSY BAR	--	--	95*-GE
	52739-83	SISSY BAR KIT, w/ #1 & 26	--	--	95*-GG
24	52771-82	BRACKET, backrest	--	--	95*-GE/G
25	52780-90A	SIDEPLATE, right	--	--	95-GG
	52799-90A	SIDEPLATE, left	-	--	95-GG
	52780-96	SIDEPLATE, right	--	--	96*-GG
	52799-96	SIDEPLATE, left	-	--	96*-GG
	52800-93A	SIDEPLATE, right	--	--	95*-GE
	52801-93	SIDEPLATE, left	--	--	95*-GE
26	53554-81	LABEL, bolt torque	--	--	95*-GE/G
27	99013-82	MEDALLION, Harley-Davidson Bar & Shield	--	--	95*-GG
28	99000-77	MEDALLION, Eagle (Made in U. S. A.)	--	--	95*-GE
H-D INTERNATIONAL ONLY					
29	1000	SCREW (HDI only)	--	--	95*-GG
30	14259-90	DECAL, "Harley-Davidson" (HDI only)	--	--	95*-GG
21	52543-94	BACKREST (HDI only)	--	--	95*-GG
23	52764-90	SISSY BAR KIT, w/ #1 & 26 (HDI only)	--	--	95*-GG

FLT MODELS				SOFTAIL MODELS				DYNA MODELS	
FLHT	DD	FLHR-I	FB	FLSTC	BJ	FLSTF	BM	FXDL	GD
FLHTC	DJ	FLHTCU-I	FC	FXSTC	BK	FLSTN	BN	FXDWG	GE
FLTC-U	DM	FLTCU-I	FE	FXSTS	BL	FXSTSB	BP	FXDS-CON	GG
FLHTC-U	DP	FLHTC-I	FF					FXD	GH
FLHR	FD								

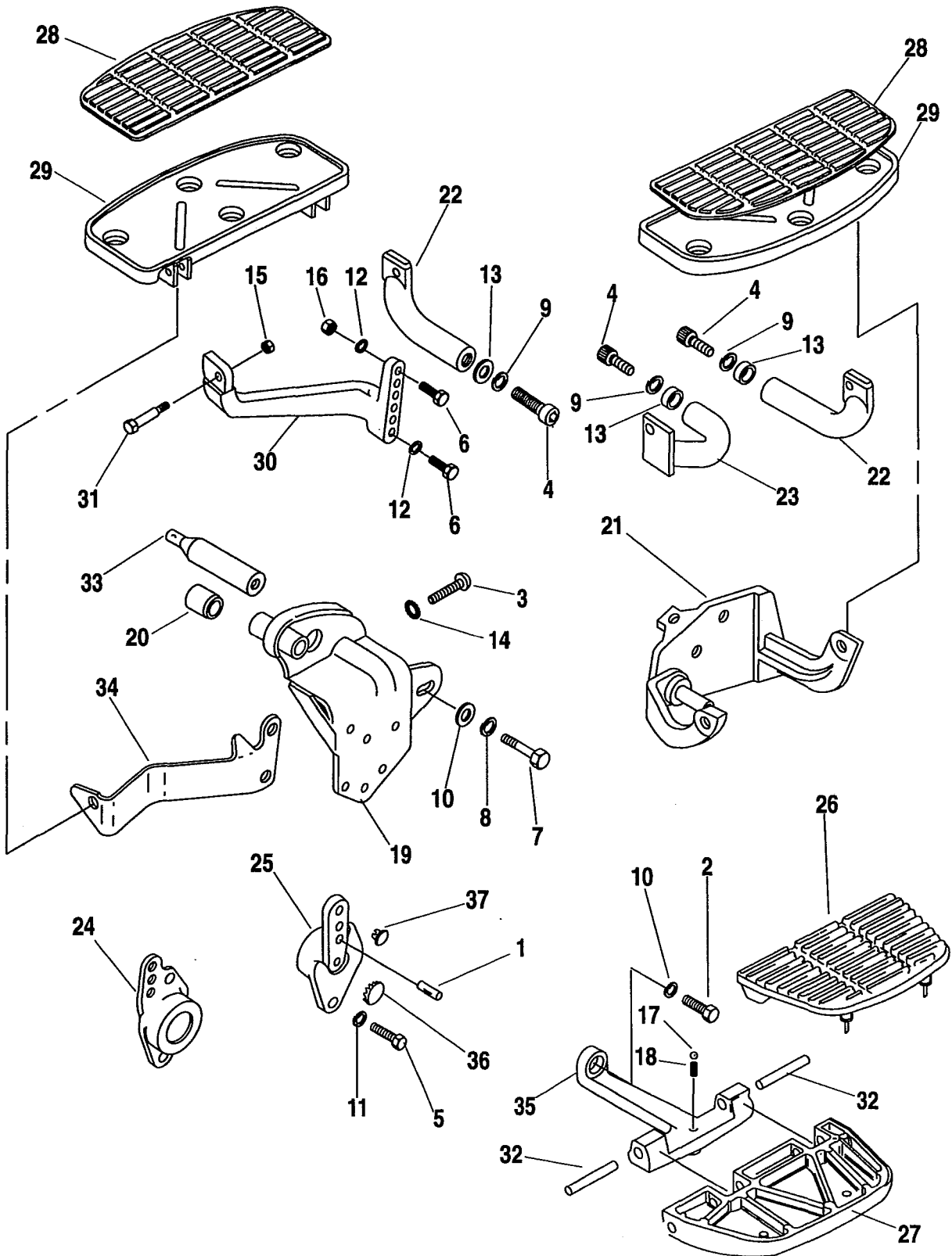
FOOTRESTS



INDEX NO.	PART NO.	DESCRIPTION	FLT MODELS	SOFTAIL MODELS	DYNA MODELS
1	861A	BOLT (2)	--	--	95*-ALL
2	872A	BOLT - right	--	95*-BM/N	--
3	3214	BOLT (9-GD/G; 5-GH)	--	--	95*-ALL
4	4059	SCREW (4)	--	--	95*-GE
5	3440	BOLT	--	95*-ALL	--
6	3464	BOLT	--	95*-BK/L/P	--
7	3516A	BOLT (2)	--	95*-BK/L/M/N/P	--
	3549A	BOLT (2)	--	95*-BJ	--
8	4716W	SCREW	--	95*-BK/L/P	--
9	4721	BOLT (as required)	--	95*-ALL	95*-ALL
10	6701	WASHER (4:6-GD/G)	--	--	95*-ALL
11	6718	WASHER (2)	--	--	95*-GD/G
12	7038	LOCKWASHER (2)	--	--	95*-ALL
13	7039	LOCKWASHER	--	--	95*-ALL
14	7045	LOCKWASHER (4)	--	--	95*-ALL
15	7068	LOCKWASHER (as required)	--	95*-ALL	95*-ALL
16	7667	LOCKNUT	--	95*-BK/L/P	--
17	7778	LOCKNUT (6-GE/H;8-GD/G;2-Softail)	--	95*-ALL	95*-ALL
18	7848W	LOCKNUT (2)	--	--	95*-ALL
19	7880	NUT (2)	--	--	95*-GD/G
20	33048-72	FOOTREST w/ cover (2; 4-BK/L/P;GE)	--	95*-ALL	95*-ALL
	33189-63	COVER, (black) (2; 4-BK/L/P,GE)	--	95*-ALL	95*-ALL
21	33683-90A	BRACKET, shifter & footrest	--	95*-BK/L/P	--
22	33693-93	BRACKET, shifter & footrest	--	--	95*-GE
23	33708-94	BEARING SLEEVE (2)	--	95*-BK/L/P	95*-GE
24	42481-92	BRACKET, brake lever & footrest	--	--	95*-GE
25	42507-89A	BRACKET, brake lever & footrest	--	95*-BK/L/P	--
26	49126-90	MOUNTING PLATE (2)	--	--	95*-GD/G
27	49127-77A	FOOTREST SUPPORT (2)	--	--	95*-ALL
28	49165-90	FOOTREST SUPPORT	--	--	95*-ALL
29	50972-75	FITTING, lubrication	--	95*-BK/L/P	--
30	50639-90	BRACKET, left footrest - front	--	--	95*-GD/G/H
31	50643-82	FOOTREST w/ cover - right (2-GD/G)	--	--	95*-GD/G/H
32	50646-82	COVER, only (black) (2; 4-GD/G)	--	--	95*-GD/G/H
33	50647-82	FOOTREST, w/ cover - left (2-GD/G)	--	--	95*-GD/G/H
34	50649-90	BRACKET, right, footrest - front	--	--	95*-GD/G/H
35	50900-72	SUPPORT, passenger footrest	--	95*-ALL	--
36	50912-72	SPRING WASHER (as required)	--	95*-ALL	95*-ALL
37	52740-94	UPRIGHT BRACKET, left	--	--	95*-ALL
38	52742-94	SUPPORT, left	--	--	95*-ALL

FLT MODELS				SOFTAIL MODELS				DYNA MODELS	
FLHT	DD	FLHR-I	FB	FLSTC	BJ	FLSTF	BM	FXDL	GD
FLHTC	DJ	FLHTCU-I	FC	FXSTC	BK	FLSTN	BN	FXDWG	GE
FLTC-U	DM	FLTCU-I	FE	FXSTS	BL	FXSTSB	BP	FXDS-CON	GG
FLHTC-U	DP	FLHTC-I	FF					FXD	GH
FLHR	FD								

FOOTBOARDS



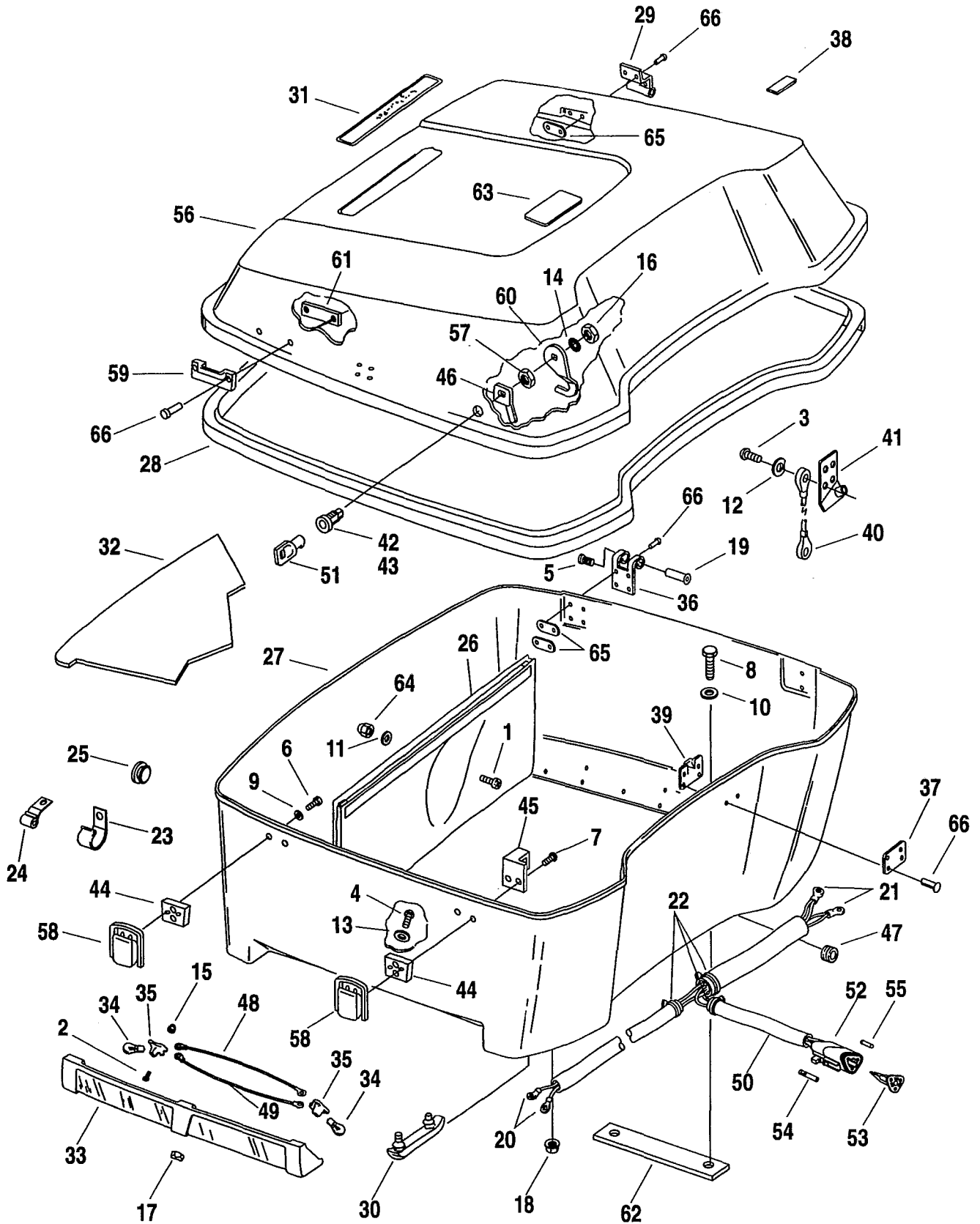
FOOTBOARDS

FC31A

INDEX NO.	PART NO.	DESCRIPTION	FLT MODELS	SOFTAIL MODELS	DYNA MODELS
1	276	DOWEL PIN (2)	95*-ALL	--	--
2	861A	SCREW (2)	95*-ALL	--	--
3	2773	SCREW	--	95*-BJ/M/N	--
4	3599	SCREW (3)	95*-ALL	--	--
5	3782	BOLT (4)	95*-ALL	--	--
6	4017	SCREW (2)	95*-ALL	--	--
7	4721	BOLT	--	95*-BJ/M/N	--
8	6400HB	WASHER	--	95*-BJ/M/N	--
9	6738	WASHER (3)	95*-ALL	--	--
10	7038	LOCKWASHER (2-FLT)	95*-ALL	95*-BJ/M/N	--
11	7039	LOCKWASHER (4)	95*-ALL	--	--
12	7041	LOCKWASHER (2)	95*-ALL	--	--
13	7068	LOCKWASHER (3)	95*-ALL	--	--
14	7230	LOCKWASHER	--	95*-BJ/M/N	--
15	7716	LOCKNUT (4)	95*-ALL	95*-BJ/M/N	--
16	7748W	NUT	95*-ALL	--	--
17	8860	BALL (2)	95*-ALL	--	--
18	33085-74	SPRING (2)	95*-ALL	--	--
19	33630-90A	BRACKET KIT, left	--	95*-BJ/M/N	--
20	33708-94	BEARING SLEEVE (2)	--	95*-BJ/M/N	--
21	42431-87A	BRACKET	--	95*-BJ/M/N	--
22	47365-83A	BRACKET KIT, front w/ #4 (2)	95*-ALL	--	--
23	50518-83A	BRACKET KIT, right rear w/ #4	95*-ALL	--	--
24	50588-93	BRACKET, left	95*-ALL	--	--
25	50589-93	BRACKET, right	95*-ALL	--	--
26	50606-86A	PAD (2)	95*-ALL	--	--
27	50613-91	FOOTBOARD, passenger (2)	95*-ALL	--	--
28	50614-91	PAD (2)	95*-ALL	95*-BJ/M/N	--
29	50621-79A	FOOTBOARD, w/# 28 (2)	95*-ALL	95*-BJ/M/N	--
30	50622-83B	BRACKET KIT, left rear w/ #6	95*-ALL	--	--
31	50635-82	BOLT, footboard hinge (4)	95*-ALL	95*-BJ/M/N	--
32	50933-86	PIN, pivot (4)	95*-ALL	--	--
33	50989-86	STUD, left front (chrome)	--	95*-BJ/M/N	--
34	50990-86B	SUPPORT BRACKET, left rear	--	95*-BJ/M/N	--
35	52719-93	SUPPORT KIT w/ #1, footboard (2)	95*-ALL	--	--
36	67865-89	PLUG (2)	95*-ALL	--	--
37	90493-83	PLUG (2)	95*-ALL	--	--

FLT MODELS				SOFTAIL MODELS				DYNA MODELS	
FLHT	DD	FLHR-I	FB	FLSTC	BJ	FLSTF	BM	FXDL	GD
FLHTC	DJ	FLHTCU-I	FC	FXSTC	BK	FLSTN	BN	FXDWG	GE
FLTC-U	DM	FLTCU-I	FE	FXSTS	BL	FXSTSB	BP	FXDS-CON	GG
FLHTC-U	DP	FLHTC-I	FF					FXD	GH
FLHR	FD								

LUGGAGE BOX (KING TOUR-PAK)



LUGGAGE BOX (KING TOUR-PAK)

FC32-1

INDEX NO.	PART NO.	DESCRIPTION	FLT MODELS	SOFTAIL MODELS	DYNA MODELS
1	2724	SCREW (2)	95*-DJ/FF	--	--
2	2804W	SCREW (8)	95*-DJ/M/P;FC/E/F	--	--
3	2831	SCREW	95*-DJ/M/P;FC/E/F	--	--
4	2888	SCREW (6)	95*-DJ/M/P;FC/E/F	--	--
5	3595	SCREW (2)	95*-DJ/M/P;FC/E/F	--	--
6	3597	SCREW (4)	95*-DJ/M/P;FC/E/F	--	--
7	3598	SCREW (2)	95*-DJ/M/P;FC/E/F	--	--
8	4702	BOLT (4)	95*-DJ/M/P;FC/E/F	--	--
9	6029	WASHER (4)	95*-DJ/M/P;FC/E/F	--	--
10	6703	WASHER (6)	95*-DJ/M/P;FC/E/F	--	--
11	6716	WASHER (2)	95*-DJ/FF	--	--
12	6970	SPRING WASHER	95*-DJ/M/P;FC/E/F	--	--
13	7115	LOCKWASHER (6)	95*-DJ/M/P;FC/E/F	--	--
14	7128	LOCKWASHER	95*-DJ/M/P;FC/E/F	--	--
15	7520	ACORN NUT (nylon) (8)	95*-DJ/M/P;FC/E/F	--	--
16	7586	NUT	95*-DJ/M/P;FC/E/F	--	--
17	7608	LOCKNUT (6)	95*-DJ/M/P;FC/E/F	--	--
18	7716	FLANGE LOCKNUT (6)	95*-DJ/M/P;FC/E/F	--	--
19	8500A	HINGE PIN KIT w/ #5 (2)	95*-DJ/M/P;FC/E/F	--	--
20	9856	TERMINAL, ring type - No. 6 hole (10)	95*-DJ/FF	--	--
21	9871	TERMINAL, ring type - No. 6 hole (2)	95*-DJ/FF	--	--
22	10065	CABLE STRAP (3)	95*-DJ/FF	--	--
23	10091	CLAMP (2-DM/P;FC/E)	95*-DJ/M/P;FC/E/F	--	--
24	10143	CLIP, antenna cable (2, 4 - DM/P;FC/E)	95*-DJ/M/P;FC/E/F	--	--
25	11486	GROMMET (2-DM/P;FC/E)	95*-DJ/M/P;FC/E/F	--	--
26	53165-89A	POUCH	95*-DJ/FF	--	--
27	53275-94	BOTTOM, Tour-Pak (Prime)	95*-DJ/M/P;FC/E/F	--	--
28	53415-83	GASKET, cover	95*-DJ/M/P;FC/E/F	--	--
29	53426-87	HINGE, cover - upper (2)	95*-DJ/M/P;FC/E/F	--	--
30	53429-93	BUMPER (2)	95*-DJ/FF	--	--
31	53434-80	DECAL, "KING TOUR-PAK" (black)	95*-DJ/FF	--	--
32	53435-88	MAT, luggage box	95*-DJ/FF	--	--
33	53437-79	LENS, side light (2)	95*-DJ/M/P;FC/E/F	--	--
34	53439-79	BULB, side light (4)	95*-DJ/M/P;FC/E/F	--	--
35	53440-79	SOCKET, side light (4)	95*-DJ/M/P;FC/E/F	--	--
36	53447-87	HINGE, lower (2)	95*-DJ/M/P;FC/E/F	--	--
37	53478-80	BACKING PLATE, brace	95*-DJ/M/P;FC/E/F	--	--
38	53486-85	PAD (2)	95*-DJ/M/P;FC/E/F	--	--
39	53563-82	BRACKET, cable mounting	95*-DJ/M/P;FC/E/F	--	--
40	53564-89	CABLE BRACE, cover	95*-DJ/M/P;FC/E/F	--	--
41	53570-89	BRACKET, cable mounting	95*-DJ/M/P;FC/E/F	--	--
42	53574-93	LOCK SET, complete vehicle	95*-DJ/P;FC/F	--	--
	53575-93	LOCK SET, complete vehicle	95*-DM;FE	--	--
43	53584-92	LOCK, with nut & lockwasher	95*-DJ/M/P;FC/E/F	--	--

FLT MODELS				SOFTAIL MODELS				DYNA MODELS	
FLHT	DD	FLHR-I	FB	FLSTC	BJ	FLSTF	BM	FXDL	GD
FLHTC	DJ	FLHTCU-I	FC	FXSTC	BK	FLSTN	BN	FXDWG	GE
FLTC-U	DM	FLTCU-I	FE	FXSTS	BL	FXSTSB	BP	FXDS-CON	GG
FLHTC-U	DP	FLHTC-I	FF					FXD	GH
FLHR	FD								

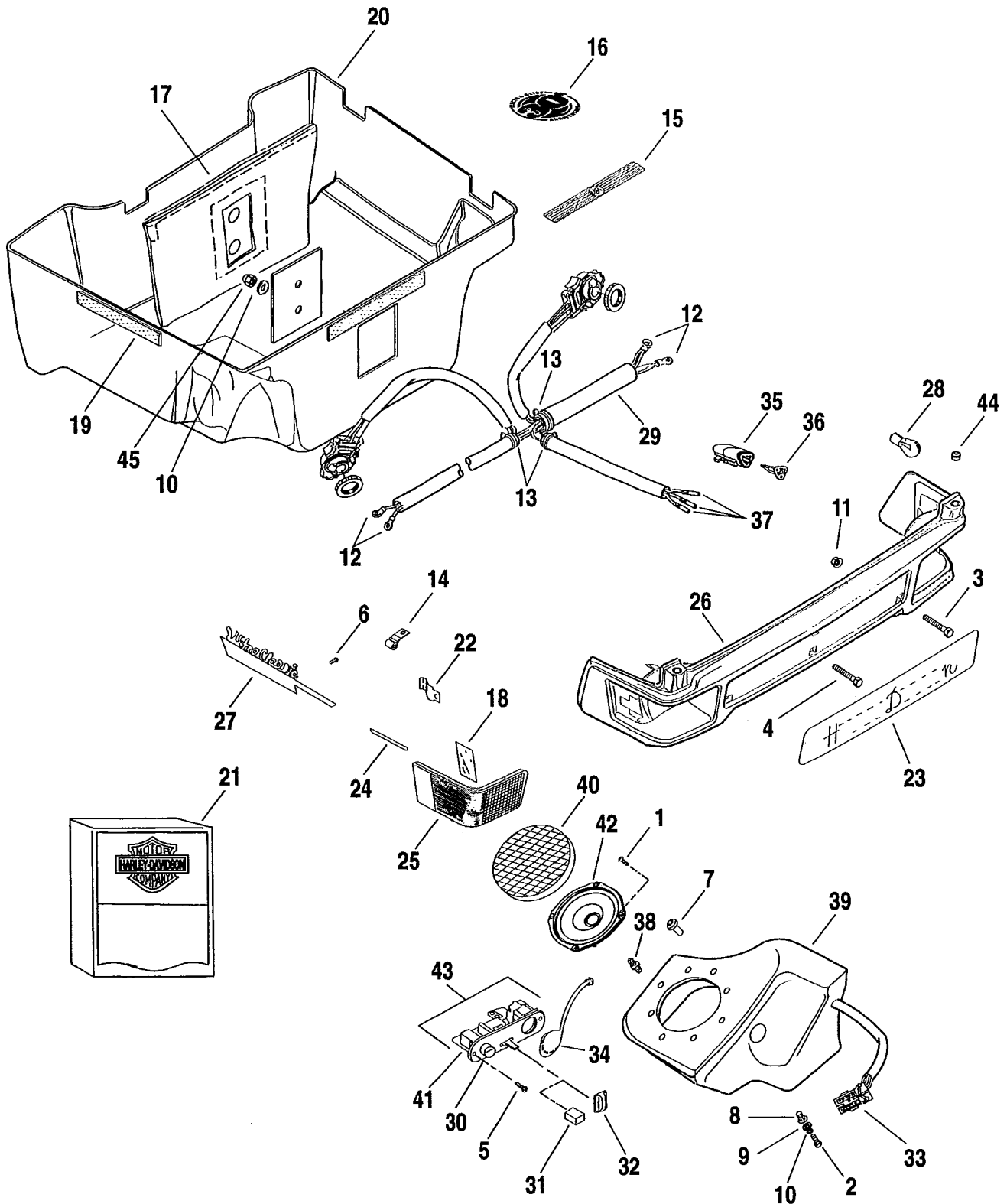
LUGGAGE BOX (KING TOUR-PAK) (CONT'D)

FC32-2

INDEX NO.	PART NO.	DESCRIPTION	FLT MODELS	SOFTAIL MODELS	DYNA MODELS
44	53615-85	SPACER (2)	95*-DJ/M/P;FC/E/F --		--
45	53616-85	CATCH, lower	95*-DJ/M/P;FC/E/F --		--
46	53617-85	GUIDE, lock	95*-DJ/FF	--	--
47	57978-63	GROMMET (3)	95*-DJ/M/P;FC/E/F --		--
48	70643-79B	WIRE, side light (green) (2)	95*-DJ/M/P;FC/E/F --		--
49	70644-79A	WIRE, side light (black) (2)	95*-DJ/M/P;FC/E/F --		--
50	70646-94	WIRING HARNESS, luggage box	95*-DJ/FF	--	--
51	71452-91A	KEY (specify key code)	95*-DJ/M/P;FC/E/F --		--
52	72113-94BK	PLUG, 3-way socket	95*-DJ/FF	--	--
53	72153-94	SOCKET LOCK, secondary, 3-way	95*-DJ/FF	--	--
54	72191-94	TERMINAL, socket (2)	95*-DJ/FF	--	--
55	72195-94	SEAL PIN	95*-DJ/FF	--	--
56	79041-90	COVER, Tour-Pak (Prime)	95*-DJ/M/P;FC/E/F --		--
57	84850-92	NUT, lock	95*-DJ/M/P;FC/E/F --		--
58	90649-85	BODY, catch (2)	95*-DJ/M/P;FC/E/F --		--
59	90663-95	CATCH, upper (2)	95*-DJ/M/P;FC/E/F --		--
60	90686-92	CAM HOOK	95*-DJ/M/P;FC/E/F --		--
61	90688-85	BACKING PLATE (2)	95*-DJ/M/P;FC/E/F --		--
62	90743-88	GASKET (2)	95*-DJ/M/P;FC/E/F --		--
63	90821-74A	LABEL, load limit	95*-DJ/M/P;FC/E/F --		--
64	90844-80	ACORN NUT (2)	95*-DJ/FF	--	--
65	90964-63	BACKING PLATE (8)	95*-DJ/M/P;FC/E/F --		--
66	90965-63	RIVET (24)	95*-DJ/M/P;FC/E/F --		--
H-D INTERNATIONAL ONLY					
	53591-95	LOCK SET, complete vehicle	95*-DJ/P;FC/FF	--	--

FLT MODELS				SOFTAIL MODELS				DYNA MODELS	
FLHT	DD	FLHR-I	FB	FLSTC	BJ	FLSTF	BM	FXDL	GD
FLHTC	DJ	FLHTCU-I	FC	FXSTC	BK	FLSTN	BN	FXDWG	GE
FLTC-U	DM	FLTCU-I	FE	FXSTS	BL	FXSTSB	BP	FXDS-CON	GG
FLHTC-U	DP	FLHTC-I	FF					FXD	GH
FLHR	FD								

LAMPS & SPEAKER HOUSING - ULTRA TOUR-PAK



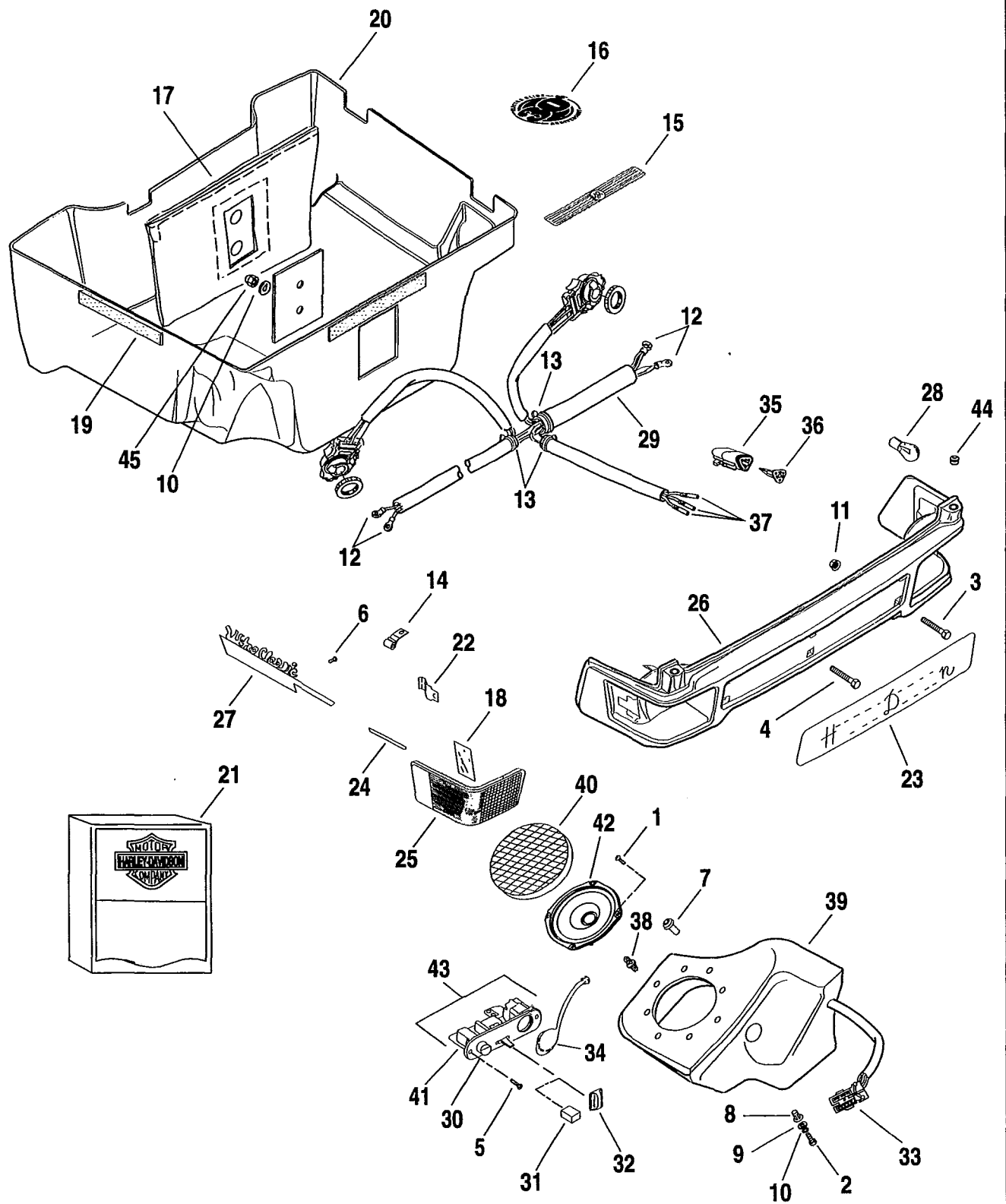
LAMPS AND SPEAKER HOUSINGS - ULTRA TOUR-PAK

FC32A-1

INDEX NO.	PART NO.	DESCRIPTION	FLT MODELS	SOFTAIL MODELS	DYNA MODELS
1	922	SCREW, speaker mounting - rear (8)	95*-DM/P;FC/E	--	--
2	2551W	BOLT (6)	95*-DM/P;FC/E	--	--
3	3541	SCREW (4)	95*-DM/P;FC/E	--	--
4	3545	SCREW (2)	95*-DM/P;FC/E	--	--
5	3556A	SCREW (2)	95*-DM/P;FC/E	--	--
6	3595	SCREW (6)	95*-DM/P;FC/E	--	--
7	5210	WELL NUT (8)	95*-DM/P;FC/E	--	--
8	5211	NUT, crimp	95*-DM/P;FC/E	--	--
9	6036	WASHER (6)	95*-DM/P;FC/E	--	--
10	7036	LOCKWASHER (6)	95*-DM/P;FC/E	--	--
11	7878	NUT (6)	95*-DM/P;FC/E	--	--
12	9871	TERMINAL, ring type #6 hole (4)	95*-DM/P;FC/E	--	--
13	10065	CABLE STRAP (3)	95*-DM/P;FC/E	--	--
14	10143	CLIP, antenna cable (4, 4-1996)	95*-DM/P;FC/E	--	--
15	14218-89	DECAL "USA" (silver)	95-DM/P	--	--
	14251-90	DECAL "USA" (black)	95-DM/P	--	--
	14413-94	DECAL "USA" (burgundy)	95-DM/P	--	--
	14452-95	DECAL "USA"	95-FC	--	--
	14583-96	DECAL "USA" (gold/burgundy/burgundy)	96*-DP;FC/E	--	--
	14584-96	DECAL "USA" (gold/dk red/burgundy)	96*-DP;FC/E	--	--
	14585-96	DECAL "USA" (gold/dk states blue/dk blue)	96*-DP;FC/E	--	--
	14586-96	DECAL "USA" (gold/dk silver/burgundy)	96*-DP;FC/E	--	--
	14587-96	DECAL "USA" (gold/dk silver/dk blue)	96*-DP;FC/E	--	--
	14588-96	DECAL "USA" (silver/green/forest green)	96*-DP;FC/E	--	--
	14597-96	DECAL "USA" (gold/charcoal/burgundy)	96*-DP;FC/E	--	--
16	14454-95	MEDALLION, 30th anniversary	95-FC	--	--
17	53165-89A	POUCH, owner's manual	95*-DM/P;FC/E	--	--
18	53166-89	REFLECTOR (2)	95*-DM/P;FC/E	--	--
19	53170-89	FASTENER (velcro) (5) (Cut to suit.)	95*-DM/P;FC/E	--	--
20	53278-89C	LINER, molded	95*-DM/P;FC/E	--	--
21	53598-88A	LINER, removable	95*-DM/P;FC/E	--	--
22	58380-89	CLIP, housing (2)	95*-DM/P;FC/E	--	--
23	58381-89	NAMEPLATE	95*-DM/P;FC/E	--	--
24	58382-89	SEAL, lamp lens (4)	95*-DM/P;FC/E	--	--
25	58383-89	LENS, left	95*-DM/P;FC/E	--	--
	58384-89	LENS, right	95*-DM/P;FC/E	--	--
26	58385-93	HOUSING, lamp	95*-DM/P;FC/E	--	--
27	59225-93	TRIM, left	95*-DM/P;FC/E	--	--
	59226-93	TRIM, right	95*-DM/P;FC/E	--	--
28	68168-89	BULB, taillamps	95*-DM/P;FC/E	--	--
29	70648-94	WIRING HARNESS, luggage box	95*-DM/P;FC/E	--	--
30	71809-88	KNOB, volume control	95*-DM/P;FC/E	--	--
31	71814-91	KNOB, function switch	95-DM/P;FC	--	--
32	71814-96	KNOB, function switch	96*-DP;FC/E	--	--

FLT MODELS				SOFTAIL MODELS				DYNA MODELS	
FLHT	DD	FLHR-I	FB	FLSTC	BJ	FLSTF	BM	FXDL	GD
FLHTC	DJ	FLHTCU-I	FC	FXSTC	BK	FLSTN	BN	FXDWG	GE
FLTC-U	DM	FLTCU-I	FE	FXSTS	BL	FXSTSB	BP	FXDS-CON	GG
FLHTC-U	DP	FLHTC-I	FF					FXD	GH
FLHR	FD								

LAMPS & SPEAKER HOUSING - ULTRA TOUR-PAK



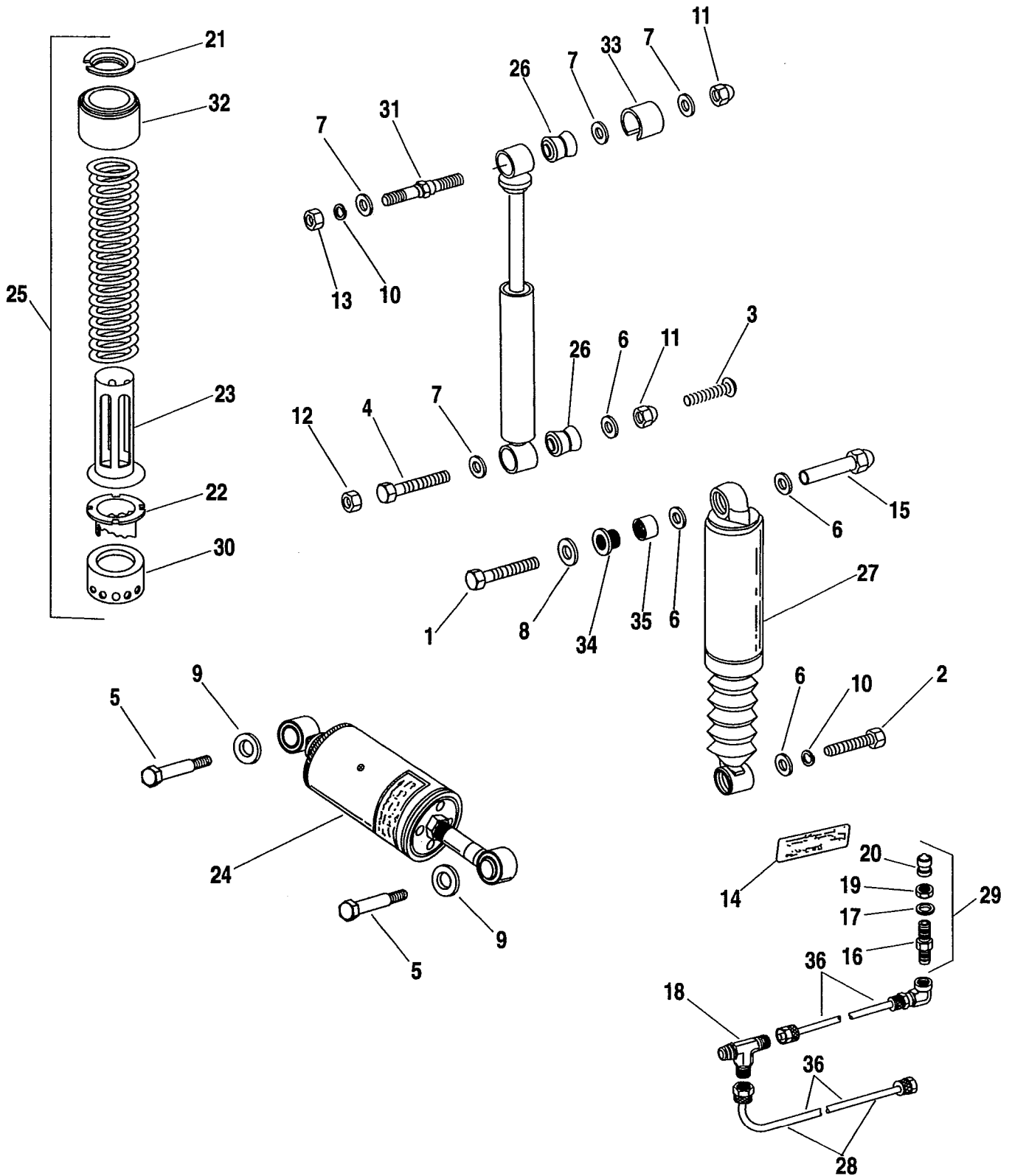
LAMPS AND SPEAKER HOUSINGS - ULTRA TOUR-PAK (CONTINUED)

FC32A-2

INDEX NO.	PART NO.	DESCRIPTION	FLT MODELS	SOFTAIL MODELS	DYNA MODELS
33	72055-94	CONNECTOR, 2-way (2)	95*-DM/P;FC/E	--	--
34	72060-94	PLUG, weather	95*-DM/P;FC/E	--	--
35	72113-94BK	PLUG, 3-way socket	95*-DM/P;FC/E	--	--
36	72153-94	SOCKET LOCK, secondary, 3-way	95*-DM/P;FC/E	--	--
37	72191-94	TERMINAL, socket (3)	95*-DM/P;FC/E	--	--
38	76175-86	CLIP, double end (8)	95*-DM/P;FC/E	--	--
39	76303-89	SPEAKER HOUSING, rear - left	95*-DM/P;FC/E	--	--
	76304-91	SPEAKER HOUSING, rear - right	95*-DM/P;FC/E	--	--
40	76307-89	SPEAKER GRILLE, rear (2)	95*-DM/P;FC/E	--	--
41	76315-91	FACE PLATE	95*-DM/P;FC/E	--	--
42	77029-86B	SPEAKER, rear (2)	95*-DM/P;FC/E	--	--
43	77161-94A	REAR SPEAKER CONTROL	95*-DM/P;FC/E	--	--
44	90493-83	HOLE PLUG (Japan only)	95-DM/P	--	--
45	90844-80	ACORN NUT (2)	95*-DM/P;FC/E	--	--

FLT MODELS				SOFTAIL MODELS				DYNA MODELS	
FLHT	DD	FLHR-I	FB	FLSTC	BJ	FLSTF	BM	FXDL	GD
FLHTC	DJ	FLHTCU-I	FC	FXSTC	BK	FLSTN	BN	FXDWG	GE
FLTC-U	DM	FLTCU-I	FE	FXSTS	BL	FXSTSB	BP	FXDS-CON	GG
FLHTC-U	DP	FLHTC-I	FF					FXD	GH
FLHR	FD								

SHOCK ABSORBERS - AIR & HYDRAULIC



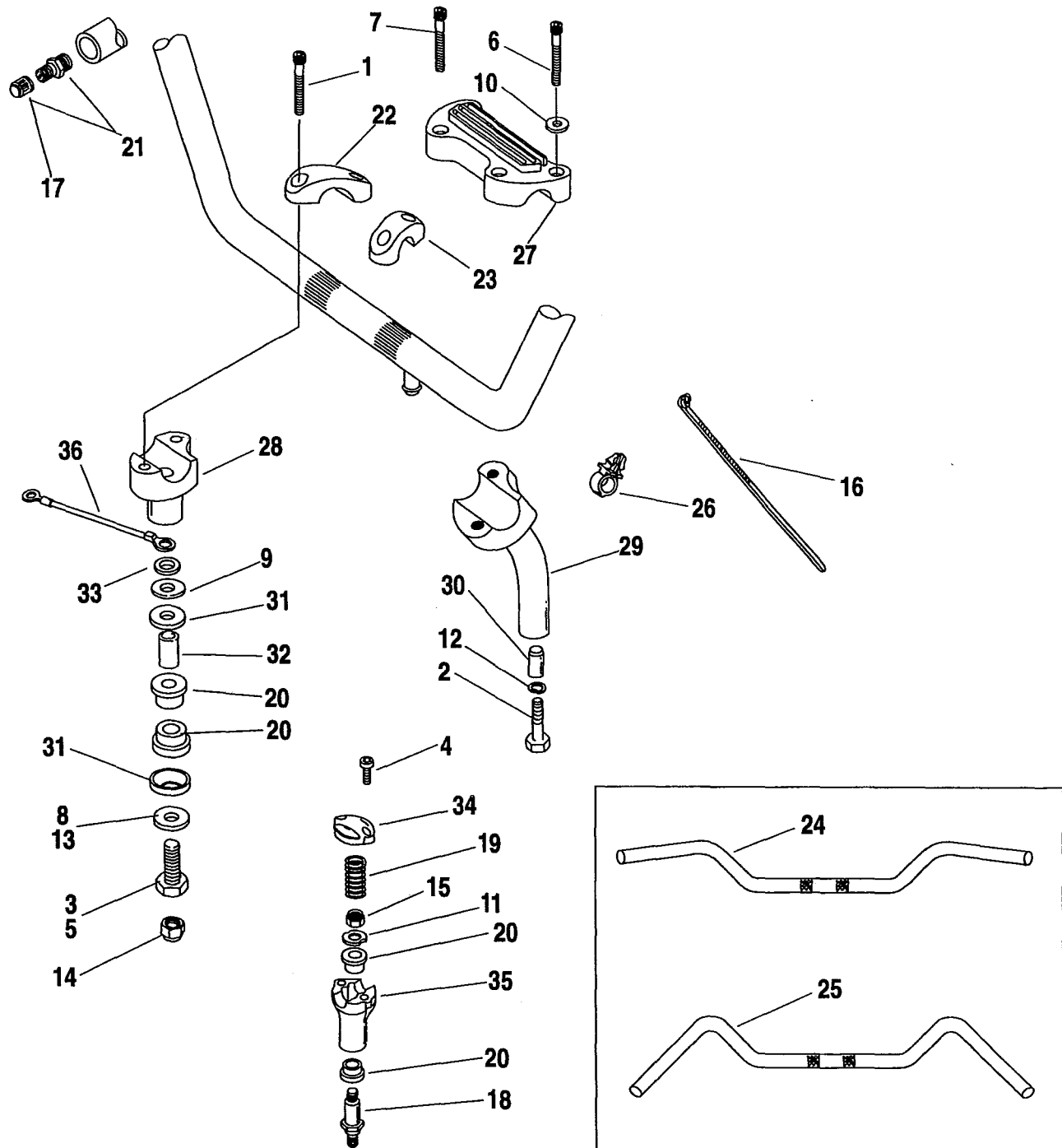
INDEX NO.	PART NO.	DESCRIPTION	FLT MODELS	SOFTAIL MODELS	DYNA MODELS
1	2954	BOLT (2)	95*-ALL	--	--
2	3607	SCREW (2)	95*-ALL	--	--
3	3891	SCREW (2)	--	--	95*-GG
4	3958	BOLT (2)	--	--	95*-GD/E/H
5	4074	BOLT (4)	--	95*-ALL	--
6	6012	WASHER (6; 2-Dyna)	95*-ALL	--	95*-GD/E/H
7	6113	WASHER (8)	--	--	95*-ALL
8	6127	WASHER (2)	95-DD/J/M/P;FC 96*-DD/J/P;FC/E/F	--	--
9	6724	WASHER (4)	--	95*-ALL	--
10	7068	LOCKWASHER (2)	95*-ALL	--	95*-ALL
11	7554	ACORN NUT (4;2-GG)	--	--	95*-ALL
12	7824	LOCKNUT (2)	--	--	95*-GG
13	7845	LOCKNUT (2)	--	--	95*-ALL
14	14112-88	DECAL, air suspension	95*-ALL	--	--
15	54312-91	SCREW, int. thd. (2)	95*-ALL	--	--
16	54317-85	VALVE, w/ #20	95*-ALL	--	--
17	54319-85	WASHER	95*-ALL	--	--
18	54320-93	TEE FITTING, male	95*-ALL	--	--
19	54321-85	NUT	95*-ALL	--	--
20	54323-85	VALVE CAP	95*-ALL	--	--
21	54473-79	SPRING SEAT (2)	--	--	95*-ALL
22	54474-79	ADJUSTER, spring (2)	--	--	95*-ALL
23	54475-79	GUIDE, spring (2)	--	--	95*-ALL
24	54508-89A	SHOCK ABSORBER, complete (2)	--	95*-ALL	--
25	54512-90A	SHOCK ABSORBER, complete (2)	--	--	95*-GD/E/H
	54577-94	SHOCK ABSORBER, complete (2)	--	--	95*-GG
26	54556-84	BUSHING (4)	--	--	95*-ALL
27	54531-92	SHOCK ABSORBER, complete (2)	95*-ALL	--	--
28	54533-93	TUBE, air interconnect	95*-ALL	--	--
29	54536-93	VALVE ASM. w/ hose	95*-ALL	--	--
30	54569-84	CAM SLEEVE (2)	--	--	95*-GD/E/H
31	54557-90	BOLT, shock mount (2)	--	--	95*-ALL
32	54710-84	COVER, upper (chrome)	--	--	95*-ALL
33	54708-65A	COVER, shock bolt (2)	--	--	95*-ALL
34	67622-94	T-SPACER (2)	95-FB;96*-FB/D	--	--
35	67631-94	SPACER (2)	95-FB;96*-FB/D	--	--

NOTE: Hose is sold only in bulk length under the following part number. Cut to length.

36	54324-85	HOSE, 5/64 I.D. x 1/8 O.D. (25 ft. lg.)(black)	95*-ALL	--	--
----	----------	--	---------	----	----

FLT MODELS				SOFTAIL MODELS				DYNA MODELS	
FLHT	DD	FLHR-I	FB	FLSTC	BJ	FLSTF	BM	FXDL	GD
FLHTC	DJ	FLHTCU-I	FC	FXSTC	BK	FLSTN	BN	FXDWG	GE
FLTC-U	DM	FLTCU-I	FE	FXSTS	BL	FXSTSB	BP	FXDS-CON	GG
FLHTC-U	DP	FLHTC-I	FF					FXD	GH
FLHR	FD								

HANDLEBAR



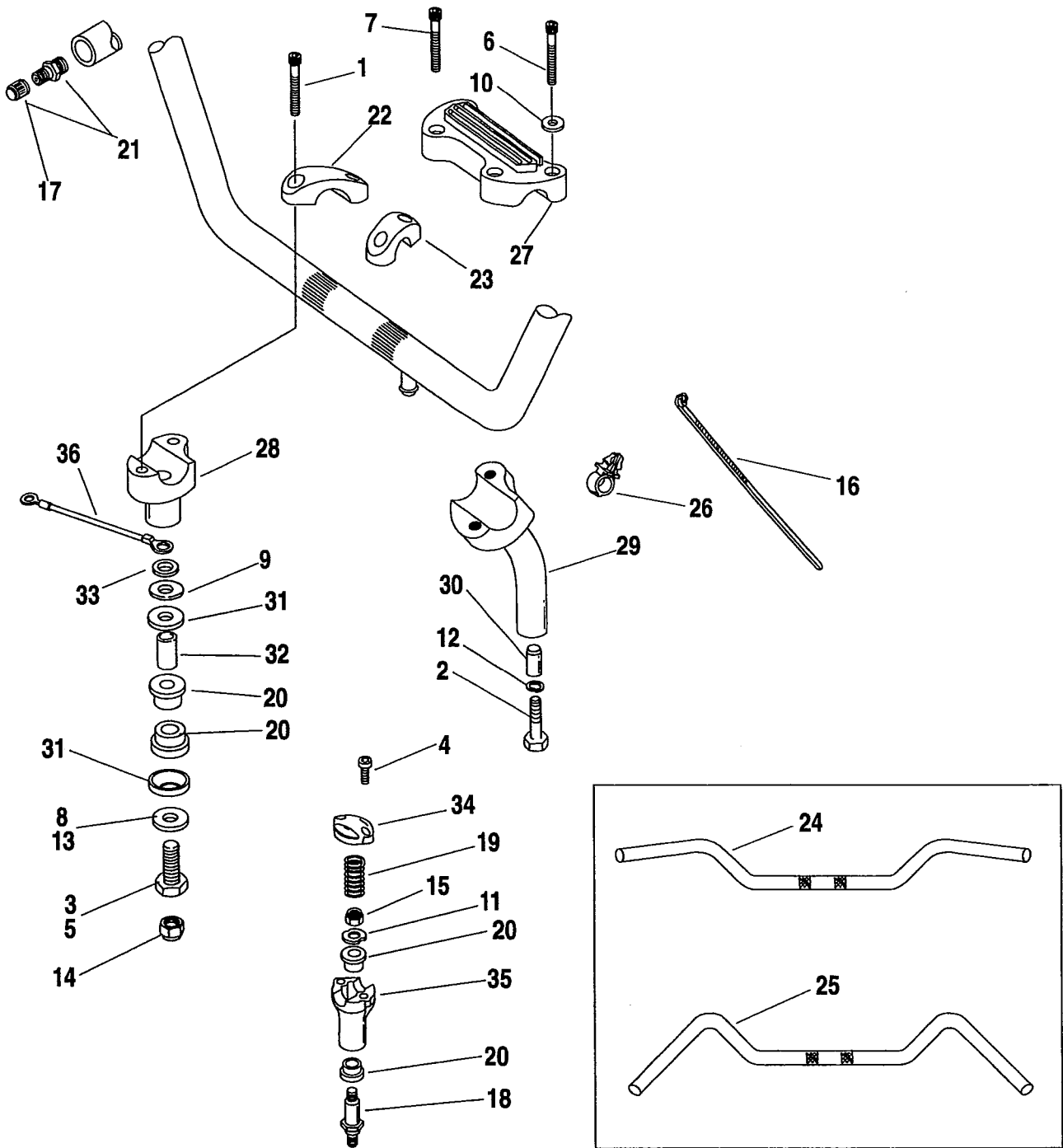
HANDLEBAR

FC34-1

INDEX NO.	PART NO.	DESCRIPTION	FLT MODELS	SOFTAIL MODELS	DYNA MODELS
1	3210A	SCREW (4)	95*-ALL	--	--
2	3450	BOLT (2)	--	95*-BK	--
3	3471	BOLT (2)	--	95*-BJ/M/N	95*-ALL
4	3494A	SCREW (4)	--	95*-BL/P	--
5	3605	SCREW (2)	95*-ALL	--	--
6	4326A	SCREW (2)	--	--	95*-GG/H
7	4816A	SCREW (4;2-GG/H)	--	95*-BJ/K/M/N	95*-ALL
8	6083	WASHER, right only	95*-ALL	--	--
9	6113	WASHER	95*-ALL	--	--
10	6330	WASHER (2)	--	--	95*-GG/H
11	6753	WASHER	--	95*-ALL	--
12	7068	LOCKWASHER (2)	--	95*-BJ/K/M/N	95*-ALL
13	7129	LOCKWASHER, right only	--	95*-BJ/M/N	--
14	7739	LOCKNUT (4)	95*-ALL	--	--
15	7768W	LOCKNUT (2)	--	95*-BK/L/P	--
16	10065	CABLE STRAP (2)	--	95*-BL/P	--
17	41123-79	VALVE CAP	95*-DD/J/M/P	--	--
18	45544-88	STUD, rigid fork leg (2)	--	95*-BL/P	--
19	46059-90	SPRING	--	95*-BL/P	--
20	53156-86	BUSHING (rubber) (4)	--	95*-ALL	95*-ALL
	56161-83A	BUSHING (rubber) (4)	95*-ALL	--	--
21	54316-83A	VALVE STEM ASSEMBLY	95*-ALL	--	--
22	55917-79A	CLAMP, upper - right	95*-ALL	--	--
23	55918-79A	CLAMP, upper - left	95*-ALL	--	--
24	55919-82	HANDLEBAR	95*-FD	95*-BM/N	--
	56569-86	HANDLEBAR	--	95*-BJ	--
25	55920-83B	HANDLEBAR	95-DD/J/M/P;FC	--	--
	55924-96	HANDLEBAR	96*-DD/J/P;FC/E/F	--	--
	56079-93	HANDLEBAR, factory ape hanger	--	--	95*-GE
	56081-82A	HANDLEBAR	--	95*-BK	95*-GD/G/H
	56093-88A	HANDLEBAR	--	95*-BL	--
	56094-95	HANDLEBAR	--	95*-BP	--

FLT MODELS				SOFTAIL MODELS				DYNA MODELS	
FLHT	DD	FLHR-I	FB	FLSTC	BJ	FLSTF	BM	FXDL	GD
FLHTC	DJ	FLHTCU-I	FC	FXSTC	BK	FLSTN	BN	FXDWG	GE
FLTC-U	DM	FLTCU-I	FE	FXSTS	BL	FXSTSB	BP	FXDS-CON	GG
FLHTC-U	DP	FLHTC-I	FF					FXD	GH
FLHR	FD								

HANDLEBAR



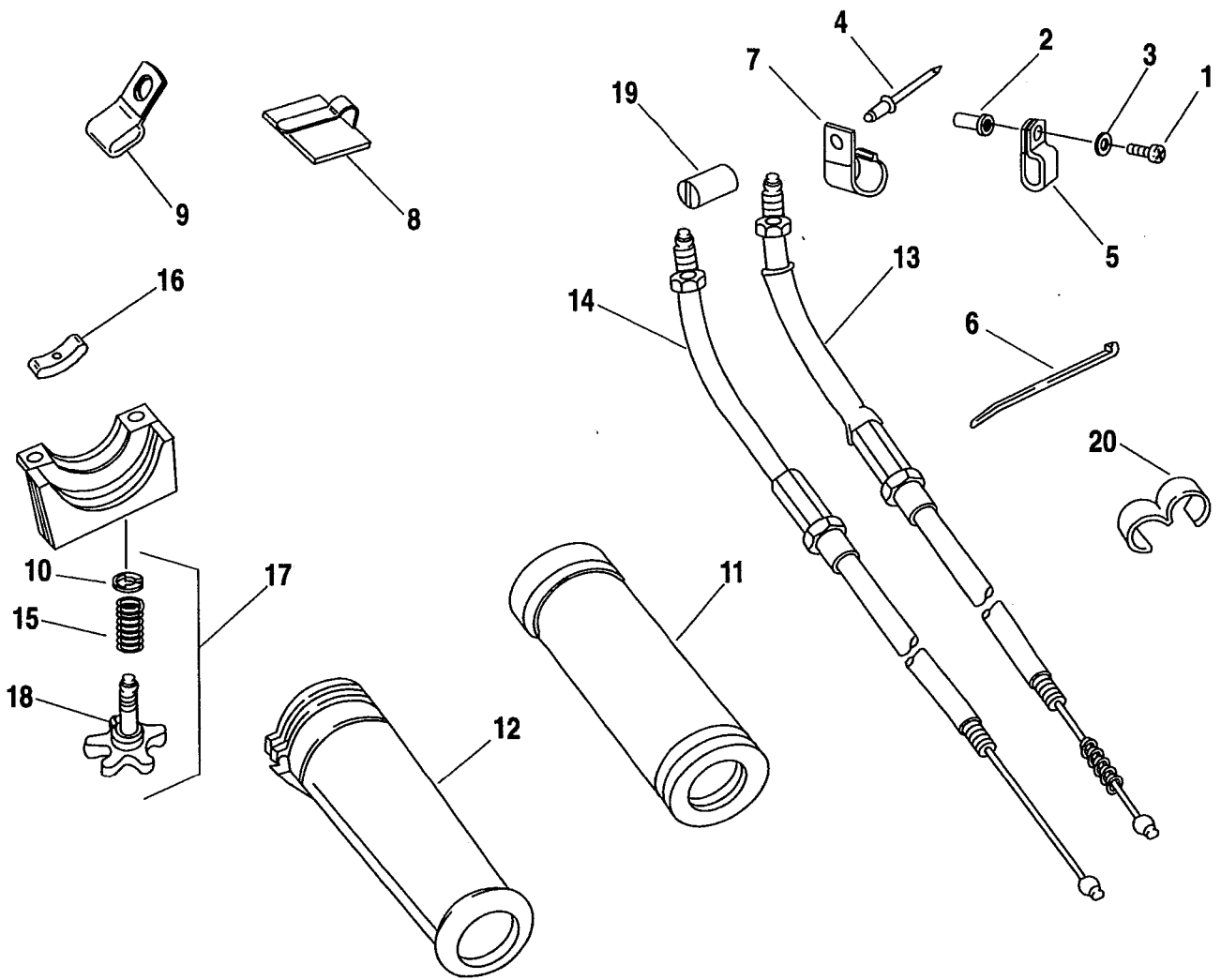
HANDLEBAR (CONT'D)

FB34-2

INDEX NO.	PART NO.	DESCRIPTION	FLT MODELS	SOFTAIL MODELS	DYNA MODELS
26	56073-83	RETAINER (4)	95*-FD	95*-ALL	96*-GG
27	56115-95	CLAMP, upper	--	--	95*-GG/H
	56119-77A	CLAMP, upper	--	95*-BK	95*-GD
	56567-86A	CLAMP, upper (chrome)	--	95*-BJ/M/N	95*-GE
28	56116-82A	CLAMP, lower - right	--	--	95*-GD/G/H
	56117-82A	CLAMP, lower - left	--	--	95*-GD/G/H
	56140-84A	CLAMP, lower -right	95-ALL	--	--
	56141-84A	CLAMP, lower - left	95-ALL	--	--
	56149-88B	CLAMP, lower - left	96*-ALL	--	--
	56151-88B	CLAMP, lower - right	96*-ALL	--	--
	56541-86A	CLAMP, lower - left (chrome)	--	95*-BJ/M/N	95*-GE
	56542-86A	CLAMP, lower - right (chrome)	--	95*-BJ/M/N	95*-GE
29	56122-77	CLAMP, lower - left	--	95*-BK	--
	56124-77	CLAMP, lower - right	--	95*-BK	--
30	56153-73	SPACER (2)	--	95*-BJ/K/M/N	95*-ALL
31	56159-73	CUP WASHER (4)	95*-ALL	95*-ALL	95*-ALL
32	56163-93	SPACER (2)	95*-ALL	--	--
33	56166-96	SPACER (2)	96*-FE	--	--
34	56538-88	CLAMP (2)	--	95*-BL	--
	56547-95	CLAMP (2)	--	95*-BP	--
35	56540-88	RISER (2)	--	95*-BL	--
	56546-95	RISER (2)	--	95*-BP	--
36	70142-94	CABLE, ground	95*-ALL	--	--
	70191-73A	CABLE, ground	--	95-BK	95*-ALL
	70197-86	CABLE, ground	--	95*-BJ/M/N	--
H-D INTERNATIONAL ONLY					
4	3664	SCREW (4)	--	95*-BL	--

FLT MODELS				SOFTAIL MODELS				DYNA MODELS	
FLHT	DD	FLHR-I	FB	FLSTC	BJ	FLSTF	BM	FXDL	GD
FLHTC	DJ	FLHTCU-I	FC	FXSTC	BK	FLSTN	BN	FXDWG	GE
FLTC-U	DM	FLTCU-I	FE	FXSTS	BL	FXSTSB	BP	FXDS-CON	GG
FLHTC-U	DP	FLHTC-I	FF					FXD	GH
FLHR	FD								

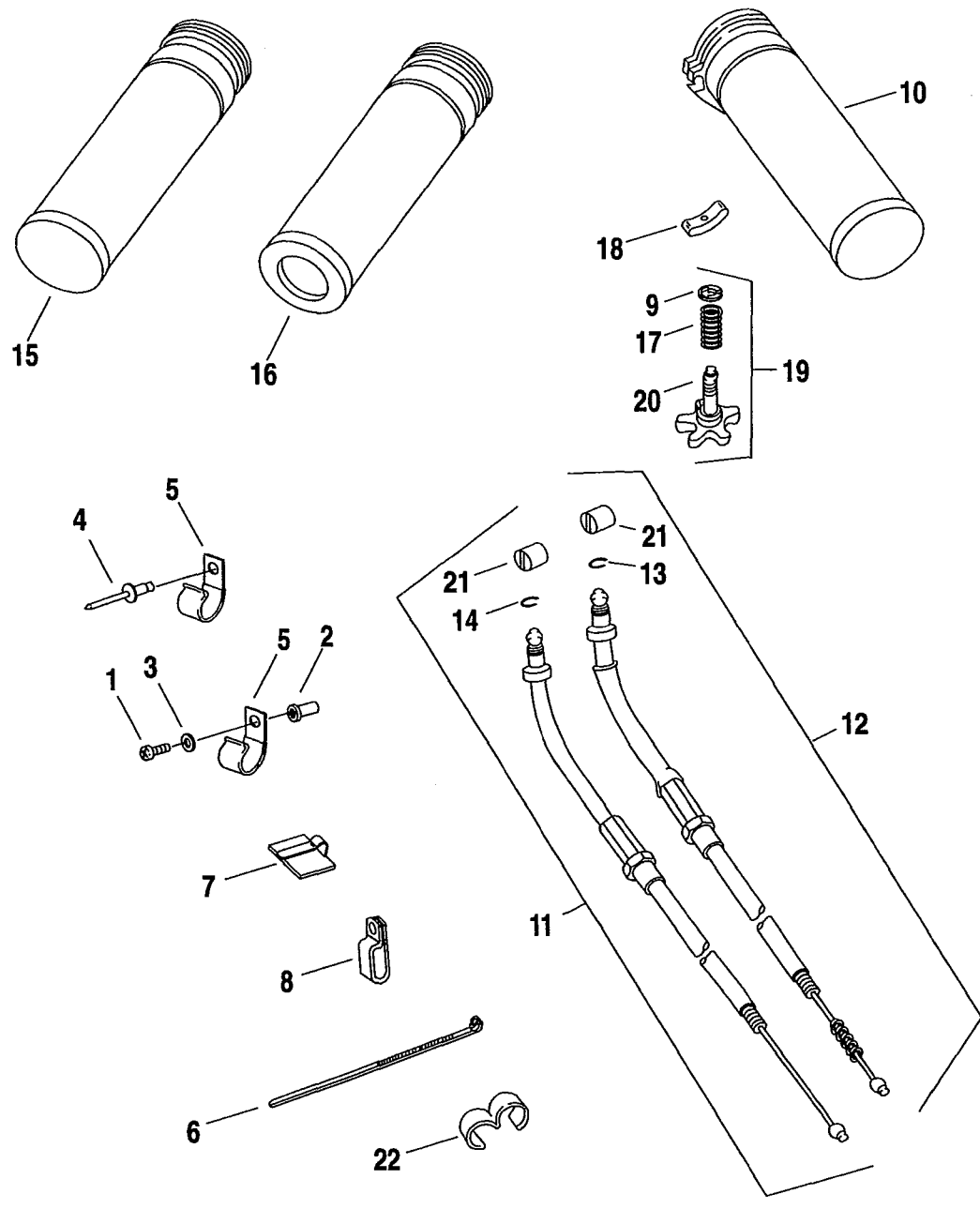
THROTTLE CONTROL - 1995



INDEX NO.	PART NO.	DESCRIPTION	FLT MODELS	SOFTAIL MODELS	DYNA MODELS
1	933	SCREW	95-DD/J/P;FC/D	--	--
2	5207	WELLNUT	95-DD/J/P;FC/D	--	--
3	6047	WASHER	95-DD/J/P;FC/D	--	--
4	8483	RIVET	95-ALL	--	--
5	10003	CLAMP	95-ALL	--	--
6	10006	CABLE STRAP	--	95-ALL	--
	10007	CABLE STRAP	95-ALL	--	--
7	10092	CLAMP	95-ALL	--	--
8	10103	CLIP, throttle cables	--	--	95-ALL
9	10146	CLAMP, throttle cables	--	95-BL/P	--
10	11155	RETAINING RING	95-ALL	95-ALL	95-ALL
11	55915-94A	GRIP, left	95-DD/J/M/P;FC	--	--
	56206-94A	GRIP, left	95-FD	95-ALL	95-ALL
12	56220-94A	GRIP & SLEEVE, throttle - right	95-ALL	95-ALL	95-ALL
13	56305-90	IDLE CONTROL	--	95-BL	--
	56328-90	IDLE CONTROL	95-DD/J	--	--
	56342-90	IDLE CONTROL	--	95-BJ/K/M/N/P	--
	56351-90	IDLE CONTROL	95-DM/P	--	--
	56355-92	IDLE CONTROL	--	--	95-ALL
	56358-95	IDLE CONTROL	95-FC	--	--
	56375-94	IDLE CONTROL	95-FD	--	--
14	56306-90	THROTTLE CONTROL	--	95-BL	--
	56327-90	THROTTLE CONTROL	95-DD/J/M/P	--	--
	56343-90	THROTTLE CONTROL	--	95-BJ/K/M/N/P	--
	56356-92	THROTTLE CONTROL	--	--	95-ALL
	56357-95	THROTTLE CONTROL	95-FC	--	--
	56376-94	THROTTLE CONTROL	95-FD	--	--
15	56394-74	SPRING, adjusting screw	95-DD/J,FD	95-ALL	95-ALL
16	56396-74A	FRICTION SPRING, throttle	95-DD/J,FD	95-ALL	95-ALL
17	56397-74C	ADJUSTING SCREW KIT, w/ #10, 15 & 18	95-DD/J,FD	95-ALL	95-ALL
18	56402-83A	ADJUSTING SCREW	95-DD/J,FD	95-ALL	95-ALL
19	56508-76	FERRULE, control wire (2)	95-ALL	95-ALL	95-ALL
20	70504-81	CLIP, throttle cables	--	95-ALL	95-ALL

FLT MODELS				SOFTAIL MODELS				DYNA MODELS	
FLHT	DD	FLHR-I	FB	FLSTC	BJ	FLSTF	BM	FXDL	GD
FLHTC	DJ	FLHTCU-I	FC	FXSTC	BK	FLSTN	BN	FXDWG	GE
FLTC-U	DM	FLTCU-I	FE	FXSTS	BL	FXSTSB	BP	FXDS-CON	GG
FLHTC-U	DP	FLHTC-I	FF					FXD	GH
FLHR	FD								

THROTTLE CONTROL - 1996



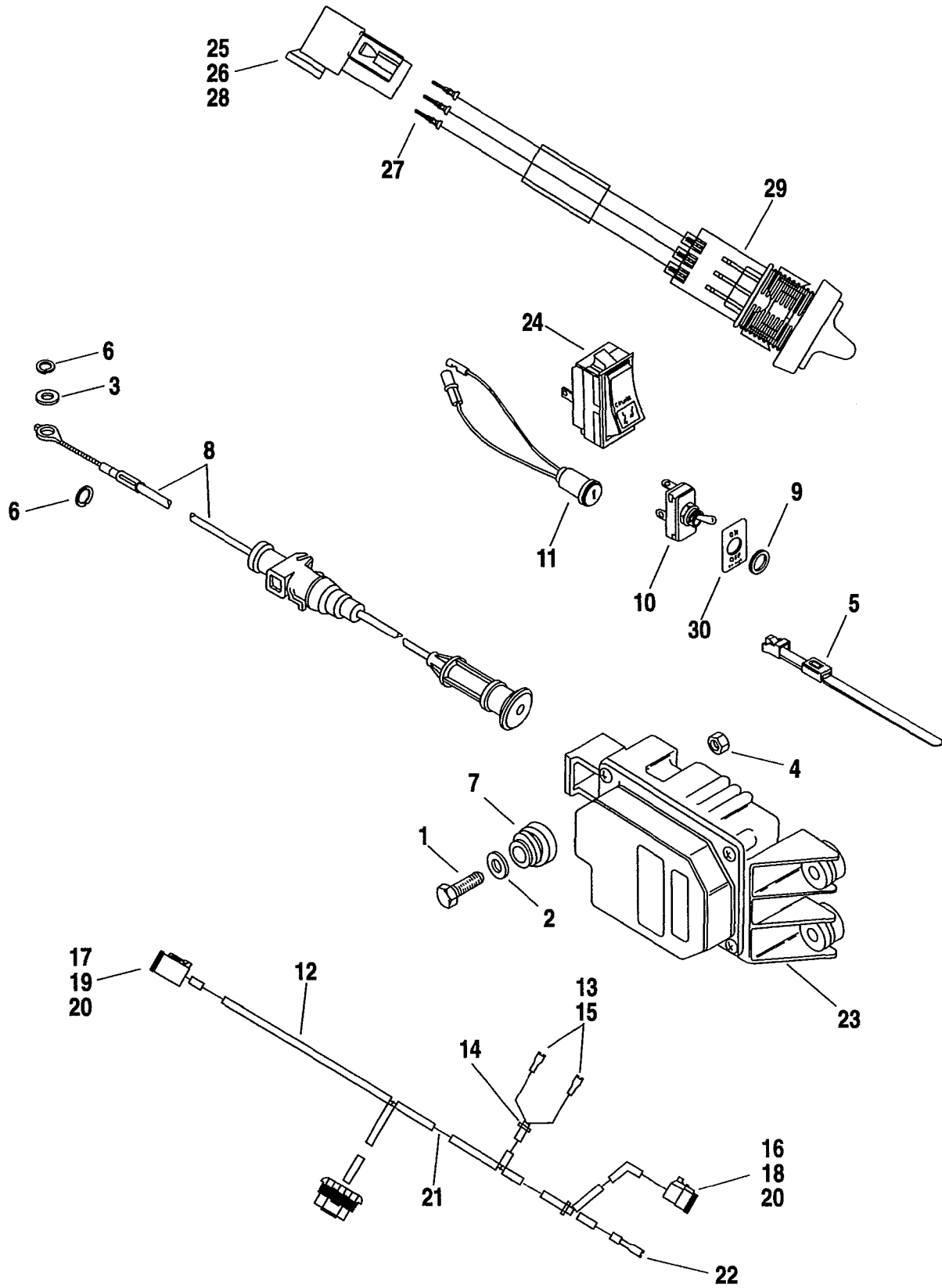
THROTTLE CONTROL - 1996

FC35A

INDEX NO.	PART NO.	DESCRIPTION	FLT MODELS	SOFTAIL MODELS	DYNA MODELS
1	933	SCREW	96*-FB/D	--	--
2	5207	WELLNUT	96*-FB/D	--	--
3	6047	WASHER	96*-FB/D	--	--
4	8483	RIVET	96*-ALL	--	--
5	10003	CLAMP (2-FB/D/E)	96*-ALL	--	--
6	10006	CABLE STRAP	--	96*-ALL	--
	10007	CABLE STRAP	96*-ALL	--	--
7	10103	CLIP, throttle cables	--	--	96*-ALL
8	10146	CLAMP, throttle cables	--	96*-BL/P	--
9	11155	RETAINING RING	96*-ALL	96*-ALL	96*-ALL
10	56220-94A	GRIP & SLEEVE, throttle - right	96*-ALL	96*-ALL	96*-ALL
11	56356-96	THROTTLE CONTROL ASM.	--	--	96*-ALL
	56306-96	THROTTLE CONTROL ASM.	--	96*-BL	--
	56327-96	THROTTLE CONTROL ASM.	96*-DD/J/P	--	--
	56343-96	THROTTLE CONTROL ASM.	--	96*-BJ/K/M/N/P	--
	56357-96	THROTTLE CONTROL ASM.	96*-FC/E/F	--	--
	56379-96	THROTTLE CONTROL ASM.	96*-FB	--	--
	56376-96	THROTTLE CONTROL ASM.	96*-FD	--	--
12	56355-96	IDLE CONTROL ASM.	--	--	96*-ALL
	56305-96	IDLE CONTROL ASM.	--	96*-BL	--
	56328-96	IDLE CONTROL ASM.	96*-DD/J	--	--
	56342-96	IDLE CONTROL ASM.	--	96*-BJ/K/M/N/P	--
	56351-96	IDLE CONTROL ASM.	96*-DP	--	--
	56358-96	IDLE CONTROL ASM.	96*-FC/E	--	--
	56387-96	IDLE CONTROL ASM.	96*-FF	--	--
	56368-96	IDLE CONTROL ASM	96*-FB	--	--
	56375-96	IDLE CONTROL ASM	96*-FD	--	--
13	11271	RETAINING RING, idle control	96*-ALL	96*-ALL	96*-ALL
14	11272	RETAINING RING, throttle control	96*-ALL	96*-ALL	96*-ALL
15	56206-96	GRIP, left	96*-FB/D	96*-ALL	96*-ALL
16	55915-96	GRIP, left (with opening for air valve)	96*-DD/J/P;FC/E/F	--	--
17	56394-74	SPRING, adjusting screw	96*-DD/J,FB/D/F	96*-ALL	96*-ALL
18	56396-74A	FRICTION SPRING, throttle	96*-DD/J,FB/D/F	96*-ALL	96*-ALL
19	56397-74C	ADJUSTING SCREW KIT	96*-DD/J,FB/D/F	96*-ALL	96*-ALL
20	56402-83A	ADJUSTING SCREW	96*-DD/J,FB/D/F	96*-ALL	96*-ALL
21	56508-76	FERRULE, control wire (2)	96*-ALL	96*-ALL	96*-ALL
22	70504-81	CLIP, throttle cables	96*-ALL	96*-ALL	96*-ALL

FLT MODELS				SOFTAIL MODELS				DYNA MODELS	
FLHT	DD	FLHR-I	FB	FLSTC	BJ	FLSTF	BM	FXDL	GD
FLHTC	DJ	FLHTCU-I	FC	FXSTC	BK	FLSTN	BN	FXDWG	GE
FLTC-U	DM	FLTCU-I	FE	FXSTS	BL	FXSTSB	BP	FXDS-CON	GG
FLHTC-U	DP	FLHTC-I	FF					FXD	GH
FLHR	FD								

CRUISE CONTROL



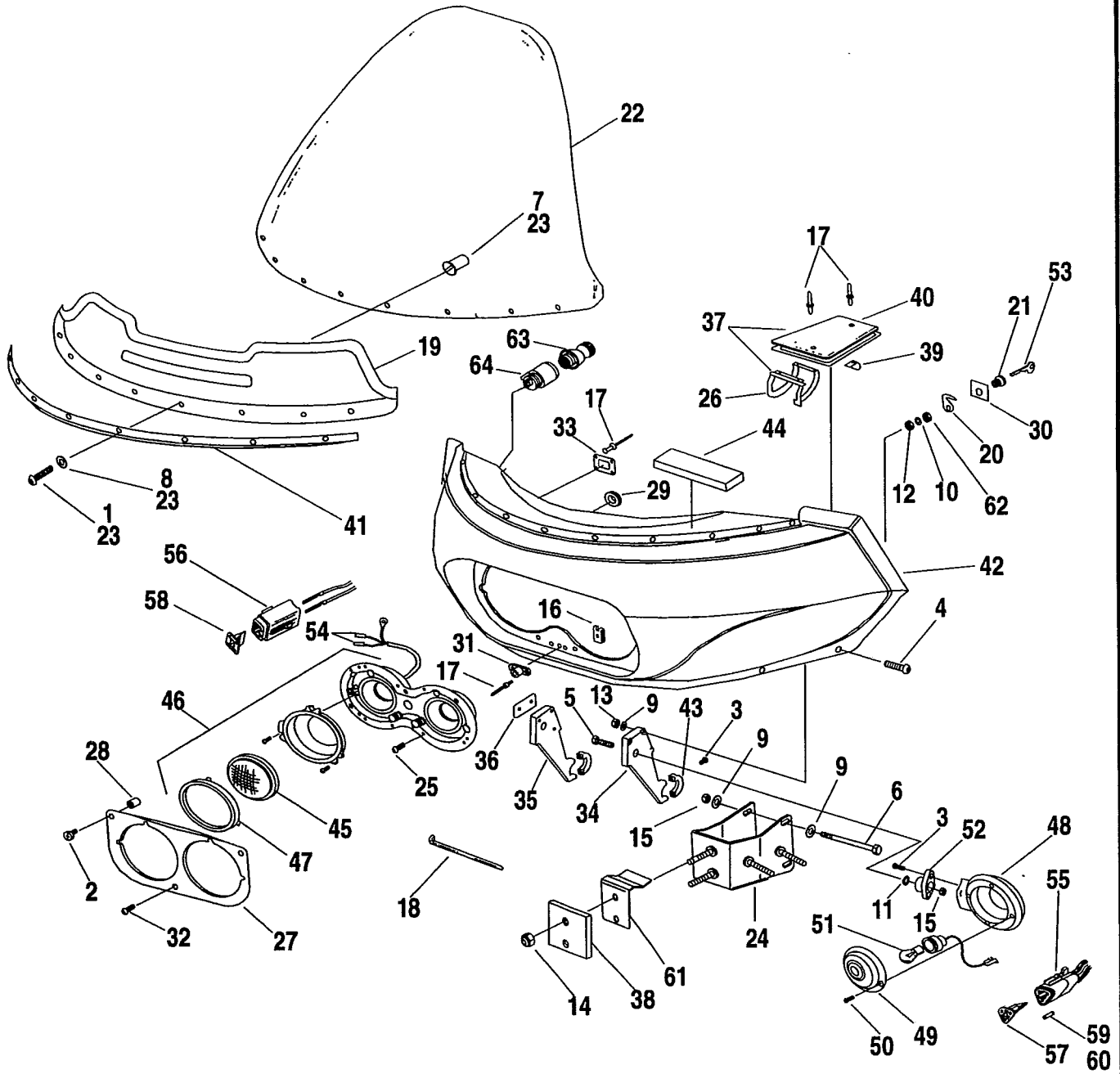
CRUISE CONTROL

FC35B

INDEX NO.	PART NO.	DESCRIPTION	FLT MODELS	SOFTAIL MODELS	DYNA MODELS
1	2551W	SCREW (3)	95-DM/P;FC 96*-DP;FC/E	--	--
2	6703	WASHER (3)	95-DM/P;FC 96*-DP;FC/E	--	--
3	6716	WASHER	95-DM/P;FC 96*-DP;FC/E	--	--
4	7716	NUT, flange	95-DM/P;FC 96*-DP;FC/E	--	--
5	10133	T-CLIP, cable to backbone	95-DM/P;FC 96*-DP;FC/E	--	--
6	11193	RETAINING RING (2)	95*-DM/P	--	--
7	11478	GROMMET (3)	95-DM/P;FC 96*-DP;FC/E	--	--
8	56354-93	STEPPER CABLE	95*-DM/P	--	--
	56372-95	STEPPER CABLE	95-FC;96*-FC/E	--	--
9	67846-70	NUT, toggle switch	95-DM;96*-FE	--	--
10	67858-89	SWITCH, cruise control	95-DM;96*-FE	--	--
11	68536-75	INDICATOR LAMP	95-DM;96*-FE	--	--
	68688-89	LAMP ASSEMBLY, cruise indicator	95-DM;96*-FE	--	--
12	70141-95	HARNESS, cruise control includes the following:	95-DM/P;FC 96*-DP;FC/E	--	--
13	9930	TERMINAL, female spade - 3/16 slot (2)	95-DM/P;FC 96*-DP;FC/E	--	--
14	10065	CABLE STRAP	95-DM/P;FC 96*-DP;FC/E	--	--
15	71774-77	INSULATOR (2)	95-DM/P;FC 96*-DP;FC/E	--	--
16	72113-94BK	PLUG, 3-way socket	95-DM/P;FC 96*-DP;FC/E	--	--
17	72116-94BK	PLUG, 6-way socket	95-DM/P;FC 96*-DP;FC/E	--	--
18	72153-94	SOCKET LOCK, secondary, 3-way	95-DM/P;FC 96*-DP;FC/E	--	--
19	72156-94	SOCKET LOCK, secondary, 6-way	95-DM/P;FC 96*-DP;FC/E	--	--
20	72191-94	TERMINAL, socket (9)	95-DM/P;FC 96*-DP;FC/E	--	--
21	72266-94	HEAT SHRINK TUBE, dual wall, 0.45 x 2" (2)	95-DM/P;FC 96*-DP;FC/E	--	--
22	72290-94	TERMINAL, female 1/4"	95-DM/P;FC 96*-DP;FC/E	--	--
23	70958-93A	STEPPER MOTOR	95-DM/P;FC 96*-DP;FC/E	--	--
24	71513-89	SWITCH, cruise control	95-DP	--	--
	71513-96	SWITCH, cruise control	96*-DP;FC/E	--	--
25	72103-94BK	RECEPTACLE, 3-way pin	95-DM/P;FC	--	--
26	72143-94	PIN LOCK, secondary, 3-way	95-DM/P;FC	--	--
27	72190-94	TERMINAL, pin (3)	95-DM/P;FC	--	--
28	72199-94	ATTACHMENT CLIP	95-DM/P;FC	--	--
29	77101-90B	SWITCH KIT, w/ harness, set/resume	95-DM/P;FC	--	--
30	77113-89	LABEL, cruise	95-DM;96*-FE	--	--

FLT MODELS				SOFTAIL MODELS				DYNA MODELS	
FLHT	DD	FLHR-I	FB	FLSTC	BJ	FLSTF	BM	FXDL	GD
FLHTC	DJ	FLHTCU-I	FC	FXSTC	BK	FLSTN	BN	FXDWG	GE
FLTC-U	DM	FLTCU-I	FE	FXSTS	BL	FXSTSB	BP	FXDS-CON	GG
FLHTC-U	DP	FLHTC-I	FF					FXD	GH
FLHR	FD								

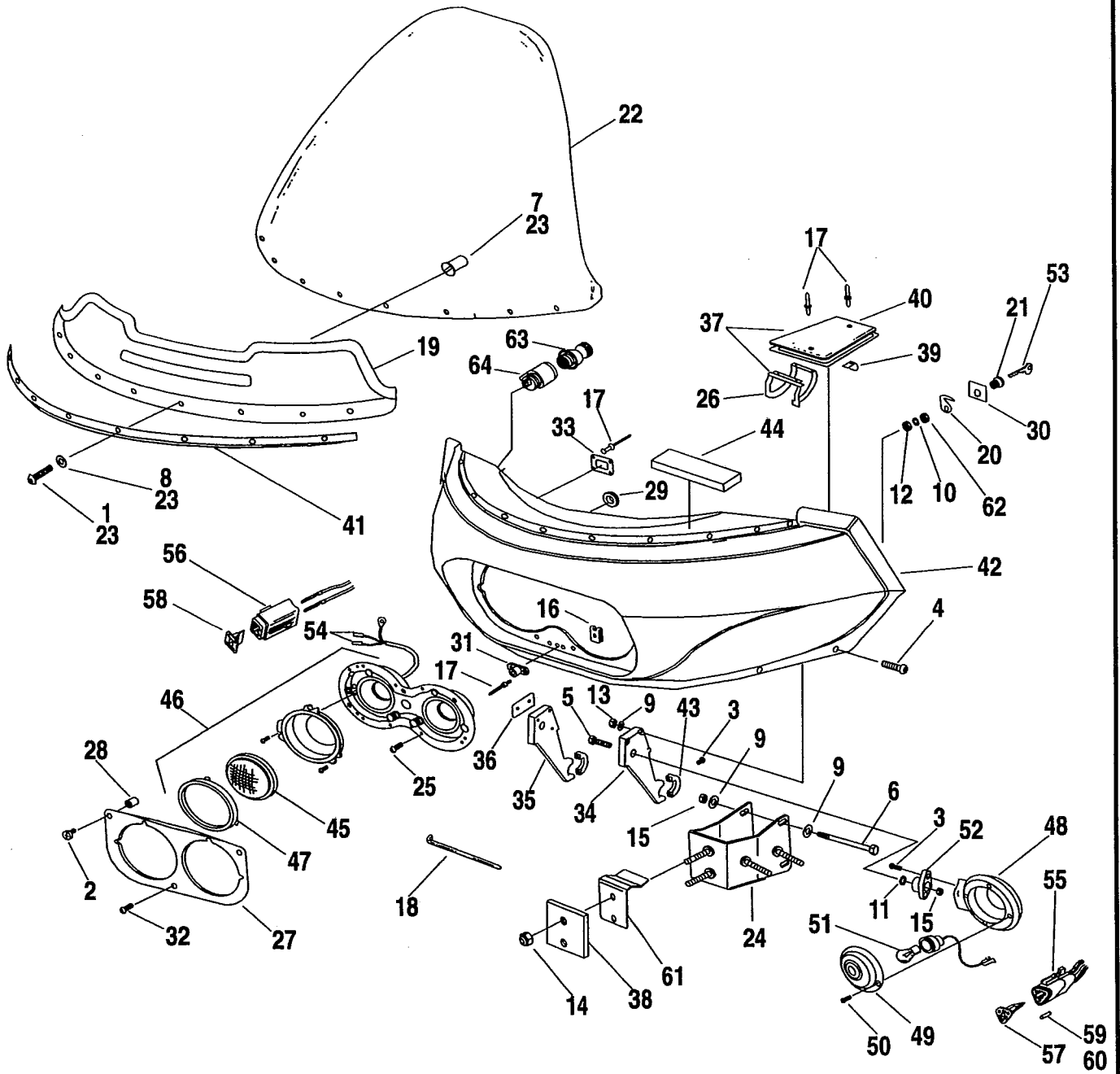
WINDSHIELD, FAIRING & LAMPS - FLTC-U & FLTCU-I



INDEX NO.	PART NO.	DESCRIPTION	FLT MODELS	SOFTAIL MODELS	DYNA MODELS
NOTE: REFER TO PAINTED PARTS BOOK FOR PAINTED PART NUMBERS.					
1	933	SCREW (7)	95-DM;96*-FE	--	--
2	2504	SCREW (2)	95-DM;96*-FE	--	--
3	2647B	SCREW (8)	95-DM;96*-FE	--	--
4	2648	SCREW (4)	95-DM;96*-FE	--	--
5	4411	BOLT (2)	95-DM;96*-FE	--	--
6	4435W	BOLT (2)	95-DM;96*-FE	--	--
7	5207	WELL NUT (7)	95-DM;96*-FE	--	--
8	6053	WASHER (7)	95-DM;96*-FE	--	--
9	6701	WASHER (4)	95-DM;96*-FE	--	--
10	7128	LOCKWASHER (2)	95-DM;96*-FE	--	--
11	7130W	LOCKWASHER (4)	95-DM;96*-FE	--	--
12	7586	NUT (2)	95-DM;96*-FE	--	--
13	7686	LOCKNUT (4)	95-DM;96*-FE	--	--
14	7739	LOCKNUT (2)	95-DM;96*-FE	--	--
15	7775	LOCKNUT (4)	95-DM;96*-FE	--	--
16	8107	CLIP NUT, headlamp mounting (4)	95-DM;96*-FE	--	--
17	8692	POP RIVET (black aluminum) (22)	95-DM;96*-FE	--	--
18	10006	CABLE STRAP (2)	95-DM;96*-FE	--	--
	10065	CABLE STRAP (2)	95-DM;96*-FE	--	--
19	14224-89	DECAL, "Harley-Davidson" (silver)	95-DM;96*-FE	--	--
20	53583-92	CAM HOOK (2) w/ # 10 & 12	95-DM;96*-FE	--	--
21	53584-92	LOCK, fairing (2)	95-DM;96*-FE	--	--
	53575-93	LOCK SET, complete vehicle (not illustrated)	95-DM;96*-FE	--	--
22	58009-89A	WINDSHIELD ASSEMBLY, 2" tall. w/ #1, 7, 8, 19, & 41	95-DM;96*-FE	--	--
	58016-89A	WINDSHIELD ASSEMBLY std. w/ #1, 7, 8, 19, & 41	95-DM;96*-FE	--	--
	58453-89A	WINDSHIELD ASSEMBLY 3" short w/ #1, 7, 8, 19, & 41	95-DM;96*-FE	--	--
23	58031-80	WINDSHIELD MOUNTING KIT, w/ #1, 7, & 8	95-DM;96*-FE	--	--
24	58400-94	BRACKET, mounting - upper	95-DM;96*-FE	--	--
25	58402-80	SCREW, headlamp mounting (4)	95-DM;96*-FE	--	--
26	58459-80	HINGE, cover (2)	95-DM;96*-FE	--	--
27	58460-80	TRIM PLATE, headlamp	95-DM;96*-FE	--	--
28	58461-80	SPACER (2)	95-DM;96*-FE	--	--
29	58467-94	GROMMET, split	95-DM;96*-FE	--	--
30	58466-80	WASHER PLATE (2)	95-DM;96*-FE	--	--
31	58473-80	MOUNTING BRACKET (3)	95-DM;96*-FE	--	--
32	58477-80	SCREW, headlamp trim plate	95-DM;96*-FE	--	--

FLT MODELS				SOFTAIL MODELS				DYNA MODELS	
FLHT	DD	FLHR-I	FB	FLSTC	BJ	FLSTF	BM	FXDL	GD
FLHTC	DJ	FLHTCU-I	FC	FXSTC	BK	FLSTN	BN	FXDWG	GE
FLTC-U	DM	FLTCU-I	FE	FXSTS	BL	FXSTSB	BP	FXDS-CON	GG
FLHTC-U	DP	FLHTC-I	FF					FXD	GH
FLHR	FD								

WINDSHIELD, FAIRING & LAMPS - FLTC-U & FLTCU-I



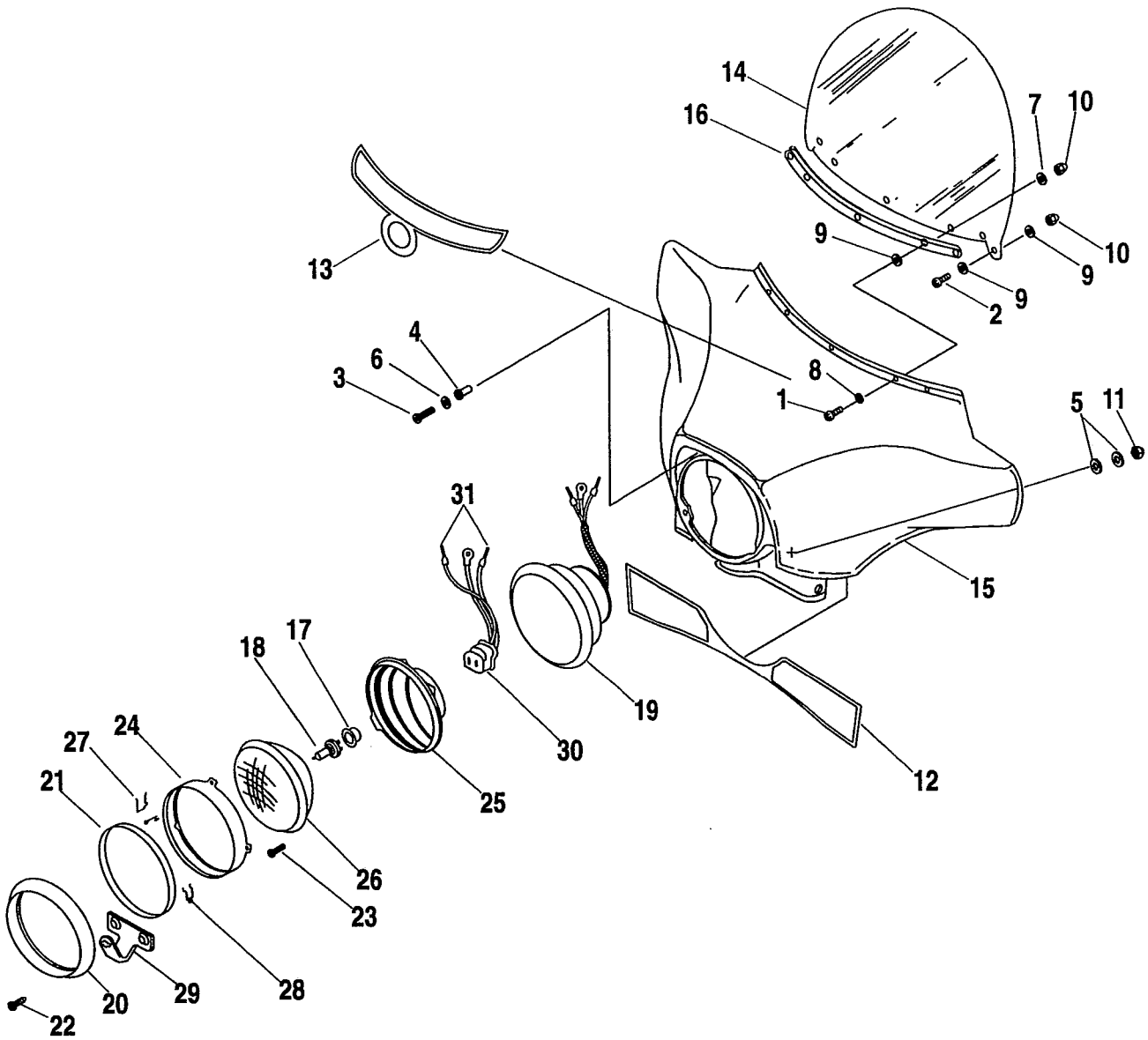
WINDSHIELD, FAIRING & LAMPS - FLTC-U & FLTCU-I (CONT'D)

FC36-2

INDEX NO.	PART NO.	DESCRIPTION	FLT MODELS	SOFTAIL MODELS	DYNA MODELS
33	58482-86	MOUNTING PLATE	95-DM;96*-FE	--	--
34	58484-89	SUPPORT BRACKET, left	95-DM;96*-FE	--	--
35	58486-89	SUPPORT BRACKET, right	95-DM;96*-FE	--	--
36	58488-84	GASKET (2)	95-DM;96*-FE	--	--
37	58712-79A	COVER, right (black)	95-DM;96*-FE	--	--
	58713-79A	COVER, left (black)	95-DM;96*-FE	--	--
38	58714-79	PAD (rubber)	95-DM;96*-FE	--	--
39	58715-79	LATCH, cover (2)	95-DM;96*-FE	--	--
40	58716-79	GASKET, cover (2)	95-DM;96*-FE	--	--
41	58717-79	FOAM TAPE, windshield	95-DM;96*-FE	--	--
42	58720-94	FAIRING (prime)	95-DM;96*-FE	--	--
43	58826-89	CLAMP, mounting bracket (2)	95-DM;96*-FE	--	--
44	66104-84	PAD (3)	95-DM;96*-FE	--	--
45	67692-92	SEALED BEAM UNIT -5-3/4" (2)	95-DM;96*-FE	--	--
46	67775-94	HEADLAMP ASM. w/ housing -5-3/4"	95-DM;96*-FE	--	--
47	67746-85	RETAINING RING (2)	95-DM;96*-FE	--	--
48	68766-94	LAMP w/ WIRE (2)	95-DM;96*-FE	--	--
49	68440-86	LENS, turn signals (amber) (2)	95-DM;96*-FE	--	--
50	68452-86	SCREW (4)	95-DM;96*-FE	--	--
51	68168-89	BULB, turn signal (2)	95-DM;96*-FE	--	--
52	68519-68	MOUNTING BRACKET (2)	95-DM;96*-FE	--	--
53	71452-91A	KEY (specify key code)	95-DM;96*-FE	--	--
54	72039-71	PIN, single socket (3)	95-DM;96*-FE	--	--
55	72113-94BK	PLUG, 3-way socket, (2)	95-DM;96*-FE	--	--
56	72114-94BK	PLUG, 4-way socket	95-DM;96*-FE	--	--
57	72153-94	SOCKET LOCK, secondary, 3-way (2)	95-DM;96*-FE	--	--
58	72154-94	SOCKET LOCK, secondary, 4-way	95-DM;96*-FE	--	--
59	72191-94	TERMINAL, socket (9)	95-DM;96*-FE	--	--
60	72195-94	SEAL PIN	95-DM;96*-FE	--	--
61	72344-94	COVER, fairing mount	95-DM;96*-FE	--	--
62	84850-92	NUT, lock (2)	95-DM;96*-FE	--	--
63	91808-89	ELEMENT, cigarette lighter	95-DM;96*-FE	--	--
64	91812-89	SOCKET, cigarette lighter	95-DM;96*-FE	--	--

FLT MODELS				SOFTAIL MODELS				DYNA MODELS	
FLHT	DD	FLHR-I	FB	FLSTC	BJ	FLSTF	BM	FXDL	GD
FLHTC	DJ	FLHTCU-I	FC	FXSTC	BK	FLSTN	BN	FXDWG	GE
FLTC-U	DM	FLTCU-I	FE	FXSTS	BL	FXSTSB	BP	FXDS-CON	GG
FLHTC-U	DP	FLHTC-I	FF					FXD	GH
FLHR	FD								

WINDSHIELD, FAIRING & HEADLAMP - 1995 FLHT MODELS



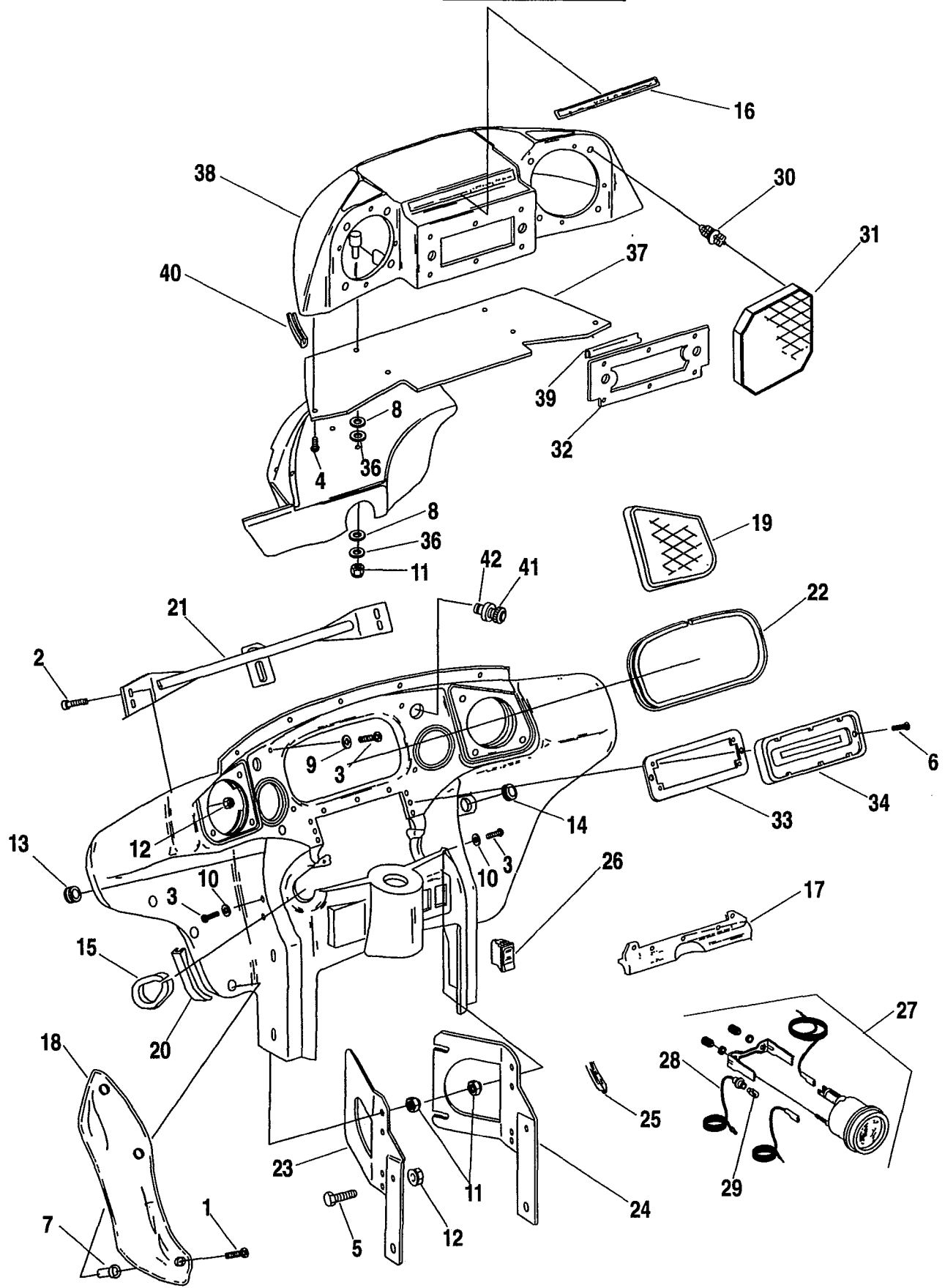
INDEX NO.	PART NO.	DESCRIPTION	FLT MODELS	SOFTAIL MODELS	DYNA MODELS
1	2432	SCREW (5)	95-DD/J/P;FC	--	--
2	2726A	SCREW (2)	95-DD/J/P;FC	--	--
3	2806	SCREW (5)	95-DD/J/P;FC	--	--
4	5210	WELL NUT (5)	95-DD/J/P;FC	--	--
5	6036	WASHER (8)	95-DD/J/P;FC	--	--
6	6717	WASHER (5)	95-DD/J/P;FC	--	--
7	7008	WASHER (5)	95-DD/J/P;FC	--	--
8	7017	WASHER (nylon) (5)	95-DD/J/P;FC	--	--
9	7018	WASHER (9)	95-DD/J/P;FC	--	--
10	7653	ACORN NUT (7)	95-DD/J/P;FC	--	--
11	7686	LOCKNUT (4)	95-DD/J/P;FC	--	--
12	14128-86A	TRIM, lower fairing	95-DD/J/P;FC	--	--
13	14217-89	DECAL "U.S.A." (silver)	95-DP	--	--
	14250-90	DECAL "U.S.A." (gold)	95-DP;FC	--	--
	14414-94	DECAL "U.S.A." (burgundy)	95-DP	--	--
14	58187-86	WINDOW, fairing	95-DD/J/P;FC	--	--
15	58198-86	FAIRING, outer (prime)	95-DD/J/P;FC	--	--
16	58247-86	CUSHION TAPE, outer fairing	95-DD/J/P;FC	--	--
17	67696-81	BOOT, halogen headlamp	95-DD/J/P;FC	--	--
18	67697-81	BULB (Halogen H-4)	95-DD/J/P;FC	--	--
19	67702-81A	HEADLAMP ASM. w/ housing-7"	95-DD/J/P;FC	--	--
20	67712-83	DOOR (chrome)	95-DD/J/P;FC	--	--
21	67716-60A	GASKET, headlamp door	95-DD/J/P;FC	--	--
22	67718-60A	SCREW, headlamp door	95-DD/J/P;FC	--	--
23	67724-71	ADJUSTING SCREW, headlamp (2)	95-DD/J/P;FC	--	--
24	67726-71	RETAINING RING, headlamp	95-DD/J/P;FC	--	--
25	67732-71A	MOUNTING RING, headlamp	95-DD/J/P;FC	--	--
26	67755-81A	LENS, less bulb - w/ boot	95-DD/J/P;FC	--	--
27	67778-60	TOP SPRING, headlamp door	95-DD/J/P;FC	--	--
28	67780-60	BOTTOM SPRING, headlamp door (2)	95-DD/J/P;FC	--	--
29	67782-60A	BRACKET, headlamp door	95-DD/J/P;FC	--	--
30	68634-86	LAMP WIRING & CONNECTOR, headlamp	95-DD/J/P;FC	--	--
31	72039-71	PIN, single socket	95-DD/J/P;FC	--	--
H-D INTERNATIONAL ONLY					
	53438-92	BULB, position lamp (HDI only)	95-D/J/P	--	--
	67793-92	LENS ASM, w/ bulb & boot-R.H. Dip (HDI only)	95-D/J/P	--	--
	67801-92	LENS ASM, w/ bulb & boot-L.H. Dip (HDI only)	95-D/J/P	--	--
	67798-92	BOOT (HDI only)	95-D/J/P	--	--
	68654-92	SOCKET, position lamp (HDI only)	95-D/J/P	--	--

FLT MODELS				SOFTAIL MODELS				DYNA MODELS	
FLHT	DD	FLHR-I	FB	FLSTC	BJ	FLSTF	BM	FXDL	GD
FLHTC	DJ	FLHTCU-I	FC	FXSTC	BK	FLSTN	BN	FXDWG	GE
FLTC-U	DM	FLTCU-I	FE	FXSTS	BL	FXSTSB	BP	FXDS-CON	GG
FLHTC-U	DP	FLHTC-I	FF					FXD	GH
FLHR	FD								

INDEX NO.	PART NO.	DESCRIPTION	FLT MODELS	SOFTAIL MODELS	DYNA MODELS
1	2445	SCREW (3)	96*-DD/J/P;FC/F	--	--
2	2446	SCREW (2)	96*-DD/J/P;FC/F	--	--
3	3612	SCREW (4)	96*-DD/J/P;FC/F	--	--
4	14580-96	DECAL, fairing (gold/red)	96*-DP;FC	--	--
	14581-96	DECAL, fairing (gold/blue)	96*-DP;FC	--	--
	14582-96	DECAL, fairing (silver/green)	96*-DP;FC	--	--
5	58187-96	WINDSHIELD	96*-DD/J/P;FC/F	--	--
6	58198-96	FAIRING, outer (primed)	96*-DD/J/P;FC/F	--	--
7	58208-96	SKIRT, outer fairing	96*-DD/J/P;FC/F	--	--
8	58247-96	CUSHION TAPE, windshield mounting	96*-DD/J/P;FC/F	--	--
10	58949-96	NUT, extension (2)	96*-DD/J/P;FC/F	--	--
11	62786-96	TRIM STRIP, skirt	96*-DD/J/P;FC/F	--	--
12	62787-96	SEAL, fairing skirt	96*-DD/J/P;FC/F	--	--
13	67696-81	BOOT, halogen headlamp	96*-DD/J/P;FC/F	--	--
14	67697-81	BULB (Halogen H-4)	96*-DD/J/P;FC/F	--	--
15	67702-81A	HEADLAMP ASM., complete - 7"	96*-DD/J/P;FC/F	--	--
16	67712-83	DOOR (chrome)	96*-DD/J/P;FC/F	--	--
17	67716-60A	GASKET, headlamp door	96*-DD/J/P;FC/F	--	--
18	67718-60A	SCREW, headlamp door	96*-DD/J/P;FC/F	--	--
19	67721-48	SCREW (3)	96*-DD/J/P;FC/F	--	--
20	67724-71	ADJUSTING SCREW, headlamp (2)	96*-DD/J/P;FC/F	--	--
21	67726-71	RETAINING RING, headlamp	96*-DD/J/P;FC/F	--	--
22	67732-71A	MOUNTING RING, headlamp	96*-DD/J/P;FC/F	--	--
23	67755-81A	LENS, less bulb - w/ boot	96*-DD/J/P;FC/F	--	--
24	67778-60	TOP SPRING, headlamp door	96*-DD/J/P;FC/F	--	--
25	67780-60	BOTTOM SPRING, headlamp door (2)	96*-DD/J/P;FC/F	--	--
26	67782-60A	BRACKET, headlamp door	96*-DD/J/P;FC/F	--	--
H-D INTERNATIONAL ONLY					
	53438-92	BULB, position lamp (HDI only)(not illus.)	96*-DD/J/P;FC/F	--	--
	67793-92	LENS ASM, w/ bulb & boot-R.H. Dip (HDI only)	96*-DD/J/P;FC/F	--	--
	67801-92	LENS ASM, w/ bulb & boot-L.H. Dip (HDI only)	96*-DD/J/P;FC/F	--	--
13	67798-92	BOOT (HDI only)	96*-DD/J/P;FC/F	--	--
	68654-92	SOCKET, position lamp (HDI only)(not illus.)	96*-DD/J/P;FC/F	--	--

FLT MODELS				SOFTAIL MODELS				DYNA MODELS	
FLHT	DD	FLHR-I	FB	FLSTC	BJ	FLSTF	BM	FXDL	GD
FLHTC	DJ	FLHTCU-I	FC	FXSTC	BK	FLSTN	BN	FXDWG	GE
FLTC-U	DM	FLTCU-I	FE	FXSTS	BL	FXSTSB	BP	FXDS-CON	GG
FLHTC-U	DP	FLHTC-I	FF					FXD	GH
FLHR	FD								

INNER FAIRING, RADIO CADDY & GAUGES



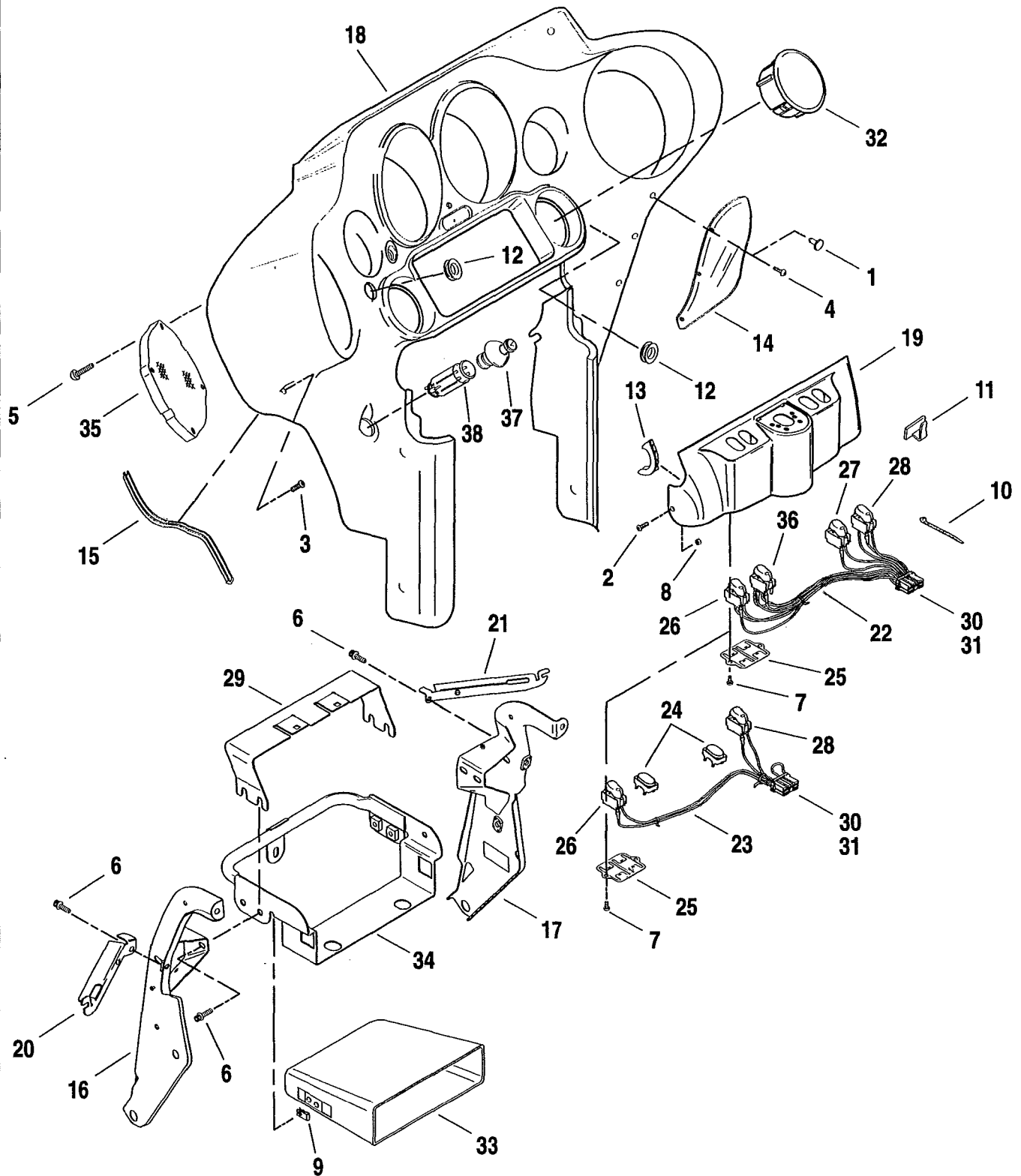
INNER FAIRING, RADIO CADDY & GAUGES-1995 FLHT MODELS & 1996 FLTCU-I

FC36C

INDEX NO.	PART NO.	DESCRIPTION	FLT MODELS	SOFTAIL MODELS	DYNA MODELS
1	922	SCREW (6)	95-DP;FC	--	--
2	923	SCREW (4)	95-DD/J/P;FC	--	--
3	2513	SCREW (8)	95-DD/J/P;FC	--	--
4	2623W	SCREW (4)	95-DM;96*-FE	--	--
5	3574	BOLT (4)	95-DD/J/P;FC	--	--
6	4365	SCREW (2)	95-DD	--	--
7	5210	WELL NUT (6)	95-DP;FC	--	--
8	6253W	WASHER (8)	95-DM;96*-FE	--	--
9	6411	WASHER (4)	95-DD/J/P;FC	--	--
10	7017	WASHER (4)	95-DD/J/P;FC	--	--
11	7686	LOCKNUT (4)	95-DD/J/M/P;FC 96*-FE	--	--
12	7680	NUT (4)	95-DD/J/P;FC	--	--
13	11445	GROMMET, clutch cable	95-DD/J/P;FC	--	--
14	11422	GROMMET, throttle cables	95-DD/J/P;FC	--	--
15	11453	GROMMET (2)	95-DD/J/M/P 96*-FE	--	--
16	14223-89	DECAL, radio caddy	95-DM;96*-FE	--	--
17	56109-88	HANDLEBAR COVER (black)	95-DD/J/P;FC	--	--
18	58128-89	AIR DEFLECTOR, right	95-DP;FC	--	--
	58129-89	AIR DEFLECTOR, left	95-DP;FC	--	--
19	58184-86	SPEAKER GRILLE, left	95-DD/J/P;FC	--	--
	58186-86	SPEAKER GRILLE, right	95-DD/J/P;FC	--	--
20	58311-86	MOLDING, inner fairing	95-DD/J/P;FC	--	--
21	58322-88A	CROSS BRACE	95-DD/J/P;FC	--	--
22	58415-86A	SEAL, instrument panel	95-DD/J/P;FC	--	--
23	58478-86A	BRACKET, left	95-DD/J/P;FC	--	--
24	58479-86A	BRACKET, right	95-DD/J/P;FC	--	--
25	61648-85	MOLDING	95-DD/J/P;FC	--	--
26	71505-89	SWITCH, passing lamps	95-DD/J/P	--	--
27	74526-86	VOLTMETER	95-DJ/P;FC	--	--
	74527-86	VOLTMETER	95-DM;96*-FE	--	--
	75032-87	GAUGE, oil pressure	95-DJ/M/P;FC 96*-FE	--	--
28	75044-84	SOCKET, w/ wires (2)	95-DJ/M/P;FC 96*-FE	--	--
29	75045-84	BULB, 12 V. (2)	95-DJ/M/P;FC 96*-FE	--	--
30	76175-86	CLIP, double end (8)	95-DM;96*-FE	--	--
31	76176-86	SPEAKER GRILLE	95-DM;96*-FE	--	--
32	76238-86	BRACKET, radio - front	95-DM;96*-FE	--	--
33	76278-88	MOUNTING PLATE	95-DD	--	--
34	76279-88	COVER PLATE	95-DD	--	--
36	77004-80	WASHER (rubber) (8)	95-DM;96*-FE	--	--
37	77036-86	BOTTOM, radio caddy	95-DM;96*-FE	--	--
38	77070-88A	RADIO CADDY (black)	95-DM;96*-FE	--	--
39	77060-86	MOLDING, radio caddy	95-DM;96*-FE	--	--
40	91721-82	MOLDING, radio caddy	95-DM;96*-FE	--	--
41	91808-89	ELEMENT, cigarette lighter	95-DM/P;FC 96*-FE	--	--
42	91812-89	SOCKET, cigarette lighter	95-DM/P;FC 96*-FE	--	--

FLT MODELS				SOFTAIL MODELS				DYNA MODELS	
FLHT	DD	FLHR-I	FB	FLSTC	BJ	FLSTF	BM	FXDL	GD
FLHTC	DJ	FLHTCU-I	FC	FXSTC	BK	FLSTN	BN	FXDWG	GE
FLTC-U	DM	FLTCU-I	FE	FXSTS	BL	FXSTSB	BP	FXDS-CON	GG
FLHTC-U	DP	FLHTC-I	FF					FXD	GH
FLHR	FD								

INNER FAIRING - 1996 FLHT MODELS



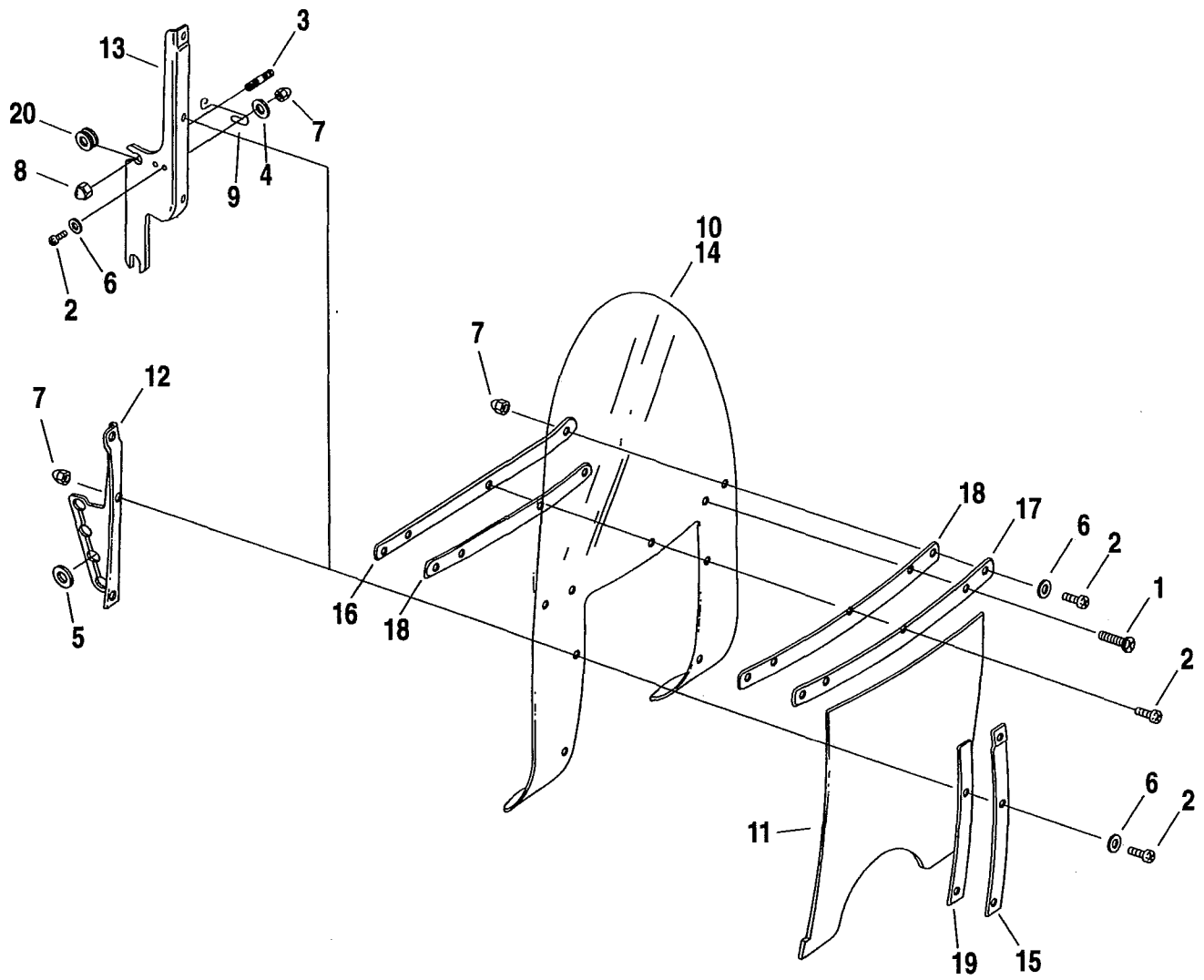
INNER FAIRING - 1996 FLHT MODELS

FC36D

INDEX NO.	PART NO.	DESCRIPTION	FLT MODELS	SOFTAIL MODELS	DYNA MODELS
1	756	PLUG, air deflector hole (6)	96*-DD/J;FF	--	--
2	2445	SCREW (2)	96*-DD/J/P;FC/F	--	--
3	2446	SCREW (2)	96*-DD/J/P;FC/F	--	--
4	2563	SCREW (6)	96*-DP/FC	--	--
5	2940	SCREW, front speaker mounting (6)	96*-DD/J/P;FC/F	--	--
6	2941	SCREW, w/washer (8, 9 - DJ/P;FC/F)	96*-DD/J/P;FC/F	--	--
7	3612	SCREW (4)	96*-DD/J/P;FC/F	--	--
8	7688	NUT (2)	96*-DD/J/P;FC/F	--	--
9	7900	CLIP NUT (4)	96*-DD	--	--
10	10065	CABLE STRAP (2)	96*-DD/J/P;FC/F	--	--
11	10102	CLIP, adhesive backed	96*-DD/J/P;FC/F	--	--
12	11445	GROMMET, throttle & clutch cables (2)	96*-DD/J/P;FC/F	--	--
13	11488	GROMMET, handlebar - right	96*-DD/J/P;FC/F	--	--
	11492	GROMMET, handlebar - left	96*-DD/J/P;FC/F	--	--
14	58128-96	AIR DEFLECTOR, right	96*-DP/FC	--	--
	58129-96	AIR DEFLECTOR, left	96*-DP/FC	--	--
15	58311-96	TRIM SEAL, inner fairing - 29" long (2)	96*-DD/J/P;FC/F	--	--
16	58478-96	BRACKET, fairing support - left	96*-DD/J/P;FC/F	--	--
17	58479-96	BRACKET, fairing support - right	96*-DD/J/P;FC/F	--	--
18	58497-96	INNER FAIRING ASM.	96*-DD/J/P;FC/F	--	--
19	58510-96	CAP, inner fairing	96*-DD/J/P;FC/F	--	--
20	58938-96	SUPPORT, inner fairing - left	96*-DD/J/P;FC/F	--	--
21	58939-96	SUPPORT, inner fairing - right	96*-DD/J/P;FC/F	--	--
22	70271-96	WIRE HARNESS ASM., inner fairing cap	96*-DP;FC	--	--
23	70279-96	WIRE HARNESS ASM., inner fairing cap	96*-DD/J;FF	--	--
24	71431-96	PLUG, switch hole (2)	96*-DD/J;FF	--	--
25	71434-96	BRACKET, switch (2)	96*-DD/J/P;FC/F	--	--
26	71505-96	SWITCH, spot lamp	96*-DD/J/P;FC/F	--	--
27	71513-96	SWITCH, cruise control	96*-DP;FC	--	--
28	71535-96	SWITCH, accessory	96*-DD/J/P;FC/F	--	--
29	72323-96	BRACKET, circuit breaker mounting	96*-DD/J/P;FC/F	--	--
30	73162-96BK	SOCKET HOUSING, 12-place	96*-DD/J/P;FC/F	--	--
31	73191-96	SOCKET CONTACT, 16-20 ga. (8 - DD/J;FF;12 -DP;FC)	96*-DD/J/P;FC/F	--	--
32	75106-96	PLUG, gauge port (2)	96*-DD	--	--
33	76286-96	GLOVE BOX, with clip nuts	96*-DD	--	--
34	76316-96	BRACKET, radio carrier	96*-DJ/P;FC/F	--	--
35	77046-96	COVER, speaker opening (2)	96*-DD	--	--
36	77092-96	SWITCH, speaker control	96*-DP;FC	--	--
37	91808-89	ELEMENT, cigarette lighter	96*-DD/J/P;FC/F	--	--
38	91812-89	SOCKET, cigarette lighter	96*-DD/J/P;FC/F	--	--

FLT MODELS				SOFTAIL MODELS				DYNA MODELS	
FLHT	DD	FLHR-I	FB	FLSTC	BJ	FLSTF	BM	FXDL	GD
FLHC	DJ	FLTCU-I	FC	FXSTC	BK	FLSTN	BN	FXDWG	GE
FLTC-U	DM	FLTCU-I	FE	FXSTS	BL	FXSTSB	BP	FXDS-CON	GG
FLHC-U	DP	FLHC-I	FF					FXD	GH
FLHR	FD								

WINDSHIELD - FLHR & FLSTC



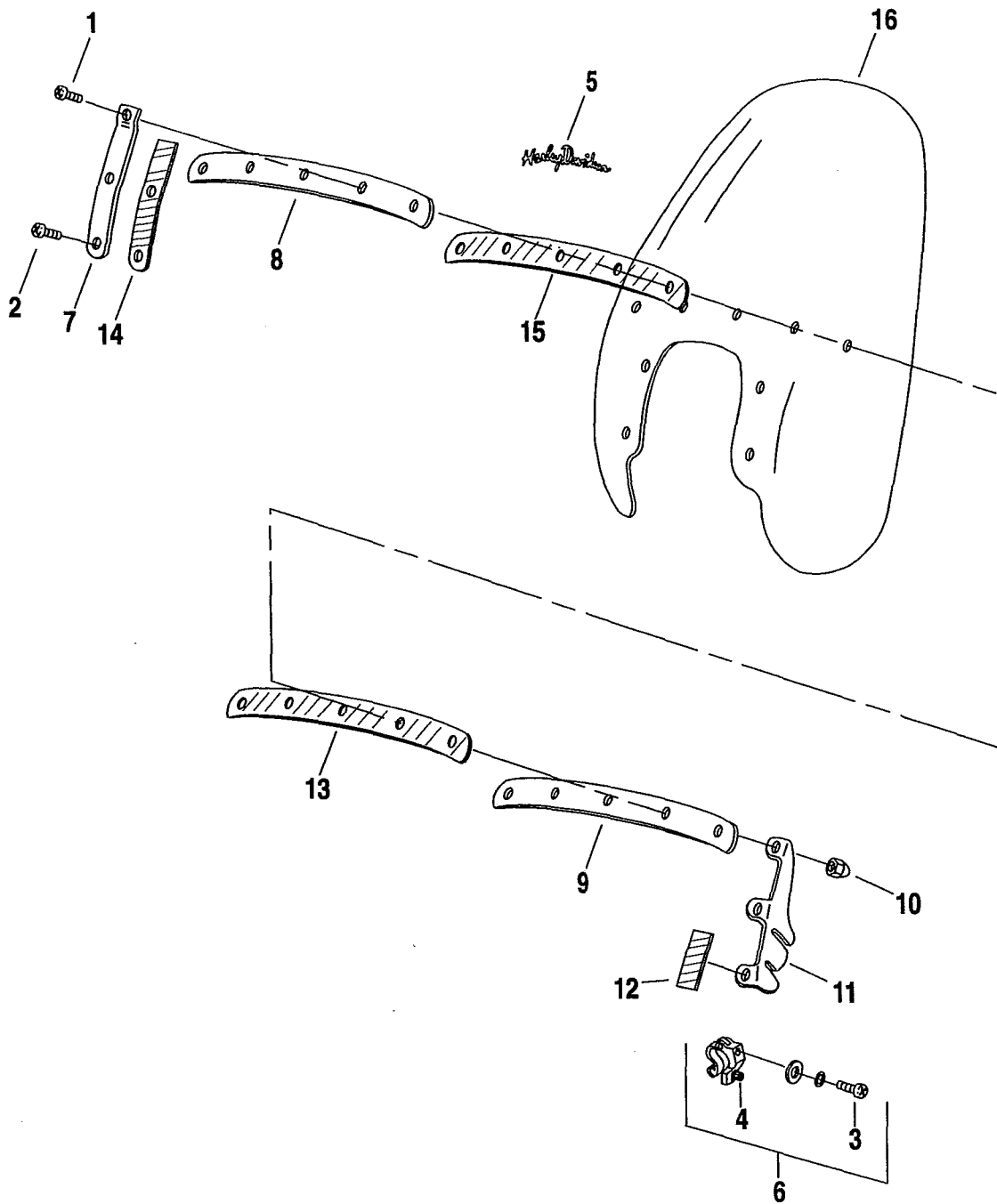
WINDSHIELD - FLHR & FLSTC

FC36E

INDEX NO.	PART NO.	DESCRIPTION	FLT MODELS	SOFTAIL MODELS	DYNA MODELS
1	2444	SCREW (2)	95-FD 96*-FB/D	95*-BJ	--
2	2921	SCREW (7;11-FB/D)	95-FD 96*-FB/D	95*-BJ	--
3	3265	STUD (4)	95-FD 96*-FB/D	--	--
4	6119	WASHER (4)	95-FD 96*-FB/D	--	--
5	6645	WASHER (4)	--	95*-BJ	--
6	7073	WASHER (9;13-FB/D)	95-FD 96*-FB/D	95*-BJ	--
7	7651	ACORN NUT (9;13-FB/D)	95-FD 96*-FB/D	95*-BJ	--
8	7886	ACORN NUT (4)	95-FD 96*-FB/D	--	--
9	38722-94	SPRING LATCH (2)	95-FD 96*-FB/D	--	--
10	57994-94	WINDSHIELD ASSEMBLY, complete	95-FD 96*-FB/D	--	--
	58018-86	WINDSHIELD ASSEMBLY, complete	--	95*-BJ	--
11	58075-86	WINDOW, adjustable	--	95*-BJ	--
12	58078-49	ADJUSTING BRACKET, right	--	95*-BJ	--
	58079-49	ADJUSTING BRACKET, left	--	95*-BJ	--
13	58084-94	ADJUSTING BRACKET, right	95-FD 96*-FB/D	--	--
	58088-94	ADJUSTING BRACKET, left	95-FD 96*-FB/D	--	--
14	58183-78	WINDOW REPLACEMENT KIT	--	95*-BJ	--
	58193-94	WINDOW REPLACEMENT KIT	95-FD 96*-FB/D	--	--
15	58406-75A	BRACE, right	95-FD 96*-FB/D	95*-BJ	--
	58408-75A	BRACE, left	95-FD 96*-FB/D	95*-BJ	--
16	58411-76A	BRACE, inner	--	95*-BJ	--
	58431-94	BRACE, inner	95-FD 96*-FB/D	--	--
17	58412-76A	BRACE, outer	--	95*-BJ	--
	58428-94	BRACE, outer	95-FD 96*-FB/D	--	--
18	58416-77A	TAPE (2)	95-FD 96*-FB/D	95*-BJ	--
19	58417-77	TAPE (2)	95-FD 96*-FB/D	95*-BJ	--
20	67621-94	BUSHING (4)	95-FD 96*-FB/D	--	--

FLT MODELS				SOFTAIL MODELS				DYNA MODELS	
FLHT	DD	FLHR-I	FB	FLSTC	BJ	FLSTF	BM	FXDL	GD
FLHTC	DJ	FLHTCU-I	FC	FXSTC	BK	FLSTN	BN	FXDWG	GE
FLTC-U	DM	FLTCU-I	FE	FXSTS	BL	FXSTSB	BP	FXDS-CON	GG
FLHTC-U	DP	FLHTC-I	FF					FXD	GH
FLHR	FD								

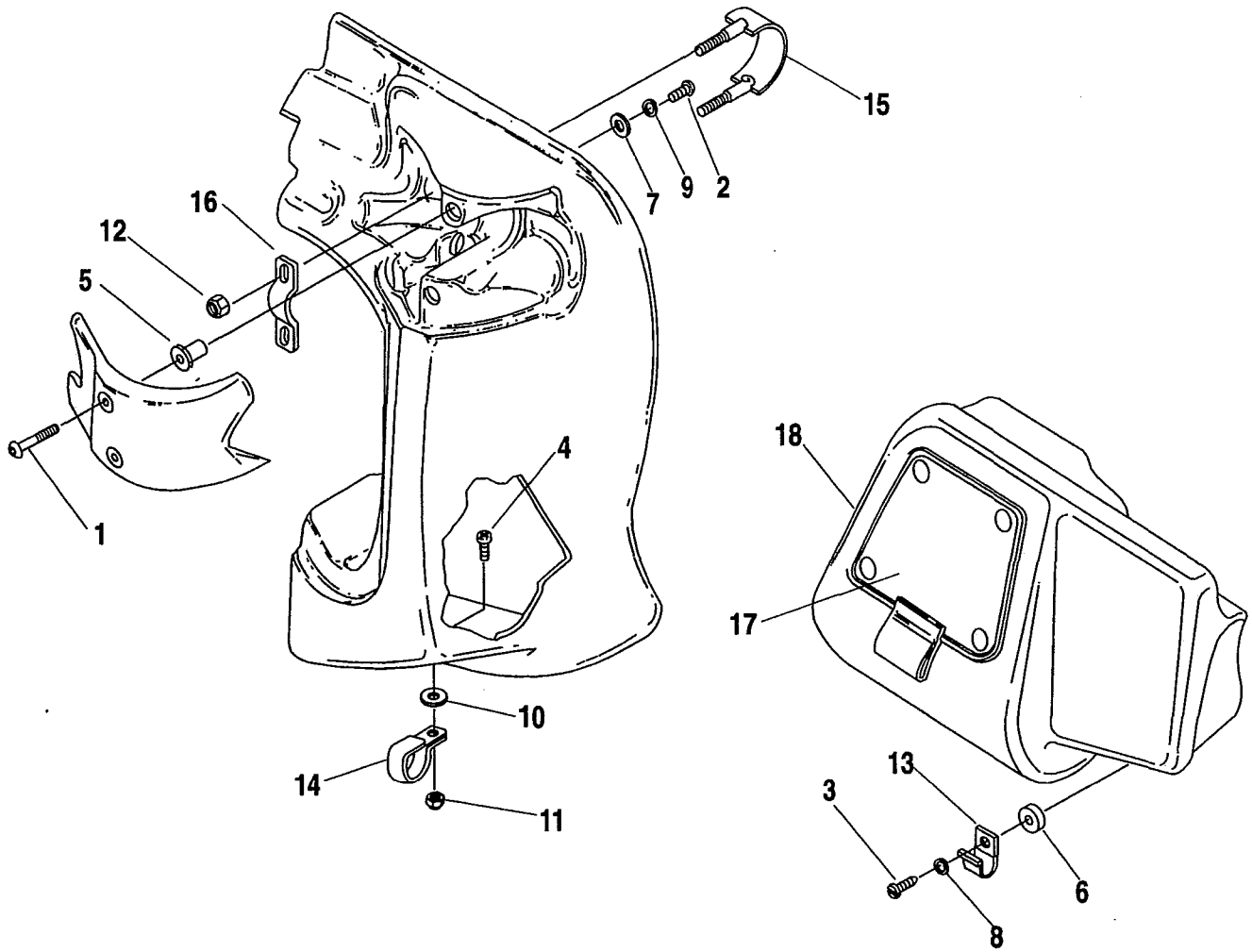
WINDSHIELD - FXDS-CON



INDEX NO.	PART NO.	DESCRIPTION	FLT MODELS	SOFTAIL MODELS	DYNA MODELS
1	1000	SCREW (7)	--	--	E95-GG
	1005	SCREW, shoulder (7)	--	--	L95*-GG
2	2151	SCREW (2)	--	--	E95-GG
	2152	SCREW, shoulder (2)	--	--	L95*-GG
3	4363	SCREW (4)	--	--	95*-GG
4	4364	SCREW (4)	--	--	95*-GG
5	14227-88	DECAL "Harley-Davidson"	--	--	95*-GG
6	58109-88B	WINDSHIELD CLAMP (4)	--	--	95*-GG
7	58419-88	BRACE, right (chrome)	--	--	95*-GG
	58420-88	BRACE, left (chrome)	--	--	95*-GG
8	58421-88	BRACE, outer (chrome)	--	--	95*-GG
9	58422-88	BRACE, inner	--	--	95*-GG
10	58423-88	ACORN NUT (9)	--	--	95*-GG
11	58424-88	MOUNTING BRACKET, right	--	--	95*-GG
	58425-88	MOUNTING BRACKET, left	--	--	95*-GG
12	58426-88	CUSHION TAPE, (cut to length)	--	--	95*-GG
13	58446-96	CUSHION TAPE, inner horizontal	--	--	L95*-GG
14	58447-96	CUSHION TAPE, right vertical	--	--	L95*-GG
	58448-96	CUSHION TAPE, left vertical	--	--	L95*-GG
15	58449-96	CUSHION TAPE, outer horizontal	--	--	L95*-GG
16	91849-85B	WINDSHIELD, complete	--	--	95*-GG

FLT MODELS				SOFTAIL MODELS				DYNA MODELS	
FLHT	DD	FLHR-I	FB	FLSTC	BJ	FLSTF	BM	FXDL	GD
FLHTC	DJ	FLHTCU-I	FC	FXSTC	BK	FLSTN	BN	FXDWG	GE
FLTC-U	DM	FLTCU-I	FE	FXSTS	BL	FXSTSB	BP	FXDS-CON	GG
FLHTC-U	DP	FLHTC-I	FF					FXD	GH
FLHR	FD								

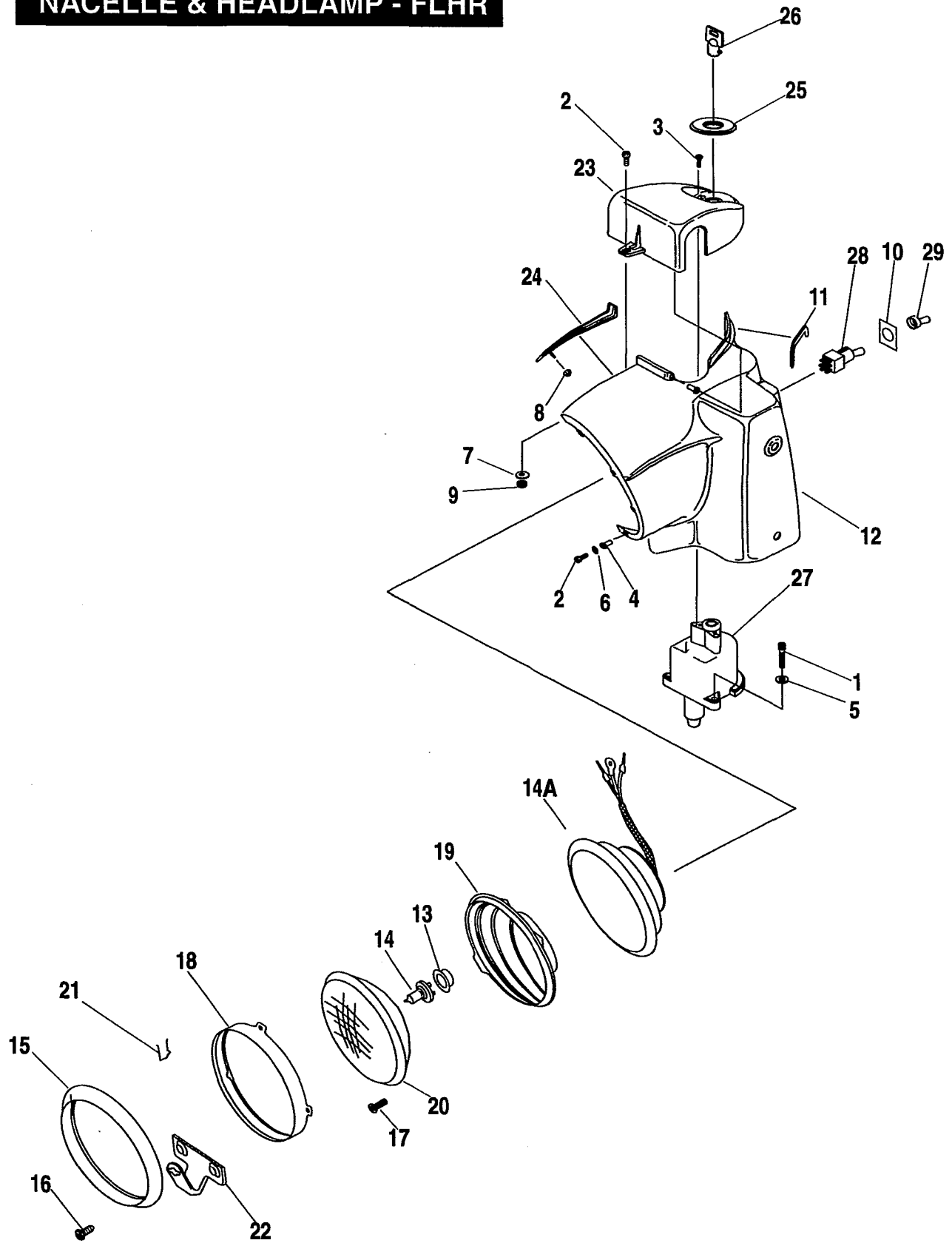
FAIRING LOWERS - ULTRA



INDEX NO.	PART NO.	DESCRIPTION	FLT MODELS	SOFTAIL MODELS	DYNA MODELS
NOTE: REFER TO PAINTED PARTS BOOK FOR PAINTED PART NUMBERS					
1	922	SCREW (4)	95-DM/P;FC 96*-DP;FC/E	--	--
2	2420	SCREW (2)	95-DM 96*-FE	--	--
3	2592	SCREW	95-DM 96*-FE	--	--
4	2784	SCREW (2)	95-DM/P;FC 96*-DP;FC/E	--	--
5	5212	NUT, crimp (4)	95-DM/P;FC 96*-DP;FC/E	--	--
6	5989	SPACER	95-DM 96*-FE	--	--
7	6235	WASHER (2)	95-DM 96*-FE	--	--
8	7220	LOCKWASHER	95-DM 96*-FE	--	--
9	7230	LOCKWASHER (2)	95-DM 96*-FE	--	--
10	7415A	WASHER (rubber) (2)	95-DM/P;FC 96*-DP;FC/E	--	--
11	7531	NUT, flange (2)	95-DM/P;FC 96*-DP;FC/E	--	--
12	7716	NUT, flange (4)	95*-DP;FC	--	--
13	10092	CLAMP	95-DM 96*-FE	--	--
14	27048-84	CLAMP (2)	95-DM/P;FC 96*-DP;FC/E	--	--
15	58493-89	U-BOLT (2)	95*-DP;FC	--	--
16	58494-89	RETAINER, U-bolt (2)	95*-DP;FC	--	--
17	58679-90	DOOR, right	95*-DP;FC	--	--
	58681-90	DOOR, left	95*-DP;FC	--	--
18	58683-89A	STORAGE BOX - left	95*-DP;FC	--	--
	58687-89	STORAGE BOX - left	95-DM 96*-FE	--	--
	58684-89A	STORAGE BOX - right	95*-DP;FC	--	--
	58688-89	STORAGE BOX - right	95-DM 96*-FE	--	--
FAIRING LOWER USED WITH SIDECAR UNIT (NOT ILLUSTRATED)					
	922	SCREW (4)	95-DM/P 96*-DP	--	--
	2784	SCREW (2)	95-DM/P 96*-DP	--	--
	5212	NUT, crimp (4)	95-DM/P 96*-DP	--	--
	7415A	WASHER (rubber)(2-DM)	95-DM/P 96*-DP	--	--
	7716	NUT, flange (2)	95*-DP	--	--
	58493-89	U-BOLT	95-DM/P 96*-DP	--	--
	58494-89	RETAINER, U-bolt	95-DM/P 96*-DP	--	--

FLT MODELS				SOFTAIL MODELS				DYNA MODELS	
FLHT	DD	FLHR-I	FB	FLSTC	BJ	FLSTF	BM	FXDL	GD
FLHTC	DJ	FLHTCU-I	FC	FXSTC	BK	FLSTN	BN	FXDWG	GE
FLTC-U	DM	FLTCU-I	FE	FXSTS	BL	FXSTSB	BP	FXDS-CON	GG
FLHTC-U	DP	FLHTC-I	FF					FXD	GH
FLHR	FD								

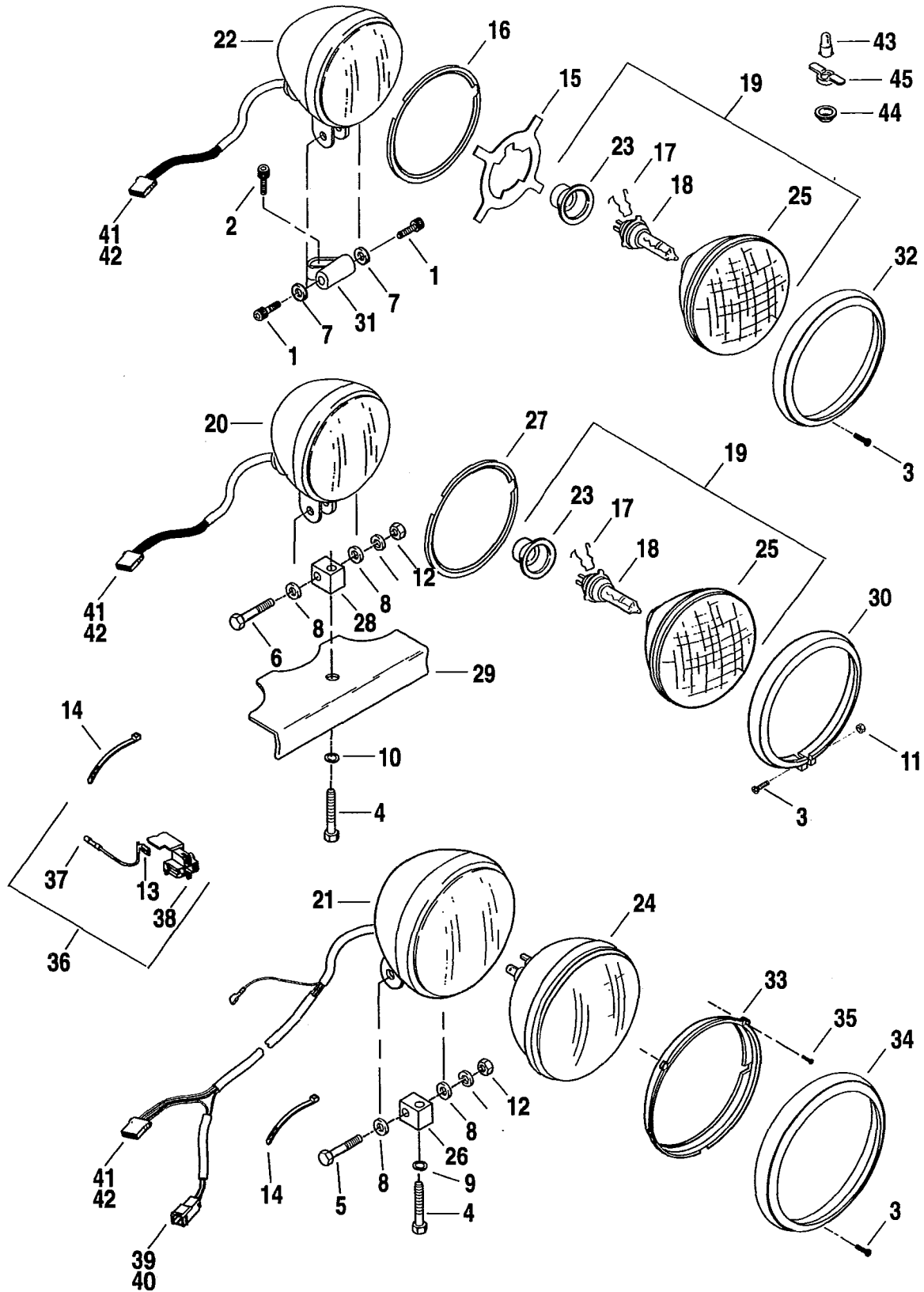
NACELLE & HEADLAMP - FLHR



INDEX NO.	PART NO.	DESCRIPTION	FLT MODELS	SOFTAIL MODELS	DYNA MODELS
1	2647B	SCREW (2)	95*-FD;96*-FB	--	--
2	2806	SCREW (9)	95*-FD;96*-FB	--	--
3	2933	SCREW (2)	95*-FD;96*-FB	--	--
4	5210	WELLNUT (9)	95*-FD;96*-FB	--	--
5	6150W	WASHER (2)	95*-FD;96*-FB	--	--
6	6717	WASHER (8)	95*-FD;96*-FB	--	--
7	6789	WASHER, fender	95*-FD;96*-FB	--	--
8	7889	NUT, with washer	95*-FD;96*-FB	--	--
9	7888	NUT, speed	95*-FD;96*-FB	--	--
10	14019-83	LABEL, on - off	95*-FD;96*-FB	--	--
11	11489	TRIM (2)	95*-FD;96*-FB	--	--
	53571-94	LOCK SET, complete vehicle	95*-FD;96*-FB	--	--
12	67674-94	NACELLE, right	95*-FD;96*-FB	--	--
	67682-94	NACELLE, left	95*-FD;96*-FB	--	--
13	67696-81	BOOT, bulb	95*-FD;96*-FB	--	--
14	67697-81	BULB (Halogen H-4)	95*-FD;96*-FB	--	--
14A	67702-81A	HEADLAMP ASM., complete	95*-FD;96*-FB	--	--
15	67712-83	DOOR (chrome)	95*-FD;96*-FB	--	--
16	67718-60A	SCREW, headlamp door	95*-FD;96*-FB	--	--
17	67724-71	ADJUSTING SCREW (3)	95*-FD;96*-FB	--	--
18	67726-71	RETAINING RING	95*-FD;96*-FB	--	--
19	67732-71	MOUNTING RING	95*-FD;96*-FB	--	--
20	67755-81A	LENS, less bulb w/ boot	95*-FD;96*-FB	--	--
21	67778-60	TOP SPRING (2)	95*-FD;96*-FB	--	--
22	67782-60A	BRACKET	95*-FD;96*-FB	--	--
23	67866-94	COVER, handlebar	95*-FD;96*-FB	--	--
24	67868-94	TRIM, nacelle	95*-FD;96*-FB	--	--
25	71310-94	TRIM ASM., fork lock	95*-FD;96*-FB	--	--
26	71452-91A	KEYSET (specify key code)	95*-FD;96*-FB	--	--
27	71540-94	FORK LOCK	95*-FD;96*-FB	--	--
28	71522-94A	SWITCH, spotlamp & accy. (2)	95-FD	--	--
	71522-96	SWITCH, spotlamp & accy. (2)	96*-FB/D	--	--
29	74408-89	BOOT (2)	95*-FD;96*-FB	--	--
H-D INTERNATIONAL ONLY					
1	2934	SCREW (2) (HDI only)	95*-FD;96*-FB	--	--
3	2935	SCREW (2) (HDI only)	95*-FD;96*-FB	--	--
	53438-92	BULB, position lamp (HDI only)	95*-FD;96*-FB	--	--
	67793-92	LENS ASM. w/ bulb & boot, R.H. dip (HDI only)	95*-FD;96*-FB	--	--
	67801-92	LENS ASM. w/ bulb & boot, L.H. dip (HDI only)	95*-FD;96*-FB	--	--
	67798-92	BOOT, bulb (HDI only)	95*-FD;96*-FB	--	--
	68654-92	SOCKET, position lamp (HDI only)	95*-FD;96*-FB	--	--

FLT MODELS				SOFTAIL MODELS				DYNA MODELS	
FLHT	DD	FLHR-I	FB	FLSTC	BJ	FLSTF	BM	FXDL	GD
FLHTC	DJ	FLHTCU-I	FC	FXSTC	BK	FLSTN	BN	FXDWG	GE
FLTC-U	DM	FLTCU-I	FE	FXSTS	BL	FXSTSB	BP	FXDS-CON	GG
FLHTC-U	DP	FLHTC-I	FF					FXD	GH
FLHR	FD								

HEADLAMP - SOFTAIL



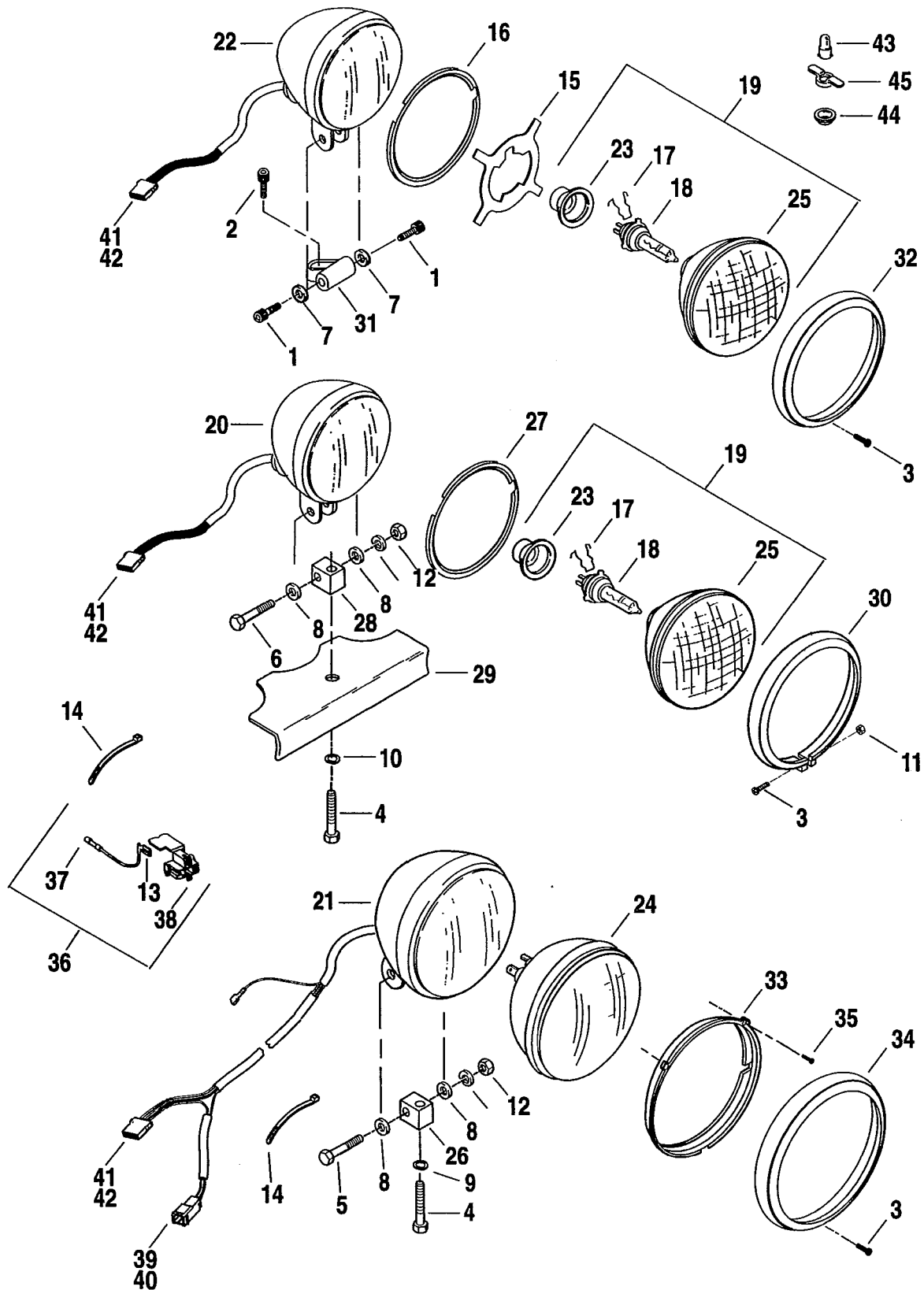
HEADLAMP - SOFTAIL

FC37-1

INDEX NO.	PART NO.	DESCRIPTION	FLT MODELS	SOFTAIL MODELS	DYNA MODELS
1	2917	SCREW (2)	--	95*-BL/P	--
2	3214	BOLT	--	95*-BL/P	--
3	3514	SCREW	--	95*-ALL	--
4	3945	BOLT	--	95*-BJ/K/M/N	--
5	4411	BOLT	--	95*-BJ/M/N	--
6	4724	BOLT	--	95*-BK	--
7	6379W	WASHER (2)	--	95*-BL/P	--
8	6701	WASHER (2)	--	95*-BJ/K/M/N	--
9	7038	LOCKWASHER	--	95*-BJ/M/N	--
10	7130W	LOCKWASHER	--	95*-BK	--
11	7606	NUT	--	95*-BK	--
12	7800W	NUT	--	95*-BJ/K/M/N	--
13	9847	WIRE TERMINAL, female spade - R.H.	--	95*-ALL	--
	9848	WIRE TERMINAL, female spade - L.H. (2)	--	95*-ALL	--
14	10065	CABLE STRAP	--	95*-ALL	--
15	67601-94	GASKET, headlamp	--	96*-BL/P	--
16	67603-94	ADAPTER RING	--	96*-BL/P	--
17	67685-92	CLIP, bulb	--	95*-BK/L/P	--
18	67697-81	BULB, halogen-H-4	--	95*-BK/L/P	--
19	67698-81C	HEADLAMP ASM. w/ bulb, boot & clip - 5-3/4"	--	95*-BK/L/P	--
20	67777-80A	HEADLAMP ASM. w/ housing & wiring - 5-3/4"	--	95*-BK	--
	67770-96	HEADLAMP ASM. w/ housing & wiring - 5-3/4"	--	96*-BK	--
21	67789-91	HEADLAMP ASM. w/ housing & wiring - 7"	--	95*-BJ/M/N	--
	67824-96	HEADLAMP ASM. w/ housing & wiring - 7"	--	96*-BM	--
	67903-96	HEADLAMP ASM. w/ housing & wiring - 7"	--	96*-BJ/N	--
22	67841-93	HEADLAMP ASM. w/ housing & wiring - 5-3/4"	--	95*-BL/P	--
	67841-96	HEADLAMP ASM. w/ housing & wiring - 5-3/4"	--	96*-BL/P	--
23	67705-92	BOOT, connector	--	95*-BK/L/P	--
24	67713-86	SEALED BEAM UNIT - 7"	--	95*-BJ/M/N	--
25	67757-92	LENS w/ clip	--	95*-BK/L/P	--
26	67768-86	MOUNTING BLOCK	--	95*-BJ/M/N	--
27	67769-93	ADAPTER RING	--	95*-BK	--
28	67772-80	MOUNTING BLOCK	--	95*-BK	--
29	67773-80A	MOUNTING PLATE	--	95*-BK	--
30	67790-93	TRIM RING (chrome)	--	95*-BK	--
31	67892-93	MOUNTING BLOCK	--	95*-BL/P	--
32	67894-93	TRIM RING (chrome)	--	95*-BL/P	--
33	68050-93	RETAINING RING	--	95*-BJ/M/N	--
34	68051-93	TRIM RING (chrome)	--	95*-BJ/M/N	--
35	68052-93	SCREW (3)	--	95*-BJ/M/N	--

FLT MODELS				SOFTAIL MODELS				DYNA MODELS	
FLHT	DD	FLHR-I	FB	FLSTC	BJ	FLSTF	BM	FXDL	GD
FLHTC	DJ	FLHTCU-I	FC	FXSTC	BK	FLSTN	BN	FXDWG	GE
FLTC-U	DM	FLTCU-I	FE	FXSTS	BL	FXSTSB	BP	FXDS-CON	GG
FLHTC-U	DP	FLHTC-I	FF					FXD	GH
FLHR	FD								

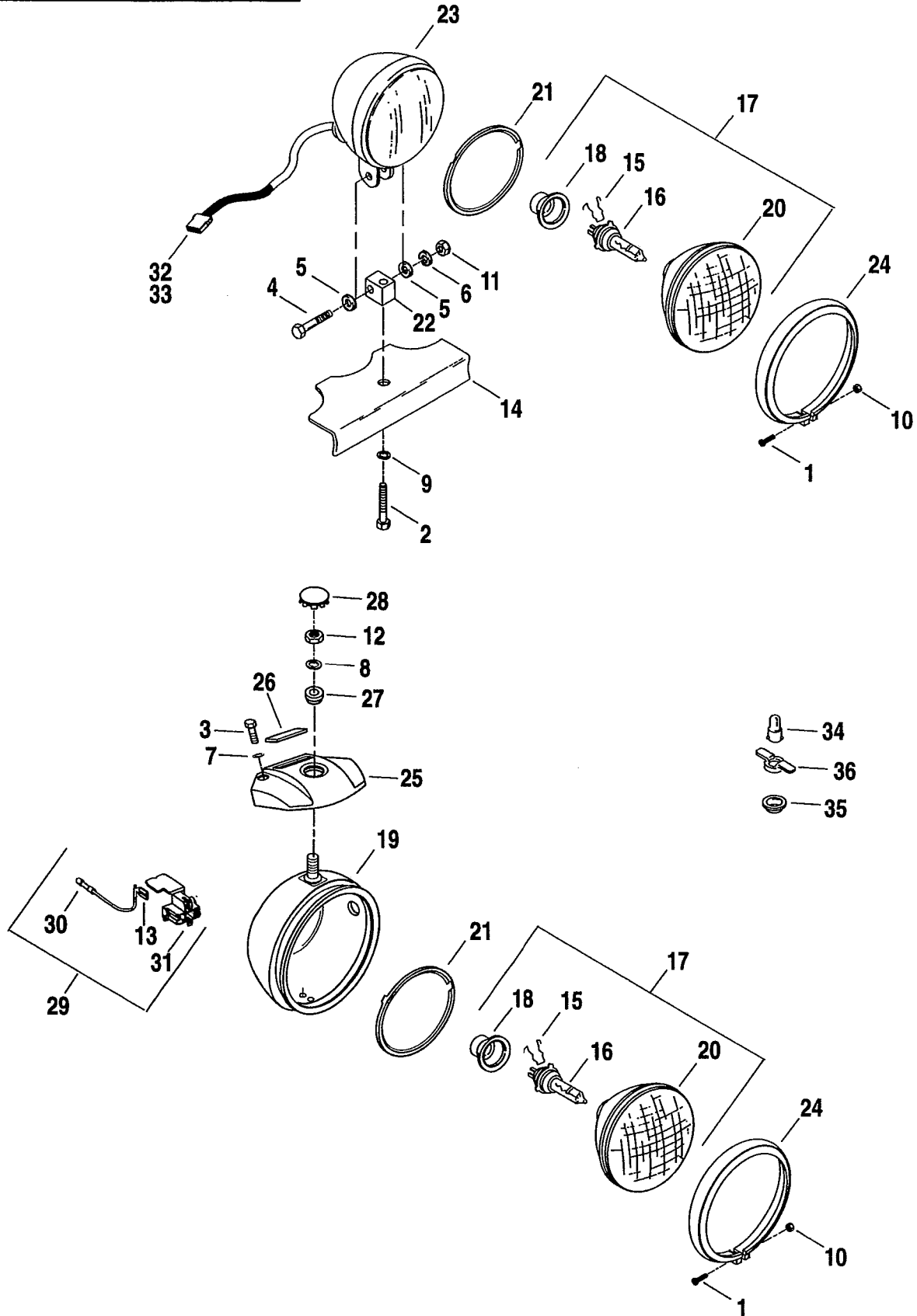
HEADLAMP - SOFTAIL



INDEX NO.	PART NO.	DESCRIPTION	FLT MODELS	SOFTAIL MODELS	DYNA MODELS
36	68705-93A	CONNECTOR ASM., headlamp - w/wires, terminals & splice connectors	--	95*-ALL	--
37	70586-93	CONNECTOR, butt splice, 16-22 ga. (4)	--	95*-ALL	--
38	72056-92	INSULATOR, spade terminal (three-way)	--	95*-ALL	--
39	73190-96	PIN TERMINAL, 16-20 ga. (2)	--	96*-BJ/N	--
40	73102-96BK	PIN HOUSING, 2-place	--	96*-BJ/N	--
41	73154-96BK	SOCKET HOUSING, 4-place	--	96*-ALL	--
42	73191-96	CONTACT SOCKET, 16-20 ga. (3)	--	96*-ALL	--
H-D INTERNATIONAL ONLY					
43	53438-92	BULB, position lamp	--	95*-ALL	--
15	67602-94	GASKET, headlamp	--	95*-BL/P	--
44	67691-92	GROMMET, position lamp	--	95*-ALL	--
19	67763-92	LENS ASM., w/ bulb & boot - R.H. Dip	--	95*-BK/L/P	--
	67781-92	LENS ASM., w/ bulb & boot - L.H. Dip	--	95*-BK/L/P	--
24	67793-92	LENS ASM., w/ bulb & boot - R.H. Dip	--	95*-BJ/M/N	--
	67801-92	LENS ASM., w/ bulb & boot - L.H. Dip	--	95*-BJ/M/N	--
23	67798-92	BOOT	--	95*-BJ/M/N	--
20	67872-89A	HEADLAMP, complete with wiring - 5-3/4" (Less bulb)	--	95-BK	--
	67656-96	HEADLAMP, complete w/wiring- 5-3/4" (L.H. dip)	--	96*-BK	--
	67653-96	HEADLAMP, complete w/wiring- 5-3/4" (R.H. dip)	--	96*-BK	--
22	67849-93	HEADLAMP, complete w/wiring - 5-3/4" (Less bulb)	--	95-BL/P	--
	67655-96	HEADLAMP, complete w/wiring- 5-3/4" (L.H. dip)	--	96*-BL/P	--
	67652-96	HEADLAMP, complete w/wiring- 5-3/4" (R.H. dip)	--	96*-BL/P	--
21	67823-92	HEADLAMP, complete w/wiring - 7" (Less bulb)	--	95-BJ/M/N	--
	67904-96	HEADLAMP, complete w/wiring- 7" (R.H. dip)	--	96*-BJ/N	--
	67905-96	HEADLAMP, complete w/wiring- 7" (L.H. dip)	--	96*-BJ/N	--
	67920-96	HEADLAMP, complete w/wiring- 7" (Australia only) (L.H. dip)	--	96*-BJ/N	--
	67654-96	HEADLAMP, complete w/wiring 7" (R.H. dip)	--	96*-BM	--
	67659-96	HEADLAMP, complete w/wiring- 7" (L.H. dip)	--	96*-BM	--
45	68650-92	SOCKET, position lamp	--	95*-BK/L/P	--
	68654-92	SOCKET, position lamp	--	95*-BJ/M/N	--

FLT MODELS				SOFTAIL MODELS				DYNA MODELS	
FLHT	DD	FLHR-I	FB	FLSTC	BJ	FLSTF	BM	FXDL	GD
FLHTC	DJ	FLHTCU-I	FC	FXSTC	BK	FLSTN	BN	FXDWG	GE
FLTC-U	DM	FLTCU-I	FE	FXSTS	BL	FXSTSB	BP	FXDS-CON	GG
FLHTC-U	DP	FLHTC-I	FF					FXD	GH
FLHR	FD								

HEADLAMP - DYNA



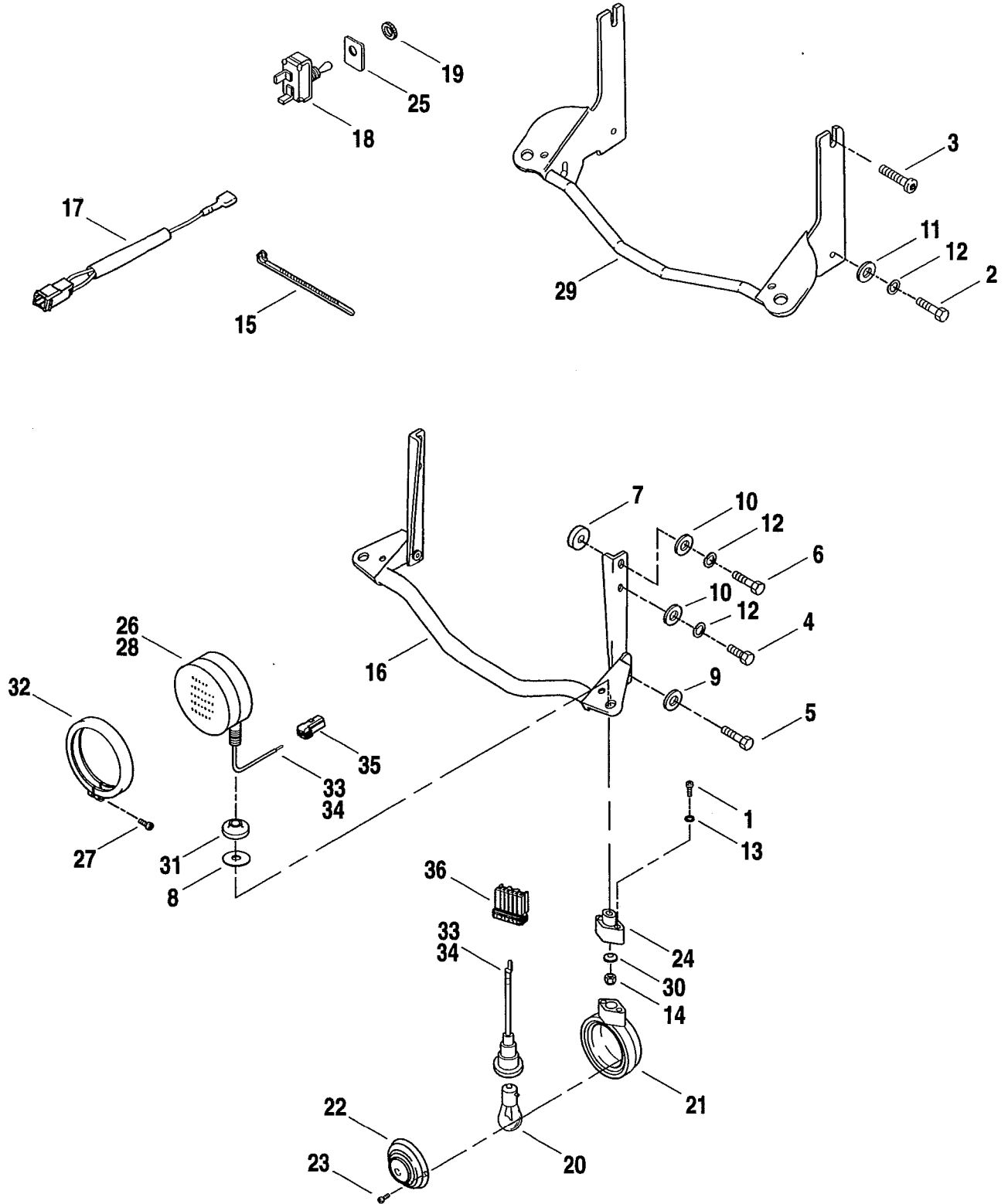
HEADLAMP - DYNA

FC37A

INDEX NO.	PART NO.	DESCRIPTION	FLT MODELS	SOFTAIL MODELS	DYNA MODELS
1	3514	SCREW	--	--	95*-ALL
2	3945	BOLT	--	--	95*-GE
3	4017	SCREW (2)	--	--	95*-GD/G/H
4	4724	BOLT	--	--	95*-GE
5	6701	WASHER (2)	--	--	95*-GE
6	7038	LOCKWASHER	--	--	95*-GE
7	7041	LOCKWASHER (2)	--	--	95*-GD/G/H
8	7068	LOCKWASHER	--	--	95*-GD/G/H
9	7130W	LOCKWASHER	--	--	95*-GE
10	7606	NUT	--	--	95*-ALL
11	7800W	NUT	--	--	95*-GE
12	7880	NUT	--	--	95*-GD/G/H
13	9847	WIRE TERMINAL, female spade - R.H.	--	--	95*-ALL
	9848	WIRE TERMINAL, female spade - L.H. (2)	--	--	95*-ALL
14	45685-93	MOUNTING PLATE	--	--	95*-GE
15	67685-92	CLIP, bulb	--	--	95*-ALL
16	67697-81	BULB, halogen-H-4	--	--	95*-ALL
17	67698-81C	LENS ASM. w/ bulb, boot & clip - 5-3/4"	--	--	95*-ALL
18	67705-92	BOOT, connector	--	--	95*-ALL
19	67730-91	HOUSING, headlamp (black)	--	--	95*-GD/G/H
20	67757-92	LENS w/ clip	--	--	95*-ALL
21	67769-93	MOUNTING RING	--	--	95*-ALL
22	67772-80	MOUNTING BLOCK	--	--	95*-GE
23	67777-80A	HEADLAMP ASM. w/ housing & wiring - 5-3/4"	--	--	95*-GE
24	67790-93	TRIM RING (chrome)	--	--	95*-ALL
25	67805-92	BRACKET	--	--	95*-GD/G/H
26	67807-92	TRIM, warning lights	--	--	95*-GD
	67834-83	TRIM, headlamp bracket	--	--	95*-GG/H
27	67815-59A	WASHER	--	--	95*-GD/G/H
28	67865-89	PLUG, headlamp bracket	--	--	95*-GD/G/H
29	68705-93A	CONNECTOR ASM., headlamp - w/wires, terminals & splice connectors	--	--	95*-ALL
30	70586-93	CONNECTOR, butt splice, 16-22 ga. (4)	--	--	95*-ALL
31	72056-92	INSULATOR, spade terminal (three-way)	--	--	95*-ALL
32	73154-96BK	SOCKET HOUSING, 4-place	--	--	96*-ALL
33	73191-96	CONTACT SOCKET, 16-20 ga. (3)	--	--	96*-ALL
H-D INTERNATIONAL ONLY					
34	53438-92	BULB, position lamp (HDI only)	--	--	95*-ALL
35	67691-92	GROMMET, position lamp (HDI only)	--	--	95*-ALL
17	67763-92	LENS ASM., w/ bulb & boot - R.H. Dip (HDI only)	--	--	95*-ALL
	67781-92	LENS ASM., w/ bulb & boot - L.H. Dip (HDI only)	--	--	95*-ALL
36	68650-92	SOCKET, position lamp (HDI only)	--	--	95*-ALL

FLT MODELS				SOFTAIL MODELS				DYNA MODELS	
FLHT	DD	FLHR-I	FB	FLSTC	BJ	FLSTF	BM	FXDL	GD
FLHTC	DJ	FLHTCU-I	FC	FXSTC	BK	FLSTN	BN	FXDWG	GE
FLTC-U	DM	FLTCU-I	FE	FXSTS	BL	FXSTSB	BP	FXDS-CON	GG
FLHTC-U	DP	FLHTC-I	FF					FXD	GH
FLHR	FD								

PASSING LAMPS & FRONT TURN SIGNALS - FLHT/C, FLHR & FLSTC



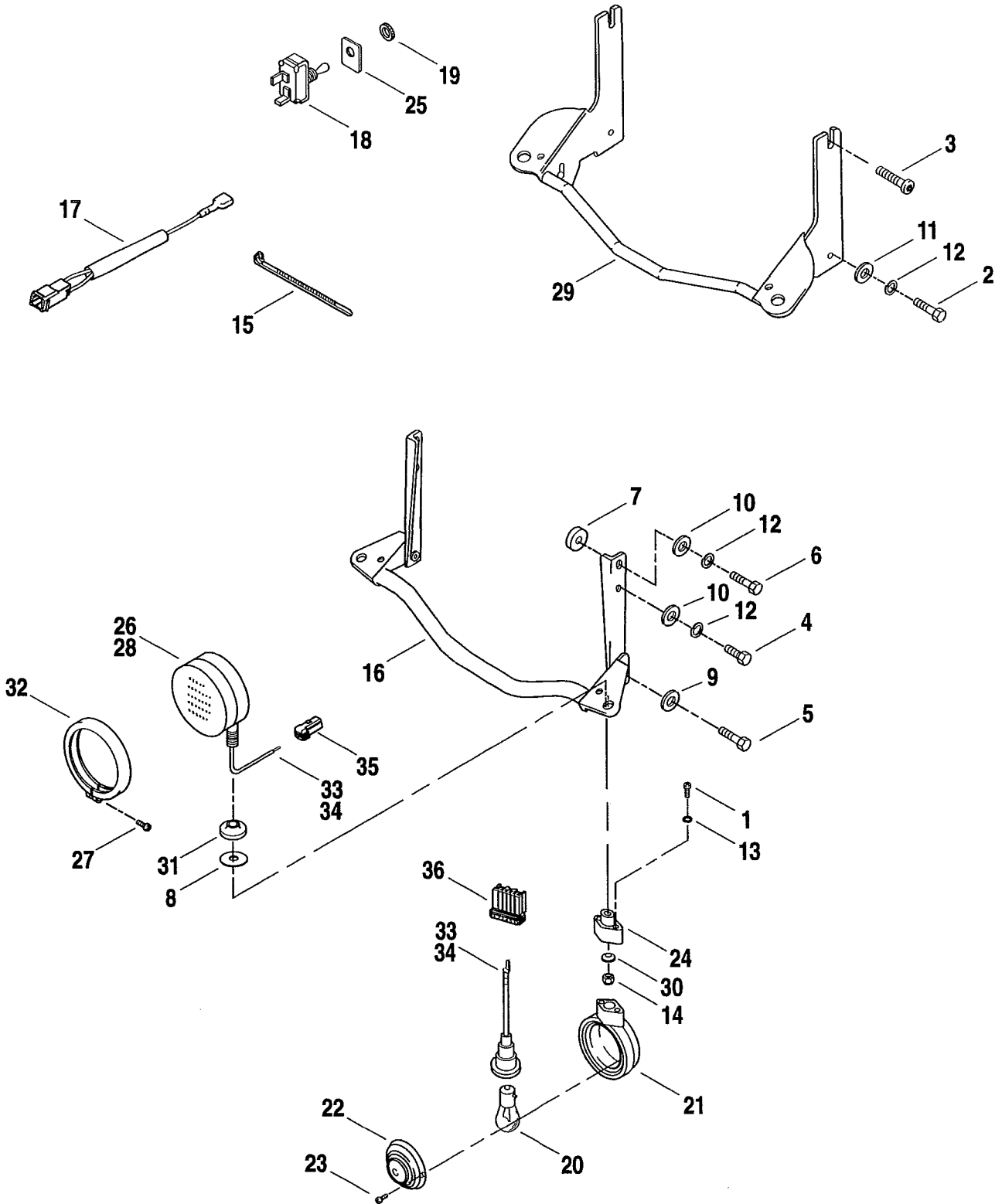
PASSING LAMPS & FRONT TURN SIGNALS - FLHT/C, FLHR & FLSTC

FC37B-1

INDEX NO.	PART NO.	DESCRIPTION	FLT MODELS	SOFTAIL MODELS	DYNA MODELS
1	2647B	SCREW (4)	95-DD/J/P;FC/D 96*-DD/J/P;FB/C/D/F	95*-BJ	--
2	2818	BOLT (4)	95-DD/J/P	--	--
3	3677	BOLT (4)	96*-DD/J/P;FC/F	--	--
4	3960W	BOLT (2)	--	95*-BJ	--
5	4014W	SCREW (2)	--	95*-BJ	--
6	4036	BOLT (2)	--	95*-BJ	--
7	5885	SPACER (2)	--	95*-BJ	--
8	6072	WASHER, belleville (2)	95-DD/J/P;FC/D 96*-DD/J/P;FB/C/D/F	95*-BJ	--
9	6109	WASHER (2)	--	95*-BJ	--
10	6645	WASHER (4)	--	95*-BJ	--
11	6702	WASHER (4)	95-DD/J/P,FD	--	--
12	7041	LOCKWASHER (4; 6 - BJ)	95-DD/J/P,FD	95*-BJ	--
13	7069	LOCKWASHER (4)	--	95*-BJ	--
14	7778	LOCKNUT (2)	95-DD/J/P;FC/D 96*-DD/J/P;FB/C/D/F	95*-BJ	--
15	10006	CABLE STRAP	--	95*-BJ	--
16	58082-87	BRACKET, passing lamps	--	95*-BJ	--
17	67615-89A	WIRING HARNESS, passing lamps (not illus.)	--	95-BJ	--
	67615-96	WIRING HARNESS, passing lamps	--	96*-BJ	--
18	67858-89	TOGGLE SWITCH, passing lamps	--	95*-BJ	--
19	67846-70	NUT, toggle switch	--	95*-BJ	--
20	68168-89	BULB, turn signal (2)	95-DD/J/P;FC/D 96*-DD/J/P;FB/C/D/F	95*-BJ	--
21	68766-94	TURN SIGNAL (2)	95-DD/J/P;FC/D 96*-DD/J/P;FB/C/D/F	96*-BJ	--
	68661-87	TURN SIGNAL, left	--	95-BJ	--
	68668-87	TURN SIGNAL, right	--	95-BJ	--
22	68440-86	LENS, turn signal (amber) (2)	95-DD/J/P;FC/D 96*-DD/J/P;FB/C/D/F	95*-BJ	--
23	68452-86	SCREW (4)	95-DD/J/P;FC/D 96*-DD/J/P;FB/C/D/F	95*-BJ	--
24	68519-68	MOUNTING BRACKET (2)	95-DD/J/P;FC/D 96*-DD/J/P;FB/C/D/F	95*-BJ	--
25	68619-83	LABEL, passing lamp switch	--	95*-BJ	--

FLT MODELS				SOFTAIL MODELS				DYNA MODELS	
FLHT	DD	FLHR-I	FB	FLSTC	BJ	FLSTF	BM	FXDL	GD
FLHTC	DJ	FLHTCU-I	FC	FXSTC	BK	FLSTN	BN	FXDWG	GE
FLTC-U	DM	FLTCU-I	FE	FXSTS	BL	FXSTSB	BP	FXDS-CON	GG
FLHTC-U	DP	FLHTC-I	FF					FXD	GH
FLHR	FD								

PASSING LAMPS & FRONT TURN SIGNALS - FLHT/C, FLHR & FLSTC



PASSING LAMPS & FRONT TURN SIGNALS - FLHT/C, FLHR & FLSTC (CONT'D)

FC37B-2

INDEX NO.	PART NO.	DESCRIPTION	FLT MODELS	SOFTAIL MODELS	DYNA MODELS
26	68671-69A	PASSING LAMP (2)	95-DD/J/P;FC/D 96*-DD/J/P;FB/C/D/F	95*-BJ	--
27	68672-38	SCREW, passing lamp molding (2)	95-DD/J/P;FC/D 96*-DD/J/P;FB/C/D/F	95*-BJ	--
28	68674-69	SEALED UNIT, passing lamps (2)	95-DD/J/P;FC/D 96*-DD/J/P;FB/C/D/F	95*-BJ	--
29	68684-86 68712-94	BRACKET, passing lamps BRACKET, passing lamps	95-DD/J/P;FC 95*-FD 96*-DD/J/P; FB/C/D/F	-- --	-- --
30	68720-62	CLAMP BLOCK, passing lamps (2)	95-DD/J/P;FC/D 96*-DD/J/P;FB/C/D/F	95*-BJ	--
31	68721-62	SWIVEL BLOCK, passing lamps (2)	95-DD/J/P;FC/D 96*-DD/J/P;FB/C/D/F	95*-BJ	--
32	68725-62	MOLDING, passing lamps (2)	95-DD/J/P;FC/D 96*-DD/J/P;FB/C/D/F	95*-BJ	--
33	72039-71	PIN, single socket (4)	95-DD/J/P;FC/D 96*-DD/J/P;FB/C/D/F	95-BJ	--
34	73191-96	SOCKET CONTACT, 16-20 ga. (8)	--	96*-BJ	--
35	73152-96BK	SOCKET HOUSING, 2-place	--	96*-BJ	--
36	73156-96BK	SOCKET HOUSING, 6-place	--	96*-BJ	--
H-D INTERNATIONAL ONLY					
20	68163-84	BULB, turn signal (2) (HDI only)	95-DD/J/P;FD 96*-DD/J/P;FB/C/D/F	95*-BJ	--
21	68401-90 68767-94	TURN SIGNAL, (2) (HDI only) TURN SIGNAL, (2) (HDI only)	-- 95-DD/J/P;FD 96*-DD/J/P;FB/C/D/F	95-BJ 96*-BJ	-- --
22	68505-90	LENS, turn signal (amber) (2) (HDI only)	95-DD/J/P;FD 96*-DD/J/P;FB/C/D/F	95*-BJ	--

FLT MODELS				SOFTAIL MODELS				DYNA MODELS	
FLHT	DD	FLHR-I	FB	FLSTC	BJ	FLSTF	BM	FXDL	GD
FLHTC	DJ	FLHTCU-I	FC	FXSTC	BK	FLSTN	BN	FXDWG	GE
FLTC-U	DM	FLTCU-I	FE	FXSTS	BL	FXSTSB	BP	FXDS-CON	GG
FLHTC-U	DP	FLHTC-I	FF					FXD	GH
FLHR	FD								

FRONT FENDER

FC38-1

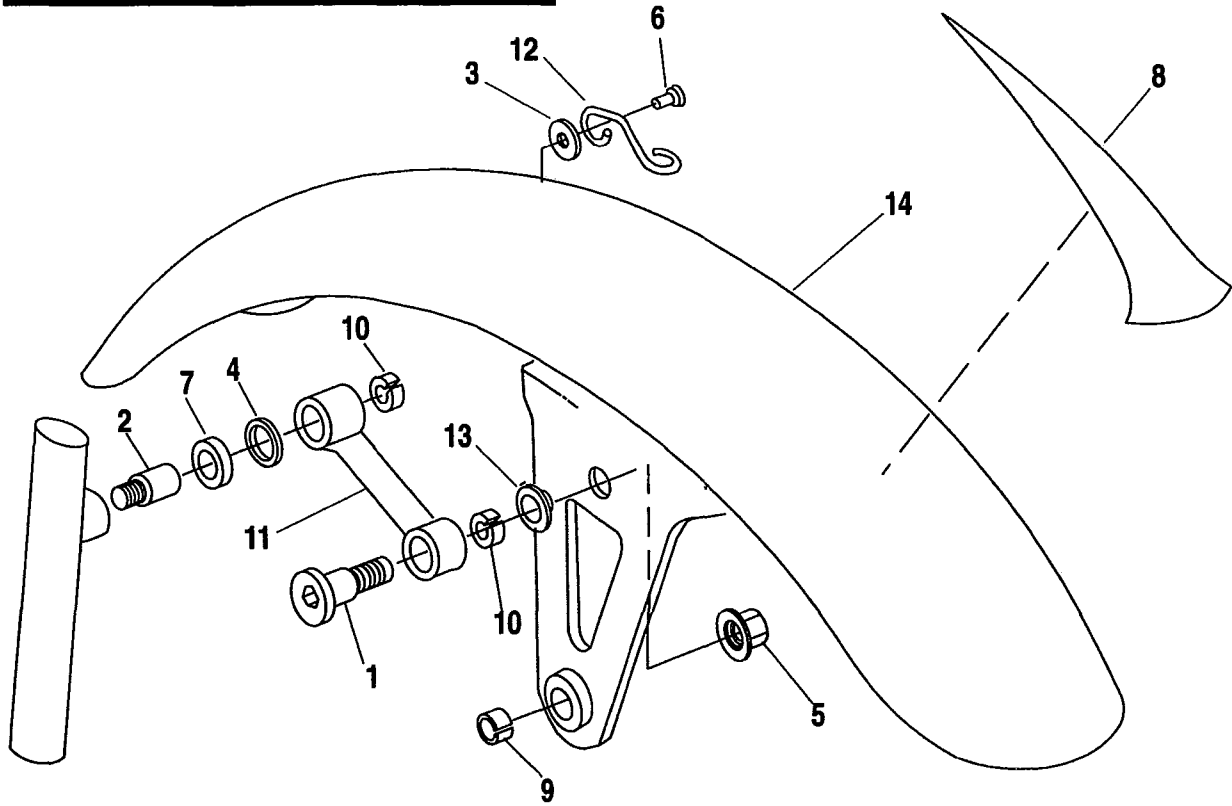
INDEX NO.	PART NO.	DESCRIPTION	FLT MODELS	SOFTAIL MODELS	DYNA MODELS
NOTE: REFER TO PAINTED PARTS BOOK FOR PAINTED PART NUMBERS.					
1	755	HOLE PLUG	95*-FD;96*-FB	96*-BJ/N	--
2	2531	SCREW (6; 8 - BJ/N)	95*-ALL	95*-BJ/N	--
3	2604	SCREW (2)	95*-ALL	95*-BJ/N	--
3A	2960	SCREW	95-DD/J/M/P;FC 96*-DD/J/P;FC/E/F	--	--
4	3210A	SCREW (4)	--	--	95*-GD/G/H
5	3462	BOLT (4)	95*-ALL	--	--
6	3485A	SCREW (4)	--	95*-BJ/M/K/N	95*-GE
7	3560W	TEE BOLT (2)	95*-ALL	95*-BJ/N	--
8	3561WB	TEE BOLT (2)	95*-ALL	95*-BJ/N	--
9	4091	SCREW (2)	95-DJ/M/P;FC 96*-DJ/P;FC/E/F	--	--
10	6220W	LOCKWASHER	--	95-BM	--
11	6702	WASHER (4)	--	95*-BK	95*-GE
12	6703	WASHER (3)	95-DJ/M/P;FC 96*-DJ/P;FC/E/F	--	--
13	6716	WASHER (2)	95-DJ/M/P;FC 96*-DJ/P;FC/E/F	--	--
14	7036	LOCKWASHER	--	95-BJ/N	--
15	7041	LOCKWASHER (4)	--	95*-BK	--
16	7127	LOCKWASHER (4)	--	95*-BN	--
17	7220	LOCKWASHER (4)	95*-ALL	--	--
18	7507	ACORN NUT (4)	--	95*-BK	95*-GE
19	7531	NUT (4)	--	95*-BJ/M/N	95*-GD/G/H
20	7600	NUT (6; 8 - BJ/N)	95*-ALL	95*-BJ/N	--
21	7613A	PUSH NUT (6)	95*-DM/P,FD	95*-BJ/N	--
22	7624	NUT (4)	95*-ALL	95*-BJ/N	--
23	7629	NUT (2)	95*-ALL	95*-BJ/N	--
23A	7651	ACORN NUT	95-DD/J/M/P;FC 96*-DD/J/P;FC/E/F	--	--
24	7682	LOCKNUT (2)	95*-DJ/M/P	--	--
25	7683	LOCKNUT	95*-DD/J/M/P	--	--
26	7689W	NUT	--	95-BM	--
27	8126A	SPEED NUT, reflector (2)	95-DJ/M/P;FC 96*-DJ/P;FC/E/F	--	--
28	8505	RIVET	--	95-BJ/N	95*-ALL
29	11437	GROMMET, wiring harness	95*-ALL	--	--
30	14142-86	TRIM, "Heritage Softail" (2)	--	95*-BJ/N	--
31	14159-87	DECAL, "Classic"(red) (2)	95*-DJ;96*-FF	--	--
	14331-90	DECAL, "Classic" (gold) (2)	95*-DJ;96*-FF	--	--
	14399-94	DECAL, "Classic" (new gold)(2)	95-DJ	--	--
	14561-96	DECAL, "Classic" (dark gray)(2)	96*-DJ/FF	--	--
32	14422-94	NAMEPLATE (2)	95*-FD;96*-FB	--	--
33	38622-87	GUIDE, speedometer cable	95*-DD/J/M/P	95-BJ/N	--

FLT MODELS				SOFTAIL MODELS				DYNA MODELS	
FLHT	DD	FLHR-I	FB	FLSTC	BJ	FLSTF	BM	FXDL	GD
FLHTC	DJ	FLHTCU-I	FC	FXSTC	BK	FLSTN	BN	FXDWG	GE
FLTC-U	DM	FLTCU-I	FE	FXSTS	BL	FXSTSB	BP	FXDS-CON	GG
FLHTC-U	DP	FLHTC-I	FF					FXD	GH
FLHR	FD								

INDEX NO.	PART NO.	DESCRIPTION	FLT MODELS	SOFTAIL MODELS	DYNA MODELS
34	45085-88A	CABLE GUIDE	--	95-BM	--
35	53439-79	BULB, fender tip lamp	95*-ALL	95*-BJ/N	--
36	58998-83A	FENDER (prime)	--	--	95*-GD/G/H
37	59082-79	LAMP ASSEMBLY	--	95-BJ/N	--
	59082-96	LAMP ASSEMBLY	--	96*-BJ/N	--
	68706-94A	LAMP ASSEMBLY	95*-ALL	--	--
38	59093-87	FENDER (prime)	95*-DD/J;96*-FF	--	--
	59087-89	FENDER (prime)	95-DM/P;FD/C	--	--
			96*-DP;FB/C/D/E		
	59129-86	FENDER (prime)	--	95*-BJ/N	--
39	59139-89	FENDER (prime)	--	95*-BM	--
40	59159-80	DECAL, "Classic" (silver) (2)	95-DJ	--	--
41	59166-80	LOCKPLATE (2)	95*-ALL	--	--
42	59180-80	LENS, fender lamp (amber)	95*-ALL	95*-BJ/N	--
43	59181-80	GASKET, fender lamp lens	95*-ALL	95*-BJ/N	--
44	59197-87	WIRE ASSEMBLY, fender lamp	--	95-BJ/N	--
45	59211-74	SIDE TRIM (2)	95*-ALL	95*-BJ/N	--
46	59231-86	TRIM SKIRT, lower	95*-ALL	--	--
	59235-86	TRIM SKIRT, lower (black)	--	95*-BJ/N	--
47	59236-89	NAMEPLATE (2)	95*-DP;FC	--	--
	59246-89	NAMEPLATE (2)	95-DM;96*-FE	--	--
48	59261-91	REFLECTOR (amber) (2)	95-DJ/M/P;FC	--	--
			96*-DJ/P;FC/E/F		
49	59924-80	FENDER (prime)	--	95*-BK	95*-GE
50	70196-86	WIRE ASSEMBLY, fender lamp	--	95-BJ/N	--
51	72113-94BK	PLUG, 3-way socket	95*-ALL	--	--
52	72153-94	SOCKET LOCK, secondary, 3-way	95*-ALL	--	--
53	91085-83B	BUMPER ASSEMBLY	95-DJ/M/P;FC	--	--
			96*-DJ/P;FC/E/F		
54	91090-77A	BRACKET, bumper	995-DJ/M/P;FC	--	--
			96*-DJ/P;FC/E/F		
55	91107-77	CUSHION, bumper	95-DJ/M/P;FC	--	--
			96*-DJ/P;FC/E/F		
H-D INTERNATIONAL ONLY					
1	755	HOLE PLUG (HDI only)	96*-ALL	96*-BJ/N	--
37	59116-96	FENDER TIP ASSEMBLY (HDI only)	96*-ALL	96*-BJ/N	--
	68594-84	LAMP ASSEMBLY (HDI only)	--	95-BJ	--
	68714-94A	LAMP ASSEMBLY (HDI only)	95-ALL	--	--
42	59182-84	LENS, fender lamp (white) (HDI only)	95-ALL	95-BJ/N	--
	59201-96	LENS, fender tip (chrome) (HDI only)	96*-ALL	96*-BJ/N	--

FLT MODELS				SOFTAIL MODELS				DYNA MODELS	
FLHT	DD	FLHR-I	FB	FLSTC	BJ	FLSTF	BM	FXDL	GD
FLHTC	DJ	FLHTCU-I	FC	FXSTC	BK	FLSTN	BN	FXDWG	GE
FLTC-U	DM	FLTCU-I	FE	FXSTS	BL	FXSTSB	BP	FXDS-CON	GG
FLHTC-U	DP	FLHTC-I	FF					FXD	GH
FLHR	FD								

FRONT FENDER - FXSTS/B



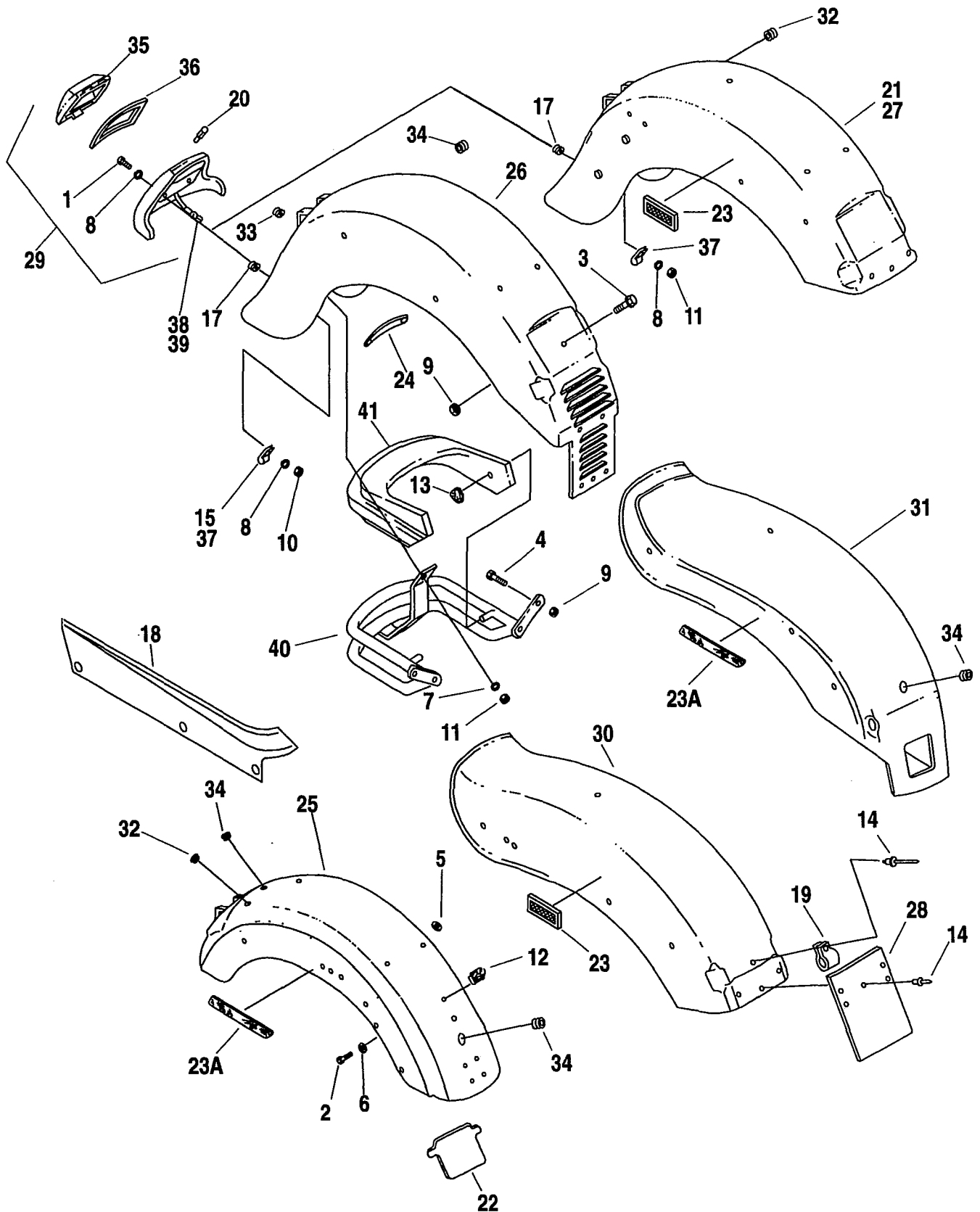
FRONT FENDER - FXSTS/B

FC38A

INDEX NO.	PART NO.	DESCRIPTION	FLT MODELS	SOFTAIL MODELS	DYNA MODELS
NOTE: REFER TO PAINTED PARTS BOOK FOR PAINTED PART NUMBERS.					
1	2723	SCREW shoulder (2)	--	95*-BL/P	--
2	2738	PIVOT SHAFT (2)	--	95*-BL/P	--
3	6099	WASHER	--	95*-BL	--
	6220W	WASHER	--	95*-BP	--
4	6409	WASHER (2)	--	95*-BL/P	--
5	7531	LOCKNUT (2)	--	95*-BL/P	--
6	8505	RIVET	--	95*-BL/P	--
7	11244	SPACER (rubber) (2)	--	95*-BL/P	--
8	14406-95	DECAL (blue)	--	95-BP	--
	14426-95	DECAL (red)	--	95-BP	--
	14591-96	DECAL (purple)	--	96*-BP	--
	14592-96	DECAL (turquoise)	--	96*-BP	--
	14593-96	DECAL (yellow)	--	96*-BP	--
9	33714-90	BEARING	--	95*-BL/P	--
10	33720-93	BEARING (4)	--	95*-BL/P	--
11	41042-93	PIVOT LINK (2) w/ #9	--	95*-BL/P	--
12	45085-88A	CABLE GUIDE	--	95*-BL/P	--
13	59043-93	INSERT, fender (2)	--	95*-BL/P	--
14	59176-93	FENDER (prime)	--	95*-BL/P	--

FLT MODELS				SOFTAIL MODELS				DYNA MODELS	
FLHT	DD	FLHR-I	FB	FLSTC	BJ	FLSTF	BM	FXDL	GD
FLHTC	DJ	FLHTCU-I	FC	FXSTC	BK	FLSTN	BN	FXDWG	GE
FLTC-U	DM	FLTCU-I	FE	FXSTS	BL	FXSTSB	BP	FXDS-CON	GG
FLHTC-U	DP	FLHTC-I	FF					FXD	GH
FLHR	FD								

REAR FENDER



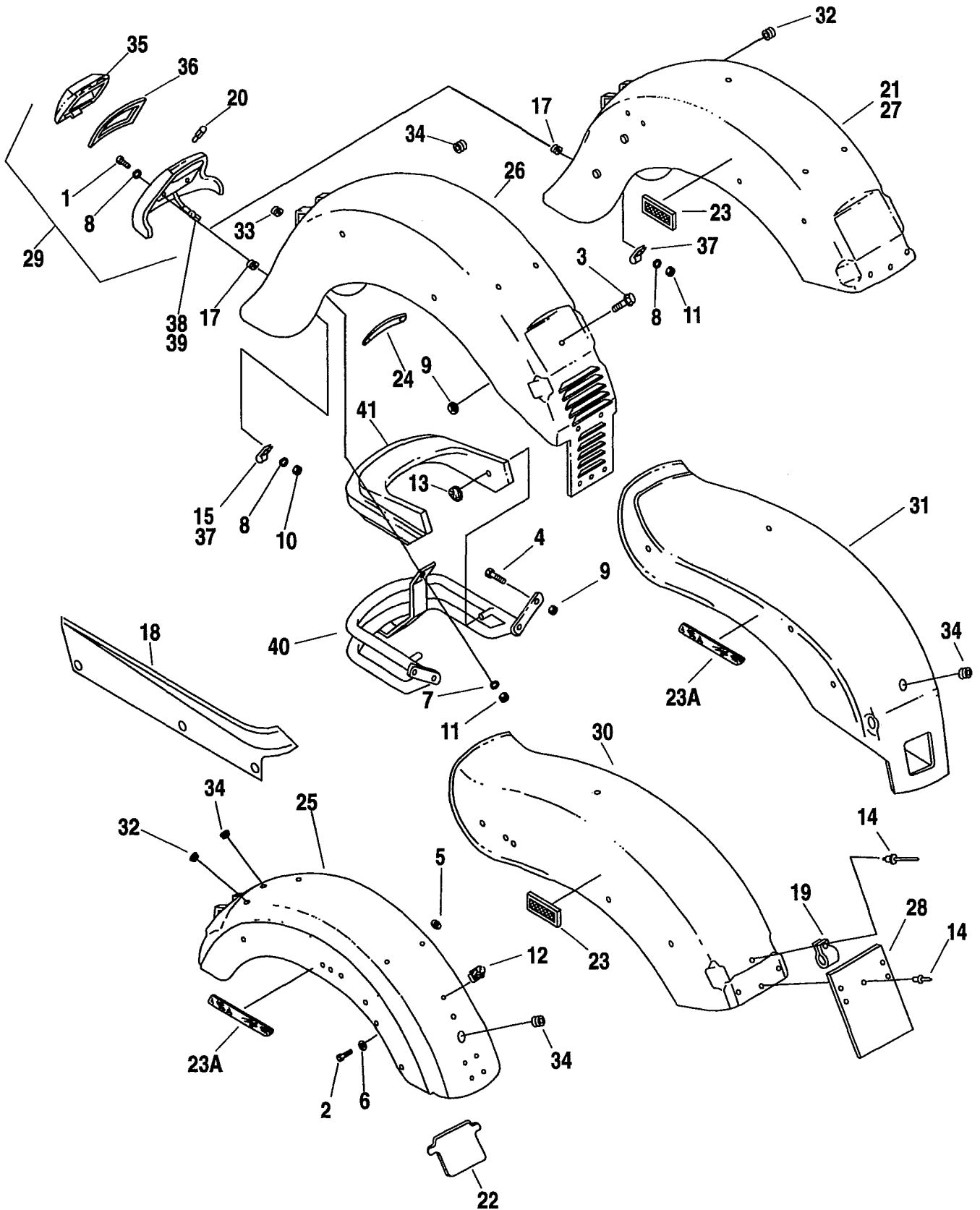
REAR FENDER

FC38B-1

INDEX NO.	PART NO.	DESCRIPTION	FLT MODELS	SOFTAIL MODELS	DYNA MODELS
NOTE: REFER TO PAINTED PARTS BOOK FOR PAINTED PART NUMBERS.					
1	2604	SCREW (2)	95*-ALL	95*-BJ	--
2	3445	BOLT	--	--	95*-ALL
3	3546	BOLT	95*-ALL	--	--
4	3987	BOLT (4)	95*-ALL	--	--
5	6499	SPACER (2)	--	--	95-GD/G/H
6	6702	WASHER	--	--	95*-ALL
7	6703	WASHER	95*-ALL	--	--
8	7118	LOCKWASHER (2)	95*-ALL	95*-BJ	--
9	7531	LOCKNUT (5)	95*-ALL	--	--
10	7629	NUT (2)	95*-ALL	95*-BJ/N	--
11	7683	NUT	95*-ALL	--	--
12	8102	CAGE NUT	--	--	95*-ALL
13	8135B	SPEED NUT (2)	95*-ALL	--	--
14	8483	POP RIVET (2)	--	95-ALL	--
15	10059A	CLAMP	95*-ALL	--	--
17	11437	GROMMET	95*-ALL	95*-BJ/N	--
18	14407-95	DECAL, right (blue)	--	95-BP	--
	14415-95	DECAL, left (blue)	--	95-BP	--
	14427-95	DECAL, right (red)	--	95-BP	--
	14428-95	DECAL, left (blue)	--	95-BP	--
	14540-96	DECAL, left (purple)	--	96*-BP	--
	14541-96	DECAL, right (purple)	--	96*-BP	--
	14542-96	DECAL, left (turquoise)	--	96*-BP	--
	14543-96	DECAL, right (turquoise)	--	96*-BP	--
	14544-96	DECAL, left (yellow)	--	96*-BP	--
	14545-96	DECAL, right (yellow)	--	96*-BP	--
19	38712-68	CLAMP	--	95-BK/L/M	--
20	53439-79	BULB, fender tip lamp	95*-ALL	95*-BJ/N	--
21	59144-87A	FENDER (prime)	--	95-BJ/N	--
	59144-96	FENDER (prime)	--	96*-BJ/N	--
22	59150-90	PLUG, fender	--	--	95*-ALL
23	59255-91	REFLECTOR, rectangular (red) (2)	--	95*-BJ/K/L/M	--
23A	59287-92	REFLECTOR, right (red)	--	95*-BN/P	95*-ALL
	59288-92	REFLECTOR, left (red)	--	95*-BN/P	95*-ALL
24	59569-83	REINFORCEMENT	95*-ALL	--	--

FLT MODELS				SOFTAIL MODELS				DYNA MODELS	
FLHT	DD	FLHR-I	FB	FLSTC	BJ	FLSTF	BM	FXDL	GD
FLHTC	DJ	FLHTCU-I	FC	FXSTC	BK	FLSTN	BN	FXDWG	GE
FLTC-U	DM	FLTCU-I	FE	FXSTS	BL	FXSTSB	BP	FXDS-CON	GG
FLHTC-U	DP	FLHTC-I	FF					FXD	GH
FLHR	FD								

REAR FENDER



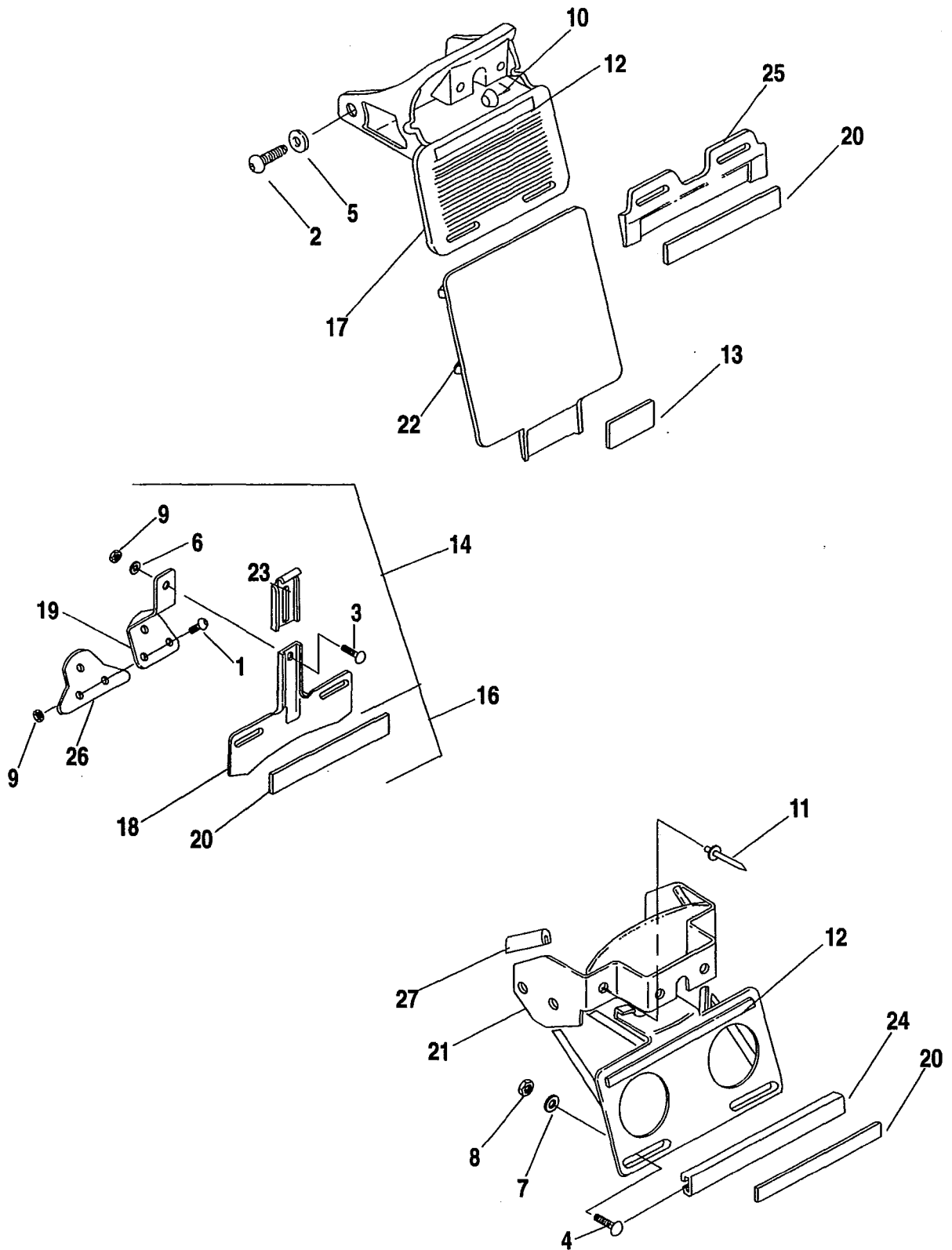
REAR FENDER (CONT'D)

FC38B-2

INDEX NO.	PART NO.	DESCRIPTION	FLT MODELS	SOFTAIL MODELS	DYNA MODELS
25	59634-90A	FENDER (prime)	--	--	95-GD/H
	59634-96	FENDER (prime)	--	--	96*-GD/H
	59655-94	FENDER (prime)	--	--	95-GG
	59655-96	FENDER (prime)	--	--	96*-GG
26	59579-91A	FENDER, louvered (prime)	95*-ALL	--	--
27	59596-89	FENDER (prime)	--	95-BM	--
	59596-96	FENDER (prime)	--	96*-BM	--
28	59648-84A	DEBRIS DEFLECTOR, upper	--	95-ALL	--
29	59658-79A	LAMP ASSEMBLY, fender tip	95*-ALL	95-BJ/N	--
	59659-96	LAMP ASSEMBLY, fender tip	--	96*-BJ/N	--
30	59914-86A	FENDER (prime)	--	95-BK/L/P	--
	59914-96	FENDER (prime)	--	96*-BK/L/P	--
31	59918-92	FENDER (prime)	--	--	95-GE
	59918-96	FENDER (prime)	--	--	96*-GE
32	67055-92	GROMMET, turn signal	--	95*-BJ/N	95*-GG
33	67070-76	GROMMET, tail lamp	95*-ALL	--	--
34	67266-94	GROMMET, turn signal (2 - GG)	95*-ALL	--	95*-ALL
35	68046-79	LENS, rear fender lamp	95*-ALL	95*-BJ/N	--
36	68047-79	GASKET, rear fender lamp	95*-ALL	95*-BJ/N	--
37	71795-63A	CLAMP	95*-ALL	95*-BJ/N	--
38	72118-94BK	PLUG, 8-way socket	95*-ALL	--	--
39	72158-94	SOCKET LOCK, secondary, 8-way	95*-ALL	--	--
40	91013-79	REAR BUMPER ASSEMBLY w/ #13 & 41	95*-ALL	--	--
	91023-79	RAIL, rear bumper	95*-ALL	--	--
41	91123-77	BUMPER CUSHION, rear	95*-ALL	--	--
H-D INTERNATIONAL ONLY					
	59251-90	REFLECTOR ASM., rear (red) w/ 59259-90	95*-ALL	95*-BJ/M/N	95*-GD/G/H
23	59254-91	REFLECTOR (amber) (2)	--	95*-BL/M	--
	59259-90	REFLECTOR, red	95*-ALL	95*-BJ/M/N	95*-ALL
	59289-92	REFLECTOR, right, (amber)	--	95*-BN/P	95*-ALL
	59290-92	REFLECTOR, left, (amber)	--	95*-BN/P	95*-ALL
29	59117-96	FENDER TIP ASSEMBLY (HDI only)	96*-ALL	96*-BJ/N	--
	68785-94	LAMP ASSEMBLY, fender tip (HDI only)	95-FD	--	--
35	68081-96	LENS, rear fender tip (chrome) (HDI only)	96*-ALL	96*-BJ/N	--

FLT MODELS				SOFTAIL MODELS				DYNA MODELS	
FLHT	DD	FLHR-I	FB	FLSTC	BJ	FLSTF	BM	FXDL	GD
FLHTC	DJ	FLHTCU-I	FC	FXSTC	BK	FLSTN	BN	FXDWG	GE
FLTC-U	DM	FLTCU-I	FE	FXSTS	BL	FXSTSB	BP	FXDS-CON	GG
FLHTC-U	DP	FLHTC-I	FF					FXD	GH
FLHR	FD								

LICENSE PLATE BRACKETS



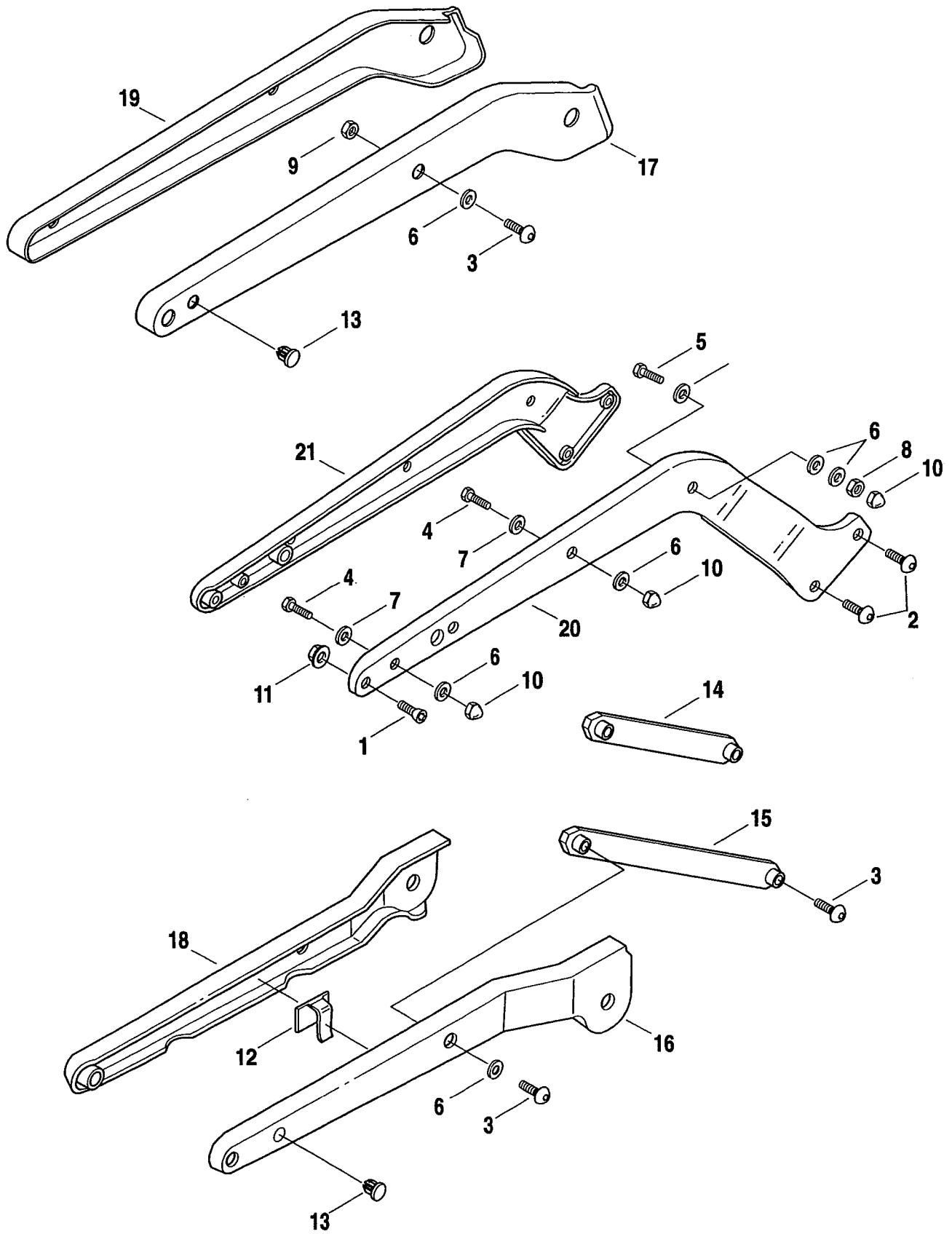
LICENSE PLATE BRACKETS

FC39

INDEX NO.	PART NO.	DESCRIPTION	FLT MODELS	SOFTAIL MODELS	DYNA MODELS
1	2773	SCREW (3)	--	95*-BJ/M/N	95*-GD/G/H
2	4098	SCREW (2)	--	--	95*-GE
3	5403B	BOLT	--	95*-BJ/M/N	95*-GD/G/H
4	5465	CARRIAGE BOLT (2)	--	95*-BK/L/P	--
5	6379W	WASHER (2)	--	--	95*-GE
6	6703	WASHER	--	95*-BJ/M/N	95*-GD/G/H
7	6716	WASHER (2)	--	95*-BK/L/P	--
8	7624	NUT (2)	--	95*-BK/L/P	--
9	7792	NUT (4)	--	95*-BJ/M/N	95*-GD/G/H
10	7869	PUSH CAP (2)	--	--	95*-GE
11	8483	POP RIVET (2)	--	95*-BK/L/P	--
12	52092-77	FOAM TAPE	--	95*-BK/L/P	95*-GE
14	59626-84	LICENSE PLATE BRACKET ASM.	--	95*-BJ/M/N	95*-GD/G/H
15	59971-80	SPLASH SHIELD (rubber)	--	95*-BK/L/P	--
16	59983-75	LICENSE PLATE BRACKET ASM. w/ #14 & 20	--	95*-BJ/M/N	95*-GD/G/H
17	59979-93	LICENSE PLATE BRACKET ASM.	--	--	95*-GE
18	59984-73	BRACKET	--	95*-BJ/M/N	95*-GD/G/H
19	59986-75	SUPPORT	--	95*-BJ/M/N	95*-GD/G/H
20	59988-72	REFLECTOR	95*-ALL	95*-ALL	95*-ALL
21	59993-80A	LICENSE PLATE BRACKET ASM.	--	95*-BK/L/P	--
23	60001-55	CLAMP	--	95*-BJ/M/N	95*-GD/G/H
24	60005-77	CLAMP	--	95*-BK/L/P	--
25	60019-93	REFLECTOR BRACKET	--	--	95*-GE
26	68456-89	PAD, rear directional mounting	--	--	95*-GG
27	71309-92	MOULDING (2)	--	95*-BK/L/P	--
H-D INTERNATIONAL ONLY					
4	3767B	SCREW (2) (HDI only)	--	95*-BK/L/P	--
7	6703	WASHER (2) (HDI only)	--	95*-BK/L/P	--
	7036	LOCKWASHER (2) (HDI only)	--	95*-BK/L/P	--
8	7688	NUT (2) (HDI only)	--	95*-BK/L/P	--
	59262-90A	REFLECTOR, rear (red) (HDI only)	--	95*-BK/L/P	--
13	59259-90	REFLECTOR, rear (red) (HDI only)	--	--	95*-GE
22	59994-93	LICENSE PLATE BRACKET (HDI only)	--	--	95*-GE

FLT MODELS				SOFTAIL MODELS				DYNA MODELS	
FLHT	DD	FLHR-I	FB	FLSTC	BJ	FLSTF	BM	FXDL	GD
FLHTC	DJ	FLHTCU-I	FC	FXSTC	BK	FLSTN	BN	FXDWG	GE
FLTC-U	DM	FLTCU-I	FE	FXSTS	BL	FXSTSB	BP	FXDS-CON	GG
FLHTC-U	DP	FLHTC-I	FF					FXD	GH
FLHR	FD								

REAR FENDER SUPPORTS



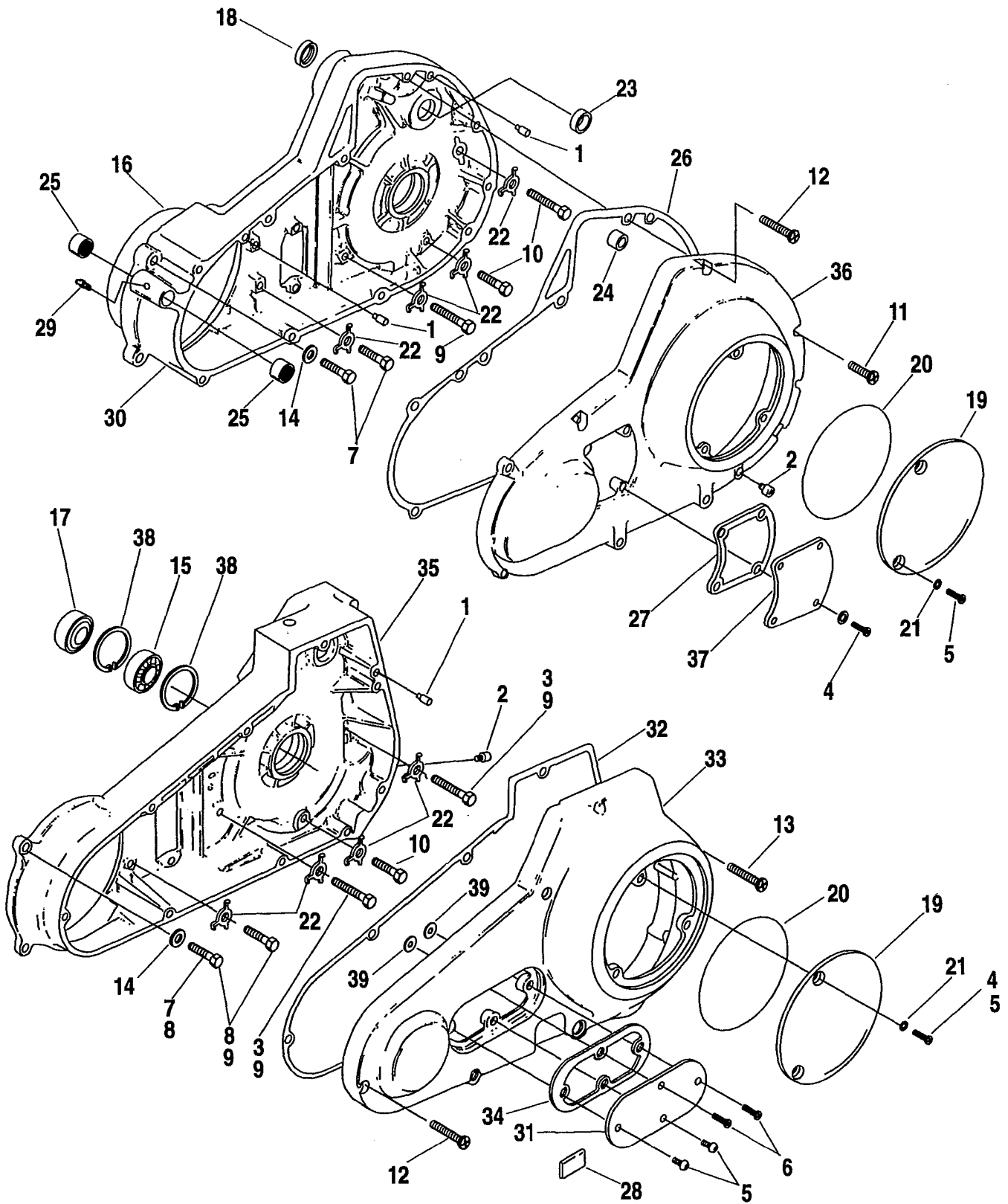
REAR FENDER SUPPORTS

FC40

INDEX NO.	PART NO.	DESCRIPTION	FLT MODELS	SOFTAIL MODELS	DYNA MODELS
1	2005	SCREW (2)	--	95*-ALL	--
2	4013	SCREW (4)	--	95*-ALL	--
3	4098	SCREW (4-GD/H; 6-GE;2-GG)	--	--	95-ALL
	4098	SCREW (2)	--	--	96*-GD/E/H
4	4716W	BOLT (4)	--	95*-BK/L/M/N/P	--
5	4721	BOLT (2)	--	95*-ALL	--
6	6379W	WASHER (6- BK/L/M/P; 4-BJ; 2-BN & Dyna)	--	95*-ALL	95*-ALL
7	6701	WASHER (2-BJ/N; 4-BK/L/P)	--	95*-ALL	--
8	7643W	NUT (2)	--	95*-BJ/M	--
9	7667	LOCKNUT (2)	--	--	96*-GD/G/H
10	7680W	ACORN NUT (2-BJ/N; 4-BM; 6-BK/L/P)	--	95*-ALL	--
11	7775	NUT (2)	--	95*-BJ/M/N	--
12	10102	CLIP (2)	--	--	95*-GG
13	56239-93	HOLE PLUG (2)	--	--	95*-GG
14	59112-90	STRUT, left	--	--	95-ALL
15	59113-90	STRUT, right	--	--	95-ALL
16	59136-94	SUPPORT, right	--	--	95-GG
	59138-93	SUPPORT, right	--	--	95-GD/H
	59893-93	SUPPORT, right	--	--	95-GE
17	59893-96	COVER, right	--	--	96*-GE
	59138-96	COVER, right	--	--	96*-GD/G/H
18	59167-94	SUPPORT, left	--	--	95-GG
	59171-93	SUPPORT, left	--	--	95-GD/H
	60007-93	SUPPORT, left	--	--	95-GE
19	60007-96	COVER, left	--	--	96*-GE
	59171-96	COVER, left	--	--	96*-GD/G/H
20	59880-95	SUPPORT, right	--	95*-BP	--
	59955-86A	SUPPORT, right (chrome)	--	95*-BK/L	--
	59964-86A	SUPPORT, right (chrome)	--	95*-BJ/M/N	--
21	59881-95	SUPPORT, left	--	95*-BP	--
	59954-86A	SUPPORT, left (chrome)	--	95*-BK/L	--
	59969-86A	SUPPORT, left (chrome)	--	95*-BJ/M/N	--
H-D INTERNATIONAL ONLY					
20	59882-95	SUPPORT, right (HDI only)	--	95*-BP	--
	59964-86A	SUPPORT, right (chrome)(HDI only)	--	95*-BK/L	--
21	59883-95	SUPPORT, left (HDI only)	--	95*-BP	--
	59969-86A	SUPPORT, left (chrome)(HDI only)	--	95*-BK/L	--

FLT MODELS			SOFTAIL MODELS				DYNA MODELS		
FLHT	DD	FLHR-I	FB	FLSTC	BJ	FLSTF	BM	FXDL	GD
FLHTC	DJ	FLHTCU-I	FC	FXSTC	BK	FLSTN	BN	FXDWG	GE
FLTC-U	DM	FLTCU-I	FE	FXSTS	BL	FXSTSB	BP	FXDS-CON	GG
FLHTC-U	DP	FLHTC-I	FF					FXD	GH
FLHR	FD								

PRIMARY HOUSING



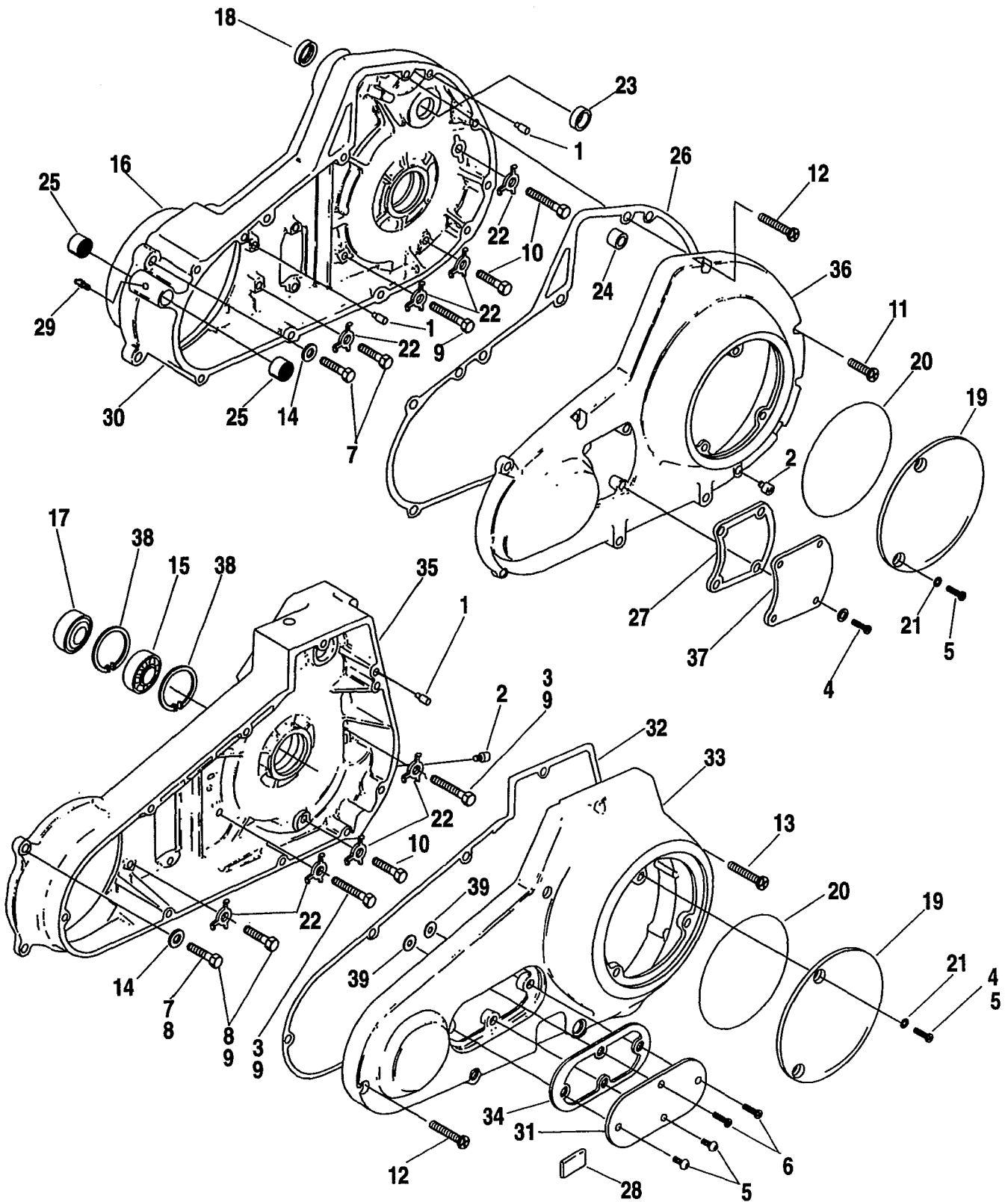
PRIMARY HOUSING

FC41-1

INDEX NO.	PART NO.	DESCRIPTION	FLT MODELS	SOFTAIL MODELS	DYNA MODELS
1	221	PIN (2)	95*-ALL	--	--
	375	PIN (2 - Dyna)	--	95*-ALL	95*-ALL
2	739A	PLUG, magnetic	95*-ALL	95*-ALL	95*-ALL
3	858	SCREW (2-Dyna; 4-Softail)	--	95*-ALL	95*-ALL
4	940	SCREW (4-FLT; 3-Softail)	95*-ALL	95*-ALL	-
5	941	SCREW (3-FLT; 2-Softail; 5-Dyna)	95*-ALL	95*-ALL	95*-ALL
6	945	SCREW (2)	--	95*-ALL	95*-ALL
7	2818	SCREW (4)	95*-ALL	95*-ALL	95-ALL
	2932	BOLT (4)	--	--	96*-ALL
8	2871W	BOLT (4)	--	95*-ALL	--
9	4068	BOLT (4 - Softail & Dyna)	95*-ALL	95*-ALL	95*-ALL
10	4086	BOLT (2 - FLT)	95*-ALL	--	95*-ALL
11	4718A	SCREW w/ washer (5)	95*-ALL	--	--
12	4740A	SCREW w/ washer (5; 7 - Softail & Dyna)	95*-ALL	95*-ALL	95*-ALL
13	4820A	SCREW w/ washer (5)	--	95*-ALL	95*-ALL
14	6016	WASHER (2)	95*-ALL	95*-ALL	95*-ALL
15	9135	BEARING	95*-ALL	95*-ALL	95*-ALL
16	11147	O-RING, housing cover	95*-ALL	95*-ALL	95*-ALL
17	12052	OIL SEAL	95*-ALL	95*-ALL	95*-ALL
18	12066	OIL SEAL	95*-ALL	95*-ALL	95*-ALL
19	25414-70B	COVER, clutch	95*-DD	--	95*-GH
	60668-84B	COVER, clutch (chrome)	95-DJ/M/P;FC/D 96*-DJ/P;FB/C/D/E/F	95*-ALL	95*-GD/E/G
20	25416-84	O-RING, clutch cover	95*-ALL	95*-ALL	95*-ALL
21	31433-84A	WASHER (nylon) (3)	95*-ALL	95*-ALL	95*-ALL
22	33318-85	LOCKING TAB (5; 6 - Softail)	95*-ALL	95*-ALL	95*-ALL
23	33445-94	BUSHING	95*-ALL	95*-ALL	95*-ALL
24	33446-94	BUSHING	95*-ALL	95*-ALL	95*-ALL
25	33713-85	BUSHING (2)	95*-ALL	--	--
26	34901-94	GASKET, cover	95*-ALL	--	--
27	34906-85A	GASKET, inspection cover	95*-ALL	--	--
28	50100-70	BUMPER, jiffy stand	--	95*-ALL	--
29	50972-75	FITTING, lubrication	95*-ALL	--	--

FLT MODELS				SOFTAIL MODELS				DYNA MODELS	
FLHT	DD	FLHR-I	FB	FLSTC	BJ	FLSTF	BM	FXDL	GD
FLHTC	DJ	FLHTCU-I	FC	FXSTC	BK	FLSTN	BN	FXDWG	GE
FLTC-U	DM	FLTCU-I	FE	FXSTS	BL	FXSTSB	BP	FXDS-CON	GG
FLHTC-U	DP	FLHTC-I	FF					FXD	GH
FLHR	FD								

PRIMARY HOUSING



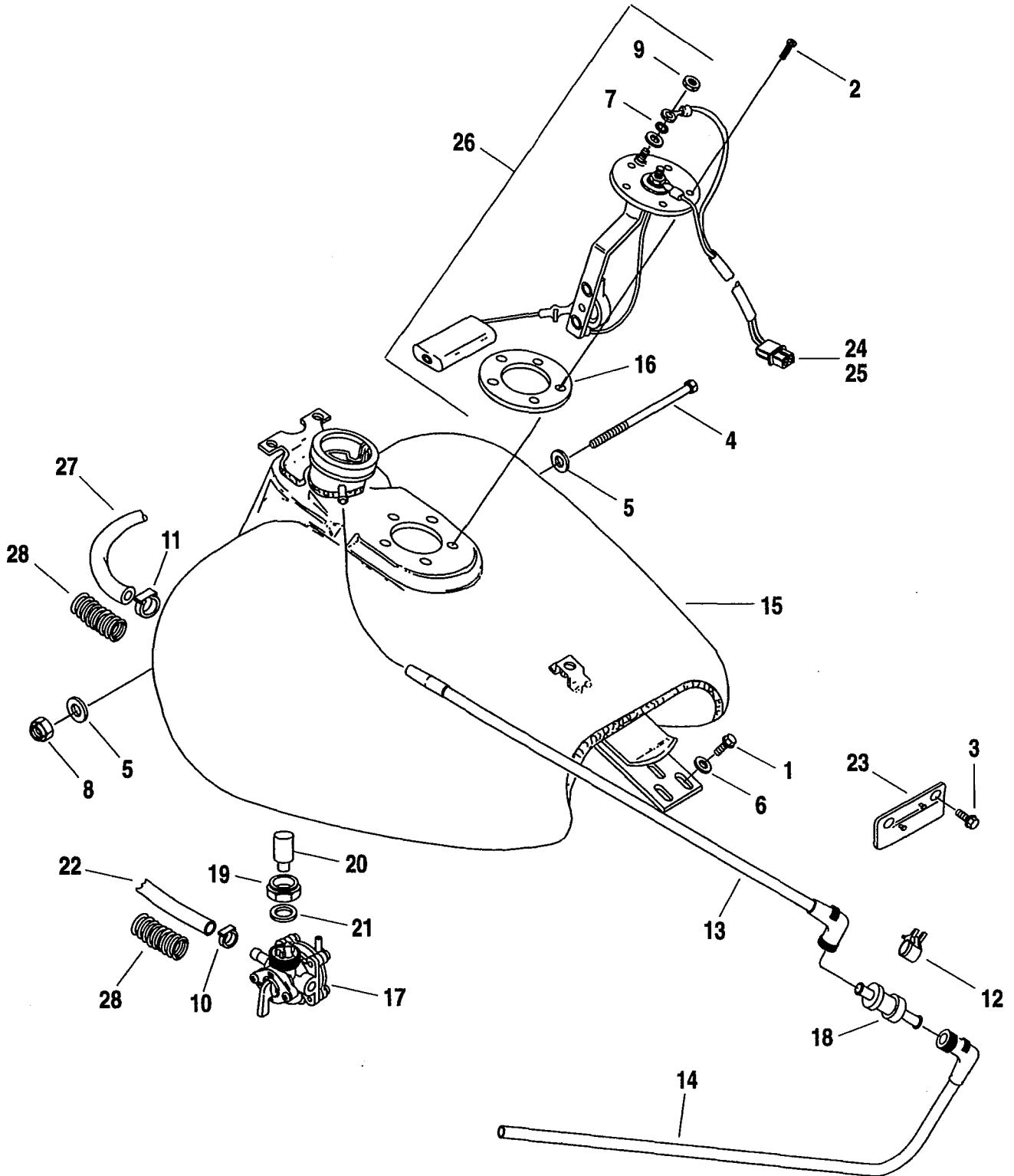
PRIMARY HOUSING (CONT'D)

FC41-2

INDEX NO.	PART NO.	DESCRIPTION	FLT MODELS	SOFTAIL MODELS	DYNA MODELS
30	60432-94	PRIMARY HOUSING ASM. (black)	95-DJ/M/P;FC/D 96*-DJ/P;FB/C/D/E/F	--	--
	60661-94	PRIMARY HOUSING ASM.	95*-DD	--	--
31	60529-90	COVER, inspection (chrome)	--	--	95*-GD/G/H
	60572-86	COVER, inspection (chrome)	--	95*-ALL	95*-GE
32	60539-94	GASKET, primary cover	--	95*-ALL	95*-ALL
33	60543-95	COVER ASSEMBLY, primary (chrome)	--	95*-ALL	95*-GD/E/G
	60562-95A	COVER ASSEMBLY, primary	--	--	95*-GH
34	60567-90A	GASKET, inspection cover	--	95*-ALL	95*-ALL
35	60630-94A	PRIMARY HOUSING ASM. (black)	--	95*-ALL	--
	60663-95	PRIMARY HOUSING ASM.	--	--	95*-GH
	60691-94A	PRIMARY HOUSING ASM.(black)	--	--	95*-GD/G
	60692-94A	PRIMARY HOUSING ASM.(black)	--	--	95*-GE
36	60664-94A	COVER ASSEMBLY, primary	95*-DD	--	--
	60665-94	COVER ASSEMBLY, primary (chrome)	95-DJ/M/P;FC/D 96*-DJ/P;FB/C/D/E/F	--	--
37	60670-85	COVER, inspection (chrome)	95-DJ/M/P;FC/D 96*-DJ/P;FB/C/D/E/F	--	--
	60673-85A	COVER, inspection	95*-DD	--	--
38	60678-85	RETAINING RING (2)	95*-ALL	95*-ALL	95*-ALL
39	63859-95	GASKET (2)	--	95*-ALL	95*-ALL

FLT MODELS				SOFTAIL MODELS				DYNA MODELS	
FLHT	DD	FLHR-1	FB	FLSTC	BJ	FLSTF	BM	FXDL	GD
FLHTC	DJ	FLHTCU-1	FC	FXSTC	BK	FLSTN	BN	FXDWG	GE
FLTC-U	DM	FLTCU-1	FE	FXSTS	BL	FXSTSB	BP	FXDS-CON	GG
FLHTC-U	DP	FLHTC-1	FF					FXD	GH
FLHR	FD								

FUEL TANK - CARBURETED FLT MODELS



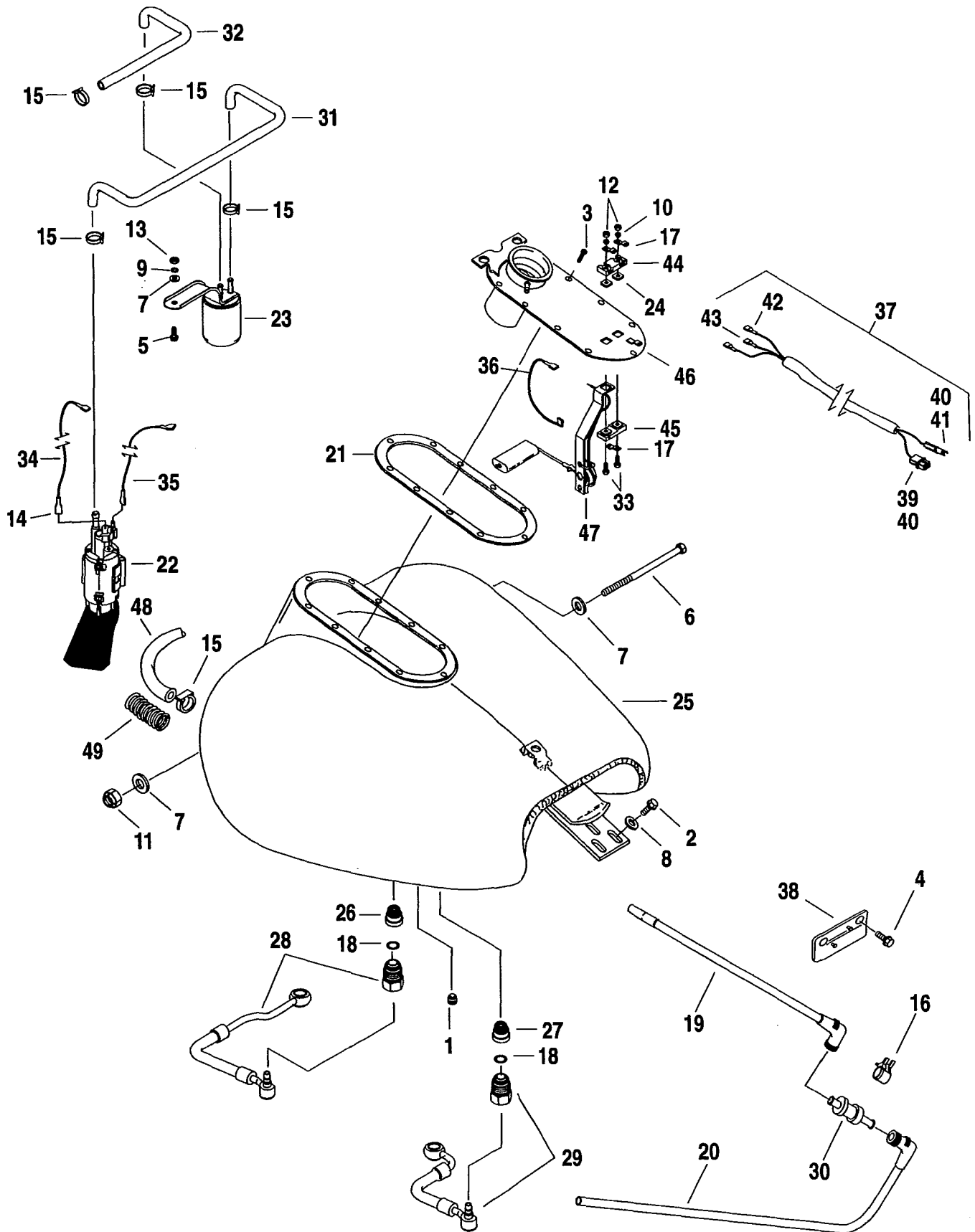
FUEL TANK - CARBURETED FLT MODELS

FC42

INDEX NO.	PART NO.	DESCRIPTION	FLT MODELS	SOFTAIL MODELS	DYNA MODELS
NOTE: REFER TO PAINTED PARTS BOOK FOR PAINTED PART NUMBERS.					
1	939	SCREW (2)	95*-DD/J/M/P	--	--
2	1309C	SCREW, sealing (5)	95*-DD/J/M/P	--	--
3	3739	SCREW (2)	95*-DD/J/M/P	--	--
4	4061	SCREW	95*-DD/J/M/P	--	--
5	6702	WASHER (2)	95*-DD/J/M/P	--	--
6	6703	WASHER (2)	95*-DD/J/M/P	--	--
7	7069	LOCKWASHER	95*-DD/J/M/P	--	--
8	7531	LOCKNUT	95*-DD/J/M/P	--	--
9	7638	NUT, (brass)	95*-DD/J/M/P	--	--
10	10014	CLAMP (2)	95*-DD/J/M/P	--	--
11	10038A	CLAMP (2)	95*-DD/J/M/P	--	--
12	10108	CLIP, vapor valve	95*-DD/J/M/P	--	--
13	27201-95	TUBE, tank to valve	95*-DD/J/M/P	--	--
14	27291-93A	TUBE, valve to atmosphere	95*-DD/J/M/P	--	--
15	61227-95	FUEL TANK (prime)	95*-DD/J/M/P	--	--
16	61322-80C	GASKET, fuel sending unit	95*-DD/J/M/P	--	--
17	61338-94A	FUEL VALVE BODY	95*-DD/J/M/P	--	--
18	62150-85	VAPOR VALVE	95*-DD/J/M/P	--	--
19	62161-75	NUT, fuel valve	95*-DD/J/M/P	--	--
20	62170-81A	FILTER, fuel valve	95*-DD/J/M/P	--	--
21	62172-75	GASKET, fuel valve	95*-DD/J/M/P	--	--
22	62356-95	HOSE, fuel	95*-DD/J/M/P	--	--
23	70995-95	BRACKET, vapor valve mtg.	95*-DD/J/M/P	--	--
24	72035-96	CONNECTOR, 2-place	96*-DD/J/P	--	--
25	72039-71A	PIN, single socket (2)	96*-DD/J/P	--	--
26	75040-88A	SENDING UNIT ASM., fuel gauge	95*-DD/J/M/P	--	--
	75040-96	SENDING UNIT ASM., fuel gauge	96*-DD/J/P	--	--
NOTE: Hose or insulator is sold in bulk length under the following part numbers. Cut to length.					
27	63521-95	HOSE, 5/16" I.D. x 5/8" O.D. (rubber)(25' lg.)	95*-DD/J/M/P	--	--
28	62555-95	INSULATOR, 5/8" I.D. (NYLON) (8' lg.)	95*-DD/J/M/P	--	--

FLT MODELS				SOFTAIL MODELS				DYNA MODELS	
FLHT	DD	FLHR-I	FB	FLSTC	BJ	FLSTF	BM	FXDL	GD
FLHTC	DJ	FLHTCU-I	FC	FXSTC	BK	FLSTN	BN	FXDWG	GE
FLTC-U	DM	FLTCU-I	FE	FXSTS	BL	FXSTSB	BP	FXDS-CON	GG
FLHTC-U	DP	FLHTC-I	FF					FXD	GH
FLHR	FD								

FUEL TANK AND PUMP - FUEL INJECTED FLT MODELS



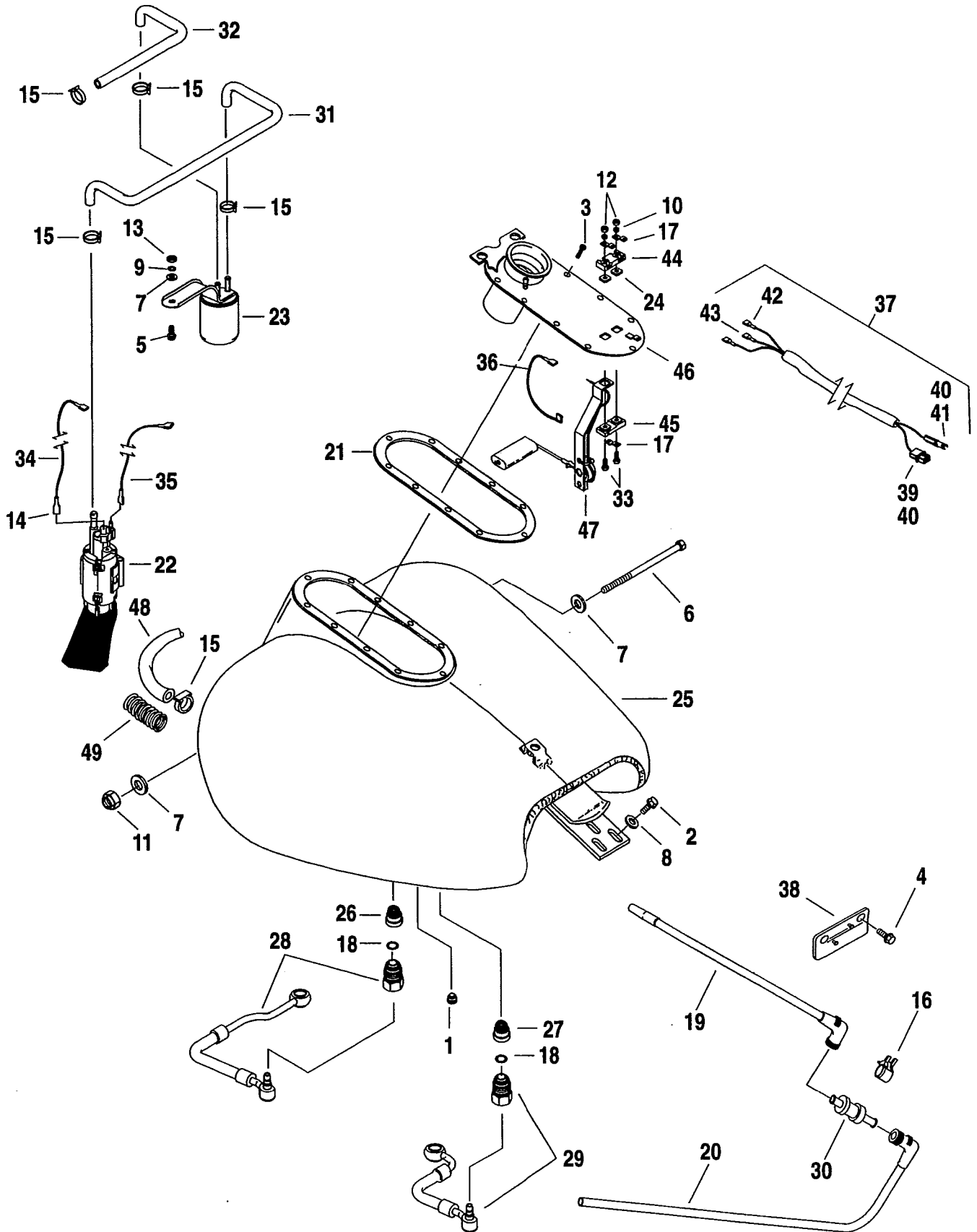
FUEL TANK AND PUMP - FUEL INJECTED FLT MODELS

FC42A-1

INDEX NO.	PART NO.	DESCRIPTION	FLT MODELS	SOFTAIL MODELS	DYNA MODELS
NOTE: REFER TO PAINTED PARTS BOOK FOR PAINTED PART NUMBERS.					
1	758	PLUG	95*-FC;96*-FE/F	--	--
2	939	SCREW (2)	95*-FC;96*-FE/F	--	--
3	1311C	SCREW (10)	95*-FC;96*-FE/F	--	--
4	3739	SCREW (2)	95*-FC;96*-FE/F	--	--
5	4017	SCREW	95*-FC;96*-FE/F	--	--
6	4061	SCREW	95*-FC;96*-FE/F	--	--
7	6702	WASHER (3)	95*-FC;96*-FE/F	--	--
8	6703	WASHER (2)	95*-FC;96*-FE/F	--	--
9	7041	LOCKWASHER	95*-FC;96*-FE/F	--	--
10	7069	LOCKWASHER (2)	95*-FC;96*-FE/F	--	--
11	7531	LOCKNUT	95*-FC;96*-FE/F	--	--
12	7634	NUT (2)	95*-FC;96*-FE/F	--	--
13	7748W	NUT	95*-FC;96*-FE/F	--	--
14	9930	TERMINAL, female spade - 3/16" slot (2)	95*-FC;96*-FE/F	--	--
15	10038A	CLAMP (6)	95*-FC;96*-FE/F	--	--
16	10108	CLIP, vapor valve	95*-FC;96*-FE/F	--	--
17	10138	TERMINAL, male spade (3)	95*-FC;96*-FE/F	--	--
18	11246	O-RING (2)	95*-FC;96*-FE/F	--	--
19	27201-95	TUBE, tank to valve	95*-FC;96*-FE/F	--	--
20	27291-93A	TUBE, valve to atmosphere	95*-FC;96*-FE/F	--	--
21	61326-95	GASKET, sending unit	95*-FC;96*-FE/F	--	--
22	61342-95	FUEL PUMP	95*-FC;96*-FE/F	--	--
23	61343-95	FUEL FILTER	95*-FC;96*-FE/F	--	--
24	61346-95	SEAL, insulator (2)	95*-FC;96*-FE/F	--	--
25	61356-95	FUEL TANK (primed)	95*-FC;96*-FE/F	--	--
26	61407-95A	CHECK VALVE, out (with o-ring)	95*-FC;96*-FE/F	--	--
27	61408-95A	CHECK VALVE, in (with o-ring)	95*-FC;96*-FE/F	--	--
28	61470-95	FUEL LINE KIT, high pressure supply (with fitting)	95*-FC;96*-FE/F	--	--
29	61471-95	FUEL LINE KIT, low pressure return (with fitting)	95*-FC;96*-FE/F	--	--
30	62150-85	VAPOR VALVE	95*-FC;96*-FE/F	--	--
31	62357-95	HOSE, fuel pump	95*-FC;96*-FE/F	--	--
32	62358-95	HOSE, fuel filter	95*-FC;96*-FE/F	--	--
33	67244-95	SCREW (2)	95*-FC;96*-FE/F	--	--
34	70313-95	WIRE ASSEMBLY, fuel pump (positive)	95*-FC;96*-FE/F	--	--
35	70317-95	WIRE ASSEMBLY, fuel pump (negative)	95*-FC;96*-FE/F	--	--
36	70326-95	WIRE ASSEMBLY, ground	95*-FC;96*-FE/F	--	--
37	70369-95	WIRING HARNESS, fuel tank	95-FC	--	--
	70369-96	WIRING HARNESS, fuel tank	95*-FC;96*-FE/F	--	--

FLT MODELS				SOFTAIL MODELS				DYNA MODELS	
FLHT	DD	FLHR-I	FB	FLSTC	BJ	FLSTF	BM	FXDL	GD
FLHTC	DJ	FLHTCU-I	FC	FXSTC	BK	FLSTN	BN	FXDWG	GE
FLTC-U	DM	FLTCU-I	FE	FXSTS	BL	FXSTSB	BP	FXDS-CON	GG
FLHTC-U	DP	FLHTC-I	FF					FXD	GH
FLHR	FD								

FUEL TANK AND PUMP - FUEL INJECTED FLT MODELS



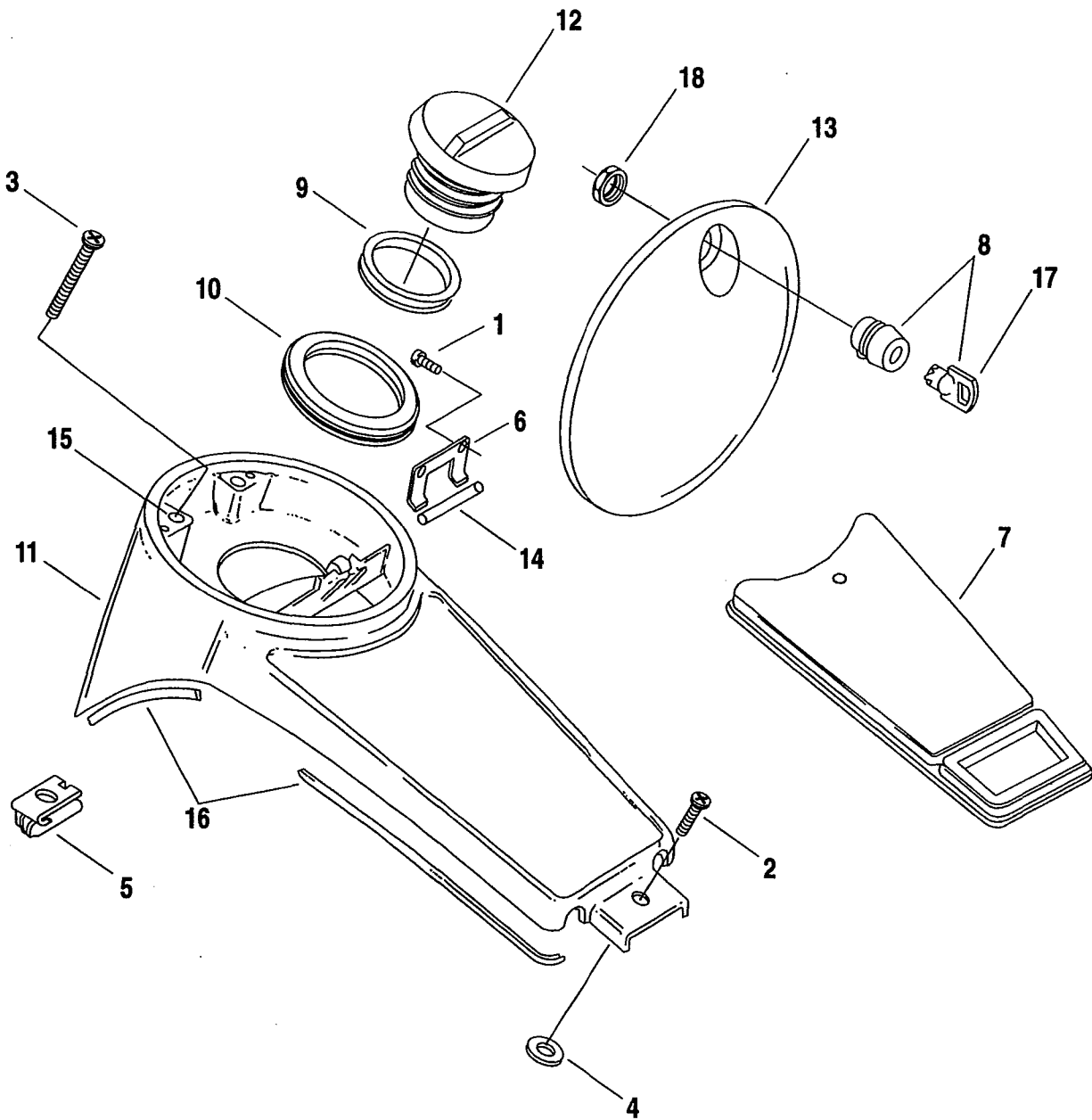
FUEL TANK AND PUMP - FUEL INJECTED FLT MODELS

FC42A-2

INDEX NO.	PART NO.	DESCRIPTION	FLT MODELS	SOFTAIL MODELS	DYNA MODELS
38	70995-95	BRACKET, vapor valve mtg.	95*-FC;96*-FE/F	--	--
39	72035-71	CONNECTOR, two socket	95-FC	--	--
	72035-96	CONNECTOR, 2-place	95*-FC;96*-FE/F	--	--
40	72039-71A	PIN, single socket(3)	95*-FC;96*-FE/F	--	--
41	72043-71A	CONNECTOR, single pin	95*-FC;96*-FE/F	--	--
42	72290-94	TERMINAL, 1/4" female (2)	95*-FC;96*-FE/F	--	--
43	72294-94	TERMINAL, female #16-20 gauge	95*-FC;96*-FE/F	--	--
44	72504-95	TERMINAL BLOCK, top	95*-FC;96*-FE/F	--	--
45	72505-95	TERMINAL BLOCK, bottom	95*-FC;96*-FE/F	--	--
46	75069-95	CANOPY, fuel tank	95*-FC;96*-FE/F	--	--
47	75071-95	SENDING UNIT, fuel gauge	95*-FC;96*-FE/F	--	--
NOTE: Hose or insulator is sold in bulk length under the following part numbers. Cut to length.					
48	63521-95	HOSE, 5/16" I.D. x 5/8" O.D. (rubber)(25' lg.)	95*-FC;96*-FE/F	--	--
49	62555-95	INSULATOR, 5/8" I.D. (NYLON) (8' lg.)	95*-FC;96*-FE/F	--	--

FLT MODELS				SOFTAIL MODELS				DYNA MODELS	
FLHT	DD	FLHR-I	FB	FLSTC	BJ	FLSTF	BM	FXDL	GD
FLHTC	DJ	FLHTCU-I	FC	FXSTC	BK	FLSTN	BN	FXDWG	GE
FLTC-U	DM	FLTCU-I	FE	FXSTS	BL	FXSTSB	BP	FXDS-CON	GG
FLHTC-U	DP	FLHTC-I	FF					FXD	GH
FLHR	FD								

FUEL TANK CONSOLE - FLT MODELS



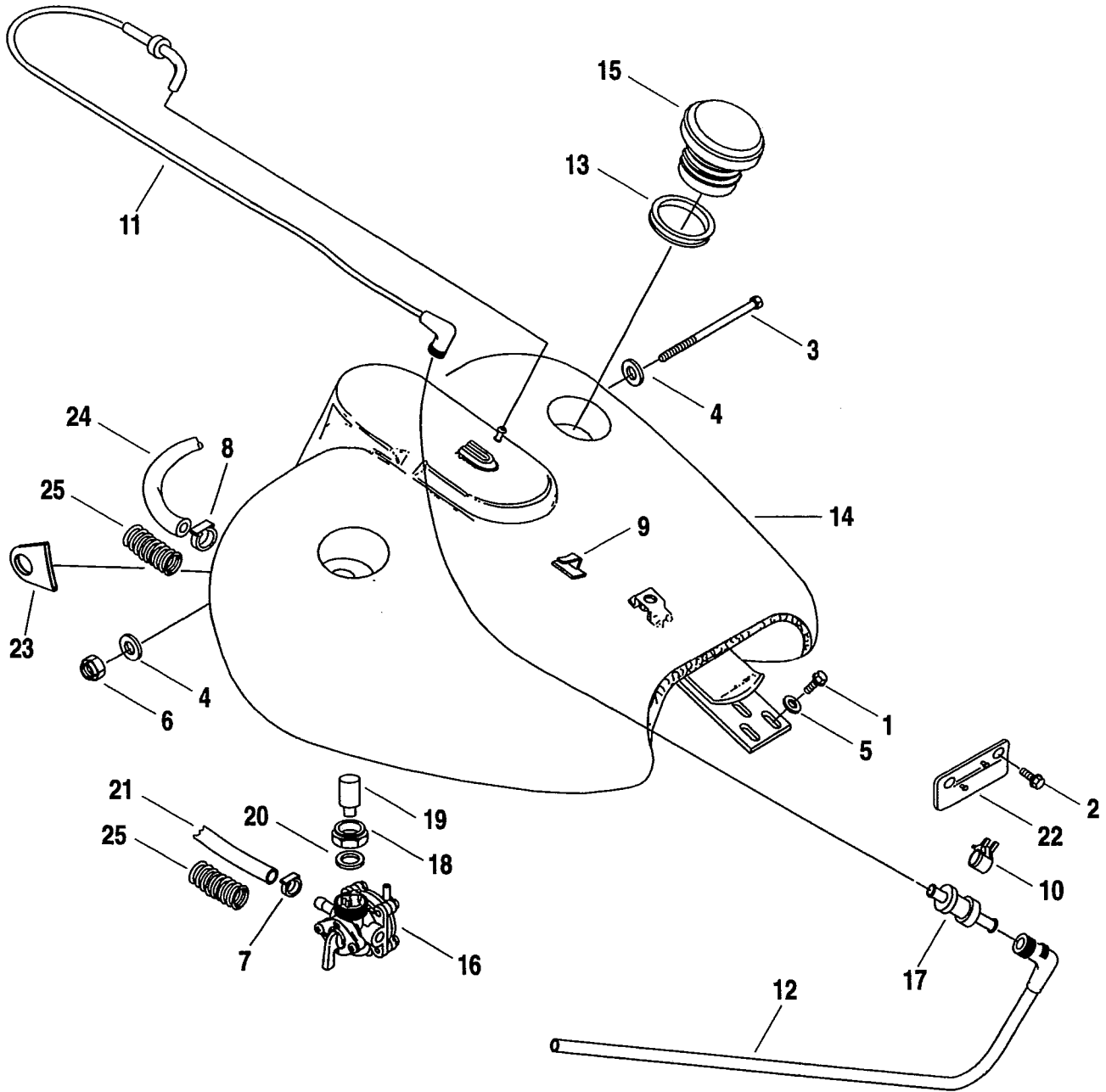
INDEX NO.	PART NO.	DESCRIPTION	FLT MODELS	SOFTAIL MODELS	DYNA MODELS
1	3529	SCREW (2)	95-DD/J/M/P;FC 96*-DD/J/P;FC/E/F	--	--
2	3652	SCREW	95-DD/J/M/P;FC 96*-DD/J/P;FC/E/F	--	--
3	4033	SCREW (2)	95-DD/J/M/P;FC 96*-DD/J/P;FC/E/F	--	--
4	6109	WASHER	95-DD/J/M/P;FC 96*-DD/J/P;FC/E/F	--	--
5	7743	CLIP NUT (2)	95-DD/J/M/P;FC 96*-DD/J/P;FC/E/F	--	--
6	10105	CLIP	95-DD/J/M/P;FC 96*-DD/J/P;FC/E/F	--	--
7	60957-89	INSERT, console panel (black)	95*-DD	--	--
	60973-90	INSERT, console panel (black)	95*-DJ;FF	--	--
8	61029-92	LOCK, door w/ keys	95-DD/J/M/P;FC 96*-DD/J/P;FC/E/F	--	--
	53560-93	LOCK SET, complete vehicle (not illustrated)	95*-DD	--	--
	53574-93	LOCK SET, complete vehicle (not illustrated)	95*-DJ/P;FF/C	--	--
	53575-93	LOCK SET, complete vehicle (not illustrated)	95*-DM;FE	--	--
	61450-95	FUEL RESTRICTOR KIT (not illustrated) (Required with catalytic mufflers)	95-DD/J/M/P;FC 96*-DD/J/P;FC/E/F	--	--
9	61109-85D	GASKET, filler cap	95-DD/J/M/P;FC 96*-DD/J/P;FC/E/F	--	--
10	61112-82A	BOOT	95-DD/J/M/P;FC 96*-DD/J/P;FC/E/F	--	--
11	61270-88A	CONSOLE	95-DD/J/M/P;FC 96*-DD/J/P;FC/E/F	--	--
12	61274-92	FILLER CAP, vac. vent	95-DD/J/M/P;FC 96*-DD/J/P;FC/E/F	--	--
	14456-95	DECAL, unleaded fuel (Calif.) (not illustrated)	95*-DD/J/P	--	--
13	61278-92	DOOR, console	95-DD/J/M/P;FC 96*-DD/J/P;FC/E/F	--	--
14	61279-88	HINGE PIN	95-DD/J/M/P;FC 96*-DD/J/P;FC/E/F	--	--
15	61313-88	BUMPER, cover (2)	95-DD/J/M/P;FC 96*-DD/J/P;FC/E/F	--	--
16	71294-89	MOLDING, (rubber)	95-DD/J/M/P;FC 96*-DD/J/P;FC/E/F	--	--
17	71452-91A	KEY SET (specify key code)	95-DD/J/M/P;FC 96*-DD/J/P;FC/E/F	--	--
18	84850-92	NUT, lock	95-DD/J/M/P;FC 96*-DD/J/P;FC/E/F	--	--

H-D INTERNATIONAL ONLY

14456-95	DECAL, unleaded fuel (Swiss & U.K.) (not illus.)	95*-DJ/P	--	--
14478-95	DECAL, unleaded fuel (Australia) (not illus.)	95*-DJ/P;FB	--	--
53591-95	LOCK SET, complete vehicle (HDI only) (not illus.)	95*-DJ/P;FC/F	--	--

FLT MODELS				SOFTAIL MODELS				DYNA MODELS	
FLHT	DD	FLHR-I	FB	FLSTC	BJ	FLSTF	BM	FXDL	GD
FLHTC	DJ	FLHTCU-I	FC	FXSTC	BK	FLSTN	BN	FXDWG	GE
FLTC-U	DM	FLTCU-I	FE	FXSTS	BL	FXSTSB	BP	FXDS-CON	GG
FLHTC-U	DP	FLHTC-I	FF					FXD	GH
FLHR	FD								

FUEL TANK - CARBURETED FLHR



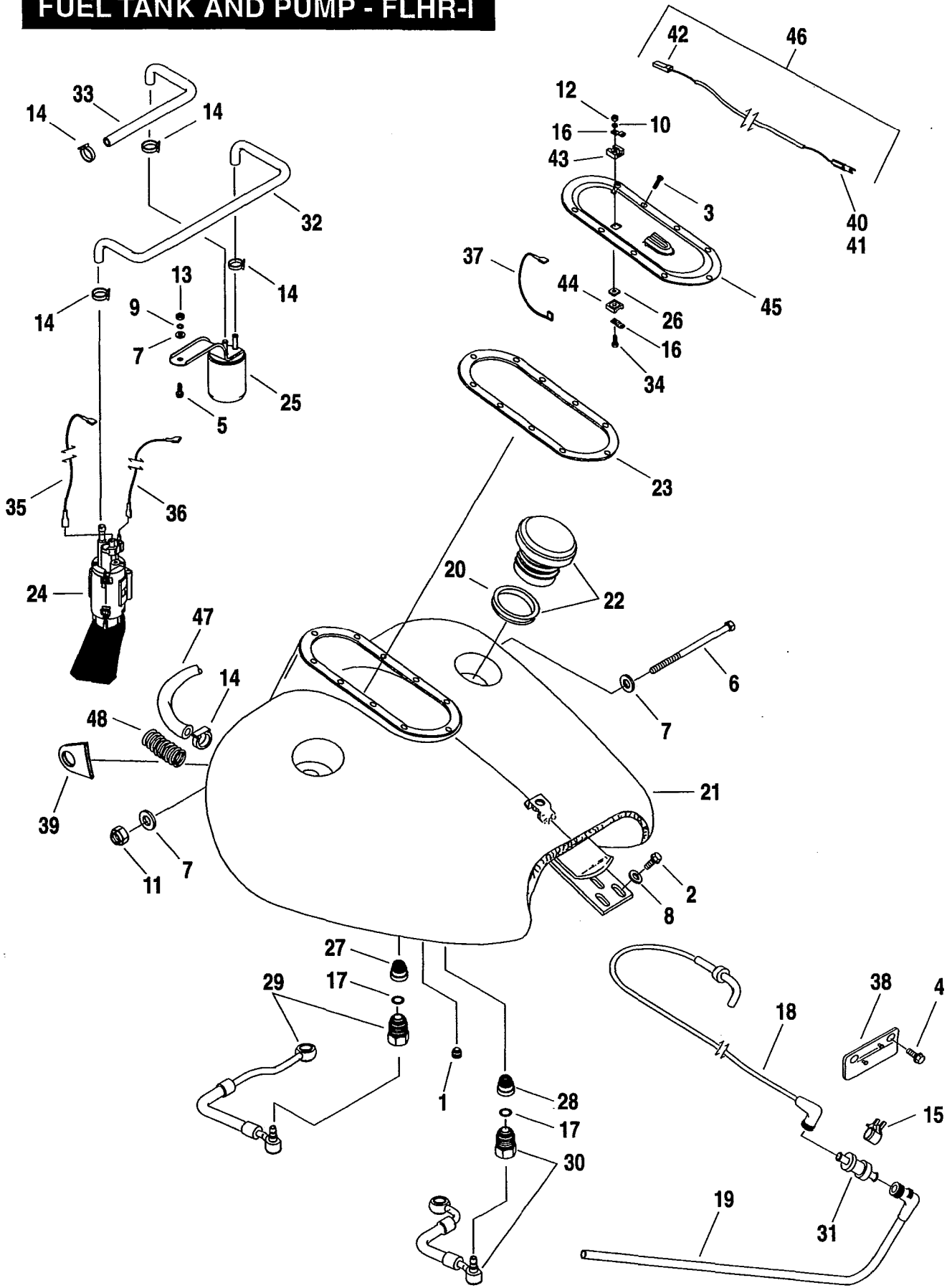
FUEL TANK - CARBURETED FLHR

FC42C

INDEX NO.	PART NO.	DESCRIPTION	FLT MODELS	SOFTAIL MODELS	DYNA MODELS
1	939	SCREW (2)	95*-FD	--	--
2	3739	SCREW (2)	95*-FD	--	--
3	4061	SCREW	95*-FD	--	--
4	6702	WASHER (2)	95*-FD	--	--
5	6703	WASHER (2)	95*-FD	--	--
6	7531	ACORN NUT	95*-FD	--	--
7	10014	CLAMP (2)	95*-FD	--	--
8	10038A	CLAMP (2)	95*-FD	--	--
9	10102	CLIP, adhesive back (2)	95*-FD	--	--
10	10108	CLIP, vapor valve	95*-FD	--	--
11	27174-95	TUBE, tank to valve	95*-FD	--	--
12	27291-93A	TUBE, valve to atmosphere	95*-FD	--	--
13	61109-85D	GASKET, filler cap	95*-FD	--	--
14	61225-94A	FUEL TANK (prime)	95*-FD	--	--
15	61272-92A	FILLER CAP, vac. vent	95*-FD	--	--
16	14456-95	DECAL, unleaded fuel (Calif.) (not illustrated)	95*-FD	--	--
	61338-94A	FUEL VALVE BODY	95*-FD	--	--
	61450-95	FUEL FILLER RESTRICTOR KIT (not illustrated)	95*-FD	--	--
(Required with catalytic mufflers)					
17	62150-85	VAPOR VALVE	95*-FD	--	--
18	62161-75	NUT, fuel valve	95*-FD	--	--
19	62170-81A	FILTER, fuel valve	95*-FD	--	--
20	62172-75	GASKET, fuel valve	95*-FD	--	--
21	62356-95	HOSE, fuel	95*-FD	--	--
22	70995-95	BRACKET, vapor valve mtg.	95*-FD	--	--
23	70999-94	TRIM, fuel tank (2)	95*-FD	--	--
NOTE: Hose or insulator is sold in bulk length under the following part numbers. Cut to length.					
24	63521-95	HOSE, 5/16" I.D. x 5/8" O.D. (rubber) (25' lg.)	95*-FD	--	--
25	63555-84	INSULATOR, 5/8" I.D. (nylon) (8' lg.)	95*-FD	--	--
H-D INTERNATIONAL ONLY					
	14456-95	DECAL, UNLEADED FUEL(U.K.& Swiss)(not illus)	95*-FD	--	--
	14478-95	DECAL, UNLEADED FUEL (Australia) (not illus)	95*-FD	--	--

FLT MODELS				SOFTAIL MODELS				DYNA MODELS	
FLHT	DD	FLHR-I	FB	FLSTC	BJ	FLSTF	BM	FXDL	GD
FLHTC	DJ	FLHTCU-I	FC	FXSTC	BK	FLSTN	BN	FXDWG	GE
FLTC-U	DM	FLTCU-I	FE	FXSTS	BL	FXSTSB	BP	FXDS-CON	GG
FLHTC-U	DP	FLHTC-I	FF					FXD	GH
FLHR	FD								

FUEL TANK AND PUMP - FLHR-I



FUEL TANK AND PUMP - FUEL INJECTED FLHR

FC42D

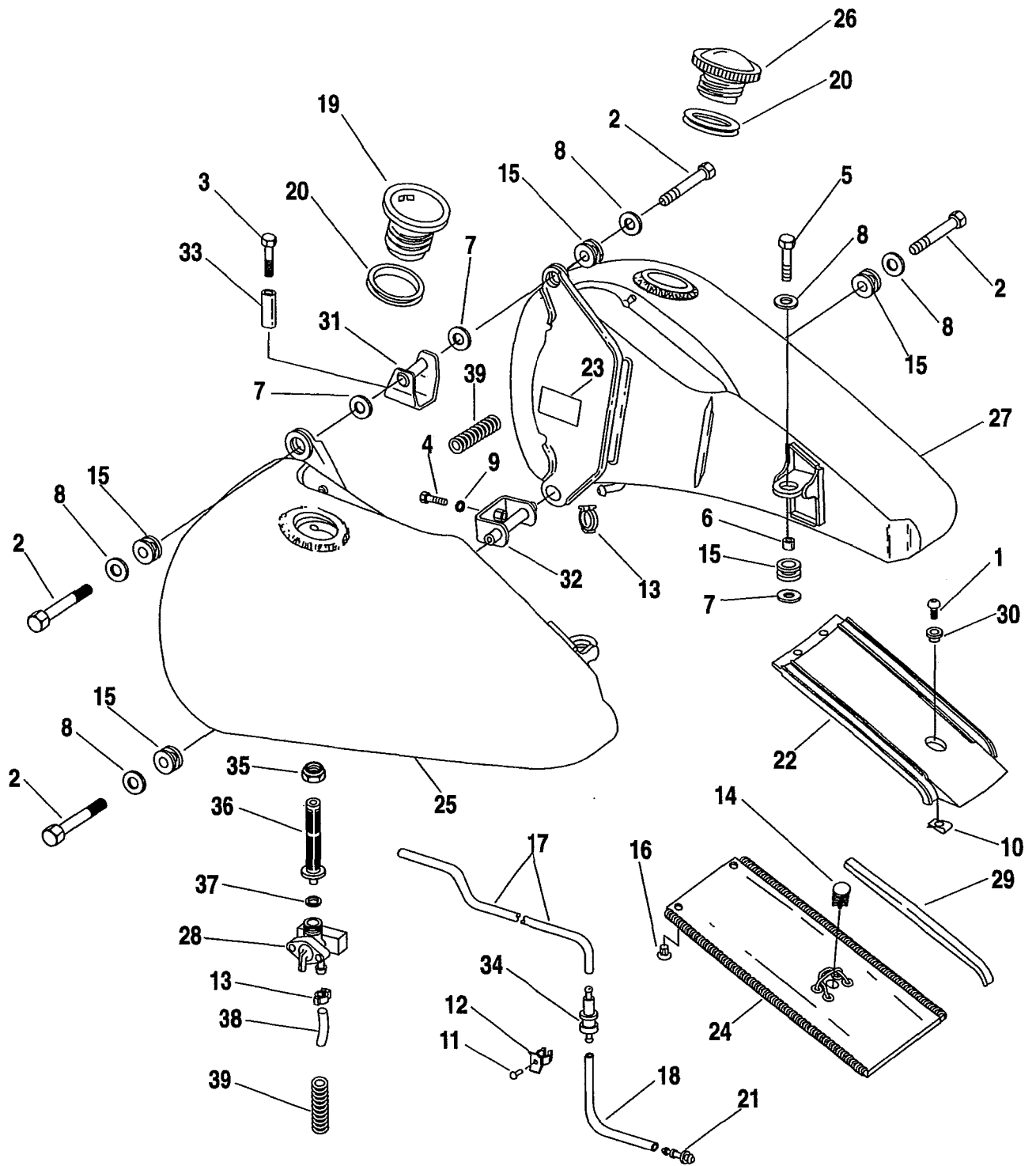
INDEX NO.	PART NO.	DESCRIPTION	FLT MODELS	SOFTAIL MODELS	DYNA MODELS
1	758	PLUG	96*-FB	--	--
2	939	SCREW (2)	96*-FB	--	--
3	1311C	SCREW (10)	96*-FB	--	--
4	3739	SCREW (2)	96*-FB	--	--
5	3987	SCREW	96*-FB	--	--
6	4061	SCREW	96*-FB	--	--
7	6702	WASHER (3)	96*-FB	--	--
8	6703	WASHER (2)	96*-FB	--	--
9	7041	LOCKWASHER	96*-FB	--	--
10	7069	LOCKWASHER	96*-FB	--	--
11	7531	LOCKNUT	96*-FB	--	--
12	7634	NUT	96*-FB	--	--
13	7748W	NUT	96*-FB	--	--
14	10038A	CLAMP (6)	96*-FB	--	--
15	10108	CLIP, vapor valve	96*-FB	--	--
16	10138	TERMINAL, male spade (2)	96*-FB	--	--
17	11246	O-RING (2)	96*-FB	--	--
18	27174-95	TUBE, tank to valve	96*-FB	--	--
19	27291-93A	TUBE, valve to atmosphere	96*-FB	--	--
20	61109-85D	GASKET, filler cap	95*-FB	--	--
21	61268-96	FUEL TANK (prime)	96*-FB	--	--
22	61272-92A	FILLER CAP, vac. vent	95*-FB	--	--
23	61326-95	GASKET, sending unit	96*-FB	--	--
24	61342-95	FUEL PUMP	96*-FB	--	--
25	61343-95	FUEL FILTER	96*-FB	--	--
26	61346-95	SEAL, insulator	96*-FB	--	--
27	61407-95A	CHECK VALVE, out (with o-ring)	96*-FB	--	--
28	61408-95A	CHECK VALVE, in (with o-ring)	96*-FB	--	--
29	61470-95	FUEL LINE KIT, high pressure supply (with fitting)	96*-FB	--	--
30	61471-95	FUEL LINE KIT, low pressure return (with fitting)	96*-FB	--	--
31	62150-85	VAPOR VALVE	96*-FB	--	--
32	62357-95	HOSE, fuel pump	96*-FB	--	--
33	62358-95	HOSE, fuel filter	96*-FB	--	--
34	67244-95	SCREW	96*-FB	--	--
35	70313-95	WIRE ASSEMBLY, fuel pump (positive)	96*-FB	--	--
36	70317-95	WIRE ASSEMBLY, fuel pump (negative)	96*-FB	--	--
37	70326-95	WIRE ASSEMBLY, ground	96*-FB	--	--
38	70995-95	BRACKET, vapor valve mtg.	96*-FB	--	--
39	70999-94	TRIM, fuel tank	96*-FB	--	--
40	72039-71A	PIN, single socket	96*-FB	--	--
41	72043-71A	CONNECTOR, single pin	96*-FB	--	--
42	72290-94	TERMINAL, 1/4" female	96*-FB	--	--
43	74500-96	INSULATOR, top	96*-FB	--	--
44	74501-96	INSULATOR, bottom	96*-FB	--	--
45	75076-96	TOP PLATE, fuel tank	96*-FB	--	--
46	75117-96	WIRING HARNESS, fuel tank	96*-FB	--	--

NOTE: Hose or insulator is sold in bulk length under the following part numbers. Cut to length.

47	63521-95	HOSE, 5/16" I.D. x 5/8" O.D. (rubber)(25' lg.)	96*-FB	--	--
48	62555-95	INSULATOR, 5/8" I.D. (NYLON) (8' lg.)	96*-FB	--	--

FLT MODELS				SOFTAIL MODELS				DYNA MODELS	
FLHT	DD	FLHR-I	FB	FLSTC	BJ	FLSTF	BM	FXDL	GD
FLHTC	DJ	FLHTCU-I	FC	FXSTC	BK	FLSTN	BN	FXDWG	GE
FLTC-U	DM	FLTCU-I	FE	FXSTS	BL	FXSTSB	BP	FXDS-CON	GG
FLHTC-U	DP	FLHTC-I	FF					FXD	GH
FLHR	FD								

FUEL TANK - SOFTAIL



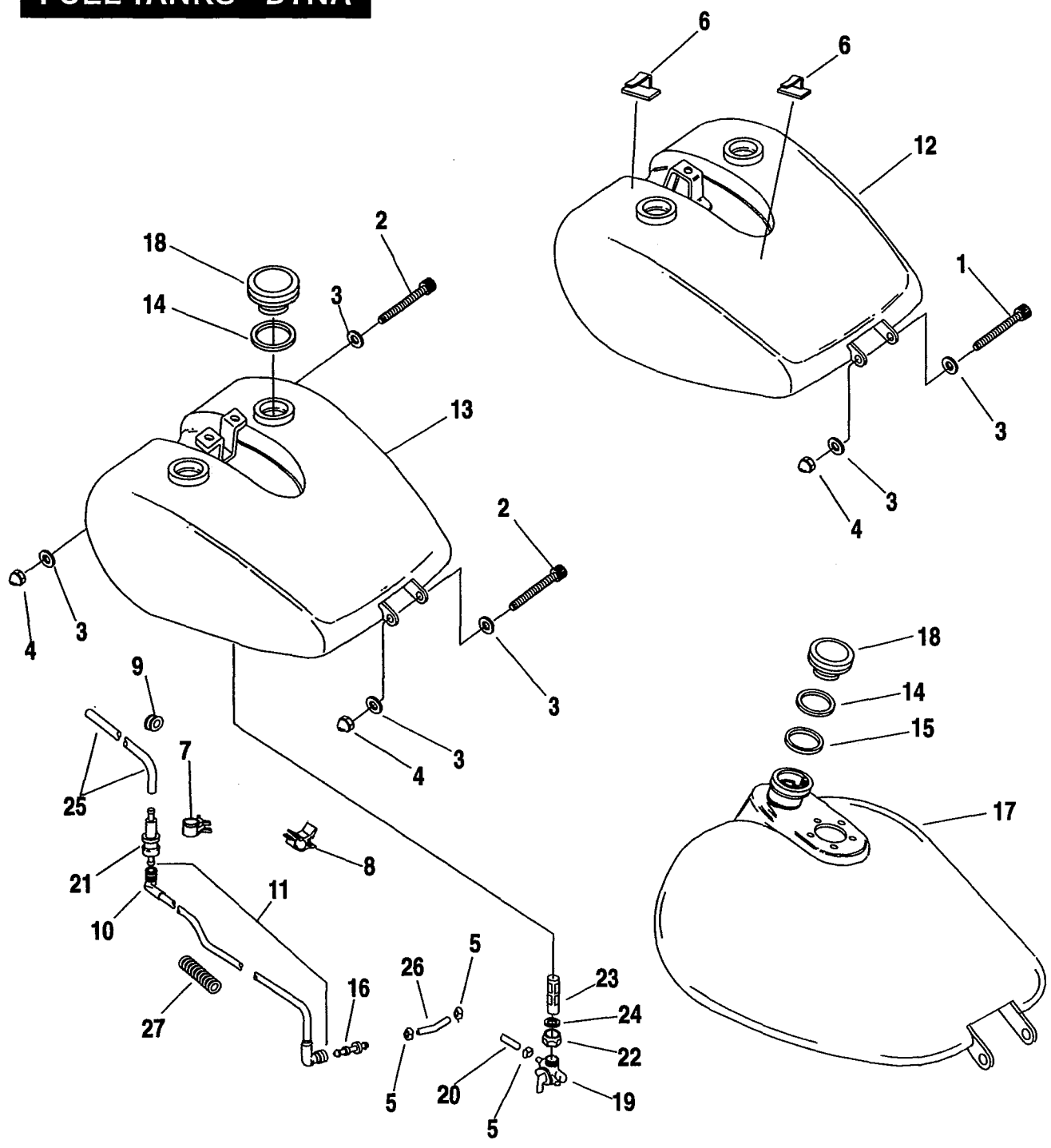
FUEL TANK - SOFTAIL MODELS

FC42E

INDEX NO.	PART NO.	DESCRIPTION	FLT MODELS	SOFTAIL MODELS	DYNA MODELS
NOTE: REFER TO PAINTED PARTS BOOK FOR PAINTED PART NUMBERS.					
1	924	SCREW	--	95*-BJ/K/L/P	--
2	3445	BOLT (4)	--	95*-ALL	--
3	3419	SCREW	--	95*-ALL	--
	3664	SCREW	--	96*-ALL	--
4	3987	BOLT (2)	--	95*-ALL	--
5	4014W	BOLT (2)	--	95*-ALL	--
6	5775	SPACER (2)	--	95*-ALL	--
7	6365	WASHER (4, 2 - 1996)	--	95*-ALL	--
8	6645	WASHER (6)	--	95*-ALL	--
9	7041	LOCKWASHER (2)	--	95*-ALL	--
10	8108	SPEED NUT	--	95*-BJ/K/L/P	--
11	8476	RIVET	--	95*-ALL	--
12	9890	CLIP, vapor valve	--	95*-ALL	--
13	10014	CLAMP, fuel hose (3)	--	95*-ALL	--
14	10040	CLIP	--	95*-BM	--
15	11447	GROMMET, fuel tank mounting (6)	--	95*-ALL	--
16	11717	FASTENING GROMMET (2)	--	95*-BM/N	--
	14456-95	DECAL, unleaded fuel (Calif.)	--	95*-ALL	--
17	27093-92A	HOSE, tank to vapor valve	--	95*-ALL	--
18	27102-92	HOSE, valve to air	--	95*-ALL	--
19	61103-83B	CAP, fuel filler - left	--	95*-ALL	--
20	61109-85D	GASKET (2)	--	95*-ALL	--
21	61131-92	CONNECTION, ventline	--	95*-ALL	--
22	61155-84B	TRIM, fuel tank w/ #29	--	95*-BJ/K/L/P	--
23	61157-87	PAD, protective (2)	--	95*-ALL	--
24	61165-89A	TRIM PANEL w/ #14	--	95*-BM/N	--
25	61228-95	FUEL TANK, left - 5 gal. (prime)	--	95*-BK/N	--
	61426-95	FUEL TANK, left - 3.5 gal. (prime)	--	95*-BJ/L/M/P	--
26	61272-92A	CAP, fuel filler - right	--	95*-ALL	--
27	61290-92	FUEL TANK, right- 3.5 gal. (prime)	--	95*-BJ/L/M/P	--
	61291-92	FUEL TANK, right- 5 gal. (prime)	--	95*-BK/N	--
28	61338-94A	FUEL VALVE, only	--	95*-ALL	--
	61450-95	FUEL FILLER RESTRICTOR KIT (not illus.) (Required with catalytic mufflers)	--	95*-ALL	--
29	61640-84	FOAM STRIP (2)	--	95*-ALL	--
30	61641-84	SPACER, trim	--	95*-BJ/K/L/P	--
31	61660-85	BRACKET, fuel tank mounting - upper	--	95*-ALL	--
32	61667-90A	BRACKET, fuel tank mounting - lower	--	95*-ALL	--
33	62043-81A	SPACER	--	95*-ALL	--
34	62150-85	VAPOR VALVE	--	95*-ALL	--
35	62161-75	NUT, fuel valve	--	95*-ALL	--
36	62166-81A	FILTER, fuel valve	--	95*-ALL	--
37	62172-75	GASKET, fuel valve	--	95*-ALL	--
NOTE: Hose or insulator is sold in bulk length under the following part numbers. Cut to length.					
38	63501-68A	HOSE, 1/4" I.D. x 5/8" O.D. (rubber) (25 ft. lg.)	--	95*-ALL	--
39	63505-84	INSULATOR, 1/2" I.D. (nylon) (8 ft. lg.)	--	95*-ALL	--
H-D INTERNATIONAL ONLY					
	14456-95	DECAL, unleaded fuel (Calif., U.K. & Swiss)	--	95*-ALL	--
	14479-95	DECAL, unleaded fuel (Australia)	--	95*-ALL	--

FLT MODELS				SOFTAIL MODELS				DYNA MODELS	
FLHT	DD	FLHR-I	FB	FLSTC	BJ	FLSTF	BM	FXDL	GD
FLHTC	DJ	FLHTCU-I	FC	FXSTC	BK	FLSTN	BN	FXDWG	GE
FLTC-U	DM	FLTCU-I	FE	FXSTS	BL	FXSTSB	BP	FXDS-CON	GG
FLHTC-U	DP	FLHTC-I	FF					FXD	GH
FLHR	FD								

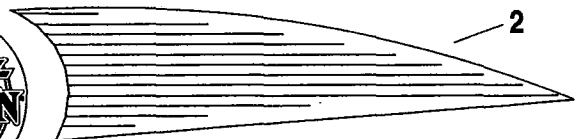
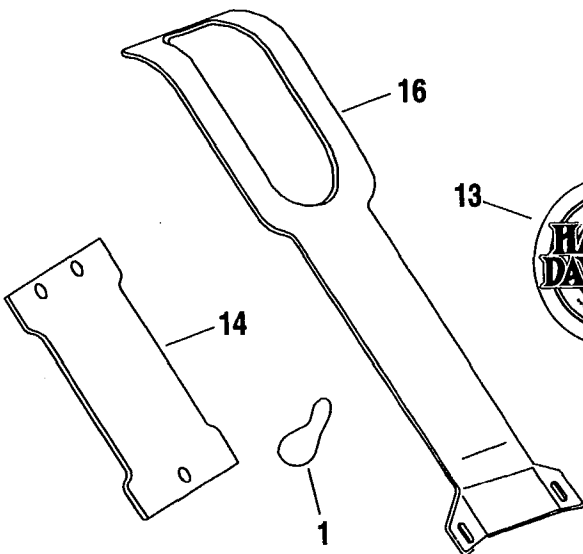
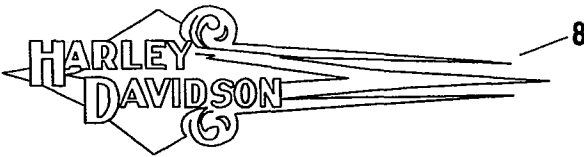
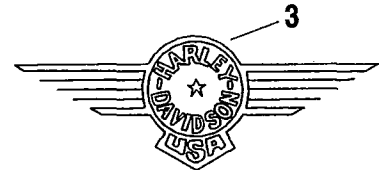
FUEL TANKS - DYNA



INDEX NO.	PART NO.	DESCRIPTION	FLT MODELS	SOFTAIL MODELS	DYNA MODELS
NOTE: REFER TO PAINTED PARTS BOOK FOR PAINTED PART NUMBERS					
1	3427	BOLT	--	--	95*-GE
2	3530	BOLT (2 - GD/G/H)	--	--	95*-ALL
3	6116	WASHER (4)	--	--	95*-ALL
4	7507	ACORN NUT (2)	--	--	95*-ALL
5	10014	CLAMP (4)	--	--	95*-ALL
6	10102	CLIP (2)	--	--	95*-GG
7	10108	CLIP, vapor valve	--	--	95*-ALL
8	10130	CLIP, hose	--	--	95*-ALL
	10131	CLIP, backbone (Calif only)	--	--	95*-ALL
9	11460	GROMMET, fuel hose	--	--	95*-ALL
10	27250-96	CONNECTOR, 90° elbow	--	--	96*-ALL
11	27296-92	TUBE, valve to atmosphere	--	--	95-ALL
	27296-96	TUBE, valve to atmosphere	--	--	96*-ALL
12	61039-95	FUEL TANK (prime)	--	--	95*-GE
13	61054-95	FUEL TANK (prime)	--	--	95*-GD
14	61109-85D	GASKET, filler cap	--	--	95*-ALL
15	61112-82A	BOOT, filler tube	--	--	95*-GG/H
16	61131-92	CONNECTOR, vent line	--	--	95*-ALL
17	61267-95	FUEL TANK (prime)	--	--	95*-GG/H
18	61272-92A	FILLER CAP, vac. vent	--	--	95*-ALL
	14456-95	DECAL, unleaded fuel (Calif.) (not illus.)	--	--	95*-ALL
19	61338-94A	VALVE, body	--	--	95*-ALL
	61450-95	FUEL FILLER RESTRICTOR KIT (not illus.) (Required with catalytic mufflers)	--	--	95*-ALL
20	61911-95	HOSE, valve to carb.	--	--	95*-ALL
21	62150-85	VAPOR VALVE	--	--	95*-ALL
22	62161-75	NUT	--	--	95*-ALL
23	62170-81A	FILTER	--	--	95*-ALL
24	62172-75	GASKET, fuel filter	--	--	95*-ALL
NOTE: Hose or insulator is sold in bulk length under the following part numbers. Cut to length.					
25	27138-90	HOSE, 3/16" I.D. x 11/32" O.D. (rubber) (10' lg.)	--	--	95*-ALL
26	63501-68A	HOSE, 1/4" I.D. x 5/8" O.D. (rubber) (25' lg.)	--	--	95*-ALL
27	63505-84	INSULATOR, 1/2" I.D. (nylon) (8 ft. lg.)	--	--	95*-ALL
H-D INTERNATIONAL ONLY					
	14456-95	DECAL, unleaded fuel (Swiss & U.K.)	--	--	95-ALL

FLT MODELS				SOFTAIL MODELS				DYNA MODELS	
FLHT	DD	FLHR-I	FB	FLSTC	BJ	FLSTF	BM	FXDL	GD
FLHTC	DJ	FLHTCU-I	FC	FXSTC	BK	FLSTN	BN	FXDWG	GE
FLTC-U	DM	FLTCU-I	FE	FXSTS	BL	FXSTSB	BP	FXDS-CON	GG
FLHTC-U	DP	FLHTC-I	FF					FXD	GH
FLHR	FD								

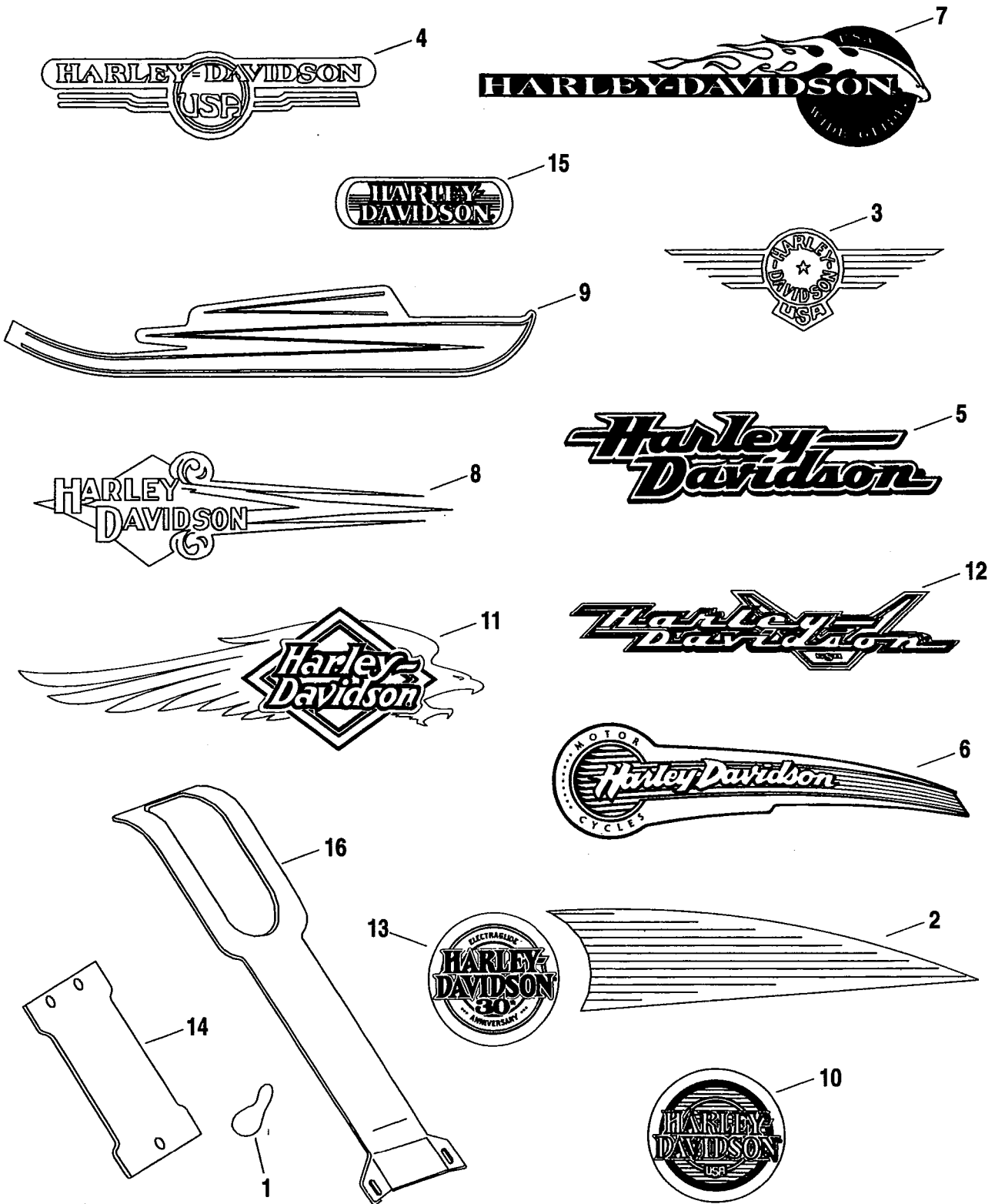
FUEL TANK TRIM - 1995



INDEX NO.	PART NO.	DESCRIPTION	FLT MODELS	SOFTAIL MODELS	DYNA MODELS
1	11174	O-RING	--	--	95-GE
2	14215-89	DECAL, left (silver)	95-DM/P	--	--
	14216-89	DECAL, right (silver)	95-DM/P	--	--
	14242-90	DECAL, left (red)	95-DM/P	--	--
	14244-90	DECAL, right (red)	95-DM/P	--	--
	14284-94	DECAL, left (gold)	95-DM/P	--	--
	14285-94	DECAL, right (gold)	95-DM/P	--	--
	14434-95	DECAL, left (aqua & meteor)	95-DM/P	--	--
	14435-95	DECAL, right (aqua & meteor)	95-DM/P	--	--
	14450-95	DECAL, left (pale gold)	95-FC	--	--
	14451-95	DECAL, right (pale gold)	95-FC	--	--
3	14228-91	DECAL (silver, gray & orange) (2)	--	95-BM	--
	14287-94	DECAL (blue, aqua & silver) (2)	--	95-BM	--
	14390-93	DECAL (red, meteor, gold, silver & orange)(2)	--	95-BM	--
	61366-95	EMBLEM, right (black/red)	--	95-BN	--
	61367-95	EMBLEM, left (black/red)	--	95-BN	--
	14261-91	DECAL (silver, red, orange & black)(2)	--	--	95-GD/G
4	14262-91	DECAL (silver, meteor, grey & silver)(2)	--	--	95-GD/G
	14396-93	DECAL (silver, meteor, grey & black)(2)	--	--	95-GD/G
5	14289-94	DECAL (black/pale gold/dk. red) (2)	--	--	95-GH
	14293-94	DECAL (black/sky blue/dk. aqua) (2)	--	--	95-GH
6	14295-94	DECAL, left (red & pale gold)	95-DD/J	--	--
	14296-94	DECAL, right (red & pale gold)	95-DD/J	--	--
	14297-94	DECAL, left (sky blue & silver)	95-DJ	--	--
	14298-94	DECAL, right (sky blue & silver)	95-DJ	--	--
	14411-94	DECAL, left (red & birch white)	95-DJ	--	--
	14412-94	DECAL, left (red & birch white)	95-DJ	--	--
7	14308-93	DECAL, right (red, black, yellow, white & gold)	--	--	95-GE
	14309-93	DECAL, left (red, black, yellow, white & gold)	--	--	95-GE
	14310-93	DECAL, left (meteor, aqua, blue & silver)	--	--	95-GE
	14313-93	DECAL, right (meteor, aqua, blue & silver)	--	--	95-GE
	14402-93	DECAL, right (gold, black, yellow, white & red)	--	--	95-GE
	14403-93	DECAL, left (gold, black, yellow, white & red)	--	--	95-GE
8	14335-90	DECAL, left (gold, red & orange)	--	95-BJ	--
	14339-90	DECAL, right (gold, red & orange)	--	95-BJ	--
	14386-93	DECAL, left (sky blue, dk. aqua blue & red)	--	95-BJ	--
	14387-93	DECAL, right (sky blue, dk. aqua blue & red)	--	95-BJ	--

FLT MODELS				SOFTAIL MODELS				DYNA MODELS	
FLHT	DD	FLHR-I	FB	FLSTC	BJ	FLSTF	BM	FXDL	GD
FLHTC	DJ	FLHTCU-I	FC	FXSTC	BK	FLSTN	BN	FXDWG	GE
FLTC-U	DM	FLTCU-I	FE	FXSTS	BL	FXSTSB	BP	FXDS-CON	GG
FLHTC-U	DP	FLHTC-I	FF					FXD	GH
FLHR	FD								

FUEL TANK TRIM - 1995



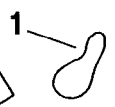
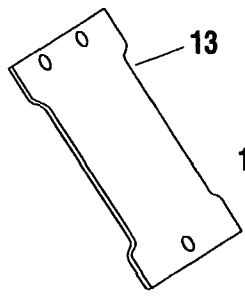
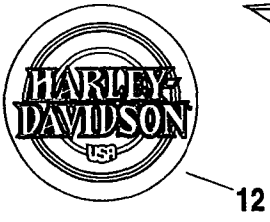
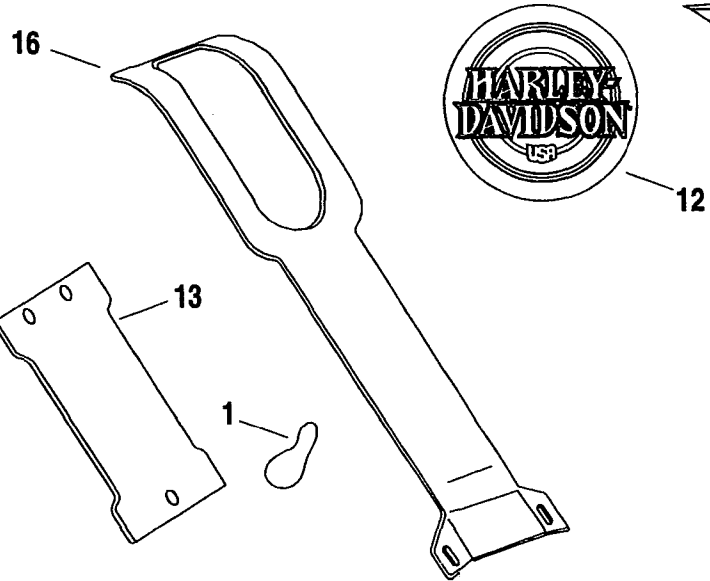
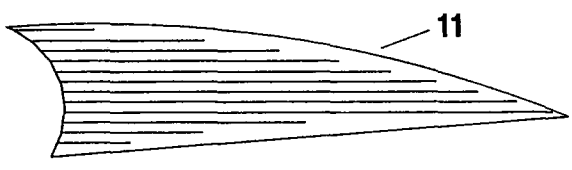
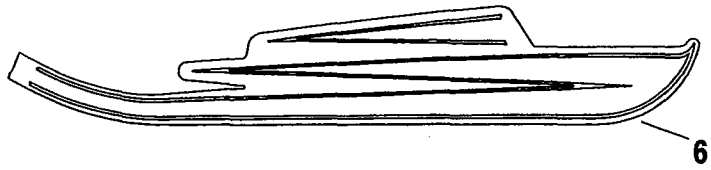
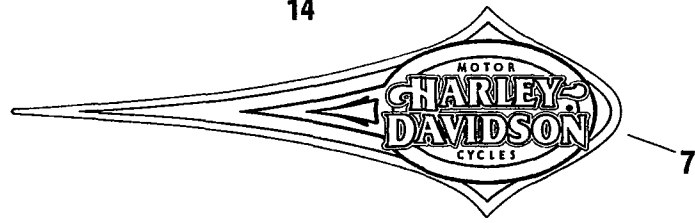
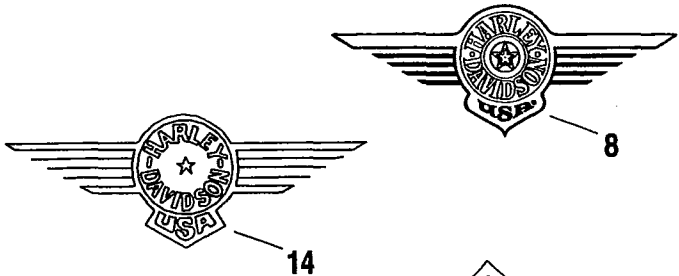
FUEL TANK TRIM - 1995 (CONT'D)

FC42G-2

INDEX NO.	PART NO.	DESCRIPTION	FLT MODELS	SOFTAIL MODELS	DYNA MODELS	
9	14404-95	DECAL, right (blue)	--	95-BP	--	
	14405-95	DECAL, left (blue)	--	95-BP	--	
	14423-95	DECAL, right (red)	--	95-BP	--	
	14424-95	DECAL, left (red)	--	95-BP	--	
10	14436-95	DECAL (aqua & meteor)(2)	95-DM/P	--	--	
	14437-95	DECAL (silver & blue)(2)	95-DM/P	--	--	
	14438-95	DECAL (gold & burgundy)(2)	95-DM/P	--	--	
	14439-95	DECAL (red & gold)(2)	95-DM/P	--	--	
11	14469-95	DECAL, left (black/pale gold)	--	95-BK/L	--	
	14470-95	DECAL, right (black/pale gold)	--	95-BK/L	--	
	14471-95	DECAL, left (bright victory red/pale gold)	--	95-BK/L	--	
	14472-95	DECAL, right (bright victory red/pale gold)	--	95-BK/L	--	
	14473-95	DECAL, left (silver metallic/meteor)	--	95-BK/L	--	
	14474-95	DECAL, right (silver metallic/meteor)	--	95-BK/L	--	
	14475-95	DECAL, left (aqua pearl/meteor)	--	95-BK/L	--	
	14476-95	DECAL, right (aqua pearl/meteor)	--	95-BK/L	--	
	12	14416-94	DECAL, left (dark red, black & red)	95-FD	--	--
		14417-94	DECAL, right (dark red, black & red)	95-FD	--	--
14418-94		DECAL, left (dark blue, silver & light blue)	95-FD	--	--	
14419-94		DECAL, right (dark blue, silver & light blue)	95-FD	--	--	
14420-94		DECAL, left (pale gold/dk. red/red)	95-FD	--	--	
	14421-94	DECAL, right (pale gold/dk. red/red)	95-FD	--	--	
13	14453-95	DECAL, fuel tank (30th anniversary) (2)	95-FC	--	--	
14	61166-93	TRIM PANEL	--	--	95-GE	
15	61364-95	EMBLEM, right (black/blue)	--	95-BP	--	
	61365-95	EMBLEM, left (black/blue)	--	95-BP	--	
	61370-95	EMBLEM, right (black/red)	--	95-BP	--	
	61371-95	EMBLEM, left (black/red)	--	95-BP	--	
16	61651-90	TRIM PANEL	--	--	95-GD	

FLT MODELS				SOFTAIL MODELS				DYNA MODELS	
FLHT	DD	FLHR-I	FB	FLSTC	BJ	FLSTF	BM	FXDL	GD
FLHTC	DJ	FLHTCU-I	FC	FXSTC	BK	FLSTN	BN	FXDWG	GE
FLTC-U	DM	FLTCU-I	FE	FXSTS	BL	FXSTSB	BP	FXDS-CON	GG
FLHTC-U	DP	FLHTC-I	FF					FXD	GH
FLHR	FD								

FUEL TANK TRIM - 1996



FUEL TANK TRIM - 1996

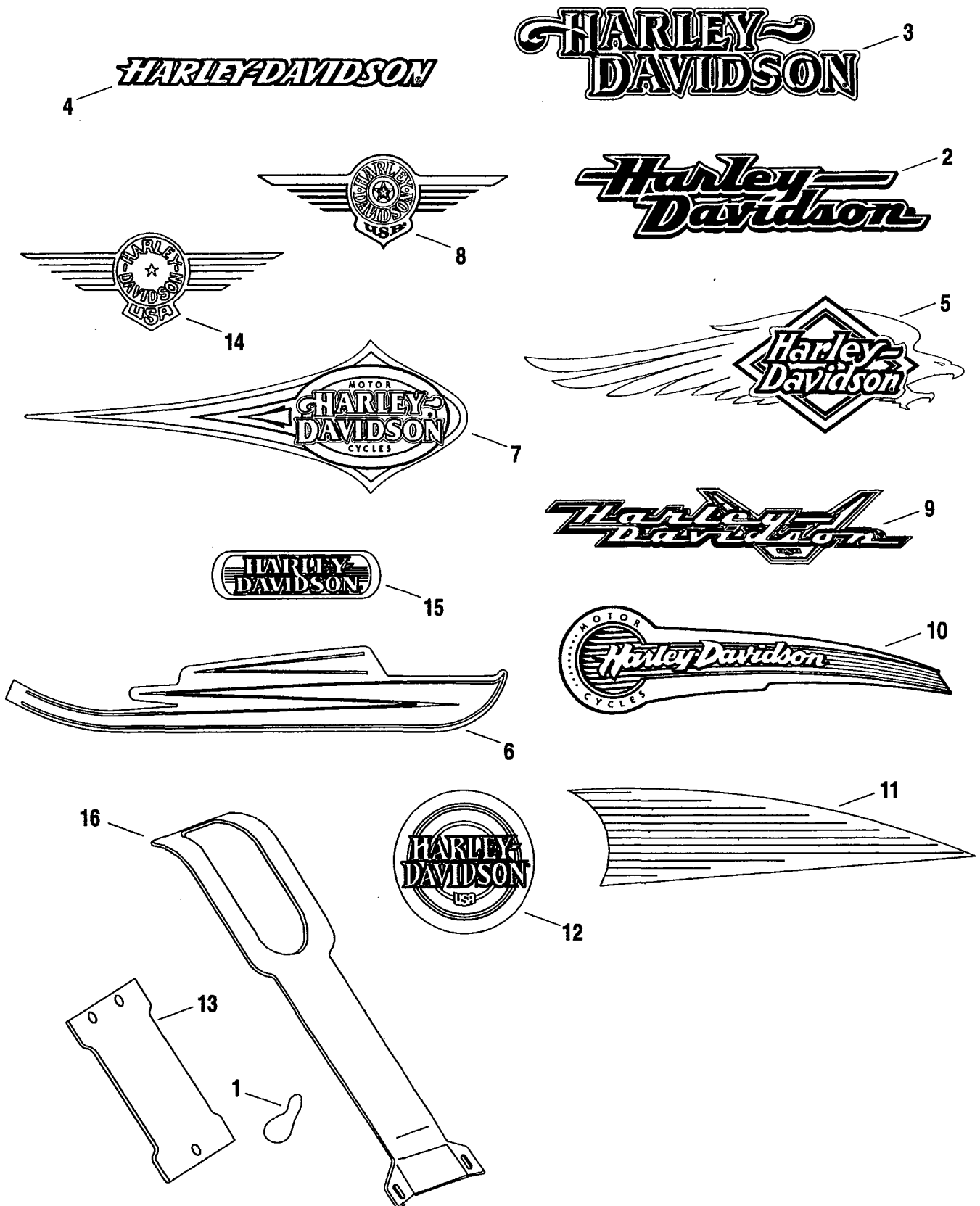
FC42H-1

INDEX NO.	PART NO.	DESCRIPTION	FLT MODELS	SOFTAIL MODELS	DYNA MODELS
1	11174	O-RING	--	--	96*-GE
2	14289-94	DECAL (black/pale gold/dk. red) (2)	--	--	96*-GH
	14293-94	DECAL (black/sky blue/dk. aqua) (2)	--	--	96*-GH
	14521-96	DECAL (black/pale gold/dk. green)(2)	--	--	96*-GH
3	14522-96	DECAL (pale gold/burnt gold/burgundy)(2)	--	--	96*-GD/G
	14523-96	DECAL (pale gold/burnt gold/dark blue)(2)	--	--	96*-GD/G
4	14524-96	DECAL (burgundy/red) (2)	--	--	96*-GE
	14525-96	DECAL (dark blue/sky blue)(2)	--	--	96*-GE
5	14469-95	DECAL, left (black/pale gold)	--	96*-BK/L	--
	14470-95	DECAL, right (black/pale gold)	--	96*-BK/L	--
	14526-96	DECAL, left (red pearl/pale gold)	--	96*-BK/L	--
	14527-96	DECAL, right (red pearl/pale gold)	--	96*-BK/L	--
	14528-96	DECAL, left (violet pearl/pale gold)	--	96*-BK/L	--
	14529-96	DECAL, right (violet pearl/pale gold)	--	96*-BK/L	--
	14530-96	DECAL, left (blue pearl/pale gold)	--	96*-BK/L	--
	14531-96	DECAL, right (blue pearl/pale gold)	--	96*-BK/L	--
	14532-96	DECAL, left (platinum silver/pale gold)	--	96*-BK/L	--
	14533-96	DECAL, right (platinum silver/pale gold)	--	96*-BK/L	--
6	14534-96	DECAL, left (purple)	--	96*-BP	--
	14535-96	DECAL, right (purple)	--	96*-BP	--
	14536-96	DECAL, left (turquoise)	--	96*-BP	--
	14537-96	DECAL, right (turquoise)	--	96*-BP	--
	14538-96	DECAL, left (yellow)	--	96*-BP	--
	14539-96	DECAL, right (yellow)	--	96*-BP	--
7	14546-96	DECAL, left (pale gold/red/burgundy)	--	96*-BJ	--
	14547-96	DECAL, right (pale gold/red/burgundy)	--	96*-BJ	--
	14548-96	DECAL, left (pale gold/sky blue/dark blue)	--	96*-BJ	--
	14549-96	DECAL, right (pale gold/sky blue/dark blue)	--	96*-BJ	--
8	14550-96	DECAL, (pale gold/red/burgundy) (2)	--	96*-BM	--
	14551-96	DECAL, (pale gold/sky blue/dark blue) (2)	--	96*-BM	--
9	14420-94	DECAL, left (pale gold/dk. red/red)	96*-FB/D	--	--
	14421-94	DECAL, right (pale gold/dk. red/red)	96*-FB/D	--	--
	14553-96	DECAL, left (pale gold/dk. blue/lt. blue)	96*-FB/D	--	--
	14554-96	DECAL, right (pale gold/dk. blue/lt. blue)	96*-FB/D	--	--
	14555-96	DECAL, left (silver/forrest green/med. green)	96*-FB/D	--	--
	14556-96	DECAL, right (silver/forrest green/med. green)	96*-FB/D	--	--
10	14557-96	DECAL, left (silver/pale gold/sky blue/pale gold)	96*-DJ;FF	--	--
	14558-96	DECAL, right (silver/pale gold/sky blue/pale gold)	96*-DJ;FF	--	--
	14559-96	DECAL, left (pale gold/silver/med. green/silver)	96*-DJ;FF	--	--
	14560-96	DECAL, right (pale gold/silver/med. green/silver)	96*-DJ;FF	--	--
	14589-96	DECAL, left (silver/pale gold/red/pale gold)	96*-DD/J;FF	--	--
	14590-96	DECAL, right (silver/pale gold/red/pale gold)	96*-DD/J;FF	--	--

NOTE: The "flame" portion of the Dyna Wide Glide tank decal is a silkscreen which is not sold separately.

FLT MODELS				SOFTAIL MODELS				DYNA MODELS	
FLHT	DD	FLHR-I	FB	FLSTC	BJ	FLSTF	BM	FXDL	GD
FLHTC	DJ	FLHTCU-I	FC	FXSTC	BK	FLSTN	BN	FXDWG	GE
FLTC-U	DM	FLTCU-I	FE	FXSTS	BL	FXSTSB	BP	FXDS-CON	GG
FLHTC-U	DP	FLHTC-I	FF					FXD	GH
FLHR	FD								

FUEL TANK TRIM - 1996



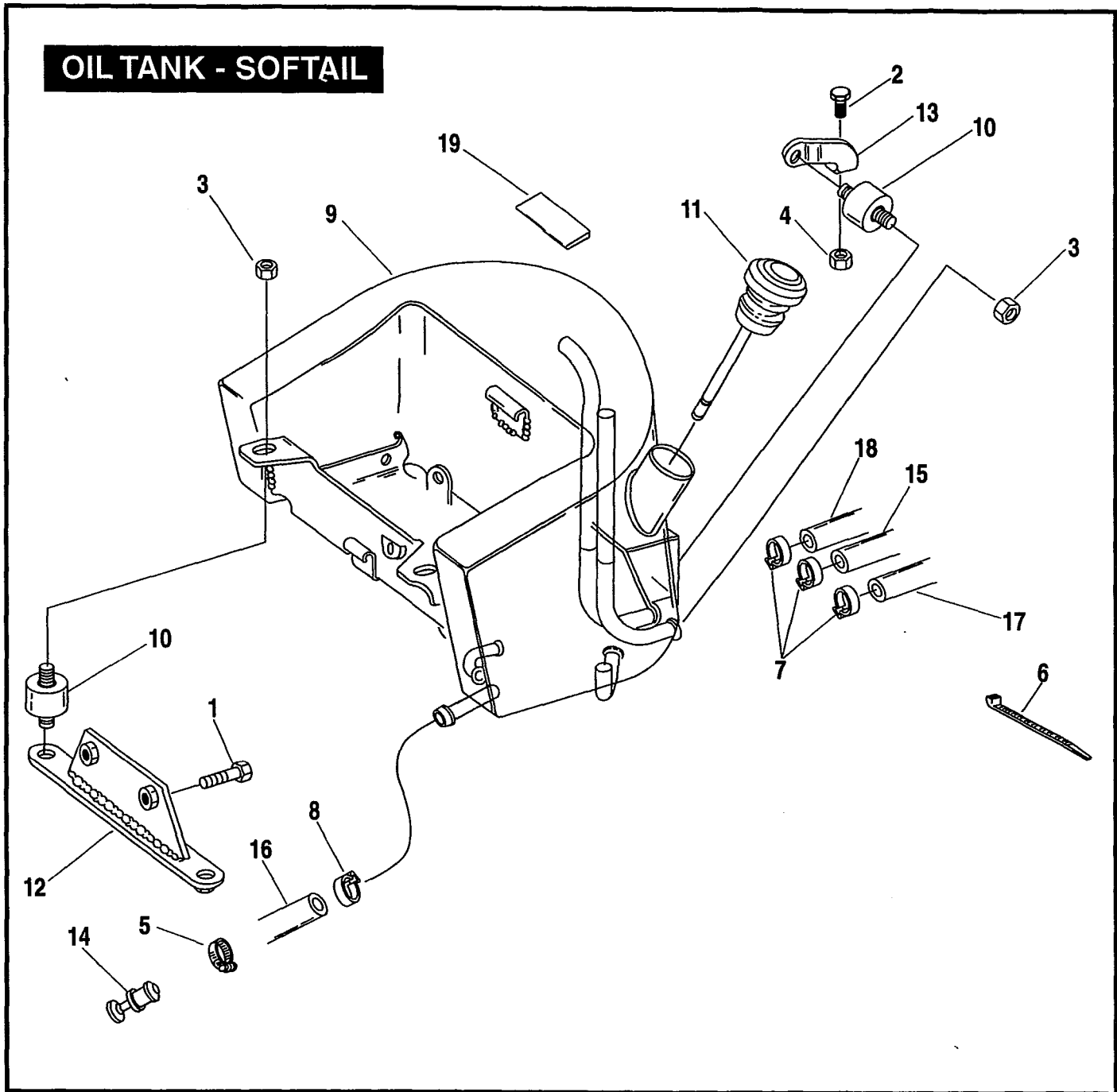
FUEL TANK TRIM - 1996 (CONT'D)

FC42H-2

INDEX NO.	PART NO.	DESCRIPTION	FLT MODELS	SOFTAIL MODELS	DYNA MODELS	
11	14562-96	DECAL, left (black/burgundy)	96*-DP;FC/E	--	--	
	14563-96	DECAL, right (black/burgundy)	96*-DP;FC/E	--	--	
	14565-96	DECAL, left (victory red/dk. victory red)	96*-DP;FC	--	--	
	14566-96	DECAL, right (victory red/dk. victory red)	96*-DP;FC	--	--	
	14568-96	DECAL, left (pearl blue/dk. blue pearl)	96*-DP;FC	--	--	
	14569-96	DECAL, right (pearl blue/dk. blue pearl)	96*-DP;FC	--	--	
	14571-96	DECAL, left (platinum silver/dk. platinum)	96*-DP;FC/E	--	--	
	14572-96	DECAL, right (platinum silver/dk. platinum)	96*-DP;FC/E	--	--	
	14577-96	DECAL, left (black/mystique green)	96*-DP;FC	--	--	
	14578-96	DECAL, right (black/mystique green)	96*-DP;FC	--	--	
	14594-96	DECAL, left (charcoal/lt. charcoal)	96*-DP;FC	--	--	
	14595-96	DECAL, right (charcoal/lt. charcoal)	96*-DP;FC	--	--	
	12	14564-96	DECAL (birch white/pale gold/red/burgundy)(2)	96*-DP;FC/E	--	--
		14567-96	DECAL (birch white/pale gold/red/victory red)(2)	96*-DP;FC	--	--
14570-96		DECAL (birch white/pale gold/sky blue/blue)(2)	96*-DP;FC	--	--	
14573-96		DECAL (birch white/pale gold/red/platinum)(2)	96*-DP;FC/E	--	--	
14576-96		DECAL (birch white/pale gold/sky blue/platinum)(2)	96*-DP;FC/E	--	--	
14579-96		DECAL (birch white/silver/green/mystique green)(2)	96*-DP;FC	--	--	
14596-96		DECAL (birch white/pale gold/red/charcoal)(2)	96*-DP;FC	--	--	
13		61166-93	TRIM PANEL	--	--	96*-GE
14	61366-96	EMBLEM, right (black/green)	--	96*-BN	--	
	61367-96	EMBLEM, left (black/green)	--	96*-BN	--	
15	61370-95	EMBLEM, right (black/red)	--	96*-BP	--	
	61371-95	EMBLEM, left (black/red)	--	96*-BP	--	
	62055-96	EMBLEM, right (black/turquoise)	--	96*-BP	--	
	62056-96	EMBLEM, left (black/turquoise)	--	96*-BP	--	
16	61651-90	TRIM PANEL	--	--	96*-GD	

FLT MODELS				SOFTAIL MODELS				DYNA MODELS	
FLHT	DD	FLHR-I	FB	FLSTC	BJ	FLSTF	BM	FXDL	GD
FLHTC	DJ	FLHTCU-I	FC	FXSTC	BK	FLSTN	BN	FXDWG	GE
FLTC-U	DM	FLTCU-I	FE	FXSTS	BL	FXSTSB	BP	FXDS-CON	GG
FLHTC-U	DP	FLHTC-I	FF					FXD	GH
FLHR	FD								

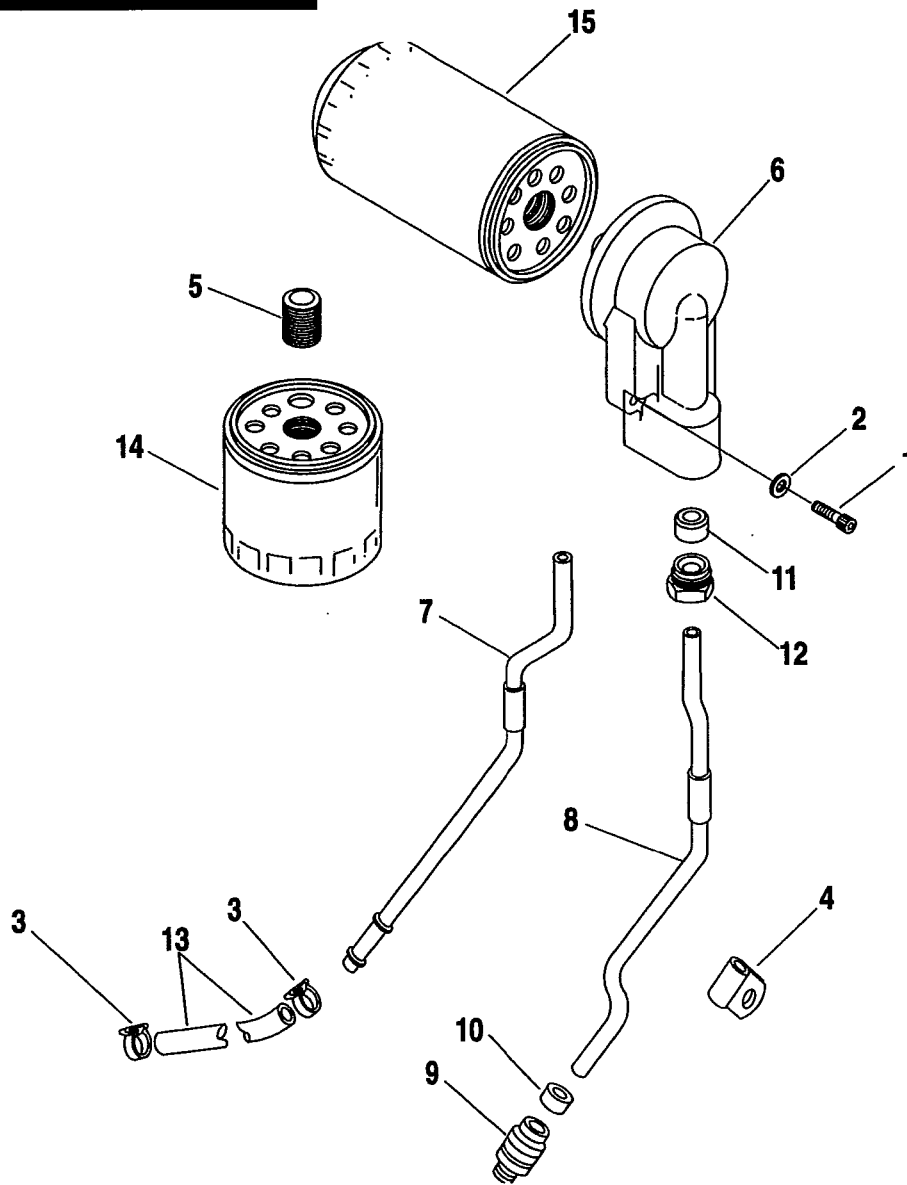
OIL TANK - SOFTAIL



INDEX NO.	PART NO.	DESCRIPTION	FLT MODELS	SOFTAIL MODELS	DYNA MODELS
1	3546	BOLT (2)	--	95*-ALL	--
2	3987	BOLT	--	95*-ALL	--
3	7686	LOCKNUT (5)	--	95*-ALL	--
4	7531	NUT	--	95*-ALL	--
5	9969	CLAMP, drain hose	--	95*-ALL	--
6	10006	CABLE STRAP, oil hoses (as required)	--	95*-ALL	--
7	10080	CLAMP (6)	--	95*-ALL	--
8	10086	CLAMP, drain hose	--	95*-ALL	--
9	62491-95	OIL TANK (black)	--	95*-BP	--
	62498-91	OIL TANK (chrome)	--	95*-BJ/K/L/M/N	--
10	62563-65	RUBBER MOUNT (4)	--	95*-ALL	--
11	62634-84	FILLER CAP, w/ dipstick	--	95*-ALL	--
12	62704-84A	BRACKET, rear	--	95*-ALL	--
13	62707-84	BRACKET, front - tank to frame	--	95*-ALL	--
14	62725-90	PLUG, oil drain	--	95*-ALL	--
15	63515-92	HOSE, tank to pump	--	95*-ALL	--
16	63553-91	HOSE, tank drain	--	95*-ALL	--
17	63556-87	HOSE, filter to tank	--	95*-ALL	--
18	63572-86	HOSE, tank vent	--	95*-ALL	--
19	66042-79A	WARNING LABEL	--	95*-ALL	--

FLT MODELS				SOFTAIL MODELS				DYNA MODELS	
FLHT	DD	FLHR-I	FB	FLSTC	BJ	FLSTF	BM	FXDL	GD
FLHTC	DJ	FLHTCU-I	FC	FXSTC	BK	FLSTN	BN	FXDWG	GE
FLTC-U	DM	FLTCU-I	FE	FXSTS	BL	FXSTSB	BP	FXDS-CON	GG
FLHTC-U	DP	FLHTC-I	FF					FXD	GH
FLHR	FD								

OIL FILTERS & MOUNTS



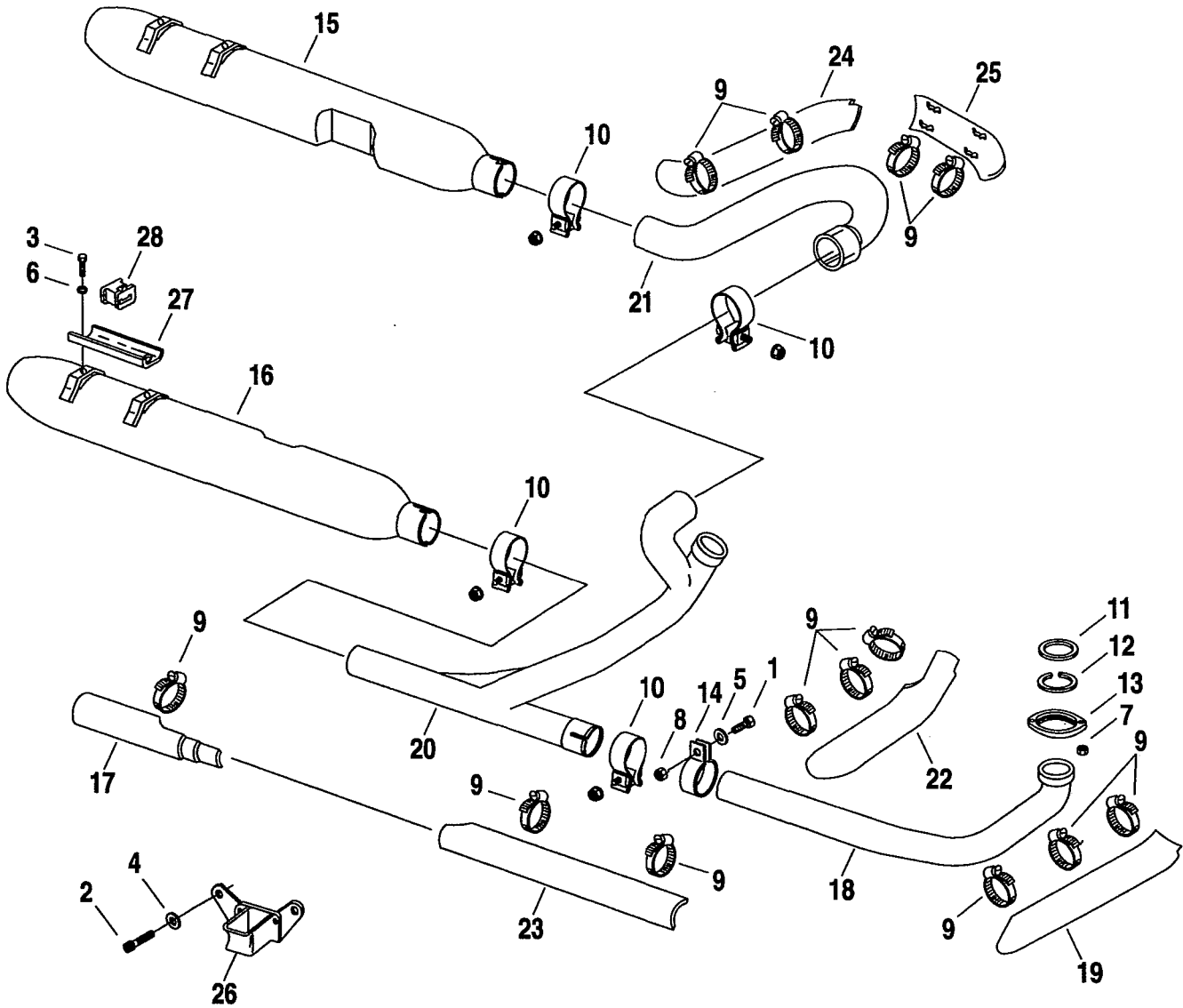
OIL FILTERS AND MOUNTS

FC43A

INDEX NO.	PART NO.	DESCRIPTION	FLT MODELS	SOFTAIL MODELS	DYNA MODELS
1	3210A	SCREW, socket head, (2)	95*-ALL	95*-ALL	95*-ALL
2	6771A	WASHER (2)	95*-ALL	95*-ALL	95*-ALL
3	10080	CLAMP (4)	95*-ALL	95*-ALL	95*-ALL
4	10112	CLAMP	95*-ALL	95*-ALL	95*-ALL
5	26352-95	ADAPTOR, oil filter	95*-ALL	95*-ALL	95*-ALL
6	26378-92A	OIL FILTER MOUNT (black)	95-DJ/M/P;FC/D 96*-DJ/P; FB/C/D/E/F	95*-ALL	95*-GD/E/G
	26381-92A	OIL FILTER MOUNT (silver)	95*-DD	--	95*-GH
7	33518-92	TUBE, return	95*-ALL	--	95*-ALL
	33519-92A	TUBE, return	--	95*-ALL	--
8	33520-92	TUBE, feed	95*-ALL	95*-ALL	95*-ALL
9	63523-92A	FITTING, straight w/#10	95*-ALL	95*-ALL	95*-ALL
10	63525-92	SEAL	95*-ALL	95*-ALL	95*-ALL
11	63528-92	SEAL & FERRULE (2)	95*-ALL	95*-ALL	95*-ALL
12	63530-92	FITTING, male nut (2)	95*-ALL	95*-ALL	95*-ALL
13	63556-92	HOSE, filter line to tank	--	95*-ALL	--
	63538-92	HOSE, filter line to tank	--	--	95*-ALL
14	63796-77A	OIL FILTER (chrome)	95*-ALL	95*-ALL	--
15	63813-90	OIL FILTER (chrome)	--	--	95*-ALL

FLT MODELS				SOFTAIL MODELS				DYNA MODELS	
FLHT	DD	FLHR-I	FB	FLSTC	BJ	FLSTF	BM	FXDL	GD
FLHTC	DJ	FLHTCU-I	FC	FXSTC	BK	FLSTN	BN	FXDWG	GE
FLTC-U	DM	FLTCU-I	FE	FXSTS	BL	FXSTSB	BP	FXDS-CON	GG
FLHTC-U	DP	FLHTC-I	FF					FXD	GH
FLHR	FD								

EXHAUST SYSTEM - FLT MODELS



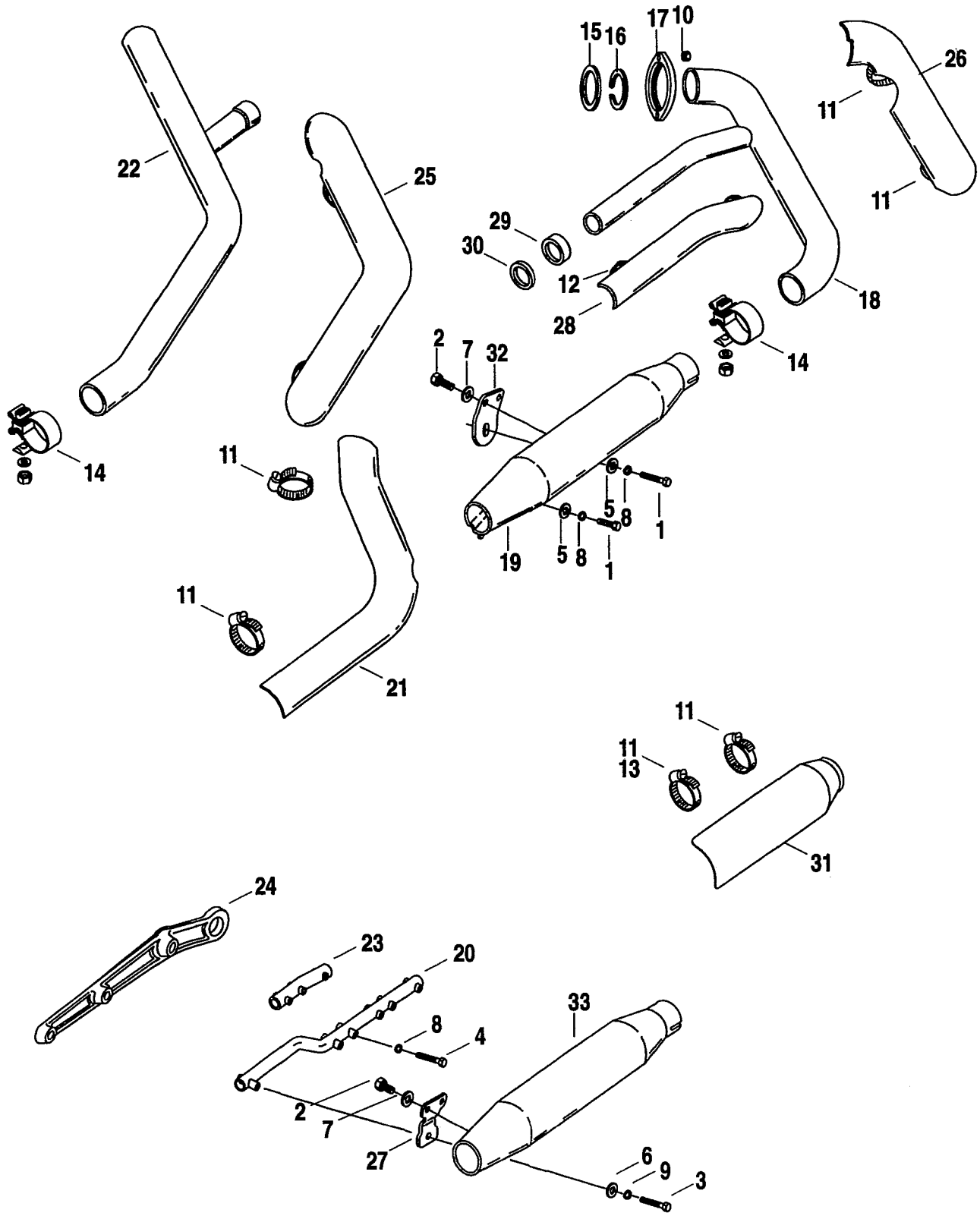
EXHAUST SYSTEM - FLT MODELS

FC44

INDEX NO.	PART NO.	DESCRIPTION	FLT MODELS	SOFTAIL MODELS	DYNA MODELS
1	2551W	BOLT	95*-ALL	--	--
2	3210A	SCREW (4)	95*-ALL	--	--
3	3929	BOLT (4)	95*-ALL	--	--
4	6016	WASHER (4)	95*-ALL	--	--
5	6703	WASHER	95*-ALL	--	--
6	7041	LOCKWASHER (4)	95*-ALL	--	--
7	7593	NUT (4)	95*-ALL	--	--
8	7742	LOCKNUT	95*-ALL	--	--
9	9955	CLAMP, shield (12)	95*-ALL	--	--
10	65283-94	MUFFLER CLAMP KIT (4)	95*-ALL	--	--
11	65324-83A	GASKET, exhaust port (2)	95*-ALL	--	--
12	65325-83	RETAINING RING, exhaust gasket (2)	95*-ALL	--	--
13	65328-83	CLAMP, exhaust manifold	95*-ALL	--	--
14	65519-52B	CLAMP, pipe to bracket	95*-ALL	--	--
15	65538-95	MUFFLER, left	95*-ALL	--	--
	65554-95	MUFFLER, left (catalytic)(Calif.)	95-ALL 96*-DD/J/P;FD	--	--
16	65539-95	MUFFLER, right	95*-ALL	--	--
	65846-95	MUFFLER, right (catalytic)(Calif.)	95-ALL 96*-DD/J/P;FD	--	--
17	65611-95	SHIELD, right exhaust pipe-rear	95*-ALL	--	--
18	65621-83	EXHAUST PIPE, right - front	95*-ALL	--	--
19	65630-83B	SHIELD, front exhaust pipe	95*-ALL	--	--
20	65626-95	EXHAUST PIPE, right - rear	95*-ALL	--	--
21	65627-95	EXHAUST PIPE, left	95*-ALL	--	--
22	65632-83C	SHIELD, rear exhaust pipe	95*-ALL	--	--
23	65634-92A	SHIELD, right exhaust pipe-front	95*-ALL	--	--
24	65636-95	SHIELD, left exhaust pipe-rear	95*-ALL	--	--
25	65647-83	SHIELD, left exhaust pipe-front	95*-ALL	--	--
26	65678-85B	BRACKET, rear exhaust pipe	95*-ALL	--	--
27	65723-85	MOUNTING BRACKET (2)	95*-ALL	--	--
28	65724-85	MOUNT (rubber) (2)	95*-ALL	--	--
H-D INTERNATIONAL ONLY					
15	65552-95	MUFFLER, left (HDI only)	95*-ALL	--	--
	65862-95A	MUFFLER, left (catalytic) (Swiss only)	95*-ALL	--	--
16	65680-95	MUFFLER, right (HDI only)	95*-ALL	--	--
	65863-95A	MUFFLER, right (catalytic) (Swiss only)	95*-ALL	--	--

FLT MODELS				SOFTAIL MODELS				DYNA MODELS	
FLHT	DD	FLHR-I	FB	FLSTC	BJ	FLSTF	BM	FXDL	GD
FLHTC	DJ	FLHTCU-I	FC	FXSTC	BK	FLSTN	BN	FXDWG	GE
FLTC-U	DM	FLTCU-I	FE	FXSTS	BL	FXSTSB	BP	FXDS-CON	GG
FLHTC-U	DP	FLHTC-I	FF					FXD	GH
FLHR	FD								

EXHAUST SYSTEM - SOFTAIL



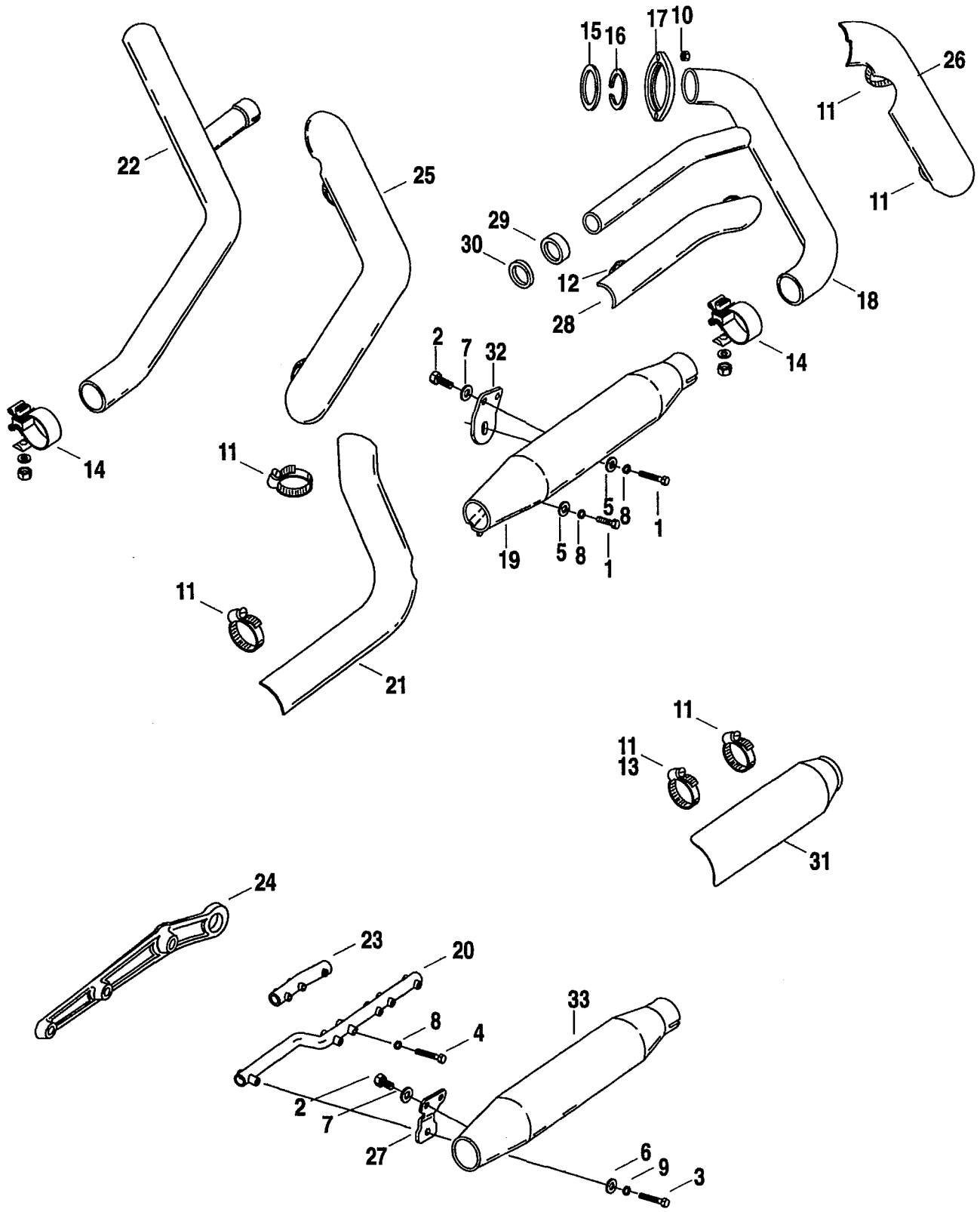
EXHAUST SYSTEM - SOFTAIL MODELS

FC44A-1

INDEX NO.	PART NO.	DESCRIPTION	FLT MODELS	SOFTAIL MODELS	DYNA MODELS
1	2879W	SCREW (2-BJ/K/L/P)	--	95*-ALL	--
2	3728	SCREW (4-BM/N; 6)	--	95*-ALL	--
3	4017	BOLT	--	95*-ALL	--
4	4722	BOLT (2)	--	95*-ALL	--
5	6701	WASHER (2-BJ/K/L/P)	--	95*-ALL	--
6	6702	WASHER (2)	--	95*-ALL	--
7	6703	WASHER (4-BM/N; 6)	--	95*-ALL	--
8	7038	LOCKWASHER (3-BM/N; 4)	--	95*-ALL	--
9	7041	LOCKWASHER	--	95*-ALL	--
10	7593	NUT (4)	--	95*-ALL	--
11	9955	CLAMP (5 - BJ/M/N; 4 - BK/L)	--	95*-ALL	--
12	10048	CLAMP (2)	--	95*-BK/L	--
13	10074	CLAMP, shield (front - BJ; 2 - BM/N)	--	95*-BJ/M/N	--
14	65283-94	CLAMP, muffler (2)	--	95*-ALL	--
15	65324-83A	GASKET, exhaust port	--	95*-ALL	--
16	65325-83	RETAINING RING, exhaust gasket (2)	--	95*-ALL	--
17	65328-83	CLAMP, exhaust manifold (2)	--	95*-ALL	--
18	65401-95	EXHAUST PIPE, front	--	95*-BJ/K/L	--
	65499-95	EXHAUST PIPE, front	--	95*-BM/N	--
19	65413-95	MUFFLER, front	--	95*-BK/P	--
	65822-95	MUFFLER, front (Calif.)	--	95*-BL	--
	65840-95	MUFFLER, front - fishtail (Calif.)	--	95*-BJ	--
	65842-95	MUFFLER, front (Calif.)	--	95*-BK/P	--
	65853-95	MUFFLER, front	--	95*-BL	--
	65855-95	MUFFLER, front - fishtail	--	95*-BJ	--
20	65459-95	SUPPORT TUBE	--	95*-BJ/K/L/P	--
21	65464-95	SHIELD, rear exhaust & muffler	--	95*-BM/N	--
22	65603-95	EXHAUST PIPE, rear	--	95*-BJ/K/L/P	--
	65503-95	EXHAUST PIPE, rear	--	95*-BM/N	--
23	65515-95	SUPPORT TUBE, front	--	95*-BM/N	--
24	65522-91	MUFFLER SUPPORT, rear	--	95*-BM/N	--
25	65702-95	SHIELD, rear exhaust	--	95*-BJ/K/L/P	--
26	65750-95	SHIELD, front exhaust	--	95*-BJ	--
	65732-95	SHIELD, front exhaust	--	95*-BK/L/P	--
	65761-95	SHIELD, front exhaust	--	95*-BM/N	--
27	65734-95	BRACKET, rear muffler	--	95*-ALL	--
28	65777-95	SHIELD, interconnect	--	95*-ALL	--
29	65781-82	GASKET, interconnect	--	95*-ALL	--
30	65782-82	WASHER, interconnect	--	95*-ALL	--
31	65813-95	HEAT SHIELD, muffler (2 - BK/L)	--	95*-ALL	--
32	65887-95	BRACKET, front muffler (2 - BJ/K/L/P)	--	95*-ALL	--

FLT MODELS				SOFTAIL MODELS				DYNA MODELS	
FLHT	DD	FLHR-I	FB	FLSTC	BJ	FLSTF	BM	FXDL	GD
FLHTC	DJ	FLHTCU-I	FC	FXSTC	BK	FLSTN	BN	FXDWG	GE
FLTC-U	DM	FLTCU-I	FE	FXSTS	BL	FXSTSB	BP	FXDS-CON	GG
FLHTC-U	DP	FLHTC-I	FF					FXD	GH
FLHR	FD								

EXHAUST SYSTEM - SOFTAIL



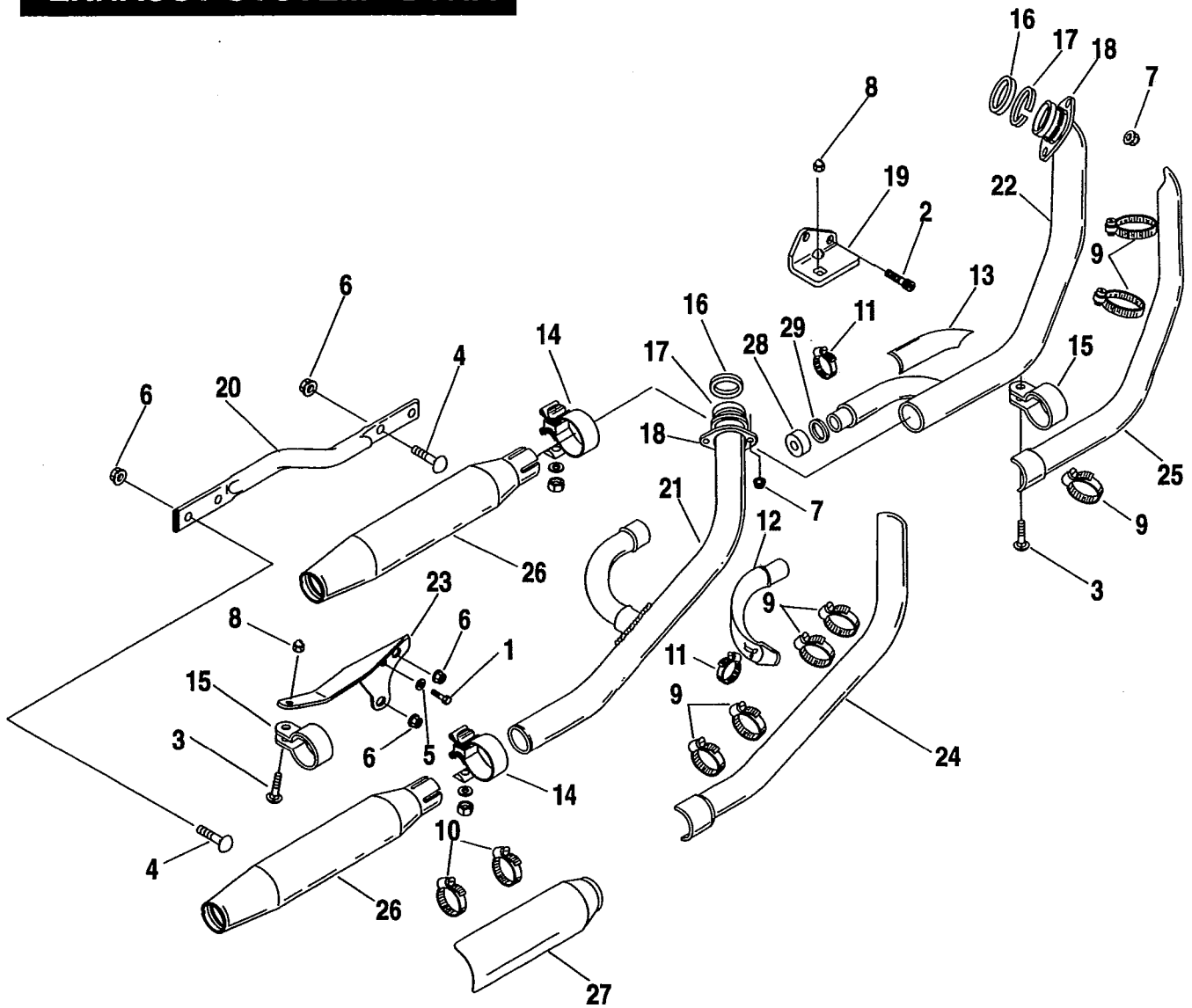
EXHAUST SYSTEM - SOFTAIL MODELS (CONT'D)

FC44A-2

INDEX NO.	PART NO.	DESCRIPTION	FLT MODELS	SOFTAIL MODELS	DYNA MODELS
33	65894-95	MUFFLER, rear (2 - BM)	--	95*-BK/P/M	--
	65896-95	MUFFLER, rear	--	95*-BL	--
	65898-95	MUFFLER, rear - fishtail (2 - BN)	--	95*-BJ/N	--
	65900-95	MUFFLER, rear (Calif.)	--	95*-BL	--
	65902-95	MUFFLER, rear - fishtail (2 - BN) (Calif.)	--	95*-BJ/N	--
	65904-95	MUFFLER, rear (2 - BM) (Calif.)	--	95*-BK/P/M	--
H-D INTERNATIONAL ONLY					
19	65682-95A	MUFFLER, front - catalytic (Swiss only)	--	95*-BK/P/L/J	--
	65885-95	MUFFLER, front (HDI only)	--	95*-BK/P/L/J	--
31	65864-95	HEAT SHIELD, muffler (2)	--	95*-BJ/M/N	--
33	65890-95	MUFFLER, rear (2 - BM/N)(HDI only)	--	95*-ALL	--
	65892-95A	MUFFLER, rear - catalytic (2 - BM/N) (Swiss only)	--	95*-ALL	--

FLT MODELS				SOFTAIL MODELS				DYNA MODELS	
FLHT	DD	FLHR-I	FB	FLSTC	BJ	FLSTF	BM	FXDL	GD
FLHTC	DJ	FLHTCU-I	FC	FXSTC	BK	FLSTN	BN	FXDWG	GE
FLTC-U	DM	FLTCU-I	FE	FXSTS	BL	FXSTSB	BP	FXDS-CON	GG
FLHTC-U	DP	FLHTC-I	FF					FXD	GH
FLHR	FD								

EXHAUST SYSTEM - DYNA



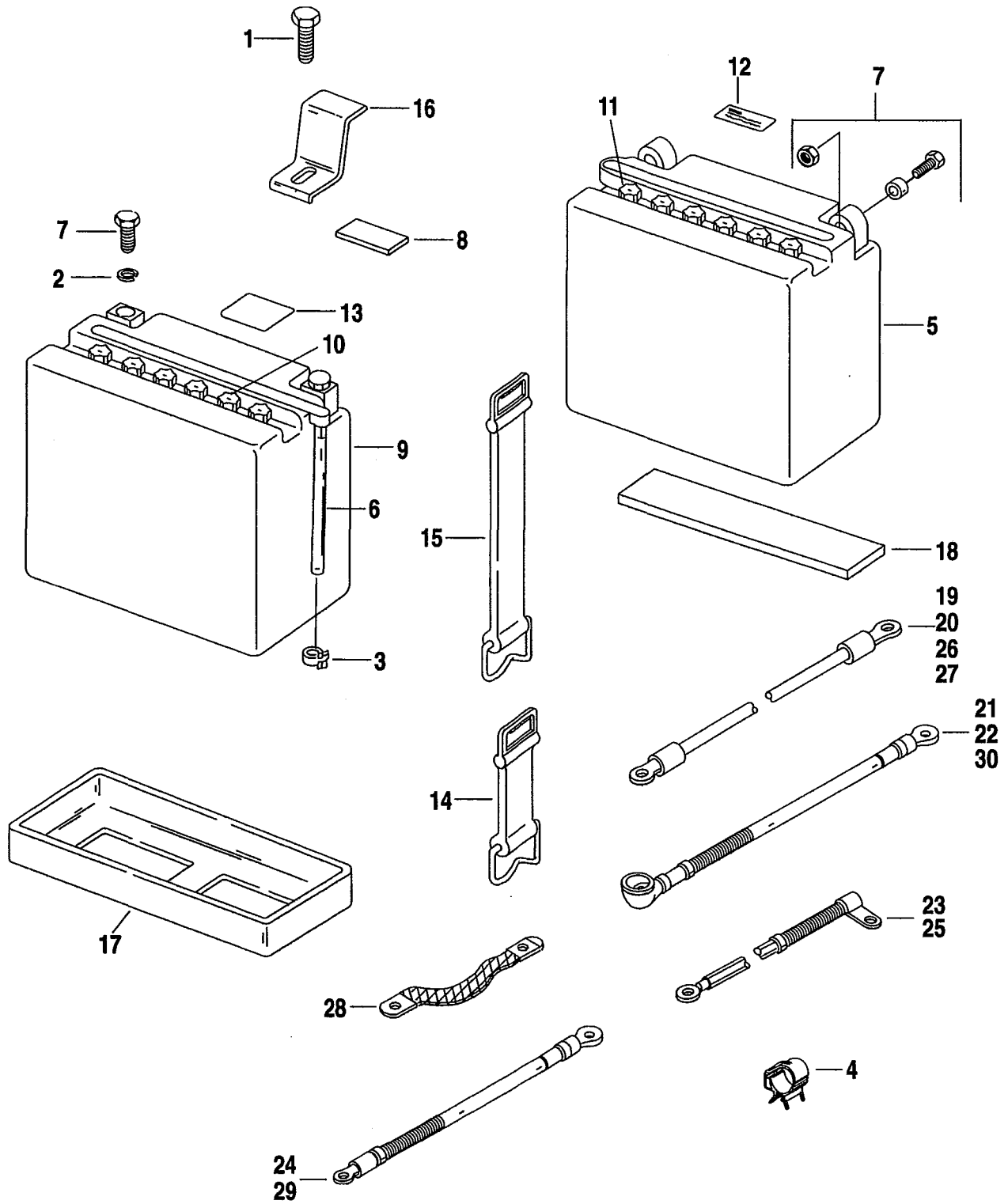
EXHAUST SYSTEM - DYNA

FC44B

INDEX NO.	PART NO.	DESCRIPTION	FLT MODELS	SOFTAIL MODELS	DYNA MODELS
1	4017	SCREW	--	--	95*-ALL
2	4718A	SCREW, w/ washer (2)	--	--	95*-ALL
3	5414	BOLT, carriage (2)	--	--	95*-ALL
4	5445W	BOLT, carriage (4)	--	--	95*-ALL
5	6702	WASHER	--	--	95*-ALL
6	7531	NUT, flange (6)	--	--	95*-ALL
7	7593	NUT, flange lock (4)	--	--	95*-ALL
8	7862	ACORN NUT (2)	--	--	95*-ALL
9	9955	CLAMP (7)	--	--	95*-ALL
10	10074	CLAMP (4)(Calif. & Swiss)	--	--	95*-ALL
11	10119	CLAMP (4)	--	--	95*-ALL
12	65376-95	SHIELD, crossover - rear	--	--	95*-ALL
13	65379-95	SHIELD, crossover - front	--	--	95*-ALL
14	65283-94	CLAMP KIT w/ hardware (2)	--	--	95*-ALL
15	65302-82A	CLAMP, exhaust pipe (2)	--	--	95*-ALL
16	65324-83A	GASKET, exhaust port (2)	--	--	95*-ALL
17	65325-83	RETAINING RING, exhaust gasket (2)	--	--	95*-ALL
18	65328-83	FLANGE, exhaust manifold	--	--	95*-ALL
19	65670-90A	EXHAUST BRACKET, front	--	--	95*-ALL
20	65674-95	SUPPORT, muffler	--	--	95*-ALL
21	65668-95	EXHAUST PIPE, rear	--	--	95*-ALL
22	65669-95	EXHAUST PIPE, front	--	--	95*-ALL
23	65695-95	BRACKET, rear exhaust	--	--	95*-ALL
24	65701-95	SHIELD, rear exhaust	--	--	95*-ALL
25	65746-95	SHIELD, front exhaust	--	--	95*-ALL
26	65747-90A	MUFFLER KIT w/ clamp & hardware (2)	--	--	95*-ALL
	65844-95	MUFFLER, (catalytic) (2) (Calif.)	--	--	95*-ALL
27	65813-95	SHIELD, muffler (2)(Calif. & Swiss)	--	--	95*-ALL
28	65826-90A	GASKET, interconnect	--	--	95*-ALL
29	65827-90	RING, gasket retaining	--	--	95*-ALL
H-D INTERNATIONAL ONLY					
26	65388-95	MUFFLER (2) (HDI only)	--	--	95*-ALL
	65868-91A	MUFFLER KIT (catalytic) (2) (Swiss)	--	--	95*-ALL

FLT MODELS			SOFTAIL MODELS				DYNA MODELS		
FLHT	DD	FLHR-I	FB	FLSTC	BJ	FLSTF	BM	FXDL	GD
FLHTC	DJ	FLHTCU-I	FC	FXSTC	BK	FLSTN	BN	FXDWG	GE
FLTC-U	DM	FLTCU-I	FE	FXSTS	BL	FXSTSB	BP	FXDS-CON	GG
FLHTC-U	DP	FLHTC-I	FF					FXD	GH
FLHR	FD								

BATTERY



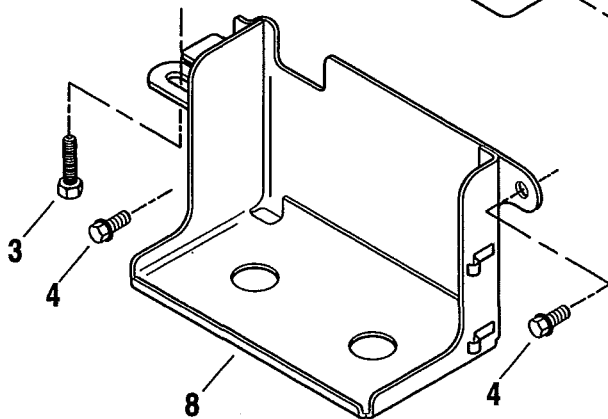
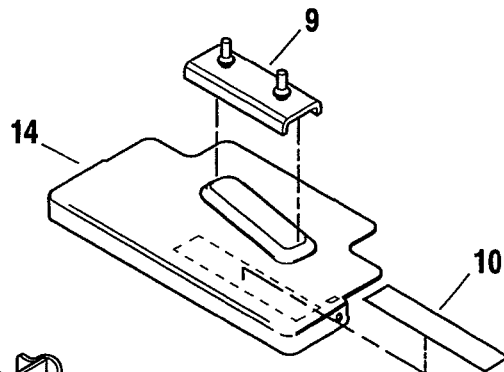
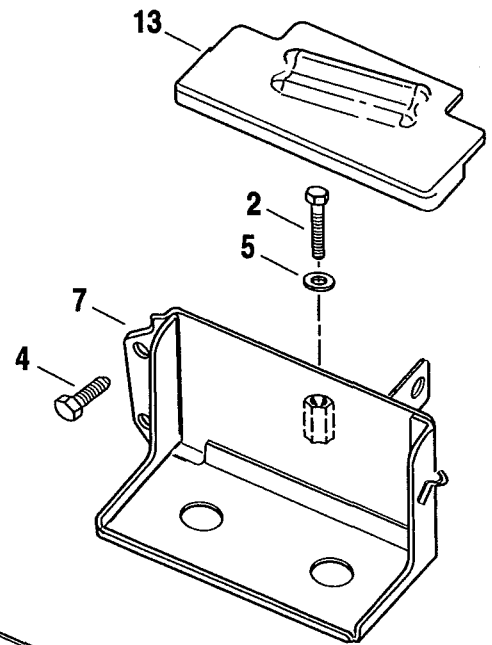
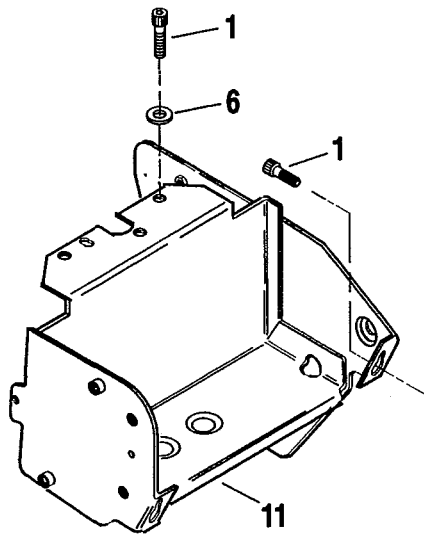
BATTERY

FC45

INDEX NO.	PART NO.	DESCRIPTION	FLT MODELS	SOFTAIL MODELS	DYNA MODELS
1	3574	SCREW	95*-ALL	--	--
2	7229W	LOCKWASHER (2)	95*-ALL	--	--
3	10067	CLAMP	95*-ALL	--	--
4	10108	CLIP, battery cable (2)	95*-ALL	--	--
5	65989-90A	BATTERY w/ #6	--	95*-ALL	95*-ALL
6	65995-88A	VENT TUBE	95*-ALL	95*-ALL	95*-ALL
7	66000-80	BATTERY TERMINAL KIT	--	95*-ALL	95*-ALL
8	66004-93	PAD, battery clamp	95*-ALL	--	--
9	66010-82A	BATTERY w/ #3, 6 & 12	95*-ALL	--	--
10	66031-91	BATTERY CAP (green) (6)	95*-ALL	--	--
11	66032-91	BATTERY CAP (yellow) (6)	--	95*-ALL	95*-ALL
12	66042-79A	WARNING LABEL	96*-ALL	95*-ALL	95-ALL
13	66043-93	DECAL, battery vent	95*-ALL	--	--
14	66109-93	BATTERY STRAP, front	--	95*-ALL	--
15	66111-93	BATTERY STRAP, rear	--	95*-ALL	--
16	66185-93	CLAMP, battery	95*-ALL	--	--
17	66210-85B	CUSHION	--	L95*-ALL	--
18	66309-84	CUSHION	--	E95-ALL	--
19	70011-84C	CABLE ASSEMBLY, starter to ground	95*-ALL	--	--
20	70060-92A	CABLE ASSEMBLY, battery negative	--	95*-ALL	--
21	70078-91A	CABLE ASSEMBLY, battery positive	--	95-ALL	--
22	70078-96	CABLE ASSEMBLY, battery positive	--	96*-ALL	--
23	70102-90A	CABLE ASSEMBLY, battery positive	--	--	95-ALL
24	70102-96	CABLE ASSEMBLY, battery positive	--	--	96*-ALL
25	70103-95	CABLE ASSEMBLY, battery negative	--	--	95-ALL
26	70103-96	CABLE ASSEMBLY, battery negative	--	--	96*-ALL
27	70267-93A	CABLE ASSEMBLY, battery negative	95*-ALL	--	--
28	70276-95	CABLE ASSEMBLY, starter to ground	--	--	95-ALL
29	70276-96	CABLE ASSEMBLY, starter to ground	--	--	96*-ALL
30	70377-93B	CABLE ASSEMBLY, battery positive	95*-ALL	--	--

FLT MODELS				SOFTAIL MODELS				DYNA MODELS	
FLHT	DD	FLHR-I	FB	FLSTC	BJ	FLSTF	BM	FXDL	GD
FLHTC	DJ	FLHTCU-I	FC	FXSTC	BK	FLSTN	BN	FXDWG	GE
FLTC-U	DM	FLTCU-I	FE	FXSTS	BL	FXSTSB	BP	FXDS-CON	GG
FLHTC-U	DP	FLHTC-I	FF					FXD	GH
FLHR	FD								

BATTERY TRAY



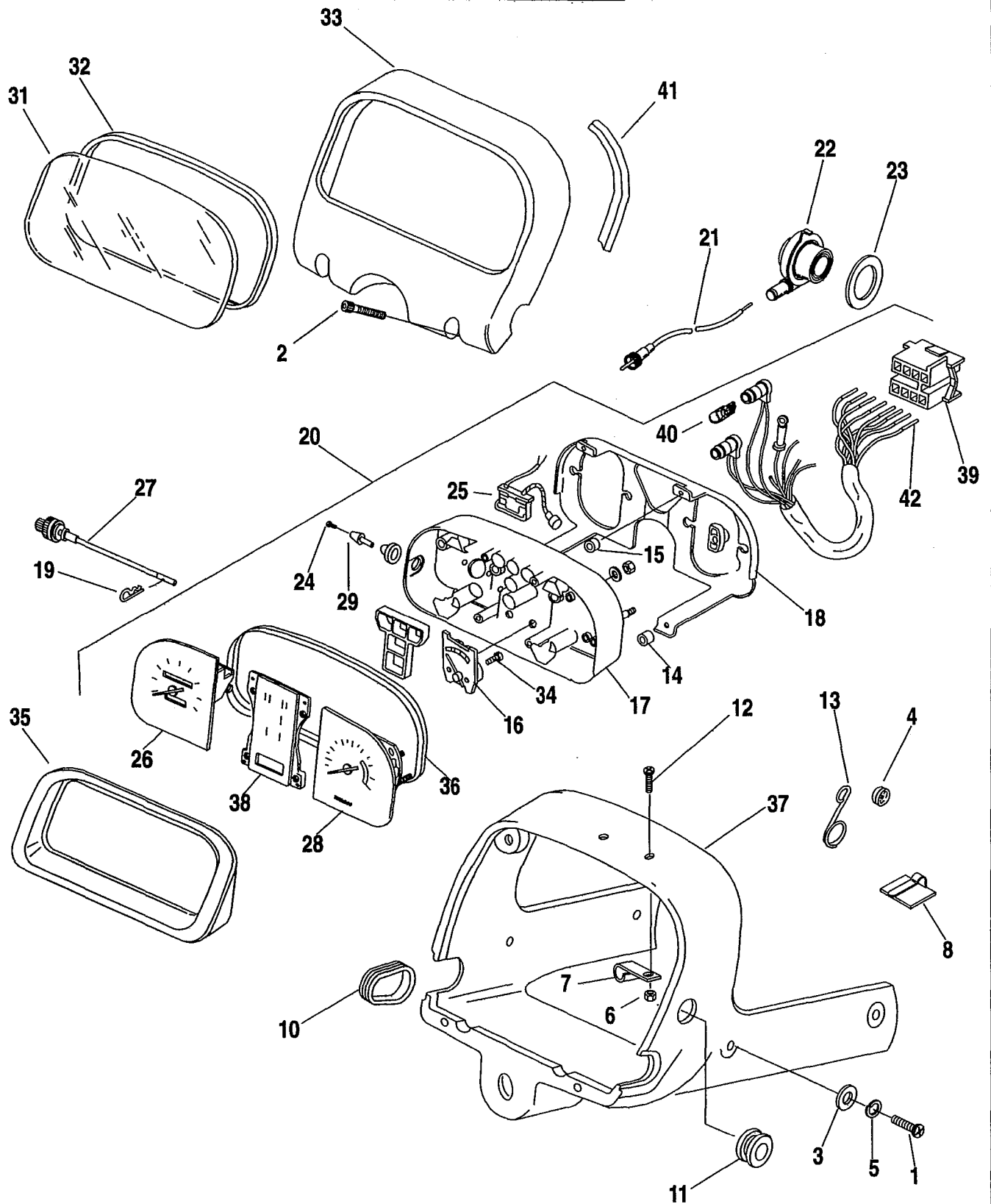
BATTERY TRAY

FC45A

INDEX NO.	PART NO.	DESCRIPTION	FLT MODELS	SOFTAIL MODELS	DYNA MODELS
1	3255	SCREW (4)	95*-ALL	--	--
2	4086	SCREW	--	--	95-ALL
3	4342	SCREW	--	--	96*-ALL
4	4383	SCREW (2)	--	--	95*-ALL
5	6016	WASHER	--	--	95-ALL
6	6703	WASHER (2)	95*-ALL	--	--
7	47132-95	TRAY, battery	--	--	95-ALL
8	47132-96	TRAY, battery	--	--	96*-ALL
9	66033-96	CUSHION, battery	--	--	96*-ALL
10	66060-96	LABEL, warning - battery	--	--	96*-ALL
11	66285-95	BATTERY TRAY ASM.	95*-ALL	--	--
12	66346-91	SIDE COVER, battery (black)	--	--	95*-GH
	66347-91	SIDE COVER, battery (chrome)	--	--	95*-GD/E/G
13	66366-90	TOP COVER, battery (black)	--	--	95-GH
	66368-90	TOP COVER, battery (chrome)	--	--	95-GD/E/G
14	66366-96	TOP COVER, battery (black)	--	--	96*-GH
	66368-96	TOP COVER, battery (chrome)	--	--	96*-GD/E/G

FLT MODELS				SOFTAIL MODELS				DYNA MODELS	
FLHT	DD	FLHR-I	FB	FLSTC	BJ	FLSTF	BM	FXDL	GD
FLHTC	DJ	FLHTCU-I	FC	FXSTC	BK	FLSTN	BN	FXDWG	GE
FLTC-U	DM	FLTCU-I	FE	FXSTS	BL	FXSTSB	BP	FXDS-CON	GG
FLHTC-U	DP	FLHTC-I	FF					FXD	GH
FLHR	FD								

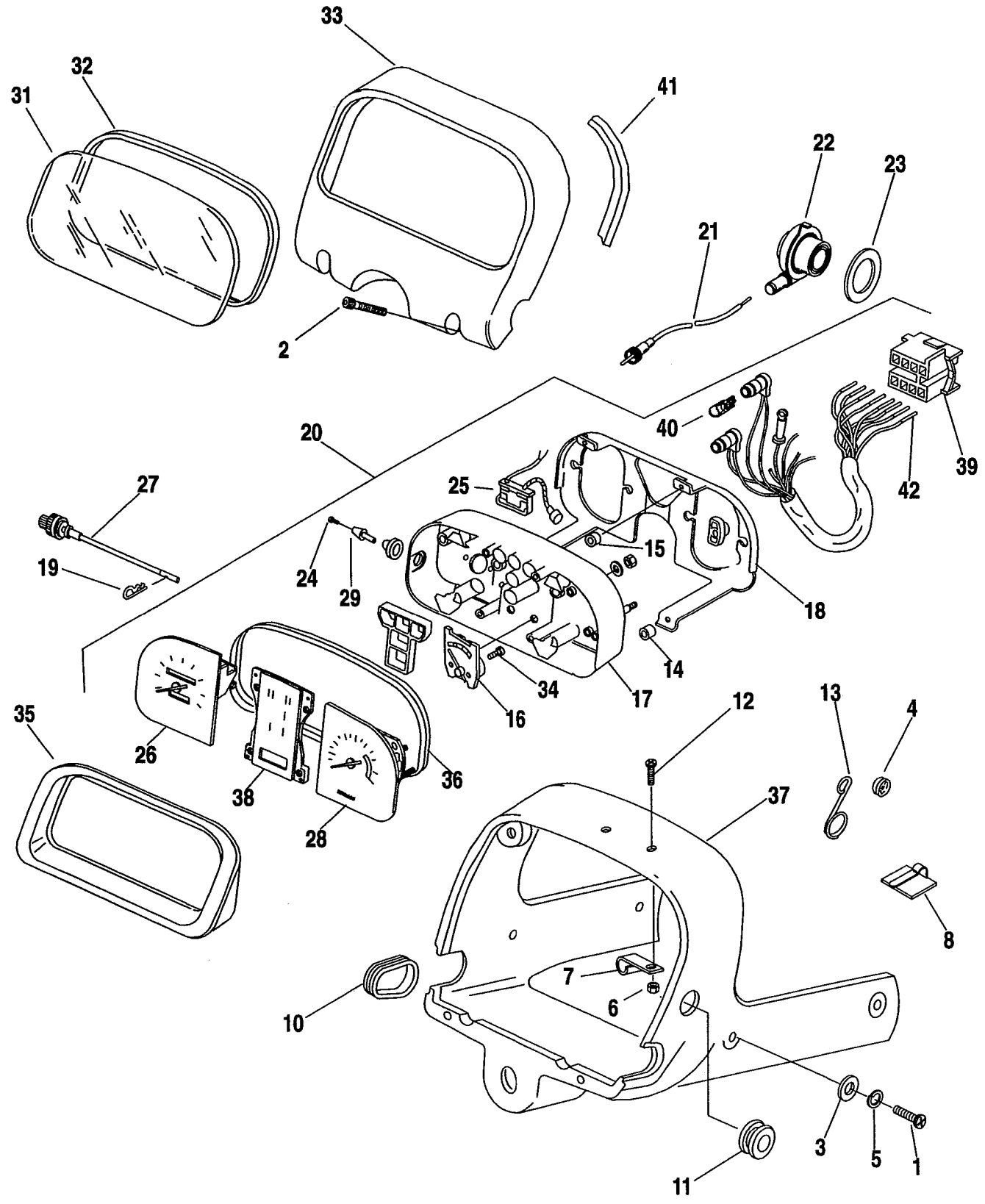
INSTRUMENTS - 1995 FLT & 1996 FLTCU-I



INDEX NO.	PART NO.	DESCRIPTION	FLT MODELS	SOFTAIL MODELS	DYNA MODELS
1	3991	SCREW (4)	95-DM;96*-FE	--	--
2	4069A	SCREW (2)	95-DM;96*-FE	--	--
3	6702	WASHER (4)	95-DM;96*-FE	--	--
4	6703	WASHER (3)	95-DM;96*-FE	--	--
5	7041	LOCKWASHER	95-DM;96*-FE	--	--
6	7629	NUT (2)	95-DM;96*-FE	--	--
7	10091	CLIP (2)	95-DM;96*-FE	--	--
8	10103	CLIP, adhesive back (3)	95-DM;96*-FE	--	--
10	11454	GROMMET, handlebar (2)	95-DM;96*-FE	--	--
11	11477	PLUG	95-DM;96*-FE	--	--
12	42534-90	SCREW (2)	95-DM;96*-FE	--	--
13	45092-66A	GUIDE, speedometer cable	95-DM;96*-FE	--	--
14	58355-86	SPACER (2)	95-DD/J/P;FC	--	--
15	58356-86	SPACER (2)	95-DD/J/P;FC	--	--
16	61631-84	FUEL GAUGE	95-DD/J/M/P;FC 96*-FE	--	--
17	66997-86A	CASE, instrument	95-DD/J/M/P;FC 96*-FE	--	--
18	66998-86	BRACKET, instrument mounting	95-DD/J/P;FC	--	--
19	66999-86	CLIP	95-DD/J/P;FC	--	--
20	67000-94	INSTRUMENT PANEL ASSEMBLY, mph	95-DM	--	--
	67000-96	INSTRUMENT PANEL ASSEMBLY, mph	96*-FE	--	--
	67003-94	INSTRUMENT PANEL ASSEMBLY, mph	95-DD/J/P	--	--
	67023-94	INSTRUMENT PANEL ASSEMBLY, kph	95-DM	--	--
	67295-95	INSTRUMENT PANEL ASSEMBLY, mph	95-FC	--	--
21	67060-87A	CABLE ASSEMBLY, speedometer	95-DD/J/P;FC	--	--
	67072-87B	CABLE ASSEMBLY, speedometer	95-DM;96*-FE	--	--
22	67073-87A	DRIVE UNIT, speedometer	95*-DD/J/M/P;FC 96*-FE	--	--
23	67098-87	SEAL, drive unit	95*-DD/J/M/P;FC 96*-FE	--	--
24	67117-85	SCREW	95-DM;96*-FE	--	--
25	67123-86B	REED SWITCH	95*-DD/J/M/P;FC 96*-FE	--	--
26	67211-86A	SPEEDOMETER, mph	95-DD/J/P;FC 96*-FE	--	--
	67232-85A	SPEEDOMETER, mph	95-DM	--	--
27	67219-86	RESET CABLE, odometer	95*-DD/J/P;FC	--	--
28	67229-85	TACHOMETER	95-DD/J/M/P	--	--
	67305-95	TACHOMETER	96*-FE	--	--
	67306-95	TACHOMETER	95-FC	--	--
29	67234-84	RESET KNOB, odometer	95-DM;96*-FE	--	--
31	67236-80	LENS	95-DM;96*-FE	--	--
	67608-86	LENS	95-DD/J/P;FC	--	--

FLT MODELS				SOFTAIL MODELS				DYNA MODELS	
FLHT	DD	FLHR-I	FB	FLSTC	BJ	FLSTF	BM	FXDL	GD
FLHTC	DJ	FLHTCU-I	FC	FXSTC	BK	FLSTN	BN	FXDWG	GE
FLTC-U	DM	FLTCU-I	FE	FXSTS	BL	FXSTSB	BP	FXDS-CON	GG
FLHTC-U	DP	FLHTC-I	FF					FXD	GH
FLHR	FD								

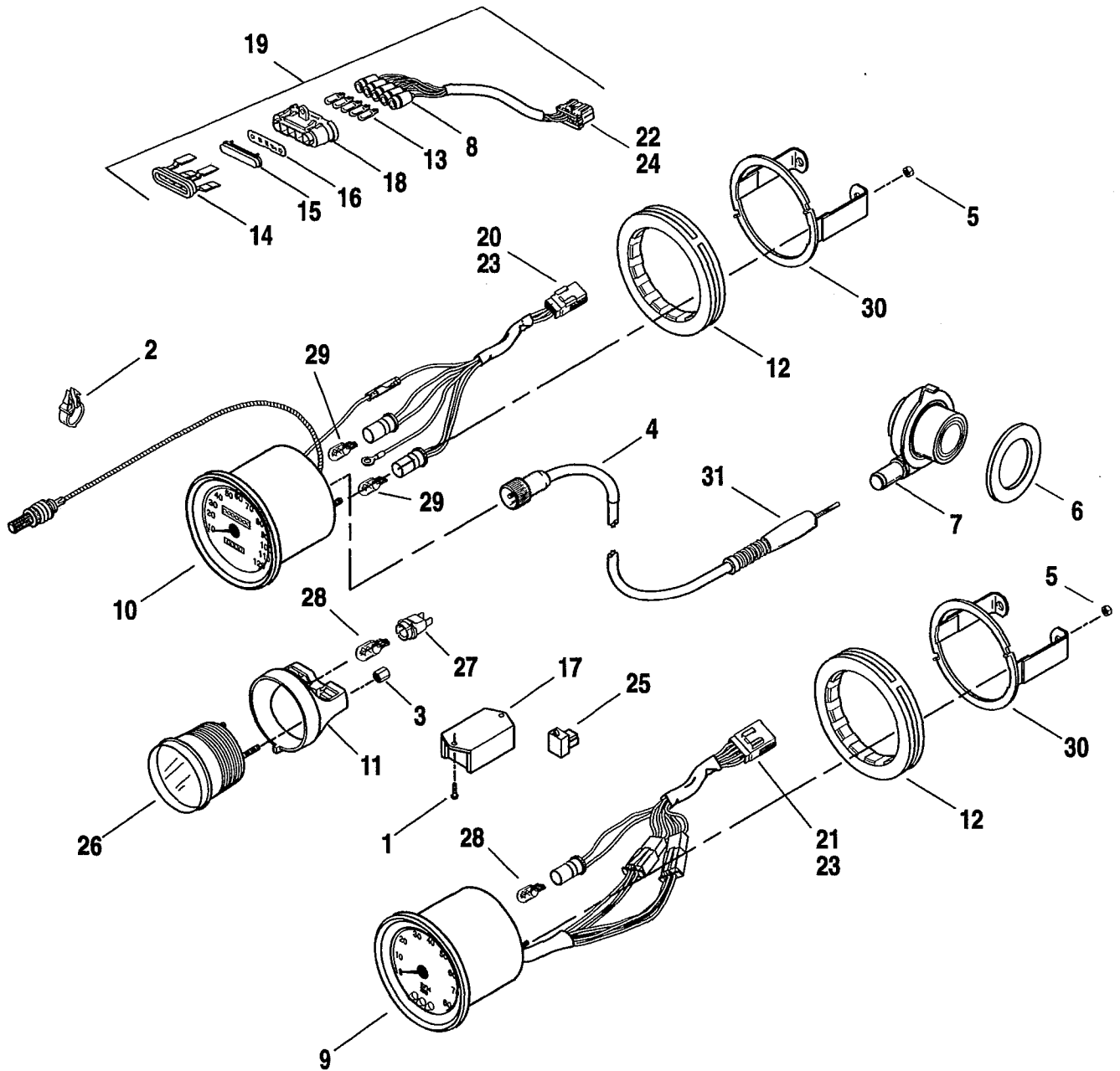
INSTRUMENTS - 1995 FLT & 1996 FLTCU-I



INDEX NO.	PART NO.	DESCRIPTION	FLT MODELS	SOFTAIL MODELS	DYNA MODELS
32	67237-80	GASKET	95-DM;96*-FE	--	--
33	67238-80	CASE	95-DM;96*-FE	--	--
34	67243-84	SCREW (4-DD/J/P;FC)	95-DD/J/M/P;FC 96*-FE	--	--
35	67245-93	PLATE, reflecting	95-DM;96*-FE	--	--
36	67246-93	GASKET (white)	95-DM;96*-FE	--	--
37	67800-93B	DASH PANEL SUPPORT	95-DM;96*-FE	--	--
38	68459-84B	PANEL, indicator lights	95-DD/J/P	--	--
	68473-95	PANEL, indicator lights	95-FC	--	--
39	70287-81	CONNECTOR, eight socket	95-DD/J/M/P;FC 96*-FE	--	--
40	53439-79	BULB, instrument panel (9)	95-DD/J/M/P;FC 96*-FE	--	--
	67136-85	BULB, high beam & cruise (2)	95-DD/J/M/P;FC 96*-FE	--	--
41	71296-93	EDGING, speedometer	95-DM;96*-FE	--	--
42	72038-71	SOCKET, single pin (12)	95-DD/J/M/P;FC 96*-FE	--	--
H-D INTERNATIONAL ONLY					
20	67028-94	INSTRUMENT PANEL ASM., kph (HDI only)	95-DJ/P	--	--
	67296-95	INSTRUMENT PANEL ASM., kph (Canada only)	95-FC	--	--
26	67216-86B	SPEEDOMETER, kph (HDI only)	95-DJ/P	--	--
	67233-80D	SPEEDOMETER, kph (HDI only)	95-DM	--	--
38	68460-92	PANEL, indicator lights (HDI only)	95-DJ/P	--	--
	68435-95	PANEL, indicator lights (Canada only)	95-FC	--	--

FLT MODELS				SOFTAIL MODELS				DYNA MODELS	
FLHT	DD	FLHR-I	FB	FLSTC	BJ	FLSTF	BM	FXDL	GD
FLHTC	DJ	FLHTCU-I	FC	FXSTC	BK	FLSTN	BN	FXDWG	GE
FLTC-U	DM	FLTCU-I	FE	FXSTS	BL	FXSTSB	BP	FXDS-CON	GG
FLHTC-U	DP	FLHTC-I	FF					FXD	GH
FLHR	FD								

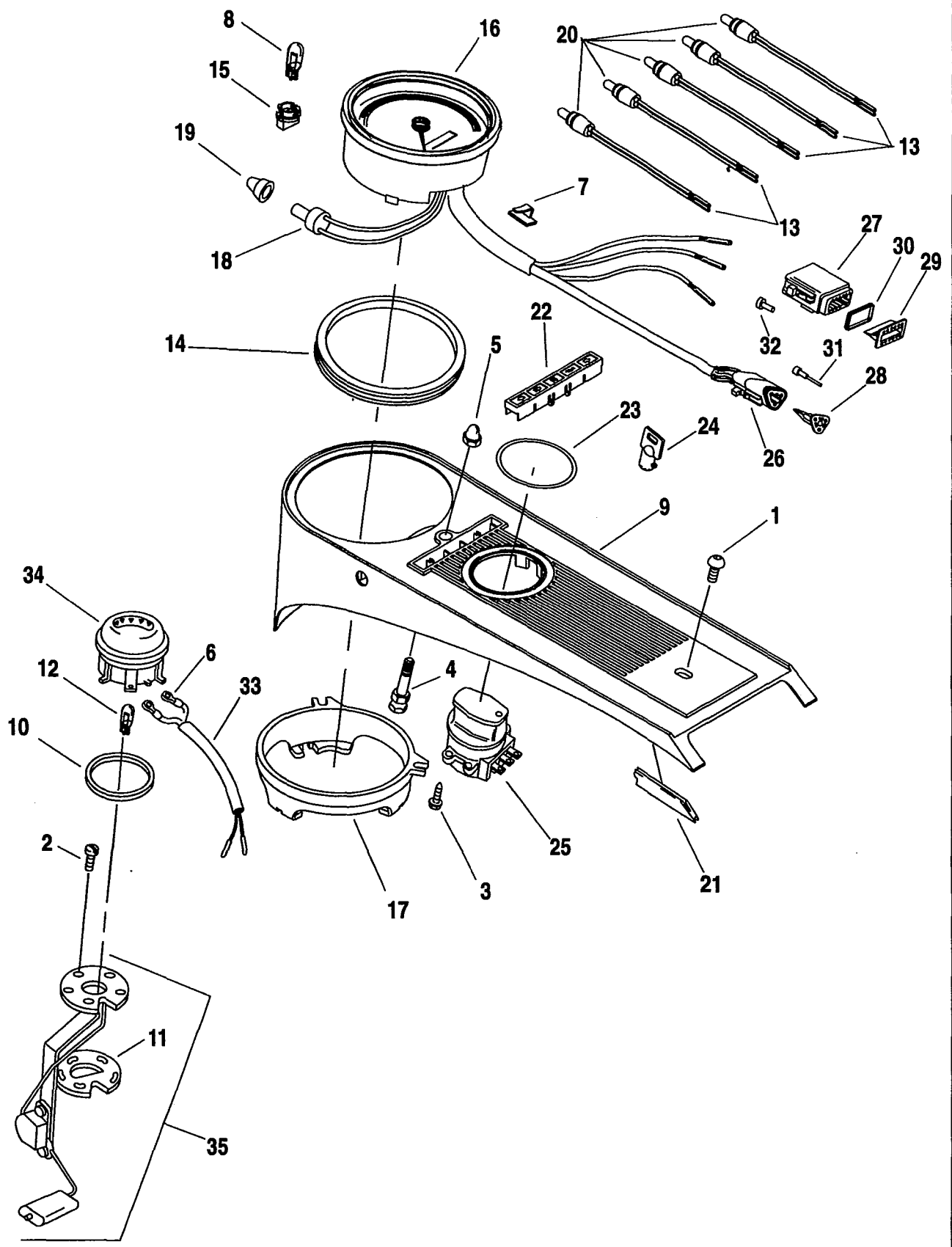
INSTRUMENTS - FLHT MODELS - 1996



INDEX NO.	PART NO.	DESCRIPTION	FLT MODELS	SOFTAIL MODELS	DYNA MODELS
1	2585	SCREW	96*-DP;FC/F	--	--
2	56073-83	RETAINER, reset cable	96*-DD/J/P;FC/F	--	--
3	67043-96	NUT (8, 4-DD)	96*-DD/J/P;FC/F	--	--
4	67060-96	CABLE ASSEMBLY, speedometer - w/boot	96*-DD/J/P;FC/F	--	--
5	67094-85	NUT (4)	96*-DD/J/P;FC/F	--	--
6	67098-87	SEAL, drive unit	96*-DD/J/P;FC/F	--	--
7	67101-96	DRIVE UNIT, speedometer	96*-DD/J/P;FC/F	--	--
8	67184-94	SOCKET, indicator lamps (5)	96*-DD/J/P;FC/F	--	--
9	67347-96	TACHOMETER	96*-DD/J	--	--
	67348-96	TACHOMETER, w/indicator lights	96*-DP;FC/F	--	--
10	67349-96	SPEEDOMETER, mph	96*-DD/J/P;FC/F	--	--
11	67352-96	CLAMP, 2" gauge (4, 2 - DD)	96*-DD/J/P;FC/F	--	--
12	67356-96	GASKET, speedometer/tachometer (2)	96*-DD/J/P;FC/F	--	--
13	68024-94	BULB, indicator lamps (5)	96*-DD/J/P;FC/F	--	--
14	68383-96	BEZEL, indicator lamp	96*-DD/J/P;FC/F	--	--
15	68415-96	LENS, indicator lamp	96*-DD/J/P;FC/F	--	--
16	68423-96	JEWEL, indicator lamp	96*-DD/J/P;FC/F	--	--
17	68620-96	MODULE, low fuel warning	96*-DP;FC/F	--	--
18	68788-96	HOUSING, indicator lamp	96*-DD/J/P;FC/F	--	--
19	68789-96	INDICATOR LAMP ASM. w/#8,13,14,15,16,18,22	96*-DD/J/P;FC/F	--	--
20	73103-96BK	PIN HOUSING, 3-place	96*-DD/J/P;FC/F	--	--
21	73106-96BK	PIN HOUSING, 6-place	96*-DD/J/P;FC/F	--	--
22	73160-96BK	SOCKET HOUSING, 10-place	96*-DD/J/P;FC/F	--	--
23	73190-96	TERMINAL, pin 16-20 ga. (12)	96*-DD/J/P;FC/F	--	--
24	73191-96	SOCKET CONTACT, 16-20 ga. (10)	96*-DD/J/P;FC/F	--	--
25	74419-96	SENSOR, air temperature	96*-DJ/P;FC/F	--	--
26	74526-96	VOLTMETER, w/bulb & bulb socket	96*-DD/J/P;FC/F	--	--
	75032-96	OIL PRESSURE GAUGE, w/bulb & bulb socket	96*-DJ/P;FC/F	--	--
	75109-96	AIR TEMP. GAUGE, w/bulb & bulb socket	96*-DJ/P;FC/F	--	--
	75111-96	FUEL GAUGE, w/bulb & bulb socket	96*-DD/J/P;FC/F	--	--
27	75044-96	SOCKET, bulb (4, 2 - DD)	96*-DD/J/P;FC/F	--	--
28	75045-96	BULB, 1.7 watt - wedge type (5, 3 - DD)	96*-DD/J/P;FC/F	--	--
29	75048-96	BULB, 3.4 watt - wedge type (2)	96*-DD/J/P;FC/F	--	--
30	92080-88	BRACKET, speedo/tach mounting (2)	96*-DD/J/P;FC/F	--	--
31	94996-85T	RUBBER BOOT, speedometer cable	96*-DD/J/P;FC/F	--	--
		H-D INTERNATIONAL ONLY		--	--
10	67350-96	SPEEDOMETER, kph	96*-DD/J/P;FC/F	--	--
	75112-96	SPEEDOMETER, mph/kph	96*-DD;FC/F	--	--

FLT MODELS				SOFTAIL MODELS				DYNA MODELS	
FLHT	DD	FLHR-I	FB	FLSTC	BJ	FLSTF	BM	FXDL	GD
FLHTC	DJ	FLHTCU-I	FC	FXSTC	BK	FLSTN	BN	FXDWG	GE
FLTC-U	DM	FLTCU-I	FE	FXSTS	BL	FXSTSB	BP	FXDS-CON	GG
FLHTC-U	DP	FLHTC-I	FF					FXD	GH
FLHR	FD								

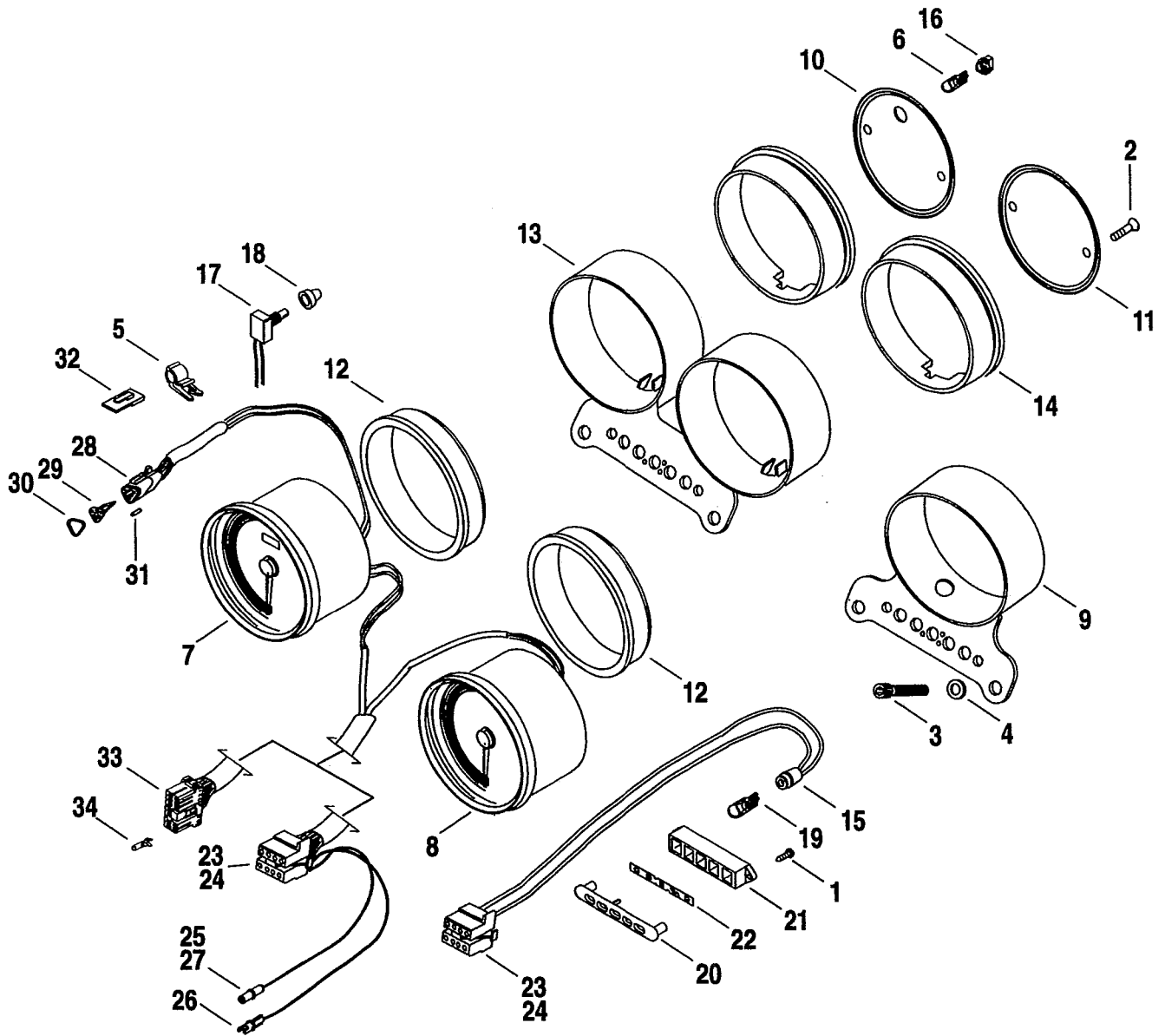
FUEL TANK INSTRUMENTS - FLHR



INDEX NO.	PART NO.	DESCRIPTION	FLT MODELS	SOFTAIL MODELS	DYNA MODELS
1	932	SCREW	95*-FD;96*-FB	--	--
2	1311C	SCREW, sealing (5)	95*-FD;96*-FB	--	--
3	2501A	SCREW (4)	95*-FD;96*-FB	--	--
4	3262	STUD	95*-FD;96*-FB	--	--
5	7549A	ACORN NUT	95*-FD;96*-FB	--	--
6	9856	TERMINAL, ring type #6 hole	95*-FD;96*-FB	--	--
7	10103	CLIP	95*-FD;96*-FB	--	--
8	67136-85	BULB, odometer	95*-FD;96*-FB	--	--
	53439-79	BULB, speedometer	95*-FD;96*-FB	--	--
9	60960-94B	INSTRUMENT PANEL	95*-FD;96*-FB	--	--
10	61192-88	GASKET, fuel gauge	95*-FD;96*-FB	--	--
11	61324-88A	GASKET, fuel sender	95*-FD;96*-FB	--	--
12	67136-85	BULB, fuel gauge	95*-FD;96*-FB	--	--
13	67184-94	SOCKET, indicator lamps (5)	95*-FD;96*-FB	--	--
14	67190-89	SEAL, speedometer	95*-FD;96*-FB	--	--
15	67191-94	SOCKET, speedometer (2)	95*-FD;96*-FB	--	--
16	67268-95A	SPEEDOMETER & Indicator lamps, mph	95*-FD;96*-FB	--	--
17	67271-94	BACK CLAMP	95*-FD;96*-FB	--	--
18	67879-94	SWITCH, odometer reset	95*-FD;96*-FB	--	--
19	67880-94	BOOT, odometer reset switch	95*-FD;96*-FB	--	--
20	68024-94	BULB, indicator lamp (5)	95*-FD;96*-FB	--	--
21	71001-94	TRIM	95*-FD;96*-FB	--	--
22	71146-94	LENS, indicator lamps	95*-FD;96*-FB	--	--
23	71307-94	NAMEPLATE, ignition switch	95*-FD;96*-FB	--	--
24	71452-91A	KEYSET (specify key code)	95*-FD;96*-FB	--	--
25	71501-93	IGNITION SWITCH w/ key	95*-FD;96*-FB	--	--
	53571-94	LOCK SET, complete vehicle	95*-FD;96*-FB	--	--
26	72113-94BK	PLUG, 3-way socket	95*-FD;96*-FB	--	--
27	72119-94BK	PLUG, 12-way socket	95*-FD;96*-FB	--	--
28	72153-94	SOCKET LOCK, secondary, 3-way	95*-FD;96*-FB	--	--
29	72159-94	SOCKET LOCK, secondary, 12-way	95*-FD;96*-FB	--	--
30	72179-94	FRONT SEAL, 12-way plug	95*-FD;96*-FB	--	--
31	72191-94	TERMINAL, socket (13)	95*-FD;96*-FB	--	--
32	72195-94	SEAL PIN (2)	95*-FD;96*-FB	--	--
33	75047-88	HARNESS, fuel gauge	95*-FD;96*-FB	--	--
34	75049-88A	FUEL GAUGE w/bulb	95*-FD	--	--
	75099-96	FUEL GAUGE w/bulb	96*-FB	--	--
35	75062-90	SENDING UNIT w/gasket	95-FD	--	--
	75064-96	SENDING UNIT w/gasket	95*-FD;96*-FB	--	--
H-D INTERNATIONAL ONLY					
16	67269-94A	SPEEDOMETER & Indicator lamps, kph (HDI only)	95*-FD;96*-FB	--	--
	67270-94	SPEEDOMETER & Indicator lamps, kph (Swiss)	95-FD	--	--
	67278-94A	SPEEDOMETER & Indicator lamps, mph (Great Britain)	95*-FD;96*-FB	--	--

FLT MODELS				SOFTAIL MODELS				DYNA MODELS	
FLHT	DD	FLHR-I	FB	FLSTC	BJ	FLSTF	BM	FXDL	GD
FLHTC	DJ	FLHTCU-I	FC	FXSTC	BK	FLSTN	BN	FXDWG	GE
FLTC-U	DM	FLTCU-I	FE	FXSTS	BL	FXSTSB	BP	FXDS-CON	GG
FLHTC-U	DP	FLHTC-I	FF					FXD	GH
FLHR	FD								

INSTRUMENTS - FXD & FXDS-CON



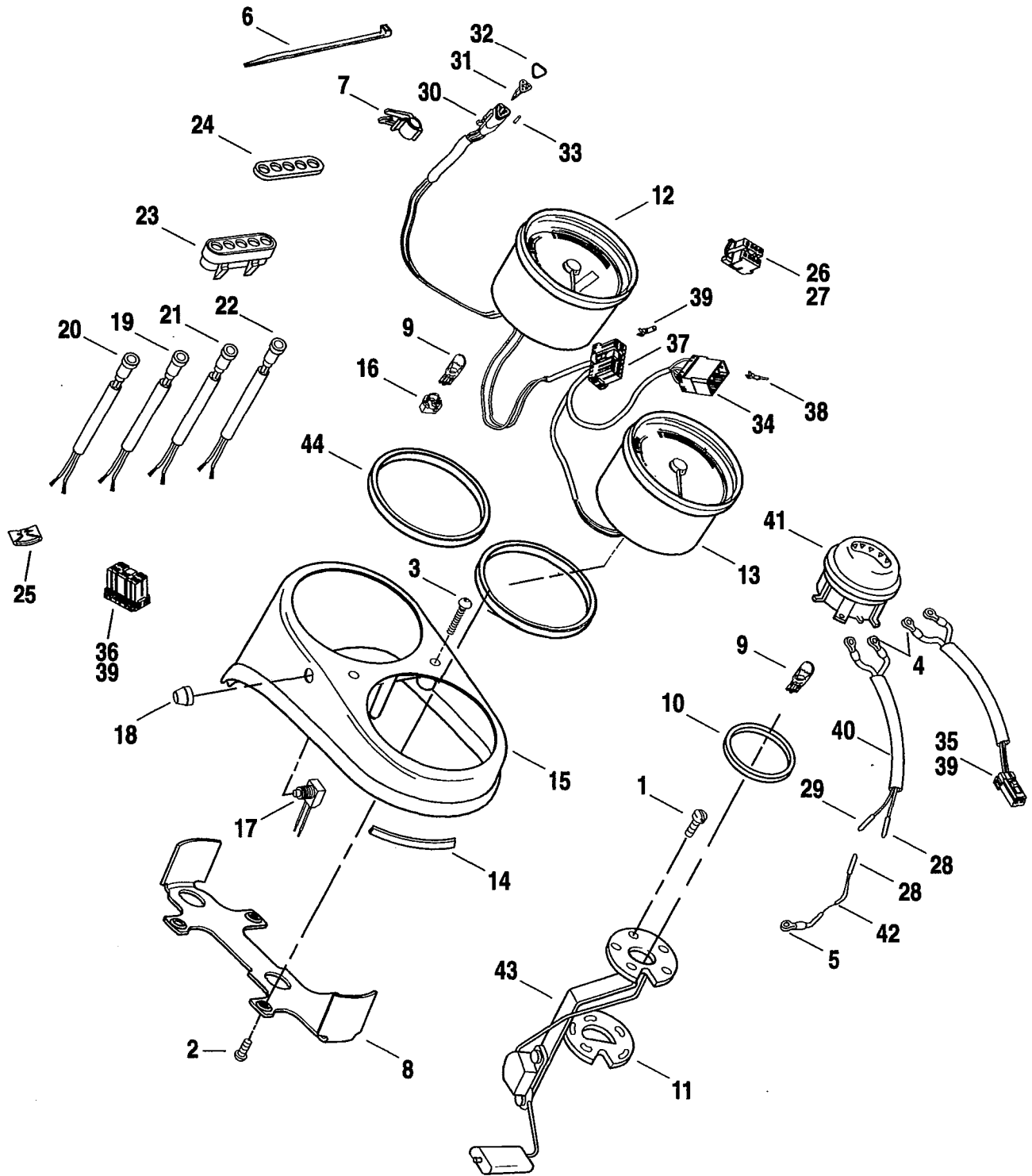
INDEX NO.	PART NO.	DESCRIPTION	FLT MODELS	SOFTAIL MODELS	DYNA MODELS
1	2325	SCREW (2)	--	--	95*-GG/H
2	2361	SCREW (2-GH:4-GG)	--	--	95*-GG/H
3	4326A	SCREW (2)	--	--	95*-GG/H
4	6330	WASHER (2)	--	--	95*-GG/H
5	10110	CLIP	--	--	95-GG/H
6	53439-79	BULB, speedometer	--	--	95*-GG/H
	52441-95	BULB, tachometer	--	--	95*-GG
	67136-85	BULB, odometer	--	--	95*-GG/H
7	67025-95	SPEEDOMETER, mph	--	--	95-GG/H
	67025-96	SPEEDOMETER, mph	--	--	96*-GG/H
8	67042-95	TACHOMETER	--	--	95*-GG
9	67053-95	BRACKET, speedometer	--	--	95*-GH
10	67085-95	COVER, speedometer back (chrome rim)	--	--	95*-GG/H
11	67103-95	COVER, tachometer back (chrome rim)	--	--	95*-GG
12	67104-95	CUSHION, front (2-GG)	--	--	95*-GG/H
13	67110-95	BRACKET, speedo & tach	--	--	95*-GG
14	67121-95	CUSHION, rear (2-GG)	--	--	95*-GG/H
15	67184-94	SOCKET, indicator lamps (5)	--	--	95*-GG/H
16	67191-94	SOCKET, speedo & tach bulb (2-GH:3-GG)	--	--	95*-GG/H
17	67879-94	SWITCH, reset	--	--	95*-GG/H
18	67880-94	BOOT, reset switch	--	--	95*-GG/H
19	68024-94	BULB, indicator lamps (5)	--	--	95*-GG/H
20	68513-95	TRIM PLATE, indicator lamps	--	--	95*-GG/H
21	68516-95	HOUSING, indicator lamps	--	--	95*-GG/H
22	68551-95	LENS, indicator lamps	--	--	95-GG/H
23	70287-81	CONNECTOR, eight socket (2)	--	--	95-GG/H
24	72038-71	SOCKET, single pin (11-GH:12-GG)	--	--	95-GG/H
25	72039-71	PIN, single socket	--	--	95-GG/H
26	72043-71	CONNECTOR, single pin	--	--	95-GG/H
27	72044-71A	CONNECTOR, single socket	--	--	95*-GG/H
28	72113-94BK	PLUG, 3-way socket	--	--	95*-GG/H
29	72153-94	SOCKET LOCK, secondary, 3-way	--	--	95*-GG/H
30	72173-94	SEAL, front (three-way plug)	--	--	95*-GG/H
31	72191-94	TERMINAL, socket (3)	--	--	95*-GG/H
32	72199-94	ATTACHMENT CLIP	--	--	95-GH
33	73162-96BK	CONNECTOR, 12-place	--	--	96*-GG/H
34	73191-96	SOCKET CONTACT, 16-20 ga. (12)	--	--	96*-GG/H

H-D INTERNATIONAL ONLY

7	67018-95	SPEEDOMETER, kph (Japan & Canada)	--	--	95*-GG/H
	67177-95	SPEEDOMETER, kph (H.D.I.)	--	--	95*-GG/H
	67257-95	SPEEDOMETER, mph (Great Britain)	--	--	95*-GG/H
	67298-95	SPEEDOMETER, kph (Swiss)	--	--	95-GG/H

FLT MODELS				SOFTAIL MODELS				DYNA MODELS	
FLHT	DD	FLHR-I	FB	FLSTC	BJ	FLSTF	BM	FXDL	GD
FLHTC	DJ	FLHTCU-I	FC	FXSTC	BK	FLSTN	BN	FXDWG	GE
FLTC-U	DM	FLTCU-I	FE	FXSTS	BL	FXSTSB	BP	FXDS-CON	GG
FLHTC-U	DP	FLHTC-I	FF					FXD	GH
FLHR	FD								

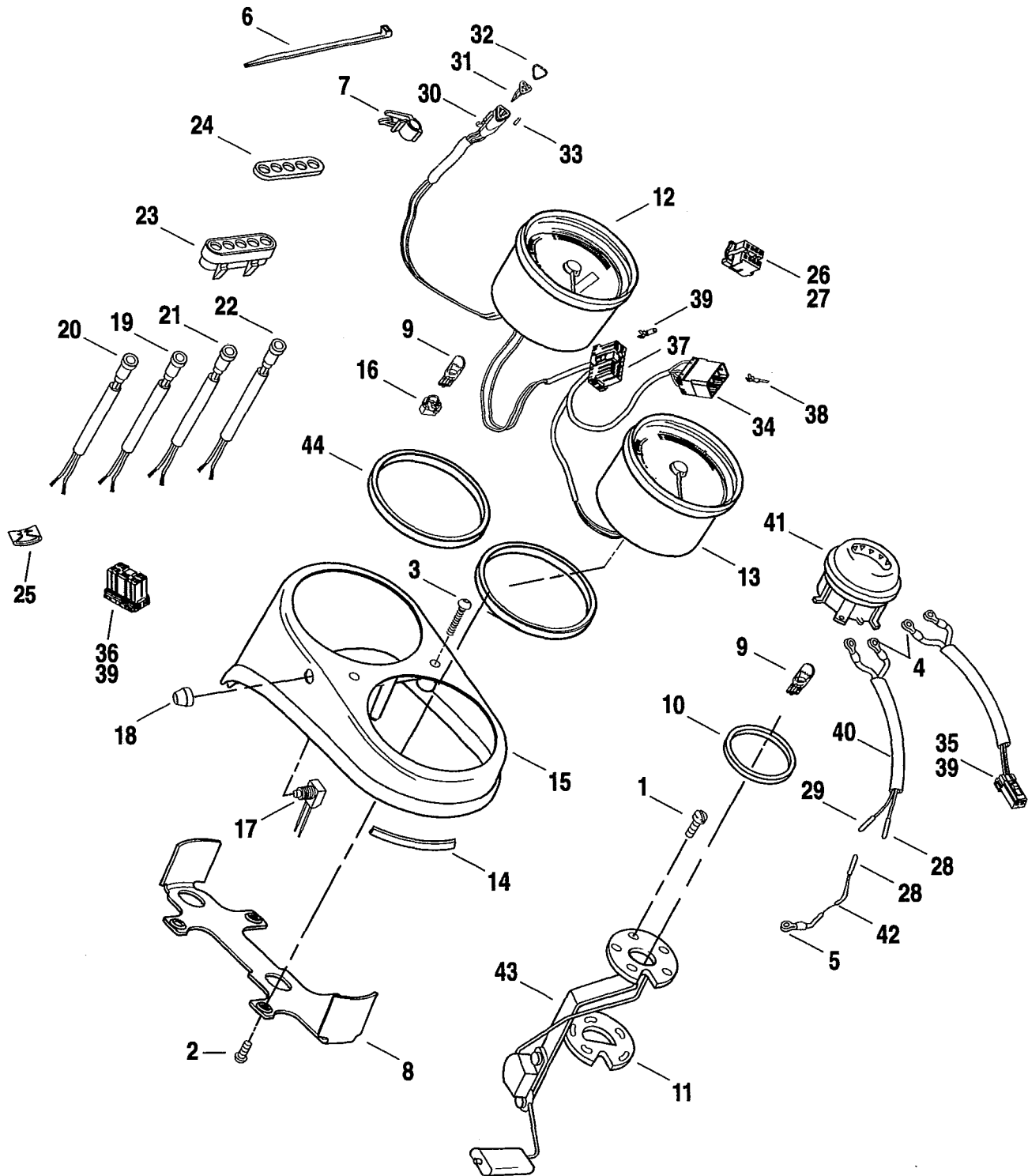
INSTRUMENTS - FXDL



INDEX NO.	PART NO.	DESCRIPTION	FLT MODELS	SOFTAIL MODELS	DYNA MODELS
1	1311C	SCREW (5)	--	--	95*-GD
2	2361	SCREW (4)	--	--	95*-GD
3	2519	SCREW (2)	--	--	95*-GD
4	9856	TERMINAL, ring type - #6 hole (2)	--	--	95*-GD
5	9857	TERMINAL, ring type - #10 hole	--	--	95-GD
6	10065	CABLE STRAP	--	--	95*-GD
7	10110	CLIP, sensor wires	--	--	95-GD
8	48047-95	BRACKET, instrument	--	--	95*-GD
9	53439-79	BULB, speedometer	--	--	95*-GD
	52441-95	BULB, tachometer	--	--	95*-GD
	67136-85	BULB, odometer/fuel gauge (2)	--	--	95*-GD
10	61192-88	GASKET, cap gauge	--	--	95*-GD
11	61324-88A	GASKET, fuel sending unit	--	--	95*-GD
12	67025-95	SPEEDOMETER, mph	--	--	95-GD
	67025-96	SPEEDOMETER, mph	--	--	96*-GD
13	67042-95	TACHOMETER	--	--	95*-GD
14	67119-95	TRIM, console	--	--	95*-GD
15	67185-95	CONSOLE	--	--	95*-GD
16	67191-94	SOCKET, speedo & tach bulb (3)	--	--	95*-GD
17	67879-94	SWITCH, reset	--	--	95*-GD
18	67880-94	BOOT, reset switch	--	--	95*-GD
19	68020-92A	INDICATOR LAMP, oil pressure (red)	--	--	95*-GD
20	68021-92A	INDICATOR LAMP, turn signal (green)(2)	--	--	95*-GD
21	68023-92A	INDICATOR LAMP, high beam (blue)	--	--	95*-GD
22	68024-92A	INDICATOR LAMP, neutral (green)	--	--	95*-GD
23	68513-92	BEZEL, indicator lamps	--	--	95*-GD
24	68516-92	TRIM, indicator lamps	--	--	95*-GD
25	68608-83	SPEED NUT (5)	--	--	95*-GD
26	70287-81	CONNECTOR, eight socket (2)	--	--	95-GD
	70344-95	WIRING HARNESS, fuel tank instruments to main wiring harness (not illustrated)	--	--	95-GD
27	72038-71	SOCKET, single pin (13)	--	--	95-GD
28	72039-71	PIN, single socket (2)	--	--	95-GD
29	72043-71	CONNECTOR, single pin	--	--	95-GD

FLT MODELS				SOFTAIL MODELS				DYNA MODELS	
FLHT	DD	FLHR-I	FB	FLSTC	BJ	FLSTF	BM	FXDL	GD
FLHTC	DJ	FLHTCU-I	FC	FXSTC	BK	FLSTN	BN	FXDWG	GE
FLTC-U	DM	FLTCU-I	FE	FXSTS	BL	FXSTSB	BP	FXDS-CON	GG
FLHTC-U	DP	FLHTC-I	FF					FXD	GH
FLHR	FD								

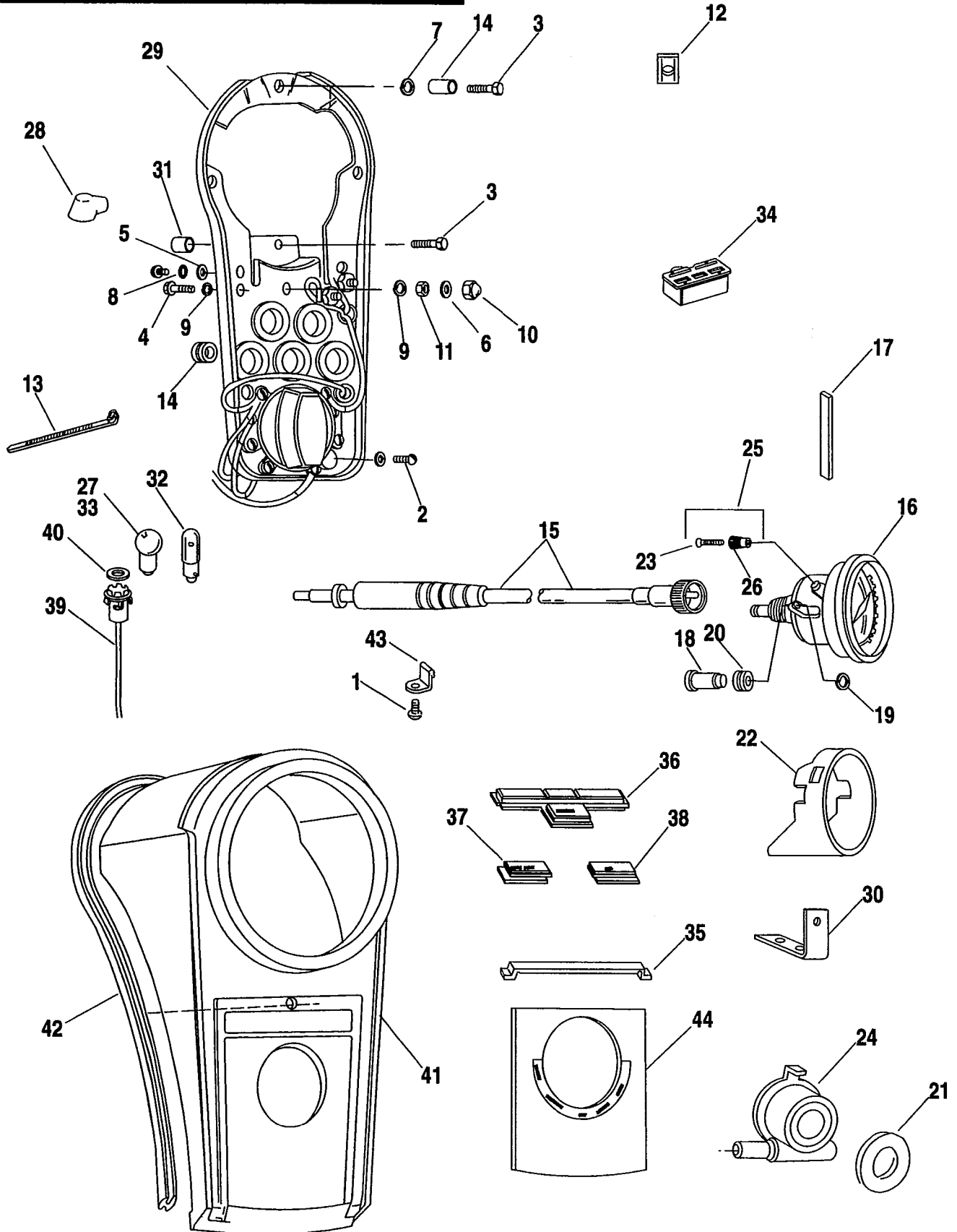
INSTRUMENTS - FXDL



INDEX NO.	PART NO.	DESCRIPTION	FLT MODELS	SOFTAIL MODELS	DYNA MODELS
30	72113-94BK	PLUG, 3-way socket	--	--	95*-GD
31	72153-94	SOCKET LOCK, secondary, 3-way	--	--	95*-GD
32	72173-94	SEAL, front (three-way plug)	--	--	95*-GD
33	72191-94	TERMINAL, socket (3)	--	--	95*-GD
34	73110-96BK	CONNECTOR, 10-place	--	--	96*-GD
35	73152-96BK	SOCKET HOUSING, 2-place	--	--	96*-GD
36	73160-96BK	SOCKET HOUSING, 10-place	--	--	96*-GD
37	73162-96BK	CONNECTOR, 12-place	--	--	96*-GD
38	73190-96	TERMINAL, pin (10)	--	--	96*-GD
39	73191-96	SOCKET CONTACT, 16-20 ga. (24)	--	--	96*-GD
40	75047-88	HARNESS, fuel gauge	--	--	95-GD
41	75049-88A	FUEL GAUGE	--	--	95*-GD
42	75058-88	WIRE, fuel gauge - ground	--	--	95-GD
43	75062-90	SENDING UNIT, with gasket	--	--	95*-GD
44	92061-95	GASKET, instrument mounting (2)	--	--	95*-GD
H-D INTERNATIONAL ONLY					
12	67018-95	SPEEDOMETER, kph (Japan & Canada)	--	--	95*-GD
	67177-95	SPEEDOMETER, kph (H.D.I.)	--	--	95*-GD
	67257-95	SPEEDOMETER, mph (Great Britain)	--	--	95*-GD
	67298-95	SPEEDOMETER, kph (Swiss)	--	--	95-GD

FLT MODELS				SOFTAIL MODELS				DYNA MODELS	
FLHT	DD	FLHR-I	FB	FLSTC	BJ	FLSTF	BM	FXDL	GD
FLHTC	DJ	FLHTCU-I	FC	FXSTC	BK	FLSTN	BN	FXDWG	GE
FLTC-U	DM	FLTCU-I	FE	FXSTS	BL	FXSTSB	BP	FXDS-CON	GG
FLHTC-U	DP	FLHTC-I	FF					FXD	GH
FLHR	FD								

INSTRUMENTS - 1995 SOFTAIL



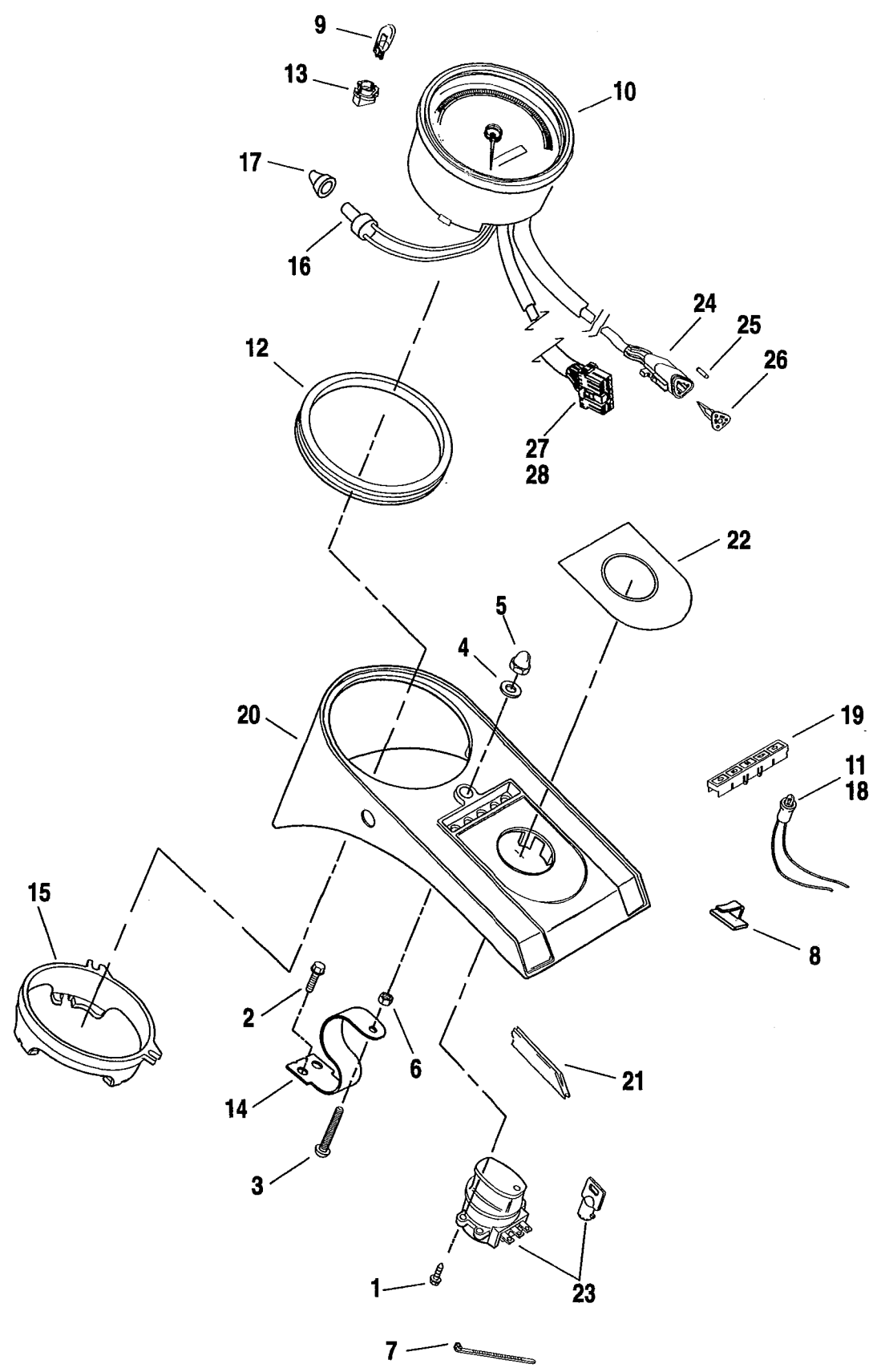
INDEX NO.	PART NO.	DESCRIPTION	FLT MODELS	SOFTAIL MODELS	DYNA MODELS
1	2567	SCREW (2)	--	95-ALL	--
2	2574WA	SCREW (6)	--	95-ALL	--
3	3419	BOLT (3)	--	95-ALL	--
4	4739A	BOLT	--	95-ALL	--
5	6198	WASHER (4)	--	95-ALL	--
6	6798	WASHER	--	95-BP	--
7	7041	LOCKWASHER	--	95-ALL	--
8	7229W	LOCKWASHER (3)	--	95-ALL	--
9	7232	LOCKWASHER	--	95-ALL	--
10	7549	ACORN NUT	--	95-ALL	--
11	7763W	NUT	--	95-ALL	--
12	8155	SPEED NUT (2)	--	95-ALL	--
13	10065	CABLE STRAP (6)	--	95-ALL	--
14	62043-81A	SPACER, panel mounting	--	95-ALL	--
15	67024-84A	CABLE ASSEMBLY, speedometer	--	95-BK/L/P	--
	67079-86A	CABLE ASSEMBLY, speedometer	--	95-BJ/M/N	--
16	67027-91A	SPEEDOMETER - mph	--	95-ALL	--
17	67067-76	ISOLATOR STRIP (black)	--	95-ALL	--
18	67068-76	PIN, speedometer mounting (2)	--	95-ALL	--
19	67069-76	RETAINING RING, speedometer mounting (2)	--	95-ALL	--
20	67070-76	GROMMET, speedometer mounting (2)	--	95-ALL	--
21	67098-87	SEAL, drive unit	--	95-BL	--
	67118-87	SEAL, drive unit	--	95-BJ/K/M/N	--
22	67115-91	SUPPORT, speedometer	--	95-ALL	--
23	67117-85	SCREW	--	95-ALL	--
24	67120-84B	DRIVE UNIT, speedometer	--	95-BK	--
	67125-86A	DRIVE UNIT, speedometer	--	95-BJ/M/N	--
	67166-88	DRIVE UNIT, speedometer	--	95-BL/P	--
25	67212-93	RESET KNOB KIT w/ #23 & 26	--	95-ALL	--
26	67215-89	KNOB, odometer reset	--	95-ALL	--
27	68462-64	BULB, indicator lamps (4)	--	95-ALL	--
28	70579-65	INSULATING BOOT	--	95-ALL	--
29	70936-91B	INSTRUMENT PANEL BASE	--	95-ALL	--
30	70939-84A	BRACKET, circuit breakers (plastic)	--	95-ALL	--
31	70941-84A	SPACER, instrument panel mounting (2)	--	95-ALL	--
32	71090-64	BULB, speedometer (2)	--	95-ALL	--
33	71092-68A	BULB, high beam indicator	--	95-ALL	--
34	71134-68	SUPPORT, indicator lamp lens	--	95-ALL	--
35	71141-68	RETAINER, indicator lamp lens	--	95-ALL	--
36	71150-92	LENS, neutral (green)	--	95-ALL	--
37	71151-92	LENS, high beam (blue)	--	95-ALL	--
38	71152-92	LENS, oil pressure (red)	--	95-ALL	--
39	71158-86B	SOCKET KIT, speedometer lamp	--	95-ALL	--
40	71182-47A	WASHER, signal lamp socket (4)	--	95-ALL	--
41	71241-91	COVER, instrument panel (chrome)	--	95-BJ/K/L/M/N	--
	71248-95	COVER, instrument panel (black)	--	95-BP	--
42	71295-68	GASKET, instrument panel cover (2)	--	95-ALL	--
43	71297-68	CLIP, lens support (2)	--	95-ALL	--
44	71300-94	PLATE, ignition switch	--	95-ALL	--

H-D INTERNATIONAL ONLY

16	67030-91A	SPEEDOMETER - kph (HDI only)	--	95-ALL	--
----	-----------	------------------------------	----	--------	----

FLT MODELS				SOFTAIL MODELS				DYNA MODELS	
FLHT	DD	FLHR-I	FB	FLSTC	BJ	FLSTF	BM	FXDL	GD
FLHTC	DJ	FLHTCU-I	FC	FXSTC	BK	FLSTN	BN	FXDWG	GE
FLTC-U	DM	FLTCU-I	FE	FXSTS	BL	FXSTSB	BP	FXDS-CON	GG
FLHTC-U	DP	FLHTC-I	FF					FXD	GH
FLHR	FD								

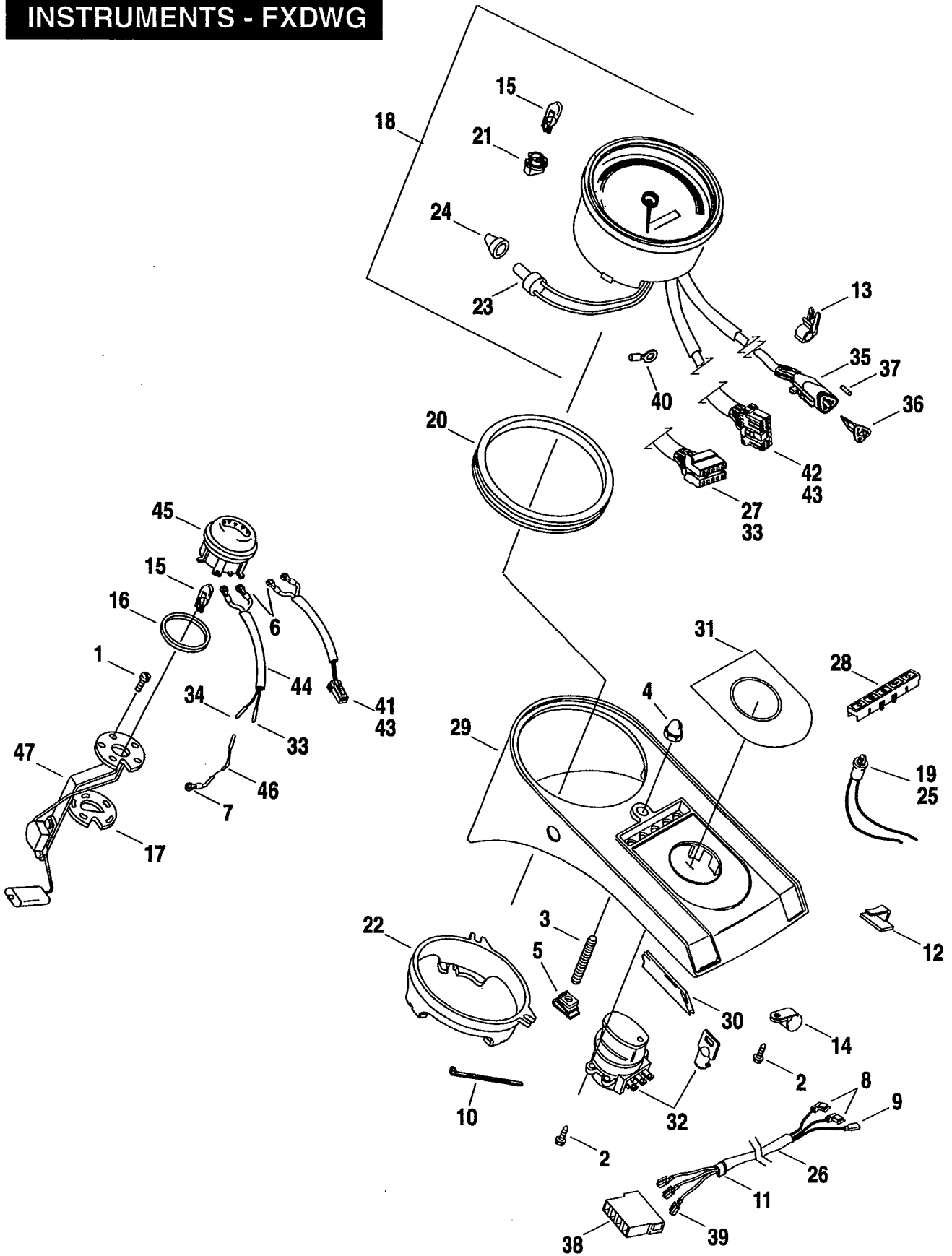
INSTRUMENTS - 1996 SOFTAIL



INDEX NO.	PART NO.	DESCRIPTION	FLT MODELS	SOFTAIL MODELS	DYNA MODELS
1	2501A	SCREW (4)	--	96*-ALL	--
2	3546	SCREW (2)	--	96*-ALL	--
3	4761	SCREW	--	96*-ALL	--
4	6121	WASHER	--	96*-ALL	--
5	7497	LOCKNUT, acorn	--	96*-ALL	--
6	7688	NUT	--	96*-ALL	--
7	10065	CABLE STRAP (2)	--	96*-ALL	--
8	10102	CLIP, adhesive back	--	96*-ALL	--
	10103	CLIP, adhesive back	--	96*-ALL	--
9	53439-79	BULB, backlight	--	96*-ALL	--
	67136-85	BULB, backlight	--	96*-ALL	--
10	67027-96	SPEEDOMETER, mph	--	96*-ALL	--
11	67184-94	SOCKET, indicator lamps (5)	--	96*-ALL	--
12	67190-89	SEAL, speedometer	--	96*-ALL	--
13	67191-94	SOCKET, instrument bulbs (2)	--	96*-ALL	--
14	67260-96	BRACKET, instrument panel mtg.	--	96*-ALL	--
15	67271-94	BACK CLAMP	--	96*-ALL	--
16	67879-94	SWITCH, reset	--	96*-ALL	--
17	67880-94	BOOT, reset switch	--	96*-ALL	--
18	68024-94	BULB, indicator lamps (5)	--	96*-ALL	--
19	71146-94	LENS, indicator lamps	--	96*-ALL	--
20	71254-96	INSTRUMENT PANEL, with 10102 & 10103 clips	--	96*-BJ/K/L/M/N	--
	71255-96	INSTRUMENT PANEL, with 10102 & 10103 clips	--	96*-BP	--
21	71265-95	TRIM, instrument panel	--	96*-ALL	--
22	71302-93	NAMEPLATE, ignition switch	--	96*-ALL	--
23	71313-96	IGNITION SWITCH, with keys	--	96*-ALL	--
24	72113-94BK	PLUG, 3-way socket	--	96*-ALL	--
25	72191-94	TERMINAL, socket (3)	--	96*-ALL	--
26	72153-94	SOCKET LOCK, secondary, 3-way	--	96*-ALL	--
27	73162-96BK	CONNECTOR, 12-place	--	96*-ALL	--
28	73191-96	SOCKET CONTACT, 16-20 ga. (12)	--	96*-ALL	--
H-D INTERNATIONAL ONLY					
10	67030-96	SPEEDOMETER, kph	--	96*-ALL	--
	67282-96	SPEEDOMETER, mph/kph	--	96*-ALL	--

FLT MODELS				SOFTAIL MODELS				DYNA MODELS	
FLHT	DD	FLHR-I	FB	FLSTC	BJ	FLSTF	BM	FXDL	GD
FLHTC	DJ	FLHTCU-I	FC	FXSTC	BK	FLSTN	BN	FXDWG	GE
FLTC-U	DM	FLTCU-I	FE	FXSTS	BL	FXSTSB	BP	FXDS-CON	GG
FLHTC-U	DP	FLHTC-I	FF					FXD	GH
FLHR	FD								

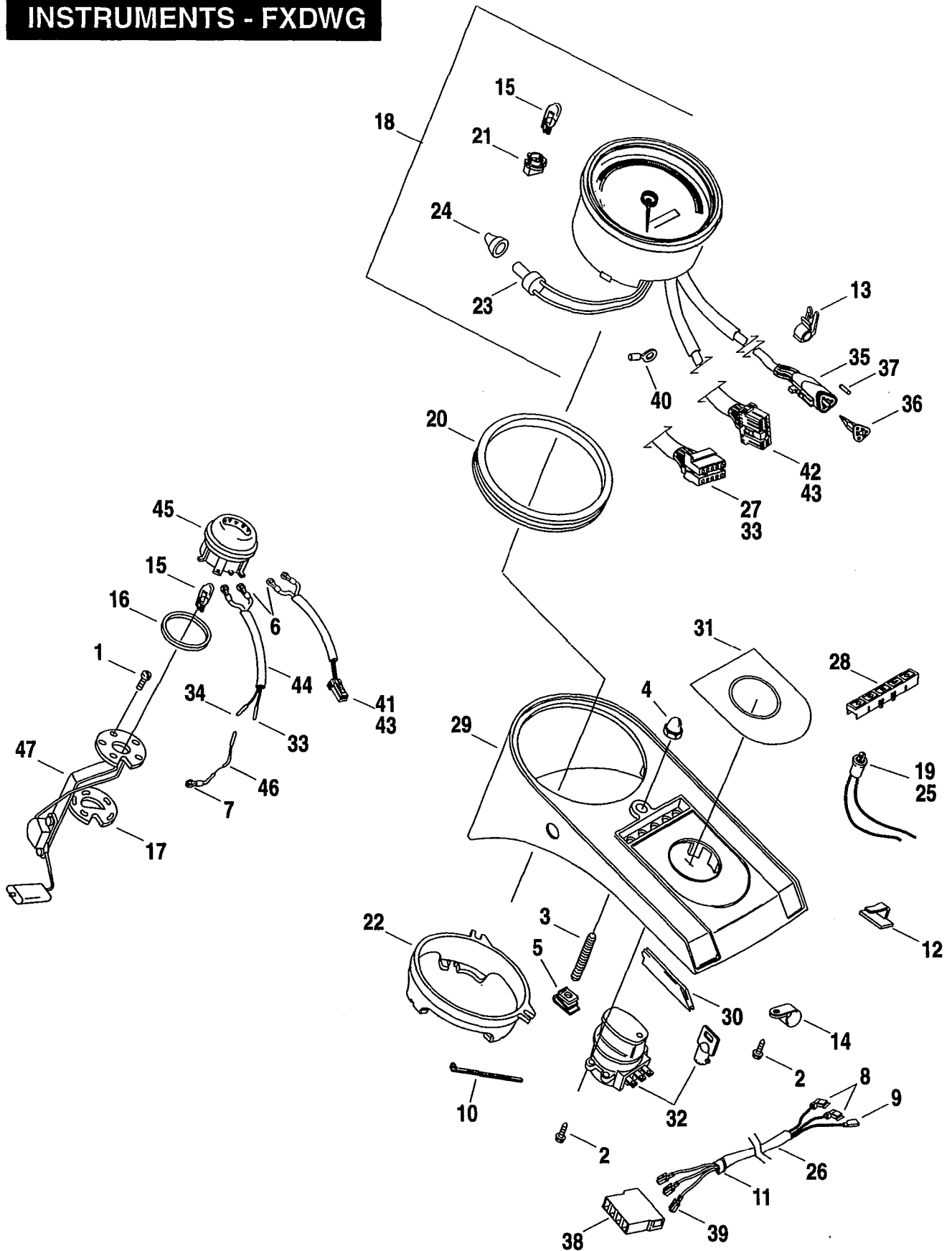
INSTRUMENTS - FXDWG



INDEX NO.	PART NO.	DESCRIPTION	FLT MODELS	SOFTAIL MODELS	DYNA MODELS
1	1311C	SCREW (5)	--	--	95*-GE
2	2501A	SCREW (5)	--	--	95*-GE
3	3256	SET SCREW	--	--	95*-GE
4	7549	ACORN NUT	--	--	95*-GE
5	8102	CAGE NUT	--	--	95*-GE
6	9856	TERMINAL, ring type - #6 hole (2)	--	--	95*-GE
7	9857	TERMINAL, ring type - #10 hole	--	--	95*-GE
8	9898	TERMINAL, female flag, #14-16 ga. (2)	--	--	95*-GE
9	9907	TERMINAL, connector	--	--	95*-GE
10	10006	CABLE STRAP (2)	--	--	95*-GE
11	10065	CABLE STRAP	--	--	95*-GE
12	10102	CLIP (2)	--	--	96*-GE
13	10110	CLIP	--	--	96*-GE
14	38717-91	CLAMP, cable	--	--	95*-GE
15	53439-79	BULB, speedometer	--	--	95*-GE
	67136-85	BULB, odometer/fuel gauge (2)	--	--	95*-GE
16	61192-88	GASKET, cap gauge	--	--	95*-GE
17	61324-88A	GASKET, fuel sending unit	--	--	95*-GE
18	67178-95	SPEEDOMETER, mph	--	--	95*-GE
	67178-96	SPEEDOMETER, mph	--	--	96*-GE
19	67184-94	SOCKET, indicator lamps (5)	--	--	95*-GE
20	67190-89	SEAL, speedometer	--	--	95*-GE
21	67191-94	SOCKET, instrument bulbs (2)	--	--	95*-GE
22	67271-94	BACK CLAMP	--	--	95*-GE
23	67879-94	SWITCH, reset	--	--	95*-GE
24	67880-94	BOOT, reset switch	--	--	95*-GE
25	68024-94	BULB, indicator lamps (5)	--	--	95*-GE
26	70250-95A	HARNESS, ignition switch	--	--	95*-GE
27	70293-87	CONNECTOR, 10 socket	--	--	95*-GE
28	71146-94	LENS, indicator lamps	--	--	95*-GE
29	71246-95	INSTRUMENT PANEL	--	--	95*-GE
30	71265-95	TRIM, instrument panel	--	--	95*-GE
31	71302-93	NAMEPLATE, ignition switch	--	--	95*-GE
32	71419-93	LOCK SET w/ fork lock, keys & ign. switch	--	--	95*-GE
	71452-91A	KEY (specify key code)	--	--	95*-GE
	71501-93	IGNITION SWITCH, w/ keys	--	--	95*-GE
33	72038-71	SOCKET, single pin (7)	--	--	95*-GE
34	72039-71	PIN, single socket	--	--	95*-GE
35	72113-94BK	PLUG, 3-way socket	--	--	95*-GE
36	72153-94	SOCKET LOCK, secondary, 3-way	--	--	95*-GE
37	72191-94	TERMINAL, socket (3)	--	--	95*-GE
38	72206-94	CONNECTOR, receptacle, 4-way	--	--	95*-GE
39	72207-94	TERMINAL, female, #14 ga. (3)	--	--	95*-GE
40	72241-94	TERMINAL, ring type - #10 hole, 18-20 ga. (3)	--	--	95*-GE

FLT MODELS				SOFTAIL MODELS				DYNA MODELS	
FLHT	DD	FLHR-I	FB	FLSTC	BJ	FLSTF	BM	FXDL	GD
FLHTC	DJ	FLHTCU-I	FC	FXSTC	BK	FLSTN	BN	FXDWG	GE
FLTC-U	DM	FLTCU-I	FE	FXSTS	BL	FXSTSB	BP	FXDS-CON	GG
FLHTC-U	DP	FLHTC-I	FF					FXD	GH
FLHR	FD								

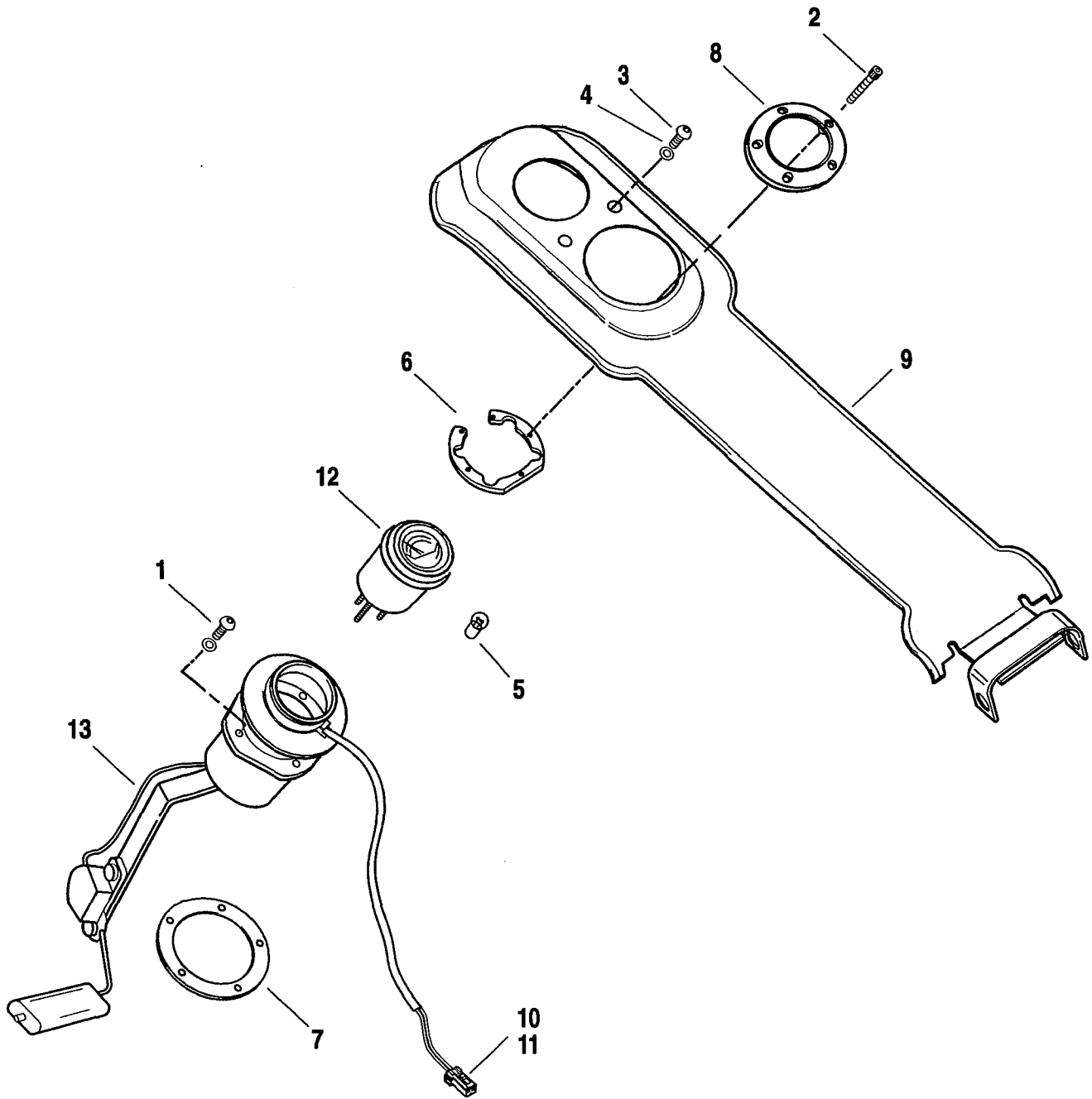
INSTRUMENTS - FXDWG



INDEX NO.	PART NO.	DESCRIPTION	FLT MODELS	SOFTAIL MODELS	DYNA MODELS
41	73152-96BK	SOCKET HOUSING, 2-place	--	--	96*-GE
42	73162-96BK	CONNECTOR, 12-place	--	--	96*-GE
43	73191-96	SOCKET CONTACT, 16-20 ga. (12)	--	--	96*-GE
44	75047-88	HARNESS, fuel gauge	--	--	95-GE
45	75049-88A	FUEL GAUGE	--	--	95*-GE
46	75058-88	WIRE, fuel gauge - ground	--	--	95-GE
47	75062-90	SENDING UNIT, with gasket	--	--	95*-GE
H-D INTERNATIONAL ONLY					
18	67179-95	SPEEDOMETER, kph (H.D.I.)	--	--	95*-GE
	67256-95	SPEEDOMETER, mph (Great Britain)	--	--	95*-GE
	67255-95	SPEEDOMETER, kph (Japan & Canada)	--	--	95*-GE
	67301-95	SPEEDOMETER, kph (Swiss)	--	--	95-GE

FLT MODELS				SOFTAIL MODELS				DYNA MODELS	
FLHT	DD	FLHR-I	FB	FLSTC	BJ	FLSTF	BM	FXDL	GD
FLHTC	DJ	FLHTCU-I	FC	FXSTC	BK	FLSTN	BN	FXDWG	GE
FLTC-U	DM	FLTCU-I	FE	FXSTS	BL	FXSTSB	BP	FXDS-CON	GG
FLHTC-U	DP	FLHTC-I	FF					FXD	GH
FLHR	FD								

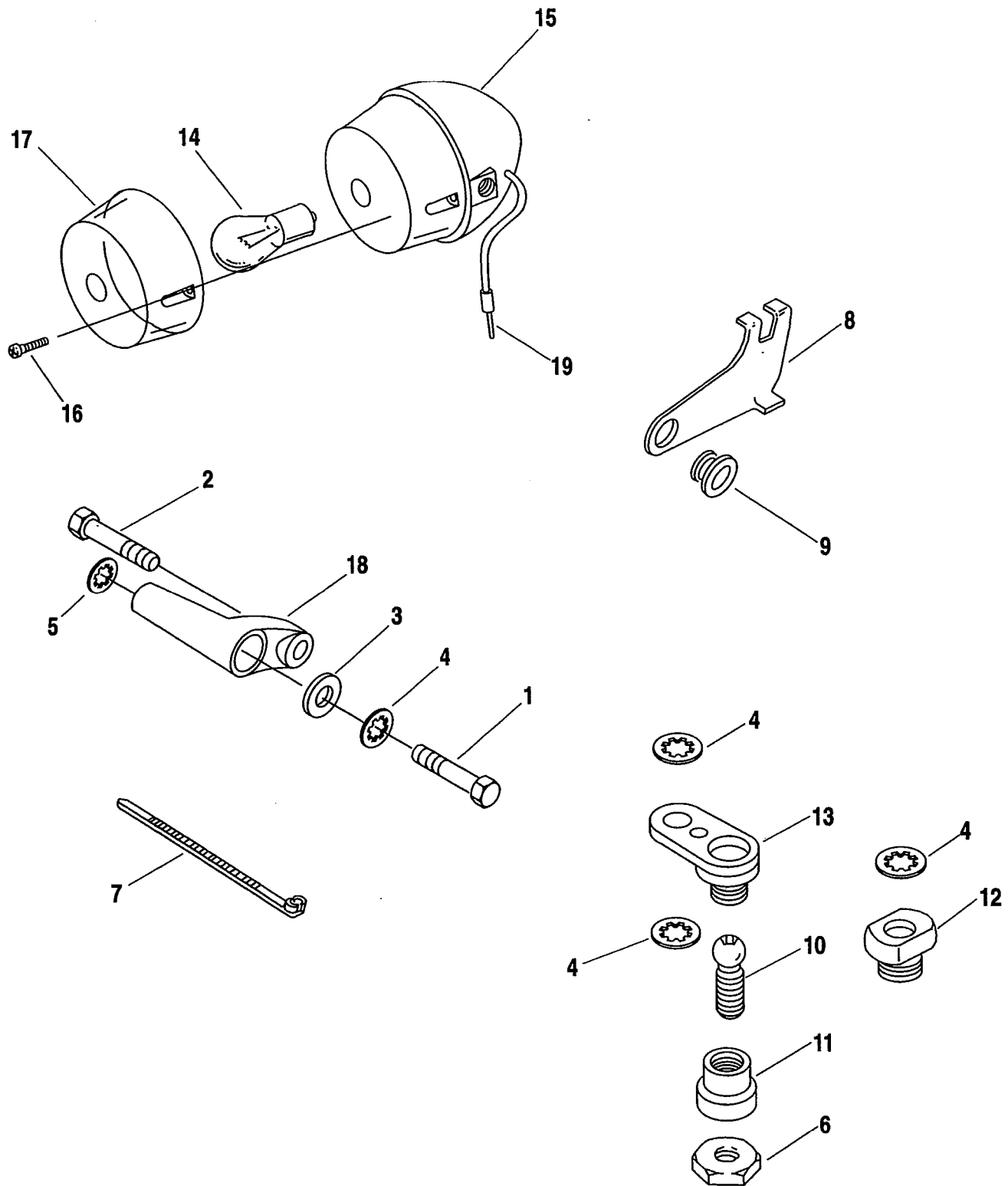
FUEL TANK INSTRUMENTS - FXD & FXDS-CON



INDEX NO.	PART NO.	DESCRIPTION	FLT MODELS	SOFTAIL MODELS	DYNA MODELS
1	1311C	SCREW, sealing (5)	--	--	95*-GG/H
2	1319	SCREW (5)	--	--	95*-GG/H
3	4363	SCREW (black)(2)	--	--	95*-GG/H
4	7017	WASHER (black)(2)	--	--	95*-GG/H
5	53439-79	BULB, fuel gauge	--	--	95*-GG/H
6	61235-94	RING, trim panel	--	--	95*-GG/H
7	61344-94	GASKET	--	--	95*-GG/H
8	61400-94	HOUSING, fuel gauge	--	--	95*-GG/H
9	61654-94	TRIM PANEL ASM.	--	--	95*-GG/H
10	73152-96BK	SOCKET HOUSING, 2-place	--	--	96*-GG/H
11	73191-96	SOCKET CONTACT, 16-20 ga. (2)	--	--	96*-GG/H
12	75067-94	FUEL GAUGE	--	--	95*-GG/H
13	75068-94	SENDING UNIT	--	--	95*-GG/H

FLT MODELS				SOFTAIL MODELS				DYNA MODELS	
FLHT	DD	FLHR-I	FB	FLSTC	BJ	FLSTF	BM	FXDL	GD
FLHTC	DJ	FLHTCU-I	FC	FXSTC	BK	FLSTN	BN	FXDWG	GE
FLTC-U	DM	FLTCU-I	FE	FXSTS	BL	FXSTSB	BP	FXDS-CON	GG
FLHTC-U	DP	FLHTC-I	FF					FXD	GH
FLHR	FD								

FRONT TURN SIGNALS - SOFTAIL & DYNA



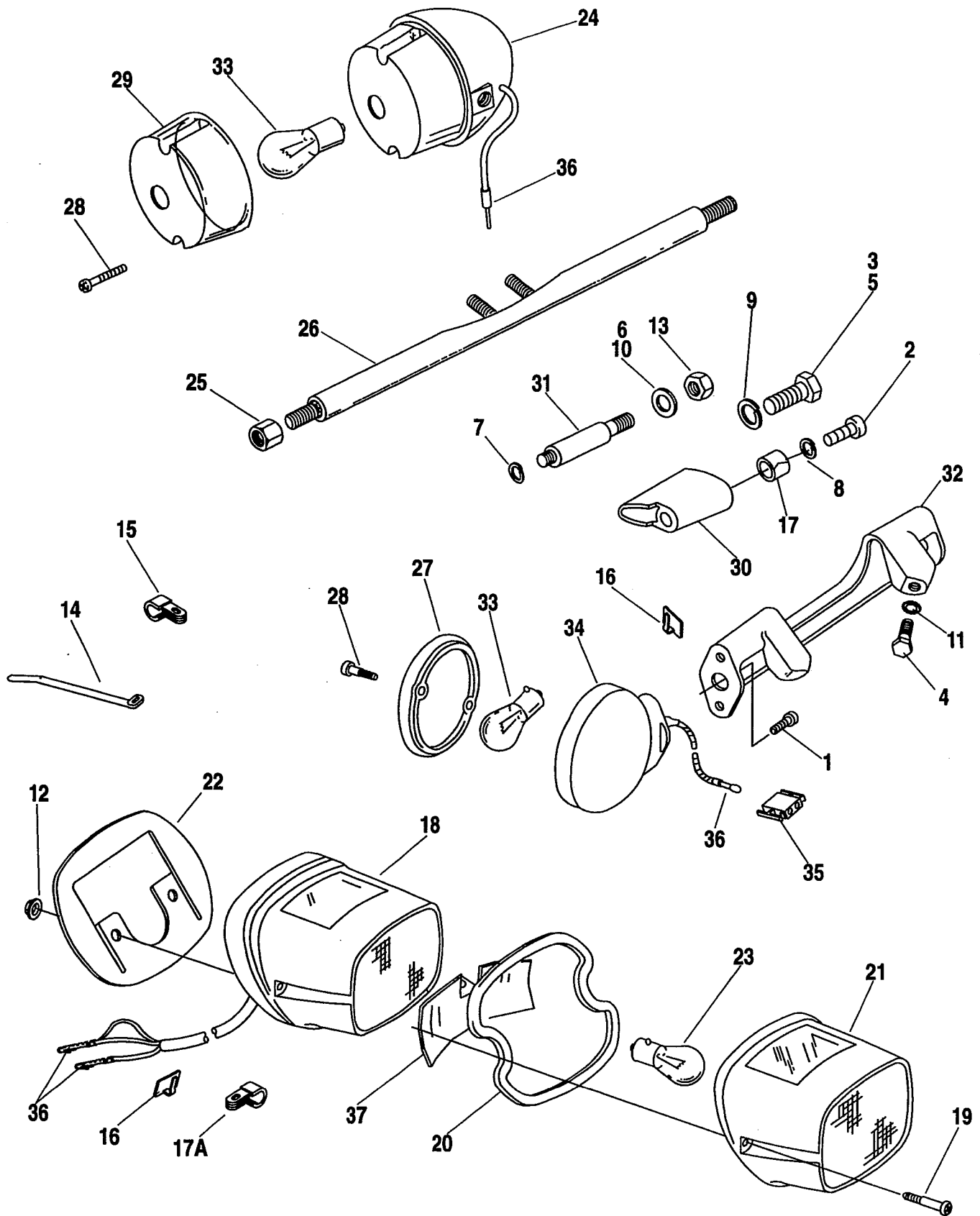
FRONT TURN SIGNALS - SOFTAIL & DYNA MODELS

FC47

INDEX NO.	PART NO.	DESCRIPTION	FLT MODELS	SOFTAIL MODELS	DYNA MODELS
1	2698A	SCREW (2)	--	--	95*-GG
2	4047	SCREW (2)	--	--	95*-GG
3	7042	WASHER (2)	--	--	95*-GG
4	7127	LOCKWASHER (3)	--	95*-BK/L/M/N/P	95*-ALL
5	7130W	LOCKWASHER (2)	--	--	95*-GG
6	7744	JAM NUT (2)	--	95*-BK/L/M/N/P	95*-GD/E/H
7	10006	CABLE STRAP (2)	--	95*-BK/L/M/N/P	--
	10065	CABLE STRAP	--	95*-BK/L/M/N/P	--
8	45096-95A	GUIDE, turn signal cables	--	--	95*-GG
9	67055-92	GROMMET	--	--	95-GG
	67266-94	GROMMET	--	--	96*-GG
10	67822-88	BALL STUD (2)	--	95*-BK/L/M/N/P	95*-GD/E/H
11	67827-88A	CLAMP, ball stud (2)	--	95*-BK/L/M/N/P	95*-GD/E/H
12	67828-88A	RETAINER, right	--	95*-BK/L/M/N/P	95*-GD/E/H
13	67829-88	BALL RECEPTACLE, left	--	95*-BK/L/M/N/P	95*-GD/E/H
14	68168-89	BULB, front turn signals (2)	--	95*-BK/L/M/N/P	95*-ALL
15	68406-86C	LAMP w/ wire, front (2)	--	95-BK/L/M/N/P	95-ALL
	68709-94	LAMP w/ wire, front (2)	--	96*-BK/L/M/N/P	96*-ALL
16	68452-86	SCREW, turn signal lens (4)	--	95*-BK/L/M/N/P	95*-ALL
17	68457-86	LENS, turn signal (amber) (2)	--	95*-BK/L/M/N/P	95*-ALL
18	68555-87	SUPPORT, front turn signal (2)	--	--	95*-GG
19	72039-71	PIN, single socket (2)	--	95*-BK/L/M/N/P	95-GG
	73191-96	SOCKET CONTACT, 16-20 ga. (2)	--	96*-BK/L/M/N/P	96*-ALL
	73156-96BK	SOCKET HOUSING, 6-place (not illustrated)	--	--	96*-ALL
H-D INTERNATIONAL ONLY					
14	68163-84	BULB (2) (HDI only)	--	95*-BK/L/M/N/P	95*-ALL
15	68408-86D	LAMP w/ wire, front (2) (HDI only)	--	95-BK/L/M/N/P	95-ALL
	68710-94	LAMP w/ wire, front (2) (HDI only)	--	96*-BK/L/M/N/P	96*-ALL
17	68566-90	LENS, turn signal (amber) (2) (HDI only)	--	95*-BK/L/M/N/P	95*-ALL

FLT MODELS				SOFTAIL MODELS				DYNA MODELS	
FLHT	DD	FLHR-I	FB	FLSTC	BJ	FLSTF	BM	FXDL	GD
FLTC	DJ	FLTCU-I	FC	FXSTC	BK	FLSTN	BN	FXDWG	GE
FLTC-U	DM	FLTCU-I	FE	FXSTS	BL	FXSTSB	BP	FXDS-CON	GG
FLTC-U	DP	FLTC-I	FF					FXD	GH
FLHR	FD								

TAIL LAMP & REAR TURN SIGNALS



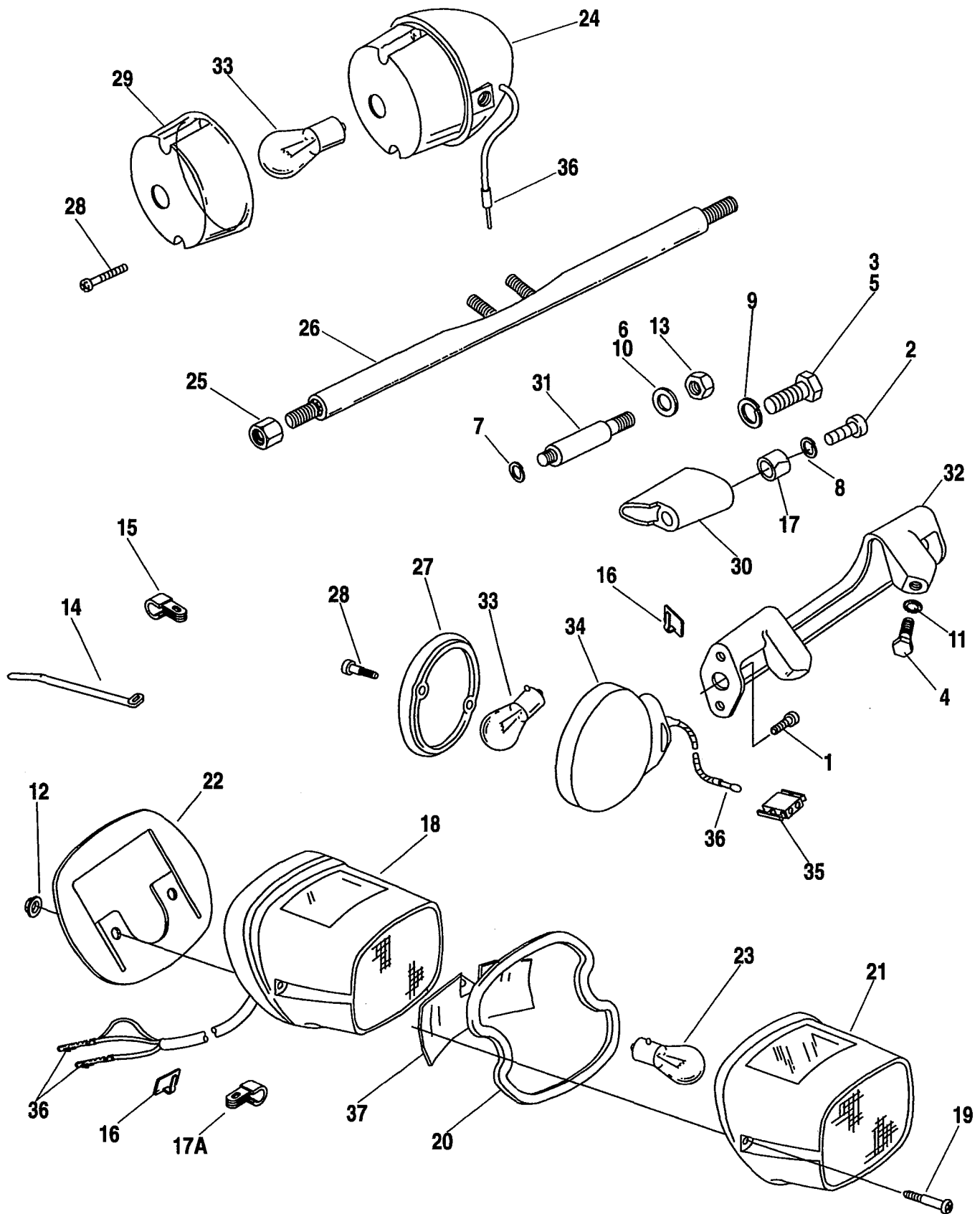
TAIL LAMP & REAR TURN SIGNALS

FC47A-1

INDEX NO.	PART NO.	DESCRIPTION	FLT MODELS	SOFTAIL MODELS	DYNA MODELS
1	2692WB	SCREW (4)	95*-DD/J/M/P;FC	95*-BJ/N	--
2	2698A	SCREW (2)	--	95-BK/L/P	--
	2696	SCREW (2)	--	96*-BK/L/P	--
	3257	SCREW (2)	--	--	95-GE
	3409	SCREW (2)	--	--	95*-GD/H 96*-GE
3	2904A	BOLT (2)	--	95*-ALL	--
4	3576	BOLT (2)	95*-ALL	95*-BJ/N	--
5	3893	SCREW, turn signal ground	--	95*-ALL	--
6	6701	WASHER (2)	--	--	95*-ALL
7	7041	LOCKWASHER (2)	--	--	95*-ALL
8	7042	LOCKWASHER (2)	--	95*-BK/L/P	--
	7100	LOCKWASHER (2)	--	--	95*-GD/G/H
9	7045	LOCKWASHER (2)	--	95*-ALL	--
10	7101	LOCKWASHER (2)	--	95*-BM	--
11	7230	LOCKWASHER	95*-ALL	--	--
12	7501	SPEED NUT (2)	95*-ALL	95*-ALL	95*-ALL
13	7800W	NUT (2)	--	95*-BM	--
14	10065	CABLE STRAP	95*-ALL	95*-ALL	95*-ALL
15	10059A	CLIP	--	95*-BJ/N	--
16	10120	CLIP (2;3-FD)	95*-ALL	95*-BJ/N	--
	10102	CLIP	--	--	96*-GD/E/H
17	59959-86	SPACER	--	95*-BK/L/P	--
17A	67075-57A	CLIP	--	--	95*-GE
18	68048-93B	TAIL LAMP ASSEMBLY	95*-ALL	95*-ALL	95*-ALL
19	68026-73	SCREW, tail lamp (2)	95*-ALL	95*-ALL	95*-ALL
20	68027-90	GASKET, tail lamp lens	95*-ALL	95*-ALL	95*-ALL
21	68033-90	LENS, tail lamp (red)	95*-ALL	95*-ALL	95*-ALL
22	68123-73	GASKET, tail lamp housing	95*-ALL	95*-BJ/M/N	95*-GD/G/H
23	68168-89	BULB, tail lamp	95*-ALL	95*-ALL	95*-ALL
24	68407-86	LAMP w/ wire, rear (amber) (2)	--	--	95-GD/E/H
	68410-87B	LAMP w/ wire, rear (amber) (2)	--	--	95-GG
	68760-94	LAMP w/ wire, rear (amber) (2)	--	95*-BK/L/P	96*-GD/E/H
	68802-95	LAMP w/ wire, rear (amber) (2)	--	95*-BM	96*-GG

FLT MODELS				SOFTAIL MODELS				DYNA MODELS	
FLHT	DD	FLHR-I	FB	FLSTC	BJ	FLSTF	BM	FXDL	GD
FLHTC	DJ	FLHTCU-I	FC	FXSTC	BK	FLSTN	BN	FXDWG	GE
FLTC-U	DM	FLTCU-I	FE	FXSTS	BL	FXSTSB	BP	FXDS-CON	GG
FLHTC-U	DP	FLHTC-I	FF					FXD	GH
FLHR	FD								

TAIL LAMP & REAR TURN SIGNALS



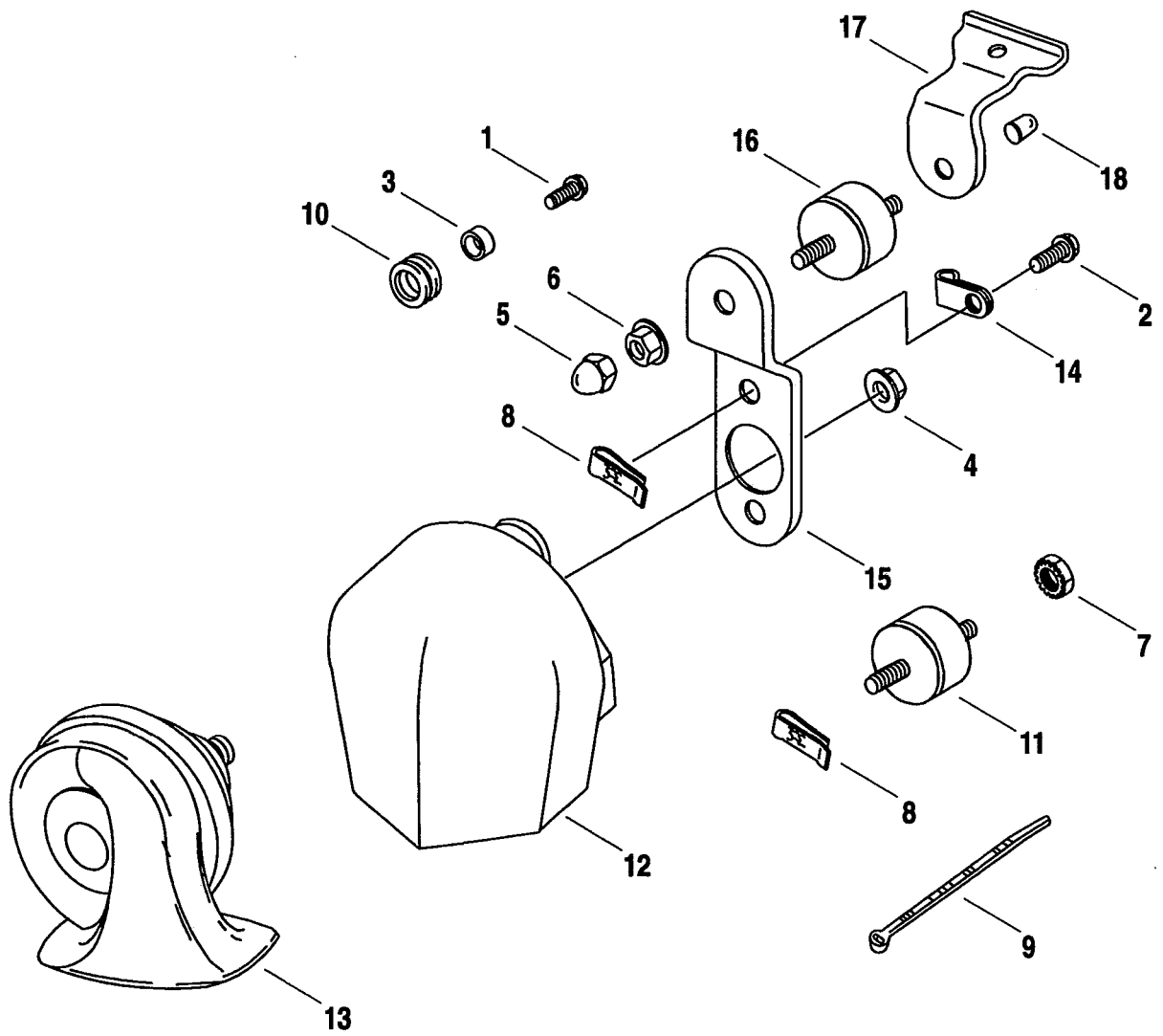
TAIL LAMP & REAR TURN SIGNALS (CONT'D)

FC47A-2

INDEX NO.	PART NO.	DESCRIPTION	FLT MODELS	SOFTAIL MODELS	DYNA MODELS
25	68424-89	NUT (2)	--	--	95*-GG
26	68430-89	TURN SIGNAL BAR	--	--	95*-GG
27	68440-86	LENS, turn signal (2)	95*-ALL	95*-BJ/N	--
28	68452-86	SCREW (4)	95*-ALL	95*-ALL	95*-ALL
29	68457-86	LENS, turn signal	--	95*-BK/L/M	95*-ALL
30	68480-73	SUPPORT, rear lamp mounting (2)	--	95*-BK/L/P	--
	68480-93	SUPPORT, rear lamp mounting (2)	--	--	95*-GD/E
31	68493-90	SUPPORT, rear lamp mounting	--	95*-BM	--
32	68510-74B	BRACKET, rear turn signal	95*-ALL	95*-BJ/N	--
33	68572-64B	BULB, rear turn signal (2)	95*-ALL	95*-ALL	95*-ALL
34	68713-94	LAMP w/ wire, rear (amber) (2)	95*-ALL	95*-BJ/N	--
35	72034-71	CONNECTOR, two pin (2)	95-ALL	95-BJ/N	--
	73152-96BK	SOCKET HOUSING, 2-place(2)	96*-ALL	96*-BJ/N	--
36	72039-71	PIN, single socket (2; 3 - GE)	95-ALL	95-ALL	95-ALL
	73191-96	CONTACT SOCKET, 16-20 ga. (4)	96*-ALL	96*-ALL	96*-ALL
H-D INTERNATIONAL ONLY					
10	7101	LOCKWASHER (2)(HDI only)	--	95*-BK/L/M/P	--
13	7800W	LOCKNUT (2)(HDI only)	--	95*-BK/L/M/P	--
	59710-84	COVER, rear turn signal hole (2) (HDI only)	--	95*-BK/L	--
21	68032-90	LENS, tail lamp (red) (HDI only)	95*-ALL	95*-ALL	95*-ALL
37	68036-91	REFLECTOR, tail lamp (HDI only)	95*-ALL	95*-ALL	95*-ALL
18	68049-93B	TAIL LAMP ASSEMBLY (HDI only)	95*-ALL	95*-ALL	95*-ALL
23	68169-90	BULB, tail lamp (HDI only)	95*-ALL	95*-ALL	95*-ALL
31	68493-90	SUPPORT, turn signal (2)(HDI only)	--	95*-BK/L/P	--
24	68403-86	LAMP w/ wire, rear (amber) (2) (HDI only)	--	--	95-GG
	68745-93	LAMP w/ wire, rear (amber) (2) (HDI only)	--	--	95-GD/E/H
	68763-94	LAMP w/ wire, rear (amber) (2) (HDI only)	--	--	96*-GD/E/H
	68803-95	LAMP w/ wire, rear (amber) (2) (HDI only)	--	95*-BK/L/M/P	96*-GG
27	68506-92	LENS, turn signal (amber) (2) (HDI only)	95*-ALL	95*-BJ/N	--
29	68507-90	LENS, turn signal (amber) (2) (HDI only)	--	95*-BK/L/M	95*-ALL
33	68163-84	BULB, rear turn signal (HDI only)	95*-ALL	95*-ALL	95*-ALL
34	68765-94	LAMP w/ wire, rear (amber) (2) (HDI only)	95*-ALL	95*-BJ/N	--

FLT MODELS				SOFTAIL MODELS				DYNA MODELS	
FLHT	DD	FLHR-I	FB	FLSTC	BJ	FLSTF	BM	FXDL	GD
FLHTC	DJ	FLHTCU-I	FC	FXSTC	BK	FLSTN	BN	FXDWG	GE
FLTC-U	DM	FLTCU-I	FE	FXSTS	BL	FXSTSB	BP	FXDS-CON	GG
FLHTC-U	DP	FLHTC-I	FF					FXD	GH
FLHR	FD								

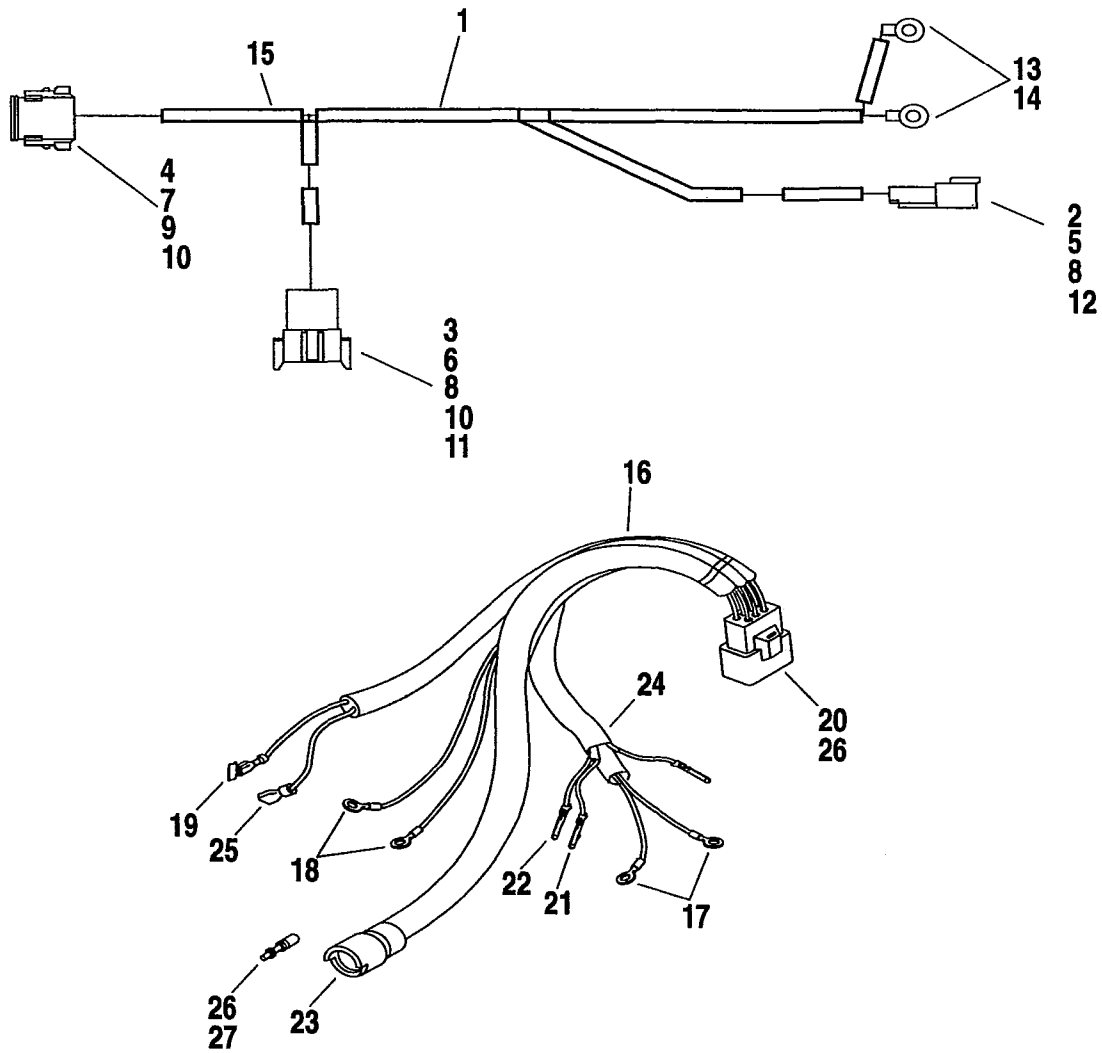
HORN



INDEX NO.	PART NO.	DESCRIPTION	FLT MODELS	SOFTAIL MODELS	DYNA MODELS
1	3574	SCREW, flange	--	--	95-ALL
2	3588	SCREW (2)	95*-ALL	95*-ALL	96*-ALL
3	5926B	SPACER	--	--	95-ALL
4	7495	NUT	95*-ALL	95*-ALL	95*-ALL
5	7507	ACORN NUT	95*-ALL	95*-ALL	96*-ALL
6	7576	NUT, flange	95*-ALL	95*-ALL	96*-ALL
7	7792	NUT, with washer	--	--	95-ALL
8	8108	NUT, push (2)	95*-ALL	95*-ALL	95*-ALL
9	10006	CABLE STRAP	--	95*-ALL	--
10	11411	GROMMET	--	--	95-ALL
11	62563-65	MOUNT, horn (rubber)	--	--	95-ALL
12	69011-95	COVER, horn (black)	--	--	95-ALL
	69012-93A	COVER, horn (chrome)	95*-ALL	95*-ALL	96*-ALL
13	69060-90C	HORN ASM. with #4	95*-ALL	95*-ALL	96*-ALL
	69074-95A	HORN ASM.	--	--	95-ALL
14	69062-91A	CLAMP	95*-ALL	95*-ALL	96*-ALL
15	69120-91	BRACKET, horn	95*-ALL	95*-ALL	96*-ALL
16	69125-65	MOUNT, horn (rubber)	95*-ALL	95*-ALL	96*-ALL
17	69133-95	BRACKET, horn	95-FC 96*-FB/C/E/F	--	--
18	89579-91	CAP, protective	95*-ALL	95*-ALL	96*-ALL
H-D INTERNATIONAL ONLY					
13	69074-95A	HORN ASM.	95-ALL	95-ALL	--
16	69122-95	MOUNT, horn (rubber)	95*-ALL	95*-ALL	96*-ALL

FLT MODELS				SOFTAIL MODELS				DYNA MODELS	
FLHT	DD	FLHR-I	FB	FLSTC	BJ	FLSTF	BM	FXDL	GD
FLHTC	DJ	FLHTCU-I	FC	FXSTC	BK	FLSTN	BN	FXDWG	GE
FLTC-U	DM	FLTCU-I	FE	FXSTS	BL	FXSTSB	BP	FXDS-CON	GG
FLHTC-U	DP	FLHTC-I	FF					FXD	GH
FLHR	FD								

WIRING HARNESS, IGNITION MODULE



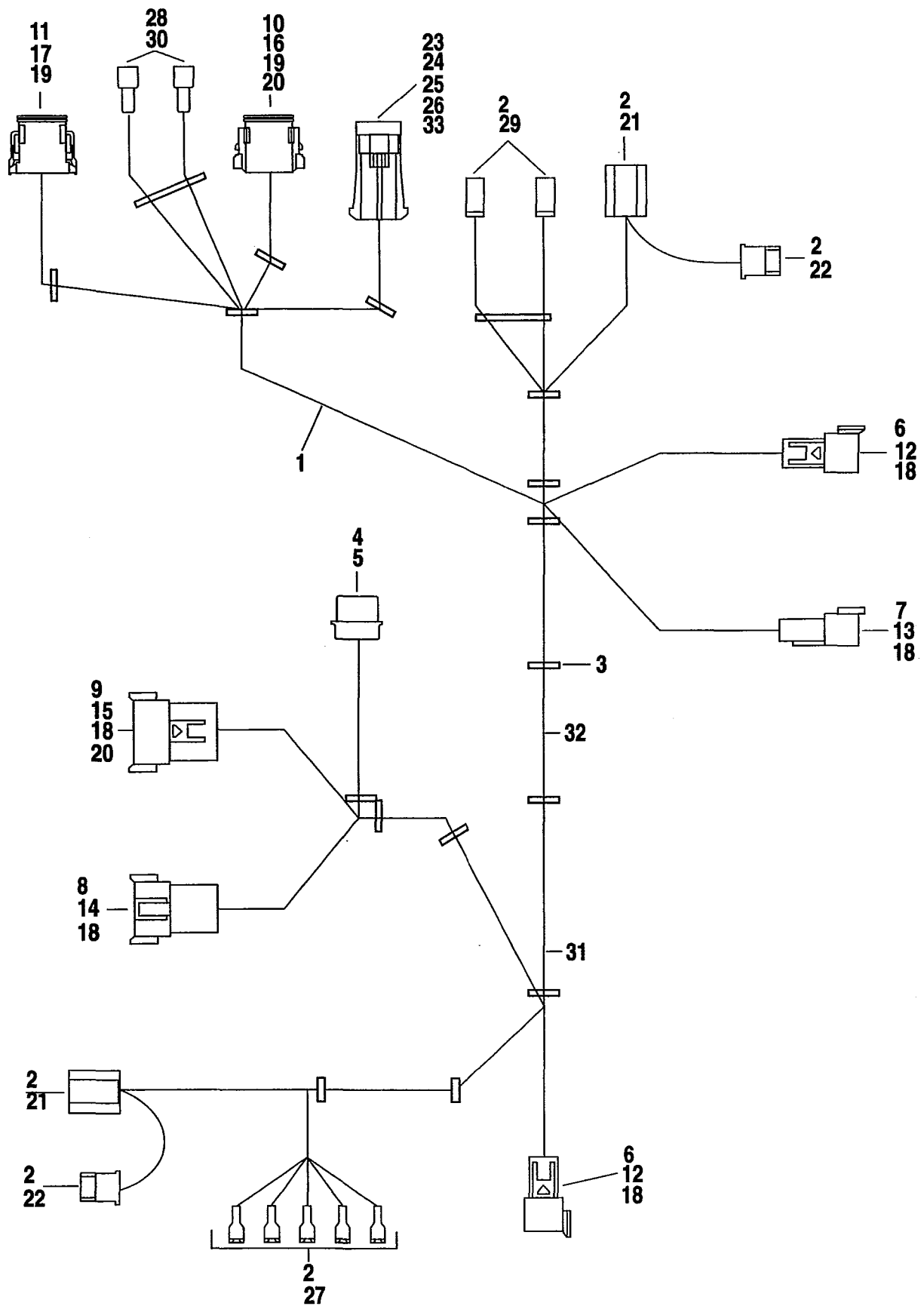
WIRING HARNESS - IGNITION MODULE

FC49

INDEX NO.	PART NO.	DESCRIPTION	FLT MODELS	SOFTAIL MODELS	DYNA MODELS
1	32435-94	WIRING HARNESS, ignition module includes the following:	95-DD/J/M/P;FD 96*-DD/J/P;FD	--	--
2	72102-94BK	RECEPTACLE, 2-way pin	95-DD/J/M/P;FD 96*-DD/J/P;FD	--	--
3	72108-94BK	RECEPTACLE, 8-way pin	95-DD/J/M/P;FD 96*-DD/J/P;FD	--	--
4	72138-94GY	PLUG, 8-way socket	95-DD/J/M/P;FD 96*-DD/J/P;FD	--	--
5	72142-94	PIN LOCK, secondary, 2-way	95-DD/J/M/P;FD 96*-DD/J/P;FD	--	--
6	72148-94	PIN LOCK, secondary, 8-way	95-DD/J/M/P;FD 96*-DD/J/P;FD	--	--
7	72158-94	SOCKET LOCK, secondary, 8-way	95-DD/J/M/P;FD 96*-DD/J/P;FD	--	--
8	72190-94	TERMINAL, pin (9)	95-DD/J/M/P;FD 96*-DD/J/P;FD	--	--
9	72191-94	TERMINAL, socket (6)	95-DD/J/M/P;FD 96*-DD/J/P;FD	--	--
10	72195-94	SEAL PIN (3)	95-DD/J/M/P;FD 96*-DD/J/P;FD	--	--
11	72198-94	ATTACHMENT CLIP (8-way)	95-DD/J/M/P;FD 96*-DD/J/P;FD	--	--
12	72199-94	ATTACHMENT CLIP	95-DD/J/M/P;FD 96*-DD/J/P;FD	--	--
13	72241-94	TERMINAL, #10 ring type (2)	95-DD/J/M/P;FD 96*-DD/J/P;FD	--	--
14	72249-94	HEAT SHRINK TUBE (2)	95-DD/J/M/P;FD 96*-DD/J/P;FD	--	--
15	72266-94	HEAT SHRINK TUBE, dual wall (3)	95-DD/J/M/P;FD 96*-DD/J/P;FD	--	--
16	70339-91B	WIRING HARNESS, ignition module includes the following:	--	--	95-ALL
17	9857	TERMINAL, ring type (2)	--	--	95-ALL
18	9858	TERMINAL, 1/4" ring (2)	--	--	95-ALL
19	9897	TERMINAL, male - insulated	--	--	95-ALL
20	31998-91A	INSULATOR, receptacle housing	--	--	95-ALL
21	72038-71A	SOCKET, single pin	--	--	95-ALL
22	72039-71A	PIN, single socket (2)	--	--	95-ALL
23	72051-77A	RECEPTACLE - three-way	--	--	95-ALL
24	72249-94	HEAT SHRINK TUBE, .3 x 1" (2)	--	--	95-ALL
25	72290-94	TERMINAL, 1/4" female	--	--	95-ALL
26	74536-77A	PIN, single socket (9)	--	--	95-ALL
27	74539-77A	SOCKET, single pin	--	--	95-ALL

FLT MODELS				SOFTAIL MODELS				DYNA MODELS	
FLHT	DD	FLHR-I	FB	FLSTC	BJ	FLSTF	BM	FXDL	GD
FLHTC	DJ	FLHTCU-I	FC	FXSTC	BK	FLSTN	BN	FXDWG	GE
FLTC-U	DM	FLTCU-I	FE	FXSTS	BL	FXSTSB	BP	FXDS-CON	GG
FLHTC-U	DP	FLHTC-I	FF					FXD	GH
FLHR	FD								

WIRING HARNESS, FAIRING - FLTC-U & FLTCU-I

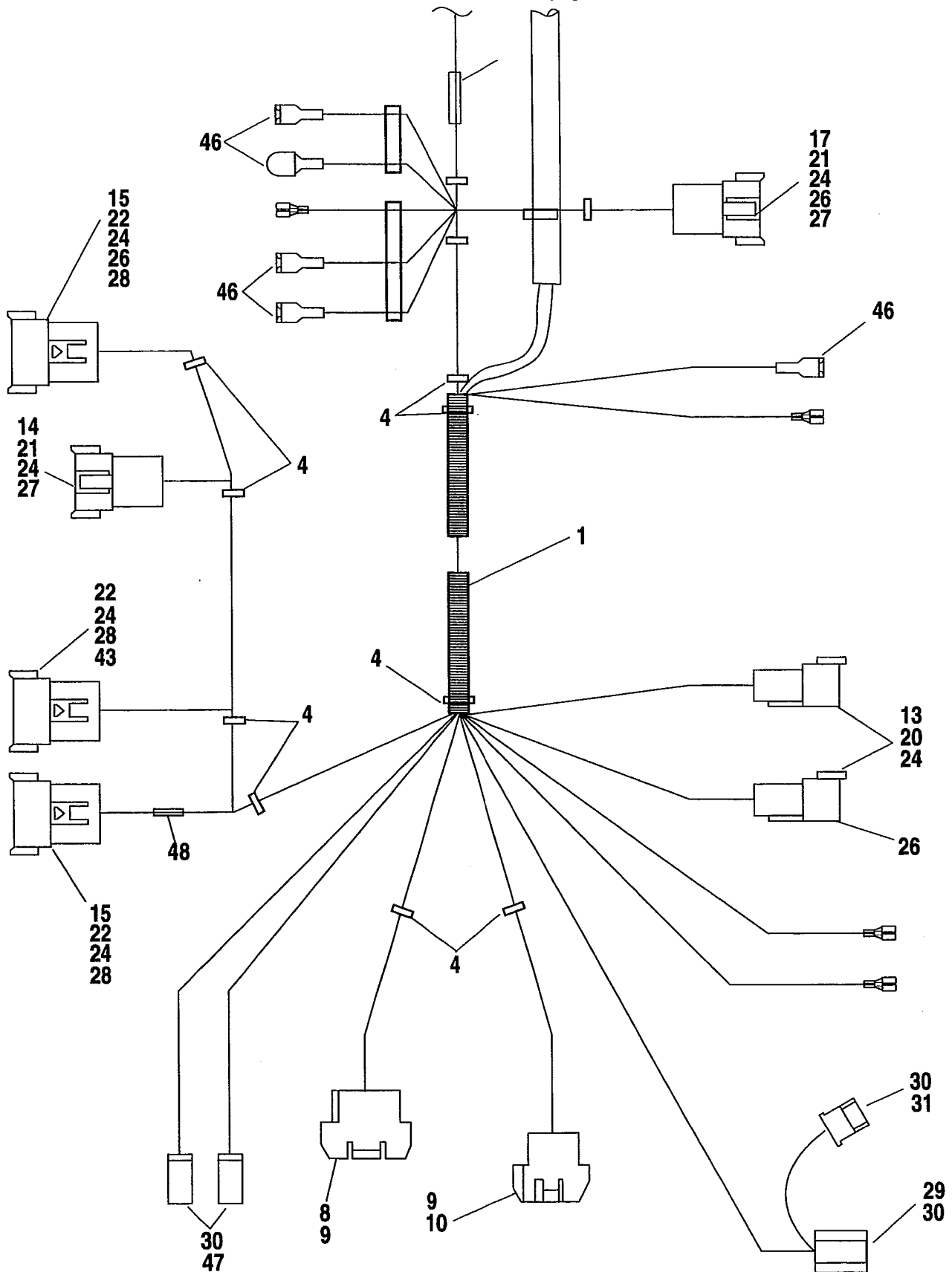


INDEX NO.	PART NO.	DESCRIPTION	FLT MODELS	SOFTAIL MODELS	DYNA MODELS
1	70172-94	FAIRING WIRING HARNESS includes the following:	95-DM;96*-FE	--	--
2	9937	TERMINAL, 1/4" female, 14-18 ga. (16)	95-DM;96*-FE	--	--
3	10065	CABLE STRAP (17)	95-DM;96*-FE	--	--
4	70291-89	CONNECTOR, 4 pin	95-DM;96*-FE	--	--
5	72039-71	PIN, single socket (4)	95-DM;96*-FE	--	--
6	72103-94BK	RECEPTACLE, 3-way pin (2)	95-DM;96*-FE	--	--
7	72104-94BK	RECEPTACLE, 4-way pin	95-DM;96*-FE	--	--
8	72108-94BK	RECEPTACLE, 8-way pin	95-DM;96*-FE	--	--
9	72109-94BK	RECEPTACLE, 12-way pin	95-DM;96*-FE	--	--
10	72118-94BK	PLUG, 8-way socket	95-DM;96*-FE	--	--
11	72119-94BK	PLUG, 12-way socket	95-DM;96*-FE	--	--
12	72143-94	PIN LOCK, 3-way (2)	95-DM;96*-FE	--	--
13	72144-94	PIN LOCK, 4-way	95-DM;96*-FE	--	--
14	72148-94	PIN LOCK, 8-way	95-DM;96*-FE	--	--
15	72149-94	PIN LOCK, 12-way	95-DM;96*-FE	--	--
16	72158-94	SOCKET LOCK, secondary, 8-way	95-DM;96*-FE	--	--
17	72159-94	SOCKET LOCK, secondary, 12-way	95-DM;96*-FE	--	--
18	72190-94	TERMINAL, pin (27)	95-DM;96*-FE	--	--
19	72191-94	TERMINAL, socket (19)	95-DM;96*-FE	--	--
20	72195-94	SEAL PIN (4)	95-DM;96*-FE	--	--
21	72200-94	CONNECTOR, 3-way (2)	95-DM;96*-FE	--	--
22	72203-94	CONNECTOR, 2-way (2)	95-DM;96*-FE	--	--
23	72233-94	CONNECTOR, receptacle, 2-way	95-DM;96*-FE	--	--
24	72235-94	TERMINAL, male, 14-16 ga. (2)	95-DM;96*-FE	--	--
25	72238-94	SECONDARY LOCK, 2-way	95-DM;96*-FE	--	--
26	72239-94	CONNECTOR LOCK	95-DM;96*-FE	--	--
27	72249-94	HEAT SHRINK TUBE, .3 X 1' (5)	95-DM;96*-FE	--	--
28	72253-94	TERMINAL, male, 14-16 ga. (2)	95-DM;96*-FE	--	--
29	72257-94	CONNECTOR, plug, 1-way (2)	95-DM;96*-FE	--	--
30	72258-94	CONNECTOR, receptacle, 1-way (2)	95-DM;96*-FE	--	--
31	72266-94	HEAT SHRINK TUBE, dual wall .3" x 2"	95-DM;96*-FE	--	--
32	72268-94	HEAT SHRINK TUBE, dual wall .7" x 2" (3)	95-DM;96*-FE	--	--
33	72284-94	CABLE SEAL	95-DM;96*-FE	--	--

FLT MODELS				SOFTAIL MODELS				DYNA MODELS	
FLHT	DD	FLHR-I	FB	FLSTC	BJ	FLSTF	BM	FXDL	GD
FLHTC	DJ	FLHTCU-I	FC	FXSTC	BK	FLSTN	BN	FXDWG	GE
FLTC-U	DM	FLTCU-I	FE	FXSTS	BL	FXSTSB	BP	FXDS-CON	GG
FLHTC-U	DP	FLHTC-I	FF					FXD	GH
FLHR	FD								

WIRING HARNESS, INTERCONNECT - FLHT - 1995

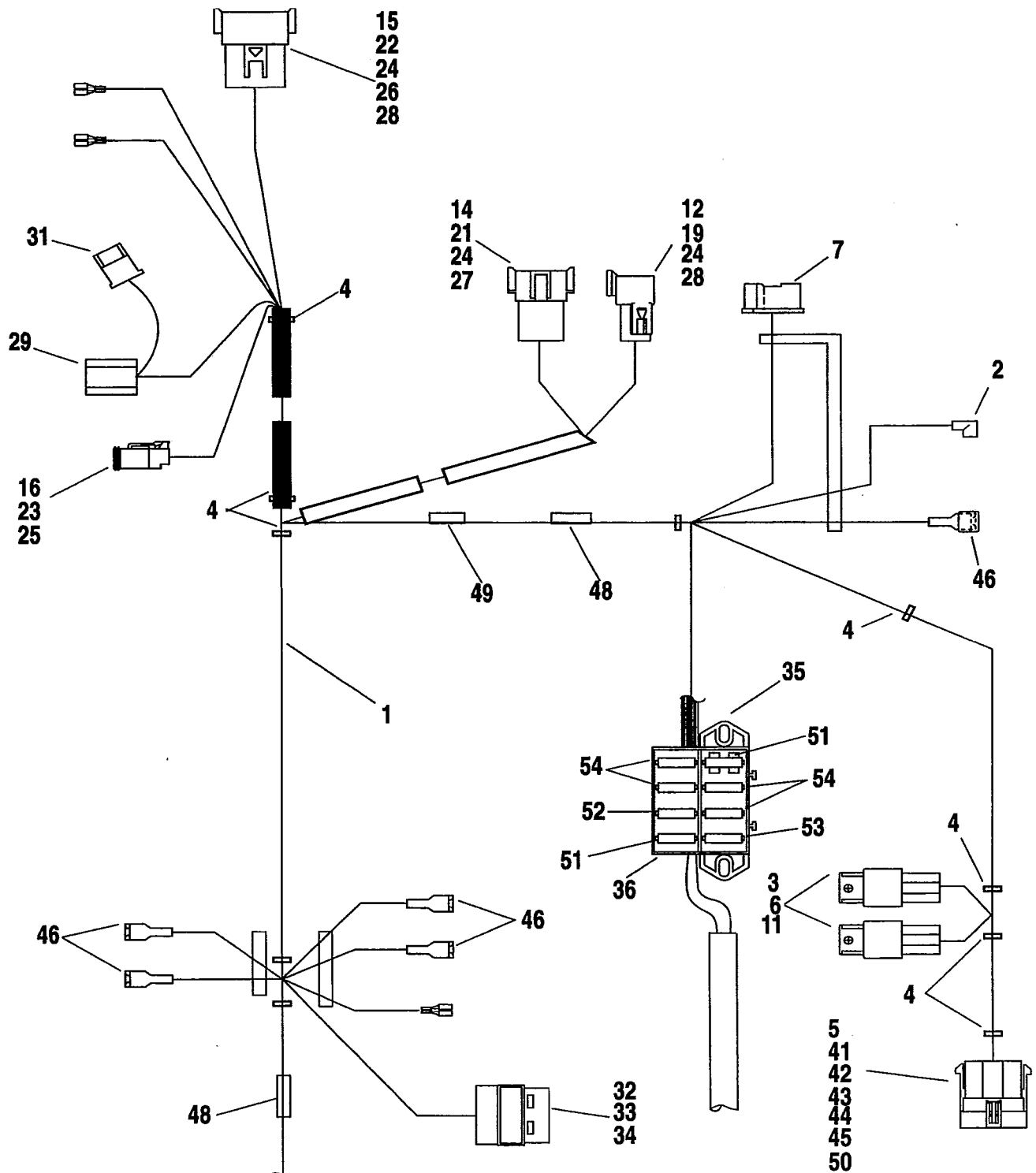
continued on next page



INDEX NO.	PART NO.	DESCRIPTION	FLT MODELS	SOFTAIL MODELS	DYNA MODELS
1	70232-94	WIRING HARNESS, interconnect includes the following:	95-DD/J/P;FC	--	--
2	9898	TERMINAL, female flag, 14-16ga.	95-DD/J/P;FC	--	--
3	9937	TERMINAL, female spade, 1/4" slot (9)	95-DD/J/P;FC	--	--
4	10065	CABLE STRAP (26)	95-DD/J/P;FC	--	--
5	10141	CLIP, metal connector	95-DD/J/P;FC	--	--
6	31504-91A	RELAY (2)	95-DD/J/P;FC	--	--
7	68808-94	HEADLAMP CONNECTION	95-DD/J/P;FC	--	--
8	70288-81	CONNECTOR, eight pin	95-DD/J/P;FC	--	--
9	72039-71	PIN, single socket (14)	95-DD/J/P;FC	--	--
10	72041-71	CONNECTOR, 6 pin	95-DD/J/P;FC	--	--
11	72046-79	INSULATOR, spade terminals (2)	95-DD/J/P;FC	--	--
12	72103-94BK	RECEPTACLE, 3-way pin	95-DD/J/P;FC	--	--
13	72106-94BK	RECEPTACLE, 6-way pin (2)	95-DD/J/P;FC	--	--
14	72108-94BK	RECEPTACLE, 8-way pin (2)	95-DD/J/P;FC	--	--
15	72109-94BK	RECEPTACLE, 12-way pin (3)	95-DD/J/P;FC	--	--
16	72112-94BK	PLUG, 2-way socket	95-DD/J/P;FC	--	--
17	72128-94GY	RECEPTACLE, 8-way pin	95-DD/J/P;FC	--	--
18	72129-94GY	RECEPTACLE, 12-way pin	95-DD/J/P;FC	--	--
19	72143-94	PIN LOCK, secondary, 3-way	95-DD/J/P;FC	--	--
20	72146-94	PIN LOCK, secondary, 6-way (2)	95-DD/J/P;FC	--	--
21	72148-94	PIN LOCK, secondary, 8-way (3)	95-DD/J/P;FC	--	--
22	72149-94	PIN LOCK, secondary, 12-way (4)	95-DD/J/P;FC	--	--
23	72152-94	SOCKET LOCK, secondary, 2-way	95-DD/J/P;FC	--	--
24	72190-94	TERMINAL, pin (81)	95-DD/J/P;FC	--	--
25	72191-94	TERMINAL, socket (2)	95-DD/J/P;FC	--	--
26	72195-94	SEAL PIN (8)	95-DD/J/P;FC	--	--
27	72198-94	ATTACHMENT CLIP (8-way only) (3)	95-DD/J/P;FC	--	--
28	72199-94	ATTACHMENT CLIP (7)	95-DD/J/P;FC	--	--
29	72200-94	CONNECTOR, 3-way	95-DD/J/P;FC	--	--
30	72202-94	TERMINAL, female (11)	95-DD/J/P;FC	--	--
31	72203-94	CONNECTOR, 2-way (2)	95-DD/J/P;FC	--	--
32	72205-94	CONNECTOR, plug, 4-way	95-DD/J/P;FC	--	--
33	72208-94	TERMINAL, male, 12 ga. (3)	95-DD/J/P;FC	--	--

FLT MODELS				SOFTAIL MODELS				DYNA MODELS	
FLHT	DD	FLHR-I	FB	FLSTC	BJ	FLSTF	BM	FSDL	GD
FLHTC	DJ	FLHTCU-I	FC	FXSTC	BK	FLSTN	BN	FXDWG	GE
FLTC-U	DM	FLTCU-I	FE	FXSTS	BL	FXSTSB	BP	FXDS-CON	GG
FLHTC-U	DP	FLHTC-I	FF					FXD	GH
FLHR	FD								

WIRING HARNESS, INTERCONNECT - FLHT - 1995

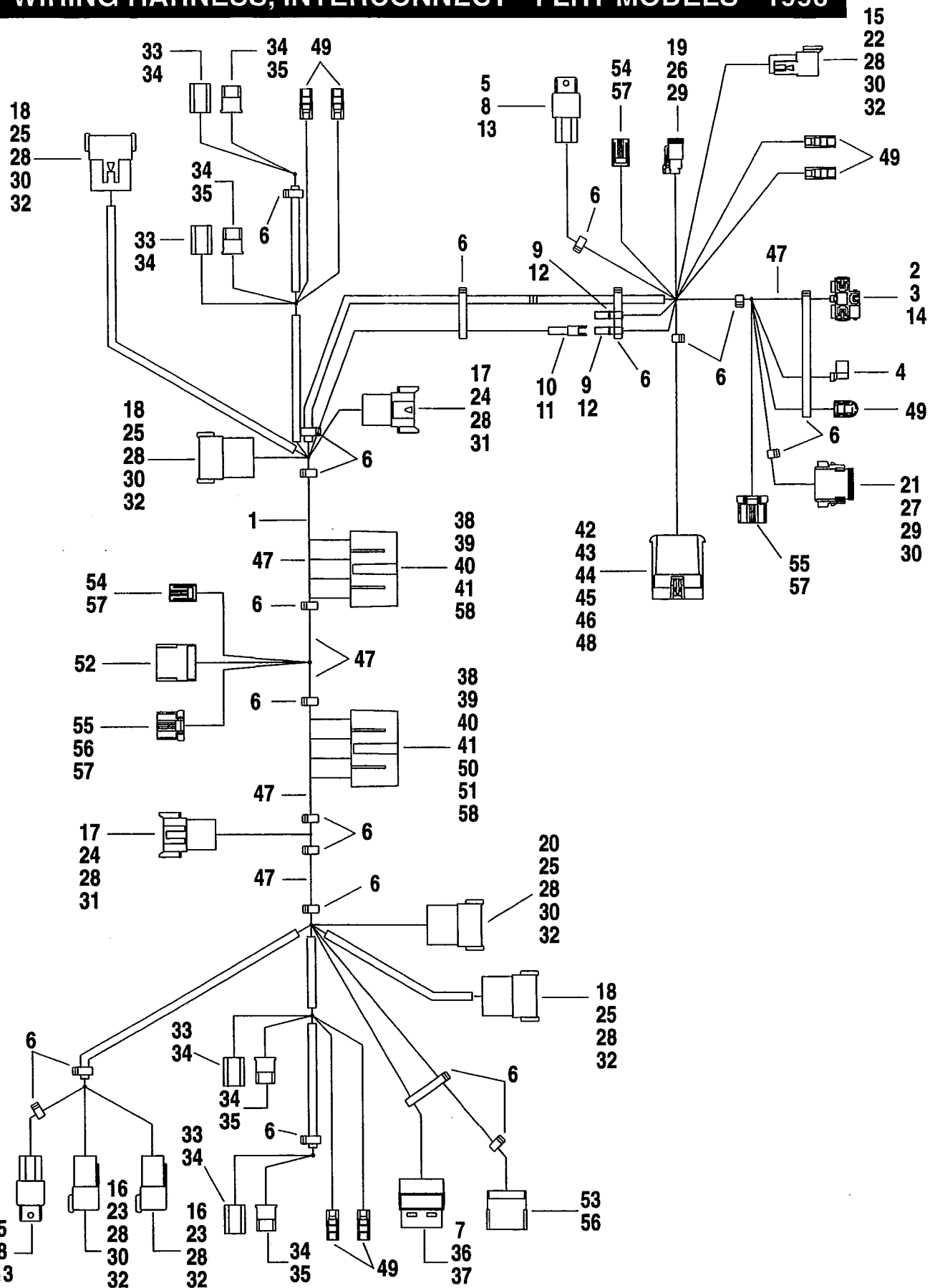


continued from previous page

INDEX NO.	PART NO.	DESCRIPTION	FLT MODELS	SOFTAIL MODELS	DYNA MODELS
1	70232-94	WIRING HARNESS, interconnect includes the following:	95-DD/J/P;FC	--	--
34	72209-94	TERMINAL, male, 18 ga.	95-DD/J/P;FC	--	--
35	72215-94	FUSE BLOCK w/ feet	95-DD/J/P;FC	--	--
36	72216-94	FUSE BLOCK	95-DD/J/P;FC	--	--
37	72217-94	TERMINAL, auto fuse, 18-20 ga. (5)	95-DD/J/P;FC	--	--
38	72218-94	TERMINAL, auto fuse, 14-16 ga. (7)	95-DD/J/P;FC	--	--
39	72219-94	TERMINAL, auto fuse, 18 ga. (3)	95-DD/J/P;FC	--	--
40	72220-94	TERMINAL, auto fuse, 14-16 ga.	95-DD/J/P;FC	--	--
41	72222-94	CONNECTOR, receptacle, 3-way	95-DD/J/P;FC	--	--
42	72225-94	TERMINAL, female, 14-16 ga. (2)	95-DD/J/P;FC	--	--
43	72226-94	TERMINAL, male, 14-16 ga.	95-DD/J/P;FC	--	--
44	72227-94	WIRE SEAL, 14 ga. (2)	95-DD/J/P;FC	--	--
45	72229-94	SECONDARY LOCK, 3-way	95-DD/J/P;FC	--	--
46	72249-94	HEAT SHRINK TUBE, .3 x 1" (10)	95-DD/J/P;FC	--	--
47	72257-94	CONNECTOR, plug, 1-way (2)	95-DD/J/P;FC	--	--
48	72266-94	HEAT SHRINK TUBE, dual wall .3" x 2" (15)	95-DD/J/P;FC	--	--
49	72268-94	HEAT SHRINK TUBE, dual wall .7" x 2" (16)	95-DD/J/P;FC	--	--
50	72283-94	SEAL, cable	95-DD/J/P;FC	--	--
51	72300-89	FUSE, 1 amp (2)	95-DD/J/P;FC	--	--
52	72340-94	FUSE, 10 amp	95-DD/J/P;FC	--	--
53	72347-94	FUSE, 15 amp	95-DD/J/P;FC	--	--
54	74587-94	CIRCUIT BREAKER, 15 amp (4)	95-DD/J/P;FC	--	--

FLT MODELS				SOFTAIL MODELS				DYNA MODELS	
FLHT	DD	FLHR-I	FB	FLSTC	BJ	FLSTF	BM	FXDL	GD
FLHTC	DJ	FLHTCU-I	FC	FXSTC	BK	FLSTN	BN	FXDWG	GE
FLTC-U	DM	FLTCU-I	FE	FXSTS	BL	FXSTSB	BP	FXDS-CON	GG
FLHTC-U	DP	FLHTC-I	FF					FXD	GH
FLHR	FD								

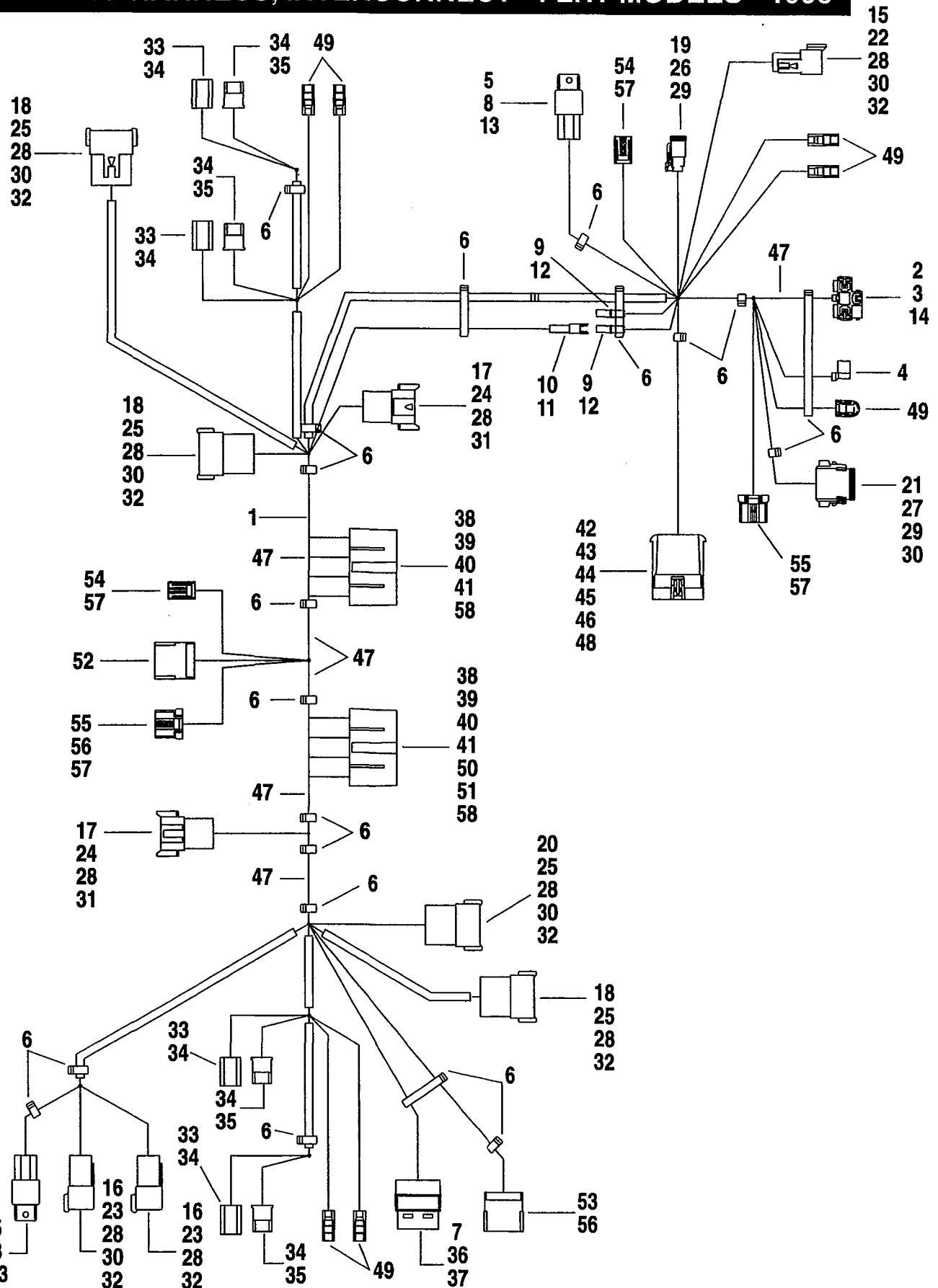
WIRING HARNESS, INTERCONNECT - FLHT MODELS - 1996



INDEX NO.	PART NO.	DESCRIPTION	FLT MODELS	SOFTAIL MODELS	DYNA MODELS
1	70232-96	WIRING HARNESS, interconnect includes the following:	96*-DD/J/P;FC/F	--	--
2	9847	TERMINAL, female spade	96*-DD/J/P;FC/F	--	--
3	9848	TERMINAL, female spade (2)	96*-DD/J/P;FC/F	--	--
4	9898	TERMINAL, female flag, 14-16ga.	96*-DD/J/P;FC/F	--	--
5	9937	TERMINAL, female spade, 1/4" slot (9)	96*-DD/J/P;FC/F	--	--
6	10065	CABLE STRAP (20)	96*-DD/J/P;FC/F	--	--
7	10147	CLIP, connector	96*-DD/J/P;FC/F	--	--
8	31504-91A	RELAY (2)	96*-DD/J/P;FC/F	--	--
9	72038-71A	SOCKET, single pin (2)	96*-DD/J/P;FC/F	--	--
10	72039-71A	PIN, single socket (1)	96*-DD/J/P;FC/F	--	--
11	72043-71A	CONNECTOR, single pin	96*-DD/J/P;FC/F	--	--
12	72044-71A	CONNECTOR, single socket (2)	96*-DD/J/P;FC/F	--	--
13	72046-79	INSULATOR, spade terminals (2)	96*-DD/J/P;FC/F	--	--
14	72056-92	CONNECTOR, spade terminal (3-way)	96*-DD/J/P;FC/F	--	--
15	72103-94BK	RECEPTACLE, 3-way pin	96*-DD/J/P;FC/F	--	--
16	72106-94BK	RECEPTACLE, 6-way pin (2)	96*-DD/J/P;FC/F	--	--
17	72108-94BK	RECEPTACLE, 8-way pin (2)	96*-DD/J/P;FC/F	--	--
18	72109-94BK	RECEPTACLE, 12-way pin (3)	96*-DD/J/P;FC/F	--	--
19	72112-94BK	PLUG, 2-way socket	96*-DD/J/P;FC/F	--	--
20	72129-94GY	RECEPTACLE, 12-way pin	96*-DD/J/P;FC/F	--	--
21	72138-94GY	PLUG, 8-way socket	96*-DD/J/P;FC/F	--	--
22	72143-94	PIN LOCK, secondary, 3-way	96*-DD/J/P;FC/F	--	--
23	72146-94	PIN LOCK, secondary, 6-way (2)	96*-DD/J/P;FC/F	--	--
24	72148-94	PIN LOCK, secondary, 8-way (2)	96*-DD/J/P;FC/F	--	--
25	72149-94	PIN LOCK, secondary, 12-way (4)	96*-DD/J/P;FC/F	--	--
26	72152-94	SOCKET LOCK, secondary, 2-way	96*-DD/J/P;FC/F	--	--
27	72158-94	SOCKET LOCK, secondary, 8-way	96*-DD/J/P;FC/F	--	--
28	72190-94	TERMINAL, pin (70)	96*-DD/J/P;FC/F	--	--
29	72191-94	TERMINAL, socket (9)	96*-DD/J/P;FC/F	--	--

FLT MODELS				SOFTAIL MODELS				DYNA MODELS	
FLHT	DD	FLHR-J	FB	FLSTC	BJ	FLSTF	BM	FXDL	GD
FLHTC	DJ	FLHTCU-I	FC	FXSTC	BK	FLSTN	BN	FXDWG	GE
FLTC-U	DM	FLTCU-I	FE	FXSTS	BL	FXSTSB	BP	FXDS-CON	GG
FLHTC-U	DP	FLHTC-I	FF					FXD	GH
FLHR	FD								

WIRING HARNESS, INTERCONNECT - FLHT MODELS - 1996



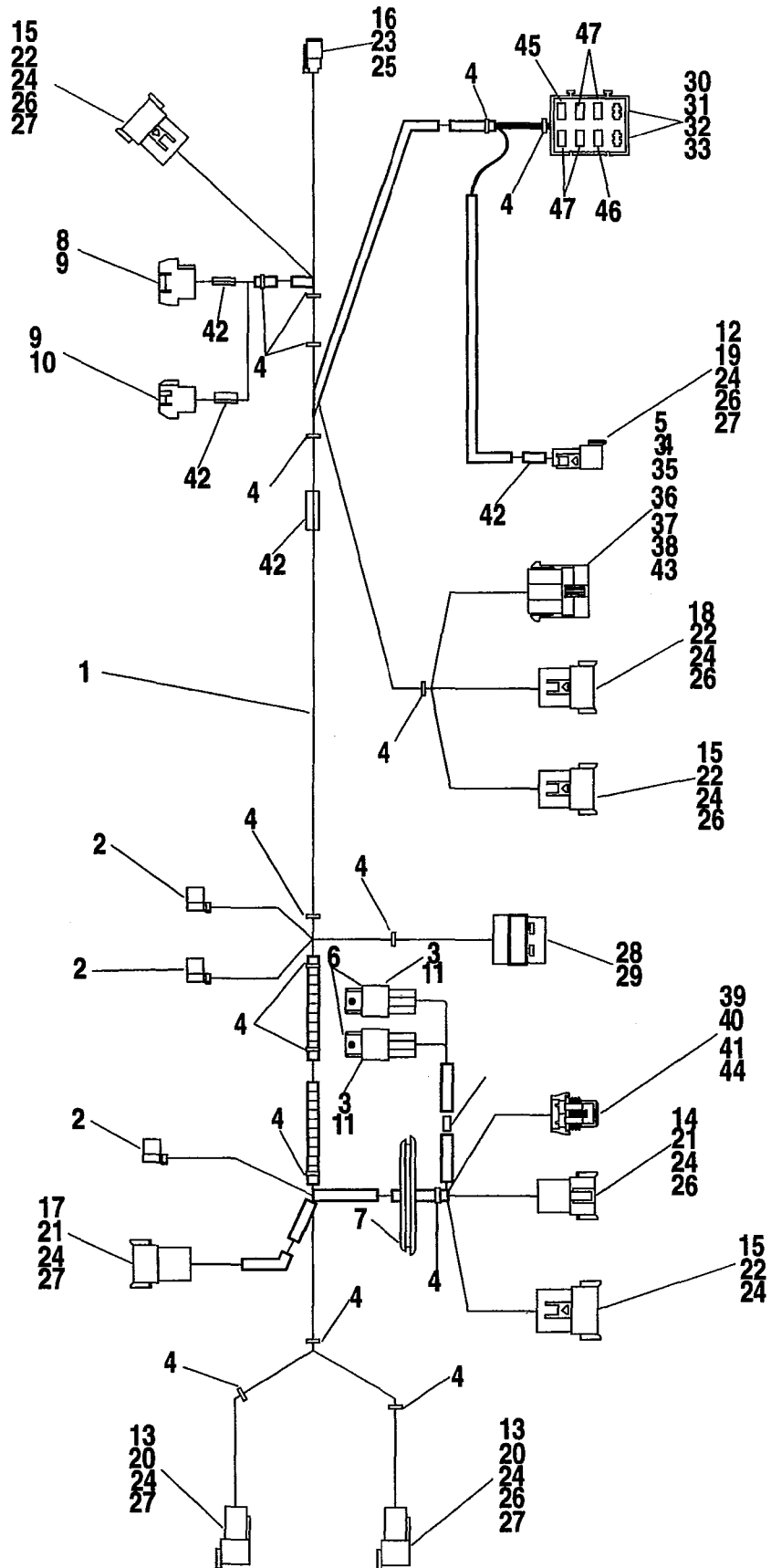
WIRING HARNESS, INTERCONNECT - FLHT MODELS - 1996 (CONT'D)

FC49C-2

INDEX NO.	PART NO.	DESCRIPTION	FLT MODELS	SOFTAIL MODELS	DYNA MODELS
1	70232-96	WIRING HARNESS, interconnect includes the following:	96*-DD/J/P;FC/F	--	--
30	72195-94	SEAL PIN (10)	96*-DD/J/P;FC/F	--	--
31	72198-94	ATTACHMENT CLIP (8-way only) (2)	96*-DD/J/P;FC/F	--	--
32	72199-94	ATTACHMENT CLIP (7)	96*-DD/J/P;FC/F	--	--
33	72200-94	CONNECTOR, 3-way (4)	96*-DD/J/P;FC/F	--	--
34	72202-94	TERMINAL, female (19)	96*-DD/J/P;FC/F	--	--
35	72203-94	CONNECTOR, 2-way (4)	96*-DD/J/P;FC/F	--	--
36	72205-94	CONNECTOR, plug, 4-way	96*-DD/J/P;FC/F	--	--
37	72208-94	TERMINAL, male, 12 ga. (3)	96*-DD/J/P;FC/F	--	--
38	72216-94	FUSE BLOCK (2)	96*-DD/J/P;FC/F	--	--
39	72217-94	TERMINAL, auto fuse, 18-20 ga. (5)	96*-DD/J/P;FC/F	--	--
40	72218-94	TERMINAL, auto fuse, 14-16 ga. (9)	96*-DD/J/P;FC/F	--	--
41	72219-94	TERMINAL, auto fuse, 18 ga. (2)	96*-DD/J/P;FC/F	--	--
42	72222-94	CONNECTOR, receptacle, 3-way	96*-DD/J/P;FC/F	--	--
43	72225-94	TERMINAL, female, 14-16 ga. (2)	96*-DD/J/P;FC/F	--	--
44	72226-94	TERMINAL, male, 14-16 ga.	96*-DD/J/P;FC/F	--	--
45	72227-94	WIRE SEAL, 14 ga. (2)	96*-DD/J/P;FC/F	--	--
46	72229-94	SECONDARY LOCK, 3-way	96*-DD/J/P;FC/F	--	--
47	72266-94	HEAT SHRINK TUBE, dual wall .3" x 2" (13)	96*-DD/J/P;FC/F	--	--
48	72283-94	SEAL, cable	96*-DD/J/P;FC/F	--	--
49	72290-94	TERMINAL, 1/4" female (7)	96*-DD/J/P;FC/F	--	--
50	72300-89	FUSE, 1 amp	96*-DD/J/P;FC/F	--	--
51	72340-94	FUSE, 10 amp (2)	96*-DD/J/P;FC/F	--	--
52	73110-96BK	PIN HOUSING, 10-place	96*-DD/J/P;FC/F	--	--
53	73112-96BK	PIN HOUSING, 12-place	96*-DD/J/P;FC/F	--	--
54	73153-96BK	SOCKET HOUSING, 3-place (2)	96*-DD/J/P;FC/F	--	--
55	73156-96BK	SOCKET HOUSING, 6-place (2)	96*-DD/J/P;FC/F	--	--
56	73190-96	TERMINAL, pin 20-16 ga. (22)	96*-DD/J/P;FC/F	--	--
57	73191-96	SOCKET CONTACT, 16-20 ga. (15)	96*-DD/J/P;FC/F	--	--
58	74587-94	CIRCUIT BREAKER, 15 amp (5)	96*-DD/J/P;FC/F	--	--

FLT MODELS				SOFTAIL MODELS				DYNA MODELS	
FLHT	DD	FLHR-I	FB	FLSTC	BJ	FLSTF	BM	FXDL	GD
FLHTC	DJ	FLHTCU-I	FC	FXSTC	BK	FLSTN	BN	FXDWG	GE
FLTC-U	DM	FLTCU-I	FE	FXSTS	BL	FXSTSB	BP	FXDS-CON	GG
FLHTC-U	DP	FLHTC-I	FF					FXD	GH
FLHR	FD								

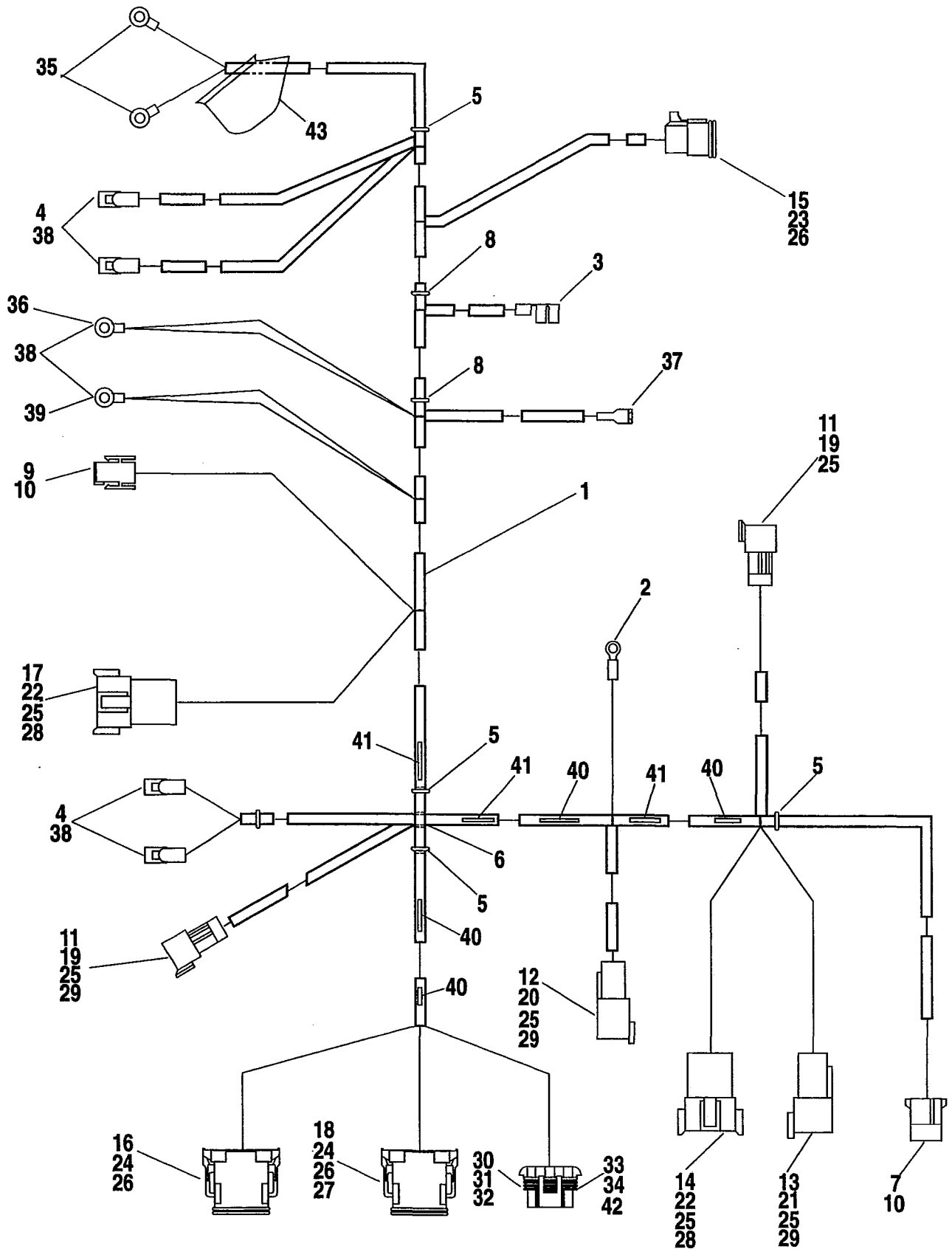
WIRING HARNESS, INTERCONNECT - FLTC-U & FLTCU-I



INDEX NO.	PART NO.	DESCRIPTION	FLT MODELS	SOFTAIL MODELS	DYNA MODELS
1	70282-94	WIRING HARNESS, interconnect includes the following:	95-DM;96*-FE	--	--
2	9898	TERMINAL, female flag - #14-16 ga. wire (3)	95-DM;96*-FE	--	--
3	9937	TERMINAL, female spade - 1/4" slot (9)	95-DM;96*-FE	--	--
4	10065	CABLE STRAP (18)	95-DM;96*-FE	--	--
5	10141	CLIP, metal connector	95-DM;96*-FE	--	--
6	31504-91A	RELAY (2)	95-DM;96*-FE	--	--
7	58468-94	GROMMET	95-DM;96*-FE	--	--
8	70288-81	CONNECTOR, eight pin	95-DM;96*-FE	--	--
9	72039-71	PIN, single socket (13)	95-DM;96*-FE	--	--
10	72041-71	CONNECTOR, six pin	95-DM;96*-FE	--	--
11	72046-79	INSULATOR, spade terminals (2)	95-DM;96*-FE	--	--
12	72103-94BK	RECEPTACLE, 3-way pin	95-DM;96*-FE	--	--
13	72106-94BK	RECEPTACLE, 6-way pin (2)*	95-DM;96*-FE	--	--
14	72108-94BK	RECEPTACLE, 8-way pin	95-DM;96*-FE	--	--
15	72109-94BK	RECEPTACLE, 12-way pin (3)	95-DM;96*-FE	--	--
16	72112-94BK	PLUG, 2-way socket	95-DM;96*-FE	--	--
17	72128-94GY	RECEPTACLE, 8-way pin	95-DM;96*-FE	--	--
18	72129-94GY	RECEPTACLE, 12-way pin	95-DM;96*-FE	--	--
19	72143-94	PIN LOCK, secondary, 3-way	95-DM;96*-FE	--	--
20	72146-94	PIN LOCK, secondary, 6-way (2)	95-DM;96*-FE	--	--
21	72148-94	PIN LOCK, secondary, 8-way (2)	95-DM;96*-FE	--	--
22	72149-94	PIN LOCK, secondary, 12-way (4)	95-DM;96*-FE	--	--
23	72152-94	SOCKET LOCK, secondary, 2-way	95-DM;96*-FE	--	--
24	72190-94	TERMINAL, pin (72)	95-DM;96*-FE	--	--
25	72191-94	TERMINAL, socket (2)	95-DM;96*-FE	--	--
26	72195-94	SEAL PIN (8)	95-DM;96*-FE	--	--
27	72199-94	ATTACHMENT CLIP (4)	95-DM;96*-FE	--	--
28	72205-94	CONNECTOR, plug, 4-way	95-DM;96*-FE	--	--
29	72208-94	TERMINAL, male, 12 ga. (3)	95-DM;96*-FE	--	--
30	72216-94	FUSE BLOCK (2)	95-DM;96*-FE	--	--
31	72217-94	TERMINAL, auto fuse, 18-20 ga. (2)	95-DM;96*-FE	--	--
32	72218-94	TERMINAL, auto fuse, 14-16 ga. (8)	95-DM;96*-FE	--	--
33	72219-94	TERMINAL, auto fuse, 18 ga. (4)	95-DM;96*-FE	--	--
34	72222-94	CONNECTOR, receptacle, 3-way	95-DM;96*-FE	--	--
35	72225-94	TERMINAL, male, 12 ga. (2)	95-DM;96*-FE	--	--
36	72226-94	TERMINAL, male, 14-16 ga.	95-DM;96*-FE	--	--
37	72227-94	WIRE SEAL, 14 ga. (2)	95-DM;96*-FE	--	--
38	72229-94	SECONDARY LOCK, 3-way	95-DM;96*-FE	--	--
39	72234-94	CONNECTOR, plug, 2-way	95-DM;96*-FE	--	--
40	72236-94	TERMINAL, female, 14-16 ga.	95-DM;96*-FE	--	--
41	72238-94	SECONDARY LOCK, 2-way	95-DM;96*-FE	--	--
42	72268-94	HEAT SHRINK TUBE, dual wall .7" x 2" (15)	95-DM;96*-FE	--	--
43	72283-94	SEAL, cable	95-DM;96*-FE	--	--
44	72284-94	SEAL, cable (2)	95-DM;96*-FE	--	--
45	72300-89	FUSE, 1 amp	95-DM;96*-FE	--	--
46	72340-94	FUSE, 10 amp	95-DM;96*-FE	--	--
47	74587-94	CIRCUIT BREAKER, 15 amp (4)	95-DM;96*-FE	--	--

FLT MODELS				SOFTAIL MODELS				DYNA MODELS	
FLHT	DD	FLHR-I	FB	FLSTC	BJ	FLSTF	BM	FXDL	GD
FLHTC	DJ	FLHTCU-I	FC	FXSTC	BK	FLSTN	BN	FXDWG	GE
FLTC-U	DM	FLTCU-I	FE	FXSTS	BL	FXSTSB	BP	FXDS-CON	GG
FLHTC-U	DP	FLHTC-I	FF					FXD	GH
FLHR	FD								

WIRING HARNESS, MAIN - 1995 FLT MODELS



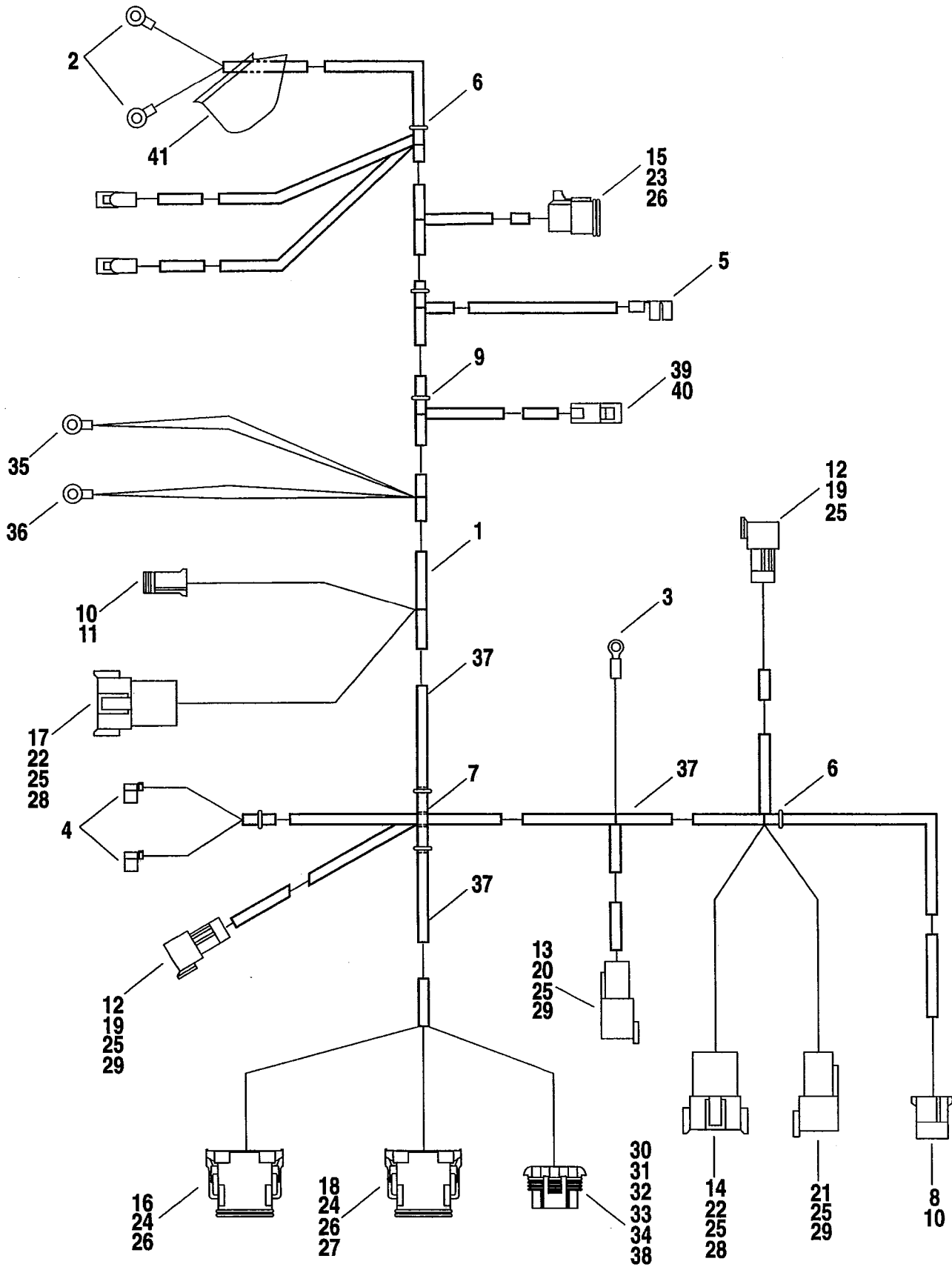
WIRING HARNESS, MAIN - 1995 FLT MODELS

FC49E

INDEX NO.	PART NO.	DESCRIPTION	FLT MODELS	SOFTAIL MODELS	DYNA MODELS
1	70985-94	MAIN WIRING HARNESS includes the following:	95-DD/J/M/P;FC	--	--
2	9866	TERMINAL, #10 ring type	95-DD/J/M/P;FC	--	--
3	9905	TERMINAL, 1/4" cap type	95-DD/J/M/P;FC	--	--
4	9937	TERMINAL, 1/4" ring, 14-18 ga. (5)	95-DD/J/M/P;FC	--	--
5	10065	CABLE STRAP (5)	95-DD/J/M/P;FC	--	--
6	10136	ANCHOR, T-stud	95-DD/J/M/P;FC	--	--
7	70289-89	PLUG, 3-way socket	95-DD/J/M/P;FC	--	--
8	70345-84	RETAINER (2)	95-DD/J/M/P;FC	--	--
9	72034-71	CONNECTOR, two pin	95-DD/J/M/P;FC	--	--
10	72038-71	SOCKET, single pin (5)	95-DD/J/M/P;FC	--	--
11	72103-94BK	RECEPTACLE, 3-way pin (2)	95-DD/J/M/P;FC	--	--
12	72104-94BK	RECEPTACLE, 4-way pin	95-DD/J/M/P;FC	--	--
13	72106-94BK	RECEPTACLE, 6-way pin *	95-DD/J/M/P;FC	--	--
14	72108-94BK	RECEPTACLE, 8-way pin	95-DD/J/M/P;FC	--	--
15	72113-94BK	PLUG, 3-way socket	95-DD/J/M/P;FC	--	--
16	72119-94BK	PLUG, 12-way socket	95-DD/J/M/P;FC	--	--
17	72128-94GY	RECEPTACLE, 8-way pin	95-DD/J/M/P;FC	--	--
18	72139-94GY	PLUG, 12-way socket	95-DD/J/M/P;FC	--	--
19	72143-94	PIN LOCK, secondary, 3-way (2)	95-DD/J/M/P;FC	--	--
20	72144-94	PIN LOCK, secondary, 4-way	95-DD/J/M/P;FC	--	--
21	72146-94	PIN LOCK, secondary, 6-way	95-DD/J/M/P;FC	--	--
22	72148-94	PIN LOCK, secondary, 8-way (2)	95-DD/J/M/P;FC	--	--
23	72153-94	SOCKET LOCK, secondary, 3-way	95-DD/J/M/P;FC	--	--
24	72159-94	SOCKET LOCK, secondary, 12-way (2)	95-DD/J/M/P;FC	--	--
25	72190-94	TERMINAL, pin (32)	95-DD/J/M/P;FC	--	--
26	72191-94	TERMINAL, socket (26)	95-DD/J/M/P;FC	--	--
27	72195-94	SEAL PIN	95-DD/J/M/P;FC	--	--
28	72198-94	ATTACHMENT CLIP, 8-way only (2)	95-DD/J/M/P;FC	--	--
29	72199-94	ATTACHMENT CLIP (3)	95-DD/J/M/P;FC	--	--
30	72221-94	CONNECTOR, plug, 3-way	95-DD/J/M/P;FC	--	--
31	72223-94	TERMINAL, female, 10-12 ga. (2)	95-DD/J/M/P;FC	--	--
32	72224-94	TERMINAL, female, 14-16 ga.	95-DD/J/M/P;FC	--	--
33	72227-94	WIRE SEAL, 14 ga. (2)	95-DD/J/M/P;FC	--	--
34	72229-94	SECONDARY LOCK, 3-way	95-DD/J/M/P;FC	--	--
35	72241-94	TERMINAL, #10 ring, 18-20 ga.	95-DD/J/M/P;FC	--	--
36	72242-94	TERMINAL, 1/4" ring w/ int. star, 10-12 ga.	95-DD/J/M/P;FC	--	--
37	72243-94	TERMINAL, 1/4" female, 14-18 ga.	95-DD/J/M/P;FC	--	--
38	72249-94	HEAT SHRINK TUBE, .3 x 1" (9)	95-DD/J/M/P;FC	--	--
39	72255-94	TERMINAL, 1/4" ring w/ int. star, 18-20 ga.	95-DD/J/M/P;FC	--	--
40	72266-94	HEAT SHRINK TUBE, dual wall, .3 x 2" (4)	95-DD/J/M/P;FC	--	--
41	72268-94	HEAT SHRINK TUBE, dual wall, .7 x 2" (3)	95-DD/J/M/P;FC	--	--
42	72283-94	REAR SEAL	95-DD/J/M/P;FC	--	--
43	74407-86	BOOT, oil sending unit	95-DD/J/M/P;FC	--	--

FLT MODELS				SOFTAIL MODELS				DYNA MODELS	
FLHT	DD	FLHR-I	FB	FLSTC	BJ	FLSTF	BM	FXDL	GD
FLHTC	DJ	FLHTCU-I	FC	FXSTC	BK	FLSTN	BN	FXDWG	GE
FLTC-U	DM	FLTCU-I	FE	FXSTS	BL	FXSTSB	BP	FXDS-CON	GG
FLHTC-U	DP	FLHTC-I	FF					FXD	GH
FLHR	FD								

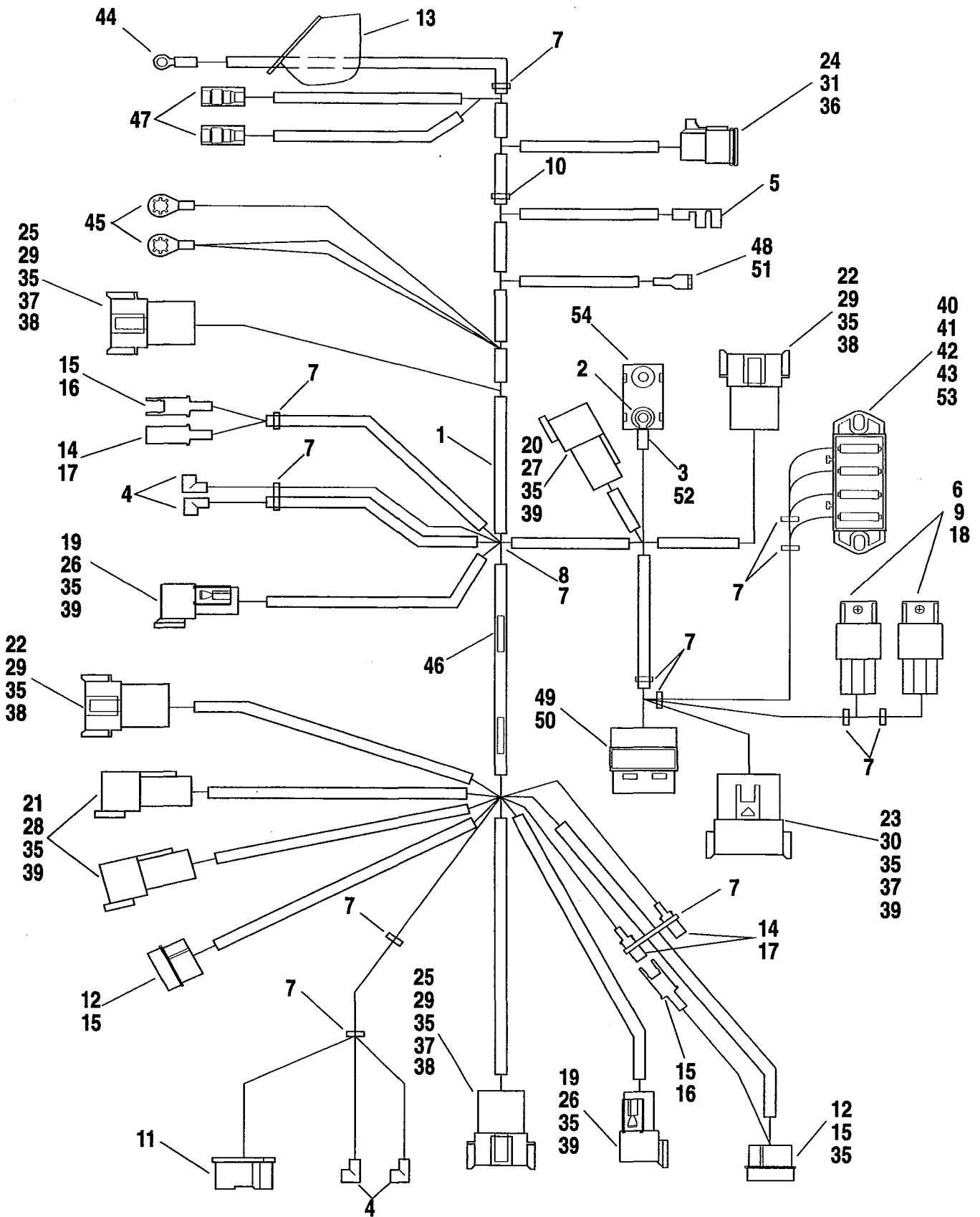
WIRING HARNESS, MAIN - 1996 FLT MODELS



INDEX NO.	PART NO.	DESCRIPTION	FLT MODELS	SOFTAIL MODELS	DYNA MODELS
1	70985-96	MAIN WIRING HARNESS includes the following:	96*-DD/J/P;FC/E/F --		--
2	9857	TERMINAL, ring type - #10 hole (2)	96*-DD/J/P;FC/E/F --		--
3	9866	TERMINAL, #10 ring type	96*-DD/J/P;FC/E/F --		--
4	9898	TERMINAL, female flag, #14-16 ga. (2)	96*-DD/J/P;FC/E/F --		--
5	9905	TERMINAL, 1/4" cap type	96*-DD/J/P;FC/E/F --		--
6	10065	CABLE STRAP (4)	96*-DD/J/P;FC/E/F --		--
7	10136	ANCHOR, T-stud	96*-DD/J/P;FC/E/F --		--
8	70289-89	PLUG, 3-way socket	96*-DD/J/P;FC/E/F --		--
9	70345-84	RETAINER	96*-DD/J/P;FC/E/F --		--
10	72038-71A	SOCKET, single pin (5)	96*-DD/J/P;FC/E/F --		--
11	72045-90	CONNECTOR, two socket	96*-DD/J/P;FC/E/F --		--
12	72103-94BK	RECEPTACLE, 3-way pin (2)	96*-DD/J/P;FC/E/F --		--
13	72104-94BK	RECEPTACLE, 4-way pin	96*-DD/J/P;FC/E/F --		--
14	72108-94BK	RECEPTACLE, 8-way pin	96*-DD/J/P;FC/E/F --		--
15	72113-94BK	PLUG, 3-way socket	96*-DD/J/P;FC/E/F --		--
16	72119-94BK	PLUG, 12-way socket	96*-DD/J/P;FC/E/F --		--
17	72128-94GY	RECEPTACLE, 8-way pin	96*-DD/J/P;FC/E/F --		--
18	72139-94GY	PLUG, 12-way socket	96*-DD/J/P;FC/E/F --		--
19	72143-94	PIN LOCK, secondary, 3-way (2)	96*-DD/J/P;FC/E/F --		--
20	72144-94	PIN LOCK, secondary, 4-way	96*-DD/J/P;FC/E/F --		--
21	72146-94	PIN LOCK, secondary, 6-way	96*-DD/J/P;FC/E/F --		--
22	72148-94	PIN LOCK, secondary, 8-way (2)	96*-DD/J/P;FC/E/F --		--
23	72153-94	SOCKET LOCK, secondary, 3-way	96*-DD/J/P;FC/E/F --		--
24	72159-94	SOCKET LOCK, secondary, 12-way (2)	96*-DD/J/P;FC/E/F --		--
25	72190-94	TERMINAL, pin (32)	96*-DD/J/P;FC/E/F --		--
26	72191-94	TERMINAL, socket (26)	96*-DD/J/P;FC/E/F --		--
27	72195-94	SEAL PIN	96*-DD/J/P;FC/E/F --		--
28	72198-94	ATTACHMENT CLIP, 8-way only (2)	96*-DD/J/P;FC/E/F --		--
29	72199-94	ATTACHMENT CLIP (3)	96*-DD/J/P;FC/E/F --		--
30	72221-94	CONNECTOR, plug, 3-way	96*-DD/J/P;FC/E/F --		--
31	72223-94	TERMINAL, female, 10-12 ga. (2)	96*-DD/J/P;FC/E/F --		--
32	72224-94	TERMINAL, female, 14-16 ga.	96*-DD/J/P;FC/E/F --		--
33	72227-94	WIRE SEAL, 14 ga. (2)	96*-DD/J/P;FC/E/F --		--
34	72229-94	SECONDARY LOCK, 3-way	96*-DD/J/P;FC/E/F --		--
35	72242-94	TERMINAL, 1/4" ring w/ int. star, 10-12 ga.	96*-DD/J/P;FC/E/F --		--
36	72255-94	TERMINAL, 1/4" ring w/ int. star, 18-20 ga.	96*-DD/J/P;FC/E/F --		--
37	72266-94	HEAT SHRINK TUBE, dual wall, .3 x 2" (4)	96*-DD/J/P;FC/E/F --		--
38	72283-94	REAR SEAL (3)	96*-DD/J/P;FC/E/F --		--
39	72291-94	TERMINAL, female spade - 14-16 ga.	96*-DD/J/P;FC/E/F --		--
40	72295-94	HOUSING, starter connection	96*-DD/J/P;FC/E/F --		--
41	74407-86	BOOT, oil sending unit	96*-DD/J/P;FC/E/F --		--

FLT MODELS				SOFTAIL MODELS				DYNA MODELS	
FLHT	DD	FLHR-I	FB	FLSTC	BJ	FLSTF	BM	FXDL	GD
FLHTC	DJ	FLHTCU-I	FC	FXSTC	BK	FLSTN	BN	FXDWG	GE
FLTC-U	DM	FLTCU-I	FE	FXSTS	BL	FXSTSB	BP	FXDS-CON	GG
FLHTC-U	DP	FLHTC-I	FF					FXD	GH
FLHR	FD								

WIRING HARNESS, MAIN - FLHR & FLHR-I



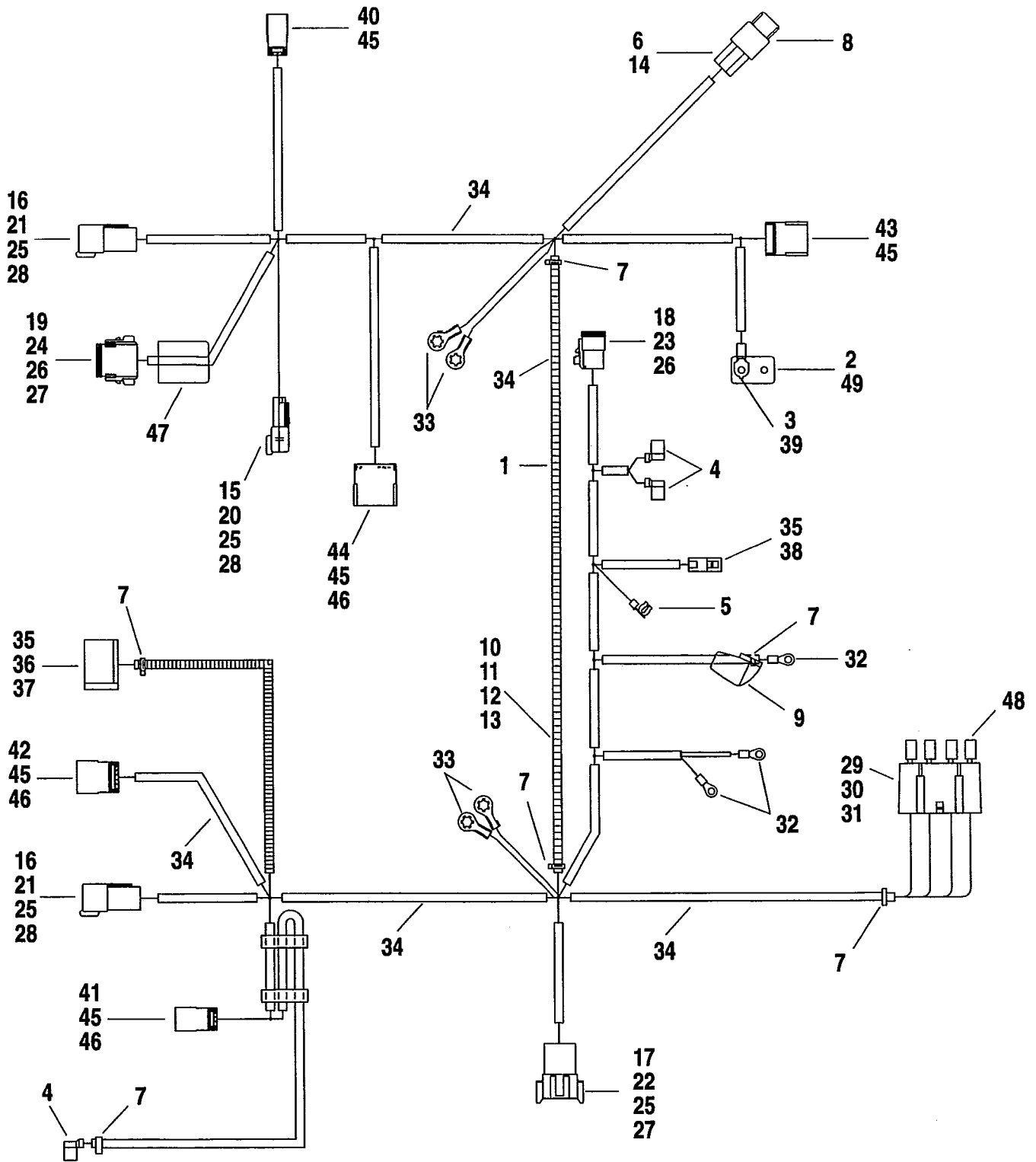
WIRING HARNESS, MAIN - FLHR & FLHR-I

FC49G

INDEX NO.	PART NO.	DESCRIPTION	FLT MODELS	SOFTAIL MODELS	DYNA MODELS
1	70245-94A	MAIN WIRING HARNESS includes the following:	95*-FD;96*-FB	--	--
2	7629	NUT ,hex	95*-FD;96*-FB	--	--
3	9840	TERMINAL, ring type, #10 hole	95*-FD;96*-FB	--	--
4	9898	TERMINAL, female flag, #14-16 wire (4)	95*-FD;96*-FB	--	--
5	9905	TERMINAL, cap type, 1/4" dia.	95*-FD;96*-FB	--	--
6	9937	TERMINAL, 1/4" female spade, 14-16 ga. (8)	95*-FD;96*-FB	--	--
7	10065	CABLE STRAP (13)	95*-FD;96*-FB	--	--
8	10136	ANCHOR, T-stud	95*-FD;96*-FB	--	--
9	31504-91A	RELAY w/ diode (2)	95*-FD;96*-FB	--	--
10	56073-83	RETAINER	95*-FD;96*-FB	--	--
11	68808-94	HEADLAMP CONNECTOR	95*-FD;96*-FB	--	--
12	70291-89	HOUSING, 4 pin (2)	95*-FD;96*-FB	--	--
13	70579-65	BOOT (rubber)	95*-FD;96*-FB	--	--
14	72038-71A	SOCKET, single pin (3)	95*-FD;96*-FB	--	--
15	72039-71A	PIN, single socket (8)	95*-FD;96*-FB	--	--
16	72043-71A	CONNECTOR, single pin (2)	95*-FD;96*-FB	--	--
17	72044-71A	CONNECTOR, single socket (3)	95*-FD;96*-FB	--	--
18	72046-79	CONNECTOR, spade terminals (2)	95*-FD;96*-FB	--	--
19	72103-94BK	RECEPTACLE, 3-way pin (2)	95*-FD;96*-FB	--	--
20	72104-94BK	RECEPTACLE, 4-way pin	95*-FD;96*-FB	--	--
21	72106-94BK	RECEPTACLE, 6-way pin (2)	95*-FD;96*-FB	--	--
22	72108-94BK	RECEPTACLE, 8-way pin (2)	95*-FD;96*-FB	--	--
23	72109-94BK	RECEPTACLE, 12-way pin	95*-FD;96*-FB	--	--
24	72113-94BK	PLUG, 3-way socket	95*-FD;96*-FB	--	--
25	72128-94GY	PLUG, 8-way socket (2)	95*-FD;96*-FB	--	--
26	72143-94	PIN LOCK, secondary, 3-way (2)	95*-FD;96*-FB	--	--
27	72144-94	PIN LOCK, secondary, 4-way	95*-FD;96*-FB	--	--
28	72146-94	PIN LOCK, secondary, 6-way (2)	95*-FD;96*-FB	--	--
29	72148-94	PIN LOCK, secondary, 8-way (4)	95*-FD;96*-FB	--	--
30	72149-94	PIN LOCK, secondary, 12-way	95*-FD;96*-FB	--	--
31	72153-94	SOCKET LOCK, secondary, 3-way	95*-FD;96*-FB	--	--
35	72190-94	TERMINAL, pin (64)	95*-FD;96*-FB	--	--
36	72191-94	TERMINAL, socket (3)	95*-FD;96*-FB	--	--
37	72195-94	SEAL PIN (4)	95*-FD;96*-FB	--	--
38	72198-94	ATTACHMENT CLIP (8-way) (4)	95*-FD;96*-FB	--	--
39	72199-94	ATTACHMENT CLIP (6)	95*-FD;96*-FB	--	--
40	72215-94	FUSE BLOCK w/ feet	95*-FD;96*-FB	--	--
41	72217-94	TERMINAL, auto fuse, 18-20 ga. (2)	95*-FD;96*-FB	--	--
42	72218-94	TERMINAL, auto fuse, 14-16 ga. (4)	95*-FD;96*-FB	--	--
43	72219-94	TERMINAL, auto fuse, 18 ga. (2)	95*-FD;96*-FB	--	--
44	72241-94	TERMINAL, ring type - #10 hole, 18-20 ga.	95*-FD;96*-FB	--	--
45	72242-94	TERMINAL, 1/4" ring w/ int. star, 10-12 ga.(2)	95*-FD;96*-FB	--	--
46	72266-94	HEAT SHRINK TUBE, dual wall, .3 x 2" (14)	95*-FD;96*-FB	--	--
47	72290-94	TERMINAL, 1/4" female (2)	95*-FD;96*-FB	--	--
48	72291-94	TERMINAL, female spade - 14-16 ga.	95*-FD;96*-FB	--	--
49	72292-94	TERMINAL, female - 12 ga. (3)	95*-FD;96*-FB	--	--
50	72293-94	HOUSING, female - 3-way	95*-FD;96*-FB	--	--
51	72295-94	CONNECTOR, starter	95*-FD;96*-FB	--	--
52	72366-95	HEAT SHRINK TUBE, yellow	95*-FD;96*-FB	--	--
53	74587-94	CIRCUIT BREAKER,15 amp.	95*-FD;96*-FB	--	--
54	74600-94	CIRCUIT BREAKER, 50 amp.	95*-FD;96*-FB	--	--

FLT MODELS				SOFTAIL MODELS				DYNA MODELS	
FLHT	DD	FLHR-I	FB	FLSTC	BJ	FLSTF	BM	FXDL	GD
FLHTC	DJ	FLHTCU-I	FC	FXSTC	BK	FLSTN	BN	FXDWG	GE
FLTC-U	DM	FLTCU-I	FE	FXSTS	BL	FXSTSB	BP	FXDS-CON	GG
FLHTC-U	DP	FLHTC-I	FF					FXD	GH
FLHR	FD								

WIRING HARNESS, MAIN - SOFTAIL MODELS



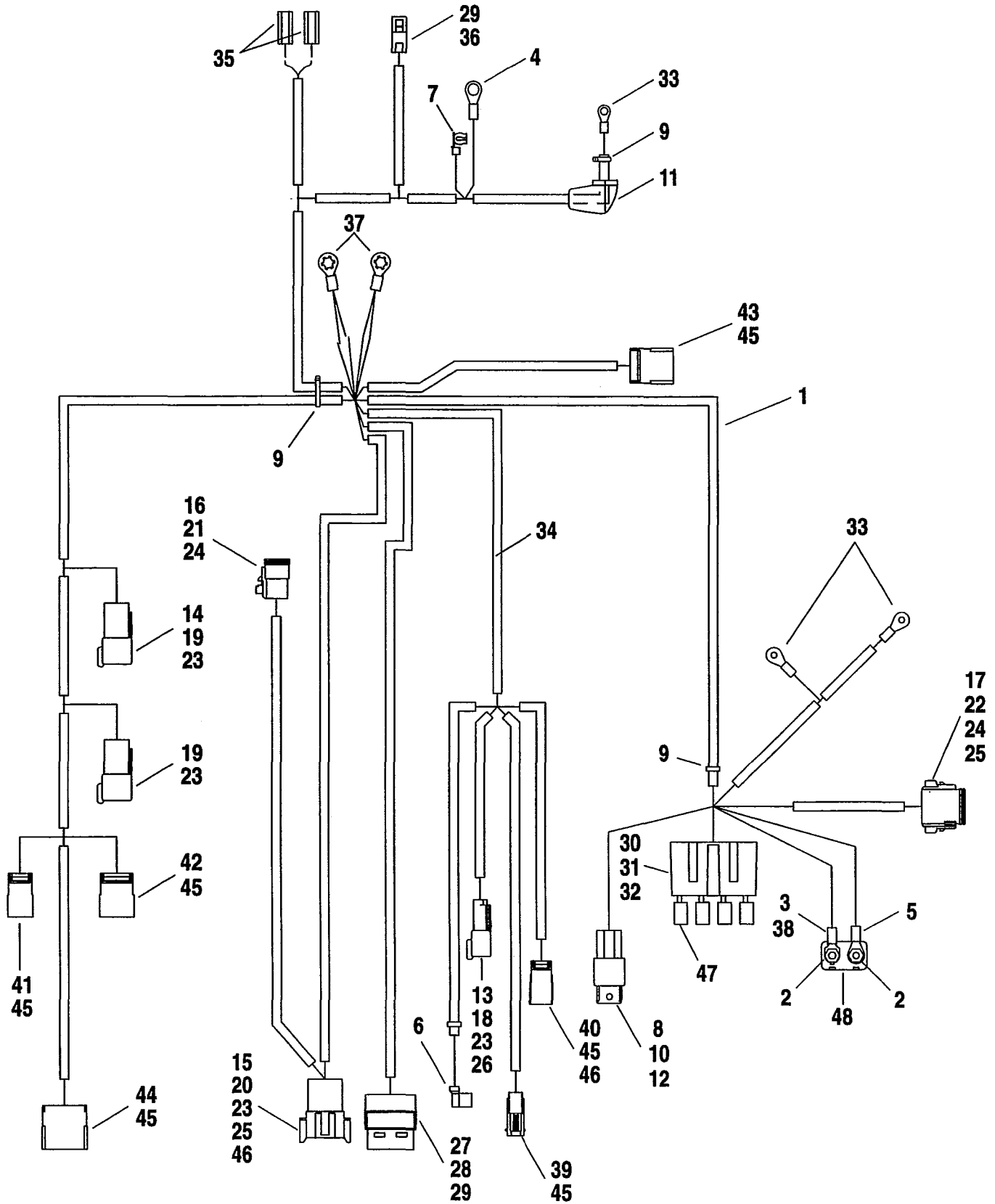
WIRING HARNESS, MAIN - SOFTAIL MODELS

FC49H

INDEX NO.	PART NO.	DESCRIPTION	FLT MODELS	SOFTAIL MODELS	DYNA MODELS
1	70216-93B	MAIN WIRING HARNESS (not illustrated)	--	95-ALL	--
	70216-96	MAIN WIRING HARNESS includes the following:	--	96*-ALL	--
2	7629	NUT, with washer (2)	--	96*-ALL	--
3	9840	TERMINAL, ring type	--	96*-ALL	--
4	9898	TERMINAL, female flag, #14-16 wire (3)	--	96*-ALL	--
5	9905	TERMINAL, cap type, 1/4" dia.	--	96*-ALL	--
6	9937	TERMINAL, 1/4" female spade, 14-16 ga. (4)	--	96*-ALL	--
7	10065	CABLE STRAP (6)	--	96*-ALL	--
8	31504-91A	RELAY, with diode (starter)	--	96*-ALL	--
9	70579-65	BOOT, rubber	--	96*-ALL	--
10	72038-71A	SOCKET, single pin	--	95*-ALL	--
11	72039-71A	PIN, single socket	--	95*-ALL	--
12	72043-71A	CONNECTOR, single pin	--	95*-ALL	--
13	72044-71A	CONNECTOR, single socket	--	95*-ALL	--
14	72046-79	SOCKET HOUSING	--	96*-ALL	--
15	72102-94BK	RECEPTACLE, 2-way pin	--	96*-ALL	--
16	72106-94BK	RECEPTACLE, 6-way pin (2)	--	96*-ALL	--
17	72108-94BK	RECEPTACLE, 8-way pin	--	96*-ALL	--
18	72113-94BK	PLUG, 3-way socket	--	96*-ALL	--
19	72138-94GY	PLUG, 8-way socket	--	96*-ALL	--
20	72142-94	PIN LOCK, secondary, 2-way	--	96*-ALL	--
21	72146-94	PIN LOCK, secondary, 6-way (2)	--	96*-ALL	--
22	72148-94	PIN LOCK, secondary, 8-way	--	96*-ALL	--
23	72153-94	SOCKET LOCK, secondary, 3-way	--	96*-ALL	--
24	72158-94	SOCKET LOCK, 8-way	--	96*-ALL	--
25	72190-94	TERMINAL, pin (21)	--	96*-ALL	--
26	72191-94	TERMINAL, socket (10)	--	96*-ALL	--
27	72195-94	SEAL PIN (2)	--	96*-ALL	--
28	72199-94	ATTACHMENT CLIP (3)	--	96*-ALL	--
29	72216-94	FUSEBLOCK	--	96*-ALL	--
30	72217-94	TERMINAL, auto fuse, 18-20 ga. (4)	--	96*-ALL	--
31	72218-94	TERMINAL, auto fuse, 14-16 ga. (4)	--	96*-ALL	--
32	72241-94	TERMINAL, #10 ring 18-20 ga. (3)	--	96*-ALL	--
33	72255-94	TERMINAL, ring 1/4" (4)	--	96*-ALL	--
34	72266-94	HEAT SHRINK TUBE, dual wall, .3 x 2" (11)	--	96*-ALL	--
35	72291-94	TERMINAL, female spade - 14-16 ga. (3)	--	96*-ALL	--
36	72292-94	TERMINAL, female, 12 ga.	--	96*-ALL	--
37	72293-94	CONNECTOR, female, 3-place	--	96*-ALL	--
38	72295-94	HOUSING, starter connection	--	96*-ALL	--
39	72366-95	HEAT SHRINK TUBE, (yellow)	--	96*-ALL	--
40	73103-96BK	PIN HOUSING, 3-place	--	96*-ALL	--
41	73104-96BK	PIN HOUSING, 4-place	--	96*-ALL	--
42	73106-96BK	PIN HOUSING, 6-place	--	96*-ALL	--
43	73108-96BK	PIN HOUSING, 8-place	--	96*-ALL	--
44	73112-96BK	PIN HOUSING, 12-place	--	96*-ALL	--
45	73190-96	TERMINAL, pin 20-16 ga. (31)	--	96*-ALL	--
46	73199-96	ANCHOR, connector (3)	--	96*-ALL	--
47	74412-91	BOOT, turn signal module harness	--	96*-ALL	--
48	74587-94	CIRCUIT BREAKER, 15 amp. (4)	--	96*-ALL	--
49	74599-77B	CIRCUIT BREAKER, 30 amp.	--	96*-ALL	--

FLT MODELS				SOFTAIL MODELS				DYNA MODELS	
FLHT	DD	FLHR-I	FB	FLSTC	BJ	FLSTF	BM	FXDL	GD
FLHTC	DJ	FLHTCU-I	FC	FXSTC	BK	FLSTN	BN	FXDWG	GE
FLTC-U	DM	FLTCU-I	FE	FXSTS	BL	FXSTSB	BP	FXDS-CON	GG
FLHTC-U	DP	FLHTC-I	FF					FXD	GH
FLHR	FD								

WIRING HARNESS, MAIN - DYNA MODELS



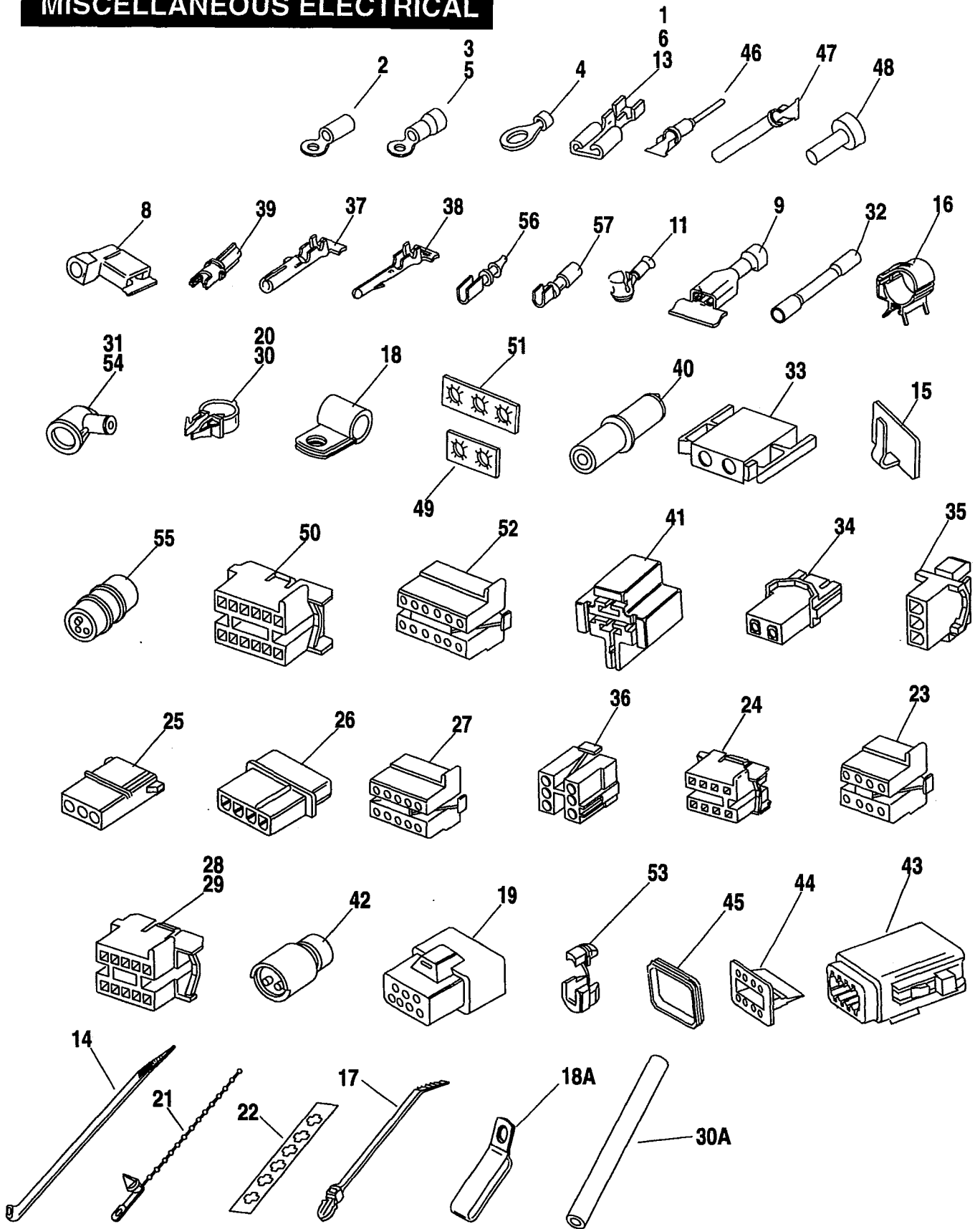
WIRING HARNESS, MAIN - DYNA MODELS

FC491

INDEX NO.	PART NO.	DESCRIPTION	FLT MODELS	SOFTAIL MODELS	DYNA MODELS
	69558-95	MAIN WIRING HARNESS (not illustrated)	--	--	95-GD/G/H
	69631-95	MAIN WIRING HARNESS (not illustrated)	--	--	95-GE
1	69558-96	MAIN WIRING HARNESS	--	--	96*-ALL
		includes the following:			
2	7629	NUT, with washer (2)	--	--	96*-ALL
3	9840	TERMINAL, ring type	--	--	96*-ALL
4	9842	TERMINAL, ring type	--	--	96*-ALL
5	9843	TERMINAL, ring type, #10 10-12 ga.	--	--	96*-ALL
6	9898	TERMINAL, female flag, #14-16 wire	--	--	96*-ALL
7	9905	TERMINAL, cap type, 1/4" dia.	--	--	96*-ALL
8	9937	TERMINAL, 1/4" female spade, 14-16 ga. (4)	--	--	96*-ALL
9	10065	CABLE STRAP (4)	--	--	96*-ALL
10	31504-91A	RELAY, with diode (starter)	--	--	96*-ALL
11	70579-65	BOOT, rubber	--	--	96*-ALL
12	72046-79	SOCKET HOUSING	--	--	96*-ALL
13	72102-94BK	RECEPTACLE, 2-way pin	--	--	96*-ALL
14	72106-94BK	RECEPTACLE, 6-way pin	--	--	96*-ALL
15	72108-94BK	RECEPTACLE, 8-way pin	--	--	96*-ALL
16	72113-94BK	PLUG, 3-way socket	--	--	96*-ALL
17	72138-94GY	PLUG, 8-way socket	--	--	96*-ALL
18	72142-94	PIN LOCK, secondary, 2-way	--	--	96*-ALL
19	72146-94	PIN LOCK, secondary, 6-way (2)	--	--	96*-ALL
20	72148-94	PIN LOCK, secondary, 8-way	--	--	96*-ALL
21	72153-94	SOCKET LOCK, secondary, 3-way	--	--	96*-ALL
22	72158-94	SOCKET LOCK, 8-way	--	--	96*-ALL
23	72190-94	TERMINAL, pin (21)	--	--	96*-ALL
24	72191-94	TERMINAL, socket (10)	--	--	96*-ALL
25	72195-94	SEAL PIN (2)	--	--	96*-ALL
26	72199-94	ATTACHMENT CLIP	--	--	96*-ALL
27	72205-94	CONNECTOR, plug 4-way	--	--	96*-ALL
28	72208-94	TERMINAL, male, 12 ga.	--	--	96*-ALL
29	72210-94	TERMINAL, male, 14 ga. (3)	--	--	96*-ALL
30	72216-94	FUSEBLOCK	--	--	96*-ALL
31	72217-94	TERMINAL, auto fuse, 18-20 ga. (4)	--	--	96*-ALL
32	72218-94	TERMINAL, auto fuse, 14-16 ga. (4)	--	--	96*-ALL
33	72241-94	TERMINAL, #10 ring 18-20 ga. (3)	--	--	96*-ALL
34	72266-94	HEAT SHRINK TUBE, dual wall, .3 x 2" (14)	--	--	96*-ALL
35	72290-94	TERMINAL, female, 18-20 ga. (2)	--	--	96*-ALL
36	72295-94	HOUSING, starter connection	--	--	96*-ALL
37	72365-96	TERMINAL, ring type - 5/16" star (2)	--	--	96*-ALL
38	72366-95	HEAT SHRINK TUBE, yellow	--	--	96*-ALL
39	73102-96BK	PIN HOUSING, 2-place	--	--	96*-ALL
40	73103-96BK	PIN HOUSING, 3-place	--	--	96*-ALL
41	73104-96BK	PIN HOUSING, 4-place	--	--	96*-ALL
42	73106-96BK	PIN HOUSING, 6-place	--	--	96*-ALL
43	73108-96BK	PIN HOUSING, 8-place	--	--	96*-ALL
44	73112-96BK	PIN HOUSING, 12-place	--	--	96*-ALL
45	73190-96	TERMINAL, pin 20-16 ga. (35)	--	--	96*-ALL
46	73198-96	ANCHOR, connector (3)	--	--	96*-ALL
47	74587-94	CIRCUIT BREAKER, 15 amp. (4)	--	--	96*-ALL
48	74599-77B	CIRCUIT BREAKER, 30 amp.	--	--	96*-ALL

FLT MODELS				SOFTAIL MODELS				DYNA MODELS	
FLHT	DD	FLHR-I	FB	FLSTC	BJ	FLSTF	BM	FXDL	GD
FLHTC	DJ	FLHTCU-I	FC	FXSTC	BK	FLSTN	BN	FXDWG	GE
FLTC-U	DM	FLTCU-I	FE	FXSTS	BL	FXSTSB	BP	FXDS-CON	GG
FLHTC-U	DP	FLHTC-I	FF					FXD	GH
FLHR	FD								

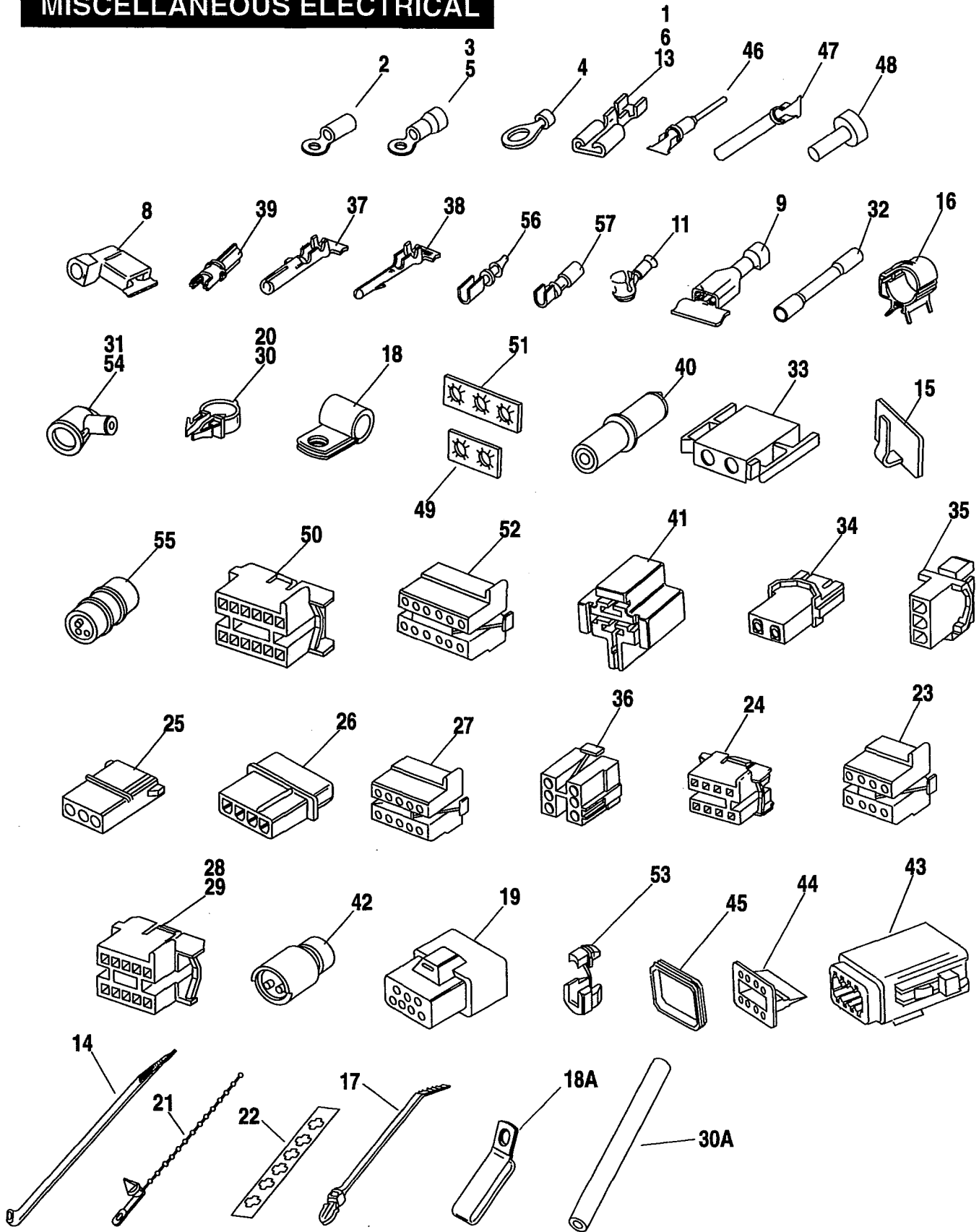
MISCELLANEOUS ELECTRICAL



INDEX NO.	PART NO.	DESCRIPTION	FLT MODELS	SOFTAIL MODELS	DYNA MODELS
1	9852	TERMINAL, 45 degree spade	--	95*-ALL	--
2	9856	TERMINAL, ring type - #6 hole	95*-ALL	95*-ALL	--
	9857	TERMINAL, ring type - #10 hole	--	95*-ALL	95*-ALL
	9858	TERMINAL, ring type - 1/4" dia. hole	--	--	95*-ALL
	9860	TERMINAL, ring type -3/8" dia. hole	--	95*-ALL	--
3	9862	TERMINAL, ring type - #10 hole	--	95*-ALL	95*-ALL
	9863	TERMINAL, ring type - 1/4" dia. hole	--	95*-ALL	95*-ALL
	9864	TERMINAL, ring type - 5/16" dia. hole	--	95*-ALL	--
4	9866	TERMINAL, ring type - #10 hole	95*-ALL	95*-ALL	--
	9868	TERMINAL, ring type - 5/16" dia. hole	95*-ALL	--	--
5	9871	TERMINAL, ring type - #6 hole	95*-ALL	95*-ALL	--
6	9875	TERMINAL, female spade - 5/16" slot	--	95*-ALL	--
8	9898	TERMINAL, female flag - #14-16 wire	--	95*-ALL	95*-ALL
9	9900	TERMINAL, connector	--	95*-ALL	--
	9907	TERMINAL, connector	95*-ALL	--	95*-ALL
11	9905	TERMINAL, cap type - 1/4" dia.	--	95*-ALL	95*-ALL
12	9930	TERMINAL, female spade - 3/16" slot	--	--	--
13	9937	TERMINAL, 1/4" female spade, 14-16 ga.	--	--	95*-ALL
14	10006	CABLE STRAP (black)	--	95*-ALL	95*-ALL
	10039	CABLE STRAP	--	95*-ALL	95*-ALL
	10065	CABLE STRAP	95*-ALL	95*-ALL	95*-ALL
	10076	CABLE STRAP	--	--	95*-ALL
15	10103	CLIP, adhesive back (3)	95*-ALL	--	--
16	10108	CLIP, battery cable (3)	95*-ALL	--	--
17	10073	CABLE STRAP	--	95*-ALL	95*-ALL
18	68750-93	CLAMP (2)	95*-ALL	--	--
18A	68761-96	CLAMP, electrical connector	96*-DD/J/P;FC/F	--	--
19	31998-91A	INSULATOR, receptacle hsg. (module conn.)	--	95*-ALL	95*-ALL
20	56073-83	RETAINER	--	95*-ALL	--
21	70005-70	CABLE STRAP	--	95*-ALL	--
22	70043-81	LABEL, battery - positive	95*-ALL	95*-ALL	95*-ALL
23	70287-81	CONNECTOR, eight socket (2)	95*-ALL	--	95*-ALL
24	70288-81	CONNECTOR, eight pin (2)	--	--	95*-ALL
25	70289-89	CONNECTOR, three socket	--	--	95*-ALL
26	70291-89	CONNECTOR, four pin	--	--	95*-ALL
	70292-89	CONNECTOR, four pin	--	--	95*-ALL
27	70293-87A	CONNECTOR, ten socket (2)	--	95*-ALL	95*-ALL
28	70302-90	CONNECTOR, eight pin	--	--	95*-ALL
29	70305-90	CONNECTOR, ten pin	--	--	95*-GE
30	70347-84	RETAINER, wiring harness	--	--	95*-ALL
30A	70551-69	CONDUIT, 1/8" I.D. - htm. (black)	95*-ALL	95*-ALL	95*-ALL
	70552-69	CONDUIT, 3/8" I.D. (black)	95*-ALL	95*-ALL	95*-ALL
	70553-69	CONDUIT, 7/16" I.D. (black)	95*-ALL	95*-ALL	95*-ALL
	70554-69	CONDUIT, 1/4" I.D. (black)	95*-ALL	95*-ALL	95*-ALL
	70555-69	CONDUIT, 1/4" I.D. - htm. (black)	95*-ALL	95*-ALL	95*-ALL
	70556-71	CONDUIT, 5/16" I.D. (black)	95*-ALL	95*-ALL	95*-ALL
	70558-71	CONDUIT, 1/2" I.D. (black)	95*-ALL	95*-ALL	95*-ALL
	70559-71	CONDUIT, 1/8" I.D. (black)	95*-ALL	95*-ALL	95*-ALL

FLT MODELS				SOFTAIL MODELS				DYNA MODELS	
FLHT	DD	FLHR-I	FB	FLSTC	BJ	FLSTF	BM	FXDL	GD
FLHTC	DJ	FLHTCU-I	FC	FXSTC	BK	FLSTN	BN	FXDWG	GE
FLTC-U	DM	FLTCU-I	FE	FXSTS	BL	FXSTSB	BP	FXDS-CON	GG
FLHTC-U	DP	FLHTC-I	FF					FXD	GH
FLHR	FD								

MISCELLANEOUS ELECTRICAL



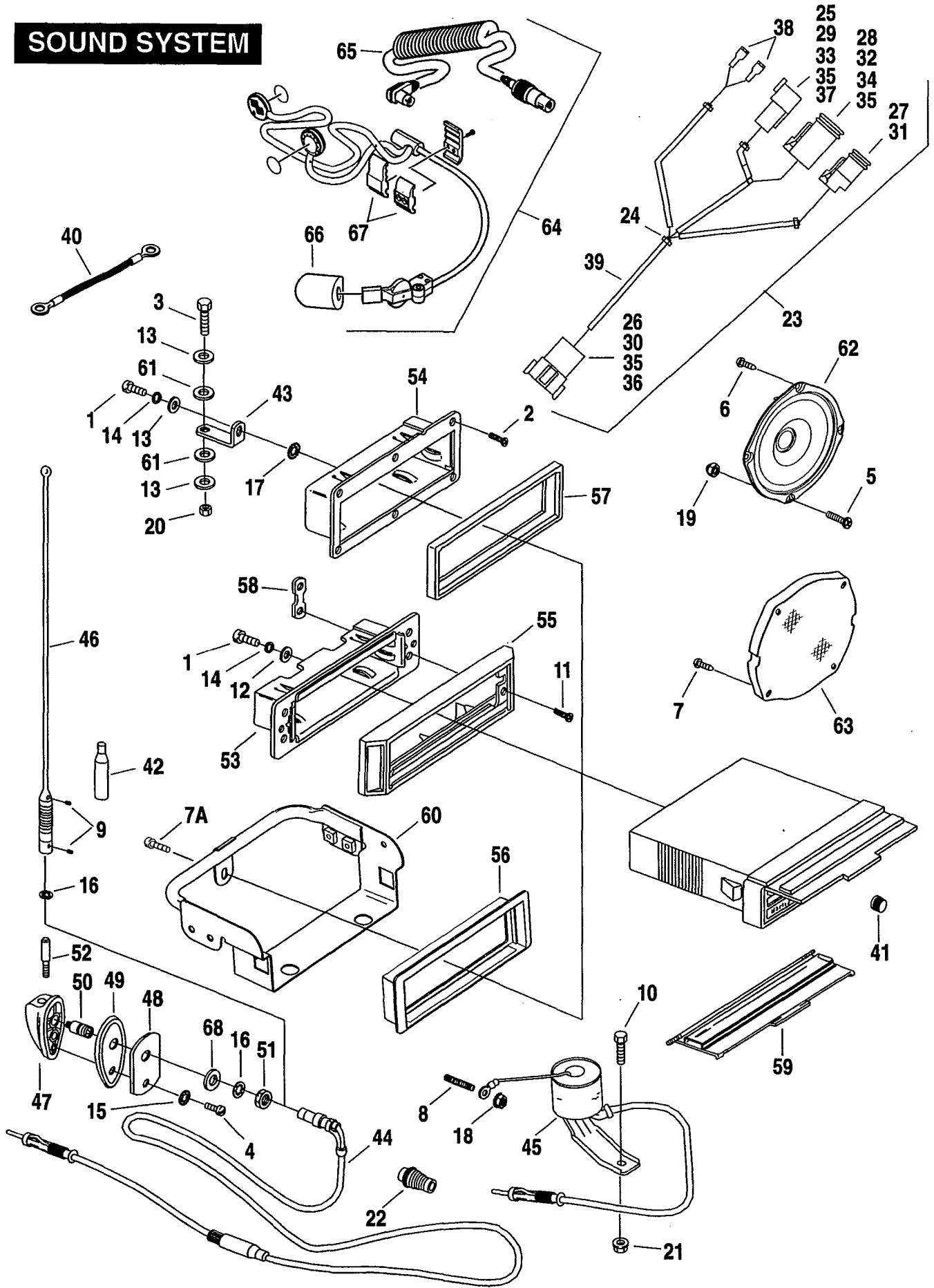
MISCELLANEOUS ELECTRICAL (CONT'D)

FC49J-2

INDEX NO.	PART NO.	DESCRIPTION	FLT MODELS	SOFTAIL MODELS	DYNA MODELS
31	70578-89	BOOT, insulating	--	95*-ALL	--
	70579-65	BOOT, insulating	--	95*-ALL	--
	70580-89	BOOT, insulating (2)	--	--	95*-ALL
	70588-95	BOOT, insulating	--	--	95-ALL
32	70585-93	CONNECTOR, splice, 18-22 ga. (red)	95*-ALL	95*-ALL	95*-ALL
	70586-93	CONNECTOR, splice, 14-16 ga. (blue)	95*-ALL	95*-ALL	95*-ALL
	70587-93	CONNECTOR, splice, 10-12 ga. (yellow)	95*-ALL	95*-ALL	95*-ALL
33	72034-71	CONNECTOR, two pin	95*-ALL	95*-BJ	--
34	72035-71	CONNECTOR, two socket	--	95*-BJ	95*-ALL
	72045-90	CONNECTOR, two socket	95*-DM/P	--	--
35	72036-71	CONNECTOR, three pin	--	95*-ALL	95*-ALL
	72048-90	CONNECTOR, three pin	95*-DM/P	--	--
36	72037-71	CONNECTOR, six socket	--	95*-ALL	--
37	72038-71A	SOCKET, single pin	95*-ALL	95*-ALL	95*-ALL
38	72039-71A	PIN, single socket	95*-ALL	95*-ALL	95*-ALL
	72040-71	CONNECTOR, three socket	--	95*-ALL	95*-ALL
39	72043-71A	CONNECTOR, single pin	--	95*-ALL	95*-ALL
40	72044-71A	CONNECTOR, single socket	--	95*-ALL	95*-ALL
41	72046-79	CONNECTOR, spade terminals	--	95*-ALL	95*-ALL
42	72051-77A	CONNECTOR, three socket	--	95*-ALL	95*-ALL
43	72118-94BK	PLUG, 8-way socket - rear lights	95*-ALL	--	--
44	72158-94	SOCKET LOCK, 8-way - rear lights	95*-ALL	--	--
45	72172-94	FRONT SEAL, 2-way plug	95*-ALL	--	--
	72173-94	FRONT SEAL, 3-way plug	95*-ALL	--	--
	72174-94	FRONT SEAL, 4-way plug	95*-ALL	--	--
	72176-94	FRONT SEAL, 6-way plug	95*-ALL	--	--
	72178-94	FRONT SEAL, 8-way plug	95*-ALL	--	--
	72179-94	FRONT SEAL, 12-way plug	95*-ALL	--	--
46	72190-94	TERMINAL, pin	95*-ALL	--	--
47	72191-94	TERMINAL, socket	95*-ALL	--	--
48	72195-94	SEAL PIN	95*-ALL	--	--
49	72275-74	CONNECTOR TAB, two terminal	--	95*-ALL	95*-ALL
50	72276-74	CONNECTOR, twelve pin	--	95*-BJ/N	95*-ALL
51	72277-74	CONNECTOR TAB, three terminal	--	95*-BJ/N	--
52	72278-74	CONNECTOR, twelve socket	--	95*-ALL	--
53	72503-90	CABLE RESTRAINT	--	--	95*-ALL
54	74412-91	BOOT, module harness	--	95*-ALL	--
55	74521-77A	CONNECTOR, pin & socket	--	95*-ALL	--
56	74536-77A	SOCKET, single pin	--	95*-ALL	95*-ALL
57	74539-77A	PIN, single socket	--	95*-ALL	95*-ALL

FLT MODELS				SOFTAIL MODELS				DYNA MODELS	
FLHT	DD	FLHR-I	FB	FLSTC	BJ	FLSTF	BM	FXDL	GD
FLHTC	DJ	FLHTCU-I	FC	FXSTC	BK	FLSTN	BN	FXDWG	GE
FLTC-U	DM	FLTCU-I	FE	FXSTS	BL	FXSTSB	BP	FXDS-CON	GG
FLHTC-U	DP	FLHTC-I	FF					FXD	GH
FLHR	FD								

SOUND SYSTEM



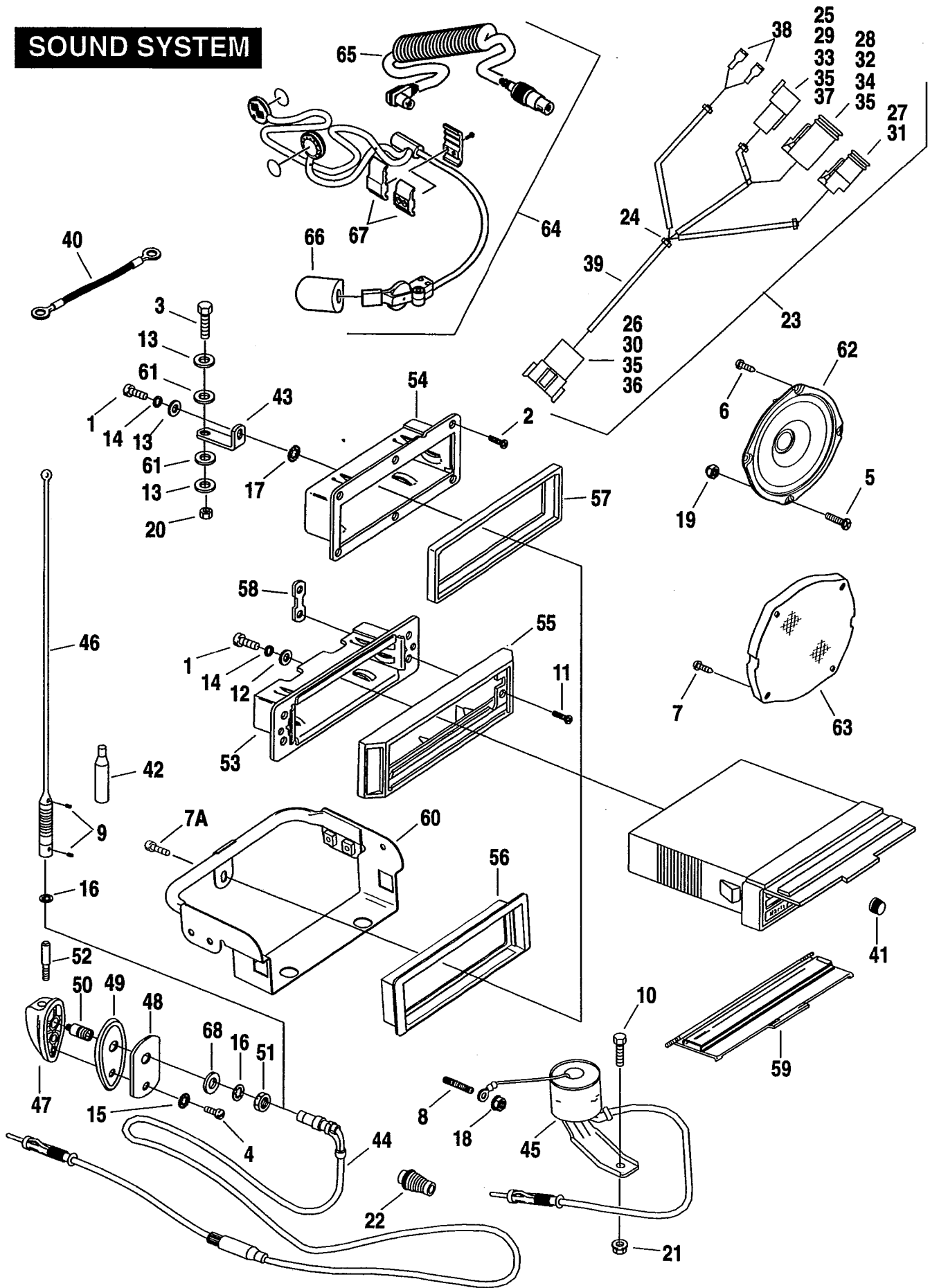
SOUND SYSTEM

FC50-1

INDEX NO.	PART NO.	DESCRIPTION	FLT MODELS	SOFTAIL MODELS	DYNA MODELS
1	923	SCREW	95-DJ/M/P;FC 96*-FE	--	--
2	2508	SCREW (6)	95-DM;96*-FE	--	--
3	2551W	SCREW	95-DM;96*-FE	--	--
4	2576	SCREW	95*-DJ;96*-FF	--	--
5	2646	SCREW, speaker mounting - front (8)	95-DM;96*-FE	--	--
6	5209	SCREW, speaker mounting - front (6)	95-DJ/P;FC	--	--
7	2940	SCREW, front speaker mounting (6)	96*-DJ/P;FC/F	--	--
7A	2941	SCREW	96*-DJ/P;FC/F	--	--
8	3227	STUD	95*-DM/P;FC/E	--	--
9	3266	SET SCREW (2-DJ,FF;4-DM/P;FC/E)	95*-DJ/M/P;FC/E/F	--	--
10	3574	SCREW	95*-DM/P;FC/E	--	--
11	4015	SCREW (4)	95-DJ/P;FC	--	--
12	6036	WASHER	95-DJ/P;FC	--	--
13	6253W	WASHER (3)	95-DM;96*-FE	--	--
14	7036	LOCKWASHER	95-DJ/M/P;FC 96*-FE	--	--
15	7118	LOCKWASHER	95*-DJ;96*-FF	--	--
16	7129	LOCKWASHER (2-DM/P;FC/E)	95*-DJ/M/P;FC/E/F	--	--
17	7229W	LOCKWASHER	95-DM;96*-FE	--	--
18	7492	NUT, with lockwasher	95*-DM/P;FC/E	--	--
19	7609W	LOCKNUT (8)	95-DM;96*-FE	--	--
20	7686	LOCKNUT	95-DM;96*-FE	--	--
21	7716	NUT, flange	95*-DM/P;FC/E	--	--
22	11486	GROMMET (2-DM/P)	95*-DJ/M/P;FC/E/F	--	--
23	70160-94	WIRING HARNESS, audio includes the following:	95*-DM/P;FC/E	--	--
24	10065	CABLE STRAP	95*-DM/P;FC/E	--	--
25	72106-94BK	RECEPTACLE, 6-way pin	95*-DM/P;FC/E	--	--
26	72108-94BK	RECEPTACLE, 8-way pin	95*-DM/P;FC/E	--	--
27	72112-94BK	PLUG, 2-way socket	95*-DM/P;FC/E	--	--
28	72116-94BK	PLUG, 6-way socket	95*-DM/P;FC/E	--	--
29	72146-94	PIN LOCK, secondary, 6-way	95*-DM/P;FC/E	--	--
30	72148-94	PIN LOCK, secondary, 8-way	95*-DM/P;FC/E	--	--
31	72152-94	SOCKET LOCK, 2-way	95*-DM/P;FC/E	--	--
32	72156-94	SOCKET LOCK, 6-way	95*-DM/P;FC/E	--	--
33	72190-94	TERMINAL, pin (11)	95*-DM/P;FC/E	--	--
34	72191-94	TERMINAL, socket (7)	95*-DM/P;FC/E	--	--
35	72195-94	SEAL PIN (4)	95*-DM/P;FC/E	--	--
36	72198-94	ATTACHMENT CLIP (8-way only)	95*-DM/P;FC/E	--	--
37	72199-94	ATTACHMENT CLIP	95*-DM/P;FC/E	--	--
38	72249-94	HEAT SHRINK TUBE, .3 x 1" (2)	95*-DM/P;FC/E	--	--
39	72266-94	HEAT SHRINK TUBE, dual wall, .3 x 2" (7)	95*-DM/P;FC/E	--	--

FLT MODELS				SOFTAIL MODELS				DYNA MODELS	
FLHT	DD	FLHR-I	FB	FLSTC	BJ	FLSTF	BM	FXDL	GD
FLHTC	DJ	FLHTCU-I	FC	FXSTC	BK	FLSTN	BN	FXDWG	GE
FLTC-U	DM	FLTCU-I	FE	FXSTS	BL	FXSTSB	BP	FXDS-CON	GG
FLHTC-U	DP	FLHTC-I	FF					FXD	GH
FLHR	FD								

SOUND SYSTEM

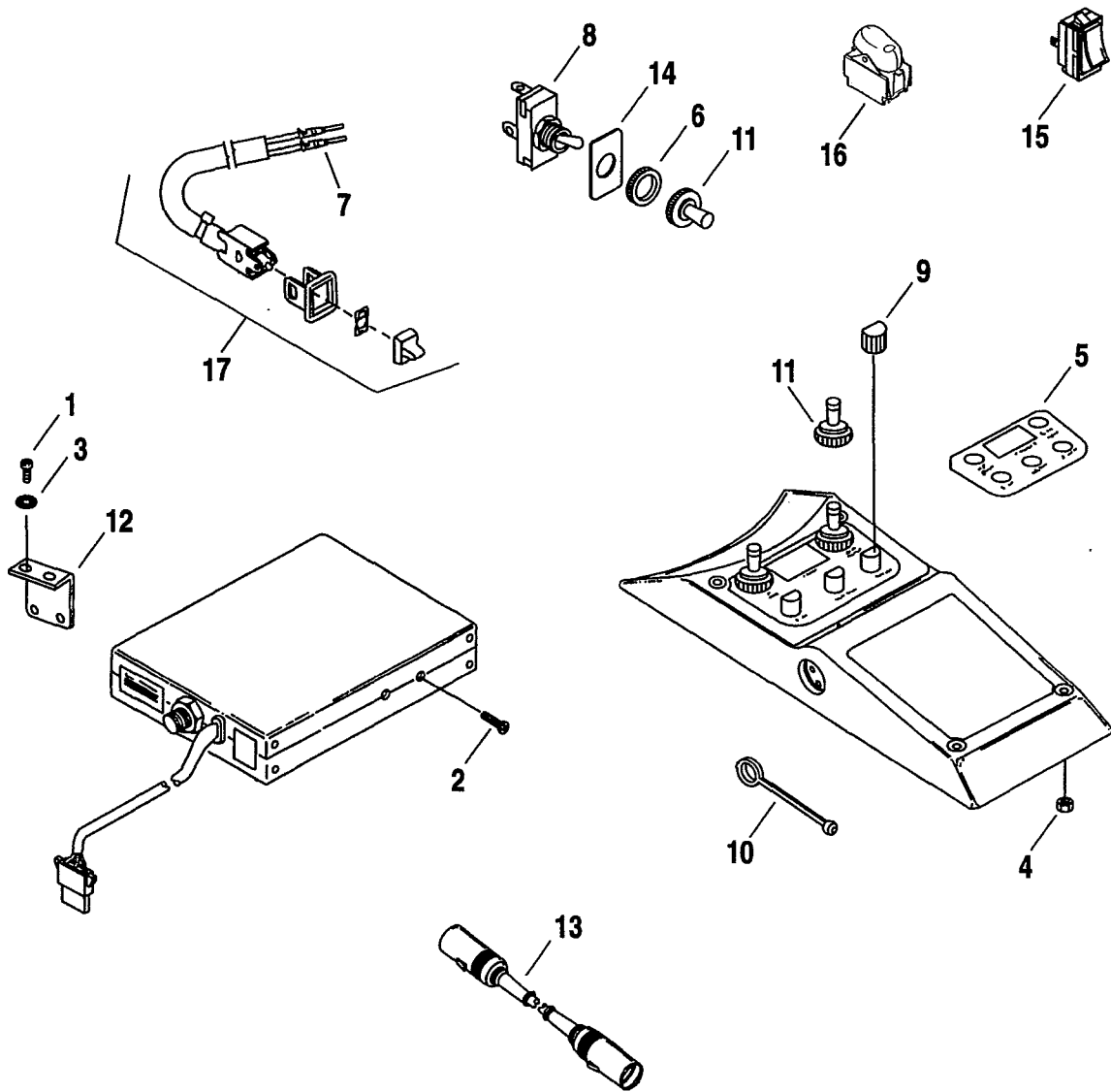


INDEX NO.	PART NO.	DESCRIPTION	FLT MODELS	SOFTAIL MODELS	DYNA MODELS
40	70168-89	WIRING ASSEMBLY, radio ground	95-DM;96*-FE	--	--
41	71809-88	CONTROL KNOB (2)	95*-DJ/M/P;FC/E/F	--	--
42	74414-93	BOOT, antenna (2-DM/P;FC/E)	95*-DM/P;FC/E/F	--	--
43	76240-88	BRACKET, rear	95-DM;96*-FE	--	--
44	76248-86	CABLE, antenna	95*-DJ/M/P;FC/E/F	--	--
45	76294-93A	CABLE, antenna w/ coil	95*-DM/P;FC/E	--	--
46	76250-86C	ANTENNA (2-DM/P;FC/E)	95*-DJ/M/P;FC/E/F	--	--
47	76252-86	BASE, antenna	95*-DJ;96*-FF	--	--
48	76253-86	REINFORCEMENT PLATE	95*-DJ;96*-FF	--	--
49	76255-86	GASKET, base	95*-DJ;96*-FF	--	--
50	76258-86	PLUG ASSEMBLY	95*-DJ/M/P;FC/E/F	--	--
51	76259-86	NUT	95*-DM/P;FC/E	--	--
52	76260-89	ANTENNA ADAPTOR (2)	95*-DM/P;FC/E	--	--
53	76274-88	BRACKET, mounting	95-DJ/P;FC	--	--
54	76277-88	BRACKET, mounting	95-DM;96*-FE	--	--
55	76280-88	NOSE SEAL	95-DJ/P;FC	--	--
56	76280-96	NOSE SEAL	96*-DJ/P;FC/F	--	--
57	76281-88	NOSE SEAL	95-DM;96*-FE	--	--
58	76282-88	NUT PLATE (2)	95-DJ/P;FC	--	--
59	76283-89A	FRONT COVER	95*-DJ/M/P;FC/E/F	--	--
60	76316-96	RADIO CARRIER BRACKET	96*-DJ/P;FC/F	--	--
61	77004-80	WASHER (rubber) (2)	95-DM;96*-FE	--	--
62	77029-86B	SPEAKER (2)	95-DJ/M/P;FC 96*-FE	--	--
63	77010-96	FRONT SPEAKER ASM., w/mtg. plate & grill (2)	96*-DJ/P;FC/F	--	--
64	77147-91B	HEADSET ASM. (2 - HDI)	95*-DM/P;FC/E	--	--
65	77148-91	COILED CORD, headset (2 - HDI)	95*-DM/P;FC/E	--	--
66	77159-95	WIND SOCK, microphone (2 - HDI)	95*-DM/P;FC/E	--	--
67	77151-91A	HEADSET CLAMP & hardware (2 - HDI)	95*-DM/P;FC/E	--	--
68	90763-79	WASHER	95*-DM/P;FC/E	--	--

NOTE: For all service and warranty claims on the radio chassis, contact:
 RADIO SOUND, INC.
 1713 Cobalt Drive
 Louisville, KY 40299
 Phone: (502) 267-6768 or 1-800-367-4506
 Fax: (502) 267-6794

FLT MODELS				SOFTAIL MODELS				DYNA MODELS	
FLHT	DD	FLHR-I	FB	FLSTC	BJ	FLSTF	BM	FXDL	GD
FLHTC	DJ	FLHTCU-I	FC	FXSTC	BK	FLSTN	BN	FXDWG	GE
FLTC-U	DM	FLTCU-I	FE	FXSTS	BL	FXSTSB	BP	FXDS-CON	GG
FLHTC-U	DP	FLHTC-I	FF					FXD	GH
FLHR	FD								

C. B. & INTERCOM SYSTEMS

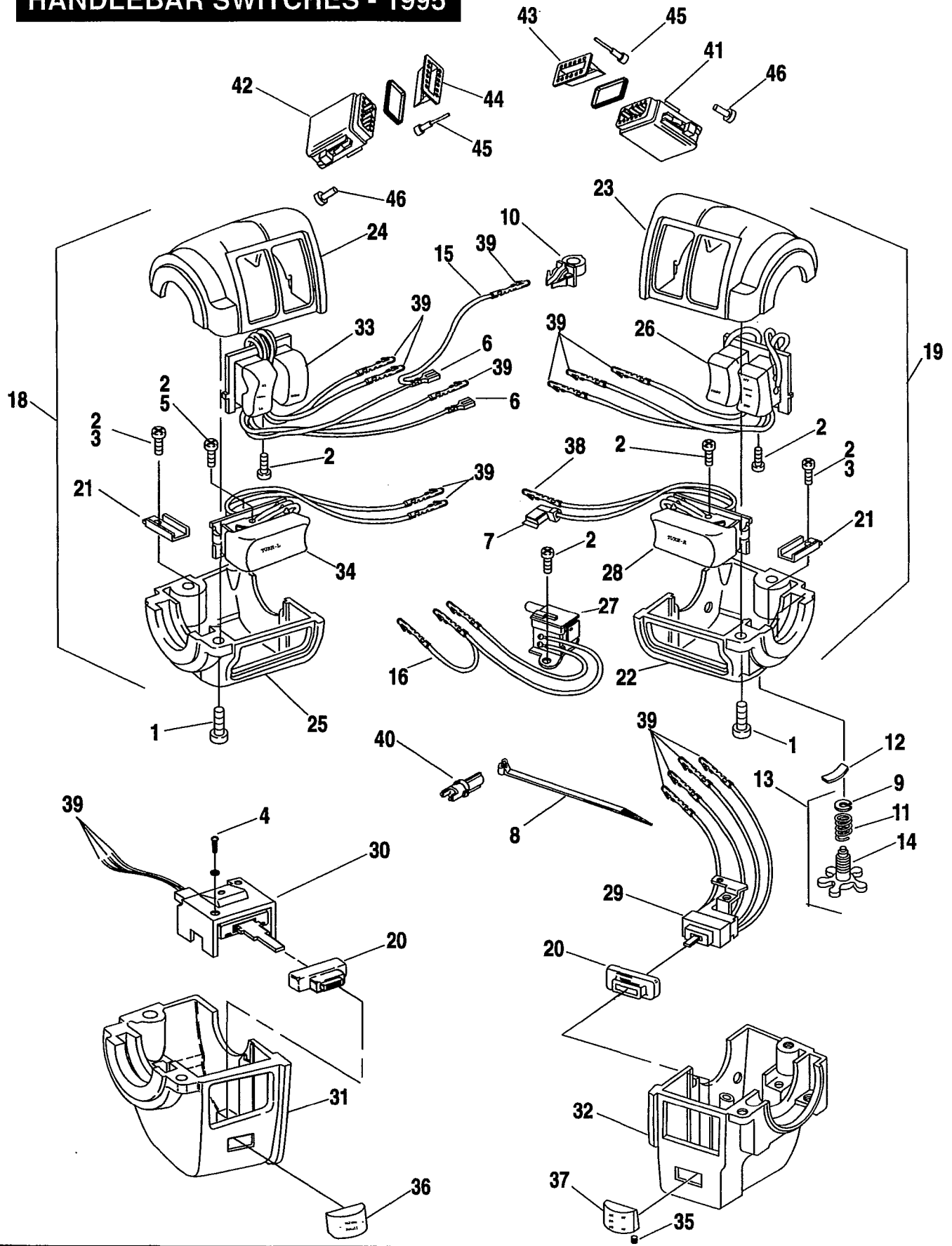


INDEX NO.	PART NO.	DESCRIPTION	FLT MODELS	SOFTAIL MODELS	DYNA MODELS
1	2443	SCREW (2)	95-DM/P;FC 96*-DP;FC/E	--	--
2	2787	SCREW, C.B. mounting (4)	95-DM/P;FC 96*-DP;FC/E	--	--
3	7234	LOCKWASHER (2)	95-DM/P;FC 96*-DP;FC/E	--	--
4	7830	NUT (9)	95-DM/P;FC 96*-DP;FC/E	--	--
5	14303-91	DECAL, C.B. console	95-DM/P;FC 96*-DP;FC/E	--	--
6	67846-70	NUT	95-DM;96*-FE	--	--
7	72190-94	TERMINAL, pin (2)	95-DM/P;FC	--	--
8	71521-89	SWITCH, speakers	95-DM;96*-FE	--	--
9	71809-88	KNOB, radio (3)	95-DM/P;FC 96*-DP;FC/E	--	--
10	72059-89A	PLUG, weather	95-DM/P;FC 96*-DP;FC/E	--	--
11	74408-89	BOOT, toggle switch (4)	95-DM/P;FC 96*-DP;FC/E	--	--
12	76284-89A	BRACKET, transceiver	95-DM/P;FC 96*-DP;FC/E	--	--
13	76292-95	CABLE ASM., console to radio	95-DM/P;FC 96*-DP;FC/E	--	--
14	76297-89	LABEL, speaker	95-DM;96*-FE	--	--
15	77092-89	SWITCH, speaker control (on fairing)	95-DP;FC	--	--
16	77092-96	SWITCH, speaker control (on fairing)	96*-DP;FC	--	--
17	77100-89B	SWITCH KIT, P.T.T.-CB w/ 72190-94	95-DM/P;FC	--	--
H-D INTERNATIONAL ONLY					
	14304-91	DECAL, intercom. console (Japan only)	95-DP; 96*-DP;FC	--	--
	14305-90	DECAL, console (Japan only)	95-DP; 96*-DP;FC	--	--

NOTE: For all service and warranty claims on the C.B., intercom or pod, contact:
RADIO SOUND, INC.
 1713 Cobalt Drive
 Louisville, KY 40299
 Phone: (502) 267-6768 or 1-800-367-4506
 Fax: (502) 267-6794

FLT MODELS				SOFTAIL MODELS				DYNA MODELS	
FLHT	DD	FLHR-I	FB	FLSTC	BJ	FLSTF	BM	FXDL	GD
FLHTC	DJ	FLHTCU-I	FC	FXSTC	BK	FLSTN	BN	FXDWG	GE
FLTC-U	DM	FLTCU-I	FE	FXSTS	BL	FXSTSB	BP	FXDS-CON	GG
FLHTC-U	DP	FLHTC-I	FF					FXD	GH
FLHR	FD								

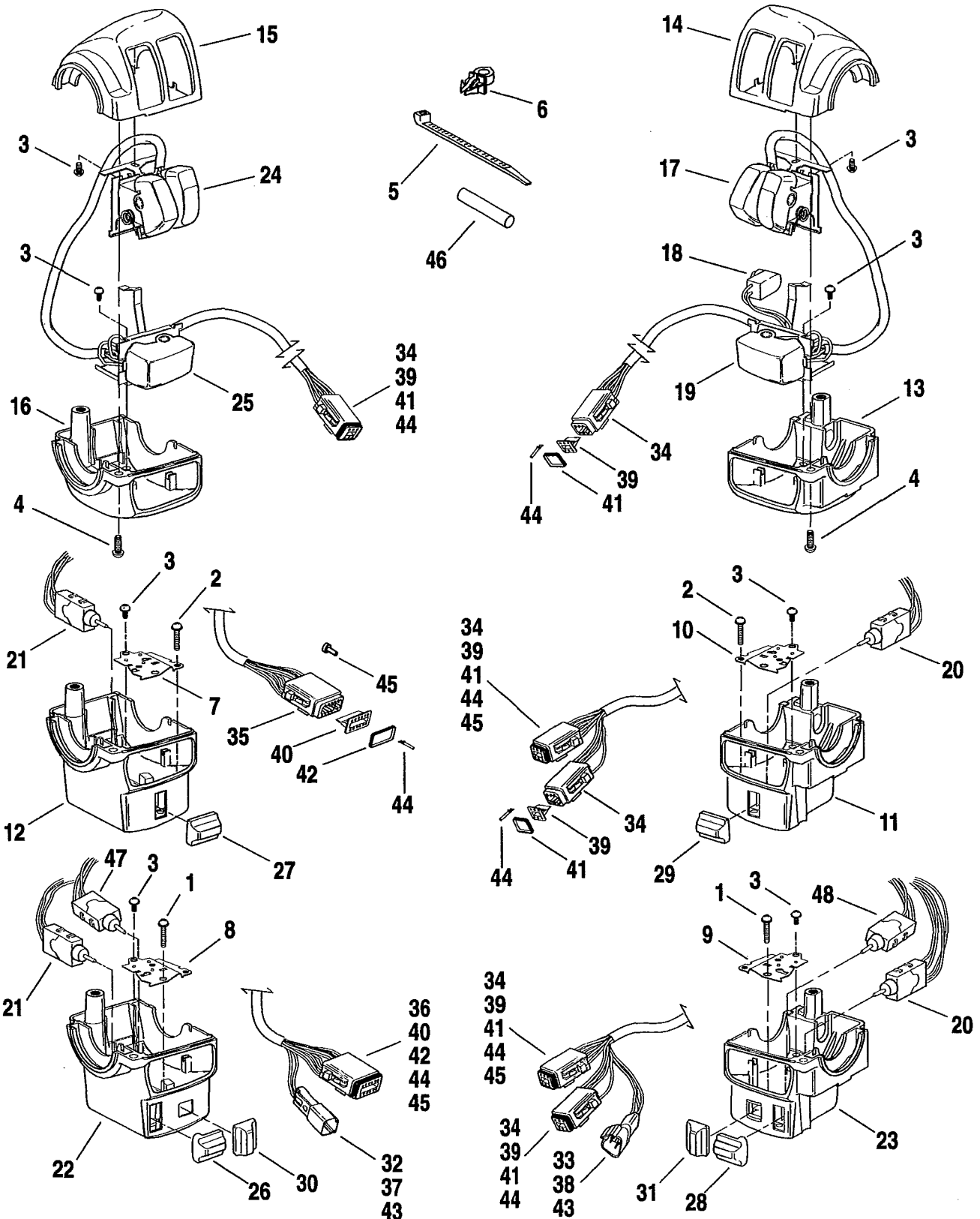
HANDLEBAR SWITCHES - 1995



INDEX NO.	PART NO.	DESCRIPTION	FLT MODELS	SOFTAIL MODELS	DYNA MODELS
1	2508	SCREW (4)	95-DD/J/M/P;FC	95-ALL	95-ALL
2	2907	SCREW (7; 4 - radio equipped)	95-ALL	95-ALL	95-ALL
3	2908	SCREW (2)	95-DD/J/M/P;FC	--	--
4	2909	SCREW	95-DD/J/M/P;FC	--	--
5	2910	SCREW	95-DD/J/M/P;FC	--	--
6	9875	TERMINAL, female spade (2)	95-ALL	95-ALL	95-ALL
7	9898	TERMINAL, female flag, #14-16 wire	95-ALL	95-ALL	95-ALL
8	10065	CABLE STRAP (2)	--	95-BJ/K/M/N	95-ALL
9	11155	RETAINING RING	95-DD/J,FD	95-ALL	95-ALL
10	56073-83	RETAINER, wiring harness (4)	--	95-ALL	95-GG
11	56394-74	SPRING, adjusting screw	95-DD/J,FD	95-ALL	95-ALL
12	56396-74A	SPRING, throttle grip	95-DD/J,FD	95-ALL	95-ALL
13	56397-74C	ADJUSTING SCREW KIT w/ #9, 11 & 14	95-DD/J,FD	95-ALL	95-ALL
14	56402-83A	SCREW, throttle adjusting	95-DD/J,FD	95-ALL	95-ALL
15	70047-82	WIRE ASSEMBLY, 5" lg. (white)	95-ALL	95-ALL	95-ALL
16	70082-82	WIRE ASSEMBLY, 3" lg (orange)	--	95-ALL	--
18	70218-87A	SWITCH ASSEMBLY KIT, complete - left	95-FD	95-ALL	95-ALL
19	70219-87	SWITCH ASSEMBLY KIT, complete - right	95-FD	95-ALL	95-ALL
20	70654-86	BOOT, switch (2)	95-DD/J/M/P;FC	--	--
21	71557-93	PLATE, switch (2)	95-FD	95-ALL	95-ALL
22	71563-82A	HOUSING, lower - right	95-FD	95-ALL	95-ALL
23	71564-82A	HOUSING, upper - right	95-ALL	95-ALL	95-ALL
24	71567-82	HOUSING, upper - left	95-ALL	95-ALL	95-ALL
25	71568-82A	HOUSING, lower - left	95-FD	95-ALL	95-ALL
26	71589-92	SWITCH ASSEMBLY, engine stop/start	95-ALL	95-ALL	95-ALL
27	71590-92	STOPLAMP SWITCH	95-ALL	95-ALL	95-ALL
28	71591-92	SWITCH ASSEMBLY, right turn signal	95-ALL	95-ALL	95-ALL
29	71592-88	3-WAY FUNCTION SWITCH	95-DD/J/M/P;FC	--	--
30	71593-88	VOLUME CONTROL	95-DD/J/M/P;FC	--	--
31	71594-88	HOUSING, lower - left	95-DD/J/M/P;FC	--	--
32	71595-86	HOUSING, lower - right	95-DD/J/M/P;FC	--	--
33	71597-92	SWITCH ASSEMBLY, dimmer & horn	95-ALL	95-ALL	95-ALL
34	71598-92	SWITCH ASSEMBLY, left turn signal	95-ALL	95-ALL	95-ALL
35	71805-88	SET SCREW (2)	95-DD/J/M/P;FC	--	--
36	71806-88	KNOB, volume	95-DD/J/M/P;FC	--	--
37	71807-88	KNOB, am/fm/wb	95-DD/J/M/P;FC	--	--
38	72038-71	SOCKET, single pin	--	95-ALL	95-ALL
39	72039-71	PIN, single socket (14)	--	95-ALL	95-ALL
40	72043-71A	CONNECTOR, single pin	--	95-ALL	95-ALL
41	72116-94BK	PLUG, 6-way socket (2)	95-ALL	--	--
42	72119-94BK	PLUG, 12-way socket	95-DD/J/M/P;FC	--	--
43	72156-94	SOCKET LOCK, secondary, 6-way (2)	95-ALL	--	--
44	72159-94	SOCKET LOCK, secondary, 12-way	95-DD/J/M/P;FC	--	--
45	72191-94	TERMINAL, socket (20-DJ/M/P;12-FD)	95-ALL	--	--
46	72195-94	SEAL PIN (4)	95-DD/J/M/P;FC	--	--

FLT MODELS				SOFTAIL MODELS				DYNA MODELS	
FLHT	DD	FLHR-I	FB	FLSTC	BJ	FLSTF	BM	FXDL	GD
FLHTC	DJ	FLHTCU-I	FC	FXSTC	BK	FLSTN	BN	FXDWG	GE
FLTC-U	DM	FLTCU-I	FE	FXSTS	BL	FXSTSB	BP	FXDS-CON	GG
FLHTC-U	DP	FLHTC-I	FF					FXD	GH
FLHR	FD								

HANDLEBAR SWITCHES - 1996



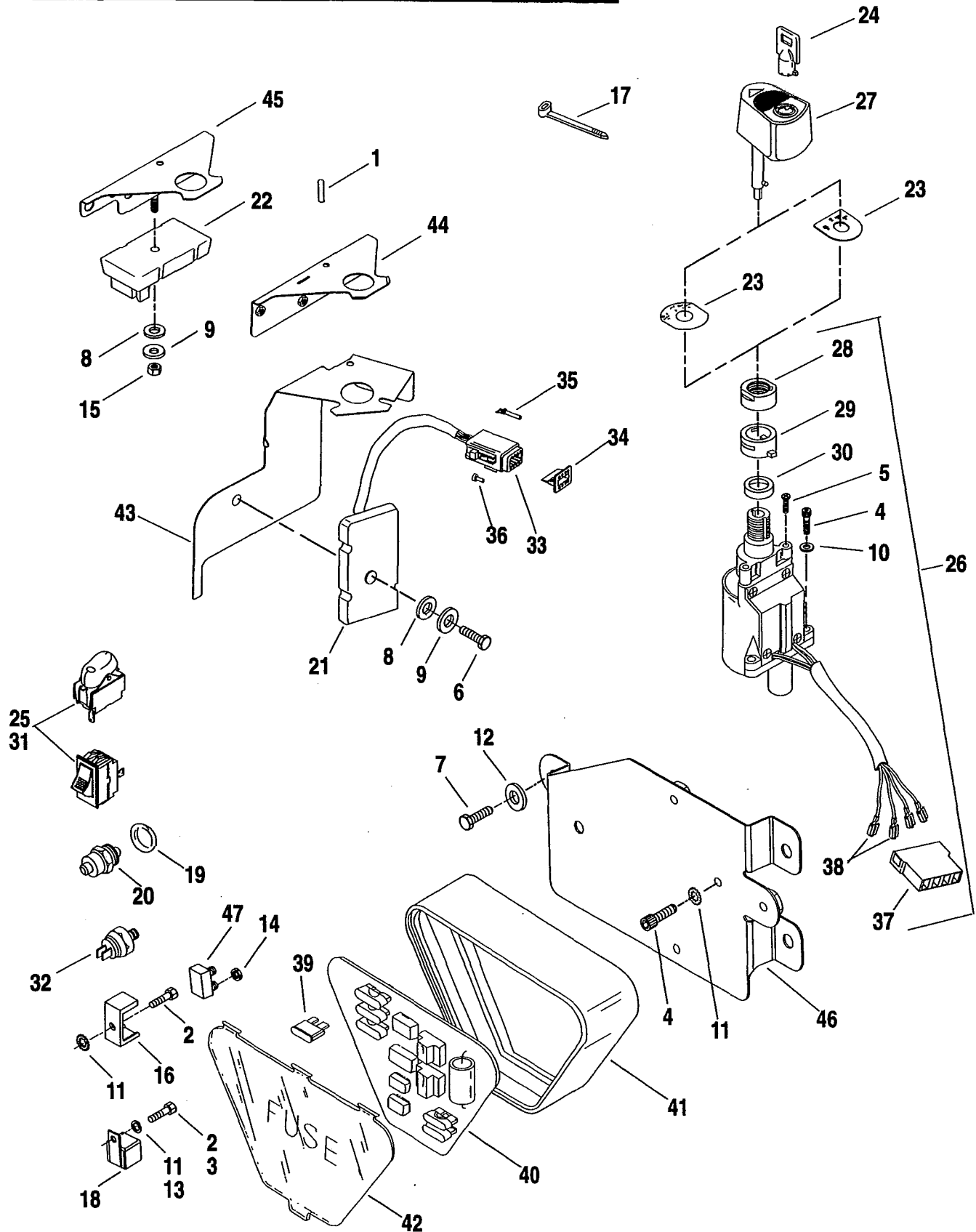
HANDLEBAR SWITCHES - 1996

FC51A

INDEX NO.	PART NO.	DESCRIPTION	FLT MODELS	SOFTAIL MODELS	DYNA MODELS
1	2559	SCREW (2)	96*-DP;FC/E	--	--
2	2960	SCREW (2)	96*-DD/J;FF	--	--
3	2955	SCREW (4)	96*-ALL	96*-ALL	96*-ALL
4	3658	SCREW (4)	96*-ALL	96*-ALL	96*-ALL
5	10181	CABLE STRAP (as req'd.)	96*-ALL	96*-ALL	96*-ALL
6	70345-84	RETAINER, wiring (4)	96*-FB/D	96*-ALL	96*-ALL
7	70372-96	BRACKET, switch, lower left	96*-DD/J;FF	--	--
8	70373-96	BRACKET, switch, lower left	96*-DP;FC/E	--	--
9	70375-96	BRACKET, switch, lower right	96*-DP;FC/E	--	--
10	70376-96	BRACKET, switch, lower right	96*-DD/J;FF	--	--
11	71553-96	HOUSING, lower - right	96*-DD/J;FF	--	--
12	71558-96	HOUSING, lower - left	96*-DD/J;FF	--	--
13	71563-96	HOUSING, lower - right	96*-FB/D	96*-ALL	96*-ALL
14	71564-96	HOUSING, upper - right	96*-ALL	96*-ALL	96*-ALL
15	71567-96	HOUSING, upper - left	96*-ALL	96*-ALL	96*-ALL
16	71568-96	HOUSING, lower - left	96*-FB/D	96*-ALL	96*-ALL
17	71589-96	SWITCH ASM., engine stop/start (w/# 5 & 46)	96*-ALL	96*-ALL	96*-ALL
18	71590-96	STOPLAMP SWITCH (w/# 5 & 46)	96*-ALL	96*-ALL	96*-ALL
19	71591-96	SWITCH ASM., right turn signal (w/# 5 & 46)	96*-ALL	96*-ALL	96*-ALL
20	71592-96	SWITCH, 3-way, am/fm/wb (w/# 5 & 46)	96*-DD/J/P;FC/E/F	--	--
21	71593-96	SWITCH ASM., volume control (w/# 5 & 46)	96*-DD/J/P;FC/E/F	--	--
22	71594-96	HOUSING, lower - left	96*-DP;FC/E	--	--
23	71595-96	HOUSING, lower - right	96*-DP;FC/E	--	--
24	71597-96	SWITCH ASM., dimmer & horn (w/# 5 & 46)	96*-ALL	96*-ALL	96*-ALL
25	71598-96	SWITCH ASM., left turn signal (w/# 5 & 46)	96*-ALL	96*-ALL	96*-ALL
26	71820-96	KNOB, volume	96*-DP;FC/E	--	--
27	71821-96	KNOB, volume	96*-DD/J;FF	--	--
28	71822-96	KNOB, am/fm/wb	96*-DP;FC/E	--	--
29	71823-96	KNOB, am/fm/wb	96*-DD/J;FF	--	--
30	71824-96	KNOB, PTT	96*-DP;FC/E	--	--
31	71825-96	KNOB, cruise control, set/resume	96*-DP;FC/E	--	--
32	72102-94BK	RECEPTACLE, 2-way pin	96*-DP;FC/E	--	--
33	72103-94BK	RECEPTACLE, 3-way pin	96*-DP;FC/E	--	--
34	72116-94BK	PLUG, 6-way socket (2)	96*-ALL	96*-ALL	96*-ALL
35	72119-94BK	PLUG, 12-way socket	96*-DD/J;FF	--	--
36	72139-94GY	PLUG, 12-way socket	96*-DP;FC/E	--	--
37	72142-94	PIN LOCK, secondary, 2-way	96*-DP;FC/E	--	--
38	72143-94	PIN LOCK, secondary, 3-way	96*-DP;FC/E	--	--
39	72156-94	SOCKET LOCK, secondary, 6-way (2)	96*-ALL	96*-ALL	96*-ALL
40	72159-94	SOCKET LOCK, secondary, 12-way	96*-DD/J/P;FC/E/F	--	--
41	72176-94	FRONT SEAL, 6-way plug (2)	96*-ALL	96*-ALL	96*-ALL
42	72179-94	FRONT SEAL, 12-way plug	96*-DD/J/P;FC/E/F	--	--
43	72190-94	TERMINAL, pin (5)	96*-DP;FC/E	--	--
44	72191-94	TERMINAL, socket (as req'd.)	96*-ALL	96*-ALL	96*-ALL
45	72195-94	SEAL PIN (as req'd.)	96*-DD/J;FE/F	--	--
46	72266-94	HEAT SHRINK TUBE, dual wall, .3 x 2" (as req'd.)	96*-ALL	96*-ALL	96*-ALL
47	77100-96	SWITCH ASM., PTT (w/# 5 & 46)	96*-DP;FC/E	--	--
48	77101-96	SWITCH ASM., set/resume (w/# 5 & 46)	96*-DP;FC/E	--	--

FLT MODELS				SOFTAIL MODELS				DYNA MODELS	
FLHT	DD	FLHR-I	FB	FLSTC	BJ	FLSTF	BM	FXDL	GD
FLHTC	DJ	FLHTCU-I	FC	FXSTC	BK	FLSTN	BN	FXDWG	GE
FLTC-U	DM	FLTCU-I	FE	FXSTS	BL	FXSTSB	BP	FXDS-CON	GG
FLHTC-U	DP	FLHTC-I	FF					FXD	GH
FLHR	FD								

SWITCHES & CIRCUIT BREAKERS - FLT



SWITCHES & CIRCUIT BREAKERS - FLT MODELS

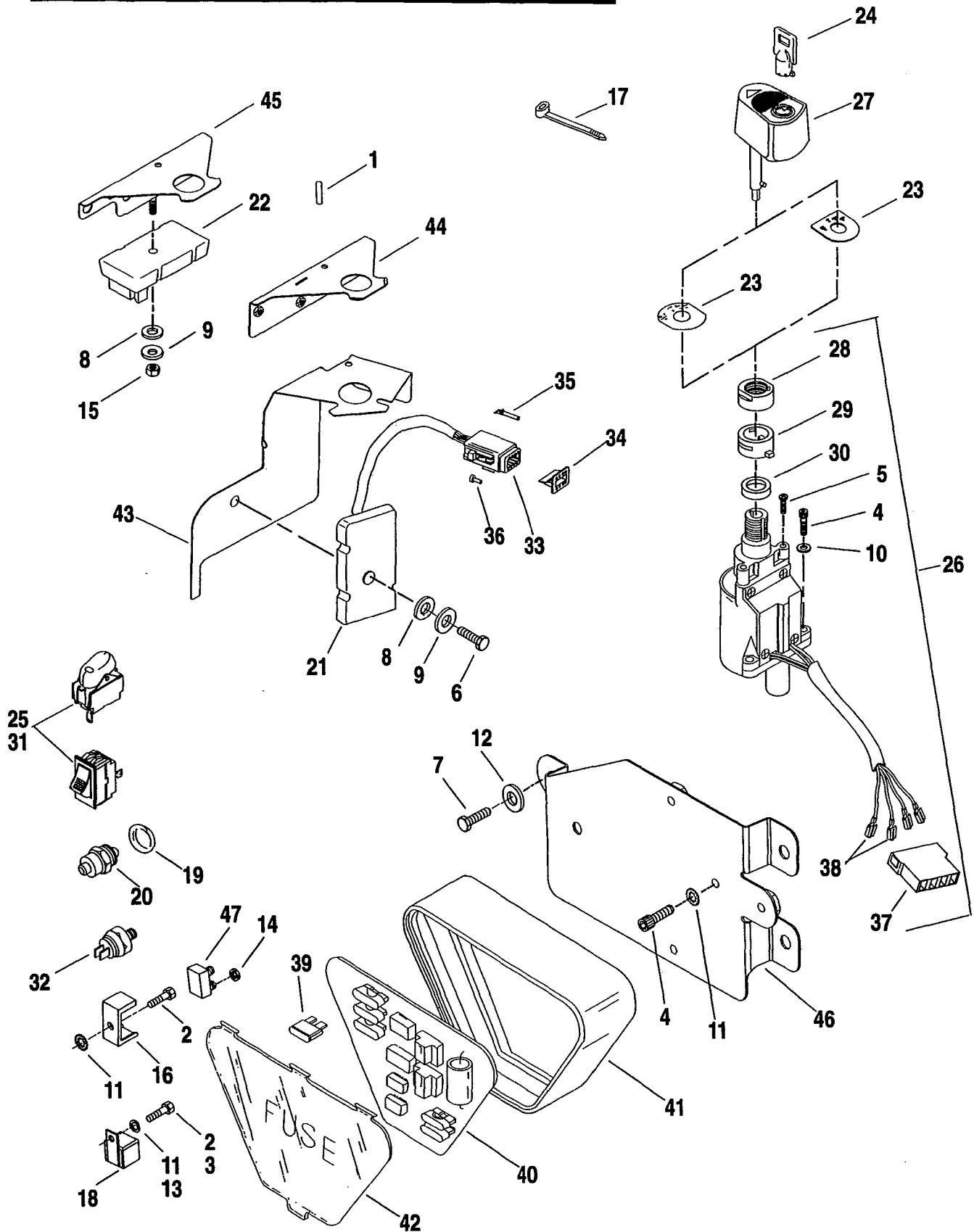
FC52-1

INDEX NO.	PART NO.	DESCRIPTION	FLT MODELS	SOFTAIL MODELS	DYNA MODELS
1	608	ROLL PIN	95*-ALL	--	--
2	2523	SCREW (3)	95*-ALL	--	--
3	2563	SCREW (2)	96*-DD/J/P;FC/F	--	--
4	2647B	SCREW (4, 8 - FB/D)	95*-ALL	--	--
5	2734	SCREW (2)	95-DJ/P;FC	--	--
6	3993	BOLT	95*-FD;96*-FB	--	--
7	3767B	SCREW (3)	95*-FD;96*-FB	--	--
8	6035	WASHER (rubber)	95*-FD;96*-FB	--	--
9	6036	WASHER	95*-FD;96*-FB	--	--
10	6150W	WASHER (2)	95*-ALL	--	--
11	7102	LOCKWASHER (3)	95*-ALL	--	--
12	6703	WASHER (3)	95*-FD;96*-FB	--	--
13	7229W	LOCKWASHER	95*-ALL	--	--
14	7629	NUT, w/ washer (2)	95*-ALL	--	--
15	7688	NUT	96*-DD/J/P;FC/F	--	--
16	9952	CLIP, circuit breaker (2)	95*-ALL	--	--
17	10039	CABLE STRAP	95*-ALL	--	--
	10065	CABLE STRAP	95*-ALL	--	--
18	31504-91A	RELAY (2)	95*-ALL	--	--
19	33043-80	WASHER, neutral indicator switch	95*-ALL	--	--
20	33900-59C	SWITCH, neutral indicator	95*-ALL	--	--
	53560-93	LOCK SET, complete vehicle (not illustrated)	95*-DD	--	--
	53571-94	LOCK SET, complete vehicle (not illustrated)	95*-FD;96*-FB	--	--
	53574-93	LOCK SET, complete vehicle (not illustrated)	95-DJ/P;FC	--	--
			96*-DJ/P;FC/F	--	--
	53575-93	LOCK SET, complete vehicle (not illustrated)	95-DM, 96*-FE	--	--
21	68570-94B	MODULE, turn signal canceller, w/connector asm.	95-ALL	--	--
			96*-FB/D/E	--	--
22	68540-96	MODULE, turn signal canceller	96*-DD/J/P;FC/F	--	--
23	71426-93	DECAL, ignition switch	95-DM, 96*-FE	--	--
	71427-93	DECAL, ignition switch	95-DD/J/P;FC	--	--
	71427-96	PLATE, ignition switch	96*-DD/J/P;FC/F	--	--
24	71452-91A	KEY (specify key code)	95*-ALL	--	--
25	71505-89	SWITCH, passing lamps	95-DD/J/P;FC	--	--
	71505-96	SWITCH, passing lamps	96*-DD/J/P;FC/F	--	--
26	71526-93A	HOUSING, ignition switch	95*-DD/J/M/P;FC/F	--	--
27	71536-93	KNOB, ignition switch	95*-DD/J/M/P;FC/F	--	--
28	71543-93	NUT, ignition switch	95*-DD/J/M/P;FC/F	--	--
29	71544-93	COLLAR, ignition switch	95*-DD/J/M/P;FC/F	--	--
30	71545-93	SPACER, ignition switch	95*-DD/J/M/P;FC/F	--	--
31	71535-94	SWITCH, accessory	95-DD/J/P;FC	--	--
	71535-96	SWITCH, accessory	96*-DD/J/P;FC/F	--	--
32	72023-51B	STOPLIGHT SWITCH, rear	95*-ALL	--	--
33	72138-94GY	PLUG, 8-way socket	95-ALL	--	--
34	72158-94	SOCKET LOCK, secondary, 8-way	95-ALL	--	--
35	72191-94	TERMINAL, socket (7)	95-ALL	--	--
36	72195-94	SEAL PIN	95-ALL	--	--

NOTE: For additional fuse, relay and circuit breaker part number information see wiring harness pages.

FLT MODELS				SOFTAIL MODELS				DYNA MODELS	
FLHT	DD	FLHR-I	FB	FLSTC	BJ	FLSTF	BM	FXDL	GD
FLHTC	DJ	FLHTCU-I	FC	FXSTC	BK	FLSTN	BN	FXDWG	GE
FLTC-U	DM	FLTCU-I	FE	FXSTS	BL	FXSTSB	BP	FXDS-CON	GG
FLHTC-U	DP	FLHTC-I	FF					FXD	GH
FLHR	FD								

SWITCHES & CIRCUIT BREAKERS - FLT



SWITCHES & CIRCUIT BREAKERS - FLT MODELS (CONT'D)

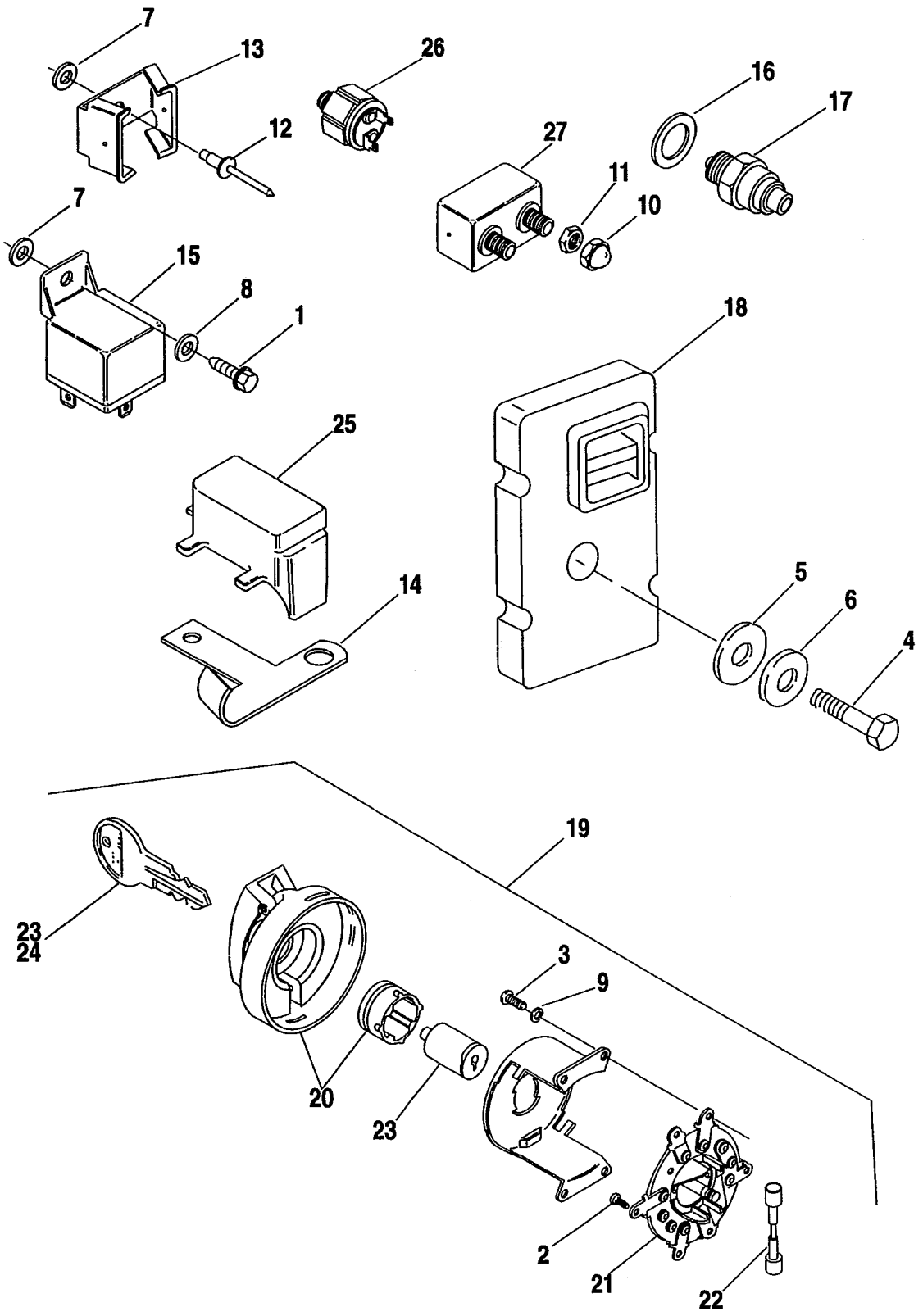
FC52-2

INDEX NO.	PART NO.	DESCRIPTION	FLT MODELS	SOFTAIL MODELS	DYNA MODELS
37	72206-94	CONNECTOR, receptacle, 4-way	95*-ALL	--	--
38	72207-94	TERMINAL, female, #14 ga., ign. sw. (4)	95*-ALL	--	--
39	72300-89	FUSE, 1 amp	95*-DM/P;FC/E	--	--
	72301-89	FUSE, 3 amp	95*-DM/P;FC/E	--	--
	72302-89	FUSE, 5 amp	95*-DM/P;FC/E	--	--
40	72316-93	FUSE BOARD	95*-DM/P;FC/E	--	--
41	72321-93	FUSE BOX	95*-DM/P;FC/E	--	--
42	72322-93	COVER, fuse box	95*-DM/P;FC/E	--	--
43	72332-94A	MOUNTING BRACKET	95*-FD;96*-FB	--	--
44	72334-94	MOUNTING BRACKET	95-DD/J/P;FC	--	--
	72335-94	MOUNTING BRACKET	95-DM, 96*-FE	--	--
45	72334-96	MOUNTING BRACKET	96*-DD/J/P;FC/F	--	--
46	72343-94	FUSE BOARD BRACKET	95*-FD;96*-FB	--	--
47	74600-94	CIRCUIT BREAKER, 50 amp	95*-ALL	--	--
H-D INTERNATIONAL ONLY					
5	2934	SCREW (2) (HDI only) (not illust.)	95*-ALL	--	--
	53442-96A	LOCKSET, complete vehicle (HDI only) (not illust.)	96*-DD	--	--
	53591-95A	LOCKSET, complete vehicle (HDI only) (not illust.)	95*-DJ/P;FC/F	--	--
	67858-89	SWITCH, parking lamps (HDI only) (not illust.)	95-DM, 96*-FE	--	--
23	71422-96	PLATE, ign. switch (HDI only)	96*-DD/J/P;FC/F	--	--
	71512-89	SWITCH, parking lamps (HDI only) (not illust.)	95-DJ/P	--	--
26	71530-95	HOUSING, ignition switch (HDI only)	95*-DD/J/P;FC/F	--	--
	71532-95	HOUSING, lock (HDI only) (not illust.)	95*-DD/J/P;FC/F	--	--
23	71537-95	DECAL, ignition switch (HDI only)	95*-DD/J/P;FC/F	--	--
	90468-95	PLUG, lock housing (4)(HDI only) (not illust.)	95*-DD/J/P;FC/F	--	--

NOTE: For additional fuse, relay and circuit breaker part number information see wiring harness pages.

FLT MODELS				SOFTAIL MODELS				DYNA MODELS	
FLHT	DD	FLHR-I	FB	FLSTC	BJ	FLSTF	BM	FXDL	GD
FLTC	DJ	FLTCU-I	FC	FXSTC	BK	FLSTN	BN	FXDWG	GE
FLTC-U	DM	FLTCU-I	FE	FXSTS	BL	FXSTSB	BP	FXDS-CON	GG
FLTC-U	DP	FLTC-I	FF					FXD	GH
FLHR	FD								

SWITCHES & CIRCUIT BREAKERS - 1995 SOFTAIL



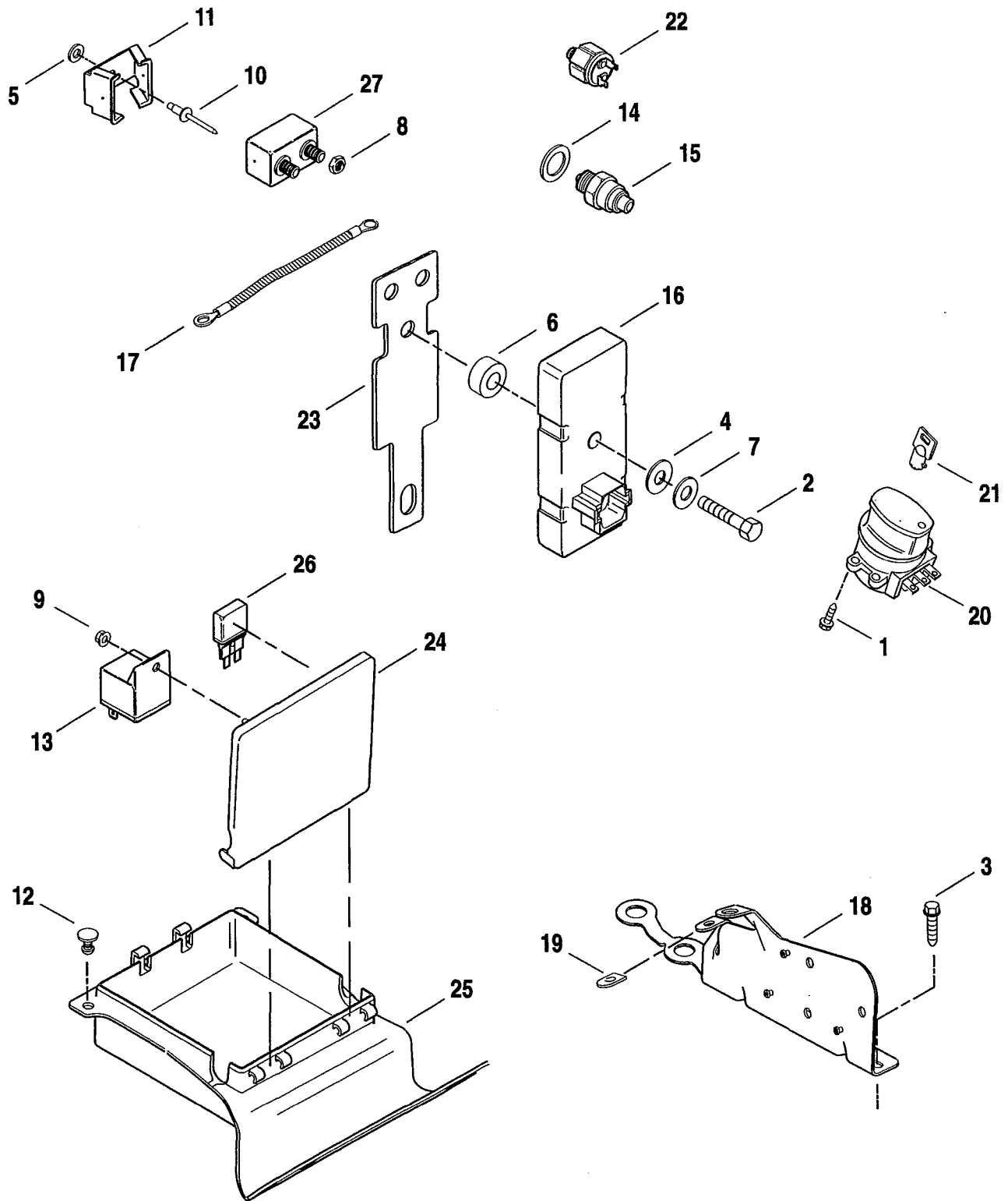
SWITCHES & CIRCUIT BREAKERS - 1995 SOFTAIL MODELS

FC52A

INDEX NO.	PART NO.	DESCRIPTION	FLT MODELS	SOFTAIL MODELS	DYNA MODELS
1	2567	SCREW, with washer	--	95-ALL	--
2	2574WA	SCREW (6)	--	95-ALL	--
3	2594A	SCREW (4)	--	95-ALL	--
4	3993	SCREW	--	95-ALL	--
5	6035	WASHER (rubber)	--	95-ALL	--
6	6036	WASHER	--	95-ALL	--
7	6047	WASHER (2)	--	95-ALL	--
8	6716	WASHER	--	95-ALL	--
9	7015	LOCKWASHER (4)	--	95-ALL	--
10	7602	CAP NUT (4)	--	95-ALL	--
11	7629	NUT (8)	--	95-ALL	--
12	8483	RIVET, circuit breakers (3)	--	95-ALL	--
13	9952	CLIP, circuit breaker (4)	--	95-ALL	--
14	10134	CLIP	--	95-ALL	--
15	31504-91A	STARTER RELAY with diode	--	95-ALL	--
16	33043-80	WASHER, neutral indicator switch	--	95-ALL	--
17	33900-59C	SWITCH, neutral indicator	--	95-ALL	--
18	68537-89F	TURN SIGNAL CANCELLER	--	95-ALL	--
19	71501-94	IGNITION SWITCH	--	95-ALL	--
20	71506-94	SWITCH COVER	--	95-ALL	--
21	71541-84	PLATE, switch mounting	--	95-ALL	--
22	71560-84	CONTACT ROLLER	--	95-ALL	--
23	71580-84	SWITCH LOCK & KEY	--	95-ALL	--
24	71583-85	KEY SET, ignition switch (specify key code)	--	95-ALL	--
25	71600-93	SPLASH COVER	--	95-ALL	--
26	72023-51B	STOPLAMP SWITCH, rear	--	95-ALL	--
27	74589-73	CIRCUIT BREAKER, 15 amp (3)	--	95-ALL	--
	74599-77B	CIRCUIT BREAKER, 30 amp - battery	--	95-ALL	--

FLT MODELS				SOFTAIL MODELS				DYNA MODELS	
FLHT	DD	FLHR-I	FB	FLSTC	BJ	FLSTF	BM	FXDL	GD
FLHTC	DJ	FLHTCU-I	FC	FXSTC	BK	FLSTN	BN	FXDWG	GE
FLTC-U	DM	FLTCU-I	FE	FXSTS	BL	FXSTSB	BP	FXDS-CON	GG
FLHTC-U	DP	FLHTC-I	FF					FXD	GH
FLHR	FD								

SWITCHES & CIRCUIT BREAKERS - 1996 SOFTAIL



SWITCHES & CIRCUIT BREAKERS - 1996 SOFTAIL MODELS

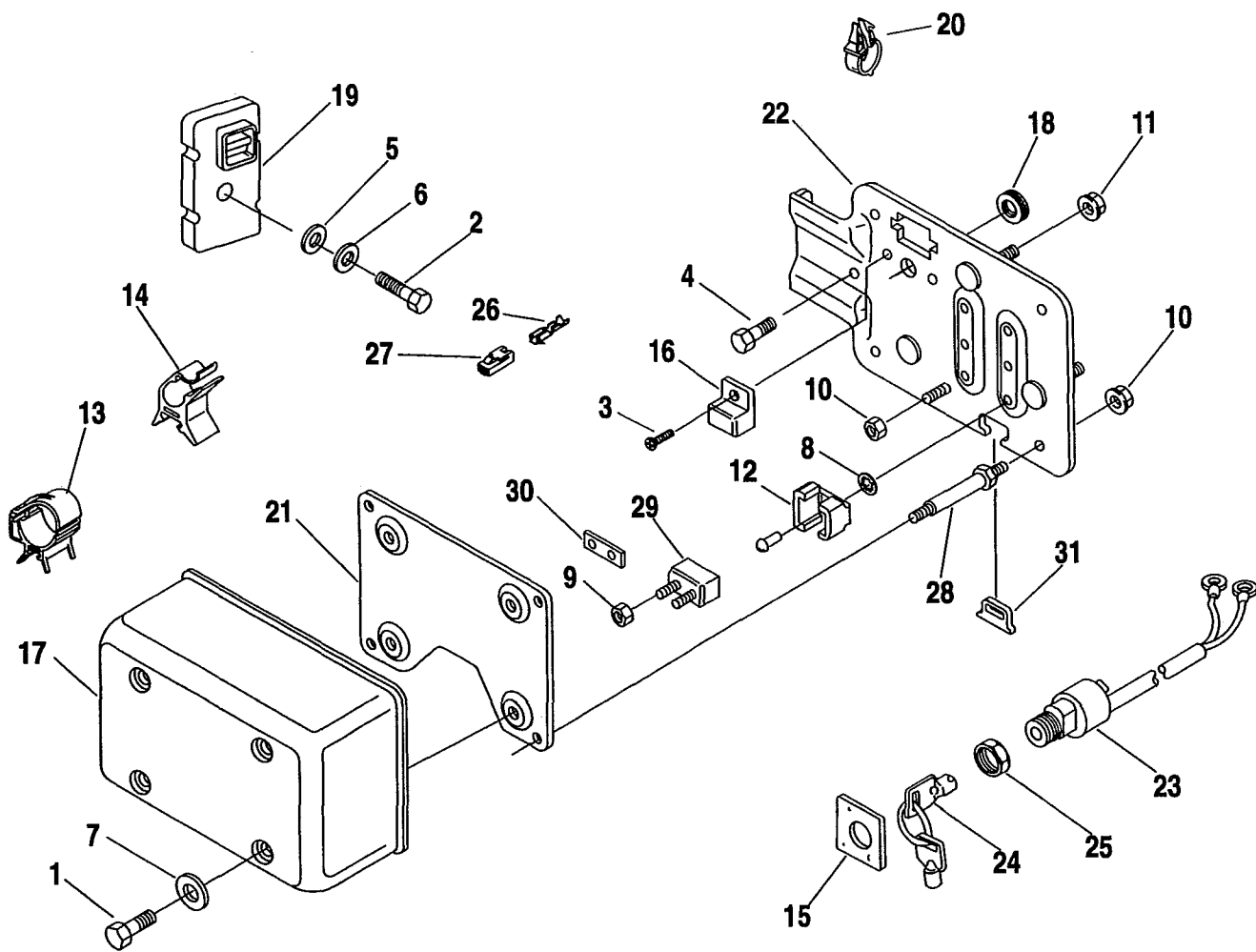
FC52B

INDEX NO.	PART NO.	DESCRIPTION	FLT MODELS	SOFTAIL MODELS	DYNA MODELS
1	2501A	SCREW (4)	--	96*-ALL	--
2	2872W	SCREW	--	96*-ALL	--
3	4091	SCREW, self-tapping	--	96*-ALL	--
4	6035	WASHER, rubber	--	96*-ALL	--
5	6047	WASHER (2)	--	96*-ALL	---
6	6084	SPACER, nylon	--	96*-ALL	--
7	6645	WASHER	--	96*-ALL	--
8	7629	NUT (2)	--	96*-ALL	--
9	7945	NUT, self-threading	--	96*-ALL	--
10	8483	RIVET, circuit breakers	--	96*-ALL	--
11	9952	CLIP, circuit breaker	--	96*-ALL	--
12	10151	FASTENER, nylon (2)	--	96*-ALL	--
13	31504-91A	STARTER RELAY with diode	--	96*-ALL	--
14	33043-80	WASHER, neutral indicator switch	--	96*-ALL	--
15	33900-59C	SWITCH, neutral indicator	--	96*-ALL	--
16	68540-96	MODULE, turn signal canceller	--	96*-ALL	--
17	70044-96	WIRE ASM., circuit breaker to starter	--	96*-ALL	--
18	70932-96	BRACKET, electrical connector mtg.	--	96*-ALL	--
19	70940-96	BOOT, rubber - anti-rotational	--	96*-ALL	--
20	71313-96	IGNITION SWITCH, with keys	--	96*-ALL	--
21	71452-91A	KEY (specify key code)	--	96*-ALL	--
22	72023-51B	STOPLAMP SWITCH, rear	--	96*-ALL	--
23	72328-96	BRACKET, turn signal module	--	96*-ALL	--
24	72367-96	LID ASM., electrical box, with 10170	--	96*-ALL	--
25	72368-96	BOTTOM, electrical box	--	96*-ALL	--
26	74587-94	CIRCUIT BREAKER, 15 amp. (4)	--	96*-ALL	--
27	74599-77B	CIRCUIT BREAKER, 30 amp - battery	--	96*-ALL	--

NOTE: For additional fuse, relay and circuit breaker part number information see wiring harness pages.

FLT MODELS				SOFTAIL MODELS				DYNA MODELS	
FLHT	DD	FLHR-I	FB	FLSTC	BJ	FLSTF	BM	FXDL	GD
FLHTC	DJ	FLHTCU-I	FC	FXSTC	BK	FLSTN	BN	FXDWG	GE
FLTC-U	DM	FLTCU-I	FE	FXSTS	BL	FXSTSB	BP	FXDS-CON	GG
FLHTC-U	DP	FLHTC-I	FF					FXD	GH
FLHR	FD								

SWITCHES & CIRCUIT BREAKERS - 1995 DYNA



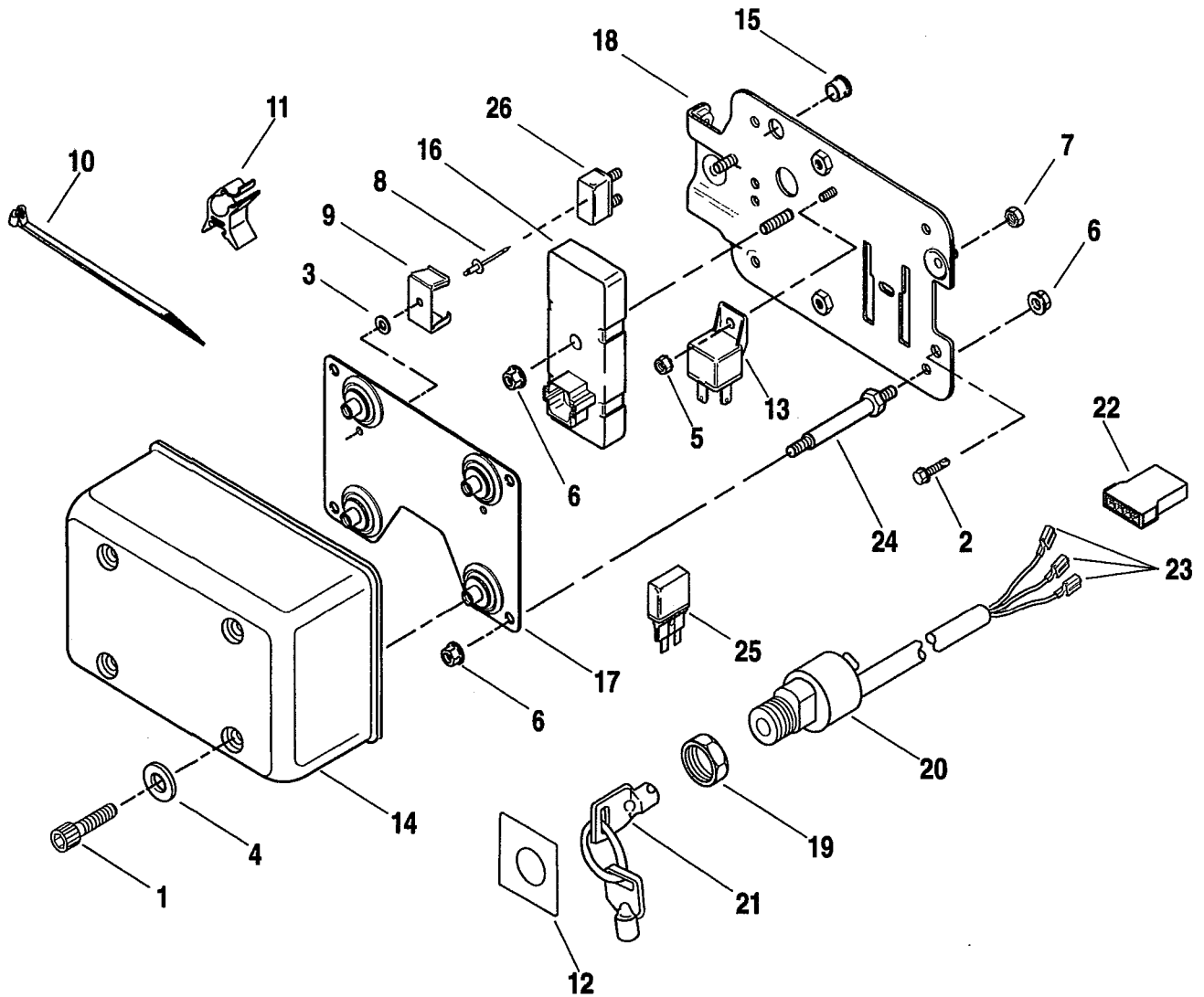
SWITCHES AND CIRCUIT BREAKERS - 1995 DYNA MODELS

FC52C

INDEX NO.	PART NO.	DESCRIPTION	FLT MODELS	SOFTAIL MODELS	DYNA MODELS
1	3444A	SCREW (4)	--	--	95-ALL
2	3993	SCREW	--	--	95-ALL
3	4091	SCREW	--	--	95-ALL
4	4328	SCREW	--	--	95-ALL
5	6035	WASHER (rubber)	--	--	95-ALL
6	6036	WASHER	--	--	95-ALL
7	6099	WASHER (4)	--	--	95-ALL
8	7229W	LOCKWASHER (4)	--	--	95-ALL
9	7629	NUT, with washer (10)	--	--	95-ALL
10	7716	NUT (9)	--	--	95-ALL
11	7796	NUT w/washer (2)	--	--	95-ALL
12	9952	CLIP (4)	--	--	95-ALL
13	10108	CLIP, backbone - ign. wires	--	--	95-GG
14	10130	CLIP, backbone, ign. sw. wires	--	--	95-ALL
15	14117-94A	DECAL, ignition switch	--	--	95-GD/G/H
16	31504-91A	RELAY, starter	--	--	95-ALL
17	66333-90	COVER, electrical panel (chrome)	--	--	95-GD/E/G
	66361-90	COVER, electrical panel	--	--	95-GH
18	90483-85	GROMMET	--	--	95-ALL
19	68537-89F	TURN SIGNAL CANCELLER	--	--	95-ALL
20	70347-84	RETAINER, wire	--	--	95-ALL
21	70984-90A	BRACKET, ignition module	--	--	95-GD/G/H
22	70987-90B	ELECTRICAL PANEL	--	--	95-ALL
	71421-95	LOCK SET (fork & ignition w/ key)	--	--	95-GD/G/H
23	71428-90B	IGNITION SWITCH	--	--	95-GD/G/H
24	71452-91A	KEY (specify key code)	--	--	95-ALL
25	71555-90	FACE NUT	--	--	95-GD/G/H
26	72291-94	TERMINAL, female spade - 14-16 ga.	--	--	95-ALL
27	72295-94	HOUSING, starter connection	--	--	95-ALL
28	72342-90	STAND OFF (4)	--	--	95-ALL
29	74589-73	CIRCUIT BREAKER, 15 amp (3)	--	--	95-ALL
	74599-77B	CIRCUIT BREAKER, 30 amp - battery	--	--	95-ALL
30	74598-73	CONNECTOR BAR (2)	--	--	95-ALL
31	90474-90	GROMMET	--	--	95-ALL
	70032-95	WIRING HARNESS, electrical panel (not illustrated)	--	--	95-ALL
	70091-95	WIRING HARNESS, ignition switch to circuit breakers (not illustrated)	--	--	95-ALL
H-D INTERNATIONAL ONLY					
15	14121-94A	DECAL, ignition switch (HDI only)	--	--	95-GD/G/H

FLT MODELS				SOFTAIL MODELS				DYNA MODELS	
FLHT	DD	FLHR-I	FB	FLSTC	BJ	FLSTF	BM	FXDL	GD
FLHTC	DJ	FLHTCU-I	FC	FXSTC	BK	FLSTN	BN	FXDWG	GE
FLTC-U	DM	FLTCU-I	FE	FXSTS	BL	FXSTSB	BP	FXDS-CON	GG
FLHTC-U	DP	FLHTC-I	FF					FXD	GH
FLHR	FD								

SWITCHES & CIRCUIT BREAKERS - 1996 DYNA



SWITCHES AND CIRCUIT BREAKERS - 1996 DYNA MODELS

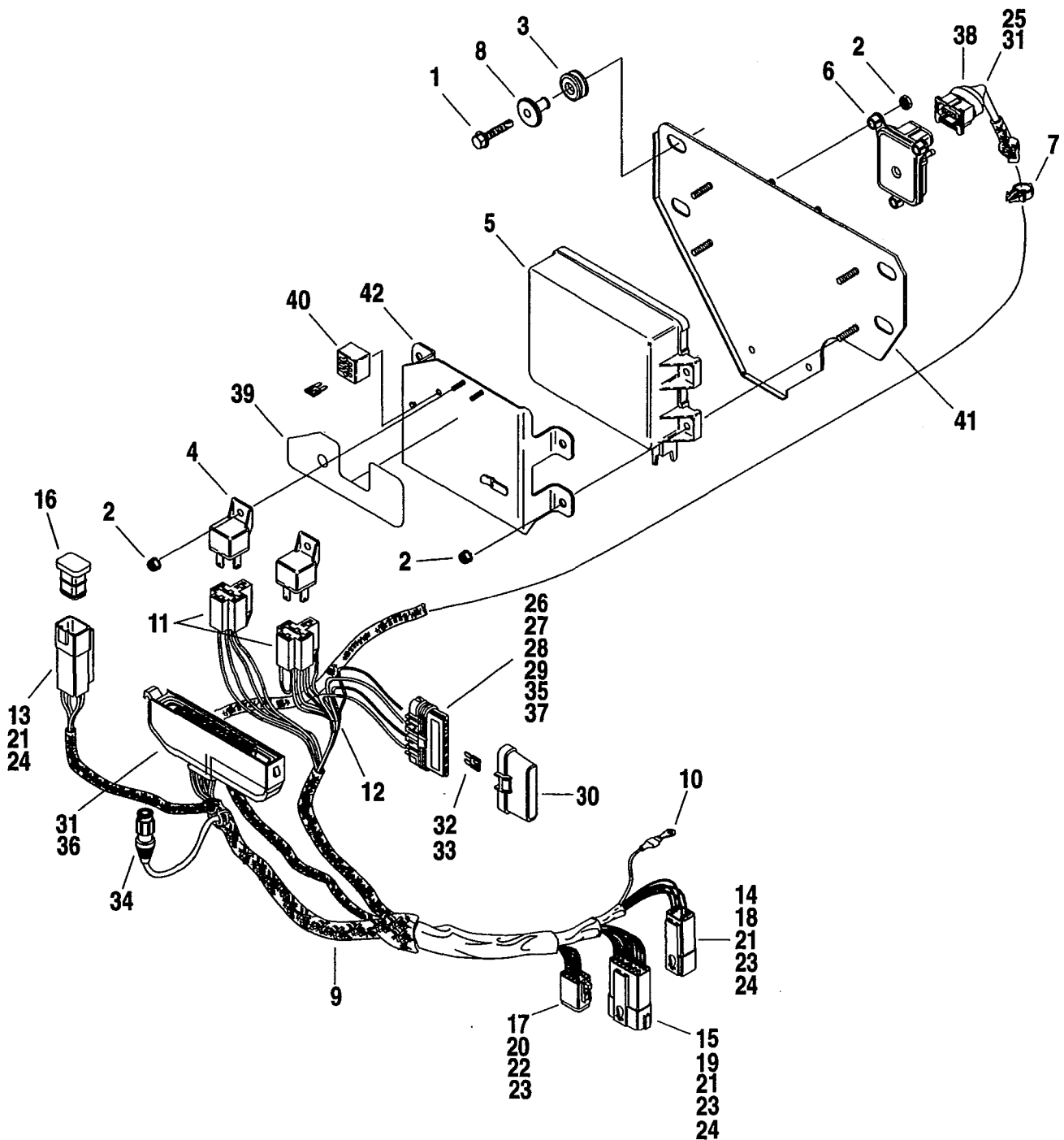
FC52D

INDEX NO.	PART NO.	DESCRIPTION	FLT MODELS	SOFTAIL MODELS	DYNA MODELS
1	3444A	SCREW (4)	--	--	96*-ALL
2	3892	SCREW	--	--	96*-ALL
3	6047	WASHER	--	--	96*-ALL
4	6099	WASHER (4)	--	--	96*-ALL
5	7629	NUT, w/washer	--	--	96*-ALL
6	7716	NUT (9)	--	--	96*-ALL
7	7796	NUT, w/washer (2)	--	--	96*-ALL
8	8483	RIVET	--	--	96*-ALL
9	9952	CLIP, circuit breaker	--	--	96*-ALL
10	10065	CABLE STRAP	--	--	96*-ALL
11	10130	CLIP, wire retainer - on frame backbone (4)	--	--	96*-ALL
12	14117-96	DECAL, ignition switch	--	--	96*-GD/G/H
13	31504-91A	RELAY, with diode (starter)	--	--	96*-ALL
14	66333-90	COVER, electrical panel (chrome)	--	--	96*-GD/E/G
	66361-90	COVER, electrical panel	--	--	96*-GH
15	67367-96	BUSHING	--	--	96*-ALL
16	68540-96	MODULE, turn signal canceller	--	--	96*-ALL
17	70984-96	TOP PLATE, electrical panel	--	--	96*-ALL
18	70986-96	ELECTRICAL PANEL	--	--	96*-ALL
19	71555-90	FACE NUT	--	--	96*-GD/G/H
20	71428-90B	IGNITION SWITCH	--	--	96*-GD/G/H
	71419-93	LOCKSET, fork & ignition w/key	--	--	96*-GE
	71421-95	LOCKSET, fork & ignition w/key	--	--	96*-GD/G/H
21	71452-91A	KEY (specify key code)	--	--	96*-ALL
22	72206-94	CONNECTOR, receptacle, 4-way	--	--	96*-GD/G/H
23	72207-94	TERMINAL, female, #14 ga. (3)	--	--	96*-GD/G/H
24	72342-90	STAND OFF (4)	--	--	96*-ALL
25	74587-94	CIRCUIT BREAKER, 15 amp. (4)	--	--	96*-ALL
26	74599-77B	CIRCUIT BREAKER, 30 amp.	--	--	96*-ALL
H-D INTERNATIONAL ONLY					
12	14121-96	DECAL, ignition switch (HDI only)	--	--	96*-GD/G/H

NOTE: For additional fuse, relay and circuit breaker part number information see wiring harness pages.

FLT MODELS				SOFTAIL MODELS				DYNA MODELS	
FLHT	DD	FLHR-I	FB	FLSTC	BJ	FLSTF	BM	FXDL	GD
FLHTC	DJ	FLHTCU-I	FC	FXSTC	BK	FLSTN	BN	FXDWG	GE
FLTC-U	DM	FLTCU-I	FE	FXSTS	BL	FXSTSB	BP	FXDS-CON	GG
FLHTC-U	DP	FLHTC-I	FF					FXD	GH
FLHR	FD								

ELECTRICAL CONTROL PANEL - FUEL INJECTED MODELS



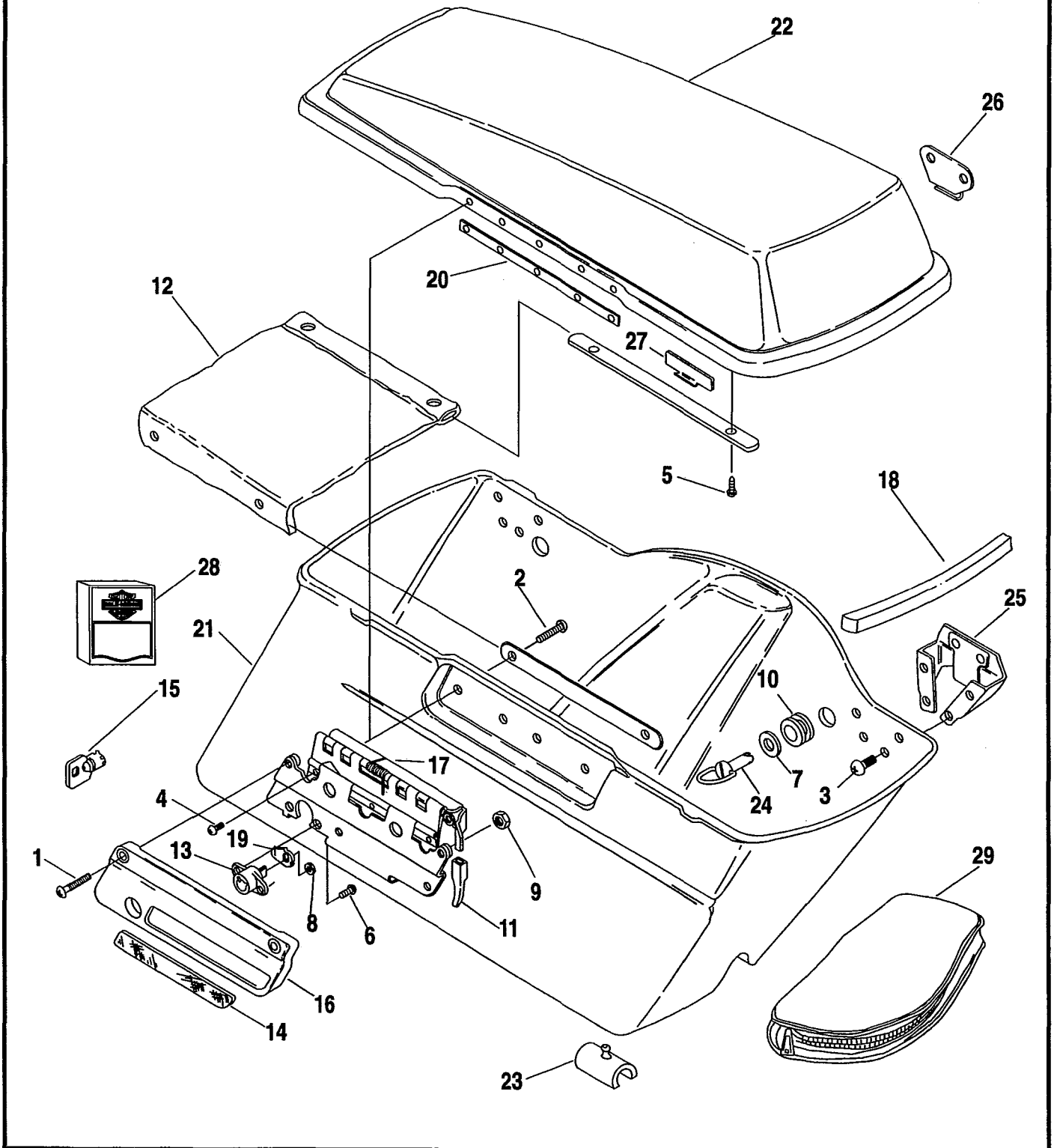
ELECTRICAL CONTROL PANEL - FUEL INJECTED MODELS

FC52E

INDEX NO.	PART NO.	DESCRIPTION	FLT MODELS	SOFTAIL MODELS	DYNA MODELS
1	939	SCREW (4)	95*-FC;96*-FB/E/F --		--
2	7629	NUT (9)	95*-FC;96*-FB/E/F --		--
3	11464	ISOLATOR (4)	95*-FC;96*-FB/E/F --		--
4	31506-79B	RELAY, ECM & starter (2)	95*-FC;96*-FB/E/F --		--
5	32423-95	MODULE, electronic control	95*-FC;96*-FB/E/F --		--
6	32424-95	SENSOR, barometric pressure	95*-FC;96*-FB/E/F --		--
7	56073-83	RETAINER, wire harness (2)	95*-FC;96*-FB/E/F --		--
8	67222-95	SPACER (4)	95*-FC;96*-FB/E/F --		--
9	70233-95	WIRING HARNESS, EFI rear	95*-FC;96*-FB/E/F --		--
includes the following:					
10	9866	WIRE TERMINAL, ring type	95*-FC;96*-FB/E/F --		--
11	9937	TERMINAL, 1/4" female spade, 14-16 ga. (8)	95*-FC;96*-FB/E/F --		--
12	10065	CABLE STRAP, 5.5 inch long (2)	95*-FC;96*-FB/E/F --		--
13	72144-94	PIN LOCK, 4-way	95*-FC;96*-FB/E/F --		--
14	72106-94BK	RECEPTACLE, 6-way pin	95*-FC;96*-FB/E/F --		--
15	72109-94BK	RECEPTACLE, 12-way pin	95*-FC;96*-FB/E/F --		--
16	72114-94BK	PLUG, data link connector (O.E.M. plug is not sold, use 72114-94BK plug with four 72195-94 seal pins)	95*-FC;96*-FB/E/F --		--
17	72138-94GY	PLUG, 8-way socket	95*-FC;96*-FB/E/F --		--
18	72146-94	PIN LOCK, 6-way	95*-FC;96*-FB/E/F --		--
19	72149-94	PIN LOCK, 12-way	95*-FC;96*-FB/E/F --		--
20	72158-94	SOCKET LOCK, 8-way	95*-FC;96*-FB/E/F --		--
21	72190-94	TERMINAL, pin (18)	95*-FC;96*-FB/E/F --		--
22	72191-94	TERMINAL, socket (7)	95*-FC;96*-FB/E/F --		--
23	72195-94	SEAL PIN (5)	95*-FC;96*-FB/E/F --		--
24	72199-94	ATTACHMENT CLIP (3)	95*-FC;96*-FB/E/F --		--
25	72287-95	CONNECTOR, 3-way socket (baro sensor)	95*-FC;96*-FB/E/F --		--
26	72296-95	TERMINAL, 14-16 ga. (fuse holder) (2)	95*-FC;96*-FB/E/F --		--
27	72297-95	TERMINAL LOCK, 6-way (fuse holder)	95*-FC;96*-FB/E/F --		--
28	72298-95	CABLE SEAL, green 14 ga. (fuse holder) (2)	95*-FC;96*-FB/E/F --		--
29	72299-95	CAVITY PLUG, rubber (fuse holder) (2)	95*-FC;96*-FB/E/F --		--
30	72324-95	CONNECTOR COVER (fuse holder)	95*-FC;96*-FB/E/F --		--
31	72326-95	TERMINAL, female (ECM & baro sensor) (as required)	95*-FC;96*-FB/E/F --		--
32	72330-95	FUSE, 15 amp (blue)	95*-FC;96*-FB/E/F --		--
33	72331-95	FUSE, 5 amp (light tan)	95*-FC;96*-FB/E/F --		--
34	72351-95	CONNECTOR KIT, w/ butt splice connectors (crankshaft position sensor)	95*-FC;96*-FB/E/F --		--
35	72352-95	CONNECTOR, 6-way (fuse holder)	95*-FC;96*-FB/E/F --		--
36	72353-95	CONNECTOR ASM., 35-way (electronic control module)	95*-FC;96*-FB/E/F --		--
37	72356-95	TERMINAL, 18-20 ga. (fuse holder) (2)	95*-FC;96*-FB/E/F --		--
38	74424-95	BOOT, connector - 90 °	95*-FC;96*-FB/E/F	--	--
39	72282-95	DECAL, electrical component identification	95*-FC;96*-FB/E/F --		--
40	72307-95	SPARE FUSE HOLDER	95*-FC;96*-FB/E/F --		--
41	72311-95	BRACKET, ECM mounting	95*-FC;96*-FB/E/F --		--
42	72313-95	BRACKET, relays & fuses	95*-FC;96*-FB/E/F --		--

FLT MODELS				SOFTAIL MODELS				DYNA MODELS	
FLHT	DD	FLHR-I	FB	FLSTC	BJ	FLSTF	BM	FXDL	GD
FLHTC	DJ	FLHTCU-I	FC	FXSTC	BK	FLSTN	BN	FXDWG	GE
FLTC-U	DM	FLTCU-I	FE	FXSTS	BL	FXSTSB	BP	FXDS-CON	GH
FLHTC-U	DP	FLHTC-I	FF					FXD	GG
FLHR	FD								

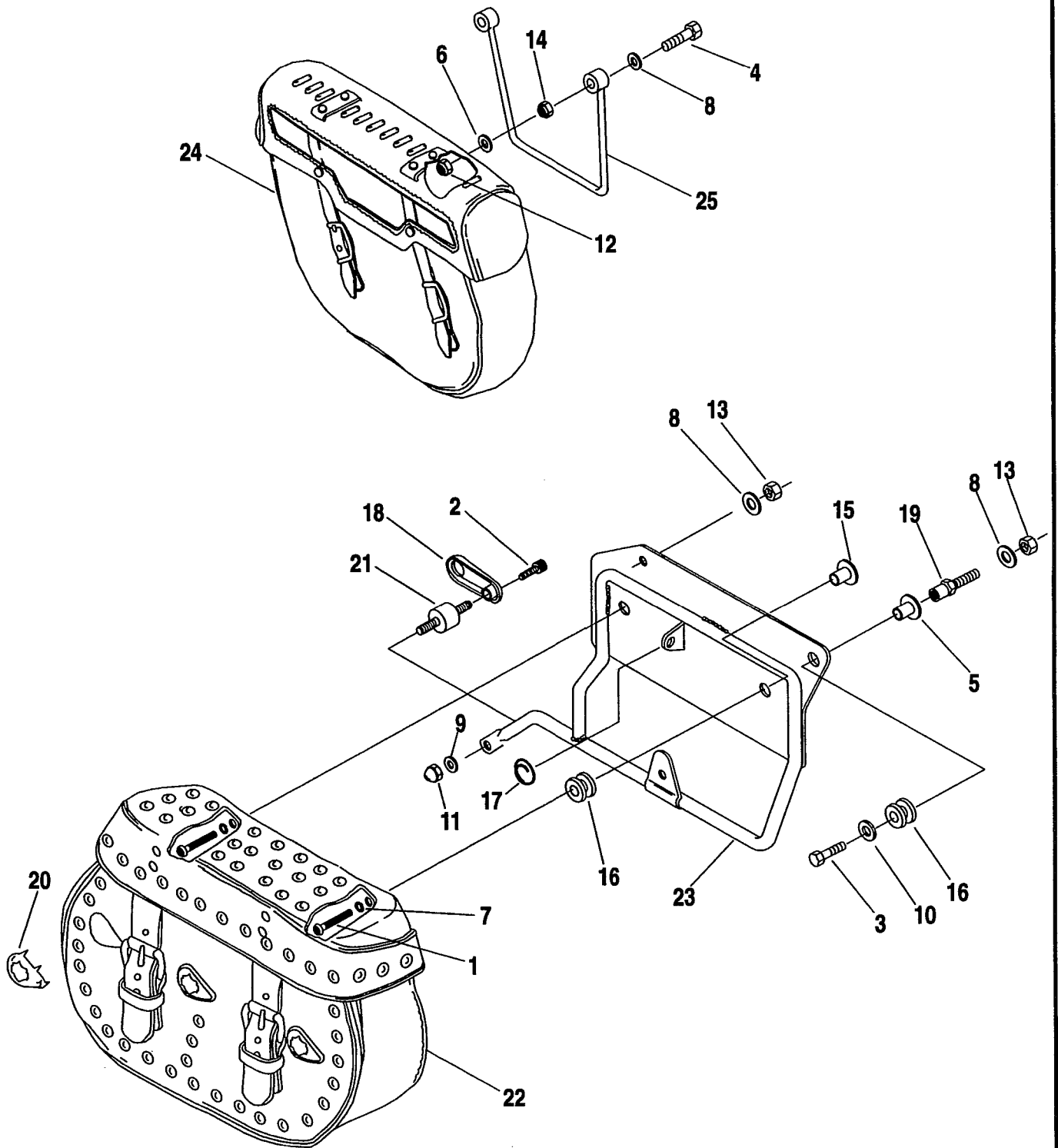
SADDLEBAGS - FLT



INDEX NO.	PART NO.	DESCRIPTION	FLT MODELS	SOFTAIL MODELS	DYNA MODELS
1	2524	SCREW (4)	95*-ALL	--	--
2	3592	SCREW (4)	95*-ALL	--	--
3	3593	SCREW (16)	95*-ALL	--	--
4	3595	SCREW (10)	95*-ALL	--	--
5	3596	SCREW (4)	95*-ALL	--	--
6	3656	SCREW (4)	95*-ALL	--	--
7	6229W	WASHER (4)	95*-ALL	--	--
8	7586	NUT (2)	95*-ALL	--	--
9	7608	NUT (2)	95*-ALL	--	--
10	11464	GROMMET (4)	95*-ALL	--	--
11	53482-93	RUB BAR, left (plastic)(2)	95*-ALL	--	--
	53483-93	RUB BAR, right (plastic)(2)	95*-ALL	--	--
12	53567-93	CHECK STRAP (2)	95*-ALL	--	--
13	53710-93	LOCK (2) w/# 8,15,19	95*-ALL	--	--
	53560-93	LOCK SET, complete vehicle (not illustrated)	95*-DD	--	--
	53571-94	LOCK SET, complete vehicle (not illustrated)	95*-FB/D	--	--
	53574-93	LOCK SET, complete vehicle (not illustrated)	95*-DJ/P;FC/F	--	--
	53575-93	LOCK SET, complete vehicle (not illustrated)	95*-DM;FE	--	--
14	59287-92	REFLECTOR, right (red)	95*-ALL	--	--
	59288-92	REFLECTOR, left (red)	95*-ALL	--	--
15	71452-91A	KEY (specify key code)	95*-ALL	--	--
16	90601-93	FACE PLATE, right	95*-ALL	--	--
	90603-93	FACE PLATE, left	95*-ALL	--	--
17	90664-93	LATCH, left	95*-ALL	--	--
	90665-93	LATCH, right	95*-ALL	--	--
18	90675-93	GASKET, cover (2)	95*-ALL	--	--
19	90682-93	CAM HOOK (2)	95*-ALL	--	--
20	90700-93	BACKING PLATE (2)	95*-ALL	--	--
21	90752-93	SADDLEBAG BOTTOM, right (prime)	95*-ALL	--	--
	90753-93	SADDLEBAG BOTTOM, left (prime)	95*-ALL	--	--
22	90756-93	SADDLEBAG COVER, right (prime)	95*-ALL	--	--
	90757-93	SADDLEBAG COVER, left (prime)	95*-ALL	--	--
23	90764-93	CUSHION (4)	95*-ALL	--	--
	90820-93	LABEL, load limits (not illustrated)	95*-ALL	--	--
24	90834-95	BAIL HEAD STUD (4)	95*-ALL	--	--
		(NOTE: Bail must be removed for sale in Germany.)			
25	90958-93	MOUNTING BRACKET (4)	95*-ALL	--	--
26	90962-93	WEAR PLATE (4)	95*-ALL	--	--
27	90972-93	WEAR TAB (4)	95*-ALL	--	--
28	91841-93A	LINER (2)	95*-DJ/M/P;FC/E/F	--	--
29	94435-82C	TOOL KIT	95*-DJ/M/P;FC/E/F	--	--
SADDLEBAG LATCH USED WITH SIDECAR					
	53488-93	WEAR PAD (not illustrated)	95*-ALL	--	--
17	90670-93	LATCH, right	95*-ALL	--	--
H-D INTERNATIONAL ONLY					
14	59289-92	REFLECTOR, right (amber)(HDI only)	95*-ALL	--	--
	59290-92	REFLECTOR, left (amber)(HDI only)	95*-ALL	--	--
	53591-95	LOCK SET, complete vehicle(HDI only)(not illust)	95*-DJ/P;FC/F	--	--

FLT MODELS				SOFTAIL MODELS				DYNA MODELS	
FLHT	DD	FLHR-I	FB	FLSTC	BJ	FLSTF	BM	FXDL	GD
FLHTC	DJ	FLHTCU-I	FC	FXSTC	BK	FLSTN	BN	FXDWG	GE
FLTC-U	DM	FLTCU-I	FE	FXSTS	BL	FXSTSB	BP	FXDS-CON	GG
FLHTC-U	DP	FLHTC-I	FF					FXD	GH
FLHR	FD								

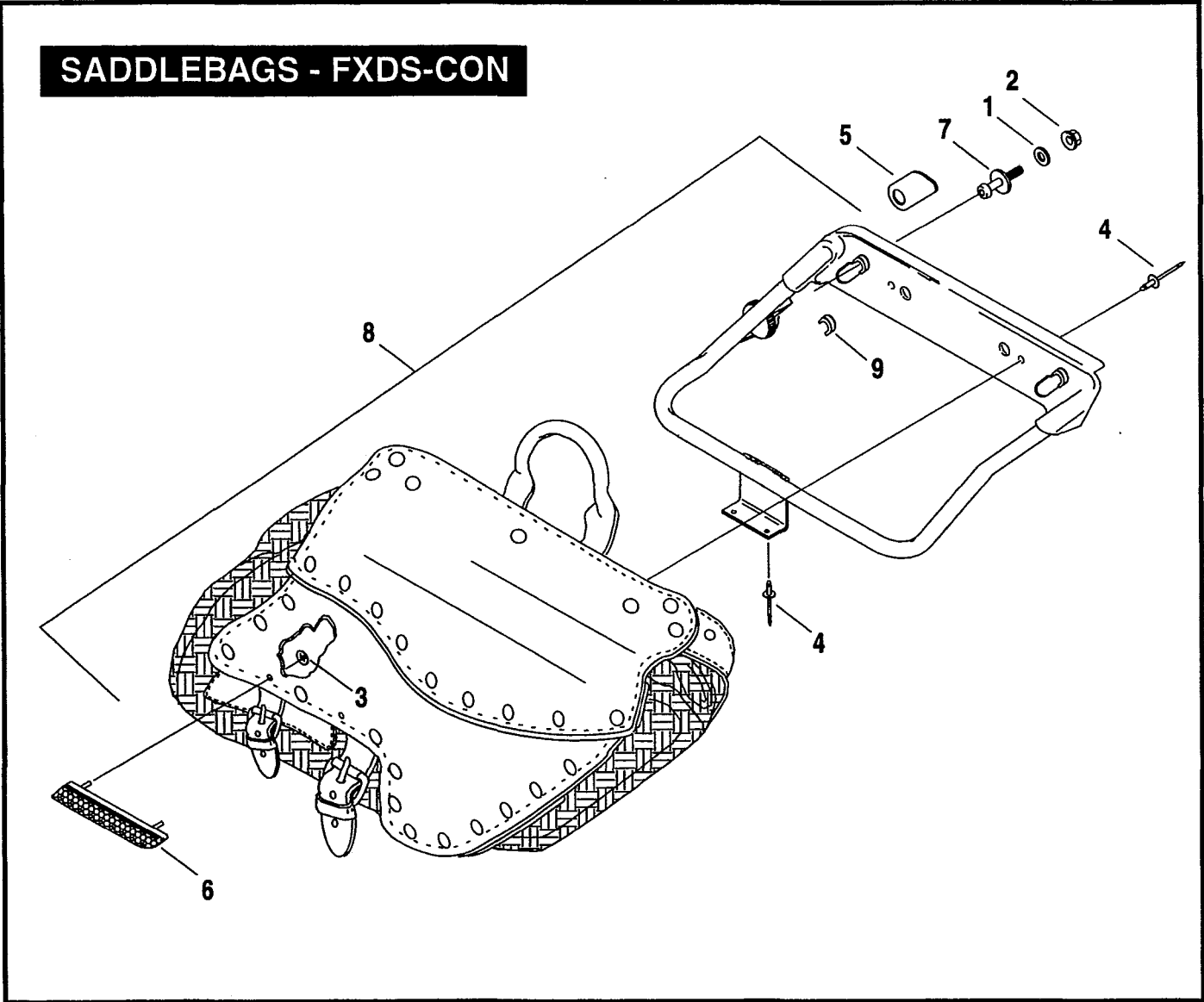
SADDLEBAGS - FLSTC & FLSTN



INDEX NO.	PART NO.	DESCRIPTION	FLT MODELS	SOFTAIL MODELS	DYNA MODELS
1	2602	BOLT (6)	--	95*-BJ	--
2	3549A	SCREW (2)	--	95*-BJ	--
3	4017	SCREW (4)	--	95*-BJ	--
4	4719W	BOLT (4)	--	95*-BN	--
5	5787	T-SPACER (4)	--	95*-BJ	--
6	6019	WASHER (4)	--	95*-BN	--
7	6235	WASHER (6)	--	95*-BJ	--
8	6701	WASHER (4)	--	95*-BJ/N	--
9	6702	WASHER (2)	--	95*-BJ	--
10	6788	WASHER (4)	--	95*-BJ	--
11	7507	ACORN NUT (2)	--	95*-BJ	--
12	7601	LOCKNUT (4)	--	95*-BN	--
13	7778	LOCKNUT (4)	--	95*-BJ	--
14	7783	JAM NUT (4)	--	95*-BN	--
15	7868	T-SPACER (6)	--	95*-BJ	--
16	11473	GROMMET (10)	--	95*-BJ	--
17	51923-86	COTTER CIRCLE (2)	--	95*-BJ	--
18	90346-94	SUPPORT, lower - front (2)	--	95*-BJ	--
19	90361-94	SUPPORT, upper (4)	--	95*-BJ	--
20	90470-90	ORNAMENT, teardrop-right (3)	--	95*-BJ	--
	90471-90	ORNAMENT, teardrop-left (3)	--	95*-BJ	--
21	90473-94	ISOLATOR (2)	--	95*-BJ	--
22	90476-93	SADDLEBAG, left	--	95*-BJ	--
	90477-93	SADDLEBAG, right	--	95*-BJ	--
23	90785-94	SUPPORT, right	--	95*-BJ	--
	90787-94	SUPPORT, left	--	95*-BJ	--
24	90804-95	SADDLEBAG, right	--	95-BN	--
	90806-95	SADDLEBAG, left	--	95-BN	--
	90804-96	SADDLEBAG, right	--	96*-BN	--
	90806-96	SADDLEBAG, left	--	96*-BN	--
25	91791-87	SADDLEBAG SUPPORT, right	--	95*-BN	--
	91792-87	SADDLEBAG SUPPORT, left	--	95*-BN	--

FLT MODELS				SOFTAIL MODELS				DYNA MODELS	
FLHT	DD	FLHR-I	FB	FLSTC	BJ	FLSTF	BM	FXDL	GD
FLHTC	DJ	FLHTCU-I	FC	FXSTC	BK	FLSTN	BN	FXDWG	GE
FLTC-U	DM	FLTCU-I	FE	FXSTS	BL	FXSTSB	BP	FXDS-CON	GG
FLHTC-U	DP	FLHTC-I	FF					FXD	GH
FLHR	FD								

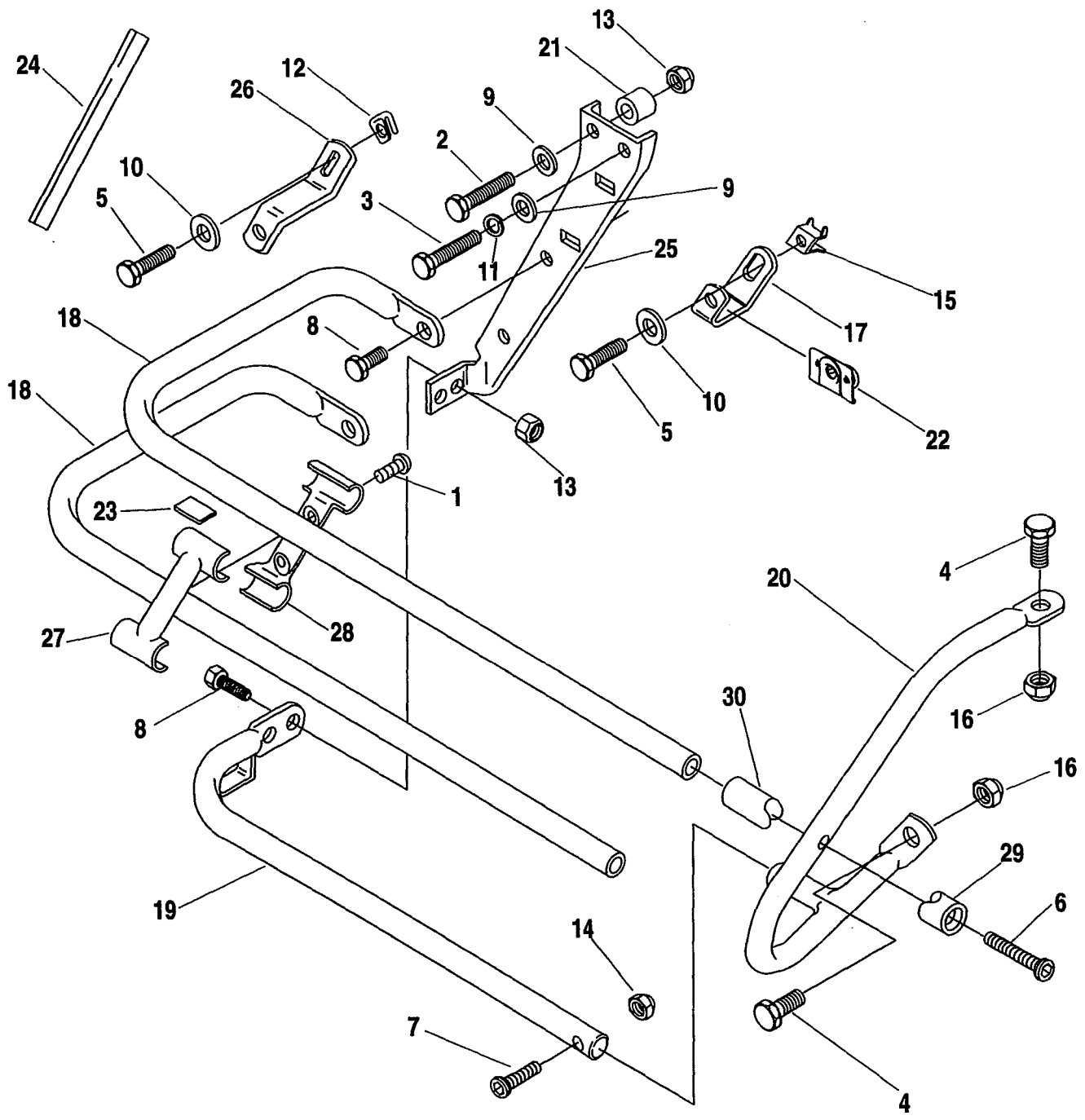
SADDLEBAGS - FXDS-CON



INDEX NO.	PART NO.	DESCRIPTION	FLT MODELS	SOFTAIL MODELS	DYNA MODELS
1	6379W	WASHER (4)	--	--	95*-GG
2	7601	LOCKNUT, flange (4)	--	--	95-GG
	7667	LOCKNUT (4)	--	--	96*-GG
3	8126A	PUSH NUT (4)	--	--	95*-GG
4	8540	RIVET (8)	--	--	95*-GG
5	59279-94	PROTECTOR, fender - right	--	--	95*-GG
	59284-94	PROTECTOR, fender - left	--	--	95*-GG
6	59293-94	REFLECTOR, right (red)	--	--	95*-GG
	59294-94	REFLECTOR, left (red)	--	--	95*-GG
7	90365-94	STUD (4)	--	--	95-GG
	90365-96	STUD (4)	--	--	96*-GG
8	90817-94	SADDLEBAG ASM. - left	--	--	95-GG
	90818-94	SADDLEBAG ASM. - right	--	--	95-GG
	91184-96	SADDLEBAG ASM. - right with reflector	--	--	96*-GG
	91185-96	SADDLEBAG ASM. - left with reflector	--	--	96*-GG
9	90823-94	BUSHING (4)	--	--	95*-GG
H-D INTERNATIONAL ONLY					
6	59295-94	REFLECTOR, right (amber)	--	--	95-GG
	59296-94	REFLECTOR, left (amber)	--	--	95-GG

FLT MODELS				SOFTAIL MODELS				DYNA MODELS	
FLHT	DD	FLHR-I	FB	FLSTC	BJ	FLSTF	BM	FXDL	GD
FLHTC	DJ	FLHTCU-I	FC	FXSTC	BK	FLSTN	BN	FXDWG	GE
FLTC-U	DM	FLTCU-I	FE	FXSTS	BL	FXSTSB	BP	FXDS-CON	GG
FLHTC-U	DP	FLHTC-I	FF					FXD	GH
FLHR	FD								

SADDLEBAG GUARDS - FLT



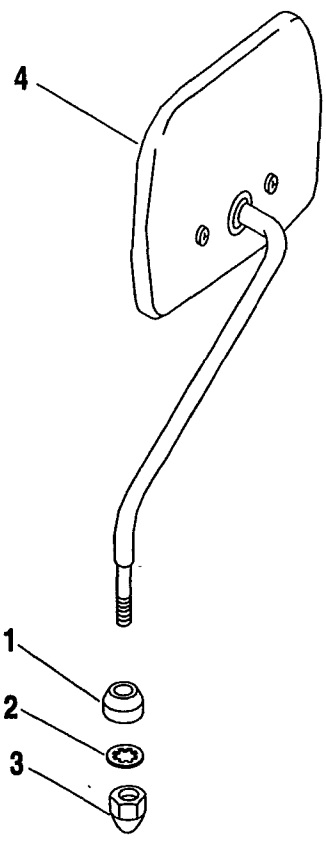
SADDLEBAG GUARDS - FLT MODELS

FC54

INDEX NO.	PART NO.	DESCRIPTION	FLT MODELS	SOFTAIL MODELS	DYNA MODELS
1	1750	SCREW (4)	95-DJ/M/P;FC 96*-DJ/P;FC/E/F	--	--
2	2818	BOLT (2)	95*-ALL	--	--
3	2882W	BOLT (2)	95*-ALL	--	--
4	4713W	SCREW (4)	95*-ALL	--	--
5	3574	SCREW (4)	95*-ALL	--	--
6	3584	SCREW (4)	95-DJ/M/P;FC 96*-DJ/P;FC/E/F	--	--
7	3601	SCREW (2)	95*-ALL	--	--
8	3987	SCREW (4; 8-DJ/M/P;FC/E/F)	95*-ALL	--	--
9	6702	WASHER (4)	95*-ALL	--	--
10	6703	WASHER (4)	95*-ALL	--	--
11	7041	LOCKWASHER (6)	95*-ALL	--	--
12	7490	CLIP NUT (2)	95*-ALL	--	--
13	7531	LOCKNUT (6)	95*-ALL	--	--
14	7686	LOCKNUT (2)	95*-ALL	--	--
15	7743	CLIP NUT (2)	95*-ALL	--	--
16	7900	LOCKNUT (4)	95*-ALL	--	--
17	47449-95	BRACKET, front (2)	95*-ALL	--	--
18	49193-93	GUARD, saddlebags (4)	95-DJ/M/P;FC 96*-DJ/P;FC/E/F	--	--
19	49194-85	SUPPORT, saddlebag - left	95*-ALL	--	--
	90781-93	SUPPORT, saddlebag - right	95*-ALL	--	--
20	49201-80	GUARD, left	95*-DD;FB/D	--	--
	49202-93	GUARD, right	95-DJ/M/P;FC 96*-DJ/P;FC/E/F	--	--
	49203-93	GUARD, left	95-DJ/M/P;FC 96*-DJ/P;FC/E/F	--	--
	49205-93	GUARD, right	95*-DD;FB/D	--	--
21	59060-92	SPACER (2)	95*-ALL	--	--
22	70909-95	RECEPTACLE (4)	95*-ALL	--	--
23	90180-93	PAD (2)	95-DJ/M/P;FC 96*-DJ/P;FC/E/F	--	--
24	90594-85	CUSHION (2)	95*-ALL	--	--
25	90718-79B	SUPPORT BRACKET, left	95*-ALL	--	--
	90720-79B	SUPPORT BRACKET, right	95*-ALL	--	--
26	90801-95	BRACKET, saddlebag mounting (2)	95*-ALL	--	--
27	90934-93	CLAMP, rear left-outer	95-DJ/M/P;FC 96*-DJ/P;FC/E/F	--	--
	90946-93	CLAMP, rear right-outer	95-DJ/M/P;FC 96*-DJ/P;FC/E/F	--	--
28	90935-93	CLAMP, rear right-inner	95-DJ/M/P;FC 96*-DJ/P;FC/E/F	--	--
	90936-93	CLAMP, rear left-inner	95-DJ/M/P;FC 96*-DJ/P;FC/E/F	--	--
29	90943-93	MOUNT, guard (4)	95-DJ/M/P;FC 96*-DJ/P;FC/E/F	--	--
30	90945-93	MOUNT, guard (4)	95-DJ/M/P;FC 96*-DJ/P;FC/E/F	--	--

FLT MODELS			SOFTAIL MODELS			DYNA MODELS			
FLHT	DD	FLHR-I	FB	FLSTC	BJ	FLSTF	BM	FXDL	GD
FLHTC	DJ	FLHTCU-I	FC	FXSTC	BK	FLSTN	BN	FXDWG	GE
FLTC-U	DM	FLTCU-I	FE	FXSTS	BL	FXSTSB	BP	FXDS-CON	GG
FLHTC-U	DP	FLHTC-I	FF					FXD	GH
FLHR	FD								

MIRRORS



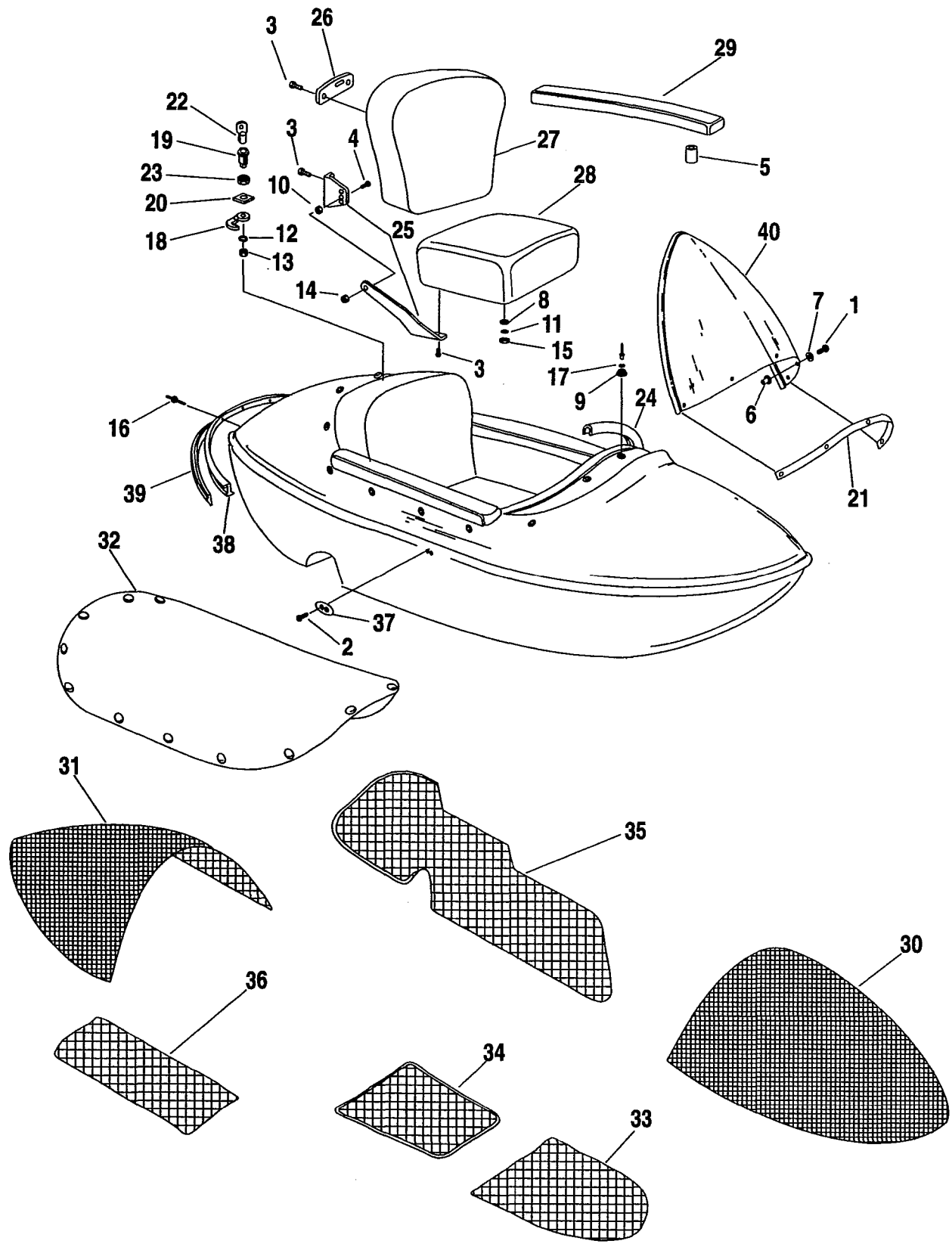
MIRRORS

FC55

INDEX NO.	PART NO.	DESCRIPTION	FLT MODELS	SOFTAIL MODELS	DYNA MODELS
1	5774	SPACER (2)	95*-ALL	95*-ALL	95*-ALL
2	7127	LOCKWASHER (2)	95*-ALL	95*-ALL	95*-ALL
3	7736	ACORN NUT (2)	95*-ALL	95*-ALL	95*-ALL
4	91875-88	MIRROR KIT, short - right - convex	95*-ALL	95*-ALL	95*-ALL
	91892-88	MIRROR KIT, short - left - convex	95*-ALL	95*-ALL	95*-ALL

FLT MODELS				SOFTAIL MODELS				DYNA MODELS	
FLHT	DD	FLHR-I	FB	FLSTC	BJ	FLSTF	BM	FXDL	GD
FLHC	DJ	FLHTCU-I	FC	FXSTC	BK	FLSTN	BN	FXDWG	GE
FLTC-U	DM	FLTCU-I	FE	FXSTS	BL	FXSTSB	BP	FXDS-CON	GG
FLHTC-U	DP	FLHTC-I	FF					FXD	GH
FLHR	FD								

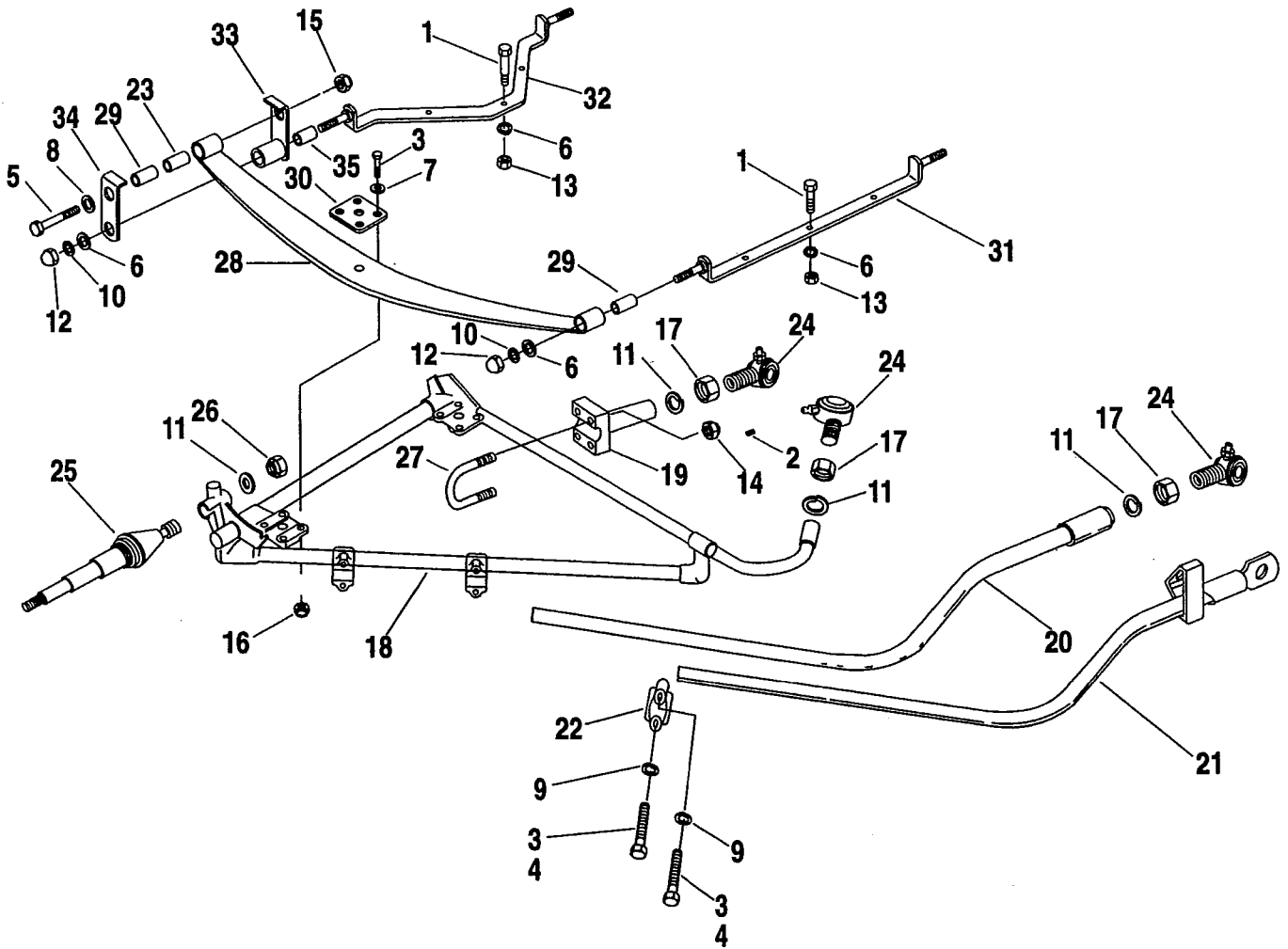
SIDECAR BODY - TLE & RLE



INDEX NO.	PART NO.	DESCRIPTION	FLT MODELS	FXR MODELS	DYNA MODELS
NOTE: REFER TO PAINTED PARTS BOOK FOR PAINTED PART NUMBERS.					
1	933	SCREW (7)	95*-GX	95-HX	--
2	2216W	SCREW (2)	95*-GX,KX	95-HX	--
3	2420	SCREW (10)	95*-GX	95-HX	--
4	2773	SCREW (2)	95*-GX	95-HX	--
5	2920	SCREW (6)	95*-GX	95-HX	--
6	5207	WELL NUT (7)	95*-GX	95-HX	--
7	6054	WASHER (7)	95*-GX	95-HX	--
8	6238	WASHER (4)	95*-GX,KX	95-HX	--
9	6335	WASHER (16)	95*-GX,KX	95-HX	--
10	6410	WASHER (2)	95*-GX	95-HX	--
11	7041	LOCKWASHER (4)	95*-GX,KX	95-HX	--
12	7128	LOCKWASHER	95*-GX;L95*KX	95-HX	--
13	7586	NUT	95*-GX;L95*KX	95-HX	--
14	7686	LOCKNUT (2)	95*-GX	95-HX	--
15	7688	NUT (4)	95*-GX	95-HX	--
16	8700	POP RIVET (80)	95*-GX,KX	95-HX	--
17	47076-72	SNAP BASE	95*-GX,KX	95-HX	--
18	53583-92	CAM HOOK	95*-GX;L95*KX	95-HX	--
19	53584-92	LOCK, w/#12 & 13	95*-GX;L95*KX	95-HX	--
	53593-92	LOCK ASM. w/ #12, 13, 19, 22 & 23	95*-GX,KX	95-HX	--
20	53617-85	GUIDE, lock	95*-GX;L95*KX	95-HX	--
21	58717-79	FOAM STRIP	95*-GX	95-HX	--
22	71452-91A	KEY (specify key code)	95*-GX;L95*KX	95-HX	--
23	84850-92	NUT	95*-GX;L95*KX	95-HX	--
24	88425-67	TRIM STRIP, body top (black)	95*-GX	95-HX	--
25	88426-91	HINGE ASSEMBLY, seat - right	95*-GX	95-HX	--
	88427-91	HINGE ASSEMBLY, seat - left	95*-GX	95-HX	--
26	88428-91	LOCKPLATE	95*-GX	95-HX	--
27	88481-91	BACK CUSHION	95*-GX	95-HX	--
28	88487-91	SEAT CUSHION	95*-GX	95-HX	--
29	88503-91A	ARM REST CUSHION - left	95*-GX	95-HX	--
	88504-91A	ARM REST CUSHION - right	95*-GX	95-HX	--
30	88526-91	CARPET, top front	95*-GX,KX	95-HX	--
31	88527-91	CARPET, top rear	95*-GX,KX	95-HX	--
32	88528-91	COVER, sidecar body	95*-GX	95-HX	--
33	88531-91	CARPET, nose	95*-GX,KX	95-HX	--
34	88536-91	CARPET, front lower	95*-GX,KX	95-HX	--
35	88537-91	CARPET, left side	95*-GX,KX	95-HX	--
	88538-91	CARPET, right side	95*-GX,KX	95-HX	--
36	88539-91	CARPET, rear lower	95*-GX,KX	95-HX	--
37	88695-67	RETAINER CLIP, sidecar trim strip	95*-GX	95-HX	--
38	88696-67	TRIM CHANNEL KIT (5 piece)	95*-GX,KX	95-HX	--
39	88698-67	CHANNEL INSERT, trim strip (black vinyl)	95*-GX,KX	95-HX	--
40	88862-91	WINDSHIELD, only	95*-GX	95-HX	--

FLT MODELS		FXR MODELS	
TLE	GX	RLE	HX
TLE-ULTRA	KX		

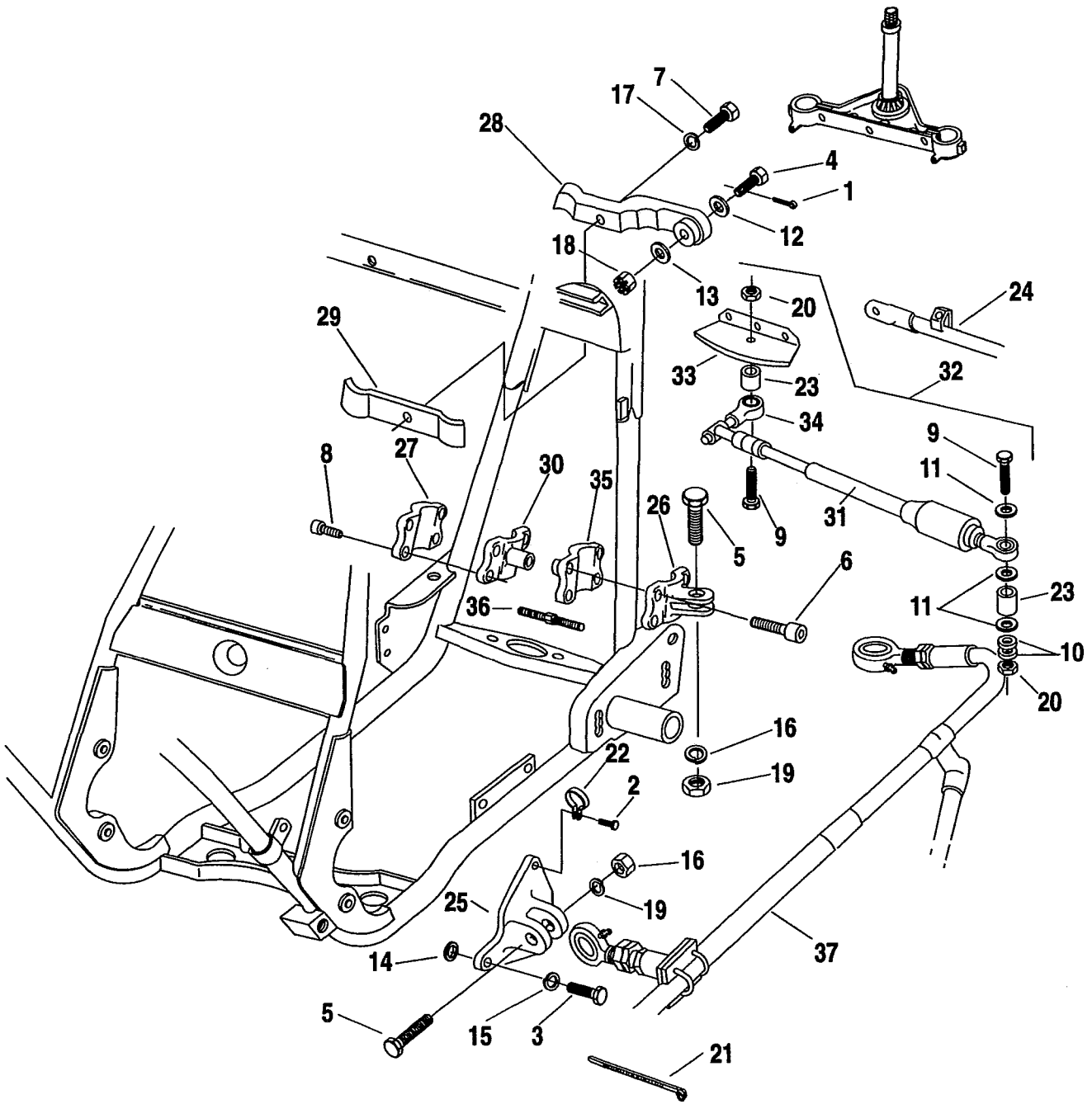
SIDECAR CHASSIS - TLE & RLE



INDEX NO.	PART NO.	DESCRIPTION	FLT MODELS	FXR MODELS	DYNA MODELS
1	2887W	BOLT (6)	95*-GX,KX	95-HX	--
2	3233	SET SCREW (2)	95*-GX,KX	95-HX	--
3	3764	SCREW (8)	95*-GX,KX	95-HX	--
		SCREW (4)	L95*-GX,KX	L95-HX	--
4	3946	BOLT (4)	E95*-GX,KX	E95-HX	--
5	4401W	BOLT (2)	95*-GX,KX	95-HX	--
6	6238	WASHER (10)	95*-GX,KX	95-HX	--
7	6343	WASHER (8)	95*-GX,KX	95-HX	--
8	6416	WASHER (4)	95*-GX,KX	95-HX	--
9	7039	LOCKWASHER (4)	95*-GX,KX	95-HX	--
10	7041	LOCKWASHER (4)	95*-GX,KX	95-HX	--
11	7043	LOCKWASHER (3;4-HX)	95*-GX,KX	95-HX	--
12	7736	ACORN NUT (4)	95*-GX,KX	95-HX	--
13	7748W	NUT (6)	95*-GX,KX	95-HX	--
14	7775	LOCKNUT (4)	95*-GX,KX	95-HX	--
15	7780	LOCKNUT (2)	95*-GX,KX	95-HX	--
16	7827W	LOCKNUT (8)	95*-GX,KX	95-HX	--
17	7855W	JAM NUT (2;3-HX)	95*-GX,KX	95-HX	--
18	87006-85	FRAME ASSEMBLY, sidecar	--	95-HX	--
	87160-83	FRAME ASSEMBLY, sidecar	95*-GX,KX	--	--
19	87014-85	REAR MOUNTING ASSEMBLY	--	95-HX	--
	87157-87	REAR MOUNTING ASSEMBLY	95*-GX,KX	--	--
20	87030-85	BRACE, sidecar frame	--	95-HX	--
21	87056-83B	BRACE, sidecar frame	95*-GX,KX	--	--
22	87117-36A	LOWER CLAMP (2)	95*-GX,KX	95-HX	--
23	87120-79	SPACER, turn signal & spring shackle (2)	95*-GX,KX	95-HX	--
24	87159-83	ROD END, sidecar mounting (2; 3 - HX)	95*-GX,KX	95-HX	--
25	87435-83	AXLE	95*-GX,KX	95-HX	--
26	87444-33	AXLE NUT, inside sidecar frame	95*-GX,KX	95-HX	--
27	87701-79	U-BOLT, rear mounting bracket	95*-GX,KX	95-HX	--
28	88100-94	SIDECAR SPRING, single leaf (2)	95*-GX,KX	95-HX	--
29	88174-94	SPRING BUSHING (4)	95*-GX,KX	95-HX	--
30	88175-94	SPRING PLATE (2)	95*-GX,KX	95-HX	--
31	88261-36	SUPPORT ROD, front	95*-GX,KX	95-HX	--
32	88264-36	SUPPORT ROD, rear	95*-GX,KX	95-HX	--
33	88301-79	SHACKLE PLATE w/ bushing, spring (2)	95*-GX,KX	95-HX	--
34	88302-79	SHACKLE PLATE, spring-outer (2)	95*-GX,KX	95-HX	--
35	88314-37	BUSHING, shackle plate (2)	95*-GX,KX	95-HX	--

FLT MODELS		FXR MODELS	
TLE	GX	RLE	HX
TLE-ULTRA	KX		

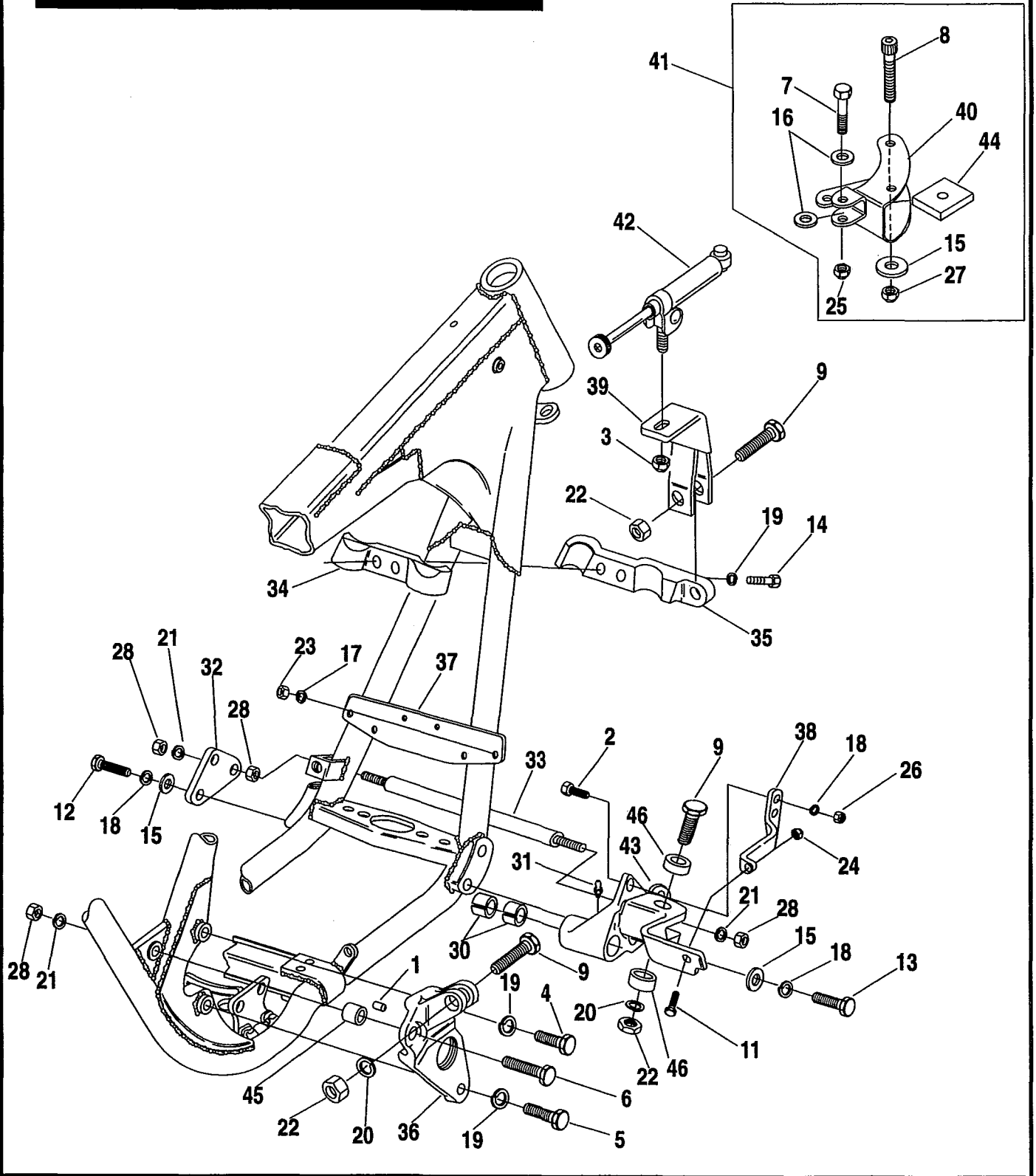
SIDECAR CONNECTION KIT - TLE



INDEX NO.	PART NO.	DESCRIPTION	FLT MODELS	FXR MODELS	DYNA MODELS
1	559	COTTER PIN	95*-GX,KX	--	--
2	3764	BOLT	95*-GX,KX	--	--
3	3782	BOLT	95*-GX,KX	--	--
4	3949	BOLT	95*-GX,KX	--	--
5	4045	BOLT (2)	95*-GX,KX	--	--
6	4357	BOLT (4)	95*-GX,KX	--	--
7	4052	BOLT	95*-GX,KX	--	--
8	4356	BOLT (4)	95*-GX,KX	--	--
9	4420	BOLT, long (as required)	95*-GX,KX	--	--
	4720W	BOLT, short (as required)	95*-GX,KX	--	--
10	6519	WASHER (as required)	95*-GX,KX	--	--
11	6701	WASHER (3)	95*-GX,KX	--	--
12	6718	WASHER	95*-GX,KX	--	--
13	6723	WASHER	95*-GX,KX	--	--
14	6960	SHIM, 0.004" thick (as required)	95*-GX,KX	--	--
	6961	SHIM, 0.007" thick (as required)	95*-GX,KX	--	--
	6962	SHIM, 0.015" thick (as required)	95*-GX,KX	--	--
	6963	SHIM, 0.031" thick (as required)	95*-GX,KX	--	--
15	7039	LOCKWASHER	95*-GX,KX	--	--
16	7043	LOCKWASHER (2)	95*-GX,KX	--	--
17	7068	LOCKWASHER	95*-GX,KX	--	--
18	7843	CASTLE NUT	95*-GX,KX	--	--
19	7598	NUT (2)	95*-GX,KX	--	--
20	7775	NUT (2)	95*-GX,KX	--	--
21	10006	CABLE STRAP (8)	95*-GX,KX	--	--
22	10036	CLAMP	95*-GX,KX	--	--
23	59938-72	SPACER, mounting (2)	95*-GX,KX	--	--
24	87056-83B	BRACE, sidecar frame	95*-GX,KX	--	--
25	87114-93	BRACKET ASSEMBLY, rear	95*-GX,KX	--	--
26	87122-83	MOUNTING BRACKET, lower front - right	95*-GX,KX	--	--
27	87123-83	MOUNTING BRACKET, lower front - left	95*-GX,KX	--	--
28	87131-83B	UPPER CONNECTION, front	95*-GX,KX	--	--
29	87132-92	UPPER CONNECTION, rear	95*-GX,KX	--	--
30	87137-92	STABILIZER BRACKET, front	95*-GX,KX	--	--
31	87141-83	STEERING DAMPER	95*-GX,KX	--	--
32	87142-83	DAMPER MOUNTING KIT w/ 9, 11, 20 & 23	95*-GX,KX	--	--
33	87143-83	BRACKET, steering damper	95*-GX,KX	--	--
34	87144-83	ROD END BALL JOINT	95*-GX,KX	--	--
35	87148-92	STABILIZER BRACKET, right	95*-GX,KX	--	--
36	87156-83	STABILIZER, front	95*-GX,KX	--	--
37	87160-83	FRAME ASSEMBLY	95*-GX,KX	--	--
	87166-93	CONNECTION KIT, sidecar	95*-GX,KX	--	--

FLT MODELS		FXR MODELS	
TLE	GX	RLE	HX
TLE-ULTRA	KX		

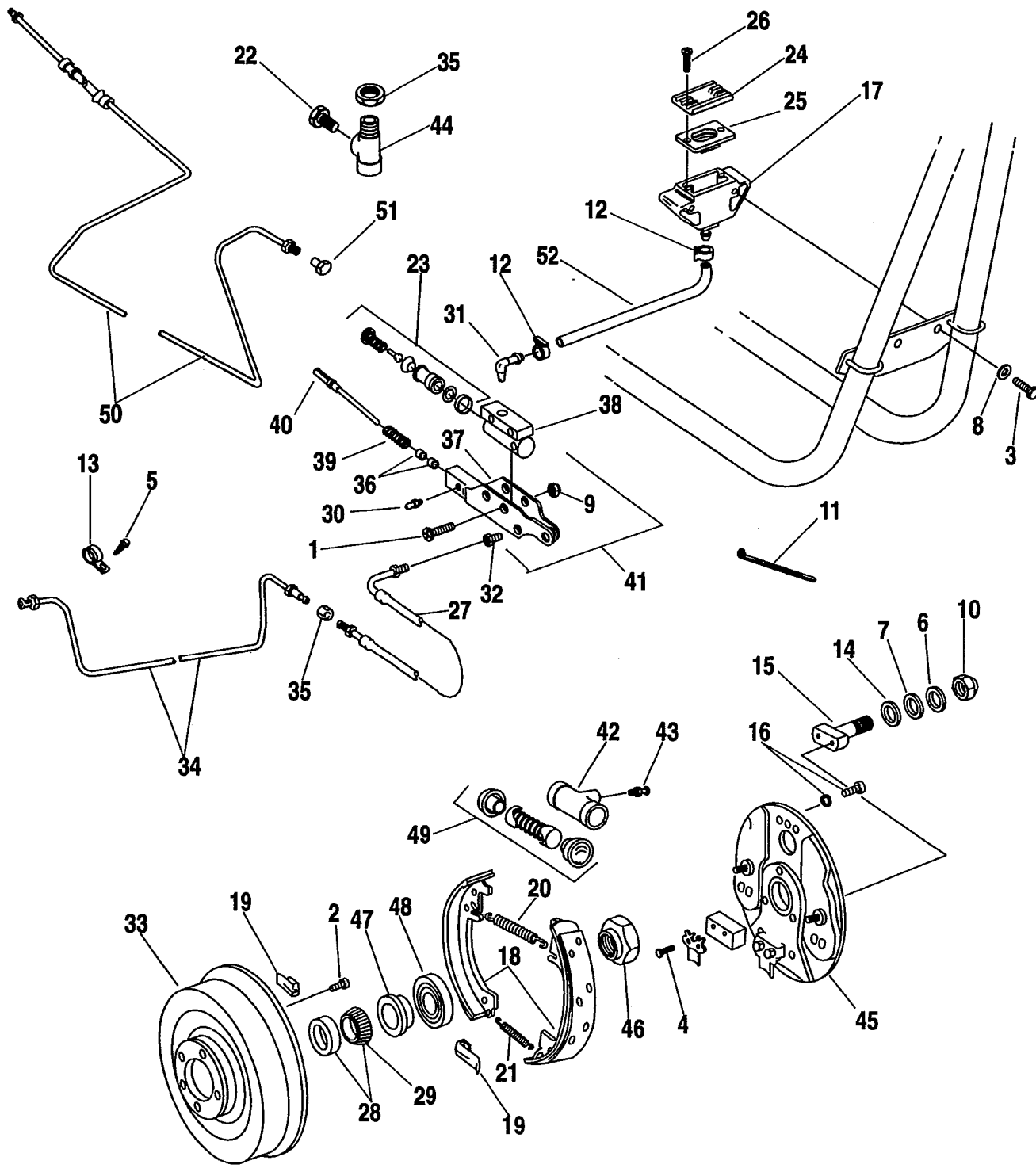
SIDECAR CONNECTION KIT - RLE



INDEX NO.	PART NO.	DESCRIPTION	FLT MODELS	FXR MODELS	DYNA MODELS
1	604	ROLL PIN	--	95-HX	--
2	2879W	BOLT	--	95-HX	--
3	3403	LOCKNUT	--	95-HX	--
4	3764	BOLT	--	95-HX	--
5	3769	BOLT	--	95-HX	--
6	3958	BOLT	--	95-HX	--
7	4041W	BOLT	--	95-HX	--
8	4030	SCREW	--	95-HX	--
9	4045	BOLT (3)	--	95-HX	--
11	4701	BOLT	--	95-HX	--
12	4716W	BOLT (2)	--	95-HX	--
13	4721	BOLT (2)	--	95-HX	--
14	4726	BOLT (2)	--	95-HX	--
15	6701	WASHER (5)	--	95-HX	--
16	6702	WASHER (2)	--	95-HX	--
17	7036	LOCKWASHER (4)	--	95-HX	--
18	7038	LOCKWASHER (5)	--	95-HX	--
19	7039	LOCKWASHER (4)	--	95-HX	--
20	7043	LOCKWASHER (3)	--	95-HX	--
21	7068	LOCKWASHER (3)	--	95-HX	--
22	7598	NUT (3)	--	95-HX	--
23	7688	NUT (4)	--	95-HX	--
24	7725	LOCKNUT	--	95-HX	--
25	7727	LOCKNUT	--	95-HX	--
26	7778	LOCKNUT	--	95-HX	--
27	7783	NUT	--	95-HX	--
28	7845	NUT (4)	--	95-HX	--
	45452-87	FORK BRACE (chrome)(Not illustrated)	--	95-HX	--
30	47247-83	BUSHING (2)	--	95-HX	--
31	50972-75	FITTING, lubrication	--	95-HX	--
32	87007-85	ADJUSTER PLATE, left front	--	95-HX	--
	87008-88	SIDECAR CONNECTION KIT	--	95-HX	--
33	87010-85	STABILIZER, front	--	95-HX	--
34	87011-85	UPPER CONNECTION rear	--	95-HX	--
35	87013-85	UPPER CONNECTION, front	--	95-HX	--
36	87015-85	BRACKET ASSEMBLY, rear - w/ #1	--	95-HX	--
37	87018-85	BRACKET, brake reservoir	--	95-HX	--
38	87019-85	BRACKET, brake stop	--	95-HX	--
39	87020-85	BRACKET, steering damper	--	95-HX	--
40	87022-88	MOUNTING BRACKET	--	95-HX	--
41	87023-88	DAMPER MOUNTING KIT	--	95-HX	--
42	87024-85	STEERING DAMPER	--	95-HX	--
43	87025-85A	BRACKET, lower front - w/ #30, 31 & 46	--	95-HX	--
44	87048-88	SPACER	--	95-HX	--
45	90480-85	SPACER, rear mount	--	95-HX	--
46	90481-91	SPACER (2)	--	95-HX	--

FLT MODELS		FXR MODELS	
TLE	GX	RLE	HX
TLE-ULTRA	KX		

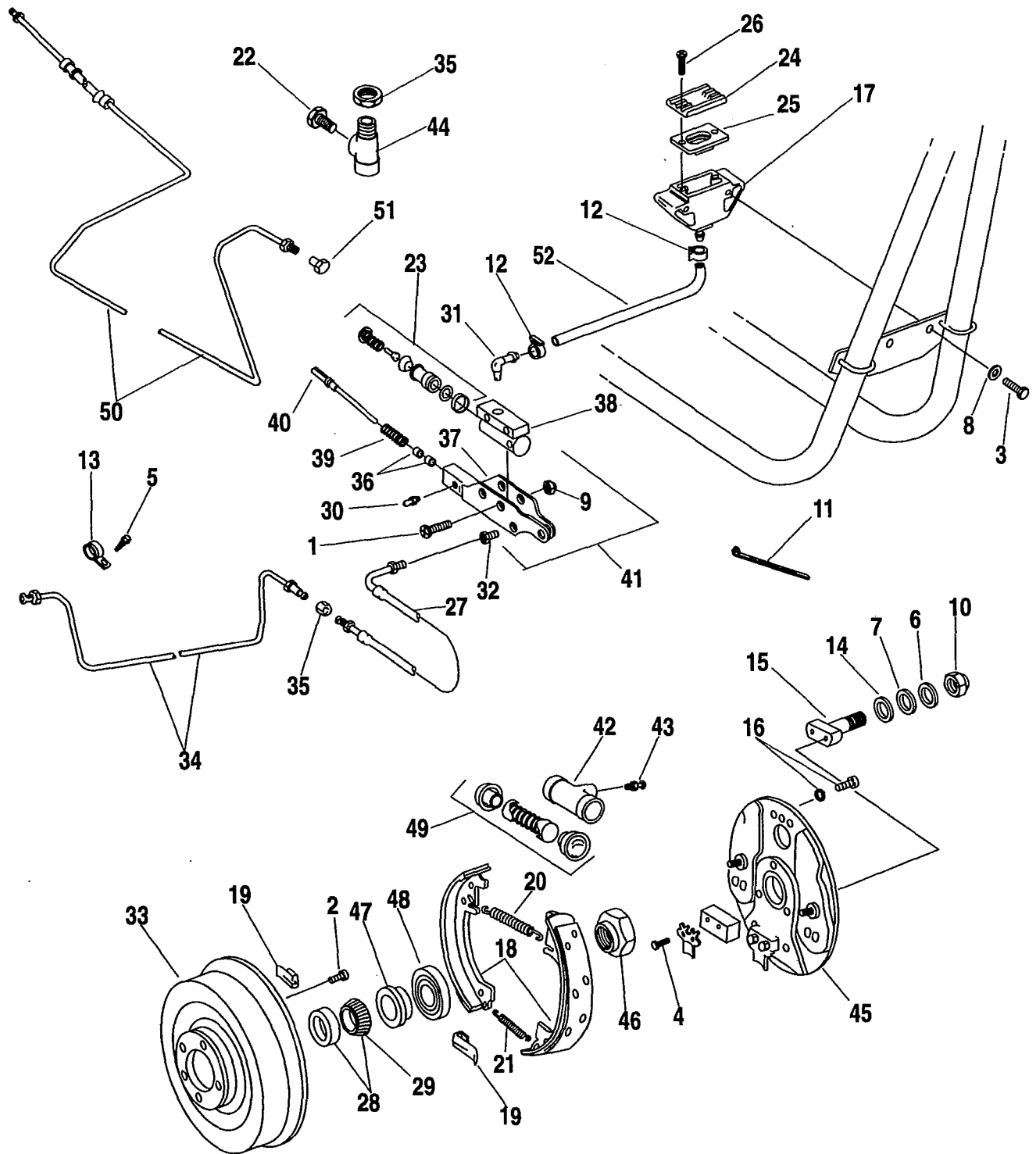
SIDECAR BRAKE - TLE & RLE



INDEX NO.	PART NO.	DESCRIPTION	FLT MODELS	FXR MODELS	DYNA MODELS
1	1610	SCREW (2)	--	95-HX	--
2	1643	SCREW (5)	95*-GX,KX	95-HX	--
3	3473	BOLT (2)	--	95-HX	--
4	4020W	BOLT (2)	95*-GX,KX	95-HX	--
5	4091	SCREW (3)	95*-GX,KX	95-HX	--
6	6700B	WASHER (as required)	95*-GX,KX	95-HX	--
7	6712B	WASHER (as required)	95*-GX,KX	95-HX	--
8	6716	WASHER (2)	--	95-HX	--
9	7729	LOCKNUT (2)	--	95-HX	--
10	7993	LOCKNUT	95*-GX,KX	95-HX	--
11	10006	CABLE STRAP (5)	95*-GX,KX	95-HX	--
12	10038A	CLAMP (2)	--	95-HX	--
13	10059A	CLAMP (3)	95*-GX,KX	95-HX	--
14	18268-48	WASHER (as required)	95*-GX,KX	95-HX	--
15	41720-58	ANCHOR STUD	95*-GX,KX	95-HX	--
16	41742-58A	SCREW & LOCKWASHER, brake cylinder (2)	95*-GX,KX	95-HX	--
17	41804-84A	RESERVOIR, master cylinder	--	95-HX	--
18	41801-58A	SET OF BRAKE SHOES & LININGS	95*-GX,KX	95-HX	--
19	41835-58	HOLD DOWN, spring (2)	95*-GX,KX	95-HX	--
20	41836-58	BRAKE SHOE SPRING, upper	95*-GX,KX	95-HX	--
21	41837-58	BRAKE SHOE SPRING, lower	95*-GX,KX	95-HX	--
22	42311-58	PLUG, brake line tee	95*-GX,KX	--	--
23	42374-77B	REPAIR KIT, master cylinder	--	95-HX	--
24	45057-82	COVER, reservoir	--	95-HX	--
25	42455-80	GASKET, reservoir	--	95-HX	--
26	42534-90	SCREW (2)	--	95-HX	--
27	45114-77	HOSE, brake line	--	95-HX	--
28	48302-85	BEARING, brake drum	95*-GX,KX	95-HX	--
29	48315-60	BEARING CUP, brake drum	95*-GX,KX	95-HX	--
30	50972-75	FITTING, lubrication	--	95-HX	--
31	63551-82	FITTING, reservoir hose	--	95-HX	--
32	63609-72	FITTING, brake hose	--	95-HX	--
33	87002-83	BRAKE DRUM ASSEMBLY	95*-GX,KX	95-HX	--
34	87029-85	BRAKE LINE	95*-GX,KX	95-HX	--
35	87032-85	FITTING, brake line	95*-GX,KX	95-HX	--

FLT MODELS		FXR MODELS	
TLE	GX	RLE	HX
TLE-ULTRA	KX		

SIDECAR BRAKE - TLE & RLE



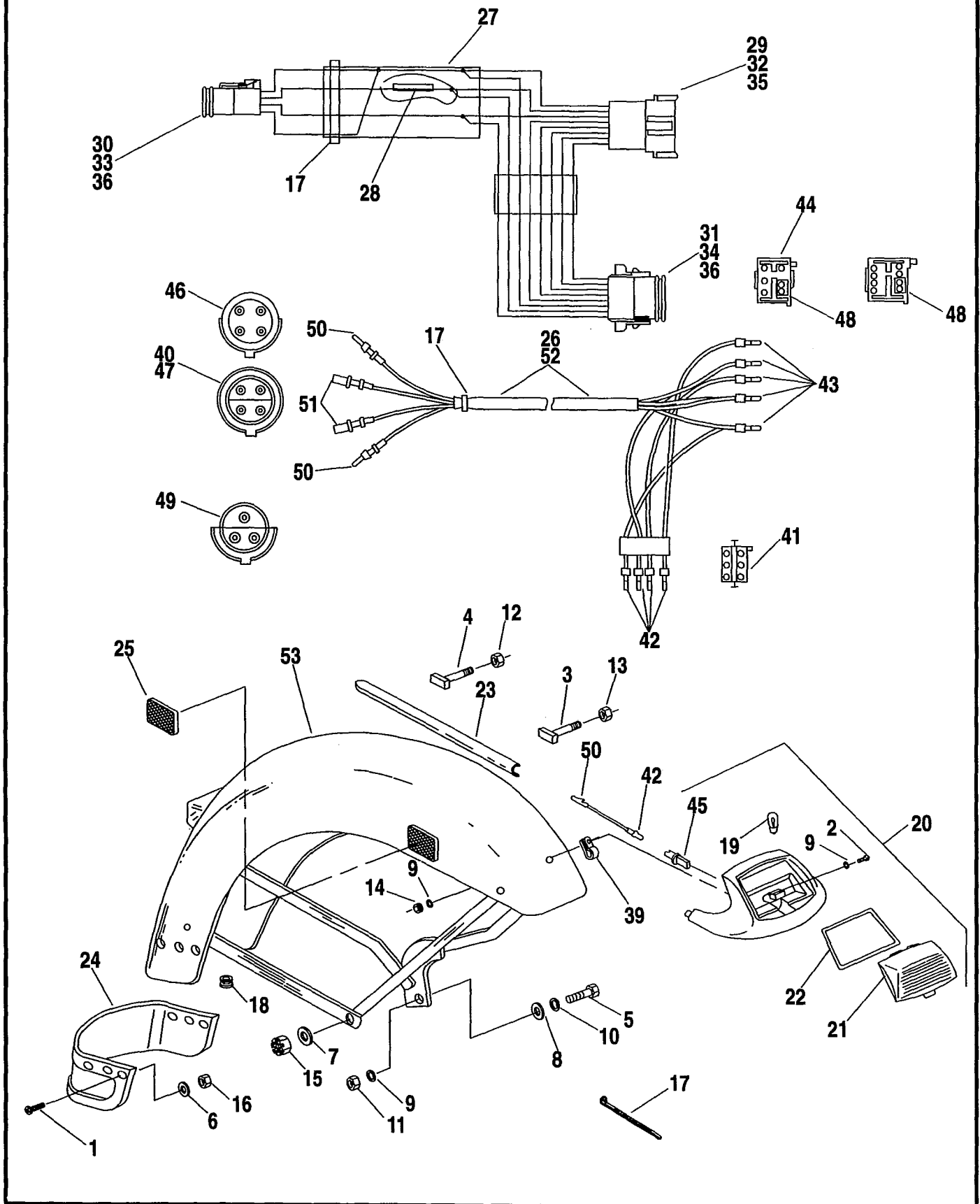
SIDECAR BRAKE - TLE & RLE (CONT'D)

FC59-2

INDEX NO.	PART NO.	DESCRIPTION	FLT MODELS	FXR MODELS	DYNA MODELS
36	87038-85	BUSHING, housing (2)	--	95-HX	--
37	87039-85	HOUSING, master cylinder	--	95-HX	--
38	87040-85	MASTER CYLINDER	--	95-HX	--
39	87041-85	SPRING, brake rod	--	95-HX	--
40	87042-85	ROD, brake	--	95-HX	--
41	87043-85	MASTER CYLINDER & HOUSING ASM.	--	95-HX	--
42	87071-89	BRAKE CYLINDER, wheel (5/8")	95*-GX,KX	95-HX	--
43	87073-79	BLEEDER FITTING, brake cylinder	95*-GX,KX	95-HX	--
44	87113-83	TEE, sidecar brake line	95*-GX,KX	--	--
45	87672-76	SIDE PLATE	95*-GX,KX	95-HX	--
46	87706-83	LOCKNUT, axle shaft	95*-GX,KX	95-HX	--
47	87713-83	SPACER	95*-GX,KX	95-HX	--
48	87714-83	OIL SEAL	95*-GX,KX	95-HX	--
49	87752-89	REPAIR KIT, brake cylinder (5/8")	95*-GX,KX	95-HX	--
50	87776-92	BRAKE LINE	95*-GX,KX	--	--
51	87778-64A	CAP, sidecar brake line	95*-GX,KX	--	--
		NOTE: Hose is sold in bulk length under the following part number. Cut to length.			
52	63573-82	HOSE, 5/16 I.D. (rubber) (25 ft. lg.)	--	95-HX	--

FLT MODELS		FXR MODELS	
TLE	GX	RLE	HX
TLE-ULTRA	KX		

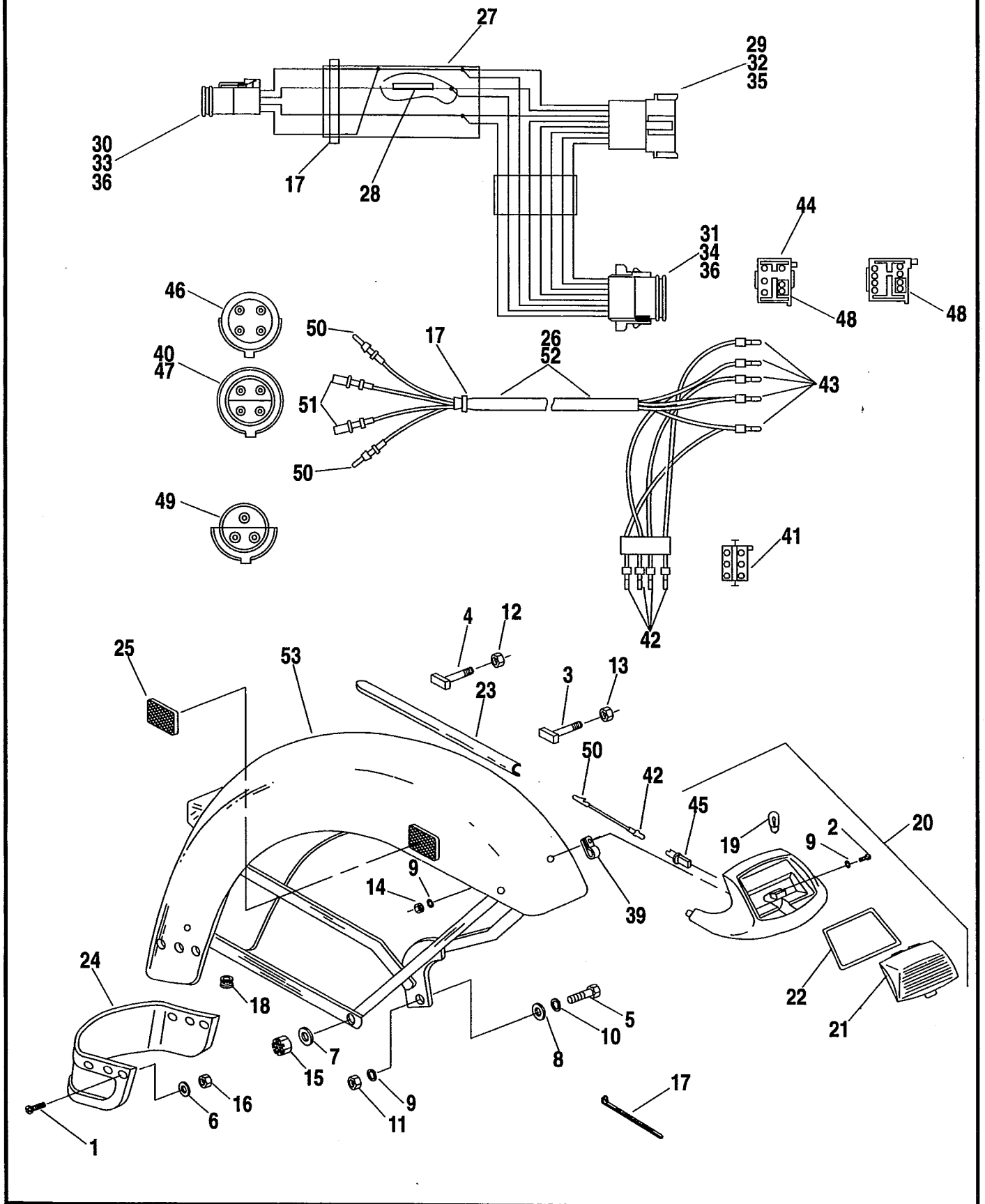
SIDECAR FENDER - TLE & RLE



INDEX NO.	PART NO.	DESCRIPTION	FLT MODELS	FXR MODELS	DYNA MODELS
NOTE: REFER TO PAINTED PARTS BOOK FOR PAINTED PART NUMBERS.					
1	2531	SCREW (6)	95*-GX,KX	--	--
2	2604	SCREW (2)	95*-GX,KX	95-HX	--
3	3560W	TEE BOLT (2)	95*-GX,KX	95-HX	--
4	3561WB	TEE BOLT (2)	95*-GX,KX	95-HX	--
5	4721	BOLT	95*-GX,KX	95-HX	--
6	6335	WASHER (6)	95*-GX,KX	--	--
7	6653A	WASHER	95*-GX,KX	95-HX	--
8	6701	WASHER	95*-GX,KX	--	--
9	7118	LOCKWASHER (2)	95*-GX,KX	95-HX	--
10	7130W	LOCKWASHER	95*-GX,KX	95-HX	--
11	7601	NUT	95*-GX,KX	95-HX	--
12	7624	LOCKNUT (4)	95*-GX,KX	95-HX	--
13	7629	NUT (2)	95*-GX,KX	95-HX	--
14	7638	NUT	95*-GX,KX	95-HX	--
15	7823	CASTLE NUT	95*-GX,KX	95-HX	--
16	8131W	LOCKNUT (6)	95*-GX,KX	--	--
17	10006	CABLE STRAP (as required)	95*-GX,KX	95-HX	--
	10065	CABLE STRAP	95*-GX,KX	95-HX	--
18	11410	GROMMET, tail lamp wiring	95*-GX,KX	95-HX	--
19	53439-79	BULB, fender tip lamp	95*-GX,KX	95-HX	--
20	59082-79	LAMP ASSEMBLY, fender tip	95*-GX,KX	95-HX	--
21	59180-80	LENS, fender tip lamp	95*-GX,KX	95-HX	--
22	59181-80	GASKET, fender tip lamp lens	95*-GX,KX	95-HX	--
23	59211-74	SIDE TRIM STRIP (2)	95*-GX,KX	95-HX	--
24	59231-86	TRIM, lower	95*-GX,KX	--	--
25	59255-72	REFLECTOR (red)	95*-GX,KX	95-HX	--
27	70028-94	WIRING HARNESS	95*-GX,KX	--	--
		includes the following:			
17	10065	CABLE STRAP	95*-GX,KX	--	--
28	70582-92	CONNECTOR (4)	95*-GX,KX	--	--
29	72108-94BK	RECEPTACLE, 8-way pin	95*-GX,KX	--	--
30	72114-94BK	PLUG, 4-way socket	95*-GX,KX	--	--
31	72118-94BK	PLUG, 8-way socket	95*-GX,KX	--	--
32	72148-94	PIN LOCK, secondary, 8-way	95*-GX,KX	--	--
33	72154-94	SOCKET LOCK, secondary, 4-way	95*-GX,KX	--	--
34	72158-94	SOCKET LOCK, secondary, 8-way	95*-GX,KX	--	--
35	72190-94	TERMINAL, pin (8)	95*-GX,KX	--	--
36	72191-94	TERMINAL, socket (12)	95*-GX,KX	--	--

FLT MODELS		FXR MODELS	
TLE	GX	RLE	HX
TLE-ULTRA	KX		

SIDECAR FENDER - TLE & RLE



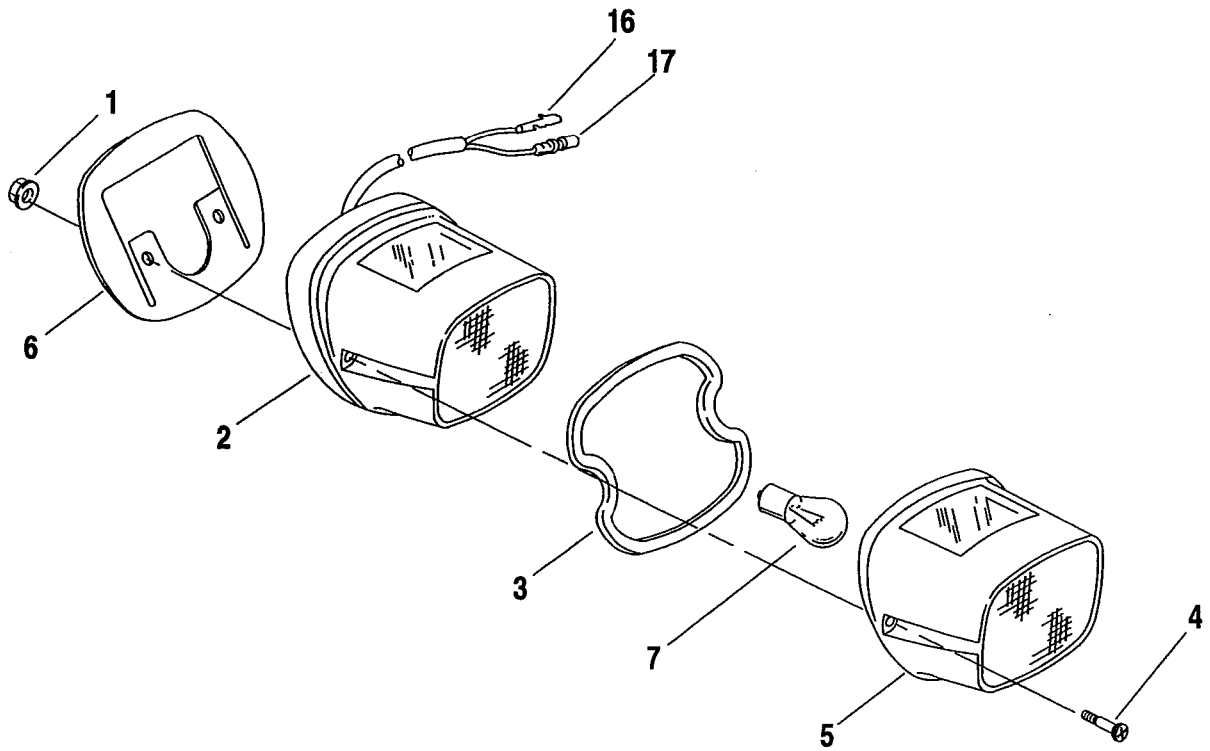
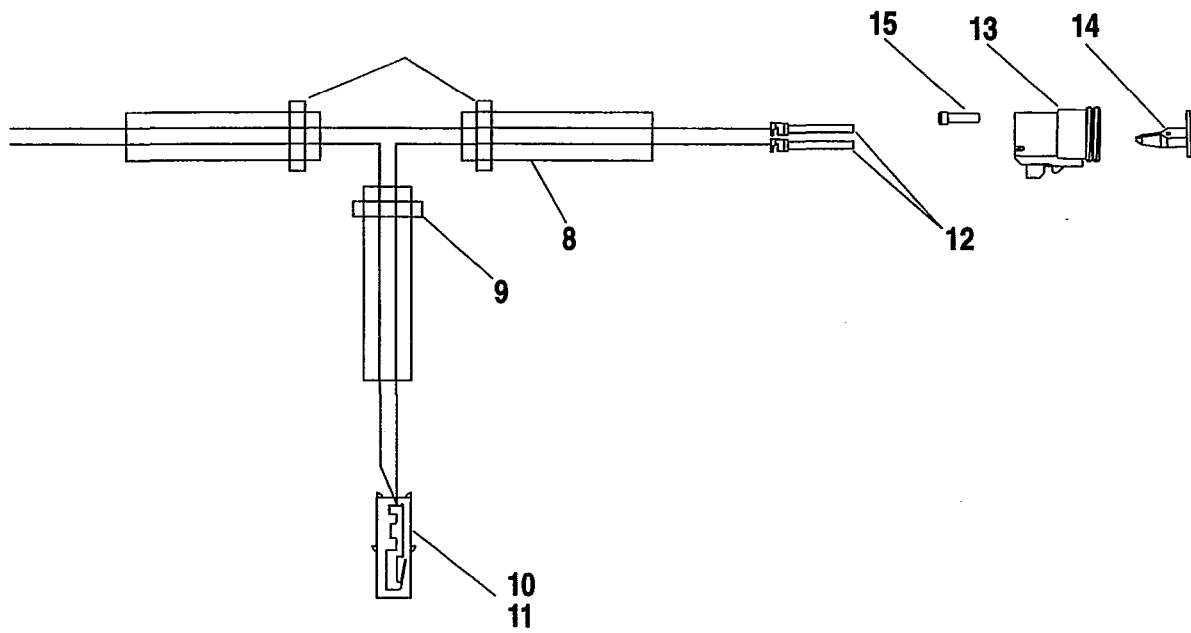
SIDECAR FENDER - TLE & RLE (CONT'D)

FC60-2

INDEX NO.	PART NO.	DESCRIPTION	FLT MODELS	FXR MODELS	DYNA MODELS
39	71795-63A	CLAMP	95*-GX,KX	95-HX	--
40	72029-84	PLUG, four terminal	--	95-HX	--
41	72037-71	CONNECTOR, six socket	--	95-HX	--
42	72038-71	SOCKET, single pin (as required)	--	95-HX	--
43	72039-71	PIN, single socket (5; 6 - GX, KX)	--	95-HX	--
44	72041-71	CONNECTOR, six pin	--	95-HX	--
45	72044-71A	CONNECTOR, single socket	--	95-HX	--
46	72054-84	PLUG RECEPTACLE	--	95-HX	--
47	72057-84	PROTECTIVE PLUG (with sidecar removed)	--	95-HX	--
48	72275-74	CONNECTOR TAB, two terminal	--	95-HX	--
49	74521-77A	PLUG RECEPTACLE	95*-GX,KX	95-HX	--
50	74536-77A	PIN, single socket (3)	--	95-HX	--
51	74539-77A	SOCKET, single pin (2)	--	95-HX	--
52	87027-85	WIRING HARNESS	--	95-HX	--
53	87901-83A	FENDER, sidecar (prime)	95*-GX,KX	95-HX	--

FLT MODELS		FXR MODELS	
TLE	GX	RLE	HX
TLE-ULTRA	KX		

SIDECAR TAIL LAMP - TLE & RLE



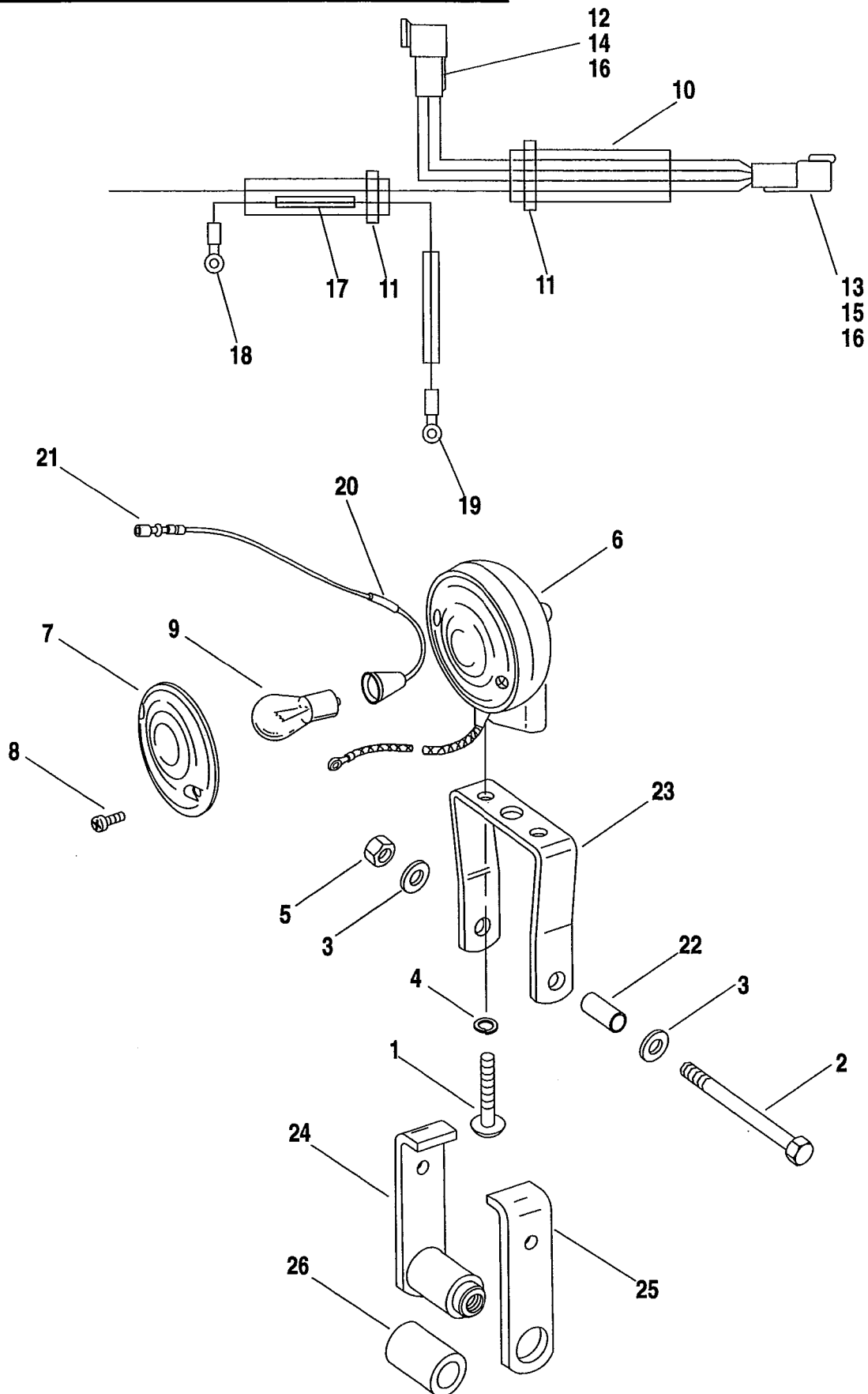
SIDECAR TAIL LAMP - TLE & RLE

FC61

INDEX NO.	PART NO.	DESCRIPTION	FLT MODELS	FXR MODELS	DYNA MODELS
1	7501	SPEED NUT (2)	95*-GX,KX	95-HX	--
2	68008-73B	TAIL LAMP ASSEMBLY	--	95-HX	--
3	68027-90	GASKET, tail lamp lens	95*-GX,KX	95-HX	--
4	68026-73	SCREW, tail lamp lens	95*-GX,KX	95-HX	--
5	68033-90	LENS, tail lamp (red)	95*-GX,KX	95-HX	--
6	68123-73	GASKET, tail lamp housing	95*-GX,KX	95-HX	--
7	68168-89	BULB, tail lamp - 12V.	95*-GX,KX	95-HX	--
8	70237-94	WIRING HARNESS, tail lamp includes the following:	95*-GX,KX	--	--
9	10065	CABLE STRAP (3)	95*-GX,KX	--	--
2	68008-73B	TAIL LAMP ASSEMBLY	95*-GX,KX	--	--
10	72038-71	SOCKET, single pin	95*-GX,KX	--	--
11	72044-71	CONNECTOR, single socket	95*-GX,KX	--	--
12	72191-94	TERMINAL, socket (2)	95*-GX,KX	--	--
13	72113-94BK	PLUG, 3-way socket	95*-GX,KX	--	--
14	72153-94	SOCKET LOCK, secondary, 3-way	95*-GX,KX	--	--
15	72195-94	SEAL PIN	95*-GX,KX	--	--
16	74536-77A	PIN, single socket (2)	--	95-HX	--
17	74539-77A	SOCKET, single pin	--	95-HX	--

FLT MODELS		FXR MODELS	
TLE	GX	RLE	HX
TLE-ULTRA	KX		

SIDECAR TURN SIGNAL - TLE & RLE



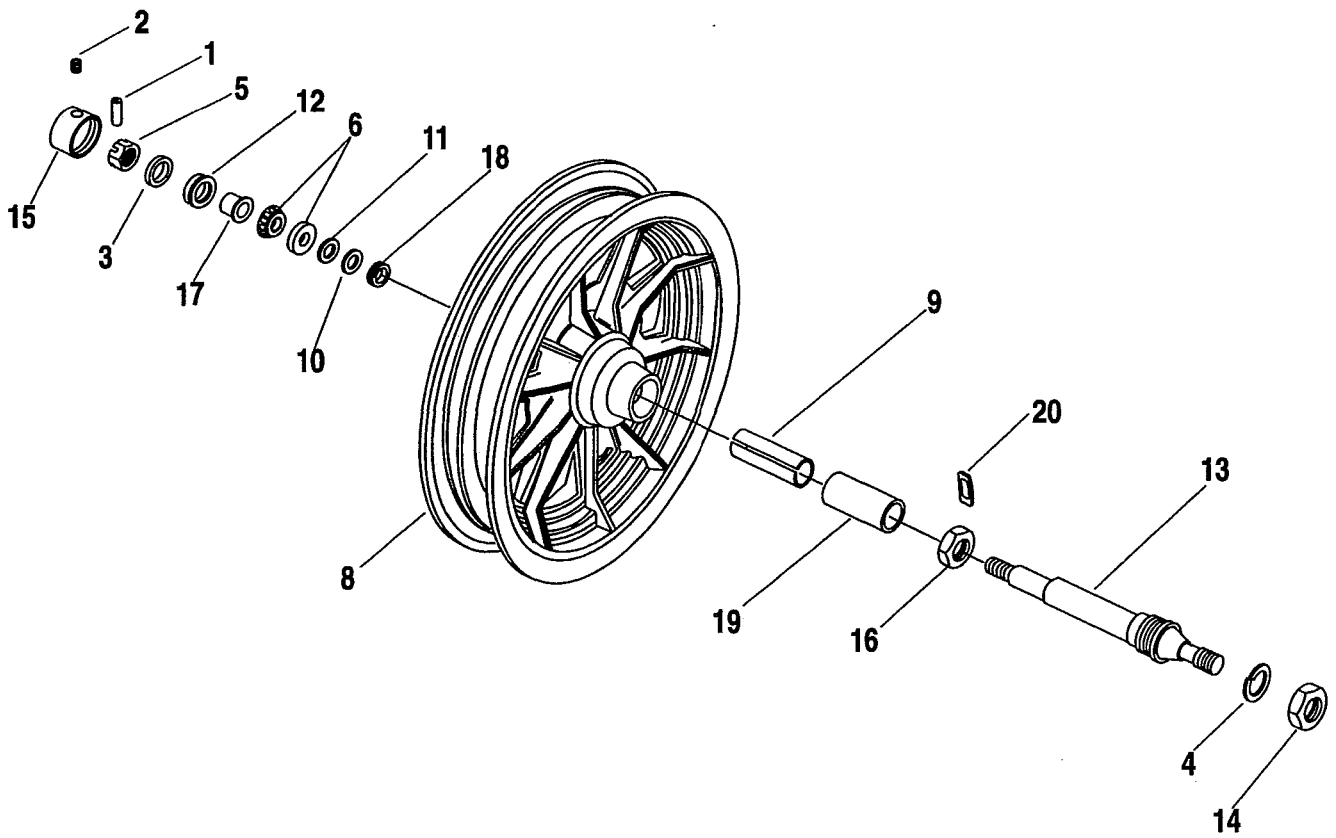
SIDECAR TURN SIGNAL - TLE & RLE

FC62

INDEX NO.	PART NO.	DESCRIPTION	FLT MODELS	FXR MODELS	DYNA MODELS
1	2664	SCREW (2)	95*-GX, KX	95-HX	--
2	4401W	BOLT	95*-GX, KX	95-HX	--
3	6416	WASHER (2)	95*-GX, KX	95-HX	--
4	7069	LOCKWASHER (2)	95*-GX, KX	95-HX	--
5	7780	LOCKNUT	95*-GX, KX	95-HX	--
6	68402-86	LAMP w/ wire, turn signal (amber)	93-GX, KX	95-HX	--
7	68440-86	LENS, turn signal	95*-GX, KX	95-HX	--
8	68452-86	SCREW (2)	95*-GX, KX	95-HX	--
9	68572-64B	BULB, turn signal	95*-GX, KX	95-HX	--
10	70221-94	WIRING HARNESS includes the following:	95*-GX, KX	--	--
11	10065	CABLE STRAP (2)	95*-GX, KX	--	--
6	68402-86	LAMP w/ wire, turn signal (amber)	95*-GX, KX	--	--
12	72103-94BK	RECEPTACLE, 3-way pin	95*-GX, KX	--	--
13	72104-94BK	RECEPTACLE, 4-way pin	95*-GX, KX	--	--
14	72143-94	PIN LOCK, secondary, 3-way	95*-GX, KX	--	--
15	72144-94	PIN LOCK, secondary, 4-way	95*-GX, KX	--	--
16	72190-94	TERMINAL, pin (7)	95*-GX, KX	--	--
17	72249-94	HEAT SHRINK TUBE, .3 x 1"	95*-GX, KX	--	--
18	9857	TERMINAL, ring type - #10 hole	95*-GX, KX	--	--
19	9860	TERMINAL, ring type - 3/8 hole	95*-GX, KX	--	--
20	70581-73	CONNECTOR	--	95-HX	--
21	74539-77A	SOCKET, single pin	--	95-HX	--
22	87120-79	SPACER, turn signal & spring shackle	95*-GX, KX	95-HX	--
23	87121-79	BRACKET, turn signal	95*-GX, KX	95-HX	--
24	88301-79	SHACKLE PLATE w/bshg-turn signal & spring	95*-GX, KX	95-HX	--
25	88302-79	SHACKLE PLATE, turn signal & spring	95*-GX, KX	95-HX	--
26	88314-37	BUSHING, shackle plate	95*-GX, KX	95-HX	--

FLT MODELS		FXR MODELS	
TLE	GX	RLE	HX
TLE-ULTRA	KX		

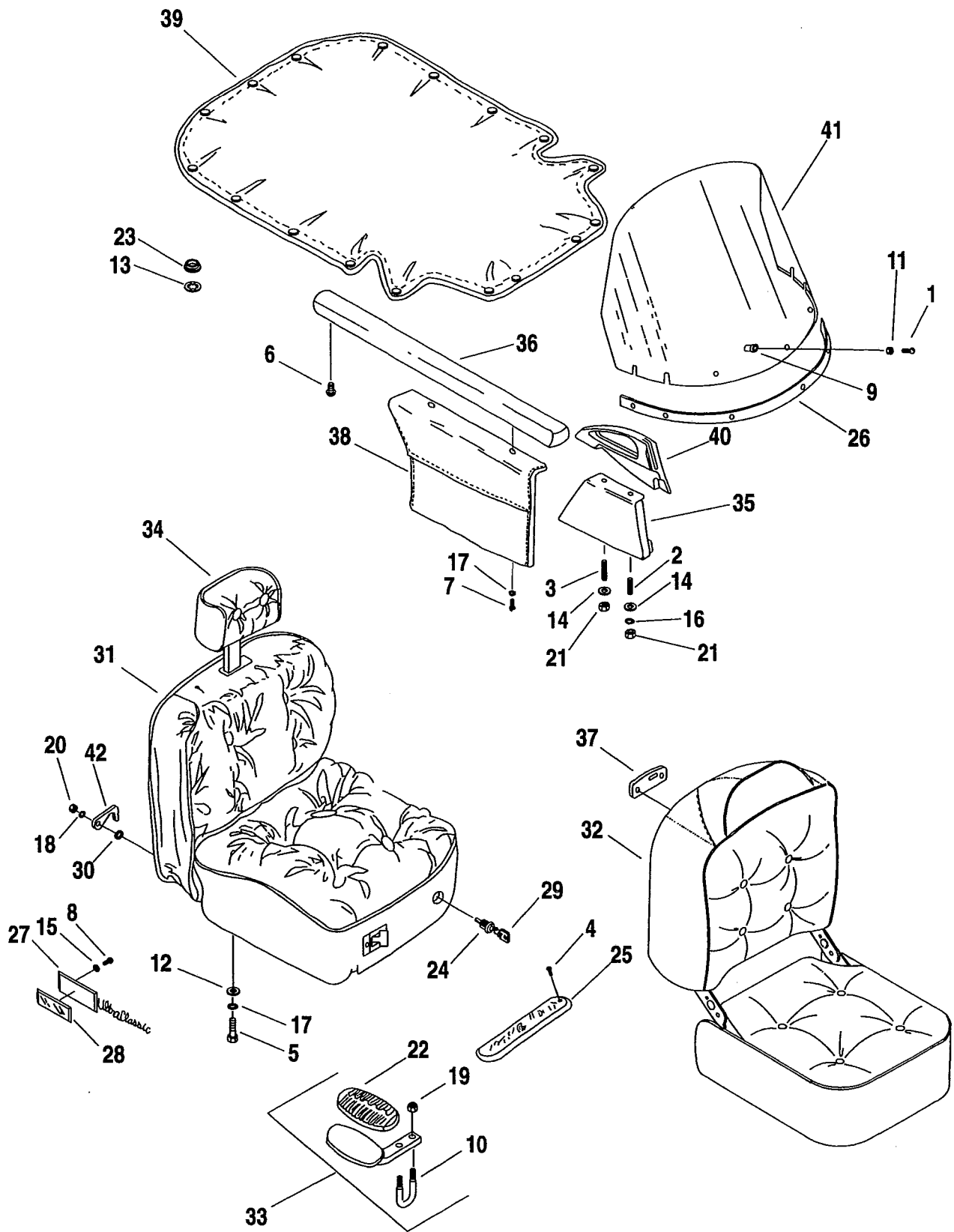
SIDECAR WHEEL - TLE & RLE



INDEX NO.	PART NO.	DESCRIPTION	FLT MODELS	FXR MODELS	DYNA MODELS
1	601	ROLL PIN	95*-GX,KX	95-HX	--
2	3234W	SET SCREW	95*-GX,KX	95-HX	--
3	6653A	WASHER	95*-GX,KX	95-HX	--
4	7043	LOCKWASHER	95*-GX,KX	95-HX	--
5	7823	CASTLE NUT	95*-GX,KX	95-HX	--
6	9052	ROLLER BEARING w/ cup	95*-GX,KX	95-HX	--
7	40999-87	VALVE STEM	95*-GX,KX	95-HX	--
8	41157-87	WHEEL ASSEMBLY, 16" - 10 spoke (black)	95*-GX,KX	95-HX	--
	41161-95	WHEEL ASSEMBLY, 16" - 10 spoke (gold)	95*-KX	--	--
9	43288-82	SLEEVE	95*-GX,KX	95-HX	--
10	43290-82	SPACER, 0.032"	95*-GX,KX	95-HX	--
	43291-82	SPACER, 0.016"	95*-GX,KX	95-HX	--
	43292-82	SPACER, 0.008"	95*-GX,KX	95-HX	--
	43293-82	SPACER, 0.004"	95*-GX,KX	95-HX	--
	43294-82	SPACER, 0.002"	95*-GX,KX	95-HX	--
11	43650-82	SPACER WASHER	95*-GX,KX	95-HX	--
12	47519-83A	OIL SEAL	95*-GX,KX	95-HX	--
13	87435-83	AXLE	95*-GX,KX	95-HX	--
14	87444-33	AXLE NUT	95*-GX,KX	95-HX	--
15	87705-79	AXLE CAP	95*-GX,KX	95-HX	--
16	87706-83	NUT	95*-GX,KX	95-HX	--
17	87710-83	SPACER	95*-GX,KX	95-HX	--
18	87711-83	SPACER	95*-GX,KX	95-HX	--
19	87712-83	SLEEVE	95*-GX,KX	95-HX	--
20	95585-88	WHEEL WEIGHT, 1/4 oz. (gold)	95*-KX	--	--
	95594-84	WHEEL WEIGHT, 1/4 oz. (black)	95*-GX,KX	95-HX	--
	95595-84	WHEEL WEIGHT, 1/4 oz. (plain)	95*-GX,KX	95-HX	--

FLT MODELS		FXR MODELS	
TLE	GX	RLE	HX
TLE-ULTRA	KX		

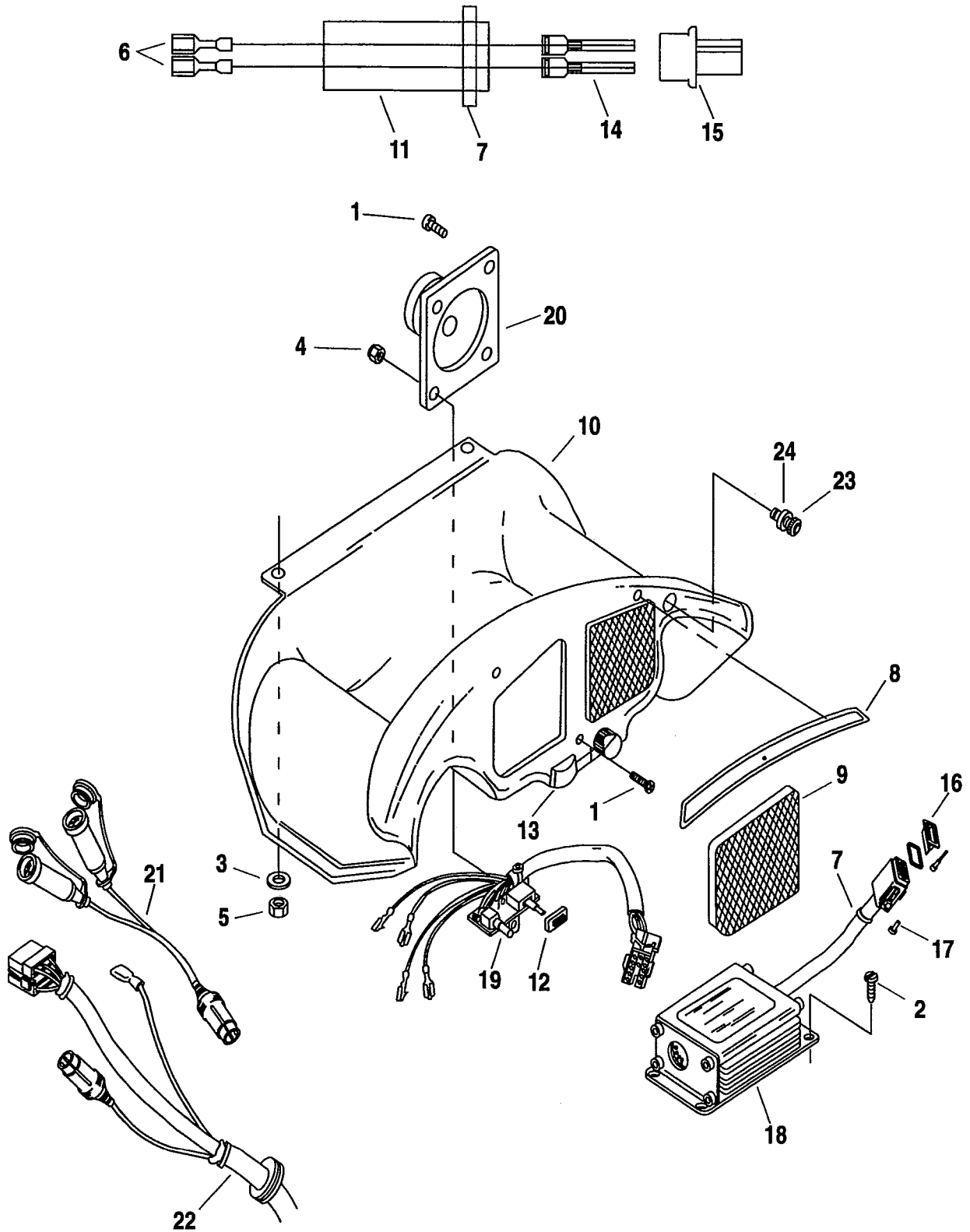
SIDECAR - TLE-ULTRA



INDEX NO.	PART NO.	DESCRIPTION	FLT MODELS	FXR MODELS	DYNA MODELS
1	933	SCREW (7)	95*-KX	--	--
2	2522	STUD (2)	95*-KX	--	--
3	2527	STUD (2)	95*-KX	--	--
4	2731W	SCREW (2)	95*-KX	--	--
5	2818	BOLT (4)	95*-KX	--	--
6	2920	SCREW (2)	95*-KX	--	--
7	2929	SCREW (4)	95*-KX	--	--
8	3595	SCREW (3)	95*-KX	--	--
9	5207	WELL NUT (7)	95*-KX	--	--
10	5252	U-BOLT	95*-KX	--	--
11	6054	WASHER (nylon) (7)	95*-KX	--	--
12	6238	WASHER (4)	95*-KX	--	--
13	6335	WASHER (16)	95*-KX	--	--
14	6703	WASHER (4)	95*-KX	--	--
15	6717	WASHER (6)	95*-KX	--	--
16	7036	LOCKWASHER (2)	95*-KX	--	--
17	7041	LOCKWASHER (4)	95*-KX	--	--
18	7128	LOCKWASHER	E95-KX	--	--
19	7531	LOCKNUT (2)	95*-KX	--	--
20	7586	NUT	E95-KX	--	--
21	7688	NUT (4)	95*-KX	--	--
22	36964-67	PAD, sidecar step	95*-KX	--	--
23	47076-72	SNAP BASE (16)	95*-KX	--	--
24	53584-92	LOCK	E95-KX	--	--
	53593-92	LOCK ASM., seat w/ #18, 20,24, 29 & 30	95*-KX	--	--
25	58378-89	NAMEPLATE, footrest "Harley-Davidson"	95*-KX	--	--
26	58717-79	FOAM TAPE, windshield	95*-KX	--	--
27	59245-90	NAMEPLATE, fender	95*-KX	--	--
28	59259-90	REFLECTOR, fender (red)	95*-KX	--	--
29	71452-91A	KEY (specify key code)	E95-KX	--	--
30	84850-92	NUT	E95-KX	--	--
31	88489-89D	SEAT ASSEMBLY. w/ lock asm., recline cable & cam hook	E95-KX	--	--
32	88489-95	SEAT ASSEMBLY. w/ lock asm., recline cable & cam hook	L95*-KX	--	--
33	88490-88A	SIDECAR STEP KIT w/ #10,19 &22	95*-KX	--	--
34	88492-89	HEADREST	95-KX	--	--
35	88494-89	KNEE BOLSTER, right	95*-KX	--	--
	88495-89	KNEE BOLSTER, left	95*-KX	--	--
36	88496-89A	ARM REST CUSHION, right	95*-KX	--	--
	88497-89A	ARM REST CUSHION, left	95*-KX	--	--
37	88498-95	LOCKPLATE	96*-KX	--	--
38	88500-89	MAP POCKET, right	95*-KX	--	--
	88501-89	MAP POCKET, left	95*-KX	--	--
39	88530-89B	COVER, sidecar body (black)	95*-KX	--	--
40	88545-93	HANDHOLD, left	95*-KX	--	--
	88546-93	HANDHOLD, right	95*-KX	--	--
41	88865-89	WINDSHIELD, only	95*-KX	--	--
42	90686-92	CAM HOOK	E95-KX	--	--

FLT MODELS		FXR MODELS	
TLE	GX	RLE	HX
TLE-ULTRA	KX		

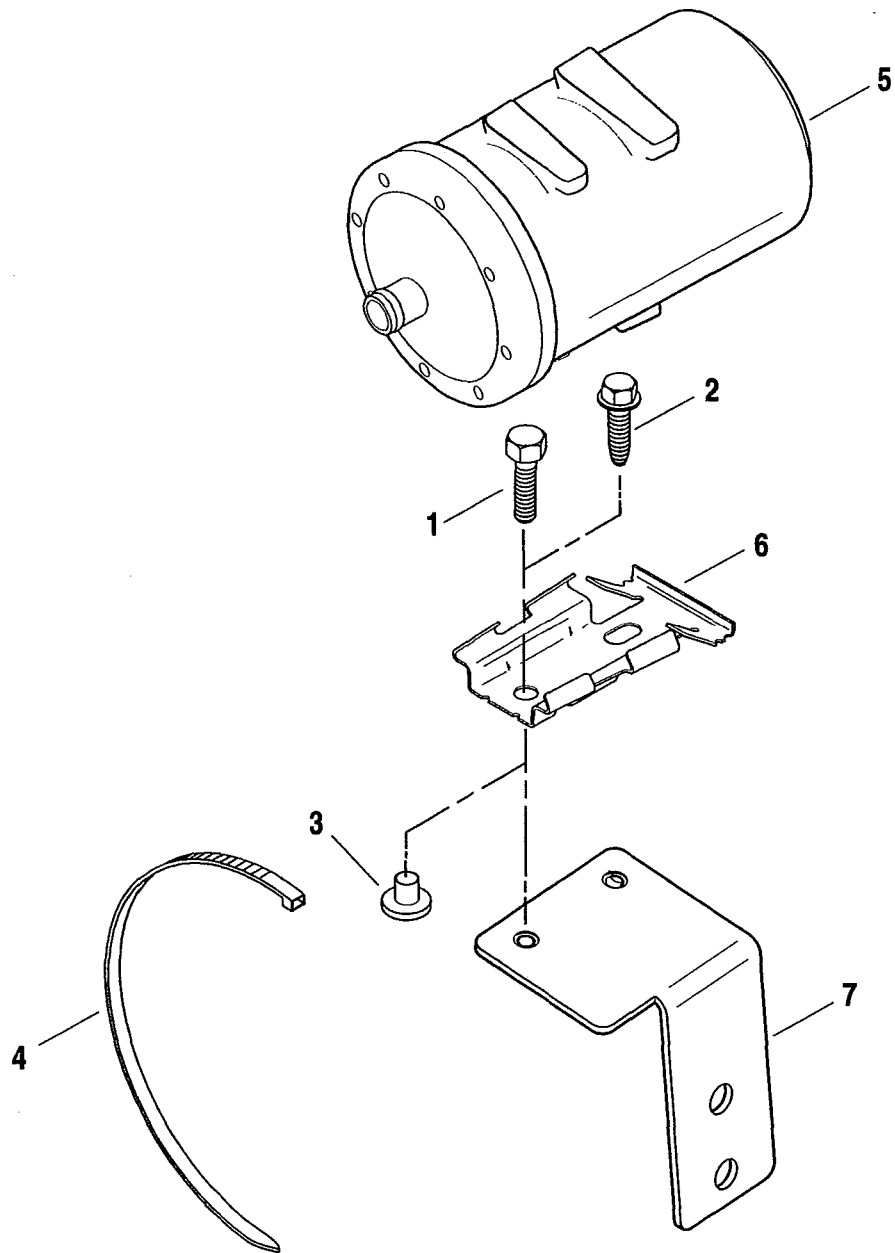
SOUND SYSTEM - ULTRA SIDECAR



INDEX NO.	PART NO.	DESCRIPTION	FLT MODELS	FXR MODELS	DYNA MODELS
1	2646	SCREW (3)	95*-KX	--	--
2	2731W	SCREW (6)	95*-KX	--	--
3	6703	WASHER (2)	95*-KX	--	--
4	7620W	NUT (6)	95*-KX	--	--
5	7688	LOCKNUT (2)	95*-KX	--	--
6	9907	TERMINAL, connector (2)	95*-KX	--	--
7	10065	CABLE STRAP	95*-KX	--	--
8	58379-89	NAMEPLATE, "Ultra Sidecar"	95*-KX	--	--
9	58184-86	SPEAKER GRILLE, left	95*-KX	--	--
	58186-86	SPEAKER GRILLE, right	95*-KX	--	--
10	60954-89	CONSOLE	95*-KX	--	--
11	70184-94	WIRING HARNESS, lighter w/# 6,7,14,15	95*-KX	--	--
12	70654-86	BOOT, switch	95-KX	--	--
	71805-88	SCREW (not illustrated)	95-KX	--	--
13	71807-88	KNOB FUNCTION	95-KX	--	--
	71827-96	KNOB FUNCTION	96*-KX	--	--
	71813-89	KNOB RADIO (not illustrated)	95-KX	--	--
	71809-88	KNOB RADIO (not illustrated)	96*-KX	--	--
14	72039-71	PIN, single socket (2)	95*-KX	--	--
15	72055-94	CONNECTOR, two pin	95*-KX	--	--
16	72159-94	SOCKET LOCK, secondary, 12-way	95*-KX	--	--
17	72195-94	SEAL PIN	95*-KX	--	--
18	76192-94A	AMPLIFIER w/# 7,16,17	95*-KX	--	--
19	76299-94A	SWITCH, function control/volume	95*-KX	--	--
20	77029-86B	SPEAKER (2)	95*-KX	--	--
21	77032-89	WIRING HARNESS, intercom	95*-KX	--	--
22	88403-94	WIRING HARNESS, audio	95*-KX	--	--
23	91808-89	ELEMENT, lighter	95*-KX	--	--
24	91812-89	SOCKET, lighter	95*-KX	--	--

FLT MODELS		FXR MODELS	
TLE	GX	RLE	HX
TLE-ULTRA	KX		

CALIFORNIA EVAPORATIVE EMISSIONS KIT



INDEX NO.	PART NO.	DESCRIPTION	FLT MODELS	SOFTAIL MODELS	DYNA MODELS
NOTE: These parts are for 1995 & later 1340 cc model motorcycles sold in the state of California.					
1	3574	SCREW (2)	--	95*-ALL	--
2	3893	SCREW (2)	--	--	96*ALL
	3652	SCREW (2) (not illustrated)	95*-ALL	--	--
	7102	LOCKWASHER (not illustrated)	95*-ALL	--	--
3	8099	WELL NUT (2)	--	95*-ALL	--
	9988	CLAMP (not illustrated)	--	95*-ALL	--
4	10006	CABLE STRAP (3)	95*-ALL	--	95*-ALL
	10039	CABLE STRAP (not illustrated)	--	95*-ALL	--
	10073	CABLE STRAP (not illustrated)	95*-ALL	--	--
	27014-93A	HOSE KIT, canister to bracket (not illustrated)	95*-ALL	--	--
	27037-91	HOSE, bracket to air cleaner (not illustrated)	95*-ALL	--	--
5	27042-84A	CANISTER ASM.	95*-ALL	95*-ALL	95*-ALL
6	27047-84A	CANISTER BRACKET	95*-ALL	95*-ALL	--
	27189-92	TUBE, tank to canister (not illustrated)	--	--	95-ALL
	27189-96	TUBE, tank to canister (not illustrated)	--	--	96*-ALL
	27190-90A	TUBE, canister to carburetor (not illustrated)	--	--	95-ALL
	27190-96	TUBE, canister to carburetor (not illustrated)	--	--	96*-ALL
	27292-95	ELBOW, canister (not illustrated)	95*-ALL	95*-ALL	95*-ALL
	27297-95	TUBE, valve to canister (not illustrated)	95*-ALL	--	--
	27298-95	TUBE, carburetor to canister (not illustrated)	95*-ALL	--	--
	27299-95	HOSE, carburetor to valve (not illustrated)	95*-ALL	--	--
	28884-90	EVAP. TUBE ASM. (not illustrated)	--	--	95-ALL
	27051-90A	EVAP. TUBE KIT. (not illustrated)	--	--	96*-ALL
	28884-95	EVAP. TUBE ASM. (not illustrated)	--	95*-ALL	--
	28886-90A	UPTUBE ASM. (not illustrated)	--	--	95-ALL
	28886-96	UPTUBE ASM. (not illustrated)	--	--	96*-ALL
	29312-95	CONNECTOR, evap. (not illustrated)	--	95*-ALL	--
7	47207-96	BRACKET, canister mounting	--	--	96*-ALL
	67239-83	CLIP, cable guide (not illustrated)	--	95*-ALL	--
	70933-90	PROTECTIVE TAPE (not illustrated)	--	95*-ALL	--
NOTE: Hose is sold in bulk length under the following part numbers. Cut to length.					
	26571-89	HOSE, 7/32" I.D. x 7/16" O.D. (rubber) (10' lg.)	--	95*-ALL	--
	27138-90	HOSE, 3/16" I.D. x 11/32" O.D. (rubber)(10' lg.)	--	95*-ALL	--
(Above hoses not illustrated)					

FLT MODELS				SOFTAIL MODELS				DYNA MODELS	
FLHT	DD	FLHR-I	FB	FLSTC	BJ	FLSTF	BM	FXDL	GD
FLHTC	DJ	FLHTCU-I	FC	FXSTC	BK	FLSTN	BN	FXDWG	GE
FLTC-U	DM	FLTCU-I	FE	FXSTS	BL	FXSTSB	BP	FXDS-CON	GG
FLHTC-U	DP	FLHTC-I	FF					FXD	GH
FLHR	FD								

GLOSSARY

A

ACCY Accesory
ADJ Adjuster
AM Amplitude Modulation
AMP Amperage
ASM Assembly

B

BARO Barometric Pressure
BK Black
BRG Bearing
BRKR Breaker
BRKT Bracket
BRTHR Breather
BTRY/BATT Battery

C

C & B Chrome and Black
CAL California
CARB Carburetor
CB Citizen Band
CONN Connecting/Connector
CTSK Countersink
CYL Cylinder

D

DIA Diameter

E

ECM Electronic Control Module
EFI Electronic Fuel Injection
EVAP Evaporation
EXH Exhaust

F

FM Frequency Modulation
FT Foot

G

GA Gauge
GAL Gallon

H

HD Head
HDI Harley-Davidson International
HSG Housing
HTM High Temperature

I

I.D. Inside Diameter
IGN Ignition
ILLUST Illustrated
INT Internal

K

KPH Kilometers Per Hour

L

L.H. left hand
LG Long

M

MM Millimeter
MPH Miles Per Hour
MTG Mounting

N

NEG Negative
NO Number

O

O.D. Outside Diameter
O.E.M. Original Equipment Manufacturer
O.S. Over Size
OZ Ounce

P

P.D. Pitch Diameter
POS Positive
PTT Push To Talk

R

RD Round
REQD Required
RES Reservoir
R.H. Right Hand

S

SEC Secondary
SFT Shaft
SHF Shift
SOC Socket
SPEEDO Speedometer
SPRKT Sprocket
STD Standard
SW Switch

T

T Teeth
TACH Tachometer
TEMP Temperature
THD Thread
THK Thick
TM Trademark
TRANS Transmission

U

U.K. United Kingdom

V

V Volt
VAC Vacuum

W

W/ With
WB Weather Band

HARDWARE LISTING

855B	SCREW, 3/8-16 X 2 knurled socket hd.	2005	SCREW, 3/8-24 X 15/16 Pozidriv oval ctsk. hd. (Grade 2 steel)(chrome)
856A	SCREW, 5/16-24 X 1 knurled socket hd.	2151	SCREW, 1/4-20 X 3/4 pan hd.
858	SCREW 5/16-18 X 2 3/4 hex hd	2152	SCREW, 1/4-20 X 29/32 shoulder bolt phil truss head (Grade 5)
861A	SCREW, 3/8-16 X 1 knurled socket hd.(Grade 8 steel)	2216W	SCREW, No. 4-24 X 1/2 Phillips oval ctsk. hd. (self-tapping)
868	SCREW, 1/2-13 X 1/2 socket button hd.	2273	SCREW, #4-24 X 1/2 self tapping
872A	SCREW, 1/2-20 X 3-1/4 knurled socket hd.	2325	SCREW, #5 X 1/2 pan head self tapping
882	SCREW, 1/4-20 X 7/8 knurled socket hd. (Grade 8 steel)	2337W	SCREW, 1/4-20 X 1/2 pan hd. (self-lock)
891	SCREW, 1/4-20 X 1-3/4 socket hd. (Grade 8 steel)	2339	SCREW, #10-24 X 3/4 mach. hex washer head
919	SCREW, 1/4-28 X 3/4 socket hd.	2361	SCREW, #8-32 X 3/8 socket head cap screw flat countersunk (w/lockpatch)
922	SCREW, No. 6-32 X 3/4 Phillips hd. (black)	2430	SCREW, No. 12-24 X 7/8 knurled socket hd.
923	SCREW, 1/4-20 X 21/32 socket pan hd.	2432	SCREW, No. 12-24 X 7/8 Phillips truss hd. (black)
924	SCREW, 1/4-20 X 33/64 socket pan hd.	2443	SCREW, No. 10-24 X 3/8 cross recess oval hd. (Grade 2 steel)
925	SCREW, 1/4-28 X 5/8 socket button hd.	2444	SCREW, #12-24 X 7/8 int. torx drive (w/lockpatch)
928	BOLT, M5 X 0.8 X 35.2 (metric) hex	2445	SCREW, 1/4-20 X 9/16 button head
932	SCREW, 1/4-20 X 1/2 truss hd. (chrome)	2446	SCREW, 1/4-20 X 5/8 torx socket button head
933	SCREW, No. 10-32 X 15/16 Pozidriv truss hd. (Grade 2 steel)	2501A	SCREW, #8-32 X 3/8 hex washer head (self tapping)
939	SCREW, 1/4-20 X 1 w/washer (Grade 2 steel) (self tapping)	2504	SCREW, No. 10-16 X 1-1/8 Pozidriv oval ctsk. hd. (self-tapping)
940	SCREW, 1/4-20 X 3/4 button hd. Torx	2508	SCREW, No. 10-32 X 1/2 socket rd. hd.
941	SCREW, 1/4-20 X 5/8 button hd. Torx	2513	SCREW, 1/4-20 X 1-1/4 socket rd. hd. (black)
942	SCREW, 1/4-20 X 3/4 torx socket button hd (w/lockpatch)	2519	SCREW, 1/4-20 X 1-1/2 Socket button hd. (black)
945	SCREW, 1/4-20 X 2-1/2 button hd. Torx	2523	SCREW, No. 8-32 X 1/2 hex washer hd. (self-tapping)
946	SCREW, 1/4-20 X 2 1/4 hex socket button head (w/lockpatch)	2524	SCREW, No. 8-32 x 5/16 hex button hd. Torx (self-tapping)(Grade 8 steel)
949	SCREW #10-32 X 1 1/4 mach screw truss hd	2531	SCREW, No. 4-40 X 5/16 Pozidriv pan hd. (Grade 2 steel)
1000	SCREW, 1/4-20 X 5/8 pan head	2538	SCREW, 1/4-20 X 1 Pozidriv pan hd. (Grade 2 steel)
1005	BOLT,shoulder 1/4 X 20 X 3/4 phil truss head	2551W	BOLT, 1/4-20 X 1 hex. hd. (Grade 5 steel)
1046	SCREW, #8 X 5/16 fillister hd. (self-tapping)	2559	SCREW, #6-32 X 3/4 phillips pan head w/washer
1241	SCREW,#8-32 X 7/8 mach. screw fillister hd.	2562	SCREW, No. 8 X 3/4 pan hd. (self-tapping)
1309B	SCREW, No. 10-32 X 1/2 Phillips truss hd. (self-sealing)	2563	SCREW, #10-24 X 5/8 torx socket button head
1311C	SCREW, No. 8-32 X 1/2 Phillips truss hd. (self-sealing)	2567	SCREW, #8-32 X 3/8 hex washer head (self tapping)
1319	SCREW, #8-32 X 1/2 torx head	2574WA	SCREW, No. 6-32 X 1/4 oval hd.(w/ lockwasher)
1357W	SCREW,1/4-20 X 1 Phillips oval ctsk. hd. (stainless)	2576	SCREW, No. 10-32 X 3/4 Pan Hd.(Grade 2 steel)
1601	SCREW, No. 8-32 X 1/2 Pozidriv flat ctsk. hd. (Grade 2 steel)	2579A	SCREW, #8-32 X 5/16 machine oval head
1602	SCREW, 1/4-20 X 3/4 flat hd. (Grade 2 steel)	2585	SCREW, No. 8-32 X 5/16 Pozidriv pan hd. (Grade 2 steel)
1610	SCREW, 5/16-24 X 1-1/2 Pozidriv flat ctsk. hd. (Grade 2 steel)	2592	SCREW, No. 10-24 X 1/2 Pozidriv pan hd. (Grade 2 steel)
1643	SCREW, 7/16-14 X 1-1/4 flat socket ctsk. hd. (w/lockpatch)	2594A	SCREW, No. 8-32 X 1/4 Pozidriv pan hd. (w/ lockwasher)(Grade 2 steel)
1719W	SCREW, No. 8-32 X 5/8 Phillips truss hd.	2602	SCREW, 1/4-20 X 1-1/4 Pozidriv pan hd. (Grade 2 steel)
1750	SCREW, #10-24 X 1/2 flat torx head		
1783	SCREW, 5/16-18 X 7/8 Pozidriv flat ctsk. hd. (Grade 2 steel)		
1795A	SCREW, 1/4-20 X 3 hex socket head		

HARDWARE LISTING

2604	SCREW, No. 10-32 X 1/2 Pozidriv pan hd. (Grade 2 steel)	2904A	SCREW, 3/8-24 X 3/4 socket hd.
2607	SCREW, 1/4-20 X 3/4 Pozidriv pan hd. (Grade 2 steel)	2907	SCREW, M3 X .05 X 8mm cross recess pan hd. (self-tapping)
2611B	BOLT, No. 10-32 X 3/4 hex. washer hd. (Grade 5 steel)	2908	SCREW, M3 X .05 X 12mm cross recess pan hd. (self-tapping)
2614	BOLT, 1/4-28 X 2 hex. hd. (Grade 5 steel)	2909	SCREW, M3 X .05 X 25mm cross recess pan hd. (self-tapping)
2623W	SCREW, No. 8-15 X 5/8 pan hd. (self-tapping) (Grade 1 steel)	2910	SCREW, M3 X 1.058 X 8mm cross recess pan hd. (self-tapping)
2646	SCREW, No. 8-32 X 3/4 Pozidriv pan hd. (Grade 2 steel)	2917	SCREW, 3/8-16 X 3/4 knurled socket hd. (Grade 8 steel)
2647B	SCREW, No. 10-24 X 3/4 hex. socket (locking) (Grade 8 steel)	2918	SCREW, #10-24 X 1.25 cap head torx drive
2648	SCREW, 1/4-20 X 1 Pozidriv truss hd. (Grade 2 steel)	2920	SCREW, 1/4-20 X 3/4 pan hd.
2664	SCREW, No. 10-24 X 7/16 Pozidriv pan hd. (Grade 2 steel)	2921	SCREW, No. 12 X 5/8 pan hd. Torx (locking)
2698A	SCREW, 5/16-18 X 9/16 socket fillis. hd.	2928	SCREW, 1/4 X 2 hex. hd. (tapping)
2708A	SCREW, 5/16-18 X 1 socket hd.	2929	SCREW, 1/4-20 X 1 pan hd.
2711	SCREW, No. 4-40 X 3/8 pan hd. (self-tapping)	2932	SCREW, 5/16-18 X 1 1/2 hex head
2720	SCREW, No. 10-24 X 1 Torx hd. (w/ locking adhesive)	2933	SCREW, No. 10-24 X 1/2 flat hd.
2724	SCREW, No. 10-16 X 1/2 (Grade 2 steel) (chrome)	2934	SCREW, #10-24 X 3/4 hex socket head cap shear head
2726A	SCREW, No. 12-24 X 21/32 Phillips truss hd. (chrome)	2935	SCREW, #10-24 X 1/2 shear undercut flat head
2731W	SCREW, No. 10 X 3/8 Phillips truss hd. (self-tapping)	2940	SCREW, #10-16 X 1 torx pan head self tapping
2734	SCREW, #8-32 X 1/2 flat phil head self tapping	2941	SCREW, 1/4-20 X 9/16 hex socket cap head (self tapping)
2737	SCREW, #4-40 X 1/4 machine pan head	2954	SCREW, 3/8-16 X 1 hex cap head
2739	SCREW, 1/4-28 X 1/2 Phillips truss hd. (w/lockwasher)(chrome)	2955	SCREW, #6-32 X 1/4 pan head phillips machine lock washer
2773	SCREW, 1/4-20 X 1/2 Pozidriv pan hd. (Grade 2 steel)	2960	SCREW, #6-32 X 5/8 pan head
2784	SCREW, 5/16-18 X 7/8 Pozidriv truss hd. (Grade 2 steel)	3201WA	SCREW, 5/16-18 X 1-1/4 knurled soc. hd.
2787	SCREW, 5mm-.8 pt. X 10mm pan hd. (Grade 2 steel)	3210A	SCREW, 5/16-18 X 1-1/4 knurled soc. hd.
2804W	SCREW, No. 6-32 X 1/2 Pozidriv pan hd.	3214	SCREW, 3/8-16 X 1-1/4 socket hd. (thd. cutting)
2806	SCREW, No. 6-32 X 3/4 Pozidriv pan hd. (Grade 2 steel)	3221	SET SCREW, No. 4-16 X 3/16(Grade 8steel)
2818	BOLT, 5/16-18 X 1-1/2 hex. hd. (Grade 5 steel)	3227	SCREW, M5(.08 pitch) X 35MM set screw
2823	SCREW, 5/16-24 X 3/8 Pozidriv truss hd. (w/lockwasher)(Grade 2 steel)	3233	SET SCREW, 1/4-28 X 1/4 socket hd.
2831	SCREW, No. 6-32 X 3/8 Pozidriv truss hd. (Grade 2 steel)	3234W	SET SCREW, 1/4-20 X 5/16 slot hd.
2871W	BOLT, 5/16-18 X 1-1/4 hex. hd. (Grade 5 steel)	3255	SCREW, 1/4 X 5/8 knurled socket hd.(Grade 8 steel)(tapping)
2879W	BOLT, 3/8-16 X 1 hex. hd. (Grade 5 steel)	3256	SCREW, 5/16-18 X 2 1/2 set screw
2882W	BOLT, 5/16-18 X 5/8 hex. hd. (Grade 5 steel)	3264	SCREW, 1/4 X 1-14 soc. hd. (self-tapping)
2887W	SCREW, 5/16-18 X 3/4 hex cap head	3275	SCREW, 5/16-18 X 3/4 hex socket head cap
2888	SCREW, No. 8-32 X 1/2 Pozidriv truss hd. (Grade 2 steel)	3403	LOCKNUT, M8 X 7 X 12mm hex.
		3409	BOLT, 5/16-24 X 3-1/2 hex. hd. (Grade 5 steel)
		3419	BOLT, 5/16-18 X 2-1/4 hex. hd. (Grade 5 steel)
		3427	BOLT, 5/16-18 X 3-1/2 hex. hd. (Grade 5 steel)
		3430	BOLT, 5/16-24 X 5 hex. hd. (Grade 5 steel)
		3440	BOLT, 3/8-16 X 1/2 hex. hd. (Grade 5 steel)
		3444A	SCREW, 1/4-20 X 5/8 socket fillis. hd. (w/lockpatch)
		3445	BOLT, 5/16-18 X 9/16 hex. hd. (w/lockpatch) (Grade 5 steel)
		3450	BOLT, 1/2-13 X 2-1/2 hex. hd. (Grade 5 steel)
		3462	BOLT, 5/16-18 X 1-1/4 hex. hd. (Grade 8 steel)

HARDWARE LISTING

3464	BOLT, 3/8-16 X 3/4 hex. hd. (Grade 8 steel)	3598	SCREW, No. 6-32 X 3/4 Torx pan hd. (thread cutting)
3471	BOLT, 1/2-13 X 2-3/4 hex. hd. (Grade 5 steel)	3599	SCREW, 1/2-13 X 1-1/8 knurled soc. hd. (Grade 8 steel)
3473	BOLT, No. 10-32 X 1/2 hex. washer hd. Grade 2 steel)	3601	SCREW, 1/4-20 X 1-1/4 knurled socket hd. (Grade 8 steel)
3480A	SCREW, 1/4-20 X 1-3/4 knurled socket hd. (Grade 8 steel)	3602	SCREW, 5/16 X 1/2 hex. hd. (self-tapping)(sems)
3482A	SCREW, 1/4-20 X 1-1/4 knurled socket hd. (Grade 8 steel)	3605	BOLT, 1/2-13 X 2-1/2 hex. hd. (Grade 5 steel)
3485A	SCREW, 5/16-18 X 1-3/4 knurled socket hd. (Grade 8 steel)	3607	BOLT, 1/2-13 X 2 hex. hd. (Grade 5 steel)
3487	BOLT, 5/16-24 X 5/8 hex. locking hd.	3612	SCREW, #10-16 X 1/2 torx pan hd. (self tapping)
3488A	SCREW, 5/16-24 X 1-1/8 soc. hd.(Grade 8 steel)	3652	SCREW, 1/4-20 X 3/8 socket hd.(chrome)
3494A	BOLT, 5/16-18 X 7/8 hex. hd.	3655	SCREW, 5/16-18 X 7/8 torx drive pan hd.
3500	BOLT, 5/16-18 X 2-3/4 hex. hd.(Grade 8 steel)	3656	SCREW, No. 8-32 X 3/8 Torx pan hd. (Grade 5 steel)
3501	BOLT, 5/16-18 X 2-1/2 hex. hd.(Grade 8 steel)	3658	SCREW, #10-24 X 1/2 hex socket button head
3506	STUD, 5/16-24 X 5-3/4 hex. hd.(Grade 5 steel)	3661	SCREW, 5/16 X 3/4 hex. hd.(w/lockpatch) (self-tapping)
3509	BOLT, 3/8-16 X 2-3/4 hex. hd.(Grade 8 steel)	3677	SCREW, 5/16-18 X 1 Torx pan hd. w/flat top
3512	BOLT, 3/8-24 X 3-1/4 hex. hd. (chrome)	3728	SCREW, 1/4-20 X 1/2 hex. hd.
3514	SCREW, No. 8-32 X 1 fillister hd.	3730A	BOLT, 7/16-14 X 1-3/4 hex. hd. (Grade 8 steel)
3516A	SCREW, 1/2-20 X 1-1/4 knurled socket hd. (Grade 8 steel)	3739	SCREW, 1/4 X 5/8 hex. washer. hd. (self-tapping)
3528	BOLT, 3/8-16 X 3-1/4 hex hd.(Grade 8 steel)	3764	BOLT, 7/16-14 X 2 hex. hd. (Grade 5 steel)
3529	SCREW, No. 10-32 X 1/4 slot hex washer hd. (self-tapping)	3767B	BOLT, 1/4-20 X 5/8 hex. hd.(Grade 5 steel)
3530	SCREW, 5/16-18 X 3-3/4 hex. hd. (Grade 5 steel)	3769	BOLT, 7/16-14 X 1-1/2 hex. hd. (Grade 5 steel)
3533	SCREW, 5/16-24 X 3/8 socket button hd.	3770	SCREW, 1/4-20 X 7/8 12 pt. hd.(Grade 5 steel)
3537	SCREW, 1/4-28 X 1/2. flange lock	3782	BOLT, 7/16-14 X 1-1/4 hex. hd. (Grade 5 steel)
3538	SCREW, 5/16-24 X 1/2 hex. socket button hd.	3784	SET SCREW, 1/2-20 X 1/2 socket hd. (w/lockpatch)
3540	SCREW, 5/16-18 X 5/8 hex. soc. button hd.	3787	BOLT, 1/4-20 X 3/4 hex. hd.(Grade 5 steel)
3541	BOLT, No. 10-24 X 5/8 hex. hd. (Grade 2 steel)	3793	SCREW, 1/4-20 X 5/8 torx socket flat hd (w/lockpath)
3545	BOLT, #10-24 X 7/8 machine hex head	3891	SCREW, 1/2-20 X 2-1/4 soc. button hd.
3546	BOLT, 5/16-18 X 5/8 hex. hd. (flange lock)	3892	SCREW, 1/4 X 5/8 (self-tapping)
3549A	SCREW, 1/2-20 X 1-1/2 knurled socket hd.	3893	SCREW, 1/4-20 X 1/2 hex washer head (self tapping)
3554	BOLT, 3/8-16 X 1-3/4 hex hd.	3929	SCREW, 5/16-18 X 1/2 hex head
3556A	SCREW, No.8-32 X 1/2 knurled socket hd.	3945	BOLT, 3/8-24 X 2-1/4 hex. hd.(Grade 5 steel)
3562	SCREW, No.12 X 1/2 hex. washer hd. (self-tapping)	3946	BOLT, 7/16-20 X 2 hex. hd.(Grade 5 steel)
3574	SCREW, 1/4-20 X 3/4 hex washer hd.	3949	BOLT, 1/2-13 X 2-1/2 hex. hd. (Grade 5 steel)
3576	SCREW, 5/16-18 X 1/2 hex washer hd.	3953W	BOLT, 5/16-24 X 1/2 hex. hd.(Grade 5 steel)
3579	SCREW, 1/4 X 5/16 hex. hd. (Grade 2 steel) (self tapping)	3958	BOLT, 1/2-20 X 2-1/4 hex. hd.(Grade 5 steel)
3584	SCREW, 5/16-18 X 2-1/2 hex. socket button hd. (Grade 8 steel)	3960W	BOLT, 5/16-24 X 1 hex. hd.(Grade 5 steel)
3588	SCREW, 1/4-20 X 1/2 hex. flange hd.	3974HW	BOLT, 5/16-24 X 3/4 hex. hd.(Grade 5 steel)
3592	SCREW, No. 8-32 X 1/2 Torx truss hd. (stainless steel)	3987	BOLT, 5/16-18 X 3/4 hex. hd.(Grade 5 steel)
3593	SCREW, #8-32 X 5/16 Torx truss hd	3991	BOLT, 5/16-18 X 7/8 hex. hd.(Grade 5 steel)
3594	SCREW, 1/4-20 X 5/8 hex socket head cap	3993	BOLT, 1/4-20 X 1-1/4 hex. hd.(Grade 5 steel)
3595	SCREW, #6-32 X 1/4 torx drive int. w/ lockpatch	3996	BOLT, 5/8-24 X 7/8 hex. hd.(Grade 5 steel)
3596	SCREW, #12-16 X 5/8 torx drive int. (self tapping)	3997	BOLT, 1/4-20 X 1-1/4 hex. hd.
3597	SCREW, No. 6-32 X 9/16 Torx pan hd. (thread cutting)	4013	SCREW, 3/8-16 X 7/8 socket pan hd. (Grade 5 steel)
		4014W	BOLT, 5/16-24 X 1-1/4 hex. hd.(Grade 5 steel)
		4015	SCREW, 1/4-20 X 7/8 socket rd. hd.(black)

HARDWARE LISTING

4017	BOLT, 5/16-18 X 1 hex. hd.(Grade 5 steel)	4416	BOLT, 3/8-24 X 1 hex. hd.(Grade 5 steel)
4020W	BOLT, 5/16-24 X 1-3/8 hex. hd.(Grade 5 steel)	4420	BOLT, 3/8-16 X 2-3/4 hex. hd.(Grade 5 steel)
4029A	SCREW, 3/8-16 X 2-1/4 socket hd.(black)	4435W	BOLT, 3/8-24 X 3-1/2 hex. hd.(Grade 5 steel)
4030	SCREW, 3/8-16 X 2-7/16 socket pan hd.	4453	BOLT, 1/4-20 X 7/8 hex. hd.
4033	SCREW, 1/4-20 X 1-5/8 hex. soc. button hd.	4460	BOLT, 5/8-18 X 1 hex. hd.(Grade 5 steel)
4036	BOLT, 5/16-24 X 1-1/2 hex. hd.(Grade 5 steel)	4701	BOLT, 5/16-24 X 1-1/2 hex. hd.(Grade 5 steel)
4041W	SCREW, 5/16-24 X 1-5/8 hex hd.	4702	BOLT, 1/4-20 X 3/4 hex. (Grade 5 steel)
4044	SCREW, 3/8-16 X 1 socket button hd.	4713W	BOLT, 3/8-16 X 3/4 hex. hd.(Grade 5 steel)
4045	BOLT, 3/4-10 X 2-3/4 hex. (Grade 8 steel)	4716W	BOLT, 3/8-16 X 1-1/4 hex. hd.(Grade 5 steel)
4047	SCREW, 3/8 X 2 button hd. Torx (tapping)	4717A	SCREW, 1/4-20 X 2-1/4 knurled socket hd. (w/lockpatch)
4052	BOLT, 1/2-13 X 1-3/4 hex. (Grade 5 steel)	4718A	SCREW, 1/4-20 X 1-1/2 knurled socket hd. (w/lockpatch)
4059	SCREW, 3/8-16 X 1 Torx hd. (Grade 8 steel) (tapping w/ lockpatch)	4719W	BOLT, 3/8-16 X 2-1/2 hex. hd.(Grade 5 steel)
4061	BOLT, 5/16-18 X 5 hex. hd.(Grade 5 steel)	4720W	BOLT, 3/8-16 X 1 3/4 hex hd. cap
4068	BOLT, 5/16-18 X 1-7/8 hex. hd.(Grade 5 steel)	4721	BOLT, 3/8-16 X 1-1/2 hex. hd.(Grade 5 steel)
4069A	SCREW, 1/4-20 X 3/4 knurled socket hd.	4722	BOLT, 3/8-16 X 2-1/4 hex. hd.(Grade 5 steel)
4074	BOLT, 1/2-13 X 2 hex. hd. shoulder	4724	BOLT, 3/8-24 X 1-1/2 hex. hd.(Grade 5 steel)
4081	BOLT, 1/2-20 X 1-3/4 hex. hd. (Grade 5 steel)	4726	BOLT, 7/16-20 X 1-1/2 hex. hd.(Grade 5 steel)
4086	BOLT, 5/16-18 X 3 hex. hd.(Grade 5 steel)	4729	BOLT, 7/16-20 X 1-1/4 hex. hd.(Grade 5 steel)
4091	BOLT, No. 10-24 X 1/2 hex. washer hd. (self-tapping)	4739A	BOLT, 5/16-18 X 1-3/4 hex. hd. tap
4098	SCREW, 3/8-16 X 1-1/ 4 socket button hd. (Grade 8 steel)	4740A	SCREW, 1/4-20 X 1-1/4 knurled socket hd. (w/lockpatch)
4104	SCREW, #10-24 X 1/2 hex washer hd	4741A	SCREW, 1/4-20 X 1 hex. socket hd.(w/lockpatch)
4124	SCREW, No. 10 X 5/8(self-tapping)	4742A	SCREW, 1/4-20 X 2-1/4 knurled socket hd. (w/lockpatch)
4132	SCREW, 1/4-20 X 1 1/8 hex socket button hd	4747	SCREW, 3/8-16 X 2-5/8 knurled socket hd. (Grade 8 steel)
4134	SCREW, No. 10-24 X 3/8 soc. button hd.	4752	BOLT, 7/16-14 X 1-1/4 hex. hd.(Grade 8 steel)
4319	BOLT, 3/8-24 X 1 hex. hd.(Grade 5 steel)	4761	SCREW, 1/4-20 X 2 hex socket butt head
4326A	SCREW, 5/16-18 X 2 hex. soc. hd.	4813A	SCREW, 1/4-20 X 1-3/8 knurled socket hd. (w/lockpatch)
4327	SCREW, 5/16-18 X 2 hex. soc. hd.	4814A	SCREW, 1/4-20 X 1-1/8 knurled socket hd. (w/lockpatch)
4328	SCREW, 5/16 X 3/4 hex. washer hd. (self-tapping)	4816A	SCREW, 5/16-18 X 1-1/2 socket hd.
4329	SCREW, 1/4-20 X 3/4 hex. washer hd. (self-tapping)	4820A	SCREW, 1/4-20 X 2 hex. socket
4342	SCREW, #16-18 X 1 1/4 hex washer hd	4822A	SCREW, 1/4-20 X 2-3/4 knurled socket hd. (w/lockpatch)
4350A	SCREW, 3/8-16 X 1-1/2 hex. soc. hd.	4961	BOLT, 3/4-16 X 1-5/8 hex. hd.(Grade 5 steel)
4351	SCREW, 5/16 X 3/4 Torx hd. (self-tapping) (Grade 8 steel)	5209	SCREW, No. 12-16 X 5/8 Pozidriv pan hd.
4352	SCREW, 3/8-16 X 1-1/2 Torx (self-tapping) (Grade 8 steel)	5403B	CARRIAGE BOLT, 1/4-20 X 3/8
4356	SCREW, 3/8-16 X 1-1/2 knurled socket hd. (Grade 8 steel)	5414	CARRIAGE BOLT, 3/8-16 X 7/8 (Grade 5 steel)
4357	SCREW, 3/8-16 X 1-3/4 knurled socket hd. (Grade 8 steel)	5444	CARRIAGE BOLT, 3/8-16 X 1(Grade 5 steel)
4363	SCREW, 1/4-20 X 1/2 soc. button hd.	5445W	BOLT, 5/16 X 1-1/4 carriage bolt (Grade 5 steel)
4364	SCREW, 1/4-20 X 1/2 soc. button hd.	5465	CARRIAGE BOLT, No. 10-24 X 1/2
4365	SCREW, 1/4-24 X 1-3/4 soc. button hd.	6003	WASHER, 1-3/16 X 1-3/8 X 5/64
4383	SCREW, 5/16-18 X 5/8 hex washer hd. (Grade 2 steel)	6012	WASHER, 1/2 X 1-3/16 X 1/16
4384	SCREW, 5/16-18 X 1 hex washer hd. (self-threading)	6016	WASHER, 11/32 X 11/16 X 1/16
4401W	BOLT, 3/8-24 X 2-3/4 hex. hd.(Grade 5 steel)	6019	WASHER, 3/8 X 29/32 X 1/16
4411	BOLT, 3/8-24 X 1-3/4 hex. hd.(Grade 5 steel)	6029	WASHER, 5/32 X 3/8 X 1/32
		6035	WASHER, 1/4 X 1-1/4 X 1/8 (neoprene)
		6036	WASHER, 17/64 X 1 X 1/16

HARDWARE LISTING

6042	WASHER, 3/4 X 1-1/2 X 1/16	6645	WASHER, 11/32 X 1-1/32 X 1/8
6047	WASHER, 5/8 X 13/64 X 3/64	6653A	WASHER, 5/8 X 1-5/16 X 3/32
6048W	WASHER, 1/8 X 1/4 X 1/32	6655	WASHER, 5/8 X 1-1/2 X 3/32
6053	WASHER, 3/16 X 7/16 X 1/16 (nylon) (black)	6700B	WASHER, 5/8 X 13/16 X 1/32
6054	WASHER, 3/16 X 9/16 X 1/16 (nylon) (black)	6701	WASHER, 3/8 X 13/16 X 1/16
6057	WASHER, 1/2 X 7/8 X 3/16 (nylon)	6702	WASHER, 5/16 X 11/16 X 1/16
6072	WASHER, 3/8 X 1 1/4 X 5/64	6703	WASHER, 1/4 X 5/8 X 1/16
6083	WASHER, 1/2 X 11/16 X 1/16	6712B	WASHER, 5/8 X 15/16 X 3/32
6084	WASHER, 17/64 X 47/64 X 19/64 (nylon)	6716	WASHER, No. 10 X 1/2 X 3/64
6099	WASHER, 1/4 X 7/16 X 1/16	6717	WASHER, No. 6 X 3/8 X 3/64
6101	WASHER, 17/64 X 27/64 X 1/16	6718	WASHER, 1/2 X 1-1/16 X 3/32
6109	WASHER, 5/16 X 11/16 X 1/8	6723	WASHER, 17/32 X 1-1/2 X 9/64
6113	WASHER, 1/2 X 13/16 X 1/32	6724	WASHER, 21/32 X 1-1/16 X 1/16
6116	WASHER, 5/16 X 13/16 X 1/8	6736	WASHER, 9/32 X 5/8 X 1/16
6119	WASHER, 1/4 X 9/16 X 1/16	6737	WASHER, 57/64 X 1-3/64 X 1/32
6121	WASHER, 3/8 X 9/16 X 1/32	6738	WASHER, 17/32 X 7/8 X 7/64
6127	WASHER, 13/32 X 13/16 X 5/64	6753	WASHER, 1/2 X 1-1/4 X 1/8 (notched)
6150W	WASHER, 3/16 X 3/8 X 1/16	6756	WASHER, 1/2 X 1-1/16 X 3/32
6192	WASHER, No. 8 X 7/16 X 3/64	6758	WASHER, 3/8 X 37/64 X 7/64
6196	WASHER, No. 8 X 1/4 X .05	6762B	WASHER, 11/16 X 29/32 X 1/32
6198	WASHER, No. 8 X 1/4 X .06	6771A	WASHER, 21/64 X 33/64 X 1/16
6220W	WASHER, 1/4 X 7/16 X 1/32	6788	WASHER, 5/16 X 1 X 1/16
6235	WASHER, 1/4 X 23/32 X 1/16	6789	WASHER, No. 6 X 7/8 X .05
6237	WASHER, 5/16 X 1-1/8 X 5/64	6798	WASHER, 5/16 X 1/2 X .03
6238	WASHER, 11/32 X 1-1/8 X 5/64	6812	WASHER, 13/32 X 11/16 X 1/16
6239	WASHER, 1/4 X 1/2 X 3/32	6816	WASHER, 17/64 X 9/16 X 3/64
6253W	WASHER, 1/4 X 3/4 X 3/64	6960	WASHER, 1/2 X 3/4 X .004
6316HW	WASHER, 5/16 X 5/8 X 1/16	6961	WASHER, 1/2 X 3/4 X .007
6330	WASHER, 5/16 X 11/16 X 3/32	6962	WASHER, 1/2 X 3/4 X .015
6333	2WASHER, 5/16 X 7/8 X 5/64	6963	WASHER, 1/2 X 3/4 X .031
6334	WASHER, 7/16 X 29/32 X 1/16	6970	WASHER, spring, 1/4 X 1/2 X 1/16
6335	WASHER, No. 4 X 5/16 X 1/32	7015	LOCKWASHER, No. 8
6343	WASHER, 15/32 X 59/64 X 5/64	7017	WASHER, 17/64 X 33/64 X 5/64 (black)
6352	WASHER, 5/16 X 7/8 X 3/32 (chrome)	7018	WASHER, 17/64 X 37/64 X 5/64 (black)
6353	WASHER, 3/8 X 13/16 X 1/16 (chrome)	7036	LOCKWASHER, 1/4
6365	WASHER, 17/32 X 1-1/8 X 5/64	7038	LOCKWASHER, 3/8
6366	WASHER, 1/2 X 1-1/4 X 3/32	7039	LOCKWASHER, 7/16
6371	WASHER, 25/64 X 1 X 3/32	7041	LOCKWASHER, 5/16
6379W	WASHER, 3/8 X 5/8 X 3/64	7042	LOCKWASHER, 5/16 (high collar)
6400HB	WASHER, 5/16 X 13/16 X 3/32	7043	LOCKWASHER, 3/4
6409	WASHER, 1/2 X 3/4 X 1/32 (plastic)	7045	LOCKWASHER, 3/8 (high collar)
6410	WASHER, 1/4 X 9/16 X 1/16 (nylon)	7068	LOCKWASHER, 1/2
6411	WASHER, 1/4 X 17/32 X 1/16	7069	LOCKWASHER, No. 10
6416	WASHER, 3/8 X 1 X 5/64	7073	WASHER, 1/4 X 7/16 X 1/16
6474	WASHER, 3/8 X 13/16 X 5/32	7100	LOCKWASHER, 5/16 internal/external tooth
6497HW	WASHER, 7/16 X 1-1/8 X 3/64	7101	LOCKWASHER, 3/8 internal/external tooth
6498	WASHER, 9/16 X 13/16 X 1/32 (nylon)	7102	LOCKWASHER, #10 internal/external tooth
6506	WASHER, 1-13/32 X 2-3/32 X 1/16 (bronze)	7115	LOCKWASHER, No. 8 internal tooth
6516HW	WASHER, 7/16 X 1-1/8 X 1/8	7118	LOCKWASHER, No. 10 internal tooth
6519	WASHER, 13/32 X 1-1/32 X 1/8	7124	LOCKWASHER, 1/4 internal tooth
6590HW	WASHER, 1/2 X 1-1/8 X 3/32	7127	LOCKWASHER, 5/16 internal tooth
6639	WASHER, 5/8 X 1-5/16 X 3/32 (chrome)	7128	LOCKWASHER, 9/32 internal tooth

HARDWARE LISTING

7129	LOCKWASHER, 1/2 internal tooth	7688	NUT, 1/4-20 X 7/32 X 7/16 hex.(Grade 2 steel)
7130W	LOCKWASHER, 3/8 internal tooth	7689W	JAM NUT, 1/4-20 X 5/32 X 7/16 hex. (Grade 2 steel)
7142	LOCKWASHER, 3/4 internal tooth	7716	FLANGE LOCKNUT, 1/4-20 X 7/16 hex
7220	LOCKWASHER, No. 10 external tooth	7725	LOCKNUT, 5/16-24 X 11/32 X 1/2 hex.
7229W	LOCKWASHER, 1/4 internal/external tooth	7727	LOCKNUT, 5/16-24 X 1/4 X 1/2 hex.
7230	LOCKWASHER, 1/4 external tooth	7729	LOCKNUT, 5/16-24 X 1/4 X 1/2 hex.
7232	LOCKWASHER, 5/16 external tooth	7736	ACORN NUT, 5/16-24 X 19/32 X 1/2 hex. (Grade 2 steel)(chrome)
7234	LOCKWASHER, No.10 external tooth	7739	LOCKNUT, 5/16-18 X 11/32 X 1/2 hex.
7415A	WASHER, 11/32 X 7/8 X 1/8(rubber)	7740	LOCKNUT, 5/16-18 X 1/4 X 1/2 hex.
7495	FLANGE NUT, M6	7742	LOCKNUT, 1/4-20 X 7/32 X 7/16 hex.
7497	ACORN NUT, 1/4-20 X 3/4 X 9/16 hex (grade 2 steel) (chrome)	7743	SPEED NUT, for 1/4-20 bolt
7501	SPEED NUT, 1/4 dia. stud size(self threading)	7744	JAM NUT, 5/16-24 X 3/16 X 1/2 hex. (Grade 2 steel)
7506	LOCKNUT, No. 3/8-24 X 1/4 hex.(Grade 2 steel)	7748W	NUT, 5/16-18 X 1/4 X 1/2 hex.(Grade 2 steel)
7507	ACORN NUT, 5/16-18 X 11/16 X 1/2 hex. (Grade 2 steel)(chrome)	7763W	JAM NUT, 5/16-18 X 3/16 X 1/2
7515	JAM NUT, 7/16 X 1/4 X 11/16(Grade 2 steel)	7768W	LOCKNUT, 1/2-13 X 19/32 X 3/4 hex.
7520	ACORN NUT, No. 6-32 X 1/4 X 1/4 hex.(nylon)	7772	LOCKNUT, 5/16-24 X 3/8 Fillster (Grade 2 steel)
7531	FLANGE LOCKNUT, 5/16-18 X 9/32 X 1/2 hex.	7775	LOCKNUT, 3/8-24 X 7/16 X 9/16 hex.
7549A	ACORN NUT, 5/16-18 X 9/16 X 1/2 hex.	7778	LOCKNUT, 3/8-16 X 7/16 X 9/16 hex.
7554	ACORN LOCKNUT, 1/2-13	7780	LOCKNUT, flange 3/8-24 X 13/32 X 11/16 hex.
7576	FLANGE NUT, 3/8-16 X 9/16 hex (keps)	7782	LOCKNUT, 3/8-24 X 3/8 X 9/16 hex. (Grade 8 steel)
7586	NUT, 9/32-28 X 1/4 hex jam nut	7783	NUT, 3/8-16 X 5/16 X 9/16 hex.(Grade 2 steel)
7593	FLANGE NUT, 5/16-24	7792	NUT, 1/4,-20 X 1/4 hex. (Grade 2 steel)
7594	LOCKNUT, 5/16-18 X 1/2 (nylon locking)	7796	NUT, 5/16-18 X 1/4 hex. (Grade 2 steel)
7596	LOCKNUT, 7/16-20	7800W	NUT, 3/8-24 X 5/16 X 9/16 hex.(Grade 2 steel)
7598	HEX NUT, 3/4-10	7823	CASTLE NUT, 5/8-18 X 3/8 X 15/16 hex. (Grade 2 steel)
7600	HEX NUT, No. 4-40 (keps)	7824	LOCKNUT, 1/2-20 X 1/4 hex. (Grade 2 steel)
7601	FLANGE LOCKNUT, 3/8-16	7825	LOCKNUT, 7/16-20 X 7/16 X 5/8 hex.
7602	ACORN NUT, No. 10-32 X 5/16 X 23/64 hex. (nylon-locking)	7827W	LOCKNUT, 7/16-14
7606	LOCKNUT, No. 8-32 X 1/4 X 1/4 hex.(chrome)	7830	HEX NUT, No. 8-32 (keps)
7608	NUT, No. 8-32 X 1/8 X 11/32 hex.(Grade 2 steel)	7832	FLANGED CASTLE NUT 1/2-20 X 9/16 X 3/4 hex
7609W	LOCKNUT, No. 8-32 X 3/16 X 5/16 hex.	7838	HEX NUT, No. 10-24 (keps)
7613A	SPEED NUT, 1/8 dia. stud size	7843	HEX NUT, 1/2-13 (slotted)
7620W	NUT, No. 10-24 X 1/8 X 3/8 hex.(Grade 2 steel)	7845	HEX NUT, 1/2-20 X 3/4
7624	LOCKNUT, No. 10-24 X 1/4 X 3/8 hex.	7848W	JAM NUT, 7/16-20 X 1/4 X 11/16 hex. (Grade 2 steel)
7626W	LOCKNUT, No. 10-32 X 3/16 X 3/8 hex.	7855W	JAM NUT, 3/4-16 X 7/16 X 1-1/8 hex. (Grade 2 steel)
7627	ACORN NUT, 1/2-13 X 3/4 hex (chrome)	7860	FLANGE NUT, 1/4-20 (Grade 2 steel)
7629	NUT, No. 10-32 X 3/8 hex (keps)	7862	ACORN NUT, 3/8-16 (locking)(chrome)
7634	NUT, No. 10-32 X 1/8 X 5/16 hex.(brass)	7878	FLANGE NUT, #10-24 X 7/32 X 3/8 hex
7638	NUT, No. 10-32 X 1/8 X 3/8 hex.(Grade 2 steel)	7880	NUT, 1/2-13 X 7/16 X 3/4 hex.(Grade 2 steel)
7643W	JAM NUT, 3/8-16 X 7-32 X 9/16 hex.	7886	ACORN NUT, 5/16 X 11/16 X 1/2 hex
7651	ACORN NUT, No. 12-24 X 3/8 hex	7887	ACORN NUT, 1/4-20 X 1/2 X 7/16 hex
7653	ACORN NUT, No. 12-24 X 7/16 X 3/8 hex.(black)	7888	SPEED NUT, for .12 dia. stud size
7667	NUT, 3/8-16 X 9/32 X 9/16 hex. (w/nylon insert)	7889	HEX NUT, No. 6-32 (keps)
7669	TEE NUT, 5/16-18	7916A	JAM NUT, 5/8-18 (locking)
7680W	ACORN NUT, 3/8-16 X 25/32 X 9/16 hex. (Grade 2 steel)(chrome)	7987	CASTLE NUT, 5/8-18 X 15/16 hex
7682	LOCKNUT, 1/4-28 X 3/16 X 7/16 hex.		
7683	LOCKNUT, 1/4-28 X 5/16 X 7/16 hex.		
7686	LOCKNUT, 1/4-20 X 5/16 X 7/16 hex.		

HARDWARE LISTING

7993	LOCKNUT, 5/8-18 X 15/16 hex.
7994	LOCKNUT, 5/8-18 X 15/16 hex
8102	SPEED NUT, for 5/16-18 screw
8107	SPEED NUT, for No. 10-A or Z thread screws
8108	SPEED NUT, 11/32 dia.
8126	SPEED NUT, 3/16 dia. stud size
8131W	LOCKNUT, No. 4-40 X 1/8 X 1/4 hex.
8135B	SPEED NUT, 1/4 dia. stud size
8155	SPEED NUT, for No. 8-32 screw

NUMERICAL INDEX

Part No.	Page	Part No.	Page	Part No.	Page	Part No.	Page	Part No.	Page
1000	135	10065	259	10108	209	11132	119	11447	221
	175		263		211		55	11451	125
10003	155		265		217		61	11453	169
	157		267		219		9	11454	249
	47		273		223	11139	129	11456	125
10006	155		275		245	11140	57	11457	129
	157		283		305		59	11458	73
	161		285		327		61	11460	223
	187		289		41	11143	69		35
	233		293		43		75	11464	331
	267		295		69		77		333
	273		297	10110	257	11145	9	11473	335
	279		299		259	11147	205	11477	249
	305		301		267	11150	33	11478	159
	347		303		45		51	11486	141
	35		305	10112	235	11155	155		309
	351		309	10119	243		157	11488	171
	355		315	10120	275		315	11489	179
	369		319	10122	87	11157	9	11492	171
	41		329	10124	69	11158	125	11717	221
10007	155		331	10130	223	11160A	15	11729	51
	157		35		327		19	11733	55
10014	209		355		329	11161	55	11739A	51
	217		355	10131	223		59	12026B	15
	221		359	10133	159		61		19
	223		361	10134	323	11165	55	12035A	65
	29		367	10136	295	11170	119	12045	51
10031	75		47		297		33	12052	205
	77	10067	245		299	11171	119	12066	205
	85	10073	305	10138	211	11173	81	12067A	55
10036	347		369		219	11174	225		59
10038A	209		47	10141	285		229		61
	211	10074	239		293	11175	81	1241	33
	217		243	10143	141	11177A	15	1309C	209
	219	10076	305		145		19	1311C	211
	351		69	10146	155	11179	55		219
	85		75		157	11182	49		255
	87	10080	233	10147	289	11191	51		259
10039	129		235	10148	43	11192	47		267
	305		61	10149	41	11193	159		271
	319	10086	233		47	11218	13	1319	271
	369	10091	141	10150	33	11219	13	1357W	133
10040	221		249	10151	325		23	14019-83	179
10046	23	10092	155	10177	45	11241	27	14027-92A	85
10048	239		177	10181	317	11244	117	14112-88	149
1005	175		45	1046	125		195	14117-94A	327
10053	75	10102	171	10998	55	11246	211	14117-96	329
	77		203	11002	27		219	14121-94A	327
	91		217	11005	91	11248	49	14121-96	329
10059A	125		223	11016	51	11271	157	14128-86A	165
	197		265	11067	65	11272	157	14142-86	191
	275		267	11083	51	11410	355	14150-86	111
	351		275	11096	65	11411	279	14159-87	191
10065	141	10103	155		67		73	14215-89	225
	145		157	11105	23	11412	121	14216-89	225
	151		249		27	11422	169	14217-89	165
	159		255		59	11437	191	14218-89	145
	161		265		61		197	14223-89	169
	171		305	11116	49	11445	169	14224-89	161
	181	10105	215	11117	51		171	14227-88	175

NUMERICAL INDEX

Part No.	Page	Part No.	Page	Part No.	Page	Part No.	Page	Part No.	Page
14228-91	225	14423-95	227	14548-96	229	16126-95	3	16715-83	5
14242-90	225	14424-95	227	14549-96	229	16126-96	3	16770-84B	5
14244-90	225	14426-95	195	14550-96	229	16127-95	3	16774-86D	5
14250-90	165	14427-95	197	14551-96	229	16127-96	3	16778-84A	9
14251-90	145	14428-95	197	14553-96	229	16134-95	3	16779-84B	9
14259-90	135	14434-95	225	14554-96	229	16134-96	3	16837-85C	15
14261-91	225	14435-95	225	14555-96	229	16136-95	3		19
14262-91	225	14436-95	227	14556-96	229	16136-96	3		5
14263-91	61	14437-95	227	14557-96	229	16137-95	3	17040-92A	5
14268-92	61	14438-95	227	14558-96	229	16137-96	3	17041-92A	5
14270-92	53	14439-95	227	14559-96	229	16146-95	3	17042-92A	9
14273-93	129	14450-95	225	14560-96	229	16146-96	3	1719W	51
14273-96	129	14451-95	225	14561-96	191	16165-95	3	17355-92	9
14284-94	225	14452-95	145	14562-96	231	16165-96	3	17356-92	9
14285-94	225	14453-95	227	14563-96	231	16166-95	3	17358-84A	9
14287-94	225	14454-95	145	14564-96	231	16166-96	3	17360-83	9
14289-94	225	14456-95	215	14565-96	231	16167-95	3	17375-83	9
	229		217	14566-96	231	16167-96	3	17428-57	9
14293-94	225		221	14567-96	231	16174-95	3	1750	339
	229		223	14568-96	231	16174-96	3	17503-92A	9
14295-94	225	14469-95	227	14569-96	231	16175-95	3	17510-92A	9
14296-94	225		229	14570-96	231	16175-96	3	17521-92A	9
14297-94	225	14470-95	227	14571-96	231	16178-95	3	17528-92	9
14298-94	225		229	14572-96	231	16178-96	3	17529-92	9
14303-91	313	14471-95	227	14573-96	231	16180-95	3	17530-92	9
14304-91	313	14472-95	227	14576-96	231	16180-96	3	17611-83	11
14305-90	313	14473-95	227	14577-96	231	16181-95	3	1783	71
14308-93	225	14474-95	227	14578-96	231	16182-95	3	17921-83	11
14309-93	225	14475-95	227	14579-96	231	16183-95	3	17924-83	11
14310-93	225	14476-95	227	14580-96	167	16184-95	3	17927-83	11
14313-93	225	14478-95	215	14581-96	167	16185-95	3	17930-83	11
14331-90	191		217	14582-96	167	16186-96	3	17935-79B	11
14335-90	225	14479-95	221	14583-96	145	16187-96	3	17938-83	11
14339-90	225	14521-96	229	14584-96	145	16193-96	3	17945-36B	11
14340-90	35	14522-96	229	14585-96	145	16194-96	3	17947-36	11
14386-93	225	14523-96	229	14586-96	145	16207-79B	15	17950-66	11
14387-93	225	14524-96	229	14587-96	145		19	1795A	35
14390-93	225	14525-96	229	14588-96	145	16219-79B	15	18001-83B	5
14396-93	225	14526-96	229	14589-96	229		19	18011-86	5
14399-94	191	14527-96	229	14590-96	229		5	18020-83	5
14402-93	225	14528-96	229	14591-96	195	16241-90	5	18074-83A	7
14403-93	225	14529-96	229	14592-96	195	16242-90	5	18076-83	7
14404-95	227	14530-96	229	14593-96	195	16247-91	5	18082-83	7
14405-95	227	14531-96	229	14594-96	231	16256-95	5	18087-83	7
14406-95	195	14532-96	229	14595-96	231	16258-95A	5	18112-92	7
14407-95	197	14533-96	229	14596-96	231	16284-84	5	18124-83	5
14411-94	225	14534-96	229	14597-96	145	16304-87	59	18130-83C	7
14412-94	225	14535-96	229	1601	47	1643	351	18131-83C	7
14413-94	145	14536-96	229	1602	135	16478-85A	5	18133-83A	7
14414-94	165	14537-96	229	1610	351	16480-92	5	18134-83	5
14415-95	197	14538-96	229	16116-95	3	16510-83A	5	18201-83	7
14416-94	227	14539-96	229	16116-96	3	16512-86A	5	18202-83	7
14417-94	227	14540-96	197	16117-95	3	16573-83	5	18219-83	7
14418-94	227	14541-96	197	16117-96	3	16690-92A	5	18222-83	7
14419-94	227	14542-96	197	16121-95	3	16691-92	5	18229-83	7
14420-94	227	14543-96	197	16121-96	3	16692-92	5	18268-48	351
	229	14544-96	197	16122-95	3	16692-95	5	18523-86	11
14421-94	227	14545-96	197	16122-96	3	16696-92A	5	18540-83B	11
	229	14546-96	229	16125-95	3	16708-95	55	18542-83B	11
14422-94	191	14547-96	229	16125-96	3	16709-95	55	18622-85B	11

NUMERICAL INDEX

Part No.	Page	Part No.	Page	Part No.	Page	Part No.	Page	Part No.	Page
18623-85B	11	24043-93	23	2524	333	26225-92	27	27037-91	369
18633-48D	11	24044-93	23	25254-93B	23	26226-92	27	27038-92A	31
18634-48C	11	24045-93	23	25256-93A	23	26227-58	27	27039-92A	31
2005	203	24046-93	23	25259-93	59	2623W	169	27040-88	29
2151	175	2420	177	2527	365	26262-80	27	27042-84A	369
2152	175		343	2531	191	26263-80	25	27047-84A	369
21920-83	13	24281-83	13		355		27	27048-84	177
21921-83	13	2432	165	25310-82A	25	26267-92	27	27051-90A	369
21922-83	13	24334-36	13	25320-82	25	26270-92	27	27083-95	31
21923-83	13	24335-36	13	25321-82	25	26273-92	27	27088-95	31
21924-83	13	24345-36A	13	25322-82	25	26276-92	27	2708A	121
21940-83	13	24346-87A	13	25323-82	25	26315-68A	27		85
21941-83	13	24356-36A	13	25325-82	25	26317-68A	27	27090-89	29
21942-83	13	2443	313	25326-82	25	26326-62A	27	27093-92A	221
21943-83	13	2444	173	25327-82	25	26327-68	27	27100-88	29
21944-83	13	2445	167	25328-82	25	26328-74	27	27101-88	29
221	205		171	2534	133	26338-68	59	27102-92	221
2216W	343	2446	167	2538	133	26345-73	27	2711	135
22589-83A	13		171	25414-70B	205	26346-70	27		35
2273	41	24569-95	17	25416-84	205	26348-15	27	27114-88	29
	43		21	25452-87A	55	26348-36	27		31
22764-83	13	24571-93	17	25453-87A	55	26352-95	235	27115-88	29
2325	257		21	2551W	121	26354-93	25	27116-88	29
2337W	131	24572-93	17		145	26378-92A	235	27122-89	29
2339	45		21		159	26381-92A	235	27123-89	29
2361	257	24586-93	23		237	26400-82	27	27124-89	29
	259		25		309	26432-76A	7	27125-89	29
239	27	24587-95	23	25550-57A	25	2646	309	27126-89	29
23906-93B	13	24599-58B	17	25581-70	25		367	27127-89	29
23928-87	13		21	25582-93	25	2647B	161	27128-89	29
23941-95	13	24600-58B	17	2559	317		179	27129-88	29
23961-80A	13		21	2562	69		187	27130-90	29
23969-83	13	24601-58B	17	2563	171		319	27136-90	29
23974-87	13		21		319	2648	161	27137-81	29
23975-87	13	24626-87	17	2567	263	26555-94	47	27138-90	223
24002-70	15		21		323	26561-84	25		369
	19	24628-87	17	2574WA	263	26563-95	47	27146-89	29
24008-95	15		21		323	26566-91	47	27147-89	29
	19	24641-36	23	2576	309	26566-96	47	27148-89	29
24032-70	17	24641-87	17	2579A	75	26567-95	47	27156-89	29
	21		21		77	26569-96	47	27157-89	29
	71	24643-87	17	2585	253	26571-89	369	27158-89	29
24033-70	17		21	2592	177	2664	361	27159-92	29
	21	24922-93	35	2594A	323	26856-89	11	27160-89	29
	71	24925-95	37	2602	335	2692WB	275	27162-89	29
24034-70	17	24981-70	23	26030-92	27	2696	275	27171-89	29
	21	24982-70	23	2604	191	2698A	273	27174-95	217
	71	2501A	255		197		275		219
24035-70	17		265		355	26994-90	31	27184-92	29
	21		267	26050-92	27	26995-86A	29	27186-92	29
	71		325	26052-92A	25	26995-86A	33	27189-92	369
24036-70	17	2504	161	26053-92	27	27002-89	29	27189-96	369
	21	2508	309	2607	133	27009-86A	29	27190-90A	369
	71		315		135		33	27190-96	369
24037-70	17	2513	169	26072-90A	61	27010-86A	29	2720	41
	21	2519	259	26074-90	61		33	27201-95	209
	71	2522	365	26077-93	59	27014-93A	369		211
24040-93	23	25225-93B	23	2611B	47	27019-89	29	27202-95	33
24041-93	23	2523	319	2614	71	27026-95	29	27206-93A	29
24042-93	23		45	26207-83	27	27035-95	29	27207-93A	29

NUMERICAL INDEX

Part No.	Page	Part No.	Page	Part No.	Page	Part No.	Page	Part No.	Page
2723	195	2773	139	29165-83A	39	29970-88C	41	3210A	237
27237-95	33		201	29165-89	37	29981-95	43		55
27239-95	31		343	29169-84	35	29991-95	33	3214	129
2724	141	2784	177	2917	181	31342-94	49		137
27240-95	31		177	2918	43	31430-94	49		181
27244-95	33	2787	313	29181-88	35	31433-84A	205	3221	35
27250-96	223	27886-78A	31	29192-95	35	31504-91A	285	3227	309
27253-96	29	2804W	141	2920	343		289	32311-83	45
27254-96	29	2806	165		365		293	3233	129
27255-96	29		179	2921	173		299		345
2726A	165	2818	135	29229-88A	37		301	3234W	363
27279-93	29		187	29246-96	39		303	32400-80A	47
27281-92	31		205	29252-89	37		319	32400-94	47
	31		339	29256-90	35		323	32402-83	47
27291-93A	209		365	29258-91	37		325	32404-90	47
	211	2823	107	29259-91A	37		327	32404-96	47
	217	2831	141	29274-93	121		329	32405-91A	45
	219	2871W	125	29278-86	35	31506-79B	331	32423-95	331
27292-95	369		205	29279-86	35	31510-90	49	32424-95	331
27296-92	223		73	2928	85	31514-90	49	32426-94	45
27296-96	223	2872W	325	29283-93	121	31515-90	49	32435-94	281
27297-95	369	2879W	121		37	31516-94	49	32441-94	37
27298-95	369		133		39	31517-90	49	32442-93	37
27299-95	369		239	2929	365	31518-90	49	32446-95	33
27311-76	31		349	29291-95	39	31519-90	49	32447-95	33
27315-88A	31		5	29292-94	35	31525-90	49	32448-95A	47
27317-88	31	28823-89	35	29307-94	35	31527-90	49	32449-95A	45
2731W	131	28827-96	35	29312-95	369	31530-90	49	32456-95	47
	365	2882W	125	29313-95	37	31535-91	49	32464-95	45
	367		339	29319-95	37	31548-90	49	32484-96	45
27339-90	31		39	2932	205	31553-94	49	32504-80	47
2734	319		73	29323-95	37	31600-90	49	32524-83	47
27340-90	31	28841-89	35	29325-95	37	31604-91	49	32541-95	47
27360-76	31	28842-89	35	29326-95	39	31614-83A	45	3255	247
27361-76	31	2887W	345	2933	179	31639-95	45	3256	267
27362-76	31	2888	141	29330-96	37	31640-91	45	3257	275
27368-76	31	28884-90	369	29332-96	39	31660-90	49	32591-80	47
27369-76	31	28884-95	369	29333-96	39	31661-90	49	32606-82	47
2737	35	28886-90A	369	29334-96	39	31662-90A	49	3262	255
27371-76	31	28886-96	369	2934	179	31663-90	49	3264	45
2738	195	29017-92	35		321	31664-94	49	3265	173
2739	133	2904A	275	2935	179	31688-90	49	3266	309
	135	29059-88A	35	29352-96	39	31689-90	49	3275	29
27492-96	29	29062-95	37	2940	171	31692-90	49	33006-95	55
27493-96	29	29068-89	35		309	31693-90	49	33006-96	55
275	23	2907	315	2941	171	31695-90	49	33013-95	55
27504-96	29	29070-89B	37		309	31727-85	45		59
27505-96	29	2908	315	2952	133	31800-78A	45	33013-96	55
27575-88	31	29087-96	35		135	31981-65B	45		59
27576-92	31	2909	315	2954	149	31983-71B	45	33020-95	55
27577-92	31	29095-95	39	2955	317	31985-91	45		59
27579-88A	31	2910	315	2960	191	31986-86	45	33020-96	55
27580-88	31	29126-90	35		317	31992-91	45		59
27581-88	31	29127-95	39	29954-71A	41	31994-91	45	33035-95	55
27582-88	31	29134-92	35		43	31998-91A	281		59
27583-88	31	29142-91	35	29957-81B	41		305	33035-96	55
27585-88	31	29144-95	39	29960-91	41	3201WA	33		59
27586-88	31	29150-93	35		71	3210A	151	33038-95	55
27587-88	31	29161-86	35	29961-85	41		191		61
276	139	29162-95	35	29969-95	43		235	33038-96	55

NUMERICAL INDEX

Part No.	Page	Part No.	Page	Part No.	Page	Part No.	Page	Part No.	Page
33038-96	61	33713-85	205	3473	351	3533	115	3588	85
33040-95	57		53		45	3537	91	3592	333
33042-95	57	33714-90	195		87	3538	111	3593	333
	63	33715-85	53	34732-89A	57		115	3594	55
33043-80	319	33718-82	53	34732-96	57		69		59
	323	33719-79A	53	34736-93	59		75		61
	325	33720-93	195	34739-93	59	3540	73		71
	55	33728-82A	53	34740-94	59	3541	145	3595	141
33048-72	137	33728-90A	53	34746-95	61	3545	145		145
33051-95	55	33729-82	53	34747-95	61	3546	197		333
33051-96	55	33871-85A	53	3480A	23		233		365
33062-95	55	33882-83B	85	3485A	191		265	3596	333
	61	33895-82	53	3487	129	3549A	137	3597	141
33062-96	55	33900-59C	319	3488A	123		335	3598	141
	61		323	34901-94	205	3554	15	3599	139
33063-95	57		325	34904-86A	57		19	3601	339
33064-95	57		55	34906-85A	205	3556A	145	3602	45
	63	3398	19	34917-90A	63	3559	49	3605	151
33085-74	139	3403	349	34920-86	57	3560W	191	3607	149
33114-79	55		49	3494A	151		355	3612	167
	59	34082-79	53	3500	9	3561WB	191		171
	61	34083-79	53	3501	9		355	3613	19
33119-79B	51	34084-86	53	35021-89	57	3562	79	3652	215
33126-94	49	34085-79A	53	35025-79B	65	35622-79C	65		369
33127-94	49	34086-79	53	35026-79C	65	35625-79B	65	3655	129
33189-63	137	34087-79A	53	35026-94	65	35625-94	65		81
33205-80	51	34088-87	53	35027-79B	65	35626-79B	65	3656	333
33206-80	51	34089-79	53	35027-94	65	35626-94	65	3657	125
33207-80	51	3409	275	35028-79B	65	35629-79	65	3658	317
33208-80	51	34091-85	65	35028-94	65	35632-79	65	3661	131
33209-80	51	3419	221	35029-91A	65	35652-79B	57	3662	131
33210-80	51		263	35029-94	65	3574	131	3664	153
33211-80	51	34191-79D	53	35042-91	65		133		221
33212-80	51	34193-79D	53	3504A	15		135	3677	187
33318-85	205	34195-79D	53		19		169	36801-87B	57
33320-79D	51	3427	15	35051-89	65		245	36964-67	365
33326-79A	51		223	3506	15		279	37069-90	65
33332-79	51	3430	15		19		309		67
33344-94	55	3440	137	35064-79	65		339	37071-87	57
33445-94	205	3444A	327	35068-79	53		369	37075-87	57
33446-94	205		329	35076-79	57	3576	275	37081-87B	57
33449-94	49		51	35078-79	57	3577	35	37088-90	65
33518-92	235		75		89		39		67
33519-92A	235		77	3509	129	3579	73	37090-84A	65
33520-92	235	3445	197		87	358	15		67
33630-90A	139		221	3512	15		19	37105-87A	57
33640-83	53	34464-86A	55		19		23	3728	239
33642-89	53	34468-86A	55	3514	181	3584	339	3730A	97
33660-90B	53	34469-90	61		185	35850-84	17	37312-75	65
33668-90B	53	34478-95	61	3516A	137		21		67
33683-90A	137	3450	151	35211-91A	71		71	37313-80	65
33693-93	137	34561-84	53	35250-90B	57	35851-84	17		67
337	55	34564-90A	53	35251-93	57		21	3739	101
	59	34611-65	53	35252-93A	57		71		111
	61	3462	191	35258-87C	57	35852-84	17		209
33708-94	137	34621-90	53	35260-90B	57		21		211
	139	34625-90	53	3528	15		71		217
	53	34632-84A	53		19	35853-96	71		219
	91	3464	137	3529	215	35854-96	71		73
33709-82	53	3471	151	3530	223	3588	279	37496-90	67

NUMERICAL INDEX

Part No.	Page	Part No.	Page	Part No.	Page	Part No.	Page	Part No.	Page
375	205	3949	347	40299-83A	71	40939-86A	97	41747-82A	75
	55	3953W	111	4029A	103	40956-90A	91		77
	59	3958	149	4030	349	40957-87B	89		85
	61		349	40308-94	71	40971-93B	85		87
37503-41	85	3960W	187	40311-94	71	40975-86	97		89
	87	3974HW	133		71	40976-86	97		91
	91	3987	121		97	4098	201	41755-95	85
37550-90A	67		125		99		203	41789-92	97
3764	345		197	40312-94	71	40983-86	97	41790-95	97
	347		219		97	40999-87	363	41792-94	119
	349		221		99		81	41801-58A	351
3767B	201		233	4033	215		97	41803-90	91
	319		33		69	41008-87A	97	41804-84A	351
	69		339		75	41010-86	97		87
3769	349		51	4036	187	41015-86	97	41807-95	85
	97		73	40384-91	71	41017-95	97	41835-58	351
3770	9	3991	125	40392-91	71	41020-86	97	41836-58	351
37707-94	67		249	4041W	349	4104	103	41837-58	351
3782	139		73	4044	125		75	41955-93	91
	347		75	4045	347		77	41957-92	85
3784	51		77		349	41040-88B	117	42269-30	89
3787	125	3993	319	4047	103	41042-93	195	42301-87	89
	89		323		273	41043-89A	81	42303-89B	75
37871-90	67		327	4052	347	41109-88	81	42303-96	77
37872-90	67		45	4059	137	41110-79A	97	42305-86B	75
37903-90	67		51		91	41112-79	121	42305-96	77
37904-90	67	3996	125	4061	209	41113-90	129	42311-58	351
37905-90	67	3997	9		211	41114-90	97	42370-95	85
37906-90	67	39976-65B	71		217	41123-79	151	42374-77B	351
37908-90	67	39990-65	71		219		81	42375-87	89
37909-90	67	39992-65C	71	4068	205		97		91
37911-90	67	39993-65	71		89	41157-87	363	42382-87A	85
37912-91	67	39996-65	71	4069A	249	41161-95	363		87
37913-90	67	39998-65	71		51	4124	101		89
3793A	133	40001-85	71	4074	149		121		91
37971-90	67	40007-36A	71	4086	205	4132	69	42407-87B	89
37977-90	67	40015-90	71		247		77	42416-83	85
38601-89	69	40017-94	71	40903-87	85	4134	41		89
38602-92	69	40037-79	71		87	41571-92	129	42431-87A	139
38607-87A	69	4013	203		91	41573-84	121		89
38608-82B	69	4014W	187	4091	101	41584-86	81	42446-87A	87
38608-96	69		221		191	41585-90	129	42448-87	85
38617-95	69	4015	309		325	41591-90	97		87
38622-87	191		69		327	41595-86	97		91
38630-88	69		75		351	41713-86	75	42452-87	87
38711-93	47	4017	139		77		89	42455-80	351
38712-68	197		185		85	41720-58	351		85
38713-93A	69		211	40910-84B	81	41731-88A	75		87
38715-85A	69		239		99		77	42457-95	85
38717-91	267		243	40915-94	81		85	42460-80B	85
38722-94	173		335	40918-87	85		87		87
3891	149		51		87		89		91
3892	101	4020W	351		91		91	42466-93	119
	329	40217-79A	71	40920-87	85	41733-88	119	42468-87D	89
3893	275		97		87		75	42473-87	89
	369	40221-85A	71		91		77	42474-90A	91
3929	237		97	40922-87	85	41739-84A	75	42475-94	119
3945	181	40250-94	71		87		77	42479-90	89
	185	40251-92	71		89	41742-58A	351	42481-92	137
3946	345	40266-85	71		91	41745-79	89		91

NUMERICAL INDEX

Part No.	Page	Part No.	Page	Part No.	Page	Part No.	Page	Part No.	Page
42502-90A	91	43338-96	81	44020-83	79	44209-87C	93	45115-95	77
42507-89A	137	43345-87	81	44021-83	79		95	45121-88B	75
	87	43346-83	83	44022-83	79	4435W	161	45121-96	77
42510-92	85	43349-84B	75	44023-83C	79	44447-92	83	45156-89D	87
42515-82	87	43349-96	77	44029-88	117	4453	103	45360-90	103
42522-87A	87	43350-94A	75		83		111	45361-90	103
42524-82	87	43350-96	77	44030-88	117	4460	103	45362-90	103
	91	43358-83A	83	44034-86	93	45004-85	75	45363-94	103
42531-87	87	43359-84	81	44035-86A	93		89	45364-94	105
	91	43403-87	83		95		91	45365-94	103
42532-82	87	43404-87	83	44039-86	93	45004-96	77	45374-87	103
	91	4342	247		95	45005-85	75	45377-87	103
42533-91A	57	43464-88	81	44044-88A	117		89	45378-87	103
42534-90	249	43465-88	97	44045-87	93		91	45395-92	103
	351	4350A	115		95	45005-96	77	45401-87	103
	85		5	44046-84C	79	45006-87A	75	45405-75A	101
	87	4351	103	44047-83	79	45006-96	77		103
42542-93	91	4352	103	44048-83	79	45013-93	75		107
43001-79	83		111		93	45013-96	77		111
43005-86	81	4356	347		95	45016-93	75	45417-84	107
43024-73B	81	43567-92	99	44050-87	93	45016-96	77	45418-84	107
43025-73B	81	4357	347		95	45017-93	69	45419-80	107
43032-40B	81	4358	49	44053-83B	79	45019-93	75	45419-80	111
	97	43591-96	83	44053-92A	79	45019-96	77	45420-80	107
43053-86	81	43608-82	83	44054-83	79	45021-86	69	45423-92	69
43057-80A	81		99	44059-83	79	45031-82A	75		75
43067-86	81	43612-92	83	44061-83	79	45032-82	69	45423-96	77
43085-81	81	43613-92	83	44062-83	79		75	45435-95	101
	97	43617-95	81	44063-83C	79		77	45443-86	101
43150-83	81	43619-84	83	44072-92A	79	45036-88	69	45446-87A	101
43157-83A	81	43626-84	81	44073-92A	79	45042-82	75	45452-87	349
	97	43626-96	81	44074-88B	79		85	45456-86A	111
4319	15	43629-94	83	44076-86A	93		89	45460-90	103
	19	4363	175	44077-88D	79	45042-96	77	45461-87	105
4326A	151		271	44081-95	79	45043-89	69	45465-87	105
	257	4364	175	4411	161		75	45473-88	115
	49	4365	169		181	45044-82	69	45485-95	115
4327	131	43650-82	363	44126-87	85		75	45544-88	151
4328	327		83		87	45044-96	69	45546-90	103
43283-86	127		99		89		77	45567-88	115
43288-82	363	43654-86A	83		91	45051-82	75	45569-88B	115
4329	41		99	44136-92	83	45057-82	351	45583-83	119
43290-82	363	43657-89	81	44138-95	83		85	45585-83	119
	81	43662-80B	83	44142-95	93		87	45598-90A	105
	97	43668-82	83	44146-77	93	45072-87	75	45600-95	115
43291-82	363		99	44147-87	93	45072-96	77	45605-88	111
	81	43671-84	83		95	45074-95	75	45607-93	115
	97	43672-84	83	44152-77	93		77	45611-86	105
43292-82	363	43674-95	81		95	45085-88A	193		107
	81	43676-88	83	4416	15		195		111
	97	43677-88	83		19	45092-66A	249		115
43293-82	363	4383	247	44190-88	79	45096-95A	273	45612-95	115
	81	43895-87	83	44196-90	95	45110-88C	75	45628-92	115
	97	43946-86	93	44197-77	79	45110-96	77	45640-88B	107
43294-82	363		95	44198-87	93	45111-89A	75	45646-95	117
	81	43957-86E	93		95	45111-96	77	45647-97	117
	97	43960-86	93	44199-79	93	45112-84B	75	45648-85	107
43299-87	97		95	4420	347	45112-96	77	45649-91	117
43312-84	83	4401W	345	44204-90	95	45114-77	351	45651-91	117
43338-83	81		361	44207-87	93	45115-95	75	45655-88	117

NUMERICAL INDEX

Part No.	Page	Part No.	Page	Part No.	Page	Part No.	Page	Part No.	Page
45659-88	117	45875-84	109	47076-72	343	47427-92D	129	48315-60	105
45660-88A	117		113		365	47427-96	129		109
45662-88	117	45905-87	105	47082-81	129	4742A	27		113
45663-88A	117	45915-86	113	47132-95	247	47440-92	131		123
45668-90	105	45916-86	113	47132-96	247	47449-95	339		127
45670-80	107	45917-86	113	4713W	339	47456-94A	129		351
	111	45918-86	113		35	47456-96	129	48330-48A	109
45672-80A	107	45921-87	105		89	4747	117	48332-48B	109
45679-92	107	45922-87	105		91	47491-89	121	48333-80	101
45685-93	107	45923-87	105	47159-79A	17	47492-89A	121	48361-80	101
	185	45925-94	105		21	47496-90	129		105
45717-63	107	45926-90	105	4716W	137	47499-90	129		109
45718-60	101	45930-86	113		15	47510-80	121		113
	107	45931-86	113		19	47511-80	121		115
45733-48	107	45932-86	113		203	47513-80	121	48365-48A	101
	111	45933-86	113		349	47515-90A	129		105
45739-87	105	45934-86	105		5	47519-83A	363		109
45790-80	105		109	4717A	55		83		113
45827-84	101		113		61		99		115
45830-48	27	45935-88	115	4718A	205	4752	101	49059-88B	119
45832-77A	101	45936-88	115		23	47530-79B	101	49126-90	137
	107	45937-88	115		243	47538-79	121	49127-77A	137
	111	45940-84	101		59	47541-90	129	49165-90	137
45834-77	101		109		61	47544-85A	121	49184-88A	123
	107		113		9	47551-79B	121	49193-93	339
	111	45941-95	103	4719W	335	47552-79B	121	49194-85	339
45838-77	107	45947-95	103	47207-96	369	47556-81	123	49201-80	339
	111	45948-95	105	4720W	347	47564-86	123	49202-93	339
45839-84	101	45949-92	103	4721	133	47564-90B	129	49203-93	339
	119	45952-90	105		137	47565-90	129	49205-93	339
45841-84	101	45964-86	101		139	47573-89B	127	4961	125
45842-77	107		113		15	47577-94	127	49704-90A	129
	111	45976-94	103		19	47579-93	127	49710-94	129
45845-77	101	45977-94	105		203	47583-90B	129	49720-90	129
	107	45984-87	105		349	4761	265	49723-90	129
	111	45990-88	105		355	47698-86B	127	50003-89A	129
45847-84	101	45991-92	129		5	47712-91	127	50005-85A	123
45853-83	101	45996-87	105	4722	239	47820-90A	129		127
45855-77	101	45998-73	109	47226-90A	129	47900-93B	123	50015-74A	123
	109		113	4724	181	47904-93B	123		127
45857-83	101	46002-87	105		185	48031-89A	127	50018-85	127
45858-77	101	46004-91	109	47247-83	121	48047-95	259	50025-84	127
	109	46006-91	109		349	48130-92B	127	50027-84	127
	111	46020-84	101		85	4813A	23	50028-91	127
45859-77	101		109	4726	349	48140-84A	109	50034-84	127
	109	46048-84	109		5		113	50050-93	123
	111	46053-88	115	4729	107		115	50051-84A	123
45860-84	101	46054-88	115		111		127	50053-90	129
45863-84	101	46055-88	115	47303-91	129	4814A	55	50054-90	129
45864-84	101	46056-88	115	47365-83A	139	4816A	151	50057-91	129
45865-84	101	46057-88	115	4739A	263	4820A	205	50059-85	123
	109	46059-90	151	4740A	205	4822A	61	50075-91	123
	113	46060-88	115		23	48300-60	101	50078-81	123
45866-84	101	46065-88	115		61		105	50087-89A	127
	109	46452-85	119		69		109	50100-70	205
	113	46459-86	119	4741A	55		113	50518-83A	139
45870-84	101	46461-86	119		59		115	50588-93	139
45873-91	109	47008-92B	127		61	48302-85	351	50589-93	139
45874-91	109	4701	349		75	48306-88	115	50606-86A	139
45875-84	101	4702	141		77	48315-60	101	50613-91	139

NUMERICAL INDEX

Part No.	Page	Part No.	Page	Part No.	Page	Part No.	Page	Part No.	Page
50614-91	139	52166-96	135	53434-80	141	53591-95	333	56094-95	151
50621-79A	139	52171-95	135	53435-88	141	53591-95A	321	56109-88	169
50622-83B	139	52171-96	135	53437-79	141	53593-92	343	56115-95	153
50635-82	139	52174-93	135	53438-92	165		365	56116-82A	153
50639-90	137	52174-96	135		167	53598-88A	145	56117-82A	153
50643-82	137	52175-93	135		179	53615-85	143	56119-77A	153
50646-82	137	52175-96	135		183	53616-85	143	56122-77	153
50647-82	137	52183-94	135		185	53617-85	143	56124-77	153
50649-90	137	52183-96	135	53439-79	141		343	56140-84A	153
50900-72	137	52191-86	133		193	53710-93	333	56141-84A	153
50912-72	137	52192-86A	131		197	5403B	131	56149-88B	153
50933-86	139	52201-86B	131		251		201	56151-88B	153
50972-75	123	52208-86A	133		255	5414	243	56153-73	153
	127	52208-96	133		257	54307-92	85	56159-73	153
	137	52209-90B	133		259	54312-91	149	56161-83A	151
	205	52217-90C	133		265	54316-83A	151	56163-93	153
	349	52236-86D	133		267	54317-85	149	56166-96	153
	351	52280-94	131		271	54319-85	149	56206-94A	155
	85	52281-94A	131		355	54320-93	149	56206-96	157
	89	52283-95A	133	53440-79	141	54321-85	149	56220-94A	155
50989-86	139	52285-95A	133	53442-96A	321		83		157
50990-86B	139	52441-95	257	53447-87	141		99	56239-93	203
50991-86	113		259	53478-80	141	54323-85	149	56305-90	155
50992-87A	89	52503-88E	133	53482-93	333	54324-85	149	56305-96	157
510	97	52510-95A	133	53483-93	333	5444	71	56306-90	155
51175-95	133	5252	365	53486-85	141	5445W	243	56306-96	157
51176-96	135	52541-87	133	53487-87	123	54473-79	149	56327-90	155
51183-95A	133	52543-94	135	53488-93	333	54474-79	149	56327-96	157
51184-88A	133	52545-84	135	53515-86	131	54475-79	149	56328-90	155
51185-90	133	52655-84	135	53517-86	131	54483-88A	115	56328-96	157
51186-89B	133	52719-93	139	53521-91	131	54508-89A	149	56342-90	155
51188-84	135	52735-85	133	53554-81	135	54512-90A	149	56342-96	157
51194-96	133	52739-83	135	53560-93	215	54531-92	149	56343-90	155
51196-94	131	52740-94	137		319	54533-93	149	56343-96	157
515	85	52742-94	137		333	54536-93	149	56351-90	155
	87	52764-90	135	53563-82	141	54556-84	149	56351-96	157
	89	52771-82	133	53564-89	141	54557-90	149	56354-93	159
	91		135	53567-93	333	54569-84	149	56355-92	155
51652-83	135	52780-90A	135	53570-89	141	54577-94	149	56355-96	157
51652-83A	131	52780-96	135	53571-94	179	5465	201	56356-92	155
	133	52787-92	133		255	54708-65A	149	56356-96	157
51923-86	335	52788-92	133		319	54710-84	149	56357-95	155
5207	155	52799-90A	135		333	554	129	56357-96	157
	157	52799-96	135	53574-93	141	559	347	56358-95	155
	161	52800-93A	135		215	55915-94A	155	56358-96	157
	343	52801-93	135		319	55915-96	157	56368-96	157
	365	53156-86	151		333	55917-79A	151	56372-95	159
	45	53165-89A	141		141	55918-79A	151	56375-94	155
5209	309		145		161	55919-82	151	56375-96	157
52092-77	201	53166-89	145		215	55920-83B	151	56376-94	155
5210	145	53170-89	145		319	55924-96	151	56376-96	157
	165	53275-94	141		333	56073-83	153	56379-96	157
	169	53278-89C	145	53583-92	161		253	56387-96	157
	179	534	117		343		299	56394-74	155
5211	145		129	53584-92	141		305		157
5212	177		79		161		315		315
	177	53411-92A	131		343		331	56396-74A	155
52151-91A	131	53415-83	141		365	56079-93	151		157
52164-91A	131	53426-87	141	53591-95	143	56081-82A	151		315
52166-93	135	53429-93	141		215	56093-88A	151	56397-74C	155

NUMERICAL INDEX

Part No.	Page	Part No.	Page	Part No.	Page	Part No.	Page	Part No.	Page
56397-74C	157	58378-89	365	58713-79A	163	59255-72	355	59971-80	201
	315	58379-89	367	58714-79	163	59255-91	133	59979-93	201
56402-83A	155	58380-89	145	58715-79	163		197	59983-75	201
	157	58381-89	145	58716-79	163	59258-91	123	59984-73	201
	315	58382-89	145	58717-79	163		127	59986-75	201
56508-76	155	58383-89	145		343	59259-90	199	59988-72	131
	157	58384-89	145		365		201		201
56538-88	153	58385-93	145	58720-94	163		365	59993-80A	201
56540-88	153	58400-94	161	58826-89	163	59261-91	193	59994-93	201
56541-86A	153	58402-80	161	5883	73	59262-90A	201	60001-55	131
56542-86A	153	58406-75A	173	5885	187	59265-90	127		201
56546-95	153	58408-75A	173	58938-96	171	5926B	279	60005-77	201
56547-95	153	58411-76A	173	58939-96	171		73	60007-93	203
56567-86A	153	58412-76A	173	58949-96	167	59272-90	129	60007-96	203
56569-86	151	58415-86A	169	58998-83A	193	59279-94	337	60019-93	201
5702	51	58416-77A	173	59043-93	195	59284-94	337	6003	65
5710	107	58417-77	173	59060-92	339	59287-92	197	601	363
	111	58419-88	175	59082-79	193		333		51
57215-75	89	58420-88	175		355	59288-92	197	6012	149
5756	97	58421-88	175	59082-96	193		333	6016	15
5774	341	58422-88	175	59087-89	193	59289-92	199		19
5775	221	58423-88	175	59093-87	193		333		205
5787	335	58424-88	175	59112-90	203	59290-92	199		237
57978-63	143	58425-88	175	59113-90	203		333		247
5797A	89	58426-88	175	59116-96	193	59292-94	131		51
57994-94	173	58428-94	173	59117-96	199	59293-94	337		55
58009-89A	161	58431-94	173	59129-86	193	59294-94	337		9
58016-89A	161	58446-96	175	59136-94	203	59295-94	337	6019	15
58018-86	173	58447-96	175	59138-93	203	59296-94	337		19
58031-80	161	58448-96	175	59138-96	203	59569-83	197		335
58075-86	173	58449-96	175	59139-89	193	59579-91A	199		5
58078-49	173	58453-89A	161	59144-87A	197	59596-89	199		79
58079-49	173	58459-80	161	59144-96	197	59596-96	199	6029	141
58082-87	187	58460-80	161	59150-90	197	59626-84	201	60293-90	73
58084-94	173	58461-80	161	59159-80	193	59634-90A	199	60294-90	73
58088-94	173	58466-80	161	59166-80	193	59634-96	199	60297-90	73
58109-88B	175	58467-94	161	59167-94	203	59648-84A	199	60348-65B	59
58128-89	169	58468-94	293	59171-93	203	59655-94	199		63
58128-96	171	58473-80	161	59171-96	203	59655-96	199	6035	319
58129-89	169	58477-80	161	59176-93	195	59658-79A	199		323
58129-96	171	58478-86A	169	59180-80	193	59659-96	199		325
58183-78	173	58478-96	171		355	59710-84	277		327
58184-86	169	58479-86A	169	59181-80	193	59880-95	203	6036	135
	367	58479-96	171		355	59881-95	203		145
58186-86	169	58482-86	163	59182-84	193	59882-95	203		165
	367	58484-89	163	59197-87	193	59883-95	203		309
58187-86	165	58486-89	163	59201-96	193	5989	177		319
	167	58488-84	163	59211-74	193	59893-93	203		323
58193-94	173	58493-89	177		355	59893-96	203		327
58198-86	165	58494-89	177	59225-93	145	59914-86A	199	60363-86C	127
58198-96	167	58497-96	171	59226-93	145	59914-96	199	60397-85B	73
58208-96	167	58510-96	171	59231-86	193	59918-92	199	60399-90A	73
58247-86	165	58520-79A	101		355	59918-96	199	604	349
58247-96	167	58679-90	177	59235-86	193	59924-80	193	6040	117
58304-96	167	58681-90	177	59236-89	193	59938-72	347	60403-90A	73
58311-86	169	58683-89A	177	59245-90	365	59954-86A	203	60415-89B	73
58311-96	171	58684-89A	177	59246-89	193	59955-86A	203	6042	117
58322-88A	169	58687-89	177	59251-90	199	59959-86	275	60427-90	73
58355-86	249	58688-89	177	59254-91	133	59964-86A	203	60432-94	207
58356-86	249	58712-79A	163		199	59969-86A	203	6047	155

NUMERICAL INDEX

Part No.	Page	Part No.	Page	Part No.	Page	Part No.	Page	Part No.	Page
6047	157	61109-85D	215	61365-95	227	62172-75	223	6333	133
	323		217	61366-95	225	6220W	191	6334	89
	325		219	61366-96	231		195	6335	343
	329		221	61367-95	225		85		355
6048W	35		223	61367-96	231		89		365
60529-90	207	61112-82A	215	61370-95	227	6229W	333	634	55
6053	161		223		231	6235	177	6343	345
60537-89	73	6113	149	61371-95	227		335	63501-68A	221
60539-94	207		151		231	62356-95	209		223
6054	343	61131-92	221	61400-94	271		217		31
	365		223	61407-95A	211		31	63505-84	221
60543-95	207	61155-84B	221		219	62357-95	211		223
60562-95A	207	61157-87	221	61408-95A	211		219		31
60567-90A	207	6116	223		219	62358-95	211	63511-93	59
6057	51		45	61426-95	221		219	63515-92	233
60572-86	207	61165-89A	221	61450-95	215	6237	135	6352	89
6058	45	61166-93	227		217	62375-57	57	63521-95	209
60630-94A	207		231		221		63		213
60647-94	49	6119	173		223	6238	343		217
60661-94	207	61192-88	255	61470-95	211		345		219
60663-95	207		259		219		365	63523-92A	235
60664-94A	207		267	61471-95	211	6239	27	63525-92	235
60665-94	207	6121	265		219	62419-93	59	63528-92	235
60668-84B	205	61225-94A	217	6150W	179	62421-90	63	6353	115
60670-85	207	61227-95	209		319	62423-90A	63	63530-92	235
60673-85A	207	61228-95	221	61631-84	249	62429-93	59	63533-41	17
60678-85	207	61235-94	271	61640-84	221	62432-93	59		21
60691-94A	207	61267-95	223	61641-84	221	62433-95	63		27
60692-94A	207	61268-96	219	61648-85	169	62489-93	59		59
6072	187	6127	149	61651-90	227	62490-93	59		63
608	319	61270-88A	215		231	62491-95	233	63534-90	63
6083	151	61272-92A	217	61654-94	271	62498-91	233	63535-90	63
6084	325		219	61660-85	221	6253W	169	63538-92	235
609	55		221	61667-90A	221		309	63546-87	87
	59		223	61911-95	223		35	63551-82	351
	61	61274-92	215	6198	263	62555-95	209	63553-91	233
60954-89	367	61278-92	215	62043-81A	221		213	63554-90	27
60957-89	215	61279-88	215		263		219		63
60960-94B	255	61290-92	221	62055-96	231	62563-65	233	63555-84	217
60973-90	215	61291-92	221	62056-96	231		279	63556-87	233
6099	195	61313-88	215	62123-66	127	62607-93	59	63556-92	235
	27	61322-80C	209		129	62634-84	233	63572-86	233
	327	61324-88A	255	62150-85	209	62640-93	59	63573-82	353
	329		259		211	62647-90	63	63609-72	351
	69		267		217	62649-90	63	6365	221
	75	61326-95	211		219	62672-90	63	6366	85
	87		219		221	62673-90	63		87
	91	61338-94A	209		223	62681-92	63		89
6101	69		217	62161-75	209	62683-93	59		91
	77		221		217	62684-93	59	6371	117
61029-92	215		223		221	62685-95	63	63796-77A	235
61039-95	223	61342-95	211		223	62704-84A	233	6379W	133
61054-95	223		219	62166-81A	221	62707-84	233		181
6109	187	61343-95	211	6217	49	62725-90	233		201
	215		219	62170-81A	209	62786-96	167		203
	35	61344-94	271		217	62787-96	167		337
	39	61346-95	211		223	631	61	63813-90	235
	73		219	62172-75	209	6316HW	51	63858-49	11
61095-92	37	61356-95	211		217	6330	151	63859-95	207
61103-83B	221	61364-95	227		221		257	6400HB	139

NUMERICAL INDEX

Part No.	Page	Part No.	Page	Part No.	Page	Part No.	Page	Part No.	Page
6400HB	19	65669-95	243	66055-93	123	6702	125	67060-87A	249
	71	65670-90A	243	66060-96	247		135	67060-96	253
6409	195	65674-95	243	66104-84	163		187	67067-76	263
6410	131	65678-85B	237	66109-93	245		191	67068-76	263
	133	65680-95	237	66111-93	245		197	67069-76	263
	135	65682-95A	241	66185-93	245		209	67070-76	199
	343	65695-95	243	66210-85B	245		211		263
6411	169	65701-95	243	66248-93	123		217	67072-87B	249
6416	345	65702-95	239	66285-95	247		219	67073-87A	249
	361	65723-85	237	66309-84	245		239	67075-57A	275
6497HW	51	65724-85	237	66333-90	327		243	67079-86A	263
6498	117	65732-95	239		329		249	67085-95	257
6499	197	65734-95	239	66346-91	247		335	67094-85	253
6506	13	65746-95	243	66347-91	247		339	67098-87	249
6516HW	5	65747-90A	243	66361-90	327		349		253
	97	65750-95	239		329		73		263
6519	347	65761-95	239	66366-90	247		89	67101-96	253
65283-94	237	65777-95	239	66366-96	247	67023-94	249	67103-95	257
	239	65781-82	239	66368-90	247	67024-84A	263	67104-95	257
	243	65782-82	239	66368-96	247	67025-95	257	67110-95	257
653	15	65813-95	239	6639	81		259	67115-91	263
	19		243	6645	173	67025-96	257	67117-85	249
	23	65822-95	239		187		259		263
65302-82A	243	65826-90A	243		221	67027-91A	263	67118-87	263
65324-83A	237	65827-90	243		325	67027-96	265	67119-95	259
	239	65840-95	239	6653A	355	67028-94	251	67120-84B	263
	243	65842-95	239		363	6703	101	67121-95	257
65325-83	237	65844-95	243	6655	103		125	67123-86B	249
	239	65846-95	237		111		141	67125-86A	263
	243	65853-95	239	66600-84	123		159	6712B	351
65328-83	237	65855-95	239	66997-86A	249		191	67136-85	251
	239	65862-95A	237	66998-86	249		197		255
	243	65863-95A	237	66999-86	249		201		255
65376-95	243	65864-95	241	67000-94	249		201		257
65379-95	243	65868-91A	243	67000-96	249		209		259
65388-95	243	65885-95	241	67003-94	249		211		265
65401-95	239	65887-95	239	67009-72	123		217		267
65413-95	239	65890-95	241	6700B	351		219	6716	141
65459-95	239	65892-95A	241	6701	103		237		159
65464-95	239	65894-95	241		121		239		191
65499-95	239	65896-95	241		129		247		201
65503-95	239	65898-95	241		133		249		323
65515-95	239	65900-95	241		137		319		351
65519-52B	237	65902-95	241		161		339		45
65522-91	239	65904-95	241		181		365		87
65538-95	237	6590HW	81		185		367	67166-88	263
65539-95	237	65989-90A	245		203		45	6717	165
65552-95	237	65995-88A	245		239		69		179
65554-95	237	66000-80	245		275		71		365
65603-95	239	66004-93	245		335		73	67177-95	257
65611-95	237	66010-82A	245		347		75		261
65621-83	237	66029-80	123		349		77	67178-95	267
65626-95	237	66030-88	115		355	67030-91A	263	67178-96	267
65627-95	237	66031-91	245		5	67030-96	265	67179-95	269
65630-83B	237	66032-91	245	67018-95	257	67042-95	257	6718	137
65632-83C	237	66033-96	247		261		259		347
65634-92A	237	66042-79A	233	6702	101	67043-96	253	67184-94	253
65636-95	237		245		107	67053-95	257		255
65647-83	237	66043-93	245		111	67055-92	199		257
65668-95	243	66046-93	123		121	6	273		265

NUMERICAL INDEX

Part No.	Page	Part No.	Page	Part No.	Page	Part No.	Page	Part No.	Page
67184-94	267	67356-96	253	67726-71	165	67821-87	113	68036-91	277
67185-95	259	6736	51		167	67822-88	273	68046-79	199
67190-89	255		9		179	67823-92	183	68047-79	199
	265	67367-96	329	67730-91	185	67824-96	181	68048-93B	275
	267	6737	9	67732-71	179	67827-88A	273	68049-93B	277
67191-94	255	6738	139	67732-71A	165	67828-88A	273	68050-93	181
	257	6753	151		167	67829-88	273	68051-93	181
	259	6756	115	67746-85	163	67834-83	185	68052-93	181
	265	6758	79	67755-81A	165	67841-93	181	68081-96	199
	267	67601-94	181		167	67841-96	181	6812	115
67211-86A	249	67602-94	183		179	67846-70	159		117
67212-93	263	67603-94	181	67757-92	181		187	68123-73	275
67215-89	263	67608-86	249		185		313		359
67216-86B	251	67615-89A	187	67763-92	183	67849-93	183	6816	43
67219-86	249	67615-96	187		185	67858-89	159	68163-84	189
67222-95	331	67621-94	173	67768-86	181		187		273
67229-85	249	67622-94	149	67769-93	181		321		277
6723	347	6762B	9		185	67859-90	129	68168-89	145
67232-85A	249	67631-94	149	67770-96	181	67865-89	139		163
67233-80D	251	67652-96	183	67772-80	181		185		187
67234-84	249	67653-96	183		185	67866-94	179		273
67236-80	249	67654-96	183	67773-80A	109	67868-94	179		275
67237-80	251	67655-96	183		181	67872-89A	183		359
67238-80	251	67656-96	183	67775-94	163	67879-94	255	68169-90	277
67239-83	369	67659-96	183	67777-80A	181		257	68383-96	253
6724	149	67674-94	179		185		259	68401-90	189
67243-84	251	67682-94	179	67778-60	165		265	68402-86	361
67244-95	211	67685-92	181		167		267		361
	219		185		179	6788	335	68403-86	277
67245-93	251	67691-92	183	67780-60	165	67880-94	255	68406-86C	273
67246-93	251		185		167		257	68407-86	275
67255-95	269	67692-92	163	67781-92	183		259	68408-86D	273
67256-95	269	67696-81	165		185		265	68410-87B	275
67257-95	257		167	67782-60A	165		267	68415-96	253
	261		179		167	6789	179	68423-96	253
67260-96	265	67697-81	165		179	67892-93	181	68424-89	277
67266-94	199		167	67789-91	181	67894-93	181	68430-89	277
	273		179	67790-93	181	67903-96	181	68435-95	251
67268-95A	255		181		185	67904-96	183	68440-86	163
67269-94A	255		185	67793-92	165	67905-96	183		187
67270-94	255	67698-81C	181		167	67920-96	183		277
67271-94	255		185		179	6798	263		361
	265	67702-81A	165		183	68008-73B	359	68452-86	163
	267		167	67798-92	165		359		187
67278-94A	255	67705-92	181		167	68020-92A	259		273
67282-96	265		185		179	68021-92A	259		277
67287-95	123	67712-83	165		183	68023-92A	259		361
	43		167	67800-93B	251	68024-92A	259	68456-89	201
67295-95	249		179	67801-92	165	68024-94	253	68457-86	273
67296-95	251	67713-86	181		167		255		277
67298-95	257	67716-60A	165		179		257	68459-84B	251
	261		167		183		265	68460-92	251
67301-95	269	67718-60A	165	67805-92	185		267	68462-64	263
67305-95	249		167	67807-92	185	68026-73	275	68473-95	251
67306-95	249		179	67808-86	113		359	68480-73	277
67347-96	253	6771A	235	67811-95	43	68027-90	275	68480-93	277
67348-96	253	67721-48	167	67815-59A	185		359	68493-90	277
67349-96	253	67724-71	165	67816-86	113	68032-90	277	68505-90	189
67350-96	253		167	67819-86	113	68033-90	275	68506-92	277
67352-96	253		179	67820-86	113		359	68507-90	277

NUMERICAL INDEX

Part No.	Page	Part No.	Page	Part No.	Page	Part No.	Page	Part No.	Page
68510-74B	277	68788-96	253	70216-96	301	70369-96	211	70504-81	157
68513-92	259	68789-96	253	70218-87A	315	70372-96	317	70551-69	305
68513-95	257	68802-95	275	70219-87	315	70373-96	317	70552-69	305
68516-92	259	68803-95	277	70221-94	361	70375-96	317	70553-69	305
68516-95	257	68808-94	285	70232-94	285	70376-96	317	70554-69	305
68519-68	163		299		287	70377-93B	245	70555-69	305
	187	69011-95	279	70232-96	289	7038	103	70556-71	305
68536-75	159	69012-93A	279		291		129	70558-71	305
68537-89F	323	69060-90C	279	70233-95	331		137	70559-71	305
	327	69062-91A	279	70237-94	359		139	70578-89	307
68540-96	319	69074-95A	279	70238-95	33		15	70579-65	263
	325	69120-91	279	70245-94A	299		181		299
	329	69122-95	279	70250-95A	267		185		301
68551-95	257	69125-65	279	70267-93A	245		19		303
68555-87	273	69126-92	37	70271-96	171		239		307
68566-90	273	69133-95	279	70276-95	245		349	70580-89	307
68570-94B	319	69558-95	303	70276-96	245		89	70581-73	361
68572-64B	277	6960	347	70279-96	171	7039	101	70582-92	355
	361	6961	347	70282-94	293		107	70585-93	307
68594-84	193	6962	347	70287-81	251		111	70586-93	183
68608-83	259	6963	347		257		137		185
68619-83	187	69631-95	303		259		139		307
68620-96	253	6970	141		305		345	70587-93	307
68634-86	165	70005-70	305	70288-81	285		347	70588-95	307
68650-92	183	70011-84C	245		293		349	70643-79B	143
	185	70028-94	355		305		5	70644-79A	143
68654-92	165	7003	91	70289-89	295	7041	101	70646-94	143
	167	70032-95	327		297		107	70648-94	145
	179	70041-95	41		305		111	70654-86	315
	183	70043-81	305	70291-89	283		121		367
68661-87	187	70044-96	325		299		125	7068	133
68668-87	187	70047-82	315		305		139		137
68671-69A	189	70060-92A	245	70292-89	305		185		139
68672-38	189	70078-91A	245		37		187		149
68674-69	189	70078-96	245	70293-87	267		191		151
68684-86	189	7008	165	70293-87A	305		211		185
68688-89	159	70082-82	315	70302-90	305		219		347
68705-93A	183	7009	91	70305-90	305		221		349
	185	70091-95	327	70313-95	211		237		81
68706-94A	193	70102-90A	245		219		239	7069	187
68709-94	273	70102-96	245	70317-95	211		249		209
68710-94	273	70103-95	245		219		263		211
68712-94	189	70103-96	245	70326-95	211		275		219
68713-94	277	7012	117		219		339		361
68714-94A	193	70141-95	159	70339-91B	281		343	7073	173
68720-62	189	70142-94	153	70344-95	259		345	70909-95	339
68721-62	189	7015	323	70345-84	295		365	70932-96	325
68725-62	189	70160-94	309		297		49	70933-90	369
68745-93	277	70168-89	311		317		51	70936-91B	263
68750-93	101	7017	165		45		75	70939-84A	263
	123		169	70347-84	305		77	70940-96	325
	305		271		327	7042	273	70941-84A	263
68760-94	275	70172-94	283	7036	145		275	70958-93A	159
68761-96	305	7018	165		191	7043	345	70984-90A	327
68763-94	277	70184-94	367		201		347	70984-96	329
68765-94	277	70191-73A	153		309		349	70985-94	295
68766-94	163	70196-86	193		349		363	70985-96	297
	187	70197-86	153		365	7045	137		329
68767-94	189	70216-93B	300		45		275	70987-90B	327
68785-94	199		301	70369-95	211	70504-81	155	70995-95	209

NUMERICAL INDEX

Part No.	Page	Part No.	Page	Part No.	Page	Part No.	Page	Part No.	Page
70995-95	213	7130W	273	71544-93	319	720	19	72041-71	357
	217		355	71545-93	319	72023-51B	319	72043-71	257
	219	71310-94	179	71553-96	317		323		259
70999-94	217	71313-96	265	71555-90	327		325	72043-71A	213
	219		325		329		85		219
7100	275	71419-93	129	71557-93	315		87		289
71001-94	255		267	71558-96	317		89		299
7101	275		329	71560-84	323		91		301
	277	7142	125	71563-82A	315	72029-84	357		307
7102	319	71421-95	129	71563-96	317	72033-93	33		315
	369		327	71564-82A	315	72034-71	277	72044-71	359
71090-64	263		329	71564-96	317		295	72044-71A	257
71092-68A	263	71422-96	321	71567-82	315		307		289
71134-68	263	71426-93	319	71567-96	317	72035-71	213		299
71141-68	263	71427-93	319	71568-82A	315		307		301
71146-94	255	71427-96	319	71568-96	317	72035-96	209		307
	265	71428-90B	327	71580-84	323		213		33
	267		329	71583-85	323	72036-71	307		357
7115	125	71431-96	171	71589-92	315	72037-71	307	72045-90	297
	141	71434-96	171	71589-96	317		357		307
71150-92	263	71452-91A	129	71590-92	315	72038-71	251	72046-79	285
71151-92	263		143	71590-96	317		257		289
71152-92	263		163	71591-92	315		259		293
71158-86B	263		179	71591-96	317		267		299
7118	197		215	71592-88	315		295		301
	309		255	71592-96	317		315		303
	355		267	71593-88	315		357		307
71182-47A	263		319	71593-96	317		359	72048-90	307
7124	101		325	71594-88	315	72038-71A	281	72051-77A	281
	111		327	71594-96	317		289		307
	125		329	71595-86	315		297	72054-84	357
	41		333	71595-96	317		299	72055-94	147
71241-91	263		343	71597-92	315		301		367
71246-95	267		365	71597-96	317		307	72056-92	183
71248-95	263	71501-93	255	71598-92	315		37		185
71254-96	265		267	71598-96	317	72039-71	163		289
71255-96	265	71501-94	323	71600-93	323		165	72057-84	357
71265-95	265	71505-89	169	71774-77	159		189	72059-89A	313
	267		319	71795-63A	199		257	72060-94	147
7127	191	71505-96	171		357		259	72068-95	43
	273		319	71805-88	315		267	721	59
	341	71506-94	323		367		273	72102-94BK	119
7128	141	71512-89	321	71806-88	315		277		281
	161	71513-89	159	71807-88	315		283		301
	343	71513-96	159		367		285		303
	365		171	71809-88	145		293		317
7129	151	71521-89	313		311		315	72103-94BK	159
	309	71522-94A	179		313		357		283
71294-89	215	71522-96	179		367		367		285
71295-68	263	71526-93A	319	71813-89	367	72039-71A	209		289
71296-93	251	71530-95	321	71814-91	145		213		293
71297-68	263	71532-95	321	71814-96	145		219		295
71300-94	263	71535-94	319	71820-96	317		281		297
71302-93	265	71535-96	171	71821-96	317		289		299
	267		319	71822-96	317		299		317
71307-94	255	71536-93	319	71823-96	317		301		361
71309-92	201	71537-95	321	71824-96	317		307		47
7130W	161	71540-94	179	71825-96	317	72040-71	307	72104-94BK	283
	181	71541-84	323	71827-96	367	72041-71	285		295
	185	71543-93	319	720	15		293		297

NUMERICAL INDEX

Part No.	Page	Part No.	Page	Part No.	Page	Part No.	Page	Part No.	Page
72104-94BK	299	72118-94BK	283	72146-94	303	72158-94	45	72191-94	295
	361		307		309	72159-94	255		297
72106-94BK	285		355		331		283		299
	289		45	72148-94	281		295		301
	293	72119-94BK	255		283		297		303
	295		283		285		315		307
	299		295		289		317		309
	301		297		293		33		315
	303		315		295		367		317
	309		317		297	72163-94BK	57		319
	331		33		299		59		33
72108-94BK	281	72128-94GY	285		301		63		331
	283		293		303	72172-94	307		355
	285		295		309	72173-94	257		359
	289		297		355		261		37
	293		299	72149-94	283		307		45
	295	72129-94GY	285		285	72174-94	307		47
	297		289		289	72176-94	307	72195-94	143
	299		293		293		317		163
	301	72138-94GY	319		299	72178-94	307		255
	303		281		331	72179-94	255		281
	309		289	72152-94	285		307		283
	355		301		289		317		285
72109-94BK	283		303		293	72190-94	119		291
	285		331		309		159		293
	289	72139-94GY	295		47		281		295
	293		297	72153-94	143		283		297
	299		317		147		285		299
	331	72142-94	119		159		289		301
72112-94BK	285		281		163		293		303
	289		301		193		295		307
	293		303		255		297		309
	309		317		257		299		315
	47	72143-94	159		261		301		317
72113-94BK	143		283		265		303		319
	147		285		267		307		33
	159		289		295		309		331
	163		293		297		313		359
	193		295		299		317		367
	255		297		301		331		45
	257		299		303		355	72198-94	281
	261		317		359		361		285
	265		361		37		47		291
	267		47	72154-94	163		57		295
	295		57		355		59		297
	297		59	72156-94	159		63		299
	299		63		309	72191-94	143		309
	301	72144-94	283		315		147	72199-94	119
	303		295		317		159		159
	359		297		33		163		257
	37		299	72158-94	199		255		281
72114-94BK	163		331		281		257		285
	331		361		283		261		291
	355	72146-94	285		289		265		293
72116-94BK	159		289		301		267		295
	309		293		303		281		297
	315		295		307		283		299
	317		297		319		285		301
	33		299		331		289		303
72118-94BK	199		301		355		293		309

NUMERICAL INDEX

Part No.	Page	Part No.	Page	Part No.	Page	Part No.	Page	Part No.	Page
72199-94	331	72222-94	287	72257-94	287	72299-95	331	72505-95	213
	47		291	72258-94	283	7229W	121	728	125
	57		293	72263-95	33		245	73102-96BK	183
	59	72223-94	295	72266-94	159		263		303
	63		297		281		309	73103-96BK	253
7220	103	72224-94	295		283		319		301
	177		297		287		327		303
	191	72225-94	287		291		41	73104-96BK	301
	75		291		295		91		303
	77		293		297	7230	125	73106-96BK	253
72200-94	283	72226-94	287		299		139		301
	285		291		301		177		303
	291		293		303		275	73108-96BK	301
72202-94	285	72227-94	287		309		51		303
	291		291		317	72300-89	287	73110-96BK	261
72203-94	283		293	72268-94	283		291		291
	285		295		287		293	73112-96BK	291
	291		297		293		321		301
72205-94	285	72229-94	287		295	72301-89	321		303
	291		291	72273-95	33	72302-89	321	73152-96BK	189
	293		293	72275-74	307	72307-95	331		261
	303		295		357	72311-95	331		269
72206-94	267		297	72276-74	307	72313-95	331		271
	321	72233-94	283	72277-74	307	72316-93	321		277
	329	72234-94	293	72278-74	307	7232	115	73153-96BK	291
72207-94	267	72235-94	283	72280-95	33		263	73154-96BK	183
	321	72236-94	293	72282-95	331	72321-93	321		185
	329	72238-94	283	72283-94	287	72322-93	321	73156-96BK	189
72208-94	285		293		291	72323-96	171		273
	291	72239-94	283		293	72324-95	331		291
	293	72241-94	267		295	72326-95	33	73160-96BK	253
	303		281		297		331		261
72209-94	287		295	72284-94	283	72328-96	325	73162-96BK	171
72210-94	303		299		293	72330-95	331		257
72215-94	287		301	72287-95	33	72331-95	331		261
	299		303		331	72332-94A	321		265
72216-94	287	72242-94	295	72290-94	159	72334-94	321		269
	291		297		213	72334-96	321	73190-96	183
	293		299		219	72335-94	321		253
	301		41		281	7234	313		261
	303		43		291	72340-94	287		291
72217-94	287	72243-94	295		299		291		301
	291	72244-95	33		303		293		303
	293	72245-95	33	72291-94	297	72342-90	327	73191-96	171
	299	72247-95	33		299		329		183
	301	72249-94	281		301	72343-94	321		185
	303		281		327	72344-94	163		189
72218-94	287		283	72292-94	299	72347-94	287		253
	291		287		301	72351-95	331		257
	293		295	72293-94	299	72352-95	331		261
	299		309		301	72353-95	331		265
	301		361	72294-94	213	72356-95	331		269
	303		41	72295-94	297	72365-96	303		271
72219-94	287		43		299	72366-95	299		273
	291	72251-95	33		301		301		277
	293	72253-94	283		303		303		291
	299	72255-94	295		327	72367-96	325	73198-96	303
72220-94	287		297	72296-95	331	72368-96	325	73199-96	301
72221-94	295		301	72297-95	331	72503-90	307	738	39
	297	72257-94	283	72298-95	331	72504-95	213	739A	205

NUMERICAL INDEX

Part No.	Page	Part No.	Page	Part No.	Page	Part No.	Page	Part No.	Page
739A	55	7492	309	7531	73	7626W	45	7683	197
740	129	7495	279		75	7627	115	7686	161
7415A	177	7497	265	7549	263		117		165
	177	7501	275		267	76274-88	311		169
74406-87	25		359	7549A	255	76277-88	311		233
74407-86	295	75032-87	169	755	191	76278-88	169		309
	297	75032-96	253		193	76279-88	169		339
74408-89	179	75040-88A	209	7554	149	76280-88	311		343
	313	75040-96	209	756	171	76280-96	311		69
74412-91	301	75044-84	169	7576	279	76281-88	311		75
	307	75044-96	253	758	211	76282-88	311	7688	171
74414-93	311	75045-84	169		219	76283-89A	311		201
74419-96	253	75045-96	253	7586	141	76284-89A	313		265
74420-94	59	75047-88	255		161	76286-96	171		319
	63		261		333	7629	191		343
74424-95	33		269		343		197		349
	331	75048-96	253		365		23		365
74437-96	57	75049-88A	255	7588	117		249		367
74500-96	219		261	7593	15		299		41
74501-96	219		269		19		301	7689W	191
74505-95	43	75058-88	261		237		303	77004-80	169
74519-88A	41		269		239		319		311
74521-77A	307	7506	15		243		323	77010-96	311
	357		19	7594	131		325	77029-86B	147
	47	75062-90	255	7596	121		327		311
74526-86	169		261	7598	347		329		367
	253		269		349		331	77032-89	367
74527-86	169	75064-96	255	7600	191		355	77036-86	169
74529-79A	41	75067-94	271	7601	121		45	77046-96	171
74536-77A	281	75068-94	271		129	76292-95	313	77060-86	169
	307	75069-95	213		335	76294-93A	311	77070-88A	169
	357	7507	125		337	76297-89	313	77092-89	313
	359		191		35	76299-94A	367	77092-96	171
	47		223		355	76303-89	147		313
74539-77A	281		279		5	76304-91	147	77100-89B	313
	307		335	7602	323	76307-89	147	77100-96	317
	357		51	7606	181	76315-91	147	77101-90B	159
	359		73		185	76316-96	171	77101-96	317
	361	75071-95	213	7608	141		311	77113-89	159
	47	75076-96	219		333	7634	211	77147-91B	311
74587-94	287	75099-96	255	7609W	309		219	77148-91	311
	291	75106-96	171	7613A	191		45	77151-91A	311
	293	75109-96	253	76175-86	147	7638	209	77159-95	311
	299	75111-96	253		169		355	7716	131
	301	75112-96	253		169	7643W	133		139
	303	75117-96	219	76192-94A	367		203		141
	325	7515	51	7620W	367	7651	173		159
	329	7520	141	76238-86	169		191		177
74589-73	323	7531	177	7624	191	7653	165		177
	327		191		201	7667	117		309
	327		195		355		137		327
74599-77B	301		197	76240-88	311		203		329
	303		209	76248-86	311		337		41
	323		211	76250-86C	311	7669	73	77161-94A	147
	325		217	76252-86	311	7680	169	7725	349
	327		219	76253-86	311	7680W	115	7727	349
	329		233	76255-86	311		133	7729	351
74600-94	299		243	76258-86	311		203	7736	341
	321		339	76259-86	311	7682	191		345
7490	339		365	76260-89	311	7683	191		51

NUMERICAL INDEX

Part No.	Page	Part No.	Page	Part No.	Page	Part No.	Page	Part No.	Page
7739	151	7800W	277	8155	263	87043-85	353	88425-67	343
	161	7823	355	83162-51	25	87048-88	349	88426-91	343
	81		363	8476	221	87056-83B	345	88427-91	343
7740	89	7824	121	8483	155		347	88428-91	343
7742	125		149		157	87071-89	353	88481-91	343
	237	7825	89		197	87073-79	353	88487-91	343
	87	7827W	345		201	87113-83	353	88489-89D	365
	91		97		323	87114-93	347	88489-95	365
7743	215	7830	313		325	87117-36A	345	88490-88A	365
	339	7832	129		329	87120-79	345	88492-89	365
7744	273	7838	49		45		361	88494-89	365
	51	7843	347	84850-92	143	87121-79	361	88495-89	365
	85	7845	149		163	87122-83	347	88496-89A	365
	87		349		215	87123-83	347	88497-89A	365
	91		81		343	87131-83B	347	88498-95	365
7748W	101	7848W	137		365	87132-92	347	88500-89	365
	107		67	8500A	141	87137-92	347	88501-89	365
	111	7855W	345	8505	191	87141-83	347	88503-91A	343
	123		85		195	87142-83	347	88504-91A	343
	125		87	8535	35	87143-83	347	88526-91	343
	139		91	8540	337	87144-83	347	88527-91	343
	211	7860	41	855B	115	87148-92	347	88528-91	343
	219	7862	243		5	87156-83	347	88530-89B	365
	345		91		79	87157-87	345	88531-91	343
	89	7868	335	856A	123	87159-83	345	88536-91	343
7763W	263	7869	201		51	87160-83	345	88537-91	343
7768W	151	7878	145	858	205		347	88538-91	343
7772	121	7880	137	861A	137	87166-93	347	88539-91	343
7775	161		185		139	872A	137	88545-93	365
	203	7883	15	8625	35	87435-83	345	88546-93	365
	345		19	864	35		363	8860	139
	347	7886	173	868	133	87444-33	345	88695-67	343
7778	125	7887	43	8692	161		363	88696-67	343
	137	7888	179	8699	47	87672-76	353	88698-67	343
	187	7889	179	8700	343	87701-79	345	8871	49
	335	7891	135	87002-83	351	87705-79	363	8873	27
	349	7900	171	87006-85	345	87706-83	353		55
	71		339	87007-85	349		363	8876A	65
	97	79041-90	143	87008-88	349	87710-83	363	8879	49
7780	125	7916A	23	87010-85	349	87711-83	363	8883	49
	15	7942	125	87011-85	349	87712-83	363	88862-91	343
	19	7945	325	87013-85	349	87713-83	353	88865-89	365
	345	7987	97	87014-85	345	87714-83	353	891	27
	361	7993	351	87015-85	349	87752-89	353	893	39
7782	15	7994	81	87018-85	349	87776-92	353	89577-95	41
7783	103	8099	369	87019-85	349	87778-64A	353	89579-91	279
	125	8102	121	87020-85	349	87901-83A	357	8977	55
	15		197	87022-88	349	88100-94	345		59
	19		267	87023-88	349	88174-94	345		61
	335	8107	161	87024-85	349	88175-94	345	8996	55
	349	8108	111	87025-85A	349	882	9		59
7792	131		121	87027-85	357	88261-36	345		61
	135		125	87029-85	351	88264-36	345	8998	55
	201		221	87030-85	345	88301-79	345	90180-93	339
	279		279	87032-85	351		361	9028	15
7796	327		89	87038-85	353	88302-79	345		19
	329	8126A	191	87039-85	353		361	90346-94	335
7800W	181		337	87040-85	353	88314-37	345	90361-94	335
	185	8131W	355	87041-85	353		361	90365-94	337
	275	8135B	197	87042-85	353	88403-94	367	90365-96	337

NUMERICAL INDEX

Part No.	Page	Part No.	Page	Part No.	Page	Part No.	Page	Part No.	Page
90468-95	321	90935-93	339	91792-87	335	95594-84	363	9898	303
90469-94	123	90936-93	339	91808-89	163		83		305
90470-90	335	90943-93	339		169		99		315
90471-90	335	90945-93	339		171	95595-84	363	9900	305
90473-94	335	90946-93	339		367		83	99000-77	133
90474-90	327	90958-93	333	91812-89	163		99		135
90476-93	335	90962-93	333		169	96210-80	17	99013-82	135
90477-93	335	90964-63	143		171		21	9905	295
90480-85	349	90965-63	143		367	9840	299		297
90481-91	349	90972-93	333	91841-93A	333		301		299
90483-85	327	91013-79	199	91849-85B	175		303		301
90493-83	139	91023-79	199	91850-87A	133		41		303
	147	91085-83B	193	91875-88	341	9842	303		305
9052	363	91090-77A	193	91892-88	341	9843	303	9907	267
	81	9110	15	919	135		43		305
	97		19	92061-95	261	9847	181		367
9058	23	91107-77	193	92080-88	253		185	9908	45
90594-85	339	91123-77	199	922	145		289	9930	159
90601-93	333	9114	51		169	9848	181		211
90603-93	333	9115	51		177		185		305
90649-85	143	91184-96	337		177		289	9937	283
90663-95	143	91185-96	337	923	111	9852	305		285
90664-93	333	9120	15		169	9856	141		289
90665-93	333		19		309		255		293
90670-93	333	9121	15		75		259		295
90675-93	333		19	924	221		267		299
90682-93	333	9122	15	925	49		305		301
90686-92	143		19	928	49	9857	259		303
	365	9123	15	929	49		267		305
90688-85	143		19	932	121		281		331
90700-93	333	9124	15		255		297	9946	119
90718-79B	339		19	933	155		305		59
90720-79B	339	9125	15		157		361	9951	47
90743-88	143		19		161	9858	281	9952	319
90752-93	333	9126	15		343		305		323
90753-93	333		19		365	9860	305		325
90756-93	333	9127	15		45		361		327
90757-93	333		19	939	125	9862	305		329
9076	125	9128	15		209	9863	305	9955	237
90763-79	311		19		211	9864	305		239
90764-93	333	9129	15		217	9866	295		243
9077	49		19		219		297	9969	233
90770-79	69	9130	15		331		305	9988	369
90781-93	339		19	940	205		331	9990W	69
90785-94	335	9131	15	941	205		41		
90787-94	335		19	942	27	9868	305		
90801-95	339	9132	15	94435-82C	333	9871	141		
90804-95	335		19	945	205		145		
90804-96	335	9133	15	946	37		305		
90806-95	335		19	949	45	9875	305		
90806-96	335	9134	15	94996-85T	253		315		
90817-94	337		19	95578-41	83	9890	221		
90818-94	337	9135	205		99	9897	281		
90820-93	333	9139	117	95581-47	83	9898	267		
90821-74A	143	9140	117		99		285		
90823-94	337	9141	117	95582-47	83		289		
90834-95	333	91583-91A	131		99		293		
90844-80	143	91721-82	169	95585-88	363		297		
	147	91768-85C	133		83		299		
90934-93	339	91791-87	335	95585-88	99		301		