



## DYNA® MODELS

HARLEY-DAVIDSON® PARTS CATALOG

09439-04B

# 1991-1992 Dyna Models Parts Catalog

Alphabetical List

Parts

Hardware List

New Parts List

Numerical Index

Component Types and Introduction Dates

Common Service Parts

## READER'S COMMENTS

The Harley-Davidson Service Communications Department maintains a continuous effort to improve the quality and usefulness of its publications. To do this effectively, we need user feedback - your critical evaluation of this manual.

Please comment on the completeness, accuracy, organization, usability, and readability of this manual.

---

---

---

---

Please list the page, item, and part number(s) of any errors you find in this manual.

---

---

---

---

Please tell us how we can improve this manual.

---

---

---

---

Table 1.

Name		Document
Occupation		Dealership
Street		Department
City	State	Zip

- Return this form to:

Harley-Davidson Motor Company

Department 625 Service Communications

P.O. Box 653



quantity needed for complete assembly. If there is no number in parentheses, only one is used. Prices of parts in this catalog are published separately.

When ordering parts, the following instructions should be followed carefully.

- Make sure to specify the correct part number for each item. The part numbers appear under the "PART NO." column in the parts lists.
- Orders may be placed via your computer for all parts. Review your system documentation on placing orders electronically. All non-warranty replacement crankcase orders require return of the complete left crankcase half with vehicle identification number (VIN). All non-warranty replacement frame orders require return of the steering neck with vehicle identification number (VIN). Non-compliance will result in a fine. See non-warranty frame and crankcase policy or contact Dealer Services.
- The sale or use of these parts or accessories does not grant the purchaser a license or other right under any Harley-Davidson patent.
- For all 2008 and later painted parts, refer to the Service Section of h-dnet.com which features a listing of painted part numbers, except CVO (Custom Vehicle Operations) models which are located in their own respective catalogs.
- All parts that were added for the new model year will have the entire line shaded on the parts list page. This can be used to identify any new parts that are unique to a specific model, and help distinguish new and previous model year parts.
- Parts marked "**RESTRICTED SALE PART**" are limited edition items and can only be ordered as direct replacements.
- Orientation symbols are used when the illustration is not in the standard "Right-Front" orientation. The symbol is a motorcycle with an arrow in the front indicating the direction of view. The symbol is at the bottom left or right side of the illustration page.
- To request a missing or loose part, simply submit a Return Material Authorization (RMA) claim on h-dnet.com with code "T-part not included with vehicle" for all vehicle missing parts claims. Then place an order for the missing item on your next Parts and Accessories order. Upon filing the RMA claim, your dealership will be credited for the dealer net cost of the part. The Vehicle Identification Number must be included on the RMA claim in order for you to receive credit. This process is to be used for vehicles manufactured at all plants.

To the best knowledge of Harley-Davidson Motor Company, the material contained herein is accurate as of the date this publication was approved for printing. Harley-Davidson Motor Company reserves the right to change specifications, equipment or designs at any time without notice and without incurring obligation.

©2018 H-D.

## GENERAL INFORMATION

### LOOSE PARTS

The Loose Parts section is located at the back of this parts catalog. This section lists the parts which are shipped unfastened with the vehicles covered in this catalog.

### HARDWARE LIST

The Hardware List is located at the back of this parts catalog. This section contains the information for each piece of hardware found in each parts list.

### NEW PARTS LIST

The New Parts List is located at the back of this parts catalog. This list serves as a summary of new parts.

### NUMERICAL INDEX

The Numerical Index is located at the back of this parts catalog. This index includes all part numbers used in this catalog and the page numbers of where they can be found.

## COMPONENT TYPES AND INTRODUCTION DATES

The Component Types and Introduction Dates section is located at the back of this parts catalog. This section contains a list of component part numbers and year of introduction.

## COMMON SERVICE PARTS

The Common Service Parts section is located at the back of this parts catalog. This section contains the most commonly ordered parts for service on vehicles covered in this catalog. These parts are ordered through the normal ordering process.

## SIP (SERVICE INFORMATION PORTAL)

For the latest updates to these manuals, see the Service Information Portal.

## VEHICLE IDENTIFICATION NUMBER

See Figure 1. A unique 17-digit serial, or vehicle identification number (VIN), is assigned to each motorcycle. For a description of each digit in the vehicle identification number (VIN), refer to Table 1.

For all models except V-Rod the full 17-digit serial, or vehicle identification number (VIN), is stamped on the right side of the frame backbone at the rear of the steering head. The vehicle identification number (VIN) is also printed on a label on the right front downtube. An abbreviated vehicle identification number (VIN) is stamped on the left side crankcase between the front and rear cylinders.

For V-Rod models only the full 17-digit serial, or vehicle identification number (VIN), is stamped on the right side of the steering head. The vehicle identification number (VIN) is also printed on a label on the left frame tube above the front engine cylinder. An abbreviated vehicle identification number (VIN) is stamped on the left side crankcase below the rear cylinder head.

Always give the full 17-digit vehicle identification number (VIN) when ordering parts or making any inquiry about your motorcycle.

## 1991 & 1992 DYNA MODELS

### VIN Model Codes

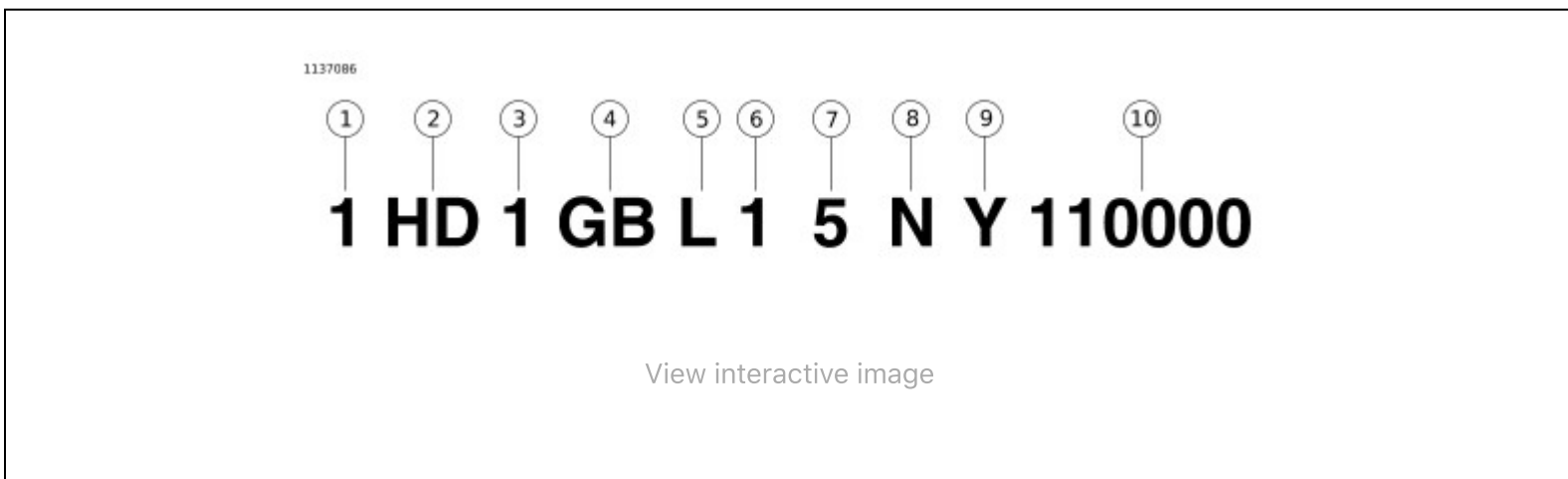


Figure 1. Typical Harley-Davidson VIN

Table 2. Harley-Davidson VIN Breakdown

POSITION	DESCRIPTION	POSSIBLE VALUES
1	Market designation	1=Originally manufactured for sale within the United States 5=Originally manufactured for sale outside of the United States
2	Manufacturer	HD=Harley-Davidson
3	Motorcycle type	1=Heavyweight motorcycle 901 cc and larger
4	Model	See model table
5	Engine type	L=Carbureted

POSITION	DESCRIPTION	POSSIBLE VALUES
6	Introduction date	1=Regular 2=Mid-year 3=California 4=Special Edition
7	V.I.N. check digit	Can be 0-9 or X
8	Model year	M=1991 N=1992
9	Assembly plant	Y=York, PA
10	Sequential number	varies

Table 3. VIN Model Codes

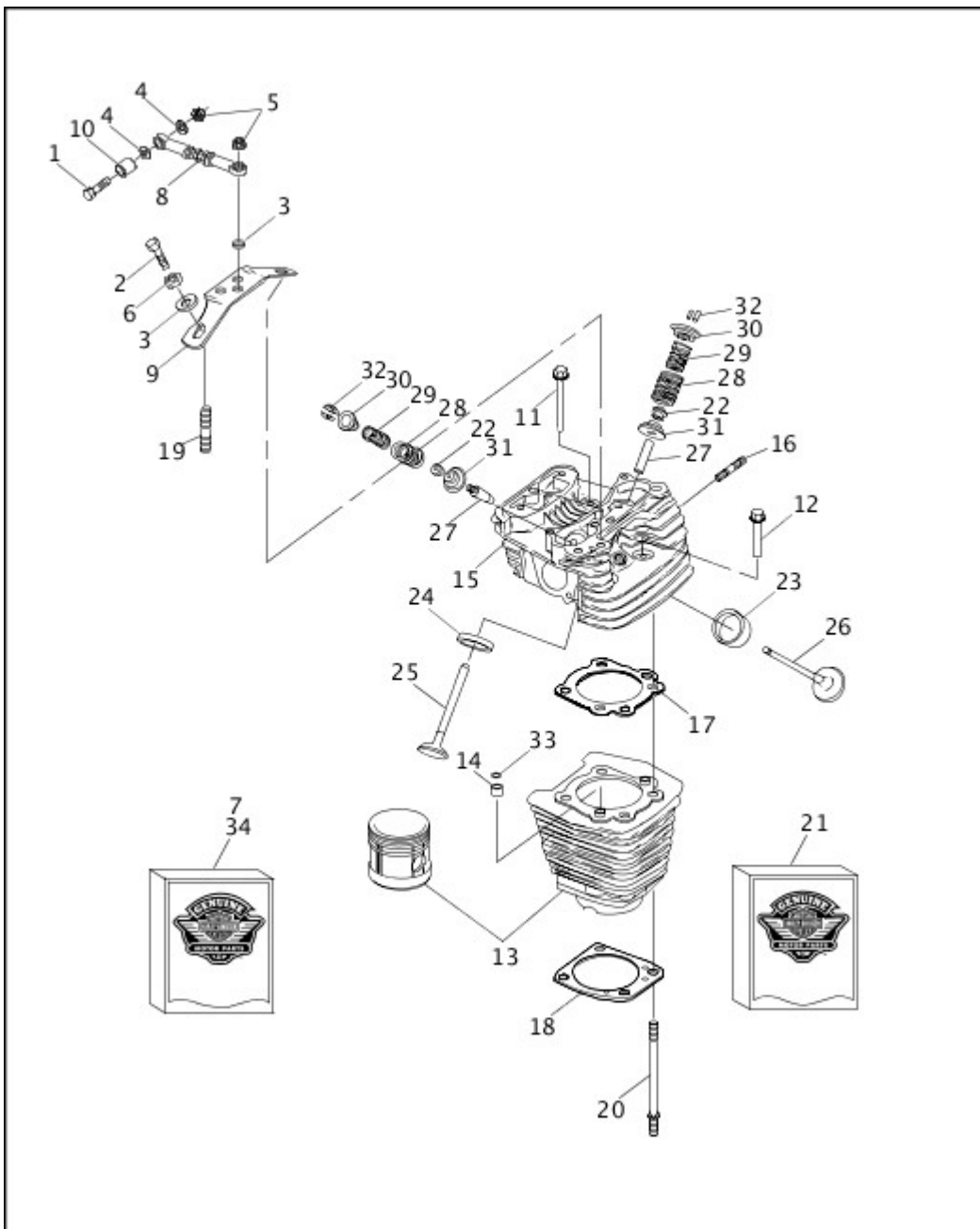
CODE	MODEL NAME	CODE	MODEL NAME
GB91	FXDB-S	GA92	FXDB-D
GC92	FXDC		

## NOTES

AIR CLEANER & ENRICHMENT CABLE (1 OF 2)  
 AIR CLEANER & ENRICHMENT CABLE (2 OF 2)  
 ALTERNATOR & REGULATOR  
 BATTERY  
 BATTERY TRAY  
 BELTS, CHAINS & SPROCKETS  
 CABLE, SPARK PLUG  
 CALIFORNIA EVAPORATIVE EMISSIONS KIT  
 CARBURETOR (1 OF 2)  
 CARBURETOR (2 OF 2)  
 CLUTCH  
 CLUTCH CONTROL  
 CRANKCASE (1 OF 2)  
 CRANKCASE (2 OF 2)  
 CRANKCASE - GEAR SIDE (1 OF 2)  
 CRANKCASE - GEAR SIDE (2 OF 2)  
 CYLINDERS, HEADS & VALVES V2™ - REAR SHOWN (1 OF 2)  
 CYLINDERS, HEADS & VALVES V2™ - REAR SHOWN (2 OF 2)  
 ELECTRONIC IGNITION SYSTEM  
 EXHAUST SYSTEM  
 FOOTRESTS  
 FRAME, REAR FORK & JIFFY STAND  
 FRONT BRAKE CALIPER  
 FRONT BRAKE CONTROL  
 FRONT FENDERS  
 FRONT FORK  
 FRONT TURN SIGNALS  
 FRONT WHEEL  
 FUEL TANK INSTRUMENTS  
 FUEL TANK TRIM  
 FUEL TANKS

GASKET KIT - ENGINE OVERHAUL  
GASKET KIT - TOP END  
GEAR SHIFTER (1 OF 2)  
GEAR SHIFTER (2 OF 2)  
HANDLEBAR  
HANDLEBAR SWITCHES  
HEADLAMP  
HORN  
INSTRUMENTS  
LICENSE PLATE BRACKET  
LINK, STABILIZER  
MIRRORS  
MISCELLANEOUS ELECTRICAL  
OIL FILTERS & MOUNTS  
OIL PUMP  
PISTONS, CONNECTING RODS & FLYWHEELS  
PRIMARY HOUSING  
REAR BELT GUARD  
REAR BRAKE CALIPER  
REAR BRAKE CONTROL  
REAR FENDER SUPPORTS  
REAR FENDERS  
REAR WHEEL  
RELAY, STARTER  
RELAY, STARTER  
ROCKER ARMS, COVERS & PUSHRODS - V2™ EVOLUTION  
SEATS & SISSY BAR  
SHOCK ABSORBERS  
STARTER MOTOR  
SWITCHES & CIRCUIT BREAKERS  
TAIL LAMP & REAR TURN SIGNALS  
THROTTLE CONTROL  
TRANSMISSION GEARS  
TRANSMISSION HOUSING  
TRANSMISSION HOUSING & OIL TANK  
WIRING  
Parts

**CYLINDERS, HEADS & VALVES V2™ - REAR SHOWN (1 OF 2)**



[View interactive image](#)

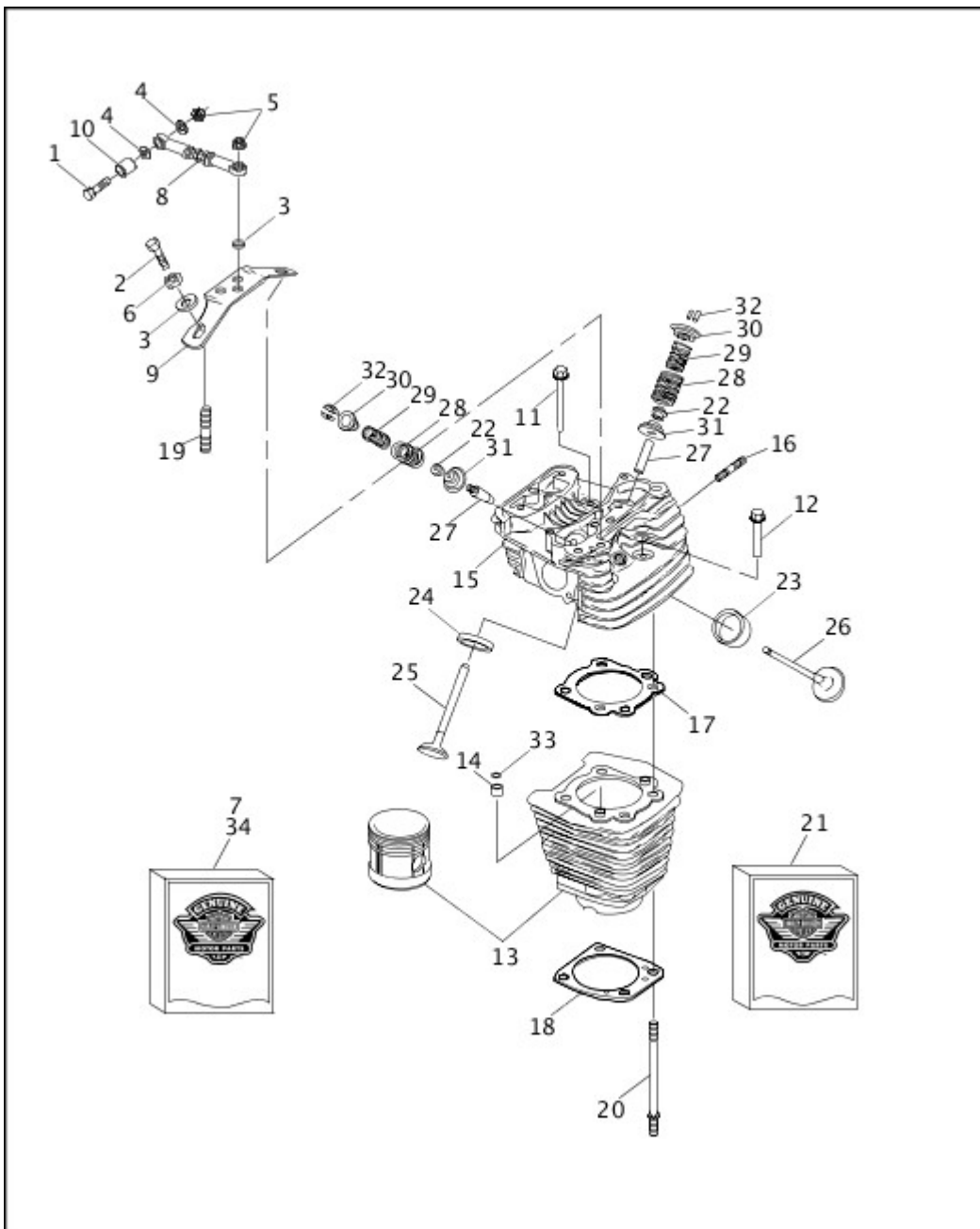
[View interactive table](#)

INDEX NO.	PART NO.	DESCRIPTION	MODEL(S)
1	855B	SCREW	ALL
2	4716W	SCREW (2)	FXDB 1992, FXDC
3	6019	WASHER (3)	ALL
4	6701	WASHER	ALL
5	7601	LOCKNUT	ALL
6	7775	LOCKNUT (2)	FXDB 1991
7	16163-91	ENGINE ASSEMBLY, complete (1340 cc) (black) (California)	FXDB 1991



INDEX NO.	PART NO.	DESCRIPTION	MODEL(S)
	16165-92	ENGINE ASSEMBLY, complete (1340 cc) (chrome & black wrinkle)	FXDB 1992
	16166-92	ENGINE ASSEMBLY, complete (1340 cc) (chrome & black wrinkle) (California)	FXDB 1992
	16171-92	ENGINE ASSEMBLY, complete (1340 cc) (chrome)	FXDC
	16172-92	ENGINE ASSEMBLY, complete (1340 cc) (chrome) (California)	FXDC
8	16219-79C	STABILIZER LINK, top	ALL
9	16238-90	BRACKET, engine mounting (black)	FXDB 1991
	16242-90	BRACKET, engine mounting	FXDB 1992, FXDC
10	16241-90	SPACER	ALL
11	16478-85A	SCREW, internal thread (4)	ALL
12	16480-85A	SCREW, internal thread (4)	FXDB 1991
	16480-92A	SCREW, internal thread (4)	FXDB 1992, FXDC
13	16510-83A	CYLINDER W/ PISTON (2)	FXDC
	16512-86A	CYLINDER W/ PISTON (black wrinkle) (2)	FXDB 1991, FXDB 1992
14	16573-83A	INSERT, cylinder stud (4)	FXDB 1991
15	16690-92B	HEAD, rear cylinder, w/ guides & seats	FXDC
	16691-92	HEAD, front cylinder, w/ guides & seats	FXDC
	16692-85C	HEAD, front cylinder, w/ guides & seats (black wrinkle)	FXDB 1991
	16692-95	HEAD, front cylinder, w/ guides & seats (black wrinkle)	FXDB 1992
	16696-85B	HEAD, rear cylinder, w/ guides & seats (black wrinkle)	FXDB 1991
	16696-92A	HEAD, rear cylinder, w/ guides & seats (black wrinkle)	FXDB 1992

**CYLINDERS, HEADS & VALVES V2™ - REAR SHOWN (2 OF 2)**



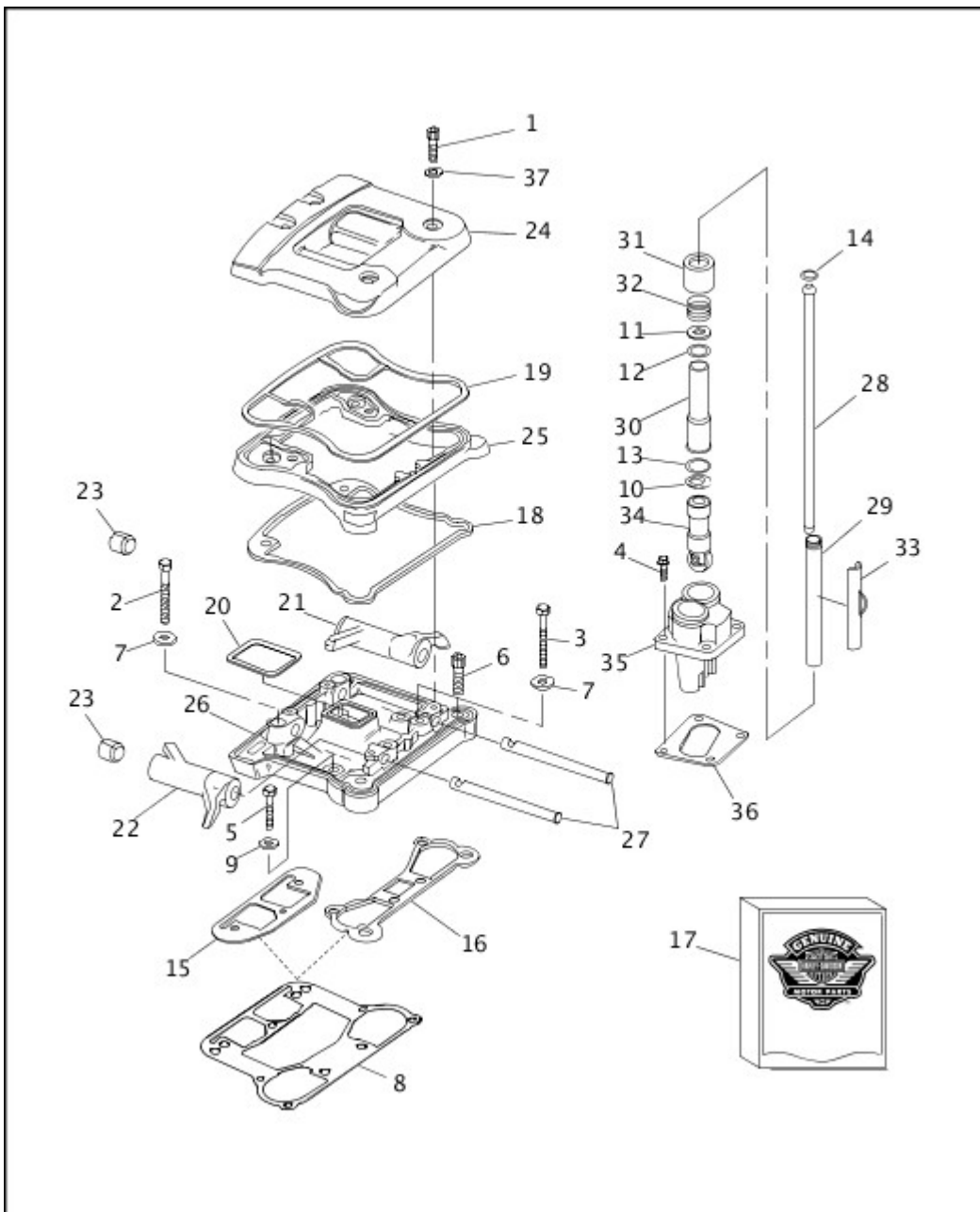
[View interactive image](#)

[View interactive table](#)

INDEX NO.	PART NO.	DESCRIPTION	MODEL(S)
16	16715-83	STUD, exhaust port (4)	ALL
17	16770-84F	GASKET, cylinder head (2)	ALL
18	16774-86D	GASKET, cylinder base (paper) (2)	ALL
	16774-86D	GASKET, cylinder base (steel) (2)	ALL
19	16830-29A	STUD, engine mounting bracket (2)	FXDB 1991
20	16837-85C	STUD, cylinder base (8)	ALL
21	17033-83A	GASKET KIT, top end	FXDB 1991
	17040-92A	GASKET KIT, top end	FXDB 1992, FXDC

INDEX NO.	PART NO.	DESCRIPTION	MODEL(S)
	17035-83B	GASKET KIT, engine overhaul	FXDB 1991
	17041-92A	GASKET KIT, engine overhaul	FXDB 1992, FXDC
22	18001-83B	SEAL, valve (4)	ALL
23	18011-86	INSERT, exhaust valve seat (2)	ALL
	18124-83	INSERT, exhaust valve seat, 0.005 O.S. (2)	ALL
24	18020-83	INSERT, intake valve seat (2)	ALL
	18134-83	INSERT, intake valve seat, 0.005 O.S. (2)	ALL
25	18074-83B	INTAKE VALVE (2)	ALL
	18076-83	INTAKE VALVE, 0.03 short (2)	ALL
26	18082-83A	EXHAUST VALVE (2)	ALL
	18087-83	EXHAUST VALVE, 0.030 short (2)	ALL
27	18101-83D	VALVE GUIDE, intake & exhaust (4)	ALL
	18130-83D	VALVE GUIDE, intake & exhaust, 0.001 O.S. (4)	ALL
	18131-83D	VALVE GUIDE, intake & exhaust, 0.003 O.S. (4)	ALL
	18133-83B	VALVE GUIDE, intake & exhaust, 0.002 O.S. (4)	ALL
28	18201-83	VALVE SPRING, outer (4)	ALL
29	18202-83	VALVE SPRING, inner (4)	ALL
30	18219-83A	COLLAR, valve spring, upper (4)	ALL
31	18222-83A	COLLAR, valve spring, lower (4)	ALL
32	18229-83A	RETAINER, valve collar (8)	ALL
33	26432-76A	O-RING, cylinder stud insert (4)	ALL
<b>INTERNATIONAL MODELS ONLY</b>			
34	16167-92	ENGINE ASSEMBLY, complete (1340 cc) (chrome & black wrinkle) (HDI)	FXDB 1992
	16173-92	ENGINE ASSEMBLY, complete (1340 cc) (chrome) (HDI)	FXDC

## ROCKER ARMS, COVERS & PUSHRODS - V2™ EVOLUTION



View interactive image

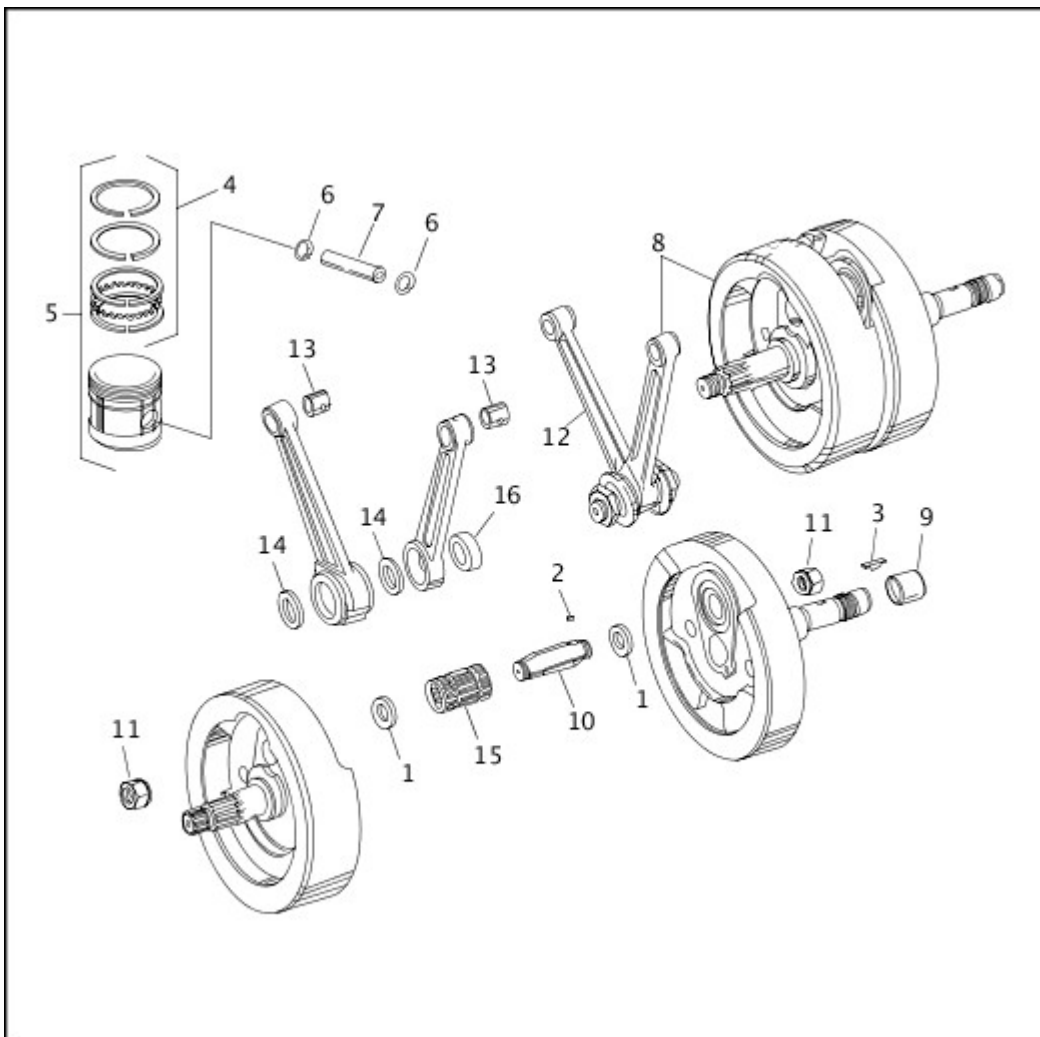
View interactive table

INDEX NO.	PART NO.	DESCRIPTION	MODEL(S)
1	882	SCREW (8)	ALL
2	3500A	BOLT (4)	ALL
3	3501A	BOLT (4)	ALL
4	3770	SCREW (8)	ALL
5	3849	SCREW (6)	ALL
6	4718A	SCREW (4)	ALL
7	6016	WASHER (8)	ALL
8	16800-84B	GASKET, rocker cover/cylinder head, valve & pushrod sides (replaces 16778-84A & 16779-84A) (2)	ALL

INDEX NO.	PART NO.	DESCRIPTION	MODEL(S)
9	6736	WASHER (6)	ALL
10	6737	WASHER (4)	ALL
11	6762B	WASHER (4)	ALL
12	11132A	O-RING, pushrod cover (4)	ALL
13	11145A	O-RING, pushrod cover (4)	ALL
14	11157	O-RING (4)	ALL
15	16778-84A	GASKET, cylinder head, right (use 16800-84B) (2)	ALL
16	16779-84A	GASKET, cylinder head, left (use 16800-84B) (2)	ALL
17	17038-90	GASKET KIT, rocker boxes, w/ 15, 16, 18, 19, 20 & 37	FXDB 1991
	17042-92A	GASKET KIT, rocker boxes, w/ 15, 16, 18, 19, 20 & 37	FXDB 1992, FXDC
18	17355-84B	GASKET, rocker cover, lower (2)	FXDB 1991
	17355-92A	GASKET, rocker cover, lower (2)	FXDB 1992, FXDC
19	17356-84B	GASKET, rocker cover, upper (2)	FXDB 1991
	17356-92A	GASKET, rocker cover, upper (2)	FXDB 1992, FXDC
20	17358-84B	GASKET, rocker cover, inner (2)	FXDB 1991
21	17360-83A	ROCKER ARM, front intake, rear exhaust (2)	ALL
22	17375-83A	ROCKER ARM, rear intake, front exhaust (2)	ALL
23	17429-91	BEARING, rocker arm (8)	ALL
24	17528-92	ROCKER COVER, outer (chrome) (2)	FXDB 1992, FXDC
	17549-90	ROCKER COVER, outer (black wrinkle) (2)	FXDB 1991
25	17529-92	SPACER, rocker cover (chrome) (2)	FXDB 1992, FXDC
	17548-90	SPACER, rocker cover (black wrinkle) (2)	FXDB 1991
26	17530-92	ROCKER COVER, inner (chrome) (2)	FXDB 1992, FXDC
	17547-90	ROCKER COVER, inner (black wrinkle) (2)	FXDB 1991
27	17611-83	SHAFT, rocker arm (4)	ALL
28	17921-83A	PUSHROD, rear exhaust, 11.210 inches long	ALL

INDEX NO.	PART NO.	DESCRIPTION	MODEL(S)
	17924-83A	PUSHROD, rear intake, 11.045 inches long	ALL
	17927-83A	PUSHROD, front exhaust, 11.325 inches long	ALL
	17930-83A	PUSHROD, front intake, 11.090 inches long	ALL
29	17935-79B	COVER, pushrod, upper (4)	ALL
30	17938-83	COVER, pushrod, lower (4)	ALL
31	17945-36B	CAP, cover spring (4)	ALL
32	17947-36	SPRING, pushrod cover (4)	ALL
33	17950-66	RETAINER, spring cap (4)	ALL
34	18523-86B	TAPPET, w/ roller (4)	ALL
35	18540-83C	TAPPET GUIDE, rear	FXDC
	18622-85B	TAPPET GUIDE, rear (black wrinkle)	FXDB 1991, FXDB 1992
	18542-83C	TAPPET GUIDE, front	FXDC
	18623-85B	TAPPET GUIDE, front (black wrinkle)	FXDB 1991, FXDB 1992
36	18633-48D	GASKET, tappet guide, rear	ALL
	18634-48C	GASKET, tappet guide, front	ALL
37	63858-49	GASKET (8)	ALL

## PISTONS, CONNECTING RODS & FLYWHEELS



[View interactive image](#)

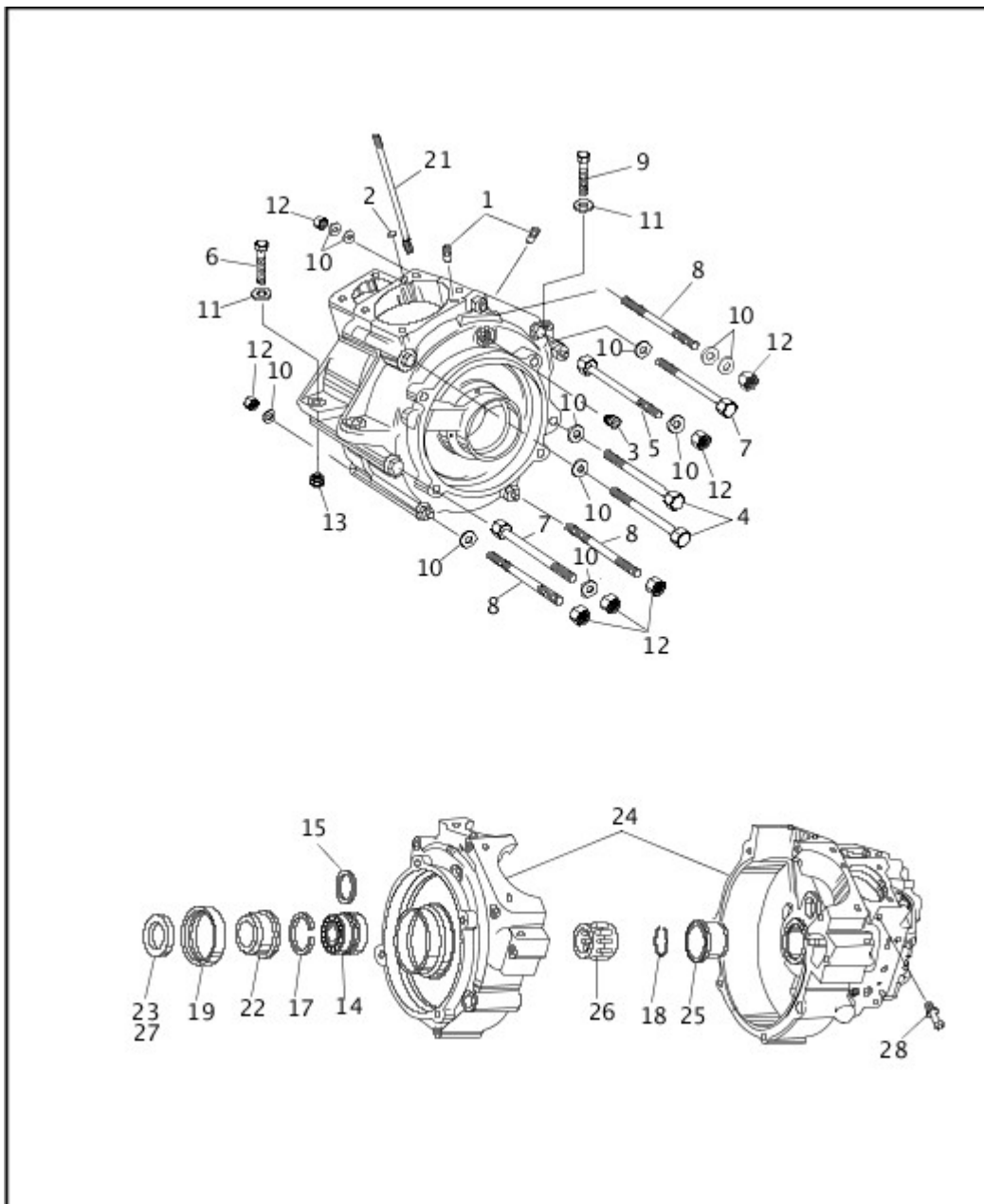
[View interactive table](#)

INDEX NO.	PART NO.	DESCRIPTION	MODEL(S)
1	6506	WASHER, bronze (2)	ALL
2	11218	KEY, crank pin & gearshaft	ALL
3	11219	T-KEY	ALL
4	21920-83	PISTON RING SET, standard (2)	ALL
	21921-83	PISTON RING SET, 0.005 inch O.S. (2)	ALL
	21922-83	PISTON RING SET, 0.010 inch O.S. (2)	ALL
	21923-83	PISTON RING SET, 0.020 inch O.S. (2)	ALL
	21924-83	PISTON RING SET, 0.030 inch O.S. (2)	ALL
5	21940-83	PISTON & RINGS ASSEMBLY, standard (2)	ALL
	21941-83	PISTON & RINGS ASSEMBLY, 0.005 inch O.S. (2)	ALL

INDEX NO.	PART NO.	DESCRIPTION	MODEL(S)
	21942-83	PISTON & RINGS ASSEMBLY, 0.010 inch O.S. (2)	ALL
	21943-83	PISTON & RINGS ASSEMBLY, 0.020 inch O.S. (2)	ALL
	21944-83	PISTON & RINGS ASSEMBLY, 0.030 inch O.S. (2)	ALL
6	22589-83B	LOCK RING, piston pin (4)	ALL
7	22764-83	PISTON PIN (2)	ALL
8	23906-90A	SET OF FLYWHEELS & SHAFT, w/ rods	ALL
9	23928-87	INNER RING	ALL
10	23961-80A	CRANK PIN, standard	ALL
	23974-87	CRANK PIN, 0.001 inch O.S.	ALL
	23975-87	CRANK PIN, 0.002 inch O.S.	ALL
11	23981-98	NUT, crank pin (2)	ALL
12	24281-83	SET OF RODS, w/ bearings & crank pin	ALL
13	24334-36	BUSHING, piston pin, 0.002 inch O.S. (2)	ALL
	24335-36	BUSHING, piston pin, 0.010 inch O.S. (2)	ALL
14	24345-36A	BUSHING, rear connecting rod, lower (2)	ALL
15	24346-87A	BEARING SET	ALL
16	24356-36A	BUSHING, front connecting rod, lower	ALL

## CRANKCASE (1 OF 2)



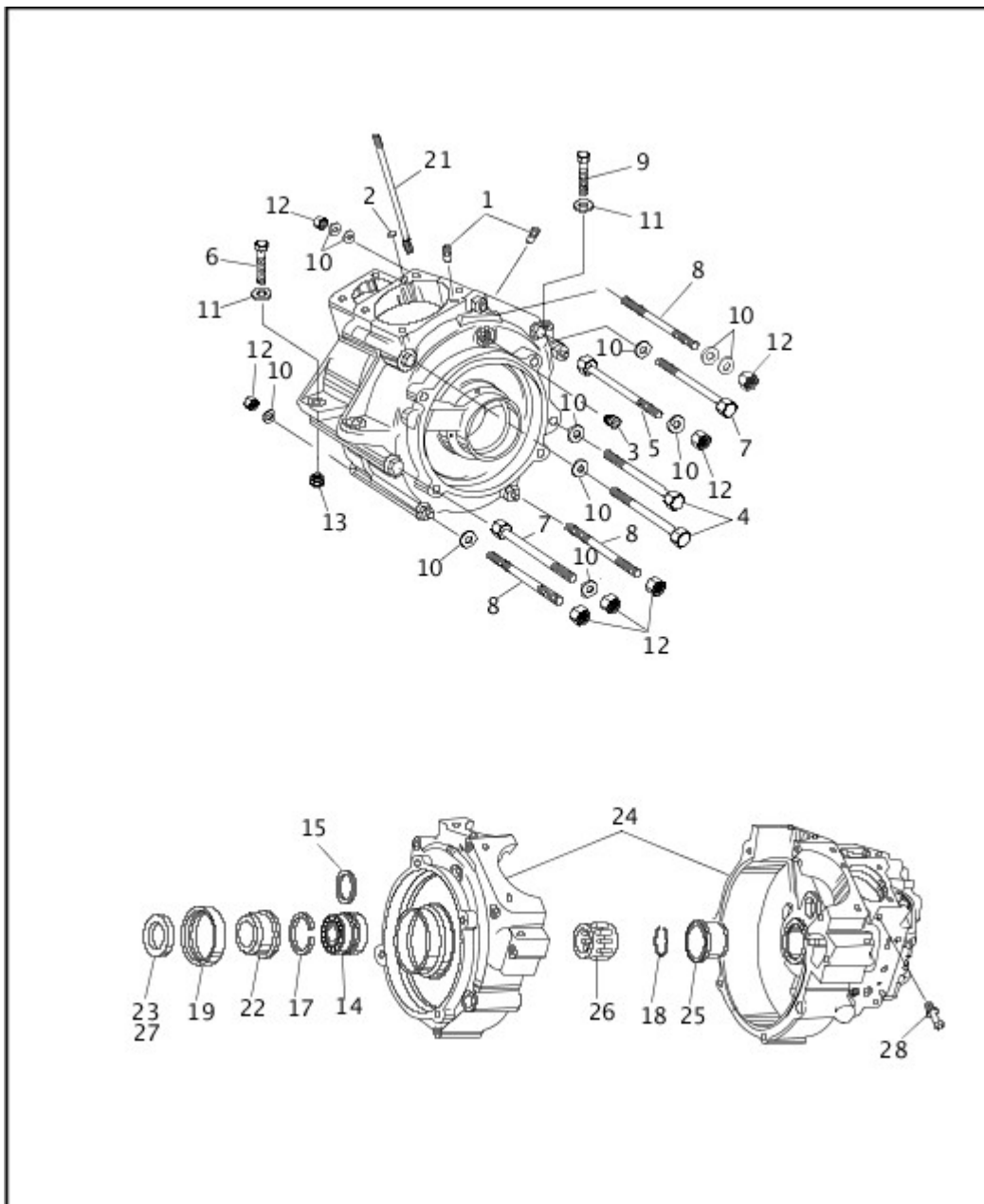


[View interactive image](#)

[View interactive table](#)

INDEX NO.	PART NO.	DESCRIPTION	MODEL(S)
1	358	DOWEL PIN (2)	ALL
2	653	EXPANSION PLUG	ALL
3	720	PLUG, timing hole	ALL
4	3427	BOLT (2)	ALL
5	3430	BOLT	ALL
6	3503	BOLT (2)	ALL
7	3504	BOLT (2)	ALL
8	3506	STUD (3)	ALL
9	3528	BOLT (2)	ALL

INDEX NO.	PART NO.	DESCRIPTION	MODEL(S)
10	6016	WASHER (18)	ALL
11	6019	WASHER (2)	ALL
12	7753	NUT (9)	ALL
13	7782	LOCKNUT (2)	ALL
14	9028	BEARING ASSEMBLY, sprocket shaft	ALL
15	9110	SHIM, bearing assembly, 0.0905-.0895 inch	ALL
	9120	SHIM, bearing assembly, 0.0925-.0915 inch	ALL
	9121	SHIM, bearing assembly, 0.0945-.0935 inch	ALL
	9122	SHIM, bearing assembly, 0.0965-.0955 inch	ALL
	9123	SHIM, bearing assembly, 0.0985-.0975 inch	ALL
	9124	SHIM, bearing assembly, 0.1005-.0995 inch	ALL
	9125	SHIM, bearing assembly, 0.1025-.1015 inch	ALL
	9126	SHIM, bearing assembly, 0.1045-.1035 inch	ALL
	9127	SHIM, bearing assembly, 0.1065-.1055 inch	ALL
	9128	SHIM, bearing assembly, 0.1085-.1075 inch	ALL
	9129	SHIM, bearing assembly, 0.1105-.1095 inch	ALL
	9130	SHIM, bearing assembly, 0.1125-.1115 inch	ALL
	9131	SHIM, bearing assembly, 0.1145-.1135 inch	ALL
	9132	SHIM, bearing assembly, 0.1165-.1155 inch	ALL
	9133	SHIM, bearing assembly, 0.1185-.1175 inch	ALL
	9134	SHIM, bearing assembly, 0.1205-.1195 inch	ALL



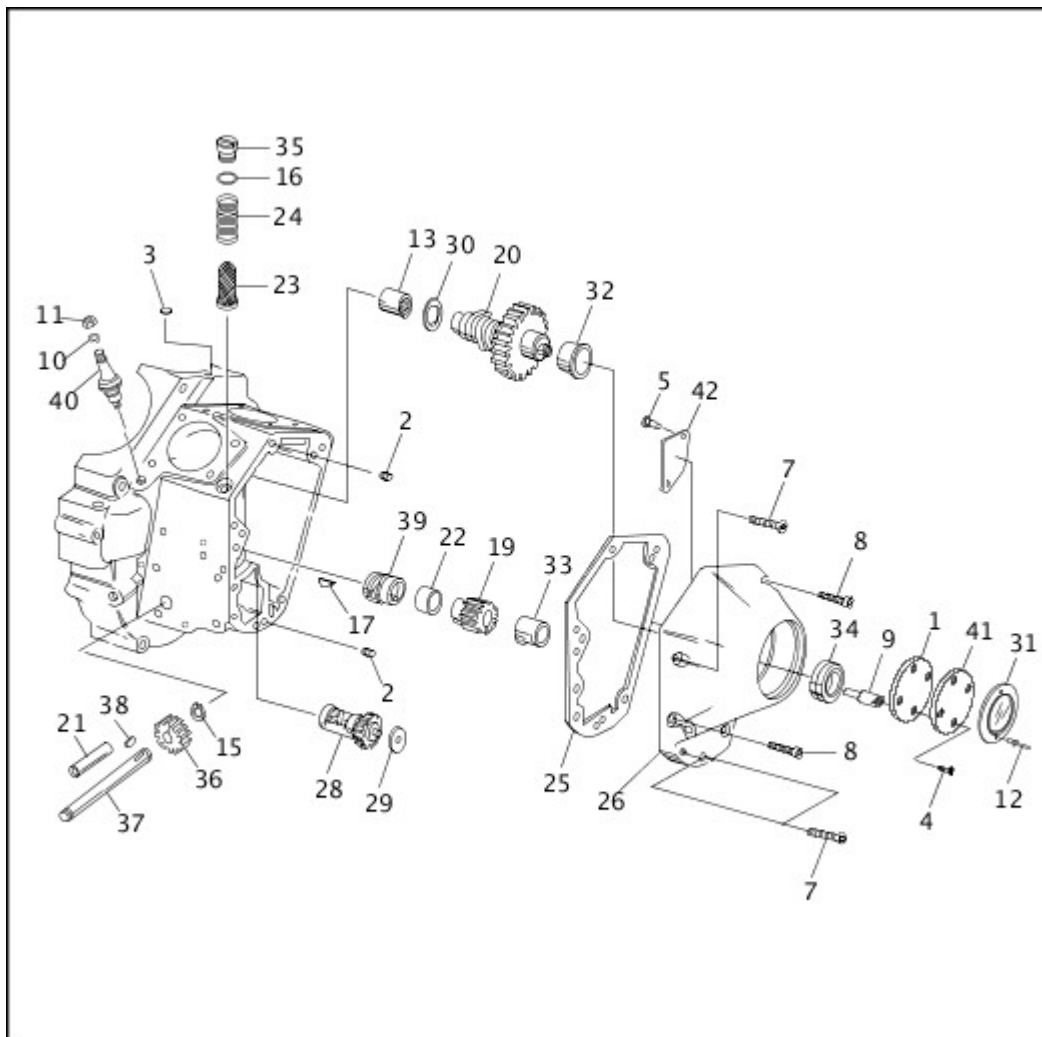
[View interactive image](#)

[View interactive table](#)

INDEX NO.	PART NO.	DESCRIPTION	MODEL(S)
16	10080	CLAMP (not illustrated)	ALL
17	9028	RETAINING RING, bearing, left	ALL
18	11177A	RETAINING RING, bearing, right	ALL
19	12026B	OIL SEAL	ALL
20	16304-87	FITTING, crankcase (not illustrated)	ALL
21	16837-85C	STUD, cylinder base (8)	ALL
22	24002-70	SPACER, sprocket shaft	ALL
23	24032-70	SPACER, sprocket shaft, 0.060 inch thick	ALL

INDEX NO.	PART NO.	DESCRIPTION	MODEL(S)
	24033-70	SPACER, sprocket shaft, 0.090 inch thick	ALL
	24034-70	SPACER, sprocket shaft, 0.120 inch thick	ALL
	24035-70	SPACER, sprocket shaft, 0.150 inch thick	ALL
	24036-70	SPACER, sprocket shaft, 0.180 inch thick	ALL
24	24571-92	SET OF CRANKCASES (black wrinkle)	FXDB 1991, FXDB 1992
	24572-92	SET OF CRANKCASES	FXDC
25	24599-58B	BUSHING, right crankcase, standard	ALL
	24600-58B	BUSHING, right crankcase, 0.002 inch O.S. O.D.	ALL
	24601-58B	BUSHING, right crankcase, 0.005 inch O.S. O.D.	ALL
26	24626-87A	BEARING SET, gear side (white/gray)	ALL
	24628-87A	BEARING SET, gear side (green)	ALL
	24641-87A	BEARING SET, gear side (red)	ALL
	24643-87A	BEARING SET, gear side (blue)	ALL
27	35850-84	SPACER, sprocket shaft, 0.010 inch thick	ALL
	35851-84	SPACER, sprocket shaft, 0.020 inch thick	ALL
	35852-84	SPACER, sprocket shaft, 0.030 inch thick (use 35850-84 & 35851-84)	ALL
28	63533-41A	FITTING, oil hose	ALL

## CRANKCASE - GEAR SIDE (1 OF 2)



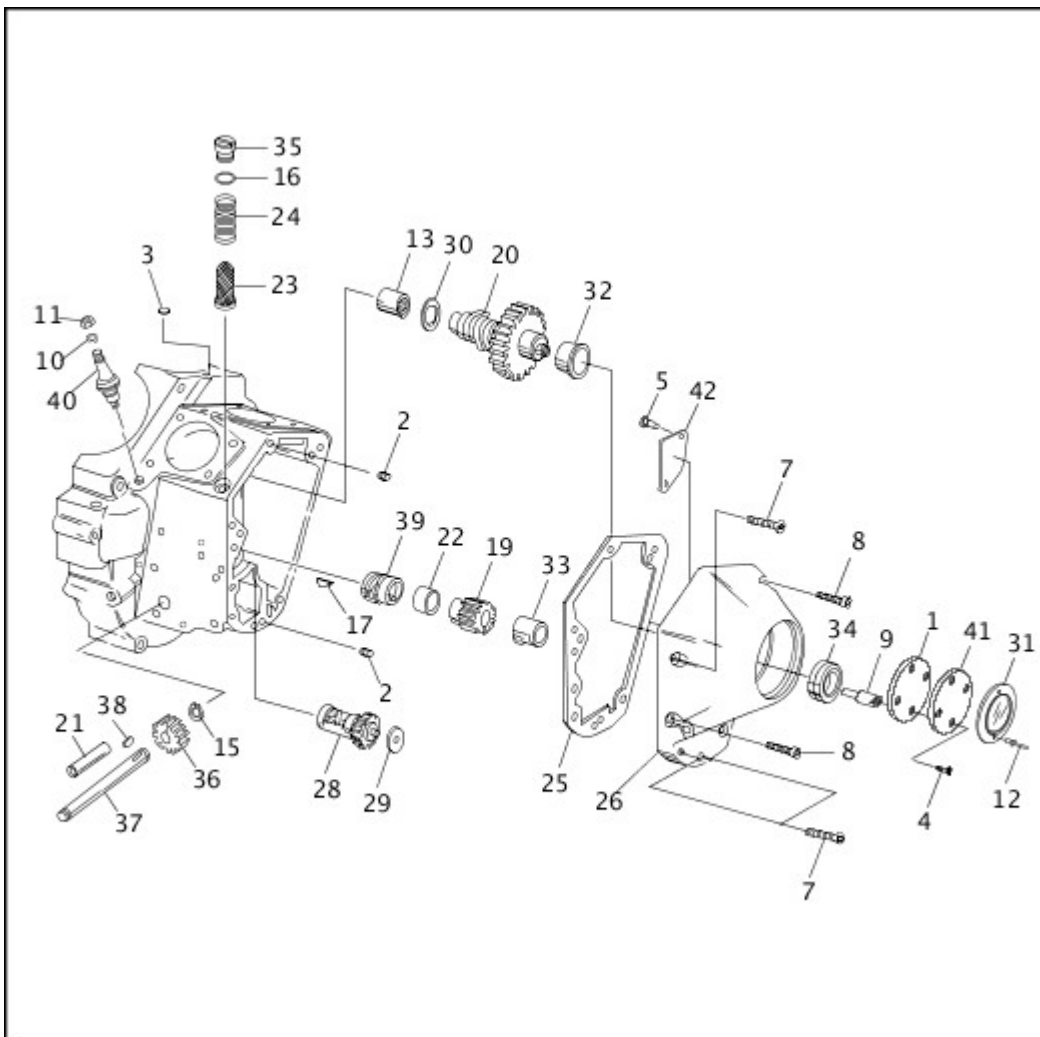
View interactive image

View interactive table

INDEX NO.	PART NO.	DESCRIPTION	MODEL(S)
1	32591-80	GASKET, ignition cover	ALL
2	358	DOWEL PIN (2)	ALL
3	653	PLUG, crankcase	ALL
4	1601	SCREW (2)	ALL
5	2441	SCREW (2)	ALL
6	3480A	SCREW (not illustrated)	ALL
7	4718A	SCREW (3)	ALL
8	4813A	SCREW (2)	ALL
9	32606-82	SCREW (2)	ALL
10	7069	LOCKWASHER	ALL
11	7634	NUT	ALL
12	8692	RIVET (2)	FXDB 1991
	8699	RIVET, ignition cover (2)	FXDB 1992, FXDC

INDEX NO.	PART NO.	DESCRIPTION	MODEL(S)
13	9058A	NEEDLE BEARING, crankcase cam cover	ALL
14	10046	CLAMP, ignition wire (not illustrated)	FXDB 1992, FXDC
15	11002	RETAINING RING, oil pump drive shaft	ALL
16	11105	O-RING	ALL
17	11219	T-KEY	ALL
18	24022-90	NUT, gear shaft (not illustrated)	ALL
19	24040-90	PINION GEAR, 1.4850-53 pd. (orange)	ALL
	24041-90	PINION GEAR, 1.4846-49 pd. (white)	ALL
	24042-90	PINION GEAR, 1.4842-45 pd. (yellow)	ALL
	24043-90	PINION GEAR, 1.4838-41 pd. (red)	ALL
	24044-90	PINION GEAR, 1.4834-37 pd. (blue)	ALL
	24045-90	PINION GEAR, 1.4830-33 pd. (green)	ALL
	24046-90	PINION GEAR, 1.4826-29 pd. (black)	ALL
20	24581-90	SET OF CAM & PINION GEARS, matched (California)	ALL
	24582-90	SET OF CAM & PINION GEARS, matched	FXDB 1991
	24583-92	SET OF CAM & PINION GEARS, matched	FXDB 1992, FXDC
21	24641-36	BUSHING, oil pump shaft	ALL
22	24704-90	SPACER, pinion gear shaft	ALL
23	24981-70	OIL SCREEN, crankcase	ALL
24	24982-70	SPRING, oil screen	ALL
25	25225-70C	GASKET, gear cover	ALL
26	25268-84A	GEAR COVER, w/ 5, 34, & 43 (chrome)	FXDB 1992, FXDC
	25700293	GEAR COVER, w/ 5, 34, & 43 (black wrinkle)	FXDB 1991

**CRANKCASE - GEAR SIDE (2 OF 2)**



[View interactive image](#)

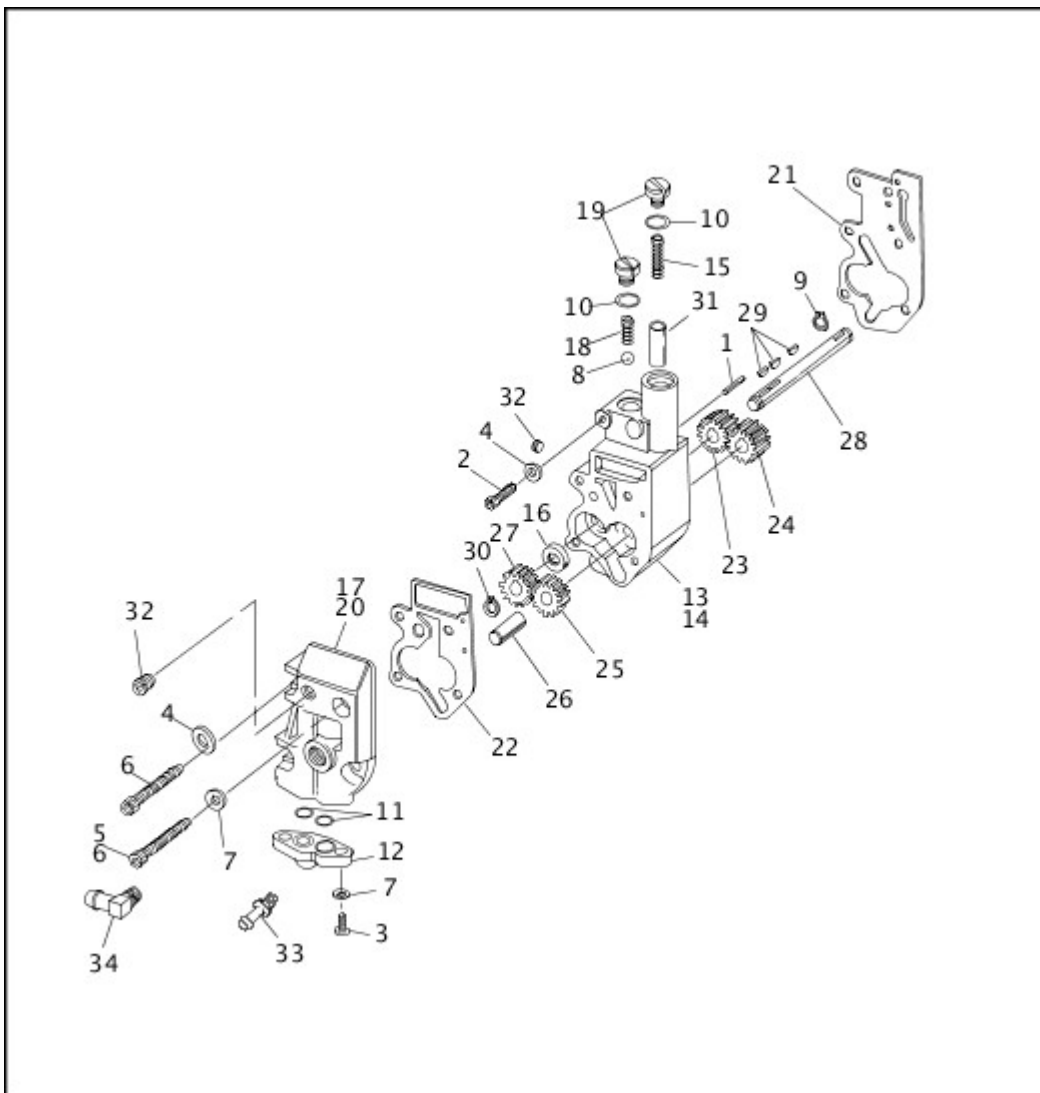
[View interactive table](#)

INDEX NO.	PART NO.	DESCRIPTION	MODEL(S)
27	25329-91	AIR/OIL SEPARATOR (not illustrated)	FXDB 1992, FXDC
28	25310-82A	BREATHER VALVE GEAR	ALL
29	25320-82	THRUST WASHER, breather valve, 0.130 inch thick	ALL
	25321-82	THRUST WASHER, breather valve, 0.135 inch thick	ALL
	25322-82	THRUST WASHER, breather valve, 0.140 inch thick	ALL
	25323-82	THRUST WASHER, breather valve, 0.145 inch thick	ALL
	25325-82	THRUST WASHER, breather valve, 0.150 inch thick	ALL
	25326-82	THRUST WASHER, breather valve, 0.155 inch thick	ALL
	25327-82	THRUST WASHER, breather valve, 0.160 inch thick	ALL

INDEX NO.	PART NO.	DESCRIPTION	MODEL(S)
	25328-82	THRUST WASHER, breather valve, 0.165 inch thick	ALL
30	25550-57A	THRUST WASHER, cam gear	ALL
31	32524-83	TIMER COVER	FXDB 1992, FXDC
	32527-90	TIMER COVER (black)	FXDB 1991
32	25581-70	BUSHING, gear cover	ALL
33	25582-73	BUSHING, gear cover pinion shaft	ALL
34	83162-51	OIL SEAL, bearing	ALL
35	26263-80	PLUG, oil screen	ALL
36	26345-73	DRIVE GEAR, oil pump, 24T	ALL
37	26346-70	DRIVE SHAFT, oil pump	ALL
38	26348-15	KEY, drive shaft	ALL
39	26354-90	DRIVE GEAR, oil pump	ALL
40	26561-84	OIL PRESSURE SWITCH	ALL
41	32504-80A	COVER, inner	ALL
42	25275-82	COVER, breather valve	ALL

## OIL PUMP



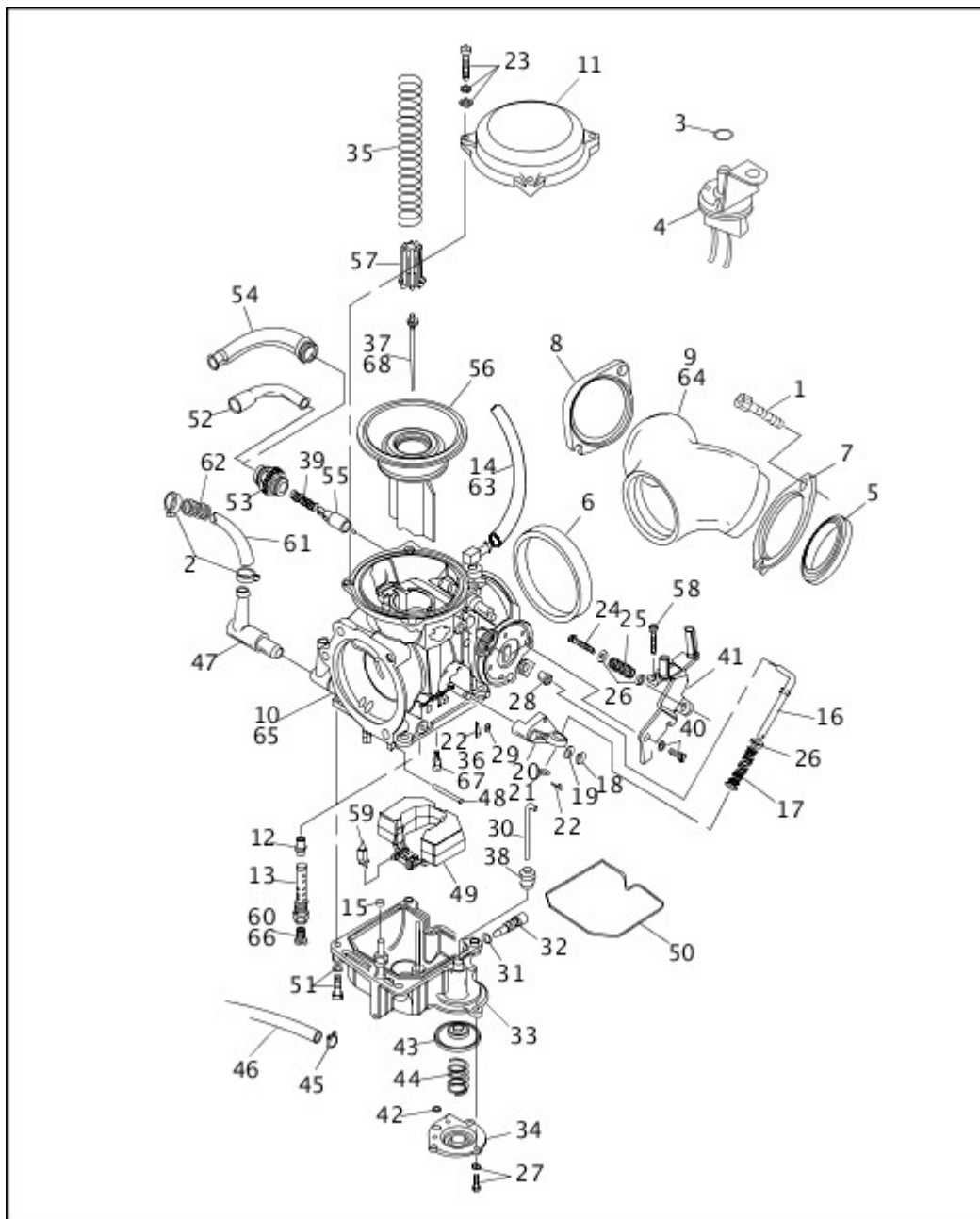


[View interactive image](#)

[View interactive table](#)

INDEX NO.	PART NO.	DESCRIPTION	MODEL(S)
1	239	PIN, valve stop	ALL
2	891	SCREW (2)	ALL
3	927A	SCREW (2)	FXDB 1992, FXDC
4	6239	WASHER (4)	ALL
5	4718A	SCREW (2)	FXDB 1991
6	4742A	SCREW (4)	ALL
7	6099	WASHER (4)	ALL
8	8873	BALL, check valve, 3/8 inch diameter	ALL
9	11002	RETAINING RING, oil pump	ALL
10	11105	O-RING, check valve cover screw (2)	ALL
11	11241	O-RING (2)	FXDB 1992, FXDC

INDEX NO.	PART NO.	DESCRIPTION	MODEL(S)
12	26030-92A	END CAP (black wrinkle)	FXDB 1992, FXDC
13	26051-92	OIL PUMP (black wrinkle)	FXDB 1992
	26054-90	OIL PUMP (black wrinkle)	FXDB 1991
	26053-92	OIL PUMP	FXDC
14	26225-92	BODY, oil pump	FXDC
	26226-82A	BODY, oil pump (black wrinkle)	FXDB 1991
	26226-92	BODY, oil pump (black wrinkle)	FXDB 1992
15	26207-83	SPRING, relief valve	ALL
16	26227-58	OIL SEAL	ALL
17	26267-92	COVER, oil pump (black wrinkle)	FXDB 1992
	26268-90	COVER, oil pump (black wrinkle)	FXDB 1991
	26270-92	COVER, oil pump	FXDC
18	26262-80	SPRING, check valve	ALL
19	26263-80	COVER SCREW, check & relief valves (2)	ALL
20	26268-90	COVER, oil pump (black wrinkle)	FXDB 1991
21	26273-80B	GASKET, body (paper)	FXDB 1991
	26273-92A	GASKET, body (paper)	FXDB 1992, FXDC
22	26276-80A	GASKET, cover (paper)	FXDB 1991
	26276-92A	GASKET, cover (paper)	FXDB 1992, FXDC
23	26315-68A	DRIVE GEAR	ALL
24	26317-68A	IDLER GEAR	ALL
25	26326-62A	DRIVE IDLER GEAR	ALL
26	26327-68	SHAFT	ALL
27	26328-74	DRIVE GEAR	ALL
28	26346-70	DRIVE SHAFT	ALL
29	26348-15	KEY, drive shaft (2)	ALL
30	26348-36	RETAINING RING, drive shaft	ALL
31	26400-82B	VALVE, oil pump	ALL
32	45830-48	PLUG (2)	ALL
33	63533-41A	FITTING, oil line hose (2)	ALL
34	63554-90	FITTING, 90 degree elbow	ALL



[View interactive image](#)

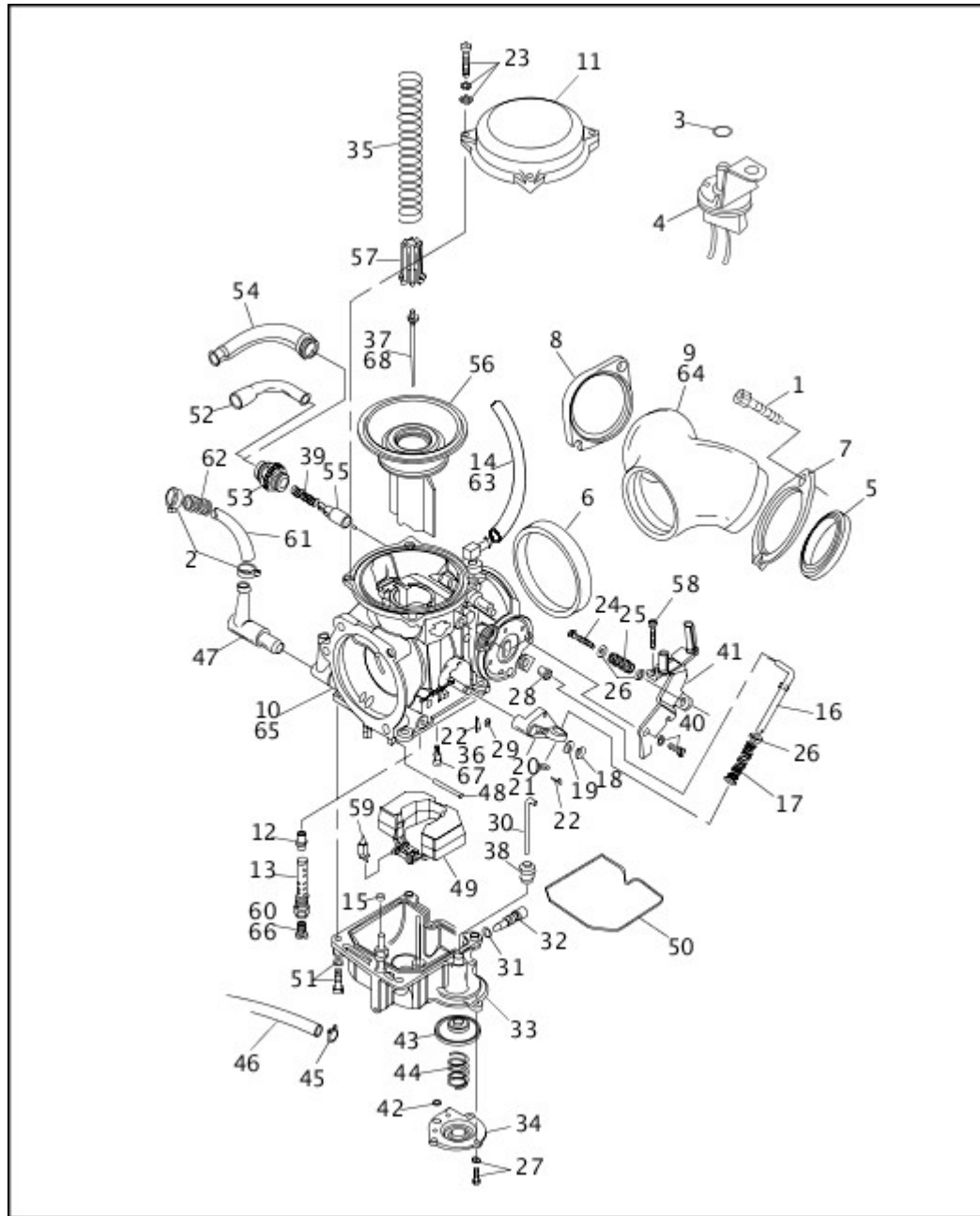
[View interactive table](#)

INDEX NO.	PART NO.	DESCRIPTION	MODEL(S)
1	3201WA	SCREW (4)	ALL
2	10014	CLAMP (2)	ALL
3	11192	RETAINING RING	ALL
4	26566-91	VACUUM SWITCH	ALL
5	26995-86B	SEAL, intake manifold (2)	ALL
6	27002-89	SEAL RING	ALL
7	27009-86A	FLANGE, mounting, front	ALL
8	27010-86A	FLANGE, mounting, rear	ALL

INDEX NO.	PART NO.	DESCRIPTION	MODEL(S)
9	27019-89A	MANIFOLD	ALL
10	27035-90A	CARBURETOR (California)	FXDB 1991
	27035-92A	CARBURETOR (California)	FXDB 1992, FXDC
	27038-90B	CARBURETOR	FXDB 1991
	27038-92A	CARBURETOR	FXDB 1992, FXDC
11	27040-88	TOP, carburetor	ALL
12	27100-88	NEEDLE JET	ALL
13	27101-88	NEEDLE JET HOLDER	ALL
14	26563-91A	VACUUM HOSE	ALL
15	27121-89	O-RING	FXDB 1991
16	27122-89	ROD	ALL
17	27123-89A	SPRING	ALL
18	27124-89	E-CLIP	ALL
19	27125-89	WASHER	ALL
20	27126-89	LEVER	ALL
21	27127-89	WASHER	ALL
22	27128-89	PIN (2)	ALL
23	27129-88	SCREW, top (3)	ALL
24	27130-90	IDLE SCREW	ALL
25	27136-90A	SPRING	ALL
26	27137-81	WASHER (3)	ALL
27	27146-89	SCREW, w/ washer (3)	ALL
28	27147-89	COLLAR	ALL
29	27148-89	WASHER	ALL
30	27156-89	ROD	ALL
31	27157-89	O-RING	ALL
32	27158-89	DRAIN SCREW	ALL
33	27159-89A	FLOAT CHAMBER ASSEMBLY	FXDB 1991
	27159-92	FLOAT CHAMBER ASSEMBLY	FXDB 1992, FXDC
34	27160-89	PUMP HOUSING	ALL
35	27162-89	SPRING	ALL
36	27170-89	SLOW JET	FXDB 1991

INDEX NO.	PART NO.	DESCRIPTION	MODEL(S)
	27171-89	SLOW JET (California)	FXDB 1991
	27281-92	SLOW JET	FXDB 1992, FXDC

## CARBURETOR (2 OF 2)



[View interactive image](#)

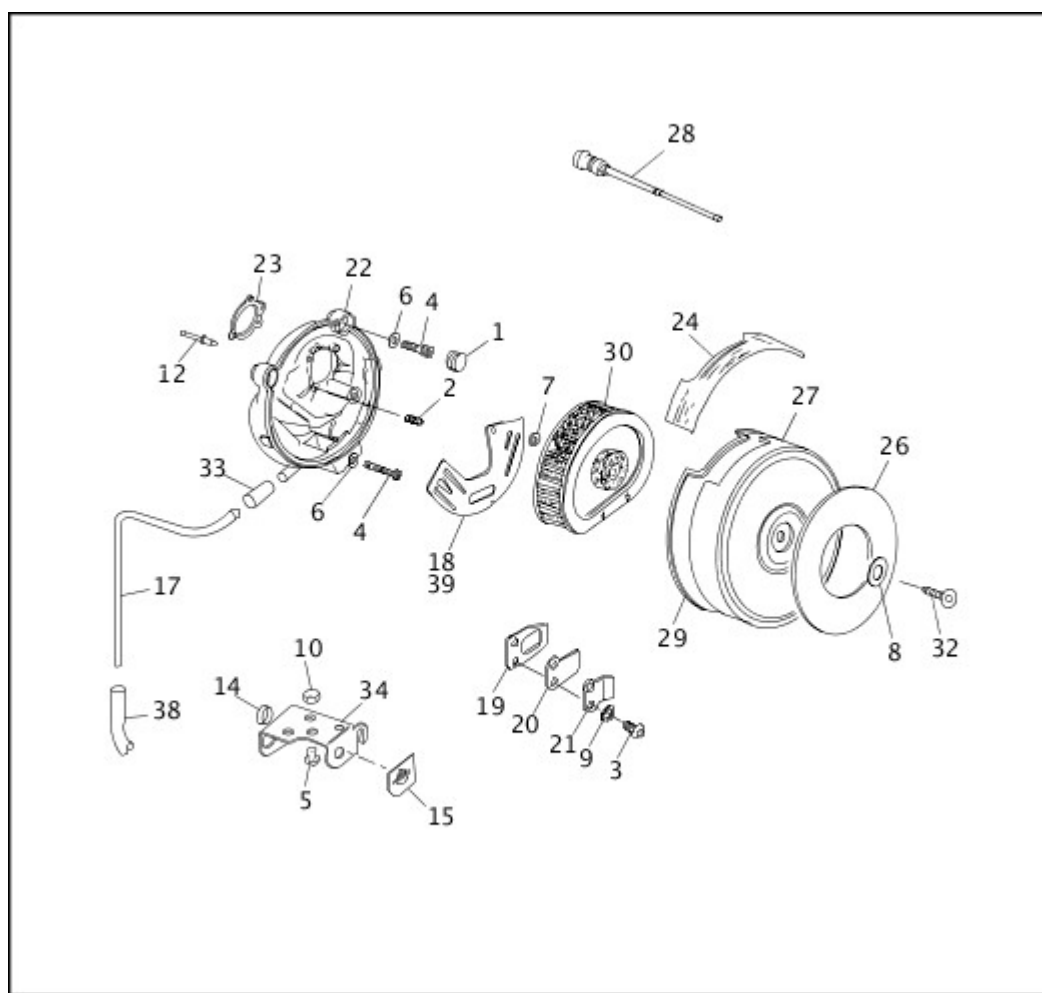
[View interactive table](#)

INDEX NO.	PART NO.	DESCRIPTION	MODEL(S)
37	27175-90	JET NEEDLE	FXDB 1991
	27178-90	JET NEEDLE	FXDB 1991
	27179-90	JET NEEDLE (California)	FXDB 1991
	27186-92	JET NEEDLE	FXDB 1992, FXDC

INDEX NO.	PART NO.	DESCRIPTION	MODEL(S)
	27280-92	JET NEEDLE (California)	FXDB 1992, FXDC
38	27311-76	CAP, accelerator pump	ALL
39	27315-88A	SPRING	ALL
40	27317-88	SCREW	ALL
41	27339-90	BRACKET, throttle cables	ALL
42	27360-76	O-RING	ALL
43	27361-76A	DIAPHRAGM, accelerator pump	ALL
44	27362-76	SPRING, diaphragm	ALL
45	27368-76	CLIP, overflow hose	ALL
46	27369-76	HOSE, overflow	ALL
47	27371-76A	FITTING	ALL
48	27575-88A	PIN	ALL
49	27576-88	FLOAT	FXDB 1991
	27576-92	FLOAT	FXDB 1992, FXDC
50	27577-88	O-RING	FXDB 1991
	27577-92	O-RING	FXDB 1992, FXDC
51	27579-88A	SCREW (4)	ALL
52	27580-88	CABLE GUIDE	ALL
53	27581-88	STARTER CAP	ALL
54	27582-88	CABLE SEALING CAP	ALL
55	27583-88	STARTER VALVE	ALL
56	27585-88	VACUUM PISTON	ALL
57	27586-88	SPRING SEAT	ALL
58	27587-88	SCREW	ALL
59	27886-78A	VALVE, w/ clip	ALL
60	27116-88	MAIN JET, 1.65 mm (California)	FXDB 1991
	27152-89	MAIN JET, 1.60 mm	FXDB 1992, FXDC
	27185-90	MAIN JET, 1.85 mm	FXDB 1991
<b>NOTE: Hose or insulator is sold in bulk length under the following part numbers. Cut to length.</b>			
61	63501-68B	HOSE, 1/4 I.D. (25 ft. long) (black)	ALL
62	62555-95	INSULATOR, 1/2 I.D. (nylon) (8 ft. long)	ALL

INDEX NO.	PART NO.	DESCRIPTION	MODEL(S)
63	26570-84	HOSE, 3/16 I.D. (10 ft. long) (black)	ALL
<b>INTERNATIONAL MODELS ONLY</b>			
64	26994-90	MANIFOLD (HDI)	ALL
65	27025-90A	CARBURETOR (HDI)	FXDB 1991
66	27090-89	MAIN JET, 1.75 mm (HDI)	FXDB 1991
67	27165-90	SLOW JET (HDI)	FXDB 1991
68	27177-90	JET NEEDLE (HDI)	FXDB 1991

## AIR CLEANER & ENRICHMENT CABLE (1 OF 2)



[View interactive image](#)

[View interactive table](#)

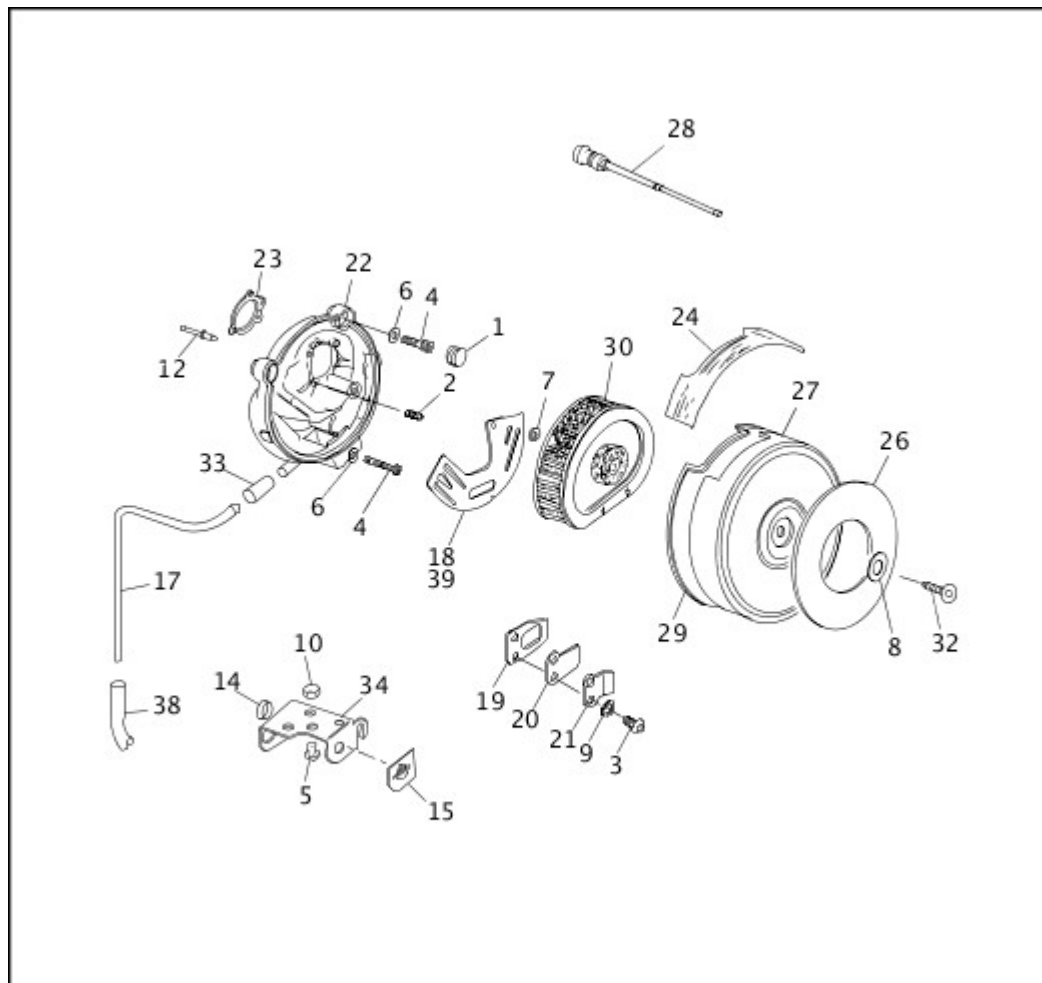
INDEX NO.	PART NO.	DESCRIPTION	MODEL(S)
1	738	PLUG, air cleaner (2)	FXDB 1991
2	864A	SCREW (3)	ALL
	1795A	SCREW (California) (2)	FXDB 1992, FXDC

INDEX NO.	PART NO.	DESCRIPTION	MODEL(S)
	2711	SCREW (California)	FXDB 1992, FXDC
3	2737	SCREW (California) (4)	FXDB 1991
3	2737	SCREW (California) (2)	FXDB 1992, FXDC
4	3210A	SCREW (2)	FXDB 1991
	3221	SCREW (California)	FXDB 1992, FXDC
5	3577	BOLT (2)	FXDB 1992, FXDC
	4713W	BOLT (2)	ALL
6	6016	WASHER (2)	FXDB 1991
7	6048W	WASHER	ALL
8	6109	WASHER	ALL
	6253W	WASHER (California) (2)	FXDB 1992, FXDC
9	6969	LOCKWASHER (California) (4)	FXDB 1991
10	7601	LOCKNUT, flange (2)	FXDB 1991
11	8535	RIVET (California) (not illustrated) (2)	FXDB 1992, FXDC
	8536	RIVET (California) (not illustrated) (2)	FXDB 1991
12	8625	POP RIVET (California) (2)	ALL
13	10080	CLAMP (not illustrated)	ALL
14	11460	GROMMET	ALL
15	14340-90	DECAL	ALL
16	28841-89	SOLENOID (California) (not illustrated)	FXDB 1992, FXDC
17	24922-86	VENT TUBE, chrome	ALL
18	28816-90	BAFFLE PLATE ASSEMBLY (California)	FXDB 1991
	28823-89	BAFFLE PLATE ASSEMBLY (California)	FXDB 1992, FXDC
	29068-89	BAFFLE PLATE	ALL
19	28820-86	REED BOTTOM (California)	FXDB 1991
20	28821-86	REED TOP (California)	FXDB 1991
21	28825-86	REED STOP (California)	FXDB 1991
22	29017-90	BACKPLATE ASSEMBLY (California)	FXDB 1991
	29089-92	BACKPLATE ASSEMBLY (California)	FXDB 1992, FXDC



INDEX NO.	PART NO.	DESCRIPTION	MODEL(S)
	29090-92	BACKPLATE ASSEMBLY	FXDB 1992, FXDC
	29134-90	BACKPLATE ASSEMBLY	FXDB 1991

## AIR CLEANER & ENRICHMENT CABLE (2 OF 2)



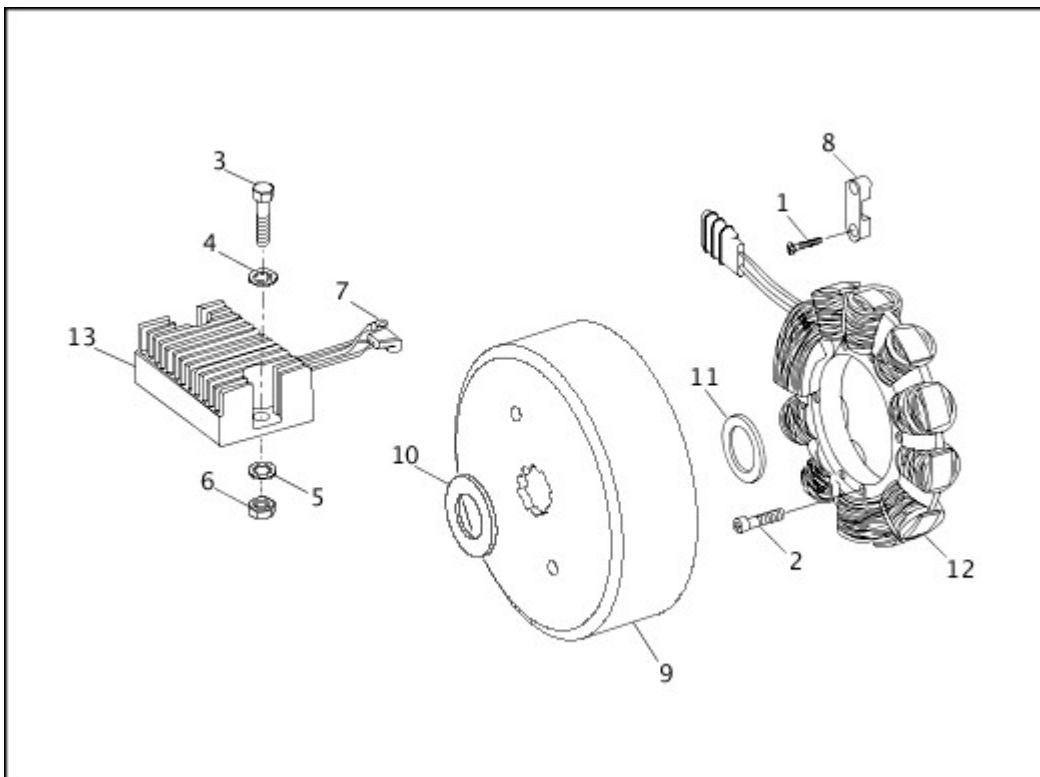
View interactive image

[View interactive table](#)

INDEX NO.	PART NO.	DESCRIPTION	MODEL(S)
23	29059-88A	GASKET	ALL
24	29126-90B	SAFETY LABEL	FXDB 1992, FXDC
25	28842-89	LINK (California) (not illustrated)	FXDB 1992, FXDC
26	29140-92	TRIM, "DYNAGLIDE CUSTOM"	FXDC
	29143-90	TRIM, "STURGIS"	FXDB 1991
	29147-91	TRIM, "DAYTONA DYNA GLIDE"	FXDB 1992
27	29165-89	COVER, air cleaner	FXDB 1992, FXDC
	29203-90	COVER, air cleaner (black)	FXDB 1991
28	29229-88D	CABLE, enrichment	ALL

INDEX NO.	PART NO.	DESCRIPTION	MODEL(S)
29	29252-89	SEAL STRIP	ALL
	29258-91	MOLDING	ALL
30	29259-91A	FILTER ELEMENT	FXDB 1991
31	70963-92	WIRING HARNESS, butterfly (California) (not illustrated)	FXDB 1992, FXDC
32	29269-83A	SCREW	ALL
33	63509-86A	BOOT	ALL
34	69126-91	BRACKET, enrichment cable	FXDB 1991
	69126-92	BRACKET, enrichment cable	FXDB 1992, FXDC
35	61095-92	FITTING (California) (not illustrated)	FXDB 1992, FXDC
36	70291-89	HOUSING, 4-way pin (California) (not illustrated)	FXDB 1992, FXDC
37	72089-71	PIN (California) (not illustrated) (4)	FXDB 1992, FXDC
<b>NOTE: Hose or insulator is sold in bulk length under the following part numbers. Cut to length.</b>			
38	63500-68	HOSE, 3/8 inch I.D. (rubber) (25 ft. long)	ALL
<b>INTERNATIONAL MODELS ONLY</b>			
39	29070-89B	BAFFLE PLATE	ALL

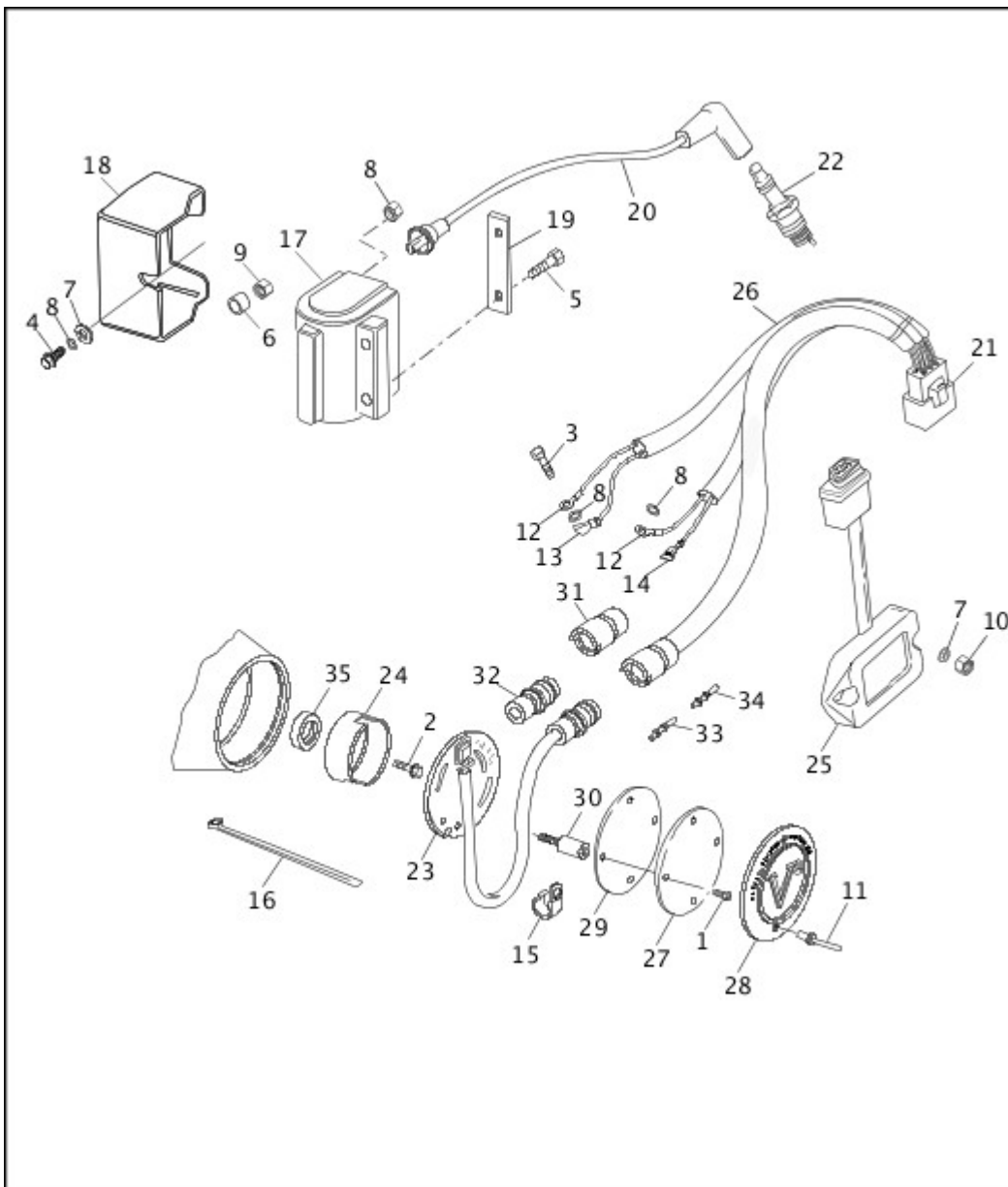
## ALTERNATOR & REGULATOR



[View interactive image](#)

[View interactive table](#)

INDEX NO.	PART NO.	DESCRIPTION	MODEL(S)
1	2216W	SCREW (2)	ALL
2	2720	SCREW (4)	ALL
3	3787	BOLT (2)	FXDB 1991
	3574	SCREW (2)	FXDB 1992, FXDC
4	7124	LOCKWASHER (2)	FXDB 1991
5	7229W	LOCKWASHER (2)	FXDB 1991
6	7716	LOCKNUT (2)	FXDB 1991
	7792	NUT	FXDB 1992, FXDC
7	9862	WIRE TERMINAL, ring type	ALL
8	29954-71A	RETAINER, alternator plug	ALL
9	29957-81B	ROTOR ASSEMBLY	ALL
10	29960-91A	SPACER	ALL
11	29961-85	SPACER	ALL
12	29970-88D	STATOR	ALL
13	74519-88A	REGULATOR	ALL



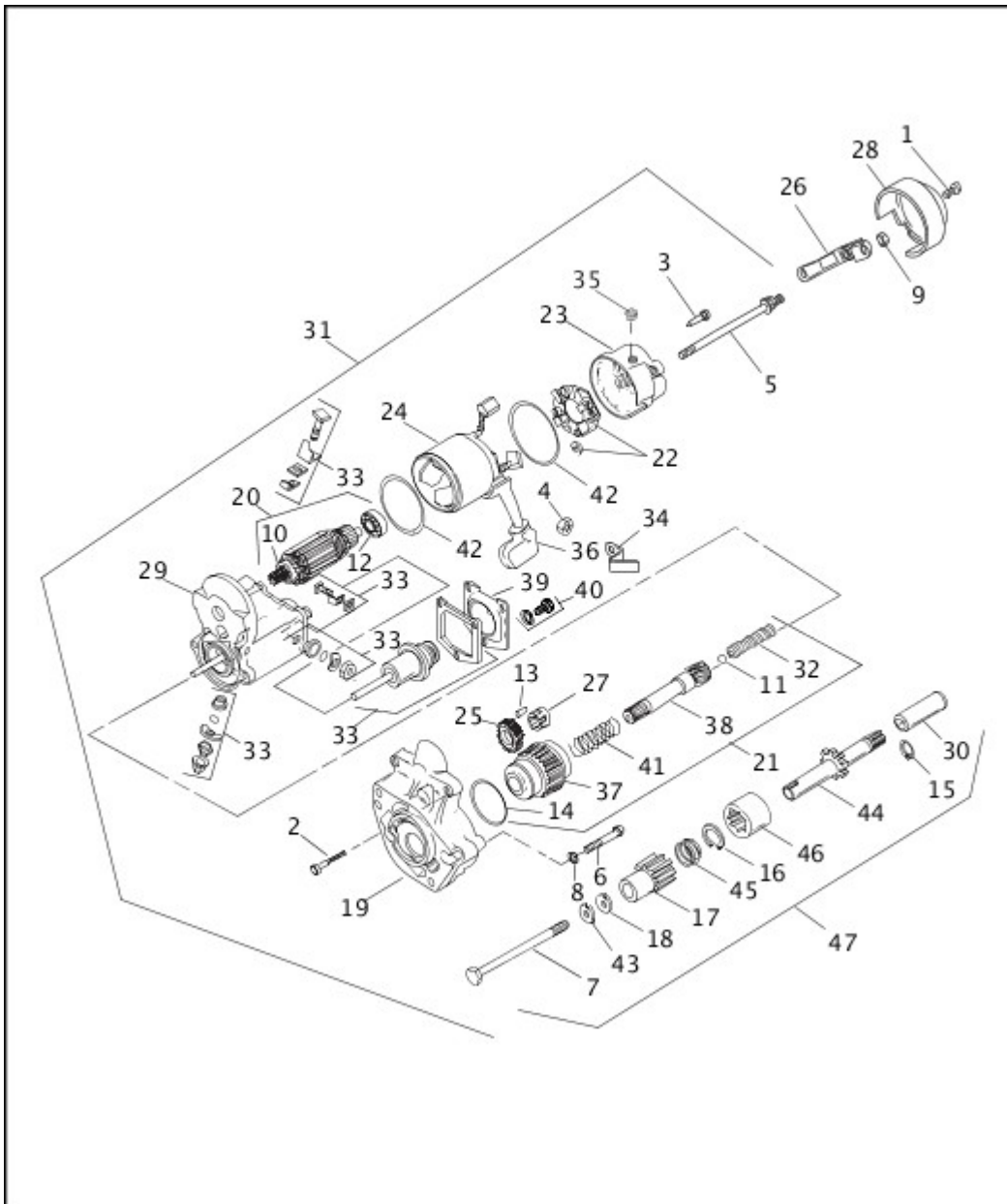
[View interactive image](#)

[View interactive table](#)

INDEX NO.	PART NO.	DESCRIPTION	MODEL(S)
1	1601	SCREW (2)	ALL
2	2611C	BOLT	ALL
3	4091	SCREW	ALL
4	3473	BOLT (3)	ALL
5	4741A	SCREW (2)	ALL
6	6058	SPACER (3)	ALL
7	6716	WASHER (2)	ALL
8	7069	LOCKWASHER (2)	ALL
9	7626W	LOCKNUT (3)	ALL
10	7634	NUT, brass (2)	ALL

INDEX NO.	PART NO.	DESCRIPTION	MODEL(S)
11	8692	RIVET, timer cover (2)	ALL
	8699	RIVET, timer cover (2)	FXDB 1992, FXDC
12	9857	TERMINAL, ring type	ALL
13	9863	TERMINAL, female spade type	ALL
14	9907	TERMINAL, female spade type	ALL
15	9951	CLIP, sensor wire	ALL
16	10065	CABLE STRAP	ALL
17	31614-83A	SPARK COIL	ALL
18	31637-90	COVER, coil (black)	FXDB 1991
	31640-91	COVER, coil (chrome)	FXDB 1992, FXDC
19	31727-85	PLATE, spark coil	ALL
20	31981-65C	SPARK PLUG CABLE, front cylinder	ALL
	31983-71C	SPARK PLUG CABLE, rear cylinder	ALL
21	31998-91A	INSULATOR, receptacle housing	ALL
22	32311-83	SPARK PLUG, No. 5R6A-0.40 gap (2)	ALL
23	32404-90	SENSOR ASSEMBLY, w/o receptacle	ALL
24	32402-83	ROTOR	ALL
25	32405-91B	IGNITION MODULE	ALL
26	70339-91B	WIRING HARNESS, ignition module	ALL
27	32504-80A	TIMER COVER, inner	ALL
28	32524-83	TIMER COVER	FXDB 1992, FXDC
	32527-90	TIMER COVER	ALL
29	32591-80	GASKET, timer cover	ALL
30	32606-82	SCREW, timer plate (2)	ALL
31	72051-77A	PLUG, female, module	ALL
32	74521-77A	PLUG, male, sensor	ALL
33	74536-77A	PIN, single socket (10)	ALL
34	74539-77A	SOCKET, single pin (10)	ALL
35	83162-51	OIL SEAL	ALL

# STARTER MOTOR



[View interactive image](#)

[View interactive table](#)

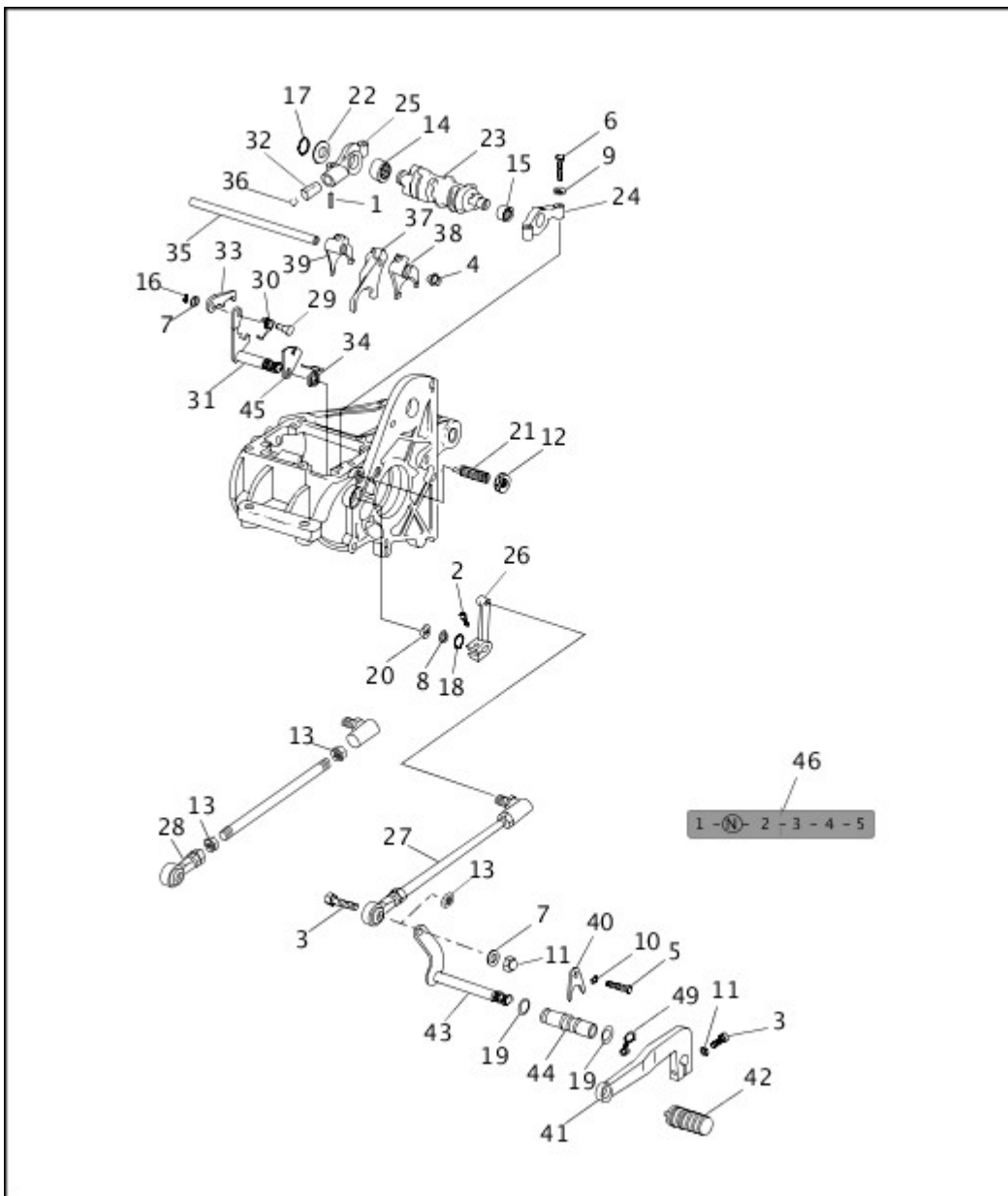
INDEX NO.	PART NO.	DESCRIPTION	MODEL(S)
1	925	SCREW, cover	ALL
2	928	BOLT, starter (use 31553-90A) (2)	ALL
3	929A	SCREW (2)	ALL
4	3403	LOCKNUT, flange	ALL
5	3559	BOLT, starter (2)	ALL
6	4326A	SCREW (2)	ALL
7	4325	BOLT	ALL
8	7041	LOCKWASHER (2)	ALL
9	7838	NUT, w/ washer (2)	ALL

INDEX NO.	PART NO.	DESCRIPTION	MODEL(S)
10	8871	BALL BEARING	ALL
11	8879	BALL	ALL
12	8883	BALL BEARING	ALL
13	9077	CLUTCH ROLLER (5)	ALL
14	10957	O-RING (use 31516-90)	ALL
15	11182	RETAINING RING	ALL
16	11183	RETAINING RING	ALL
17	31342-93	PINION GEAR	ALL
18	31430-90	WASHER, thrust	ALL
19	31510-90	HOUSING, starter	ALL
20	31515-90	ARMATURE ASSEMBLY, w/ 8871 & 8883	ALL
21	31516-90	CLUTCH ASSEMBLY, starter, w/ 37, 38 & 41	ALL
22	31518-90	BRUSH HOLDER ASSEMBLY, w/ spring	ALL
23	31519-90	FRAME, starter end	ALL
24	31514-90	YOKE ASSEMBLY, starter (use 31553-90A)	ALL
25	31525-90	IDLER GEAR (use 31553-90A)	ALL
26	31527-90	BRACKET, cover	ALL
27	31530-90	RETAINER, idler gear	ALL
28	31528-90	COVER (black)	FXDB 1991
	31535-91	COVER (chrome)	FXDB 1992, FXDC
29	31538-98	SWITCH ASSEMBLY, magnetic, w/ housing	ALL
30	31548-90	COUPLING	ALL
31	31553-90A	STARTER, complete	ALL
32	31600-90	SPRING, return (use 31516-90)	ALL
33	31604-91A	STARTER REPAIR KIT	ALL
34	31693-90	CLIP, CABLE	ALL
35	31660-90	DRAIN VENT	ALL
36	31662-90	BOOT, insulating	ALL
37	31663-90	CLUTCH, starter (use 31516-90)	ALL
38	31664-90	SHAFT, output	ALL

INDEX NO.	PART NO.	DESCRIPTION	MODEL(S)
39	31688-90	COVER, solenoid	ALL
40	31689-90	BOLT, w/ washer (3)	ALL
41	31692-90	SPRING	ALL
42	31695-90	O-RING (2)	ALL
43	33126-90	LOCKPLATE	ALL
44	33127-90	SHAFT, extension	ALL
45	33449-90	SPRING, pinion gear	ALL
46	60647-90	COUPLING (use 31516-90)	ALL
47	31487-90A	JACKSHAFT KIT, w/ 7, 15, 16, 17, 18, 30, 43, 44, 45 & 46	ALL

**GEAR SHIFTER (1 OF 2)**





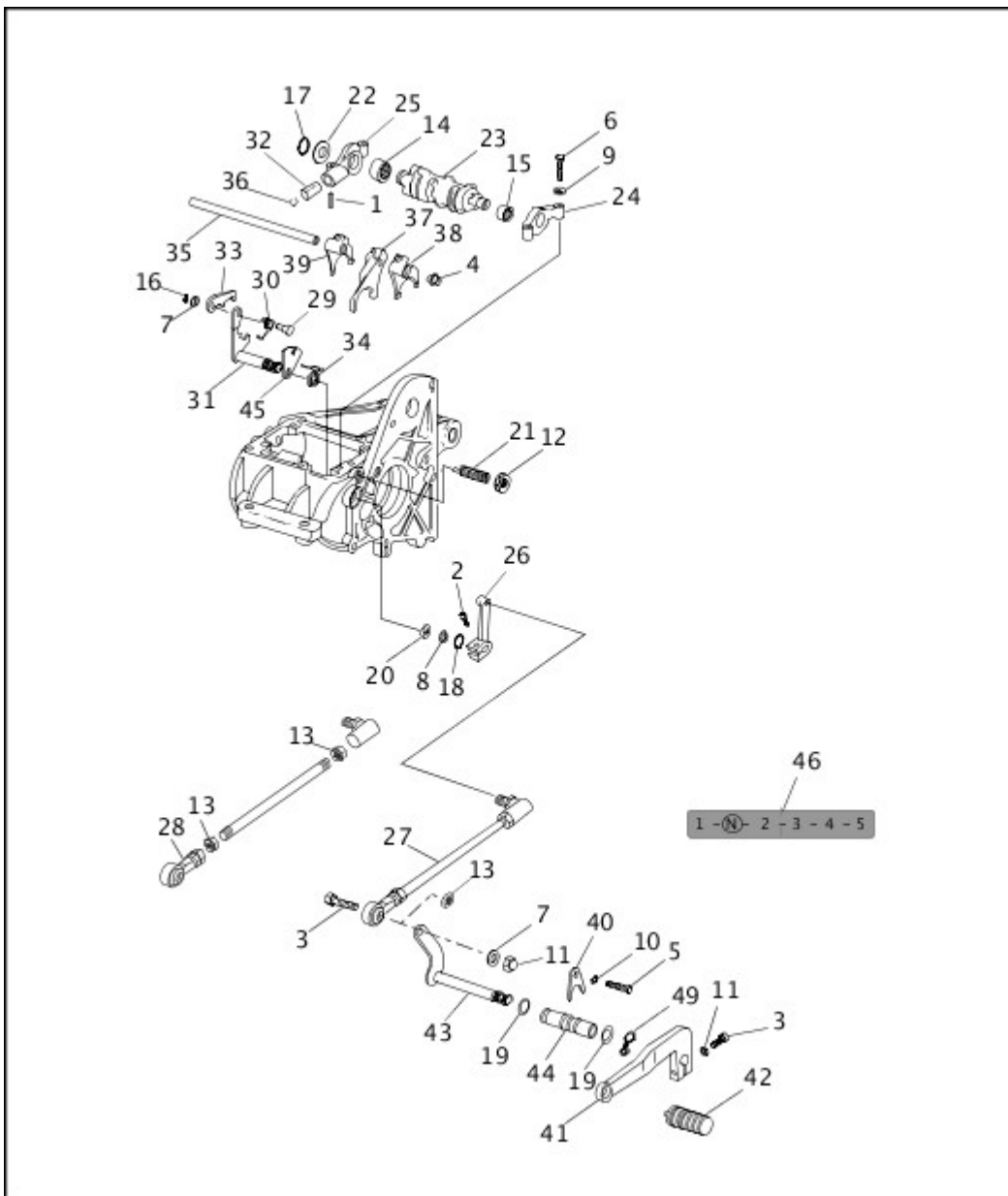
[View interactive image](#)

[View interactive table](#)

INDEX NO.	PART NO.	DESCRIPTION	MODEL(S)
1	601	ROLL PIN	ALL
2	856A	SCREW	ALL
3	4017	BOLT (2)	ALL
4	3784	SET SCREW, shifter for shaft, left	ALL
5	3987	BOLT	ALL
6	3993	BOLT (4)	ALL
7	6016	WASHER (as required)	ALL
8	6497HW	WASHER	ALL
9	6736	WASHER (4)	ALL
10	7041	LOCKWASHER	ALL

INDEX NO.	PART NO.	DESCRIPTION	MODEL(S)
11	7507	ACORN NUT	ALL
12	7515	JAMNUT	ALL
13	7744	JAMNUT	ALL
14	9114	NEEDLE BEARING	ALL
15	9115	NEEDLE BEARING	ALL
16	11016	RETAINING RING	ALL
17	11083	RETAINING RING	ALL
18	11150	RETAINING RING	ALL
19	11117A	O-RING, sleeve (2)	ALL
20	12045	SEAL	ALL
21	33119-79B	ADJUSTING SCREW, shifter arm	ALL
22	33205-80	THRUST WASHER, 0.017 thick (as required)	ALL
	33206-80	THRUST WASHER, 0.020 thick (as required)	ALL
	33207-80	THRUST WASHER, 0.022 thick (as required)	ALL
	33208-80	THRUST WASHER, 0.025 thick (as required)	ALL
	33209-80	THRUST WASHER, 0.028 thick (as required)	ALL
	33210-80	THRUST WASHER, 0.031 thick (as required)	ALL
	33211-80	THRUST WASHER, 0.035 thick (as required)	ALL
	33212-80	THRUST WASHER, 0.039 thick (as required)	ALL
23	33320-79D	SHIFTER CAM	ALL

## GEAR SHIFTER (2 OF 2)



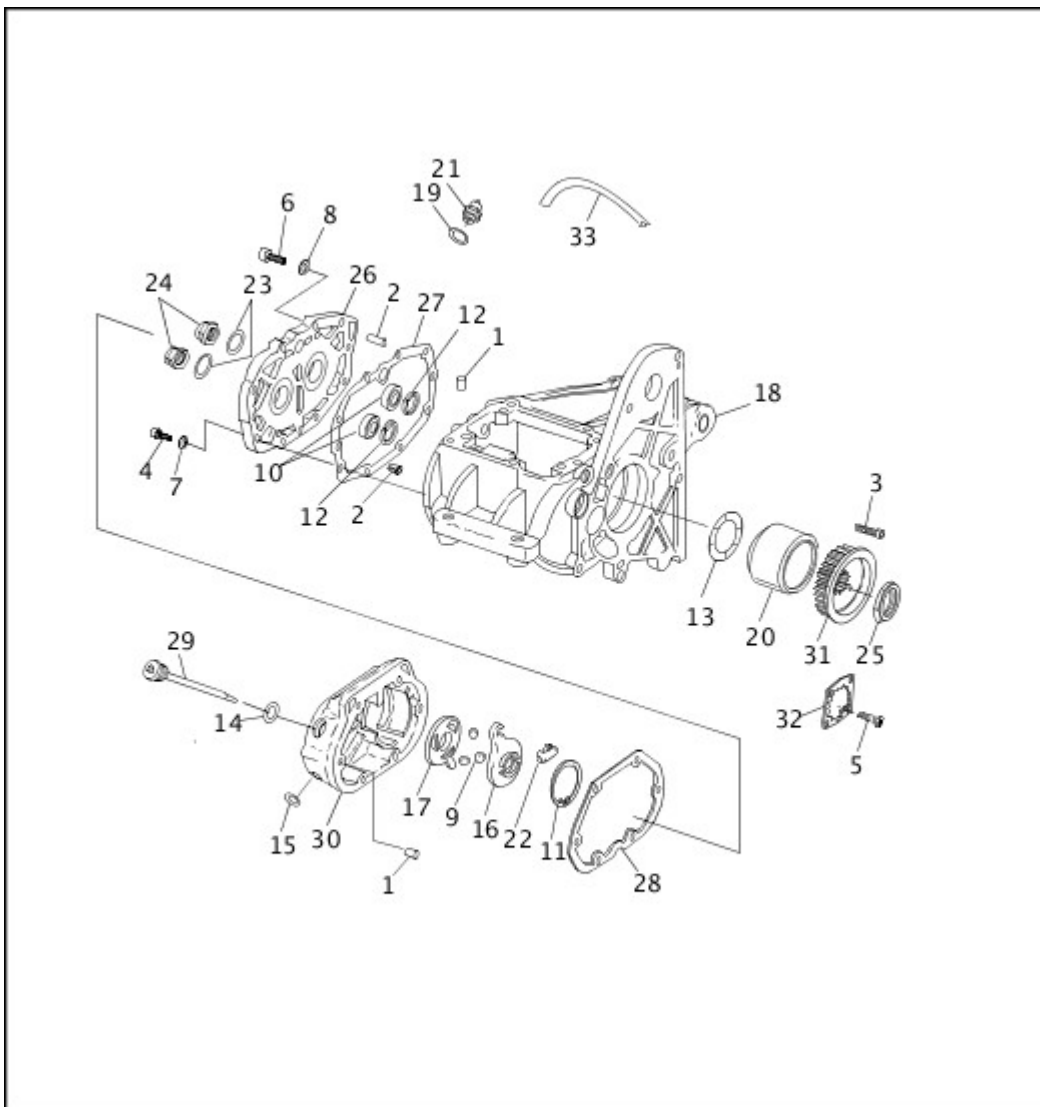
[View interactive image](#)

[View interactive table](#)

INDEX NO.	PART NO.	DESCRIPTION	MODEL(S)
24	33326-79A	SUPPORT, shifter cam, left	ALL
25	33332-79	SUPPORT, shifter cam, right	ALL
26	33715-85A	LEVER, shifter rod	ALL
27	33728-90B	SHIFTER ROD	ALL
28	33871-85B	END, shifter rod	ALL
29	34082-79	PIN, shifter shaft lever (use 34084-86A)	ALL
30	34083-79	SPRING, shifter shaft lever	ALL
31	34084-86A	LEVER, shifter shaft, w/ 54 & 55	ALL
32	34085-79A	CAM FOLLOWER	ALL

INDEX NO.	PART NO.	DESCRIPTION	MODEL(S)
33	34086-79	PAWL, shifter cam	ALL
34	34087-79A	SPRING, shifter shaft	ALL
35	34088-87A	SHAFT, shifter fork	ALL
36	34089-79	SPRING	ALL
37	34191-79E	SHIFTER FORK	ALL
38	34193-79E	SHIFTER FORK	ALL
39	34195-79E	SHIFTER FORK	ALL
40	34561-84	SLEEVE LOCATOR PLATE	ALL
41	34564-90B	SHIFT LEVER (chrome)	ALL
42	34611-65A	PEG, shift lever	ALL
43	34621-90	SHIFT LEVER	ALL
44	34632-84B	SLEEVE, shift lever	ALL
45	35068-79	PLATE	ALL
<b>INTERNATIONAL MODELS ONLY</b>			
46	14270-92	DECAL, shift pattern (Japan)	FXDB 1992, FXDC

## TRANSMISSION HOUSING



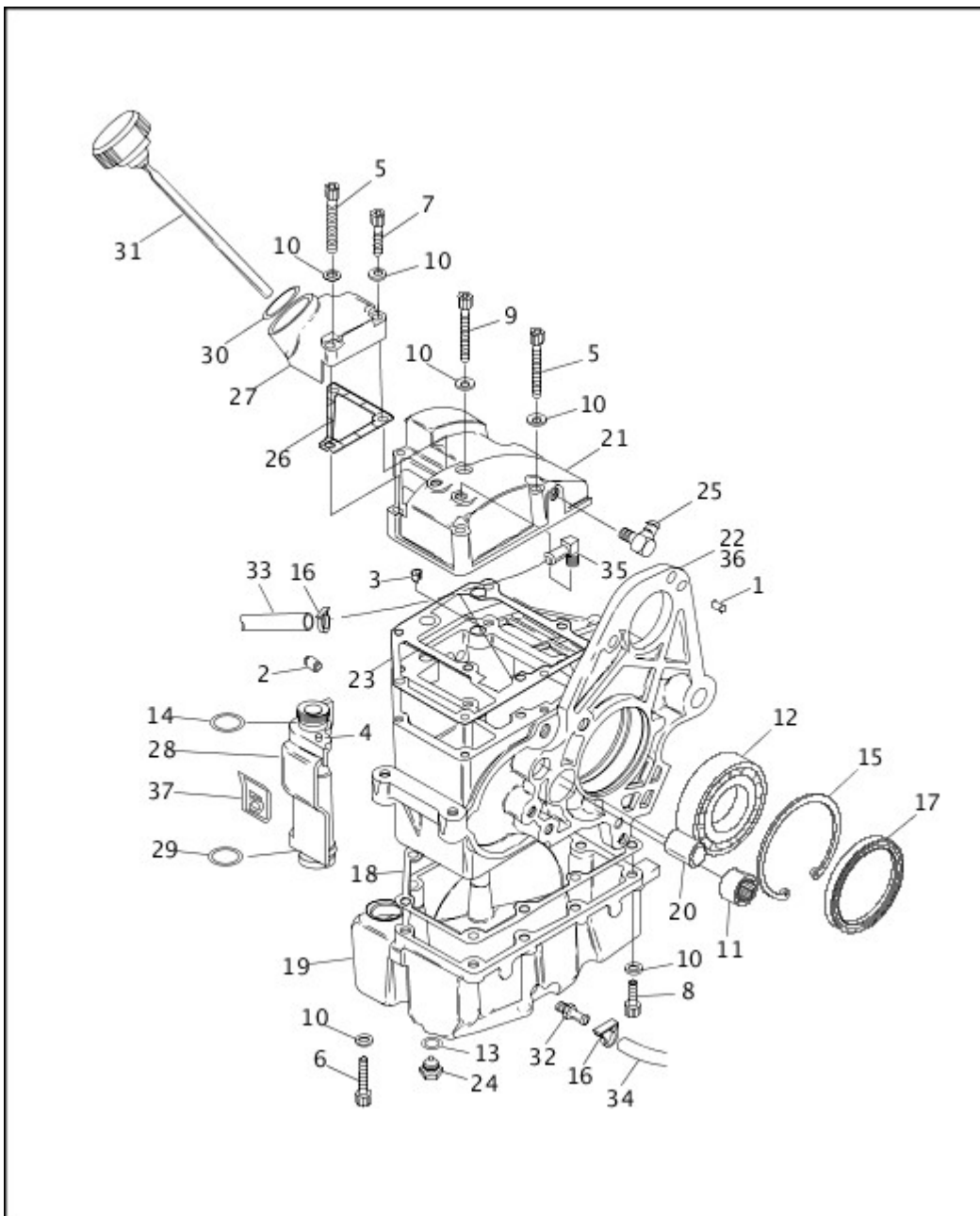
[View interactive image](#)

[View interactive table](#)

INDEX NO.	PART NO.	DESCRIPTION	MODEL(S)
1	609	PIN (6)	ALL
2	634	PIN	ALL
3	857A	SCREW	ALL
4	3210A	SCREW (4)	ALL
5	3594	SCREW (late model year) (2)	ALL
6	4814A	SCREW (2)	ALL
7	6016	WASHER (4)	FXDB 1992, FXDC
7	6016	WASHER (5)	FXDB 1991
8	6099	WASHER (early model year) (3)	FXDB 1992, FXDC
8	6099	WASHER (early model year) (8)	FXDB 1991
9	8873	BALL (3)	ALL
10	8998	BALL BEARING (2)	ALL

INDEX NO.	PART NO.	DESCRIPTION	MODEL(S)
11	10998	RETAINING RING	ALL
12	11020	RETAINING RING, bearing (2)	ALL
13	11165	QUAD SEAL, ball bearing	ALL
14	11132A	O-RING, filler plug	ALL
15	11179	O-RING, clutch cable	ALL
16	25452-87A	INNER RAMP	ALL
17	25453-87A	OUTER RAMP	ALL
18	33038-92	TRANSMISSION (chrome & black wrinkle)	FXDB 1992
	33041-92	TRANSMISSION (chrome)	FXDC
19	33043-80	WASHER, neutral indicator switch	ALL
20	33334-85	SPACER, sprocket	ALL
21	33900-59C	SWITCH, neutral indicator	ALL
22	34920-86A	COUPLING	ALL
23	35076-79	SPACER (2)	ALL
24	35078-79	NUT, mainshaft & countershaft	ALL
25	35211-36	NUT, sprocket (early model year)	ALL
	35211-91B	NUT, sprocket (late model year)	ALL
26	35260-90C	BEARING HOUSING (black wrinkle)	ALL
27	35652-79B	GASKET, bearing housing	ALL
28	36801-87C	GASKET, right side cover	ALL
29	37075-87	FILLER PLUG (chrome)	ALL
30	37105-87A	CLUTCH RELEASE COVER (chrome)	FXDB 1992
	37115-90	CLUTCH RELEASE COVER (black)	ALL
31	40210-92	SPROCKET, 32T	ALL
32	40251-92A	LOCK PLATE (late model year)	FXDB 1992, FXDC
33	42533-91A	VENT HOSE	ALL

## TRANSMISSION HOUSING & OIL TANK



View interactive image

View interactive table

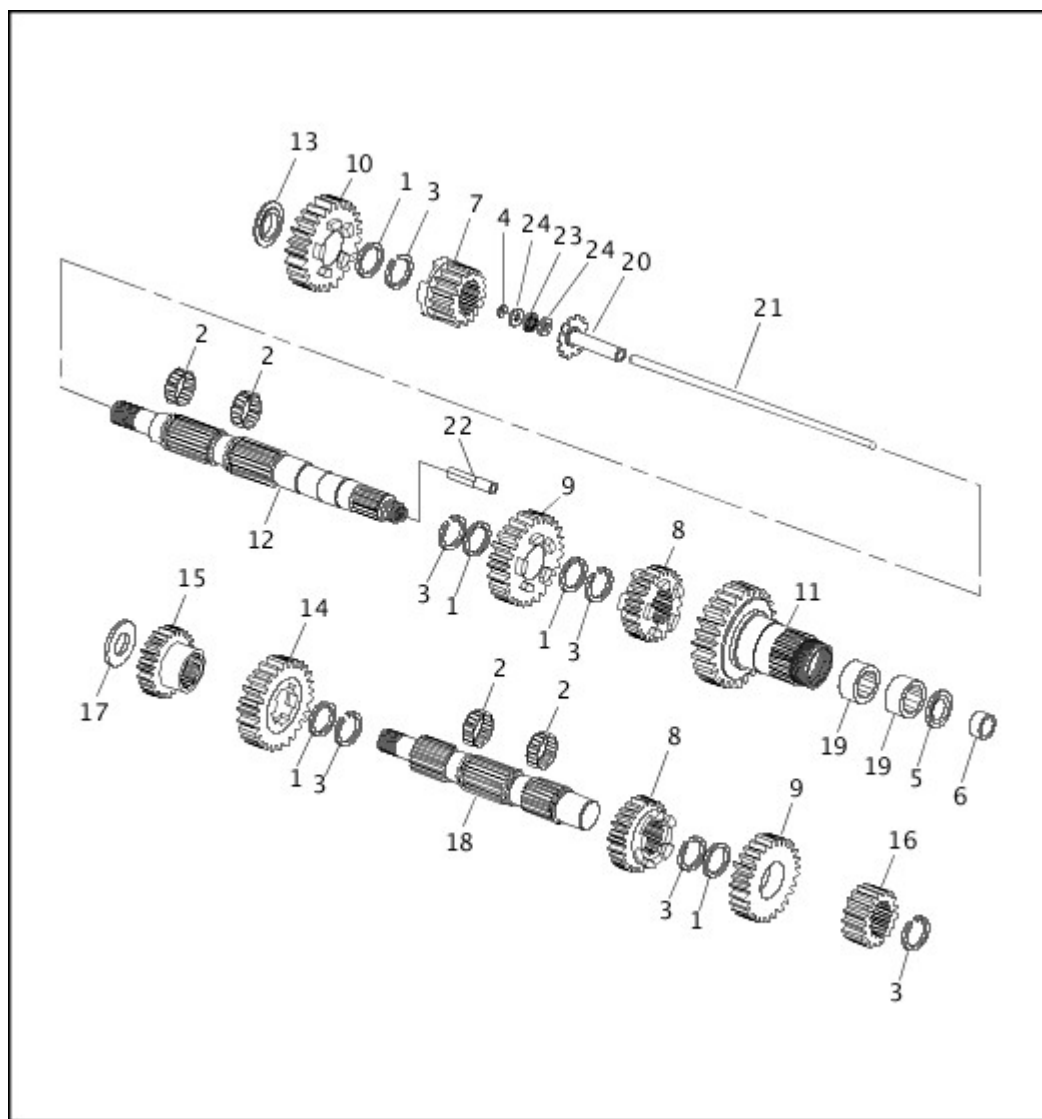
INDEX NO.	PART NO.	DESCRIPTION	MODEL(S)
1	337	DOWEL PIN	ALL
2	375	DOWEL PIN	ALL
3	609	PIN, pillow block (2)	ALL
4	631	ROLL PIN	ALL
5	4717A	SCREW (4)	ALL
6	4718A	SCREW (2)	ALL
7	4740A	SCREW	ALL
8	4741A	SCREW (11)	ALL
9	4822A	SCREW	ALL

INDEX NO.	PART NO.	DESCRIPTION	MODEL(S)
10	6099	WASHER (13)	ALL
11	8977	BEARING	ALL
12	8996A	BEARING	ALL
13	11105	O-RING (2)	ALL
14	11132A	O-RING	ALL
15	11161	RETAINING RING	ALL
16	10080	CLAMP, hose (5)	ALL
17	12050	OIL SEAL	ALL
18	26072-90A	GASKET, oil pan	FXDB 1991
19	26074-90	OIL PAN (black wrinkle)	FXDB 1991
	26057-97	OIL PAN (silver)	FXDC
20	33114-79	SPACER	FXDB 1991
21	34460-90	COVER, upper (black)	FXDB 1991
	34469-90A	COVER, upper	FXDB 1992, FXDC
22	34746-95A	HOUSING	FXDC
	34747-95	HOUSING (black wrinkle)	FXDB 1991, FXDB 1992
23	34917-90B	GASKET, transmission cover	ALL
24	60348-65B	MAGNETIC PLUG (2)	ALL
25	62375-57A	FITTING, elbow	ALL
26	62423-90A	GASKET, oil spout	ALL
27	62421-90	SPOUT, oil fill (chrome)	FXDB 1992, FXDC
	62425-90	SPOUT, oil fill (black)	FXDB 1991
28	62649-90	DIPSTICK COVER	ALL
29	62672-90	O-RING	ALL
30	62673-90	O-RING	ALL
31	62679-90	FILLER CAP	FXDB 1991
	62681-92	FILLER CAP	FXDB 1992, FXDC
32	63533-41A	FITTING, oil hose	FXDB 1991
33	63534-90	HOSE, crankcase to tank vent	FXDB 1991
34	63535-90	HOSE, oil pan to pump (feed)	FXDB 1991
35	63554-90	FITTING, elbow (2)	FXDB 1991
36	33038-92	TRANSMISSION	FXDB 1992



INDEX NO.	PART NO.	DESCRIPTION	MODEL(S)
	33040-91	TRANSMISSION	FXDB 1991
	33041-92	TRANSMISSION	FXDC
37	14256-90	DECAL, dipstick cover (Sturgis)	FXDB 1991
	14263-91	DECAL, dipstick cover (black)	FXDB 1992
	14268-92	DECAL, dipstick cover (silver)	FXDC

## TRANSMISSION GEARS



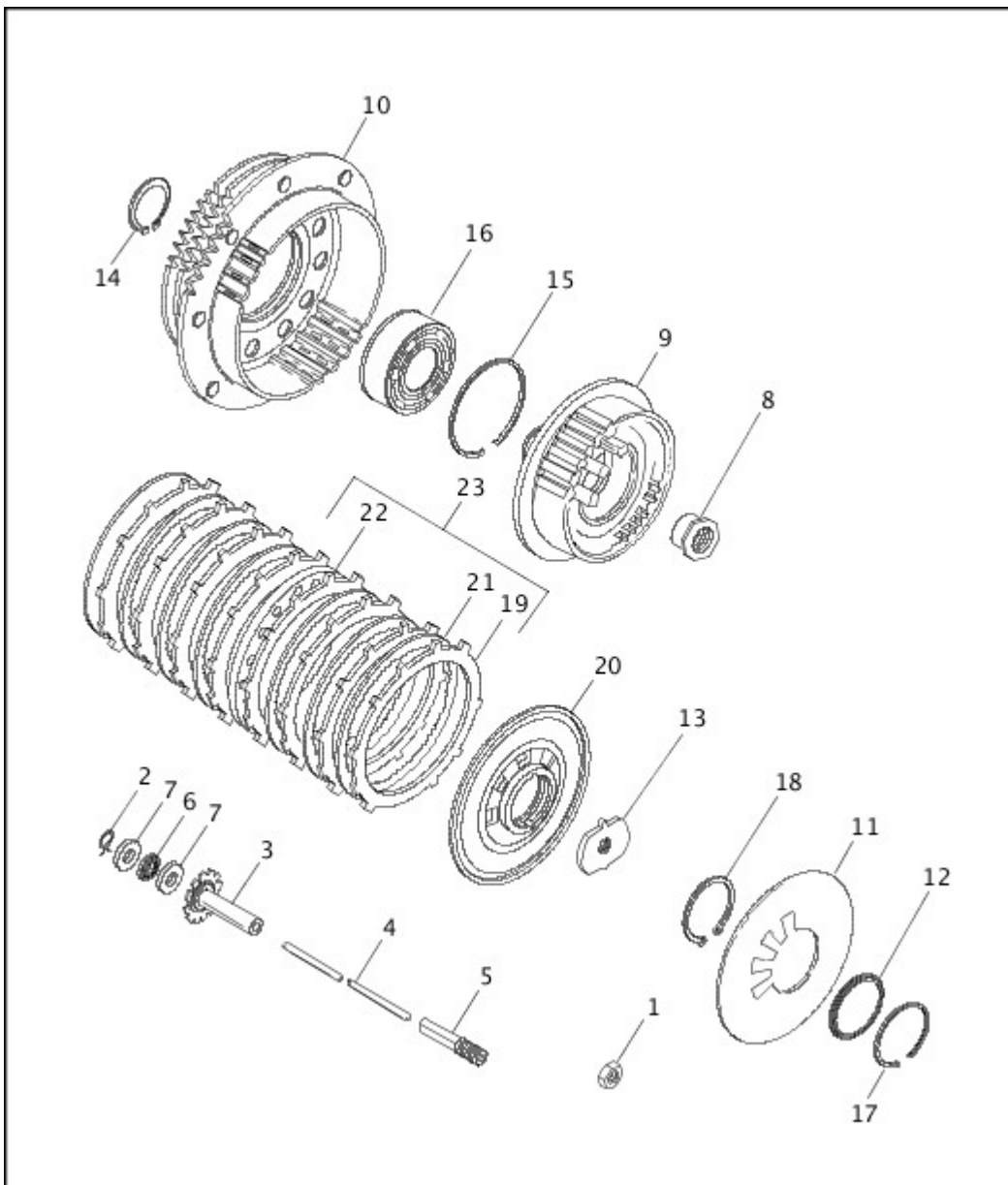
[View interactive image](#)

[View interactive table](#)

INDEX NO.	PART NO.	DESCRIPTION	MODEL(S)
1	6003	WASHER (5)	ALL
2	8876A	BEARING (4)	ALL
3	11067	RETAINING RING (6)	ALL
4	11096	RETAINING RING	ALL

INDEX NO.	PART NO.	DESCRIPTION	MODEL(S)
5	12035B	OIL SEAL, mainshaft fifth gear	ALL
6	34091-85A	BEARING, inner race	ALL
7	35025-79B	FIRST GEAR, mainshaft	ALL
8	35026-94	GEAR, mainshaft 2nd & countershaft 3rd (2)	ALL
9	35027-79B	GEAR, mainshaft 3rd & countershaft 2nd (2)	ALL
10	35028-79B	FOURTH GEAR, mainshaft	ALL
11	35029-91A	FIFTH GEAR, mainshaft	ALL
12	35042-91	MAINSHAFT	ALL
13	35064-79	SPACER, mainshaft	ALL
14	35622-79C	FIRST GEAR, countershaft	ALL
15	35625-79B	FOURTH GEAR, countershaft	ALL
16	35626-79B	FIFTH GEAR, countershaft	ALL
17	35629-79	SPACER	ALL
18	35632-79	COUNTERSHAFT	ALL
19	35051-89A	NEEDLE BEARING (2)	ALL
20	37069-90A	PUSHROD END	ALL
21	37088-90	PUSHROD, clutch release (through mainshaft)	ALL
22	37090-84A	END, clutch pushrod, left side	ALL
23	37312-75	BEARING	ALL
24	37313-80	THRUST WASHER (2)	ALL

## CLUTCH



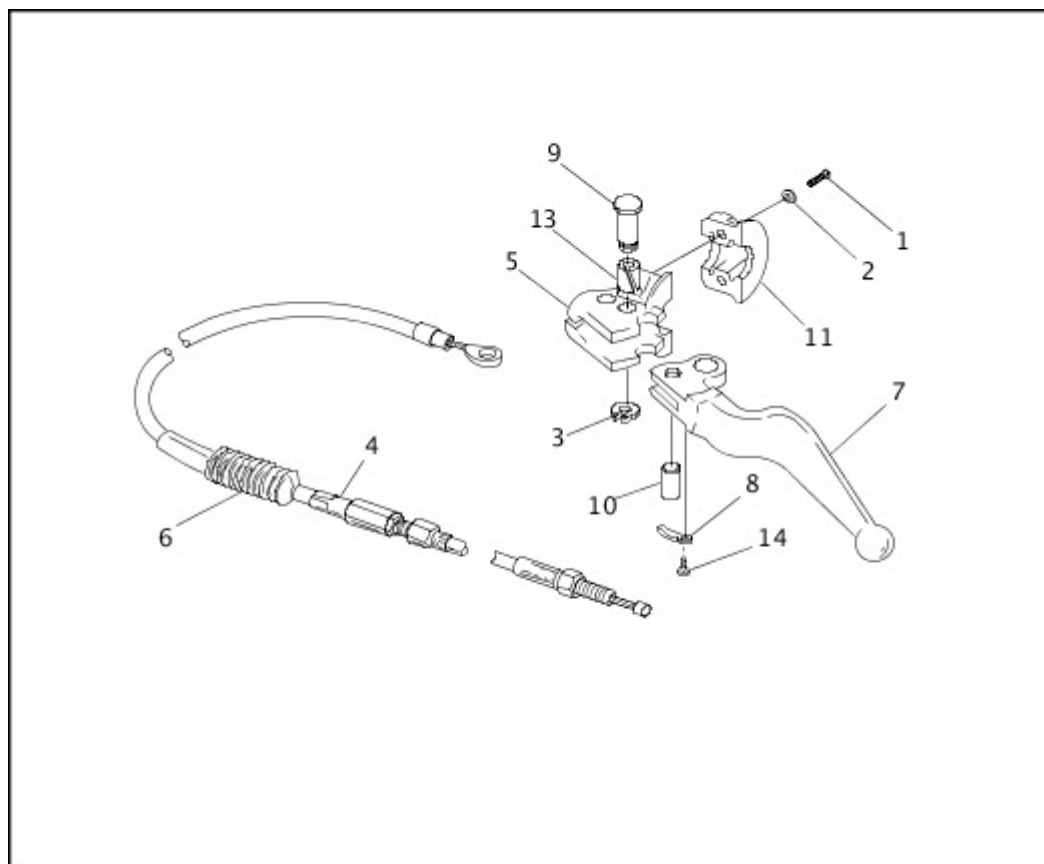
[View interactive image](#)

[View interactive table](#)

INDEX NO.	PART NO.	DESCRIPTION	MODEL(S)
1	7848W	JAMNUT	ALL
2	11096	RETAINING RING	ALL
3	37069-90A	PUSHROD END	ALL
4	37088-90	PUSHROD, clutch release	ALL
5	37090-84A	END, pushrod, left	ALL
6	37312-75	BEARING, pushrod	ALL
7	37313-80	THRUST WASHER (2)	ALL
8	37496-90A	NUT, mainshaft	ALL
9	37550-90A	CLUTCH HUB	ALL
10	37707-90	SHELL & SPROCKET, w/ ring gear	ALL

INDEX NO.	PART NO.	DESCRIPTION	MODEL(S)
11	37871-90	SPRING, diaphragm	ALL
12	37872-90	SEAT, clutch spring	ALL
13	37903-90	RELEASE PLATE	ALL
14	37904-90	RETAINING RING, external	ALL
15	37905-90	RETAINING RING, internal	ALL
16	37906-90	BEARING, ball, double row	ALL
17	37908-90	RETAINING RING, internal	ALL
18	37909-90	RETAINING RING, internal	ALL
19	37911-90	FRICTION PLATE, paper (set of 8)	ALL
20	37912-91	PRESSURE PLATE	ALL
21	37913-90	STEEL PLATE, smooth (6)	ALL
22	37977-90	SPRING PLATE, smooth	ALL
23	37971-90	CLUTCH PLATE KIT, w/ 19, 21 & 22	ALL

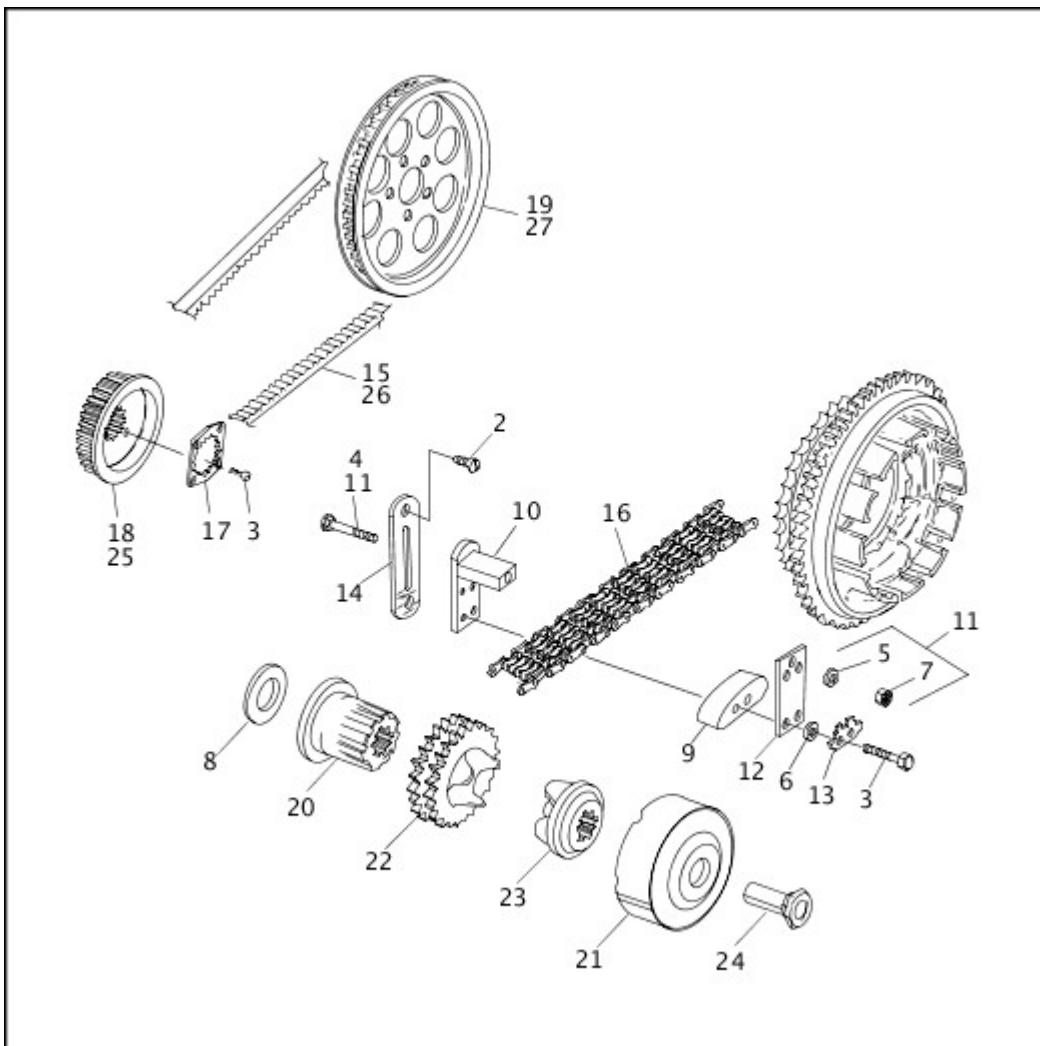
## CLUTCH CONTROL



[View interactive image](#)

INDEX NO.	PART NO.	DESCRIPTION	MODEL(S)
1	4015	SCREW (2)	ALL
2	6099	WASHER (2)	ALL
3	11143	RETAINING RING	ALL
4	38602-92	CABLE, clutch control	FXDB 1992, FXDC
	38649-08A	CABLE, clutch control	FXDB 1991
5	38608-82B	BRACKET, hand lever	ALL
6	38630-88	BOOT, clutch cable	FXDB 1992, FXDC
7	45017-88A	HAND LEVER	ALL
8	45021-86	SPRING, anti-rattle	ALL
9	45032-82	PIN, hand lever pivot	ALL
10	45036-88	ANCHOR PIN	ALL
11	45044-82	CLAMP, lever bracket	ALL
12	45090-92	GUIDE, clutch cable (not illustrated)	FXDB 1992, FXDC
13	45423-92	BUSHING	FXDB 1992, FXDC
14	90770-79	SCREW	ALL

## **BELTS, CHAINS & SPROCKETS**



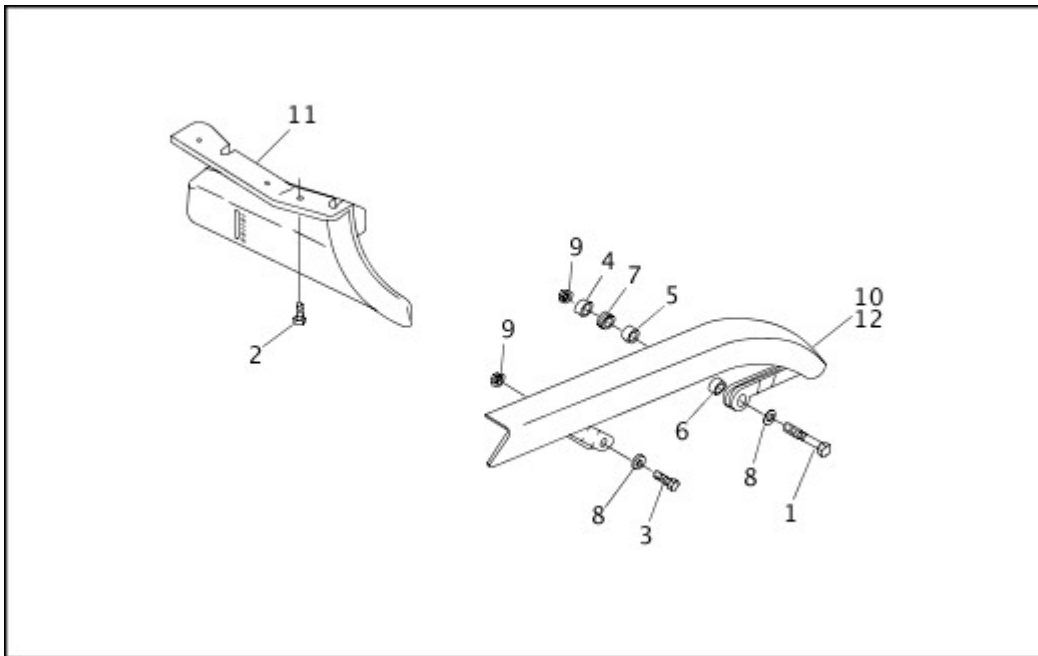
[View interactive image](#)

[View interactive table](#)

INDEX NO.	PART NO.	DESCRIPTION	MODEL(S)
1	857A	SCREW (not illustrated)	FXDB 1991
2	1783C	SCREW (2)	ALL
3	2614	BOLT (2)	ALL
	3594	SCREW (2)	FXDB 1992, FXDC
4	5444	BOLT	ALL
5	6400HB	WASHER	ALL
6	6703	WASHER (2)	ALL
7	7778	LOCKNUT	ALL
8	24032-70	SPACER, sprocket shaft, 0.06 thick	ALL
	24033-70	SPACER, sprocket shaft, 0.09 thick	ALL
	24034-70	SPACER, sprocket shaft, 0.12 thick	ALL

INDEX NO.	PART NO.	DESCRIPTION	MODEL(S)
	24035-70	SPACER, sprocket shaft, 0.15 thick	ALL
	24036-70	SPACER, sprocket shaft, 0.18 thick	ALL
	24037-70	SPACER, sprocket shaft, 0.21 thick	ALL
	35850-84	SPACER, sprocket shaft, 0.01 thick (as required)	ALL
	35851-84	SPACER, sprocket shaft, 0.02 thick (as required)	ALL
	35852-84	SPACER, sprocket shaft, 0.03 thick (as required) (use 35850-84 & 35851-84)	ALL
9	39976-65B	PAD, chain tensioner	ALL
10	39990-65	CHAIN TENSIONER	ALL
11	39992-65C	CHAIN TENSIONER MOUNTING KIT, w/ 4, 5 & 7	ALL
12	39993-65	PLATE, chain tensioner	ALL
13	39996-65	LOCKWASHER, chain tensioner plate	ALL
14	39998-65A	ANCHOR PLATE, chain tensioner	ALL
15	40015-90	REAR BELT, 133T	ALL
16	40007-36B	PRIMARY CHAIN	ALL
17	40251-91	LOCKPLATE	FXDB 1992, FXDC
18	40250-92	SPROCKET, 32T belt (use 40210-85D)	ALL
19	40220-91	SPROCKET, rear, 70T belt (gold)	FXDB 1992
	40221-85A	SPROCKET, rear, 70T belt (silver)	ALL
20	40266-85	SHAFT EXTENSION	ALL
21	40384-91	COVER ASSEMBLY, w/ springs	ALL
22	40269-85A	COMPENSATING SPROCKET	ALL
23	40299-83A	SLIDING CAM	ALL
24	40392-91	NUT	ALL
25	40210-85D	SPROCKET KIT, w/ 3, 17, 24 & 25	FXDB 1991
<b>INTERNATIONAL MODELS ONLY</b>			
26	40012-90	REAR BELT, 128T (HDI)	ALL
27	40236-88A	SPROCKET, rear, 61T (silver) (HDI)	ALL

## REAR BELT GUARD



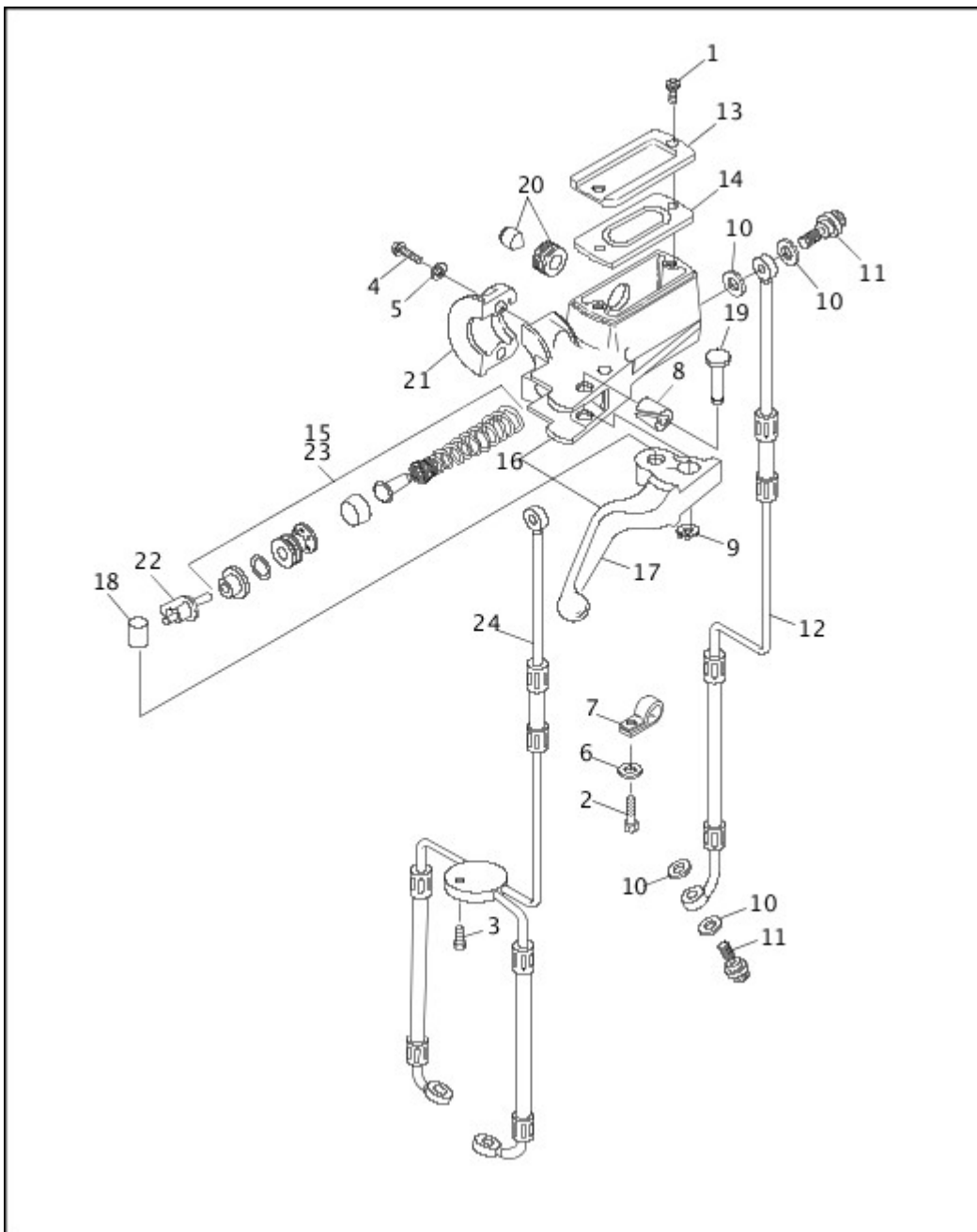
[View interactive image](#)

[View interactive table](#)

INDEX NO.	PART NO.	DESCRIPTION	MODEL(S)
1	2871W	BOLT	ALL
2	3579A	SCREW (3)	ALL
3	3991	BOLT	ALL
4	5883	SPACER	ALL
5	5978W	SPACER	ALL
6	11411	GROMMET	ALL
7	11458	GROMMET	ALL
8	6702	WASHER (5)	FXDB 1992, FXDC
8	6702	WASHER (2)	FXDB 1991
9	7531	LOCKNUT (2)	ALL
10	60293-90A	BELT GUARD (chrome)	FXDB 1992, FXDC
	60297-90A	BELT GUARD	FXDB 1991
11	60395-90	DEBRIS DEFLECTOR	FXDC
	60399-92	DEBRIS DEFLECTOR	FXDB 1991, FXDC
<b>INTERNATIONAL MODELS ONLY</b>			
12	60294-90	BELT GUARD (HDI)	ALL

## FRONT BRAKE CONTROL





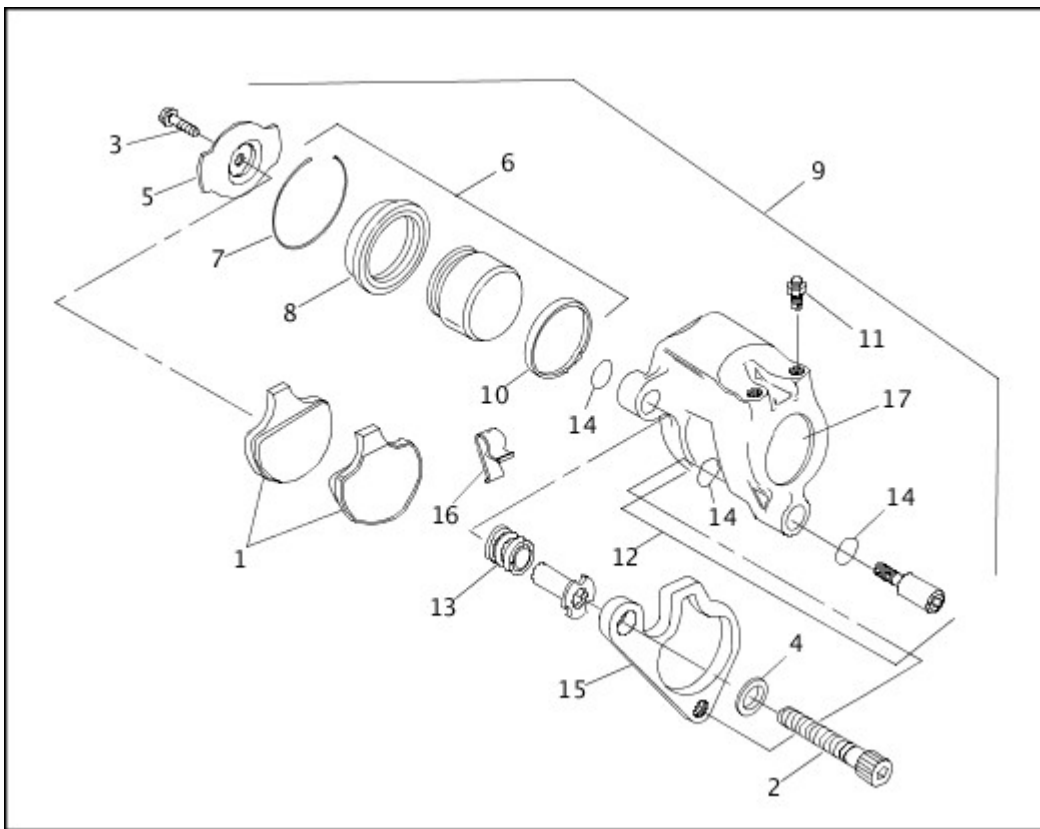
[View interactive image](#)

[View interactive table](#)

INDEX NO.	PART NO.	DESCRIPTION	MODEL(S)
1	2579A	SCREW (2)	FXDB 1992, FXDC
2	2662W	SCREW	ALL
3	4741A	SCREW	FXDB 1992, FXDC
4	4015	SCREW (2)	ALL
5	6099	WASHER (2)	ALL
6	7220	LOCKWASHER	ALL
7	10031	CLAMP, brake line	ALL
	10053	CLAMP, brake line	FXDB 1991
8	45423-92	BUSHING	FXDB 1992, FXDC

INDEX NO.	PART NO.	DESCRIPTION	MODEL(S)
9	11143	RETAINING RING	FXDB 1992, FXDC
10	41731-88A	GASKET (6)	ALL
	41733-88	GASKET, master cylinder, single disc (2)	FXDB 1991
11	41739-84A	FITTING, master cylinder, single disc	FXDB 1991
	41747-82A	FITTING (3)	ALL
12	45145-90A	BRAKE LINE	FXDB 1991
13	45004-85	COVER, master cylinder	FXDB 1992, FXDC
14	45005-85	GASKET, master cylinder cover	FXDB 1992, FXDC
15	45006-87B	REPAIR KIT, master cylinder	FXDB 1992, FXDC
16	45013-85C	MASTER CYLINDER, w/ hand lever	FXDB 1992, FXDC
	45019-85A	MASTER CYLINDER, w/ hand lever	FXDB 1991
17	45016-82A	HAND LEVER	ALL
18	45031-82A	PIN, stoplamp switch & pushrod	ALL
19	45032-82	PIN, hand lever pivot	ALL
20	45042-82	SIGHT GLASS REPAIR KIT	ALL
21	45044-82	CLAMP, master cylinder	ALL
22	45051-82	PUSHROD, stoplamp switch	ALL
23	45072-87	REPAIR KIT, master cylinder	FXDB 1991
24	45111-89A	BRAKE LINE	FXDB 1992, FXDC

## FRONT BRAKE CALIPER



[View interactive image](#)

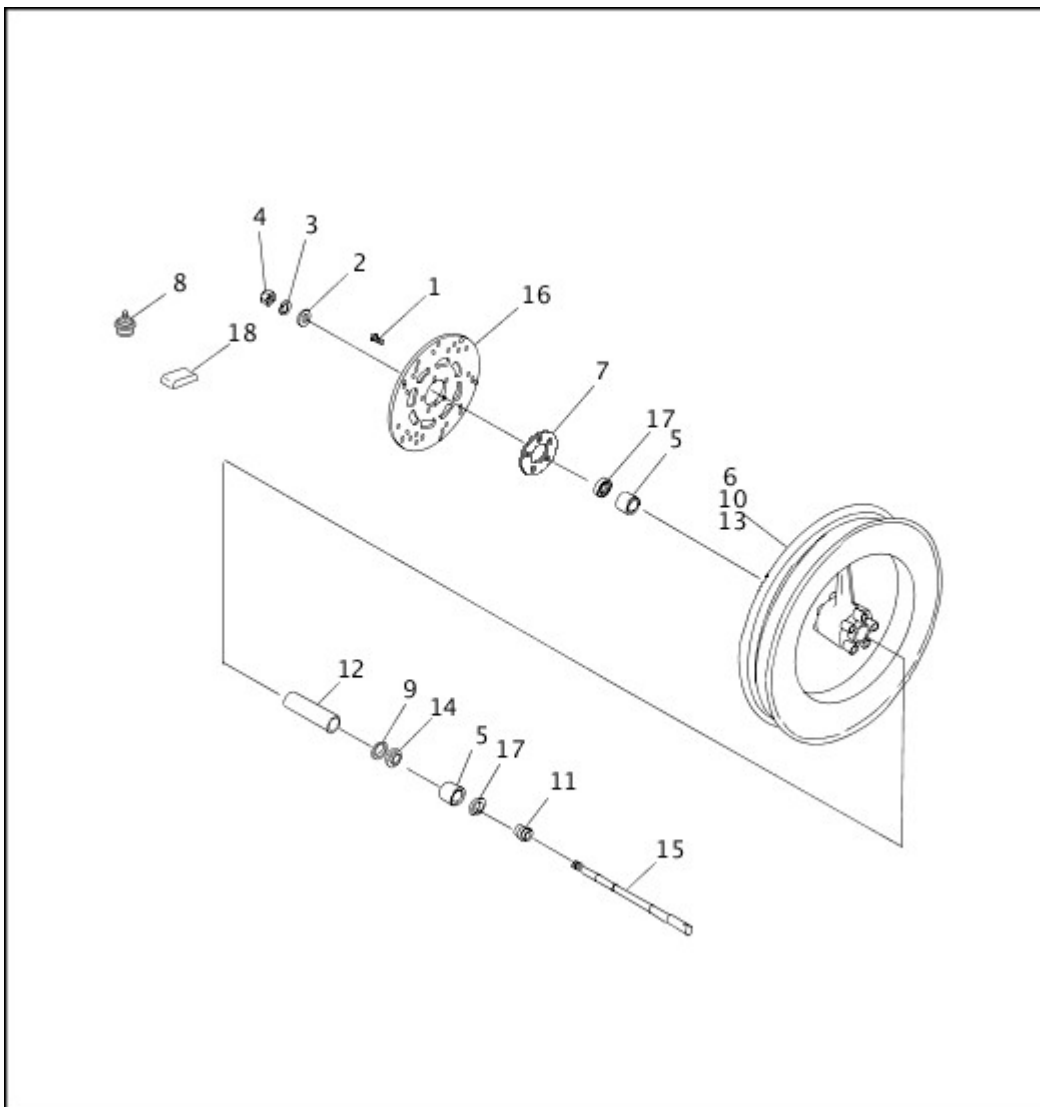
[View interactive table](#)

INDEX NO.	PART NO.	DESCRIPTION	MODEL(S)
1	44063-83C	PAD SET, w/ 3562	FXDB 1991
1	44063-83C	PAD SET, w/ 3562 (2)	FXDB 1992, FXDC
2	855B	SCREW	FXDB 1991
2	855B	SCREW (2)	FXDB 1992, FXDC
3	3562	SCREW	FXDB 1991
3	3562	SCREW (2)	FXDB 1992, FXDC
4	6019	WASHER	FXDB 1991
4	6019	WASHER (2)	FXDB 1992, FXDC
5	44062-83	RETAINING PAD	FXDB 1991
5	44062-83	RETAINING PAD (2)	FXDB 1992, FXDC
6	44020-83A	PISTON REBUILD KIT, w/ 8, 9 & 10	FXDB 1991
6	44020-83A	PISTON REBUILD KIT, w/ 8, 9 & 10 (2)	FXDB 1992, FXDC
7	44021-83	RETAINING RING, piston	FXDB 1991
7	44021-83	RETAINING RING, piston (2)	FXDB 1992, FXDC

INDEX NO.	PART NO.	DESCRIPTION	MODEL(S)
8	44022-83	DUST BOOT, piston	FXDB 1991
8	44022-83	DUST BOOT, piston (2)	FXDB 1992, FXDC
9	44023-83C	CALIPER ASSEMBLY, right	FXDB 1992, FXDC
	44046-84C	CALIPER ASSEMBLY, left	ALL
10	44047-83	SEAL, piston	FXDB 1991
10	44047-83	SEAL, piston (2)	FXDB 1992, FXDC
11	44048-83	BLEEDER FITTING	FXDB 1991
11	44048-83	BLEEDER FITTING (2)	FXDB 1992, FXDC
12	44053-83B	GUIDE PIN KIT, w/ 13, 14 & mounting pins	FXDB 1991
12	44053-83B	GUIDE PIN KIT, w/ 13, 14 & mounting pins (2)	FXDB 1992, FXDC
12	44053-92A	GUIDE PIN KIT, w/ 13, 14 & mounting pins	FXDB 1991
12	44053-92A	GUIDE PIN KIT, w/ 13, 14 & mounting pins	FXDB 1992, FXDC
13	44054-83	PIN BOOT	FXDB 1991
13	44054-83	PIN BOOT (2)	FXDB 1992, FXDC
14	44059-83	O-RING (3)	FXDB 1991
14	44059-83	O-RING (6)	FXDB 1992, FXDC
15	44060-83A	BRACKET, caliper mounting	FXDB 1991
15	44060-83A	BRACKET, caliper mounting (2)	FXDB 1992, FXDC
15	44072-92A	BRACKET, caliper mounting (left)	ALL
15	44073-92A	BRACKET, caliper mounting (right)	FXDB 1992, FXDC
16	44061-83	SPRING CLIP	FXDB 1991
16	44061-83	SPRING CLIP (2)	FXDB 1992, FXDC
17	44197-77	LABEL	FXDB 1991
17	44197-77	LABEL (2)	FXDB 1992, FXDC

For FXSTS caliper mounting, see FORK ROCKERS AND CALIPER MOUNTING - FXSTS.

## FRONT WHEEL



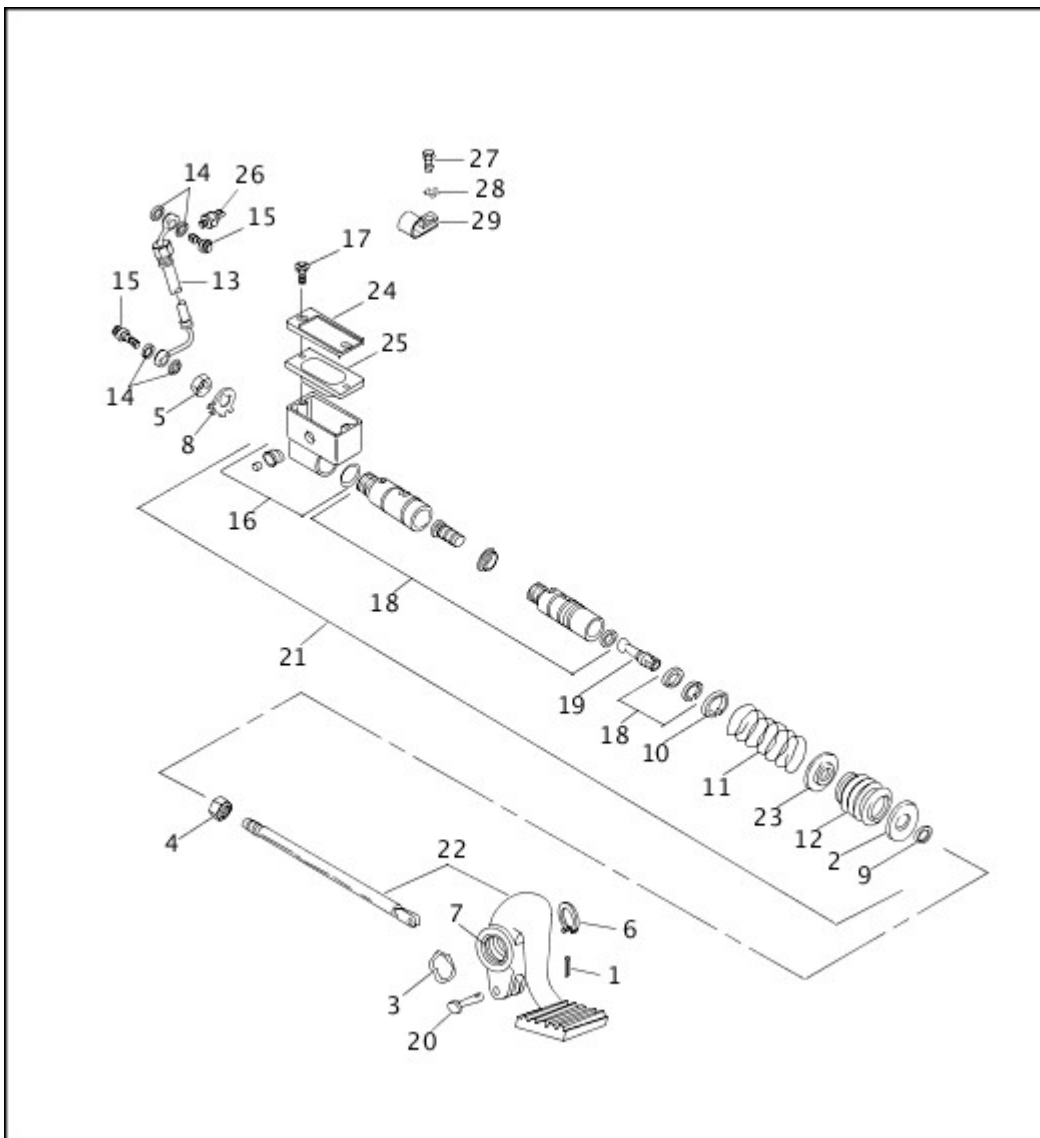
[View interactive image](#)

[View interactive table](#)

INDEX NO.	PART NO.	DESCRIPTION	MODEL(S)
1	3655A	SCREW (10)	ALL
2	6590HW	WASHER	ALL
3	7068	LOCKWASHER	ALL
4	7845	NUT	ALL
5	9052	ROLLER BEARING (2)	ALL
6	41036-92	WHEEL ASSEMBLY, 19 inches, 9 spoke (gold)	FXDB 1992
7	43359-84	HUB PLATE (silver)	FXDB 1991
8	43150-83	VALVE STEM	ALL
9	43290-82	SPACER, 0.032 thick	FXDB 1992, FXDC
	43291-82	SPACER, 0.016 thick	FXDB 1992, FXDC
	43292-82	SPACER, 0.008 thick	FXDB 1992, FXDC

INDEX NO.	PART NO.	DESCRIPTION	MODEL(S)
	43293-82	SPACER, 0.004 thick	FXDB 1992, FXDC
	43294-82	SPACER, 0.002 thick	FXDB 1992, FXDC
10	43338-83	WHEEL ASSEMBLY, 19 inches, 9 spoke (silver)	FXDC
	43499-84	WHEEL ASSEMBLY, 19 inches, 9 spoke (red stripe)	FXDB 1991
11	43358-83A	SPACER, bearing	ALL
12	43613-92	SLEEVE	ALL
	43623-78	SLEEVE, between bearings, 2.564 (violet)	FXDB 1991
	43624-78	SLEEVE, between bearings, 2.550 (pink)	FXDB 1991
	43625-78	SLEEVE, between bearings, 2.536 (gold)	FXDB 1991
13	43499-84	WHEEL ASSEMBLY, 19 inches cast	FXDB 1991
14	43650-82	SPACER WASHER	FXDB 1992, FXDC
15	43895-87B	AXLE	ALL
16	44136-92	BRAKE DISC	FXDB 1991
16	44136-92	BRAKE DISC (2)	FXDB 1992, FXDC
17	47519-83A	OIL SEAL (2)	FXDB 1991
18	95594-84B	WEIGHT, 5 grams for cast wheel (black)	ALL

## REAR BRAKE CONTROL



[View interactive image](#)

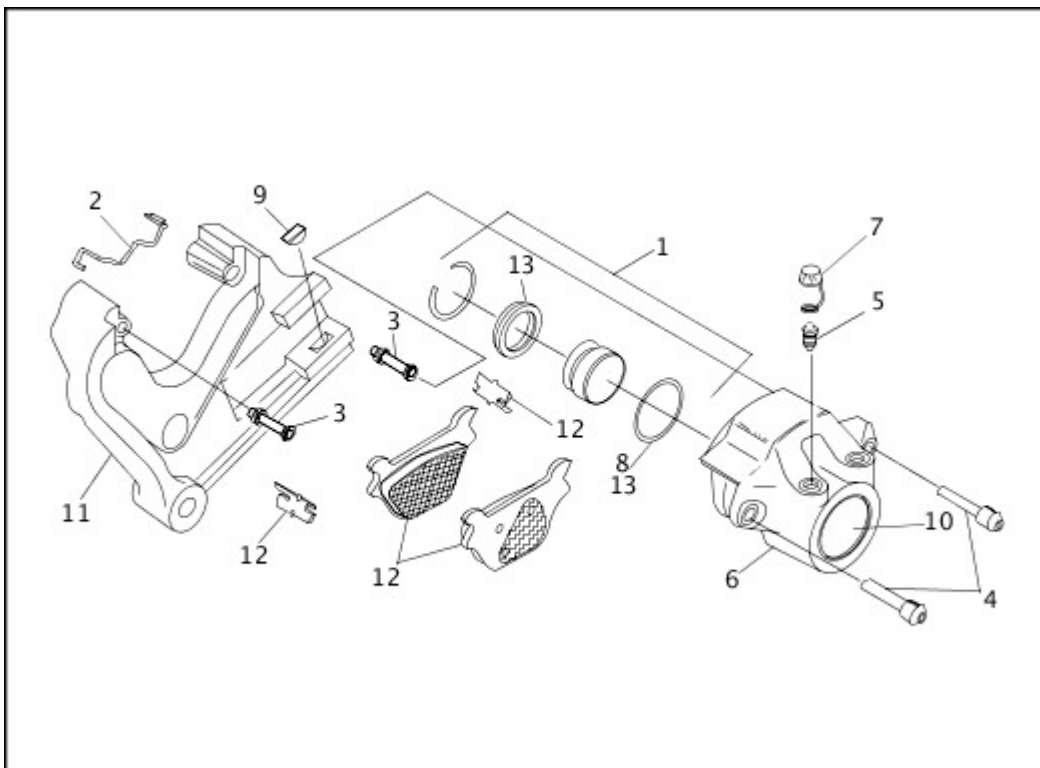
[View interactive table](#)

INDEX NO.	PART NO.	DESCRIPTION	MODEL(S)
1	515	COTTER PIN	ALL
2	6366	WASHER	ALL
3	7003	LOCKWASHER, spring	ALL
4	7744	JAMNUT	ALL
5	7855W	JAMNUT	ALL
6	11005	RETAINING RING	ALL
7	33714-90B	BEARING (2)	ALL
8	37503-41	LOCKWASHER	ALL
9	40903-87	RETAINING RING	ALL
10	40918-87	RETAINING RING	ALL
11	40920-87	SPRING	ALL

INDEX NO.	PART NO.	DESCRIPTION	MODEL(S)
12	40922-87A	BOOT	ALL
13	40956-90B	BRAKE LINE	ALL
14	41731-88A	GASKET (4)	ALL
15	41747-82A	FITTING (2)	ALL
16	41803-90	RESERVOIR ASSEMBLY	ALL
17	42375-87	SCREW (2)	ALL
18	42382-87E	REPAIR KIT, master cylinder	ALL
19	42448-87	PUSHROD	ALL
20	42460-80B	CLEVIS PIN	ALL
21	42474-90B	MASTER CYLINDER	ALL
22	42502-90B	BRAKE PEDAL ASSEMBLY	ALL
23	44126-87	SPRING RETAINER	ALL
24	45004-85	COVER, master cylinder	ALL
25	45005-85	GASKET COVER	ALL
26	72023-51E	STOPLAMP SWITCH	ALL
27	3537	SCREW	ALL
28	7229W	LOCKWASHER	ALL
29	10053	CLAMP	ALL

## REAR BRAKE CALIPER



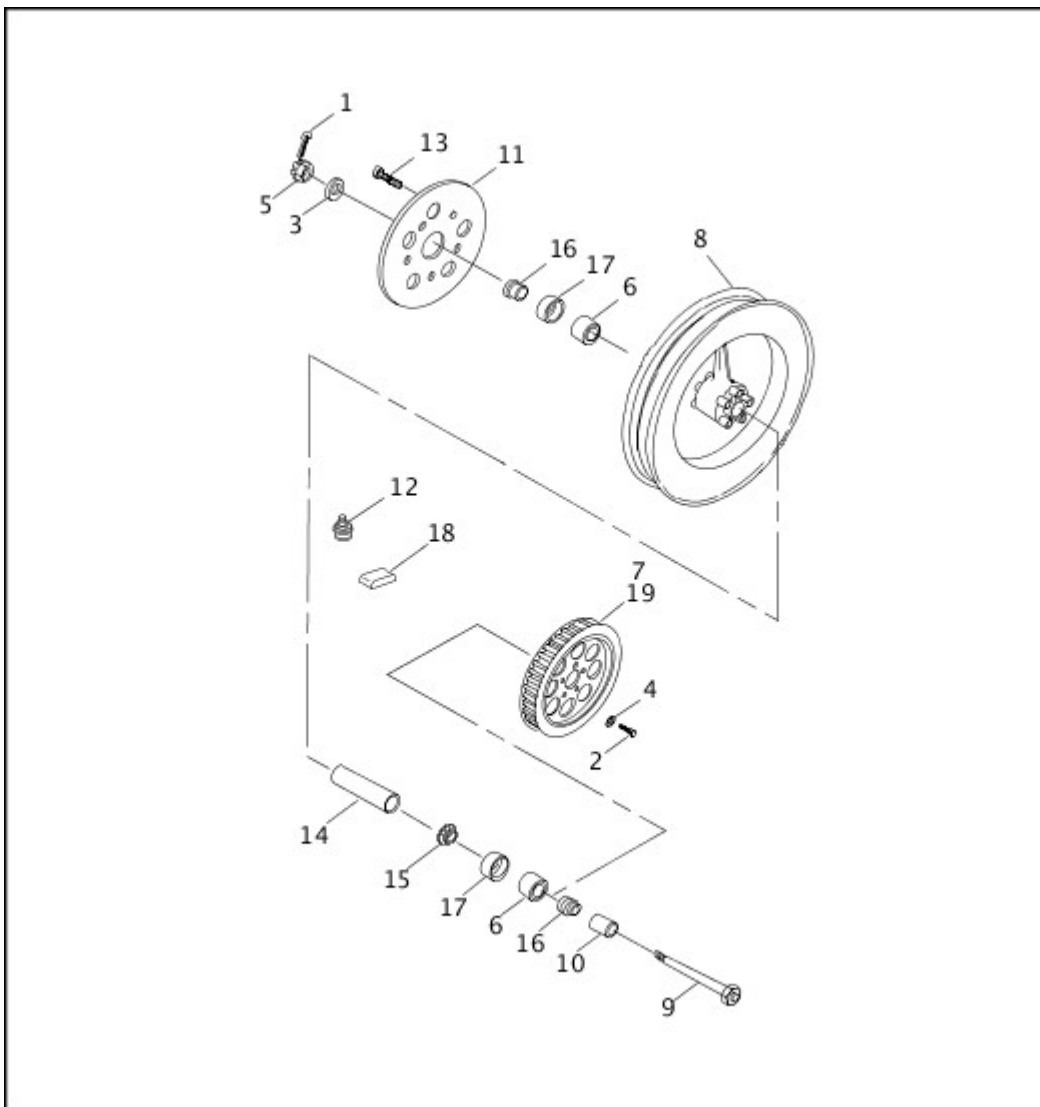


View interactive image

View interactive table

INDEX NO.	PART NO.	DESCRIPTION	MODEL(S)
1	43946-86A	PISTON KIT, w/ 8	ALL
2	43960-86	RETAINER	ALL
3	44035-86A	BUSHING (2)	ALL
4	44039-86	MOUNTING KIT, w/ 44204-90	ALL
5	44048-83	SCREW, bleeder	ALL
6	44050-87	CALIPER ASSEMBLY, w/o bracket	ALL
7	44147-87A	CAP, bleeder screw	ALL
8	44152-77	BOOT	ALL
9	44196-90	BUMPER	ALL
10	44198-87	CALIPER INSERT	ALL
11	44204-90	BRACKET, mounting, w/ 44035-86A & 44196-90	ALL
12	44209-87C	PAD SET	ALL
13	44045-87A	SEAL & BOOT KIT	ALL

## REAR WHEEL



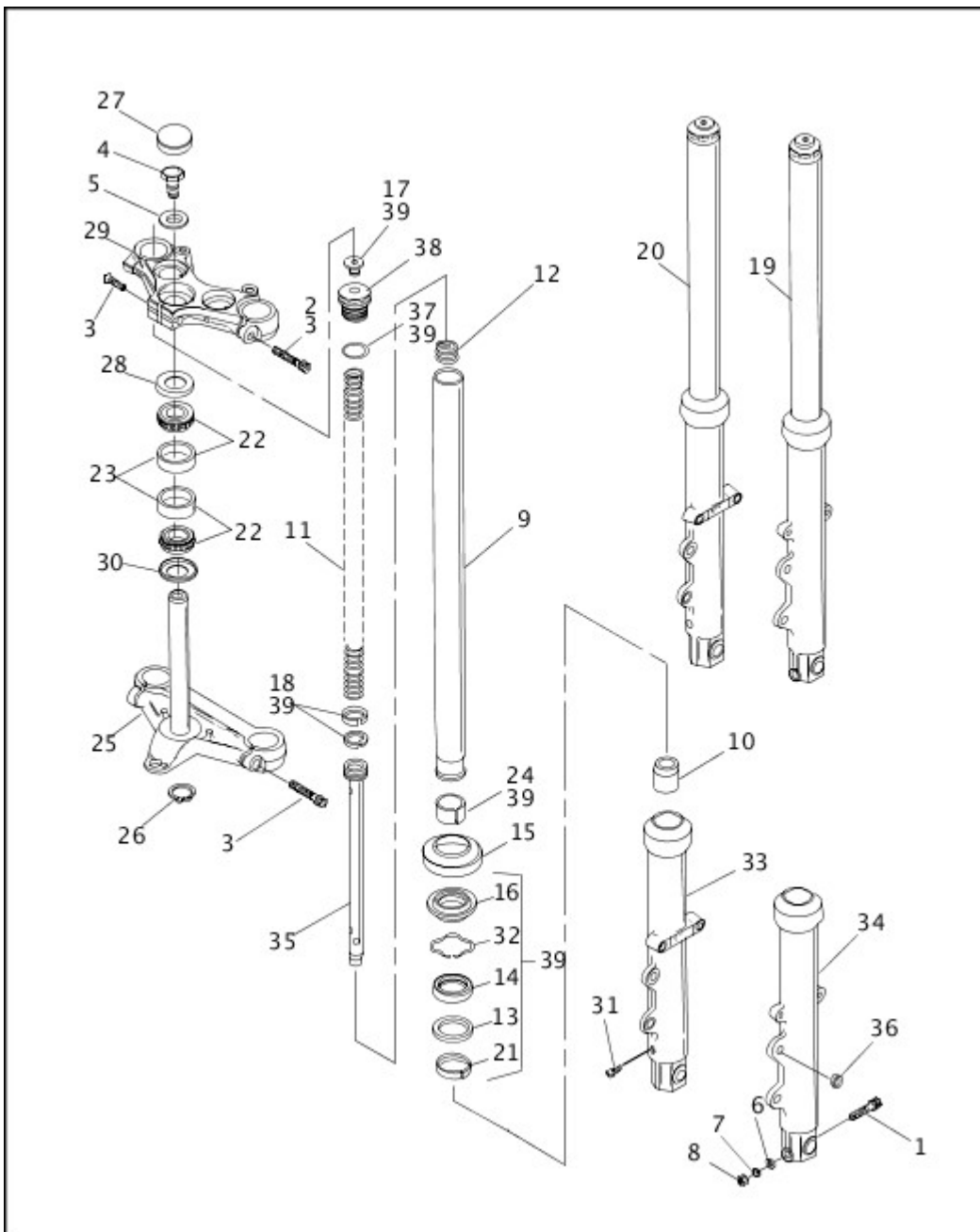
[View interactive image](#)

[View interactive table](#)

INDEX NO.	PART NO.	DESCRIPTION	MODEL(S)
1	511	COTTER PIN	FXDB 1991
2	3730A	BOLT (cast wheels) (5)	ALL
3	5756	WASHER	FXDB 1991
4	6516HW	WASHER (5)	ALL
5	7987	NUT	FXDB 1991
6	9052	ROLLER BEARING (2)	FXDB 1991
7	40221-85A	SPROCKET, 70T (silver)	ALL
8	41015-86	WHEEL ASSEMBLY, cast, 9 spoke (black)	FXDB 1991, FXDC
	41035-88	WHEEL ASSEMBLY, cast, 9 spoke (gold)	FXDB 1992
9	41114-90	AXLE	ALL
10	41591-90	SPACER, rear axle, left	ALL

INDEX NO.	PART NO.	DESCRIPTION	MODEL(S)
11	41789-92	DISC, brake	ALL
12	43157-83A	VALVE STEM ASSEMBLY	FXDB 1991
13	43567-79	SCREW (5)	FXDB 1991
	43567-92	SCREW (5)	FXDB 1992, FXDC
14	43604-78	SPACER, w/o flanges, 4.420 (orange)	FXDB 1991
	43605-78	SPACER, w/o flanges, 4.434 (yellow)	FXDB 1991
	43606-78	SPACER, w/o flanges, 4.448 (white)	FXDB 1991
	43608-82	SPACER (cast wheels)	FXDB 1991
15	43650-82	SPACER WASHER	FXDB 1992, FXDC
16	43654-86A	SPACER (2)	ALL
17	47519-83A	OIL SEAL (2)	ALL
18	95594-84B	WEIGHT, 5 grams (black)	ALL
<b>INTERNATIONAL MODELS ONLY</b>			
19	40236-88A	SPROCKET, 61T (silver) (2)	ALL

## FRONT FORK



[View interactive image](#)

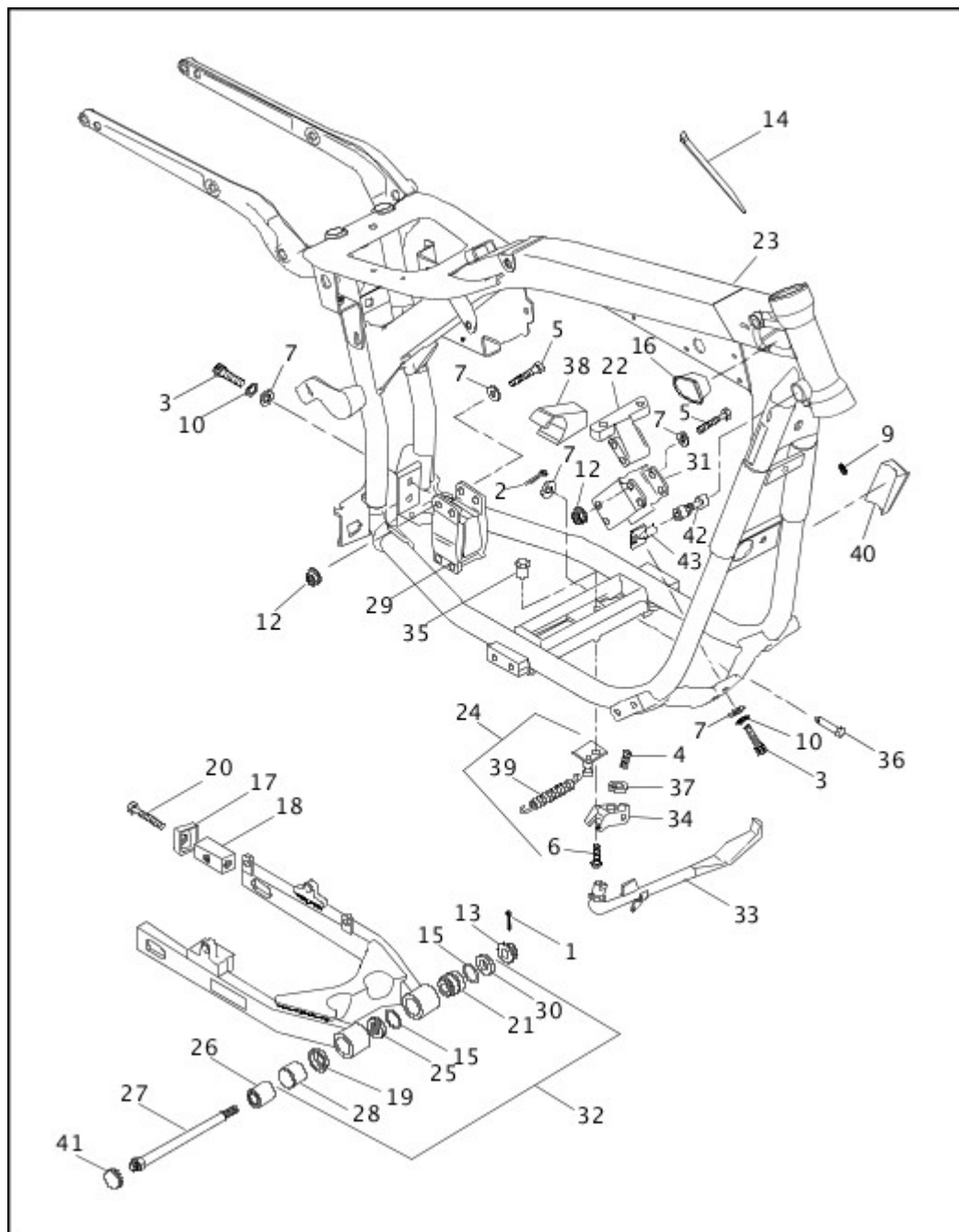
[View interactive table](#)

INDEX NO.	PART NO.	DESCRIPTION	MODEL(S)
1	4029A	SCREW	ALL
2	4047	SCREW (2)	ALL
3	4350A	SCREW (3)	ALL
	4351	SCREW (4)	ALL
4	4453	BOLT	ALL
5	6655	WASHER	ALL
6	6701	WASHER	ALL
7	7038	LOCKWASHER	ALL
8	7783	NUT	ALL

INDEX NO.	PART NO.	DESCRIPTION	MODEL(S)
9	45360-90	SLIDER TUBE (2)	ALL
10	45361-90	LOWER STOP (2)	ALL
11	45362-90	SPRING (2)	ALL
12	45374-87	SPRING, slider (2)	ALL
13	45377-87	SPACER, oil seal (2)	ALL
14	45378-87	OIL SEAL (2)	ALL
15	46002-87	COVER, slider (2)	ALL
16	45401-87	SEAL, dust (2)	ALL
17	45546-90	SCREW, w/ washer (2)	ALL
18	45460-90	RING, damper tube (2)	ALL
19	45949-92	FORK SLIDER & TUBE ASSEMBLY, right	FXDB 1992, FXDC
	45951-90	FORK SLIDER & TUBE ASSEMBLY, right	FXDB 1991
20	45952-90	FORK SLIDER & TUBE ASSEMBLY, left	ALL
21	45461-87	BUSHING, upper (2)	ALL
22	48300-60	ROLLER BEARING, w/ cup (2)	ALL
23	48315-60	BEARING CUP (2)	ALL
24	45465-87	BUSHING, slider tube (2)	ALL
25	45598-90B	BRACKET, lower w/ stem	ALL
26	45611-86	RETAINING RING	ALL
27	45668-90	CAP, fork stem	ALL
28	48361-80	DUST SHIELD, upper	ALL
29	45739-87	BRACKET, upper	ALL
30	48365-48A	DUST SHIELD, lower	ALL
31	45790-80	DRAIN SCREW, w/ washer (2)	ALL
32	45905-87	RETAINING RING, oil seal	ALL
33	45921-87	SLIDER ASSEMBLY, left	ALL
34	45922-87	SLIDER ASSEMBLY, right	FXDB 1992, FXDC
	45923-87	SLIDER ASSEMBLY, right	FXDB 1991
35	45926-90	DAMPER TUBE (2)	ALL
36	45934-86	BUSHING (2)	ALL
37	45984-87	O-RING (2)	ALL

INDEX NO.	PART NO.	DESCRIPTION	MODEL(S)
38	45990-88	CAP, slider tube (2)	ALL
39	49378-09	FORK REBUILD KIT, w/ 13, 14, 16-18, 21, 24, 32 & 35 (2)	ALL

## FRAME, REAR FORK & JIFFY STAND



[View interactive image](#)

[View interactive table](#)

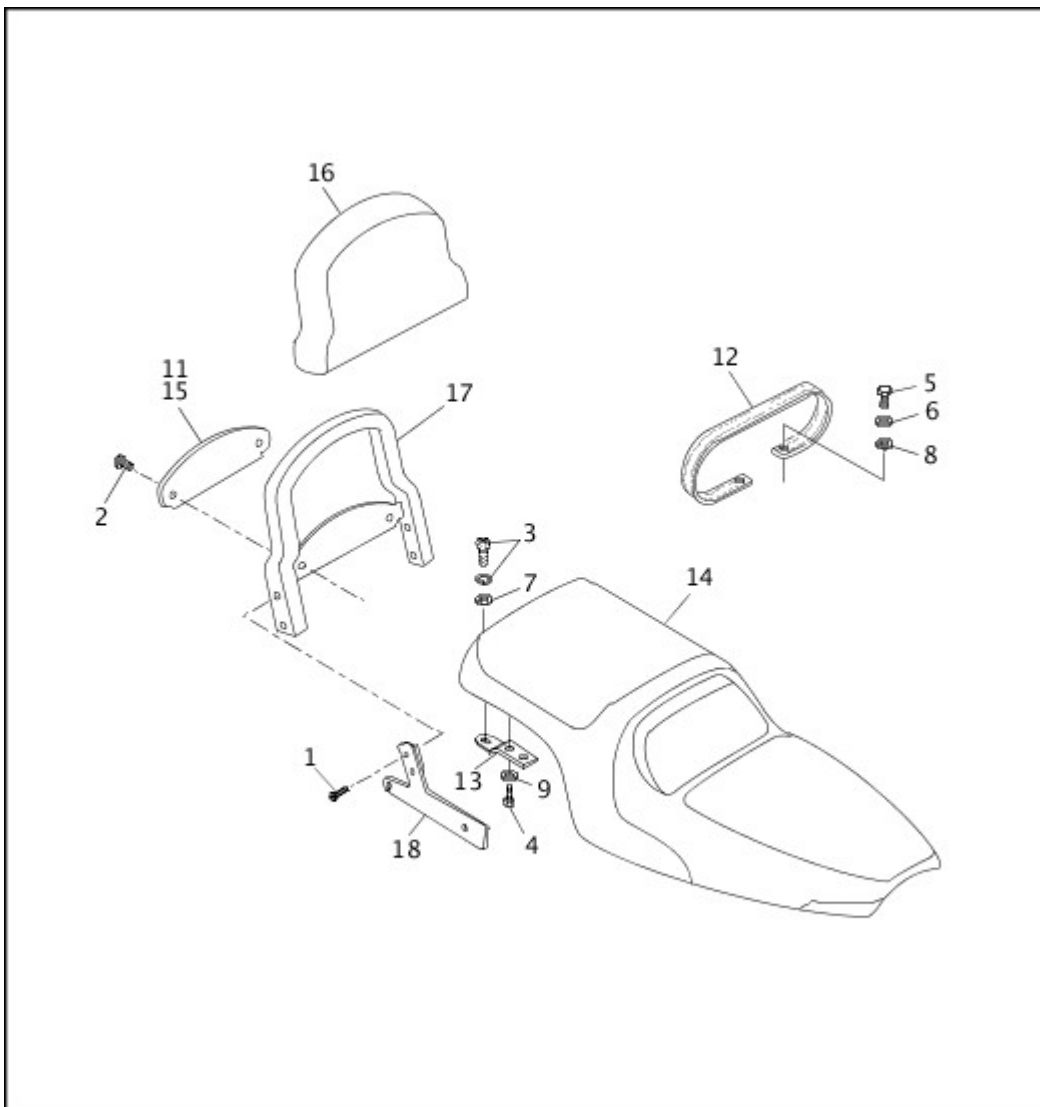
INDEX NO.	PART NO.	DESCRIPTION	MODEL(S)
1	534	COTTER PIN	ALL
2	554A	COTTER PIN	ALL
3	3214	SCREW (4)	ALL

INDEX NO.	PART NO.	DESCRIPTION	MODEL(S)
4	3487	BOLT	FXDB 1992, FXDC
	3974HW	BOLT	FXDB 1991
5	3509	BOLT (4)	ALL
6	3655A	SCREW	ALL
7	6701	WASHER (9)	ALL
8	6702	WASHER (not illustrated)	FXDB 1991
9	3233	SCREW (2)	ALL
10	7038	LOCKWASHER (4)	ALL
11	7041	LOCKWASHER (not illustrated)	FXDB 1991
12	7601	LOCKNUT (4)	ALL
13	7734W	NUT, flanged, castle	ALL
14	10039	CABLE STRAP	ALL
15	11139	O-RING (2)	ALL
16	11457	PLUG, steering head (gray)	FXDB 1991, FXDB 1992
	11457	PLUG, steering head	FXDC
17	41113-90	PLATE (2)	ALL
18	41575-90	BLOCK (2)	ALL
19	41585-90B	DUST SHIELD	ALL
20	45992-90	SCREW (2)	FXDB 1991
21	47082-81	BEARING	FXDB 1991
22	47226-90A	BRACKET KIT, front engine	ALL
23	47427-92D	FRAME (black)	ALL
24	47303-90A	ANCHOR, w/ 6 & 39	ALL
25	47496-91	SPACER, left	ALL
26	47499-90	SPACER, right	ALL
27	47817-90	PIVOT BOLT	ALL
28	47624-90B	BUSHING	ALL
29	47564-90B	ISOLATOR, rear	ALL
30	47565-90	WASHER	ALL
31	47583-90B	ISOLATOR, front	ALL
32	47820-90A	REAR FORK, w/ bearings	FXDB 1991, FXDB 1992
	47842-92	REAR FORK, w/ bearings (gray)	FXDC

INDEX NO.	PART NO.	DESCRIPTION	MODEL(S)
33	49704-90H	LEG, jiffy stand	ALL
34	49720-90	PIVOT BLOCK	ALL
35	49723-90	THREADED SPACER	ALL
36	50003-89B	PIN	ALL
37	50053-90	CATCH	ALL
38	50054-90	BUMPER	ALL
39	50057-90	SPRING	FXDB 1991
	50057-91	SPRING	FXDB 1992, FXDC
40	59272-90	REFLECTOR, amber (2)	ALL
41	67859-90	PLUG, chrome	ALL
42	71421-90B	LOCK SET, fork & ignition w/ key	FXDB 1991
43	71452-91A	KEY (specify code no.)	ALL

## SEATS & SISSY BAR





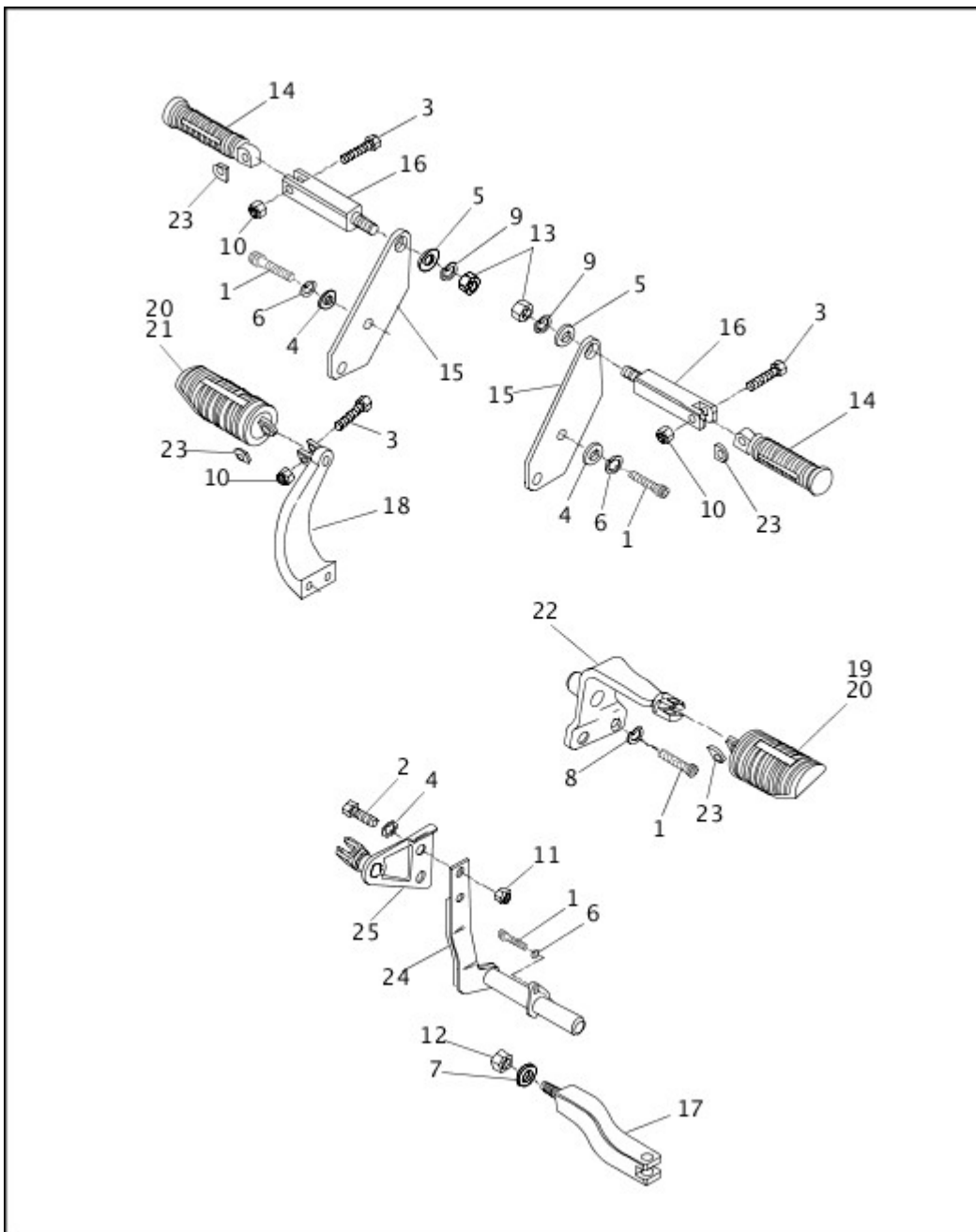
[View interactive image](#)

[View interactive table](#)

INDEX NO.	PART NO.	DESCRIPTION	MODEL(S)
1	919	SCREW (4)	FXDB 1991, FXDB 1992
2	2607	SCREW (2)	FXDB 1991, FXDB 1992
3	2733	SCREW	FXDB 1991, FXDB 1992
4	2871W	BOLT	FXDB 1992, FXDC
	4017	BOLT (2)	FXDB 1991
5	3574	SCREW (2)	ALL
6	6235	WASHER (2)	FXDB 1991
	6235	WASHER	FXDB 1992
7	6410	WASHER	FXDB 1991, FXDB 1992
8	6702	WASHER	FXDB 1992
9	7036	WASHER (2)	FXDB 1991
10	8097	RIVNUT (not illustrated) (2)	FXDB 1991

INDEX NO.	PART NO.	DESCRIPTION	MODEL(S)
11	14259-90	DECAL, sissy bar	FXDC
12	51188-84	PASSENGER STRAP	FXDB 1991, FXDB 1992
13	51652-83B	BRACKET, seat	FXDB 1991, FXDB 1992
14	52167-91	SEAT	FXDB 1992
	52170-90	SEAT	FXDB 1991, FXDC
15	99017-90	MEDALLION	FXDB 1991
	99015-91	MEDALLION	FXDB 1992
16	52173-90	BACKREST PAD KIT, w/ 2607	FXDB 1991, FXDB 1992
17	52764-90A	SISSY BAR KIT, w/ 919	FXDB 1991, FXDB 1992
18	52780-90A	SIDEPLATE, right	FXDB 1991, FXDB 1992
	52799-90A	SIDEPLATE, left	FXDB 1991, FXDB 1992

## FOOTRESTS



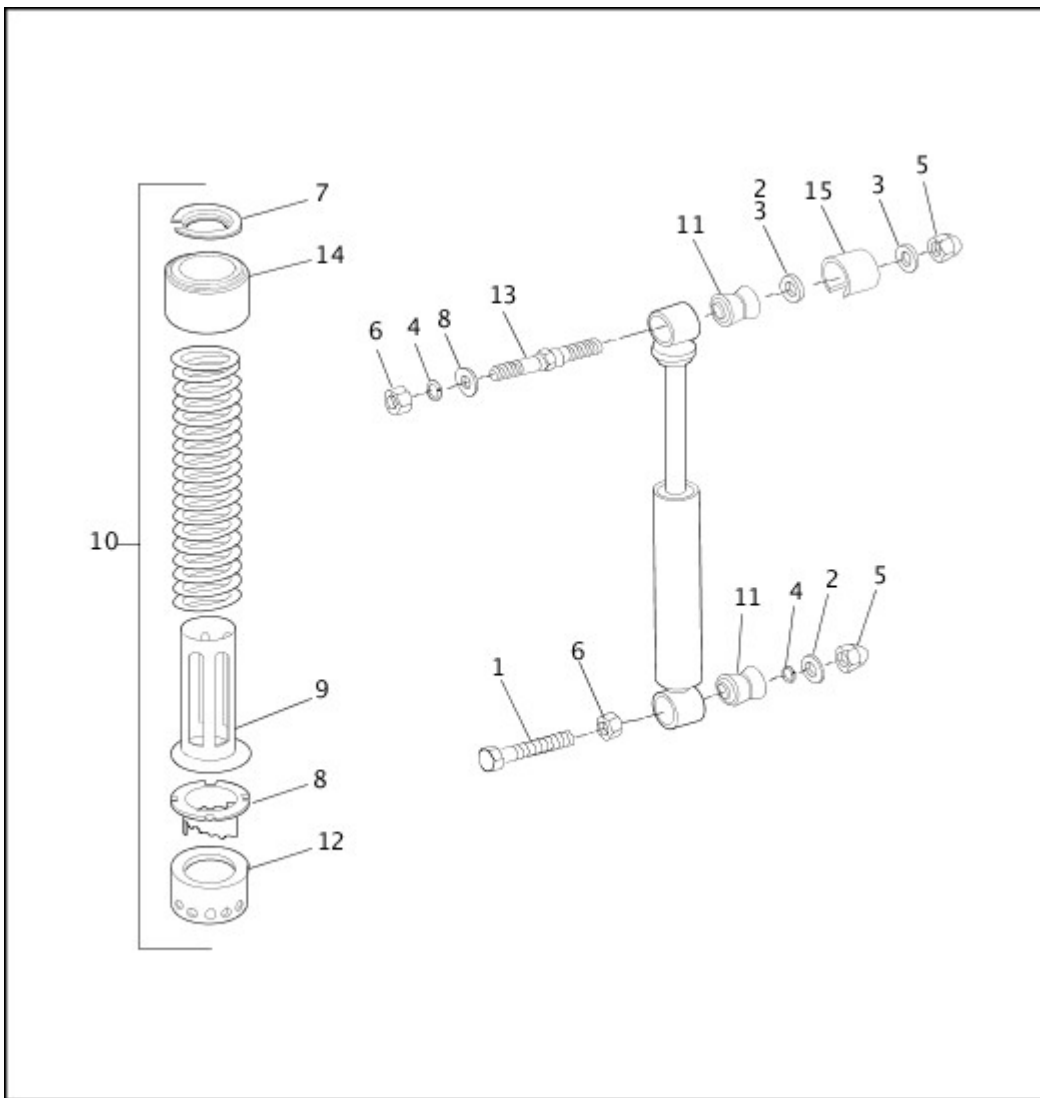
[View interactive image](#)

[View interactive table](#)

INDEX NO.	PART NO.	DESCRIPTION	MODEL(S)
1	2851	BOLT	ALL
	3214	SCREW (8)	ALL
2	4337W	SCREW	ALL
3	4721	BOLT (as required)	ALL
4	6701	WASHER (4)	ALL
5	6718	WASHER (2)	ALL
6	7038	LOCKWASHER	ALL
7	7039	LOCKWASHER	ALL
8	7045	LOCKWASHER (4)	ALL

INDEX NO.	PART NO.	DESCRIPTION	MODEL(S)
9	7068	LOCKWASHER (as required)	ALL
10	7778	LOCKNUT (6)	ALL
11	7782	LOCKNUT (2)	ALL
12	7848W	JAMNUT (2)	ALL
13	7880	NUT (2)	ALL
14	33048-72	FOOTREST, w/ cover (2)	ALL
15	49035-03	MOUNTING PLATE (2)	ALL
16	49127-77A	FOOTREST SUPPORT (2)	ALL
17	49165-90	FOOTREST SUPPORT	ALL
18	50639-90A	BRACKET, left footrest, front	ALL
19	50643-82	FOOTREST, w/ cover, right	FXDB 1992, FXDC
19	50643-82	FOOTREST, w/ cover, right (2)	FXDB 1991
20	50646-82	COVER (black) (2)	FXDB 1992, FXDC
20	50646-82	COVER (black) (4)	FXDB 1991
21	50647-82	FOOTREST, w/ cover, left	ALL
22	50649-90	BRACKET, right footrest, front	ALL
23	50912-72	SPRING WASHER (as required)	ALL
24	52721-90	UPRIGHT BRACKET, left	ALL
25	52729-90	SUPPORT, left	ALL

## SHOCK ABSORBERS



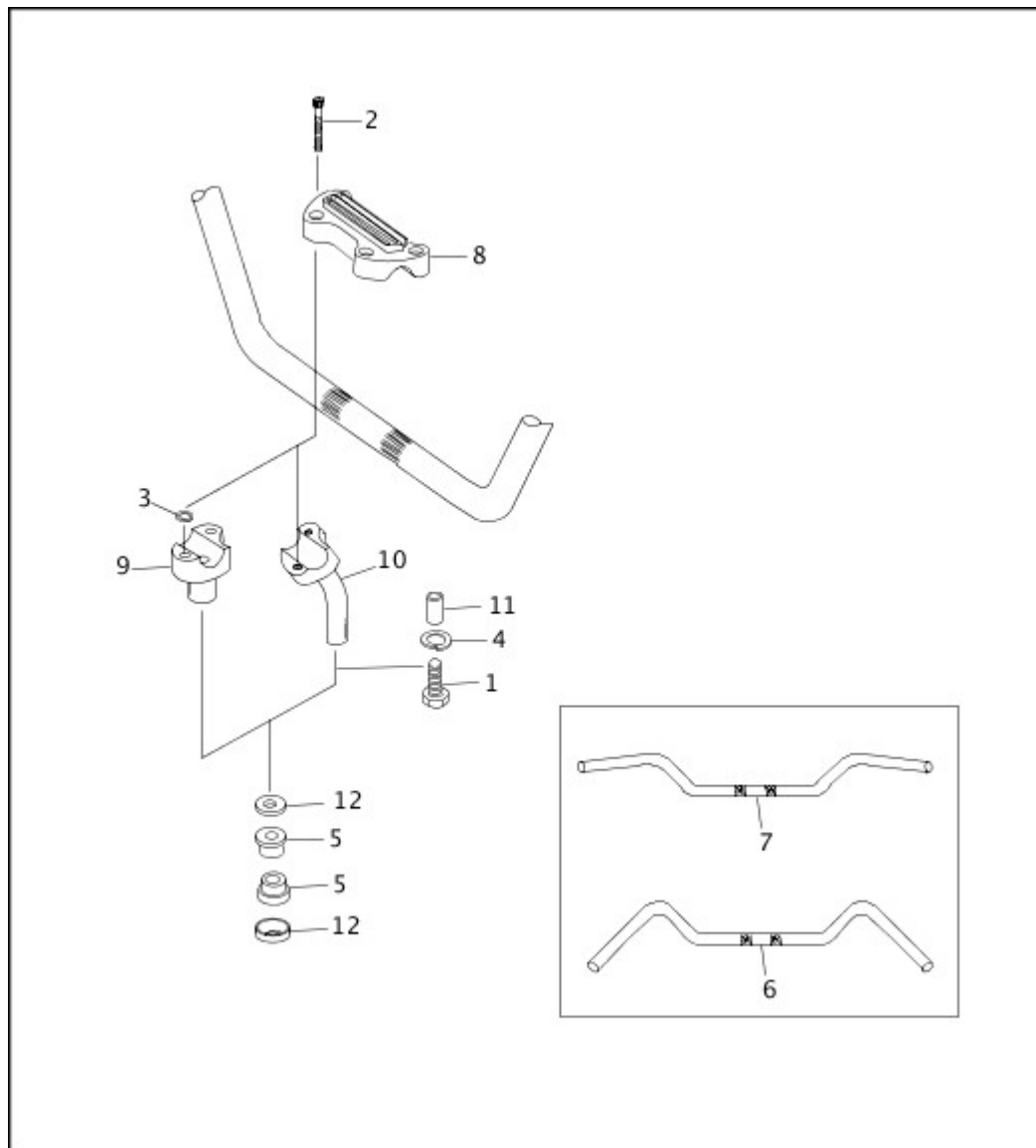
View interactive image

[View interactive table](#)

INDEX NO.	PART NO.	DESCRIPTION	MODEL(S)
1	3958	BOLT (2)	ALL
2	6012	WASHER (2)	ALL
3	6113	WASHER (6)	ALL
4	7068	LOCKWASHER (2)	ALL
5	7554	ACORN NUT (4)	ALL
6	7845	NUT (2)	ALL
7	54473-79	SPRING SEAT (2)	ALL
8	54474-79	ADJUSTER, spring (2)	ALL
9	54475-79	GUIDE (2)	ALL
10	54512-90A	SHOCK ABSORBER, complete (2)	ALL
11	54556-84	BUSHING (4)	ALL

INDEX NO.	PART NO.	DESCRIPTION	MODEL(S)
12	54569-84	CAM SLEEVE (2)	ALL
13	54557-90A	BOLT, shock mount (2)	ALL
14	54710-84	COVER, upper (chrome)	ALL
15	54708-65A	COVER, shock bolt (2)	ALL

## HANDLEBAR



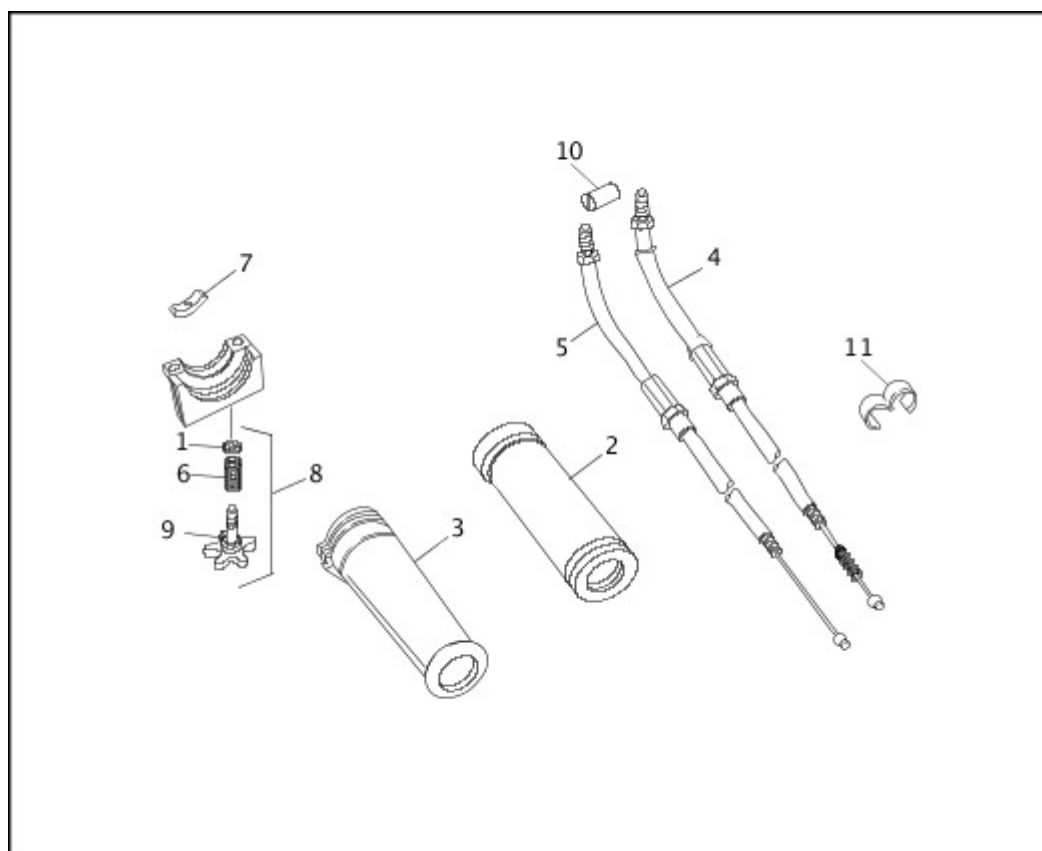
[View interactive image](#)

[View interactive table](#)

INDEX NO.	PART NO.	DESCRIPTION	MODEL(S)
1	3471	BOLT (2)	ALL
2	4816A	SCREW (4)	ALL
3	7042	LOCKWASHER (2)	ALL
4	7068	LOCKWASHER (2)	ALL

INDEX NO.	PART NO.	DESCRIPTION	MODEL(S)
5	53156-86	BUSHING, rubber (hard) (4)	ALL
6	56081-82A	HANDLEBAR	FXDB 1992, FXDC
7	56082-83	HANDLEBAR	FXDB 1991
8	56115-79B	CLAMP, upper	FXDB 1991
	56567-86B	CLAMP, upper (chrome)	FXDB 1992, FXDC
9	56541-86A	CLAMP, lower, left (chrome)	FXDB 1992, FXDC
	56542-86A	CLAMP, lower, right (chrome)	FXDB 1992, FXDC
10	56126-80	CLAMP, lower, right	FXDB 1991
	56127-80	CLAMP, lower, left	FXDB 1991
11	56153-73	SPACER (2)	ALL
12	56159-73	CUP WASHER (4)	ALL

## THROTTLE CONTROL



[View interactive image](#)

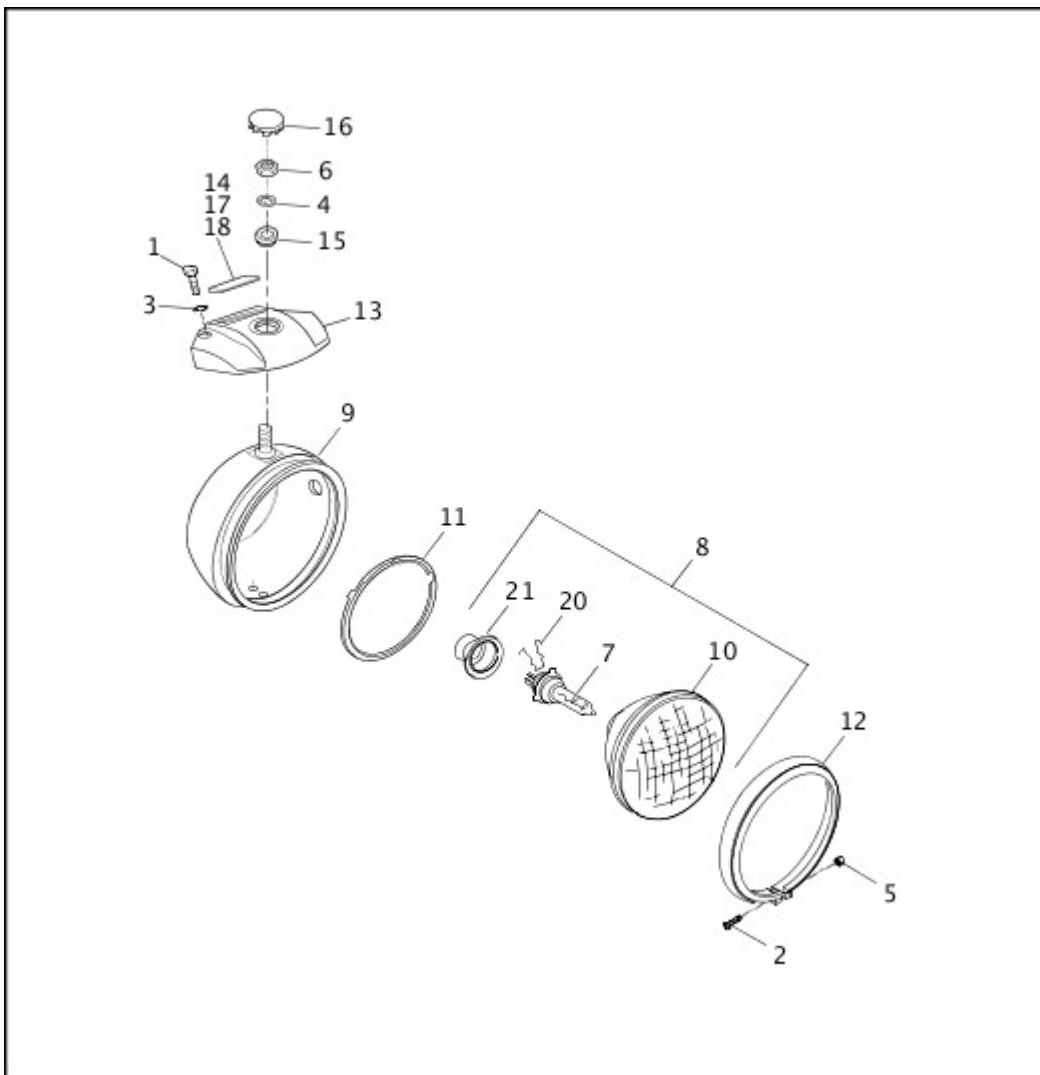
[View interactive table](#)

INDEX NO.	PART NO.	DESCRIPTION	MODEL(S)
1	11155	RETAINING RING	ALL
2	56206-94A	GRIP, left	ALL

INDEX NO.	PART NO.	DESCRIPTION	MODEL(S)
3	56220-94A	GRIP & SLEEVE, throttle, right	ALL
4	56342-90	IDLE CONTROL	FXDB 1991
	56355-92	IDLE CONTROL	FXDB 1992, FXDC
5	56343-90	THROTTLE CONTROL	FXDB 1991
	56356-92	THROTTLE CONTROL	FXDB 1992, FXDC
6	56394-74	SPRING, adjusting screw	ALL
7	56396-74A	FRICTION SPRING, throttle	ALL
8	56397-74C	ADJUSTING SCREW KIT, w/ 1, 6 & 9	ALL
9	56402-83A	ADJUSTING SCREW	ALL
10	56508-76	FERRULE, control wire (2)	ALL
11	70504-81	CLIP, throttle cables	ALL

## HEADLAMP





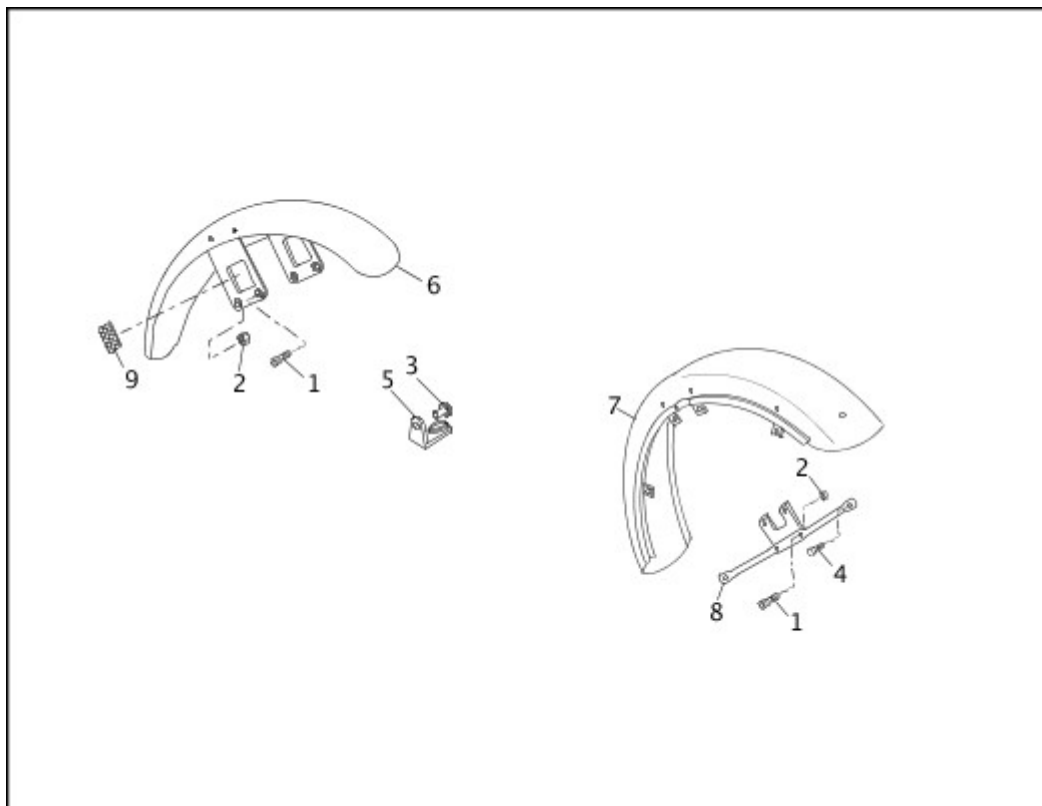
[View interactive image](#)

[View interactive table](#)

INDEX NO.	PART NO.	DESCRIPTION	MODEL(S)
1	4017	BOLT (2)	ALL
2	3514	SCREW	ALL
3	7041	LOCKWASHER (2)	ALL
4	7068	LOCKWASHER	ALL
5	7606	LOCKNUT	ALL
6	7880	NUT	ALL
7	68329-03	BULB, halogen-H-4	FXDB 1992, FXDC
8	67698-81D	HEADLAMP, 5 inches, w/ bulb	ALL
9	67730-91	HOUSING, headlamp (black)	FXDB 1991
	67733-91A	HOUSING, headlamp (chrome)	FXDB 1992, FXDC
10	67757-92	LENS, headlamp	FXDB 1992, FXDC
11	67769-82	MOUNTING RING	ALL

INDEX NO.	PART NO.	DESCRIPTION	MODEL(S)
12	67790-82	TRIM RING (chrome)	ALL
13	67805-92	BRACKET	FXDB 1992, FXDC
	67863-90A	BRACKET (black)	FXDB 1991
14	67807-86	TRIM, warning lights	FXDB 1992
	67807-92	TRIM, warning lights	FXDB 1992, FXDC
15	67815-59A	WASHER	ALL
16	67973-98	PLUG, headlamp bracket (black)	FXDB 1991
	67865-89	PLUG, headlamp bracket	FXDB 1992, FXDC
17	68516-92	TRIM, warning lights	FXDB 1992, FXDC
18	67876-90	TRIM, warning lights	FXDB 1991
19	67850-91	GASKET, headlamp (rubber) (not illustrated)	FXDB 1992, FXDC
20	67685-92	CLIP, bulb	ALL
21	67705-92	BOOT, connector	ALL

## FRONT FENDERS



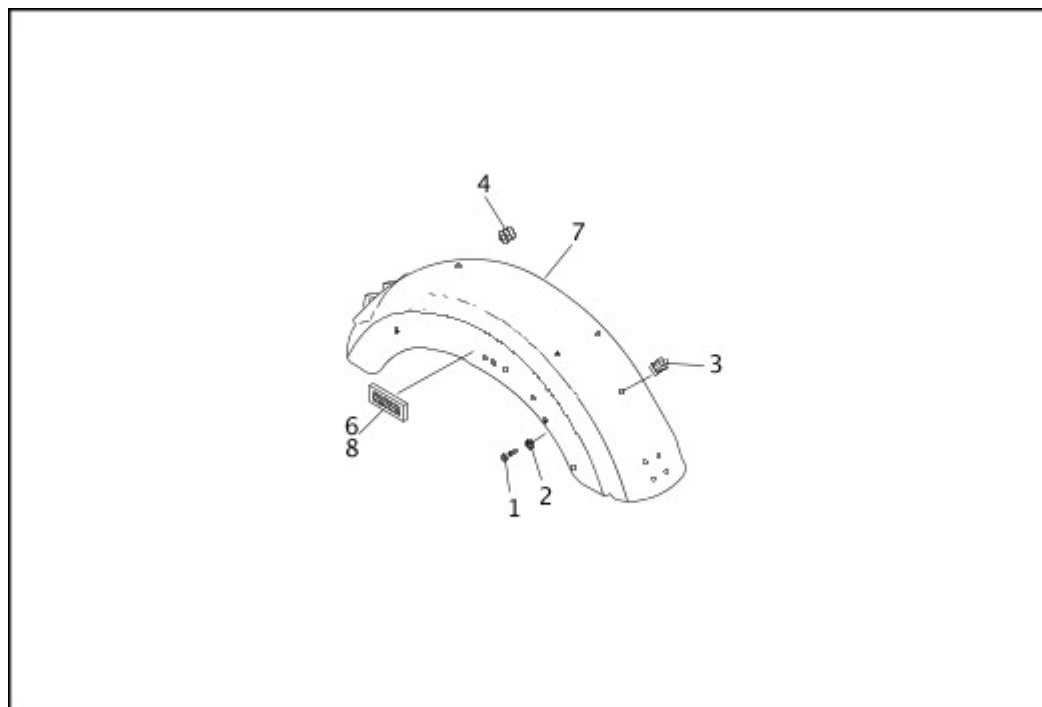
[View interactive image](#)

[View interactive table](#)

INDEX NO.	PART NO.	DESCRIPTION	MODEL(S)
-----------	----------	-------------	----------

INDEX NO.	PART NO.	DESCRIPTION	MODEL(S)
<b>NOTE: Refer to Painted Parts Book for painted part numbers.</b>			
1	3210A	SCREW (4)	ALL
2	7531	LOCKNUT (4)	ALL
3	8505	RIVET	ALL
4	8511	RIVET (8)	FXDB 1991
	8511	RIVET (4)	FXDB 1992, FXDC
5	38622-87	GUIDE, speedometer cable	FXDB 1991
6	58998-83E	FENDER (prime)	FXDB 1992, FXDC
7	59006-90	FENDER (prime)	FXDB 1991
8	59111-74	FENDER BRACE	FXDB 1991
9	59256-84A	REFLECTOR (amber) (4)	FXDB 1991

## REAR FENDERS



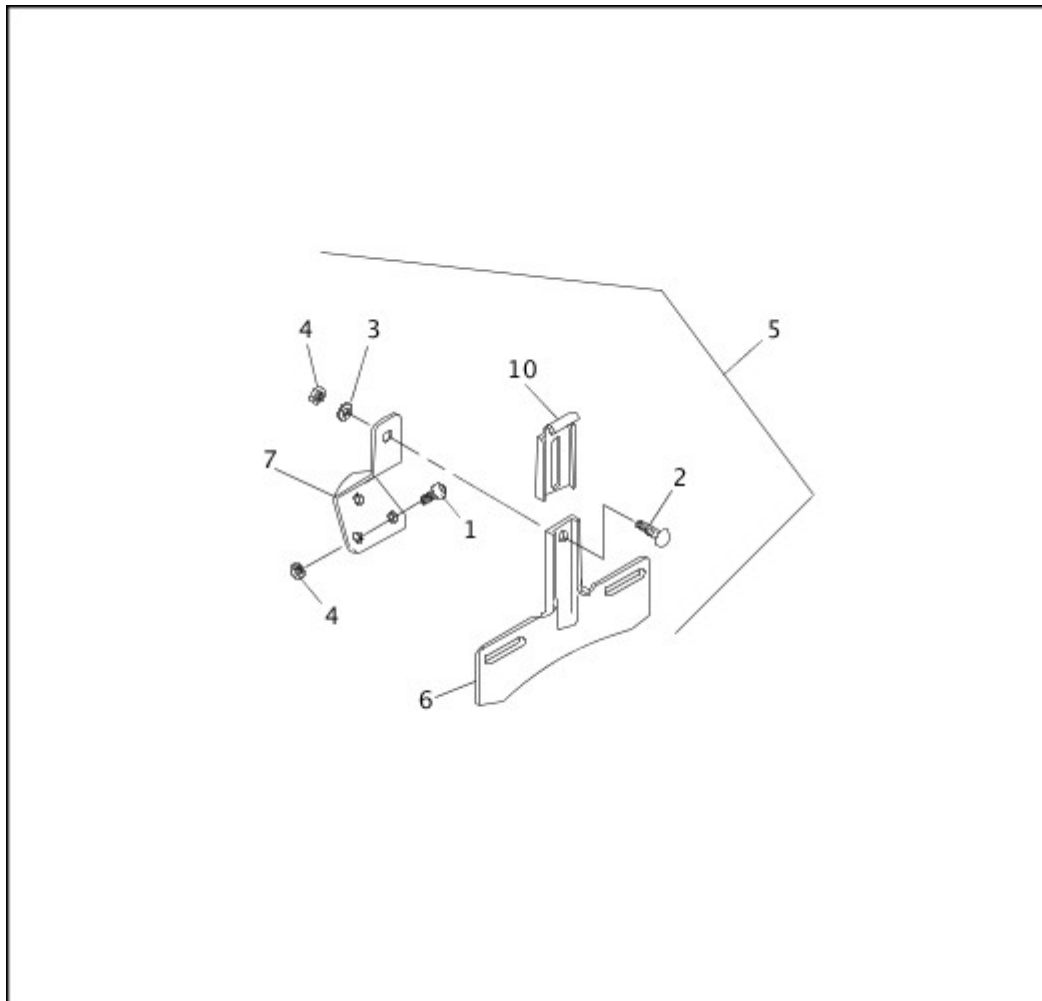
[View interactive image](#)

[View interactive table](#)

INDEX NO.	PART NO.	DESCRIPTION	MODEL(S)
<b>NOTE: Refer to Painted Parts Book for painted part numbers.</b>			
1	3445	BOLT	ALL
2	6702	WASHER	ALL
3	8102	SPEEDNUT	ALL

INDEX NO.	PART NO.	DESCRIPTION	MODEL(S)
4	11400	GROMMET	ALL
5	59150-90	PLUG, fender (not illustrated)	ALL
6	59259-90	REFLECTOR (red) (2)	FXDB 1991
	59287-92	REFLECTOR, right (red)	FXDB 1992, FXDC
	59288-92	REFLECTOR, left (red)	FXDB 1992, FXDC
	59289-92	REFLECTOR, right (amber)	FXDB 1992
	59290-92	REFLECTOR, left (amber)	FXDB 1992
7	59634-90A	FENDER, prime	ALL
<b>INTERNATIONAL MODELS ONLY</b>			
8	59251-90	REFLECTOR, rear (red) (HDI)	FXDB 1991
	59289-92	REFLECTOR, right (amber)	FXDB 1992, FXDC
	59290-92	REFLECTOR, left (amber)	FXDB 1992, FXDC

## LICENSE PLATE BRACKET

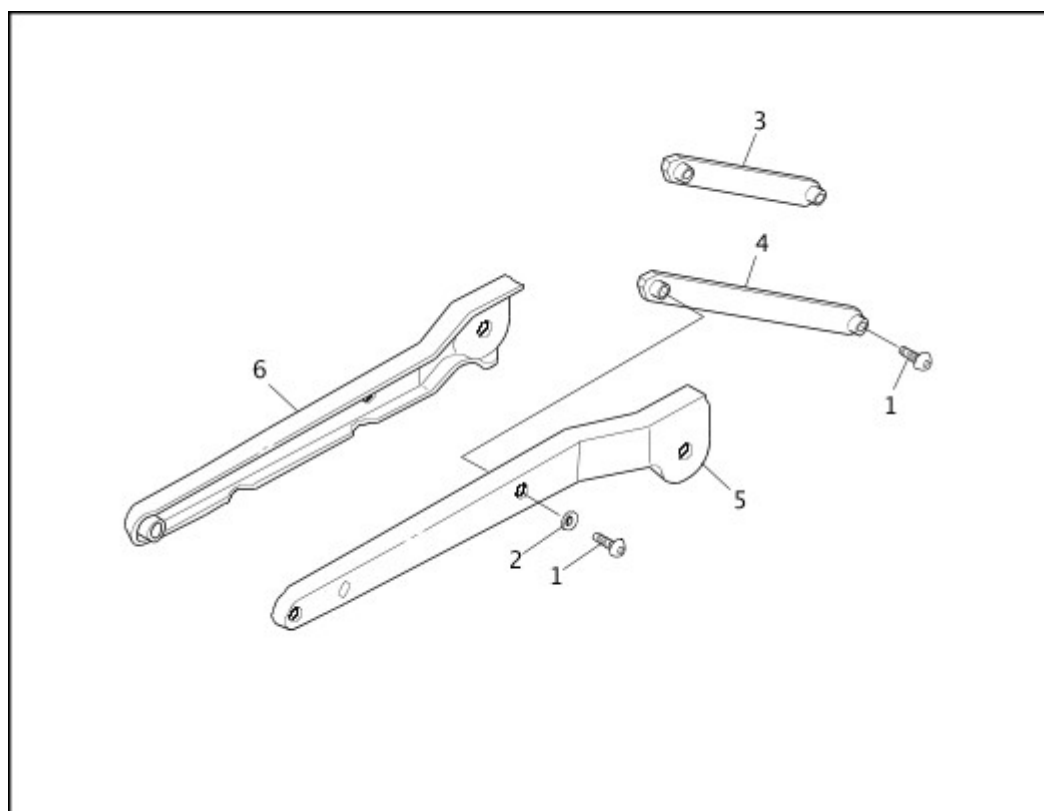


[View interactive image](#)

[View interactive table](#)

INDEX NO.	PART NO.	DESCRIPTION	MODEL(S)
1	2773	SCREW (3)	ALL
2	5403B	BOLT	ALL
3	6703	WASHER	ALL
4	7792	NUT (4)	ALL
5	59626-84	LICENSE PLATE BRACKET ASSEMBLY	ALL
6	59984-73	BRACKET	ALL
7	59986-75	SUPPORT	ALL
8	59988-72A	REFLECTOR (not illustrated)	ALL
9	59993-80B	LICENSE PLATE BRACKET ASSEMBLY (not illustrated)	ALL
10	60001-55	CLAMP	ALL

## REAR FENDER SUPPORTS



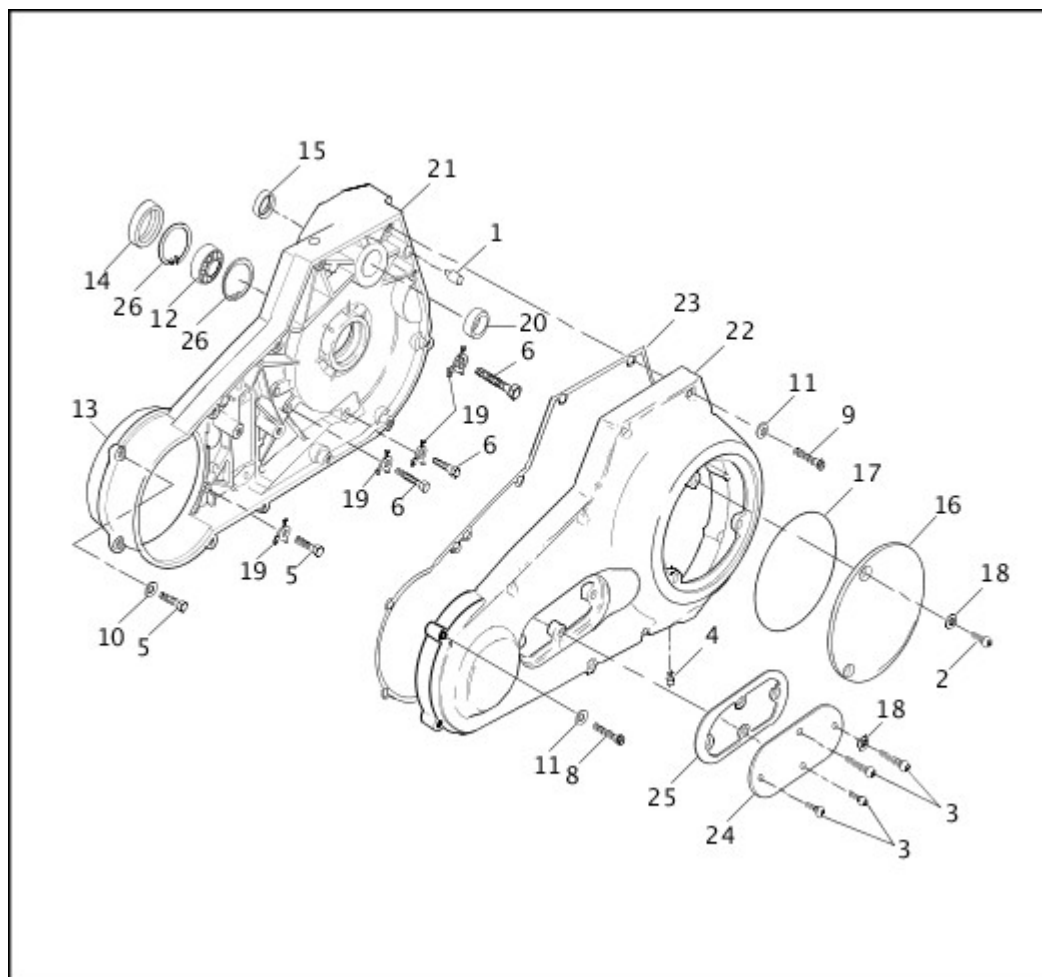
[View interactive image](#)

[View interactive table](#)

INDEX NO.	PART NO.	DESCRIPTION	MODEL(S)
1	4044	SCREW (4)	ALL
2	6379W	WASHER (6)	ALL

INDEX NO.	PART NO.	DESCRIPTION	MODEL(S)
3	59112-90	STRUT, left	ALL
4	59113-90	STRUT, right	ALL
5	59138-90	SUPPORT, right	ALL
6	59171-90	SUPPORT, left	ALL

## PRIMARY HOUSING



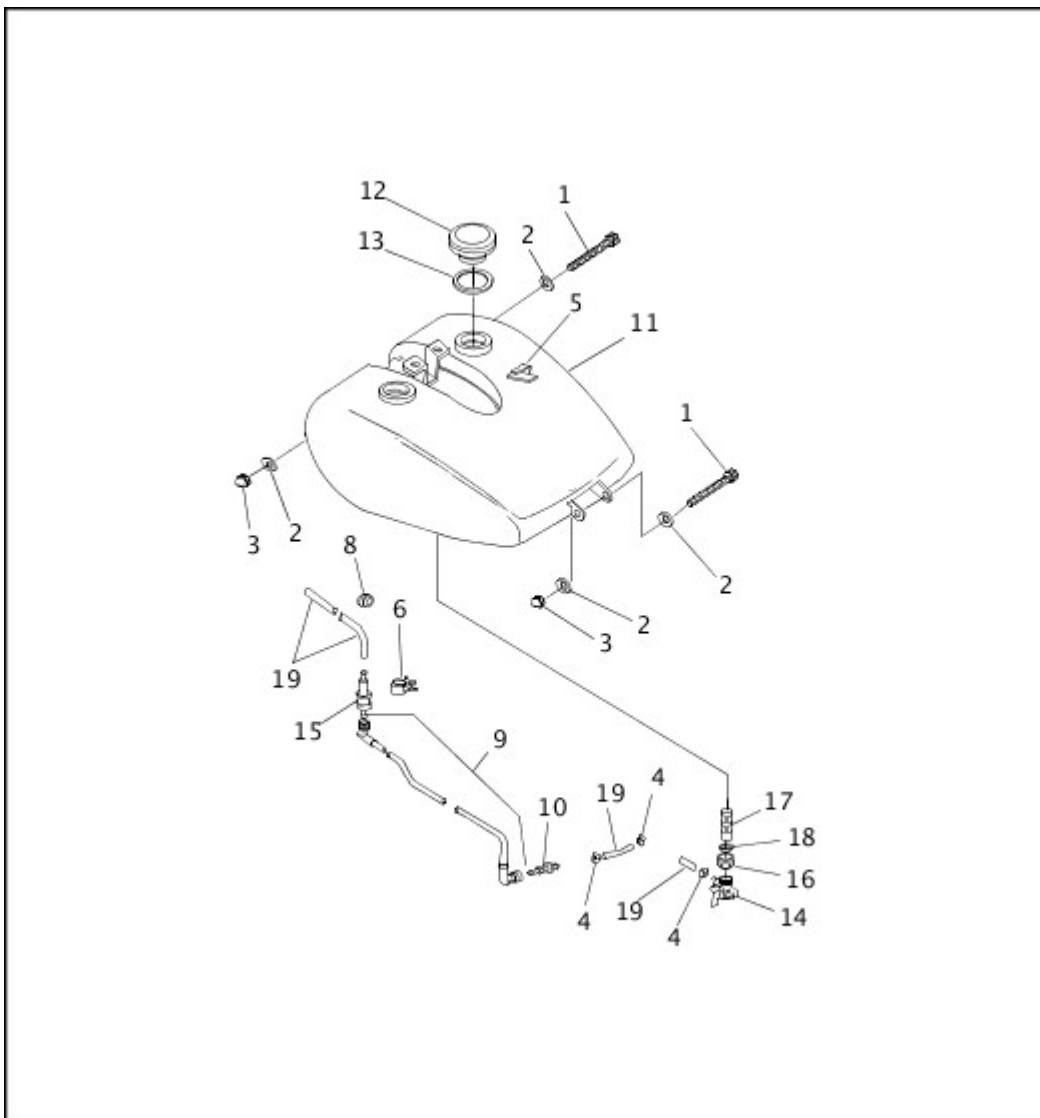
[View interactive image](#)

[View interactive table](#)

INDEX NO.	PART NO.	DESCRIPTION	MODEL(S)
1	375	PIN (2)	ALL
2	923	SCREW (3)	ALL
3	924	SCREW (4)	ALL
4	739A	PLUG, magnetic	ALL
5	2871W	BOLT (4)	ALL
6	4068A	BOLT (2)	ALL
7	4086A	BOLT (not illustrated)	FXDB 1991

INDEX NO.	PART NO.	DESCRIPTION	MODEL(S)
8	4740A	SCREW (5)	FXDB 1992, FXDC
8	4740A	SCREW (7)	FXDB 1991
9	4820A	SCREW (5)	ALL
10	6016	WASHER (2)	FXDB 1991
11	6099	WASHER (5)	FXDB 1991
12	9135	BEARING	ALL
13	11147B	O-RING, housing cover	ALL
14	12052A	OIL SEAL	ALL
15	12053A	OIL SEAL	ALL
16	25420-90	COVER, clutch (black/orange)	FXDB 1991
	60668-84B	COVER, clutch (chrome)	FXDB 1992, FXDC
17	25416-70A	O-RING, clutch cover	ALL
18	31433-84A	WASHER, nylon (3)	ALL
19	33318-85	LOCKING TAB (4)	ALL
20	33445-89	BUSHING	ALL
21	60688-93	PRIMARY HOUSING ASSEMBLY (black wrinkle)	FXDB 1991, FXDB 1992
	60663-90	PRIMARY HOUSING ASSEMBLY	FXDC
22	60543-89	COVER ASSEMBLY, primary (chrome)	FXDB 1992, FXDC
	60561-90	COVER ASSEMBLY, primary (black)	FXDB 1991
23	60539-94B	GASKET, primary cover	FXDB 1991
24	60529-90A	COVER, inspection (chrome)	FXDB 1992, FXDC
	60565-90	COVER, inspection (black)	FXDB 1991
25	60567-90C	GASKET, inspection cover	ALL
26	60678-85	RETAINING RING (2)	ALL

## FUEL TANKS



View interactive image

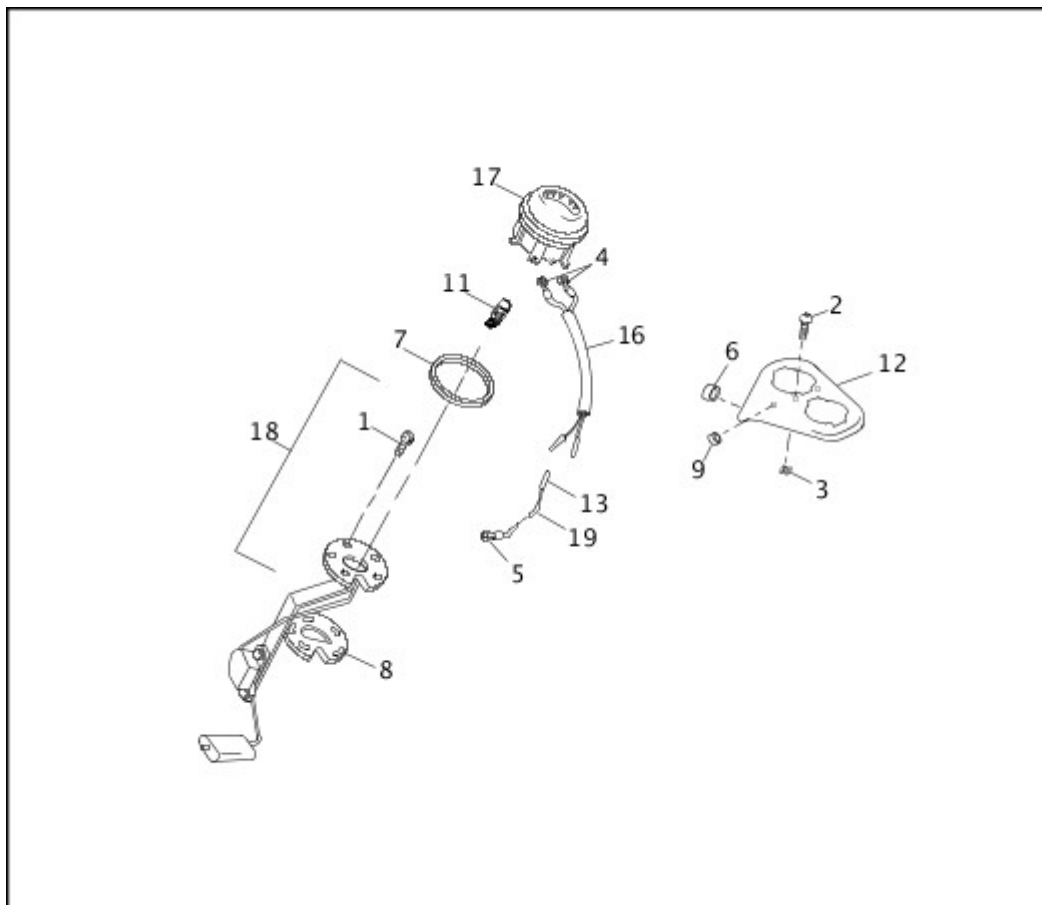
View interactive table

INDEX NO.	PART NO.	DESCRIPTION	MODEL(S)
<b>NOTE: Refer to Painted Parts Book for painted part numbers.</b>			
1	3530	SCREW (2)	ALL
2	6109	WASHER (4)	ALL
3	7507	ACORN NUT (chrome) (2)	ALL
4	10014	CLAMP (4)	ALL
5	10102	CLIP	ALL
6	10108	CLIP, vapor valve (2)	FXDB 1992, FXDC
7	10114	CLIP, vapor valve hose (not illustrated)	FXDB 1992, FXDC
8	11412	GROMMET, fuel hose	ALL
9	27298-92	HOSE	FXDB 1992, FXDC
10	61131-92	CONNECTOR, vent line	FXDB 1992, FXDC



INDEX NO.	PART NO.	DESCRIPTION	MODEL(S)
11	61054-92A	FUEL TANK KIT (prime)	FXDB 1992, FXDC
	61271-91A	FUEL TANK KIT (prime)	FXDB 1991
12	61102-83C	FILLER CAP	FXDB 1991
	61272-92C	FILLER CAP, vacuum vent	FXDB 1992, FXDC
13	61109-85D	GASKET, filler cap	FXDB 1991
14	62167-81	VALVE, body	FXDB 1991
15	62150-85	VAPOR VALVE	FXDB 1992, FXDC
16	62161-02	NUT	FXDB 1991
17	62170-81B	FILTER	FXDB 1991
18	62172-02	GASKET, fuel filter	FXDB 1991
19	63501-68B	HOSE, 1/4 inch I.D. x 5/8 inch O.D. (rubber) (25 ft. long)	FXDB 1991
<b>INTERNATIONAL MODELS ONLY</b>			
20	14260-91	DECAL (Swiss)	FXDB 1991

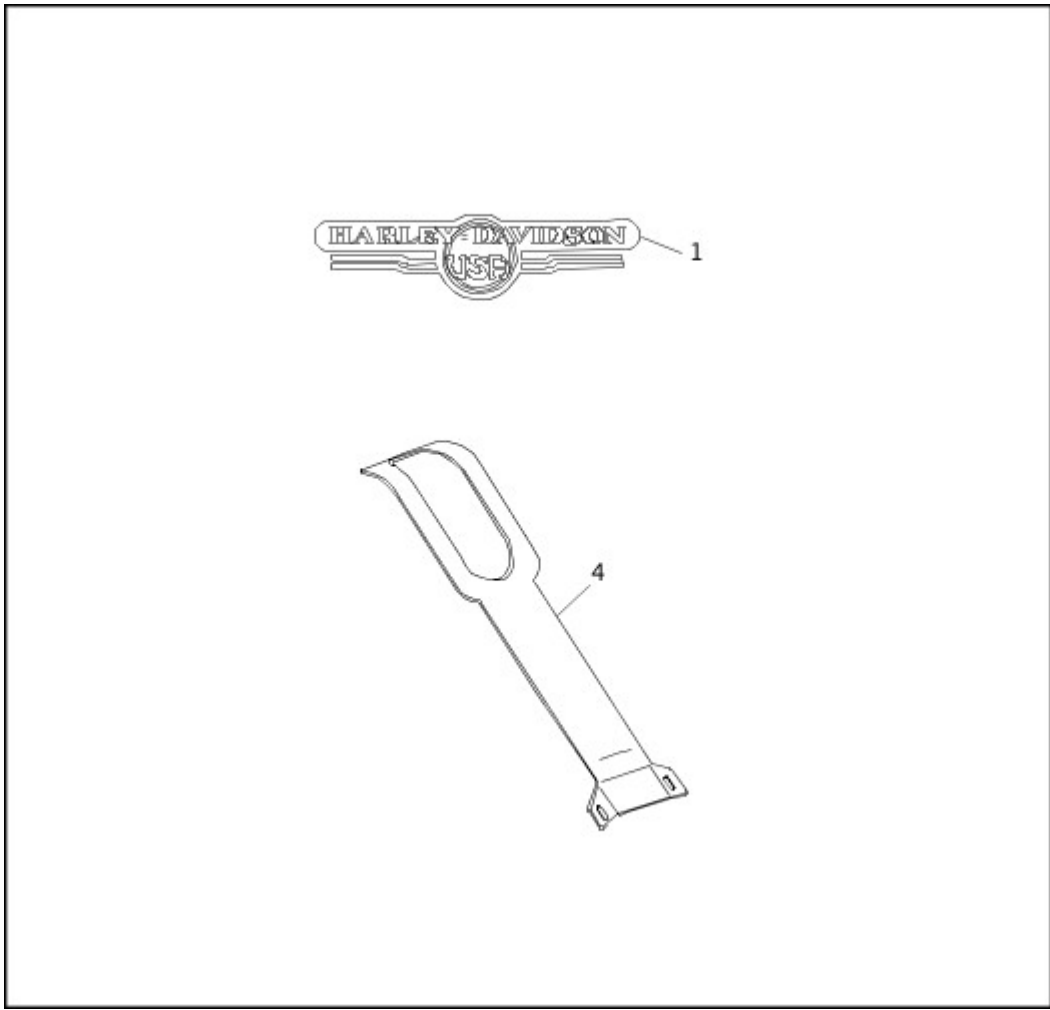
## FUEL TANK INSTRUMENTS



[View interactive image](#)

INDEX NO.	PART NO.	DESCRIPTION	MODEL(S)
1	1311D	SCREW (5)	ALL
2	2519	SCREW (2)	ALL
3	8108	SPEEDNUT (2)	ALL
4	9856	TERMINAL, ring type, #6 hole (4)	ALL
5	9857	TERMINAL, ring type, #10 hole	ALL
6	11452	GROMMET	ALL
7	61192-88	GASKET, cap gauge	ALL
8	61324-88A	GASKET, fuel sending unit	ALL
9	67086-85	GROMMET	ALL
10	67119-85	TRIM (not illustrated)	ALL
11	67136-85	BULB, fuel gauge	ALL
12	67185-88	INSTRUMENT HOUSING (black wrinkle)	ALL
13	72038-71A	SOCKET, single pin	ALL
14	72039-71A	PIN, single socket (not illustrated)	FXDB 1992, FXDC
14	72039-71A	PIN, single socket (not illustrated) (2)	FXDB 1991
15	72043-71A	CONNECTOR, single pin (not illustrated)	ALL
16	75047-88	HARNESS, fuel gauge	ALL
17	75049-88C	FUEL GAUGE	ALL
18	75062-90A	SENDING UNIT	ALL
19	75058-88	WIRE, fuel gauge, ground	ALL

## FUEL TANK TRIM

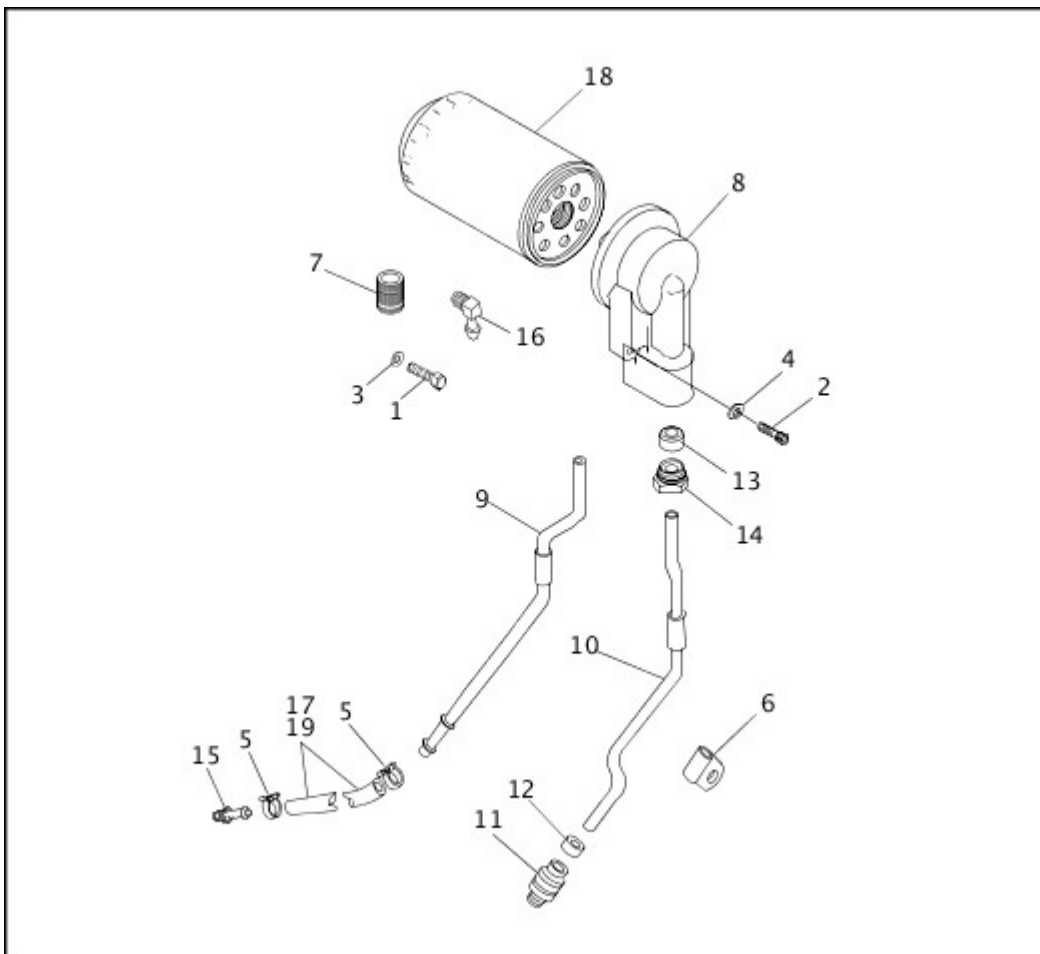


[View interactive image](#)

[View interactive table](#)

INDEX NO.	PART NO.	DESCRIPTION	MODEL(S)
1	14262-91	DECAL (2)	FXDC
2	14314-90	DECAL, right (not illustrated)	FXDB 1991
	14315-90	DECAL, left (not illustrated)	FXDB 1991
3	14378-92	DECAL, left (silver, pink, blue) (not illustrated)	FXDB 1992
	14379-92	DECAL, right (silver, pink, blue) (not illustrated)	FXDB 1992
4	61244-02	TRIM PANEL	ALL

## OIL FILTERS & MOUNTS



[View interactive image](#)

[View interactive table](#)

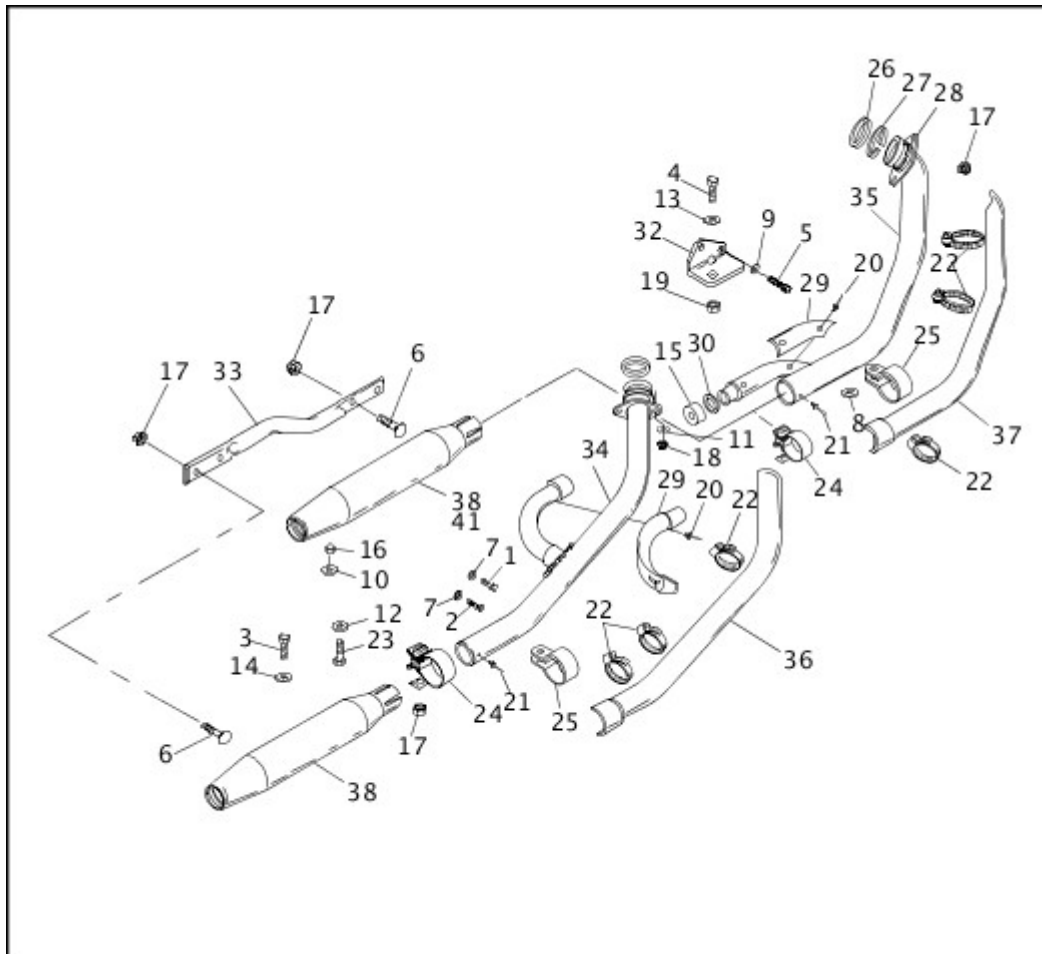
INDEX NO.	PART NO.	DESCRIPTION	MODEL(S)
1	2818	BOLT (2)	FXDB 1991
2	3210A	SCREW, socket head (2)	FXDB 1992, FXDC
3	6016	WASHER (2)	FXDB 1991
4	6771A	WASHER (2)	FXDB 1992, FXDC
5	10080	CLAMP (4)	ALL
6	10112	CLAMP	FXDB 1992, FXDC
7	26352-95A	ADAPTOR, oil filter	ALL
8	26358-90	OIL FILTER MOUNT	FXDB 1991
	26378-92A	OIL FILTER MOUNT (black)	FXDB 1992, FXDC
	26381-92B	OIL FILTER MOUNT (silver)	FXDC
9	33518-92	TUBE, return	FXDB 1992, FXDC
10	33520-92	TUBE, feed	FXDB 1992, FXDC
11	63523-92A	FITTING, straight, w/ 17	FXDB 1992, FXDC
12	63525-92	SEAL	FXDB 1992, FXDC

INDEX NO.	PART NO.	DESCRIPTION	MODEL(S)
13	63528-92	SEAL & FERRULE (2)	FXDB 1992, FXDC
14	63530-92	FITTING, male nut (2)	FXDB 1992, FXDC
15	63533-41A	FITTING, feed	FXDB 1991
16	63554-90	FITTING, return	FXDB 1991
17	63538-92	HOSE, filter line to tank	FXDB 1992, FXDC
18	63812-90	OIL FILTER	FXDB 1991
	63813-90	OIL FILTER (chrome)	FXDB 1992, FXDC

**NOTE: Hose or insulator is sold in bulk length under the following part numbers. Cut to length.**

19	63500-68	HOSE, 3/8 inch I.D. (rubber) (25 ft. long)	FXDB 1991
----	----------	--	-----------

## EXHAUST SYSTEM



[View interactive image](#)

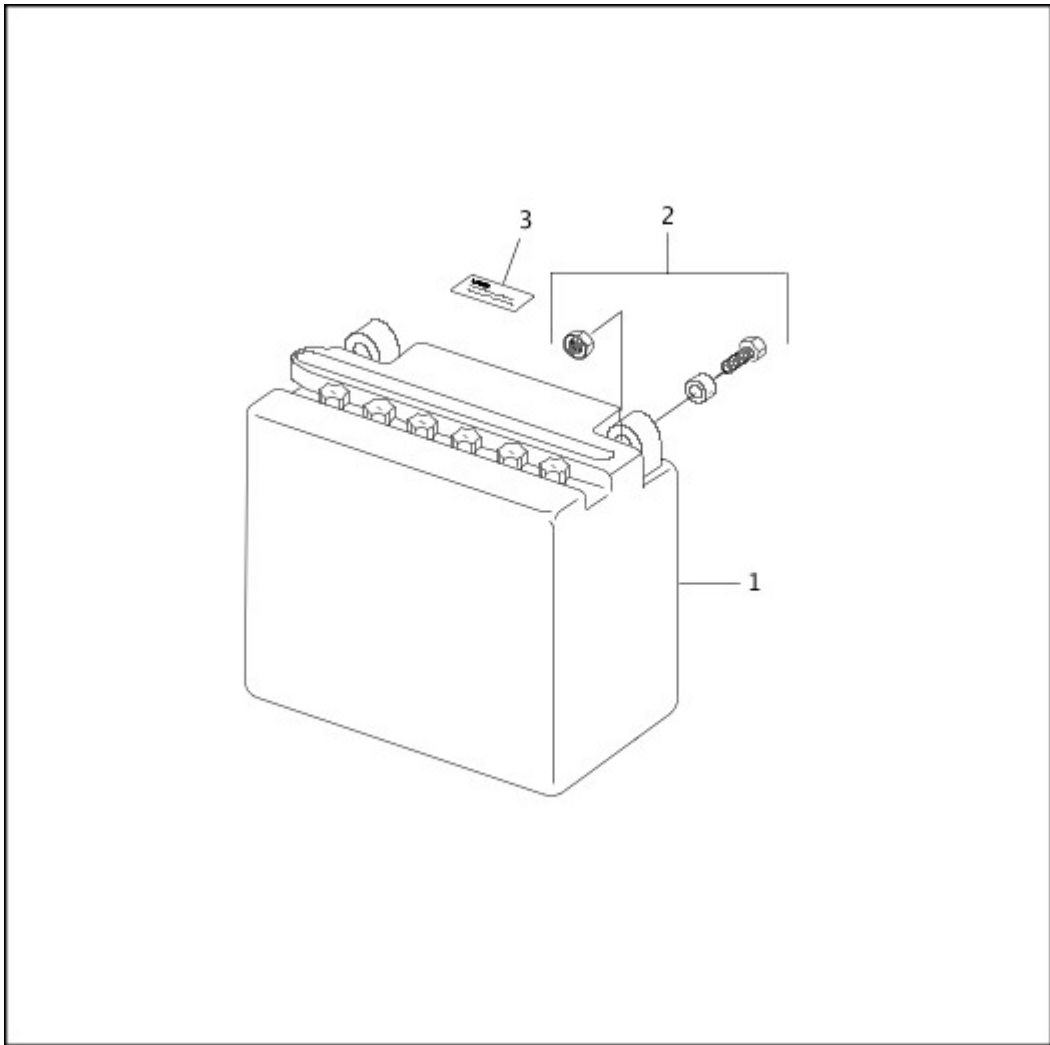
[View interactive table](#)

INDEX NO.	PART NO.	DESCRIPTION	MODEL(S)
1	3210A	SCREW	ALL
2	3485A	SCREW	ALL

INDEX NO.	PART NO.	DESCRIPTION	MODEL(S)
3	4036	BOLT (2)	ALL
4	4337W	SCREW	ALL
5	4718A	SCREW, w/ washer (3)	ALL
6	5445W	BOLT (4)	ALL
7	6016	WASHER (2)	ALL
8	6019	WASHER	ALL
9	6099	WASHER (3)	ALL
10	6235	WASHER	ALL
11	6302	WASHER (4)	FXDB 1991
12	6333	WASHER	ALL
13	6701	WASHER	ALL
14	6702	WASHER (2)	ALL
15	65830-03	GASKET, interconnect	ALL
16	7507	ACORN NUT	ALL
17	7531	LOCKNUT, flange (6)	ALL
	7593	NUT, flange lock (4)	FXDB 1992, FXDC
18	7753	NUT (4)	FXDB 1991
19	7782	LOCKNUT	ALL
20	8204	RIVET (4)	ALL
21	8672	RIVET (2)	ALL
22	9955	CLAMP (8)	ALL
	10119	CLAMP (not illustrated) (4)	ALL
23	65192-90	BOLT, shoulder	ALL
24	65276-62	CLAMP, muffler (2)	ALL
25	65302-82A	CLAMP, exhaust pipe (2)	ALL
26	65324-83B	GASKET, exhaust port (2)	ALL
27	65325-83A	RETAINING RING, exhaust gasket (2)	ALL
28	65328-83A	FLANGE, exhaust manifold	ALL
29	65213-92	SHIELD KIT, crossover, w/ 10119	ALL
30	65827-90	RING, gasket retaining	ALL
31	65828-90	BRACKET, rear exhaust (not illustrated)	ALL

INDEX NO.	PART NO.	DESCRIPTION	MODEL(S)
32	65616-90	EXHAUST BRACKET, front	FXDB 1991
	65670-90A	EXHAUST BRACKET, front	FXDB 1992, FXDC
33	65660-92	SUPPORT MUFFLER, gray	FXDC
	65674-90A	SUPPORT, muffler	FXDB 1991, FXDB 1992
34	65668-92	EXHAUST PIPE, rear	FXDB 1991
35	65669-92	EXHAUST PIPE, front	ALL
36	65701-90	SHIELD, rear exhaust	ALL
37	65746-90A	SHIELD, front exhaust	ALL
38	65747-90	MUFFLER (2)	ALL
39	65824-90	CLAMP BLOCK (not illustrated)	ALL
40	65825-90	CLAMP PLATE (not illustrated)	ALL
<b>INTERNATIONAL MODELS ONLY</b>			
41	65374-90C	MUFFLER (HDI) (2)	ALL
	65868-91	MUFFLER, catalytic (Swiss) (2)	FXDB 1992, FXDC
42	65716-91	TAPE, catalytic muffler (Swiss) (not illustrated)	FXDB 1991, FXDC

## BATTERY



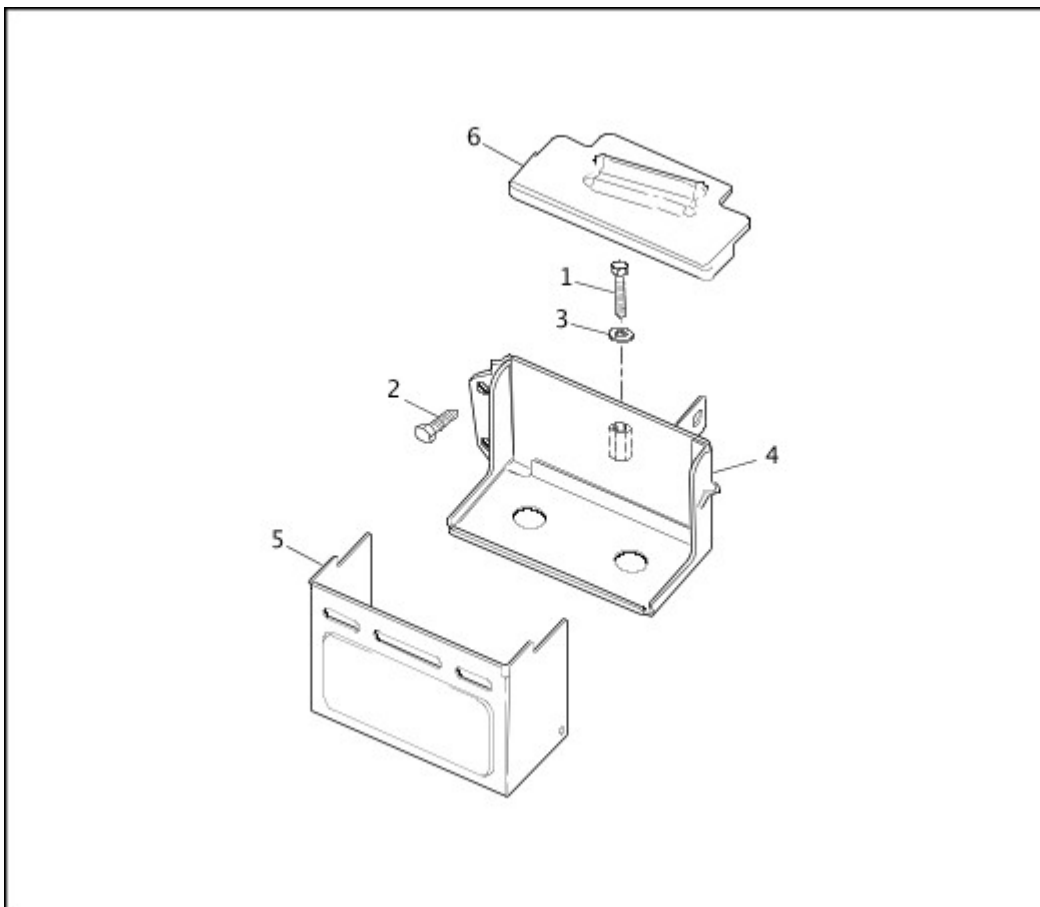
[View interactive image](#)

[View interactive table](#)

INDEX NO.	PART NO.	DESCRIPTION	MODEL(S)
1	65989-90B	BATTERY	ALL
2	66000-80	BATTERY TERMINAL KIT	ALL
3	15368-01A	WARNING LABEL	ALL

## BATTERY TRAY



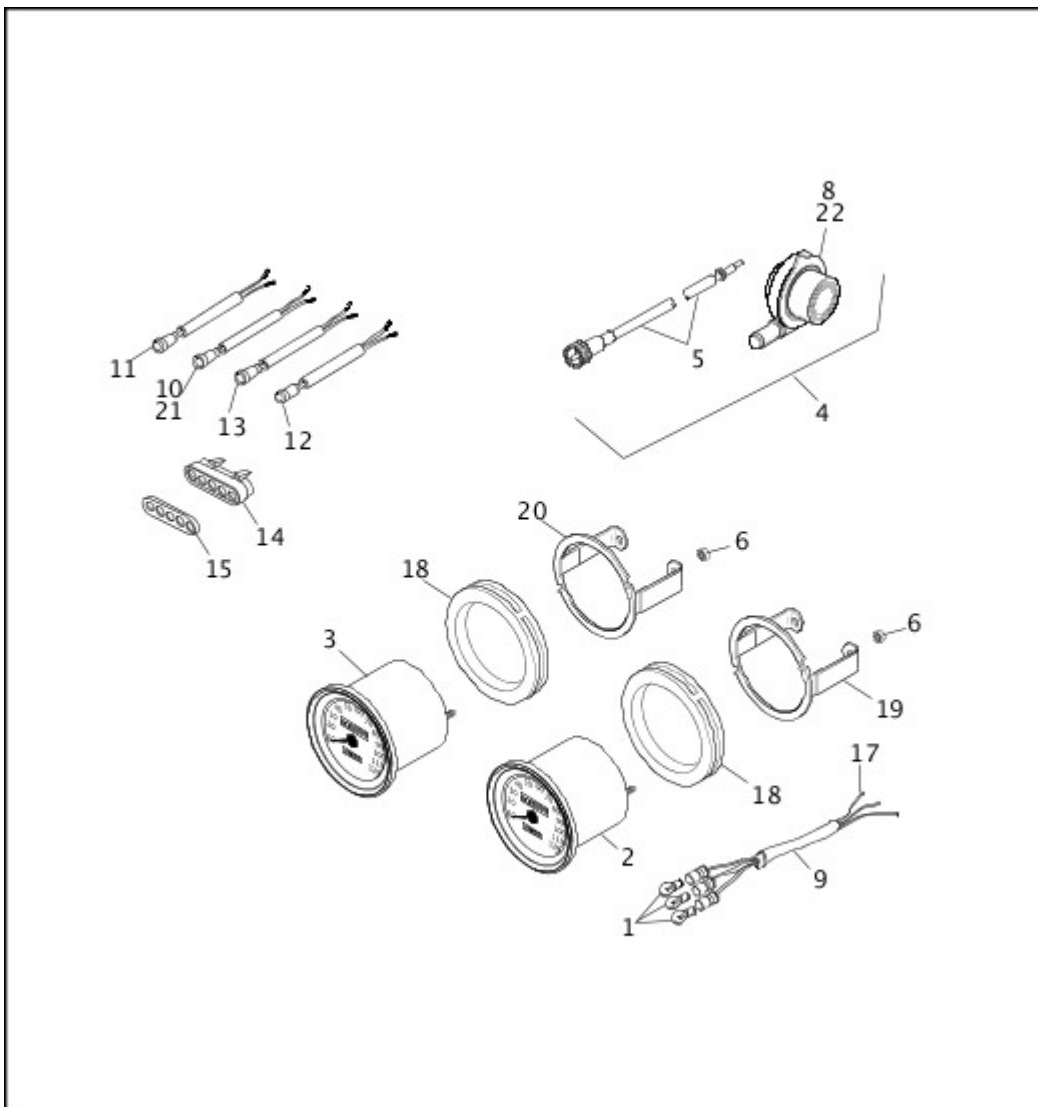


View interactive image

View interactive table

INDEX NO.	PART NO.	DESCRIPTION	MODEL(S)
1	4086A	BOLT	ALL
2	4383	SCREW (2)	ALL
3	6016	WASHER	ALL
4	47132-90A	TRAY, battery	ALL
5	66346-91	SIDE COVER, battery (glossy black)	ALL
6	66366-90	TOP COVER, battery (black)	FXDB 1991
	66368-90	TOP COVER, battery (chrome)	FXDB 1992, FXDC

## INSTRUMENTS



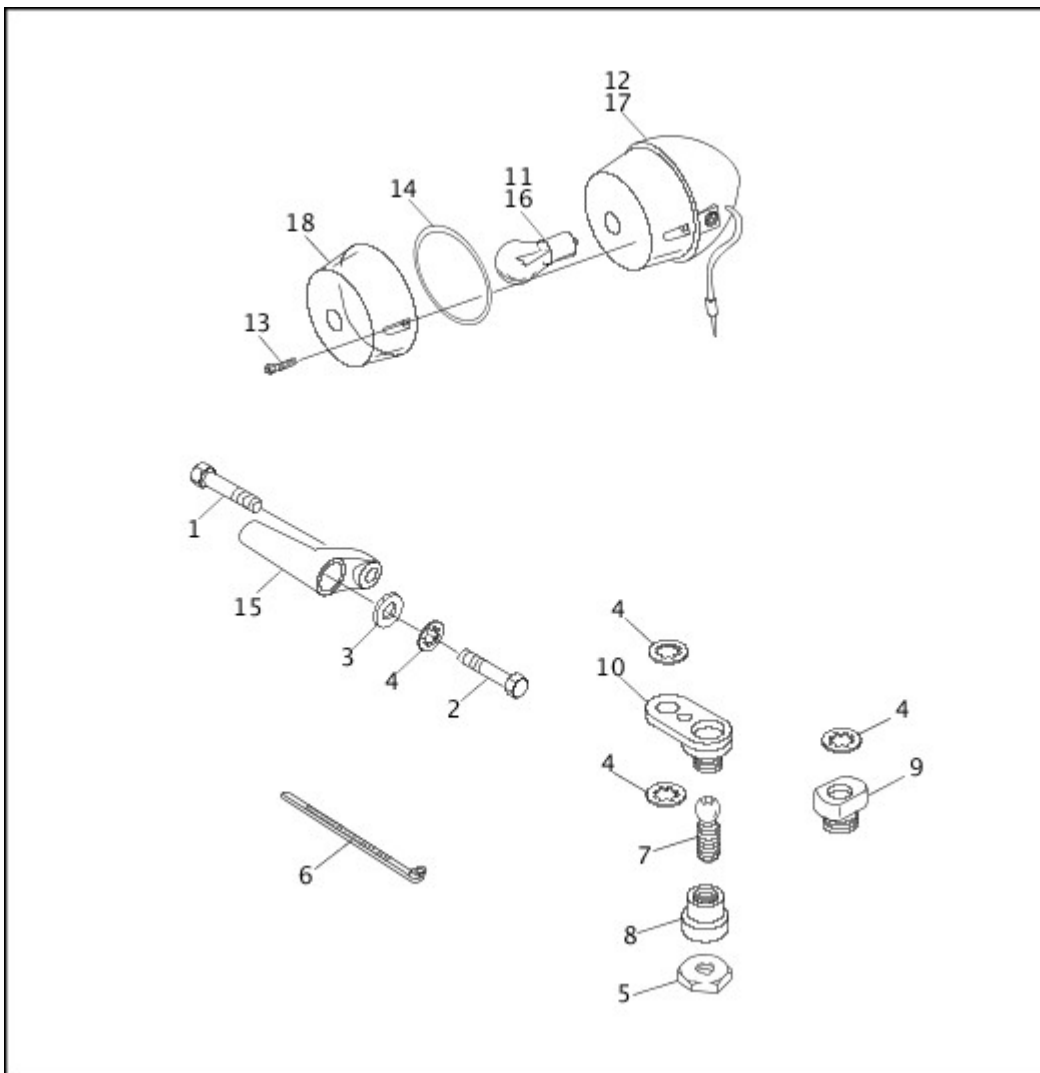
[View interactive image](#)

[View interactive table](#)

INDEX NO.	PART NO.	DESCRIPTION	MODEL(S)
1	53439-79	BULB (3)	ALL
2	67168-88A	SPEEDOMETER, mph	ALL
3	67171-88	TACHOMETER, w/ wiring	ALL
4	71014-88A	SPEEDOMETER & TACHOMETER ASSEMBLY, w/ housing, mph	ALL
5	67186-88	CABLE ASSEMBLY, speedometer	ALL
6	67094-85	NUT (4)	ALL
7	67122-85	RESET KNOB, odometer (chrome) (not illustrated)	ALL
8	67127-84A	DRIVE UNIT, speedometer	ALL
9	67172-88A	WIRING HARNESS	ALL
10	68024-92A	INDICATOR LAMP, neutral (green)	ALL

INDEX NO.	PART NO.	DESCRIPTION	MODEL(S)
11	68023-92A	INDICATOR LAMP, high beam (blue)	ALL
12	68740-91A	INDICATOR LAMP, turn signal (green)	FXDB 1991
	68021-92A	INDICATOR LAMP, turn signal (green) (2)	FXDB 1992, FXDC
13	68020-92A	INDICATOR LAMP, oil pressure (red)	ALL
14	68513-92	BEZEL, indicator lamps	FXDB 1992, FXDC
15	68516-92	TRIM, indicator lamps	FXDB 1992, FXDC
16	68608-83	SPEED NUT (not illustrated) (4)	ALL
17	72038-71A	SOCKET, single pin (3)	ALL
18	92061-83	CUSHION, speedometer & tachometer mounting (2)	ALL
19	92079-88	BRACKET, speedometer	ALL
20	92080-88	BRACKET, tachometer	ALL
<b>INTERNATIONAL MODELS ONLY</b>			
21	67169-88A	SPEEDOMETER, kph (HDI)	ALL
22	67187-88	DRIVE UNIT, speedometer (HDI)	ALL

## FRONT TURN SIGNALS



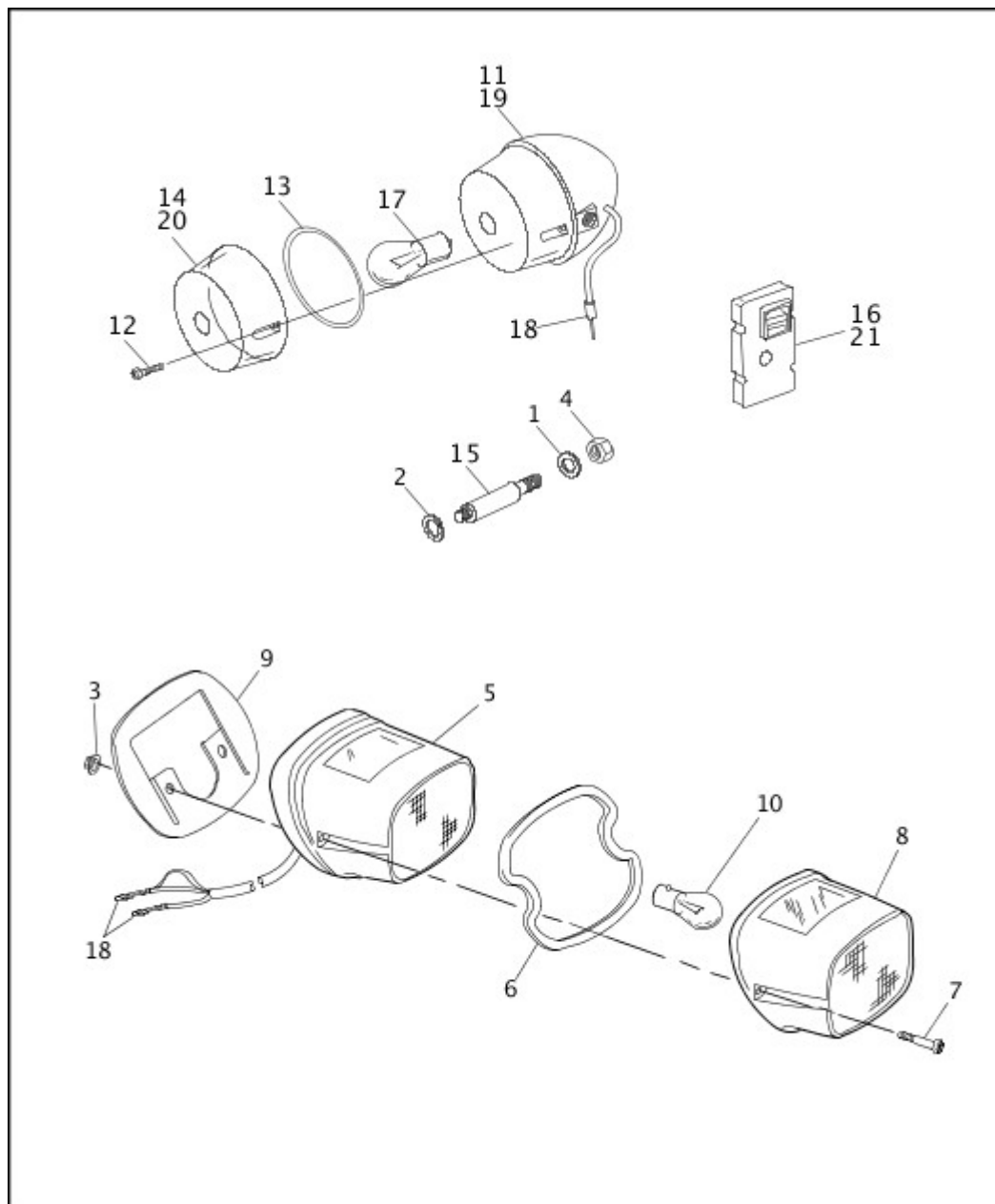
[View interactive image](#)

[View interactive table](#)

INDEX NO.	PART NO.	DESCRIPTION	MODEL(S)
1	4029A	SCREW (2)	FXDB 1991
2	2698A	SCREW (2)	FXDB 1991
3	7042	LOCKWASHER (2)	FXDB 1991
4	7127	LOCKWASHER (3)	FXDB 1991
5	7744	JAMNUT (2)	FXDB 1992, FXDC
6	10006	CABLE STRAP (2)	FXDB 1991
7	67822-88	BALL STUD (2)	FXDB 1992, FXDC
8	67827-88A	CLAMP, ball stud (2)	FXDB 1992, FXDC
9	67828-88A	RETAINER, right	FXDB 1992, FXDC
10	67829-88	BALL RECEPTACLE, left	FXDB 1992, FXDC
11	68168-89A	BULB, front turn signals (2)	ALL
12	68406-86D	LAMP, w/ wire, front (2)	ALL

INDEX NO.	PART NO.	DESCRIPTION	MODEL(S)
13	68452-86	SCREW W/ O-RING, turn signal lens (4)	ALL
14	68455-86	O-RING, turn signal (2)	ALL
15	68577-90A	SUPPORT, front turn signal (2)	FXDB 1991
<b>INTERNATIONAL MODELS ONLY</b>			
16	68163-84	BULB (HDI) (2)	ALL
17	68408-86D	LAMP, w/ wire, front (HDI)	ALL
18	68566-90	LENS, turn signal (amber) (HDI) (2)	ALL

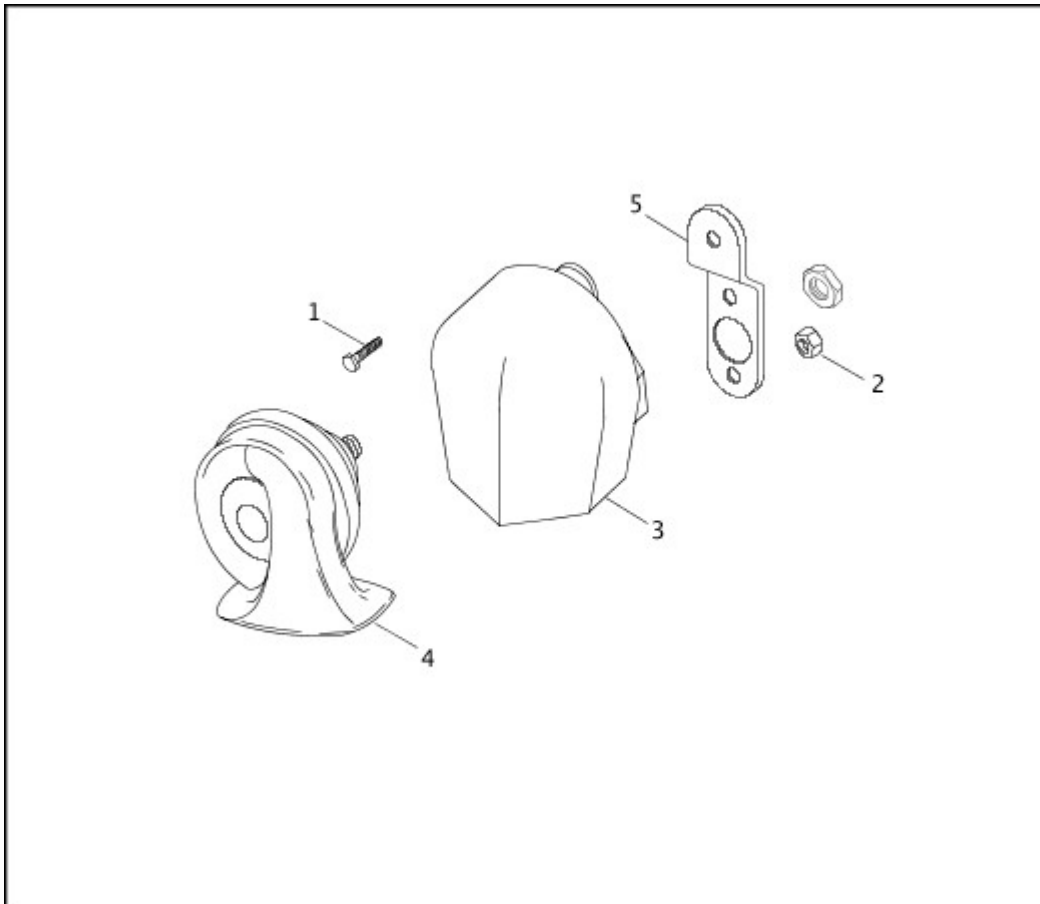
## TAIL LAMP & REAR TURN SIGNALS



[View interactive image](#)

INDEX NO.	PART NO.	DESCRIPTION	MODEL(S)
1	6701	WASHER (2)	ALL
2	7041	LOCKWASHER (2)	ALL
3	7501	SPEED NUT (2)	ALL
4	7782	LOCKNUT, flange (2)	FXDB 1992, FXDC
	7776W	LOCKNUT (2)	FXDB 1991
5	68008-73B	TAIL LAMP ASSEMBLY	ALL
6	68027-90	GASKET, tail lamp lens	ALL
7	68026-73	SCREW, tail lamp (2)	ALL
8	68033-90	LENS, tail lamp (red)	ALL
9	68123-73	GASKET, tail lamp housing	ALL
10	68168-89A	BULB, tail lamp	ALL
11	68410-87B	LAMP WITH WIRE, rear (amber) (2)	ALL
12	68452-86	SCREW WITH O-RING (4)	ALL
13	68455-86	O-RING, turn signal (2)	ALL
14	68457-86	LENS, turn signal	ALL
15	68493-90	SUPPORT, rear lamp mounting	ALL
16	68537-89G	TURN SIGNAL CANCELLER	ALL
17	68572-64B	BULB, rear turn signal (2)	ALL
18	72039-71A	PIN, single socket (2)	ALL
<b>INTERNATIONAL MODELS ONLY</b>			
19	68403-86A	LAMP WITH WIRE, rear (amber) (HDI) (2)	ALL
20	68507-90	LENS, turn signal (amber) (HDI) (2)	ALL
21	68384-91	TURN SIGNAL CANCELLER (HDI)	ALL

**HORN**

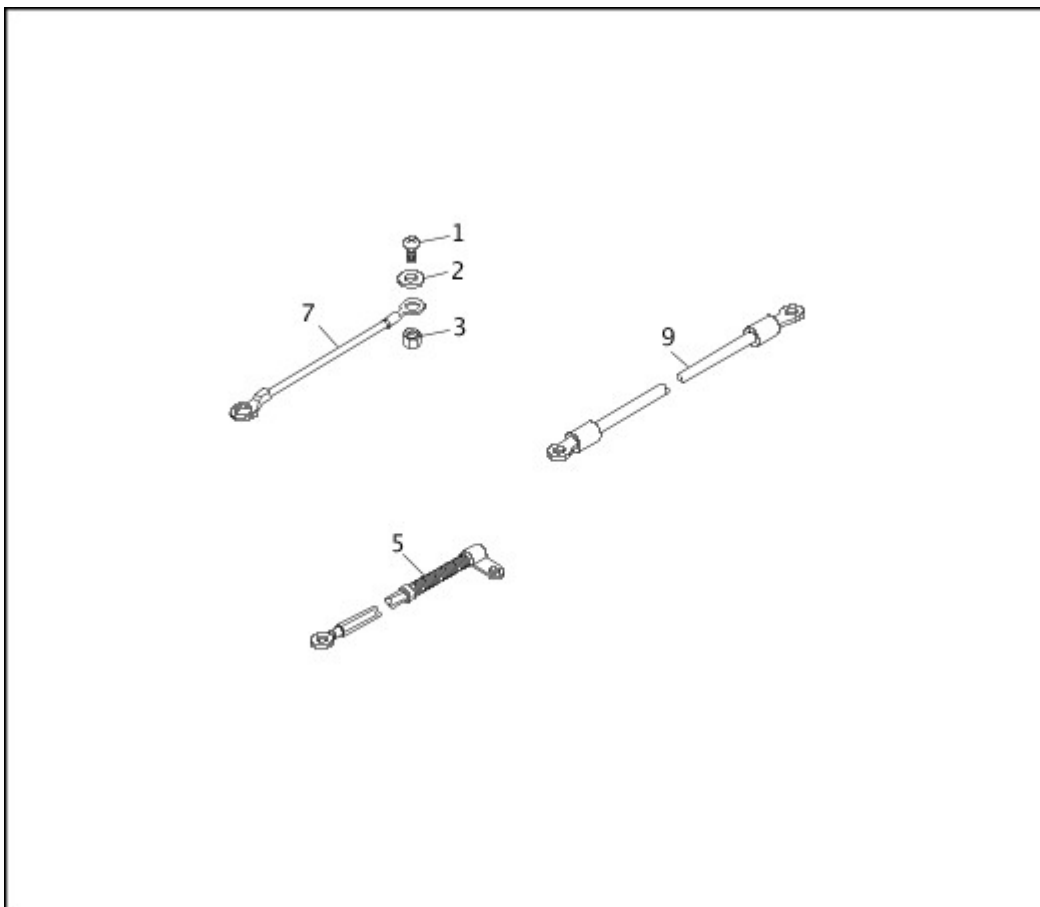


View interactive image

View interactive table

INDEX NO.	PART NO.	DESCRIPTION	MODEL(S)
1	3767B	BOLT (3)	FXDB 1991
2	7531	LOCKNUT (3)	FXDB 1991
3	69114-90	COVER, horn (black)	FXDB 1991
4	69060-90H	HORN	FXDB 1991
5	68126-91	BRACKET, horn	ALL
	69126-92	BRACKET, horn	FXDB 1992, FXDC
6	69126-92	WIRING HARNESS, front section (not illustrated)	FXDB 1992, FXDC

## WIRING



View interactive image

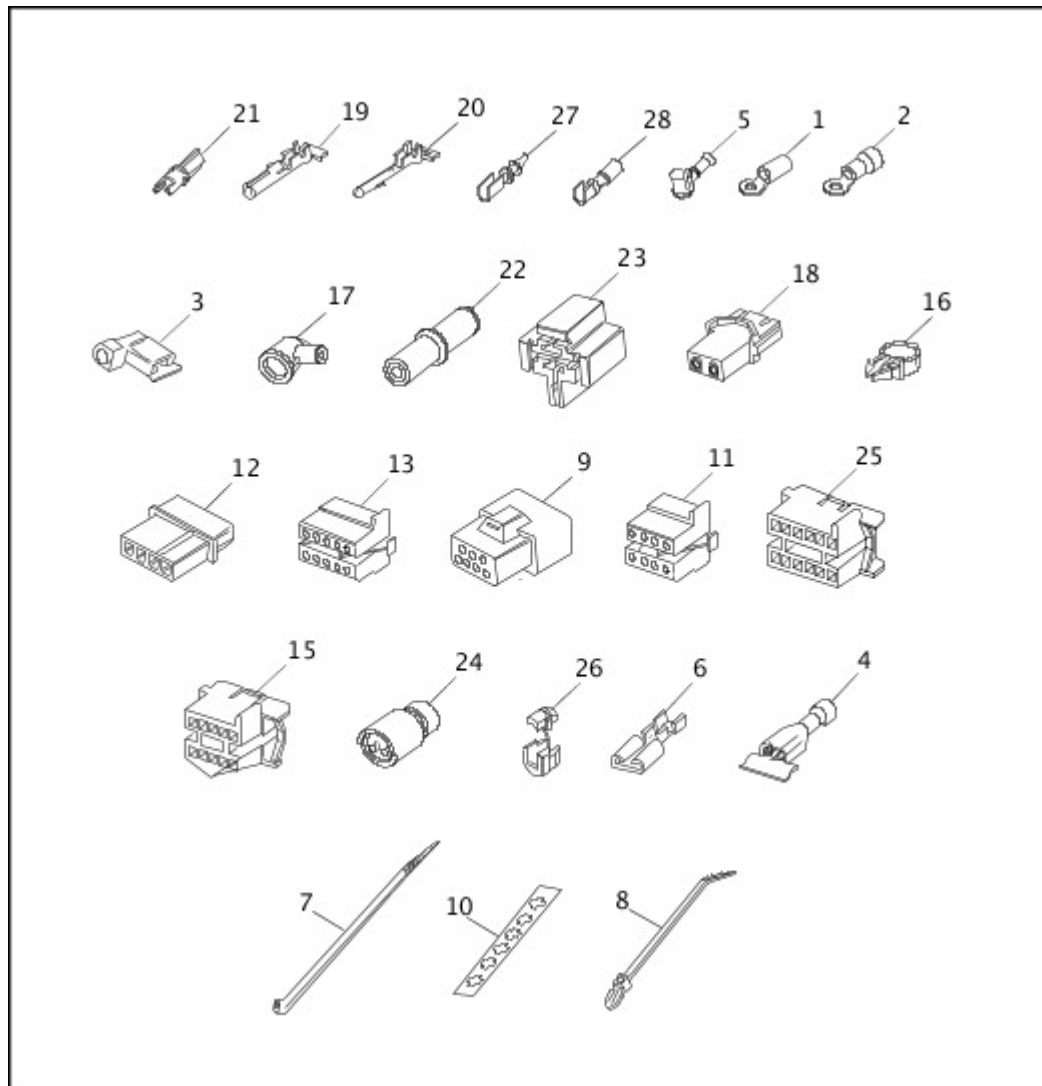
View interactive table

INDEX NO.	PART NO.	DESCRIPTION	MODEL(S)
1	2662W	SCREW, handlebar ground	ALL
2	7220	LOCKWASHER	ALL
3	7531	LOCKNUT, battery ground (2)	ALL
4	69551-90	MAIN WIRING HARNESS (not illustrated)	FXDB 1991
	69558-92	MAIN WIRING HARNESS (not illustrated)	FXDB 1992, FXDC
5	70102-90A	CABLE ASSEMBLY, battery positive	ALL
6	70032-90	WIRING HARNESS, electrical panel (not illustrated)	ALL
	70963-92	WIRING HARNESS, air cleaner (not illustrated)	FXDB 1992, FXDC
7	70191-73A	WIRE ASSEMBLY, handlebar ground	ALL
8	70342-90	WIRING HARNESS, front section (not illustrated)	FXDB 1992, FXDC
9	70103-90	CABLE ASSEMBLY, battery negative	ALL



INDEX NO.	PART NO.	DESCRIPTION	MODEL(S)
	70107-90	CABLE ASSEMBLY, battery negative	ALL

## MISCELLANEOUS ELECTRICAL



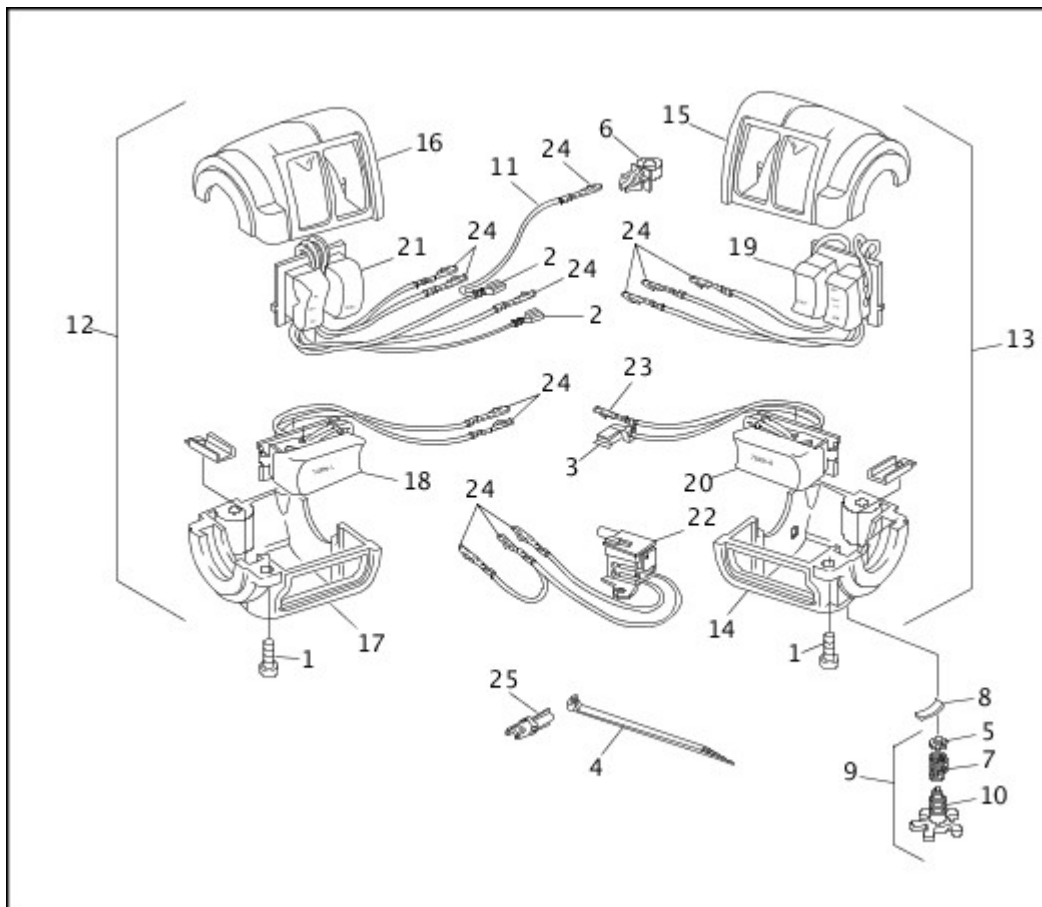
[View interactive image](#)

[View interactive table](#)

INDEX NO.	PART NO.	DESCRIPTION	MODEL(S)
1	9857	TERMINAL, ring type, #10 hole	FXDB 1991
	9858	TERMINAL, ring type, 1/4 inch diameter hole	ALL
2	9862	TERMINAL, ring type, #10 hole	ALL
	9863	TERMINAL, ring type, 1/4 inch diameter hole	ALL
3	9898	TERMINAL, female flag, #14-16 wire	ALL
4	9907	TERMINAL, connector	ALL

INDEX NO.	PART NO.	DESCRIPTION	MODEL(S)
5	9905	TERMINAL, cap type, 1/4 inch diameter	ALL
6	9937	TERMINAL, female spade, 1/4 inch slot	FXDB 1992, FXDC
7	10006	CABLE STRAP (black)	ALL
	10039	CABLE STRAP	ALL
	10065	CABLE STRAP	ALL
	10076	CLAMP (2)	ALL
8	10073	CABLE STRAP (4)	ALL
9	31998-91A	INSULATOR, receptacle housing (module connector)	ALL
10	70043-81	LABEL, battery, positive	ALL
11	70287-81A	CONNECTOR, 8-way socket (2)	ALL
12	70291-89	CONNECTOR, 4-way pin	ALL
	70292-89	CONNECTOR, 4-way pin	ALL
13	70293-87A	CONNECTOR, 10-way socket (2)	ALL
14	70302-90	CONNECTOR, 8-way pin (not illustrated)	ALL
15	70305-90	CONNECTOR, 10-way pin	ALL
16	70347-84	RETAINER, wiring harness	ALL
17	70578-89	BOOT, insulating	ALL
	70580-89	BOOT, insulating (2)	ALL
18	72035-71	CONNECTOR, 2-way socket	FXDB 1992, FXDC
19	72038-71A	SOCKET, single pin	ALL
20	72039-71A	PIN, single socket	ALL
21	72043-71A	CONNECTOR, single pin	ALL
22	72044-71A	CONNECTOR, single socket	ALL
23	72046-79	INSULATOR, spade terminals	FXDB 1992, FXDC
24	72051-77A	CONNECTOR, 3-way socket	FXDB 1992, FXDC
25	72276-74	CONNECTOR, 12-way pin	FXDB 1992, FXDC
26	72503-90	CABLE RESTRAINT	ALL
27	74536-77A	PIN, single socket	FXDB 1992, FXDC
28	74539-77A	SOCKET, single pin	FXDB 1992, FXDC

## HANDLEBAR SWITCHES



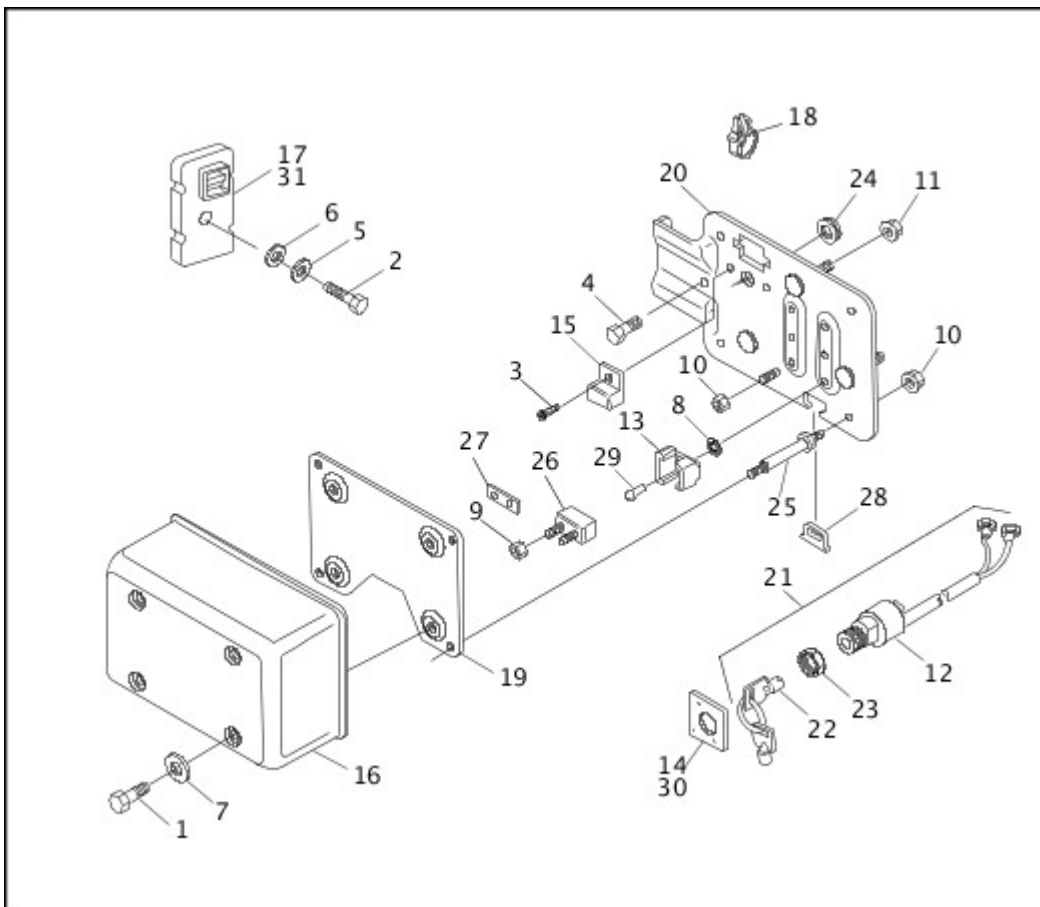
View interactive image

View interactive table

INDEX NO.	PART NO.	DESCRIPTION	MODEL(S)
1	2508	SCREW (4)	ALL
2	9875	TERMINAL, female spade (2)	ALL
3	9898	TERMINAL, flag	ALL
4	10065	CABLE STRAP (2)	ALL
5	11155	RETAINING RING	ALL
6	56073-83	RETAINER, wiring harness (4)	ALL
7	56394-74	SPRING, adjusting screw	ALL
8	56396-74A	SPRING, throttle grip	ALL
9	56397-74C	ADJUSTING SCREW KIT, w/ 5, 7 & 10	ALL
10	56402-83A	SCREW, throttle adjusting	ALL
11	70047-82	WIRE ASSEMBLY, 5 inches long (white)	ALL
12	70218-87A	SWITCH ASSEMBLY KIT, complete, left	ALL
13	70219-87	SWITCH ASSEMBLY KIT, complete, right	ALL

INDEX NO.	PART NO.	DESCRIPTION	MODEL(S)
14	71563-82A	HOUSING, lower, right	ALL
15	71564-82A	HOUSING, upper, right	ALL
16	71567-82	HOUSING, upper, left	ALL
17	71568-82A	HOUSING, lower, left	ALL
18	71598-92	SWITCH ASSEMBLY, left turn signal	ALL
19	71589-92	SWITCH ASSEMBLY, engine stop/start	ALL
20	71591-92	SWITCH ASSEMBLY, right turn signal	ALL
21	71597-92	SWITCH ASSEMBLY, dimmer & horn	ALL
22	71590-92A	SWITCH KIT, stoplamp	ALL
23	72038-71A	SOCKET, single pin	ALL
24	72039-71A	PIN, single socket (2)	ALL
25	72043-71A	CONNECTOR, single pin	ALL

## SWITCHES & CIRCUIT BREAKERS



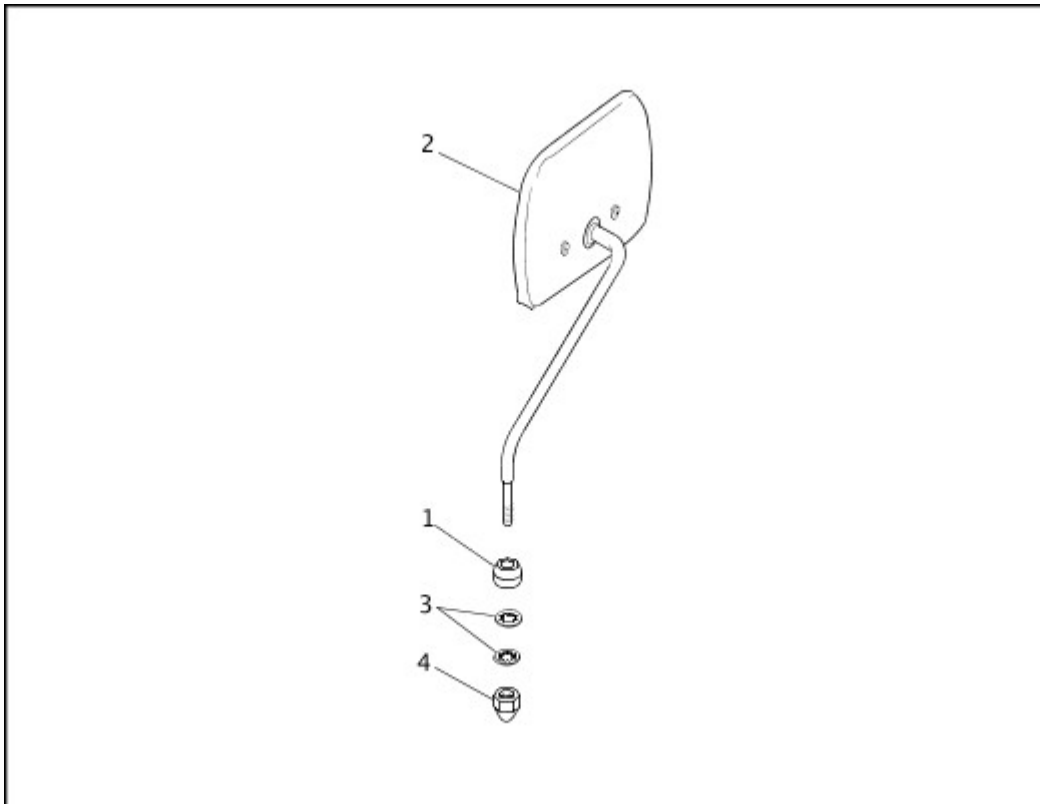
View interactive image

View interactive table

INDEX NO.	PART NO.	DESCRIPTION	MODEL(S)
1	3444-A	SCREW (4)	ALL
2	3826	BOLT	ALL
3	4091	SCREW	ALL
4	4384	SCREW	ALL
5	6035A	WASHER	ALL
6	6036	WASHER, rubber	ALL
7	6099	WASHER (4)	ALL
8	7229W	LOCKWASHER (4)	FXDB 1991
9	7629	NUT, keps (8)	FXDB 1991
10	7716	LOCKNUT (9)	FXDB 1991
11	7796	NUT (3)	ALL
12	71428-90B	IGNITION SWITCH	ALL
13	9952	CLIP (4)	ALL
14	14117-90	DECAL, ignition switch	FXDB 1991
15	31506-79C	RELAY, starter	FXDB 1991

INDEX NO.	PART NO.	DESCRIPTION	MODEL(S)
16	66361-90	COVER, electrical panel	FXDB 1991
	66333-90	COVER, electrical panel (chrome)	FXDB 1992, FXDC
17	68537-89G	TURN SIGNAL CANCELLER	ALL
18	70347-84	RETAINER, wire	ALL
19	70984-90A	BRACKET, ignition module	ALL
20	70987-90B	ELECTRICAL PANEL	ALL
21	71421-90B	LOCK SET, fork & ignition w/ key	ALL
22	71452-91A	KEY (specify 4 digit key no.)	ALL
23	71555-90	FACE NUT	ALL
24	90483-85	GROMMET	ALL
25	72342-90A	STAND OFF (4)	ALL
26	74589-73	CIRCUIT BREAKER (3)	ALL
	74599-77B	CIRCUIT BREAKER, battery	ALL
27	74598-73	CONNECTOR BAR (2)	ALL
28	90474-90	GROMMET	ALL
29	8536	RIVET (4)	ALL
<b>INTERNATIONAL MODELS ONLY</b>			
30	14121-90	DECAL, ignition switch (HDI)	FXDB 1991
31	68384-91	TURN SIGNAL CANCELLER (HDI)	ALL

## MIRRORS

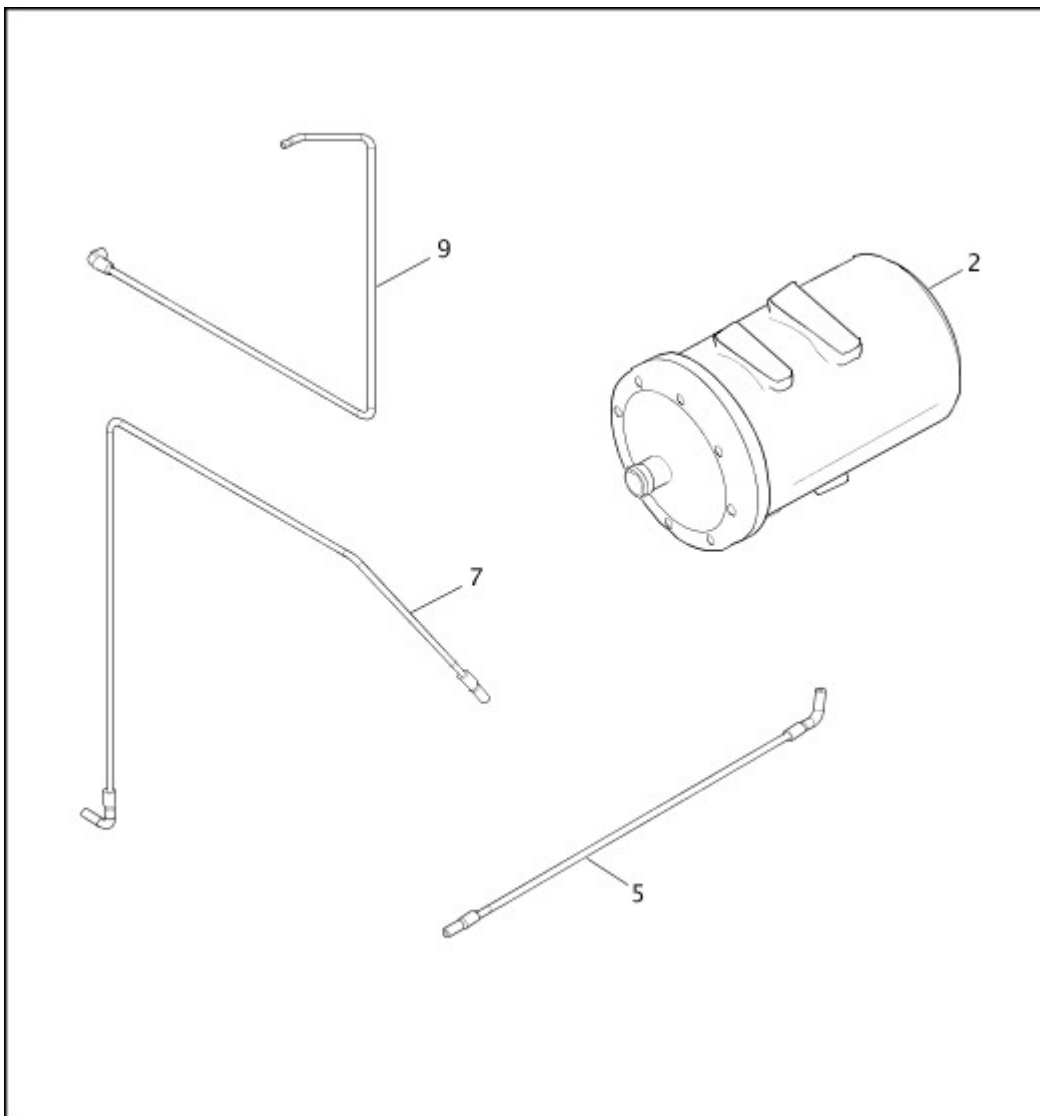


[View interactive image](#)

[View interactive table](#)

INDEX NO.	PART NO.	DESCRIPTION	MODEL(S)
1	5774	SPACER (2)	ALL
2	91875-88A	MIRROR KIT, short, right, convex	FXDB 1992, FXDC
	91892-88A	MIRROR KIT, short, left, convex	FXDB 1992, FXDC
	91909-90A	MIRROR KIT, long, right, convex (black)	FXDB 1991
	91910-90A	MIRROR KIT, long, left, convex (black)	FXDB 1991
3	7127	LOCKWASHER (2)	ALL
4	7736	ACORN NUT (2)	ALL

## CALIFORNIA EVAPORATIVE EMISSIONS KIT



[View interactive image](#)

[View interactive table](#)

INDEX NO.	PART NO.	DESCRIPTION	MODEL(S)
<b>NOTE: These parts are required for motorcycles sold in the state of California.</b>			
1	9893	CLAMP, valve mounting (not illustrated)	ALL
2	27042-84A	CANISTER	ALL
3	27188-90	TUBE, valve to tank (not illustrated)	ALL
4	27189-90	TUBE, canister to tank (not illustrated)	FXDB 1991
5	27189-92	TUBE, tank to canister	FXDB 1992, FXDC
6	27190-90	TUBE, canister to carburetor (not illustrated)	FXDB 1991
7	27190-90A	TUBE, canister to carburetor	FXDB 1992, FXDC
8	28884-90	EVAPORATIVE TUBE ASSEMBLY (not illustrated)	ALL



INDEX NO.	PART NO.	DESCRIPTION	MODEL(S)
9	28886-90	UPTUBE ASSEMBLY	ALL
10	62150-85	VAPOR VALVE (not illustrated)	ALL

## Hardware List

[View interactive table](#)

PART NO.	DESCRIPTION
1311D	SCREW No. 8-32 X 1/2 Phillips truss head, self-sealing
1601	SCREW No. 8-32 X 1/2 Pozidriv flat countersink head (Grade 2)
1783C	SCREW 5/16-18 X 7/8 Pozidriv flat countersink head (Grade 2)
1795A	SCREW 1/4-20 X 3 socket head (Grade 8)
2216W	SCREW No. 4-24 X 1/2 Phillips oval countersink head, self-tapping
2441	SCREW No. 10-24 X 1/2 TORX pan head
2508	SCREW No. 10-32 X 1/2 socket head
2519	SCREW 1/4-20 X 1-1/2 socket button head (black)
2579A	SCREW No. 8-32 X 5/16 Pozidriv oval head
2607	SCREW 1/4-20 X 3/4 Pozidriv pan head (Grade 2)
2611C	BOLT No. 10-32 X 3/4 hex head, with washer (Grade 5)
2614	BOLT 1/4-28 X 2 hex head (Grade 5)
2662W	SCREW No. 10-24 X 3/8 Phillips round head, self-tapping
2698A	SCREW 5/16-18 X 9/16 socket fillister head
2711	SCREW No. 4-40 X 3/8 pan head, self-tapping
2720	SCREW 10-24 X 1.0 TORX head, with lockpatch
2733	SCREW 1/4-28 X 1/2 slotted round head, with lockwasher (chrome)
2737	SCREW No. 4-40 X 1/4 Pozidriv pan head (Grade 2)
2773	SCREW 1/4-20 X 1/2 Pozidriv pan head (Grade 2)
2818	BOLT 5/16-18 X 1-1/2 hex head (Grade 5)
2851	BOLT 3/8-16 X 7/8 hex head (Grade 5)
2871W	BOLT 5/16-18 X 1-1/4 hex head (Grade 5)
29269-83A	SCREW 15/16-18 X 5/8 hex button head, with lockpatch
31689-90	BOLT M4 X 0.7 X 12 hex head
3201WA	SCREW 5/16-18 X 1-1/4 knurled head
3210A	SCREW 5/16-18 X 1-1/4 knurled head
3214	SCREW 3/8-16 X 1-1/4 socket head, thread-cutting
3221	SCREW No. 4-16 X 3/16 (Grade 8)

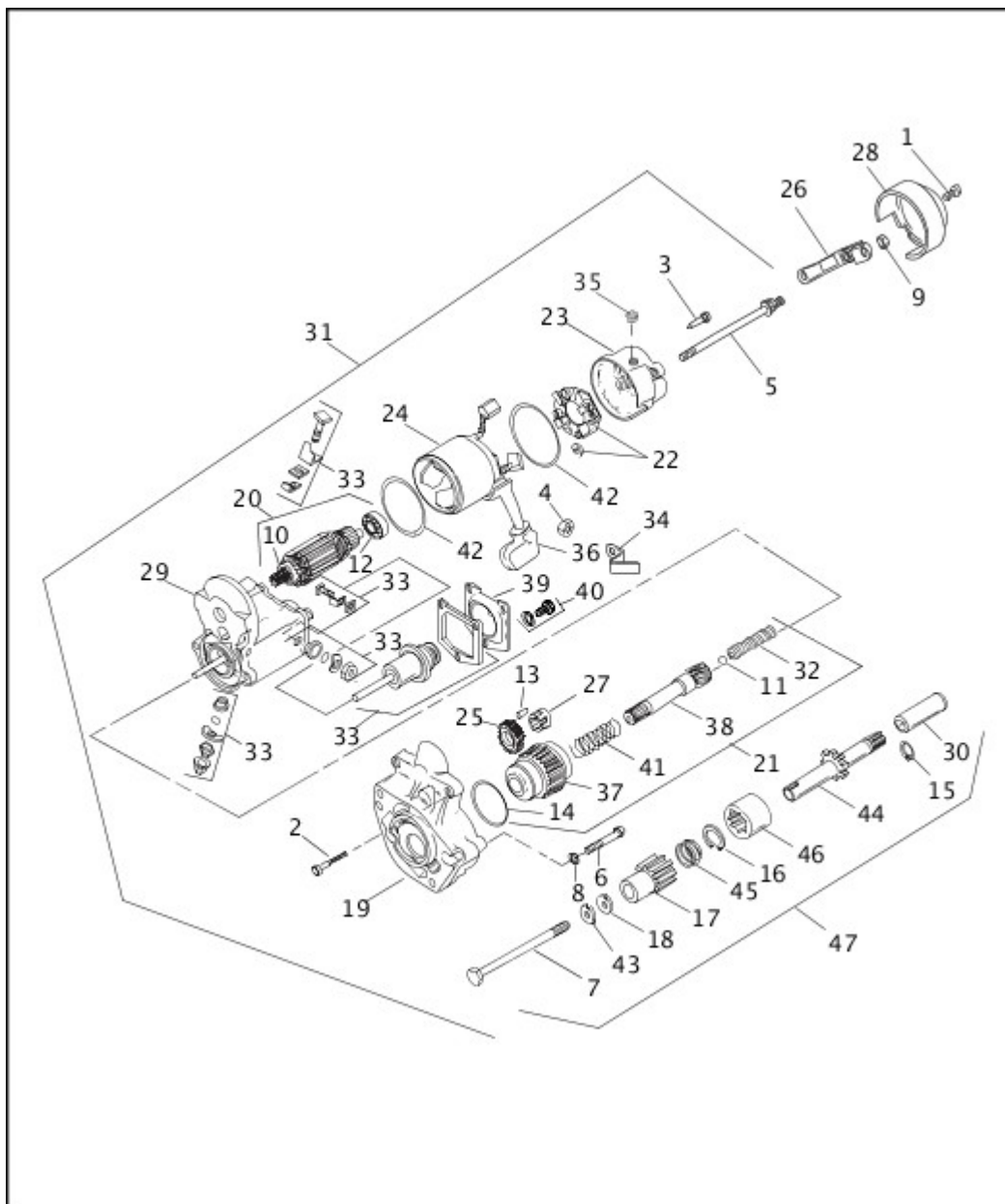
PART NO.	DESCRIPTION
3233	SCREW 1/4-28 X 1/4 socket head
3403	LOCKNUT M8-1.25 X 12mm flange (zinc)
3427	BOLT 5/16-18 X 3-1/2 hex head (Grade 5)
3430	BOLT 5/16-24 X 5 hex head (Grade 5)
3445	BOLT 5/16-18 X 9/16 hex head, with lockpatch (Grade 5)
3471	BOLT 1/2-13 X 2-3/4 hex head (Grade 5)
3473	BOLT No. 10-32 X 1/2 hex head (Grade 2)
3480A	SCREW 1/4-20 X 1-3/4 knurled head (Grade 8)
3485A	SCREW 5/16-18 X 1-3/4 knurled head (Grade 8)
3487	BOLT 5/16-24 X 5/8 hex head, with lockpatch
3500A	BOLT 5/16-18 X 2-3/4 hex head (Grade 8)
3501A	BOLT 5/16-18 X 2-1/2 hex head (Grade 8)
3503	BOLT 5/16-24 X 2 hex head (Grade 8)
3504	BOLT 5/16-24 X 5-3/8 hex head (Grade 5)
3506	STUD 5/16-24 X 5-3/4 hex head (Grade 5)
35078-79	NUT 3/4-16 X .391 X 1
3509	BOLT 3/8-16 X 2-3/4 hex head (Grade 8)
3514	SCREW No. 8-32 X 1 fillister head (Grade 5)
35211-91B	NUT 1-1/2-24 X .350 X 1-7/8 hex head
3528	BOLT 3/8-16 X 3-1/4 hex head (Grade 8)
3530	SCREW 5/16-18 X 3-3/4 hex head (Grade 5)
3537	SCREW 1/4-28 X 1/2 flange head, with lockpatch
3562	SCREW No. 12 X 1/2 hex head, with washer, self-tapping
3574	SCREW 1/4-20 X 3/4 flange
3579A	SCREW 1/4-28 X 1/4 SEMS hex head, self-tapping (Grade 2)
3594	SCREW 1/4-20 X 5/8 knurled head (Grade 8)
3655A	SCREW 5/16-18 X 7/8 TORX pan head, with lockpatch (Grade 8)
3730A	BOLT 7/16-14 X 1-3/4 hex head (Grade 8)
3767B	BOLT 1/4-20 X 5/8 hex head (Grade 5)
3770	SCREW 1/4-20 X 7/8 12 pt. head (Grade 5)
3784	SET SCREW 1/2-20 X 1/2 socket head, with lockpatch
3787	BOLT 1/4-20 X 3/4 hex head (Grade 5)
3826	BOLT 1/4-28 X 1-1/4 hex head (Grade 5)

PART NO.	DESCRIPTION
3849	SCREW 1/4-20 X 1-1/4 SEMS hex head (Grade 8)
3958	BOLT 1/2-20 X 2-1/4 hex head (Grade 5)
3974HW	BOLT 5/16-24 X 3/4 hex head (Grade 5)
3987	BOLT 5/16-18 X 3/4 hex head (Grade 5)
3991	BOLT 5/16-18 X 7/8 hex head (Grade 5)
3993	BOLT 1/4-20 X 1-1/4 hex head (Grade 5)
4015	SCREW 1/4-20 X 7/8 socket button head (Grade 8)
4017	BOLT 5/16-18 X 1 hex head (Grade 5)
4029A	SCREW 3/8-16 X 2-1/4 socket head (black)
4036	BOLT 5/16-24 X 1-1/2 hex head (Grade 5)
4044	SCREW 3/8-16 X 1-1/4 socket button head
4047	SCREW 3/8 X 2 TORX button head, self-tapping
4068A	BOLT 5/16-18 X 2-1/2 hex head (Grade 5)
4086A	BOLT 5/16-18 X 3 hex head (Grade 5)
4091	SCREW No. 10-24 X 1/2 hex head, with washer, self-tapping (zinc)
4325	BOLT 1/4-20 X 5-1/2 hex head (Grade 8)
4326A	SCREW 5/16-18 X 2 socket head
4337W	SCREW 3/8-24 X 1-1/4 hex head (Grade 5)
4350A	SCREW 3/8-16 X 1-1/2 socket head
4351	SCREW 3/8-16 X 1-1/2 TORX head, self-tapping (Grade 8)
43567-92	SCREW 3/8-16 X 1 TORX pan head, with lockpatch
4383	SCREW 5/16-18 X 5/8 hex head, with washer (Grade 2)
4384	SCREW 5/16-18 X 1 hex head, with washer, self-threading
4453	BOLT 1/4-20 X 7/8 hex head SPECIAL WITH TAPPED HOLE
4713W	BOLT 3/8-16 X 3/4 hex head (Grade 5)
4716W	SCREW 3/8-16 X 1-1/4 hex head (Grade 5)
4717A	SCREW 1/4-20 X 2-1/4 knurled head, with lockpatch
4718A	SCREW 1/4-20 X 1-1/2 knurled head, with lockpatch
4721	BOLT 3/8-16 X 1-1/2 hex head (Grade 5)
4740A	SCREW 1/4-20 X 1-1/4 knurled head, with lockpatch (Grade 8)
4741A	SCREW 1/4-20 X 1 socket head, with lockpatch
4742A	SCREW 1/4-20 X 2-1/4 knurled head, with lockpatch
4813A	SCREW 1/4-20 X 1-3/8 knurled head, with lockpatch

PART NO.	DESCRIPTION
4814A	SCREW 1/4-20 X 1-1/8 knurled head, with lockpatch
4816A	SCREW 5/16-18 X 1-1/2 socket head
4820A	SCREW 1/4-20 X 2 socket head
4822A	SCREW 1/4-20 X 2-3/4 knurled head, with lockpatch
5403B	BOLT 1/4-20 X 3/8 carriage
5444	BOLT 3/8-16 X 1 carriage (Grade 5)
5445W	BOLT 5/16 X 1-1/4 carriage (Grade 5)
5756	WASHER 21/32 X 1-5/16 X 5/8
6003	WASHER 1-3/16 X 1-3/8 X 11/16
6012	WASHER 1/2 X 1-3/16 X 1/16
6016	WASHER 11/32 X 11/16 X 1/16
6019	WASHER 3/8 X 29/32 X 1/16
6035A	WASHER 1/4 X 1-1/4 X 1/8 neoprene
6036	WASHER 17/64 X 1 X 1/16
6048W	WASHER 1/8 X 1/4 X 1/32
6099	WASHER 1/4 X 7/16 X 1/16
6109	WASHER 5/16 X 11/16 X 1/8
6113	WASHER 1/2 X 13/16 X 1/32
6235	WASHER 1/4 X 23/32 X 1/16
6239	WASHER 1/4 X 1/2 X 3/32
6253W	WASHER 1/4 X 3/4 X 3/64
6302	WASHER 5/16 X 11/16 X 19/32
6333	WASHER 5/16 X 7/8 X 5/64
6366	WASHER 1/2 X 1-1/4 X 3/32
6379W	WASHER 3/8 X 5/8 X 3/64
6400HB	WASHER 5/16 X 13/16 X 3/32
6410	WASHER 1/4 X 9/16 X 1/16 nylon
6497HW	WASHER 29/64 X 1-1/8 X 1/16
6506	WASHER 1-13/32 X 2-3/32 X 1/16 (bronze)
6516HW	WASHER 7/16 X 1-1/8 X 1/8
6590HW	WASHER 1/2 X 1-1/8 X 3/32
6655	WASHER 5/8 X 1-1/2 X 7/64
6701	WASHER 3/8 X 13/16 X 1/16

PART NO.	DESCRIPTION
6702	WASHER 5/16 X 11/16 X 1/16
6703	WASHER 1/4 X 5/8 X 1/16
6716	WASHER No. 10 X 1/2 X 3/64
6718	WASHER 1/2 X 1-1/16 X 3/32
6736	WASHER 9/32 X 5/8 X 1/16
6737	WASHER 57/64 X 1-3/64 X 1/32
6762B	WASHER 11/16 X 29/32 X 1/32
6771A	WASHER 5/16 X 1/2 X 1/16
6969	LOCKWASHER No. 4
7003	LOCKWASHER 9/16
7036	WASHER 1/4 X 31/64 X 1/16
7038	LOCKWASHER 3/8
7039	LOCKWASHER 7/16
7041	LOCKWASHER 5/16
7042	LOCKWASHER 5/16 high collar
7045	LOCKWASHER 3/8 high collar
7068	LOCKWASHER 1/2
7069	LOCKWASHER No. 10
7124	LOCKWASHER 1/4 internal tooth
7127	LOCKWASHER 5/16 internal tooth
7220	LOCKWASHER No. 10 external tooth
7229W	LOCKWASHER 1/4 internal/external tooth
7507	ACORN NUT 5/16-18 X 11/16 X 1/2 (Grade 2) (chrome)
7515	JAMNUT 7/16 X 1/4 X 11/16 (Grade 2)
7531	LOCKNUT 5/16-18 X 9/32 X 1/2 flange
7554	ACORN NUT 1/2-13
7593	NUT 5/16-24 flange
7601	LOCKNUT 3/8-16 flange
7606	LOCKNUT No. 8-32 X 1/4 X 1/4 hex (chrome)
7626W	LOCKNUT No. 10-32 X 3/16 X 3/8
7629	NUT No. 10-32 X 3/8 keps
7634	NUT No. 10-32 X 1/8 X 5/16 (brass)
7716	LOCKNUT 1/4-20 X 7/16 flange

PART NO.	DESCRIPTION
7734W	NUT 1/2-20 X 9/16 X 3/4 slotted (Grade 5)
7736	ACORN NUT 5/16-24 X 19/32 X 1/2 (Grade 2) (chrome)
7744	JAMNUT 5/16-24 X 3/16 X 1/2 (Grade 2)
7753	NUT 5/16-24 X 1/4 X 1/2 (Grade 2)
7775	LOCKNUT 3/8-24 X 7/16 X 9/16
7776W	LOCKNUT 3/8-24 X 9/32 X 9/16
7778	LOCKNUT 3/8-16 X 7/16 X 9/16
7782	LOCKNUT 3/8-24 X 3/8 X 9/16 (Grade 8)
7783	NUT 3/8-16 X 5/16 X 9/16 (Grade 2)
7792	NUT 1/4-20 X 1/4 (Grade 2)
7796	NUT 5/16-18 X 1/4 external-tooth washer (Grade 2)
7838	NUT No. 10-24 keps
7845	NUT 1/2-20 X 7/16 X 3/4 (Grade 2)
7848W	JAMNUT 7/16-20 X 1/4 X 11/16 (Grade 2)
7855W	JAMNUT 3/4-16 X 7/16 X 1-1/8 (Grade 2)
7880	NUT 1/2-13 X 7/16 X 3/4 (Grade 2)
7987	NUT 5/8-18 X 15/16 slotted (Grade 8)
8102	SPEEDNUT 5/16-18
8108	SPEEDNUT 1/4-20
855B	SCREW 3/8-16 X 2 knurled head
856A	SCREW 5/16-24 X 1 socket head (Grade 8)
857A	SCREW No. 10-24 X 3/8 knurled head (black)
864A	SCREW 1/4-20 X 3/4 hex socket button head
882	SCREW 1/4-20 X 7/8 knurled head, with washer (Grade 8)
891	SCREW 1/4-20 X 1-3/4 socket head (Grade 8)
90770-79	SCREW No. 8-32 X 3/8 Pozidriv head, self-tapping
919	SCREW 1/4-28 X 3/4 socket button head (Grade 8)
923	SCREW 1/4-20 X 3/4 socket pan head
924	SCREW 1/4-20 X 33/64 socket pan head
925	SCREW 1/4-28 X 5/8 socket button head (Grade 8)
927A	SCREW 1/4-20 X 3/4 button head (Grade 8)
928	BOLT M5 X 0.8 X 35.2 hex head
929A	SCREW M4 X 0.7 X 11.8 flange head

**STARTER MOTOR**
[View interactive table](#)

INDEX NO.	PART NO.	DESCRIPTION	MODEL(S)
33	31604-91A	STARTER REPAIR KIT	ALL
34	31693-90	CLIP, CABLE	ALL
47	31487-90A	JACKSHAFT KIT, w/ 7, 15, 16, 17, 18, 30, 43, 44, 45 & 46	ALL

## Numerical Index

[View interactive table](#)

10006	FRONT TURN SIGNALS MISCELLANEOUS ELECTRICAL
10014	CARBURETOR (1 OF 2) FUEL TANKS
10031	FRONT BRAKE CONTROL

10039	FRAME, REAR FORK & JIFFY STAND MISCELLANEOUS ELECTRICAL
10046	CRANKCASE - GEAR SIDE (1 OF 2)
10053	FRONT BRAKE CONTROL REAR BRAKE CONTROL
10065	ELECTRONIC IGNITION SYSTEM MISCELLANEOUS ELECTRICAL HANDLEBAR SWITCHES
10073	MISCELLANEOUS ELECTRICAL
10076	MISCELLANEOUS ELECTRICAL
10080	CRANKCASE (2 OF 2) AIR CLEANER & ENRICHMENT CABLE (1 OF 2) TRANSMISSION HOUSING & OIL TANK OIL FILTERS & MOUNTS
10102	FUEL TANKS
10108	FUEL TANKS
10112	OIL FILTERS & MOUNTS
10114	FUEL TANKS
10119	EXHAUST SYSTEM
10957	STARTER MOTOR
10998	TRANSMISSION HOUSING
11002	CRANKCASE - GEAR SIDE (1 OF 2) OIL PUMP
11005	REAR BRAKE CONTROL
11016	GEAR SHIFTER (1 OF 2)
11020	TRANSMISSION HOUSING
11067	TRANSMISSION GEARS
11083	GEAR SHIFTER (1 OF 2)
11096	TRANSMISSION GEARS CLUTCH
11105	CRANKCASE - GEAR SIDE (1 OF 2) OIL PUMP TRANSMISSION HOUSING & OIL TANK
11117A	GEAR SHIFTER (1 OF 2)
11132A	ROCKER ARMS, COVERS & PUSHRODS - V2™ EVOLUTION TRANSMISSION HOUSING TRANSMISSION HOUSING & OIL TANK
11139	FRAME, REAR FORK & JIFFY STAND
11143	CLUTCH CONTROL FRONT BRAKE CONTROL
11145A	ROCKER ARMS, COVERS & PUSHRODS - V2™ EVOLUTION



11147B	PRIMARY HOUSING
11150	GEAR SHIFTER (1 OF 2)
11155	THROTTLE CONTROL HANDLEBAR SWITCHES
11157	ROCKER ARMS, COVERS & PUSHRODS - V2™ EVOLUTION
11161	TRANSMISSION HOUSING & OIL TANK
11165	TRANSMISSION HOUSING
11177A	CRANKCASE (2 OF 2)
11179	TRANSMISSION HOUSING
11182	STARTER MOTOR
11183	STARTER MOTOR
11192	CARBURETOR (1 OF 2)
11218	PISTONS, CONNECTING RODS & FLYWHEELS
11219	PISTONS, CONNECTING RODS & FLYWHEELS CRANKCASE - GEAR SIDE (1 OF 2)
11241	OIL PUMP
11400	REAR FENDERS
11411	REAR BELT GUARD
11412	FUEL TANKS
11452	FUEL TANK INSTRUMENTS
11457	FRAME, REAR FORK & JIFFY STAND FRAME, REAR FORK & JIFFY STAND
11458	REAR BELT GUARD
11460	AIR CLEANER & ENRICHMENT CABLE (1 OF 2)
12026B	CRANKCASE (2 OF 2)
12035B	TRANSMISSION GEARS
12045	GEAR SHIFTER (1 OF 2)
12050	TRANSMISSION HOUSING & OIL TANK
12052A	PRIMARY HOUSING
12053A	PRIMARY HOUSING
1311D	FUEL TANK INSTRUMENTS
14117-90	SWITCHES & CIRCUIT BREAKERS
14121-90	SWITCHES & CIRCUIT BREAKERS
14256-90	TRANSMISSION HOUSING & OIL TANK
14259-90	SEATS & SISSY BAR
14260-91	FUEL TANKS

14262-91	FUEL TANK TRIM
14263-91	TRANSMISSION HOUSING & OIL TANK
14268-92	TRANSMISSION HOUSING & OIL TANK
14270-92	GEAR SHIFTER (2 OF 2)
14314-90	FUEL TANK TRIM
14315-90	FUEL TANK TRIM
14340-90	AIR CLEANER & ENRICHMENT CABLE (1 OF 2)
14378-92	FUEL TANK TRIM
14379-92	FUEL TANK TRIM
15368-01A	BATTERY
1601	CRANKCASE - GEAR SIDE (1 OF 2) ELECTRONIC IGNITION SYSTEM
16163-91	CYLINDERS, HEADS & VALVES V2™ - REAR SHOWN (1 OF 2)
16165-92	CYLINDERS, HEADS & VALVES V2™ - REAR SHOWN (1 OF 2)
16166-92	CYLINDERS, HEADS & VALVES V2™ - REAR SHOWN (1 OF 2)
16167-92	CYLINDERS, HEADS & VALVES V2™ - REAR SHOWN (2 OF 2)
16171-92	CYLINDERS, HEADS & VALVES V2™ - REAR SHOWN (1 OF 2)
16172-92	CYLINDERS, HEADS & VALVES V2™ - REAR SHOWN (1 OF 2)
16173-92	CYLINDERS, HEADS & VALVES V2™ - REAR SHOWN (2 OF 2)
16219-79C	CYLINDERS, HEADS & VALVES V2™ - REAR SHOWN (1 OF 2)
16238-90	CYLINDERS, HEADS & VALVES V2™ - REAR SHOWN (1 OF 2)
16241-90	CYLINDERS, HEADS & VALVES V2™ - REAR SHOWN (1 OF 2)
16242-90	CYLINDERS, HEADS & VALVES V2™ - REAR SHOWN (1 OF 2)
16304-87	CRANKCASE (2 OF 2)
16478-85A	CYLINDERS, HEADS & VALVES V2™ - REAR SHOWN (1 OF 2)
16480-85A	CYLINDERS, HEADS & VALVES V2™ - REAR SHOWN (1 OF 2)
16480-92A	CYLINDERS, HEADS & VALVES V2™ - REAR SHOWN (1 OF 2)
16510-83A	CYLINDERS, HEADS & VALVES V2™ - REAR SHOWN (1 OF 2)
16512-86A	CYLINDERS, HEADS & VALVES V2™ - REAR SHOWN (1 OF 2)
16573-83A	CYLINDERS, HEADS & VALVES V2™ - REAR SHOWN (1 OF 2)
16690-92B	CYLINDERS, HEADS & VALVES V2™ - REAR SHOWN (1 OF 2)
16691-92	CYLINDERS, HEADS & VALVES V2™ - REAR SHOWN (1 OF 2)
16692-85C	CYLINDERS, HEADS & VALVES V2™ - REAR SHOWN (1 OF 2)
16692-95	CYLINDERS, HEADS & VALVES V2™ - REAR SHOWN (1 OF 2)

16696-85B	CYLINDERS, HEADS & VALVES V2™ - REAR SHOWN (1 OF 2)
16696-92A	CYLINDERS, HEADS & VALVES V2™ - REAR SHOWN (1 OF 2)
16715-83	CYLINDERS, HEADS & VALVES V2™ - REAR SHOWN (2 OF 2)
16770-84F	CYLINDERS, HEADS & VALVES V2™ - REAR SHOWN (2 OF 2)
16774-86D	CYLINDERS, HEADS & VALVES V2™ - REAR SHOWN (2 OF 2) CYLINDERS, HEADS & VALVES V2™ - REAR SHOWN (2 OF 2)
16778-84A	ROCKER ARMS, COVERS & PUSHRODS - V2™ EVOLUTION
16779-84A	ROCKER ARMS, COVERS & PUSHRODS - V2™ EVOLUTION
16800-84B	ROCKER ARMS, COVERS & PUSHRODS - V2™ EVOLUTION
16830-29A	CYLINDERS, HEADS & VALVES V2™ - REAR SHOWN (2 OF 2)
16837-85C	CYLINDERS, HEADS & VALVES V2™ - REAR SHOWN (2 OF 2) CRANKCASE (2 OF 2)
17033-83A	CYLINDERS, HEADS & VALVES V2™ - REAR SHOWN (2 OF 2)
17035-83B	CYLINDERS, HEADS & VALVES V2™ - REAR SHOWN (2 OF 2)
17038-90	ROCKER ARMS, COVERS & PUSHRODS - V2™ EVOLUTION
17040-92A	CYLINDERS, HEADS & VALVES V2™ - REAR SHOWN (2 OF 2)
17041-92A	CYLINDERS, HEADS & VALVES V2™ - REAR SHOWN (2 OF 2)
17042-92A	ROCKER ARMS, COVERS & PUSHRODS - V2™ EVOLUTION
17355-84B	ROCKER ARMS, COVERS & PUSHRODS - V2™ EVOLUTION
17355-92A	ROCKER ARMS, COVERS & PUSHRODS - V2™ EVOLUTION
17356-84B	ROCKER ARMS, COVERS & PUSHRODS - V2™ EVOLUTION
17356-92A	ROCKER ARMS, COVERS & PUSHRODS - V2™ EVOLUTION
17358-84B	ROCKER ARMS, COVERS & PUSHRODS - V2™ EVOLUTION
17360-83A	ROCKER ARMS, COVERS & PUSHRODS - V2™ EVOLUTION
17375-83A	ROCKER ARMS, COVERS & PUSHRODS - V2™ EVOLUTION
17429-91	ROCKER ARMS, COVERS & PUSHRODS - V2™ EVOLUTION
17528-92	ROCKER ARMS, COVERS & PUSHRODS - V2™ EVOLUTION
17529-92	ROCKER ARMS, COVERS & PUSHRODS - V2™ EVOLUTION
17530-92	ROCKER ARMS, COVERS & PUSHRODS - V2™ EVOLUTION
17547-90	ROCKER ARMS, COVERS & PUSHRODS - V2™ EVOLUTION
17548-90	ROCKER ARMS, COVERS & PUSHRODS - V2™ EVOLUTION
17549-90	ROCKER ARMS, COVERS & PUSHRODS - V2™ EVOLUTION
17611-83	ROCKER ARMS, COVERS & PUSHRODS - V2™ EVOLUTION
1783C	BELTS, CHAINS & SPROCKETS
17921-83A	ROCKER ARMS, COVERS & PUSHRODS - V2™ EVOLUTION

17924-83A	ROCKER ARMS, COVERS & PUSHRODS - V2™ EVOLUTION
17927-83A	ROCKER ARMS, COVERS & PUSHRODS - V2™ EVOLUTION
17930-83A	ROCKER ARMS, COVERS & PUSHRODS - V2™ EVOLUTION
17935-79B	ROCKER ARMS, COVERS & PUSHRODS - V2™ EVOLUTION
17938-83	ROCKER ARMS, COVERS & PUSHRODS - V2™ EVOLUTION
17945-36B	ROCKER ARMS, COVERS & PUSHRODS - V2™ EVOLUTION
17947-36	ROCKER ARMS, COVERS & PUSHRODS - V2™ EVOLUTION
17950-66	ROCKER ARMS, COVERS & PUSHRODS - V2™ EVOLUTION
1795A	AIR CLEANER & ENRICHMENT CABLE (1 OF 2)
18001-83B	CYLINDERS, HEADS & VALVES V2™ - REAR SHOWN (2 OF 2)
18011-86	CYLINDERS, HEADS & VALVES V2™ - REAR SHOWN (2 OF 2)
18020-83	CYLINDERS, HEADS & VALVES V2™ - REAR SHOWN (2 OF 2)
18074-83B	CYLINDERS, HEADS & VALVES V2™ - REAR SHOWN (2 OF 2)
18076-83	CYLINDERS, HEADS & VALVES V2™ - REAR SHOWN (2 OF 2)
18082-83A	CYLINDERS, HEADS & VALVES V2™ - REAR SHOWN (2 OF 2)
18087-83	CYLINDERS, HEADS & VALVES V2™ - REAR SHOWN (2 OF 2)
18101-83D	CYLINDERS, HEADS & VALVES V2™ - REAR SHOWN (2 OF 2)
18124-83	CYLINDERS, HEADS & VALVES V2™ - REAR SHOWN (2 OF 2)
18130-83D	CYLINDERS, HEADS & VALVES V2™ - REAR SHOWN (2 OF 2)
18131-83D	CYLINDERS, HEADS & VALVES V2™ - REAR SHOWN (2 OF 2)
18133-83B	CYLINDERS, HEADS & VALVES V2™ - REAR SHOWN (2 OF 2)
18134-83	CYLINDERS, HEADS & VALVES V2™ - REAR SHOWN (2 OF 2)
18201-83	CYLINDERS, HEADS & VALVES V2™ - REAR SHOWN (2 OF 2)
18202-83	CYLINDERS, HEADS & VALVES V2™ - REAR SHOWN (2 OF 2)
18219-83A	CYLINDERS, HEADS & VALVES V2™ - REAR SHOWN (2 OF 2)
18222-83A	CYLINDERS, HEADS & VALVES V2™ - REAR SHOWN (2 OF 2)
18229-83A	CYLINDERS, HEADS & VALVES V2™ - REAR SHOWN (2 OF 2)
18523-86B	ROCKER ARMS, COVERS & PUSHRODS - V2™ EVOLUTION
18540-83C	ROCKER ARMS, COVERS & PUSHRODS - V2™ EVOLUTION
18542-83C	ROCKER ARMS, COVERS & PUSHRODS - V2™ EVOLUTION
18622-85B	ROCKER ARMS, COVERS & PUSHRODS - V2™ EVOLUTION
18623-85B	ROCKER ARMS, COVERS & PUSHRODS - V2™ EVOLUTION
18633-48D	ROCKER ARMS, COVERS & PUSHRODS - V2™ EVOLUTION
18634-48C	ROCKER ARMS, COVERS & PUSHRODS - V2™ EVOLUTION

21920-83	PISTONS, CONNECTING RODS & FLYWHEELS
21921-83	PISTONS, CONNECTING RODS & FLYWHEELS
21922-83	PISTONS, CONNECTING RODS & FLYWHEELS
21923-83	PISTONS, CONNECTING RODS & FLYWHEELS
21924-83	PISTONS, CONNECTING RODS & FLYWHEELS
21940-83	PISTONS, CONNECTING RODS & FLYWHEELS
21941-83	PISTONS, CONNECTING RODS & FLYWHEELS
21942-83	PISTONS, CONNECTING RODS & FLYWHEELS
21943-83	PISTONS, CONNECTING RODS & FLYWHEELS
21944-83	PISTONS, CONNECTING RODS & FLYWHEELS
2216W	ALTERNATOR & REGULATOR
22589-83B	PISTONS, CONNECTING RODS & FLYWHEELS
22764-83	PISTONS, CONNECTING RODS & FLYWHEELS
239	OIL PUMP
23906-90A	PISTONS, CONNECTING RODS & FLYWHEELS
23928-87	PISTONS, CONNECTING RODS & FLYWHEELS
23961-80A	PISTONS, CONNECTING RODS & FLYWHEELS
23974-87	PISTONS, CONNECTING RODS & FLYWHEELS
23975-87	PISTONS, CONNECTING RODS & FLYWHEELS
23981-98	PISTONS, CONNECTING RODS & FLYWHEELS
24002-70	CRANKCASE (2 OF 2)
24022-90	CRANKCASE - GEAR SIDE (1 OF 2)
24032-70	CRANKCASE (2 OF 2) BELTS, CHAINS & SPROCKETS
24033-70	CRANKCASE (2 OF 2) BELTS, CHAINS & SPROCKETS
24034-70	CRANKCASE (2 OF 2) BELTS, CHAINS & SPROCKETS
24035-70	CRANKCASE (2 OF 2) BELTS, CHAINS & SPROCKETS
24036-70	CRANKCASE (2 OF 2) BELTS, CHAINS & SPROCKETS
24037-70	BELTS, CHAINS & SPROCKETS
24040-90	CRANKCASE - GEAR SIDE (1 OF 2)
24041-90	CRANKCASE - GEAR SIDE (1 OF 2)
24042-90	CRANKCASE - GEAR SIDE (1 OF 2)

24043-90	CRANKCASE - GEAR SIDE (1 OF 2)
24044-90	CRANKCASE - GEAR SIDE (1 OF 2)
24045-90	CRANKCASE - GEAR SIDE (1 OF 2)
24046-90	CRANKCASE - GEAR SIDE (1 OF 2)
24281-83	PISTONS, CONNECTING RODS & FLYWHEELS
24334-36	PISTONS, CONNECTING RODS & FLYWHEELS
24335-36	PISTONS, CONNECTING RODS & FLYWHEELS
24345-36A	PISTONS, CONNECTING RODS & FLYWHEELS
24346-87A	PISTONS, CONNECTING RODS & FLYWHEELS
24356-36A	PISTONS, CONNECTING RODS & FLYWHEELS
2441	CRANKCASE - GEAR SIDE (1 OF 2)
24571-92	CRANKCASE (2 OF 2)
24572-92	CRANKCASE (2 OF 2)
24581-90	CRANKCASE - GEAR SIDE (1 OF 2)
24582-90	CRANKCASE - GEAR SIDE (1 OF 2)
24583-92	CRANKCASE - GEAR SIDE (1 OF 2)
24599-58B	CRANKCASE (2 OF 2)
24600-58B	CRANKCASE (2 OF 2)
24601-58B	CRANKCASE (2 OF 2)
24626-87A	CRANKCASE (2 OF 2)
24628-87A	CRANKCASE (2 OF 2)
24641-36	CRANKCASE - GEAR SIDE (1 OF 2)
24641-87A	CRANKCASE (2 OF 2)
24643-87A	CRANKCASE (2 OF 2)
24704-90	CRANKCASE - GEAR SIDE (1 OF 2)
24922-86	AIR CLEANER & ENRICHMENT CABLE (1 OF 2)
24981-70	CRANKCASE - GEAR SIDE (1 OF 2)
24982-70	CRANKCASE - GEAR SIDE (1 OF 2)
2508	HANDLEBAR SWITCHES
2519	FUEL TANK INSTRUMENTS
25225-70C	CRANKCASE - GEAR SIDE (1 OF 2)
25268-84A	CRANKCASE - GEAR SIDE (1 OF 2)
25275-82	CRANKCASE - GEAR SIDE (2 OF 2)
25310-82A	CRANKCASE - GEAR SIDE (2 OF 2)

25320-82	CRANKCASE - GEAR SIDE (2 OF 2)
25321-82	CRANKCASE - GEAR SIDE (2 OF 2)
25322-82	CRANKCASE - GEAR SIDE (2 OF 2)
25323-82	CRANKCASE - GEAR SIDE (2 OF 2)
25325-82	CRANKCASE - GEAR SIDE (2 OF 2)
25326-82	CRANKCASE - GEAR SIDE (2 OF 2)
25327-82	CRANKCASE - GEAR SIDE (2 OF 2)
25328-82	CRANKCASE - GEAR SIDE (2 OF 2)
25329-91	CRANKCASE - GEAR SIDE (2 OF 2)
25416-70A	PRIMARY HOUSING
25420-90	PRIMARY HOUSING
25452-87A	TRANSMISSION HOUSING
25453-87A	TRANSMISSION HOUSING
25550-57A	CRANKCASE - GEAR SIDE (2 OF 2)
25581-70	CRANKCASE - GEAR SIDE (2 OF 2)
25582-73	CRANKCASE - GEAR SIDE (2 OF 2)
25700293	CRANKCASE - GEAR SIDE (1 OF 2)
2579A	FRONT BRAKE CONTROL
26030-92A	OIL PUMP
26051-92	OIL PUMP
26053-92	OIL PUMP
26054-90	OIL PUMP
26057-97	TRANSMISSION HOUSING & OIL TANK
2607	SEATS & SISSY BAR
26072-90A	TRANSMISSION HOUSING & OIL TANK
26074-90	TRANSMISSION HOUSING & OIL TANK
2611C	ELECTRONIC IGNITION SYSTEM
2614	BELTS, CHAINS & SPROCKETS
26207-83	OIL PUMP
26225-92	OIL PUMP
26226-82A	OIL PUMP
26226-92	OIL PUMP
26227-58	OIL PUMP
26262-80	OIL PUMP

26263-80	CRANKCASE - GEAR SIDE (2 OF 2) OIL PUMP
26267-92	OIL PUMP
26268-90	OIL PUMP OIL PUMP
26270-92	OIL PUMP
26273-80B	OIL PUMP
26273-92A	OIL PUMP
26276-80A	OIL PUMP
26276-92A	OIL PUMP
26315-68A	OIL PUMP
26317-68A	OIL PUMP
26326-62A	OIL PUMP
26327-68	OIL PUMP
26328-74	OIL PUMP
26345-73	CRANKCASE - GEAR SIDE (2 OF 2)
26346-70	CRANKCASE - GEAR SIDE (2 OF 2) OIL PUMP
26348-15	CRANKCASE - GEAR SIDE (2 OF 2) OIL PUMP
26348-36	OIL PUMP
26352-95A	OIL FILTERS & MOUNTS
26354-90	CRANKCASE - GEAR SIDE (2 OF 2)
26358-90	OIL FILTERS & MOUNTS
26378-92A	OIL FILTERS & MOUNTS
26381-92B	OIL FILTERS & MOUNTS
26400-82B	OIL PUMP
26432-76A	CYLINDERS, HEADS & VALVES V2™ - REAR SHOWN (2 OF 2)
26561-84	CRANKCASE - GEAR SIDE (2 OF 2)
26563-91A	CARBURETOR (1 OF 2)
26566-91	CARBURETOR (1 OF 2)
26570-84	CARBURETOR (2 OF 2)
2662W	FRONT BRAKE CONTROL WIRING
2698A	FRONT TURN SIGNALS
26994-90	CARBURETOR (2 OF 2)



26995-86B	CARBURETOR (1 OF 2)
27002-89	CARBURETOR (1 OF 2)
27009-86A	CARBURETOR (1 OF 2)
27010-86A	CARBURETOR (1 OF 2)
27019-89A	CARBURETOR (1 OF 2)
27025-90A	CARBURETOR (2 OF 2)
27035-90A	CARBURETOR (1 OF 2)
27035-92A	CARBURETOR (1 OF 2)
27038-90B	CARBURETOR (1 OF 2)
27038-92A	CARBURETOR (1 OF 2)
27040-88	CARBURETOR (1 OF 2)
27042-84A	CALIFORNIA EVAPORATIVE EMISSIONS KIT
27090-89	CARBURETOR (2 OF 2)
27100-88	CARBURETOR (1 OF 2)
27101-88	CARBURETOR (1 OF 2)
2711	AIR CLEANER & ENRICHMENT CABLE (1 OF 2)
27116-88	CARBURETOR (2 OF 2)
27121-89	CARBURETOR (1 OF 2)
27122-89	CARBURETOR (1 OF 2)
27123-89A	CARBURETOR (1 OF 2)
27124-89	CARBURETOR (1 OF 2)
27125-89	CARBURETOR (1 OF 2)
27126-89	CARBURETOR (1 OF 2)
27127-89	CARBURETOR (1 OF 2)
27128-89	CARBURETOR (1 OF 2)
27129-88	CARBURETOR (1 OF 2)
27130-90	CARBURETOR (1 OF 2)
27136-90A	CARBURETOR (1 OF 2)
27137-81	CARBURETOR (1 OF 2)
27146-89	CARBURETOR (1 OF 2)
27147-89	CARBURETOR (1 OF 2)
27148-89	CARBURETOR (1 OF 2)
27152-89	CARBURETOR (2 OF 2)
27156-89	CARBURETOR (1 OF 2)

27157-89	CARBURETOR (1 OF 2)
27158-89	CARBURETOR (1 OF 2)
27159-89A	CARBURETOR (1 OF 2)
27159-92	CARBURETOR (1 OF 2)
27160-89	CARBURETOR (1 OF 2)
27162-89	CARBURETOR (1 OF 2)
27165-90	CARBURETOR (2 OF 2)
27170-89	CARBURETOR (1 OF 2)
27171-89	CARBURETOR (1 OF 2)
27175-90	CARBURETOR (2 OF 2)
27177-90	CARBURETOR (2 OF 2)
27178-90	CARBURETOR (2 OF 2)
27179-90	CARBURETOR (2 OF 2)
27185-90	CARBURETOR (2 OF 2)
27186-92	CARBURETOR (2 OF 2)
27188-90	CALIFORNIA EVAPORATIVE EMISSIONS KIT
27189-90	CALIFORNIA EVAPORATIVE EMISSIONS KIT
27189-92	CALIFORNIA EVAPORATIVE EMISSIONS KIT
27190-90	CALIFORNIA EVAPORATIVE EMISSIONS KIT
27190-90A	CALIFORNIA EVAPORATIVE EMISSIONS KIT
2720	ALTERNATOR & REGULATOR
27280-92	CARBURETOR (2 OF 2)
27281-92	CARBURETOR (1 OF 2)
27298-92	FUEL TANKS
27311-76	CARBURETOR (2 OF 2)
27315-88A	CARBURETOR (2 OF 2)
27317-88	CARBURETOR (2 OF 2)
2733	SEATS & SISSY BAR
27339-90	CARBURETOR (2 OF 2)
27360-76	CARBURETOR (2 OF 2)
27361-76A	CARBURETOR (2 OF 2)
27362-76	CARBURETOR (2 OF 2)
27368-76	CARBURETOR (2 OF 2)
27369-76	CARBURETOR (2 OF 2)

2737	AIR CLEANER & ENRICHMENT CABLE (1 OF 2) AIR CLEANER & ENRICHMENT CABLE (1 OF 2)
27371-76A	CARBURETOR (2 OF 2)
27575-88A	CARBURETOR (2 OF 2)
27576-88	CARBURETOR (2 OF 2)
27576-92	CARBURETOR (2 OF 2)
27577-88	CARBURETOR (2 OF 2)
27577-92	CARBURETOR (2 OF 2)
27579-88A	CARBURETOR (2 OF 2)
27580-88	CARBURETOR (2 OF 2)
27581-88	CARBURETOR (2 OF 2)
27582-88	CARBURETOR (2 OF 2)
27583-88	CARBURETOR (2 OF 2)
27585-88	CARBURETOR (2 OF 2)
27586-88	CARBURETOR (2 OF 2)
27587-88	CARBURETOR (2 OF 2)
2773	LICENSE PLATE BRACKET
27886-78A	CARBURETOR (2 OF 2)
2818	OIL FILTERS & MOUNTS
2851	FOOTRESTS
2871W	REAR BELT GUARD SEATS & SISSY BAR PRIMARY HOUSING
28816-90	AIR CLEANER & ENRICHMENT CABLE (1 OF 2)
28820-86	AIR CLEANER & ENRICHMENT CABLE (1 OF 2)
28821-86	AIR CLEANER & ENRICHMENT CABLE (1 OF 2)
28823-89	AIR CLEANER & ENRICHMENT CABLE (1 OF 2)
28825-86	AIR CLEANER & ENRICHMENT CABLE (1 OF 2)
28841-89	AIR CLEANER & ENRICHMENT CABLE (1 OF 2)
28842-89	AIR CLEANER & ENRICHMENT CABLE (2 OF 2)
28884-90	CALIFORNIA EVAPORATIVE EMISSIONS KIT
28886-90	CALIFORNIA EVAPORATIVE EMISSIONS KIT
29017-90	AIR CLEANER & ENRICHMENT CABLE (1 OF 2)
29059-88A	AIR CLEANER & ENRICHMENT CABLE (2 OF 2)
29068-89	AIR CLEANER & ENRICHMENT CABLE (1 OF 2)

29070-89B	AIR CLEANER & ENRICHMENT CABLE (2 OF 2)
29089-92	AIR CLEANER & ENRICHMENT CABLE (1 OF 2)
29090-92	AIR CLEANER & ENRICHMENT CABLE (1 OF 2)
29126-90B	AIR CLEANER & ENRICHMENT CABLE (2 OF 2)
29134-90	AIR CLEANER & ENRICHMENT CABLE (1 OF 2)
29140-92	AIR CLEANER & ENRICHMENT CABLE (2 OF 2)
29143-90	AIR CLEANER & ENRICHMENT CABLE (2 OF 2)
29147-91	AIR CLEANER & ENRICHMENT CABLE (2 OF 2)
29165-89	AIR CLEANER & ENRICHMENT CABLE (2 OF 2)
29203-90	AIR CLEANER & ENRICHMENT CABLE (2 OF 2)
29229-88D	AIR CLEANER & ENRICHMENT CABLE (2 OF 2)
29252-89	AIR CLEANER & ENRICHMENT CABLE (2 OF 2)
29258-91	AIR CLEANER & ENRICHMENT CABLE (2 OF 2)
29259-91A	AIR CLEANER & ENRICHMENT CABLE (2 OF 2)
29269-83A	AIR CLEANER & ENRICHMENT CABLE (2 OF 2)
29954-71A	ALTERNATOR & REGULATOR
29957-81B	ALTERNATOR & REGULATOR
29960-91A	ALTERNATOR & REGULATOR
29961-85	ALTERNATOR & REGULATOR
29970-88D	ALTERNATOR & REGULATOR
31342-93	STARTER MOTOR
31430-90	STARTER MOTOR
31433-84A	PRIMARY HOUSING
31487-90A	STARTER MOTOR
31506-79C	SWITCHES & CIRCUIT BREAKERS
31510-90	STARTER MOTOR
31514-90	STARTER MOTOR
31515-90	STARTER MOTOR
31516-90	STARTER MOTOR
31518-90	STARTER MOTOR
31519-90	STARTER MOTOR
31525-90	STARTER MOTOR
31527-90	STARTER MOTOR
31528-90	STARTER MOTOR

31530-90	STARTER MOTOR
31535-91	STARTER MOTOR
31538-98	STARTER MOTOR
31548-90	STARTER MOTOR
31553-90A	STARTER MOTOR
31600-90	STARTER MOTOR
31604-91A	STARTER MOTOR
31614-83A	ELECTRONIC IGNITION SYSTEM
31637-90	ELECTRONIC IGNITION SYSTEM
31640-91	ELECTRONIC IGNITION SYSTEM
31660-90	STARTER MOTOR
31662-90	STARTER MOTOR
31663-90	STARTER MOTOR
31664-90	STARTER MOTOR
31688-90	STARTER MOTOR
31689-90	STARTER MOTOR
31692-90	STARTER MOTOR
31693-90	STARTER MOTOR
31695-90	STARTER MOTOR
31727-85	ELECTRONIC IGNITION SYSTEM
31981-65C	ELECTRONIC IGNITION SYSTEM
31983-71C	ELECTRONIC IGNITION SYSTEM
31998-91A	ELECTRONIC IGNITION SYSTEM MISCELLANEOUS ELECTRICAL
3201WA	CARBURETOR (1 OF 2)
3210A	AIR CLEANER & ENRICHMENT CABLE (1 OF 2) TRANSMISSION HOUSING FRONT FENDERS OIL FILTERS & MOUNTS EXHAUST SYSTEM
3214	FRAME, REAR FORK & JIFFY STAND FOOTRESTS
3221	AIR CLEANER & ENRICHMENT CABLE (1 OF 2)
32311-83	ELECTRONIC IGNITION SYSTEM
3233	FRAME, REAR FORK & JIFFY STAND
32402-83	ELECTRONIC IGNITION SYSTEM
32404-90	ELECTRONIC IGNITION SYSTEM

32405-91B	ELECTRONIC IGNITION SYSTEM
32504-80A	CRANKCASE - GEAR SIDE (2 OF 2) ELECTRONIC IGNITION SYSTEM
32524-83	CRANKCASE - GEAR SIDE (2 OF 2) ELECTRONIC IGNITION SYSTEM
32527-90	CRANKCASE - GEAR SIDE (2 OF 2) ELECTRONIC IGNITION SYSTEM
32591-80	CRANKCASE - GEAR SIDE (1 OF 2) ELECTRONIC IGNITION SYSTEM
32606-82	CRANKCASE - GEAR SIDE (1 OF 2) ELECTRONIC IGNITION SYSTEM
33038-92	TRANSMISSION HOUSING TRANSMISSION HOUSING & OIL TANK
33040-91	TRANSMISSION HOUSING & OIL TANK
33041-92	TRANSMISSION HOUSING TRANSMISSION HOUSING & OIL TANK
33043-80	TRANSMISSION HOUSING
33048-72	FOOTRESTS
33114-79	TRANSMISSION HOUSING & OIL TANK
33119-79B	GEAR SHIFTER (1 OF 2)
33126-90	STARTER MOTOR
33127-90	STARTER MOTOR
33205-80	GEAR SHIFTER (1 OF 2)
33206-80	GEAR SHIFTER (1 OF 2)
33207-80	GEAR SHIFTER (1 OF 2)
33208-80	GEAR SHIFTER (1 OF 2)
33209-80	GEAR SHIFTER (1 OF 2)
33210-80	GEAR SHIFTER (1 OF 2)
33211-80	GEAR SHIFTER (1 OF 2)
33212-80	GEAR SHIFTER (1 OF 2)
33318-85	PRIMARY HOUSING
33320-79D	GEAR SHIFTER (1 OF 2)
33326-79A	GEAR SHIFTER (2 OF 2)
33332-79	GEAR SHIFTER (2 OF 2)
33334-85	TRANSMISSION HOUSING
33445-89	PRIMARY HOUSING
33449-90	STARTER MOTOR
33518-92	OIL FILTERS & MOUNTS

33520-92	OIL FILTERS & MOUNTS
337	TRANSMISSION HOUSING & OIL TANK
33714-90B	REAR BRAKE CONTROL
33715-85A	GEAR SHIFTER (2 OF 2)
33728-90B	GEAR SHIFTER (2 OF 2)
33871-85B	GEAR SHIFTER (2 OF 2)
33900-59C	TRANSMISSION HOUSING
3403	STARTER MOTOR
34082-79	GEAR SHIFTER (2 OF 2)
34083-79	GEAR SHIFTER (2 OF 2)
34084-86A	GEAR SHIFTER (2 OF 2)
34085-79A	GEAR SHIFTER (2 OF 2)
34086-79	GEAR SHIFTER (2 OF 2)
34087-79A	GEAR SHIFTER (2 OF 2)
34088-87A	GEAR SHIFTER (2 OF 2)
34089-79	GEAR SHIFTER (2 OF 2)
34091-85A	TRANSMISSION GEARS
34191-79E	GEAR SHIFTER (2 OF 2)
34193-79E	GEAR SHIFTER (2 OF 2)
34195-79E	GEAR SHIFTER (2 OF 2)
3427	CRANKCASE (1 OF 2)
3430	CRANKCASE (1 OF 2)
3444-A	SWITCHES & CIRCUIT BREAKERS
3445	REAR FENDERS
34460-90	TRANSMISSION HOUSING & OIL TANK
34469-90A	TRANSMISSION HOUSING & OIL TANK
34561-84	GEAR SHIFTER (2 OF 2)
34564-90B	GEAR SHIFTER (2 OF 2)
34611-65A	GEAR SHIFTER (2 OF 2)
34621-90	GEAR SHIFTER (2 OF 2)
34632-84B	GEAR SHIFTER (2 OF 2)
3471	HANDLEBAR
3473	ELECTRONIC IGNITION SYSTEM

34746-95A	TRANSMISSION HOUSING & OIL TANK
34747-95	TRANSMISSION HOUSING & OIL TANK
3480A	CRANKCASE - GEAR SIDE (1 OF 2)
3485A	EXHAUST SYSTEM
3487	FRAME, REAR FORK & JIFFY STAND
34917-90B	TRANSMISSION HOUSING & OIL TANK
34920-86A	TRANSMISSION HOUSING
3500A	ROCKER ARMS, COVERS & PUSHRODS - V2™ EVOLUTION
3501A	ROCKER ARMS, COVERS & PUSHRODS - V2™ EVOLUTION
35025-79B	TRANSMISSION GEARS
35026-94	TRANSMISSION GEARS
35027-79B	TRANSMISSION GEARS
35028-79B	TRANSMISSION GEARS
35029-91A	TRANSMISSION GEARS
3503	CRANKCASE (1 OF 2)
3504	CRANKCASE (1 OF 2)
35042-91	TRANSMISSION GEARS
35051-89A	TRANSMISSION GEARS
3506	CRANKCASE (1 OF 2)
35064-79	TRANSMISSION GEARS
35068-79	GEAR SHIFTER (2 OF 2)
35076-79	TRANSMISSION HOUSING
35078-79	TRANSMISSION HOUSING
3509	FRAME, REAR FORK & JIFFY STAND
3514	HEADLAMP
35211-36	TRANSMISSION HOUSING
35211-91B	TRANSMISSION HOUSING
35260-90C	TRANSMISSION HOUSING
3528	CRANKCASE (1 OF 2)
3530	FUEL TANKS
3537	REAR BRAKE CONTROL
3559	STARTER MOTOR
3562	FRONT BRAKE CALIPER FRONT BRAKE CALIPER



35622-79C	TRANSMISSION GEARS
35625-79B	TRANSMISSION GEARS
35626-79B	TRANSMISSION GEARS
35629-79	TRANSMISSION GEARS
35632-79	TRANSMISSION GEARS
35652-79B	TRANSMISSION HOUSING
3574	ALTERNATOR & REGULATOR SEATS & SISSY BAR
3577	AIR CLEANER & ENRICHMENT CABLE (1 OF 2)
3579A	REAR BELT GUARD
358	CRANKCASE (1 OF 2) CRANKCASE - GEAR SIDE (1 OF 2)
35850-84	CRANKCASE (2 OF 2) BELTS, CHAINS & SPROCKETS
35851-84	CRANKCASE (2 OF 2) BELTS, CHAINS & SPROCKETS
35852-84	CRANKCASE (2 OF 2) BELTS, CHAINS & SPROCKETS
3594	TRANSMISSION HOUSING BELTS, CHAINS & SPROCKETS
3655A	FRONT WHEEL FRAME, REAR FORK & JIFFY STAND
36801-87C	TRANSMISSION HOUSING
37069-90A	TRANSMISSION GEARS CLUTCH
37075-87	TRANSMISSION HOUSING
37088-90	TRANSMISSION GEARS CLUTCH
37090-84A	TRANSMISSION GEARS CLUTCH
37105-87A	TRANSMISSION HOUSING
37115-90	TRANSMISSION HOUSING
3730A	REAR WHEEL
37312-75	TRANSMISSION GEARS CLUTCH
37313-80	TRANSMISSION GEARS CLUTCH
37496-90A	CLUTCH
375	TRANSMISSION HOUSING & OIL TANK PRIMARY HOUSING
37503-41	REAR BRAKE CONTROL

37550-90A	<b>CLUTCH</b>
3767B	<b>HORN</b>
3770	<b>ROCKER ARMS, COVERS &amp; PUSHRODS - V2™ EVOLUTION</b>
37707-90	<b>CLUTCH</b>
3784	<b>GEAR SHIFTER (1 OF 2)</b>
3787	<b>ALTERNATOR &amp; REGULATOR</b>
37871-90	<b>CLUTCH</b>
37872-90	<b>CLUTCH</b>
37903-90	<b>CLUTCH</b>
37904-90	<b>CLUTCH</b>
37905-90	<b>CLUTCH</b>
37906-90	<b>CLUTCH</b>
37908-90	<b>CLUTCH</b>
37909-90	<b>CLUTCH</b>
37911-90	<b>CLUTCH</b>
37912-91	<b>CLUTCH</b>
37913-90	<b>CLUTCH</b>
37971-90	<b>CLUTCH</b>
37977-90	<b>CLUTCH</b>
3826	<b>SWITCHES &amp; CIRCUIT BREAKERS</b>
3849	<b>ROCKER ARMS, COVERS &amp; PUSHRODS - V2™ EVOLUTION</b>
38602-92	<b>CLUTCH CONTROL</b>
38608-82B	<b>CLUTCH CONTROL</b>
38622-87	<b>FRONT FENDERS</b>
38630-88	<b>CLUTCH CONTROL</b>
38649-08A	<b>CLUTCH CONTROL</b>
3958	<b>SHOCK ABSORBERS</b>
3974HW	<b>FRAME, REAR FORK &amp; JIFFY STAND</b>
3987	<b>GEAR SHIFTER (1 OF 2)</b>
3991	<b>REAR BELT GUARD</b>
3993	<b>GEAR SHIFTER (1 OF 2)</b>
39976-65B	<b>BELTS, CHAINS &amp; SPROCKETS</b>
39990-65	<b>BELTS, CHAINS &amp; SPROCKETS</b>
39992-65C	<b>BELTS, CHAINS &amp; SPROCKETS</b>

39993-65	<b>BELTS, CHAINS &amp; SPROCKETS</b>
39996-65	<b>BELTS, CHAINS &amp; SPROCKETS</b>
39998-65A	<b>BELTS, CHAINS &amp; SPROCKETS</b>
40007-36B	<b>BELTS, CHAINS &amp; SPROCKETS</b>
40012-90	<b>BELTS, CHAINS &amp; SPROCKETS</b>
40015-90	<b>BELTS, CHAINS &amp; SPROCKETS</b>
4015	<b>CLUTCH CONTROL FRONT BRAKE CONTROL</b>
4017	<b>GEAR SHIFTER (1 OF 2) SEATS &amp; SISSY BAR HEADLAMP</b>
40210-85D	<b>BELTS, CHAINS &amp; SPROCKETS</b>
40210-92	<b>TRANSMISSION HOUSING</b>
40220-91	<b>BELTS, CHAINS &amp; SPROCKETS</b>
40221-85A	<b>BELTS, CHAINS &amp; SPROCKETS REAR WHEEL</b>
40236-88A	<b>BELTS, CHAINS &amp; SPROCKETS REAR WHEEL</b>
40250-92	<b>BELTS, CHAINS &amp; SPROCKETS</b>
40251-91	<b>BELTS, CHAINS &amp; SPROCKETS</b>
40251-92A	<b>TRANSMISSION HOUSING</b>
40266-85	<b>BELTS, CHAINS &amp; SPROCKETS</b>
40269-85A	<b>BELTS, CHAINS &amp; SPROCKETS</b>
40299-83A	<b>BELTS, CHAINS &amp; SPROCKETS</b>
4029A	<b>FRONT FORK FRONT TURN SIGNALS</b>
4036	<b>EXHAUST SYSTEM</b>
40384-91	<b>BELTS, CHAINS &amp; SPROCKETS</b>
40392-91	<b>BELTS, CHAINS &amp; SPROCKETS</b>
4044	<b>REAR FENDER SUPPORTS</b>
4047	<b>FRONT FORK</b>
4068A	<b>PRIMARY HOUSING</b>
4086A	<b>PRIMARY HOUSING BATTERY TRAY</b>
40903-87	<b>REAR BRAKE CONTROL</b>
4091	<b>ELECTRONIC IGNITION SYSTEM SWITCHES &amp; CIRCUIT BREAKERS</b>
40918-87	<b>REAR BRAKE CONTROL</b>

40920-87	REAR BRAKE CONTROL
40922-87A	REAR BRAKE CONTROL
40956-90B	REAR BRAKE CONTROL
41015-86	REAR WHEEL
41035-88	REAR WHEEL
41036-92	FRONT WHEEL
41113-90	FRAME, REAR FORK & JIFFY STAND
41114-90	REAR WHEEL
41575-90	FRAME, REAR FORK & JIFFY STAND
41585-90B	FRAME, REAR FORK & JIFFY STAND
41591-90	REAR WHEEL
41731-88A	FRONT BRAKE CONTROL REAR BRAKE CONTROL
41733-88	FRONT BRAKE CONTROL
41739-84A	FRONT BRAKE CONTROL
41747-82A	FRONT BRAKE CONTROL REAR BRAKE CONTROL
41789-92	REAR WHEEL
41803-90	REAR BRAKE CONTROL
42375-87	REAR BRAKE CONTROL
42382-87E	REAR BRAKE CONTROL
42448-87	REAR BRAKE CONTROL
42460-80B	REAR BRAKE CONTROL
42474-90B	REAR BRAKE CONTROL
42502-90B	REAR BRAKE CONTROL
42533-91A	TRANSMISSION HOUSING
43150-83	FRONT WHEEL
43157-83A	REAR WHEEL
4325	STARTER MOTOR
4326A	STARTER MOTOR
43290-82	FRONT WHEEL
43291-82	FRONT WHEEL
43292-82	FRONT WHEEL
43293-82	FRONT WHEEL
43294-82	FRONT WHEEL

43338-83	FRONT WHEEL
43358-83A	FRONT WHEEL
43359-84	FRONT WHEEL
4337W	FOOTRESTS EXHAUST SYSTEM
43499-84	FRONT WHEEL FRONT WHEEL
4350A	FRONT FORK
4351	FRONT FORK
43567-79	REAR WHEEL
43567-92	REAR WHEEL
43604-78	REAR WHEEL
43605-78	REAR WHEEL
43606-78	REAR WHEEL
43608-82	REAR WHEEL
43613-92	FRONT WHEEL
43623-78	FRONT WHEEL
43624-78	FRONT WHEEL
43625-78	FRONT WHEEL
43650-82	FRONT WHEEL REAR WHEEL
43654-86A	REAR WHEEL
4383	BATTERY TRAY
4384	SWITCHES & CIRCUIT BREAKERS
43895-87B	FRONT WHEEL
43946-86A	REAR BRAKE CALIPER
43960-86	REAR BRAKE CALIPER
44020-83A	FRONT BRAKE CALIPER FRONT BRAKE CALIPER
44021-83	FRONT BRAKE CALIPER FRONT BRAKE CALIPER
44022-83	FRONT BRAKE CALIPER FRONT BRAKE CALIPER
44023-83C	FRONT BRAKE CALIPER
44035-86A	REAR BRAKE CALIPER
44039-86	REAR BRAKE CALIPER
44045-87A	REAR BRAKE CALIPER

44046-84C	FRONT BRAKE CALIPER
44047-83	FRONT BRAKE CALIPER FRONT BRAKE CALIPER
44048-83	FRONT BRAKE CALIPER FRONT BRAKE CALIPER REAR BRAKE CALIPER
44050-87	REAR BRAKE CALIPER
44053-83B	FRONT BRAKE CALIPER FRONT BRAKE CALIPER
44053-92A	FRONT BRAKE CALIPER FRONT BRAKE CALIPER
44054-83	FRONT BRAKE CALIPER FRONT BRAKE CALIPER
44059-83	FRONT BRAKE CALIPER FRONT BRAKE CALIPER
44060-83A	FRONT BRAKE CALIPER FRONT BRAKE CALIPER
44061-83	FRONT BRAKE CALIPER FRONT BRAKE CALIPER
44062-83	FRONT BRAKE CALIPER FRONT BRAKE CALIPER
44063-83C	FRONT BRAKE CALIPER FRONT BRAKE CALIPER
44072-92A	FRONT BRAKE CALIPER
44073-92A	FRONT BRAKE CALIPER
44126-87	REAR BRAKE CONTROL
44136-92	FRONT WHEEL FRONT WHEEL
44147-87A	REAR BRAKE CALIPER
44152-77	REAR BRAKE CALIPER
44196-90	REAR BRAKE CALIPER
44197-77	FRONT BRAKE CALIPER FRONT BRAKE CALIPER
44198-87	REAR BRAKE CALIPER
44204-90	REAR BRAKE CALIPER
44209-87C	REAR BRAKE CALIPER
4453	FRONT FORK
45004-85	FRONT BRAKE CONTROL REAR BRAKE CONTROL
45005-85	FRONT BRAKE CONTROL REAR BRAKE CONTROL

45006-87B	FRONT BRAKE CONTROL
45013-85C	FRONT BRAKE CONTROL
45016-82A	FRONT BRAKE CONTROL
45017-88A	CLUTCH CONTROL
45019-85A	FRONT BRAKE CONTROL
45021-86	CLUTCH CONTROL
45031-82A	FRONT BRAKE CONTROL
45032-82	CLUTCH CONTROL FRONT BRAKE CONTROL
45036-88	CLUTCH CONTROL
45042-82	FRONT BRAKE CONTROL
45044-82	CLUTCH CONTROL FRONT BRAKE CONTROL
45051-82	FRONT BRAKE CONTROL
45072-87	FRONT BRAKE CONTROL
45090-92	CLUTCH CONTROL
45111-89A	FRONT BRAKE CONTROL
45145-90A	FRONT BRAKE CONTROL
45360-90	FRONT FORK
45361-90	FRONT FORK
45362-90	FRONT FORK
45374-87	FRONT FORK
45377-87	FRONT FORK
45378-87	FRONT FORK
45401-87	FRONT FORK
45423-92	CLUTCH CONTROL FRONT BRAKE CONTROL
45460-90	FRONT FORK
45461-87	FRONT FORK
45465-87	FRONT FORK
45546-90	FRONT FORK
45598-90B	FRONT FORK
45611-86	FRONT FORK
45668-90	FRONT FORK
45739-87	FRONT FORK
45790-80	FRONT FORK

45830-48	OIL PUMP
45905-87	FRONT FORK
45921-87	FRONT FORK
45922-87	FRONT FORK
45923-87	FRONT FORK
45926-90	FRONT FORK
45934-86	FRONT FORK
45949-92	FRONT FORK
45951-90	FRONT FORK
45952-90	FRONT FORK
45984-87	FRONT FORK
45990-88	FRONT FORK
45992-90	FRAME, REAR FORK & JIFFY STAND
46002-87	FRONT FORK
47082-81	FRAME, REAR FORK & JIFFY STAND
47132-90A	BATTERY TRAY
4713W	AIR CLEANER & ENRICHMENT CABLE (1 OF 2)
4716W	CYLINDERS, HEADS & VALVES V2™ - REAR SHOWN (1 OF 2)
4717A	TRANSMISSION HOUSING & OIL TANK
4718A	ROCKER ARMS, COVERS & PUSHRODS - V2™ EVOLUTION CRANKCASE - GEAR SIDE (1 OF 2) OIL PUMP TRANSMISSION HOUSING & OIL TANK EXHAUST SYSTEM
4721	FOOTRESTS
47226-90A	FRAME, REAR FORK & JIFFY STAND
47303-90A	FRAME, REAR FORK & JIFFY STAND
4740A	TRANSMISSION HOUSING & OIL TANK PRIMARY HOUSING PRIMARY HOUSING
4741A	ELECTRONIC IGNITION SYSTEM TRANSMISSION HOUSING & OIL TANK FRONT BRAKE CONTROL
47427-92D	FRAME, REAR FORK & JIFFY STAND
4742A	OIL PUMP
47496-91	FRAME, REAR FORK & JIFFY STAND
47499-90	FRAME, REAR FORK & JIFFY STAND
47519-83A	FRONT WHEEL



	<b>REAR WHEEL</b>
47564-90B	<b>FRAME, REAR FORK &amp; JIFFY STAND</b>
47565-90	<b>FRAME, REAR FORK &amp; JIFFY STAND</b>
47583-90B	<b>FRAME, REAR FORK &amp; JIFFY STAND</b>
47624-90B	<b>FRAME, REAR FORK &amp; JIFFY STAND</b>
47817-90	<b>FRAME, REAR FORK &amp; JIFFY STAND</b>
47820-90A	<b>FRAME, REAR FORK &amp; JIFFY STAND</b>
47842-92	<b>FRAME, REAR FORK &amp; JIFFY STAND</b>
4813A	<b>CRANKCASE - GEAR SIDE (1 OF 2)</b>
4814A	<b>TRANSMISSION HOUSING</b>
4816A	<b>HANDLEBAR</b>
4820A	<b>PRIMARY HOUSING</b>
4822A	<b>TRANSMISSION HOUSING &amp; OIL TANK</b>
48300-60	<b>FRONT FORK</b>
48315-60	<b>FRONT FORK</b>
48361-80	<b>FRONT FORK</b>
48365-48A	<b>FRONT FORK</b>
49035-03	<b>FOOTRESTS</b>
49127-77A	<b>FOOTRESTS</b>
49165-90	<b>FOOTRESTS</b>
49378-09	<b>FRONT FORK</b>
49704-90H	<b>FRAME, REAR FORK &amp; JIFFY STAND</b>
49720-90	<b>FRAME, REAR FORK &amp; JIFFY STAND</b>
49723-90	<b>FRAME, REAR FORK &amp; JIFFY STAND</b>
50003-89B	<b>FRAME, REAR FORK &amp; JIFFY STAND</b>
50053-90	<b>FRAME, REAR FORK &amp; JIFFY STAND</b>
50054-90	<b>FRAME, REAR FORK &amp; JIFFY STAND</b>
50057-90	<b>FRAME, REAR FORK &amp; JIFFY STAND</b>
50057-91	<b>FRAME, REAR FORK &amp; JIFFY STAND</b>
50639-90A	<b>FOOTRESTS</b>
50643-82	<b>FOOTRESTS FOOTRESTS</b>
50646-82	<b>FOOTRESTS FOOTRESTS</b>
50647-82	<b>FOOTRESTS</b>

50649-90	FOOTRESTS
50912-72	FOOTRESTS
511	REAR WHEEL
51188-84	SEATS & SISSY BAR
515	REAR BRAKE CONTROL
51652-83B	SEATS & SISSY BAR
52167-91	SEATS & SISSY BAR
52170-90	SEATS & SISSY BAR
52173-90	SEATS & SISSY BAR
52721-90	FOOTRESTS
52729-90	FOOTRESTS
52764-90A	SEATS & SISSY BAR
52780-90A	SEATS & SISSY BAR
52799-90A	SEATS & SISSY BAR
53156-86	HANDLEBAR
534	FRAME, REAR FORK & JIFFY STAND
53439-79	INSTRUMENTS
5403B	LICENSE PLATE BRACKET
5444	BELTS, CHAINS & SPROCKETS
5445W	EXHAUST SYSTEM
54473-79	SHOCK ABSORBERS
54474-79	SHOCK ABSORBERS
54475-79	SHOCK ABSORBERS
54512-90A	SHOCK ABSORBERS
54556-84	SHOCK ABSORBERS
54557-90A	SHOCK ABSORBERS
54569-84	SHOCK ABSORBERS
54708-65A	SHOCK ABSORBERS
54710-84	SHOCK ABSORBERS
554A	FRAME, REAR FORK & JIFFY STAND
56073-83	HANDLEBAR SWITCHES
56081-82A	HANDLEBAR
56082-83	HANDLEBAR
56115-79B	HANDLEBAR

56126-80	HANDLEBAR
56127-80	HANDLEBAR
56153-73	HANDLEBAR
56159-73	HANDLEBAR
56206-94A	THROTTLE CONTROL
56220-94A	THROTTLE CONTROL
56342-90	THROTTLE CONTROL
56343-90	THROTTLE CONTROL
56355-92	THROTTLE CONTROL
56356-92	THROTTLE CONTROL
56394-74	THROTTLE CONTROL HANDLEBAR SWITCHES
56396-74A	THROTTLE CONTROL HANDLEBAR SWITCHES
56397-74C	THROTTLE CONTROL HANDLEBAR SWITCHES
56402-83A	THROTTLE CONTROL HANDLEBAR SWITCHES
56508-76	THROTTLE CONTROL
56541-86A	HANDLEBAR
56542-86A	HANDLEBAR
56567-86B	HANDLEBAR
5756	REAR WHEEL
5774	MIRRORS
5883	REAR BELT GUARD
58998-83E	FRONT FENDERS
59006-90	FRONT FENDERS
59111-74	FRONT FENDERS
59112-90	REAR FENDER SUPPORTS
59113-90	REAR FENDER SUPPORTS
59138-90	REAR FENDER SUPPORTS
59150-90	REAR FENDERS
59171-90	REAR FENDER SUPPORTS
59251-90	REAR FENDERS
59256-84A	FRONT FENDERS
59259-90	REAR FENDERS

59272-90	FRAME, REAR FORK & JIFFY STAND
59287-92	REAR FENDERS
59288-92	REAR FENDERS
59289-92	REAR FENDERS REAR FENDERS
59290-92	REAR FENDERS REAR FENDERS
59626-84	LICENSE PLATE BRACKET
59634-90A	REAR FENDERS
5978W	REAR BELT GUARD
59984-73	LICENSE PLATE BRACKET
59986-75	LICENSE PLATE BRACKET
59988-72A	LICENSE PLATE BRACKET
59993-80B	LICENSE PLATE BRACKET
60001-55	LICENSE PLATE BRACKET
6003	TRANSMISSION GEARS
601	GEAR SHIFTER (1 OF 2)
6012	SHOCK ABSORBERS
6016	ROCKER ARMS, COVERS & PUSHRODS - V2™ EVOLUTION CRANKCASE (1 OF 2) AIR CLEANER & ENRICHMENT CABLE (1 OF 2) GEAR SHIFTER (1 OF 2) TRANSMISSION HOUSING TRANSMISSION HOUSING PRIMARY HOUSING OIL FILTERS & MOUNTS EXHAUST SYSTEM BATTERY TRAY
6019	CYLINDERS, HEADS & VALVES V2™ - REAR SHOWN (1 OF 2) CRANKCASE (1 OF 2) FRONT BRAKE CALIPER FRONT BRAKE CALIPER EXHAUST SYSTEM
60293-90A	REAR BELT GUARD
60294-90	REAR BELT GUARD
60297-90A	REAR BELT GUARD
60348-65B	TRANSMISSION HOUSING & OIL TANK
6035A	SWITCHES & CIRCUIT BREAKERS
6036	SWITCHES & CIRCUIT BREAKERS
60395-90	REAR BELT GUARD
60399-92	REAR BELT GUARD
6048W	AIR CLEANER & ENRICHMENT CABLE (1 OF 2)

60529-90A	PRIMARY HOUSING
60539-94B	PRIMARY HOUSING
60543-89	PRIMARY HOUSING
60561-90	PRIMARY HOUSING
60565-90	PRIMARY HOUSING
60567-90C	PRIMARY HOUSING
6058	ELECTRONIC IGNITION SYSTEM
60647-90	STARTER MOTOR
60663-90	PRIMARY HOUSING
60668-84B	PRIMARY HOUSING
60678-85	PRIMARY HOUSING
60688-93	PRIMARY HOUSING
609	TRANSMISSION HOUSING TRANSMISSION HOUSING & OIL TANK
6099	OIL PUMP TRANSMISSION HOUSING TRANSMISSION HOUSING TRANSMISSION HOUSING & OIL TANK CLUTCH CONTROL FRONT BRAKE CONTROL PRIMARY HOUSING EXHAUST SYSTEM SWITCHES & CIRCUIT BREAKERS
61054-92A	FUEL TANKS
6109	AIR CLEANER & ENRICHMENT CABLE (1 OF 2) FUEL TANKS
61095-92	AIR CLEANER & ENRICHMENT CABLE (2 OF 2)
61102-83C	FUEL TANKS
61109-85D	FUEL TANKS
6113	SHOCK ABSORBERS
61131-92	FUEL TANKS
61192-88	FUEL TANK INSTRUMENTS
61244-02	FUEL TANK TRIM
61271-91A	FUEL TANKS
61272-92C	FUEL TANKS
61324-88A	FUEL TANK INSTRUMENTS
62150-85	FUEL TANKS CALIFORNIA EVAPORATIVE EMISSIONS KIT
62161-02	FUEL TANKS

62167-81	FUEL TANKS
62170-81B	FUEL TANKS
62172-02	FUEL TANKS
6235	SEATS & SISSY BAR SEATS & SISSY BAR EXHAUST SYSTEM
62375-57A	TRANSMISSION HOUSING & OIL TANK
6239	OIL PUMP
62421-90	TRANSMISSION HOUSING & OIL TANK
62423-90A	TRANSMISSION HOUSING & OIL TANK
62425-90	TRANSMISSION HOUSING & OIL TANK
6253W	AIR CLEANER & ENRICHMENT CABLE (1 OF 2)
62555-95	CARBURETOR (2 OF 2)
62649-90	TRANSMISSION HOUSING & OIL TANK
62672-90	TRANSMISSION HOUSING & OIL TANK
62673-90	TRANSMISSION HOUSING & OIL TANK
62679-90	TRANSMISSION HOUSING & OIL TANK
62681-92	TRANSMISSION HOUSING & OIL TANK
6302	EXHAUST SYSTEM
631	TRANSMISSION HOUSING & OIL TANK
6333	EXHAUST SYSTEM
634	TRANSMISSION HOUSING
63500-68	AIR CLEANER & ENRICHMENT CABLE (2 OF 2) OIL FILTERS & MOUNTS
63501-68B	CARBURETOR (2 OF 2) FUEL TANKS
63509-86A	AIR CLEANER & ENRICHMENT CABLE (2 OF 2)
63523-92A	OIL FILTERS & MOUNTS
63525-92	OIL FILTERS & MOUNTS
63528-92	OIL FILTERS & MOUNTS
63530-92	OIL FILTERS & MOUNTS
63533-41A	CRANKCASE (2 OF 2) OIL PUMP TRANSMISSION HOUSING & OIL TANK OIL FILTERS & MOUNTS
63534-90	TRANSMISSION HOUSING & OIL TANK
63535-90	TRANSMISSION HOUSING & OIL TANK
63538-92	OIL FILTERS & MOUNTS

63554-90	OIL PUMP TRANSMISSION HOUSING & OIL TANK OIL FILTERS & MOUNTS
6366	REAR BRAKE CONTROL
6379W	REAR FENDER SUPPORTS
63812-90	OIL FILTERS & MOUNTS
63813-90	OIL FILTERS & MOUNTS
63858-49	ROCKER ARMS, COVERS & PUSHRODS - V2™ EVOLUTION
6400HB	BELTS, CHAINS & SPROCKETS
6410	SEATS & SISSY BAR
6497HW	GEAR SHIFTER (1 OF 2)
6506	PISTONS, CONNECTING RODS & FLYWHEELS
6516HW	REAR WHEEL
65192-90	EXHAUST SYSTEM
65213-92	EXHAUST SYSTEM
65276-62	EXHAUST SYSTEM
653	CRANKCASE (1 OF 2) CRANKCASE - GEAR SIDE (1 OF 2)
65302-82A	EXHAUST SYSTEM
65324-83B	EXHAUST SYSTEM
65325-83A	EXHAUST SYSTEM
65328-83A	EXHAUST SYSTEM
65374-90C	EXHAUST SYSTEM
65616-90	EXHAUST SYSTEM
65660-92	EXHAUST SYSTEM
65668-92	EXHAUST SYSTEM
65669-92	EXHAUST SYSTEM
65670-90A	EXHAUST SYSTEM
65674-90A	EXHAUST SYSTEM
65701-90	EXHAUST SYSTEM
65716-91	EXHAUST SYSTEM
65746-90A	EXHAUST SYSTEM
65747-90	EXHAUST SYSTEM
65824-90	EXHAUST SYSTEM
65825-90	EXHAUST SYSTEM

65827-90	EXHAUST SYSTEM
65828-90	EXHAUST SYSTEM
65830-03	EXHAUST SYSTEM
65868-91	EXHAUST SYSTEM
6590HW	FRONT WHEEL
65989-90B	BATTERY
66000-80	BATTERY
66333-90	SWITCHES & CIRCUIT BREAKERS
66346-91	BATTERY TRAY
66361-90	SWITCHES & CIRCUIT BREAKERS
66366-90	BATTERY TRAY
66368-90	BATTERY TRAY
6655	FRONT FORK
6701	CYLINDERS, HEADS & VALVES V2™ - REAR SHOWN (1 OF 2) FRONT FORK FRAME, REAR FORK & JIFFY STAND FOOTRESTS EXHAUST SYSTEM TAIL LAMP & REAR TURN SIGNALS
6702	REAR BELT GUARD REAR BELT GUARD FRAME, REAR FORK & JIFFY STAND SEATS & SISSY BAR REAR FENDERS EXHAUST SYSTEM
6703	BELTS, CHAINS & SPROCKETS LICENSE PLATE BRACKET
67086-85	FUEL TANK INSTRUMENTS
67094-85	INSTRUMENTS
67119-85	FUEL TANK INSTRUMENTS
67122-85	INSTRUMENTS
67127-84A	INSTRUMENTS
67136-85	FUEL TANK INSTRUMENTS
6716	ELECTRONIC IGNITION SYSTEM
67168-88A	INSTRUMENTS
67169-88A	INSTRUMENTS
67171-88	INSTRUMENTS
67172-88A	INSTRUMENTS
6718	FOOTRESTS
67185-88	FUEL TANK INSTRUMENTS



67186-88	<b>INSTRUMENTS</b>
67187-88	<b>INSTRUMENTS</b>
6736	<b>ROCKER ARMS, COVERS &amp; PUSHRODS - V2™ EVOLUTION GEAR SHIFTER (1 OF 2)</b>
6737	<b>ROCKER ARMS, COVERS &amp; PUSHRODS - V2™ EVOLUTION</b>
6762B	<b>ROCKER ARMS, COVERS &amp; PUSHRODS - V2™ EVOLUTION</b>
67685-92	<b>HEADLAMP</b>
67698-81D	<b>HEADLAMP</b>
67705-92	<b>HEADLAMP</b>
6771A	<b>OIL FILTERS &amp; MOUNTS</b>
67730-91	<b>HEADLAMP</b>
67733-91A	<b>HEADLAMP</b>
67757-92	<b>HEADLAMP</b>
67769-82	<b>HEADLAMP</b>
67790-82	<b>HEADLAMP</b>
67805-92	<b>HEADLAMP</b>
67807-86	<b>HEADLAMP</b>
67807-92	<b>HEADLAMP</b>
67815-59A	<b>HEADLAMP</b>
67822-88	<b>FRONT TURN SIGNALS</b>
67827-88A	<b>FRONT TURN SIGNALS</b>
67828-88A	<b>FRONT TURN SIGNALS</b>
67829-88	<b>FRONT TURN SIGNALS</b>
67850-91	<b>HEADLAMP</b>
67859-90	<b>FRAME, REAR FORK &amp; JIFFY STAND</b>
67863-90A	<b>HEADLAMP</b>
67865-89	<b>HEADLAMP</b>
67876-90	<b>HEADLAMP</b>
67973-98	<b>HEADLAMP</b>
68008-73B	<b>TAIL LAMP &amp; REAR TURN SIGNALS</b>
68020-92A	<b>INSTRUMENTS</b>
68021-92A	<b>INSTRUMENTS</b>
68023-92A	<b>INSTRUMENTS</b>
68024-92A	<b>INSTRUMENTS</b>

68026-73	TAIL LAMP & REAR TURN SIGNALS
68027-90	TAIL LAMP & REAR TURN SIGNALS
68033-90	TAIL LAMP & REAR TURN SIGNALS
68123-73	TAIL LAMP & REAR TURN SIGNALS
68126-91	HORN
68163-84	FRONT TURN SIGNALS
68168-89A	FRONT TURN SIGNALS TAIL LAMP & REAR TURN SIGNALS
68329-03	HEADLAMP
68384-91	TAIL LAMP & REAR TURN SIGNALS SWITCHES & CIRCUIT BREAKERS
68403-86A	TAIL LAMP & REAR TURN SIGNALS
68406-86D	FRONT TURN SIGNALS
68408-86D	FRONT TURN SIGNALS
68410-87B	TAIL LAMP & REAR TURN SIGNALS
68452-86	FRONT TURN SIGNALS TAIL LAMP & REAR TURN SIGNALS
68455-86	FRONT TURN SIGNALS TAIL LAMP & REAR TURN SIGNALS
68457-86	TAIL LAMP & REAR TURN SIGNALS
68493-90	TAIL LAMP & REAR TURN SIGNALS
68507-90	TAIL LAMP & REAR TURN SIGNALS
68513-92	INSTRUMENTS
68516-92	HEADLAMP INSTRUMENTS
68537-89G	TAIL LAMP & REAR TURN SIGNALS SWITCHES & CIRCUIT BREAKERS
68566-90	FRONT TURN SIGNALS
68572-64B	TAIL LAMP & REAR TURN SIGNALS
68577-90A	FRONT TURN SIGNALS
68608-83	INSTRUMENTS
68740-91A	INSTRUMENTS
69060-90H	HORN
69114-90	HORN
69126-91	AIR CLEANER & ENRICHMENT CABLE (2 OF 2)
69126-92	AIR CLEANER & ENRICHMENT CABLE (2 OF 2) HORN HORN

69551-90	WIRING
69558-92	WIRING
6969	AIR CLEANER & ENRICHMENT CABLE (1 OF 2)
7003	REAR BRAKE CONTROL
70032-90	WIRING
70043-81	MISCELLANEOUS ELECTRICAL
70047-82	HANDLEBAR SWITCHES
70102-90A	WIRING
70103-90	WIRING
70107-90	WIRING
70191-73A	WIRING
70218-87A	HANDLEBAR SWITCHES
70219-87	HANDLEBAR SWITCHES
70287-81A	MISCELLANEOUS ELECTRICAL
70291-89	AIR CLEANER & ENRICHMENT CABLE (2 OF 2) MISCELLANEOUS ELECTRICAL
70292-89	MISCELLANEOUS ELECTRICAL
70293-87A	MISCELLANEOUS ELECTRICAL
70302-90	MISCELLANEOUS ELECTRICAL
70305-90	MISCELLANEOUS ELECTRICAL
70339-91B	ELECTRONIC IGNITION SYSTEM
70342-90	WIRING
70347-84	MISCELLANEOUS ELECTRICAL SWITCHES & CIRCUIT BREAKERS
7036	SEATS & SISSY BAR
7038	FRONT FORK FRAME, REAR FORK & JIFFY STAND FOOTRESTS
7039	FOOTRESTS
7041	STARTER MOTOR GEAR SHIFTER (1 OF 2) FRAME, REAR FORK & JIFFY STAND HEADLAMP TAIL LAMP & REAR TURN SIGNALS
7042	HANDLEBAR FRONT TURN SIGNALS
7045	FOOTRESTS
70504-81	THROTTLE CONTROL
70578-89	MISCELLANEOUS ELECTRICAL

70580-89	MISCELLANEOUS ELECTRICAL
7068	FRONT WHEEL FOOTRESTS SHOCK ABSORBERS HANDLEBAR HEADLAMP
7069	CRANKCASE - GEAR SIDE (1 OF 2) ELECTRONIC IGNITION SYSTEM
70963-92	AIR CLEANER & ENRICHMENT CABLE (2 OF 2) WIRING
70984-90A	SWITCHES & CIRCUIT BREAKERS
70987-90B	SWITCHES & CIRCUIT BREAKERS
71014-88A	INSTRUMENTS
7124	ALTERNATOR & REGULATOR
7127	FRONT TURN SIGNALS MIRRORS
71421-90B	FRAME, REAR FORK & JIFFY STAND SWITCHES & CIRCUIT BREAKERS
71428-90B	SWITCHES & CIRCUIT BREAKERS
71452-91A	FRAME, REAR FORK & JIFFY STAND SWITCHES & CIRCUIT BREAKERS
71555-90	SWITCHES & CIRCUIT BREAKERS
71563-82A	HANDLEBAR SWITCHES
71564-82A	HANDLEBAR SWITCHES
71567-82	HANDLEBAR SWITCHES
71568-82A	HANDLEBAR SWITCHES
71589-92	HANDLEBAR SWITCHES
71590-92A	HANDLEBAR SWITCHES
71591-92	HANDLEBAR SWITCHES
71597-92	HANDLEBAR SWITCHES
71598-92	HANDLEBAR SWITCHES
720	CRANKCASE (1 OF 2)
72023-51E	REAR BRAKE CONTROL
72035-71	MISCELLANEOUS ELECTRICAL
72038-71A	FUEL TANK INSTRUMENTS INSTRUMENTS MISCELLANEOUS ELECTRICAL HANDLEBAR SWITCHES
72039-71A	FUEL TANK INSTRUMENTS FUEL TANK INSTRUMENTS TAIL LAMP & REAR TURN SIGNALS

	<b>MISCELLANEOUS ELECTRICAL HANDLEBAR SWITCHES</b>
72043-71A	<b>FUEL TANK INSTRUMENTS MISCELLANEOUS ELECTRICAL HANDLEBAR SWITCHES</b>
72044-71A	<b>MISCELLANEOUS ELECTRICAL</b>
72046-79	<b>MISCELLANEOUS ELECTRICAL</b>
72051-77A	<b>ELECTRONIC IGNITION SYSTEM MISCELLANEOUS ELECTRICAL</b>
72089-71	<b>AIR CLEANER &amp; ENRICHMENT CABLE (2 OF 2)</b>
7220	<b>FRONT BRAKE CONTROL WIRING</b>
72276-74	<b>MISCELLANEOUS ELECTRICAL</b>
7229W	<b>ALTERNATOR &amp; REGULATOR REAR BRAKE CONTROL SWITCHES &amp; CIRCUIT BREAKERS</b>
72342-90A	<b>SWITCHES &amp; CIRCUIT BREAKERS</b>
72503-90	<b>MISCELLANEOUS ELECTRICAL</b>
738	<b>AIR CLEANER &amp; ENRICHMENT CABLE (1 OF 2)</b>
739A	<b>PRIMARY HOUSING</b>
74519-88A	<b>ALTERNATOR &amp; REGULATOR</b>
74521-77A	<b>ELECTRONIC IGNITION SYSTEM</b>
74536-77A	<b>ELECTRONIC IGNITION SYSTEM MISCELLANEOUS ELECTRICAL</b>
74539-77A	<b>ELECTRONIC IGNITION SYSTEM MISCELLANEOUS ELECTRICAL</b>
74589-73	<b>SWITCHES &amp; CIRCUIT BREAKERS</b>
74598-73	<b>SWITCHES &amp; CIRCUIT BREAKERS</b>
74599-77B	<b>SWITCHES &amp; CIRCUIT BREAKERS</b>
7501	<b>TAIL LAMP &amp; REAR TURN SIGNALS</b>
75047-88	<b>FUEL TANK INSTRUMENTS</b>
75049-88C	<b>FUEL TANK INSTRUMENTS</b>
75058-88	<b>FUEL TANK INSTRUMENTS</b>
75062-90A	<b>FUEL TANK INSTRUMENTS</b>
7507	<b>GEAR SHIFTER (1 OF 2) FUEL TANKS EXHAUST SYSTEM</b>
7515	<b>GEAR SHIFTER (1 OF 2)</b>
7531	<b>REAR BELT GUARD FRONT FENDERS EXHAUST SYSTEM</b>

	<b>HORN WIRING</b>
7554	<b>SHOCK ABSORBERS</b>
7593	<b>EXHAUST SYSTEM</b>
7601	<b>CYLINDERS, HEADS &amp; VALVES V2™ - REAR SHOWN (1 OF 2) AIR CLEANER &amp; ENRICHMENT CABLE (1 OF 2) FRAME, REAR FORK &amp; JIFFY STAND</b>
7606	<b>HEADLAMP</b>
7626W	<b>ELECTRONIC IGNITION SYSTEM</b>
7629	<b>SWITCHES &amp; CIRCUIT BREAKERS</b>
7634	<b>CRANKCASE - GEAR SIDE (1 OF 2) ELECTRONIC IGNITION SYSTEM</b>
7716	<b>ALTERNATOR &amp; REGULATOR SWITCHES &amp; CIRCUIT BREAKERS</b>
7734W	<b>FRAME, REAR FORK &amp; JIFFY STAND</b>
7736	<b>MIRRORS</b>
7744	<b>GEAR SHIFTER (1 OF 2) REAR BRAKE CONTROL FRONT TURN SIGNALS</b>
7753	<b>CRANKCASE (1 OF 2) EXHAUST SYSTEM</b>
7775	<b>CYLINDERS, HEADS &amp; VALVES V2™ - REAR SHOWN (1 OF 2)</b>
7776W	<b>TAIL LAMP &amp; REAR TURN SIGNALS</b>
7778	<b>BELTS, CHAINS &amp; SPROCKETS FOOTRESTS</b>
7782	<b>CRANKCASE (1 OF 2) FOOTRESTS EXHAUST SYSTEM TAIL LAMP &amp; REAR TURN SIGNALS</b>
7783	<b>FRONT FORK</b>
7792	<b>ALTERNATOR &amp; REGULATOR LICENSE PLATE BRACKET</b>
7796	<b>SWITCHES &amp; CIRCUIT BREAKERS</b>
7838	<b>STARTER MOTOR</b>
7845	<b>FRONT WHEEL SHOCK ABSORBERS</b>
7848W	<b>CLUTCH FOOTRESTS</b>
7855W	<b>REAR BRAKE CONTROL</b>
7880	<b>FOOTRESTS HEADLAMP</b>
7987	<b>REAR WHEEL</b>

8097	SEATS & SISSY BAR
8102	REAR FENDERS
8108	FUEL TANK INSTRUMENTS
8204	EXHAUST SYSTEM
83162-51	CRANKCASE - GEAR SIDE (2 OF 2) ELECTRONIC IGNITION SYSTEM
8505	FRONT FENDERS
8511	FRONT FENDERS FRONT FENDERS
8535	AIR CLEANER & ENRICHMENT CABLE (1 OF 2)
8536	AIR CLEANER & ENRICHMENT CABLE (1 OF 2) SWITCHES & CIRCUIT BREAKERS
855B	CYLINDERS, HEADS & VALVES V2™ - REAR SHOWN (1 OF 2) FRONT BRAKE CALIPER FRONT BRAKE CALIPER
856A	GEAR SHIFTER (1 OF 2)
857A	TRANSMISSION HOUSING BELTS, CHAINS & SPROCKETS
8625	AIR CLEANER & ENRICHMENT CABLE (1 OF 2)
864A	AIR CLEANER & ENRICHMENT CABLE (1 OF 2)
8672	EXHAUST SYSTEM
8692	CRANKCASE - GEAR SIDE (1 OF 2) ELECTRONIC IGNITION SYSTEM
8699	CRANKCASE - GEAR SIDE (1 OF 2) ELECTRONIC IGNITION SYSTEM
882	ROCKER ARMS, COVERS & PUSHRODS - V2™ EVOLUTION
8871	STARTER MOTOR
8873	OIL PUMP TRANSMISSION HOUSING
8876A	TRANSMISSION GEARS
8879	STARTER MOTOR
8883	STARTER MOTOR
891	OIL PUMP
8977	TRANSMISSION HOUSING & OIL TANK
8996A	TRANSMISSION HOUSING & OIL TANK
8998	TRANSMISSION HOUSING
9028	CRANKCASE (1 OF 2) CRANKCASE (2 OF 2)
90474-90	SWITCHES & CIRCUIT BREAKERS

90483-85	<b>SWITCHES &amp; CIRCUIT BREAKERS</b>
9052	<b>FRONT WHEEL REAR WHEEL</b>
9058A	<b>CRANKCASE - GEAR SIDE (1 OF 2)</b>
9077	<b>STARTER MOTOR</b>
90770-79	<b>CLUTCH CONTROL</b>
9110	<b>CRANKCASE (1 OF 2)</b>
9114	<b>GEAR SHIFTER (1 OF 2)</b>
9115	<b>GEAR SHIFTER (1 OF 2)</b>
9120	<b>CRANKCASE (1 OF 2)</b>
9121	<b>CRANKCASE (1 OF 2)</b>
9122	<b>CRANKCASE (1 OF 2)</b>
9123	<b>CRANKCASE (1 OF 2)</b>
9124	<b>CRANKCASE (1 OF 2)</b>
9125	<b>CRANKCASE (1 OF 2)</b>
9126	<b>CRANKCASE (1 OF 2)</b>
9127	<b>CRANKCASE (1 OF 2)</b>
9128	<b>CRANKCASE (1 OF 2)</b>
9129	<b>CRANKCASE (1 OF 2)</b>
9130	<b>CRANKCASE (1 OF 2)</b>
9131	<b>CRANKCASE (1 OF 2)</b>
9132	<b>CRANKCASE (1 OF 2)</b>
9133	<b>CRANKCASE (1 OF 2)</b>
9134	<b>CRANKCASE (1 OF 2)</b>
9135	<b>PRIMARY HOUSING</b>
91875-88A	<b>MIRRORS</b>
91892-88A	<b>MIRRORS</b>
919	<b>SEATS &amp; SISSY BAR</b>
91909-90A	<b>MIRRORS</b>
91910-90A	<b>MIRRORS</b>
92061-83	<b>INSTRUMENTS</b>
92079-88	<b>INSTRUMENTS</b>
92080-88	<b>INSTRUMENTS</b>
923	<b>PRIMARY HOUSING</b>



924	PRIMARY HOUSING
925	STARTER MOTOR
927A	OIL PUMP
928	STARTER MOTOR
929A	STARTER MOTOR
95594-84B	FRONT WHEEL REAR WHEEL
9856	FUEL TANK INSTRUMENTS
9857	ELECTRONIC IGNITION SYSTEM FUEL TANK INSTRUMENTS MISCELLANEOUS ELECTRICAL
9858	MISCELLANEOUS ELECTRICAL
9862	ALTERNATOR & REGULATOR MISCELLANEOUS ELECTRICAL
9863	ELECTRONIC IGNITION SYSTEM MISCELLANEOUS ELECTRICAL
9875	HANDLEBAR SWITCHES
9893	CALIFORNIA EVAPORATIVE EMISSIONS KIT
9898	MISCELLANEOUS ELECTRICAL HANDLEBAR SWITCHES
99015-91	SEATS & SISSY BAR
99017-90	SEATS & SISSY BAR
9905	MISCELLANEOUS ELECTRICAL
9907	ELECTRONIC IGNITION SYSTEM MISCELLANEOUS ELECTRICAL
9937	MISCELLANEOUS ELECTRICAL
9951	ELECTRONIC IGNITION SYSTEM
9952	SWITCHES & CIRCUIT BREAKERS
9955	EXHAUST SYSTEM

### Component Types and Introduction Dates

[View interactive table](#)

101A1 - Generic Nuts

7736 1949

7845 Unknown

68608-83 1983

7554 Unknown

7838 Unknown

7629 1990

7792	2012
7515	Unknown
7796	Unknown
7782	2013
7778	Unknown
7775	Unknown
7634	1937
7501	2010
3403	Unknown
37503-41	1941
7734W	Unknown
11192	2000
35078-79	1979
7987	Unknown
7776W	Unknown
7880	Unknown
7626W	Unknown
7753	Unknown
8108	Unknown
40392-91	1991
7744	1943
7593	1991
7601	1990
102A1 - Generic Screws	
3958	1993
3730A	Unknown
1795A	Unknown
3579A	Unknown
3991	2009
882	2000
3987	Unknown
33119-79B	1979
43567-79	1979
42375-87	1987
3849	Unknown

2579A	Unknown
16480-85A	1985
4741A	1994
2662W	2000
3655A	Unknown
4718A	1994
3485A	Unknown
4742A	Unknown
43567-92	1992
3514	Unknown
2698A	Unknown
3201WA	Unknown
4350A	Unknown
4337W	2009
4047	Unknown
4044	Unknown
4091	Unknown
891	2013
1311D	2001
4326A	1990
864A	Unknown
2773	Unknown
3530	Unknown
68452-86	1986
4740A	1994
45990-88	1988
3528	Unknown
2871W	2017
37090-84A	1984
2508	Unknown
45992-90	1990
3826	Unknown
45546-90	1990
4822A	1994
2818	2009

90770-79	1979
4721	2009
3577	1996
2711	Unknown
3594	1992
5445W	Unknown
2519	Unknown
27129-88	1988
928	Unknown
925	Unknown
923	Unknown
924	Unknown
4816A	Unknown
3993	Unknown
2607	Unknown
919	Unknown
4029A	1990
2720	2012
4017	2009
3562	Unknown
4383	Unknown
929A	Unknown
2614	2000
4384	Unknown
4015	Unknown
29269-83A	1983
2733	2003
3430	1979
3503	2003
3509	Unknown
2737	1986
4713W	2009
4351	Unknown
2851	2009
3210A	Unknown

3233	Unknown
4820A	Unknown
2611C	Unknown
3559	Unknown
3427	2009
56402-83A	1983
27317-88	1988
2216W	1963
27146-89	1989
3480A	Unknown
1601	1999
4717A	Unknown
2441	Unknown
3767B	2009
927A	Unknown
4086A	Unknown
3574	Unknown
3214	Unknown
855B	2014
3784	Unknown
3787	Unknown
3501A	Unknown
4716W	2009
16478-85A	1985
856A	1990
1783C	Unknown
3445	Unknown
56397-74C	1974
3500A	Unknown
3770	Unknown
857A	Unknown
4813A	1990
3974HW	2009
3487	Unknown
5403B	Unknown

4068A	Unknown
4325	1999
4453	1986
45790-80	1980
5444	Unknown
3473	Unknown
16480-92A	1992
4814A	Unknown
65192-90	1990
3471	2009
3537	Unknown
103A1 - Generic Washers	
25323-82	1982
31430-90	1990
6019	Unknown
6718	Unknown
6302	Unknown
7229W	Unknown
33212-80	1980
6016	2013
6012	Unknown
56159-73	1973
27125-89	1989
6497HW	2010
6771A	Unknown
43650-82	1982
25550-57A	1957
6035A	Unknown
27148-89	1989
25325-82	1982
6366	1987
6379W	Unknown
6113	Unknown
6333	Unknown
6099	2011

27127-89	1989
25320-82	1982
6109	1980
67815-59A	1959
31689-90	1990
6048W	1975
6590HW	Unknown
6253W	Unknown
6516HW	Unknown
6036	Unknown
25327-82	1982
7220	Unknown
25326-82	1982
27137-81	1981
7068	Unknown
7038	1998
7039	Unknown
6410	Unknown
25322-82	1982
25321-82	1982
25328-82	1982
6762B	Unknown
6736	Unknown
6737	Unknown
7042	Unknown
47565-90	1990
6655	1979
7041	1958
6703	1970
6701	Unknown
6702	Unknown
6235	Unknown
33043-80	1980
7045	Unknown
6400HB	Unknown

6716	Unknown
65827-90	1990
104A1 - Custom Nuts	
23981-98	1998
7606	1983
105A1 - Custom Screws	
27158-89	1989
3504	Unknown
27130-90	1990
106A1 - Custom Washers	
6003	2010
7124	Unknown
6506	Unknown
108A1 - Hose Clamps	
10053	2010
65824-90	1990
10031	2010
65276-62	1962
10014	Unknown
9955	Unknown
10080	Unknown
10119	Unknown
9951	1991
108B1 - P Clamps	
10046	2010
10076	2010
10112	1999
109A1 - Studs	
16715-83	1983
16837-85C	1985
3506	Unknown
54557-90A	1990
110A1 - Bearing Dust Seals	
24628-87A	1987
24626-87A	1987



## 110B1 - Plain Bushings

9058A	2014
33211-80	1980
33445-89	1989
8996A	1996
17429-91	1991
33714-90B	2011
54556-84	1984
33207-80	1980
25582-73	1973
53156-86	1986
8998	1996
24600-58B	1958
33205-80	1980
45465-87	1987
24601-58B	1958
8876A	Unknown
45934-86	1986
33209-80	1980
33208-80	1980
8883	Unknown
33206-80	1980
8879	Unknown
44035-86A	1986
47082-81	1981
25581-70	1970
33210-80	1980
24641-36	1936

## 110C1 - Radial Shaft Seals

83162-51	1951
26227-58	1958
12050	Unknown
12045	Unknown
12035B	Unknown
12026B	Unknown

12052A	2003
110D1 - Rolling Element Bearings	
9115	Unknown
9114	Unknown
24643-87A	1987
8977	Unknown
9135	Unknown
24346-87A	1987
24641-87A	1987
8871	Unknown
9052	Unknown
9028	2009
111A1 - Adhesive	
9907	Unknown
74521-77A	1977
9862	Unknown
111F1 - Protective Tape	
65716-91	1991
116A1 - Banjo Bolts	
41739-84A	1984
41747-82A	1982
117A1 - Coil Springs	
56396-74A	1974
54473-79	1979
27162-89	1989
119A1 - O-Rings	
11165	Unknown
11241	Unknown
62673-90	1990
11117A	Unknown
68455-86	1986
26432-76A	1976
11105	Unknown
27121-89	1989
10957	2006

11145A	2007
11157	1983
27577-92	1992
11147B	2006
11139	1979
11132A	2007
44059-83	1983
27577-88	1988
45984-87	1987
31695-90	1990
62672-90	1990
11179	1986
27157-89	1989
120A1 - Pins	
601	Unknown
609	Unknown
239	2009
634	Unknown
631	1991
16573-83A	1983
534	Unknown
42460-80B	1980
50003-89B	1989
337	Unknown
511	Unknown
515	Unknown
375	Unknown
358	Unknown
121A1 - Grommets	
11452	2003
11458	1991
90483-85	1985
11400	2001
11412	Unknown
90474-90	1990

11460	1992
121B1 - Press-Fit Plugs	
70287-81A	1981
67865-89	1989
11457	Unknown
26263-80	1980
739A	Unknown
653	Unknown
70292-89	1989
121C1 - Threaded Plugs	
720	2013
122A1 - Retaining Rings	
10998	1985
8102	Unknown
17945-36B	1936
11016	Unknown
26348-36	1936
45021-86	1986
44021-83	1983
11002	Unknown
65325-83A	1983
45611-86	1986
27368-76	1976
11150	1984
10108	Unknown
11155	Unknown
11020	1979
31530-90	1990
11143	Unknown
11177A	1996
11096	2010
11067	Unknown
11182	Unknown
11183	2000
11083	Unknown

27124-89	1989
60678-85	1985
8097	2001
11161	Unknown
10114	Unknown
9952	1973
123A1 - Sealing Washers	
26262-80	1980
123B1 - Spring Washers	
7127	Unknown
7069	Unknown
7003	Unknown
124A1 - Spacers	
43290-82	1982
35852-84	1984
29961-85	1985
43623-78	1978
5978W	Unknown
24002-70	1970
24033-70	1970
43625-78	1978
43294-82	1982
43605-78	1978
6058	1991
5756	Unknown
33114-79	1979
43624-78	1978
35850-84	1984
43293-82	1982
5883	Unknown
35851-84	1984
5774	Unknown
43604-78	1978
24037-70	1970
45377-87	1987

17548-90	1990
35629-79	1979
33334-85	1985
24704-90	1990
47499-90	1990
125A1 - Tie Straps	
10065	1985
70191-73A	1975
10039	1981
10006	1960
10073	1985
126A1 - Miscellaneous Hardware	
31692-90	1990
44126-87	1987
60647-90	1990
11005	Unknown
27136-90A	1990
59150-90	1990
61095-92	1992
11219	Unknown
11218	Unknown
63530-92	1992
33318-85	1985
33126-90	1990
27040-88	1988
738	1986
44045-87A	2013
33449-90	1990
56394-74	1974
8873	1984
44061-83	1983
54474-79	1979
126B1 - Rivets Fasteners	
8672	Unknown
8204	Unknown

70291-89	1989
8625	Unknown
8535	Unknown
8699	1980
8692	Unknown
8505	Unknown
127B1 - Generic Mounting Bracket	
52729-90	1990
33518-92	1992
68577-90A	1990
51652-83B	1983
65616-90	1990
65660-92	1992
38608-82B	1982
140A1 - Battery Warning Label	
70043-81	1981
15368-01A	2001
140A2 - General Warning Label	
29126-90B	1990
44197-77	1977
140A3 - Other Special Warning Label	
14117-90	1990
14121-90	1990
141A1 - Medallion	
99015-91	1991
14263-91	1991
67807-92	1992
14262-91	1991
14268-92	1992
14270-92	1992
14340-90	1990
14315-90	1990
14314-90	1990
99017-90	1990
14379-92	1992

14260-91	1991
14256-90	1990
14378-92	1992
162D1 - Engine Assembly	
16167-92	1992
16163-91	1991
16173-92	1992
16171-92	1992
16165-92	1992
16172-92	1992
16166-92	1992
163B1 - Engine Isolator Mount	
47564-90B	1990
47583-90B	1990
164B1 - Engine Mount Bracket sub-component	
7716	1990
7783	Unknown
7531	1980
16242-90	1990
7507	Unknown
16219-79C	1979
16238-90	1990
7848W	Unknown
7855W	Unknown
16241-90	1990
67094-85	1985
165A1 - Cylinder Head	
16692-95	1995
18011-86	1986
16696-85B	1987
16696-92A	1992
16692-85C	1988
16690-92B	1992
16691-92	1992
165B1 - Cylinder Head and Base Gaskets	



16800-84B	2013
16774-86D	1986
16770-84F	1984
16778-84A	1984
16779-84A	1984
167A1 - PT Assembly Miscellaneous Component	
37971-90	1990
168A1 - Cylinder	
16510-83A	1983
179A1 - Lifters	
18523-86B	1986
18542-83C	1986
179B1 - Push Rod	
17921-83A	1983
17930-83A	1983
17924-83A	1983
17927-83A	1983
180A1 - Valves	
18076-83	1983
18101-83D	1999
18074-83B	2007
18082-83A	1983
18087-83	1983
181B1 - Valve Seals	
18133-83B	1983
18130-83D	1983
18219-83A	1983
18020-83	1983
18134-83	1983
18131-83D	1983
18124-83	1983
18001-83B	1983
181C1 - Valve Collars	
18229-83A	1984
17947-36	1936

17950-66	1966
184A1 - PT Camdrive and Valvetrain Miscellaneous Component	
17355-92A	2010
17356-92A	2010
17355-84B	2010
17358-84B	2010
17356-84B	2010
219A1 - Piston	
16512-86A	1986
21942-83	1983
21944-83	1983
21940-83	1983
21941-83	1983
21943-83	1983
220A1 - Piston Ring	
21921-83	1983
21923-83	1983
21924-83	1983
21920-83	1983
21922-83	1983
221A1 - Piston Pin	
22589-83B	1983
22764-83	1983
237A1 - Connecting Rod	
24281-83	1983
237B1 - Connecting Rod sub-component	
24356-36A	1936
24335-36	1936
24334-36	1936
239A1 - PT Lower End Miscellaneous Component	
23928-87	1987
24345-36A	1936
25275-82	1982
70963-92	1992
48365-48A	1981

241A1 - Flywheel	
23906-90A	1990
23961-80A	1981
244A1 - Crankcase	
24572-92	1992
24571-92	1992
244D1 - Crankcase sub-component	
24032-70	1970
24034-70	1970
24035-70	1970
24022-90	1990
24046-90	1990
24043-90	1990
24044-90	1990
24042-90	1990
24045-90	1990
24040-90	1990
24041-90	1990
244E1 - Transmission Access Door	
23974-87	1987
23975-87	1987
244F1 - Oil Pan	
26074-90	1990
26057-97	1997
245A1 - PT Cases Miscellaneous Component	
24036-70	1970
254A1 - Camdrive Gear	
24581-90	1990
24583-92	1992
254B1 - Camshaft	
24582-90	1990
254C1 - Camshaft Sprocket	
40299-83A	1983
254D1 - Camshaft Support	
34085-79A	1979

255C1 - Camdrive Chain Tensioner	
39990-65	1965
39976-65B	1965
255D1 - Camdrive Chain Tensioner sub-component	
39993-65	1965
256A1 - Timer Cover	
32524-83	1983
32527-90	1990
257A1 - Cam Cover	
25700293	2012
25268-84A	1985
257B1 - Clutch Cover	
25420-90	1990
60668-84B	1984
257D1 - Clutch Inspection Cover	
60529-90A	1990
257E1 - Cover Gaskets	
26072-90A	1990
29252-89	1989
67850-91	1991
65324-83B	2009
67119-85	1985
31433-84A	1984
62423-90A	1990
25225-70C	1970
61109-85D	1985
17038-90	1990
34917-90B	1990
17041-92A	1992
41733-88	1988
35652-79B	1979
12053A	Unknown
45005-85	1985
61192-88	1988
60567-90C	1990

18633-48D	1948
25416-70A	1970
45378-87	1987
61324-88A	1988
60539-94B	1994
36801-87C	1987
63858-49	1949
41731-88A	1988
17035-83B	1983
17042-92A	1992
32591-80	1980
17033-83A	1983
47519-83A	1983
18634-48C	1948
17040-92A	1992
257G1 - Ignition Cover	
31637-90	1990
257L1 - Primary Cover	
60561-90	1990
60543-89	1989
60688-93	1993
257L2 - Primary Chain Inspection Cover	
60565-90	1990
257M1 - Push Rod Cover	
17935-79B	1979
17938-83	1983
257N1 - Rocker-Arm / Valve Cover	
17529-92	1992
17375-83A	1983
17549-90	1990
17611-83	1983
17547-90	1990
17360-83A	1983
17530-92	1992
17528-92	1992

257P1 - Tappet Cover

18622-85B	1985
18623-85B	1985
18540-83C	1986
258A1 - PT Covers Miscellaneous Component	
37115-90	1990
34460-90	1990
34469-90A	1995
265A1 - Vent / Breather Line	
28886-90	1990
27190-90	1990
27189-90	1990
27188-90	1990
24922-86	1986
27190-90A	1990
270A1 - Carburetor	
27280-92	1992
27361-76A	1976
27179-90	1990
27339-90	1990
27035-92A	1992
27360-76	1976
27362-76	1976
27147-89	1989
27159-92	1992
27583-88	1988
27152-89	1989
27171-89	1989
27156-89	1989
27186-92	1992
27369-76	1976
29059-88A	1988
27175-90	1990
27038-90B	1990
63534-90	1990

27371-76A	1976
27582-88	1988
27587-88	1988
27311-76	1976
27035-90A	1990
27101-88	1988
27038-92A	1992
27585-88	1988
27586-88	1988
27185-90	1990
27116-88	1988
27281-92	1992
27575-88A	1988
27100-88	1988
27178-90	1990
27128-89	1989
27177-90	1990
27126-89	1989
27576-88	1988
27090-89	1989
27025-90A	1990
27315-88A	1988
27576-92	1992
271D1 - Intercooler Hose	
63535-90	1990
272B1 - Throttle Body / Intake Manifold	
26994-90	1990
273A1 - Intake Manifold	
27019-89A	1989
273K1 - Throttle Body to Manifold Seal	
26995-86B	1986
273N1 - Throttle Cable Retention Bracket	
56508-76	1976
275A1 - PT Upper End Miscellaneous Component	
37313-80	1980

290A1 - Airbox Baseplate	
29134-90	1990
29017-90	1990
29090-92	1992
29089-92	1992
290C1 - Airbox Baseplate sub-component	
29068-89	1989
28816-90	1990
28823-89	1989
292A1 - Air Duct	
29203-90	1990
294A1 - Air Filter Element	
29259-91A	1991
294B1 - Breather Bolt	
25310-82A	1982
294G1 - Air Cleaner	
27010-86A	1986
27009-86A	1986
295A1 - Intake Miscellaneous Component	
27579-88A	1988
27002-89	1989
28820-86	1986
27886-78A	1978
63509-86A	1991
29258-91	1991
28821-86	1986
28842-89	1989
28825-86	1986
29229-88D	1988
29070-89B	1989
27165-90	1990
27170-89	1989
299C1 - Charging Rotor	
29957-81B	1981
32402-83	1983



299F1 - Stator Assembly	
29970-88D	2007
314E1 - Starter Friction Clutch	
9077	Unknown
314F1 - Starter Motor	
31514-90	1990
31516-90	1990
31518-90	1990
31487-90A	1990
31510-90	1990
31515-90	1990
31553-90A	1990
314G1 - Starter Motor sub-component	
31660-90	1990
31535-91	1991
31727-85	1985
31528-90	1990
27581-88	1988
31548-90	1990
31527-90	1990
31342-93	1993
31664-90	1990
31600-90	1990
31688-90	1990
314H1 - Starter Solenoid	
28841-89	1989
31604-91A	1991
316A1 - Ignition Coil	
31614-83A	1983
316B1 - Spark Plug Cable	
31983-71C	1971
31981-65C	1965
327D1 - Proximity Sensor	
32404-90	1990
336C1 - Shift Linkage Rod End	

33871-85B	1985
33728-90B	1990
336F1 - Toepeg	
34611-65A	1965
339A1 - Shift Lever	
33715-85A	1985
34564-90B	1990
339D1 - Shifter Fork	
34195-79E	1979
34088-87A	1987
34193-79E	1979
34191-79E	1979
339E1 - Shifter Fork Shaft	
34084-86A	1986
339F1 - Shifter Index Lever	
34086-79	1979
34632-84B	1984
339H1 - Shifter Mechanism Components (internal)	
34621-90	1990
34083-79	1979
34082-79	1979
34091-85A	1985
33332-79	1979
33326-79A	1980
33320-79D	1982
34087-79A	1979
33127-90	1990
34089-79	1979
339K2 - Gearshift Shaft Pawl Plate	
34561-84	1984
347A1 - Transmission Assembly	
33038-92	1992
34747-95	1995
34746-95A	1995
35076-79	1979

33041-92	1992
33040-91	1991
37105-87A	1987
35064-79	1979
350A1 - Transmission Output Sprocket	
40210-85D	1985
350E1 - Transmission Gear	
31525-90	1990
35028-79B	1979
350F1 - Transmission Mainshaft	
35027-79B	1979
35025-79B	1981
35042-91	1991
35029-91A	1991
350G1 - Transmission Shim / Spacer	
9110	2013
9123	2013
9122	2013
9125	2013
9124	2013
9127	2013
9126	2013
9129	Unknown
9128	Unknown
9121	2013
9120	Unknown
9134	2013
9133	2013
9132	2013
9131	Unknown
9130	Unknown
29960-91A	1991
356A1 - Transmission Countershaft	
35026-94	1994
35626-79B	1979

35632-79	1979
35622-79C	1979
35625-79B	1981
363A1 - PT Driveline Miscellaneous Component	
24599-58B	1958
42533-91A	1991
35260-90C	1990
35051-89A	1989
35068-79	1979
35211-91B	1991
35211-36	1936
40266-85	1985
37069-90A	2010
365A1 - Primary Chain	
40007-36B	1936
365B1 - Primary Chain Tensioner	
39998-65A	1970
39996-65	1965
39992-65C	1990
365C1 - Primary Drive Assembly	
40384-91	1991
40251-92A	1992
367A1 - Clutch Lever	
45017-88A	1988
367H1 - Clutch Lever sub-component	
37312-75	1975
34920-86A	1986
37904-90	1990
37906-90	1990
37871-90	1990
38630-88	1988
37872-90	1990
37905-90	1990
45090-92	1992
37909-90	1990

37977-90	1990
37908-90	1990
370A1 - Clutch Assembly	
45036-88	1988
37496-90A	1990
370B1 - Clutch Friction Plate	
37911-90	1990
370C1 - Clutch Hub	
37550-90A	1990
370E1 - Clutch Metal Plate	
37903-90	1990
37088-90	1990
370F1 - Clutch Pressure Plate	
37912-91	1991
37913-90	1990
370G1 - Clutch Shell	
37707-90	1990
372D1 - Clutch Cable	
38602-92	1992
38649-08A	2008
372K2 - Clutch Ramp	
25452-87A	1987
25453-87A	1987
372N1 - Clutch Vacuum Hose	
26563-91A	1991
26570-84	1984
400A1 - Drive-Belt	
40012-90	1990
40015-90	1990
401A1 - Engine Sprocket	
40269-85A	1985
40250-92	1992
409A1 - Rear Wheel	
41015-86	1986
410D1 - Electronic Control Module (ECM)	

32504-80A	1982
32405-91B	1991
32606-82	1982
410E1 - Lighting / Siren Control Module	
68537-89G	1989
413A1 - Brake Caliper	
44023-83C	1983
44053-92A	1995
44046-84C	1984
44073-92A	1995
44050-87	1987
44060-83A	1983
413B1 - Brake Bleeder Screw	
44048-83	1983
413C1 - Brake Caliper sub-component	
44054-83	1983
44204-90	1990
44147-87A	1987
44022-83	1983
45401-87	1987
48361-80	1980
413D1 - Brake Pad	
43960-86	1986
413E1 - Brake Pad Pin	
44053-83B	1983
413G1 - Brake Caliper Piston Set	
44020-83A	2013
43946-86A	2013
415B1 - Brake Rotor	
44136-92	1992
41789-92	1992
416A1 - Brakes Miscellaneous Component	
40918-87	1987
45031-82A	1982
40903-87	1987

40920-87	1987
72023-51E	2012
416B1 - Brake Mounting Bracket	
74598-73	1973
44072-92A	1995
417A1 - Brake Master Cylinder Assembly	
42474-90B	1990
417B1 - Brake Master Cylinder	
45013-85C	1985
45019-85A	1985
45044-82	1982
45006-87B	1987
417C1 - Brake Master Cylinder Piston Set	
42382-87E	2015
44152-77	1977
45072-87	1987
417D1 - Brake Master Cylinder sub-Component	
44047-83	1983
45004-85	1985
42448-87	1987
40922-87A	1987
45032-82	1982
45423-92	1992
45042-82	1982
44198-87	1987
44039-86	1986
417F1 - Brake Master Cylinder Reservoir	
41803-90	1990
417G1 - Front Brake Lever	
45016-82A	1982
418B1 - Brake Line	
45145-90A	1990
40956-90B	1992
45111-89A	1990
422B1 - Wheel Sprocket	

40221-85A	1985
40236-88A	1988
423G1 - Valve Stem	
43157-83A	1983
43150-83	1983
423K1 - Wheel Weights	
95594-84B	2014
424A1 - Wheels, Tires and Final Drive Miscellaneous Component	
44062-83	1983
430D1 - Front Axle	
43895-87B	1987
430E1 - Rear Axle	
41114-90	1990
41575-90	1990
433A1 - Front Wheel	
43338-83	1983
43499-84	1984
433B1 - Front Wheel Bearing Spacer	
43358-83A	1983
43606-78	1978
43608-82	1982
43613-92	1992
43291-82	1982
43654-86A	1986
43292-82	1982
41591-90	1990
56153-73	1973
433C1 - Front Wheel Hub	
43359-84	1984
454A1 - Front Telescopic Fork	
49378-09	2009
45949-92	1992
455A1 - Front Telescopic Fork Slider	
45921-87	1987
45923-87	1987



45922-87	1987
45360-90	1990
45951-90	1990
45952-90	1990
455B1 - Front Telescopic Fork Spring	
45362-90	1990
455C1 - Front Telescopic Fork sub-component	
45374-87	1987
45926-90	1990
45461-87	1987
45739-87	1987
45361-90	1990
45460-90	1990
46002-87	1987
45905-87	1987
457E1 - Steering Stem Bearing Insert Cup	
48315-60	1960
48300-60	1960
458A1 - Front Suspension and Steering Miscellaneous Component	
45668-90	1990
459B1 - Lower Triple Clamp	
45598-90B	1990
470A1 - Frame	
31519-90	1990
47427-92D	1995
472A1 - Frame sub-component	
41113-90	1990
7036	Unknown
472D2 - Chassis Structure Mounting Bracket	
59112-90	1990
59138-90	1990
59171-90	1990
59113-90	1990
474C1 - Swingarm	
47842-92	1992

47820-90A	1991
474E1 - Swingarm Assembly sub-component	
41585-90B	1990
47624-90B	2011
67859-90	1990
475B1 - Swingarm Pivot Shaft	
47817-90	1990
490C1 - Engine Guard	
47226-90A	1990
500A1 - Sidestand Assembly	
47303-90A	1990
49704-90H	2011
500E1 - Sidestand Leg sub-component	
49723-90	1990
50053-90	1990
50057-91	1991
50057-90	1990
50054-90	1990
500F1 - Sidestand Pivot Pin	
554A	2002
505A1 - Footboard	
50643-82	1982
50647-82	1982
505B1 - Footpeg Mount Bracket	
50639-90A	1990
49720-90	1990
49127-77A	1977
49035-03	2003
49165-90	1990
33048-72	1972
505D1 - Passenger Footpeg	
50649-90	1990
505K1 - Footpeg Wear Peg	
50646-82	1982
506A1 - Brake Pedal	

45051-82	1982
42502-90B	2012
50912-72	1972
507B1 - Rider Interface Mounting Bracket	
52721-90	1990
520A1 - Rider Seat or Full Seat	
52167-91	1991
52170-90	1990
51188-84	1984
523B1 - Back Rest Pad	
52173-90	1990
523C1 - Back Rest Support Structure	
52799-90A	1990
52764-90A	1990
52780-90A	1990
540B1 - Rear Shock	
54569-84	1984
54512-90A	1990
54708-65A	1965
540E1 - Rear Shock sub-component	
54710-84	1984
54475-79	1979
540L2 - Rear Suspension Mounting Bracket	
44063-83C	1983
44209-87C	1987
558A1 - Handlebar	
56082-83	1983
56081-82A	1983
559D1 - Lower Handlebar Clamp	
56542-86A	1986
56126-80	1980
56541-86A	1986
56127-80	1980
559E1 - Upper Handlebar Clamp	
56567-86B	1986

56115-79B	1979
560A1 - Mirror	
91875-88A	1989
91892-88A	1989
91909-90A	1991
91910-90A	1991
561A1 - Throttle Cable	
56355-92	1992
56343-90	1990
56356-92	1992
56342-90	1990
561B1 - Left Hand Grip	
56206-94A	1994
561E1 - Throttle Grip	
56220-94A	1994
573A1 - Bodywork Miscellaneous Component	
4036	2009
573B1 - Bodywork Mounting Bracket	
59993-80B	1980
589A1 - Front Fender	
59006-90	1990
58998-83E	2008
595D1 - Rear Fender	
59634-90A	1990
59111-74	1974
596B1 - Fender Tip	
44196-90	1990
603B1 - Belt / Chain Guard	
60294-90	1990
60297-90A	1990
60293-90A	1991
608A1 - Carbon Canister	
27042-84A	1995
608B1 - Carbon Canister Hose	
27189-92	1992

28884-90	1990
610A1 - Fuel Tank	
61054-92A	1992
61271-91A	1991
611B1 - Fuel Cap	
61102-83C	1983
61272-92C	1992
611F1 - Fuel Tank Vapor Vent Hose	
63500-68	1968
62555-95	1995
63501-68B	1968
612B2 - Fuel Valve	
62170-81B	1981
62161-02	2002
62167-81	1981
62172-02	2002
62150-85	1985
612D1 - Fuel Line Fitting	
63554-90	1990
613B2 - Battery Cover	
66346-91	1991
66368-90	1990
613C1 - Intake / Fuel Tank Cover	
29147-91	1991
613K1 - Airbox Cover	
29165-89	1989
613L1 - Airbox Cover sub-component	
29140-92	1992
29143-90	1990
614A1 - Headlight Bezel	
67769-82	1982
614C1 - Trim	
67807-86	1986
68513-92	1992
624A1 - Oil Pump Assembly	

26054-90	1990
26053-92	1992
624B1 - Oil Pump Assembly sub-component	
26378-92A	1992
26207-83	1983
26226-82A	1983
26561-84	1984
26276-80A	1980
26358-90	1990
26270-92	1992
26276-92A	1992
26348-15	1915
26327-68	1968
45830-48	1948
6239	Unknown
26400-82B	1982
26273-92A	1992
26267-92	1992
26273-80B	1980
26226-92	1992
624C1 - Oil Pump Driven Gear	
26326-62A	1962
26317-68A	1968
26315-68A	1968
26354-90	1990
624D1 - Oil Pump Drive Gear	
26345-73	1973
26346-70	1970
26328-74	1974
624E1 - Oil Pump Internal Cover	
26225-92	1992
26268-90	1990
624G1 - Oil Screen	
24981-70	1970
625B1 - Oil Tank	

62421-90	1990
627B1 - Oil Drain Plug	
60348-65B	1965
627E1 - Oil Filler Plug / Dipstick	
62649-90	1990
37075-87	1987
62681-92	1992
62679-90	1990
627F1 - Oil Filter	
63538-92	1992
63812-90	1990
63813-90	1990
627H1 - Oil Line	
33520-92	1992
627K1 - Oil Line Fitting	
26352-95A	1995
63523-92A	1992
62375-57A	1957
16304-87	1987
63533-41A	1941
628A1 - PT Lubrication and Cooling Miscellaneous Component	
61131-92	1992
25329-91	1991
63528-92	1992
63525-92	1992
62425-90	1990
628B1 - PT Lubrication and Cooling Mounting Bracket	
26381-92B	1992
648K1 - Exhaust Miscellaneous Component	
65670-90A	1990
649A1 - Muffler	
65374-90C	1990
649C1 - Muffler Tailpipe / Outlet	
65669-92	1992
65668-92	1992

654A1 - Exhaust Shield	
65746-90A	1990
65213-92	1992
65701-90	1990
655C1 - Exhaust Mounting Bracket	
65674-90A	1990
65828-90	1990
658A1 - Exhaust Catalyst	
65747-90	1990
65868-91	1991
659A1 - Exhaust Clamp	
65302-82A	1982
659B1 - Exhaust Flange	
65328-83A	2010
659C1 - Exhaust Gasket	
65830-03	2003
660A1 - Battery	
65989-90B	1990
660F1 - Negative Battery Cable	
70107-90	1990
660G1 - Positive Battery Cable	
70102-90A	1990
70103-90	1990
660H1 - Positive Battery Cable Boot	
31662-90	1990
670A1 - Tachometer	
67171-88	1988
67086-85	1985
92061-83	1983
677A1 - Headlight	
67757-92	1992
67730-91	1991
67733-91A	1991
67973-98	1998
67705-92	1992



67698-81D	2001
67685-92	1992
67790-82	1982
677C1 - Headlight Support Bracket	
67805-92	1992
67863-90A	1990
67876-90	1990
678A1 - Taillight	
68033-90	1990
68123-73	1973
68026-73	1973
68008-73B	1975
68457-86	1986
68027-90	1990
678D1 - Turnsignal	
67822-88	1988
68410-87B	1987
68403-86A	1986
68408-86D	1986
67828-88A	1988
67827-88A	1988
68493-90	1990
67829-88	1988
68384-91	1991
71591-92	1992
678E1 - Turnsignal Lens	
68566-90	1990
68507-90	1990
68516-92	1992
679B1 - Reflector	
59272-90	1990
59287-92	1992
59259-90	1990
59256-84A	1984
59290-92	1992

59289-92	1992
59288-92	1992
59988-72A	1972
59251-90	1990
679D1 - License Plate Bracket	
59626-84	1984
60001-55	1955
59986-75	1975
59984-73	1973
680C1 - Incandescent Bulb	
67136-85	1985
68572-64B	1964
68168-89A	1989
68163-84	1984
53439-79	1979
68329-03	2003
690C1 - Horn	
69060-90H	2014
690D1 - Horn Bracket	
69126-91	1991
692C1 - Electrical Miscellaneous Component	
70580-89	1989
92079-88	1988
68023-92A	1993
68024-92A	1993
67185-88	1988
71555-90	1990
72342-90A	1999
92080-88	1988
68020-92A	1993
11411	2013
72051-77A	1977
66333-90	1990
33900-59C	1959
68021-92A	1993

70032-90	1990
692C2 - Electrical Mounting Bracket	
47132-90A	1990
31640-91	1991
69114-90	1990
38622-87	1987
66366-90	1990
70984-90A	1990
31998-91A	1992
70987-90B	1990
69126-92	1992
692D1 - Fuse	
74589-73	1973
74599-77B	1977
692F1 - Wire Harness	
70342-90	1990
69558-92	1992
67172-88A	1988
70339-91B	1991
75047-88	1988
69551-90	1990
692G2 - Wire Guide	
27580-88	1988
692H1 - Connector	
70302-90	1990
74536-77A	1977
70293-87A	1989
29954-71A	1971
72276-74	1974
70305-90	1990
72035-71	1971
692H2 - Terminal	
9875	1985
9898	Unknown
9905	Unknown

66000-80	1980
9937	Unknown
9863	Unknown
9856	Unknown
9857	Unknown
9858	Unknown
692K1 - Connector / Terminal Seal	
72039-71A	1971
692L1 - Wire Harness sub-component	
72503-90	1990
74539-77A	1979
70347-84	1984
70504-81	1981
10102	Unknown
72044-71A	1971
72038-71A	1971
72043-71A	1971
56073-83	1983
70578-89	1989
72046-79	1979
709A1 - Dash Panel	
71014-88A	2003
709B1 - Instrument Cluster or Speedometer	
67127-84A	1984
67187-88	1988
61244-02	2002
67168-88A	1989
65825-90	1990
67169-88A	1988
67186-88	1988
66361-90	1990
75049-88C	1988
709B2 - Fuel Gauge	
75062-90A	1990
75058-88	1988

714A1 - Ignition Switch	
71428-90B	1990
714B1 - Mechanical Switch	
68740-91A	1991
26566-91	1991
714D1 - Relay	
31506-79C	1979
715A1 - Hand Control	
71590-92A	1992
71598-92	1992
70218-87A	1987
71597-92	1992
71568-82A	1982
71564-82A	1982
70219-87	1987
67122-85	1985
71563-82A	1982
71567-82	1982
71589-92	1992
747A1 - Voltage Regulator	
74519-88A	1988
903A1 - Lockset	
71421-90B	1990
936B1 - Cleaner	
41035-88	1988

## Common Service Parts

# BEARINGS, SEALS & HARDWARE

[View interactive table](#)

<b>PART NO.</b>	<b>DESCRIPTION</b>	<b>PART AND MODEL(S)</b>
10014	CLAMP	<b><i>CARBURETOR (1 OF 2): All Models</i></b> <b><i>FUEL TANKS: All Models</i></b>
10080	CLAMP	<b><i>CRANKCASE (2 OF 2): All Models</i></b> <b><i>AIR CLEANER &amp; ENRICHMENT CABLE (1 OF 2): All Models</i></b> <b><i>TRANSMISSION HOUSING &amp; OIL TANK: All Models</i></b> <b><i>OIL FILTERS &amp; MOUNTS: All Models</i></b>
10102	CLIP	<b><i>FUEL TANKS: All Models</i></b>

<b>PART NO.</b>	<b>DESCRIPTION</b>	<b>PART AND MODEL(S)</b>
11105	O-RING	<b>CRANKCASE - GEAR SIDE (1 OF 2): All Models</b> <b>OIL PUMP: All Models</b> <b>TRANSMISSION HOUSING &amp; OIL TANK: All Models</b>
11132A	O-RING	<b>ROCKER ARMS, COVERS &amp; PUSHRODS - V2™ EVOLUTION: All Models</b> <b>TRANSMISSION HOUSING: All Models</b> <b>TRANSMISSION HOUSING &amp; OIL TANK: All Models</b>
11143	RETAINING RING	<b>CLUTCH CONTROL: All Models</b> <b>FRONT BRAKE CONTROL:</b> <b>FXDB</b> <b>FXDC</b>
11145A	O-RING	<b>ROCKER ARMS, COVERS &amp; PUSHRODS - V2™ EVOLUTION: All Models</b>
11147B	O-RING	<b>PRIMARY HOUSING: All Models</b>
11150	RETAINING RING	<b>GEAR SHIFTER (1 OF 2): All Models</b>
11157	O-RING	<b>ROCKER ARMS, COVERS &amp; PUSHRODS - V2™ EVOLUTION: All Models</b>
11165	QUAD SEAL	<b>TRANSMISSION HOUSING: All Models</b>
12035B	OIL SEAL	<b>TRANSMISSION GEARS: All Models</b>
12045	SEAL	<b>GEAR SHIFTER (1 OF 2): All Models</b>
12052A	OIL SEAL	<b>PRIMARY HOUSING: All Models</b>
1311D	SCREW	<b>FUEL TANK INSTRUMENTS: All Models</b>
16715-83	STUD	<b>CYLINDERS, HEADS &amp; VALVES V2™ - REAR SHOWN (2 OF 2): All Models</b>
17358-84B	GASKET	<b>ROCKER ARMS, COVERS &amp; PUSHRODS - V2™ EVOLUTION:</b> <b>FXDB</b>
25416-70A	O-RING	<b>PRIMARY HOUSING: All Models</b>
26995-86B	SEAL	<b>CARBURETOR (1 OF 2): All Models</b>
2720	SCREW	<b>ALTERNATOR &amp; REGULATOR: All Models</b>
31433-84A	WASHER	<b>PRIMARY HOUSING: All Models</b>
33318-85	LOCKING TAB	<b>PRIMARY HOUSING: All Models</b>
3655A	SCREW	<b>FRONT WHEEL: All Models</b> <b>FRAME, REAR FORK &amp; JIFFY STAND: All Models</b>
36801-87C	GASKET	<b>TRANSMISSION HOUSING: All Models</b>
41731-88A	GASKET	<b>FRONT BRAKE CONTROL: All Models</b> <b>REAR BRAKE CONTROL: All Models</b>
41733-88	GASKET	<b>FRONT BRAKE CONTROL:</b> <b>FXDB</b>
43567-92	SCREW	<b>REAR WHEEL:</b> <b>FXDB</b> <b>FXDC</b>
45378-87	OIL SEAL	<b>FRONT FORK: All Models</b>

<b>PART NO.</b>	<b>DESCRIPTION</b>	<b>PART AND MODEL(S)</b>
4740A	SCREW	<b>TRANSMISSION HOUSING &amp; OIL TANK: All Models</b> <i>PRIMARY HOUSING:</i> <b>FXDB</b> <b>FXDC</b> <i>PRIMARY HOUSING:</i> <b>FXDB</b>
47519-83A	OIL SEAL	<i>FRONT WHEEL:</i> <b>FXDB</b> <b>REAR WHEEL: All Models</b>
48300-60	ROLLER BEARING	<b>FRONT FORK: All Models</b>
53156-86	BUSHING	<b>HANDLEBAR: All Models</b>
60539-94B	GASKET	<i>PRIMARY HOUSING:</i> <b>FXDB</b>
60567-90C	GASKET	<b>PRIMARY HOUSING: All Models</b>
60678-85	RETAINING RING	<b>PRIMARY HOUSING: All Models</b>
63858-49	GASKET	<b>ROCKER ARMS, COVERS &amp; PUSHRODS - V2™ EVOLUTION: All Models</b>
6516HW	WASHER	<b>REAR WHEEL: All Models</b>
65324-83B	GASKET	<b>EXHAUST SYSTEM: All Models</b>
65325-83A	RETAINING RING	<b>EXHAUST SYSTEM: All Models</b>
6702	WASHER	<i>REAR BELT GUARD:</i> <b>FXDB</b> <b>FXDC</b> <i>REAR BELT GUARD:</i> <b>FXDB</b> <i>FRAME, REAR FORK &amp; JIFFY STAND:</i> <b>FXDB</b> <i>SEATS &amp; SISSY BAR:</i> <b>FXDB</b> <b>REAR FENDERS: All Models</b> <b>EXHAUST SYSTEM: All Models</b>
7041	LOCKWASHER	<b>STARTER MOTOR: All Models</b> <b>GEAR SHIFTER (1 OF 2): All Models</b> <i>FRAME, REAR FORK &amp; JIFFY STAND:</i> <b>FXDB</b> <b>HEADLAMP: All Models</b> <b>TAIL LAMP &amp; REAR TURN SIGNALS: All Models</b>
739A	PLUG	<b>PRIMARY HOUSING: All Models</b>
7593	NUT	<i>EXHAUST SYSTEM:</i> <b>FXDB</b> <b>FXDC</b>
7716	LOCKNUT	<i>ALTERNATOR &amp; REGULATOR:</i> <b>FXDB</b> <i>SWITCHES &amp; CIRCUIT BREAKERS:</i> <b>FXDB</b>
856A	SCREW	<b>GEAR SHIFTER (1 OF 2): All Models</b>
8692	RIVET	<i>CRANKCASE - GEAR SIDE (1 OF 2):</i> <b>FXDB</b> <b>ELECTRONIC IGNITION SYSTEM: All Models</b>

PART NO.	DESCRIPTION	PART AND MODEL(S)
9052	ROLLER BEARING	<b>FRONT WHEEL:</b> All Models <b>REAR WHEEL:</b> FXDB
9955	CLAMP	<b>EXHAUST SYSTEM:</b> All Models

## BRAKING & SUSPENSION

[View interactive table](#)

PART NO.	DESCRIPTION	PART AND MODEL(S)
44063-83C	PAD SET	<b>FRONT BRAKE CALIPER:</b> FXDB <b>FRONT BRAKE CALIPER:</b> FXDB FXDC

## ELECTRICAL

[View interactive table](#)

PART NO.	DESCRIPTION	PART AND MODEL(S)
72023-51E	STOPLAMP SWITCH	<b>REAR BRAKE CONTROL:</b> All Models

## ENGINE, TRANSMISSION & PRIMARY

[View interactive table](#)

PART NO.	DESCRIPTION	PART AND MODEL(S)
37909-90	RETAINING RING	<b>CLUTCH:</b> All Models
37911-90	FRICTION PLATE	<b>CLUTCH:</b> All Models

## FOOT CONTROLS

[View interactive table](#)

PART NO.	DESCRIPTION	PART AND MODEL(S)
34611-65A	PEG	<b>GEAR SHIFTER (2 OF 2):</b> All Models

## INTAKE, EXHAUST & FUEL MGMT

[View interactive table](#)

PART NO.	DESCRIPTION	PART AND MODEL(S)
27002-89	SEAL RING	<b>CARBURETOR (1 OF 2):</b> All Models
27361-76A	DIAPHRAGM	<b>CARBURETOR (2 OF 2):</b> All Models
29229-88D	CABLE	<b>AIR CLEANER &amp; ENRICHMENT CABLE (2 OF 2):</b> All Models

## LIGHTING

[View interactive table](#)



<b>PART NO.</b>	<b>DESCRIPTION</b>	<b>PART AND MODEL(S)</b>
68168-89A	BULB	<i>FRONT TURN SIGNALS: All Models</i> <i>TAIL LAMP &amp; REAR TURN SIGNALS: All Models</i>
68329-03	BULB	<i>HEADLAMP:</i> <b>FXDB</b> <b>FXDC</b>
68572-64B	BULB	<i>TAIL LAMP &amp; REAR TURN SIGNALS: All Models</i>

## MAINTENANCE & TOOLS

[View interactive table](#)

<b>PART NO.</b>	<b>DESCRIPTION</b>	<b>PART AND MODEL(S)</b>
95594-84B	WEIGHT	<i>FRONT WHEEL: All Models</i> <i>REAR WHEEL: All Models</i>

## TIRES

[View interactive table](#)

<b>PART NO.</b>	<b>DESCRIPTION</b>	<b>PART AND MODEL(S)</b>
43157-83A	VALVE STEM ASSEMBLY	<i>REAR WHEEL:</i> <b>FXDB</b>