



Harley-Davidson, Inc.

PARTS CATALOG
1986 — 1990

Sportster

EVOLUTION

883

1100

1200

GENERAL INFORMATION

This Parts Catalog has been prepared for your convenience when ordering parts for the XLH EVOLUTION SPORTSTER Models. 1954 to 1978 Sportster Models are covered in Parts Catalog 99451-78B, 1979 to 1985 Sportster Models are covered in Parts Catalog 99781-85. Wherever possible, parts are shown in assembly breakdown sequence. Index numbers shown in the illustrations correspond to index numbers in parts lists. Consult the illustrations when ordering parts so you are sure to get what you want.

Number in parenthesis following description of part is the quantity needed for complete assembly. If there is no number in parenthesis, only one is used.

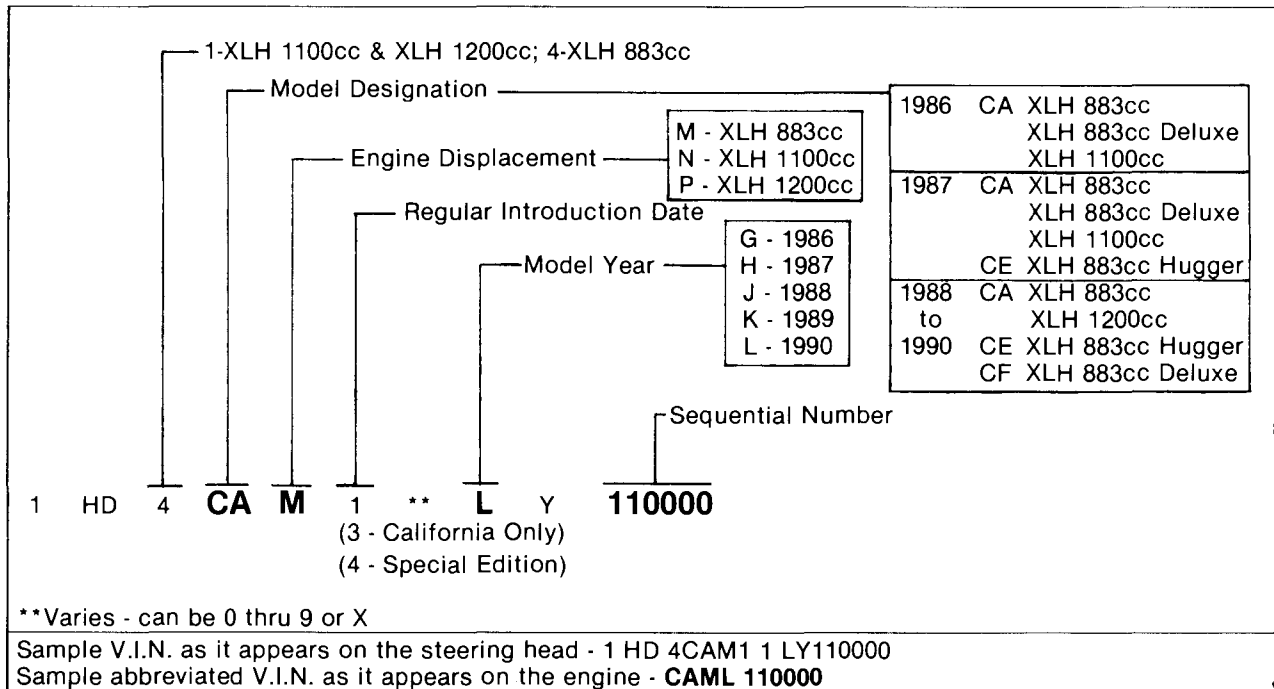
Prices of parts listed in this catalog are published separately in the latest RETAIL PRICE LIST.

The following instructions should be followed carefully when ordering parts:

- Specify the correct part number for each item. Check the "Used On" column of the parts list which shows the model on which the part fits. Whenever in doubt, refer to the Vehicle Identification Number (V.I.N.) stamped on the engine crankcase and frame.

The Vehicle Identification Number (V.I.N.) is located on the engine crankcase and is the same as the frame number located on the right side of the steering head.

The V.I.N. (Vehicle Identification Number) for the XLH EVOLUTION SPORTSTER models is as follows:



- Part Numbers are to be used when ordering by TELEGRAM or CABLE.
- When ordering parts use our standard Parts & Accessories order form, Part No. 99511-76, for all parts except engines and crankcases. Order form, Part No. 99514-76, must be used for engines and crankcases. The use of these forms will enable us to fill and ship your order more promptly. These forms are furnished free of charge upon request.
- Do not order motorcycles or advertising material on Parts Order Forms. Write nothing on the order form except the order itself, as any other correspondence will not be answered until the order is shipped and billed.
- Freight, Express and Parcel Post orders should be on separate order forms.
- For your own records, number and date all orders, also keep a carbon copy for future reference.

GENERAL INFORMATION

This Parts Catalog has been prepared for your convenience when ordering parts for the XLH EVOLUTION SPORTSTER Models. 1954 to 1978 Sportster Models are covered in Parts Catalog 99451-78B, 1979 to 1985 Sportster Models are covered in Parts Catalog 99781-85. Wherever possible, parts are shown in assembly breakdown sequence. Index numbers shown in the illustrations correspond to index numbers in parts lists. Consult the illustrations when ordering parts so you are sure to get what you want.

Number in parenthesis following description of part is the quantity needed for complete assembly. If there is no number in parenthesis, only one is used.

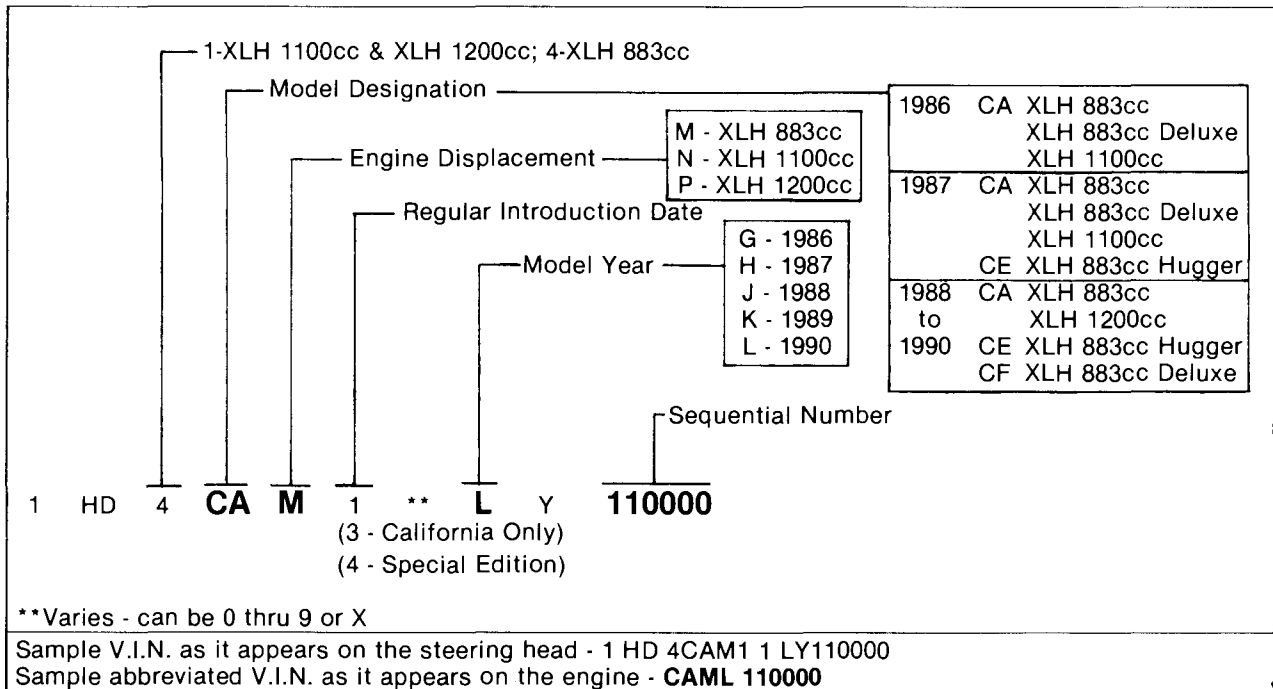
Prices of parts listed in this catalog are published separately in the latest RETAIL PRICE LIST.

The following instructions should be followed carefully when ordering parts:

- Specify the correct part number for each item. Check the "Used On" column of the parts list which shows the model on which the part fits. Whenever in doubt, refer to the Vehicle Identification Number (V.I.N.) stamped on the engine crankcase and frame.

The Vehicle Identification Number (V.I.N.) is located on the engine crankcase and is the same as the frame number located on the right side of the steering head.

The V.I.N. (Vehicle Identification Number) for the XLH EVOLUTION SPORTSTER models is as follows:



- Part Numbers are to be used when ordering by TELEGRAM or CABLE.
- When ordering parts use our standard Parts & Accessories order form, Part No. 99511-76, for all parts except engines and crankcases. Order form, Part No. 99514-76, must be used for engines and crankcases. The use of these forms will enable us to fill and ship your order more promptly. These forms are furnished free of charge upon request.
- Do not order motorcycles or advertising material on Parts Order Forms. Write nothing on the order form except the order itself, as any other correspondence will not be answered until the order is shipped and billed.
- Freight, Express and Parcel Post orders should be on separate order forms.
- For your own records, number and date all orders, also keep a carbon copy for future reference.

GENERAL INFORMATION

This Parts Catalog has been prepared for your convenience when ordering parts for the XLH EVOLUTION SPORTSTER Models. 1954 to 1978 Sportster Models are covered in Parts Catalog 99451-78B, 1979 to 1985 Sportster Models are covered in Parts Catalog 99781-85. Wherever possible, parts are shown in assembly breakdown sequence. Index numbers shown in the illustrations correspond to index numbers in parts lists. Consult the illustrations when ordering parts so you are sure to get what you want.

Number in parenthesis following description of part is the quantity needed for complete assembly. If there is no number in parenthesis, only one is used.

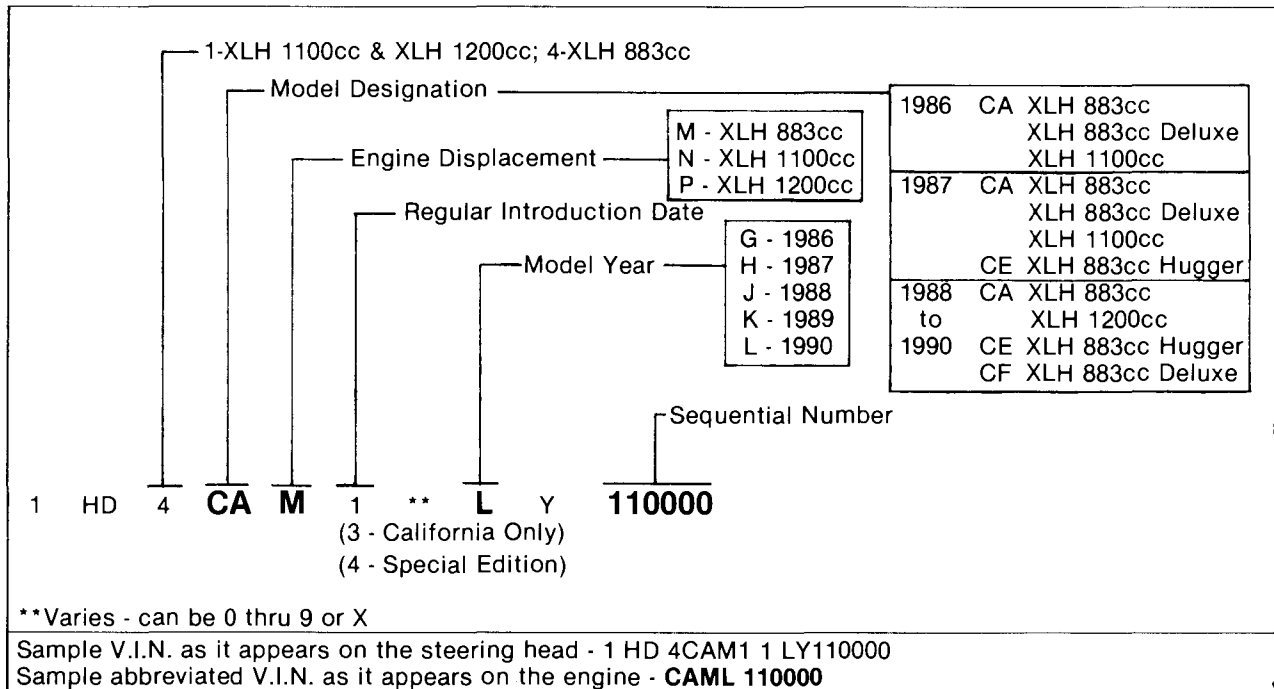
Prices of parts listed in this catalog are published separately in the latest RETAIL PRICE LIST.

The following instructions should be followed carefully when ordering parts:

- Specify the correct part number for each item. Check the "Used On" column of the parts list which shows the model on which the part fits. Whenever in doubt, refer to the Vehicle Identification Number (V.I.N.) stamped on the engine crankcase and frame.

The Vehicle Identification Number (V.I.N.) is located on the engine crankcase and is the same as the frame number located on the right side of the steering head.

The V.I.N. (Vehicle Identification Number) for the XLH EVOLUTION SPORTSTER models is as follows:



- Part Numbers are to be used when ordering by TELEGRAM or CABLE.
- When ordering parts use our standard Parts & Accessories order form, Part No. 99511-76, for all parts except engines and crankcases. Order form, Part No. 99514-76, must be used for engines and crankcases. The use of these forms will enable us to fill and ship your order more promptly. These forms are furnished free of charge upon request.
- Do not order motorcycles or advertising material on Parts Order Forms. Write nothing on the order form except the order itself, as any other correspondence will not be answered until the order is shipped and billed.
- Freight, Express and Parcel Post orders should be on separate order forms.
- For your own records, number and date all orders, also keep a carbon copy for future reference.

ALPHABETICAL INDEX

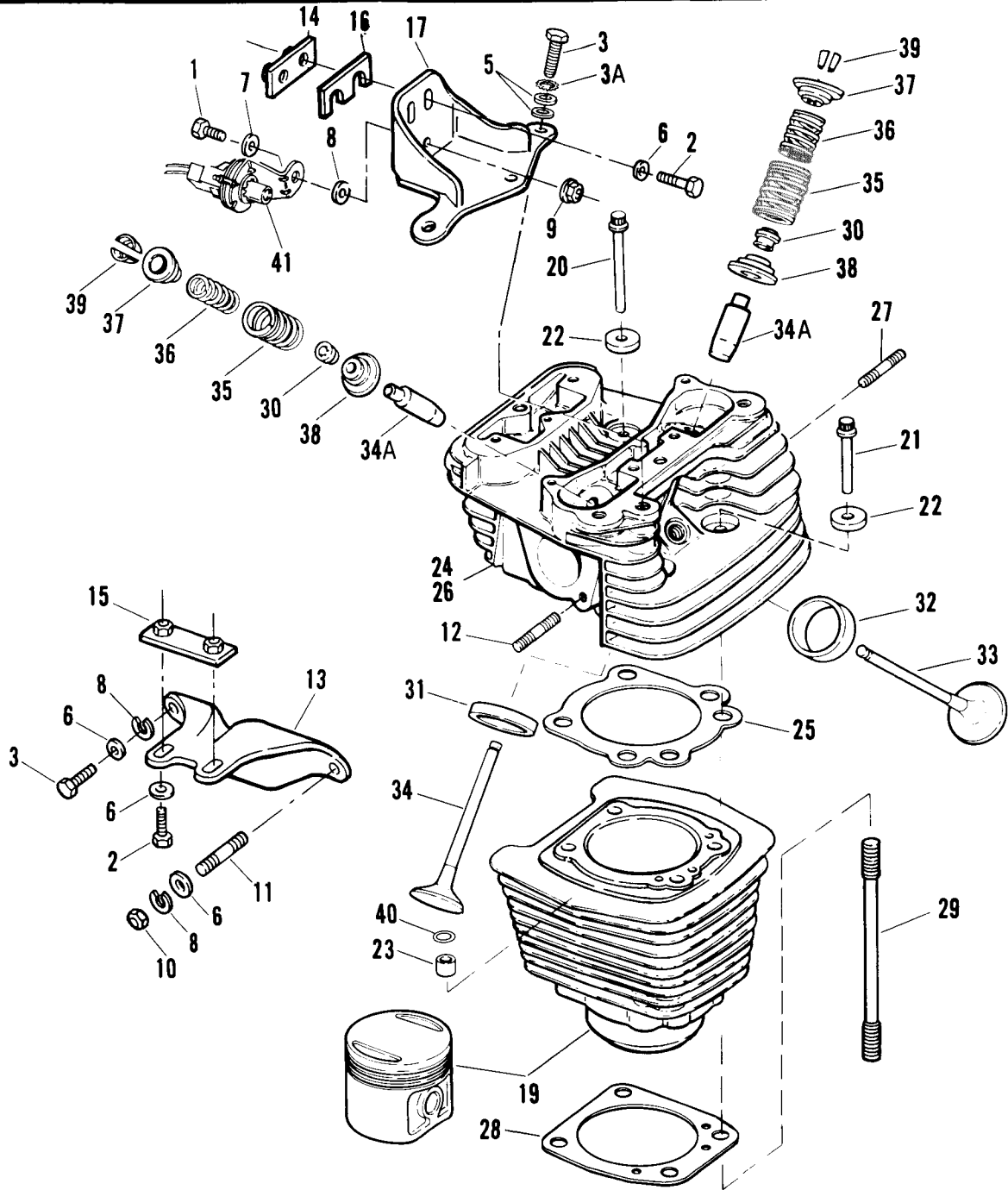
	Page		Page
Air Cleaner — 1986 & 1987	27	Ignition Module	33
Air Cleaner — 1988 & Later	29	Ignition Switch	97
Alternator	31	Indicator Lamps	89
Axle — rear	61, 63	Jiffy Stand	69
Axle — front	51, 53	License Plate Bracket	77
Battery	83	Master Cylinder — front	47
Brake Caliper — front	49	Master Cylinder — rear	55
Brake Caliper — rear	57, 59	Mirror	85
Brake Control — front	47	Muffler	87
Brake Control — rear	55	Numerical Index	110
Brake Disc	51, 53, 61, 63	Oil Filter	81
Cam Gears	101-106	Oil Pressure Switch	81
Carburetor — 1986 & 1987	21	Oil Pump	19
Carburetor — 1988 & Later	23, 25	Oil Tank	81
Chain	45	Pistons and Rings	3, 9
Chain Guard — rear	77	Push Rods and Covers	7
Chain Case — front	13, 15	Regulator	31
Choke	27, 29	Relay — starter	97
Circuit Breaker	97	Rocker Arms and Covers	7
Clutch	41	Seat	70
Clutch Control	43	Shifter	39
Coil	33	Shock Absorbers	72
Connecting Rods and Bearings	9, 11	Spark Coil	33
Crankcase	13, 15	Spark Plugs	33
Cylinder	3	Speedometer	89
Cylinder Head	3	Sprocket Cover	37
Electrical	95, 97, 99	Sprockets	45, 61, 63
Engine	3	Starter Motor	35
Exhaust System	87	Switches	97, 99
Fender — front	73	Switches, handlebar	99
Fender — rear	77	Switches, ignition	97
Flywheels	9, 11	Switches, starter	97
Footrests	71	Tachometer	89
Fork — front — 1986 & 1987	65	Tail Lamp	92
Fork — front — 1988 & Later	67	Tappets	7
Fork — rear	69	Throttle Control	75
Frame	69	Transmission	37
Fuel Tank	79	Turn Signals	91
Gearcase	17	Valves and Guides	3, 5
Handlebar	75	Voltage Regulator	31
Headlamp	85	Wheel — front	51, 53
Horn	93	Wheel — rear	61, 63
		Wiring	95

PATENT NOTICE

Harley-Davidson products are manufactured under one or more of the following patents: U.S. Patents — 2986162, 2987934, 2998809, 3116089, 3144631, 3144860, 3226994, 3229792, 3434887, 3559773, 3673359, 3709317, Des. 225,626.

To the best knowledge of Harley-Davidson, Inc., the material contained herein is accurate as of the date this publication was approved for printing. Harley-Davidson, Inc., reserves the right to change specifications, equipment, or designs at any time without notice and without incurring obligation.

HARLEY-DAVIDSON, INC.
Milwaukee, Wisconsin 53201

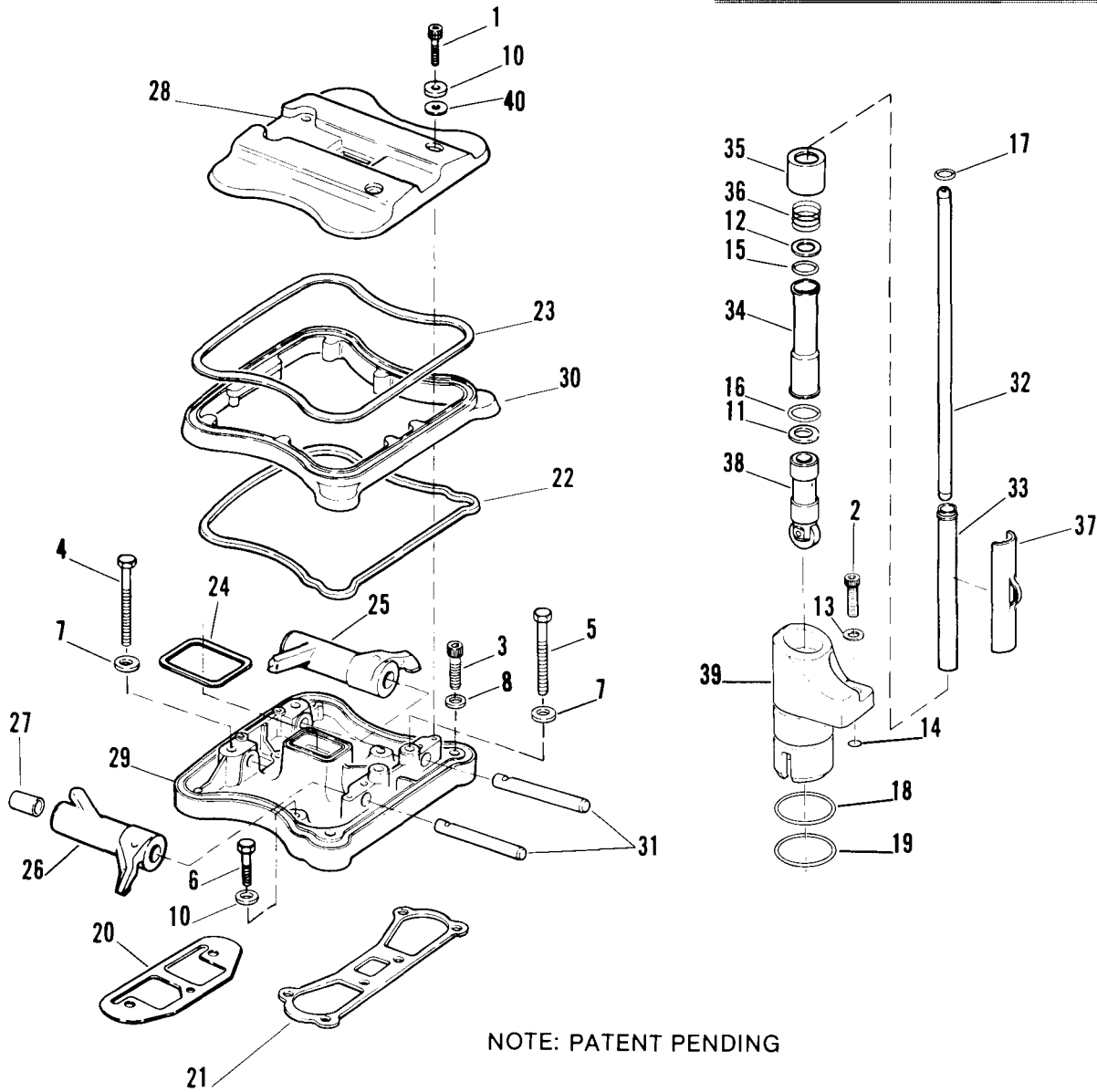


**CYLINDER, HEAD
& VALVES — V²_{TM}**

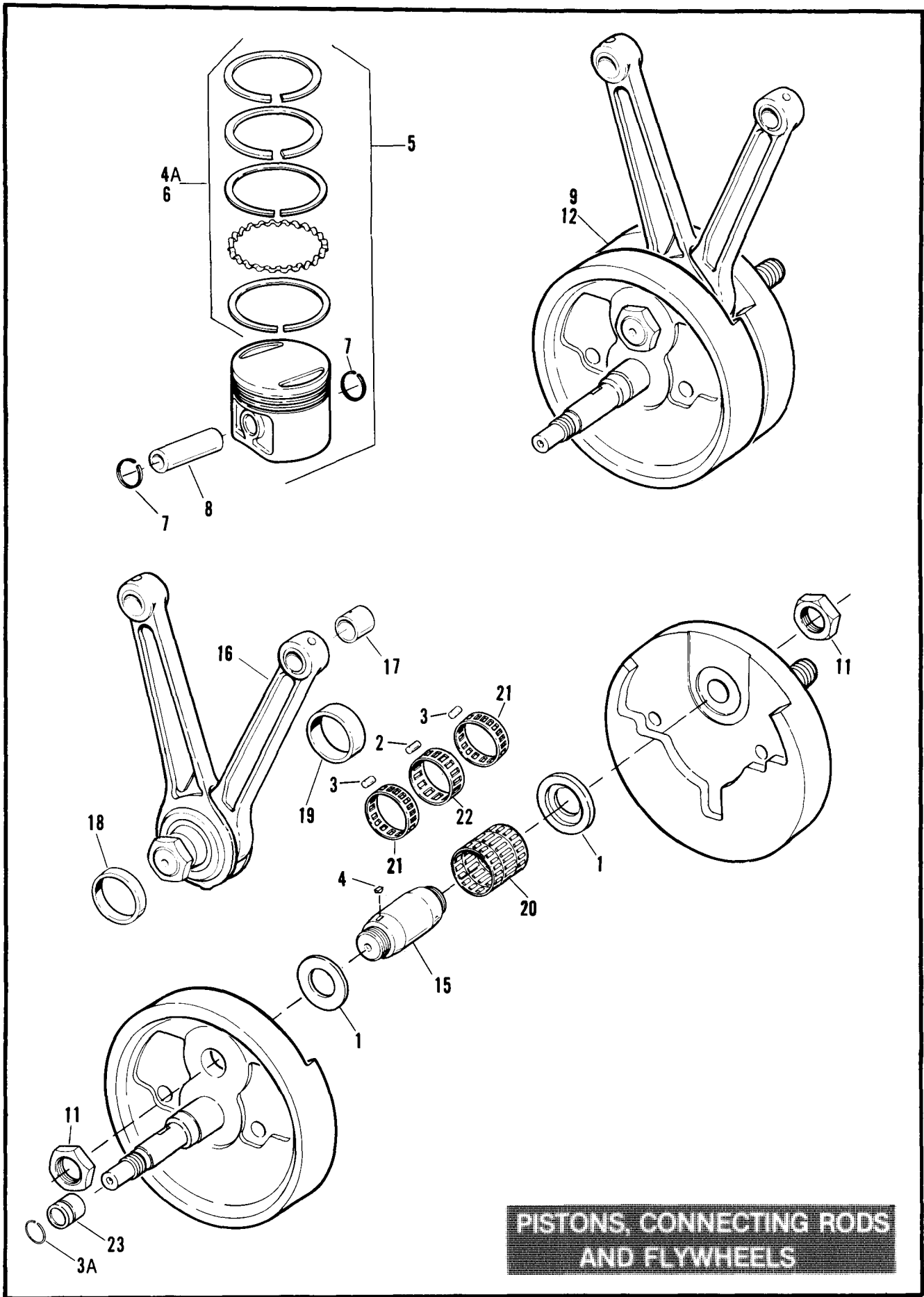
RETAIL PRICE	INDEX NO.	PART NO.	NAME	USED ON
	1	3987	BOLT	86 to * — All Models
	2	4319	BOLT (4)	86 to * — All Models
	3	4716W	BOLT (3)	86 to * — All Models
	5	6019	WASHER (3)	87 to * — All Models
	6	6701	WASHER (6)	86 to * — All Models
	7	6702	WASHER	86 to * — All Models
	8	7038	LOCKWASHER (3)	86 to * — All Models
	8A	7145W	LOCKWASHER (2)	89 to * — All Models
	9	7531	LOCKNUT	86 to * — All Models
	10	7800W	NUT	86 to * — All Models
	11	11727	STUD, cylinder head — left front	86 to * — All Models
	12	11731	STUD, intake port (2)	86 to * — All Models
		16051—89	ENGINE ASSEMBLY, complete (1200cc)	89 to * — XLH 1200
		16052—89	ENGINE ASSEMBLY, complete (883cc)	89 to * XLH 883/DLX
		16053—89	ENGINE ASSEMBLY, complete (883cc)	89 to * XLH HUG.
		16054—89	ENGINE ASSEMBLY, complete (1200cc)(Cal. only)	89 to * — XLH 1200
		16055—89	ENGINE ASSEMBLY, complete (883cc)(Cal. only)	89 to * — XLH 883/DLX
		16056—88	ENGINE ASSEMBLY, complete (1200cc)(HDI only)	89 — XLH 1200
		16057—89	ENGINE ASSEMBLY, complete (883cc)(Cal. only)	89 to * — XLH HUG.
		16058—88	ENGINE ASSEMBLY, complete (883cc)(HDI only)	89 — XLH 883/DLX
		16059—88	ENGINE ASSEMBLY, complete (883cc)(HDI only)	89 - XLH HUG.
		16070—89	ENGINE ASSEMBLY, complete (1200cc)(Swiss only)	89 — XLH 1200
		16071—89	ENGINE ASSEMBLY, complete (883cc)(Swiss only)	89 — XLH 883/DLX
		16072—89	ENGINE ASSEMBLY, complete (883cc)(Swiss only)	89 — XLH HUG.
	13	16214—86	BRACKET, engine mounting — upper front	86 & 87 — XLH 1100; 88 to * — XLH 1200
		16222—86	BRACKET, engine mounting — upper front	86 to * — XLH 883 All Models
	14	16226—86	NUT PLATE	86 to * — All Models
	15	16228—86	NUT PLATE	86 to * — All Models
	16	16231—86	SHIM, 0.060	86 to * — All Models
		16232—86	SHIM, 0.090	86 to * — All Models
		16233—86	SHIM, 0.030	86 to * — All Models
	17	16277—86	BRACKET, engine mounting — center	86 to * — XLH 883 All Models
		16278—86	BRACKET, engine mounting — center	86 & 87 — XLH 1100; 88 to * — XLH 1200
	19	16446—86	CYLINDER WITH PISTON (883cc)(2)	86 to * — XLH 883 All Models
		16447—86	CYLINDER WITH PISTON (1100cc)(2)	86 & 87 — XLH 1100
		16447—88	CYLINDER WITH PISTON (1200cc)(2)	88 to * — XLH 1200
	20	16478—85A	SCREW, internal thread (4)	86 to * — All Models
	21	16480—85A	SCREW, internal thread (4)	86 to * — All Models
	22	16482—85	WASHER (8)	86 — All Models
	23	16573—83	INSERT, cylinder stud (4)	86 to * — All Models
	24	16660—86	HEAD, rear cylinder — includes valve guides & seats	86 — XLH 883
		16660—86A	HEAD, rear cylinder — includes valve guides & seats	87 to * — XLH 883 All Models
		16661—86	HEAD, front cylinder — includes valve guides & seats	86 — XLH 883
		16661—86A	HEAD, front cylinder — includes valve guides & seats	87 to * — XLH 883 All Models
	25	16664—86	GASKET, cylinder head (2)	86 to * — XLH 883 All Models
		16665—86	GASKET, cylinder head (2)	86 & 87 — XLH 1100
		16773—85	GASKET, cylinder head (2)	88 to * — XLH 1200

RETAIL PRICE	INDEX NO.	PART NO.	NAME	USED ON
	26	16688—86	HEAD, front cylinder — includes valve guides & seats	86 — XLH 1100
		16688—87	HEAD, front cylinder — includes valve guides & seats	87 — XLH 1100
		16688—88	HEAD, front cylinder — includes valve guides & seats	88 to * — XLH 1200
		16698—86	HEAD, rear cylinder — includes valve guides & seats	86 — XLH 1100
		16698—87	HEAD, rear cylinder — includes valve guides & seats	87 — XLH 1100
		16698—88	HEAD, rear cylinder — includes valve guides & seats	88 to * — XLH 1200
	27	16715—83	STUD, exhaust port (4)	86 to * — All Models
	28	16774—86A	GASKET, cylinder base (2)	86 to * — All Models
	29	16832—86A	STUD, cylinder base (8)	86 to * — All Models
		17026—86A	GASKET KIT, engine overhaul	86 to * — All Models
		17032—86A	GASKET KIT, top overhaul	86 to * — All Models
	30	18001—83A	SEAL, valve (4)	86 to * — All Models
	31	18011—86	INSERT, exhaust valve seat (2)	86 — XLH 1100
		18011—87	INSERT, exhaust valve seat (2)	87 — XLH 1100; 88 to * — XLH 1200
		18012—86	INSERT, exhaust valve seat (2)	86 — XLH 883
		18012—87	INSERT, exhaust valve seat (2)	87 to * — XLH 883 All Models
	32	18020—83	INSERT, intake valve seat (2)	86 — XLH 1100
		18020—87	INSERT, intake valve seat (2)	87 — XLH 1100; 88 to * — XLH 1200
		18021—86	INSERT, intake valve seat (2)	86 — XLH 883
		18021—87	INSERT, intake valve seat (2)	87 to * — XLH 883 All Models
	33	18023—86	INTAKE VALVE, standard (2)	86 — XLH 1100
		18023—87	INTAKE VALVE (2)	87 — XLH 1100; 88 to * — XLH 1200
		18025—86	INTAKE VALVE, 0.030 short (2)	86 — XLH 1100
		18031—86	INTAKE VALVE (2)	86 to * — XLH 883
		18032—86	INTAKE VALVE, 0.030 short (2)	86 to * — XLH 883
		18034—88	INTAKE VALVE, 0.030 short (2)	87 to * — XLH 1100, 1200
	34	18024—86	EXHAUST VALVE, (2)	86 — XLH 1100
		18024—87	EXHAUST VALVE (2)	87 — XLH 1100; 88 to * — XLH 1200
		18026—86	EXHAUST VALVE, 0.030 short (2)	86 — XLH 1100
		18028—88	EXHAUST VALVE, 0.030 short (2)	87 to * — XLH 1100, 1200
		18029—86	EXHAUST VALVE, 0.030 short (2)	86 to * — XLH 883
		18030—86	EXHAUST VALVE (2)	86 to * — XLH 883
	34A	18130—83C	VALVE GUIDE, int. & exh. — 0.001 O.S. (4)	86 to * — All Models
		18131—83C	VALVE GUIDE, int. & exh. — 0.003 O.S. (4)	86 to * — All Models
		18133—83A	VALVE GUIDE, int. & exh. — 0.002 O.S. (4)	86 to * — All Models
	35	18201—83	VALVE SPRING, outer (4)	86 to * — All Models
	36	18202—83	VALVE SPRING, inner (4)	86 to * — All Models
	37	18219—83	COLLAR, valve spring — upper (4)	86 to * — All Models
	38	18222—83	COLLAR, valve spring — lower (4)	86 to * — All Models
	39	18229—83	RETAINER, valve collar (8)	86 to * — All Models
	40	26432—76A	O-RING, cylinder stud insert (4)	86 to * — All Models
	41	26558—84	VACUUM SWITCH, carburetor	86 to * — All Models

ROCKER ARMS, COVER & PUSHROD — V.



RETAIL PRICE	INDEX NO.	PART NO.	NAME	USED ON
	1	852	SCREW (8)	86 — All Models
		884	SCREW (8)	87 to * — All Models
	2	2708	SCREW (4)	86 to * — All Models
	3	3481	SCREW (4)	86 to * — All Models
	4	3500	BOLT (4)	86 to * — All Models
	5	3501	BOLT (4)	86 to * — All Models
	6	3997	BOLT (6)	86 to * — All Models
	7	6016	WASHER (8)	86 to * — All Models
	8	6099	WASHER (4)	86 to * — All Models
	10	6736	WASHER (14)	86 to * — All Models
	11	6737	WASHER (4)	86 to * — All Models
	12	6762B	WASHER (4)	86 to * — All Models
	13	6771	WASHER (4)	86 to * — All Models
	14	11110	O-RING, tappet guide (4)	86 to * — All Models
	15	11132	O-RING, push rod cover — middle (4)	86 to * — All Models
	16	11145	QUAD SEAL, push rod cover — lower (4)	86 to * — All Models
	17	11157	O-RING, push rod cover — upper (4)	86 to * — All Models
	18	11167A	O-RING, tappet guide — upper (4)	86 to * — All Models
	19	11168A	O-RING, tappet guide — lower (4)	86 to * — All Models
	20	16778—84	GASKET, cylinder head — right (2)	86 to * — All Models
	21	16779—84A	GASKET, cylinder head — left (2)	86 to * — All Models
	22	17353—86A	GASKET, rocker cover — lower (2)	86 to * — All Models
	23	17354—86A	GASKET, rocker cover — upper (2)	86 to * — All Models
	24	17358—84A	GASKET, rocker cover — inner (2)	86 to * — All Models
	25	17360—83	ROCKER ARM, front intake & rear exhaust (2)	86 to * — All Models
	26	17375—83	ROCKER ARM, front exhaust & rear intake (2)	86 to * — All Models
	27	17428—57	BUSHING, rocker arm (8)	86 to * — All Models
	28	17501—86A	ROCKER COVER, outer (2)	86 to * — All Models
	29	17532—86A	ROCKER COVER, inner (2)	86 to * — All Models
	30	17533—86B	SPACER, rocker covers (2)	86 to * — All Models
	31	17611—83	SHAFT, rocker arm (4)	86 to * — All Models
	32	17896—86	PUSH ROD, 2 red stripes (4)	86 & 87 — All Models
		17897—86	PUSH ROD, 1 red stripe (4; 2 int. — 88 & Later)	86 to * — All Models
		17904—86	PUSH ROD, 3 red stripes (4; 2 exh. — 88 & Later)	86 to * — All Models
		17918—87	PUSH ROD, 4 red stripes (2 int. — 87)	87 — XLH 1100
	33	17935—79B	COVER, push rod — upper (4)	86 to * — All Models
	34	17938—83	COVER, push rod — lower (4)	86 to * — All Models
	35	17945—36B	CAP, cover spring (4)	86 to * — All Models
	36	17947—36	SPRING, push rod cover (4)	86 to * — All Models
	37	17950—86	RETAINER, spring cap (4)	86 to * — All Models
	38	18523—86	TAPPET, with roller (4)	86 to * — All Models
	39	18616—86	TAPPET GUIDE, front exhaust	86 to * — All Models
		18617—86	TAPPET GUIDE, front intake	86 to * — All Models
		18618—86	TAPPET GUIDE, rear exhaust	86 to * — All Models
		18619—86	TAPPET GUIDE, rear intake	86 to * — All Models
	40	63858—49	GASKET (8)	86 to * — All Models



**PISTONS, CONNECTING RODS
AND FLYWHEELS**

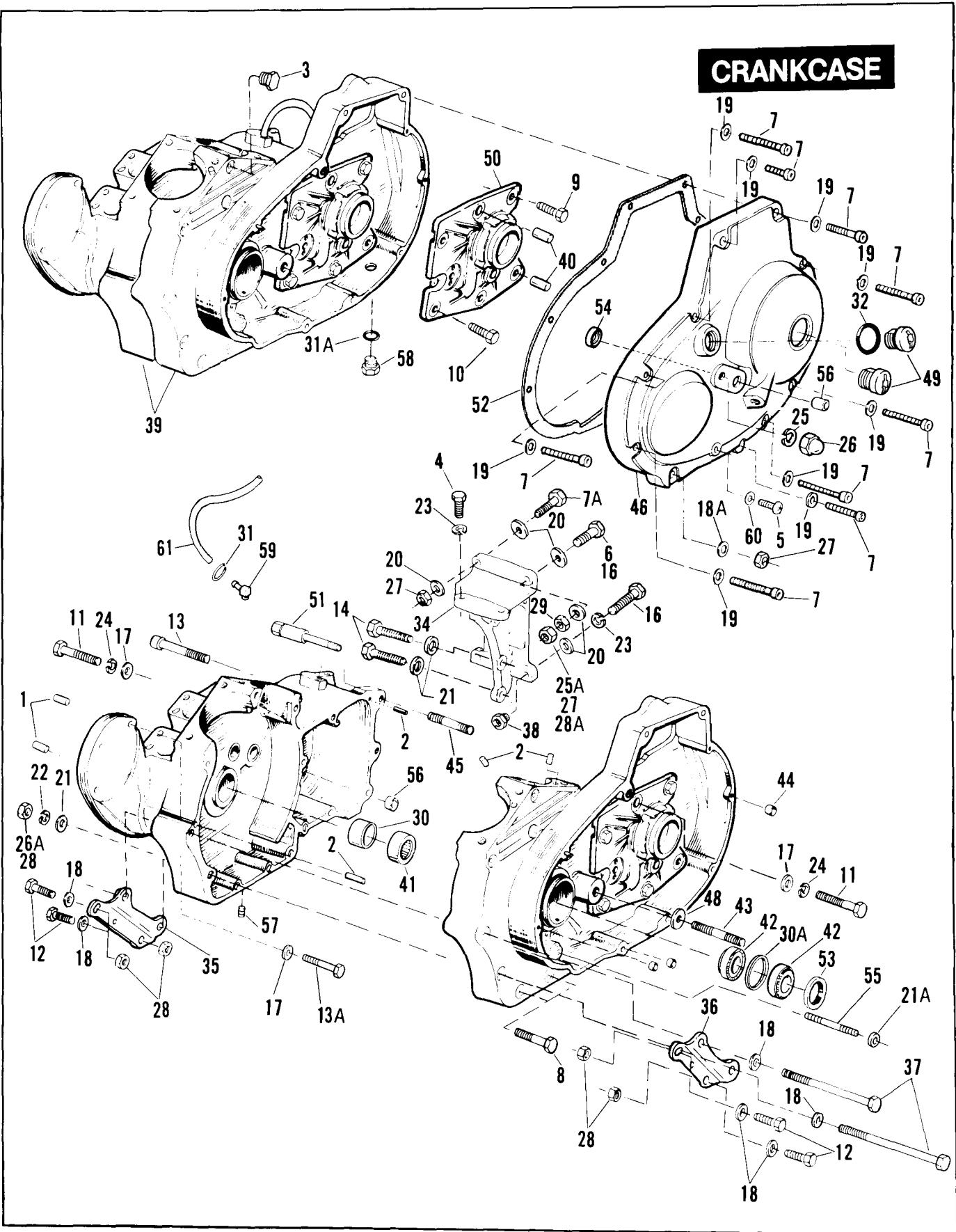
RETAIL PRICE	INDEX NO.	PART NO.	NAME	USED ON
	1	6506	WASHER, crank pin boss (2)	Early 86 — All Models
		6508	WASHER, crank pin boss (2)	Late 87 to * — All Models
	2	9150A	ROLLER, crank pin, 0.1875 x 0.480 lg. — standard (17)	Early 86 — All Models
		9152A	ROLLER, crank pin — 0.0002 O.S. (17)	Early 86 — All Models
		9154A	ROLLER, crank pin — 0.0004 O.S. (17)	Early 86 — All Models
		9156A	ROLLER, crank pin — 0.0006 O.S. (17)	Early 86 — All Models
		9158A	ROLLER, crank pin — 0.0008 O.S. (17)	Early 86 — All Models
		9160A	ROLLER, crank pin — 0.0010 O.S. (17)	Early 86 — All Models
		9416	ROLLER, crank pin — 0.0015 O.S. (17)	Early 86 — All Models
		9417	ROLLER, crank pin — 0.0020 O.S. (17)	Early 86 — All Models
		9161	ROLLER, crank pin — 0.0002 U.S. (17)	Early 86 to * — All Models
	3	9441A	ROLLER, crank pin, 0.1875 x 0.294 lg. — standard (34)	Early 86 — All Models
		9442A	ROLLER, crank pin — 0.0002 O.S. (34)	Early 86 — All Models
		9443A	ROLLER, crank pin — 0.0004 O.S. (34)	Early 86 — All Models
		9444A	ROLLER, crank pin — 0.0006 O.S. (34)	Early 86 — All Models
		9445A	ROLLER, crank pin — 0.0008 O.S. (34)	Early 86 — All Models
		9446A	ROLLER, crank pin — 0.0010 O.S. (34)	N/A
		9415	ROLLER, crank pin — 0.0015 O.S. (34)	Early 86 — All Models
		9418	ROLLER, crank pin — 0.0020 O.S. (34)	Early 86 — All Models
		9450A	ROLLER, crank pin — 0.0002 U.S. (34)	Early 86 — All Models
	3A	11177	RETAINING RING	87 to * — All Models
	4	11218	KEY, crank pin	86 to * — All Models
	4A	21920—83	PISTON RING SET — standard (2)	88 to * — XLH 1200
		21921—83	PISTON RING SET — 0.005 (2)	88 to * — XLH 1200
		21922—83	PISTON RING SET — 0.010 (2)	88 to * — XLH 1200
		21923—83	PISTON RING SET — 0.020 (2)	88 to * — XLH 1200
		21924—83	PISTON RING SET — 0.030 (2)	88 to * — XLH 1200
	5	22242—86	PISTON AND RINGS ASSEMBLY — standard (2)	86 to * — XLH 883
		22201—86	PISTON AND RINGS ASSEMBLY — 0.005 O.S. (2)	86 to * — XLH 883
		22253—86	PISTON AND RINGS ASSEMBLY — 0.010 O.S. (2)	86 to * — XLH 883
		22254—86	PISTON AND RINGS ASSEMBLY — 0.020 O.S. (2)	86 to * — XLH 883
		22255—86	PISTON AND RINGS ASSEMBLY — 0.030 O.S. (2)	86 to * — XLH 883
		22256—86	PISTON AND RINGS ASSEMBLY — 0.040 O.S. (2)	86 to * — XLH 883
		22243—86	PISTON AND RINGS ASSEMBLY — standard (2)	86 & 87 — XLH 1100
		22205—86	PISTON AND RINGS ASSEMBLY — 0.005 O.S. (2)	86 & 87 — XLH 1100
		22216—86	PISTON AND RINGS ASSEMBLY — 0.010 O.S. (2)	86 & 87 — XLH 1100
		22220—86	PISTON AND RINGS ASSEMBLY — 0.020 O.S. (2)	86 & 87 — XLH 1100
		22225—86	PISTON AND RINGS ASSEMBLY — 0.030 O.S. (2)	86 & 87 — XLH 1100
		22229—86	PISTON AND RINGS ASSEMBLY — 0.040 O.S. (2)	86 & 87 — XLH 1100
		22243—88	PISTON AND RINGS ASSEMBLY — standard (2)	88 to * — XLH 1200
		22205—88	PISTON AND RINGS ASSEMBLY — 0.005 O.S. (2)	88 to * — XLH 1200
		22216—88	PISTON AND RINGS ASSEMBLY — 0.010 O.S. (2)	88 to * — XLH 1200
		22220—88	PISTON AND RINGS ASSEMBLY — 0.020 O.S. (2)	88 to * — XLH 1200
		22225—88	PISTON AND RINGS ASSEMBLY — 0.030 O.S. (2)	88 to * — XLH 1200
	6	22266—86	PISTON RING SET — standard (2)	86 to * — XLH 883
		22261—86	PISTON RING SET — 0.010 O.S. (2)	86 to * — XLH 883
		22262—86	PISTON RING SET — 0.020 O.S. (2)	86 to * — XLH 883
		22263—86	PISTON RING SET — 0.030 O.S. (2)	86 to * — XLH 883
		22264—86	PISTON RING SET — 0.040 O.S. (2)	86 to * — XLH 883
		22271—86	PISTON RING SET — 0.005 O.S. (2)	86 to * — XLH 883
		22267—86	PISTON RING SET — standard (2)	86 & 87 — XLH 1100
		22272—86	PISTON RING SET — 0.005 O.S. (2)	86 & 87 — XLH 1100
		22273—86	PISTON RING SET — 0.010 O.S. (2)	86 & 87 — XLH 1100
		22275—86	PISTON RING SET — 0.020 O.S. (2)	86 & 87 — XLH 1100
		22276—86	PISTON RING SET — 0.030 O.S. (2)	86 & 87 — XLH 1100
		22279—86	PISTON RING SET — 0.040 O.S. (2)	86 & 87 — XLH 1100
	7	22589—83	LOCK RING, piston pin (4)	86 to * — All Models
	8	22719—85	PISTON PIN (2)	86 & 87 — All Models; 88 to * — XLH 883
		22765—88	PISTON PIN (2)	88 to * — XLH 1200

PISTONS, CONNECTING RODS AND FLYWHEELS (CONT'D)

XE3-2

RETAIL PRICE	INDEX NO.	PART NO.	NAME	USED ON
	9	23900—86A	SET OF FLYWHEELS AND SHAFTS WITH RODS	86 — XLH 1100
		23900—87	SET OF FLYWHEELS AND SHAFTS WITH RODS	87 — XLH 1100
		23900—88A	SET OF FLYWHEELS AND SHAFTS WITH RODS	88 to * — XLH 1200
	11	23901—81	NUT, crank pin (2)	86 to * — All Models
	12	23905—86A	SET OF FLYWHEELS AND SHAFTS WITH RODS	86 — XLH 883
		23905—87	SET OF FLYWHEELS AND SHAFTS WITH RODS	87 — XLH 883
		23905—88A	SET OF FLYWHEELS AND SHAFTS WITH RODS	88 to — XLH 883
	15	23960—80A	CRANK PIN, standard	86 to * — All Models
		23948—87	CRANK PIN — 0.001 O.S.	Late 86 to * — All Models
		23949—87	CRANK PIN — 0.002 O.S.	Late 86 to * — All Models
	16	24275—86A	SET OF CONN. RODS, w/bearings, crank pin & nuts	86 to * — All Models
	17	24331—36	BUSHING, piston pin, standard (2)	86 to * — All Models
		24332—36	BUSHING, piston pin, 0.01 O.S. (2)	86 to * — All Models
	18	24341—52A	BEARING RACE, rear connecting rod — lower (2)	86 to * — All Models
	19	24352—52A	BEARING RACE, front connecting rod — lower	86 to * — All Models
	20	24354—87	BEARING SET, connecting rods	Late 86 to * — All Models
	21	24362—54A	RETAINER, rear (2)	Early 86 — All Models
	22	24364—54A	RETAINER, front	Early 86 — All Models
	23	24658—86	BEARING RACE N/A	86 — All Models
		24658—87	BEARING RACE	87 to * — All Models

CRANKCASE



CRANKCASE

XE4-1

RETAIL PRICE	INDEX NO.	PART NO.	NAME	USED ON
	1	215	DOWEL PIN (2)	86 to * — All Models
	2	358	DOWEL PIN (4)	86 to * — All Models
	3	720	PLUG	86 to * — All Models
	4	2879W	BOLT (2)	86 to * — All Models
	5	2423	SCREW	86 to * — All Models
	6	3455	BOLT	86 to 89 — All Models
	7	3481	SCREW (10)	86 to * — All Models
	7A	3512	BOLT	86 to * — All Models
	8	3768	BOLT (2)	86 to * — All Models
	9	3987	BOLT	86 to * — All Models
	10	3991	BOLT (3)	86 to * — All Models
	11	4086	BOLT (3)	86 to * — All Models
	12	4319	BOLT (4)	86 to * — All Models
	13	4340	SCREW	86 to * — All Models
	13A	4392	BOLT	86 to * — All Models
	14	4420	BOLT (2)	86 to * — All Models
	16	4435W	BOLT (2,3 — 90 & Later)	86 to * — All Models
	17	6016	WASHER (6)	86 to * — All Models
	18	6019	WASHER (6)	86 to * — All Models
	18A	6033	WASHER	86 to * — All Models
	19	6099	WASHER (10)	86 to * — All Models
	20	6701	WASHER (6)	86 to * — All Models
	21	6736	WASHER (3)	86 to * — All Models
	21A	6812	WASHER	86 to * — All Models
	22	7036	LOCKWASHER (2)	86 to * — All Models
	23	7038	LOCKWASHER (4)	86 to * — All Models
	24	7041	LOCKWASHER (6)	86 to * — All Models
	25	7068	LOCKWASHER	86 to * — All Models
	25A	7506	LOCKNUT (3;2 — 90 & Later)	87 to * — All Models
	26	7626W	ACORN NUT	86 to * — All Models
	26A	7688	LOCKNUT (3)	88 to * — All Models
	27	7775	LOCKNUT (3; 2 — 88 & Later)	86 to * — All Models
	28	7780	LOCKNUT (5; 2 — 87 & Later)	86 to * — All Models
	28A	7789	LOCKNUT	90 to * — All Models
	29	7800W	NUT	86 to * — All Models
	30	8881	BEARING RACE	87 to * — All Models
	30A	9142	SHIM, roller bearing 0.100	86 to * — All Models
		9143	SHIM, roller bearing 0.102	86 to * — All Models
		9144	SHIM, roller bearing 0.104	86 to * — All Models
		9145	SHIM, roller bearing 0.106	86 to * — All Models
		9146	SHIM, roller bearing 0.108	86 to * — All Models
		9147	SHIM, roller bearing 0.110	86 to * — All Models
		9148	SHIM, roller bearing 0.112	86 to * — All Models
		9149	SHIM, roller bearing 0.114	86 to * — All Models
		9155	SHIM, roller bearing 0.098	86 to * — All Models
	31	10080	CLAMP	86 to * — All Models
	31A	11105	O-RING	86 to * — All Models
	32	11139	O-RING (2)	86 to * — All Models
	34	16203—82A	MOUNTING BRACKET, engine — rear	86 to * — All Models
	35	16210—84A	PLATE, front engine mounting — lower right	86 to * — All Models
	36	16212—84	PLATE, front engine mounting — lower left	86 to * — All Models
	37	16235—52A	BOLT (2)	86 to * — All Models

CRANKCASE (CONT'D)

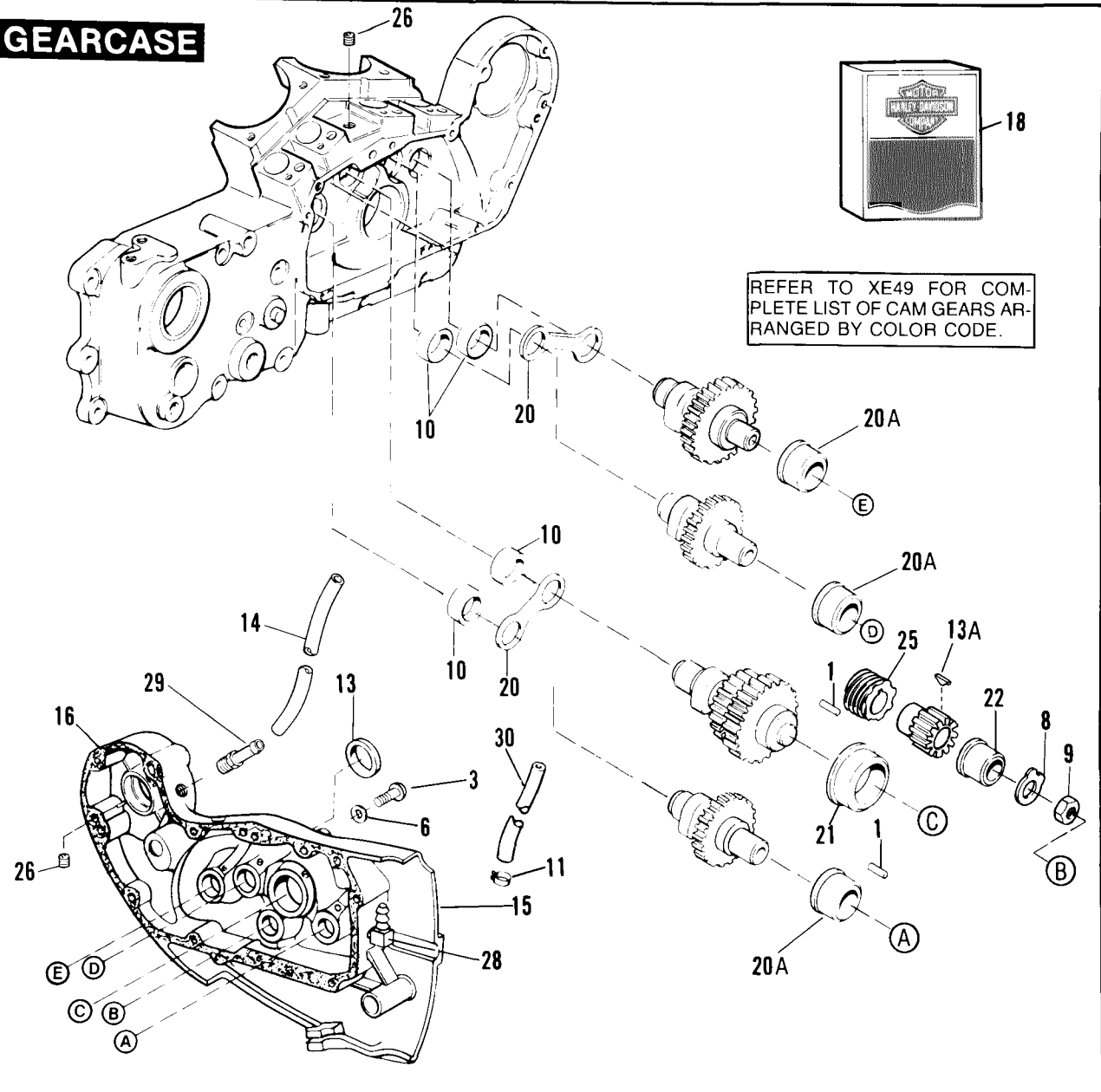
XE4-2

RETAIL PRICE	INDEX NO.	PART NO.	NAME	USED ON
	38	16240-82	BUSHING (2)	86 to * — All Models
	39	24470-87	CRANKCASE SET w/brgs.	87 to * — All Models
		24527-86	CRANKCASE SET	86 — All Models
	40	24578-57	DOWEL PIN (2)	86 to * — All Models
	41	24647-87	BEARING, gear shaft (blue)	87 to * — All Models
		24650-87	BEARING, gear shaft (red)	87 to * — All Models
		24659-87	BEARING, gear shaft (white/grey)	87 to * — All Models
		24660-87	BEARING, gear shaft (green)	87 to * — All Models
		24648-77	ROLLER BEARING, includes inner race	86 — All Models
	42	24729-74	ROLLER BEARING	86 to * — All Models
	43	24752-86	STUD	86 to * — All Models
	44	24754-75	BUSHING (3)	86 — All Models
	45	24825-82	STUD	86 to * — All Models
	46	25430-86A	CHAIN COVER (polished)	86 & 87 — All Models
		25430-88	CHAIN COVER (polished)	88 to * — All Models
	48	34624-77	GASKET	86 to * — All Models
	49	34742-86	CAP, chain cover (2)	86 to * — All Models
		34745-87	CAP, chain cover (chrome)(2)	86 to * — All Models
	50	34853-86	ACCESS COVER, transmission	86 to * — All Models
	51	34886-86	STUD, footrest mounting	86 & 87 — All Models
		34886-86A	STUD, footrest mounting	88 to * — All Models
	52	34955-75	GASKET, chain cover	86 to * — All Models
	53	35151-74	SEAL	86 to * — All Models
	54	37101-84	OIL SEAL	86 to * — All Models
	55	40018-86	STUD, chain tensioner	86 to * — All Models
	56	40520-63	BUSHING, (2)	86 to * — All Models
	57	45830-48	PLUG	86 to * — All Models
	58	60348-65A	DRAIN PLUG KIT, magnetic	86 to * — All Models
	59	63547-86	FITTING	86 to * — All Models
	60	63858-49	GASKET	86 to * — All Models

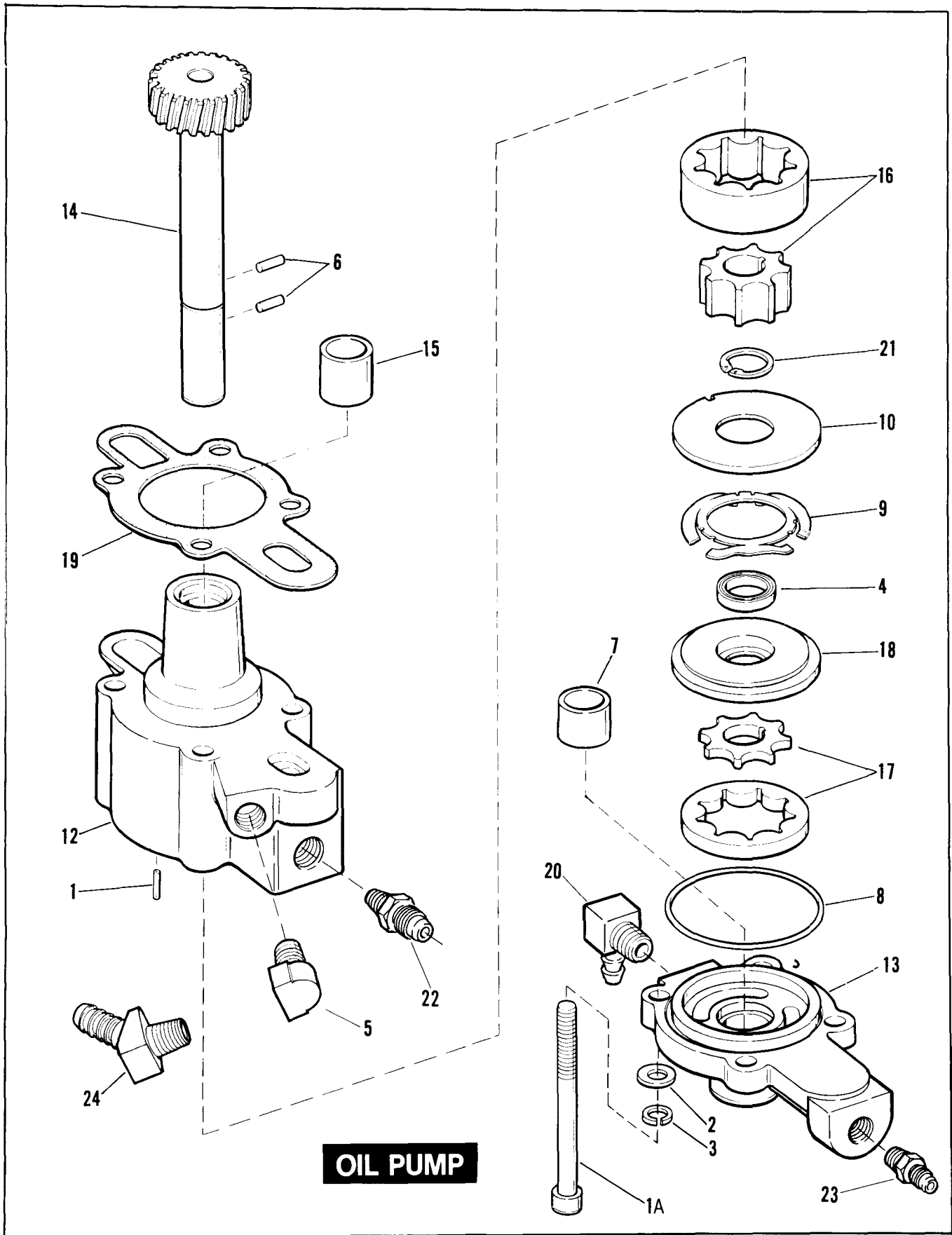
NOTE: Hoses are sold only in bulk length under the following part number. Cut to required length.

	61	63501-68	HOSE, 1/4 I.D. x 1/2 O.D. reinforced rubber (25 ft. lg.)	86 to * — All Models
--	----	----------	--	----------------------

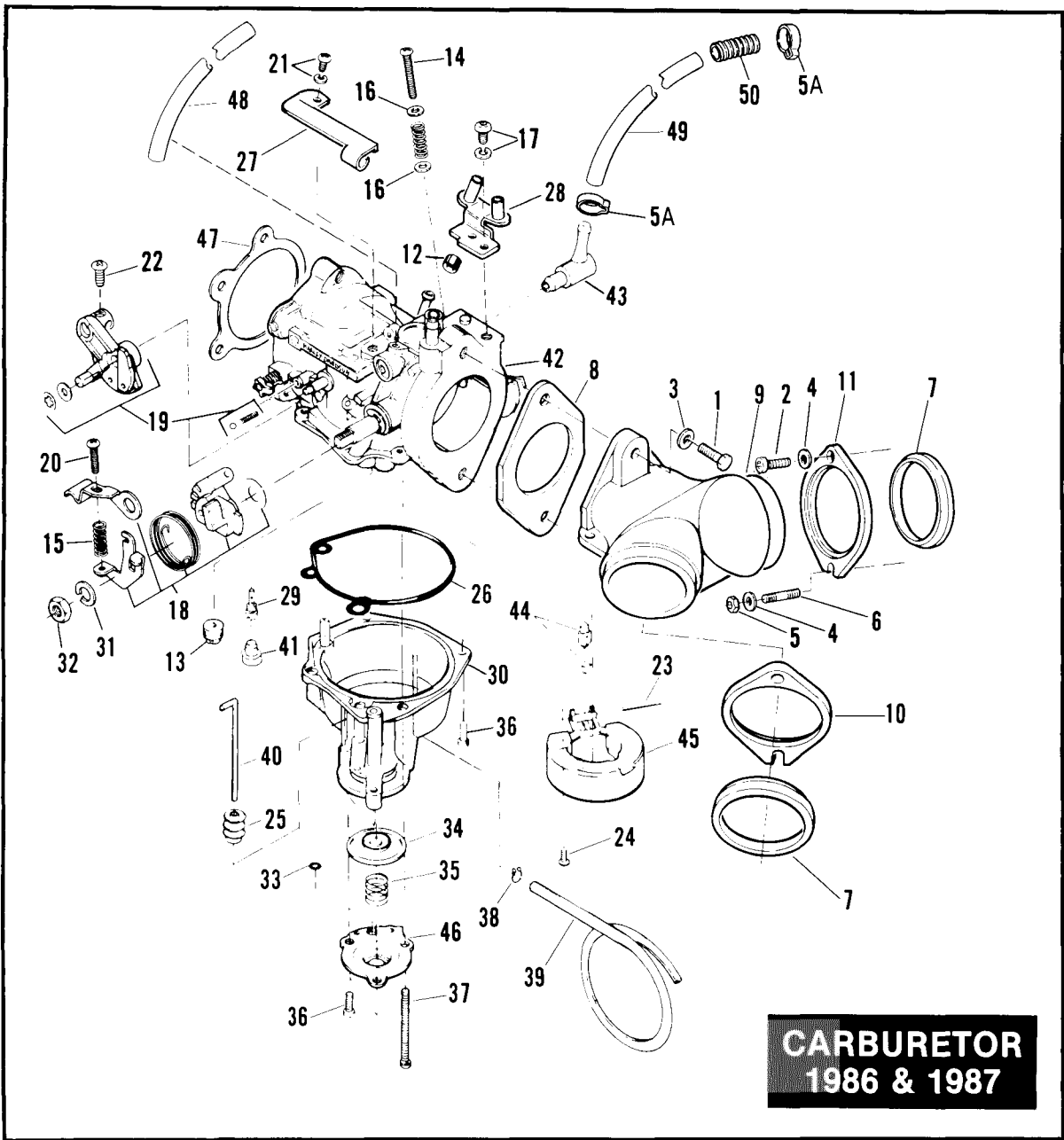
GEARCASE



RETAIL PRICE	INDEX NO.	PART NO.	NAME	USED ON
	1	275	DOWEL PIN (2)	86 to * — All Models
		1797R	SCREW	86 to * — All Models
	3	3479	SCREW (4)	86 to * — All Models
		3480	SCREW (3)	86 to * — All Models
		3482	SCREW	86 to * — All Models
	6	6099	WASHER (8)	86 to * — All Models
	8	7044A	LOCKWASHER	86 & 87 — All Models
	9	7913	NUT	86 to * — All Models
	10	9057	NEEDLE BEARING, cam gear shaft (4)	86 to * — All Models
	11	10014	CLAMP	86 to * — All Models
		10080	CLAMP	86 to * — All Models
	13	11124	SEAL	86 to * — All Models
	13A	11219	T-KEY	88 to * — All Models
	14	24938—86	BREATHER HOSE	86 to * — All Models
	15	25219—86	COVER, gearcase (polished)	86 to * — All Models
	16	25263—86	GASKET, gearcase cover	86 to * — All Models
	18	25488—86	COVER WITH CAM GEAR SET, matched	86 & 87 — All Models
		25488—88	COVER WITH CAM GEAR SET, matched	88 to * — All Models
	20	25551—58	PLATE, cam gear (2)	86 to * — All Models
	20A	25586—37	BUSHING, cam gear shaft (3)	86 to * — All Models
	21	25588—57	BUSHING, rear intake cam gear shaft	86 to * — All Models
	22	25593—74	BUSHING, flywheel gear shaft	86 to * — All Models
	25	26318—75	DRIVE GEAR, oil pump	86 & 87 — All Models
		26318—88	DRIVE GEAR, oil pump	88 to * — All Models
	26	45830—48	PLUG, gearcase cover (2)	86 to * — All Models
	28	62375—57	FITTING, oil vent hose	86 to * — All Models
	29	62570—83	FITTING, gearcase to air cleaner hose	86 to * — All Models
		NOTE: Hoses are sold only in bulk length under the following part numbers. Cut to required length.		
	30	63500—68	HOSE, 3/8 I.D. x 5/8 O.D. reinforced (25 ft.)	86 to * — All Models
		63501—68	HOSE, 1/4 I.D. x 1/2 O.D. reinforced (25 ft.)	86 to * — All Models



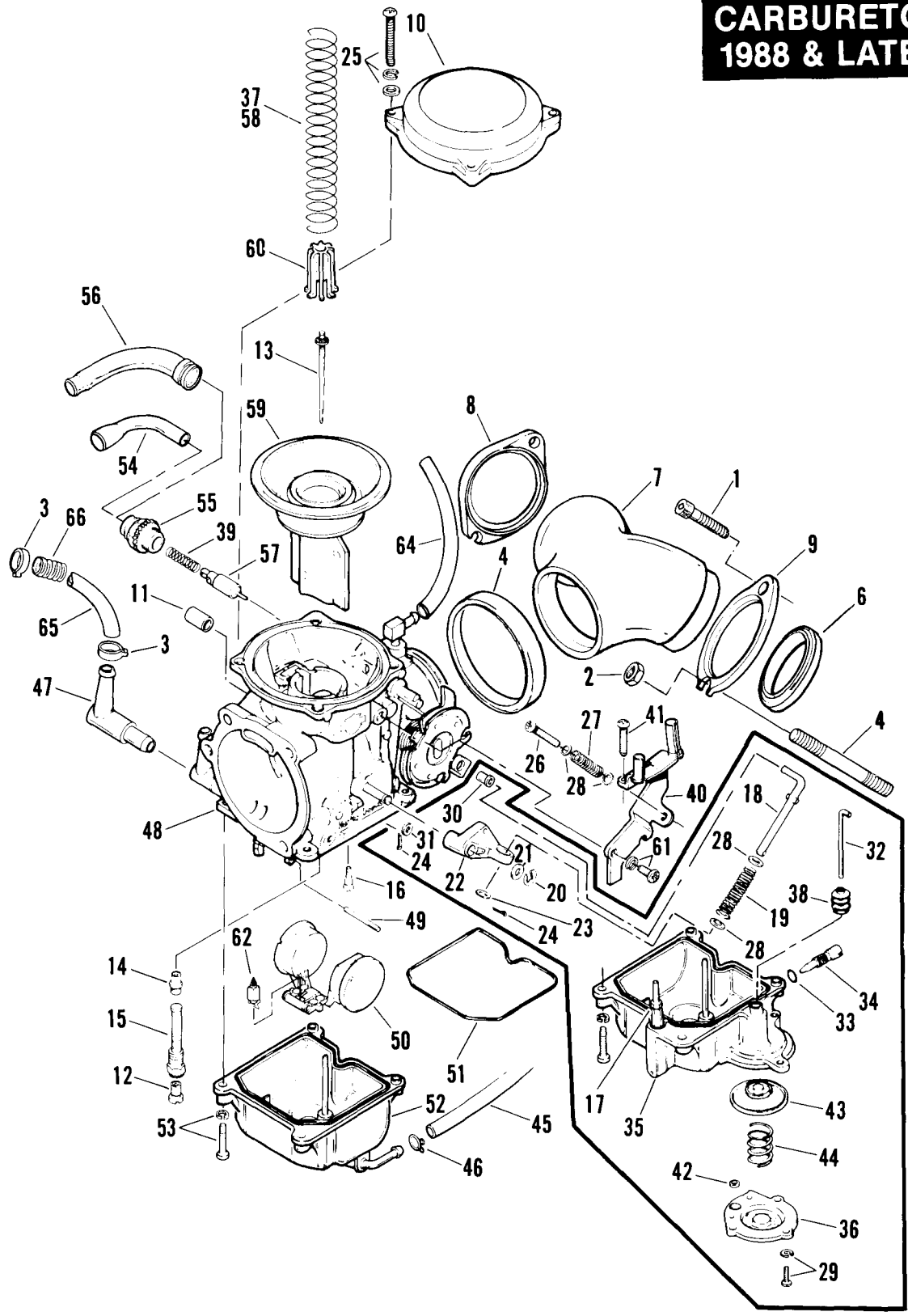
RETAIL PRICE	INDEX NO.	PART NO.	NAME	USED ON
	1	643	ROLL PIN	86 to * — All Models
	1A	3478	SCREW (4)	86 to * — All Models
	2	6242W	WASHER (4)	86 to * — All Models
	3	7036	LOCKWASHER (4)	86 to * — All Models
	4	12036A	OIL SEAL, outer plate	86 to * — All Models
		26204—86	OIL PUMP	86 to * — All Models
	5	26338—68	FITTING	86 to * — All Models
	6	26430—76	PIN, gear shaft (2)	86 to * — All Models
	7	26431—76	BUSHING, pump cover	86 to * — All Models
	8	26434—76A	O-RING, cover	86 to * — All Models
	9	26461—77	SPRING WASHER	86 to * — All Models
	10	26463—77	PLATE, inner	86 to * — All Models
	12	26484—86	BODY, oil pump	86 to * — All Models
	13	26486—86	COVER, oil pump	86 to * — All Models
	14	26488—75	GEAR SHAFT	86 to * — All Models
	15	26489—75	BUSHING, pump body	86 to * — All Models
	16	26491—83	GEROTOR SET, return	86 to * — All Models
	17	26492—86	GEROTOR SET, feed	86 to * — All Models
	18	26493—75A	PLATE, outer	86 to * — All Models
	19	26495—75	GASKET, pump mounting	86 to * — All Models
	20	26496—75	FITTING, 90°	86 to * — All Models
	21	26497—75	RETAINING RING	86 to * — All Models
	22	62564—86	FITTING, connector	86 to * — All Models
	23	62601—86	FITTING, connector	86 to * — All Models
	24	63540—62	FITTING	86 to * — All Models



CARBURETOR
1986 & 1987

RETAIL PRICE	INDEX NO.	PART NO.	NAME	USED ON
	1	2871W	BOLT (2)	86 & 87 — All Models
	2	3494	BOLT (2)	86 & 87 — All Models
	3	6016	WASHER (2)	86 & 87 — All Models
	4	6771	WASHER (4)	86 & 87 — All Models
	5	7753	NUT (2)	86 & 87 — All Models
	5A	10014	CLAMP (2)	86 & 87 — All Models
	6	11731	STUD, upper (2)	86 & 87 — All Models
	7	26995—86A	GASKET, intake manifold (2)	86 & 87 — All Models
	8	27003—86A	INSULATING SPACER	86 & 87 — All Models
	9	27004—86	INTAKE MANIFOLD	86 & 87 — All Models
	10	27009—86B	MOUNTING FLANGE, front	86 to * — All Models
	11	27010—86B	MOUNTING FLANGE, rear	86 to * — All Models
	12	27079—84	CAP, evaporative port	86 & 87 — All Models
	13	27087—80	MAIN JET, 1.50mm	87 — XLH 1100
		27098—78	MAIN JET, 1.55mm (std.)	86 — All Models; 87 — XLH 883/HUG.
	14	27130—81	SCREW, throttle stop	86 & 87 — All Models
	15	27136—81	SPRING, throttle stop & fast idle screws (2)	86 & 87 — All Models
	16	27137—81	WASHER, throttle stop screw (2)	86 & 87 — All Models
	17	27139—81	SCREW WITH WASHER, throttle cable bracket	86 & 87 — All Models
	18	27143—81	LEVER KIT, accelerator pump	86 & 87 — All Models
	19	27144—86A	CHOKE LEVER KIT	86 & 87 — All Models
	20	27145—81	SCREW, fast idle	86 & 87 — All Models
	21	27304—76	SCREW WITH WASHER, choke cable bracket	86 & 87 — All Models
	22	27307—76	SCREW, wire block	86 & 87 — All Models
	23	27308—76	PIN, float	86 & 87 — All Models
	24	27309—76	SCREW, float pin	86 & 87 — All Models
	25	27311—76	RUBBER CAP, accelerator pump	86 & 87 — All Models
	26	27324—83	O-RING, bowl	86 & 87 — All Models
	27	27325—86	BRACKET, choke cable	86 & 87 — All Models
	28	27327—86	BRACKET, throttle cable	86 & 87 — All Models
	29	27329—83	LOW SPEED JET, 0.52mm	86 & 87 — All Models
	30	27331—83	BOWL (B83H)	86 & 87 — All Models
	31	27333—76	LOCKWASHER, throttle lever	86 & 87 — All Models
	32	27335—76	NUT, throttle lever	86 & 87 — All Models
	33	27360—76	O-RING	86 & 87 — All Models
	34	27361—76	DIAPHRAGM, accelerator pump	86 & 87 — All Models
	35	27362—76	SPRING, diaphragm	86 & 87 — All Models
	36	27366—76	SCREW (5)	86 & 87 — All Models
	37	27367—76	SCREW	86 & 87 — All Models
	38	27368—76	CLIP, overflow hose	86 & 87 — All Models
	39	27369—76	HOSE, overflow	86 & 87 — All Models
	40	27370—83	ROD, accelerator pump	86 & 87 — All Models
	41	27385—76	PLUG, low speed jet	86 & 87 — All Models
	42	27501—86A	CARBURETOR (B83H)	86 — XLH 883; 87 — XLH 883/HUG.
		27502—86B	CARBURETOR (B83H)	86 & 87 — XLH 1100
	43	27594—76	FITTING	86 & 87 — All Models
	44	27886—78	FLOAT VALVE, with clip	86 & 87 — All Models
	45	27887—78	FLOAT	86 & 87 — All Models
	46	27891—80	HOUSING, accelerator pump	86 & 87 — All Models
	47	29058—77	GASKET, air cleaner to carburetor	86 & 87 — All Models
NOTE: Hose is sold in bulk length under the following part number. Cut to required length.				
	48	26570—84	HOSE, 3/16 I.D. x 3/8 O.D. reinforced rubber (10 ft. lg.)	86 & 87 — All Models
	49	63501—68	HOSE, 1/4 I.D. x 1/2 O.D. reinforced (25 ft. lg.)	86 & 87 — All Models
	50	63505—84	INSULATOR, 1/2 I.D. nylon (8 ft. lg.)	86 & 87 — All Models

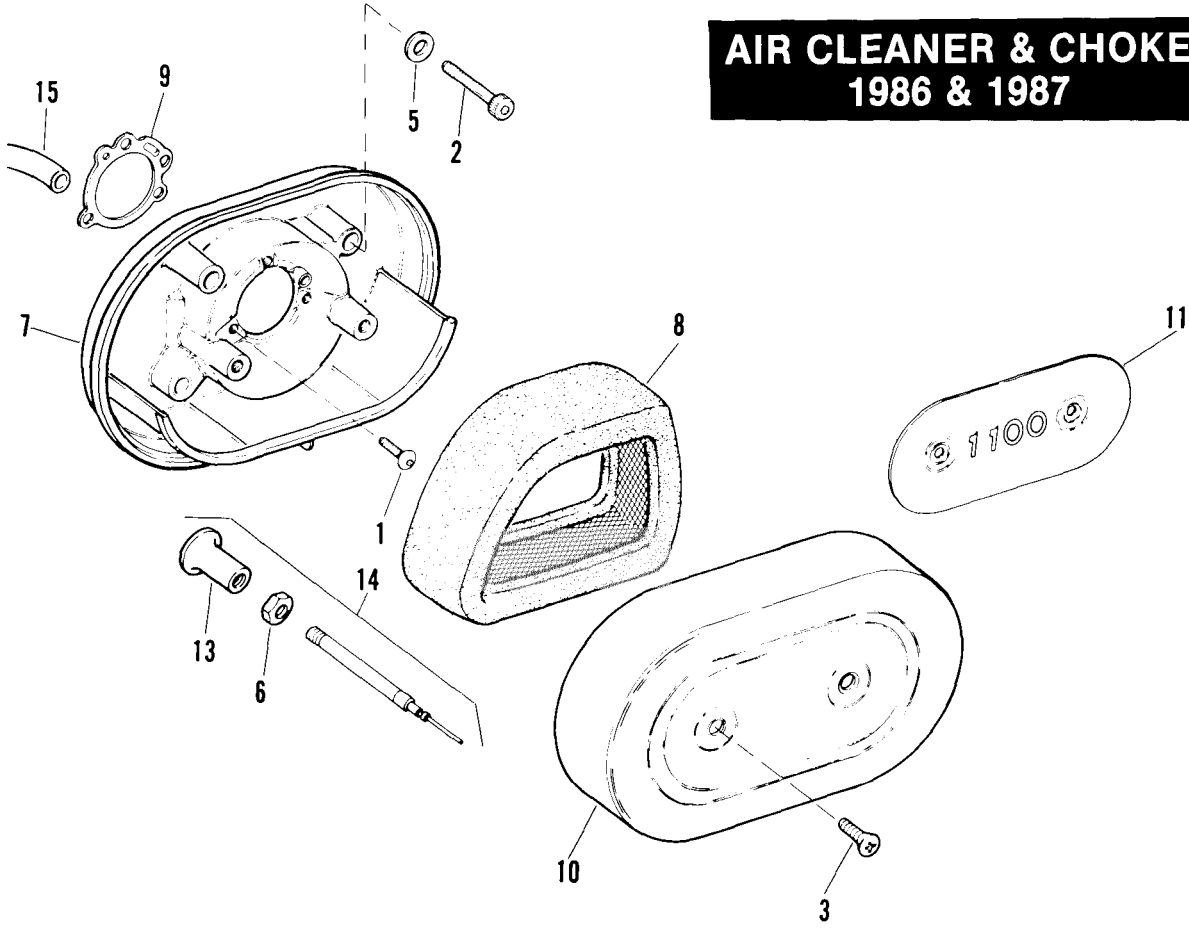
CARBURETOR 1988 & LATER



RETAIL PRICE	INDEX NO.	PART NO.	NAME	USED ON
	1	3201W	SCREW (2)	88 to * — All Models
	2	7753	NUT (2)	88 to * — All Models
	3	10014	CLAMP (2)	88 to * — All Models
	4	11731	STUD, (2)	88 to * — All Models
	5	26995—86A	SEAL, intake manifold (2)	88 to * — All Models
	6	27002-89	SEAL RING, carburetor	88 to * — All Models
	7	27004—88A	INTAKE MANIFOLD KIT incl. 5 & 6	88 to * — All Models
	8	27009—86A	MOUNTING FLANGE, front	88 to * — All Models
	9	27010—86A	MOUNTING FLANGE, rear	88 to * — All Models
	10	27040—88	TOP, carburetor	88 to * — All Models
	11	27079—84	CAP (rubber)(Swiss only)	89 to * — All Models
	12	27090—89	MAIN JET	89 — All Models
		27102—89	MAIN JET (Swiss only)	89 — XLH 883 All Models
		27104—89	MAIN JET (Swiss only)	89 to * — All Models
		27105—88	MAIN JET	88 — XLH 1200
		27114—88	MAIN JET (Cal. only)	88 — XLH 1200
		27115—88	MAIN JET	88 — XLH 883 All Models
		27116—88	MAIN JET (Cal. only)	88 — XLH 883 All Models
		27152—88	MAIN JET (Cal. only)	89 to * — XLH 1200; 90 to * — XLH 883
		27154—88	MAIN JET (Cal. only)	89 — XLH 883 All Models
	13	27091—88	JET, needle	N/A
		27092—88	JET, needle (Cal. only)	88 — XLH 883 All Models
		27094—88	JET, needle	88 — XLH 1200
		27099—88	JET, needle (Cal. only)	88 — XLH 1200
		27164—89	JET, needle (Swiss only)	89 — XLH 883 All Models
		27165—89	JET, needle (Swiss only)	89 — XLH 1200
		27166—89	JET, needle	89 to * — XLH 883 All Models; 90 to * — XLH 1200
		27167—89	JET, needle (Cal. only)	89 — XLH 883 All Models
		27168—89	JET, needle	89 — XLH 1200
		27169—89	JET, needle (Cal. only)	89 to * — XLH 1200; 90 to * — XLH 883 All Models
	14	27100—88	NEEDLE JET	88 to * — All Models
	15	27101—88	NEEDLE JET HOLDER	88 to * — All Models
	16	27117—88	SLOW JET (Swiss only — 1989)	88 & 89 — All Models
		27170—89	SLOW JET	89 to * — All Models
		27171—89	SLOW JET (Cal. only)	89 to * — All Models
	17	27121—89	O-RING	89 to * — All Models
	18	27122—89	ROD	89 to * — All Models
	19	27123—89	SPRING	89 to * — All Models
	20	27124—89	E-CLIP	89 to * — All Models
	21	27125—89	WASHER	89 to * — All Models
	22	27126—89	LEVER	89 to * — All Models
	23	27127—89	WASHER	89 to * — All Models
	24	27128—89	PIN (2)	89 to * — All Models
	25	27129—88	SCREW, top (3)	88 to * — All Models
	26	27130—81	IDLE SCREW	88 to * — All Models
	27	27136—81	SPRING	88 to * — All Models
	28	27137—81	WASHER (2; 4 — 1989 & Later)	88 to * — All Models

RETAIL PRICE	INDEX NO.	PART NO.	NAME	USED ON
	29	27146-89	SCREW WITH WASHER (3)	89 to * — All Models
	30	27147-89	COLLAR	89 to * — All Models
	31	27148-89	WASHER	89 to * — All Models
	32	27156-89	ROD	89 to * — All Models
	33	27157-89	O-RING	89 to * — All Models
	34	27158-89	DRAIN SCREW	89 to * — All Models
	35	27159-89	FLOAT CHAMBER ASSEMBLY	89 to * — All Models
	36	27160-89	PUMP HOUSING	89 to * — All Models
	37	27162-89	SPRING	89 to * — All Models
	38	27311-76	CAP, accelerator pump (rubber)	89 to * — All Models
	39	27315-88	SPRING	88 to * — All Models
	40	27316-88	BRACKET, throttle	88 to * — All Models
	41	27317-88	SCREW	88 to * — All Models
	42	27360-76	O-RING	89 to * — All Models
	43	27361-76	DIAPHRAGM, accelerator pump	89 to * — All Models
	44	27362-76	SPRING, diaphragm	89 to * — All Models
	45	27363-88	HOSE, overflow	88 to * — All Models
	46	27368-76	CLIP, overflow hose	88 to * — All Models
	47	27371-76	FITTING	88 to * — All Models
	48	27491-89	CARBURETOR, without accelerator pump (Swiss only)	89 to * — XLH 1200
		27492-89	CARBURETOR, without accelerator pump (Swiss only)	89 to * — XLH 883 All Models
		27501-88	CARBURETOR, without accelerator pump (HDI only — 1989 & Later)	88 to * — XLH 883 All Models
		27501-89	CARBURETOR, with accelerator pump	89 to * — XLH 883 All Models, 90 to * — XLH 1200
		27502-88	CARBURETOR, without accelerator pump (HDI only — 1989 & Later)	88 to * — XLH 1200
		27502-89	CARBURETOR, with accelerator pump	89 — XLH 1200
		27503-88	CARBURETOR, without accelerator pump (Cal. only)	88 — XLH 1200
		27503-88A	CARBURETOR, with accelerator pump (Cal. only)	89 to * — XLH 1200; 90 to * — XLH 883 All Models
		27504-88	CARBURETOR, without accelerator pump (Cal. only)	88 — XLH 883 All Models
		27504-88A	CARBURETOR, with accelerator pump (Cal. only)	89 — XLH 883 All Models
	49	27575-88	PIN	88 to * — All Models
	50	27576-88	FLOAT	88 to * — All Models
	51	27577-88	O-RING	88 to * — All Models
	52	27578-88	FLOAT CHAMBER (Swiss only — 1989 & Later)	88 to * — All Models
	53	27579-88	SCREW (4)	88 to * — All Models
	54	27580-88	CABLE GUIDE	88 to * — All Models
	55	27581-88	STARTER CAP	88 to * — All Models
	56	27582-88	CABLE SEALING CAP	88 to * — All Models
	57	27583-88	STARTER VALVE	88 to * — All Models
	58	27584-88	SPRING (Swiss only — 1989 & Later)	88 to * — All Models
	59	27585-88	VACUUM PISTON	88 to * — All Models
	60	27586-88	SPRING SEAT	88 to * — All Models
	61	27587-88	SCREW	88 to * — All Models
	62	27886-78	VALVE, with clip	88 to * — All Models
NOTE: Hose is sold only in bulk length under the following part numbers. Cut to required length.				
	64	26570-84	HOSE, 3/16 I.D. x 3/8 O.D. reinforced rubber (10 ft. lg.)	88 to * — All Models
	65	63501-68	HOSE, 1/4 I.D. x 1/2 O.D. reinforced rubber (25 ft. lg.)	88 to * — All Models
	66	63505-84	INSULATOR, 1/2 I.D. nylon (8 ft. lg.)	88 to * — All Models

AIR CLEANER & CHOKE 1986 & 1987

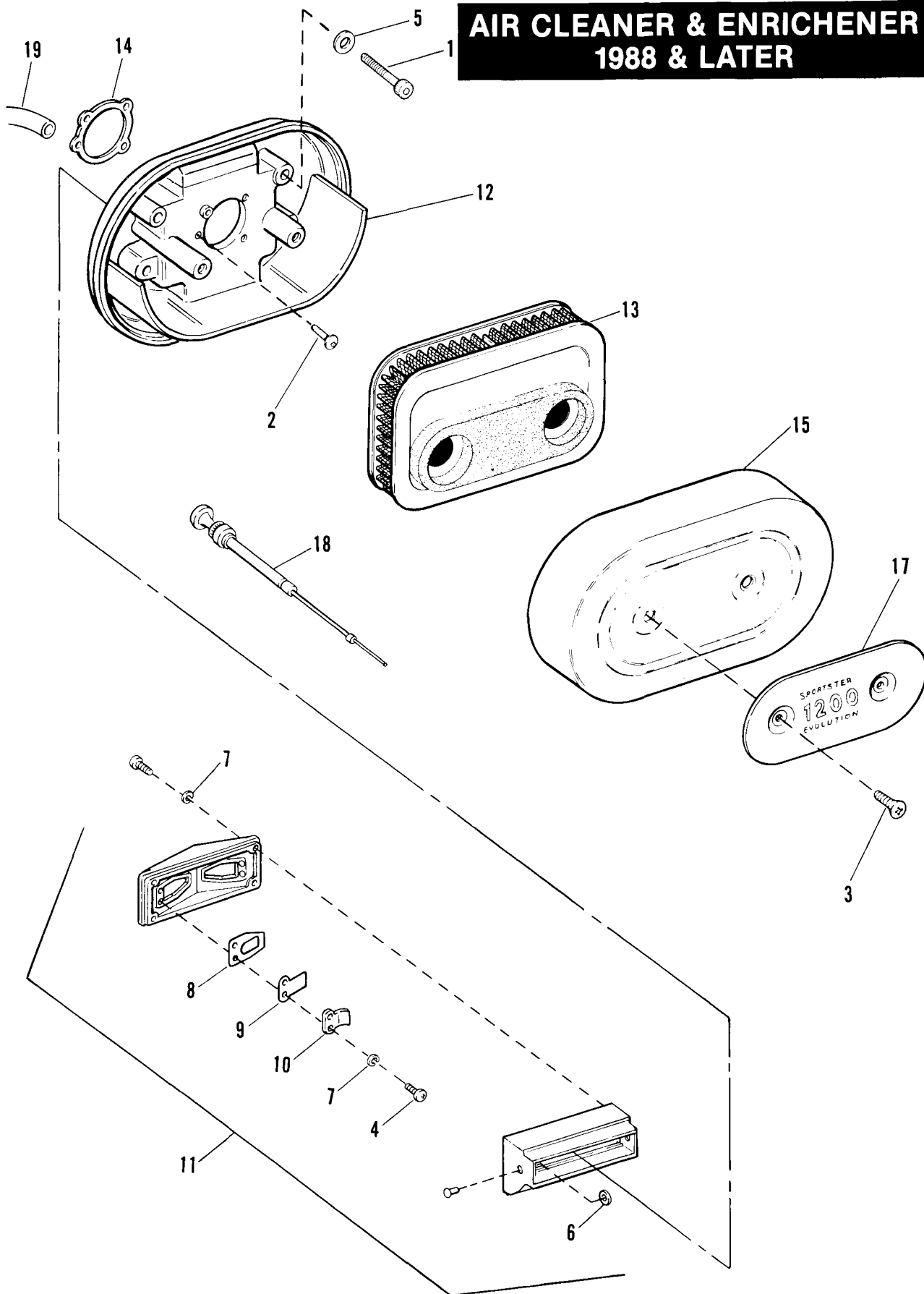


RETAIL PRICE	INDEX NO.	PART NO.	NAME	USED ON
	1	864	SCREW (3)	86 & 87 — All Models
	2	865	SCREW (2)	86 & 87 — All Models
	3	2405	SCREW (2)	86 & 87 — All Models
	5	6016	WASHER (2)	86 & 87 — All Models
	6	7851W	NUT	86 & 87 — All Models
	7	29009—86	BACK PLATE, air cleaner	86 & 87 — All Models
	8	29036—86	FILTER ELEMENT	86 & 87 — All Models
		29294—86	FILTER ELEMENT, foam only	86 & 87 — All Models
	9	29058—77	GASKET, air cleaner to carburetor	86 & 87 — All Models
	10	29084—73	COVER, air cleaner (chrome)	86 & 87 — All Models
	11	29111—86	TRIM, air cleaner	86 & 87 — XLH 1100
	13	29228—80	KNOB, choke	86 & 87 — All Models
	14	29229—86	CHOKE CONTROL	86 & 87 — All Models

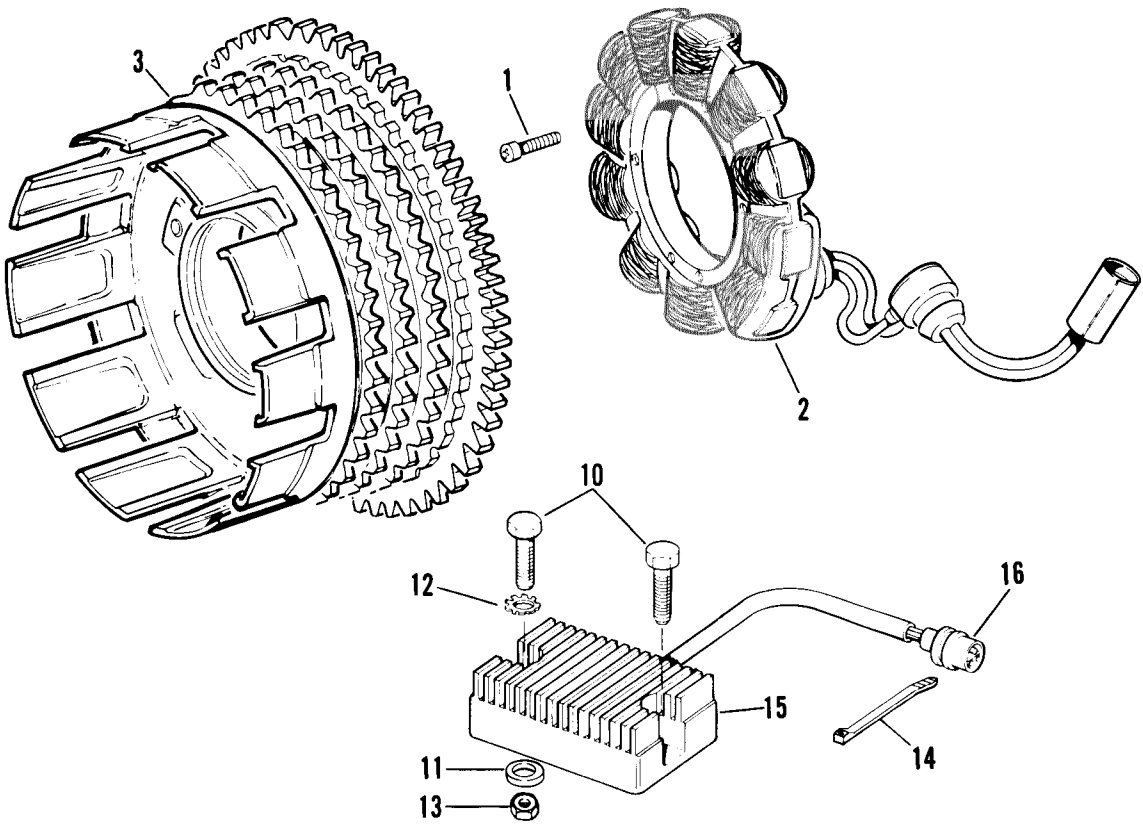
NOTE: Hose is sold in bulk length under the following part number. Cut to required length.

	15	63500—68	HOSE, 3/8 I.D. x 5/8 O.D. reinforced rubber (25 ft. lg.)	86 & 87 — All Models
--	----	----------	--	----------------------

AIR CLEANER & ENRICHENER 1988 & LATER



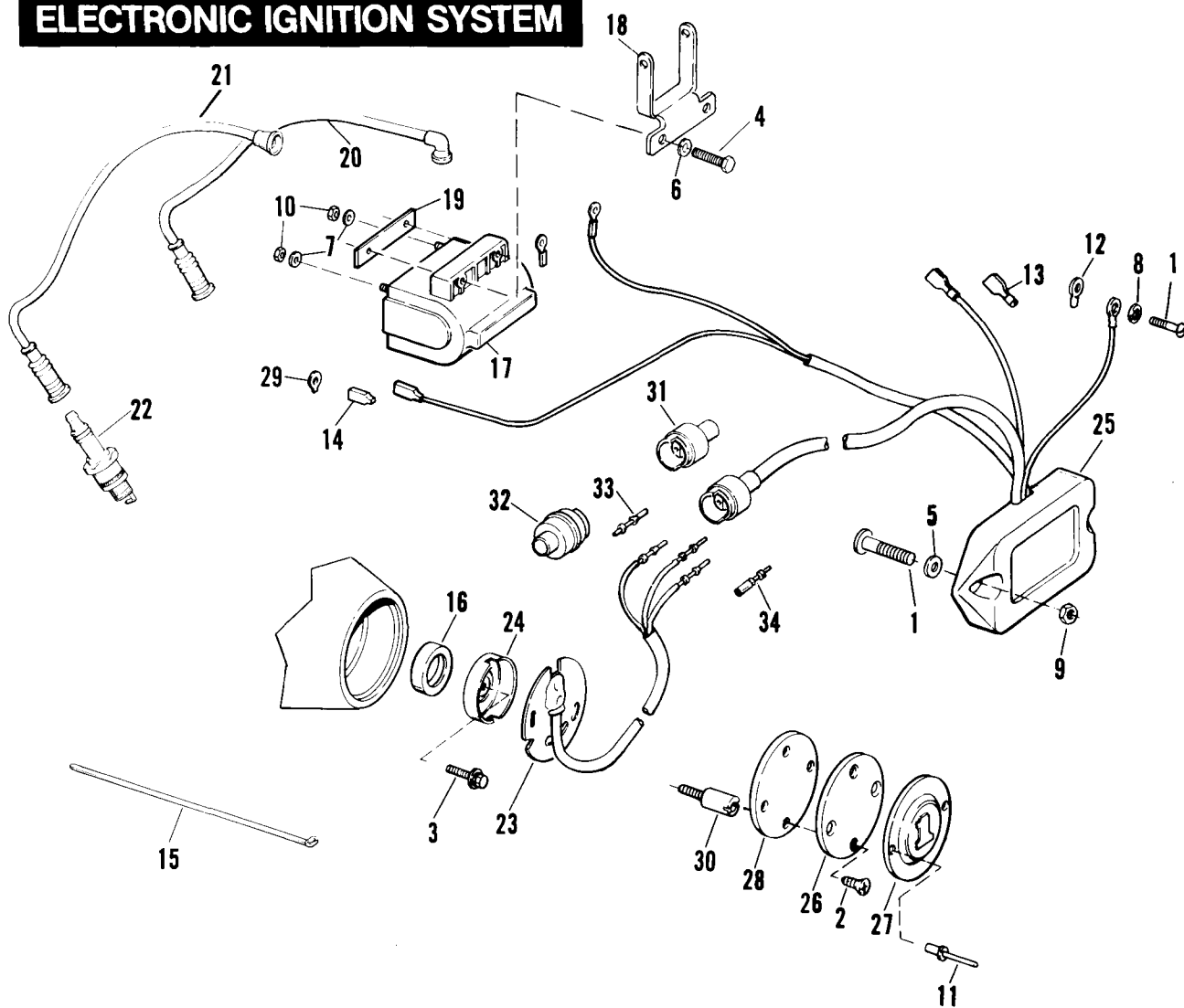
RETAIL PRICE	INDEX NO.	PART NO.	NAME	USED ON
	1	865	SCREW (2)	88 to * — All Models
	2	869	SCREW (3)	88 to * — All Models
	3	2405	SCREW (2)	88 to * — All Models
	4	2737	SCREW (4) (Cal. only)	88 to * — All Models
	5	6016	WASHER (2)	88 to * — All Models
	6	6048W	WASHER (2) (Cal. only)	88 to * — All Models
	7	6969	LOCKWASHER (8) (Cal. only)	88 to * — All Models
	8	28820—86	REED BOTTOM (2) (Cal. only)	88 to * — All Models
	9	28821—86	REED TOP (2) (Cal. only)	88 to * — All Models
	10	28822—86	REED STOP (2) (Cal. only)	88 to * — All Models
	11	28826—86	REED SUPPORT ASSEMBLY (Cal. only)	88 — All Models
		28826—86A	REED SUPPORT ASSEMBLY (Cal. & Swiss only)	89 to * — All Models
	12	29009—88A	BACK PLATE, air cleaner	88 to * — All Models
		29012—89	BACK PLATE, air cleaner (Swiss only)	89 — All Models
		29018—88A	BACK PLATE, air cleaner (Cal. only)	88 to * — All Models
	13	29020—88	FILTER ELEMENT, foam only	88 & 89 — All Models
		29036—88	FILTER ELEMENT	88 & 89 — All Models
		29036—88A	FILTER ELEMENT	90 to * — All Models
	14	29059—88	GASKET	88 to * — All Models
	15	29084—73	COVER, air cleaner	88 to * — All Models
	17	29111—88	TRIM, air cleaner	88 to * — XLH 1200
	18	29229—88	CABLE, enrichment	88 to * — All Models
		NOTE: Hose is sold only in bulk length under the following part numbers. Cut to required length.		
	19	63500—68	HOSE, 3/8 I.D. x 5/8 O.D. reinforced rubber (25 ft. lg.)	88 to * — All Models



ALTERNATOR AND REGULATOR

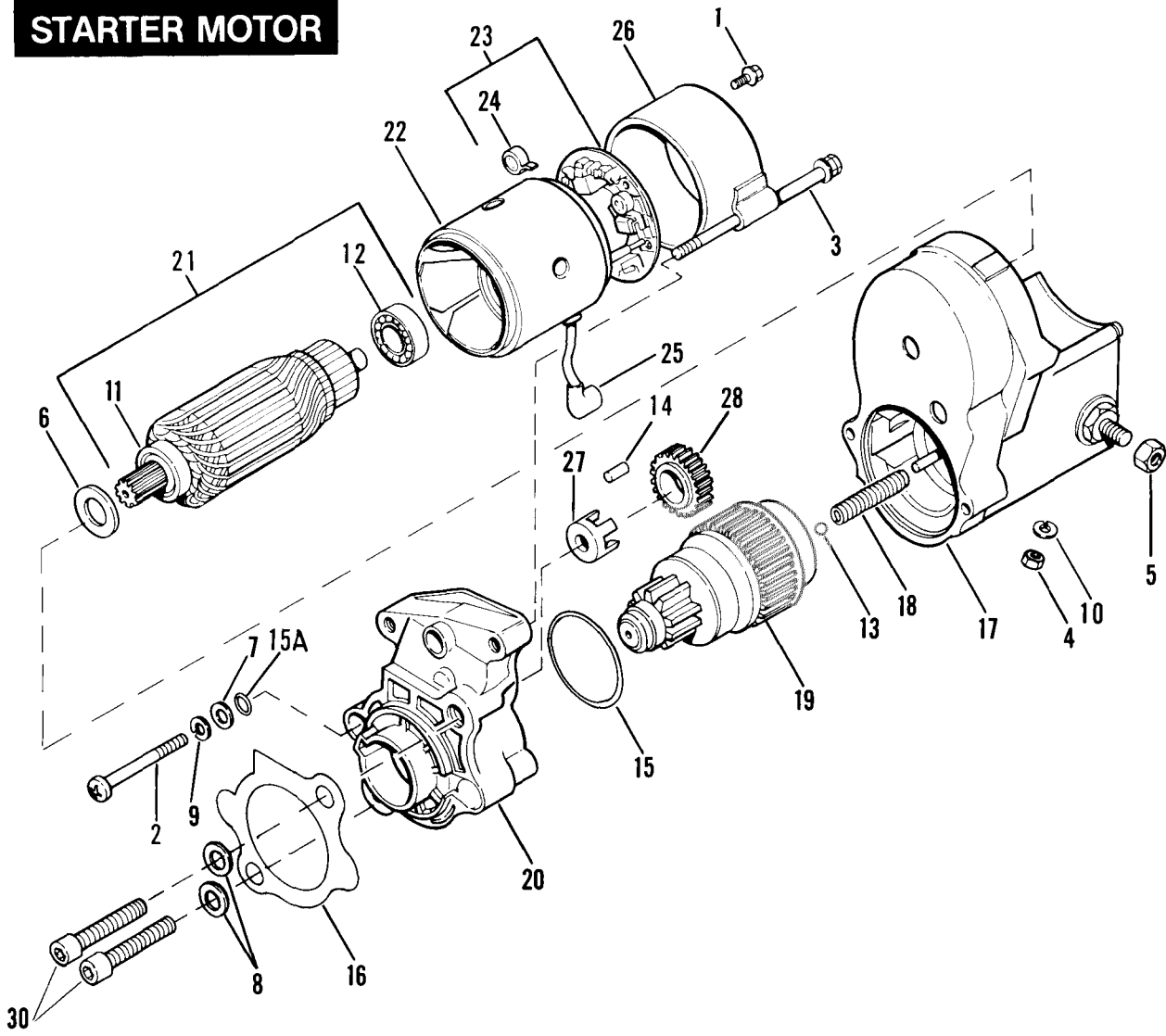
RETAIL PRICE	INDEX NO.	PART NO.	NAME	USED ON
	1	2712	SCREW (4)	86 to * — All Models
	2	29967—84A	STATOR (4 hole mount)	86 to * — All Models
	3	36791—84	ROTOR, clutch shell	86 to * — All Models
	10	1205	SCREW (2)	86 to * — All Models
	11	6716	WASHER (2)	86 to * — All Models
	12	7220	LOCKWASHER (4)	86 to * — All Models
	13	7624	LOCKNUT (2)	86 to * — All Models
	14	10006	STRAP, cable	86 to * — All Models
	15	74523—84A	REGULATOR	86 to * — All Models
	16	74521—77	PLUG, regulating wire harness	86 to * — All Models

ELECTRONIC IGNITION SYSTEM



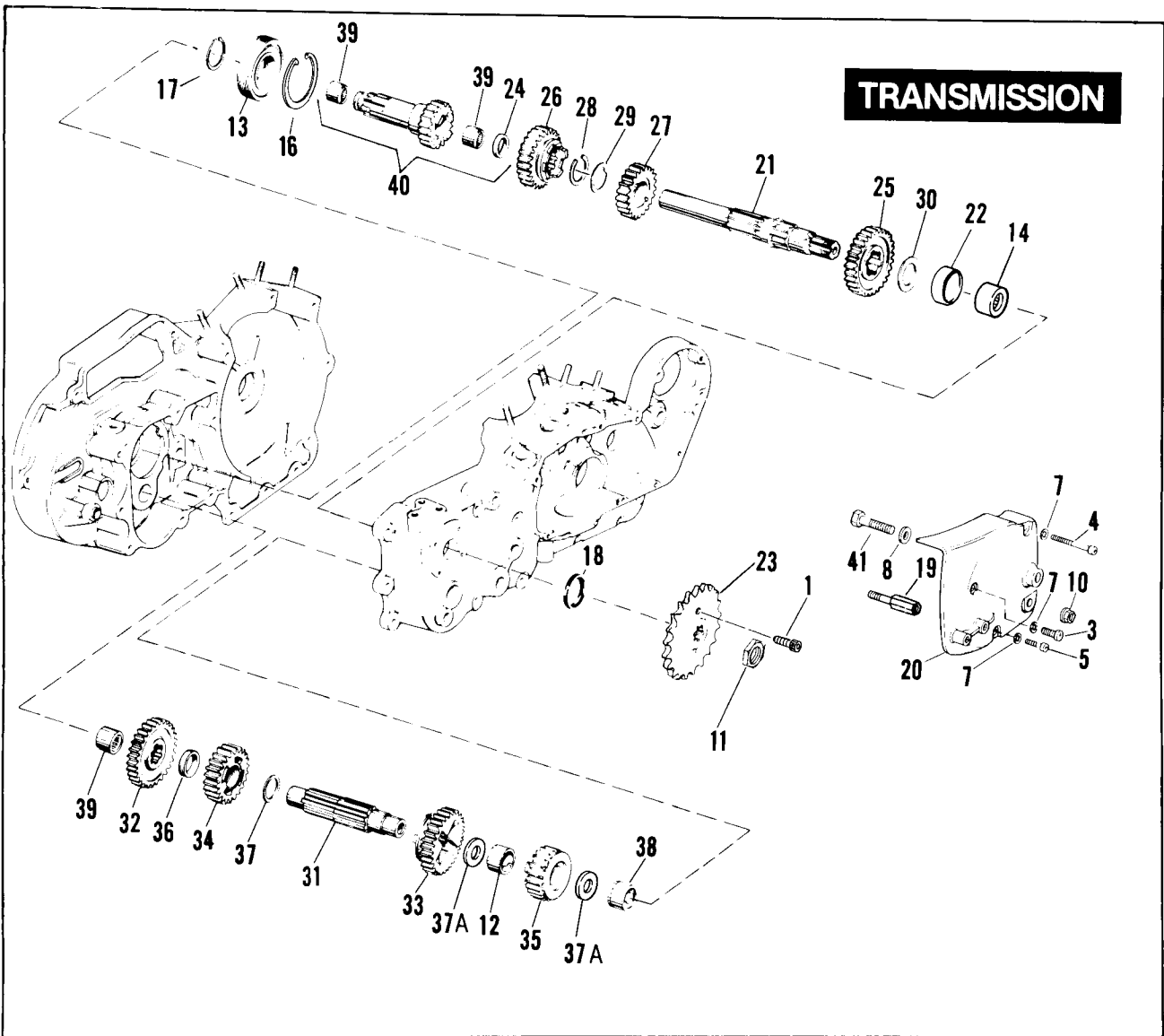
RETAIL PRICE	INDEX NO.	PART NO.	NAME	USED ON
	1	1205	SCREW (2)	86 to * — All Models
	2	1601	SCREW (2)	86 to * — All Models
	3	2611B	SCREW	86 to * — All Models
	4	3993	BOLT (2)	86 to * — All Models
	5	6716	WASHER (2)	86 to * — All Models
	6	7036	LOCKWASHER (2)	86 to * — All Models
	7	7118	LOCKWASHER (2)	86 to * — All Models
	8	7220	LOCKWASHER (2)	86 to * — All Models
	9	7624	NUT (2)	86 to * — All Models
	10	7638	NUT (2)	86 to * — All Models
	11	8699	POP RIVET (2)	86 to * — All Models
	12	9857	WIRE TERMINAL, ring type	86 to * — All Models
	13	9885	TERMINAL	86 to * — All Models
	14	9900	WIRE TERMINAL	86 to * — All Models
	15	10006	CABLE STRAP	86 to * — All Models
		10039	CABLE STRAP	86 to * — All Models
	16	11124	SEAL	86 to * — All Models
	17	31614—83	SPARK COIL	86 to * — All Models
	18	31723—71A	BRACKET, spark coil mounting	86 to * — All Models
	19	31727—85	PLATE, spark coil mounting	86 to * — All Models
	20	31986—86	CABLE, spark plug — 6-1/2"	86 to * — All Models
	21	31996—86	CABLE, spark plug — 20"	86 to * — All Models
	22	32317—86	SPARK PLUG, No. 6R12 (0.040 gap) (2)	86 to * — All Models
	23	32400—80A	SENSOR ASSEMBLY	86 to * — All Models
	24	32402—83	TRIGGER ROTOR	86 to * — All Models
	25	32410—86	IGNITION MODULE	86 & 87 — All Models; 88 to * — XLH 883 All Models
		32410—87	IGNITION MODULE	88 to * — XLH 1200
	26	32504—80	INNER COVER	86 to * — All Models
	27	32506—83	COVER, timer "H-D Motor Co."	86 to * — All Models
	28	32591—80	GASKET, ignition	86 to * — All Models
	29	32604—78	TERMINAL, spark coil	86 to * — All Models
	30	32606—82	STUD, timer plate (2)	86 to * — All Models
	31	72051—77	CONNECTOR, 2 pin & 1 socket	86 to * — All Models
	32	74521—77	CONNECTOR, 1 pin & 2 socket	86 to * — All Models
	33	74536—77A	PIN, ignition module (3)	86 to * — All Models
	34	74539—77A	SOCKET, ignition module (3)	86 to * — All Models
		74539—83	PIN, ignition sensor (3)	86 to * — All Models

STARTER MOTOR

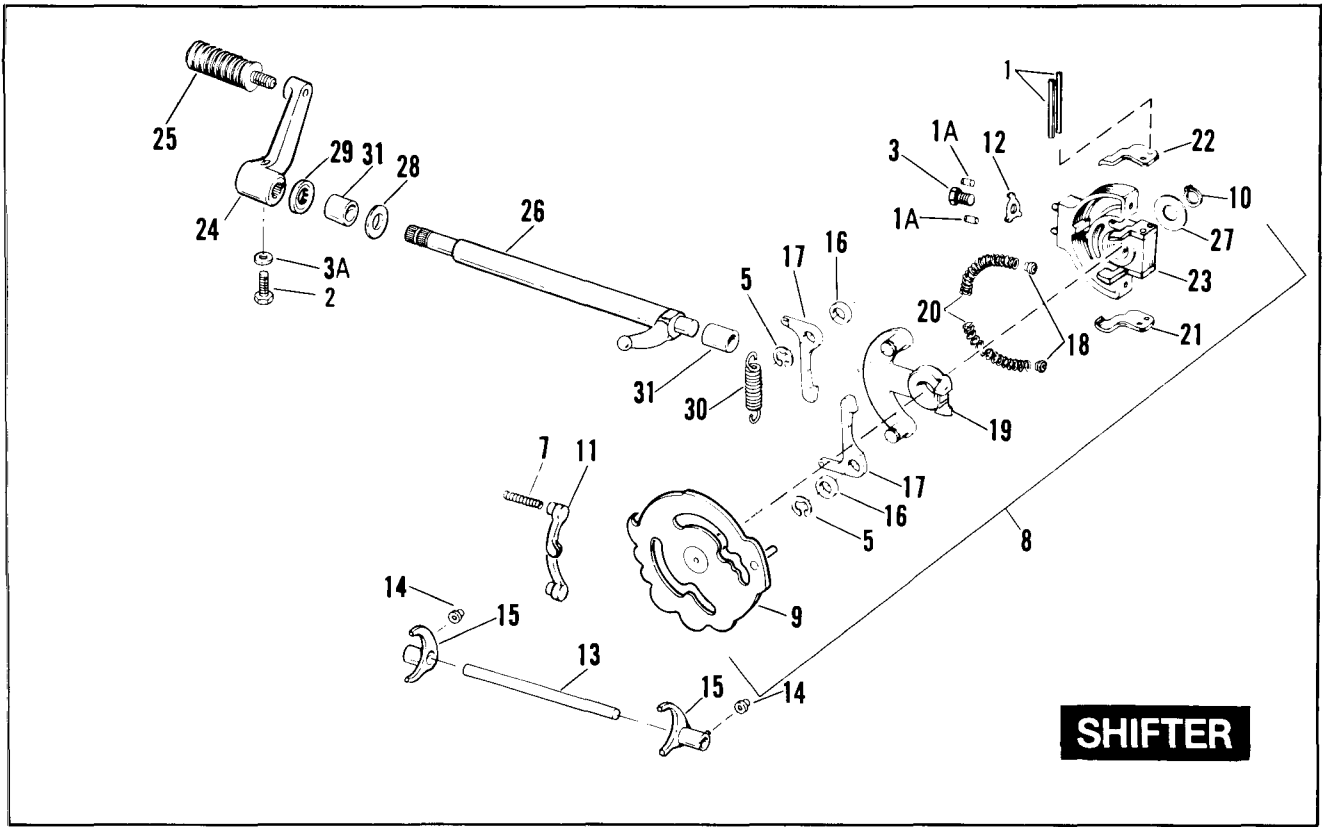


RETAIL PRICE	INDEX NO.	PART NO.	NAME	USED ON
	1	910	SCREW (2)	86 to * — All Models
	2	917	SCREW (2)	86 to * — All Models
	3	3401	BOLT (2)	86 to * — All Models
	4	3402	NUT	86 to * — All Models
	5	3403	NUT	86 to * — All Models
	6	6005	WASHER	86 to * — All Models
	7	6236B	WASHER (2)	86 to * — All Models
	8	6812	WASHER (2)	86 to * — All Models
	9	7036	LOCKWASHER (2)	86 to * — All Models
	10	7041	LOCKWASHER	86 to * — All Models
	11	8877	BALL BEARING	86 to * — All Models
	12	8878	BALL BEARING (use with 31590—81)	86 to * — XLH 883 All Models
		8880	BALL BEARING (use with 31562—86)	86 to * — All Models
	13	8879	BALL	86 to * — All Models
	14	9077	ROLLER, bearing (5)	86 to * — All Models
	15	11116	O-RING, starter housing	86 to * — All Models
	15A	11171	O-RING (2)	86 to * — All Models
		31390—86	STARTER MOTOR ASSEMBLY, includes, besides items listed:	86 to * — All Models
			31560—86 BRUSH HOLDER	
			31561—86 YOKE ASSEMBLY	
			31562—86 ARMATURE ASSEMBLY, with 8877 & 8880 BEARINGS	
	16	31488—81	GASKET, starter motor	86 to * — All Models
	17	31546—81	SWITCH ASSEMBLY, magnetic	86 to * — All Models
	18	31557—81	SPRING, compression	86 to * — All Models
	19	31567—81	CLUTCH ASSEMBLY, starter	86 to * — All Models
	20	31574—81	HOUSING, starter	86 to * — All Models
	21	31590—81	ARMATURE ASSEMBLY, with 8877 & 8878 bearings	86 to * — XLH 883 All Models
	22	31591—81	YOKE ASSEMBLY, starter	86 to * — XLH 883 All Models
	23	31592—81	BRUSH HOLDER ASSEMBLY, with springs & brushes	86 to * — XLH 883 All Models
	24	31593—81	SPRING, brush (4)	86 to * — All Models
	25	31594—81	CAP, starter terminal (rubber)	86 to * — All Models
	26	31595—81	FRAME, starter end	86 to * — All Models
		31596—85	BRUSHES, set	86 to * — XLH 883 All Models
	27	31597—81	RETAINER, roller	86 to * — All Models
	28	31598—81A	PINION	86 to * — All Models
	30	45995—73	SCREW, starter mounting (2)	86 to * — All Models

TRANSMISSION

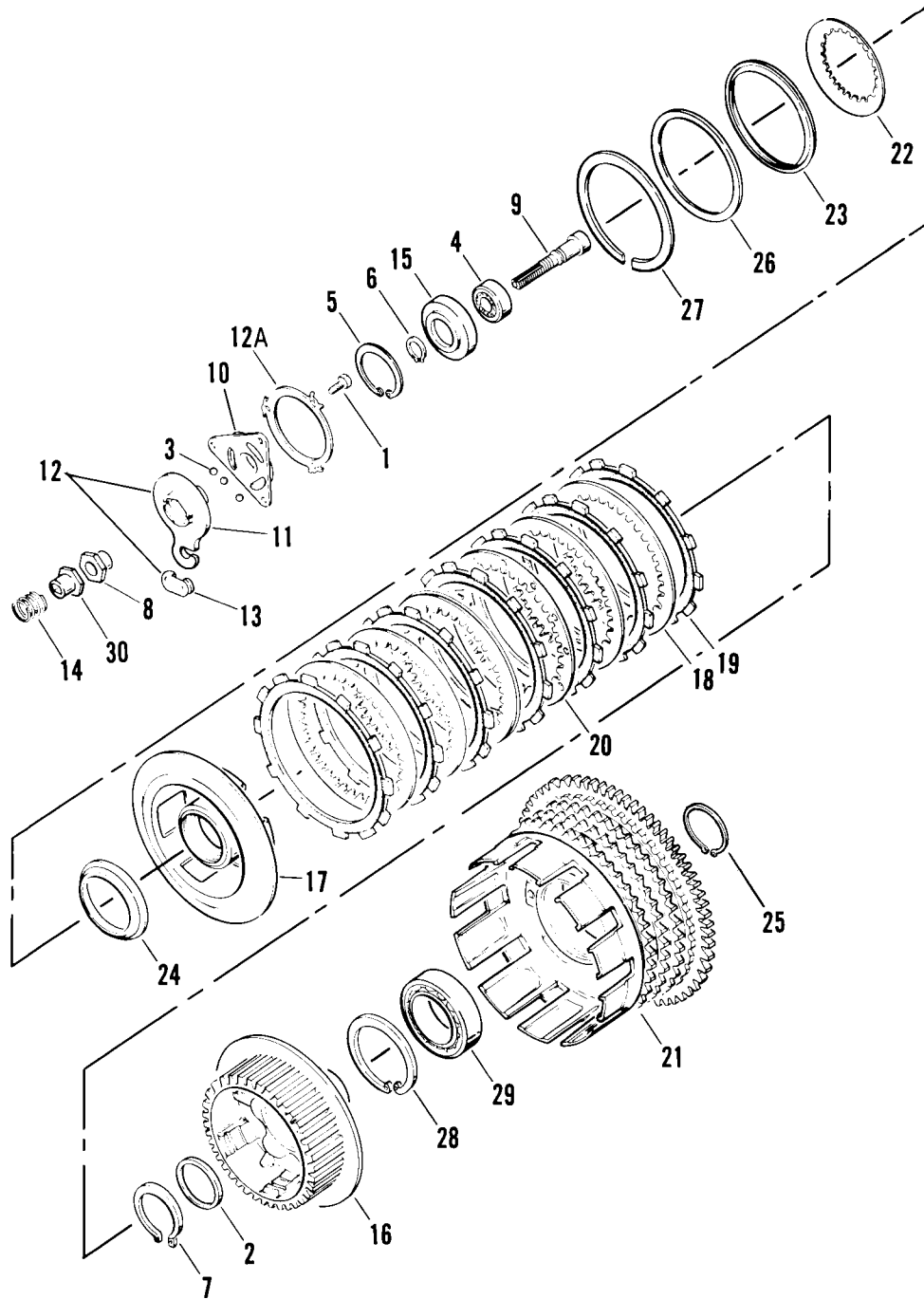


RETAIL PRICE	INDEX NO.	PART NO.	NAME	USED ON
	1	857	SCREW	86 to * — All Models
	3	1797R	SCREW	86 to * — All Models
	4	3478	SCREW	86 to * — All Models
	5	3480	SCREW	86 to * — All Models
	7	6099	WASHER (3)	86 to * — All Models
	8	6718	WASHER	86 to * — All Models
	10	7844	LOCKNUT	86 to * — All Models
	11	7855W	NUT, mainshaft	86 to * — All Models
	12	8888	BEARING, countershaft low gear	86 to * — All Models
	13	9025A	BALL BEARING, mainshaft	86 to * — All Models
	14	9118	NEEDLE BEARING, crankcase	86 to * — All Models
	16	11006	RETAINING RING, mainshaft ball bearing — inner	86 to * — All Models
	17	11180	RETAINING RING, mainshaft ball bearing — outer	86 to * — All Models
	18	12049	OIL SEAL	86 to * — All Models
	19	34886—86	MOUNTING STUD	86 & 87 — All Models
		34886—86A	MOUNTING STUD	88 to * — All Models
	20	34911—81A	SPROCKET COVER (polished)	86 to * — All Models
	21	35036—84A	MAINSHAFT	86 to * — All Models
	22	35041—84	BEARING RACE, mainshaft	86 to * — All Models
	23	35208—84	TRANSMISSION SPROCKET — 21 T	86 to * — All Models
	24	35216—79	THRUST WASHER, mainshaft — 0.212"	86 to * — All Models
	25	35277—52A	MAINSHAFT LOW GEAR — 27 T	86 to * — All Models
	26	35296—56A	MAINSHAFT SECOND GEAR — 23 T	86 to * — All Models
	27	35305—56A	MAINSHAFT THIRD GEAR — 20 T	86 to * — All Models
	28	35337—56	RETAINING RING, mainshaft third gear	86 to * — All Models
	29	35356—86	THRUST WASHER, mainshaft third gear	86 to * — All Models
	30	35380—84	THRUST WASHER, mainshaft — right 0.0965"	86 to * — All Models
		35381—84	THRUST WASHER, mainshaft — right 0.0905"	86 to * — All Models
		35382—84	THRUST WASHER, mainshaft — right 0.0845"	86 to * — All Models
		35383—84	THRUST WASHER, mainshaft — right 0.0795"	86 to * — All Models
		35384—84	THRUST WASHER, mainshaft — right 0.0725"	86 to * — All Models
		35385—84	THRUST WASHER, mainshaft — right 0.0675"	86 to * — All Models
	31	35613—84	COUNTERSHAFT	86 to * — All Models
	32	35695—58	COUNTERSHAFT DRIVE GEAR — 27 T	86 — All Models
		35695—87	COUNTERSHAFT DRIVE GEAR — 26 T	87 to * — All Models
	33	35709—54B	COUNTERSHAFT THIRD GEAR — 23 T	86 to * — All Models
	34	35750—58A	COUNTERSHAFT SECOND GEAR — 20 T	86 to * — All Models
	35	35760—84A	COUNTERSHAFT LOW GEAR — 17 T	86 to * — All Models
	36	35809—58	SPACER, countershaft gear	86 to * — All Models
	37	35841—58	THRUST WASHER, second gear	86 to * — All Models
	37A	35860—86	SPACER, countershaft — 0.055"	86 to * — All Models
		35861—86	SPACER, countershaft — 0.050"	86 to * — All Models
		35862—86	SPACER, countershaft — 0.045"	86 to * — All Models
		35863—86	SPACER, countershaft — 0.040"	86 to * — All Models
		35864—86	SPACER, countershaft — 0.035"	86 to * — All Models
		35865—86	SPACER, countershaft — 0.030"	86 to * — All Models
	38	35960—54	NEEDLE BEARING, countershaft (close end)	86 to * — All Models
	39	35961—52	NEEDLE BEARING (3)	86 to * — All Models
	40	37448—84A	CLUTCH GEAR, includes index no. 39	86 — All Models
		37448—87	CLUTCH GEAR, includes index no. 39	87 to * — All Models
	41	42450—80	BOLT, sprocket cover mounting	86 to * — All Models



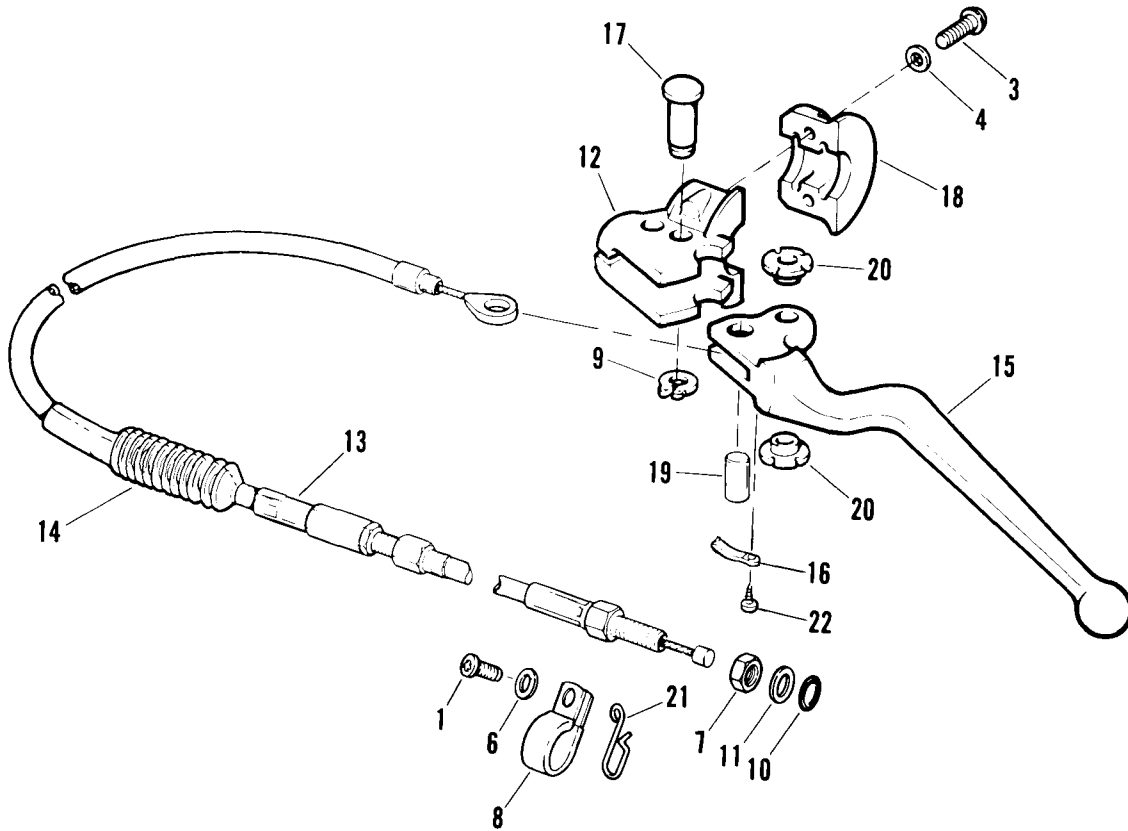
RETAIL PRICE	INDEX NO.	PART NO.	NAME	USED ON
	1	350	PIN, pawl lifter arm (2)	86 to * — All Models
	1A	638	ROLL PIN	87 to * — All Models
	2	2551W	BOLT	86 to * — All Models
	3	3854	BOLT	86 to * — All Models
	3A	6736	WASHER	86 to * — All Models
	4	9260	PIN, cam support (2)	86 — All Models
	5	11036	RETAINING PIN, shifter pawls (2)	86 to * — All Models
	7	29980—84	SPRING, shifter cam follower (2)	86 to * — All Models
	8	34009—75A	SHIFTER CAM ASSEMBLY	86 to * — All Models
	9	34012—75B	SHIFTER CAM, only	86 to * — All Models
	10	34040—52	RETAINING RING, shifter cam	86 to * — All Models
	11	34063—84A	SHIFTER CAM FOLLOWER	86 to * — All Models
	12	34069—71	LOCK, shifter cam bolt	86 to * — All Models
	13	34141—84A	SHAFT, shifter fork	86 to * — All Models
	14	34168—52	ROLLER, shifter finger (2)	86 to * — All Models
	15	34291—52C	SHIFTER FORK (2)	86 to * — All Models
		34292—72A	SHIFTER FORK, 0.020" longer	86 to * — All Models
		34293—72A	SHIFTER FORK, 0.020" shorter	86 to * — All Models
	16	34461—72	SPACER, shifter pawl (2)	86 to * — All Models
	17	34476—72	SHIFTER PAWL (2)	86 to * — All Models
	18	34485—52	PLUG, carrier spring retainer (2)	86 to * — All Models
	19	34494—74C	PAWL CARRIER	86 to * — All Models
	20	34500—52A	PAWL CARRIER SPRING (2)	86 to * — All Models
	21	34506—52A	PAWL LIFTER ARM, lower	86 to * — All Models
	22	34507—52A	PAWL LIFTER ARM, upper	86 to * — All Models
	23	34514—75A	PAWL CARRIER SUPPORT	86 to * — All Models
	24	34606—86A	SHIFT LEVER, only	86 to * — All Models
	25	34611—65	COVER, shift lever (rubber)	86 to * — All Models
	26	34628—86	SHAFT, shifter lever	86 to * — All Models
	27	35336—74	THRUST WASHER, shifter cam	86 to * — All Models
	28	35404—74	THRUST WASHER, shifter lever shaft	86 to * — All Models
	29	37101—84	OIL SEAL	86 to * — All Models
	30	37222—52	SPRING, shifter pawls	86 to * — All Models
	31	40520—63	BUSHING, shifter shaft (2)	86 to * — All Models

CLUTCH

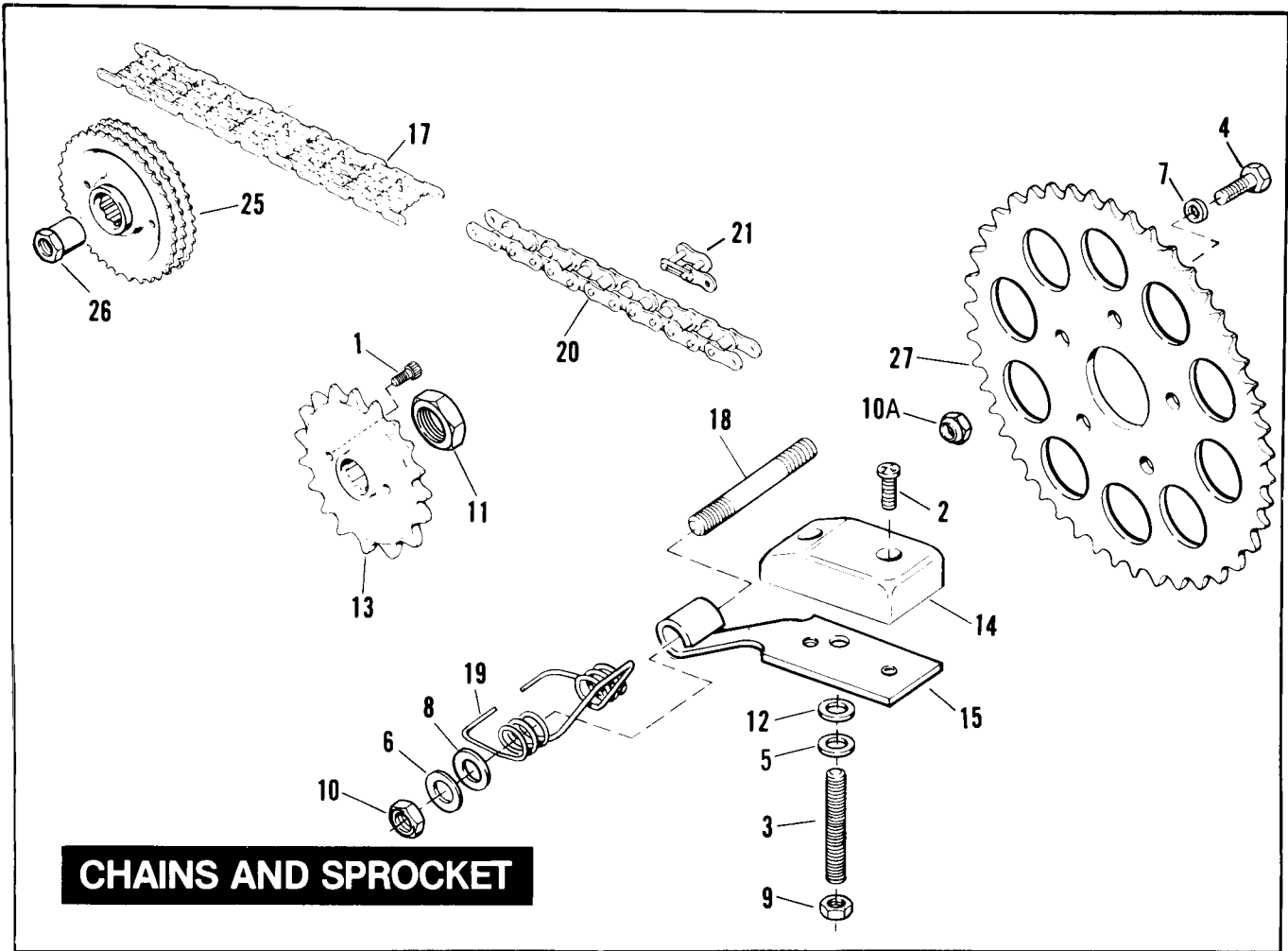


RETAIL PRICE	INDEX NO.	PART NO.	NAME	USED ON
	1	3583	BOLT, clutch ramp lockplate (3)	86 to * — All Models
	2	5707	SPACER, clutch hub	86 to * — All Models
	3	8873	BALL, ramp assembly (3)	86 to * — All Models
	4	8885	BEARING	86 to * — All Models
	5	11045	RETAINING RING, guide	86 to * — All Models
	6	11046	RETAINING RING, clutch adjusting screw	86 to * — All Models
	7	11164	RETAINING RING, clutch hub bearing	86 to * — All Models
	8	11730	NUT, well-type, clutch adjusting screw	86 to * — All Models
	9	11735A	ADJUSTMENT SCREW, clutch	86 to * — All Models
	10	25408—84	RAMP, inner	86 to * — All Models
	11	25409—86A	RAMP, outer	Late 86 to * — All Models
	12	25409—84A	RAMP & COUPLING KIT	86 to * — All Models
	12A	25448—84	LOCKPLATE, clutch ramp	86 to * — All Models
	13	34920—86	COUPLING, clutch cable	Late 86 to * — All Models
	14	36715—84	SPRING, clutch adjustment	86 to * — All Models
		36720—84	CLUTCH ASSEMBLY	86 to * — All Models
	15	36730—84	GUIDE, bearing	86 to * — All Models
	16	36785—84	CLUTCH HUB	86 to * — All Models
	17	36786—84	PRESSURE PLATE	86 to * — All Models
	18	36787—84	DRIVE PLATE (5)	86 to * — All Models
	19	36788—84	DRIVE PLATE (7)	86 to * — All Models
	20	36789—84	SPRING PLATE, center	86 to * — All Models
	21	36791—84	CLUTCH SHELL & SPROCKET, with starter ring gear	86 to * — All Models
	22	36792—84	SPRING, pressure plate	86 to * — All Models
	23	36793—84	SEAT, spring — center	86 to * — All Models
	24	36794—84	SEAT, spring — inner	86 to * — All Models
	25	36795—84	RETAINING RING, clutch hub	86 to * — All Models
	26	36796—84	SEAT, spring — outer	86 to * — All Models
	27	36797—84	RETAINING RING, pressure plate	86 to * — All Models
	28	36798—84	RETAINING RING, clutch hub	86 to * — All Models
	29	36799—84	BEARING, clutch	86 to * — All Models
	30	36802—84A	LOCKPLATE, well-type, filler plug	86 to * — All Models

CLUTCH CONTROL



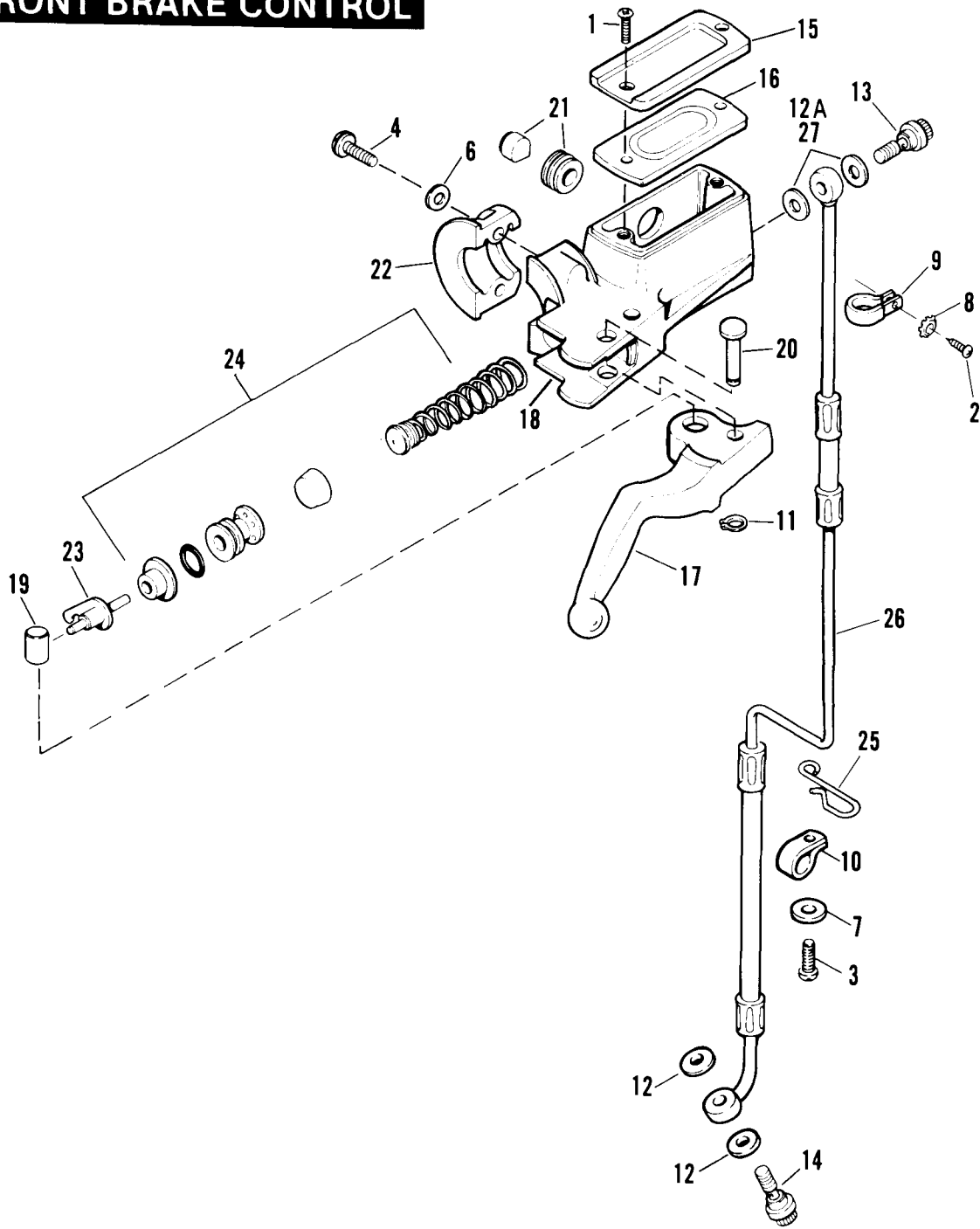
RETAIL PRICE	INDEX NO.	PART NO.	NAME	USED ON
	1	3444	SCREW	86 to * — All Models
	3	4015	SCREW (2)	86 to * — All Models
	4	6099	WASHER (2)	86 to * — All Models
	6	6703	WASHER	86 to * — All Models
	7	7744	NUT	86 & 87 — All Models
	8	10053	CLIP	86 to * — All Models
	9	11143	RETAINING RING	86 to * — All Models
	10	11179	O-RING	88 to * — All Models
	11	25437—86	WASHER	86 & 87 — All Models
	12	38608—82B	BRACKET, clutch lever	86 to * — All Models
	13	38619—86A	CABLE ASSEMBLY	86 to * — XLH 883/DLX.
		38621—86A	CABLE ASSEMBLY	86 to * — XLH 883 HUG., XLH 1100, XLH 1200
	14	38630—88	BOOT, clutch cable	88 to * — All Models
	15	45017—82A	HAND LEVER, only	86 & 87 — All Models
		45017—88	HAND LEVER, only	88 to * — All Models
	16	45021—86	SPRING, anti-rattle	86 to * — All Models
	17	45032—82	PIVOT PIN	86 to * — All Models
	18	45044—82	CLAMP, clutch control	86 to * — All Models
	19	45036—82	PIN, clutch cable	86 & 87 — All Models
		45036—88	PIN, clutch cable	88 to * — All Models
	20	45039—68	BUSHING, clutch cable pin (2)	86 & 87 — All Models
	21	45092—66A	GUIDE, clutch cable	86 to * — All Models
	22	90770—79	SCREW, spring — clutch lever	86 to * — All Models



CHAINS AND SPROCKET

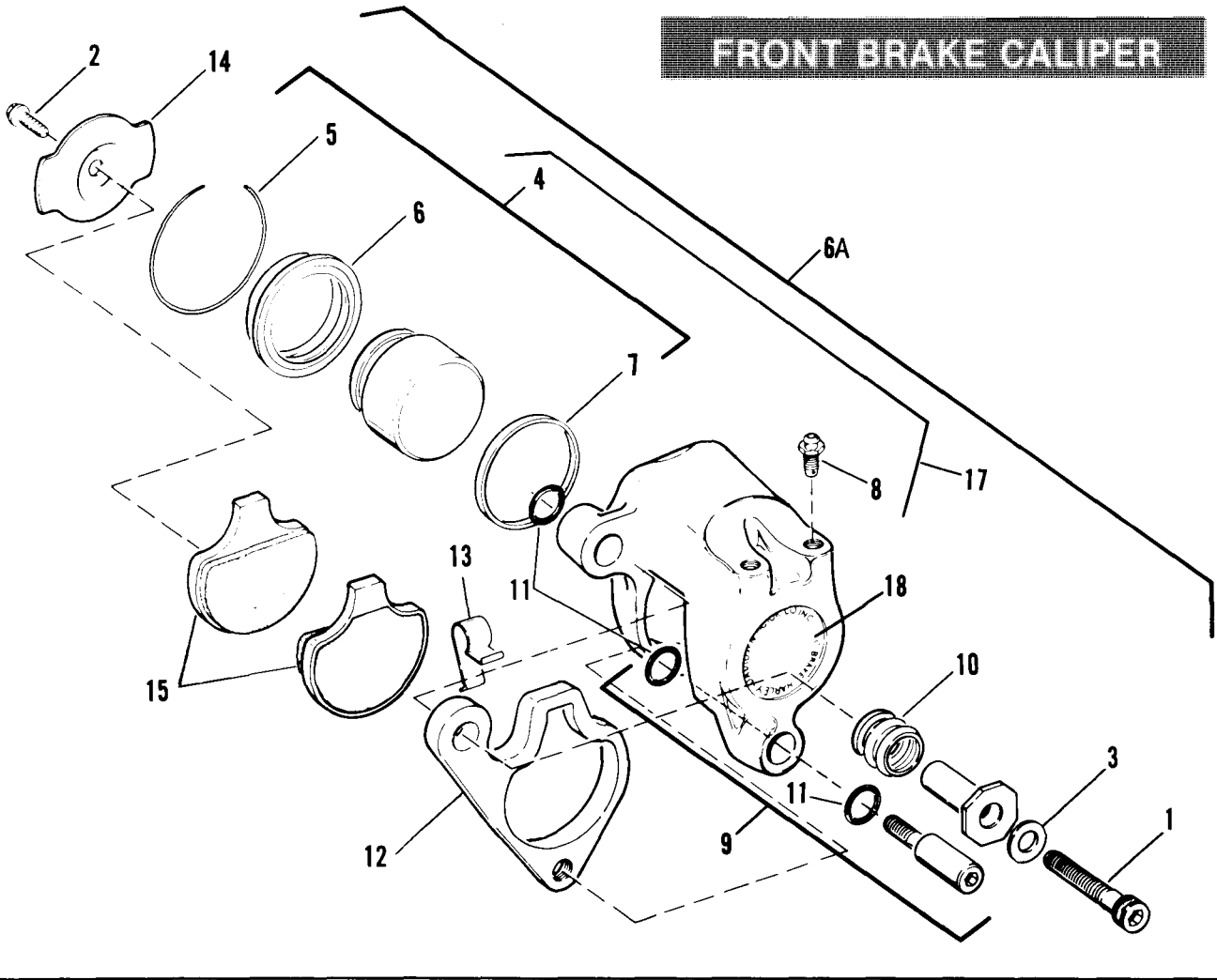
RETAIL PRICE	INDEX NO.	PART NO.	NAME	USED ON
	1	857	SCREW	86 to * — All Models
	2	2587	SCREW (2)	86 to * — All Models
	3	3250	ADJUSTING SCREW	86 to * — All Models
	4	3771	BOLT, cast wheel (5)	86 to * — All Models
		3782	BOLT, laced wheel (5)	86 to * — All Models
	5	6016	WASHER	86 to * — All Models
	6	6033	WASHER	86 to * — All Models
	7	6516HW	WASHER (5)	86 — All Models
	8	6812	WASHER	86 to * — All Models
	9	7739	LOCKNUT	86 to * — All Models
	10	7775	LOCKNUT	86 to * — All Models
	10A	7827W	LOCKNUT, laced wheel (5)	86 to * — All Models
	11	7855W	JAM NUT	86 to * — All Models
	12	25437—86	WASHER	86 to * — All Models
	13	35208—84	TRANSMISSION SPROCKET — 21 T	86 to * — All Models
	14	39966—80	PAD, front chain adjuster	86 to * — All Models
	15	39973—86	CARRIER, adjuster pad	86 to * — All Models
	17	40005—57	FRONT CHAIN	86 to * — All Models
	18	40018—86	STUD, chain adjuster	86 to * — All Models
	19	40019—86	SPRING, chain adjuster	86 to * — All Models
	20	40028—15E	REAR CHAIN (Duckworth; 110 pitch)	86 to * — All Models
		40029—15E	REAR CHAIN (Diamond; 110 pitch)	86 to * — All Models
	21	40052—65	CONNECTING LINK, rear chain (Diamond; press fit)	86 to * — All Models
		40053—65	CONNECTING LINK, rear chain (Duckworth; press fit)	86 to * — All Models
	25	40235—74	ENGINE SPROCKET — 34 T	86 to * — All Models
	26	40387—70	NUT, sprocket shaft	86 to * — All Models
	27	41470—86	SPROCKET, rear wheel — 48 T	86 to * — All Models
		41482—89	SPROCKET — 40 T (Swiss & 1200 HDI)	89 to * — All Models

FRONT BRAKE CONTROL



RETAIL PRICE	INDEX NO.	PART NO.	NAME	USED ON
	1	2579	SCREW (2)	86 to * — All Models
	2	2661W	SCREW	86 to * — All Models
	3	3444	SCREW	86 to * — All Models
	4	4015	SCREW (2)	86 to * — All Models
	6	6099	WASHER (2)	86 to * — All Models
	7	6703	WASHER	86 to * — All Models
	8	7220	LOCKWASHER	86 to * — All Models
	9	10031	CLAMP	86 to * — All Models
	10	10053	CLAMP	86 to * — All Models
	11	11143	RETAINING RING, external	86 to * — All Models
	12	41731-82	GASKET, caliper (2)	86 to Early 89 — All Models
		41731-88	GASKET, caliper (2)	Late 89 to * — All Models
	12A	41733-88	GASKET, master cylinder (2)	Late 90 to * — All Models
	13	41739-84	BOLT, front brake hose	86 to Early 90 — All Models
		41739-84A	BOLT, front brake hose	Late 90 to * — All Models
	14	41747-82A	BOLT, front brake hose	86 to * — All Models
	15	45004-85	COVER, master cylinder	86 to * — All Models
	16	45005-85	GASKET, master cylinder cover	86 to * — All Models
	17	45016-82	HAND LEVER, front brake	86 to * — All Models
	18	45019-85	MASTER CYLINDER ASSEMBLY, with hand lever	86 to * — All Models
	19	45031-82	PIN, stoplight switch & push rod	86 to * — All Models
	20	45032-82	PIN, handlever pivot	86 to * — All Models
	21	45042-82	FLUID LEVEL WINDOW KIT	86 to * — All Models
	22	45044-82	CLAMP, master cylinder	86 to * — All Models
	23	45051-82	PUSH ROD, stoplight switch & master cylinder	86 to * — All Models
	24	45072-87	REPAIR KIT, master cylinder	86 to * — All Models
	25	45092-66A	CLAMP, clutch & speedometer cables	86 to * — All Models
	26	45121-88A	BRAKE LINE, front	86 & 87 — XLH 1100; 88 to * — XLH 883 HUG.; 88 to * XLH 1200
		45143-8A	BRAKE LINE, front	86 to * — XLH 883, 88 to * — XLH 883 DLX
	27	45583-83	GASKET, master cylinder (2)	86 to Early 90 — All Models

FRONT BRAKE CALIPER

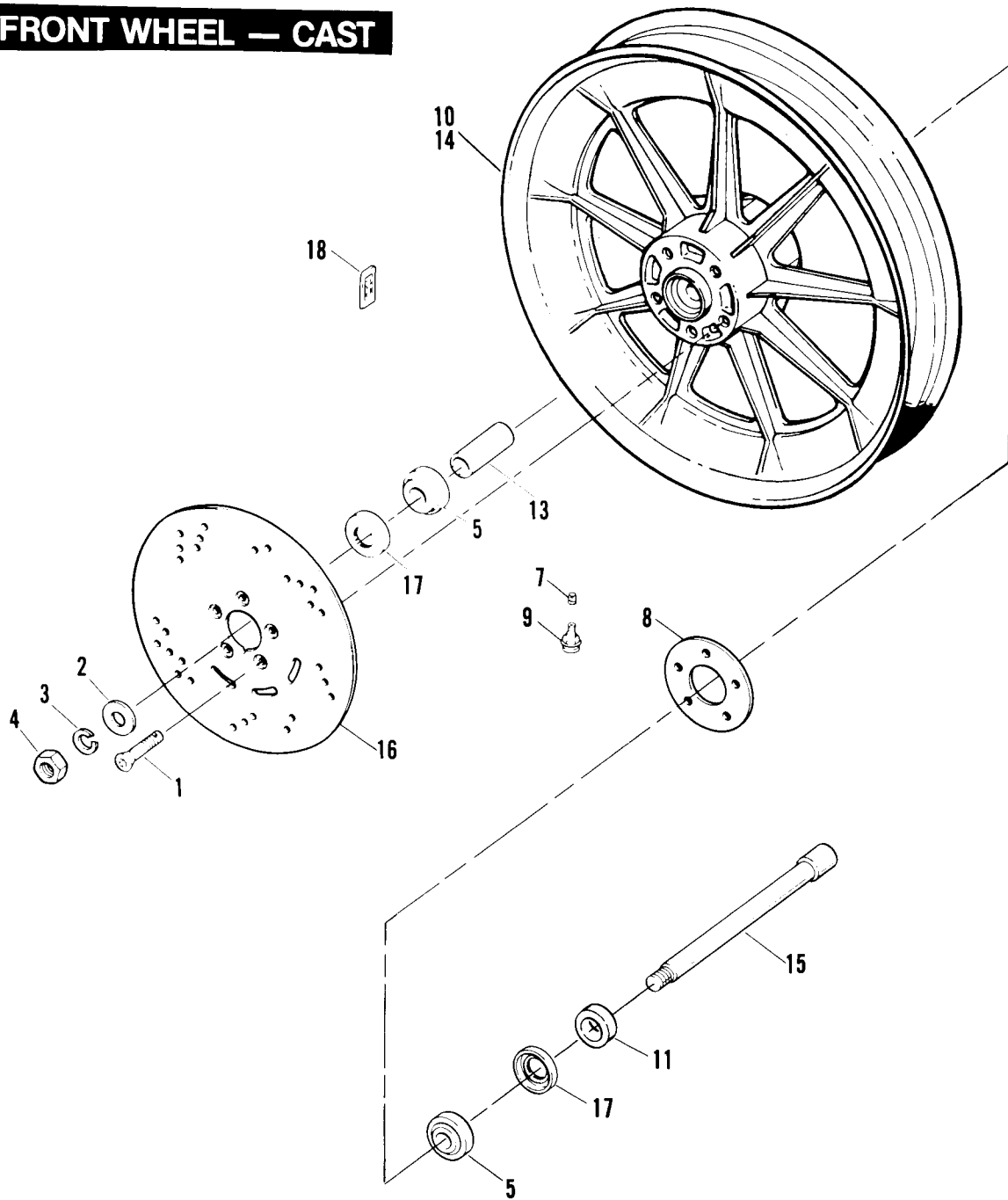


FRONT BRAKE CALIPER

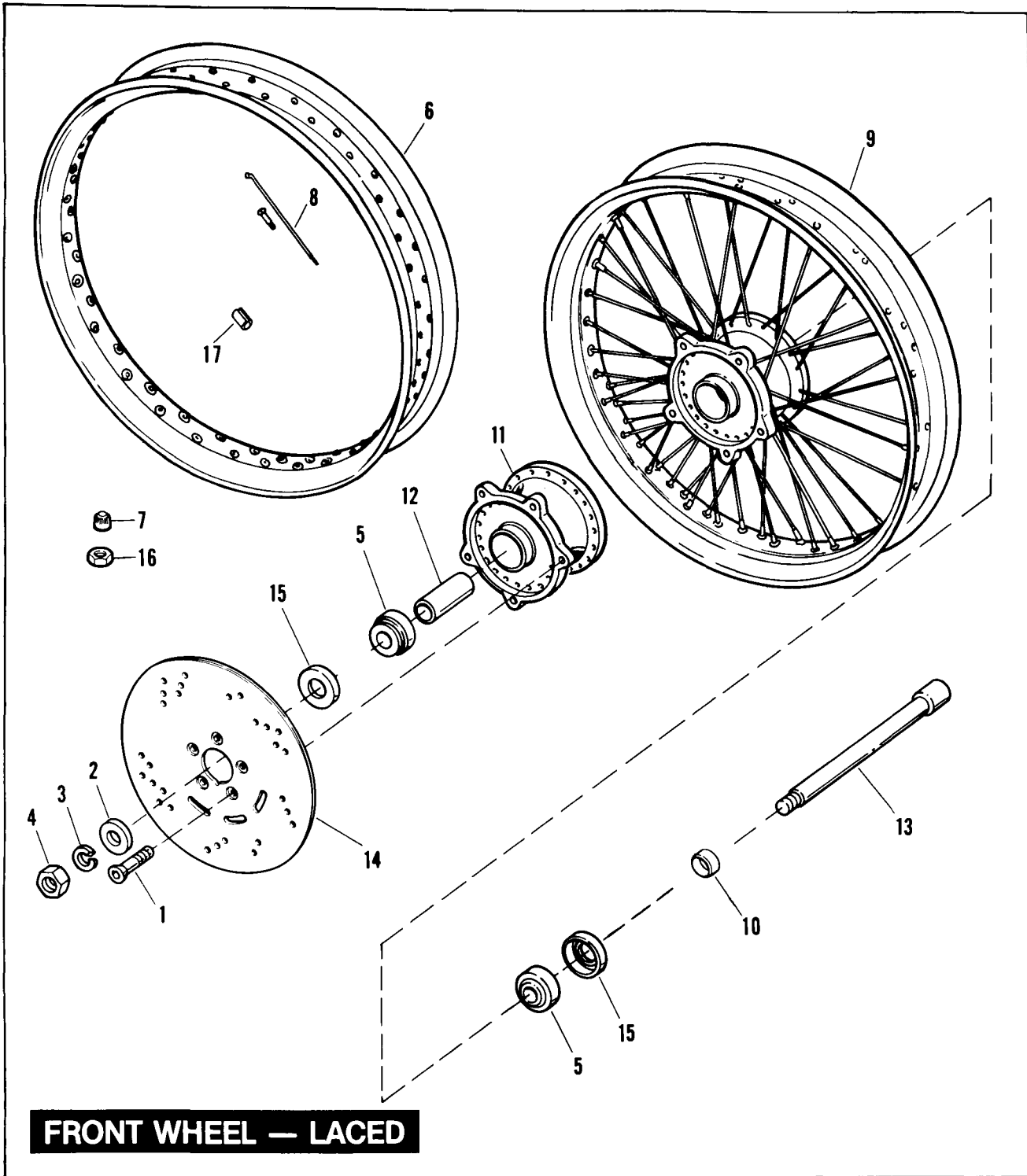
XE18

RETAIL PRICE	INDEX NO.	PART NO.	NAME	USED ON
	1	855	SCREW	86 to * — All Models
	2	3517	SCREW	86 to * — All Models
	3	6019	WASHER	86 to * — All Models
	4	44020—83	PISTON REBUILD KIT, includes items 5 - 7	86 to * — All Models
	5	44021—83	RETAINING RING, piston	86 to * — All Models
	6	44022—83	DUST BOOT, piston	86 to * — All Models
	6A	44046—84	CALIPER ASSEMBLY, left	86 to * — All Models
	7	44047—83	SEAL, piston	86 to * — All Models
	8	44048—83	BLEEDER FITTING	86 to * — All Models
	9	44053—83	GUIDE PIN KIT, includes items 10,11 & pins	86 to * — All Models
	10	44054—83	PIN BOOT	86 to * — All Models
	11	44059—83	O-RING (3)	86 to * — All Models
	12	44060—83	BRACKET, caliper mounting	86 to * — All Models
	13	44061—83	SPRING CLIP	86 to * — All Models
	14	44062—83	RETAINING PAD	86 to * — All Models
	15	44063—83A	PAD SET, includes item 2	86 to * — All Models
	17	44065—83	CALIPER REBUILD KIT, includes items 4, 8 & body ...	86 to * — All Models
	18	44197—77	LABEL	86 to * — All Models

FRONT WHEEL — CAST



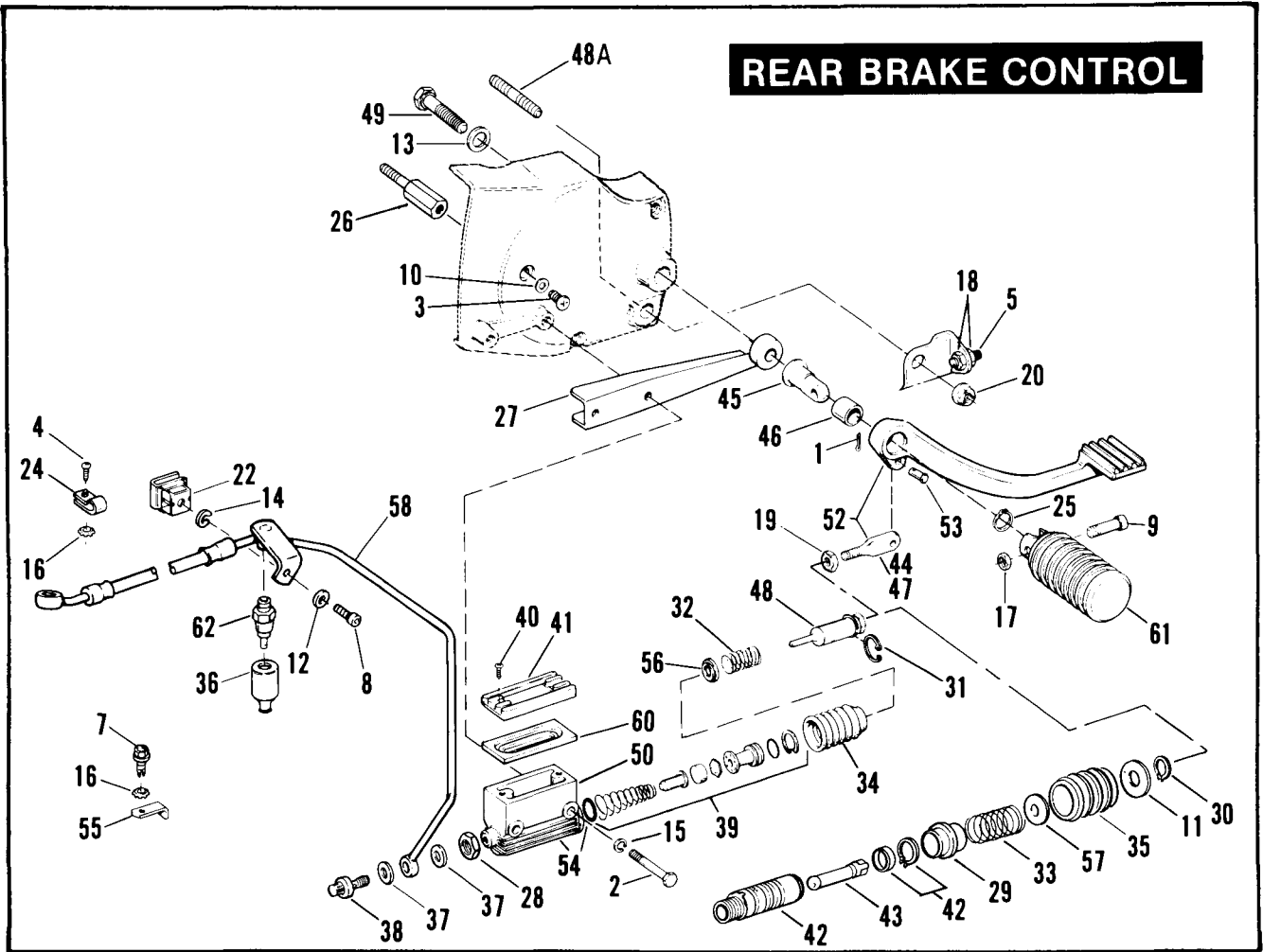
RETAIL PRICE	INDEX NO.	PART NO.	NAME	USED ON
	1	3655	SCREW (10)	86 to * — All Models
	2	6590HW	WASHER	88 to * — All Models
		6653	WASHER	86 & 87 — All Models
	3	7022	LOCKWASHER	86 & 87 — All Models
		7068	LOCKWASHER	88 to * — All Models
	4	7813	NUT	86 & 87 — All Models
		7845	NUT	88 to * — All Models
	5	9052	ROLLER BEARING (2)	86 to * — All Models
	7	41123—79	VALVE CAP	86 to * — All Models
	8	41814—76A	HUB PLATE	86 to * — All Models
	9	43150—83	VALVE STEM, tubeless tire	86 to * — All Models
	10	43338—83	WHEEL ASSEMBLY, 19" (9 spoke)(silver)	86 to * — XLH 883 All Models
	11	43358—83A	SPACER, bearing	86 to * — All Models
	13	43623—78	SPACER, between bearings — 2.564" (violet)	86 to * — All Models
		43624—78	SPACER, between bearings — 2.550" (pink)	86 to * — All Models
		43625—78	SPACER, between bearings — 2.536" (gold)	86 to * — All Models
	14	43626—84	WHEEL ASSEMBLY, 19" (9 spoke)(black)	86 & 87 — XLH 1100; 88 to * — XLH 1200
	15	43883—84	FRONT AXLE	86 & 87 — All Models
		43895—87	FRONT AXLE	88 to * — All Models
	16	44136—84A	DISC	86 to * — All Models
	17	47519—83A	OIL SEAL (2)	86 to * — All Models
	18	95594—84	WHEEL WEIGHT, 1/4 oz. (black)	86 & 87 — XLH 1100; 88 to * — XLH 1200
		95595—84	WHEEL WEIGHT, 1/4 oz. (silver)	86 to * — XLH 883 All Models



FRONT WHEEL — LACED

RETAIL PRICE	INDEX NO.	PART NO.	NAME	USED ON
	1	3655	SCREW (5)	86 to * — All Models
	2	6590HW	WASHER	88 to * — All Models
		6653	WASHER	86 & 87 — All Models
	3	7022	LOCKWASHER	86 & 87 — All Models
		7068	LOCKWASHER	88 to * — All Models
	4	7813	NUT	86 & 87 — All Models
	5	9052	ROLLER BEARING (2)	86 to * — All Models
	6	43001—79	RIM, 19" chrome	86 to * — All Models
	7	41123—79	VALVE CAP	86 to * — All Models
	8	43024—73B	SPOKE AND NIPPLE, 19" rim — short (20)	86 to * — All Models
		43025—73B	SPOKE AND NIPPLE, 19" rim — long (20)	86 to * — All Models
	9	43312—84	WHEEL ASSEMBLY, 19"	86 to * — All Models
	10	43358—83A	SPACER, left bearing	86 to * — All Models
	11	43619—84	WHEEL HUB ASSEMBLY	86 to * — All Models
	12	43623—78	SPACER, between bearings — 2.564" (violet)	86 to * — All Models
		43624—78	SPACER, between bearings — 2.550" (pink)	86 to * — All Models
		43625—78	SPACER, between bearings — 2.536" (gold)	86 to * — All Models
	13	43883—84	FRONT AXLE	86 & 87 — All Models
		43895—87	FRONT AXLE	88 to * — All Models
	14	44136—84A	DISC	87 to * — All Models
	15	47519—83A	SEAL (2)	86 to * — All Models
	16	54321—85	NUT, valve stem	86 to * — All Models
	17	95578—41	WHEEL WEIGHT, 1/2 oz.	86 to * — All Models
		95581—47	WHEEL WEIGHT, 3/4 oz.	86 to * — All Models
		95582—47	WHEEL WEIGHT, 1 oz.	86 to * — All Models

REAR BRAKE CONTROL



REAR BRAKE CONTROL

XE20-1

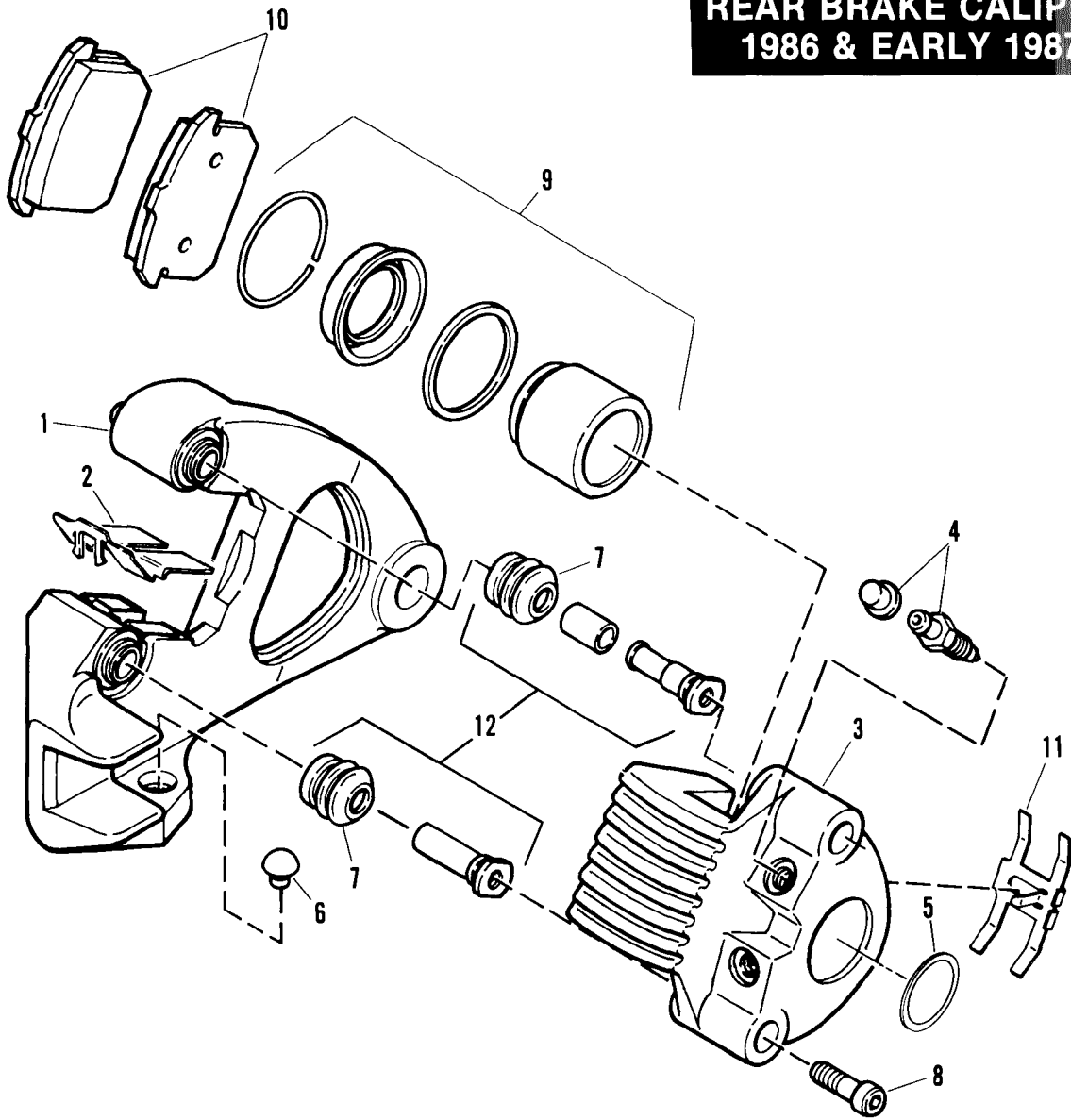
RETAIL PRICE	INDEX NO.	PART NO.	NAME	USED ON
	1	515	COTTER PIN	86 to * — All Models
	2	853	SCREW (2)	86 to * — All Models
	3	1797R	SCREW	86 to * — All Models
	4	2501	SCREW (2)	86 to * — All Models
	5	2551W	BOLT	86 & Early 87 — All Models
	7	2661W	SCREW	86 to * — All Models
	8	4092	SCREW (black)	86 to * — All Models
	9	4724	SCREW	86 to * — All Models
	10	6099	WASHER	86 to * — All Models
	11	6366	WASHER	Late 87 to * — All Models
	12	6702	WASHER	86 to * — All Models
	13	6718	WASHER	86 to * — All Models
	14	7041	LOCKWASHER	86 to * — All Models
	15	7042	LOCKWASHER (2)	86 to * — All Models
	16	7220	LOCKWASHER (2)	86 to * — All Models
	17	7628	NUT	86 to * — All Models
	18	7689W	NUT	86 & Early 87 — All Models
	19	7744	JAMNUT	86 to * — All Models

REAR BRAKE CONTROL (CONT'D)

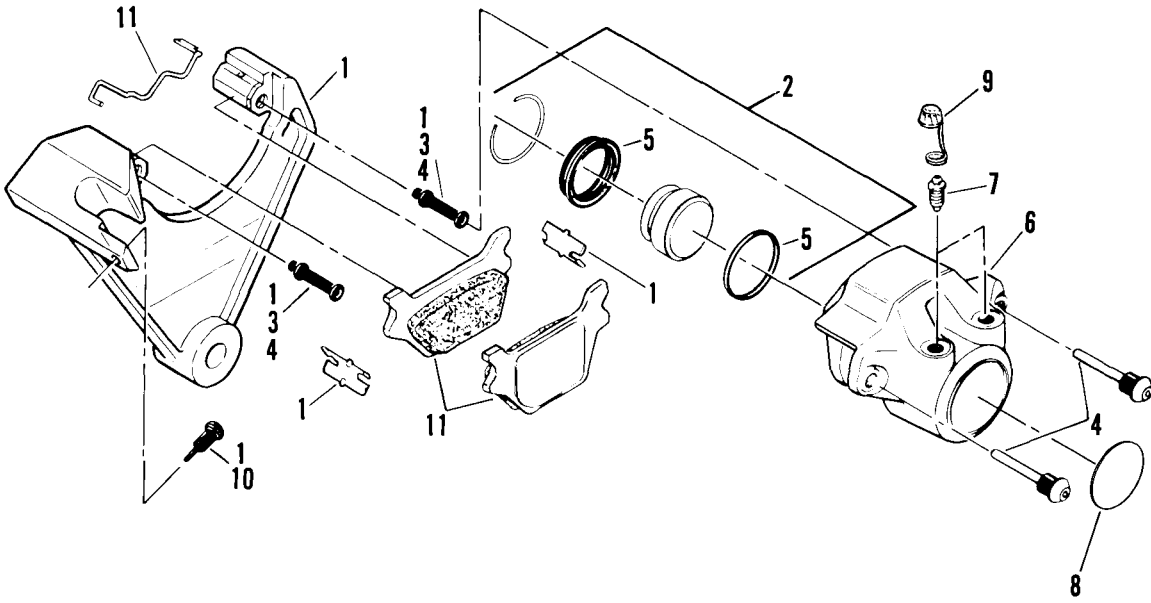
XE20-2

RETAIL PRICE	INDEX NO.	PART NO.	NAME	USED ON
	20	7844	LOCKNUT	86 to * — All Models
	22	8102	NUT, clip	86 to * — All Models
	24	10031	CLAMP, rear brake hose (2)	86 to * — All Models
	25	11093	RETAINING RING, footrest	86 to * — All Models
	26	34886—86	STUD, mounting	86 & 87 — All Models
		34886—86A	STUD, mounting	88 to * — All Models
	27	34909—83	STIFFENER, master cylinder	86 to * — All Models
	28	35078—79	LOCKNUT	Late 87 to * — All Models
	29	40902—87	ADAPTER, return spring	Late 87 to * — All Models
	30	40903—87	RETAINING RING, spring	Late 87 to * — All Models
	31	40918—82	WASHER, piston cup	86 & Early 87 — All Models
	32	40920—82	SPRING, brake return	86 & Early 87 — All Models
	33	40920—87	SPRING, pedal return	Late 87 to * — All Models
	34	40922—79	BOOT, push rod	86 & Early 87 — All Models
	35	40922—87	BOOT, push rod	Late 87 to * — All Models
	36	41642—82	RUBBER BOOT, brake switch	86 to * — All Models
	37	41731—88	GASKET (4)	Late 87 to * — All Models
	38	41747—82A	BOLT (2)	Late 87 to * — All Models
	39	42374—82A	REBUILD KIT, master cylinder	86 & Early 87 — All Models
	40	42375—82	BOLT, cover (2)	86 & Early 87 — All Models
		42375—87	BOLT, cover (2)	Late 87 to * — All Models
	41	42381—82	COVER, master cylinder	86 & Early 87 — All Models
		42381—87	COVER, master cylinder	Late 87 to * — All Models
	42	42382—87	REPAIR KIT, master cylinder	Late 87 to * — All Models
		42434—84	PLUG (HDI only)	86 & Early 87 — All Models
	43	42436—87	PUSH ROD, master cylinder	Late 87 to * — All Models
	44	42437—87	ROD, end	Late 87 to * — All Models
	45	42441—80	SHAFT, pivot — rear brake	86 to * — All Models
	46	42443—80	BUSHING, rear brake pedal	86 to * — All Models
		42444—84	O-RING (HDI only)	86 & Early 87 — All Models
	47	42445—80A	ROD, end	86 & Early 87 — All Models
	48	42448—82A	PLUNGER KIT, master cylinder	86 & Early 87 — All Models
	48A	42449—80	STUD, cover & exhaust pipe	86 to * — All Models
	49	42450—80	BOLT, sprocket cover	86 & Early 87 — All Models
	50	42453—82A	MASTER CYLINDER ASSEMBLY (polished)	86 & Early 87 — All Models
		42453—87	MASTER CYLINDER ASSEMBLY	Late 87 to * — All Models
	51	42455—82	GASKET, master cylinder	86 & Early 87 — All Models
		42456—84	MASTER CYLINDER ASSEMBLY (HDI only)	86 & Early 87 — All Models
	52	42459—80B	PEDAL ASSEMBLY, rear brake, consists of besides pedal: items 1, 46, 47, & 53	86 & Early 87 — All Models
		42459—87	PEDAL ASSEMBLY, rear brake, consists of besides pedal: items 1, 44, 47, & 53	Late 87 to * — All Models
	53	42460—80A	CLEVIS PIN	86 & Early 87 — All Models
	54	42471—87	REPAIR KIT, master cylinder body	Late 87 to * — All Models
		42472—87	REPAIR KIT, master cylinder body (HDI only)	Late 87 to * — All Models
	55	42500—81	MOUNTING TAB, brake line	86 to * — All Models
	56	44126—82	WASHER, brake return spring	86 to * — All Models
	57	44126—87	RETAINER, spring	Late 87 to * — All Models
	58	44438—86	BRAKE HOSE (single piece)	86 & Early 87 — All Models
		44438—87	HOSE, rear brake	Late 87 to * — All Models
	60	45005—85	GASKET, master cylinder cover	Late 87 to * — All Models
		45042—82	REPAIR KIT, sight glass (HDI only)	Late 87 to * — All Models
	61	50939—52	FOOTREST, with cover	86 to * — All Models
		50940—52	COVER (rubber)	86 to * — All Models
	62	72023—51A	STOPLIGHT SWITCH, rear brake	86 to * — All Models

**REAR BRAKE CALIPER
1986 & EARLY 1987**

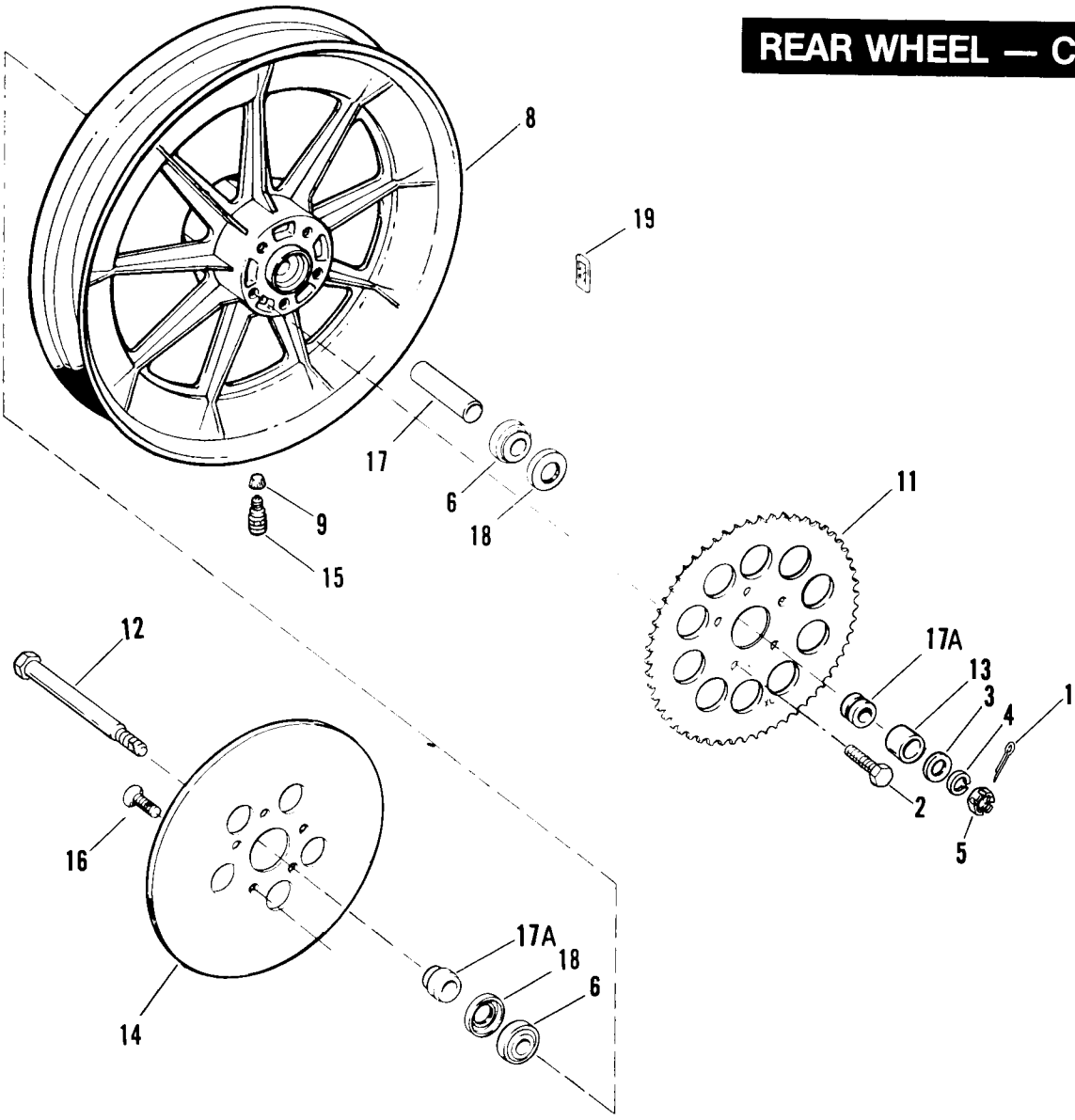


RETAIL PRICE	INDEX NO.	PART NO.	NAME	USED ON
	1	40929-82	BRACKET, mounting, includes items 2, 6 & 12	86 & Early 87 — All Models
	2	41665-82	ABUTMENT SHIM (2)	86 & Early 87 — All Models
	3	44052-82A	CALIPER BODY ASSY., includes items 4, 9 & 11 (blk)	86 & Early 87 — All Models
	4	44146-82	BLEED SCREW, with dust cover	86 & Early 87 — All Models
	5	44197-77	LABEL	86 & Early 87 — All Models
	6	44199-82	RUBBER BUMPER, caliper bracket	86 & Early 87 — All Models
	7	44200-82	PIN BOOT (2)	86 & Early 87 — All Models
	8	44201-82	BOLT, mounting (2)	86 & Early 87 — All Models
	9	44208-82	REBUILD KIT, brake caliper	86 & Early 87 — All Models
	10	44209-82	PAD SET	86 & Early 87 — All Models
	11	44211-82	PAD SPRING	86 & Early 87 — All Models
	12	44212-82	GUIDE PIN KIT, includes items 7 & 8 (2)	86 & Early 87 — All Models

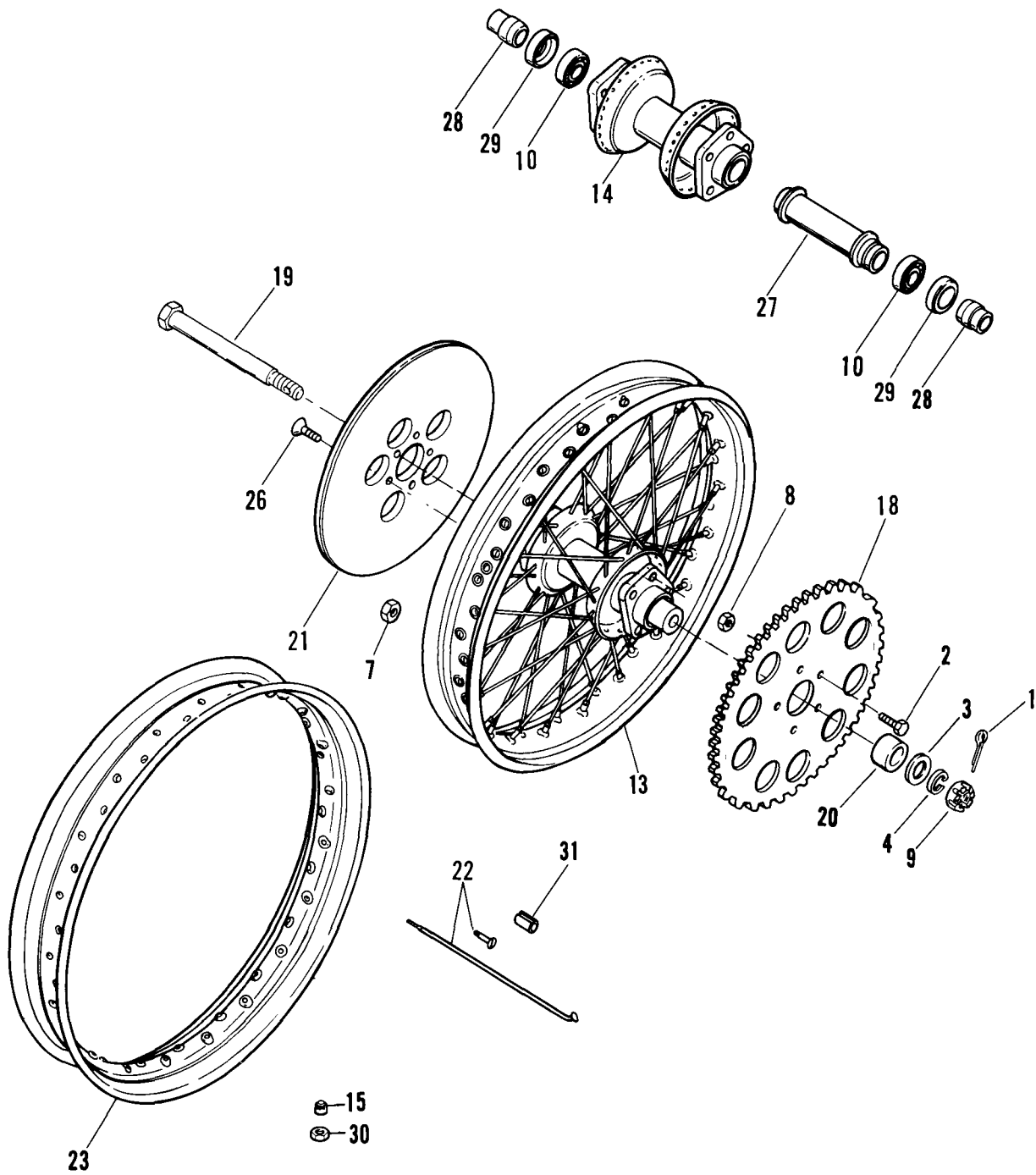


**REAR BRAKE CALIPER
LATE 1987 & LATER**

REAR WHEEL — CAST



RETAIL PRICE	INDEX NO.	PART NO.	NAME	USED ON
	1	511	COTTER PIN	89 to * — All Models
	2	3771	BOLT (5)	86 to * — All Models
	3	5756	SPACER	89 to * — All Models
		6653	WASHER	86 to 88 — All Models
	4	7022	LOCKWASHER	86 to 88 — All Models
	5	7986	NUT	86 to 88 — All Models
		7987	CASTLE NUT	89 to * — All Models
	6	9052	ROLLER BEARING (2)	86 to * — All Models
	8	40983—86	WHEEL ASSEMBLY — 16" (9 spoke)(silver)	86 to * — XLH 883 All Models
		41015—86	WHEEL ASSEMBLY — 16" (9 spoke)(black)	86 & 87 — XLH 1100; 88 to * — XLH 1200
	9	41123—79	VALVE CAP	86 to * — All Models
	11	41470—86	SPROCKET — 48 T (chrome)	86 to * — All Models
	12	41563—77	AXLE	86 to 88 — All Models
		41563—77A	AXLE ASSEMBLY, includes items 1, 3 & 5	89 to * — All Models
	13	41594—73	SPACER	86 to * — All Models
	14	41791—79A	DISC, brake	86 to * — All Models
	15	43157—83A	VALVE STEM, tubeless tire	86 to * — All Models
	16	43567—79	SCREW, brake disc (5)	86 to * — All Models
	17	43604—78	SLEEVE, bearing spacer — 4.420" (w/o flange)(orange)	86 to * — All Models
		43605—78	SLEEVE, bearing spacer — 4.434" (w/o flange)(yellow)	86 to * — All Models
		43606—78	SLEEVE, bearing spacer — 4.448" (w/o flange)(white)	86 to * — All Models
	17A	43654—86A	SPACER (2 — 1988 & Later)	86 to * — All Models
	18	47519—83A	SEAL (2)	86 to * — All Models
	19	95594—84	WHEEL WEIGHT, 1/4 oz. (black)	87 — XLH 1100; 88 to * — XLH 1200
		95595—84	WHEEL WEIGHT, 1/4 oz. (silver)	87 to * — XLH 883 All Models

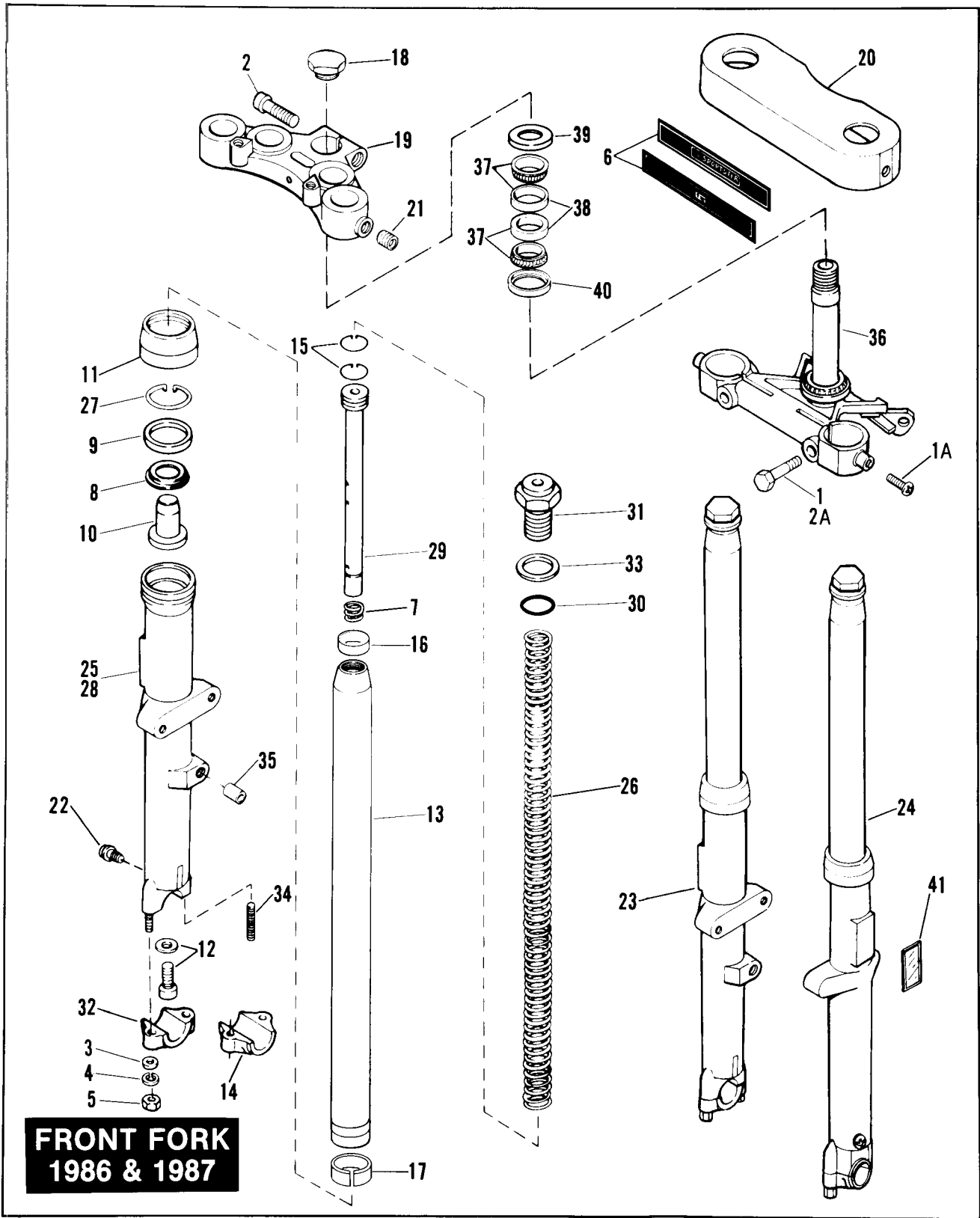


REAR WHEEL — LACED

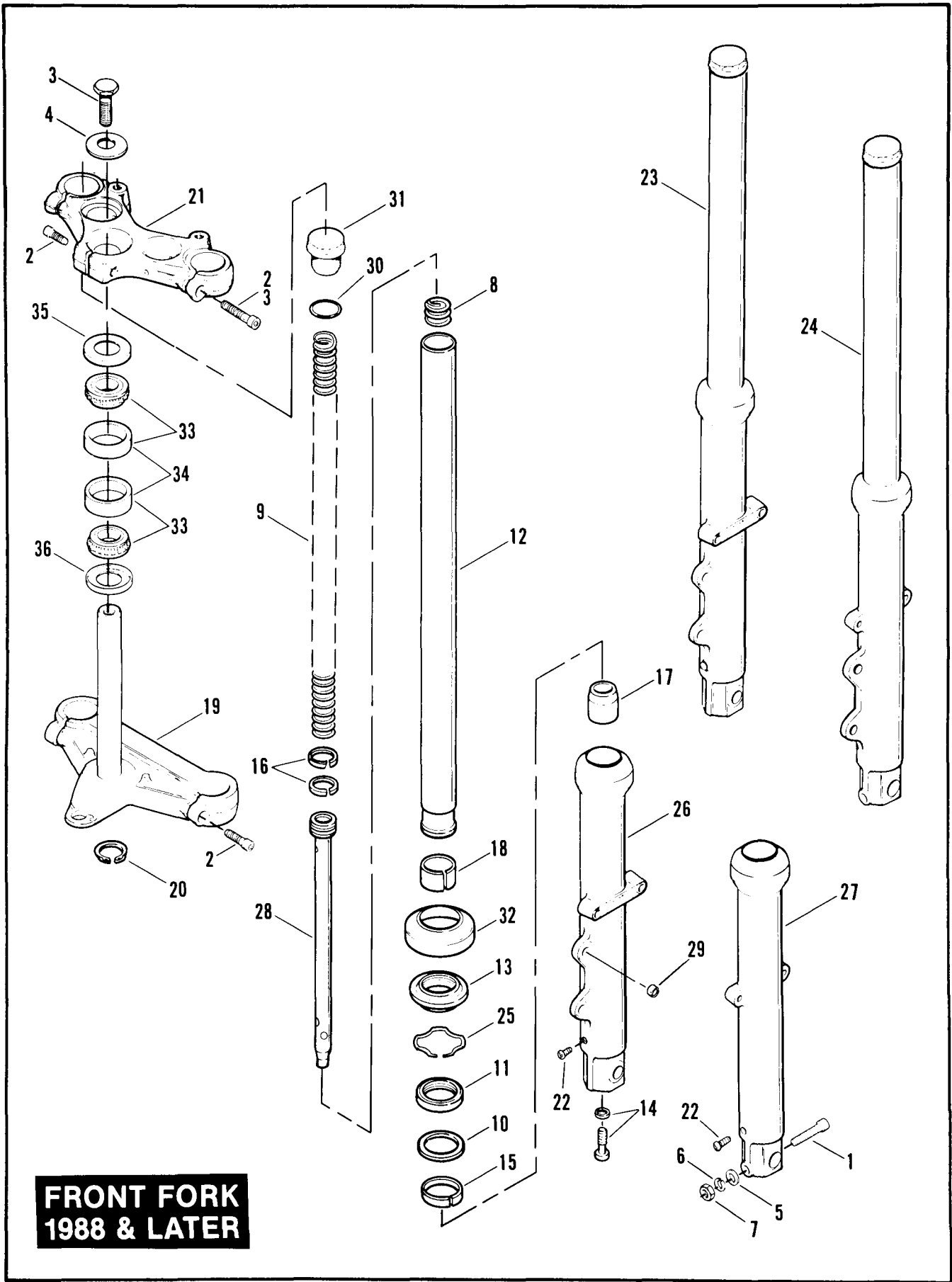
REAR WHEEL — LACED

XE22A

RETAIL PRICE	INDEX NO.	PART NO.	NAME	USED ON
	1	511	COTTER PIN	89 to * — All Models
	2	3782	BOLT (5)	86 to * — All Models
	3	5756	SPACER	89 to * — All Models
		6653	WASHER	86 to 88 — All Models
	4	7022	LOCKWASHER	86 to 88 — All Models
	7	7778	LOCKNUT (5)	86 to * — All Models
	8	7827W	LOCKNUT (5)	86 to * — All Models
	9	7986	NUT	86 to 88 — All Models
		7987	CASTLE NUT	89 to * — All Models
	10	9052	ROLLER BEARING (2)	86 to * — All Models
	13	40975—86	WHEEL ASSEMBLY, 16" (chrome)	86 to * — All Models
	14	40976—86	HUB ASSEMBLY, rear, 16"	86 to * — All Models
	15	41123—79	VALVE CAP	86 to * — All Models
	18	41470—86	SPROCKET — 48 T (chrome)	86 to * — All Models
	19	41563—77	AXLE	86 to 88 — All Models
		41563—77A	AXLE ASSEMBLY, includes items 1, 3 & 9	89 to * — All Models
	20	41594—73	SPACER	86 to * — All Models
	21	41791—79A	DISC, brake	86 to * — All Models
	22	43032—40B	SPOKE AND NIPPLE, 16" rim (40)	86 to * — All Models
	23	43085—81	RIM, 16" (chrome)	86 to * — All Models
	26	43567—79	SCREW, brake disc (5)	86 to * — All Models
	27	43601—78A	SPACER, bearing (with flanges) — 4.420" (orange)	86 to * — All Models
		43602—78A	SPACER, bearing (with flanges) — 4.434" (yellow)	86 to * — All Models
		43603—78A	SPACER, bearing (with flanges) — 4.448" (white)	86 to * — All Models
	28	43654—86A	SPACER (2)	86 to * — All Models
	29	47519—83A	SEAL (2)	86 to * — All Models
	30	54321—85	NUT, valve stem	86 to * — All Models
	31	95578—41	WHEEL WEIGHT, 1/2 oz.	86 to * — All Models
		95581—47	WHEEL WEIGHT, 3/4 oz.	86 to * — All Models
		95582—47	WHEEL WEIGHT, 1 oz.	86 to * — All Models



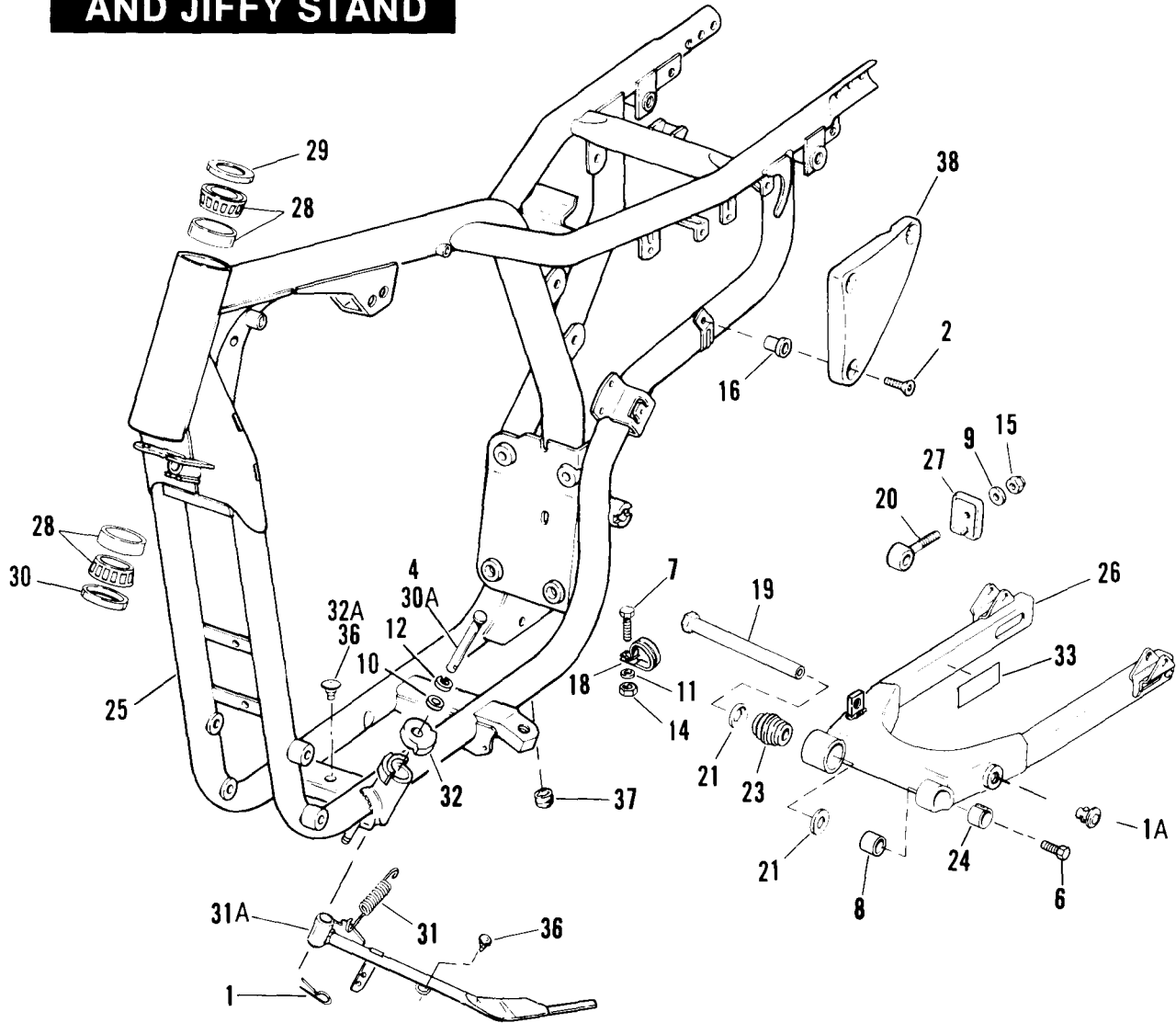
RETAIL PRICE	INDEX NO.	PART NO.	NAME	USED ON
	1	854	SCREW (2)	86 & 87 — XLH 883/HUG.
	1A	2823	SCREW (4)	86 & 87 — XLH 1100
	2	4371W	SCREW	86 & 87 — All Models
	2A	4411	SCREW (2)	87 — XLH 1100
	3	6702	WASHER (4)	86 & 87 — All Models
	4	7041	LOCKWASHER (4)	86 & 87 — All Models
	5	7748W	NUT (4)	86 & 87 — All Models
	6	14050-86	DECAL, Liberty Edition	86 — XLH 1100
		14051-86	DECAL, "Sportster"	N/A
	7	45382-83	SPRING, damper tube (2)	86 & 87 — All Models
	8	45386-83	SPACER, seal (2)	86 & 87 — All Models
	9	45387-83	OIL SEAL, slider (2)	86 & 87 — All Models
	10	45403-84	LOWER STOP (2)	86 & 87 — All Models
	11	45404-75	BOOT (2)	86 & 87 — All Models
	12	45405-75A	SCREW & WASHER, damper tube (2)	86 & 87 — All Models
	13	45407-83	SLIDER TUBE (2)	Early 86 — All Models
		45407-86	SLIDER TUBE (2)	Late 86 & 87 — All Models
	14	45410-84	AXLE CAP, left slider	86 & 87 — All Models
	15	45412-75	RING, damper tube (4)	86 & 87 — All Models
	16	45413-84	BUSHING, slider tube — upper (2)	86 & 87 — All Models
	17	45416-84	BUSHING, slider tube — lower (2)	86 & 87 — All Models
	18	45718-71	NUT, fork stem	86 & 87 — All Models
	19	45736-78B	BRACKET, upper (polished)	86 & 87 — All Models
		45743-84	FORK STEM AND BRACKET (HDI only)	86 & 87 — XLH 883/HUG.
		45746-84	FORK STEM AND BRACKET (HDI only)	86 & 87 — XLH 1100
	20	45751-71A	COVER, fork lower bracket	86 & 87 — XLH 1100
	21	45782-72A	SCREW INSERT (2)	86 & 87 — All Models
	22	45790-80	DRAIN SCREW, with washer (2)	86 & 87 — All Models
	23	45900-84A	FORK SLIDER AND TUBE ASSY. — right	86 & 87 — All Models
	24	45901-84A	FORK SLIDER AND TUBE ASSY. — left	86 & 87 — All Models
	25	45906-84	SLIDER, complete — right	86 & 87 — All Models
	26	45907-83	SPRING (2)	86 & 87 — All Models
	27	45908-80	RETAINING RING, oil seal (2)	86 & 87 — All Models
	28	45912-84	SLIDER, complete — left	86 & 87 — All Models
	29	45913-84	DAMPER TUBE, includes item 15 (2)	86 & 87 — All Models
	30	45982-73	O-RING, slider tube cap (2)	86 & 87 — All Models
	31	45993-73	CAP, slider tube (2)	Early 86 — All Models
		45993-86	CAP, slider tube (2)	Late 86 & 87 — All Models
	32	45994-84	AXLE CAP, right slider	86 & 87 — All Models
	33	45997-73	WASHER, slider tube cap (2)	86 & 87 — All Models
	34	45998-73	STUD (4)	86 & 87 — All Models
	35	46020-84	BUSHING, brake caliper	86 & 87 — All Models
	36	47693-84	FORK STEM AND BRACKET	86 & 87 — XLH 1100
		47694-84	FORK STEM AND BRACKET (black wrinkle)	86 & 87 — XLH 883/HUG.
		48140-84	FORK LOCK ASSEMBLY (HDI only)	86 & 87 — All Models
		48141-84	LOCK COVER (HDI only)	86 & 87 — All Models
		48142-84	LOCK WITH KEYS (HDI only)	86 & 87 — All Models
		48143-84	PIN (HDI only)	86 & 87 — All Models
		48145-84	SPRING (HDI only)	86 & 87 — All Models
	37	48300-60	BEARING, steering head — complete (2)	86 & 87 — All Models
	38	48315-60	BEARING CAP, steering head (2)	86 & 87 — All Models
	39	48361-80	DUST SHIELD, steering head bearing — upper	86 & 87 — All Models
	40	48365-48A	DUST SHIELD, steering head bearing — lower	86 & 87 — All Models
	41	59254-72	REFLECTOR (amber)(2)	86 & 87 — All Models



**FRONT FORK
1988 & LATER**

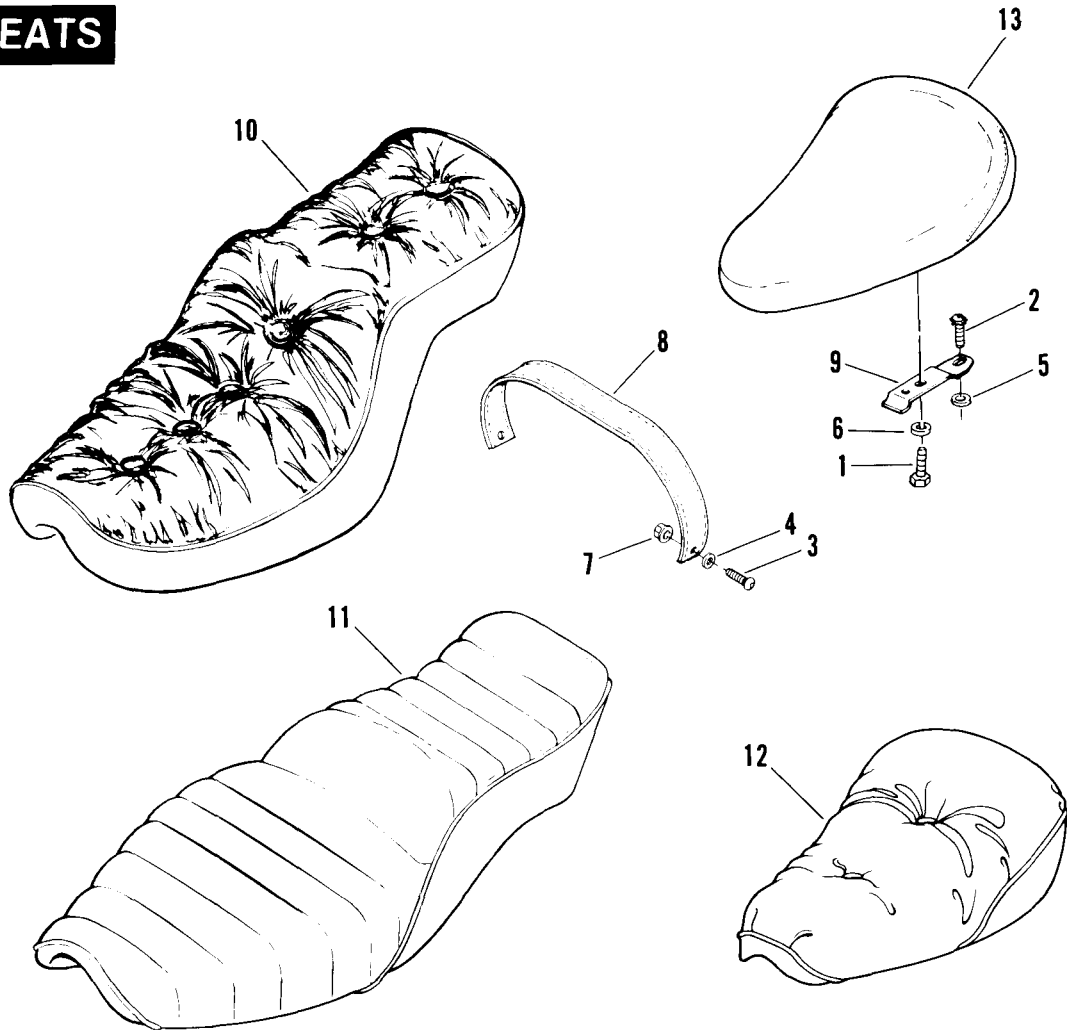
RETAIL PRICE	INDEX NO.	PART NO.	NAME	USED ON
	1	4029	SCREW	88 to * — All Models
	2	4350	SCREW (3; 5-XLH 883 HUG., XLH 1200)	88 to * — All Models
	4	6655	WASHER	88 to * — All Models
	5	6701	WASHER	88 to * — All Models
	6	7038	LOCKWASHER	88 to * — All Models
	7	7783	NUT	88 to * — All Models
	8	45374—87	SPRING, slider (2)	88 to * — All Models
	9	45376—87	SPRING (2)	88 to * — All Models
	10	45377—87	SPACER, oil seal (2)	88 to * — All Models
	11	45378—87	OIL SEAL (2)	88 to * — All Models
	12	45381—87	SLIDER TUBE (2)	88 to * — All Models
	13	45401—87	SEAL, dust (2)	88 to * — All Models
	14	45405—75A	SCREW WITH WASHER (2)	88 to * — All Models
	15	45461—87	BUSHING, upper (2)	88 to * — All Models
	16	45462—87	RING, damper tube (2)	88 to * — All Models
	17	45463—87	LOWER STOP (2)	88 to * — All Models
	18	45465—87	BUSHING, slider tube (2)	88 to * — All Models
		45549—88	BRACKET, lower with bearing & stem (HDI only)	88 to * — XLH 883 All Models
	19	45550—88	BRACKET, lower with bearing & stem	88 to * — XLH 883 All Models
		45562—87	BRACKET, lower with bearing & stem	88 to * — XLH 1200
		45563—87	BRACKET, lower with bearing & stem (HDI only)	88 to * — XLH 1200
	20	45611—86	RETAINING RING	88 to * — All Models
	21	45739—87	BRACKET, upper	88 to * — All Models
	22	45790—80	DRAIN SCREW, with washer (2)	88 to * — All Models
	23	45900—88	FORK SLIDER AND TUBE ASSY. — right	88 to * — All Models
	24	45901—88	FORK SLIDER AND TUBE ASSY. — left	88 to * — All Models
	25	45905—87	RETAINING RING, oil seal	88 to * — All Models
	26	45921—87	SLIDER ASSEMBLY, left	88 to * — All Models
	27	45923—87	SLIDER ASSEMBLY, right	88 to * — All Models
	28	45925—88	DAMPER TUBE (2)	88 to * — All Models
	29	45934—86	BUSHING, brake caliper	88 to * — All Models
	30	45984—87	O-RING (2)	88 to * — All Models
	31	45996—87	CAP, slider tube (2)	88 to * — All Models
	32	46002—87	COVER, slider (2)	88 to * — All Models
		48140—84	STEERING HEAD LOCK ASSEMBLY (HDI only)	86 to * — All Models
	33	48300—60	ROLLER BEARING, with cup (2)	88 to * — All Models
	34	48315—60	BEARING CUP (2)	88 to * — All Models
	35	48361—80	DUST SHIELD, upper	88 to * — All Models
	36	48365—48A	DUST SHIELD, lower	88 to * — All Models

FRAME, REAR FORK AND JIFFY STAND



RETAIL PRICE	INDEX NO.	PART NO.	NAME	USED ON
	1	554	COTTER PIN	89 to * — All Models
	1A	740	HOLE PLUG (2)	86 to * — 883/HUG.
	2	1357W	SCREW (3)	86 to * — All Models
	4	2882W	BOLT	86 to 88 — All Models
	6	2892	SCREW	86 to 88 — All Models
		2925	SCREW	89 to * — All Models
	7	3787	BOLT	86 to * — All Models
	8	5741	SPACER, pivot bolt	86 to * — All Models
	9	6324W	WASHER (2)	86 to * — All Models
	10	6701	WASHER	89 to * — All Models
		6702	WASHER	86 to 88 — All Models
	11	6703	WASHER	86 to * — All Models
	12	7041	LOCKWASHER	86 to 88 — All Models
	14	7686	LOCKNUT	86 to * — All Models
	15	7725	LOCKNUT (2)	86 to * — All Models
	16	8099	WELL NUT (3)	86 to * — All Models
	18	10062	CUSHION, jiffy stand	86 to * — All Models
	19	41568—86	PIVOT BOLT, rear fork	86 to 88 — All Models
		41568—89	PIVOT BOLT, rear fork	89 to * — All Models
	20	41570—77	ADJUSTER, rear axle (2)	86 to * — All Models
	21	41579—81	DUST SHIELD, bearing (2)	86 to * — All Models
	23	47082—81	BEARING, rear fork — right	86 to * — All Models
	24	47083—81	BEARING, rear fork — left	86 to * — All Models
	25	47150—86A	FRAME, with jiffy stand	86 & 87 — All Models
		47150—89	FRAME	89 — All Models
		47150—90	FRAME	90 to * — All Models
		47168—86A	FRAME, with jiffy stand (HDI only)	86 & 87 — All Models
		47208—88A	FRAME, with jiffy stand	88 — All Models
		47209—88A	FRAME, with jiffy stand (HDI only)	88 — All Models
		47209—89	FRAME (HDI only)	89 — All Models
		47209—90	FRAME (HDI only)	90 to * — All Models
	26	47532—86	REAR FORK, with bearings	86 & 87 — XLH 883/DLX, XLH 1100
		47547—87	REAR FORK, with bearings	87 — XLH 883 HUG.; 88 & Early 89 — All Models
		47547—89	REAR FORK, with bearings	Late 89 to * — All Models
	27	47554—73	END COVER, rear fork (2)	86 to * — All Models
	28	48300—60	BEARING, steering head — complete (2)	86 to * — All Models
		48315—60	BEARING CUP, steering head (2)	86 to * — All Models
	29	48361—80	DUST SHIELD, steering head bearing — upper	86 to * — All Models
	30	48365—48A	DUST SHIELD, steering head bearing — lower	86 to * — All Models
	30A	50003—89A	PIN, clevis	89 to * — All Models
	31	50005—85A	SPRING, jiffy stand	86 to * — All Models
	31A	50006—84B	JIFFY STAND	86 to 88 — All Models
		50006—89	JIFFY STAND	89 to * — All Models
	32	50038—84	CATCH, jiffy stand	86 to 88 — All Models
	32A	50100—70	BUMPER	89 to * — All Models
	33	53487—87	PAD, protective	88 to * — All Models
	34	62122—89	BUMPER	89 to * — All Models
	36	62123—66	BUMPER (2 — 1987 & 1988)	86 to * — All Models
	38	66325—82	SIDE COVER, ignition module (black)	86 to * — All Models

SEATS

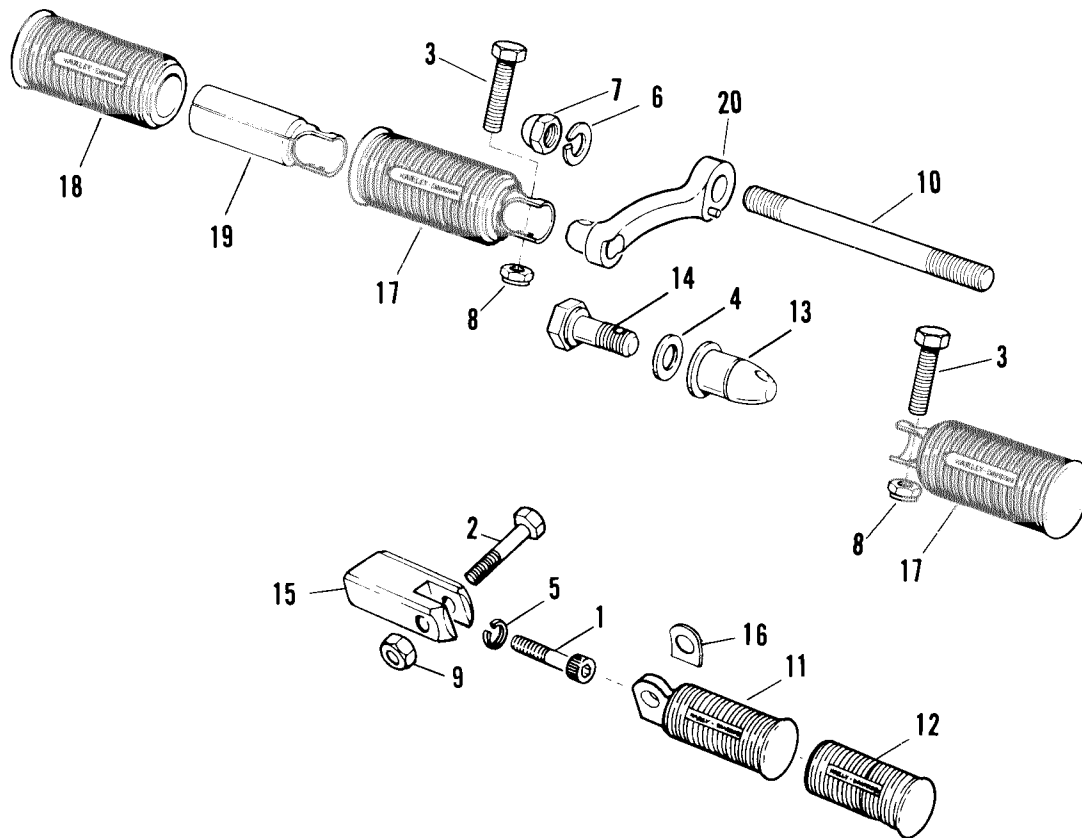


SEAT

XE29

RETAIL PRICE	INDEX NO.	PART NO.	NAME	USED ON
	1	924	SCREW (2)	87 to * — XLH 883/HUG.
		3767B	BOLT (2)	86 — All Models; 87 to * — XLH 883/DLX; 87 — XLH 1100; 88 to * — XLH 1200
	2	2757W	SCREW (2)	86 to * — All Models
	3	4092	SCREW (2)	86 to * — All Models
	4	6410	WASHER (2)	86 to * — All Models
	5	6702	WASHER (2)	86 to * — All Models
	6	7036	LOCKWASHER (2)	86 — All Models; 87 to * — XLH 883/DLX; 87 — XLH 1100; 88 to * — XLH 1200
		7124	LOCKWASHER (2)	87 to * — XLH 883/HUG.
	7	7531	NUT (2)	86 to * — All Models
	8	51187-86	PASSENGER STRAP	86 to * — XLH 1100
		51191-83	PASSENGER STRAP	86 to * — XLH 883
	9	51651-79	BRACKET, seat mounting	86 & 87 — XLH 1100; 87 to * — XLH 883 DLX; 88 to * — XLH 1200
		51652-83	BRACKET, seat mounting	86 to * — XLH 883; 87 to * — 883 HUG.
	10	52004-84B	SEAT	86 to * — XLH 1100
	11	52101-82B	SEAT	86 to * — XLH 883 DLX
	12	52129-87	SEAT	87 to * — XLH 883 HUG.
	13	52131-83	SEAT	86 to * — XLH 883

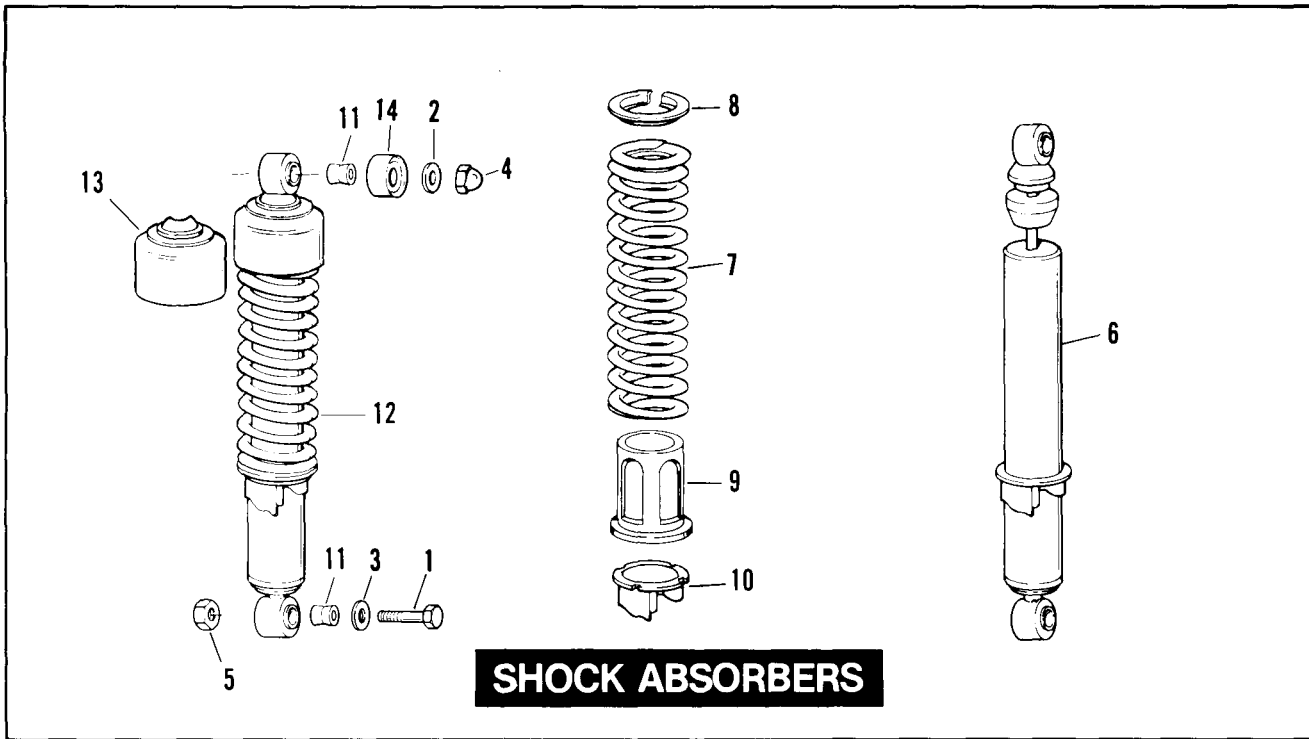
FOOTRESTS



FOOTRESTS

XE30

RETAIL PRICE	INDEX NO.	PART NO.	NAME	USED ON
	1	855	SCREW (2)	86 to * — All Models
	2	4721	BOLT (2)	86 to * — All Models
	3	4724	SCREW, shouldered (2)	86 to * — All Models
	4	6718	WASHER	86 to * — All Models
	5	7045	LOCKWASHER	86 to * — All Models
	6	7068	LOCKWASHER	86 — All Models
	7	7627	ACORN NUT	86 — All Models
		7844	LOCKNUT	87 to * — All Models
	8	7628	LOCKNUT	86 to * — All Models
	9	7778	LOCKNUT (2)	86 to * — All Models
	10	24752-86	STUD, left footrest	86 to * — All Models
	11	33048-72	FOOTREST, only — passenger (2)	86 to * — All Models
	12	33189-63	COVER, passenger footrest (2)	86 to * — All Models
	13	42441-80	SHAFT, rear brake pivot	86 to * — All Models
	14	42450-80	BOLT, sprocket cover	86 to * — All Models
	15	50615-83	FOOTREST, passenger (2)	86 to * — All Models
	16	50912-72	SPRING WASHER (2)	86 to * — All Models
	17	50939-52	FOOTREST, with cover (2)	86 to * — All Models
	18	50940-52	COVER, footrest (rubber)(2)	86 to * — All Models
	19	50946-52	FOOTREST, only (2)	86 to * — All Models
	20	50948-86A	SUPPORT, left footrest	86 to * — All Models

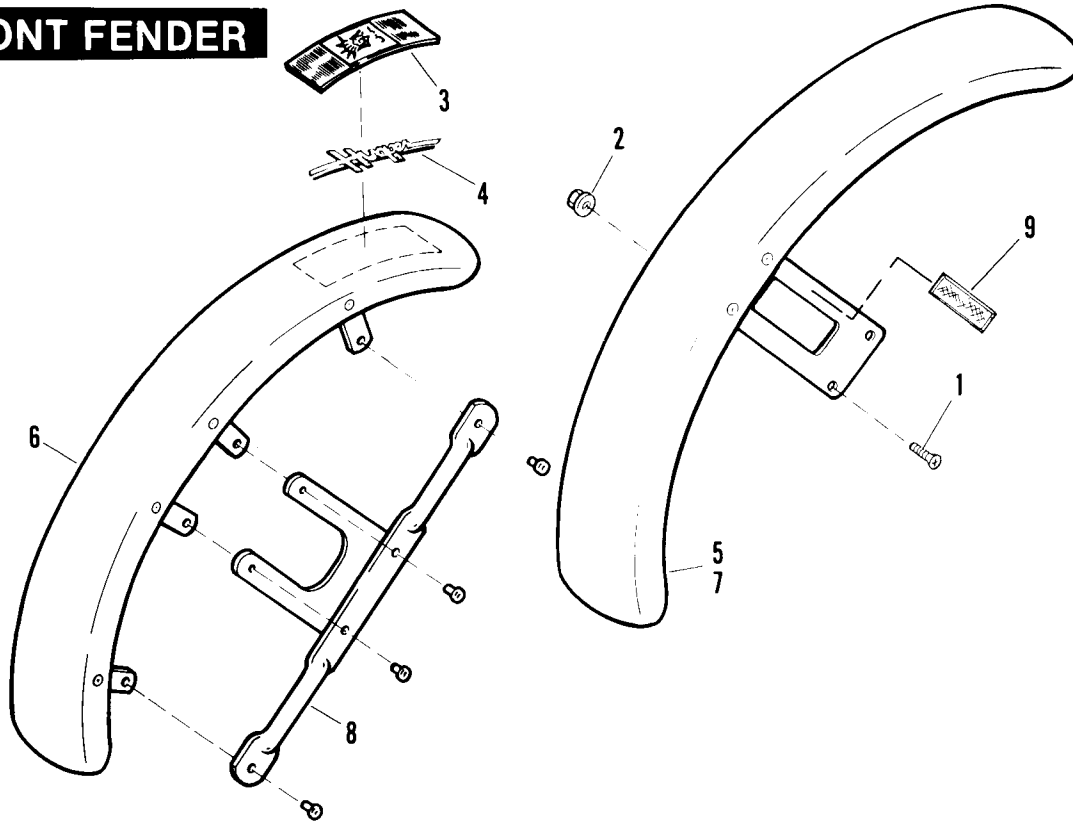


SHOCK ABSORBERS

XE31

RETAIL PRICE	INDEX NO.	PART NO.	NAME	USED ON
	1	3535	BOLT, left	87 — XLH 883 HUG.; 88 to * — All Models
		3958	BOLT, right	87 — XLH 883 HUG.; 88 to * — All Models
		4081	SCREW (2)	86 & 87 — XLH 883/DLX, XLH 1100
	2	6416	WASHER (2)	86 to * — All Models
	3	6738	WASHER (2)	87 — XLH 883 HUG.; 88 to * — All Models
	4	7680W	ACORN NUT (2)	86 to * — All Models
	5	7812W	NUT (2)	86 to Early 89 — All Models
		7824	NUT (2)	Late 89 to * — All Models
	6	54471—82	DAMPER (2) N/A	86 to * — All Models
	7	54472—82	SPRING (2) N/A	86 to * — All Models
	8	54473—79	SEAT, spring — upper	86 to * — All Models
	9	54475—79	SPRING GUIDE, lower	86 to * — All Models
	10	54476—82	ADJUSTER, spring (2)	86 to * — All Models
	11	54523—82	BUSHING, damper (4)	86 to * — All Models
	12	54566—88	SHOCK ABSORBER, complete (2)	88 to * — XLH 883/DLX, XLH 1200
		54568—82	SHOCK ABSORBER, complete (2)	86 & 87 — All Models; 88 to * — XLH 883 HUG.
	13	54701—82	COVER, shock absorber (2)	86 to * — All Models
	14	54705—81	COVER, shock absorber stud (2)	86 to * — XLH 1100

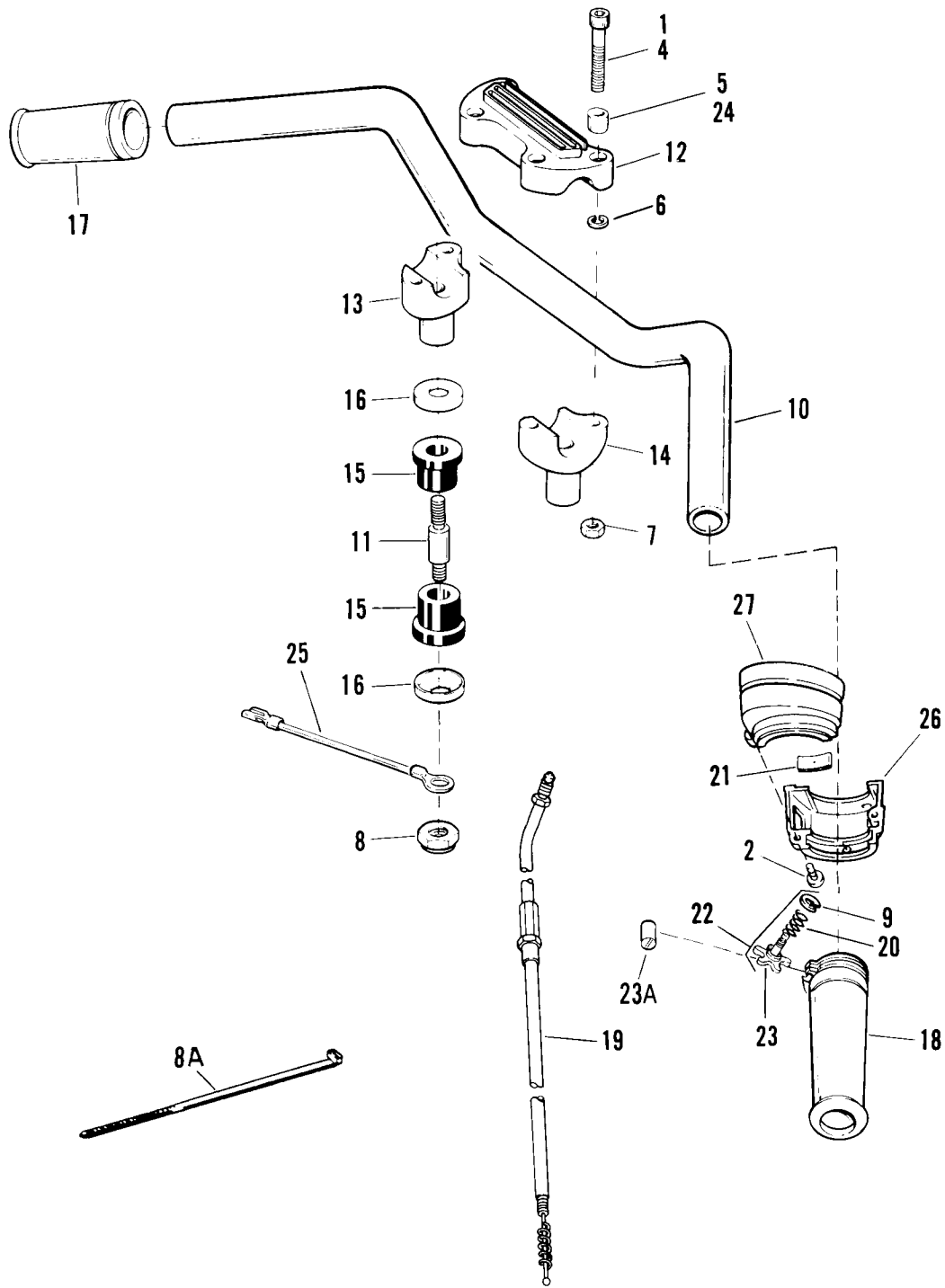
FRONT FENDER



FRONT FENDER AND CHAIN GUARD

XE32

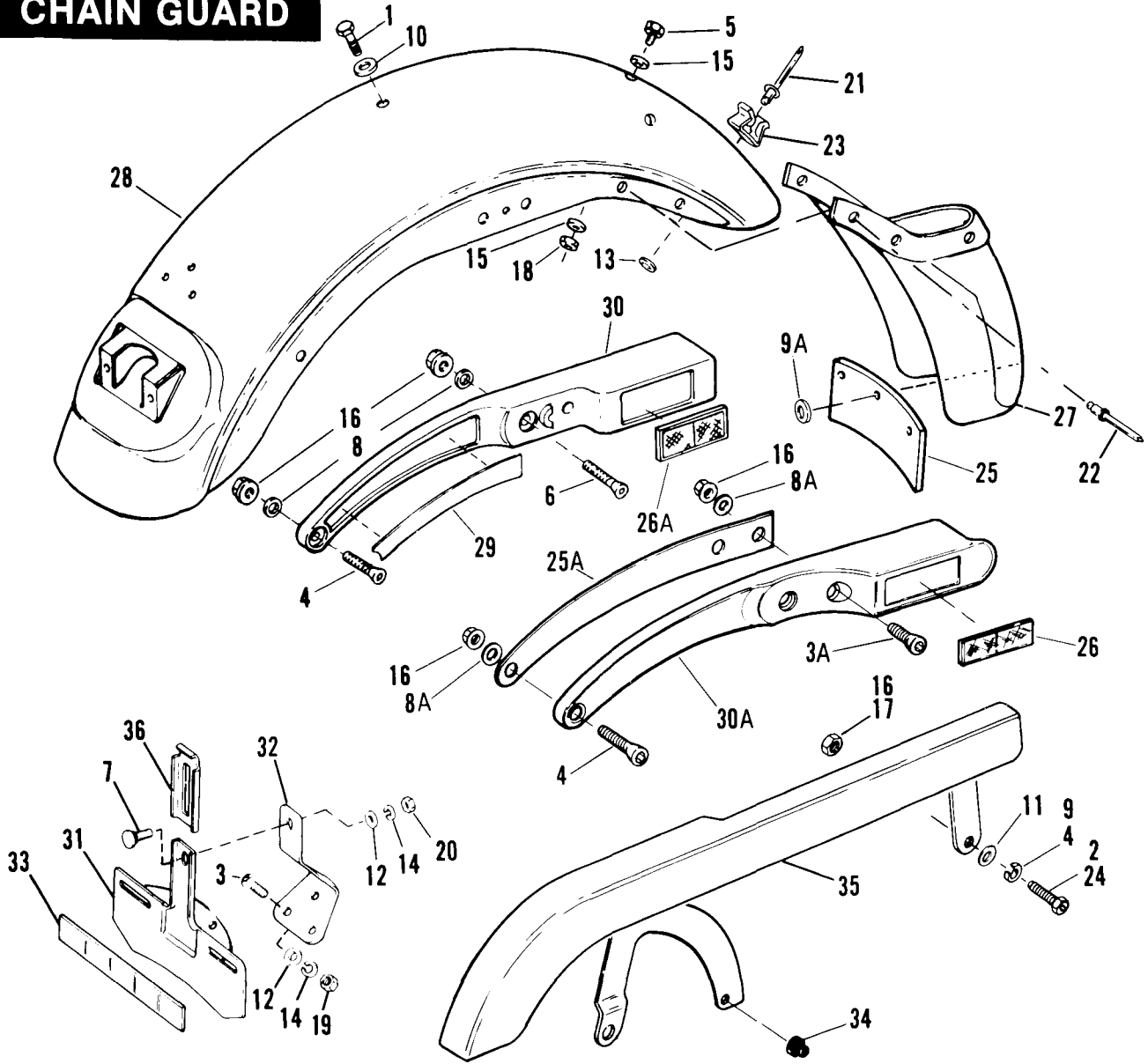
RETAIL PRICE	INDEX NO.	PART NO.	NAME	USED ON
	1	3210	SCREW (4; 2—1990 & Later)	86 to * — All Models
		4816	SCREW (2)	90 to * — All Models
	2	7531	LOCKNUT (4)	86 to * — All Models
	3	14044—86	DECAL, Liberty Edition	86 — XLH 1100
	4	14225—89	DECAL, front fender	89 — 883 HUG.
	5	58998—83	FRONT FENDER (prime)	88 to * — XLH 1200
	6	59007—84	FRONT FENDER (prime)	86 — XLH 1100
	7	59031—83	FRONT FENDER (prime)	86 — XLH 883; 87 — XLH 1100; 88 to * — XLH 883 All Models
	8	59111—74	BRACE (2)	86 — XLH 1100
	9	59253—87	REFLECTOR (amber)(4)	88 to * — All Models



HANDLEBARS AND THROTTLE CONTROL

RETAIL PRICE	INDEX NO.	PART NO.	NAME	USED ON
	1	853	SCREW (2)	86 to * — All Models
	2	2508	SCREW (2)	86 to * — All Models
	4	4816	SCREW (2)	86 to * — All Models
	5	5736	SPACER, handlebar mounting (2)	86 & 87 — XLH 1100; 88 to * — XLH 1200
	6	7042	LOCKWASHER (2)	86 to * — All Models
	7	7739	LOCKNUT (4)	86 to * — All Models
	8	7768W	LOCKNUT (2)	86 to * — All Models
	8A	10065	CABLE STRAP (2)	86 to * — All Models
	9	11155	RETAINING RING	86 to * — All Models
	10	56081—82	HANDLEBAR	86 & 87 — XLH 1100; 88 to * — XLH 883 HUG., XLH 1200
		56082—83	HANDLEBAR	86 to * — XLH 883/DLX
	11	56105—84	STUD, handlebar (2)	86 to * — All Models
	12	56115—79A	CLAMP, handlebar — upper	86 to * — All Models
	13	56116—82	CLAMP, handlebar — lower left (riser)	86 to * — All Models
	14	56117—82	CLAMP, handlebar — lower right (riser)	86 to * — All Models
	15	56158—73	RUBBER BUSHING, handlebar mounting (4)	86 to * — All Models
	16	56159—73	CUP WASHER, handlebar mounting (4)	86 to * — All Models
	17	56206—81A	HANDLEBAR GRIP (rubber)	86 to * — All Models
	18	56220—81B	GRIP AND SLEEVE, throttle	86 to * — All Models
	19	56308—86	THROTTLE CONTROL ASSEMBLY	86 & 87 — All Models
		56308—88	THROTTLE CONTROL ASSEMBLY	88 to * — All Models
		56309—86	IDLE CONTROL ASSEMBLY	86 & 87 — All Models
		56309—88	IDLE CONTROL ASSEMBLY	88 to * — All Models
	20	56394—74	SPRING, adjusting screw	86 to * — All Models
	21	56396—74A	FRICTION SPRING, throttle grip	86 to * — All Models
	22	56397—74C	KIT, throttle adjusting screw, includes items 9, 20 & 23	86 to * — All Models
	23	56402—83A	ADJUSTING SCREW, throttle	86 to * — All Models
	23A	56508—76	FERRULE (2)	86 to * — All Models
	24	67009—72	SPACER, handlebar mounting (2)	86 to * — XLH 883
		70504—81	CLIP, throttle cables	86 to * — All Models
	25	70191—73A	GROUND WIRE	86 to * — All Models
	26	71563—82A	HOUSING, switches & throttle control — lower	86 to * — All Models
	27	71564—82	HOUSING, switches & throttle control — upper	86 to * — All Models

REAR FENDER & CHAIN GUARD



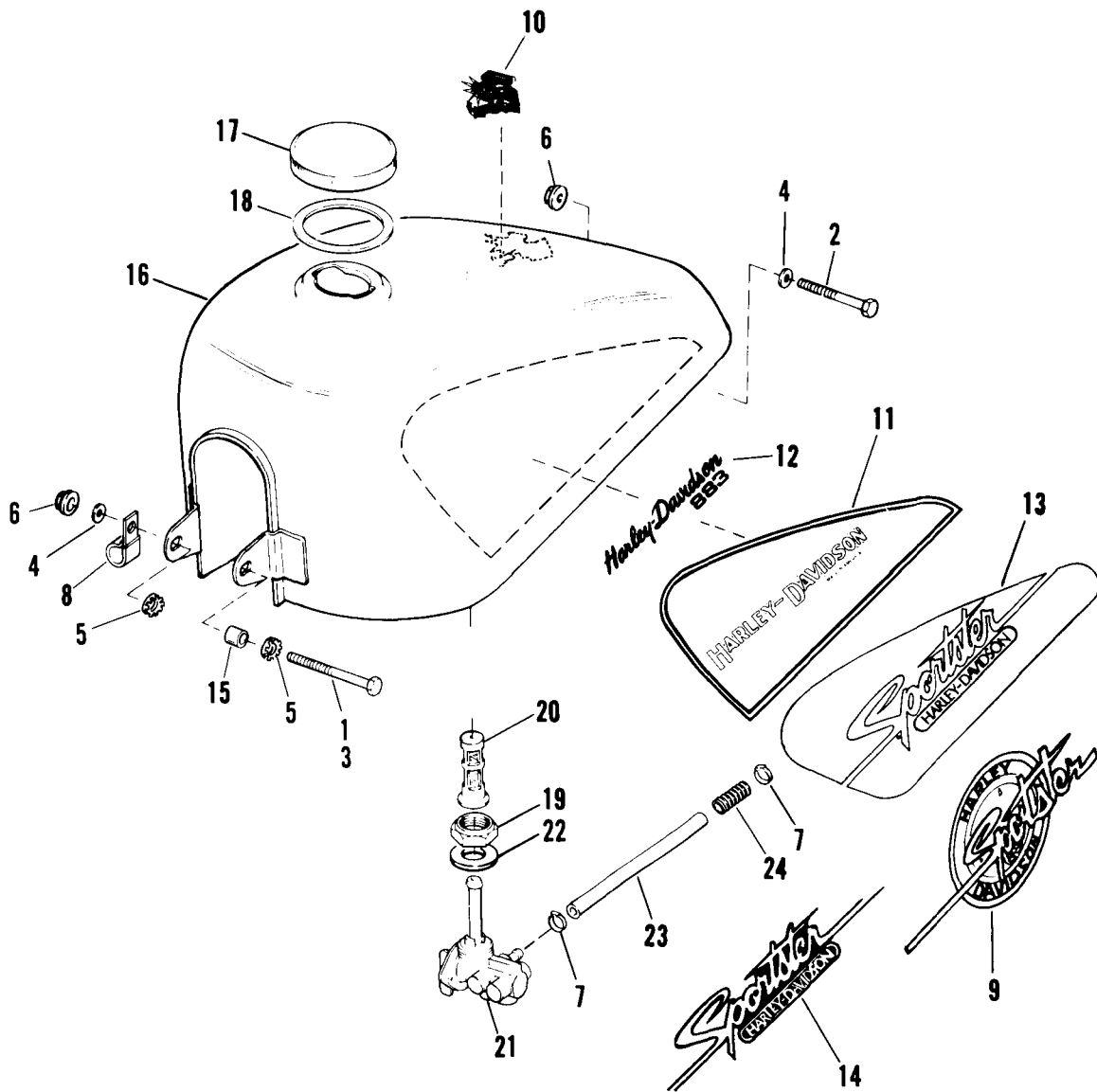
REAR FENDER AND CHAIN GUARD

XE34-1

RETAIL PRICE	INDEX NO.	PART NO.	NAME	USED ON
		2708	SCREW (2)(HDI only)	90 to * — All Models
	1	2757W	SCREW (chrome)	86 to * — All Models
	2	2879W	SCREW	88 & Early 89 — All Models
		3987	SCREW	Late 89 to * — All Models
	3	2774	SCREW (3)	86 to * — All Models
	4	3685	SCREW (2)	86 to * — All Models
	5	3767B	BOLT	86 to * — All Models
	6	3781	SCREW (2)	86 to 89 — All Models
		4020W	BOLT (2)(HDI only)	86 to 89 — All Models

RETAIL PRICE	INDEX NO.	PART NO.	NAME	USED ON
	7	5403B	CARRIAGE BOLT	86 to * — All Models
	8	6026	WASHER (4)	86 to 89 — All Models
	8A	6056	CUP WASHER (4)	90 to * — All Models
	9	6109	WASHER	Late 89 to * — All Models
	9A	6192	WASHER (3)	87 to * — All Models
		6330	WASHER, insert (2)(HDI only)	86 to 89 — All Models
		6333	WASHER, insert & spacer (2)(HDI only)	86 to * — All Models
	10	6410	WASHER (nylon)	86 to * — All Models
	11	6701	WASHER	88 & Early 89 — All Models
		6702	WASHER (4)(HDI only)	86 to 89 — All Models
	12	6703	WASHER (4)	86 to * — All Models
	13	6717	WASHER (4)	86 to * — All Models
	14	7036	LOCKWASHER (4)	86 to * — All Models
	15	7230	LOCKWASHER (2)	86 to * — All Models
	16	7531	NUT (4; 5—Late 1989; 3—1990 & Later)	86 to * — All Models
	17	7667	NUT	88 to * — All Models
	18	7686	LOCKNUT	86 to * — All Models
	19	7688	NUT (3)	86 to * — All Models
	20	7689W	NUT	86 to * — All Models
		7736	ACORN NUT (2)(HDI only)	86 to * — All Models
	21	8483	RIVET (4)	86 to * — All Models
	22	8681	RIVET (4)	86 to * — All Models
	23	9952	CLIP (4)	86 to * — All Models
		29276—81	MOLDING, chain guard (HDI only)	86 to * — All Models
	24	45995—73	SCREW, chain guard	86 & 87 — All Models
	25	58500—82	SPLASH GUARD, rear fender	86 to * — All Models
	25A	59242—90	MOUNTING PLATE (2)	90 to * — All Models
		59256—84	REFLECTOR (2)(HDI only)	86 to * — All Models
	26	59259—90	REFLECTOR (red) (2)	90 to * — All Models
	26A	59263—79	REFLECTOR (red) (2)	86 to 89 — All Models
	27	59594—82	FENDER EXTENSION — includes item 25	86 to * — All Models
	28	59674—81A	REAR FENDER (prime)	86 to 89 — All Models
		59674—81B	REAR FENDER (prime)	90 to * — All Models
		59710—84	INSERT, fender support (HDI only)	86 to * — All Models
	29	59826—86	INSERT, left	86 to 89 — All Models
		59936—86	INSERT, right	86 to 89 — All Models
	30	59950—81	SUPPORT, rear fender — left	86 to 89 — All Models
		59951—81	SUPPORT, rear fender — right	86 to 89 — All Models
	30A	59950—89	SUPPORT, rear fender — left	90 to * — All Models
		59951—89	SUPPORT, rear fender — right	90 to * — All Models
	31	59984—73	BRACKET, license plate	86 to * — All Models
	32	59986—75	SUPPORT, license plate bracket	86 to * — All Models
	33	59988—72	REFLECTOR, license plate bracket	86 to * — All Models
	34	60319—83	BUMPER	86 — All Models; 87 — XLH 883, DLX & 1100
	35	60365—87	CHAIN GUARD	87 — HUGGER; 88 & Early 89 — All Models
		60365—89	CHAIN GUARD	Late 89 to * — All Models
		60370—89	CHAIN GUARD (Swiss & 1200 HDI)	Early 89 — All Models
		60375—83	CHAIN GUARD (black)	86 & 87 — All Models
	36	60001—55	CLAMP, license plate bracket	86 to * — All Models
		68562-84	CLAMP (HDI only)	88 to * — All Models

FUEL TANK

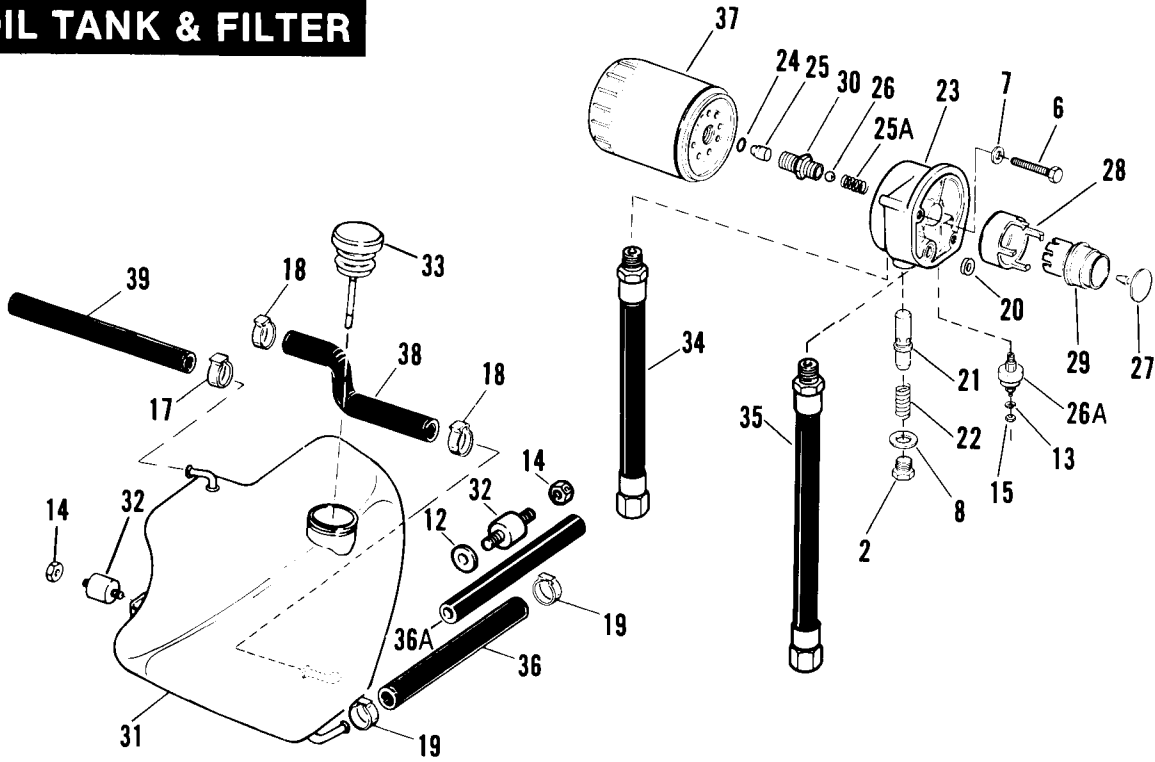


RETAIL PRICE	INDEX NO.	PART NO.	NAME	USED ON
	1	3530	BOLT	86 to * — XLH 883 All Models
	2	4068	BOLT	86 to * — All Models
	3	4086	BOLT	86 & 87 — XLH 1100; 88 to * — XLH 1200
	4	6702	WASHER (2)	86 to * — All Models
	5	7232	LOCKWASHER (2)	86 to * — All Models
	6	7531	LOCKNUT (2)	86 to * — All Models
	7	10014	CLAMP, fuel hose (2)	86 to * — All Models
	8	10083	CLIP, cable	86 — to * All Models
	9	14039—89	DECAL (2)	89 — XLH 883 All Models
		14232—90	DECAL (blue & silver)(2)	90 to * — XLH 883 All Models
		14233—90	DECAL (black & red)(2)	90 to * — XLH 883 All Models
	10	14040—86	DECAL, top, Liberty Edition	86 — XLH 1100
	11	14041—86	DECAL, left, Liberty Edition	86 — XLH 1100
		14042—86	DECAL, right, Liberty Edition	86 — XLH 1100
	12	14043—86	TRIM, script	86 to 88 — XLH 883 All Models
	13	14196—88	DECAL, left (black)	88 & 89 — XLH 1200
		14197—88	DECAL, left (grey)	88 & 89 — XLH 1200
		14198—88	DECAL, right (black)	88 & 89 — XLH 1200
		14199—88	DECAL, right (grey)	88 & 89 — XLH 1200
	14	14234—90	DECAL, left (black & orange)	90 to * — XLH 1200
		14235—90	DECAL, left (blue & grey)	90 to * — XLH 1200
		14237—90	DECAL, right (black & orange)	90 to * — XLH 1200
		14238—90	DECAL, right (blue & grey)	90 to * — XLH 1200
	15	42520—80	SPACER, fuel tank — front	86 to * — XLH 883 All Models
	16	61023—83A	FUEL TANK (prime)	86 to * — All Models
	17	61102—83A	FILLER CAP	86 to * — All Models
	18	61109—85	GASKET	86 to * — All Models
	19	62161—75	NUT, fuel valve	86 to * — All Models
	20	62166—81A	FILTER, fuel valve — with reserve tube	86 to * — All Models
	21	62169—81	FUEL VALVE	88 to * — All Models
		62169—86	FUEL VALVE	86 to * — All Models
	22	62172—75	GASKET, fuel valve	86 to * — All Models

NOTE: Hoses are sold only in bulk length under the following part numbers. Cut to required length.

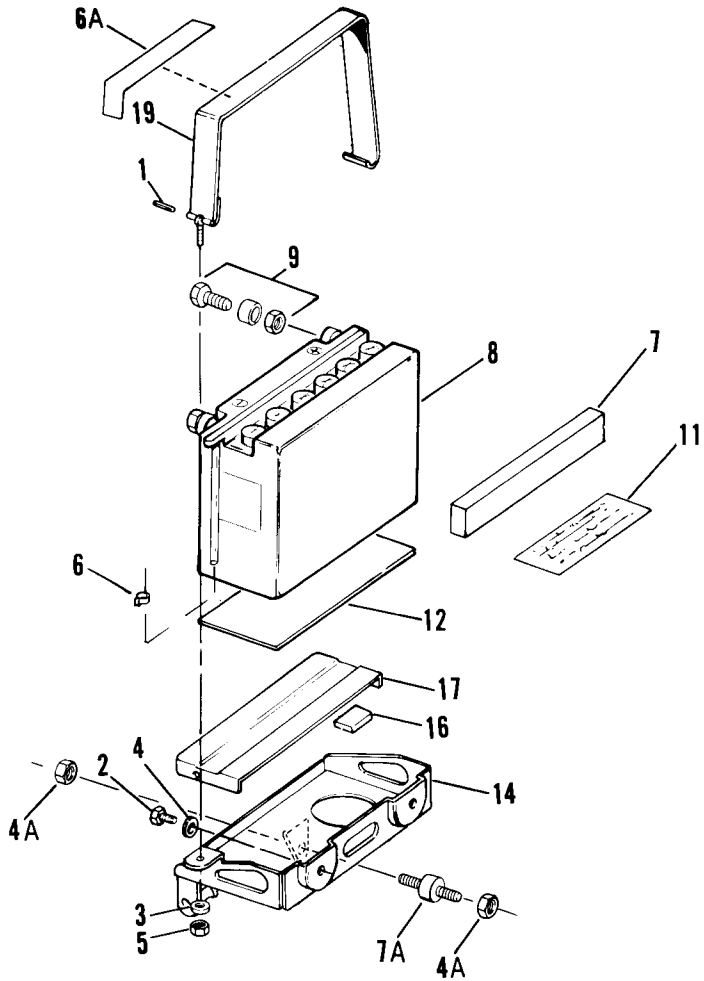
23	63501—68	HOSE, 1/4 I.D. x 1/2 O.D. reinforced rubber (25 ft. lg.)	86 to * — All Models
24	63505—84	INSULATOR, 1/2 I.D. nylon (8 ft. lg.)	86 to * — All Models

OIL TANK & FILTER

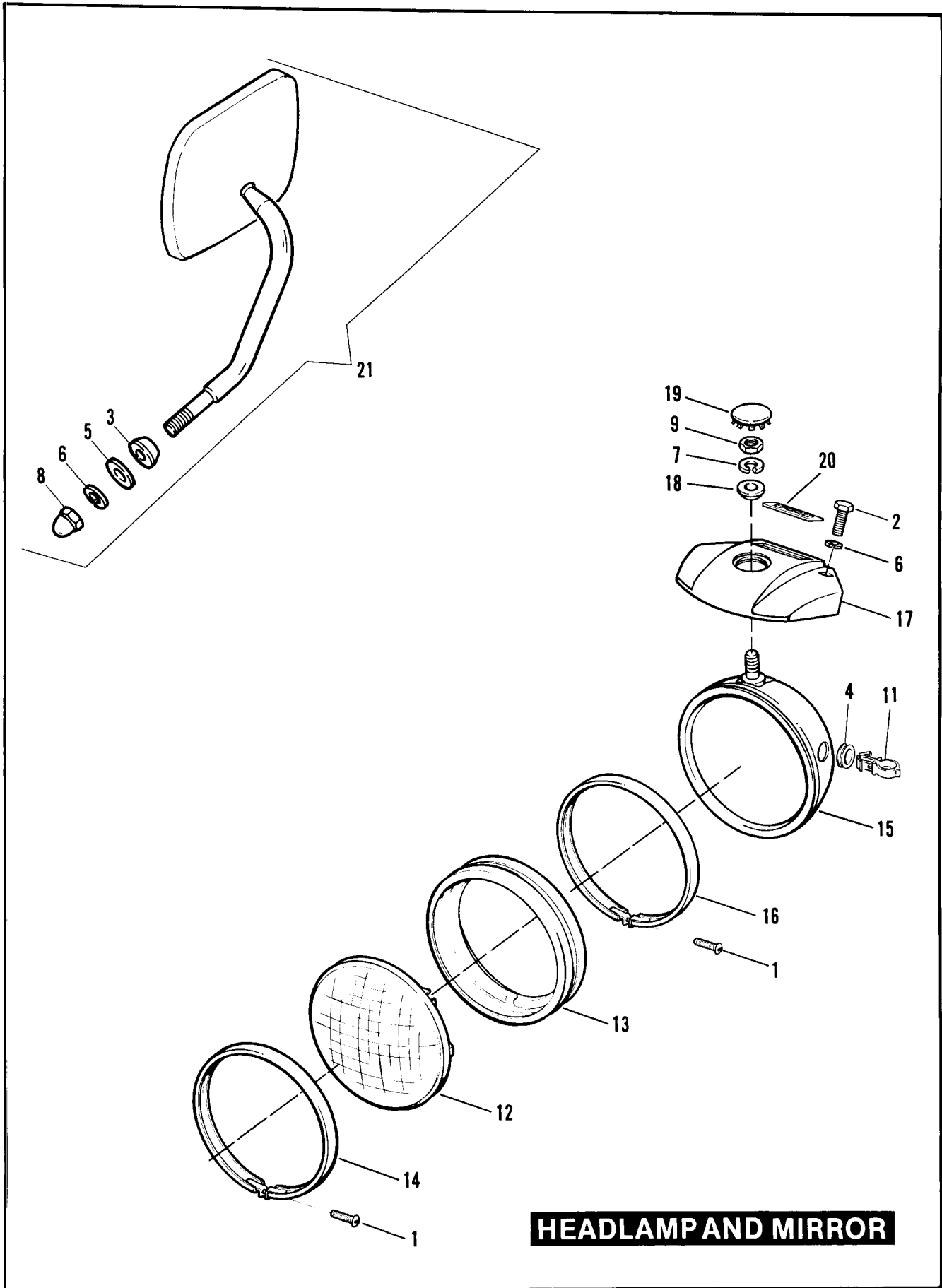


RETAIL PRICE	INDEX NO.	PART NO.	NAME	USED ON
	2	737	PLUG	86 to * — All Models
	6	4392	BOLT (2)	86 to * — All Models
	7	6016	WASHER (2)	86 to * — All Models
	8	6037	WASHER	86 to * — All Models
	12	6703	WASHER (2)	86 to * — All Models
	13	7069	LOCKWASHER	86 to * — All Models
	14	7686	LOCKNUT (3)	86 to * — All Models
	15	7638	NUT	86 to * — All Models
	17	10014	CLAMP, oil vent hose	86 to * — All Models
	18	10080	CLAMP, oil hoses (2)	86 to * — All Models
	19	10049	CLAMP, oil draw hose (2)	86 to * — All Models
	20	11148	QUAD SEAL, mounting bracket	86 to * — All Models
	21	26001—86	PLUNGER	86 to * — All Models
	22	26002—86	SPRING	86 to * — All Models
	23	26205—86	MOUNTING BRACKET	86 to * — All Models
	24	26433—77	O-RING, check valve	86 & Early 87 — All Models
	25	26435—76A	CHECK VALVE	86 & Early 87 — All Models
	25A	26436—86	SPRING	Late 87 to * — All Models
	26	26437—86A	BALL	Late 87 to * — All Models
	26A	26554—77	SWITCH, oil pressure indicator	86 to * — All Models
	27	26856—82	UMBRELLA CHECK VALVE	86 to * — All Models
	28	26916—84	CAP, breather baffle	86 to * — All Models
	29	26917—84	TUBE, breather baffle	86 to * — All Models
	30	33116—86	ADAPTER, oil filter	86 to * — All Models
	31	62475—83	OIL TANK ASSEMBLY	86 to * — All Models
	32	62563—65	MOUNT (rubber)(3)	86 to * — All Models
	33	62595—82A	FILLER CAP, with dipstick	86 to * — All Models
	34	62631—86	HOSE, inlet	86 to * — All Models
	35	62633—86	HOSE, outlet	86 to * — All Models
	36	63498—84	HOSE, oil draw	86 to * — All Models
	36A	63504—84	HOSE, oil drain	86 to * — All Models
	37	63805—80A	OIL FILTER	86 to * — All Models
			NOTE: Hoses are sold only in bulk length under the following part numbers. Cut to required length.	
	38	63500—68	HOSE, 3/8 I.D. x 5/8 O.D. reinforced rubber (25 ft. lg.)	86 to * — All Models
	39	63501—68	HOSE, 1/4 I.D. x 1/2 O.D. reinforced rubber (25 ft. lg.)	86 to * — All Models

BATTERY



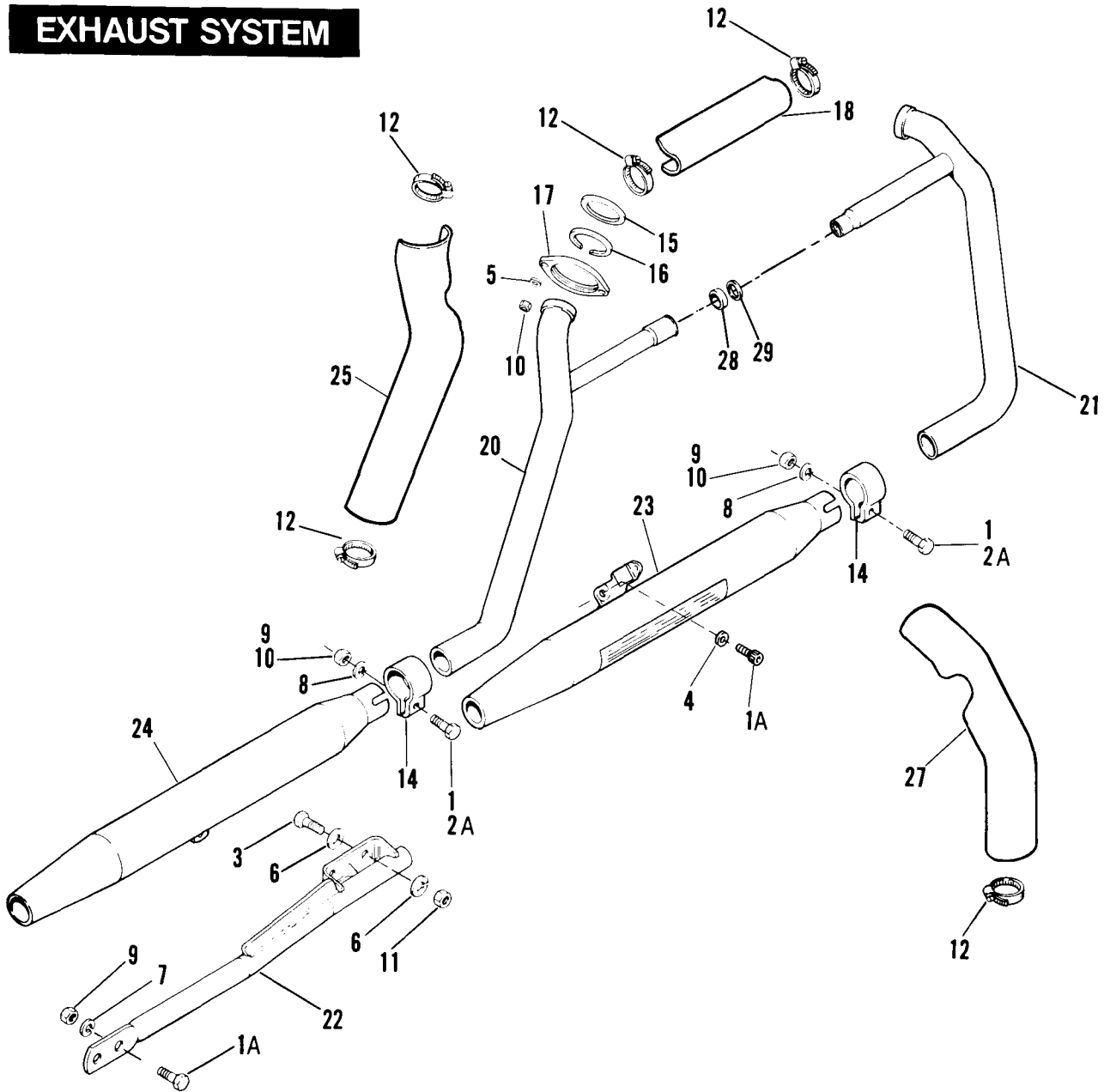
RETAIL PRICE	INDEX NO.	PART NO.	NAME	USED ON
	1	618	ROLL PIN	86 to * — All Models
	2	4391	BOLT (2)	86 to * — All Models
	3	6220W	WASHER	86 to * — All Models
	4	6702	WASHER (2)	86 to * — All Models
	4A	7686	NUT (2)	86 to * — All Models
	5	7688	NUT	86 to * — All Models
	6	10067	CLAMP, battery vent hose	86 to * — All Models
	6A	29112—83	WARNING LABEL	86 to * — All Models
	7	47403—75	PAD, rear	86 to * — All Models
	7A	62563—65	MOUNT (rubber)	86 to * — All Models
	8	65991—82A	BATTERY	86 to * — All Models
	9	66000—80	BATTERY TERMINAL KIT	86 to * — All Models
	11	66042—79A	LABEL, "warning, disconnect battery, etc."	86 to * — All Models
	12	66103—74A	PAD, battery	86 to * — All Models
	13	66105—77	STRAP, battery	86 to * — All Models
	14	66191—83	CARRIER, battery	86 to * — All Models
	16	66352—65	PAD, battery cover	86 to * — All Models
	17	66359—80	COVER, battery — top (black)	86 to * — XLH 883
	18	66367—73	COVER, battery (chrome)	86 & 87 — XLH 1100; 88 to * — XLH 1200
	19	66476—73A	STRAP, battery	86 to * — All Models



HEADLAMP AND MIRROR

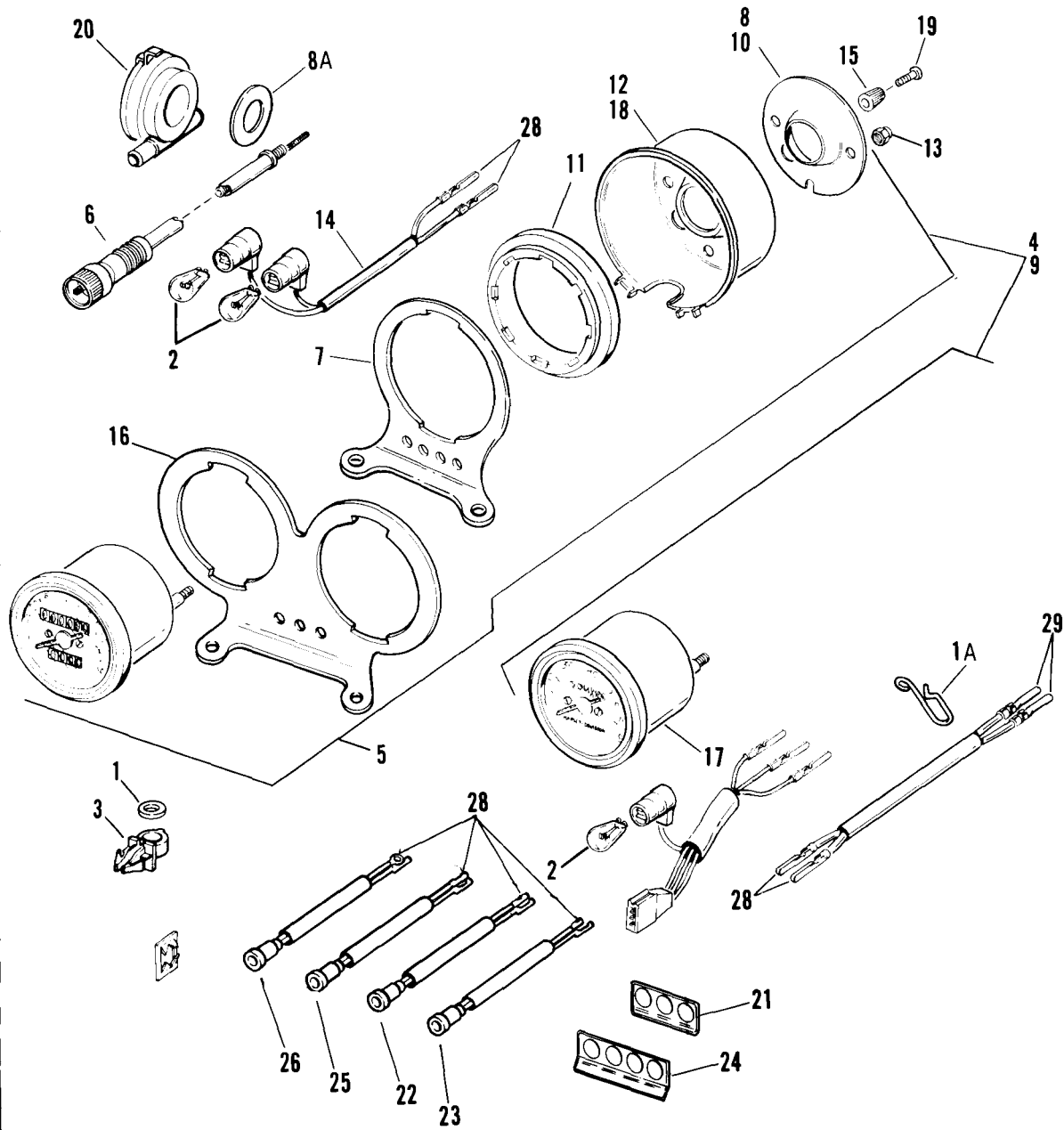
RETAIL PRICE	INDEX NO.	PART NO.	NAME	USED ON
	1	1203	SCREW (2)	86 to * — All Models
	2	4017	BOLT (2)	86 to * — All Models
	3	5714	SPACER, mirror	86 to * — All Models
	4	6265	WASHER (rubber)	86 to * — All Models
	5	6702	WASHER (2 — 86 & 87)	86 to * — All Models
	6	7041	LOCKWASHER (2 — 86 & 87)	86 to * — All Models
	7	7068	LOCKWASHER	86 to * — All Models
	8	7736	ACORN NUT (2 — 86 & 87)	86 to * — All Models
	9	7880	NUT	86 to * — All Models
	10	14047—83	TRIM, headlamp bracket	86 to * — All Models
	11	56073—83	RETAINER, speedometer cable	86 to * — All Models
	12	67698—81A	SEALED BEAM, halogen	86 to * — All Models
	13	67719—63	MOUNTING RING (rubber)	86 to * — All Models
	14	67725—63	MOLDING RING, outer	86 to * — All Models
	15	67743—84	HOUSING, headlamp	86 to * — All Models
	16	67744—75	MOLDING RING, inner	86 to * — All Models
	17	67805—86	BRACKET, headlamp	86 to * — All Models
	18	67815—59A	WASHER, headlamp mounting	86 to * — All Models
	19	67830—59	PLUG, headlamp bracket	86 to 88 — All Models
		67865—89	PLUG, headlamp bracket	89 to * — All Models
	20	67834—83	TRIM, headlamp bracket	86 to * — All Models
	21	91875—82	MIRROR KIT, right — short	86 — All Models; 87 — XLH 883 HUG., XLH 1100
		91875—88	MIRROR KIT, right — short — convex	88 to * — XLH 883 HUG., XLH 1200
		91892—82	MIRROR KIT, left — short	86 — All Models; 87 — XLH 883 HUG., XLH 1100
		91892—88	MIRROR KIT, left — short — convex	88 to * — XLH 883 HUG., XLH 1200
		91902—86	MIRROR KIT, left — long	87 — XLH 883/DLX
		91902—88	MIRROR KIT, left — long — convex	88 to * — XLH 883/DLX
		91904—86	MIRROR KIT, right — long	87 — XLH 883/DLX
		91904—88	MIRROR KIT, right — long — convex	88 to * — XLH 883/DLX

EXHAUST SYSTEM



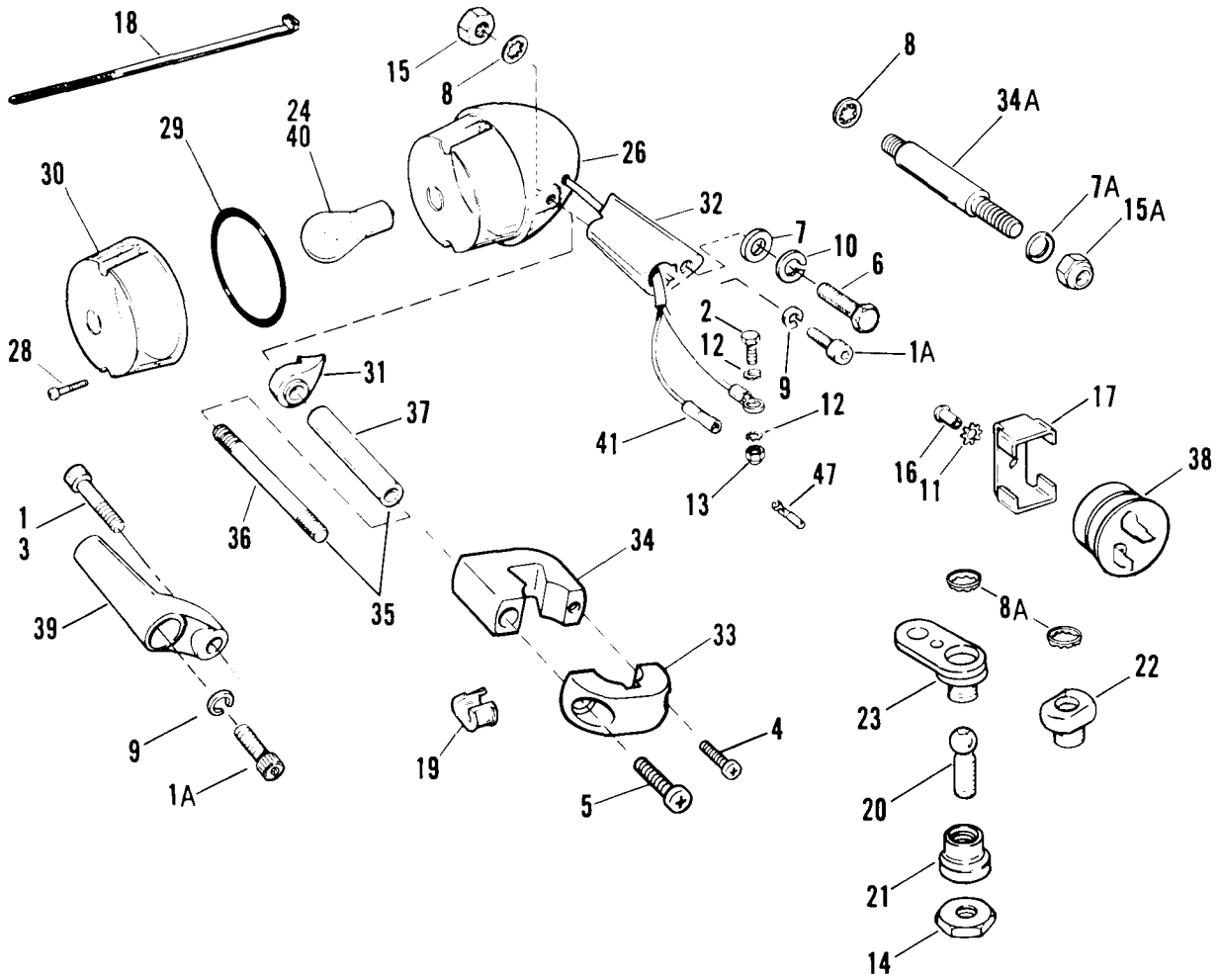
RETAIL PRICE	INDEX NO.	PART NO.	NAME	USED ON
	1	2818	BOLT (2)	87 to * — All Models
	1A	3481	SCREW	86 to * — All Models
	2	3991	BOLT	86 to * — All Models
	2A	4036	BOLT (2)	86 — All Models
	3	4380W	BOLT (2)	86 to * — All Models
	4	6099	WASHER	86 to * — All Models
	5	6316HW	WASHER (4)	86 to * — All Models
	6	6701	WASHER (4)	86 to * — All Models
	7	6702	WASHER	86 to * — All Models
	8	7041	LOCKWASHER (2)	86 to * — All Models
	9	7531	LOCKNUT (3—87 & Later)	86 to * — All Models
	10	7753	NUT (6; 4—87 & Later)	86 to * — All Models
	11	7775	LOCKNUT (2)	86 to * — All Models
	12	9955	CLAMP, heat shield (9)	86 to * — All Models
	14	65276—62	CLAMP, muffler (chrome)(2)	86 to * — All Models
	15	65324—83	GASKET, exhaust port (2)	86 to * — All Models
	16	65325—83	RETAINING RING, exhaust gasket (2)	86 to * — All Models
	17	65328—83	CLAMP, exhaust pipe to manifold (2)	86 to * — All Models
	18	65419—86	HEAT SHIELD, crossover pipe (chrome)	86 to * — All Models
	20	65568—86	EXHAUST PIPE, rear (chrome)	86 to * — All Models
	21	65569—86	EXHAUST PIPE, front (chrome)	86 to * — All Models
	22	65599—80A	SUPPORT, rear muffler	86 to * — All Models
	23	65605—86A	MUFFLER, front (chrome)	86 & Early 87 — All Models
		65605—87	MUFFLER, front (chrome)	Late 87 — All Models
		65605—87A	MUFFLER, front (chrome)	88 to * — All Models
		65766—86	MUFFLER, front (chrome)(HDI only)	86 to Early 87 — All Models
		65766—87	MUFFLER, front (chrome)(HDI only)	Late 87 & 88 — All Models
		65766—89	MUFFLER, front (chrome)(HDI only)	89 to * — All Models
	24	65613—86A	MUFFLER, rear (chrome)	86 to * — All Models
		65769—86	MUFFLER, rear (chrome)(HDI only)	86 to 88 — All Models
		65769—89	MUFFLER, rear (chrome)(HDI only)	89 to * — All Models
	25	65712—86	HEAT SHIELD, rear (chrome)	86 to * — All Models
	27	65719—86	HEAT SHIELD, front (chrome)	86 to * — All Models
		65766—86	MUFFLER, front (HDI only)	86 to * — All Models
		65769—86	MUFFLER, rear (HDI only)	86 to * — All Models
	28	65781—82	GASKET	86 to * — All Models
	29	65782—82	WASHER	86 to * — All Models

SPEEDOMETER AND TACHOMETER



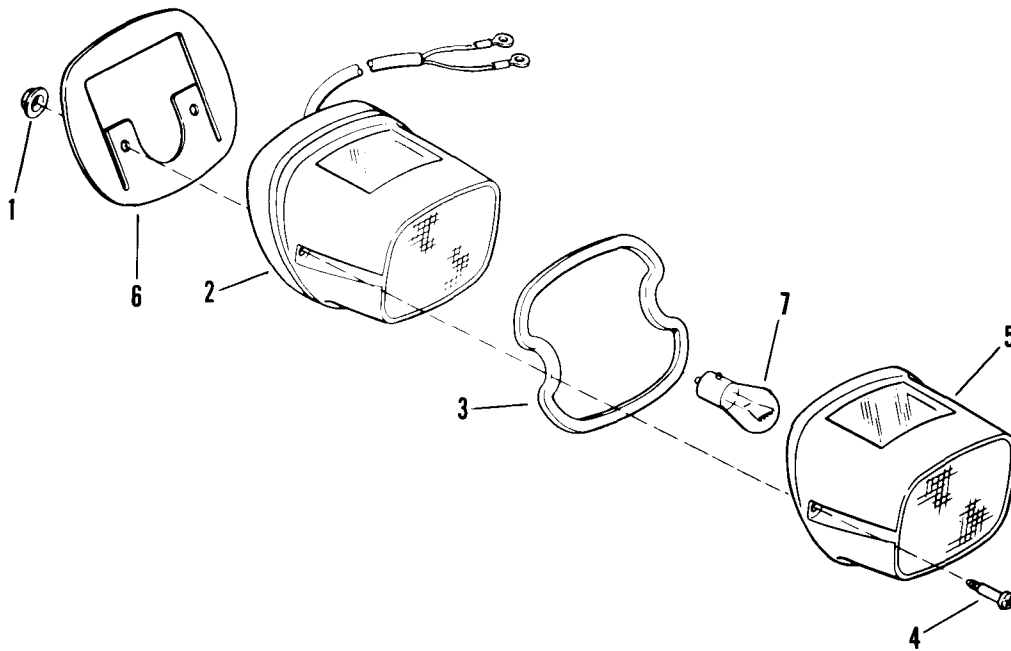
RETAIL PRICE	INDEX NO.	PART NO.	NAME	USED ON
	1	6265	WASHER (rubber)	86 — All Models
	1A	45092—66A	GUIDE, speedometer cable	86 to * — All Models
	2	53439—79	BULB, as required	86 to * — All Models
	3	56073—83	RETAINER, speedometer cable	86 to * — All Models
	4	67001—86A	SPEEDOMETER & TACHOMETER, kph	86 & 87 — XLH 1100; 88 to * — XLH 1200
	5	67010—86A	SPEEDOMETER, kph — complete (HDI only)	86 to * — XLH 883 All Models
		67016—86	SPEEDOMETER, mph — complete	86 to * — XLH 883 All Models
		67037—85A	SPEEDOMETER, mph — with wiring	86 to * — All Models
		67041—83A	SPEEDOMETER, kph — with wiring (HDI only)	86 to * — All Models
	6	67052—78B	CABLE ASSEMBLY, speedometer	86 to * — All Models
	7	67053—86	BRACKET, speedometer	86 to * — XLH 883 All Models
	8	67085—83	TRIM, tachometer	86 & 87 — XLH 1100; 88 to * — XLH 1200
	8A	67098—87	SEAL, speedometer drive	87 to * — All Models
	9	67099—86	SPEEDOMETER & TACHOMETER, mph	86 & 87 — XLH 1100; 88 to * — XLH 1200
	10	67103—83	TRIM, speedometer	86 to * — All Models
	11	67104—83	CUSHION (rubber) (2 — XLH 1100)	86 to * — All Models
	12	67105—83	COVER, speedometer — lower (black)	86 to * — All Models
	13	67106—83	ACORN NUT (chrome)(2; 4 — XLH 1100)	86 to * — All Models
	14	67107—83	BULB & SOCKET, with terminals — speedometer	86 to * — All Models
	15	67108—83	KNOB, odometer reset (chrome)	86 to * — All Models
	16	67110—86	BRACKET, instrument support	86 & 87 — XLH 1100; 88 to * — XLH 1200
	17	67111—85	TACHOMETER	86 & 87 — XLH 1100; 88 to * — XLH 1200
	18	67112—83	COVER, tachometer — lower (black)	86 & 87 — XLH 1100; 88 to * — XLH 1200
	19	67117—85	SCREW, odometer reset knob	86 to * — All Models
	20	67127—84A	DRIVE UNIT, speedometer	86 to * — All Models
	21	68464—86	TRIM, indicator lamps	86 & 87 — XLH 1100; 88 to * — XLH 1200
	22	68468—86	INDICATOR LAMP, turn signal (amber)	86 to * — All Models
	23	68489—86	INDICATOR LAMP, oil pressure (red)	86 to * — All Models
	24	68491—86	TRIM, indicator lamps	86 to * — XLH 883 All Models
	25	68574—86	INDICATOR LAMP, neutral (green)	86 to * — All Models
	26	68597—86	INDICATOR LAMP, high beam (blue)	86 to * — All Models
	27	68608—83	SPEED NUT (4)	86 to * — All Models
	28	72038—71	SOCKET, single pin (8)	86 to * — All Models
	29	72039—71	PIN, single socket (2)	86 to * — All Models

TURN SIGNALS



RETAIL PRICE	INDEX NO.	PART NO.	NAME	USED ON
	1	855	SCREW (2)	88 to * — XLH 883/DLX
	1A	2698	SCREW (2;4— 1988 & 1989)	86 to * — All Models
	2	3767B	BOLT	86 to * — All Models
	3	4029	SCREW (2)	86 & 87 — XLH 883/DLX
	4	4069	SCREW (2)	86 & 87 — XLH 1100; 87 — XLH 883 HUG.
	5	4070	SCREW (2)	86 & 87 — XLH 1100; 87 — XLH 883 HUG.
	6	4724	BOLT (2)	86 to 89 — All Models
	7	6026	WASHER (2)	86 to 89 — All Models
	7A	6056	CUP WASHER (2)	90 to * — All Models
	8	7041	LOCKWASHER (2)	86 — All Models
	8A	7127	LOCKWASHER (2)	87 — XLH 883; 88 to * XLH 883 HUG., XLH 1200
	9	7042	LOCKWASHER (2)	86 to 89 — All Models
	10	7130W	LOCKWASHER (2)	86 to 89 — All Models
	11	7220	LOCKWASHER	86 to * — All Models
	12	7230	LOCKWASHER (2)	86 to * — All Models
		7562	NUT, turn signal mounting (2)(HDI only)	86 to * — All Models
	13	7686	LOCKNUT	86 to * — All Models
	14	7744	JAM NUT (2)	88 to * — XLH 883 HUG., XLH 1200
	15	7753	NUT (2)	86 & 87 — All Models
	15A	7789	LOCKNUT (2)	90 to * — All Models
	16	8519	RIVET, flasher clip	86 to * — All Models
	17	9952	CLIP, flasher	86 to * — All Models
	18	10065	CABLE STRAP (2)	86 to * — All Models
	19	11449	GROMMET (2)	86 & 87 — XLH 1100; 87 — XLH 883 HUG.
		59710—84	INSERT, fender support (2)(HDI only)	86 to * — All Models
	20	67822—88	BALL STUD (2)	88 to * — XLH 883 HUG., XLH 1200
	21	67827—88	CLAMP, ball stud (2)	88 to * — XLH 883 HUG., XLH 1200
	22	67828—88	RETAINER, right	88 to * — XLH 883 HUG., XLH 1200
	23	67829—88	BALL RECEPTACLE, left	88 to * — XLH 883 HUG., XLH 1200
		68163—84	BULB, turn signal (4)(HDI only)	86 to * — All Models
	24	68165—64	BULB, front turn signal (2)	86 to * — All Models
		68403—86A	LAMP WITH WIRE, rear (amber)(2)(HDI only)	88 to * — All Models
	26	68404—86	LAMP, front (amber)(2)	86 & 87 — XLH 883
		68405—86	LAMP WITH WIRE, front (amber)(2)(HDI only)	86 & 87 — XLH 883
		68406—86B	LAMP WITH WIRE, front (amber)(2)	86 & 87 — XLH 1100; 87 — XLH 883 HUG.; 88 to * — All Models
		68407—86	LAMP WITH WIRE, rear (amber)(2)	86 to 89 — All Models
		68408—86C	LAMP WITH WIRE, front (amber)(2)(HDI only)	86 & 87 — XLH 1100; 88 to * — All Models
		68410—87B	LAMP WITH WIRE, rear (amber)(2)	90 to * — All Models
	28	68452—86	SCREW WITH O-RING (8)	86 to * — All Models
	29	68455—86	O-RING (4)	86 to * — All Models
	30	68457—86	LENS (amber)(4)	86 to * — All Models
		68507—90	LENS, rear (amber)(2)(HDI only)	90 to * — All Models
		68566—90	LENS, front (amber)(2)(HDI only)	90 to * — All Models
	31	68477—73	BRACKET (2)	86 & 87 — All Models
	32	68480—73	SUPPORT, rear turn signal (2)	86 to 89 — All Models
	33	68486—82A	CLAMP, handlebar to lamp (2)	86 & 87 — XLH 1100; 87 — XLH 883 HUG.
	34	68487—82	CLAMP, inner (2)	86 & 87 — XLH 1100; 87 — XLH 883 HUG.
	34A	68501—90	SPACER, rear turn signal (2)	90 to * — All Models
	35	68528—77A	STUD WITH SPACER (2)	86 — XLH 883
	36	68530—78	STUD (2)	87 — XLH 883
	37	68531—78	SPACER (2)	86 — XLH 883
		68559—87	SPACER (2)	87 — XLH 883
	38	68543—64B	FLASHER, turn signal	86 to * — All Models
		68550—83	FLASHER, turn signal (HDI only)	86 to * — All Models
	39	68555—87	SUPPORT, front turn signal (2)	88 to * — XLH 883/DLX
	40	68572—64B	BULB, rear turn signal (2)	86 to * — All Models
		68578—84A	SPACER, rear turn signal (2)(HDI only)	86 & 87 — XLH 1100; 88 to * XLH 1200
	41	72039—71	PIN, single socket (as req'd)	86 to * — All Models

TAIL LAMP

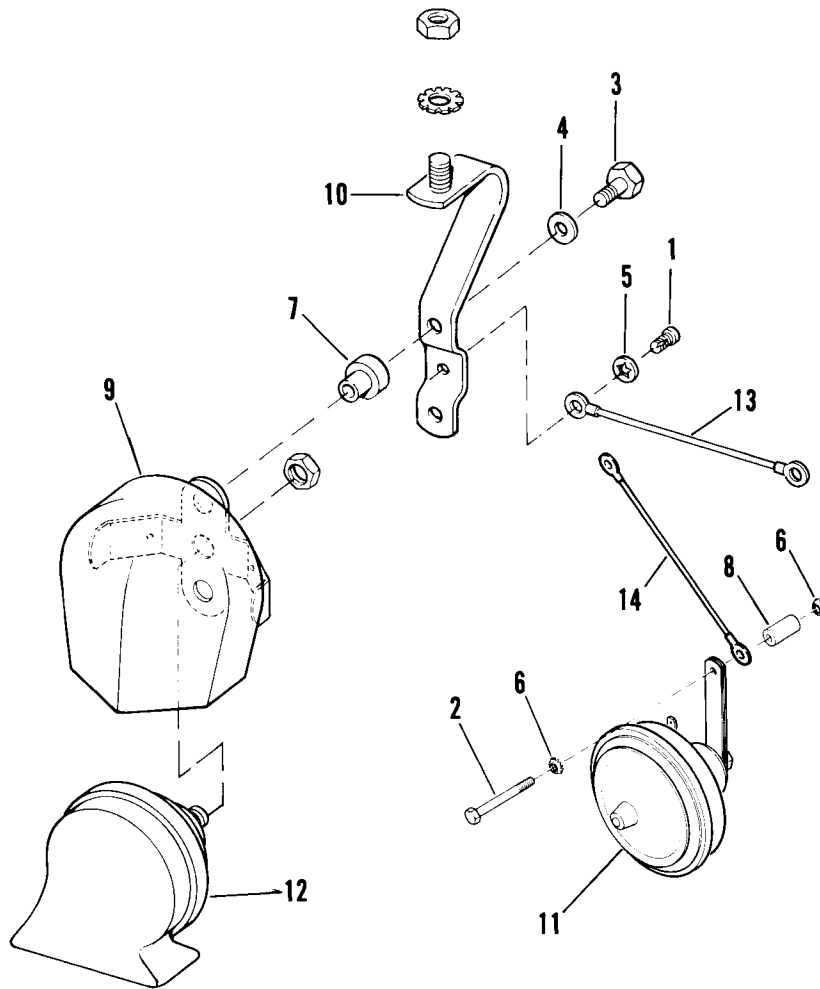


TAIL LAMP

XE43

RETAIL PRICE	INDEX NO.	PART NO.	NAME	USED ON
		2592	SCREW, reflector mounting (HDI only)	86 to * — All Models
		3765	SCREW, reflector mounting (HDI only)(2)	86 to * — All Models
		6095	WASHER (HDI only)(2)	86 to * — All Models
1		7501	SPEED NUT (2)	86 to * — All Models
		7624	NUT, reflector mounting (HDI only)	86 to * — All Models
		7682	LOCKNUT, reflector mounting (HDI only)	86 to * — All Models
		59257-84A	REFLECTOR KIT (HDI only)	86 to * — All Models
2		68008-73A	TAIL LAMP ASSEMBLY	86 to * — All Models
3		68025-73	GASKET, tail lamp lens	86 to * — All Models
4		68026-73	SCREW, tail lamp lens (2)	86 to * — All Models
5		68034-77	LENS, tail lamp (red)	86 to * — All Models
6		68123-73	GASKET, tail lamp mounting	86 to * — All Models
		68164-84	BULB, tail lamp (HDI only)	86 to * — All Models
7		68165-64	BULB, tail lamp	86 to * — All Models

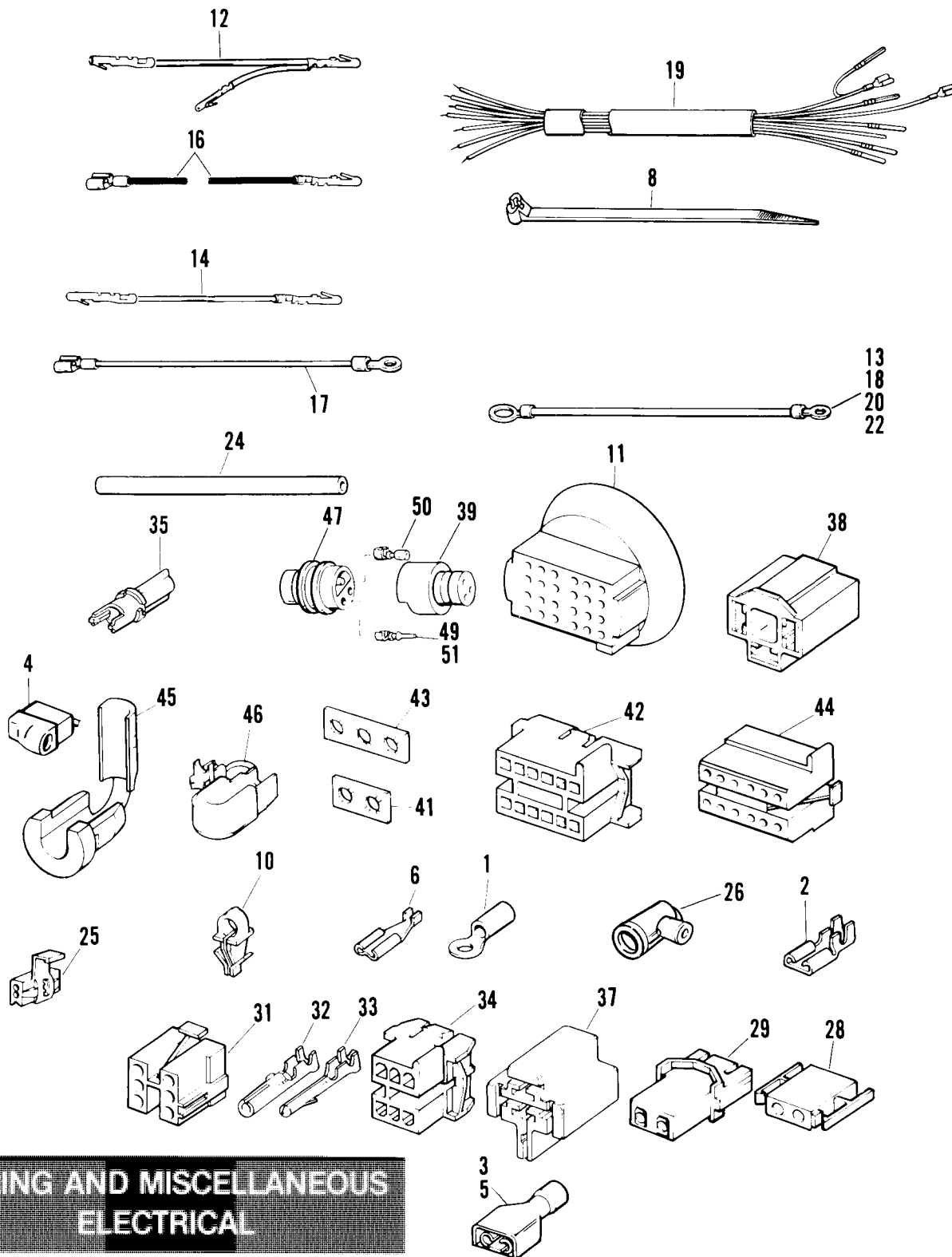
HORN



HORN

XE44

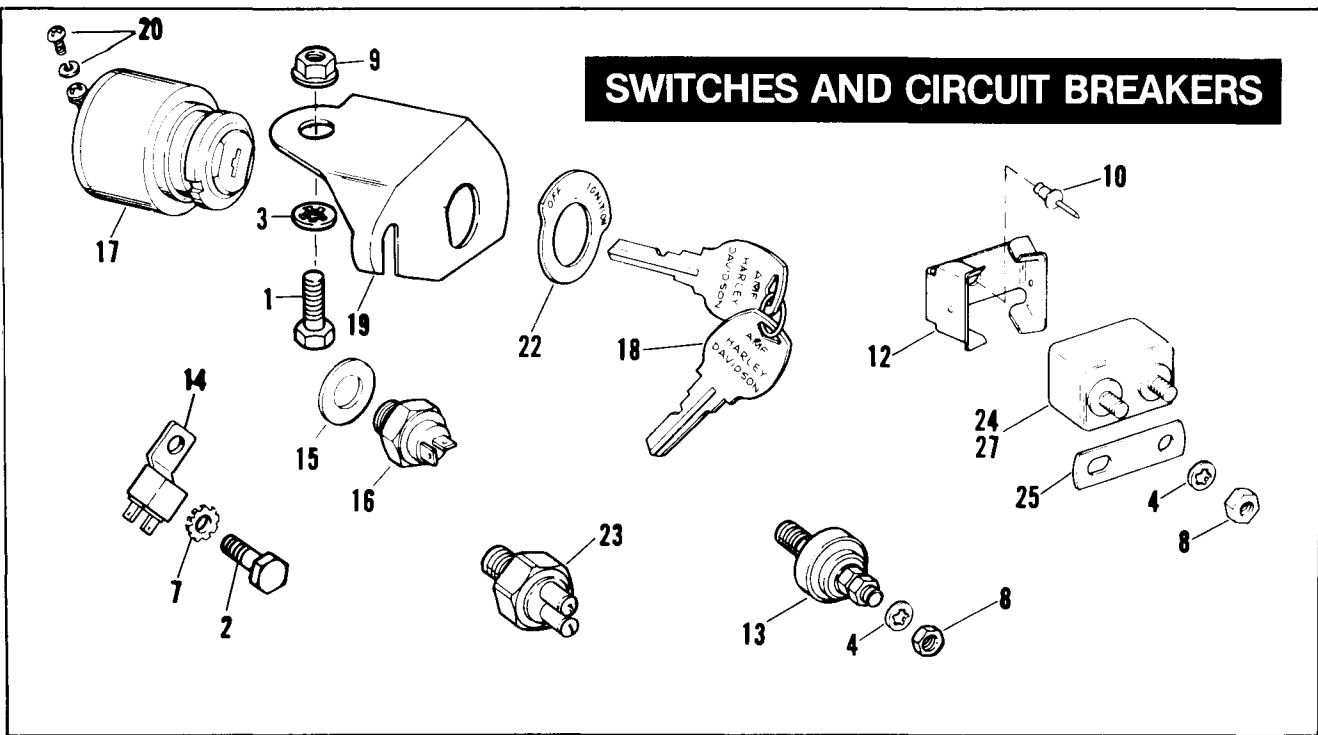
RETAIL PRICE	INDEX NO.	PART NO.	NAME	USED ON
	1	2501	SCREW (2)	86 & 87 — XLH 1100; 88 to * — XLH 1200
	2	3530	BOLT	86 to * — XLH 883 All Models
	3	3802W	BOLT (2)	86 & 87 — XLH 1100; 88 to * — XLH 1200
	4	6703	WASHER (2)	86 & 87 — XLH 1100; 88 to * — XLH 1200
	5	7118	LOCKWASHER (2)	86 & 87 — XLH 1100; 88 to * — XLH 1200
	6	7232	LOCKWASHER (2)	86 to * — XLH 883 All Models
	7	8099	WELL NUT	86 & 87 — XLH 1100; 88 to * — XLH 1200
	8	42520-80	SPACER	86 to * — XLH 883 All Models
	9	69012-86	COVER, horn (chrome)	86 & 87 — XLH 1100; 88 to * — XLH 1200
	10	69027-86	SUPPORT BRACKET	86 & 87 — XLH 1100; 88 to * — XLH 1200
	11	69043-83A	HORN, complete with bracket	86 to * — XLH 883 All Models
	12	69057-86	HORN	86 & 87 — XLH 1100; 88 to * — XLH 1200
	13	70017-86	GROUND STRAP	86 & 87 — XLH 1100; 88 to * — XLH 1200
	14	70195-86	GROUND STRAP	86 to * — XLH 883 All Models



WIRING AND MISCELLANEOUS ELECTRICAL

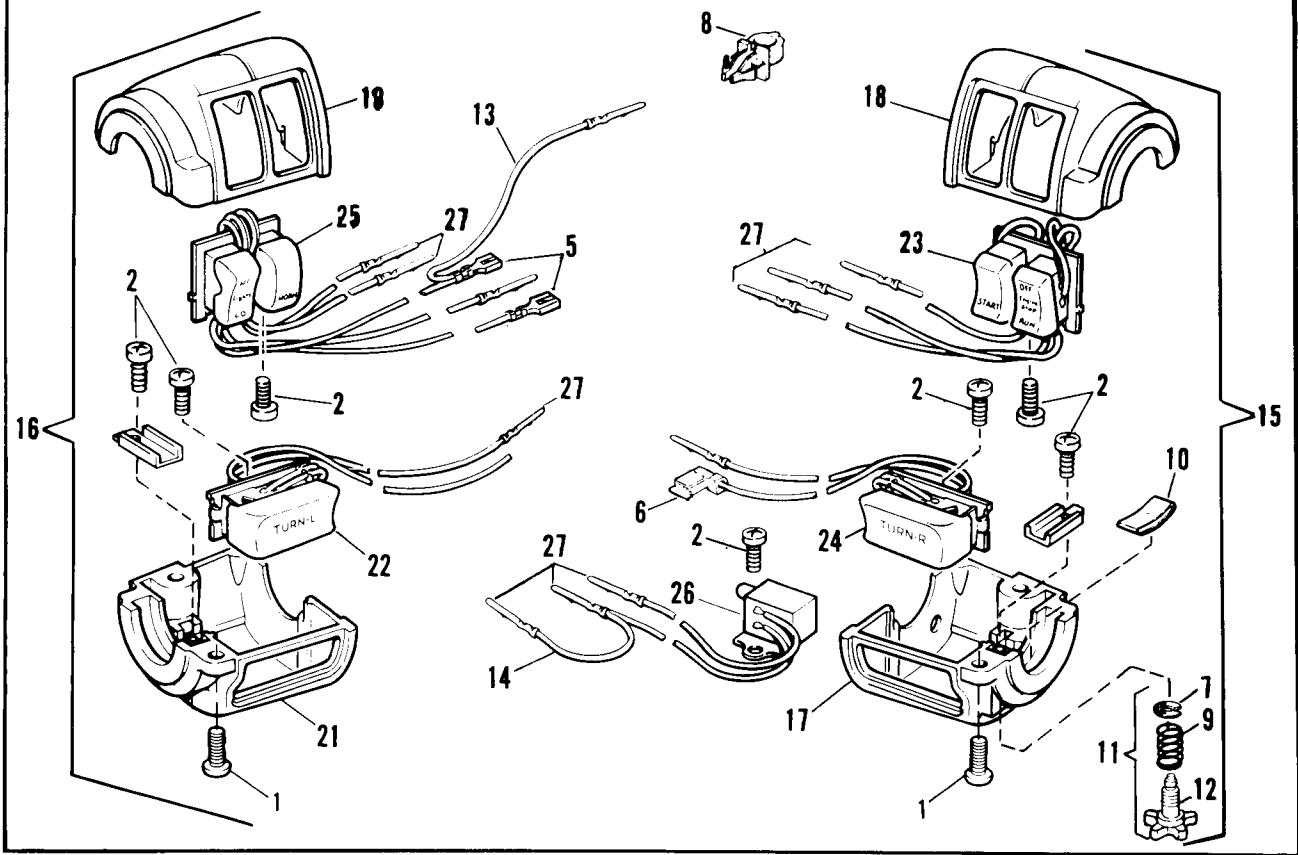
RETAIL PRICE	INDEX NO.	PART NO.	NAME	USED ON
	1	9857	WIRE TERMINAL, ring type, No. 10 hole	86 to * — All Models
		9858	WIRE TERMINAL, ring type, 1/4 dia. hole	86 to * — All Models
		9862	WIRE TERMINAL, ring type, No. 10 hole	86 to * — All Models
		9863	WIRE TERMINAL, ring type, 1/4 dia. hole	86 to * — All Models
		9866	WIRE TERMINAL, ring type, No. 10 hole	86 to * — All Models
	2	9875	WIRE TERMINAL, female spade type, 5/16 slot	86 to * — All Models
	3	9885	WIRE TERMINAL, female spade type, 13/64 slot	86 to * — All Models
	4	9898	WIRE TERMINAL, female spade type, 1/4 slot	86 to * — All Models
	5	9900	WIRE TERMINAL, female spade type, 3/16 slot	86 to * — All Models
	6	9931	WIRE TERMINAL, female spade type, 3/16 slot	86 to * — All Models
		9937	WIRE TERMINAL, female spade type, 1/4 slot	86 to * — All Models
	8	10006	CABLE STRAP	86 to * — All Models
	9	10081	CABLE STRAP (double loop)	86 to * — All Models
	10	56073—83	CLIP, handlebar wires (4)	86 to * — All Models
	11	67839—74	BOOT, headlamp connector	86 to * — All Models
	12	70003—83	WIRE, instrument connection (orange)	86 to * — All Models
	13	70017—86	GROUND STRAP, horn	86 & 87 — XLH 1100; 88 to * — XLH 1200
	14	70019—86	WIRE, flasher (blue)	N/A
		70022—83	WIRE, to front left handlebar switch (violet)	86 to * — All Models
		70027—83	WIRE, to front right handlebar switch (brown)	86 to * — All Models
	16	70049—83	WIRE, indicator lamp connection (orange)	86 to * — All Models
	17	70050—83	WIRE, headlamp ground (black)	86 to * — All Models
	18	70076—89	CABLE, battery positive to solenoid	89 to * — All Models
		70083—82A	CABLE, battery positive to solenoid	86 to 88 — All Models
		70097—75A	CABLE, battery negative ground	86 to * — All Models
		70129—79A	WIRE, battery positive to circuit breaker	86 to * — All Models
	19	70135—86	MAIN WIRING HARNESS	86 to * — All Models
	20	70191—73A	WIRE, handlebar ground	86 to * — All Models
	22	70195—86	GROUND STRAP, horn	86 to * — XLH 883 All Models
	24	70551—69	CONDUIT, 1/8 I.D. x 10 ft. lg. (black vinyl)(high temp)	86 to * — All Models
		70552—69	CONDUIT, 3/8 I.D. x 10 ft. lg. (black vinyl)	86 to * — All Models
		70553—69	CONDUIT, 7/16 I.D. x 10 ft. lg. (black vinyl)	86 to * — All Models
		70554—69	CONDUIT, 1/4 I.D. x 10 ft. lg. (black vinyl)	86 to * — All Models
		70555—69	CONDUIT, 1/4 I.D. x 10 ft. lg. (black vinyl)	86 to * — All Models
		70556—71	CONDUIT, 5/16 I.D. x 10 ft. lg. (black vinyl)	86 to * — All Models
		70558—71	CONDUIT, 1/2 I.D. x 10 ft. lg. (black vinyl)	86 to * — All Models
		70559—71	CONDUIT, 1/8 I.D. x 10 ft. lg. (black vinyl)	86 to * — All Models
	25	70576—68	WIRE CONNECTOR	86 to * — All Models
	26	70578—89	BOOT, insulating	89 to * — All Models
	28	72034—71	CONNECTOR, double socket	86 to * — All Models
	29	72035—71	CONNECTOR, double pin	86 to * — All Models
	31	72037—71	CONNECTOR, six socket	86 to * — All Models
	32	72038—71	SOCKET, single pin	86 to * — All Models
	33	72039—71	PIN, single socket	86 to * — All Models
	34	72041—71	CONNECTOR, six pin	86 to * — All Models
	35	72043—71	CONNECTOR, single pin	86 to * — All Models
	37	72046—79	HOUSING SOCKET, starter relay	86 to * — All Models
	38	72047—71	INSULATOR, spade terminal	86 to * — All Models
	39	72051—77	RECEPTACLE, regulator plug	86 to * — All Models
	41	72275—74	CONNECTOR TAB, two terminal (4)	86 to * — All Models
	42	72276—74	HOUSING, pin terminal (2)	86 to * — All Models
	43	72277—74	CONNECTOR TAB, three terminal (2)	86 to * — All Models
	44	72278—74	HOUSING, socket terminal (2)	86 to * — All Models
	45	72501—74	BUSHING, straight	86 to * — All Models
	46	72502—74	BUSHING, right angle (2)	86 to * — All Models
	47	74521—77	PLUG, regulator wiring harness	86 to * — All Models
	49	74536—77A	PIN, regulator connector (2)	86 to * — All Models
	50	74539—77A	SOCKET, regulator connector	86 to * — All Models
	51	74539—83	PIN, ignition sensor (3)	86 to * — All Models

SWITCHES AND CIRCUIT BREAKERS



RETAIL PRICE	INDEX NO.	PART NO.	NAME	USED ON
	1	2889	BOLT	86 to * — XLH 883 All Models
	2	3581	BOLT	86 to * — All Models
	3	6701	WASHER	86 to * — XLH 883 All Models
	4	7069	LOCKWASHER (2)	86 to * — All Models
	7	7220	LOCKWASHER	86 to * — All Models
	8	7638	NUT (2)	86 to * — All Models
	9	7782	NUT	86 to * — All Models
	10	8483	POP RIVET, circuit breaker clip (4)	86 to * — All Models
	12	9952	CLIP, circuit breaker (4)	86 to * — All Models
	13	26554—77	SWITCH, oil pressure indicator	86 to * — All Models
	14	31506—79B	STARTER RELAY	86 to * — All Models
	15	33043—80	WASHER	86 to * — All Models
	16	33900—59	SWITCH, neutral indicator	86 to * — All Models
	17	71425—77	IGNITION AND LIGHT SWITCH, with keys	86 to * — All Models
	18	71451—78	KEY SET, ignition switch (specify number)	86 to * — All Models
	19	71510—72A	COVER, ignition switch	86 & 87 — All Models
		71510—88	COVER, ignition switch	88 to * — All Models
	20	71518—80	SCREW WITH WASHER (3)	86 to * — All Models
	22	71550—75	LABEL, ignition switch	86 to * — All Models
	23	72023—51A	STOPLIGHT SWITCH, rear brake	86 to * — All Models
	24	74589—73	CIRCUIT BREAKER (3)	86 to * — All Models
	25	74598—73	CONNECTOR BAR, circuit breaker	86 to * — All Models
	27	74599—77A	CIRCUIT BREAKER, battery	86 to * — All Models

HANDLEBAR SWITCHES



RETAIL PRICE	INDEX NO.	PART NO.	NAME	USED ON
	1	2508	SCREW (4)	86 to * — All Models
	2	2907	SCREW (7)	86 to * — All Models
	5	9875	WIRE TERMINAL, female (2)	86 to * — All Models
	6	9898	WIRE TERMINAL, female, insulated	86 to * — All Models
	7	11155	RETAINING RING	86 to * — All Models
	8	56073—83	RETAINER, wiring harness (4)	86 to * — All Models
	9	56394—74	SPRING, throttle adjusting screw	86 to * — All Models
	10	56396—74A	PAD, throttle adjusting	86 to * — All Models
	11	56397—74C	KIT, throttle adjusting screw, includes items, 7, 9 & 12.	86 to * — All Models
	12	56402—83A	ADJUSTING SCREW	86 to * — All Models
	13	70047—82	WIRE ASSEMBLY, 5" (white)	86 to * — All Models
	14	70082—82	WIRE ASSEMBLY, 3" (orange)(HDI only)	86 to * — All Models
	15	70094—87	SWITCH KIT, complete right (HDI only)	87 to * — All Models
		70219—86A	SWITCH KIT, complete right	86 — All Models
		70219—87	SWITCH KIT, complete right	87 to * — All Models
	16	70095—87	SWITCH KIT, complete left (HDI only)	87 to * — All Models
		70218—86A	SWITCH KIT, complete left	86 — All Models
		70218—87	SWITCH KIT, complete left	87 to * — All Models
	17	71563—82A	HOUSING, lower right	86 to * — All Models
	18	71564—82	HOUSING, upper right	86 to * — All Models
	19	71567—82	HOUSING, upper left	86 to * — All Models
	21	71568—82A	HOUSING, lower left	86 to * — All Models
	22	71570—82A	SWITCH ASSEMBLY, left directional	87 to * — All Models
		71570—86A	SWITCH ASSEMBLY, left directional	86 — All Models
	23	71571—82	SWITCH ASSEMBLY, engine stop & start	86 to * — All Models
	24	71572—82A	SWITCH ASSEMBLY, right directional	87 to * — All Models
		71572—86A	SWITCH ASSEMBLY, right directional	86 — All Models
	25	71573—82A	SWITCH ASSEMBLY, dimmer & horn	86 to * — All Models
	26	71574—82	STOPLIGHT SWITCH	86 to * — All Models
		71579—82A	SWITCH ASSEMBLY, right directional (HDI only)	87 to * — All Models
		71581—82A	SWITCH ASSEMBLY, left directional (HDI only)	87 to * — All Models
	27	72039—71	PIN, single socket (12)	86 to * — All Models

RETAIL PRICE	INDEX NO.	PART NO.	NAME	USED ON
NOTE: This kit is for 1986 and later XLH model motorcycles sold for use in the state of California.				
	2731W		SCREW, mounting bracket to frame	89 to * — All Models
	3767B		SCREW, mounting bracket (2)	89 to * — All Models
	3802W		BOLT, bracket to plate (2)	90 to * — All Models
	6099		WASHER (4)	89 — All Models
	6703		WASHER (6; 4—87 & Later)	86 to * — All Models
	7686		LOCKNUT (5; 4—87 & 88; 6—89; 2—90 & Later)	86 to * — All Models
	8099		WELL NUT (2)	90 to * — All Models
	10003		CLAMP, battery vent tube	89 to * — All Models
	10006		CABLE STRAP (6; 4—87 & Later)	86 to * — All Models
	10014		CLAMP, fuel line (2)	86 & 87 — All Models
	10057		CLIP	N/A 86 & 87 — All Models
	27018—85		CLAMP	89 to * — All Models
	27027—88		VENT VALVE TUBE ASSEMBLY	88 to * — All Models
	27042—84		CANISTER	86 to * — All Models
	27047—84		BRACKET, canister mounting	86 to * — All Models
	27048—84		CLAMP, canister down tube (2)	86 to * — All Models
	27069—89		HOSE, carburetor to canister	89 to * — All Models
	27070—89		HOSE, tank to canister (2)	89 to * — All Models
	27073—84A		HOSE, canister to tank	86 & 87 — All Models
	27074—84		HOSE, canister to carburetor	86 & 87 — All Models
	27098—78		MAIN JET, 1.55mm	87 — XLH 1100
	27498—87		CARBURETOR SERVICE KIT	N/A 87 — All Models
	27508—87		CALIBRATION KIT	87 — XLH 1100
	28805—86		EVAPORATIVE EMISSIONS KIT, complete	N/A 86 — All Models
	28805—87		EVAPORATIVE EMISSIONS KIT, complete	87 — All Models
	28808—86		HOSE, canister	86 & 87 — All Models
	28808—88		HOSE, canister	88 to * — All Models
	28857—89		BRACKET, evaporative canister	89 — All Models
	28857—90		BRACKET, canister	90 to * — All Models
	28859—89		BRACKET (2)	89 — All Models
	28859—90		PLATE, canister mounting	90 to * — All Models
	28860—89		GUARD, evaporative canister	89 to * — All Models
	28865—89		HOSE, canister	89 to * — All Models
	29121—84		CAP, overflow	86 & 87 — All Models
	62150—85		VAPOR VALVE	86 to * — All Models
	62563—65		CANISTER MOUNT, rubber (2)	86 to 89 — All Models
	66188—82A		PAD (rubber)	89 to * — All Models

RETAIL PRICE	INDEX NO.	PART NO.	NAME	USED ON
		25660—86A	CAM GEAR, front exhaust (1 Brown Dot)	86 to * — All Models
		25661—86A	CAM GEAR, front exhaust (1 Blue Dot)	86 to * — All Models
		25662—86A	CAM GEAR, front exhaust (1 Red Dot)	86 to * — All Models
		25663—86A	CAM GEAR, front exhaust (1 White Dot)	86 to * — All Models
		25664—86A	CAM GEAR, front exhaust (1 Green Dot)	86 to * — All Models
		25665—86A	CAM GEAR, front exhaust (1 Yellow Dot)	86 to * — All Models
		25666—86A	CAM GEAR, front exhaust (1 Black Dot)	86 to * — All Models
		25723—86A	CAM GEAR, front exhaust (2 Brown Dots)	86 to * — All Models
		25724—86A	CAM GEAR, front exhaust (2 Blue Dots)	86 to * — All Models
		25725—86A	CAM GEAR, front exhaust (2 Red Dots)	86 to * — All Models
		25726—86A	CAM GEAR, front exhaust (2 White Dots)	86 to * — All Models
		25727—86A	CAM GEAR, front exhaust (2 Green Dots)	86 to * — All Models
		25728—86A	CAM GEAR, front exhaust (2 Yellow Dots)	86 to * — All Models
		25729—86A	CAM GEAR, front exhaust (2 Black Dots)	86 to * — All Models
		25640—86A	CAM GEAR, front intake (1 Brown Dot)	86 to * — All Models
		25641—86A	CAM GEAR, front intake (1 Blue Dot)	86 to * — All Models
		25642—86A	CAM GEAR, front intake (1 Red Dot)	86 to * — All Models
		25643—86A	CAM GEAR, front intake (1 White Dot)	86 to * — All Models
		25644—86A	CAM GEAR, front intake (1 Green Dot)	86 to * — All Models
		25645—86A	CAM GEAR, front intake (1 Yellow Dot)	86 to * — All Models
		25646—86A	CAM GEAR, front intake (1 Black Dot)	86 to * — All Models
		25716—86A	CAM GEAR, front intake (2 Brown Dots)	86 to * — All Models
		25717—86A	CAM GEAR, front intake (2 Blue Dots)	86 to * — All Models
		25718—86A	CAM GEAR, front intake (2 Red Dots)	86 to * — All Models
		25719—86A	CAM GEAR, front intake (2 White Dots)	86 to * — All Models
		25720—86A	CAM GEAR, front intake (2 Green Dots)	86 to * — All Models
		25721—86A	CAM GEAR, front intake (2 Yellow Dots)	86 to * — All Models
		25722—86A	CAM GEAR, front intake (2 Black Dots)	86 to * — All Models
		24055—86	PINION GEAR (1 Brown Dot)	86 & 87 — All Models
		24055—88	PINION GEAR (1 Brown Dot)	88 to * — All Models
		24056—86	PINION GEAR (1 Blue Dot)	86 & 87 — All Models
		24056—88	PINION GEAR (1 Blue Dot)	88 to * — All Models
		24057—86	PINION GEAR (1 Red Dot)	86 & 87 — All Models
		24057—88	PINION GEAR (1 Red Dot)	88 to * — All Models
		24058—86	PINION GEAR (1 White Dot)	86 & 87 — All Models
		24058—88	PINION GEAR (1 White Dot)	88 to * — All Models
		24059—86	PINION GEAR (1 Green Dot)	86 & 87 — All Models
		24059—88	PINION GEAR (1 Green Dot)	88 to * — All Models
		24060—86	PINION GEAR (1 Yellow Dot)	86 & 87 — All Models
		24060—88	PINION GEAR (1 Yellow Dot)	88 to * — All Models
		24061—86	PINION GEAR (1 Black Dot)	86 & 87 — All Models
		24061—88	PINION GEAR (1 Black Dot)	88 to * — All Models
		25737—86	PINION GEAR (2 Brown Dots)	N/A 86 & 87 — All Models
		25737—88	PINION GEAR (2 Brown Dots)	88 to * — All Models
		25738—86	PINION GEAR (2 Blue Dots)	86 & 87 — All Models
		25738—88	PINION GEAR (2 Blue Dots)	88 to * — All Models
		25739—86	PINION GEAR (2 Red Dots)	86 & 87 — All Models
		25739—88	PINION GEAR (2 Red Dots)	88 to * — All Models
		25740—86	PINION GEAR (2 White Dots)	N/A 86 & 87 — All Models
		25740—88	PINION GEAR (2 White Dots)	88 to * — All Models
		25741—86	PINION GEAR (2 Green Dots)	86 & 87 — All Models
		25741—88	PINION GEAR (2 Green Dots)	88 to * — All Models
		25742—86	PINION GEAR (2 Yellow Dots)	86 & 87 — All Models
		25742—88	PINION GEAR (2 Yellow Dots)	88 to * — All Models
		25743—86	PINION GEAR (2 Black Dots)	86 & 87 — All Models
		25743—88	PINION GEAR (2 Black Dots)	88 to * — All Models

RETAIL PRICE	INDEX NO.	PART NO.	NAME	USED ON
		25804—86A	CAM GEAR, rear intake (inner gear 1 black dot — outer gear 1 brown dot)	86 to * — All Models
		25805—86A	CAM GEAR, rear intake (inner gear 1 black dot — outer gear 2 brown dots)	86 to * — All Models
		25806—86A	CAM GEAR, rear intake (inner gear 2 black dots — outer gear 1 brown dot)	86 to * — All Models
		25807—86A	CAM GEAR, rear intake (inner gear 2 black dots — outer gear 2 brown dots)	86 to * — All Models
		25808—86A	CAM GEAR, rear intake (inner gear 1 yellow dot — outer gear 1 brown dot)	86 to * — All Models
		25809—86A	CAM GEAR, rear intake (inner gear 1 yellow dot — outer gear 2 brown dots)	86 to * — All Models
		25810—86A	CAM GEAR, rear intake (inner gear 2 yellow dots — outer gear 1 brown dot)	86 to * — All Models
		25811—86A	CAM GEAR, rear intake (inner gear 2 yellow dots — outer gear 2 brown dots)	86 to * — All Models
		25812—86A	CAM GEAR, rear intake (inner gear 1 green dot — outer gear 1 brown dot)	86 to * — All Models
		25813—86A	CAM GEAR, rear intake (inner gear 1 green dot — outer gear 2 brown dots)	86 to * — All Models
		25814—86A	CAM GEAR, rear intake (inner gear 2 green dots — outer gear 1 brown dot)	86 to * — All Models
		25815—86A	CAM GEAR, rear intake (inner gear 2 green dots — outer gear 2 brown dots)	86 to * — All Models
		25816—86A	CAM GEAR, rear intake (inner gear 1 white dot — outer gear 1 brown dot)	86 to * — All Models
		25817—86A	CAM GEAR, rear intake (inner gear 1 white dot — outer gear 2 brown dots)	86 to * — All Models
		25818—86A	CAM GEAR, rear intake (inner gear 2 white dots — outer gear 1 brown dot)	86 to * — All Models
		25819—86A	CAM GEAR, rear intake (inner gear 2 white dots — outer gear 2 brown dots)	86 to * — All Models
		25820—86A	CAM GEAR, rear intake (inner gear 1 red dot — outer gear 1 brown dot)	86 to * — All Models
		25821—86A	CAM GEAR, rear intake (inner gear 1 red dot — outer gear 2 brown dots)	86 to * — All Models
		25822—86A	CAM GEAR, rear intake (inner gear 2 red dots — outer gear 1 brown dot)	86 to * — All Models
		25823—86A	CAM GEAR, rear intake (inner gear 2 red dots — outer gear 2 brown dots)	86 to * — All Models
		25824—86A	CAM GEAR, rear intake (inner gear 1 blue dot — outer gear 1 brown dot)	86 to * — All Models
		25825—86A	CAM GEAR, rear intake (inner gear 1 blue dot — outer gear 2 brown dots)	86 to * — All Models
		25826—86A	CAM GEAR, rear intake (inner gear 2 blue dots — outer gear 1 brown dot)	86 to * — All Models
		25827—86A	CAM GEAR, rear intake (inner gear 2 blue dots — outer gear 2 brown dots)	86 to * — All Models
		25828—86A	CAM GEAR, rear intake (inner gear 1 brown dot — outer gear 1 brown dot)	86 to * — All Models
		25829—86A	CAM GEAR, rear intake (inner gear 1 brown dot — outer gear 2 brown dots)	86 to * — All Models
		25830—86A	CAM GEAR, rear intake (inner gear 2 brown dots — outer gear 1 brown dot)	86 to * — All Models
		25831—86A	CAM GEAR, rear intake (inner gear 2 brown dots — outer gear 2 brown dots)	86 to * — All Models

RETAIL PRICE	INDEX NO.	PART NO.	NAME	USED ON
		25832—86A	CAM GEAR, rear intake (inner gear 1 black dot — outer gear 1 blue dot)	86 to * — All Models
		25833—86A	CAM GEAR, rear intake (inner gear 1 black dot — outer gear 2 blue dots)	86 to * — All Models
		25834—86A	CAM GEAR, rear intake (inner gear 2 black dots — outer gear 1 blue dot)	86 to * — All Models
		25835—86A	CAM GEAR, rear intake (inner gear 2 black dots — outer gear 2 blue dots)	86 to * — All Models
		25836—86A	CAM GEAR, rear intake (inner gear 1 yellow dot — outer gear 1 blue dot)	86 to * — All Models
		25837—86A	CAM GEAR, rear intake (inner gear 1 yellow dot — outer gear 2 blue dots)	86 to * — All Models
		25838—86A	CAM GEAR, rear intake (inner gear 2 yellow dots — outer gear 1 blue dot)	86 to * — All Models
		25839—86A	CAM GEAR, rear intake (inner gear 2 yellow dots — outer gear 2 blue dots)	86 to * — All Models
		25840—86A	CAM GEAR, rear intake (inner gear 1 green dot — outer gear 1 blue dot)	86 to * — All Models
		25841—86A	CAM GEAR, rear intake (inner gear 1 green dot — outer gear 2 blue dots)	86 to * — All Models
		25842—86A	CAM GEAR, rear intake (inner gear 2 green dots — outer gear 1 blue dot)	86 to * — All Models
		25843—86A	CAM GEAR, rear intake (inner gear 2 green dots — outer gear 2 blue dots)	86 to * — All Models
		25844—86A	CAM GEAR, rear intake (inner gear 1 white dot — outer gear 1 blue dot)	86 to * — All Models
		25845—86A	CAM GEAR, rear intake (inner gear 1 white dot — outer gear 2 blue dots)	86 to * — All Models
		25846—86A	CAM GEAR, rear intake (inner gear 2 white dots — outer gear 1 blue dot)	86 to * — All Models
		25847—86A	CAM GEAR, rear intake (inner gear 2 white dots — outer gear 2 blue dots)	86 to * — All Models
		25848—86A	CAM GEAR, rear intake (inner gear 1 red dot — outer gear 1 blue dot)	86 to * — All Models
		25849—86A	CAM GEAR, rear intake (inner gear 1 red dot — outer gear 2 blue dots)	86 to * — All Models
		25850—86A	CAM GEAR, rear intake (inner gear 2 red dots — outer gear 1 blue dot)	86 to * — All Models
		25851—86A	CAM GEAR, rear intake (inner gear 2 red dots — outer gear 2 blue dots)	86 to * — All Models
		25852—86A	CAM GEAR, rear intake (inner gear 1 blue dot — outer gear 1 blue dot)	86 to * — All Models
		25853—86A	CAM GEAR, rear intake (inner gear 1 blue dot — outer gear 2 blue dots)	86 to * — All Models
		25854—86A	CAM GEAR, rear intake (inner gear 2 blue dots — outer gear 1 blue dot)	86 to * — All Models
		25855—86A	CAM GEAR, rear intake (inner gear 2 blue dots — outer gear 2 blue dots)	86 to * — All Models
		25856—86A	CAM GEAR, rear intake (inner gear 1 brown dot — outer gear 1 blue dot)	86 to * — All Models
		25857—86A	CAM GEAR, rear intake (inner gear 1 brown dot — outer gear 2 blue dots)	86 to * — All Models
		25858—86A	CAM GEAR, rear intake (inner gear 2 brown dots — outer gear 1 blue dot)	86 to * — All Models
		25859—86A	CAM GEAR, rear intake (inner gear 2 brown dots — outer gear 2 blue dots)	86 to * — All Models

RETAIL PRICE	INDEX NO.	PART NO.	NAME	USED ON
		25860—86A	CAM GEAR, rear intake (inner gear 1 black dot — outer gear 1 red dot)	86 to * — All Models
		25861—86A	CAM GEAR, rear intake (inner gear 1 black dot — outer gear 2 red dots)	86 to * — All Models
		25862—86A	CAM GEAR, rear intake (inner gear 2 black dots — outer gear 1 red dot)	86 to * — All Models
		25863—86A	CAM GEAR, rear intake (inner gear 2 black dots — outer gear 2 red dots)	86 to * — All Models
		25864—86A	CAM GEAR, rear intake (inner gear 1 yellow dot — outer gear 1 red dot)	86 to * — All Models
		25865—86A	CAM GEAR, rear intake (inner gear 1 yellow dot — outer gear 2 red dots)	86 to * — All Models
		25866—86A	CAM GEAR, rear intake (inner gear 2 yellow dots — outer gear 1 red dot)	86 to * — All Models
		25867—86A	CAM GEAR, rear intake (inner gear 2 yellow dots — outer gear 2 red dots)	86 to * — All Models
		25868—86A	CAM GEAR, rear intake (inner gear 1 green dot — outer gear 1 red dot)	86 to * — All Models
		25869—86A	CAM GEAR, rear intake (inner gear 1 green dot — outer gear 2 red dots)	86 to * — All Models
		25870—86A	CAM GEAR, rear intake (inner gear 2 green dots — outer gear 1 red dot)	86 to * — All Models
		25871—86A	CAM GEAR, rear intake (inner gear 2 green dots — outer gear 2 red dots)	86 to * — All Models
		25872—86A	CAM GEAR, rear intake (inner gear 1 white dot — outer gear 1 red dot)	86 to * — All Models
		25873—86A	CAM GEAR, rear intake (inner gear 1 white dot — outer gear 2 red dots)	86 to * — All Models
		25874—86A	CAM GEAR, rear intake (inner gear 2 white dots — outer gear 1 red dot)	86 to * — All Models
		25875—86A	CAM GEAR, rear intake (inner gear 2 white dots — outer gear 2 red dots)	86 to * — All Models
		25876—86A	CAM GEAR, rear intake (inner gear 1 red dot — outer gear 1 red dot)	86 to * — All Models
		25877—86A	CAM GEAR, rear intake (inner gear 1 red dot — outer gear 2 red dots)	86 to * — All Models
		25878—86A	CAM GEAR, rear intake (inner gear 2 red dots — outer gear 1 red dot)	86 to * — All Models
		25879—86A	CAM GEAR, rear intake (inner gear 2 red dots — outer gear 2 red dots)	86 to * — All Models
		25880—86A	CAM GEAR, rear intake (inner gear 1 blue dot — outer gear 1 red dot)	86 to * — All Models
		25881—86A	CAM GEAR, rear intake (inner gear 1 blue dot — outer gear 2 red dots)	86 to * — All Models
		25882—86A	CAM GEAR, rear intake (inner gear 2 blue dots — outer gear 1 red dot)	86 to * — All Models
		25883—86A	CAM GEAR, rear intake (inner gear 2 blue dots — outer gear 2 red dots)	86 to * — All Models
		25884—86A	CAM GEAR, rear intake (inner gear 1 brown dot — outer gear 1 red dot)	86 to * — All Models
		25885—86A	CAM GEAR, rear intake (inner gear 1 brown dot — outer gear 2 red dots)	86 to * — All Models
		25886—86A	CAM GEAR, rear intake (inner gear 2 brown dots — outer gear 1 red dot)	86 to * — All Models
		25887—86A	CAM GEAR, rear intake (inner gear 2 brown dots — outer gear 2 red dots)	86 to * — All Models

RETAIL PRICE	INDEX NO.	PART NO.	NAME	USED ON
		25888—86A	CAM GEAR, rear intake (inner gear 1 black dot — outer gear 1 white dot)	86 to * — All Models
		25889—86A	CAM GEAR, rear intake (inner gear 1 black dot — outer gear 2 white dots)	86 to * — All Models
		25890—86A	CAM GEAR, rear intake (inner gear 2 black dots — outer gear 1 white dot)	86 to * — All Models
		25891—86A	CAM GEAR, rear intake (inner gear 2 black dots — outer gear 2 white dots)	86 to * — All Models
		25892—86A	CAM GEAR, rear intake (inner gear 1 yellow dot — outer gear 1 white dot)	86 to * — All Models
		25893—86A	CAM GEAR, rear intake (inner gear 1 yellow dot — outer gear 2 white dots)	86 to * — All Models
		25894—86A	CAM GEAR, rear intake (inner gear 2 yellow dots — outer gear 1 white dot)	86 to * — All Models
		25895—86A	CAM GEAR, rear intake (inner gear 2 yellow dots — outer gear 2 white dots)	86 to * — All Models
		25896—86A	CAM GEAR, rear intake (inner gear 1 green dot — outer gear 1 white dot)	86 to * — All Models
		25897—86A	CAM GEAR, rear intake (inner gear 1 green dot — outer gear 2 white dots)	86 to * — All Models
		25898—86A	CAM GEAR, rear intake (inner gear 2 green dots — outer gear 1 white dot)	86 to * — All Models
		25899—86A	CAM GEAR, rear intake (inner gear 2 green dots — outer gear 2 white dots)	86 to * — All Models
		25900—86A	CAM GEAR, rear intake (inner gear 1 white dot — outer gear 1 white dot)	86 to * — All Models
		25901—86A	CAM GEAR, rear intake (inner gear 1 white dot — outer gear 2 white dots)	86 to * — All Models
		25902—86A	CAM GEAR, rear intake (inner gear 2 white dots — outer gear 1 white dot)	86 to * — All Models
		25903—86A	CAM GEAR, rear intake (inner gear 2 white dots — outer gear 2 white dots)	86 to * — All Models
		25904—86A	CAM GEAR, rear intake (inner gear 1 red dot — outer gear 1 white dot)	86 to * — All Models
		25905—86A	CAM GEAR, rear intake (inner gear 1 red dot — outer gear 2 white dots)	86 to * — All Models
		25906—86A	CAM GEAR, rear intake (inner gear 2 red dots — outer gear 1 white dot)	86 to * — All Models
		25907—86A	CAM GEAR, rear intake (inner gear 2 red dots — outer gear 2 white dots)	86 to * — All Models
		25908—86A	CAM GEAR, rear intake (inner gear 1 blue dot — outer gear 1 white dot)	86 to * — All Models
		25909—86A	CAM GEAR, rear intake (inner gear 1 blue dot — outer gear 2 white dots)	86 to * — All Models
		25910—86A	CAM GEAR, rear intake (inner gear 2 blue dots — outer gear 1 white dot)	86 to * — All Models
		25911—86A	CAM GEAR, rear intake (inner gear 2 blue dots — outer gear 2 white dots)	86 to * — All Models
		25912—86A	CAM GEAR, rear intake (inner gear 1 brown dot — outer gear 1 white dot)	86 to * — All Models
		25913—86A	CAM GEAR, rear intake (inner gear 1 brown dot — outer gear 2 white dots)	86 to * — All Models
		25914—86A	CAM GEAR, rear intake (inner gear 2 brown dots — outer gear 1 white dot)	86 to * — All Models
		25915—86A	CAM GEAR, rear intake (inner gear 2 brown dots — outer gear 2 white dots)	86 to * — All Models

RETAIL PRICE	INDEX NO.	PART NO.	NAME	USED ON
		25916—86A	CAM GEAR, rear intake (inner gear 1 black dot — outer gear 1 green dot)	86 to * — All Models
		25917—86A	CAM GEAR, rear intake (inner gear 1 black dot — outer gear 2 green dots)	86 to * — All Models
		25918—86A	CAM GEAR, rear intake (inner gear 2 black dots — outer gear 1 green dot)	86 to * — All Models
		25919—86A	CAM GEAR, rear intake (inner gear 2 black dots — outer gear 2 green dots)	86 to * — All Models
		25920—86A	CAM GEAR, rear intake (inner gear 1 yellow dot — outer gear 1 green dot)	86 to * — All Models
		25921—86A	CAM GEAR, rear intake (inner gear 1 yellow dot — outer gear 2 green dots)	86 to * — All Models
		25922—86A	CAM GEAR, rear intake (inner gear 2 yellow dots — outer gear 1 green dot)	86 to * — All Models
		25923—86A	CAM GEAR, rear intake (inner gear 2 yellow dots — outer gear 2 green dots)	86 to * — All Models
		25924—86A	CAM GEAR, rear intake (inner gear 1 green dot — outer gear 1 green dot)	86 to * — All Models
		25925—86A	CAM GEAR, rear intake (inner gear 1 green dot — outer gear 2 green dots)	86 to * — All Models
		25926—86A	CAM GEAR, rear intake (inner gear 2 green dots — outer gear 1 green dot)	86 to * — All Models
		25927—86A	CAM GEAR, rear intake (inner gear 2 green dots — outer gear 2 green dots)	86 to * — All Models
		25928—86A	CAM GEAR, rear intake (inner gear 1 white dot — outer gear 1 green dot)	86 to * — All Models
		25929—86A	CAM GEAR, rear intake (inner gear 1 white dot — outer gear 2 green dots)	86 to * — All Models
		25930—86A	CAM GEAR, rear intake (inner gear 2 white dots — outer gear 1 green dot)	86 to * — All Models
		25931—86A	CAM GEAR, rear intake (inner gear 2 white dots — outer gear 2 green dots)	86 to * — All Models
		25932—86A	CAM GEAR, rear intake (inner gear 1 red dot — outer gear 1 green dot)	86 to * — All Models
		25933—86A	CAM GEAR, rear intake (inner gear 1 red dot — outer gear 2 green dots)	86 to * — All Models
		25934—86A	CAM GEAR, rear intake (inner gear 2 red dots — outer gear 1 green dot)	86 to * — All Models
		25935—86A	CAM GEAR, rear intake (inner gear 2 red dots — outer gear 2 green dots)	86 to * — All Models
		25936—86A	CAM GEAR, rear intake (inner gear 1 blue dot — outer gear 1 green dot)	86 to * — All Models
		25937—86A	CAM GEAR, rear intake (inner gear 1 blue dot — outer gear 2 green dots)	86 to * — All Models
		25938—86A	CAM GEAR, rear intake (inner gear 2 blue dots — outer gear 1 green dot)	86 to * — All Models
		25939—86A	CAM GEAR, rear intake (inner gear 2 blue dots — outer gear 2 green dots)	86 to * — All Models
		25940—86A	CAM GEAR, rear intake (inner gear 1 brown dot — outer gear 1 green dot)	86 to * — All Models
		25941—86A	CAM GEAR, rear intake (inner gear 1 brown dot — outer gear 2 green dots)	86 to * — All Models
		25942—86A	CAM GEAR, rear intake (inner gear 2 brown dots — outer gear 1 green dot)	86 to * — All Models
		25943—86A	CAM GEAR, rear intake (inner gear 2 brown dots — outer gear 2 green dots)	86 to * — All Models

RETAIL PRICE	INDEX NO.	PART NO.	NAME	USED ON
	25944—86A		CAM GEAR, rear intake (inner gear 1 black dot — outer gear 1 yellow dot)	86 to * — All Models
	25945—86A		CAM GEAR, rear intake (inner gear 1 black dot — outer gear 2 yellow dots)	86 to * — All Models
	25946—86A		CAM GEAR, rear intake (inner gear 2 black dots — outer gear 1 yellow dot)	86 to * — All Models
	25947—86A		CAM GEAR, rear intake (inner gear 2 black dots — outer gear 2 yellow dots)	86 to * — All Models
	25948—86A		CAM GEAR, rear intake (inner gear 1 yellow dot — outer gear 1 yellow dot)	86 to * — All Models
	25949—86A		CAM GEAR, rear intake (inner gear 1 yellow dot — outer gear 2 yellow dots)	86 to * — All Models
	25950—86A		CAM GEAR, rear intake (inner gear 2 yellow dots — outer gear 1 yellow dot)	86 to * — All Models
	25951—86A		CAM GEAR, rear intake (inner gear 2 yellow dots — outer gear 2 yellow dots)	86 to * — All Models
	25952—86A		CAM GEAR, rear intake (inner gear 1 green dot — outer gear 1 yellow dot)	N/A 86 to * — All Models
	25953—86A		CAM GEAR, rear intake (inner gear 1 green dot — outer gear 2 yellow dots)	86 to * — All Models
	25954—86A		CAM GEAR, rear intake (inner gear 2 green dots — outer gear 1 yellow dot)	86 to * — All Models
	25955—86A		CAM GEAR, rear intake (inner gear 2 green dots — outer gear 2 yellow dots)	86 to * — All Models
	25956—86A		CAM GEAR, rear intake (inner gear 1 white dot — outer gear 1 yellow dot)	86 to * — All Models
	25957—86A		CAM GEAR, rear intake (inner gear 1 white dot — outer gear 2 yellow dots)	86 to * — All Models
	25958—86A		CAM GEAR, rear intake (inner gear 2 white dots — outer gear 1 yellow dot)	86 to * — All Models
	25959—86A		CAM GEAR, rear intake (inner gear 2 white dots — outer gear 2 yellow dots)	86 to * — All Models
	25960—86A		CAM GEAR, rear intake (inner gear 1 red dot — outer gear 1 yellow dot)	86 to * — All Models
	25961—86A		CAM GEAR, rear intake (inner gear 1 red dot — outer gear 2 yellow dots)	86 to * — All Models
	25962—86A		CAM GEAR, rear intake (inner gear 2 red dots — outer gear 1 yellow dot)	86 to * — All Models
	25963—86A		CAM GEAR, rear intake (inner gear 2 red dots — outer gear 2 yellow dots)	86 to * — All Models
	25964—86A		CAM GEAR, rear intake (inner gear 1 blue dot — outer gear 1 yellow dot)	86 to * — All Models
	25965—86A		CAM GEAR, rear intake (inner gear 1 blue dot — outer gear 2 yellow dots)	86 to * — All Models
	25966—86A		CAM GEAR, rear intake (inner gear 2 blue dots — outer gear 1 yellow dot)	86 to * — All Models
	25967—86A		CAM GEAR, rear intake (inner gear 2 blue dots — outer gear 2 yellow dots)	86 to * — All Models
	25968—86A		CAM GEAR, rear intake (inner gear 1 brown dot — outer gear 1 yellow dot)	86 to * — All Models
	25969—86A		CAM GEAR, rear intake (inner gear 1 brown dot — outer gear 2 yellow dots)	86 to * — All Models
	25970—86A		CAM GEAR, rear intake (inner gear 2 brown dots — outer gear 1 yellow dot)	86 to * — All Models
	25971—86A		CAM GEAR, rear intake (inner gear 2 brown dots — outer gear 2 yellow dots)	86 to * — All Models

RETAIL PRICE	INDEX NO.	PART NO.	NAME	USED ON
		25972—86A	CAM GEAR, rear intake (inner gear 1 black dot — outer gear 1 black dot)	86 to * — All Models
		25973—86A	CAM GEAR, rear intake (inner gear 1 black dot — outer gear 2 black dots)	86 to * — All Models
		25974—86A	CAM GEAR, rear intake (inner gear 2 black dots — outer gear 1 black dot)	86 to * — All Models
		25975—86A	CAM GEAR, rear intake (inner gear 2 black dots — outer gear 2 black dots)	86 to * — All Models
		25976—86A	CAM GEAR, rear intake (inner gear 1 yellow dot — outer gear 1 black dot)	86 to * — All Models
		25977—86A	CAM GEAR, rear intake (inner gear 1 yellow dot — outer gear 2 black dots)	86 to * — All Models
		25978—86A	CAM GEAR, rear intake (inner gear 2 yellow dots — outer gear 1 black dot)	86 to * — All Models
		25979—86A	CAM GEAR, rear intake (inner gear 2 yellow dots — outer gear 2 black dots)	86 to * — All Models
		25980—86A	CAM GEAR, rear intake (inner gear 1 green dot — outer gear 1 black dot)	86 to * — All Models
		25981—86A	CAM GEAR, rear intake (inner gear 1 green dot — outer gear 2 black dots)	86 to * — All Models
		25982—86A	CAM GEAR, rear intake (inner gear 2 green dots — outer gear 1 black dot)	86 to * — All Models
		25983—86A	CAM GEAR, rear intake (inner gear 2 green dots — outer gear 2 black dots)	86 to * — All Models
		25984—86A	CAM GEAR, rear intake (inner gear 1 white dot — outer gear 1 black dot)	86 to * — All Models
		25985—86A	CAM GEAR, rear intake (inner gear 1 white dot — outer gear 2 black dots)	86 to * — All Models
		25986—86A	CAM GEAR, rear intake (inner gear 2 white dots — outer gear 1 black dot)	86 to * — All Models
		25987—86A	CAM GEAR, rear intake (inner gear 2 white dots — outer gear 2 black dots)	86 to * — All Models
		25988—86A	CAM GEAR, rear intake (inner gear 1 red dot — outer gear 1 black dot)	86 to * — All Models
		25989—86A	CAM GEAR, rear intake (inner gear 1 red dot — outer gear 2 black dots)	86 to * — All Models
		25990—86A	CAM GEAR, rear intake (inner gear 2 red dots — outer gear 1 black dot)	86 to * — All Models
		25991—86A	CAM GEAR, rear intake (inner gear 2 red dots — outer gear 2 black dots)	86 to * — All Models
		25992—86A	CAM GEAR, rear intake (inner gear 1 blue dot — outer gear 1 black dot)	86 to * — All Models
		25993—86A	CAM GEAR, rear intake (inner gear 1 blue dot — outer gear 2 black dots)	86 to * — All Models
		25994—86A	CAM GEAR, rear intake (inner gear 2 blue dots — outer gear 1 black dot)	86 to * — All Models
		25995—86A	CAM GEAR, rear intake (inner gear 2 blue dots — outer gear 2 black dots)	86 to * — All Models
		25996—86A	CAM GEAR, rear intake (inner gear 1 brown dot — outer gear 1 black dot)	86 to * — All Models
		25997—86A	CAM GEAR, rear intake (inner gear 1 brown dot — outer gear 2 black dots)	86 to * — All Models
		25998—86A	CAM GEAR, rear intake (inner gear 2 brown dots — outer gear 1 black dot)	86 to * — All Models
		25999—86A	CAM GEAR, rear intake (inner gear 2 brown dots — outer gear 2 black dots)	86 to * — All Models

RETAIL PRICE	INDEX NO.	PART NO.	NAME	USED ON
		25650—86A	CAM GEAR, rear exhaust (1 Brown Dot)	86 to * — All Models
		25651—86A	CAM GEAR, rear exhaust (1 Blue Dot)	86 to * — All Models
		25652—86A	CAM GEAR, rear exhaust (1 Red Dot)	86 to * — All Models
		25653—86A	CAM GEAR, rear exhaust (1 White Dot)	86 to * — All Models
		25654—86A	CAM GEAR, rear exhaust (1 Green Dot)	86 to * — All Models
		25655—86A	CAM GEAR, rear exhaust (1 Yellow Dot)	86 to * — All Models
		25656—86A	CAM GEAR, rear exhaust (1 Black Dot)	86 to * — All Models
		25730—86A	CAM GEAR, rear exhaust (2 Brown Dots)	86 to * — All Models
		25731—86A	CAM GEAR, rear exhaust (2 Blue Dots)	86 to * — All Models
		25732—86A	CAM GEAR, rear exhaust (2 Red Dots)	86 to * — All Models
		25733—86A	CAM GEAR, rear exhaust (2 White Dots)	86 to * — All Models
		25734—86A	CAM GEAR, rear exhaust (2 Green Dots)	86 to * — All Models
		25735—86A	CAM GEAR, rear exhaust (2 Yellow Dots)	86 to * — All Models
		25736—86A	CAM GEAR, rear exhaust (2 Black Dots)	86 to * — All Models