

**V-Twin Mfg.**  
**Chrome Adjustable Center Stand**  
**VT Part No. 16-1111**  
**For use on 1958 - 1984 FLH Models**

**This is a custom application and rider safety depends on proper installation. This product should only be installed by a knowledgeable and trained motorcycle technician. V-Twin Mfg. accepts no responsibility for improper installation.**

**Installation instructions:**

1. Loosening the exhaust system may be required to gain access to the frame right side. Refer to the service manual for exhaust system removal.

**Warning:** Do not loosen, tighten or remove any bolts or set screws on the display stand.

2. Install the "U" bracket (B) onto the display stand using two 3/8-16 x 1" hex head screws (E) and two 3/8 split lock washers (G). Refer to figure 1 below. Torque the screws to 35-40 ft. lbs.
3. Position the two spools (C) into the frame cross tube at the rear of the transmission.
4. Position the display stand assembly under the bike. Slide the Rod (D) through the bracket (B) and spools (C).
5. Install the two 3/8-16 lock nuts (F) onto the rod (D) and torque to 20-25 ft. lbs.

**Note:** Be careful to have both locknuts (F) equally threaded onto the rod (D).

6. Re-install the exhaust system and other components removed as necessary.
7. Make certain the display stand does not make contact with other components such as the exhaust system or foot pegs.
8. Check for clearance of the brake lines and brake electrical harness.

**ADJUSTING THE STAND:**

1. When adjusting the stand make certain the flange side of the foot is facing rearward. A minimum of an 3/4" inch thread must be engaged into the stand.
2. Adjust the feet to properly support the motorcycle level. Adjust the stand retracted and the motorcycle on the side stand. The feet may be adjusted to raise the back tire slightly off the ground if desired. Additional effort will be required to raise the motorcycle if adjusted with the rear tire off the ground.

**Warning:** Insure the motorcycle is stable.

3. Lock the jam nuts.

**USING THE STAND**

**WARNING:** When using the Display Stand do NOT park the motorcycle pointing downhill. The motorcycle may roll off the stand causing serious injury or damage.

**WARNING:** DO NOT START the motorcycle while it is on the center stand.

**Engaging the stand:**

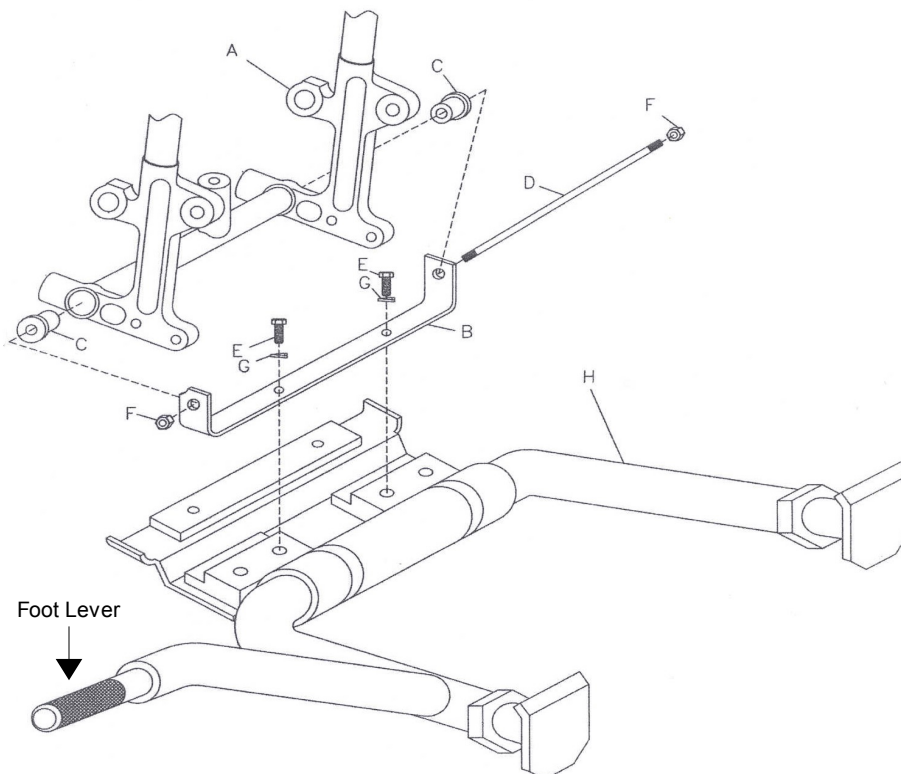
1. Place the motorcycle on level ground in neutral and on the side stand.
2. With the left hand on the left grip, center the front wheel, place the right foot on the display stand foot lever lowering the display stand to the ground.
3. Stand on the display stand foot lever bringing the motorcycle level as you lift the rear of the motorcycle up and to the rear.

**Retracting the stand:**

1. Placing both hands on the grips, push the motorcycle forward. Use the front brake as necessary to gently lower the motorcycle off the stand. The spring will fully retract the stand as you roll forward.
2. Lower the side stand.

**Parts list**

Item	Description	Quantity
A	58-84 BT FRAME NOT INCLUDED	NOT INCLUDED
B	Bracket	1
C	Spool	2
D	Stud	1
E	3/8-16 x " Hex head bolt	2
F	3/8-16 Nyloc nut	2
G	3/8-16 Split lock washer	2
H	Stand Assembly	1



**Figure 1**