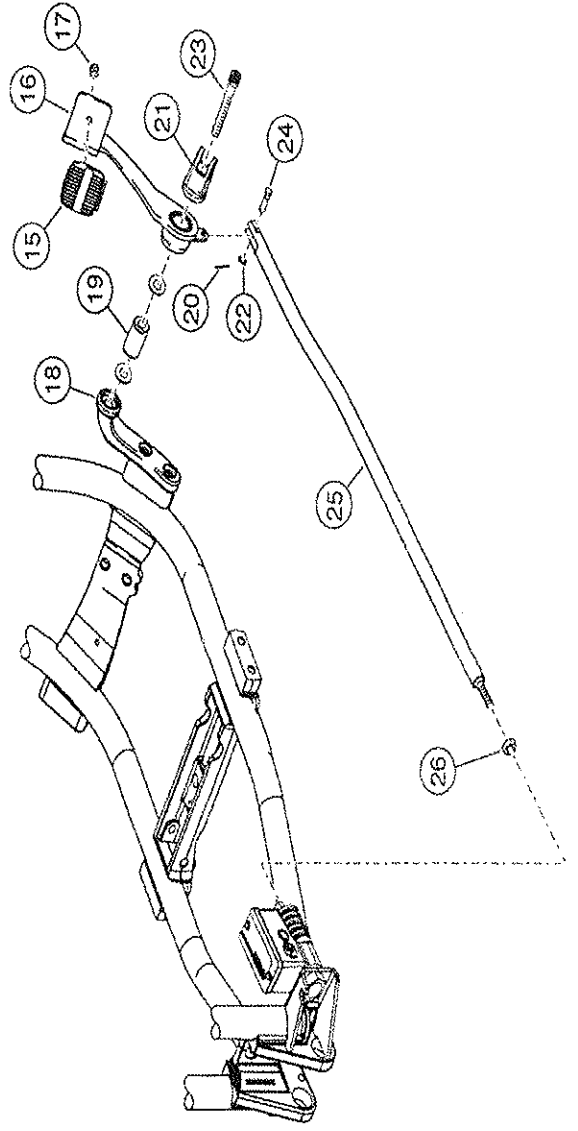
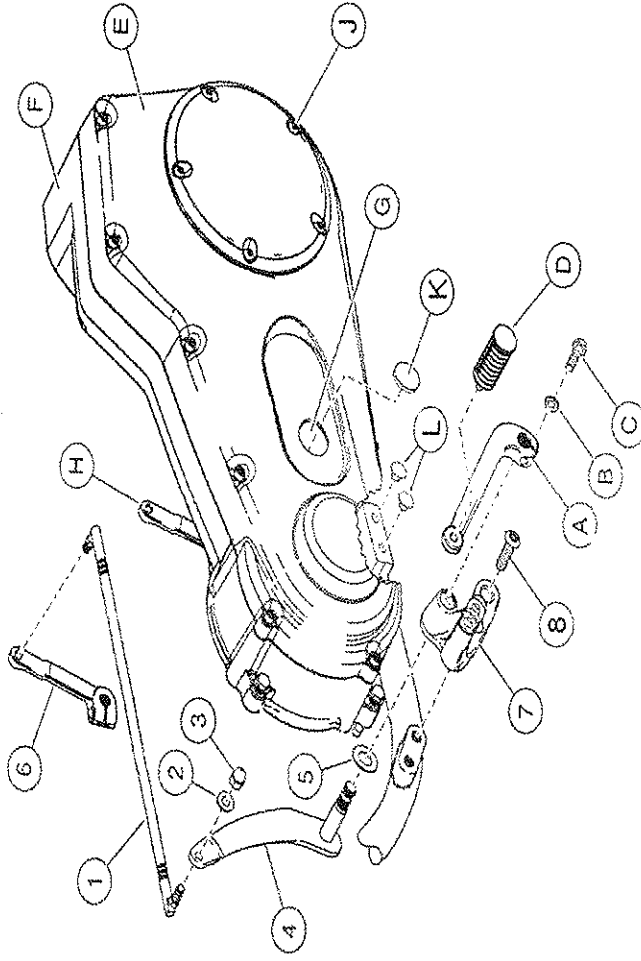


056269

Chrome forward control kit Dyna '06 up model



Item	Description
1	Shifter rod
2	Washer, 5/16 x 11/16 x 1/16"
3	Acorn nut, 5/16-18 locknut
4	Shifter shaft and lever (new)
5	Spring washer
6	Transmission shifter lever
7	Shifter bracket
8	Screw, 3/8"-18 x 1.0 inch & washer (4)
15	Brake pedal pad
16	Brake pedal
17	Locknut, 1/4-20
18	Brake pedal bracket
19	Brake pedal pivot shaft
20	Cotter pin
21	Footrest mount clevis
22	Washer, 1/4 x 7/16 x 1/16"
23	Screw, 3/8-16 x 2-3/4"
24	Clevis pin
25	Brake rod
26	Jam nut, 5/16-24
27	Plastic spacer (2)
Items mentioned in text, but not included in kit:	
A	Shifter lever
B	Washer
C	Bolt
D	Footrest (left hand)
E	Outer cover
F	Inner cover
G	Primary cover hole
H	Shifter shaft and lever (old)
I	Forward control frame mount
J	Sealing fasteners (5)
K	Primary hole plug
L	Hole plug (4)